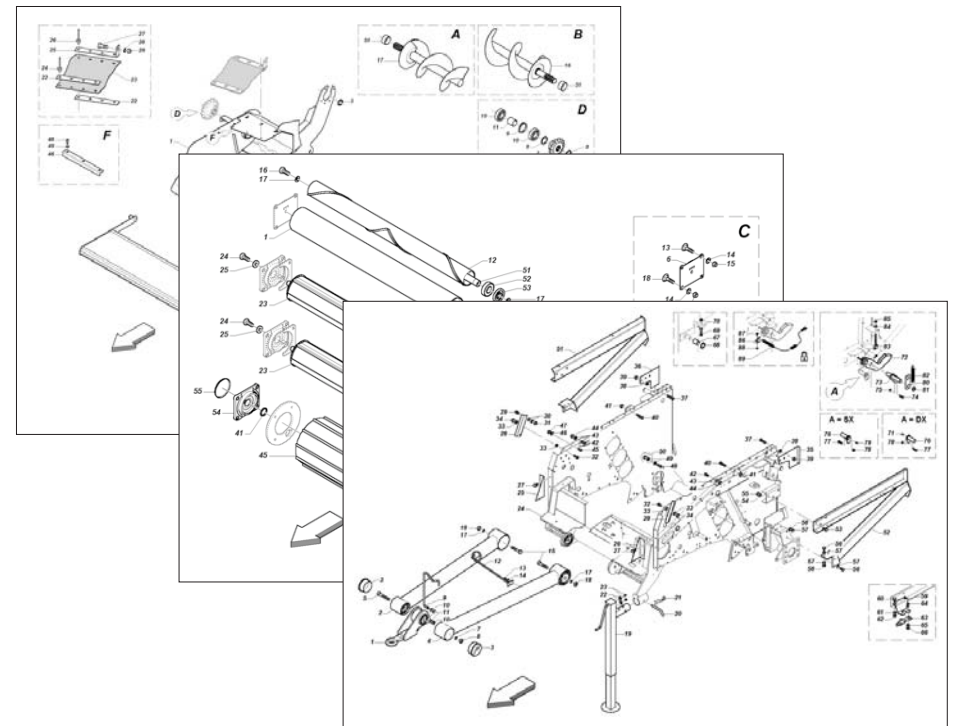


# FERABOLI



# EXTREME 265 LTC

**Cod: B0D5P0026 2005-01**

- \*) Valido per Paesi UE
- \*) Valid for EU member countries
- \*) Valable dans les Pays UE
- \*) Gilt für EU-Mitgliedsländer
- \*) Válido para Países UE

- IT** PARTI DI RICAMBIO
- EN** SPARE PARTS
- DE** ERSATZTEILE
- FR** PIÈCES DÉTACHÉES
- ES** PIEZAS DE REPUESTO

**PARTI DI RICAMBIO**

Le ordinazioni delle parti di ricambio vanno fatte presso i nostri concessionari di zona e devono essere sempre corredate dalle seguenti indicazioni:

- **Tipo, modello e numero di matricola dell'attrezzatura.** Tali dati sono stampigliati nell'apposita targhetta di cui è dotata ogni attrezzatura.

- **Numero di codice della parte richiesta** rilevabile dal catalogo ricambi.

- **Descrizione del particolare e quantità richiesta.**

- **Numero della tavola.**

- **Mezzo di trasporto.** Nel caso questa voce non sia specificata, la Ditta Costruttrice, pur dedicando a questo servizio una particolare cura, non risponde di eventuali ritardi di spedizione dovuti a cause di forza maggiore.

Le spese di trasporto si intendono sempre a carico del destinatario. La merce viaggia a rischio e pericolo del committente anche se venduta franco destino.

**NOTA:** Il termine **(Dx) Destro** o **(Sx) Sinistro** della macchina o di parti di essa, è inteso guardando la macchina dalla parte posteriore. Le eccezioni saranno indicate.

**SPARE PARTS**

*Orders must be transmitted through our area dealers and should always include the following indications:*

- **Type, model and serial number of the machine.** *These data are punched on the data plate with which every implement is equipped.*

- **Code number of the required spare part.** *This will be found in the spare parts catalogue.*

- **Description of the part and required quantity.**

- **Table number.**

- **Means of dispatch.** *If this item is not indicated, the Manufacturer, while dedicating particular care to this service, shall not be held responsible for delays in delivery caused by cases of force majeure.*

*Transport expenses shall always be at the consignee's charge. The goods travel at the purchaser's risk and peril even when sold ex destination.*

**NOTE:** *The symbols (Dx) right and (Sx) left, concerning the machine or single parts of it, are referred, as in the figure, to a rear view of them. Exceptions will be indicated.*

**ERSATZTEILE**

Die Bestellungen müssen bei unseren Gebietshändlern aufgegeben werden. Bei der Bestellung sind stets die folgenden Angaben zu machen:

- **Typ, Modell und Serien-Nummer des Geräts.** Diese Daten stehen auf dem Typenschild, mit dem jedes Gerät versehen ist.

- **Artikel Nr. der erforderlichen Ersatzteile.** Diese stehen im Ersatzteil-Katalog.

- **Beschreibung des Ersatzteils und die erforderliche Stückzahl.**

- **Tafelnummer.**

- **Versandmittel.** Wenn dieser Punkt nicht spezifiziert wird, haftet die Herstellerfirma nicht für etwaigen Lieferverzug aufgrund höherer Gewalt, auch wenn er diesen Service besonders aufmerksam abwickelt.

Die Frachtkosten gehen dagegen immer zu Lasten des Empfängers. Die Ware reist auf Gefahr und Risiko des Auftraggebers, auch wenn frei Haus Verkauft vereinbart worden ist.

**N.B.:** Die Merkzeichen **(Dx) rechts** und **(Sx) links** betreffen eine rückwärtige Aussicht der Maschine oder Teile von ihr (siehe Bild). Ausnahmen werden gezeit.

**PIECES DÉTACHÉES**

*Les ordres doivent être effectués auprès de nos concessionnaires de zone en précisant les indications suivantes:*

- **Type, modèle et numéro de série de la machine.** *Ces données sont gravées sur la plaque d'identification de chaque outil.*

- **Numéro de code de la pièce détachée** *indiqué sur le catalogue des pièces détachées.*

- **Description de la pièce et quantité requise.**

- **Numéro de plan.**

- **Moyen d'expédition.** *Si cette rubrique n'est pas indiquée, le Constructeur, bien que soucieux de ce service, ne répond pas des retards d'expédition pour des causes de force majeure.*

*Les frais de transport sont toujours à la charge du destinataire. La marchandise voyage aux risques et périls de l'acheteur même si vendue franco de port.*

**N.B.:** *Les références (Dx) droit et (Sx) gauche de la machine ou des parties de la même, est entendue, comme de la figure, en regardant la machine de derriere dans le sens de marche.*

**RESPUESTOS**

Los pedidos han de efectuarse en nuestros concesionarios de zona y deben incluir siempre las siguientes indicaciones:

- **Tipo, modelo y número de matrícula del equipo.** Dichos datos están impresos en la relativa placa presente en el equipo.

- **Número de código de la parte requerida** presente en el catálogo respuestas.

- **Descripción de la pieza y cantidad requerida.**

- **Numero de ilustración.**

- **Medio de transporte.** En caso que este ítem no esté especificado, el Fabricante, aún prestando la debidas consideraciones para este aspecto, no responde por eventuales retardos de env'o debidos a causas de fuerza mayor.

Los gastos de transporte se consideran siempre a cargo del destinatario. La mercadería viaja bajo riesgo y peligro del comprador, incluso cuando se vende franco destino.

**N.B.:** La referencia **(Dx) derecha** o **(Sx) izquierda** de la máquina o de sus componentes, se entiende, como en la figura, mirando la máquina por la parte trasera. Se indicarán las excepciones.

## INDEX

### *N° Table*

TAV\_P000102\_00  
TAV\_P000104\_01  
TAV\_P000108\_01  
TAV\_P000116\_00  
TAV\_P000006\_01  
TAV\_P000100\_00  
TAV\_P000122\_00  
TAV\_P000098\_01  
TAV\_P000099\_00-1  
TAV\_P000105\_00  
TAV\_P000013\_00  
TAV\_P000111\_01  
TAV\_P000112\_01  
TAV\_P000113\_01  
TAV\_P000124\_01  
TAV\_P000114\_01  
TAV\_P000103\_00  
TAV\_P000140\_00  
TAV\_P000129\_00  
TAV\_P000029\_04  
TAV\_P000121\_01  
TAV\_P000109\_00  
TAV\_P000057\_02  
TAV\_P000123\_00  
TAV\_P000034\_00  
TAV\_P000115\_00  
TAV\_P000106\_00  
TAV\_P000107\_01  
TAV\_P000043\_00  
TAV\_P000117\_01  
TAV\_P000050\_00-LT  
TAV\_P000051\_01  
TAV\_P000052\_00  
TAV\_P000054\_00  
TAV\_P000062\_00  
TAV\_P000141\_00  
TAV\_P000138\_00  
TAV\_P000139\_00

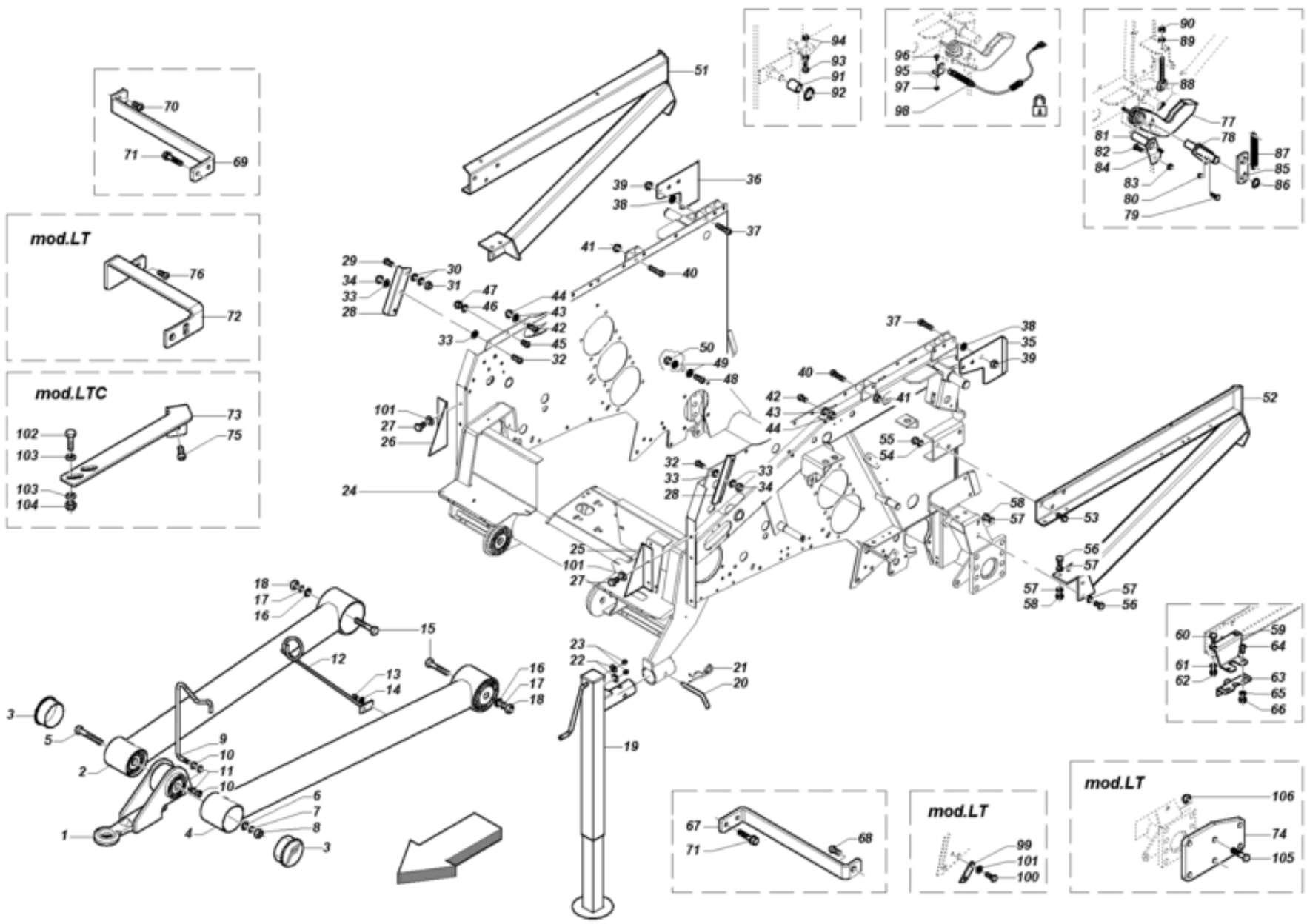
### *Description*

"Telaio inf.+timone+roolbar+ganci Extreme LT-LTC"  
"Telaio superiore Extreme LT-LTC"  
"Portellone + II° bilancere Extreme LT-LTC"  
"Segnalatori di caricamento Extreme LT-LTC"  
"Ruote Extreme"  
"Scatola trasmissione HT-LT Extreme 220-265"  
"Scatola trasmissione Extreme LT"  
"Rulli Extreme LT-LTC"  
"Trasm :catene+tenditori+guida Extreme LT-LTC"  
"Bilancere Extreme LT-LTC"  
"Infaldatore Extreme HT-LT"  
"Telaio pick-up M/L + rastrello Extreme LT"  
"Aspo pick-up M/L Extreme LT-LTC"  
"Trasmissione pick-up M/L Extreme LT"  
"Impianto idraulico pick-up Extreme"  
"Ruotine pick-up Extreme LT-LTC"  
"Impianto idraulico macchina Extreme LT-LTC"  
"Valvola pressione elettronica Extreme LT-LTC"  
"Cablaggio F\_bus Extreme"  
"Legatore filo Extreme"  
"Cassonetto filo Extreme"  
"Carter solo filo Extreme"  
"Kit legatore rete 2rulli Extreme"  
"Leg. rete 2rulli:sgancio+coll. Extreme"  
"Leg. rete:cassonetto+filo Extreme"  
"Kit oliatura automatica Extreme LT-LTC"  
"Carter anteriori Extreme LT-LTC"  
"Carter laterali Extreme LT-LTC"  
"Impianto luci Extreme"  
"Kit allontanatore balla Extreme LT-LTC"  
"Graffatura Extreme LT"  
"Kit cassonetto suppl.per bobine filo Extreme 265-280"  
"Kit staffe portarotolo rete suppl. Extreme"  
"Kit film plastico Extreme"  
"Kit freni Extreme"  
"Decal ""Logo"" Extreme 265 LT-LTC"  
"Decal ""CE"" Extreme"  
"Decal ""Istruzioni"" Extreme"

### *N° Table*

### *Description*

TAV\_P000102\_00



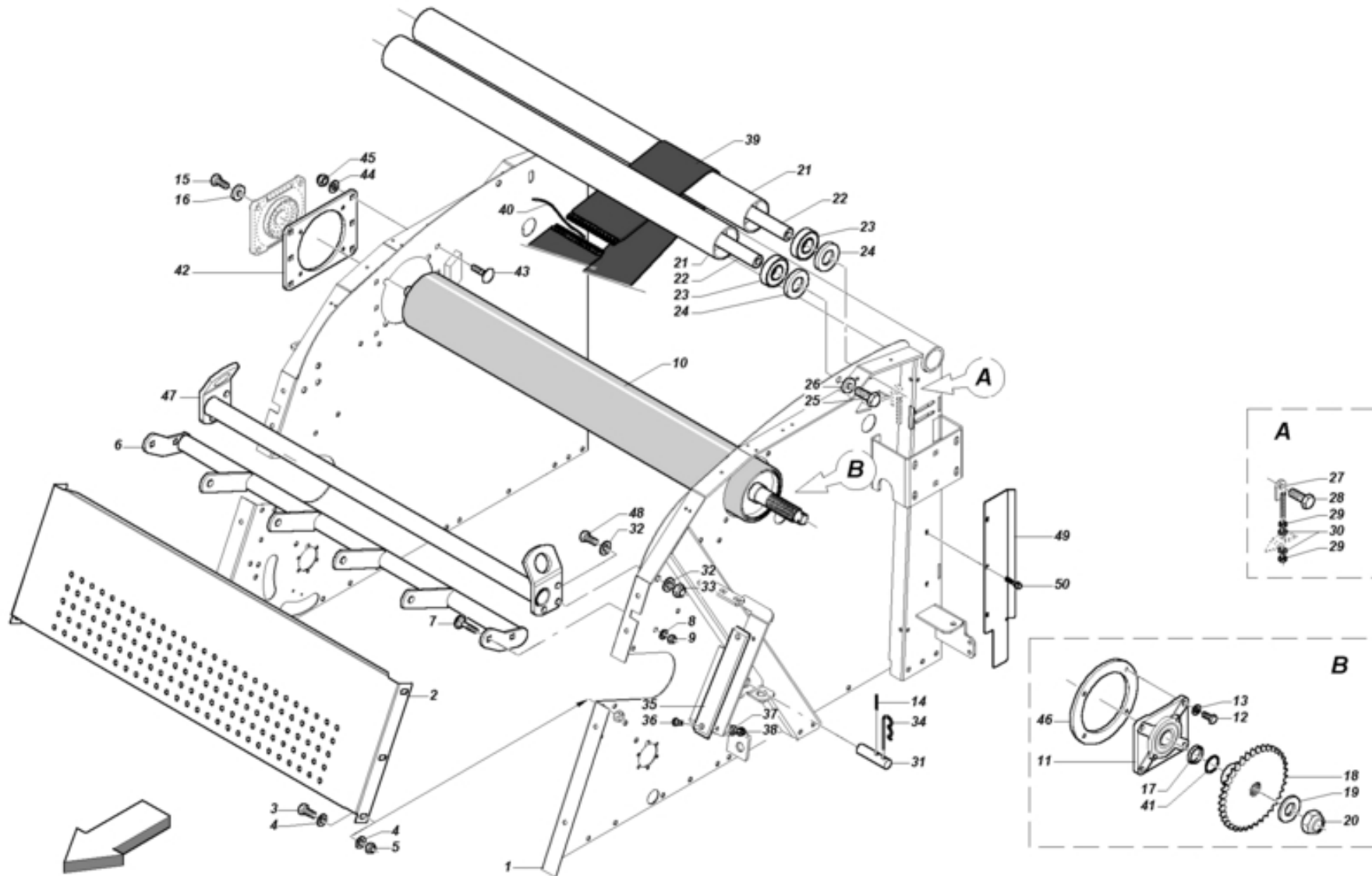
TAV\_P000102\_00

Item	Part Num.	Description	Item	Part Num.	Description
p001	7S01750	TOWING EYE ø35	p024	7SP0054	LT LOWER FRAME
p002	7S01751	RIGHT DRAW BAR FLANGE	p025	C005036	RIGHT FRONT LOCK
p003	7V00099	PLUG FOR TOWING EYE	p026	C005035	LEFT FRONT LOCK
p004	7S01843	LEFT DRAW BAR FLANGE	p027	0180820	SCREW
p005	0172497	SCREW	p028	C005026	FRAME STIFFENING
p006	14R2440	WASHER	p029	0471230	SCREW
p007	1622450	WASHER	p030	1421230	WASHER
p008	0740724	NUT	p031	0920412	NUT
p009	C005121	CARDAN SHAFT SUPPORT	p032	0471230	SCREW
p010	0920412	NUT	p033	1421230	WASHER
p011	1421230	WASHER	p034	0920412	NUT
p012	7S01825	HOSE SUPPORT	p035	C004488	LEFT HOOK GUARD
p013	0471020	SCREW	p036	C004506	RIGHT HOOK GUARD
p014	1421025	WASHER	p037	0471280	SCREW
p015	0172480	SCREW	p038	1421230	WASHER
p016	14R2440	WASHER	p039	0920412	NUT
p017	1622450	WASHER	p040	0471280	SCREW
p018	0740724	NUT	p041	0920412	NUT
p019	7S01755	DRAW BAR STAND	p042	0471225	SCREW
p020	13C0001	PIN	p043	1421230	WASHER
p021	11B0499	PIN	p044	0920412	NUT
p022	1420820	WASHER	p045	0471220	SCREW
p023	4200810	GREASE	p046	1421230	WASHER

TAV\_P000102\_00

Item	Part Num.	Description	Item	Part Num.	Description
p047	0920412	NUT	p070	04N0820	SCREW
p048	0471225	SCREW	p071	0370001	SCREW
p049	1431225	WASHER	p072	C4P0003	RIGHT LOWER EDGE SUPPORT
p050	0920412	NUT	p073	C4P0004	CUT RIGHT LOWER EDGE SUPPORT
p051	7S01663	RIGHT ROLL FRAME	p074	C1P0041	WHEELS CONNECTION PLATE "LT"
p052	7S01550	LEFT ROLL FRAME	p075	04N0820	SCREW
p053	0181635	SCREW	p076	04N0820	SCREW
p054	1421630	WASHER	p077	7S01772	REAR GATE HOOK
p055	0920516	NUT	p078	7S01757	REAR GATE CYLINDER PIN
p056	0181235	SCREW	p079	0180825	SCREW
p057	1421230	WASHER	p080	0920208	NUT
p058	0920412	NUT	p081	7S00937	TAILGATE HOOK PIN
p059	C005184	CLOSURE COUPLING	p082	0180825	SCREW
p060	0181030	SCREW	p083	0920208	NUT
p061	1421025	WASHER	p084	4200610	GREASE NIPPLE
p062	0545790	SELF-LOCKING NUT	p085	C004902	STIFFENING
p063	1800041	LOCK	p086	1700020	SEEGER RING
p064	04N0820	SCREW	p087	1826161	SPRING
p065	1420820	WASHER	p088	0545168	EYELET M12
p066	0920208	NUT	p089	1421230	WASHER
p067	C005197	GUARD RIGHT SIDE SUPPORT	p090	0920412	NUT
p068	04N0820	SCREW	p091	1300612	SPACER
p069	C005197	GUARD RIGHT SIDE SUPPORT	p092	1700030	SEEGER RING

Item	Part Num.	Description	
p093	0181260	SCREW	
p094	0710412	NUT	
p095	C004245	SUPPORT	
p096	0181020	SCREW	
p097	0545790	SELF-LOCKING NUT	
p098	E0P0013	DIGITAL SENSOR WITH PROXIMITY	
p099	C6P0039	STANDARD PICK-UP LOCK	
p100	0181230	SCREW	
p101	1420820	WASHER	
p102	0181230	SCREW	
p103	1421230	WASHER	
p104	0920412	NUT	
p105	0182090	ZINC-PLATED SCREW	
p106	0920620	NUT	





TAV\_P000104\_01

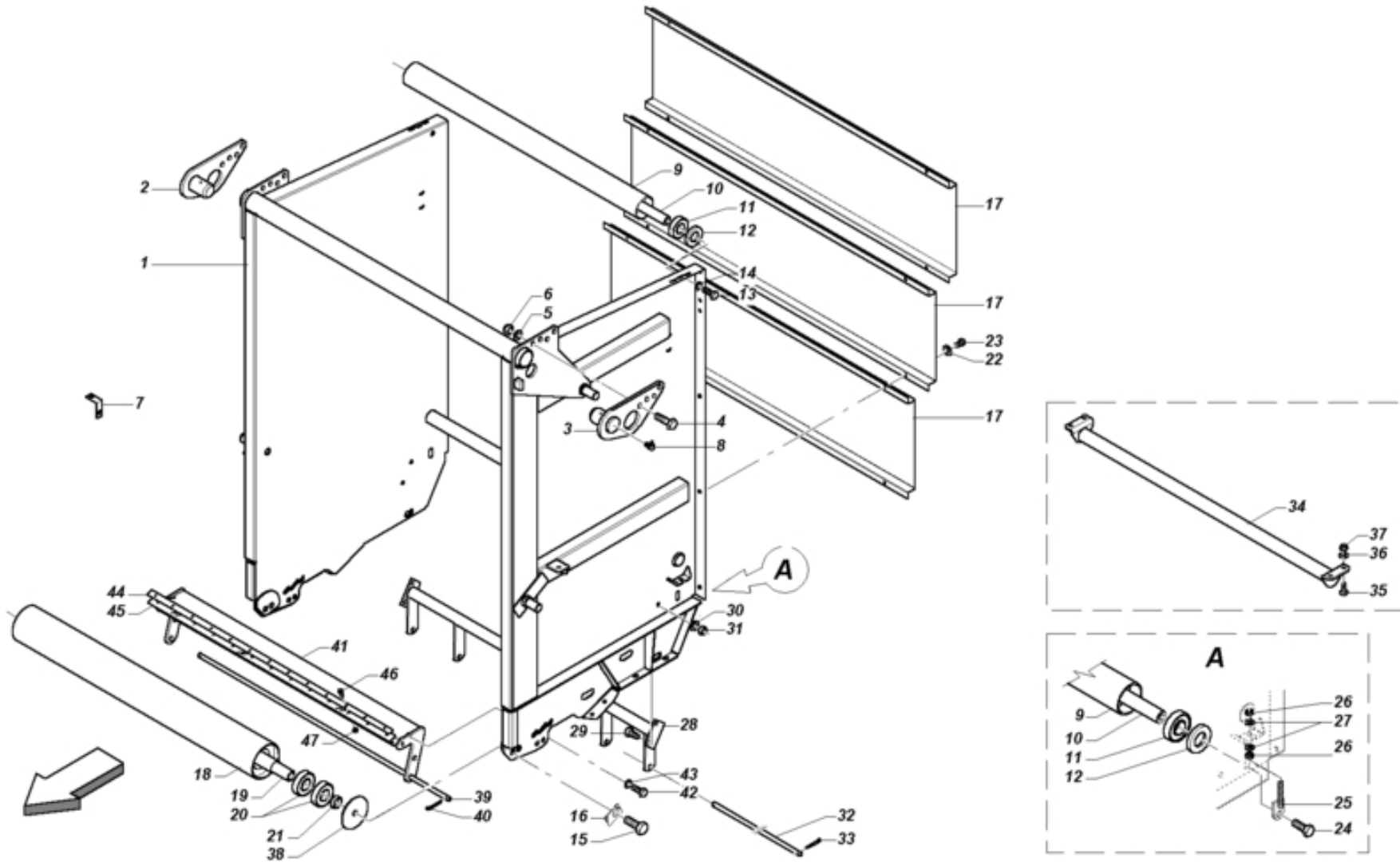
Item	Part Num.	Description	Item	Part Num.	Description
p001	7SP0067	LT 265 UPPER GUARD	p024	1300623	IDLE ROLLER LOCK
p002	C005396	FRONT ATTACHMENT 220	p025	0181635	SCREW
p003	0181230	SCREW	p026	1519319	FIFTH WHEEL
p004	1421230	WASHER	p027	7S01608	ROLLER ADJUSTER
p005	0920412	NUT	p028	0181635	SCREW
p006	7SP0078	FRONT BELTS GUIDE	p029	0710412	NUT
p007	0321230	SCREW	p030	1421230	WASHER
p008	1421230	WASHER	p031	13P0027	
p009	0920412	NUT	p032	1421630	WASHER
p010	35P0017		p033	0920516	NUT
p011	2700051	FLANGED BEARING SUPPORT FOR SPRINT	p034	1170595	PIN
p012	0181230	SCREW	p035	7631842	CHAIN GUIDE
p013	1421230	WASHER	p036	0470820	SCREW
p014	1110640	PIN	p037	1420820	WASHER
p015	0181635	SCREW	p038	0920208	NUT
p016	1515091	FIFTH WHEEL	p039	76P0001	BELT FOR LT
p017	1300845	SPACER	p040	76P0002	
p018	34P0014		p041	1300125	SHIM (GALV)
p019	14R3050	WASHER	p041	1300126	SHIM
p020	0921530	NUT	p042	C4P0028	LT RUBBER ROLLER PLATE
p021	3500172	IDLE ROLLER	p043	0523421	SPECIAL SCREW
p022	3500214	LONG SHAFT	p044	1421230	WASHER
p023	2040002	BEARING	p045	0920412	NUT



TAV\_P000104\_01

Item	Part Num.	Description	
p046	13P0035		
p047	7S01501	LIFTING 220	
p048	0181640	SCREW	
p049	C3P0038	DOOR GUARD LEFT SIDE	
p049	C3P0039	DOOR GUARD RIGHT SIDE	
p050	0370615	SCREW	

TAV\_P000108\_01



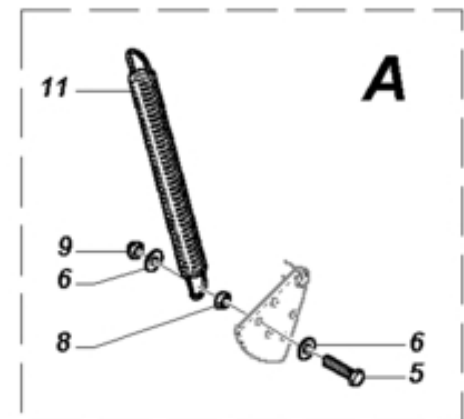
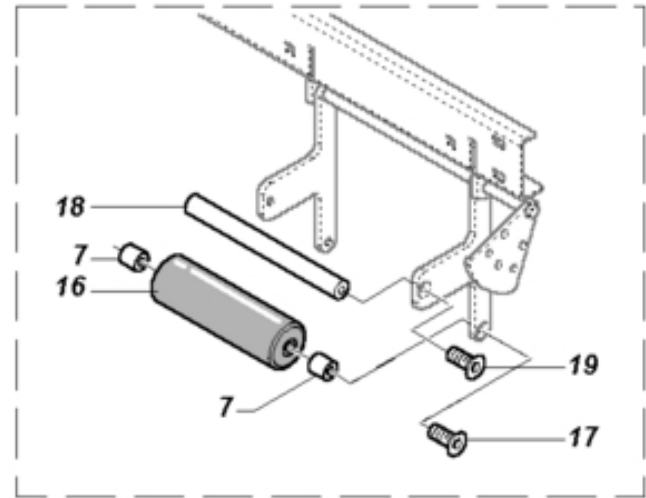
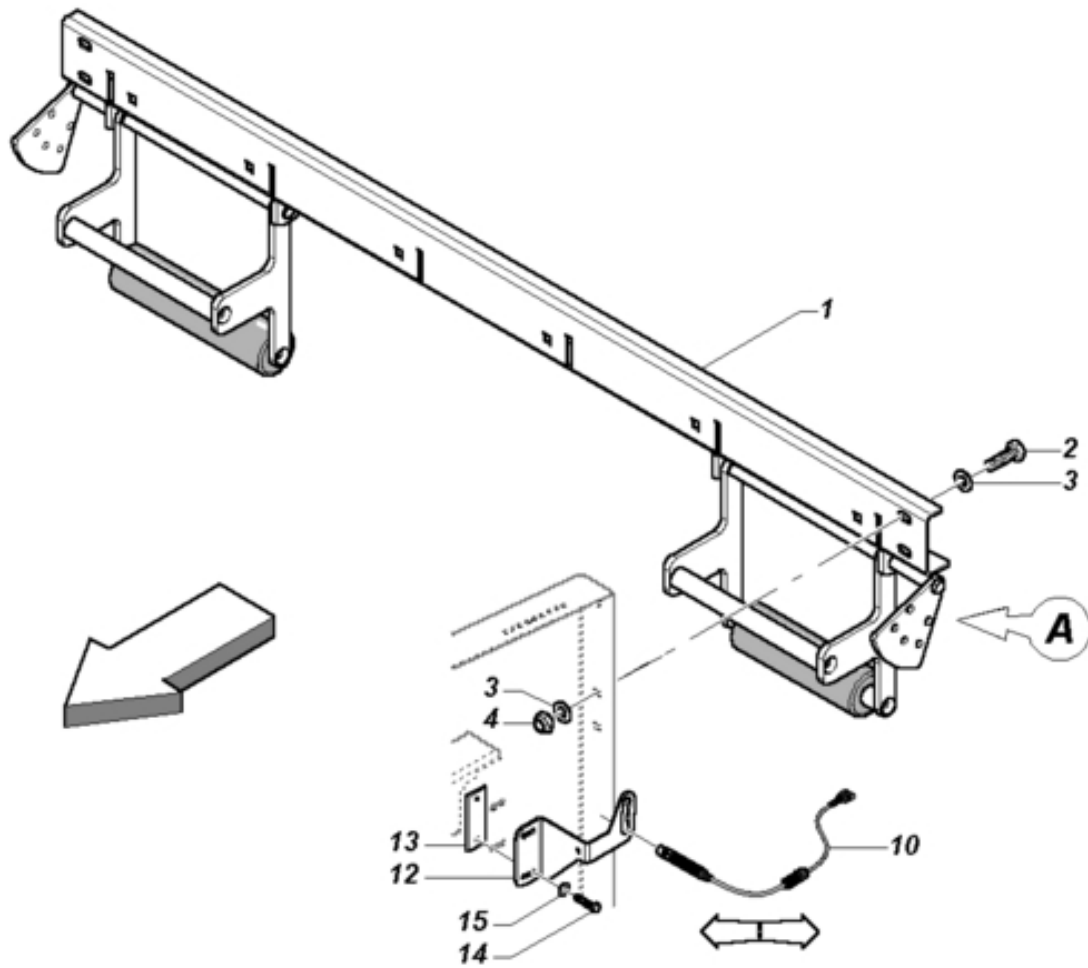
TAV\_P000108\_01

Item	Part Num.	Description	Item	Part Num.	Description
p001	7SP0025	LT DOOR	p024	0181635	SCREW
p002	7SP0064	LT DOOR RIGHT HINGE	p025	7S01608	ROLLER ADJUSTER
p003	7SP0063	LT DOOR LEFT HINGE	p026	0710412	NUT
p004	0181645	SCREW	p027	1421230	WASHER
p005	1421630	WASHER	p028	7SP0076	REAR BELTS GUIDE
p006	0920516	NUT	p029	0181225	SCREW
p007	C002357	CABLE ATTACHMENT PLATE	p029	0181235	SCREW
p008	4221010	GREASE NIPPLE	p030	1421230	WASHER
p009	3500172	IDLE ROLLER	p031	0920412	NUT
p010	3500214	LONG SHAFT	p032	1300628	BELT GUIDE PIN
p011	2040002	BEARING	p033	1150430	GALV PIN
p012	1300623	IDLE ROLLER LOCK	p034	7SP0099	LOWER CONNECTION LT
p013	0181635	SCREW	p035	0181030	SCREW
p014	1519319	FIFTH WHEEL	p036	1421025	WASHER
p015	0182050	SCREW	p037	0545790	SELF-LOCKING NUT
p016	C004148	LOCK WASHER	p038	1300590	FIFTH WHEEL
p017	C3P0025	LT REAR GUARD	p039	1300628	BELT GUIDE PIN
p018	7S00959	TAIL GATE IDLE ROLLER	p040	1150430	GALV PIN
p019	3500237	SHORT SHAFT	p041	7S01023	TAILGATE SCRAPER
p020	2040002	BEARING	p042	0181225	SCREW
p021	1300523	SPACER	p043	1531844	FIFTH WHEEL
p022	1430820	WASHER	p044	C003205	BLADE STIFFENING BAR
p023	0470820	SCREW	p045	7U00023	SCRAPER BLADE



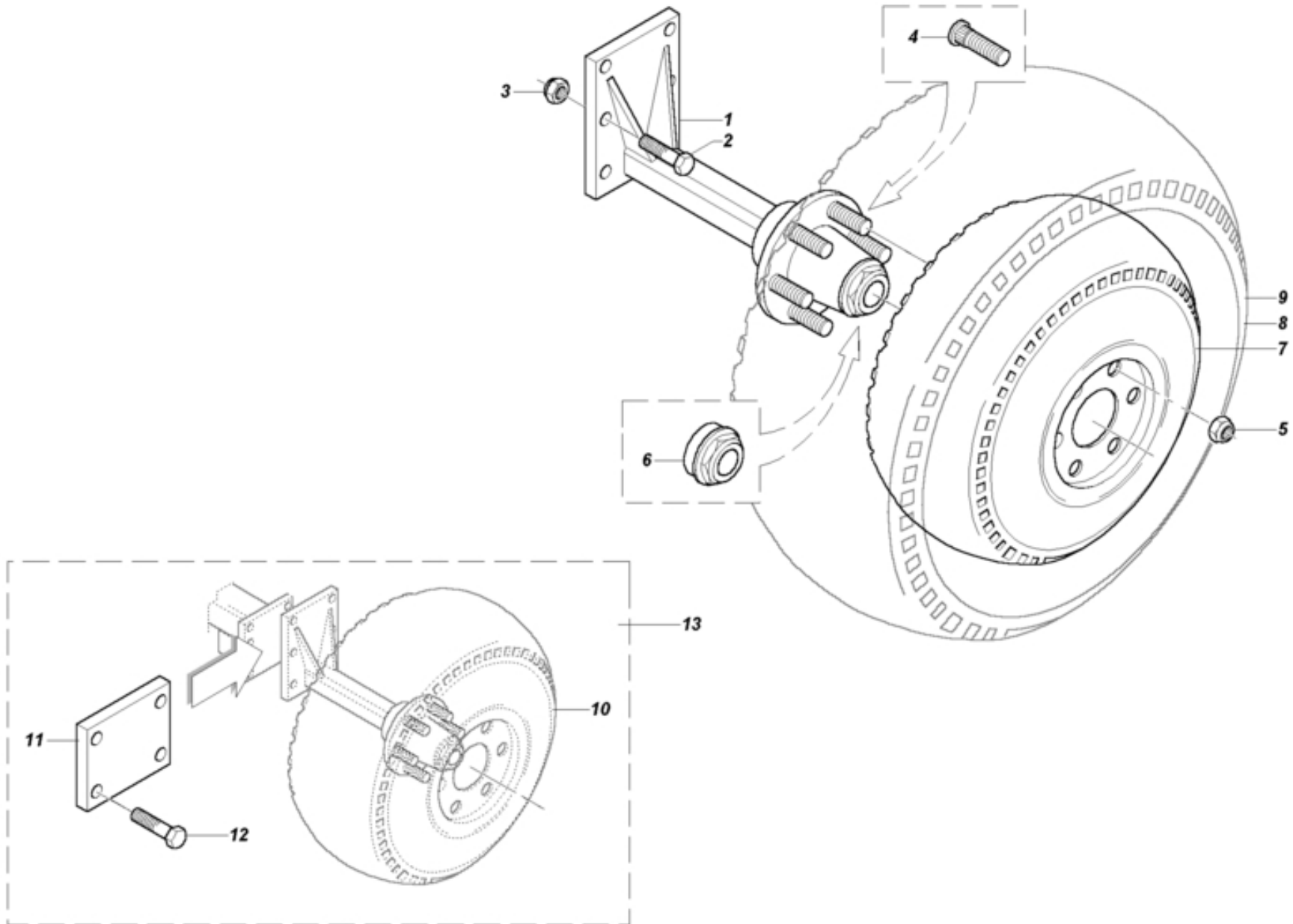
TAV\_P000108\_01

Item	Part Num.	Description	
p046	0470620	SCREW	
p047	0920106	NUT	



Item	Part Num.	Description	
p001	7SP0023	LT INDICATORS	
p002	0181025	SCREW	
p003	1421025	WASHER	
p004	0545790	SELF-LOCKING NUT	
p005	0180640	SCREW	
p006	1430620	WASHER	
p007	13P0043		
p008	0710106	NUT	
p009	0920106	NUT	
p010	E0P0013	DIGITAL SENSOR WITH PROXIMITY	
p011	1810409	SPRING	
p012	C4P0031	LT LEFT POTENTIOMETER CONNECTION	
p012	C4P0032	LT RIGHT POTENTIOMETER CONNECTION	
p013	C004008	LIMIT SWITCH PLATE	
p014	0180516	SCREW	
p015	1430520	WASHER	
p016	7M00276	INDICATOR ROLLER	
p017	0440835	SCREW	
p018	35P0020		
p019	0440820	SCREW	

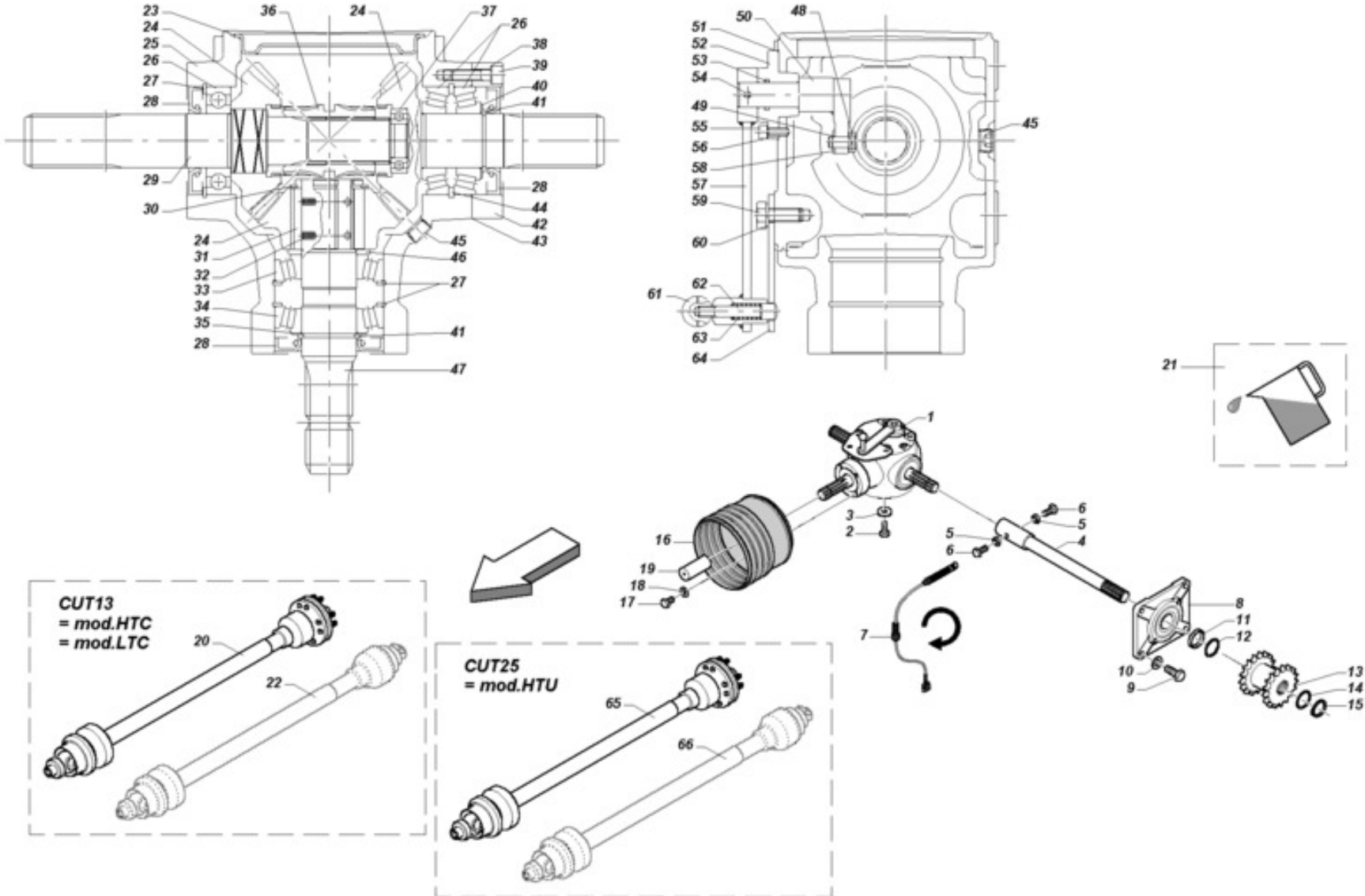
TAV\_P000006\_01





Item	Part Num.	Description	
p001	7100026	HUB WITH STUB AXLE	
p002	0192070	SCREW	
p003	0920620	NUT	
p004	R000273	WHEEL STUD BOLT M18X1,5	
p005	0821318	NUT	
p006	7100050	CAP	
p007	7100022	COMPLETE WHEEL	
p008	7100013	COMPLETE WHEEL 11,5/80-15,3	
p009	7100039	COMPLETE WHEEL	
p010	7100041	COMPLETE TYRE	
p011	C003765	SHIM PLATE	
p012	0192090	SCREW	
p013	ZAP2042		

TAV\_P000101\_00



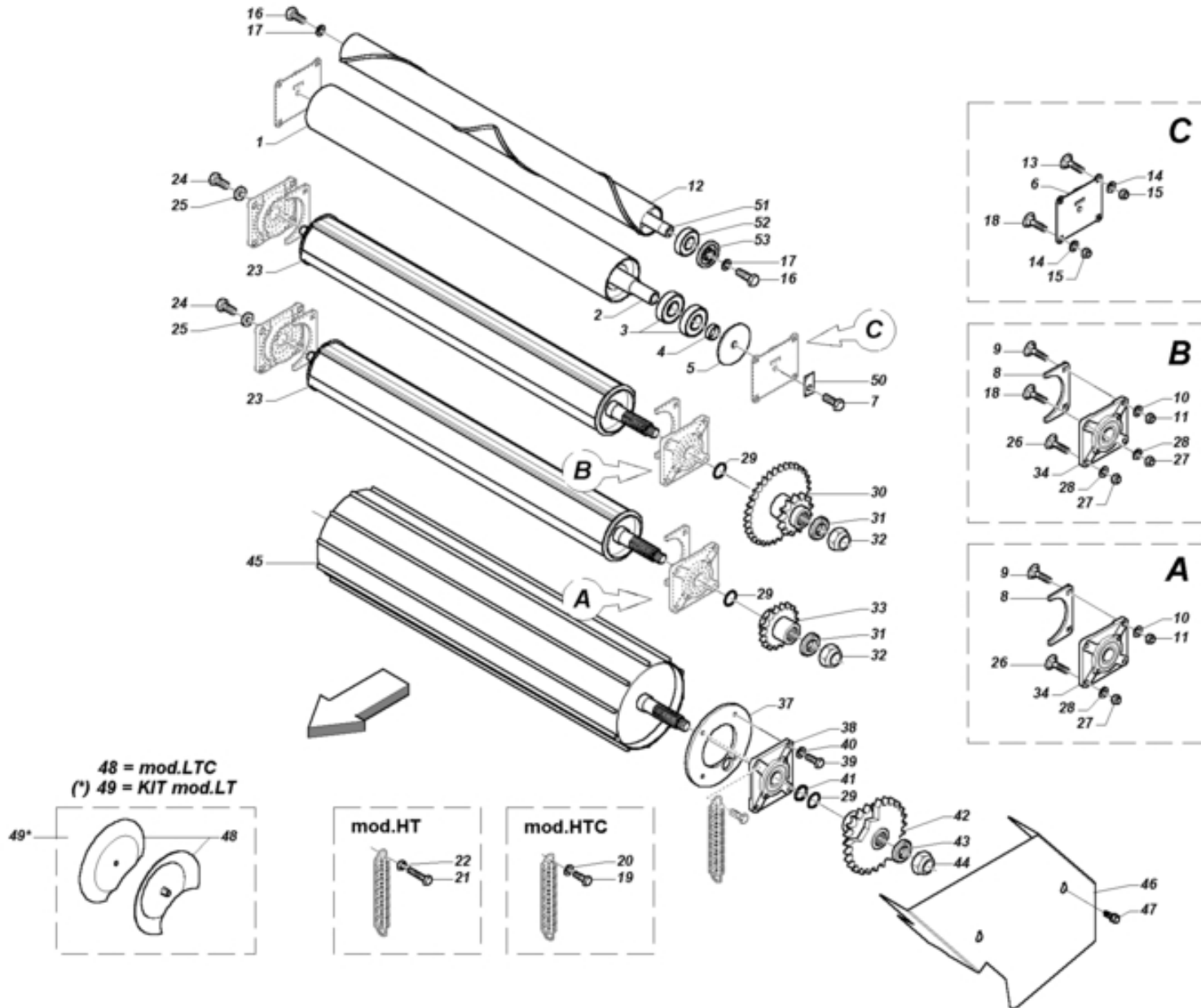
TAV\_P000101\_00

Item	Part Num.	Description	Item	Part Num.	Description
p001	3900179	GEAR BOX	p020	3600076	PTO SHAFT
p002	0181430	SCREW	p021	4000054	OIL ESSO SPARTAN EP 150*AGIP
p003	1516040	FIFTH WHEEL	p022	3600092	PTO SHAFT
p004	R000304	EXTENSION SHAFT L=602	p023	R000288	COVER D=145
p005	0710106	NUT	p024	R000303	BEVEL GEAR TRIAL R=1.1
p006	0180625	SCREW	p025	R000277	BOX 2070
p007	EOP0013	DIGITAL SENSOR WITH PROXIMITY	p026	R000958	BEARING CONICAL ROLLER BEARING
p008	2700051	FLANGED BEARING SUPPORT FOR SPRINT	p027	R000256	ELASTIC RING 80-I (SP=2,5)
p009	0181235	SCREW	p028	4303460	SEAL
p010	1421230	WASHER	p029	R001072	
p011	1329469	SPACER	p030	R000298	RETAINING RING 50-E (SP=2,0)
p012	1300151	SHIM	p031	R000289	RL PLATE
p012	1300126	SHIM	p032	R000089	SPRING
p012	1300125	SHIM (GALV)	p033	2124024	BEARING
p013	3400224	DOUBLE GEAR Z=12/12-1"	p034	2004018	BEARING
p014	1300126	SHIM	p035	R000261	SHIM RING 40,2X54,8X0,1
p014	1300125	SHIM (GALV)	p035	R000260	SHIM RING 40,2X54,8X0,4
p014	1300151	SHIM	p035	R000258	SHIM RING 40,2X54,8X0,2
p015	1700040	SEEGER RING	p035	R000259	SHIM RING 40,2X54,8X0,3
p016	7V00076	COMPLETE COUNTER-HOUSING	p036	R000276	COUPLING FOR DISENGAGEMENT
p017	0181015	SCREW	p037	2003013	BEARING
p018	1421025	WASHER	p038	R000296	LOCK WASHER D=8 SCHNORR
p019	4417079	SLEEVE	p039	0400830	SCREW

TAV\_P000101\_00

Item	Part Num.	Description	Item	Part Num.	Description
p040	R000260	SHIM RING 40,2X54,8X0,4	p060	R000294	SPRING WASHER D=12 DIN128B
p040	R000261	SHIM RING 40,2X54,8X0,1	p061	R000302	BALL HANDLE
p040	R000259	SHIM RING 40,2X54,8X0,3	p062	R000291	PIN
p040	R000258	SHIM RING 40,2X54,8X0,2	p063	R000301	SPRING DM 9,81X1,2X25
p041	R000257	ELASTIC RING 40-E(SP=2,5)	p064	R000281	SELECTOR DISENGAGEMENT
p042	R000286	RING-HOLDER SPACER	p065	3600087	PTO SHAFT
p043	R000287	PACKING 80X115X0,3	p066	3600093	PTO SHAFT
p044	R000299	RETAINING RING 80-I (SP=4,0)			
p045	R000175	PLUG			
p046	R000285	SPACER			
p047	R000278	AXIS SHAFT			
p048	R000290	SLIDING BLOCK			
p049	R000297	RETAINING RING 8-E (SP=0,8)			
p050	R000282	LEVER RELEASE			
p051	R000284	PACKING 35X65X0,2			
p052	R000283	LEVER SUPPORT			
p053	R000300	OR RING 123			
p054	1110540	PIN			
p055	R000292	SCREW TCEI M 6X 16-12.9			
p056	R000295	LOCK WASHER D=6 SCHNORR			
p057	R000280	REVERSER EXTERNAL LEVER			
p058	R000293	PLAIN WASHER D=8 UNI6592			
p059	0181225	SCREW			

TAV\_P000098\_01



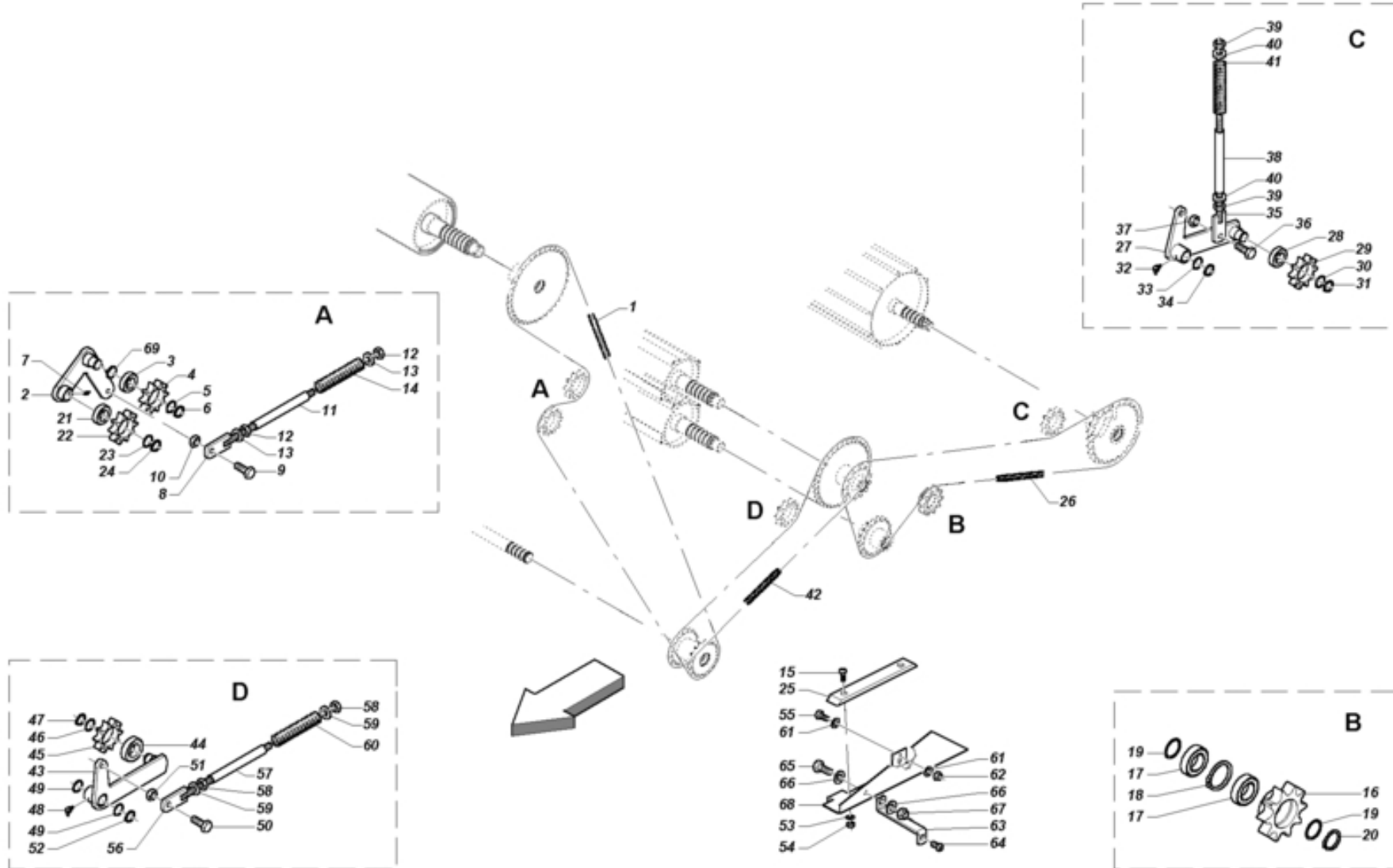
TAV\_P000098\_01

Item	Part Num.	Description	Item	Part Num.	Description
p001	7S00959	TAIL GATE IDLE ROLLER	p024	0181635	SCREW
p002	3500237	SHORT SHAFT	p025	1515091	FIFTH WHEEL
p003	2040002	BEARING	p026	0523421	SPECIAL SCREW
p004	1300523	SPACER	p027	1421230	WASHER
p005	1300590	FIFTH WHEEL	p028	0920412	NUT
p006	13P0042		p029	1300126	SHIM
p007	0182050	SCREW	p029	1300125	SHIM (GALV)
p008	C6P0003	ROLLERS GUARD	p030	34P0008	
p009	0523395	SPECIAL SCREW	p031	14R3050	WASHER
p010	1421230	WASHER	p032	0921530	NUT
p011	0920412	NUT	p033	34P0007	
p012	7SP0227		p034	2700051	FLANGED BEARING SUPPORT FOR SPRINT
p013	0523421	SPECIAL SCREW	p037	C003056	ROLLER INNER PLATE
p014	1421230	WASHER	p038	2700106	THREADED FLANGED SUPPORT
p015	0920412	NUT	p039	0181235	SCREW
p016	0191680	SCREW	p040	1421230	WASHER
p017	1421630	WASHER	p041	1300151	SHIM
p018	05C0002		p042	3400290	BIG ROLLER GEAR Z=16-24/1"
p019	0471235	SCREW	p043	14R3050	WASHER
p020	1431225	WASHER	p044	0921530	NUT
p021	0181260	SCREW	p045	7S01841	BIG ROLLER
p022	0710412	NUT	p046	C3P0001	GUARD
p023	7SP0062	LT ROLLER	p047	0370001	SCREW



TAV\_P000098\_01

Item	Part Num.	Description	
p048	7S01845	CHAMBER TIGHTENING CUPS	
p049	ZVRP0001		
p050	C004148	LOCK WASHER	
p051	3500214	LONG SHAFT	
p052	2040002	BEARING	
p053	1300623	IDLE ROLLER LOCK	



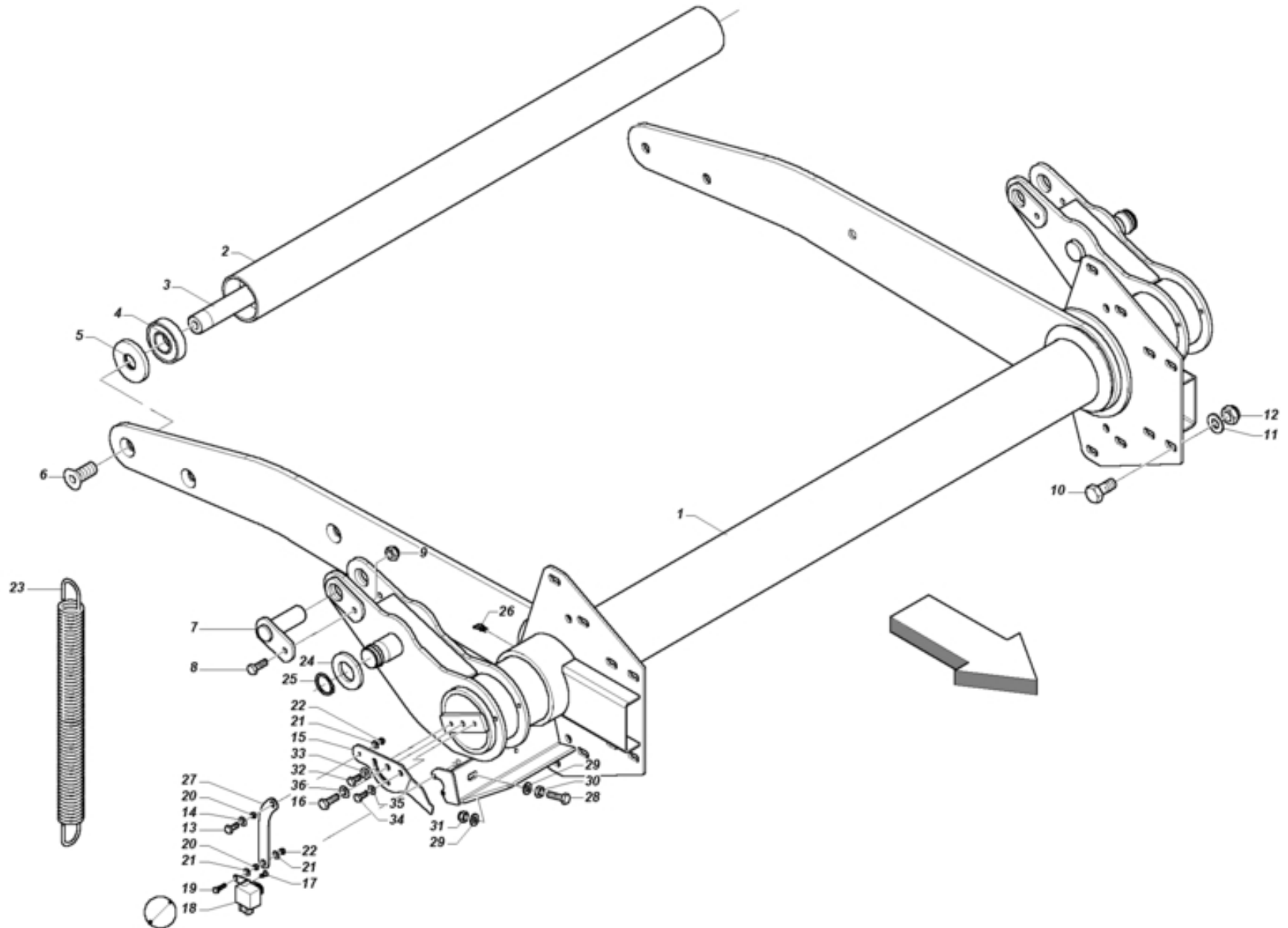


TAV\_P000099\_00-1

Item	Part Num.	Description	Item	Part Num.	Description
p001	30E0017	SPRING JOINT	p019	1300152	THICKNESS 30 40 1,5 (GALV)
p001	30E1143	ROLLER CHAIN ISO 16 B-1 143 M	p020	1700030	SEEGER RING
p002	7SP0079	CHAIN STRECHING ARM	p021	2042515	BEARING
p003	2042515	BEARING	p022	3400274	SPROCKET Z=10-1"
p004	3400274	SPROCKET Z=10-1"	p023	1300105	SHIM
p005	1300104	SHIM	p023	1300104	SHIM
p005	1300102	SHIM	p023	1300102	SHIM
p005	1300105	SHIM	p024	1700025	SEEGER RING
p006	1700025	SEEGER RING	p025	7631842	CHAIN GUIDE
p007	4230610	HYDRAULIC GREASER	p026	30E1070	ROLLER CHAIN ISO 16 B-1 70 M
p008	7S01758	TIE ROD	p026	30E0017	SPRING JOINT
p009	0181230	SCREW	p027	7S00953	RIGHT TENSIONER ROD
p010	0710412	NUT	p028	2042515	BEARING
p011	1300157	SPACER	p029	3400274	SPROCKET Z=10-1"
p012	0710516	NUT	p030	1300105	SHIM
p013	1519319	FIFTH WHEEL	p030	1300104	SHIM
p014	1800046	SPRING	p030	1300102	SHIM
p015	0470820	SCREW	p031	1700025	SEEGER RING
p016	34P0013		p032	4210610	GREASE NIPPLE
p017	2043016	BEARING	p033	1300105	SHIM
p018	1710062	SEEGER RING	p033	1300159	SHIM (GALV)
p019	1300100	SHIM (GALV)	p034	1700025	SEEGER RING
p019	1300098	SHIM	p035	7S01441	TIGHTENING PULLEY ROD M16

TAV\_P000099\_00-1

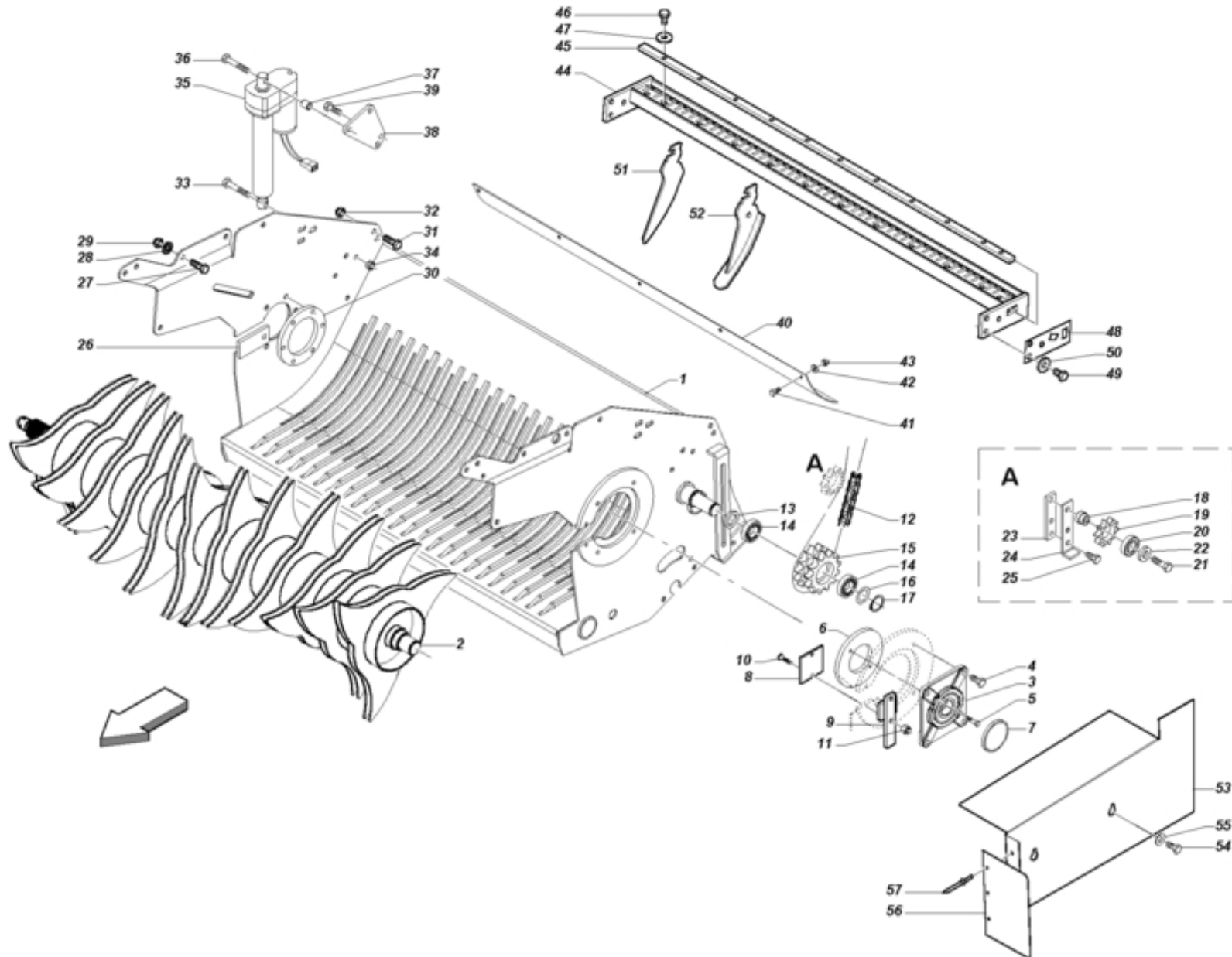
Item	Part Num.	Description	Item	Part Num.	Description
p036	0181230	SCREW	p055	0181025	SCREW
p037	0710412	NUT	p056	7S01441	TIGHTENING PULLEY ROD M16
p038	1300157	SPACER	p057	1300923	SPACER
p039	0710516	NUT	p058	0710516	NUT
p040	1519319	FIFTH WHEEL	p059	1519319	FIFTH WHEEL
p041	1800046	SPRING	p060	1800067	TROTTER SPRING
p042	30E0017	SPRING JOINT	p061	1421025	WASHER
p042	30E1074		p062	0545790	SELF-LOCKING NUT
p043	7S01321	RIGHT TENSIONER ARM	p063	C005427	GUARD FEEDER LEFT SIDE SUPPORT
p044	2042515	BEARING	p064	04N0820	SCREW
p045	3400274	SPROCKET Z=10-1"	p065	0181230	SCREW
p046	1300102	SHIM	p066	1421230	WASHER
p046	1300105	SHIM	p067	0920412	NUT
p046	1300104	SHIM	p068	C004908	GUARD
p047	1700025	SEEGER RING	p069	13C0024	SHIM 26,5X37X2
p048	4210610	GREASE NIPPLE			
p049	1300105	SHIM			
p049	1300159	SHIM (GALV)			
p050	0181230	SCREW			
p051	0710412	NUT			
p052	1700025	SEEGER RING			
p053	1420820	WASHER			
p054	0920208	NUT			



TAV\_P000105\_00

Item	Part Num.	Description	Item	Part Num.	Description
p001	7SP0072	LT BELTS STRETCHING ARM	p024	1519128	35 52 6 FIFTH WHEEL
p002	3500165	IDLE ROLLER	p025	1700035	SEEGER RING
p003	3500213	SHORT SHAFT	p026	4211010	GREASE NIPPLE
p004	2040002	BEARING	p027	C6P0093	SENSOR SHIFT
p005	1300623	IDLE ROLLER LOCK	p028	0181050	SCREW
p006	0441635	SCREW	p029	1421025	WASHER
p007	7S00936	JACK PIN	p030	0700310	NUT
p008	0190830	SCREW	p031	0545790	SELF-LOCKING NUT
p009	0920208	NUT	p032	0180820	SCREW
p010	0181230	SCREW	p033	1430820	WASHER
p011	1421230	WASHER	p034	0180820	SCREW
p012	0920412	NUT	p035	1430820	WASHER
p013	0180630	SCREW	p036	1421025	WASHER
p014	1430620	WASHER			
p015	C6P0092	RULE			
p016	0181020	SCREW			
p017	0440510	SCREW			
p018	EOP0015	BALE DIMENSION POTENTIOMETER			
p019	0180630	SCREW			
p020	1300866	BUSH			
p021	1430620	WASHER			
p022	0920106	NUT			
p023	1800094				

TAV\_P000014\_02

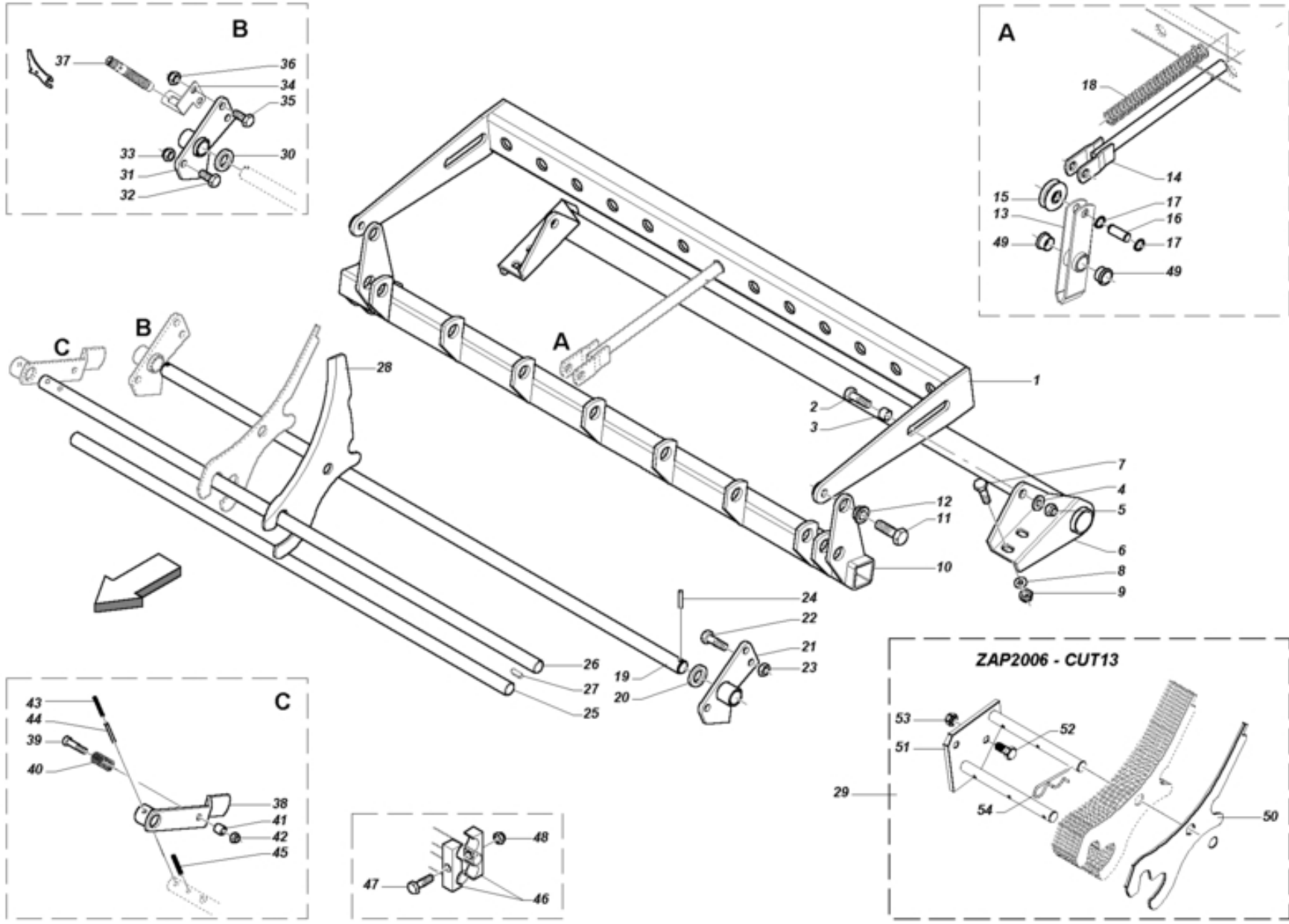


TAV\_P000014\_02

Item	Part Num.	Description	Item	Part Num.	Description
p001	7S01791	NEW TOPCUT FRAME	p022	1518412	FIFTH WHEEL
p002	7S01944	ROTOR WITH 3 POINTED DISCS HTC	p023	C002390	LOCK
p003	2700153	FLANGED CUT ROTOR SUPPORT	p024	C002389	REGISTER
p004	0181230	SCREW	p025	0181230	SCREW
p005	1420820	WASHER	p026	C003748	RIGHT SLOT COMPENSATION
p005	0190850	SCREW	p027	0181230	SCREW
p006	1300714	IDLE SUPPORT COUNTERFLANGE	p028	1421230	WASHER
p007	4400001	CAP	p029	0920412	NUT
p008	C003746	LEFT SLOT COMPENSATION	p030	1300509	MOTOR SUPPORT COUNTERFLANGE
p009	7SP0046	LEFT SIDE SHIM LOCK	p031	0181240	SCREW
p010	0440835	SCREW	p032	0920412	NUT
p011	0920208	NUT	p033	0181260	SCREW
p012	30E0017	SPRING JOINT	p034	0920412	NUT
p012	30E1039	ROLLER CHAIN	p035	E000064	ACTUATOR WARNER D12 21B5 04
p013	1330957	SPACER	p036	0181290	SCREW
p014	2043514	BEARING	p037	1300746	SPACER
p015	3400005	SPROCKET Z-12/12 1"	p038	7S01203	ACTUATOR ATTACHMENT
p016	1534416	SHIM	p039	0401235	SCREW
p017	1700035	SEEGER RING	p040	7V00092	KNIFE SPRING PROTECTION
p018	1300302	PIN	p041	0180820	SCREW
p019	3400274	SPROCKET Z=10-1"	p042	1430820	WASHER
p020	2042515	BEARING	p043	0920208	NUT
p021	0191260	SCREW	p044	7S01801	CROSS BAR

Item	Part Num.	Description	
p045	C005018	SUPPORT ROD	
p046	0181020	SCREW	
p047	1421025	WASHER	
p048	C003616	SCRAPER CROSS MEMBER SHIM	
p049	0181225	SCREW	
p050	1515797	FIFTH WHEEL	
p051	C003977	DETACHABLE SCRAPER	
p052	7S01800	SCRAPER AND SLIDING BLOCK	
p053	C005268	CUT GUARD	
p054	0180820	SCREW	
p055	1420820	WASHER	
p056	C004239	CUT GUARD EXTENSION	
p057	1000009	RIVET	

TAV\_P000118\_01



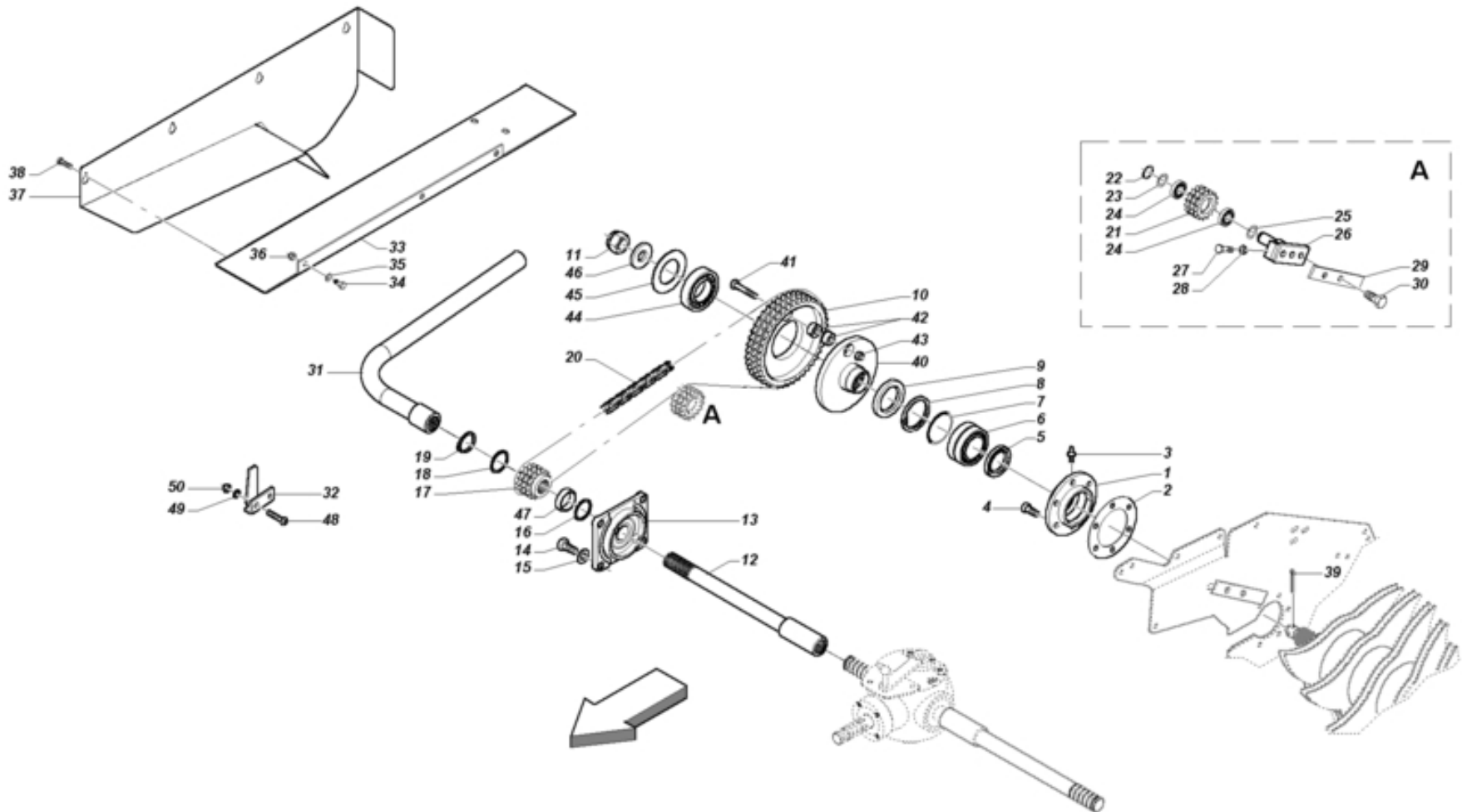


TAV\_P000118\_01

Item	Part Num.	Description	Item	Part Num.	Description
p001	7S01802	KNIFE RESISTANCE TOPCUT	p024	1110635	PIN
p002	0181645	SCREW	p025	35P0016	NEW ROD
p003	1300745	SPACER	p026	35P0015	NEW KNIVES FULCRUM
p004	1421630	WASHER	p027	1203025	TANG
p005	0920516	NUT	p028	7U00035	SPECIAL TOPCUT KNIFE
p006	7S01636	LOWER CONNECTION	p029	ZAP2006	13 BLANK KNIVES KIT
p007	0181225	SCREW	p030	1300036	FIFTH WHEEL
p008	1421230	WASHER	p031	7S01144	RIGHT LINKAGE FULCRUM
p009	0920412	NUT	p032	0181230	SCREW
p010	7S01803	KNIFE CONTROL TOPCUT	p033	0920412	NUT
p011	0181630	SCREW	p034	C004233	"CUT"SENSOR SUPPORT
p012	1300706	GUIDE BUSH	p035	0181235	SCREW
p013	7SP0024	TOPCUT ROCKER ARM	p036	0920412	NUT
p014	7S01125	SPRING BRAKET	p037	E000056	PROXIMITY SENSOR
p015	3800014	KNIVES GUIDE PULLEY	p038	7S01159	SAFETY HANDLE
p016	1300694	KNIFE ROLLER PIN	p039	0401060	SCREW
p017	1700016	SEEGER RING	p040	1821993	SPRING
p018	1800049	SPRING	p041	1300401	PIN WITHOUT NET
p019	3500034	PIVOT	p042	0545790	SELF-LOCKING NUT
p020	1300036	FIFTH WHEEL	p043	1110840	PIN
p021	7S01145	LEFT LINKAGE FULCRUM	p044	1110540	PIN
p022	0181230	SCREW	p045	1110840	PIN
p023	0920412	NUT	p046	27P0001	DRIVE HALF ROD

TAV\_P000118\_01

Item	Part Num.	Description	
p047	0191265	SCREW	
p048	0920412	NUT	
p049	25P0003	NYLON BUSH	
p050	C005006	BLANK KNIFE "CUT"	
p051	7S01896	NEW KNIVES HOLDER	
p052	0181230	SCREW	
p053	0920412	NUT	
p054	1170484	PIN	

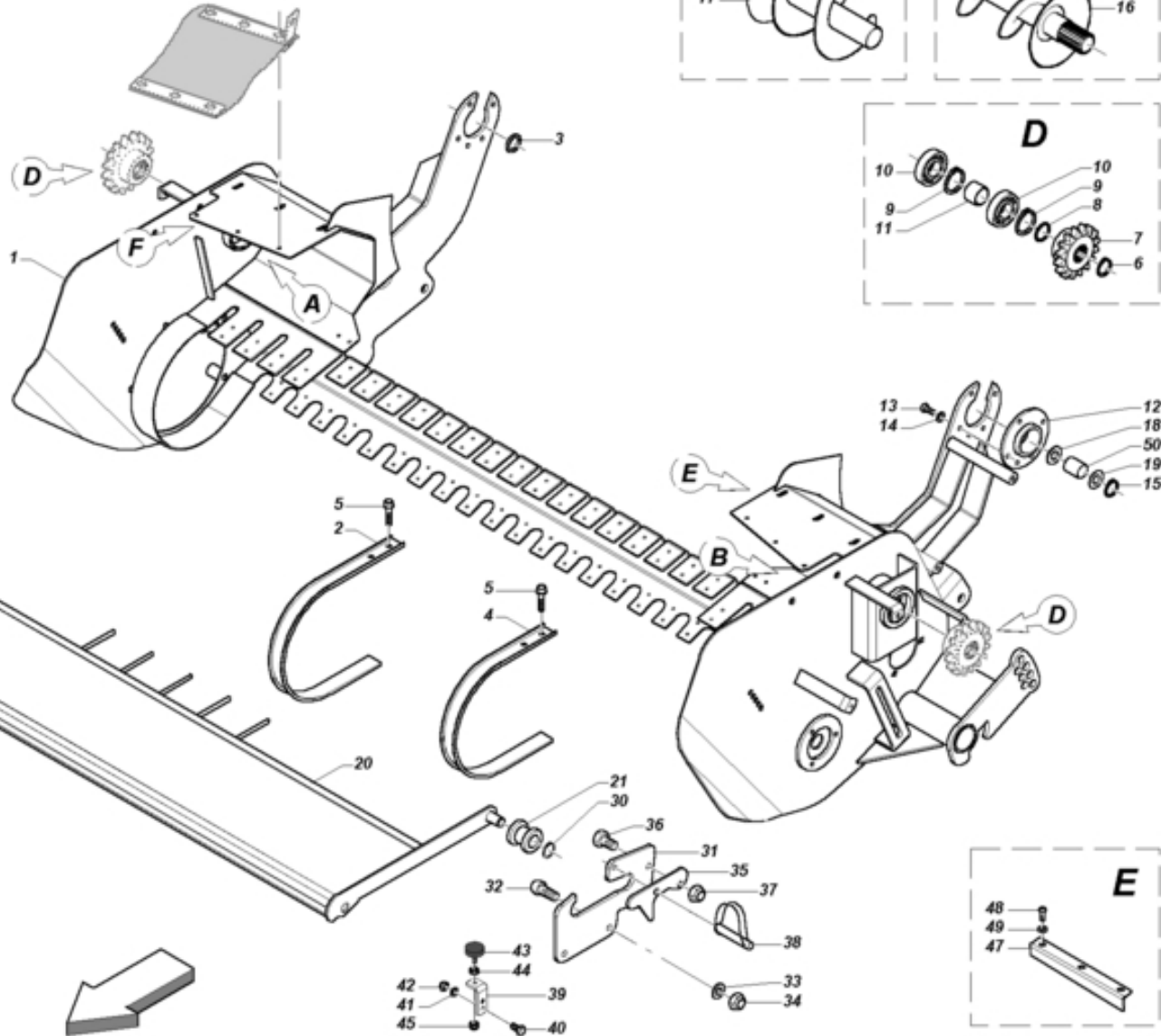
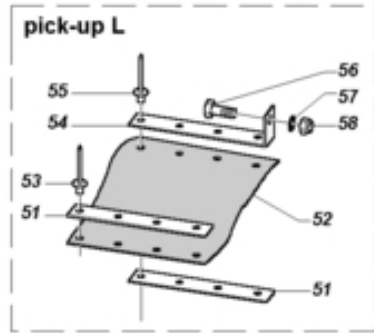
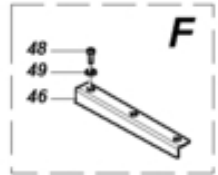
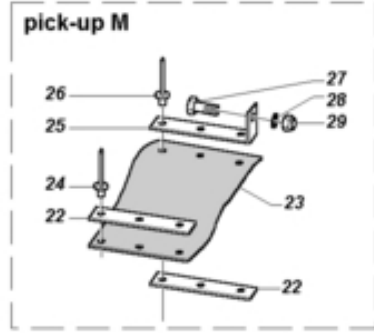


TAV\_P000026\_01

Item	Part Num.	Description	Item	Part Num.	Description
p001	2700052	CONTROL ROTOR SUPPORT	p021	3400073	TRIPLE GEAR Z=13-3/4"X7/16
p002	1300960	ROTOR SUPPORT SPACING	p022	1700025	SEEGER RING
p003	4200610	GREASE NIPPLE	p023	1300105	SHIM
p004	0401240	SCREW	p023	1300106	SHIM (GALV)
p005	4304966	SEAL	p024	2042512	BEARING
p006	2335023	BEARING	p025	1300106	SHIM (GALV)
p007	1534318	SHIM	p025	1300105	SHIM
p008	1710090	SEEGER RING	p026	7S00848	TENSIONER PIN
p009	4305668	SEAL	p027	0181280	SCREW
p010	3400070	TRIPLE GEAR Z=42-3/4"X7/16"	p028	0710412	NUT
p011	0851530	NUT	p029	C002732	REINFORCEMENT
p012	R000304	EXTENSION SHAFT L=602	p030	0181635	SCREW
p013	2700051	FLANGED BEARING SUPPORT FOR SPRINT	p031	7S01804	HANDLE
p014	0181235	SCREW	p032	C005030	HANDLE SUPPORT
p015	1421230	WASHER	p033	C002663	COVER PLATE ATTACHMENT
p016	1300150	SHIM (GALV)	p034	0181225	SCREW
p016	1300151	SHIM	p035	1421230	WASHER
p017	3400072	TRIPLE GEAR Z=13-3/4"X7/16"	p036	0920412	NUT
p018	1300151	SHIM	p037	7S01212	ROTOR TRANSMISSION COVER
p018	1300150	SHIM (GALV)	p038	0180815	SCREW
p019	1700040	SEEGER RING	p039	1150560	GALV PIN
p020	30F0017	SPRING JOINT	p040	2700079	ROTOR SAFETY
p020	30F1117	ROLLER CHAIN	p041	0191460	SCREW

Item	Part Num.	Description	
p042	1300702	BUSH	
p043	0920514	NUT	
p044	2047020	BEARING	
p045	1300824	FLANGE	
p046	1300823	FITH WHEEL	
p047	1300355	SPACER	
p048	0471280	SCREW	
p049	1421230	WASHER	
p050	0920412	NUT	

TAV\_P000119\_01



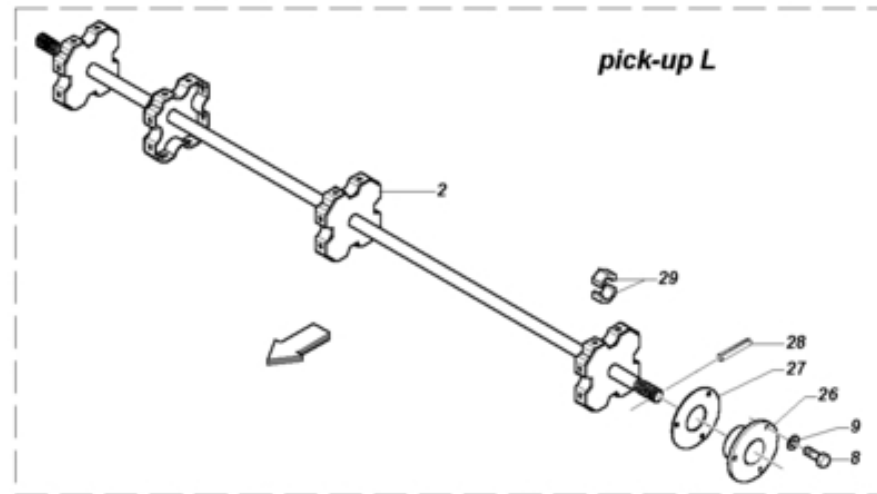
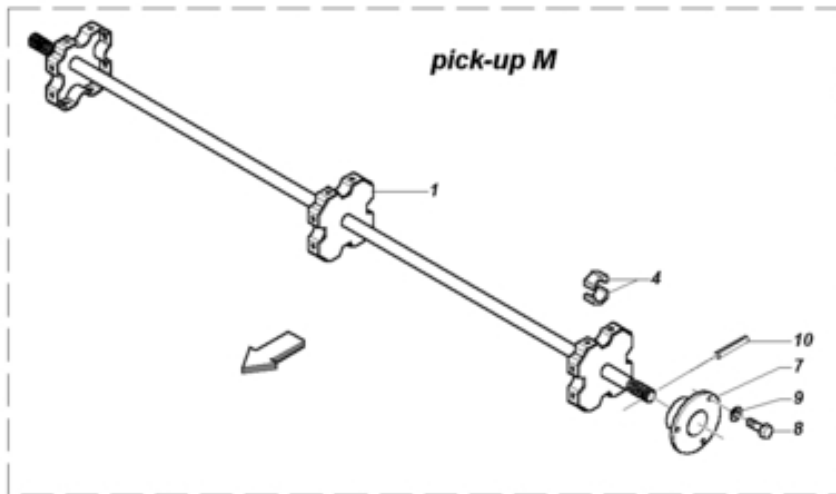
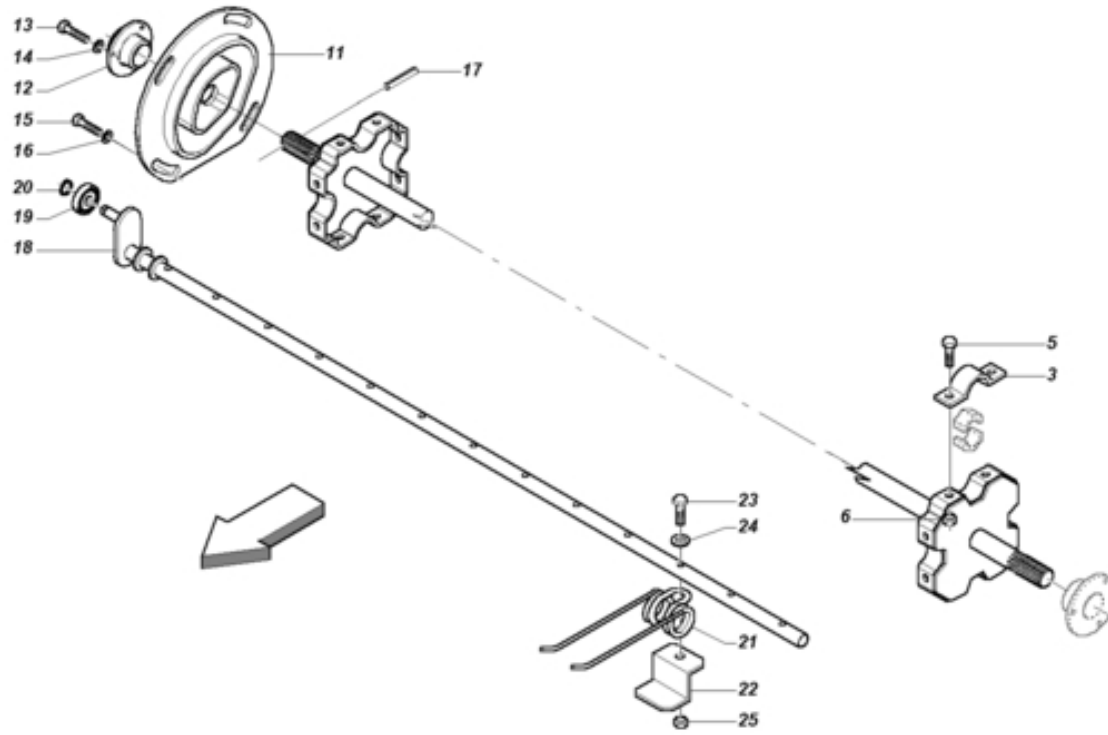
TAV\_P000119\_01

Item	Part Num.	Description	Item	Part Num.	Description
p001	7SP0220		p020	7S01849	BAFFLE PLATE
p001	7SP0201		p021	C003712	BUSH
p002	C003304	PICK-UP CENTRAL	p022	C002410	FIXING PLATE
p003	1300003	PU FIFTH WHEEL	p023	7V00074	AUGER PROTECTION
p004	C003183	LATERAL BAND	p024	1000013	RIVET
p005	0370615	SCREW	p025	C002409	RUBBER SUPPORT
p006	1700035	SEEGER RING	p026	1000012	RIVET
p007	34P0005		p027	0181025	SCREW
p008	1534416	SHIM	p028	1421025	WASHER
p009	1710072	SEEGER RING	p029	0545790	SELF-LOCKING NUT
p010	2040003	BEARING	p030	1700025	SEEGER RING
p011	1300739	SPACER	p031	C100017	CONVEYOR PLATE ATTACHMENT
p012	1300649	FLANGE	p032	0471230	SCREW
p013	0181015	SCREW	p033	1421230	WASHER
p014	1421025	WASHER	p034	0920412	NUT
p015	1700045	SEEGER RING	p035	C004002	HOOK
p016	7SP0089		p036	0181230	SCREW
p016	7SP0197		p037	0920412	NUT
p017	70P0121		p038	1000021	PIN
p017	70P0123		p039	C005187	PLUG ATTACHMENT
p018	1527654	FIFTH WHEEL	p040	0181030	SCREW
p019	1547230	SHIM	p041	1421025	WASHER
p020	7S01848	WIDE PICK-UP BAFFLE PLATE	p042	0545790	SELF-LOCKING NUT

Item	Part Num.	Description	
p043	7049749	BUMPER 50X21 M10	
p044	0710310	NUT	
p045	0545790	SELF-LOCKING NUT	
p046	C3P0082	RIGHT AUGER SEPARATOR	
p046	C3P0014	RIGHT AUGER SEPARATOR	
p047	C3P0015	AUGER LEFT SWITCH	
p047	C3P0083	RIGHT AUGER SEPARATOR	
p048	0470820	SCREW	
p049	1430820	WASHER	
p050	2500010	BUSHING	
p051	C003730	FIXING PLATE	
p052	7V00081	AUGER GUARD	
p053	1000013	RIVET	
p054	C003729	RUBBER SUPPORT	
p055	1000012	RIVET	
p056	0181025	SCREW	
p057	1421025	WASHER	
p058	0545790	SELF-LOCKING NUT	



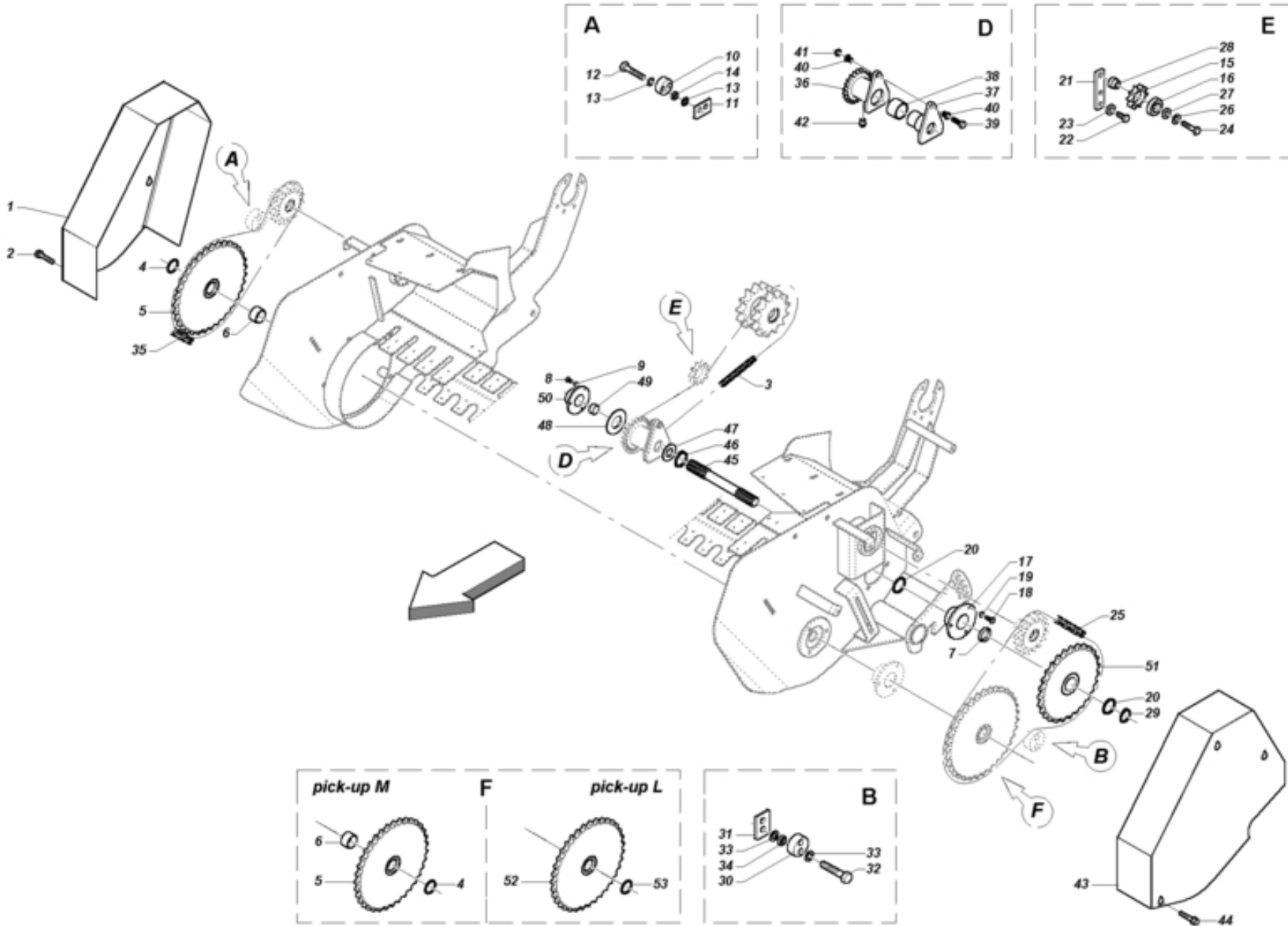
TAV\_P000112\_01



TAV\_P000112\_01

Item	Part Num.	Description	Item	Part Num.	Description
p001	7SP0288		p023	0170850	SCREW
p002	7SP0195		p024	1430820	WASHER
p003	C001521	U BOLT	p025	0910208	NUT
p004	25P0010	HALF-BUSH	p026	2353035	FLANGED SUPPORT
p005	0181025	SCREW	p027	1301126	SHIM
p006	08B0310	NUT	p028	1110650	PIN
p007	2353030	FLANGED SUPPORT	p029	25P0010	HALF-BUSH
p008	0181020	SCREW			
p009	1421025	WASHER			
p010	1110645	PIN			
p011	7S01561	NEW PICK-UP ECCENTRIC			
p012	2353030	FLANGED SUPPORT			
p013	0181020	SCREW			
p014	1421025	WASHER			
p015	0181225	SCREW			
p016	1523831	FIFTH WHEEL			
p017	1110645	PIN			
p018	7S01225	TINES-HOLDER BAR 220			
p018	7S00991	TINE HOLDER BAR			
p019	20R1210	ROLLER			
p020	1700012	SEEGER RING			
p021	18P0003	PICK-UP TINE			
p022	C000214	SPRING SUPPORTING PLATE			

TAV\_P000120\_01



TAV\_P000120\_01

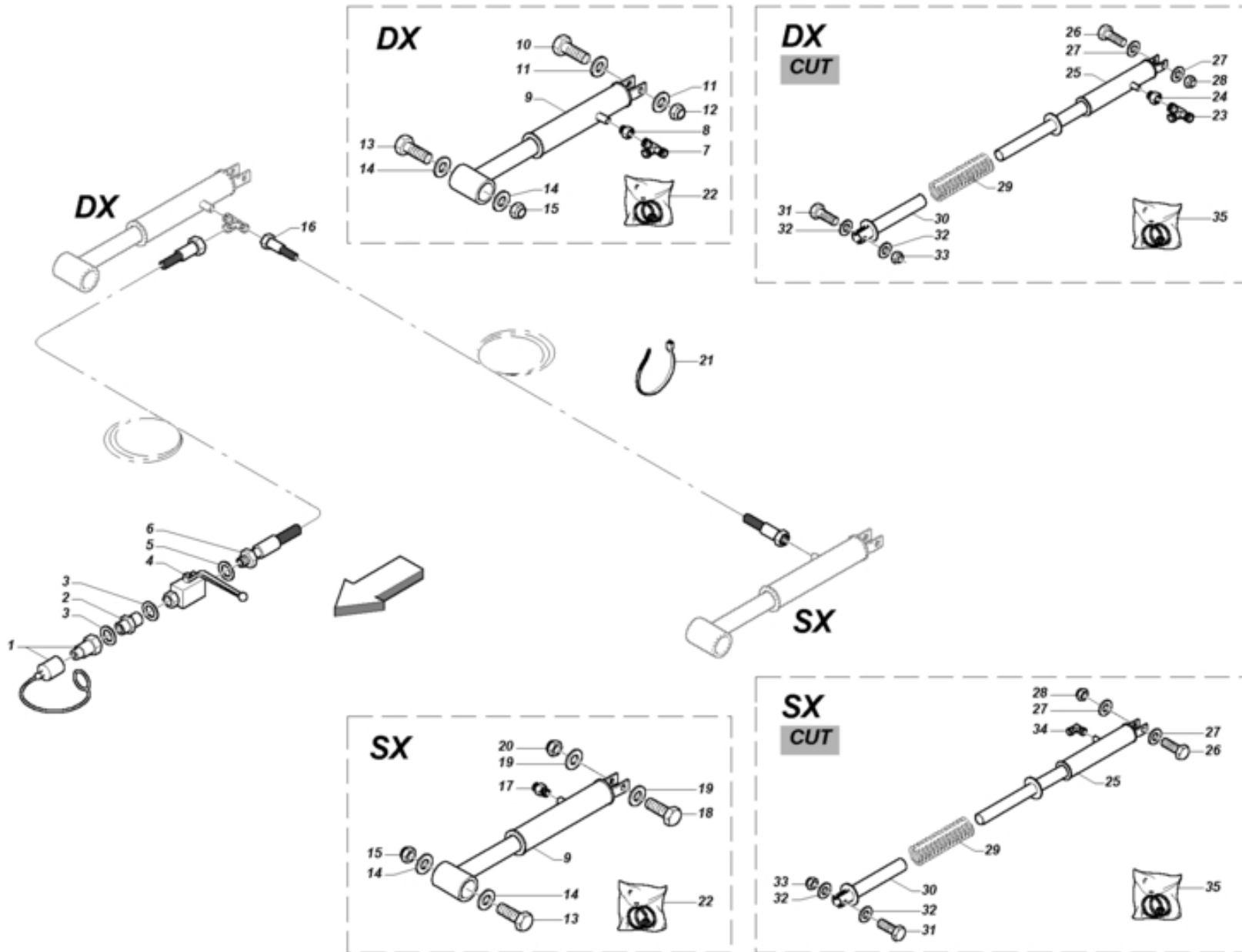
Item	Part Num.	Description	Item	Part Num.	Description
p001	7SP0198		p021	C002390	LOCK
p002	0370001	SCREW	p022	0181230	SCREW
p003	30E0017	SPRING JOINT	p023	1518412	FIFTH WHEEL
p003	30E1052	ROLLER CHAIN	p024	0191260	SCREW
p004	1300101	SHIM (GALV)	p025	3110007	LINK
p004	1300100	SHIM (GALV)	p025	3111067	ASA 60-1 ROLLERS CHAIN
p005	34P0002		p026	1431225	WASHER
p006	13P0039		p027	1518412	FIFTH WHEEL
p007	13P0040		p028	1300302	PIN
p008	0181020	SCREW	p029	1700035	SEEGER RING
p009	1421025	WASHER	p030	7V00031	NYLON CHAIN TIGHTENER
p010	7V00031	NYLON CHAIN TIGHTENER	p031	C003172	CHAIN TIGHTENER COUPLING
p011	C003172	CHAIN TIGHTENER COUPLING	p032	0191260	SCREW
p012	0191270	SCREW	p033	1431225	WASHER
p013	1421230	WASHER	p033	1421230	WASHER
p013	1431225	WASHER	p034	1523831	FIFTH WHEEL
p014	1523831	FIFTH WHEEL	p035	3111058	ROLLER CHAIN ASA60-1
p015	3400274	SPROCKET Z=10-1"	p035	3110007	LINK
p016	2042515	BEARING	p036	3400241	SURETY HUB
p017	2353035	FLANGED SUPPORT	p037	7S01001	SPLINED HUB
p018	0181020	SCREW	p038	2500001	BUSHING
p019	1421025	WASHER	p039	0170845	SCREW
p020	1534416	SHIM	p040	0511057	BUSHING



TAV\_P000120\_01

Item	Part Num.	Description	
p041	08B0208	NUT	
p042	4200610	GREASE NIPPLE	
p043	7SP0199		
p044	0370001	SCREW	
p045	35P0058		
p045	35P0010		
p046	1700040	SEEGER RING	
p047	1300126	SHIM	
p048	1534395	FIFTH WHEEL	
p049	1300607	SPACER	
p050	2353035	FLANGED SUPPORT	
p051	34P0004		
p052	34P0041		
p053	1534416	SHIM	

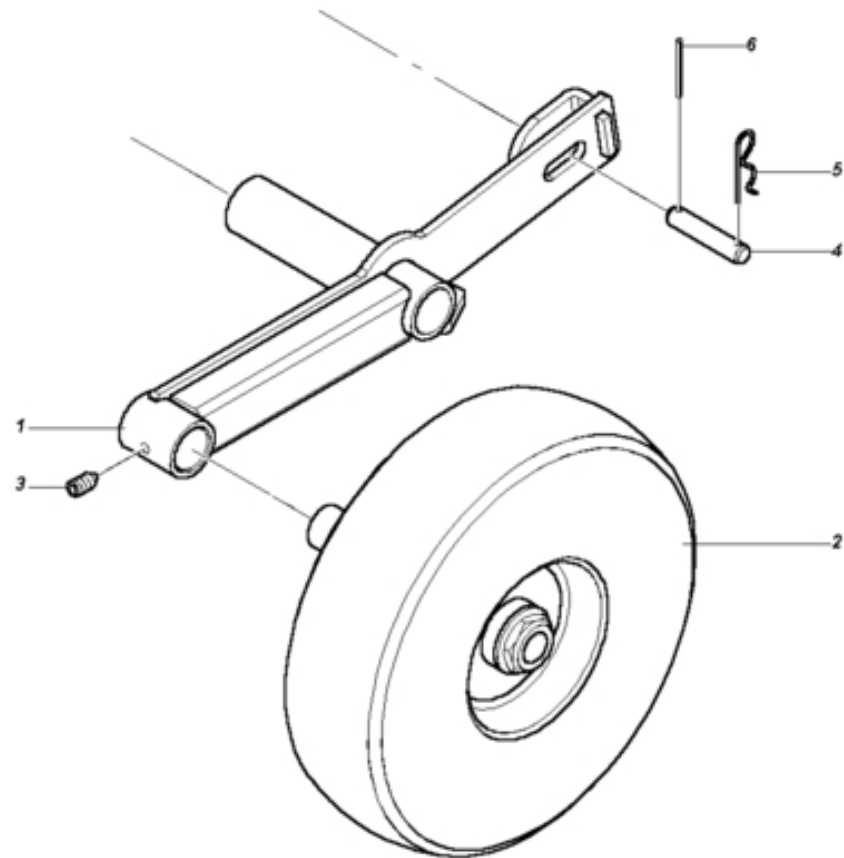
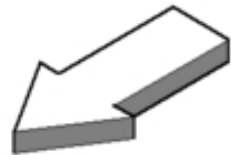
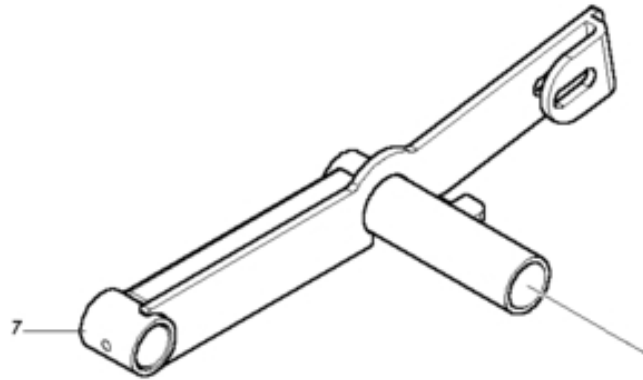
TAV\_P000124\_01



TAV\_P000124\_01

Item	Part Num.	Description	Item	Part Num.	Description
p001	H6000A0	QUICK CLUTCH	p024	H000265	REDUCTION TN143-3/8"X1/4"R
p002	H733671	NIPPLE 1/2"-1/4"	p025	H400072	SPRINTER PICK-UP JACK "CUT"
p003	1441415	WASHER	p026	0191660	SCREW
p004	H000119	BALL COCK	p027	1421630	WASHER
p005	1442015	WASHER	p028	0920516	NUT
p006	H000250	HYDRAULIC HOSE	p029	1800062	TOPCUT PICK-UP TINE
p007	H000098	UNION "T"10	p030	7S01072	JACK GUIDE
p008	H000265	REDUCTION TN143-3/8"X1/4"R	p031	0191660	SCREW
p009	H400062	SPRINTER PICK-UP JACK	p032	1421630	WASHER
p010	0191680	SCREW	p033	0920516	NUT
p011	1421630	WASHER	p034	H000086	UNION "L"10
p012	0920516	NUT	p035	H400061	KIT JOINTS FOR H400021
p013	0191655	SCREW			
p014	1421630	WASHER			
p015	0920516	NUT			
p016	H000251	HYDRAULIC HOSE			
p017	H000139	UNION "T" 10			
p018	0191690	SCREW			
p019	1421630	WASHER			
p020	0920516	NUT			
p021	E600021	CLAMP LUMEFIX			
p022	H400061	KIT JOINTS FOR H400021			
p023	H000264	"T" FITTING TN96-10LR			

TAV\_P000114\_01

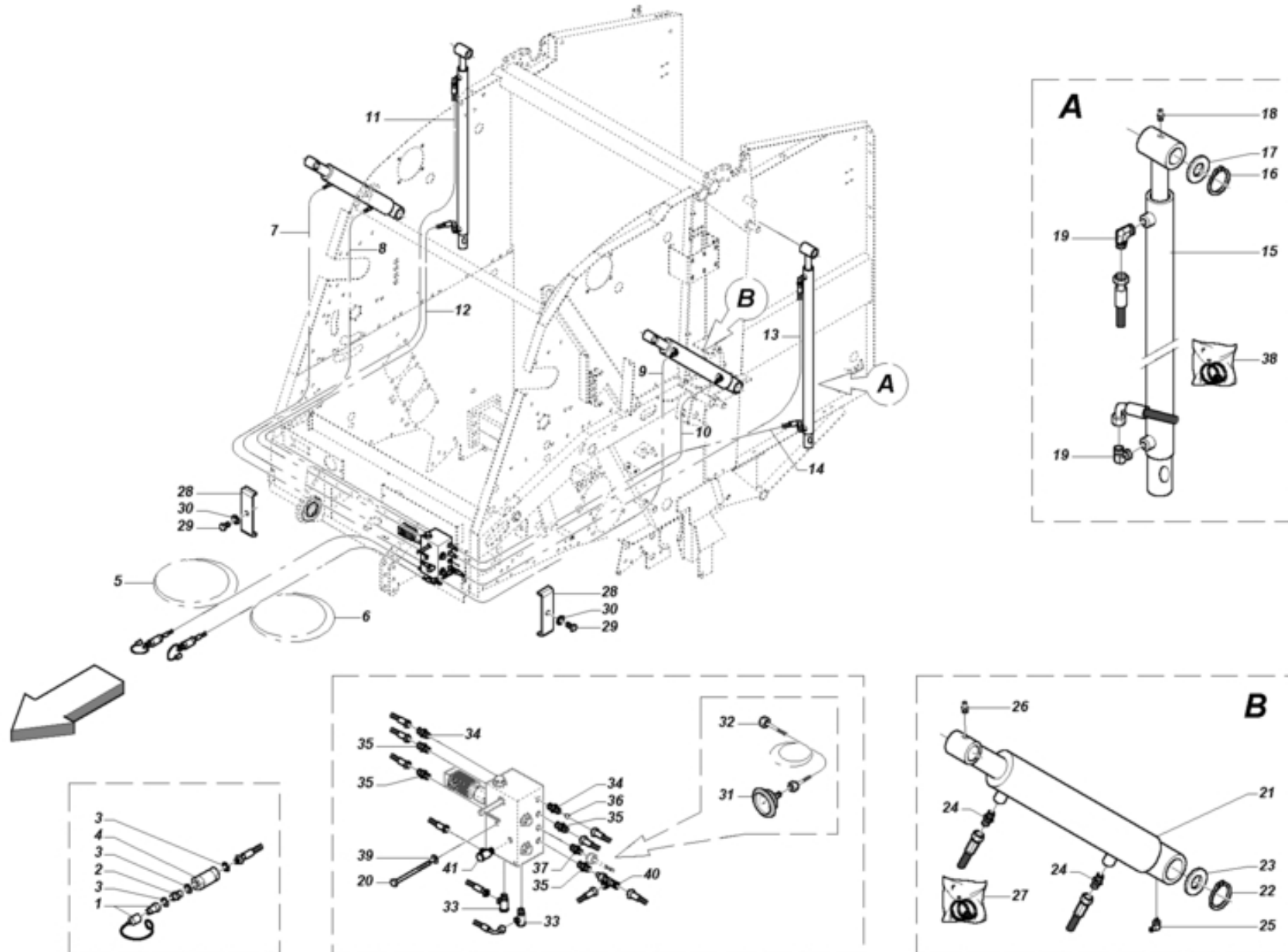






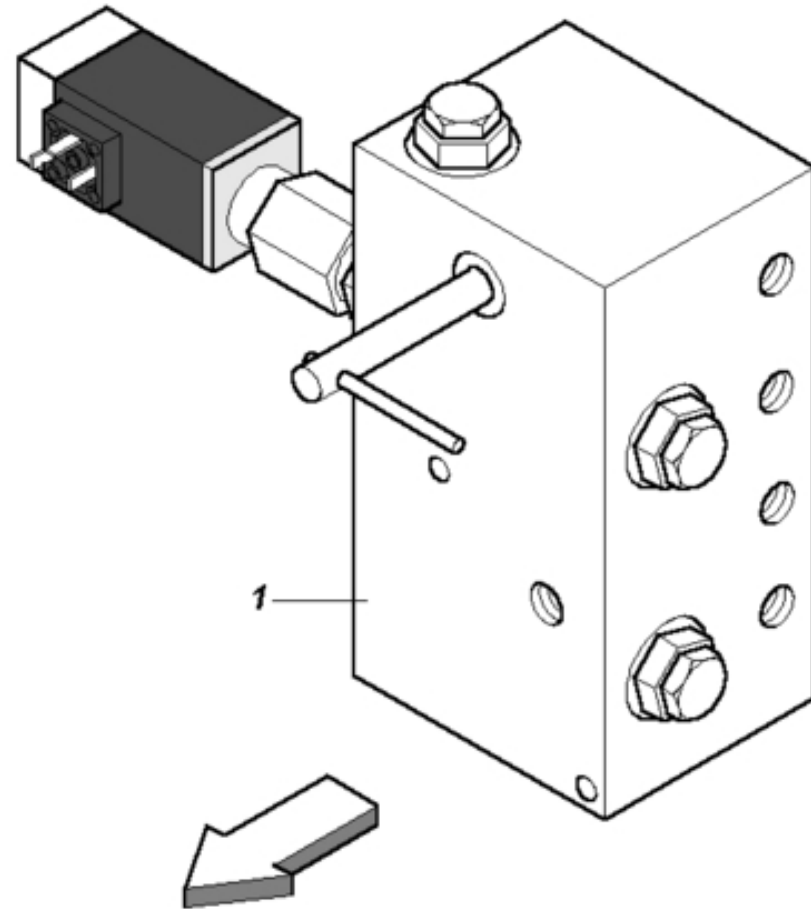
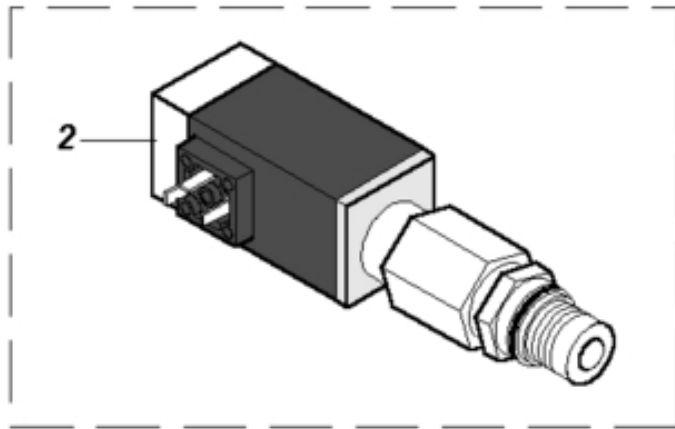
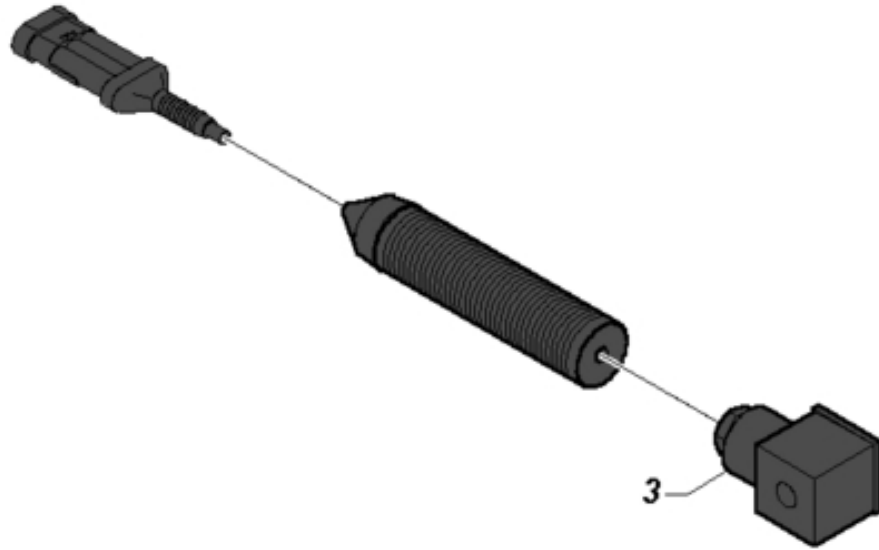
TAV\_P000114\_01

Item	Part Num.	Description	
p001	7SP0084	LT LEFT WHEEL ATTACHMENT	
p002	7100040	TYRE WITH SPIND	
p003	0431016	SCREW	
p004	1300610	PIN	
p005	1170377	PIN	
p006	1110440	PIN	
p007	7SP0085	LT RIGHT WHEEL ATTACHMENT	



TAV\_P000103\_00

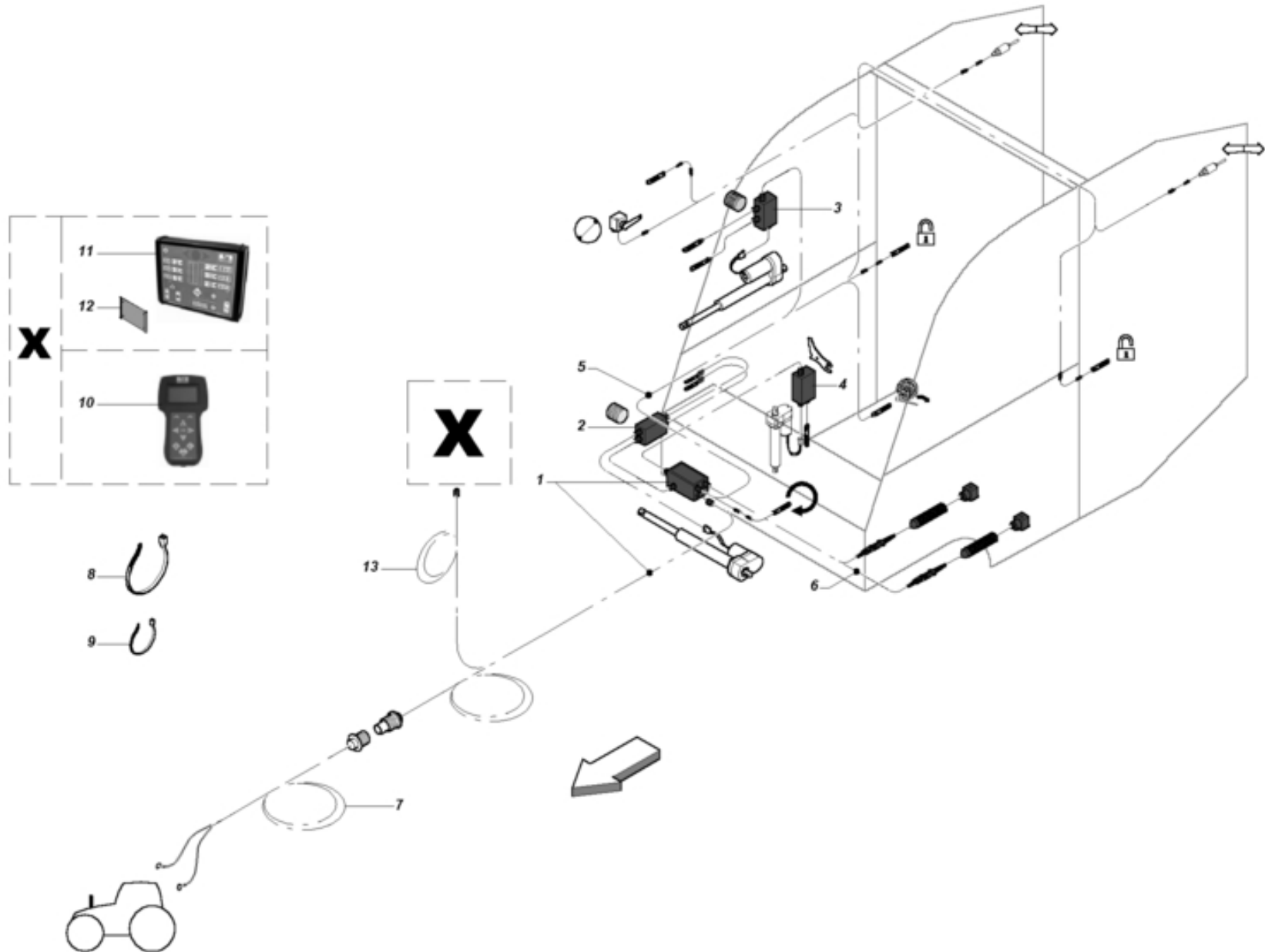
Item	Part Num.	Description	Item	Part Num.	Description
p001	H6000A0	QUICK CLUTCH	p023	1519696	SHIM
p002	H6000AX	NIPPLE 1/2"	p024	H0P0006	
p003	1442015	WASHER	p025	4220610	GREASE NIPPLE
p004	H000040	FILTER IL12/60 R 94001261	p026	4200610	GREASE NIPPLE
p005	H000253	HYDRAULIC HOSE	p027	H400146	SEAL KIT FOR H400128-129-134
p006	H000254	HYDRAULIC HOSE	p028	C005132	FIXING U BOLT
p007	H000248	BLUE HYDRAULIC HOSE	p029	0180840	SCREW
p008	H000247	YELLOW HYDRAULIC HOSE	p030	1420820	WASHER
p009	H000249	BLUE HYDRAULIC HOSE	p031	H000256	GAUGE HT
p010	H000246	YELLOW HYDRAULIC HOSE	p032	H000120	PIPE
p011	H000243	HYDRAULIC HOSE	p033	H000103	FILLET "0"12
p012	H000244	RED HYDRAULIC HOSE	p034	H000182	OIL FLOW REDUCER PIPE FITTING
p013	H000242	HYDRAULIC HOSE	p035	H000139	UNION "1" 10
p014	H000245	RED HYDRAULIC HOSE	p036	0500070	DOWEL M8 WITH HOLE 1.75MM
p015	H400130	REAR DOOR JACK 265	p037	H000140	NIPPLE 1/4-1/4
p016	1700030	SEEGER RING	p038	H400147	SEAL KIT FOR H400130-131-135
p017	1300101	SHIM (GALV)	p039	1430620	WASHER
p017	1300100	SHIM (GALV)	p040	H000252	FITTING T 10
p018	4200610	GREASE NIPPLE	p041	H000232	FITTING "0"10
p019	H000009	UNION ELBOW 10			
p020	0190690	SCREW			
p021	H400128	PRESSURE JACK 265			
p022	1700035	SEEGER RING			





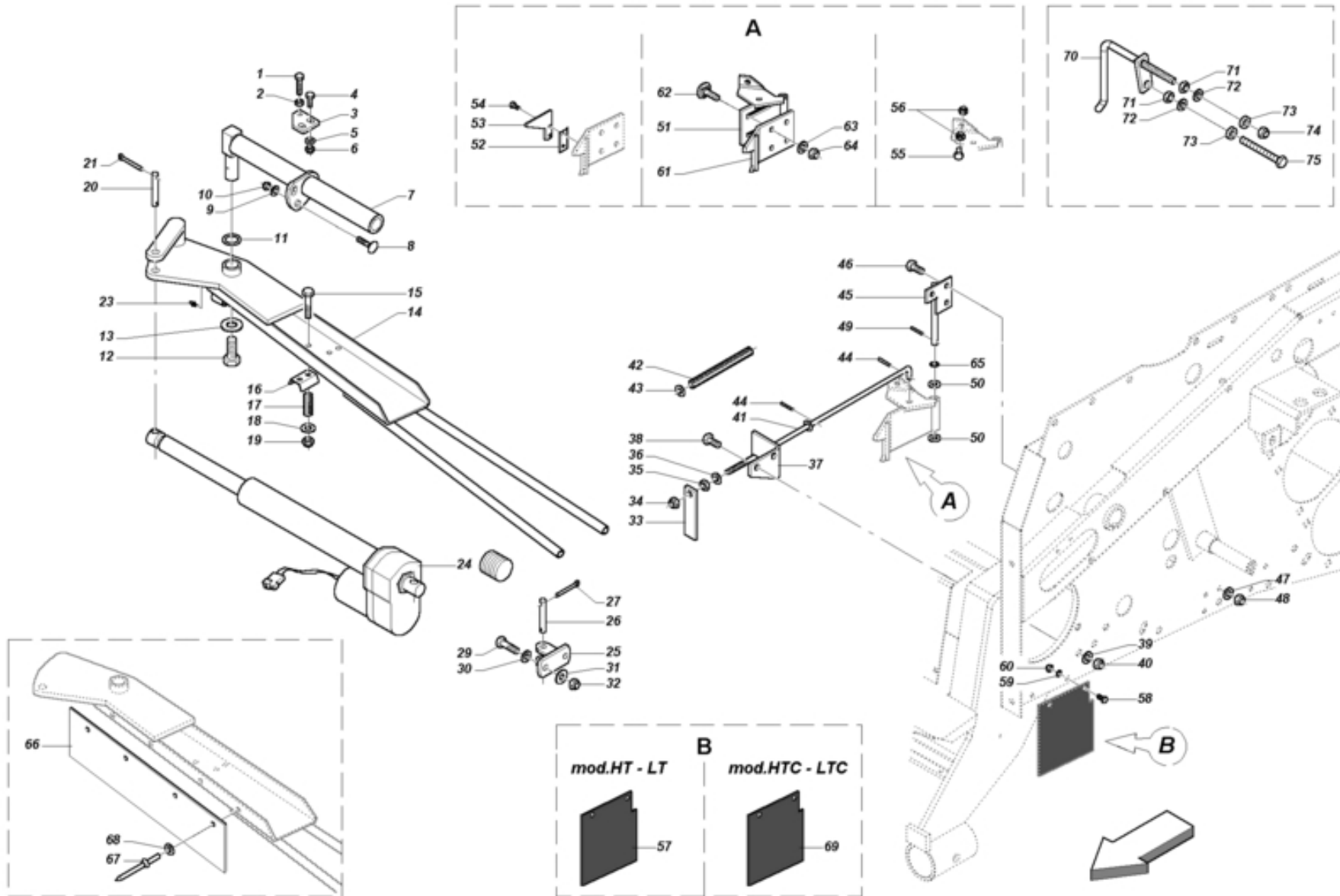
TAV\_P000140\_00

Item	Part Num.	Description	
p001	H0P0003	VALVE FRB12/E-B	
p002	H000288		
p003	E0P0006	PRESSURE MODULE	



Item	Part Num.	Description	
p001	EOP0002	POWER BOX MODULE WITH CONNECTION	
p002	EOP0003	TWINE MODULE COMPLETE WITH SENSOR	
p003	EOP0004	NET MODULE WITH CONNECTION C6P0085	
p004	EOP0005	CUT MODULE WITH CONNECTION C6P0085	
p005	EOP0008	MAIN BUS	
p006	EOP0009	AUXILIARY BUS	
p007	EOP0010	TRACTOR CABLE	
p008	E600001	CLAMP 8X2	
p009	E600021	CLAMP LUMEFIX	
p010	EOP0011	EASY TRONIC MODULE	
p011	EOP0058		
p012	EOP0059	D&D FEMALE DOVETAIL	
p013	EOP0065	TRACTOR MACHINE WIRING FOR POWER B.	

TAV\_P000029\_04

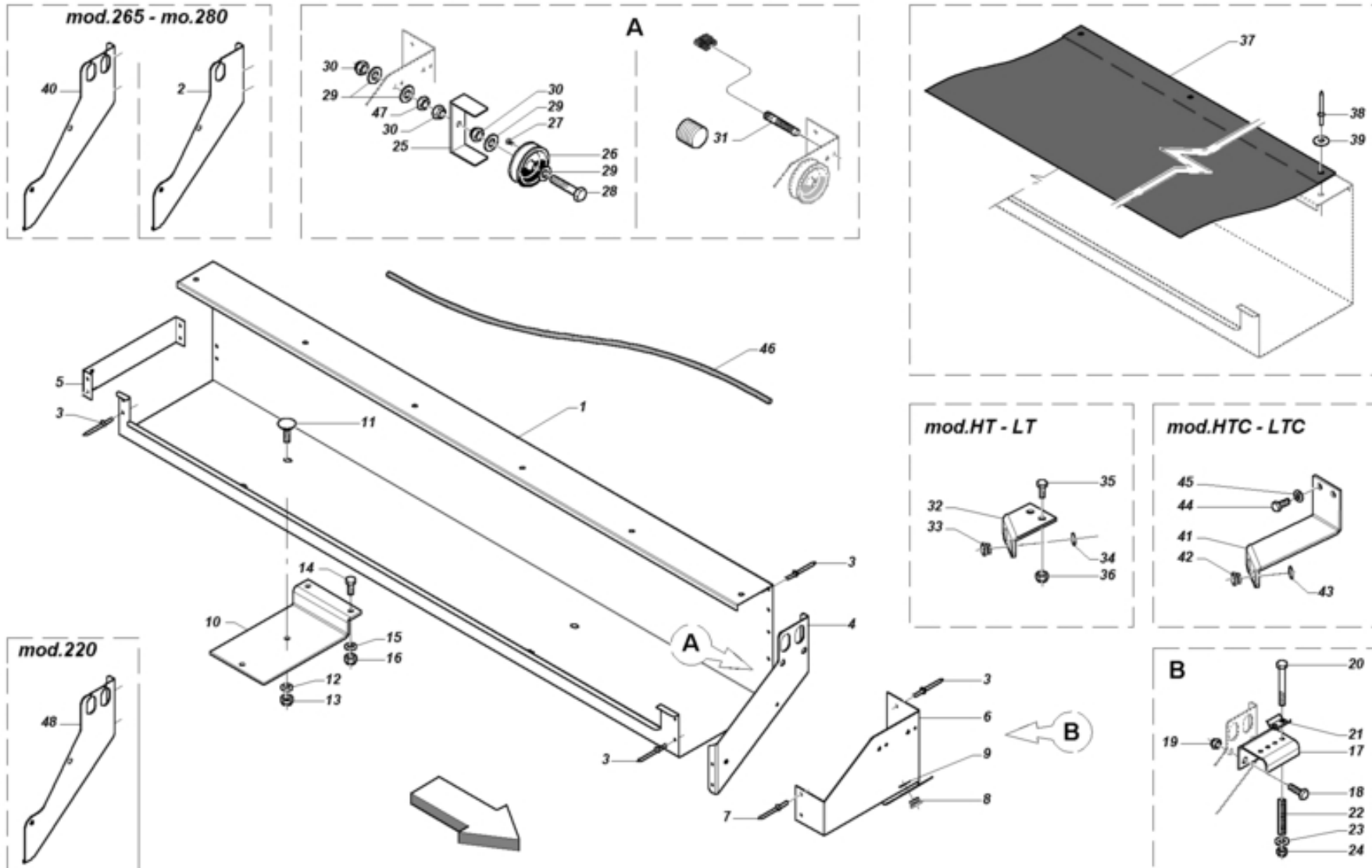




Item	Part Num.	Description	Item	Part Num.	Description
p001	0181050	SCREW	p024	E000120	ACTUATOR
p002	0710310	NUT	p025	7S01525	ACTUATOR ATTACHMENT
p003	C005031	LOCK	p026	1A29508	CYLINDER PIN
p004	0181030	SCREW	p027	1150430	GALV PIN
p005	1421025	WASHER	p029	0181245	SCREW
p006	0545790	SELF-LOCKING NUT	p030	1421230	WASHER
p007	7S01524	CROSS BAR	p031	1431225	WASHER
p008	0523421	SPECIAL SCREW	p032	0920412	NUT
p009	1421230	WASHER	p033	C003115	COUPLER
p010	0920412	NUT	p034	0920208	NUT
p011	1300135	SHIM	p035	0710208	NUT
p011	1300134	SHIM	p036	1420820	WASHER
p012	0181630	SCREW	p037	C005034	ROD SUPPORT
p013	1519319	FIFTH WHEEL	p038	0181240	SCREW
p014	7S01805	TWINE WRAPPING ARM	p039	1421230	WASHER
p015	0190840	SCREW	p040	0920412	NUT
p016	C630434	TWINE BRAKE	p041	0500098	ADJUSTMENT BAR
p017	1821993	SPRING	p042	1800036	C-SPRING
p018	1420820	WASHER	p043	1420820	WASHER
p019	0920208	NUT	p044	1110320	PIN
p020	1A29508	CYLINDER PIN	p045	7S00987	BLADE FULCRUM
p021	1150430	GALV PIN	p046	0180825	SCREW
p023	4200610	GREASE NIPPLE	p047	1420820	WASHER

Item	Part Num.	Description	Item	Part Num.	Description
p048	0920208	NUT	p071	0710412	NUT
p049	1110320	PIN	p072	1421230	WASHER
p050	1421025	WASHER	p073	1516038	FIFTH WHEEL
p051	7SP0044	CUTTING FULCRUM	p074	0920412	NUT
p052	7U00011	BLADE BY MARTOR ART. 37	p075	0181290	SCREW
p053	C002765	BLADE FASTERNER			
p054	0180516	SCREW			
p055	0180840	SCREW			
p056	0710208	NUT			
p057	7V00080	TWINE TYING KIT PROTECTION			
p058	0180820	SCREW			
p059	1430820	WASHER			
p060	0920208	NUT			
p061	7SP0045	BLADE HOLDER			
p062	0320825	SCREW			
p063	1420820	WASHER			
p064	0920208	NUT			
p065	4313037	TORIC RING			
p066	7VP0004	TWINE WRAP ARM PROTECTION			
p067	1000016	RIVET			
p068	1430520	WASHER			
p069	7V00072	SIDE RUBBERED PROTECTIONS			
p070	7S01238	TWINE GRASPER			

TAV\_P000121\_01



TAV\_P000121\_01

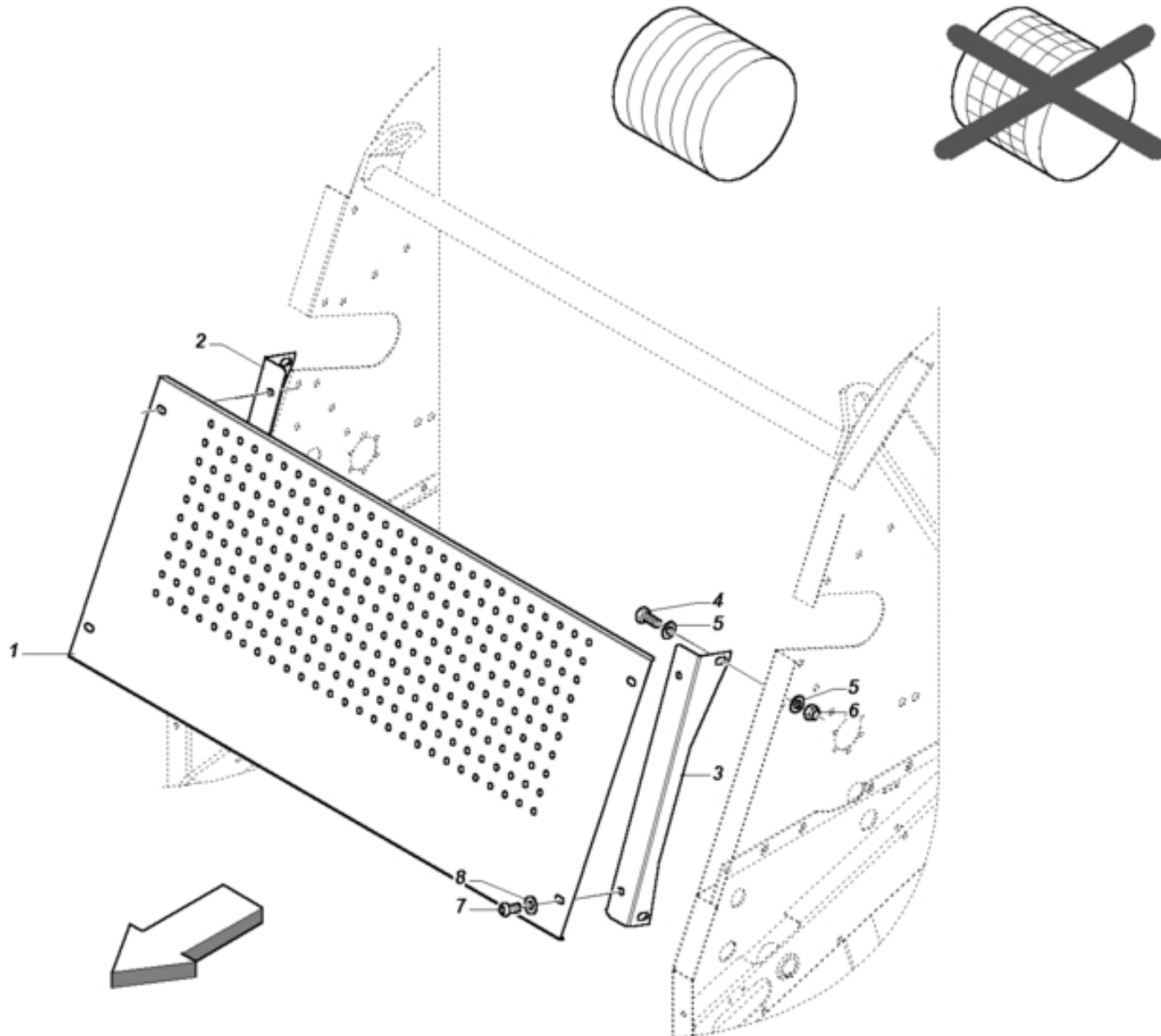
Item	Part Num.	Description	Item	Part Num.	Description
p001	C3P0037	TWINE HOLDER BODY	p024	0920208	NUT
p002	C4P0038	SEPARATOR	p025	C230438	LOCK
p003	1000010	RIVET	p026	3730455	PULLEY
p004	C4P0036	SEPARATOR	p027	03F4813	SCREW
p005	C3P0036	END LOCK	p028	0180655	SCREW
p006	C005016	PULLEY ATTACHMENT	p029	1420615	WASHER
p007	1000011	RIVET	p030	0920106	NUT
p008	3500097	TWINE GUIDE BUSH	p031	E000102	PROXIMITY SENSORS
p009	1700025	SEEGER RING	p032	C005385	BUSH COUPLING HT
p010	C004685	TWINE BOX HOLDER	p033	3500097	TWINE GUIDE BUSH
p011	0321020	SCREW	p034	1700025	SEEGER RING
p012	1431020	WASHER	p035	0181235	SCREW
p013	0545790	SELF-LOCKING NUT	p036	0920412	NUT
p014	0181030	SCREW	p037	7VP0002	TWINE BOX COVER 265-280
p015	1421025	WASHER	p038	1000010	RIVET
p016	0545790	SELF-LOCKING NUT	p039	1430620	WASHER
p017	C005012	TWINE BRAKE BASE	p040	C4P0037	SEPARATOR
p018	0181220	SCREW	p041	C005002	BUSH ATTACHMENT
p019	0920412	NUT	p042	3500097	TWINE GUIDE BUSH
p020	0190840	SCREW	p043	1700025	SEEGER RING
p021	C630434	TWINE BRAKE	p044	0181245	SCREW
p022	1821993	SPRING	p045	1421230	WASHER
p023	1420820	WASHER	p046	7VP0012	ELASTIC ROPE DIAM. 6 L1720



TAV\_P000121\_01

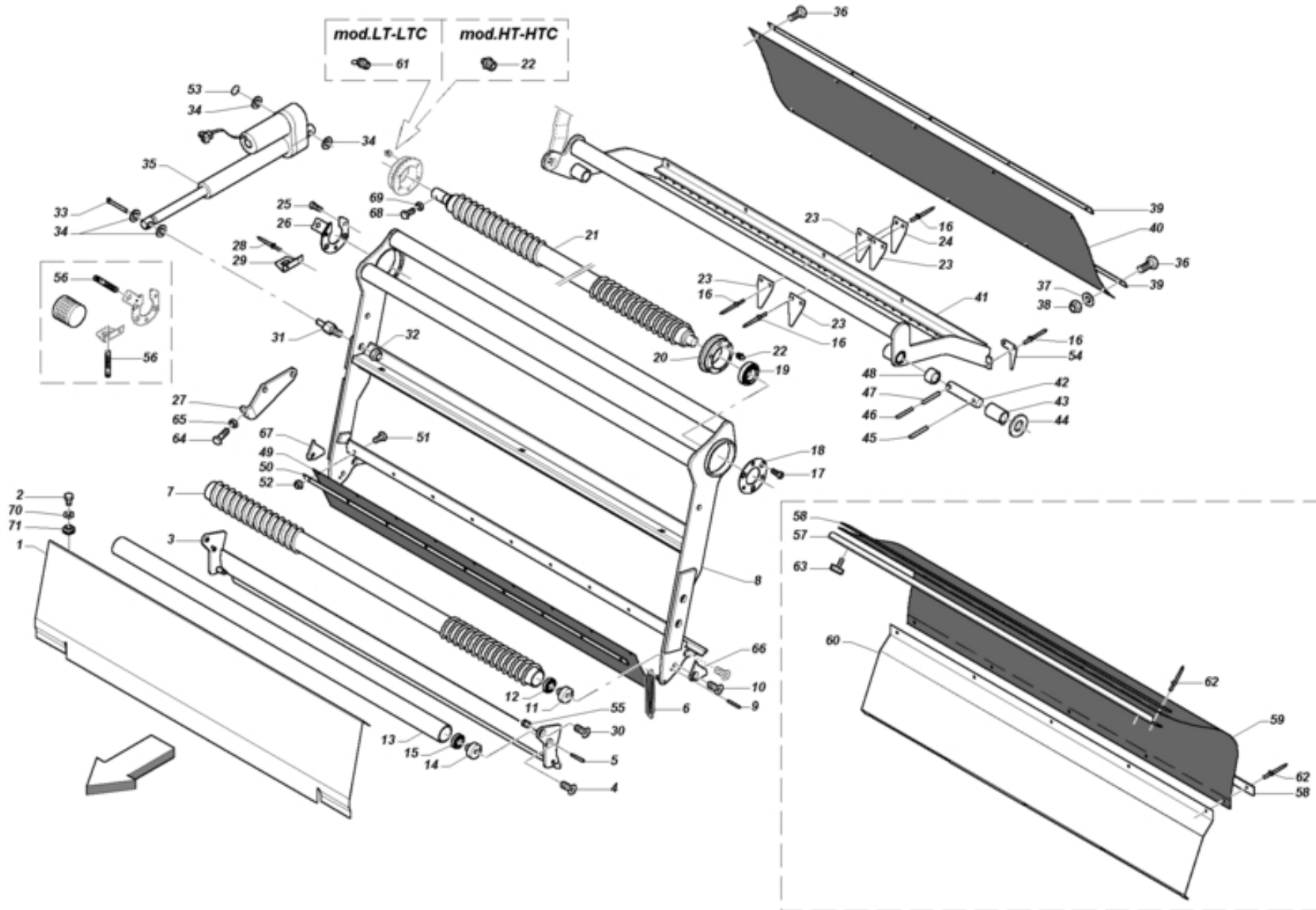
Item	Part Num.	Description	
p047	0710106	NUT	

TAV\_P000109\_00



Item	Part Num.	Description	
p001	C3P0009	ONLY TWINE PROTECTION	
p002	C3P0007	TWINE RIGHT PROTECTION ATTACHMENT	
p003	C3P0008	TWINE LEFT PROTECTION ATTACHMENT	
p004	0181225	SCREW	
p005	1421230	WASHER	
p006	0920412	NUT	
p007	0470825	SCREW	
p008	1430820	WASHER	

TAV\_P00057\_02



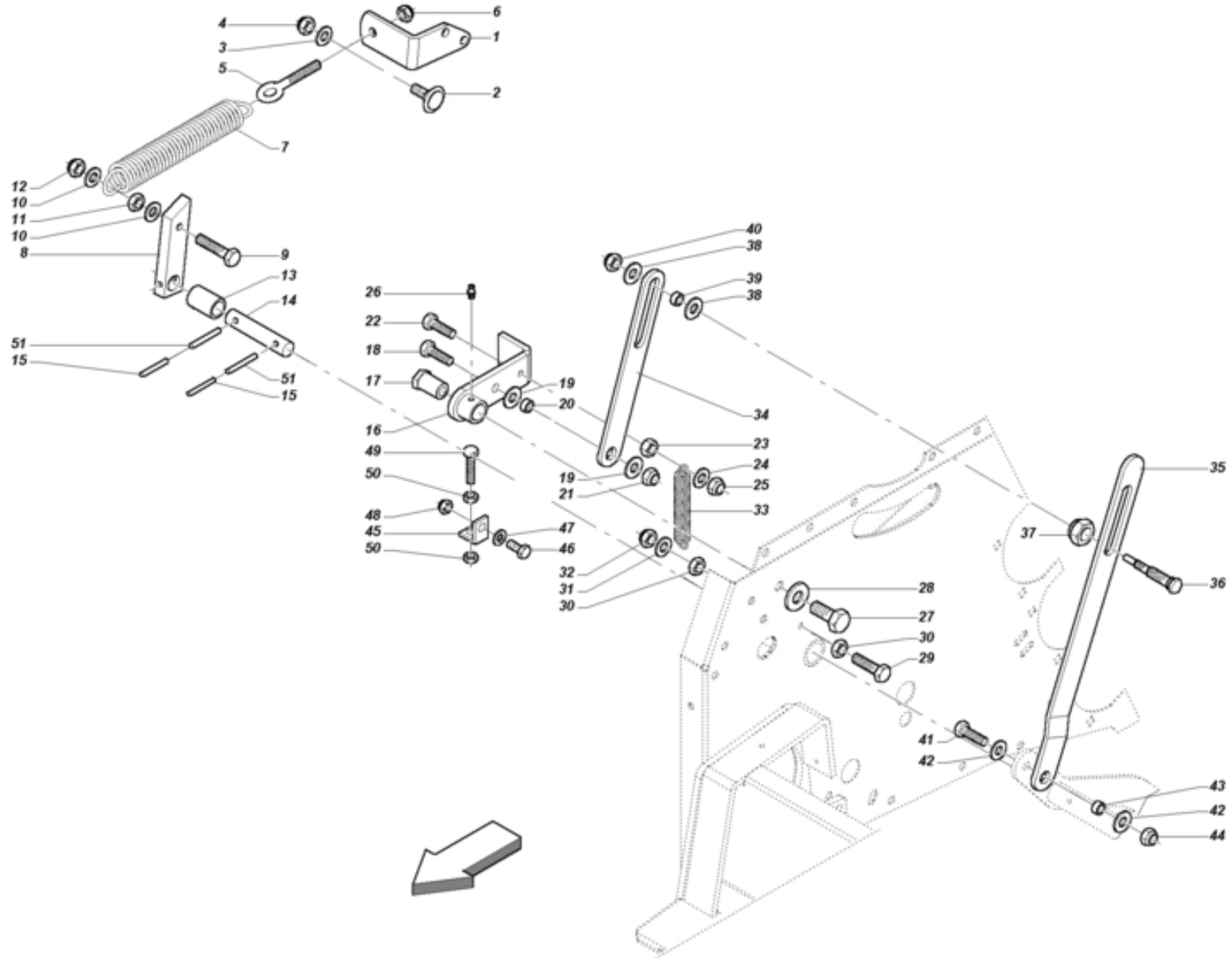


TAV\_P000057\_02

Item	Part Num.	Description	Item	Part Num.	Description
p001	C3P0035	NET HOLDER PROTECTION	p024	C6P0044	SMALL BLADES SHIM
p002	0180815	SCREW	p025	0400825	SCREW
p003	7SP0020	NET CLAMP	p026	C004932	PLATE
p004	0441020	SCREW	p027	C4P0009	LOCK
p005	1110612	PIN	p028	1000013	RIVET
p006	1800025	SPRING	p029	C005200	NET SENSOR COUPLING
p007	7S00648	IDLE ROLLER	p030	0441020	SCREW
p008	7SP0090	NET HOLDER ARM	p031	3500063	ECCENTRIC PIN
p009	1110612	PIN	p032	0920516	NUT
p010	0441025	SCREW	p033	1150330	GALV PIN
p011	35P0008	NEW IDLE ROLLER PIN	p034	1421230	WASHER
p012	2301716	BEARING	p035	E000045	ACTUATOR
p013	7SP0100	SMOOTH IDLE ROLLER BODY	p036	0180620	SCREW
p014	35P0008	NEW IDLE ROLLER PIN	p037	1420615	WASHER
p015	2301716	BEARING	p038	0920106	NUT
p016	1000013	RIVET	p039	C002398	RUBBERHOLDER
p017	0400825	SCREW	p040	7VP0010	CLOTH CLOSURE FOR BLADE
p018	1300389	FLANGE	p041	7SP0027	BLADE ARM
p019	2042517	BEARING	p042	1300390	ARM LEFT PIN
p020	2700044	NET AND ROLLER ARM SUPPORT	p043	2526852	NYLON BUSH
p021	7S00649	NET COUNTER ROLLER	p044	1522663	SHIM
p022	4200820	GREASE NIPPLE	p045	1110840	PIN
p023	7U00012	SMALL BLADE	p046	1110840	PIN

Item	Part Num.	Description	Item	Part Num.	Description
p047	1110540	PIN	p070	1420820	WASHER
p048	13C0012	SPACER	p071	0990003	NUT
p049	7VP0001	SUPPORT BAND			
p050	C2P0020	RUBBER HOLDER			
p051	0180620	SCREW			
p052	0920106	NUT			
p053	1700012	SEEGER RING			
p054	C6P0050	BLADE END			
p055	1300401	PIN WITHOUT NET			
p056	E000056	PROXIMITY SENSOR			
p057	7MP0017	PROTECTION SUPPORT			
p058	C002398	RUBBERHOLDER			
p059	7V00062	RUBBER CLOSING			
p060	C2P0030	LOWER PROTECTION			
p061	4210820	GREASE NIPPLE			
p062	1000010	RIVET			
p063	7V00106	KNOB WHEEL			
p064	0181250	SCREW			
p065	0710412	NUT			
p066	C6P0029	STILL LEFT ROLLER NET			
p067	C6P0069	STILL RIGHT ROLLER NET			
p068	0180520	SCREW			
p069	0710005	NUT			

TAV\_P000123\_00

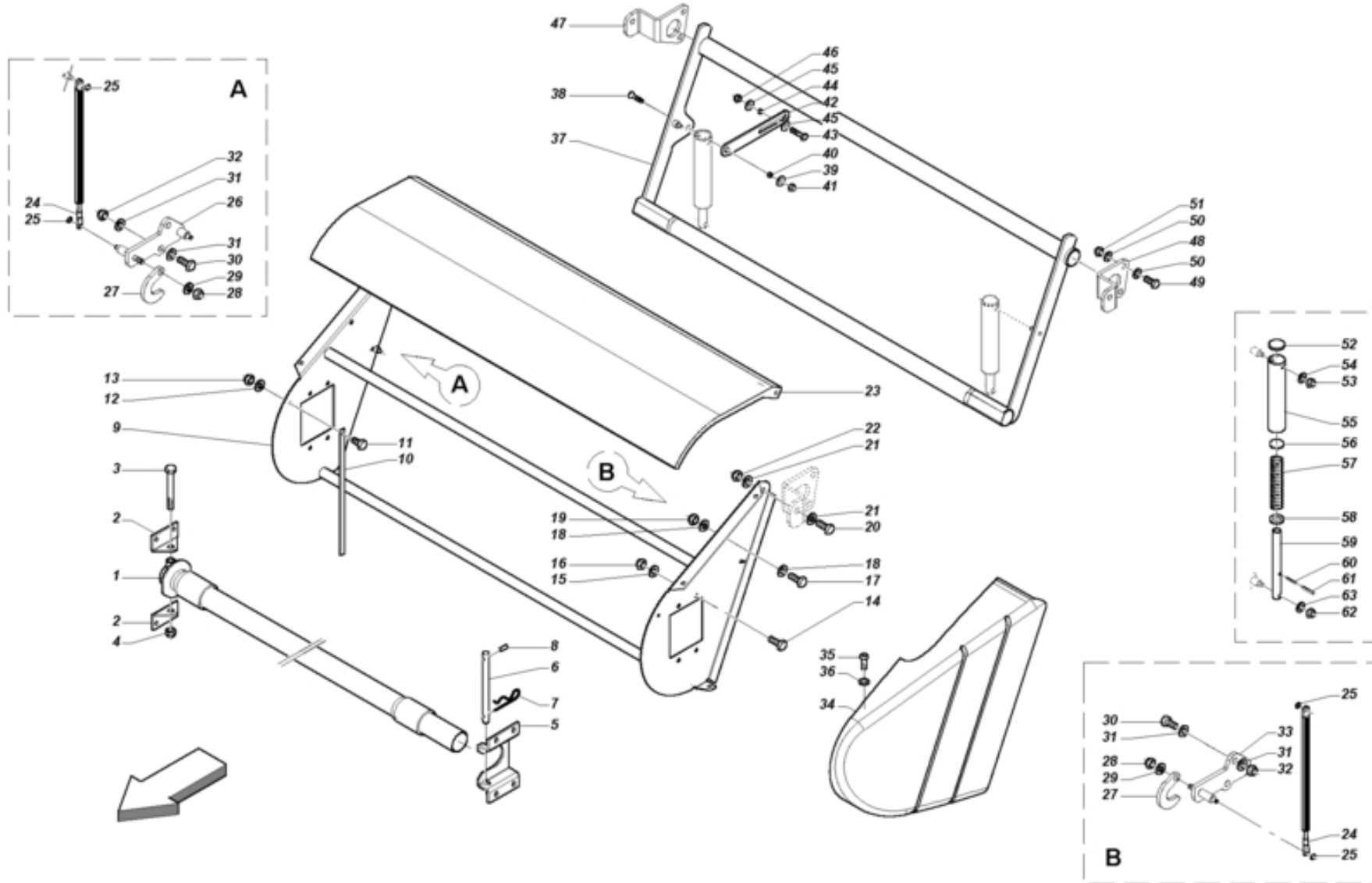


Item	Part Num.	Description	Item	Part Num.	Description
p001	C6P0045	RELEASING SPRING CONNECTION	p024	1420820	WASHER
p002	05C0003		p025	0920208	NUT
p003	1421230	WASHER	p026	4200610	GREASE NIPPLE
p004	0920412	NUT	p027	0181630	SCREW
p005	0545168	EYELET M12	p028	1519319	FIFTH WHEEL
p006	0920412	NUT	p029	0180825	SCREW
p007	1822744	SPRING	p030	0710208	NUT
p008	C002073	BLADE UNLOCK	p031	1420820	WASHER
p009	0181260	SCREW	p032	0920208	NUT
p010	1421230	WASHER	p033	1800025	SPRING
p011	0710412	NUT	p034	C002081	BLADE UNLOCK LEVER
p012	0920412	NUT	p035	C002043	BLADE CONNECTION
p013	2526852	NYLON BUSH	p036	1301103	BLADE PIN
p014	1301055	PIN	p037	0920516	NUT
p015	1110540	PIN	p038	1431225	WASHER
p016	7T00026	RELEASE	p039	1300463	BUSH
p017	0500093	THREADED PIN	p040	0920412	NUT
p018	0181240	SCREW	p041	0181235	SCREW
p019	1431225	WASHER	p042	1431225	WASHER
p020	1300463	BUSH	p043	1300463	BUSH
p021	0920412	NUT	p044	0920412	NUT
p022	0180830	SCREW	p045	C000053	KNIVES STOP
p023	0710208	NUT	p046	0181230	SCREW



TAV\_P000123\_00

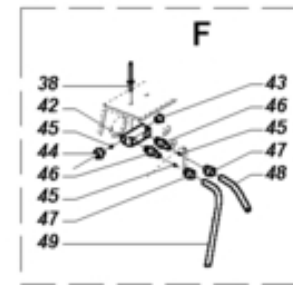
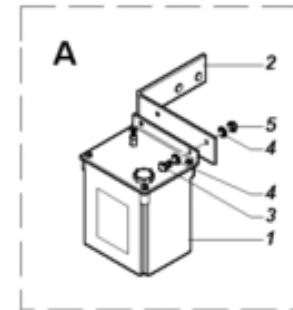
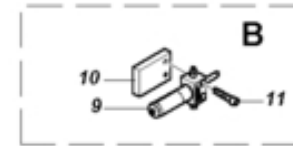
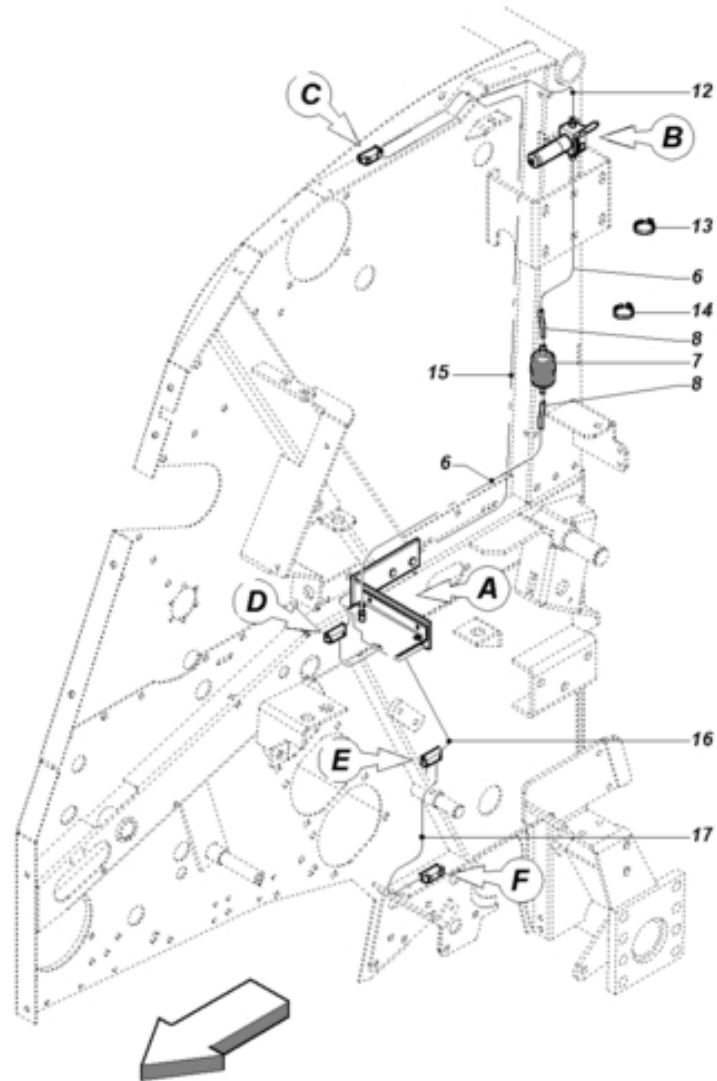
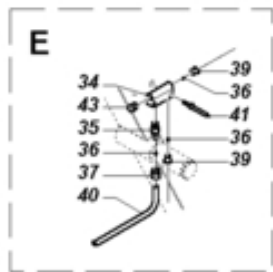
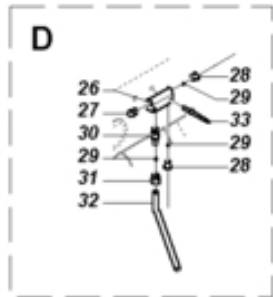
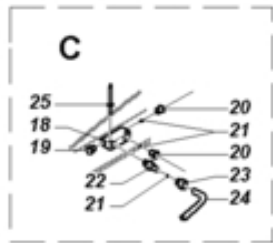
Item	Part Num.	Description	
p047	1421230	WASHER	
p048	0920412	NUT	
p049	0181060	SCREW	
p050	0710310	NUT	
p051	1110840	PIN	



Item	Part Num.	Description	Item	Part Num.	Description
p001	7S00629	ROLLER HOLDER TUBE	p024	H100001	GAS SPRING FOR NET L=500-600N
p002	C100035	FULCRUM ATTACHMENT	p025	1700008	SEEGER RING
p003	0191694	SCREW	p026	7T00011	RIGHT BRAKE ATTACHMENT
p004	0920516	NUT	p027	C004911	HOOK
p005	C100036	TUBE SEAT	p028	0545790	SELF-LOCKING NUT
p006	1300373	PIPE PIN	p029	1421025	WASHER
p007	1170377	PIN	p030	0181230	SCREW
p008	1110435	PIN	p031	1421230	WASHER
p009	7T00001	NET STORAGE BOX	p032	0920412	NUT
p010	C005257	COVER SUPPORT	p033	7T00010	LEFT BRAKE ATTACHMENT
p011	0180620	SCREW	p034	7V00110	LEFT NET BOX
p012	1420615	WASHER	p034	7V00111	RIGHT NET BOX
p013	0920106	NUT	p035	04N0820	SCREW
p014	0181025	SCREW	p036	7V00119	WASHER HD 8,5X24X2
p015	1421025	WASHER	p037	7T00012	NET BRAKE ARM
p016	0545790	SELF-LOCKING NUT	p038	0441240	SCREW
p017	0181030	SCREW	p039	1431225	WASHER
p018	1421025	WASHER	p040	1300463	BUSH
p019	0545790	SELF-LOCKING NUT	p041	0920412	NUT
p020	0181030	SCREW	p042	C100051	BRAKE CONNECTON
p021	1421025	WASHER	p043	0181260	SCREW
p022	0545790	SELF-LOCKING NUT	p044	1300463	BUSH
p023	7T00005	CAP	p045	1431225	WASHER

Item	Part Num.	Description	
p046	0920412	NUT	
p047	C100047	BRAKE FULCRUM / RIGHT BOX	
p048	C100048	BRAKE FULCRUM / LEFT BOX	
p049	0181225	SCREW	
p050	1421230	WASHER	
p051	0920412	NUT	
p052	7V00118	PLASTIC PLUG	
p053	0920412	NUT	
p054	1421230	WASHER	
p055	1301079	EXTERNAL GUIDE	
p056	1301081	DISC 36X5	
p057	1800046	SPRING	
p058	1301082	FIFTH WHEEL	
p059	1301078	LOWER GUIDE	
p060	1110535	PIN	
p061	1110835	PIN	
p062	0920412	NUT	
p063	1421230	WASHER	



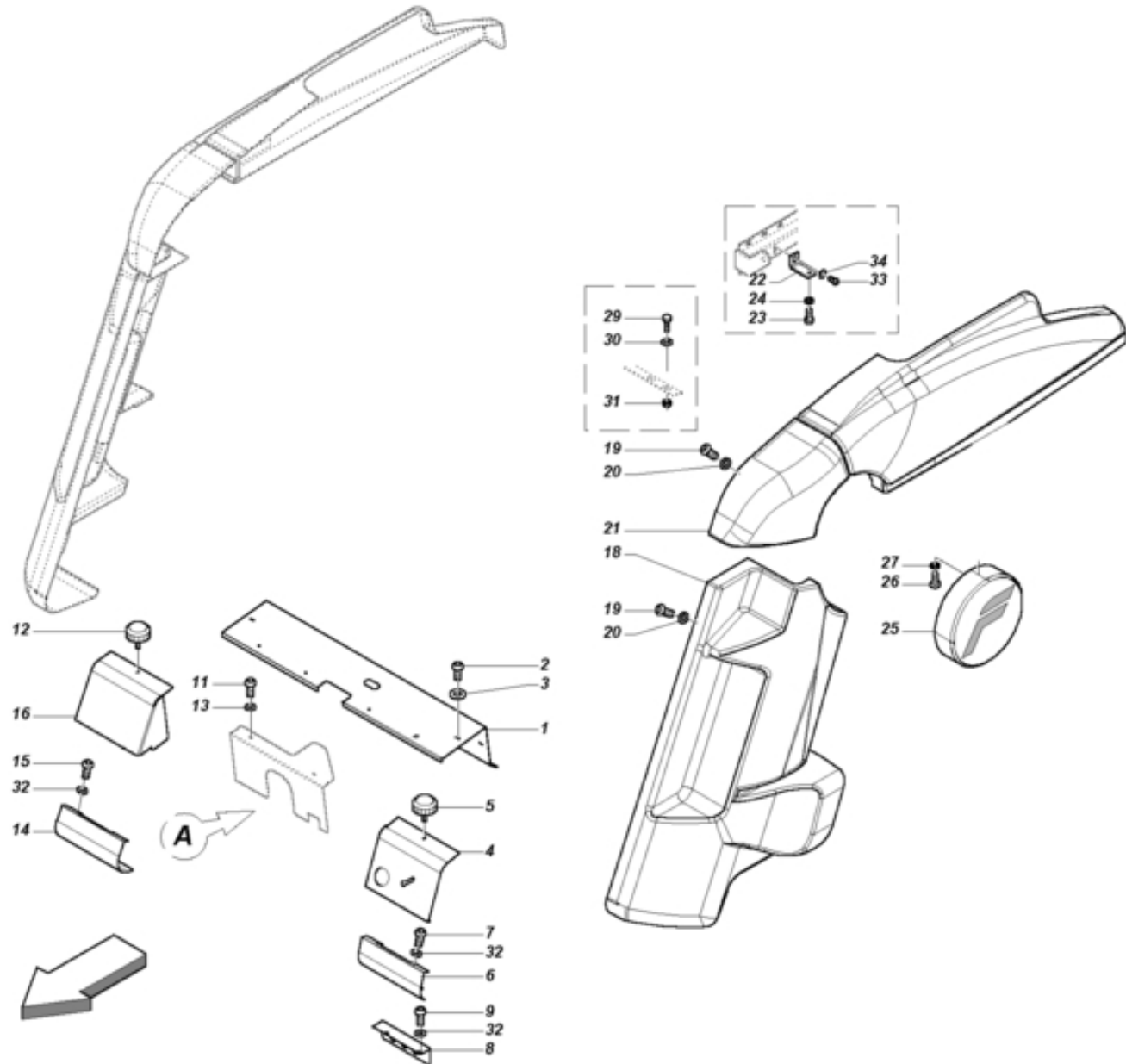
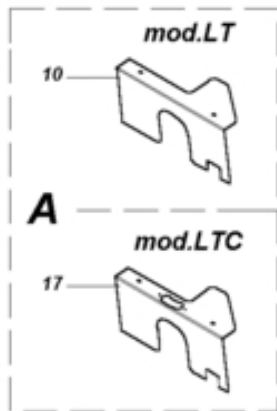
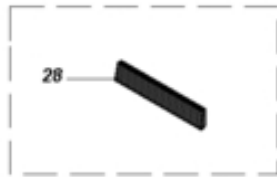


TAV\_P000115\_00

Item	Part Num.	Description	Item	Part Num.	Description
p001	4800000	NYLON TANK	p024	H000128	COPPER PIPE Ø4 L=1
p002	C004684	TANK ATTACHMENT	p025	1000012	RIVET
p003	0180620	SCREW	p026	H000102	UNILATERAL DISTRIBUTOR
p004	1420615	WASHER	p027	H600015	PLUG
p005	0920106	NUT	p028	H600016	UNION FOR PIPE Ø4RI
p006	H000239	NYLON HOSE	p029	H600013	DOUBLE CONE FOR PIPE
p007	H000022	FILTER MAXIFIS	p030	HE00003	TYPE E INJECTOR
p008	H000023	CONNECTION PIPE	p031	H600014	INJECTOR UNION FOR PIPE
p009	H400007	PISTON PUMPT	p032	H000129	COPPER PIPE Ø4 L=9
p010	C003928	LUBRICATION ATTACHMENT	p033	1000012	RIVET
p011	0400850	SCREW	p034	H000102	UNILATERAL DISTRIBUTOR
p012	H000132	NYLON PIPE Ø4 L=750	p035	HE00003	TYPE E INJECTOR
p013	E600021	CLAMP LUMEFIX	p036	H600013	DOUBLE CONE FOR PIPE
p014	E600026	CLAMP 8,8X9,3 HLS/A/HILLS	p037	H600014	INJECTOR UNION FOR PIPE
p015	H000240	NYLON HOSE	p038	1000012	RIVET
p016	H000134	NYLON PIPE Ø4 L=550	p039	H600016	UNION FOR PIPE Ø4RI
p017	H000133	NYLON PIPE Ø4 L=420	p040	H000129	COPPER PIPE Ø4 L=9
p018	H000102	UNILATERAL DISTRIBUTOR	p041	1000012	RIVET
p019	H600015	PLUG	p042	H000102	UNILATERAL DISTRIBUTOR
p020	H600016	UNION FOR PIPE Ø4RI	p043	H600015	PLUG
p021	H600013	DOUBLE CONE FOR PIPE	p044	H600016	UNION FOR PIPE Ø4RI
p022	HE00003	TYPE E INJECTOR	p045	H600013	DOUBLE CONE FOR PIPE
p023	H600014	INJECTOR UNION FOR PIPE	p046	HE00003	TYPE E INJECTOR

TAV\_P000115\_00

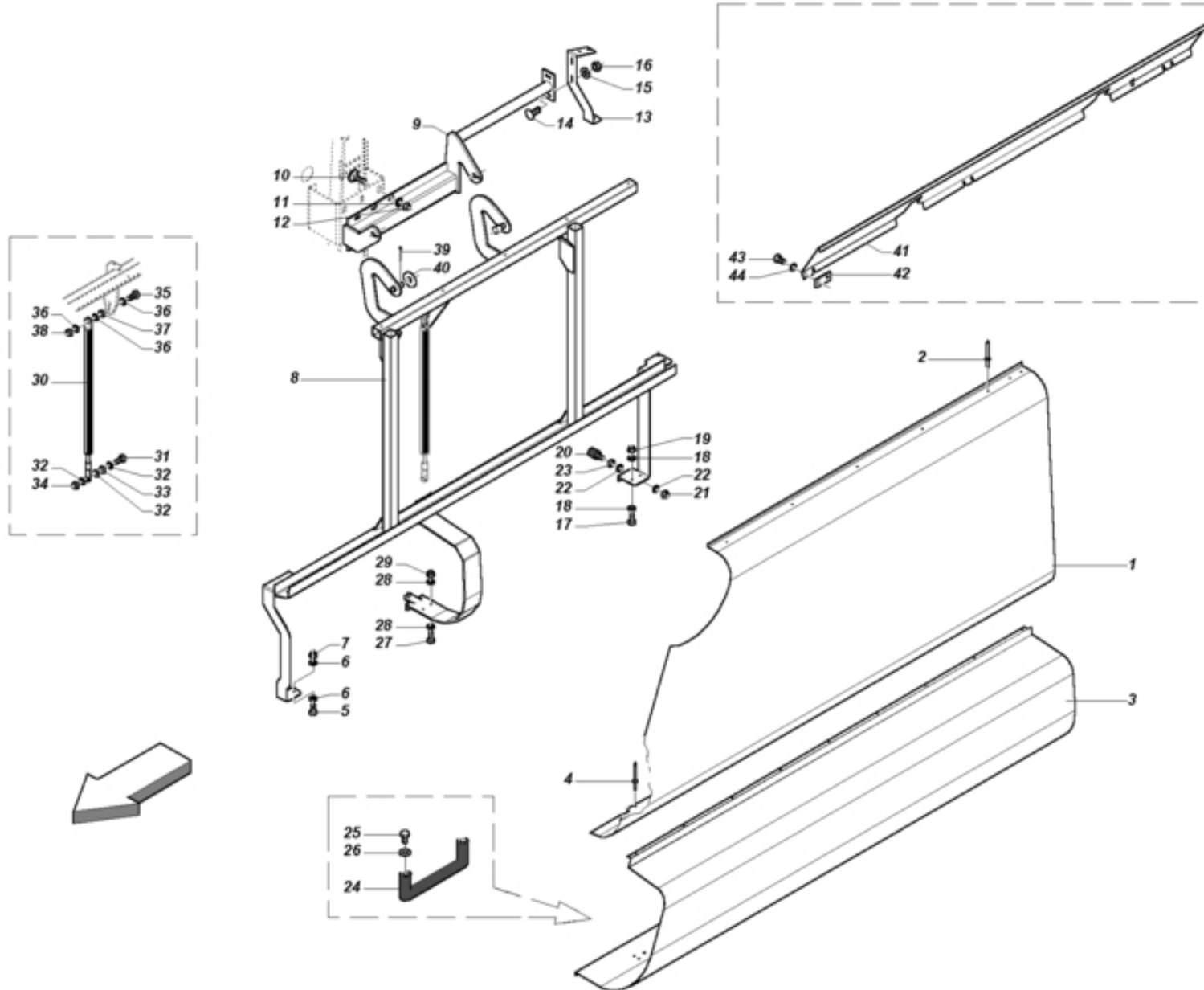
Item	Part Num.	Description	
p047	H600014	INJECTOR UNION FOR PIPE	
p048	H000129	COPPER PIPE Ø4 L=9	
p049	H000131	COPPER PIPE Ø4 L=1	
p050	4000056	OIL AGIP OSO 100 ( ISO-L-KM)	



TAV\_P000106\_00

Item	Part Num.	Description	Item	Part Num.	Description
p001	C004454	HIGHER PROTECTION	p022	C005196	UPPER GUARD SUPPORT
p002	0470820	SCREW	p023	04N0820	SCREW
p003	1430820	WASHER	p024	1420820	WASHER
p004	C3P0026	LT DOOR	p025	7V00104	BUTTON
p005	7V00106	KNOB WHEEL	p026	0180520	SCREW
p006	C005254	LEFT LOWER CLOSURE	p027	1430520	WASHER
p007	0470620	SCREW	p028	7VP0011	HOLE PROTECTION
p008	C004370	LOWER CLOSURE	p029	0190835	SCREW
p009	0470620	SCREW	p030	1420820	WASHER
p010	C004952	CENTRAL GUARD	p031	0920208	NUT
p011	0470815	SCREW	p032	1420615	WASHER
p012	7V00106	KNOB WHEEL	p033	04N0820	SCREW
p013	1420615	WASHER	p034	1420820	WASHER
p014	C004622	RIGHT LOWER CLOSURE			
p015	0470620	SCREW			
p016	C005160	RIGHT DOOR WITHOUT HOLE			
p017	C004626	CUT CENTRAL GUARD			
p018	7VP0007	RIGHT FRONT COIN LT			
p018	7VP0008	LEFT FRONT COIN LT			
p019	04N0820	SCREW			
p020	7V00119	WASHER HD 8,5X24X2			
p021	7VP0005	RIGHT CAP LT			
p021	7VP0006	LEFT CAP LT			

TAV\_P000107\_01



TAV\_P000107\_01

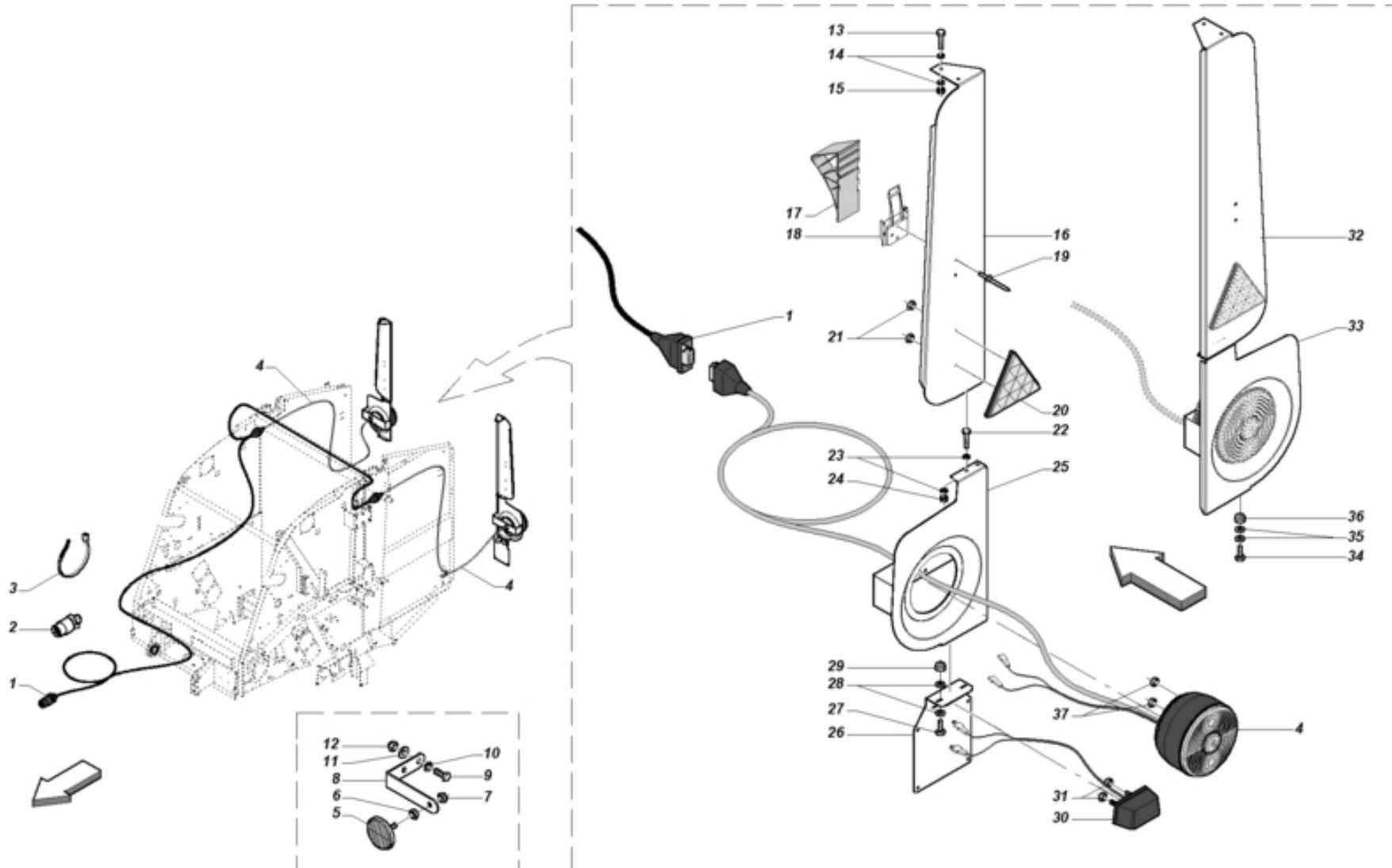
Item	Part Num.	Description	Item	Part Num.	Description
p001	C004650	RIGHT CARTER BODY 265	p019	0920106	NUT
p001	C004649	LEFT CARTER BODY 265	p020	1800082	RUBBER BUSHING Ø30X30-M8X20
p002	1000010	RIVET	p021	0920208	NUT
p003	C004694	LEFT ROLLER BOX 265	p022	1420820	WASHER
p003	C004695	RIGHT ROLLER BOX 265	p023	0710208	NUT
p004	1000011	RIVET	p024	7V00117	HANDLE 01M20120D (FROM THENAR COMP)
p005	0180620	SCREW	p025	0180815	SCREW
p006	1420615	WASHER	p026	1420820	WASHER
p007	0920106	NUT	p027	0180620	SCREW
p008	7SP0071	LT RIGHT GUARD FRAME	p028	1420615	WASHER
p008	7SP0070	LT LEFT GUARD FRAME	p029	0920106	NUT
p009	7SP0069	LT RIGHT GUARD ATTACHMENT	p030	H100003	GAS SPRING 1900N
p009	7SP0068	LT LEFT GAURD ATTACHMENT	p031	0191050	SCREW
p010	0523421	SPECIAL SCREW	p032	1421025	WASHER
p011	1421230	WASHER	p033	0710310	NUT
p012	0920412	NUT	p034	0545790	SELF-LOCKING NUT
p013	C005040	RIGHT CAP SUPPORT	p035	0191050	SCREW
p013	C005039	CAP LEFT SUPPORT	p036	1421025	WASHER
p014	0320825	SCREW	p037	0710310	NUT
p015	1430820	WASHER	p038	0545790	SELF-LOCKING NUT
p016	0920208	NUT	p039	1150330	GALV PIN
p017	0180620	SCREW	p040	1431635	WASHER
p018	1420615	WASHER	p041	C3P0046	GUARD LT LEFT INNER PROTECTION



TAV\_P000107\_01

Item	Part Num.	Description	
p041	C3P0047	GUARD RIGHT INNER PROTECTION - LT	
p042	C6P0112	INNER PROTECTION SUPPORT	
p043	0180625	SCREW	
p044	1420615	WASHER	





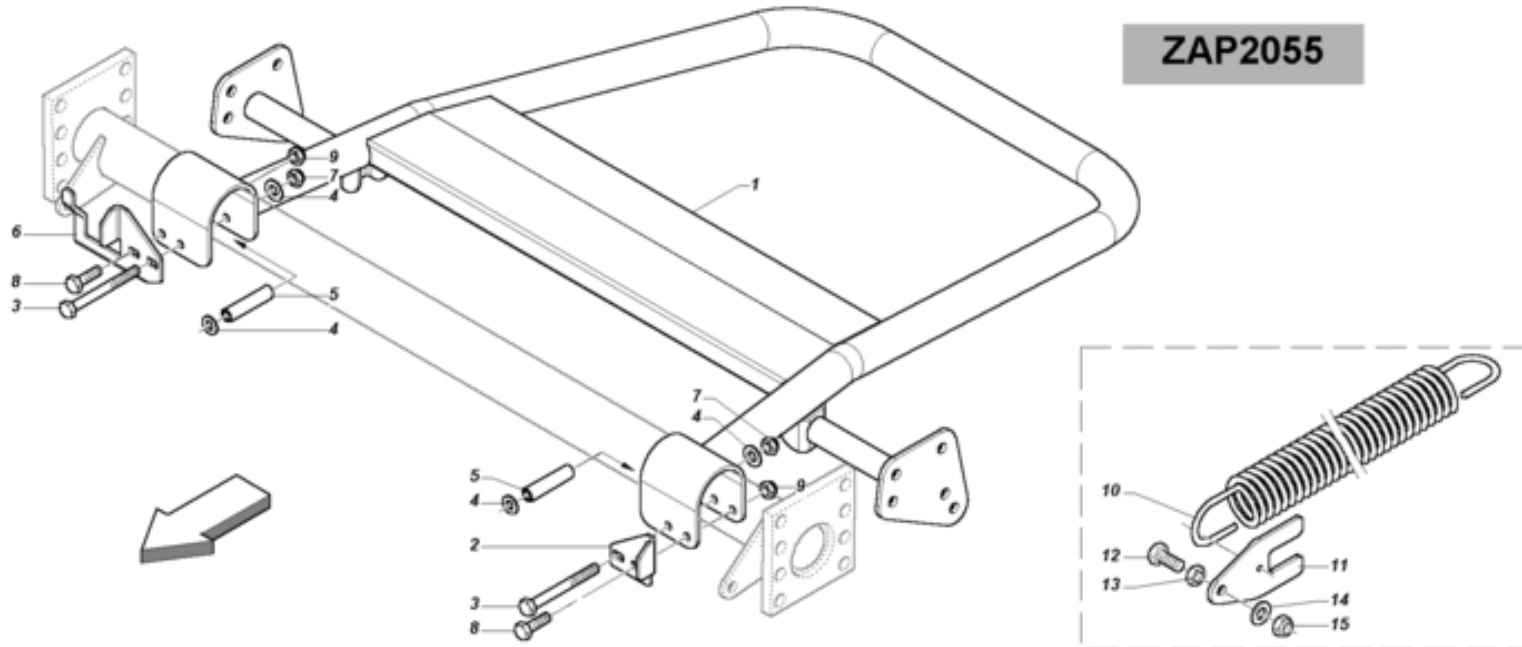
Item	Part Num.	Description	Item	Part Num.	Description
p001	E000137	7-POLES PLUG AND WIRING HARNESS	p024	0920106	NUT
p002	E000011	7 POLE PLUG 12 V	p025	7S01635	LEFT LIGHT ATTACHMENT
p003	E600021	CLAMP LUMEFIX	p026	C005037	PLATE HOLDER
p004	E000136	EXTREME BACK LAMP	p027	0180620	SCREW
p005	E000026	WHITE ROUND RETROREFLECTOR	p028	1420615	WASHER
p006	0710005	NUT	p029	0920106	NUT
p007	0920005	NUT	p030	E000138	EXTREME REAR PLATE LIGHT
p008	C6P0034	REFLEX REFLECTO SUPPORT	p031	0920005	NUT
p009	0180620	SCREW	p032	C005019	RIGHT UPPER LOCK
p010	1420615	WASHER	p033	7S01634	RIGHT LIGHT ATTACHMENT
p011	1430620	WASHER	p034	0180620	SCREW
p012	0920106	NUT	p035	1420615	WASHER
p013	0180620	SCREW	p036	0920106	NUT
p014	1420615	WASHER	p037	0920005	NUT
p015	0920106	NUT			
p016	C004999	LEFT UPPER LOCK			
p017	7V00070	WHEEL CHOCK			
p018	7V00071	CHOCK SUPPORT TYPE HA20K			
p019	1000011	RIVET			
p020	E000025	RED TRIANGULAR RETROREFLECTOR			
p021	0920106	NUT			
p022	0180625	SCREW			
p023	1420615	WASHER			

TAV\_P000117\_01

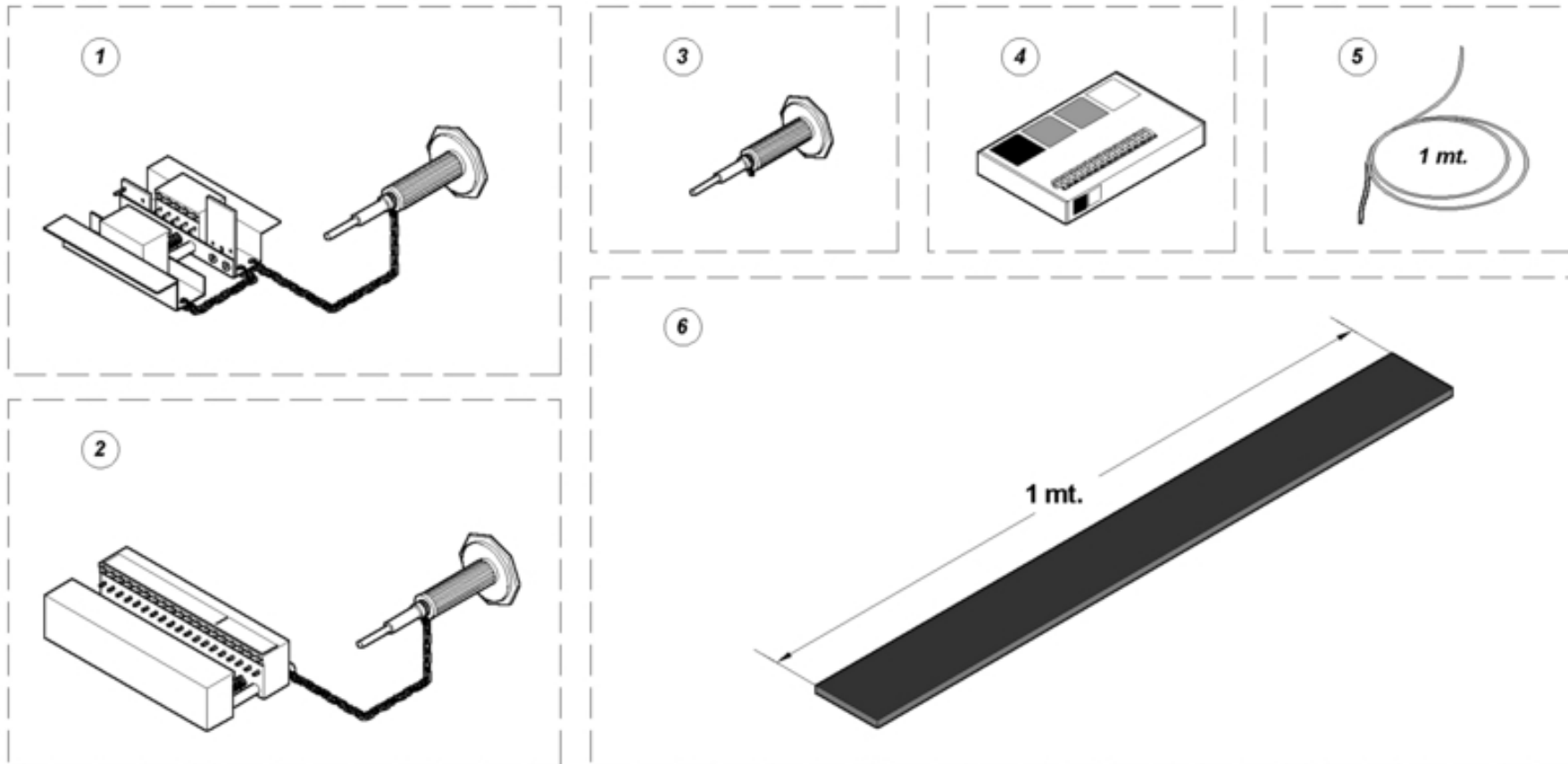
ZAP2056



ZAP2055



Item	Part Num.	Description	
p001	7S01806	EJECTOR	
p002	C6P0006	REGULATOR	
p003	0191295	SCREW	
p004	1421230	WASHER	
p005	1301061	SPACER	
p006	C6P0005	COUNTER SENSOR	
p007	0920412	NUT	
p008	0181230	SCREW	
p009	0920412	NUT	
p010	1800090	SPRING	
p011	C6P0113	EJECTOR PLATE	
p012	0181650	SCREW	
p013	0710516	NUT	
p014	1421630	WASHER	
p015	0920516	NUT	
p016	C6P0004	EJECTOR SENSOR COUPLING	
p017	0180820	SCREW	
p018	1420820	WASHER	
p019	E0P0013	DIGITAL SENSOR WITH PROXIMITY	

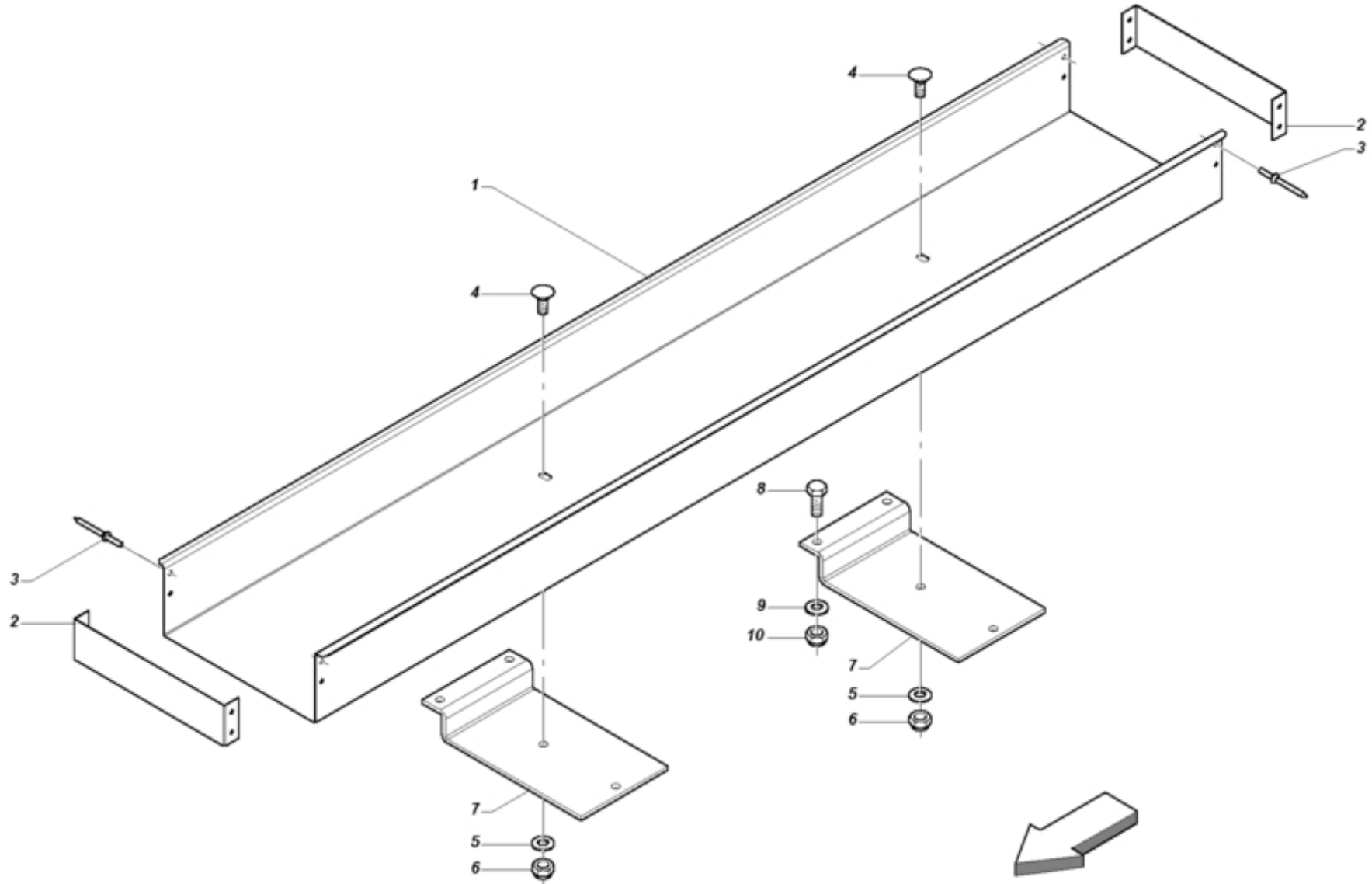




TAV\_P000050\_00-LT

Item	Part Num.	Description	
p001	ZAP0025	MATO PROFI 5 BELT LACER	
p002	ZAP0026	"PROFI 19" BELT LACER	
p003	7U00049	PUNCH	
p004	9940019	MATO LACINGS BO	
p005	7600075	CONNECTING BELT	
p006	76P0003	CONTITECH BELT	

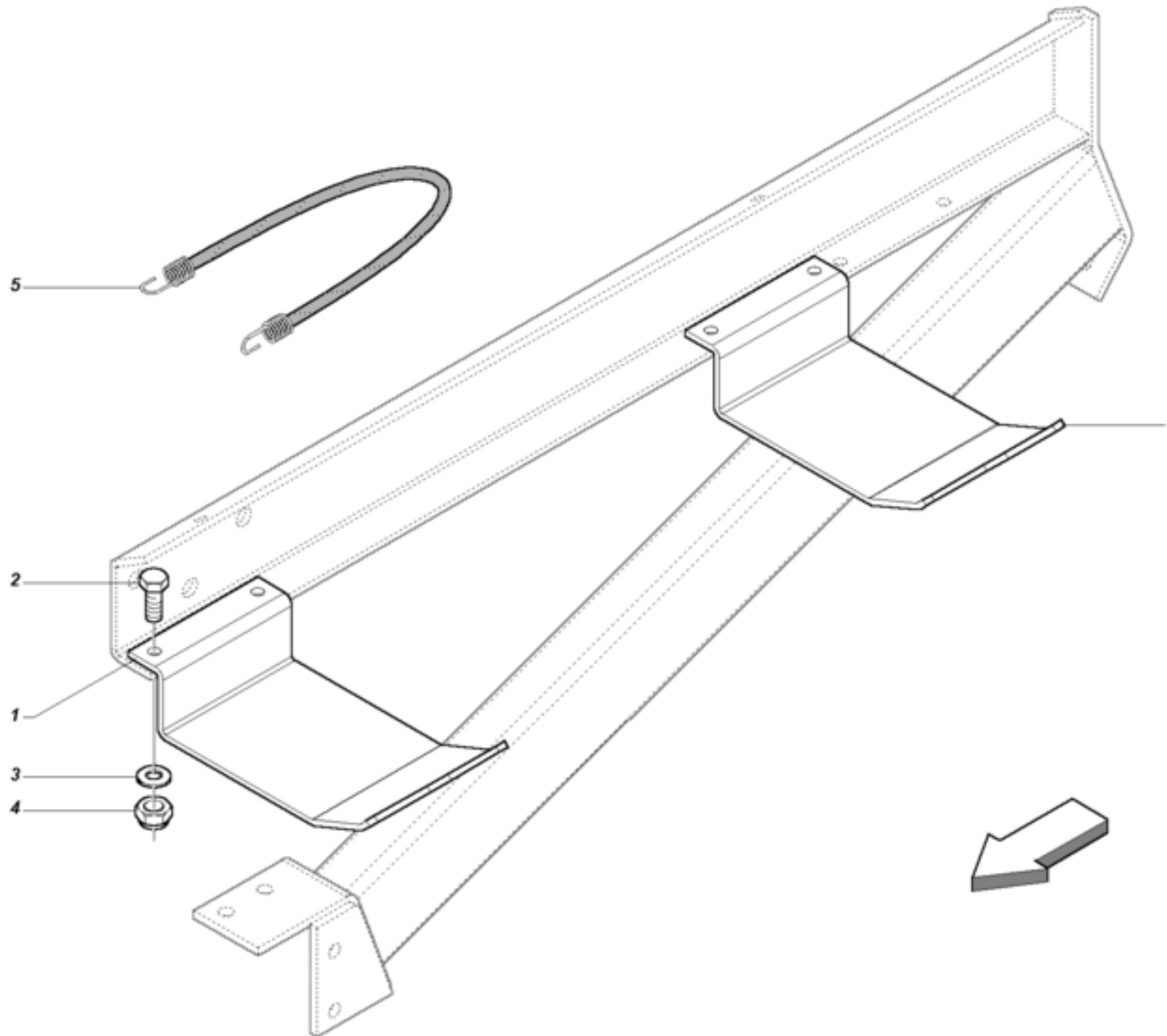
TAV\_P000051\_01



TAV\_P000051\_01

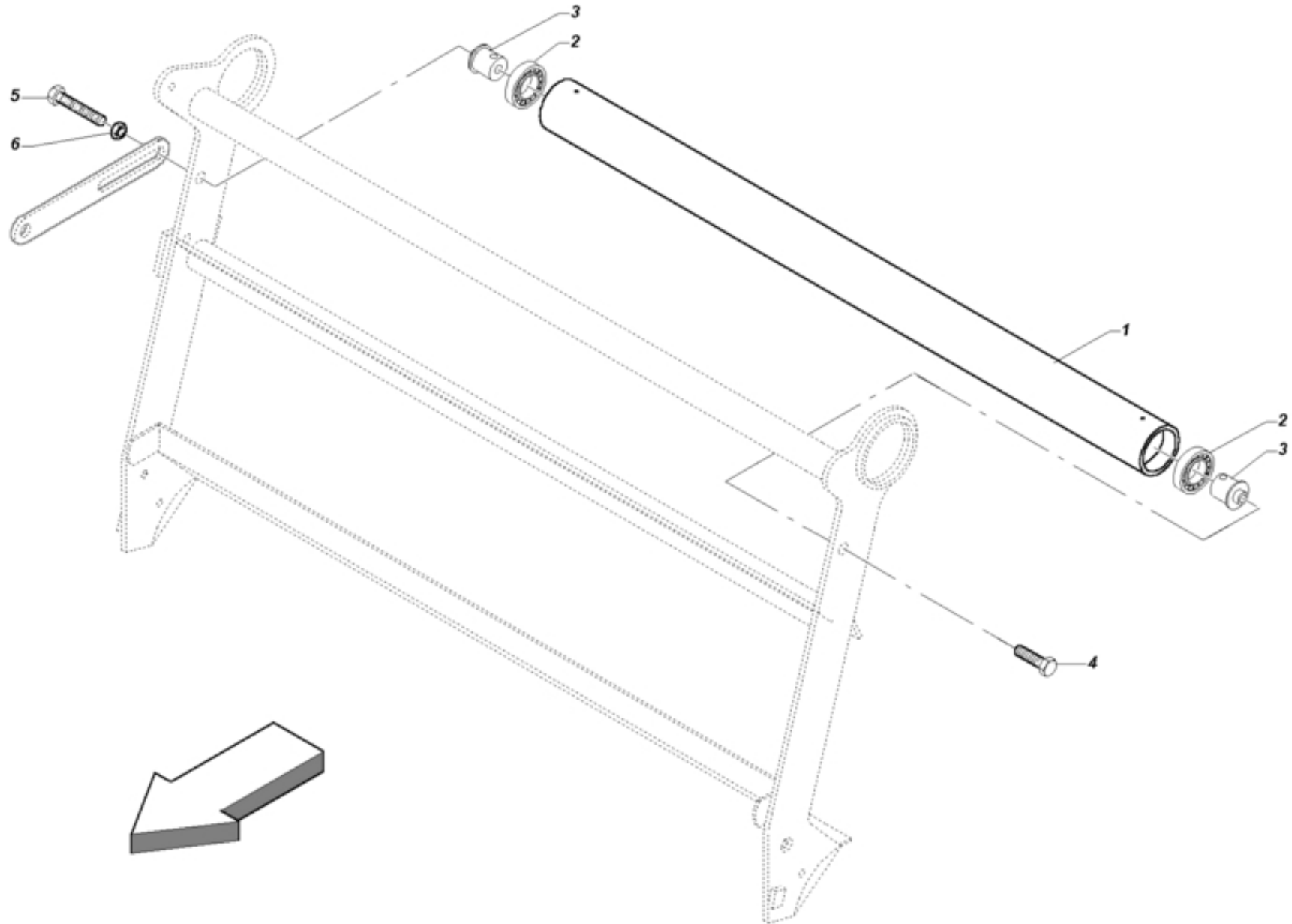
Item	Part Num.	Description	
p001	C005015	ADDITIONAL BOX	
p002	C005014	TERMINAL LOCK	
p003	1000010	RIVET	
p004	0321020	SCREW	
p005	1421025	WASHER	
p006	0545790	SELF-LOCKING NUT	
p007	C004685	TWINE BOX HOLDER	
p008	0181030	SCREW	
p009	1421025	WASHER	
p010	0545790	SELF-LOCKING NUT	





Item	Part Num.	Description	
p001	C100013	NET SUPPORT	
p002	0181030	SCREW	
p003	1421025	WASHER	
p004	0545790	SELF-LOCKING NUT	
p005	7V00107	ELASTIC CABLE WITH HOOKS	

TAV\_P000054\_00

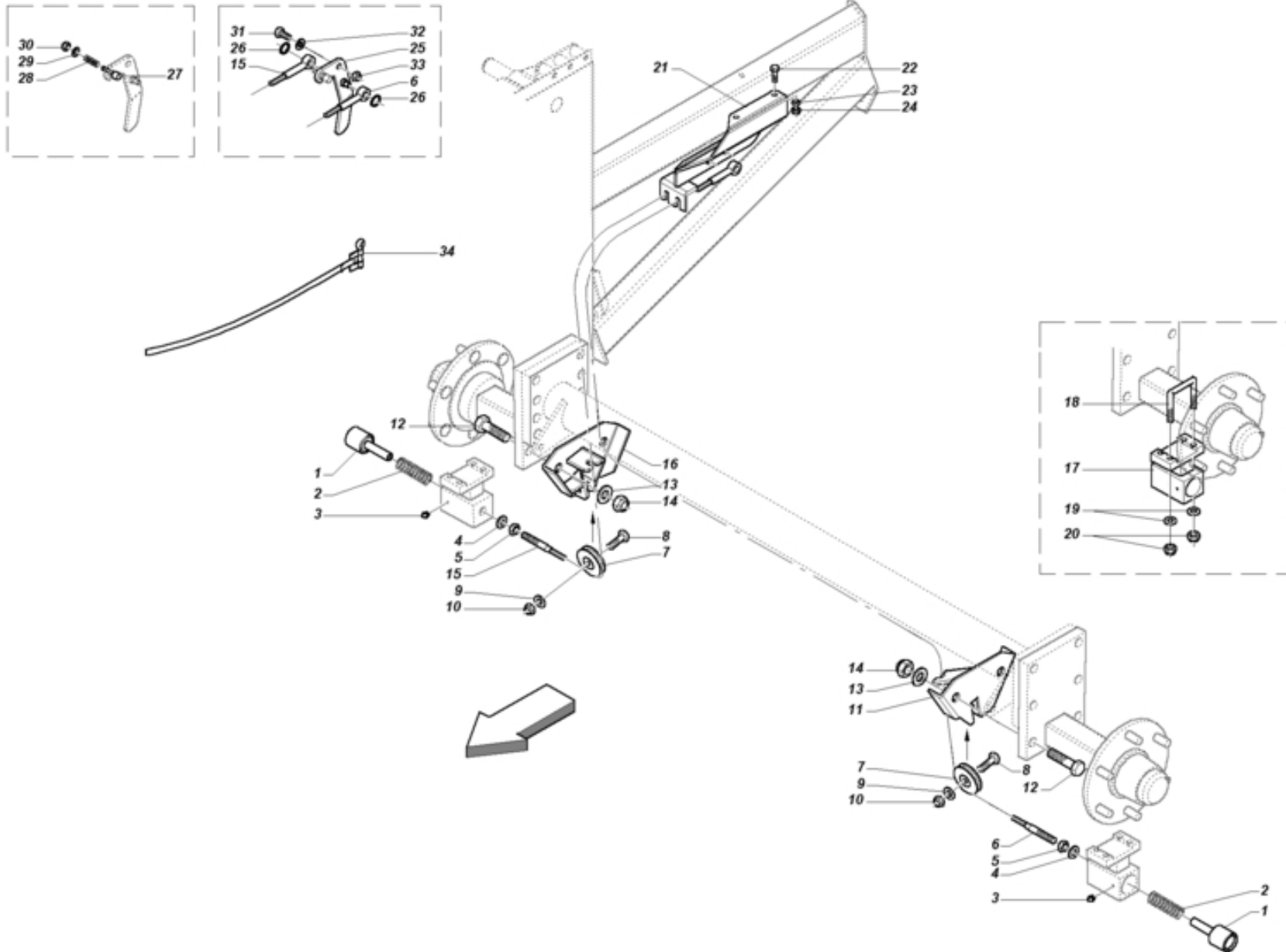




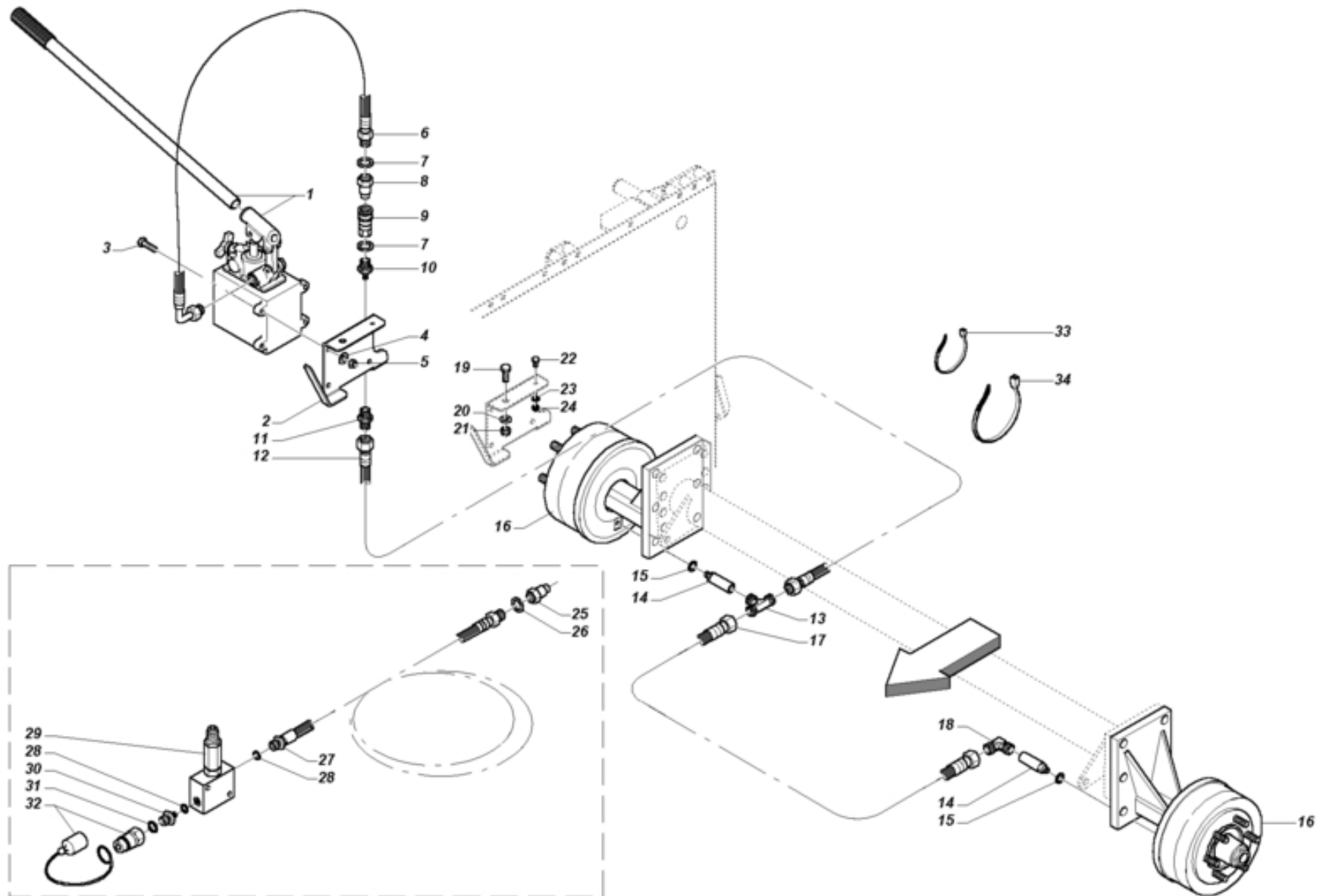
TAV\_P000054\_00

Item	Part Num.	Description	
p001	3500048	IDLE ROLLER	
p002	2040002	BEARING	
p003	3500047	IDLE ROLLER GUDGEON	
p004	0181235	SCREW	
p005	0181290	SCREW	
p006	0710412	NUT	

TAV\_P00055\_00



Item	Part Num.	Description	Item	Part Num.	Description
p001	13P0003	PIN	p024	0545790	SELF-LOCKING NUT
p002	1830231	SPRING	p025	7SP0007	HANDLE WITH PIN
p003	4200610	GREASE NIPPLE	p026	1700010	SEEGER RING
p004	1431020	WASHER	p027	05P0001	SAFETY PIN
p005	0710310	NUT	p028	1821993	SPRING
p006	7J00011	CONTROL CABLE DIAM. 4	p029	1430820	WASHER
p007	38P0001	PULLEY FOR ROPE	p030	0920208	NUT
p008	0191050	SCREW	p031	0191240	SCREW
p009	1421025	WASHER	p032	1421230	WASHER
p010	0545790	SELF-LOCKING NUT	p033	0920412	NUT
p011	7SP0006	LEFT PULLEY ATTACHMENT	p034	E000061	STEEL HOSE CLAMP
p012	0192060	SCREW			
p013	1422035	WASHER			
p014	0920620	NUT			
p015	7J00010	CONTROL CABLE DIAM. 4			
p016	7SP0005	RIGHT PULLEY ATTACHMENT			
p017	7SP0004	SLIDER SUPPORT			
p018	0500081	U-BOLT 60X60 M12			
p019	1421230	WASHER			
p020	0920412	NUT			
p021	7SP0008	HANDLE ATTACHMENT			
p022	0191040	SCREW			
p023	1421025	WASHER			



Item	Part Num.	Description	Item	Part Num.	Description
p001	H400107	HAND PUMP HPT12C	p024	0920106	NUT
p002	C4P0002	MANUAL PUMP SUPPORT	p025	H000207	FAST CLUTCH 1/4 MALE
p003	0190830	SCREW	p026	1441015	ALUMINIUM OR BRASS WASHER 10X15
p004	1420820	WASHER	p027	H0P0001	HYDRAULIC HOSE L=5500
p005	0920208	NUT	p028	1441815	WASHER
p006	H000206	HYDRAULIC HOSE WITH FITTING L=410	p029	H000143	REDUCTION VALVE
p007	1441015	ALUMINIUM OR BRASS WASHER 10X15	p030	H6000AB	NIPPLE
p008	H000207	FAST CLUTCH 1/4 MALE	p031	1442015	WASHER
p009	H000208	FAST CLUTCH 1/4 FEMALE	p032	H6000A0	QUICK CLUTCH
p010	H000284	"I" FITTING TN 126GG-10LR	p033	E600021	CLAMP LUMEFIX
p011	H000153	CONNECTION	p034	E600022	CLAMP LUMEFIX
p012	H000033	HYDR. TUBE			
p013	H000144	UNION TEE 10			
p014	H000162	FITTING SLEEVE			
p015	1441415	WASHER			
p016	7100031	HUB WITH BRAKE			
p017	H000091	FLEXIBLE TUBE SAE 100 R1AT			
p018	H000086	UNION "L"10			
p019	0181025	SCREW			
p020	1421025	WASHER			
p021	0545790	SELF-LOCKING NUT			
p022	0180625	SCREW			
p023	1420615	WASHER			



① *Extreme*

② *265*

③ *LT*

④ *LTC*

⑤ **F**

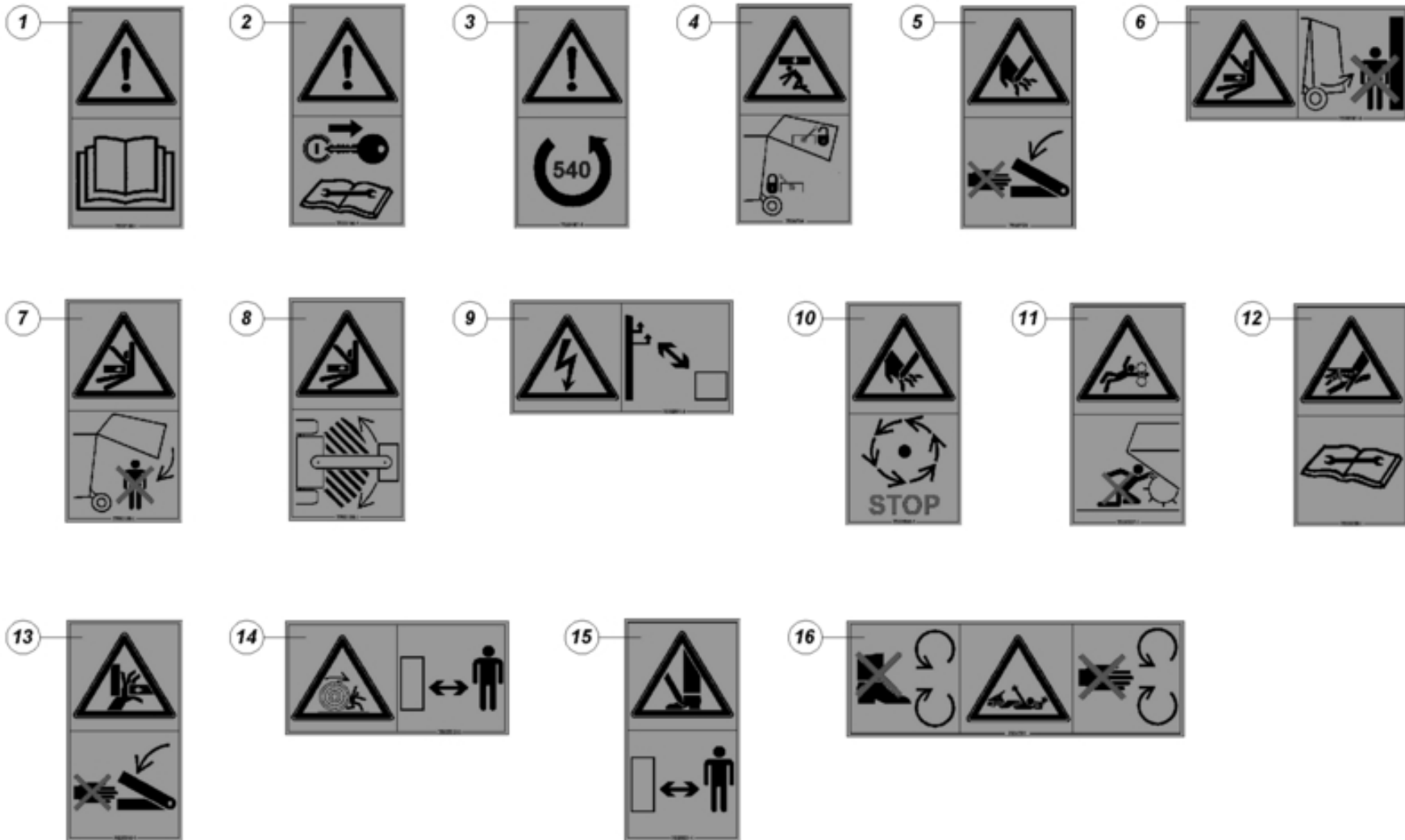
⑥   
FERABOLI

⑦   
FERABOLI

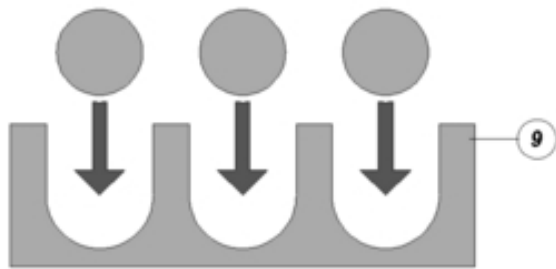


TAV\_P000141\_00

Item	Part Num.	Description	
p001	7500732		
p002	75P0042		
p003	75P0043		
p004	75P0044		
p005	7500744		
p006	75P0045		
p007	75P0046		



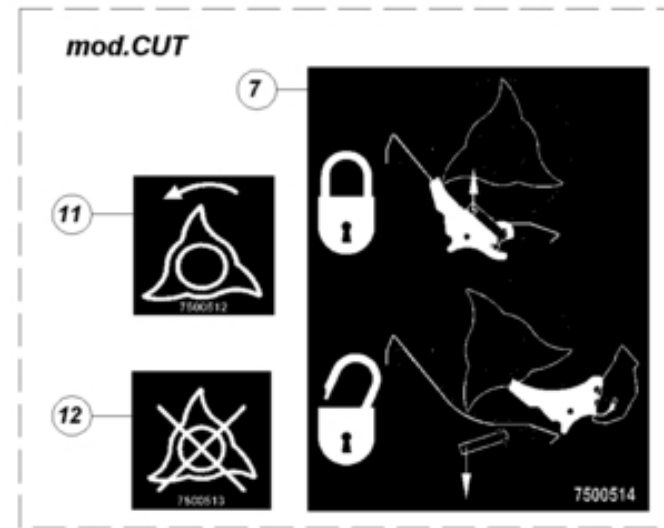
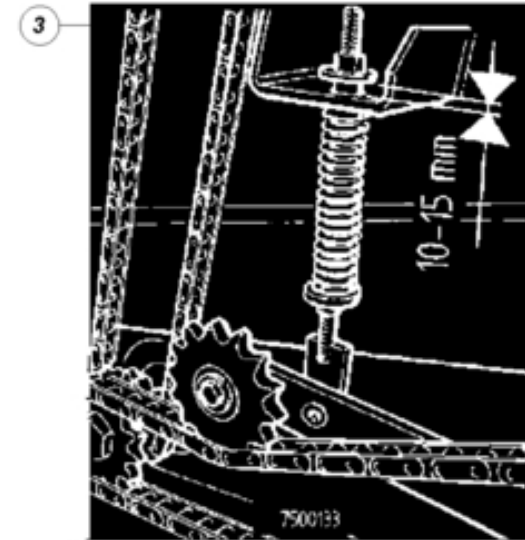
Item	Part Num.	Description	
p001	7500185	DECAL (SEE OPERATOR' S MANUAL)	
p002	7500186	DECAL "TAKE THE WRENCH AWAY"	
p003	7500187	DECAL "540RPM - LEFT BURR"	
p004	7500724		
p005	7500726		
p006	7500197	"SQUEEZED MAN " DECAL	
p007	7500198	"SQUEEZED MAN" DECAL	
p008	7500199	DECAL "SQUEEZED PERSON"	
p009	7500201	ELECTRIC SHOCK DECAL	
p010	7500203	DECAL "HAND CUT _ STOP"	
p011	7500207	"TRAPPED MAN" DECAL	
p012	7500208	DECAL "OIL UNDER PRESSURE HAND	
p013	7500210	DECAL "SQUEEZED HAND _ ORGANS"	
p014	7500212	"SQUEEZED MAN-BALE" DECAL	
p015	7500221	"WARNING CUT FEET" DECAL	
p016	7500781	"DANGER PTO SHAFT" DECAL	



6

<b>I</b> <b>IMPORTANTE</b> NON USARE CETTI AD ELEVATE PRESSIONI VICINO ALLE PARTI MECCANICHE SI POSSONO CAUSARE DANNI.	<b>ENG</b> <b>IMPORTANT</b> DO NOT USE HIGH PRESSURE JETS NEAR MECHANICAL PARTS, AS DAMAGES CAN BE CAUSED.
<b>F</b> <b>IMPORTANTE</b> NE PAS UTILISER DES JETS A PRESSION ELEVÉE PRES DE PARTIES MECCANQUES, ON PEUT CAUSER DES DOMMAGES.	<b>D</b> <b>WICHTIG</b> HOCHDRUCKSTRAHLE NEBEN MECHANISCHEN TEILEN NICHT VERWENDEN, DA SCHADEN VERURSACHT WERDEN KÖNNTEN.

T500211





TAV\_P000139\_00

Item	Part Num.	Description	
p001	7500750		
p002	7500733		
p003	7500133	DECAL "AUTOMATIC TIGHTNER"	
p004	7500214	DECAL "GREASE SQUIRT"	
p005	7500216	DECAL "HOOK"	
p006	7500217	DECAL "DO NOT USE SPOUTS"	
p007	7500514	DECAL "KNIVES LOCK./UNBLOCK."	
p008	7500748		
p009	7500749	HYDRAULIC LINKAGE DECAL	
p010	75P0018		
p011	7500512	DECAL "ROTOR GEARSHIFT"	
p012	7500513	DECAL "IDLE ROTOR"	



**USATE SEMPRE RICAMBI ORIGINALI  
ALWAYS USE ORIGINAL SPARE PARTS  
IMMER DIE ORIGINAL-ERSATZTEILE VERWENDEN  
EMPLOYEZ TOUJOURS LES PIECES DE RECHANGE ORIGINALES  
UTILIZAR SIEMPRE REPUESTOS ORIGINALES**

# **FERABOLI**

***Servizio Assistenza Tecnica - After Sales Service***

**+39 0372 564650**

***Servizio Ricambi - Spare Parts Service***

**+39 0372 564690**

DEALER:



## **FERABOLI**

**Off. Mecc. Ing. A. FERABOLI S.p.A.**  
Via Bredina, 6 - 26100  
Cremona - Italy  
Tel. +39 0372 564610  
Fax +39 0372 564625  
info@feraboli.com  
www.feraboli.com

**FERABOLI CIS Moscow Office**  
Ostapovsky proezd 5 of 104/107  
109316 Moscow City - Russian Federation  
Tel. +7 495 7818634  
Fax +7 495 7812460  
info@feraboli.ru

**MASCHIO GASPARDO  
Poland sp z.o.o.**  
Ul. Wapienna 6/8 - 87 - 100 Torun Poland  
Tel. +48 56 6506051  
Fax +48 56 6506053  
www.gaspardo.pl

**MASCHIO FRANCE Sarl**  
1, Rue de Mérignan ZA  
F - 45240 La Ferte St. Aubin  
France  
Tel. +33 (0) 2.38.64.12.12  
Fax +33 (0) 2.38.64.66.79  
info@maschio.fr

**MASCHIO-GASPARDO ROMANIA S.R.L.**  
Strada Înfrăţirii, F.N.  
315100 Chisineu-Cris (Arad) - România  
Tel. +40 257 307030  
Fax +40 257 307040  
info@maschio.ro

**MASCHIO GASPARDO NORTH AMERICA, Inc.**  
112 3rd Avenue East  
Dewitt IA 52742 - USA  
Tel. +1 563 6596400  
Fax +1 563 6596405  
info@maschio.us

**MASCHIO-GASPARDO IBERICA S.L.**  
**MASCHIO DEUTSCHLAND GMBH**  
**MASCHIO-GASPARDO UCRAINA**  
**GASPARDO-MASCHIO TURCHIA**  
**MASCHIO-GASPARDO CINA**  
**MASCHIO-GASPARDO INDIA**