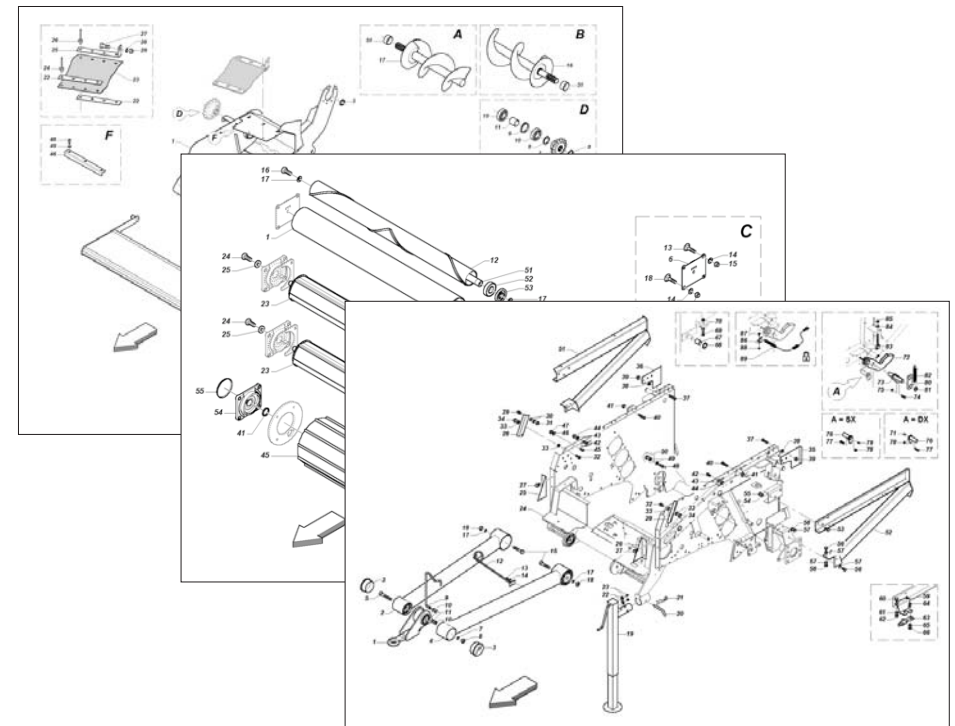


FERABOLI



EXTREME 265 LT

Cod: B0D5P0025 2005-01

- *) Valido per Paesi UE
- *) Valid for EU member countries
- *) Valable dans les Pays UE
- *) Gilt für EU-Mitgliedsländer
- *) Válido para Países UE

- IT** PARTI DI RICAMBIO
- EN** SPARE PARTS
- DE** ERSATZTEILE
- FR** PIÈCES DÉTACHÉES
- ES** PIEZAS DE REPUESTO

PARTI DI RICAMBIO

Le ordinazioni delle parti di ricambio vanno fatte presso i nostri concessionari di zona e devono essere sempre corredate dalle seguenti indicazioni:

- **Tipo, modello e numero di matricola dell'attrezzatura.** Tali dati sono stampigliati nell'apposita targhetta di cui è dotata ogni attrezzatura.

- **Numero di codice della parte richiesta** rilevabile dal catalogo ricambi.

- **Descrizione del particolare e quantità richiesta.**

- **Numero della tavola.**

- **Mezzo di trasporto.** Nel caso questa voce non sia specificata, la Ditta Costruttrice, pur dedicando a questo servizio una particolare cura, non risponde di eventuali ritardi di spedizione dovuti a cause di forza maggiore.

Le spese di trasporto si intendono sempre a carico del destinatario. La merce viaggia a rischio e pericolo del committente anche se venduta franco destino.

NOTA: Il termine **(Dx) Destro** o **(Sx) Sinistro** della macchina o di parti di essa, è inteso guardando la macchina dalla parte posteriore. Le eccezioni saranno indicate.

SPARE PARTS

Orders must be transmitted through our area dealers and should always include the following indications:

- **Type, model and serial number of the machine.** *These data are punched on the data plate with which every implement is equipped.*

- **Code number of the required spare part.** *This will be found in the spare parts catalogue.*

- **Description of the part and required quantity.**

- **Table number.**

- **Means of dispatch.** *If this item is not indicated, the Manufacturer, while dedicating particular care to this service, shall not be held responsible for delays in delivery caused by cases of force majeure.*

Transport expenses shall always be at the consignee's charge. The goods travel at the purchaser's risk and peril even when sold ex destination.

NOTE: *The symbols (Dx) right and (Sx) left, concerning the machine or single parts of it, are referred, as in the figure, to a rear view of them. Exceptions will be indicated.*

ERSATZTEILE

Die Bestellungen müssen bei unseren Gebietshändlern aufgegeben werden. Bei der Bestellung sind stets die folgenden Angaben zu machen:

- **Typ, Modell und Serien-Nummer des Geräts.** Diese Daten stehen auf dem Typenschild, mit dem jedes Gerät versehen ist.

- **Artikel Nr. der erforderlichen Ersatzteile.** Diese stehen im Ersatzteil-Katalog.

- **Beschreibung des Ersatzteils und die erforderliche Stückzahl.**

- **Tafelnummer.**

- **Versandmittel.** Wenn dieser Punkt nicht spezifiziert wird, haftet die Herstellerfirma nicht für etwaigen Lieferverzug aufgrund höherer Gewalt, auch wenn er diesen Service besonders aufmerksam abwickelt.

Die Frachtkosten gehen dagegen immer zu Lasten des Empfängers. Die Ware reist auf Gefahr und Risiko des Auftraggebers, auch wenn frei Haus Verkauft vereinbart worden ist.

N.B.: Die Merkzeichen **(Dx) rechts** und **(Sx) links** betreffen eine rückwärtige Aussicht der Maschine oder Teile von ihr (siehe Bild). Ausnahmen werden gezeit.

PIECES DÉTACHÉES

Les ordres doivent être effectués auprès de nos concessionnaires de zone en précisant les indications suivantes:

- **Type, modèle et numéro de série de la machine.** *Ces données sont gravées sur la plaque d'identification de chaque outil.*

- **Numéro de code de la pièce détachée** *indiqué sur le catalogue des pièces détachées.*

- **Description de la pièce et quantité requise.**

- **Numéro de plan.**

- **Moyen d'expédition.** *Si cette rubrique n'est pas indiquée, le Constructeur, bien que soucieux de ce service, ne répond pas des retards d'expédition pour des causes de force majeure.*

Les frais de transport sont toujours à la charge du destinataire. La marchandise voyage aux risques et périls de l'acheteur même si vendue franco de port.

N.B.: *Les références (Dx) droit et (Sx) gauche de la machine ou des parties de la même, est entendue, comme de la figure, en regardant la machine de derriere dans le sens de marche.*

RESPUESTOS

Los pedidos han de efectuarse en nuestros concesionarios de zona y deben incluir siempre las siguientes indicaciones:

- **Tipo, modelo y número de matrícula del equipo.** Dichos datos están impresos en la relativa placa presente en el equipo.

- **Número de código de la parte requerida** presente en el catálogo respuestas.

- **Descripción de la pieza y cantidad requerida.**

- **Numero de ilustración.**

- **Medio de transporte.** En caso que este ítem no esté especificado, el Fabricante, aún prestando la debidas consideraciones para este aspecto, no responde por eventuales retardos de env'o debidos a causas de fuerza mayor.

Los gastos de transporte se consideran siempre a cargo del destinatario. La mercadería viaja bajo riesgo y peligro del comprador, incluso cuando se vende franco destino.

N.B.: La referencia **(Dx) derecha** o **(Sx) izquierda** de la máquina o de sus componentes, se entiende, como en la figura, mirando la máquina por la parte trasera. Se indicarán las excepciones.

INDEX

N° Table

TAV_P000102_00
TAV_P000104_01
TAV_P000108_01
TAV_P000116_00
TAV_P000006_01
TAV_P000100_00
TAV_P000122_00
TAV_P000098_01
TAV_P000099_00-1
TAV_P000105_00
TAV_P000013_00
TAV_P000111_01
TAV_P000112_01
TAV_P000113_01
TAV_P000124_01
TAV_P000114_01
TAV_P000103_00
TAV_P000140_00
TAV_P000129_00
TAV_P000029_04
TAV_P000121_01
TAV_P000109_00
TAV_P000057_02
TAV_P000123_00
TAV_P000034_00
TAV_P000115_00
TAV_P000106_00
TAV_P000107_01
TAV_P000043_00
TAV_P000117_01
TAV_P000050_00-LT
TAV_P000051_01
TAV_P000052_00
TAV_P000054_00
TAV_P000062_00
TAV_P000141_00
TAV_P000138_00
TAV_P000139_00

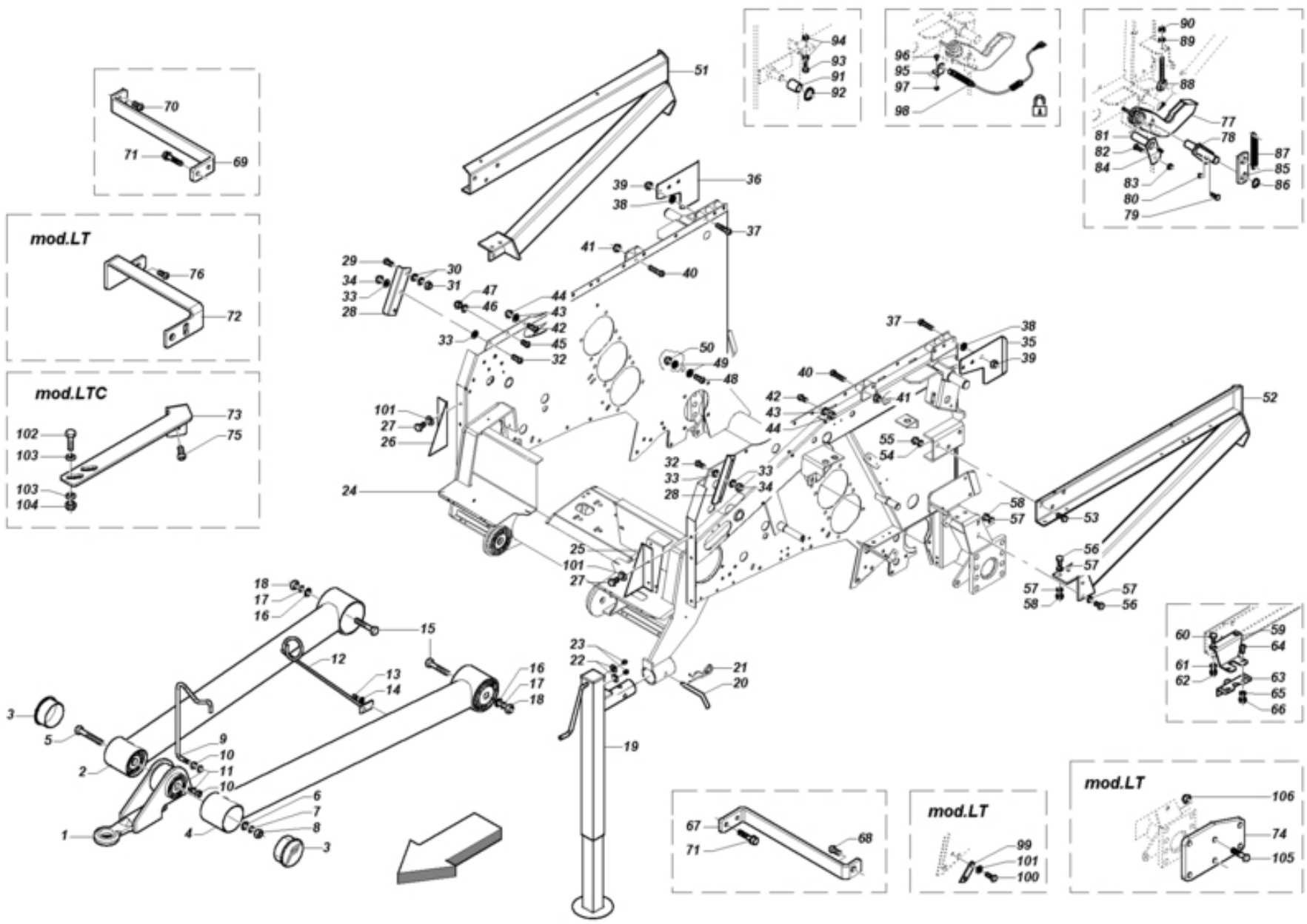
Description

"Telaio inf.+timone+roolbar+ganci Extreme LT-LTC"
"Telaio superiore Extreme LT-LTC"
"Portellone + II° bilancere Extreme LT-LTC"
"Segnalatori di caricamento Extreme LT-LTC"
"Ruote Extreme"
"Scatola trasmissione HT-LT Extreme 220-265"
"Scatola trasmissione Extreme LT"
"Rulli Extreme LT-LTC"
"Trasm :catene+tenditori+guida Extreme LT-LTC"
"Bilancere Extreme LT-LTC"
"Infaldatore Extreme HT-LT"
"Telaio pick-up M/L + rastrello Extreme LT"
"Aspo pick-up M/L Extreme LT-LTC"
"Trasmissione pick-up M/L Extreme LT"
"Impianto idraulico pick-up Extreme"
"Ruotine pick-up Extreme LT-LTC"
"Impianto idraulico macchina Extreme LT-LTC"
"Valvola pressione elettronica Extreme LT-LTC"
"Cablaggio F_bus Extreme"
"Legatore filo Extreme"
"Cassonetto filo Extreme"
"Carter solo filo Extreme"
"Kit legatore rete 2rulli Extreme"
"Leg. rete 2rulli:sgancio+coll. Extreme"
"Leg. rete:cassonetto+filo Extreme"
"Kit oliatura automatica Extreme LT-LTC"
"Carter anteriori Extreme LT-LTC"
"Carter laterali Extreme LT-LTC"
"Impianto luci Extreme"
"Kit allontanatore balla Extreme LT-LTC"
"Graffatura Extreme LT"
"Kit cassonetto suppl.per bobine filo Extreme 265-280"
"Kit staffe portarotolo rete suppl. Extreme"
"Kit film plastico Extreme"
"Kit freni Extreme"
"Decal ""Logo"" Extreme 265 LT-LTC"
"Decal ""CE"" Extreme"
"Decal ""Istruzioni"" Extreme"

N° Table

Description

TAV_P000102_00



TAV_P000102_00

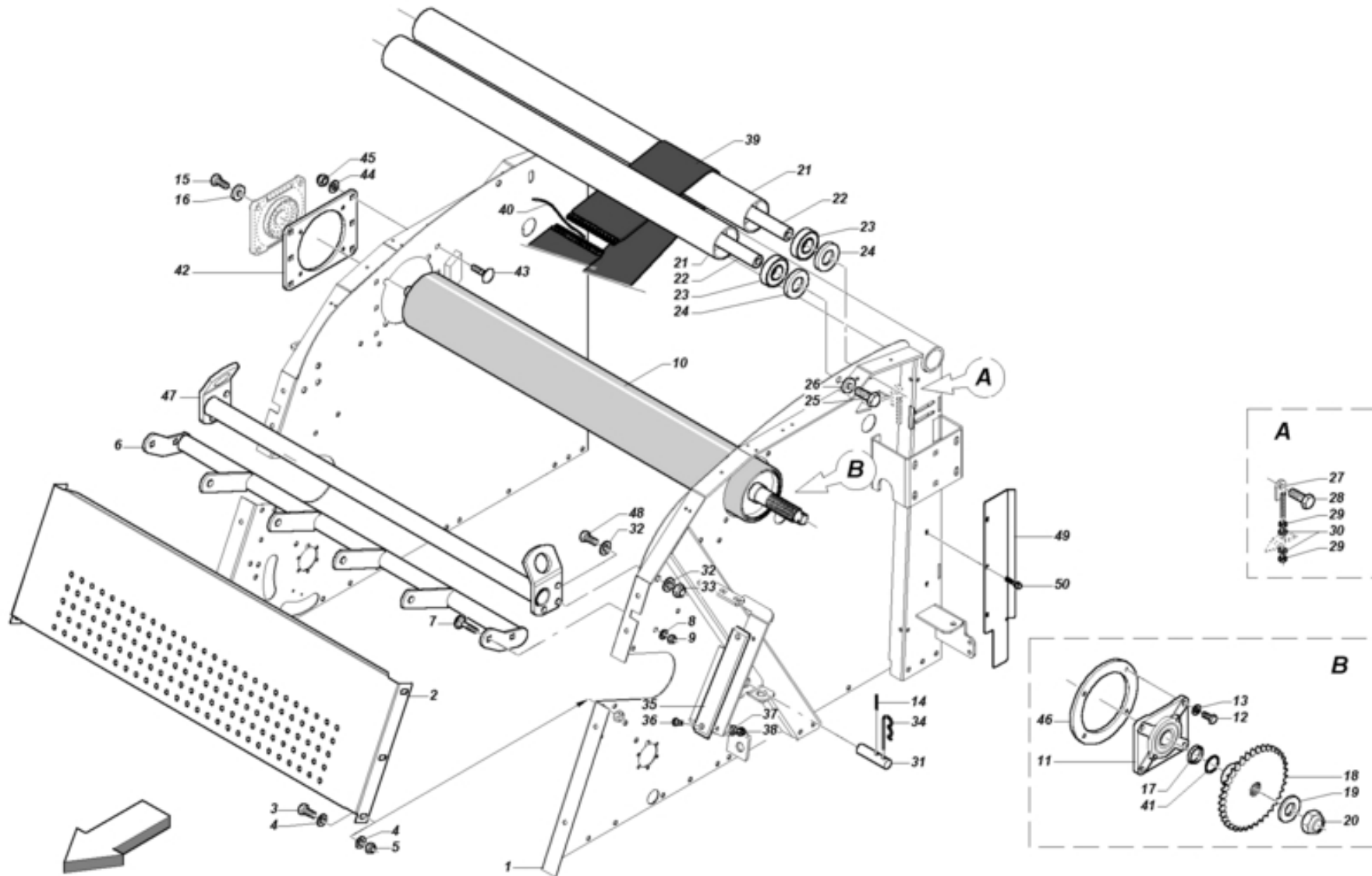
| Item | Part Num. | Description | Item | Part Num. | Description |
|------|-----------|-----------------------|------|-----------|------------------|
| p001 | 7S01750 | TOWING EYE ø35 | p024 | 7SP0054 | LT LOWER FRAME |
| p002 | 7S01751 | RIGHT DRAW BAR FLANGE | p025 | C005036 | RIGHT FRONT LOCK |
| p003 | 7V00099 | PLUG FOR TOWING EYE | p026 | C005035 | LEFT FRONT LOCK |
| p004 | 7S01843 | LEFT DRAW BAR FLANGE | p027 | 0180820 | SCREW |
| p005 | 0172497 | SCREW | p028 | C005026 | FRAME STIFFENING |
| p006 | 14R2440 | WASHER | p029 | 0471230 | SCREW |
| p007 | 1622450 | WASHER | p030 | 1421230 | WASHER |
| p008 | 0740724 | NUT | p031 | 0920412 | NUT |
| p009 | C005121 | CARDAN SHAFT SUPPORT | p032 | 0471230 | SCREW |
| p010 | 0920412 | NUT | p033 | 1421230 | WASHER |
| p011 | 1421230 | WASHER | p034 | 0920412 | NUT |
| p012 | 7S01825 | HOSE SUPPORT | p035 | C004488 | LEFT HOOK GUARD |
| p013 | 0471020 | SCREW | p036 | C004506 | RIGHT HOOK GUARD |
| p014 | 1421025 | WASHER | p037 | 0471280 | SCREW |
| p015 | 0172480 | SCREW | p038 | 1421230 | WASHER |
| p016 | 14R2440 | WASHER | p039 | 0920412 | NUT |
| p017 | 1622450 | WASHER | p040 | 0471280 | SCREW |
| p018 | 0740724 | NUT | p041 | 0920412 | NUT |
| p019 | 7S01755 | DRAW BAR STAND | p042 | 0471225 | SCREW |
| p020 | 13C0001 | PIN | p043 | 1421230 | WASHER |
| p021 | 11B0499 | PIN | p044 | 0920412 | NUT |
| p022 | 1420820 | WASHER | p045 | 0471220 | SCREW |
| p023 | 4200810 | GREASE | p046 | 1421230 | WASHER |

TAV_P000102_00

| Item | Part Num. | Description | Item | Part Num. | Description |
|------|-----------|--------------------------|------|-----------|------------------------------|
| p047 | 0920412 | NUT | p070 | 04N0820 | SCREW |
| p048 | 0471225 | SCREW | p071 | 0370001 | SCREW |
| p049 | 1431225 | WASHER | p072 | C4P0003 | RIGHT LOWER EDGE SUPPORT |
| p050 | 0920412 | NUT | p073 | C4P0004 | CUT RIGHT LOWER EDGE SUPPORT |
| p051 | 7S01663 | RIGHT ROLL FRAME | p074 | C1P0041 | WHEELS CONNECTION PLATE "LT" |
| p052 | 7S01550 | LEFT ROLL FRAME | p075 | 04N0820 | SCREW |
| p053 | 0181635 | SCREW | p076 | 04N0820 | SCREW |
| p054 | 1421630 | WASHER | p077 | 7S01772 | REAR GATE HOOK |
| p055 | 0920516 | NUT | p078 | 7S01757 | REAR GATE CYLINDER PIN |
| p056 | 0181235 | SCREW | p079 | 0180825 | SCREW |
| p057 | 1421230 | WASHER | p080 | 0920208 | NUT |
| p058 | 0920412 | NUT | p081 | 7S00937 | TAILGATE HOOK PIN |
| p059 | C005184 | CLOSURE COUPLING | p082 | 0180825 | SCREW |
| p060 | 0181030 | SCREW | p083 | 0920208 | NUT |
| p061 | 1421025 | WASHER | p084 | 4200610 | GREASE NIPPLE |
| p062 | 0545790 | SELF-LOCKING NUT | p085 | C004902 | STIFFENING |
| p063 | 1800041 | LOCK | p086 | 1700020 | SEEGER RING |
| p064 | 04N0820 | SCREW | p087 | 1826161 | SPRING |
| p065 | 1420820 | WASHER | p088 | 0545168 | EYELET M12 |
| p066 | 0920208 | NUT | p089 | 1421230 | WASHER |
| p067 | C005197 | GUARD RIGHT SIDE SUPPORT | p090 | 0920412 | NUT |
| p068 | 04N0820 | SCREW | p091 | 1300612 | SPACER |
| p069 | C005197 | GUARD RIGHT SIDE SUPPORT | p092 | 1700030 | SEEGER RING |

| Item | Part Num. | Description | |
|------|-----------|-------------------------------|--|
| p093 | 0181260 | SCREW | |
| p094 | 0710412 | NUT | |
| p095 | C004245 | SUPPORT | |
| p096 | 0181020 | SCREW | |
| p097 | 0545790 | SELF-LOCKING NUT | |
| p098 | E0P0013 | DIGITAL SENSOR WITH PROXIMITY | |
| p099 | C6P0039 | STANDARD PICK-UP LOCK | |
| p100 | 0181230 | SCREW | |
| p101 | 1420820 | WASHER | |
| p102 | 0181230 | SCREW | |
| p103 | 1421230 | WASHER | |
| p104 | 0920412 | NUT | |
| p105 | 0182090 | ZINC-PLATED SCREW | |
| p106 | 0920620 | NUT | |

TAV_P000104_01



TAV_P000104_01

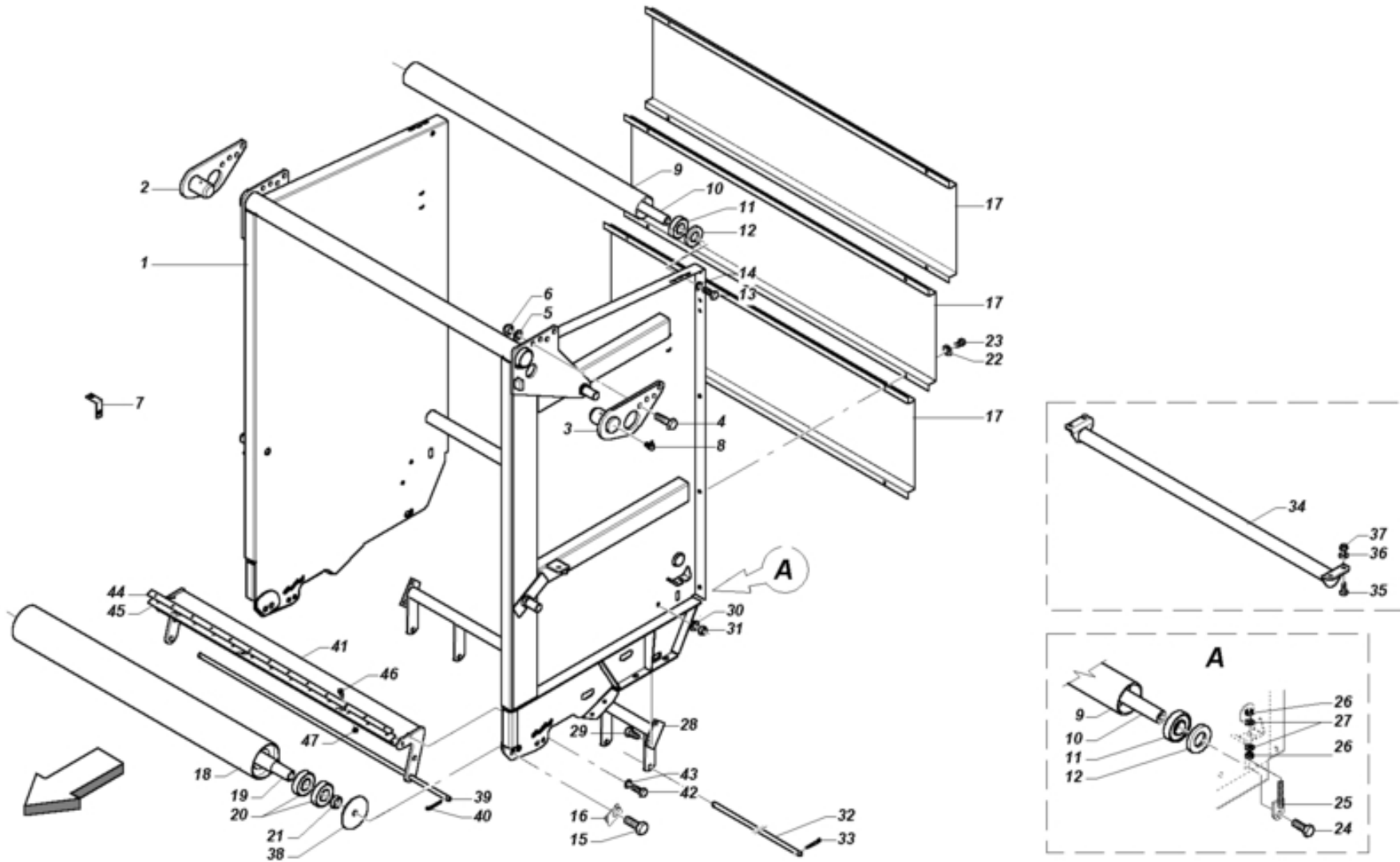
| Item | Part Num. | Description | Item | Part Num. | Description |
|------|-----------|------------------------------------|------|-----------|------------------------|
| p001 | 7SP0067 | LT 265 UPPER GUARD | p024 | 1300623 | IDLE ROLLER LOCK |
| p002 | C005396 | FRONT ATTACHMENT 220 | p025 | 0181635 | SCREW |
| p003 | 0181230 | SCREW | p026 | 1519319 | FIFTH WHEEL |
| p004 | 1421230 | WASHER | p027 | 7S01608 | ROLLER ADJUSTER |
| p005 | 0920412 | NUT | p028 | 0181635 | SCREW |
| p006 | 7SP0078 | FRONT BELTS GUIDE | p029 | 0710412 | NUT |
| p007 | 0321230 | SCREW | p030 | 1421230 | WASHER |
| p008 | 1421230 | WASHER | p031 | 13P0027 | |
| p009 | 0920412 | NUT | p032 | 1421630 | WASHER |
| p010 | 35P0017 | | p033 | 0920516 | NUT |
| p011 | 2700051 | FLANGED BEARING SUPPORT FOR SPRINT | p034 | 1170595 | PIN |
| p012 | 0181230 | SCREW | p035 | 7631842 | CHAIN GUIDE |
| p013 | 1421230 | WASHER | p036 | 0470820 | SCREW |
| p014 | 1110640 | PIN | p037 | 1420820 | WASHER |
| p015 | 0181635 | SCREW | p038 | 0920208 | NUT |
| p016 | 1515091 | FIFTH WHEEL | p039 | 76P0001 | BELT FOR LT |
| p017 | 1300845 | SPACER | p040 | 76P0002 | |
| p018 | 34P0014 | | p041 | 1300125 | SHIM (GALV) |
| p019 | 14R3050 | WASHER | p041 | 1300126 | SHIM |
| p020 | 0921530 | NUT | p042 | C4P0028 | LT RUBBER ROLLER PLATE |
| p021 | 3500172 | IDLE ROLLER | p043 | 0523421 | SPECIAL SCREW |
| p022 | 3500214 | LONG SHAFT | p044 | 1421230 | WASHER |
| p023 | 2040002 | BEARING | p045 | 0920412 | NUT |



TAV_P000104_01

| Item | Part Num. | Description | |
|------|-----------|-----------------------|--|
| p046 | 13P0035 | | |
| p047 | 7S01501 | LIFTING 220 | |
| p048 | 0181640 | SCREW | |
| p049 | C3P0038 | DOOR GUARD LEFT SIDE | |
| p049 | C3P0039 | DOOR GUARD RIGHT SIDE | |
| p050 | 0370615 | SCREW | |

TAV_P000108_01



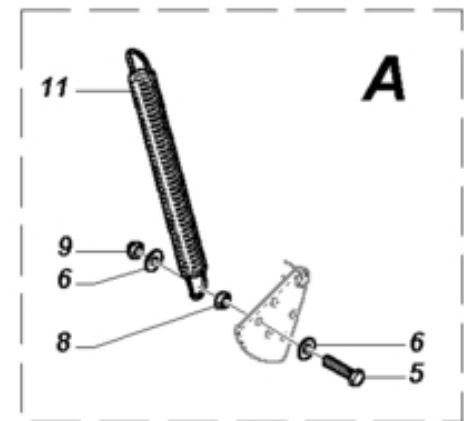
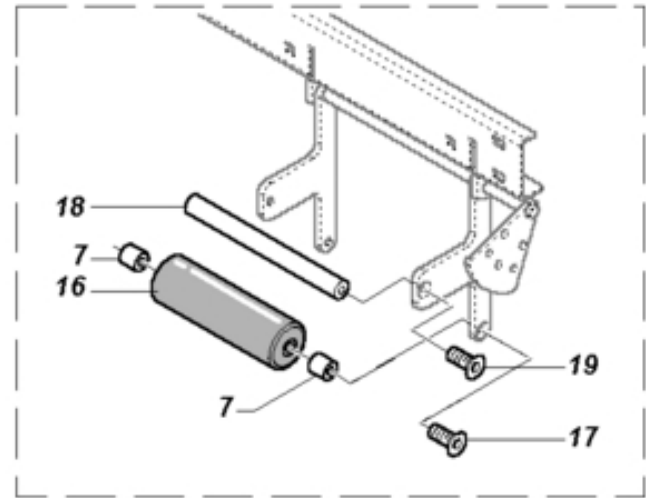
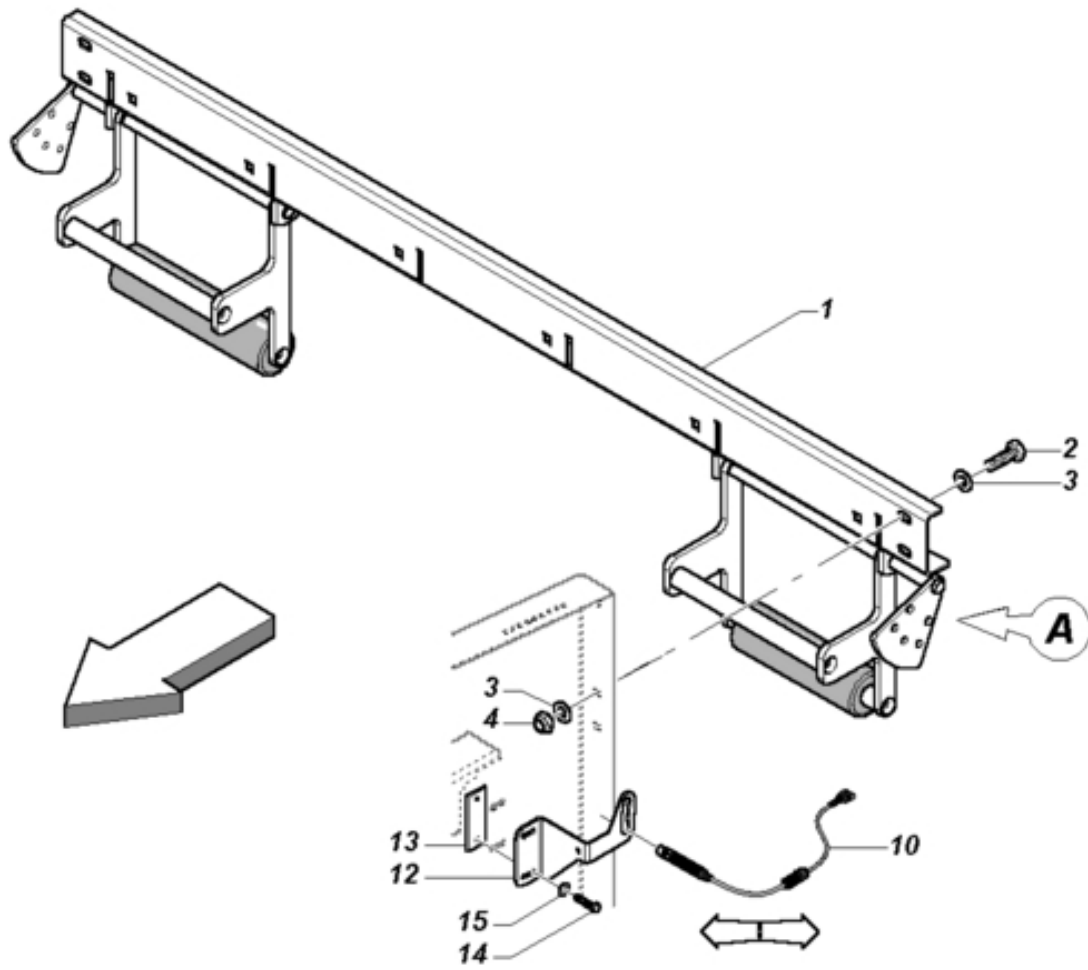
TAV_P000108_01

| Item | Part Num. | Description | Item | Part Num. | Description |
|------|-----------|------------------------|------|-----------|----------------------|
| p001 | 7SP0025 | LT DOOR | p024 | 0181635 | SCREW |
| p002 | 7SP0064 | LT DOOR RIGHT HINGE | p025 | 7S01608 | ROLLER ADJUSTER |
| p003 | 7SP0063 | LT DOOR LEFT HINGE | p026 | 0710412 | NUT |
| p004 | 0181645 | SCREW | p027 | 1421230 | WASHER |
| p005 | 1421630 | WASHER | p028 | 7SP0076 | REAR BELTS GUIDE |
| p006 | 0920516 | NUT | p029 | 0181225 | SCREW |
| p007 | C002357 | CABLE ATTACHMENT PLATE | p029 | 0181235 | SCREW |
| p008 | 4221010 | GREASE NIPPLE | p030 | 1421230 | WASHER |
| p009 | 3500172 | IDLE ROLLER | p031 | 0920412 | NUT |
| p010 | 3500214 | LONG SHAFT | p032 | 1300628 | BELT GUIDE PIN |
| p011 | 2040002 | BEARING | p033 | 1150430 | GALV PIN |
| p012 | 1300623 | IDLE ROLLER LOCK | p034 | 7SP0099 | LOWER CONNECTION LT |
| p013 | 0181635 | SCREW | p035 | 0181030 | SCREW |
| p014 | 1519319 | FIFTH WHEEL | p036 | 1421025 | WASHER |
| p015 | 0182050 | SCREW | p037 | 0545790 | SELF-LOCKING NUT |
| p016 | C004148 | LOCK WASHER | p038 | 1300590 | FIFTH WHEEL |
| p017 | C3P0025 | LT REAR GUARD | p039 | 1300628 | BELT GUIDE PIN |
| p018 | 7S00959 | TAIL GATE IDLE ROLLER | p040 | 1150430 | GALV PIN |
| p019 | 3500237 | SHORT SHAFT | p041 | 7S01023 | TAILGATE SCRAPER |
| p020 | 2040002 | BEARING | p042 | 0181225 | SCREW |
| p021 | 1300523 | SPACER | p043 | 1531844 | FIFTH WHEEL |
| p022 | 1430820 | WASHER | p044 | C003205 | BLADE STIFFENING BAR |
| p023 | 0470820 | SCREW | p045 | 7U00023 | SCRAPER BLADE |



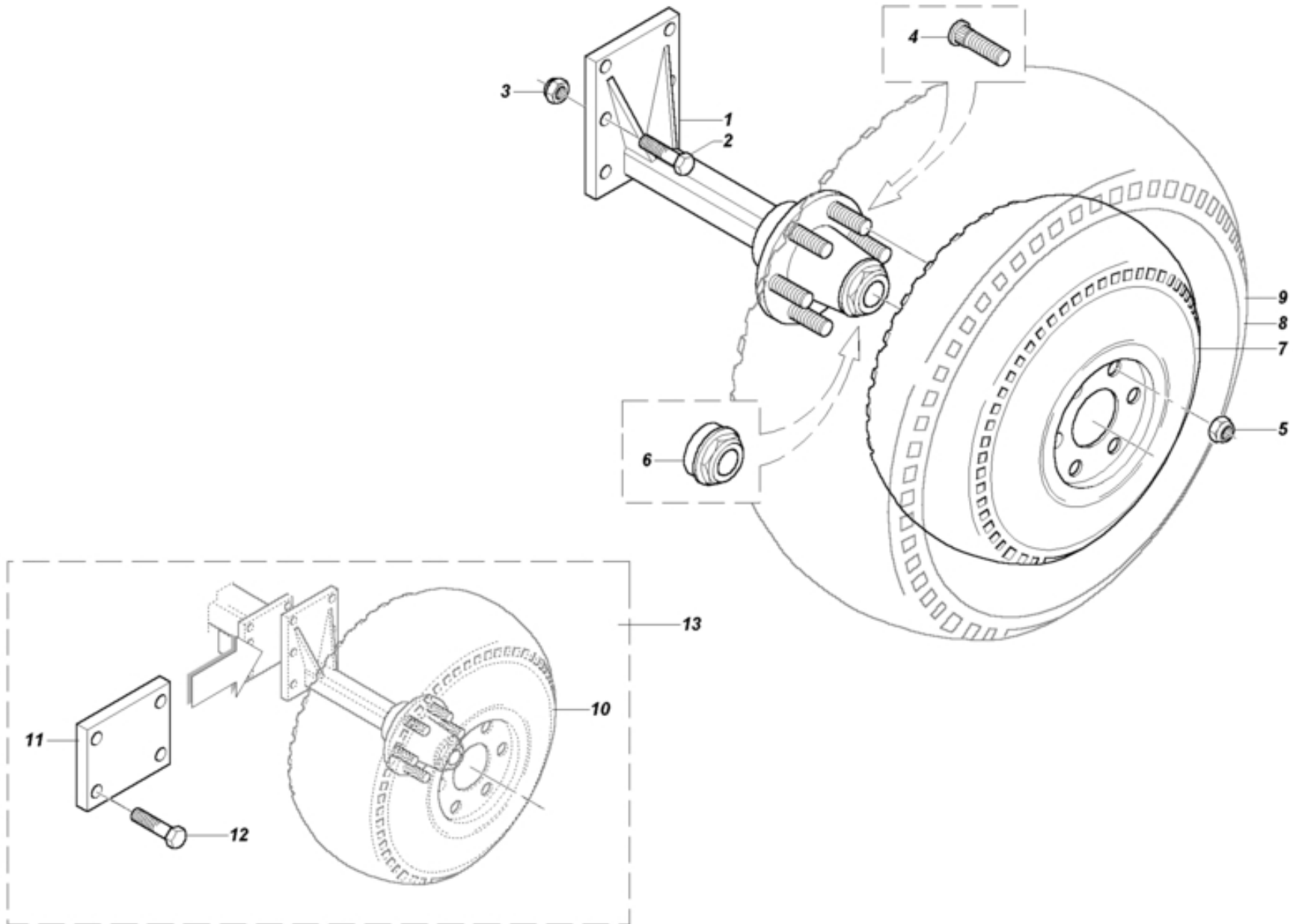
TAV_P000108_01

| Item | Part Num. | Description | |
|------|-----------|-------------|--|
| p046 | 0470620 | SCREW | |
| p047 | 0920106 | NUT | |



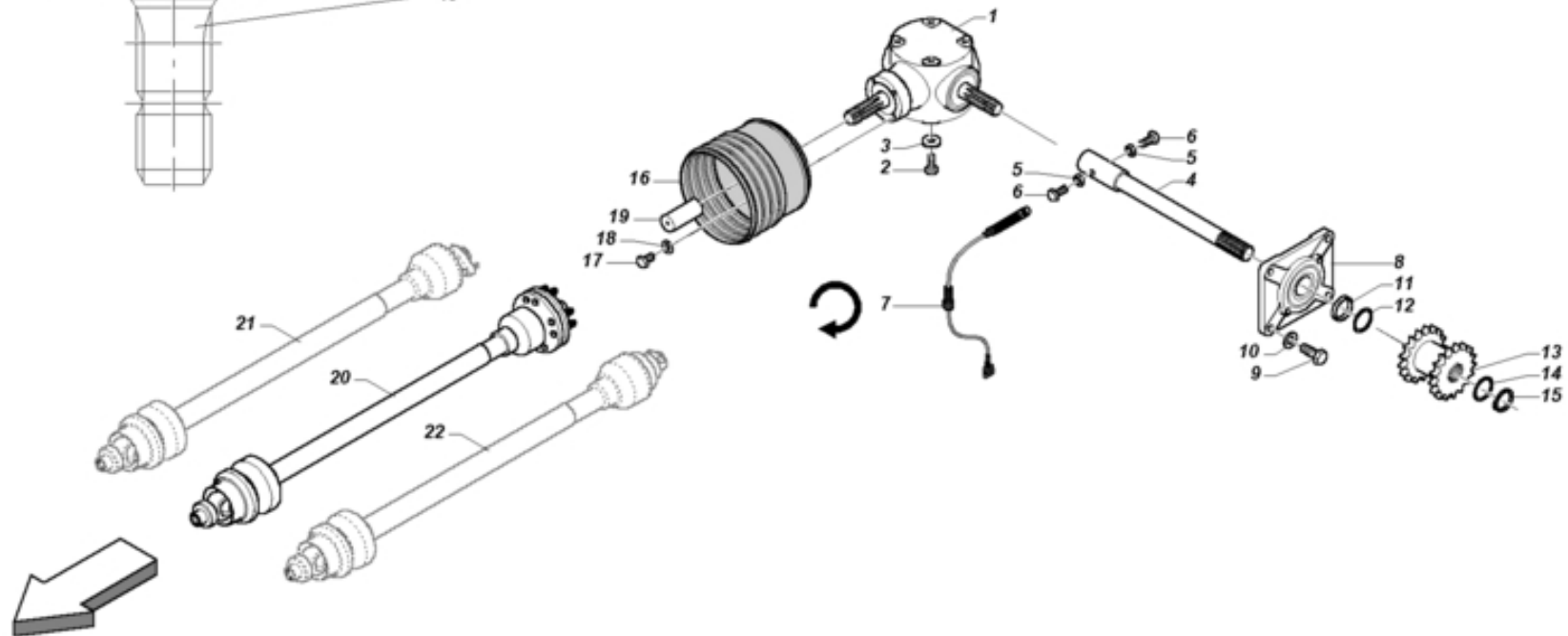
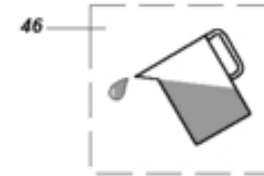
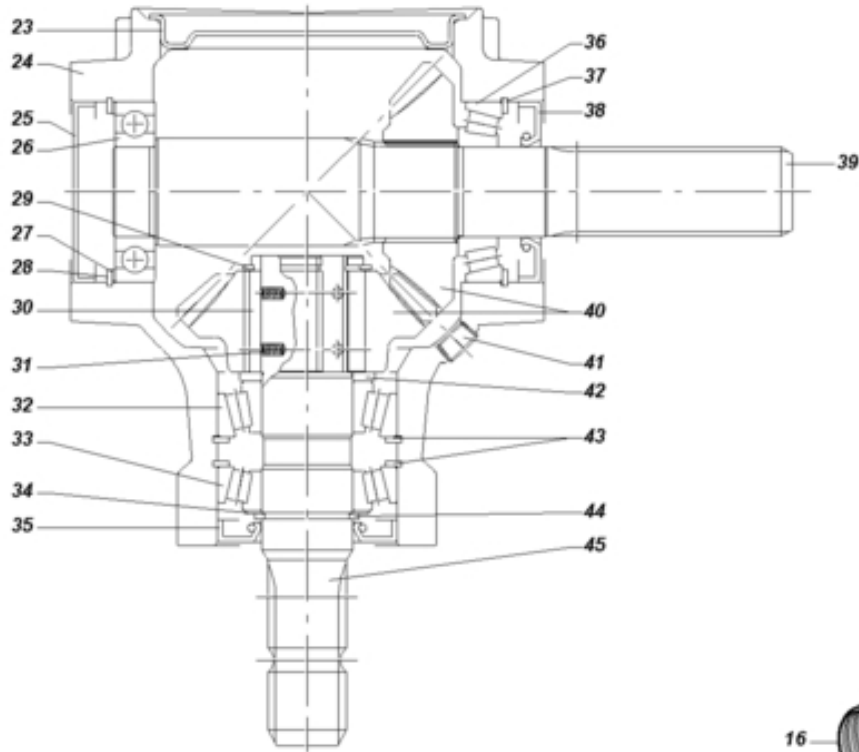
| Item | Part Num. | Description | |
|------|-----------|-----------------------------------|--|
| p001 | 7SP0023 | LT INDICATORS | |
| p002 | 0181025 | SCREW | |
| p003 | 1421025 | WASHER | |
| p004 | 0545790 | SELF-LOCKING NUT | |
| p005 | 0180640 | SCREW | |
| p006 | 1430620 | WASHER | |
| p007 | 13P0043 | | |
| p008 | 0710106 | NUT | |
| p009 | 0920106 | NUT | |
| p010 | E0P0013 | DIGITAL SENSOR WITH PROXIMITY | |
| p011 | 1810409 | SPRING | |
| p012 | C4P0031 | LT LEFT POTENTIOMETER CONNECTION | |
| p012 | C4P0032 | LT RIGHT POTENTIOMETER CONNECTION | |
| p013 | C004008 | LIMIT SWITCH PLATE | |
| p014 | 0180516 | SCREW | |
| p015 | 1430520 | WASHER | |
| p016 | 7M00276 | INDICATOR ROLLER | |
| p017 | 0440835 | SCREW | |
| p018 | 35P0020 | | |
| p019 | 0440820 | SCREW | |

TAV_P000006_01



| Item | Part Num. | Description | |
|------|-----------|-----------------------------|--|
| p001 | 7100026 | HUB WITH STUB AXLE | |
| p002 | 0192070 | SCREW | |
| p003 | 0920620 | NUT | |
| p004 | R000273 | WHEEL STUD BOLT M18X1,5 | |
| p005 | 0821318 | NUT | |
| p006 | 7100050 | CAP | |
| p007 | 7100022 | COMPLETE WHEEL | |
| p008 | 7100013 | COMPLETE WHEEL 11,5/80-15,3 | |
| p009 | 7100039 | COMPLETE WHEEL | |
| p010 | 7100041 | COMPLETE TYRE | |
| p011 | C003765 | SHIM PLATE | |
| p012 | 0192090 | SCREW | |
| p013 | ZAP2042 | | |

TAV_P000100_00



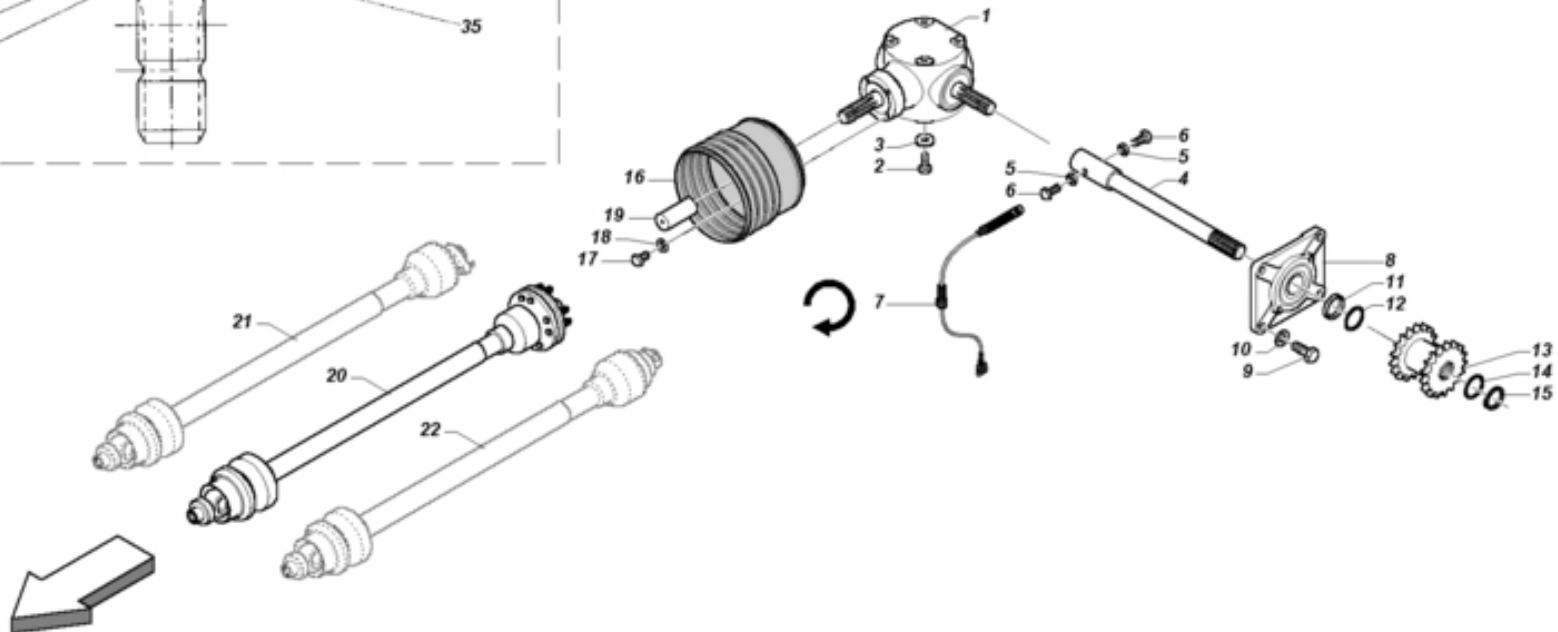
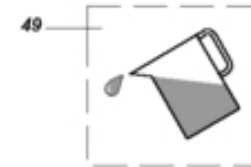
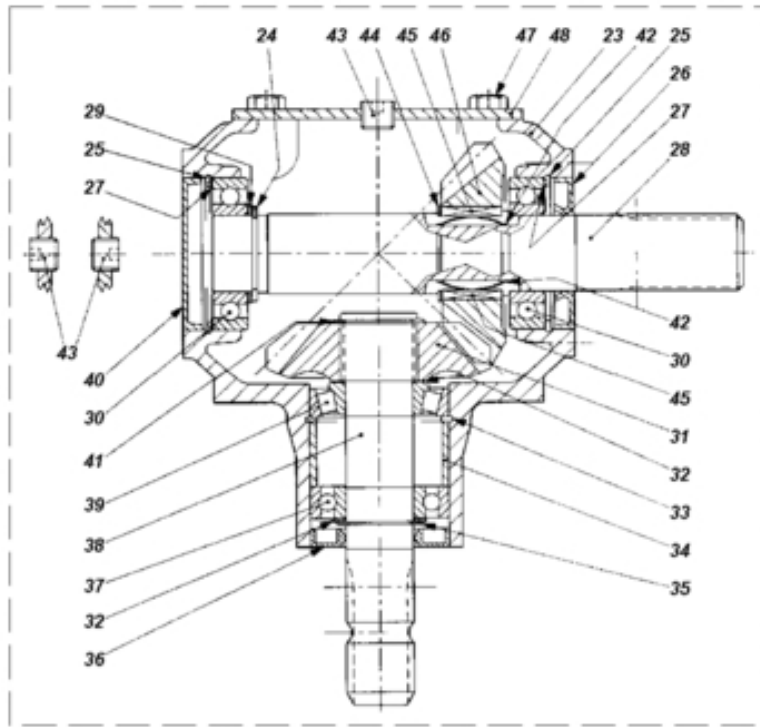
TAV_P000100_00

| Item | Part Num. | Description | Item | Part Num. | Description |
|------|-----------|--------------------------------------|------|-----------|--------------------------------|
| p001 | 3900177 | GEAR BOX | p020 | 3600120 | PTO SHAFT |
| p002 | 0181235 | SCREW | p021 | 3600049 | PTO SHAFT |
| p003 | 1516038 | FIFTH WHEEL | p022 | 3600092 | PTO SHAFT |
| p004 | R000304 | EXTENSION SHAFT L=602 | p023 | R000255 | BOX CAP |
| p005 | 0710106 | NUT | p024 | R000305 | BOX HOUSING |
| p006 | 0180625 | SCREW | p025 | R000090 | SEAL 80X10 |
| p007 | EOP0013 | DIGITAL SENSOR WITH PROXIMITY | p026 | 2004018 | BEARING |
| p008 | 2700051 | FLANGED BEARING SUPPORT FOR SPRINT E | p027 | R000262 | SHIM RING 69,3X79,7X0,2 |
| p009 | 0181235 | SCREW | p027 | R000263 | SHIM RING 69,3X79,7X0,3 |
| p010 | 1421230 | WASHER | p027 | R000264 | SHIM RING 69,3X79,7X0,4 |
| p011 | 1329469 | SPACER | p027 | R000265 | SHIM RING 69,3X79,7X0,1 34006 |
| p012 | 1300125 | SHIM (GALV) | p028 | R000256 | ELASTIC RING 80-I (SP=2,5) |
| p012 | 1300151 | SHIM | p029 | R000298 | RETAINING RING 50-E (SP=2,0) |
| p012 | 1300126 | SHIM | p030 | R000307 | RL PLATE |
| p013 | 3400224 | DOUBLE GEAR Z=12/12-1" | p031 | R000089 | SPRING |
| p014 | 1300151 | SHIM | p032 | 2124024 | BEARING |
| p014 | 1300125 | SHIM (GALV) | p033 | R000958 | BEARING CONICAL ROLLER BEARING |
| p014 | 1300126 | SHIM | p034 | R000261 | SHIM RING 40,2X54,8X0,1 |
| p015 | 1700040 | SEEGER RING | p034 | R000260 | SHIM RING 40,2X54,8X0,4 |
| p016 | 7V00076 | COMPLETE COUNTER-HOUSING | p034 | R000259 | SHIM RING 40,2X54,8X0,3 |
| p017 | 0181025 | SCREW | p034 | R000258 | SHIM RING 40,2X54,8X0,2 |
| p018 | 1421025 | WASHER | p035 | 4303460 | SEAL |
| p019 | 4417079 | SLEEVE | p036 | R000958 | BEARING CONICAL ROLLER BEARING |



TAV_P000100_00

| Item | Part Num. | Description | |
|------|-----------|------------------------------|--|
| p037 | R000256 | ELASTIC RING 80-I (SP=2,5) | |
| p038 | 4303460 | SEAL | |
| p039 | R000975 | BOX SHAFT FOR EXTREME HT | |
| p040 | R000308 | R= 1:1 BEVEL GEAR PAIR | |
| p041 | R000175 | PLUG | |
| p042 | R000285 | SPACER | |
| p043 | R000256 | ELASTIC RING 80-I (SP=2,5) | |
| p044 | R000257 | ELASTIC RING 40-E(SP=2,5) | |
| p045 | R000306 | AXLE SHAFT "Z" + R.L. | |
| p046 | 4000054 | OIL ESSO SPARTAN EP 150*AGIP | |



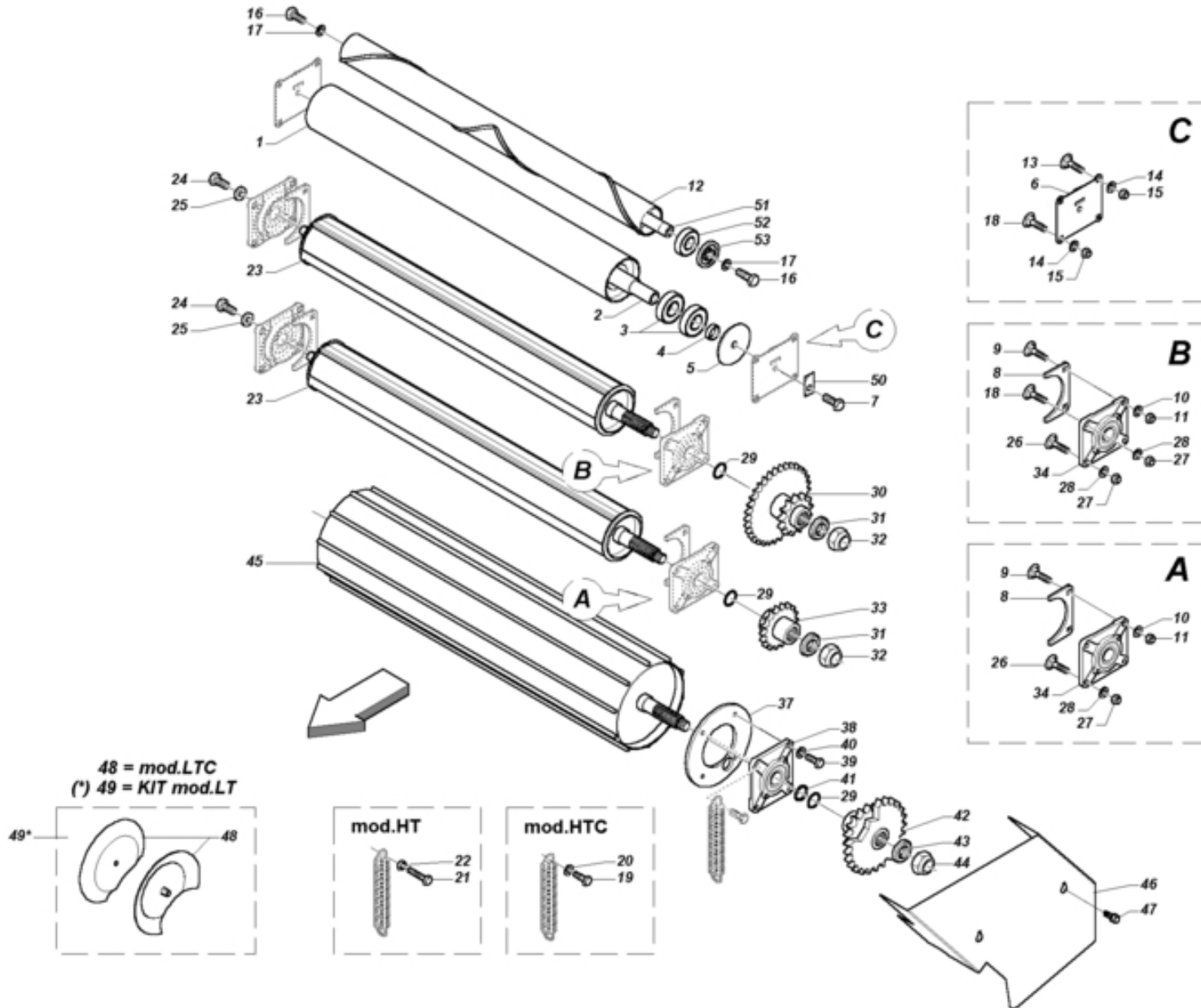
TAV_P000122_00

| Item | Part Num. | Description | Item | Part Num. | Description |
|------|-----------|------------------------------------|------|-----------|--------------|
| p001 | 3900232 | | p020 | 3600120 | PTO SHAFT |
| p002 | 0181235 | SCREW | p021 | 3600049 | PTO SHAFT |
| p003 | 1516038 | FIFTH WHEEL | p022 | 3600092 | PTO SHAFT |
| p004 | R000304 | EXTENSION SHAFT L=602 | p023 | R001023 | |
| p005 | 0710106 | NUT | p024 | R001024 | |
| p006 | 0180625 | SCREW | p025 | R001025 | |
| p007 | EOP0013 | DIGITAL SENSOR WITH PROXIMITY | p026 | 4303460 | SEAL |
| p008 | 2700051 | FLANGED BEARING SUPPORT FOR SPRINT | p027 | R001026 | |
| p009 | 0181235 | SCREW | p028 | R001027 | |
| p010 | 1421230 | WASHER | p029 | R001028 | |
| p011 | 1329469 | SPACER | p030 | 2004018 | BEARING |
| p012 | 1300125 | SHIM (GALV) | p031 | R001029 | |
| p012 | 1300151 | SHIM | p032 | R001030 | SHIM 35,3X48 |
| p012 | 1300126 | SHIM | p033 | R001031 | |
| p013 | 3400224 | DOUBLE GEAR Z=12/12-1" | p034 | R001032 | |
| p014 | 1300125 | SHIM (GALV) | p035 | R001033 | |
| p014 | 1300151 | SHIM | p036 | 4303045 | SEAL |
| p014 | 1300126 | SHIM | p037 | 2003517 | BEARING |
| p015 | 1700040 | SEEGER RING | p038 | R001034 | |
| p016 | 7V00076 | COMPLETE COUNTER-HOUSING | p039 | 2123517 | BEARING |
| p017 | 0181025 | SCREW | p040 | R001035 | SEAL 80X10 |
| p018 | 1421025 | WASHER | p041 | R001036 | |
| p019 | 4417079 | SLEEVE | p042 | R001037 | |

TAV_P000122_00

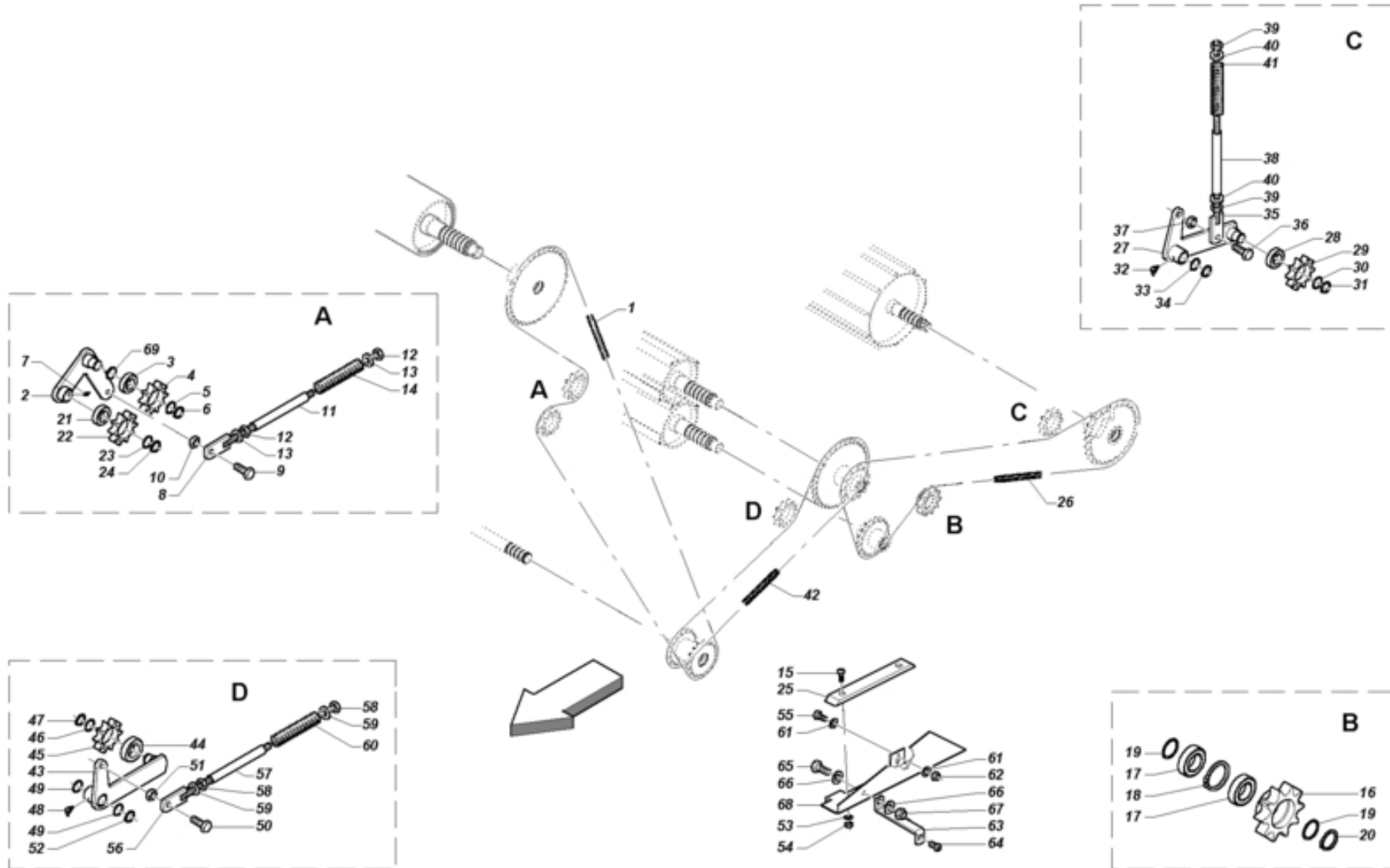
| Item | Part Num. | Description | |
|------|-----------|------------------------------|--|
| p043 | R001038 | | |
| p044 | R001039 | | |
| p045 | R001040 | | |
| p046 | R001041 | | |
| p047 | 0181020 | SCREW | |
| p048 | R001042 | | |
| p049 | 4000054 | OIL ESSO SPARTAN EP 150*AGIP | |

TAV_P000098_01



| Item | Part Num. | Description | Item | Part Num. | Description |
|------|-----------|-----------------------|------|-----------|------------------------------------|
| p001 | 7S00959 | TAIL GATE IDLE ROLLER | p024 | 0181635 | SCREW |
| p002 | 3500237 | SHORT SHAFT | p025 | 1515091 | FIFTH WHEEL |
| p003 | 2040002 | BEARING | p026 | 0523421 | SPECIAL SCREW |
| p004 | 1300523 | SPACER | p027 | 1421230 | WASHER |
| p005 | 1300590 | FIFTH WHEEL | p028 | 0920412 | NUT |
| p006 | 13P0042 | | p029 | 1300126 | SHIM |
| p007 | 0182050 | SCREW | p029 | 1300125 | SHIM (GALV) |
| p008 | C6P0003 | ROLLERS GUARD | p030 | 34P0008 | |
| p009 | 0523395 | SPECIAL SCREW | p031 | 14R3050 | WASHER |
| p010 | 1421230 | WASHER | p032 | 0921530 | NUT |
| p011 | 0920412 | NUT | p033 | 34P0007 | |
| p012 | 7SP0227 | | p034 | 2700051 | FLANGED BEARING SUPPORT FOR SPRINT |
| p013 | 0523421 | SPECIAL SCREW | p037 | C003056 | ROLLER INNER PLATE |
| p014 | 1421230 | WASHER | p038 | 2700106 | THREADED FLANGED SUPPORT |
| p015 | 0920412 | NUT | p039 | 0181235 | SCREW |
| p016 | 0191680 | SCREW | p040 | 1421230 | WASHER |
| p017 | 1421630 | WASHER | p041 | 1300151 | SHIM |
| p018 | 05C0002 | | p042 | 3400290 | BIG ROLLER GEAR Z=16-24/1" |
| p019 | 0471235 | SCREW | p043 | 14R3050 | WASHER |
| p020 | 1431225 | WASHER | p044 | 0921530 | NUT |
| p021 | 0181260 | SCREW | p045 | 7S01841 | BIG ROLLER |
| p022 | 0710412 | NUT | p046 | C3P0001 | GUARD |
| p023 | 7SP0062 | LT ROLLER | p047 | 0370001 | SCREW |

| Item | Part Num. | Description | |
|------|-----------|-------------------------|--|
| p048 | 7S01845 | CHAMBER TIGHTENING CUPS | |
| p049 | ZVRP0001 | | |
| p050 | C004148 | LOCK WASHER | |
| p051 | 3500214 | LONG SHAFT | |
| p052 | 2040002 | BEARING | |
| p053 | 1300623 | IDLE ROLLER LOCK | |



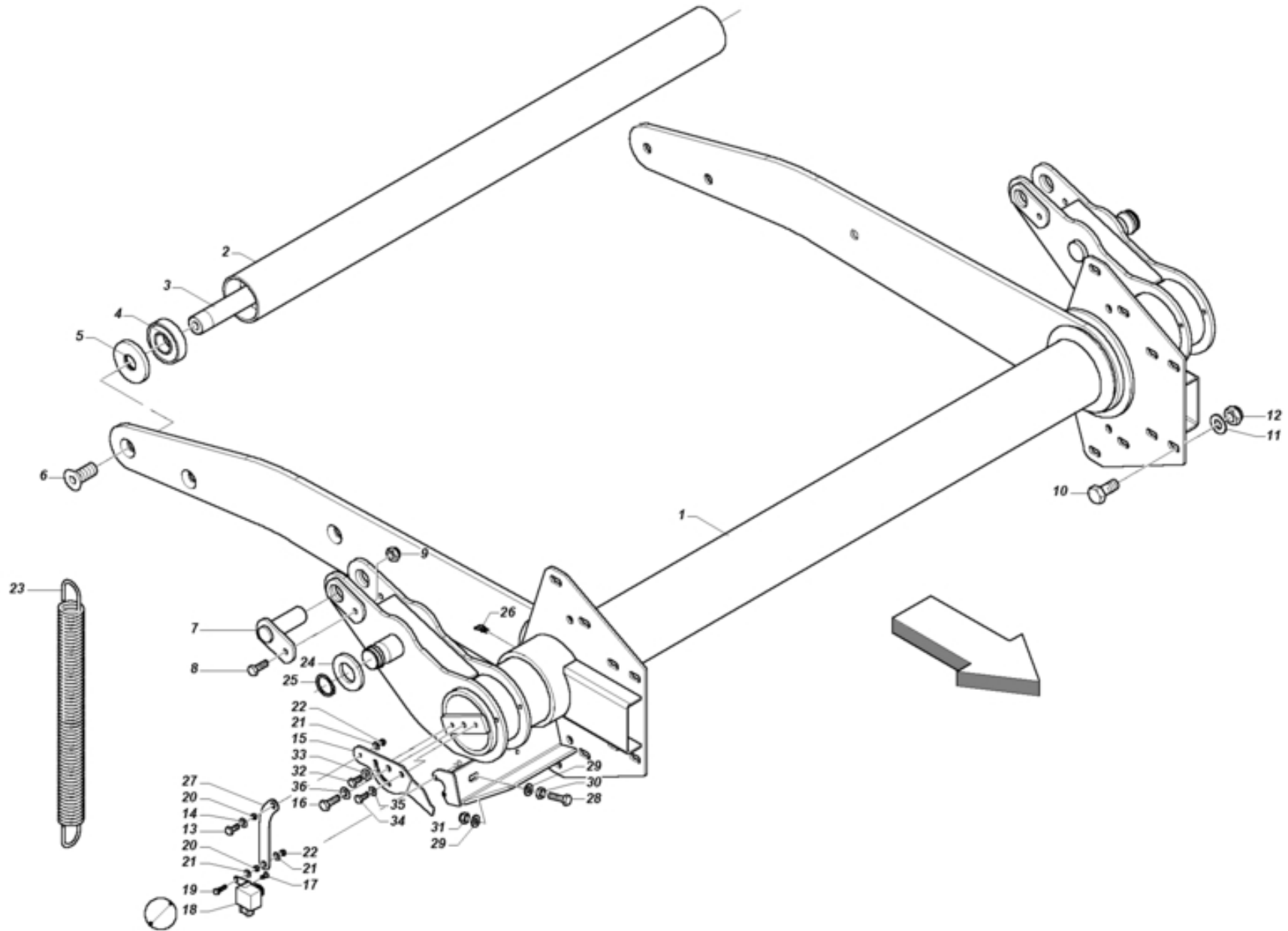
TAV_P000099_00-1

| Item | Part Num. | Description | Item | Part Num. | Description |
|------|-----------|-------------------------------|------|-----------|------------------------------|
| p001 | 30E0017 | SPRING JOINT | p019 | 1300152 | THICKNESS 30 40 1,5 (GALV) |
| p001 | 30E1143 | ROLLER CHAIN ISO 16 B-1 143 M | p020 | 1700030 | SEEGER RING |
| p002 | 7SP0079 | CHAIN STRECHING ARM | p021 | 2042515 | BEARING |
| p003 | 2042515 | BEARING | p022 | 3400274 | SPROCKET Z=10-1" |
| p004 | 3400274 | SPROCKET Z=10-1" | p023 | 1300105 | SHIM |
| p005 | 1300104 | SHIM | p023 | 1300104 | SHIM |
| p005 | 1300102 | SHIM | p023 | 1300102 | SHIM |
| p005 | 1300105 | SHIM | p024 | 1700025 | SEEGER RING |
| p006 | 1700025 | SEEGER RING | p025 | 7631842 | CHAIN GUIDE |
| p007 | 4230610 | HYDRAULIC GREASER | p026 | 30E1070 | ROLLER CHAIN ISO 16 B-1 70 M |
| p008 | 7S01758 | TIE ROD | p026 | 30E0017 | SPRING JOINT |
| p009 | 0181230 | SCREW | p027 | 7S00953 | RIGHT TENSIONER ROD |
| p010 | 0710412 | NUT | p028 | 2042515 | BEARING |
| p011 | 1300157 | SPACER | p029 | 3400274 | SPROCKET Z=10-1" |
| p012 | 0710516 | NUT | p030 | 1300105 | SHIM |
| p013 | 1519319 | FIFTH WHEEL | p030 | 1300104 | SHIM |
| p014 | 1800046 | SPRING | p030 | 1300102 | SHIM |
| p015 | 0470820 | SCREW | p031 | 1700025 | SEEGER RING |
| p016 | 34P0013 | | p032 | 4210610 | GREASE NIPPLE |
| p017 | 2043016 | BEARING | p033 | 1300105 | SHIM |
| p018 | 1710062 | SEEGER RING | p033 | 1300159 | SHIM (GALV) |
| p019 | 1300100 | SHIM (GALV) | p034 | 1700025 | SEEGER RING |
| p019 | 1300098 | SHIM | p035 | 7S01441 | TIGHTENING PULLEY ROD M16 |

TAV_P000099_00-1

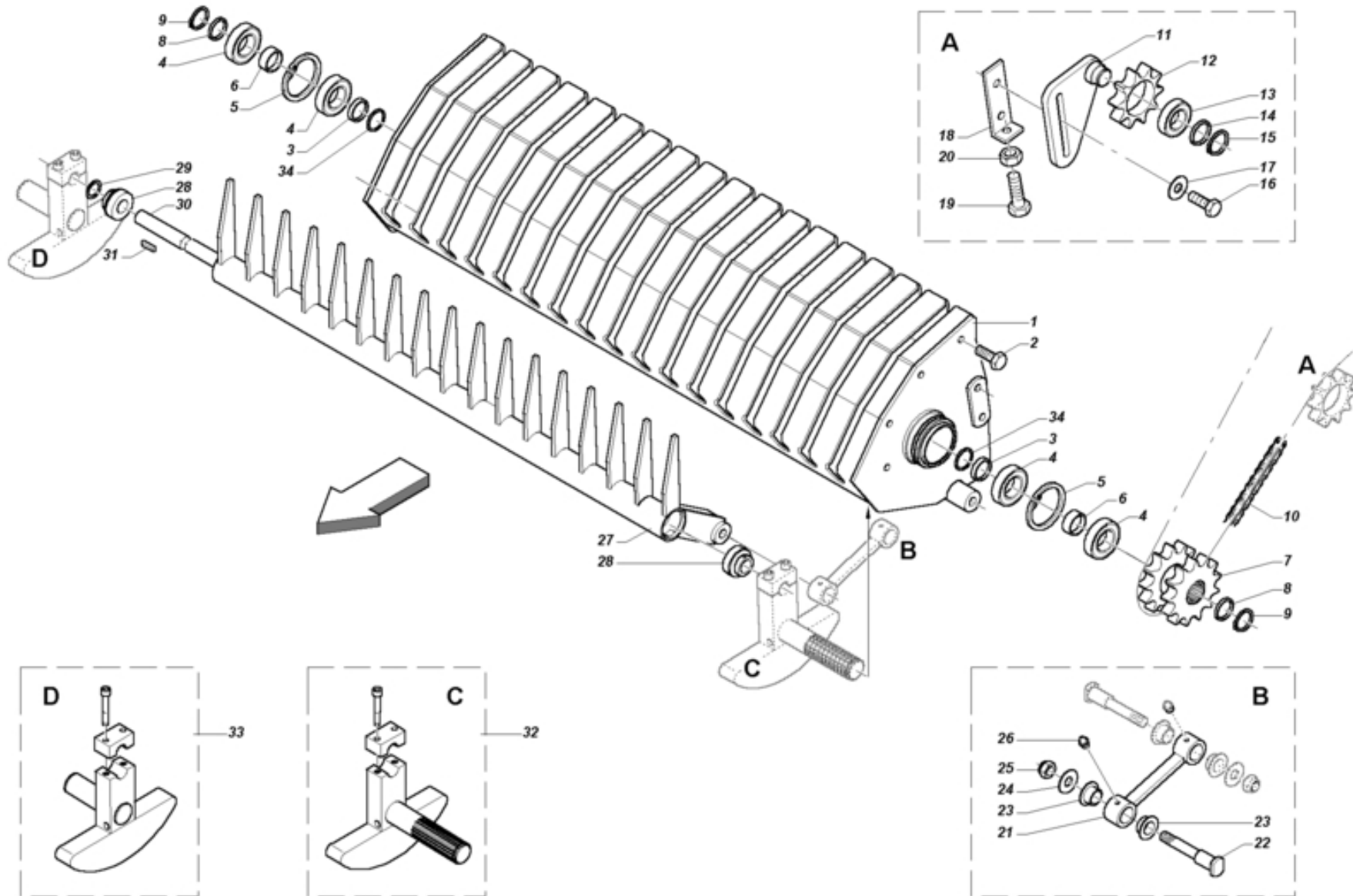
| Item | Part Num. | Description | Item | Part Num. | Description |
|------|-----------|---------------------|------|-----------|--------------------------------|
| p036 | 0181230 | SCREW | p055 | 0181025 | SCREW |
| p037 | 0710412 | NUT | p056 | 7S01441 | TIGHTENING PULLEY ROD M16 |
| p038 | 1300157 | SPACER | p057 | 1300923 | SPACER |
| p039 | 0710516 | NUT | p058 | 0710516 | NUT |
| p040 | 1519319 | FIFTH WHEEL | p059 | 1519319 | FIFTH WHEEL |
| p041 | 1800046 | SPRING | p060 | 1800067 | TROTTER SPRING |
| p042 | 30E0017 | SPRING JOINT | p061 | 1421025 | WASHER |
| p042 | 30E1074 | | p062 | 0545790 | SELF-LOCKING NUT |
| p043 | 7S01321 | RIGHT TENSIONER ARM | p063 | C005427 | GUARD FEEDER LEFT SIDE SUPPORT |
| p044 | 2042515 | BEARING | p064 | 04N0820 | SCREW |
| p045 | 3400274 | SPROCKET Z=10-1" | p065 | 0181230 | SCREW |
| p046 | 1300102 | SHIM | p066 | 1421230 | WASHER |
| p046 | 1300105 | SHIM | p067 | 0920412 | NUT |
| p046 | 1300104 | SHIM | p068 | C004908 | GUARD |
| p047 | 1700025 | SEEGER RING | p069 | 13C0024 | SHIM 26,5X37X2 |
| p048 | 4210610 | GREASE NIPPLE | | | |
| p049 | 1300105 | SHIM | | | |
| p049 | 1300159 | SHIM (GALV) | | | |
| p050 | 0181230 | SCREW | | | |
| p051 | 0710412 | NUT | | | |
| p052 | 1700025 | SEEGER RING | | | |
| p053 | 1420820 | WASHER | | | |
| p054 | 0920208 | NUT | | | |

TAV_P000105_00



TAV_P000105_00

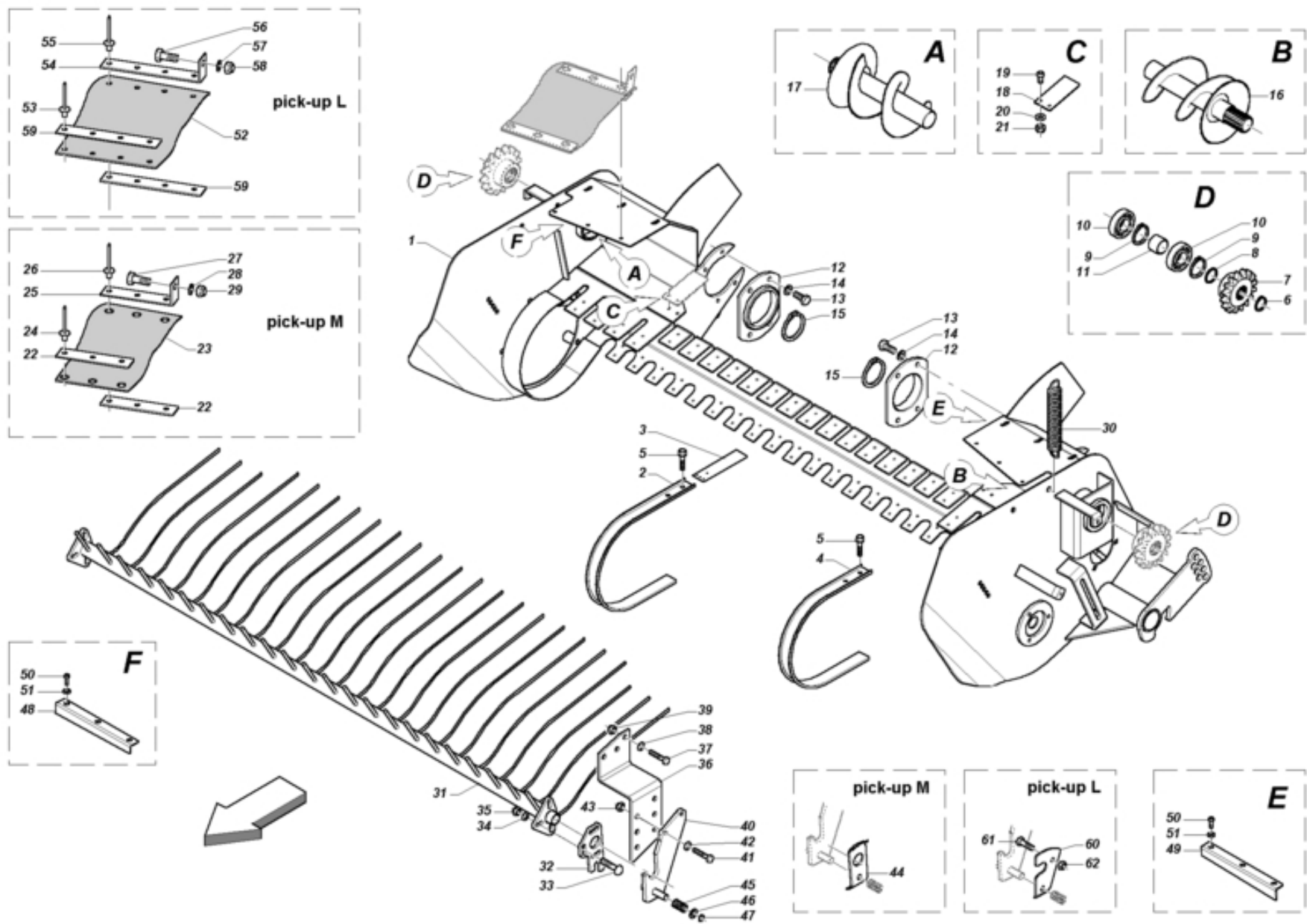
| Item | Part Num. | Description | Item | Part Num. | Description |
|------|-----------|------------------------------|------|-----------|---------------------|
| p001 | 7SP0072 | LT BELTS STRETCHING ARM | p024 | 1519128 | 35 52 6 FIFTH WHEEL |
| p002 | 3500165 | IDLE ROLLER | p025 | 1700035 | SEEGER RING |
| p003 | 3500213 | SHORT SHAFT | p026 | 4211010 | GREASE NIPPLE |
| p004 | 2040002 | BEARING | p027 | C6P0093 | SENSOR SHIFT |
| p005 | 1300623 | IDLE ROLLER LOCK | p028 | 0181050 | SCREW |
| p006 | 0441635 | SCREW | p029 | 1421025 | WASHER |
| p007 | 7S00936 | JACK PIN | p030 | 0700310 | NUT |
| p008 | 0190830 | SCREW | p031 | 0545790 | SELF-LOCKING NUT |
| p009 | 0920208 | NUT | p032 | 0180820 | SCREW |
| p010 | 0181230 | SCREW | p033 | 1430820 | WASHER |
| p011 | 1421230 | WASHER | p034 | 0180820 | SCREW |
| p012 | 0920412 | NUT | p035 | 1430820 | WASHER |
| p013 | 0180630 | SCREW | p036 | 1421025 | WASHER |
| p014 | 1430620 | WASHER | | | |
| p015 | C6P0092 | RULE | | | |
| p016 | 0181020 | SCREW | | | |
| p017 | 0440510 | SCREW | | | |
| p018 | EOP0015 | BALE DIMENSION POTENTIOMETER | | | |
| p019 | 0180630 | SCREW | | | |
| p020 | 1300866 | BUSH | | | |
| p021 | 1430620 | WASHER | | | |
| p022 | 0920106 | NUT | | | |
| p023 | 1800094 | | | | |



TAV_P000013_00

| Item | Part Num. | Description | Item | Part Num. | Description |
|------|-----------|-------------------------------------|------|-----------|-----------------------|
| p001 | 7S00967 | FEEDING SYSTEM FRAME | p021 | 7S00966 | FEEDER CONNECTING ROD |
| p002 | 0181225 | SCREW | p022 | 3500017 | CONNECTING ROD PIN |
| p003 | 1300605 | SPACER | p023 | 2500002 | BUSH |
| p004 | 2043517 | BEARING | p024 | 1300040 | FIFTH WHEEL |
| p005 | 1710072 | SEEGER RING | p025 | 0920516 | NUT |
| p006 | 1300523 | SPACER | p026 | 4200610 | GREASE NIPPLE |
| p007 | 3400237 | DOUBLE GEAR Z=12/21/1" FOR RAKE FEE | p027 | 7S00983 | FEEDER |
| p008 | 1534416 | SHIM | p028 | 7S00126 | BEARING |
| p008 | 1534415 | SHIM | p029 | 1300106 | SHIM (GALV) |
| p009 | 1700035 | SEEGER RING | p030 | 3500038 | FEEDER SHAFT |
| p010 | 30E0017 | SPRING JOINT | p031 | 1000005 | FEATHER 8X7X23,5 |
| p010 | 30E1039 | ROLLER CHAIN | p032 | 7S00978 | MOTOR CONNECTING ROD |
| p011 | 7S00958 | TIE ROD | p033 | 7S00979 | IDLE CONNECTING ROD |
| p012 | 3400274 | SPROCKET Z=10-1" | p034 | 1522427 | SHIM |
| p013 | 2042515 | BEARING | | | |
| p014 | 1300104 | SHIM | | | |
| p014 | 1300102 | SHIM | | | |
| p015 | 1700025 | SEEGER RING | | | |
| p016 | 0191240 | SCREW | | | |
| p017 | 1516038 | FIFTH WHEEL | | | |
| p018 | C005308 | FEEDER TIE ROD | | | |
| p019 | 0181270 | SCREW | | | |
| p020 | 0710412 | NUT | | | |

TAV_P000111_01

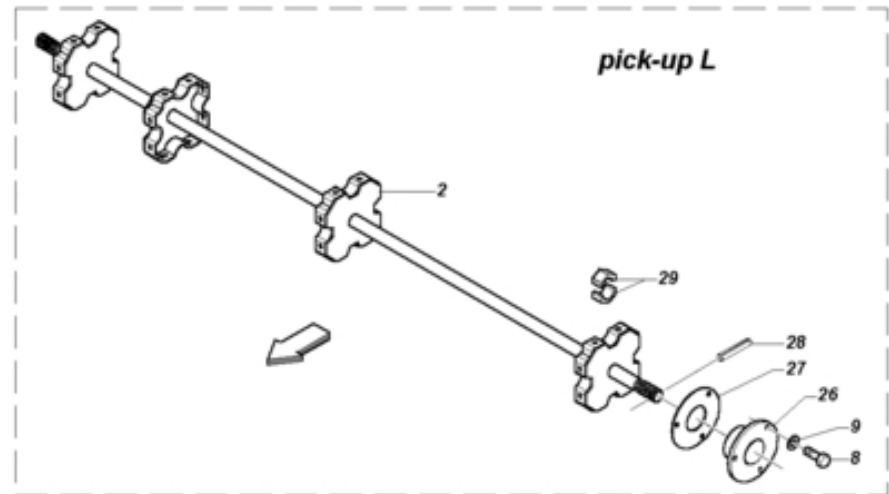
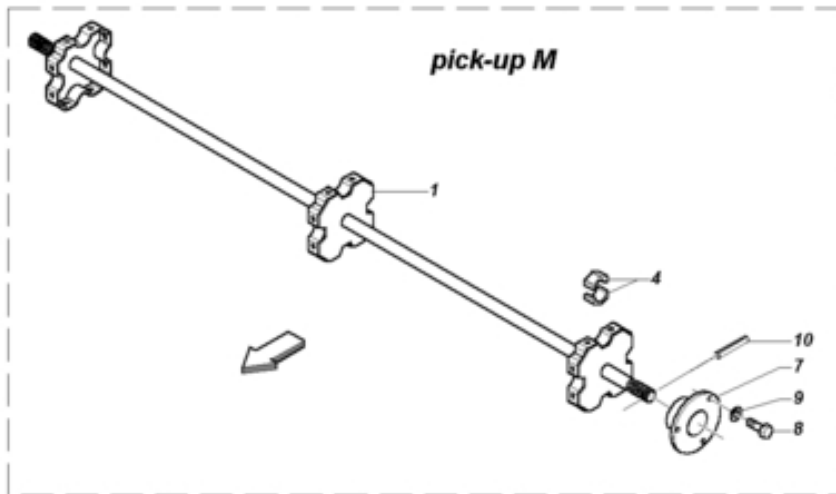
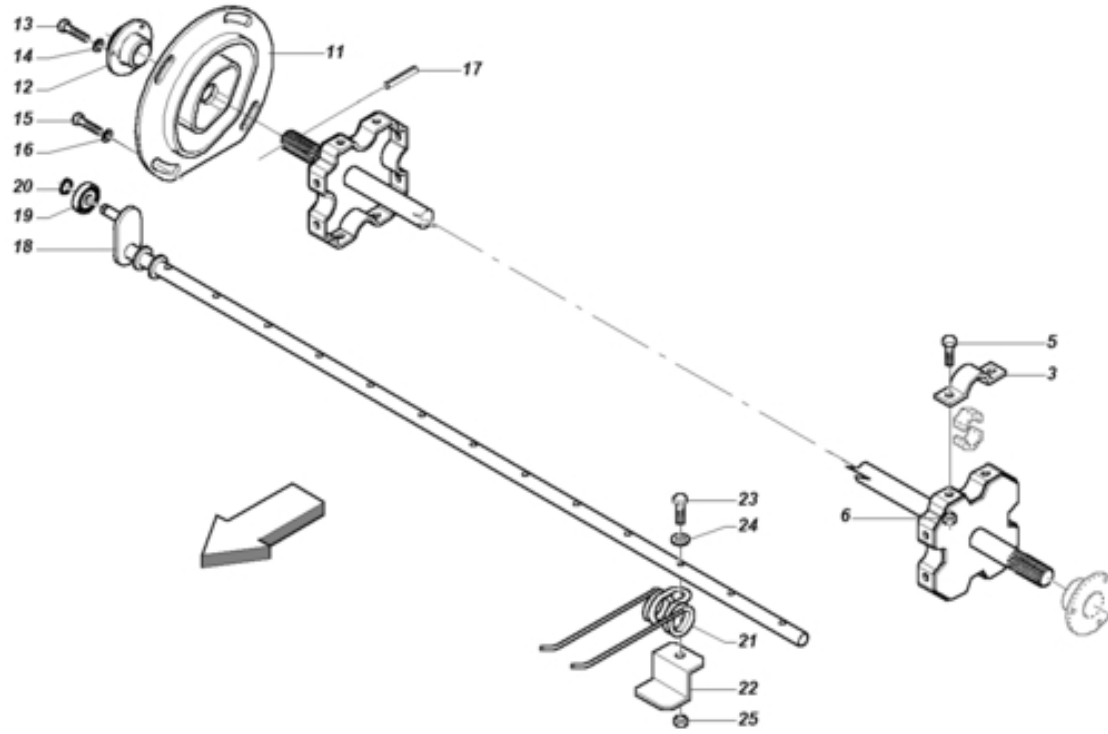


TAV_P000111_01

| Item | Part Num. | Description | Item | Part Num. | Description |
|------|-----------|-----------------|------|-----------|-----------------------|
| p001 | 7SP0219 | | p021 | 0920106 | NUT |
| p001 | 7SP0193 | | p022 | C002410 | FIXING PLATE |
| p002 | C003304 | PICK-UP CENTRAL | p023 | 7V00074 | AUGER PROTECTION |
| p003 | C002069 | BAND EXTENSION | p024 | 1000013 | RIVET |
| p004 | C003183 | LATERAL BAND | p025 | C002409 | RUBBER SUPPORT |
| p005 | 0370615 | SCREW | p026 | 1000012 | RIVET |
| p006 | 1700035 | SEEGER RING | p027 | 0181025 | SCREW |
| p007 | 34P0005 | | p028 | 1421025 | WASHER |
| p008 | 1534416 | SHIM | p029 | 0545790 | SELF-LOCKING NUT |
| p009 | 1710072 | SEEGER RING | p030 | 1810412 | SPRING |
| p010 | 2040003 | BEARING | p031 | 7SP0200 | |
| p011 | 1300739 | SPACER | p031 | 7SP0103 | RAKE FOR PU M LT |
| p012 | 1300715 | PICK-UP FLANGE | p032 | C003179 | ADJUSTER ATTACHMENT |
| p013 | 0181015 | SCREW | p033 | 0523395 | SPECIAL SCREW |
| p014 | 1421025 | WASHER | p034 | 1522469 | FIFTH WHEEL |
| p015 | 1700095 | SEEGER RING | p035 | 0920412 | NUT |
| p016 | 70P0122 | | p036 | C000056 | LEFT RAKE ATTACHMENT |
| p016 | 70P0124 | | p036 | C000057 | RIGHT RAKE ATTACHMENT |
| p017 | 70P0121 | | p037 | 0181245 | SCREW |
| p017 | 70P0123 | | p038 | 1421230 | WASHER |
| p018 | C004894 | PICK-UP SHIM | p039 | 0920412 | NUT |
| p019 | 0470620 | SCREW | p040 | 7S01004 | LEFT RAKE ATTACHMENT |
| p020 | 1420615 | WASHER | p040 | 7S01005 | RIGHT RAKE ATTACHMENT |

| Item | Part Num. | Description | Item | Part Num. | Description |
|------|-----------|-----------------------|------|-----------|-------------|
| p041 | 0181235 | SCREW | p061 | 0181630 | SCREW |
| p042 | 1431225 | WASHER | p062 | 0700516 | NUT |
| p043 | 0920412 | NUT | | | |
| p044 | C000058 | RAKE LINKAGE | | | |
| p045 | 1817605 | SPRING | | | |
| p046 | 1422035 | WASHER | | | |
| p047 | 1700020 | SEEGER RING | | | |
| p048 | C3P0082 | RIGHT AUGER SEPARATOR | | | |
| p048 | C3P0014 | RIGHT AUGER SEPARATOR | | | |
| p049 | C3P0015 | AUGER LEFT SWITCH | | | |
| p049 | C3P0083 | RIGHT AUGER SEPARATOR | | | |
| p050 | 0470820 | SCREW | | | |
| p051 | 1430820 | WASHER | | | |
| p052 | 7V00081 | AUGER GUARD | | | |
| p053 | 1000013 | RIVET | | | |
| p054 | C003729 | RUBBER SUPPORT | | | |
| p055 | 1000012 | RIVET | | | |
| p056 | 0181025 | SCREW | | | |
| p057 | 1421025 | WASHER | | | |
| p058 | 0545790 | SELF-LOCKING NUT | | | |
| p059 | C003730 | FIXING PLATE | | | |
| p060 | C003728 | LEFT RAKE LINKAGE | | | |
| p060 | C003727 | RIGHT RAKE LINKAGE | | | |

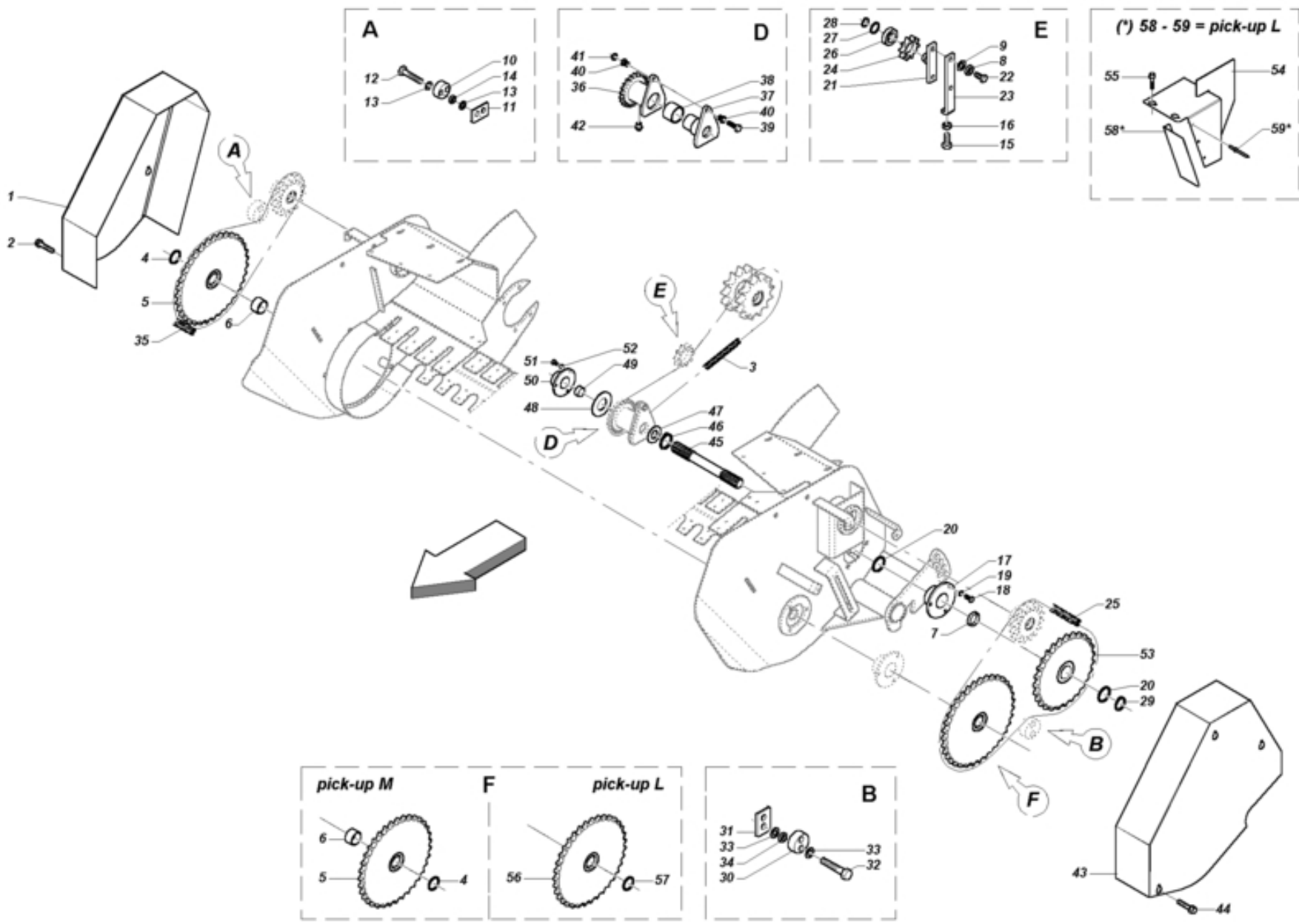
TAV_P000112_01



TAV_P000112_01

| Item | Part Num. | Description | Item | Part Num. | Description |
|------|-----------|-------------------------|------|-----------|-----------------|
| p001 | 7SP0288 | | p023 | 0170850 | SCREW |
| p002 | 7SP0195 | | p024 | 1430820 | WASHER |
| p003 | C001521 | U BOLT | p025 | 0910208 | NUT |
| p004 | 25P0010 | HALF-BUSH | p026 | 2353035 | FLANGED SUPPORT |
| p005 | 0181025 | SCREW | p027 | 1301126 | SHIM |
| p006 | 08B0310 | NUT | p028 | 1110650 | PIN |
| p007 | 2353030 | FLANGED SUPPORT | p029 | 25P0010 | HALF-BUSH |
| p008 | 0181020 | SCREW | | | |
| p009 | 1421025 | WASHER | | | |
| p010 | 1110645 | PIN | | | |
| p011 | 7S01561 | NEW PICK-UP ECCENTRIC | | | |
| p012 | 2353030 | FLANGED SUPPORT | | | |
| p013 | 0181020 | SCREW | | | |
| p014 | 1421025 | WASHER | | | |
| p015 | 0181225 | SCREW | | | |
| p016 | 1523831 | FIFTH WHEEL | | | |
| p017 | 1110645 | PIN | | | |
| p018 | 7S01225 | TINES-HOLDER BAR 220 | | | |
| p018 | 7S00991 | TINE HOLDER BAR | | | |
| p019 | 20R1210 | ROLLER | | | |
| p020 | 1700012 | SEEGER RING | | | |
| p021 | 18P0003 | PICK-UP TINE | | | |
| p022 | C000214 | SPRING SUPPORTING PLATE | | | |

TAV_P000113_01

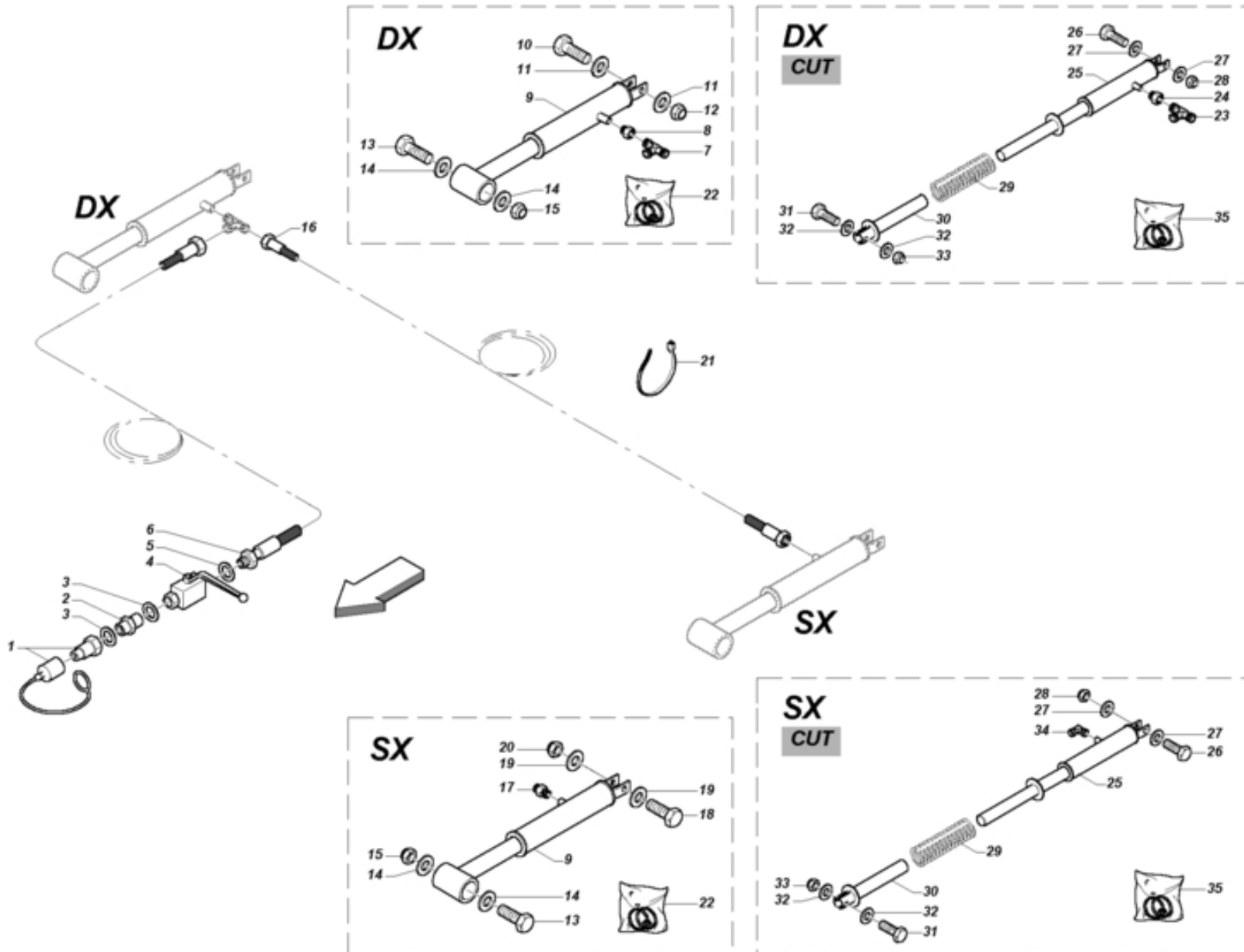


TAV_P000113_01

| Item | Part Num. | Description | Item | Part Num. | Description |
|------|-----------|--------------------------|------|-----------|--------------------------|
| p001 | 7SP0198 | | p021 | 7S01013 | PICK-UP TENSIONER |
| p002 | 0370001 | SCREW | p022 | 0181230 | SCREW |
| p003 | 30E1026 | ROLLER CHAIN | p023 | C6P0065 | FEEDER TIE ROD |
| p003 | 30E0017 | SPRING JOINT | p024 | 3400274 | SPROCKET Z=10-1" |
| p004 | 1300101 | SHIM (GALV) | p025 | 3110007 | LINK |
| p004 | 1300100 | SHIM (GALV) | p025 | 3111063 | ROLLER CHAIN |
| p005 | 34P0002 | | p025 | 3111067 | ASA 60-1 ROLLERS CHAIN |
| p006 | 13P0039 | | p026 | 2042515 | BEARING |
| p007 | 13P0040 | | p027 | 1300102 | SHIM |
| p008 | 1516038 | FIFTH WHEEL | p027 | 1300104 | SHIM |
| p009 | 1431225 | WASHER | p028 | 1700025 | SEEGER RING |
| p010 | 7V00031 | NYLON CHAIN TIGHTENER | p029 | 1700035 | SEEGER RING |
| p011 | C003172 | CHAIN TIGHTENER COUPLING | p030 | 7V00031 | NYLON CHAIN TIGHTENER |
| p012 | 0191270 | SCREW | p031 | C003172 | CHAIN TIGHTENER COUPLING |
| p013 | 1431225 | WASHER | p032 | 0191260 | SCREW |
| p013 | 1421230 | WASHER | p033 | 1431225 | WASHER |
| p014 | 1523831 | FIFTH WHEEL | p033 | 1421230 | WASHER |
| p015 | 0181260 | SCREW | p034 | 1523831 | FIFTH WHEEL |
| p016 | 0710412 | NUT | p035 | 3111046 | ROLLER CHAIN |
| p017 | 2353035 | FLANGED SUPPORT | p035 | 3110007 | LINK |
| p018 | 0181020 | SCREW | p035 | 3111058 | ROLLER CHAIN ASA60-1 |
| p019 | 1421025 | WASHER | p036 | 3400241 | SURETY HUB |
| p020 | 1534416 | SHIM | p037 | 7S01001 | SPLINED HUB |

| Item | Part Num. | Description | |
|------|-----------|------------------------|--|
| p038 | 2500001 | BUSHING | |
| p039 | 0170845 | SCREW | |
| p040 | 0511057 | BUSHING | |
| p041 | 08B0208 | NUT | |
| p042 | 4200610 | GREASE NIPPLE | |
| p043 | 7SP0199 | | |
| p044 | 0370001 | SCREW | |
| p045 | 35P0010 | | |
| p045 | 35P0058 | | |
| p046 | 1700040 | SEEGER RING | |
| p047 | 1300126 | SHIM | |
| p048 | 1534395 | FIFTH WHEEL | |
| p049 | 1300607 | SPACER | |
| p050 | 2353035 | FLANGED SUPPORT | |
| p051 | 0181020 | SCREW | |
| p052 | 1421025 | WASHER | |
| p053 | 34P0004 | | |
| p054 | C005269 | NEW SAFETY GUARD | |
| p055 | 0370001 | SCREW | |
| p056 | 34P0041 | | |
| p057 | 1534416 | SHIM | |
| p058 | C005384 | SAFETY GUARD EXTENSION | |
| p059 | 1000009 | RIVET | |

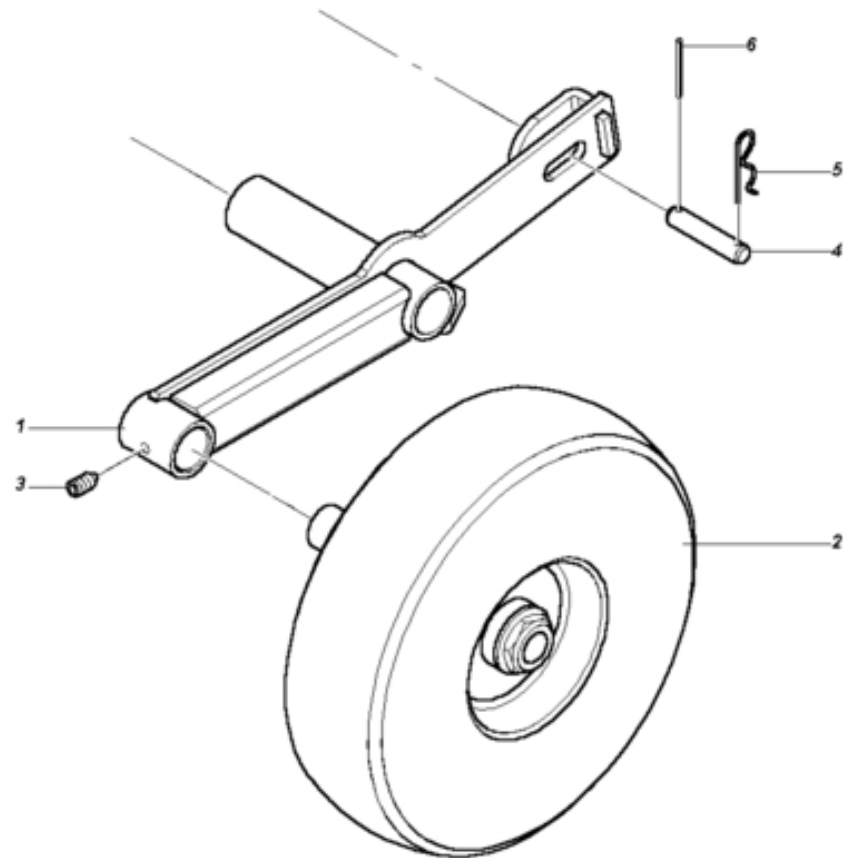
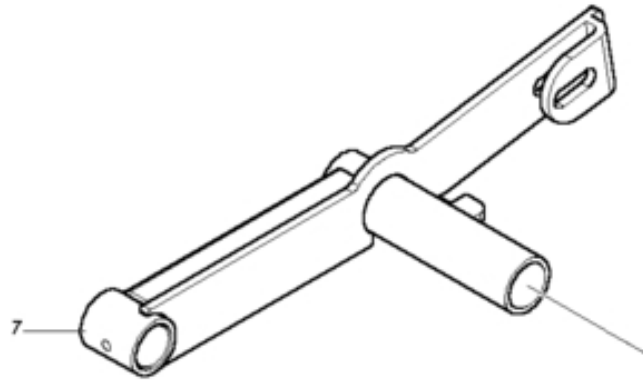
TAV_P000124_01



TAV_P000124_01

| Item | Part Num. | Description | Item | Part Num. | Description |
|------|-----------|----------------------------|------|-----------|-----------------------------|
| p001 | H6000A0 | QUICK CLUTCH | p024 | H000265 | REDUCTION TN143-3/8"X1/4"R |
| p002 | H733671 | NIPPLE 1/2"-1/4" | p025 | H400072 | SPRINTER PICK-UP JACK "CUT" |
| p003 | 1441415 | WASHER | p026 | 0191660 | SCREW |
| p004 | H000119 | BALL COCK | p027 | 1421630 | WASHER |
| p005 | 1442015 | WASHER | p028 | 0920516 | NUT |
| p006 | H000250 | HYDRAULIC HOSE | p029 | 1800062 | TOPCUT PICK-UP TINE |
| p007 | H000098 | UNION "T"10 | p030 | 7S01072 | JACK GUIDE |
| p008 | H000265 | REDUCTION TN143-3/8"X1/4"R | p031 | 0191660 | SCREW |
| p009 | H400062 | SPRINTER PICK-UP JACK | p032 | 1421630 | WASHER |
| p010 | 0191680 | SCREW | p033 | 0920516 | NUT |
| p011 | 1421630 | WASHER | p034 | H000086 | UNION "L"10 |
| p012 | 0920516 | NUT | p035 | H400061 | KIT JOINTS FOR H400021 |
| p013 | 0191655 | SCREW | | | |
| p014 | 1421630 | WASHER | | | |
| p015 | 0920516 | NUT | | | |
| p016 | H000251 | HYDRAULIC HOSE | | | |
| p017 | H000139 | UNION "T" 10 | | | |
| p018 | 0191690 | SCREW | | | |
| p019 | 1421630 | WASHER | | | |
| p020 | 0920516 | NUT | | | |
| p021 | E600021 | CLAMP LUMEFIX | | | |
| p022 | H400061 | KIT JOINTS FOR H400021 | | | |
| p023 | H000264 | "T" FITTING TN96-10LR | | | |

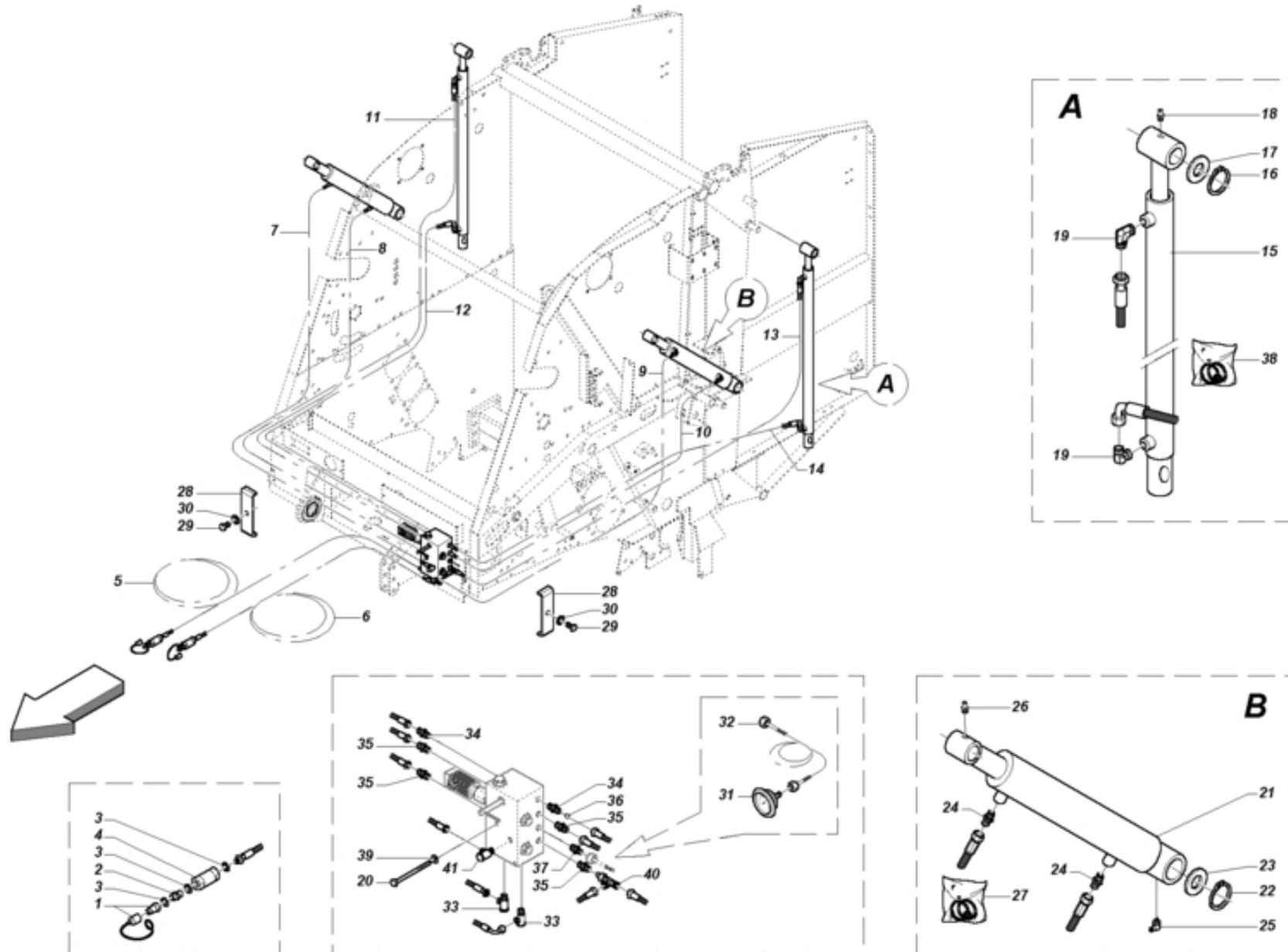
TAV_P000114_01





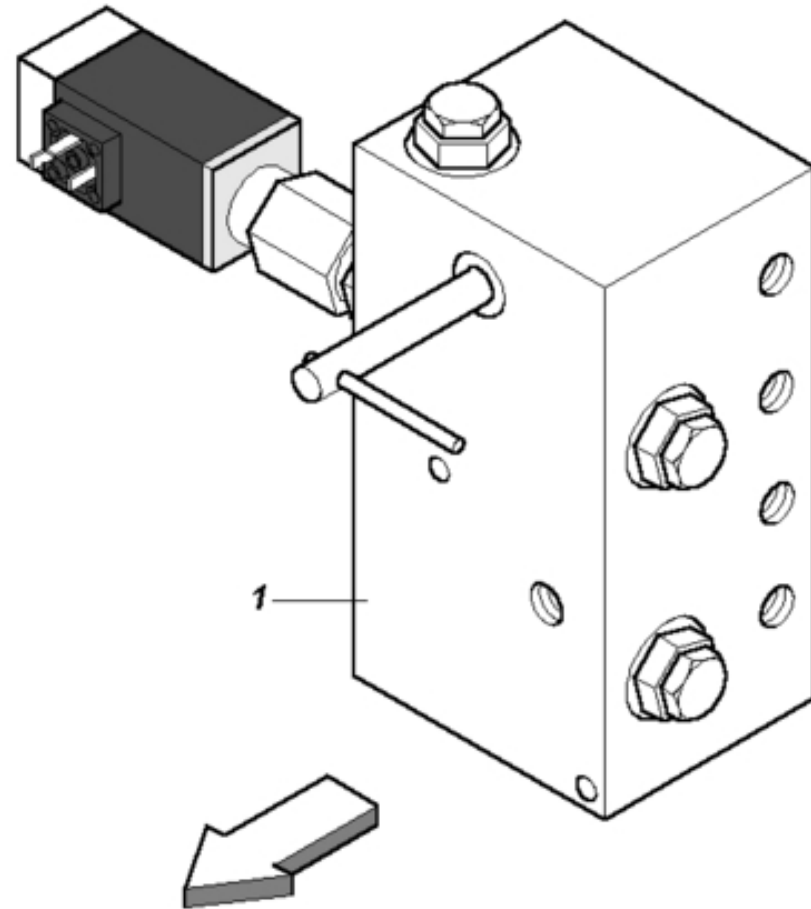
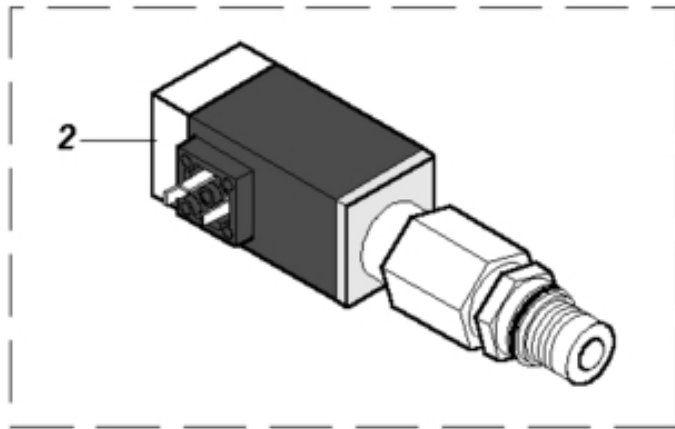
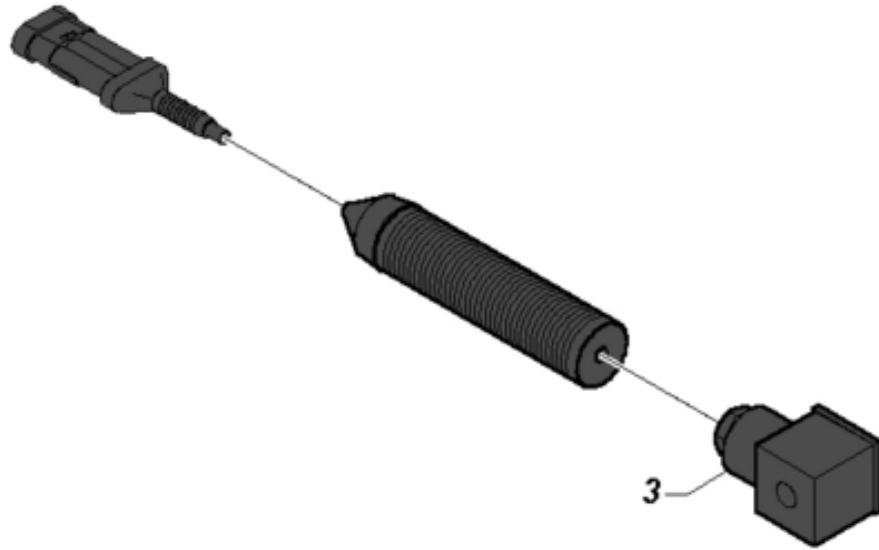
TAV_P000114_01

| Item | Part Num. | Description | |
|------|-----------|---------------------------|--|
| p001 | 7SP0084 | LT LEFT WHEEL ATTACHMENT | |
| p002 | 7100040 | TYRE WITH SPIND | |
| p003 | 0431016 | SCREW | |
| p004 | 1300610 | PIN | |
| p005 | 1170377 | PIN | |
| p006 | 1110440 | PIN | |
| p007 | 7SP0085 | LT RIGHT WHEEL ATTACHMENT | |



TAV_P000103_00

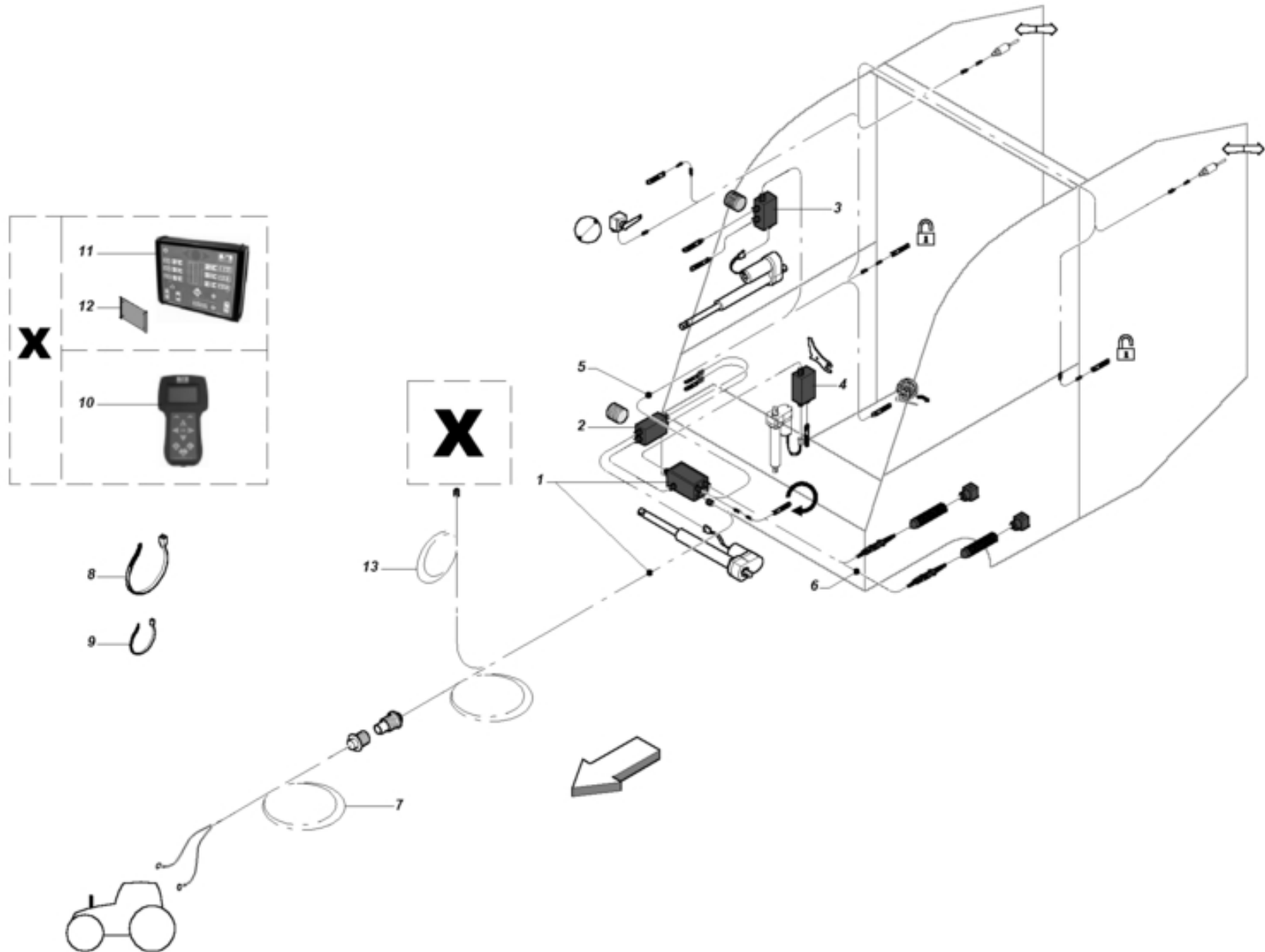
| Item | Part Num. | Description | Item | Part Num. | Description |
|------|-----------|---------------------------|------|-----------|-------------------------------|
| p001 | H6000A0 | QUICK CLUTCH | p023 | 1519696 | SHIM |
| p002 | H6000AX | NIPPLE 1/2" | p024 | H0P0006 | |
| p003 | 1442015 | WASHER | p025 | 4220610 | GREASE NIPPLE |
| p004 | H000040 | FILTER IL12/60 R 94001261 | p026 | 4200610 | GREASE NIPPLE |
| p005 | H000253 | HYDRAULIC HOSE | p027 | H400146 | SEAL KIT FOR H400128-129-134 |
| p006 | H000254 | HYDRAULIC HOSE | p028 | C005132 | FIXING U BOLT |
| p007 | H000248 | BLUE HYDRAULIC HOSE | p029 | 0180840 | SCREW |
| p008 | H000247 | YELLOW HYDRAULIC HOSE | p030 | 1420820 | WASHER |
| p009 | H000249 | BLUE HYDRAULIC HOSE | p031 | H000256 | GAUGE HT |
| p010 | H000246 | YELLOW HYDRAULIC HOSE | p032 | H000120 | PIPE |
| p011 | H000243 | HYDRAULIC HOSE | p033 | H000103 | FILLET "0"12 |
| p012 | H000244 | RED HYDRAULIC HOSE | p034 | H000182 | OIL FLOW REDUCER PIPE FITTING |
| p013 | H000242 | HYDRAULIC HOSE | p035 | H000139 | UNION "1" 10 |
| p014 | H000245 | RED HYDRAULIC HOSE | p036 | 0500070 | DOWEL M8 WITH HOLE 1.75MM |
| p015 | H400130 | REAR DOOR JACK 265 | p037 | H000140 | NIPPLE 1/4-1/4 |
| p016 | 1700030 | SEEGER RING | p038 | H400147 | SEAL KIT FOR H400130-131-135 |
| p017 | 1300101 | SHIM (GALV) | p039 | 1430620 | WASHER |
| p017 | 1300100 | SHIM (GALV) | p040 | H000252 | FITTING T 10 |
| p018 | 4200610 | GREASE NIPPLE | p041 | H000232 | FITTING "0"10 |
| p019 | H000009 | UNION ELBOW 10 | | | |
| p020 | 0190690 | SCREW | | | |
| p021 | H400128 | PRESSURE JACK 265 | | | |
| p022 | 1700035 | SEEGER RING | | | |





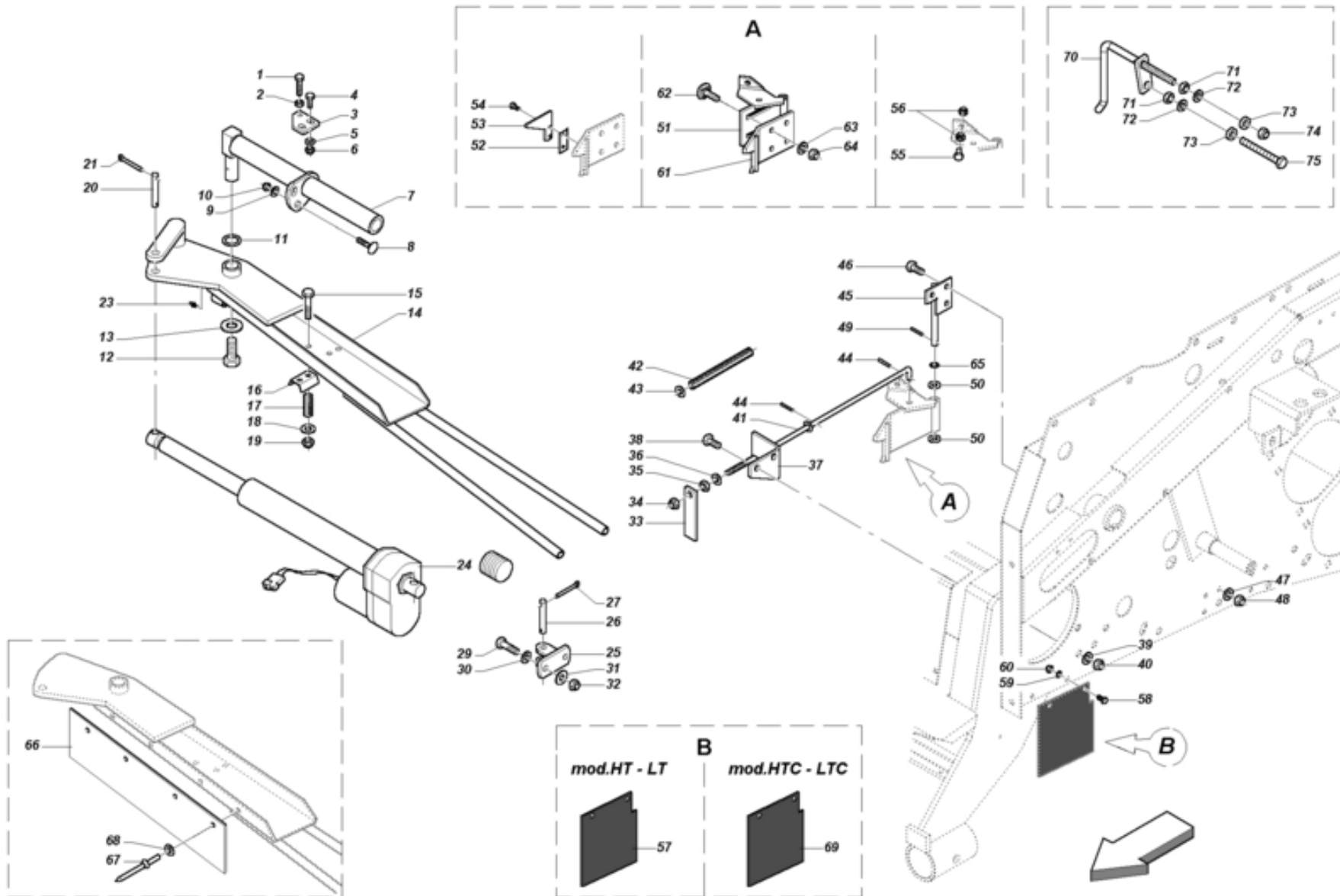
TAV_P000140_00

| Item | Part Num. | Description | |
|------|-----------|-----------------|--|
| p001 | H0P0003 | VALVE FRB12/E-B | |
| p002 | H000288 | | |
| p003 | E0P0006 | PRESSURE MODULE | |



| Item | Part Num. | Description | |
|------|-----------|-------------------------------------|--|
| p001 | E0P0002 | POWER BOX MODULE WITH CONNECTION | |
| p002 | E0P0003 | TWINE MODULE COMPLETE WITH SENSOR | |
| p003 | E0P0004 | NET MODULE WITH CONNECTION C6P0085 | |
| p004 | E0P0005 | CUT MODULE WITH CONNECTION C6P0085 | |
| p005 | E0P0008 | MAIN BUS | |
| p006 | E0P0009 | AUXILIARY BUS | |
| p007 | E0P0010 | TRACTOR CABLE | |
| p008 | E600001 | CLAMP 8X2 | |
| p009 | E600021 | CLAMP LUMEFIX | |
| p010 | E0P0011 | EASY TRONIC MODULE | |
| p011 | E0P0058 | | |
| p012 | E0P0059 | D&D FEMALE DOVETAIL | |
| p013 | E0P0065 | TRACTOR MACHINE WIRING FOR POWER B. | |

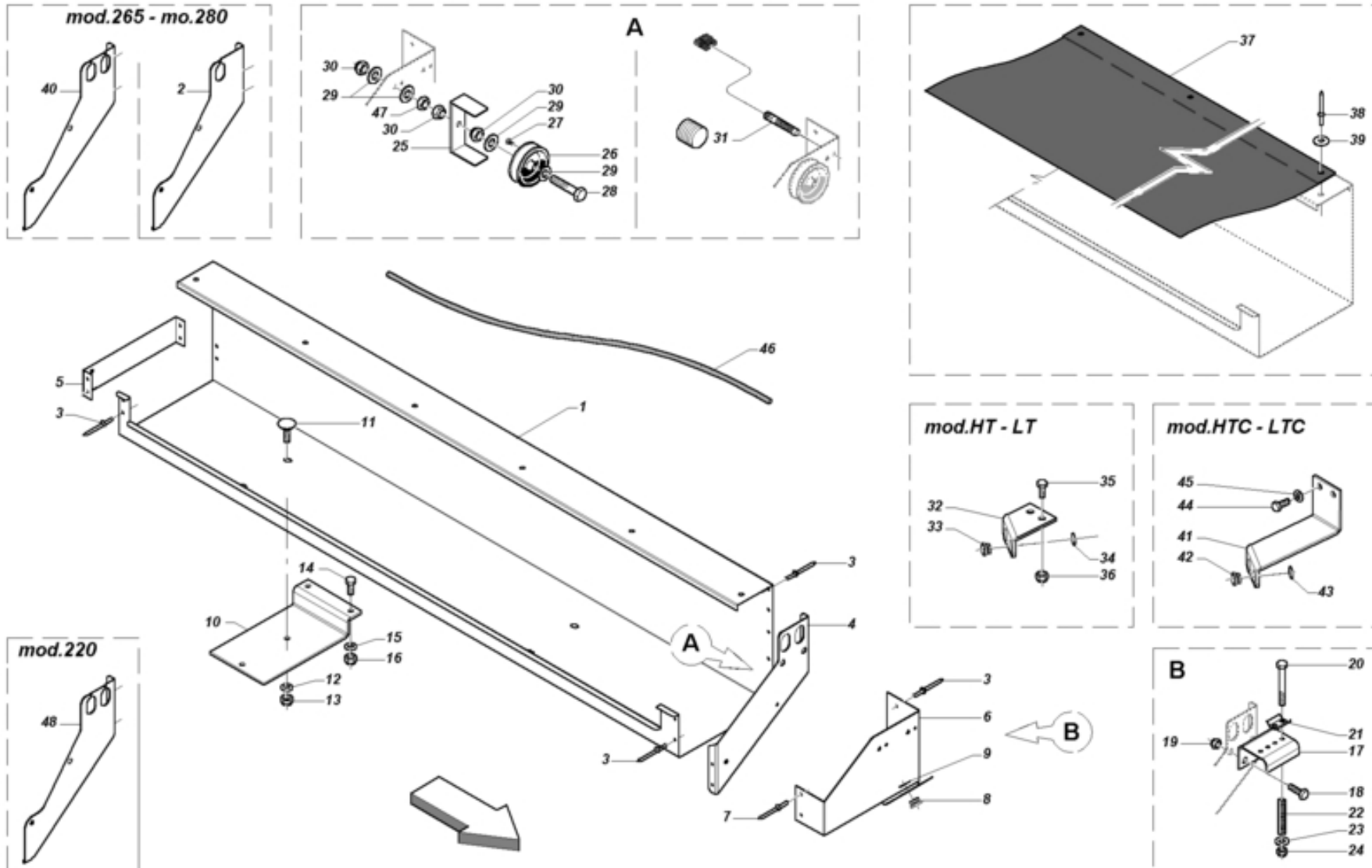
TAV_P000029_04



| Item | Part Num. | Description | Item | Part Num. | Description |
|------|-----------|--------------------|------|-----------|---------------------|
| p001 | 0181050 | SCREW | p024 | E000120 | ACTUATOR |
| p002 | 0710310 | NUT | p025 | 7S01525 | ACTUATOR ATTACHMENT |
| p003 | C005031 | LOCK | p026 | 1A29508 | CYLINDER PIN |
| p004 | 0181030 | SCREW | p027 | 1150430 | GALV PIN |
| p005 | 1421025 | WASHER | p029 | 0181245 | SCREW |
| p006 | 0545790 | SELF-LOCKING NUT | p030 | 1421230 | WASHER |
| p007 | 7S01524 | CROSS BAR | p031 | 1431225 | WASHER |
| p008 | 0523421 | SPECIAL SCREW | p032 | 0920412 | NUT |
| p009 | 1421230 | WASHER | p033 | C003115 | COUPLER |
| p010 | 0920412 | NUT | p034 | 0920208 | NUT |
| p011 | 1300135 | SHIM | p035 | 0710208 | NUT |
| p011 | 1300134 | SHIM | p036 | 1420820 | WASHER |
| p012 | 0181630 | SCREW | p037 | C005034 | ROD SUPPORT |
| p013 | 1519319 | FIFTH WHEEL | p038 | 0181240 | SCREW |
| p014 | 7S01805 | TWINE WRAPPING ARM | p039 | 1421230 | WASHER |
| p015 | 0190840 | SCREW | p040 | 0920412 | NUT |
| p016 | C630434 | TWINE BRAKE | p041 | 0500098 | ADJUSTMENT BAR |
| p017 | 1821993 | SPRING | p042 | 1800036 | C-SPRING |
| p018 | 1420820 | WASHER | p043 | 1420820 | WASHER |
| p019 | 0920208 | NUT | p044 | 1110320 | PIN |
| p020 | 1A29508 | CYLINDER PIN | p045 | 7S00987 | BLADE FULCRUM |
| p021 | 1150430 | GALV PIN | p046 | 0180825 | SCREW |
| p023 | 4200610 | GREASE NIPPLE | p047 | 1420820 | WASHER |

| Item | Part Num. | Description | Item | Part Num. | Description |
|------|-----------|----------------------------|------|-----------|-------------|
| p048 | 0920208 | NUT | p071 | 0710412 | NUT |
| p049 | 1110320 | PIN | p072 | 1421230 | WASHER |
| p050 | 1421025 | WASHER | p073 | 1516038 | FIFTH WHEEL |
| p051 | 7SP0044 | CUTTING FULCRUM | p074 | 0920412 | NUT |
| p052 | 7U00011 | BLADE BY MARTOR ART. 37 | p075 | 0181290 | SCREW |
| p053 | C002765 | BLADE FASTERNER | | | |
| p054 | 0180516 | SCREW | | | |
| p055 | 0180840 | SCREW | | | |
| p056 | 0710208 | NUT | | | |
| p057 | 7V00080 | TWINE TYING KIT PROTECTION | | | |
| p058 | 0180820 | SCREW | | | |
| p059 | 1430820 | WASHER | | | |
| p060 | 0920208 | NUT | | | |
| p061 | 7SP0045 | BLADE HOLDER | | | |
| p062 | 0320825 | SCREW | | | |
| p063 | 1420820 | WASHER | | | |
| p064 | 0920208 | NUT | | | |
| p065 | 4313037 | TORIC RING | | | |
| p066 | 7VP0004 | TWINE WRAP ARM PROTECTION | | | |
| p067 | 1000016 | RIVET | | | |
| p068 | 1430520 | WASHER | | | |
| p069 | 7V00072 | SIDE RUBBERED PROTECTIONS | | | |
| p070 | 7S01238 | TWINE GRASPER | | | |

TAV_P000121_01



TAV_P000121_01

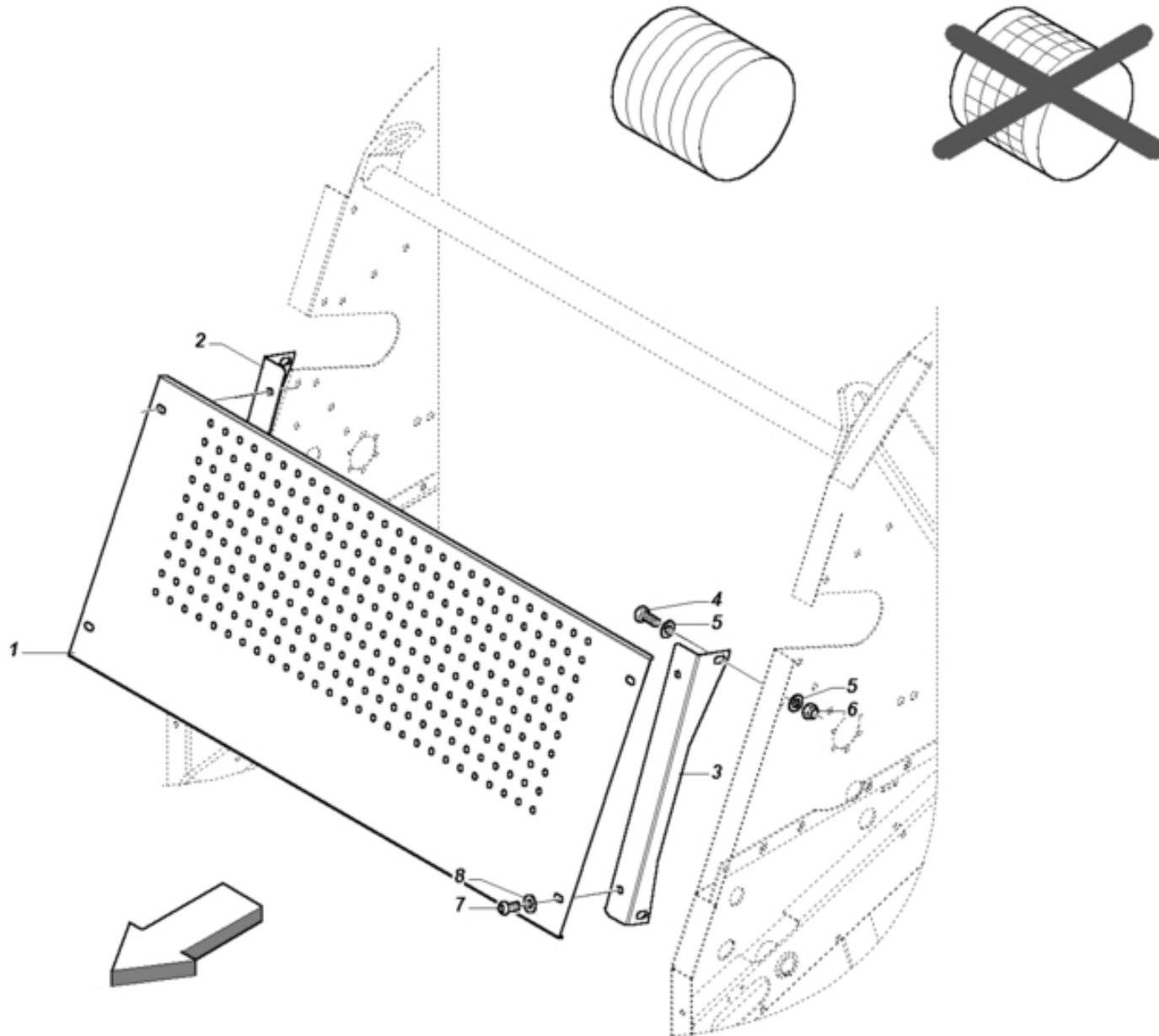
| Item | Part Num. | Description | Item | Part Num. | Description |
|------|-----------|-------------------|------|-----------|----------------------------|
| p001 | C3P0037 | TWINE HOLDER BODY | p024 | 0920208 | NUT |
| p002 | C4P0038 | SEPARATOR | p025 | C230438 | LOCK |
| p003 | 1000010 | RIVET | p026 | 3730455 | PULLEY |
| p004 | C4P0036 | SEPARATOR | p027 | 03F4813 | SCREW |
| p005 | C3P0036 | END LOCK | p028 | 0180655 | SCREW |
| p006 | C005016 | PULLEY ATTACHMENT | p029 | 1420615 | WASHER |
| p007 | 1000011 | RIVET | p030 | 0920106 | NUT |
| p008 | 3500097 | TWINE GUIDE BUSH | p031 | E000102 | PROXIMITY SENSORS |
| p009 | 1700025 | SEEGER RING | p032 | C005385 | BUSH COUPLING HT |
| p010 | C004685 | TWINE BOX HOLDER | p033 | 3500097 | TWINE GUIDE BUSH |
| p011 | 0321020 | SCREW | p034 | 1700025 | SEEGER RING |
| p012 | 1431020 | WASHER | p035 | 0181235 | SCREW |
| p013 | 0545790 | SELF-LOCKING NUT | p036 | 0920412 | NUT |
| p014 | 0181030 | SCREW | p037 | 7VP0002 | TWINE BOX COVER 265-280 |
| p015 | 1421025 | WASHER | p038 | 1000010 | RIVET |
| p016 | 0545790 | SELF-LOCKING NUT | p039 | 1430620 | WASHER |
| p017 | C005012 | TWINE BRAKE BASE | p040 | C4P0037 | SEPARATOR |
| p018 | 0181220 | SCREW | p041 | C005002 | BUSH ATTACHMENT |
| p019 | 0920412 | NUT | p042 | 3500097 | TWINE GUIDE BUSH |
| p020 | 0190840 | SCREW | p043 | 1700025 | SEEGER RING |
| p021 | C630434 | TWINE BRAKE | p044 | 0181245 | SCREW |
| p022 | 1821993 | SPRING | p045 | 1421230 | WASHER |
| p023 | 1420820 | WASHER | p046 | 7VP0012 | ELASTIC ROPE DIAM. 6 L1720 |



TAV_P000121_01

| Item | Part Num. | Description | |
|------|-----------|-------------|--|
| p047 | 0710106 | NUT | |

TAV_P000109_00

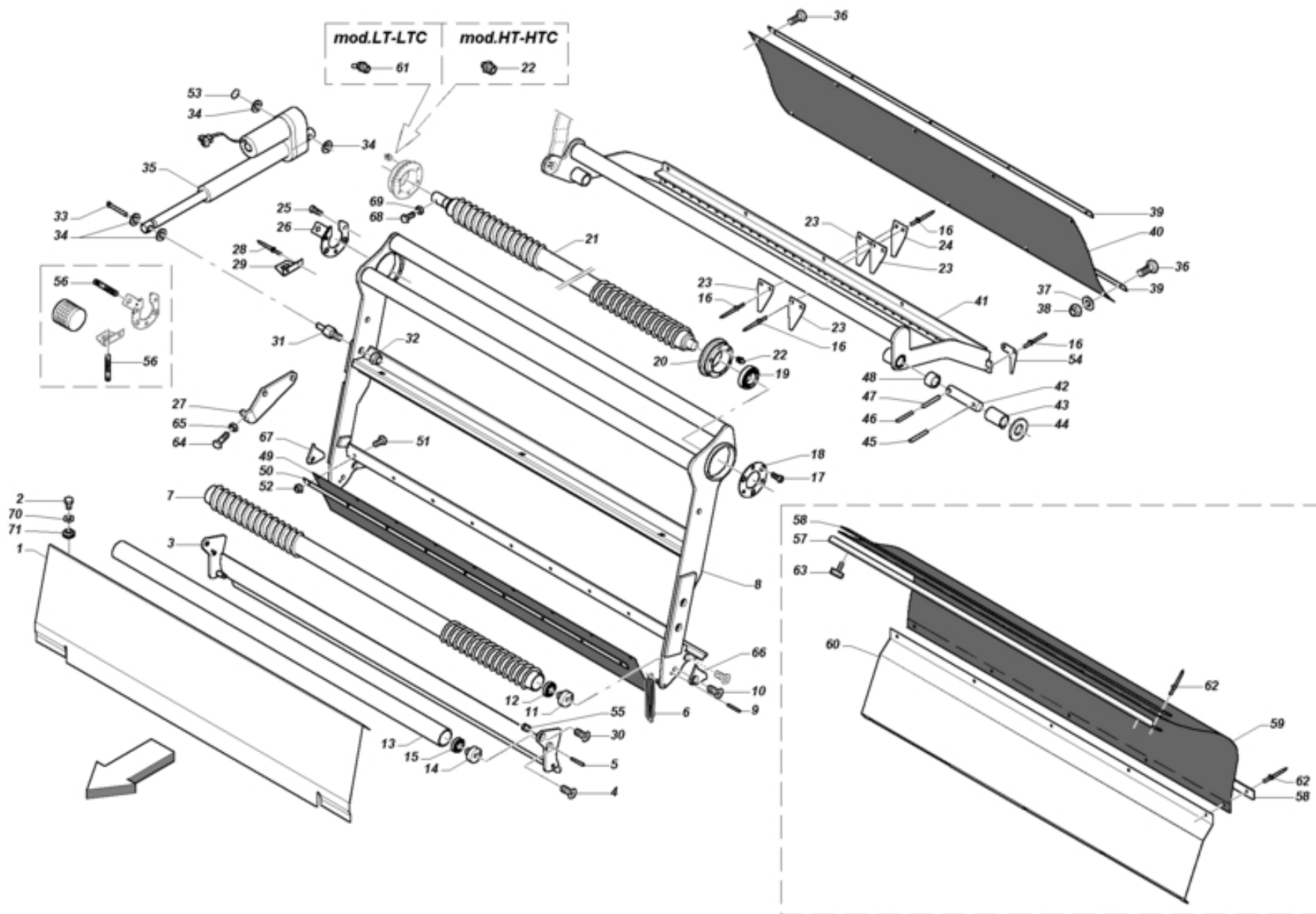




TAV_P000109_00

| Item | Part Num. | Description | |
|------|-----------|-----------------------------------|--|
| p001 | C3P0009 | ONLY TWINE PROTECTION | |
| p002 | C3P0007 | TWINE RIGHT PROTECTION ATTACHMENT | |
| p003 | C3P0008 | TWINE LEFT PROTECTION ATTACHMENT | |
| p004 | 0181225 | SCREW | |
| p005 | 1421230 | WASHER | |
| p006 | 0920412 | NUT | |
| p007 | 0470825 | SCREW | |
| p008 | 1430820 | WASHER | |

TAV_P00057_02

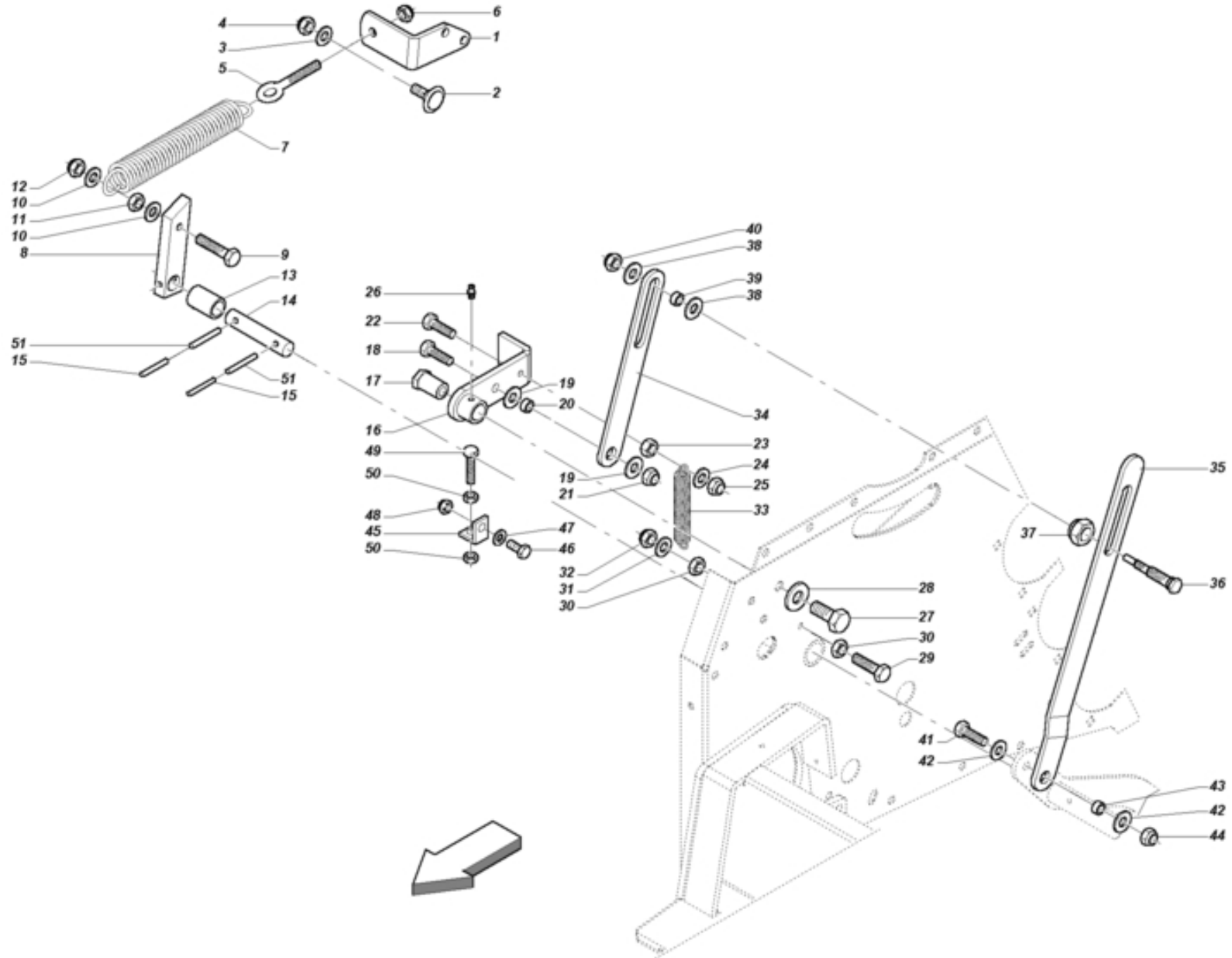


TAV_P000057_02

| Item | Part Num. | Description | Item | Part Num. | Description |
|------|-----------|----------------------------|------|-----------|-------------------------|
| p001 | C3P0035 | NET HOLDER PROTECTION | p024 | C6P0044 | SMALL BLADES SHIM |
| p002 | 0180815 | SCREW | p025 | 0400825 | SCREW |
| p003 | 7SP0020 | NET CLAMP | p026 | C004932 | PLATE |
| p004 | 0441020 | SCREW | p027 | C4P0009 | LOCK |
| p005 | 1110612 | PIN | p028 | 1000013 | RIVET |
| p006 | 1800025 | SPRING | p029 | C005200 | NET SENSOR COUPLING |
| p007 | 7S00648 | IDLE ROLLER | p030 | 0441020 | SCREW |
| p008 | 7SP0090 | NET HOLDER ARM | p031 | 3500063 | ECCENTRIC PIN |
| p009 | 1110612 | PIN | p032 | 0920516 | NUT |
| p010 | 0441025 | SCREW | p033 | 1150330 | GALV PIN |
| p011 | 35P0008 | NEW IDLE ROLLER PIN | p034 | 1421230 | WASHER |
| p012 | 2301716 | BEARING | p035 | E000045 | ACTUATOR |
| p013 | 7SP0100 | SMOOTH IDLE ROLLER BODY | p036 | 0180620 | SCREW |
| p014 | 35P0008 | NEW IDLE ROLLER PIN | p037 | 1420615 | WASHER |
| p015 | 2301716 | BEARING | p038 | 0920106 | NUT |
| p016 | 1000013 | RIVET | p039 | C002398 | RUBBERHOLDER |
| p017 | 0400825 | SCREW | p040 | 7VP0010 | CLOTH CLOSURE FOR BLADE |
| p018 | 1300389 | FLANGE | p041 | 7SP0027 | BLADE ARM |
| p019 | 2042517 | BEARING | p042 | 1300390 | ARM LEFT PIN |
| p020 | 2700044 | NET AND ROLLER ARM SUPPORT | p043 | 2526852 | NYLON BUSH |
| p021 | 7S00649 | NET COUNTER ROLLER | p044 | 1522663 | SHIM |
| p022 | 4200820 | GREASE NIPPLE | p045 | 1110840 | PIN |
| p023 | 7U00012 | SMALL BLADE | p046 | 1110840 | PIN |

| Item | Part Num. | Description | Item | Part Num. | Description |
|------|-----------|------------------------|------|-----------|-------------|
| p047 | 1110540 | PIN | p070 | 1420820 | WASHER |
| p048 | 13C0012 | SPACER | p071 | 0990003 | NUT |
| p049 | 7VP0001 | SUPPORT BAND | | | |
| p050 | C2P0020 | RUBBER HOLDER | | | |
| p051 | 0180620 | SCREW | | | |
| p052 | 0920106 | NUT | | | |
| p053 | 1700012 | SEEGER RING | | | |
| p054 | C6P0050 | BLADE END | | | |
| p055 | 1300401 | PIN WITHOUT NET | | | |
| p056 | E000056 | PROXIMITY SENSOR | | | |
| p057 | 7MP0017 | PROTECTION SUPPORT | | | |
| p058 | C002398 | RUBBERHOLDER | | | |
| p059 | 7V00062 | RUBBER CLOSING | | | |
| p060 | C2P0030 | LOWER PROTECTION | | | |
| p061 | 4210820 | GREASE NIPPLE | | | |
| p062 | 1000010 | RIVET | | | |
| p063 | 7V00106 | KNOB WHEEL | | | |
| p064 | 0181250 | SCREW | | | |
| p065 | 0710412 | NUT | | | |
| p066 | C6P0029 | STILL LEFT ROLLER NET | | | |
| p067 | C6P0069 | STILL RIGHT ROLLER NET | | | |
| p068 | 0180520 | SCREW | | | |
| p069 | 0710005 | NUT | | | |

TAV_P000123_00

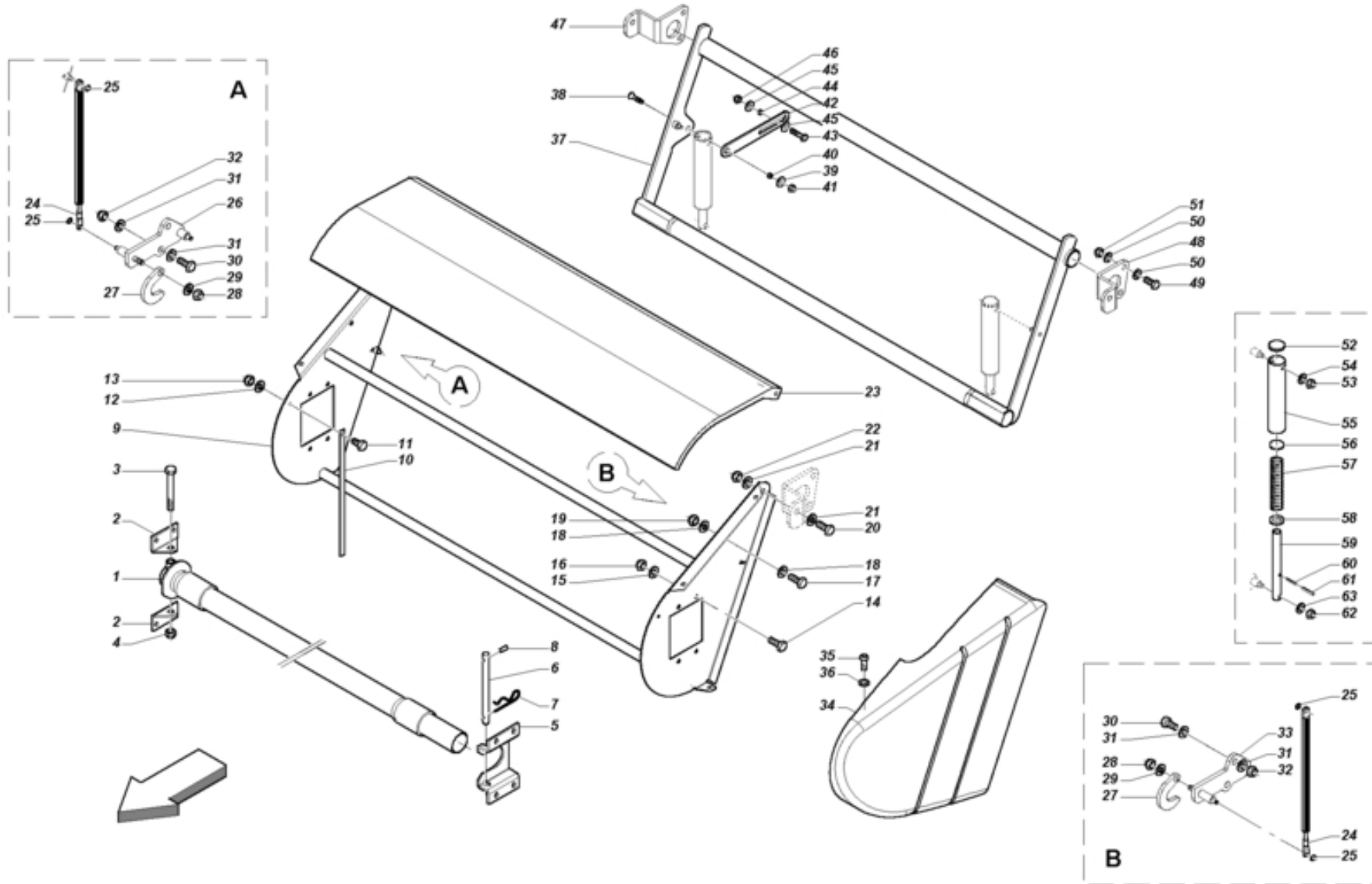


| Item | Part Num. | Description | Item | Part Num. | Description |
|------|-----------|-----------------------------|------|-----------|--------------------|
| p001 | C6P0045 | RELEASING SPRING CONNECTION | p024 | 1420820 | WASHER |
| p002 | 05C0003 | | p025 | 0920208 | NUT |
| p003 | 1421230 | WASHER | p026 | 4200610 | GREASE NIPPLE |
| p004 | 0920412 | NUT | p027 | 0181630 | SCREW |
| p005 | 0545168 | EYELET M12 | p028 | 1519319 | FIFTH WHEEL |
| p006 | 0920412 | NUT | p029 | 0180825 | SCREW |
| p007 | 1822744 | SPRING | p030 | 0710208 | NUT |
| p008 | C002073 | BLADE UNLOCK | p031 | 1420820 | WASHER |
| p009 | 0181260 | SCREW | p032 | 0920208 | NUT |
| p010 | 1421230 | WASHER | p033 | 1800025 | SPRING |
| p011 | 0710412 | NUT | p034 | C002081 | BLADE UNLOCK LEVER |
| p012 | 0920412 | NUT | p035 | C002043 | BLADE CONNECTION |
| p013 | 2526852 | NYLON BUSH | p036 | 1301103 | BLADE PIN |
| p014 | 1301055 | PIN | p037 | 0920516 | NUT |
| p015 | 1110540 | PIN | p038 | 1431225 | WASHER |
| p016 | 7T00026 | RELEASE | p039 | 1300463 | BUSH |
| p017 | 0500093 | THREADED PIN | p040 | 0920412 | NUT |
| p018 | 0181240 | SCREW | p041 | 0181235 | SCREW |
| p019 | 1431225 | WASHER | p042 | 1431225 | WASHER |
| p020 | 1300463 | BUSH | p043 | 1300463 | BUSH |
| p021 | 0920412 | NUT | p044 | 0920412 | NUT |
| p022 | 0180830 | SCREW | p045 | C000053 | KNIVES STOP |
| p023 | 0710208 | NUT | p046 | 0181230 | SCREW |



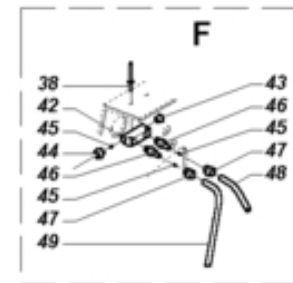
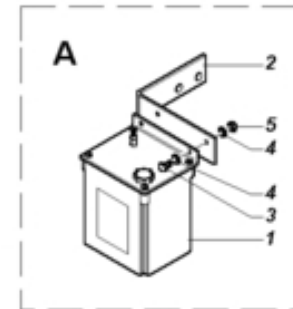
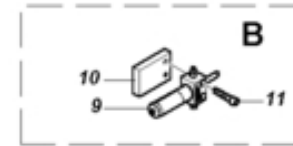
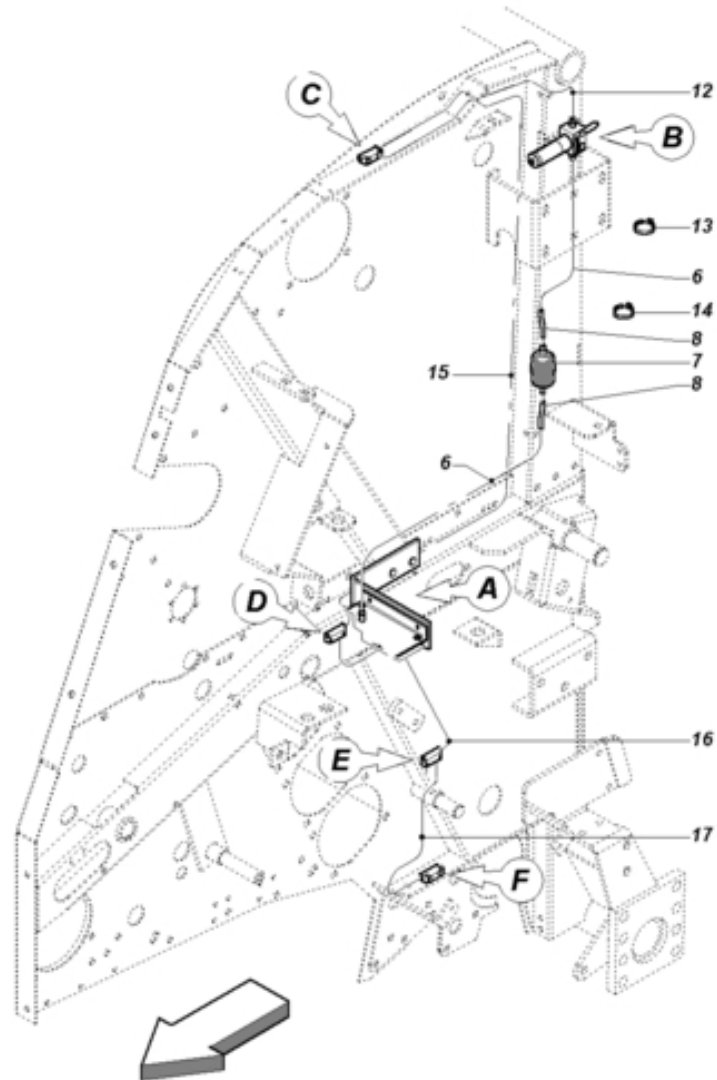
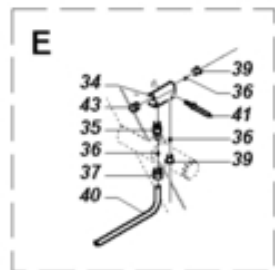
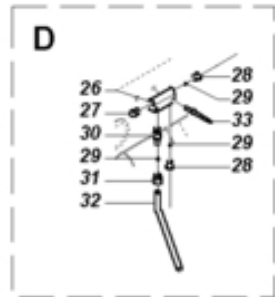
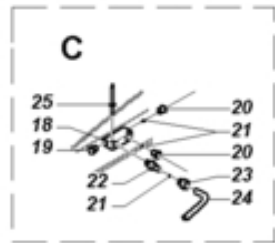
TAV_P000123_00

| Item | Part Num. | Description | |
|------|-----------|-------------|--|
| p047 | 1421230 | WASHER | |
| p048 | 0920412 | NUT | |
| p049 | 0181060 | SCREW | |
| p050 | 0710310 | NUT | |
| p051 | 1110840 | PIN | |



| Item | Part Num. | Description | Item | Part Num. | Description |
|------|-----------|--------------------|------|-----------|-------------------------------|
| p001 | 7S00629 | ROLLER HOLDER TUBE | p024 | H100001 | GAS SPRING FOR NET L=500-600N |
| p002 | C100035 | FULCRUM ATTACHMENT | p025 | 1700008 | SEEGER RING |
| p003 | 0191694 | SCREW | p026 | 7T00011 | RIGHT BRAKE ATTACHMENT |
| p004 | 0920516 | NUT | p027 | C004911 | HOOK |
| p005 | C100036 | TUBE SEAT | p028 | 0545790 | SELF-LOCKING NUT |
| p006 | 1300373 | PIPE PIN | p029 | 1421025 | WASHER |
| p007 | 1170377 | PIN | p030 | 0181230 | SCREW |
| p008 | 1110435 | PIN | p031 | 1421230 | WASHER |
| p009 | 7T00001 | NET STORAGE BOX | p032 | 0920412 | NUT |
| p010 | C005257 | COVER SUPPORT | p033 | 7T00010 | LEFT BRAKE ATTACHMENT |
| p011 | 0180620 | SCREW | p034 | 7V00110 | LEFT NET BOX |
| p012 | 1420615 | WASHER | p034 | 7V00111 | RIGHT NET BOX |
| p013 | 0920106 | NUT | p035 | 04N0820 | SCREW |
| p014 | 0181025 | SCREW | p036 | 7V00119 | WASHER HD 8,5X24X2 |
| p015 | 1421025 | WASHER | p037 | 7T00012 | NET BRAKE ARM |
| p016 | 0545790 | SELF-LOCKING NUT | p038 | 0441240 | SCREW |
| p017 | 0181030 | SCREW | p039 | 1431225 | WASHER |
| p018 | 1421025 | WASHER | p040 | 1300463 | BUSH |
| p019 | 0545790 | SELF-LOCKING NUT | p041 | 0920412 | NUT |
| p020 | 0181030 | SCREW | p042 | C100051 | BRAKE CONNECTON |
| p021 | 1421025 | WASHER | p043 | 0181260 | SCREW |
| p022 | 0545790 | SELF-LOCKING NUT | p044 | 1300463 | BUSH |
| p023 | 7T00005 | CAP | p045 | 1431225 | WASHER |

| Item | Part Num. | Description | |
|------|-----------|---------------------------|--|
| p046 | 0920412 | NUT | |
| p047 | C100047 | BRAKE FULCRUM / RIGHT BOX | |
| p048 | C100048 | BRAKE FULCRUM / LEFT BOX | |
| p049 | 0181225 | SCREW | |
| p050 | 1421230 | WASHER | |
| p051 | 0920412 | NUT | |
| p052 | 7V00118 | PLASTIC PLUG | |
| p053 | 0920412 | NUT | |
| p054 | 1421230 | WASHER | |
| p055 | 1301079 | EXTERNAL GUIDE | |
| p056 | 1301081 | DISC 36X5 | |
| p057 | 1800046 | SPRING | |
| p058 | 1301082 | FIFTH WHEEL | |
| p059 | 1301078 | LOWER GUIDE | |
| p060 | 1110535 | PIN | |
| p061 | 1110835 | PIN | |
| p062 | 0920412 | NUT | |
| p063 | 1421230 | WASHER | |

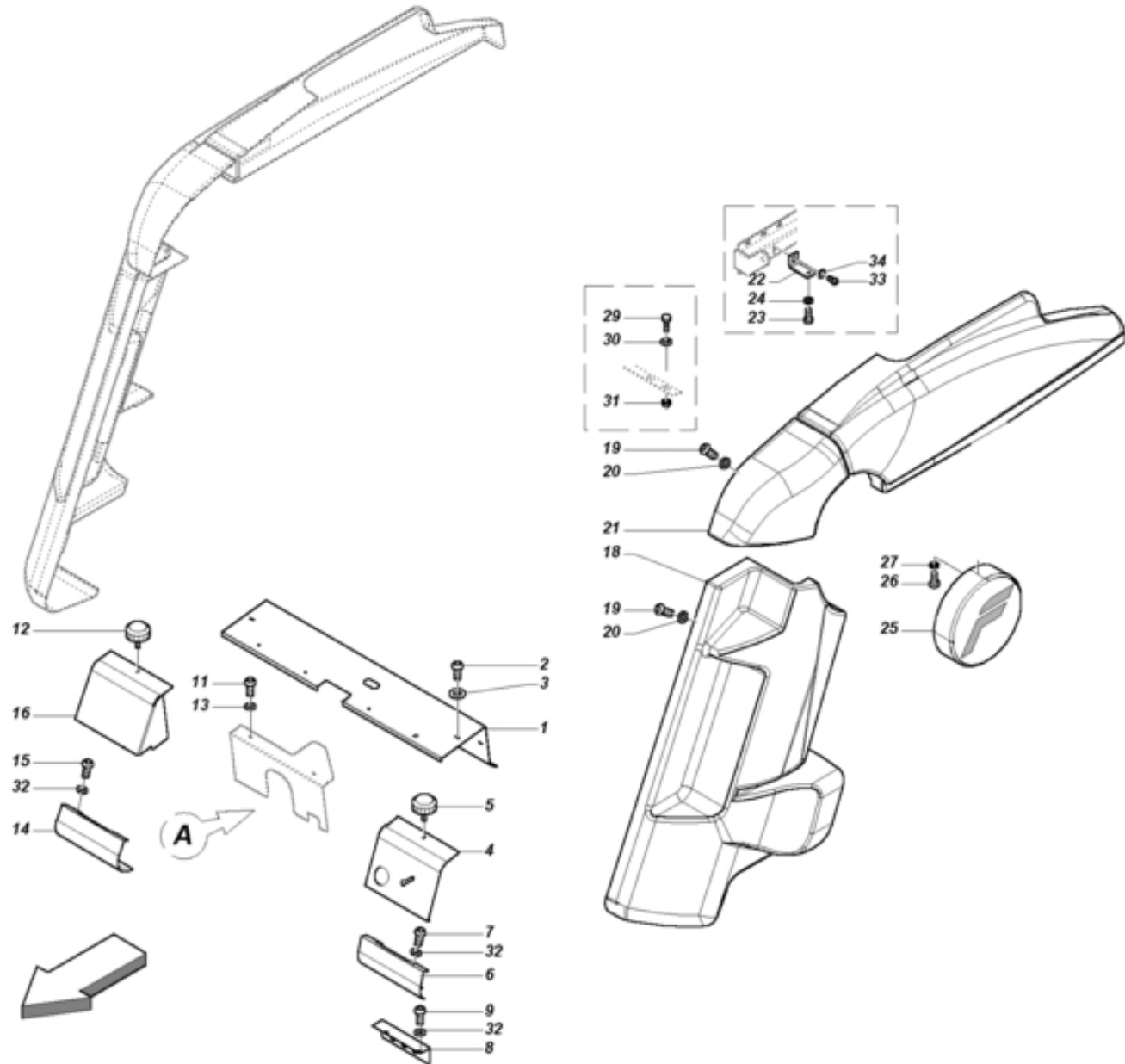
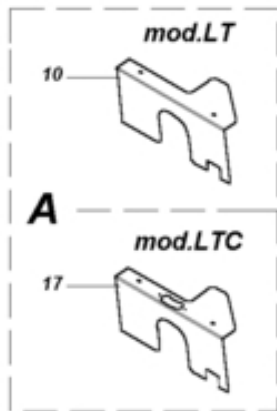
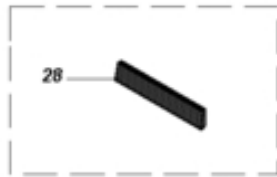


TAV_P000115_00

| Item | Part Num. | Description | Item | Part Num. | Description |
|------|-----------|---------------------------|------|-----------|-------------------------|
| p001 | 4800000 | NYLON TANK | p024 | H000128 | COPPER PIPE Ø4 L=1 |
| p002 | C004684 | TANK ATTACHMENT | p025 | 1000012 | RIVET |
| p003 | 0180620 | SCREW | p026 | H000102 | UNILATERAL DISTRIBUTOR |
| p004 | 1420615 | WASHER | p027 | H600015 | PLUG |
| p005 | 0920106 | NUT | p028 | H600016 | UNION FOR PIPE Ø4RI |
| p006 | H000239 | NYLON HOSE | p029 | H600013 | DOUBLE CONE FOR PIPE |
| p007 | H000022 | FILTER MAXIFIS | p030 | HE00003 | TYPE E INJECTOR |
| p008 | H000023 | CONNECTION PIPE | p031 | H600014 | INJECTOR UNION FOR PIPE |
| p009 | H400007 | PISTON PUMPT | p032 | H000129 | COPPER PIPE Ø4 L=9 |
| p010 | C003928 | LUBRICATION ATTACHMENT | p033 | 1000012 | RIVET |
| p011 | 0400850 | SCREW | p034 | H000102 | UNILATERAL DISTRIBUTOR |
| p012 | H000132 | NYLON PIPE Ø4 L=750 | p035 | HE00003 | TYPE E INJECTOR |
| p013 | E600021 | CLAMP LUMEFIX | p036 | H600013 | DOUBLE CONE FOR PIPE |
| p014 | E600026 | CLAMP 8,8X9,3 HLS/A/HILLS | p037 | H600014 | INJECTOR UNION FOR PIPE |
| p015 | H000240 | NYLON HOSE | p038 | 1000012 | RIVET |
| p016 | H000134 | NYLON PIPE Ø4 L=550 | p039 | H600016 | UNION FOR PIPE Ø4RI |
| p017 | H000133 | NYLON PIPE Ø4 L=420 | p040 | H000129 | COPPER PIPE Ø4 L=9 |
| p018 | H000102 | UNILATERAL DISTRIBUTOR | p041 | 1000012 | RIVET |
| p019 | H600015 | PLUG | p042 | H000102 | UNILATERAL DISTRIBUTOR |
| p020 | H600016 | UNION FOR PIPE Ø4RI | p043 | H600015 | PLUG |
| p021 | H600013 | DOUBLE CONE FOR PIPE | p044 | H600016 | UNION FOR PIPE Ø4RI |
| p022 | HE00003 | TYPE E INJECTOR | p045 | H600013 | DOUBLE CONE FOR PIPE |
| p023 | H600014 | INJECTOR UNION FOR PIPE | p046 | HE00003 | TYPE E INJECTOR |

TAV_P000115_00

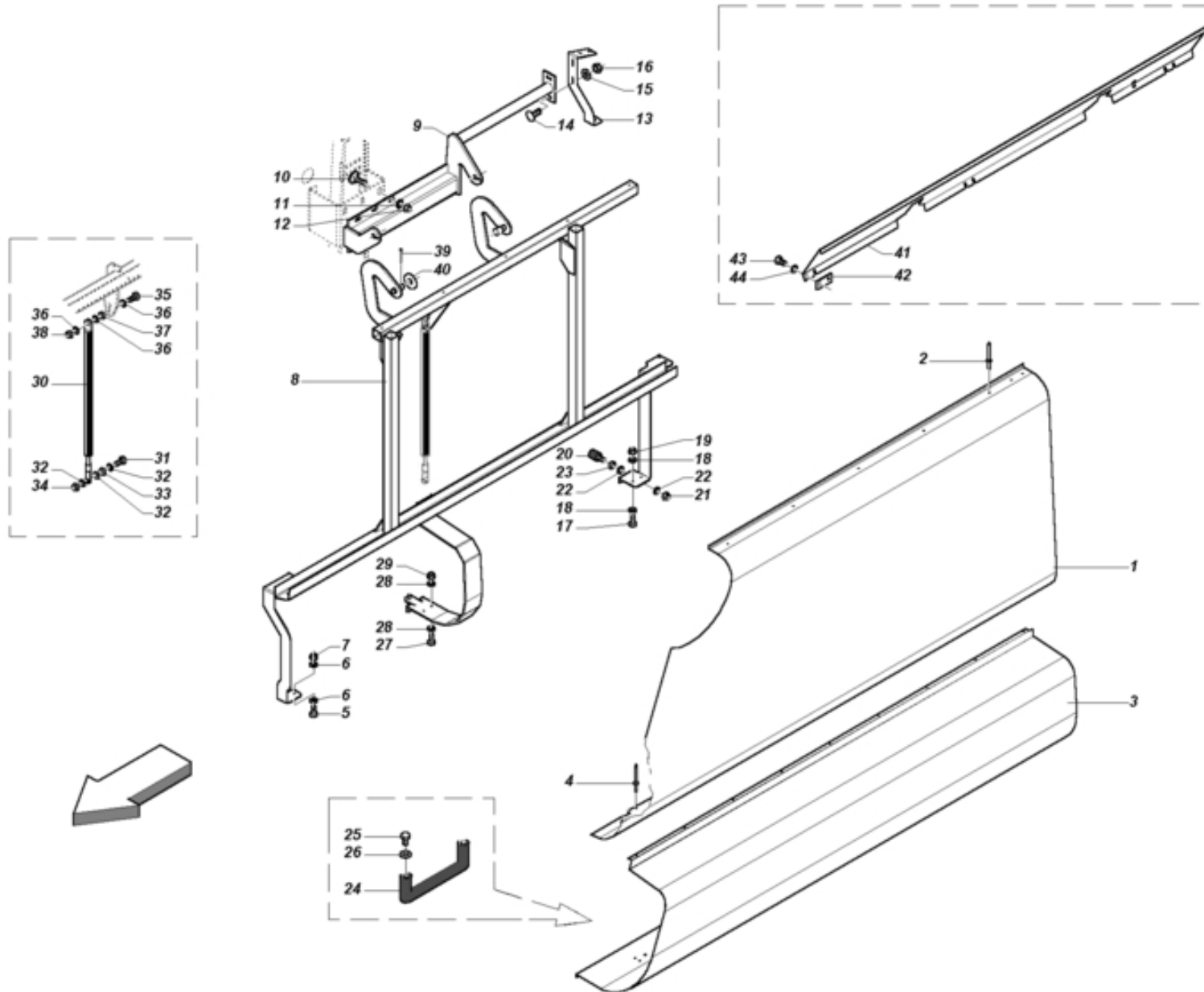
| Item | Part Num. | Description | |
|------|-----------|------------------------------|--|
| p047 | H600014 | INJECTOR UNION FOR PIPE | |
| p048 | H000129 | COPPER PIPE Ø4 L=9 | |
| p049 | H000131 | COPPER PIPE Ø4 L=1 | |
| p050 | 4000056 | OIL AGIP OSO 100 (ISO-L-KM) | |



TAV_P000106_00

| Item | Part Num. | Description | Item | Part Num. | Description |
|------|-----------|-------------------------|------|-----------|---------------------|
| p001 | C004454 | HIGHER PROTECTION | p022 | C005196 | UPPER GUARD SUPPORT |
| p002 | 0470820 | SCREW | p023 | 04N0820 | SCREW |
| p003 | 1430820 | WASHER | p024 | 1420820 | WASHER |
| p004 | C3P0026 | LT DOOR | p025 | 7V00104 | BUTTON |
| p005 | 7V00106 | KNOB WHEEL | p026 | 0180520 | SCREW |
| p006 | C005254 | LEFT LOWER CLOSURE | p027 | 1430520 | WASHER |
| p007 | 0470620 | SCREW | p028 | 7VP0011 | HOLE PROTECTION |
| p008 | C004370 | LOWER CLOSURE | p029 | 0190835 | SCREW |
| p009 | 0470620 | SCREW | p030 | 1420820 | WASHER |
| p010 | C004952 | CENTRAL GUARD | p031 | 0920208 | NUT |
| p011 | 0470815 | SCREW | p032 | 1420615 | WASHER |
| p012 | 7V00106 | KNOB WHEEL | p033 | 04N0820 | SCREW |
| p013 | 1420615 | WASHER | p034 | 1420820 | WASHER |
| p014 | C004622 | RIGHT LOWER CLOSURE | | | |
| p015 | 0470620 | SCREW | | | |
| p016 | C005160 | RIGHT DOOR WITHOUT HOLE | | | |
| p017 | C004626 | CUT CENTRAL GUARD | | | |
| p018 | 7VP0007 | RIGHT FRONT COIN LT | | | |
| p018 | 7VP0008 | LEFT FRONT COIN LT | | | |
| p019 | 04N0820 | SCREW | | | |
| p020 | 7V00119 | WASHER HD 8,5X24X2 | | | |
| p021 | 7VP0005 | RIGHT CAP LT | | | |
| p021 | 7VP0006 | LEFT CAP LT | | | |

TAV_P000107_01



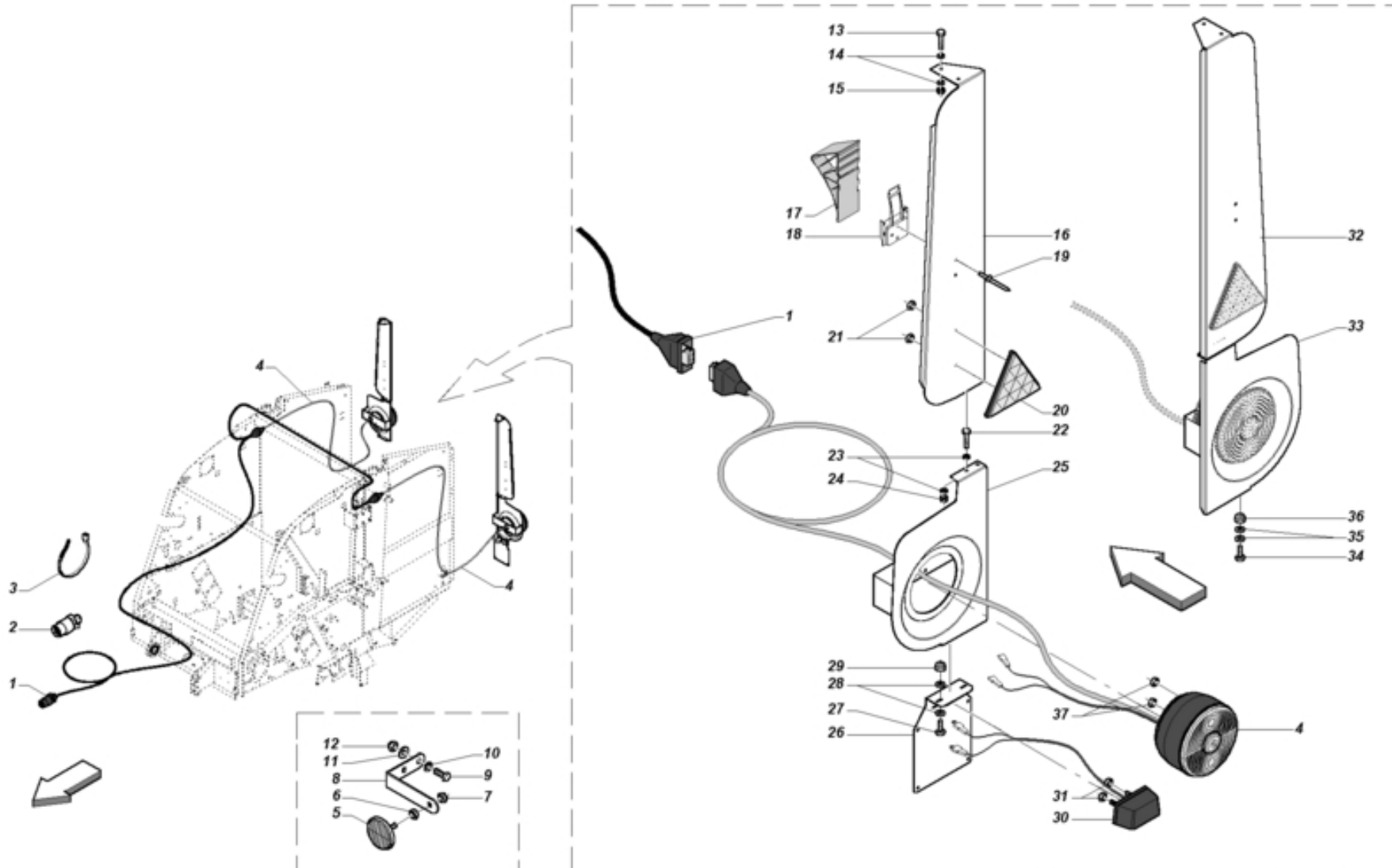
TAV_P000107_01

| Item | Part Num. | Description | Item | Part Num. | Description |
|------|-----------|---------------------------|------|-----------|-------------------------------------|
| p001 | C004650 | RIGHT CARTER BODY 265 | p019 | 0920106 | NUT |
| p001 | C004649 | LEFT CARTER BODY 265 | p020 | 1800082 | RUBBER BUSHING Ø30X30-M8X20 |
| p002 | 1000010 | RIVET | p021 | 0920208 | NUT |
| p003 | C004694 | LEFT ROLLER BOX 265 | p022 | 1420820 | WASHER |
| p003 | C004695 | RIGHT ROLLER BOX 265 | p023 | 0710208 | NUT |
| p004 | 1000011 | RIVET | p024 | 7V00117 | HANDLE 01M20120D (FROM THENAR COMP) |
| p005 | 0180620 | SCREW | p025 | 0180815 | SCREW |
| p006 | 1420615 | WASHER | p026 | 1420820 | WASHER |
| p007 | 0920106 | NUT | p027 | 0180620 | SCREW |
| p008 | 7SP0071 | LT RIGHT GUARD FRAME | p028 | 1420615 | WASHER |
| p008 | 7SP0070 | LT LEFT GUARD FRAME | p029 | 0920106 | NUT |
| p009 | 7SP0069 | LT RIGHT GUARD ATTACHMENT | p030 | H100003 | GAS SPRING 1900N |
| p009 | 7SP0068 | LT LEFT GAURD ATTACHMENT | p031 | 0191050 | SCREW |
| p010 | 0523421 | SPECIAL SCREW | p032 | 1421025 | WASHER |
| p011 | 1421230 | WASHER | p033 | 0710310 | NUT |
| p012 | 0920412 | NUT | p034 | 0545790 | SELF-LOCKING NUT |
| p013 | C005040 | RIGHT CAP SUPPORT | p035 | 0191050 | SCREW |
| p013 | C005039 | CAP LEFT SUPPORT | p036 | 1421025 | WASHER |
| p014 | 0320825 | SCREW | p037 | 0710310 | NUT |
| p015 | 1430820 | WASHER | p038 | 0545790 | SELF-LOCKING NUT |
| p016 | 0920208 | NUT | p039 | 1150330 | GALV PIN |
| p017 | 0180620 | SCREW | p040 | 1431635 | WASHER |
| p018 | 1420615 | WASHER | p041 | C3P0046 | GUARD LT LEFT INNER PROTECTION |



TAV_P000107_01

| Item | Part Num. | Description | |
|------|-----------|-----------------------------------|--|
| p041 | C3P0047 | GUARD RIGHT INNER PROTECTION - LT | |
| p042 | C6P0112 | INNER PROTECTION SUPPORT | |
| p043 | 0180625 | SCREW | |
| p044 | 1420615 | WASHER | |



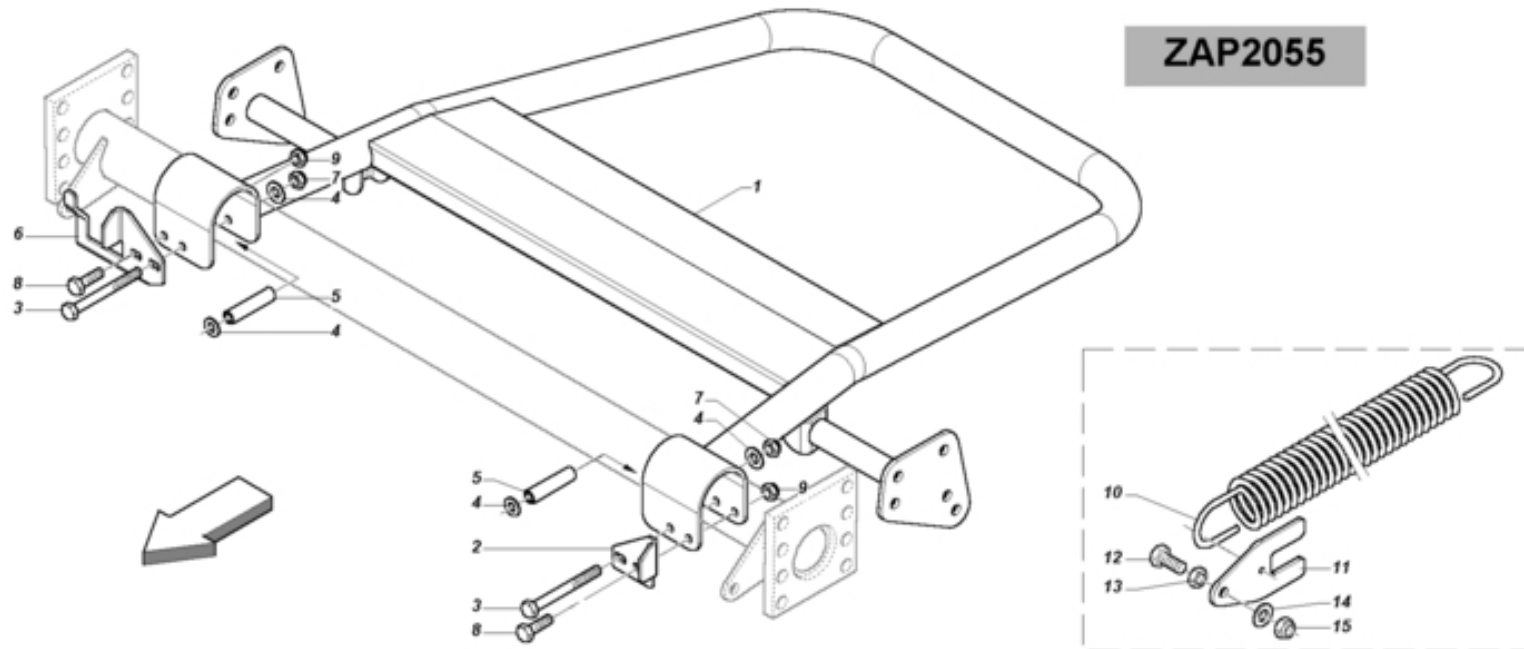
| Item | Part Num. | Description | Item | Part Num. | Description |
|------|-----------|---------------------------------|------|-----------|--------------------------|
| p001 | E000137 | 7-POLES PLUG AND WIRING HARNESS | p024 | 0920106 | NUT |
| p002 | E000011 | 7 POLE PLUG 12 V | p025 | 7S01635 | LEFT LIGHT ATTACHMENT |
| p003 | E600021 | CLAMP LUMEFIX | p026 | C005037 | PLATE HOLDER |
| p004 | E000136 | EXTREME BACK LAMP | p027 | 0180620 | SCREW |
| p005 | E000026 | WHITE ROUND RETROREFLECTOR | p028 | 1420615 | WASHER |
| p006 | 0710005 | NUT | p029 | 0920106 | NUT |
| p007 | 0920005 | NUT | p030 | E000138 | EXTREME REAR PLATE LIGHT |
| p008 | C6P0034 | REFLEX REFLECTO SUPPORT | p031 | 0920005 | NUT |
| p009 | 0180620 | SCREW | p032 | C005019 | RIGHT UPPER LOCK |
| p010 | 1420615 | WASHER | p033 | 7S01634 | RIGHT LIGHT ATTACHMENT |
| p011 | 1430620 | WASHER | p034 | 0180620 | SCREW |
| p012 | 0920106 | NUT | p035 | 1420615 | WASHER |
| p013 | 0180620 | SCREW | p036 | 0920106 | NUT |
| p014 | 1420615 | WASHER | p037 | 0920005 | NUT |
| p015 | 0920106 | NUT | | | |
| p016 | C004999 | LEFT UPPER LOCK | | | |
| p017 | 7V00070 | WHEEL CHOCK | | | |
| p018 | 7V00071 | CHOCK SUPPORT TYPE HA20K | | | |
| p019 | 1000011 | RIVET | | | |
| p020 | E000025 | RED TRIANGULAR RETROREFLECTOR | | | |
| p021 | 0920106 | NUT | | | |
| p022 | 0180625 | SCREW | | | |
| p023 | 1420615 | WASHER | | | |

TAV_P000117_01

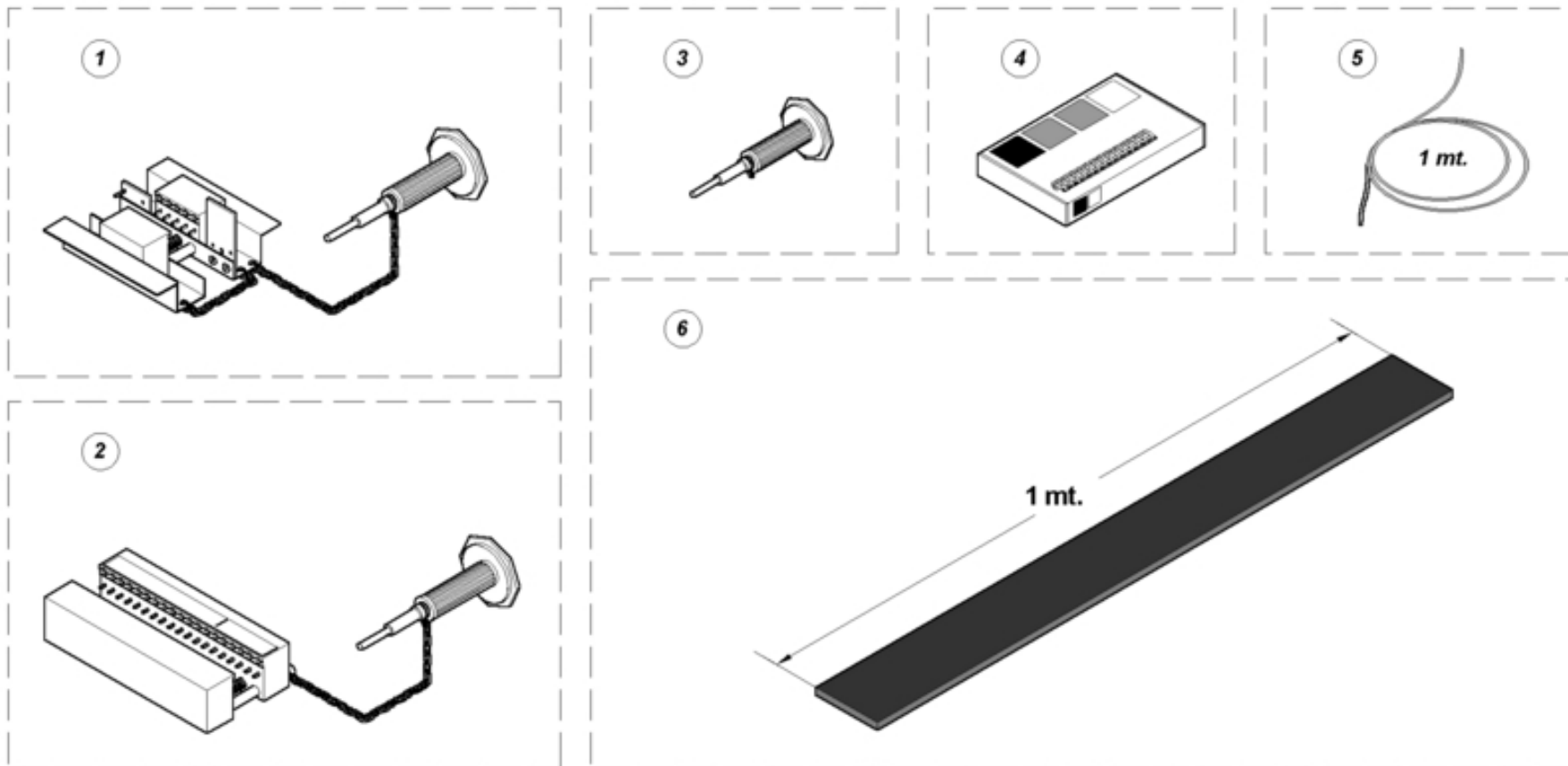
ZAP2056



ZAP2055



| Item | Part Num. | Description | |
|------|-----------|-------------------------------|--|
| p001 | 7S01806 | EJECTOR | |
| p002 | C6P0006 | REGULATOR | |
| p003 | 0191295 | SCREW | |
| p004 | 1421230 | WASHER | |
| p005 | 1301061 | SPACER | |
| p006 | C6P0005 | COUNTER SENSOR | |
| p007 | 0920412 | NUT | |
| p008 | 0181230 | SCREW | |
| p009 | 0920412 | NUT | |
| p010 | 1800090 | SPRING | |
| p011 | C6P0113 | EJECTOR PLATE | |
| p012 | 0181650 | SCREW | |
| p013 | 0710516 | NUT | |
| p014 | 1421630 | WASHER | |
| p015 | 0920516 | NUT | |
| p016 | C6P0004 | EJECTOR SENSOR COUPLING | |
| p017 | 0180820 | SCREW | |
| p018 | 1420820 | WASHER | |
| p019 | E0P0013 | DIGITAL SENSOR WITH PROXIMITY | |

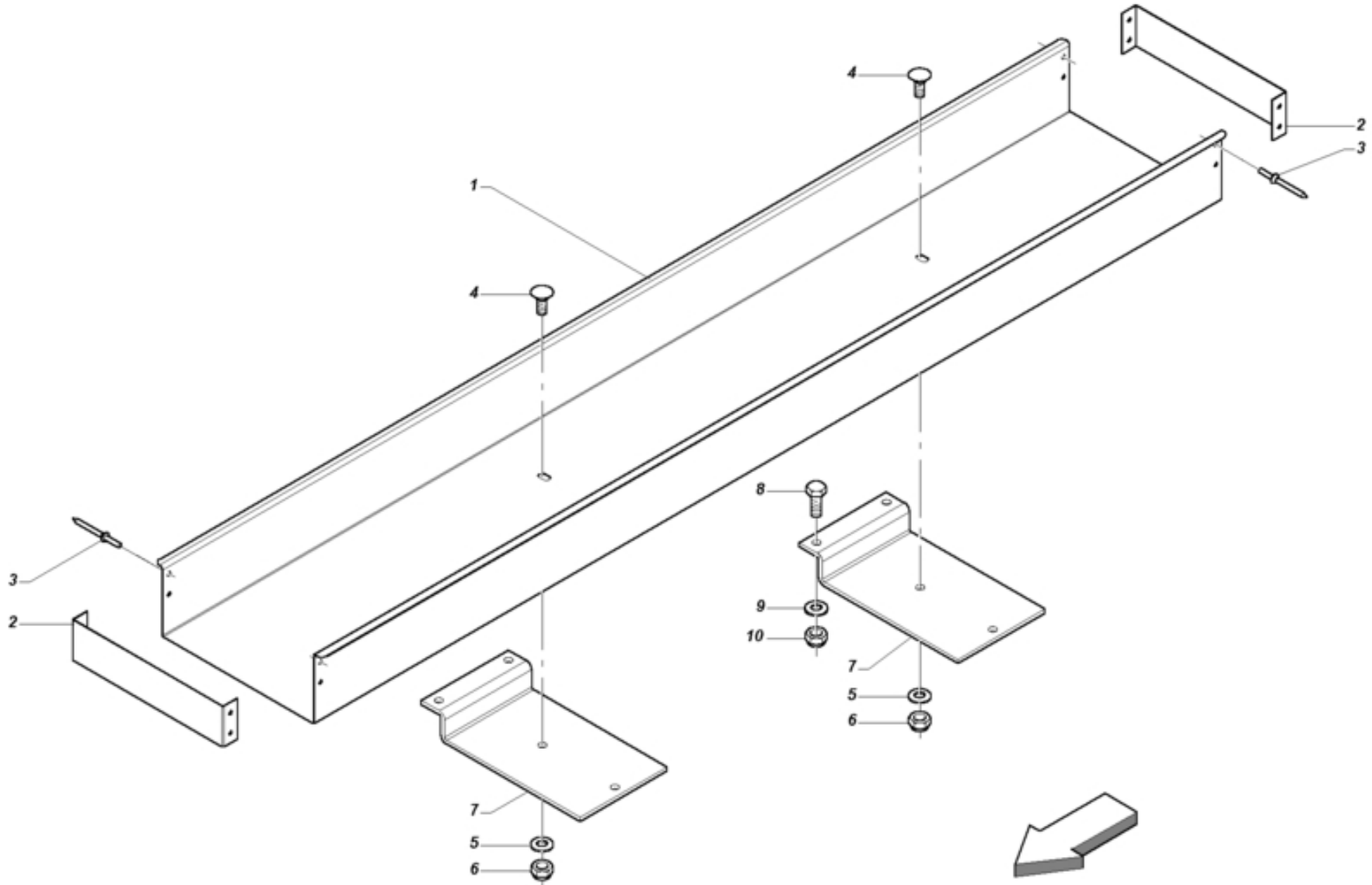




TAV_P000050_00-LT

| Item | Part Num. | Description | |
|------|-----------|-------------------------|--|
| p001 | ZAP0025 | MATO PROFI 5 BELT LACER | |
| p002 | ZAP0026 | "PROFI 19" BELT LACER | |
| p003 | 7U00049 | PUNCH | |
| p004 | 9940019 | MATO LACINGS BO | |
| p005 | 7600075 | CONNECTING BELT | |
| p006 | 76P0003 | CONTITECH BELT | |

TAV_P000051_01

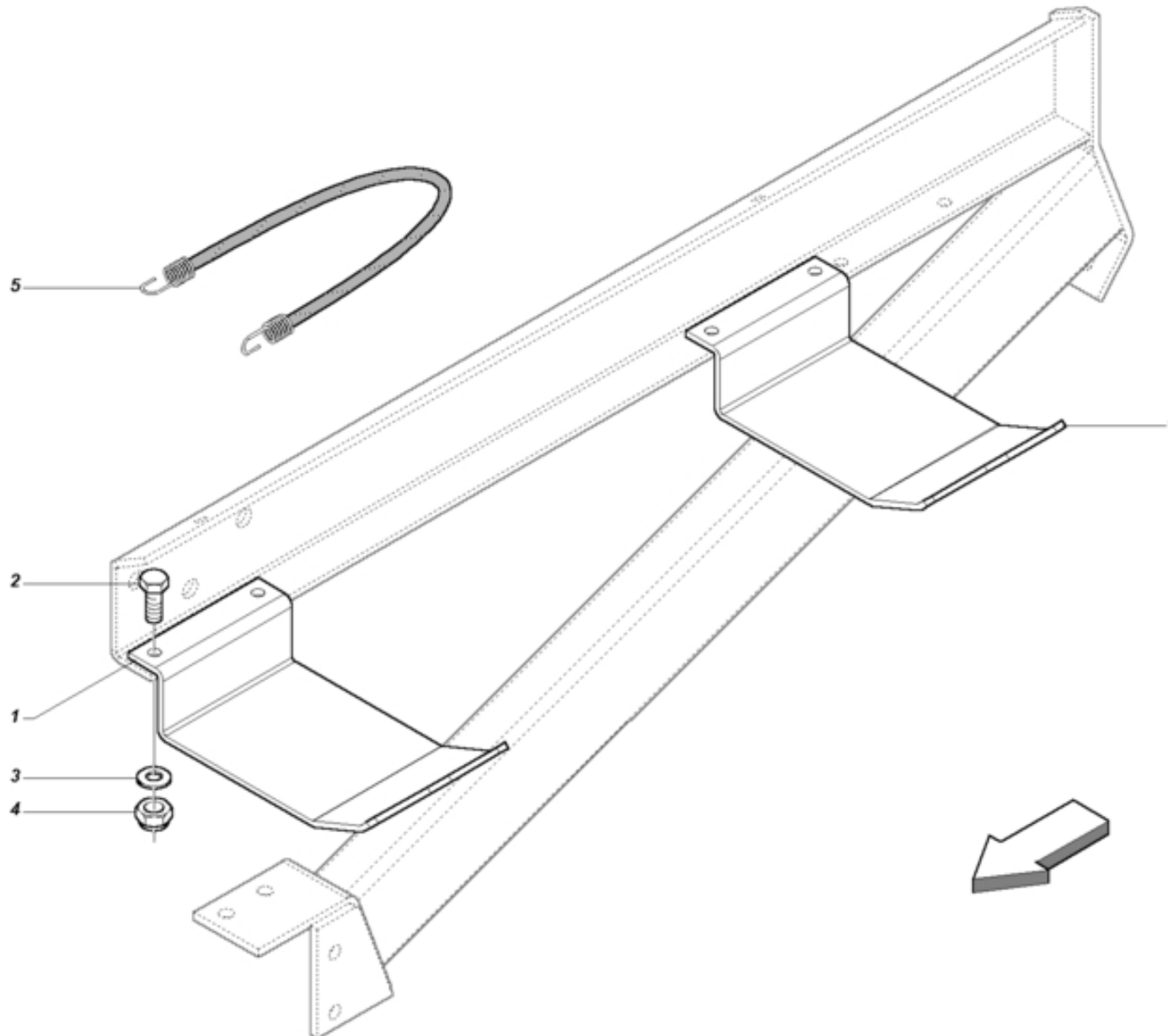




TAV_P000051_01

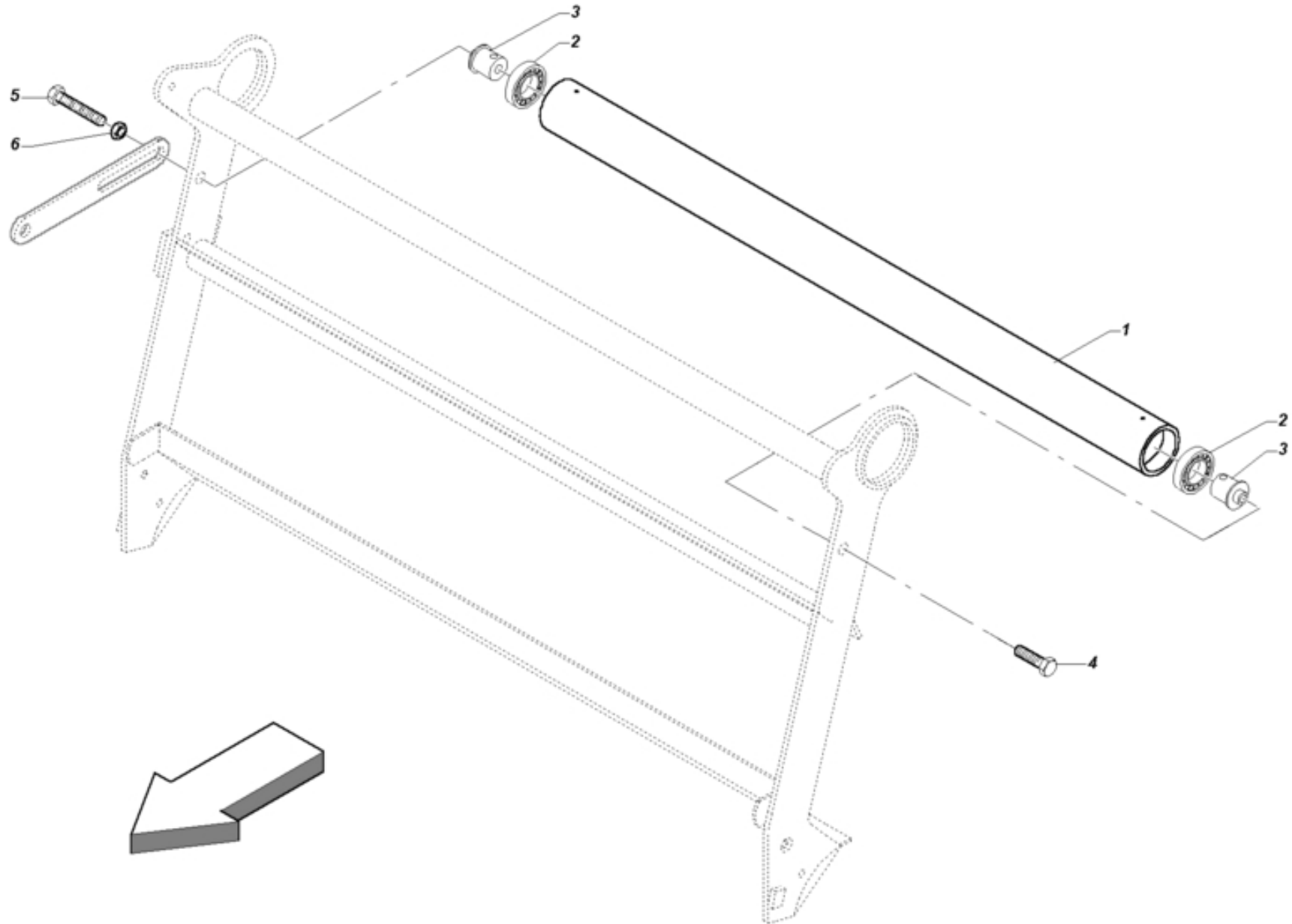
| Item | Part Num. | Description | |
|------|-----------|------------------|--|
| p001 | C005015 | ADDITIONAL BOX | |
| p002 | C005014 | TERMINAL LOCK | |
| p003 | 1000010 | RIVET | |
| p004 | 0321020 | SCREW | |
| p005 | 1421025 | WASHER | |
| p006 | 0545790 | SELF-LOCKING NUT | |
| p007 | C004685 | TWINE BOX HOLDER | |
| p008 | 0181030 | SCREW | |
| p009 | 1421025 | WASHER | |
| p010 | 0545790 | SELF-LOCKING NUT | |

TAV_P000052_00

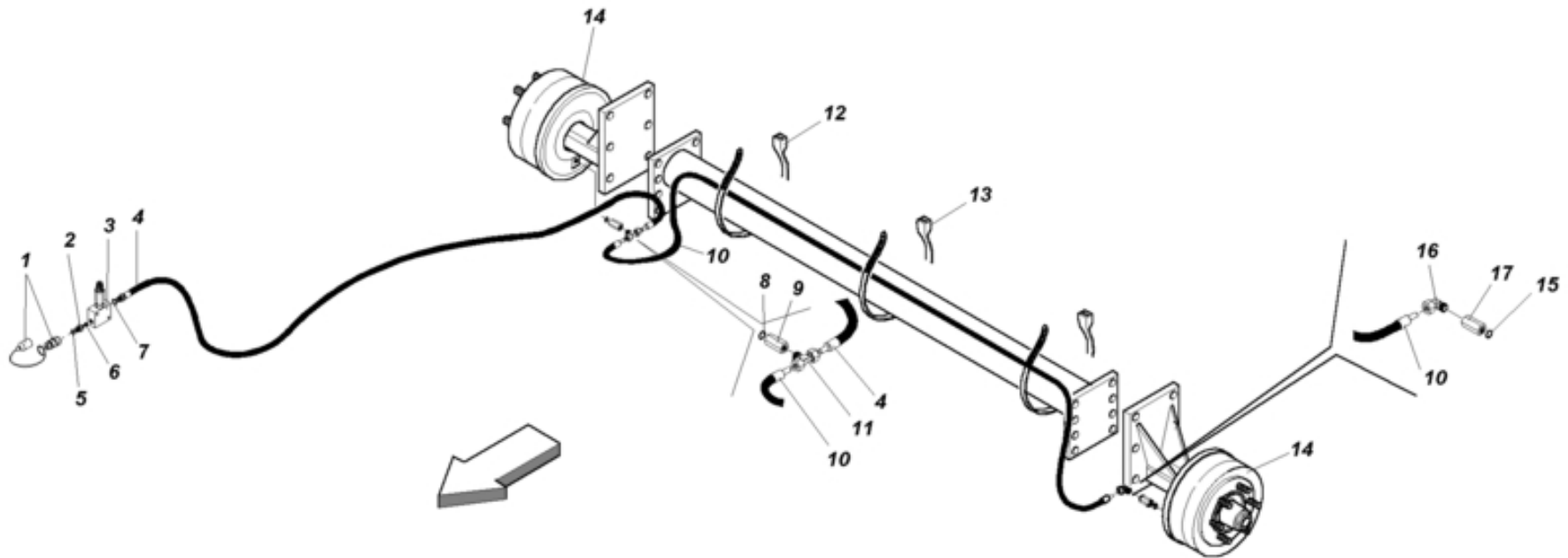


| Item | Part Num. | Description | |
|------|-----------|--------------------------|--|
| p001 | C100013 | NET SUPPORT | |
| p002 | 0181030 | SCREW | |
| p003 | 1421025 | WASHER | |
| p004 | 0545790 | SELF-LOCKING NUT | |
| p005 | 7V00107 | ELASTIC CABLE WITH HOOKS | |

TAV_P000054_00



| Item | Part Num. | Description | |
|------|-----------|---------------------|--|
| p001 | 3500048 | IDLE ROLLER | |
| p002 | 2040002 | BEARING | |
| p003 | 3500047 | IDLE ROLLER GUDGEON | |
| p004 | 0181235 | SCREW | |
| p005 | 0181290 | SCREW | |
| p006 | 0710412 | NUT | |



| Item | Part Num. | Description | |
|------|-----------|----------------------------|--|
| p001 | H6000A0 | QUICK CLUTCH | |
| p002 | H6000AB | NIPPLE | |
| p003 | H000143 | REDUCTION VALVE | |
| p004 | H000097 | FLEXIBLE TUBE SAE 100 R1AT | |
| p005 | 1442015 | WASHER | |
| p006 | 1441815 | WASHER | |
| p007 | 1441815 | WASHER | |
| p008 | 1441415 | WASHER | |
| p009 | H000162 | FITTING SLEEVE | |
| p010 | H000091 | FLEXIBLE TUBE SAE 100 R1AT | |
| p011 | H000098 | UNION "T"10 | |
| p012 | E600021 | CLAMP LUMEFIX | |
| p013 | E600022 | CLAMP LUMEFIX | |
| p014 | 7100031 | HUB WITH BRAKE | |
| p015 | 1441415 | WASHER | |
| p016 | H000086 | UNION "L"10 | |
| p017 | H000162 | FITTING SLEEVE | |

① *Extreme*

② *265*

③ *LT*

④ *LTC*

⑤ **F**

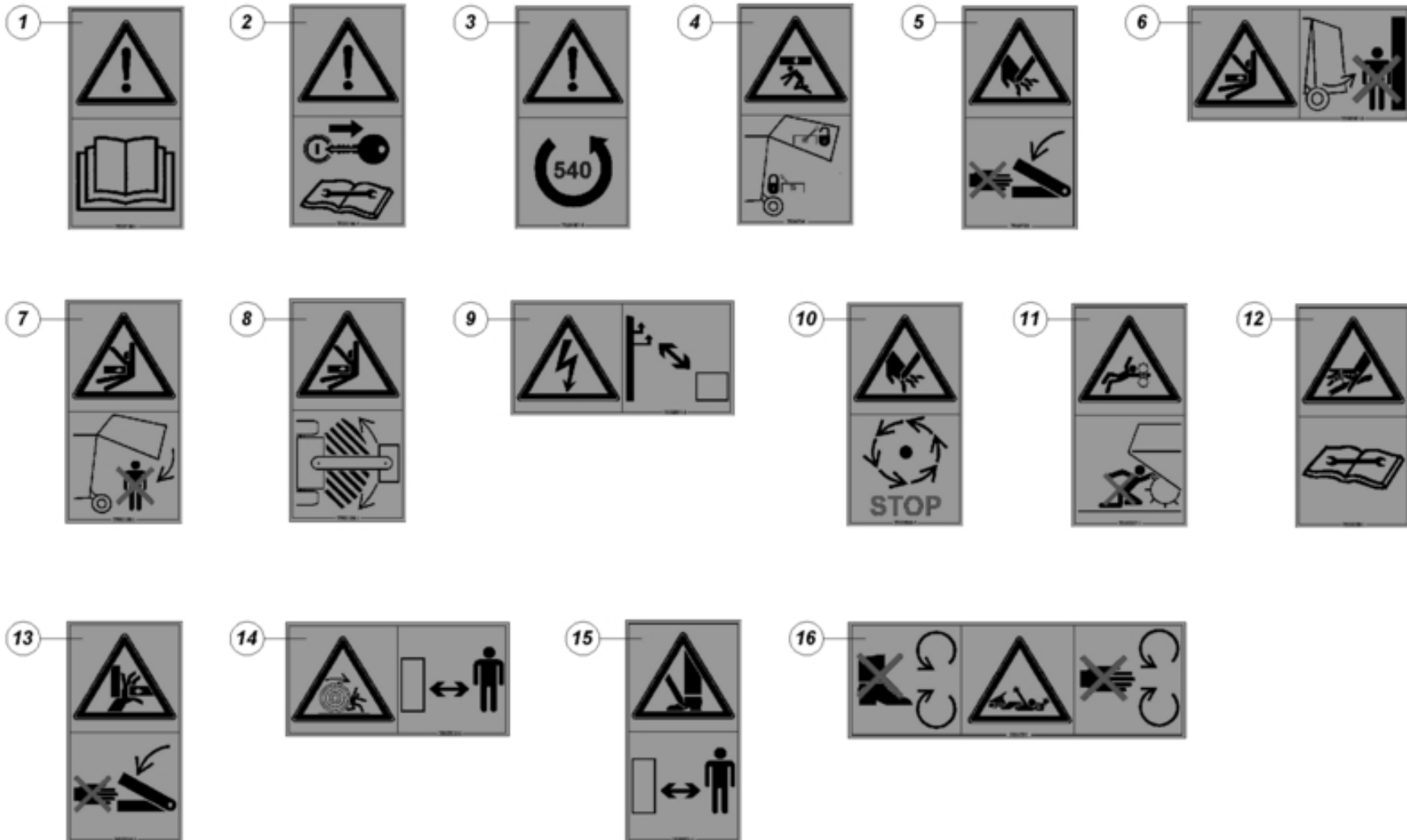
⑥ 
FERABOLI

⑦ 
FERABOLI

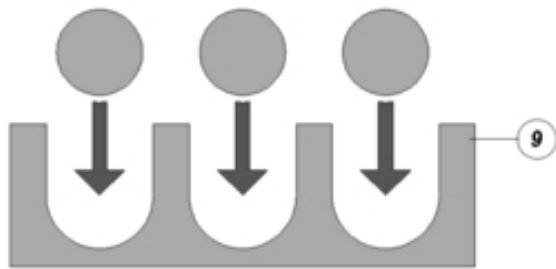


TAV_P000141_00

| Item | Part Num. | Description | |
|------|-----------|-------------|--|
| p001 | 7500732 | | |
| p002 | 75P0042 | | |
| p003 | 75P0043 | | |
| p004 | 75P0044 | | |
| p005 | 7500744 | | |
| p006 | 75P0045 | | |
| p007 | 75P0046 | | |



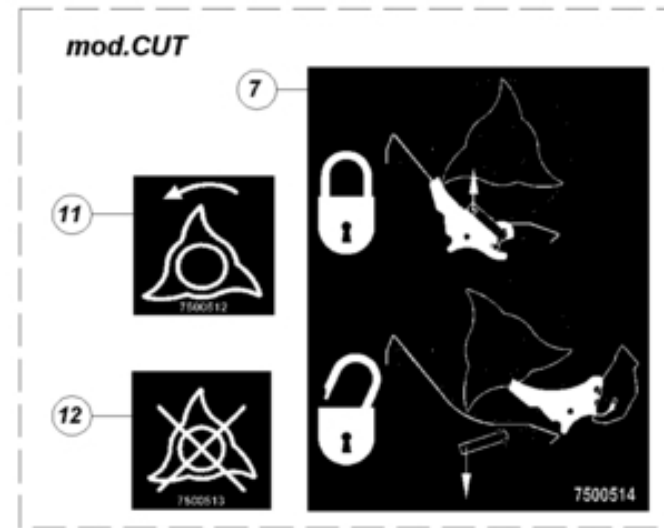
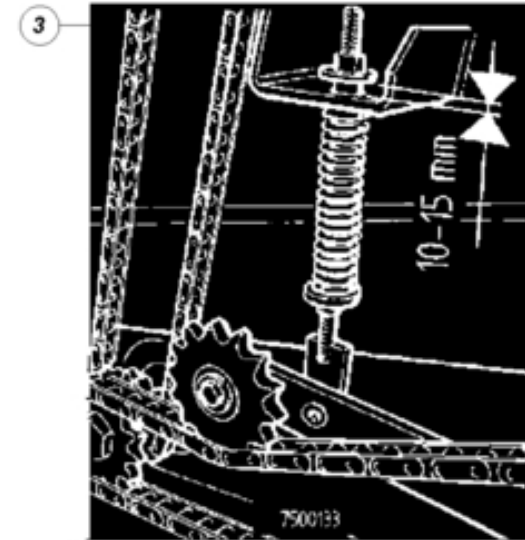
| Item | Part Num. | Description | |
|------|-----------|--------------------------------|--|
| p001 | 7500185 | DECAL (SEE OPERATOR' S MANUAL) | |
| p002 | 7500186 | DECAL "TAKE THE WRENCH AWAY" | |
| p003 | 7500187 | DECAL "540RPM - LEFT BURR" | |
| p004 | 7500724 | | |
| p005 | 7500726 | | |
| p006 | 7500197 | "SQUEEZED MAN " DECAL | |
| p007 | 7500198 | "SQUEEZED MAN" DECAL | |
| p008 | 7500199 | DECAL "SQUEEZED PERSON" | |
| p009 | 7500201 | ELECTRIC SHOCK DECAL | |
| p010 | 7500203 | DECAL "HAND CUT _ STOP" | |
| p011 | 7500207 | "TRAPPED MAN" DECAL | |
| p012 | 7500208 | DECAL "OIL UNDER PRESSURE HAND | |
| p013 | 7500210 | DECAL "SQUEEZED HAND _ ORGANS" | |
| p014 | 7500212 | "SQUEEZED MAN-BALE" DECAL | |
| p015 | 7500221 | "WARNING CUT FEET" DECAL | |
| p016 | 7500781 | "DANGER PTO SHAFT" DECAL | |



6

| | |
|---|---|
| <p>I</p> <p>IMPORTANTE NON USARE CETTI AD ELEVATE PRESSIONI VICINO ALLE PARTI MECCANICHE SI POSSONO CAUSARE DANNI.</p> | <p>ENG</p> <p>IMPORTANT DO NOT USE HIGH PRESSURE JETS NEAR MECHANICAL PARTS, AS DAMAGES CAN BE CAUSED.</p> |
| <p>F</p> <p>IMPORTANT NE PAS UTILISER DES JETS A PRESSION ELEVÉE PRES DE PARTIES MECCANQUES, ON PEUT CAUSER DES DOMMAGES.</p> | <p>D</p> <p>WICHTIG HOCHDRUCKSTRAHLE NEBEN MECHANISCHEN TEILEN NICHT VERWENDEN, DA SCHADEN VERURSACHT WERDEN KÖNNTEN.</p> |

T500211



| Item | Part Num. | Description | |
|------|-----------|-------------------------------|--|
| p001 | 7500750 | | |
| p002 | 7500733 | | |
| p003 | 7500133 | DECAL "AUTOMATIC TIGHTNER" | |
| p004 | 7500214 | DECAL "GREASE SQUIRT" | |
| p005 | 7500216 | DECAL "HOOK" | |
| p006 | 7500217 | DECAL "DO NOT USE SPOUTS" | |
| p007 | 7500514 | DECAL "KNIVES LOCK./UNBLOCK." | |
| p008 | 7500748 | | |
| p009 | 7500749 | HYDRAULIC LINKAGE DECAL | |
| p010 | 75P0018 | | |
| p011 | 7500512 | DECAL "ROTOR GEARSHIFT" | |
| p012 | 7500513 | DECAL "IDLE ROTOR" | |

**USATE SEMPRE RICAMBI ORIGINALI
ALWAYS USE ORIGINAL SPARE PARTS
IMMER DIE ORIGINAL-ERSATZTEILE VERWENDEN
EMPLOYEZ TOUJOURS LES PIECES DE RECHANGE ORIGINALES
UTILIZAR SIEMPRE REPUESTOS ORIGINALES**

FERABOLI

Servizio Assistenza Tecnica - After Sales Service

+39 0372 564650

Servizio Ricambi - Spare Parts Service

+39 0372 564690

DEALER:



FERABOLI

Off. Mecc. Ing. A. FERABOLI S.p.A.
Via Bredina, 6 - 26100
Cremona - Italy
Tel. +39 0372 564610
Fax +39 0372 564625
info@feraboli.com
www.feraboli.com

FERABOLI CIS Moscow Office
Ostapovsky proezd 5 of 104/107
109316 Moscow City - Russian Federation
Tel. +7 495 7818634
Fax +7 495 7812460
info@feraboli.ru

**MASCHIO GASPARDO
Poland sp z.o.o.**
Ul. Wapienna 6/8 - 87 - 100 Torun Poland
Tel. +48 56 6506051
Fax +48 56 6506053
www.gaspardo.pl

MASCHIO FRANCE Sarl
1, Rue de Mérignan ZA
F - 45240 La Ferte St. Aubin
France
Tel. +33 (0) 2.38.64.12.12
Fax +33 (0) 2.38.64.66.79
info@maschio.fr

MASCHIO-GASPARDO ROMANIA S.R.L.
Strada Înfrățirii, F.N.
315100 Chisineu-Cris (Arad) - România
Tel. +40 257 307030
Fax +40 257 307040
info@maschio.ro

MASCHIO GASPARDO NORTH AMERICA, Inc.
112 3rd Avenue East
Dewitt IA 52742 - USA
Tel. +1 563 6596400
Fax +1 563 6596405
info@maschio.us

MASCHIO-GASPARDO IBERICA S.L.
MASCHIO DEUTSCHLAND GMBH
MASCHIO-GASPARDO UCRAINA
GASPARDO-MASCHIO TURCHIA
MASCHIO-GASPARDO CINA
MASCHIO-GASPARDO INDIA