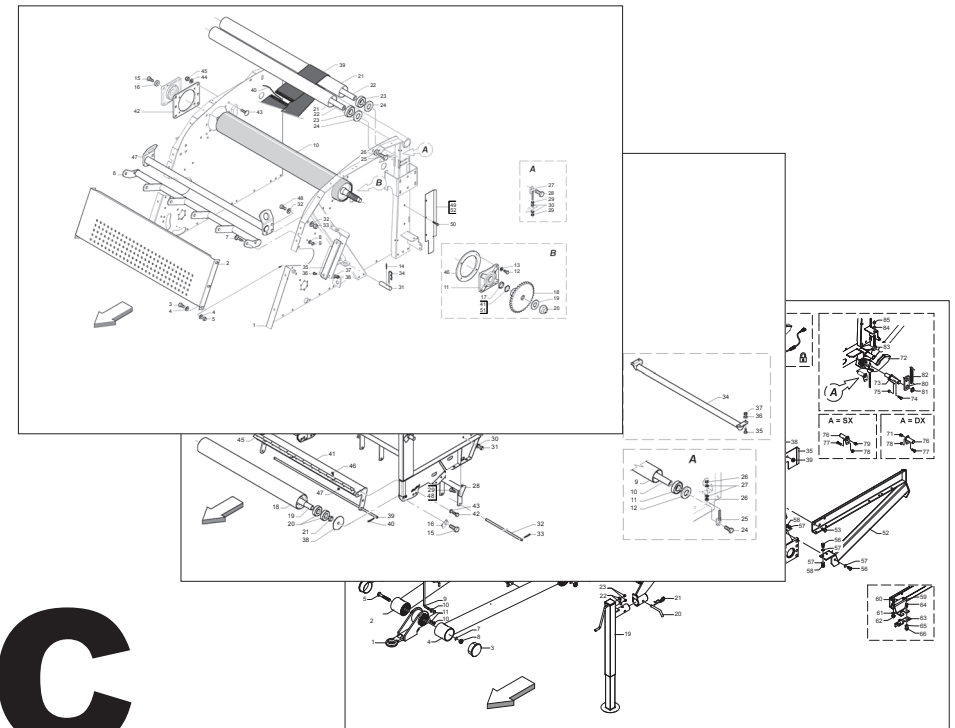


MASCHIO GASPARDO S.p.A.

EXTREME 265 LTI-LTC



Cod: F07022561 2021-01

- *) Valido per Paesi UE
- *) Valid for EU member countries
- *) Valable dans les Pays UE
- *) Gilt für EU-Mitgliedsländer
- *) Válido para Países UE

- IT** PARTI DI RICAMBIO
- EN** SPARE PARTS
- DE** ERSATZTEILE
- FR** PIÈCES DÉTACHÉES
- ES** PIEZAS DE REPUESTO

PARTI DI RICAMBIO

Le ordinazioni delle parti di ricambio vanno fatte presso i nostri concessionari di zona e devono essere sempre corredate dalle seguenti indicazioni:

- **Tipo, modello e numero di matricola dell'attrezzatura.** Tali dati sono stampigliati nell'apposita targhetta di cui è dotata ogni attrezzatura.

- **Numero di codice della parte richiesta** rilevabile dal catalogo ricambi.

- **Descrizione del particolare e quantità richiesta.**

- **Numero della tavola.**

- **Mezzo di trasporto.** Nel caso questa voce non sia specificata, la Ditta Costruttrice, pur dedicando a questo servizio una particolare cura, non risponde di eventuali ritardi di spedizione dovuti a cause di forza maggiore.

Le spese di trasporto si intendono sempre a carico del destinatario. La merce viaggia a rischio e pericolo del committente anche se venduta franco destino.

NOTA: Il termine **(Dx) Destro** o **(Sx) Sinistro** della macchina o di parti di essa, è inteso guardando la macchina dalla parte posteriore. Le eccezioni saranno indicate.

SPARE PARTS

Orders must be transmitted through our area dealers and should always include the following indications:

- **Type, model and serial number of the machine.** *These data are punched on the data plate with which every implement is equipped.*

- **Code number of the required spare part.** *This will be found in the spare parts catalogue.*

- **Description of the part and required quantity.**

- **Table number.**

- **Means of dispatch.** *If this item is not indicated, the Manufacturer, while dedicating particular care to this service, shall not be held responsible for delays in delivery caused by cases of force majeure.*

Transport expenses shall always be at the consignee's charge. The goods travel at the purchaser's risk and peril even when sold ex destination.

NOTE: *The symbols (Dx) right and (Sx) left, concerning the machine or single parts of it, are referred, as in the figure, to a rear view of them. Exceptions will be indicated.*

ERSATZTEILE

Die Bestellungen müssen bei unseren Gebietshändlern aufgegeben werden. Bei der Bestellung sind stets die folgenden Angaben zu machen:

- **Typ, Modell und Serien-Nummer des Geräts.** Diese Daten stehen auf dem Typenschild, mit dem jedes Gerät versehen ist.

- **Artikel Nr. der erforderlichen Ersatzteile.** Diese stehen im Ersatzteil-Katalog.

- **Beschreibung des Ersatzteils und die erforderliche Stückzahl.**

- **Tafelnummer.**

- **Versandmittel.** Wenn dieser Punkt nicht spezifiziert wird, haftet die Herstellerfirma nicht für etwaigen Lieferverzug aufgrund höherer Gewalt, auch wenn er diesen Service besonders aufmerksam abwickelt.

Die Frachtkosten gehen dagegen immer zu Lasten des Empfängers. Die Ware reist auf Gefahr und Risiko des Auftraggebers, auch wenn frei Haus Verkauft vereinbart worden ist.

N.B.: Die Merkzeichen **(Dx) rechts** und **(Sx) links** betreffen eine rückwärtige Aussicht der Maschine oder Teile von ihr (siehe Bild). Ausnahmen werden gezeigt.

PIECES DÉTACHÉES

Les ordres doivent être effectués auprès de nos concessionnaires de zone en précisant les indications suivantes:

- **Type, modèle et numéro de série de la machine.** *Ces données sont gravées sur la plaque d'identification de chaque outil.*

- **Numéro de code de la pièce détachée** *indiqué sur le catalogue des pièces détachées.*

- **Description de la pièce et quantité requise.**

- **Numéro de plan.**

- **Moyen d'expédition.** *Si cette rubrique n'est pas indiquée, le Constructeur, bien que soucieux de ce service, ne répond pas des retards d'expédition pour des causes de force majeure.*

Les frais de transport sont toujours à la charge du destinataire. La marchandise voyage aux risques et périls de l'acheteur même si vendue franco de port.

N.B.: *Les références (Dx) droit et (Sx) gauche de la machine ou des parties de la même, est entendue, comme de la figure, en regardant la machine de derriere dans le sens de marche.*

RESPUESTOS

Los pedidos han de efectuarse en nuestros concesionarios de zona y deben incluir siempre las siguientes indicaciones:

- **Tipo, modelo y número de matrícula del equipo.** Dichos datos están impresos en la relativa placa presente en el equipo.

- **Número de código de la parte requerida** presente en el catálogo respuestas.

- **Descripción de la pieza y cantidad requerida.**

- **Numero de ilustración.**

- **Medio de transporte.** En caso que este ítem no esté especificado, el Fabricante, aún prestando la debidas consideraciones para este aspecto, no responde por eventuales retardos de env'o debidos a causas de fuerza mayor.

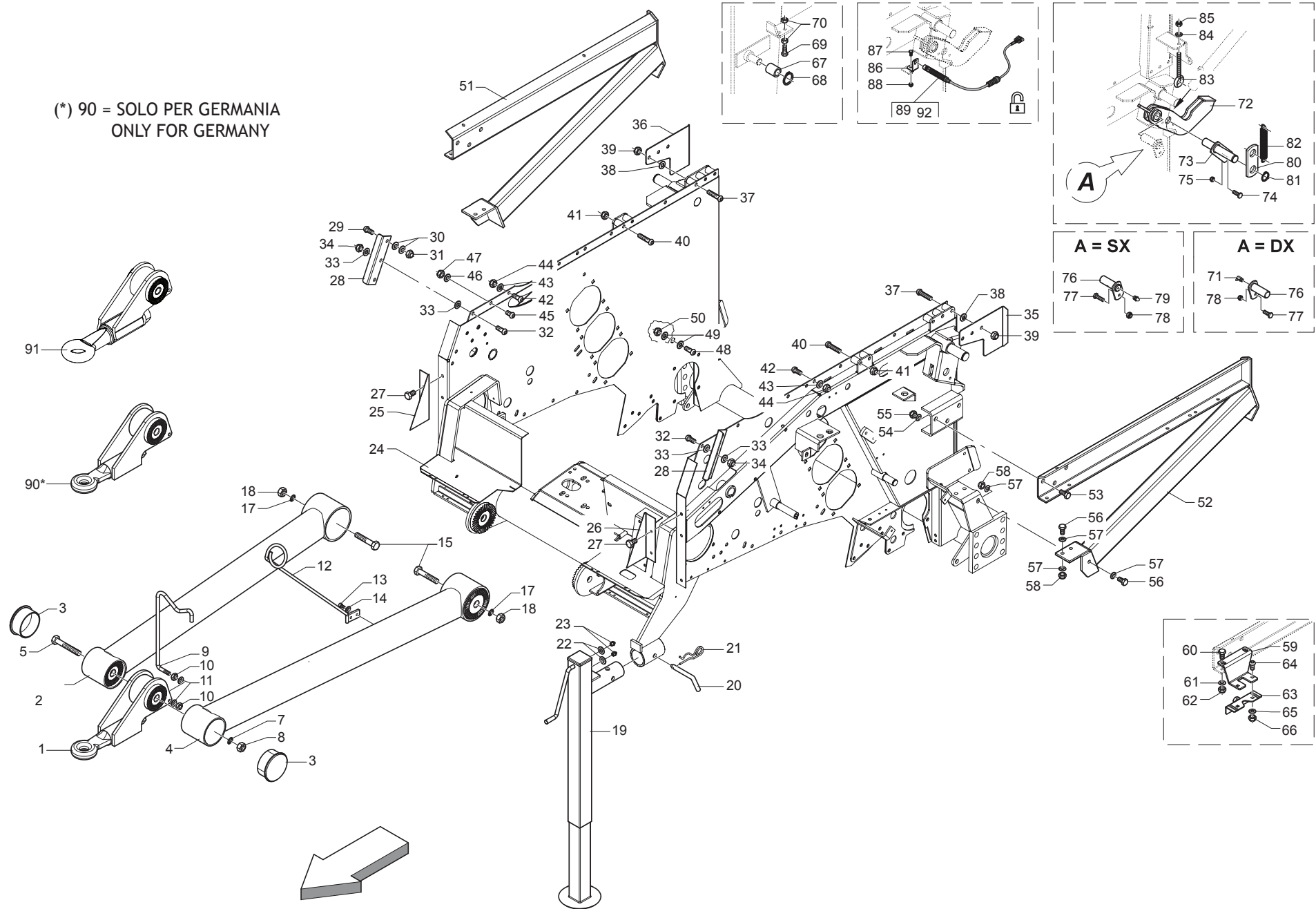
Los gastos de transporte se consideran siempre a cargo del destinatario. La mercadería viaja bajo riesgo y peligro del comprador, incluso cuando se vende franco destino.

N.B.: La referencia **(Dx) derecha** o **(Sx) izquierda** de la máquina o de sus componentes, se entiende, como en la figura, mirando la máquina por la parte trasera. Se indicarán las excepciones.

N° Tavola	INDICE	Pagina	N° Table	INDEX	Page
TAV_010	TELAIO INFERIORE + TIMONE + ROLLBAR + GANCI.....	7	TAV_010	LOWER FRAME + CROSSBAR + ROOLBAR + HOOKS.....	7
TAV_015	TELAIO SUPERIORE.....	11	TAV_015	UPPER FRAME.....	11
TAV_020	PORTELLONE	13	TAV_020	REAR GATE.....	13
TAV_025	SEGNALATORI DI CARICAMENTO	15	TAV_025	LOADER INDICATORS.....	15
TAV_030	RUOTE.....	17	TAV_030	WHEELS	17
TAV_345	SPESSORE RUOTE	19	TAV_345	WHEEL THICKNESS	19
TAV_035	SCATOLA DI TRASMISSIONE.....	21	TAV_035	GEARBOX.....	21
TAV_040	SCATOLA DI TRASMISSIONE PTO	23	TAV_040	GEARBOX PTO	23
TAV_045	ESPLOSO SCATOLA DI TRASMISSIONE	25	TAV_045	GEARBOX PARTS	25
TAV_350	SCATOLA DI TRASMISSIONE 1000 g/1'.....	27	TAV_350	GEAR BOX 1000 rpm.....	27
TAV_400	CARDANO.....	29	TAV_400	CARDAN SHAFT.....	29
TAV_050	RULLI	31	TAV_050	ROLLERS.....	31
TAV_055	RULLI CUT	33	TAV_055	ROLLERS CUT	33
TAV_060	RULLI "20".....	35	TAV_060	ROLLERS "20"	35
TAV_065	RULLI CUT "20"	39	TAV_065	ROLLERS CUT "20".....	39
TAV_070	TRASMISSIONE	43	TAV_070	TRANSMISSION	43
TAV_075	BILANCIERE	47	TAV_075	BELT TENSIONER ARM.....	47
TAV_080	INFALDATORE.....	49	TAV_080	FEEDING SYSTEM.....	49
TAV_085	ROTOR: TELAIIO + ROTORE	51	TAV_085	ROTOR: FRAME + ROTOR.....	51
TAV_090	CUT 13: TELAIIO + ROTORE	53	TAV_090	CUT 13: FRAME + ROTOR.....	53
TAV_100	CUT 13: TRAVERSA COLTELLI.....	57	TAV_100	CUT 13: KNIVES CROSSBAR.....	57
TAV_110	SICUREZZA TRASMISSIONE MECCANICA CON BULLONE	59	TAV_110	TRANSMISSION SAFETY DEVICE MECHANICAL WITH BOLT.....	59
TAV_120	PICK-UP M.....	63	TAV_120	PICK-UP M.....	63
TAV_140	PICK-UP M CUT.....	65	TAV_140	PICK-UP M CUT.....	65
TAV_150	RULLO CONVOGLIATORE CUT (PICK-UP M)	67	TAV_150	ROLLER CONVEYOR CUT (PICK-UP M)	67
TAV_175	COCLEE PICK-UP M	69	TAV_175	AUGER PICH-UP M.....	69
TAV_125	PICK-UP L.....	71	TAV_125	PICK-UP L.....	71
TAV_130	RULLO CONVOGLIATORE (PICK-UP L - PARTE 1) - REV.0.....	73	TAV_130	ROLLER CONVEYOR (PICK-UP L - PARTE1) - REV.0.....	73
TAV_131	RULLO CONVOGLIATORE (PICK-UP L - PARTE 1) - REV.1.....	75	TAV_131	ROLLER CONVEYOR (PICK-UP L - PARTE1) - REV.1.....	75
TAV_135	RULLO CONVOGLIATORE (PICK-UP L - PARTE 2) - REV.0.....	77	TAV_135	ROLLER CONVEYOR (PICK-UP L - PARTE2) - REV.0.....	77
TAV_136	RULLO CONVOGLIATORE (PICK-UP L - PARTE 2) - REV.1.....	79	TAV_136	ROLLER CONVEYOR (PICK-UP L - PARTE2) - REV.1.....	79
TAV_145	PICK-UP L CUT.....	81	TAV_145	PICK-UP L CUT.....	81
TAV_155	RULLO CONVOGLIATORE CUT (PICK-UP L)	83	TAV_155	ROLLER CONVEYOR CUT (PICK-UP L)	83
TAV_185	COCLEE PICK-UP L	85	TAV_185	AUGER PICK-UP L	85
TAV_160	ASPO.....	87	TAV_160	PICK-UP SHAFT	87
TAV_170	TRASMISSIONE PICK-UP.....	89	TAV_170	PICK-UP TRANSMISSION.....	89
TAV_180	TRASMISSIONE PICK-UP CUT	93	TAV_180	PICK-UP CUT TRANSMISSION	93
TAV_190	IMPIANTO IDRAULICO PICK-UP	97	TAV_190	PICK-UP HYDRAULIC SYSTEM	97
TAV_195	IMPIANTO IDRAULICO PICK-UP CUT.....	99	TAV_195	PICK-UP CUT HYDRAULIC SYSTEM.....	99

N° Tavola	INDICE	Pagina	N° Table	INDEX	Page
TAV_200	RUOTE PICK-UP	101	TAV_200	PICK-UP WHEEL	101
TAV_360	SOSTEGNO RUOTE PICK-UP	103	TAV_360	PICK-UP WHEEL SUPPORT	103
TAV_210	IMPIANTO IDRAULICO MACCHINA.....	105	TAV_210	MACHINE HYDRAULIC SYSTEM	105
TAV_215	VALVOLA PRESSIONE ELETTRONICA.....	107	TAV_215	ELECTRONIC PRESSURE VALVE	107
TAV_220	CABLAGGIO	109	TAV_220	CONTROL SYSTEM	109
TAV_225	LEGATORE FILO	111	TAV_225	TWINE BINDER	111
TAV_230	LEGATORE FILO: CASSONETTO.....	115	TAV_230	TWINE BINDER: TWINE BOX	115
TAV_235	CARTER ANTERIORE (SOLO CON LEGATORE FILO)	117	TAV_235	FRONT CARTER (ONLY WITH TWINE BINDER)	117
TAV_240	LEGATORE RETE (PARTE 1).....	119	TAV_240	NET BINDER (PART 1)	119
TAV_245	LEGATORE RETE (PARTE 2).....	121	TAV_245	NET BINDER (PART 2)	121
TAV_250	LEGATORE RETE (PARTE 3).....	123	TAV_250	NET BINDER (PART 3)	123
TAV_255	LEGATORE RETE (PARTE 4).....	125	TAV_255	NET BINDER (PART 4)	125
TAV_260	LEGATORE RETE (PARTE 5).....	127	TAV_260	NET BINDER (PART 5)	127
TAV_265	IMPIANTO OLIIATURA AUTOMATICA.....	131	TAV_265	AUTOMATIC OILING SYSTEM.....	131
TAV_275	CARTER ANTERIORI	133	TAV_275	FRONT CARTER	133
TAV_280	CARTER LATERALI	135	TAV_280	SIDE CARTER	135
TAV_285	IMPIANTO LUCI + CUNEI.....	137	TAV_285	LIGHTS PLANT + CHOCKS	137
TAV_290	ESPULSORE.....	139	TAV_290	EJECTOR.....	139
TAV_295	GRAFFATURA.....	141	TAV_295	STAPLING DEVICE.....	141
TAV_300	KIT CASSONETTO SUPPLEMENTARE PER BOBINE FILO.....	143	TAV_300	ADDITIONAL TWINE BOX KIT	143
TAV_305	KIT STAFFE SUPPLEMENTARI PER ROTOLO RETE	145	TAV_305	ADDITIONAL NET SUPPORT KIT	145
TAV_310	KIT FILM PLASTICO	147	TAV_310	PLASTIC FILM KIT	147
TAV_380	KIT FINTI COLTELLI	149	TAV_380	FAKE KNIVES KIT.....	149
TAV_315	DISPOSITIVO DI STAZIONAMENTO MECCANICO	151	TAV_315	MECHANICAL PARKING DEVICE.....	151
TAV_320	DISPOSITIVO DI STAZIONAMENTO IDRAULICO (CUT).....	153	TAV_320	HYDRAULIC PARKING DEVICE (CUT).....	153
TAV_325	FRENO IDRAULICO (NO OMOLOGAZIONE ITALIA)	155	TAV_325	HYDRAULIC BRAKE (NO ITALY APPROVAL)	155
TAV_365	ESPLOSO MOZZO CON FRENO	157	TAV_365	HUB WITH BRAKE PARTS.....	157
TAV_330	DECAL "LOGO"	159	TAV_330	DECAL "LOGO"	159
TAV_335	DECAL "CE"	161	TAV_335	DECAL "CE".....	161
TAV_340	DECAL "ISTRUZIONE"	163	TAV_340	DECAL "INSTRUCTION"	163

(*) 90 = SOLO PER GERMANIA
ONLY FOR GERMANY

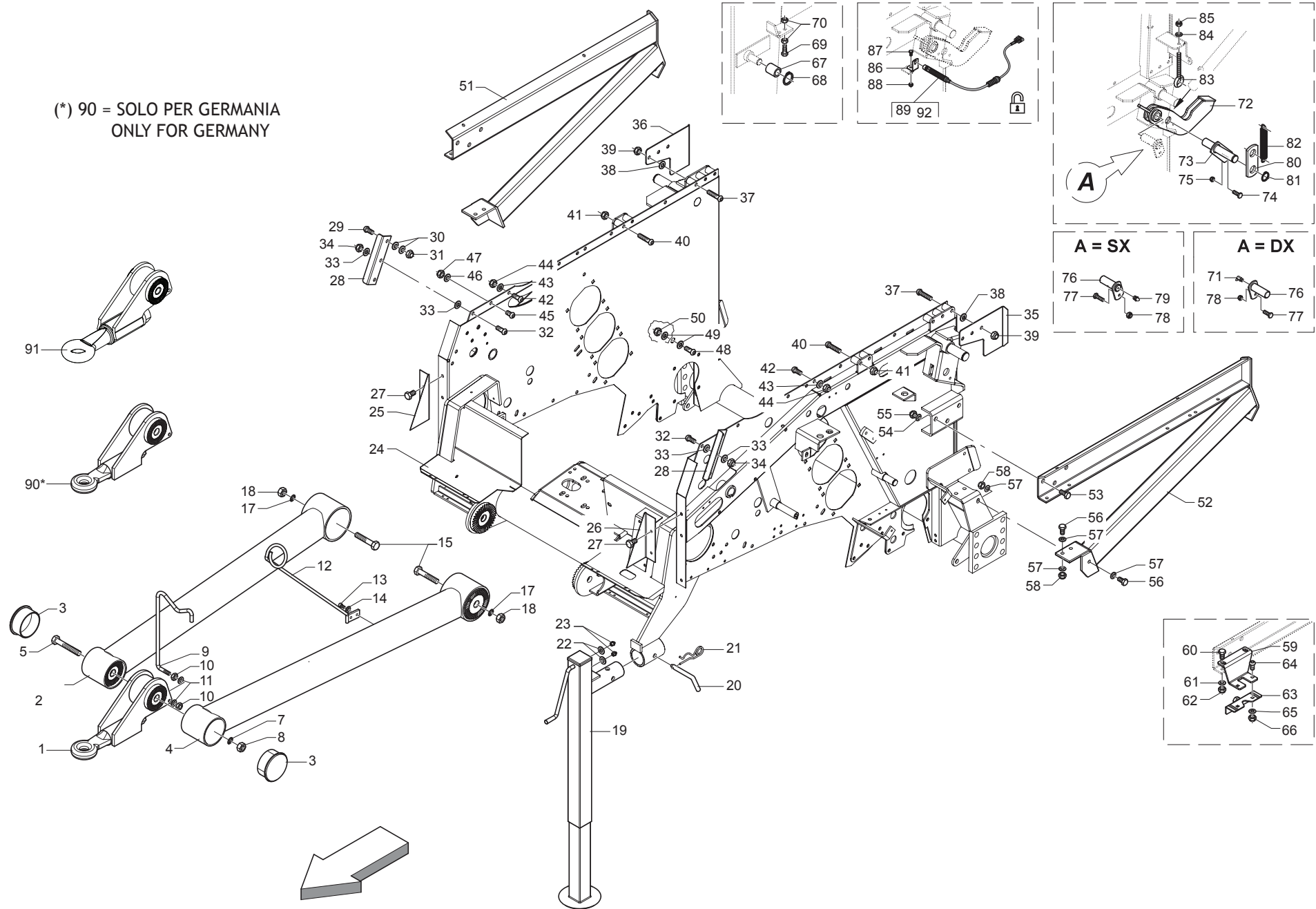


**TELAIO INFERIORE + TIMONE + ROLLBAR + GANCI
LOWER FRAME + CROSSBAR + ROLLBAR + HOOKS**

TAV_010

Pos.	Cod.	Descrizione	Description	Description	Benennung	Descripcion
1	B07S01750R	TRAINO 35	TOWING EYE 35	EQUIPEMENT DE TIRAGE DIAM. 35	ZUGOESE 35	REMOLQUE 35
2	B07SP1101R	ALA DX TIMONE	RIGHT WING HELM			ALA DER DEL TIM N
3	B07V00099R	TAPPO PER OCCHIONE	PLUG FOR TOWING EYE	BOUCHON POUR OEIL DE TRACTION	ZUGOSENSCHLIESSPFROPFEN	TAP N PARA ANILLO
4	B07SP1102R	ALA SX TIMONE	WING LEFT HELM			ALA IZQ DEL TIM N
5	F01020628R	VITE M24X3X180 U5737 10.9ZB	SCR. M24X3X180 U5737 10.9ZB	VIS M24X3X180 5739 10.9 ZN	SCHRAUBE M24X3X180 5739 10.9 Z	TORNILLO M24X3X180 U5737 1
7	F01480261R	RONDELLA D24 UNI 1751 ZN	WASHER D24 U1751 ZN			ARANDELA D24 UNI 1751 ZN
8	B00740724R	DADO E ZN.MEDIO M24-8G A U5588	NUT	ECROU	MUTTER M24-8G	TUERCA M24X 2 D982 8
9	B0C005121R	SOSTEGNO CARDANO	CARDAN SHAFT SUPPORT	SUPPORT CARDAN	KARDANWELLENHALTER	SOPORTE DE CARD N
10	F01230213R	DADO M12X1,75 U7474 CL8 ZN	NUT M12X1,75 U7474 6SZN	ECROU AUTOBL. M12	SELBSTSPERR.MUTTER M12	TUERCA M12X1,75 U7474 CL8 ZN
11	F01410076R	ROS.M12 13X 24X2,5 U6592 ZN	WASHER 12 13X 24X2,5 U6592 ZN	RONDEL. M12 13X24X2,5 U6592 ZN	SCHEIBE M12 13X24X2,5 U6592 ZN	ARAND.M12 13X 24X2,5 U6592 ZN
12	B07S01825R	SOSTEGNO TUBAZIONI	HOSE SUPPORT	SUPPORT TUYAUTERIES	SCHLAUCHHALTERUNG	SOPORTE DE LAS TUBER AS
13	B00471025R	VITE TTEI M10X 25-8.8 UNBRA	SCREW	VIS	SCHRAUBE TTEI M10X 25-8.8	TORNILLO CAB.ALLEN CON HUECO
14	F01410062R	ROS.M10 10,5X 18X 2 U6592 ZN	WASHER M10 10,5X 18X 2 U6592	RONDELLE M10 10,5X18X2 ZN	DICHTUNGSRING M10 10,5X18X2 ZN	ARAND.M10 10,5X 18X 2 U6592 ZN
15	F01020343R	VITE M24X3X80 U5737 10.9ZD	SCR. M24X3X80 U5737 10.9ZD	VIS M24X3X80 U5737 10.9 ZN	SCHRA. M24X3X80 U5737 10.9 ZN	TORNILLO M24X3X80 U5737 10
17	F01480261R	RONDELLA D24 UNI 1751 ZN	WASHER D24 U1751 ZN			ARANDELA D24 UNI 1751 ZN
18	B00740724R	DADO E ZN.MEDIO M24-8G A U5588	NUT	ECROU	MUTTER M24-8G	TUERCA M24X 2 D982 8
19	B07S01755R	SERVOTIMONE	DRAW BAR STAND	SERVO BARRE DE TIRAGE	STUETZFUSS	SERVOTIM N
20	B013C0001R	SPINA 16X158 CON PIEGA	PIN	GOUVILLE	STIFT	CLAVIJA 16X158 CON PLIEGUE
21	B011B0499R	SPINA A MOLLA A DOPPIO GIRO 4	PIN	GOUVILLE CLIPS	ZAPFEN	CLAVIJA DE MUELLE CON DOBLE G
22	F01410051R	ROS.M8 8,4X 17X1,6 U6592 ZN	WASHER M8 8,4X17X1,6 U6592 ZN	RONDELLE M8 8,4X17X1,6 ZN	SCHEIBE M8 8,4X17X1,6 U6592 ZN	ARAND.M8 8,4X 17X1,6 U6592 ZN
23	B04200810R	INGRAS HYDR M 8X1 DRITTO	GREASE	GRAISSEUR HYDRAULIQUE	GERADER SCHMIERNIPPEL M8X1	ENGRAS. HYDR M 8X1 RECTO
24	B07SP1276R	TELAIO INFERIORE LT LINO	LOWER FRAME LT LINO			
25	B0C005036R	CHIUSURA ANT. DX	RIGHT FRONT LOCK	FERMETURE ANTERIEURE DROITE	RECHTER VORDERER VERSCHLUSS	CIERRE ANT. DER.
26	B0C005035R	CHIUSURA ANT. SX	LEFT FRONT LOCK	FERMETURE ANTERIEURE GAUCHE	LINKER VORDERER VERSCHLUSS	CIERRE ANT. IZQ.
27	F01020436R	VITE M8X1,25X20 U5739 8.8ZN	SCR. M8X1,25X20 U5739 8.8ZN	VIS M8X1,25X 20 U5739 8.8 ZN	SCHRAUBE M8X1,25X20U5739 8.8ZN	TORNILLO M8X1,25X20 U5739 8.8
28	B0C005026R	RINFORZO TELAI	FRAME STIFFENING			REFUERZO DE LOS BASTIDORES
29	B00471230R	VITE TTEI M12X 30-8.8 UNBRA	SCREW	VIS	SCHRAUBE TTEI M12X 30-8.8	TORNILLO CAB.ALLEN CON HUECO
30	F01410076R	ROS.M12 13X 24X2,5 U6592 ZN	WASHER 12 13X 24X2,5 U6592 ZN	RONDEL. M12 13X24X2,5 U6592 ZN	SCHEIBE M12 13X24X2,5 U6592 ZN	ARAND.M12 13X 24X2,5 U6592 ZN
31	F01230213R	DADO M12X1,75 U7474 CL8 ZN	NUT M12X1,75 U7474 6SZN	ECROU AUTOBL. M12	SELBSTSPERR.MUTTER M12	TUERCA M12X1,75 U7474 CL8 ZN
32	B00471230R	VITE TTEI M12X 30-8.8 UNBRA	SCREW	VIS	SCHRAUBE TTEI M12X 30-8.8	TORNILLO CAB.ALLEN CON HUECO
33	F01410076R	ROS.M12 13X 24X2,5 U6592 ZN	WASHER 12 13X 24X2,5 U6592 ZN	RONDEL. M12 13X24X2,5 U6592 ZN	SCHEIBE M12 13X24X2,5 U6592 ZN	ARAND.M12 13X 24X2,5 U6592 ZN
34	F01230213R	DADO M12X1,75 U7474 CL8 ZN	NUT M12X1,75 U7474 6SZN	ECROU AUTOBL. M12	SELBSTSPERR.MUTTER M12	TUERCA M12X1,75 U7474 CL8 ZN
35	B0C004488R	RIPARO GANCIO SX	SHELTER HOOK LEFT			RESGUARDO GANCHO IZQ
36	B0C004506R	RIPARO GANCIO DX	RIGHT HOOK GUARD	PROTECTION CROCHET DROIT	RECHTER HAKENSCHUTZ	RESGUARDO GANCHO DER
37	B00471280R	VITE TTEI M12X 80-10.9 UNBRAKO	SCREW	VIS	SCHRAUBE TTEI M12X 80-8.8	TORNILLO CAB.ALLEN CON HUECO
38	F01410076R	ROS.M12 13X 24X2,5 U6592 ZN	WASHER 12 13X 24X2,5 U6592 ZN	RONDEL. M12 13X24X2,5 U6592 ZN	SCHEIBE M12 13X24X2,5 U6592 ZN	ARAND.M12 13X 24X2,5 U6592 ZN
39	F01230213R	DADO M12X1,75 U7474 CL8 ZN	NUT M12X1,75 U7474 6SZN	ECROU AUTOBL. M12	SELBSTSPERR.MUTTER M12	TUERCA M12X1,75 U7474 CL8 ZN
40	B00471280R	VITE TTEI M12X 80-10.9 UNBRAKO	SCREW	VIS	SCHRAUBE TTEI M12X 80-8.8	TORNILLO CAB.ALLEN CON HUECO
41	F01230213R	DADO M12X1,75 U7474 CL8 ZN	NUT M12X1,75 U7474 6SZN	ECROU AUTOBL. M12	SELBSTSPERR.MUTTER M12	TUERCA M12X1,75 U7474 CL8 ZN
42	B00471225R	VITE TTEI M12X 25-8.8 UNBRA	SCREW	VIS	SCHRAUBE TTEI M12X 25-8.8	TORNILLO CAB.ALLEN CON HUECO
43	F01410076R	ROS.M12 13X 24X2,5 U6592 ZN	WASHER 12 13X 24X2,5 U6592 ZN	RONDEL. M12 13X24X2,5 U6592 ZN	SCHEIBE M12 13X24X2,5 U6592 ZN	ARAND.M12 13X 24X2,5 U6592 ZN
44	F01230213R	DADO M12X1,75 U7474 CL8 ZN	NUT M12X1,75 U7474 6SZN	ECROU AUTOBL. M12	SELBSTSPERR.MUTTER M12	TUERCA M12X1,75 U7474 CL8 ZN
45	B00471220R	VITE TTEI M12X 20-8.8 UNBRA	SCREW	VIS	SCHRAUBE TTEI M12X 20-8.8	TORNILLO CAB.ALLEN CON HUECO
46	F01410076R	ROS.M12 13X 24X2,5 U6592 ZN	WASHER 12 13X 24X2,5 U6592 ZN	RONDEL. M12 13X24X2,5 U6592 ZN	SCHEIBE M12 13X24X2,5 U6592 ZN	ARAND.M12 13X 24X2,5 U6592 ZN
47	F01230213R	DADO M12X1,75 U7474 CL8 ZN	NUT M12X1,75 U7474 6SZN	ECROU AUTOBL. M12	SELBSTSPERR.MUTTER M12	TUERCA M12X1,75 U7474 CL8 ZN
48	B00471225R	VITE TTEI M12X 25-8.8 UNBRA	SCREW	VIS	SCHRAUBE TTEI M12X 25-8.8	TORNILLO CAB.ALLEN CON HUECO
49	F01420120R	ROS.M12 13X36X2,5 U6593 ZN	WASHER M12 13X36X2,5 U6593 ZN	RONDELLE M12 13X36X2,5 ZN	SCHEIBE M12 13X36X2,5 U6593 ZN	ARAND.M12 13X36X2,5 U6593 ZN
50	F01230213R	DADO M12X1,75 U7474 CL8 ZN	NUT M12X1,75 U7474 6SZN	ECROU AUTOBL. M12	SELBSTSPERR.MUTTER M12	TUERCA M12X1,75 U7474 CL8 ZN
51	B07S01663R	TELAIO ROLL DX 265-280	RIGHT ROLL FRAME	CHASSIS ROLL DROIT 265-280	RECHTER ROLL RAHMEN	BASTIDOR ROLL DER 265-280
52	B07S01550R	TELAIO ROLL SX 265-280	LEFT ROLL FRAME	CHASSIS ROLL GAUCHE 265 280	LINKER ROLL RAHMEN	BASTIDOR ROLL IZQ 265-280
53	F01020566R	VITE M16X2X40 U5739 8.8ZN	SCR. M16X2X40 U5739 8.8ZN	VIS M16X2X40 U5739 8.8 ZN	SCHRAUBE M16X2X40 U5739 8.8 ZN	TORNILLO M16X2X40 U5739 8
54	F01410100R	ROS.M16 17X 30X 3 U6592 ZN	WASHER M16 17X30X3 U6592 ZN	RONDELLE M16 17X30X3 ZN	SCHRAUBE M16 17X 30X3 U6592 ZN	ARAND.M16 17X 30X 3 U6592 ZN
55	B00920516R	DADO M16X 1,5 D985 6S ZN	NUT M16X1,5 D985 6S ZN	ECROU	SELBSTSICHERNDE MUTTER M16-5S	TUERCA M16X 1,5 D985 6S
56	F01020514R	VITE M12X1,75X40 U5739 8.8ZN	SCR. M12X1,75X40 U5739 8.8ZN	VIS M12X1,75X40 U5739 8.8ZN	SCHRA. M12X1,75X40 U5739 8.8ZN	TORNILLO M12X1,75X40 U5739 8.
57	F01410076R	ROS.M12 13X 24X2,5 U6592 ZN	WASHER 12 13X 24X2,5 U6592 ZN	RONDEL. M12 13X24X2,5 U6592 ZN	SCHEIBE M12 13X24X2,5 U6592 ZN	ARAND.M12 13X 24X2,5 U6592 ZN
58	F01230213R	DADO M12X1,75 U7474 CL8 ZN	NUT M12X1,75 U7474 6SZN	ECROU AUTOBL. M12	SELBSTSPERR.MUTTER M12	TUERCA M12X1,75 U7474 CL8 ZN
59	B0C005184R	ATTACCO CHIUSURA	CLOSURE COUPLING	ATTELAGE FERMETURE	VERSCHLUSSANSCHLUSS	CONEXI N DE CIERRE

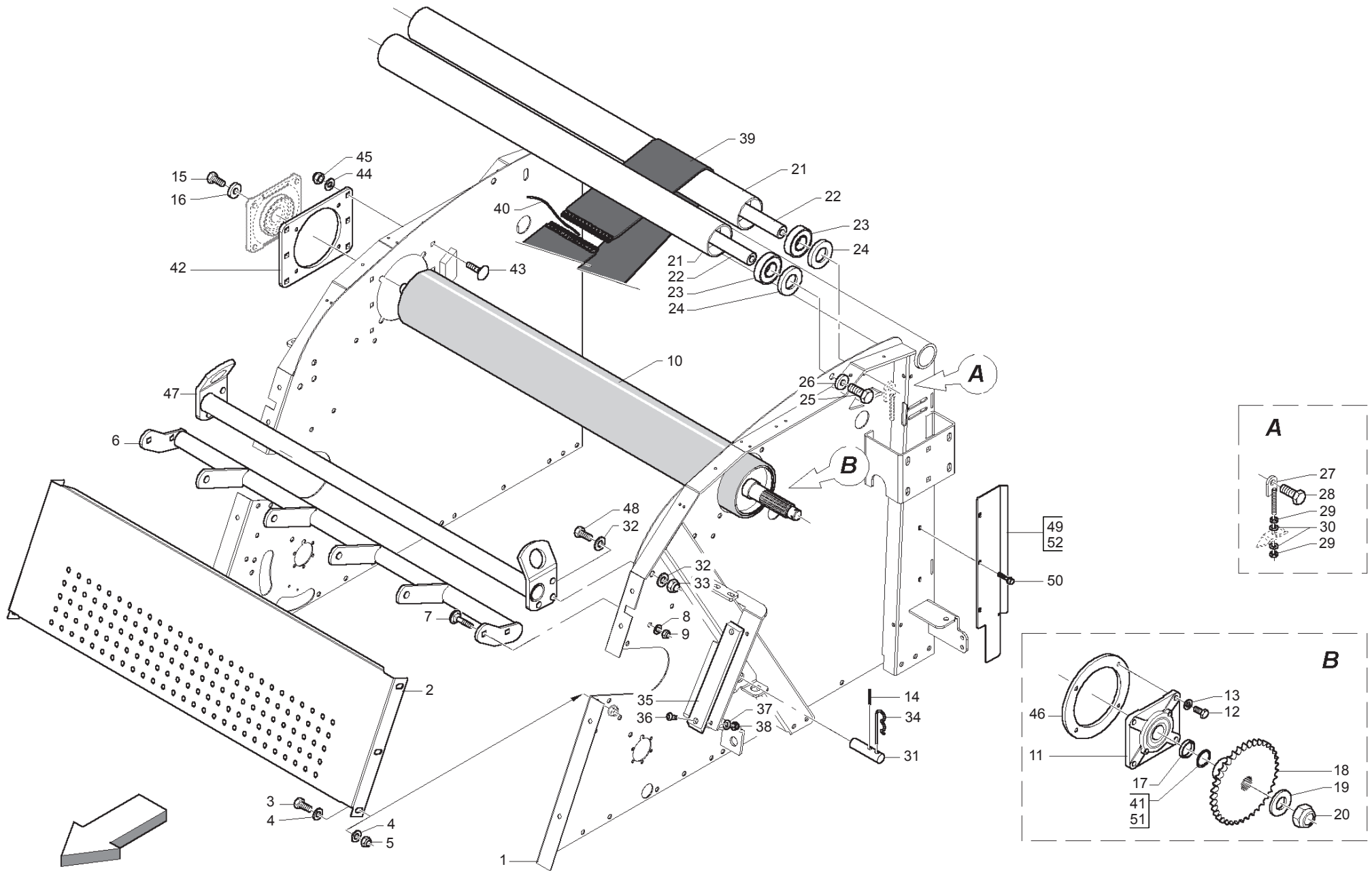
(*) 90 = SOLO PER GERMANIA
ONLY FOR GERMANY



**TELAIO INFERIORE + TIMONE + ROLLBAR + GANCI
LOWER FRAME + CROSSBAR + ROOLBAR + HOOKS**

TAV_010

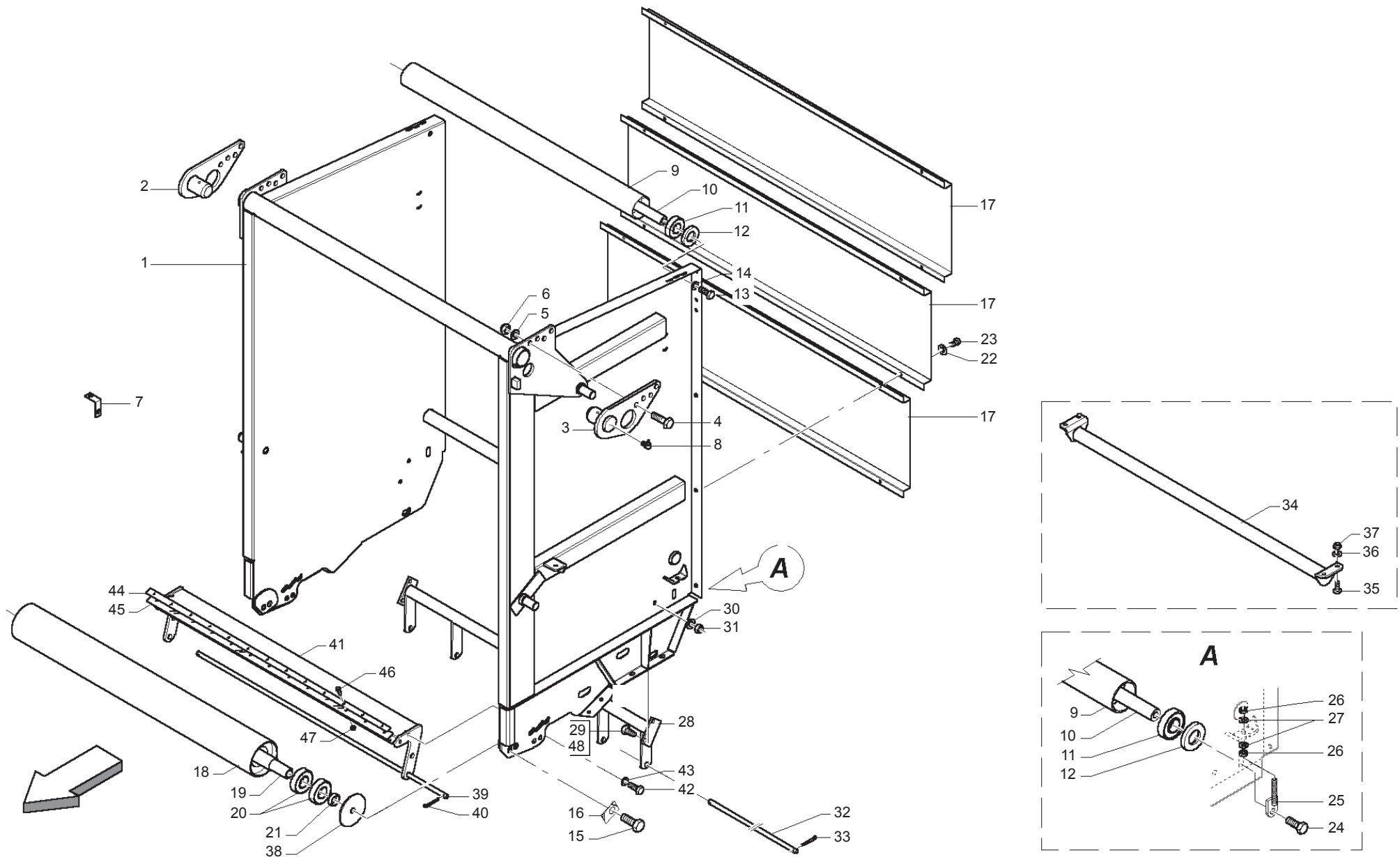
Pos.	Cod.	Descrizione	Description	Description	Benennung	Descripcion
60	F01020479R	VITE M10X1,5X35 U5739 8.8ZN	SCR. M10X1,5X35 U5739 8.8ZN	VIS M10X1,5X35 U5739 8.8 ZN	SCHR. M10X1,5X35 U5739 8.8 ZN	TORNILLO M10X1,5X35 U5739 8
61	F01410062R	ROS.M10 10,5X 18X 2 U6592 ZN	WASHER M10 10,5X 18X 2 U6592	RONDELLE M10 10,5X18X2 ZN	DICHTUNGSRING M10 10,5X18X2 ZN	ARAND.M10 10,5X 18X 2 U6592 ZN
62	F01230202R	DADO M10X 1,5 D985 8 ZN	NUT M10 D985	ECROU AUTOBL. M10	SELBSTSPERR.MUTTER M10	TUERCA M10X 1,5 D985 8
63	B01800041R	CHIUS.SCHWARZ RIF.SV 941104-00	LOCK	FERMETURE	VERSCHLUSS SCHWARZ REF. SV. 9	CIERRE SCHWARZ REF.SV 941104-00
64	B00470820R	VITE TTEI M 8X 20-10,9 UMBRAKO	SCREW	VIS	SCHRAUBE TTEI M 8X 20-10.9	TORNILLO CAB.ALLEN CON HUECO
65	F01410051R	ROS.M8 8,4X 17X1,6 U6592 ZN	WASHER M8 8,4X17X1,6 U6592 ZN	RONDELLE M8 8,4X17X1,6 ZN	SCHEIBE M8 8,4X17X1,6 U6592 ZN	ARAND.M8 8,4X 17X1,6 U6592 ZN
66	F01230190R	DADO M8X1 D985 8ZN	NUT M8X1 D985 8ZN	ECROU M8	MUTTER M8	TUERCA M8X1 D985 8
67	B01300612R	DISTANZIALE 30,5X42X45	SPACER	ENTRETOISE	DISTANZSTUECK 30,5X42X45	DISTANCIADOR 30,5X42X45
68	F02050112R	ANELLO E.DE 30X 1,5 U7435 ZN	SEEGER RING 30X 1,5 U7435 C70	SEEGER E. 30 X 1,5 U7435 C70	SEEGERING E. 30X 1,5 U7435 C70	ANILLO E. 30 X 1,5 U7435 C70
69	F01020519R	VITE M12X1,75X 60 U5739 8.8ZN	SCREW M12X1,75X 60 U5739 8.8ZN			TORNILLO M12X1,75X 60 U5739 8
70	F01200293R	DADO M12X1,75 U5588 CL8 ZN	NUT M12X1,75 U5588 6S ZN	ECROU M12X1,75 U5588 6S ZN	MUTTER M12X1,75 U5588 6S ZN	TUERCA M12X1,75 U5588 CL8 ZN
71	F01100013R	ING.M 6X1 7663-C 9SMNPB28 ZN	SPHERE NIPPLE M6X1 90	GRAISSEUR A BILLES M6X1 90	KUGELFETTBSCHE M6X1 90	ENG.M 6X1 7663-C 9SMNPB28 ZN
72	B07S01772R	GANCIO PORTELLONE	REAR GATE HOOK	CROCHET PORTE ARRIERE	HECKKLAPPENHAKEN	GANCIO DE LA PUERTA
73	B07S01757R	SPINA MARTINETTO PORTELLONE	REAR GATE CYLINDER PIN	GOUPILLE VERIN PORTE ARRIERE	HECKKLAPPENZYLINDERBOLZEN	CLAVIJA DEL CILINDRO DE LA PUE
74	F01020440R	VITE M8X1,25X25 U5739 8.8ZN	SCR. M8X1,25X25 U5739 8.8ZN	VIS M8X1,25X25 U5739 8.8 ZN	SCHRAUBE M8X1,25X25U5739 8.8ZN	TORNILLO M8X1,25X25 U5739 8.8
75	B00920208R	DADO AUTOB.BASSO M 8-5S D985	NUT M8X1 D985 8ZN	ECROU	SELBSTSICHERNDE MUTTER M8-5S	TUERCA M8X1 D985 8
76	B07S00937R	SPINA GANCIO PORTELLONE	TAILGATE HOOK PIN	AXE ACCROCHAGE PORTE POST.	HECKKLAPPENHAKENBOLZEN	CLAVIJA DE GANCHO DE LA PUERT
77	F01020440R	VITE M8X1,25X25 U5739 8.8ZN	SCR. M8X1,25X25 U5739 8.8ZN	VIS M8X1,25X25 U5739 8.8 ZN	SCHRAUBE M8X1,25X25U5739 8.8ZN	TORNILLO M8X1,25X25 U5739 8.8
78	B00920208R	DADO AUTOB.BASSO M 8-5S D985	NUT M8X1 D985 8ZN	ECROU	SELBSTSICHERNDE MUTTER M8-5S	TUERCA M8X1 D985 8
79	B04200610R	INGRASS.A SFERE M6X1 LUNGO	GREASE NIPPLE	GRAISSEUR HYDRAULIQUE	GERADER SCHMIERNIPPEL M6X1	ENGRASADOR DE ESFERAS M6X1
80	BOC004902R	RINFORZO	STIFFENING	RENFORT	VERSTAERKUNG	REFUERZO
81	B01700020R	ANEL. D ARR. ALB. 20-E UNI3653	SEEGER RING	BAGUE SEEGER	SEEGERRING 20-E	ANIL. DE PARAD. RB. 20-E UNI3
82	B01826161R	MOLLA CONTRASTO RULLO	SPRING	RESSORT	FEDER	MUELLE DE CONTRASTE DEL RODI
83	B00545168R	OCCHIOLO PER TENDITORI M12-DX	EYELET M12	OEIL M12	OSE M12	OJAL PARA TENSORES M12-DER
84	F01410076R	ROS.M12 13X 24X2,5 U6592 ZN	WASHER 12 13X 24X2,5 U6592 ZN	RONDEL. M12 13X24X2,5 U6592 ZN	SCHEIBE M12 13X24X2,5 U6592 ZN	ARAND.M12 13X 24X2,5 U6592 ZN
85	F01230213R	DADO M12X1,75 U7474 CL8 ZN	NUT M12X1,75 U7474 6SZN	ECROU AUTOBL. M12	SELBSTSPERR.MUTTER M12	TUERCA M12X1,75 U7474 CL8 ZN
86	BOC004245R	SOSTEGNO	SUPPORT	SUPPORT	HALTER	SOPORTE
87	F01020470R	VITE M10X1,5X20 U5739 8.8ZN	SCR. M10X1,5X20 U5739 8.8ZN	VIS M10X1,5X20 U5739 8.8 ZN	SCHRAUBE M10X1,5X20 U5739 ZN	TORNILLO M10X1,5X20 U5739 8
88	F01230202R	DADO M10X 1,5 D985 8 ZN	NUT M10 D985	ECROU AUTOBL. M10	SELBSTSPERR.MUTTER M10	TUERCA M10X 1,5 D985 8
89	B0E0P0016R	SENSORE GANCIO DX F_BUS	SENSOR	SENSEUR	SENSOR HACKEN RECHTS	SENSOR DE ENGANCHE DER F_BU
90	B07SP0974R	OCCHIONE FISSO D=40 MM CON BOC	FIXED TOWING EYE 40 WITH BUSH			ANILLO FIJO D=40 MM CON BOC
91	B07S01789R	TRAINO 50	TOWING EYE 50	TIRAGE	ZUG 50	REMOLQUE 50
92	B0E0P0017R	SENSORE GANCIO SX F_BUS	SENSOR	SENSEUR	SENSOR HACKEN LINKS	SENSOR DE ENGANCHE IZQ F_BUS



**TELAIO SUPERIORE
UPPER FRAME**

TAV_015

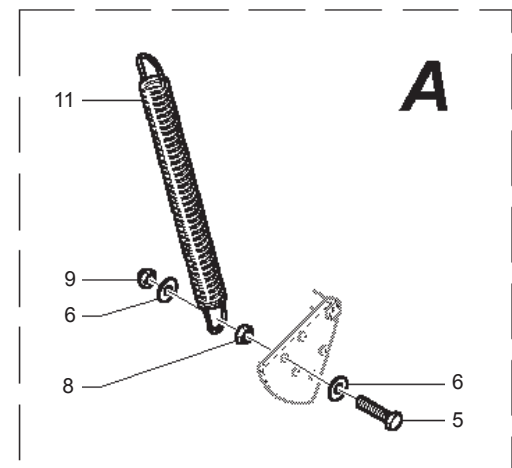
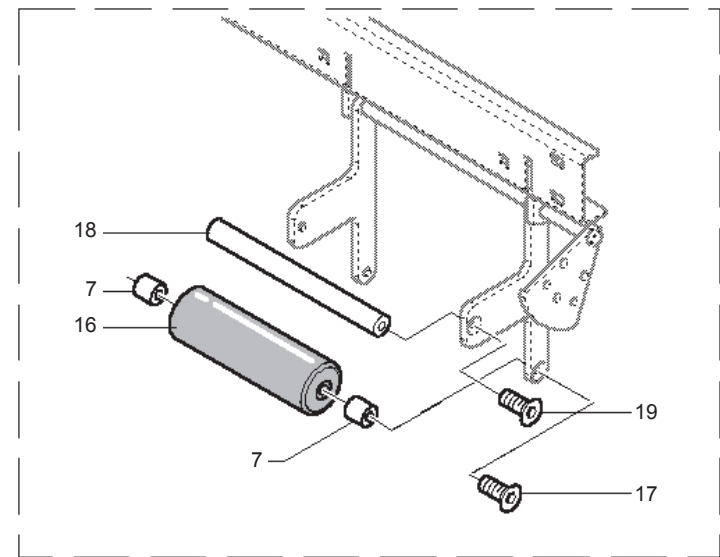
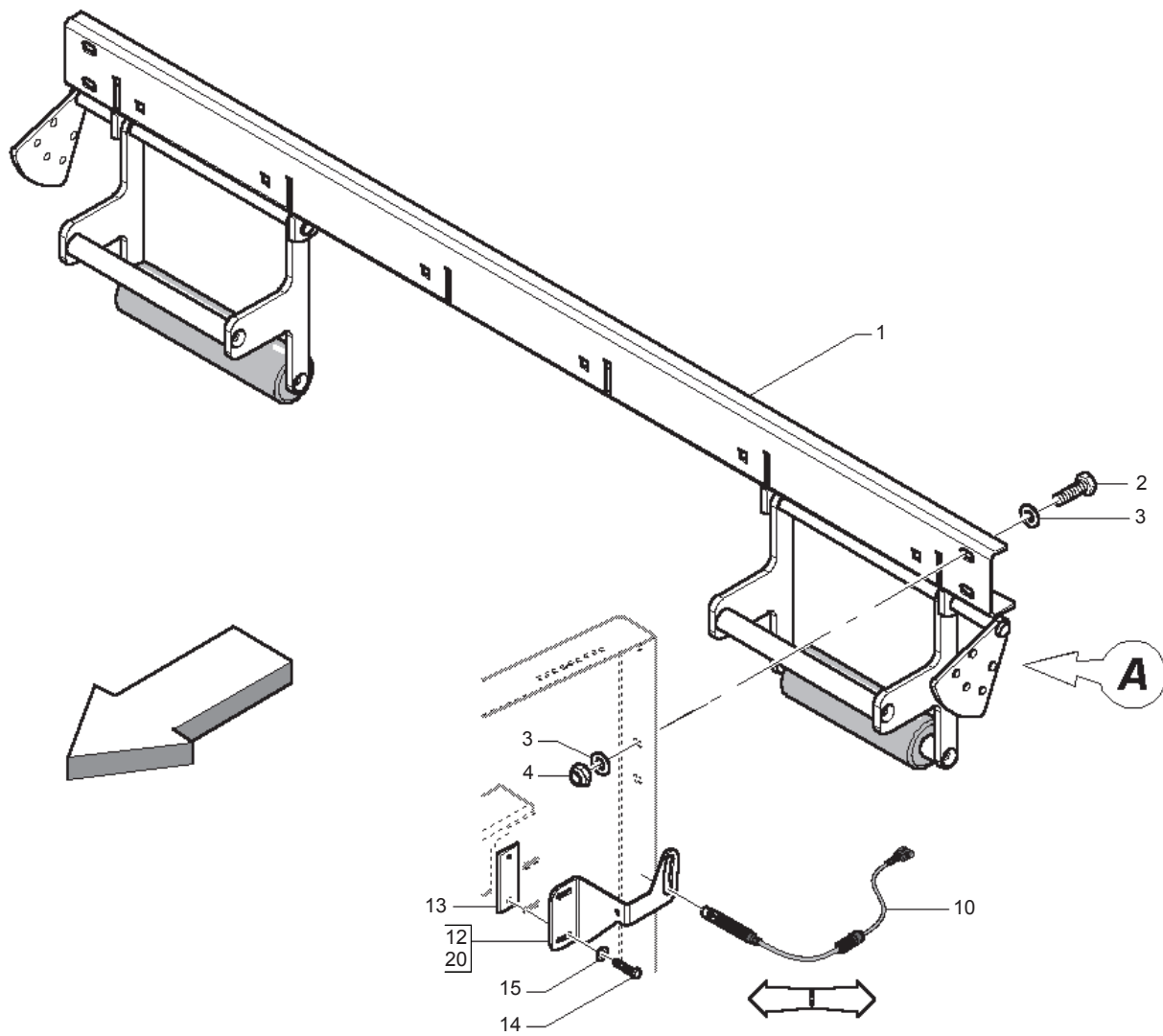
Pos.	Cod.	Descrizione	Description	Description	Benennung	Descripcion
1	B07SP1287R	TELAIO SUPERIORE LT LINO	UPPER FRAME LT LINO			
2	B0C005396R	COLLEGAMENTO ANTER.220	FRONT ATTACHMEN 220			CONEXI N ANT.220
3	F01020510R	VITE M12X1,75X30 U5739 8.8ZN	SCR. M12X1,75X30 U5739 8.8ZN	VIS M12X1,75X30 U5739 8.8ZN	SCHRAU.M12X1,75X30 U5739 8.8ZN	TORNILLO M12X1,75X30 U5739
4	F01410076R	ROS.M12 13X 24X2,5 U6592 ZN	WASHER 12 13X 24X2,5 U6592 ZN	RONDEL. M12 13X24X2,5 U6592 ZN	SCHEIBE M12 13X24X2,5 U6592 ZN	ARAND.M12 13X 24X2,5 U6592 ZN
5	F01230213R	DADO M12X1,75 D985 8 ZN	NUT M12X1,75 U7474 6SZN	ECROU AUTOBL. M12	SELBSTSPERR.MUTTER M12	TUERCA M12X1,75 U7474 CL8 ZN
6	B07SP0078R	GUIDACINGHIE ANT. LT	FRONT BELTS GUIDE	GUIDE COURROIES ANTERIEUR LT	RIEMENFUEHRUNG VORN LT	
7	F01060101R	VITE M12X1,75X30 U5731 8.8ZN	NUT M12X1,75X 30 U5732 4.6 ZN			TORNILLO M12X1,75X30 U5731
8	F01410100R	ROS.M16 17X 30X 3 U6592 ZN	WASHER M16 17X30X3 U6592 ZN	RONDELLE M16 17X30X3 ZN	SCHRAUBE M16 17X 30X3 U6592 ZN	ARAND.M16 17X 30X 3 U6592 ZN
9	F01230213R	DADO M12X1,75 D985 8 ZN	NUT M12X1,75 U7474 6SZN	ECROU AUTOBL. M12	SELBSTSPERR.MUTTER M12	TUERCA M12X1,75 U7474 CL8 ZN
10	B035P0017R	RULLO GOMMATO LT	ROLLER LT	ROULEAU EN CAOUTCHOUC LT	GUMMWALZE LT	
11	B0FMP0183R	SUPPORTO CUSCIN. RETTANG VERN	BEARING SUPPORT			
12	F01020510R	VITE M12X1,75X30 U5739 8.8ZN	SCR. M12X1,75X30 U5739 8.8ZN	VIS M12X1,75X30 U5739 8.8ZN	SCHRAU.M12X1,75X30 U5739 8.8ZN	TORNILLO M12X1,75X30 U5739
13	F01410076R	ROS.M12 13X 24X2,5 U6592 ZN	WASHER 12 13X 24X2,5 U6592 ZN	RONDEL. M12 13X24X2,5 U6592 ZN	SCHEIBE M12 13X24X2,5 U6592 ZN	ARAND.M12 13X 24X2,5 U6592 ZN
14	F02100121R	SPINA E.P. 6X 40 U6873 C70 BR	ELASTIC PIN 6X40	GOUJON ELASTIQUE 6X40	SPANNHUELSE 6X40	PASADOR 6X40
15	F01020564R	VITE M16X2X35 U5739 8.8ZN	SCR. M16X2X35 U5739 8.8ZN	VIS M 16X35	SCHRAUBE M 16X35	TORNILLO M16X2X35 U5739 8
16	B01515091R	RALLA 17 52 6	FIFTH WHEEL	BUTEE	SCHEIBE	RANGUA 17 52 6
17	B01300845R	DISTANZIALE 40X50X4	SPACER	ENTRETOISE	DISTANZSCHEIBE 40X50X4	DISTANCIADOR 40X50X4
18	B034P0014R	INGR.RULLO GOMMATO Z=31-1	GEAR	ENGRANAGE ROULEAU Z=31	ZANHRAD	
19	B014R3050R	ROSETTA 30 UNI 5714-69 E DEIDR	WASHER	RONDELLE	BEILAGSSCHEIBE	ARANDELA 30 UNI 5714-69 E DEID
20	F01230291R	DADO M30X2 D985 ZN	NUT M30X2 D985 ZN	ECROU AUTOB. M30X2 DIN 985 ZN	SELBSTSP. MU. M30X2 DIN 985 ZN	TUERCA M30X2 D985 ZN
21	B03500172R	RULLO FOLLE	IDLE ROLLER	ROULEAU FOU	UMLLENKWALZE	RODILLO LOCO
22	B03500214R	ALBERO LUNGO	LONG SHAFT	ARBRE LONG	LANGE WELLE	RBOL LARGO
23	B02040002R	CUSCINETTO 6307-2RS CAT.KST004	BEARING	ROULEMENT CAT.KST004	LAGER 6307-2RS	COJINETE 6307-2RS CAT.KST004
24	B01300623R	CHIUSURA RULLI FOLLI	IDLE ROLLER LOCK	FERMETURE ROULEAUX FOUX	UMLLENKWALZENVERSCHLUSS	CIERRE DE RODILLOS LOCOS
25	F01020564R	VITE M16X2X35 U5739 8.8ZN	SCR. M16X2X35 U5739 8.8ZN	VIS M 16X35	SCHRAUBE M 16X35	TORNILLO M16X2X35 U5739 8
26	B01519319R	RALLA 16X38X5	FIFTH WHEEL	BUTEE	SCREIBE	RANGUA 16X38X5
27	B07S01608R	REGOLATORE RULLO	ROLLER ADJUSTER	REGLEUR ROULEAU	WALZENEINSTELLER	REGULADOR DEL RODILLO
28	F01020564R	VITE M16X2X35 U5739 8.8ZN	SCR. M16X2X35 U5739 8.8ZN	VIS M 16X35	SCHRAUBE M 16X35	TORNILLO M16X2X35 U5739 8
29	F01200293R	DADO M12X1,75 U5588 CL8 ZN	NUT M12X1,75 U5588 6S ZN	ECROU M12X1,75 U5588 6S ZN	MUTTER M12X1,75 U5588 6S ZN	TUERCA M12X1,75 U5588 CL8 ZN
30	F01410076R	ROS.M12 13X 24X2,5 U6592 ZN	WASHER 12 13X 24X2,5 U6592 ZN	RONDEL. M12 13X24X2,5 U6592 ZN	SCHEIBE M12 13X24X2,5 U6592 ZN	ARAND.M12 13X 24X2,5 U6592 ZN
31	B013P0027R	SPINA FERMO BILANCIERE LT	PLUG RETAINING ROCKER LT			
32	F01410100R	ROS.M16 17X 30X 3 U6592 ZN	WASHER M16 17X30X3 U6592 ZN	RONDELLE M16 17X30X3 ZN	SCHRAUBE M16 17X 30X3 U6592 ZN	ARAND.M16 17X 30X 3 U6592 ZN
33	B00920516R	DADO M16X 1,5 D985 6S ZN	NUT M16X1,5 D985 6S ZN	ECROU	SELBSTSICHERNDE MUTTER M16-5S	TUERCA M16X 1,5 D985 6S
34	F02200397R	COPIGLIA R 5X100 ZN	SPRING SPLIT PIN 5X100 ZN	GOUPILLE R 5X100 ZN	SPLINT R 5X100 ZN	CLAVIJA R 5X100 ZN
35	B07631842R	GUIDA CATENA	CHAIN GUIDE	GUIDE	KETTENFUEHRUNG	GU A DE CADENA
36	B00470820R	VITE TTEI M 8X 20-10,9 UMBRAKO	SCREW	VIS	SCHRAUBE TTEI M 8X 20-10.9	TORNILLO CAB.ALLEN CON HUECO
37	F01410051R	ROS.M8 8,4X 17X1,6 U6592 ZN	WASHER M8 8,4X17X1,6 U6592 ZN	RONDELLE M8 8,4X17X1,6 ZN	SCHEIBE M8 8,4X17X1,6 U6592 ZN	ARAND.M8 8,4X 17X1,6 U6592 ZN
38	B00920208R	DADO AUTOB.BASSO M 8-5S D985	NUT M8X1 D985 8ZN	ECROU	SELBSTSICHERNDE MUTTER M8-5S	TUERCA M8X1 D985 8
39	B076P0001R	CINGHIA PER LT	BELT FOR LT	COURROIE POUR LT	RIENE FUER LT	
40	B09962005R	CAVETTO GIUNZIONE MT.1	WIRE 2,5 PLAST.L.1MT	CABLE	KABEL 49 SCHNUREN	CABLE DE UNI N 1 M
41	B01300125R	SPES. 40 48 0,5 ZINCATO	SHIM GALV	ENTRETOISE GALV	DISTANZSTUECK 40 48 0,5	ESPE. 40 48 0,5 CINCADO
42	B0C4P0028R	PIASTRA PER RULLO GOMMATO LT	LT RUBBER ROLLER PLATE	PLAQUE POUR ROULEAU EN CAUTCHO	PLATTE FUER GUMMIWALZE LT	
43	B00523421R	VITE SPECIALE TTQST M12X35-8.8	SPECIAL SCREW	VIS SPECIALE	SCHRAUBE TTQST M12X 35-8.8	TORNILLO ESPECIAL TTQST M12X3
44	F01410076R	ROS.M12 13X 24X2,5 U6592 ZN	WASHER 12 13X 24X2,5 U6592 ZN	RONDEL. M12 13X24X2,5 U6592 ZN	SCHEIBE M12 13X24X2,5 U6592 ZN	ARAND.M12 13X 24X2,5 U6592 ZN
45	F01230213R	DADO M12X1,75 D985 8 ZN	NUT M12X1,75 U7474 6SZN	ECROU AUTOBL. M12	SELBSTSPERR.MUTTER M12	TUERCA M12X1,75 U7474 CL8 ZN
46	B013P0035R	FLANGIA PER RULLO GOMMATO LT	FLANGE	BRIDE POUR ROULEAU EN CAOUTCHO	FLANSCH	
47	B07S01501R	SOLLEVAMENTO 220	LIFTING BAR 220			BARRA DE ELEVACI N 220
48	F01020566R	VITE M16X2X40 U5739 8.8ZN	SCR. M16X2X40 U5739 8.8ZN	VIS M16X2X40 U5739 8.8 ZN	SCHRAUBE M16X2X40 U5739 8.8 ZN	TORNILLO M16X2X40 U5739 8
49	B0C3P0038R	RIPARO SX PORTELLONE	DOOR GUARD LEFT SIDE	PROTECTION PORTE COTE GAUCHE	TUERSCHUTZ LINKS	RESGUARDO IZQ DE LA PUERTA
50	B00370615R	VITE M 6X16 ZN SEZ.TRIL. U8111	SCREW	VIS	SCHRAUBE	TORNILLO CAB.HEX M 6X16 A SECC
51	B01300126R	SPES. 40 48 1 ZINC.ST_013	SHIM	ENTRETOISE	DISTANZSTUECK 40 408 1	ESPE. 40 48 1 CINC.EST_013
52	B0C3P0039R	RIPARO DX PORTELLONE	DOOR GUARD RIGHT SIDE	PROTECTION PORTE COTE DROIT	TUERSCHUTZ RECHTS	RESGUARDO DER DE LA PUERTA



**PORTELLONE
REAR GATE**

TAV_020

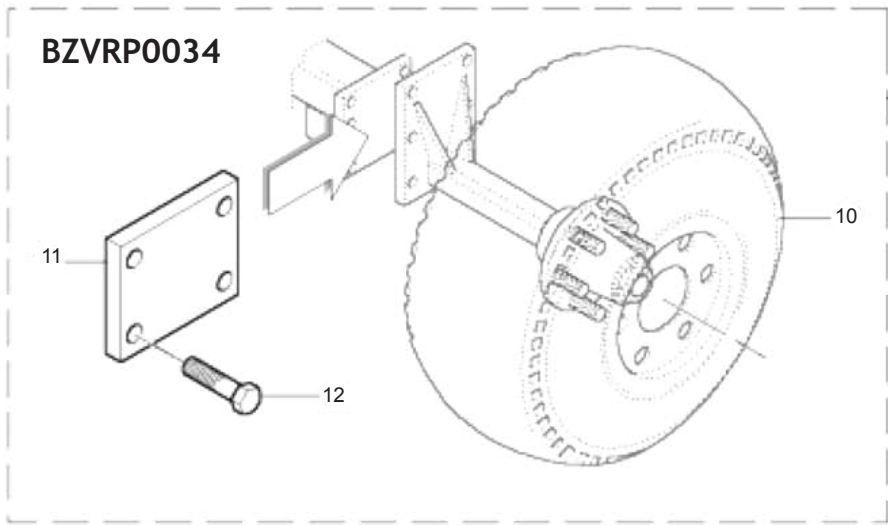
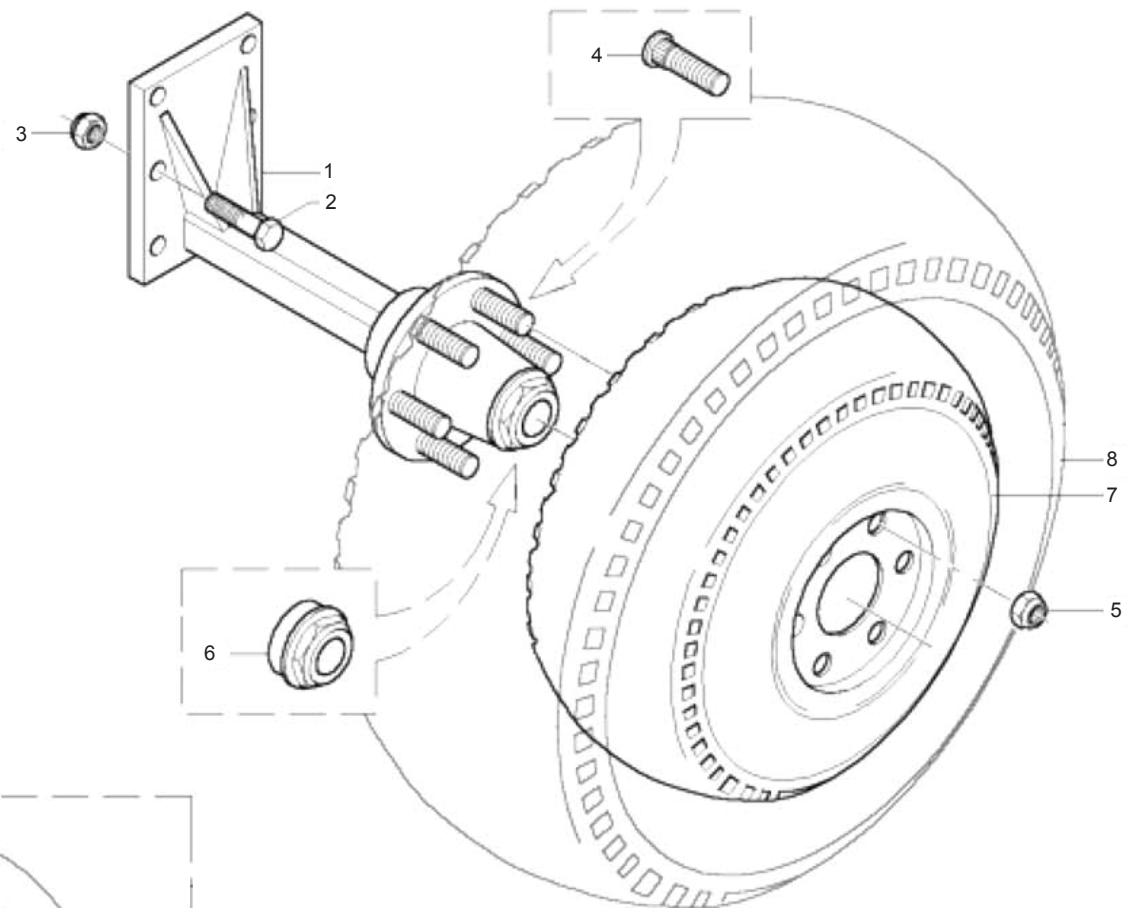
Pos.	Cod.	Descrizione	Description	Description	Benennung	Descripcion
1	B07SP1312R	PORTELLONE LT LINO	TAILGATE LT LINO			
2	B07SP0064R	CERNIERA DX PORTELLONE LT	LT DOOR RIGHT HINGE			
3	B07SP0063R	CERNIERA SX PORTELLONE LT	LT DOOR LEFT HINGE			
4	F01020568R	VITE M16X2X45 U5739 8.8ZN	SCR. M16X2X45 U5739 8.8ZN	VIS M 16X 2X45 U5739 8.8 ZG	SCHRAUBE M 16X 2X45 U5739 8.8	TORNILLO M16X2X45 U5739 8.8Z
5	F01410100R	ROS.M16 17X 30X 3 U6592 ZN	WASHER M16 17X30X3 U6592 ZN	RONDELLE M16 17X30X3 ZN	SCHRAUBE M16 17X 30X3 U6592 ZN	ARAND.M16 17X 30X 3 U6592 ZN
6	B00920516R	DADO M16X 1,5 D985 6S ZN	NUT M16X1,5 D985 6S ZN	ECROU	SELBSTSICHERNDE MUTTER M16-5S	TUERCA M16X 1,5 D985 6S
7	B0C002357R	PIASTRINA ATTACCO CAVI	CABLE ATTACHMENT PLATE	PLAQUETTE ATTELAGE CABLES	KABELHALTERPLATTE	PLACA CONEXI N DE LOS CABLES
8	B04221010R	INGRAS HYDR M10X1 90	GREASE NIPPLE	GRAISSEUR HYDRAULIQUE	SCHMIERNIPPEL M10X1 90	ENGRAS. HYDR M10X1 90
9	B03500172R	RULLO FOLLE	IDLE ROLLER	ROULEAU FOU	UMLENKWALZE	RODILLO LOCO
10	B03500214R	ALBERO LUNGO	LONG SHAFT	ARBRE LONG	LANGE WELLE	RBOL LARGO
11	B02040002R	CUSCINETTO 6307-2RS CAT.KST004	BEARING	ROULEMENT CAT.KST004	LAGER 6307-2RS	COJINETE 6307-2RS CAT.KST004
12	B01300623R	CHIUSURA RULLI FOLLI	IDLE ROLLER LOCK	FERMETURE ROULEAUX FOUX	UMLENKWALZENVERSCHLUSS	CIERRE DE RODILLOS LOCOS
13	F01020564R	VITE M16X2X35 U5739 8.8ZN	SCR. M16X2X35 U5739 8.8ZN	VIS M 16X35	SCHRAUBE M 16X35	TORNILLO M16X2X35 U5739 8
14	B01519319R	RALLA 16X38X5	FIFTH WHEEL	BUTEE	SCHREIBE	RANGUA 16X38X5
15	F01020605R	VITE M20X2,5X50 U5739 8.8ZN	SCR. M20X2,5X50 U5739 8.8ZN	VIS M 20X2,5X50	SCHRAUBE M 20X2,5X50	TORNILLO M20X2,5X50 U5739 8.8
16	B0C004148R	RALLA DI FERMO	LOCK WASHER	BUTEE D ARRET	ANSCHLAGPLATTE	RANGUA DE TOPE
17	B0C3P0025R	CARTER POST. LT	LT REAR GUARD	CARTER POSTERIEUR LT	CARTER HINTEN LT	
18	B07S00959R	RULLO FOLLE PORTELLONE	TAIL GATE IDLE ROLLER	ROULEAU FOU PORTE EN ARRIERE	HECKKLAPPENUMLENKWALZE	RODILLO LOCO DE LA PUERTA
19	B03500237R	ALBERO CORTO	SHORT SHAFT	ARBRE COURT	KURZE WELLE	RBOL CORTO
20	F04010350R	CUSCINETTO 6307C 2HRS L100 50	BEARING 6307C 2HRS L100 50			
21	B01300523R	DISTANZIALE 35X 45X12,5	SPACER	ENTRETOISE	DISTANZSTUECK 35X45X12,5	DISTANCIADOR 35X 45X12,5
22	F01420048R	ROS.M8 8,4X 24X 2 U6593 ZN	WASHER M8 8,4X 24X2 U6593 ZN	RONDELLE M8 8,4X24X 2 U6593 ZN	SCHEIBEN M8 8,4X24X 2 U6593 ZN	ARAND.M8 8,4X 24X 2 U6593 ZN
23	B00470820R	VITE TTEI M 8X 20-10,9 UMBRAKO	SCREW	VIS	SCHRAUBE TTEI M 8X 20-10.9	TORNILLO CAB.ALLEN CON HUECO
24	F01020564R	VITE M16X2X35 U5739 8.8ZN	SCR. M16X2X35 U5739 8.8ZN	VIS M 16X35	SCHRAUBE M 16X35	TORNILLO M16X2X35 U5739 8
25	B07S01608R	REGOLATORE RULLO	ROLLER ADJUSTER	REGLEUR ROULEAU	WALZENEINSTELLER	REGULADOR DEL RODILLO
26	F01200293R	DADO M12X1,75 U5588 CL8 ZN	NUT M12X1,75 U5588 6S ZN	ECROU M12X1,75 U5588 6S ZN	MUTTER M12X1,75 U5588 6S ZN	TUERCA M12X1,75 U5588 CL8 ZN
27	F01410076R	ROS.M12 13X 24X2,5 U6592 ZN	WASHER 12 13X 24X2,5 U6592 ZN	RONDEL. M12 13X24X2,5 U6592 ZN	SCHEIBE M12 13X24X2,5 U6592 ZN	ARAND.M12 13X 24X2,5 U6592 ZN
28	B07SP0076R	GUIDACINGHIE POST. LT	REAR BELTS GUIDE	GUIDECOURROIES POSTERIEUR LT	RIEMENFUEHRUNG HINTEN LT	
29	F01020512R	VITE M12X1,75X35 U5739 8.8ZN	SCR. M12X1,75X35 U5739 8.8ZN	VIS M12X1,75X35 5739 8.8 ZN	SCHR. M12X1,75X35 5739 8.8 ZN	TORNILLO M12X1,75X35 U5739 8
30	F01410076R	ROS.M12 13X 24X2,5 U6592 ZN	WASHER 12 13X 24X2,5 U6592 ZN	RONDEL. M12 13X24X2,5 U6592 ZN	SCHEIBE M12 13X24X2,5 U6592 ZN	ARAND.M12 13X 24X2,5 U6592 ZN
31	F01230213R	DADO M12X1,75 U7474 CL8 ZN	NUT M12X1,75 U7474 6SZN	ECROU AUTOBL. M12	SELBSTSPERR.MUTTER M12	TUERCA M12X1,75 U7474 CL8 ZN
32	B01300628R	SPINA GUIDACINGHIE	BELT GUIDE PIN	GOUPILLE GUIDE-COURROIES	GURTENFUEHRUNGSBOLZEN	CLAVIJA DE GU A DE LAS CORREAS
33	F02200195R	COPIGLIA 4X 30 U1336 ZN	SPLIT PIN 4 X30 U1336 ZN	GOUPILLE 4 X30 U1336 ZN	SPLINT 4 X30 U1336 ZN	CLAVIJA 4 X30 U1336 ZN
34	B07SP0099R	COLLEGAMENTO INFERIORE LT	LOWER CONNECTION LT	CONNEXION INFERIEURE LT	UNTERER ANSCHLUSS LT	
35	F01020476R	VITE M10X1,5X30 U5739 8.8ZN	SCR. M10X1,5X30 U5739 8.8ZN	VIS M10X1,5X30 U5739 8.8 ZN	SCHRAUBE M10X1,5X30U5739 8.8ZN	TORNILLO M10X1,5X30 U5739 8.8
36	F01410062R	ROS.M10 10,5X 18X 2 U6592 ZN	WASHER M10 10,5X 18X 2 U6592 ZN	RONDELLE M10 10,5X18X2 ZN	DICHTUNGSRING M10 10,5X18X2 ZN	ARAND.M10 10,5X 18X 2 U6592 ZN
37	F01230202R	DADO M10X 1,5 D985 8 ZN	NUT M10 D985	ECROU AUTOBL. M10	SELBSTSPERR.MUTTER M10	TUERCA M10X 1,5 D985 8
38	B01300590R	RALLA 20,5 128 10	FIFTH WHEEL	BUTEE	SCHEIBE 20,5 128 10	RANGUA 20,5 128 10
39	B01300628R	SPINA GUIDACINGHIE	BELT GUIDE PIN	GOUPILLE GUIDE-COURROIES	GURTENFUEHRUNGSBOLZEN	CLAVIJA DE GU A DE LAS CORREAS
40	B01150430R	COPIGLIA 4X 30 U1336 ZN	GALV PIN	GOUPILLE GALV	SPLINT	PASADOR 4X 30 U1336 ZN
41	B07S01023R	RASCHIATORE PORTELLONE	TAILGATE SCRAPER	RACLEUR POSTERIEUR	HECKKLAPPENABSTREIFER	RASCADOR DE LA PUERTA
42	F01020508R	VITE M12X1,75X25 U5739 8.8ZN	SCR. M12X1,75X25 U5739 8.8ZN	VIS M12X1,75X25 U5739 8.8 ZN	SCHRAUBE M12X1,75X25U5739.8ZN	TORNILLO M12X1,75X25 U5739
43	B01531844R	RALLA 13-25-6	FIFTH WHEEL	BUTEE	BEILAGSCHEIBE 13-25-6	RANGUA 13-25-6
44	B0C003205R	RINFORZO LAMA	BLADE STIFFENING BAR	RENFORT LAME	KLINGENVERSTEIFUNGSBLATT	REFUERZO DE CUCHILLA
45	B07U00023R	LAMA RASCH. FORNITURA PIENA	SCRAPER BLADE	LAME RACLEUR	ABSTREIFERBLATT	CUCHILLA RASCAD. TODO EL SUMI
46	B00470620R	VITE TTEI M 6X 20-8.8 UNBRA	SCREW	VIS	SCHRAUBE TTEI M6X20-10.9	TORNILLO CAB.ALLEN CON HUEC
47	B00920106R	DADO M6X1 D985 8ZN	NUT	ECROU	SELBSTSICHERNDE MUTTER M6-5S	TUERCA M6X1 D985 8
48	F01020510R	VITE M12X1,75X30 U5739 8.8ZN	SCR. M12X1,75X30 U5739 8.8ZN	VIS M12X1,75X30 U5739 8.8ZN	SCHRAU.M12X1,75X30 U5739 8.8ZN	TORNILLO M12X1,75X30 U5739



**SEGNALATORI DI CARICAMENTO
LOADER INDICATORS**

TAV_025

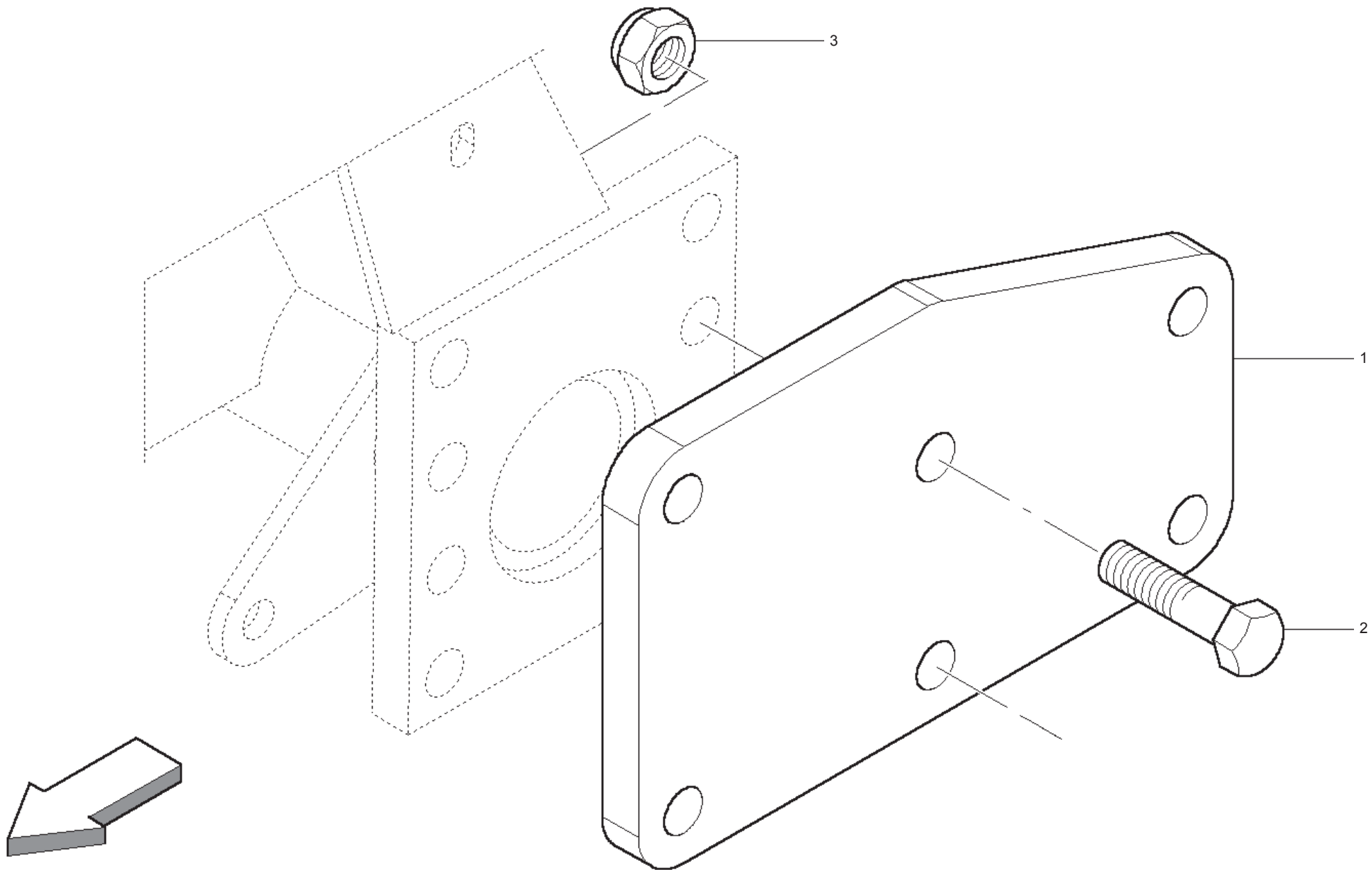
Pos.	Cod.	Descrizione	Description	Description	Benennung	Descripcion
1	B07SP1312R	PORTELLONE LT LINO	TAILGATE LT LINO			
2	F01020472R	VITE M10X1,5X25 U5739 8.8ZN	SCR. M10X1,5X25 U5739 8.8ZN	VIS M10X1,5X25 U5739 8.8 ZN	SCHRAUBE M10X1,5X25 U5739 8.8	TORNILLO M10X1,5X25 U5739 8.8
3	F01410062R	ROS.M10 10,5X 18X 2 U6592 ZN	WASHER M10 10,5X 18X 2 U6592	RONDELLE M10 10,5X18X2 ZN	DICHTUNGSRING M10 10,5X18X2 ZN	ARAND.M10 10,5X 18X 2 U6592 ZN
4	F01230202R	DADO M10X 1,5 D985 8 ZN	NUT M10 D985	ECROU AUTOBL. M10	SELBSTSPERR.MUTTER M10	TUERCA M10X 1,5 D985 8
5	F01020413R	VITE M6X1X40 U5739 8.8ZN	SCR. M6X1X40 U5739 8.8ZN	VIS M 6X1X40	SCHRAUBE M 6X1X40	TORNILLO M6X1X40 U5739 8
6	F01420035R	ROS.M6 6,4X 18X1,6 U6593 ZN	WASHER D.6	RONDELLE D.6	KUPFERSCHEIBE D.6	ARAND.M6 6,4X 18X1,6 U6593
7	B013P0043R	DISTANZIALE RULLO SEGNALATORE	WARNING ROLLER SPACER			
8	F01200232R	DADO M6X1 U5588 CL8 ZN	NUT M6X1 U5588 6.8ZN	ECROU 6 UNI 5588 6.8 ZN	MUTTER 6 UNI 5588 6.8 ZN	TUERCA M6X1 U5588 CL8 ZN
9	B00920106R	DADO M6X1 D985 8ZN	NUT	ECROU	SELBSTSICHERNDE MUTTER M6-5S	TUERCA M6X1 D985 8
10	B0E0P0013R	SENS DIG.SCATOLA E BILANCERE	DIGITAL SENSOR PROXIMITY M12	CAPTEUR DIGITAL AVEC PROXIMITY	SENSOR MIT PROXIMITY M 12	SENS DIG.CAJA Y BALANC N
11	B01810409R	MOLLA T FILO D.2,5 DP14,5 L210	SPRING	RESSORT	T- FEDER	MUELLE T HILO D.2,5 DP14,5 L21
12	B0C4P0031R	ATTACCO POTENZIOMETRO SX LT	LT LEFT POTENTIOMETER CONNECT			
13	B0C004008R	PIASTRINA FINECORSA	LIMIT SWITCH PLATE	PLAQUETTE FIN DE COURSE	ENDSCHALTERPLATTE	PLACA DE FINAL DE CARRERA
14	F01020378R	VITE M5X0,8X16 U5739 8.8ZN	SCR. M5X0,8X16 U5739 8.8ZN	VIS M5X0,8X16 U5739 8.8ZN	SCHRAUBE M5X0,8X16 U5739 8.8ZN	TORNILLO M5X0,8X16 U5739 8
15	F01420023R	ROS.M5 5,3X 15X1,5 U6593 ZN	WASHER M5 5,3X 15X1,5 U6593			ARAND.M5 5,3X 15X1,5 U6593
16	B07M00276R	RULLO SEGNALATORE	INDICATOR ROLLER	ROULEAU SIGNALEUR	ANZEIGEROLLE	RODILLO SE ALIZADOR
17	F01030060R	VITE M8X1,25X35 U5933 10.9ZD	SCREW M8X1,25X35 U5933 10.9ZD	VIS M8X1,25X35 U5933 10.9ZD	SCHRA.M8X1,25X35 U5933 10.9ZD	TORNILLO M8X1,25X35 U5933 10.9
18	B035P0020R	COLLEGAMENTO LT	CONNECTION LT			
19	B00440820R	VITE TSPEI M 8X 20-10.9 UNI 5	SCREW	VIS	SCHRAUBE TSPEI M8X 20-10.9	TORNILLO CAB. AVE.ALLEN PAV M
20	B0C4P0032R	ATTACCO POTENZIOMETRO DX LT	LT RIGHT POTENTIOMETER CONNECT	ATTELAGE POTENTIOMETRE DROIT	POTENTIOMETERANSCHLUSS	



**RUOTE
WHEELS**

TAV_030

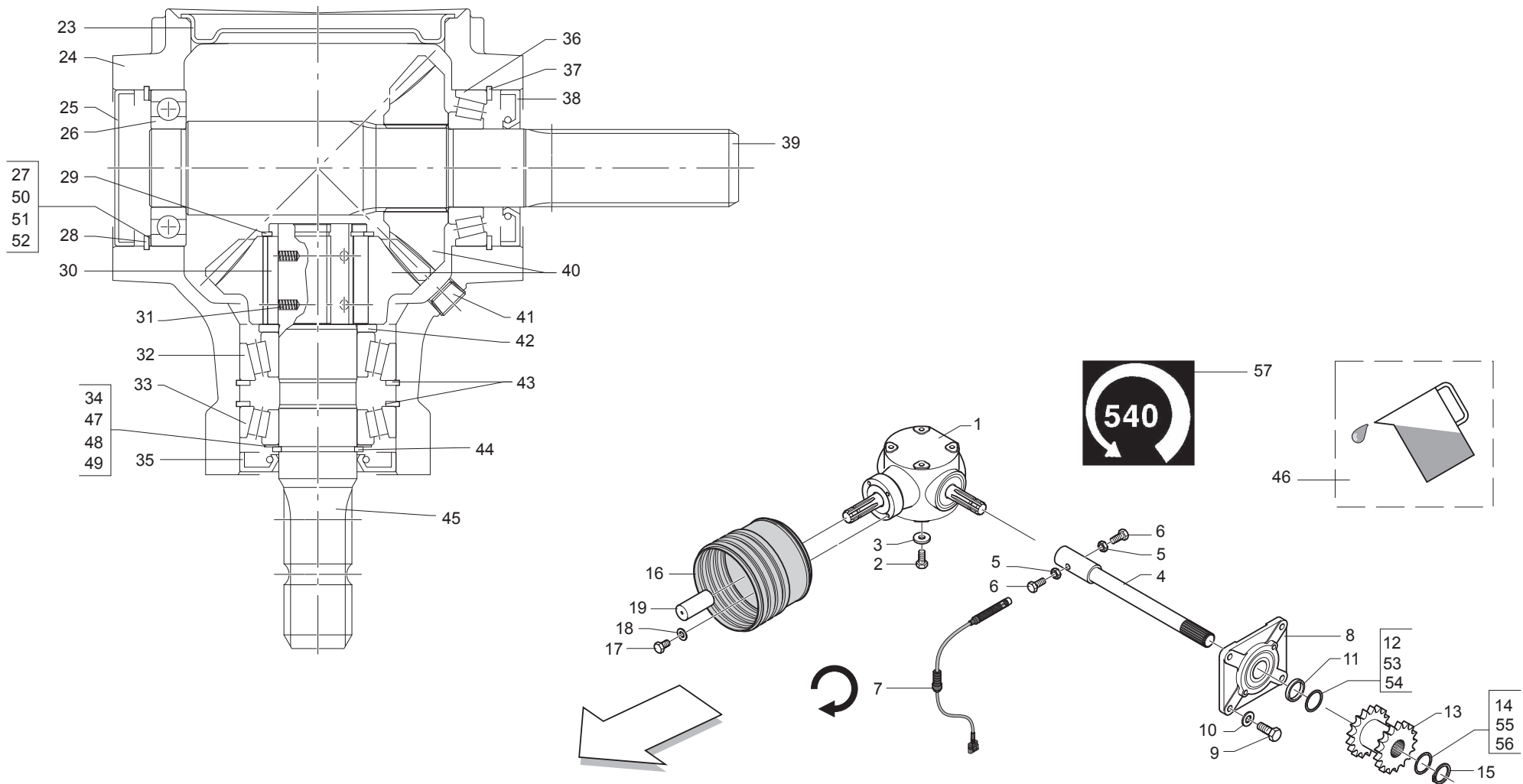
Pos.	Cod.	Descrizione	Description	Description	Benennung	Descripcion
1	B07100026R	MOZZO CON FUSELLO E PIASTRA	HUB WITH STUB AXLE	MOYEU AVEC AXE ET PLAQUE	NABE MIT ACHSSCHENKEL	BUJE CON PIVOTE Y PLACA
2	F01020309R	VITE M20X2,5X70 U5737 8.8ZN	SCR. M20X2,5X70 U5737 8.8ZN	VIS M20X2,5X70	SCHRAUBE M20X2,5X70	TORNILLO M20X2,5X70 U5737 8.8
3	F01230259R	DADO M20X 2,5 U7474 CL.8 ZN	NUT M20X 2,5 U7474 CL.8 ZN			TUERCA M20X 2,5 U7474 CL.8
4	B0R000273R	COLON.M18X1,5 FUSELLO 7100014	WHEEL STUD BOLT M18X1,5	COLONNETTE M18X1,5 FUSEE 7100	RADBOLZEN M18X1,5	COLUMN.M18X1,5 PIVOTE 7100014
5	B00821318R	DADO E SFERICO M18X1,5 ZINC.	NUT	ECROU	KUGELMUTTER M18X1,5	TUERCA Y ESF RICO M18X1,5 CINC
6	B07100050R	TAPPO PARAPOLVERE 80 NEUTRO	CAP	BOUCHON	PROPFEN	TAP N PARA-POLVO 80 NEUTRO
7	B07100022R	RUOTA CPLTA 400-15.5 6F P 14PR	COMPLETE WHEEL	ROUE 400-15.5	RAD KOMPLETT 400.15.5 6F P14PR	RUEDA CPLTA 400-15.5 6F P 14PR
8	B07100013R	RUOTA CPLTA 11,5 80-15,3 6F P	COMPLETE WHEEL 11,5 80-15,3	ROUE COMPLETE 11,5 80-15,3	KOMPLETTES RAD 11,5 80-15,3	RUEDA CPLTA 11,5 80-15,3 6F P
10	B07100041R	RUOTA CPLTA 19.0 45-176F P14PR	COMPLETE TYRE	ROUE COMPLETE	KOMPLETTES RAD 19,0 45-17	RUEDA CPLTA 19.0 45-176F P14PR
11	B0C003765R	PIASTRA DI SPESSORAMENTO	SHIM PLATE	PLAQUE	DICHTUNGSPLATTE	PLACA DE ESPESOR
12	F01020987R	VITE M20X2,5X90 U5737 8.8 ZN	GALV.SCR.M20X2,5X90 U5737 8.8			TORNILLO M20X2,5X90 U5737 8.8



**SPESSORE RUOTE
WHEEL THICKNESS**

TAV_345

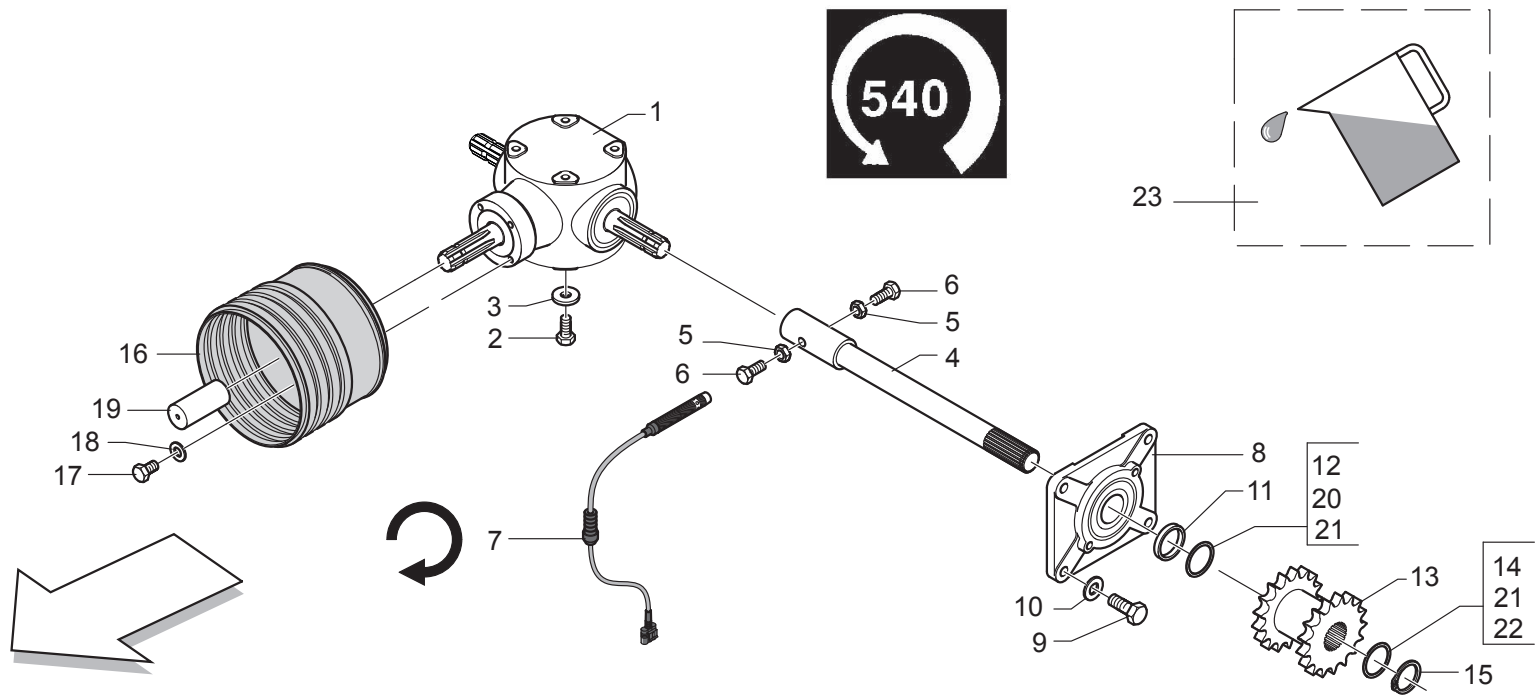
Pos.	Cod.	Descrizione	Description	Description	Benennung	Descripcion
1	B0C1P0041R	PIASTRA ATTACCO RUOTE LT	HINGE ANTERERIORE			
2	F01020987R	VITE M20X2,5X90 U5737 8.8 ZN	GALV.SCR.M20X2,5X90 U5737 8.8			TORNILLO M20X2,5X90 U5737 8.8
3	F01230259R	DADO M20X 2,5 U7474 CL.8 ZN	NUT M20X 2,5 U7474 CL.8 ZN			TUERCA M20X 2,5 U7474 CL.8



**SCATOLA DI TRASMISSIONE
GEARBOX**

TAV_035

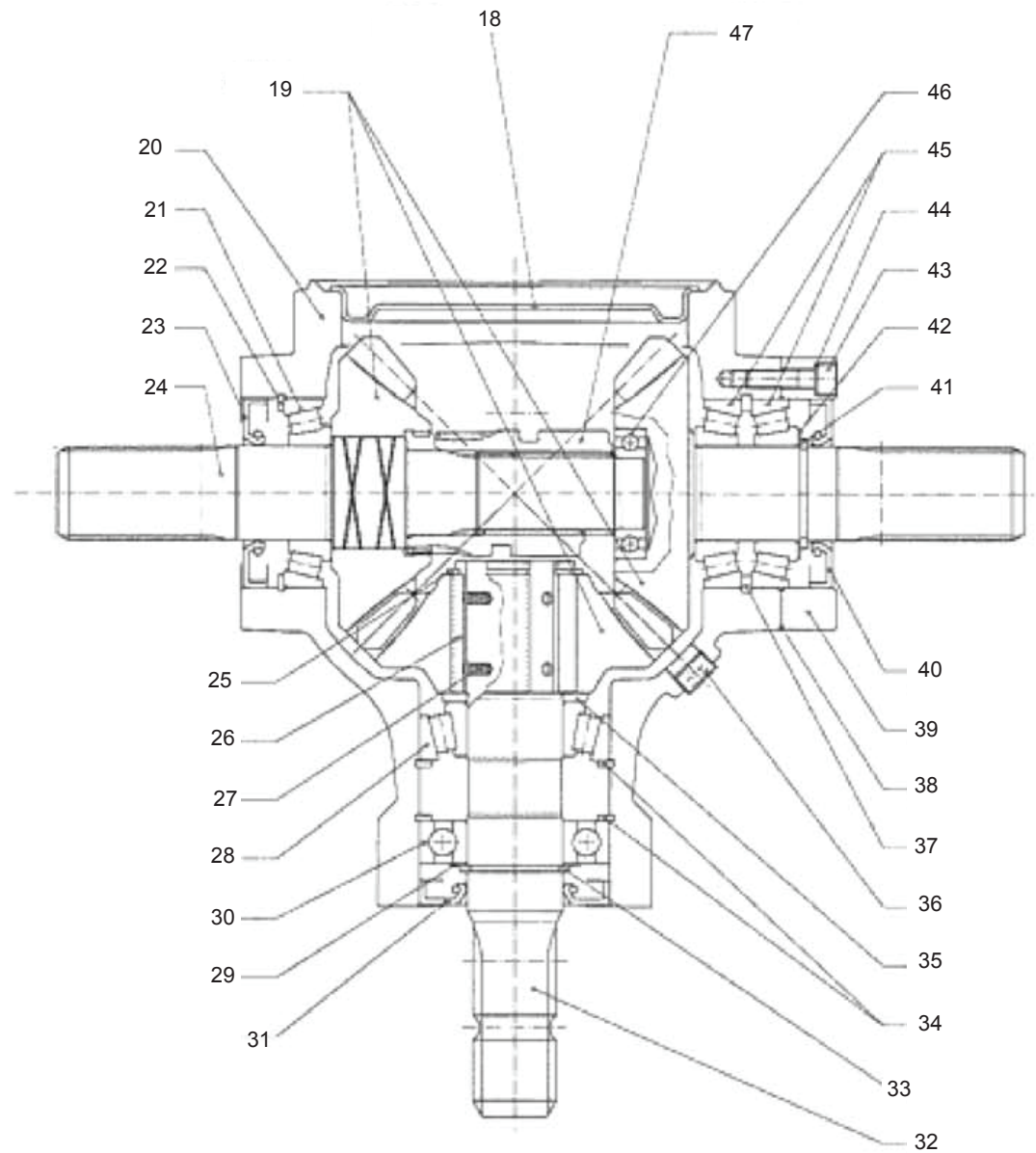
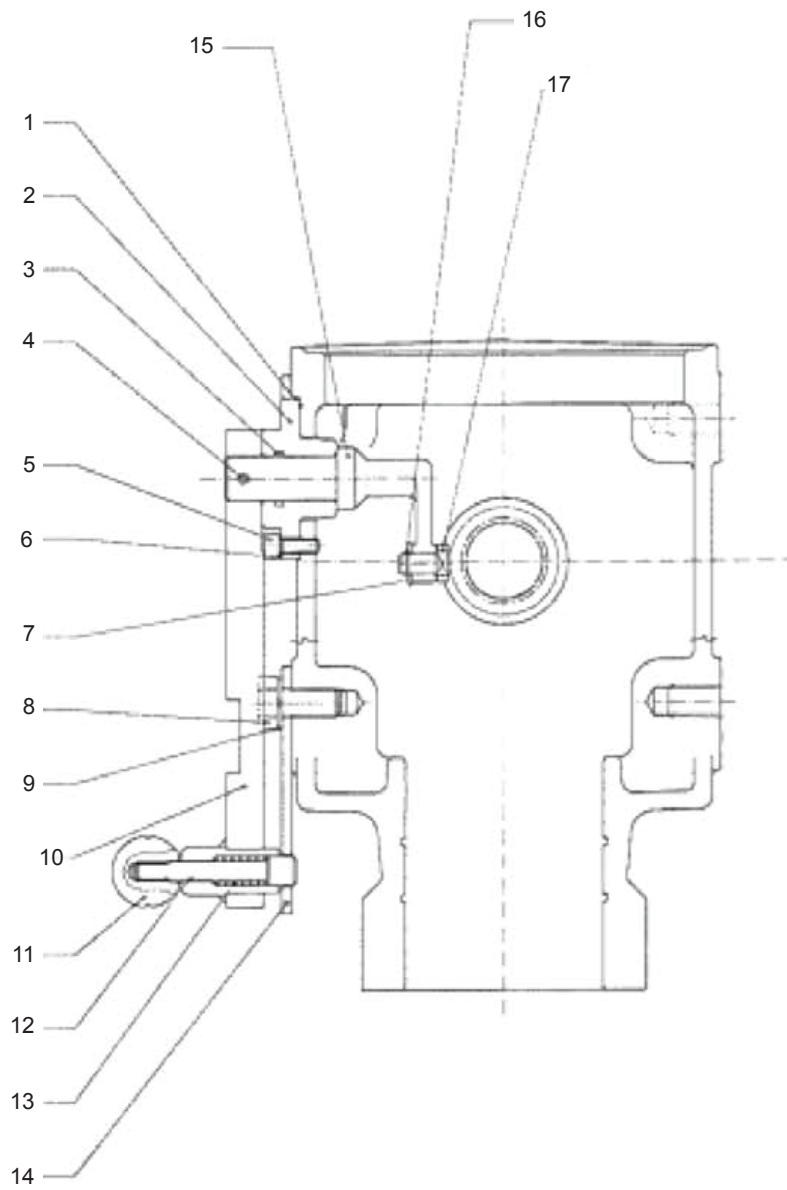
Pos.	Cod.	Descrizione	Description	Description	Benennung	Descripcion
1	B03900177R	SCAT.BP 2050-1 1-RL-S ALB.	GEAR BOX	BOITE	GETRIEBE BYPY 2050	CAJ.BP 2050-1 1-RL-S RB.
2	F01020512R	VITE M12X1,75X35 U5739 8.8ZN	SCR. M12X1,75X35 U5739 8.8ZN	VIS M12X1,75X35 5739 8.8 ZN	SCHR. M12X1,75X35 5739 8.8 ZN	TORNILLO M12X1,75X35 U5739 8
3	B01516038R	RALLA 13 32 5	FIFTH WHEEL	BUTEE	SCHEIBE	RANGUA 13 32 5
4	B0R000304R	ALBERO PROLUNGA L=602	EXTENSION SHAFT L=602	ARBRE RALLONGE L=602	VERLAENGERUNGSWELLE L=602	RBOL PROLONGACI N L=602
5	F01200232R	DADO M6X1 U5588 CL8 ZN	NUT M6X1 U5588 6.8ZN	ECROU 6 UNI 5588 6.8 ZN	MUTTER 6 UNI 5588 6.8 ZN	TUERCA M6X1 U5588 CL8 ZN
6	B00180625R	VITE M6X1X 25 U5739 8.8ZN	SCREW	VIS	SCHRAUBE	TORNILLO M6X1X 25 U5739 8.8ZN
7	B0E0P0013R	SENS DIG.SCATOLA E BILANCERE	DIGITAL SENSOR PROXIMITY M12	CAPTEUR DIGITAL AVEC PROXIMITY	SENSOR MIT PROXIMITY M 12	SENS DIG.CAJA Y BALANC N
8	B0FMP0183R	SUPPORTO CUSCIN. RETTANG VERN	BEARING SUPPORT			
9	F01020512R	VITE M12X1,75X35 U5739 8.8ZN	SCR. M12X1,75X35 U5739 8.8ZN	VIS M12X1,75X35 5739 8.8 ZN	SCHR. M12X1,75X35 5739 8.8 ZN	TORNILLO M12X1,75X35 U5739 8
10	F01410076R	ROS.M12 13X 24X2,5 U6592 ZN	WASHER 12 13X 24X2,5 U6592 ZN	RONDEL. M12 13X24X2,5 U6592 ZN	SCHEIBE M12 13X24X2,5 U6592 ZN	ARAND.M12 13X 24X2,5 U6592 ZN
11	B01329469R	DISTANZIALE 40X48X 7	SPACER	ENTRETOISE	DISTANZSTUECK 40X48X7	DISTANCIADOR 40X48X 7
12	B01300125R	SPES. 40 48 0,5 ZINCATO	SHIM GALV	ENTRETOISE GALV	DISTANZSTUECK 40 48 0,5	ESPE. 40 48 0,5 CINCADO
13	B03400224R	INGR.DOPPIO Z=12 12-1 SCATOLA	DOUBLE GEAR Z=12 12-1	ENGRENAGE DOUBLE	DOPPEL ZAHNRAD Z=12 12-1	ENGR.DOBLE Z=12 12-1 CAJA
14	B01300151R	SPES. 40 48 2 ZINCATO	SHIM	ENTRETOISE	DISTANZSTUECK 40 48 2	ESPE. 40 48 2 CINCADO
15	F02050168R	ANELLO E.DE 40X1,75 U7435	SEEGER RING 40X1,75 U7435	BAGUE SEEGER 40X1,75 U7435	SEEGERRING 40X1,75 U7435	ANIL.SEEGER 40X1,75 U7435
16	B07V00076R	CONTROCUFFIA CPLTA SFT 3950	COMPLETE COUNTER-HOUSING	CONTRE-BOL COMPLETE SFT-BYPY	GEGENHAUBE	CONTRA-CAPUCH N CPLTA SFT 395
17	F01020472R	VITE M10X1,5X25 U5739 8.8ZN	SCR. M10X1,5X25 U5739 8.8ZN	VIS M10X1,5X25 U5739 8.8 ZN	SCHRAUBE M10X1,5X25 U5739 8.8	TORNILLO M10X1,5X25 U5739 8.8
18	F01410062R	ROS.M10 10,5X 18X 2 U6592 ZN	WASHER M10 10,5X 18X 2 U6592	WASHER M10 10,5X 18X 2 U6592	DICHTUNGSRING M10 10,5X18X2 ZN	ARAND.M10 10,5X 18X 2 U6592 ZN
19	G19002131R	PROTEZIONE P.D.P.	PDP GUARD			PROTECCI N T.D.F.
23	B0R000255R	COPERCHIO SCATOLA D=130	BOX CAP	COUVERCLE BOITE D=130	GETRIEBEGEHAUSEDECKEL	TAPA PARA CAJA D=130
24	B0R000305R	CORPO SCATOLA 2050	BOX 2050			CUERPO DE LA CAJA 2050
25	F03100031R	GUARNIZIONE CAP 80X10	OIL SEAL CAP 80X10			
26	B02004018R	CUSCINETTO 6208 CAT.A-ST004	BEARING	ROULEMENT 6208NCAT.A ST004	LAGER	COJINETE 6208 CAT.A-ST004
27	B0R000262R	ANELLO SPES. 69,3X79,7X0,2	SHIM RING 69,3X79,7X0,2	BAGUE EPAISSEUR 69,3X79,7X0,2	RING 69,3X79,7X0,2	ANILLO DE ESPE. 69,3X79,7X0,2
28	F03012225R	ANELLO SPALLA.80X2.50 DIN472 1	CIRCLIP INT.80 2.50 DIN 472 1			
29	B0R000298R	ANELLO ELASTICO 50-E SP=2,0	RETAINING RING 50-E SP=2,0	BAGUE RESSORT 50-E SP=0,8	RING EL. 50-E	ANILLO EL STICO 50-E ESP=2,0
30	B0R000307R	PIASTR. RL 29870	RL PLATE	PLAQUETTE RL	PLATTE RLL	PLACA RL 29870
31	F02400084R	MOLLA X RUOTA LIBERA BONDIOLI	SPRING FOR FREE WHEEL BONDIOLI			
32	B02124024R	CUSC. 32208 CAT.A-ST004	BEARING	ROULEMENT	LAGER	COJIN. 32208 CAT.A-ST004
33	B02124019R	CUSC. 30208 CAT.A-ST004	BEARING	ROULEMENT	LAGER	COJIN. 30208 CAT.A-ST004
34	B0R000261R	ANELLO SPES. 40,2X54,8X0,1	SHIM RING 40,2X54,8X0,1	BAGUE EPAISSEUR 40,2X54,8X0,1	DISTANZRING 40,2X54,8X0,1	ANILLO DE ESPE. 40,2X54,8X0,1
35	F03010277R	ANELLO T.AS 40X 80X10 D3760NBR	OIL SEAL 40X80X10 NBR	BOURAGE 40X80X10 NBR	OELABDICHTUNG 40X80X10 NBR	ANILLO T.AS 40X 80X10 D3760NBR
36	B02124019R	CUSC. 30208 CAT.A-ST004	BEARING	ROULEMENT	LAGER	COJIN. 30208 CAT.A-ST004
37	F03012225R	ANELLO SPALLA.80X2.50 DIN472 1	CIRCLIP INT.80 2.50 DIN 472 1			
38	F03010277R	ANELLO T.AS 40X 80X10 D3760NBR	OIL SEAL 40X80X10 NBR	BOURAGE 40X80X10 NBR	OELABDICHTUNG 40X80X10 NBR	ANILLO T.AS 40X 80X10 D3760NBR
39	B0R000975R	ALBERO SCAT.EXTREME HT	BOX SHAFT FOR EXTREME HT	ARBRE BOITE EXTREME HT	WELLE	RBOL DE CAJA EXTREME HT
40	B0R000308R	COPPIA CONICA R=1 1	R=1 1 BEVEL GEAR PAIR	COUPLE CONIQUE R=1 1	ZAHNRADPAAR R=1 1	PAR C NICO R=1 1
41	B0R000175R	TAPPO 3 8 GAS-C DIN 906	PLUG	BOUCHON 3 8 GAS-C DIN 906	VERSCHLUSS DECKER 3 8 GAS-C	TAP N 3 8 GAS-C DIN 906
42	B0R000285R	DISTANZIALE	SPACER	ENTRETOISE	DISTANZSTUECK	DISTANCIADOR
43	F03012225R	ANELLO SPALLA.80X2.50 DIN472 1	CIRCLIP INT.80 2.50 DIN 472 1			
44	B0R000257R	ANELLO ELASTICO 40-E SP=2,5	ELASTIC RING 40-E SP=2,5	BAGUE RESSORT 40-E SP=2,5	ELASTISCHER RING	ANILLO EL STICO 40-E SP=2,5
45	B0R000306R	ALBERO ASSE Z R.L.	AXLE SHAFT Z R.L.	ARBRE AXE Z RL	ACHSWELLE Z R.L.	RBOL DEL EJE Z R.L.
46	F03260016R	OLIO AGIP BLASIA 150	OIL AGIP BLASIA 150			ACEITE AGIP BLASIA 150
47	B0R000260R	ANELLO SPES. 40,2X54,8X0,4	SHIM RING 40,2X54,8X0,4	BAGUE EPAISSEUR 40,2X54,8X0,4	DISTANZRING 40,2X54,8X0,4	ANILLO DE ESPE. 40,2X54,8X0,4
48	B0R000259R	KIT ANELLO SPES. 40,2X54,8X	SHIM RING 40,2X54,8X0,3	BAGUE EPAISSEUR 40,2X54,8X0,3	ELASTISCHER RING	ANILLO DE ESPE. 40,2X54,8X0,3
49	B0R000258R	ANELLO SPES. 40,2X54,8X0,2	SHIM RING 40,2X54,8X0,2	BAGUE EPAISSEUR 40,2X54,8X0,2	ELASTISCHER RING	ANILLO DE ESPE. 40,2X54,8X0,2
50	B0R000263R	ANELLO SPES. 69,3X79,7X0,3	SHIM RING 69,3X79,7X0,3	BAGUE EPAISSEUR 69,3X79,7X0,3	SCHEIBE 69,3X79,7X0,3	ANILLO DE ESPE. 69,3X79,7X0,3
51	B0R000264R	ANELLO SPES. 69,3X79,7X0,4	SHIM RING 69,3X79,7X0,4	BAGUE EPAISSEUR 69,3X79,7X0,4	DISTANZRING 69,3X79,7X0,4	ANILLO DE ESPE. 69,3X79,7X0,4
52	B0R000265R	ANEL SPES. 69,3X79,7X0,1 34006	SHIM RING 69,3X79,7X0,1 34006	BAGUE EPAISSEUR 69,3X79,7X0,1	RING 69,3X79,7X0,1	ANILL. ESPE. 69,3X79,7X0,1 34
53	B01300151R	SPES. 40 48 2 ZINCATO	SHIM	ENTRETOISE	DISTANZSTUECK 40 48 2	ESPE. 40 48 2 CINCADO
54	B01300126R	SPES. 40 48 1 ZINC.ST_013	SHIM	ENTRETOISE	DISTANZSTUECK 40 48 1	ESPE. 40 48 1 CINC.EST_013
55	B01300125R	SPES. 40 48 0,5 ZINCATO	SHIM GALV	ENTRETOISE GALV	DISTANZSTUECK 40 48 0,5	ESPE. 40 48 0,5 CINCADO
56	B01300126R	SPES. 40 48 1 ZINC.ST_013	SHIM	ENTRETOISE	DISTANZSTUECK 40 48 1	ESPE. 40 48 1 CINC.EST_013
57	B07500187R	ET 540 GIRI - RICC SX NORMA	DECAL 540RPM - LEFT BURR	DECAL 540 T H-SENS DE ROTATIO	AUFKLEBE 540 RPM	ET 540 REVOLUCIONES -SENTIDO



**SCATOLA DI TRASMISSIONE PTO
GEARBOX PTO**

TAV_040

Pos.	Cod.	Descrizione	Description	Description	Benennung	Descripcion
1	B03900179R	SCAT.BP 2070-1 1-RL-DIS S.ALB.	GEAR BOX	BOITE	GETRIEBE BYPY 2070	CAJ.BP 2070-1 1-RL-DIS S. RB.
2	F01020540R	VITE M14X2X30 U5739 8.8ZN	SCR. M14X2X30 U5739 8.8ZN	VIS M14X2X30 U5739 8.8ZN	SCHRAUBE M14X2X30 U5739 8.8ZN	TORNILLO M14X2X30 U5739 8.8ZN
3	B01516040R	RALLA 15 42 6	FIFTH WHEEL	BUTEE	SCHEIBE	RANGUA 15 42 6
4	B0R000304R	ALBERO PROLUNGA L=602	EXTENSION SHAFT L=602	ARBRE RALLONGE L=602	VERLAENGERUNGSWELLE L=602	RBOL PROLONGACI N L=602
5	F01200232R	DADO M6X1 U5588 CL8 ZN	NUT M6X1 U5588 6.8ZN	ECROU 6 UNI 5588 6.8 ZN	MUTTER 6 UNI 5588 6.8 ZN	TUERCA M6X1 U5588 CL8 ZN
6	B00180625R	VITE M6X1X 25 U5739 8.8ZN	SCREW	VIS	SCHRAUBE	TORNILLO M6X1X 25 U5739 8.8ZN
7	B0E0P0013R	SENS DIG.SCATOLA E BILANCERE	DIGITAL SENSOR PROXIMITY M12	CAPTEUR DIGITAL AVEC PROXIMITY	SENSOR MIT PROXIMITY M 12	SENS DIG.CAJA Y BALANC N
8	B0FMP0183R	SUPPORTO CUSCIN. RETTANG VERN	BEARING SUPPORT			
9	F01020512R	VITE M12X1,75X35 U5739 8.8ZN	SCR. M12X1,75X35 U5739 8.8ZN	VIS M12X1,75X35 5739 8.8 ZN	SCHR. M12X1,75X35 5739 8.8 ZN	TORNILLO M12X1,75X35 U5739 8
10	F01410076R	ROS.M12 13X 24X2,5 U6592 ZN	WASHER 12 13X 24X2,5 U6592 ZN	RONDEL. M12 13X24X2,5 U6592 ZN	SCHEIBE M12 13X24X2,5 U6592 ZN	ARAND.M12 13X 24X2,5 U6592 ZN
11	B01329469R	DISTANZIALE 40X48X 7	SPACER	ENTRETOISE	DISTANZSTUECK 40X48X7	DISTANCIADOR 40X48X 7
12	B01300126R	SPES. 40 48 1 ZINC.ST_013	SHIM	ENTRETOISE	DISTANZSTUECK 40 408 1	ESPES. 40 48 1 CINC.EST_013
13	B03400224R	INGR.DOPPIO Z=12 12-1 SCATOLA	DOUBLE GEAR Z=12 12-1	ENGRENAGE DOUBLE	DOPPEL ZAHNRAD Z=12 12-1	ENGR.DOBLE Z=12 12-1 CAJA
14	B01300125R	SPES. 40 48 0,5 ZINCATO	SHIM GALV	ENTRETOISE GALV	DISTANZSTUECK 40 48 0,5	ESPES. 40 48 0,5 CINCADO
15	F02050168R	ANELLO E.DE 40X1,75 U7435	SEEGER RING 40X1,75 U7435	BAGUE SEEGER 40X1,75 U7435	SEEGERRING 40X1,75 U7435	ANIL.SEEGER 40X1,75 U7435
16	B07V00076R	CONTROCUFFIA CPLTA SFT 3950	COMPLETE COUNTER-HOUSING	CONTRE-BOL COMPLETE SFT-BYPY	GEGENHAUBE	CONTRA-CAPUCH N CPLTA SFT 395
17	B00181015R	VITE M10X1,5 X 16 U5739 8.8ZN	SCREW	VIS	SCHRAUBE	TORNILLO M10X1,5 X 16 U5739 8
18	F01410062R	ROS.M10 10,5X 18X 2 U6592 ZN	WASHER M10 10,5X 18X 2 U6592 ZN	RONDELLE M10 10,5X18X2 ZN	DICHTUNGSRING M10 10,5X18X2 ZN	ARAND.M10 10,5X 18X 2 U6592 ZN
19	G19002131R	PROTEZIONE P.D.P.	PDP GUARD			PROTECCI N T.D.F.
20	B01300126R	SPES. 40 48 1 ZINC.ST_013	SHIM	ENTRETOISE	DISTANZSTUECK 40 408 1	ESPES. 40 48 1 CINC.EST_013
21	B01300151R	SPES. 40 48 2 ZINCATO	SHIM	ENTRETOISE	DISTANZSTUECK 40 48 2	ESPES. 40 48 2 CINCADO
22	B01300125R	SPES. 40 48 0,5 ZINCATO	SHIM GALV	ENTRETOISE GALV	DISTANZSTUECK 40 48 0,5	ESPES. 40 48 0,5 CINCADO
23	F03260016R	OLIO AGIP BLASIA 150	OIL AGIP BLASIA 150			ACEITE AGIP BLASIA 150

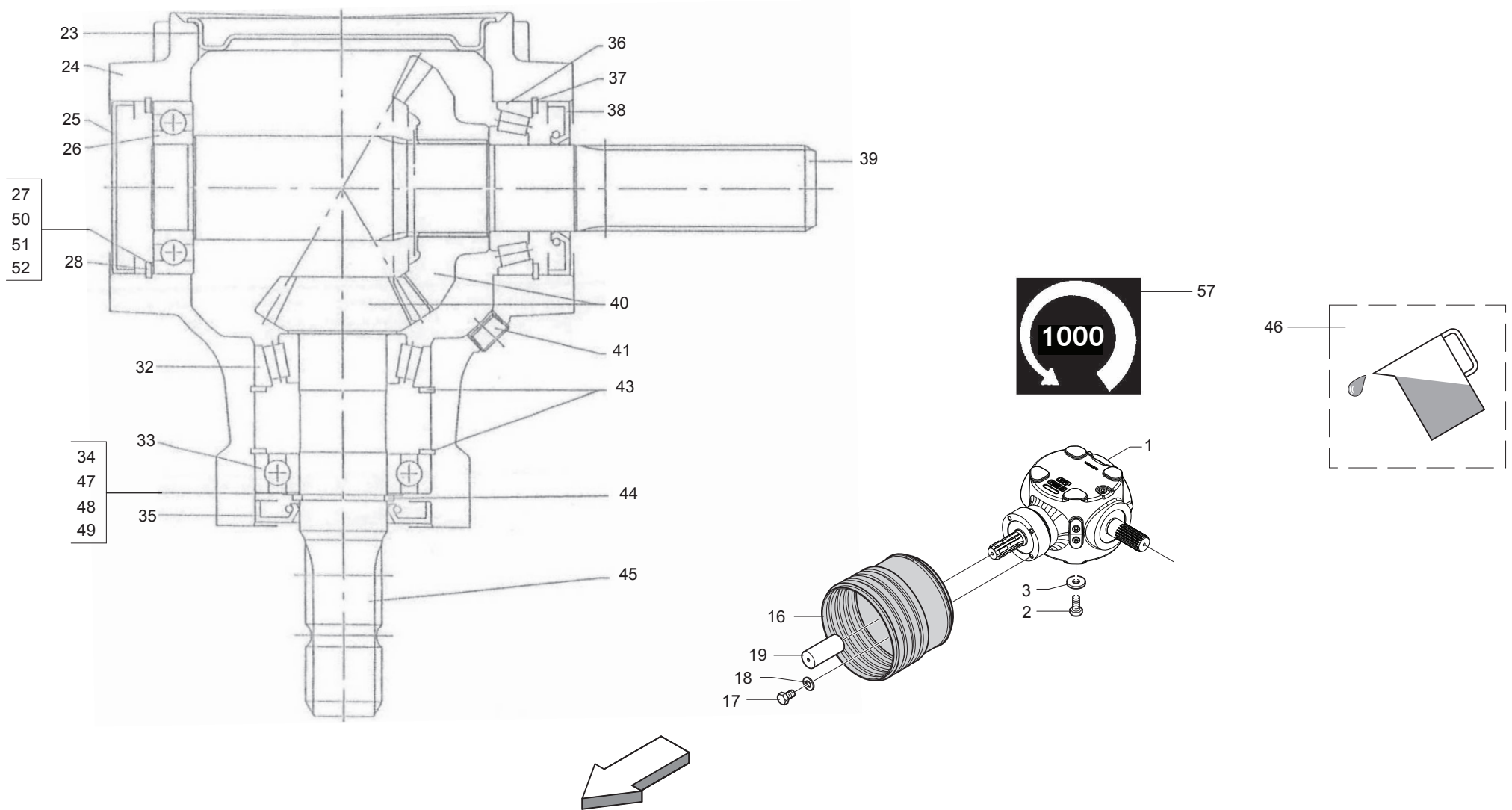


**ESPLOSO SCATOLA DI TRASMISSIONE
GEARBOX PARTS**

TAV_045

Pos.	Cod.	Descrizione	Description	Description	Benennung	Descripcion
1	B07SP1312R	PORTELLONE LT LINO	TAILGATE LT LINO			
2	B0R000283R	SUPP. LEVA	LEVER SUPPORT	SUPPORT LEVIER	HEBELTRAGER	SOP. PALANCA
3	B0R000300R	ANELLO TORICO OR 123	OR RING 123	BAGUE TORIQUE OR 123	OR RING 123	ANILLO T RICO OR 123
4	F02100090R	SPINA E.P. 5X 40 U6873 C70 BR	ELASTIC PIN 5X40	GOUJON ELASTIQUE 5X40	SPANNHUELSE 5X40	CLAVIJA EL.P. 5X 40 U6873 C70
5	B0R000292R	VITE TCEI M 6X 16-12.9	SCREW TCEI M 6X 16-12.9	VIS TCEI M 6X16-12.9	SCHRAUBE TCEI M6X16-12.9	TORNILLO CAB. ALLEN HUECO M 6
6	B0R000295R	RONDELLA SICUR.D=6 SCHNORR	LOCK WASHER D=6 SCHNORR	RONDELLE SECURETE D=6 SCHNORR	BEILAGSSSCHEIBE D=6	ARANDELA DE SEGUR.D=6 SCHNO
7	B0R000293R	RONDELLA PIANA D=8 UNI6592	PLAIN WASHER D=8 UNI6592	RONDELLE PLANE D=8 UNI6592	BEILAGSSSCHEIBE PLATTE D-8	ARANDELA PLANA D=8 UNI6592
8	F01020508R	VITE M12X1,75X25 U5739 8.8ZN	SCR. M12X1,75X25 U5739 8.8ZN	VIS M12X1,75X25 U5739 8.8 ZN	SCHRAUBE M12X1,75X25U57398.8ZN	TORNILLO M12X1,75X25 U5739
9	B0R000294R	RONDELLA ELAST.D=12 DIN128B	SPRING WASHER D=12 DIN128B	RONDELLE ELASTIQUE D=12 DIN128	ELASTICHER BEILAGSSSCHEIBE D=12	ARANDELA EL.ST.D=12 DIN128B
10	B0R001073R	LEVA EST. INVERTITORE	LEVER REVERSE EXTERNAL			PALANCA EXT. INVERSOR
11	B0R000302R	IMPUGNATURA A SFERA	BALL HANDLE	BRANCHE A SPHERE	KUGELGRIFF	EMPU ADURA DE BOLA
12	B0R001074R	PERNO SCATOLA 3900179	PIN			PERNO DE LA CAJA 3900179
13	B0R000301R	MOLLA DM 9,8X1,2X25	SPRING DM 9,8X1,2X25	RESSORT DM 9,8X1,2X25	FEDER DM9,8X1,2X25	MUELLE DM 9,8X1,2X25
14	B0R000281R	SELETTOR DISINNESTO	SELECTOR DISENGAGEMENT	SELECTEUR DEBRAYAGE	AUSLOSUNGSANWAHLER	SELECTOR DESACOPPLAMIENTO
15	B0R000282R	LEVA COM. DISINNESTO	LEVER RELEASE	LEVIER COM. DEBRAYAGE	AUSLOSERHEBEL	PALANCA DE MANDO DESACOPLA
16	B0R000297R	ANELLO ELASTICO 8-E SP=0,8	RETAINING RING 8-E SP=0,8	BAGUE RESSORT 8-E SP=0,8	RING EL. 8-E	ANILLO EL STICO 8--E ESP=0,8
17	B0R000290R	PATTINO	SLIDING BLOCK	CALE	SCHUH	PAT N
18	B0R000288R	COPERCHIO D=145	COVER D=145	COUVERCLE D=145	DECKEL D=145	TAPA D=145
19	B0R000303R	TERNA CONICA R=1.1	BEVEL GEAR TRIAL R=1.1	TERNE CONIQUE R=1,1	TRIPPELZAHNRAD R=1.1	TRIS C NICO R=1.1
20	B0R000277R	SCATOLA 2070	BOX 2070			CAJA 2070
21	B02124019R	CUSC. 30208 CAT.A-ST004	BEARING	ROULEMENT	LAGER	COJIN. 30208 CAT.A-ST004
22	B0R000256R	ANELLO ELASTICO 80-I SP=2,5	ELASTIC RING 80-I SP=2,5	BAGUE RESSORT 80-I SP=2,5	ELASTISCHER RING	ANILLO EL STICO 80-I SP=2,5
23	F03010277R	ANELLO T.AS 40X 80X10 D3760NBR	OIL SEAL 40X80X10 NBR	BOURAGE 40X80X10 NBR	OELABDICHTUNG 40X80X10 NBR	ANILLO T.AS 40X 80X10 D3760NBR
24	B0R000279R	ALBERO ASSE XY	AXIS SHAFT	ARBRE AXE XY	ACHSWELLE	RBOL DEL EJE XY
25	B0R000298R	ANELLO ELASTICO 50-E SP=2,0	RETAINING RING 50-E SP=2,0	BAGUE RESSORT 50-E SP=0,8	RING EL. 50-E	ANILLO EL STICO 50--E ESP=2,0
26	B0R000289R	PIASTRINA RL	RL PLATE	PLAQUE RL	SCHEIBE RL	PLACA RL
27	B0R000089R	MOLLA CONF DA 08 PZ	SPRING	RESSORT	FEDER	MUELLE PAQUETE DE 08 UNIDADE
28	B02124024R	CUSC. 32208 CAT.A-ST004	BEARING	ROULEMENT	LAGER	COJIN. 32208 CAT.A-ST004
29	B02004018R	CUSCINETTO 6208 CAT.A-ST004	BEARING	ROULEMENT 6208NCAT.A ST004	LAGER	COJINETE 6208 CAT.A-ST004
30	B0R001071R	ANELLO SPESSORE 40,2X54,8X0,2	RING THICKNESS 40,2X54,8X0,2			ANILLO DE ESPESOR 40,2X54,8X0,
31	F03010277R	ANELLO T.AS 40X 80X10 D3760NBR	OIL SEAL 40X80X10 NBR	BOURAGE 40X80X10 NBR	OELABDICHTUNG 40X80X10 NBR	ANILLO T.AS 40X 80X10 D3760NBR
32	B0R000278R	ALBERO ASSE Z R.L.	AXIS SHAFT	ARBRE AXE Z R.L.	ACHSWELLE	RBOL DEL EJE Z R.L.
33	B0R000257R	ANELLO ELASTICO 40-E SP=2,5	ELASTIC RING 40-E SP=2,5	BAGUE RESSORT 40-E SP=2,5	ELASTISCHER RING	ANILLO EL STICO 40-I SP=2,5
34	B0R000256R	ANELLO ELASTICO 80-I SP=2,5	ELASTIC RING 80-I SP=2,5	BAGUE RESSORT 80-I SP=2,5	ELASTISCHER RING	ANILLO EL STICO 80-I SP=2,5
35	B0R000285R	DISTANZIALE	SPACER	ENTRETOISE	DISTANZSTUECK	DISTANCIADOR
36	B0R000175R	TAPPO 3 8 GAS-C DIN 906	PLUG	BOUCHON 3 8 GAS-C DIN 906	VERSCHLUSS DECKER 3 8 GAS-C	TAP N 3 8 GAS-C DIN 906
37	B0R000299R	ANELLO ELASTICO 80-I SP=4,0	RETAINING RING 80-I SP=4,0	BAGUE RESSORT 80-I SP=4,0	RING EL. 80-I	ANILLO EL STICO 80-I ESP=4,0
38	B0R000287R	GUARNIZIONE 80X115X0,3	PACKING 80X115X0,3	JOINT 80X115X0,3	DICHTUNG 80X115X0,3	JUNTA 80X115X0,3
39	B0R001070R	DISTANZIALE PORTA ANELLO	SPACER			DISTANCIADOR PORTA ANILLO
40	F03010277R	ANELLO T.AS 40X 80X10 D3760NBR	OIL SEAL 40X80X10 NBR	BOURAGE 40X80X10 NBR	OELABDICHTUNG 40X80X10 NBR	ANILLO T.AS 40X 80X10 D3760NBR
41	B0R000257R	ANELLO ELASTICO 40-E SP=2,5	ELASTIC RING 40-E SP=2,5	BAGUE RESSORT 40-E SP=2,5	ELASTISCHER RING	ANILLO EL STICO 40-I SP=2,5
42	B0R001071R	ANELLO SPESSORE 40,2X54,8X0,2	RING THICKNESS 40,2X54,8X0,2			ANILLO DE ESPESOR 40,2X54,8X0,
43	F01040097R	VITE M8X1,25X30 U5931 8.8ZN	SCR. M8X1,25X30 U5931 8.8ZN			TORNILLO M8X1,25X30 U5931 8.8
44	B0R000296R	RONDELLA SICUR.D=8 SCHNORR	LOCK WASHER D=8 SCHNORR	RONDELLE SECURETE D=8 SCHNORR	BEILAGSSSCHEIBE D=8	ARANDELA DE SEGUR.D=8 SCHNO
45	B02124019R	CUSC. 30208 CAT.A-ST004	BEARING	ROULEMENT	LAGER	COJIN. 30208 CAT.A-ST004
46	B02003013R	CUSCINETTO 6006 CAT.B-ST004	BEARING	ROULEMENT	LAGER	COJINETE 6006 CAT.B-ST004
47	B0R000276R	MANICOTTO PER DISINNESTO	COUPLING FOR DISENGAGEMENT	MANCHON POUR DECLENCHEMENT	HUELSE FUER AUSKUPPLUNG	MANGUITO PARA DESACOPLE

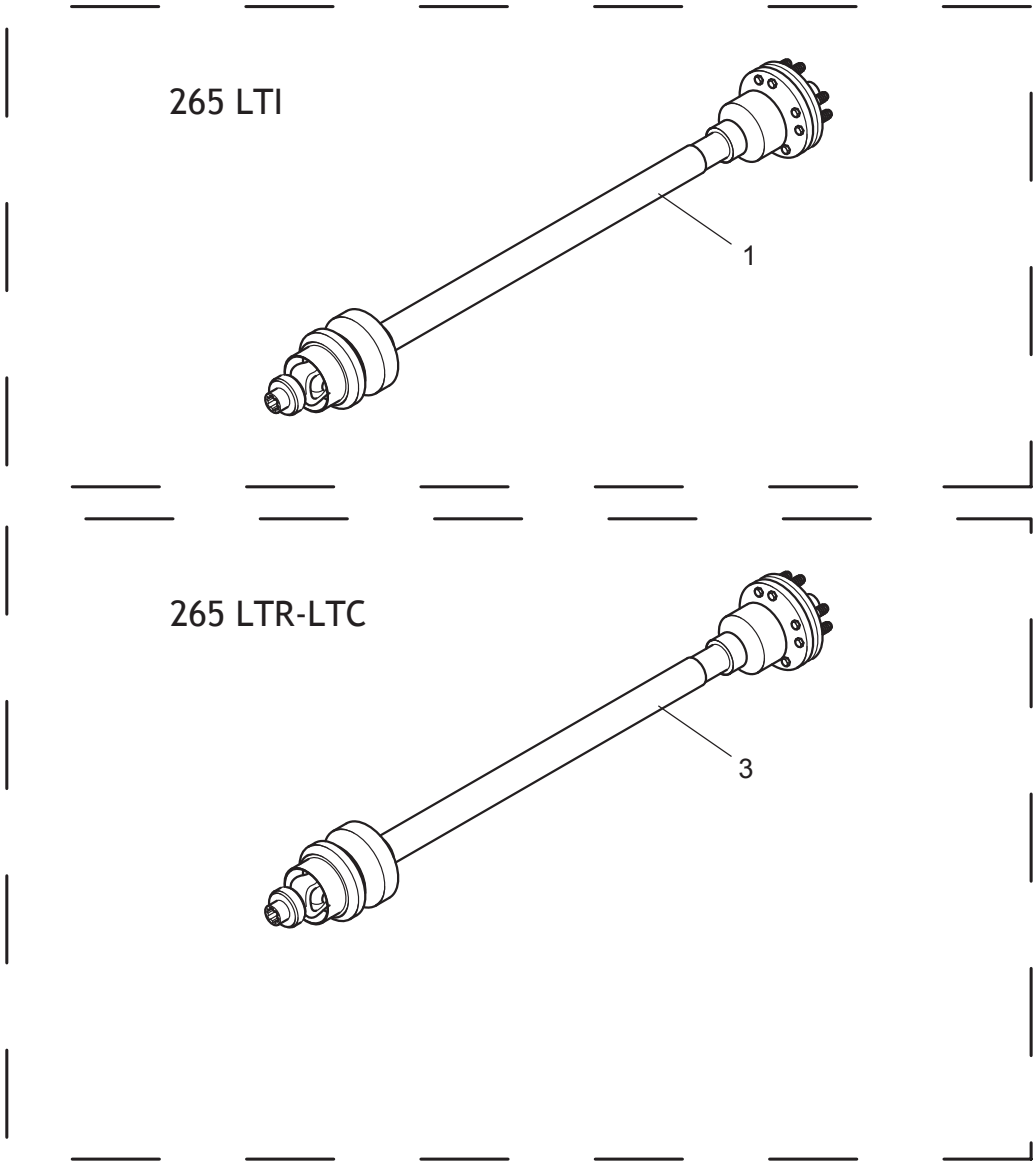
TAV_350



**SCATOLA DI TRASMISSIONE 1000 g/1'
GEAR BOX 1000 rpm**

TAV_350

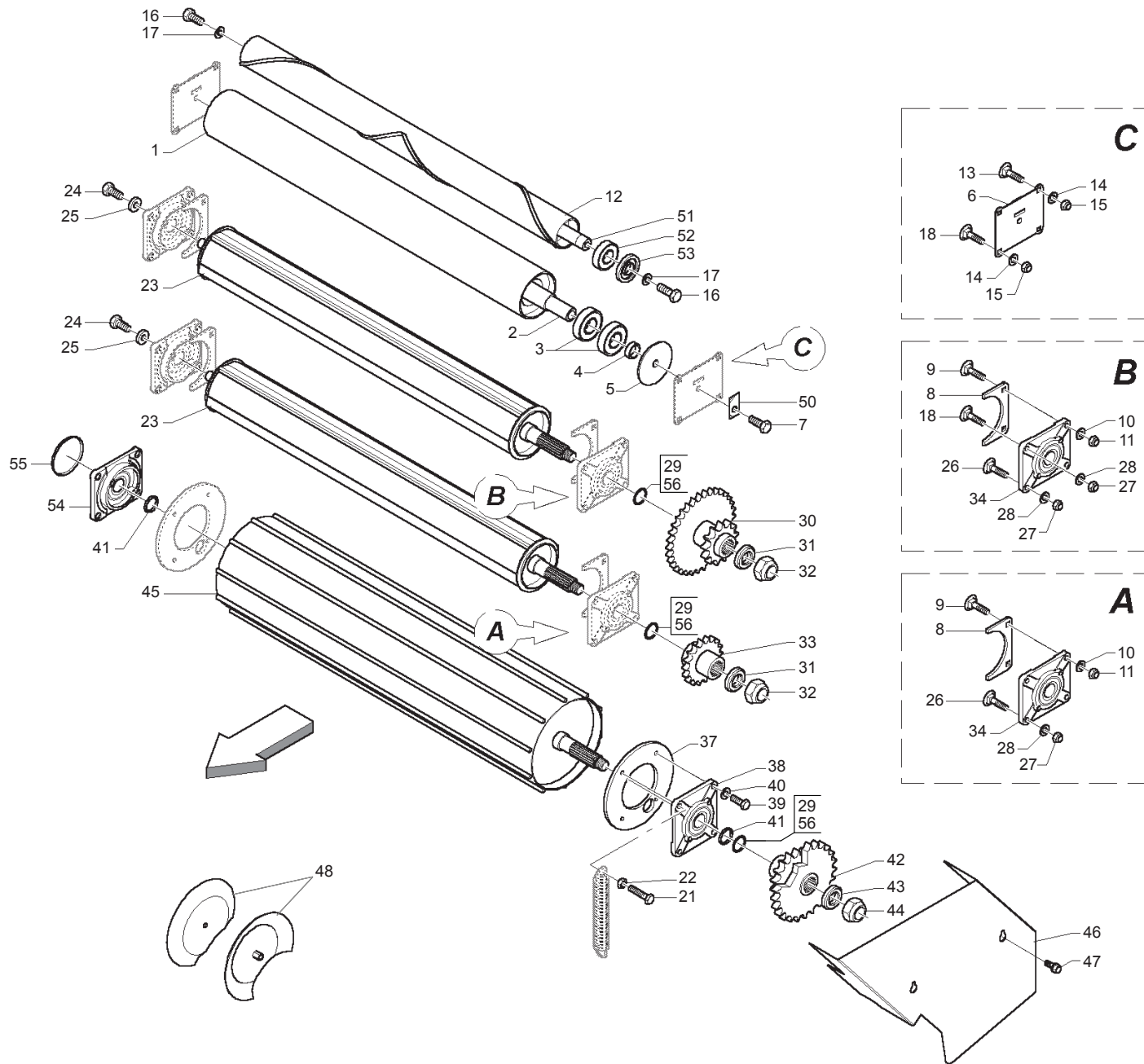
Pos.	Cod.	Descrizione	Description	Description	Benennung	Descripcion
1	B03900156R	SCATOLA BYPY 2070-1,92 1	GEAR BOX	BOITE	GETRIEBE BYPY 1000U MIN	CAJA BYPY 2070-1,92 1
2	F01020540R	VITE M14X2X30 U5739 8.8ZN	SCR. M14X2X30 U5739 8.8ZN	VIS M14X2X30 U5739 8.8ZN	SCHRAUBE M14X2X30 U5739 8.8ZN	TORNILLO M14X2X30 U5739 8.8ZN
3	B01516040R	RALLA 15 42 6	FIFTH WHEEL	BUTEE	SCHEIBE	RANGUA 15 42 6
16	B07V00076R	CONTROCUFFIA CPLTA SFT 3950	COMPLETE COUNTER-HOUSING	CONTRE-BOL COMPLETE SFT-BYPY	GEGENHAUBE	CONTRA-CAPUCH N CPLTA SFT 395
17	F01020468R	VITE M10X1,5X16 U5739 8.8ZN	SCR. M10X1,5X16 U5739 8.8ZN	RONDELLE M10X1,5 X 16	DUEBEL M10X1,5 X 16	TORNILLO M10X1,5X16 U5739 8
18	F01410064R	ROS.M10 10,5X 20X 2 U6592 ZN	WASHER M10 10,5X20X2 U6592 ZN	RONDEL. M10 10,5X20X2 U6592 ZN	SCHEIBE M10 10,5X20X2 U6592 ZN	ARAND.M10 10,5X 20X 2 U6592 ZN
19	G19002131R	PROTEZIONE P.D.P.	PDP GUARD			PROTECCI N T.D.F.
23	B0R000979R	COPERCHIO DI CHIUSURA SCATOLA	COPERCHIO DI CHIUSURA SCATOLA.			TAPA DE CIERRE DE LA CAJA
24	B0R000978R	CORPO SCATOLA 2070	BOX 2070			CUERPO DE LA CAJA 2070
25	F03100031R	GUARNIZIONE CAP 80X10	OIL SEAL CAP 80X10			
26	B02004018R	CUSCINETTO 6208 CAT.A-ST004	BEARING	ROULEMENT 6208NCAT.A ST004	LAGER	COJINETE 6208 CAT.A-ST004
27	B0R000262R	ANELLO SPES. 69,3X79,7X0,2	SHIM RING 69,3X79,7X0,2	BAGUE EPAISSEUR 69,3X79,7X0,2	RING 69,3X79,7X0,2	ANILLO DE ESPES. 69,3X79,7X0,2
28	F03012225R	ANELLO SPALLA.80X2.50 DIN472 1	CIRCLIP INT.80 2.50 DIN 472 1			
32	B02124024R	CUSC. 32208 CAT.A-ST004	BEARING	ROULEMENT	LAGER	COJIN. 32208 CAT.A-ST004
33	B02004018R	CUSCINETTO 6208 CAT.A-ST004	BEARING	ROULEMENT 6208NCAT.A ST004	LAGER	COJINETE 6208 CAT.A-ST004
34	B0R000258R	ANELLO SPES. 40,2X54,8X0,2	SHIM RING 40,2X54,8X0,2	BAGUE EPAISSEUR 40,2X54,8X0,2	ELASTISCHER RING	ANILLO DE ESPES. 40,2X54,8X0,2
35	F03010277R	ANELLO T.AS 40X 80X10 D3760NBR	OIL SEAL 40X80X10 NBR	BOURAGE 40X80X10 NBR	OELABDICHTUNG 40X80X10 NBR	ANILLO T.AS 40X 80X10 D3760NBR
36	B02124019R	CUSC. 30208 CAT.A-ST004	BEARING	ROULEMENT	LAGER	COJIN. 30208 CAT.A-ST004
37	F03012225R	ANELLO SPALLA.80X2.50 DIN472 1	CIRCLIP INT.80 2.50 DIN 472 1			
38	F03010277R	ANELLO T.AS 40X 80X10 D3760NBR	OIL SEAL 40X80X10 NBR	BOURAGE 40X80X10 NBR	OELABDICHTUNG 40X80X10 NBR	ANILLO T.AS 40X 80X10 D3760NBR
39	B0R000977R	ALB. XY R 207040X36 DIN 5482	R XY SHAFT 2070 40X36 DIN548	ARBRE XY R 2070 40X36 DIN 54	WELLE	RB. XY R 207040X36 DIN 5482
40	B0R000976R	COPPIA CONICA R1.92 M6 X 2070	BEVEL GEAR PAIR R=1,92 M=6 FOR	COUPLE CONIQUE R=1.92 M=6	KEGELRADPAAR	PAR C NICO R1.92 M6 X 2070
41	B0R000175R	TAPPO 3 8 GAS-C DIN 906	PLUG	BOUCHON 3 8 GAS-C DIN 906	VERSCHLUSS DECKER 3 8 GAS-C	TAP N 3 8 GAS-C DIN 906
43	F03012225R	ANELLO SPALLA.80X2.50 DIN472 1	CIRCLIP INT.80 2.50 DIN 472 1			
44	B0R000257R	ANELLO ELASTICO 40-E SP=2,5	ELASTIC RING 40-E SP=2,5	BAGUE RESSORT 40-E SP=2,5	ELASTISCHER RING	ANILLO EL STICO 40-I SP=2,5
45	B0R000306R	ALBERO ASSE Z R.L.	AXLE SHAFT Z R.L.	ARBRE AXE Z RL	ACHSWELLE Z R.L.	RBOL DEL EJE Z R.L.
46	F03260016R	OLIO AGIP BLASIA 150	OIL AGIP BLASIA 150			ACEITE AGIP BLASIA 150
47	B0R000259R	KIT ANELLO SPES. 40,2X54,8X	SHIM RING 40,2X54,8X0,3	BAGUE EPAISSEUR 40,2X54,8X0,3	ELASTISCHER RING	ANILLO DE ESPES. 40,2X54,8X0,3
48	B0R000260R	ANELLO SPES. 40,2X54,8X0,4	SHIM RING 40,2X54,8X0,4	BAGUE EPAISSEUR 40,2X54,8X0,4	DISTANZRING 40,2X54,8X0,4	ANILLO DE ESPES. 40,2X54,8X0,4
49	B0R000261R	ANELLO SPES. 40,2X54,8X0,1	SHIM RING 40,2X54,8X0,1	BAGUE EPAISSEUR 40,2X54,8X0,1	DISTANZRING 40,2X54,8X0,1	ANILLO DE ESPES. 40,2X54,8X0,1
50	B0R000263R	ANELLO SPES. 69,3X79,7X0,3	SHIM RING 69,3X79,7X0,3	BAGUE EPAISSEUR 69,3X79,7X0,3	SCHEIBE 69,3X79,7X0,3	ANILLO DE ESPES. 69,3X79,7X0,3
51	B0R000264R	ANELLO SPES. 69,3X79,7X0,4	SHIM RING 69,3X79,7X0,4	BAGUE EPAISSEUR 69,3X79,7X0,4	DISTANZRING 69,3X79,7X0,4	ANILLO DE ESPES. 69,3X79,7X0,4
52	B0R000265R	ANEL SPES. 69,3X79,7X0,1 34006	SHIM RING 69,3X79,7X0,1 34006	BAGUE EPAISSEUR 69,3X79,7X0,1	RING 69,3X79,7X0,1	ANILL. ESPES. 69,3X79,7X0,1 34
57	B07500188R	ET 1000 GIRI - RICC SX NORM	DECAL 1000 RPM - LEFT BURR	DECAL 1000 T H-SENS DE ROTATI	AUFKLEBE 1000 RPM	ET 1000 REVOLUCIONES -SENTIDO



**CARDANO
CARDAN SHAFT**

TAV_400

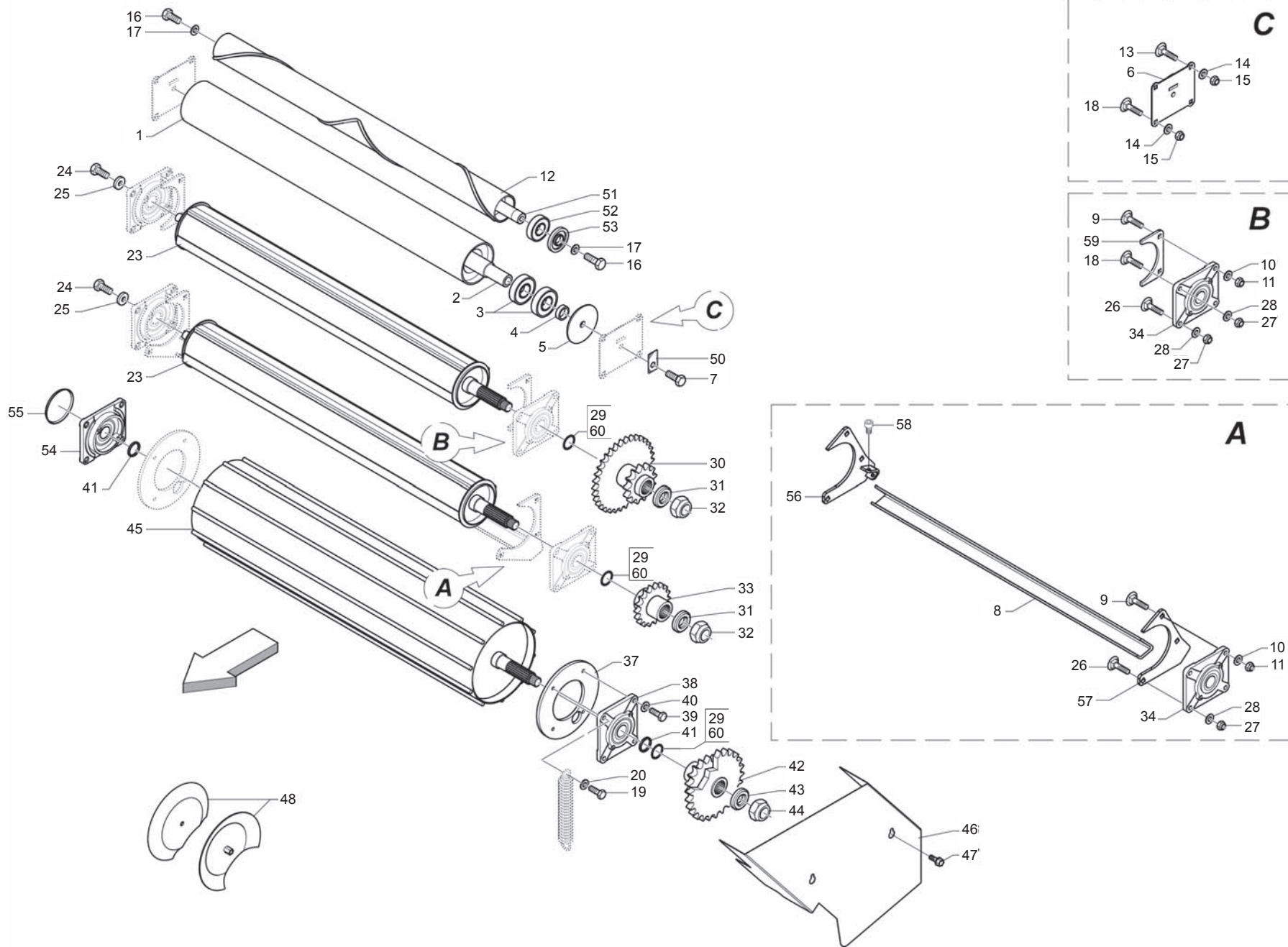
Pos.	Cod.	Descrizione	Description	Description	Benennung	Descripcion
1	B03600120R	CAR BO4 Z6-Z6 OMFRZ 1350 L1577	PTO BO4 Z6-Z6 OMFRZ 1350 L1577	CARDAN	GELENKWELLE T.BYPY654 OC F	CARD N BO4 Z6-Z6 OMFRZ 1350 L1
3	B03600076R	CAR BO7 Z6-Z6 OMFRZ 1700 L1546	PTO BO7 Z6-Z6 OMFRZ 1700 L1546	CARDAN	GELENKWELLE	CARD N BO7 Z6-Z6 OMFRZ 1700 L1



**RULLI
ROLLERS**

TAV_050

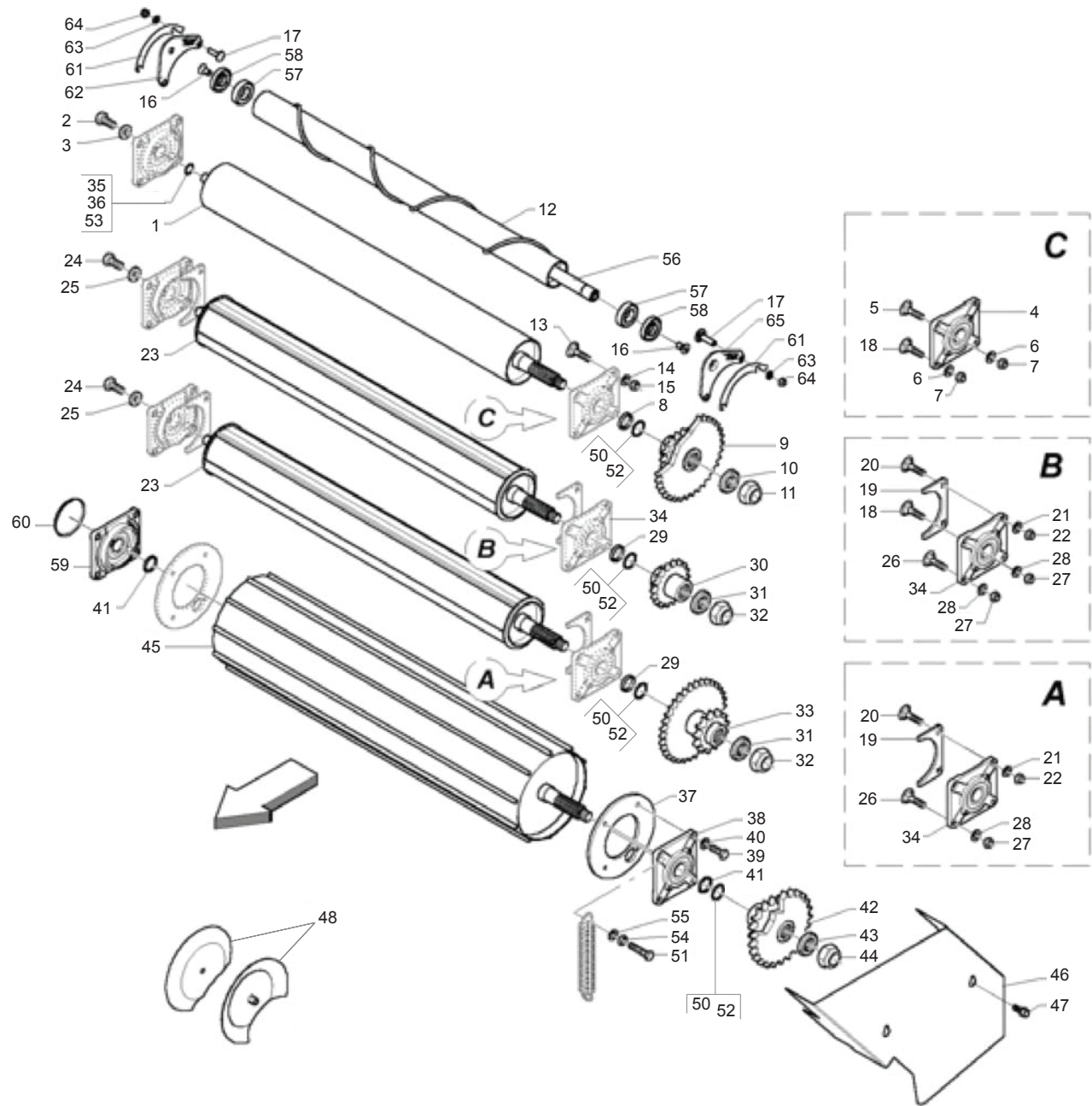
Pos.	Cod.	Descrizione	Description	Description	Benennung	Descripcion
1	B07SP1312R	PORTELLONE LT LINO	TAILGATE LT LINO			
2	B03500237R	ALBERO CORTO	SHORT SHAFT	ARBRE COURT	KURZE WELLE	RBOL CORTO
3	F04010350R	CUSCINETTO 6307C 2HRS L100 50	BEARING 6307C 2HRS L100 50			
4	B01300523R	DISTANZIALE 35X 45X12,5	SPACER	ENTRETOISE	DISTANZSTUECK 35X45X12,5	DISTANCIADOR 35X 45X12,5
5	B01300590R	RALLA 20,5 128 10	FIFTH WHEEL	BUTEE	SCHEIBE 20,5 128 10	RANGUA 20,5 128 10
6	B013P0042R	PIASTRA RULLO LISCIO	ROLLER PLATE	PLAQUE ROULEAU LISSE	WALZENPLATTE	
7	F01020605R	VITE M20X2,5X50 U5739 8.8ZN	SCR. M20X2,5X50 U5739 8.8ZN	VIS M 20X2,5X50	SCHRAUBE M 20X2,5X50	TORNILLO M20X2,5X50 U5739 8.8
8	B0C6P0003R	RIPARO RULLI ALETTATI	ROLLERS GUARD	PROTECTION ROULEAUX	SCHUETZ WALZEN	RESGUARDO RODILLOS CON ALET
9	B00523395R	VITE SPECIALE TTQST M12X45-8.8	SPECIAL SCREW	VIS SPECIALE	SCHRAUBE TTQST M12X 45-8.8	TORNILLO ESPECIAL TTQST M12X4
10	F01410076R	ROS.M12 13X 24X2,5 U6592 ZN	WASHER 12 13X 24X2,5 U6592 ZN	RONDEL. M12 13X24X2,5 U6592 ZN	SCHEIBE M12 13X24X2,5 U6592 ZN	ARAND.M12 13X 24X2,5 U6592 ZN
11	F01230213R	DADO M12X1,75 D985 8 ZN	NUT M12X1,75 U7474 6SZN	ECROU AUTOBL. M12	SELBSTSPERR.MUTTER M12	TUERCA M12X1,75 U7474 CL8 ZN
12	B07SP0293R	RULLO PULITORE	CLEANER ROLLER	ROULEAU POLISSEUS	REINIGUNGSWALZE	RODILLO LIMPIADOR
13	B00523421R	VITE SPECIALE TTQST M12X35-8.8	SPECIAL SCREW	VIS SPECIALE	SCHRAUBE TTQST M12X 35-8.8	TORNILLO ESPECIAL TTQST M12X3
14	F01410076R	ROS.M12 13X 24X2,5 U6592 ZN	WASHER 12 13X 24X2,5 U6592 ZN	RONDEL. M12 13X24X2,5 U6592 ZN	SCHEIBE M12 13X24X2,5 U6592 ZN	ARAND.M12 13X 24X2,5 U6592 ZN
15	F01230213R	DADO M12X1,75 D985 8 ZN	NUT M12X1,75 U7474 6SZN	ECROU AUTOBL. M12	SELBSTSPERR.MUTTER M12	TUERCA M12X1,75 U7474 CL8 ZN
16	B00191680R	VITE M16X 2X 80 U5737 8.8ZN	SCREW	VIS	SCHRAUBE	TORNILLO M16X 2X 80 U5737 8
17	F01410100R	ROS.M16 17X 30X 3 U6592 ZN	WASHER M16 17X30X3 U6592 ZN	RONDELLE M16 17X30X3 ZN	SCHRAUBE M16 17X 30X3 U6592 ZN	ARAND.M16 17X 30X 3 U6592 ZN
18	B005C0002R	VITE TTQST 12X35-8.8 TORNITA	SCREW	VIS	SCHRAUBE	TORNILLO TTQST 12X35-8.8 TORN
21	F01020519R	VITE M12X1,75X 60 U5739 8.8ZN	SCREW M12X1,75X 60 U5739 8.8ZN			TORNILLO M12X1,75X 60 U5739 8
22	F01200293R	DADO M12X1,75 U5588 CL8 ZN	NUT M12X1,75 U5588 6S ZN	ECROU M12X1,75 U5588 6S ZN	MUTTER M12X1,75 U5588 6S ZN	TUERCA M12X1,75 U5588 CL8 ZN
23	B07SP0062R	RULLO LT	LT ROLLER	ROULEAU LT	WALZE LT	RODILLO LT
24	F01020564R	VITE M16X2X35 U5739 8.8ZN	SCR. M16X2X35 U5739 8.8ZN	VIS M 16X35	SCHRAUBE M 16X35	TORNILLO M16X2X35 U5739 8
25	B01515091R	RALLA 17 52 6	FIFTH WHEEL	BUTEE	SCHEIBE	RANGUA 17 52 6
26	B00523421R	VITE SPECIALE TTQST M12X35-8.8	SPECIAL SCREW	VIS SPECIALE	SCHRAUBE TTQST M12X 35-8.8	TORNILLO ESPECIAL TTQST M12X3
27	F01410076R	ROS.M12 13X 24X2,5 U6592 ZN	WASHER 12 13X 24X2,5 U6592 ZN	RONDEL. M12 13X24X2,5 U6592 ZN	SCHEIBE M12 13X24X2,5 U6592 ZN	ARAND.M12 13X 24X2,5 U6592 ZN
28	F01230213R	DADO M12X1,75 D985 8 ZN	NUT M12X1,75 U7474 6SZN	ECROU AUTOBL. M12	SELBSTSPERR.MUTTER M12	TUERCA M12X1,75 U7474 CL8 ZN
29	B01300125R	SPES. 40 48 0,5 ZINCATO	SHIM GALV	ENTRETOISE GALV	DISTANZSTUECK 40 48 0,5	ESPES. 40 48 0,5 CINCADO
30	B034P0008R	INGR. Z=26 13; 1, 1; ISO 16B-1	GEAR	ENGRANAGE	ZAHNRAD	
31	B014R3050R	ROSETTA 30 UNI 5714-69 E DEIDR	WASHER	RONDELLE	BEILAGSSCHEIBE	ARANDELA 30 UNI 5714-69 E DEID
32	F01230291R	DADO M30X2 D985 ZN	NUT M30X2 D985 ZN	ECROU AUTOB. M30X2 DIN 985 ZN	SELBSTSP. MU. M30X2 DIN 985 ZN	TUERCA M30X2 D985 ZN
33	B034P0007R	INGR.Z12-1 RULLO NERVATO INF.	GEAR	ENGRANAGE	ZAHNRAD	
34	B0FMP0183R	SUPPORTO CUSCIN. RETTANG VERN	BEARING SUPPORT			
37	B0C003056R	PIASTRA INTERNA RULLO GRANDE	ROLLER INNER PLATE	TOLE INTERIEUR ROULEAU	WALZEN INNENSCHLEIBE	PLACA INTERNA DE RODILLO GRAN
38	B0FMP0183R	SUPPORTO CUSCIN. RETTANG VERN	BEARING SUPPORT			
39	F01020512R	VITE M12X1,75X35 U5739 8.8ZN	SCR. M12X1,75X35 U5739 8.8ZN	VIS M12X1,75X35 5739 8.8 ZN	SCHR. M12X1,75X35 5739 8.8 ZN	TORNILLO M12X1,75X35 U5739 8
40	F01410076R	ROS.M12 13X 24X2,5 U6592 ZN	WASHER 12 13X 24X2,5 U6592 ZN	RONDEL. M12 13X24X2,5 U6592 ZN	SCHEIBE M12 13X24X2,5 U6592 ZN	ARAND.M12 13X 24X2,5 U6592 ZN
41	B01300151R	SPES. 40 48 2 ZINCATO	SHIM	ENTRETOISE	DISTANZSTUECK 40 48 2	ESPES. 40 48 2 CINCADO
42	B03400290R	INGR.RULLO GRANDE Z=16-24 1	BIG ROLLER GEAR Z=16-24 1	ENGRANAGE	ZAHNRAD	ENGR.RODILLO GRANDE Z=16-24 1
43	B014R3050R	ROSETTA 30 UNI 5714-69 E DEIDR	WASHER	RONDELLE	BEILAGSSCHEIBE	ARANDELA 30 UNI 5714-69 E DEID
44	F01230291R	DADO M30X2 D985 ZN	NUT M30X2 D985 ZN	ECROU AUTOB. M30X2 DIN 985 ZN	SELBSTSP. MU. M30X2 DIN 985 ZN	TUERCA M30X2 D985 ZN
45	B07S01841R	RULLO GRANDE NEW	BIG ROLLER	ROUELAU GRAND NEW	GROSSE WALZE	RODILLO GRANDE NEW
46	B0C3P0001R	CARTER	GUARD	CARTER	CARTER	C RTER
47	B00370001R	VITE TE M 8X16 A SEZ.TRILOBATA	SCREW TRE M 8X16 SEZ TROUBLED	VIS	SCHRAUBE M 8X15	TORNILLO CHEX M 8X16 A SECC. T
48	B07S01845R	TAZZA RESTRINGIMENTO	CHAMBER TIGHTENING CUPS	TASSE DE RETRECISSEMENT NEW	KAMMERVERENGUNGSTASSEN	PATILLO DE REDUCCIN
50	B0C004148R	RALLA DI FERMO	LOCK WASHER	BUTEE D ARRET	ANSCHLAGPLATTE	RANGUA DE TOPE
51	B03500214R	ALBERO LUNGO	LONG SHAFT	ARBRE LONG	LANGE WELLE	RBOL LARGO
52	B02043517R	CUSC. 6207-2RS CAT.B-ST004	BEARING	ROULEMENT	LAGER 6207-2RS	COJIN. 6207-2RS CAT.B-ST00
53	B013P0150R	CHIUSURA RULLI PULITORE	ROLLER LOCK	FERMETURE ROULEAUX	WALZEN VERSCHLUSS	CIERRE DE RODILLOS DEL LIMPIAD
54	B0FMP0184R	SUPP CUSC RETTANG VERN CAPP	BEARING SUPPORT			
55	B04400001R	CAP. CHIUSO 110X10 TIPO C	CAP	COUVERCLE	GESCHLOSSENE KAPPE	CAP. CERRADO 110X10 TIPO C
56	B01300126R	SPES. 40 48 1 ZINC.ST_013	SHIM	ENTRETOISE	DISTANZSTUECK 40 408 1	ESPES. 40 48 1 CINC.EST_013



**RULLI CUT
ROLLERS CUT**

TAV_055

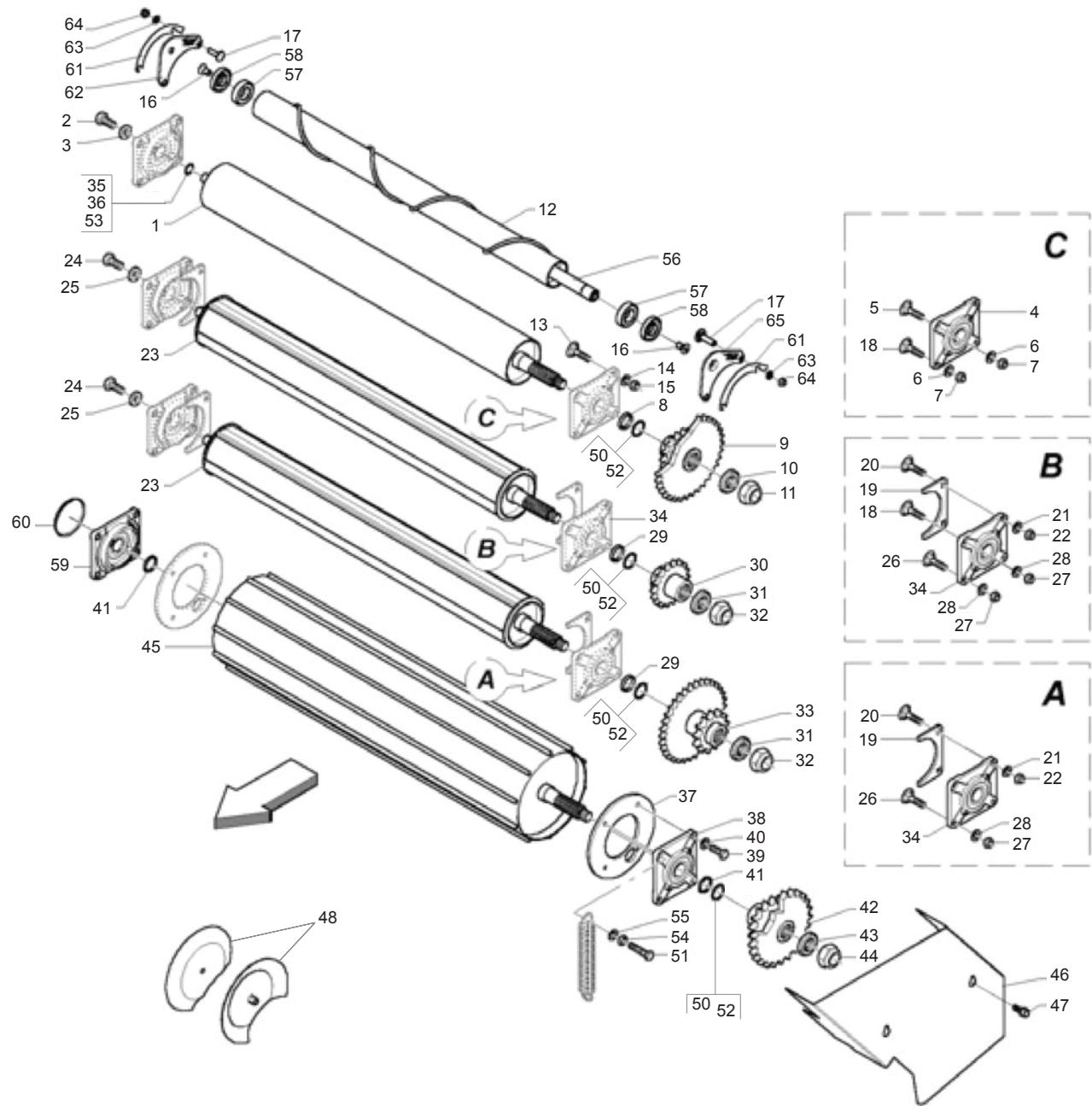
Pos.	Cod.	Descrizione	Description	Description	Benennung	Descripcion
1	B07S00959R	RULLO FOLLE PORTELLONE	TAIL GATE IDLE ROLLER	ROULEAU FOU PORTE EN ARRIERE	HECKKLAPPENUMLENKHALZE	RODILLO LOCO DE LA PUERTA
2	B03500237R	ALBERO CORTO	SHORT SHAFT	ARBRE COURT	KURZE WELLE	RBOL CORTO
3	F04010350R	CUSCINETTO 6307C 2HRS L100 50	BEARING 6307C 2HRS L100 50			
4	B01300523R	DISTANZIALE 35X 45X12,5	SPACER		ENTRETOISE	DISTANCIADOR 35X 45X12,5
5	B01300590R	RALLA 20,5 128 10	FIFTH WHEEL		BUTEE	RANGUA 20,5 128 10
6	B013P0042R	PIASTRA RULLO LISCIO	ROLLER PLATE		PLAQUE ROULEAU LISSE	WALZENPLATTE
7	F01020605R	VITE M20X2,5X50 U5739 8.8ZN	SCR. M20X2,5X50 U5739 8.8ZN		VIS M 20X2,5X50	SCHRAUBE M 20X2,5X50
8	B0C1P0218R	CORPO TRAVERSA	CROSSBAR FRAME			TORNILLO M20X2,5X50 U5739 8.8 CUERPO DEL TRAVESA O
9	B00523395R	VITE SPECIALE TTQST M12X45-8.8	SPECIAL SCREW		VIS SPECIALE	TORNILLO ESPECIAL TTQST M12X4
10	F01410076R	ROS.M12 13X 24X2,5 U6592 ZN	WASHER 12 13X 24X2,5 U6592 ZN		RONDEL. M12 13X24X2,5 U6592 ZN	ARAND.M12 13X 24X2,5 U6592 ZN
11	F01230213R	DADO M12X1,75 D985 8 ZN	NUT M12X1,75 U7474 6SZN		ECROU AUTOBL. M12	TUERCA M12X1,75 U7474 CL8 ZN
12	B07SP0293R	RULLO PULITORE	CLEANER ROLLER		ROULEAU POLISSEUS	RODILLO LIMPIADOR
13	B00523421R	VITE SPECIALE TTQST M12X35-8.8	SPECIAL SCREW		VIS SPECIALE	TORNILLO ESPECIAL TTQST M12X3
14	F01410076R	ROS.M12 13X 24X2,5 U6592 ZN	WASHER 12 13X 24X2,5 U6592 ZN		RONDEL. M12 13X24X2,5 U6592 ZN	ARAND.M12 13X 24X2,5 U6592 ZN
15	F01230213R	DADO M12X1,75 D985 8 ZN	NUT M12X1,75 U7474 6SZN		ECROU AUTOBL. M12	TUERCA M12X1,75 U7474 CL8 ZN
16	B00191680R	VITE M16X 2X 80 U5737 8.8ZN	SCREW		VIS	TORNILLO M16X 2X 80 U5737 8
17	F01410100R	ROS.M16 17X 30X 3 U6592 ZN	WASHER M16 17X30X3 U6592 ZN		RONDELLE M16 17X30X3 ZN	ARAND.M16 17X 30X 3 U6592 ZN
18	B005C0002R	VITE TTQST 12X35-8.8 TORNITA	SCREW		VIS	TORNILLO TTQST 12X35-8.8 TORN
19	B00471235R	VITE TTEI M12X 35-8.8 UNBRA	SCREW		VIS	TORNILLO CAB.ALLEN CON HUECO
20	F01420120R	ROS.M12 13X36X2,5 U6593 ZN	WASHER M12 13X36X2,5 U6593 ZN		RONDELLE M12 13X36X2,5 ZN	ARAND.M12 13X36X2,5 U6593 ZN
23	B07SP0062R	RULLO LT	LT ROLLER		ROULEAU LT	RODILLO LT
24	F01020564R	VITE M16X2X35 U5739 8.8ZN	SCR. M16X2X35 U5739 8.8ZN		VIS M 16X35	TORNILLO M16X2X35 U5739 8
25	B01515091R	RALLA 17 52 6	FIFTH WHEEL		BUTEE	RANGUA 17 52 6
26	B00523421R	VITE SPECIALE TTQST M12X35-8.8	SPECIAL SCREW		VIS SPECIALE	TORNILLO ESPECIAL TTQST M12X3
27	F01410076R	ROS.M12 13X 24X2,5 U6592 ZN	WASHER 12 13X 24X2,5 U6592 ZN		RONDEL. M12 13X24X2,5 U6592 ZN	ARAND.M12 13X 24X2,5 U6592 ZN
28	F01230213R	DADO M12X1,75 D985 8 ZN	NUT M12X1,75 U7474 6SZN		ECROU AUTOBL. M12	TUERCA M12X1,75 U7474 CL8 ZN
29	B01300125R	SPES. 40 48 0,5 ZINCATO	SHIM GALV		ENTRETOISE GALV	ESPE. 40 48 0,5 CINCADO
30	B034P0008R	INGR. Z=26 13; 1, 1; ISO 16B-1	GEAR		ENGRANAGE	ZAHNRAD
31	B014R3050R	ROSETTA 30 UNI 5714-69 E DEIDR	WASHER		RONDELLE	ARANDELA 30 UNI 5714-69 E DEID
32	F01230291R	DADO M30X2 D985 ZN	NUT M30X2 D985 ZN		ECROU AUTOB. M30X2 DIN 985 ZN	TUERCA M30X2 D985 ZN
33	B034P0007R	INGR.Z12-1 RULLO NERVATO INF.	GEAR		ENGRANAGE	ZAHNRAD
34	B0FMP0183R	SUPPORTO CUSCIN. RETTANG VERN	BEARING SUPPORT			
37	B0C003056R	PIASTRA INTERNA RULLO GRANDE	ROLLER INNER PLATE		TOLE INTERIEUR ROULEAU	PLACA INTERNA DE RODILLO GRAN
38	B0FMP0183R	SUPPORTO CUSCIN. RETTANG VERN	BEARING SUPPORT			
39	F01020512R	VITE M12X1,75X35 U5739 8.8ZN	SCR. M12X1,75X35 U5739 8.8ZN		VIS M12X1,75X35 5739 8.8 ZN	TORNILLO M12X1,75X35 U5739 8
40	F01410076R	ROS.M12 13X 24X2,5 U6592 ZN	WASHER 12 13X 24X2,5 U6592 ZN		RONDEL. M12 13X24X2,5 U6592 ZN	ARAND.M12 13X 24X2,5 U6592 ZN
41	B01300151R	SPES. 40 48 2 ZINCATO	SHIM		ENTRETOISE	ESPE. 40 48 2 CINCADO
42	B03400290R	INGR.RULLO GRANDE Z=16-24 1	BIG ROLLER GEAR Z=16-24 1		ENGRANAGE	ENGR.RODILLO GRANDE Z=16-24 1
43	B014R3050R	ROSETTA 30 UNI 5714-69 E DEIDR	WASHER		RONDELLE	ARANDELA 30 UNI 5714-69 E DEID
44	F01230291R	DADO M30X2 D985 ZN	NUT M30X2 D985 ZN		ECROU AUTOB. M30X2 DIN 985 ZN	TUERCA M30X2 D985 ZN
45	B07S01841R	RULLO GRANDE NEW	BIG ROLLER		ROUELAU GRAND NEW	RODILLO GRANDE NEW
46	B0C3P0001R	CARTER	GUARD		CARTER	C RTER
47	B00370001R	VITE TE M 8X16 A SEZ.TRILOBATA	SCREW TRE M 8X16 SEZ TROUBLED		VIS	TORNILLO CHEX M 8X16 A SECC. T
48	B07S01845R	TAZZA RESTRINGIMENTO	CHAMBER TIGHTENING CUPS		TASSE DE RETRECISSEMENT NEW	PLATILLO DE REDUCCI N
50	B0C004148R	RALLA DI FERMO	LOCK WASHER		BUTEE D ARRET	RANGUA DE TOPE
51	B03500214R	ALBERO LUNGO	LONG SHAFT		ARBRE LONG	RBOL LARGO
52	B02043517R	CUSC. 6207-2RS CAT.B-ST004	BEARING		ROULEMENT	COJIN. 6207-2RS CAT.B-ST00
53	B013P0150R	CHIUSURA RULLI PULITORE	ROLLER LOCK		FERMETURE ROULEAUX	CIERRE DE RODILLOS DEL LIMPIAD
54	B0FMP0184R	SUPP CUSC RETTANG VERN CAPP	BEARING SUPPORT			
55	B04400001R	CAP. CHIUSO 110X10 TIPO C	CAP		COUVERCLE	CAP. CERRADO 110X10 TIPO C
56	B07SP0736R	ATTACCO LATERALE DX	RIGHT COUPLING			CONEXI N LATERAL DER
57	B07SP0735R	ATTACCO LATERALE SX	LEFT COUPLING			CONEXI N LATERAL IZQ.
58	B00471220R	VITE TTEI M12X 20-8.8 UNBRA	SCREW		VIS	TORNILLO CAB.ALLEN CON HUECO
59	B0C6P0003R	RIPARO RULLI ALETTATI	ROLLERS GUARD		PROTECTION ROULEAUX	RESGUARDO RODILLOS CON ALET
60	B01300126R	SPES. 40 48 1 ZINC.ST_013	SHIM		ENTRETOISE	ESPE. 40 48 1 CINC.EST_013



**RULLI "20"
ROLLERS "20"**

TAV_060

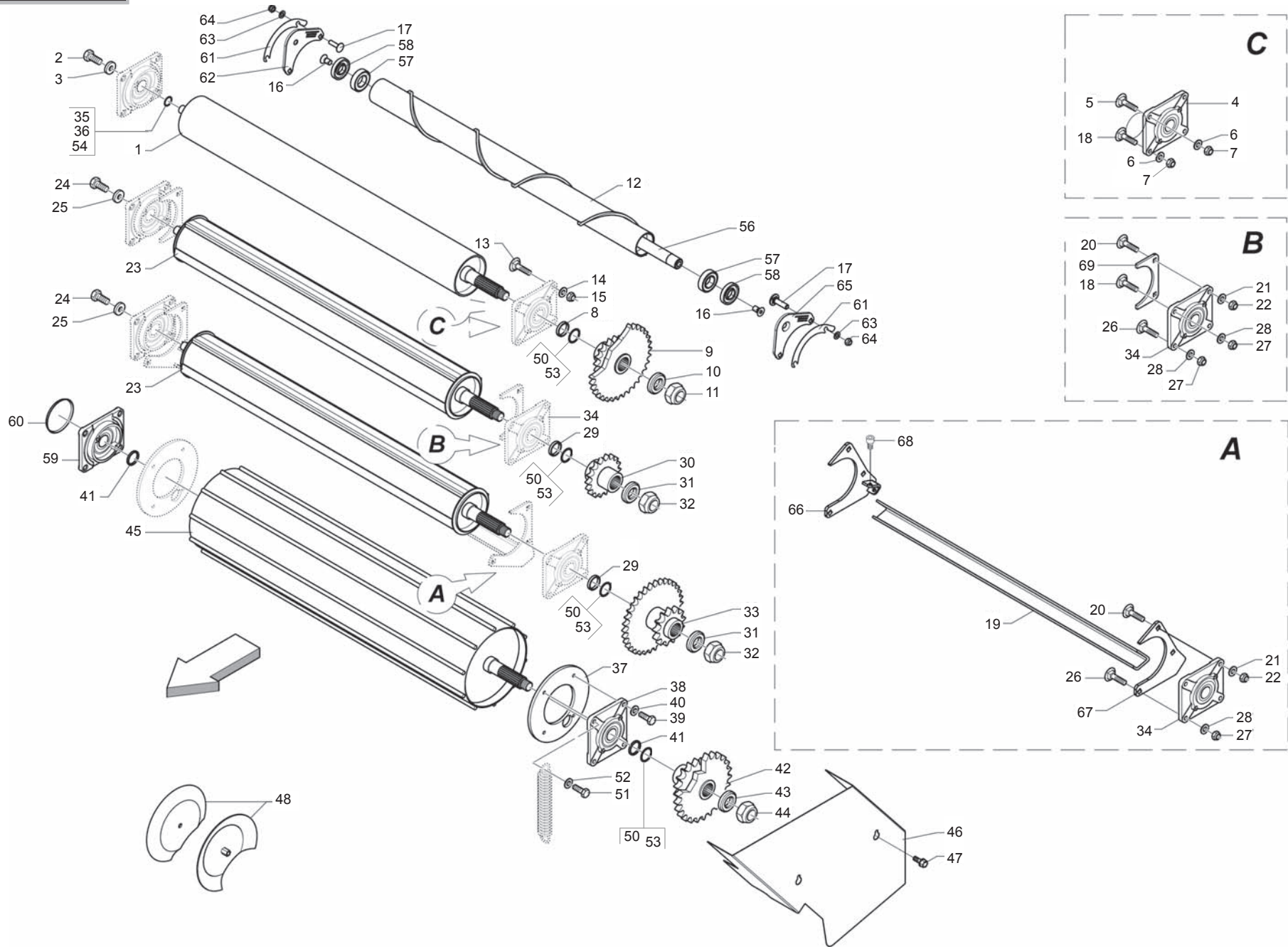
Pos.	Cod.	Descrizione	Description	Description	Benennung	Descripcion
1	B07S00942R	RULLO MOT. INFERIORE NL	LOWER MOTOR ROLLER	ROULEAU MOTEUR INFERIEUR	UNTERE MOTORWALZE	RODILLO DEL MOT. INFERIOR NL
2	F01020564R	VITE M16X2X35 U5739 8.8ZN	SCR. M16X2X35 U5739 8.8ZN	VIS M 16X35	SCHRAUBE M 16X35	TORNILLO M16X2X35 U5739 8
3	B01515091R	RALLA 17 52 6	FIFTH WHEEL	BUTEE	SCHEIBE	RANGUA 17 52 6
4	B0FMP0183R	SUPPORTO CUSCIN. RETTANG VERN	BEARING SUPPORT			
5	B00523421R	VITE SPECIALE TTQST M12X35-8.8	SPECIAL SCREW	VIS SPECIALE	SCHRAUBE TTQST M12X 35-8.8	TORNILLO ESPECIAL TTQST M12X3
6	F01410076R	ROS.M12 13X 24X2,5 U6592 ZN	WASHER 12 13X 24X2,5 U6592 ZN	RONDEL. M12 13X24X2,5 U6592 ZN	SCHEIBE M12 13X24X2,5 U6592 ZN	ARAND.M12 13X 24X2,5 U6592 ZN
7	F01230213R	DADO M12X1,75 D985 8 ZN	NUT M12X1,75 U7474 6SZN	ECROU AUTOBL. M12	SELBSTSPERR.MUTTER M12	TUERCA M12X1,75 U7474 CL8 ZN
8	B01300845R	DISTANZIALE 40X50X4	SPACER	ENTRETOISE	DISTANZSCHEIBE 40X50X4	DISTANCIADOR 40X50X4
9	B03400287R	INGR. Z=23 10; 1, 1; ISO 16B-1	SMOOTH ROLLER GEAR Z=23-10 1	ENGRANAGE	ZAHNRAD Z=23-10 1	ENGR. Z=23 10; 1, 1; ISO 16B-1
10	B014R3050R	ROSETTA 30 UNI 5714-69 E DEIDR	WASHER	RONDELLE	BEILAGSSCHEIBE	ARANDELA 30 UNI 5714-69 E DEID
11	F01230291R	DADO M30X2 D985 ZN	NUT M30X2 D985 ZN	ECROU AUTOB. M30X2 DIN 985 ZN	SELBSTSP. MU. M30X2 DIN 985 ZN	TUERCA M30X2 D985 ZN
12	B07SP0333R	RULLO AIUTO PRODOTTO SPRINTER	ROLLER SPRINTER			RODILLO DE SOPORTE DE PRODU
13	B00523395R	VITE SPECIALE TTQST M12X45-8.8	SPECIAL SCREW	VIS SPECIALE	SCHRAUBE TTQST M12X 45-8.8	TORNILLO ESPECIAL TTQST M12X4
14	F01410076R	ROS.M12 13X 24X2,5 U6592 ZN	WASHER 12 13X 24X2,5 U6592 ZN	RONDEL. M12 13X24X2,5 U6592 ZN	SCHEIBE M12 13X24X2,5 U6592 ZN	ARAND.M12 13X 24X2,5 U6592 ZN
15	F01230213R	DADO M12X1,75 D985 8 ZN	NUT M12X1,75 U7474 6SZN	ECROU AUTOBL. M12	SELBSTSPERR.MUTTER M12	TUERCA M12X1,75 U7474 CL8 ZN
16	F01030524R	VIT.M16X 2X 30 U5933 10.9 ZD	SCREW M16X2X30 U5933 10.9 ZD			TOR.M16X 2X 30 U5933 10.9 ZD
17	B00523395R	VITE SPECIALE TTQST M12X45-8.8	SPECIAL SCREW	VIS SPECIALE	SCHRAUBE TTQST M12X 45-8.8	TORNILLO ESPECIAL TTQST M12X4
18	B005C0002R	VITE TTQST 12X35-8.8 TORNITA	SCREW	VIS	SCHRAUBE	TORNILLO TTQST 12X35-8.8 TORN
19	B0C6P0003R	RIPARO RULLI ALETTATI	ROLLERS GUARD	PROTECTION ROULEAUX	SCHUETZ WALZEN	RESGUARDO RODILLOS CON ALET
20	B00523395R	VITE SPECIALE TTQST M12X45-8.8	SPECIAL SCREW	VIS SPECIALE	SCHRAUBE TTQST M12X 45-8.8	TORNILLO ESPECIAL TTQST M12X4
21	F01410076R	ROS.M12 13X 24X2,5 U6592 ZN	WASHER 12 13X 24X2,5 U6592 ZN	RONDEL. M12 13X24X2,5 U6592 ZN	SCHEIBE M12 13X24X2,5 U6592 ZN	ARAND.M12 13X 24X2,5 U6592 ZN
22	F01230213R	DADO M12X1,75 D985 8 ZN	NUT M12X1,75 U7474 6SZN	ECROU AUTOBL. M12	SELBSTSPERR.MUTTER M12	TUERCA M12X1,75 U7474 CL8 ZN
23	B07SP0062R	RULLO LT	LT ROLLER	ROULEAU LT	WALZE LT	RODILLO LT
24	F01020564R	VITE M16X2X35 U5739 8.8ZN	SCR. M16X2X35 U5739 8.8ZN	VIS M 16X35	SCHRAUBE M 16X35	TORNILLO M16X2X35 U5739 8
25	B01515091R	RALLA 17 52 6	FIFTH WHEEL	BUTEE	SCHEIBE	RANGUA 17 52 6
26	B00523421R	VITE SPECIALE TTQST M12X35-8.8	SPECIAL SCREW	VIS SPECIALE	SCHRAUBE TTQST M12X 35-8.8	TORNILLO ESPECIAL TTQST M12X3
27	F01230213R	DADO M12X1,75 D985 8 ZN	NUT M12X1,75 U7474 6SZN	ECROU AUTOBL. M12	SELBSTSPERR.MUTTER M12	TUERCA M12X1,75 U7474 CL8 ZN
28	F01410076R	ROS.M12 13X 24X2,5 U6592 ZN	WASHER 12 13X 24X2,5 U6592 ZN	RONDEL. M12 13X24X2,5 U6592 ZN	SCHEIBE M12 13X24X2,5 U6592 ZN	ARAND.M12 13X 24X2,5 U6592 ZN
29	B01300845R	DISTANZIALE 40X50X4	SPACER	ENTRETOISE	DISTANZSCHEIBE 40X50X4	DISTANCIADOR 40X50X4
30	B03400235R	INGRANAGGIO Z=11-1	GEAR Z=11-1	ENGRANAGE	ZAHNRAD Z=11-1	ENGRANAJE Z=11-1
31	B014R3050R	ROSETTA 30 UNI 5714-69 E DEIDR	WASHER	RONDELLE	BEILAGSSCHEIBE	ARANDELA 30 UNI 5714-69 E DEID
32	F01230291R	DADO M30X2 D985 ZN	NUT M30X2 D985 ZN	ECROU AUTOB. M30X2 DIN 985 ZN	SELBSTSP. MU. M30X2 DIN 985 ZN	TUERCA M30X2 D985 ZN
33	B034P0006R	INGR.RULLO BACC.INF.Z=23-12 1	LOWER GEAR ROLLER Z=23-12 1	ENGRANAGE ROULEAU INF. Z=23-12	ZAHNRAD	ENGR.RODILLO BACC.INF.Z=23-12
34	B0FMP0183R	SUPPORTO CUSCIN. RETTANG VERN	BEARING SUPPORT			
35	B01300151R	SPES. 40 48 2 ZINCATO	SHIM	ENTRETOISE	DISTANZSTUECK 40 48 2	ESPE. 40 48 2 CINCADO
36	B01300126R	SPES. 40 48 1 ZINC.ST_013	SHIM	ENTRETOISE	DISTANZSTUECK 40 408 1	ESPE. 40 48 1 CINC.EST_013
37	B0C003056R	PIASTRA INTERNA RULLO GRANDE	ROLLER INNER PLATE	TOLE INTERIEUR ROULEAU	WALZEN INNENSCHIEBE	PLACA INTERNA DE RODILLO GRAN
38	B0FMP0183R	SUPPORTO CUSCIN. RETTANG VERN	BEARING SUPPORT			
39	F01020512R	VITE M12X1,75X35 U5739 8.8ZN	SCR. M12X1,75X35 U5739 8.8ZN	VIS M12X1,75X35 5739 8.8 ZN	SCHR. M12X1,75X35 5739 8.8 ZN	TORNILLO M12X1,75X35 U5739 8
40	F01410076R	ROS.M12 13X 24X2,5 U6592 ZN	WASHER 12 13X 24X2,5 U6592 ZN	RONDEL. M12 13X24X2,5 U6592 ZN	SCHEIBE M12 13X24X2,5 U6592 ZN	ARAND.M12 13X 24X2,5 U6592 ZN
41	B01300151R	SPES. 40 48 2 ZINCATO	SHIM	ENTRETOISE	DISTANZSTUECK 40 48 2	ESPE. 40 48 2 CINCADO
42	B03400290R	INGR.RULLO GRANDE Z=16-24 1	BIG ROLLER GEAR Z=16-24 1	ENGRANAGE	ZAHNRAD	ENGR.RODILLO GRANDE Z=16-24 1
43	B014R3050R	ROSETTA 30 UNI 5714-69 E DEIDR	WASHER	RONDELLE	BEILAGSSCHEIBE	ARANDELA 30 UNI 5714-69 E DEID
44	F01230291R	DADO M30X2 D985 ZN	NUT M30X2 D985 ZN	ECROU AUTOB. M30X2 DIN 985 ZN	SELBSTSP. MU. M30X2 DIN 985 ZN	TUERCA M30X2 D985 ZN
45	B07S01841R	RULLO GRANDE NEW	BIG ROLLER	ROUELAU GRAND NEW	GROSSE WALZE	RODILLO GRANDE NEW
46	B0C3P0001R	CARTER	GUARD	CARTER	CARTER	C RTER
47	B00370001R	VITE TE M 8X16 A SEZ.TRILOBATA	SCREW TRE M 8X16 SEZ TROUBLED	VIS	SCHRAUBE M 8X15	TORNILLO CHEX M 8X16 A SECC. T
48	B07S01845R	TAZZA RESTRINGIMENTO	CHAMBER TIGHTENING CUPS	TASSE DE RETRECISSEMENT NEW	KAMMERVERENGUNGSTASSEN	PLATILLO DE REDUCCI N
50	B01300125R	SPES. 40 48 0,5 ZINCATO	SHIM GALV	ENTRETOISE GALV	DISTANZSTUECK 40 48 0,5	ESPE. 40 48 0,5 CINCADO
51	B00471235R	VITE TTEI M12X 35-8.8 UNBRA	SCREW	VIS	SCHRAUBE TTEI M12X35-8.8	TORNILLO CAB.ALLEN CON HUECO
52	B01300126R	SPES. 40 48 1 ZINC.ST_013	SHIM	ENTRETOISE	DISTANZSTUECK 40 408 1	ESPE. 40 48 1 CINC.EST_013
53	B01300125R	SPES. 40 48 0,5 ZINCATO	SHIM GALV	ENTRETOISE GALV	DISTANZSTUECK 40 48 0,5	ESPE. 40 48 0,5 CINCADO
54	F01200293R	DADO M12X1,75 U5588 CL8 ZN	NUT M12X1,75 U5588 6S ZN	ECROU M12X1,75 U5588 6S ZN	MUTTER M12X1,75 U5588 6S ZN	TUERCA M12X1,75 U5588 CL8 ZN
55	F01410076R	ROS.M12 13X 24X2,5 U6592 ZN	WASHER 12 13X 24X2,5 U6592 ZN	RONDEL. M12 13X24X2,5 U6592 ZN	SCHEIBE M12 13X24X2,5 U6592 ZN	ARAND.M12 13X 24X2,5 U6592 ZN
56	B03500324R	ALBERO LUNGO SPRINTER	SHAFT	ARBRE LONG SPRINTER	LANG WELLE	RBOL LARGO SPRINTER
57	B02043517R	CUSC.. 6207-2RS CAT.B-ST004	BEARING	ROULEMENT	LAGER 6207-2RS	COJIN. 6207-2RS CAT.B-ST00
58	B013P0150R	CHIUSURA RULLI PULITORE	ROLLER LOCK	FERMETURE ROULEAUX	WALZEN VERSCHLUSS	CIERRE DE RODILLOS DEL LIMPIAD



**RULLI "20"
ROLLERS "20"**

TAV_060

Pos.	Cod.	Descrizione	Description	Description	Benennung	Descripcion
59	B0FMP0184R	SUPP CUSC RETTANG VERN CAPP	BEARING SUPPORT			
60	B04400001R	CAP. CHIUSO 110X10 TIPO C	CAP	COUVERCLE	GESCHLOSSENE KAPPE	CAP. CERRADO 110X10 TIPO C
61	B0C6P0430R	SPES. PER ATTACCO H20	SHIM	ENTRETOISE	DICHTUNG FUER ANSCHLUSS H 20	ESPE. PARA CONEXI N H20
62	B0C6P0429R	ATTACCO DX RULLO SPIRALE H20	ATTACHEMENT	ATTELAGE	ANSCHLUSS RECHTS WALZE	CONEXI N DER RODILLO ESPIRAL H
63	F01410076R	ROS.M12 13X 24X2,5 U6592 ZN	WASHER 12 13X 24X2,5 U6592 ZN	RONDEL. M12 13X24X2,5 U6592 ZN	SCHEIBE M12 13X24X2,5 U6592 ZN	ARAND.M12 13X 24X2,5 U6592 ZN
64	F01230213R	DADO M12X1,75 D985 8 ZN	NUT M12X1,75 U7474 6SZN	ECROU AUTOBL. M12	SELBSTSPERR.MUTTER M12	TUERCA M12X1,75 U7474 CL8 ZN
65	B0C6P0428R	ATTACCO SX RULLO SPIRALE H20	ATTACHEMENT	ATTELAGE	ANSCHLUSS LINKS WALZE	CONEXI N IZQ RODILLO ESPIRAL H

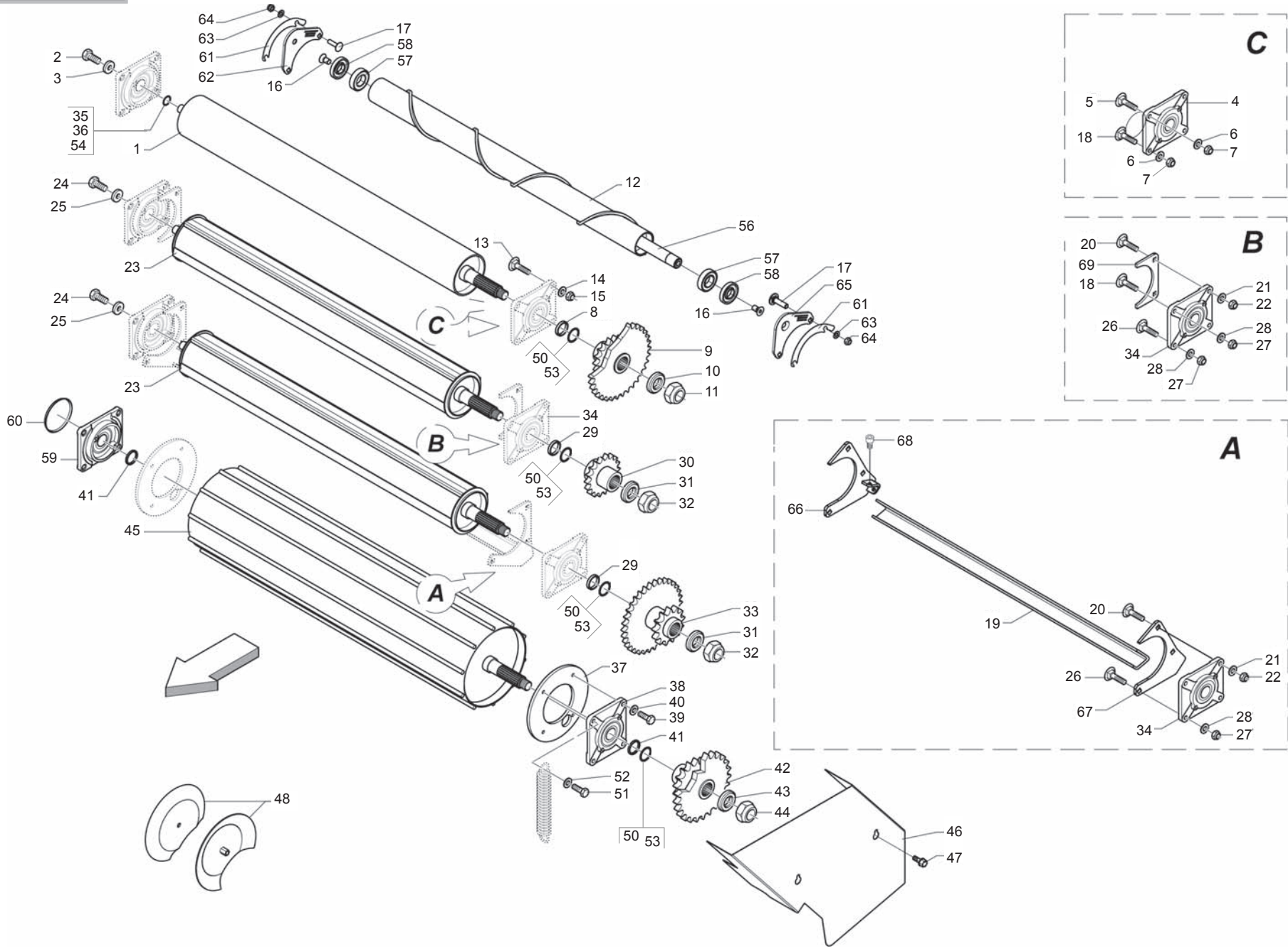


**RULLI CUT "20"
ROLLERS CUT "20"**

TAV_065

Pos.	Cod.	Descrizione	Description	Description	Benennung	Descripcion
1	B07S00942R	RULLO MOT. INFERIORE NL	LOWER MOTOR ROLLER	ROULEAU MOTEUR INFERIEUR	UNTERE MOTORWALZE	RODILLO DEL MOT. INFERIOR NL
2	F01020564R	VITE M16X2X35 U5739 8.8ZN	SCR. M16X2X35 U5739 8.8ZN	VIS M 16X35	SCHRAUBE M 16X35	TORNILLO M16X2X35 U5739 8
3	B01515091R	RALLA 17 52 6	FIFTH WHEEL	BUTEE	SCHEIBE	RANGUA 17 52 6
4	B0FMP0183R	SUPPORTO CUSCIN. RETTANG VERN	BEARING SUPPORT			
5	B00523421R	VITE SPECIALE TTQST M12X35-8.8	SPECIAL SCREW	VIS SPECIALE	SCHRAUBE TTQST M12X 35-8.8	TORNILLO ESPECIAL TTQST M12X3
6	F01410076R	ROS.M12 13X 24X2,5 U6592 ZN	WASHER 12 13X 24X2,5 U6592 ZN	RONDEL. M12 13X24X2,5 U6592 ZN	SCHEIBE M12 13X24X2,5 U6592 ZN	ARAND.M12 13X 24X2,5 U6592 ZN
7	F01230213R	DADO M12X1,75 D985 8 ZN	NUT M12X1,75 U7474 6SZN	ECROU AUTOBL. M12	SELBSTSPERR.MUTTER M12	TUERCA M12X1,75 U7474 CL8 ZN
8	B01300845R	DISTANZIALE 40X50X4	SPACER	ENTRETOISE	DISTANZSCHEIBE 40X50X4	DISTANCIADOR 40X50X4
9	B03400287R	INGR. Z=23 10; 1, 1; ISO 16B-1	SMOOTH ROLLER GEAR Z=23-10 1	ENGRANAGE	ZAHNRAD Z=23-10 1	ENGR. Z=23 10; 1, 1; ISO 16B-1
10	B014R3050R	ROSETTA 30 UNI 5714-69 E DEIDR	WASHER	RONDELLE	BEILAGSSCHEIBE	ARANDELA 30 UNI 5714-69 E DEID
11	F01230291R	DADO M30X2 D985 ZN	NUT M30X2 D985 ZN	ECROU AUTOB. M30X2 DIN 985 ZN	SELBSTSP. MU. M30X2 DIN 985 ZN	TUERCA M30X2 D985 ZN
12	B07SP0333R	RULLO AIUTO PRODOTTO SPRINTER	ROLLER SPRINTER			RODILLO DE SOPORTE DE PRODU
13	B00523395R	VITE SPECIALE TTQST M12X45-8.8	SPECIAL SCREW	VIS SPECIALE	SCHRAUBE TTQST M12X 45-8.8	TORNILLO ESPECIAL TTQST M12X4
14	F01410076R	ROS.M12 13X 24X2,5 U6592 ZN	WASHER 12 13X 24X2,5 U6592 ZN	RONDEL. M12 13X24X2,5 U6592 ZN	SCHEIBE M12 13X24X2,5 U6592 ZN	ARAND.M12 13X 24X2,5 U6592 ZN
15	F01230213R	DADO M12X1,75 D985 8 ZN	NUT M12X1,75 U7474 6SZN	ECROU AUTOBL. M12	SELBSTSPERR.MUTTER M12	TUERCA M12X1,75 U7474 CL8 ZN
16	F01030524R	VIT.M16X 2X 30 U5933 10.9 ZD	SCREW M16X2X30 U5933 10.9 ZD			TOR.M16X 2X 30 U5933 10.9 ZD
17	F01410100R	ROS.M16 17X 30X 3 U6592 ZN	WASHER M16 17X30X3 U6592 ZN	RONDELLE M16 17X30X3 ZN	SCHRAUBE M16 17X 30X3 U6592 ZN	ARAND.M16 17X 30X 3 U6592 ZN
18	B005C0002R	VITE TTQST 12X35-8.8 TORNITA	SCREW	VIS	SCHRAUBE	TORNILLO TTQST 12X35-8.8 TORN
19	B0C1P0218R	CORPO TRAVERSA	CROSSBAR FRAME			CUERPO DEL TRAVESA O
20	B00523395R	VITE SPECIALE TTQST M12X45-8.8	SPECIAL SCREW	VIS SPECIALE	SCHRAUBE TTQST M12X 45-8.8	TORNILLO ESPECIAL TTQST M12X4
21	F01410076R	ROS.M12 13X 24X2,5 U6592 ZN	WASHER 12 13X 24X2,5 U6592 ZN	RONDEL. M12 13X24X2,5 U6592 ZN	SCHEIBE M12 13X24X2,5 U6592 ZN	ARAND.M12 13X 24X2,5 U6592 ZN
22	F01230213R	DADO M12X1,75 D985 8 ZN	NUT M12X1,75 U7474 6SZN	ECROU AUTOBL. M12	SELBSTSPERR.MUTTER M12	TUERCA M12X1,75 U7474 CL8 ZN
23	B07SP0062R	RULLO LT	LT ROLLER	ROULEAU LT	WALZE LT	RODILLO LT
24	F01020564R	VITE M16X2X35 U5739 8.8ZN	SCR. M16X2X35 U5739 8.8ZN	VIS M 16X35	SCHRAUBE M 16X35	TORNILLO M16X2X35 U5739 8
25	B01515091R	RALLA 17 52 6	FIFTH WHEEL	BUTEE	SCHEIBE	RANGUA 17 52 6
26	B00523421R	VITE SPECIALE TTQST M12X35-8.8	SPECIAL SCREW	VIS SPECIALE	SCHRAUBE TTQST M12X 35-8.8	TORNILLO ESPECIAL TTQST M12X3
27	F01230213R	DADO M12X1,75 D985 8 ZN	NUT M12X1,75 U7474 6SZN	ECROU AUTOBL. M12	SELBSTSPERR.MUTTER M12	TUERCA M12X1,75 U7474 CL8 ZN
28	F01410076R	ROS.M12 13X 24X2,5 U6592 ZN	WASHER 12 13X 24X2,5 U6592 ZN	RONDEL. M12 13X24X2,5 U6592 ZN	SCHEIBE M12 13X24X2,5 U6592 ZN	ARAND.M12 13X 24X2,5 U6592 ZN
29	B01300845R	DISTANZIALE 40X50X4	SPACER	ENTRETOISE	DISTANZSCHEIBE 40X50X4	DISTANCIADOR 40X50X4
30	B03400235R	INGRANAGGIO Z=11-1	GEAR Z=11-1	ENGRANAGE	ZAHNRAD Z=11-1	ENGRANAJE Z=11-1
31	B014R3050R	ROSETTA 30 UNI 5714-69 E DEIDR	WASHER	RONDELLE	BEILAGSSCHEIBE	ARANDELA 30 UNI 5714-69 E DEID
32	F01230291R	DADO M30X2 D985 ZN	NUT M30X2 D985 ZN	ECROU AUTOB. M30X2 DIN 985 ZN	SELBSTSP. MU. M30X2 DIN 985 ZN	TUERCA M30X2 D985 ZN
33	B034P0006R	INGR.RULLO BACC.INF.Z=23-12 1	LOWER GEAR ROLLER Z=23-12 1	ENGRANAGE ROULEAU INF. Z=23-12	ZAHNRAD	ENGR.RODILLO BACC.INF.Z=23-12
34	B0FMP0183R	SUPPORTO CUSCIN. RETTANG VERN	BEARING SUPPORT			
35	B01300151R	SPES. 40 48 2 ZINCATO	SHIM	ENTRETOISE	DISTANZSTUECK 40 48 2	ESPE. 40 48 2 CINCADO
36	B01300125R	SPES. 40 48 0,5 ZINCATO	SHIM GALV	ENTRETOISE GALV	DISTANZSTUECK 40 48 0,5	ESPE. 40 48 0,5 CINCADO
37	B0C003056R	PIASTRA INTERNA RULLO GRANDE	ROLLER INNER PLATE	TOLE INTERIEUR ROULEAU	WALZEN INNENSCHIEBE	PLACA INTERNA DE RODILLO GRAN
38	B0FMP0183R	SUPPORTO CUSCIN. RETTANG VERN	BEARING SUPPORT			
39	F01020512R	VITE M12X1,75X35 U5739 8.8ZN	SCR. M12X1,75X35 U5739 8.8ZN	VIS M12X1,75X35 5739 8.8 ZN	SCHR. M12X1,75X35 5739 8.8 ZN	TORNILLO M12X1,75X35 U5739 8
40	F01410076R	ROS.M12 13X 24X2,5 U6592 ZN	WASHER 12 13X 24X2,5 U6592 ZN	RONDEL. M12 13X24X2,5 U6592 ZN	SCHEIBE M12 13X24X2,5 U6592 ZN	ARAND.M12 13X 24X2,5 U6592 ZN
41	B01300151R	SPES. 40 48 2 ZINCATO	SHIM	ENTRETOISE	DISTANZSTUECK 40 48 2	ESPE. 40 48 2 CINCADO
42	B03400290R	INGR.RULLO GRANDE Z=16-24 1	BIG ROLLER GEAR Z=16-24 1	ENGRANAGE	ZAHNRAD	ENGR.RODILLO GRANDE Z=16-24 1
43	B014R3050R	ROSETTA 30 UNI 5714-69 E DEIDR	WASHER	RONDELLE	BEILAGSSCHEIBE	ARANDELA 30 UNI 5714-69 E DEID
44	F01230291R	DADO M30X2 D985 ZN	NUT M30X2 D985 ZN	ECROU AUTOB. M30X2 DIN 985 ZN	SELBSTSP. MU. M30X2 DIN 985 ZN	TUERCA M30X2 D985 ZN
45	B07S01841R	RULLO GRANDE NEW	BIG ROLLER	ROUELAU GRAND NEW	GROSSE WALZE	RODILLO GRANDE NEW
46	B0C3P0001R	CARTER	GUARD	CARTER	CARTER	C RTER
47	B00370001R	VITE TE M 8X16 A SEZ.TRILOBATA	SCREW TRE M 8X16 SEZ TROUBLED	VIS	SCHRAUBE M 8X15	TORNILLO CHEX M 8X16 A SECC. T
48	B07S01845R	TAZZA RESTRINGIMENTO	CHAMBER TIGHTENING CUPS	TASSE DE RETRECISSEMENT NEW	KAMMERVERENGUNGSTASSEN	PLATILLO DE REDUCCI N
50	B01300126R	SPES. 40 48 1 ZINC.ST_013	SHIM	ENTRETOISE	DISTANZSTUECK 40 48 1	ESPE. 40 48 1 CINC.EST_013
51	B00471235R	VITE TTEI M12X 35-8.8 UNBRA	SCREW	VIS	SCHRAUBE TTEI M12X35-8.8	TORNILLO CAB.ALLEN CON HUECO
52	F01420120R	ROS.M12 13X36X2,5 U6593 ZN	WASHER M12 13X36X2,5 U6593 ZN	RONDELLE M12 13X36X2,5 ZN	ARAND.M12 13X36X2,5 U6593 ZN	ARAND.M12 13X36X2,5 U6593 ZN
53	B01300125R	SPES. 40 48 0,5 ZINCATO	SHIM GALV	ENTRETOISE GALV	DISTANZSTUECK 40 48 0,5	ESPE. 40 48 0,5 CINCADO
54	B01300126R	SPES. 40 48 1 ZINC.ST_013	SHIM	ENTRETOISE	DISTANZSTUECK 40 48 1	ESPE. 40 48 1 CINC.EST_013
56	B03500324R	ALBERO LUNGO SPRINTER	SHAFT	ARBRE LONG SPRINTER	LANGE WELLE	RBOL LARGO SPRINTER
57	B02043517R	CUSC. 6207-2RS CAT.B-ST004	BEARING	ROULEMENT	LAGER 6207-2RS	COJIN. 6207-2RS CAT.B-ST00
58	B013P0150R	CHIUSURA RULLI PULITORE	ROLLER LOCK	FERMETURE ROULEAUX	WALZEN VERSCHLUSS	CIERRE DE RODILLOS DEL LIMPIAD
59	B0FMP0184R	SUPP CUSC RETTANG VERN CAPP	BEARING SUPPORT			

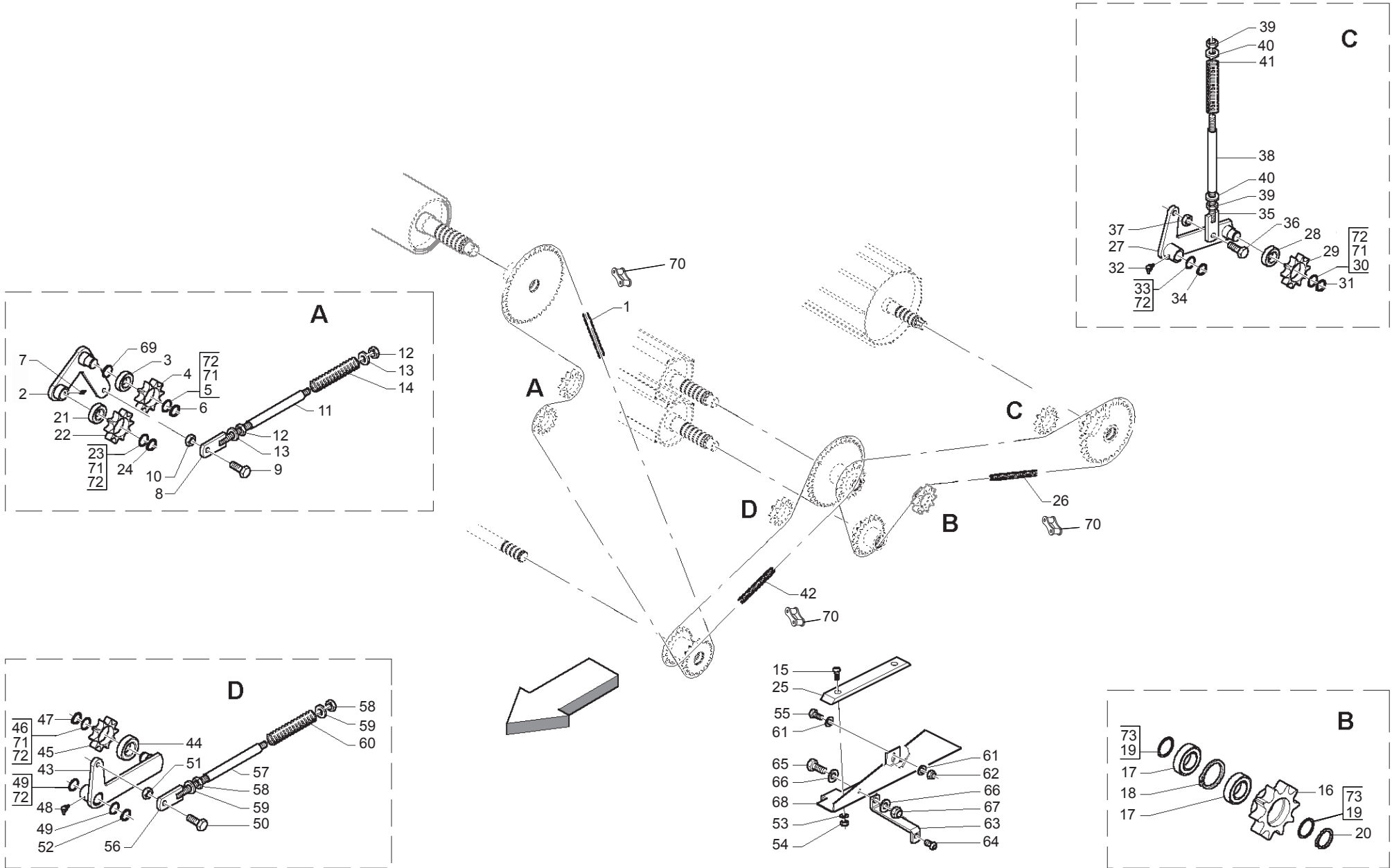
TAV_065



**RULLI CUT "20"
ROLLERS CUT "20"**

TAV_065

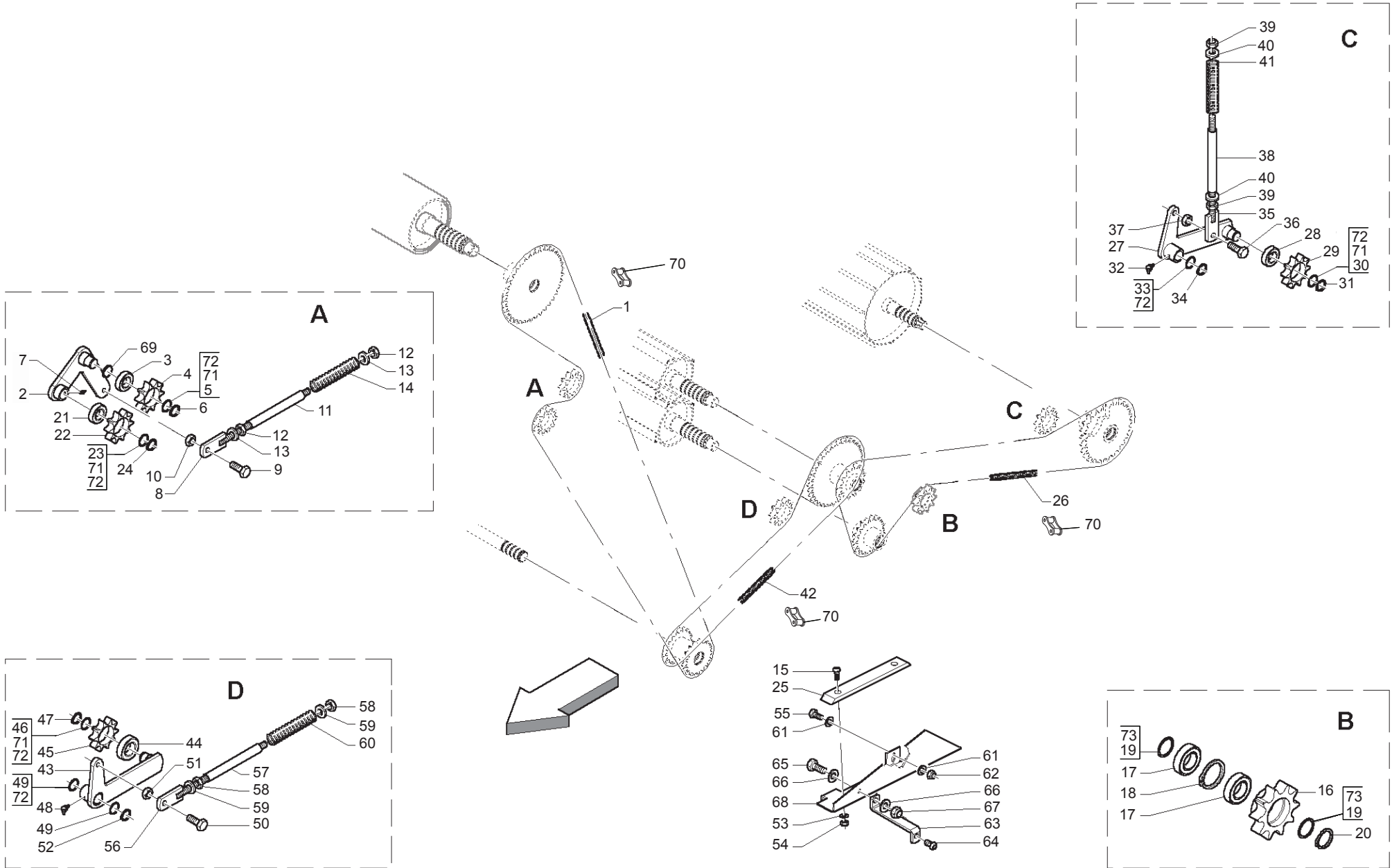
Pos.	Cod.	Descrizione	Description	Description	Benennung	Descripcion
60	B04400001R	CAP. CHIUSO 110X10 TIPO C	CAP	COUVERCLE	GESCHLOSSENE KAPPE	CAP. CERRADO 110X10 TIPO C
61	B0C6P0430R	SPES. PER ATTACCO H20	SHIM	ENTRETOISE	DICHTUNG FUER ANSCHLUSS H 20	ESPE. PARA CONEXI N H20
62	B0C6P0429R	ATTACCO DX RULLO SPIRALE H20	ATTACHEMENT	ATTELAGE	ANSCHLUSS RECHTS WALZE	CONEXI N DER RODILLO ESPIRAL H
63	F01410076R	ROS.M12 13X 24X2,5 U6592 ZN	WASHER 12 13X 24X2,5 U6592 ZN	RONDEL. M12 13X24X2,5 U6592 ZN	SCHEIBE M12 13X24X2,5 U6592 ZN	ARAND.M12 13X 24X2,5 U6592 ZN
64	F01230213R	DADO M12X1,75 D985 8 ZN	NUT M12X1,75 U7474 6SZN	ECROU AUTOBL. M12	SELBSTSPERR.MUTTER M12	TUERCA M12X1,75 U7474 CL8 ZN
65	B0C6P0428R	ATTACCO SX RULLO SPIRALE H20	ATTACHEMENT	ATTELAGE	ANSCHLUSS LINKS WALZE	CONEXI N IZQ RODILLO ESPIRAL H
66	B07SP0736R	ATTACCO LATERALE DX	RIGHT COUPLING			CONEXI N LATERAL DER
67	B07SP0735R	ATTACCO LATERALE SX	LEFT COUPLING			CONEXI N LATERAL IZQ.
68	B00471220R	VITE TTEI M12X 20-8.8 UNBRA	SCREW	VIS	SCHRAUBE TTEI M12X 20-8.8	TORNILLO CAB.ALLEN CON HUECO
69	B0C6P0003R	RIPARO RULLI ALETTATI	ROLLERS GUARD	PROTECTION ROULEAUX	SCHUETZ WALZEN	RESGUARDO RODILLOS CON ALET



**TRASMISSIONE
TRANSMISSION**

TAV_070

Pos.	Cod.	Descrizione	Description	Description	Benennung	Descripcion
1	B030E1143R	CATENA RULLI ISO 16 B-1 143M	ROLLER CHAIN ISO 16 B-1 143 M	CHAINE ROULEAUX ISO 16 B-1 143	WALZENKETTE	
2	B07SP0079R	BRACCIO TENDICATENA	CHAIN STRECHING ARM	BRAS TENDEUR CHAINE	RIEMENSPELLER	
3	F04010170R	CUSC.D25 D52 B15 6205 2RS EX	BEARING D25 D52 B15 6205 2RS	ROULEMENT 6205 2RS	LAGER 6205 2RS	COJIN.D25 D52 B15 6205 2RS EX
4	B03400274R	CORONA Z10-1 ISO F52 TRATT	SPROCKET Z=10-1	ENGRANAGE SPECIAL TRAITE	ZAHNKRANZ Z=10-1	CORONA Z10-1 ISO F52 TRA
5	B01300104R	SPES. 25,5 37 0,2	SHIM	ENTRETOISE	BEILAGSCHEIBE 25,5 37 0,2	ESPES. 25,5 37 0,2
6	F02050101R	ANELLO E. DE 25X 1,2 U7435 C7	SEEGER RING E. 25X1,2 7435 C70	SEEGER E. 25X 1,2 U7435 C70	SEEGERING E. 25X 1,2 U7435 C70	ANILLO E. DE 25X 1,2 U7435 C7
7	B04230610R	INGRASS.HYDR M6X1 RITTO L30	HYDR GREASER	GRAISSEUR HYDRAULIQUE	HYDRAUL. FETTBUECHSER	
8	B07S01758R	TIRANTE GALOPPINO M16	TIE ROD	TIRANT	ZUGSTANGE	TIRANTE DE LA POLEA M16
9	F01020510R	VITE M12X1,75X30 U5739 8.8ZN	SCR. M12X1,75X30 U5739 8.8ZN	VIS M12X1,75X30 U5739 8.8ZN	SCHRAU.M12X1,75X30 U5739 8.8ZN	TORNILLO M12X1,75X30 U5739
10	F01200293R	DADO M12X1,75 U5588 CL8 ZN	NUT M12X1,75 U5588 6S ZN	ECROU M12X1,75 U5588 6S ZN	MUTTER M12X1,75 U5588 6S ZN	TUERCA M12X1,75 U5588 CL8 ZN
11	B01300157R	DISTANZIALE 16,6X21,3X165	SPACER	ENTRETOISE	ABSTANZSTUECK 16,6X21,3X165	DISTANCIADOR 16,6X21,3X165
12	B00710516R	DADO M16X 2 U5588 6.8 ZN	NUT M16X2 U5588 6.8 ZN	ECROU	MUTTER M16-6S	TUERCA M16X 2 U5588 6.8
13	B01519319R	RALLA 16X38X5	FIFTH WHEEL	BUTEE	SCREIBE	RANGUA 16X38X5
14	B01800046R	MOLLA 6 30 180C	SPRING	RESSORT	FEDER	MUELLE 6 30 180C
15	B00470820R	VITE TTEI M 8X 20-10,9 UMBRAKO	SCREW	VIS	SCHRAUBE TTEI M 8X 20-10.9	TORNILLO CAB.ALLEN CON HUECO
16	B034P0013R	PIGNONE Z=13 -1	PINION	PIGNON	RITZEL	
17	B02043016R	CUSC. 6206-2RS CAT.B-ST004	BEARING	ROULEMENT	LAGER	
18	B01710062R	ANEL. D ARR. FORO 62-1 UNI3654	ANEL. D ARR. FORO 62-1 UNI3654	BAGUE SEEGER	SEEGERING 62-1	
19	B01300100R	SPES. 30,3 40 0,5 ZINCATO	SHIM GALV	ENTRETOISE GALV	DISTANZSTUECK 30,3 40 0,5	ESPES. 30,3 40 0,5 CINCADO
20	F02050112R	ANELLO E.DE 30X 1,5 U7435 ZN	SEEGER RING 30X 1,5 U7435 C70	SEEGER E. 30 X 1,5 U7435 C70	SEEGERING E. 30X 1,5 U7435 C70	ANILLO E. 30 X 1,5 U7435 C70
21	F04010170R	CUSC.D25 D52 B15 6205 2RS EX	BEARING D25 D52 B15 6205 2RS	ROULEMENT 6205 2RS	LAGER 6205 2RS	COJIN.D25 D52 B15 6205 2RS EX
22	B03400274R	CORONA Z10-1 ISO F52 TRATT	SPROCKET Z=10-1	ENGRANAGE SPECIAL TRAITE	ZAHNKRANZ Z=10-1	CORONA Z10-1 ISO F52 TRA
23	B01300104R	SPES. 25,5 37 0,2	SHIM	ENTRETOISE	BEILAGSCHEIBE 25,5 37 0,2	ESPES. 25,5 37 0,2
24	F02050101R	ANELLO E. DE 25X 1,2 U7435 C7	SEEGER RING E. 25X1,2 7435 C70	SEEGER E. 25X 1,2 U7435 C70	SEEGERING E. 25X 1,2 U7435 C70	ANILLO E. DE 25X 1,2 U7435 C7
25	B07631842R	GUIDA CATENA	CHAIN GUIDE	GUIDE	KETTENFUEHRUNG	GU A DE CADENA
26	B030E1070R	CATENA RULLI ISO 16 B-1 70M	ROLLER CHAIN ISO 16 B-1 70 M	CHAINE ROULEAUX	WALZENKETTE	
27	B07S00953R	BRACCIO TENDITORE SX	RIGHT TENSIONER ROD	BRAS TENDEUR GAUCHE	RECHTER SPANNARM	BRAZO TENSOR IZQ
28	F04010170R	CUSC.D25 D52 B15 6205 2RS EX	BEARING D25 D52 B15 6205 2RS	ROULEMENT 6205 2RS	LAGER 6205 2RS	COJIN.D25 D52 B15 6205 2RS EX
29	B03400274R	CORONA Z10-1 ISO F52 TRATT	SPROCKET Z=10-1	ENGRANAGE SPECIAL TRAITE	ZAHNKRANZ Z=10-1	CORONA Z10-1 ISO F52 TRA
30	B01300104R	SPES. 25,5 37 0,2	SHIM	ENTRETOISE	BEILAGSCHEIBE 25,5 37 0,2	ESPES. 25,5 37 0,2
31	F02050101R	ANELLO E. DE 25X 1,2 U7435 C7	SEEGER RING E. 25X1,2 7435 C70	SEEGER E. 25X 1,2 U7435 C70	SEEGERING E. 25X 1,2 U7435 C70	ANILLO E. DE 25X 1,2 U7435 C7
32	B04210610R	INGRAS HYDR A 45 M 6X1	GREASE NIPPLE	GRAISSEUR HYDRAULIQUE	SCHMIERNIPPEL M6X1 45	ENGRAS. HYDR A 45 M 6X1
33	B01300159R	SPES. 25 37 2 ZINCATO	SHIM GALV	ENTRETOISE GALV	DISTANZSTUECK 25 37 2	ESPES. 25 37 2 CINCADO
34	F02050101R	ANELLO E. DE 25X 1,2 U7435 C7	SEEGER RING E. 25X1,2 7435 C70	SEEGER E. 25X 1,2 U7435 C70	SEEGERING E. 25X 1,2 U7435 C70	ANILLO E. DE 25X 1,2 U7435 C7
35	B07S01441R	TIRANTE GALOPPINO M16	TIGHTENING PULLEY ROD M16	TIRANT M16	FUEHRUNGSROLLENSPANNSTANGE M16	TIRANTE DE LA POLEA M16
36	F01020510R	VITE M12X1,75X30 U5739 8.8ZN	SCR. M12X1,75X30 U5739 8.8ZN	VIS M12X1,75X30 U5739 8.8ZN	SCHRAU.M12X1,75X30 U5739 8.8ZN	TORNILLO M12X1,75X30 U5739
37	F01200293R	DADO M12X1,75 U5588 CL8 ZN	NUT M12X1,75 U5588 6S ZN	ECROU M12X1,75 U5588 6S ZN	MUTTER M12X1,75 U5588 6S ZN	TUERCA M12X1,75 U5588 CL8 ZN
38	B01300157R	DISTANZIALE 16,6X21,3X165	SPACER	ENTRETOISE	ABSTANZSTUECK 16,6X21,3X165	DISTANCIADOR 16,6X21,3X165
39	B00710516R	DADO M16X 2 U5588 6.8 ZN	NUT M16X2 U5588 6.8 ZN	ECROU	MUTTER M16-6S	TUERCA M16X 2 U5588 6.8
40	B01519319R	RALLA 16X38X5	FIFTH WHEEL	BUTEE	SCREIBE	RANGUA 16X38X5
41	B01800046R	MOLLA 6 30 180C	SPRING	RESSORT	FEDER	MUELLE 6 30 180C
42	B030E1074R	CATENA RULLI ISO 16 B-1 74M	ROLLER CHAIN ISO 16 B-1 74M	CHAINE ROULEAUX ISO 16 B-1 74M	WALZENKETTE	
43	B07S01321R	BRACCIO TENDITORE DX	RIGHT TENSIONER ARM	BRAS TENDEUR DROIT	RECHTER SPANNARM	
44	F04010170R	CUSC.D25 D52 B15 6205 2RS EX	BEARING D25 D52 B15 6205 2RS	ROULEMENT 6205 2RS	LAGER 6205 2RS	COJIN.D25 D52 B15 6205 2RS EX
45	B03400274R	CORONA Z10-1 ISO F52 TRATT	SPROCKET Z=10-1	ENGRANAGE SPECIAL TRAITE	ZAHNKRANZ Z=10-1	CORONA Z10-1 ISO F52 TRA
46	B01300104R	SPES. 25,5 37 0,2	SHIM	ENTRETOISE	BEILAGSCHEIBE 25,5 37 0,2	ESPES. 25,5 37 0,2
47	F02050101R	ANELLO E. DE 25X 1,2 U7435 C7	SEEGER RING E. 25X1,2 7435 C70	SEEGER E. 25X 1,2 U7435 C70	SEEGERING E. 25X 1,2 U7435 C70	ANILLO E. DE 25X 1,2 U7435 C7
48	B04210610R	INGRAS HYDR A 45 M 6X1	GREASE NIPPLE	GRAISSEUR HYDRAULIQUE	SCHMIERNIPPEL M6X1 45	ENGRAS. HYDR A 45 M 6X1
49	B01300159R	SPES. 25 37 2 ZINCATO	SHIM GALV	ENTRETOISE GALV	DISTANZSTUECK 25 37 2	ESPES. 25 37 2 CINCADO
50	F01020510R	VITE M12X1,75X30 U5739 8.8ZN	SCR. M12X1,75X30 U5739 8.8ZN	VIS M12X1,75X30 U5739 8.8ZN	SCHRAU.M12X1,75X30 U5739 8.8ZN	TORNILLO M12X1,75X30 U5739
51	F01200293R	DADO M12X1,75 U5588 CL8 ZN	NUT M12X1,75 U5588 6S ZN	ECROU M12X1,75 U5588 6S ZN	MUTTER M12X1,75 U5588 6S ZN	TUERCA M12X1,75 U5588 CL8 ZN
52	F02050101R	ANELLO E. DE 25X 1,2 U7435 C7	SEEGER RING E. 25X1,2 7435 C70	SEEGER E. 25X 1,2 U7435 C70	SEEGERING E. 25X 1,2 U7435 C70	ANILLO E. DE 25X 1,2 U7435 C7
53	F01410051R	ROS.M8 8,4X 17X1,6 U6592 ZN	WASHER M8 8,4X17X1,6 U6592 ZN	RONDELLE M8 8,4X17X1,6 ZN	SCHEIBE M8 8,4X17X1,6 U6592 ZN	ARAND.M8 8,4X 17X1,6 U6592 ZN
54	B00920208R	DADO AUTOB.BASSO M 8-5S D985	NUT M8X1 D985 8ZN	ECROU	SELBSTSICHERNDE MUTTER M8-5S	TUERCA M8X1 D985 8
55	F01020472R	VITE M10X1,5X25 U5739 8.8ZN	SCR. M10X1,5X25 U5739 8.8ZN	VIS M10X1,5X25 U5739 8.8 ZN	SCHRAUBE M10X1,5X25 U5739 8.8	TORNILLO M10X1,5X25 U5739 8.8
56	B07S01441R	TIRANTE GALOPPINO M16	TIGHTENING PULLEY ROD M16	TIRANT M16	FUEHRUNGSROLLENSPANNSTANGE M16	TIRANTE DE LA POLEA M16
57	B01300923R	DISTANZIALE 16,6X21,3X205	SPACER	ENTRETOISE	DISTANZSTUECK 16,6X21,3X205	

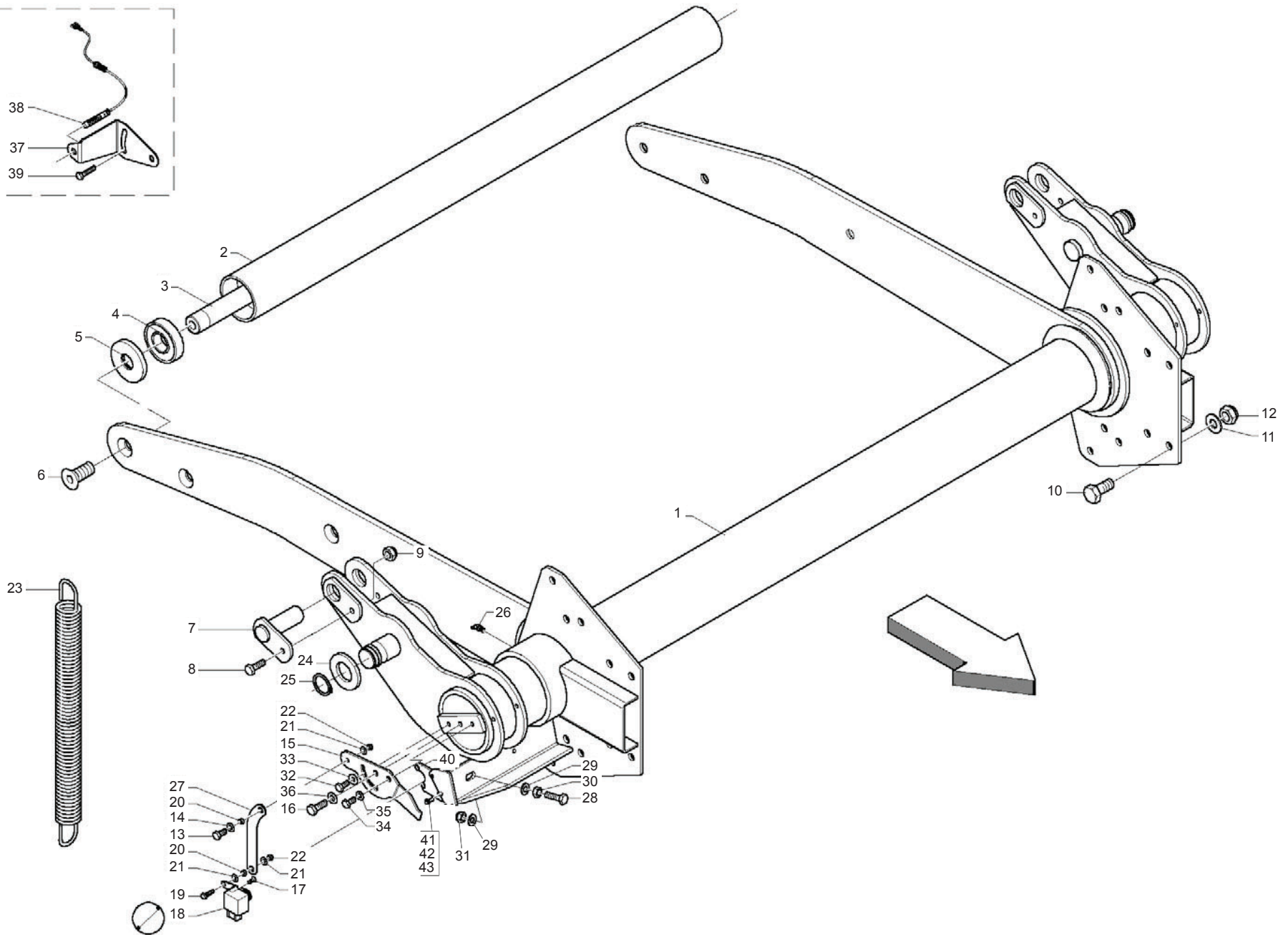
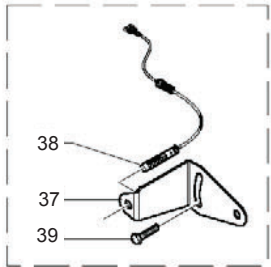


**TRASMISSIONE
TRANSMISSION**

TAV_070

Pos.	Cod.	Descrizione	Description	Description	Benennung	Descripcion
58	B00710516R	DADO M16X 2 U5588 6.8 ZN	NUT M16X2 U5588 6.8 ZN	ECROU	MUTTER M16-6S	TUERCA M16X 2 U5588 6.8
59	B01519319R	RALLA 16X38X5	FIFTH WHEEL	BUTEE	SCREIBE	RANGUA 16X38X5
60	B01800067R	MOLLA RASCHIATORE	TROTTER SPRING	RESSORT TROTTER	TROTTER FEDER	
61	F01410062R	ROS.M10 10,5X 18X 2 U6592 ZN	WASHER M10 10,5X 18X 2 U6592	RONDELLE M10 10,5X18X2 ZN	DICHTUNGSRING M10 10,5X18X2 ZN	ARAND.M10 10,5X 18X 2 U6592 ZN
62	F01230202R	DADO M10X 1,5 D985 8 ZN	NUT M10 D985	ECROU AUTOBL. M10	SELBSTSPERR.MUTTER M10	TUERCA M10X 1,5 D985 8
63	B0C005427R	SOSTEGNO LAT. SX INF.CARTER	GUARD FEEDER LEFT SIDE SUPPORT	SUPPORT LATERAL GAUCHE INF. CA	ANSCHLUSS SEITEN	SOPORTE LAT. IZQ1. INF. C RTER
64	B004N0820R	VITE NERA TTEI M 8X 20-10,9	SCREW	VIS	SCHRAUBE TTEI M 8X20-10,9	TORNILLO NEGRO CAB.ALLEN CON
65	F01020510R	VITE M12X1,75X30 U5739 8.8ZN	SCR. M12X1,75X30 U5739 8.8ZN	VIS M12X1,75X30 U5739 8.8ZN	SCHRAU.M12X1,75X30 U5739 8.8ZN	TORNILLO M12X1,75X30 U5739
66	F01410076R	ROS.M12 13X 24X2,5 U6592 ZN	WASHER 12 13X 24X2,5 U6592 ZN	RONDEL. M12 13X24X2,5 U6592 ZN	SCHIBE M12 13X24X2,5 U6592 ZN	ARAND.M12 13X 24X2,5 U6592 ZN
67	F01230213R	DADO M12X1,75 U7474 CL8 ZN	NUT M12X1,75 U7474 6SZN	ECROU AUTOBL. M12	SELBSTSPERR.MUTTER M12	TUERCA M12X1,75 U7474 CL8 ZN
68	B0C004908R	CARTER	GUARD	CARTER	ABDECKBLECH	C RTER
69	B013C0024R	SPES. 26,5X37X2	SHIM 26,5X37X2	EPAISSEUR 26,5X37X2	SCHEIBE 26,5X37X2	
70	B030E0017R	GIUNTO MOLL N26 ISO 16 B-1	SPRING JOINT N.26 ISO 16 B-1	JOINT RESSORT	KETTENFEDER	JUNTA DE MUELL N26 ISO 16 B-1
71	B01300104R	SPES. 25,5 37 0,2	SHIM	ENTRETOISE	BEILAGSCHEIBE 25,5 37 0,2	ESPE. 25,5 37 0,2
72	B01300105R	SPES. 25,5 37 0,5	SHIM	ENTRETOISE	DISTANZSTUECK 25,5 37 0,5	ESPE. 25,5 37 0,5
73	B01300152R	SPES. 30 40 1,5 ZINCATO	THICKNESS 30 40 1,5 GALV	ENTRETOISE 30 40 1,5	DISTANKSTUECK 30 40 1,5	

TAV_075

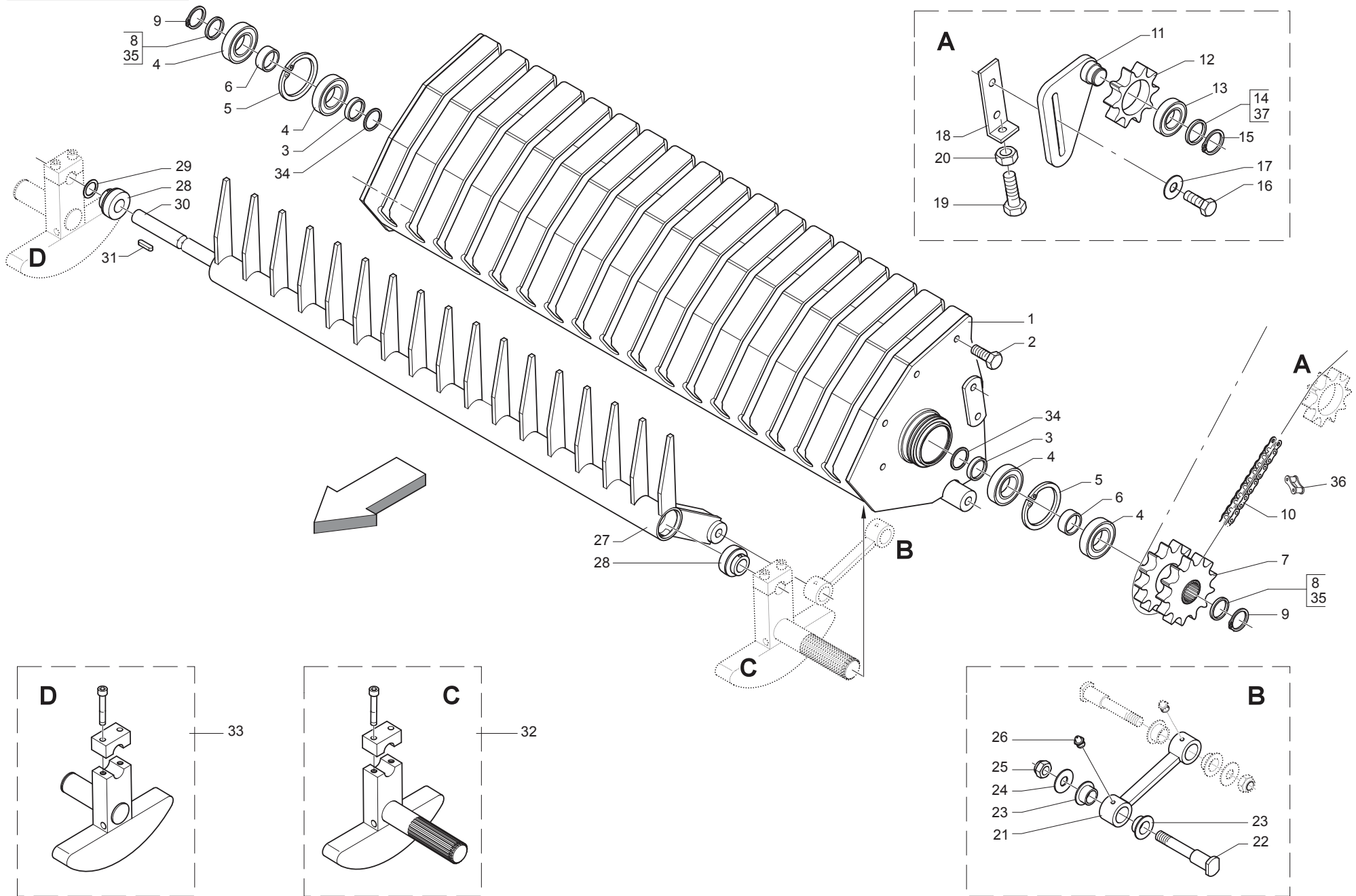


**BILANCIERE
BELT TENSIONER ARM**

TAV_075

Pos.	Cod.	Descrizione	Description	Description	Benennung	Descripcion
1	B07SP0072R	BRACCIO TENDICINGHIE LT	LT BELTS STRETCHING ARM	BRAS TENDEUR COURROIES LT	RIEMENSPANNERARM	
2	B03500165R	RULLO FOLLE	IDLE ROLLER	ROULEAU FOU	UMLLENKVALZE	RODILLO LOCO
3	B03500213R	ALBERO CORTO	SHORT SHAFT	ARBRE COURT	KURZE WELLE	RBOL CORTO
4	B02040002R	CUSCINETTO 6307-2RS CAT.KST004	BEARING	ROULEMENT CAT.KST004	LAGER 6307-2RS	COJINETE 6307-2RS CAT.KST004
5	B01300623R	CHIUSURA RULLI FOLLI	IDLE ROLLER LOCK	FERMETURE ROULEAUX FOUX	UMLLENKVALZENVERSCHLUSS	CIERRE DE RODILLOS LOCOS
6	F01030148R	VITE M16X2X35 U5933 10.9ZD	SCREW M16X2X35 U5933 10.9ZD	VIS M16X2X35 U5933 10.9ZD	SCHRAUBE M16X2X35 U5933 10.9ZD	TORNILLO M16X2X35 U5933 10.9ZD
7	B07S00936R	SPINA MARTINETTO PRESS.BALLA	JACK PIN	AXE VERIN	ZYLINDERBOLZEN	CLAVIJA DE CILINDRO PRENSADOR
8	F01020065R	VITE M 8X1,25X 30 U5737 8.8ZN	SCREW M 8X1,25X 30 U5737 8.8ZN			TORNILLO M 8X1,25X 30 U5737 8.
9	B00920208R	DADO AUTOB.BASSO M 8-5S D985	NUT M8X1 D985 8ZN	ECROU	SELBSTSICHERNDE MUTTER M8-5S	TUERCA M8X1 D985 8
10	F01020510R	VITE M12X1,75X30 U5739 8.8ZN	SCR. M12X1,75X30 U5739 8.8ZN	VIS M12X1,75X30 U5739 8.8ZN	SCHRAU.M12X1,75X30 U5739 8.8ZN	TORNILLO M12X1,75X30 U5739
11	F01410076R	ROS.M12 13X 24X2,5 U6592 ZN	WASHER 12 13X 24X2,5 U6592 ZN	RONDEL. M12 13X24X2,5 U6592 ZN	SCHIEBE M12 13X24X2,5 U6592 ZN	ARAND.M12 13X 24X2,5 U6592 ZN
12	F01230213R	DADO M12X1,75 U7474 CL8 ZN	NUT M12X1,75 U7474 6SZN	ECROU AUTOBL. M12	SELBSTSPERR.MUTTER M12	TUERCA M12X1,75 U7474 CL8 ZN
13	F01020408R	VITE M6X1X30 U5739 8.8ZN	SCR. M6X1X30 U5739 8.8ZN	VIS M 6X1X30	SCHRAUBE M 6X1X30	TORNILLO M6X1X30 U5739 8
14	F01420035R	ROS.M6 6,4X 18X1,6 U6593 ZN	WASHER D.6	RONDELLE D.6	KUPFERSCHIEBE D.6	ARAND.M6 6,4X 18X1,6 U6593
15	B0C6P0092R	REGOLO	RULE	REGLE	EINSTELLER	
16	F01020470R	VITE M10X1,5X20 U5739 8.8ZN	SCR. M10X1,5X20 U5739 8.8ZN	VIS M10X1,5X20 U5739 8.8 ZN	SCHRAUBE M10X1,5X20 U5739 ZN	TORNILLO M10X1,5X20 U5739 8
17	B00440510R	VITE TSPEI M 5X 10-10.9 UNI 5	SCREW	VIS	SCHRAUBE TSPEI M5X 10-10.9	TORNILLO CAB. AVE.ALLEN PAV.M
18	BZMRP0002R	POTENZIOMETRO DIMENSIONE BALLA	POTENTIOMETER CABLE	POTENTIOMETRE CABLE	POTENTIOMETER ADAPTERKABEL	POTENCI METRO DIMENSIONES DE
19	F01020408R	VITE M6X1X30 U5739 8.8ZN	SCR. M6X1X30 U5739 8.8ZN	VIS M 6X1X30	SCHRAUBE M 6X1X30	TORNILLO M6X1X30 U5739 8
20	B01300866R	BOCCOLA DI MOVIMENTO	BUSH	DOUILLE	BUCHSE	CASQUILLO DE MOVIMIENTO
21	F01420035R	ROS.M6 6,4X 18X1,6 U6593 ZN	WASHER D.6	RONDELLE D.6	KUPFERSCHIEBE D.6	ARAND.M6 6,4X 18X1,6 U6593
22	B00920106R	DADO M6X1 D985 8ZN	NUT	ECROU	SELBSTSICHERNDE MUTTER M6-5S	TUERCA M6X1 D985 8
23	B01800094R	MOLLA BILANCIERE LT	SPRING	RESSORT BALANCIER LT	FEDER	
24	B01519128R	RALLA 35 60 6	35 52 6 FIFTH WHEEL	RONDELLE	GEWINDERING 35 52 6	
25	B01700035R	ANEL. D ARR. ALB. 35-E UNI3653	SEEGER RING	BAGUE SEEGER	SEEGERRING 35-E	ANIL. DE PARAD. RB. 35-E UNI3
26	B04211010R	INGRAS HYDR M10X1 45	GREASE NIPPLE	GRAISSEUR HYDRAULIQUE	SCHMIERNIPPEL M10X1 45	ENGRAS. HYDR M10X1 45
27	B0C6P0093R	SPOSTAMENTO SENSORE	SENSOR SHIFT	DEPLACEMENT CAPTEUR	SENSOR VERSCHIEBUNG	
28	F01020485R	VITE M10X1,5X50 U5739 8.8ZN	SCR. M10X1,5X50 U5739 8.8ZN	VIS M 10X50	SCHRAUBE M 10X50	TORNILLO M10X1,5X50 U5739 8
29	F01410062R	ROS.M10 10,5X 18X 2 U6592 ZN	WASHER M10 10,5X 18X 2 U6592	RONDELLE M10 10,5X18X2 ZN	DICHTUNGSRING M10 10,5X18X2 ZN	ARAND.M10 10,5X 18X 2 U6592 ZN
30	F01200416R	DADO M10X1,5 U5589 CL8 ZN 6SZN	NUT M10X1,5 U5589 6SZN	ECROU 10 UNI 5589 6.8 ZN	MUTTER 10 UNI 5589 6.8 ZN	TUERCA 10 UNI 5589 6.8 ZN
31	F01230202R	DADO M10X 1,5 D985 8 ZN	NUT M10 D985	ECROU AUTOBL. M10	SELBSTSPERR.MUTTER M10	TUERCA M10X 1,5 D985 8
32	F01020436R	VITE M8X1,25X20 U5739 8.8ZN	SCR. M8X1,25X20 U5739 8.8ZN	VIS M8X1,25X 20 U5739 8.8 ZN	SCHRAUBE M8X1,25X20U5739 8.8ZN	TORNILLO M8X1,25X20 U5739 8.8
33	F01420048R	ROS.M8 8,4X 24X 2 U6593 ZN	WASHER M8 8,4X 24X2 U6593 ZN	RONDELLE M8 8,4X24X 2 U6593 ZN	SCHIEBEN M8 8,4X24X 2 U6593 ZN	ARAND.M8 8,4X 24X 2 U6593 ZN
34	F01020436R	VITE M8X1,25X20 U5739 8.8ZN	SCR. M8X1,25X20 U5739 8.8ZN	VIS M8X1,25X 20 U5739 8.8 ZN	SCHRAUBE M8X1,25X20U5739 8.8ZN	TORNILLO M8X1,25X20 U5739 8.8
35	F01020436R	VITE M8X1,25X20 U5739 8.8ZN	SCR. M8X1,25X20 U5739 8.8ZN	VIS M8X1,25X 20 U5739 8.8 ZN	SCHRAUBE M8X1,25X20U5739 8.8ZN	TORNILLO M8X1,25X20 U5739 8.8
36	F01410062R	ROS.M10 10,5X 18X 2 U6592 ZN	WASHER M10 10,5X 18X 2 U6592	RONDELLE M10 10,5X18X2 ZN	DICHTUNGSRING M10 10,5X18X2 ZN	ARAND.M10 10,5X 18X 2 U6592 ZN
37	B0C6P0110R	PORTA SENSORE	SENSOR SUPPORT			PUERTA SENSOR
38	B0E0P0013R	SENS DIG.SCATOLA E BILANCERE	DIGITAL SENSOR PROXIMITY M12	CAPTEUR DIGITAL AVEC PROXIMITY	SENSOR MIT PROXIMITY M 12	SENS DIG.CAJA Y BALANC N
39	B00180655R	VITE M6X1X 55 U5739 8.8ZN	SCREW	VIS	ZINKSCHRAUBE TE M6X55-8.8 UNI	TORNILLO M6X1X 55 U5739 8.8ZN
40	B0C6P0401R	PROLUNGA ATTACCO POTENZIOMETRO	EXTENSION	RALLONGE	VERLAENGERUNG	
41	B00920106R	DADO M6X1 D985 8ZN	NUT	ECROU	SELBSTSICHERNDE MUTTER M6-5S	TUERCA M6X1 D985 8
42	B00180620R	VITE M6X1X20 U5739 8.8ZN	SCREW	VIS	SCHRAUBE	TORNILLO M6X1X20 U5739 8
43	F01410037R	ROS.M6 6,4X12,5X1,6 U6592 ZN	WASHER M6 6,4X12,5X1,6 U6592ZN	RONDEL.M6 6,4X12,5X1,6 U6592ZN	SCHIEB.M6 6,4X12,5X1,6 U6592ZN	ARAND.M6 6,4X12,5X1,6 U6592 ZN

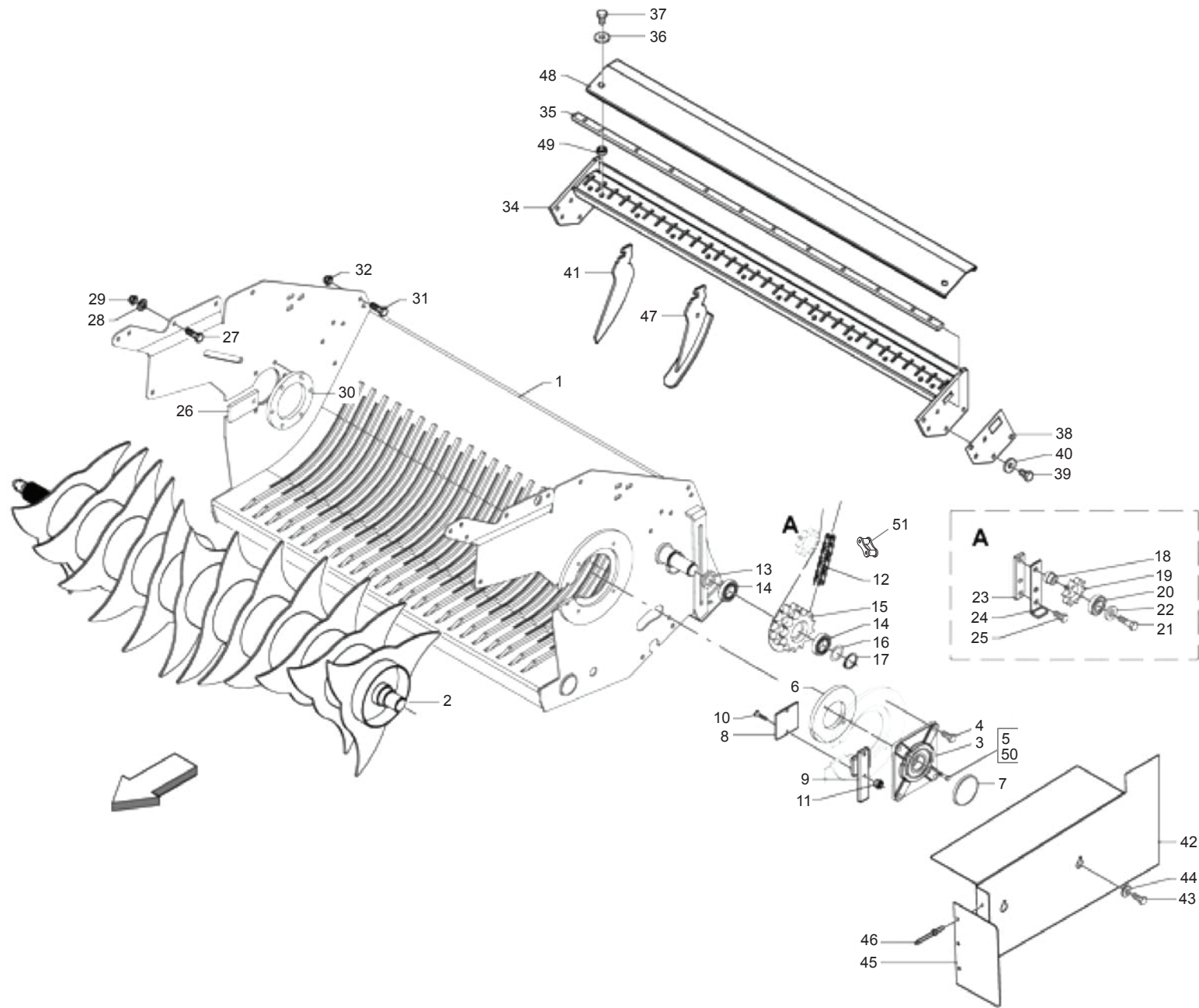
TAV_080



**INFALDATORE
FEEDING SYSTEM**

TAV_080

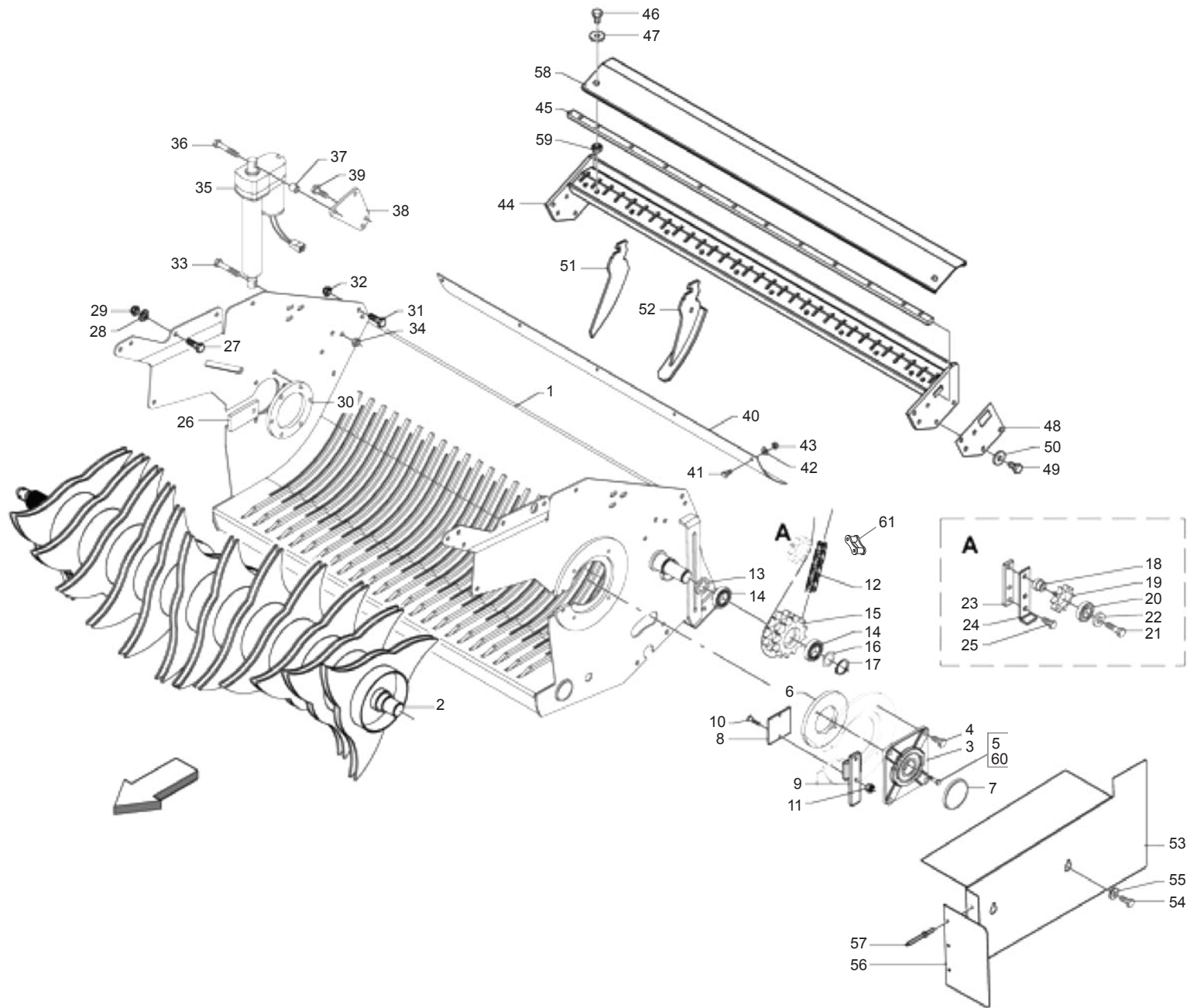
Pos.	Cod.	Descrizione	Description	Description	Benennung	Descripcion
1	B07S00967R	TELAIO INFALDATORE	FEEDING SYSTEM FRAME	CHASSIS AMENEUR	ZUBRINGER RAHMEN	BASTIDOR EMBOCADOR
2	F01020508R	VITE M12X1,75X25 U5739 8.8ZN	SCR. M12X1,75X25 U5739 8.8ZN	VIS M12X1,75X25 U5739 8.8 ZN	SCHRAUBE M12X1,75X25U57398.8ZN	TORNILLO M12X1,75X25 U5739
3	B01300605R	DISTANZIALE 35X42X 5	SPACER	ENTRETOISE	DISTANZSTUECK 35X42X5	DISTANCIADOR 35X42X 5
4	B02043517R	CUSC. 6207-2RS CAT.B-ST004	BEARING	ROULEMENT	LAGER 6207-2RS	COJIN. 6207-2RS CAT.B-ST00
5	F02050403R	ANELLO E. DI 72X 2,5 U7437 C7	SEEGER RING E.72X2,5 U7437 C70	SEEGER E. 72X 2,5 U7437 C70	SEEGERING E. 72X 2,5 U7437 C70	ANILLO E. DI 72X 2,5 U7437 C7
6	B01300523R	DISTANZIALE 35X 45X12,5	SPACER	ENTRETOISE	DISTANZSTUECK 35X45X12,5	DISTANCIADOR 35X 45X12,5
7	B03400237R	INGR.DOPPIO Z12-12 1 INFALD.	DOUBLE GEAR Z=12 21 1 FOR RAK	ENGRENAGE DOUBLE	DOPPEL ZAHNRAD Z=12-12 1	ENGR.DOBLE Z12-12 1 EMBOCADO
8	B01534416R	SPES. 35 43 1 ZINCATO	SHIM	ENTRETOISE	AUSGLEICHSCHEIBE 35X43X1	ESPE. 35 43 1 CINCADO
9	F02050145R	ANELLO E. DE 35X1,5 U7435 C70	SEEGER RING D.35	BAGUE SEEGER D.35	SEEGERRING D.35	ANILLO E. DE 35X1,5 U7435 C70
10	B030E0017R	GIUNTO MOLL N26 ISO 16 B-1	SPRING JOINT N.26 ISO 16 B-1	JOINT RESSORT	KETTENFEDER	JUNTA DE MUELL N26 ISO 16 B-1
11	B07S00958R	TIRANTE FISSO	TIE ROD	TIRANT FIXE	ZUGSTANGE	TIRANTE FIJO
12	B03400274R	CORONA Z10-1 ISO F52 TRATT	SPROCKET Z=10-1	ENGRANAGE SPECIAL TRAITE	ZAHNKRANZ Z=10-1	CORONA Z10-1 ISO F52 TRA
13	F04010170R	CUSC.D25 D52 B15 6205 2RS EX	BEARING D25 D52 B15 6205 2RS	ROULEMENT 6205 2RS	LAGER 6205 2RS	COJIN.D25 D52 B15 6205 2RS EX
14	B01300104R	SPES. 25,5 37 0,2	SHIM	ENTRETOISE	BEILAGSCHEIBE 25,5 37 0,2	ESPE. 25,5 37 0,2
15	F02050101R	ANELLO E. DE 25X 1,2 U7435 C7	SEEGER RING E. 25X1,2 7435 C70	SEEGER E. 25X 1,2 U7435 C70	SEEGERING E. 25X 1,2 U7435 C70	ANILLO E. DE 25X 1,2 U7435 C7
16	F01020152R	VITE M12X1,75X40 U5737 8.8ZN	SCR. M12X1,75X40 U5737 8.8ZN	VIS M12X1,75X40 U5737 8.8 ZN	SCHRAUBE M12X1,75X40U57378.8ZN	TORNILLO M12X1,75X40 U5737 8.
17	B01516038R	RALLA 13 32 5	FIFTH WHEEL	BUTEE	SCHEIBE	RANGUA 13 32 5
18	B0C005308R	TIRANTE INFALDATORE	FEEDER TIE ROD	TIRANT AMENEUR	RAFFER ZUSTAB	TIRANTE EMBOCADOR
19	F01020521R	VITE M12X1,75X65 U5739 8.8ZN	SCR. M12X1,75X65 U5739 8.8ZN	VIS M12X1,75X65 U5739 8.8ZN	SCHRAU.M12X1,75X65 U5739 8.8ZN	TORNILLO M12X1,75X65 U5739 8
20	F01200293R	DADO M12X1,75 U5588 CL8 ZN	NUT M12X1,75 U5588 6S ZN	ECROU M12X1,75 U5588 6S ZN	MUTTER M12X1,75 U5588 6S ZN	TUERCA M12X1,75 U5588 CL8 ZN
21	B07S00966R	BIELLA INFALDATORE	FEEDER CONNECTING ROD	BIELLE AMENEUR	RAFFERPLEUELSTANGE	BIELA EMBOCADOR
22	B035P0159R	PERNO BIELLA INFALDATORE	CONNECTING ROD PIN	TOURILLON BIELLE	PLEUELZAPFEN	PERNO BIELA EMBOCADOR
23	B02500002R	BUSSOLA NYLON 22X28X16,5	BUSH NYLON 22X28X16,5	DOUILLE EN NYLON 22X28X16,5	NYLONBUCHSE	CASQUILLO DE NAILON 22X28X16,5
24	B0C6P1263R	RALLA 22,2X40X3 OTTONE	WASHER	BUTEE	SCHEIBE	RANGUA 22,2X40X3 LAT N
25	B00920516R	DADO M16X 1,5 D985 6S ZN	NUT M16X1,5 D985 6S ZN	ECROU	SELBSTSICHERNDE MUTTER M16-5S	TUERCA M16X 1,5 D985 6S
26	F01100011R	ING.M 6X1 7663-A 9SMNPB28 ZN	GREASE NIPPLE M6X1 7663-A ZN	GRAISS. A BILLE M6X1 7663A ZN	SCHMIERBUECHE M6X1 7663-A ZN	ENG.M 6X1 7663-A 9SMNPB28 ZN
27	B07S00983R	INFALDATORE NL	FEEDER	AMENEUR	RAFFER	EMBOCADOR NL
28	B07S00126R	CUSCINETTO CON RALLA INFALDAT.	BEARING WITH FIFTH WHEEL	ROULEMENT AVEC BUTEE	LAGER MIT RING	COJINETE CON RANGUA
29	B01300106R	SPES. 25,5 37 1 ZINCATO	SHIM GALV	ENTRETOISE GALV	DISTANZSTUECK 25,5 37 1	ESPE. 25,5 37 1 CINCADO
30	B03500038R	ALBERO INFALDATORE	FEEDER SHAFT	ARBRE AMENEUR	RAFFER ANTRIEBSWELLE	RBOL EMBOCADOR
31	F02150063R	LINGUETTA 8X 7X 22 U6604A	TAB 8 X 7 X 22 U6604A			LENG ETA 8X 7X 22 U6604A
32	B07S00978R	BIELLA MOTORE INFALDATORE	MOTOR CONNECTING ROD	BIELLE MOTEUR AMENEUR	RAFFER TREIBSTANGE	BIELA DEL MOTOR DEL EMBOCADO
33	B07S00979R	BIELLA FOLLE INFALDATORE	IDLE CONNECTING ROD	BIELLE FOLLE AMENEUR	RAFFER UMLENKSTANGE	BIELA LOCA EMBOCADOR
34	B01522427R	SPES. 35 47 2	SHIM	ENTRETOISE	SCHEIBE	ESPE. 35 47 2
35	B01534415R	SPES. 35 43 0,5 ZINCATO	SHIM	ENTRETOISE	AUSGLEICHSCHEIBE 35X43X0,5	ESPE. 35 43 0,5 CINCADO
36	B030E1039R	CATENA RULLI ISO 16 B-1 39M	ROLLER CHAIN ISO16 B-1 39M	CHAINE ROULEAUX	WALZENKETTE ISO 16 B-1 39M	CADENA DE LOS RODILLOS ISO 16
37	B01300104R	SPES. 25,5 37 0,2	SHIM	ENTRETOISE	BEILAGSCHEIBE 25,5 37 0,2	ESPE. 25,5 37 0,2



ROTOR: TELAIO + ROTORE
ROTOR: FRAME + ROTOR

TAV_085

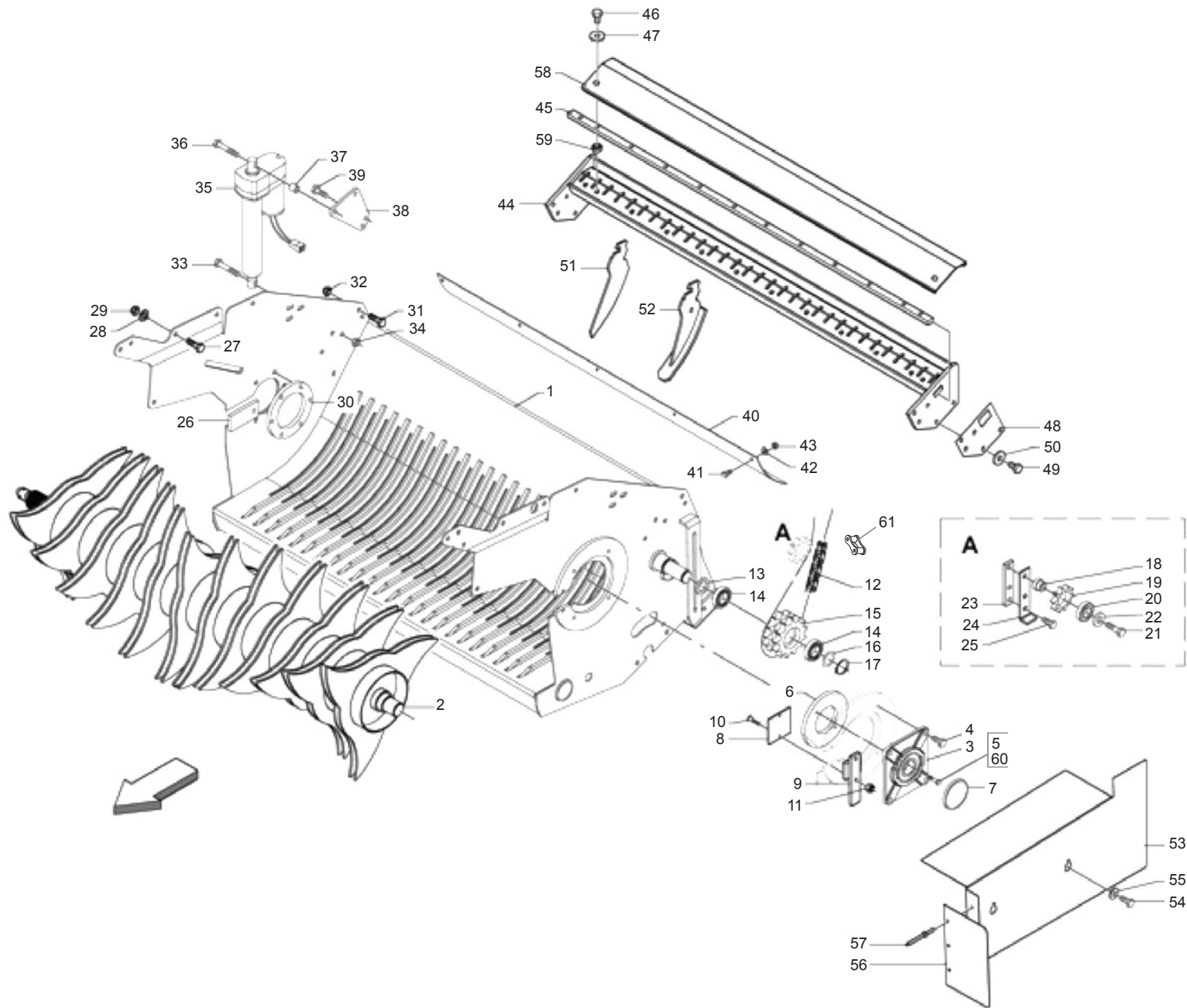
Pos.	Cod.	Descrizione	Description	Description	Benennung	Descripcion
1	B07SP0290R	TELAIO ROTOR	ROTOR FRAME			BASTIDOR DEL ROTOR
2	B07SP0289R	ROTORE CON DISCHI	ROTOR BLADES			ROTOR CON DISCOS
3	B0FMP0184R	SUPP CUSC RETTANG VERN CAPP	BEARING SUPPORT			
4	F01020510R	VITE M12X1,75X30 U5739 8.8ZN	SCR. M12X1,75X30 U5739 8.8ZN	VIS M12X1,75X30 U5739 8.8ZN	SCHRAU.M12X1,75X30 U5739 8.8ZN	TORNILLO M12X1,75X30 U5739
5	F01410051R	ROS.M8 8,4X 17X1,6 U6592 ZN	WASHER M8 8,4X17X1,6 U6592 ZN	RONDELLE M8 8,4X17X1,6 ZN	SCHEIBE M8 8,4X17X1,6 U6592 ZN	ARAND.M8 8,4X 17X1,6 U6592 ZN
6	B01300714R	CONTROFLANGIA SUPP. FOLLE	IDLE SUPPORT COUNTERFLANGE	CONTRE-BRISE SUPPORT FOU	GEGENFLANSCH	CONTRA-BRIDA SOP. LOCO
7	B04400001R	CAP. CHIUSO 110X10 TIPO C	CAP	COUVERCLE	GESCHLOSSENE KAPPE	CAP. CERRADO 110X10 TIPO C
8	B0C003746R	COMPENSO FESSURA SX	LEFT SLOT COMPENSATION	EPAISSEURE FENTE GAUCHE	LINKER SPALTENAUSGLEICH	COMPENSADO FISURA IZQ
9	B07SP0046R	FERMO COMPENSO LATO SX	LEFT SIDE SHIM LOCK	ARRET EPAISSEUR COTE GAUCHE	VERDICHUNG BLOCK	TOPE COMPENSADO LADO IZQ.
10	F01030060R	VITE M8X1,25X35 U5933 10.9ZD	SCREW M8X1,25X35 U5933 10.9ZD	VIS M8X1,25X35 U5933 10.9ZD	SCHRA.M8X1,25X35 U5933 10.9ZD	TORNILLO M8X1,25X35 U5933 10.9
11	B00920208R	DADO AUTOB.BASSO M 8-5S D985	NUT M8X1 D985 8ZN	ECROU	SELBSTSICHERNDE MUTTER M8-5S	TUERCA M8X1 D985 8
12	B030E0017R	GIUNTO MOLL N26 ISO 16 B-1	SPRING JOINT N.26 ISO 16 B-1	JOINT RESSORT	KETTENFEDER	JUNTA DE MUELL N26 ISO 16 B-1
13	B01330957R	DISTANZIALE 35-48-7	SPACER	ENTRETOISE	DISTANZSTUECK 35X48X7	DISTANCIADOR 35-48-7
14	B02043514R	CUSC.. 6007-2RS CAT.B-ST004	BEARING	ROULEMENT	LAGER 6007-2RS	COJIN. 6007-2RS CAT.B-ST00
15	B03400005R	CORONA Z-12 12 1	SPROCKET Z-12 12 1	COURONNE	KRANZ Z-12 12 1	CORONA Z-12 12 1
16	B01534416R	SPES. 35 43 1 ZINCATO	SHIM	ENTRETOISE	AUSGLEICHSCHIEBE 35X43X1	ESPE. 35 43 1 CINCADO
17	B01700035R	ANEL. D ARR. ALB. 35-E UNI3653	SEEGER RING	BAGUE SEEGER	SEEGERRING 35-E	ANIL. DE PARAD. RB. 35-E UNI3
18	B01300302R	PERNO GALOPPINO	PIN	TOURILLON	BOLZEN FUER KETTENZAHRAD	PERNO DE POLEA
19	B03400274R	CORONA Z10-1 ISO F52 TRATT	SPROCKET Z=10-1	ENGRANAGE SPECIAL TRAITE	ZAHNKRANZ Z=10-1	CORONA Z10-1 ISO F52 TRA
20	F04010170R	CUSC.D25 D52 B15 6205 2RS EX	BEARING D25 D52 B15 6205 2RS	ROULEMENT 6205 2RS	LAGER 6205 2RS	COJIN.D25 D52 B15 6205 2RS EX
21	F01020160R	VITE M12X1,75X60 U5737 8.8ZN	SCR. M12X1,75X60 U5737 8.8ZN	VIS M12X1,75X60 U5737 8.8 ZN	SCHRA.M12X1,75X60 U5737 8.8 ZN	TORNILLO M12X1,75X60 U5737 8.
22	B01518412R	RALLA 12 38 5	FIFTH WHEEL	BUTEE	SCHEIBE	RANGUA 12 38 5
23	B0C002390R	FERMO	LOCK	ARRET	ARRETIERUNG	TOPE
24	B0C002389R	REGISTRO	REGISTER	VANNE	STELLVORRICHTUNG	REGISTRO
25	F01020510R	VITE M12X1,75X30 U5739 8.8ZN	SCR. M12X1,75X30 U5739 8.8ZN	VIS M12X1,75X30 U5739 8.8ZN	SCHRAU.M12X1,75X30 U5739 8.8ZN	TORNILLO M12X1,75X30 U5739
26	B0C003748R	COMPENSO FESSURA DX	RIGHT SLOT COMPENSATION	EPAISSEUR FENTE DROITE	RECHTER SPALTENAUSGLEICH	COMPENSADO FISURA DER
27	F01020510R	VITE M12X1,75X30 U5739 8.8ZN	SCR. M12X1,75X30 U5739 8.8ZN	VIS M12X1,75X30 U5739 8.8ZN	SCHRAU.M12X1,75X30 U5739 8.8ZN	TORNILLO M12X1,75X30 U5739
28	F01410076R	ROS.M12 13X 24X2,5 U6592 ZN	WASHER 12 13X 24X2,5 U6592 ZN	RONDEL. M12 13X24X2,5 U6592 ZN	SCHEIBE M12 13X24X2,5 U6592 ZN	ARAND.M12 13X 24X2,5 U6592 ZN
29	F01230213R	DADO M12X1,75 D985 8 ZN	NUT M12X1,75 U7474 6SZN	ECROU AUTOBL. M12	SELBSTSPERR.MUTTER M12	TUERCA M12X1,75 U7474 CL8 ZN
30	B01300509R	CONTROFLANGIA SUPP. MOT.	MOTOR SUPPORT COUNTERFLANGE	CONTRE-FLASQUE SUPPORT MOTEUR	MOTORHALTERGEGENFLANSCH	CONTRA-BRIDA ADIC. MOT.
31	F01020514R	VITE M12X1,75X40 U5739 8.8ZN	SCR. M12X1,75X40 U5739 8.8ZN	VIS M12X1,75X40 U5739 8.8ZN	SCHRA. M12X1,75X40 U5739 8.8ZN	TORNILLO M12X1,75X40 U5739 8.
32	F01230213R	DADO M12X1,75 D985 8 ZN	NUT M12X1,75 U7474 6SZN	ECROU AUTOBL. M12	SELBSTSPERR.MUTTER M12	TUERCA M12X1,75 U7474 CL8 ZN
34	B07S01801R	TRAVERSA TOPCUT NEW	CROSS BAR	TRAVERSE TOPCUT NEW	QUERTRAEGER	TRAVESA O TOPCUT NEW
35	B0C005018R	ASTA DI SOSTEGNO	SUPPORT ROD	BARRE DE SUPPORT	STUETZSTANGE	BARRA DE SOST N
36	F01410062R	ROS.M10 10,5X 18X 2 U6592 ZN	WASHER M10 10,5X 18X 2 U6592	RONDELLE M10 10,5X18X2 ZN	DICHTUNGSRING M10 10,5X18X2 ZN	ARAND.M10 10,5X 18X 2 U6592 ZN
37	F01020476R	VITE M10X1,5X30 U5739 8.8ZN	SCR. M10X1,5X30 U5739 8.8ZN	VIS M10X1,5X30 U5739 8.8 ZN	SCHRAUBE M10X1,5X30U5739 8.8ZN	TORNILLO M10X1,5X30 U5739 8.8
38	B0C003616R	SPES. TRAVERSA RASCHIATORI	SCRAPER CROSS MEMBER SHIM	EPAISSEUR TRAVERSE RACLEUR	ABSTREIFER TRAEGER DISTANZSCHE	ESPE. TRAVESA O RASCADORES
39	F01020508R	VITE M12X1,75X25 U5739 8.8ZN	SCR. M12X1,75X25 U5739 8.8ZN	VIS M12X1,75X25 U5739 8.8 ZN	SCHRAUBE M12X1,75X25U57398.8ZN	TORNILLO M12X1,75X25 U5739
40	B01515797R	SPESSORE 13 25 5 ZINCATO	FIFTH WHEEL	BUTEE	SCHEIBE	RANGUA 13 25 5
41	B0C003977R	RASCHIATORE SMONTABILE	DETACHABLE SCRAPER	RACLEUR DEMONTABLE	DEMONTIERBARER ABSTREIFER	RASCADOR DESMONTABLE
42	B0C005268R	CARTER CUT	CUT GUARD	CARTER CUT	CARTER CUT	C RTER CUT
43	F01020436R	VITE M8X1,25X20 U5739 8.8ZN	SCR. M8X1,25X20 U5739 8.8ZN	VIS M8X1,25X 20 U5739 8.8 ZN	SCHRAUBE M8X1,25X20U5739 8.8ZN	TORNILLO M8X1,25X20 U5739 8.8
44	F01410051R	ROS.M8 8,4X 17X1,6 U6592 ZN	WASHER M8 8,4X17X1,6 U6592 ZN	RONDELLE M8 8,4X17X1,6 ZN	SCHEIBE M8 8,4X17X1,6 U6592 ZN	ARAND.M8 8,4X 17X1,6 U6592 ZN
45	B0C004239R	PROLUNGA CARTER CUT	CUT GUARD EXTENSION	RALLONGE CARTER CUT	VERLAENGERUNG CARTER CUT	ALARGADOR C RTER CUT
46	F02250111R	RIVETTO STR. 4 X6 U9200A AL	RIVET 4 X6	RIVET 4 X6	KUPFERNIET 4 X6	REMACHE EXTR. 4 X6 U9200A A
47	B07SP0298R	RASCHIATORE E PATTINO HTR	SCRAPER			RASCADOR Y PAT N HTR
48	B0C3P0153R	PROTEZIONI RASCHIATORI	PROTECTION	PROTECTION	SCHEUTZ ABSTERIFER	PROTECCIONES RASPADORES
49	B013C0126R	DISTANZIALE	SPACER	ENTRETOISE	DISTANZSTUECK	DISTANCIADOR
50	B00190850R	VITE M 8X1,25X 50 U5737 8.8ZN	SCREW	VIS	VERZINKTE SCHRAUBE	TORNILLO M 8X1,25X 50 U5737 8
51	B030E1039R	CATENA RULLI ISO 16 B-1 39M	ROLLER CHAIN ISO16 B-1 39M	CHAINE ROULEAUX	WALZENKETTE ISO 16 B-1 39M	CADENA DE LOS RODILLOS ISO 16



CUT 13: TELAIO + ROTORE
CUT 13: FRAME + ROTOR

TAV_090

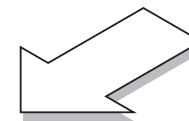
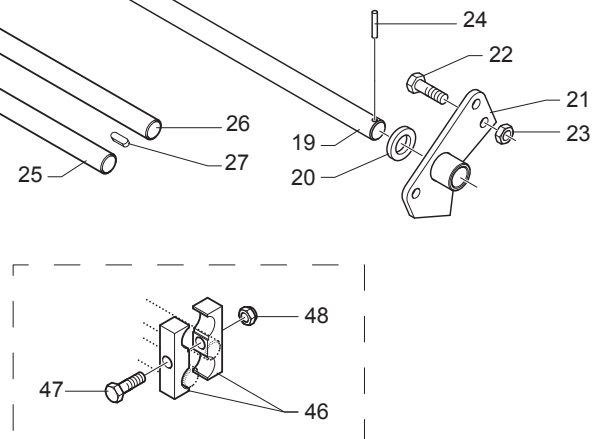
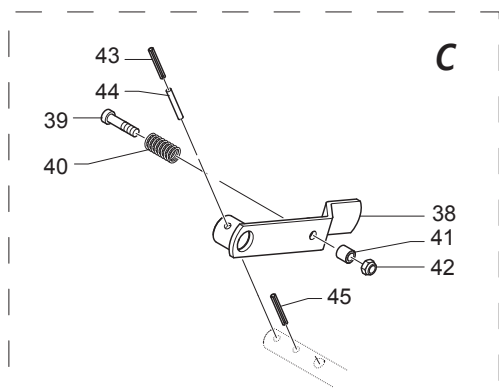
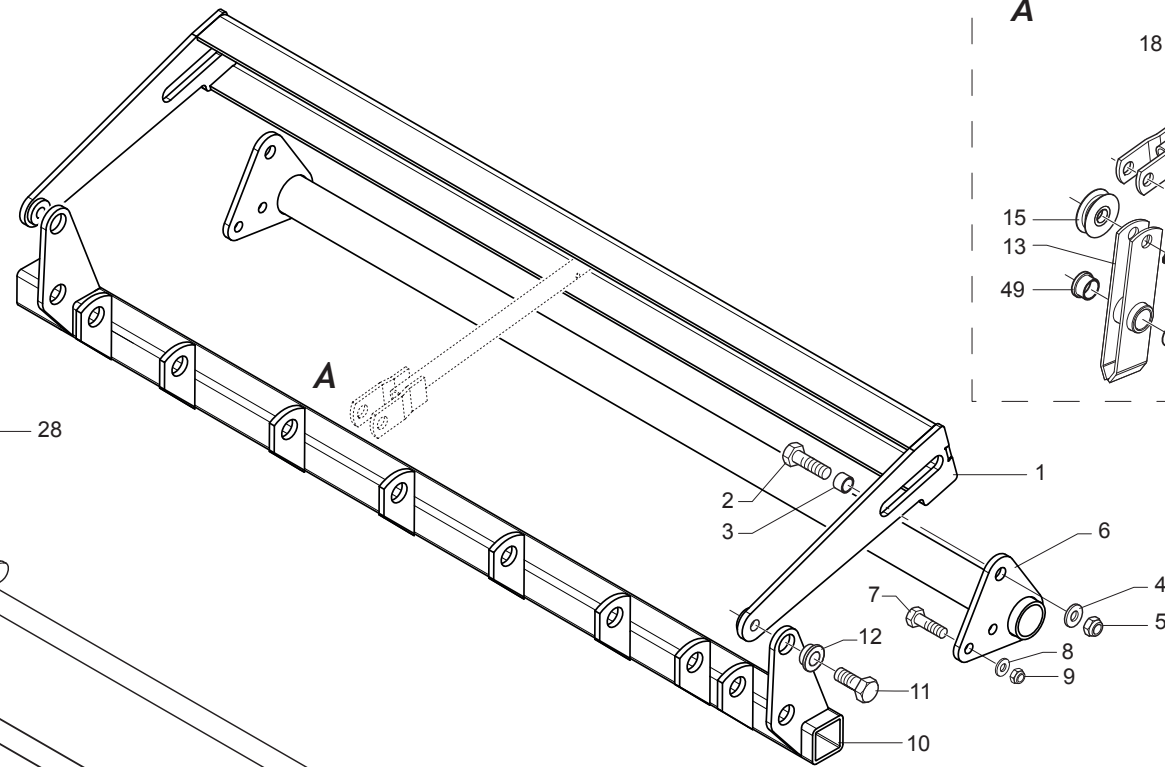
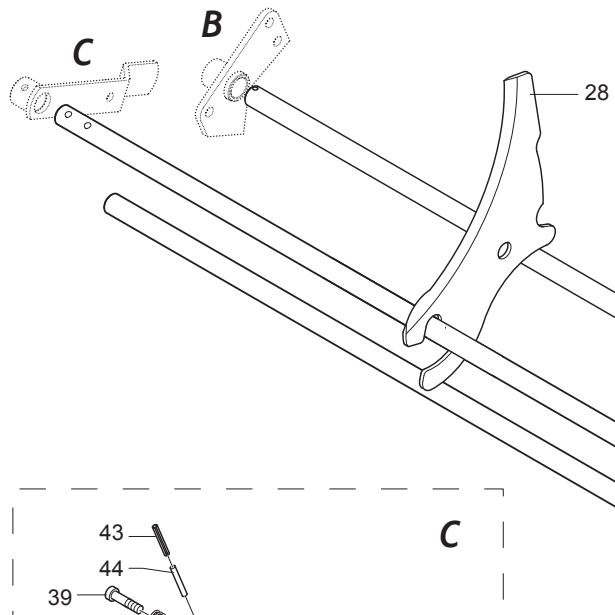
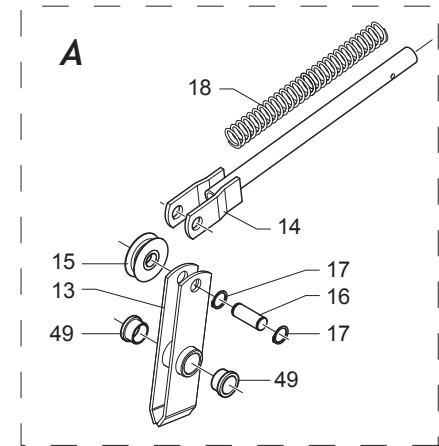
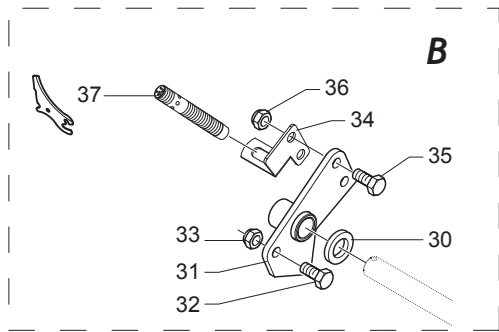
Pos.	Cod.	Descrizione	Description	Description	Benennung	Descripcion
1	B07S01791R	TELAIO TOPCUT NEW	NEW TOPCUT FRAME			BASTIDOR TOPCUT NEW
2	B07S01944R	ROT. CON DISCHI A 3 PUNTE HTC	ROTOR WITH 3 POINTED DISCS HTC	ROTOR AVEC DISQUES A 3 POINTS	ROTOR MIT SCHEIBEN	ROLL. CON DISCOS DE 3 PUNTAS H
3	B0FMP0184R	SUPP CUSC RETTANG VERN CAPP	BEARING SUPPORT			
4	F01020510R	VITE M12X1,75X30 U5739 8.8ZN	SCR. M12X1,75X30 U5739 8.8ZN	VIS M12X1,75X30 U5739 8.8ZN	SCHRAU.M12X1,75X30 U5739 8.8ZN	TORNILLO M12X1,75X30 U5739
5	B00190850R	VITE M 8X1,25X 50 U5737 8.8ZN	SCREW	VIS	VERZINKTE SCHRAUBE	TORNILLO M 8X1,25X 50 U5737 8
6	B01300714R	CONTROFLANGIA SUPP. FOLLE	IDLE SUPPORT COUNTERFLANGE	CONTRE-BRISE SUPPORT FOU	GEGENFLANSCH	CONTRA-BRIDA SOP. LOCO
7	B04400001R	CAP. CHIUSO 110X10 TIPO C	CAP	COUVERCLE	GESCHLOSSENE KAPPE	CAP. CERRADO 110X10 TIPO C
8	B0C003746R	COMPENSO FESSURA SX	LEFT SLOT COMPENSATION	EPAISSEURE FENTE GAUCHE	LINKER SPALTENAUSGLEICH	COMPENSADO FISURA IZQ
9	B07SP0046R	FERMO COMPENSO LATO SX	LEFT SIDE SHIM LOCK	ARRET EPAISSEUR COTE GAUCHE	VERDICHTUNG BLOCK	TOPE COMPENSADO LADO IZQ
10	F01030060R	VITE M8X1,25X35 U5933 10.9ZD	SCREW M8X1,25X35 U5933 10.9ZD	VIS M8X1,25X35 U5933 10.9ZD	SCHRA.M8X1,25X35 U5933 10.9ZD	TORNILLO M8X1,25X35 U5933 10.9
11	B00920208R	DADO AUTOB.BASSO M 8-5S D985	NUT M8X1 D985 8ZN	ECROU	SELBSTSICHERNDE MUTTER M8-5S	TUERCA M8X1 D985 8
12	B030E0017R	GIUNTO MOLL N26 ISO 16 B-1	SPRING JOINT N.26 ISO 16 B-1	JOINT RESSORT	KETTENFEDER	JUNTA DE MUELL N26 ISO 16 B-1
13	B01330957R	DISTANZIALE 35-48-7	SPACER	ENTRETOISE	DISTANZSTUECK 35X48X7	DISTANCIADOR 35-48-7
14	B02043514R	CUSC.. 6007-2RS CAT.B-ST004	BEARING	ROULEMENT	LAGER 6007-2RS	COJIN. 6007-2RS CAT.B-ST00
15	B03400005R	CORONA Z-12 12 1	SPROCKET Z-12 12 1	COURONNE	KRANZ Z-12 12 1	CORONA Z-12 12 1
16	B01534416R	SPES. 35 43 1 ZINCATO	SHIM	ENTRETOISE	AUSGLEICHSCHEIBE 35X43X1	ESPE. 35 43 1 CINCADO
17	B01700035R	ANEL. D ARR. ALB. 35-E UNI3653	SEEGER RING	BAGUE SEEGER	SEEGERRING 35-E	ANIL. DE PARAD. RB. 35-E UNI3
18	B01300302R	PERNO GALOPPINO	PERNO GALOPPINO	PIN	TOURILLON	PERNO DE POLEA
19	B03400274R	CORONA Z10-1 ISO F52 TRATT	SPROCKET Z=10-1	ENGRANAGE SPECIAL TRAITE	ZAHNKRANZ Z=10-1	CORONA Z10-1 ISO F52 TRA
20	F04010170R	CUSC.D25 D52 B15 6205 2RS EX	BEARING D25 D52 B15 6205 2RS	ROULEMENT 6205 2RS	LAGER 6205 2RS	COJIN.D25 D52 B15 6205 2RS EX
21	F01020160R	VITE M12X1,75X60 U5737 8.8ZN	SCR. M12X1,75X60 U5737 8.8ZN	VIS M12X1,75X60 U5737 8.8 ZN	SCHRA.M12X1,75X60 U5737 8.8 ZN	TORNILLO M12X1,75X60 U5737 8.
22	B01518412R	RALLA 12 38 5	FIFTH WHEEL	BUTEE	SCHEIBE	RANGUA 12 38 5
23	B0C002390R	FERMO	LOCK	ARRET	ARRETIERUNG	TOPE
24	B0C002389R	REGISTRO	REGISTER	VANNE	STELLVORRICHTUNG	REGISTRO
25	F01020510R	VITE M12X1,75X30 U5739 8.8ZN	SCR. M12X1,75X30 U5739 8.8ZN	VIS M12X1,75X30 U5739 8.8ZN	SCHRAU.M12X1,75X30 U5739 8.8ZN	TORNILLO M12X1,75X30 U5739
26	B0C003748R	COMPENSO FESSURA DX	RIGHT SLOT COMPENSATION	EPAISSEUR FENTE DROITE	RECHTER SPALTENAUSGLEICH	COMPENSADO FISURA DER
27	F01020510R	VITE M12X1,75X30 U5739 8.8ZN	SCR. M12X1,75X30 U5739 8.8ZN	VIS M12X1,75X30 U5739 8.8ZN	SCHRAU.M12X1,75X30 U5739 8.8ZN	TORNILLO M12X1,75X30 U5739
28	F01410076R	ROS.M12 13X 24X2,5 U6592 ZN	WASHER 12 13X 24X2,5 U6592 ZN	RONDEL. M12 13X24X2,5 U6592 ZN	SCHEIBE M12 13X24X2,5 U6592 ZN	ARAND.M12 13X 24X2,5 U6592 ZN
29	F01230213R	DADO M12X1,75 D985 8 ZN	NUT M12X1,75 U7474 6SZN	ECROU AUTOBL. M12	SELBSTSPERR.MUTTER M12	TUERCA M12X1,75 U7474 CL8 ZN
30	B01300509R	CONTROFLANGIA SUPP. MOT.	MOTOR SUPPORT COUNTERFLANGE	CONTRE-FLASQUE SUPPORT MOTEUR	MOTORHALTERGEGENFLANSCH	CONTRA-BRIDA ADIC. MOT.
31	F01020514R	VITE M12X1,75X40 U5739 8.8ZN	SCR. M12X1,75X40 U5739 8.8ZN	VIS M12X1,75X40 U5739 8.8ZN	SCHRA. M12X1,75X40 U5739 8.8ZN	TORNILLO M12X1,75X40 U5739 8.
32	F01230213R	DADO M12X1,75 D985 8 ZN	NUT M12X1,75 U7474 6SZN	ECROU AUTOBL. M12	SELBSTSPERR.MUTTER M12	TUERCA M12X1,75 U7474 CL8 ZN
33	F01020519R	VITE M12X1,75X 60 U5739 8.8ZN	SCREW M12X1,75X 60 U5739 8.8ZN			TORNILLO M12X1,75X 60 U5739 8
34	F01230213R	DADO M12X1,75 D985 8 ZN	NUT M12X1,75 U7474 6SZN	ECROU AUTOBL. M12	SELBSTSPERR.MUTTER M12	TUERCA M12X1,75 U7474 CL8 ZN
35	B0E000064R	ATTUATORE COLTELLI	KNIVES ACTUATOR D12 21B5 04	ACTIONNEUR	E-MOTOR WARNER D12 21B5 04	ACTUADOR DE CUCHILLAS
36	F01020524R	VITE M12X1,75X90 U5739 8.8ZN	SCR. M12X1,75X90 U5739 8.8ZN			TORNILLO M12X1,75X90 U5739 8
37	B01300746R	DISTANZIALE 12,5X21,3X15	SPACER			DISTANCIADOR 12,5X21,3X15
38	B07S01203R	ATTACCO ATTUATORE	ACTUATOR ATTACHMENT	ATTELAGE ACTIONNEUR	E-MOTOR HALTERUNG	CONEXI N DEL ACTUADOR
39	F01040201R	VITE M12X1,75X 35 8.8 U5931 Z	SCREW M12X1,75X 35 8.8 U5931 Z			TORNILLO M12X1,75X 35 8.8 U593
40	B07V00092R	PROT. MOLLE COLT.	KNIFE SPRING PROTECTION	PROTECTION RESSORTS COUTEAUX	MESSERFEDERSCHUTZ	PROT. MUELLE CUCH.
41	F01020436R	VITE M8X1,25X20 U5739 8.8ZN	SCR. M8X1,25X20 U5739 8.8ZN	VIS M8X1,25X 20 U5739 8.8 ZN	SCHRAUBE M8X1,25X20 U5739 8.8ZN	TORNILLO M8X1,25X20 U5739 8.8
42	F01420049R	ROS.M8 8,4X 32X 2 U6593 ZN	WASHER M8 8,4X32X2 U6593 ZN	RONDELLA M8 8,4X32X2 U6593 ZN	SCHEIBE M8 8,4X32X2 U6593 ZN	ARAND.M8 8,4X 32X 2 U6593 ZN
43	B00920208R	DADO AUTOB.BASSO M 8-5S D985	NUT M8X1 D985 8ZN	ECROU	SELBSTSICHERNDE MUTTER M8-5S	TUERCA M8X1 D985 8
44	B07S01801R	TRAVERSA TOPCUT NEW	CROSS BAR	TRAVERSE TOPCUT NEW	QUERTRAEGER	TRAVESA O TOPCUT NEW
45	B0C005018R	ASTA DI SOSTEGNO	SUPPORT ROD	BARRE DE SUPPORT	STUETZSTANGE	BARRA DE SOST N
46	F01020476R	VITE M10X1,5X30 U5739 8.8ZN	SCR. M10X1,5X30 U5739 8.8ZN	VIS M10X1,5X30 U5739 8.8 ZN	SCHRAUBE M10X1,5X30U5739 8.8ZN	TORNILLO M10X1,5X30 U5739 8.8
47	F01410062R	ROS.M10 10,5X 18X 2 U6592 ZN	WASHER M10 10,5X 18X 2 U6592	RONDELLE M10 10,5X18X2 ZN	DICHTUNGSRING M10 10,5X18X2 ZN	ARAND.M10 10,5X 18X 2 U6592 ZN
48	B0C003616R	SPES. TRAVERSA RASCHIATORI	SCRAPER CROSS MEMBER SHIM	EPAISSEUR TRAVERSE RACLEUR	ABSTREIFER TRAEGER DISTANZSCHE	ESPE. TRAVESA O RASCADORES
49	F01020508R	VITE M12X1,75X25 U5739 8.8ZN	SCR. M12X1,75X25 U5739 8.8ZN	VIS M12X1,75X25 U5739 8.8 ZN	SCHRAUBE M12X1,75X25U57398.8ZN	TORNILLO M12X1,75X25 U5739
50	B01515797R	SPESORE 13 25 5 ZINCATO	FIFTH WHEEL	BUTEE	SCHEIBE	RANGUA 13 25 5
51	B0C6P0263R	RASCHIATORE	DETACHABLE SCRAPER	RACLEUR DEMONTABLE	DEMONTIERBARER ABSTREIFER	RASPADOR
52	B07SP0241R	RASCHIATORE E PATTINO	SCRAPER AND SLIDING BLOCK	RACLEUR ET PATIN	ABSTREIFER UND GLEITSCHUH	RASCADOR Y PAT N
53	B0C005268R	CARTER CUT	CUT GUARD	CARTER CUT	CARTER CUT	C RTER CUT
54	F01020436R	VITE M8X1,25X20 U5739 8.8ZN	SCR. M8X1,25X20 U5739 8.8ZN	VIS M8X1,25X 20 U5739 8.8 ZN	SCHRAUBE M8X1,25X20U5739 8.8ZN	TORNILLO M8X1,25X20 U5739 8.8
55	F01410051R	ROS.M8 8,4X 17X1,6 U6592 ZN	WASHER M8 8,4X17X1,6 U6592 ZN	RONDELLE M8 8,4X17X1,6 ZN	SCHEIBE M8 8,4X17X1,6 U6592 ZN	ARAND.M8 8,4X 17X1,6 U6592 ZN
56	B0C004239R	PROLUNGA CARTER CUT	CUT GUARD EXTENSION	RALLONGE CARTER CUT	VERLAENGERUNG CARTER CUT	ALARGADOR C RTER CUT
57	F02250111R	RIVETTO STR. 4 X6 U9200AAL	RIVET 4 X6	RIVET 4 X6	KUPFERNIET 4 X6	REMACHE EXTR. 4 X6 U9200AA



CUT 13: TELAIO + ROTORE
CUT 13: FRAME + ROTOR

TAV_090

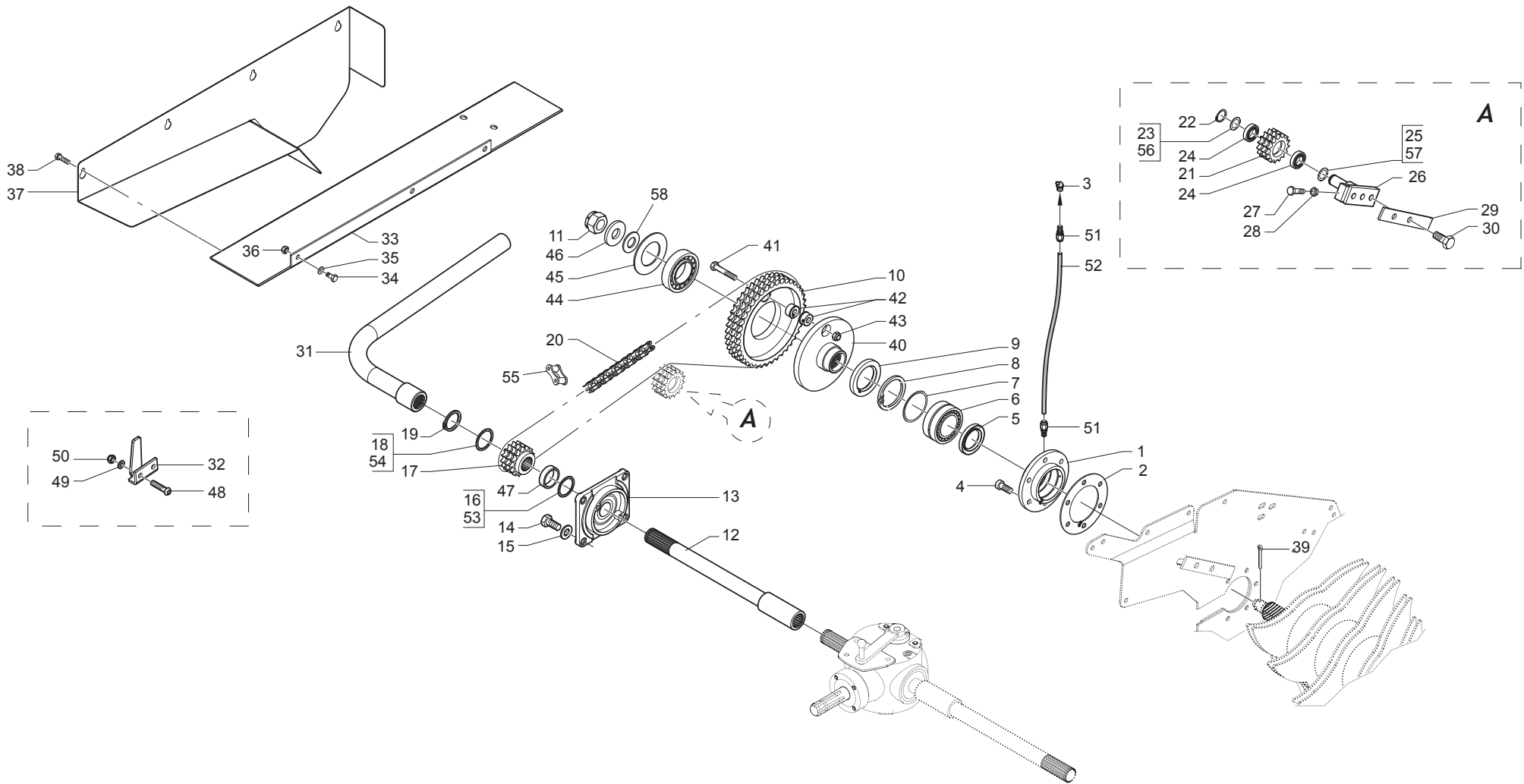
Pos.	Cod.	Descrizione	Description	Description	Benennung	Descripcion
58	B0C3P0153R	PROTEZIONI RASCHIATORI	PROTECTION	PROTECTION	SCHEUTZ ABSTERIFER	PROTECCIONES RASPADORES
59	B013C0126R	DISTANZIALE	SPACER	ENTRETOISE	DISTANZSTUECK	DISTANCIADOR
60	F01410051R	ROS.M8 8,4X 17X1,6 U6592 ZN	WASHER M8 8,4X17X1,6 U6592 ZN	RONDELLE M8 8,4X17X1,6 ZN	SCHEIBE M8 8,4X17X1,6 U6592 ZN	ARAND.M8 8,4X 17X1,6 U6592 ZN
61	B030E1039R	CATENA RULLI ISO 16 B-1 39M	ROLLER CHAIN ISO16 B-1 39M	CHAINE ROULEAUX	WALZENKETTE ISO 16 B-1 39M	CADENA DE LOS RODILLOS ISO 16



CUT 13: TRAVERSA COLTELLI
CUT 13: KNIVES CROSSBAR

TAV_100

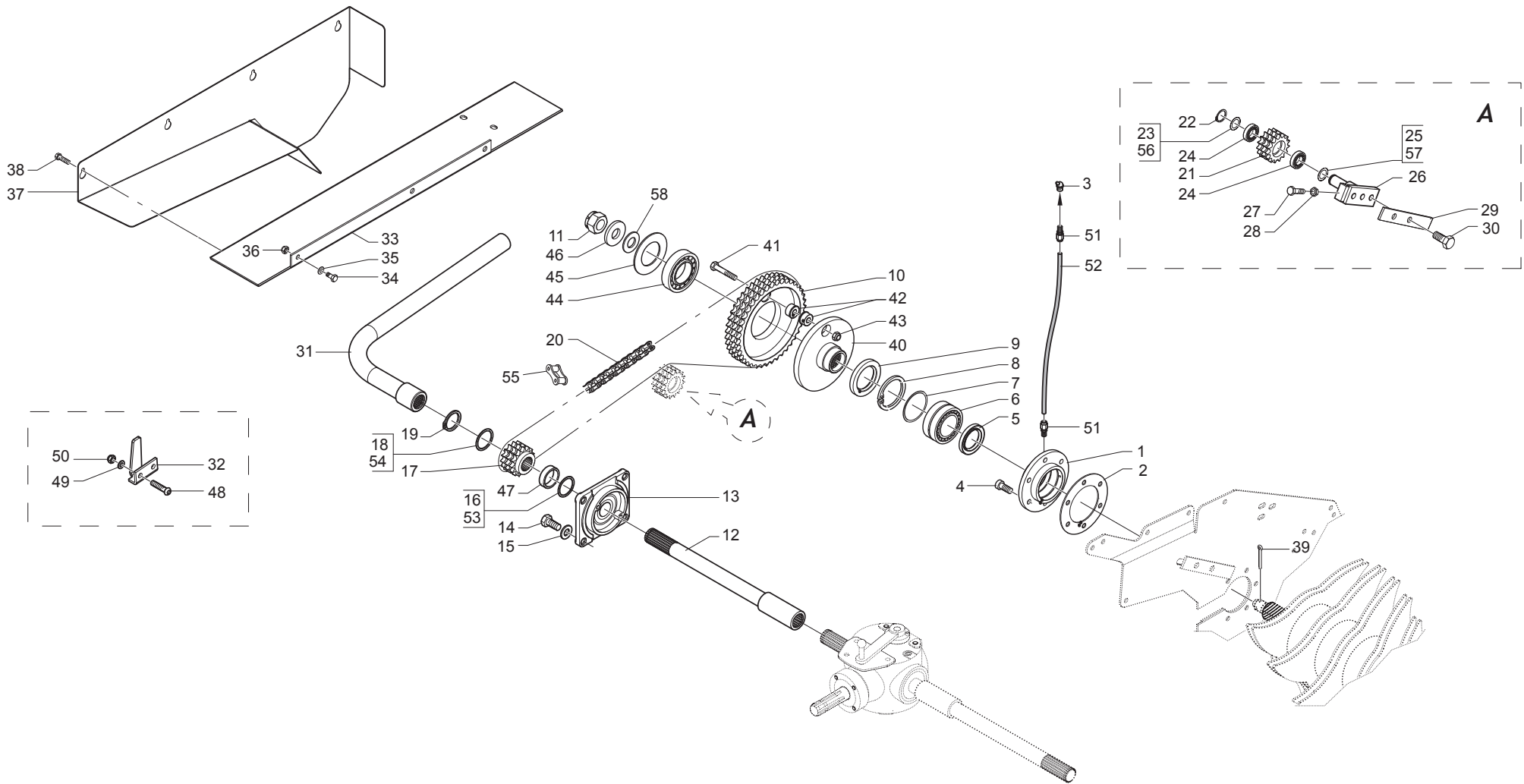
Pos.	Cod.	Descrizione	Description	Description	Benennung	Descripcion
1	B07S01802R	CONTRASTO MOLLE TOPCUT	KNIFE RESISTANCE TOPCUT	RESISTENCE DENTS TOPCUT	MESSERWIDERSTAND TOPCUT	CONTRASTE DE LOS MUELLES
2	F01020568R	VITE M16X2X45 U5739 8.8ZN	SCR. M16X2X45 U5739 8.8ZN	VIS M 16X 2X45 U5739 8.8 ZG	SCHRAUBE M 16X 2X45 U5739 8.8	TORNILLO M16X2X45 U5739 8.8Z
3	B01300745R	DISTANZIALE 16X20X14	SPACER	ENTRETOISE	DISTANZSTUECK 16X20X14	DISTANCIADOR 16X20X14
4	F01410100R	ROS.M16 17X 30X 3 U6592 ZN	WASHER M16 17X30X3 U6592 ZN	RONDELLE M16 17X30X3 ZN	SCHRAUBE M16 17X 30X3 U6592 ZN	ARAND.M16 17X 30X 3 U6592 ZN
5	B00920516R	DADO M16X 1,5 D985 6S ZN	NUT M16X1,5 D985 6S ZN	ECROU	SELBSTSICHERNDE MUTTER M16-5S	TUERCA M16X 1,5 D985 6S
6	B07S01636R	COLLEGAMENTO INFERIORE NEW	LOWER CONNECTION	CONNECTION INFERIEURE	UNTERE VERBINDUNG	CONEXI N INFERIOR NEW
7	F01020508R	VITE M12X1,75X25 U5739 8.8ZN	SCR. M12X1,75X25 U5739 8.8ZN	VIS M12X1,75X25 U5739 8.8 ZN	SCHRAUBE M12X1,75X25U57398.8ZN	TORNILLO M12X1,75X25 U5739
8	F01410076R	ROS.M12 13X 24X2,5 U6592 ZN	WASHER 12 13X 24X2,5 U6592 ZN	RONDEL. M12 13X24X2,5 U6592 ZN	SCHEIBE M12 13X24X2,5 U6592 ZN	ARAND.M12 13X 24X2,5 U6592 ZN
9	F01230213R	DADO M12X1,75 U7474 CL8 ZN	NUT M12X1,75 U7474 6SZN	ECROU AUTOBL. M12	SELBSTSPERR.MUTTER M12	TUERCA M12X1,75 U7474 CL8 ZN
10	B07S01803R	COM. COLT. TOPCUT	KNIFE CONTROL TOPCUT	COMMANDE COUTEAUX TOPCUT	MESSERBETAETIGUNG TOPCUT	COM. CUCH. TOPCUT
11	F01020562R	VITE M16X2X30 U5739 8.8ZN	SCR. M16X2X30 U5739 8.8ZN	VIS M16X2X30 U5739 8.8 ZN	SCHRAUBE M16X2X30 U5739 8.8 ZN	TORNILLO M16X2X30 U5739 8.8ZN
12	B01300706R	BUSSOLA DI GUIDA	GUIDE BUSH	DOUILLE DE GUIDE	FUHRUNGSBUCHSE	CASQUILLO DE GU A
13	B07SP0024R	BILANCINO TOPCUT	TOPCUT ROCKER ARM	PALONNIER TOPCUT	SCHWINGE TOPCUT	BALANC N TOPCUT
14	B07S01125R	SOSTEGNO MOLLE	SPRING BRACKET	SUPPORT RESSORTS	FEDERHALTERUNG	SOPORTE DE LOS MUELLES
15	B03800014R	ROTELLA GUIDA COLTELLI	KNIVES GUIDE PULLEY	GALET GUIDE COUTEAUX	MESSER FUHRUNGSROLLE	ARANDELA DE GU A DE LAS CUCHI
16	B01300694R	PERNO CARRUCOLA COLTELLO	KNIFE ROLLER PIN	TOURILLON POULIE COUTEAU	MESSERFUHRUNGSROLLENBOLZEN	PERNO DE LA POLEA DE LA CUCHIL
17	B01700016R	ANEL. D ARR. ALB. 16-E UNI3653	SEEGER RING	BAGUE SEEGER	SEEGERING	ANIL. DE PARAD. RB. 16-E UNI3
18	B01800049R	MOLLA TRAVERSA COLTELLI	SPRING KNIV.CONTROL 5 30 293C	RESSORT	FEDER	MUELLE TRAVESA O DE LAS CUCHI
19	B03500034R	PERNO FULCRO	PIVOT	TOURILLON	DREHZAPFEN	PERNO FULCRO
20	B01300036R	RALLA 25,5X40 X 4	FIFTH WHEEL	BUTEE	LAGERSCHALE 25,5X40X4	RANGUA 25,5X40 X 4
21	B07S01145R	FULCRO SX LEVERISMI	LEFT LINKAGE FULCRUM	POINT D APPUI GAUCHE LEVIERS	LINKER HEBELWERKSCHWENKPUNKT	FULCRO IZQ GRUPO DE PALANCAS
22	F01020510R	VITE M12X1,75X30 U5739 8.8ZN	SCR. M12X1,75X30 U5739 8.8ZN	VIS M12X1,75X30 U5739 8.8ZN	SCHRAU.M12X1,75X30 U5739 8.8ZN	TORNILLO M12X1,75X30 U5739
23	F01230213R	DADO M12X1,75 U7474 CL8 ZN	NUT M12X1,75 U7474 6SZN	ECROU AUTOBL. M12	SELBSTSPERR.MUTTER M12	TUERCA M12X1,75 U7474 CL8 ZN
24	B01110635R	SPINA ELAST. 6X 35 SS DIN 1481	PIN	GOUPIILLE	STIFT	CLAVIJA EL ST. 6X 35 SS DIN 14
25	B035P0016R	ASTA NEW	NEW ROD	TIGE NEW	STAB NEW	BARRA NEW
26	B035P0015R	FULCRO COLT. NEW	NEW KNIVES FULCRUM	POINT D APPUI COUTEAUX NEW	FULCRUM MESSER NEW	PERNO CUCHILL. NEW
27	F02150064R	LINGUETTA 8X 7X 25 U6604A	PARALLEL KEY 8X 7X 25 U6604A	CLAVETTE 8X7X25	FEDER 8X7X25 UNI 6604	LENG ETA 8X 7X 25 U6604A
28	B07U00035R	COLTELLO ULTRACUT	TOPCUT KNIFE	COUTEAU CUT	SPEZIAL TOPCUT KLINGE	CUCHILLA ULTRACUT
30	B01300036R	RALLA 25,5X40 X 4	FIFTH WHEEL	BUTEE	LAGERSCHALE 25,5X40X4	RANGUA 25,5X40 X 4
31	B07S01144R	FULCRO DX LEVERISMI	RIGHT LINKAGE FULCRUM	POINT D APPUI DROIT LEVIERS	RECHTER HEBELWERKSCHWENKPUNKT	FULCRO DER GRUPO DE PALANCA
32	F01020510R	VITE M12X1,75X30 U5739 8.8ZN	SCR. M12X1,75X30 U5739 8.8ZN	VIS M12X1,75X30 U5739 8.8ZN	SCHRAU.M12X1,75X30 U5739 8.8ZN	TORNILLO M12X1,75X30 U5739
33	F01230213R	DADO M12X1,75 U7474 CL8 ZN	NUT M12X1,75 U7474 6SZN	ECROU AUTOBL. M12	SELBSTSPERR.MUTTER M12	TUERCA M12X1,75 U7474 CL8 ZN
34	B0C004233R	SOSTEGNO PROSIMITI CUT	CUT SENSOR SUPPORT	SUPPORT SENSEUR CUT	CUT SENSORHALTERUNG	SOPORTE SENSOR DE PROXIMIDA
35	F01020512R	VITE M12X1,75X35 U5739 8.8ZN	SCR. M12X1,75X35 U5739 8.8ZN	VIS M12X1,75X35 5739 8.8 ZN	SCHR. M12X1,75X35 5739 8.8 ZN	TORNILLO M12X1,75X35 U5739 8
36	F01230213R	DADO M12X1,75 U7474 CL8 ZN	NUT M12X1,75 U7474 6SZN	ECROU AUTOBL. M12	SELBSTSPERR.MUTTER M12	TUERCA M12X1,75 U7474 CL8 ZN
37	B0E000056R	SENSORE PROSSIMITA BALLA M12	PROXIMITY SENSOR	CAPTEUR DE PROXIMITE	ABSTANDSMELDER	SENSOR DE PROXIMIDAD DE LA BA
38	B07S01159R	MANIGLIA DI SICUREZZA	SAFETY HANDLE	POULIE DE SURETE	SICHERUNGSHEBEL	MANIJA DE SEGURIDAD
39	F01040130R	VITE M10X1,5X60 U5931 8.8ZN	SCR. M10X1,5X60 U5931 8.8ZN			TORNILLO M10X1,5X60 U5931 8.8
40	B01821993R	MOLLA	SPRING	RESSORT	FEDER	MUELLE
41	B01300401R	BUSSOLA FILETTATA	PIN WITHOUT NET	DOUILLE FILETEE	NETZAUFNAHMEZANGENBOLZEN	CASQUILLO ROSCADO
42	F01230202R	DADO M10X 1,5 D985 8 ZN	NUT M10 D985	ECROU AUTOBL. M10	SELBSTSPERR.MUTTER M10	TUERCA M10X 1,5 D985 8
43	F02100142R	SPINA E.P. 8X 40 U6873 C70 BR	ELASTIC PIN 8X40	GOUJON ELASTIQUE 8X40	SPANNHUELSE 8X40	CLAVIJA EL.P. 8X 40 U6873 C70
44	F02100090R	SPINA E.P. 5X 40 U6873 C70 BR	ELASTIC PIN 5X40	GOUJON ELASTIQUE 5X40	SPANNHUELSE 5X40	CLAVIJA EL.P. 5X 40 U6873 C70
45	F02100142R	SPINA E.P. 8X 40 U6873 C70 BR	ELASTIC PIN 8X40	GOUJON ELASTIQUE 8X40	SPANNHUELSE 8X40	CLAVIJA EL.P. 8X 40 U6873 C70
46	B027P0001R	SEMIBIELLA DI TRASMISSIONE	DRIVE HALF ROD	DEMI BIELLE DE TRANSMISSION	HALB-KOLBENSTANGE	SEMI-BIELA DE TRANSMISI N
47	F01020164R	VITE M12X1,75X70 U5737 8.8ZN	SCREW M12X1,75X70 U5737 8.8ZN	VIS M12X1,75X70 ZN	SCHR. M12X1,75X70 U5737 8.8 ZN	TORNILLO M12X1,75X70 U5737 8.
48	F01230213R	DADO M12X1,75 U7474 CL8 ZN	NUT M12X1,75 U7474 6SZN	ECROU AUTOBL. M12	SELBSTSPERR.MUTTER M12	TUERCA M12X1,75 U7474 CL8 ZN
49	B025P0003R	BUSSOLA NYLON	NYLON BUSH	DOUILLE EN NYLON	BUCHSE	CASQUILLO DE NAILON



**SICUREZZA TRASMISSIONE MECCANICA CON BULLONE
TRANSMISSION SAFETY DEVICE MECHANICAL WITH BOLT**

TAV_110

Pos.	Cod.	Descrizione	Description	Description	Benennung	Descripcion
1	B02700052R	SUPP. COM. ROT.	CONTROL ROTOR SUPPORT	SUPPORT CONTROLE ROTOR	LAGER DES ROTORSANTRIEBS	SOP. COM. ROLL.
2	B01300960R	SPESSORE SUPPORTO ROTORE	ROTOR SUPPORT SPACING	ENTRETOISE SUPPORT ROTOR	DISTANZSTUECK FUR ROTORLAGER	ESPEJOR DEL SOPORTE DEL ROT
3	B04200610R	INGRASS.A SFERE M6X1 LUNGO	GREASE NIPPLE	GRAISSEUR HYDRAULIQUE	GERADER SCHMIERNIPPEL M6X1	ENGRASADOR DE ESFERAS M6X1
4	F01040140R	VITE M12X1,75X 40 U5931 8.8ZN	SCREW M12X1,75X 40 U5931 8.8Z			TORNILLO M12X1,75X 40 U5931 8.
5	B04304966R	ANELLO TENUTA 55X 85X10 NORM	SEAL	BAGUE	DICHTUNG 55X85X10	ANILLO DE RETENCI N 55X 85X10
6	B02335023R	CUSC. 22210 CAT.B-ST004	BEARING	ROULEMENT	LAGER 22210	COJIN. 22210 CAT.B-ST004
7	B01534318R	SPES. 80 90 0,2	SHIM	ENTRETOISE	DISTANZSTUECK 80 90 0,2	ESPE. 80 90 0,2
8	B01710090R	ANEL. D ARR. FORO 90-I UNI3654	SEEGER RING	BAGUE SEEGER	SEEGERRING 90-I	ANIL. DE PARAD. ORIFICIO 90-I
9	B04305668R	ANELLO TENUTA 65X 90X10 NORM	SEAL	BAGUE	DICHTUNG 65X90X10	ANILLO DE RETENCI N 65X 90X10
10	B03400070R	CORONA Z=42; 3 4; ISO 12B-3	PLATE WHEEL Z=42;3 4;ISO 12B-3	ENGRENAGE TRIPLE	DREIFACH ZAHNRAD Z=42 -3 4 X	ENGR. TRIP Z42 - 3 4 X 7 16
11	B00851530R	DADO M30X 2 U5588 6S ZN	NUT	ECROU	KRONENMUTTER M30X2-6S	TUERCA M30X 2 U5588 6S ZN
12	BOR000304R	ALBERO PROLUNGA L=602	EXTENSION SHAFT L=602	ARBRE RALLONGE L=602	VERLAENGERUNGSWELLE L=602	RBOL PROLONGACI N L=602
13	B0FMP0183R	SUPPORTO CUSCIN. RETTANG VERN	BEARING SUPPORT			
14	F01020512R	VITE M12X1,75X35 U5739 8.8ZN	SCR. M12X1,75X35 U5739 8.8ZN	VIS M12X1,75X35 5739 8.8 ZN	SCHR. M12X1,75X35 5739 8.8 ZN	TORNILLO M12X1,75X35 U5739 8
15	F01410076R	ROS.M12 13X 24X2,5 U6592 ZN	WASHER 12 13X 24X2,5 U6592 ZN	RONDEL. M12 13X24X2,5 U6592 ZN	SCHEIBE M12 13X24X2,5 U6592 ZN	ARAND.M12 13X 24X2,5 U6592 ZN
16	B01300151R	SPES. 40 48 2 ZINCATO	SHIM	ENTRETOISE	DISTANZSTUECK 40 48 2	ESPE. 40 48 2 CINCADO
17	B03400072R	PIGNONE Z=13;3 4-7 16;ISO12B-3	SPROCKET Z=13;3 4-7 16;ISO12B-3	ENGRENAGE TRIPLE	DREIFACH ZAHNRAD Z=13-3 4 X7 1	ENGR.TRIPLE Z=13-3 4 X7 16
18	B01300151R	SPES. 40 48 2 ZINCATO	SHIM	ENTRETOISE	DISTANZSTUECK 40 48 2	ESPE. 40 48 2 CINCADO
19	F02050168R	ANELLO E.DE 40X1,75 U7435	SEEGER RING 40X1,75 U7435	BAGUE SEEGER 40X1,75 U7435	SEEGERRING 40X1,75 U7435	ANIL.SEEGER 40X1,75 U7435
20	B030F1117R	CATENA RULLI ISO 12 B - 3 117M	ROLLER CHAIN ISO12 B-3 117M	CHAINE ROULEAUX	WALZENKETTE ISO 12 B	CADENA DE LOS RODILLOS ISO 12
21	B03400073R	INGR.TRIPLO Z=13-3 4 X7 16	TRIPLE GEAR Z=13-3 4 X7 16	ENGRENAGE TRIPLE	DREIFACH-ZAHNRAD Z=13-3 4 X7	ENGR.TRIPLE Z=13-3 4 X7 16
22	F02050101R	ANELLO E. DE 25X 1,2 U7435 C7	SEEGER RING E. 25X1,2 7435 C70	SEEGER E. 25X 1,2 U7435 C70	SEEGERING E. 25X 1,2 U7435 C70	ANILLO E. DE 25X 1,2 U7435 C7
23	B01300105R	SPES. 25,5 37 0,5	SHIM	ENTRETOISE	DISTANZSTUECK 25,5 37 0,5	ESPE. 25,5 37 0,5
24	B02042512R	CUSC 6005-2RS CAT.B-ST004	BEARING	ROULEMENT	LAGER	COJIN.6005-2RS CAT.B-ST004
25	B01300106R	SPES. 25,5 37 1 ZINCATO	SHIM GALV	ENTRETOISE GALV	DISTANZSTUECK 25,5 37 1	ESPE. 25,5 37 1 CINCADO
26	B07S00848R	PERNO TENDITORE	TENSIONER PIN	TOURILLON TENDEUR	SPANNBOLZEN	PERNO TENSOR
27	F01020524R	VITE M12X1,75X90 U5739 8.8ZN	SCR. M12X1,75X90 U5739 8.8ZN			TORNILLO M12X1,75X90 U5739 8
28	F01200293R	DADO M12X1,75 U5588 CL8 ZN	NUT M12X1,75 U5588 6S ZN	ECROU M12X1,75 U5588 6S ZN	MUTTER M12X1,75 U5588 6S ZN	TUERCA M12X1,75 U5588 CL8 ZN
29	B0C002732R	RINFORZO	REINFORCEMENT	RENFORT	VERSTAERKUNG	REFUERZO
30	F01020564R	VITE M16X2X35 U5739 8.8ZN	SCR. M16X2X35 U5739 8.8ZN	VIS M 16X35	SCHRAUBE M 16X35	TORNILLO M16X2X35 U5739 8
31	B07S01804R	MANIGLIA SGOLFAMENTO CUT	HANDLE	POIGNEE DEBOURRAGE CUT	KURBEL	MANIJA DESATASQUE CUT
32	B0C005030R	SOSTEGNO MANIGLIA	HANDLE SUPPORT	SUPPORT POIGN E	GRIFFHALTERUNG	SOPORTE DE LA MANIJA
33	B0C002663R	ATTACCO CARTER CUT	COVER PLATE ATTACHMENT	ATTELAGE CARTER CUT	ABECKBLECHHALTERUNG	CONEZI N C RTER CUT
34	F01020508R	VITE M12X1,75X25 U5739 8.8ZN	SCR. M12X1,75X25 U5739 8.8ZN	VIS M12X1,75X25 U5739 8.8 ZN	SCHRAUBE M12X1,75X25U5739.8ZN	TORNILLO M12X1,75X25 U5739
35	F01410076R	ROS.M12 13X 24X2,5 U6592 ZN	WASHER 12 13X 24X2,5 U6592 ZN	RONDEL. M12 13X24X2,5 U6592 ZN	SCHEIBE M12 13X24X2,5 U6592 ZN	ARAND.M12 13X 24X2,5 U6592 ZN
36	F01230213R	DADO M12X1,75 D985 8 ZN	NUT M12X1,75 U7474 6SZN	ECROU AUTOBL. M12	SELBSTSPERR.MUTTER M12	TUERCA M12X1,75 U7474 CL8 ZN
37	B07S01212R	CARTER TRASMISSIONE ROT.	ROTOR TRANSMISSION COVER	CARTER TRANSMISSION ROTOR	ROTORANTRIEBABDECKBLECH	C RTER DE TRANSMISI N DE LA RO
38	F01020432R	VITE M8X1,25X16 U5739 8.8ZN	SCR. M8X1,25X16 U5739 8.8ZN	VIS M8 X1,25X16 U5739 8.8 ZN	SCHRAUBE M8X1,25X16U5739 8.8ZN	TORNILLO M8X1,25X16 U5739 8.8
39	B01150560R	COPIGLIA 5X 70 U1336 ZN	GALV PIN	GOUPILLE GALV	SPLINT	PASADOR 5X 70 U1336 ZN
40	B02700079R	SICUREZZA ROTORE	ROTOR SAFETY	SURETE ROTEUR	SCHERBOLZEN	SEGURIDAD ROT.
41	F01020203R	VITE M14X2X60 U5737 8.8ZN	SCR. M14X2X60 U5737 8.8ZN	VIS M 14X60	SCHRAUBE M 14X60	TORNILLO M14X2X60 U5737 8.8Z
42	B01300702R	BUSSOLA D=35 D=14,5 L=18,5	BUSH D=35 D=14.5 L=18.5	DOUILLE	BUCHSE	CASQUILLO D=35 D=14.5 L=18.5
43	B00920514R	DADO M14X 2 D985 8 ZN	NUT	ECROU	SELBSTSICHERNDE MUTTER M14-5S	TUERCA M14X 2 D985 8
44	B02047020R	CUSC. 6014-2RS CAT.B-ST004	BEARING	ROULEMENT	LAGER 6014-2RS	COJIN. 6014-2RS CAT.B-ST00
45	B01300824R	FLANGIA	FLANGE	FLANSQUE	FLANSCH	BRIDA
46	B01300823R	RALLA 30,5X92X8	FITH WHEEL	BUTEE	SCHEIBE 30,5X92X8	RANGUA 30,5X92X8
47	B01300355R	DISTANZIALE 40X54X20	SPACER	ENTRETOISE	ABSTANDSTUECK 40X54X20	DISTANCIADOR 40X54X20
48	B00471280R	VITE TTEI M12X 80-10.9 UNBRAKO	SCREW	VIS	SCHRAUBE TTEI M12X 80-8.8	TORNILLO CAB.ALLEN CON HUECO
49	F01410076R	ROS.M12 13X 24X2,5 U6592 ZN	WASHER 12 13X 24X2,5 U6592 ZN	RONDEL. M12 13X24X2,5 U6592 ZN	SCHEIBE M12 13X24X2,5 U6592 ZN	ARAND.M12 13X 24X2,5 U6592 ZN
50	F01230213R	DADO M12X1,75 D985 8 ZN	NUT M12X1,75 U7474 6SZN	ECROU AUTOBL. M12	SELBSTSPERR.MUTTER M12	TUERCA M12X1,75 U7474 CL8 ZN
51	B0H000259R	RACCORDO M6X1 COMPLETO	FITTING OUT M6X1	RACCORD	KUPPLUNG M6X1	RACOR M6X1 COMPLETO
52	B0H0P0029R	TUBETTO NYLON 4 L 180	NYLON HOSE	TUYAU EN NYLON	KLEINS ROHR AUS NYLON	TUBO DE NAILON 4 L 180
53	B01300150R	SPES. 40 48 1,5 ZINCATO	SHIM GALV	ENTRETOISE GALV	DISTANZSTUECK 40 48 1,5	ESPE. 40 48 1,5 CINCADO
54	B01300150R	SPES. 40 48 1,5 ZINCATO	SHIM GALV	ENTRETOISE GALV	DISTANZSTUECK 40 48 1,5	ESPE. 40 48 1,5 CINCADO
55	B030F0017R	GIUNTO MOLL.N. 26 ISO 12 B - 3	SPRING JOINT N.26 ISO 12 B-3	JOINT RESSORT	KUPPLUNGSSTUECK N. 26 ISO	JUNTA DE MUELLE N. 26 ISO 12 B
56	B01300106R	SPES. 25,5 37 1 ZINCATO	SHIM GALV	ENTRETOISE GALV	DISTANZSTUECK 25,5 37 1	ESPE. 25,5 37 1 CINCADO
57	B01300105R	SPES. 25,5 37 0,5	SHIM	ENTRETOISE	DISTANZSTUECK 25,5 37 0,5	ESPE. 25,5 37 0,5

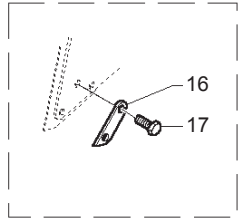
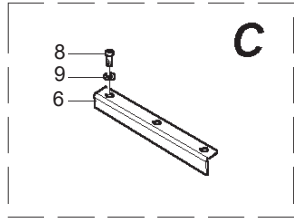
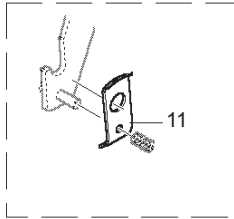
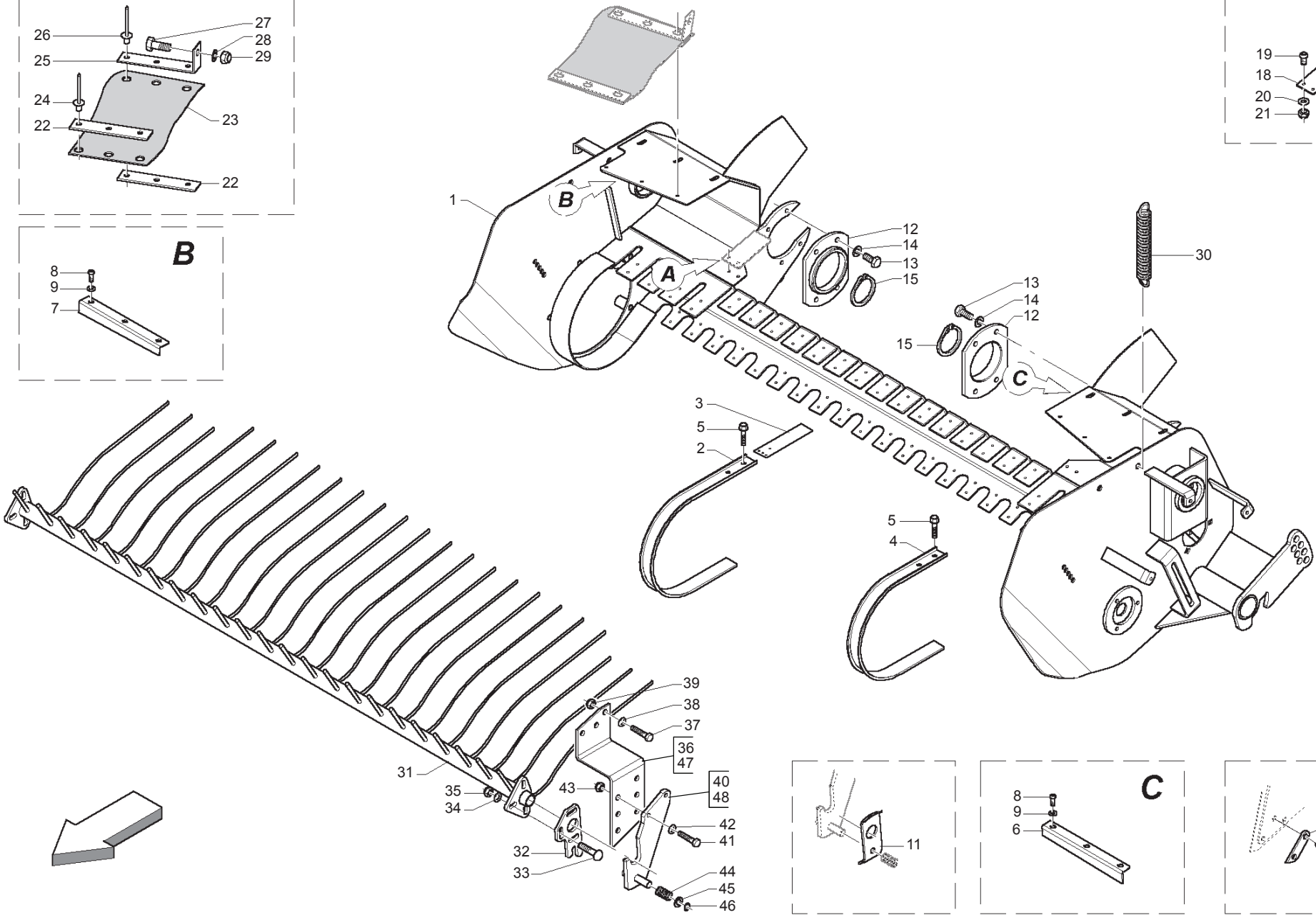
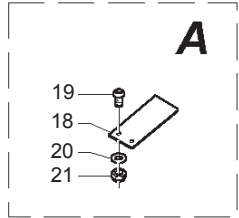
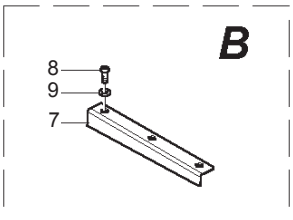
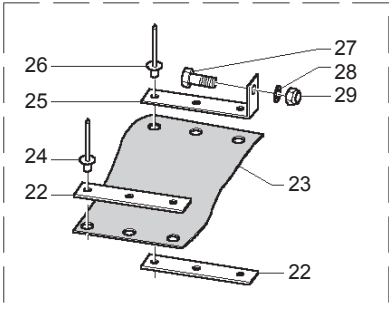


SICUREZZA TRASMISSIONE: MECCANICA CON BULLONE
TRANSMISSION SAFETY DEVICE: MECHANICAL WITH BOLT

TAV_110

Pos.	Cod.	Descrizione	Description	Description	Benennung	Descripcion
58	B01531930R	RALLA 30-61,5-3	FIFTH WHEEL	BUTEE	LAGERSCHALE 30 61,5 3	

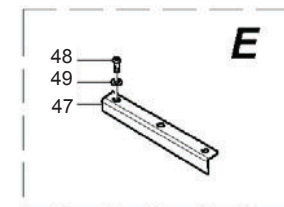
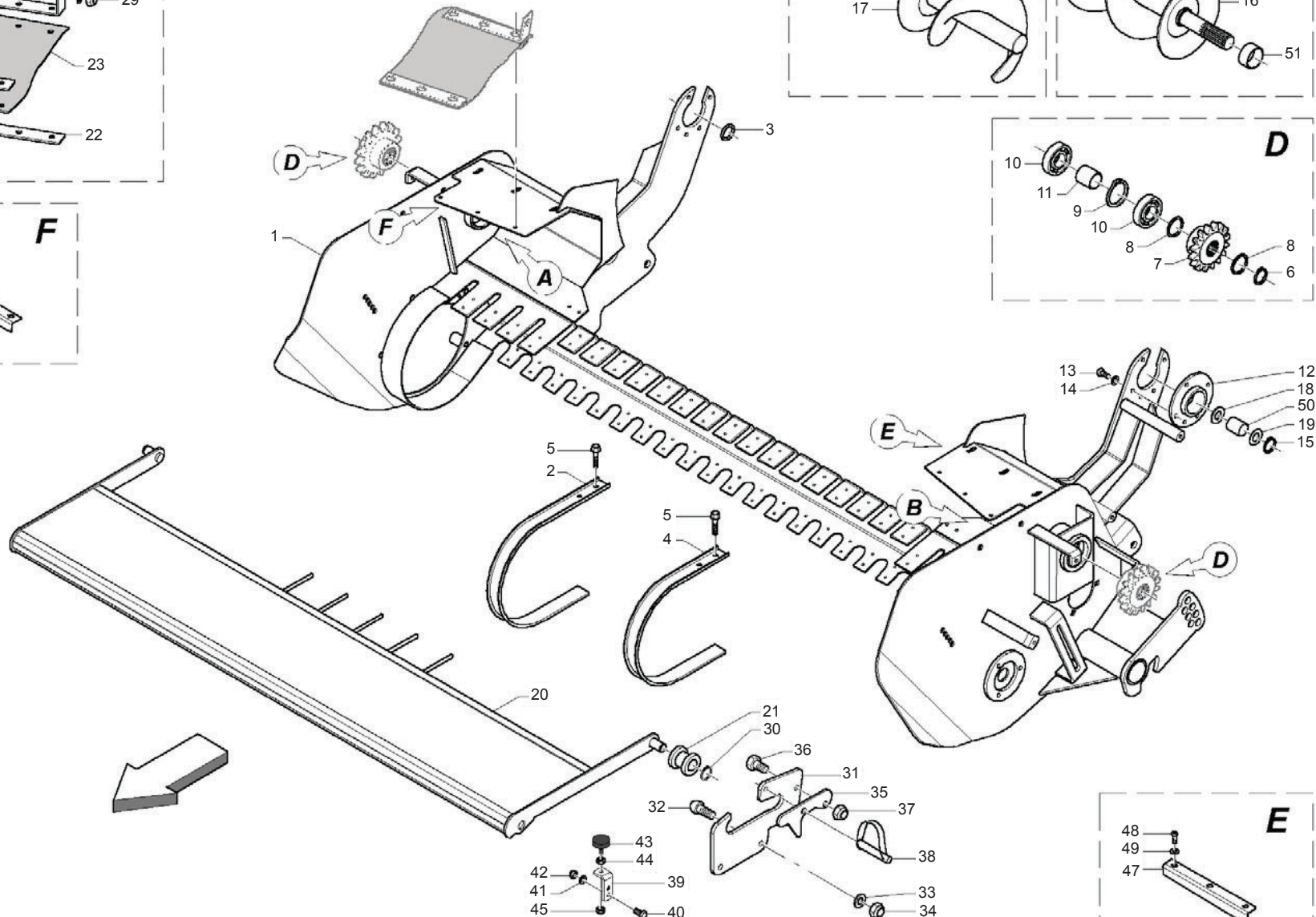
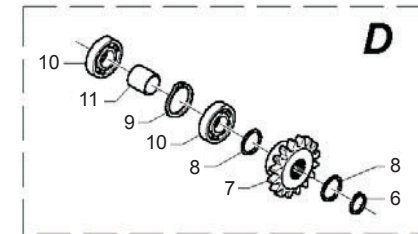
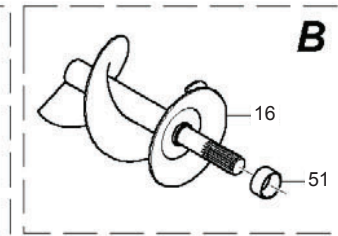
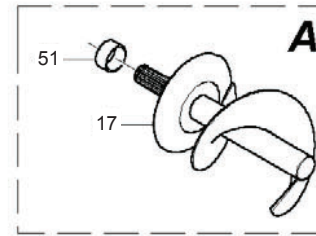
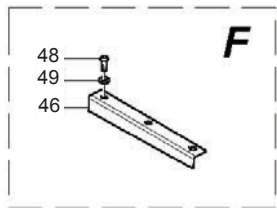
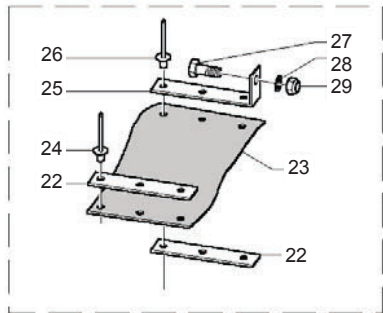
TAV_120



**PICK-UP M
PICK-UP M**

TAV_120

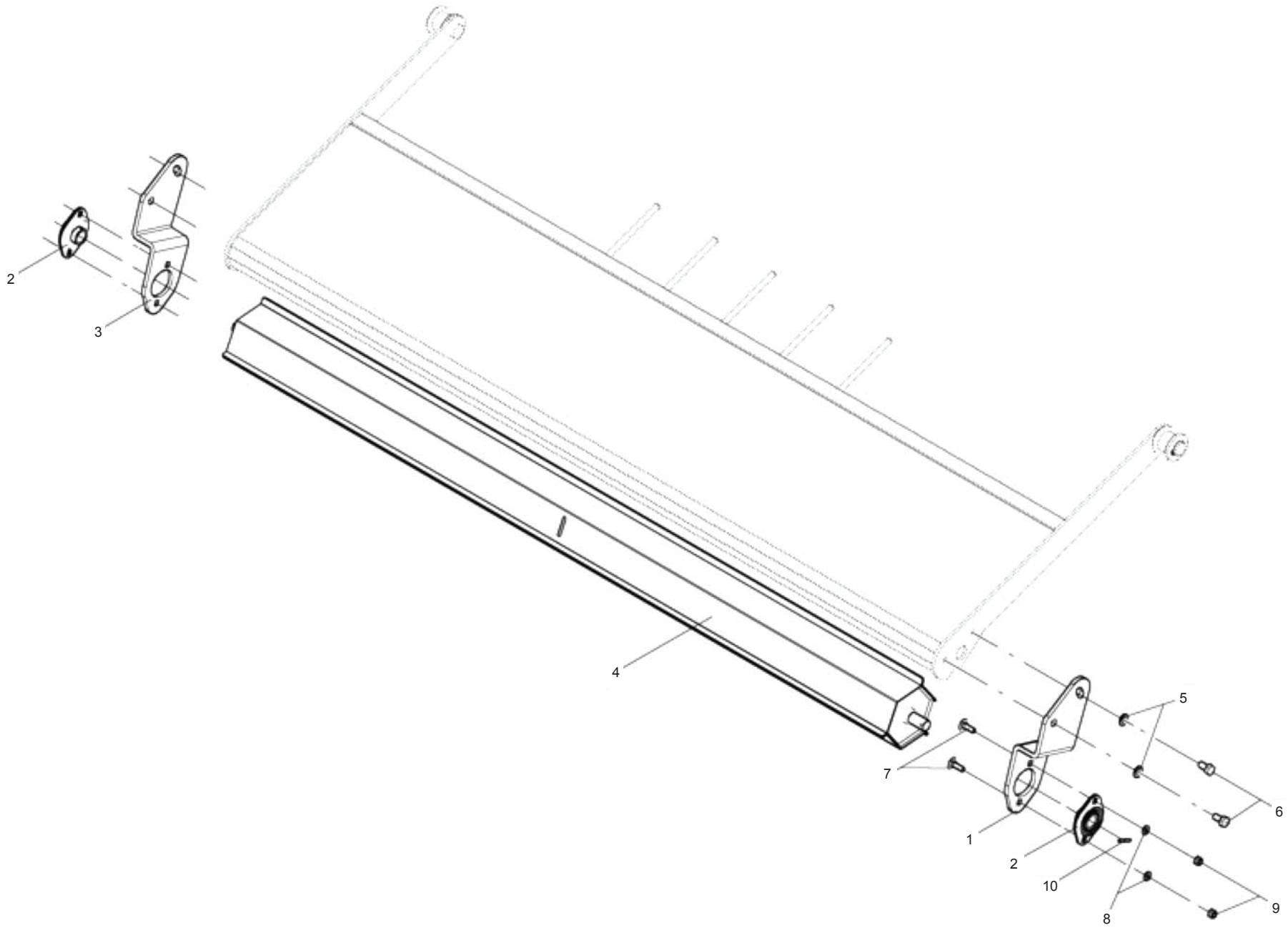
Pos.	Cod.	Descrizione	Description	Description	Benennung	Descripcion
1	B07SP0219R	TELAIO PU M LT	FRAME PU M LT	CHASSIS PU LT	RAHMEN PU M LT	
2	B0C003304R	FASCIA CENTRALE PICK UP TOPCUT	PICK-UP CENTRAL BAND TOPCUT	BANDE CENTRALE PICK-UP TOPCUT	ZENTRALES PICK-UP BAND	BANDA CENTRAL PICK UP TOPCUT
3	B0C002069R	COMPENSO FASCIA	BAND EXTENSION	EPAISSEUR BANDE	BANDVERLAENGERUNG	COMPENSADO BANDA
4	B0C003183R	PLACA EXTENSIE LATERALA	LATERAL BAND PICK-UP	BANDE LATERALE	SEITENBAND	PLACA EXTEN-LATERAL
5	B00370615R	VITE M 6X16 ZN SEZ.TRIL. U8111	SCREW	VIS	SCHRAUBE	TORNILLO CAB.HEX M 6X16 A SECC
6	B0C3P0015R	DEVIATORE SX COCLEA	AUGER LEFT SWITCH	COMMUTATEUR GAUCHE VIS	SCHALTER LINKS	
7	B0C3P0014R	DEVIATORE DX COCLEA	RIGHT AUGER SEPARATOR	COMMUTATEUR DROIT VIS	SCHALTER RECHTS	
8	B00470820R	VITE TTEI M 8X 20-10,9 UMBRAKO	SCREW	VIS	SCHRAUBE TTEI M 8X 20-10.9	TORNILLO CAB.ALLEN CON HUECO
9	F01420048R	ROS.M8 8,4X 24X 2 U6593 ZN	WASHER M8 8,4X 24X2 U6593 ZN	RONDELLE M8 8,4X24X 2 U6593 ZN	SCHLEIBEN M8 8,4X24X 2 U6593 ZN	ARAND.M8 8,4X 24X 2 U6593 ZN
11	B0C000058R	AGGANCIO RASTRELLO	RAKE LINKAGE	ATTELAGE GRILLE RABATTEUR	NIEDERHALTERRECHENANSCHLUSS	ENGANCHE DEL RASTRILLO
12	B01300715R	FLANGIA SX PICK-UP	PICK-UP FLANGE	FLASQUE GAUCHE POUR PICK-UP	PICK-UP FLANSCH	BRIDA IZQ PICK-UP
13	B00181015R	VITE M10X1,5 X 16 U5739 8.8ZN	SCREW	VIS	SCHRAUBE	TORNILLO M10X1,5 X 16 U5739 8
14	F01410062R	ROS.M10 10,5X 18X 2 U6592 ZN	WASHER M10 10,5X 18X 2 U6592	RONDELLE M10 10,5X18X2 ZN	DICHTUNGSRING M10 10,5X18X2 ZN	ARAND.M10 10,5X 18X 2 U6592 ZN
15	B01700095R	ANEL. D ARR. ALB. 95-E UNI3653	SEEGER RING	BAGUE SEEGER	SEEGERRING 95-E	ANIL. DE PARAD. RB. 95-E UNI3
16	B0C6P0039R	FERMO PICK-UP NORMALE	STANDARD PICK-UP LOCK	ARRRET PICK-UP NORMAL		TOPE PICK-UP NORMAL
17	F01020512R	VITE M12X1,75X35 U5739 8.8ZN	SCR. M12X1,75X35 U5739 8.8ZN	VIS M12X1,75X35 5739 8.8 ZN	SCHR. M12X1,75X35 5739 8.8 ZN	TORNILLO M12X1,75X35 U5739 8
18	B0C004894R	COMPENSO PER PU NORMALE	PICK-UP SHIM	EPAISSEUR POUR PU NORMAL	PICK-UP AUSGLEICHSTUECK	COMPENSADO PARA PU NORMAL
19	B00470620R	VITE TTEI M 6X 20-8.8 UNBRA	SCREW	VIS	SCHRAUBE TTEI M6X20-10.9	TORNILLO CAB.ALLEN CON HUECO
20	F01410037R	ROS.M6 6,4X12,5X1,6 U6592 ZN	WASHER M6 6,4X12,5X1,6 U6592ZN	RONDEL.M6 6,4X12,5X1,6 U6592ZN	SCHLEIB.M6 6,4X12,5X1,6 U6592ZN	ARAND.M6 6,4X12,5X1,6 U6592 ZN
21	B00920106R	DADO M6X1 D985 8ZN	NUT	ECROU	SELBSTSICHERNDE MUTTER M6-5S	TUERCA M6X1 D985 8
22	B0C1P0583R	PIATTINO DI FISSAGGIO	FIXING PLATE			PAT N DE FIJACI N
23	B07V00074R	PROT. COCLEA PU 180	AUGER PROTECTION	PROTECTION PELLETEUSE PU 180	SCHNECKENSCHUTZ	PROT. TORNILLO SIN FIN PU 180
24	B01000013R	RIVETTO STR. 6X18 U9200A AL	RIVET	RIVET	ABREISSNIETEN 6X18	REMACHE EXTR. 6X18 U9200A A
25	B0C002409R	SOSTEGNO GOMMA PUL	RUBBER SUPPORT	SUPPORT PNEUS	GUMMIHALTER	SOPORTE DE GOMA POL
26	B01000012R	RIVETTO STR. 6,4X22 ACCIAIO	RIVET	RIVET	ABREISSNIETEN 6X26	REMACHE EXTR. 6,4X22 ACERO
27	F01020472R	VITE M10X1,5X25 U5739 8.8ZN	SCR. M10X1,5X25 U5739 8.8ZN	VIS M10X1,5X25 U5739 8.8 ZN	SCHRAUBE M10X1,5X25 U5739 8.8	TORNILLO M10X1,5X25 U5739 8.8
28	F01410062R	ROS.M10 10,5X 18X 2 U6592 ZN	WASHER M10 10,5X 18X 2 U6592	RONDELLE M10 10,5X18X2 ZN	DICHTUNGSRING M10 10,5X18X2 ZN	ARAND.M10 10,5X 18X 2 U6592 ZN
29	F01230202R	DADO M10X 1,5 D985 8 ZN	NUT M10 D985	ECROU AUTOBL. M10	SELBSTSPERR.MUTTER M10	TUERCA M10X 1,5 D985 8
30	B01810412R	MOLLA	SPRING	RESSORT	FEDER	MUELLE
31	B07SP0103R	RASTRELLO PER PU M LT	RAKE FOR PU M LT	GRILLE RABATTEUR POUR MU M LT	RAKE FUER PU M LT	
32	B0C003179R	AGGANCIO REGOLAZIONE	ADJUSTER ATTACHMENT	ACCROCHAGE REGLAGE	EINSTELLUNGSANKUPPLUNG	ENGANCHE PARA REGULACI N
33	B00523395R	VITE SPECIALE TTQST M12X45-8.8	SPECIAL SCREW	VIS SPECIALE	SCHRAUBE TTQST M12X 45-8.8	TORNILLO ESPECIAL TTQST M12X4
34	B01522469R	RALLA 13 42 6	FIFTH WHEEL	BUTEE	SCHLEIBE	RANGUA 13 42 6
35	F01230213R	DADO M12X1,75 U7474 CL8 ZN	NUT M12X1,75 U7474 6SZN	ECROU AUTOBL. M12	SELBSTSPERR.MUTTER M12	TUERCA M12X1,75 U7474 CL8 ZN
36	B0C000056R	ATTACCO SX RASTRELLO	LEFT RAKE ATTACHMENT	ATTELAGE GAUCHE GRILLE RABATTE	LINKE NIEDERHALTERRECHENHALTER	CONEXI N IZQ RASTRILLO
37	F01020516R	VITE M12X1,75X45 U5739 8.8ZN	SCR. M12X1,75X45 U5739 8.8ZN	VIS M12X1,75X45 U5739 8.8 ZN	SCHARAUBE M12X1,75X45 U5739 ZN	TORNILLO M12X1,75X45 U5739 8
38	F01410076R	ROS.M12 13X 24X2,5 U6592 ZN	WASHER 12 13X 24X2,5 U6592 ZN	RONDEL. M12 13X24X2,5 U6592 ZN	SCHLEIBE M12 13X24X2,5 U6592 ZN	ARAND.M12 13X 24X2,5 U6592 ZN
39	F01230213R	DADO M12X1,75 U7474 CL8 ZN	NUT M12X1,75 U7474 6SZN	ECROU AUTOBL. M12	SELBSTSPERR.MUTTER M12	TUERCA M12X1,75 U7474 CL8 ZN
40	BSP000025R	ATTACCO SX RASTRELLO	LEFT RAKE CONNECTION			CONEXI N IZQ RASTRILLO
41	F01020512R	VITE M12X1,75X35 U5739 8.8ZN	SCR. M12X1,75X35 U5739 8.8ZN	VIS M12X1,75X35 5739 8.8 ZN	SCHR. M12X1,75X35 5739 8.8 ZN	TORNILLO M12X1,75X35 U5739 8
42	F01420120R	ROS.M12 13X36X2,5 U6593 ZN	WASHER M12 13X36X2,5 U6593 ZN	RONDELLE M12 13X36X2,5 ZN		ARAND.M12 13X36X2,5 U6593 ZN
43	F01230213R	DADO M12X1,75 U7474 CL8 ZN	NUT M12X1,75 U7474 6SZN	ECROU AUTOBL. M12	SELBSTSPERR.MUTTER M12	TUERCA M12X1,75 U7474 CL8 ZN
44	B01817605R	MOLLA C FILO 2,5 P24,5 L=60	SPRING	RESSORT	C-FEDER	MUELLE C HILO 2,5 P24,5 L=60
45	F01410124R	ROS.M20 21X 37X 3 U6592 ZN	WASHER M20 21X 37X 3 U6592 ZN	RONDEL.M20 21X37X3 ZN	MUTTER M20 21X 37X 3 U6592 ZN	ARAND.M20 21X 37X 3 U6592 ZN
46	B01700020R	ANEL. D ARR. ALB. 20-E UNI3653	SEEGER RING	BAGUE SEEGER	SEEGERRING 20-E	ANIL. DE PARAD. RB. 20-E UNI3
47	BSP000024R	ATTACCO DX RASTRELLO	RIGHT RAKE CONNECTION			CONEXI N DER RASTRILLO
48	BSP000024R	ATTACCO DX RASTRELLO	RIGHT RAKE CONNECTION			CONEXI N DER RASTRILLO



**PICK-UP M CUT
PICK-UP M CUT**

TAV_140

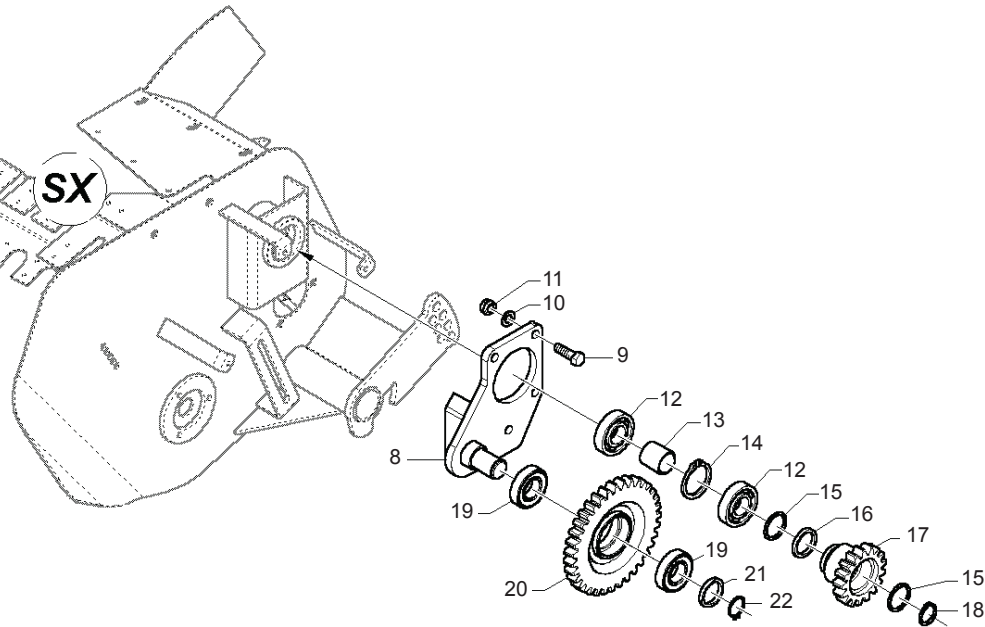
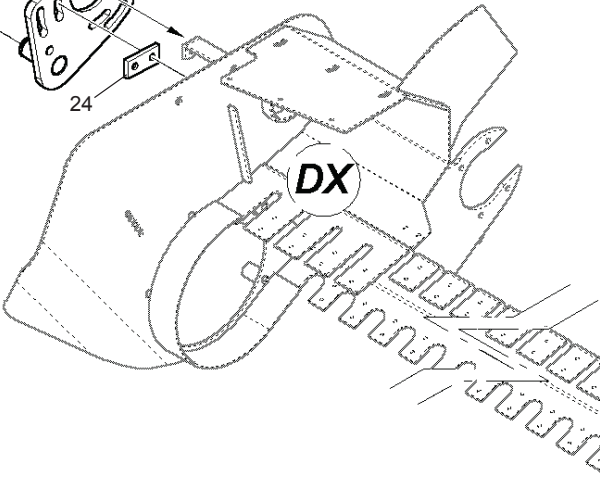
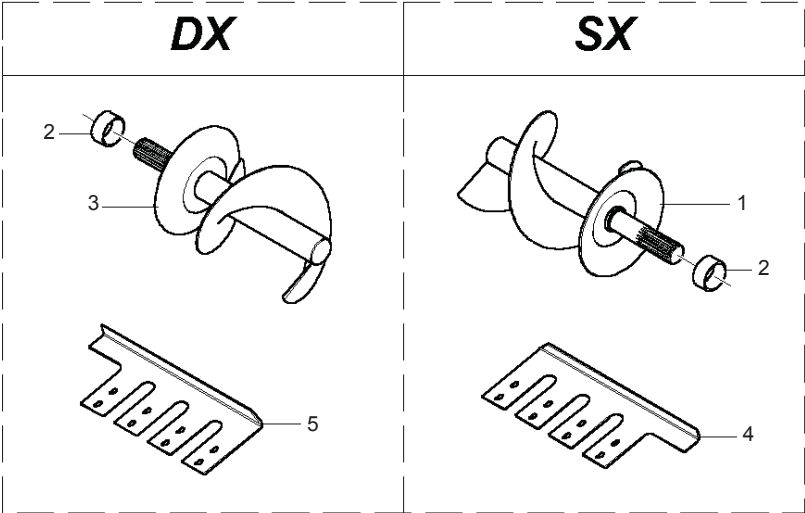
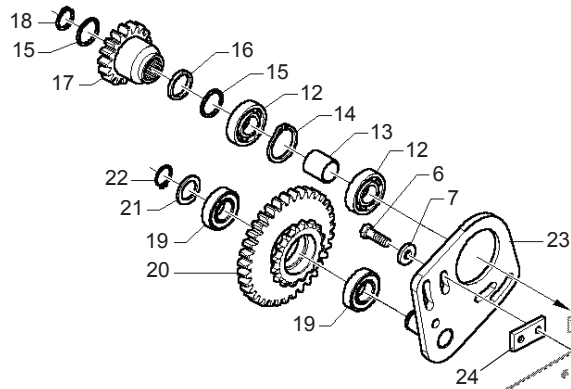
Pos.	Cod.	Descrizione	Description	Description	Benennung	Descripcion
1	B07SP0220R	TELAIO PU M CUT LT	FRAME PU M CUT LT	CHASSIS PU CUT LT	RAHMEN PU M CUT LT	
2	B0C003304R	FASCIA CENTRALE PICK UP TOPCUT	PICK-UP CENTRAL BAND TOPCUT	BANDE CENTRALE PICK-UP TOPCUT	ZENTRALES PICK-UP BAND	BANDA CENTRAL PICK UP TOPCUT
3	B01300003R	RALLA ATTACCO PU	WASHER ATTACK PICK-UP			RANGUA CONEXI N PU
4	B0C003183R	PLACA EXTENSIE LATERALA	LATERAL BAND PICK-UP			PLACA EXTEN-LATERAL
5	B00370615R	VITE M 6X16 ZN SEZ.TRIL. U8111	SCREW	BANDE LATERALE VIS	SEITENBAND SCHRAUBE	TORNILLO CAB.HEX M 6X16 A SECC
6	B01700035R	ANEL. D ARR. ALB. 35-E UNI3653	SEEGER RING	BAGUE SEEGER	SEEGERRING 35-E	ANIL. DE PARAD. RB. 35-E UNI3
7	B034P0005R	PIGNONE Z=13-3 4	PINION	PIGNON	RITZEL	
8	B01534416R	SPE.S. 35 43 1 ZINCATO	SHIM	ENTRETOISE	AUSGLEICHSCHEIBE 35X43X1	ESPE.S. 35 43 1 CINCADO
9	B01710072R	ANEL. D ARR. FORO 72-I UNI3654	SEEGER RING	BAGUE SEEGER	SEEGERRING 72-I	
10	F04010178R	CUSC.D35 D72 B17 6207 2RS1 EX	BEAR.D35 D72 B17 6207 2RS1 EX	ROULEM. D35 D72 B17 6207 2RS1	LAGER D35 D72 B17 6207 2RS1	COJINETE D35 D72 6207 2RS1
11	B01300739R	DISTANZIALE 35X42X41	SPACER	ENTRETOISE	DISTANZSTUECK 35X42X41	DISTANCIADOR 35X42X41
12	B01300649R	FLANGIA	FLANGE	FLASQUE	PICK-UP FLANSCH	BRIDA
13	B00181015R	VITE M10X1,5 X 16 U5739 8.8ZN	SCREW	VIS	SCHRAUBE	TORNILLO M10X1,5 X 16 U5739 8
14	F01410062R	ROS.M10 10,5X 18X 2 U6592 ZN	WASHER M10 10,5X 18X 2 U6592	RONDELLE M10 10,5X18X2 ZN	DICHTUNGSRING M10 10,5X18X2 ZN	ARAND.M10 10,5X 18X 2 U6592 ZN
15	B01700045R	ANEL. D ARR. ALB. 45-E UNI3653	SEEGER RING	BAGUE SEEGER	SEEGERRING 45-E	ANIL. DE PARAD. RB. 45-E UNI3
16	B07S01652R	COCLEA SX PU 200	LEFT PICK-UP AUGER 200	VIS GAUCHE PU 200	LINKE PICK-UP ZUBRINGERSCHNECK	TORNILLO SIN FIN IZQ PU 200
17	B07S01651R	COCLEA DX PU 200	RIGHT PICK-UP AUGER 200	VIS DROIT PU 200	RECHTE PICK-UP ZUBRINGERSCHNEC	TORNILLO SIN FIN DER PU 200
18	B01527654R	RALLA 45 62 4	FIFTH WHEEL	BUTEE	SCHIEBE	RANGUA 45 62 4
19	B01547230R	SPE.S. 45 62 2	SHIM	ENTRETOISE	SCHIEBE	ESPE.S. 45 62 2
20	B07S01849R	LAMIERA CONVOGLIAMENTO PU M	BAFFLE PLATE	TOLE DE TRANSPORT PU M	NIEDERHALTERBLECH	CHAPA DE TRANSPORTE PU M
21	B0C003712R	BOCCOLA	BUSH	COQUILLE	BUCHSE	CASQUILLO
22	B0C1P0583R	PIATTINO DI FISSAGGIO	FIXING PLATE			PAT N DE FIJACI N
23	B07V00074R	PROT. COCLEA PU 180	AUGER PROTECTION	PROTECTION PELLETEUSE PU 180	SCHNECKENSCHUTZ	PROT. TORNILLO SIN FIN PU 180
24	B01000013R	RIVETTO STR. 6X18 U9200A AL	RIVET	RIVET	ABREISSNIETEN 6X18	REMACHE EXTR. 6X18 U9200A A
25	B0C002409R	SOSTEGNO GOMMA PUL	RUBBER SUPPORT	SUPPORT PNEUS	GUMMIHALTER	SOPORTE DE GOMA POL
26	B01000012R	RIVETTO STR. 6,4X22 ACCIAIO	RIVET	RIVET	ABREISSNIETEN 6X26	REMACHE EXTR. 6,4X22 ACERO
27	F01020472R	VITE M10X1,5X25 U5739 8.8ZN	SCR. M10X1,5X25 U5739 8.8ZN	VIS M10X1,5X25 U5739 8.8 ZN	SCHRAUBE M10X1,5X25 U5739 8.8	TORNILLO M10X1,5X25 U5739 8.8
28	F01410062R	ROS.M10 10,5X 18X 2 U6592 ZN	WASHER M10 10,5X 18X 2 U6592	RONDELLE M10 10,5X18X2 ZN	DICHTUNGSRING M10 10,5X18X2 ZN	ARAND.M10 10,5X 18X 2 U6592 ZN
29	F01230202R	DADO M10X 1,5 D985 8 ZN	NUT M10 D985	ECROU AUTOBL. M10	SELBSTSPERR.MUTTER M10	TUERCA M10X 1,5 D985 8
30	F02050101R	ANELLO E. DE 25X 1,2 U7435 C7	SEEGER RING E. 25X1,2 7435 C70	SEEGER E. 25X 1,2 U7435 C70	SEEGERING E. 25X 1,2 U7435 C70	ANILLO E. DE 25X 1,2 U7435 C7
31	B0C100017R	ATTACCO LAMIERA CONVOGLIAMENTO	CONVEYOR PLATE ATTACHMENT	ATTELAGE TOLE D ACHEMINEMENT	ZUFUEHRBLECHBEFESTIGUNG	CONEXI N CHAPA DE TRANSPORTE
32	B00471230R	VITE TTEI M12X 30-8.8 UNBRA	SCREW	VIS	SCHRAUBE TTEI M12X 30-8.8	TORNILLO CAB.ALLEN CON HUECO
33	F01410076R	ROS.M12 13X 24X2,5 U6592 ZN	WASHER 12 13X 24X2,5 U6592 ZN	RONDEL. M12 13X24X2,5 U6592 ZN	SCHIEBE M12 13X24X2,5 U6592 ZN	ARAND.M12 13X 24X2,5 U6592 ZN
34	F01230213R	DADO M12X1,75 U7474 CL8 ZN	NUT M12X1,75 U7474 6SZN	ECROU AUTOBL. M12	SELBSTSPERR.MUTTER M12	TUERCA M12X1,75 U7474 CL8 ZN
35	B0C004002R	GANCIO	HOOK	CROCHET	HAKEN	GANCHO
36	F01020510R	VITE M12X1,75X30 U5739 8.8ZN	SCR. M12X1,75X30 U5739 8.8ZN	VIS M12X1,75X30 U5739 8.8ZN	SCHRAU.M12X1,75X30 U5739 8.8ZN	TORNILLO M12X1,75X30 U5739
37	F01230213R	DADO M12X1,75 U7474 CL8 ZN	NUT M12X1,75 U7474 6SZN	ECROU AUTOBL. M12	SELBSTSPERR.MUTTER M12	TUERCA M12X1,75 U7474 CL8 ZN
38	B01000021R	SPINOTTO PER MOTOZAPPA 10X45	PIN	EPINE	STIFT	ESP RRAGO PARA MOTOCULTIVAD
39	B0C005187R	ATTACCO TAMPONE	PLUG ATTACHMENT	ATTELAGE TAMPON	PROPFENBEFESTIGUNG	CONEXI N DEL TAP N
40	F01020476R	VITE M10X1,5X30 U5739 8.8ZN	SCR. M10X1,5X30 U5739 8.8ZN	VIS M10X1,5X30 U5739 8.8 ZN	SCHRAUBE M10X1,5X30U5739 8.8ZN	TORNILLO M10X1,5X30 U5739 8.8
41	F01410062R	ROS.M10 10,5X 18X 2 U6592 ZN	WASHER M10 10,5X 18X 2 U6592	RONDELLE M10 10,5X18X2 ZN	DICHTUNGSRING M10 10,5X18X2 ZN	ARAND.M10 10,5X 18X 2 U6592 ZN
42	F01230202R	DADO M10X 1,5 D985 8 ZN	NUT M10 D985	ECROU AUTOBL. M10	SELBSTSPERR.MUTTER M10	TUERCA M10X 1,5 D985 8
43	B07049749R	TAMPONE 50X21 M10	BUMPER 50X21 M10	TAMPON 50X21 M10	PUFFER 50X21 M10	TAP N 50X21 M10
44	F01200270R	DADO M10X1,5 U5588 CL8 ZN	NUT M10X1,5 U5588 6.8ZN	ECROU M10X 1,5 U5588 6.8 ZN	MUTTER M10X 1,5 U5588 6.8 ZN	TUERCA M10X1,5 U5588 CL8 ZN
45	F01230202R	DADO M10X 1,5 D985 8 ZN	NUT M10 D985	ECROU AUTOBL. M10	SELBSTSPERR.MUTTER M10	TUERCA M10X 1,5 D985 8
46	B0C3P0014R	DEVIATORE DX COCLEA	RIGHT AUGER SEPARATOR	COMMUTATEUR DROIT VIS	SCHALTER RECHTS	
47	B0C3P0015R	DEVIATORE SX COCLEA	AUGER LEFT SWITCH	COMMUTATEUR GAUCHE VIS	SCHALTER LINKS	
48	B00470820R	VITE TTEI M 8X 20-10,9 UMBRAKO	SCREW	VIS	SCHRAUBE TTEI M 8X 20-10.9	TORNILLO CAB.ALLEN CON HUECO
49	F01420048R	ROS.M8 8,4X 24X 2 U6593 ZN	WASHER M8 8,4X 24X2 U6593 ZN	RONDELLE M8 8,4X24X 2 U6593 ZN	SCHIEBEN M8 8,4X24X 2 U6593 ZN	ARAND.M8 8,4X 24X 2 U6593 ZN
50	B02500010R	BRONZINA 45 53 25	BUSHING	COUSSINET	BRONZEBUCHSE 45 53 25	COJINETE 45 53 25
51	B01300046R	DISTANZIALE 35,2X42,4X15	SPACER	ENTRETOISE	DISTANZSTUECK 35,2X42,4X15	



**RULLO CONVOGLIATORE CUT (PICK-UP M)
ROLLER CONVEYOR CUT (PICK-UP M)**

TAV_150

Pos.	Cod.	Descrizione	Description	Description	Benennung	Descripcion
1	B0C4P0187R	ATTACCO SX	ATTACCO SX			ENGANCHE IZQ
2	B02341020R	SUPP.FLANG.OV 20 LAM NBR-NSK	SUPPORT	SUPPORT	GEFLANSCHTES LAGER	SOP.BRIDA.OV 20 CHAP. NBR-NSK
3	B0C4P0188R	ATTACCO DX	ATTACCO DX			ENGANCHE DER
4	B07SP0341R	RULLO CONVOGLIATORE M	CONVEYOR ROLLER M			RODILLO TRANSPORTADOR M
5	B01411020R	RONDELLA PIANA LARGA 10X30	WIDE FLAT WASHER 10X30			ARANDELA PLANA ANCHA 10X30
6	F01020470R	VITE M10X1,5X20 U5739 8.8ZN	SCR. M10X1,5X20 U5739 8.8ZN	VIS M10X1,5X20 U5739 8.8 ZN	SCHRAUBE M10X1,5X20 U5739 ZN	TORNILLO M10X1,5X20 U5739 8
7	F01060202R	VITE M8X1,25X25 U5731 4.6ZN	SCR. M8X1,25X25 U5731 4.6ZN	VIS M8X1,25X25 U5731 4.6	DUEBEL M8X1,25X25 U5731 4.6 ZN	TORNILLO M8X1,25X25 U5731 4.6
8	F01410051R	ROS.M8 8,4X 17X1,6 U6592 ZN	WASHER M8 8,4X17X1,6 U6592 ZN	RONDELLE M8 8,4X17X1,6 ZN	SCHEIBE M8 8,4X17X1,6 U6592 ZN	ARAND.M8 8,4X 17X1,6 U6592 ZN
9	B00920208R	DADO AUTOB.BASSO M 8-5S D985	NUT M8X1 D985 8ZN	ECROU	SELBSTSICHERNDE MUTTER M8-5S	TUERCA M8X1 D985 8
10	F02100065R	SPINA E.P. 4X 30 U6873 C70 BR	PIN EL. 4X30 DIN 1481	GOUPILLE EL.4 X30 DIN 1481	SPANNSTIFT 4X30 DIN 1481	CLAVIJA EL.P. 4X 30 U6873 C70

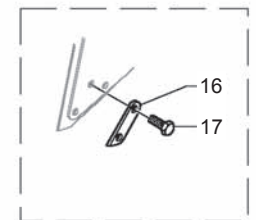
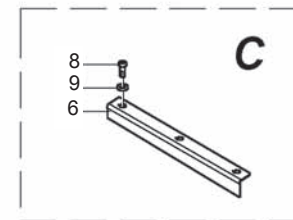
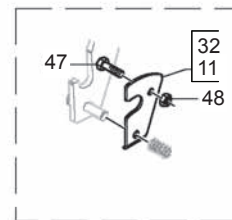
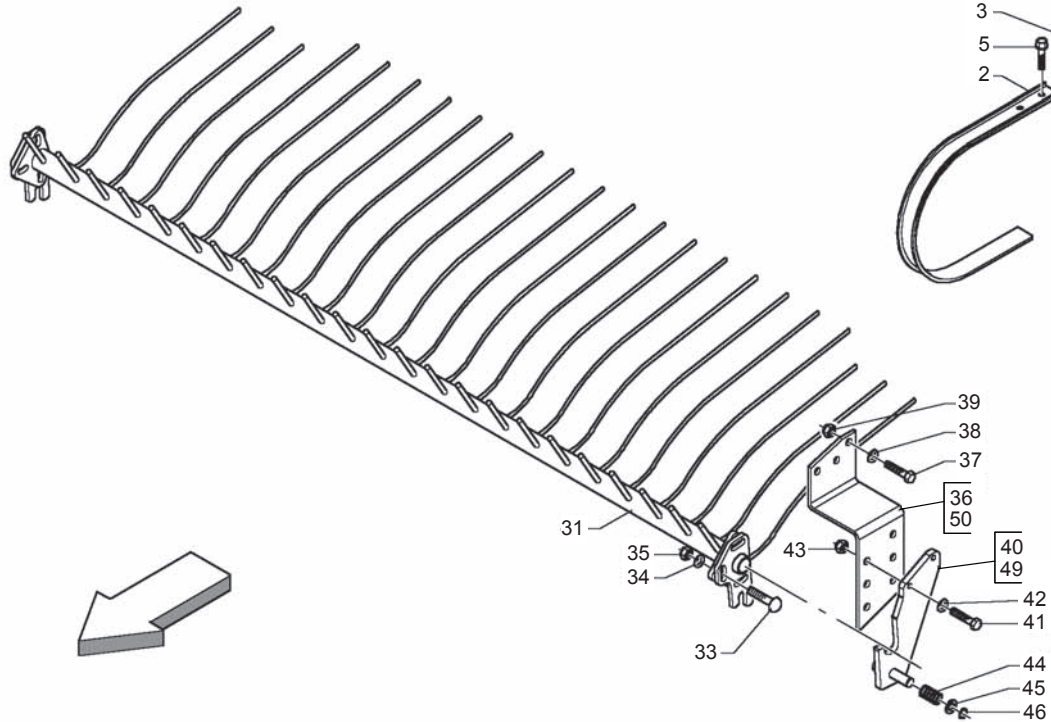
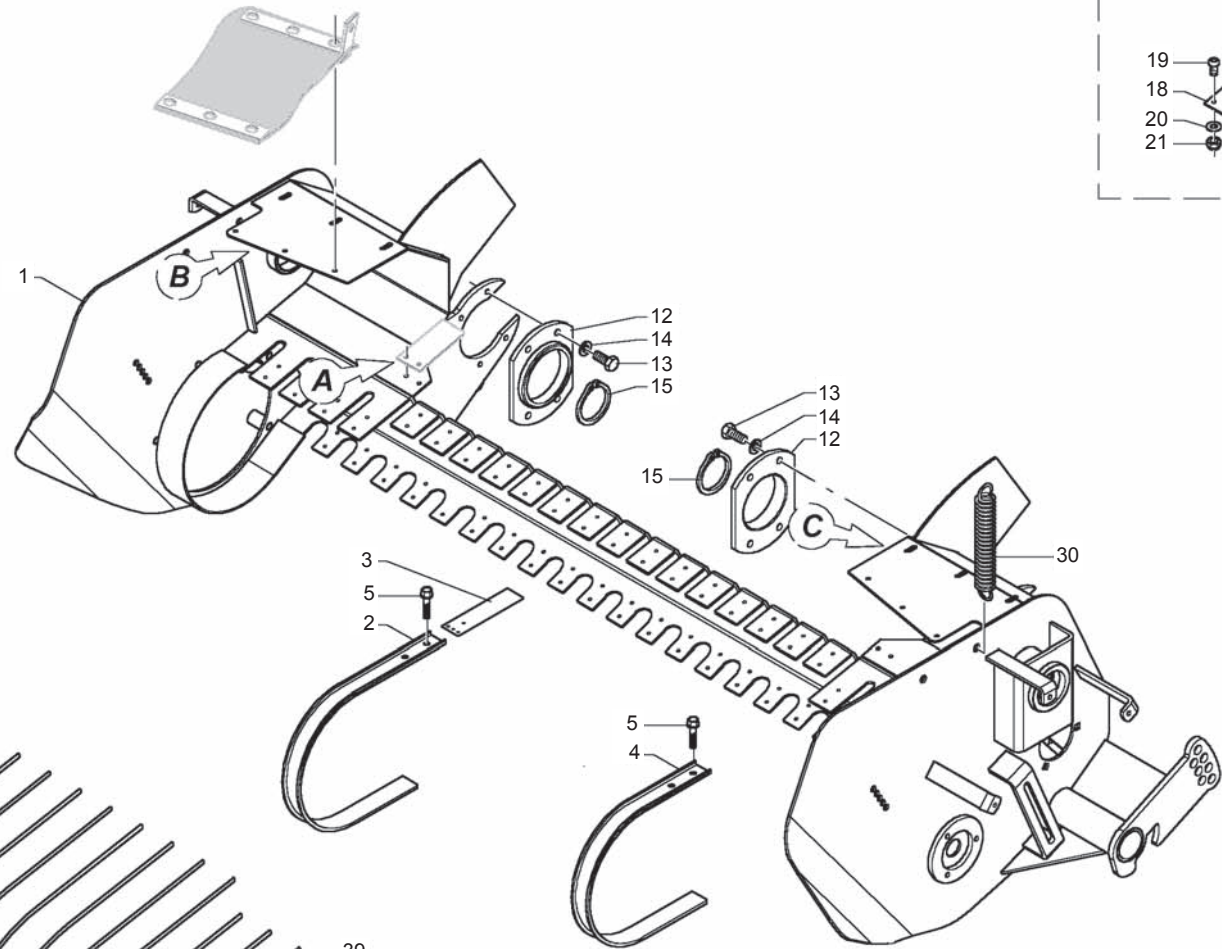
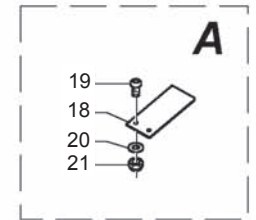
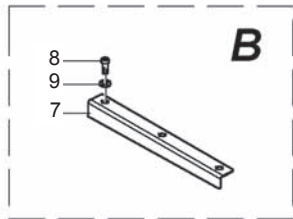
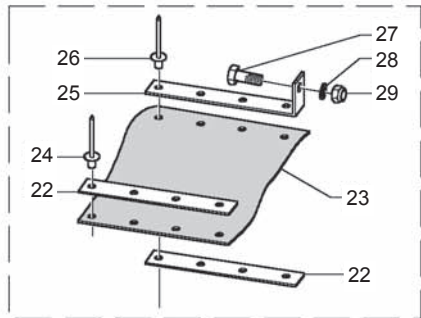


**COCLEE PICK-UP M
AUGER PICK-UP M**

TAV_175

Pos.	Cod.	Descrizione	Description	Description	Benennung	Descripcion
1	B07S01652R	COCLEA SX PU 200	LEFT PICK-UP AUGER 200	VIS GAUCHE PU 200	LINKE PICK-UP ZUBRINGERSCHNECK	TORNILLO SIN FIN IZQ PU 200
2	B01300046R	DISTANZIALE 35,2X42,4X15	SPACER	ENTRETOISE	DISTANZSTUECK 35,2X42,4X15	
3	B07S01651R	COCLEA DX PU 200	RIGHT PICK-UP AUGER 200	VIS DROIT PU 200	RECHTE PICK-UP ZUBRINGERSCHNEC	TORNILLO SIN FIN DER PU 200
4	BC3P0101LR	GUIDA COCLEA SX PU M LT	AUGER GUIDE RIGHT			
5	B0C3P0101R	GUIDA COCLEA DX PU M LT	AUGER GUIDE	GUIDE PALLETEUSE	SCHNECKENFOERDERER FUEHRUNG RE	
6	F01020152R	VITE M12X1,75X40 U5737 8.8ZN	SCR. M12X1,75X40 U5737 8.8ZN	VIS M12X1,75X40 U5737 8.8 ZN	SCHRAUBE M12X1,75X40U57378.8ZN	TORNILLO M12X1,75X40 U5737 8.
7	B01516038R	RALLA 13 32 5	FIFTH WHEEL	BUTEE	SCHEIBE	RANGUA 13 32 5
8	B07SP0238R	PIASTRA SX	PLATE LINK SIDE	PLAQUE COTE GAUCHE	PLATTE LINKS	
9	F01020152R	VITE M12X1,75X40 U5737 8.8ZN	SCR. M12X1,75X40 U5737 8.8ZN	VIS M12X1,75X40 U5737 8.8 ZN	SCHRAUBE M12X1,75X40U57378.8ZN	TORNILLO M12X1,75X40 U5737 8.
10	F01410076R	ROS.M12 13X 24X2,5 U6592 ZN	WASHER 12 13X 24X2,5 U6592 ZN	RONDEL. M12 13X24X2,5 U6592 ZN	SCHEIBE M12 13X24X2,5 U6592 ZN	ARAND.M12 13X 24X2,5 U6592 ZN
11	F01230213R	DADO M12X1,75 U7474 CL8 ZN	NUT M12X1,75 U7474 6SZN	ECROU AUTOBL. M12	SELBSTSPERR.MUTTER M12	TUERCA M12X1,75 U7474 CL8 ZN
12	F04010178R	CUSC.D35 D72 B17 6207 2RS1 EX	BEAR.D35 D72 B17 6207 2RS1 EX	ROULEM. D35 D72 B17 6207 2RS1	LAGER D35 D72 B17 6207 2RS1	COJINETE D35 D72 6207 2RS1
13	B01300739R	DISTANZIALE 35X42X41	SPACER	ENTRETOISE	DISTANZSTUECK 35X42X41	DISTANCIADOR 35X42X41
14	B01710072R	ANEL. D ARR. FORO 72-I UNI3654	SEEGER RING	BAGUE SEEGER	SEEGERRING 72-I	
15	B01534416R	SPE.S. 35 43 1 ZINCATO	SHIM	ENTRETOISE	AUSGLEICHSCHEIBE 35X43X1	ESPES. 35 43 1 CINCADO
16	B013P0133R	RALLA 35 45 5	FIFTH WHEEL 35 45 5	BUTEE 35 45 5	DISTANZSCHEIBE 35 45 5	
17	B034P0048R	INGRANAGGIO Z=17 M=5	GEAR Z=17 M=5	ENGRANAGE Z=17 M=5	ZAHNRADPAAR Z=17 M=5	
18	B01700035R	ANEL. D ARR. ALB. 35-E UNI3653	SEEGER RING	BAGUE SEEGER	SEEGERRING 35-E	ANIL. DE PARAD. RB. 35-E UNI3
19	B02043016R	CUSC. 6206-2RS CAT.B-ST004	BEARING	ROULEMENT	LAGER	
20	B034P0049R	INGR. Z=35 M=5 WITH SPROCKET Z	GEAR Z=35 M=5 WITH SPROCKET Z=	PINION Z=16 3 4 ET ENGRANAGE Z	RITZEL Z=16 3 4 UND ZAHNRADPAA	
21	B013P0130R	RALLA 30 45 3	FIFTH WHEEL 30 45 3	BUTEE 30 45 3	DISTANZSCHEIBE 30 45 3	
22	F02050112R	ANELLO E.DE 30X 1,5 U7435 ZN	SEEGER RING 30X 1,5 U7435 C70	SEEGER E. 30 X 1,5 U7435 C70	SEEGERING E. 30X 1,5 U7435 C70	ANILLO E. 30 X 1,5 U7435 C70
23	B07SP0239R	PIASTRA DX	PLATE RIGHT SIDE	PLAQUE COTE DROIT	PLATTE RECHTS	
24	B0C003172R	ATTACCO TENDICATENA	CHAIN TIGHTENER COUPLING	ATTELAGE TENDEUR DE CHAINE	KETTENSPELLER BEFESTIGUNG	CONEXI N TENSOR DE CADENA

TAV_125

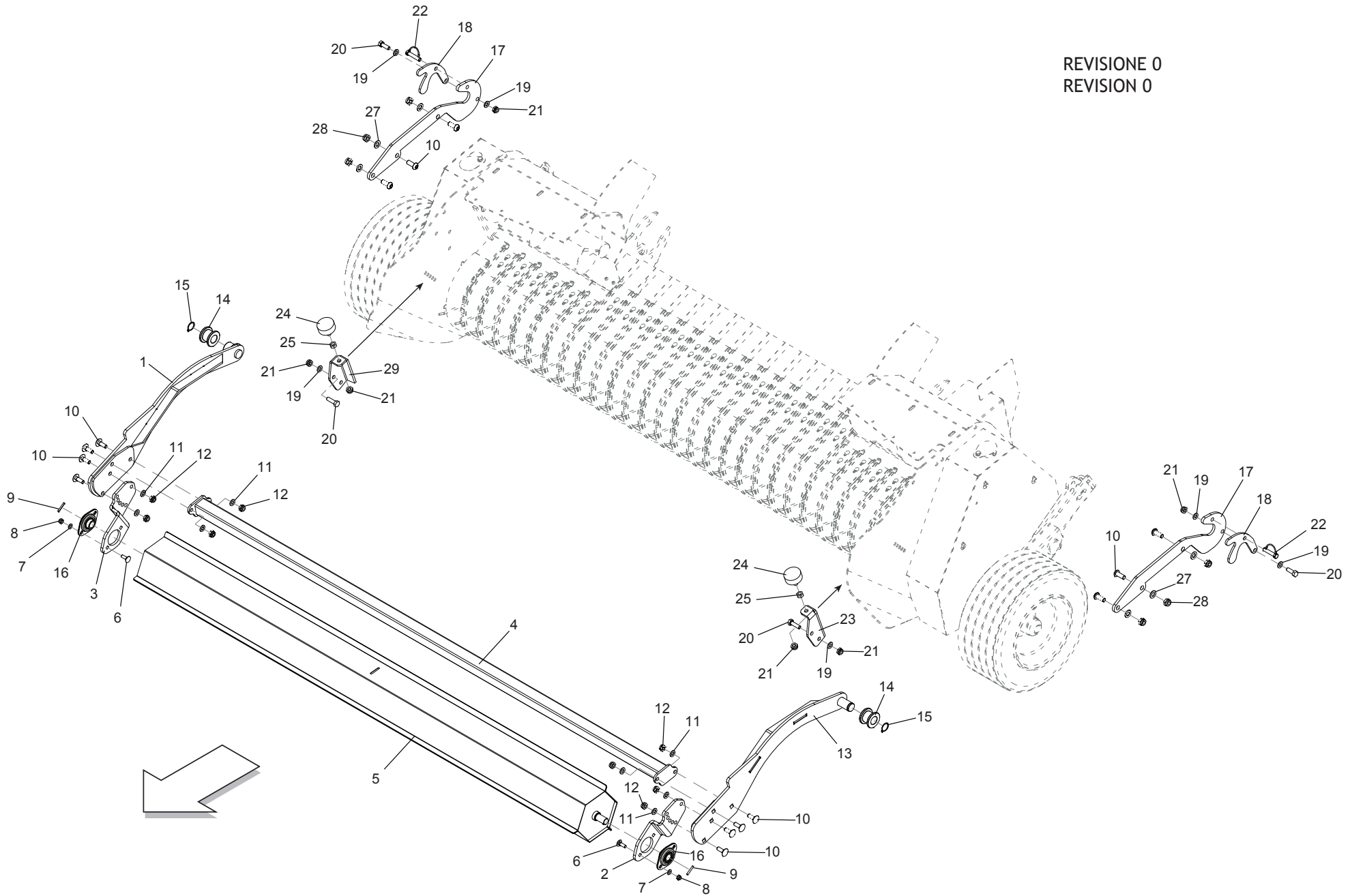


**PICK-UP L
PICK-UP L**

TAV_125

Pos.	Cod.	Descrizione	Description	Description	Benennung	Descripcion
1	B07SP0193R	TELAIO PU L LT	FRAME PU LT	CHASSIS PU LT	RAHMEN PU L LT	
2	B0C003304R	FASCIA CENTRALE PICK UP TOPCUT	PICK-UP CENTRAL BAND TOPCUT	BANDE CENTRALE PICK-UP TOPCUT	ZENTRALES PICK-UP BAND	BANDA CENTRAL PICK UP TOPCUT
3	B0C002069R	COMPENSO FASCIA	BAND EXTENSION	EPAISSEUR BANDE	BANDVERLAENGERUNG	COMPENSADO BANDA
4	B0C003183R	PLACA EXTENSIE LATERALA	LATERAL BAND PICK-UP	BANDE LATERALE	SEITENBAND	PLACA EXTEN-LATERAL
5	B00370615R	VITE M 6X16 ZN SEZ.TRIL. U8111	SCREW	VIS	SCHRAUBE	TORNILLO CAB.HEX M 6X16 A SECC
6	B0C3P0083R	DEVIATORE SX COCLEA PU L LT	RIGHT AUGER SEPARATOR	COMMUTATEUR DROIT VIS	SCHALTER LINKS PU L LT	
7	B0C3P0082R	DEVIATORE DX COCLEA PU L LT	RIGHT AUGER SEPARATOR	COMMUTATEUR DROIT VIS	SCHALTER RECHTS PU L LT	
8	B00470820R	VITE TTEI M 8X 20-10,9 UMBRAKO	SCREW	VIS	SCHRAUBE TTEI M 8X 20-10.9	TORNILLO CAB.ALLEN CON HUECO
M9	F01420048R	ROS.M8 8,4X 24X 2 U6593 ZN	WASHER M8 8,4X 24X2 U6593 ZN	RONDELLE M8 8,4X24X 2 U6593 ZN	SCHIEBEN M8 8,4X24X 2 U6593 ZN	ARAND.M8 8,4X 24X 2 U6593 ZN
11	BSP000027R	STAFFA SX	LEFT BRACKET			ESTRIBO IZQ
12	B01300715R	FLANGIA SX PICK-UP	PICK-UP FLANGE	FLASQUE GAUCHE POUR PICK-UP	PICK-UP FLANSCH	BRIDA IZQ PICK-UP
13	B00181015R	VITE M10X1,5 X 16 U5739 8.8ZN	SCREW	VIS	SCHRAUBE	TORNILLO M10X1,5 X 16 U5739 8
14	F01410062R	ROS.M10 10,5X 18X 2 U6592 ZN	WASHER M10 10,5X 18X 2 U6592	RONDELLE M10 10,5X18X2 ZN	DICHTUNGSRING M10 10,5X18X2 ZN	ARAND.M10 10,5X 18X 2 U6592 ZN
15	B01700095R	ANEL. D ARR. ALB. 95-E UNI3653	SEEGER RING	BAGUE SEEGER	SEEGERRING 95-E	ANIL. DE PARAD. RB. 95-E UNI3
16	B0C6P0039R	FERMO PICK-UP NORMALE	STANDARD PICK-UP LOCK	ARRET PICK-UP NORMAL		TOPE PICK-UP NORMAL
17	F01020512R	VITE M12X1,75X35 U5739 8.8ZN	SCR. M12X1,75X35 U5739 8.8ZN	VIS M12X1,75X35 5739 8.8 ZN	SCHR. M12X1,75X35 5739 8.8 ZN	TORNILLO M12X1,75X35 U5739 8
18	B0C004894R	COMPENSO PER PU NORMALE	PICK-UP SHIM	EPAISSEUR POUR PU NORMAL	PICK-UP AUSGLEICHSTUECK	COMPENSADO PARA PU NORMAL
19	B00470620R	VITE TTEI M 6X 20-8.8 UNBRA	SCREW	VIS	SCHRAUBE TTEI M6X20-10.9	TORNILLO CAB.ALLEN CON HUEC
20	F01410037R	ROS.M6 6,4X12,5X1,6 U6592 ZN	WASHER M6 6,4X12,5X1,6 U6592ZN	RONDEL.M6 6,4X12,5X1,6 U6592ZN	SCHEIB.M6 6,4X12,5X1,6 U6592ZN	ARAND.M6 6,4X12,5X1,6 U6592 ZN
21	B00920106R	DADO M6X1 D985 8ZN	NUT	ECROU	SELBSTSICHERNDE MUTTER M6-5S	TUERCA M6X1 D985 8
22	B0C003730R	FISSAGGIO GOMMA	FIXING PLATE	FIXAGE CAOUTCHOUC	GUMMFIXIERPLATTE	FIJACI N DE GOMA
23	B07V00081R	PROT. COCLEA PU 200	AUGER GUARD	PROTECTION PELLETEUSE PU 200	SCHNECKENSCHUTZ	PROT. TORNILLO SIN FIN PU 200
24	B01000013R	RIVETTO STR. 6X18 U9200A AL	RIVET	RIVET	ABREISSNIETEN 6X18	REMACHE EXTR. 6X18 U9200A A
25	B0C003729R	SOSTEGNO GOMMA	RUBBER SUPPORT	SUPPORT CAOUTCHOUC	GUMMIHALTER	SOORTE DE GOMA
26	B01000012R	RIVETTO STR. 6,4X22 ACCIAIO	RIVET	RIVET	ABREISSNIETEN 6X26	REMACHE EXTR. 6,4X22 ACERO
27	F01020472R	VITE M10X1,5X25 U5739 8.8ZN	SCR. M10X1,5X25 U5739 8.8ZN	VIS M10X1,5X25 U5739 8.8 ZN	SCHRAUBE M10X1,5X25 U5739 8.8	TORNILLO M10X1,5X25 U5739 8.8
28	F01410062R	ROS.M10 10,5X 18X 2 U6592 ZN	WASHER M10 10,5X 18X 2 U6592	RONDELLE M10 10,5X18X2 ZN	DICHTUNGSRING M10 10,5X18X2 ZN	ARAND.M10 10,5X 18X 2 U6592 ZN
29	F01230202R	DADO M10X 1,5 D985 8 ZN	NUT M10 D985	ECROU AUTOBL. M10	SELBSTSPERR.MUTTER M10	TUERCA M10X 1,5 D985 8
30	B01810412R	MOLLA	SPRING	RESSORT	FEDER	MUELLE
31	B07SP0200R	RASTRELLO PU L LT	RAKE	RATEAU PU LT	HARKE PU L LT	
32	B0C003727R	AGGANCIO DX	RIGHT RAKE LINKAGE	ACCROCHAGE DROIT	RECHTER NIEDERHALTERRECHENANSC	ENGANCHE DER
33	B00523395R	VITE SPECIALE TTQST M12X45-8.8	SPECIAL SCREW	VIS SPECIALE	SCHRAUBE TTQST M12X 45-8.8	TORNILLO ESPECIAL TTQST M12X4
34	B01522469R	RALLA 13 42 6	FIFTH WHEEL	BUTEE	SCHEIBE	RANGUA 13 42 6
35	F01230213R	DADO M12X1,75 U7474 CL8 ZN	NUT M12X1,75 U7474 6SZN	ECROU AUTOBL. M12	SELBSTSPERR.MUTTER M12	TUERCA M12X1,75 U7474 CL8 ZN
36	B0C000056R	ATTACCO SX RASTRELLO	LEFT RAKE ATTACHMENT	ATTELAGE GAUCHE GRILLE RABATTE	LINKE NIEDERHALTERRECHENHALTER	CONEXI N IZQ RASTRILLO
37	F01020516R	VITE M12X1,75X45 U5739 8.8ZN	SCR. M12X1,75X45 U5739 8.8ZN	VIS M12X1,75X45 U5739 8.8 ZN	SCHARAUBE M12X1,75X45 U5739 ZN	TORNILLO M12X1,75X45 U5739 8
38	F01410076R	ROS.M12 13X 24X2,5 U6592 ZN	WASHER 12 13X 24X2,5 U6592 ZN	RONDEL. M12 13X24X2,5 U6592 ZN	SCHEIBE M12 13X24X2,5 U6592 ZN	ARAND.M12 13X 24X2,5 U6592 ZN
39	F01230213R	DADO M12X1,75 U7474 CL8 ZN	NUT M12X1,75 U7474 6SZN	ECROU AUTOBL. M12	SELBSTSPERR.MUTTER M12	TUERCA M12X1,75 U7474 CL8 ZN
40	BSP000025R	ATTACCO SX RASTRELLO	LEFT RAKE CONNECTION			CONEXI N IZQ RASTRILLO
41	F01020512R	VITE M12X1,75X35 U5739 8.8ZN	SCR. M12X1,75X35 U5739 8.8ZN	VIS M12X1,75X35 5739 8.8 ZN	SCHR. M12X1,75X35 5739 8.8 ZN	TORNILLO M12X1,75X35 U5739 8
42	F01420120R	ROS.M12 13X36X2,5 U6593 ZN	WASHER M12 13X36X2,5 U6593 ZN	RONDELLE M12 13X36X2,5 ZN		ARAND.M12 13X36X2,5 U6593 ZN
43	F01230213R	DADO M12X1,75 U7474 CL8 ZN	NUT M12X1,75 U7474 6SZN	ECROU AUTOBL. M12	SELBSTSPERR.MUTTER M12	TUERCA M12X1,75 U7474 CL8 ZN
44	B01817605R	MOLLA C FILO 2,5 P24,5 L=60	SPRING	RESSORT	C-FEDER	MUELLE C HILO 2,5 P24,5 L=60
45	F01410124R	ROS.M20 21X 37X 3 U6592 ZN	WASHER M20 21X 37X 3 U6592 ZN	RONDEL.M20 21X37X3 ZN	MUTTER M20 21X 37X 3 U6592 ZN	ARAND.M20 21X 37X 3 U6592 ZN
46	B01700020R	ANEL. D ARR. ALB. 20-E UNI3653	SEEGER RING	BAGUE SEEGER	SEEGERRING 20-E	ANIL. DE PARAD. RB. 20-E UNI3
47	F01020562R	VITE M16X2X30 U5739 8.8ZN	SCR. M16X2X30 U5739 8.8ZN	VIS M16X2X30 U5739 8.8 ZN	SCHRAUBE M16X2X30 U5739 8.8 ZN	TORNILLO M16X2X30 U5739 8.8ZN
48	F01200444R	DADO M16X2 U5589 CL8 ZN 6SZN	NUT M16X2 U5589 6SZN	ECROU M16X2	MUTTER M16X2	TUERCA M16X2 U5589 CL8 ZN 6S
49	BSP000024R	ATTACCO DX RASTRELLO	RIGHT RAKE CONNECTION			CONEXI N DER RASTRILLO
50	BSP000024R	ATTACCO DX RASTRELLO	RIGHT RAKE CONNECTION			CONEXI N DER RASTRILLO

REVISIONE 0
REVISION 0

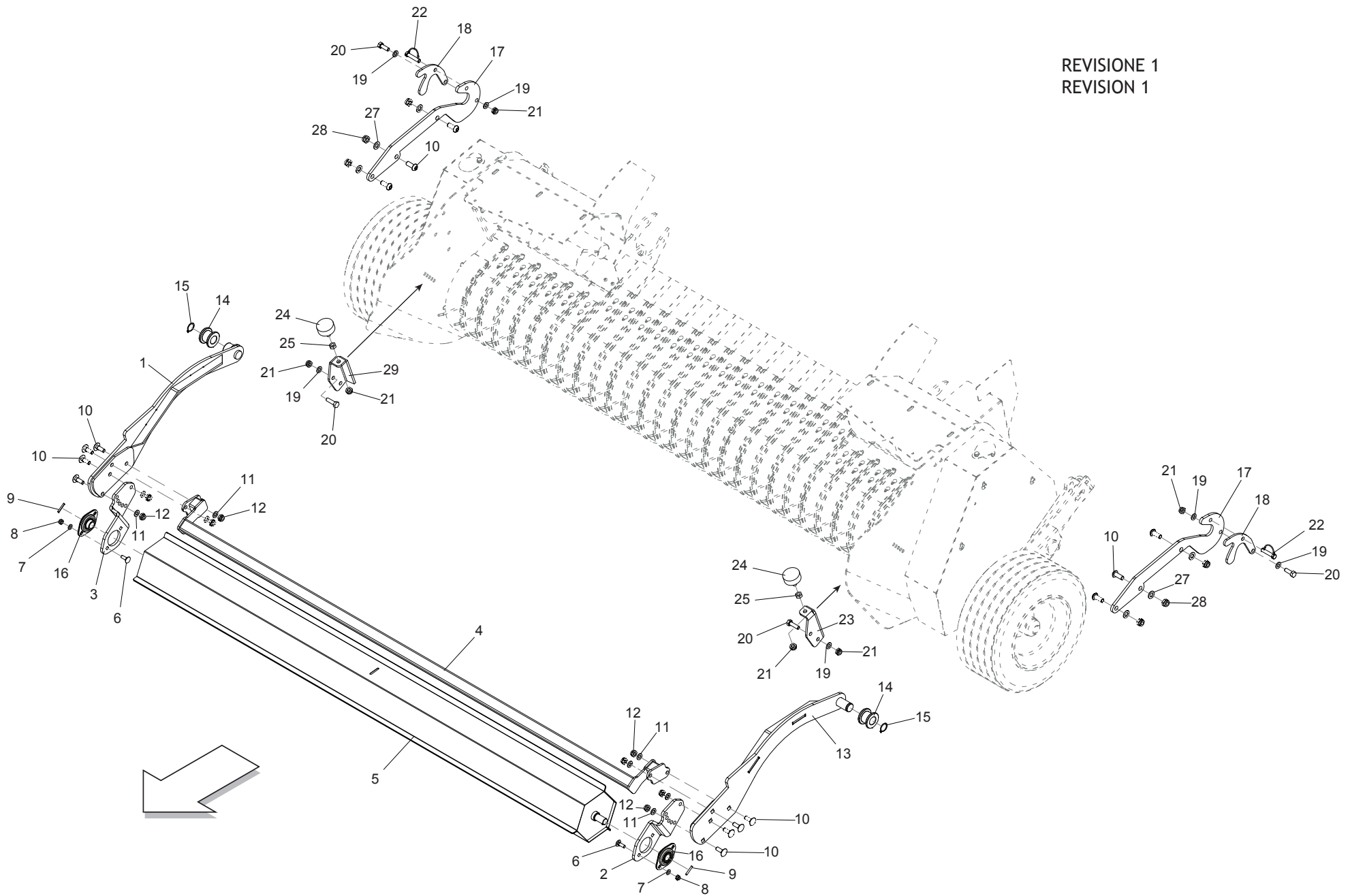


RULLO CONVOGLIATORE (PICK-UP L - PARTE 1) - REV.0
ROLLER CONVEYOR (PICK-UP L - PARTE1) - REV.0

TAV_130

Pos.	Cod.	Descrizione	Description	Description	Benennung	Descripcion
1	B07SP0695R	SOLLEVAMENTO DX RULLO	RIGHT ROLLER LIFT			
2	B0C4P0285R	ATTACCO SX	LEFT ATTACK			ENGANCHE IQZ
3	B0C4P0286R	ATTACCO DX	RIGHT ATTACK			ENGANCHE DER
4	B07SP1004R	TUBO DI RINFORZO	REINFORCING TUBE			TUBO DE REFUERZO
5	B07SP0448R	RULLO CONVOGLIATORE L 200	ROLLER CONVEYOR			RODILLO TRANSPORTADOR L 200
6	F01060202R	VITE M8X1,25X25 U5731 4.6ZN	SCR. M8X1,25X25 U5731 4.6ZN	VIS M8X1,25X25 U5731 4.6	DUEBEL M8X1,25X25 U5731 4.6 ZN	TORNILLO M8X1,25X25 U5731 4.6
7	F01410051R	ROS.M8 8,4X 17X1,6 U6592 ZN	WASHER M8 8,4X17X1,6 U6592 ZN	RONDELLE M8 8,4X17X1,6 ZN	SCHEIBE M8 8,4X17X1,6 U6592 ZN	ARAND.M8 8,4X 17X1,6 U6592 ZN
8	F01230190R	DADO M8X1 D985 8ZN	NUT M8X1 D985 8ZN	ECROU M8	MUTTER M8	TUERCA M8X1 D985 8
9	F02100065R	SPINA E.P. 4X 30 U6873 C70 BR	PIN EL. 4X30 DIN 1481	GOUPILLE EL.4 X30 DIN 1481	SPANNSTIFT 4X30 DIN 1481	CLAVIJA EL.P. 4X 30 U6873 C70
10	B00471230R	VITE TTEI M12X 30-8.8 UNBRA	SCREW	VIS	SCHRAUBE TTEI M12X 30-8.8	TORNILLO CAB.ALLEN CON HUECO
11	F01410064R	ROS.M10 10,5X 20X 2 U6592 ZN	WASHER M10 10,5X20X2 U6592 ZN	RONDEL. M10 10,5X20X2 U6592 ZN	SCHEIBE M10 10,5X20X2 U6592 ZN	ARAND.M10 10,5X 20X 2 U6592 ZN
12	F01230202R	DADO M10X 1,5 D985 8 ZN	NUT M10 D985	ECROU AUTOBL. M10	SELBSTSPERR.MUTTER M10	TUERCA M10X 1,5 D985 8
13	B07SP0694R	SOLLEVAMENTO SX RULLO	LEFT ROLLER LIFT			
14	B0C003712R	BOCCOLA	BUSH	COQUILLE	BUCHSE	CASQUILLO
15	F02050101R	ANELLO E. DE 25X 1,2 U7435 C7	SEEGER RING E. 25X1,2 7435 C70	SEEGER E. 25X 1,2 U7435 C70	SEEGERING E. 25X 1,2 U7435 C70	ANILLO E. DE 25X 1,2 U7435 C7
16	B02341020R	SUPP.FLANG.OV 20 LAM NBR-NSK	SUPPORT	SUPPORT	GEFLANSCHTES LAGER	SOP.BRIDA.OV 20 CHAP. NBR-NSK
17	B0C4P0443R	ATTACCO SOSTEGNO RULLO	SUPPORT ROLLER			
18	B0C6P0637R	GANCIO LAMIERA CONVOGLIAMENTO	HOOK SHEET CONVEYING			
19	F01410064R	ROS.M10 10,5X 20X 2 U6592 ZN	WASHER M10 10,5X20X2 U6592 ZN	RONDEL. M10 10,5X20X2 U6592 ZN	SCHEIBE M10 10,5X20X2 U6592 ZN	ARAND.M10 10,5X 20X 2 U6592 ZN
20	F01020476R	VITE M10X1,5X30 U5739 8.8ZN	SCR. M10X1,5X30 U5739 8.8ZN	VIS M10X1,5X30 U5739 8.8 ZN	SCHRAUBE M10X1,5X30U5739 8.8ZN	TORNILLO M10X1,5X30 U5739 8.8
21	F01230202R	DADO M10X 1,5 D985 8 ZN	NUT M10 D985	ECROU AUTOBL. M10	SELBSTSPERR.MUTTER M10	TUERCA M10X 1,5 D985 8
22	B01000021R	SPINOTTO PER MOTOZAPPA 10X45	PIN	EPINE	STIFT	ESP RRAGO PARA MOTOCULTIVAD
23	B0C6P0882R	ATTACCO TAMPONE SX	LEFT PLUG ATTACHMENT			
24	B07049749R	TAMPONE 50X21 M10	BUMPER 50X21 M10	TAMPON 50X21 M10	PUFFER 50X21 M10	TAP N 50X21 M10
25	F01200270R	DADO M10X1,5 U5588 CL8 ZN	NUT M10X1,5 U5588 6.8ZN	ECROU M10X 1,5 U5588 6.8 ZN	MUTTER M10X 1,5 U5588 6.8 ZN	TUERCA M10X1,5 U5588 CL8 ZN
27	F01410076R	ROS.M12 13X 24X2,5 U6592 ZN	WASHER 12 13X 24X2,5 U6592 ZN	RONDEL. M12 13X24X2,5 U6592 ZN	SCHEIBE M12 13X24X2,5 U6592 ZN	ARAND.M12 13X 24X2,5 U6592 ZN
28	F01230213R	DADO M12X1,75 U7474 CL8 ZN	NUT M12X1,75 U7474 6SZN	ECROU AUTOBL. M12	SELBSTSPERR.MUTTER M12	TUERCA M12X1,75 U7474 CL8 ZN
29	B0C6P0883R	ATTACCO TAMPONE DX	RIGHT PLUG ATTACHMENT			

REVISIONE 1
REVISION 1

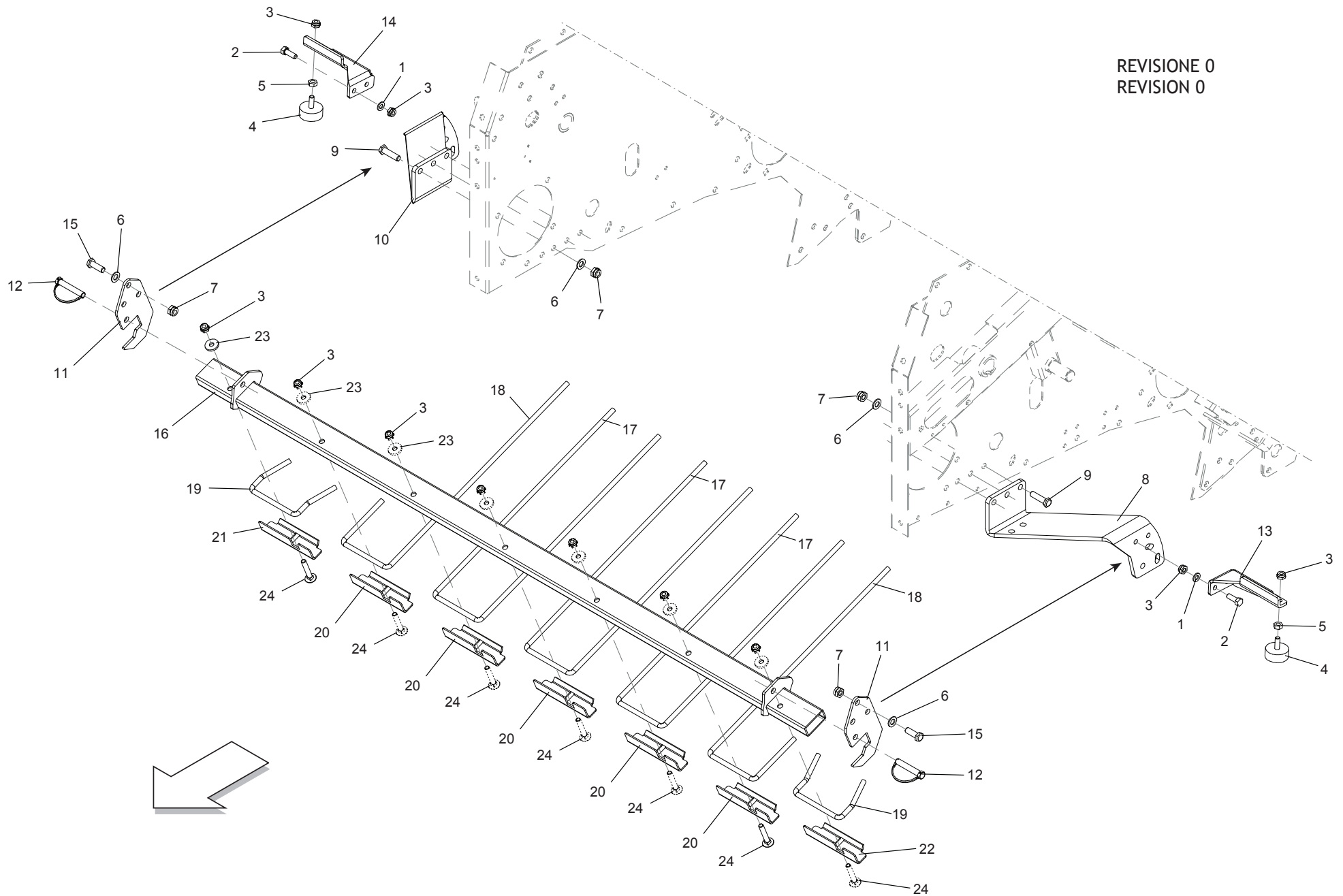


RULLO CONVOGLIATORE (PICK-UP L - PARTE 1) - REV.1
ROLLER CONVEYOR (PICK-UP L - PARTE1) - REV.1

TAV_131

Pos.	Cod.	Descrizione	Description	Description	Benennung	Descripcion
1	B07SP0695R	SOLLEVAMENTO DX RULLO	RIGHT ROLLER LIFT			
2	B0C4P0285R	ATTACCO SX	LEFT ATTACK			ENGANCHE IQZ
3	B0C4P0286R	ATTACCO DX	RIGHT ATTACK			ENGANCHE DER
4	B07SP1649R	TUBO DI RINFORZO	REINFORCING TUBE			
5	B07SP0448R	RULLO CONVOGLIATORE L 200	ROLLER CONVEYOR			RODILLO TRANSPORTADOR L 200
6	F01060202R	VITE M8X1,25X25 U5731 4.6ZN	SCR. M8X1,25X25 U5731 4.6ZN	VIS M8X1,25X25 U5731 4.6	DUEBEL M8X1,25X25 U5731 4.6 ZN	TORNILLO M8X1,25X25 U5731 4.6
7	F01410051R	ROS.M8 8,4X 17X1,6 U6592 ZN	WASHER M8 8,4X17X1,6 U6592 ZN	RONDELLE M8 8,4X17X1,6 ZN	SCHEIBE M8 8,4X17X1,6 U6592 ZN	ARAND.M8 8,4X 17X1,6 U6592 ZN
8	F01230190R	DADO M8X1 D985 8ZN	NUT M8X1 D985 8ZN	ECROU M8	MUTTER M8	TUERCA M8X1 D985 8
9	F02100065R	SPINA E.P. 4X 30 U6873 C70 BR	PIN EL. 4X30 DIN 1481	GOUPILLE EL.4 X30 DIN 1481	SPANNSTIFT 4X30 DIN 1481	CLAVIJA EL.P. 4X 30 U6873 C70
10	B00471230R	VITE TTEI M12X 30-8.8 UNBRA	SCREW	VIS	SCHRAUBE TTEI M12X 30-8.8	TORNILLO CAB.ALLEN CON HUECO
11	F01410064R	ROS.M10 10,5X 20X 2 U6592 ZN	WASHER M10 10,5X20X2 U6592 ZN	RONDEL. M10 10,5X20X2 U6592 ZN	SCHEIBE M10 10,5X20X2 U6592 ZN	ARAND.M10 10,5X 20X 2 U6592 ZN
12	F01230202R	DADO M10X 1,5 D985 8 ZN	NUT M10 D985	ECROU AUTOBL. M10	SELBSTSPERR.MUTTER M10	TUERCA M10X 1,5 D985 8
13	B07SP0694R	SOLLEVAMENTO SX RULLO	LEFT ROLLER LIFT			
14	B0C003712R	BOCCOLA	BUSH	COQUILLE	BUCHSE	CASQUILLO
15	F02050101R	ANELLO E. DE 25X 1,2 U7435 C7	SEEGER RING E. 25X1,2 7435 C70	SEEGER E. 25X 1,2 U7435 C70	SEEGERING E. 25X 1,2 U7435 C70	ANILLO E. DE 25X 1,2 U7435 C7
16	B02341020R	SUPP.FLANG.OV 20 LAM NBR-NSK	SUPPORT	SUPPORT	GEFLANSCHTES LAGER	SOP.BRIDA.OV 20 CHAP. NBR-NSK
17	B0C4P0443R	ATTACCO SOSTEGNO RULLO	SUPPORT ROLLER			
18	B0C6P0637R	GANCIO LAMIERA CONVOGLIAMENTO	HOOK SHEET CONVEYING			
19	F01410064R	ROS.M10 10,5X 20X 2 U6592 ZN	WASHER M10 10,5X20X2 U6592 ZN	RONDEL. M10 10,5X20X2 U6592 ZN	SCHEIBE M10 10,5X20X2 U6592 ZN	ARAND.M10 10,5X 20X 2 U6592 ZN
20	F01020476R	VITE M10X1,5X30 U5739 8.8ZN	SCR. M10X1,5X30 U5739 8.8ZN	VIS M10X1,5X30 U5739 8.8 ZN	SCHRAUBE M10X1,5X30U5739 8.8ZN	TORNILLO M10X1,5X30 U5739 8.8
21	F01230202R	DADO M10X 1,5 D985 8 ZN	NUT M10 D985	ECROU AUTOBL. M10	SELBSTSPERR.MUTTER M10	TUERCA M10X 1,5 D985 8
22	B01000021R	SPINOTTO PER MOTOZAPPA 10X45	PIN	EPINE	STIFT	ESP RRAGO PARA MOTOCULTIVAD
23	B0C6P0882R	ATTACCO TAMPONE SX	LEFT PLUG ATTACHMENT			
24	B07049749R	TAMPONE 50X21 M10	BUMPER 50X21 M10	TAMPON 50X21 M10	PUFFER 50X21 M10	TAP N 50X21 M10
25	F01200270R	DADO M10X1,5 U5588 CL8 ZN	NUT M10X1,5 U5588 6.8ZN	ECROU M10X 1,5 U5588 6.8 ZN	MUTTER M10X 1,5 U5588 6.8 ZN	TUERCA M10X1,5 U5588 CL8 ZN
27	F01410076R	ROS.M12 13X 24X2,5 U6592 ZN	WASHER 12 13X 24X2,5 U6592 ZN	RONDEL. M12 13X24X2,5 U6592 ZN	SCHEIBE M12 13X24X2,5 U6592 ZN	ARAND.M12 13X 24X2,5 U6592 ZN
28	F01230213R	DADO M12X1,75 U7474 CL8 ZN	NUT M12X1,75 U7474 6SZN	ECROU AUTOBL. M12	SELBSTSPERR.MUTTER M12	TUERCA M12X1,75 U7474 CL8 ZN
29	B0C6P0883R	ATTACCO TAMPONE DX	RIGHT PLUG ATTACHMENT			

REVISIONE 0
REVISION 0

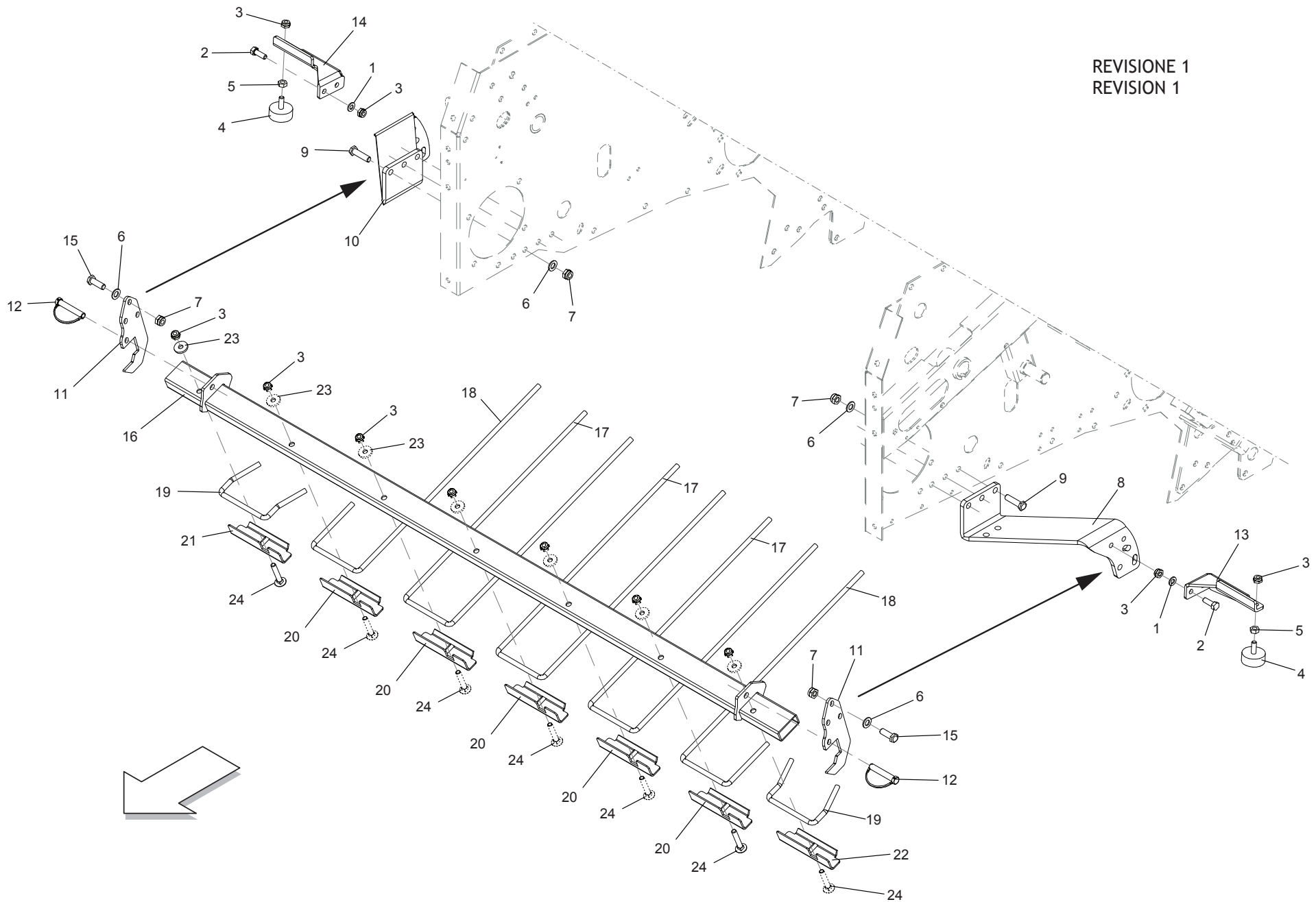


RULLO CONVOGLIATORE (PICK-UP L - PARTE 2) - REV.0
ROLLER CONVEYOR (PICK-UP L - PARTE2) - REV.0

TAV_135

Pos.	Cod.	Descrizione	Description	Description	Benennung	Descripcion
1	F01410064R	ROS.M10 10,5X 20X 2 U6592 ZN	WASHER M10 10,5X20X2 U6592 ZN	RONDEL. M10 10,5X20X2 U6592 ZN	SCHEIBE M10 10,5X20X2 U6592 ZN	ARAND.M10 10,5X 20X 2 U6592 ZN
2	F01020476R	VITE M10X1,5X30 U5739 8.8ZN	SCR. M10X1,5X30 U5739 8.8ZN	VIS M10X1,5X30 U5739 8.8 ZN	SCHRAUBE M10X1,5X30U5739 8.8ZN	TORNILLO M10X1,5X30 U5739 8.8
3	F01230202R	DADO M10X 1,5 D985 8 ZN	NUT M10 D985	ECROU AUTOBL. M10	SELBSTSPERR.MUTTER M10	TUERCA M10X 1,5 D985 8
4	B07049749R	TAMPONE 50X21 M10	BUMPER 50X21 M10	TAMPON 50X21 M10	PUFFER 50X21 M10	TAP N 50X21 M10
5	F01200270R	DADO M10X1,5 U5588 CL8 ZN	NUT M10X1,5 U5588 6.8ZN	ECROU M10X 1,5 U5588 6.8 ZN	MUTTER M10X 1,5 U5588 6.8 ZN	TUERCA M10X1,5 U5588 CL8 ZN
6	F01410076R	ROS.M12 13X 24X2,5 U6592 ZN	WASHER 12 13X 24X2,5 U6592 ZN	RONDEL. M12 13X24X2,5 U6592 ZN	SCHEIBE M12 13X24X2,5 U6592 ZN	ARAND.M12 13X 24X2,5 U6592 ZN
7	F01230213R	DADO M12X1,75 U7474 CL8 ZN	NUT M12X1,75 U7474 6SZN	ECROU AUTOBL. M12	SELBSTSPERR.MUTTER M12	TUERCA M12X1,75 U7474 CL8 ZN
8	B0C4P0441R	STAFFA SX ATTACCO BARRA PORTAD	BRACKET			ABRAZADERA IZQ CONEXI N BARR
9	F01020516R	VITE M12X1,75X45 U5739 8.8ZN	SCR. M12X1,75X45 U5739 8.8ZN	VIS M12X1,75X45 U5739 8.8 ZN	SCHARAUBE M12X1,75X45 U5739 ZN	TORNILLO M12X1,75X45 U5739 8
10	B0C4P0442R	STAFFA DX ATTACCO BARRA PORTAD	RIGHT BRACKET			ABRAZADERA DER CONEXI N BARR
11	B0C6P0878R	UNIONE STAFFE-BARRA PORTADENTE	UNION BRACKETS			UNI N ESTRIBOS BARRA PORTA-DIE
12	B011D1270R	SPINOTTO PER MOTOZAPPA 12 70	PIN TO HOE 12X70 .			ESP RRAGO PARA MOTOCULTIVAD
13	B0C6P0884R	ATTACCO SX TAMPONE SUPERIORE	LEFT ATTACK			ENGANCHE IZQ TAP N SUPERIOR
14	B0C6P0885R	ATTACCO DX TAMPONE SUPERIORE	RIGHT ATTACK			ENGANCHE DER TAP N SUPERIOR
15	F01020512R	VITE M12X1,75X35 U5739 8.8ZN	SCR. M12X1,75X35 U5739 8.8ZN	VIS M12X1,75X35 5739 8.8 ZN	SCHR. M12X1,75X35 5739 8.8 ZN	TORNILLO M12X1,75X35 U5739 8
16	B07SP0701R	BARRA PORTADENTI	TINE HOLDER BAR			BARRA PORTADIENTES
17	B0C2P0383R	DENTE L=590	TOOTH L=590			DENTE L=590
18	B0C2P0384R	DENTE L=590 E L=137	TOOTH L=590 E L=137			DENTE L=590 E L=137
19	B0C2P0385R	DENTE LATERALE L=111	LATERAL TOOTH			DIENTE LATERAL L=111
20	B0C6P0483R	FERMO DENTE	TOOTH STOP			TOPE DEL DIENTE
21	B0C6P0888R	FERMO DX DENTE	RIGHT TOOTH STOP			TOPE DER DIENTE
22	B0C6P0887R	FERMO SX DENTE	LEFT TOOTH STOP			TOPE IZQ DEL DIENTE
23	B01524584R	RALLA 10,5 30 4	FIFTH WHEEL	BUTEE	SCHEIBE	RANGUA 10,5 30 4
24	F01060081R	VITE M10X1,5X60 U5731 8.8ZN	SCR. M10X1,5X60 U5732 4.6ZN	VIS 10X60 5732 4.6 ZN	SCHRAUBE 10X60 5732 4.6 ZN	TORNILLO M10X1,5X60 U5731 8.8

REVISIONE 1
REVISION 1

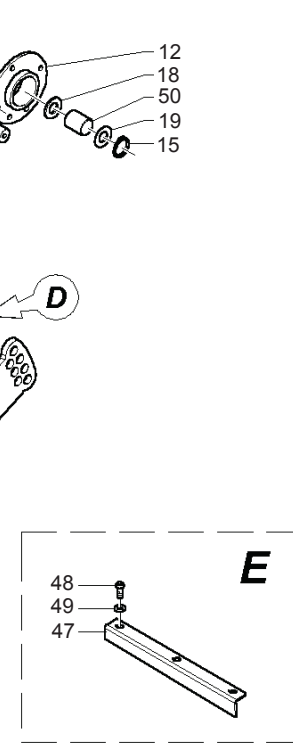
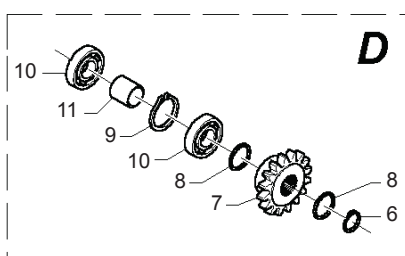
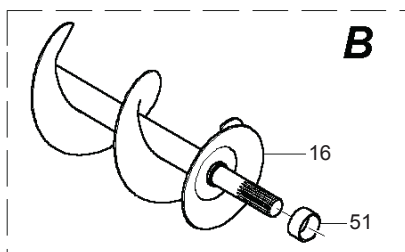
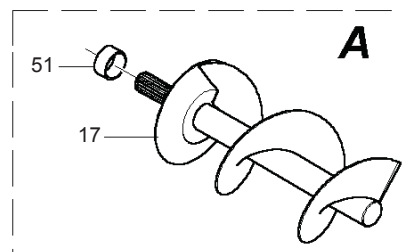
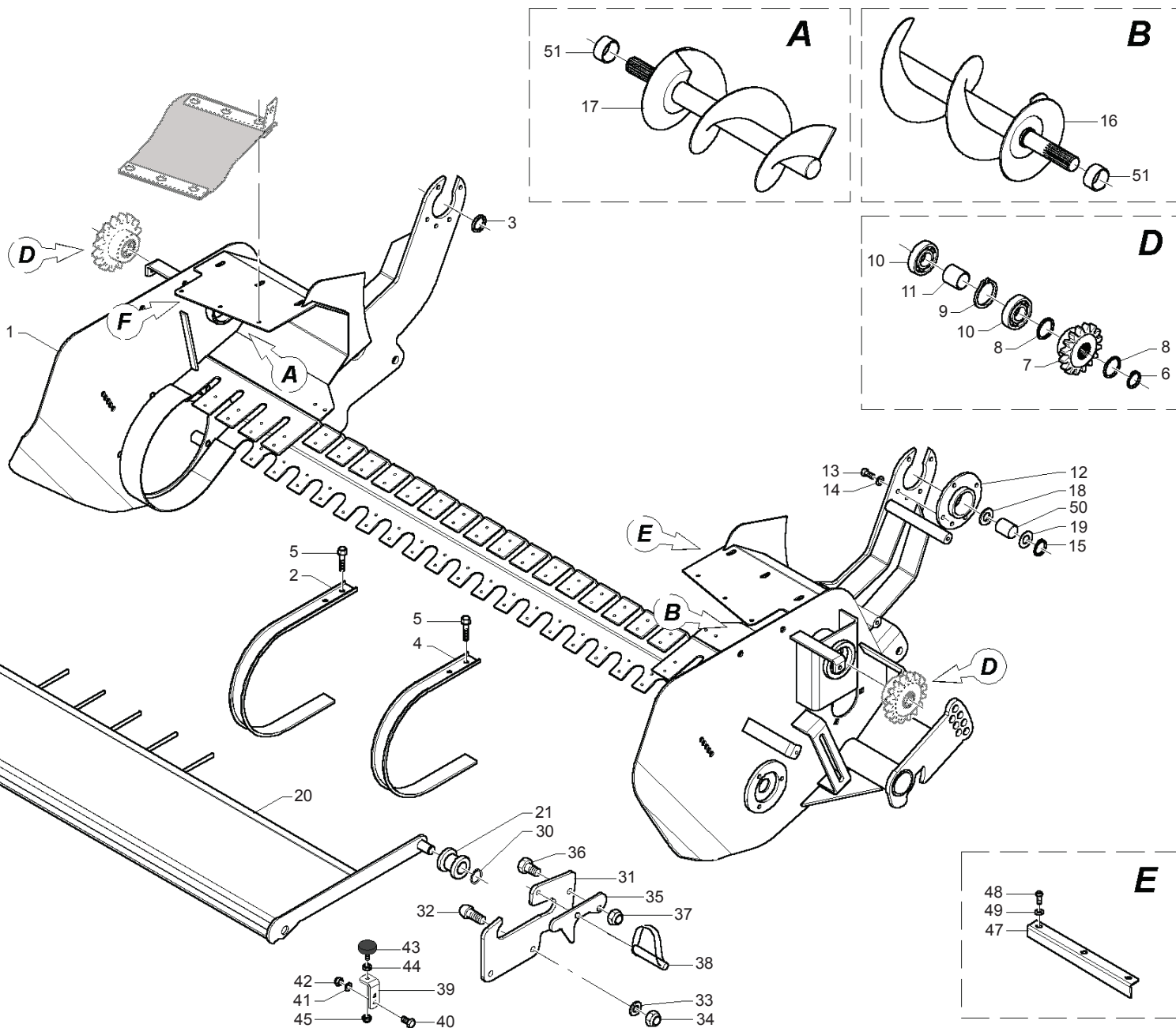
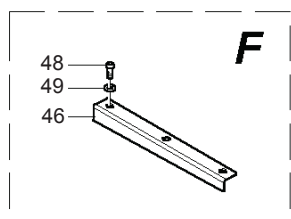
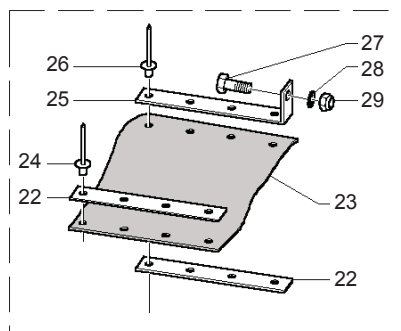


RULLO CONVOGLIATORE (PICK-UP L - PARTE 2) - REV.1
ROLLER CONVEYOR (PICK-UP L - PARTE2) - REV.1

TAV_136

Pos.	Cod.	Descrizione	Description	Description	Benennung	Descripcion
1	F01410064R	ROS.M10 10,5X 20X 2 U6592 ZN	WASHER M10 10,5X20X2 U6592 ZN	RONDEL. M10 10,5X20X2 U6592 ZN	SCHEIBE M10 10,5X20X2 U6592 ZN	ARAND.M10 10,5X 20X 2 U6592 ZN
2	F01020476R	VITE M10X1,5X30 U5739 8.8ZN	SCR. M10X1,5X30 U5739 8.8ZN	VIS M10X1,5X30 U5739 8.8 ZN	SCHRAUBE M10X1,5X30U5739 8.8ZN	TORNILLO M10X1,5X30 U5739 8.8
3	F01230202R	DADO M10X 1,5 D985 8 ZN	NUT M10 D985	ECROU AUTOBL. M10	SELBSTSPERR.MUTTER M10	TUERCA M10X 1,5 D985 8
4	B07049749R	TAMPONE 50X21 M10	BUMPER 50X21 M10	TAMPON 50X21 M10	PUFFER 50X21 M10	TAP N 50X21 M10
5	F01200270R	DADO M10X1,5 U5588 CL8 ZN	NUT M10X1,5 U5588 6.8ZN	ECROU M10X 1,5 U5588 6.8 ZN	MUTTER M10X 1,5 U5588 6.8 ZN	TUERCA M10X1,5 U5588 CL8 ZN
6	F01410076R	ROS.M12 13X 24X2,5 U6592 ZN	WASHER 12 13X 24X2,5 U6592 ZN	RONDEL. M12 13X24X2,5 U6592 ZN	SCHEIBE M12 13X24X2,5 U6592 ZN	ARAND.M12 13X 24X2,5 U6592 ZN
7	F01230213R	DADO M12X1,75 U7474 CL8 ZN	NUT M12X1,75 U7474 6SZN	ECROU AUTOBL. M12	SELBSTSPERR.MUTTER M12	TUERCA M12X1,75 U7474 CL8 ZN
8	B0C1P2675R	STAFFA SX ATTACCO BARRA PORTAD	LEFT BRACKET CONNEC.ROD			
9	F01020516R	VITE M12X1,75X45 U5739 8.8ZN	SCR. M12X1,75X45 U5739 8.8ZN	VIS M12X1,75X45 U5739 8.8 ZN	SCHARAUBE M12X1,75X45 U5739 ZN	TORNILLO M12X1,75X45 U5739 8
10	B0C1P2709R	STAFFA DX ATTACCO BARRA PORTAD	RIGHT BRACKET CONNECT.ROD			
11	B0C1P2676R	UNIONE STAFFE-BARRA PORTADENTE	UNION BRACKETS-ROD			
12	B011D1270R	SPINOTTO PER MOTOZAPPA 12 70	PIN TO HOE 12X70 .			ESP RRAGO PARA MOTOCULTIVAD
13	B0C6P0884R	ATTACCO SX TAMPONE SUPERIORE	LEFT ATTACK			ENGANCHE IZQ TAP N SUPERIOR
14	B0C6P0885R	ATTACCO DX TAMPONE SUPERIORE	RIGHT ATTACK			ENGANCHE DER TAP N SUPERIOR
15	F01020512R	VITE M12X1,75X35 U5739 8.8ZN	SCR. M12X1,75X35 U5739 8.8ZN	VIS M12X1,75X35 5739 8.8 ZN	SCHR. M12X1,75X35 5739 8.8 ZN	TORNILLO M12X1,75X35 U5739 8
16	B07SP0701R	BARRA PORTADENTI	TINE HOLDER BAR			BARRA PORTADIENTES
17	B0C2P0383R	DENTE L=590	TOOTH L=590			DENTE L=590
18	B0C2P0384R	DENTE L=590 E L=137	TOOTH L=590 E L=137			DENTE L=590 E L=137
19	B0C2P0385R	DENTE LATERALE L=111	LATERAL TOOTH			DIENTE LATERAL L=111
20	B0C6P0483R	FERMO DENTE	TOOTH STOP			TOPE DEL DIENTE
21	B0C6P0888R	FERMO DX DENTE	RIGHT TOOTH STOP			TOPE DER DIENTE
22	B0C6P0887R	FERMO SX DENTE	LEFT TOOTH STOP			TOPE IZQ DEL DIENTE
23	B01524584R	RALLA 10,5 30 4	FIFTH WHEEL	BUTEE	SCHEIBE	RANGUA 10,5 30 4
24	F01060081R	VITE M10X1,5X60 U5731 8.8ZN	SCR. M10X1,5X60 U5732 4.6ZN	VIS 10X60 5732 4.6 ZN	SCHRAUBE 10X60 5732 4.6 ZN	TORNILLO M10X1,5X60 U5731 8.8

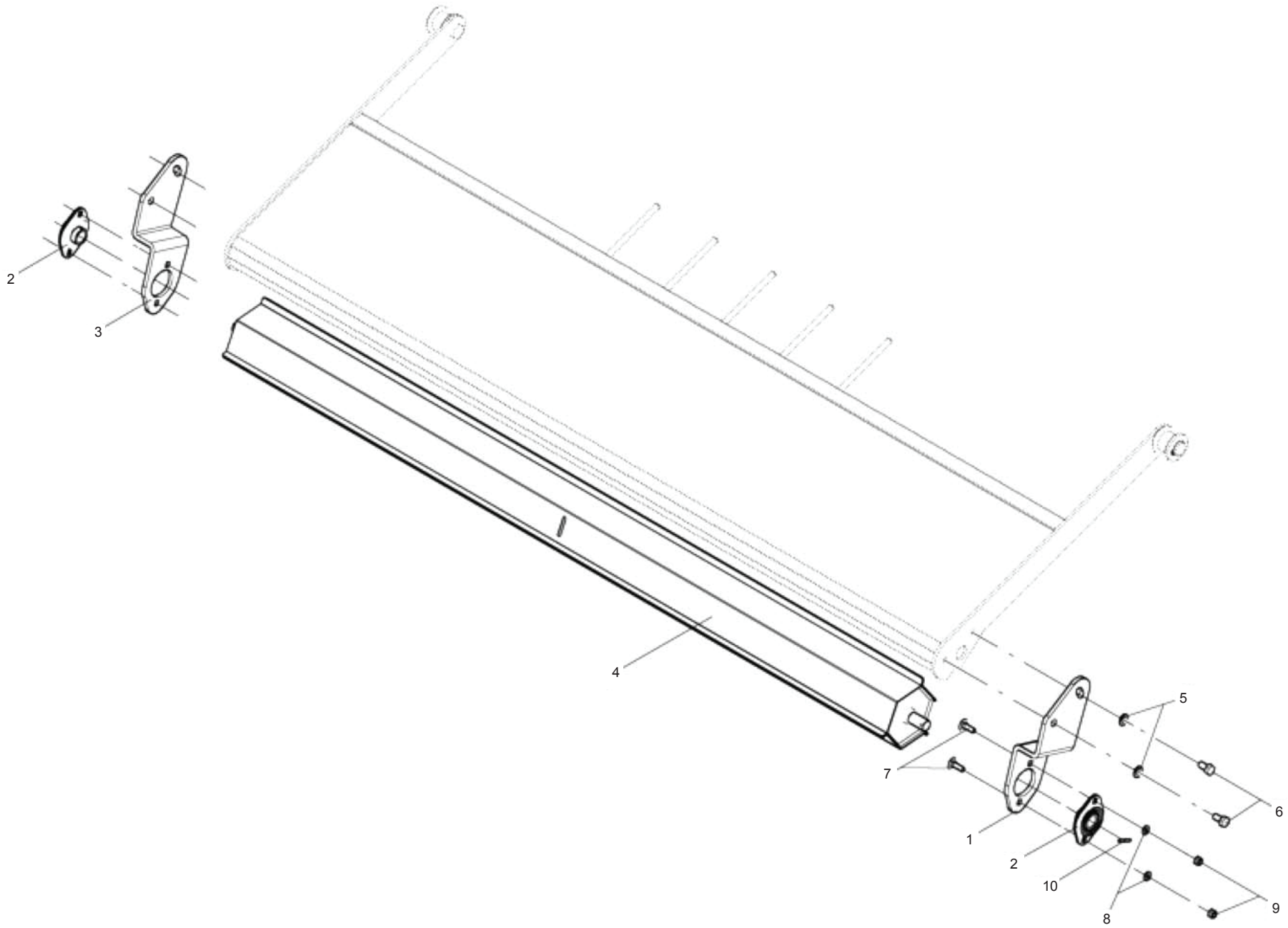
TAV_145



**PICK-UP L CUT
PICK-UP L CUT**

TAV_145

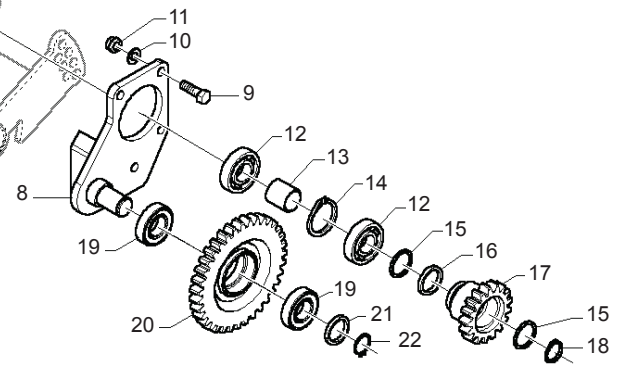
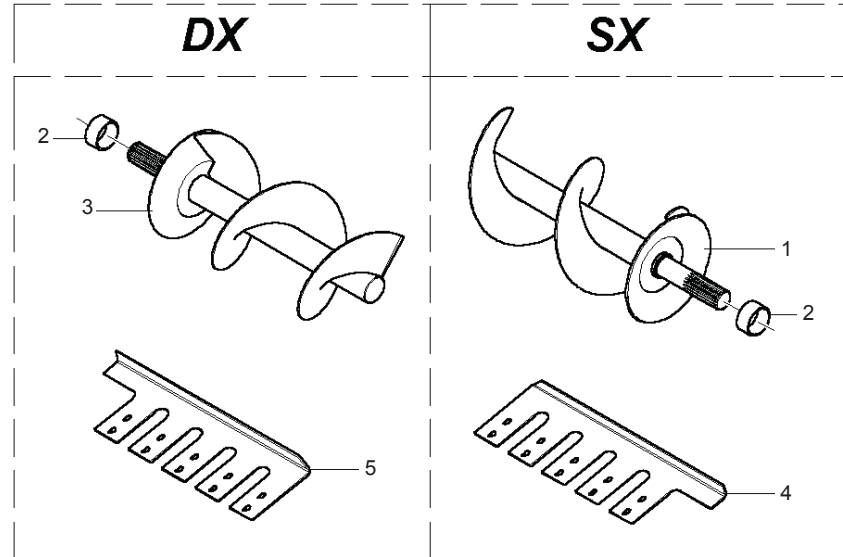
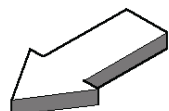
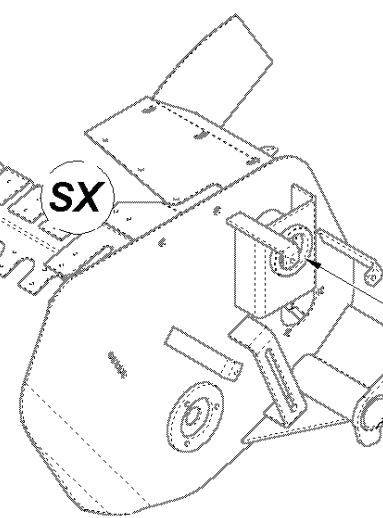
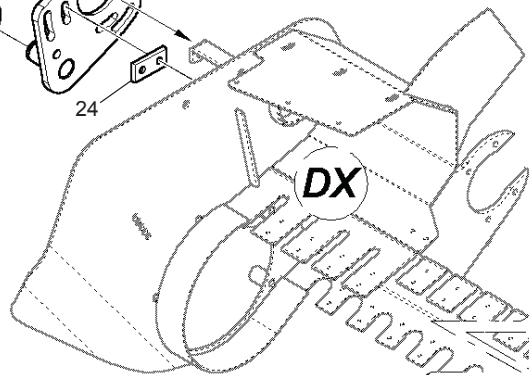
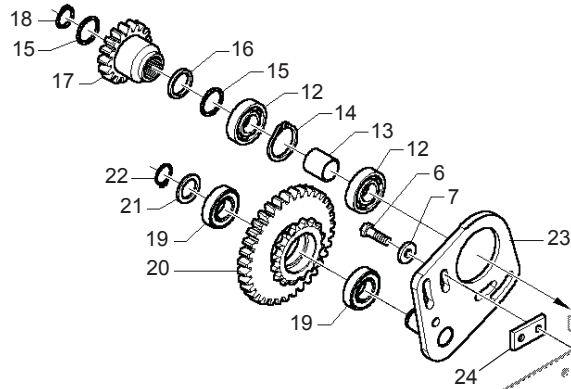
Pos.	Cod.	Descrizione	Description	Description	Benennung	Descripcion
1	B07SP0201R	TELAIO PU L LTC	FRAME PU LTC	CHASSIS PU LTC	RAHMEN PU L LTC	
2	B0C003304R	FASCIA CENTRALE PICK UP TOPCUT	PICK-UP CENTRAL BAND TOPCUT	BANDE CENTRALE PICK-UP TOPCUT	ZENTRALES PICK-UP BAND	BANDA CENTRAL PICK UP TOPCUT
3	B01300003R	RALLA ATTACCO PU	WASHER ATTACK PICK-UP			RANGUA CONEXI N PU
4	B0C003183R	PLACA EXTENSIE LATERALA	LATERAL BAND PICK-UP		SEITENBAND	PLACA EXTEN-LATERAL
5	B00370615R	VITE M 6X16 ZN SEZ.TRIL. U8111	SCREW	VIS	SCHRAUBE	TORNILLO CAB.HEX M 6X16 A SECC
6	B01700035R	ANEL. D ARR. ALB. 35-E UNI3653	SEEGER RING	BAGUE SEEGER	SEEGERRING 35-E	ANIL. DE PARAD. RB. 35-E UNI3
7	B034P0005R	PIGNONE Z=13-3 4	PINION	PIGNON	RITZEL	
8	B01534416R	SPESS. 35 43 1 ZINCATO	SHIM	ENTRETOISE	AUSGLEICHSCHEIBE 35X43X1	ESPESS. 35 43 1 CINCADO
9	B01710072R	ANEL. D ARR. FORO 72-1 UNI3654	SEEGER RING	BAGUE SEEGER	SEEGERRING 72-1	
10	F04010178R	CUSC.D35 D72 B17 6207 2RS1 EX	BEAR.D35 D72 B17 6207 2RS1 EX	ROULEM. D35 D72 B17 6207 2RS1	LAGER D35 D72 B17 6207 2RS1	COJINETE D35 D72 6207 2RS1
11	B01300739R	DISTANZIALE 35X42X41	SPACER	ENTRETOISE	DISTANZSTUECK 35X42X41	DISTANCIADOR 35X42X41
12	B01300649R	FLANGIA	FLANGE	FLASQUE	PICK-UP FLANSCH	BRIDA
13	B00181015R	VITE M10X1,5 X 16 U5739 8.8ZN	SCREW	VIS	SCHRAUBE	TORNILLO M10X1,5 X 16 U5739 8
14	F01410062R	ROS.M10 10,5X 18X 2 U6592 ZN	WASHER M10 10,5X 18X 2 U6592	RONDELLE M10 10,5X18X2 ZN	DICHTUNGSRING M10 10,5X18X2 ZN	ARAND.M10 10,5X 18X 2 U6592 ZN
15	B01700045R	ANEL. D ARR. ALB. 45-E UNI3653	SEEGER RING	BAGUE SEEGER	SEEGERRING 45-E	ANIL. DE PARAD. RB. 45-E UNI3
16	B07S01654R	COCLEA SX PU 220	LEFT PICK-UP AUGER 220	VIS GAUCHE PU 220	LINKE PICK-UP ZUBRINGERSCHNECK	TORNILLO SIN FIN IZQ PU 220
17	B07S01653R	COCLEA DX PU 220	RIGHT PICK-UP AUGER 220	VIS DROIT PU 220	RECHTE PICK-UP ZUBRINGERSCHNECK	TORNILLO SIN FIN DER PU 220
18	B01527654R	RALLA 45 62 4	FIFTH WHEEL	BUTEE	SCHEIBE	RANGUA 45 62 4
19	B01547230R	SPESS. 45 62 2	SHIM	ENTRETOISE	SCHEIBE	ESPESS. 45 62 2
20	B07S01848R	LAMIERA CONVOGLIAMENTO PU L	WIDE PICK-UP BAFFLE PLATE	TOLE DE TRANSPORT PU L	WEITE PICK-UP NIEDERHALTERBLECH	CHAPA DE TRANSPORTE PU L
21	B0C003712R	BOCCOLA	BUSH	COQUILLE	BUCHSE	CASQUILLO
22	B0C003730R	FISSAGGIO GOMMA	FIXING PLATE	FIXAGE CAOUTCHOUC	GUMMIFIXIERPLATTE	FIJACI N DE GOMA
23	B07V00081R	PROT. COCLEA PU 200	AUGER GUARD	PROTECTION PELLETEUSE PU 200	SCHNECKENSCHUTZ	PROT. TORNILLO SIN FIN PU 200
24	B01000013R	RIVETTO STR. 6X18 U9200A AL	RIVET	RIVET	ABREISSNIETEN 6X18	REMACHE EXTR. 6X18 U9200A A
25	B0C003729R	SOSTEGNO GOMMA	RUBBER SUPPORT	SUPPORT CAOUTCHOUC	GUMMIHALTER	SOPORTE DE GOMA
26	B01000012R	RIVETTO STR. 6,4X22 ACCIAIO	RIVET	RIVET	ABREISSNIETEN 6X26	REMACHE EXTR. 6,4X22 ACERO
27	F01020472R	VITE M10X1,5X25 U5739 8.8ZN	SCR. M10X1,5X25 U5739 8.8ZN	VIS M10X1,5X25 U5739 8.8 ZN	SCHRAUBE M10X1,5X25 U5739 8.8	TORNILLO M10X1,5X25 U5739 8.8
28	F01410062R	ROS.M10 10,5X 18X 2 U6592 ZN	WASHER M10 10,5X 18X 2 U6592	RONDELLE M10 10,5X18X2 ZN	DICHTUNGSRING M10 10,5X18X2 ZN	ARAND.M10 10,5X 18X 2 U6592 ZN
29	F01230202R	DADO M10X 1,5 D985 8 ZN	NUT M10 D985	ECROU AUTOBL. M10	SELBSTSPERR.MUTTER M10	TUERCA M10X 1,5 D985 8
30	F02050101R	ANELLO E. DE 25X 1,2 U7435 C7	SEEGER RING E. 25X1,2 7435 C70	SEEGER E. 25X 1,2 U7435 C70	SEEGERING E. 25X 1,2 U7435 C70	ANILLO E. DE 25X 1,2 U7435 C7
31	B0C100017R	ATTACCO LAMIERA CONVOGLIAMENTO	CONVEYOR PLATE ATTACHMENT	ATTELAGE TOLE D ACHMINEMENT	ZUFUEHRBLECHBEFESTIGUNG	CONEXI N CHAPA DE TRANSPORTE
32	B00471230R	VITE TTEI M12X 30-8.8 UNBRA	SCREW	VIS	SCHRAUBE TTEI M12X 30-8.8	TORNILLO CAB.ALLEN CON HUECO
33	F01410076R	ROS.M12 13X 24X2,5 U6592 ZN	WASHER 12 13X 24X2,5 U6592 ZN	RONDEL. M12 13X24X2,5 U6592 ZN	SCHEIBE M12 13X24X2,5 U6592 ZN	ARAND.M12 13X 24X2,5 U6592 ZN
34	F01230213R	DADO M12X1,75 U7474 CL8 ZN	NUT M12X1,75 U7474 6SZN	ECROU AUTOBL. M12	SELBSTSPERR.MUTTER M12	TUERCA M12X1,75 U7474 CL8 ZN
35	B0C004002R	GANCIO	HOOK	CROCHET	HAKEN	GANCHO
36	F01020510R	VITE M12X1,75X30 U5739 8.8ZN	SCR. M12X1,75X30 U5739 8.8ZN	VIS M12X1,75X30 U5739 8.8ZN	SCHRAU.M12X1,75X30 U5739 8.8ZN	TORNILLO M12X1,75X30 U5739
37	F01230213R	DADO M12X1,75 U7474 CL8 ZN	NUT M12X1,75 U7474 6SZN	ECROU AUTOBL. M12	SELBSTSPERR.MUTTER M12	TUERCA M12X1,75 U7474 CL8 ZN
38	B01000021R	SPINOTTO PER MOTOZAPPA 10X45	PIN	EPINE	STIFT	ESP RRRAGO PARA MOTOCULTIVAD
39	B0C005187R	ATTACCO TAMPONE	PLUG ATTACHMENT	ATTELAGE TAMPON	PROPFENBEFESTIGUNG	CONEXI N DEL TAP N
40	F01020476R	VITE M10X1,5X30 U5739 8.8ZN	SCR. M10X1,5X30 U5739 8.8ZN	VIS M10X1,5X30 U5739 8.8 ZN	SCHRAUBE M10X1,5X30U5739 8.8ZN	TORNILLO M10X1,5X30 U5739 8.8
41	F01410062R	ROS.M10 10,5X 18X 2 U6592 ZN	WASHER M10 10,5X 18X 2 U6592	RONDELLE M10 10,5X18X2 ZN	DICHTUNGSRING M10 10,5X18X2 ZN	ARAND.M10 10,5X 18X 2 U6592 ZN
42	F01230202R	DADO M10X 1,5 D985 8 ZN	NUT M10 D985	ECROU AUTOBL. M10	SELBSTSPERR.MUTTER M10	TUERCA M10X 1,5 D985 8
43	B07049749R	TAMPONE 50X21 M10	BUMPER 50X21 M10	TAMPON 50X21 M10	PUFFER 50X21 M10	TAP N 50X21 M10
44	F01200270R	DADO M10X1,5 U5588 CL8 ZN	NUT M10X1,5 U5588 6.8ZN	ECROU M10X 1,5 U5588 6.8 ZN	MUTTER M10X 1,5 U5588 6.8 ZN	TUERCA M10X1,5 U5588 CL8 ZN
45	F01230202R	DADO M10X 1,5 D985 8 ZN	NUT M10 D985	ECROU AUTOBL. M10	SELBSTSPERR.MUTTER M10	TUERCA M10X 1,5 D985 8
46	B0C3P0082R	DEVIATORE DX COCLEA PU L LT	RIGHT AUGER SEPARATOR	COMMUTATEUR DROIT VIS	SCHALTER RECHTS PU L LT	
47	B0C3P0083R	DEVIATORE SX COCLEA PU L LT	RIGHT AUGER SEPARATOR	COMMUTATEUR DROIT VIS	SCHALTER LINKS PU L LT	
48	B00470820R	VITE TTEI M 8X 20-10,9 UMBRAKO	SCREW	VIS	SCHRAUBE TTEI M 8X 20-10.9	TORNILLO CAB.ALLEN CON HUECO
49	F01420048R	ROS.M8 8,4X 24X 2 U6593 ZN	WASHER M8 8,4X 24X2 U6593 ZN	RONDELLE M8 8,4X24X 2 U6593 ZN	SCHEIBEN M8 8,4X24X 2 U6593 ZN	ARAND.M8 8,4X 24X 2 U6593 ZN
50	B02500010R	BRONZINA 45 53 25	BUSHING	COUSSINET	BRONZEBUCHSE 45 53 25	COJINETE 45 53 25
51	B01300046R	DISTANZIALE 35,2X42,4X15	SPACER	ENTRETOISE	DISTANZSTUECK 35,2X42,4X15	



**RULLO CONVOGLIATORE CUT (PICK-UP L)
ROLLER CONVEYOR CUT (PICK-UP L)**

TAV_155

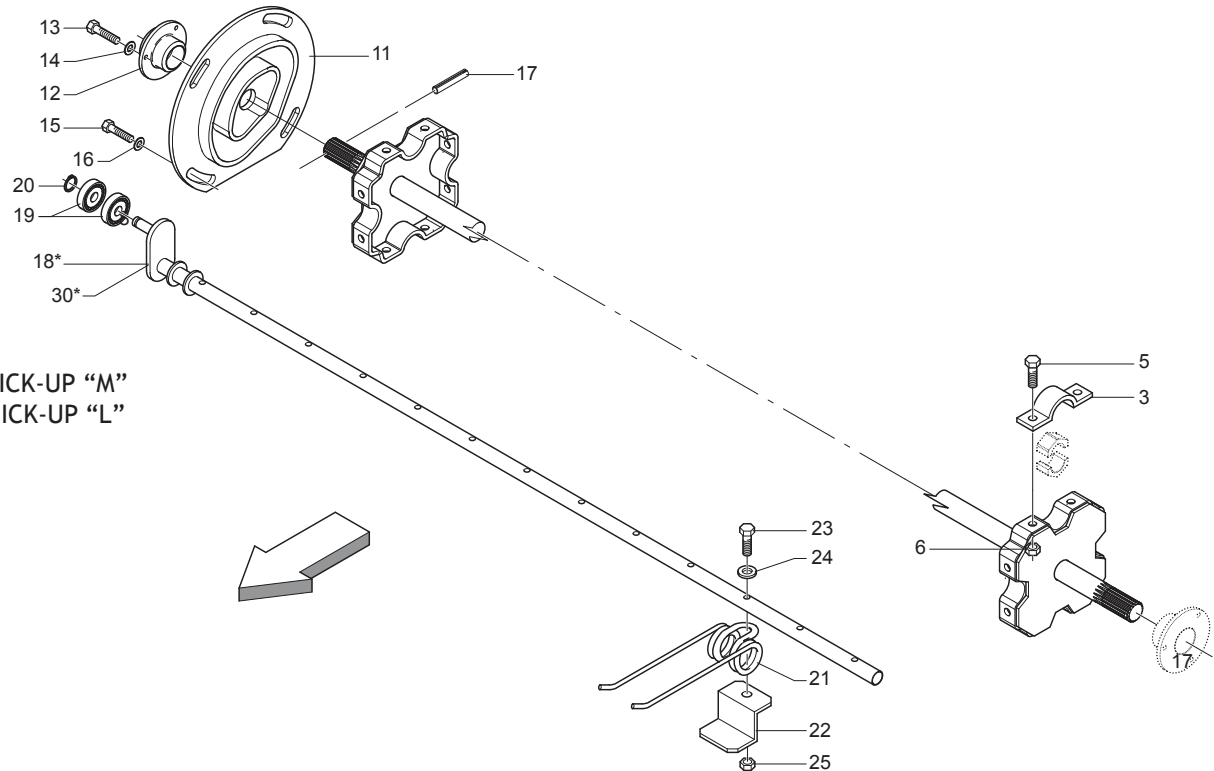
Pos.	Cod.	Descrizione	Description	Description	Benennung	Descripcion
1	B0C4P0187R	ATTACCO SX	ATTACCO SX			ENGANCHE IZQ
2	B02341020R	SUPP.FLANG.OV 20 LAM NBR-NSK	SUPPORT	SUPPORT	GEFLANSCHTES LAGER	SOP.BRIDA.OV 20 CHAP. NBR-NSK
3	B0C4P0188R	ATTACCO DX	ATTACCO DX			ENGANCHE DER
4	B07SP0342R	RULLO CONVOG. L	RULLO CONVOG. L			RODILLO TRANSP. L
5	B01411020R	RONDELLA PIANA LARGA 10X30	WIDE FLAT WASHER 10X30			ARANDELA PLANA ANCHA 10X30
6	F01020470R	VITE M10X1,5X20 U5739 8.8ZN	SCR. M10X1,5X20 U5739 8.8ZN	VIS M10X1,5X20 U5739 8.8 ZN	SCHRAUBE M10X1,5X20 U5739 ZN	TORNILLO M10X1,5X20 U5739 8
7	F01060202R	VITE M8X1,25X25 U5731 4.6ZN	SCR. M8X1,25X25 U5731 4.6ZN	VIS M8X1,25X25 U5731 4.6	DUEBEL M8X1,25X25 U5731 4.6 ZN	TORNILLO M8X1,25X25 U5731 4.6
8	F01410051R	ROS.M8 8,4X 17X1,6 U6592 ZN	WASHER M8 8,4X17X1,6 U6592 ZN	RONDELLE M8 8,4X17X1,6 ZN	SCHEIBE M8 8,4X17X1,6 U6592 ZN	ARAND.M8 8,4X 17X1,6 U6592 ZN
9	B00920208R	DADO AUTOB.BASSO M 8-5S D985	NUT M8X1 D985 8ZN	ECROU	SELBSTSICHERNDE MUTTER M8-5S	TUERCA M8X1 D985 8
10	F02100065R	SPINA E.P. 4X 30 U6873 C70 BR	PIN EL. 4X30 DIN 1481	GOUPILLE EL.4 X30 DIN 1481	SPANNSTIFT 4X30 DIN 1481	CLAVIJA EL.P. 4X 30 U6873 C70



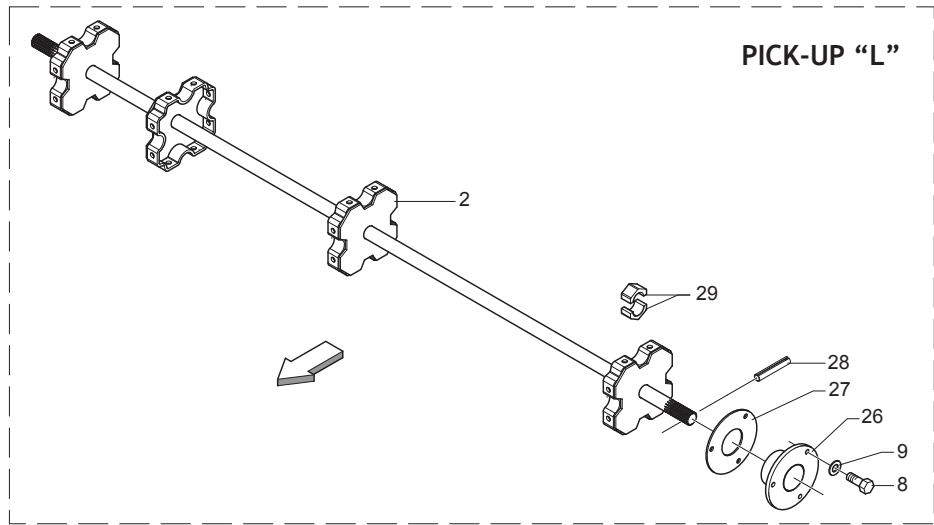
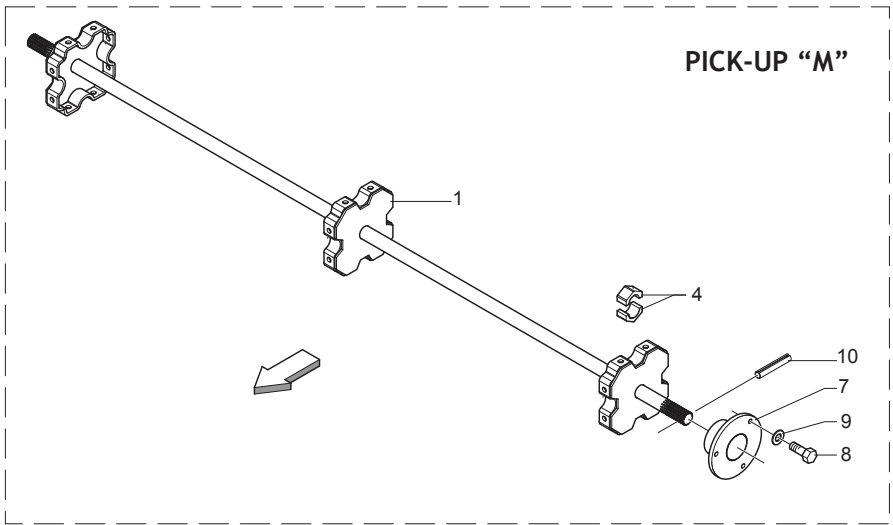
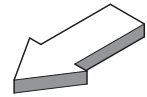
**COCLEE PICK-UP L
AUGER PICK-UP L**

TAV_185

Pos.	Cod.	Descrizione	Description	Description	Benennung	Descripcion
1	B07S01654R	COCLEA SX PU 220	LEFT PICK-UP AUGER 220	VIS GAUCHE PU 220	LINKE PICK-UP ZUBRINGERSCHNECK	TORNILLO SIN FIN IZQ PU 220
2	B01300046R	DISTANZIALE 35,2X42,4X15	SPACER	ENTRETOISE	DISTANZSTUECK 35,2X42,4X15	
3	B07S01653R	COCLEA DX PU 220	RIGHT PICK-UP AUGER 220	VIS DROIT PU 220	RECHTE PICK-UP ZUBRINGERSCHNECK	TORNILLO SIN FIN DER PU 220
4	B0C3P0100R	GUIDA COCLEA SX PU L LT	AUGER GUIDE LEFT SIDE	GUIDE PALLETEUSE COTE GAUCHE	SCHNECKENFOERDERER FUEHRUNG LI	
5	B0C3P0099R	GUIDA COCLEA DX PU L LT	AUGER GUIDE RIGHT SIDE	GUIDE PALLETEUSE COTE DROIT	SCHNECKENFOERDERER FUEHRUNG RE	
6	F01020152R	VITE M12X1,75X40 U5737 8.8ZN	SCR. M12X1,75X40 U5737 8.8ZN	VIS M12X1,75X40 U5737 8.8 ZN	SCHRAUBE M12X1,75X40U57378.8ZN	TORNILLO M12X1,75X40 U5737 8.
7	B01516038R	RALLA 13 32 5	FIFTH WHEEL	BUTEE	SCHEIBE	RANGUA 13 32 5
8	B07SP0238R	PIASTRA SX	PLATE LINK SIDE	PLAQUE COTE GAUCHE	PLATTE LINKS	
9	F01020152R	VITE M12X1,75X40 U5737 8.8ZN	SCR. M12X1,75X40 U5737 8.8ZN	VIS M12X1,75X40 U5737 8.8 ZN	SCHRAUBE M12X1,75X40U57378.8ZN	TORNILLO M12X1,75X40 U5737 8.
10	F01410076R	ROS.M12 13X 24X2,5 U6592 ZN	WASHER 12 13X 24X2,5 U6592 ZN	RONDEL. M12 13X24X2,5 U6592 ZN	SCHEIBE M12 13X24X2,5 U6592 ZN	ARAND.M12 13X 24X2,5 U6592 ZN
11	F01230213R	DADO M12X1,75 U7474 CL8 ZN	NUT M12X1,75 U7474 6SZN	ECROU AUTOBL. M12	SELBSTSPERR.MUTTER M12	TUERCA M12X1,75 U7474 CL8 ZN
12	F04010178R	CUSC.D35 D72 B17 6207 2RS1 EX	BEAR.D35 D72 B17 6207 2RS1 EX	ROULEM. D35 D72 B17 6207 2RS1	LAGER D35 D72 B17 6207 2RS1	COJINETE D35 D72 6207 2RS1
13	B01300739R	DISTANZIALE 35X42X41	SPACER	ENTRETOISE	DISTANZSTUECK 35X42X41	DISTANCIADOR 35X42X41
14	B01710072R	ANEL. D ARR. FORO 72-I UNI3654	SEEGER RING	BAGUE SEEGER	SEEGERRING 72-I	
15	B01534416R	SPE.S. 35 43 1 ZINCATO	SHIM	ENTRETOISE	AUSGLEICHSCHEIBE 35X43X1	ESPE.S. 35 43 1 CINCADO
16	B013P0133R	RALLA 35 45 5	FIFTH WHEEL 35 45 5	BUTEE 35 45 5	DISTANZSCHEIBE 35 45 5	
17	B034P0048R	INGRANAGGIO Z=17 M=5	GEAR Z=17 M=5	ENGRANAGE Z=17 M=5	ZAHNRADPAAR Z=17 M=5	
18	B01700035R	ANEL. D ARR. ALB. 35-E UNI3653	SEEGER RING	BAGUE SEEGER	SEEGERRING 35-E	ANIL. DE PARAD. RB. 35-E UNI3
19	B02043016R	CUSC. 6206-2RS CAT.B-ST004	BEARING	ROULEMENT	LAGER	
20	B034P0049R	INGR. Z=35 M=5 WITH SPROCKET Z	GEAR Z=35 M=5 WITH SPROCKET Z=	PINION Z=16 3 4 ET ENGRANAGE Z	RITZEL Z=16 3 4 UND ZAHNRADPAA	
21	B013P0130R	RALLA 30 45 3	FIFTH WHEEL 30 45 3	BUTEE 30 45 3	DISTANZSCHEIBE 30 45 3	
22	F02050112R	ANELLO E.DE 30X 1,5 U7435 ZN	SEEGER RING 30X 1,5 U7435 C70	SEEGER E. 30 X 1,5 U7435 C70	SEEGERING E. 30X 1,5 U7435 C70	ANILLO E. 30 X 1,5 U7435 C70
23	B07SP0239R	PIASTRA DX	PLATE RIGHT SIDE	PLAQUE COTE DROIT	PLATTE RECHTS	
24	B0C003172R	ATTACCO TENDICATENA	CHAIN TIGHTENER COUPLING	ATTELAGE TENDEUR DE CHAINE	KETTENSPELLER BEFESTIGUNG	CONEXI N TENSOR DE CADENA



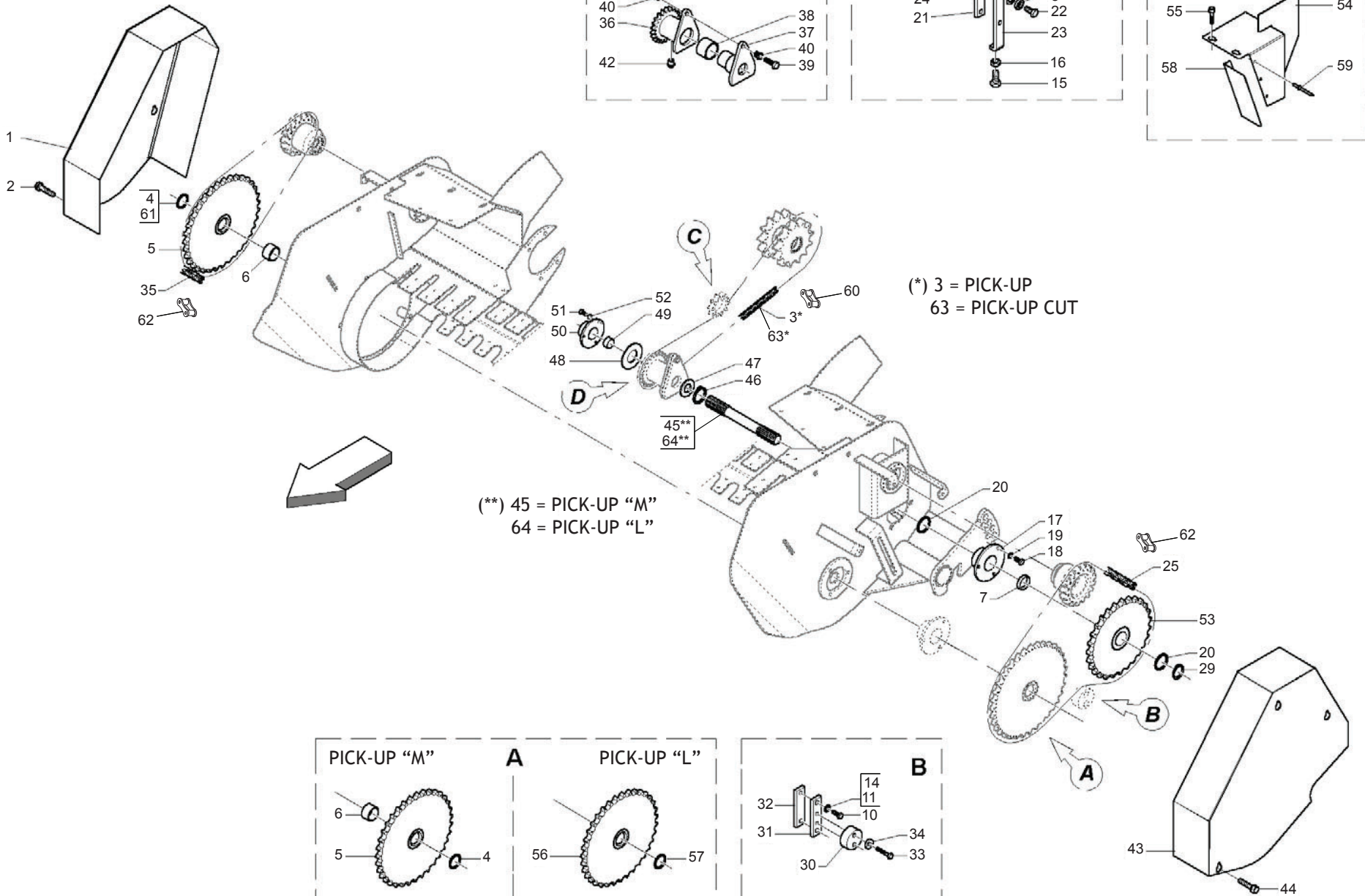
(*) 18 = PICK-UP "M"
30 = PICK-UP "L"



**ASPO
PICK-UP SHAFT**

TAV_160

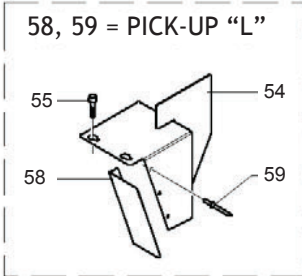
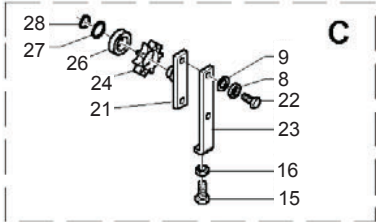
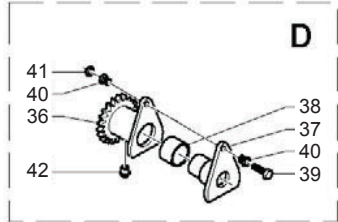
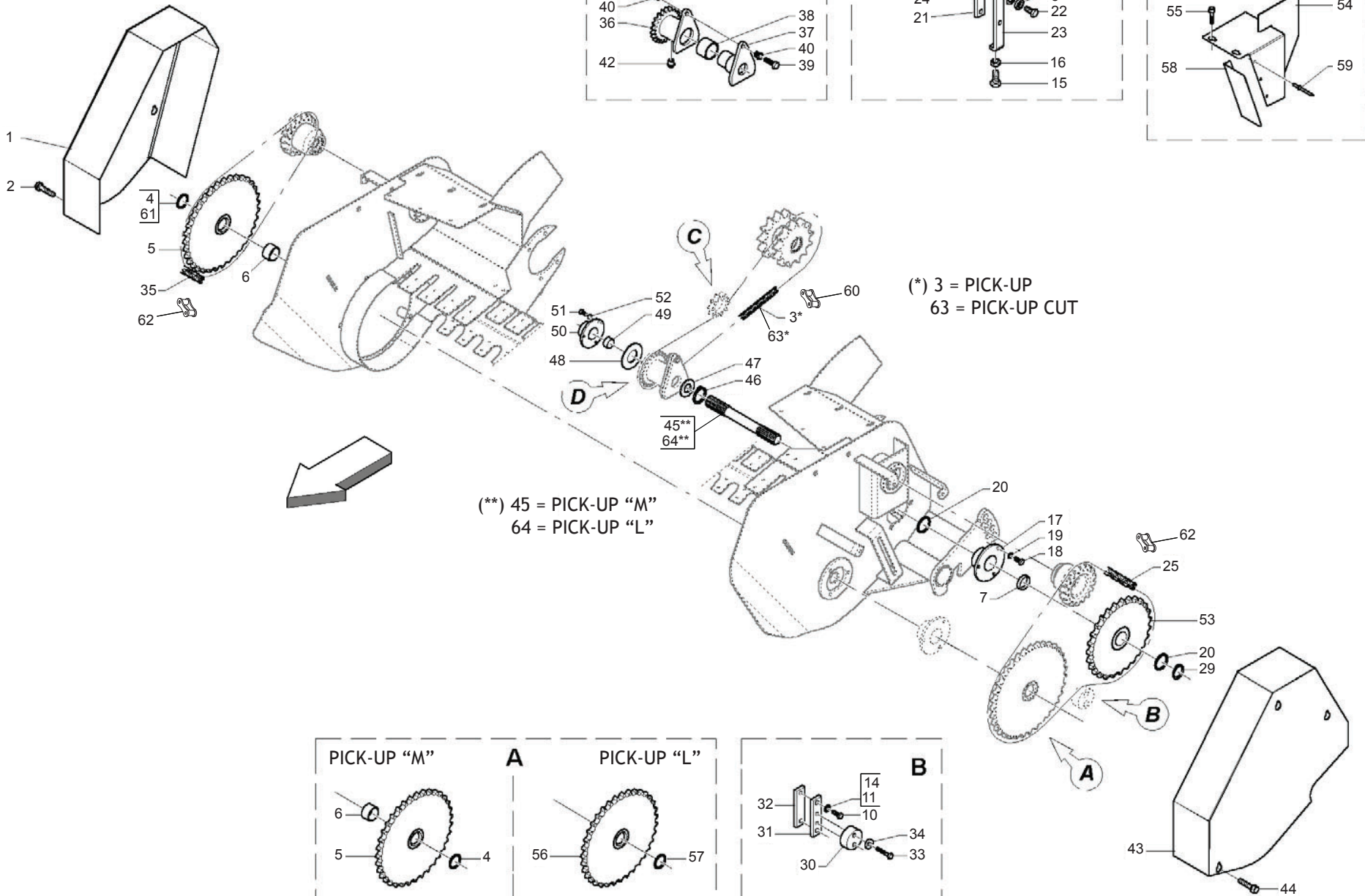
Pos.	Cod.	Descrizione	Description	Description	Benennung	Descripcion
1	B07SP0288R	CORPO ASPO M	AUGER BODY	CORPS ENROULEUR	KOERPER ASPO M	
2	B07SP0195R	CORPO ASPO L LT	REEL BODY	CORPS ENROULEUR LT	KOERPER ASPO L LT	
3	B0C001521R	CAVALLOTTO	U BOLT	BOULON	BUEGELBOLZEN	PUENTE
4	B025P0010R	SEMIBUSSOLA PER ASPO PICK-UP	HALF-BUSHFOR ASPO PICK-UP	SEMI-PALIER SPECIAL	HALBLAGERBUCHSE	SEMICASQUILLO PARA MOLINETE
5	F01020472R	VITE M10X1,5X25 U5739 8.8ZN	SCR. M10X1,5X25 U5739 8.8ZN	VIS M10X1,5X25 U5739 8.8 ZN	SCHRAUBE M10X1,5X25 U5739 8.8	TORNILLO M10X1,5X25 U5739 8.8
6	F01220033R	DADO M10X1,5 D980 8ZN	NUT M10X1,5 D980 8ZN	ECROU M10X1,5 D980 8ZN	MUTTER M10X1,5 D980 8ZN	TUERCA M10X1,5 D980 8
7	B02353030R	SUPP.FLANG.TONDO 30 LAM.	BEARING FLANGED SUPPORT 30	SUPPORT FLANGE ROND 30 LAM.	FLANSCHLAGER	SOP.BRIDA REDONDO 30 CHAP.
8	F01020470R	VITE M10X1,5X20 U5739 8.8ZN	SCR. M10X1,5X20 U5739 8.8ZN	VIS M10X1,5X20 U5739 8.8 ZN	SCHRAUBE M10X1,5X20 U5739 ZN	TORNILLO M10X1,5X20 U5739 8
9	F01410062R	ROS.M10 10,5X 18X 2 U6592 ZN	WASHER M10 10,5X 18X 2 U6592	RONDELLE M10 10,5X18X2 ZN	DICHTUNGSRING M10 10,5X18X2 ZN	ARAND.M10 10,5X 18X 2 U6592 ZN
10	F02100123R	SPINA E.P. 6X 45 U6873 C70 ZN	ELASTIC PIN 6X45	GOUJON ELSTIQUE 6X45	SPANNHUELSE 6X45	CLAVIJA EL.P. 6X 45 U6873 C70
11	B057P0203R	CAMMA PICK-UP	PICK-UP CAM	PICK-UP CAM	LEVA PICK-UP	LEVA PICK-UP
12	B02353030R	SUPP.FLANG.TONDO 30 LAM.	BEARING FLANGED SUPPORT 30	SUPPORT FLANGE ROND 30 LAM.	FLANSCHLAGER	SOP.BRIDA REDONDO 30 CHAP.
13	F01020470R	VITE M10X1,5X20 U5739 8.8ZN	SCR. M10X1,5X20 U5739 8.8ZN	VIS M10X1,5X20 U5739 8.8 ZN	SCHRAUBE M10X1,5X20 U5739 ZN	TORNILLO M10X1,5X20 U5739 8
14	F01410062R	ROS.M10 10,5X 18X 2 U6592 ZN	WASHER M10 10,5X 18X 2 U6592	RONDELLE M10 10,5X18X2 ZN	DICHTUNGSRING M10 10,5X18X2 ZN	ARAND.M10 10,5X 18X 2 U6592 ZN
15	F01020510R	VITE M12X1,75X30 U5739 8.8ZN	SCR. M12X1,75X30 U5739 8.8ZN	VIS M12X1,75X30 U5739 8.8ZN	SCHRAU.M12X1,75X30 U5739 8.8ZN	TORNILLO M12X1,75X30 U5739
16	B01523831R	RALLA 12 33 5	FIFTH WHEEL	BUTEE	UMBORDELUNG 12 33 5	RANGUA 12 33 5
17	F02100123R	SPINA E.P. 6X 45 U6873 C70 ZN	ELASTIC PIN 6X45	GOUJON ELSTIQUE 6X45	SPANNHUELSE 6X45	CLAVIJA EL.P. 6X 45 U6873 C70
18	B07S00991R	BARRA PORTADENTI PICK UP 200	TINE HOLDER BAR	BARRE PORTE-DENTS 180	ZINKENTRAGERSTANGE	BARRA PORTADIENTES PICK UP 200
19	B020R1210R	ROTELLA SKF 361201 R	ROLLER SKF 361201 R PU BINDER	GALET SKF 361201 R PICK UP LEG	LAGER SKF 361201 R	ARANDELA SKF 361201 R
20	B01700012R	ANEL. D ARR. ALB. 12-E UNI3653	SEEGER RING	BAGUE SEEGER	SEEGERRING 12-E	ANIL. DE PARAD. RB. 12-E UNI3
21	B018P0003R	DENTE RACCOGLITORE PICK-UP	TOOTH COLLECTING PU	DENT PICK-UP	PICK-UP ZINKEN	DIENTE RECOGEDOR PICK-UP
22	B0C000214R	PIASTRA SOSTEGNO MOLLA	SPRING SUPPORTING PLATE	PLAQUE SUPPORT RESSORT	FEDER STUETZPLATTE	PLACA DE SOPORTE DEL MUELLE
23	F01020074R	VITE M8X1,25X50 U5737 10.9ZD	SCR. M8X1,25X50 U5737 10.9ZD	VIS M 8X50	SCHRAUBE M 8X50	TORNILLO M8X1,25X50 U5737 10
24	F01420048R	ROS.M8 8,4X 24X 2 U6593 ZN	WASHER M8 8,4X 24X2 U6593 ZN	RONDELLE M8 8,4X24X 2 U6593 ZN	SCHRAUBE M8 8,4X24X 2 U6593 ZN	ARAND.M8 8,4X 24X 2 U6593 ZN
25	F01230293R	DADO M8X1,25 U7473 8ZN	NUT M8X1,25 U7473 8ZN	NUT M8X1,25 U7473 8ZN		TUERCA M8X1,25 U7473 8
26	B02353035R	SUPP.FLANG.TONDO 35 LAMIERA	BEARING FLANGED SUPPORT D.35	SUPPORT FLANGE ROND 35 LAMES	FLANSCHLAGER	SOPORTE BRIDA REDONDO 35 CHA
27	B01301126R	SPES.	SHIM	ENTRETOISE	DICHTUNG	ESPES.
28	F02100124R	SPINA E.P. 6X 50 U6873 C70 BR	PIN EL. 6X50 U6873 C70 BR	GOUJON 6X50 U6873 C70 BR	STIFT 6X50 U6873 C70 BR	CLAVIJA EL.P. 6X 50 U6873 C70
29	B025P0010R	SEMIBUSSOLA PER ASPO PICK-UP	HALF-BUSHFOR ASPO PICK-UP	SEMI-PALIER SPECIAL	HALBLAGERBUCHSE	SEMICASQUILLO PARA MOLINETE
30	B07SP1050R	BARRA P.DENTI PU 220 TEMPRATA	PICK-UP BAR HARDENED 200	BARRE PO.-DENTS PU 220 TEMP.		BARRA P.DIENTES PU 220 TEMPLA



**TRASMISSIONE PICK-UP
PICK-UP TRANSMISSION**

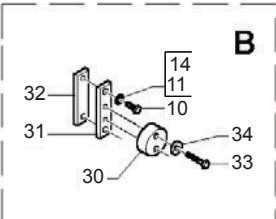
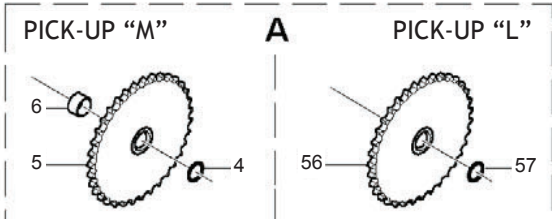
TAV_170

Pos.	Cod.	Descrizione	Description	Description	Benennung	Descripcion
1	B07SP0198R	CARTER DX PICK UP	SEE 7MP0125	CARTER DROIT PU LT	SIEHE 7MP0125	
2	B00370001R	VITE TE M 8X16 A SEZ.TRILOBATA	SCREW TRE M 8X16 SEZ TROUBLED	VIS	SCHRAUBE M 8X15	TORNILLO CHEX M 8X16 A SECC. T
3	B030E1026R	CATENA RULLI ISO 16 B-1 26M	ROLLER CHAIN ISO16 B-1 26M	CHAINE ROULEAUX	WALZENKETTE	
4	B01300100R	SPES. 30,3 40 0,5 ZINCATO	SHIM GALV	ENTRETOISE GALV	DISTANZSTUECK 30,3 40 0,5	ESPES. 30,3 40 0,5 CINCADO
5	B034P0002R	INGR. Z=35-3 4 ISO ASPO LT	GEAR Z=35; 3 4; ISO 12B-1	ENGRANAGE	ZAHNRAD	
6	B013P0039R	DISTANZIALE 30,5X42,4X15	SPACER	ENTRETOISE	DISTANZSTUECK	
7	B013P0040R	DISTANZIALE 35,5X42,4X15	SPACER	ENTRETOISE	DISTANZSTUECK	
8	B01516038R	RALLA 13 32 5	FIFTH WHEEL	BUTEE	SCHEIBE	RANGUA 13 32 5
9	F01420120R	ROS.M12 13X36X2,5 U6593 ZN	WASHER M12 13X36X2,5 U6593 ZN	RONDELLE M12 13X36X2,5 ZN		ARAND.M12 13X36X2,5 U6593 ZN
10	F01020512R	VITE M12X1,75X35 U5739 8.8ZN	SCR. M12X1,75X35 U5739 8.8ZN	VIS M12X1,75X35 5739 8.8 ZN	SCHR. M12X1,75X35 5739 8.8 ZN	TORNILLO M12X1,75X35 U5739 8
11	F01410076R	ROS.M12 13X 24X2,5 U6592 ZN	WASHER 12 13X 24X2,5 U6592 ZN	RONDEL. M12 13X24X2,5 U6592 ZN	SCHEIBE M12 13X24X2,5 U6592 ZN	ARAND.M12 13X 24X2,5 U6592 ZN
14	B01523831R	RALLA 12 33 5	FIFTH WHEEL	BUTEE	UMBORDELUNG 12 33 5	RANGUA 12 33 5
15	F01020519R	VITE M12X1,75X 60 U5739 8.8ZN	SCREW M12X1,75X 60 U5739 8.8ZN			TORNILLO M12X1,75X 60 U5739 8
16	F01200293R	DADO M12X1,75 U5588 CL8 ZN	NUT M12X1,75 U5588 6S ZN	ECROU M12X1,75 U5588 6S ZN	MUTTER M12X1,75 U5588 6S ZN	TUERCA M12X1,75 U5588 CL8 ZN
17	B02353035R	SUPP.FLANG.TONDO 35 LAMIERA	BEARING FLANGED SUPPORT D.35	SUPPORT FLANGE ROND 35 LAMES	FLANSLAGER	SOPORTE BRIDA REDONDO 35 CHA
18	F01020470R	VITE M10X1,5X20 U5739 8.8ZN	SCR. M10X1,5X20 U5739 8.8ZN	VIS M10X1,5X20 U5739 8.8 ZN	SCHRAUBE M10X1,5X20 U5739 ZN	TORNILLO M10X1,5X20 U5739 8
19	F01410062R	ROS.M10 10,5X 18X 2 U6592 ZN	WASHER M10 10,5X 18X 2 U6592	RONDELLE M10 10,5X18X2 ZN	DICHTUNGSRING M10 10,5X18X2 ZN	ARAND.M10 10,5X 18X 2 U6592 ZN
20	B01534416R	SPES. 35 43 1 ZINCATO	SHIM	ENTRETOISE	AUSGLEICHSCHEIBE 35X43X1	ESPES. 35 43 1 CINCADO
21	B07S01013R	TENDITORE PU	PICK-UP TENSIONER	TENDEUR PU	PICK-UP SPANNER	SENSOR PU
22	F01020510R	VITE M12X1,75X30 U5739 8.8ZN	SCR. M12X1,75X30 U5739 8.8ZN	VIS M12X1,75X30 U5739 8.8ZN	SCHRAU.M12X1,75X30 U5739 8.8ZN	TORNILLO M12X1,75X30 U5739
23	B0C6P0065R	TIRANTE INFALDATORE	FEEDER TIE ROD	TIRANT AMENEUR	ZUGSTAB RAFFER	TIRANTE EMBOCADOR
24	B03400274R	CORONA Z10-1 ISO F52 TRATT	SPROCKET Z=10-1	ENGRANAGE SPECIAL TRAITE	ZAHNKRANZ Z=10-1	CORONA Z10-1 ISO F52 TRA
25	B03111063R	CAT RULLI ASA 60-1 63 MGL ISO	ROLLER CHAIN	CHAINE ROULEAUX	KETTE DER WALZEN	
26	F04010170R	CUSC.D25 D52 B15 6205 2RS EX	BEARING D25 D52 B15 6205 2RS	ROULEMENT 6205 2RS	LAGER 6205 2RS	COJIN.D25 D52 B15 6205 2RS EX
27	B01300104R	SPES. 25,5 37 0,2	SHIM	ENTRETOISE	BEILAGSCHEIBE 25,5 37 0,2	ESPES. 25,5 37 0,2
28	F02050101R	ANELLO E. DE 25X 1,2 U7435 C7	SEEGER RING E. 25X1,2 7435 C70	SEEGER E. 25X 1,2 U7435 C70	SEEGERING E. 25X 1,2 U7435 C70	ANILLO E. DE 25X 1,2 U7435 C7
29	B01700035R	ANEL. D ARR. ALB. 35-E UNI3653	SEEGER RING	BAGUE SEEGER	SEEGERRING 35-E	ANIL. DE PARAD. RB. 35-E UNI3
30	B07VP0513R	TENDICATENA IN NYLON	NYLON CHAIN TIGHTENER	TENDEUR DE CHAINE EN NYLON		SENSOR DE CADENA DE NYLON
31	B0C6P0273R	ATTACCO GALOPPINO	ATTACHEMENT	ATTELAGE	ANCHLUSS	
32	B0C6P0275R	PIASTRA ATTACCO GALOPPINO	PULLEY PLATE	PLAQUE TENDEUR	ZUGSTAB	
33	F01020158R	VITE M12X1,75X55 U5737 8.8ZN	BOLT M12X1,75X55 U5737 8.8ZN	VIS M12X1,75X55 U5737 8.8 ZN	SCHR. M12X1,75X55 U5737 8.8 ZN	TORN. M12X1,75X55 U5737 8.8 ZN
34	B01523831R	RALLA 12 33 5	FIFTH WHEEL	BUTEE	UMBORDELUNG 12 33 5	RANGUA 12 33 5
35	B03111046R	CATENA RULLI ASA 60-1 46 MGL	ROLLER CHAIN ASA60-1 46 MGL	CHAINE ROULEAUX	KETTE DER WALZEN	CADENA DE LOS RODILLOS ASA 60-
36	B03400241R	MOZZO DI SICUREZZA PICK-UP	SURETY HUB	MOYEU DE SURETE	SICHERHEIT NABE	BUJE DE SEGURIDAD PICK-UP
37	B07S01001R	MOZZO CALETTATO	SPLINED HUB	MOYEU	VERZAHNTE NABE	BUJE ENSAMBLADO
38	B02500001R	BRONZINA 50X56 L38	BUSHING 50X56 L38	COUSSINET	LAGERBUCHSE	COJINETE 50X56 L38
39	B00170845R	VITE ZINCATA M 8X45-10.9 U5737	ZN SCREW M 8X45-10.9 U5737	VIS	SCHRAUBE	TORNILLO CINCADO M 8X45-10.9 U
40	B00511057R	BUSSOLA DI TRACCIAMENTO	BUSHING	BAGUE	BUCHSE	CASQUILLO DE CIZALLADO
41	B008B0208R	DADO M 8X1,25 D980 8 ZN	NUT	ECROU	SELBSTSICHERNDE MUTTER M8 KL8	TUERCA M 8X1,25 D980 8
42	B04200610R	INGRASS.A SFERE M6X1 LUNGO	GREASE NIPPLE	GRAISSEUR HYDRAULIQUE	GERADER SCHMIERNIPPEL M6X1	ENGRASADOR DE ESFERAS M6X1
43	B07SP0199R	CARTER SX PICK UP	SEE 7MP0126	CARTER GAUCHE PU LT	SIEHE ZMP0126	
44	B00370001R	VITE TE M 8X16 A SEZ.TRILOBATA	SCREW TRE M 8X16 SEZ TROUBLED	VIS	SCHRAUBE M 8X15	TORNILLO CHEX M 8X16 A SECC. T
45	B035P0010R	CONTRALBERO CORTO PU M LT	COUNTERSHAFT	CONTREARBRE COURT PU M LT	GEGENWELLE	
46	F02050168R	ANELLO E.DE 40X1,75 U7435	SEEGER RING 40X1,75 U7435	BAGUE SEEGER 40X1,75 U7435	SEEGERRING 40X1,75 U7435	ANIL.SEEGER 40X1,75 U7435
47	B01300126R	SPES. 40 48 1 ZINC.ST_013	SHIM	ENTRETOISE	DISTANZSTUECK 40 408 1	ESPES. 40 48 1 CINC.EST_013
48	B01534395R	RALLA 35.5X 62 X 3 ZINCATO	FIFTH WHEEL	BUTEE	SPEZIALSCHEIBE	RANGUA 35.5X 62 X 3 CINCADO
49	B01300607R	DISTANZIALE 35X42X35	SPACER	ENTRETOISE	DISTANZSTUECK 35X42X35	DISTANCIADOR 35X42X35
50	B02353035R	SUPP.FLANG.TONDO 35 LAMIERA	SUPPORT FLANGED SUPPORT D.35	SUPPORT FLANGE ROND 35 LAMES	FLANSLAGER	SOPORTE BRIDA REDONDO 35 CHA
51	F01020470R	VITE M10X1,5X20 U5739 8.8ZN	SCR. M10X1,5X20 U5739 8.8ZN	VIS M10X1,5X20 U5739 8.8 ZN	SCHRAUBE M10X1,5X20 U5739 ZN	TORNILLO M10X1,5X20 U5739 8
52	F01410062R	ROS.M10 10,5X 18X 2 U6592 ZN	WASHER M10 10,5X 18X 2 U6592	RONDELLE M10 10,5X18X2 ZN	DICHTUNGSRING M10 10,5X18X2 ZN	ARAND.M10 10,5X 18X 2 U6592 ZN
53	B034P0004R	INGR.Z=27-3 4 ISO CON MOZZO	GEAR	ENGRANAGE	ZAHNRAD MIT RADACHSE	
54	BSP000026R	CARTER SICUREZZA NEW	SAFETY NEW CARTER			C RTER DE SEGURIDAD NEW
55	B00370001R	VITE TE M 8X16 A SEZ.TRILOBATA	SCREW TRE M 8X16 SEZ TROUBLED	VIS	SCHRAUBE M 8X15	TORNILLO CHEX M 8X16 A SECC. T
56	B034P0041R	INGR. Z=35; 3 4; ISO 12B-1	GEAR	ENGRANAGE	ZAHNRAD Z=35-3 4	
57	B01534416R	SPES. 35 43 1 ZINCATO	SHIM	ENTRETOISE	AUSGLEICHSCHEIBE 35X43X1	ESPES. 35 43 1 CINCADO
58	B0C005384R	PROLUNGA CARTER SICUREZZA PUL	SAFETY GUARD EXTENSION	RALLONGE CARTER SURETE	VERLAENGERUNG CARTER	EXTENSOR C RTER DE SEGURIDA
59	F02250111R	RIVETTO STR. 4 X 6 U9200AAL	RIVET 4 X6	RIVET 4 X6	KUPFERNIET 4 X6	REMACHE EXTR. 4 X 6 U9200AA



(*) 3 = PICK-UP
63 = PICK-UP CUT

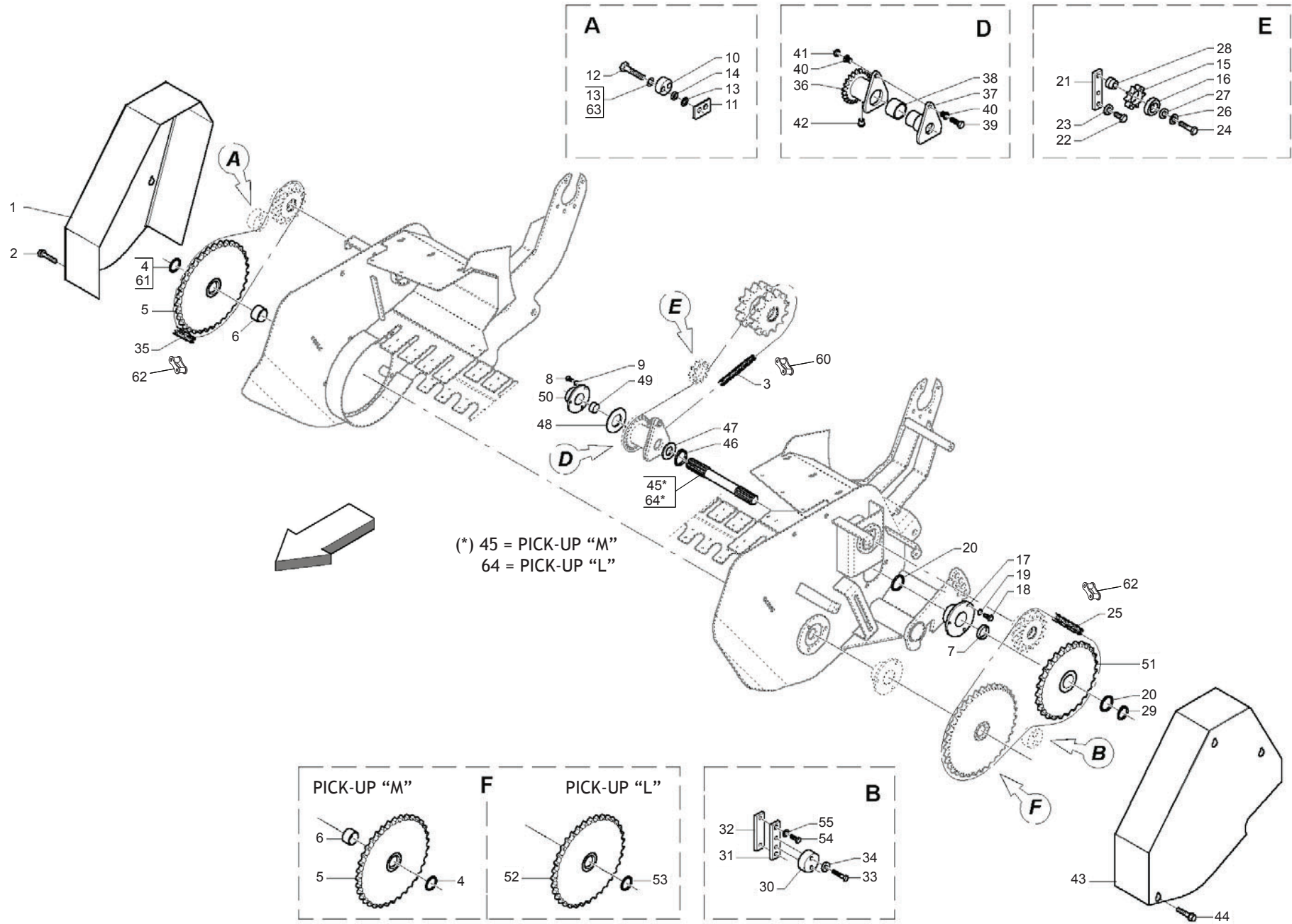
(**) 45 = PICK-UP "M"
64 = PICK-UP "L"



TRASMISSIONE PICK-UP
PICK-UP TRANSMISSION

TAV_170

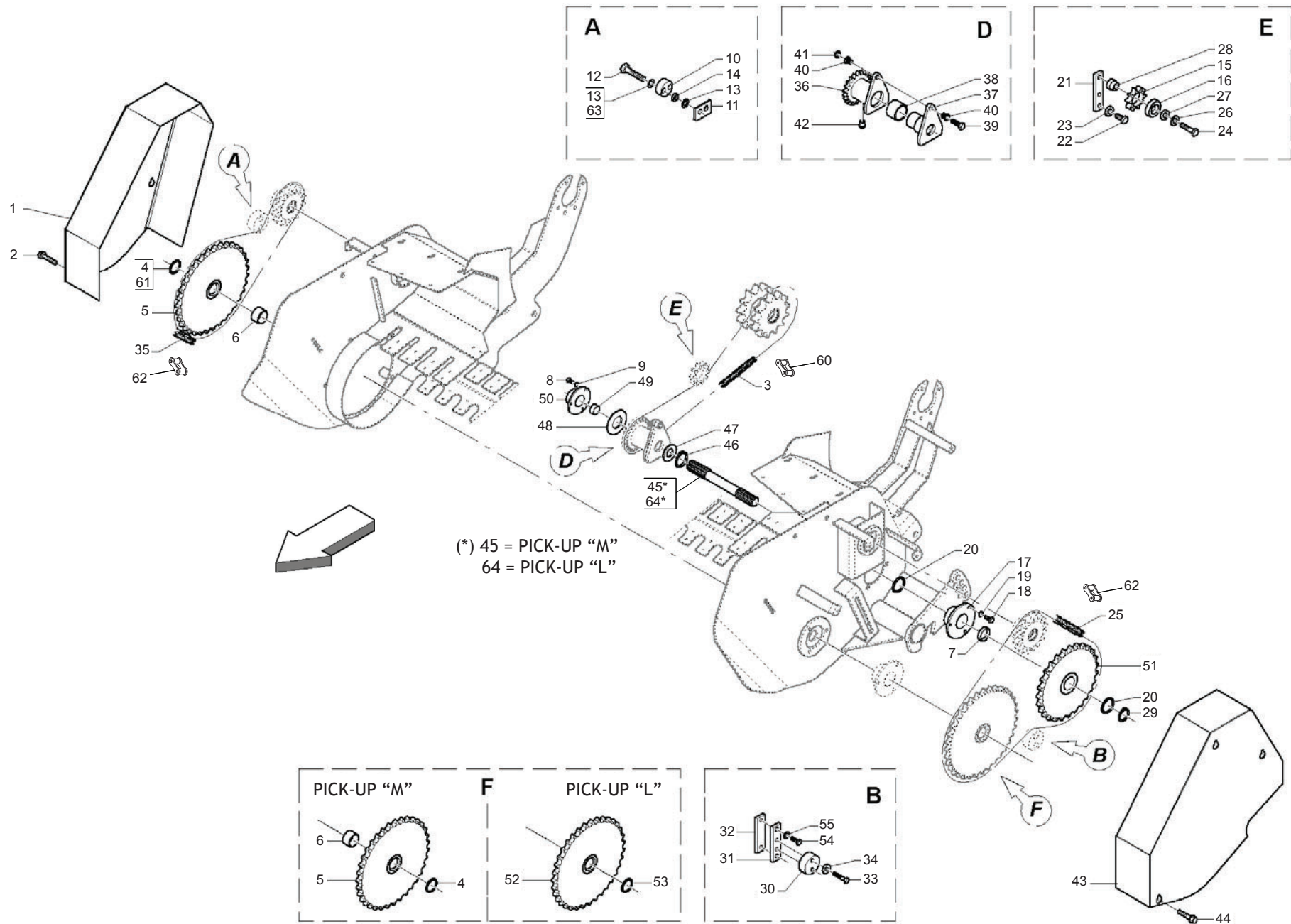
Pos.	Cod.	Descrizione	Description	Description	Benennung	Descripcion
60	B030E0017R	GIUNTO MOLL N26 ISO 16 B-1	SPRING JOINT N.26 ISO 16 B-1	JOINT RESSORT	KETTENFEDER	JUNTA DE MUELL N26 ISO 16 B-1
61	B01300101R	SPES. 30,3 40 1 ZINCATO	SHIM GALV	ENTRETOISE GALV	DISTANZSTUECK 30,3 40 1	ESPE. 30,3 40 1 CINCADO
62	B03110007R	GIUNTO MOLL.N.26 ASA60-1	SPRING JOINT N. 26 ASA 60-1	JOINT	KETTENSCHLOSS	JUNTA DE MUELLE N. 26 ASA60-1
63	B030E1052R	CATENA RULLI ISO 16 B-1 52M	ROLLER CHAIN	CHAINE ROULEAUX	WALZENKETTE	CADENA DE LOS RODILLOS ISO 16
64	B035P0058R	CONTRALBERO CORTO PU L LT	COUNTERSHAFT	CONTRE ARBRE	KURZE GEGENWELLE	
66	F01020463R	VITE M10X1,5X25 U5739 A2IX	SCR. M10X1,5X25 U5739 A2IX	VIS 10X25 5739 INOX A2	SCHRAUBE 10X25 5739 INOX A2	TORNILLO 10X25 5739 INOX A2
67	F01410051R	ROS.M8 8,4X 17X1,6 U6592 ZN	WASHER M8 8,4X17X1,6 U6592 ZN	RONDELLE M8 8,4X17X1,6 ZN	SCHEIBE M8 8,4X17X1,6 U6592 ZN	ARAND.M8 8,4X 17X1,6 U6592 ZN
68	B0C6P0470R	COPERCHIO PER CARTER PICK-UP	COVER FOR CARTER PICK-UP			



**TRASMISSIONE PICK-UP CUT
PICK-UP CUT TRANSMISSION**

TAV_180

Pos.	Cod.	Descrizione	Description	Description	Benennung	Descripcion
1	B07SP0198R	CARTER DX PICK UP	SEE 7MP0125	CARTER DROIT PU LT	SIEHE 7MP0125	
2	B00370001R	VITE TE M 8X16 A SEZ.TRILOBATA	SCREW TRE M 8X16 SEZ TROUBLED	VIS	SCHRAUBE M 8X15	TORNILLO CHEX M 8X16 A SECC. T
3	B030E1052R	CATENA RULLI ISO 16 B-1 52M	ROLLER CHAIN	CHAINE ROULEAUX	WALZENKETTE	CADENA DE LOS RODILLOS ISO 16
4	B01300100R	SPES. 30,3 40 0,5 ZINCATO	SHIM GALV	ENTRETOISE GALV	DISTANZSTUECK 30,3 40 0,5	ESPES. 30,3 40 0,5 CINCADO
5	B034P0002R	INGR. Z=35-3 4 ISO ASPO LT	GEAR Z=35; 3 4; ISO 12B-1	ENGRANAGE	ZAHNRAD	
6	B013P0039R	DISTANZIALE 30,5X42,4X15	SPACER	ENTRETOISE	DISTANZSTUECK	
7	B013P0040R	DISTANZIALE 35,5X42,4X15	SPACER	ENTRETOISE	DISTANSTUECK	
8	F01020470R	VITE M10X1,5X20 U5739 8.8ZN	SCR. M10X1,5X20 U5739 8.8ZN	VIS M10X1,5X20 U5739 8.8 ZN	SCHRAUBE M10X1,5X20 U5739 ZN	TORNILLO M10X1,5X20 U5739 8
9	F01410062R	ROS.M10 10,5X 18X 2 U6592 ZN	WASHER M10 10,5X 18X 2 U6592	RONDELLE M10 10,5X18X2 ZN	DICHTUNGSRING M10 10,5X18X2 ZN	ARAND.M10 10,5X 18X 2 U6592 ZN
10	B07VP0513R	TENDICATENA IN NYLON	NYLON CHAIN TIGHTENER	TENDEUR DE CHAINE EN NYLON		SENSOR DE CADENA DE NAILON
11	B0C003172R	ATTACCO TENDICATENA	CHAIN TIGHTENER COUPLING	ATTELAGE TENDEUR DE CHAINE	KETTENSPELLER BEFESTIGUNG	CONEXI N TENSOR DE CADENA
12	F01020164R	VITE M12X1,75X70 U5737 8.8ZN	SCREW M12X1,75X70 U5737 8.8ZN	VIS M12X1,75X70 ZN	SCHR. M12X1,75X70 U5737 8.8 ZN	TORNILLO M12X1,75X70 U5737 8.
13	F01420120R	ROS.M12 13X36X2,5 U6593 ZN	WASHER M12 13X36X2,5 U6593 ZN	RONDELLE M12 13X36X2,5 ZN		ARAND.M12 13X36X2,5 U6593 ZN
14	B01523831R	RALLA 12 33 5	FIFTH WHEEL	BUTEE	UMBORDELUNG 12 33 5	RANGUA 12 33 5
15	B03400274R	CORONA Z10-1 ISO F52 TRATT	SPROCKET Z=10-1	ENGRANAGE SPECIAL TRAITE	ZAHNKRANZ Z=10-1	CORONA Z10-1 ISO F52 TRA
16	F04010170R	CUSC.D25 D52 B15 6205 2RS EX	BEARING D25 D52 B15 6205 2RS	ROULEMENT 6205 2RS	LAGER 6205 2RS	COJIN.D25 D52 B15 6205 2RS EX
17	B02353035R	SUPP.FLANG.TONDO 35 LAMIERA	BEARING FLANGED SUPPORT D.35	SUPPORT FLANGE ROND 35 LAMES	FLANSCHLAGER	SOPORTE BRIDA REDONDO 35 CHA
18	F01020470R	VITE M10X1,5X20 U5739 8.8ZN	SCR. M10X1,5X20 U5739 8.8ZN	VIS M10X1,5X20 U5739 8.8 ZN	SCHRAUBE M10X1,5X20 U5739 ZN	TORNILLO M10X1,5X20 U5739 8
19	F01410062R	ROS.M10 10,5X 18X 2 U6592 ZN	WASHER M10 10,5X 18X 2 U6592	RONDELLE M10 10,5X18X2 ZN	DICHTUNGSRING M10 10,5X18X2 ZN	ARAND.M10 10,5X 18X 2 U6592 ZN
20	B01534416R	SPES. 35 43 1 ZINCATO	SHIM	ENTRETOISE	AUSGLEICHSCHIEBE 35X43X1	ESPES. 35 43 1 CINCADO
21	B0C002390R	FERMO	LOCK	ARRET	ARRETIERUNG	TOPE
22	F01020510R	VITE M12X1,75X30 U5739 8.8ZN	SCR. M12X1,75X30 U5739 8.8ZN	VIS M12X1,75X30 U5739 8.8ZN	SCHRAU.M12X1,75X30 U5739 8.8ZN	TORNILLO M12X1,75X30 U5739
23	B01518412R	RALLA 12 38 5	FIFTH WHEEL	BUTEE	SCHIEBE	RANGUA 12 38 5
24	F01020160R	VITE M12X1,75X60 U5737 8.8ZN	SCR. M12X1,75X60 U5737 8.8ZN	VIS M12X1,75X60 U5737 8.8 ZN	SCHRA.M12X1,75X60 U5737 8.8 ZN	TORNILLO M12X1,75X60 U5737 8.
25	B03111069R	CAT RULLI ASA 60-1 69 MGL ISO	CHAIN	CHAINE ROULEAU ASA 60-1		
26	F01420120R	ROS.M12 13X36X2,5 U6593 ZN	WASHER M12 13X36X2,5 U6593 ZN	RONDELLE M12 13X36X2,5 ZN		ARAND.M12 13X36X2,5 U6593 ZN
27	B01518412R	RALLA 12 38 5	FIFTH WHEEL	BUTEE	SCHIEBE	ARAND.M12 13X36X2,5 U6593 ZN
28	B01300302R	PERNO GALOPPINO	PIN	TOURILLON	BOLZEN FUER KETTENZAHNRAD	RANGUA 12 38 5
29	B01700035R	ANEL. D ARR. ALB. 35-E UNI3653	SEEGER RING	BAGUE SEEGER	SEEGERRING 35-E	ANIL. DE PARAD. RB. 35-E UNI3
30	B07VP0513R	TENDICATENA IN NYLON	NYLON CHAIN TIGHTENER	TENDEUR DE CHAINE EN NYLON		SENSOR DE CADENA DE NAILON
31	B0C6P0273R	ATTACCO GALOPPINO	ATTACHEMENT	ATTELAGE		
32	B0C6P0275R	PIASTRA ATTACCO GALOPPINO	PULLEY PLATE	PLAQUE TENDEUR	ANCHLUSS	
33	F01020158R	VITE M12X1,75X55 U5737 8.8ZN	BOLT M12X1,75X55 U5737 8.8ZN	VIS M12X1,75X55 U5737 8.8 ZN	ZUGSTAB	
34	B01523831R	RALLA 12 33 5	FIFTH WHEEL	BUTEE	SCHR. M12X1,75X55 U5737 8.8 ZN	TORN. M12X1,75X55 U5737 8.8 ZN
35	B03111058R	CATENA RULLI ASA60-1 58M	ROLLER CHAIN ASA60-1 58M	CHAINE ROULEAUX ASA60-1	UMBORDELUNG 12 33 5	RANGUA 12 33 5
36	B03400241R	MOZZO DI SICUREZZA PICK-UP	SURETY HUB	MOYEU DE SURETE	SICHERHEIT NABE	BUJE DE SEGURIDAD PICK-UP
37	B07S01001R	MOZZO CALETTATO	SPLINED HUB	MOYEU	VERZAHNTE NABE	BUJE ENSAMBLADO
38	B02500001R	BRONZINA 50X56 L38	BUSHING 50X56 L38	COUSSINET	LAGERBUCHSE	COJINETE 50X56 L38
39	B00170845R	VITE ZINCATA M 8X45-10.9 U5737	ZN SCREW M 8X45-10.9 U5737	VIS	SCHRAUBE	TORNILLO CINCADO M 8X45-10.9 U
40	B00511057R	BUSSOLA DI TRANCIAMENTO	BUSHING	BAGUE	BUCHSE	CASQUILLO DE CIZALLADO
41	B008B0208R	DADO M 8X1,25 D980 8 ZN	NUT	ECROU	SSELBSTSICHERNDE MUTTER M8 KL8	TUERCA M 8X1,25 D980 8
42	B04200610R	INGRASS.A SFERE M6X1 LUNGO	GREASE NIPPLE	GRAISSEUR HYDRAULIQUE	GERADER SCHMIERNIPPEL M6X1	ENGRASADOR DE ESFERAS M6X1
43	B07SP0199R	CARTER SX PICK UP	SEE 7MP0126	CARTER GAUCHE PU LT	SIEHE ZMP0126	
44	B00370001R	VITE TE M 8X16 A SEZ.TRILOBATA	SCREW TRE M 8X16 SEZ TROUBLED	VIS	SCHRAUBE M 8X15	TORNILLO CHEX M 8X16 A SECC. T
45	B035P0010R	CONTRALBERO CORTO PU M LT	COUNTERSHAFT	CONTREARBRE COURT PU M LT	GEGENWELLE	
46	F02050168R	ANELLO E.DE 40X1,75 U7435	SEEGER RING 40X1,75 U7435	BAGUE SEEGER 40X1,75 U7435	SEEGERRING 40X1,75 U7435	ANIL.SEEGER 40X1,75 U7435
47	B01300126R	SPES. 40 48 1 ZINC.ST_013	SHIM	ENTRETOISE	DISTANZSTUECK 40 48 1	ESPES. 40 48 1 CINC.EST_013
48	B01534395R	RALLA 35.5X 62 X 3 ZINCATO	FIFTH WHEEL	BUTEE	SPEZIALSCHIEBE	RANGUA 35.5X 62 X 3 CINCADO
49	B01300607R	DISTANZIALE 35X42X35	SPACER	ENTRETOISE	DISTANZSTUECK 35X42X35	DISTANCIADOR 35X42X35
50	B02353035R	SUPP.FLANG.TONDO 35 LAMIERA	BEARING FLANGED SUPPORT D.35	SUPPORT FLANGE ROND 35 LAMES	FLANSCHLAGER	SOPORTE BRIDA REDONDO 35 CHA
51	B034P0004R	INGR.Z=27-3 4 ISO CON MOZZO	GEAR	ENGRANAGE	ZAHNRAD MIT RADACHSE	
52	B034P0041R	INGR. Z=35; 3 4; ISO 12B-1	GEAR	ENGRANAGE	ZAHNRAD Z=35-3 4	
53	B01534416R	SPES. 35 43 1 ZINCATO	SHIM	ENTRETOISE	AUSGLEICHSCHIEBE 35X43X1	ESPES. 35 43 1 CINCADO
54	F01020512R	VITE M12X1,75X35 U5739 8.8ZN	SCR. M12X1,75X35 U5739 8.8ZN	VIS M12X1,75X35 5739 8.8 ZN	SCHR. M12X1,75X35 5739 8.8 ZN	TORNILLO M12X1,75X35 U5739 8
55	F01410062R	ROS.M10 10,5X 18X 2 U6592 ZN	WASHER M10 10,5X 18X 2 U6592	RONDELLE M10 10,5X18X2 ZN	DICHTUNGSRING M10 10,5X18X2 ZN	ARAND.M10 10,5X 18X 2 U6592 ZN
60	B030E0017R	GIUNTO MOLL N26 ISO 16 B-1	SPRING JOINT N.26 ISO 16 B-1	JOINT RESSORT	KETTENFEDER	JUNTA DE MUELL N26 ISO 16 B-1
61	B01300101R	SPES. 30,3 40 1 ZINCATO	SHIM GALV	ENTRETOISE GALV	DISTANZSTUECK 30,3 40 1	ESPES. 30,3 40 1 CINCADO

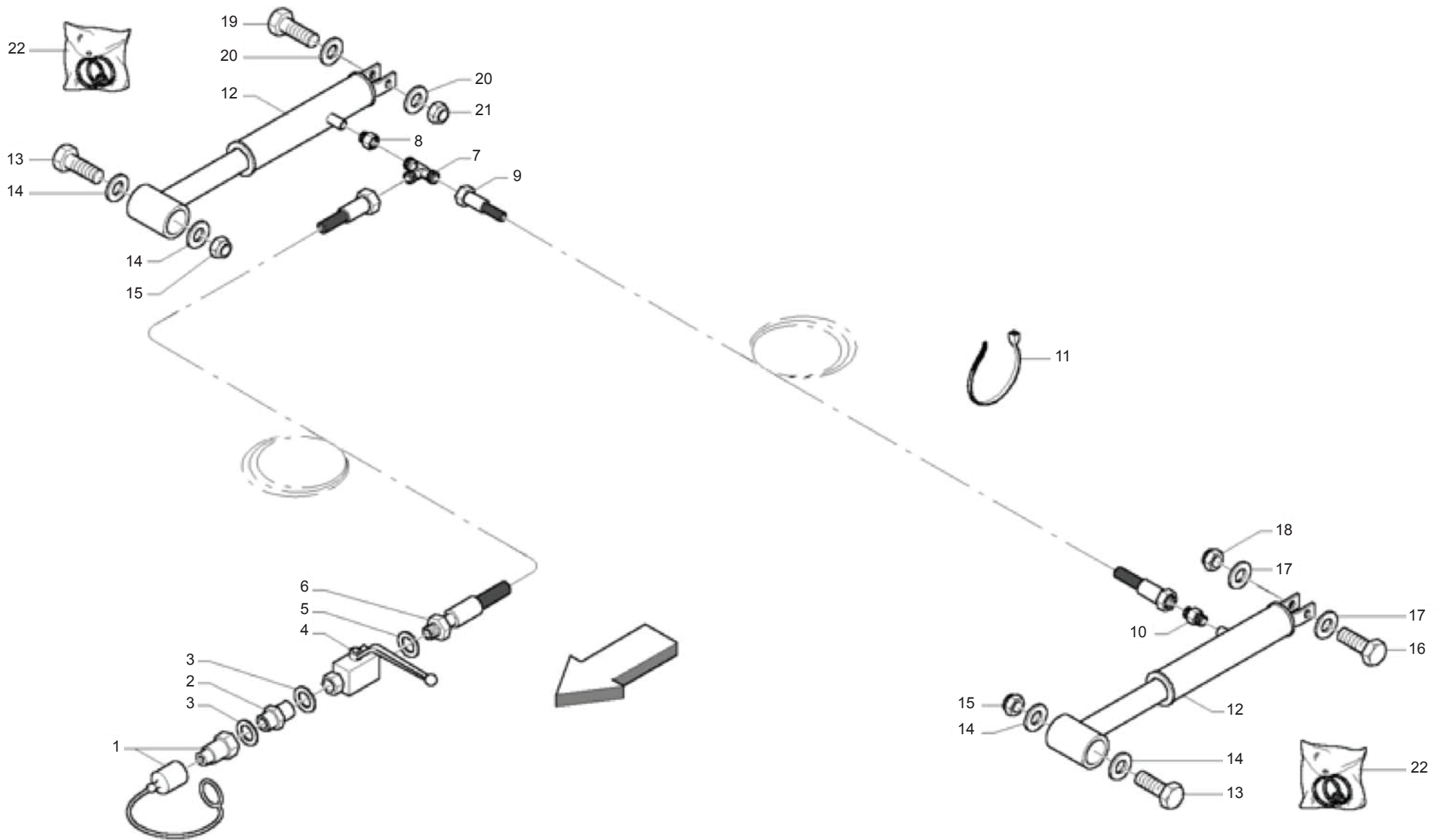


**TRASMISSIONE PICK-UP CUT
PICK-UP CUT TRANSMISSION**

TAV_180

Pos.	Cod.	Descrizione	Description	Description	Benennung	Descripcion
62	B03110007R	GIUNTO MOLL.N.26 ASA60-1	SPRING JOINT N. 26 ASA 60-1	JOINT	KETTENSCHLOSS	JUNTA DE MUELLE N. 26 ASA60-1
63	F01410076R	ROS.M12 13X 24X2,5 U6592 ZN	WASHER 12 13X 24X2,5 U6592 ZN	RONDEL. M12 13X24X2,5 U6592 ZN	SCHEIBE M12 13X24X2,5 U6592 ZN	ARAND.M12 13X 24X2,5 U6592 ZN
64	B035P0058R	CONTRALBERO CORTO PU L LT	COUNTERSHAFT	CONTRE ARBRE	KURZE GEGENWELLE	
66	F01020463R	VITE M10X1,5X25 U5739 A2IX	SCR. M10X1,5X25 U5739 A2IX	VIS 10X25 5739 INOX A2	SCHRAUBE 10X25 5739 INOX A2	TORNILLO 10X25 5739 INOX A2
67	F01410051R	ROS.M8 8,4X 17X1,6 U6592 ZN	WASHER M8 8,4X17X1,6 U6592 ZN	RONDELLE M8 8,4X17X1,6 ZN	SCHEIBE M8 8,4X17X1,6 U6592 ZN	ARAND.M8 8,4X 17X1,6 U6592 ZN
68	B0C6P0470R	COPERCHIO PER CARTER PICK-UP	COVER FOR CARTER PICK-UP			

TAV_190

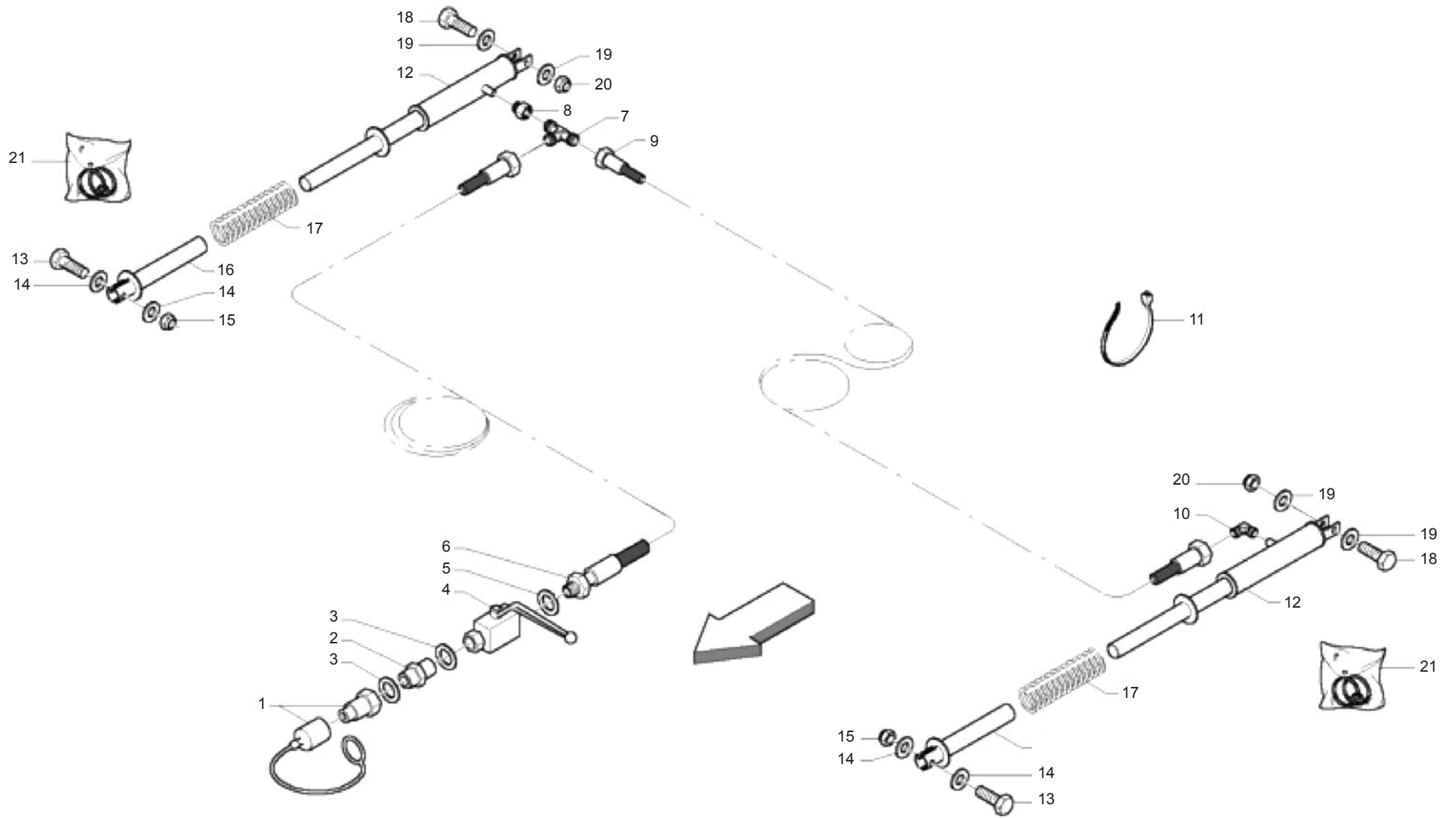


**IMPIANTO IDRAULICO PICK-UP
PICK-UP HYDRAULIC SYSTEM**

TAV_190

Pos.	Cod.	Descrizione	Description	Description	Benennung	Descripcion
1	BOH6000A0R	INNESTO RAP.NV 12GAS-M	QUICK CLUTCH	EMBAYAGE	SCHNELLKUPPLUNG	ACOPLAMIENTO R P.NV 12GAS-M
2	BOH733671R	NIPPLO RID.FORO 1MM. 1 2 -1 4	NIPPLE 1 2 -1 4	NIPPLE 1 MM 1 2 -1 4	NIPPEL 1 2 -1 4	NIPLE RED. ORIFICIO 1MM. 1 2 -
3	B01441415R	RONDELLA IN RAME 1 4	WASHER	RONDELLE	BEILAGSCHEIBE 1 4 13X19X1,5	ARANDELA DE COBRE 1 4
4	BOH000119R	RUBIN. A SFER.A.P.1 4 FEMM.-F	BALL COCK	ROBINET 1 4 FEMELLE	KUGELHAHN	GRIFO DE ESFERA A.P.1 4 HEM.-
5	B01442015R	ROS. 21 X27X1,5 RAME -1 2	WASHER	RONDELLE	BEILAGSCHEIBE 1 2	ARAND.21 X27X1,5 COBRE -1
6	BOH000250R	TUBO IDRAUL.	HYDRAULIC HOSE	TUYAU HYDRAULIQUE	HYDRAULIKSCHLAUCH	TUBO HIDR UL.
7	BOH000098R	RACCORDO T 10 TN 127-10LR	UNION T 10	RACCORD T 10	T.VERSCHRAUBUNG	RACOR EN T 10 TN 127-10LR
8	BOH000265R	RID. RASTELLI TN143-3 8 X1 4 R	REDUCTION TN143-3 8 X1 4 R	REDUCTION TN 143-3 8 X1 4 R	REDUKTION TN 143-3 8	RED. RASTELLI TN143-3 8 X1 4 R
9	BOH000251R	TUBO IDRAUL.	HYDRAULIC HOSE	TUYAU HYDRAULIQUE	HYDRAULIKSCHLAUCH	TUBO HIDR UL.
10	BOH000139R	RACCORDO I 10 RASTELLI	UNION I 10	RACCORD I SEULEMENT CORPS	VERBINDUNGSTUECK I 10	RACOR I 10 RASTELLI
11	F05150055R	FASCETTA POLYA. 3,6X200 NERA	WHITE BAND	BANDE BIANCHE	WEIBE BAND	BANDA POLYA. 3,6X200 NEGRA
12	BOH400062R	MARTINETTO PICK-UP	SPRINTER PICK-UP JACK	VERIN PICK-UP SPRINTER	SPRINTER PICK-UP ZYLINDER	CILINDRO PICK-UP
13	F01020976R	VITE M16X 2X55 U5737 8.8 ZN	SCREW M16X 2X55 U5737 8.8 ZN			TORNILLO M16X 2X55 U5737 8.8 Z
14	F01410100R	ROS.M16 17X 30X 3 U6592 ZN	WASHER M16 17X30X3 U6592 ZN	RONDELLE M16 17X30X3 ZN	SCHRAUBE M16 17X 30X3 U6592 ZN	ARAND.M16 17X 30X 3 U6592 ZN
15	B00920516R	DADO M16X 1,5 D985 6S ZN	NUT M16X1,5 D985 6S ZN	ECROU	SELBSTSICHERNDE MUTTER M16-5S	TUERCA M16X 1,5 D985 6S
16	F01020264R	VITE M16X2X90 U5737 8.8ZN	SCR. M16X2X90 U5737 8.8ZN	VIS M16X2X90 5737 8.8 ZN	SCHRAUBE M16X2X90 5737 8.8 ZN	TORNILLO M16X2X90 U5737 8.8Z
17	F01410100R	ROS.M16 17X 30X 3 U6592 ZN	WASHER M16 17X30X3 U6592 ZN	RONDELLE M16 17X30X3 ZN	SCHRAUBE M16 17X 30X3 U6592 ZN	ARAND.M16 17X 30X 3 U6592 ZN
18	B00920516R	DADO M16X 1,5 D985 6S ZN	NUT M16X1,5 D985 6S ZN	ECROU	SELBSTSICHERNDE MUTTER M16-5S	TUERCA M16X 1,5 D985 6S
19	B00191680R	VITE M16X 2X 80 U5737 8.8ZN	SCREW	VIS	SCHRAUBE	TORNILLO M16X 2X 80 U5737 8
20	F01410100R	ROS.M16 17X 30X 3 U6592 ZN	WASHER M16 17X30X3 U6592 ZN	RONDELLE M16 17X30X3 ZN	SCHRAUBE M16 17X 30X3 U6592 ZN	ARAND.M16 17X 30X 3 U6592 ZN
21	B00920516R	DADO M16X 1,5 D985 6S ZN	NUT M16X1,5 D985 6S ZN	ECROU	SELBSTSICHERNDE MUTTER M16-5S	TUERCA M16X 1,5 D985 6S
22	BOH400061R	KIT GUARNIZ. MARTIN. PICK_UP	KIT JOINTS	KIT JOINTS POUR VERIN	DICHTUNGSSATZ	KIT JUNTAS CILINDRO PICK_UP

TAV_195

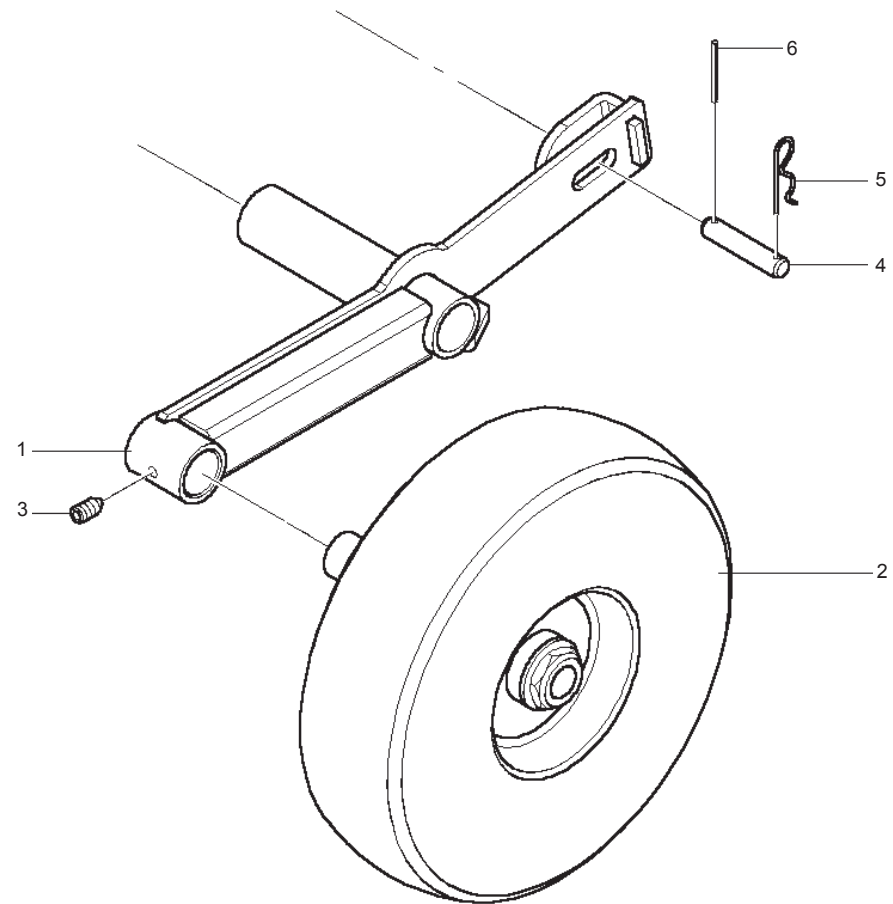
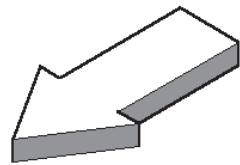
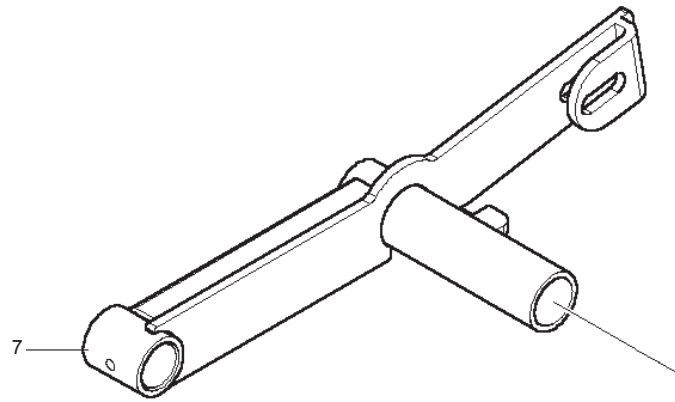


**IMPIANTO IDRAULICO PICK-UP CUT
PICK-UP CUT HYDRAULIC SYSTEM**

TAV_195

Pos.	Cod.	Descrizione	Description	Description	Benennung	Descripcion
1	BOH6000A0R	INNESTO RAP.NV 12GAS-M	QUICK CLUTCH	EMBRAYAGE	SCHNELLKUPPLUNG	ACOPLAMIENTO R P.NV 12GAS-M
2	BOH733671R	NIPPLO RID.FORO 1MM. 1 2 -1 4	NIPPLE 1 2 -1 4	NIPPLE 1 MM 1 2 -1 4	NIPPEL 1 2 -1 4	NIPLE RED. ORIFICIO 1MM. 1 2 -
3	B01441415R	RONDELLA IN RAME 1 4	WASHER	RONDELLE	BEILAGSCHEIBE 1 4 13X19X1,5	ARANDELA DE COBRE 1 4
4	BOH000119R	RUBIN. A SFER.A.P.1 4 FEMM.-F	BALL COCK	ROBINET 1 4 FEMELLE	KUGELHAHN	GRIFO DE ESFERA.A.P.1 4 HEM.-
5	B01442015R	ROS. 21 X27X1,5 RAME -1 2	WASHER	RONDELLE	BEILAGSCHEIBE 1 2	ARAND.21 X27X1,5 COBRE -1
6	BOH000250R	TUBO IDRAUL.	HYDRAULIC HOSE	TUYAU HYDRAULIQUE	HYDRAULIKSCHLAUCH	TUBO HIDR UL.
7	BOH000264R	RACCORDO T 10 TN96-10LR	T FITTING TN96-10LR	RACCORD T 10	KUPPLUNG T 10	RACOR EN T 10 TN96-10LR
8	BOH000265R	RID. RASTELLI TN143-3 8 X1 4 R	REDUCTION TN143-3 8 X1 4 R	REDUCTION TN 143-3 8 X1 4 R	REDUKTION TN 143-3 8	RED. RASTELLI TN143-3 8 X1 4 R
9	BOH000251R	TUBO IDRAUL.	HYDRAULIC HOSE	TUYAU HYDRAULIQUE	HYDRAULIKSCHLAUCH	TUBO HIDR UL.
10	BOH000086R	RACCORDO L 10 TN94-10LR	UNION L 10	RACCORD L 10	ANSCHLUSSSTUECK L 10	RACOR L 10 TN94-10LR
11	F05150055R	FASCETTA POLYA. 3,6X200 NERA	WHITE BAND	BANDE BIANCHE	WEIBE BAND	BANDA POLYA. 3,6X200 NEGRA
12	BOH400072R	MARTINETTO PICK-UP	SPRINTER PICK-UP JACK CUT	VERIN PICK-UP	SPRINTER PICK-UP ZYLINDER CUT	CILINDRO PICK-UP
13	F01020256R	VITE M16X2X60 U5737 8.8ZN	SCR. M16X2X60 U5737 8.8ZN	VIS M16X 2X60 U5737 8.8 ZN	SCHRAUBE M16X2X60 U5737 8.8 ZN	TORNILLO M16X2X60 U5737 8.8Z
14	F01410100R	ROS.M16 17X 30X 3 U6592 ZN	WASHER M16 17X30X3 U6592 ZN	RONDELLE M16 17X30X3 ZN	SCHRAUBE M16 17X 30X3 U6592 ZN	ARAND.M16 17X 30X 3 U6592 ZN
15	B00920516R	DADO M16X 1,5 D985 6S ZN	NUT M16X1,5 D985 6S ZN	ECROU	SELBSTSICHERNDE MUTTER M16-5S	TUERCA M16X 1,5 D985 6S
16	B07S01072R	GUIDA MARTINETTO	JACK GUIDE	GUIDE VERIN	ZYLINDERFUEHRUNG	GU A DEL CILINDRO
17	B01800062R	MOLLA PU TOPCUT	TOPCUT PICK-UP TINE	DENT PICK UP TOPCUT	TOPCUT PICK-UP FEDERZINKEN	MUELLE PU TOPCUT
18	F01020256R	VITE M16X2X60 U5737 8.8ZN	SCR. M16X2X60 U5737 8.8ZN	VIS M16X 2X60 U5737 8.8 ZN	SCHRAUBE M16X2X60 U5737 8.8 ZN	TORNILLO M16X2X60 U5737 8.8Z
19	F01410100R	ROS.M16 17X 30X 3 U6592 ZN	WASHER M16 17X30X3 U6592 ZN	RONDELLE M16 17X30X3 ZN	SCHRAUBE M16 17X 30X3 U6592 ZN	ARAND.M16 17X 30X 3 U6592 ZN
20	B00920516R	DADO M16X 1,5 D985 6S ZN	NUT M16X1,5 D985 6S ZN	ECROU	SELBSTSICHERNDE MUTTER M16-5S	TUERCA M16X 1,5 D985 6S
21	BOH400061R	KIT GUARNIZ. MARTIN. PICK_UP	KIT JOINTS	KIT JOINTS POUR VERIN	DICHTUNGSSATZ	KIT JUNTAS CILINDRO PICK_UP

TAV_200

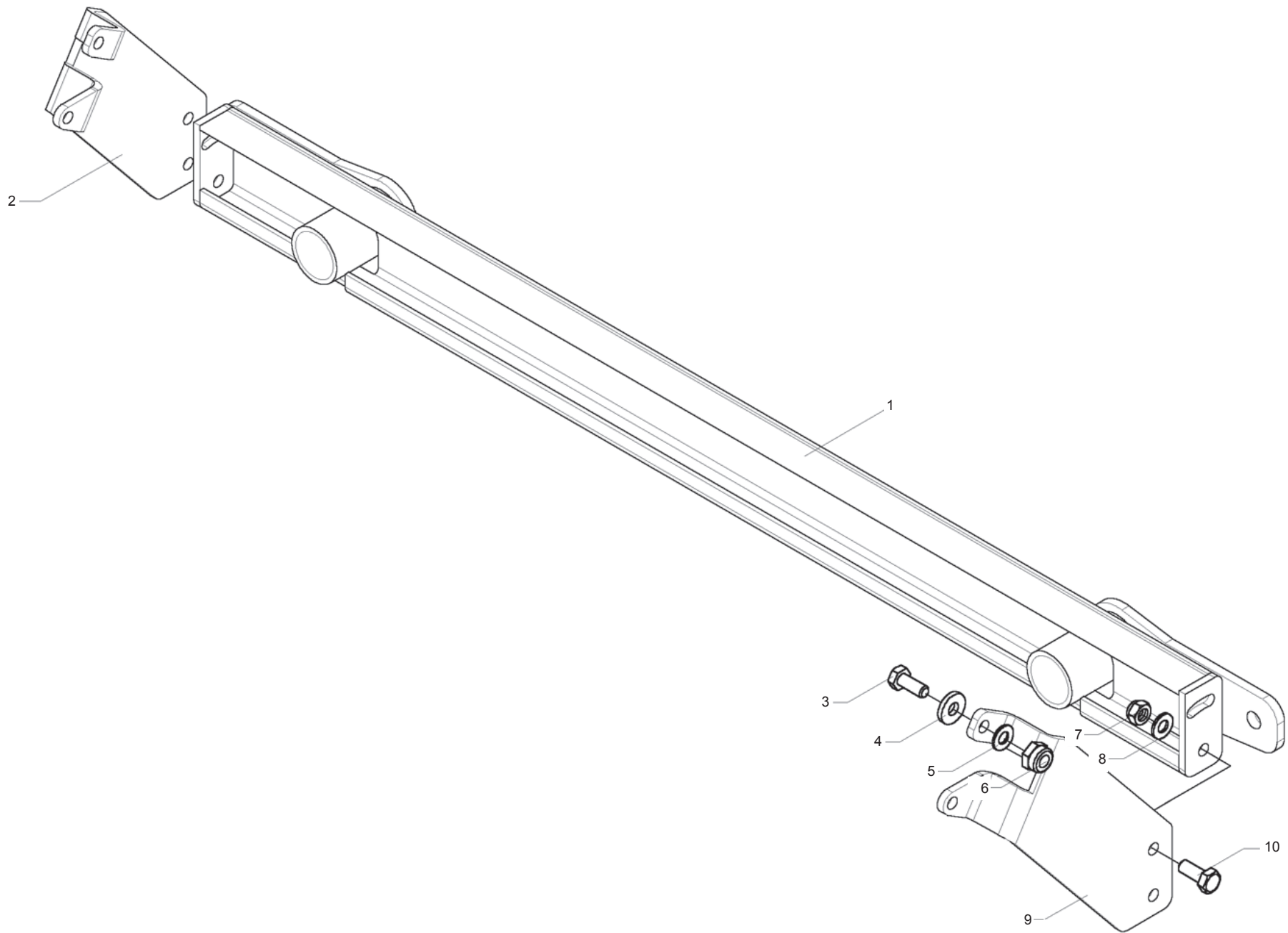


**RUOTE PICK-UP
PICK-UP WHEEL**

TAV_200

Pos.	Cod.	Descrizione	Description	Description	Benennung	Descripcion
1	B07SP0084R	ATTACCO RUOTA SX LT	LT WHELL LEFT CONNECTION	ATTELAGE ROUE GAUCHE LT	RAD ANSCHLUSS LINKS LT	
2	B07100040R	RUOTA IN GOMMA CON FUSEL 16.650	TYRE WITH SPINDLE	ROUE EN CAOUTCHOUC	GUMMI RAD	
3	B00431016R	VITE STEI M10X16-12.9 UNI 5	SCREW	VIS	SCHRAUBE	
4	B01300610R	SPINA 15X 65 2F 4	PIN	AXE	ZAPFEN 15 X65	
5	F02200363R	COPIGLIA R 3X 62 ZN	SPRING SPLIT PIN 3X 62 ZN	GOUPILLE R 3X62	SPLINT R 3X62	PASADOR R 3X 62
6	F02100060R	SPINA E.P. 4X 40 U6873 C70 BR	PIN E.P. 4X 40 U6873 C70 BR			
7	B07SP0085R	ATTACCO RUOTA DX LT	LT WHELL RIGHT CONNECTION	ATTELAGE ROUE DROIT LT	RAD ANSCHLUSS RECHTS LT	

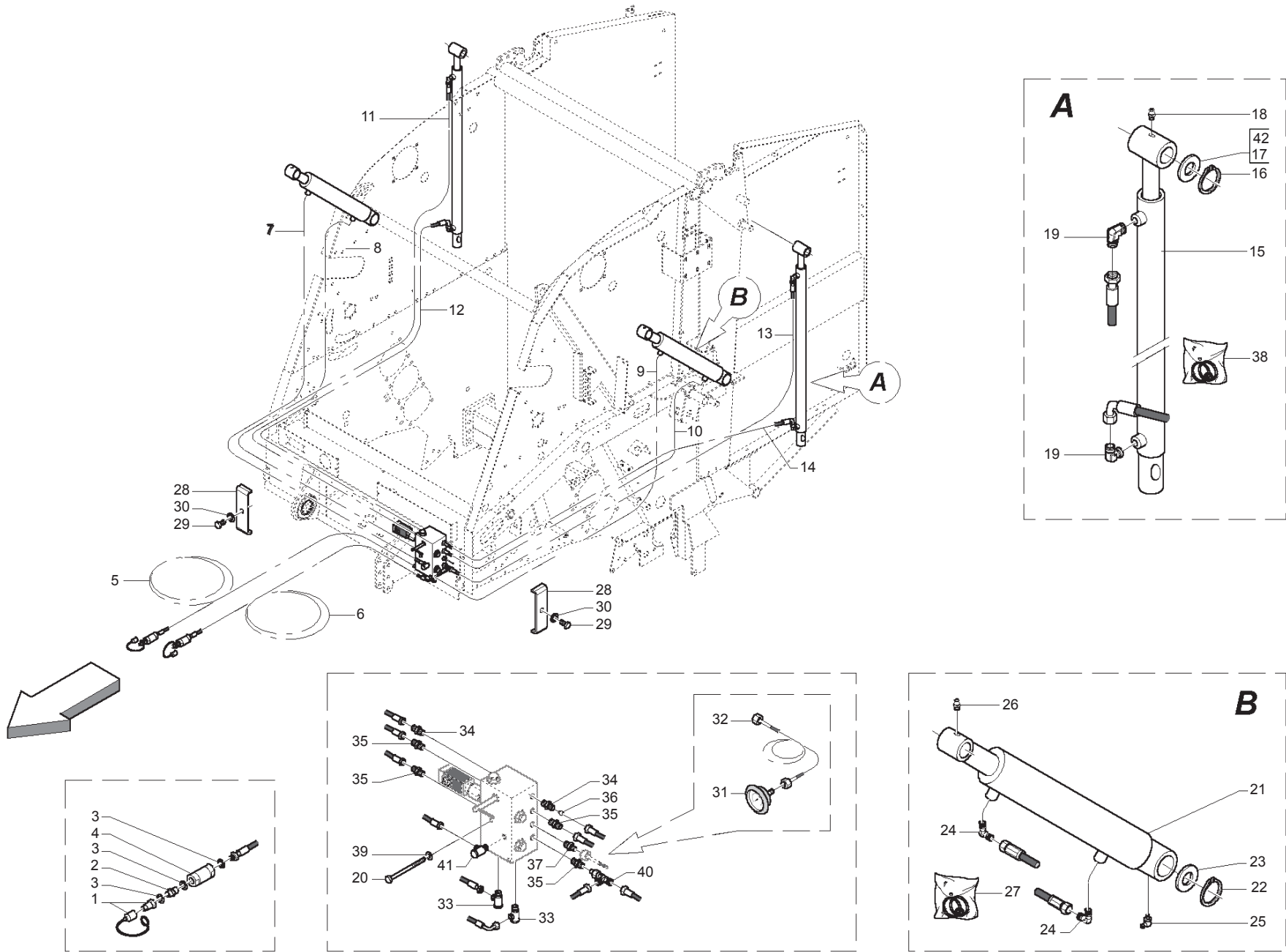
TAV_360



**SOSTEGNO RUOTE PICK-UP
PICK-UP WHEEL SUPPORT**

TAV_360

Pos.	Cod.	Descrizione	Description	Description	Benennung	Descripcion
1	B07SP0236R	SOSTEGNO POST.	BACK SUPPORT	SUPPORT POSTERIEUR	HALTER HINTEN	
2	B0C4P0100R	ATTACCO DX SOSTEGNO POST.	ATTACHEMENT	ATTELAGE	ANSCHLUSS RECHTS	
3	F01020514R	VITE M12X1,75X40 U5739 8.8ZN	SCR. M12X1,75X40 U5739 8.8ZN	VIS M12X1,75X40 U5739 8.8ZN	SCHRA. M12X1,75X40 U5739 8.8ZN	TORNILLO M12X1,75X40 U5739 8.
4	B01516038R	RALLA 13 32 5	FIFTH WHEEL	BUTEE	SCHEIBE	RANGUA 13 32 5
5	F01410076R	ROS.M12 13X 24X2,5 U6592 ZN	WASHER 12 13X 24X2,5 U6592 ZN	RONDEL. M12 13X24X2,5 U6592 ZN	SCHEIBE M12 13X24X2,5 U6592 ZN	ARAND.M12 13X 24X2,5 U6592 ZN
6	F01230213R	DADO M12X1,75 U7474 CL8 ZN	NUT M12X1,75 U7474 6SZN	ECROU AUTOBL. M12	SELBSTSPERR.MUTTER M12	TUERCA M12X1,75 U7474 CL8 ZN
7	F01230213R	DADO M12X1,75 U7474 CL8 ZN	NUT M12X1,75 U7474 6SZN	ECROU AUTOBL. M12	SELBSTSPERR.MUTTER M12	TUERCA M12X1,75 U7474 CL8 ZN
8	F01410076R	ROS.M12 13X 24X2,5 U6592 ZN	WASHER 12 13X 24X2,5 U6592 ZN	RONDEL. M12 13X24X2,5 U6592 ZN	SCHEIBE M12 13X24X2,5 U6592 ZN	ARAND.M12 13X 24X2,5 U6592 ZN
9	B0C4P0099R	ATTACCO SX SOSTEGNO POST.	ATTACHEMENT	ATTELAGE	ANSCHLUSS LINKS	
10	F01020512R	VITE M12X1,75X35 U5739 8.8ZN	SCR. M12X1,75X35 U5739 8.8ZN	VIS M12X1,75X35 5739 8.8 ZN	SCHR. M12X1,75X35 5739 8.8 ZN	TORNILLO M12X1,75X35 U5739 8

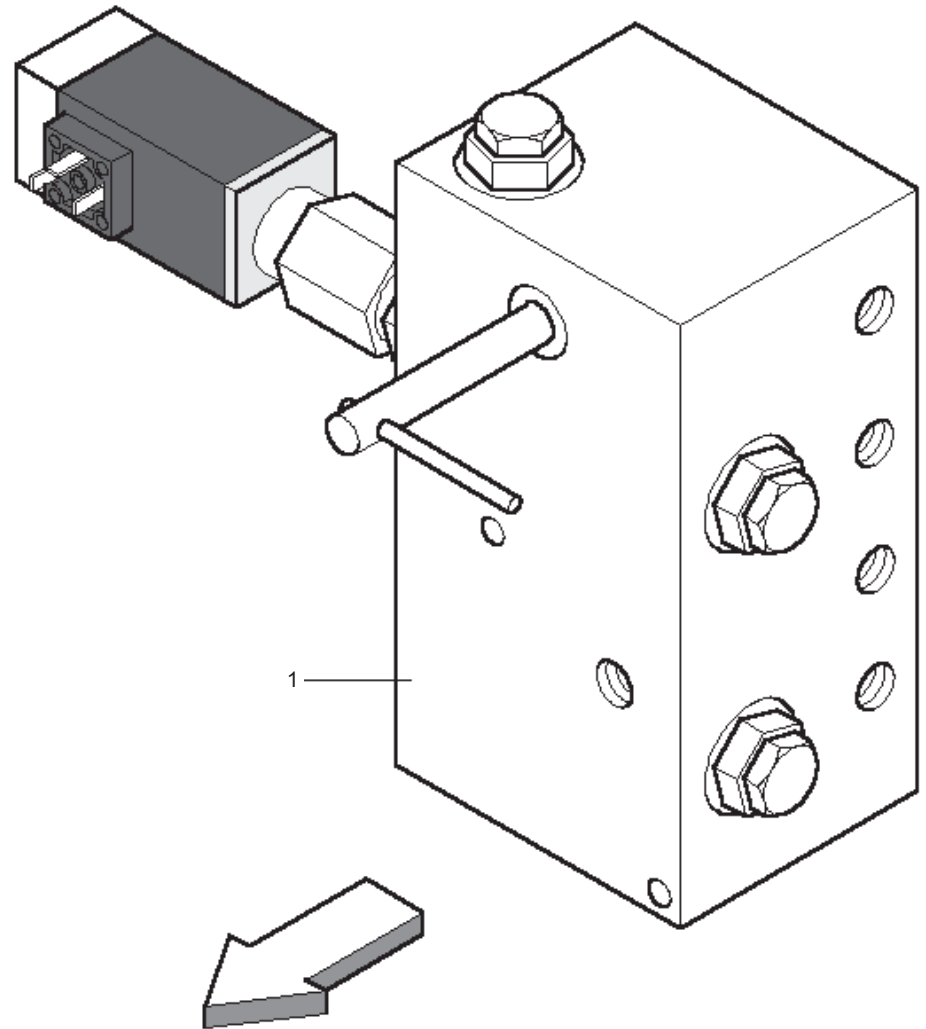
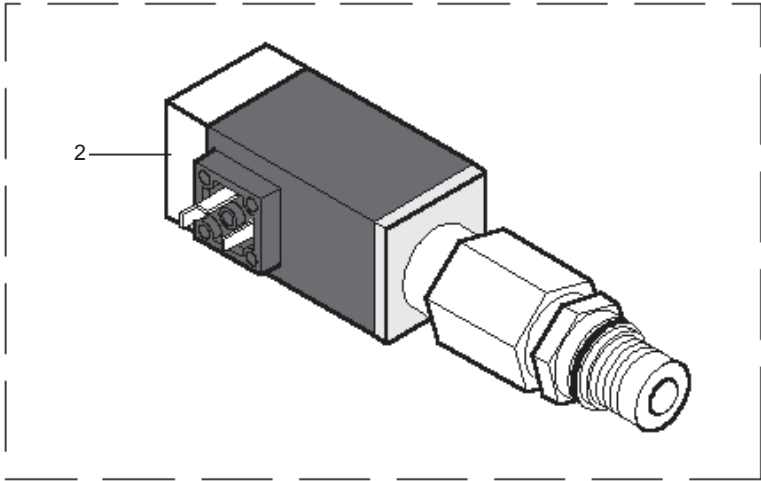
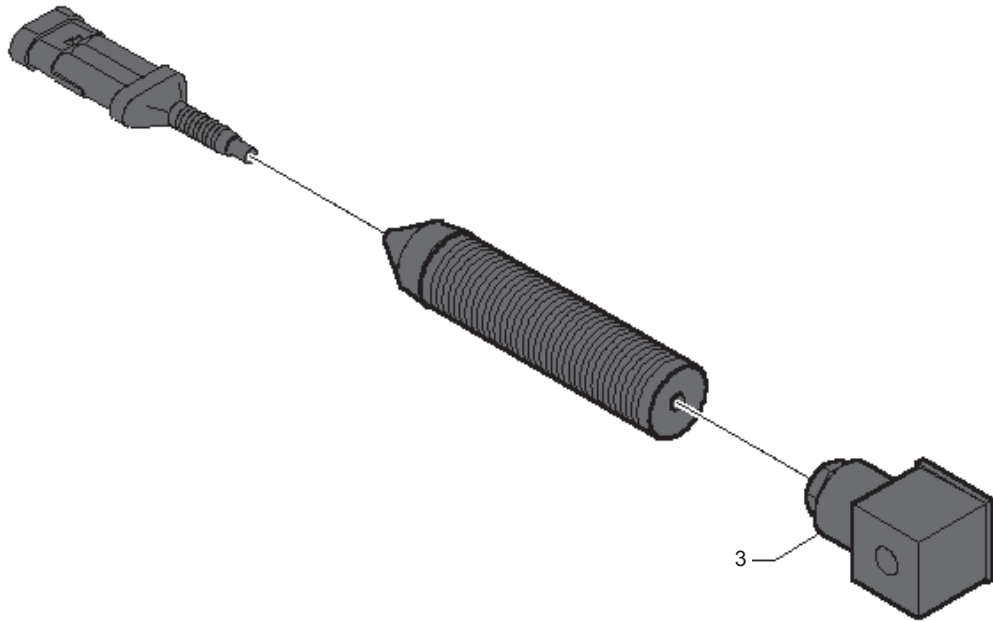


**IMPIANTO IDRAULICO MACCHINA
MACHINE HYDRAULIC SYSTEM**

TAV_210

Pos.	Cod.	Descrizione	Description	Description	Benennung	Descripcion
1	BOH6000A0R	INNESTO RAP.NV 12GAS-M	QUICK CLUTCH	EMBRAYAGE	SCHNELLKUPPLUNG	ACOPLAMIENTO R P.NV 12GAS-M
2	BOH6000AXR	NIPPLO 1 2	NIPPLE 1 2	NIPPLE 1 2	NIPPEL 1 2	NIPLE 1 2
3	B01442015R	ROS. 21 X27X1,5 RAME -1 2	WASHER	RONDELLE	BEILAGSCHEIBE 1 2	ARAND.21 X27X1,5 COBRE -1
4	BOH000040R	FILTRO IN LINEA 92400126X	FILTER IL12 60 R 94001261	FILTRE EN LIGNE IL12 60 R94001	FILTER IL12 60 R 94001261	FILTRO EN L.NEA 92400126X
5	BOH000253R	TUBO IDRAUL.	HYDRAULIC HOSE	TUYAU HYDRAULIQUE	HYDRAULIKSCHLAUCH	TUBO HIDR UL.
6	BOH000254R	TUBO IDRAUL.	HYDRAULIC HOSE	TUYAU HYDRAULIQUE	HYDRAULIKSCHLAUCH	TUBO HIDR UL.
7	BOH000248R	TUBO IDRAUL. AZZURRO	BLUE HYDRAULIC HOSE	TUYAU HYDRAULIQUE BLEU	BLAUER HYDRAULIKSCHLAUCH	TUBO HIDR UL. AZUL CELESTE
8	BOH000247R	TUBO IDRAUL. GIALLO	YELLOW HYDRAULIC HOSE	TUYAU HYDRAULIQUE JAUNE	GELBER HYDRAULIKSCHLAUCH	TUBO HIDR UL. AMARILLO
9	BOH000249R	TUBO IDRAUL. AZZURRO	BLUE HYDRAULIC HOSE	TUYAU HYDRAULIQUE BLEU	BLAUER HYDRAULIKSCHLAUCH	TUBO HIDR UL. AZUL CELESTE
10	BOH000246R	TUBO IDRAUL. GIALLO	YELLOW HYDRAULIC HOSE	TUYAU HYDRAULIQUE JAUNE	GELBER HYDRAULIKSCHLAUCH	TUBO HIDR UL. AMARILLO
11	BOH000243R	TUBO IDRAUL. NEUTRO	HYDRAULIC HOSE	TUYAU HYDRAULIQUE NEUTRE	HYDRAULIKSCHLAUCH	TUBO HIDR UL. NEUTRO
12	BOH000244R	TUBO IDRAUL. ROSSO	RED HYDRAULIC HOSE	TUYAU HYDRAULIQUE ROUGE	ROTER HYDRAULIKSCHLAUCH	TUBO HIDR UL. ROJO
13	BOH000242R	TUBO IDRAUL. NEUTRO	HYDRAULIC HOSE	TUYAU HYDRAULIQUE NEUTRE	HYDRAULIKSCHLAUCH	TUBO HIDR UL. NEUTRO
14	BOH000245R	TUBO IDRAUL. ROSSO	RED HYDRAULIC HOSE	TUYAU HYDRAULIQUE ROUGE	ROTER HYDRAULIKSCHLAUCH	TUBO HIDR UL. ROJO
15	BOH400130R	MARTINETTO PORTELLONE 265	REAR DOOR JACK 265	VERIN PORTE ARRIERE 265	ZYLINDER TUER 265	CILINDRO DE LA PUERTA 265
16	F02050112R	ANELLO E.DE 30X 1,5 U7435 ZN	SEEGER RING 30X 1,5 U7435 C70	SEEGER E. 30 X 1,5 U7435 C70	SEEGERING E. 30X 1,5 U7435 C70	ANILLO E. 30 X 1,5 U7435 C70
17	B01300101R	SPES. 30,3 40 1 ZINCATO	SHIM GALV	ENTRETOISE GALV	DISTANZSTUECK 30,3 40 1	ESPES. 30,3 40 1 CINCADO
18	B04200610R	INGRASS.A SFERE M6X1 LUNGO	GREASE NIPPLE	GRAISSEUR HYDRAULIQUE	GERADER SCHMIERNIPPEL M6X1	ENGRASADOR DE ESFERAS M6X1
19	BOH000009R	RACC. L 10 SOLO COR RASTELLI	UNION ELBOW 10	RACCORD L 10 SEULEMENT CORP	ANSCHLUSSSTUECK L 10	EMP. L 10 SOLO COR RASTELLI
20	F01020051R	VITE M6X1X90 U5737 8.8ZN	SCR. M6X1X90 U5737 8.8ZN	VIS M6X 1X 90 U5737 8.8 ZN	SCHRAUBE M6X 1X90 U5737 8.8 ZN	TORNILLO M6X1X90 U5737 8
21	BOH400128R	MARTINETTO PRESSIONE 265	PRESSURE JACK 265	VERIN PRESSION 265	PRESSZYLINDER 265	CILINDRO DE PRESI N 265
22	B01700035R	ANEL. D ARR. ALB. 35-E UNI3653	SEEGER RING	BAGUE SEEGER	SEEGERRING 35-E	ANIL. DE PARAD. RB. 35-E UNI3
23	B01519696R	SPES. 35 47 1	SHIM	ENTRETOISE	DISTANZSTUECK 35 50 1	ESPES. 35 47 1
24	BOH000009R	RACC. L 10 SOLO COR RASTELLI	UNION ELBOW 10	RACCORD L 10 SEULEMENT CORP	ANSCHLUSSSTUECK L 10	EMP. L 10 SOLO COR RASTELLI
25	F01100013R	ING.M 6X1 7663-C 9SMNPB28 ZN	SPHERE NIPPLE M6X1 90	GRAISSEUR A BILLES M6X1 90	KUGELFETTBSCHSE M6X1 90	ENG.M 6X1 7663-C 9SMNPB28 ZN
26	B04200610R	INGRASS.A SFERE M6X1 LUNGO	GREASE NIPPLE	GRAISSEUR HYDRAULIQUE	GERADER SCHMIERNIPPEL M6X1	ENGRASADOR DE ESFERAS M6X1
27	BOH400146R	KIT GUAR. MARTIN H400128-129-	SEAL KIT FOR H400128-129-134	KIT JOINTS POUR H400128-129-13	DICHTUNGSSATZ FUER H400128-129	KIT JUNTAS CILIND H400128-129-
28	B0C005132R	CAVALLOTTO DI FISSAGGIO	FIXING U BOLT	BOULON DE FIXAGE	U-BUEGEL	PUENTE DE FIJACI N
29	F01020450R	VITE M8X1,25X40 U5739 8.8ZN	SCR. M8X1,25X40 U5739 8.8ZN	VIS M8X1,25X40 U5739 8.8ZN	SCHRA. M8X1,25X40 U5739 8.8ZN	TORNILLO M8X1,25X40 U5739 8.8
30	F01410051R	ROS.M8 8,4X 17X1,6 U6592 ZN	WASHER M8 8,4X17X1,6 U6592 ZN	RONDELLE M8 8,4X17X1,6 ZN	SCHEIBE M8 8,4X17X1,6 U6592 ZN	ARAND.M8 8,4X 17X1,6 U6592 ZN
31	BOH000256R	MANOMETRO HT	GAUGE HT	MANOMETRE HT	MANOMETER HT	MAN METRO HT
32	BOH000120R	MICROTUBO FD1 4 RACC.MANOMETRO	PIPE	TUYAU CAPILLAIRE MINITEST	VERBINDUNGSSCHLAUCH VERTEILERB	
33	BOH000103R	RACCORDO O 12 TN131-12LR	FILLET 0 12	RACCORD O 12	HOHLKEHLEN ANSCHLUSSSTUECK 0	RACOR O 12 TN131-12LR
34	BOH000182R	RACCORDO PER RIDUTT. DI FLUSSO	OIL FLOW REDUCER PIPE FITTING	RACCORD POUR REDUCTEUR DE FLUX	ANSCHLUSS FUER REDUKTION	RACOR PARA REDUCT. DE FLUJO
35	BOH000139R	RACCORDO I 10 RASTELLI	UNION I 10	RACCORD I SEULEMENT CORPS	VERBINDUNGSTUECK I 10	RACOR I 10 RASTELLI
36	B00500070R	GRANO M8 CON FORO 1,75MM	DOWEL M8 WITH HOLE 1.75MM	TOURILLON M8 AVEC TROU 1,75 MM	KORN MIT LOCH 1.75 MM	PASADOR M8 CON ORIFICIO 1,75MM
37	BOH000140R	NIPPLO GIUNZ GAS CILIN.1 4-1 4	NIPPLE 1 4-1 4	NIPPLE JONCTION	NIPPEL 1 4-1 4	NIPLE DE UNI N GAS CILIN.1 4-1
38	BOH400147R	KIT GUAR. MARTIN H400130-131-	SEAL KIT FOR H400130-131-135	KIT JOINTS POUR H400130-131-13	DICHTUNGSSATZ FUER H400130-131	KIT JUNTAS CILIND. H400130-131
39	F01420035R	ROS.M6 6,4X 18X1,6 U6593 ZN	WASHER D.6	RONDELLE D.6	KUPFERSCHEIBE D.6	ARAND.M6 6,4X 18X1,6 U6593
40	BOH000252R	RACC. T 10 RASTELLI TN121-10L	FITTING T 10	RACCORD T 10	ANSCHLUSSSTUECK T 10	
41	BOH000232R	RACCORDO O 10 RASTELLI TN111-1	FITTING O 10			
42	B01300100R	SPES. 30,3 40 0,5 ZINCATO	SHIM GALV	ENTRETOISE GALV	DISTANZSTUECK 30,3 40 0,5	ESPES. 30,3 40 0,5 CINCADO

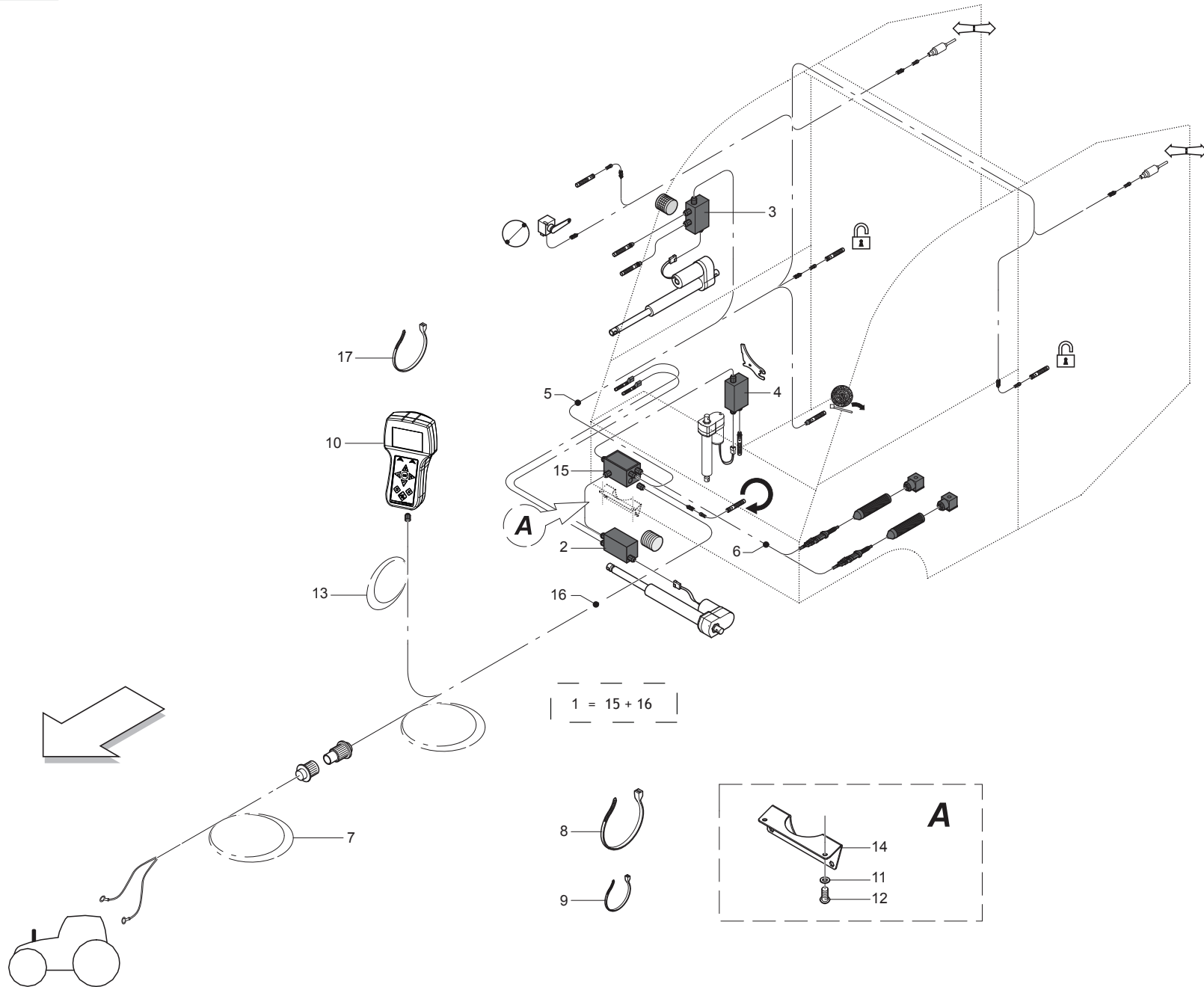
TAV_215



**VALVOLA PRESSIONE ELETTRONICA
ELECTRONIC PRESSURE VALVE**

TAV_215

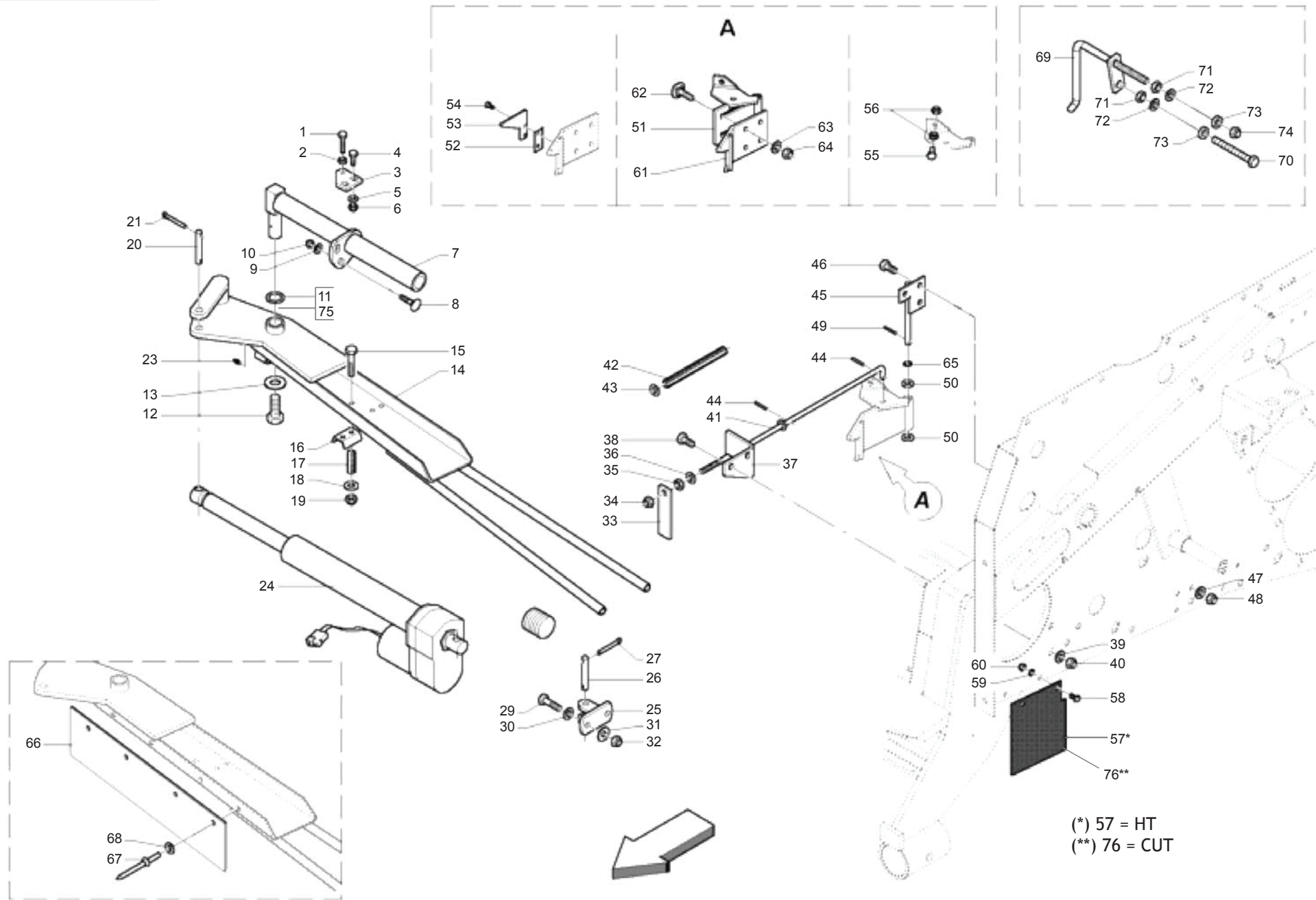
Pos.	Cod.	Descrizione	Description	Description	Benennung	Descripcion
1	B0H0P0003R	BLOCCO VALV. PRESSIONE LT	VALVE FRB12 E-B	SOUPAPE	VETIL FRB13 E-B	
2	B0H000288R	VALVOLA PRESSIONE LAVORO	VALVE	SOUPAPE	HYDRAULISCHES VENTIL	
3	B0E0P0006R	MODULO PRESSIONE	PRESSURE MODULE	MODULE PRESSION	MODULE DRUCK	M DULO DE PRESI N



**CABLAGGIO
CONTROL SYSTEM**

TAV_220

Pos.	Cod.	Descrizione	Description	Description	Benennung	Descripcion
1	B0E0P0002R	MOD.POW.BOX CON CAVI	POWER BOX MODULE WITH CONNECTI	MODULE POWER BOX AVEC ATTEL. C	MODULE KONTROLLBOX	MOD.POW.BOX CON CABLES
2	B0E0P0003R	MOD.FILO COMPL.DI SENSORI M8	TWINE MODULE COMPLETE WITH SEN	MODULE FICELLE COMPLET AVEC CA	MODULE GARN	MOD.HILO COMPL.DE SENSORES
3	B0E0P0004R	MODULO RETE	NET MODULE WITH CONNECTION C6P	MODULE FILET AVEC ATTELAGE C6P	MODULE NETZ MIT ANSCHLUSS	M DULO DE RED
4	B0E0P0005R	MODULO CUT CON ATTACCO C6P0085	CUT MODULE WITH CONNECTION C6P	MODULE CUT AVEC ATTELAGE C6P00	MODULE CUT MIT ASCHLUSS	M DULO CUT CON CONEXI N C6P00
5	B0E0P0072R	CABLAGGIO MACCHINA	BUS	BUS	BUS FUER HALL EFFEKT	CABLEADO DE LA M QUINA
6	B0E0P0009R	CABLAGGIO BUS AUSILIARIO	AUXILIARY BUS	BUS AUXILIAIRE	BUS	CABLEADO BUS AUXILIAR
7	B0E0P0010R	CAVO TRATTORE	TRACTOR CABLE	CABLE TRACTEUR	KABEL SCHLEPPER	CABLE DEL TRACTOR
8	F05150066R	FASCETTA POLYA. 9X265 NERA	CLAMP 9X265 BLACK			BANDA POLYA. 9X265 NEGRA
9	F05150055R	FASCETTA POLYA. 3,6X200 NERA	WHITE BAND	BANDE BIANCHE	WEIBE BAND	BANDA POLYA. 3,6X200 NEGRA
10	F05012085R	MON DISPLAY EASYTRONIC V2018	MON DISPLAY EASYTRONIC V2018			MON DISPLAY EASYTRONIC V2018
11	F01410051R	ROS.M8 8,4X 17X1,6 U6592 ZN	WASHER M8 8,4X17X1,6 U6592 ZN	RONDELLE M8 8,4X17X1,6 ZN	SCHEIBE M8 8,4X17X1,6 U6592 ZN	ARAND.M8 8,4X 17X1,6 U6592 ZN
12	F01410051R	ROS.M8 8,4X 17X1,6 U6592 ZN	WASHER M8 8,4X17X1,6 U6592 ZN	RONDELLE M8 8,4X17X1,6 ZN	SCHEIBE M8 8,4X17X1,6 U6592 ZN	ARAND.M8 8,4X 17X1,6 U6592 ZN
13	B0E0P0065R	CABLAGGIO MACCHINA	TRACTOR MACHINE WIRING FOR POW	CABLAGE TRACTEUR	KABLE FUER TRAKTOR	CABLEADO DE LA M QUINA
14	B0C6P0360R	SOSTEGNO MODULO A FILO	SUPPORT FORM WIRE			SOPORTE M DULO CON HILO
15	B0E0P0066R	MOD.POW.BOX SENCA CAVI	DISPLAY WITH CARD SPRINTER EXT	DISPLAY WITH FICHE SPRINTER EX	KONTROLLBOX OHNE KABEL	MOD.POW.CAJA SIN CABLES
16	B0E0P0065R	CABLAGGIO MACCHINA	TRACTOR MACHINE WIRING FOR POW	CABLAGE TRACTEUR	KABLE FUER TRAKTOR	CABLEADO DE LA M QUINA
17	F02300061R	FASCETTA POLYA. 250X4,8 NERA	POLYA.FASTENING STRAPS 250X4,8			BANDA POLYA. 250X4,8 NEGRA

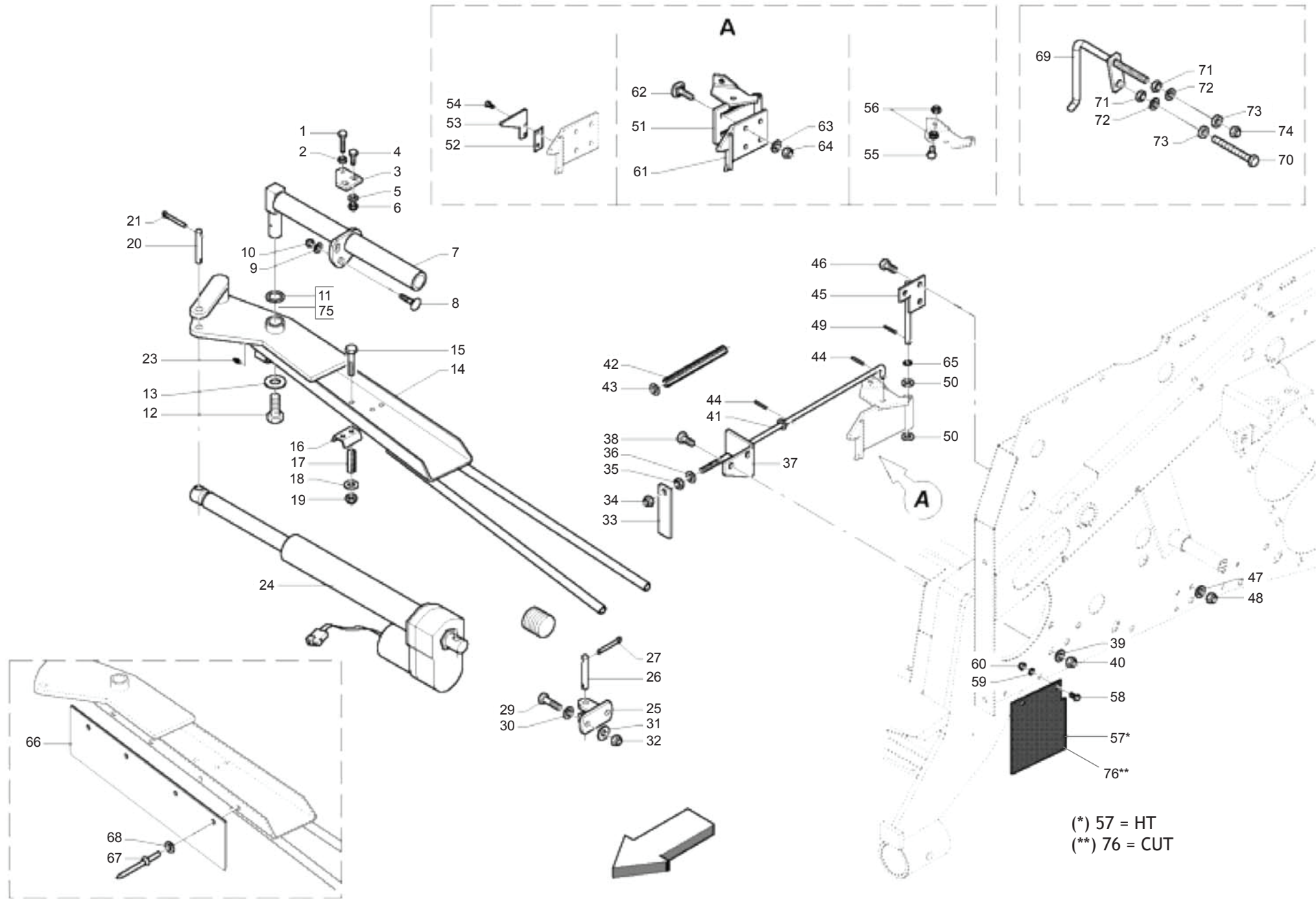


(*) 57 = HT
 (**) 76 = CUT

**LEGATORE FILO
TWINE BINDER**

TAV_225

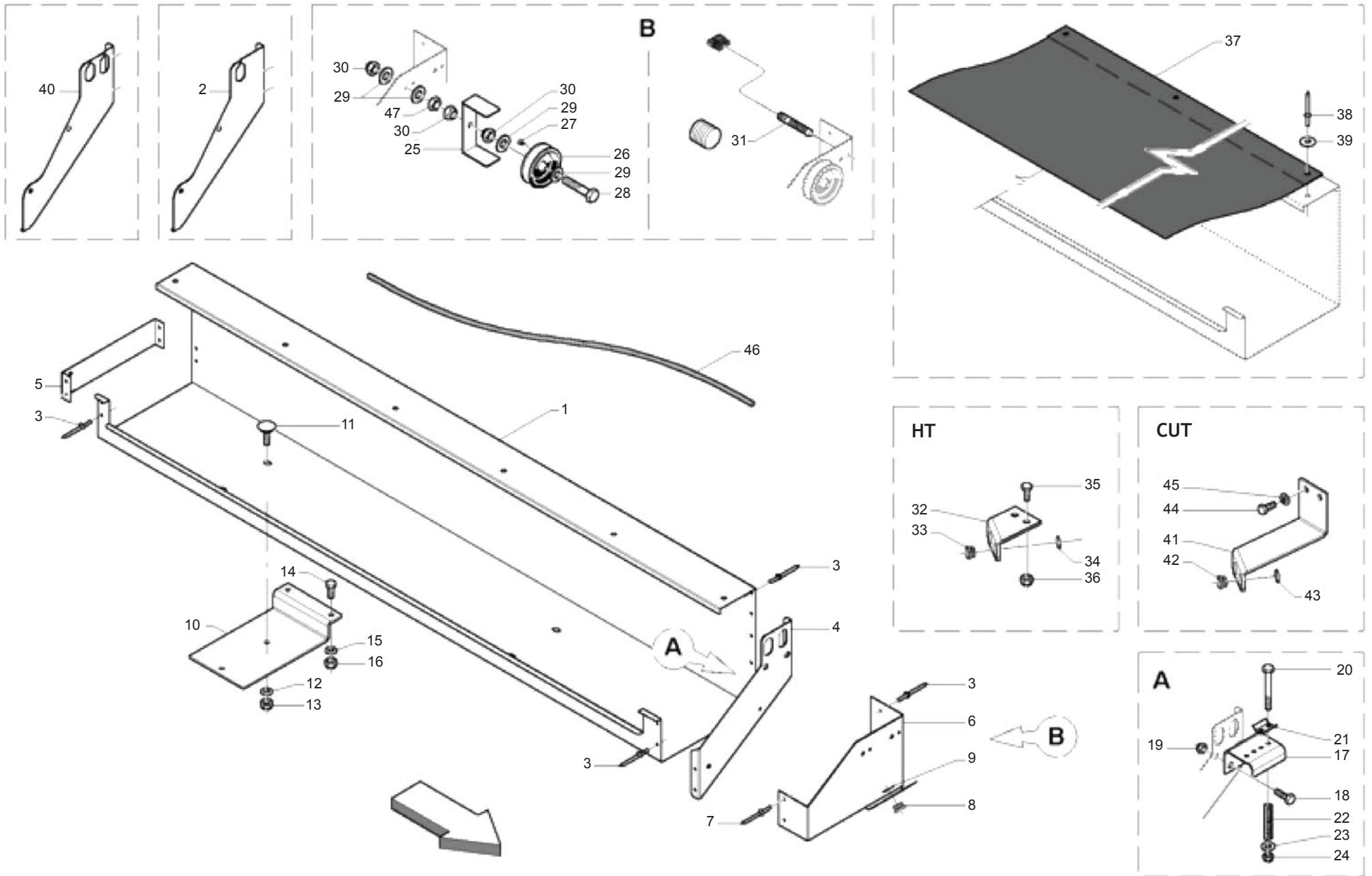
Pos.	Cod.	Descrizione	Description	Description	Benennung	Descripcion
1	F01020485R	VITE M10X1,5X50 U5739 8.8ZN	SCR. M10X1,5X50 U5739 8.8ZN	VIS M 10X50	SCHRAUBE M 10X50	TORNILLO M10X1,5X50 U5739 8
2	F01200270R	DADO M10X1,5 U5588 CL8 ZN	NUT M10X1,5 U5588 6.8ZN	ECROU M10X 1,5 U5588 6.8 ZN	MUTTER M10X 1,5 U5588 6.8 ZN	TUERCA M10X1,5 U5588 CL8 ZN
3	B0C005031R	FERMO DI POSIZIONE	LOCK	ARRET	ARRETIERUNG	TOPE DE POSICI N
4	F01020476R	VITE M10X1,5X30 U5739 8.8ZN	SCR. M10X1,5X30 U5739 8.8ZN	VIS M10X1,5X30 U5739 8.8 ZN	SCHRAUBE M10X1,5X30U5739 8.8ZN	TORNILLO M10X1,5X30 U5739 8.8
5	F01410062R	ROS.M10 10,5X 18X 2 U6592 ZN	WASHER M10 10,5X 18X 2 U6592	RONDELLE M10 10,5X18X2 ZN	DICHTUNGSRING M10 10,5X18X2 ZN	ARAND.M10 10,5X 18X 2 U6592 ZN
6	F01230202R	DADO M10X 1,5 D985 8 ZN	NUT M10 D985	ECROU AUTOBL. M10	SELBSTSPERR.MUTTER M10	TUERCA M10X 1,5 D985 8
7	B07S01524R	TRAVERSA	CROSS BAR	TRAVERSE	QUERTRAEGER	TRAVESA O
8	B00523421R	VITE SPECIALE TTQST M12X35-8.8	SPECIAL SCREW	VIS SPCIALE	SCHRAUBE TTQST M12X 35-8.8	TORNILLO ESPECIAL TTQST M12X3
9	F01410076R	ROS.M12 13X 24X2,5 U6592 ZN	WASHER 12 13X 24X2,5 U6592 ZN	RONDEL. M12 13X24X2,5 U6592 ZN	SCHEIBE M12 13X24X2,5 U6592 ZN	ARAND.M12 13X 24X2,5 U6592 ZN
10	F01230213R	DADO M12X1,75 D985 8 ZN	NUT M12X1,75 U7474 6SZN	ECROU AUTOBL. M12	SELBSTSPERR.MUTTER M12	TUERCA M12X1,75 U7474 CL8 ZN
11	B01300135R	SPES. 28 44 0,5	SHIM	ENTRETOISE	DISTANZSTUECK 28 44 0,5	ESPE. 28 44 0,5
12	F01020562R	VITE M16X2X30 U5739 8.8ZN	SCR. M16X2X30 U5739 8.8ZN	VIS M16X2X30 U5739 8.8 ZN	SCHRAUBE M16X2X30 U5739 8.8 ZN	TORNILLO M16X2X30 U5739 8.8ZN
13	B01519319R	RALLA 16X38X5	FIFTH WHEEL	BUTEE	SCREIBE	RANGUA 16X38X5
14	B07S01805R	BRACCIO LEGATORE FILO	TWINE WRAPPING ARM	BRAS LIAGE FICELLE	GARNDINDINGUNSARM	BRAZO ATADOR DE HILO
15	F01020068R	VITE M8X1,25X40 U5737 8.8ZN	SCR. M8X1,25X40 U5737 8.8ZN	VIS M 8X1,25X40 U5737 8.8 ZN	SCHRA. M8X1,25X40 U5737 8.8 ZN	TORNILLO M8X1,25X40 U5737 8.8
16	B0C630434R	FRENA SPAGO	TWINE BRAKE	PINCE FICELLE	GARNBREMSE	FRENA CUERDA
17	B01821993R	MOLLA	SPRING	RESSORT	FEDER	MUELLE
18	F01410051R	ROS.M8 8,4X 17X1,6 U6592 ZN	WASHER M8 8,4X17X1,6 U6592 ZN	RONDELLE M8 8,4X17X1,6 ZN	SCHEIBE M8 8,4X17X1,6 U6592 ZN	ARAND.M8 8,4X 17X1,6 U6592 ZN
19	B00920208R	DADO AUTOB.BASSO M 8-5S D985	NUT M8X1 D985 8ZN	ECROU	SELBSTSICHERNDE MUTTER M8-5S	TUERCA M8X1 D985 8
20	B01A29508R	SPINA MARTINETTO	CYLINDER PIN	GOUPILLE VERIN	STIFT	CLAVIJA DEL CILINDRO
21	B01150430R	COPIGLIA 4X 30 U1336 ZN	GALV PIN	GOUPILLE GALV	SPLINT	PASADOR 4X 30 U1336 ZN
23	B04200610R	INGRASS.A SFERE M6X1 LUNGO	GREASE NIPPLE	GRAISSEUR HYDRAULIQUE	GERADER SCHMIERNIPPEL M6X1	ENGRASADOR DE ESFERAS M6X1
24	B0E0P0087R	ATTUAT. LEGATORE FILO	ACTUATOR LINEAR	ACTIONNEUR	AKTUATOR	ACTUADOR ATADOR DE HILO
25	B07S01525R	ATTACCO ATTUATORE	ACTUATOR ATTACHMENT	ATTELAGE ACTIONNEUR	HALTERUNG	CONEXI N DEL ACTUADOR
26	B01A29508R	SPINA MARTINETTO	CYLINDER PIN	GOUPILLE VERIN	STIFT	CLAVIJA DEL CILINDRO
27	B01150430R	COPIGLIA 4X 30 U1336 ZN	GALV PIN	GOUPILLE GALV	SPLINT	PASADOR 4X 30 U1336 ZN
29	F01020516R	VITE M12X1,75X45 U5739 8.8ZN	SCR. M12X1,75X45 U5739 8.8ZN	VIS M12X1,75X45 U5739 8.8 ZN	SCHARAUBE M12X1,75X45 U5739 ZN	TORNILLO M12X1,75X45 U5739 8
30	F01410076R	ROS.M12 13X 24X2,5 U6592 ZN	WASHER 12 13X 24X2,5 U6592 ZN	RONDEL. M12 13X24X2,5 U6592 ZN	SCHEIBE M12 13X24X2,5 U6592 ZN	ARAND.M12 13X 24X2,5 U6592 ZN
31	F01420120R	ROS.M12 13X36X2,5 U6593 ZN	WASHER M12 13X36X2,5 U6593 ZN	RONDELLE M12 13X36X2,5 ZN		ARAND.M12 13X36X2,5 U6593 ZN
32	F01230213R	DADO M12X1,75 D985 8 ZN	NUT M12X1,75 U7474 6SZN	ECROU AUTOBL. M12	SELBSTSPERR.MUTTER M12	TUERCA M12X1,75 U7474 CL8 ZN
33	B0C003115R	AGGANCIO TAGLIO	COUPLER	ACCROCHAGE COUPE		ENGANCHE PARA CORTE
34	B00920208R	DADO AUTOB.BASSO M 8-5S D985	NUT M8X1 D985 8ZN	ECROU	SELBSTSICHERNDE MUTTER M8-5S	TUERCA M8X1 D985 8
35	F01200244R	DADO M8X1,25 U5588 CL8 ZN	NUT M8X1,25 U5588 6.8ZN	ECROU M8 X1,25 U5588 6.8 ZN	MUTTER M8 X1,25 U5588 6.8 ZN	TUERCA M8X1,25 U5588 CL8 ZN
36	F01410051R	ROS.M8 8,4X 17X1,6 U6592 ZN	WASHER M8 8,4X17X1,6 U6592 ZN	RONDELLE M8 8,4X17X1,6 ZN	SCHEIBE M8 8,4X17X1,6 U6592 ZN	ARAND.M8 8,4X 17X1,6 U6592 ZN
37	B0C005034R	SOSTEGNO ASTA	ROD SUPPORT	SUPPORT BARRE	STANGENSTUETZE	SOPORTE DE LA BARRA
38	F01020514R	VITE M12X1,75X40 U5739 8.8ZN	SCR. M12X1,75X40 U5739 8.8ZN	VIS M12X1,75X40 U5739 8.8ZN	SCHRA. M12X1,75X40 U5739 8.8ZN	TORNILLO M12X1,75X40 U5739 8.
39	F01410076R	ROS.M12 13X 24X2,5 U6592 ZN	WASHER 12 13X 24X2,5 U6592 ZN	RONDEL. M12 13X24X2,5 U6592 ZN	SCHEIBE M12 13X24X2,5 U6592 ZN	ARAND.M12 13X 24X2,5 U6592 ZN
40	F01230213R	DADO M12X1,75 D985 8 ZN	NUT M12X1,75 U7474 6SZN	ECROU AUTOBL. M12	SELBSTSPERR.MUTTER M12	TUERCA M12X1,75 U7474 CL8 ZN
41	B00500098R	ASTA REGOLATRICE	ADJUSTMENT BAR	BARRE DE REGLAGE	REGELSTANGE	BARRA DE REGULACI N
42	B01800036R	MOLLA C FILO 1 L=203,5ZINCATA	C-SPRING	RESSORT C	C-FEDER	MUELLE C HILO 1 L=203,5CINCADO
43	F01410051R	ROS.M8 8,4X 17X1,6 U6592 ZN	WASHER M8 8,4X17X1,6 U6592 ZN	RONDELLE M8 8,4X17X1,6 ZN	SCHEIBE M8 8,4X17X1,6 U6592 ZN	ARAND.M8 8,4X 17X1,6 U6592 ZN
44	B01110320R	SPINA ELAST. 3X 20 SS DIN 1481	PIN	GOUPILLE	STIFT	CLAVIJA EL ST. 3X 20 SS DIN 14
45	B07S00987R	FULCRO LAMA	BLADE FULCRUM	POINT D APPUI LAME	KLINGENSCHWENKPUNKT	FULCRO DE LA CUCHILLA
46	F01020440R	VITE M8X1,25X25 U5739 8.8ZN	SCR. M8X1,25X25 U5739 8.8ZN	VIS M8X1,25X25 U5739 8.8 ZN	SCHRAUBE M8X1,25X25U5739 8.8ZN	TORNILLO M8X1,25X25 U5739 8.8
47	F01410051R	ROS.M8 8,4X 17X1,6 U6592 ZN	WASHER M8 8,4X17X1,6 U6592 ZN	RONDELLE M8 8,4X17X1,6 ZN	SCHEIBE M8 8,4X17X1,6 U6592 ZN	ARAND.M8 8,4X 17X1,6 U6592 ZN
48	B00920208R	DADO AUTOB.BASSO M 8-5S D985	NUT M8X1 D985 8ZN	ECROU	SELBSTSICHERNDE MUTTER M8-5S	TUERCA M8X1 D985 8
49	B01110320R	SPINA ELAST. 3X 20 SS DIN 1481	PIN	GOUPILLE	STIFT	CLAVIJA EL ST. 3X 20 SS DIN 14
50	F01410062R	ROS.M10 10,5X 18X 2 U6592 ZN	WASHER M10 10,5X 18X 2 U6592	RONDELLE M10 10,5X18X2 ZN	DICHTUNGSRING M10 10,5X18X2 ZN	ARAND.M10 10,5X 18X 2 U6592 ZN
51	B07SP0044R	FULCRO DI TAGLIO	CUTTING FULCRUM	POINT D APPUI COUPE	SCHNEIDFULCRUM	FULCRO DE CORTE
52	F20120092R	LAMA LEGATORE FILO SP. 0,40	BLADE BINDER WIRE SP. 0,40			
53	B0C002765R	FISSAGGIO LAMA	BLADE FASTENER	FIXAGE LAME	KLINGENHALTERUNG	FIJACI N DE GOMA
54	F01020378R	VITE M5X0,8X16 U5739 8.8ZN	SCR. M5X0,8X16 U5739 8.8ZN	VIS M5X0,8X16 U5739 8.8ZN	SCHRAUBE M5X0,8X16 U5739 8.8ZN	TORNILLO M5X0,8X16 U5739 8
55	F01020440R	VITE M8X1,25X25 U5739 8.8ZN	SCR. M8X1,25X25 U5739 8.8ZN	VIS M8X1,25X25 U5739 8.8 ZN	SCHRAUBE M8X1,25X25U5739 8.8ZN	TORNILLO M8X1,25X25 U5739 8.8
56	F01200244R	DADO M8X1,25 U5588 CL8 ZN	NUT M8X1,25 U5588 6.8ZN	ECROU M8 X1,25 U5588 6.8 ZN	MUTTER M8 X1,25 U5588 6.8 ZN	TUERCA M8X1,25 U5588 CL8 ZN
57	B07V00080R	PROTEZ.LEG.FILO SPRINTER NEW	TWINE TYING KIT PROTECTION	PROTECTION LIAGE FICELLE SPRIN	GARNBINDUNGSSCHUTZ	PROTECC.ATAD. HILO SPRINTER N
58	F01020436R	VITE M8X1,25X20 U5739 8.8ZN	SCR. M8X1,25X20 U5739 8.8ZN	VIS M8X1,25X 20 U5739 8.8 ZN	SCHRAUBE M8X1,25X20U5739 8.8ZN	TORNILLO M8X1,25X20 U5739 8.8
59	F01420048R	ROS.M8 8,4X 24X 2 U6593 ZN	WASHER M8 8,4X 24X2 U6593 ZN	RONDELLE M8 8,4X24X 2 U6593 ZN	SCHEIBEN M8 8,4X24X 2 U6593 ZN	ARAND.M8 8,4X 24X 2 U6593 ZN



**LEGATORE FILO
TWINE BINDER**

TAV_225

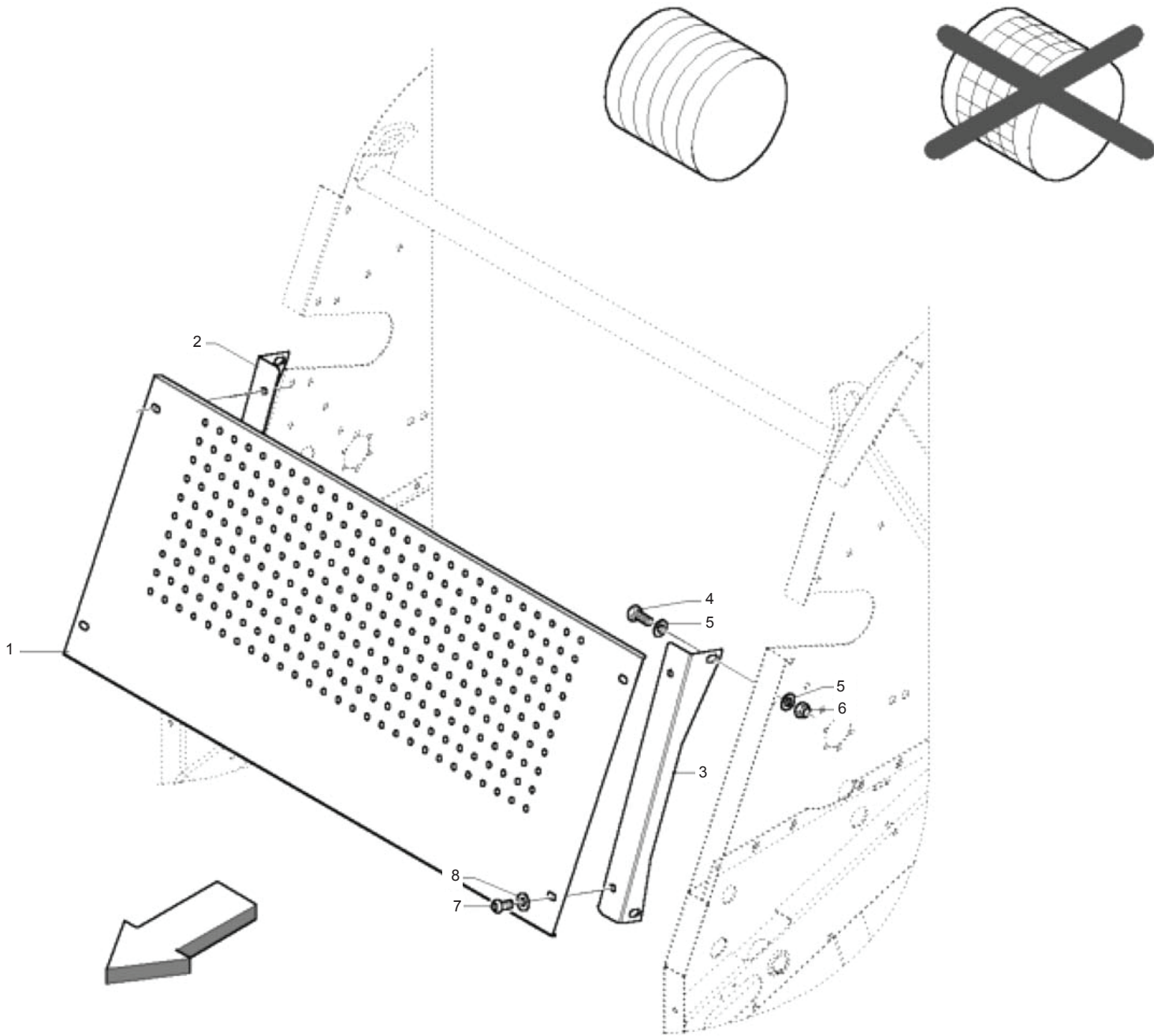
Pos.	Cod.	Descrizione	Description	Description	Benennung	Descripcion
60	B00920208R	DADO AUTOB.BASSO M 8-5S D985	NUT M8X1 D985 8ZN	ECROU	SELBSTSICHERNDE MUTTER M8-5S	TUERCA M8X1 D985 8
61	B07SP0045R	PORTA LAMA	BLADE HOLDER	ATTELAGE LAME	KLINGEHALTER	PORTA CUCHILLA
62	F01060202R	VITE M8X1,25X25 U5731 4.6ZN	SCR. M8X1,25X25 U5731 4.6ZN	VIS M8X1,25X25 U5731 4.6	DUEBEL M8X1,25X25 U5731 4.6 ZN	TORNILLO M8X1,25X25 U5731 4.6
63	F01410051R	ROS.M8 8,4X 17X1,6 U6592 ZN	WASHER M8 8,4X17X1,6 U6592 ZN	RONDELLE M8 8,4X17X1,6 ZN	SCHEIBE M8 8,4X17X1,6 U6592 ZN	ARAND.M8 8,4X 17X1,6 U6592 ZN
64	B00920208R	DADO AUTOB.BASSO M 8-5S D985	NUT M8X1 D985 8ZN	ECROU	SELBSTSICHERNDE MUTTER M8-5S	TUERCA M8X1 D985 8
65	B04313037R	ANELLO TORICO OR 3037	TORIC RING	BAGUE TORIQUE OR 3037	RING	ANILLO T RICO OR 3037
66	B07VP0004R	PROT. BRACCIO LEG.A FILO	TWINE WRAP ARM PROTECTION	PROTECTION BRAS	SCHUTZARM	PROT. BRAZO ATADOR CON HILO
67	F02250137R	RIVETTO STR. 5 X20 U9200AAL	RIVET 5 X20 U9200AAL			REMACHE EXTR. 5 X20 U9200AA
68	F01420023R	ROS.M5 5,3X 15X1,5 U6593 ZN	WASHER M5 5,3X 15X1,5 U6593 ZN			ARAND.M5 5,3X 15X1,5 U6593
69	B07S01238R	DITO PRENDI FILO	TWINE GRASPER	DOIGT PRISE FICELLE	FINGEL FUER GARN	DEDO COGE HILO
70	F01020524R	VITE M12X1,75X90 U5739 8.8ZN	SCR. M12X1,75X90 U5739 8.8ZN			TORNILLO M12X1,75X90 U5739 8
71	F01200293R	DADO M12X1,75 U5588 CL8 ZN	NUT M12X1,75 U5588 6S ZN	ECROU M12X1,75 U5588 6S ZN	MUTTER M12X1,75 U5588 6S ZN	TUERCA M12X1,75 U5588 CL8 ZN
72	F01410076R	ROS.M12 13X 24X2,5 U6592 ZN	WASHER 12 13X 24X2,5 U6592 ZN	RONDEL. M12 13X24X2,5 U6592 ZN	SCHEIBE M12 13X24X2,5 U6592 ZN	ARAND.M12 13X 24X2,5 U6592 ZN
73	B01516038R	RALLA 13 32 5	FIFTH WHEEL	BUTEE	SCHEIBE	RANGUA 13 32 5
74	F01230213R	DADO M12X1,75 D985 8 ZN	NUT M12X1,75 U7474 6SZN	ECROU AUTOBL. M12	SELBSTSPERR.MUTTER M12	TUERCA M12X1,75 U7474 CL8 ZN
75	B01300134R	SPESSORE 28 44 0.2	SHIM 28 44 0.2			ESPEJOR 28 44 0.2
76	B07V00072R	PROT. IN GOMMA LAT.	SIDE RUBBERED PROTECTIONS	PROTECTION LATERALE EN CAOUT.	SEITER GUMMISCHUTZ	PROT. DE GOMA LAT.



**LEGATORE FILO: CASSONETTO
TWINE BINDER: TWINE BOX**

TAV_230

Pos.	Cod.	Descrizione	Description	Description	Benennung	Descripcion
1	B0C3P0037R	CORPO CASSONE SPAGO	TWINE HOLDER BODY	CORPS BOITE A FICELLE	GEHAUSE DER BINDENGARNAUFBEWAH	CUERPO DE CAJ N DE CUERDA
2	BC4P0038LR	DIVISORE	SEPARATOR			
3	B01000010R	RIVETTO STR. 6X12 U9200A AL	RIVET	RIVET	ABREISSNIETEN 6X10	REMACHE EXTR. 6X12 U9200A A
4	B0C4P0036R	DIVISORE	DIVIDER			DIVISOR
5	B0C3P0036R	FERMO TERMINALE	STOP TERMINAL			TOPE TERMINAL
6	B0C005016R	ATTACCO CARRUCOLE	PULLEY ATTACHMENT	ATTELAGE POULIE	ROLLEN BEFESTIGUNG	CONEXI N POLEAS
7	B01000011R	RIVETTO STR. 6X12 U9200A AL	RIVET 6X12 U9200A AL	RIVET	ABREISSNIETEN 6X15	REMACHE EXTR. 6X12 U9200A A
8	B03500097R	BUSSOLA PASSAGGIO SPAGO	TWINE GUIDE BUSH	DOUILLE PASSAGE FICELLE	SCHNURFUEHRUNGSBUCHSE	CASQUILLO DE PASO DE LA CUERD
9	F02050101R	ANELLO E. DE 25X 1,2 U7435 C7	SEEGER RING E. 25X1,2 7435 C70	SEEGER E. 25X 1,2 U7435 C70	SEEGERING E. 25X 1,2 U7435 C70	ANILLO E. DE 25X 1,2 U7435 C7
10	B0C004685R	SOSTEGNO CASSONE SPAGO	TWINE BOX HOLDER	SUPPORT RESERVOIR FICELLE	SCHNURKASTENHALTERUNG	SOPORTE CAJ N DE CUERDA
11	B00321020R	VITE M10X1,5 X 30 U5731 4.6ZN	SCREW	VIS	SCHRAUBE VERZINKT TTQST M10X20	TORNILLO M10X1,5 X 30 U5731 4
12	F01420060R	ROS.M10 10,5X 30X2,5 U6593 ZG	GALV.WASHER 10,5X30X2,5 U6593	RONDELLE 10,5X30	SCHEIBE 10,5X30	ARAND.M10 10,5X 30X2,5 U6593
13	F01230202R	DADO M10X 1,5 D985 8 ZN	NUT M10 D985	ECROU AUTOBL. M10	SELBSTSPERR.MUTTER M10	TUERCA M10X 1,5 D985 8
14	F01020476R	VITE M10X1,5X30 U5739 8.8ZN	SCR. M10X1,5X30 U5739 8.8ZN	VIS M10X1,5X30 U5739 8.8 ZN	SCHRAUBE M10X1,5X30U5739 8.8ZN	TORNILLO M10X1,5X30 U5739 8.8
15	F01410062R	ROS.M10 10,5X 18X 2 U6592 ZN	WASHER M10 10,5X 18X 2 U6592	RONDELLE M10 10,5X18X2 ZN	DICHTUNGSRING M10 10,5X18X2 ZN	ARAND.M10 10,5X 18X 2 U6592 ZN
16	F01230202R	DADO M10X 1,5 D985 8 ZN	NUT M10 D985	ECROU AUTOBL. M10	SELBSTSPERR.MUTTER M10	TUERCA M10X 1,5 D985 8
17	B0C005012R	BASE FRENAS PAGO	TWINE BRAKE BASE	BASE ARRET FICELLE	SCHNURBREMSAUFBLAGE	BASE FRENADO CUERDA
18	F01020506R	VITE M12X1,75X20 U5739 8.8ZN	SCR. M12X1,75X20 U5739 8.8ZN	VIS M 12X20	SCHRAUBE M 12X20	TORNILLO M12X1,75X20 U5739
19	F01230213R	DADO M12X1,75 U7474 CL8 ZN	NUT M12X1,75 U7474 6SZN	ECROU AUTOBL. M12	SELBSTSPERR.MUTTER M12	TUERCA M12X1,75 U7474 CL8 ZN
20	F01020068R	VITE M8X1,25X40 U5737 8.8ZN	SCR. M8X1,25X40 U5737 8.8ZN	VIS M 8X1,25X40 U5737 8.8 ZN	SCHRA. M8X1,25X40 U5737 8.8 ZN	TORNILLO M8X1,25X40 U5737 8.8
21	B0C630434R	FRENA SPAGO	TWINE BRAKE	PINCE FICELLE	GARNBREMSE	FRENA CUERDA
22	B01821993R	MOLLA	SPRING	RESSORT	FEDER	MUELLE
23	F01410051R	ROS.M8 8,4X 17X1,6 U6592 ZN	WASHER M8 8,4X17X1,6 U6592 ZN	RONDELLE M8 8,4X17X1,6 ZN	SCHEIBE M8 8,4X17X1,6 U6592 ZN	ARAND.M8 8,4X 17X1,6 U6592 ZN
24	B00920208R	DADO AUTOB.BASSO M 8-5S D985	NUT M8X1 D985 8ZN	ECROU	SELBSTSICHERNDE MUTTER M8-5S	TUERCA M8X1 D985 8
25	B0C230438R	FERMO	LOCK	ARRET	HALTER	TOPE
26	B03730455R	CARRUCOLA FILO RIF.333 60	PULLEY	POULIE AVEC FIL REF.333 60	LAUFROLLE	POLEA HILO REF.333 60
27	B003F4813R	VITE AUTOF.T. 4,8X13 DIN798	SCREW	VIS	SCHRAUBE	TORNILLO AUROROSC.CAB. 4,8X13
28	B00180655R	VITE M6X1X 55 U5739 8.8ZN	SCREW	VIS	ZINKSCHRAUBE TE M6X55-8.8 UNI	TORNILLO M6X1X 55 U5739 8.8ZN
29	F01410037R	ROS.M6 6,4X12,5X1,6 U6592 ZN	WASHER M6 6,4X12,5X1,6 U6592ZN	RONDEL.M6 6,4X12,5X1,6 U6592ZN	SCHEIB.M6 6,4X12,5X1,6 U6592ZN	ARAND.M6 6,4X12,5X1,6 U6592 ZN
30	B00920106R	DADO M6X1 D985 8ZN	NUT	ECROU	SELBSTSICHERNDE MUTTER M6-5S	TUERCA M6X1 D985 8
31	B0E000102R	SENS. DI PROSSIMITA FILO	PROXIMITY SENSORS M8	SENSEUR DE PROXIMITÉ	ABSTANDSMELDER	SENS. DE PROXIMIDAD DE HILO
32	B0C005385R	ATTACCO BOCCOLE PASSAFILO HT	BUSH COUPLING HT	ATTELAGE DOUILLES PASSE-FICELL	HUELSEANSCHLUSS	ENGANCHE CASQUILLOS PASACAB
33	B03500097R	BUSSOLA PASSAGGIO SPAGO	TWINE GUIDE BUSH	DOUILLE PASSAGE FICELLE	SCHNURFUEHRUNGSBUCHSE	CASQUILLO DE PASO DE LA CUERD
34	F02050101R	ANELLO E. DE 25X 1,2 U7435 C7	SEEGER RING E. 25X1,2 7435 C70	SEEGER E. 25X 1,2 U7435 C70	SEEGERING E. 25X 1,2 U7435 C70	ANILLO E. DE 25X 1,2 U7435 C7
35	F01020512R	VITE M12X1,75X35 U5739 8.8ZN	SCR. M12X1,75X35 U5739 8.8ZN	VIS M12X1,75X35 5739 8.8 ZN	SCHR. M12X1,75X35 5739 8.8 ZN	TORNILLO M12X1,75X35 U5739 8
36	F01230213R	DADO M12X1,75 U7474 CL8 ZN	NUT M12X1,75 U7474 6SZN	ECROU AUTOBL. M12	SELBSTSPERR.MUTTER M12	TUERCA M12X1,75 U7474 CL8 ZN
37	B07VP0002R	COPERT CASSONE SPAGO 265-280	TWINE BOX COVER 265-280	COUVERTURE GRANDE CAISSE 265-2	DECKEL GARNGEHAUSE	COBERT CAJ N DE CUERDA 265-280
38	B01000010R	RIVETTO STR. 6X12 U9200A AL	RIVET	RIVET	ABREISSNIETEN 6X10	REMACHE EXTR. 6X12 U9200A A
39	F01420035R	ROS.M6 6,4X 18X1,6 U6593 ZN	WASHER D.6	RONDELLE D.6	KUPFERSCHEIBE D.6	ARAND.M6 6,4X 18X1,6 U6593
40	B0C4P0037R	DIVISORE	SEPARATOR	DIVISEUR	TEILVORRICHTUNG	DIVISOR
41	B0C005002R	ATT. BOCCOLE PASSAFILO HTC-HTU	BUSH ATTACHMENT	ATTELAGE DOUILLE	BUCHSENBEFESTIGUNG	CONEX. CASQUILLOS PASACABLE
42	B03500097R	BUSSOLA PASSAGGIO SPAGO	TWINE GUIDE BUSH	DOUILLE PASSAGE FICELLE	SCHNURFUEHRUNGSBUCHSE	CASQUILLO DE PASO DE LA CUERD
43	F02050101R	ANELLO E. DE 25X 1,2 U7435 C7	SEEGER RING E. 25X1,2 7435 C70	SEEGER E. 25X 1,2 U7435 C70	SEEGERING E. 25X 1,2 U7435 C70	ANILLO E. DE 25X 1,2 U7435 C7
44	F01020516R	VITE M12X1,75X45 U5739 8.8ZN	SCR. M12X1,75X45 U5739 8.8ZN	VIS M12X1,75X45 U5739 8.8 ZN	SCHARAUBE M12X1,75X45 U5739 ZN	TORNILLO M12X1,75X45 U5739 8
45	F01410076R	ROS.M12 13X 24X2,5 U6592 ZN	WASHER 12 13X 24X2,5 U6592 ZN	RONDEL. M12 13X24X2,5 U6592 ZN	SCHEIBE M12 13X24X2,5 U6592 ZN	ARAND.M12 13X 24X2,5 U6592 ZN
46	B07VP0012R	FUNE ELASTICA DIAM.6 - L=1720	ROPE ELASTIC 6 L=1720			CABLE EL STICO DI M.6 - L=1720
47	F01200232R	DADO M6X1 U5588 CL8 ZN	NUT M6X1 U5588 6.8ZN	ECROU 6 UNI 5588 6.8 ZN	MUTTER 6 UNI 5588 6.8 ZN	TUERCA M6X1 U5588 CL8 ZN

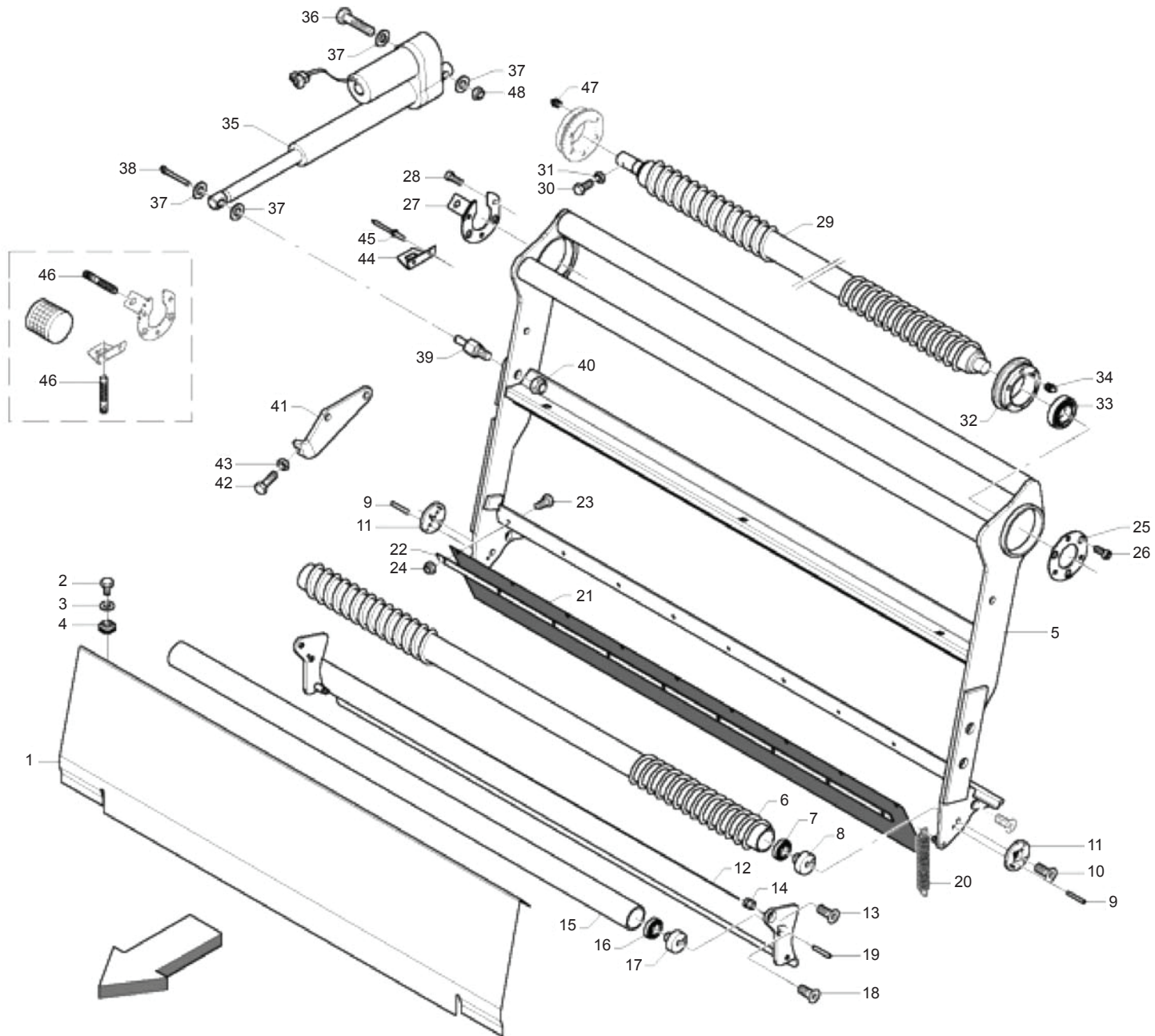


**CARTER ANTERIORE (SOLO CON LEGATORE FILO)
FRONT CARTER (ONLY WITH TWINE BINDER)**

TAV_235

Pos.	Cod.	Descrizione	Description	Description	Benennung	Descripcion
1	B0C3P0009R	PROTEZIONE SOLO FILO	ONLY TWINE PROTECTION	PROTECTION SEULEMENT FICELLE	SCHUETZ NUR GARN	PROTECCI N SOLO HILO
2	B0C3P0007R	ATTACCO DX PROTEZIONE FILO	TWINE RIGHT PROTECTION ATTACHM	ATTELAGE DROIT PROTECTION FICE	ANSCHLUSS RECHT GARNSCHUETZ	ENGANCHE DER PROTECCI N DE H
3	B0C3P0008R	ATTACCO SX PROTEZIONE FILO	TWINE LEFT PROTECTION ATTACHME	ATTELAGE GAUCHE PROTECTION FIC	ANSCHLUSS LINKS GARNSCHUETZ	ENGANCHE IZQ PROTECCI N DE HI
4	F01020508R	VITE M12X1,75X25 U5739 8.8ZN	SCR. M12X1,75X25 U5739 8.8ZN	VIS M12X1,75X25 U5739 8.8 ZN	SCHRAUBE M12X1,75X25U57398.8ZN	TORNILLO M12X1,75X25 U5739
5	F01410076R	ROS.M12 13X 24X2,5 U6592 ZN	WASHER 12 13X 24X2,5 U6592 ZN	RONDEL. M12 13X24X2,5 U6592 ZN	SCHEIBE M12 13X24X2,5 U6592 ZN	ARAND.M12 13X 24X2,5 U6592 ZN
6	F01230213R	DADO M12X1,75 U7474 CL8 ZN	NUT M12X1,75 U7474 6SZN	ECROU AUTOBL. M12	SELBSTSPERR.MUTTER M12	TUERCA M12X1,75 U7474 CL8 ZN
7	B00470825R	VITE TTEI M 8X 25-10,9 UNBRA	SCREW	VIS	SCHRAUBE TTEI M 8X25-10,9 UNBR	TORNILLO CAB.ALLEN CON HUECO
8	F01420048R	ROS.M8 8,4X 24X 2 U6593 ZN	WASHER M8 8,4X 24X2 U6593 ZN	RONDELLE M8 8,4X24X 2 U6593 ZN	SCHEIBEN M8 8,4X24X 2 U6593 ZN	ARAND.M8 8,4X 24X 2 U6593 ZN

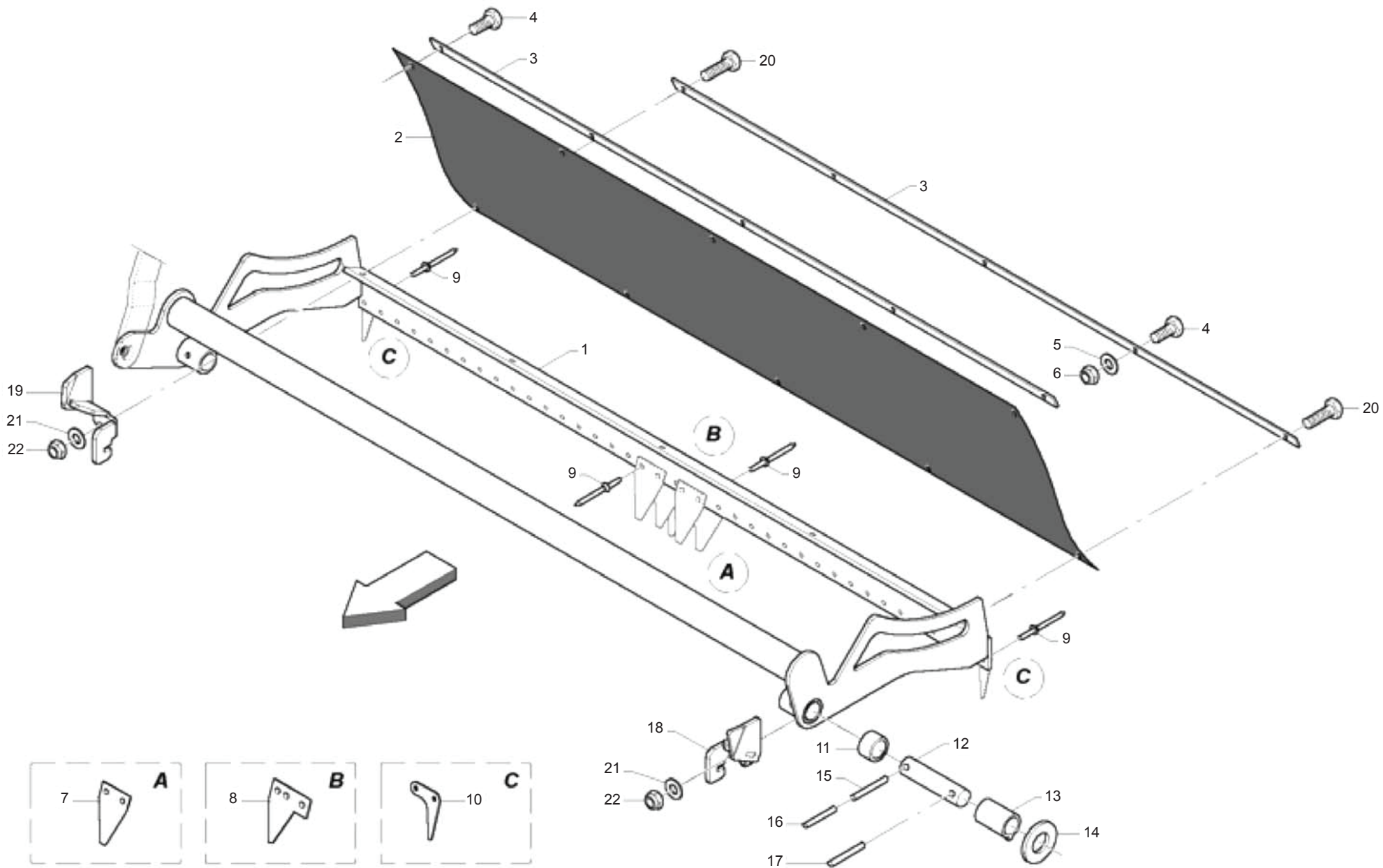
TAV_240



**LEGATORE RETE (PARTE 1)
NET BINDER (PART 1)**

TAV_240

Pos.	Cod.	Descrizione	Description	Description	Benennung	Descripcion
1	B0C3P0035R	PROT. PORTARETE	NET HOLDER PROTECTION	PROTECTION PORTE FILET	SCHUETZ NETZHALTER	PROT. PORTA RED
2	F01020432R	VITE M8X1,25X16 U5739 8.8ZN	SCR. M8X1,25X16 U5739 8.8ZN	VIS M8 X1,25X16 U5739 8.8 ZN	SCHRAUBE M8X1,25X16U5739 8.8ZN	TORNILLO M8X1,25X16 U5739 8.8
3	F01410051R	ROS.M8 8,4X 17X1,6 U6592 ZN	WASHER M8 8,4X17X1,6 U6592 ZN	RONDELLE M8 8,4X17X1,6 ZN	SCHIEBE M8 8,4X17X1,6 U6592 ZN	ARAND.M8 8,4X 17X1,6 U6592 ZN
4	B00990003R	DADO TIPO C 4808-BM8X1,25	NUT	ECROU	MUTTER	TUERCA TIPO C 4808-BM8X1,25
5	B07SP0090R	BRACCIO PORTARETE	NET HOLDER ARM	BRAS PORTE FILET	NETZHALTERARM	BRAZO PORTARETE
6	B07S00648R	RULLO FOLLE RETE	IDLE ROLLER	ROULEAU FOU	UMLLENKWALZE	RODILLO LOCO RED
7	B02301716R	CUSC. 2203 E-2RS1TN9 RIF.SKF	BEARING	ROULEMENT	LAGER 2203 E-2RS1TN9 RIF. SKF	COJIN. 2203 E-2RS1TN9 REF.SKF
8	B035P0008R	PERNO RULLO FOLLE NEW	NEW IDLE ROLLER PIN	TOURILLON ROULEAU FOU NEW	BOLZEN UMLLENKWALZE	PERNO RODILLO LOCO NEW
9	F02100079R	SPINA E.P. 5X20 U6873 C70 BR	PIN EL. 5X20 U6873 C70 BR			CLAVIJA EL.P. 5X20 30 U6873 C
10	B00441025R	VITE TSPEI M10X 25-10.9 UNI59	SCREW	VIS	SCHRAUBE VERZINKT TSPEI M10X25	TORNILLO CAB. AVE.ALLEN PAV M1
11	B013P0128R	RALLA DI FERMO	STOP FIFTH WHEEL	EXCENTRIQUES	DISTANZSCHEIBE	RANGUA DE TOPE
12	B07SP0286R	PINZA RETE	NET CLAMP	ETRIER FILET	NETZZANGE	PINZA CON RED
13	B00441020R	VITE TSPEI M10X 20-10.9 UNI 5	SCREW	VIS	SCHRAUBE TSPEI M10X 20-10.9	TORNILLO CAB. AVE.ALLEN PAV M1
14	B01300401R	BUSSOLA FILETTATA	PIN WITHOUT NET	DOUILLE FILETEE	NETZAUFNAHMEZANGENBOLZEN	CASQUILLO ROSCADO
15	B07SP0100R	CORPO RULLO FOLLE LISCIO	SMOOTH IDLE ROLLER BODY	CORPS ROULEAU FOU LISSE	GEHAUSE DER GLATTLOSCHWALZE	CUERPO DEL RODILLO LOCO LISO
16	B02301716R	CUSC. 2203 E-2RS1TN9 RIF.SKF	BEARING	ROULEMENT	LAGER 2203 E-2RS1TN9 RIF. SKF	COJIN. 2203 E-2RS1TN9 REF.SKF
17	B035P0008R	PERNO RULLO FOLLE NEW	NEW IDLE ROLLER PIN	TOURILLON ROULEAU FOU NEW	BOLZEN UMLLENKWALZE	PERNO RODILLO LOCO NEW
18	B00441020R	VITE TSPEI M10X 20-10.9 UNI 5	SCREW	VIS	SCHRAUBE TSPEI M10X 20-10.9	TORNILLO CAB. AVE.ALLEN PAV M1
19	B01110612R	SPINA ELAST. 6X 12 SS DIN 1481	PIN	GOUPILLE	STIFT	CLAVIJA EL. ST. 6X 12 SS DIN 14
20	B01800025R	MOLLA 2 13 98T GRUPPO RETE	SPRING	RESSORT	FEDER	MUELLE 2 13 98T GRUPO RED
21	B07VP0001R	BANDELLA DI SOSTEGNO	SUPPORT BAND	BANDE DE SUPPORT	HALTERBANDE	BARRA DE SOPORTE
22	B0C2P0020R	PREMIGOMMA	RUBBER HOLDER	PRESSE-CAOUTCHOUX	GUMMIDRUCKER	SUJETA GOMA
23	B00180620R	VITE M6X1X20 U5739 8.8ZN	SCREW	VIS	SCHRAUBE	TORNILLO M6X1X20 U5739 8
24	B00920106R	DADO M6X1 D985 8ZN	NUT	ECROU	SELBSTSICHERNDE MUTTER M6-5S	TUERCA M6X1 D985 8
25	B01300389R	FLANGIA DI CONTEGNO	FLANGE	FLASQUE	DICHTUNGSFLANSCH	BRIDA DE CONTENCI N
26	B00400825R	VITE M8X1,25X25 U5931 10.9ZD	SCREW	VIS	SCHRAUBE	TORNILLO M8X1,25X25 U5931 10
27	B0C004932R	PIASTRA RITEGNO	PLATE	PLAQUE	PLATTE	PLACA DE RETENCI N
28	B00400825R	VITE M8X1,25X25 U5931 10.9ZD	SCREW	VIS	SCHRAUBE	TORNILLO M8X1,25X25 U5931 10
29	B07S00649R	RULLO CONTARETE	NET COUNTER ROLLER	ROULEAU COMPTE-FILET	NETZZAHLERWALZE	RODILLO CONTADOR DE RED
30	F01020380R	VITE M5X0,8X20 U5739 8.8ZN	SCR. M5X0,8X20 U5739 8.8ZN	VIS M5X0,8X20 U5739 8.8ZN	SCHRAUBE M5X0,8X20 U5739 8.8ZN	TORNILLO M5X0,8X20 U5739 8
31	F01200220R	DADO M5X0,8 U5588 CL8 ZN	NUT M5X0,8 U5588 6.8ZN	ECROU 5 UNI 5588 6.8 ZN	MUTTER 5 UNI 5588 6.8 ZN	TUERCA M5X0,8 U5588 CL8 ZN
32	B02700044R	SUPP BRAC PORTA RETE E RULLO	NET AND ROLLER ARM SUPPORT	SUPPORT BRAS PORTE-FILET ET RO	LAGER DES NETZTRAGERARMS UND W	SOP. BRAZO PORTA RED Y RODILL
33	B02042517R	CUSC 6305-2RS CAT.B-ST004	BEARING	ROULEMENT	LAGER 6305-2RS	COJIN 6305-2RS CAT.B-ST004
34	F01100048R	ING.M 8X1,25 7663A 9SMNPB28 Z	GREASE NIPPLE M8X1,25 U7663A	GRAISSEUR A BILLES M8X1,25	SCHMIERBUECHSE M8X1,25 7663A	ENG.M 8X1,25 7663A 9SMNPB28 Z
35	B0E000045R	ATTUATORE RETE	NET ACTUATOR	ACTIONNEUR WARNER D13-05B5-06	AKTUATOR WARNER D13 05B506111	ACTUADOR RED
36	F01020164R	VITE M12X1,75X70 U5737 8.8ZN	SCREW M12X1,75X70 U5737 8.8ZN	VIS M12X1,75X70 ZN	SCHR. M12X1,75X70 U5737 8.8 ZN	TORNILLO M12X1,75X70 U5737 8.
37	F01410076R	ROS.M12 13X 24X2,5 U6592 ZN	WASHER 12 13X 24X2,5 U6592 ZN	RONDEL. M12 13X24X2,5 U6592 ZN	SCHIEBE M12 13X24X2,5 U6592 ZN	ARAND.M12 13X 24X2,5 U6592 ZN
38	F02200164R	COPIGLIA 3X 30 U1336 ZN	SPLIT PIN 3X 30 U1336 ZN			PASADOR 3X 30 U1336 ZN
39	B03500063R	PERNO ECCENTRICO	ECCENTRIC PIN	TOURILLON EXCENTRE	EXZENTERZAPFEN	PERNO EXC NTRICO
40	B00920516R	DADO M16X 1,5 D985 6S ZN	NUT M16X1,5 D985 6S ZN	ECROU	SELBSTSICHERNDE MUTTER M16-5S	TUERCA M16X 1,5 D985 6S
41	B0C4P0009R	FERMO	LOCK	ARRET	BLOCK	TOPE
42	F01020517R	VITE M12X1,75X50 U5739 8.8ZN	SCR. M12X1,75X50 U5739 8.8ZN	VIS M12X1,75X50 5739 8.8 ZN	SCHRA. M12X1,75X50 5739 8.8 ZN	TORNILLO M12X1,75X50 U5739 8
43	F01200293R	DADO M12X1,75 U5588 CL8 ZN	NUT M12X1,75 U5588 6S ZN	ECROU M12X1,75 U5588 6S ZN	MUTTER M12X1,75 U5588 6S ZN	TUERCA M12X1,75 U5588 CL8 ZN
44	B0C005200R	ATTACCO SENSORE RETE	NET SENSOR COUPLING	ATTELAGE CAPTEUR FILET	SENSORANSCHLUSS	CONEXI N SENSOR DE RED
45	B01000013R	RIVETTO STR. 6X18 U9200AA	RIVET	RIVET	ABREISSNIETEN 6X18	REMACHE EXTR. 6X18 U9200AA
46	B0E000056R	SENSORE PROSSIMITA BALLA M12	PROXIMITY SENSOR	CAPTEUR DE PROXIMITE	ABSTANDSMELDER	SENSOR DE PROXIMIDAD DE LA BA
47	F01100048R	ING.M 8X1,25 7663A 9SMNPB28 Z	GREASE NIPPLE M8X1,25 U7663A	GRAISSEUR A BILLES M8X1,25	SCHMIERBUECHSE M8X1,25 7663A	ENG.M 8X1,25 7663A 9SMNPB28 Z
48	F01230213R	DADO M12X1,75 U7474 CL8 ZN	NUT M12X1,75 U7474 6SZN	ECROU AUTOBL. M12	SELBSTSPERR.MUTTER M12	TUERCA M12X1,75 U7474 CL8 ZN

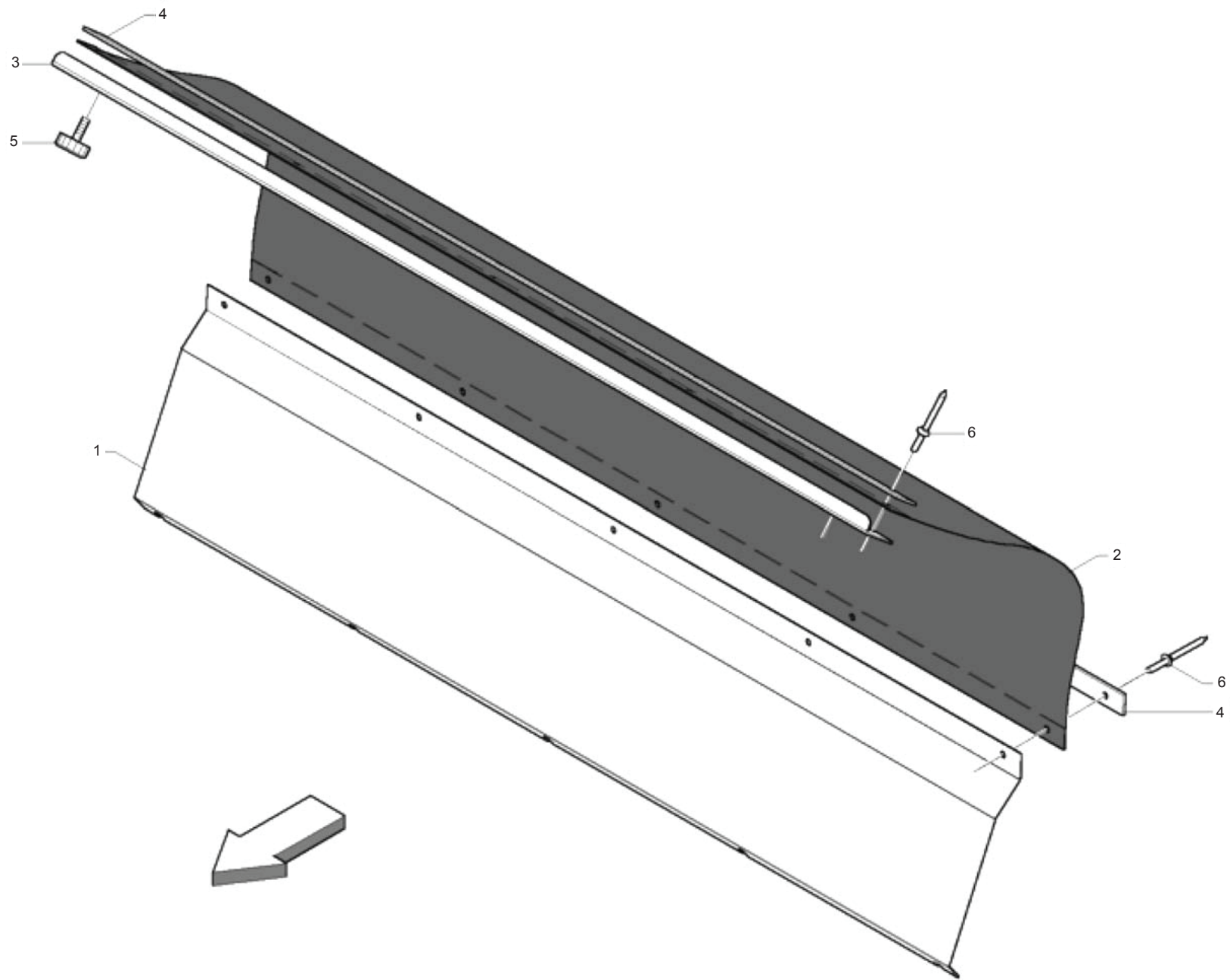


**LEGATORE RETE (PARTE 2)
NET BINDER (PART 2)**

TAV_245

Pos.	Cod.	Descrizione	Description	Description	Benennung	Descripcion
1	B07SP0279R	BRACCIO LAMA	KNIVE HARM	BRAS COUTEAUX	KLINGEARM	BRAZO CUCHILLA
2	B07VP0010R	CHIUSURA IN TELA PER LAMA	CLOTH CLOSURE FOR BLADE	FERMETURE EN TOILE POUR LAME	VERSCHLUSS AUS TUCH FUER KLING	CIERRE DE TELA PARA CUCHILLA
3	B0C002398R	PREMIGOMMA	RUBBERHOLDER	PRESSE-PNEU	GUMMIHALTERLEISTE	SUJETA GOMA
4	B00180620R	VITE M6X1X20 U5739 8.8ZN	SCREW	VIS	SCHRAUBE	TORNILLO M6X1X20 U5739 8
5	F01410037R	ROS.M6 6,4X12,5X1,6 U6592 ZN	WASHER M6 6,4X12,5X1,6 U6592ZN	RONDEL.M6 6,4X12,5X1,6 U6592ZN	SCHEIB.M6 6,4X12,5X1,6 U6592ZN	ARAND.M6 6,4X12,5X1,6 U6592 ZN
6	B00920106R	DADO M6X1 D985 8ZN	NUT	ECROU	SELBSTSICHERNDE MUTTER M6-5S	TUERCA M6X1 D985 8
7	B07U00012R	LAMINO RASSPE D200 LISCIA	PLATE RASPE D200	PETITE LAME DE COUPE FILET		HOJA RASSPE D200 LISA
8	B0C6P0334R	COMPENSO LAMINI SU BRACCIO LAM	SHIM	EPAISSEUR	DICHTUNG	COMPENSADO HOJAS EN BRAZO C
9	B01000013R	RIVETTO STR. 6X18 U9200A AL	RIVET	RIVET	ABREISSNIETEN 6X18	REMACHE EXTR. 6X18 U9200AA
10	B0C6P0532R	TERMINALE LAMA	TERMINALE LAMA.			TERMINAL DE LA CUCHILLA
11	B013C0012R	DISTANZIALE 25.5X33.7X20	SPACER	ENTRETOISE	DISTANZSTUECK	DISTANCIADOR 25,5X33,7X20
12	B01300390R	SPINA SX BRACCIO TAGLIA RETE	ARM LEFT PIN	EPINE GAUCHE BRAS COUPE-FILET	LINKER NETZSCHNEIDEVORRICHTUNG	CLAVIJA IZQ DEL BRAZO CORTA RE
13	B02526852R	BUSSOLA NYLON	NYLON BUSH	GALET	BUCHSE	CASQUILLO DE NYLON
14	B01522663R	SPES. 25 45	SHIM	ENTRETOISE	SCHEIBE	ESPE. 25 45
15	F02100090R	SPINA E.P. 5X 40 U6873 C70 BR	ELASTIC PIN 5X40	GOUJON ELASTIQUE 5X40	SPANNHUELSE 5X40	CLAVIJA EL.P. 5X 40 U6873 C70
16	F02100142R	SPINA E.P. 8X 40 U6873 C70 BR	ELASTIC PIN 8X40	GOUJON ELASTIQUE 8X40	SPANNHUELSE 8X40	CLAVIJA EL.P. 8X 40 U6873 C70
17	F02100142R	SPINA E.P. 8X 40 U6873 C70 BR	ELASTIC PIN 8X40	GOUJON ELASTIQUE 8X40	SPANNHUELSE 8X40	CLAVIJA EL.P. 8X 40 U6873 C70
18	B07SP0245R	FERMO DESTRO ALZO	RIGH STOP	ARRET DROIT	BLOCK RECHTS	TOPE DERECHO
19	B07SP0246R	FERMO SINISTRO ALZO	LEFT STOP	ARRET GAUCHE	BLOCK LINKS	TOPE IZQUIERDO
20	F01020408R	VITE M6X1X30 U5739 8.8ZN	SCR. M6X1X30 U5739 8.8ZN	VIS M 6X1X30	SCHRAUBE M 6X1X30	TORNILLO M6X1X30 U5739 8
21	F01410037R	ROS.M6 6,4X12,5X1,6 U6592 ZN	WASHER M6 6,4X12,5X1,6 U6592ZN	RONDEL.M6 6,4X12,5X1,6 U6592ZN	SCHEIB.M6 6,4X12,5X1,6 U6592ZN	ARAND.M6 6,4X12,5X1,6 U6592 ZN
22	B00920106R	DADO M6X1 D985 8ZN	NUT	ECROU	SELBSTSICHERNDE MUTTER M6-5S	TUERCA M6X1 D985 8

TAV_250

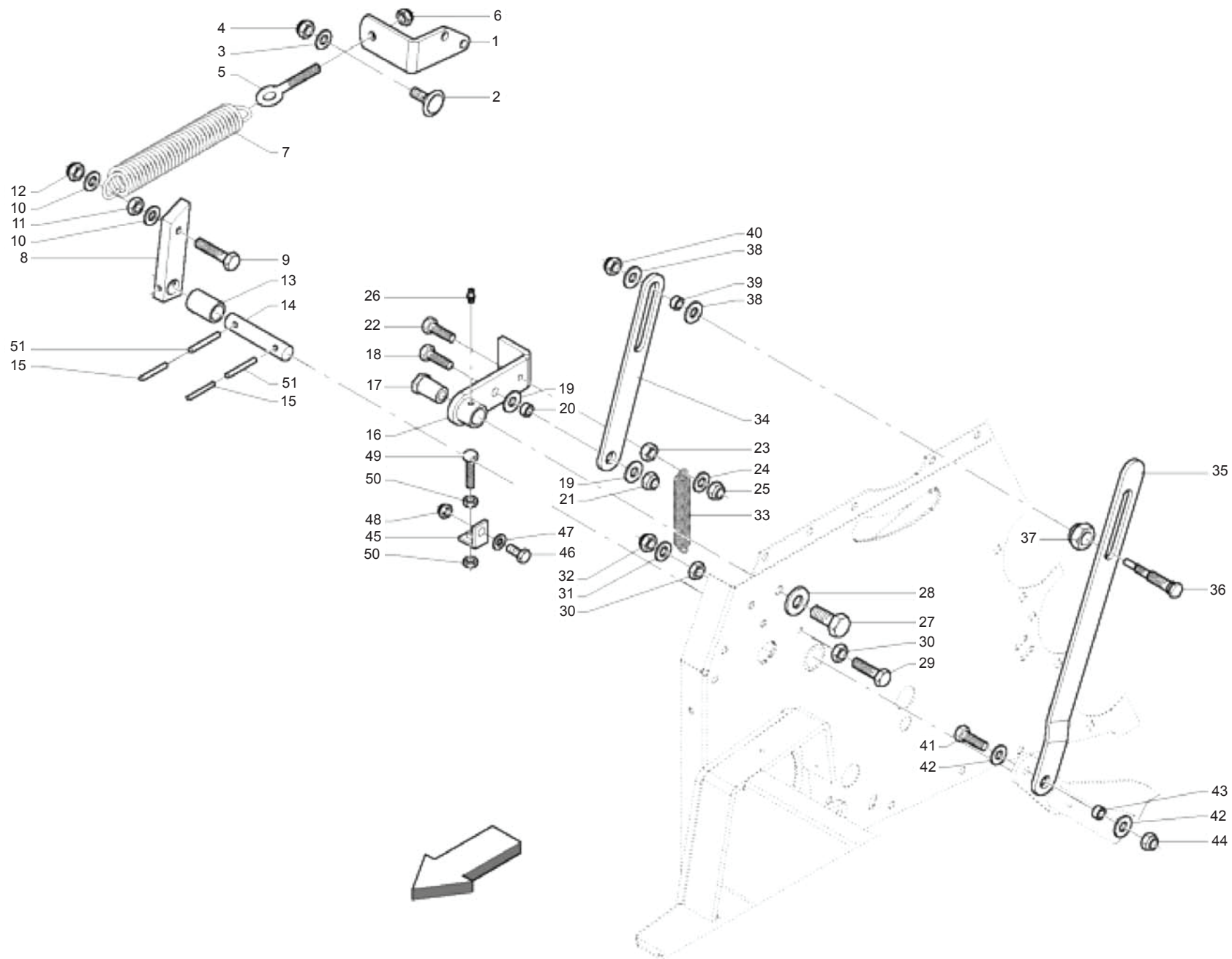


**LEGATORE RETE (PARTE 3)
NET BINDER (PART 3)**

TAV_250

Pos.	Cod.	Descrizione	Description	Description	Benennung	Descripcion
1	B0C2P0030R	PROT. INFERIORE	LOWER PROTECTION	PROTECTION INFERIEURE	SCHUETZ UNTEN	PROT. INFERIOR
2	B07V00062R	CHIUSURA IN GOMMA	RUBBER CLOSING	FERMETURE EN CAOUTCHOUC	GUMMIVERSCHLUSS	CIERRE DE GOMA
3	B07MP0017R	SOSTEGNO PROT.	PROTECTION SUPPORT	SUPPORT PROTECTION	SCHTZHALTER	SOPORTE PROTE.
4	B0C002398R	PREMIGOMMA	RUBBERHOLDER	PRESSE-PNEU	GUMMIHALTERLEISTE	SUJETA GOMA
5	B07V00106R	VOLANTINO M8X15 DIAM. 30	KNOB WHEEL	VOLAN M 8 DIAM. 30X19	HANDRAD	VOLANTE M8X15 DI M. 30
6	B01000010R	RIVETTO STR. 6X12 U9200AAL	RIVET	RIVET	ABREISSNIETEN 6X10	REMACHE EXTR. 6X12 U9200AA

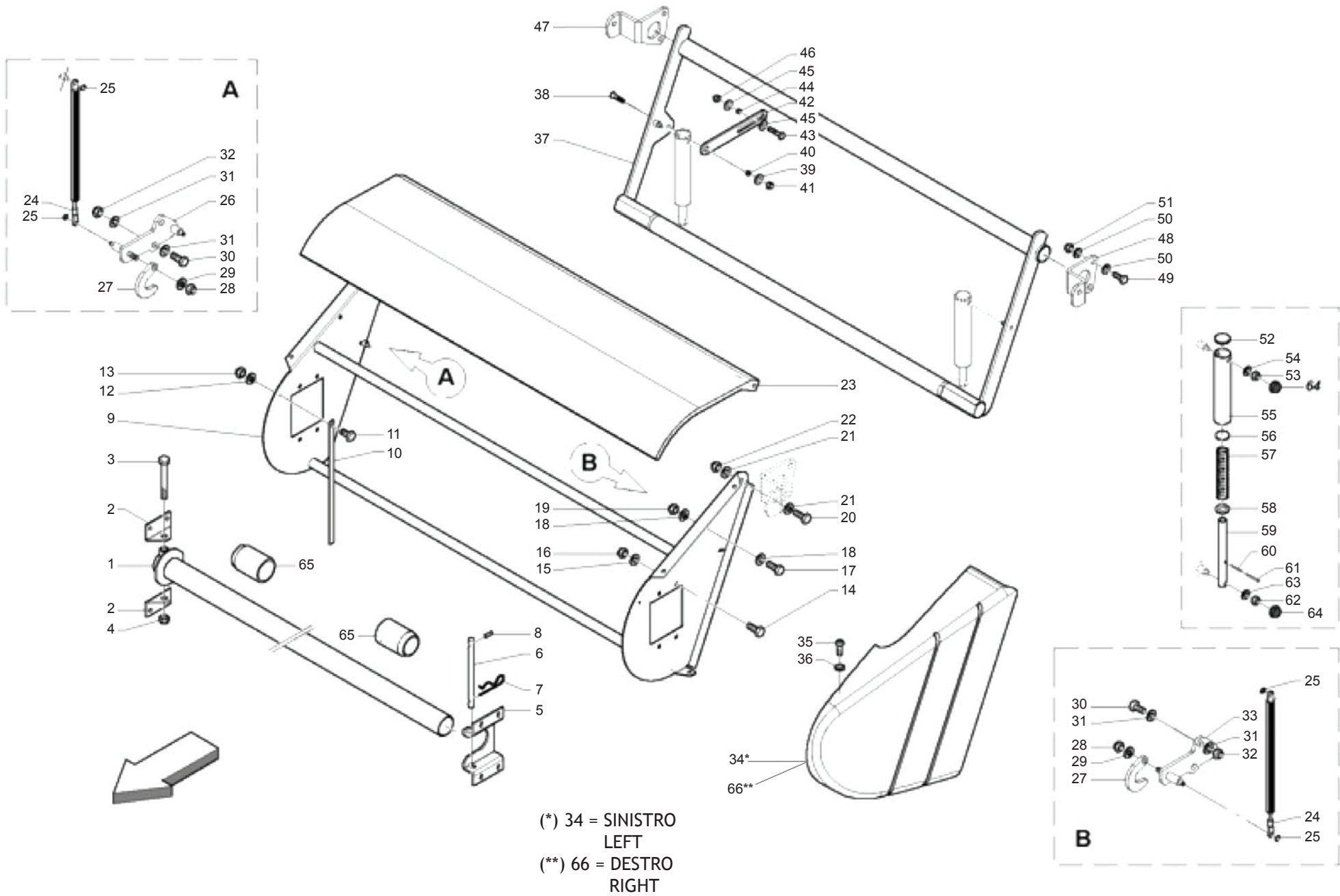
TAV_255



**LEGATORE RETE (PARTE 4)
NET BINDER (PART 4)**

TAV_255

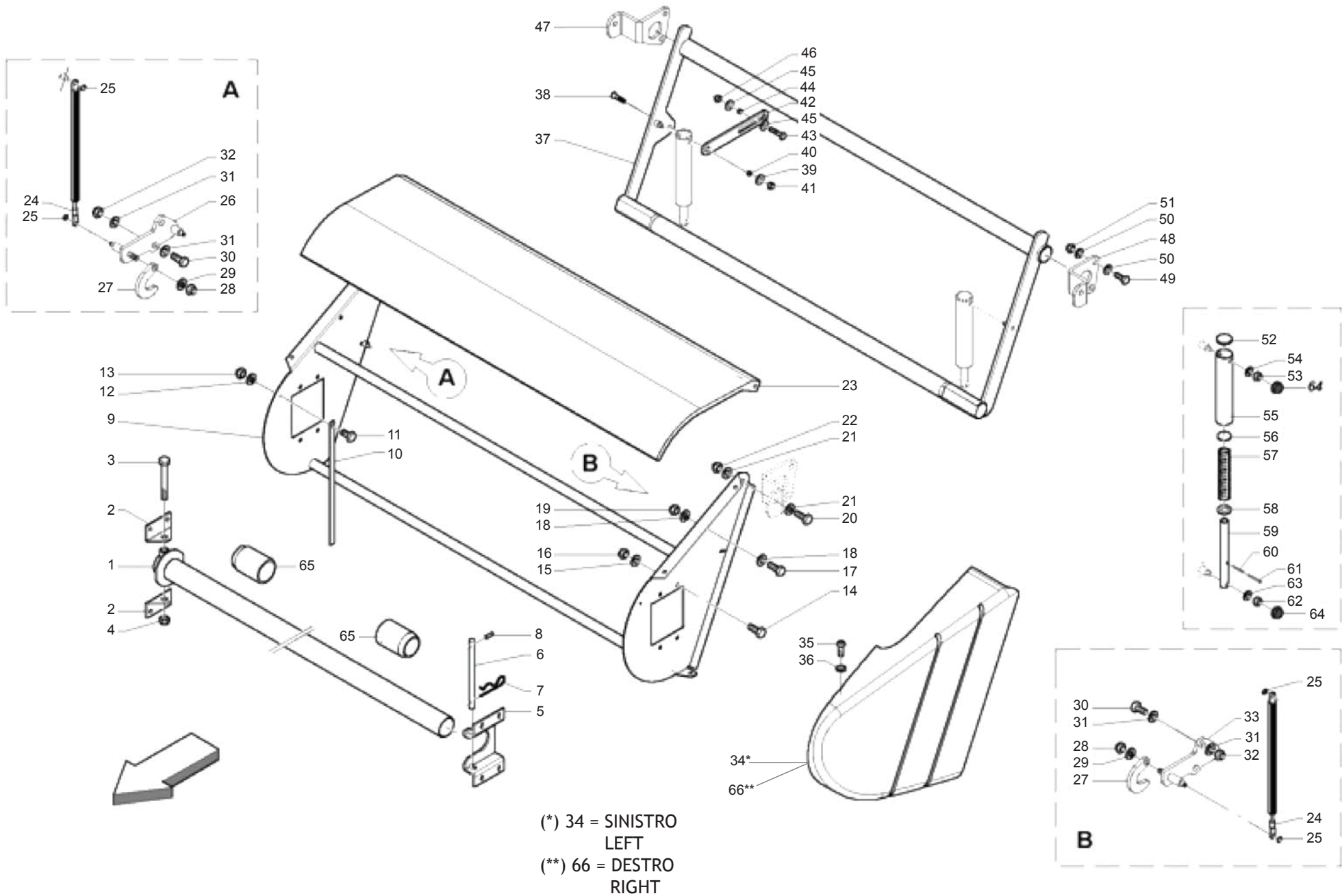
Pos.	Cod.	Descrizione	Description	Description	Benennung	Descripcion
1	B0C6P0045R	ATTACCO MOLLA SGANCIO	SPRING ATTACK RELEASE			CONEXI N MUELLE DESENGANCHE
2	B005C0003R	VITE TTQST 12X45-8.8 TORNITA	SCREW TTQST 12X45-8.8			TORNILLO TTQST 12X45-8.8 TORN
3	F01410076R	ROS.M12 13X 24X2,5 U6592 ZN	WASHER 12 13X 24X2,5 U6592 ZN	RONDEL. M12 13X24X2,5 U6592 ZN	SCHEIBE M12 13X24X2,5 U6592 ZN	ARAND.M12 13X 24X2,5 U6592 ZN
4	F01230213R	DADO M12X1,75 D985 8 ZN	NUT M12X1,75 U7474 6SZN	ECROU AUTOBL. M12	SELBSTSPERR.MUTTER M12	TUERCA M12X1,75 U7474 CL8 ZN
5	B00545168R	OCCHIOLO PER TENDITORI M12-DX	EYELET M12	OEIL M12	OSE M12	OJAL PARA TENSORES M12-DER
6	F01230213R	DADO M12X1,75 D985 8 ZN	NUT M12X1,75 U7474 6SZN	ECROU AUTOBL. M12	SELBSTSPERR.MUTTER M12	TUERCA M12X1,75 U7474 CL8 ZN
7	B01822744R	MOLLA 49,5 SPIRE	SPRING 49,5 SPIRAL	RESSORT	FEDER	MUELLE 49,5 SPIRE
8	B0C002073R	SGANCIO LAMA FFPRO	BLADE UNLOCK	DECROCHET LAME	KLINGENAUSSLOESER	DESENGANCHE CUCHILLA FFPRO
9	F01020519R	VITE M12X1,75X 60 U5739 8.8ZN	SCREW M12X1,75X 60 U5739 8.8ZN			TORNILLO M12X1,75X 60 U5739 8
10	F01410076R	ROS.M12 13X 24X2,5 U6592 ZN	WASHER 12 13X 24X2,5 U6592 ZN	RONDEL. M12 13X24X2,5 U6592 ZN	SCHEIBE M12 13X24X2,5 U6592 ZN	ARAND.M12 13X 24X2,5 U6592 ZN
11	F01200293R	DADO M12X1,75 U5588 CL8 ZN	NUT M12X1,75 U5588 6S ZN	ECROU M12X1,75 U5588 6S ZN	MUTTER M12X1,75 U5588 6S ZN	TUERCA M12X1,75 U5588 CL8 ZN
12	F01230213R	DADO M12X1,75 D985 8 ZN	NUT M12X1,75 U7474 6SZN	ECROU AUTOBL. M12	SELBSTSPERR.MUTTER M12	TUERCA M12X1,75 U7474 CL8 ZN
13	B02526852R	BUSSOLA NYLON	NYLON BUSH	GALET	BUCHSE	CASQUILLO DE NAILON
14	B01301055R	SPINA TAGLIA RETE LATO COM.	PIN	GOUPILLE	STECKSTIFT	CLAVIJA CORTA RED LATO COM.
15	F02100090R	SPINA E.P. 5X 40 U6873 C70 BR	ELASTIC PIN 5X40	GOUJON ELASTIQUE 5X40	SPANNHUELSE 5X40	CLAVIJA EL.P. 5X 40 U6873 C70
16	B07T00026R	SGANCIO	RELEASE	DECROCHAGE	AUSLOESUNG	DESENGANCHE
17	B00500093R	PERNO FILETTATO	THREADED PIN	PIVOT FILETE	GEWINDEBOLZEN	PERNO ROSCADO
18	F01020514R	VITE M12X1,75X40 U5739 8.8ZN	SCR. M12X1,75X40 U5739 8.8ZN	VIS M12X1,75X40 U5739 8.8ZN	SCHRA. M12X1,75X40 U5739 8.8ZN	TORNILLO M12X1,75X40 U5739 8.
19	F01420120R	ROS.M12 13X36X2,5 U6593 ZN	WASHER M12 13X36X2,5 U6593 ZN	RONDELLE M12 13X36X2,5 ZN		ARAND.M12 13X36X2,5 U6593 ZN
20	B01300463R	BUSSOLA 12.5X20X10	BUSH	DOUILLE	KOMPASS	CASQUILLO 12.5X20X10
21	F01230213R	DADO M12X1,75 D985 8 ZN	NUT M12X1,75 U7474 6SZN	ECROU AUTOBL. M12	SELBSTSPERR.MUTTER M12	TUERCA M12X1,75 U7474 CL8 ZN
22	F01020445R	VITE M8X1,25X30 U5739 8.8ZN	SCR. M8X1,25X30 U5739 8.8ZN	VIS M 8X1,25X30 U5739 8.8 ZN	SCHRAU, M8X1,25X30 U5739 8.8ZN	TORNILLO M8X1,25X30 U5739 8.8
23	F01200244R	DADO M8X1,25 U5588 CL8 ZN	NUT M8X1,25 U5588 6.8ZN	ECROU M8 X1,25 U5588 6.8 ZN	MUTTER M8 X1,25 U5588 6.8 ZN	TUERCA M8X1,25 U5588 CL8 ZN
24	F01410051R	ROS.M8 8,4X 17X1,6 U6592 ZN	WASHER M8 8,4X17X1,6 U6592 ZN	RONDELLE M8 8,4X17X1,6 ZN	SCHEIBE M8 8,4X17X1,6 U6592 ZN	ARAND.M8 8,4X 17X1,6 U6592 ZN
25	B00920208R	DADO AUTOB.BASSO M 8-5S D985	NUT M8X1 D985 8ZN	ECROU	SELBSTSICHERNDE MUTTER M8-5S	TUERCA M8X1 D985 8
26	B04200610R	INGRASS.A SFERE M6X1 LUNGO	GREASE NIPPLE	GRAISSEUR HYDRAULIQUE	GERADER SCHMIERNIPPEL M6X1	ENGRASADOR DE ESFERAS M6X1
27	F01020562R	VITE M16X2X30 U5739 8.8ZN	SCR. M16X2X30 U5739 8.8ZN	VIS M16X2X30 U5739 8.8 ZN	SCHRAUBE M16X2X30 U5739 8.8 ZN	TORNILLO M16X2X30 U5739 8.8ZN
28	B01519319R	RALLA 16X38X5	FIFTH WHEEL	BUTEE	SCREIBE	RANGUA 16X38X5
29	F01020440R	VITE M8X1,25X25 U5739 8.8ZN	SCR. M8X1,25X25 U5739 8.8ZN	VIS M8X1,25X25 U5739 8.8 ZN	SCHRAUBE M8X1,25X25U5739 8.8ZN	TORNILLO M8X1,25X25 U5739 8.8
30	F01200244R	DADO M8X1,25 U5588 CL8 ZN	NUT M8X1,25 U5588 6.8ZN	ECROU M8 X1,25 U5588 6.8 ZN	MUTTER M8 X1,25 U5588 6.8 ZN	TUERCA M8X1,25 U5588 CL8 ZN
31	F01410051R	ROS.M8 8,4X 17X1,6 U6592 ZN	WASHER M8 8,4X17X1,6 U6592 ZN	RONDELLE M8 8,4X17X1,6 ZN	SCHEIBE M8 8,4X17X1,6 U6592 ZN	ARAND.M8 8,4X 17X1,6 U6592 ZN
32	B00920208R	DADO AUTOB.BASSO M 8-5S D985	NUT M8X1 D985 8ZN	ECROU	SELBSTSICHERNDE MUTTER M8-5S	TUERCA M8X1 D985 8
33	B01800025R	MOLLA 2 13 98T GRUPPO RETE	SPRING	RESSORT	FEDER	MUELLE 2 13 98T GRUPO RED
34	B0C002081R	LEVA SGANCIO LAMA	BLADE UNLOCK LEVER	LEVIER DECROCHET LAME	KLINGENAUSSLOESERHEBEL	PALANCA DESENGANCHE DE CUCH
35	B0C2P0150R	COLLEGAMENTO LAMA	CONNECTION	CONNEXION	KLINGEKUPPLUNG	CONEXI N DE LA CUCHILLA
36	B01301103R	PERNO CARICA LAMA	BLADE PIN	TOURILLON LAME	ZAPFEN	PERNO CARGAR CUCHILLA
37	B00920516R	DADO M16X 1,5 D985 6S ZN	NUT M16X1,5 D985 6S ZN	ECROU	SELBSTSICHERNDE MUTTER M16-5S	TUERCA M16X 1,5 D985 6S
38	F01420120R	ROS.M12 13X36X2,5 U6593 ZN	WASHER M12 13X36X2,5 U6593 ZN	RONDELLE M12 13X36X2,5 ZN		ARAND.M12 13X36X2,5 U6593 ZN
39	B01300463R	BUSSOLA 12.5X20X10	BUSH	DOUILLE	KOMPASS	CASQUILLO 12.5X20X10
40	F01230213R	DADO M12X1,75 D985 8 ZN	NUT M12X1,75 U7474 6SZN	ECROU AUTOBL. M12	SELBSTSPERR.MUTTER M12	TUERCA M12X1,75 U7474 CL8 ZN
41	F01020512R	VITE M12X1,75X35 U5739 8.8ZN	SCR. M12X1,75X35 U5739 8.8ZN	VIS M12X1,75X35 5739 8.8 ZN	SCHR. M12X1,75X35 5739 8.8 ZN	TORNILLO M12X1,75X35 U5739 8
42	F01420120R	ROS.M12 13X36X2,5 U6593 ZN	WASHER M12 13X36X2,5 U6593 ZN	RONDELLE M12 13X36X2,5 ZN		ARAND.M12 13X36X2,5 U6593 ZN
43	B01300463R	BUSSOLA 12.5X20X10	BUSH	DOUILLE	KOMPASS	CASQUILLO 12.5X20X10
44	F01230213R	DADO M12X1,75 D985 8 ZN	NUT M12X1,75 U7474 6SZN	ECROU AUTOBL. M12	SELBSTSPERR.MUTTER M12	TUERCA M12X1,75 U7474 CL8 ZN
45	B0C000053R	FERMO COLT.	KNIVES STOP	ARRET COUTEAUX	MESSERANSCHLAG	TOPE DE CUCH.
46	F01020510R	VITE M12X1,75X30 U5739 8.8ZN	SCR. M12X1,75X30 U5739 8.8ZN	VIS M12X1,75X30 U5739 8.8ZN	SCHRAU.M12X1,75X30 U5739 8.8ZN	TORNILLO M12X1,75X30 U5739
47	F01410076R	ROS.M12 13X 24X2,5 U6592 ZN	WASHER 12 13X 24X2,5 U6592 ZN	RONDEL. M12 13X24X2,5 U6592 ZN	SCHEIBE M12 13X24X2,5 U6592 ZN	ARAND.M12 13X 24X2,5 U6592 ZN
48	F01230213R	DADO M12X1,75 D985 8 ZN	NUT M12X1,75 U7474 6SZN	ECROU AUTOBL. M12	SELBSTSPERR.MUTTER M12	TUERCA M12X1,75 U7474 CL8 ZN
49	F01020487R	VITE M10X1,5X60 U5739 8.8ZN	SCR. M10X1,5X60 U5739 8.8ZN	VIS 10X60 5739 8.G ZN	SCHRAUBE 10X60 5739 8.G ZN	TORNILLO M10X1,5X60 U5739 8.8
50	F01200270R	DADO M10X1,5 U5588 CL8 ZN	NUT M10X1,5 U5588 6.8ZN	ECROU M10X 1,5 U5588 6.8 ZN	MUTTER M10X 1,5 U5588 6.8 ZN	TUERCA M10X1,5 U5588 CL8 ZN
51	F02100142R	SPINA E.P. 8X 40 U6873 C70 BR	ELASTIC PIN 8X40	GOUJON ELASTIQUE 8X40	SPANNHUELSE 8X40	CLAVIJA EL.P. 8X 40 U6873 C70



**LEGATORE RETE (PARTE 5)
NET BINDER (PART 5)**

TAV_260

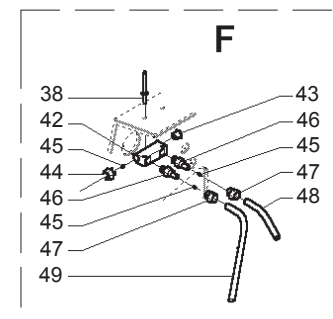
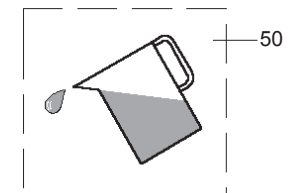
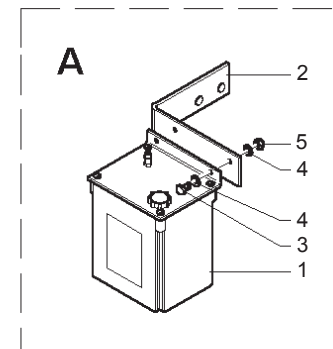
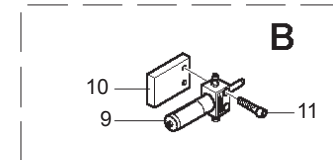
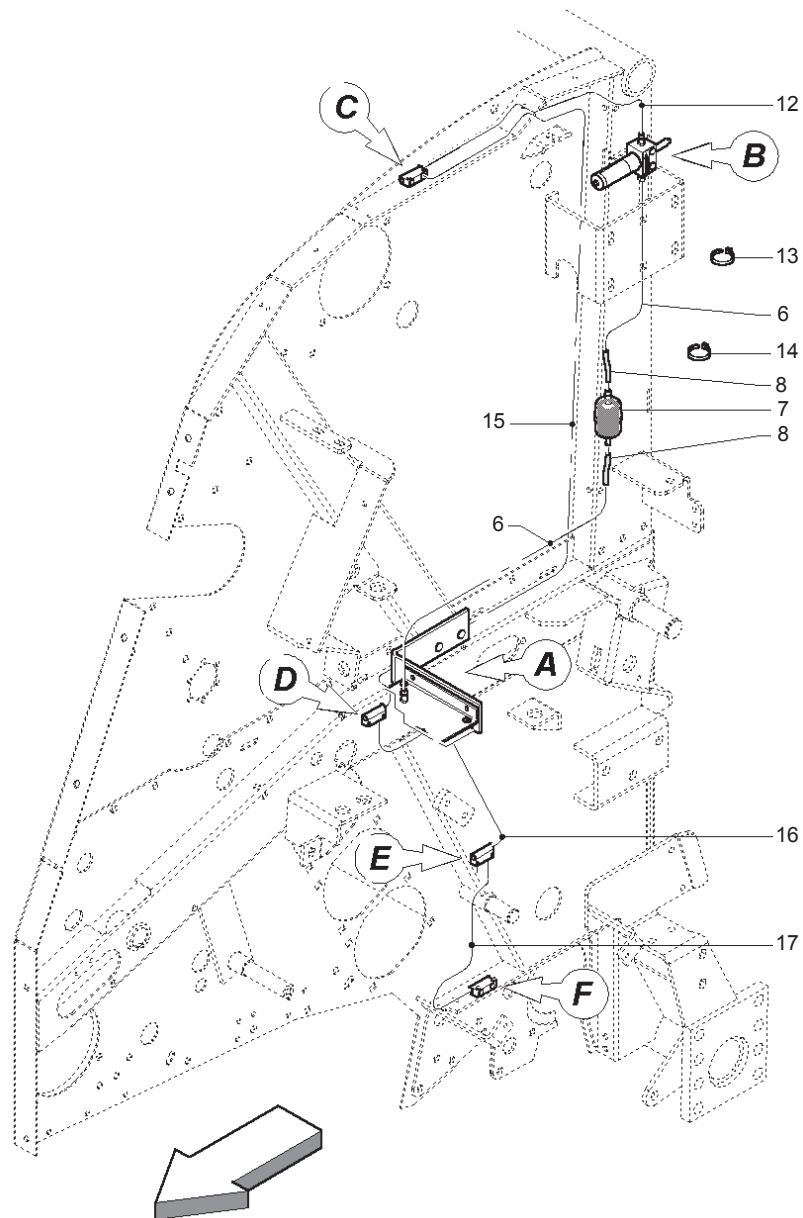
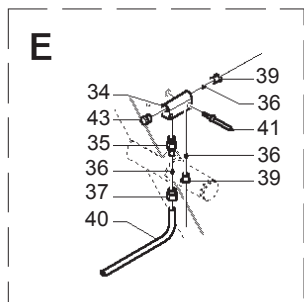
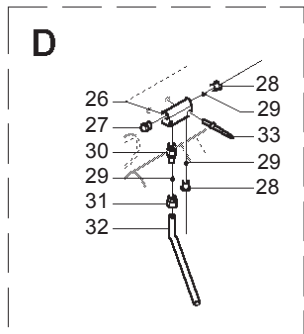
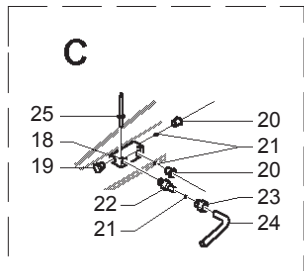
Pos.	Cod.	Descrizione	Description	Description	Benennung	Descripcion
1	B07SP0240R	TUBO PORTA ROTOLO	ROLL CARRYING TUBE	TUYAU PORTE-ROULEAU	ROHR ROLLEHALTER	TUBO PORTA ROLLO
2	B0C100035R	ATTACCO FULCRO	FULCRUM ATTACHMENT	ATTELAGE POINT D APPUI	SCHWENKPUNKTBEFESTIGUNG	CONEXI N DEL FULCRO
3	F01020268R	VITE M16X2X130 U5737 8.8ZN	SCR. M16X2X130 U5737 8.8ZN	VIS M16X2X130 U5737 8.8 ZN	SCHRA. M16X2X130 U5737 8.8 ZN	TORNILLO M16X2X130 U5737 8.8Z
4	B00920516R	DADO M16X 1,5 D985 6S ZN	NUT M16X1,5 D985 6S ZN	ECROU	SELBSTSICHERNDE MUTTER M16-5S	TUERCA M16X 1,5 D985 6S
5	B0C100036R	ALLOGGIAMENTO TUBO	TUBE SEAT	LOGEMENT TUBE	ROHRSTIZ	ALOJAMIENTO PARA TUBO
6	B01300373R	SPINA FERMO TUBO PORTA ROTOLO	PIPE PIN	EPINE ARRET	ARRETIERBOLZEN FUER NETZROLLEN	CLAVIJA TOPE DEL TUBO PORTA R
7	F02200363R	COPIGLIA R 3X 62 ZN	SPRING SPLIT PIN 3X 62 ZN	GOUPILLE R 3X62	SPLINT R 3X62	PASADOR R 3X 62
8	B01110435R	SPINA EL.4 X35 DIN 1481 INOX	PIN	GOUPILLE	STIFT	CLAVIJA EL...4 X35 DIN 1481 AC
9	B07T00001R	CASSONE RETE	NET STORAGE BOX	RESERVE FILET	NETZROLLENKASTEN	CAJ N DE RED
10	B0C005257R	SOSTEGNO COPERCHIO	COVER SUPPORT	SUPPORT COUVERCLE	DECKELHALTER	SOPORTE DE LA TAPA
11	B00180620R	VITE M6X1X20 U5739 8.8ZN	SCREW	VIS	SCHRAUBE	TORNILLO M6X1X20 U5739 8
12	F01410037R	ROS.M6 6,4X12,5X1,6 U6592 ZN	WASHER M6 6,4X12,5X1,6 U6592ZN	RONDEL.M6 6,4X12,5X1,6 U6592ZN	SCHEIB.M6 6,4X12,5X1,6 U6592ZN	ARAND.M6 6,4X12,5X1,6 U6592 ZN
13	B00920106R	DADO M6X1 D985 8ZN	NUT	ECROU	SELBSTSICHERNDE MUTTER M6-5S	TUERCA M6X1 D985 8
14	F01020472R	VITE M10X1,5X25 U5739 8.8ZN	SCR. M10X1,5X25 U5739 8.8ZN	VIS M10X1,5X25 U5739 8.8 ZN	SCHRAUBE M10X1,5X25 U5739 8.8	TORNILLO M10X1,5X25 U5739 8.8
15	F01410062R	ROS.M10 10,5X 18X 2 U6592 ZN	WASHER M10 10,5X 18X 2 U6592	RONDELLE M10 10,5X18X2 ZN	DICHTUNGSRING M10 10,5X18X2 ZN	ARAND.M10 10,5X 18X 2 U6592 ZN
16	F01230202R	DADO M10X 1,5 D985 8 ZN	NUT M10 D985	ECROU AUTOBL. M10	SELBSTSPERR.MUTTER M10	TUERCA M10X 1,5 D985 8
17	F01020476R	VITE M10X1,5X30 U5739 8.8ZN	SCR. M10X1,5X30 U5739 8.8ZN	VIS M10X1,5X30 U5739 8.8 ZN	SCHRAUBE M10X1,5X30U5739 8.8ZN	TORNILLO M10X1,5X30 U5739 8.8
18	F01410062R	ROS.M10 10,5X 18X 2 U6592 ZN	WASHER M10 10,5X 18X 2 U6592	RONDELLE M10 10,5X18X2 ZN	ARAND.M10 10,5X 18X 2 U6592 ZN	ARAND.M10 10,5X 18X 2 U6592 ZN
19	F01230202R	DADO M10X 1,5 D985 8 ZN	NUT M10 D985	ECROU AUTOBL. M10	SELBSTSPERR.MUTTER M10	TUERCA M10X 1,5 D985 8
20	F01020476R	VITE M10X1,5X30 U5739 8.8ZN	SCR. M10X1,5X30 U5739 8.8ZN	VIS M10X1,5X30 U5739 8.8 ZN	SCHRAUBE M10X1,5X30U5739 8.8ZN	TORNILLO M10X1,5X30 U5739 8.8
21	F01410062R	ROS.M10 10,5X 18X 2 U6592 ZN	WASHER M10 10,5X 18X 2 U6592	RONDELLE M10 10,5X18X2 ZN	DICHTUNGSRING M10 10,5X18X2 ZN	ARAND.M10 10,5X 18X 2 U6592 ZN
22	F01230202R	DADO M10X 1,5 D985 8 ZN	NUT M10 D985	ECROU AUTOBL. M10	SELBSTSPERR.MUTTER M10	TUERCA M10X 1,5 D985 8
23	B07T00005R	COPERCHIO	CAP	COUVERCLE	DECKEL	TAPA
24	BOH100001R	MOLLA A GAS PER RETE L500-750N	GAS SPRING FOR NET L=500-750N	RESSORT GAS POUR FILET L=500-6	GAS GETRIEBENE FEDER L=500-750	MUELLE DE GAS PARA RED L500-75
25	B01700008R	ANEL. D ARR. ALB. 8-E UNI3653	SEEGER RING	BAGUE SEEGER	SEEGERRING E 8	ANIL. DE PARAD. RB. 8-E UNI3
26	B07T00011R	ATTACCO FRENO DX	RIGHT BRAKE ATTACHMENT	ATTELAGE FREIN DROIT	RECHTE BREMSHALTERUNG	CONEXI N DEL FRENO DER
27	B0C004911R	GANCIO	HOOK			GANCHO
28	F01230202R	DADO M10X 1,5 D985 8 ZN	NUT M10 D985	ECROU AUTOBL. M10	SELBSTSPERR.MUTTER M10	TUERCA M10X 1,5 D985 8
29	F01410062R	ROS.M10 10,5X 18X 2 U6592 ZN	WASHER M10 10,5X 18X 2 U6592	RONDELLE M10 10,5X18X2 ZN	DICHTUNGSRING M10 10,5X18X2 ZN	ARAND.M10 10,5X 18X 2 U6592 ZN
30	F01020510R	VITE M12X1,75X30 U5739 8.8ZN	SCR. M12X1,75X30 U5739 8.8ZN	VIS M12X1,75X30 U5739 8.8ZN	SCHRAU.M12X1,75X30 U5739 8.8ZN	TORNILLO M12X1,75X30 U5739
31	F01410076R	ROS.M12 13X 24X2,5 U6592 ZN	WASHER 12 13X 24X2,5 U6592 ZN	RONDEL. M12 13X24X2,5 U6592 ZN	SCHEIBE M12 13X24X2,5 U6592 ZN	ARAND.M12 13X 24X2,5 U6592 ZN
32	F01230213R	DADO M12X1,75 D985 8 ZN	NUT M12X1,75 U7474 6SZN	ECROU AUTOBL. M12	SELBSTSPERR.MUTTER M12	TUERCA M12X1,75 U7474 CL8 ZN
33	B07T00010R	ATTACCO FRENO SX	LEFT BRAKE ATTACHMENT	ATTELAGE FREIN GAUCHE	LINKE BREMSHALTERUNG	CONEXI N DEL FRENO IZQ
34	B07V00110R	BOX RETE SX	LEFT NET BOX	BOITE FILET GAUCHE	LINKER NETZKASTEN	CAJA RED IZQ
35	B004N0820R	VITE NERA TTEI M 8X 20-10,9	SCREW	VIS	SCHRAUBE TTEI M 8X20-10,9	TORNILLO NEGRO CAB.ALLEN CON
36	B07V00119R	RONDELLA SOTTOVITE HD 8,5X24X2	WASHER HD 8,5X24X2	RONDELLE	STIFT	ARANDELA BAJO TORNILLO HD 8,5
37	B07T00012R	BRACCIO FRENA RETE	NET BRAKE ARM	BRAS FREINAGE FILET	NETZBREMSENARM	BRAZO FRENA RED
38	F01030111R	VITE M12X1,75X40 U5933 10.9ZD	SCR. M12X1,75X40 U5933 10.9ZD	VIS 12X40 5933 8.8 ZN	SCHRAUBE 12X40 5933 8.8 ZN	TORNILLO M12X1,75X40 U5933 10.
39	F01420120R	ROS.M12 13X36X2,5 U6593 ZN	WASHER M12 13X36X2,5 U6593 ZN	RONDELLE M12 13X36X2,5 ZN	ARAND.M12 13X36X2,5 U6593 ZN	ARAND.M12 13X36X2,5 U6593 ZN
40	B01300463R	BUSSOLA 12.5X20X10	BUSH	DOUILLE	KOMPASS	CASQUILLO 12.5X20X10
41	F01230213R	DADO M12X1,75 D985 8 ZN	NUT M12X1,75 U7474 6SZN	ECROU AUTOBL. M12	SELBSTSPERR.MUTTER M12	TUERCA M12X1,75 U7474 CL8 ZN
42	B0C100051R	COLLEGAMENTO FRENO	BRAKE CONNECTON	CONNEXION FREIN	BREMSENKUPPLUNG	CONEXI N DEL FRENO
43	F01020519R	VITE M12X1,75X 60 U5739 8.8ZN	SCREW M12X1,75X 60 U5739 8.8ZN			TORNILLO M12X1,75X 60 U5739 8
44	B01300463R	BUSSOLA 12.5X20X10	BUSH	DOUILLE	KOMPASS	CASQUILLO 12.5X20X10
45	F01420120R	ROS.M12 13X36X2,5 U6593 ZN	WASHER M12 13X36X2,5 U6593 ZN	RONDELLE M12 13X36X2,5 ZN	ARAND.M12 13X36X2,5 U6593 ZN	ARAND.M12 13X36X2,5 U6593 ZN
46	F01230213R	DADO M12X1,75 D985 8 ZN	NUT M12X1,75 U7474 6SZN	ECROU AUTOBL. M12	SELBSTSPERR.MUTTER M12	TUERCA M12X1,75 U7474 CL8 ZN
47	B0C100047R	FULCRO FRENO CASSONE DX	BRAKE FULCRUM RIGHT BOX	POINT D APPUI FREIN BOITE DR	BREMSENSCHENKPOINT RECHTES GEH	FULCRO FRENO CAJ N DER
48	B0C100048R	FULCRO FRENO CASSONE SX	BRAKE FULCRUM LEFT BOX	POINT D APPUI FREIN BOITE GA	BREMSENSCHENKPOINT LINKES GEHA	FULCRO FRENO CAJ N IZQ
49	F01020508R	VITE M12X1,75X25 U5739 8.8ZN	SCR. M12X1,75X25 U5739 8.8ZN	VIS M12X1,75X25 U5739 8.8 ZN	SCHRAUBE M12X1,75X25U57398.8ZN	TORNILLO M12X1,75X25 U5739
50	F01410076R	ROS.M12 13X 24X2,5 U6592 ZN	WASHER 12 13X 24X2,5 U6592 ZN	RONDEL. M12 13X24X2,5 U6592 ZN	SCHEIBE M12 13X24X2,5 U6592 ZN	ARAND.M12 13X 24X2,5 U6592 ZN
51	F01230213R	DADO M12X1,75 D985 8 ZN	NUT M12X1,75 U7474 6SZN	ECROU AUTOBL. M12	SELBSTSPERR.MUTTER M12	TUERCA M12X1,75 U7474 CL8 ZN
52	B07V00118R	TAPPO COPRITUBO 45 X 1-3 01IL	COVER PIPE			TAP N DE COBERTURA TUBO 45 X 1
53	F01230213R	DADO M12X1,75 D985 8 ZN	NUT M12X1,75 U7474 6SZN	ECROU AUTOBL. M12	SELBSTSPERR.MUTTER M12	TUERCA M12X1,75 U7474 CL8 ZN
54	F01410076R	ROS.M12 13X 24X2,5 U6592 ZN	WASHER 12 13X 24X2,5 U6592 ZN	RONDEL. M12 13X24X2,5 U6592 ZN	SCHEIBE M12 13X24X2,5 U6592 ZN	ARAND.M12 13X 24X2,5 U6592 ZN
55	B01301079R	GUIDA ESTERNA	EXTERNAL GUIDE	GUIDE EXTERIEURE	AEUSSERE FUEHRUNG	GU A EXTERNA
56	B01301081R	DISCO 36X5	DISC 36X5	DISQUE 36X5	SCHEIBE 36X5	DISCO 36X5
57	B01800046R	MOLLA 6 30 180C	SPRING	RESSORT	FEDER	MUELLE 6 30 180C



**LEGATORE RETE (PARTE 5)
NET BINDER (PART 5)**

TAV_260

Pos.	Cod.	Descrizione	Description	Description	Benennung	Descripcion
58	B01301082R	RALLA 22 36 5	FIFTH WHEEL	BUTEE	DISTANZSCHEIBE 22 36 5	RANGUA 22 36 5
59	B01301078R	GUIDA INFERIORE	LOWER GUIDE	GUIDE INFERIEURE	UNTERE FUEHRUNG	GU A INFERIOR
60	B01110535R	SPINA ELAST. 5X 36 SS DIN 1481	PIN	GOUPILLE	STIFT	CLAVIJA EL ST. 5X 36 SS DIN 14
61	B01110835R	SPINA ELAST. 8X 35 SS DIN 1481	PIN	GOUPILLE	STIFT	CLAVIJA EL ST. 8X 35 SS DIN 14
62	F01230213R	DADO M12X1,75 D985 8 ZN	NUT M12X1,75 U7474 6SZN	ECROU AUTOBL. M12	SELBSTSPERR.MUTTER M12	TUERCA M12X1,75 U7474 CL8 ZN
63	F01410076R	ROS.M12 13X 24X2,5 U6592 ZN	WASHER 12 13X 24X2,5 U6592 ZN	RONDEL. M12 13X24X2,5 U6592 ZN	SCHEIBE M12 13X24X2,5 U6592 ZN	ARAND.M12 13X 24X2,5 U6592 ZN
64	B07VC0016R	CAP. PROT. DADO M12	GUARD CAP	CHAPEAU DE PROTECTION	SCHUTZDECKEL	CAP. PROT. TUERCA M12
65	B025P0011R	TAMPONE ROTOLO RETE	BUSH FOR NET ROLL	BAGUES	SCHLEGEL	TAP N ROLLO DE RED
66	B07V00111R	BOX RETE DX	RIGHT NET BOX	BOITE FILET DROIT	RECHTE NETZROLLENGEHAEUSE	CAJA RED DER



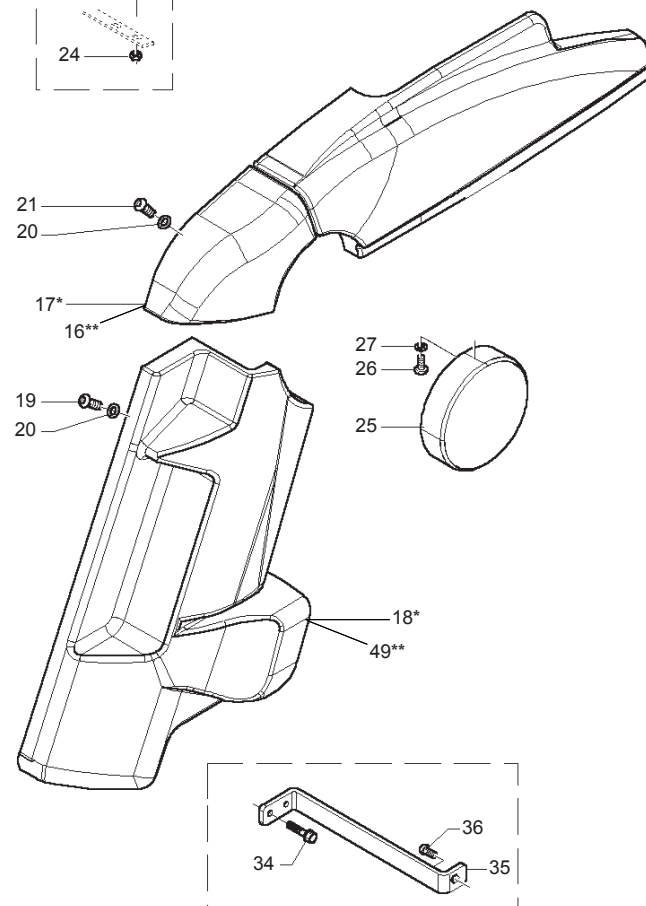
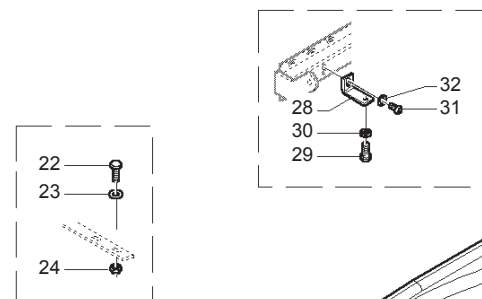
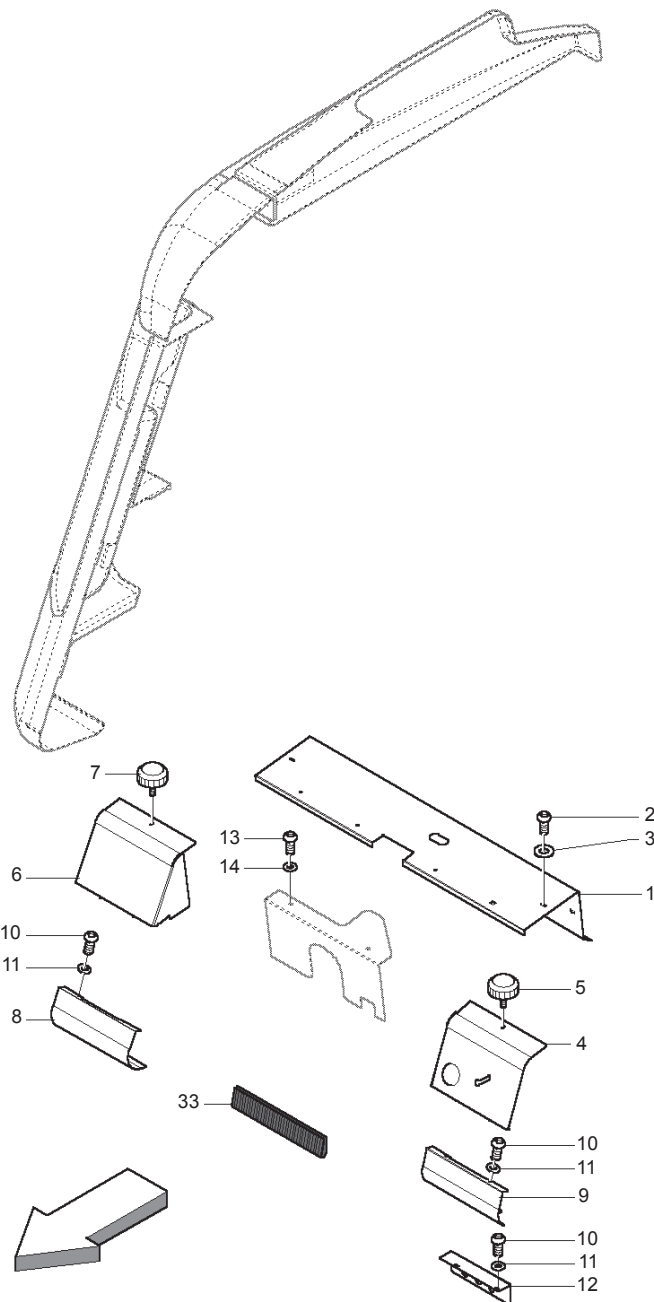
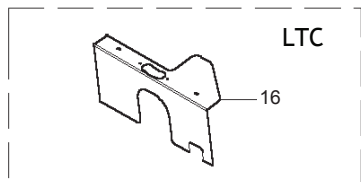
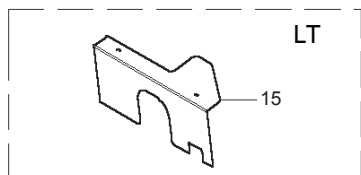
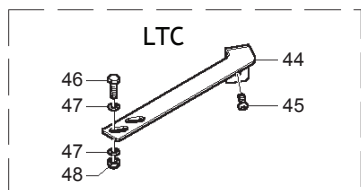
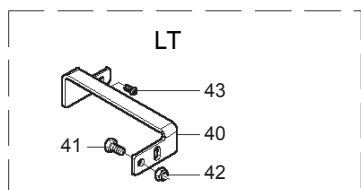
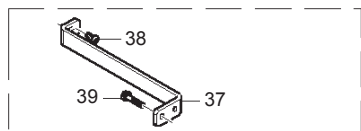
**IMPIANTO OLIIATURA AUTOMATICA
AUTOMATIC OILING SYSTEM**

TAV_265

Pos.	Cod.	Descrizione	Description	Description	Benennung	Descripcion
1	B04800000R	SERB.NYLON PER POMPA PISTONERI	NYLON TANK PUMP PISTONERI	RESERVOIR	OELBEHAELTER	DEP S.NAILON PARA BOMBA DE RE
2	B0C004684R	ATTACCO SERBATOIO	TANK ATTACHMENT	ATTELAGE RESERVOIR	OLTANKBEFESTIGUNG	CONEXI N DEL DEP SITO
3	B00180620R	VITE M6X1X20 U5739 8.8ZN	SCREW	VIS	SCHRAUBE	TORNILLO M6X1X20 U5739 8
4	F01410037R	ROS.M6 6,4X12,5X1,6 U6592 ZN	WASHER M6 6,4X12,5X1,6 U6592ZN	RONDEL.M6 6,4X12,5X1,6 U6592ZN	SCH.EIB.M6 6,4X12,5X1,6 U6592ZN	ARAND.M6 6,4X12,5X1,6 U6592 ZN
5	B00920106R	DADO M6X1 D985 8ZN	NUT	ECROU	SELBSTSICHERNDE MUTTER M6-5S	TUERCA M6X1 D985 8
6	BOH000239R	TUBETTO IN NYLON 6 L=500	NYLON HOSE	TUYAU EN NYLON DIAM 6 L=500	NYLON ROEHRCHEN	TUBO DE NAILON 6 L=500
7	BOH000022R	FILTRO BENZINA MAXIFISPINO	FILTER MAXIFIS	FILTRE ESSENCE	BENZINFILTER MAXIFIS	FILTRO DE LA GASOLINA MAXIFISP
8	BOH000023R	TUBETTO COLLEGAMENTO FILTRO	CONNECTION PIPE	PETIT TUBE JONCTION FILTRE	VERBINDUNGSSCHLAUCH	TUBO DE CONEXI N DEL FILTRO
9	BOH400007R	POMPA PIST PORT.6CCX10MM CORSA	PISTON PUMPT	POMPE PISTON	KOLBENPUMPE	BOMBA DE PIST PORT.6CCX10MM
10	B0C003928R	ATTACCO OLIATORE	LUBRICATION ATTACHMENT	ATTELAGE GRAISSEUR	SCHMIERVORRICHTUNGSBEFESTIGUNG	CONEXI N ACEITADOR
11	B00400850R	VITE M8X1,25X50 U5931 8.8BR	SCREW	VIS	SCHRAUBE M8X50.8.8	TORNILLO M8X1,25X50 U5931 8
12	BOH000132R	TUBETTO IN NYLON 4 L=750	NYLON PIPE 4 L=750	PETIT TUYAU EN NYLON DIAM 4 L=	KLEINE ROEHRE AUS NYLON J4 L=7	TUBO DE NAILON 4 L=750
13	F05150055R	FASCETTA POLYA. 3,6X200 NERA	WHITE BAND	BANDE BIANCHE	WEIBE BAND	BANDA POLYA. 3,6X200 NEGRA
14	BOE600026R	FASCETTA 10,4X 10,7 CE09 NORMA	CLAMP 8,8X9,3 HLS A HILLS	BANDE 8,8X9,3	MANSCHETTE 8,8X9,3 HLS A HILLS	ABRAZADERA 10,4X 10,7 CE09 NOR
15	BOH000240R	TUBETTO IN NYLON 4 L=1200	NYLON HOSE	TUYAU EN NYLON DIAM 4 L=1200	NYLON ROEHRCHEN	TUBO DE NAILON 4 L=1200
16	BOH000134R	TUBETTO IN NYLON 4 L=650	NYLON PIPE 4 L=550	PETIT TUYAU EN NYLON DIAM 4 L=	NYLONROEHRCHEN 4 L=550	TUBO DE NAILON 4 L=650
17	BOH000133R	TUBETTO IN NYLON 4 L=420	NYLON PIPE 4 L=420	PETIT TUYAU EN NYLON DIAM 4 L=	NYLONROEHRCHEN 4 L=420	TUBO DE NAILON 4 L=420
18	BOH000102R	DISTRIBUTORE UNILAT. 4 VIE	UNILATERAL DISTRIBUTOR	DISTRIBUTEUR UNILATERAL 4 VOIE	EINSEITIGER VERTEILER	DISTRIBUIDOR UNILAT. 4 V AS
19	BOH600015R	TAPPORIF.ILC 05.001.0	PLUG	BOUCHON	STOEPSSEL	TAP REF.ILC 05.001.0
20	BOH600016R	RACC. X TUBO 4RIF.ILC 04.102.	UNION FOR PIPE 4RI	RACCORD POUR TUYAU DIAM 4	VERBINDUNGSTUECK FUR SCHLAUCH	EMP. X TUBO 4REF.ILC 04.102.
21	BOH600013R	DOPPI CONI PER TUBO 4	DOUBLE CONE FOR PIPE	DOUBLE CONES POUR TUYAU 4	DOPPELTER KEGEL FUER SCHLAUCH	DOBLES CONOS PARA TUBO 4
22	BOHE00003R	INIETTORE TIPO E	TYPE E INJECTOR	GICLEUR TYPE E	SPRITZDUESE	INYEKTOR TIPO E
23	BOH600014R	RACCORDO INIETTORE PER TUBO 4	INJECTOR UNION FOR PIPE	RACCORD INJECTEUR POUR TUYAU D	EINSPRITZDUESENANSCHLUSS	RACOR INYEKTOR PARA TUBO 4
24	BOH000128R	TUBETTO IN RAME 4 L=120	COPPER PIPE 4 L=1	PETIT TUYAU EN CUIVRE DIAM. 4	KUPFER ROEHRCHEN 04 L=1	TUBO DE COBRE 4 L=120
25	B01000012R	RIVETTO STR. 6,4X22 ACCIAIO	RIVET	RIVET	ABREISSNIETEN 6X26	REMACHE EXTR. 6,4X22 ACERO
26	BOH000102R	DISTRIBUTORE UNILAT. 4 VIE	UNILATERAL DISTRIBUTOR	DISTRIBUTEUR UNILATERAL 4 VOIE	EINSEITIGER VERTEILER	DISTRIBUIDOR UNILAT. 4 V AS
27	BOH600015R	TAPPORIF.ILC 05.001.0	PLUG	BOUCHON	STOEPSSEL	TAP REF.ILC 05.001.0
28	BOH600016R	RACC. X TUBO 4RIF.ILC 04.102.	UNION FOR PIPE 4RI	RACCORD POUR TUYAU DIAM 4	VERBINDUNGSTUECK FUR SCHLAUCH	EMP. X TUBO 4REF.ILC 04.102.
29	BOH600013R	DOPPI CONI PER TUBO 4	DOUBLE CONE FOR PIPE	DOUBLE CONES POUR TUYAU 4	DOPPELTER KEGEL FUER SCHLAUCH	DOBLES CONOS PARA TUBO 4
30	BOHE00003R	INIETTORE TIPO E	TYPE E INJECTOR	GICLEUR TYPE E	SPRITZDUESE	INYEKTOR TIPO E
31	BOH600014R	RACCORDO INIETTORE PER TUBO 4	INJECTOR UNION FOR PIPE	RACCORD INJECTEUR POUR TUYAU D	EINSPRITZDUESENANSCHLUSS	RACOR INYEKTOR PARA TUBO 4
32	BOH000129R	TUBETTO IN RAME 4 L=90	COPPER PIPE 4 L=9	PETIT TUYAU EN CUIVRE DIAM. 4	KUPFER ROEHRCHEN 4 L=9	TUBO DE COBRE 4 L=90
33	B01000012R	RIVETTO STR. 6,4X22 ACCIAIO	RIVET	RIVET	ABREISSNIETEN 6X26	REMACHE EXTR. 6,4X22 ACERO
34	BOH000102R	DISTRIBUTORE UNILAT. 4 VIE	UNILATERAL DISTRIBUTOR	DISTRIBUTEUR UNILATERAL 4 VOIE	EINSEITIGER VERTEILER	DISTRIBUIDOR UNILAT. 4 V AS
35	BOHE00003R	INIETTORE TIPO E	TYPE E INJECTOR	GICLEUR TYPE E	SPRITZDUESE	INYEKTOR TIPO E
36	BOH600013R	DOPPI CONI PER TUBO 4	DOUBLE CONE FOR PIPE	DOUBLE CONES POUR TUYAU 4	DOPPELTER KEGEL FUER SCHLAUCH	DOBLES CONOS PARA TUBO 4
37	BOH600014R	RACCORDO INIETTORE PER TUBO 4	INJECTOR UNION FOR PIPE	RACCORD INJECTEUR POUR TUYAU D	EINSPRITZDUESENANSCHLUSS	RACOR INYEKTOR PARA TUBO 4
38	B01000012R	RIVETTO STR. 6,4X22 ACCIAIO	RIVET	RIVET	ABREISSNIETEN 6X26	REMACHE EXTR. 6,4X22 ACERO
39	BOH600016R	RACC. X TUBO 4RIF.ILC 04.102.	UNION FOR PIPE 4RI	RACCORD POUR TUYAU DIAM 4	VERBINDUNGSTUECK FUR SCHLAUCH	EMP. X TUBO 4REF.ILC 04.102.
40	BOH000129R	TUBETTO IN RAME 4 L=90	COPPER PIPE 4 L=9	PETIT TUYAU EN CUIVRE DIAM. 4	KUPFER ROEHRCHEN 4 L=9	TUBO DE COBRE 4 L=90
41	B01000012R	RIVETTO STR. 6,4X22 ACCIAIO	RIVET	RIVET	ABREISSNIETEN 6X26	REMACHE EXTR. 6,4X22 ACERO
42	BOH000102R	DISTRIBUTORE UNILAT. 4 VIE	UNILATERAL DISTRIBUTOR	DISTRIBUTEUR UNILATERAL 4 VOIE	EINSEITIGER VERTEILER	DISTRIBUIDOR UNILAT. 4 V AS
43	BOH600015R	TAPPORIF.ILC 05.001.0	PLUG	BOUCHON	STOEPSSEL	TAP REF.ILC 05.001.0
44	BOH600016R	RACC. X TUBO 4RIF.ILC 04.102.	UNION FOR PIPE 4RI	RACCORD POUR TUYAU DIAM 4	VERBINDUNGSTUECK FUR SCHLAUCH	EMP. X TUBO 4REF.ILC 04.102.
45	BOH600013R	DOPPI CONI PER TUBO 4	DOUBLE CONE FOR PIPE	DOUBLE CONES POUR TUYAU 4	DOPPELTER KEGEL FUER SCHLAUCH	DOBLES CONOS PARA TUBO 4
46	BOHE00003R	INIETTORE TIPO E	TYPE E INJECTOR	GICLEUR TYPE E	SPRITZDUESE	INYEKTOR TIPO E
47	BOH600014R	RACCORDO INIETTORE PER TUBO 4	INJECTOR UNION FOR PIPE	RACCORD INJECTEUR POUR TUYAU D	EINSPRITZDUESENANSCHLUSS	RACOR INYEKTOR PARA TUBO 4
48	BOH000129R	TUBETTO IN RAME 4 L=90	COPPER PIPE 4 L=9	PETIT TUYAU EN CUIVRE DIAM. 4	KUPFER ROEHRCHEN 4 L=9	TUBO DE COBRE 4 L=90
49	BOH000131R	TUBETTO IN RAME 4 L=190	COPPER PIPE 4 L=1	PETIT TUYAU EN CUIVRE DIAM 4 L	KUPFER ROEHRCHEN 4 L=1	TUBO DE COBRE 4 L=190
50	F03260093R	OLIO AGIP OSO 100 ISO-L-KM	OIL AGIP OSO 100 ISO-L-KM			

(*) 17, 18 = SINISTRO
LEFT

(**) 16, 49 = DESTRO
RIGHT



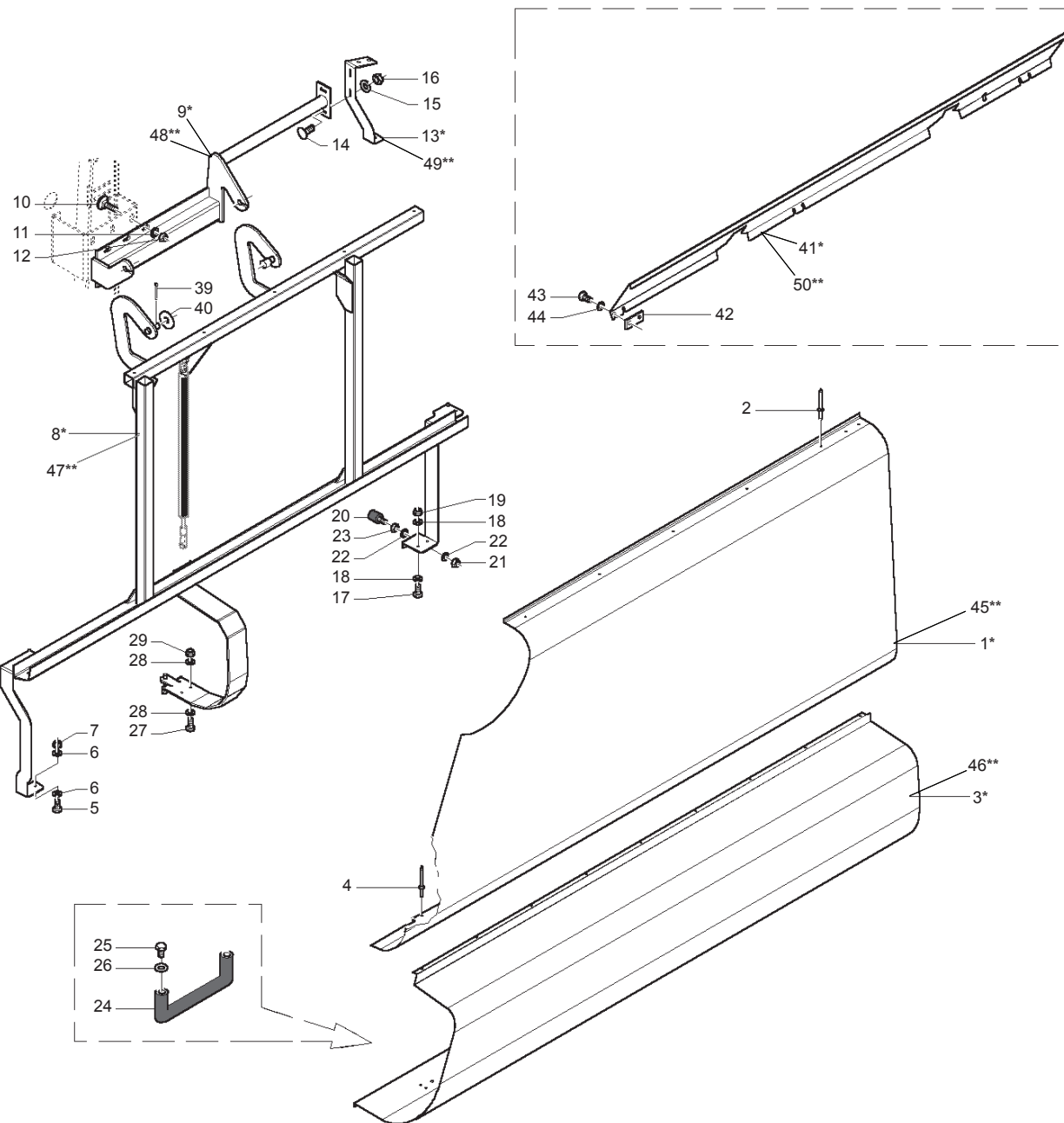
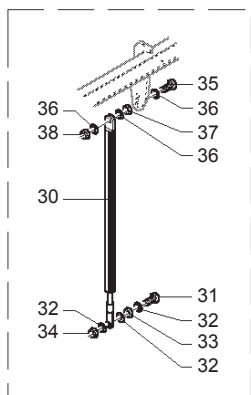
**CARTER ANTERIORI
FRONT CARTER**

TAV_275

Pos.	Cod.	Descrizione	Description	Description	Benennung	Descripcion
1	B0C004454R	PROTEZIONE SUPERIORE	HIGHER PROTECTION	PROTECTION SUPERIEURE	SCHUETZ OBEN	PROTECCI N SUPERIOR
2	B00470820R	VITE TTEI M 8X 20-10,9 UMBRAKO	SCREW	VIS	SCHRAUBE TTEI M 8X 20-10.9	TORNILLO CAB.ALLEN CON HUECO
3	F01420048R	ROS.M8 8,4X 24X 2 U6593 ZN	WASHER M8 8,4X 24X2 U6593 ZN	RONDELLE M8 8,4X24X 2 U6593 ZN	SCHIEBEN M8 8,4X24X 2 U6593 ZN	ARAND.M8 8,4X 24X 2 U6593 ZN
4	B0C3P0026R	SPORTELO LT	LT DOOR	GUICHET LT	FENSTER LT	
5	B07V00106R	VOLANTINO M8X15 DIAM. 30	KNOB WHEEL	VOLAN M 8 DIAM. 30X19	HANDRAD	VOLANTE M8X15 DI M. 30
6	B0C005160R	SPORTELO DX SZA FORO MANOMET	RIGHT DOOR WITHOUT HOLE	GUICHET DROIT SANS TROU	FENSTER RECHTS	
7	B07V00106R	VOLANTINO M8X15 DIAM. 30	KNOB WHEEL	VOLAN M 8 DIAM. 30X19	HANDRAD	VOLANTE M8X15 DI M. 30
8	B0C004622R	CHIUSURA INFERIORE DX	RIGHT LOWER CLOSURE	FERMETURE INFERIEURE DROITE	VERSCHLUSS RECHTS	CIERRE INFERIOR DER
9	B0C005254R	CHIUSURA INFERIORE SX	LEFT LOWER CLOSURE	FERMETURE INFERIEURE GAUCHE	VERSCHLUSS UNTEN	CIERRE INFERIOR IQZ
10	B00470620R	VITE TTEI M 6X 20-8.8 UNBRA	SCREW	VIS	SCHRAUBE TTEI M6X20-10.9	TORNILLO CAB.ALLEN CON HUEC
11	F01410037R	ROS.M6 6,4X12,5X1,6 U6592 ZN	WASHER M6 6,4X12,5X1,6 U6592ZN	RONDEL.M6 6,4X12,5X1,6 U6592ZN	SCHIEB.M6 6,4X12,5X1,6 U6592ZN	ARAND.M6 6,4X12,5X1,6 U6592 ZN
12	B0C004370R	TERMINALE CHIUSURA INF.SX	TERMINALE CHIUSURA INF.SX			TERMINAL DE CIERRE INF.IQZ
13	B00470815R	VITE TTEI M 8X 15-8.8 UNBRA	SCREW	VIS	SCHRAUBE VERZINKT TTEI M8X15 8	TORNILLO CAB.ALLEN CON HUECO
14	F01410037R	ROS.M6 6,4X12,5X1,6 U6592 ZN	WASHER M6 6,4X12,5X1,6 U6592ZN	RONDEL.M6 6,4X12,5X1,6 U6592ZN	SCHIEB.M6 6,4X12,5X1,6 U6592ZN	ARAND.M6 6,4X12,5X1,6 U6592 ZN
15	B0C004952R	CARTER CENTRALE	CENTRAL GUARD	CARTER CENTRALE	ZENTRAL ABDECKPLATTE	C RTER CENTRAL
16	B07VP0005R	CAPPELLO DX LT	RIGHT CAP LT	CHAPEAU DROIT LT	DECKEL RECHTS LT	
17	B07VP0006R	CAPPELLO SX LT	LEFT CAP LT	CHAPEAU GAUCHE LT	DECKEL LINKS LT	
18	B07VP0008R	SPIGOLO ANT. SX LT	LEFT FRONT COIN LT	COIN ANTERIEUR GAUCHE LT	KANTE VORN LINKS LT	
19	B004N0820R	VITE NERA TTEI M 8X 20-10,9	SCREW	VIS	SCHRAUBE TTEI M 8X20-10,9	TORNILLO NEGRO CAB.ALLEN CON
20	B07V00119R	RONDELLA SOTTOVITE HD 8,5X24X2	WASHER HD 8,5X24X2	RONDELLE	STIFT	ARANDELA BAJO TORNILLO HD 8,5
21	B004N0820R	VITE NERA TTEI M 8X 20-10,9	SCREW	VIS	SCHRAUBE TTEI M 8X20-10,9	TORNILLO NEGRO CAB.ALLEN CON
22	F01020063R	VITE M8X1,25X35 U5737 8.8ZN	SCR. M8X1,25X35 U5737 8.8ZN	VIS M8X1,25X35 U5737 8.8ZN	SCHRAU. M8X1,25X35 U5737 8.8ZN	TORNILLO M8X1,25X35 U5737 8.8
23	F01410051R	ROS.M8 8,4X 17X1,6 U6592 ZN	WASHER M8 8,4X17X1,6 U6592 ZN	RONDELLE M8 8,4X17X1,6 ZN	SCHIEBE M8 8,4X17X1,6 U6592 ZN	ARAND.M8 8,4X 17X1,6 U6592 ZN
24	B00920208R	DADO AUTOB.BASSO M 8-5S D985	NUT M8X1 D985 8ZN	ECROU	SELBSTSICHERNDE MUTTER M8-5S	TUERCA M8X1 D985 8
25	B07V00104R	BOTTONE	BUTTON	BOUTON	KNOPF	BOT N
26	F01020380R	VITE M5X0,8X20 U5739 8.8ZN	SCR. M5X0,8X20 U5739 8.8ZN	VIS M5X0,8X20 U5739 8.8ZN	SCHRAUBE M5X0,8X20 U5739 8.8ZN	TORNILLO M5X0,8X20 U5739 8
27	F01420023R	ROS.M5 5,3X 15X1,5 U6593 ZN	WASHER M5 5,3X 15X1,5 U6593			ARAND.M5 5,3X 15X1,5 U6593
28	B0C005196R	SOSTEGNO CARTER SUPERIORI	SUPPORT TOP CARTER			SOPORTE C RTERES SUPERIORES
29	B004N0820R	VITE NERA TTEI M 8X 20-10,9	SCREW	VIS	SCHRAUBE TTEI M 8X20-10,9	TORNILLO NEGRO CAB.ALLEN CON
30	F01410051R	ROS.M8 8,4X 17X1,6 U6592 ZN	WASHER M8 8,4X17X1,6 U6592 ZN	RONDELLE M8 8,4X17X1,6 ZN	SCHIEBE M8 8,4X17X1,6 U6592 ZN	ARAND.M8 8,4X 17X1,6 U6592 ZN
31	B004N0820R	VITE NERA TTEI M 8X 20-10,9	SCREW	VIS	SCHRAUBE TTEI M 8X20-10,9	TORNILLO NEGRO CAB.ALLEN CON
32	F01410051R	ROS.M8 8,4X 17X1,6 U6592 ZN	WASHER M8 8,4X17X1,6 U6592 ZN	RONDELLE M8 8,4X17X1,6 ZN	SCHIEBE M8 8,4X17X1,6 U6592 ZN	ARAND.M8 8,4X 17X1,6 U6592 ZN
33	B07VP0011R	PROT. ASOLA	HOLE PROTECTION	PROTECTION FENTE	LOCHSCHUTZ	PROT. OJAL
34	B00370001R	VITE TE M 8X16 A SEZ. TRILOBATA	SCREW TRE M 8X16 SEZ TROUBLED	VIS	SCHRAUBE M 8X15	TORNILLO CHEX M 8X16 A SECC. T
35	B0C005197R	SOSTEGNO LAT. DX CARTER	GUARD RIGHT SIDE SUPPORT	SUPPORT LATERAL DROIT CARTER	SEITENANSCHLUSS	SOPORTE LAT. DER C RTER
36	B004N0820R	VITE NERA TTEI M 8X 20-10,9	SCREW	VIS	SCHRAUBE TTEI M 8X20-10,9	TORNILLO NEGRO CAB.ALLEN CON
37	B0C005197R	SOSTEGNO LAT. DX CARTER	GUARD RIGHT SIDE SUPPORT	SUPPORT LATERAL DROIT CARTER	SEITENANSCHLUSS	SOPORTE LAT. DER C RTER
38	B004N0820R	VITE NERA TTEI M 8X 20-10,9	SCREW	VIS	SCHRAUBE TTEI M 8X20-10,9	TORNILLO NEGRO CAB.ALLEN CON
39	B00370001R	VITE TE M 8X16 A SEZ. TRILOBATA	SCREW TRE M 8X16 SEZ TROUBLED	VIS	SCHRAUBE M 8X15	TORNILLO CHEX M 8X16 A SECC. T
40	B0C4P0003R	SOSTEGNO SPIGOLO INFERIORE DX	RIGHT LOWER EDGE SUPPORT	SUPPORT COIN INFERIEUR DROIT	KANTEHALTER	SOPORTE ESQUINA INFERIOR DER
41	B00181255R	VITE ZINC.TE M12X55-8.8 U5739	SCREW	VIS	VERZINKTE SCHRAUBE	TORNILLO M12X 55-8.8 UNI 5739
42	F01230213R	DADO M12X1,75 D985 8 ZN	NUT M12X1,75 U7474 6SZN	ECROU AUTOBL. M12	SELBSTSPERR.MUTTER M12	TUERCA M12X1,75 U7474 CL8 ZN
43	B004N0820R	VITE NERA TTEI M 8X 20-10,9	SCREW	VIS	SCHRAUBE TTEI M 8X20-10,9	TORNILLO NEGRO CAB.ALLEN CON
44	B0C4P0004R	SOSTEGNO SPIGOLO INFERIORE DX	CUT RIGHT LOWER EDGE SUPPORT			SOPORTE ESQUINA INFERIOR IQZ
45	B004N0820R	VITE NERA TTEI M 8X 20-10,9	SCREW	VIS	SCHRAUBE TTEI M 8X20-10,9	TORNILLO NEGRO CAB.ALLEN CON
46	F01020510R	VITE M12X1,75X30 U5739 8.8ZN	SCR. M12X1,75X30 U5739 8.8ZN	VIS M12X1,75X30 U5739 8.8ZN	SCHRAU.M12X1,75X30 U5739 8.8ZN	TORNILLO M12X1,75X30 U5739
47	F01410076R	ROS.M12 13X 24X2,5 U6592 ZN	WASHER 12 13X 24X2,5 U6592 ZN	RONDEL. M12 13X24X2,5 U6592 ZN	SCHIEBE M12 13X24X2,5 U6592 ZN	ARAND.M12 13X 24X2,5 U6592 ZN
48	F01230213R	DADO M12X1,75 D985 8 ZN	NUT M12X1,75 U7474 6SZN	ECROU AUTOBL. M12	SELBSTSPERR.MUTTER M12	TUERCA M12X1,75 U7474 CL8 ZN
49	B07VP0007R	SPIGOLO ANT. DX LT	RIGHT FRONT COIN LT	COIN ANTERIEUR DROIT LT	KANTE VORN RECHTS LT	

(*) 1, 3, 8, 9, 13, 41 = SINISTRO
LEFT

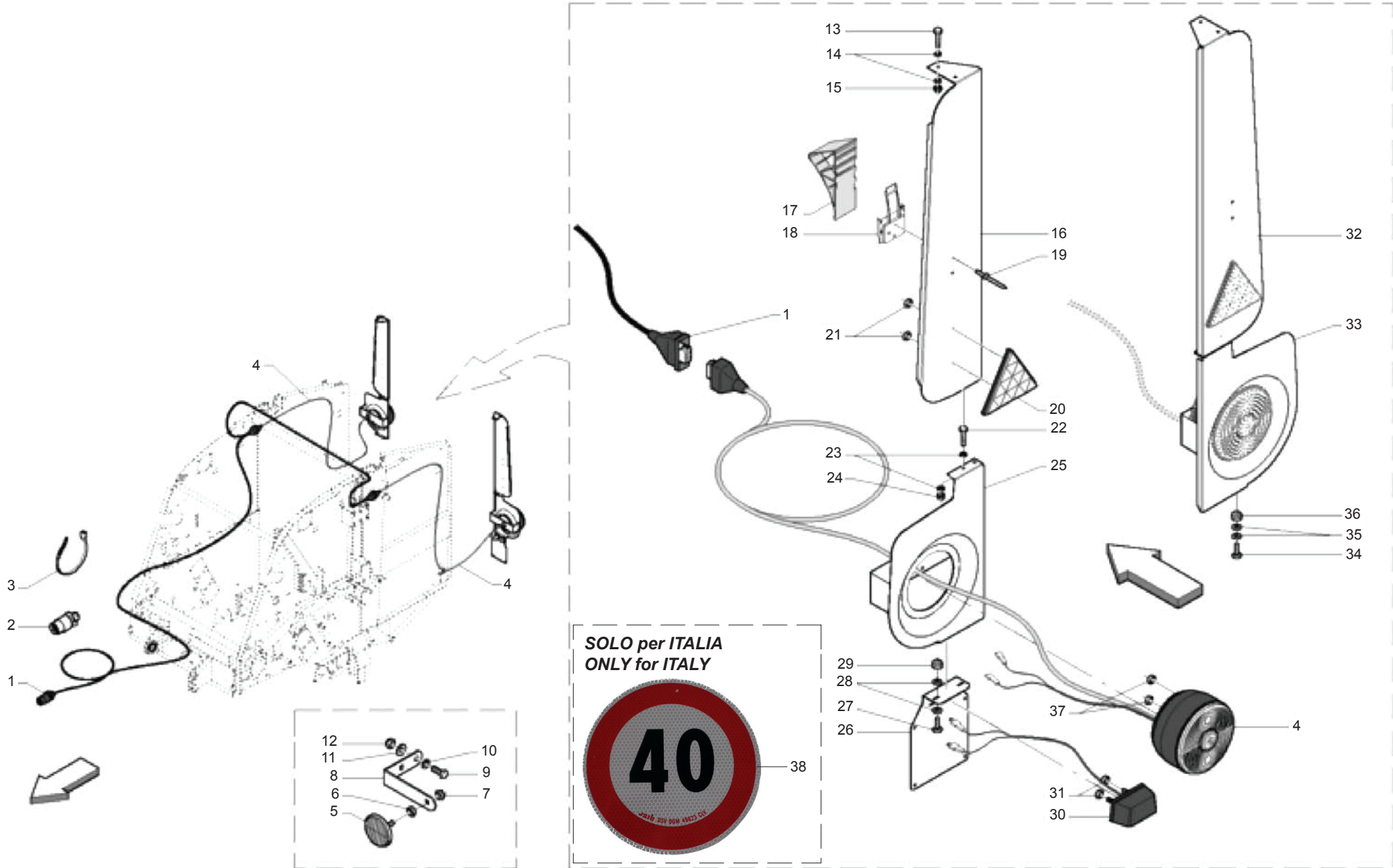
(**) 45, 46, 47, 48, 49, 50 = DESTRO
RIGHT



**CARTER LATERALI
SIDE CARTER**

TAV_280

Pos.	Cod.	Descrizione	Description	Description	Benennung	Descripcion
1	B0C004649R	CORPO CARTER SX 265	LEFT CARTER BODY 265	CORPS CARTER GAUCHE 265	KOERPER CARTER LINKS 265	CUERPO C RTER IZQ 265
2	B01000010R	RIVETTO STR. 6X12 U9200AA	RIVET	RIVET	ABREISSNIETEN 6X10	REMACHE EXTR. 6X12 U9200AA
3	B0C004694R	CASSONE ROTOLO SX 265	LEFT ROLLER BOX 265	RESERVE ROULEAU GAUCHE 265	ROLLEHALTER LINKS 265	CAJ N DEL ROLLO IZQ 265
4	B01000011R	RIVETTO STR. 6X12 U9200AA	RIVET 6X12 U9200AA	RIVET	ABREISSNIETEN 6X15	REMACHE EXTR. 6X12 U9200AA
5	B00180620R	VITE M6X1X20 U5739 8.8ZN	SCREW	VIS	SCHRAUBE	TORNILLO M6X1X20 U5739 8
6	F01410037R	ROS.M6 6,4X12,5X1,6 U6592 ZN	WASHER M6 6,4X12,5X1,6 U6592ZN	RONDEL.M6 6,4X12,5X1,6 U6592ZN	SCHEIB.M6 6,4X12,5X1,6 U6592ZN	ARAND.M6 6,4X12,5X1,6 U6592 ZN
7	B00920106R	DADO M6X1 D985 8ZN	NUT	ECROU	SELBSTSICHERNDE MUTTER M6-5S	TUERCA M6X1 D985 8
8	B07SP0070R	TELAIO CARTER SX LT	LT LEFT GUARD FRAME	CHASSIS CARTER GAUCHE LT	RAHMEN CARTER LINKS LT	
9	B07SP0068R	ATTACCO CERNIERA CARTER SX LT	LT LEFT GAURD ATTACHMENT	ATTELAGE CHARNIERE CARTER GAUC	SCHARNIERANSCHLUSS CARTER LINK	
10	B00523421R	VITE SPECIALE TTQST M12X35-8.8	SPECIAL SCREW	VIS SPECIALE	SCHRAUBE TTQST M12X 35-8.8	TORNILLO ESPECIAL TTQST M12X3
11	F01410076R	ROS.M12 13X 24X2,5 U6592 ZN	WASHER 12 13X 24X2,5 U6592 ZN	RONDEL. M12 13X24X2,5 U6592 ZN	SCHEIBE M12 13X24X2,5 U6592 ZN	ARAND.M12 13X 24X2,5 U6592 ZN
12	F01230213R	DADO M12X1,75 D985 8 ZN	NUT M12X1,75 U7474 6SZN	ECROU AUTOBL. M12	SELBSTSPERR.MUTTER M12	TUERCA M12X1,75 U7474 CL8 ZN
13	B0C005039R	SOSTEGNO SX CAPPELLO	CAP LEFT SUPPORT	SUPPORT GAUCHE CHAPEAU	HALTER LINKS DECKEL	SOPORTE IZQ CAPUCH N
14	F01060202R	VITE M8X1,25X25 U5731 4.6ZN	SCR. M8X1,25X25 U5731 4.6ZN	VIS M8X1,25X25 U5731 4.6	DUEBEL M8X1,25X25 U5731 4.6 ZN	TORNILLO M8X1,25X25 U5731 4.6
15	F01420048R	ROS.M8 8,4X 24X 2 U6593 ZN	WASHER M8 8,4X 24X2 U6593 ZN	RONDELLE M8 8,4X24X 2 U6593 ZN	SCHEIBEN M8 8,4X24X 2 U6593 ZN	ARAND.M8 8,4X 24X 2 U6593 ZN
16	B00920208R	DADO AUTOB.BASSO M 8-5S D985	NUT M8X1 D985 8ZN	ECROU	SELBSTSICHERNDE MUTTER M8-5S	TUERCA M8X1 D985 8
17	B00180620R	VITE M6X1X20 U5739 8.8ZN	SCREW	VIS	SCHRAUBE	TORNILLO M6X1X20 U5739 8
18	F01410037R	ROS.M6 6,4X12,5X1,6 U6592 ZN	WASHER M6 6,4X12,5X1,6 U6592ZN	RONDEL.M6 6,4X12,5X1,6 U6592ZN	SCHEIB.M6 6,4X12,5X1,6 U6592ZN	ARAND.M6 6,4X12,5X1,6 U6592 ZN
19	B00920106R	DADO M6X1 D985 8ZN	NUT	ECROU	SELBSTSICHERNDE MUTTER M6-5S	TUERCA M6X1 D985 8
20	B01800082R	SILENT BLOCK 30X30-M8X25	SILENT BLOCK 30X30-M8X20	SILENT BLOCK 30X30-M8X20	SILENTBLOCK 30X30-M8X20	SILENT BLOCK 30X30-M8X25
21	B00920208R	DADO AUTOB.BASSO M 8-5S D985	NUT M8X1 D985 8ZN	ECROU	SELBSTSICHERNDE MUTTER M8-5S	TUERCA M8X1 D985 8
22	F01410051R	ROS.M8 8,4X 17X1,6 U6592 ZN	WASHER M8 8,4X17X1,6 U6592 ZN	RONDELLE M8 8,4X17X1,6 ZN	SCHEIBE M8 8,4X17X1,6 U6592 ZN	ARAND.M8 8,4X 17X1,6 U6592 ZN
23	F01200244R	DADO M8X1,25 U5588 CL8 ZN	NUT M8X1,25 U5588 6.8ZN	ECROU M8 X1,25 U5588 6.8 ZN	MUTTER M8 X1,25 U5588 6.8 ZN	TUERCA M8X1,25 U5588 CL8 ZN
24	B07V00117R	MANIGL.01M20120D DITTA THENAR	HANDLE 01M20120D FROM THENAR	POIGNEE 01M20120D	GRIFF	MANILL.01M20120D EMPRESA THE
25	F01020432R	VITE M8X1,25X16 U5739 8.8ZN	SCR. M8X1,25X16 U5739 8.8ZN	VIS M8 X1,25X16 U5739 8.8 ZN	SCHRAUBE M8X1,25X16U5739 8.8ZN	TORNILLO M8X1,25X16 U5739 8.8
26	F01410051R	ROS.M8 8,4X 17X1,6 U6592 ZN	WASHER M8 8,4X17X1,6 U6592 ZN	RONDELLE M8 8,4X17X1,6 ZN	SCHEIBE M8 8,4X17X1,6 U6592 ZN	ARAND.M8 8,4X 17X1,6 U6592 ZN
27	B00180620R	VITE M6X1X20 U5739 8.8ZN	SCREW	VIS	SCHRAUBE	TORNILLO M6X1X20 U5739 8
28	F01410037R	ROS.M6 6,4X12,5X1,6 U6592 ZN	WASHER M6 6,4X12,5X1,6 U6592ZN	RONDEL.M6 6,4X12,5X1,6 U6592ZN	SCHEIB.M6 6,4X12,5X1,6 U6592ZN	ARAND.M6 6,4X12,5X1,6 U6592 ZN
29	B00920106R	DADO M6X1 D985 8ZN	NUT	ECROU	SELBSTSICHERNDE MUTTER M6-5S	TUERCA M6X1 D985 8
30	B0H100003R	MOLLA A GAS 1900N	GAS SPRING 1900N	RESSORT GAS 1900 N	GASFEDER FUR NETZ	MUELLE DE GAS 1900N
31	F01020114R	VITE M10X1,5X50 U5737 8.8ZN	SCR. M10X1,5X50 U5737 8.8ZN	VIS M10X 1,5X50 U5737 8.8 ZN	SCHRA.M10X 1,5X50 U5737 8.8 ZN	TORNILLO M10X1,5X50 U5737 8.8
32	F01410062R	ROS.M10 10,5X 18X 2 U6592 ZN	WASHER M10 10,5X 18X 2 U6592	RONDELLE M10 10,5X18X2 ZN	DICHTUNGSRING M10 10,5X18X2 ZN	ARAND.M10 10,5X 18X 2 U6592 ZN
33	F01200270R	DADO M10X1,5 U5588 CL8 ZN	NUT M10X1,5 U5588 6.8ZN	ECROU M10X 1,5 U5588 6.8 ZN	MUTTER M10X 1,5 U5588 6.8 ZN	TUERCA M10X1,5 U5588 CL8 ZN
34	F01230202R	DADO M10X 1,5 D985 8 ZN	NUT M10 D985	ECROU AUTOBL. M10	SELBSTSPERR.MUTTER M10	TUERCA M10X 1,5 D985 8
35	F01020114R	VITE M10X1,5X50 U5737 8.8ZN	SCR. M10X1,5X50 U5737 8.8ZN	VIS M10X 1,5X50 U5737 8.8 ZN	SCHRA.M10X 1,5X50 U5737 8.8 ZN	TORNILLO M10X1,5X50 U5737 8.8
36	F01410062R	ROS.M10 10,5X 18X 2 U6592 ZN	WASHER M10 10,5X 18X 2 U6592	RONDELLE M10 10,5X18X2 ZN	DICHTUNGSRING M10 10,5X18X2 ZN	ARAND.M10 10,5X 18X 2 U6592 ZN
37	F01200270R	DADO M10X1,5 U5588 CL8 ZN	NUT M10X1,5 U5588 6.8ZN	ECROU M10X 1,5 U5588 6.8 ZN	MUTTER M10X 1,5 U5588 6.8 ZN	TUERCA M10X1,5 U5588 CL8 ZN
38	F01020114R	VITE M10X1,5X50 U5737 8.8ZN	SCR. M10X1,5X50 U5737 8.8ZN	VIS M10X 1,5X50 U5737 8.8 ZN	SCHRA.M10X 1,5X50 U5737 8.8 ZN	TORNILLO M10X1,5X50 U5737 8.8
39	F02200164R	COPIGLIA 3X 30 U1336 ZN	SPLIT PIN 3X 30 U1336 ZN			PASADOR 3X 30 U1336 ZN
40	F01420096R	ROS.M16 16,5X 42X 4 U6593 ZN	WASHER M16 17X48X4 U6593 ZN			
41	B0C3P0046R	PROT.INTERNA SX CARTER-LT	GUARD LT LEFT INNER PROTECTION	PROTECTION INT. GAUCHE CARTER	SCHUETZ LINKS CARTER-LT	
42	B0C6P0112R	SOSTEGNO PROT. INTERNA	INNER PROTECTION SUPPORT	SUPPORT PROTECTION INTERIEURE	SCHUETZHALTER	SOPORTE PROTE. INTERNA
43	B00180625R	VITE M6X1X 25 U5739 8.8ZN	SCREW	VIS	SCHRAUBE	TORNILLO M6X1X 25 U5739 8.8ZN
44	F01410037R	ROS.M6 6,4X12,5X1,6 U6592 ZN	WASHER M6 6,4X12,5X1,6 U6592ZN	RONDEL.M6 6,4X12,5X1,6 U6592ZN	SCHEIB.M6 6,4X12,5X1,6 U6592ZN	ARAND.M6 6,4X12,5X1,6 U6592 ZN
45	B0C004650R	CORPO CARTER DX 265	RIGHT CARTER BODY 265	CORPS CARTER DROIT 265	KOERPER CARTER RECHTS 265	CUERPO C RTER DER 265
46	B0C004695R	CASSONE ROTOLO DX 265	RIGHT ROLLER BOX 265	RESERVE ROULEAU DROIT 265	ROLLEHALTER RECHTS 265	CAJ N DEL ROLLO DER 265
47	B07SP0071R	TELAIO CARTER DX LT	LT RIGHT GUARD FRAME	CHASSIS CARTER DROIT LT	RAHMEN CARTER RECHTS LT	
48	B07SP0069R	ATTACCO CERNIERA CARTER DX LT	LT RIGHT GUARD ATTACHMENT	ATTELAGE CHARNIERE CARTER DROI	SCHARNIERANSCHLUSS CARTER RECH	
49	B0C005040R	SOSTEGNO DX CAPPELLO	RIGHT CAP SUPPORT	SUPPORT DROIT CHAPEAU	HALTER RECHTS DECKEL	SOPORTE DER CAPUCH N
50	B0C3P0047R	PROT.INTERNA DX CARTER-LT	GUARD RIGHT INNER PROTECTION -	PROTECTION INT. DROIT CARTER L	SCHUETZ RECHTS CARTER -LT	

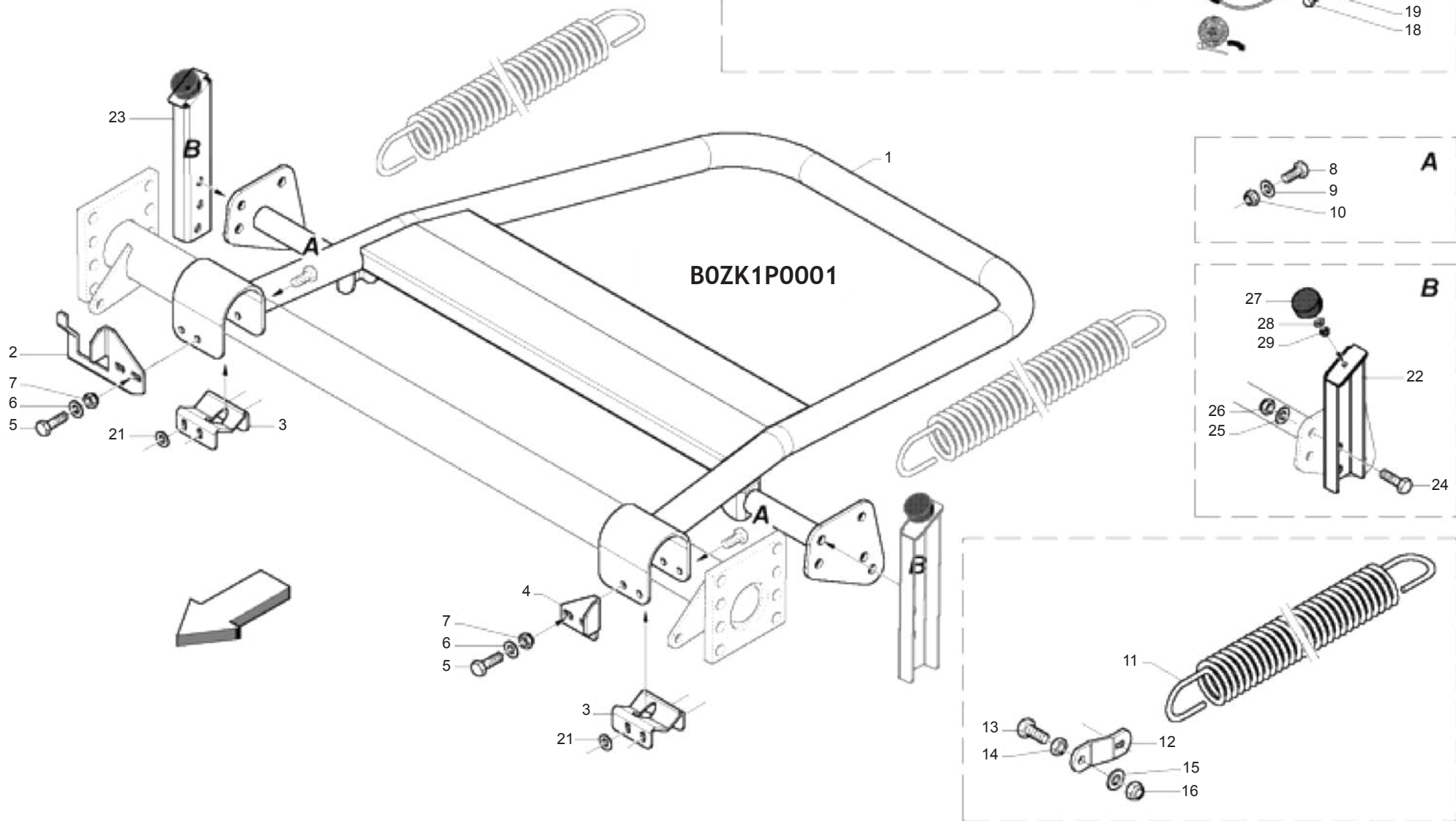


**IMPIANTO LUCI + CUNEI
LIGHTS PLANT + CHOCKS**

TAV_285

Pos.	Cod.	Descrizione	Description	Description	Benennung	Descripcion
1	B0E000137R	SPINA 7 POLI E CABLAGGIO EXTRE	7-POLES PLUG AND WIRING HARNES			CLAVIJA DE 7 POLOS CABLEADO E
2	B0E000011R	SPINA 7 POL.12V VST_018 REMPA	7 POLE PLUG 12 V	GOUPILLE A 7 POLES 12V	7 POL-STECKER 12 V	CLAVIJA 7 POL.12V VST_018 REMP
3	F05150055R	FASCETTA POLYA. 3,6X200 NERA	WHITE BAND	BANDE BIANCHE	WEIBE BAND	BANDA POLYA. 3,6X200 NEGRA
4	B0E000136R	FANALE POST. EXTREME	EXTREME BACK LAMP	FEU EN ARRIERE EXTREME	BELEUCHTUNG HINTEN EXTREME	FARO TRAS. EXTREME
5	B0E000026R	CATADIOTRO ROTONDO BIANCO	WHITE ROUND RETROREFLECTOR	CATADIOPTRE ROND BLANC	RUNDER WEISSER RUECKSTRAHLER	CATADI PTRICO REDONDO BLANCO
6	F01200220R	DADO M5X0,8 U5588 CL8 ZN	NUT M5X0,8 U5588 6.8ZN	ECROU 5 UNI 5588 6.8 ZN	MUTTER 5 UNI 5588 6.8 ZN	TUERCA M5X0,8 U5588 CL8 ZN
7	B00920005R	DADO AUTOB.BASSO M 5-5S DIN985	NUT	ECROU	SELBSTSICHERNDE MUTTER M5-5S	TUERCA AUTOB.BAJA M 5-5S DIN98
8	B0C6P0034R	SOSTEGNO CATARIFRANGENTE	REFLEX REFLECTO SUPPORT	SUPPORT CATADIOPTRE	HALTER RUECKSTRAHLER	SOPORTE CATADI PTRICO
9	B00180620R	VITE M6X1X20 U5739 8.8ZN	SCREW	VIS	SCHRAUBE	TORNILLO M6X1X20 U5739 8
10	F01410037R	ROS.M6 6,4X12,5X1,6 U6592 ZN	WASHER M6 6,4X12,5X1,6 U6592ZN	RONDEL.M6 6,4X12,5X1,6 U6592ZN	SCHEIB.M6 6,4X12,5X1,6 U6592ZN	ARAND.M6 6,4X12,5X1,6 U6592 ZN
11	F01420035R	ROS.M6 6,4X 18X1,6 U6593 ZN	WASHER D.6	RONDELLE D.6	KUPFERSCHEIBE D.6	ARAND.M6 6,4X 18X1,6 U6593
12	B00920106R	DADO M6X1 D985 8ZN	NUT	ECROU	SELBSTSICHERNDE MUTTER M6-5S	TUERCA M6X1 D985 8
13	B00180620R	VITE M6X1X20 U5739 8.8ZN	SCREW	VIS	SCHRAUBE	TORNILLO M6X1X20 U5739 8
14	F01410037R	ROS.M6 6,4X12,5X1,6 U6592 ZN	WASHER M6 6,4X12,5X1,6 U6592ZN	RONDEL.M6 6,4X12,5X1,6 U6592ZN	SCHEIB.M6 6,4X12,5X1,6 U6592ZN	ARAND.M6 6,4X12,5X1,6 U6592 ZN
15	B00920106R	DADO M6X1 D985 8ZN	NUT	ECROU	SELBSTSICHERNDE MUTTER M6-5S	TUERCA M6X1 D985 8
16	B0C004999R	CHIUSURA SUPERIORE SX	LEFT UPPER LOCK	FERMETURE SUPERIEURE GAUCHE	LINKER OBERER VERSCHLUSS	CIERRE SUPERIOR IZQ
17	F02250716R	CUNEO FERMO MACCHINA PLA	WEDGE STOP MACHINE PLA			
18	F02250717R	SUPPORTO CUNEO PLA	SUPPORT WEDGE PLA			SOPORTE DE CU A PLA
19	B01000011R	RIVETTO STR. 6X12 U9200A AL	RIVET 6X12 U9200A AL	RIVET	ABREISSNIETEN 6X15	REMACHE EXTR. 6X12 U9200A A
20	B0E000025R	CATADIOTRO TRIANGOLARE ROSSO	RED TRIANGULAR RETROREFLECTOR	CATADIOPTRE TRIANGULAIRE ROUGE	DREIECKIGER ROTER RUECKSTRAHLE	CATADI PTRICO TRIANGULAR ROJO
21	B00920106R	DADO M6X1 D985 8ZN	NUT	ECROU	SELBSTSICHERNDE MUTTER M6-5S	TUERCA M6X1 D985 8
22	B00180625R	VITE M6X1X 25 U5739 8.8ZN	SCREW	VIS	SCHRAUBE	TORNILLO M6X1X 25 U5739 8.8ZN
23	F01410037R	ROS.M6 6,4X12,5X1,6 U6592 ZN	WASHER M6 6,4X12,5X1,6 U6592ZN	RONDEL.M6 6,4X12,5X1,6 U6592ZN	SCHEIB.M6 6,4X12,5X1,6 U6592ZN	ARAND.M6 6,4X12,5X1,6 U6592 ZN
24	B00920106R	DADO M6X1 D985 8ZN	NUT	ECROU	SELBSTSICHERNDE MUTTER M6-5S	TUERCA M6X1 D985 8
25	B07S01635R	ATTACCO FANALE SX	LEFT LIGHT ATTACHMENT	ATTELAGE FANAL GAUCHE	LINKER LICHTANSCHLUSS	CONEXI N FARO IZQ
26	B0C005037R	PORTA TARGA	PLATE HOLDER	PORTE-PLAQUE	SCHILDTRAEGER	PORTA PLACA
27	B00180620R	VITE M6X1X20 U5739 8.8ZN	SCREW	VIS	SCHRAUBE	TORNILLO M6X1X20 U5739 8
28	F01410037R	ROS.M6 6,4X12,5X1,6 U6592 ZN	WASHER M6 6,4X12,5X1,6 U6592ZN	RONDEL.M6 6,4X12,5X1,6 U6592ZN	SCHEIB.M6 6,4X12,5X1,6 U6592ZN	ARAND.M6 6,4X12,5X1,6 U6592 ZN
29	B00920106R	DADO M6X1 D985 8ZN	NUT	ECROU	SELBSTSICHERNDE MUTTER M6-5S	TUERCA M6X1 D985 8
30	B0E000138R	LUCE TARGA POST. EXTREME	EXTREME REAR PLATE LIGHT	LUMI RE PLAQUE EN ARRIERE	PLATTE BELEUCHTUNG EXTREME	LUZ DE LA PLACA TRAS. EXTREME
31	B00920005R	DADO AUTOB.BASSO M 5-5S DIN985	NUT	ECROU	SELBSTSICHERNDE MUTTER M5-5S	TUERCA AUTOB.BAJA M 5-5S DIN98
32	B0C005019R	CHIUSURA SUPERIORE DX	RIGHT UPPER LOCK	FERMETURE SUPERIEURE DROITE	RECHTER OBERER VERSCHLUSS	CIERRE SUPERIOR DER
33	B07S01634R	ATTACCO FANALE DX	RIGHT LIGHT ATTACHMENT	ATTELAGE FANAL DROIT	RECHTER LICHTANSCHLUSS	CONEXI N FARO DER
34	B00180620R	VITE M6X1X20 U5739 8.8ZN	SCREW	VIS	SCHRAUBE	TORNILLO M6X1X20 U5739 8
35	F01410037R	ROS.M6 6,4X12,5X1,6 U6592 ZN	WASHER M6 6,4X12,5X1,6 U6592ZN	RONDEL.M6 6,4X12,5X1,6 U6592ZN	SCHEIB.M6 6,4X12,5X1,6 U6592ZN	ARAND.M6 6,4X12,5X1,6 U6592 ZN
36	B00920106R	DADO M6X1 D985 8ZN	NUT	ECROU	SELBSTSICHERNDE MUTTER M6-5S	TUERCA M6X1 D985 8
37	B00920005R	DADO AUTOB.BASSO M 5-5S DIN985	NUT	ECROU	SELBSTSICHERNDE MUTTER M5-5S	TUERCA AUTOB.BAJA M 5-5S DIN98
38	F20030261R	ETICH. LIMITE VELOCITA 40	SPEED LIMIT 40 LABEL			ETIQ. L MITE VELOCIDAD 40

BOZKPP0001 = BOZK1P0001 + BOZK1P0002

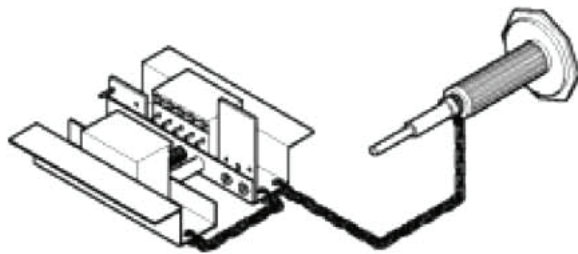


**ESPULSORE
EJECTOR**

TAV_290

Pos.	Cod.	Descrizione	Description	Description	Benennung	Descripcion
1	B00920516R	DADO M16X 1,5 D985 6S ZN	NUT M16X1,5 D985 6S ZN	ECROU	SELBSTSICHERNDE MUTTER M16-5S	TUERCA M16X 1,5 D985 6S
2	B013P0255R	DISTANZIALE 16 21,3 13	SPACER 16 21,3 13			DISTANCIADOR 16 21,3 13
3	B01800090R	MOLLA TRAZ. 8 M=35 L=596	SPRING	RESSORT DE TRAC.DE 8 M35 L596	FEDER	MUELLE DE TRACC. 8 M=35 L=596
4	B07049749R	TAMPONE 50X21 M10	BUMPER 50X21 M10	TAMPON 50X21 M10	PUFFER 50X21 M10	TAP N 50X21 M10
5	B07S01806R	ESPULSORE	EJECTOR	EJECTEUR	BALLENAUSWERFER	EXPULSOR
6	B0C1P1876R	ATTACCO MOLLA CON REGOLAZIONE	SPRING LINK			PLACA DEL SENSOR EXPULSOR
7	B0C1P1878R	APPOGGIO DX TAMPONE ESPULSORE	SUPPORT RIGHT			APOYO DER TAP N EXPULSOR
8	B0C1P1879R	APPOGGIO SX TAMPONE ESPULSORE	SUPPORT LEFT			APOYO IZQ TAP N EXPULSOR
9	B0C6P0226R	CAVALLOTTO	U BOLT	BOULON	U-BUEGEL	PUENTE
10	F01020512R	VITE M12X1,75X35 U5739 8.8ZN	SCR. M12X1,75X35 U5739 8.8ZN	VIS M12X1,75X35 5739 8.8 ZN	SCHR. M12X1,75X35 5739 8.8 ZN	TORNILLO M12X1,75X35 U5739 8
11	F01020566R	VITE M16X2X40 U5739 8.8ZN	SCR. M16X2X40 U5739 8.8ZN	VIS M16X2X40 U5739 8.8 ZN	SCHRAUBE M16X2X40 U5739 8.8 ZN	TORNILLO M16X2X40 U5739 8
12	F01020576R	VITE M16X2X65 U5739 8.8ZN	SCR. M16X2X65 U5739 8.8ZN	VIS M16X2X65 U5739 8.8 ZN	SCHRAUBE M16X2X65 U5739 8.8 ZN	TORNILLO M16X2X65 U5739 8
13	F01200324R	DADO M16X2 U5588 8.8ZN	NUT M16X2 U5588 8.8ZN	ECROU M16X2 U5588 8.8ZN	MUTTER M16X2 U5588 8.8ZN	TUERCA M16X2 U5588 8.8ZN
14	F01230202R	DADO M10X 1,5 D985 8 ZN	NUT M10 D985	ECROU AUTOBL. M10	SELBSTSPERR.MUTTER M10	TUERCA M10X 1,5 D985 8
15	F01230213R	DADO M12X1,75 U7474 CL8 ZN	NUT M12X1,75 U7474 6SZN	ECROU AUTOBL. M12	SELBSTSPERR.MUTTER M12	TUERCA M12X1,75 U7474 CL8 ZN
16	F01410064R	ROS.M10 10,5X 20X 2 U6592 ZN	WASHER M10 10,5X20X2 U6592 ZN	RONDEL. M10 10,5X20X2 U6592 ZN	SCHEIBE M10 10,5X20X2 U6592 ZN	ARAND.M10 10,5X 20X 2 U6592 ZN
17	F01410076R	ROS.M12 13X 24X2,5 U6592 ZN	WASHER 12 13X 24X2,5 U6592 ZN	RONDEL. M12 13X24X2,5 U6592 ZN	SCHEIBE M12 13X24X2,5 U6592 ZN	ARAND.M12 13X 24X2,5 U6592 ZN
18	F01410100R	ROS.M16 17X 30X 3 U6592 ZN	WASHER M16 17X30X3 U6592 ZN	RONDELLE M16 17X30X3 ZN	SCHRAUBE M16 17X 30X3 U6592 ZN	ARAND.M16 17X 30X 3 U6592 ZN
19	B0C6P0006R	REGOLATORE	REGULATOR	REGULATEUR	EINSTELLER	REGULADOR
20	B0C6P0005R	CONTROSENSORE	COUNTER SENSOR	CONTRE-CAPTEUR	GEGENSENSOR	CONTRA-SENSOR
21	B0E0P0026R	SENSORE ESPULSORE	EJECTING SENSOR F_BUS	CAPTEUR JECTEUR F_BUS	SENSOR AUSWERFER LT	SENSOR EXPULSOR
22	F01020436R	VITE M8X1,25X20 U5739 8.8ZN	SCR. M8X1,25X20 U5739 8.8ZN	VIS M8X1,25X 20 U5739 8.8 ZN	SCHRAUBE M8X1,25X20U5739 8.8ZN	TORNILLO M8X1,25X20 U5739 8.8
23	F01410051R	ROS.M8 8,4X 17X1,6 U6592 ZN	WASHER M8 8,4X17X1,6 U6592 ZN	RONDELLE M8 8,4X17X1,6 ZN	SCHEIBE M8 8,4X17X1,6 U6592 ZN	ARAND.M8 8,4X 17X1,6 U6592 ZN
24	B0C6P0004R	ATTACCO SENSORE ESPULSORE	EJECTOR SENSOR COUPLING	ATTELAGE CAPTEUR EJECTEUR	ANSCHLUSS AUSFERWERSENSOR	ENGANCHE DEL SENSOR EXPULSO

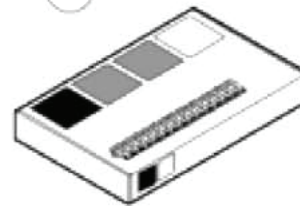
1



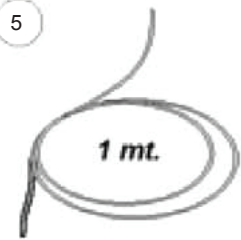
3



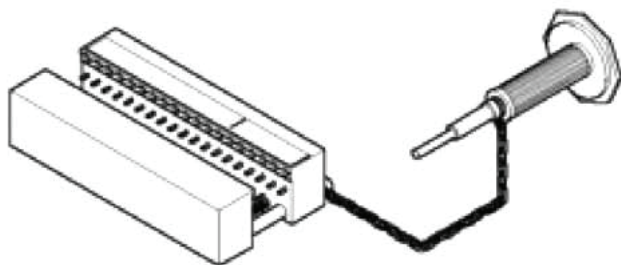
4



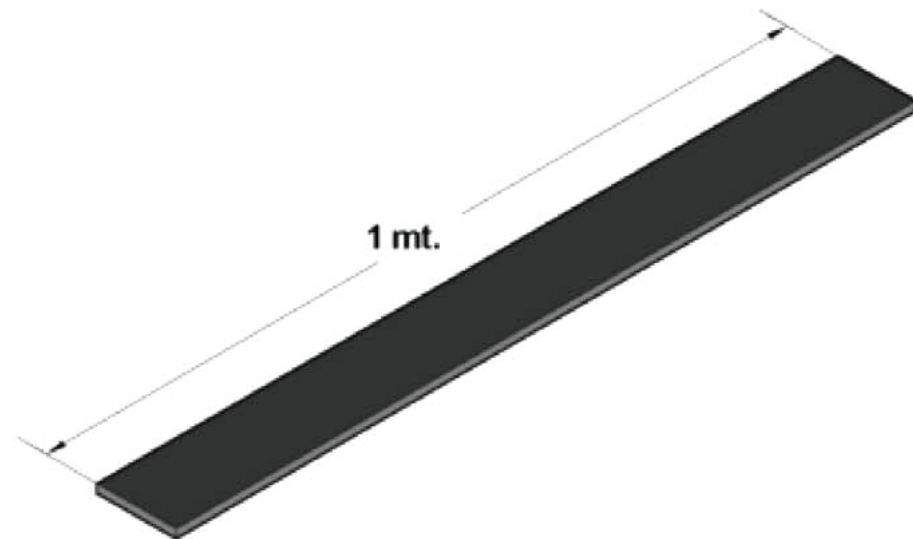
5



2



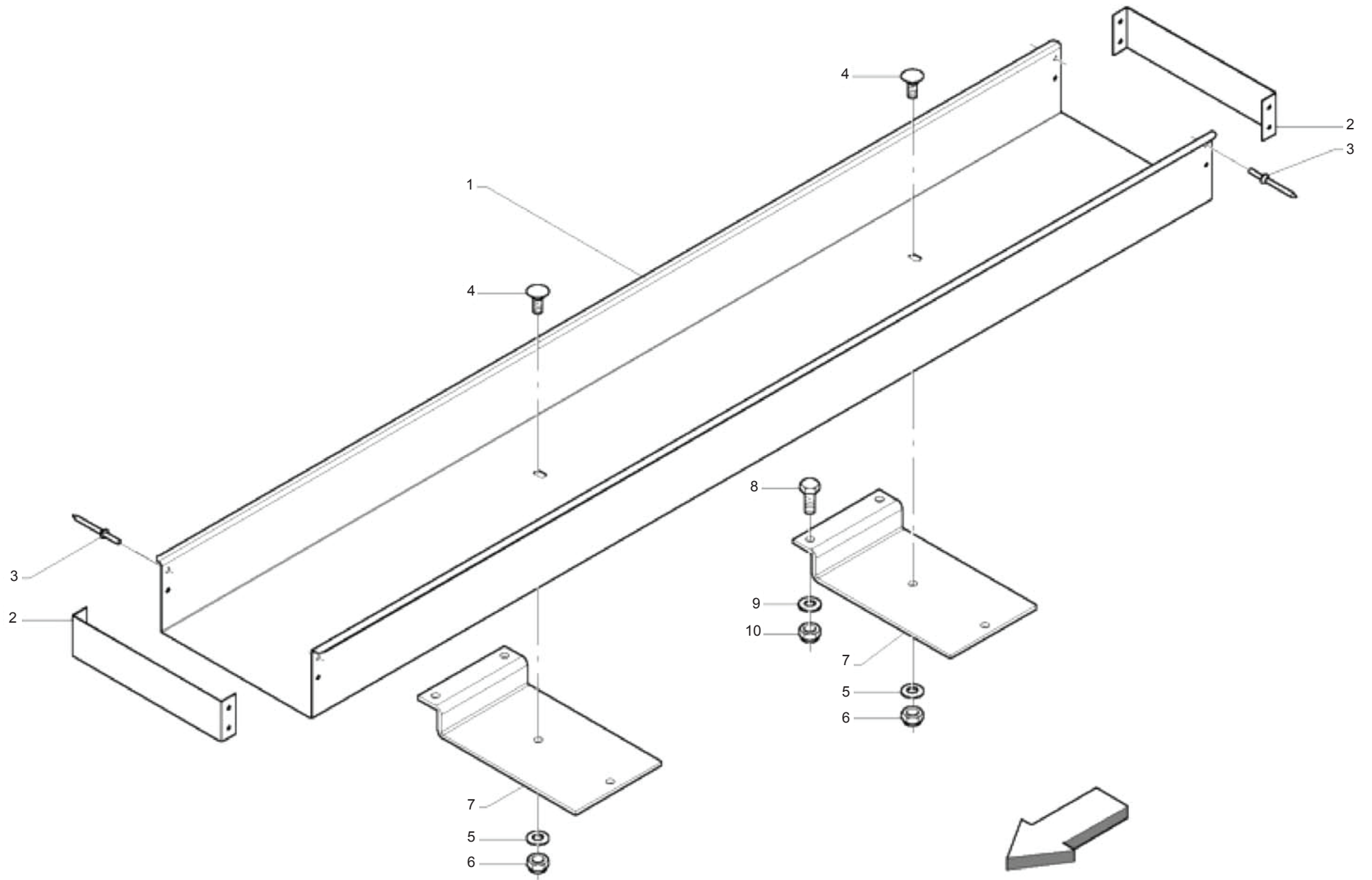
6



**GRAFFATURA
STAPLING DEVICE**

TAV_295

Pos.	Cod.	Descrizione	Description	Description	Benennung	Descripcion
1	B0ZAP0025R	GRAFFATRICE MATO PROFI 5	GRAFFATRICE MATO PROFI 5			GRAPADORA MATO PROFI 5
2	B0ZAP0026R	GRAFFATRICE MATO PROFI 19	STAPLER MATO PROFI 19		STAPLER MATO PROFI 19	GRAPADORA MATO PROFI 19
3	B07U00049R	SEPAR.PUNCH H X VICE LACERS	PUNCH	POINCON	PUNZEN	SEPAR.PUNZ N H X VICE LACERS
4	B09940018R	SCAT. GRAFFE MATO U24BS-12 13	MATO LACINGS BOX	BOITE AGRAF.MATO U24BS-12 13	SCHACHTEL MIT KLAMMERN MATO	CAJA GRAPAS MATO U24BS-12 13
5	B09962005R	CAVETTO GIUNZIONE MT.1	WIRE 2,5 PLAST.L.1MT	CABLE	KABEL 49 SCHNUREN	CABLE DE UNI N 1 M
6	B07600073R	SPEZZONE CINGHIA MT 01	BELT PIECE L=1000	PIECE DE COURROIE	GURT TEILSTUCK L=1000	TROZO CORREA MT 01

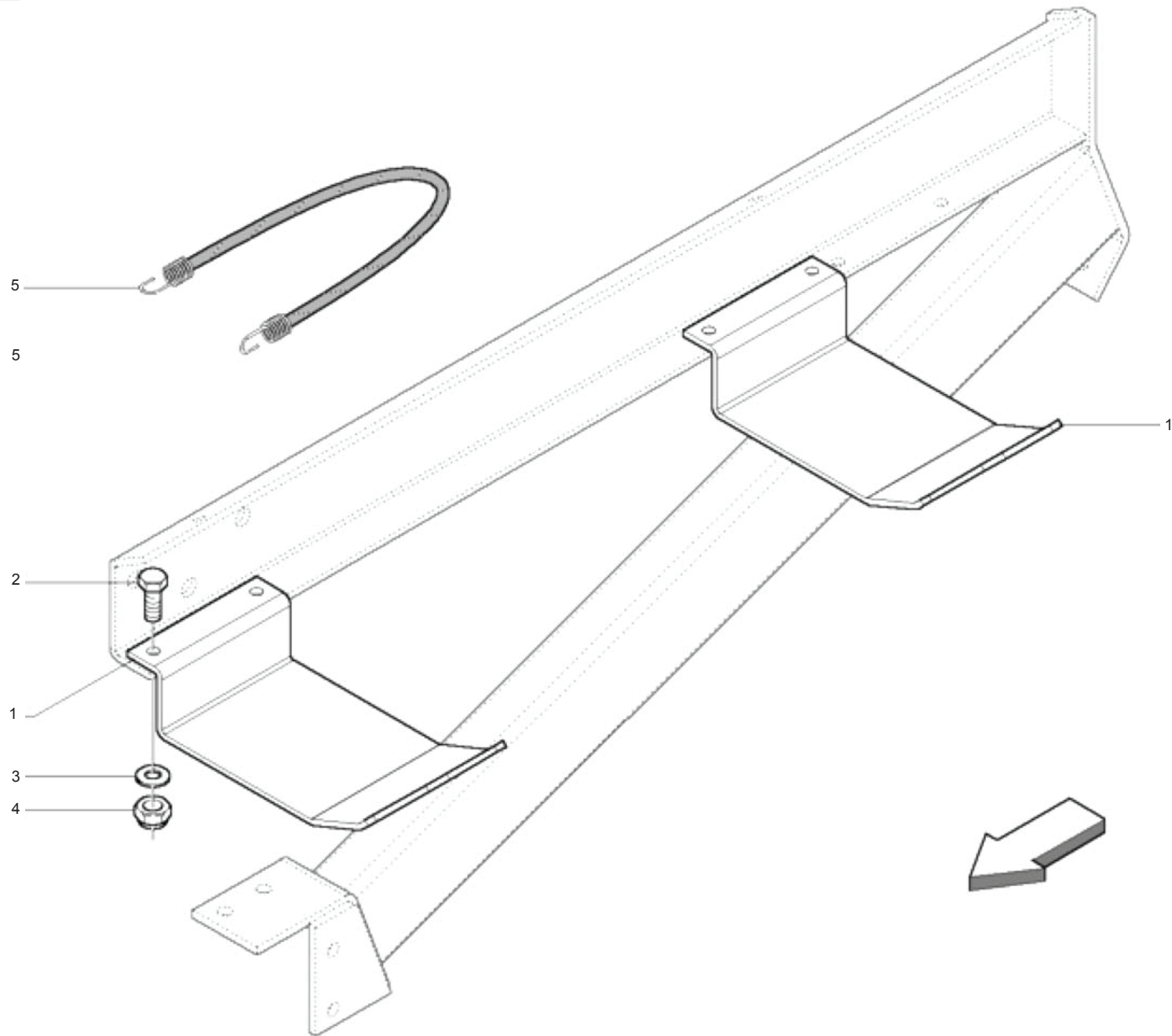


KIT CASSONETTO SUPPLEMENTARE PER BOBINE FILO
ADDITIONAL TWINE BOX KIT

TAV_300

Pos.	Cod.	Descrizione	Description	Description	Benennung	Descripcion
1	B0C005015R	CORPO CASSONE SUPP. 265-280	ADDITIONAL BOX	CORPS BOITE SUPPLEMENTAIRE	ZUSATZKASTEN	CUERPO DE CAJ N DE SOP. 265-28
2	B0C005014R	FERMO TERMINALE	TERMINAL LOCK	ARRET	ENDANSCHLAG	TOPE TERMINAL
3	B01000010R	RIVETTO STR. 6X12 U9200A AL	RIVET	RIVET	ABREISSNIETEN 6X10	REMACHE EXTR. 6X12 U9200AA
4	B00321020R	VITE M10X1,5 X 30 U5731 4.6ZN	SCREW	VIS	SCHRAUBE VERZINKT TTQST M10X20	TORNILLO M10X1,5 X 30 U5731 4
5	F01410062R	ROS.M10 10,5X 18X 2 U6592 ZN	WASHER M10 10,5X 18X 2 U6592	RONDELLE M10 10,5X18X2 ZN	DICHTUNGSRING M10 10,5X18X2 ZN	ARAND.M10 10,5X 18X 2 U6592 ZN
6	F01230202R	DADO M10X 1,5 D985 8 ZN	NUT M10 D985	ECROU AUTOBL. M10	SELBSTSPERR.MUTTER M10	TUERCA M10X 1,5 D985 8
7	B0C004685R	SOSTEGNO CASSONE SPAGO	TWINE BOX HOLDER	SUPPORT RESERVOIR FICELLE	SCHNURKASTENHALTERUNG	SOPORTE CAJ N DE CUERDA
8	F01020476R	VITE M10X1,5X30 U5739 8.8ZN	SCR. M10X1,5X30 U5739 8.8ZN	VIS M10X1,5X30 U5739 8.8 ZN	SCHRAUBE M10X1,5X30U5739 8.8ZN	TORNILLO M10X1,5X30 U5739 8.8
9	F01410062R	ROS.M10 10,5X 18X 2 U6592 ZN	WASHER M10 10,5X 18X 2 U6592	RONDELLE M10 10,5X18X2 ZN	DICHTUNGSRING M10 10,5X18X2 ZN	ARAND.M10 10,5X 18X 2 U6592 ZN
10	F01230202R	DADO M10X 1,5 D985 8 ZN	NUT M10 D985	ECROU AUTOBL. M10	SELBSTSPERR.MUTTER M10	TUERCA M10X 1,5 D985 8

TAV_305

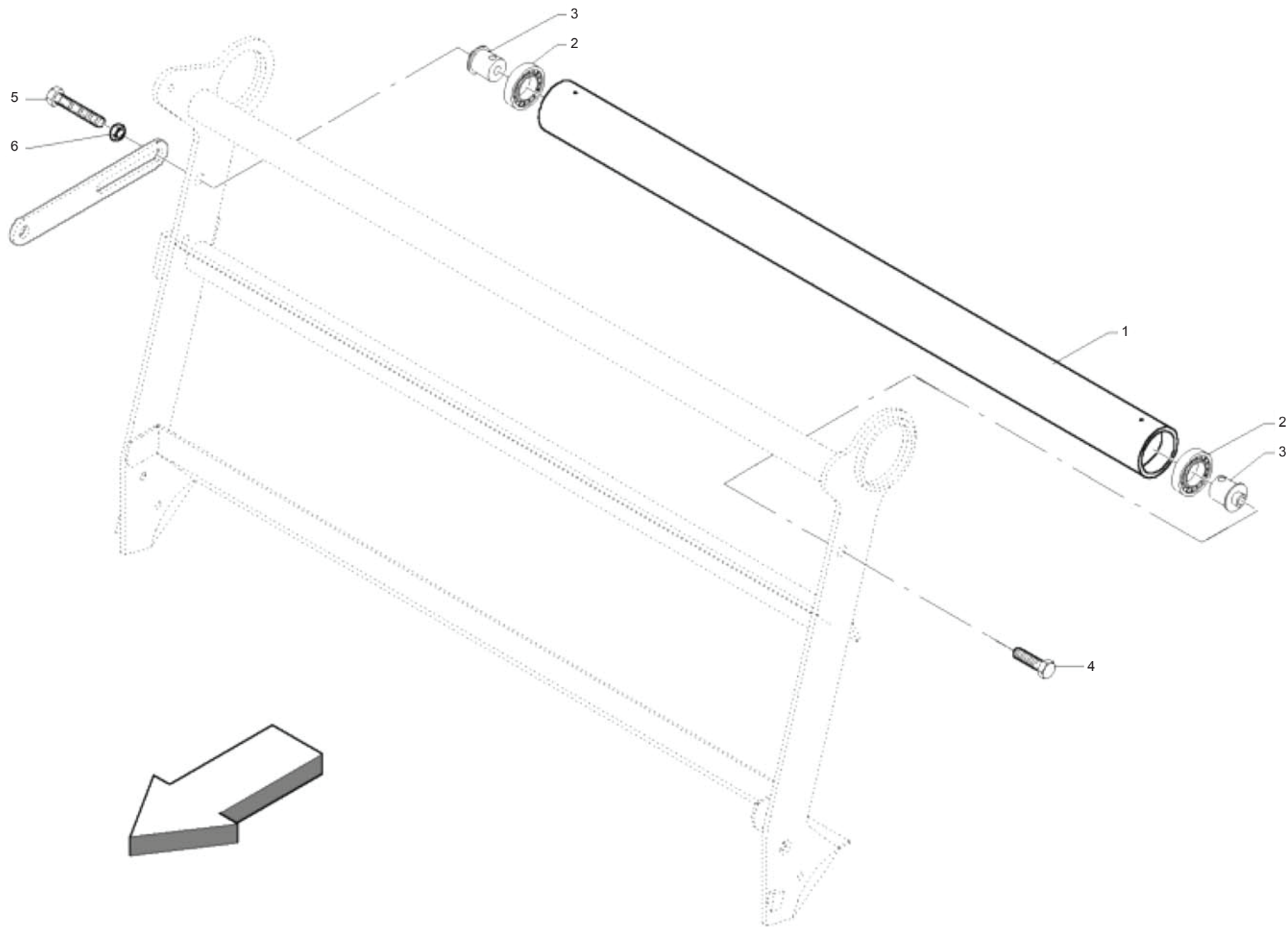


**KIT STAFFE SUPPLEMENTARI PER ROTOLO RETE
ADDITIONAL NET SUPPORT KIT**

TAV_305

Pos.	Cod.	Descrizione	Description	Description	Benennung	Descripcion
1	B0C100013R	SOSTEGNO RETE	NET SUPPORT	SUPPORT FILET	NETZHALTER	SOPORTE DE RED
2	F01020476R	VITE M10X1,5X30 U5739 8.8ZN	SCR. M10X1,5X30 U5739 8.8ZN	VIS M10X1,5X30 U5739 8.8 ZN	SCHRAUBE M10X1,5X30U5739 8.8ZN	TORNILLO M10X1,5X30 U5739 8.8
3	F01410062R	ROS.M10 10,5X 18X 2 U6592 ZN	WASHER M10 10,5X 18X 2 U6592	RONDELLE M10 10,5X18X2 ZN	DICHTUNGSRING M10 10,5X18X2 ZN	ARAND.M10 10,5X 18X 2 U6592 ZN
4	F01230202R	DADO M10X 1,5 D985 8 ZN	NUT M10 D985	ECROU AUTOBL. M10	SELBSTPERR.MUTTER M10	TUERCA M10X 1,5 D985 8
5	B07V00107R	FUNE ELASTICA CON GANCI	ELASTIC CABLE WITH HOOKS	CABLE ELASTIQUE AVEC CROCHETS	ELASTISCHES SEIL MIT HAKEN	CABLE EL STICO CON GANCHOS

TAV_310

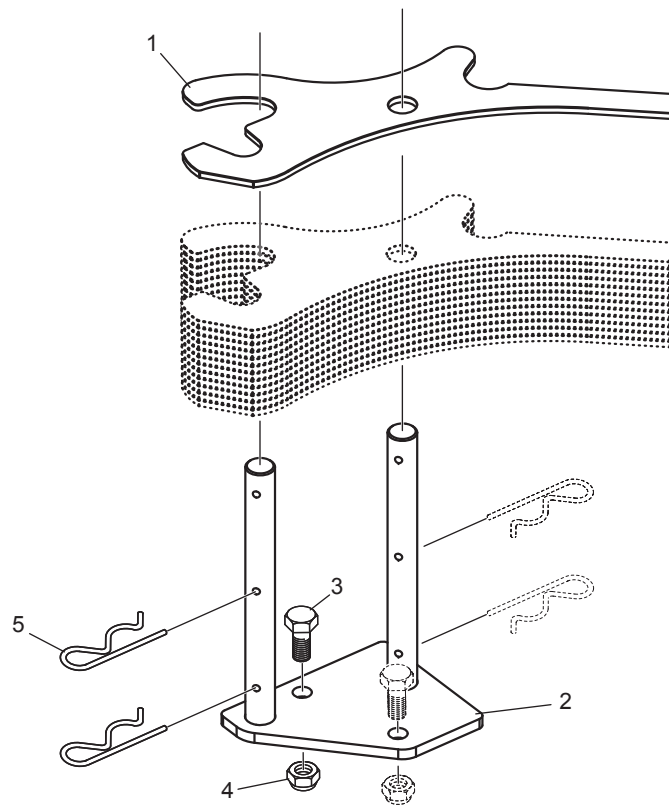


KIT FILM PLASTICO
PLASTIC FILM KIT

TAV_310

Pos.	Cod.	Descrizione	Description	Description	Benennung	Descripcion
1	B03500048R	RULLO FOLLE	IDLE ROLLER	ROULEAU FOU	UMLENKWALZE	RODILLO LOCO
2	B02040002R	CUSCINETTO 6307-2RS CAT.KST004	BEARING	ROULEMENT CAT.KST004	LAGER 6307-2RS	COJINETE 6307-2RS CAT.KST004
3	B03500047R	PERNO RULLO FOLLE	IDLE ROLLER GUDGEON	TOURILLON ROULEAU FOU	STIFT UMLENKWALZE	PERNO RODILLO LOCO
4	F01020512R	VITE M12X1,75X35 U5739 8.8ZN	SCR. M12X1,75X35 U5739 8.8ZN	VIS M12X1,75X35 5739 8.8 ZN	SCHR. M12X1,75X35 5739 8.8 ZN	TORNILLO M12X1,75X35 U5739 8
5	F01020524R	VITE M12X1,75X90 U5739 8.8ZN	SCR. M12X1,75X90 U5739 8.8ZN			TORNILLO M12X1,75X90 U5739 8
6	F01200293R	DADO M12X1,75 U5588 CL8 ZN	NUT M12X1,75 U5588 6S ZN	ECROU M12X1,75 U5588 6S ZN	MUTTER M12X1,75 U5588 6S ZN	TUERCA M12X1,75 U5588 CL8 ZN

B995PP004 (n.13)

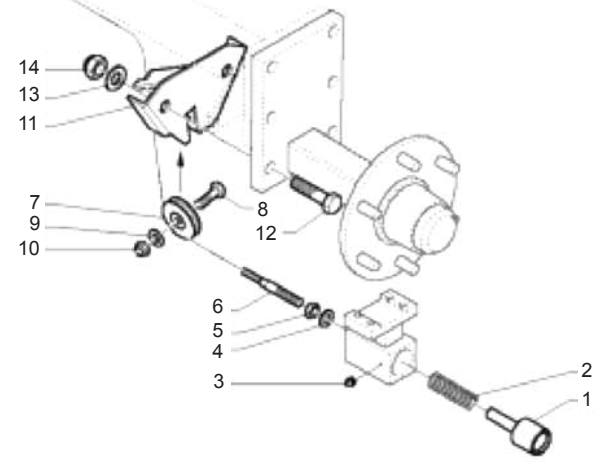
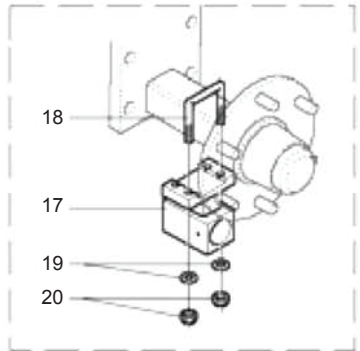
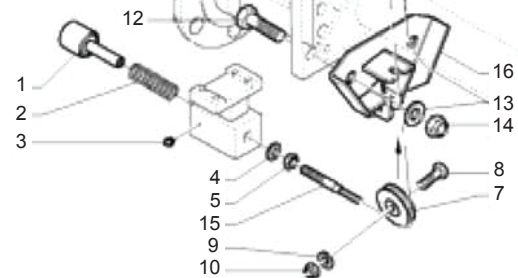
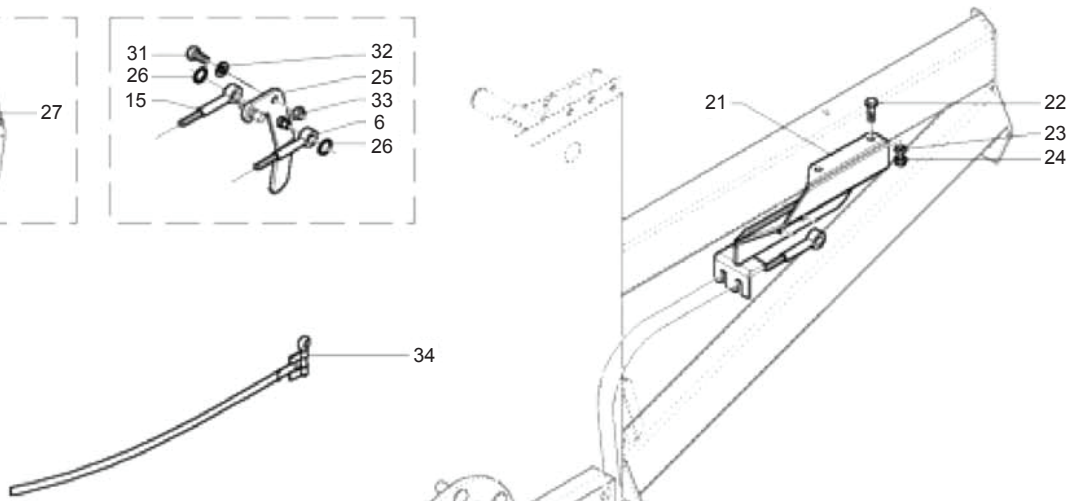
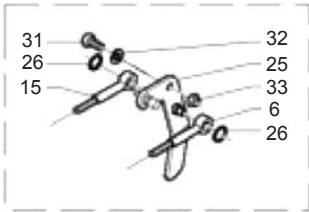
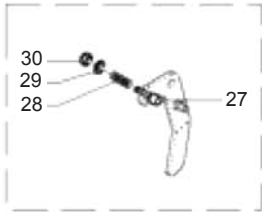


KIT FINTE COLTELLI
FAKE KNIVES KIT

TAV_380

Pos.	Cod.	Descrizione	Description	Description	Benennung	Descripcion
1	B0C005006R	FINTO COLT. CUT	BLANK KNIFE CUT	FAUX COUTEAU CUT	BLINDMESSER CUT	CUCHILLO FALSO CUT
2	B07S01896R	PORTA COLT. NEW	NEW KNIVES HOLDER	PORTE-COUTEAUX NEW		PUERTA CUCH. NEW
3	F01020510R	VITE M12X1,75X30 U5739 8.8ZN	SCR. M12X1,75X30 U5739 8.8ZN	VIS M12X1,75X30 U5739 8.8ZN	SCHRAU.M12X1,75X30 U5739 8.8ZN	TORNILLO M12X1,75X30 U5739
4	F01230213R	DADO M12X1,75 D985 8 ZN	NUT M12X1,75 U7474 6SZN	ECROU AUTOBL. M12	SELBSTSPERR.MUTTER M12	TUERCA M12X1,75 U7474 CL8 ZN
5	F02200374R	COPIGLIA R 4X 82 ZN	SPRING SPLIT PIN 4X82	GOUPILLE 4X82	SPLINT 4X82	PASADOR 4X82

TAV_315



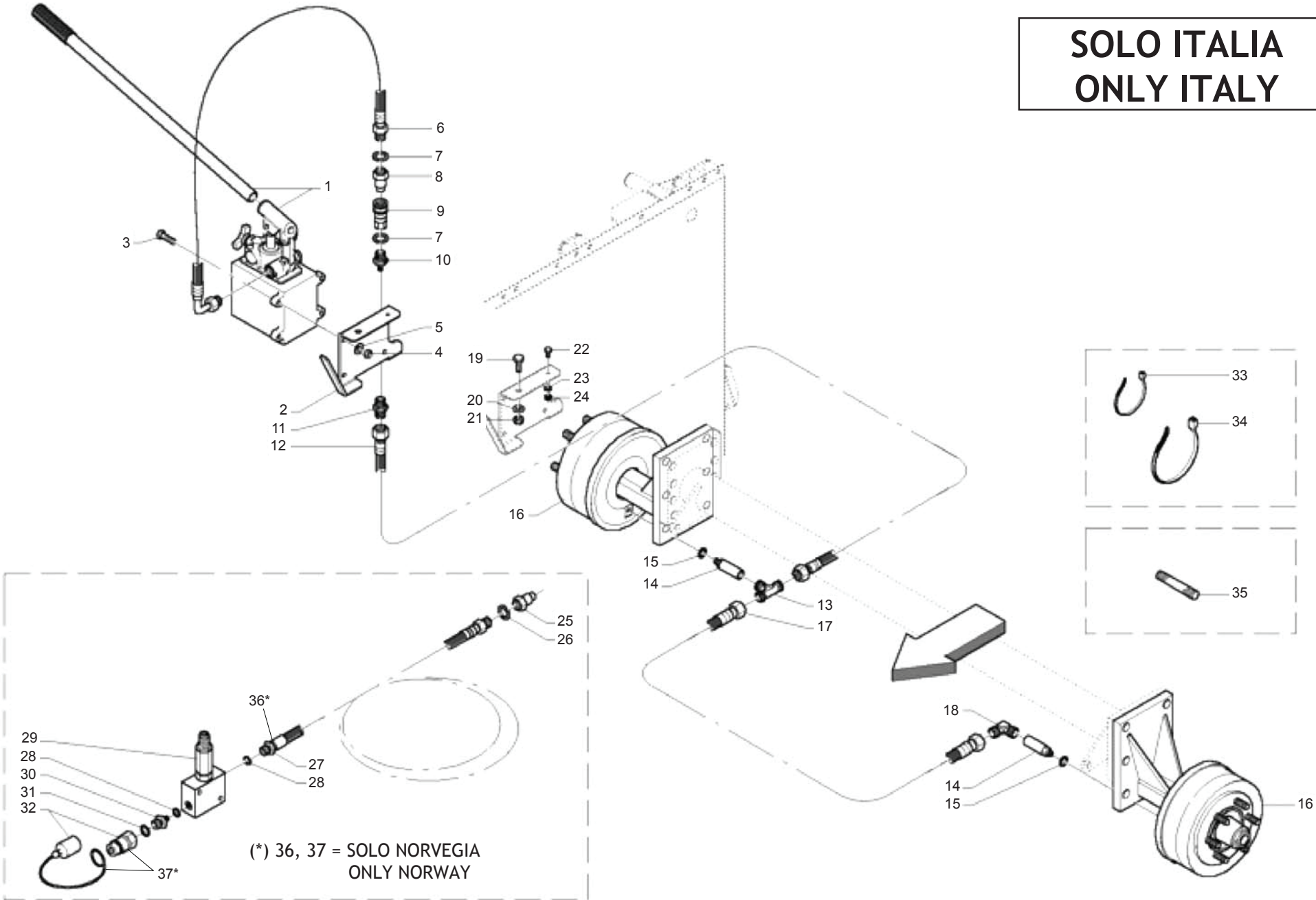
**DISPOSITIVO DI STAZIONAMENTO MECCANICO
MECHANICAL PARKING DEVICE**

TAV_315

Pos.	Cod.	Descrizione	Description	Description	Benennung	Descripcion
1	B013P0003R	PERNO	PIN	TOURILLON	ZAPFEN	PERNO
2	B01830231R	MOLLA	SPRING	RESSORT	FEDER	MUELLE
3	B04200610R	INGRASS.A SFERE M6X1 LUNGO	GREASE NIPPLE	GRAISSEUR HYDRAULIQUE	GERADER SCHMIERNIPPEL M6X1	ENGRASADOR DE ESFERAS M6X1
4	F01420060R	ROS.M10 10,5X 30X2,5 U6593 ZG	GALV.WASHER 10,5X30X2,5 U6593	RONDELLE 10,5X30	SCHIEBE 10,5X30	ARAND.M10 10,5X 30X2,5 U6593
5	F01200270R	DADO M10X1,5 U5588 CL8 ZN	NUT M10X1,5 U5588 6.8ZN	ECROU M10X 1,5 U5588 6.8 ZN	MUTTER M10X 1,5 U5588 6.8 ZN	TUERCA M10X1,5 U5588 CL8 ZN
6	B07J00011R	CAVO DI COM. 4	CONTROL CABLE DIAM. 4	CABLE DE COMMANDE DIAM. 4	STEUERUNGSKABEL	CABLE DE MANDO 4
7	B038P0001R	CARRUCOLA PER FUNE	PULLEY FOR ROPE	POULIE	LAUFROLLE	POLEA PARA CABLE
8	F01020114R	VITE M10X1,5X50 U5737 8.8ZN	SCR. M10X1,5X50 U5737 8.8ZN	VIS M10X 1,5X50 U5737 8.8 ZN	SCHRA.M10X 1,5X50 U5737 8.8 ZN	TORNILLO M10X1,5X50 U5737 8.8
9	F01410062R	ROS.M10 10,5X 18X 2 U6592 ZN	WASHER M10 10,5X 18X 2 U6592	RONDELLE M10 10,5X18X2 ZN	DICHTUNGSRING M10 10,5X18X2 ZN	ARAND.M10 10,5X 18X 2 U6592 ZN
10	F01230202R	DADO M10X 1,5 D985 8 ZN	NUT M10 D985	ECROU AUTOBL. M10	SELBSTSPERR.MUTTER M10	TUERCA M10X 1,5 D985 8
11	B07SP0006R	ATTACCO CARRUCOLA SX	LEFT PULLEY ATTACHMENT	ATTELAGE POULIE GAUCHE	ANSCHLUSS LAUFROLLE LINKS	CONEXI N POLEA IZQ.
12	F01020986R	VITE M20X2,5X60 U5737 8.8 ZN	SCREW M20X2,5X60 U5737 8.8 ZN	HELI. M20X2,5X60 U5737 8.8 ZN	SCHRA. M20X2,5X60 U5737 8.8 ZN	TORNILLO M20X2,5X60 U5737 8.8
13	F01410124R	ROS.M20 21X 37X 3 U6592 ZN	WASHER M20 21X 37X 3 U6592 ZN	RONDEL.M20 21X37X3 ZN	MUTTER M20 21X 37X 3 U6592 ZN	ARAND.M20 21X 37X 3 U6592 ZN
14	F01230259R	DADO M20X 2,5 U7474 CL.8 ZN	NUT M20X 2,5 U7474 CL.8 ZN			TUERCA M20X 2,5 U7474 CL.8
15	B07J00010R	CAVO D1 COM. 4	CONTROL CABLE DIAM. 4	CABLE DE COMMANDE DIAM.4	STEUERUNGSKABEL	CABLE D1 MANDO. 4
16	B07SP0005R	ATTACCO CARRUCOLA DX	RIGHT PULLEY ATTACHMENT	ATTELAGE POULIE DROIT	ANSCHLUSS LAUFROLLE RECHTS	CONEXI N POLEA DER.
17	B07SP0004R	SOSTEGNO CORSOIO	SLIDER SUPPORT	SUPPORT COULISSE	HALTER	SOPORTE DE CARRIL
18	B00500081R	CAVALLOTTO 60X60 M12 ZINCATO	U-BOLT 60X60 M12	BOULON 60X60 M12	BUEGELBOLZEN 60X60 M12	PUENTE 60X60 M12 CINCADO
19	F01410076R	ROS.M12 13X 24X2,5 U6592 ZN	WASHER 12 13X 24X2,5 U6592 ZN	RONDEL. M12 13X24X2,5 U6592 ZN	SCHIEBE M12 13X24X2,5 U6592 ZN	ARAND.M12 13X 24X2,5 U6592 ZN
20	F01230213R	DADO M12X1,75 D985 8 ZN	NUT M12X1,75 U7474 6SZN	ECROU AUTOBL. M12	SELBSTSPERR.MUTTER M12	TUERCA M12X1,75 U7474 CL8 ZN
21	B07SP0008R	ATTACCO MANIGLIA	HANDLE ATTACHMENT			CONEXI N DE LA MANIJA
22	B00191040R	VITE M10X1,5 X 40 U5737 8.8ZN	SCREW	VIS	SCHRAUBE	TORNILLO M10X1,5 X 40 U5737 8
23	F01410062R	ROS.M10 10,5X 18X 2 U6592 ZN	WASHER M10 10,5X 18X 2 U6592	RONDELLE M10 10,5X18X2 ZN	DICHTUNGSRING M10 10,5X18X2 ZN	ARAND.M10 10,5X 18X 2 U6592 ZN
24	F01230202R	DADO M10X 1,5 D985 8 ZN	NUT M10 D985	ECROU AUTOBL. M10	SELBSTSPERR.MUTTER M10	TUERCA M10X 1,5 D985 8
25	B07SP0007R	MANIGLIA CON SPINA	HANDLE WITH PIN			MANIJA CON CLAVIJA
26	F02050651R	ANELLO E. DE 10X 1 U7435 C70	SEEGER RING ARR.10 U7435-75	SEEGER ARR. 10 UNI 7435-75	SEEGERING ARR.10 UNI 7435-75	ANILLO E. DE 10X 1 U7435 C70
27	B005P0001R	SPINA DI SICUREZZA	SAFETY PIN	EPINE DE SURETE	SICHERHEITSTIFT	CLAVIJA DE SEGURIDAD
28	B01821993R	MOLLA	SPRING	RESSORT	FEDER	MUELLE
29	F01420048R	ROS.M8 8,4X 24X 2 U6593 ZN	WASHER M8 8,4X 24X2 U6593 ZN	RONDELLE M8 8,4X24X 2 U6593 ZN	SCHIEBEN M8 8,4X24X 2 U6593 ZN	ARAND.M8 8,4X 24X 2 U6593 ZN
30	B00920208R	DADO AUTOB.BASSO M 8-5S D985	NUT M8X1 D985 8ZN	ECROU	SELBSTSICHERNDE MUTTER M8-5S	TUERCA M8X1 D985 8
31	F01020152R	VITE M12X1,75X40 U5737 8.8ZN	SCR. M12X1,75X40 U5737 8.8ZN	VIS M12X1,75X40 U5737 8.8 ZN	SCHRAUBE M12X1,75X40U57378.8ZN	TORNILLO M12X1,75X40 U5737 8.
32	F01410076R	ROS.M12 13X 24X2,5 U6592 ZN	WASHER 12 13X 24X2,5 U6592 ZN	RONDEL. M12 13X24X2,5 U6592 ZN	SCHIEBE M12 13X24X2,5 U6592 ZN	ARAND.M12 13X 24X2,5 U6592 ZN
33	F01230213R	DADO M12X1,75 D985 8 ZN	NUT M12X1,75 U7474 6SZN	ECROU AUTOBL. M12	SELBSTSPERR.MUTTER M12	TUERCA M12X1,75 U7474 CL8 ZN
34	B0E000061R	FASCETTA A COPPIGLIA	STEEL HOSE CLAMP			ABRAZADERA CON PASADOR

TAV_320

SOLO ITALIA
ONLY ITALY



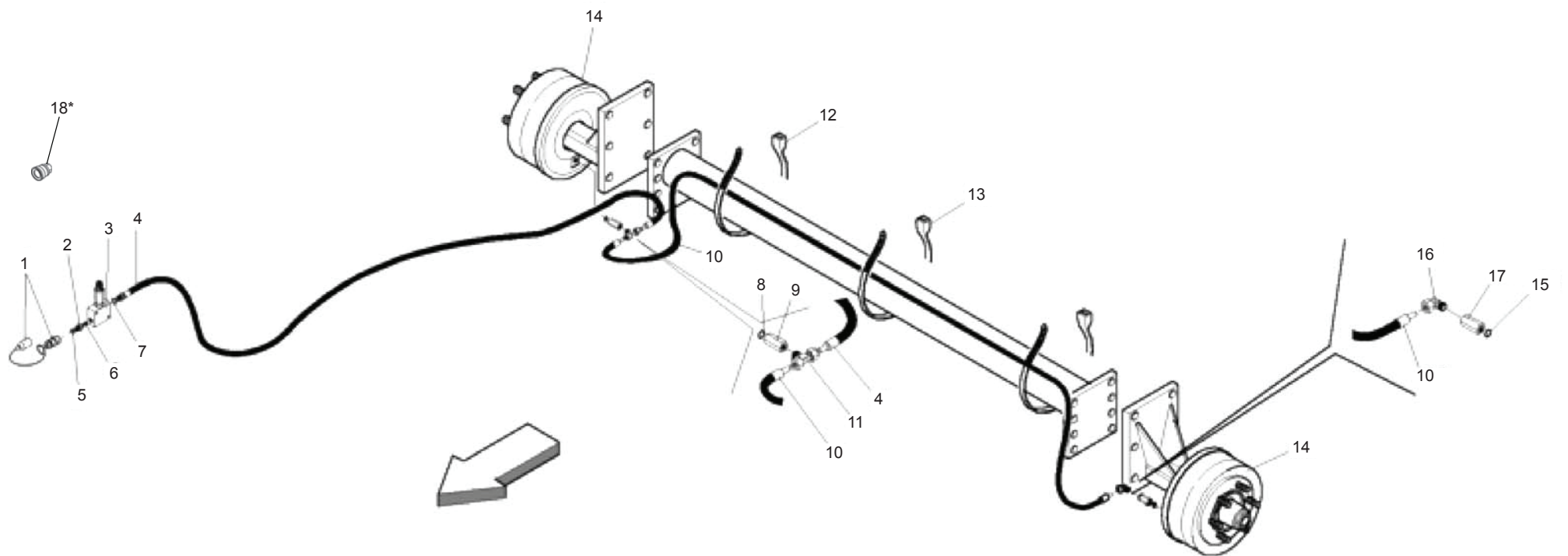
(* 36, 37 = SOLO NORVEGIA
ONLY NORWAY

**DISPOSITIVO DI STAZIONAMENTO IDRAULICO (CUT)
HYDRAULIC PARKING DEVICE (CUT)**

TAV_320

Pos.	Cod.	Descrizione	Description	Description	Benennung	Descripcion
1	BOH400107R	POM.MANO HPT 12 CAPACITA SERBA	HAND PUMP HPT12C	POMPE A MAIN HPT	HANDPUMPE HPT12C	BOMBA MANO HPT 12 CAPACIDAD
2	B0C4P0002R	SOSTEGNO POMPA A MANO	MANUAL PUMP SUPPORT	SUPPORT POMPE A MAIN	EISENWINKEL	SOPORTE BOMBA DE MANO
3	F01020065R	VITE M 8X1,25X 30 U5737 8.8ZN	SCREW M 8X1,25X 30 U5737 8.8Z			TORNILLO M 8X1,25X 30 U5737 8.
4	F01410051R	ROS.M8 8,4X 17X1,6 U6592 ZN	WASHER M8 8,4X17X1,6 U6592 ZN	RONDELLE M8 8,4X17X1,6 ZN	SCHEIBE M8 8,4X17X1,6 U6592 ZN	ARAND.M8 8,4X 17X1,6 U6592 ZN
5	B00920208R	DADO AUTOB.BASSO M 8-5S D985	NUT M8X1 D985 8ZN	ECROU	SELBSTSICHERNDE MUTTER M8-5S	TUERCA M8X1 D985 8
6	BOH000206R	TUBO R16 1 4 STRONGER 1 L410	HYDR HOSE WITH FITTING L=410	TUYAU HYDRAULIQUE AVEC RACCORD	HYDRHES ROHR L=410	TUBO R16 1 4 STRONGER 1 L410
7	F01440094R	RONDELLA ALLUMINIO D10	WASHER D10 ALUMINIUM	RONDELLE D10 AL	SCHIEBE D10 ALUMIN	ARANDELA DE ALUMINIO D10
8	BOH000207R	INNESTO RAPIDO 1 4 MASCHIO	FAST CLUTCH 1 4 MALE	EMBAYAGE RAPIDE 1 4 MALE	KUPPLUNG 1 4	CONEXI N R PIDA 1 4 MACHO
9	BOH000208R	INNESTO RAPIDO 1 4 FEMMINA	FAST CLUTCH 1 4 FEMALE	EMBAYAGE RAPIDE 1 4 FEMELLE	KUPPLUNG 1 4	CONEXI N R PIDA 1 4 HEMBRA
10	BOH000284R	RAC. I 10 TN126GG-10LR	I FITTING TN 126GG-10LR	RACCORD I 10	KUPPLUNG I 10 HARKEN	RAC. I 10 TN126GG-10LR
11	F03080098R	PASSAPARETE ML10 ML10 ZN	PASS WALL ML10 ML10			PASAMUROS ML10 ML10 ZN
12	BOH000033R	TUBO IDRAUL. L=1000	HYDR. TUBE	TUYAU HYDRAULIQUE L=1000	HYDR.SCHLAUCH L=1000	TUBO HIDR UL. L=1000
13	BOH000144R	RACCORDO T 10 TN96-10LR	UNION TEE 10	RACCORD T	KUPPLUNG HARKE	RACOR EN T 10 TN96-10LR
14	BOH000162R	MANICOTTO DI RACCORDO	FITTING SLEEVE	MANCHON DE RACCORD	ANSCHLUSS	MANGUITO DE RACOR
15	B01441415R	RONDELLA IN RAME 1 4	WASHER	RONDELLE	BEILAGSCHEIBE 1 4 13X19X1,5	ARANDELA DE COBRE 1 4
16	B07100031R	MOZZO CON FRENO	HUB WITH BRAKE	MOYEU AVEC FREIN	RADACHSE MIT BREMSE	BUJE CON FRENO SPRINTER NEW
17	BOH000091R	TUBO FLEX SAE 100 R1AT1 4L2050	FLEXIBLE TUBE SAE 100 R1AT	TUYAU FLEXIBLE SAE 100 R1AT 1	ROEHRE FLEX SAE 100 R1AT 1 4	TUBO FLEX SAE 100 R1AT1 4L2050
18	BOH000086R	RACCORDO L 10 TN94-10LR	UNION L 10	RACCORD L 10	ANSCHLUSSSTUECK L 10	RACOR L 10 TN94-10LR
19	F01020472R	VITE M10X1,5X25 U5739 8.8ZN	SCR. M10X1,5X25 U5739 8.8ZN	VIS M10X1,5X25 U5739 8.8 ZN	SCHRAUBE M10X1,5X25 U5739 8.8	TORNILLO M10X1,5X25 U5739 8.8
20	F01410062R	ROS.M10 10,5X 18X 2 U6592 ZN	WASHER M10 10,5X 18X 2 U6592	RONDELLE M10 10,5X18X2 ZN	DICHTUNGSRING M10 10,5X18X2 ZN	ARAND.M10 10,5X 18X 2 U6592 ZN
21	F01230202R	DADO M10X 1,5 D985 8 ZN	NUT M10 D985	ECROU AUTOBL. M10	SELBSTSPERR.MUTTER M10	TUERCA M10X 1,5 D985 8
22	B00180625R	VITE M6X1X 25 U5739 8.8ZN	SCREW	VIS	SCHRAUBE	TORNILLO M6X1X 25 U5739 8.8ZN
23	F01410037R	ROS.M6 6,4X12,5X1,6 U6592 ZN	WASHER M6 6,4X12,5X1,6 U6592ZN	RONDEL.M6 6,4X12,5X1,6 U6592ZN	SCHEIB.M6 6,4X12,5X1,6 U6592ZN	ARAND.M6 6,4X12,5X1,6 U6592 ZN
24	B00920106R	DADO M6X1 D985 8ZN	NUT	ECROU	SELBSTSICHERNDE MUTTER M6-5S	TUERCA M6X1 D985 8
25	BOH000207R	INNESTO RAPIDO 1 4 MASCHIO	FAST CLUTCH 1 4 MALE	EMBAYAGE RAPIDE 1 4 MALE	KUPPLUNG 1 4	CONEXI N R PIDA 1 4 MACHO
26	F01440094R	RONDELLA ALLUMINIO D10	WASHER D10 ALUMINIUM	RONDELLE D10 AL	SCHIEBE D10 ALUMIN	ARANDELA DE ALUMINIO D10
27	BOH0P0001R	TUBO IDRAUL. L=5500	HYDRAULIC HOSE L=5500	TUYAU HYDRAULIQUE L=5500	HYDRAULISCHES ROHR L=5500	TUBO HIDR UL. L=5500
28	B01441815R	ROS. 17 X23X1,5 RAME -3 8	WASHER	RONDELLE	SCHEIBE	ARAND. 17 X23X1,5 COBRE -3
29	BOH000143R	VALV. DI RID. VRPRL2B38TS.SR	REDUCTION VALVE	VALVE DE REDUCTION VRPRL2B38TS	VENTIL	V LV. DE RED. VRPRL2B38TS.SR
30	BOH6000ABR	NIPPLO RIDUZ.1 2 -3 8 RASTEL	NIPPLE	NIPPLE REDUCTION 1 2 - 3 8		NIPLE REDUCC.1 2 -3 8 RASTEL
31	B01442015R	ROS. 21 X27X1,5 RAME -1 2	WASHER	RONDELLE	BEILAGSCHEIBE 1 2	ARAND.21 X27X1,5 COBRE -1
32	BOH6000A0R	INNESTO RAP.NV 12GAS-M	QUICK CLUTCH	EMBAYAGE	SCHNELLKUPPLUNG	ACOPLAMIENTO R P.NV 12GAS-M
33	F05150055R	FASCETTA POLYA. 3,6X200 NERA	WHITE BAND	BANDE BIANCHE	WEIBE BAND	BANDA POLYA. 3,6X200 NEGRA
34	B0E600022R	FASCETTA LUMEFIX 4,8X340	CLAMP LUMEFIX 4,8X340			ABRAZADERA LUMEFIX 4,8X340
35	B005P0005R	PRIGIONIERO M20 108	STUD BOLT	PRISONNIER	STIFTSCHRAUBE	TORNILLO PRISIONERO M20 108
36	BOH000097R	TUBO R1T 1 4 L. 5500	FLEXIBLE TUBE SAE 100 R1AT	TUYAU FLEXIBLE SAE 100 R1AT 1	ROEHRE FLEX SAE 100 R1AT 1 4	TUBO R1T 1 4 L. 5500
37	BOH000223R	INNESTO RAP FEM VF0 12 GAS	INNESTO RAP FEM VF0 12 GAS	EMBAYAGE RAPIDE FEMELLE		CONEXI N R P HEM VF0 12 GAS

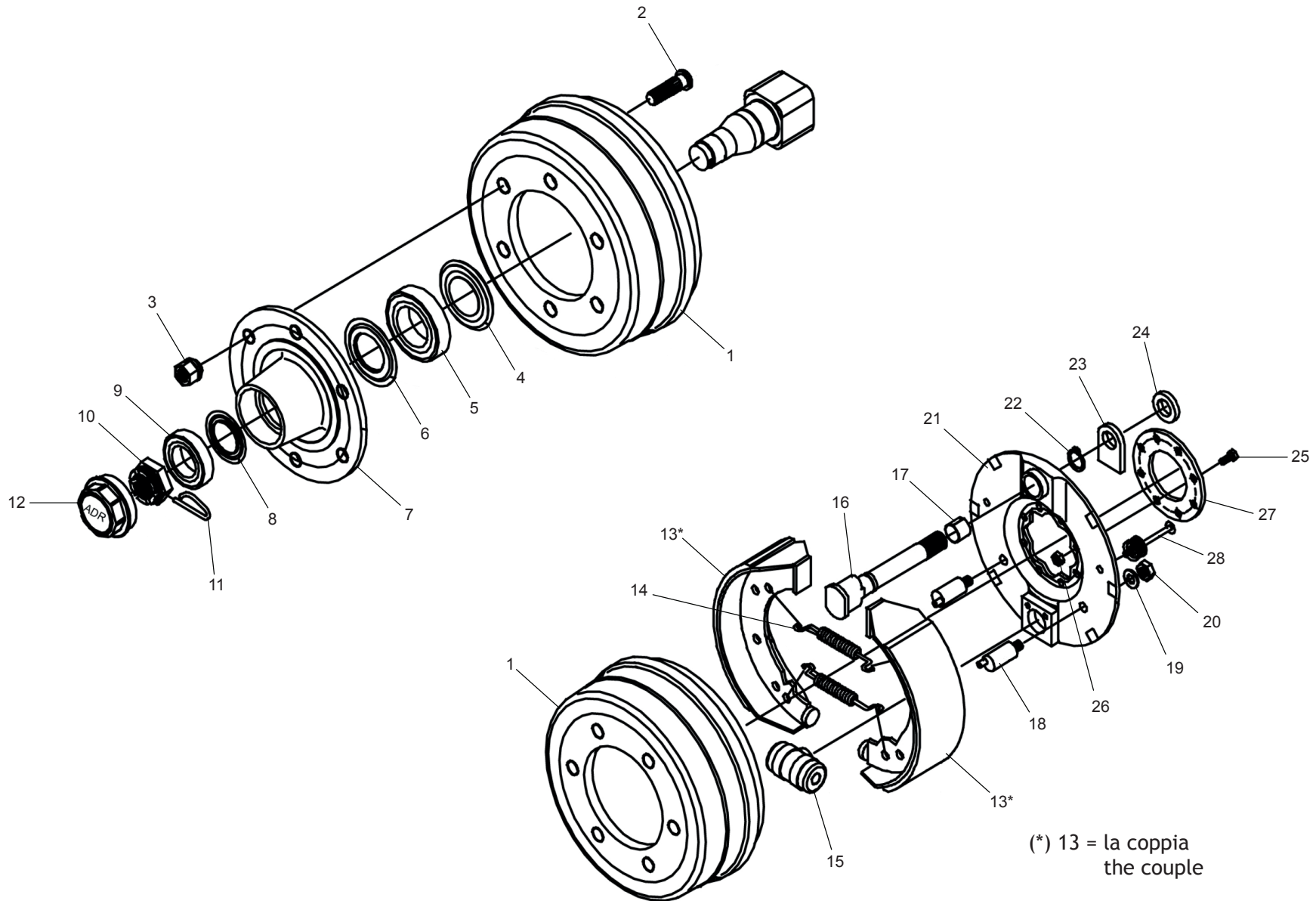
(* 18 = SOLO NORVEGIA
ONLY NORWAY



**FRENO IDRAULICO (NO OMOLOGAZIONE ITALIA)
HYDRAULIC BRAKE (NO ITALY APPROVAL)**

TAV_325

Pos.	Cod.	Descrizione	Description	Description	Benennung	Descripcion
1	B0H6000A0R	INNESTO RAP.NV 12GAS-M	QUICK CLUTCH	EMBAYAGE	SCHNELLKUPPLUNG	ACOPLAMIENTO R P.NV 12GAS-M
2	B0H6000ABR	NIPPLO RIDUZ.1 2 -3 8 RASTEL	NIPPLE	NIPPLE REDUCTION 1 2 - 3 8		NIPLE REDUCC.1 2 -3 8 RASTEL
3	B0H000143R	VALV. DI RID. VRPRL2B38TS.SR	REDUCTION VALVE	VALVE DE REDUCTION VRPRL2B38TS	VENTIL	V LV. DE RED. VRPRL2B38TS.SR
4	B0H000097R	TUBO R1T 1 4 L. 5500	FLEXIBLE TUBE SAE 100 R1AT	TUYAU FLEXIBLE SAE 100 R1AT 1	ROEHRE FLEX SAE 100 R1AT 1 4	TUBO R1T 1 4 L. 5500
5	B01442015R	ROS. 21 X27X1,5 RAME -1 2	WASHER	RONDELLE	BEILAGSCHEIBE 1 2	ARAND.21 X27X1,5 COBRE -1
6	B01441815R	ROS. 17 X23X1,5 RAME -3 8	WASHER	RONDELLE	SCHEIBE	ARAND. 17 X23X1,5 COBRE -3
7	B01441815R	ROS. 17 X23X1,5 RAME -3 8	WASHER	RONDELLE	SCHEIBE	ARAND. 17 X23X1,5 COBRE -3
8	B01441415R	RONDELLA IN RAME 1 4	WASHER	RONDELLE	BEILAGSCHEIBE 1 4 13X19X1,5	ARANDELA DE COBRE 1 4
9	B0H000162R	MANICOTTO DI RACCORDO	FITTING SLEEVE	MANCHON DE RACCORD	ANSCHLUSS	MANGUITO DE RACOR
10	B0H000091R	TUBO FLEX SAE 100 R1AT1 4L2050	FLEXIBLE TUBE SAE 100 R1AT	TUYAU FLEXIBLE SAE 100 R1AT 1	ROEHRE FLEX SAE 100 R1AT 1 4	TUBO FLEX SAE 100 R1AT1 4L2050
11	B0H000098R	RACCORDO T 10 TN 127-10LR	UNION T 10	RACCORD T 10	T.VERSCHRAUBUNG	RACOR EN T 10 TN 127-10LR
12	F05150055R	FASCETTA POLYA. 3,6X200 NERA	WHITE BAND	BANDE BIANCHE	WEIBE BAND	BANDA POLYA. 3,6X200 NEGRA
13	B0E600022R	FASCETTA LUMEFIX 4,8X340	CLAMP LUMEFIX 4,8X340			ABRAZADERA LUMEFIX 4,8X340
14	B07100031R	MOZZO CON FRENO	HUB WITH BRAKE	MOYEU AVEC FREIN	RADACHSE MIT BREMSE	BUJE CON FRENO SPRINTER NEW
15	B01441415R	RONDELLA IN RAME 1 4	WASHER	RONDELLE	BEILAGSCHEIBE 1 4 13X19X1,5	ARANDELA DE COBRE 1 4
16	B0H000086R	RACCORDO L 10 TN94-10LR	UNION L 10	RACCORD L 10	ANSCHLUSSTUECK L 10	RACOR L 10 TN94-10LR
17	B0H000162R	MANICOTTO DI RACCORDO	FITTING SLEEVE	MANCHON DE RACCORD	ANSCHLUSS	MANGUITO DE RACOR
18	B0H000223R	INNESTO RAP FEM VF0 12 GAS	INNESTO RAP FEM VF0 12 GAS	EMBAYAGE RAPIDE FEMELLE		CONEXI N R P HEM VF0 12 GAS

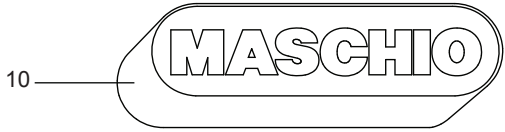
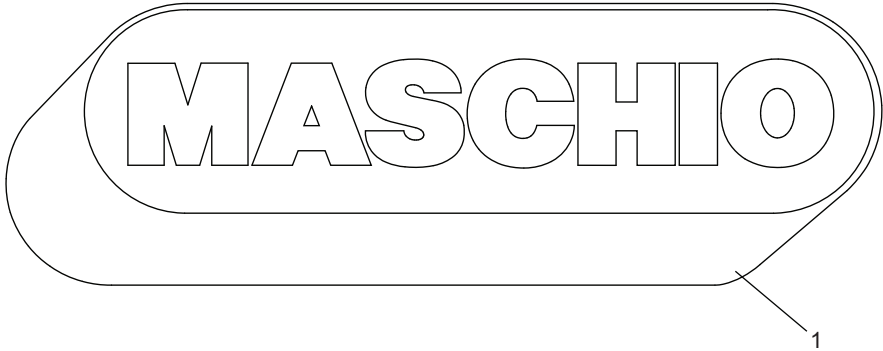


(*) 13 = la coppia
the couple

**ESPLOSO MOZZO CON FRENO
HUB WITH BRAKE PARTS**

TAV_365

Pos.	Cod.	Descrizione	Description	Description	Benennung	Descripcion
1	B0R001136R	TAMBURO	DRUM			TAMBOR
2	B0R001137R	COLONNETTA	WHEELSTUD			COLUMNNA
3	B0R001138R	DADO COLONNETTA	WHEEL NUT			TUERCA DE LA COLUMNA
4	B0R001139R	ANELLO DI TENUTA	RETAINING RING			ANILLO DE RETENCI N
5	B0R001140R	CUSCINETTO	BEARING			COJINETE
6	B0R001141R	ANELLO PARAGRASSO	GREASE RING			ANILLO PARAGRASA
7	B0R001142R	MOZZO	HUB			BUJE
8	B0R001143R	ANELLO PARAGRASSO	GREASE RING			ANILLO PARAGRASA
9	B0R001144R	CUSCINETTO	BEARING			COJINETE
10	B0R001145R	DADO INTAGLI	CROWN NUT			TUERCA RANURAS
11	B0R001146R	SPINA ELASTICA	SPRING PIN			CLAVIJA EL STICA
12	B0R001147R	CALOTTA	CAP			COBERTURA
13	B0R001148R	MASSA FRENO COMPLETA	BRAKESHOES ASSEMBLED			MASA DEL FRENO COMPLETA
14	B0R001149R	MOLLA	SPRING			MUELLE
15	B0R001150R	CILINDRO	CYLINDER			CILINDRO
16	B0R001151R	ALBERO CAMMA	CAM SHAFT			RBOL DE LA LEVA
17	B0R001152R	BOCCOLA	BUSHING			CASQUILLO
18	B0R001153R	PERNO	PIN			PERNO
19	B0R001154R	RONDELLA	WASHER			ARANDELA
20	B0R001155R	DADO	NUT			TUERCA
21	B0R001156R	PIASTRA DI PROTEZIONE	PROTECTION PLATE			PLACA DE PROTECCI N
22	B0R001157R	ANELLO SEEGER	SEEGER RING			ANILLO SEEGER
23	B0R001158R	SUPPORTO	SUPPORT			SOPORTE
24	B0R001159R	RALLA	FIFTH WHEEL			RANGUA
25	B0R001160R	VITE	SCREW			TORNILLO
26	B0R001161R	DADO	NUT			TUERCA
27	B0R001162R	FLANGIA	FLANGE			BRIDA
28	B0R001163R	PERNO MOLLA	SPRING PIN			PERNO MUELLE



2 — EXTREME

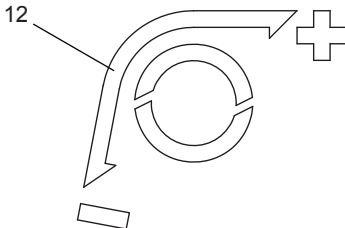
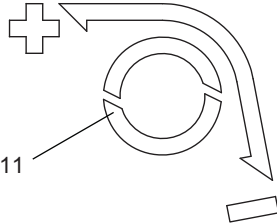
3 — 265

4 — LTI

5 — LTC

6 — LTR

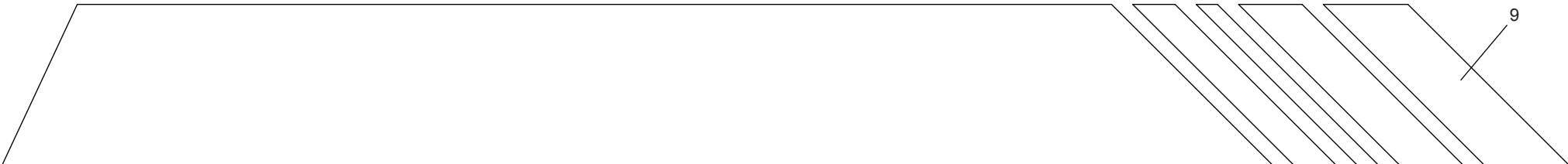
7 — LTU



8



9



DECAL "LOGO"
DECAL "LOGO"

TAV_330

Pos.	Cod.	Descrizione	Description	Description	Benennung	Descripcion
1	F20010506R	ETICH.ID.MASCHIO802X267 BIANCO	ID LABEL MASCHIO 802X267 WHITE	DECAL MASCHIO 802X267 BLANC	AUFKLEBER MASCHIO 802X267 WEI	ETIQU..ID.MACHO802X267 BLANCO
2	F20020560R	ETICHETTA EXTREME	DECAL EXTREME	DECAL EXTREME	AUFKLEBER EXTREME	ETIQUETA EXTREME
3	F20020592R	ETICHETTA 265	DECAL. 265			ETIQUETA 265
4	F20020590R	ETICHETTA LTI	DECAL. LTI			
5	F20020591R	ETICHETTA LTC	DECAL. LTC			
6	F20020601R	ETICHETTA LTR	DECAL. LTR			
7	F20020621R	ETICHETTA LTU	DECAL LTU			
8	F20020579R	DECAL. FASCIA DX 265	DECAL RIGHT STRIP 265			DECAL. BANDA DER 265
9	F20020580R	DECAL. FASCIA SX 265	DECAL LEFT STRIP 265			DECAL. BANDA IZQ 265
10	F20010503R	ETICH.ID.MASCHIO353X118 BIANCO	ID LABEL MASCHIO 353X118 WHITE			ETIQU.ID.MACHO353X118 BLANCO
11	B07500746R	ET CARTER PU - LATO DX	DECAL CARTER PU -	DECAL CARTER PU - DROIT	AUFKLEBER CARTER PU - RECHTS	ET C RTER PU - LADO DER
12	B07500747R	ET CARTER PU - LATO SX	DECAL CARTER PU -	DECAL CARTER PU - GAUCHE	AUFKLEBER CARTER PU - LINKS	ET C RTER PU - LADO IZQ



DECAL "CE"
DECAL "CE"

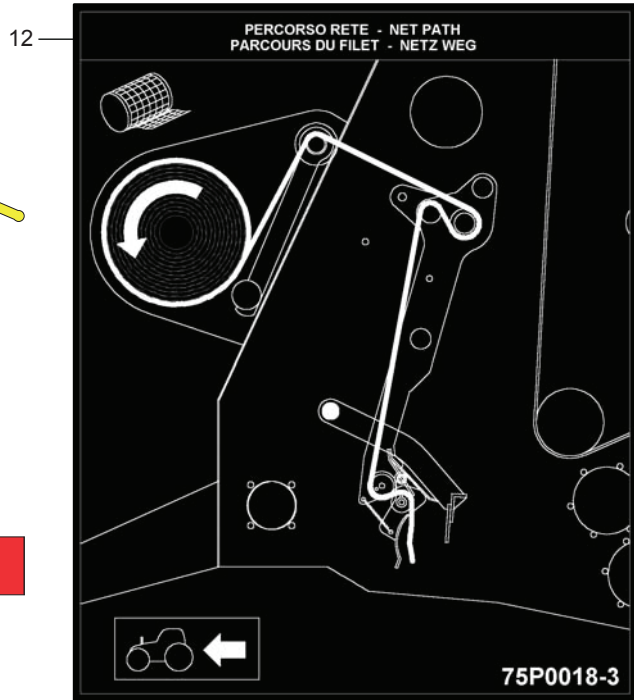
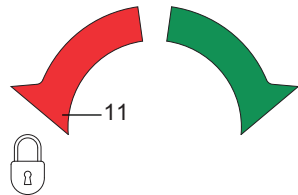
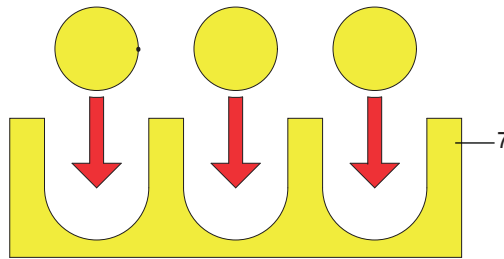
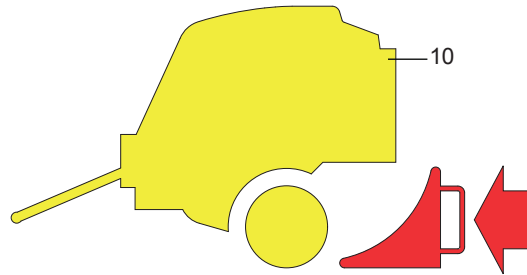
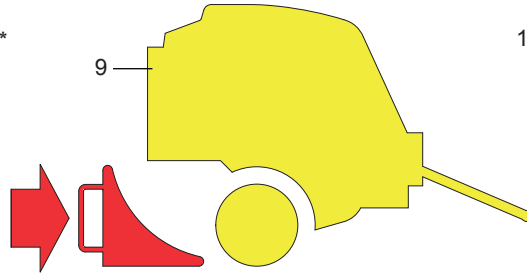
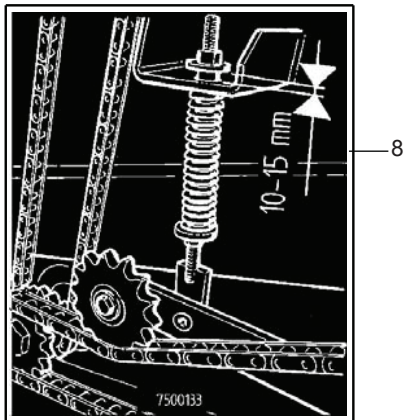
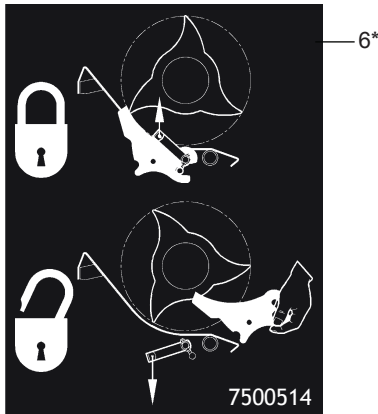
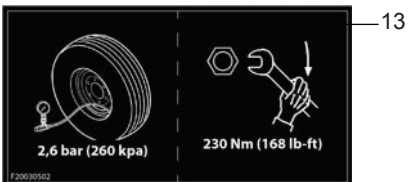
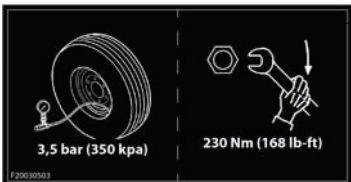
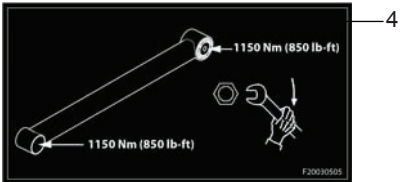
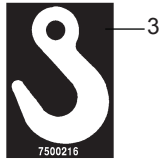
TAV_335

Pos.	Cod.	Descrizione	Description	Description	Benennung	Descripcion
1	B07500185R	ET CONSULT IL LIBRETTO OP.	DECAL SEE OPERATOR S MANUAL	DECAL LIRE LE LIVRE OPERATEU	AUFKLEBE BUCH ANSCHLAGEN	ET CONSULT EL MANUAL OP.
2	B07500186R	ET TOGLIERE LA CHIAVE...	DECAL TAKE THE WRENCH AWAY	DECAL CHASSER LA CLEF	AUFKLEBE SCHLUSSEL ZIEHEN	ET QUITAR LA LLAVE...
3	B07500208R	ET MANO-OLIO SOTTO PRESSIONE	DECAL OIL UNDER PRESSURE HAND	DECAL MAIN-HUILE SOUS PRESSIO	AUFKLEBE HAND-OEL	ET MANO-ACEITE BAJO PRESI N
4	B07500187R	ET 540 GIRI - RICC SX NORMA	DECAL 540RPM - LEFT BURR	DECAL 540 T H-SENS DE ROTATIO	AUFKLEBE 540 RPM	ET 540 REVOLUCIONES -SENTIDO
5	B07500199R	ET PERSONA SCHIACC.-ZONA	DECAL SQUEEZED PERSON	DEECAL PERSONNE ECRASEE -ZONE	AUFKLEBE GEQUETSCHER MANN	ET PERSONA PLASTADO-ZONA
6	B07500203R	ET TAGLIO MANO-STOP NORMA CEE	DECAL HAND CUT _ STOP	DECAL COUPE MAINE - STOP	AUFKLEBE HANDSCHNITT - HALT	ET CORTE MANO-STOP NORMA CE
7	B07500221R	ET PIEDE TAGLI-STARE DISTANTE	WARNING CUT FEET _ DECAL	DECAL PIED COUPE	AUFKLEBE GESCHNITTER FUSS	ET PIE CORTES MANTENERSE ALE
8	B07500207R	ET PERSONA INTRAPP. PICK-UP	TRAPPED MAN DECAL	DECAL PERSONNE PIEGEE-PICK-UP	AUFKLEBE GEFANGTENER MANN	ET PERSONA ATRAPADA PICK-UP
9	B07500198R	ET PERSONA SCHIACC-SOTTO PORTE	SQUEEZED MAN DECAL	DECAL PERSONNE ECRASE -SOUS	AUFKLEBE GEQUETSCHER MANN	ET PERSONA APLASTADO-BAJO P
10	B07500726R	DECAL TAGLIO MANO-LAMA SPAGO	LABEL CUTTING BLADE HAND-TWINE			DECAL CORTE MANO-CUCHILLA C
11	B07500201R	ET SCOSSA ELETTR NORMA CEE	ELECTRIC SHOCK DECAL	DECAL SECOUSSE ELECTRIQUE	AUFKLEBER STROMSTOSS	ET DESCARGA EL CTRICA NORMA
12	B07500212R	ET PERSONA SCHIACC-BALLA NORM	SQUEEZED MAN-BALE DECAL	DECAL PERSONNE ECRASEE -BALLE	AUFKLEBER GEQUERSCHTER MANN	ET PERSONA APLASTADA BALA NO
13	B07500197R	ET PERSONA SCHIACC-PRES MURO	SQUEEZED MAN DECAL	DECAL PERSONNE RCRASE - PRES	AUFKLEBER GEQUETSCHER MANN	ET PERSONA APLASTADO-TOMA P
14	B07500781R	ET PERICOLO CARDANO	DANGER PTO SHAFT DECAL	DECAL DANGER CARDAN	ABZIEHBILD GEFahr GELENKWELLE	ET PELIGRO CARD N
15	B07500724R	ET PERS SCHIACC.-BLOCC.PORTE	DECAL	DECAL PERSONNE-ECRASEE - BLOC	AUFKLEBER GEDRUCKTE PERSON	ET PERS APLASTADA BLOCC.PUERT
16	B07500210R	ET MANO SCHIACC-ORGANI SCH	DECAL SQUEEZED HAND _ ORGANS	DECAL MAIN ECRASEE	AUFKLEBE GEQUERSCHTE HAND	ET MANO APLASTADA RGANOS SC
17	F20030621R	DECAL POSIZIONE CRIC	DECAL POSITION CRIC			

TAV_340

<p>I</p> <p>IMPORTANTE NON USARE GETTI AD ELEVATE PRESSIONI VICINO ALLE PARTI MECCANICHE. SI POSSONO CAUSARE DANNI.</p>	<p>ENG</p> <p>IMPORTANT DO NOT USE HIGH PRESSURE JETS NEAR MECHANICAL PARTS, AS DAMAGES CAN BE CAUSED.</p>
<p>F</p> <p>IMPORTANTE NE PAS UTILISER DES JETS A PRESSION ELEVÉE PRES DE PARTIES MÉCANIQUES. ON PEUT CAUSER DES DOMMAGES.</p>	<p>D</p> <p>WICHTIG HOCHDRUCKSTRAHLE NEBEN MECHANISCHEN TEILEN NICHT VERWENDEN. DA SCHADEN VERURSACHT WERDEN KÖNNTEN.</p>

7500217



(*) 6; 14; 15 = SOLO CUT ONLY CUT

**DECAL "ISTRUZIONE"
DECAL "INSTRUCTION"**

TAV_340

Pos.	Cod.	Descrizione	Description	Description	Benennung	Descripcion
1	B07500217R	ET NON USARE GETTI..	DECAL DO NOT USE SPOUTS	DECAL NE PAS USER JETS	AUFKLEBE KEINE STRAHL BENUTZE	ET NO USAR CHORROS.
2	B07500214R	ET POMPETTA GRASSO	DECAL GREASE SQUIRT	DECAL PETITE POMPE GRAISSE	AUFKLEBE OELKAENNCHEN	ET BOMBA DE GRASA
3	B07500216R	ET GANCIO	DECAL HOOK	DECAL CROC	AUFKLEBE HACKEN	ET GANCHO
4	F20030505R	DECAL COPPIA SERRAG.TIM.EXT 2	TIGHTENING TORQUE LABEL EXT 2			DECAL PAR DE APRIETE.TIM.EXT 2
5	F20030503R	DECAL PNEUMATICI 3,5 BAR 230NM	DECAL TIRE 3,5 BAR 230NM			DECAL NEUM TICOS 3,5 BAR 230NM
6	B07500514R	ET COLT. BLOCC. SBLOCC.	DECAL KNIVES LOCK. UNBLOCK.	DECAL COUTEAUX BLOC. DEBLOC.	DECAL MESSERN	ET CUCHI. BLOQU. DESBLOQ.
7	B07500749R	ET AGGANCI IDRAULICI	HYDRAULIC LINKAGE DECAL	DECAL ATTELAGE HYDRAULIQUE	AUFKLEBER HYDR. KUPPLUNG	ET CONEXIONES HIDR ULICAS
8	B07500133R	ET TENDITORE AUTOMATICO	DECAL AUTOMATIC TIGHTNER	AUTOCOLLANT TENDEUR AUTOMATI	AUFKLEBER AUTOMATISCHER SPANN	ET TENSOR AUTOM TICO
9	B07500733R	ET BLOCCO RUOTA DX	DECAL BLOCK WHEEL	DECAL BLOC ROUE DROIT	AUFKLEBER BLOCKIERUNG RAD RECH	ET BLOQUEO RUEDA DER
10	B07500750R	ET BLOCCO RUOTA SX	DECAL BLOCK WHEEL	DECAL BLOC ROUE GAUCHE	AUFKLEBER BLOCKERUNG RAD LINKS	ET BLOQUEO RUEDA IZQ
11	B07500748R	ET MANOPOLA APERTO CHIUSO	DECAL KNOB OPEN CLOSE	DECAL BOUTON OUVERT FERME	AUFKLEBER HANDGRIFF OEFF. SCHL	ET MANDO ABIERTO CERRADO
12	B075P0018R	ET LEG.RETE CON 2 RULLI	DECAL NET WITH 2 ROLLER	DECAL LIAGE FILET AVEC 2 ROUL	AUFKL. NETZBIND. MIT 2 WALZEN	ET LIG.RED CON 2 RODILLOS
13	F20030502R	DECAL PNEUMATICI 2,6BAR 230NM	TIRES LABEL 2,6BAR 230NM			DECAL NEUM TICOS 2,6BAR 230NM
14	B07500513R	ET ROT. FOLLE	DECAL IDLE ROTOR	DECAL ROTOR FOU	DECAL LEER ROTOR	ET ROT. LOCO
15	B07500512R	ET MARCIA ROT.	DECAL ROTOR GEARSHIFT	DECAL ALLURE ROTOR	DECAL ROTOR GANGGETRIEBE	ET MARCHA DE LA ROT.

**USATE SEMPRE RICAMBI ORIGINALI
ALWAYS USE ORIGINAL SPARE PARTS
IMMER DIE ORIGINAL-ERSATZTEILE VERWENDEN
EMPLOYEZ TOUJOURS LES PIECES DE RECHANGE ORIGINALES
UTILIZAR SIEMPRE REPUESTOS ORIGINALES**



**Servizio Assistenza Tecnica - After Sales Service
Servizio Ricambi - Spare Parts Service**



maschio.com

DEALER:



MASCHIO GASPARDO S.p.A.
Registered office & Production plant
Via Marcello, 73 - 35011
Campodarsego (Padova) - Italy
Tel. +39 049 9289810
Fax +39 049 9289900
e-mail: info@maschio.com
www.maschionet.com

MASCHIO GASPARDO SpA
Production plant
Via Bredina, 6 - 26100 Cremona (Italy) Tel. +39
0372 564610
Fax +39 0372 564625
info@maschio.com

MASCHIO DEUTSCHLAND GMBH
Äußere Nürnberger Straße 5
D-91177 Thalmässing - Deutschland
Tel. +49 (0) 9173 79000
Fax +49 (0) 9173 790079
dialog@maschio.de
www.maschionet.de

MASCHIO-GASPARDO NORTH AMERICA
120 North Scott Park Road
Eldridge, IA 52748 - USA
Ph. +1 563 2859937
Fax +1 563 2859938
e-mail: info@maschio.us

MASCHIO FRANCE Sarl
37 Rue Hippolyte Bayard | 60000 Beauvais France
Tel. +33 09 75533796
info@maschio.fr

MASCHIO-GASPARDO ROMANIA S.R.L.
Strada Înfrăţirii, F.N.
315100 Chisineu-Cris (Arad)
România
Tel. +40 257 307030
Fax +40 257 307040
e-mail: maschio@maschio.ro

000 МАСКИО-ГАСПАРДО РУССИЯ
404130, Россия,
Волгоградская область, г. Волжский,
ул. Пушкина, 117 «б».
Тел.: +7 8443 203100
факс: +7 8443 203101
info@maschio.ru

MASCHIO IBERICA S.L.
MASCHIO-GASPARDO POLAND
MASCHIO-GASPARDO UCRAINA
GASPARDO-MASCHIO TURCHIA
MASCHIO-GASPARDO CINA
MASCHIO-GASPARDO INDIA