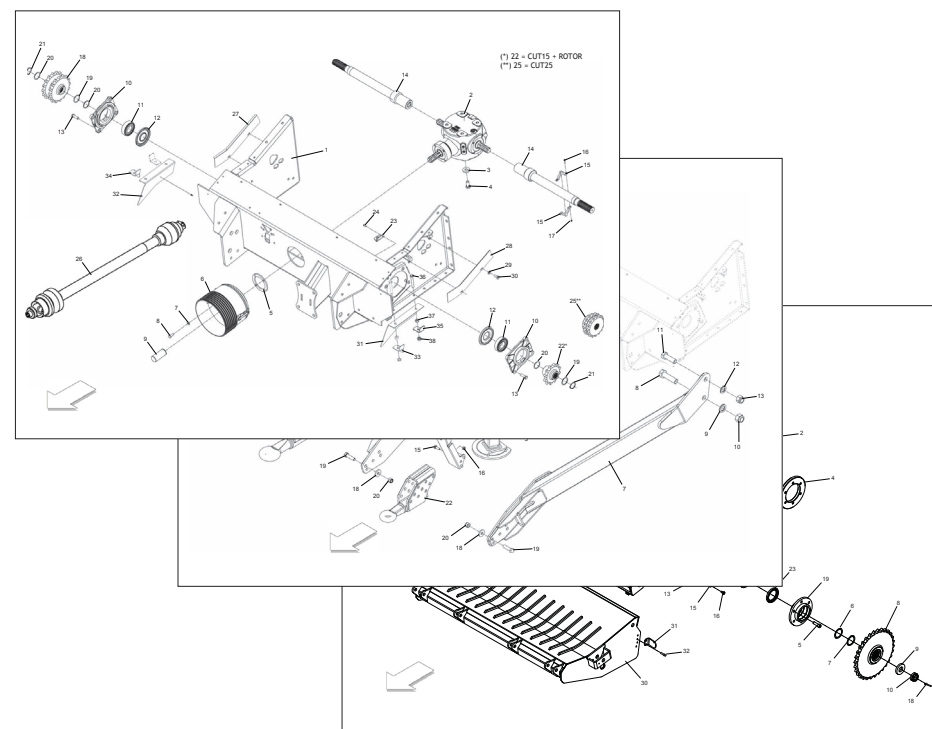


**MASCHIO Fienagione S.p.A.**



# EXTREME 365 HTI

**Cod: F07022312 2017-01**

- \*) Valido per Paesi UE
- \*) Valid for EU member countries
- \*) Valable dans les Pays UE
- \*) Gilt für EU-Mitgliedsländer
- \*) Válido para Países UE

- IT** PARTI DI RICAMBIO
- EN** SPARE PARTS
- DE** ERSATZTEILE
- FR** PIÈCES DÉTACHÉES
- ES** PIEZAS DE REPUESTO

**PARTI DI RICAMBIO**

Le ordinazioni delle parti di ricambio vanno fatte presso i nostri concessionari di zona e devono essere sempre corredate dalle seguenti indicazioni:

- **Tipo, modello e numero di matricola dell'attrezzatura.** Tali dati sono stampigliati nell'apposita targhetta di cui è dotata ogni attrezzatura.

- **Numero di codice della parte richiesta** rilevabile dal catalogo ricambi.

- **Descrizione del particolare e quantità richiesta.**

- **Numero della tavola.**

- **Mezzo di trasporto.** Nel caso questa voce non sia specificata, la Ditta Costruttrice, pur dedicando a questo servizio una particolare cura, non risponde di eventuali ritardi di spedizione dovuti a cause di forza maggiore.

Le spese di trasporto si intendono sempre a carico del destinatario. La merce viaggia a rischio e pericolo del committente anche se venduta franco destino.

**NOTA:** Il termine **(Dx) Destro** o **(Sx) Sinistro** della macchina o di parti di essa, è inteso guardando la macchina dalla parte posteriore. Le eccezioni saranno indicate.

**SPARE PARTS**

*Orders must be transmitted through our area dealers and should always include the following indications:*

- **Type, model and serial number of the machine.** *These data are punched on the data plate with which every implement is equipped.*

- **Code number of the required spare part.** *This will be found in the spare parts catalogue.*

- **Description of the part and required quantity.**

- **Table number.**

- **Means of dispatch.** *If this item is not indicated, the Manufacturer, while dedicating particular care to this service, shall not be held responsible for delays in delivery caused by cases of force majeure.*

*Transport expenses shall always be at the consignee's charge. The goods travel at the purchaser's risk and peril even when sold ex destination.*

**NOTE:** *The symbols (Dx) right and (Sx) left, concerning the machine or single parts of it, are referred, as in the figure, to a rear view of them. Exceptions will be indicated.*

**ERSATZTEILE**

Die Bestellungen müssen bei unseren Gebietshändlern aufgegeben werden. Bei der Bestellung sind stets die folgenden Angaben zu machen:

- **Typ, Modell und Serien-Nummer des Geräts.** Diese Daten stehen auf dem Typenschild, mit dem jedes Gerät versehen ist.

- **Artikel Nr. der erforderlichen Ersatzteile.** Diese stehen im Ersatzteil-Katalog.

- **Beschreibung des Ersatzteils und die erforderliche Stückzahl.**

- **Tafelnummer.**

- **Versandmittel.** Wenn dieser Punkt nicht spezifiziert wird, haftet die Herstellerfirma nicht für etwaigen Lieferverzug aufgrund höherer Gewalt, auch wenn er diesen Service besonders aufmerksam abwickelt.

Die Frachtkosten gehen dagegen immer zu Lasten des Empfängers. Die Ware reist auf Gefahr und Risiko des Auftraggebers, auch wenn frei Haus Verkauft vereinbart worden ist.

**N.B.:** Die Merkzeichen **(Dx) rechts** und **(Sx) links** betreffen eine rückwärtige Aussicht der Maschine oder Teile von ihr (siehe Bild). Ausnahmen werden gezeigt.

**PIECES DÉTACHÉES**

*Les ordres doivent être effectués auprès de nos concessionnaires de zone en précisant les indications suivantes:*

- **Type, modèle et numéro de série de la machine.** *Ces données sont gravées sur la plaque d'identification de chaque outil.*

- **Numéro de code de la pièce détachée** *indiqué sur le catalogue des pièces détachées.*

- **Description de la pièce et quantité requise.**

- **Numéro de plan.**

- **Moyen d'expédition.** *Si cette rubrique n'est pas indiquée, le Constructeur, bien que soucieux de ce service, ne répond pas des retards d'expédition pour des causes de force majeure.*

*Les frais de transport sont toujours à la charge du destinataire. La marchandise voyage aux risques et périls de l'acheteur même si vendue franco de port.*

**N.B.:** *Les références (Dx) droit et (Sx) gauche de la machine ou des parties de la même, est entendue, comme de la figure, en regardant la machine de derriere dans le sens de marche.*

**RESPUESTOS**

Los pedidos han de efectuarse en nuestros concesionarios de zona y deben incluir siempre las siguientes indicaciones:

- **Tipo, modelo y número de matrícula del equipo.** Dichos datos están impresos en la relativa placa presente en el equipo.

- **Número de código de la parte requerida** presente en el catálogo respuestas.

- **Descripción de la pieza y cantidad requerida.**

- **Numero de ilustración.**

- **Medio de transporte.** En caso que este ítem no esté especificado, el Fabricante, aún prestando la debidas consideraciones para este aspecto, no responde por eventuales retardos de env'o debidos a causas de fuerza mayor.

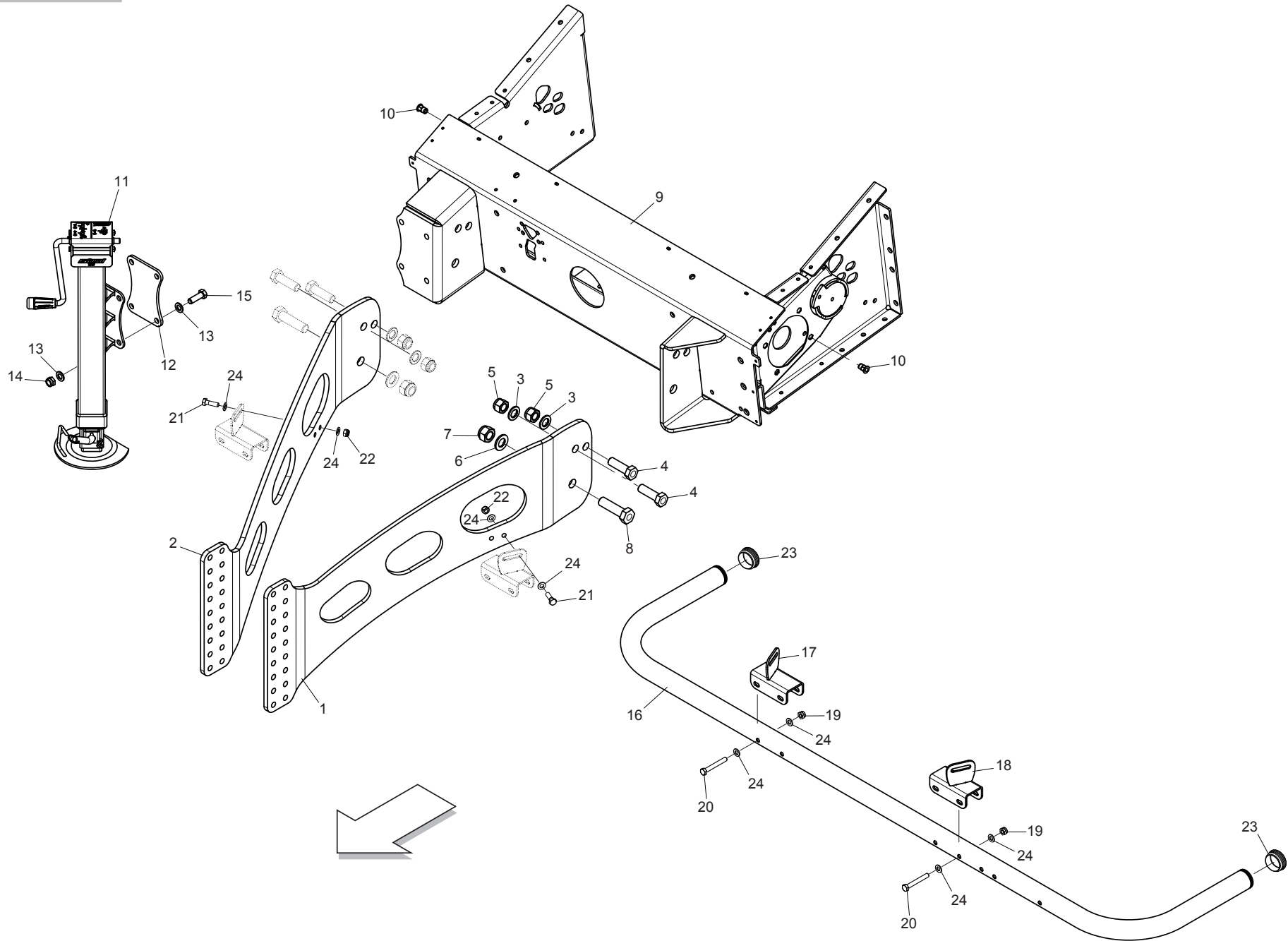
Los gastos de transporte se consideran siempre a cargo del destinatario. La mercadería viaja bajo riesgo y peligro del comprador, incluso cuando se vende franco destino.

**N.B.:** La referencia **(Dx) derecha** o **(Sx) izquierda** de la máquina o de sus componentes, se entiende, como en la figura, mirando la máquina por la parte trasera. Se indicarán las excepciones.

<b>N° Tavola</b>	<b>INDICE</b>	<b>Pagina</b>	<b>N° Table</b>	<b>INDEX</b>	<b>Page</b>
TAV_010	TRAVERA ANTERIORE (PARTE 1).....	7	TAV_010	FRONT CROSSBAR (PART 1).....	7
TAV_020	TRAVERA ANTERIORE (PARTE 2).....	9	TAV_020	FRONT CROSSBAR (PART 2).....	9
TAV_030	TRAVERA ANTERIORE (PARTE 3).....	11	TAV_030	FRONT CROSSBAR (PART 3).....	11
TAV_040	ESPLOSO SCATOLA DI TRASMISSIONE.....	13	TAV_040	GEAR BOX PARTS.....	13
TAV_050	SCALETTA.....	15	TAV_050	LADDER.....	15
TAV_060	PORTATUBI.....	17	TAV_060	TUBE HOLDER.....	17
TAV_070	TELAIO ANTERIORE (PARTE 1).....	19	TAV_070	FRONT FRAME (PART 1).....	19
TAV_080	TELAIO ANTERIORE (PARTE 2).....	21	TAV_080	FRONT FRAME (PART 2).....	21
TAV_560	MOZZI E PNEUMATICI.....	23	TAV_560	HUBS AND TYRES.....	23
TAV_650	ESPLOSO MOZZO NON FRENATO.....	25	TAV_650	HUB WITHOUT BRAKE PARTS.....	25
TAV_660	ESPLOSO MOZZO CON FRENO.....	27	TAV_660	HUB WITH BRAKE PARTS.....	27
TAV_210	ROLLBAR.....	29	TAV_210	ROLLBAR.....	29
TAV_130	BILANCIERE.....	31	TAV_130	BELT TENSIONER ARM.....	31
TAV_090	PORTELLONE (PARTE 1).....	33	TAV_090	REAR GATE (PART 1).....	33
TAV_100	PORTELLONE (PARTE 2).....	35	TAV_100	REAR GATE (PART 2).....	35
TAV_120	PORTELLONE (PARTE 3).....	37	TAV_120	REAR GATE (PART 3).....	37
TAV_110	KIT COLLINA FRENA CINGHIE.....	39	TAV_110	HILL BRAKES BELTS KIT.....	39
TAV_670	KIT RUOTE RACCOGLITORE FISSE.....	41	TAV_670	FIXED WHEEL COLLECTOR KIT.....	41
TAV_160	CATENE TRASMISSIONE RULLI (LATO DESTRO).....	43	TAV_160	ROLLERS TRANSMISSION CHAINS (RIGHT SIDE).....	43
TAV_170	CATENE TRASMISSIONE RULLI (LATO SINISTRO).....	45	TAV_170	ROLLERS TRANSMISSION CHAINS (LEFT SIDE).....	45
TAV_140	RULLI.....	47	TAV_140	ROLLERS.....	47
TAV_150	TENDITORI CATENE.....	49	TAV_150	CHAINS TENSIONER.....	49
TAV_180	CINGHIE.....	51	TAV_180	BELTS.....	51
TAV_190	INFALDATORE (REVISIONE 0).....	53	TAV_190	FEEDER (REVISION 0).....	53
TAV_200	INFALDATORE (REVISIONE 2).....	55	TAV_200	FEEDER (REVISION 2).....	55
TAV_220	PICK-UP (PARTE 1).....	57	TAV_220	PICK-UP (PART 1).....	57
TAV_230	PICK-UP (PARTE 2).....	59	TAV_230	PICK-UP (PART 2).....	59
TAV_240	PICK-UP (PARTE 3).....	61	TAV_240	PICK-UP (PART 3).....	61
TAV_250	PICK-UP (PARTE 4).....	63	TAV_250	PICK-UP (PART 4).....	63
TAV_260	PICK-UP (PARTE 5).....	65	TAV_260	PICK-UP (PART 5).....	65
TAV_270	PICK-UP (PARTE 6).....	67	TAV_270	PICK-UP (PART 6).....	67
TAV_280	PICK-UP (PARTE 7).....	69	TAV_280	PICK-UP (PART 7).....	69
TAV_290	RASTRELLO (REVISIONE 0).....	71	TAV_290	RAKE (REVISION 0).....	71
TAV_300	RASTRELLO (REVISIONE 1).....	73	TAV_300	RAKE (REVISION 1).....	73
TAV_310	RULLO CONVOGLIATORE.....	75	TAV_310	ROLLER CONVEYOR.....	75
TAV_330	LEGATORE RETE (PARTE 1).....	77	TAV_330	NET BINDER (PART 1).....	77
TAV_340	LEGATORE RETE (PARTE 2).....	79	TAV_340	NET BINDER (PART 2).....	79
TAV_350	LEGATORE RETE (PARTE 3).....	81	TAV_350	NET BINDER (PART 3).....	81
TAV_360	LEGATORE RETE (PARTE 4).....	83	TAV_360	NET BINDER (PART 4).....	83

<b>N° Tavola</b>	<b>INDICE</b>	<b>Pagina</b>	<b>N° Table</b>	<b>INDEX</b>	<b>Page</b>
TAV_370	LEGATORE RETE (PARTE 5).....	85	TAV_370	NET BINDER (PART 5).....	85
TAV_380	LEGATORE RETE (PARTE 6).....	87	TAV_380	NET BINDER (PART 6).....	87
TAV_390	CARTER (PARTE 1).....	89	TAV_390	CARTER (PART 1).....	89
TAV_400	CARTER (PARTE 2).....	91	TAV_400	CARTER (PART 2).....	91
TAV_410	CARTER (PARTE 3).....	93	TAV_410	CARTER (PART 3).....	93
TAV_420	BOX IMPIANTO IDRAULICO MACCHINA.....	95	TAV_420	MACHINE HYDRAULIC SYSTEM BOX.....	95
TAV_430	IMPIANTO IDRAULICO MACCHINA (PARTE 1).....	97	TAV_430	MACHINE HYDRAULIC SYSTEM (PART 1).....	97
TAV_440	IMPIANTO IDRAULICO MACCHINA (PARTE 2).....	99	TAV_440	MACHINE HYDRAULIC SYSTEM (PART 2).....	99
TAV_450	CARTER IMPIANTO IDRAULICO.....	101	TAV_450	HYDRAULIC SYSTEM CARTER.....	101
TAV_600	IMPIANTO OLIIATURA AUTOMATICA.....	103	TAV_600	AUTOMATIC OILING SYSTEM.....	103
TAV_460	IMPIANTO LUBRIFICAZIONE AUTOMATICA.....	105	TAV_460	AUTOMATIC GREASING SYSTEM.....	105
TAV_470	IMPIANTO LUBRIFICAZIONE MANUALE.....	107	TAV_470	MANUAL GREASING SYSTEM.....	107
TAV_480	CABLAGGIO PRINCIPALE ICON.....	109	TAV_480	ICON MAIN CABLING.....	109
TAV_490	IMPIANTO LUCI + CUNEI.....	111	TAV_490	LIGHTS PLAN + WHEELS CHOCKS.....	111
TAV_500	FARI LAVORO.....	113	TAV_500	WORKING LIGHTS.....	113
TAV_510	FRENO PNEUMO-IDRAULICO (PARTE 1).....	115	TAV_510	AIR-HYDRAULIC BRAKE (PART 1).....	115
TAV_520	FRENO PNEUMO-IDRAULICO (PARTE 2).....	117	TAV_520	AIR-HYDRAULIC BRAKE (PART 2).....	117
TAV_530	DISPOSITIVO DI STAZIONAMENTO MECCANICO.....	119	TAV_530	MECHANICAL PARKING DEVICE.....	119
TAV_540	FRENO IDRAULICO.....	121	TAV_540	HYDRAULIC BRAKE.....	121
TAV_550	FRENO IDRAULICO (NO OMOLOGAZIONE ITALIA).....	123	TAV_550	HYDRAULIC BRAKE (NO ITALY APPROVAL).....	123
TAV_580	KIT ROTOLO SUPPLEMENTARE.....	125	TAV_580	ADDITIONAL ROLL SUPPORT KIT.....	125
TAV_320	BALLATOIO.....	127	TAV_320	FOOTBOARD.....	127
TAV_610	DECAL "LOGO".....	129	TAV_610	"LOGO" DECAL.....	129
TAV_620	DECAL "LOGO BLACK EDITION".....	131	TAV_620	"LOGO BLACK EDITION" DECAL.....	131
TAV_630	DECAL "CE".....	133	TAV_630	"CE" DECAL.....	133
TAV_640	DECAL "ISTRUZIONE".....	135	TAV_640	"INSTRUCTION" DECAL.....	135

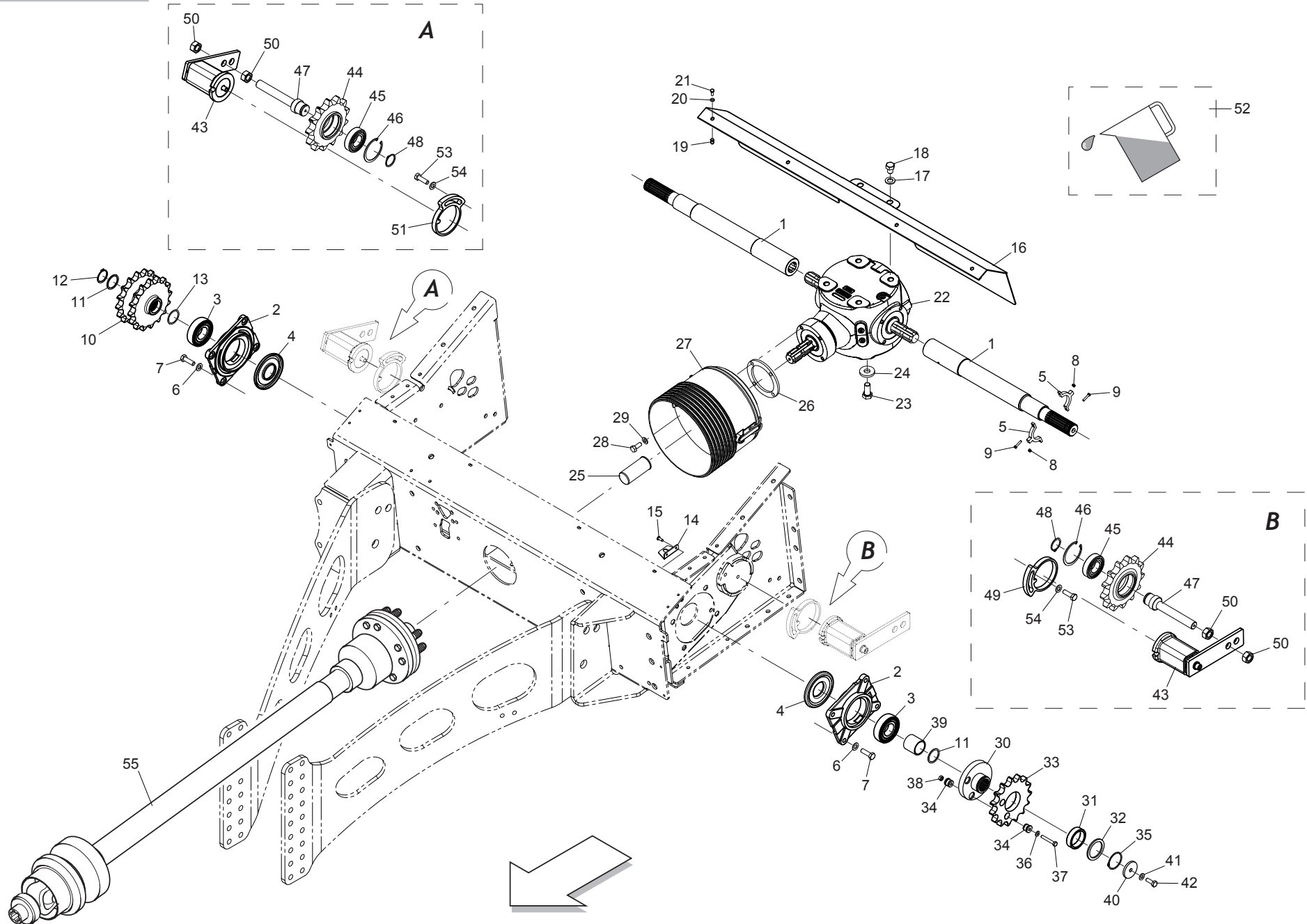




**TRAVERA ANTERIORE (PARTE 1)  
FRONT CROSSBAR (PART 1)**

TAV\_010

Pos.	Cod.	Descrizione	Description	Description	Benennung	Descripcion
1	BSP000050	ALA SINISTRA TIMONE 365 HTC	LEFT WING HELM 365 HTC			
2	BSP000051	ALA DESTRA TIMONE 365 HTC	RIGHT WING HELM 365 HTC			
3	B014R2440	ROSETTA 24 UNI 5714-69 E DEIDR	WASHER	RONDELLE	BEILAGSSCHEIBE 24	
4	B00252480	VITE ZN.TE M24X2X80-10.9 U5738	SCREW			
5	B00911524	DADO AUTOB.ALTO M24X2 -8G D982	NUT			
6	B014R2750	ROSETTA 27 UNI 5714-69 ZN E DE	WASHER 27 UNI 5714-69 ZN E DE			
7	B00911527	DADO AUTOB.ALTO M27X2 -8G D982	NUT			
8	B00252791	VITE ZN.TE M27X2X100-10.9U5738	SCREW			
9	B07SP1103	TRAVERSA ANTERIORE 365 HTI	FRONT CROSSBEAM 365 HTI			
10	B00990012	INSERTO ESAGONALE M12	HEXAGONAL NUT M12			
11	B07MP0397	SERVOTIMONE 365 120 2016	SERVO DRAW BAR 365 120 2016			
12	B0C1P0684	ATTACCO PROLUNGA	CONNECTION EXTENSION			
13	F01410100	ROS.M16 17X 30X 3 U6592 ZN	WASHER	RONDELLE	SCHEIBE	
14	B00920516	DADO M16X 1,5 D985 6S ZN	NUT M16X1,5 D985 6S ZN	ECROU	SELBSTSICHERNDE MUTTER M16-5S	
15	F01020571	VITE M16X2X50 U5739 8.8ZN	SCR. M16X2X50 U5739 8.8ZN	VIS M16X2X50 U5739 8.8 ZN	SCHRAUBE M16 X2X50 U5739 8.8ZN	TORNIL.M16 X2X50 U5739 8.8 ZN
16	B0C1P0973	TUBO PER BULL-BAR	BULL-BAR TUBE			
17	B07SP1174	SUPPORTO DESTRO BULL-BAR	RIGHT SUPPORT FOR BULL-BAR			
18	B07SP1175	SUPPORTO SX BULL-BAR 365 MOND	LEFT SUPPORT FOR BULL-BAR 365			
19	B00920412	DADO M12X1,75 D985 8 ZN	NUT	ECROU	SELBSTSICHERNDE MUTTER M12-5S	
20	F01020524	VITE M12X1,75X90 U5739 8.8ZN	SCR. M12X1,75X90 U5739 8.8ZN			
21	F01020152	VITE M12X1,75X40 U5737 8.8ZN	SCR. M12X1,75X40 U5737 8.8ZN	VIS M12X1,75X40 U5737 8.8 ZN	SCHRAUBE M12X1,75X40U57378.8ZN	TORNIL.M12X1,75X40 U5737 8.8ZN
22	F01230213	DADO M12X1,75 U7474 CL8 ZN	NUT M12X1,75 U7474 6SZN	ECROU AUTOBL. M12	SELBSTSPERR.MUTTER M12	DADO AUTOBL. M12
23	F05100223	TAPPO PLT X TUBO 60 SP.1.5-3	STOP.PLT FOR TUBE 60 SP.1.5-3			
24	F01410076	ROS.M12 13X 20X2,0 U1749 ZN	WASHER	RONDELLE	SCHEIBE	

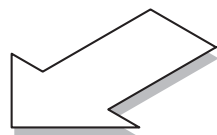
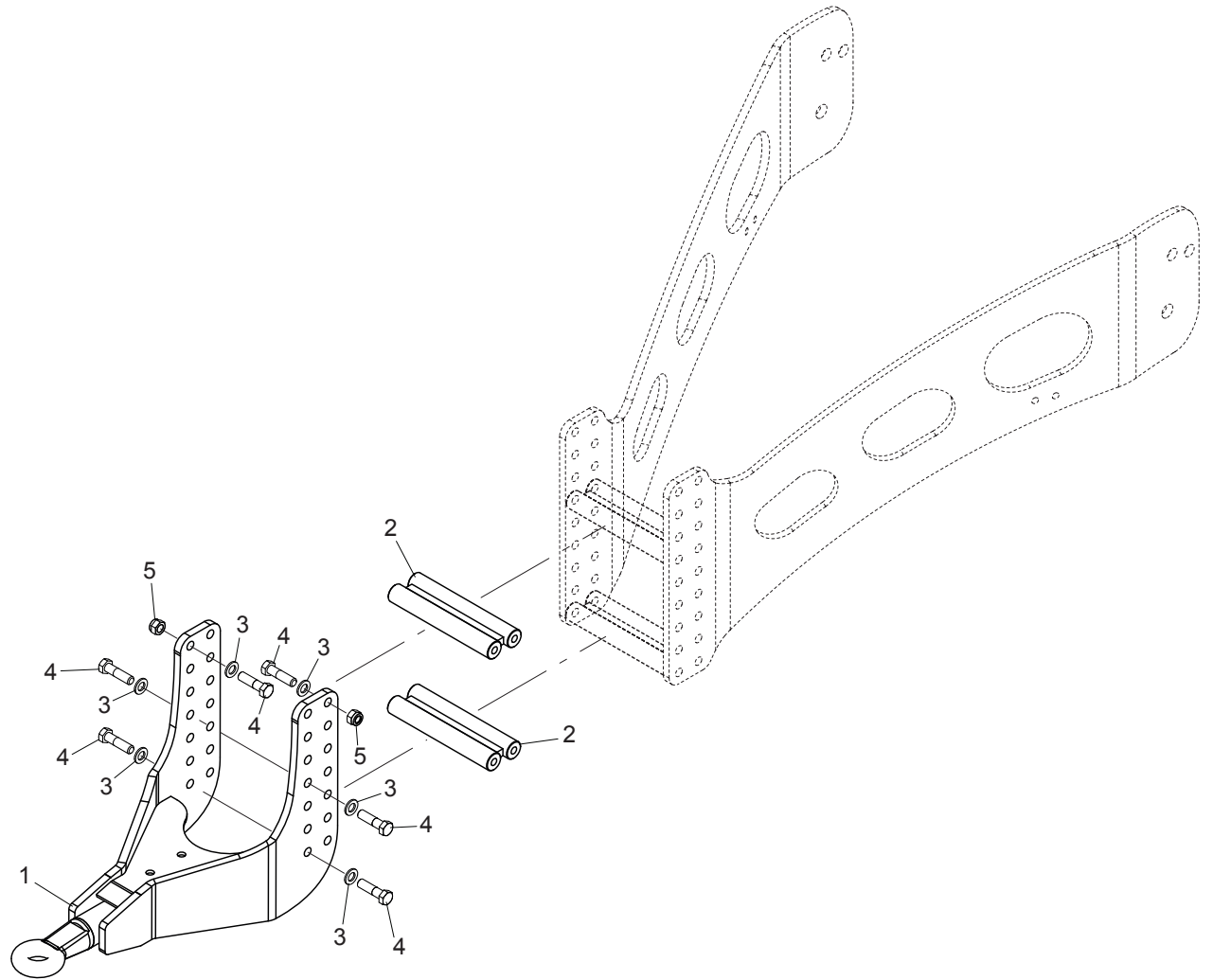
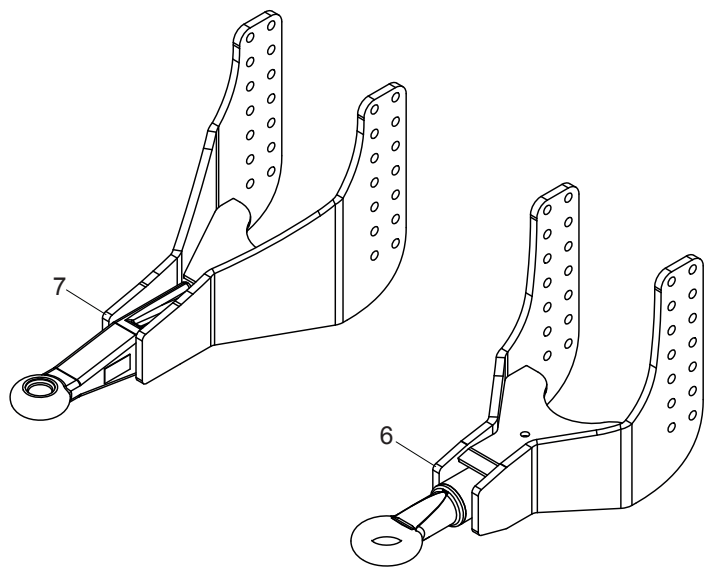




**TRAVERA ANTERIORE (PARTE 2)  
FRONT CROSSBAR (PART 2)**

TAV\_020

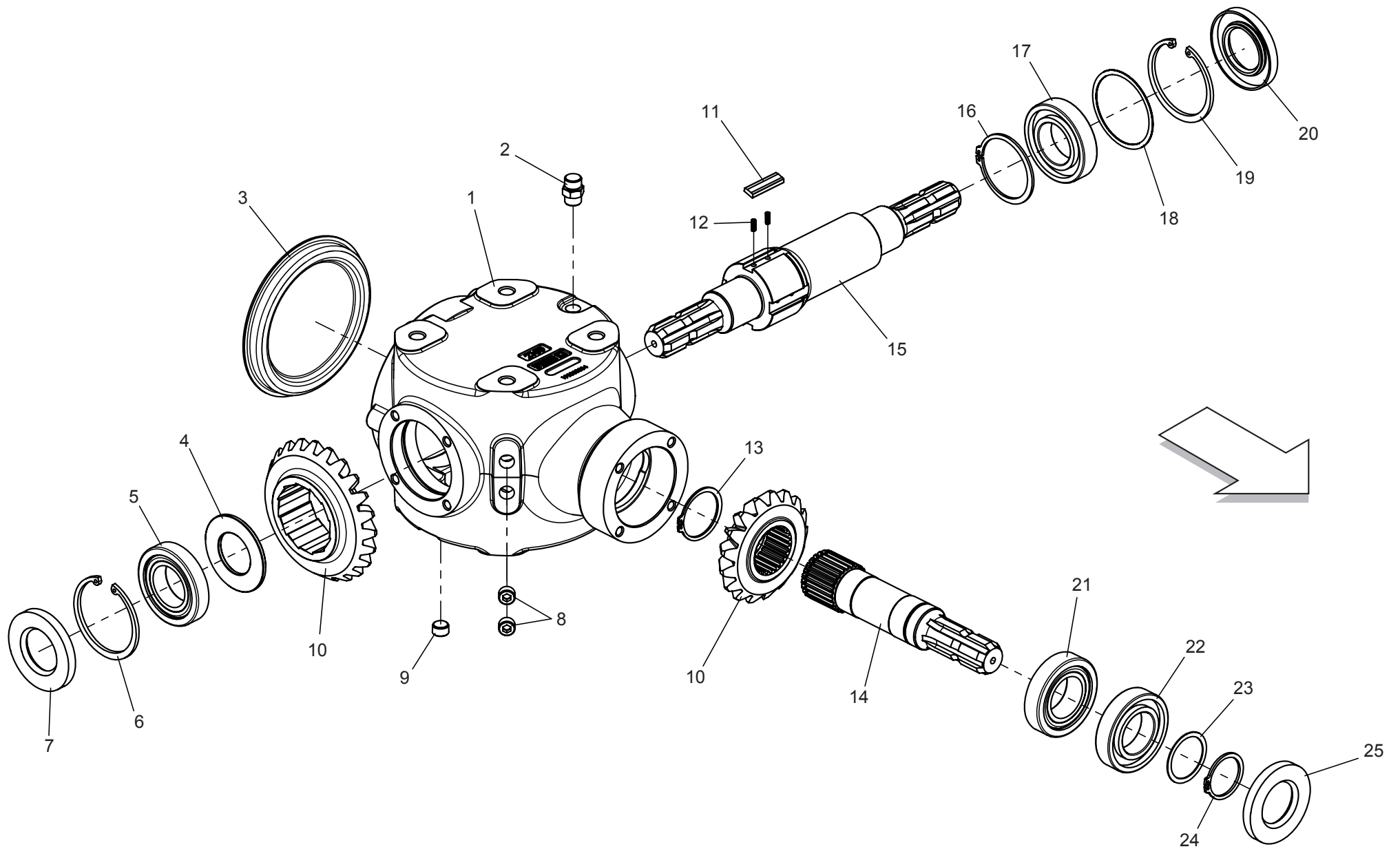
Pos.	Cod.	Descrizione	Description	Description	Benennung	Descrpcion
1	B035P0126	PROLUNGA EXTREME 365	PROL EXTREME 365			
2	B027P0017	FLANGIA SUPPORTO C LAMATURE	SUPPORT			
3	B02384023	CUSCINETTO INA 308 NPPB - 2RS	BEARING INA 308 NPPB-2RS	ROULEMENT INA 308 NPPB 2RS	LAGER INA308 NPPB-2RS	
4	B01300827	CAPPELLOTTO DI PROT.	PROTECTION CAP	FLASQUE PROTECTRICE	SCHUTZDECKEL	
5	B0C6P0745	DISCO PER SENSORE EXTREME	DISC PER SENSORE EXTREME			
6	F01410076	ROS.M12 13X 24X2,5 U6592 ZN	WASHER 12 13X 24X2,5 U6592 ZN	RONDEL. M12 13X24X2,5 U6592 ZN	SCHEIBE M12 13X24X2,5 U6592 ZN	ARANDELA M12 13 X24X2,5 ZN
7	F01020514	VITE M12X1,75X40 U5739 8.8ZN	SCR. M12X1,75X40 U5739 8.8ZN	VIS M12X1,75X40 U5739 8.8ZN	SCHRA. M12X1,75X40 U5739 8.8ZN	TORN. M12X1,75X40 U5739 8,8ZN
8	B00920005	DADO AUTOB.BASSO M 5-5S DIN985	NUT	ECROU	SELBSTSICHERNDE MUTTER M5-5S	
9	B00180525	VITE ZINC.TE M 5X25-8.8 U5739	SCREW			
10	B034P0103	INGR. Z=16-16 1 1 4 COM. SCA	GEAR Z=16-16 1 1 4 COM. SCA			
11	B01300151	B01300151	SHIM	ENTRETOISE	DISTANZSTUECK 40 48 2	
12	B01700040	ANEL. D ARR. ALBERO 40-E UNI 3	SEEGER RING	BAGUE SEEGER	SEEGERRING 40-E	
13	B01300126	B01300126	SHIM	ENTRETOISE	DISTANZSTUECK 40 408 1	
14	B0C6P0825	ATTACCO SENSORE	ATTACK SENSORE			
15	B01000011	RIVETTO STR. 6X12 U9200A AL	RIVET 6X12 U9200A AL	RIVET	ABREISSNIETEN 6X15	
16	B0C3P0280	CARTER PROTEZIONE SCATOLA	CARTER PROT			
17	F01410100	ROS.M16 17X 30X 3 U6592 ZN	WASHER M16 17X30X3 U6592 ZN	RONDELLE M16 17X30X3 ZN	SCHRAUBE M16 17X 30X3 U6592 ZN	ARANDELA M16 17X30X 3 U6592
18	B00181620	VITE M16X 20-8.8 UNI 5739	SCREW	VIS	SCHRAUBE	
19	B00990009	INSERTO ESAGONALE M6	HEXAGONAL CONNECTION M6	CONNECTION HEXAGONALE	SECHSECKIGER EINSATZ M6	
20	F01410037	ROS.M6 6,4X12,5X1,6 U6592 ZN	WASHER M6 6,4X12,5X1,6 U6592ZN	RONDEL. M6 6,4X12,5X1,6 U6592ZN	SCHEIB. M6 6,4X12,5X1,6 U6592ZN	ARAND.M6 6,4X12,5X1,6 U6592 ZN
21	F01020404	VITE M6X1X20 U5739 8.8ZN	SCREW M6X1X20 U5739 8.8ZN	VIS M6X1X20 U5739 8.8ZN	SCHRAUBE M6X1X20 U5739 8.8ZN	TORNILLO M6X1X20 U5739 8.8ZN
22	BSP000040	SCATOLA TRASMISSIONE	TRANSMISSION BOX			
23	F01020564	VITE M16X2X35 U5739 8.8ZN	SCR. M16X2X35 U5739 8.8ZN	VIS M 16X35	SCHRAUBE M 16X35	TORNILLO M 16X35
24	B013P0084	RALLA 17X42X6	FITH WHEEL 17X42X6	BUTEE 17X42X6	DISTANZSCHEIBE 17X42X6	
25	G19002131	PROTEZIONE P.D.P.	PDP GUARD			
26	B013P0300	FLANGIA DI SPESSORAMENTO CUFFI	FLANGE DI SPESSORAMENTO CUFFI			
27	B07VP0501	CONTROCUFFIA COMPLETA SFT	CONTROCUFFIA COMPLETA			
28	F01020472	VITE M10X1,5X25 U5739 8.8ZN	SCR. M10X1,5X25 U5739 8.8ZN	VIS M10X1,5X25 U5739 8.8 ZN	SCHRAUBE M10X1,5X25 U5739 8.8	TORNILLO 10X25 U5739 8.8 ZN
29	F01410064	ROS.M10 10,5X 20X 2 U6592 ZN	WASHER M10 10,5X20X2 U6592 ZN	RONDEL. M10 10,5X20X2 U6592 ZN	SCHEIBE M10 10,5X20X2 U6592 ZN	ARANDEL.M10 10,5X20X2 U6592
30	B07SP1195	SICUREZZA TRASMISSIONE 365 HTI	ROTOR SAFTE 365HTI			
31	B025P0013	BRONZINA D=65 D=54 L=18	BUSHING D=65 D=54 L=18			
32	B0C1P1079	RALLA D=70 D=54,5 L=4	RALLA D=70 D=54,5 L=4			
33	B034P0205	INGR. Z=15; 1 1 4; ISO 20B-1	PLATE WHEEL; Z=15; 1 1 4; ISO			
34	B013P0453	BUSSOLA DI TRANCIAMENTO	SAFE CUTTING BUSH			
35	F02050215	ANELLO E. DE 55X 2 U7435 C70	RET. RING FOR SHAFT 55X2 U7435	BAGUE ELASTIQUE UNI 7435	RING 55X 2 U7435 C70	ANILLO UNI 7435
36	F01410051	ROS.M8 8,4X 17X1,6 U6592 ZN	WASHER M8 8,4X17X1,6 U6592 ZN	RONDELLE M8 8,4X17X1,6 ZN	SCHEIBE M8 8,4X17X1,6 U6592 ZN	ARANDELA M8 8,4X17X1,6 U6592Z
37	F01021213	VITE M 8X1,25X 55 U5739 8.8 ZN	SCREW M8X1,25X 55 8.8 ZN			
38	F01220022	DADO M8X1,25 D980 8ZN	NUT M8X1,25 D980 8ZN	ECROU M8X 1,25 D980 8 ZN	MUTTER M8X 1,25 D980 8 ZN	TUERCA M8X 1,25 D980 8 ZN
39	B013P0388	DISTANZIALE 41X48X46	SPACER 41X48X46			
40	B0C1P1139	RALLA 60X11X6	RALLA 60X11X6			
41	F01410064	ROS.M10 10,5X 20X 2 U6592 ZN	WASHER M10 10,5X20X2 U6592 ZN	RONDEL. M10 10,5X20X2 U6592 ZN	SCHEIBE M10 10,5X20X2 U6592 ZN	ARANDEL.M10 10,5X20X2 U6592
42	F01020476	VITE M10X1,5X30 U5739 8.8ZN	SCR. M10X1,5X30 U5739 8.8ZN	VIS M10X1,5X30 U5739 8.8 ZN	SCHRAUBE M10X1,5X30U5739 8.8ZN	TORNIL.M10X1,5X30 U5739 8.8 ZN
43	F06140026	EL. TENDITORE SE-F38 RUBMIX15	TURNBUCKLE			
44	B034P0134	CORONA Z=13 1 1 4 ISO	GEAR Z=13 1 1 4 ISO			
45	B02043016	CUSC. 6206-2RS CAT.B-ST004	BEARING	ROULEMENT	LAGER	
46	F02050392	ANELLO E. DI 62X 2 U7437 C70	SEEGER RING E. 62X 2 U7437 C70	SEEGER E. 62X 2 U7437 C70	SEEGERING E. 62X 2 U7437 C70	ANILLO E. 62 X 2 U7437 C70
47	B0C1P0451	PERNO PER TENDITORE	PIN L105 FOR TENSIONER SE38			
48	F02050112	ANELLO E.DE 30X 1,5 U7435 ZN	SEEGER RING 30X 1,5 U7435 C70	SEEGER E. 30 X 1,5 U7435 C70	SEEGERING E. 30X 1,5 U7435 C70	ANILLO E. 30 X 1,5 U7435 C70
49	B0C1P0795	PIASTRA DI FISS.TENDIT.SE-F 38	PLATE OF FIX.TENDIT.SE-F 38			
50	F01200352	DADO M20X2,5 U5588 CL8 ZN	NUT M20X2,5 U5588 6.8ZN	ECROU 20 UNI 5588 6.8 ZN	MUTTER M20X 2,5 U5588 6.8 ZN	TUERCA M20X 2,5 U5588 6.8 ZN
51	B0C1P1074	PIASTRA DI FISS.TENDIT.SE-F 38	FIXING PLATE SE-F 38			
52	F03260016	OLIO AGIP BLASIA 150	OIL AGIP BLASIA 150			
53	F01020514	VITE M12X1,75X40 U5739 8.8ZN	SCR. M12X1,75X40 U5739 8.8ZN	VIS M12X1,75X40 U5739 8.8ZN	SCHRA. M12X1,75X40 U5739 8.8ZN	TORN. M12X1,75X40 U5739 8,8ZN
54	F01410076	ROS.M12 13X 24X2,5 U6592 ZN	WASHER 12 13X 24X2,5 U6592 ZN	RONDEL. M12 13X24X2,5 U6592 ZN	SCHEIBE M12 13X24X2,5 U6592 ZN	ARANDELA M12 13 X24X2,5 ZN
55	B03600076	CAR B07 Z6-Z6 OMFRRZ 1700 L1546	PTO B07 Z6-Z6 OMFRRZ 1700 L1546	CARDAN	GELENKWELLE	



**TRAVERA ANTERIORE (PARTE 3)  
FRONT CROSSBAR (PART 3)**

TAV\_030

Pos.	Cod.	Descrizione	Description	Description	Benennung	Descripcion
1	BSP000052	OCCHIONE SALDATO 35 365 HTI	WELDED EYE BOLT 035 365 HTI			
2	B07SP1160	DISTANZIALE SALDATO L=250 M16	WELDED SPACER L=250 M16			
3	F01410100	ROS.M16 17X 30X 3 U6592 ZN	WASHER	RONDELLE	SCHEIBE	
4	F01021221	VITE M16X2X60 U5737 10.9 ZD	SCREW M16X2X60 10.9 ZD			
5	F01230236	DADO M16X1,5 D985 CL8 ZN	NUT M16X1,5 D985 6SZN	ECROU M16X1,5 D985 6SZN	MUTTER M16X1,5 D985 6SZN	TUERCA M16X1,5 D985 6SZN
6	BSP000053	OCCHIONE 50 365 HTI	EYE BOLT 050 365 HTI			
7	BSP000054	OCCHIONE 40 ALLUNGATO	EYE BOLT 040			

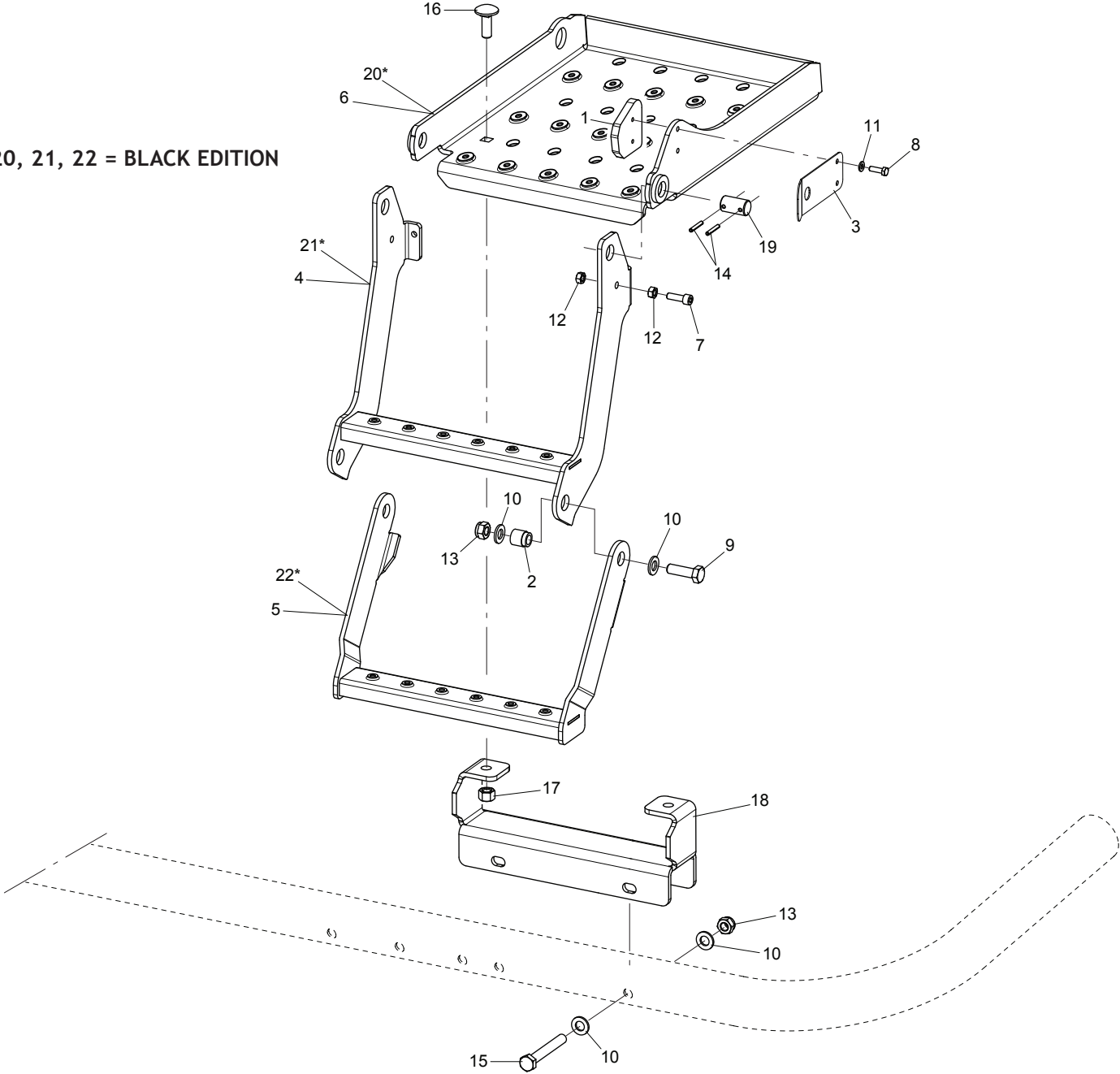


**ESPLOSO SCATOLA DI TRASMISSIONE  
GEAR BOX PARTS**

TAV\_040

Pos.	Cod.	Descrizione	Description	Description	Benennung	Descripcion
1	B0R001106	SCATOLA RINVIO 2100 -G25-	GEAR BOX			
2	B0R001123	TAPPO 3 8 GAS CON. SFIATO	PLUG			
3	M62100114R	COPERCHIO BON.298616000	COVER			
4	B0R001109	DISTANZIALE D.45.2X82.5X4	SPACER			
5	B0R001120	CUSC. 30209 45X85X20,75 R.C.D	BEARING			
6	B0R001115	ANELLO ELAST.E. 85X4,00 DIN47	ELASTIC RING			
7	B0R001122	ANELLO TENUTA 045X085X010	SEAL			
8	B0R001124	TAPPO 3 8 GAS CON. DIN 906	PLUG			
9	B0R001124	TAPPO 3 8 GAS CON. DIN 906	PLUG			
10	B0R001125	C.CONICA R=0,74 X 2100 RL SU	BEVEL GEAR			
11	M50400903R	PIASTRINA	PLATE			
12	F02400084R	MOLLA X RUOTA LIBERA BONDIOLI	SPRING FOR FREE WHEEL BONDIOLI			
13	B0R001113	ANELLO ELAST.E. 52X2,00 DIN47	ELASTIC RING			
14	B0R001107	ALBERO ASSE Z=1-3 8 Z=6 L=76	AXEL SHAFT			
15	B0R001108	ALBERO XY MONT.G CON RL	XY SHAFT			
16	B0R001112	ANELLO ELAST.E. 68X2,50 DIN47	ELASTIC RING			
17	B0R001119	CUSC. 6209 45X85X19 SF.D.Q.	BEARING			
18	B0R001117	ANELLI DI SPESS. I. 085	SHIM			
19	B0R001115	ANELLO ELAST.E. 85X4,00 DIN47	ELASTIC RING			
20	B0R001122	ANELLO TENUTA 045X085X010	SEAL			
21	B0R001121	CUSC. 32209 45X85X24,75 R.C.D	BEARING			
22	B0R001119	CUSC. 6209 45X85X19 SF.D.Q.	BEARING			
23	B0R001116	ANELLI DI SPESS. E. 045	SHIM			
24	B0R001114	ANELLO ELAST.E. 45X2,50 DIN47	ELASTIC RING			
25	B0R001122	ANELLO TENUTA 045X085X010	SEAL			

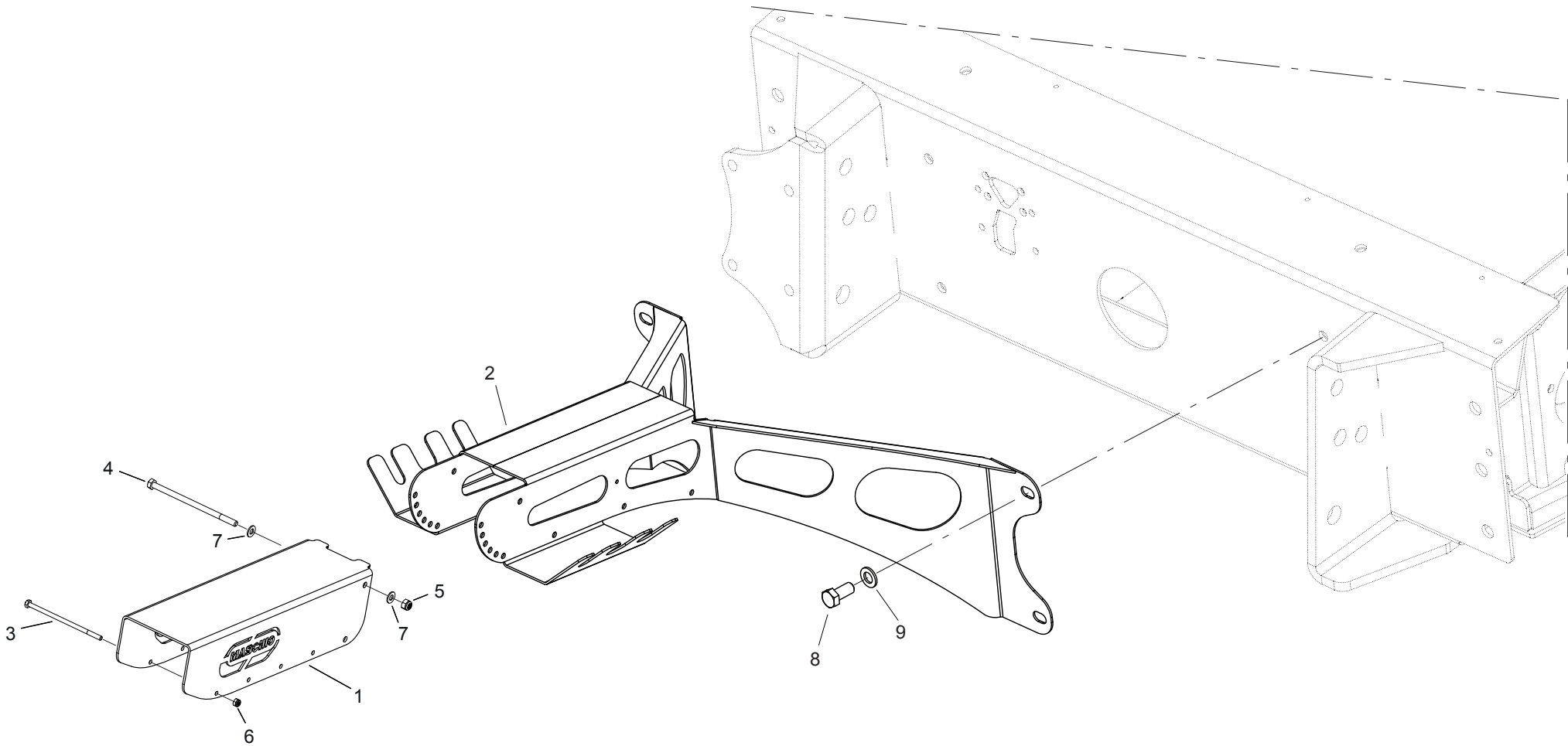
(\*) 20, 21, 22 = BLACK EDITION



**SCALETTA  
LADDER**

TAV\_050

Pos.	Cod.	Descrizione	Description	Description	Benennung	Descripcion
1	B0C1P0928	FINECORS SCALETTA ZN	LADDER S STOPPER ZN			
2	B013P0336	BUSSOLA	BUSH			
3	B018P0017	GANCIO PER SCALA	HOOK PER SCWING			
4	B07SP1151	GRADINO INTERMEDIO	INTERMEDIATE STEP			
5	B07SP1152	GRADINO FINALE	FINAL STEP			
6	B07SP1153	GRADINO SUPERIORE SINISTRO	UPPER LEFT STEP			
7	B00400825	VITE M8X1,25X25 U5931 10.9ZD	SCREW	VIS	SCHRAUBE	
8	F01020404	VITE M6X1X20 U5739 8.8ZN	SCREW M6X1X20 U5739 8.8ZN	VIS M6X1X20 U5739 8.8ZN	SCHRAUBE M6X1X20 U5739 8.8ZN	TORNILLO M6X1X20 U5739 8.8ZN
9	F01020514	VITE M12X1,75X40 U5739 8.8ZN	SCR. M12X1,75X40 U5739 8.8ZN	VIS M12X1,75X40 U5739 8.8ZN	SCHRA. M12X1,75X40 U5739 8.8ZN	TORN. M12X1,75X40 U5739 8,8ZN
10	F01410076	ROS.M12 13X 20X2,0 U1749 ZN	WASHER	RONDELLE	SCHEIBE	
11	F01410037	ROS.M6 6,4X12,5X1,6 U6592 ZN	WASHER	RONDELLE	BEILAGSCHEIBE 6	
12	F01200244	DADO M8X1,25 U5588 CL8 ZN	NUT M8X1,25 U5588 6.8ZN	ECROU M8 X1,25 U5588 6.8 ZN	MUTTER M8 X1,25 U5588 6.8 ZN	TUERCA M8 X1,25 U5588 6.8 ZN
13	F01230213	DADO M12X1,75 U7474 CL8 ZN	NUT M12X1,75 U7474 6SZN	ECROU AUTOBL. M12	SELBSTSPERR.MUTTER M12	DADO AUTOBL. M12
14	F02100065	SPINA E.P. 4X 30 U6873 C70 BR	PIN EL. 4X30 DIN 1481	GOUPILLE EL.4 X30 DIN 1481	SPANNSTIFT 4X30 DIN 1481	CLAVIJA EL.4 X30 DIN 1481
15	F01020526	VITE M12X1,75X100 U5739 8.8ZN	ZINC PLATED SCREW 12X100_8,8	VIS ZINGUEE TE M12X100-8.8 UNI	SCHRAUBE VERZINKT TE M12X100 8	
16	B00523421	VITE SPECIALE TTQST M12X35-8.8	SPECIAL SCREW	VIS SPCIALE	SCHRAUBE TTQST M12X 35-8.8	
17	F01200076	DADO M12X1,75 U5587 CL8 ZN	NUT M12X1,75 U5587 6.8ZN	ECROU M12X 1.75 U5587 6.8 ZN	MUTTER M12X1.75 U5587 6.8 ZN	DADO M12X1.75 U5587 6.8 ZN
18	B0C1P1105	STAFFA SCALETTA SX EXTR. 365 P	STIRRUP LEFT STEPLADDER			
19	B0C1P1058	PERNO SCALETTA 365 HTI 20	PIN LADDER 365 HTI 20			
20	BSP000041	GRADINO SUPERIORE SINISTRO	UPPER STEP LEFT			
21	BSP000042	GRADINO INTERMEDIO	INTERMEDIATE STEP			
22	BSP000043	GRADINO FINALE	FINAL STEP			

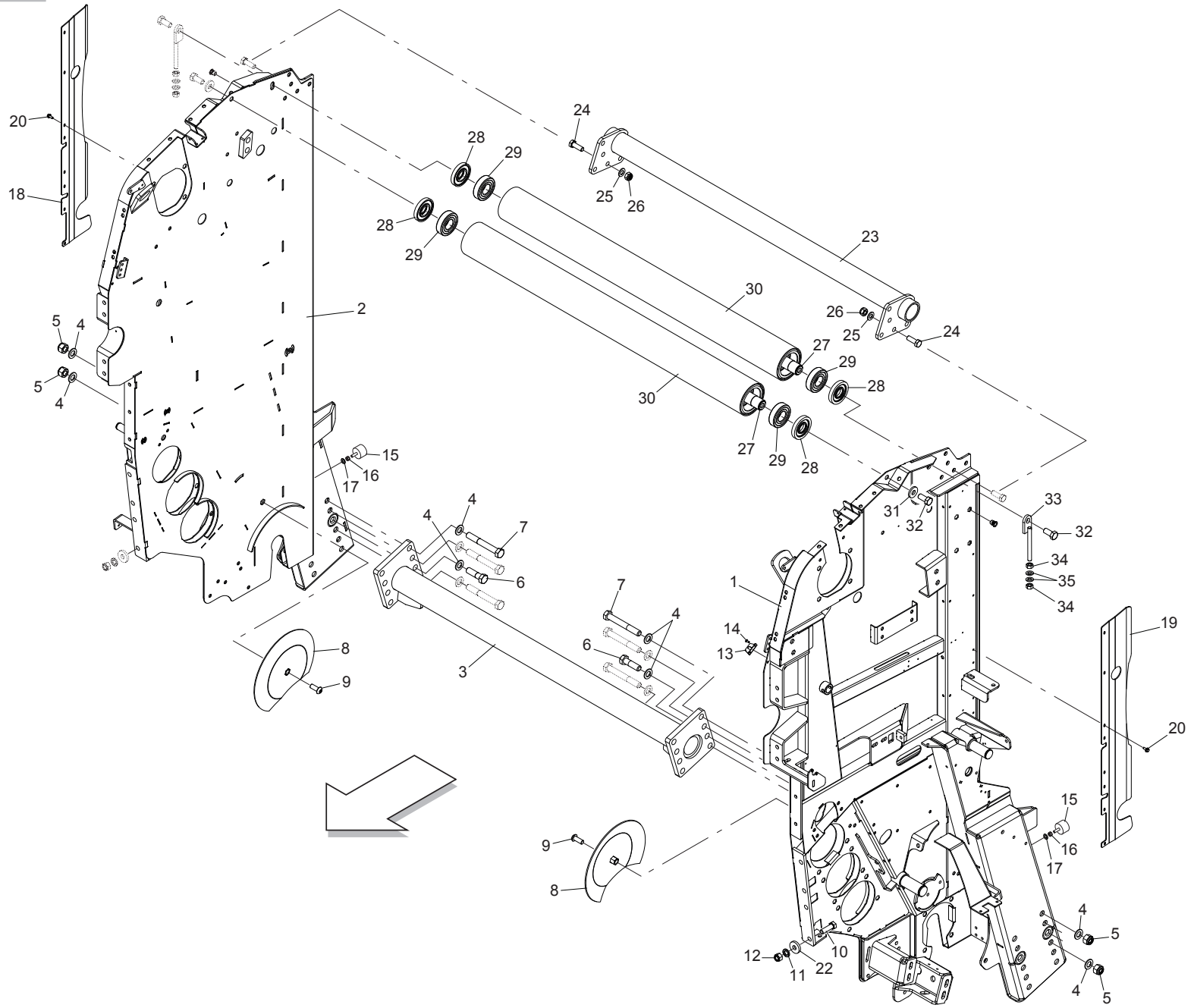




**PORTATUBI  
TUBE HOLDER**

TAV\_060

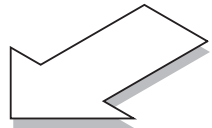
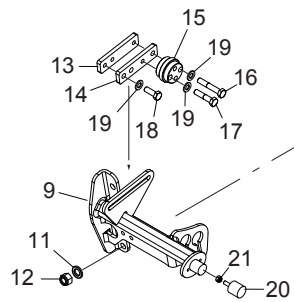
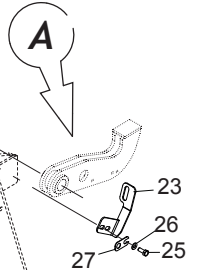
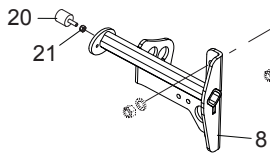
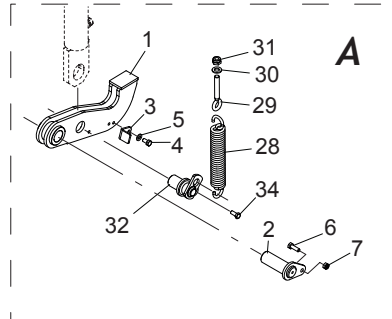
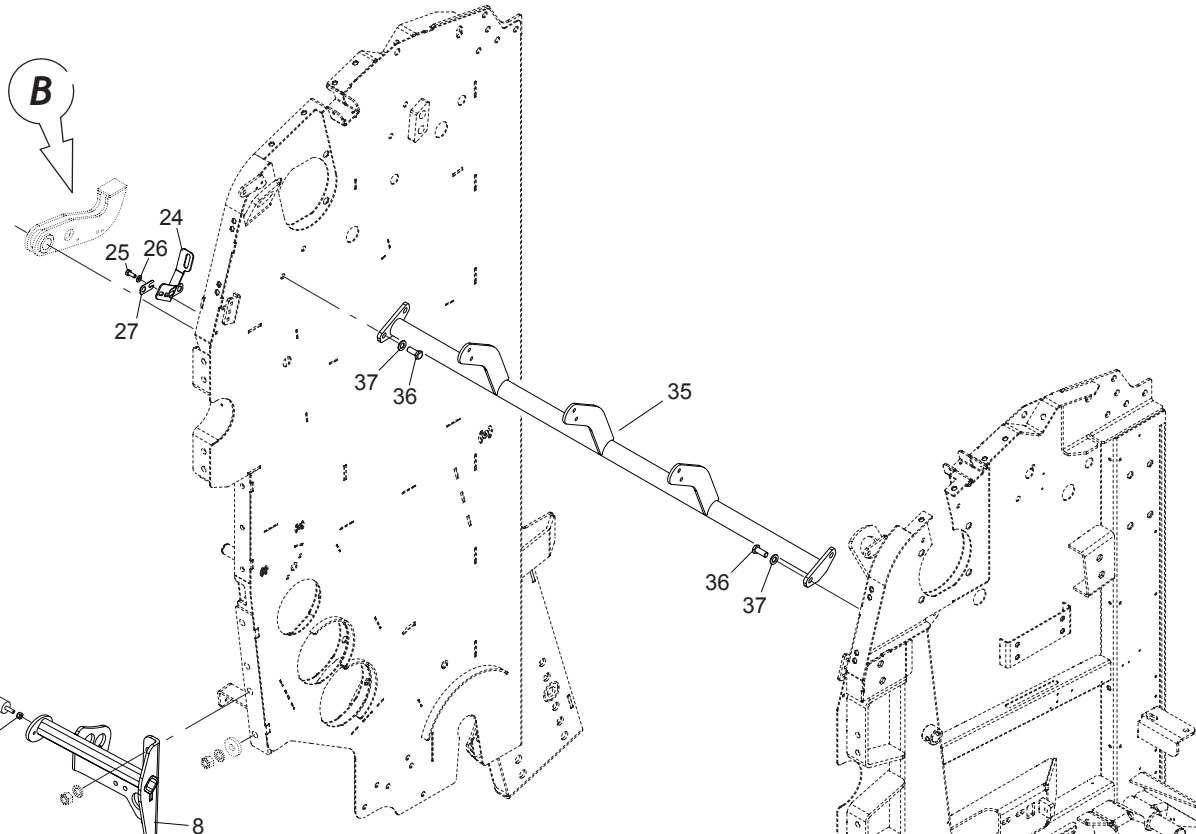
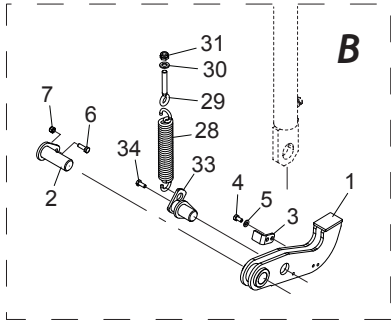
Pos.	Cod.	Descrizione	Description	Description	Benennung	Descripcion
1	B0C1P1070	LAM. PORTATUBI	SHEET METAL SUPPORT TUBES			
2	BSP000055	PORTATUBI CON REGOLAZIONE	SUPPORT TUBE WITH REGULATION			
3	F01020055	VITE M6X1X130 U5737 8.8ZN	SCR. M6X1X130 U5737 8.8ZN			
4	F01020097	VITE M8X1,25X150 U5737 8.8ZN	SCR. M8X1,25X150 U5737 8.8ZN	VIS 8 X150 5737 8.G ZN	SCHRAUBE 8 X150 5737 8.G ZN	TORNILLO 8 X150 5737 8.G ZN
5	F01230034	DADO M8X1,25 D982 8ZN	NUT M8X1,25 D982 8ZN	ECROU M8X 1,25 ZN	MUTTER M8X 1,25 D982 8 ZN	TUERCA M8X 1,25 D982 8 ZN
6	F01230184	DADO M6X1 D985 8ZN	NUT M6X1 D985 8ZN			
7	F01410051	ROS.M8 8,4X 17X1,6 U6592 ZN	WASHER M8 8,4X17X1,6 U6592 ZN	RONDELLE	SCHEIBE	
8	F01020564	VITE M16X2X35 U5739 8.8ZN	SCR. M16X2X35 U5739 8.8ZN	VIS M 16X35	SCHRAUBE M 16X35	TORNILLO M 16X35
9	F01410100	ROS.M16 17X 30X 3 U6592 ZN	WASHER	RONDELLE	SCHEIBE	



**TELAIO ANTERIORE (PARTE 1)  
FRONT FRAME (PART 1)**

TAV\_070

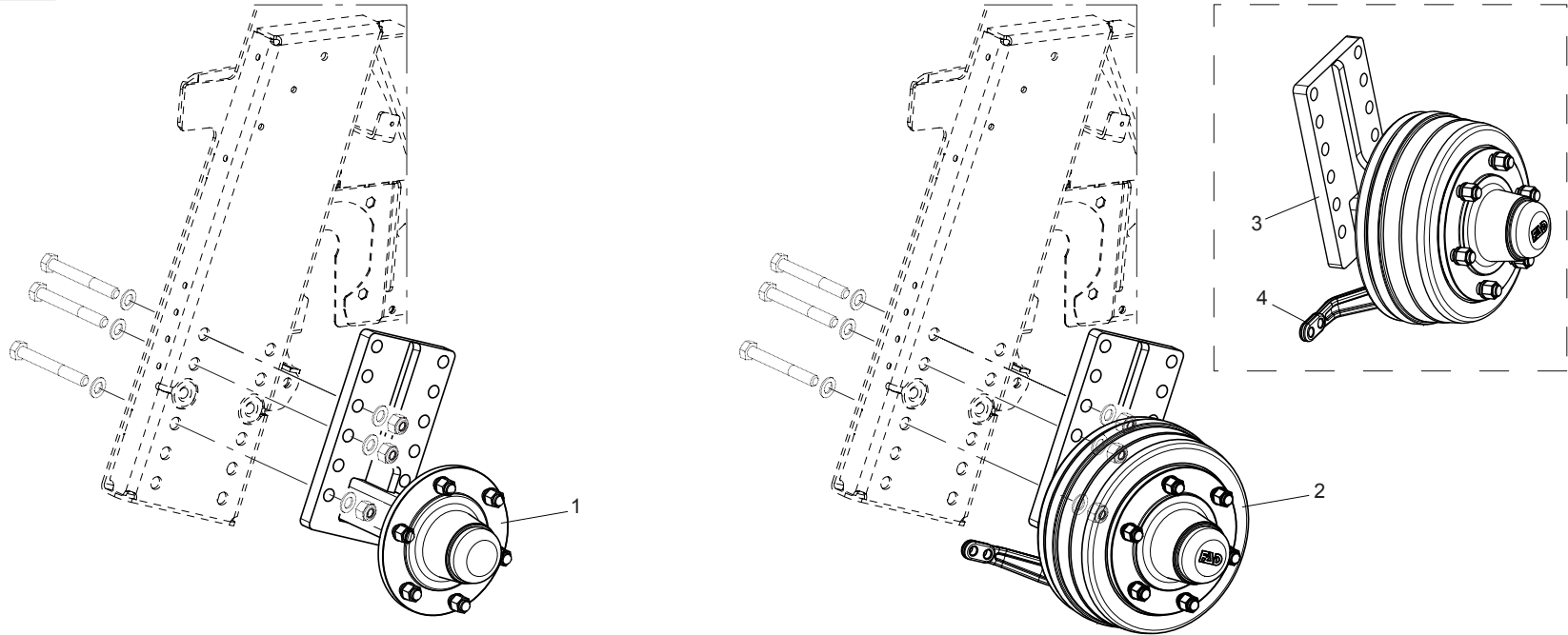
Pos.	Cod.	Descrizione	Description	Description	Benennung	Descripcion
1	B07SP1037	FIANCATA SX EXTREME 365 HTI	LEFT FLANK EXTREME 365 HTI			
2	B07SP1038	FIANCATA DX EXTREME 365 HTI	RIGHT FLANK EXTREME 365 HTI			
3	B07SP1108	ASSALE TELAI0	AXLE FRAME			
4	F01410124	ROS.M20 21X 37X 3 U6592 ZN	WASHER M20 21X 37X 3 U6592 ZN	RONDEL.M20 21X37X3 ZN	MUTTER M20 21X 37X 3 U6592 ZN	ARANDELA M20 21X37X3 U6592 ZN
5	F01230134	DADO M20X 2,5 D982 10 ZN	NUT M20X 2,5 D982 10 ZN			
6	F01020310	VITE M20X2,5X70 U5737 10.9ZD	SCR. M20X2,5X70 U5737 10.9ZD	VIS M20X2,5X70	SCHRAUBE M20X2,5X70	TORNILLO M20X2,5X70
7	F01021214	VITE M20X2,5X150 U5737 10.9 ZN	SCREW M20X2,5X150 10,9 ZN			
8	B07S01845	TAZZA RESTRINGIMENTO	CHAMBER TIGHTENING CUPS			
9	B00471230	VITE TTEI M12X 30-8.8 UNBRA	SCREW	TASSE DE RETRECISSEMENT NEW VIS	KAMMERVERENGUNGSTASSEN SCHRAUBE TTEI M12X 30-8.8	
10	B00251655	VITE M16X1,5X55-10.9UNI5738	BOLT M16X1,5X55-10.9	VIS ZINGUEE TE M16X1,5 X 55 10	SCHRAUBE VERZINKT TE M16X1,5 X	
11	B014R1640	ROSETTA 16 UNI 5714-69 ZINC.E	WASHER			
12	B00911316	DADO M16X1,5 D982 8 ZN	NUT	ECROU M16X1,5 D982 8 ZN	SCHRAUBE	
13	B0C6P0825	ATTACCO SENSORE	ATTACK SENSORE			
14	B01000011	RIVETTO STR. 6X12 U9200A AL	RIVET 6X12 U9200A AL	RIVET	ABREISSNIETEN 6X15	
15	B01800076	SILENT BLOCK 50X30-M10	RUBBER BUSHING 50X30-M10	SILENT BLOCK 50X30-M10	SILENTBLOCK 50X30-M10	
16	B00710310	DADO M10X1,25 U5588 6S ZN	NUT	ECROU	MUTTER M10-6S	
17	F01420061	ROS.M10 10,5X 40X2,5 U6593 ZN	WASHER 11X40X2,5 6593 ZN	RONDELLE 11X40X2,5 6593 ZN	UNTERLEGSSCHEIBE 11X40X2,5 6593	ARANDELA 11X40X2,5 6593 ZN
18	B0C4P0428	RIPARO GANCIO DX	RIGHT SHELTER HOOK			
19	B0C4P0429	RIPARO GANCIO SX	LEFT SHELTER HOOK			
20	F01170001	VITE M 6X16 ZN SEZ.TRIL. U8111	SCREW			
22	B013C0030	RALLA 16,5X45X8	WASHER 16,5X45X8			
23	B07SP0622	COLLEGAMENTO ANTER. CERNIERA	CONNECTING THE FRONT			
24	B00161440	VITE ZN.TE M14X 40-10.9 U5739	SCREW M14X 40 ZN			
25	F01410088	ROS.M14 15X 28X2,5 U6592 ZN	WAS.M14 15X 28X2,5 U6592 ZB	RON.M14 15X 28X2,5 U6592 ZB	SCH.M14 15X 28X2,5 U6592 ZB	ARA.M14 15X 28X2,5 U6592 ZB
26	B00920514	DADO M14X 2 D985 8 ZN	NUT	ECROU	SELBSTSICHERNDE MUTTER M14-5S	
27	B03500214	ALBERO LUNGO	LONG SHAFT	ARBRE LONG	LANGE WELLE	
28	B01300623	CHIUSURA RULLI FOLLI	IDLE ROLLER LOCK	FERMETURE ROULEAUX FOUX	UMLENKWALZENVERSCHLUSS	
29	F04010350	CUSCINETTO 6307C 2HRS L100 50	BEARING 6307C 2HRS L100 50			
30	BSP000044	RULLO FOLLE LUNGO	LONG ROLLER			
31	B01519319	RALLA 16X38X5	FIFTH WHEEL	BUTEE	SCREIBE	
32	F01020564	VITE M16X2X35 U5739 8.8ZN	SCR. M16X2X35 U5739 8.8ZN	VIS M 16X35	SCHRAUBE M 16X35	TORNILLO M 16X35
33	B07SP0649	REGOLATORE RULLO LUNGO	CONTROLLER LONG ROLLER			
34	F01200293	DADO M12X1,75 U5588 CL8 ZN	NUT M12X1,75 U5588 6S ZN	ECROU M12X1,75 U5588 6S ZN	MUTTER M12X1,75 U5588 6S ZN	TUERCA M12X1,75 U5588 6S ZN
35	F01410076	ROS.M12 13X 20X2,0 U1749 ZN	WASHER	RONDELLE	SCHEIBE	



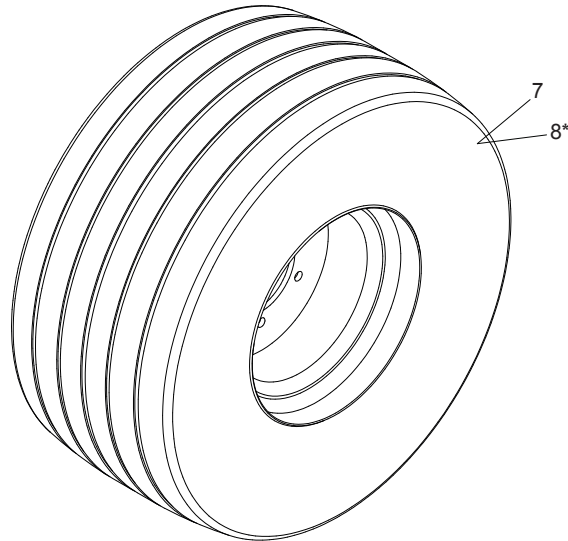
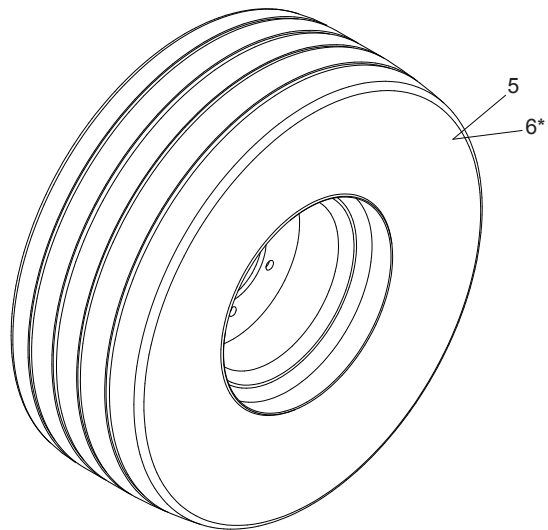
**TELAIO ANTERIORE (PARTE 2)  
FRONT FRAME (PART 2)**

TAV\_080

Pos.	Cod.	Descrizione	Description	Description	Benennung	Descripcion
1	B07SP0646	GANCIO PORTELLONE SX	LEFT HOOK TRUNK			
2	B07SP0664	SPINA GANCIO PORTELLONE	PLUG DOOR HOOK			
3	B0C6P1009	RISCONTRO GANCIO	HOOK PLATE			
4	F01020432	VITE M8X1,25X16 U5739 8.8ZN	SCR. M8X1,25X16 U5739 8.8ZN	VIS M8 X1,25X16 U5739 8.8 ZN	SCHRAUBE M8X1,25X16U5739 8.8ZN	TORNILLO M8X1,25X16U5739 8.8Z
5	F01410051	ROS.M8 8,4X 17X1,6 U6592 ZN	WASHER M8 8,4X17X1,6 U6592 ZN	RONDELLE	SCHEIBE	
6	F01020440	VITE M8X1,25X25 U5739 8.8ZN	SCR. M8X1,25X25 U5739 8.8ZN	VIS M8X1,25X25 U5739 8.8 ZN	SCHRAUBE M8X1,25X25U5739 8.8ZN	TORNIL.M8X1,25X25 U5739 8.8 ZN
7	B00920208	DADO M8X1 D985 8ZN	NUT M8X1 D985 8ZN	ECROU	SELBSTSICHERNDE MUTTER M8-5S	
8	B07SP0789	BATTENTE REGGICATENA DX				
9	B07SP1130	BATTENTE REGGICATENA SX HTI	SWING SUPPORT CHAIN LEFT HTI			
10	B00251655	VITE M16X1,5X55-10.9UNI5738	BOLT M16X1,5X55-10.9	VIS ZINGUEE TE M16X1,5 X 55 10	SCHRAUBE VERZINKT TE M16X1,5 X	
11	B014R1640	ROSETTA 16 UNI 5714-69 ZINC.E	WASHER			
12	B00911316	DADO M16X1,5 D982 8 ZN	NUT	ECROU M16X1,5 D982 8 ZN	SCHRAUBE	
13	B0C1P0528	TENDITORE PICK-UP	PICK UP TENSIONER			
14	B0C1P0529	TENDITORE PICK UP LATO SX	PICK UP TENSIONER LEFT SIDE			
15	B07VP0513	TENDICATENA IN NYLON	NYLON CHAIN TIGHTENER	TENDEUR DE CHAINE EN NYLON		
16	F01020164	VITE M12X1,75X70 U5737 8.8ZN	SCREW M12X1,75X70 U5737 8.8ZN	VIS M12X1,75X70 ZN	SCHR. M12X1,75X70 U5737 8.8 ZN	TORN. M12X1,75X70 U5737 8.8 ZN
17	F01020158	VITE M12X1,75X55 U5737 8.8ZN	BOLT M12X1,75X55 U5737 8.8ZN	VIS M12X1,75X55 U5737 8.8 ZN	SCHR. M12X1,75X55 U5737 8.8 ZN	TORN. M12X1,75X55 U5737 8.8 ZN
18	F01020512	VITE M12X1,75X35 U5739 8.8ZN	SCR. M12X1,75X35 U5739 8.8ZN	VIS M12X1,75X35 5739 8.8 ZN	SCHR. M12X1,75X35 5739 8.8 ZN	TORN. M12X1,75X35 5739 8.8 ZN
19	F01410076	ROS.M12 13X 20X2,0 U1749 ZN	WASHER	RONDELLE	SCHEIBE	
20	B01800082	SILENT BLOCK 30X30-M8X25	SILENT BLOCK 30X30-M8X20	SILENT BLOCK 30X30-M8X20	SILENTBLOCK 30X30-M8X20	
21	B00920208	DADO M8X1 D985 8ZN	NUT M8X1 D985 8ZN	ECROU	SELBSTSICHERNDE MUTTER M8-5S	
23	B0C6P1007	SUPPORTO SENSORE SX	LEFT SENSOR SUPPORT			
24	B0C6P1008	SUPPORTO SENSORE DX	RIGHT SENSOR SUPPORT			
25	F01020436	VITE M8X1,25X20 U5739 8.8ZN	SCR. M8X1,25X20 U5739 8.8ZN	VIS M8X1,25X 20 U5739 8.8 ZN	SCHRAUBE M8X1,25X20U5739 8.8ZN	TORN. M8X1,25X20 U5739 8.8 ZN
26	F01410051	ROS.M8 8,4X 17X1,6 U6592 ZN	WASHER M8 8,4X17X1,6 U6592 ZN	RONDELLE	SCHEIBE	
27	B0C6P0692	PIASTRINA ATTACCO CAVI	PLATE CONNECTION CABLES			
28	B01826161	MOLLA CONTRASTO RULLO	SPRING	RESSORT	FEDER	
29	B00545168	OCCHIOLO PER TENDITORI M12-DX	EYELET M12	OEIL M12	OSE M12	
30	F01410076	ROS.M12 13X 20X2,0 U1749 ZN	WASHER	RONDELLE	SCHEIBE	
31	B00920412	DADO M12X1,75 D985 8 ZN	NUT	ECROU	SELBSTSICHERNDE MUTTER M12-5S	
32	B07SP0665	SPINA PERNO PORTELLONE	PIN PLUG TAILGATE			
33	B07SP0860	SPINA PERNO PORTELLONE DX	RIGHT PIN PLUG TAILGATE			
34	F01020436	VITE M8X1,25X20 U5739 8.8ZN	SCR. M8X1,25X20 U5739 8.8ZN	VIS M8X1,25X 20 U5739 8.8 ZN	SCHRAUBE M8X1,25X20U5739 8.8ZN	TORN. M8X1,25X20 U5739 8.8 ZN
35	B07SP0668	GUIDACINGHIE ANTERIORE	BELT-GUIDING FRONT			
36	F01020510	VITE M12X1,75X 30 U5739 8.8ZN	SCREW TE M12X30	VIS	SCHRAUBE	
37	F01410076	ROS.M12 13X 20X2,0 U1749 ZN	WASHER	RONDELLE	SCHEIBE	



(\*) 6, 8 = BLACK EDITION

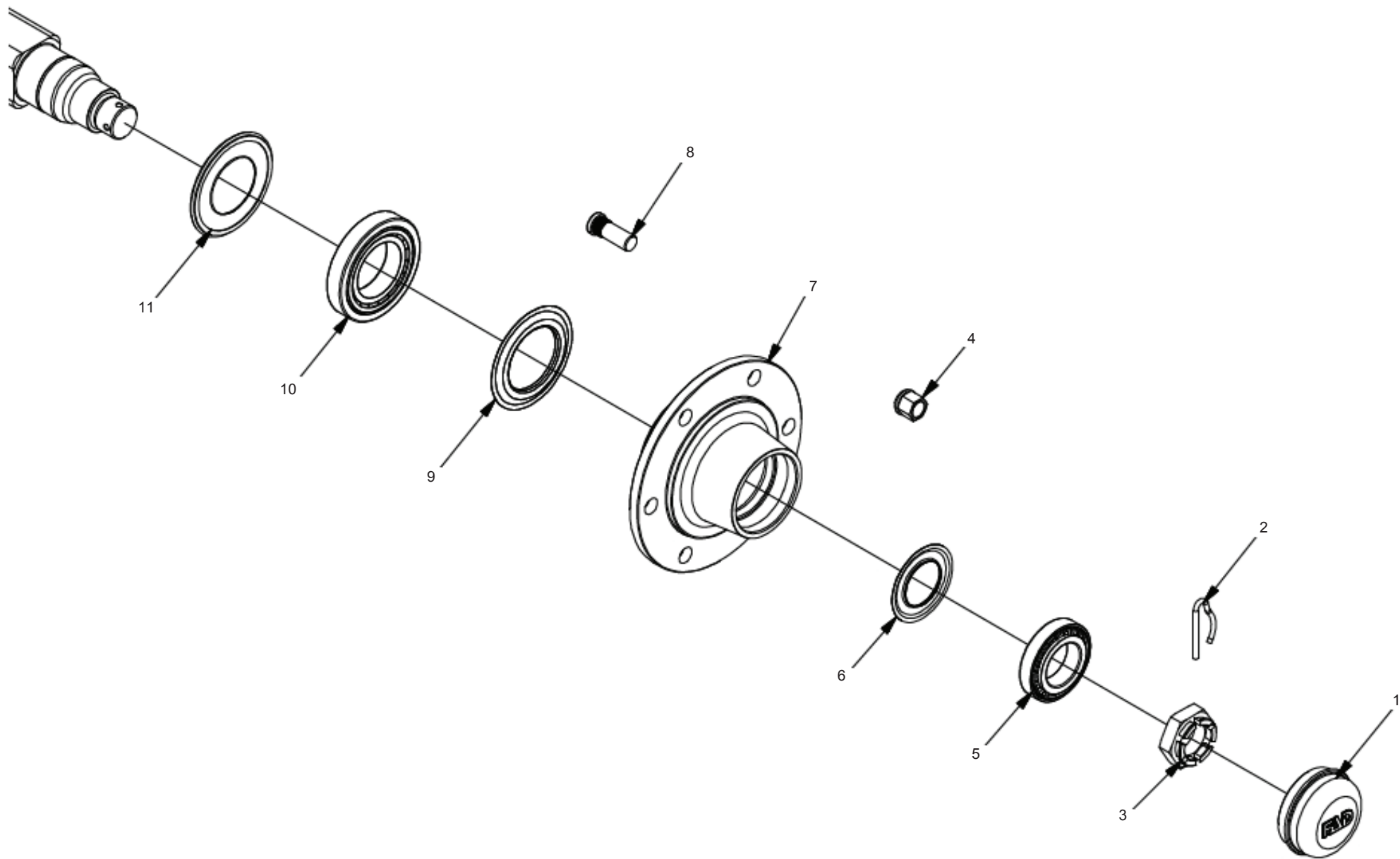


**MOZZI E PNEUMATICI  
HUBS AND TYRES**

TAV\_560

Pos.	Cod.	Descrizione	Description	Description	Benennung	Descripcion
1	B07SP1192	MOZZO FAD NON FRENATO	HUB			
2	B0FMP0062	COMPONENT. MOZZO FAD FRENATO	COMPON.HUB FAD			
3	B07SP1054	MOZZO FRENATO FAD	CHECKED HUB FAD			
4	B07VP0206	LEVA COMANDO PERNO	LEVER			
5	B07100022	RUOTA CPLTA 400-15.5 6F P 14PR	COMPLETE WHEEL	ROUE 400-15.5		RAD KOMPLETT 400.15.5 6F P14PR
6	B071P0025	RUOTA ARG.COMP.400-15.5 6F P 1	WHEEL 400-15.5 6F P 1			
7	B071P0012	RUOTA COMPLETA 19.0 45-17 FLOT	RUOTA COMPLETA 19.0 45-17 FLO.			
8	B071P0024	RUOTA ARG. COMPLETA 19.0 45-17	WHEEL COMPLETE 19.0 45-17			

TAV\_650

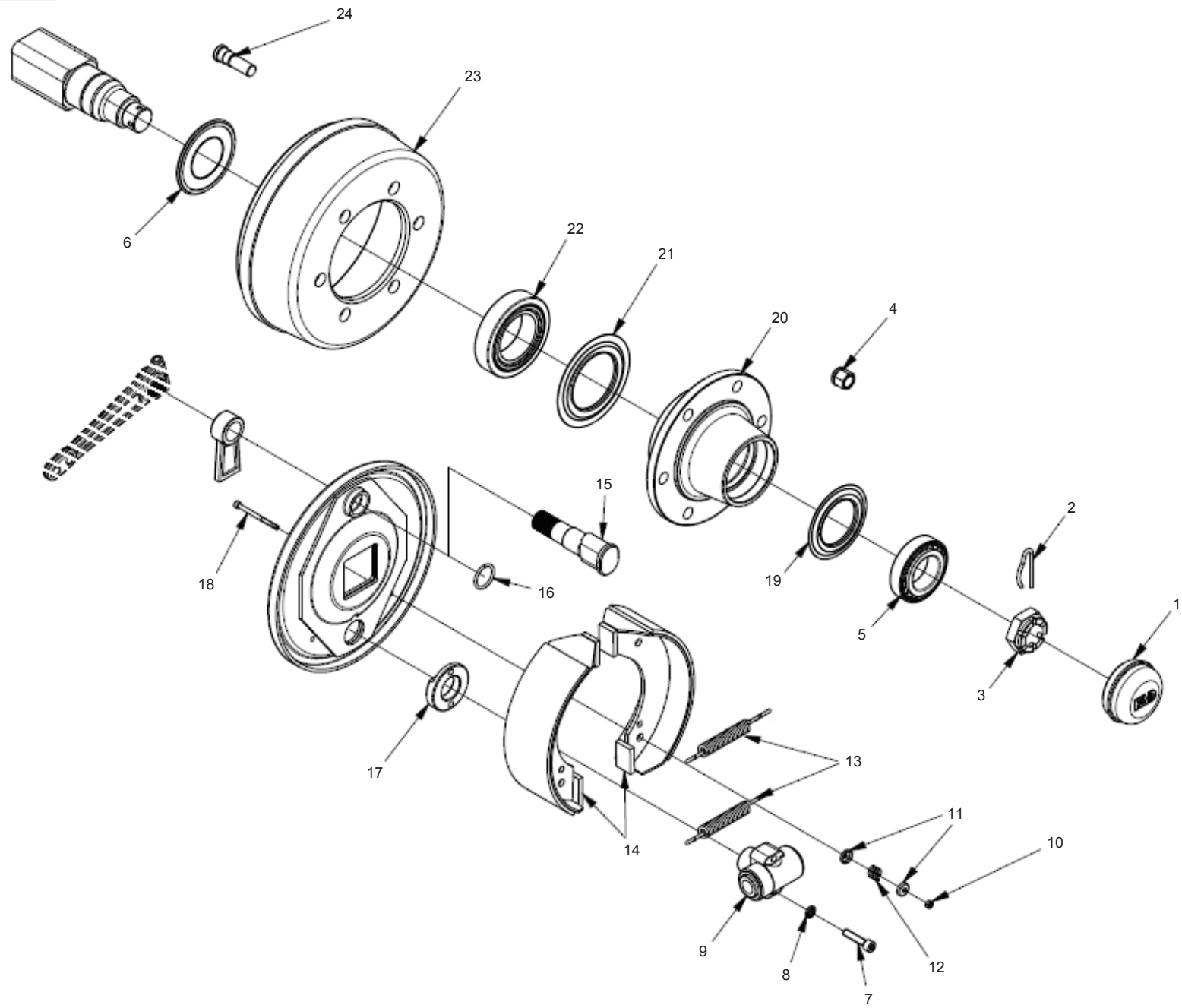




**ESPLOSO MOZZO NON FRENATO  
HUB WITHOUT BRAKE PARTS**

TAV\_650

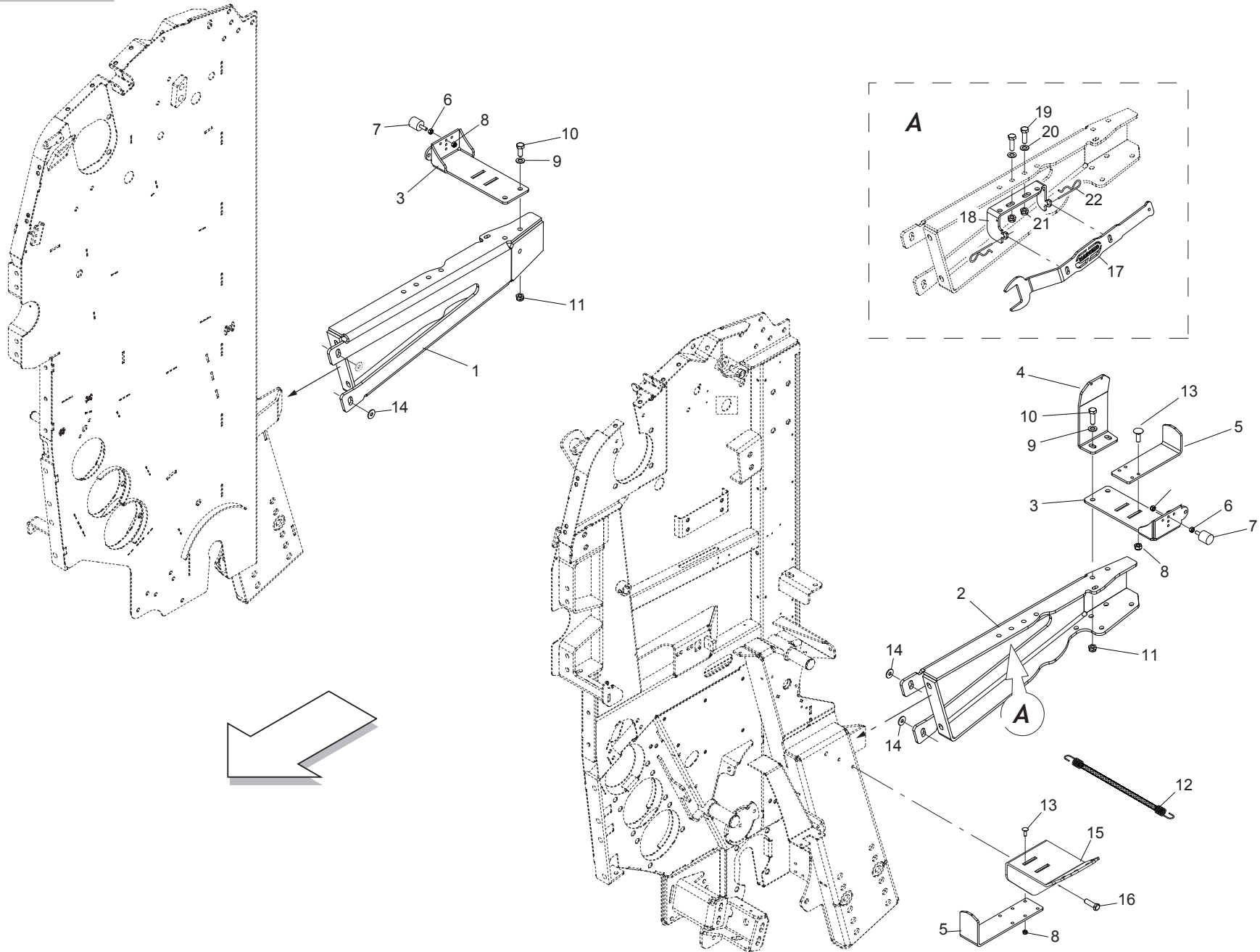
Pos.	Cod.	Descrizione	Description	Description	Benennung	Descripcion
1	B0R001079	CALOTTA	CAP			
2	B0R001080	SPINA ELASTICA	SPRING PIN			
3	B0R001081	DADO INTAGLI	CROWN NUT			
4	B0R001082	DADO COLONNETTA	WHEEL NUT			
5	B0R001083	CUSCINETTO ESTERNO	EXTERNAL BEARING			
6	B0R001084	ANELLO PARAGRASSO	GREASE RING			
7	B0R001104	MOZZO	HUB			
8	B0R001089	COLONNETTA	WHEELSTUD			
9	B0R001086	ANELLO PARAGRASSO	GREASE RING			
10	B0R001087	ANELLO PARAGRASSO	INNER BEARING			
11	B0R001105	ANELLO DI TENUTA	RETAINING RING			



**ESPLOSO MOZZO CON FRENO  
HUB WITH BRAKE PARTS**

TAV\_660

Pos.	Cod.	Descrizione	Description	Description	Benennung	Descripcion
1	B0R001079	CALOTTA	CAP			
2	B0R001080	SPINA ELASTICA	SPRING PIN			
3	B0R001081	DADO INTAGLI	CROWN NUT			
4	B0R001082	DADO COLONNETTA	WHEEL NUT			
5	B0R001083	CUSCINETTO ESTERNO	EXTERNAL BEARING			
6	B0R001090	ANELLO DI TENUTA	RETAINING RING			
7	B0R001091	VITE	SCREW			
8	B0R001092	RONDELLA	WASHER			
9	B0R001093	CILINDRO	CYLINDER			
10	B0R001094	DADO	NUT			
11	B0R001095	SUPPORTO	SUPPORT			
12	B0R001096	MOLLA	SPRING			
13	B0R001097	MOLLA	SPRING			
14	B0R001098	MASSA FRENO COMPLETA	BRAKESHOES ASSEMBLED			
15	B0R001099	ALBERO CAMMA	CAM SHAFT			
16	B0R001100	ANELLO DI ARRESTO CAMMA	CAMESHAFT RING			
17	B0R001101	SUPPORTO	SUPPORT			
18	B0R001102	VITE	SCREW			
19	B0R001084	ANELLO PARAGRASSO	GREASE RING			
20	B0R001085	MOZZO	HUB			
21	B0R001086	ANELLO PARAGRASSO	GREASE RING			
22	B0R001087	ANELLO PARAGRASSO	INNER BEARING			
23	B0R001088	TAMBURO	DRUM			
24	B0R001089	COLONNETTA	WHEELSTUD			

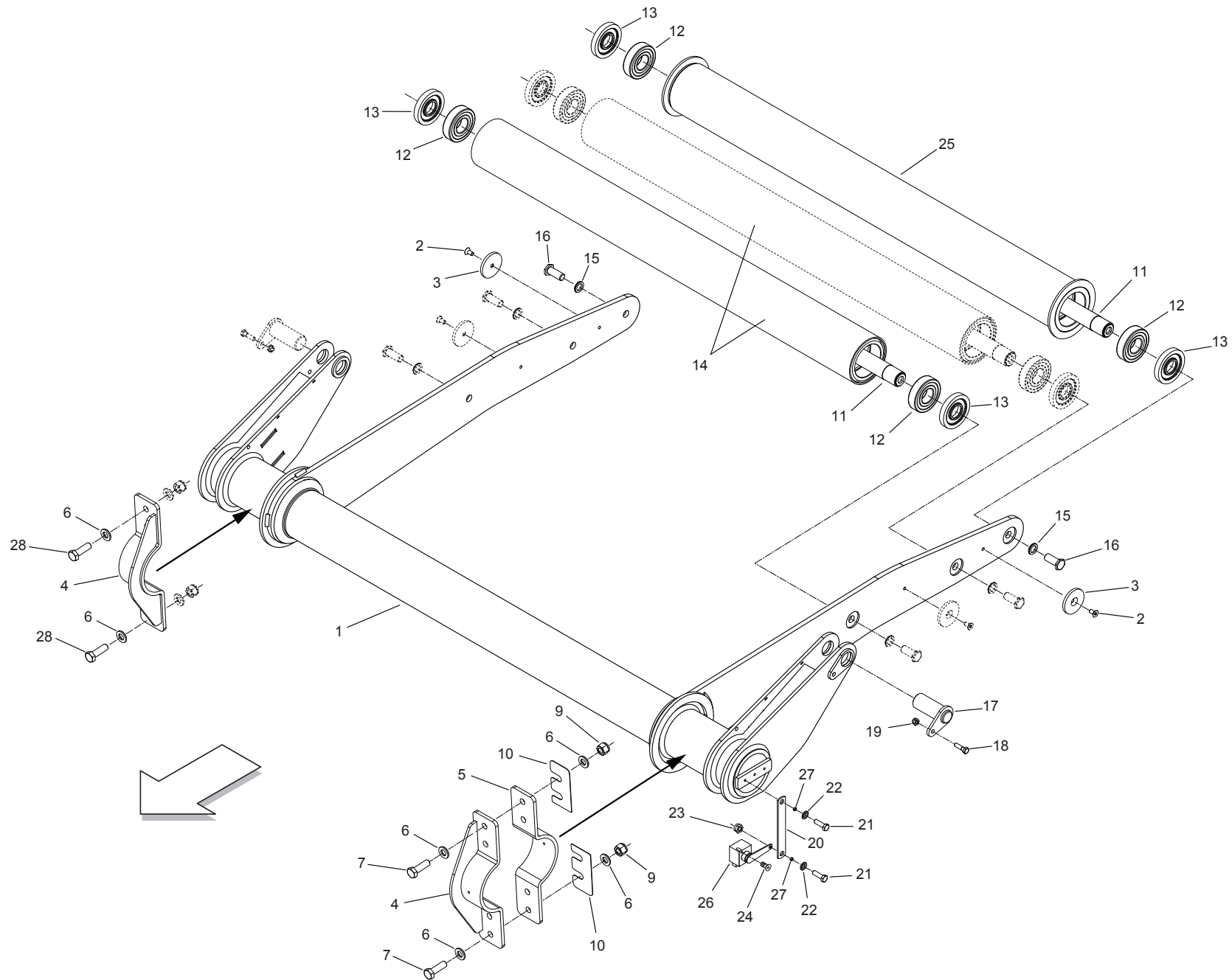


**ROLLBAR  
ROLLBAR**

TAV\_210

Pos.	Cod.	Descrizione	Description	Description	Benennung	Descripcion
1	B0C1P1006	ROLL-BAR DESTRO 365	RIGHT ROLL-BAR 365			
2	B0C1P1011	ROLL-BAR SINISTRO 365	LEFT ROLL-BAR 365			
3	B0C4P0518	STAFFA POSTERIORE	REAR HANGER			
4	B0C4P0524	SUPPORTO STAFFA POSTERIORE	REAR SUPPORT BRACKET			
5	B0C6P1123	STAFFETTA CONTIENI RULLO RETE	STIRRUP			
6	B00710208	DADO M 8X1,25 U5588 6.8 ZN	NUT	ECROU	MUTTER M8-6S	
7	B01800082	SILENT BLOCK 30X30-M8X25	SILENT BLOCK 30X30-M8X20	SILENT BLOCK 30X30-M8X20	SILENTBLOCK 30X30-M8X20	
8	B00920208	DADO M8X1 D985 8ZN	NUT M8X1 D985 8ZN	ECROU	SELBSTSICHERNDE MUTTER M8-5S	
9	F01410076	ROS.M12 13X 20X2,0 U1749 ZN	WASHER	RONDELLE	SCHEIBE	
10	F01020510	VITE M12X1,75X 30 U5739 8.8ZN	SCREW TE M12X30	VIS	SCHRAUBE	
11	B00920412	DADO M12X1,75 D985 8 ZN	NUT	ECROU	SELBSTSICHERNDE MUTTER M12-5S	
12	B07V00107	FUNE ELASTICA CON GANCI	ELASTIC CABLE WITH HOOKS	CABLE ELASTIQUE AVEC CROCHETS	ELASTISCHES SEIL MIT HAKEN	
13	F01060202	VITE M8X1,25X25 U5731 4.6ZN	SCR. M8X1,25X25 U5731 4.6ZN	VIS M8X1,25X25 U5731 4.6	DUEBEL M8X1,25X25 U5731 4.6 ZN	TORNILLO M8X1,25X25 U5731 4.6
14	F01420120	ROS.M12 13X 36X2,5 U6593 ZN	WASHER	RONDELLE	SCHEIBE	
15	B0C3P0338	SOSTEGNO ROTOLO RETE SX	NET LEFT SUPPORT			
16	F01020514	VITE M12X1,75X40 U5739 8.8ZN	SCR. M12X1,75X40 U5739 8.8ZN	VIS M12X1,75X40 U5739 8.8ZN	SCHRA. M12X1,75X40 U5739 8.8ZN	TORN. M12X1,75X40 U5739 8,8ZN
17	B0C1P1496	CHIAVE PER ROSTA SE-F 38	TOOL FOR ROSTA SE-F 38			
18	B0C1P1502	SUPPORTO PER CHIAVE PER ROSTA	TOOL S SUPPORT FOR ROSTA			
19	F01020476	VITE M10X1,5X30 U5739 8.8ZN	SCR. M10X1,5X30 U5739 8.8ZN	VIS M10X1,5X30 U5739 8.8 ZN	SCHRAUBE M10X1,5X30U5739 8.8ZN	TORNIL.M10X1,5X30 U5739 8.8 ZN
20	F01230202	DADO M10X1,25 D985 8 ZN	SELF-LOCKING NUT	ECROU NYLSTOP	SELBSTSICHERNDE MUTTER M10-5S	
21	F01410062	ROS.M10 10,5X 18X 2 U6592 ZN	WASHER M10 10,5X 18X 2 U6592	RONDELLE M10 10,5X18X2 ZN	DICHTUNGSRING M10 10,5X18X2 ZN	RONDANA M10 10,5X18X2 ZN
22	F02200363	SPINA MOLLA 3 OCCH.SEMPL.ZINC.	PIN	GOUPILLE CLIPS	STIFT	

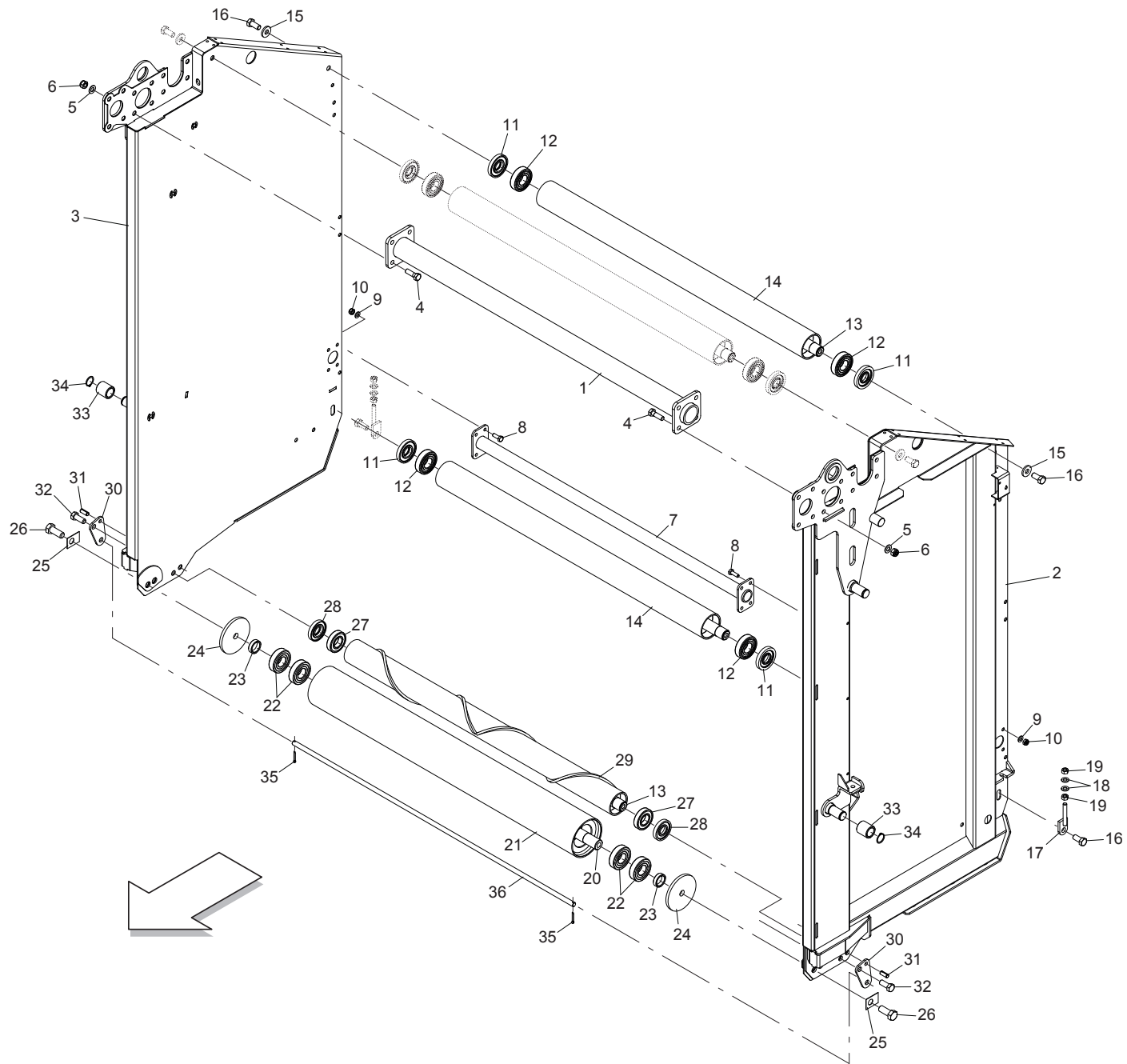
TAV\_130



**BILANCIERE  
BELT TENSIONER ARM**

TAV\_130

Pos.	Cod.	Descrizione	Description	Description	Benennung	Descripcion
1	B07SP0811	BRACCIO TENDICINGHIE 365	BELT-STRETCHER ARM 365			
2	B00440816	VITE ZN.TSPEI M 8X16-10.9U5933	SCREW			
3	B013P0324	PATTINO STRISCIAMENTO BILANCI	CREEP RUBBER			
4	B07SP0658	CAVALLOTTO DI CHIUSURA	CLOSING			
5	B0C4P0537	CAVALLOTTO VERNICIATO	PAINTED JUMPER			
6	B014R1440	ROSETTA 14 UNI 5714-69 ZINC.E	WASHER			
7	B00251460	VIT ZN.TE M14X1,5X60-10.9U5538	SCREW			
9	B00911314	DADO AUT.ALTO M14X1,5-8G D982	NUT			
10	B0C6P0815	SPESSORE DI REGOLAZIONE	THICKNESS ADJUSTMENT			
11	B03500213	ALBERO CORTO	SHORT SHAFT	ARBRE COURT	KURZE WELLE	
12	F04010350	CUSCINETTO 6307C 2HRS L100 50	BEARING 6307C 2HRS L100 50			
13	B01300623	CHIUSURA RULLI FOLLI	IDLE ROLLER LOCK	FERMETURE ROULEAUX FOUX	UMLENKWALZENVERSCHLUSS	
14	B07SP0614	RULLO FOLLE CORTO	ROLLER SHORT			
15	B014F1634	RONDELLA NORD-LOCK NL16	BUSHING NORD-LOCK NL16			
16	B005C0019	VITE M16X35 RIBASSATA	SCREW			
17	B07SP0810	SPINA MARTINETTO	CYLINDER PIN			
18	F01020065	VITE M 8X1,25X 30 U5737 8.8ZN	SCREW M 8X1,25X 30 U5737 8.8Z			
19	B00920208	DADO M8X1 D985 8ZN	NUT M8X1 D985 8ZN	ECROU	SELBSTSICHERNDE MUTTER M8-5S	
20	B0C004227	PIATTO SPOSTAMENTO SENSORE	SENSOR SHIFTING PLATE	PLAT COURSE SENSEUR	SENSORVERSchieBERPLATTE	
21	F01020404	VITE M6X1X20 U5739 8.8ZN	SCREW M6X1X20 U5739 8.8ZN	VIS M6X1X20 U5739 8.8ZN	SCHRAUBE M6X1X20 U5739 8.8ZN	
22	F01420035	ROS.M6 6,4X 18X1,6 U6593 ZN	WASHER	RONDELLE	SCHEIBE	
23	B00920106	DADO M6X1 D985 8ZN	NUT	ECROU	SELBSTSICHERNDE MUTTER M6-5S	
24	B00440510	VITE TSPEI M 5X 10-10.9 UNI 5	SCREW	VIS	SCHRAUBE TSPEI M5X 10-10.9	
25	BSP000068	RULLO FOLLE CORTO CON GUIDA CI	SHORT ROLLER WITH GUIDE			
26	B0E0P0073	POTENZIOMETRO DIMENSIONE BALLA	POT SIZE BALE 60			
27	B01300866	BOCCOLA DI MOVIMENTO	BUSH	DOUILLE	BUCHSE	
28	B00251445	VITE Z.TE M14X1,5X45-10.9U5738	SCREW			



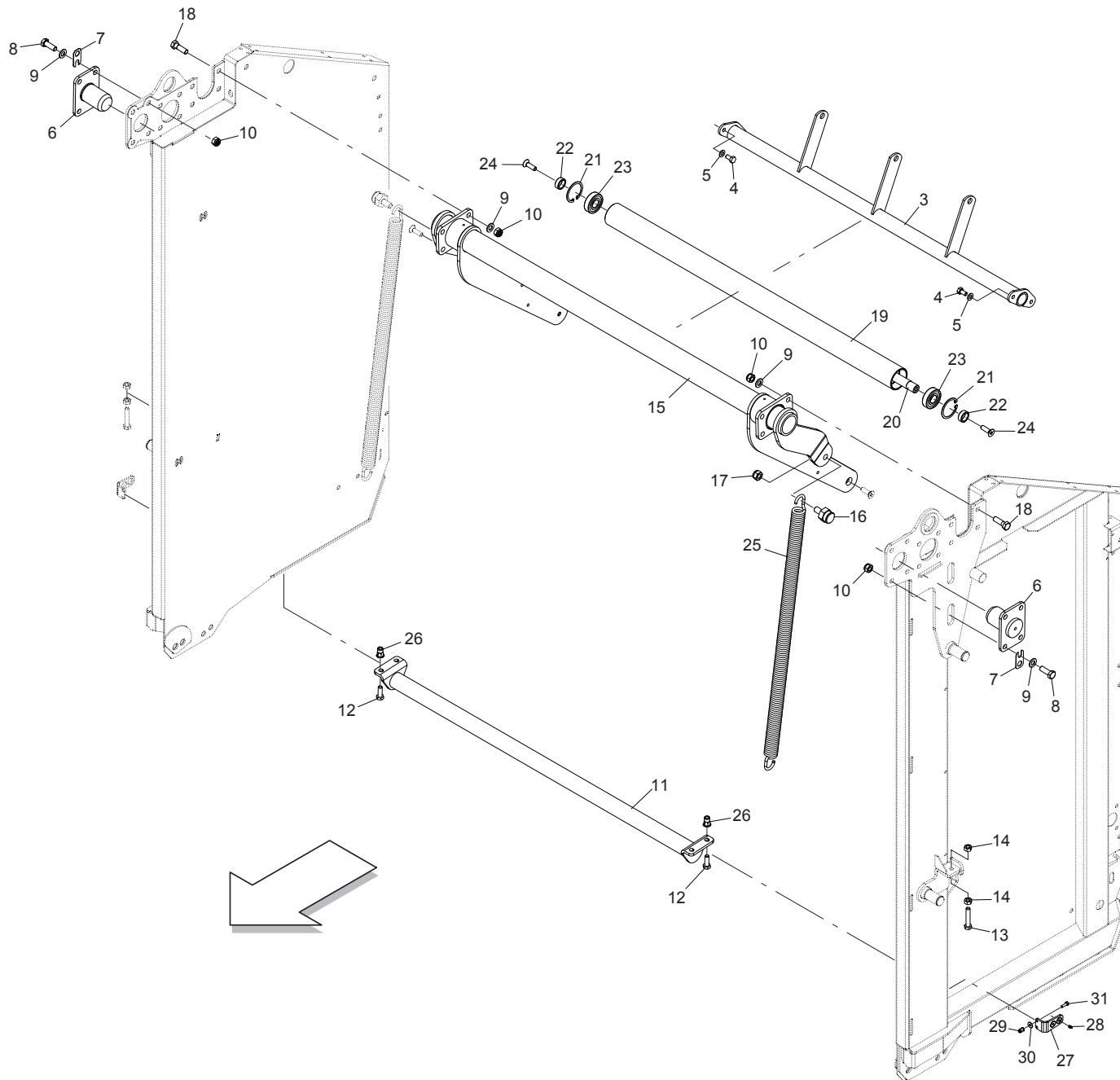


**PORTELLONE (PARTE 1)  
REAR GATE (PART 1)**

TAV\_090

Pos.	Cod.	Descrizione	Description	Description	Benennung	Descripcion
1	B07SP0621	COLLEGAMENTO PORTELLONE	TAILGATE CONNECTION			
2	B07SP0791	FIANCATA SX PORTELLONE 365	LEFT SIDE TAILGATE 365			
3	B07SP0792	FIANCATA DX PORTELLONE 365	RIGHT SIDE			
4	F01020198	VITE M14X2X45 U5737 8.8ZN	SCR. M14X2X45 U5737 8.8ZN	VIS 14X45 5737 8.G ZN *	SCHRAUBE 14X45 5737 8.G ZN *	TORNILLO 14X45 5737 8.G ZN *
5	F01410088	ROS.M14 15X 28X2,5 U6592 ZN	WAS.M14 15X 28X2,5 U6592 ZB	RON.M14 15X 28X2,5 U6592 ZB	SCH.M14 15X 28X2,5 U6592 ZB	ARA.M14 15X 28X2,5 U6592 ZB
6	B00920514	DADO M14X 2 D985 8 ZN	NUT	ECROU	SELBSTSICHERNDE MUTTER M14-5S	
7	B07SP0469	COLLEGAMENTO POSTERIORE	BACK CONNECTION			
8	F01020476	VITE M10X1,5X30 U5739 8.8ZN	SCR. M10X1,5X30 U5739 8.8ZN	VIS M10X1,5X30 U5739 8.8 ZN	SCHRAUBE M10X1,5X30U5739 8.8ZN	TORNIL.M10X1,5X30 U5739 8.8 ZN
9	F01410064	ROS.M10 10,5X 18X 2 U6592 ZN	WASHER	RONDELLE	SCHEIBE	
10	F01230202	DADO M10X1,25 D985 8 ZN	SELF-LOCKING NUT	ECROU NYLSTOP	SELBSTSICHERNDE MUTTER M10-5S	
11	B01300623	CHIUSURA RULLI FOLLI	IDLE ROLLER LOCK	FERMETURE ROULEAUX FOUX	UMLENKWALZENVERSCHLUSS	
12	F04010350	CUSCINETTO 6307C 2HRS L100 50	BEARING 6307C 2HRS L100 50			
13	B03500214	ALBERO LUNGO	LONG SHAFT	ARBRE LONG	LANGE WELLE	
14	B03500172	RULLO FOLLE	IDLE ROLLER	ROULEAU FOU	UMLENKWALZE	
15	B01519319	RALLA 16X38X5	FIFTH WHEEL	BUTEE	SCREIBE	
16	F01020564	VITE M16X2X35 U5739 8.8ZN	SCR. M16X2X35 U5739 8.8ZN	VIS M 16X35	SCHRAUBE M 16X35	TORNILLO M 16X35
17	B07S01608	REGOLATORE RULLO	ROLLER ADJUSTER	REGLEUR ROULEAU	WALZENEINSTELLER	
18	F01410076	ROS.M12 13X 20X2,0 U1749 ZN	WASHER	RONDELLE	SCHEIBE	
19	B00710412	DADO M12X1,75 U5588 6.8 ZN	NUT	ECROU	MUTTER M12-6S	
20	B03500237	ALBERO CORTO	SHORT SHAFT	ARBRE COURT	KURZE WELLE	
21	B07S00959	RULLO FOLLE PORTELLONE	TAIL GATE IDLE ROLLER	ROULEAU FOU PORTE EN ARRIERE	HECKKLAPPENUMLENKWALZE	
22	F04010350	CUSCINETTO 6307C 2HRS L100 50	BEARING 6307C 2HRS L100 50			
23	B01300523	DISTANZIALE 35X 45X12,5	SPACER	ENTRETOISE	DISTANZSTUECK 35X45X12,5	
24	B01300590	RALLA 20,5 128 10	FIFTH WHEEL	BUTEE	SCHEIBE 20,5 128 10	
25	B0C004148	RALLA DI FERMO	LOCK WASHER	BUTEE D ARRET	ANSCHLAGPLATTE	
26	F01020605	VITE M20X2,5X50 U5739 8.8ZN	SCR. M20X2,5X50 U5739 8.8ZN	VIS M 20X2,5X50	SCHRAUBE M 20X2,5X50	TORNILLO M 20X2,5X50
27	B02043517	CUSC.. 6207-2RS CAT.B-ST004	BEARING	ROULEMENT	LAGER 6207-2RS	
28	B013P0150	CHIUSURA RULLI PULITORE	ROLLER LOCK	FERMETURE ROULEAUX	WALZEN VERSCHLUSS	
29	B07SP0293	RULLO PULITORE	CLEANER ROLLER	ROULEAU POLISSEUS	REINIGUNGSWALZE	
30	B0C6P0219	GUIDA LAT.	LATERAL GUIDE	GUIDE LATERAL	FUEHRUNG SEITE	
31	B01111230	SPINA ELAST.12X 30 SS DIN 1481	PIN	GROUPILE ELASTIQUE	STIFT	
32	F01020566	VITE M16X2X40 U5739 8.8ZN	SCR. M16X2X40 U5739 8.8ZN	VIS M16X2X40 U5739 8.8 ZN	SCHRAUBE M16X2X40 U5739 8.8 ZN	TORNILLO M16X2X40 U5739 8.8 ZN
33	B01300612	DISTANZIALE 30,5X42X45	SPACER	ENTRETOISE	DISTANZSTUECK 30,5X42X45	
34	F02050112	ANEL. D ARR. ALB. 30-E UNI3653	SEEGER RING	BAGUE SEEGER	SEEGERRING 30-E	
35	F02200195	COPIGLIA 4X 30 U1336 ZN	SPLIT PIN 4 X30 U1336 ZN	GOUPILLE 4 X30 U1336 ZN	SPLINT 4 X30 U1336 ZN	CLAVIJA 4 X30 U1336 ZN
36	B01300855	SPINA GUIDACINGHIE L=1235	BELT GUIDE PIN	GOUPILLE GUIDE-COURROIES	RIEMEN STIFT	

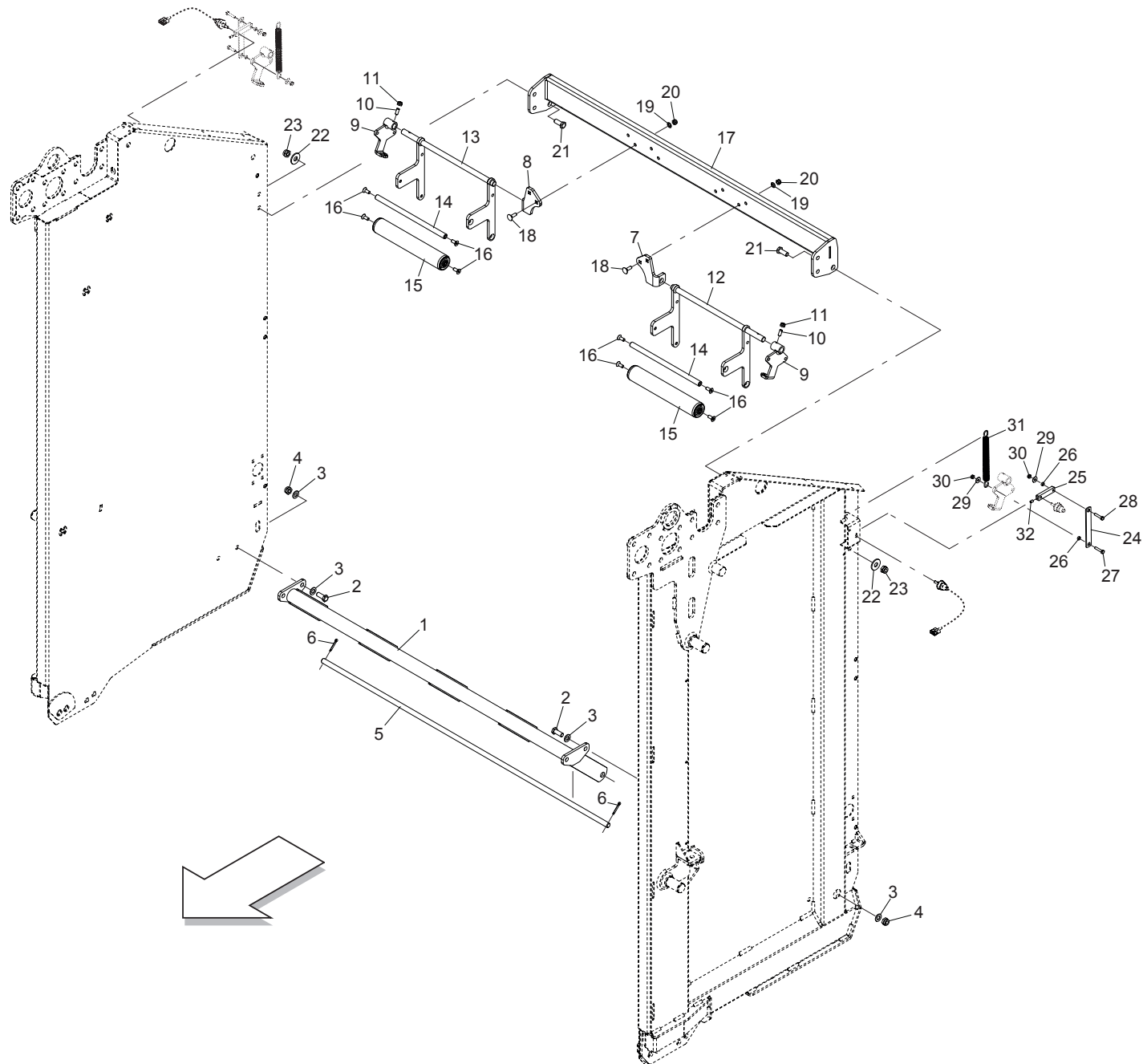
TAV\_100



**PORTELLONE (PARTE 2)  
REAR GATE (PART 2)**

TAV\_100

Pos.	Cod.	Descrizione	Description	Description	Benennung	Descripcion
3	B07SP0683	GUIDACINGHIE	PIPE PALETTE			
4	F01020470	VITE M10X1,5X20 U5739 8.8ZN	SCR. M10X1,5X20 U5739 8.8ZN	VIS M10X1,5X20 U5739 8.8 ZN	SCHRAUBE M10X1,5X20 U5739 ZN	TORNILLO M10X1,5X20 U5739 8.8Z
5	F01410064	ROS.M10 10,5X 18X 2 U6592 ZN	WASHER	RONDELLE	SCHEIBE	
6	B07SP0626	SPINA CERNIERA	PIN CHAIN			
7	B0C6P0692	PIASTRINA ATTACCO CAVI	PLATE CONNECTION CABLES			
8	B00161440	VITE ZN.TE M14X 40-10.9 U5739	SCREW M14X 40 ZN			
9	F01410088	ROS.M14 15X 28X2,5 U6592 ZN	WAS.M14 15X 28X2,5 U6592 ZB	RON.M14 15X 28X2,5 U6592 ZB	SCH.M14 15X 28X2,5 U6592 ZB	ARA.M14 15X 28X2,5 U6592 ZB
10	B00920514	DADO M14X 2 D985 8 ZN	NUT	ECROU	SELBSTSICHERNDE MUTTER M14-5S	
11	B07SP0099	COLLEGAMENTO INFERIORE LT	LOWER CONNECTION LT	CONNEXION INFERIEURE LT	UNTERER ANSCHLUSS LT	
12	F01020512	VITE M12X1,75X35 U5739 8.8ZN	SCR. M12X1,75X35 U5739 8.8ZN	VIS M12X1,75X35 5739 8.8 ZN	SCHR. M12X1,75X35 5739 8.8 ZN	TORN. M12X1,75X35 5739 8.8 ZN
13	F01020519	VITE M12X1,75X 60 U5739 8.8ZN	SCREW M12X1,75X 60 U5739 8.8ZN			
14	F01200293	DADO M12X1,75 U5588 CL8 ZN	NUT M12X1,75 U5588 6S ZN	ECROU M12X1,75 U5588 6S ZN	MUTTER M12X1,75 U5588 6S ZN	TUERCA M12X1,75 U5588 6S ZN
15	B07SP0790	II BILANCIERE 365	ROCKER			
16	B01300937	PERNO MOLLONE	SPRING BOLT	PIVOT	FEDERBOLZEN	
17	B00920516	DADO M16X 1,5 D985 6S ZN	NUT M16X1,5 D985 6S ZN	ECROU	SELBSTSICHERNDE MUTTER M16-5S	
18	F01020198	VITE M14X2X45 U5737 8.8ZN	SCR. M14X2X45 U5737 8.8ZN	VIS 14X45 5737 8.G ZN *	SCHRAUBE 14X45 5737 8.G ZN *	TORNILLO 14X45 5737 8.G ZN *
19	BSP000045	RULLO FOLLE 2 BILANCIERE	ROLLER			
20	B035P0119	PERNO FOLLE 2 BILANCIERE	PIN FOLLE 2 BILANCIERE			
21	B01710062	ANEL. D ARR. FORO 62-I UNI3654	SEEGER RING	BAGUE SEEGER	SEEGERRING 62-I	
22	B01300934	DISTANZIALE 25,5X33,7X12	SPACER	ENTRETOISE	DISTANZSTUCK 25,5X33,7X12	
23	B02042517	CUSC 6305-2RS CAT.B-ST004	BEARING	ROULEMENT	LAGER 6305-2RS	
24	F01030111	VITE M12X1,75X40 U5933 10.9ZD	SCR. M12X1,75X40 U5933 10.9ZD	VIS 12X40 5933 8.8 ZN	SCHRAUBE 12X40 5933 8.8 ZN	TORNILLO 12X40 5933 8.8 ZN
25	B01800037	MOLLA II BILANCERE	II. BELTTENSIONER SPRING	RESSORT II BILANCIER	ZWEITER GURTENSPANNERFEDER	
26	B00990012	INSERTO ESAGONALE M12	HEXAGONAL NUT M12			
27	B07SG0058	SALD.STAFFA PORTA ING.ALA SX 0	SALD.STAFFA PORTA ING.ALA SX .			
28	F01100011	ING.M 6X1 7663-A 9SMNPB28 ZN	GREASE NIPPLE M6X1 7663-A ZN	GRAISS. A BILLE M6X1 7663A ZN	SCHMIERBUECHE M6X1 7663-A ZN	ENGRAS. DE ESFE. M6X1 7663-AZ
29	B00990009	INSERTO ESAGONALE M6	HEXAGONAL CONNECTION M6	CONNECTION HEXAGONALE	SECHSECKIGER EINSATZ M6	
30	F01420035	ROS.M6 6,4X 18X1,6 U6593 ZN	WASHER	RONDELLE	SCHEIBE	
31	F01020404	VITE M6X1X20 U5739 8.8ZN	SCREW M6X1X20 U5739 8.8ZN	VIS M6X1X20 U5739 8.8ZN	SCHRAUBE M6X1X20 U5739 8.8ZN	TORNILLO M6X1X20 U5739 8.8ZN

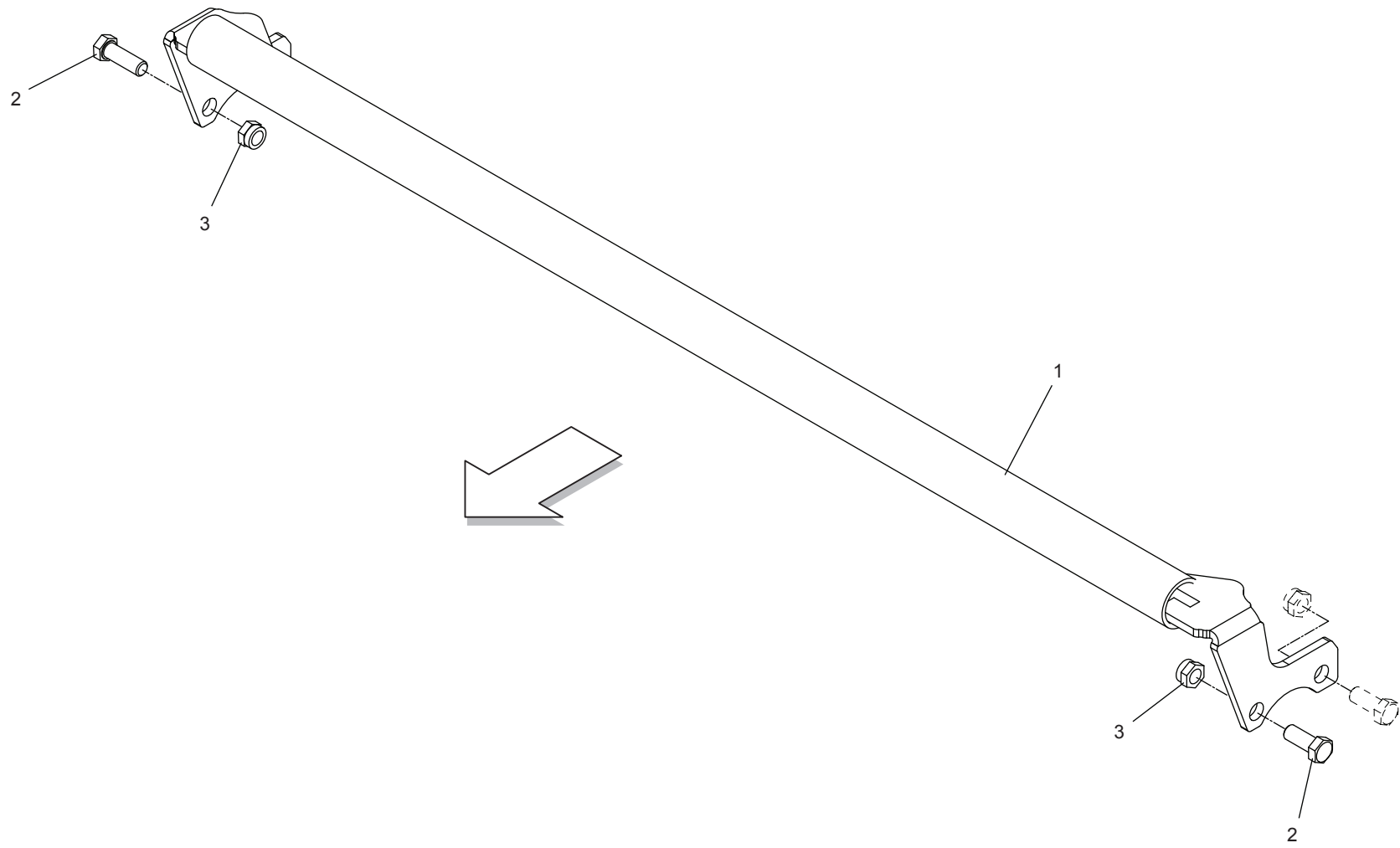


**PORTELLONE (PARTE 3)  
REAR GATE (PART 3)**

TAV\_120

Pos.	Cod.	Descrizione	Description	Description	Benennung	Descripcion
1	B07SP0636	GUIDACINGHIE POSTERIORE	BELT-GUIDING REAR			
2	F01020510	VITE M12X1,75X 30 U5739 8.8ZN	SCREW TE M12X30	VIS	SCHRAUBE	
3	F01410076	ROS.M12 13X 20X2,0 U1749 ZN	WASHER	RONDELLE	SCHEIBE	
4	B00920412	DADO M12X1,75 D985 8 ZN	NUT	ECROU	SELBSTSICHERNDE MUTTER M12-5S	
5	B013P0286	SPINA GUIDACINGHIE	PIN GUIDECINGHIE			
6	F02200195	COPIGLIA 4X 30 U1336 ZN	SPLIT PIN 4 X30 U1336 ZN	GOUPILLE 4 X30 U1336 ZN	SPLINT 4 X30 U1336 ZN	CLAVIJA 4 X30 U1336 ZN
7	B0C6P0971	CERNIERA SX	LEFT HINGE			
8	B0C6P0972	CERNIERA DX	RIGHT HINGE			
9	B07SP0764	ASSEMBLAGGIO ATTACCO SENSORE	ATTACK SENSOR ASSEMBLY			
10	B00420820	VITE ZINC.STEI M8X20-12.9 UNI	SCREW			
11	B00920208	DADO M8X1 D985 8ZN	NUT M8X1 D985 8ZN	ECROU	SELBSTSICHERNDE MUTTER M8-5S	
12	B07SP0765	PORTA RULLO SX 4 CINGHIE	LEFT ROLLER SUPPORT 4 BELTS			
13	B07SP0766	PORTA RULLO DX 4 CINGHIE	RIGHT ROLLER SUPPORT 4 BELTS			
14	B035P0127	COLLEGAMENTO	COLL			
15	B035P0128	RULLO SEGNALE	ROLLER			
16	F01030055	VITE M8X1,25X20 U5933 10.9ZD	SCR. M8X1,25X20 U5933 10.9ZD	VIS M 8X20	SCHRAUBE M 8X20	TORNILLO M 8X20
17	B07SP0769	TRAVERSA CON PIASTRE	CROSS WITH PLATES			
18	F01060202	VITE M8X1,25X25 U5731 4.6ZN	SCR. M8X1,25X25 U5731 4.6ZN	VIS M8X1,25X25 U5731 4.6	DUEBEL M8X1,25X25 U5731 4.6 ZN	TORNILLO M8X1,25X25 U5731 4.6
19	F01410051	ROS.M8 8,4X 17X1,6 U6592 ZN	WASHER M8 8,4X17X1,6 U6592 ZN	RONDELLE	SCHEIBE	
20	B00920208	DADO M8X1 D985 8ZN	NUT M8X1 D985 8ZN	ECROU	SELBSTSICHERNDE MUTTER M8-5S	
21	F01020510	VITE M12X1,75X 30 U5739 8.8ZN	SCREW TE M12X30	VIS	SCHRAUBE	
22	F01420120	ROS.M12 13X 36X2,5 U6593 ZN	WASHER	RONDELLE	SCHEIBE	
23	B00920412	DADO M12X1,75 D985 8 ZN	NUT	ECROU	SELBSTSICHERNDE MUTTER M12-5S	
24	B0C004227	PIATTO SPOSTAMENTO SENSORE	SENSOR SHIFTING PLATE	PLAT COURSE SENSEUR	SENSORVERSCHIEBERPLATTE	
25	B0C6P0987	PIATTINO	PLATE			
26	B01300866	BOCCOLA DI MOVIMENTO	BUSH	DOUILLE	BUCHSE	
27	F01020406	VITE M6X1X25 U5739 8.8ZN	SCR. M6X1X25 U5739 8.8ZN	VIS M 6X25	SCHRAUBE M 6X25	TORNILLO M 6X25
28	F01020408	VITE M6X1X30 U5739 8.8ZN	SCR. M6X1X30 U5739 8.8ZN	VIS M 6X1X30	SCHRAUBE M 6X1X30	TORNILLO M 6X1X30
29	F01420035	ROS.M6 6,4X 18X1,6 U6593 ZN	WASHER	RONDELLE	SCHEIBE	
30	B00920106	DADO M6X1 D985 8ZN	NUT	ECROU	SELBSTSICHERNDE MUTTER M6-5S	
31	B01810409	MOLLA T FILO D.2,5 DP14,5 L210	SPRING	RESSORT	T- FEDER	
32	B00430610	VITE STEI M 6X10-12.9 UNI 5	SCREW	VIS	SCHRAUBE STEI M6X10-12.9	

TAV\_110

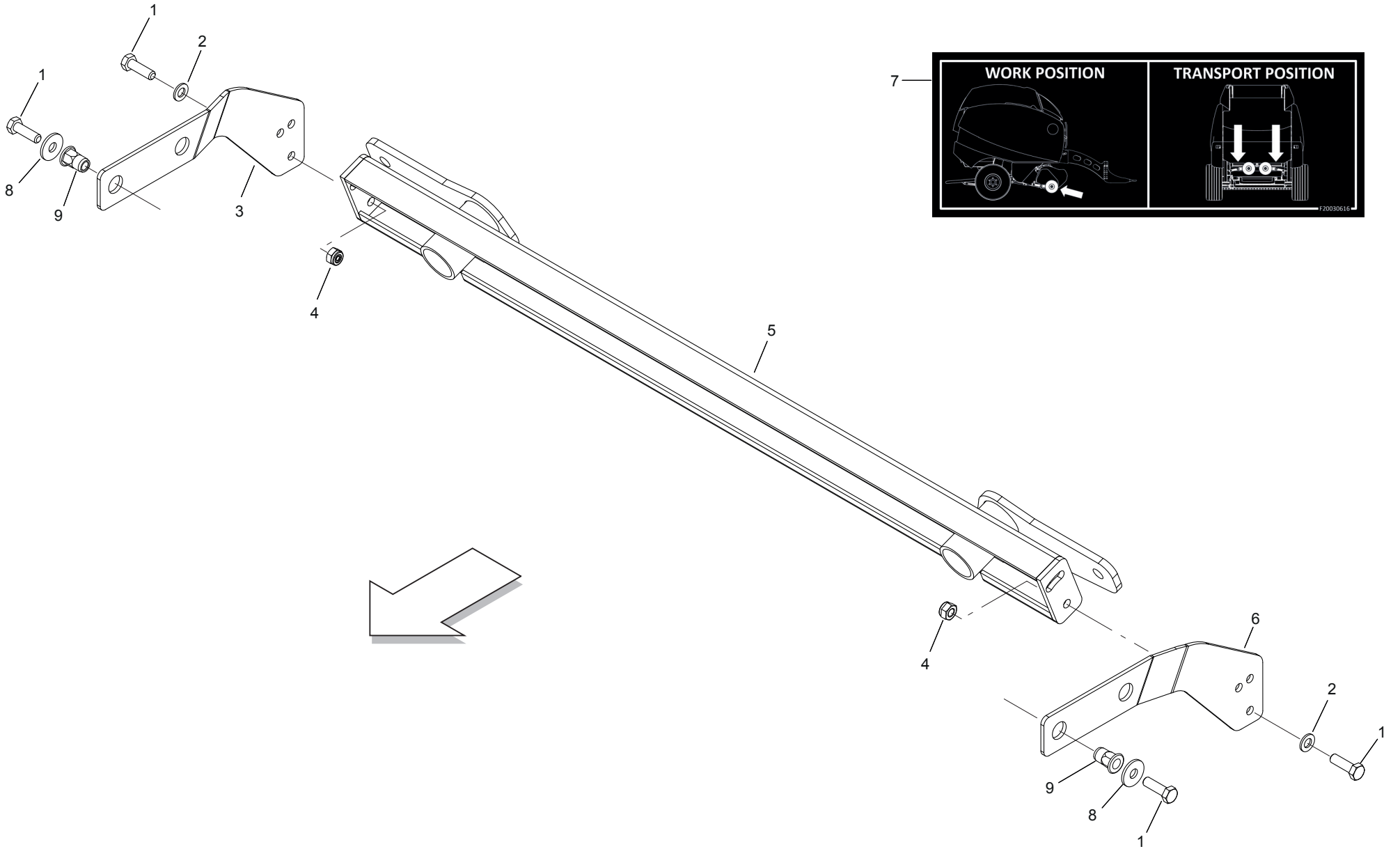


**KIT COLLINA FRENA CINGHIE  
HILL BRAKES BELTS KIT**

TAV\_110

Pos.	Cod.	Descrizione	Description	Description	Benennung	Descripcion
1	B07SP0817	BLOCCO CINGHIE 365	BLOCK BELTS			
2	F01020201	VITE M14X2X55 U5737 8.8ZN	SCR. M14X2X55 U5737 8.8ZN	VIS M 14X55	SCHRAUBE M 14X55	
3	B00920514	DADO M14X 2 D985 8 ZN	NUT	ECROU	SELBSTSICHERNDE MUTTER M14-5S	

TAV\_670

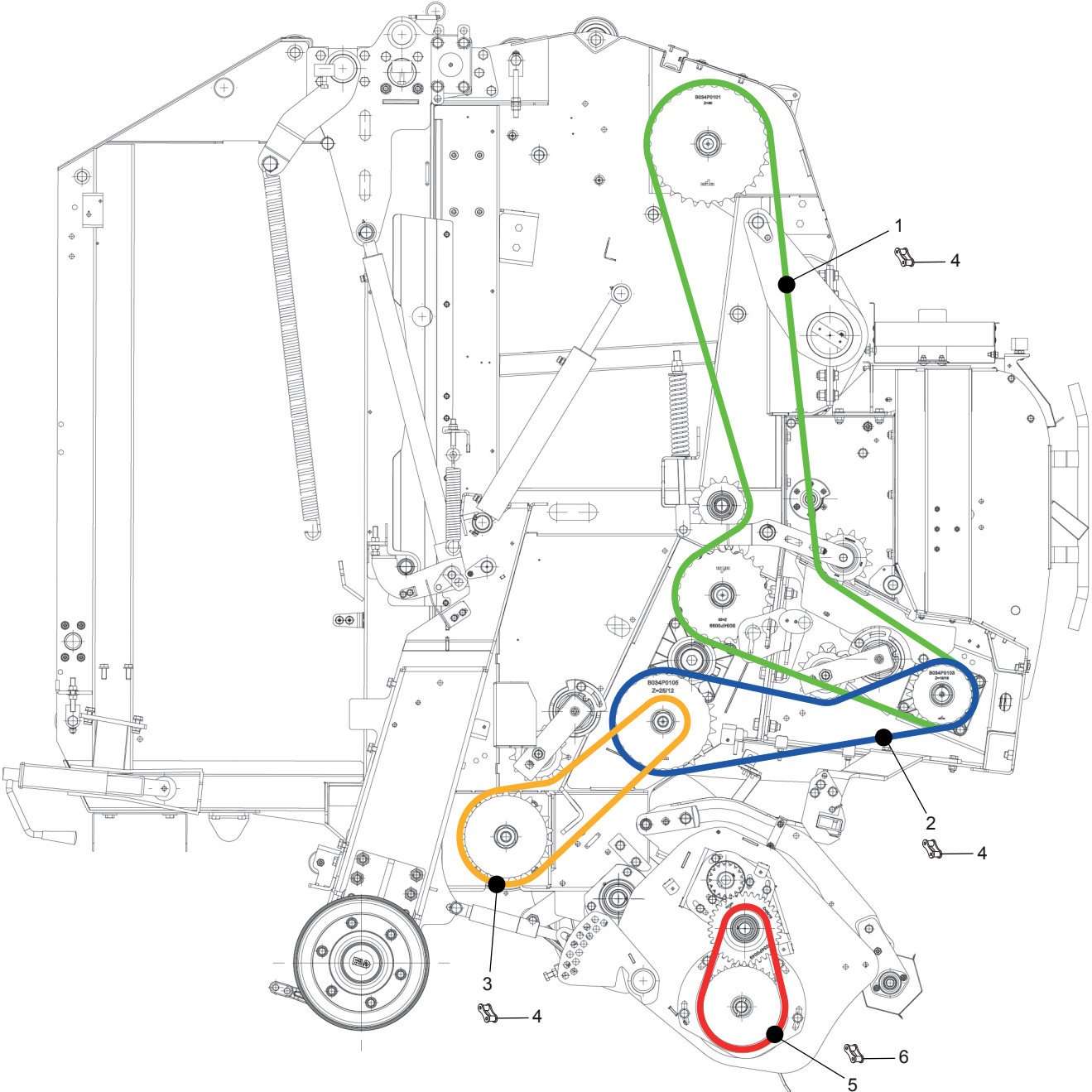




**KIT RUOTE RACCOGLITORE FISSE  
FIXED WHEEL COLLECTOR KIT**

TAV\_670

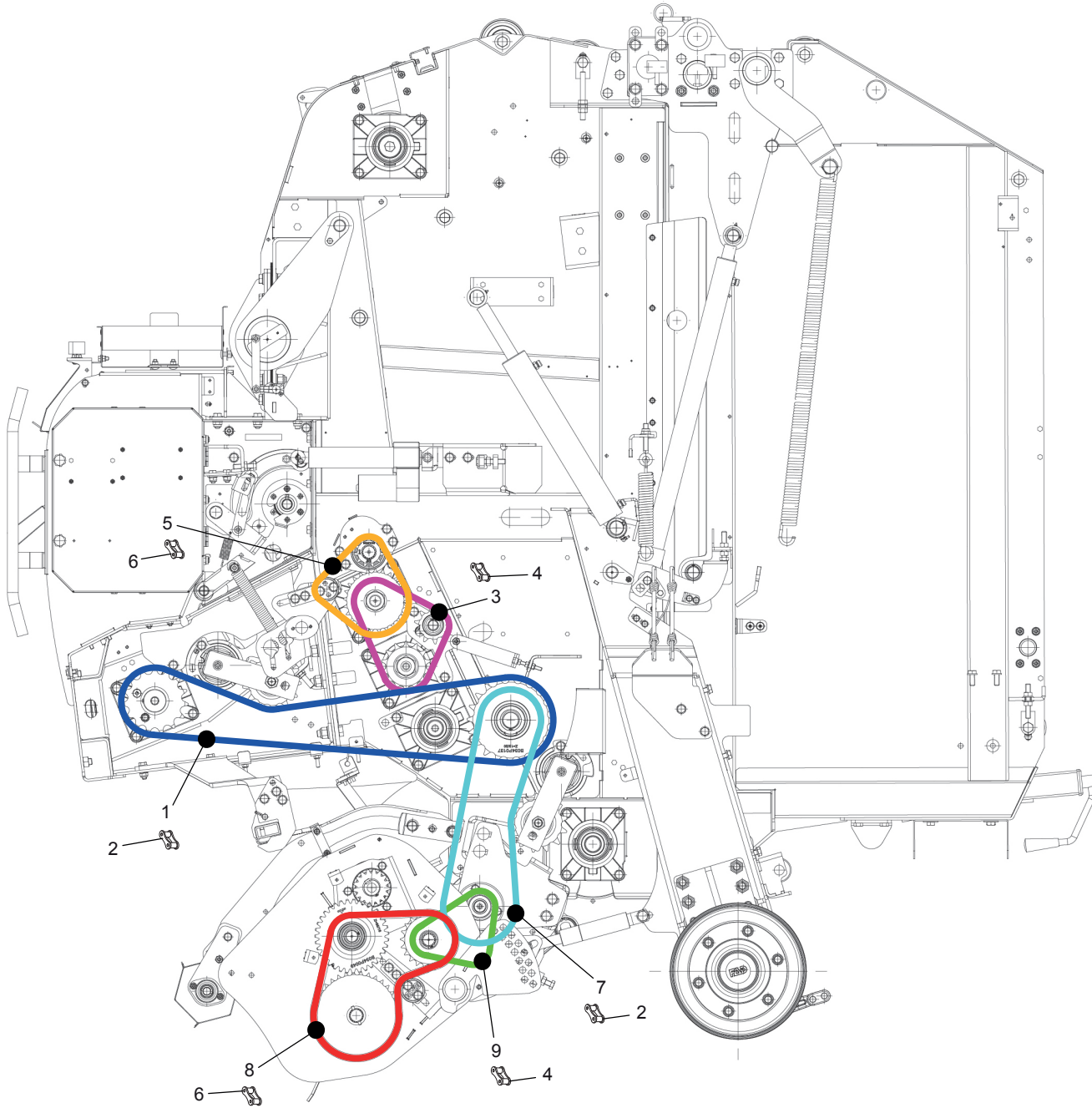
Pos.	Cod.	Descrizione	Description	Description	Benennung	Descripcion
1	F01020514	VITE M12X1,75X40 U5739 8.8ZN	SCR. M12X1,75X40 U5739 8.8ZN	VIS M12X1,75X40 U5739 8.8ZN	SCHRA. M12X1,75X40 U5739 8.8ZN	TORN. M12X1,75X40 U5739 8,8ZN
2	F01230213	DADO M12X1,75 U7474 CL8 ZN	NUT M12X1,75 U7474 6SZN	ECROU AUTOBL. M12	SELBSTSPERR.MUTTER M12	DADO AUTOBL. M12
3	B0C1P2030	PIASTRA SUPPORTO	PLATE FOR SUPPORT			
4	F01410076	ROS.M12 13X 24X2,5 U6592 ZN	WASHER 12 13X 24X2,5 U6592 ZN	RONDEL. M12 13X24X2,5 U6592 ZN	SCHEIBE M12 13X24X2,5 U6592 ZN	ARANDELA M12 13 X24X2,5 ZN
5	B07SP0236	SOSTEGNO POST.	BACK SUPPORT	SUPPORT POSTERIEUR	HALTER HINTEN	
6	B0C1P2029	PIASTRA SUPPORTO	PLATE FOR SUPPORT			
7	F20030616	DECAL TRASPORTO RUOTINI FISSI	DECAL TRANSPORT FIXED WHEELS			
8	F01420120R	ROS.M12 13X36X2,5 U6593 ZN	WASHER M12 13X36X2,5 U6593 ZN	RONDELLE M12 13X36X2,5 ZN		
9	B00990012R	INSERTO ESAGONALE M12	HEXAGONAL NUT M12			



**CATENE TRASMISSIONE RULLI (LATO DESTRO)  
ROLLERS TRANSMISSION CHAINS (RIGHT SIDE)**

TAV\_160

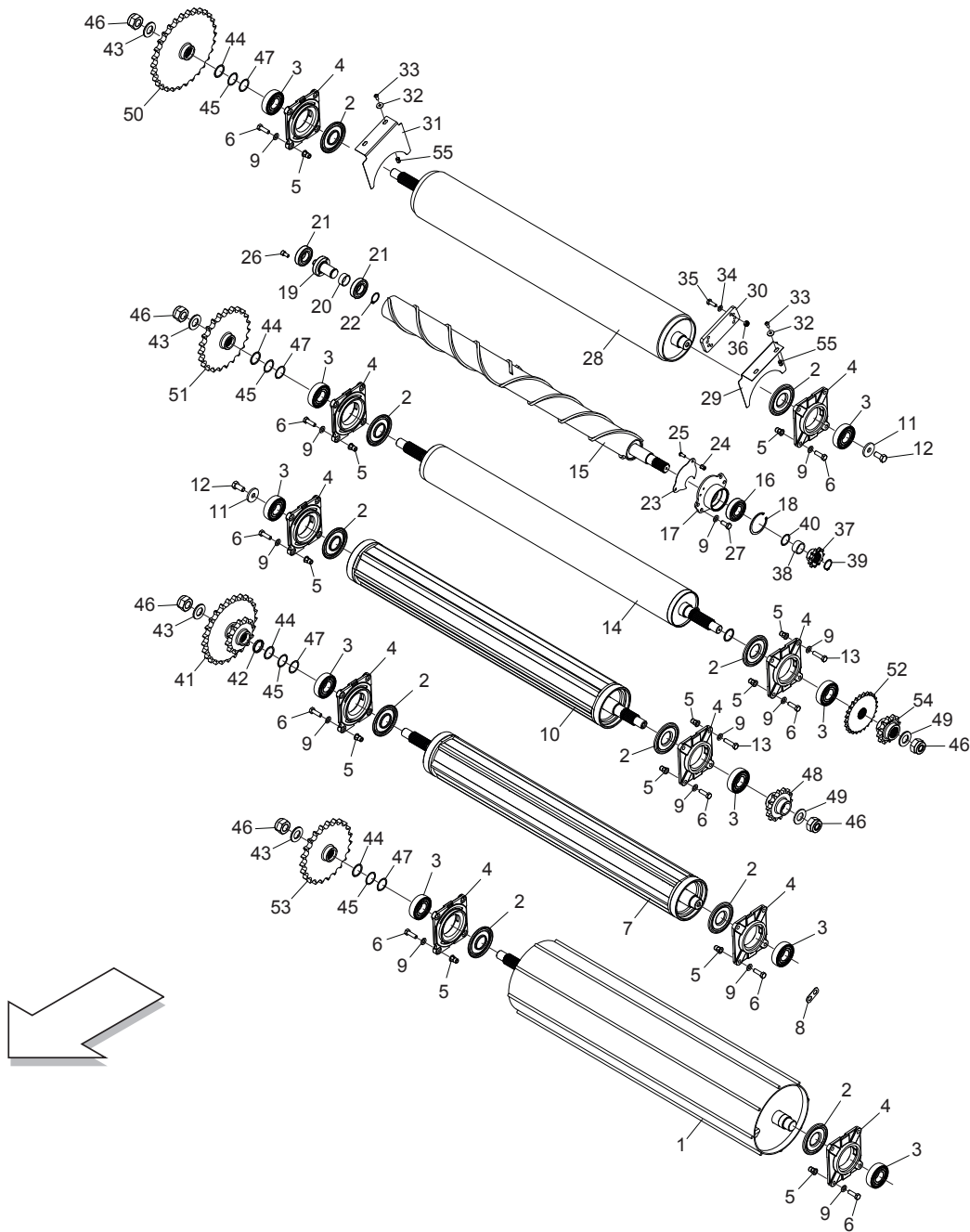
Pos.	Cod.	Descrizione	Description	Description	Benennung	Descripcion
1	B30GD1001	CATENA RULLI ISO 20 B-1 131M	ROLLER CHAIN ISO 20 B-1 131M			
2	B30G65001	CATENA RULLI ISO 20 B-1 65M	ROLLER CHAIN ISO 20 B-1 65M		KETTE ISO 20 B-1 65M	
3	B30G47001	CATENA RULLI ISO 20 B-1 47M	ROLLER CHAIN		ROLLER CHAIN	
4	B030G0020	GIUNTO A COPPIGLIA ISO 20 B-1	JOINT ISO 20 B-1			
5	B03111046	CATENA RULLI ASA 60-1 46 MGL	ROLLER CHAIN ASA60-1 46 MGL	CHAINE ROULEAUX	KETTE DER WALZEN	
6	B03110007	GIUNTO MOLL. N. 26 ASA 60-1	SPRING JOINT N. 26 ASA 60-1	JOINT	KETTENSCHLOSS	



**CATENE TRASMISSIONE RULLI (LATO SINISTRO)  
ROLLERS TRANSMISSION CHAINS (LEFT SIDE)**

TAV\_170

Pos.	Cod.	Descrizione	Description	Description	Benennung	Descripcion
1	B30G73001	CATENA RULLI ISO 20 B-1 73M	ROLLER CHAIN ISO 20 B-1 73M			
2	B030G0020	GIUNTO A COPPIGLIA ISO 20 B-1	JOINT ISO 20 B-1			
3	B030E1029	CATENA RULLI ISO 16 B-1 29M	ROLLER CHAIN ISO 16 B-1 29 M			
4	B030E0017	GIUNTO MOLL N26 ISO 16 B-1	SPRING JOINT N.26 ISO 16 B-1	JOINT RESSORT	WALZENKETTE ISO 16 B-1 29M	
5	B03111037	CATENA RULLI ASA 60-1 37 MG	CHAIN	CHAINE	KETTENFEDER	
6	B03110007	GIUNTO MOLL. N. 26 ASA 60-1	SPRING JOINT N. 26 ASA 60-1	JOINT	KETTE	
7	B30G44001	CATENA RULLI ISO 20 B-1 44M	ROLLER CHAIN ISO 20 B-1 44M		KETTENSCHLOSS	
8	B03111061	CATENA RULLI ASA 60-1 61 MGL	ASA 60-1 ROLLER CHAIN	CHAINE ROULEAU ASA 60_1	KETTENROLLEN ISO 20 B-1 44M	
9	B030E1027	CATENA RULLI ISO 16 B-1 27M	ROLLER CHAIN ISO16 B-1 27M	CHAINE ROULEAUX	KETTE	
					WALZENKETTE	

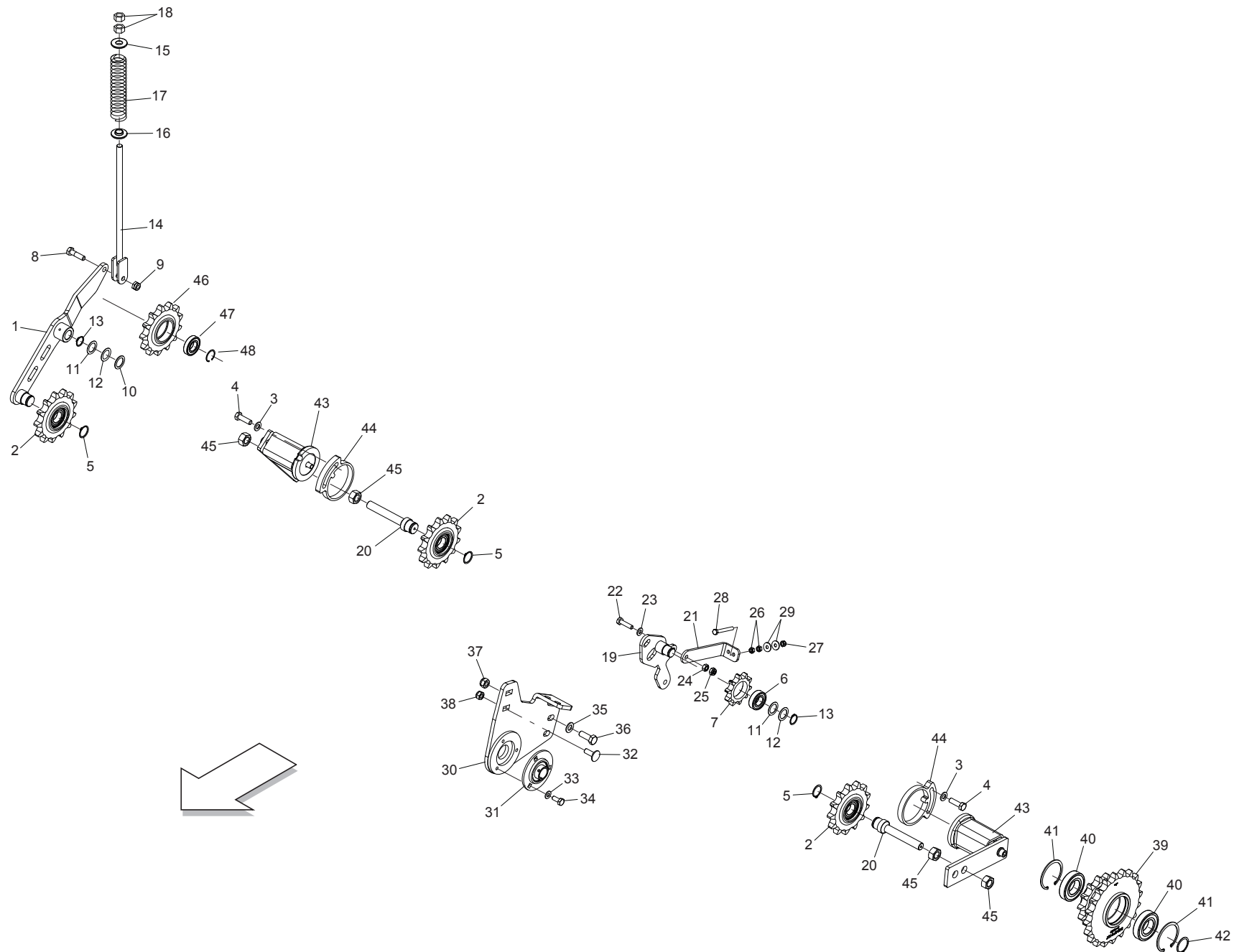


**RULLI  
ROLLERS**

**TAV\_140**

Pos.	Cod.	Descrizione	Description	Description	Benennung	Descrpcion
1	B07SP0602	RULLO GRANDE 365	ROLL GRANDE 365			
2	B01300827	CAPPELOTTO DI PROT.	PROTECTION CAP	FLASQUE PROTECTRICE	SCHUTZDECKEL	
3	B02384023	CUSCINETTO INA 308 NPPB - 2RS	BEARING INA 308 NPPB-2RS	ROULEMENT INA 308 NPPB 2RS	LAGER INA308 NPPB-2RS	
4	B027P0017	FLANGIA SUPPORTO C LAMATURE	SUPPORT			
5	B00990012	INSERTO ESAGONALE M12	HEXAGONAL NUT M12			
6	F01020514	VITE M12X1,75X40 U5739 8.8ZN	SCR. M12X1,75X40 U5739 8.8ZN	VIS M12X1,75X40 U5739 8.8ZN	SCHRA. M12X1,75X40 U5739 8.8ZN	TORN. M12X1,75X40 U5739 8,8ZN
7	B07SP0604	RULLO ALETTATO 365	ROLL ALETTATO 365			
8	B0C002357	PIASTRINA ATTACCO CAVI	CABLE ATTACHMENT PLATE	PLAQUETTE ATTELAGE CABLES	KABELHALTERPLATTE	
9	F01410076	ROS.M12 13X 20X2,0 U1749 ZN	WASHER	RONDELLE	SCHEIBE	
10	B07SP0782	RULLO ALETTATO 365	FINNED ROLLER 365			
11	B01515091	RALLA 17 52 6	FIFTH WHEEL	BUTEE	SCHEIBE	
12	F01020564	VITE M16X2X35 U5739 8.8ZN	SCR. M16X2X35 U5739 8.8ZN	VIS M 16X35	SCHRAUBE M 16X35	TORNILLO M 16X35
13	F01020517	VITE M12X1,75X 50 U5739 8.8ZN	SCREW	VIS	SCHRAUBE	
14	B07SP0607	RULLO MOTORE DOPPIO 365	ROLL MOTORE DOPPIO 365			
15	B07SP1181	RULLO PULITORE EXTR. CON PERNO	CLEANER ROLLER EXTREME			
16	B02040002	CUSCINETTO 6307-2RS CAT.KST004	BEARING	ROULEMENT CAT.KST004	LAGER 6307-2RS	
17	B07SP0943	SUPPORTO RULLO PULITORE	SUPPORT ROLLER CLEANER			
18	F02050425	ANEL. D ARR. FORO 80-I UNI3654	SEEGER RING	BAGUE SEEGER	SEEGERRING 80-I	
19	B013P0368	NUOVO SUPPORTO RULLO PULITORE	NEW SUPPORT ROLLER CLEANER			
20	B013P0369	DISTANZIALE L=17 D=35,5	SPACER L=17 D=35,5			
21	F04010178	CUSC. D35 D72 B17 6207 2RS1 EX	BEAR.D35 D72 B17 6207 2RS1 EX	ROULEM. D35 D72 B17 6207 2RS1	LAGER D35 D72 B17 6207 2RS1	COJINETE D35 D72 6207 2RS1
22	F02050145	ANELLO E. DE 35X1,5 U7435 C70	SEEGER RING D.35	BAGUE SEEGER D.35	SEEGERRING D.35	ANILLO SEEGER D.35
23	B0C6P0747	CARTER FORO RULLO PULITORE	CARTER HOLE ROLL PULITORE			
24	B00990007	INSERTO ESAGONALE M8X1,25 ZN	HEXAGONAL CONNECTION M8	CONNECTION HEXAGONALE M8	SECHSECKIGER EINSATZ M8	
25	F01030208	VITE M 8X1,25X 20 U7380 10.9ZN	SCREW M8X1,25X20 U7380 10.9ZN			
26	B00401020	VITE TCEI M10X 20-8.8 UNI 5931	SCREW	VIS	SCHRAUBE	
27	F01020510	VITE M12X1,75X 30 U5739 8.8ZN	SCREW TE M12X30	VIS	SCHRAUBE	
28	B035P0114	RULLO GOMMATO 365	ROLL GOMMATO 365			
29	B0C3P0284	CHIUSURA RULLO GOMMATO SX	CHAIN ROLL GOMMATO LH			
30	B0C1P1007	RINF. SUPPORTO RULLO GOMMATO	REINFORCEMENT PLATE			
31	B0C3P0283	CHIUSURA RULLO GOMMATO DX	CHAIN ROLL GOMMATO RH			
32	F01420048	ROS.M8 8,4X 24X 2 U6593 ZN	WASHER	RONDELLE	SCHEIBE	
33	B004N0820	VITE NERA TTEI M 8X 20-10,9	SCREW	VIS	SCHRAUBE TTEI M 8X20-10,9	
34	F01410064	ROS.M10 10,5X 18X 2 U6592 ZN	WASHER	RONDELLE	SCHEIBE	
35	F01020476	VITE M10X1,5X30 U5739 8.8ZN	SCR. M10X1,5X30 U5739 8.8ZN	VIS M10X1,5X30 U5739 8.8 ZN	SCHRAUBE M10X1,5X30U5739 8.8ZN	TORNIL.M10X1,5X30 U5739 8.8 ZN
36	F01230202	DADO M10X1,25 D985 8 ZN	SELF-LOCKING NUT	ECROU NYLSTOP	SELBSTSICHERNDE MUTTER M10-5S	
37	B034P0153	PIGNONE Z=11 3 4 ISO 12B-1	PINION Z=11 3 4 ISO 12B-1			
38	B013P0345	DISTANZIALE 35X42X21	SPACER			
39	B01700035	ANEL. D ARR. ALB. 35-E UNI3653	SEEGER RING	BAGUE SEEGER	SEEGERRING 35-E	
40	B01534416	SPE. 35 43 1 ZINCATO	SHIM	ENTRETOISE	AUSGLEICHSCHIEBE 35X43X1	
41	B034P0105	INGR. Z=25-12 1 1 4 RULLO IN	GEAR Z=25-12 1 1 4 ROLL IN			
42	B01329469	DISTANZIALE 40X48X 7	SPACER	ENTRETOISE	DISTANZSTUECK 40X48X7	
43	B014R3050	ROSETTA 30 UNI 5714-69 E DEIDR	WASHER	RONDELLE	BEILAGSSCHIEBE	
44	B013001151	SPE. 40 48 2 ZINCATO	SHIM	ENTRETOISE	DISTANZSTUECK 40 48 2	
45	B01300125	SPE. 40 48 0,5 ZINCATO	SHIM GALV	ENTRETOISE GALV	DISTANZSTUECK 40 48 0,5	
46	F01230291	DADO M30X 2 D985 ZN	NUT	ECROU	SELBSTSICHERNDE MUTTER M30X2-5	
47	B01300126	SPE. 40 48 1 ZINC.ST_013	SHIM	ENTRETOISE	DISTANZSTUECK 40 408 1	
48	B034P0110	INGRANAGGIO Z=14 1 RULLO MED	GEAR Z=14 1 ROLL MED			
49	B013C0094	RALLA 30 50 4	SWIVER RING 30 50 4			
50	B034P0101	INGRAN. Z=30 1 1 4 RULLO GOM	GEAR Z=30 1 1 4 ROLL GOM			
51	B034P0099	INGRAN. Z=23 1 1 4 RULLO MOT	GEAR Z=23 1 1 4 ROLL MOT			
52	B034P0109	INGRAN. Z=12 1 RULLO MOTORE	GEAR Z=12 1 ROLL MOTORE			
53	B034P0107	INGRAN. Z=22 1 1 4 RULLO GRA	GEAR Z=22 1 1 4 ROLL GRA			
54	B034P0152	PIGNONE Z=25 3 4 ISO 12B-1	PINION =25 3 4 ISO 12B-1			
55	B00990007	INSERTO ESAGONALE M8X1,25 ZN	HEXAGONAL CONNECTION M8	CONNECTION HEXAGONALE M8	SECHSECKIGER EINSATZ M8	

TAV\_150

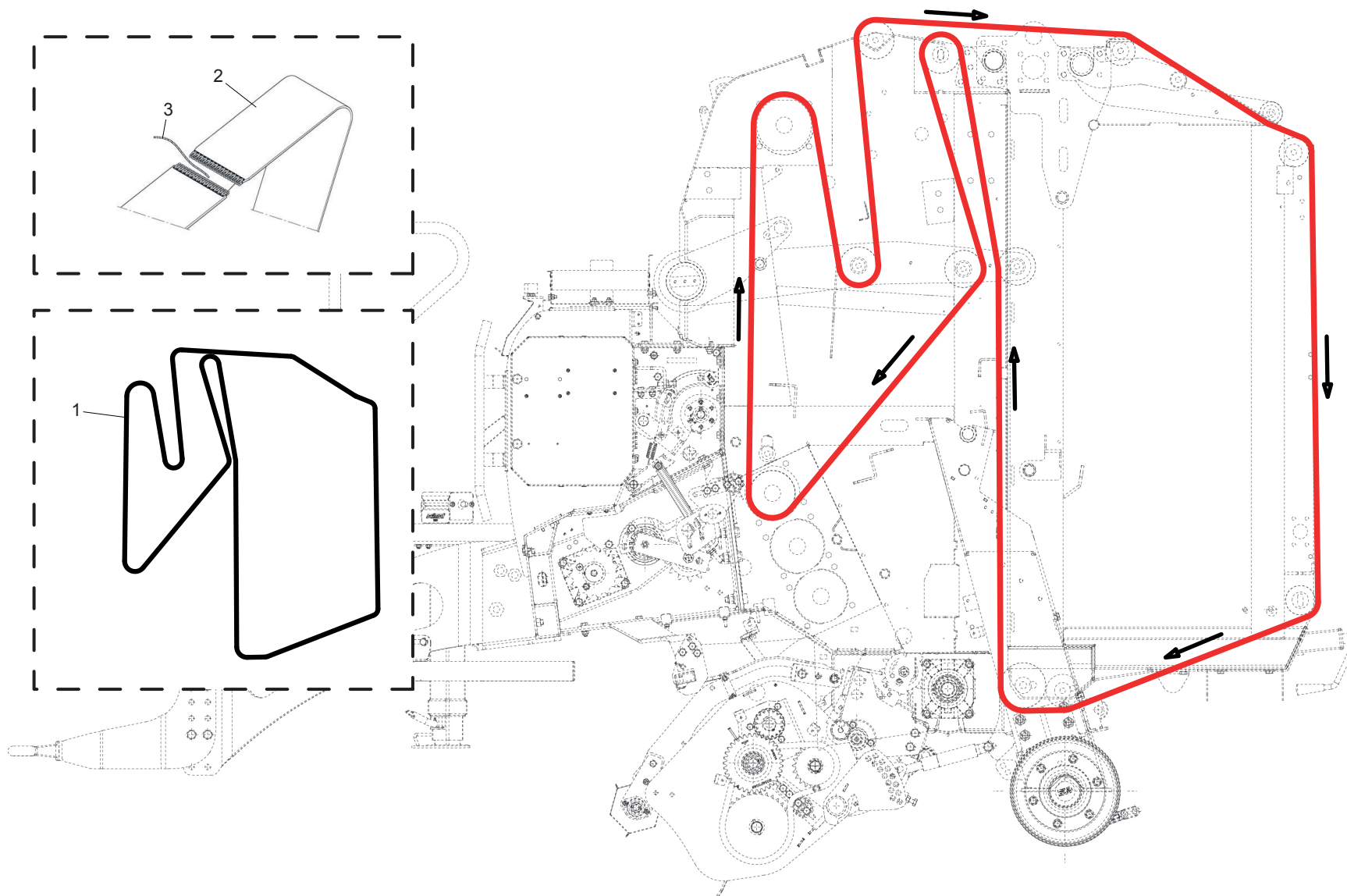




**TENDITORI CATENE  
CHAINS TENSIONER**

**TAV\_150**

Pos.	Cod.	Descrizione	Description	Description	Benennung	Descripcion
1	B07SP0991	TENDITORE PRINCIPALE	MAIN TENSIONER			
2	B0FMP0151	PIGNONE Z=13 1,1 4 ISO 20-B1	PINION Z=13 1,1 4 ISO 20-B1			
3	F01410076	ROS.M12 13X 20X2,0 U1749 ZN	WASHER	RONDELLE	SCHEIBE	
4	F01020514	VITE M12X1,75X40 U5739 8.8ZN	SCR. M12X1,75X40 U5739 8.8ZN	VIS M12X1,75X40 U5739 8.8ZN	SCHRA. M12X1,75X40 U5739 8.8ZN	TORN. M12X1,75X40 U5739 8,8ZN
5	F02050112	ANEL. D ARR. ALB. 30-E UNI3653	SEEGER RING	BAGUE SEEGER	SEEGERRING 30-E	
6	F04010170	CUSC.D25 D52 B15 6205 2RS EX	BEARING D25 D52 B15 6205 2RS	ROULEMENT 6205 2RS	LAGER 6205 2RS	COJINETE 6205 2RS
7	B03400274	CORONA Z10-1 ISO F52 TRATT	SPROCKET Z=10-1	ENGRANAGE SPECIAL TRAITE	ZAHNKRANZ Z=10-1	
8	F01020154	VITE M12X1,75X45 U5737 8.8ZN	SCR. M12X1,75X45 U5737 8.8ZN	VIS M12X1,75X 45 U5737 8.8 ZN	SCHR.M12X1,75X 45 U5737 8.8 ZN	TORN.M12X1,75X 45 U5737 8.8 ZN
9	B00920412	DADO M12X1,75 D985 8 ZN	NUT	ECROU	SELBSTSICHERNDE MUTTER M12-5S	
10	B013C0024	SPES. 26,5X37X2	SHIM 26,5X37X2	EPAISSEUR 26,5X37X2	SCHEIBE 26,5X37X2	
11	B01300106	SPES. 25,5 37 1 ZINCATO	SHIM GALV	ENTRETOISE GALV	DISTANZSTUECK 25,5 37 1	
12	B01300105	SPES. 25,5 37 0,5	SHIM	ENTRETOISE	DISTANZSTUECK 25,5 37 0,5	
13	F02050101	ANEL. D ARR. ALB. 25-E UNI3653	SEEGER RING	BAGUE SEEGER	SEEGERRING 25-E	
14	B07SP0648	TIRANTE GALOPPINO M16	TENSIONER GALOPPINO M16			
15	B013P0225	RALLA TENDITORE	SWIVER RING TENSIONER			
16	B013P0239	RALLA TENDITORE DOPPIA	SWIVER RING TENSIONER DOPPIA			
17	B01800067	MOLLA RASCHIATORE	TROTTER SPRING	RESSORT TROTTER	TROTTER FEDER	
18	B00710516	DADO M16X 2 U5588 6.8 ZN	NUT M16X2 U5588 6.8 ZN	ECROU	MUTTER M16-6S	
19	B07SP0702	TIRANTE	TENSIONER			
20	B0C1P0864	PERNO PER TENDITORE	PIN FOR TENSIONER			
21	B0C1P0821	TIRANTE	TIE ROD			
22	F01020481	VITE M10X1,5X40 U5739 8.8ZN	SCR. M10X1,5X40 U5739 8.8ZN	VIS M10 X1,5X40 U5739 8.8 ZN	SCHRAUBE M10X1,5X40U5739 8.8ZN	TORNIL.M10 X1,5X40 U5739 8.8ZN
23	F01410064	ROS.M10 10,5X 18X 2 U6592 ZN	WASHER	RONDELLE	SCHEIBE	
24	F01200268	DADO M10X1,25 U5588 CL8 ZN6SZN	NUT M10X1,25 U5588 6SZN	ECROU M10X1,25	MUTTER M10X1,25	TUER. M10X1,25
25	F01230201	DADO M10X1,25 D985 8ZN	NUT M10X1,25 D985 8ZN			
26	F01200244	DADO M8X1,25 U5588 CL8 ZN	NUT M8X1,25 U5588 6.8ZN	ECROU M8 X1,25 U5588 6.8 ZN	MUTTER M8 X1,25 U5588 6.8 ZN	TUERCA M8 X1,25 U5588 6.8 ZN
27	F01230301	DADO M 8X1,25 UNI7474 8 ZN	DADO M 8X1,25 UNI7474 8 ZN			
28	F01020454	VITE M8X1,25X70 U5739 8.8ZN	SCR. M8X1,25X70 U5739 8.8ZN	VIS M8X1,25X70 U5739 8.8 ZN	SCHRA. M8X1,25X70 U5739 8.8 ZN	TORN. M8X1,25X70 U5739 8.8 ZN
29	F01420048	ROS.M8 8,4X 24X 2 U6593 ZN	WASHER	RONDELLE	SCHEIBE	
30	B07SP1180	PIASTRA DI SUPPORTO ALBERO	SUPPORT SHAFT PLATE			
31	B02353030	SUPPORTO FLANGIATO TONDO 30LAM	BEARING FLANGED SUPPORT 30	SUPPORT FLANGE ROND 30 LAM.	FLANSCHLAGER	
32	F01020512	VITE M12X1,75X35 U5739 8.8ZN	SCR. M12X1,75X35 U5739 8.8ZN	VIS M12X1,75X35 5739 8.8 ZN	SCHR. M12X1,75X35 5739 8.8 ZN	TORN. M12X1,75X35 5739 8.8 ZN
33	F01410062	ROS.M10 10,5X 18X 2 U6592 ZN	WASHER M10 10,5X 18X 2 U6592	RONDELLE M10 10,5X18X2 ZN	DICHTUNGSRING M10 10,5X18X2 ZN	RONDANA M10 10,5X18X2 ZN
34	F01020474	VITE M10X1,5X25 U5739 8.8BR	SCR. M10X1,5X25 U5739 8.8BR	VIS M 10X25	SCHRAUBE M 10X25	TORNILLO M 10X25
35	F01410088	ROS.M14 15X 28X2,5 U6592 ZN	WAS.M14 15X 28X2,5 U6592 ZB	RON.M14 15X 28X2,5 U6592 ZB	SCH.M14 15X 28X2,5 U6592 ZB	ARA.M14 15X 28X2,5 U6592 ZB
36	F01020544	VITE M14X2X40 U5739 8.8ZN	SCR. M14X2X40 U5739 8.8ZN	VIS M14X2X40 U5739 8.8ZN	SCHR.M14X2X40 U5739 8.8ZN	TOR.M14X2X40 U5739 8.8ZN
37	F01230074	DADO M14X2 D982 A2 IX	NUT M14X2 D982 A2IX			
38	F01230213	DADO M12X1,75 U7474 CL8 ZN	NUT M12X1,75 U7474 6SZN	ECROU AUTOBL. M12	SELBSTSPERR.MUTTER M12	DADO AUTOBL. M12
39	B034P0137	ING.Z=20 13;1-1 4;1-1 4	GEAR Z=20 13;1-1 4;1-1 4			
40	B02044018	CUSCINETTO 6208-2RS CAT.B	6208-2RS BEARING	ROULEMENT	LAGER	
41	F02050425	ANELLO E. DI 80X 2,5 U7437 C70	SEEGER RING D.80	BAGUE SEEGER D.80	SEEGERRING D.80	ANILLO SEEGER D.80
42	F02050168	ANELLO E.DE 40X1,75 U7435 ZN	SEEGER RING 40X1,75 U7435 C70	BAGUE SEEGER 40X1,75 U7435 C70	SEEGERRING 40X1,75 U7435 C70	ANIL.SEEGER 40X1,75 U7435 C70
43	F06140026	EL. TENDITORE SE-F38 RUBMIX15	TURNBUCKLE			
44	B0C1P0795	PIASTRA DI FISS.TENDIT.SE-F 38	PLATE OF FIX.TENDIT.SE-F 38			
45	F01200352	DADO M20X2,5 U5588 CL8 ZN	NUT M20X2,5 U5588 6.8ZN	ECROU 20 UNI 5588 6.8 ZN	MUTTER M20X 2,5 U5588 6.8 ZN	TUERCA M20X 2,5 U5588 6.8 ZN
46	B034P0135	ING Z=13; 1-1 4; ISO20B-1	GEAR Z=13; 1-1 4; ISO20B-1			
47	B02043016	CUSC. 6206-2RS CAT.B-ST004	BEARING	ROULEMENT	LAGER	
48	F02050392	ANELLO E. DI 62X 2 U7437 C70	SEEGER RING E. 62X 2 U7437 C70	SEEGER E. 62X 2 U7437 C70	SEEGERING E. 62X 2 U7437 C70	ANILLO E. 62 X 2 U7437 C70
49	F01410076	ROS.M12 13X 24X2,5 U6592 ZN	WASHER 12 13X 24X2,5 U6592 ZN	RONDEL. M12 13X24X2,5 U6592 ZN	SCHEIBE M12 13X24X2,5 U6592 ZN	ARANDELA M12 13 X24X2,5 ZN

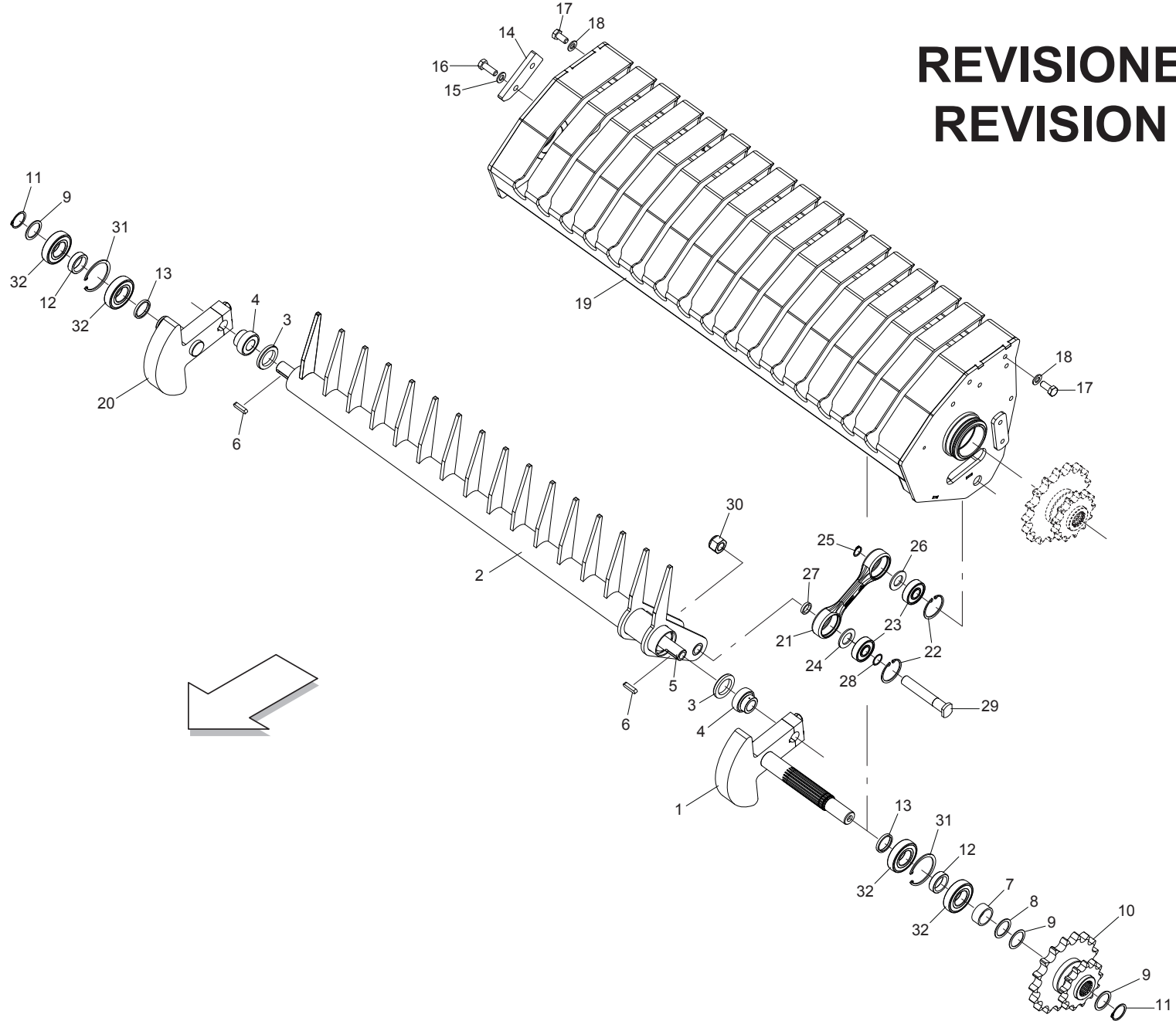


**CINGHIE  
BELTS**

TAV\_180

Pos.	Cod.	Descrizione	Description	Description	Benennung	Descripcion
1	B076P0014	CINGHIA EXTR. 365 AN. CHIUSO	ENDLESS BELT EXTREME 365			
2	B076P0013	CINGHIA EXTREME 365 GRAFFATA	STAPLED BELT EXTREME 365	COURROIE POUR EXTREME 365	STAPLED BELT EXTREME 365	
3	B076P0017	CAVETTO GIUNZIONE CINGHIA MT01	CABLE BELT JUNCTION 22G			

# REVISIONE 0 REVISION 0

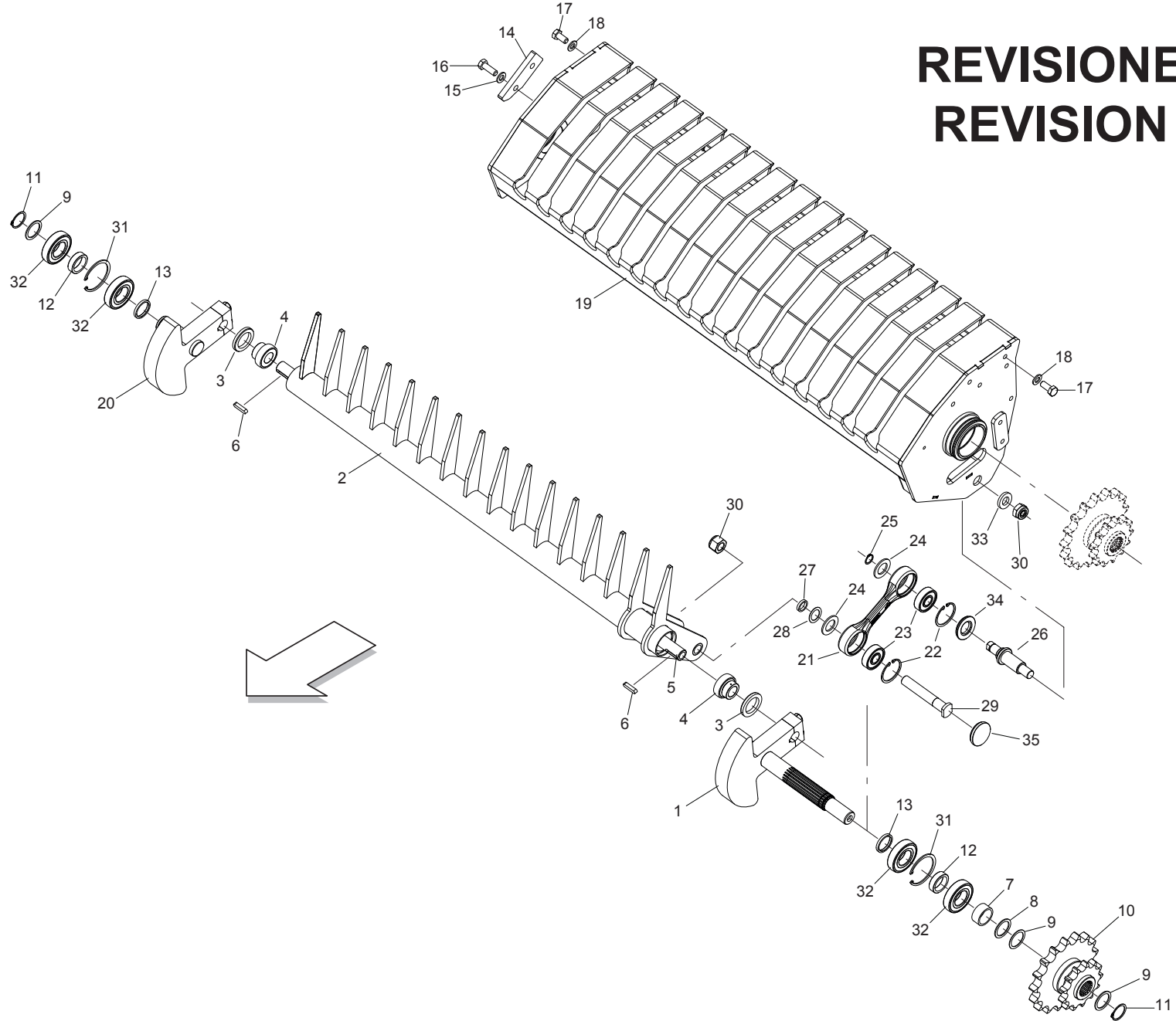


**INFALDATORE (REVISIONE 0)  
FEEDER (REVISION 0)**

**TAV\_190**

Pos.	Cod.	Descrizione	Description	Description	Benennung	Descripcion
1	B07SP1115	MANOVELLA INFA LATO MOT.365HTI	MOTOR FEEDER ROD 365 HTI			
2	B07SP1188	INFALDATORE	FEEDER			
3	B013P0373	PROTEZIONE CUSCINETTO	BEARING COVER			
4	F04010426	CUSCINETTO INA RAE 25 NPPB	BEARING INA RAE 25 NPPB			
5	B035P0170	ALBERO INFALDATORE	SHAFT			
6	F02150070	LINGUETTA 8X 7X 35 U6604A	PARALLEL KEY 8X 7X 35 U6604A	LANGUETTE 08X7X35 UNI6604 A	FEDERKEIL 08X7X35 UNI6604 A	LENG ETA 08X7X35 UNI6604 A
7	B013P0447	DISTANZIALE	SPACER			
8	F01440100	ROS. 35X45X 2 D988 ST2K60 BR	WASHER 35X45X BR			
9	F01440033	ROS. 35X45X 1 D988 ST2K60 BR	SPRING WASHER D.35,2X45X1	RESSORT A DISQUES D.35,2X45X1	FEDER D.35,2X45X1	MUELLE DISCO D.35,2X45X1
10	B034P0141	ING.SALDATO Z17 Z13	W.GEAR Z17 Z13			
11	F02050146	ANELLO E. DE 35X 1,5 U7435 C70	ELASTIC RING DE 35X 1,5 U7435	BAGUE ELASTIQUE DE 35X 1,5	RING DE 35X 1,5 U7435 C70	ANILLO DE 35X 1,5 U7435 C70
12	B01300523	DISTANZIALE 35X 45X12,5	SPACER	ENTRETOISE	DISTANZSTUECK 35X45X12,5	
13	B01300605	DISTANZIALE 35X42X 5	SPACER	ENTRETOISE	DISTANZSTUECK 35X42X5	
14	B0C1P0615	FERMO PICK-UP 365 HTI	FIRM PICK-UP 365 HTI			
15	F01410076	ROS.M12 13X 20X2,0 U1749 ZN	WASHER	RONDELLE	SCHEIBE	
16	F01020512	VITE M12X1,75X35 U5739 8.8ZN	SCR. M12X1,75X35 U5739 8.8ZN	VIS M12X1,75X35 5739 8.8 ZN	SCHR. M12X1,75X35 5739 8.8 ZN	TORN. M12X1,75X35 5739 8.8 ZN
17	F01020508	VITE M12X1,75X 25 U5739 8.8ZN	SCREW	VIS	SCHRAUBE	
18	F01410076	ROS.M12 13X 20X2,0 U1749 ZN	WASHER	RONDELLE	SCHEIBE	
19	B07SP1096	TELAIO INFALDATORE	MAINFRAME FEEDER			
20	B07SP1099	MANOVELLA INFA LATO FOL.365HTI	FEEDER ROD 365 HTI			
21	B055P0008	BIELLA	ROD			
22	F02050381	ANEL. D ARR. FORO 52-I UNI3654	SEEGER RING	BAGUE SEEGER	SEEGERING	
23	F04010208	CUSCINETTO 6304 2RS	COJINETE 6304 2RS			
24	B013P0444	PROTEZIONE BIELLA 27X45X3	PROTECTION ROD 27X45X3			
25	F02050078	ANELLO E. DE 20X 1,2 U7435 C7	SEEGER RING E. 20X1,2 7435 C70	SEEGER 20X 1,2 U7435 C70	SEEGER E. 20X 1,2 U7435 C70	
26	B013P0445	PROTEZIONE BIELLA 25X45X3	ROD PROTECTION 25X45X3			
27	B013P0411	DISTANZIALE 20X26X5	SPACER 20X26X5			
28	B013P0412	DISTANZIALE 22X26X1	SPACER 22X26X1			
29	B013P0413	PERNO BIELLA INFALDAT. 365HTI	CONNECTING ROD PIN			
30	F01230131	DADO M20X2,5 D982 6ZN	NUT M20X2,5 D982 6ZN	ECROU M20X,5 D982 6ZN	MUTTER M20X2,5 D982 6ZN	TUERCA M20X2,5 D982 6ZN
31	F02050403	ANELLO E. DI 72X 2,5 U7437 C7	SEEGER RING E.72X2,5 U7437 C70	SEEGER E. 72X 2,5 U7437 C70	SEEGERING E. 72X 2,5 U7437 C70	ANILLO E. 72X 2,5 U7437 C70
32	F04010178	CUSCINETTO 6207-2RS CAT.AST004	BEARING	PALIER 6207-2RS	LAGER	

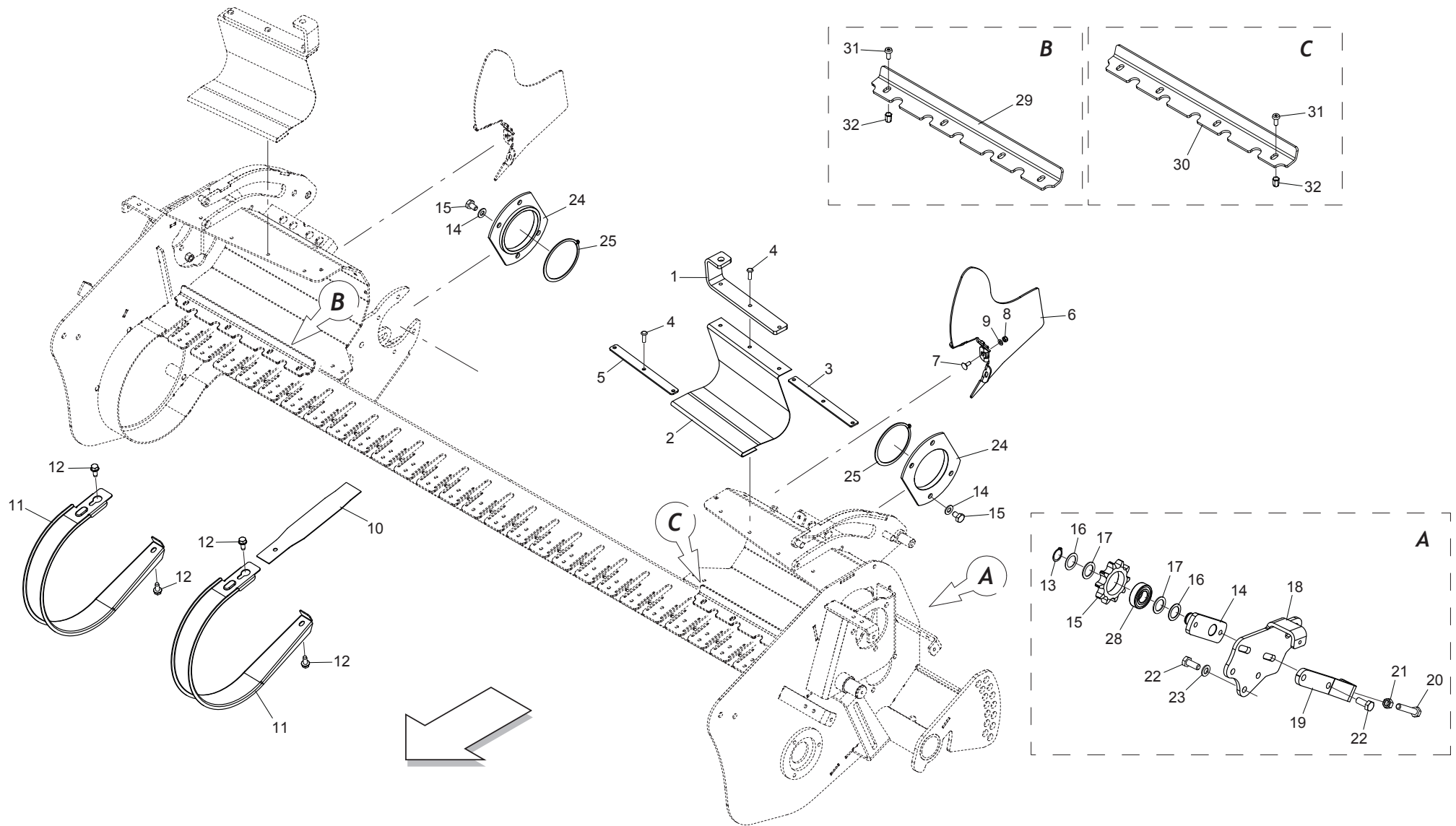
# REVISIONE 2 REVISION 2



**INFALDATORE (REVISIONE 2)  
FEEDER (REVISION 2)**

TAV\_200

Pos.	Cod.	Descrizione	Description	Description	Benennung	Descripcion
1	B07SP1115	MANOVELLA INFA LATO MOT.365HTI	MOTOR FEEDER ROD 365 HTI			
2	B07SP1188	INFALDATORE	FEEDER			
3	B013P0373	PROTEZIONE CUSCINETTO	BEARING COVER			
4	F04010426	CUSCINETTO INA RAE 25 NPPB	BEARING INA RAE 25 NPPB			
5	B035P0170	ALBERO INFALDATORE	SHAFT			
6	F02150070	LINGUETTA 8X 7X 35 U6604A	PARALLEL KEY 8X 7X 35 U6604A	LANGUETTE 08X7X35 UNI6604 A	FEDERKEIL 08X7X35 UNI6604 A	LENG ETA 08X7X35 UNI6604 A
7	B013P0447	DISTANZIALE	SPACER			
8	F01440100	ROS. 35X45X 2 D988 ST2K60 BR	WASHER 35X45X BR			
9	F01440033	ROS. 35X45X 1 D988 ST2K60 BR	SPRING WASHER D.35,2X45X1	RESSORT A DISQUES D.35,2X45X1	FEDER D.35,2X45X1	MUELLE DISCO D.35,2X45X1
10	B034P0141	ING.SALDATO Z17 Z13	W.GEAR Z17 Z13			
11	F02050146	ANELLO E. DE 35X 1,5 U7435 C70	ELASTIC RING DE 35X 1,5 U7435	BAGUE ELASTIQUE DE 35X 1,5	RING DE 35X 1,5 U7435 C70	ANILLO DE 35X 1,5 U7435 C70
12	B01300523	DISTANZIALE 35X 45X12,5	SPACER	ENTRETOISE	DISTANZSTUECK 35X45X12,5	
13	B01300605	DISTANZIALE 35X42X 5	SPACER	ENTRETOISE	DISTANZSTUECK 35X42X5	
14	B0C1P0615	FERMO PICK-UP 365 HTI	FIRM PICK-UP 365 HTI			
15	F01410076	ROS.M12 13X 20X2,0 U1749 ZN	WASHER	RONDELLE	SCHEIBE	
16	F01020512	VITE M12X1,75X35 U5739 8.8ZN	SCR. M12X1,75X35 U5739 8.8ZN	VIS M12X1,75X35 5739 8.8 ZN	SCHR. M12X1,75X35 5739 8.8 ZN	TORN. M12X1,75X35 5739 8.8 ZN
17	F01020508	VITE M12X1,75X 25 U5739 8.8ZN	SCREW	VIS	SCHRAUBE	
18	F01410076	ROS.M12 13X 20X2,0 U1749 ZN	WASHER	RONDELLE	SCHEIBE	
19	B07SP1384	TELAIO INFALDATORE	MAINFRAME FEEDER			
20	B07SP1099	MANOVELLA INFA LATO FOL.365HTI	FEEDER ROD 365 HTI			
21	B055P0008	BIELLA	ROD			
22	F02050381	ANEL. D ARR. FORO 52-I UNI3654	SEEGER RING	BAGUE SEEGER	SEEGERING	
23	F04010448	CUSC.D20 D52 B15 2RS CAT.A	BEARING D20 D52 B15			
24	B013P0444	PROTEZIONE BIELLA 27X45X3	PROTECTION ROD 27X45X3			
25	F02050078	ANELLO E. DE 20X 1,2 U7435 C7	SEEGER RING E. 20X1,2 7435 C70	SEEGER 20X 1,2 U7435 C70	SEEGER E. 20X 1,2 U7435 C70	
26	B013P0630	PERNO BIELLA	ROD PIN			
27	B013P0411	DISTANZIALE 20X26X5	SPACER 20X26X5			
28	B01300106	SPES. 25,5 37 1 ZINCATO	SHIM GALV	ENTRETOISE GALV	DISTANZSTUECK 25,5 37 1	
29	B013P0626	PERNO BIELLA INFALDATORE	PIN ROD			
30	F01230259	DADO AUTOB.BASSO M20 8 D985 ZN	NUT	ECROU	SELBSTSICHERNDE MUTTER M20-5S	
31	F02050403	ANELLO E. DI 72X 2,5 U7437 C7	SEEGER RING E.72X2,5 U7437 C70	SEEGER E. 72X 2,5 U7437 C70	SEEGERING E. 72X 2,5 U7437 C70	ANILLO E. 72X 2,5 U7437 C70
32	F04100012	CUSC.D35 D72 B17 1726207-2RS1	BEAR. D35 D7 B17 1726207-2RS1	ROULEMENT 1726207 2RS1	LAGER 1726207 2RS1	COJINETE 1726207 2RS1
33	B01522468	RALLA 20 38 6	FIFTH WHEEL	BUTEE	SCHEIBE	
34	B013P0606	CAPPELOTTO DI PROTEZ. APERTO	OPEN PROTECTION COAT			
35	B013P0635	CAPPELOTTO DI PROTEZIONE CHIU	CLOSING PROTECTION			



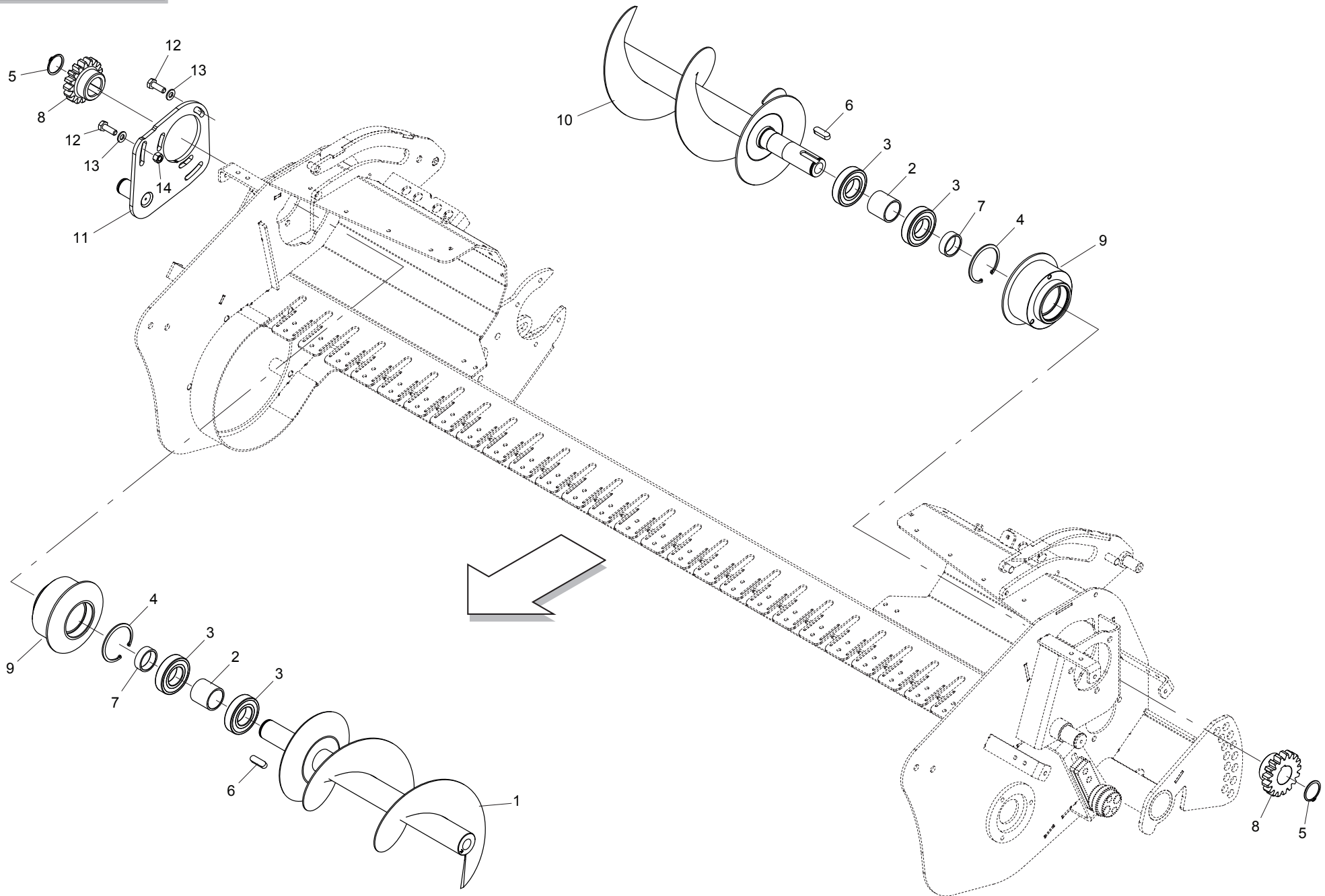


**PICK-UP (PARTE 1)**  
**PICK-UP (PART 1)**

TAV\_220

Pos.	Cod.	Descrizione	Description	Description	Benennung	Descripcion
1	B0C1P1741	PIATTO PER TENDINA PICK UP	SUPPORT RUBBER PUL			
2	B07V00074	PROT. COCLEA PU 180	AUGER PROTECTION	PROTECTION PELLETEUSE PU 180	SCHNECKENSCHUTZ	
3	B0C1P0583	PIATTINO DI FISSAGGIO	FIXING PLATE			
4	F02250160	RIVETTO STR. 6,4X22 ACCIAIO	RIVET	RIVET	KUPFERNIET	REMACHE
5	B0C002410	PIATTO FISSAGGIO GOMMA PUL	FIXING PLATE	PLAT FIXAGE	GUMMIFIXIERPLATTE	
6	B0C1P1673	LAMIERA DI CONTENIMENTO 365HTI	SHEET METAL CONTAINMENT 365HTI			
7	F01030510	VITE TTQST M6 X16-4,6 ZN U5731	SCREW TTQST M6X16-4,6 ZN U5731			
8	F01230184	DADO M6X1 D985 8ZN	NUT M6X1 D985 8ZN			
9	F01410037	ROS.M6 6,4X12,5X1,6 U6592 ZN	WASHER	RONDELLE	BEILAGSCHEIBE 6	
10	B0C1P0527	COMPENSO FASCIA 365 HTI	COMPENSATION FOR BAND 365 HTI			
11	B0C1P1388	FASCIA PER PICK UP BUGNATA	BEND FOR PICK UP PUNCHED			
12	B00370003	VITE TE M8X20 SEZ.TRILOB.U8111	SCREW			
13	F02050101	ANEL. D ARR. ALB. 25-E UNI3653	SEEGER RING	BAGUE SEEGER	SEEGERRING 25-E	
14	B07SP1201	TENSIONATORE CATENA PICK-UP	TENSIONER CHAIN PICK-UP			
15	B03400274	CORONA Z10-1 ISO F52 TRATT	SPROCKET Z=10-1	ENGRANAGE SPECIAL TRAITE	ZAHNKRANZ Z=10-1	
16	B01300106	SPE. 25,5 37 1 ZINCATO	SHIM GALV	ENTRETOISE GALV	DISTANZSTUECK 25,5 37 1	
17	B01300159	SPE. 25 37 2 ZINCATO	SHIM GALV	ENTRETOISE GALV	DISTANZSTUECK 25 37 2	
18	B0C1P0526	ATTACCO IMBULL. PER TENDITORE	CONNECTION FOR TURNBUCKLE			
19	B0C1P1109	TIRANTE PER TENDITORE PICK-UP	TIE BEAM FOR TURNBUCKLE			
20	F01020519	VITE M12X1,75X 60 U5739 8.8ZN	SCREW M12X1,75X 60 U5739 8.8ZN			
21	F01200293	DADO M12X1,75 U5588 CL8 ZN	NUT M12X1,75 U5588 6S ZN	ECROU M12X1,75 U5588 6S ZN	MUTTER M12X1,75 U5588 6S ZN	TUERCA M12X1,75 U5588 6S ZN
22	F01020510	VITE M12X1,75X 30 U5739 8.8ZN	SCREW TE M12X30	VIS	SCHRAUBE	
23	F01410076	ROS.M12 13X 20X2,0 U1749 ZN	WASHER	RONDELLE	SCHEIBE	
24	B01300715	FLANGIA SX PICK-UP	PICK-UP FLANGE	FLASQUE GAUCHE POUR PICK-UP	PICK-UP FLANSCH	
25	B01700095	ANEL. D ARR. ALB. 95-E UNI3653	SEEGER RING	BAGUE SEEGER	SEEGERRING 95-E	
28	F04010170	CUSC.D25 D52 B15 6205 2RS EX	BEARING D25 D52 B15 6205 2RS	ROULEMENT 6205 2RS	LAGER 6205 2RS	COJINETE 6205 2RS
29	B0C1P1735	RASCHIATORE INFERIORE DX	LOWER RIGHT SCRAPER			
30	B0C1P1736	RASCHIATORE INFERIORE SX	LOWER LEFT SCRAPER			
31	F01030208	VITE M 8X1,25X 20 U7380 10.9ZN	SCREW M8X1,25X20 U7380 10.9ZN			
32	B00990007	INSERTO ESAGONALE M8X1,25 ZN	HEXAGONAL CONNECTION M8	CONNECTION HEXAGONALE M8	SECHSECKIGER EINSATZ M8	

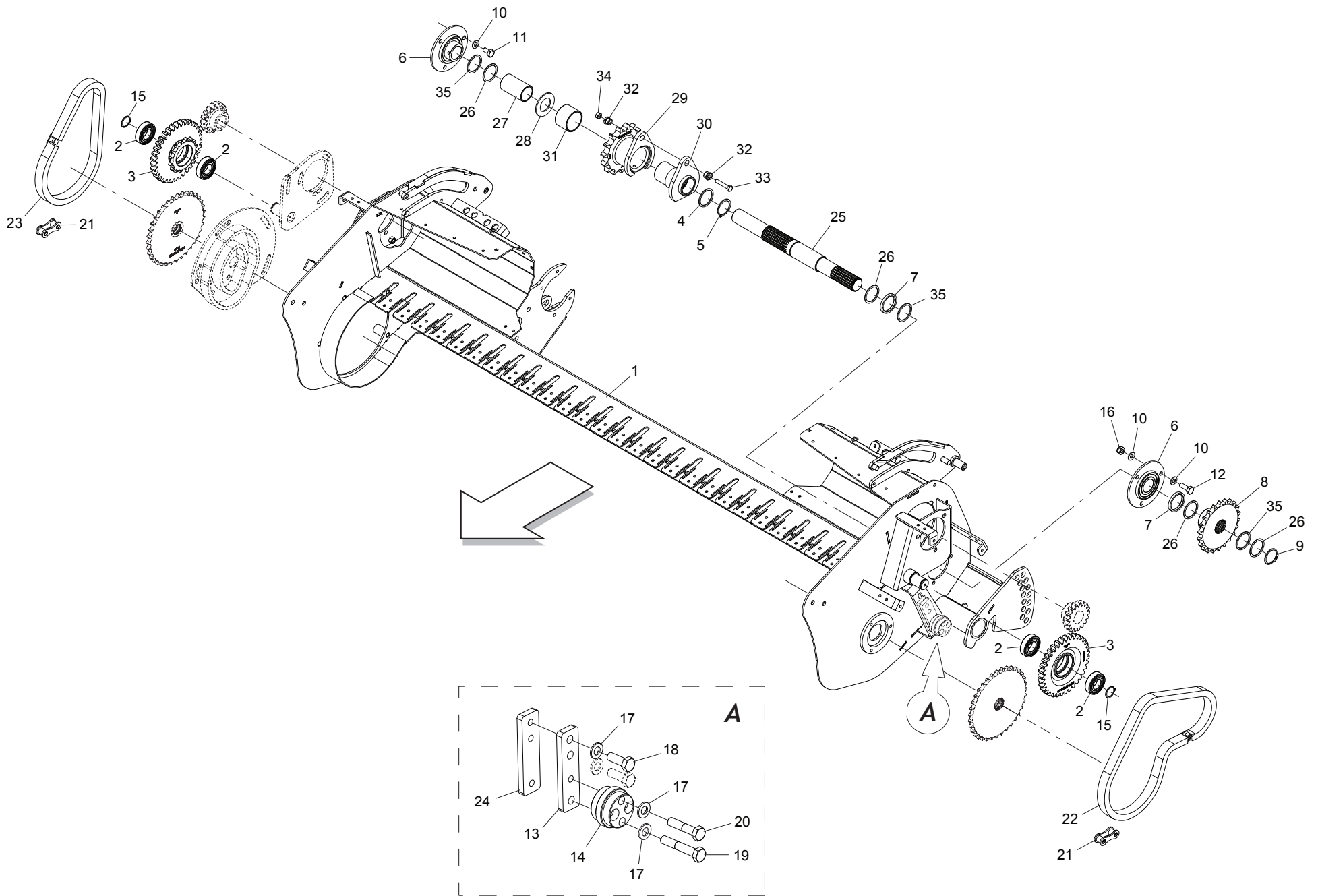
TAV\_230



**PICK-UP (PARTE 2)**  
**PICK-UP (PART 2)**

TAV\_230

Pos.	Cod.	Descrizione	Description	Description	Benennung	Descripcion
1	B07SP1067	COCLEA DESTRA PU 365 HTI	RIGHT COCHLEA PU 365 HTI			
2	B013P0388	DISTANZIALE 41X48X46	SPACER 41X48X46			
3	B02044018	CUSCINETTO 6208-2RS CAT.B	6208-2RS BEARING	ROULEMENT	LAGER	
4	F02050425	ANEL. D ARR. FORO 80-I UNI3654	SEEGER RING	BAGUE SEEGER	SEEGERRING 80-I	
5	F02050168	ANELLO E. DE 40X1,75 U7435 C7	SEEGER RING 40X1,75 U7435 C70	BAGUE SEEGER 40X1,75 U7435 C70	SEEGERRING 40X1,75 U7435 C70	ANIL.SEEGER 40X1,75 U7435 C70
6	B01205040	LINGUETTA12X8X40 UNI 6604 FA64	TANG	LANGUETTE	FEDERKEIL	
7	B013P0389	DISTANZIALE 41X48X15	SPACER 41X48X15			
8	B034P0148	INGR. Z=17 M=5 CON MOZZO 40	INGR. Z=17 M=5 WITH HUB 40			
9	B013P0390	MOZZO IMBULL.PER COCLEA 365HTI	BOLTED HUB FOR COCHLEA 365 HTI			
10	B07SP1068	COCLEA SINISTRA PU 365 HTI	LEFT COCHLEA PU 365 HTI			
11	B07SP1070	PIASTRA CON TENSIONATORE X PU	PLATE WITH TENSIONER			
12	F01020476	VITE M10X1,5X30 U5739 8.8ZN	SCR. M10X1,5X30 U5739 8.8ZN	VIS M10X1,5X30 U5739 8.8 ZN	SCHRAUBE M10X1,5X30U5739 8.8ZN	TORNIL.M10X1,5X30 U5739 8.8 ZN
13	F01410062	ROS.M10 10,5X 18X 2 U6592 ZN	WASHER M10 10,5X 18X 2 U6592	RONDELLE M10 10,5X18X2 ZN	DICHTUNGSRING M10 10,5X18X2 ZN	RONDANA M10 10,5X18X2 ZN
14	F01200049	DADO M10X1,5 U5587 CL8 BR6.8BR	NUT M10X1,5 U5587 6.8BR	ECROU 10 UNI 5587 6.8	MUTTER 10 UNI 5587 6.8	TUERCA 10 UNI 5587 6.8

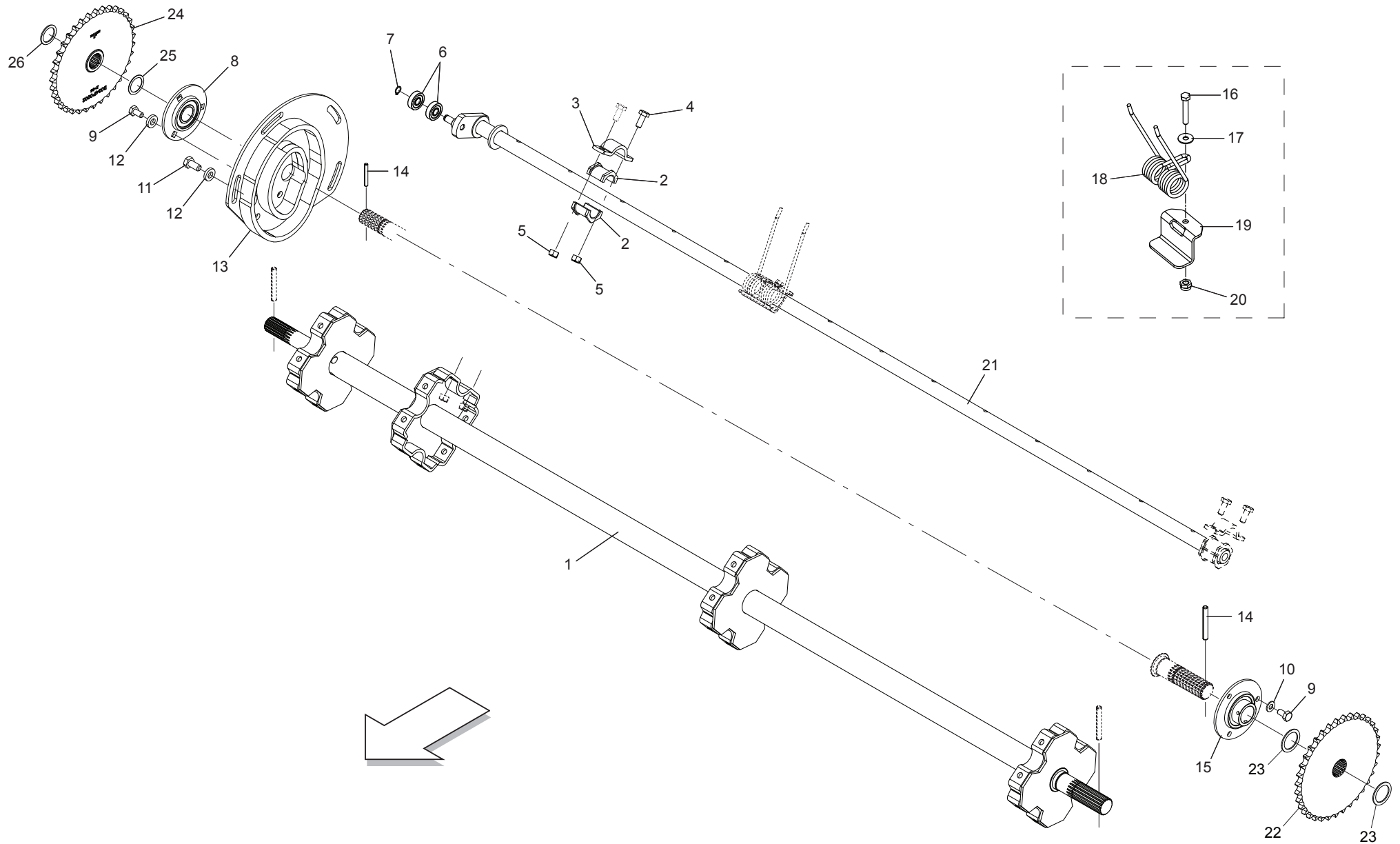


**PICK-UP (PARTE 3)**  
**PICK-UP (PART 3)**

TAV\_240

Pos.	Cod.	Descrizione	Description	Description	Benennung	Descripcion
1	B07SP1058	TELAIO PICK-UP 365 HTI	FRAME PICK-UP 365 HTI			
2	B02043016	CUSCINETTO PER TENDITORE	BEARING	ROULEMENT	LAGER	
3	B034P0049	INGR. Z=35 M=5 WITH SPROCKET Z	GEAR Z=35 M=5 WITH SPROCKET Z=	PINION Z=16 3 4 ET ENGRANAGE Z	RITZEL Z=16 3 4 UND ZAHNRADPAA	
4	B01300151	SPES. 40 48 2 ZINCATO	SHIM	ENTRETOISE	DISTANZSTUECK 40 48 2	
5	F02050168	ANELLO E. DE 40X1,75 U7435 C7	SEEGER RING 40X1,75 U7435 C70	BAGUE SEEGER 40X1,75 U7435 C70	SEEGERRING 40X1,75 U7435 C70	ANIL.SEEGER 40X1,75 U7435 C70
6	B02353035	SUPPORTO FLANG.TONDO 35 LAMIER	BEARING FLANGED SUPPORT D.35	SUPPORT FLANGE ROND 35 LAMES	FLANSCHLAGER	
7	B01300605	DISTANZIALE 35X42X 5	SPACER	ENTRETOISE	DISTANZSTUECK 35X42X5	
8	B03400003	INGR. Z=22; 3 4; ISO 12B-1 PU	GEAR Z=22-3 4	ENGRANAGE	KETTENRAD Z=22-3 4	
9	F02050145	ANELLO E. DE 35X1,5 U7435 C70	SEEGER RING D.35	BAGUE SEEGER D.35	SEEGERRING D.35	ANILLO SEEGER D.35
10	F01410062	ROS.M10 10,5X 18X 2 U6592 ZN	WASHER M10 10,5X 18X 2 U6592	RONDELLE M10 10,5X18X2 ZN	DICHTUNGSRING M10 10,5X18X2 ZN	RONDANA M10 10,5X18X2 ZN
11	F01020470	VITE M10X1,5X20 U5739 8.8ZN	SCR. M10X1,5X20 U5739 8.8ZN	VIS M10X1,5X20 U5739 8.8 ZN	SCHRAUBE M10X1,5X20 U5739 ZN	TORNILLOM10X1,5X20 U5739 8.8Z
12	F01020476	VITE M10X1,5X30 U5739 8.8ZN	SCR. M10X1,5X30 U5739 8.8ZN	VIS M10X1,5X30 U5739 8.8 ZN	SCHRAUBE M10X1,5X30U5739 8.8ZN	TORNIL.M10X1,5X30 U5739 8.8 ZN
13	BOC1P0529	TENDITORE PICK UP LATO SX	PICK UP TENSIONER LEFT SIDE			
14	B07VP0513	TENDICATENA IN NYLON	NYLON CHAIN TIGHTENER	TENDEUR DE CHAINE EN NYLON		
15	F02050112	ANEL. D ARR. ALB. 30-E UNI3653	SEEGER RING	BAGUE SEEGER	SEEGERRING 30-E	
16	F01230201	DADO M10X1,25 D985 8ZN	NUT M10X1,25 D985 8ZN			
17	F01410076	ROS.M12 13X 20X2,0 U1749 ZN	WASHER	RONDELLE	SCHEIBE	
18	F01020512	VITE M12X1,75X35 U5739 8.8ZN	SCR. M12X1,75X35 U5739 8.8ZN	VIS M12X1,75X35 5739 8.8 ZN	SCHR. M12X1,75X35 5739 8.8 ZN	TORN. M12X1,75X35 5739 8.8 ZN
19	F01020164	VITE M12X1,75X70 U5737 8.8ZN	SCREW M12X1,75X70 U5737 8.8ZN	VIS M12X1,75X70 ZN	SCHR. M12X1,75X70 U5737 8.8 ZN	TORN. M12X1,75X70 U5737 8.8 ZN
20	F01020158	VITE M12X1,75X55 U5737 8.8ZN	BOLT M12X1,75X55 U5737 8.8ZN	VIS M12X1,75X55 U5737 8.8 ZN	SCHR. M12X1,75X55 U5737 8.8 ZN	TORN. M12X1,75X55 U5737 8.8 ZN
21	B03110007	GIUNTO MOLL. N. 26 ASA 60-1	SPRING JOINT N. 26 ASA 60-1	JOINT	KETTENSCHLOSS	
22	B03111061	CATENA RULLI ASA 60-1 61 MGL	ASA 60-1 ROLLER CHAIN	CHAINE ROULEAU ASA 60_1	KETTE	
23	B03111046	CATENA RULLI ASA 60-1 46 MGL	ROLLER CHAIN ASA60-1 46 MGL	CHAINE ROULEAUX	KETTE DER WALZEN	
24	BOC1P0528	TENDITORE PICK-UP	PICK UP TENSIONER			
25	B035P0166	ALBERO RINVIO PICK_UP 365 HTI	COUNTERSHAFT PICK-UP 365 HTI			
26	B01534416	SPES. 35 43 1 ZINCATO	SHIM	ENTRETOISE	AUSGLEICHSCHIEBE 35X43X1	
27	B013P0405	DISTANZIALE 35X42X69	SPACER 35X42X69			
28	B01534395	RALLA 35.5X 62 X 3 ZINCATO	FIFTH WHEEL	BUTEE	SPEZIALSCHEIBE	
29	B034P0146	MOZZO PER GIUNTO DI SICUREZZA	HUB FOR SAFETY LINK Z=14 1			
30	B07SP1049	MOZZO CALETTATO	HUB WITH CONNECTION			
31	B02500001	BRONZINA 50X56 L38	BUSHING 50X56 L38	COUSSINET	LAGERBUCHSE	
32	B00511057	BUSSOLA DI TRANCIAMENTO INFALD	BUSHING	BAGUE	BUCHSE	
33	B00170845	VITE ZINCATA M 8X45-10.9 U5737	ZN SCREW M 8X45-10.9 U5737	VIS	SCHRAUBE	
34	F01220022	DADO M8X1,25 D980 8ZN	NUT M8X1,25 D980 8ZN	ECROU M8X 1,25 D980 8 ZN	MUTTER M8X 1,25 D980 8 ZN	TUERCA M8X 1,25 D980 8 ZN
35	B01522427	SPES. 35 47 2	SHIM	ENTRETOISE	SCHEIBE	

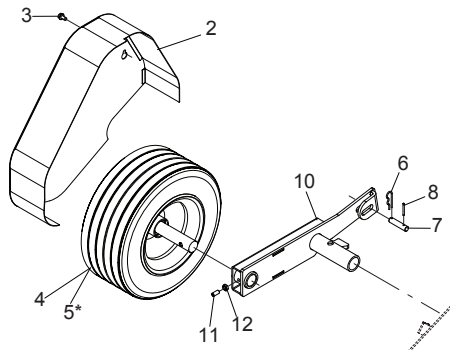
TAV\_250



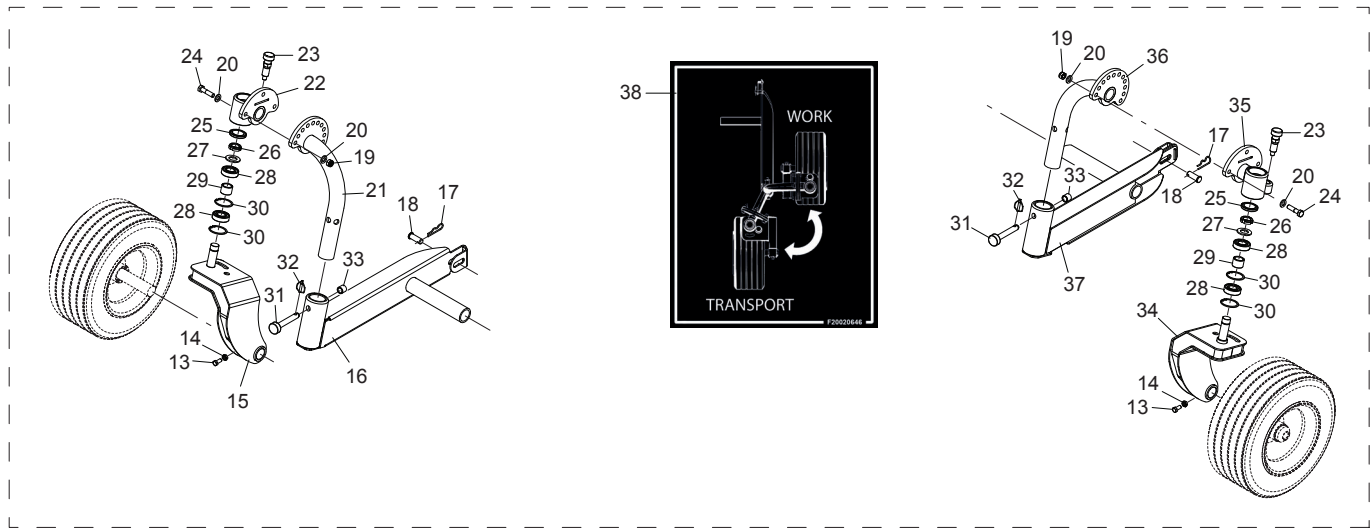
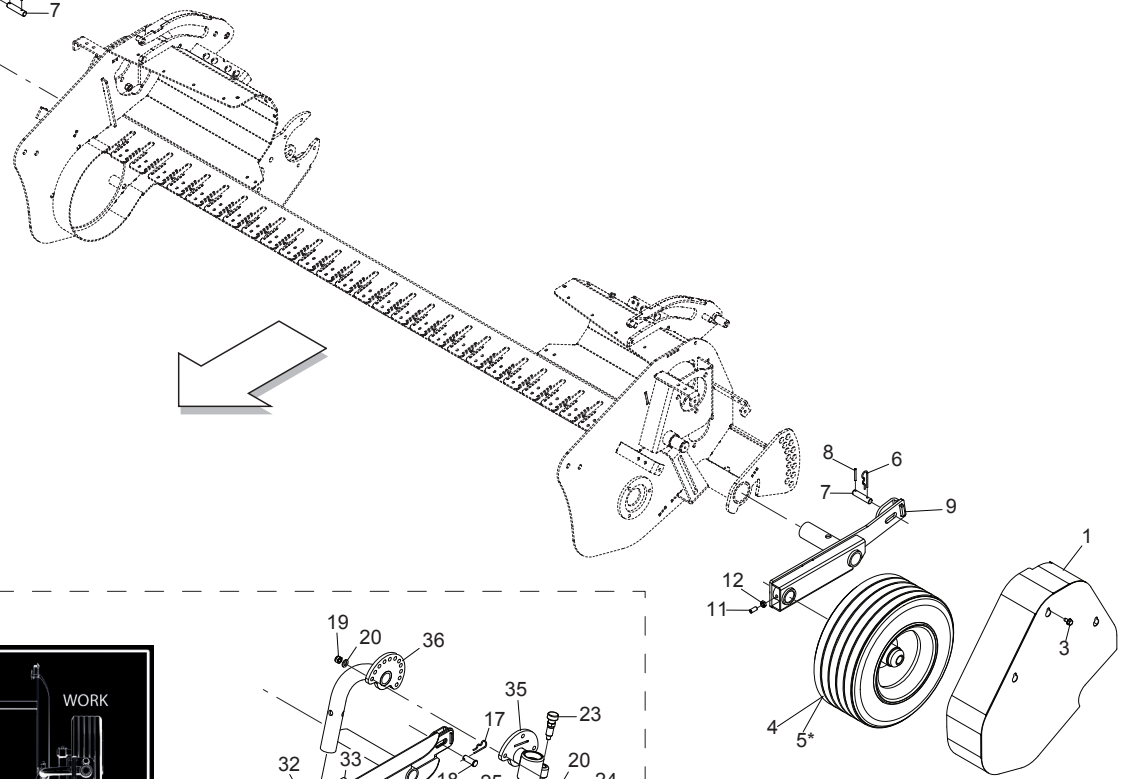
**PICK-UP (PARTE 4)**  
**PICK-UP (PART 4)**

TAV\_250

Pos.	Cod.	Descrizione	Description	Description	Benennung	Descripcion
1	B07SP0195	CORPO ASPO L LT	REEL BODY	CORPS ENROULEUR LT	KOERPER ASPO L LT	
2	B025P0010	SEMIBUSSOLA PER ASPO PICK-UP	HALF-BUSHFOR ASPO PICK-UP	SEMI-PALIER SPECIAL	HALBLAGERBUCHSE	
3	B0C001521	CAVALLOTTO	U BOLT	BOULON	BUEGELBOLZEN	
4	F01020472	VITE M10X1,5X25 U5739 8.8ZN	SCR. M10X1,5X25 U5739 8.8ZN	VIS M10X1,5X25 U5739 8.8 ZN	SCHRAUBE M10X1,5X25 U5739 8.8	TORNILLO 10X25 U5739 8.8 ZN
5	F01220033	DADO M10X 1,5 D980 8 ZN	NUT	ECROU	SELBSTSICHERNDE MUTTER M10 KL8	
6	B020R1210	ROTEL.SKF 361201 R PICK-UP LEG	ROLLER SKF 361201 R PU BINDER	GALET SKF 361201 R PICK UP LEG	LAGER SKF 361201 R	
7	F02050023	ANELLO E. DE 12X 1 U7435 C70	SEEGER RING D 12X 1 U7435 C70	BAGUE SEEGER D 12X 1 U7435 C70	SEEGERRING D 12X 1 U7435 C70	ANILLO D 12X 1 U7435 C70
8	B02353030	SUPPORTO FLANGIATO TONDO 30LAM	BEARING FLANGED SUPPORT 30	SUPPORT FLANGE ROND 30 LAM.	FLANSCHLAGER	
9	F01020470	VITE M10X1,5X20 U5739 8.8ZN	SCR. M10X1,5X20 U5739 8.8ZN	VIS M10X1,5X20 U5739 8.8 ZN	SCHRAUBE M10X1,5X20 U5739 ZN	TORNILLO M10X1,5X20 U5739 8.8Z
10	F01410062	ROS.M10 10,5X 18X 2 U6592 ZN	WASHER M10 10,5X 18X 2 U6592	RONDELLE M10 10,5X18X2 ZN	DICHTUNGSRING M10 10,5X18X2 ZN	RONDANA M10 10,5X18X2 ZN
11	F01020510	VITE M12X1,75X30 U5739 8.8ZN	SCR. M12X1,75X30 U5739 8.8ZN	VIS M12X1,75X30 U5739 8.8ZN	SCHRAU.M12X1,75X30 U5739 8.8ZN	TORN. M12X1,75X30 U5739 8.8ZN
12	B01515797	RALLA 13 25 5	FIFTH WHEEL	BUTEE	SCHEIBE	
13	B057P0203	CAMMA PICK-UP	PICK-UP CAM			
14	F02100124	SPINA E.P. 3X 12 U6873 C70 BR	PIN EL. 6X50 U6873 C70 BR	GOUJON 6X50 U6873 C70 BR	STIFT 6X50 U6873 C70 BR	ESPINA 6X50 U6873 C70 BR
15	B02353035	SUPPORTO FLANG.TONDO 35 LAMIER	BEARING FLANGED SUPPORT D.35	SUPPORT FLANGE ROND 35 LAMES	FLANSCHLAGER	
16	F01020074	VITE M8X1,25X50 U5737 10.9ZD	SCR. M8X1,25X50 U5737 10.9ZD	VIS M 8X50	SCHRAUBE M 8X50	TORNILLO M 8X50
17	F01420048	ROS.M8 8,4X 24X 2 U6593 ZN	WASHER	RONDELLE	SCHEIBE	
18	B018P0003	DENTE RACCOGLITORE PICK-UP	TOOTH COLLECTING PU	DENT PICK-UP	PICK-UP ZINKEN	
19	B0C000214	PIASTRA SOSTEGNO MOLLA	SPRING SUPPORTING PLATE	PLAQUE SUPPORT RESSORT	FEDER STUETZPLATTE	
20	F01021205	DADO M 8X 1 D982 CL.8	NUT	ECROU	SELBSTSICHERNDE MUTTER M8-8G	
21	B07SP1050	BARRA P.DENTI PU 220 TEMPRATA	PICK-UP BAR HARDENED 200	BARRE PO.-DENTS PU 220 TEMP.		
22	B034P0041	INGR. Z=35; 3 4; ISO 12B-1	GEAR	ENGRANAGE	ZAHNRAD Z=35-3 4	
23	B01522427	SPE. 35 47 2	SHIM	ENTRETOISE	SCHEIBE	
24	B034P0002	ING. Z=35; 3 4; ISO 12B-1	GEAR Z=35; 3 4; ISO 12B-1	ENGRANAGE	ZAHNRAD	
25	B01300101	SPE. 30,3 40 1 ZINCATO	SHIM GALV	ENTRETOISE GALV	DISTANZSTUECK 30,3 40 1	
26	B01300153	SPE. 30 40 2 ZINCATO	SHIM GALV	ENTRETOISE GALV	DISTANZSTUECK 30 40 2	



(\*) 5 = BLACK EDITION

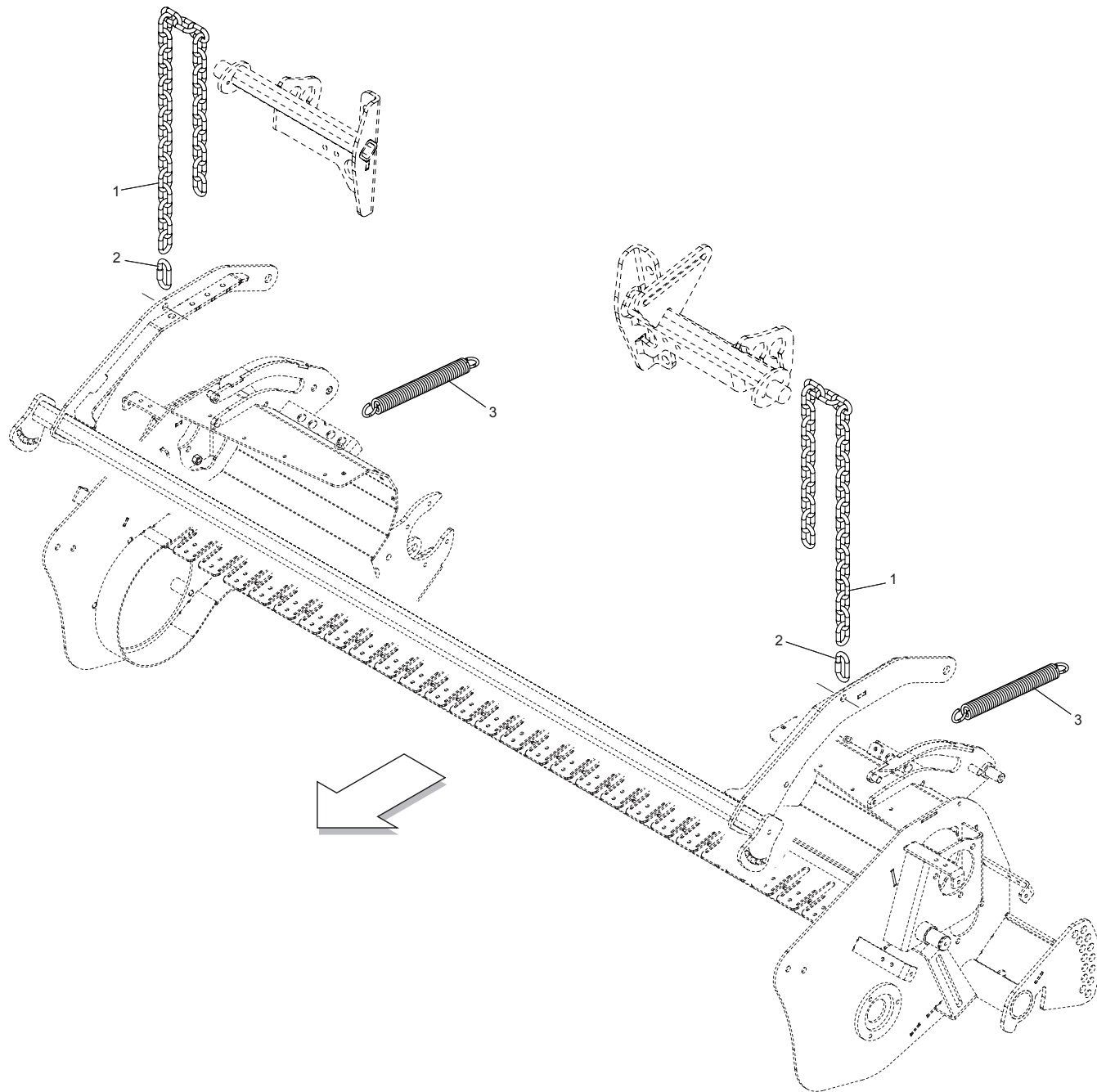




**PICK-UP (PARTE 5)**  
**PICK-UP (PART 5)**

TAV\_260

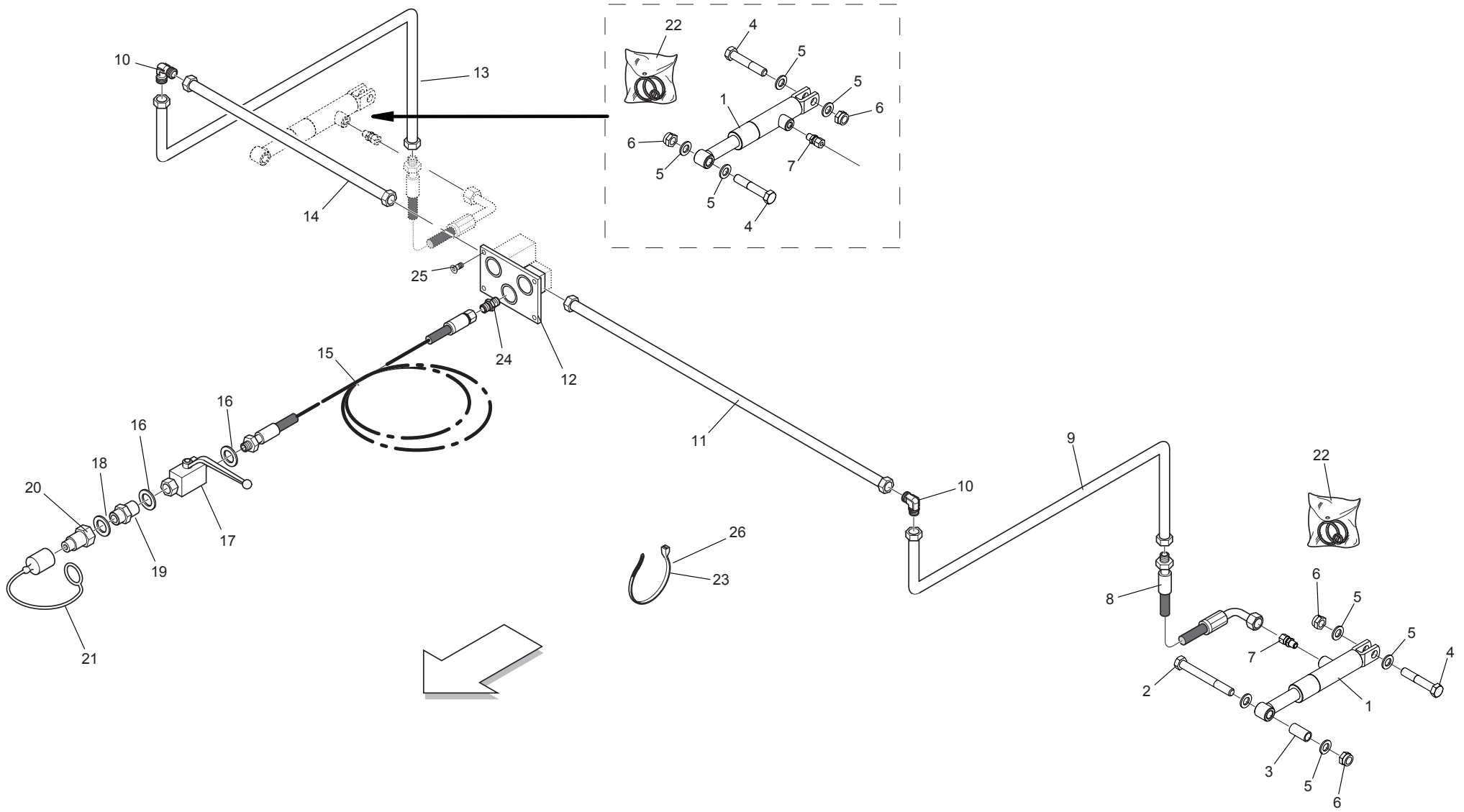
Pos.	Cod.	Descrizione	Description	Description	Benennung	Descripcion
1	BSP000069	CARTER SX PICK-UP 365	LEFT CARTER PICK-UP 365			
2	BSP000070	CARTER DX PICK-UP 365	RIGHT CARTER PICK-UP 365			
3	B00370001	VITE TE M 8X16 A SEZ. TRILOBATA	SCREW TRE M 8X16 SEZ TROUBLED	VIS	SCHRAUBE M 8X15	
4	B07100040	RUOTA IN GOMMA CON FUSEL16.650	TYRE WITH SPINDLE	ROUE EN CAOUTCHOUC	GUMMI RAD	
5	B07100057	RUOTA ARG. IN GOMMA CON FUSELLO	WHEEL			
6	B01170377	COPIGLIA DI SICUREZZA D=3 ISO	PIN	GOUPILLE CLIPS	STIFT	
7	B01300610	SPINA 15X 65 2F 4	PIN	AXE	ZAPFEN 15 X65	
8	F02100060	SPINA E.P. 4X 40 U6873 C70 BR	PIN E.P. 4X 40 U6873 C70 BR			
9	B07SP0084	ATTACCO RUOTA SX LT	LT WHELL LEFT CONNECTION	ATTELAGE ROUE GAUCHE LT	RAD ANSCHLUSS LINKS LT	
10	B07SP0085	ATTACCO RUOTA DX LT	LT WHELL RIGHT CONNECTION	ATTELAGE ROUE DROIT LT	RAD ANSCHLUSS RECHTS LT	
11	F01050138	VITE M10X1,5 X 20 U5927 8.8BR	SCREW M10X1,5 X 20 U5927 8.8BR			
12	F01200416	DADO M10X1,5 U5589 CL8 ZN 6SZN	NUT M10X1,5 U5589 6SZN	ECROU 10 UNI 5589 6.8 ZN	MUTTER 10 UNI 5589 6.8 ZN	TUERCA 10 UNI 5589 6.8 ZN
13	F01020472	VITE M10X1,5X25 U5739 8.8ZN	SCR. M10X1,5X25 U5739 8.8ZN	VIS M10X1,5X25 U5739 8.8 ZN	SCHRAUBE M10X1,5X25 U5739 8.8	TORNILLO 10X25 U5739 8.8 ZN
14	F01200416	DADO M10X1,5 U5589 CL8 ZN 6SZN	NUT M10X1,5 U5589 6SZN	ECROU 10 UNI 5589 6.8 ZN	MUTTER 10 UNI 5589 6.8 ZN	TUERCA 10 UNI 5589 6.8 ZN
15	B07SP1114	SUPPORTO RUOTA DESTRA	SUPPORT RIGHT WHEEL			
16	B07SP1113	SUPPORTO BRACCIO DESTRO	ARM RIGHT SUPPORT			
17	B01170377	COPIGLIA DI SICUREZZA D=3 ISO	PIN	GOUPILLE CLIPS	STIFT	
18	F02100352	PERNO D.16 UNI 1710 ZN	PIN D.16 UNI 1710 ZN			
19	F01230059	DADO M12X1,75 D982 8ZN	LOCK-NUT M12X1,75 D982 8ZN	ECR.AUTO-FREI.M12X1,75 ZN	SICHERUNGSMUT.M12X1,75 D982 8ZN	TUER.DE SEGUR.M12X1,75 D982 Z
20	F01410076	ROS.M12 13X 24X2,5 U6592 ZN	WASHER 12 13X 24X2,5 U6592 ZN	RONDEL. M12 13X24X2,5 U6592 ZN	SCHEIBE M12 13X24X2,5 U6592 ZN	ARANDELA M12 13 X24X2,5 ZN
21	B07SP1222	BRACCIO PU DESTRO 365 HTI	365 HTI PU RIGHT ARM			
22	B07SP1221	MOZZO DESTRO PICK-UP	RIGHT HUN PICK-UP			
23	F06220042	PISTONC. A MOL.D12 M20X1,5BR	PISTON AT SPRING D12 M20X1,5BR			
24	F01020156	VITE M12X1,75X50 U5737 8.8ZN	SCR. M12X1,75X50 U5737 8.8ZN	VIS M12X1,75X50 U5737 8.8 ZN	SCHR. M12X1,75X50 U5737 8.8 ZN	TORN. M12X1,75X50 U5737 8.8 ZN
25	F05100222	TAPPO DI CHIUSURA D52 X 7	CLOSING STOPPER D52 X 7			
26	F02010011	GHIERA AU.GUK M25X1,5 T.4H ZG	SELF LOCKING NUT	COLLIER AUTOBL.	SELBSTSP. NUTMUTTER	VIROLA AUTOBL.
27	B01522663	SPES. 25 45	SHIM	ENTRETOISE	SCHEIBE	
28	F04010170	CUSC.D25 D52 B15 6205 2RS EX	BEARING D25 D52 B15 6205 2RS	ROULEMENT 6205 2RS	LAGER 6205 2RS	COJINETE 6205 2RS
29	B0C1P0853	DISTANZIALE 25.5 33.7 25	SPACER 25.5 33.7 25			
30	F02050381	ANELLO E. DI 52X 2 U7437 C70	SEEGER RING E. 52X 2 U7437 C70	SEEGER E. 52X 2 U7437 C70	SEEGERING E. 52X 2 U7437 C70	ANILLO 52X 2 U7437 C70
31	F20100022	PERNO D16 L86 C43 TEST.D35 ZN	PIN FOR BAR LINKAGE	GOUJON ATTELAGE BARRE	VERB.BOLZEN SCHUTZHOLM	PERNO ATAQUE BARRA
32	F02200486	SPINA SCATTO D.6 X27 ZN	SNAP PIN D.6 X27 ZN	FICHE A DETENTE D6 X 27 ZN	EINRASTSTIFT D6 X 27 ZN	CLAVIJA DE MUELLE D6 X27 ZN
33	B013P0455	DISTANZIALE 16 21,3 19	BUSHING 16 21,3 19			
34	B07SP1111	SUPPORTO RUOTA SINISTRA	SUPPORT LEFT WHEEL			
35	B07SP1199	MOZZO SINISTRO PICK-UP	LEFT HUB PICK-UP			
36	B07SP1198	BRACCIO PU SINISTRO 365 HTI	365 HTI PU LEFT ARM			
37	B07SP1110	BRACCIO SUPPORTO RUOTA SX	ARM FOR LEFT WHEEL			
38	F20020646	DECAL RUOTINI PIVOTTANTI 365	DECAL WHEELS PIVOTING 365			



PICK-UP (PARTE 6)  
PICK-UP (PART 6)

TAV\_270

Pos.	Cod.	Descrizione	Description	Description	Benennung	Descripcion
1	B033C0001	CATENA GENOVESE N.28 20 ANELLI	GENOVESE CHAIN 28 20 RINGS			
2	B038C0003	MAGLIA RAPIDA OVALE CON VITE	QUICK RING OVAL SCREW			
3	B01826161	MOLLA CONTRASTO RULLO	SPRING	RESSORT	FEDER	

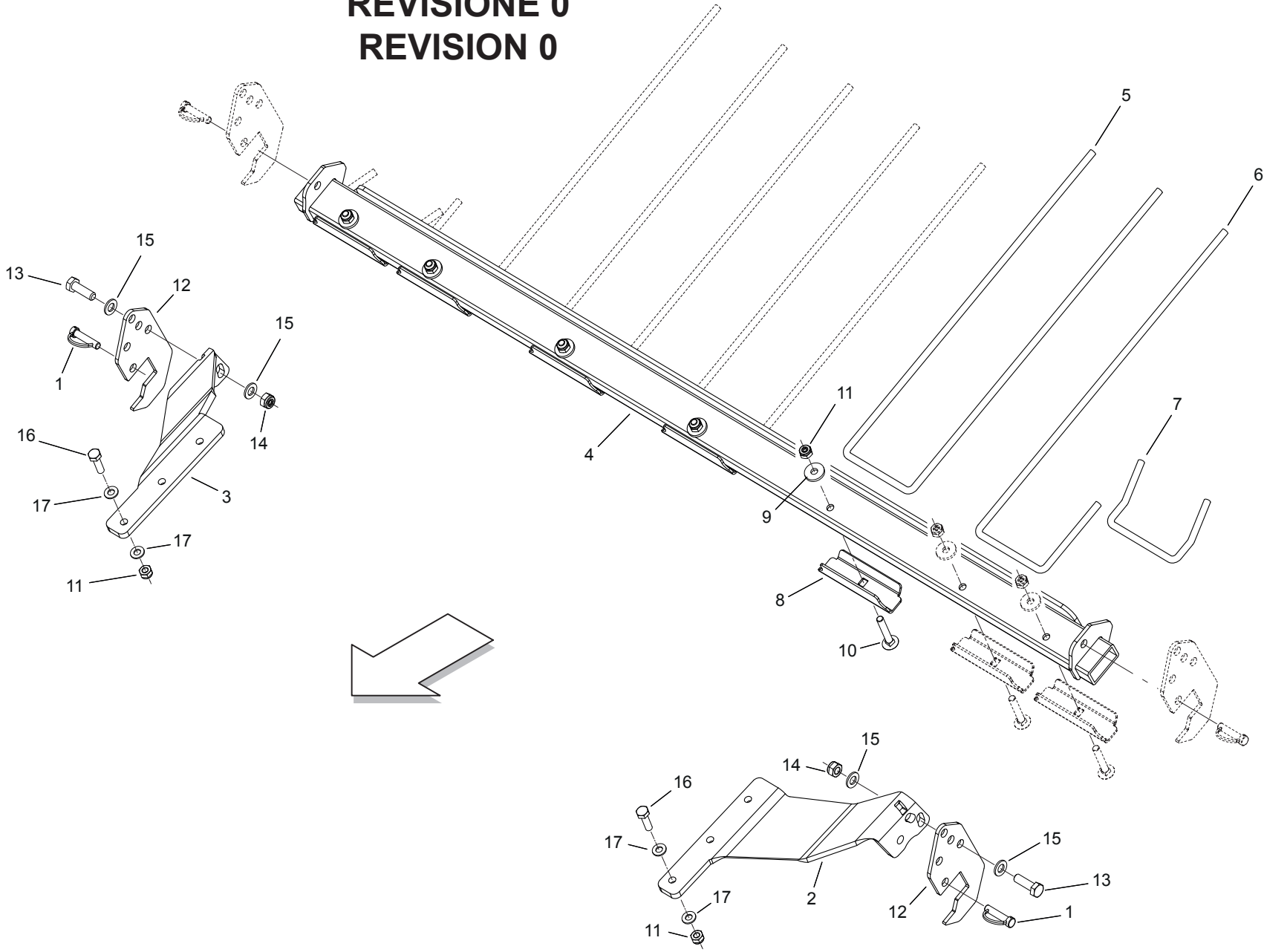


**PICK-UP (PARTE 7)**  
**PICK-UP (PART 7)**

TAV\_280

Pos.	Cod.	Descrizione	Description	Description	Benennung	Descripcion
1	BOH400062	MARTINETTO PICK-UP	SPRINTER PICK-UP JACK	VERIN PICK-UP SPRINTER	SPRINTER PICK-UP ZYLINDER	
2	F01020365	VITE M16X2X140 U5737 10.9ZN	SCR. M16X2X140 U5737 10.9ZN	VIS M16X2X140 U5737 10.9 ZN	SCHRA. M16X2X140 U5737 10.9 ZN	TORNI. M16X2X140 U5737 10.9 ZN
3	B013P0215	DISTANZIALE 16 21,3 42	SPACER 16 21,3 42			
4	F01020264	VITE M16X2X90 U5737 8.8ZN	SCR. M16X2X90 U5737 8.8ZN	VIS M16X2X90 5737 8.8 ZN	SCHRAUBE M16X2X90 5737 8.8 ZN	TORN. M16X2X90 5737 8.8 ZN
5	F01410100	ROS.M16 17X 30X 3 U6592 ZN	WASHER	RONDELLE	SCHEIBE	
6	B00920516	DADO M16X 1,5 D985 6S ZN	NUT M16X1,5 D985 6S ZN	ECROU	SELBSTSICHERNDE MUTTER M16-5S	
7	BOH0C0028	RACCORDO I 8 RASTEL TN93GG-8LR	JOINT I 8 RASTEL TN93GG-8LR			
8	BOH0P0117	TUBO FLESSIBILE L=500	HYDRAULIC HOSE L=500			
9	BOH0P0136	TUBO ZINCATO 8X1,5 L=1390	GALVANIZED PIPE 8X1,5 L=1390			
10	B0L7G0186	RACCORDO L 8 RASTELLI TN99-8L	FITTING			
11	BOH0P0134	TUBO ZINCATO 8X1,5 L=875	GALVANIZED PIPE 8X1,5 L=875			
12	BOH0P0150	PIASTRA COLLETTORE 75 X 45	PLATE 75 X 45			
13	BOH0P0137	TUBO ZINCATO 8X1,5 L=1430	GALVANIZED PIPE 8X1,5 L=1430			
14	BOH0P0135	TUBO ZINCATO 8X1,5 L=410	GALVANIZED PIPE 8X1,5 L=410			
15	BOH0P0114	TUBO FLESSIBILE L=2700	HYDRAULIC HOSE L=2700			
16	F01500012	RONDELLA IN RAME 1 4	COPPER WASHER 13X19X1,5-1 4	RONDELLE 13X19X1,5-1 4	SCHEIBE 13X19X1,5-1 4	ARANDELA 13X19X1,5-1 4
17	BOH000119	RUBIN. A SFER.A.P.1 4 FEMM.-F	BALL COCK	ROBINET 1 4 FEMELLE	KUGELHAHN	
18	F01500012	RONDELLA IN RAME 1 4	COPPER WASHER 13X19X1,5-1 4	RONDELLE 13X19X1,5-1 4	SCHEIBE 13X19X1,5-1 4	ARANDELA 13X19X1,5-1 4
19	BOH733671	NIPPLO RID.FORO 1MM. 1 2 -1 4	NIPPLE 1 2 -1 4	NIPPLE 1 MM 1 2 -1 4	NIPPEL 1 2 -1 4	
20	BOH6000A0	INNESTO RAP.NV 12GAS-M	QUICK CLUTCH	EMBAYAGE	SCHNELLKUPPLUNG	
21	F05150330	CAPPUCCIO BLU PER INNESTO RAPI	HOOD BLUE FOR GRAFT			
22	BOH400061	KIT GUARNIZ. MARTIN. PICK_UP	KIT JOINTS	KIT JOINTS POUR VERIN	DICHTUNGSSATZ	
23	B0E000061	FASCETTA A COPPIGLIA	STEEL HOSE CLAMP			
24	BOH0C0019	RACCORDO I 10 RASTELLI TN92GG	JUNCTION			
25	B00440616	VITE TSPEI M 6X 20-10.9 UNI 5	SCREW	VIS	SCHRAUBE	
26	F05150055	FASCETTA LUMEFIX 3,6X180	CLAMP LUMEFIX	BANDE LUMEFIX	MANSCHETTE LUMEFIX	

REVISIONE 0  
REVISION 0

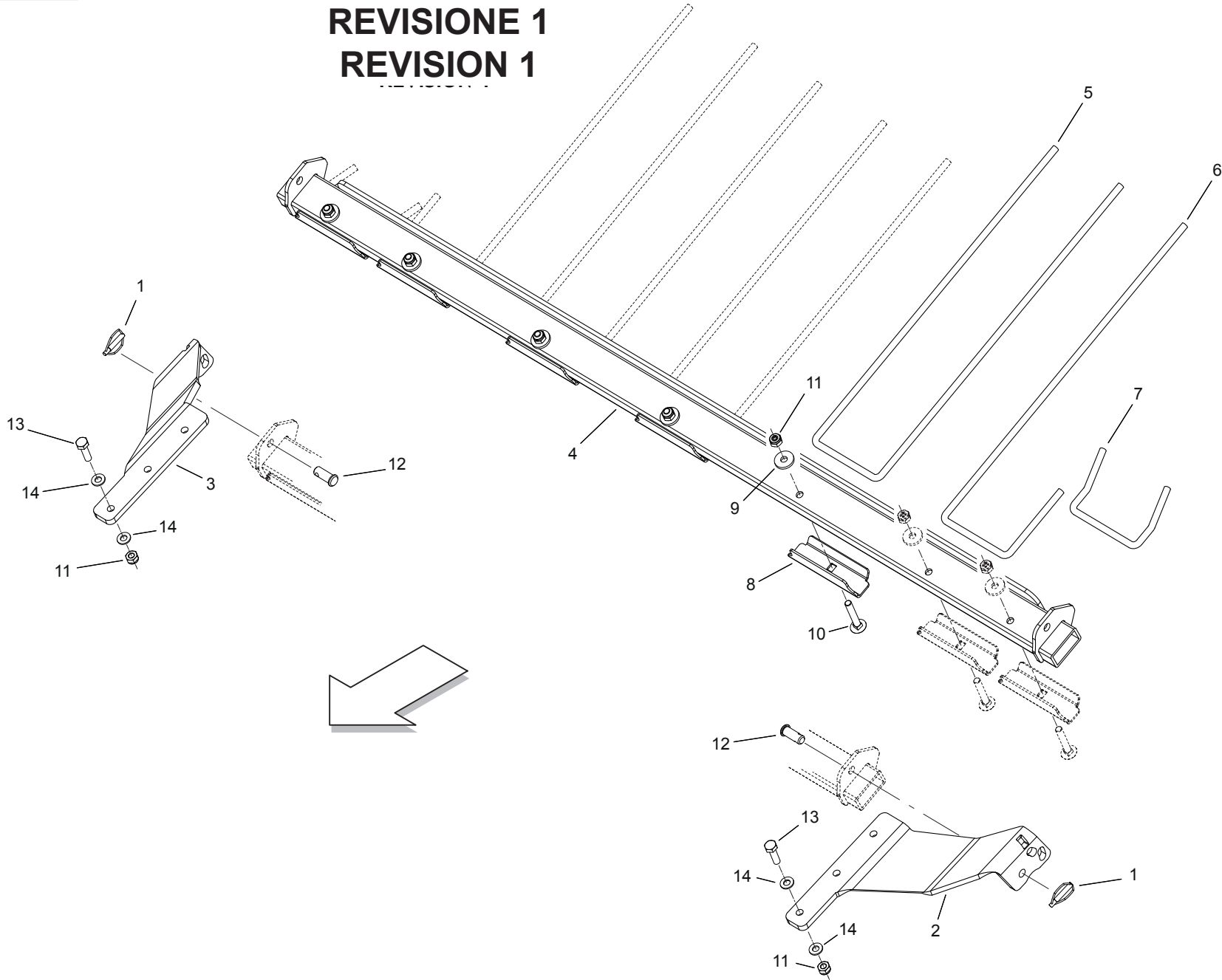


**RASTRELLO (REVISIONE 0)  
RAKE (REVISION 0)**

TAV\_290

Pos.	Cod.	Descrizione	Description	Description	Benennung	Descripcion
1	B01000021	SPINOTTO PER MOTOZAPPA 10X45	PIN	EPINE	STIFT	
2	B0C1P1458	STAFFA SX ATT.BARRA PORTADENTI	BRACK.LEFT CONN.ROD SUP.TEETH			
3	B0C1P1459	STAFFA DX ATT.BARRA PORTADENTI	BRACK.RIGHT CON.ROD SUP.TEETH			
4	B07SP1310	BARRA PORTADENTI	ROD SUPPORT TEETH			
5	B0C2P0383	DENTE L=590	TOOTH L=590			
6	B0C2P0384	DENTE L=590 E L=137	TOOTH L=590 E L=137			
7	B0C2P0385	DENTE LATERALE L=111	LATERAL TOOTH			
8	B0C1P1460	FERMO DENTE	FIRM TOOTH			
9	B01524584	RALLA 10,5 30 4	FIFTH WHEEL	BUTEE	SCHEIBE	
10	F01060081	VITE M10X1,5X60 U5731 8.8ZN	SCR. M10X1,5X60 U5732 4.6ZN	VIS 10X60 5732 4.6 ZN	SCHRAUBE 10X60 5732 4.6 ZN	TORNILLO 10 60 5732 4 6 ZN
11	F01230202	DADO M10X1,25 D985 8 ZN	SELF-LOCKING NUT	ECROU NYLSTOP	SELBSTSICHERNDE MUTTER M10-5S	
12	B0C1P1462	UNIONE STAFFE-BARRA PORTADENTE	UNION BRACKETS-ROD SUPP.TEETH			
13	F01020510	VITE M12X1,75X 30 U5739 8.8ZN	SCREW TE M12X30	VIS	SCHRAUBE	
14	F01230213	DADO M12X1,75 U7474 CL8 ZN	NUT M12X1,75 U7474 6SZN	ECROU AUTOBL. M12	SELBSTSPERR.MUTTER M12	DADO AUTOBL. M12
15	F01410076	ROS.M12 13X 20X2,0 U1749 ZN	WASHER	RONDELLE	SCHEIBE	
16	F01020479	VITE M10X1,5X35 U5739 8.8ZN	SCR. M10X1,5X35 U5739 8.8ZN	VIS M10X1,5X35 U5739 8.8 ZN	SCHR. M10X1,5X35 U5739 8.8 ZN	TORN. M10X1,5X35 U5739 8.8 ZN
17	F01410064	ROS.M10 10,5X 18X 2 U6592 ZN	WASHER	RONDELLE	SCHEIBE	

# REVISIONE 1 REVISION 1

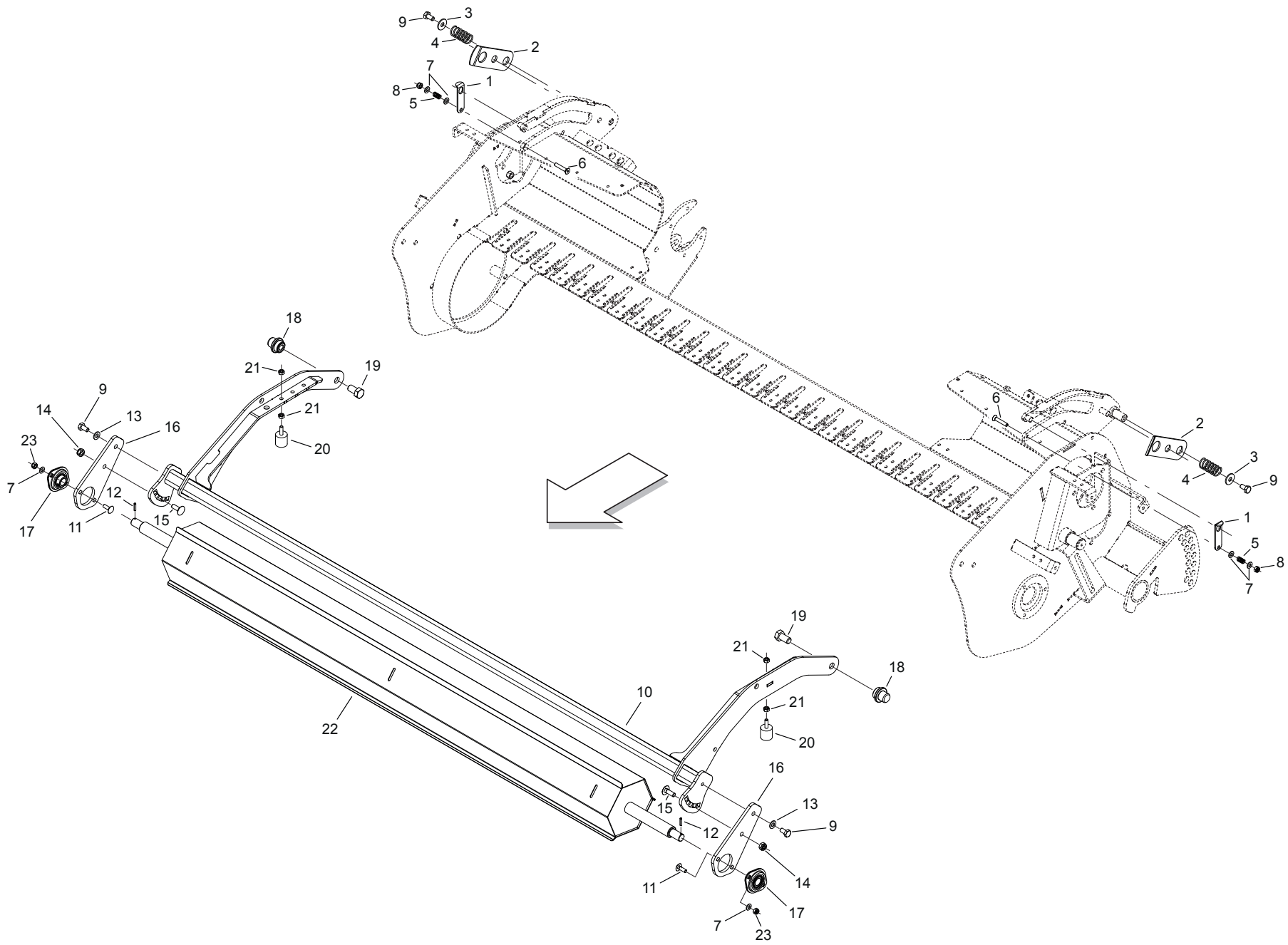




**RASTRELLO (REVISIONE 1)  
RAKE (REVISION 1)**

**TAV\_300**

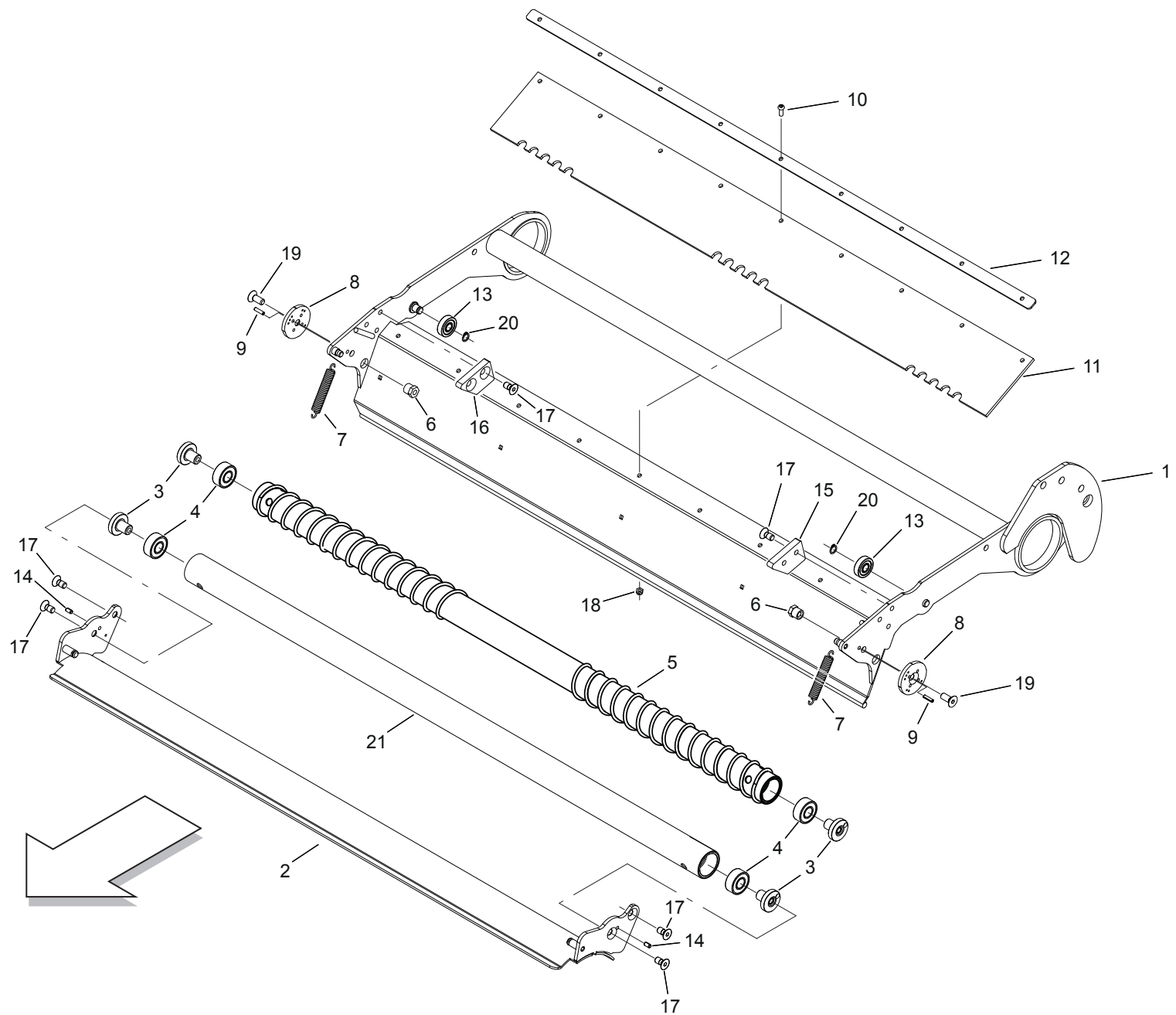
Pos.	Cod.	Descrizione	Description	Description	Benennung	Descripcion
1	F02200486	SPINA SCATTO D.6 X27 ZN	SNAP PIN D.6 X27 ZN	FICHE A DETENTE D6 X 27 ZN	EINRASTSTIFT D6 X 27 ZN	CLAVIJA DE MUELLE D6 X27 ZN
2	B0C1P1688	STAFFA SX ATT.BARRA PORTADENTI	LEFT BRACK.CONNE.ROD SUP.TEETH			
3	B0C1P1689	STAFFA DX ATT.BARRA PORTADENTI	RIGHT BRACK.CONN.ROD SUP.TEETH			
4	B07SP1310	BARRA PORTADENTI	ROD SUPPORT TEETH			
5	B0C2P0383	DENTE L=590	TOOTH L=590			
6	B0C2P0384	DENTE L=590 E L=137	TOOTH L=590 E L=137			
7	B0C2P0385	DENTE LATERALE L=111	LATERAL TOOTH			
8	B0C1P1460	FERMO DENTE	FIRM TOOTH			
9	B01524584	RALLA 10,5 30 4	FIFTH WHEEL	BUTEE	SCHEIBE	
10	F01060081	VITE M10X1,5X60 U5731 8.8ZN	SCR. M10X1,5X60 U5732 4.6ZN	VIS 10X60 5732 4.6 ZN	SCHRAUBE 10X60 5732 4.6 ZN	TORNILLO 10 60 5732 4 6 ZN
11	F01230202	DADO M10X1,25 D985 8 ZN	SELF-LOCKING NUT	ECROU NYLSTOP	SELBSTSICHERNDE MUTTER M10-5S	
12	B0C1P1632	PERNO D.12 F.6	PIN D.12 F.6			
13	F01020479	VITE M10X1,5X35 U5739 8.8ZN	SCR. M10X1,5X35 U5739 8.8ZN	VIS M10X1,5X35 U5739 8.8 ZN	SCHR. M10X1,5X35 U5739 8.8 ZN	TORN. M10X1,5X35 U5739 8.8 ZN
14	F01410064	ROS.M10 10,5X 18X 2 U6592 ZN	WASHER	RONDELLE	SCHEIBE	



**RULLO CONVOGLIATORE  
ROLLER CONVEYOR**

**TAV\_310**

Pos.	Cod.	Descrizione	Description	Description	Benennung	Descripcion
1	B0C6P1116	LAMIERA FERMO RASTRELLO	LAMIERA FERMO			
2	B0C6P0934	AGGANCIO FIANCO	SUPPORT			
3	B01431020	ROS.M10 10,5X 30X2,5 U6593 ZN	WASHER	RONDELLE	SCHEIBE	
4	B01817605	MOLLA C FILO 2,5 P24,5 L=60	SPRING	RESSORT	C-FEDER	
5	B01821993	MOLLA	SPRING	RESSORT	FEDER	
6	F01030061	VITE M8X1,25X45 U5933 10.9ZD	SCR. M8X1,25X45 U5933 10.9ZD	VIS 8X45 5933 8.8 ZN	SCHRAUBE 8X45 5933 8.8 ZN	TORNILLO 8X45 5933 8.8 ZN
7	F01410051	ROS.M8 8,4X 17X1,6 U6592 ZN	WASHER M8 8,4X17X1,6 U6592 ZN	RONDELLE	SCHEIBE	
8	F01230190	DADO M8X1 D985 8ZN	NUT M8X1 D985 8ZN	ECROU M8	MUTTER M8	DADO M8
9	F01020470	VITE M10X1,5X20 U5739 8.8ZN	SCR. M10X1,5X20 U5739 8.8ZN	VIS M10X1,5X20 U5739 8.8 ZN	SCHRAUBE M10X1,5X20 U5739 ZN	TORNILLO M10X1,5X20 U5739 8.8Z
10	B07SP1311	SUPP. RULLO PREMIANDANA 365HTI	SUPP.ROLLER 365HTI			
11	F01060202	VITE M8X1,25X25 U5731 4.6ZN	SCR. M8X1,25X25 U5731 4.6ZN	VIS M8X1,25X25 U5731 4.6	DUEBEL M8X1,25X25 U5731 4.6 ZN	TORNILLO M8X1,25X25 U5731 4.6
12	F02100065	SPINA E.P. 4X 30 U6873 C70 BR	PIN EL. 4X30 DIN 1481	GOUPILLE EL.4 X30 DIN 1481	SPANNSTIFT 4X30 DIN 1481	CLAVIJA EL.4 X30 DIN 1481
13	F01410062	ROS.M10 10,5X 18X 2 U6592 ZN	WASHER M10 10,5X 18X 2 U6592	RONDELLE M10 10,5X18X2 ZN	DICHTUNGSRING M10 10,5X18X2 ZN	RONDANA M10 10,5X18X2 ZN
14	F01230202	DADO M10X1,25 D985 8 ZN	SELF-LOCKING NUT	ECROU NYLSTOP	SELBSTSICHERNDE MUTTER M10-5S	
15	F01060069	VITE M10X1,5X30 U5731 8.8ZN	SCR. M10X1,5X30 U5732 4.6ZN	BOULON 10X30 5732 4.6	SCHRAUBE 10X30 5732 4.6	PERNO 10X30 5732 4.6
16	B0C6P1118	PIASTRA LATERALE	PLATE LATERALE			
17	B02341020	SUPP.FLANG.OV 20 LAM NBR-NSK	SUPPORT	SUPPORT	GEFLANSCHTES LAGER	
18	B013P0342	SPINA PORTA BUSSOLA	BUSH PIN			
19	F01020562	VITE M16X2X30 U5739 8.8ZN	SCR. M16X2X30 U5739 8.8ZN	VIS M16X2X30 U5739 8.8 ZN	SCHRAUBE M16X2X30 U5739 8.8 ZN	TORNILLO M16X2X30 U5739 8.8 ZN
20	B01800082	SILENT BLOCK 30X30-M8X25	SILENT BLOCK 30X30-M8X20	SILENT BLOCK 30X30-M8X20	SILENTBLOCK 30X30-M8X20	
21	F01200244	DADO M8X1,25 U5588 CL8 ZN	NUT M8X1,25 U5588 6.8ZN	ECROU M8 X1,25 U5588 6.8 ZN	MUTTER M8 X1,25 U5588 6.8 ZN	TUERCA M8 X1,25 U5588 6.8 ZN
22	B07SP0863	RULLO D200 PER 365 2015	ROLL D200 FOR 365 2015			
23	B00920208	DADO M8X1 D985 8ZN	NUT M8X1 D985 8ZN	ECROU	SELBSTSICHERNDE MUTTER M8-5S	

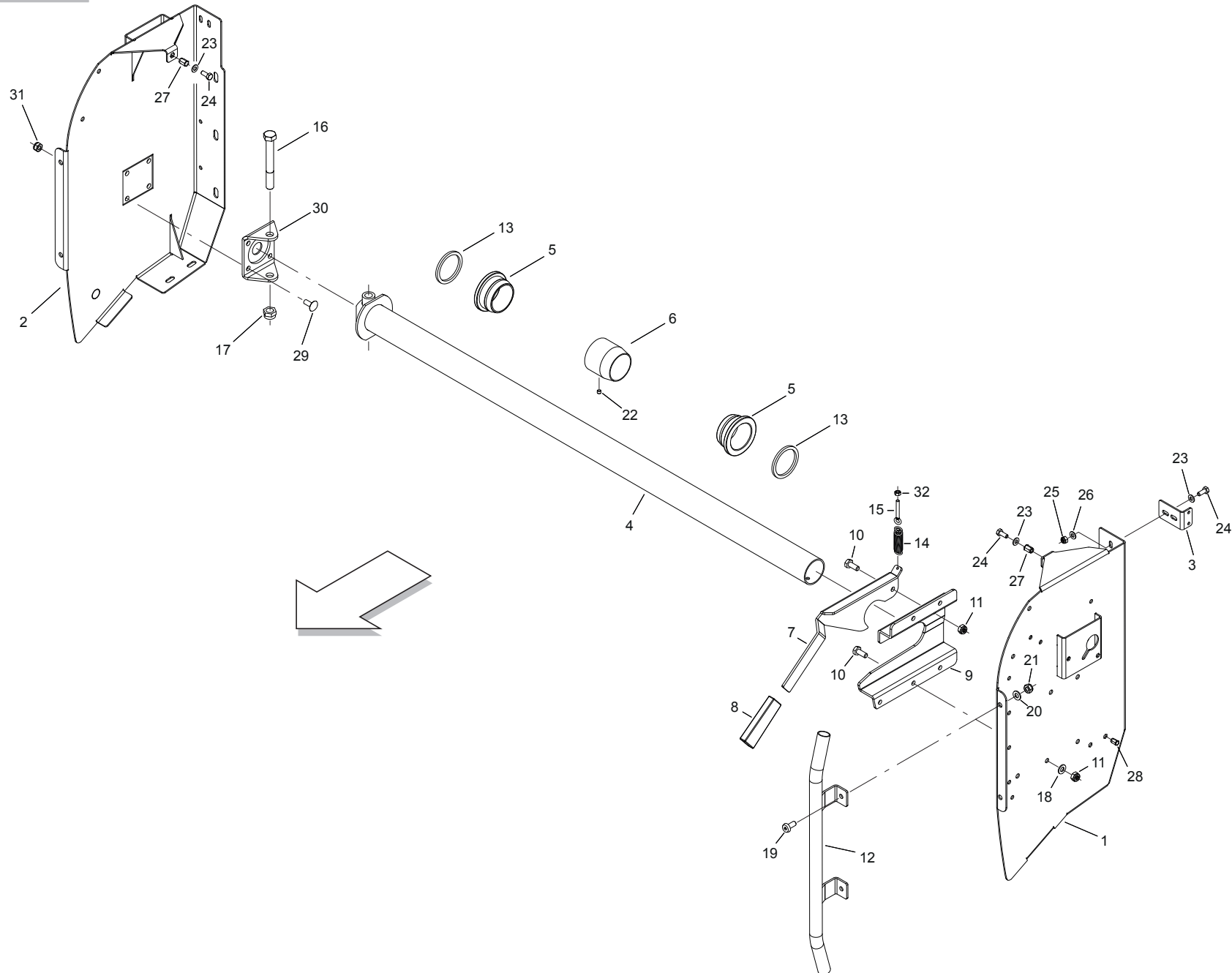


**LEGATORE RETE (PARTE 1)  
NET BINDER (PART 1)**

TAV\_330

Pos.	Cod.	Descrizione	Description	Description	Benennung	Descripcion
1	B07SP0671	BRACCIO PORTERETE 365	ARM PORTENET 365			
2	B07SP0846	PINZA RETE FILO 365	NET CLAMP			
3	B035P0008	PERNO RULLO FOLLE NEW	NEW IDLE ROLLER PIN	TOURILLON ROULEAU FOU NEW	BOLZEN UMLENKWALZE	
4	B02301716	CUSC. 2203 E-2RS1TN9 RIF.SKF	BEARING	ROULEMENT	LAGER 2203 E-2RS1TN9 RIF. SKF	
5	B07SP0571	RULLO FOLLE RETE	RULLO FOLLE RETE			
6	B01300401	BUSSOLA FILETTATA	PIN WITHOUT NET	DOUILLE FILETEE	NETZAUFNAHMEZANGENBOLZEN	
7	B01800025	MOLLA 2 13 98T GRUPPO RETE	SPRING	RESSORT	FEDER	
8	B013P0128	RALLA DI FERMO	STOP FIFTH WHEEL	EXCENTRIQUES	DISTANZSCHEIBE	
9	F02100079	SPINA E.P. 5X20 U6873 C70 BR	PIN EL. 5X20 U6873 C70 BR			
10	B00470620	VITE TTEI M 6X 20-8.8 UNBRA	SCREW	VIS	SCHRAUBE TTEI M6X20-10.9	
11	B07VP0194	BANDELLA SOSTEGNO	STRIP SUPPORT			
12	B0C2P0020	PREMIGOMMA	RUBBER HOLDER	PRESSE-CAOUTCHOUC	GUMMIDRUCKER	
13	B020R1210	ROTEL.SKF 361201 R PICK-UP LEG	ROLLER SKF 361201 R PU BINDER	GALET SKF 361201 R PICK UP LEG	LAGER SKF 361201 R	
14	B01110612	SPINA ELAST. 6X 12 SS DIN 1481	PIN	GOUILLE	STIFT	
15	B0C6P1102	SPESSORE SX PER RETE	THICKNESS			
16	B0C6P1101	SPESSORE DX PER RETE	THICKNESS			
17	B00441020	VITE TSPEI M10X 20-10.9 UNI 5	SCREW	VIS	SCHRAUBE TSPEI M10X 20-10.9	
18	B00920106	DADO M6X1 D985 8ZN	NUT	ECROU	SELBSTSICHERNDE MUTTER M6-5S	
19	F01030084	VITE M10X1,5X25 U5933 10.9ZD	SCREW M10X1,5X25 U5933 10.9ZD	VIS M10X1,5X25 U5933 10.9ZD	SCHRA.M10X1,5X25 U5933 10.9ZD	TORN. M10X1,5X25 U5933 10.9ZD
20	F02050023	ANELLO E. DE 12X 1 U7435 C70	SEEGER RING D 12X 1 U7435 C70	BAGUE SEEGER D 12X 1 U7435 C70	SEEGERRING D 12X 1 U7435 C70	ANILLO D 12X 1 U7435 C70
21	B07SP0100	CORPO RULLO FOLLE LISCIO	SMOOTH IDLE ROLLER BODY	CORPS ROULEAU FOU LISSE	GEHAUSE DER GLATTLOSVALZE	

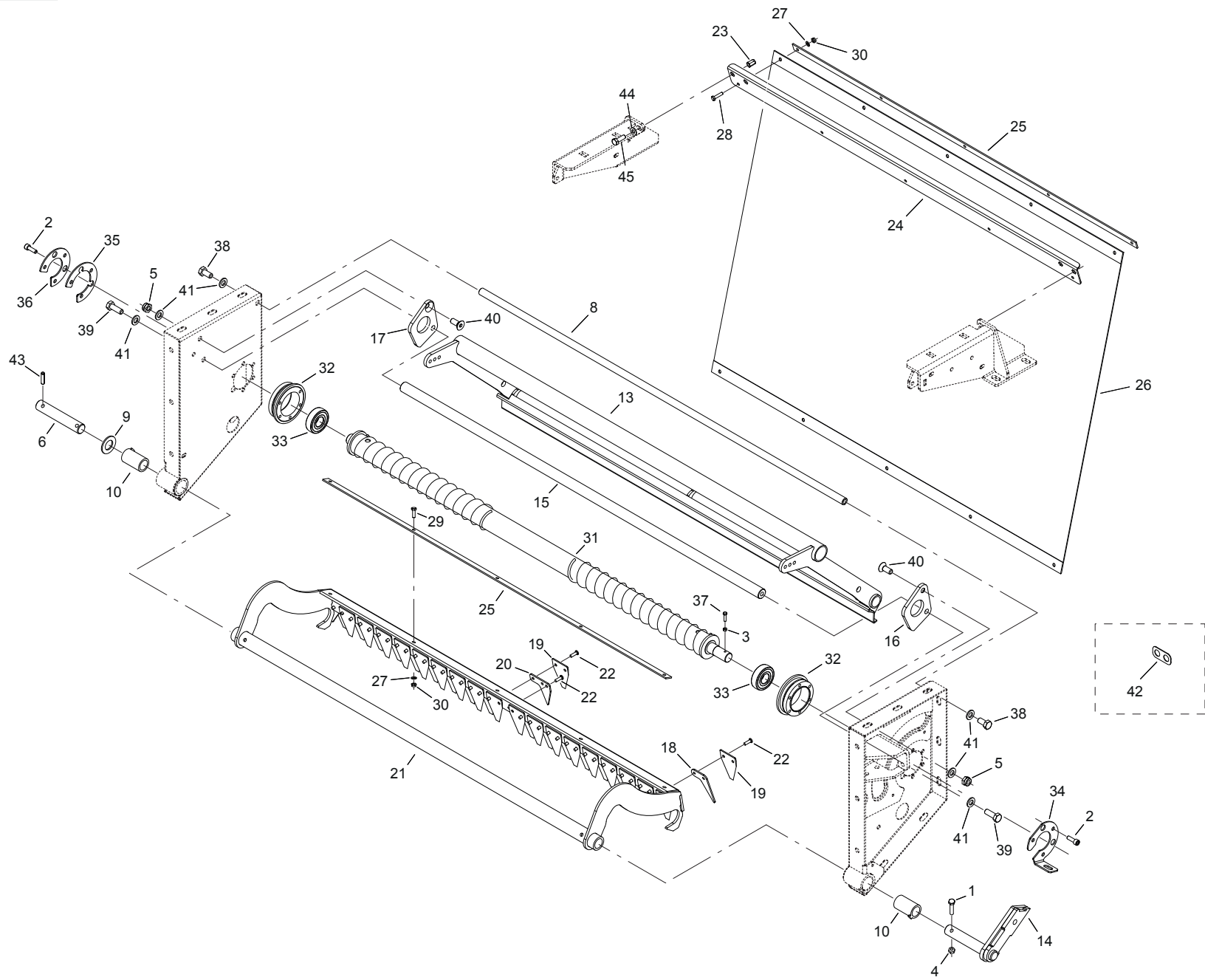
TAV\_340



**LEGATORE RETE (PARTE 2)**  
**NET BINDER (PART 2)**

TAV\_340

Pos.	Cod.	Descrizione	Description	Description	Benennung	Descripcion
1	B07SP1379	FIANCO SINISTRO LEG.RETE	LEFT SIDE GRID			
2	B07SP1380	FIANCO DESTRO LEG.RETE	RIGHT SIDE GRID			
3	B0C6P1034	PIASTRINA FISSAGGIO TUBI SX	PIPE FIXING PLATE			
4	B07SP0681	TUBO PORTA ROTOLO 365	PIPE ROLL HOLDER 365			
5	B025P0011	TAMPONE ROTOLO RETE	BUSH FOR NET ROLL	BAGUES	SCHLEGEL	
6	B01300376	BUSSOLA TUBO PORTA ROTOLO	BUSSOLA TUBO PORTA ROTOLO			
7	B0C4P0439	MANIGLIA	HANDLE			
8	B07VP0193	MANIGLIA ATTACCO ROTOLO AUTOMA	HANDLE ROLL ATTACK			
9	B0C4P0440	FERMO	FERMO.			
10	F01020472	VITE M10X1,5X25 U5739 8.8ZN	SCR. M10X1,5X25 U5739 8.8ZN	VIS M10X1,5X25 U5739 8.8 ZN	SCHRAUBE M10X1,5X25 U5739 8.8	TORNILLO 10X25 U5739 8.8 ZN
11	F01230202	DADO M10X1,25 D985 8 ZN	SELF-LOCKING NUT	ECROU NYLSTOP	SELBSTSICHERNDE MUTTER M10-5S	
12	BSP000038	MANIGLIA PER SCALETTA	HANDLE FOR STILE			
13	B07VP0209	SPESSORE TAMPONE ROTOLO RETE	SPACER			
14	B01800025	MOLLA 2 13 98T GRUPPO RETE	SPRING	RESSORT	FEDER	
15	B00500004	OCCHIOLO PER TENDIT. M8X80 DX	GUIDE FOR TENSIONER M8X60 RIGH	OEIL POUR TENDEUR M8X60 DROIT	GARNOESE	
16	F01020268	VITE M16X2X130 U5737 8.8ZN	SCR. M16X2X130 U5737 8.8ZN	VIS M16X2X130 U5737 8.8 ZN	SCHRA. M16X2X130 U5737 8.8 ZN	TORN. M16X2X130 U5737 8.8 ZN
17	B00920516	DADO M16X 1,5 D985 6S ZN	NUT M16X1,5 D985 6S ZN	ECROU	SELBSTSICHERNDE MUTTER M16-5S	
18	F01410064	ROS.M10 10,5X 18X 2 U6592 ZN	WASHER	RONDELLE	SCHEIBE	
19	F01030223	VITE M10X1,5X25 U7380 10.9ZD	SCR. M10X1,5X25 U7380 10.9ZD	VIS 10X25 7380 8.G ZN	SCHRAUBE 10X25 7380 8.G ZN	TORNILLO 10X25 7380 8.G ZN
20	F01410062	ROS.M10 10,5X 18X 2 U6592 ZN	WASHER M10 10,5X 18X 2 U6592	RONDELLE M10 10,5X18X2 ZN	DICHTUNGSRING M10 10,5X18X2 ZN	RONDANA M10 10,5X18X2 ZN
21	F01230302	DADO M10X 1,5 UNI7474 8 ZN	NUT M10X1,5 UNI7474 8 ZN			
22	B00430806	VITE ZINC.STEI M 8X6-12.9 UNI	SCREW			
23	F01420048	ROS.M8 8,4X 24X 2 U6593 ZN	WASHER	RONDELLE	SCHEIBE	
24	F01020436	VITE M8X1,25X20 U5739 8.8ZN	SCR. M8X1,25X20 U5739 8.8ZN	VIS M8X1,25X 20 U5739 8.8 ZN	SCHRAUBE M8X1,25X20U5739 8.8ZN	TORN. M8X1,25X20 U5739 8.8 ZN
25	B00920208	DADO M8X1 D985 8ZN	NUT M8X1 D985 8ZN	ECROU	SELBSTSICHERNDE MUTTER M8-5S	
26	F01410051	ROS.M8 8,4X 17X1,6 U6592 ZN	WASHER M8 8,4X17X1,6 U6592 ZN	RONDELLE	SCHEIBE	
27	B00990007	INSERTO ESAGONALE M8X1,25 ZN	HEXAGONAL CONNECTION M8	CONNECTION HEXAGONALE M8	SECHSECKIGER EINSATZ M8	
28	B00990009	INSERTO ESAGONALE M6	HEXAGONAL CONNECTION M6	CONNECTION HEXAGONALE	SECHSECKIGER EINSATZ M6	
29	F01060041	VITE M8X1,25X25 U5731 8.8ZN	SCR. M8X1,25X25 U5732 4.6ZN	VIS 8 X25 5732 4.6 ZN	SCHRAUBE 8 X25 5732 4.6 ZN	TORNILLO 8 X25 5732 4.6 ZN
30	B0C1P1733	FULCRO RETE I=61	NET FULCRUM I=61			
31	F01230034	DADO M8X1,25 D982 8ZN	NUT M8X1,25 D982 8ZN	ECROU M8X 1,25 ZN	MUTTER M8X 1,25 D982 8 ZN	TUERCA M8X 1,25 D982 8 ZN
32	F01230301	DADO M 8X1,25 UNI7474 8 ZN	DADO M 8X1,25 UNI7474 8 ZN			

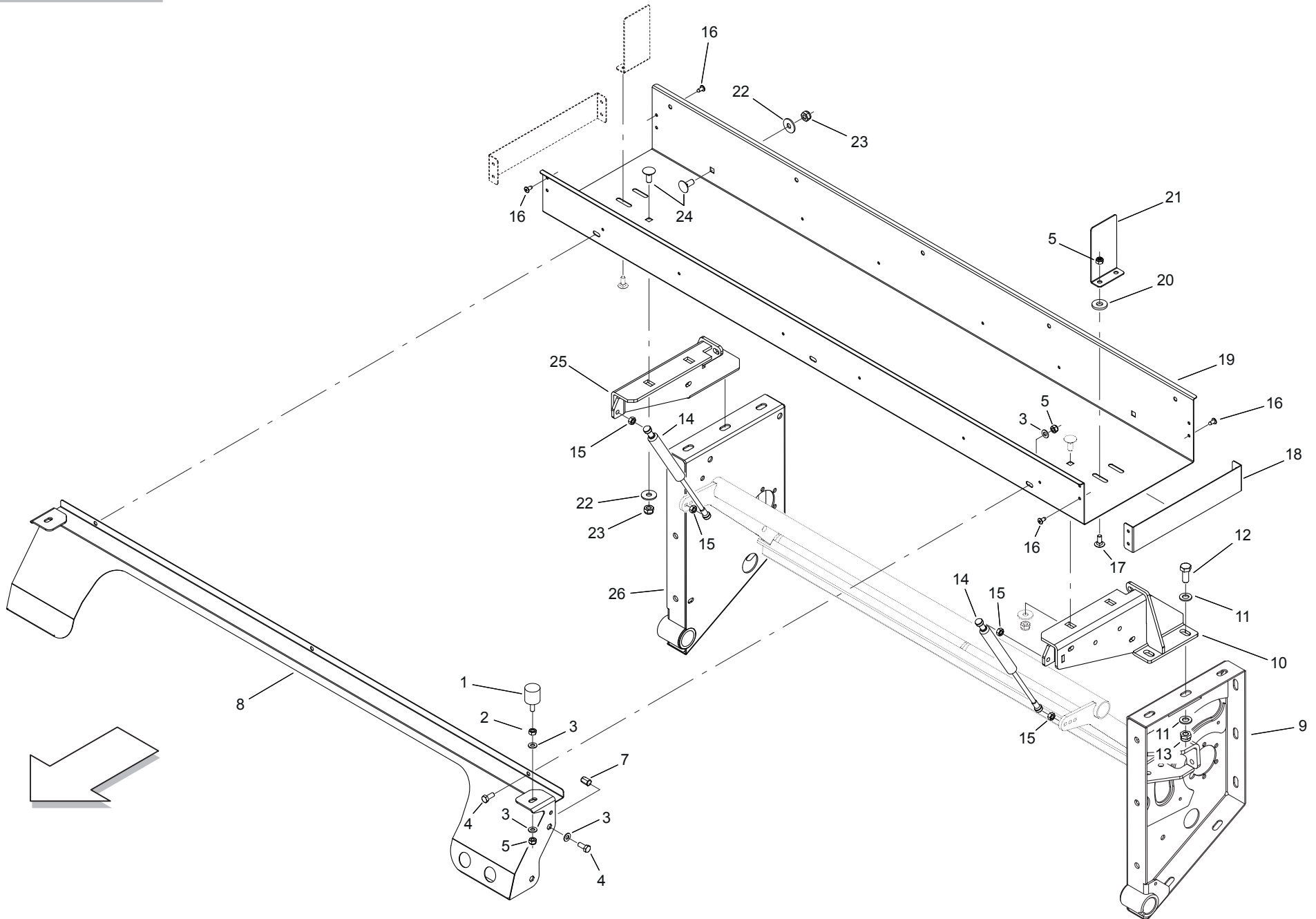




**LEGATORE RETE (PARTE 3)  
NET BINDER (PART 3)**

TAV\_350

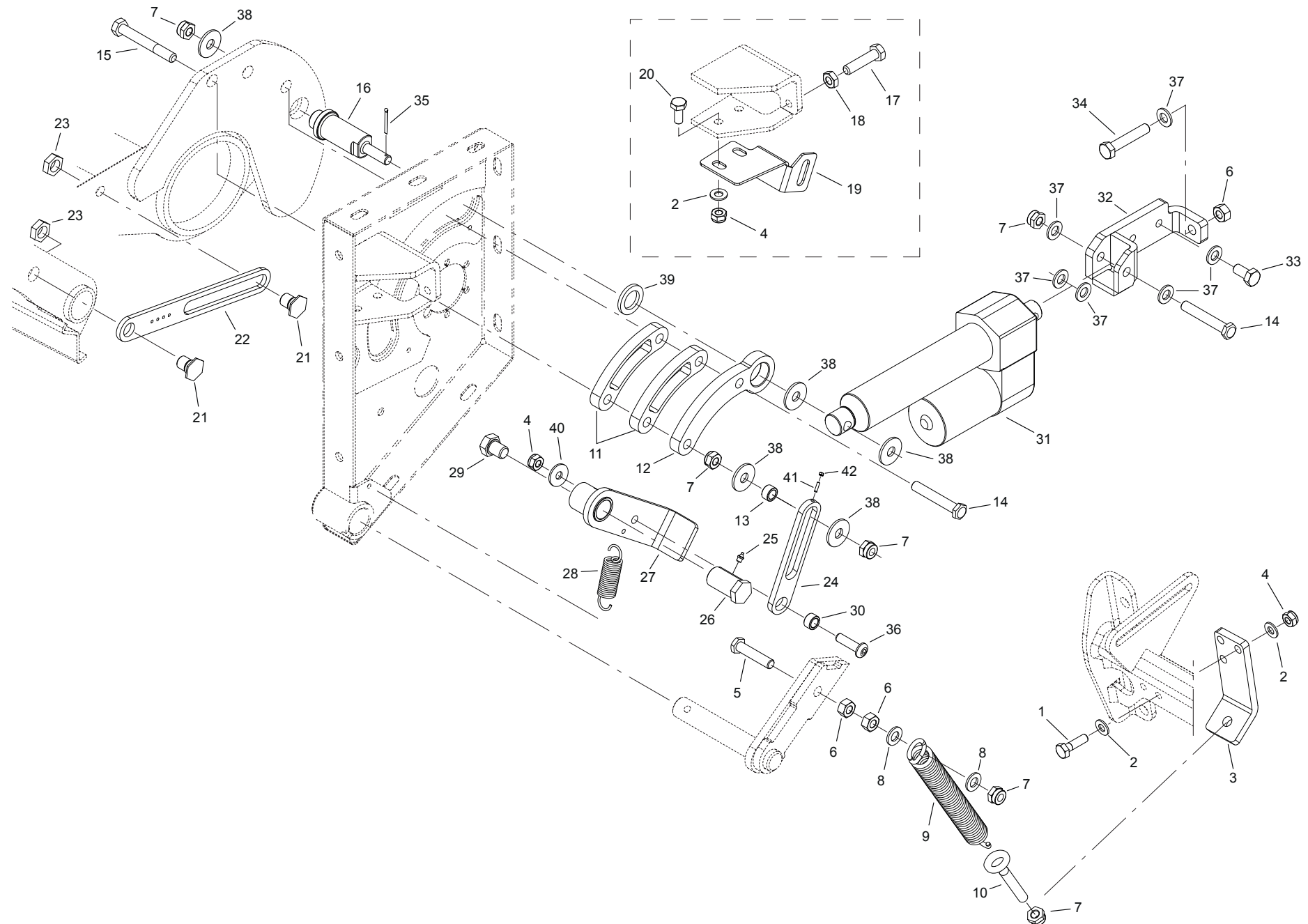
Pos.	Cod.	Descrizione	Description	Description	Benennung	Descripcion
1	B00170845	VITE ZINCATA M 8X45-10.9 U5737	ZN SCREW M 8X45-10.9 U5737	VIS	SCHRAUBE	
2	B00400825	VITE M8X1,25X25 U5931 10.9ZD	SCREW	VIS	SCHRAUBE	
3	B00710005	DADO M 5X 0,8 U5588 6.8 ZN	NUT	ECROU	MUTTER M5-6S	
4	B008B0208	DADO M 8X1,25 D980 8 ZN	NUT	ECROU	SELBSTSICHERNDE MUTTER M8 KL8	
5	B00920412	DADO M12X1,75 D985 8 ZN	NUT	ECROU	SELBSTSICHERNDE MUTTER M12-5S	
6	B01300390	SPINA SX BRACCIO TAGLIA RETE	ARM LEFT PIN	EPINE GAUCHE BRAS COUPE-FILET	LINKER NETZSCHNEIDEVORRICHTUNG	
8	B013P0299	SCIVOLO PROTEZIONE	SCIVOLO PROTECTION.			
9	B01522663	SPESS. 25 45	SHIM	ENTRETOISE	SCHEIBE	
10	B02526852	BUSSOLA NYLON	NYLON BUSH	GALET	BUCHSE	
13	B07SP0676	BRACCIO FRENA RETE 365	ARM SLOWS NETWORK 365			
14	B07SP0818	SPINA LAMA RETE LATO COMANDO	PIN			
15	B0C2P0371	SCIVOLA RETE	SCIVOLA NET			
16	B0C6P1106	SOSTEGNO SINISTRO BRACCIO FREN	SUPPORT LEFT ARM BRAKE			
17	B0C6P1107	SOSTEGNO DESTRO BRACCIO FRENAN	SUPPORT RIGHT ARM BRAKE			
18	B0C6P0532	TERMINALE LAMA	TERMINALE LAMA.			
19	B07U00012	LAMINO RASSPE D200 LISCIA	PLATE RASPE D200	PETITE LAME DE COUPE FILET		
20	B0C6P0334	COMPENSO LAMINI SU BRACCIO LAM	SHIM	EPAISSEUR	DICHTUNG	
21	B07SP0673	BRACCIO PORTALAMA 365	ARM PORTWINGMA 365			
22	B01000013	RIVETTO STR. 5X18 U9200A AL	RIVET	RIVET	ABREISSNIETEN 6X18	
23	B00990007	INSERTO ESAGONALE M8X1,25 ZN	HEXAGONAL CONNECTION M8	CONNECTION HEXAGONALE M8	SECHSECKIGER EINSATZ M8	
24	B0C2P0029	LAMIERA SOSTEGNO PROT.	LAMIERA SOSTEGNO PROT.			
25	B0C002398	PREMIGOMMA	RUBBERHOLDER	PRESSE-PNEU	GUMMIHALTERLEISTE	
26	B07VP0035	CHIUSURA IN GOMMA 365	CHAIN IN GOMMA 365			
27	F01410037	ROS.M6 6,4X12,5X1,6 U6592 ZN	WASHER	RONDELLE	BEILAGSCHEIBE 6	
28	F01020406	VITE M6X1X25 U5739 8.8ZN	SCR. M6X1X25 U5739 8.8ZN	VIS M 6X25	SCHRAUBE M 6X25	TORNILLO M 6X25
29	F01020404	VITE M6X1X20 U5739 8.8ZN	SCREW M6X1X20 U5739 8.8ZN	VIS M6X1X20 U5739 8.8ZN	SCHRAUBE M6X1X20 U5739 8.8ZN	TORNILLO M6X1X20 U5739 8.8ZN
30	B00920106	DADO M6X1 D985 8ZN	NUT	ECROU	SELBSTSICHERNDE MUTTER M6-5S	
31	B07SP0672	RULLO CONTARETE PERNO A SINIST	ROLL CONTANET PIN A SINIST			
32	B027P0023	SUPPORTO BRACCIO PORTARETE	SUPPORT FOR ARM			
33	F04010429	CUSC.D25 D62 B17 1726305 2RS1	BEARING D25 D62 B17 1726305 2R			
34	B0C004932	PIASTRA RITEGNO	PLATE	PLAQUE	PLATTE	
35	B0C1P0552	DISTANZIALE FLANGIA CONTEGNO	RETAINING FLANGE SPACER			
36	B01300389	FLANGIA DI CONTEGNO	FLANGE	FLASQUE	DICHTUNGSFLANSCH	
37	F01020380	VITE M5X0,8X20 U5739 8.8ZN	SCR. M5X0,8X20 U5739 8.8ZN	VIS M5X0,8X20 U5739 8.8ZN	SCHRAUBE M5X0,8X20 U5739 8.8ZN	TORNILLO M5X0,8X20 U5739 8.8ZN
38	F01020508	VITE M12X1,75X 25 U5739 8.8ZN	SCREW	VIS	SCHRAUBE	
39	F01020512	VITE M12X1,75X35 U5739 8.8ZN	SCR. M12X1,75X35 U5739 8.8ZN	VIS M12X1,75X35 5739 8.8 ZN	SCHR. M12X1,75X35 5739 8.8 ZN	TORN. M12X1,75X35 5739 8.8 ZN
40	F01030107	VITE M12X1,75X30 U5933 10.9ZD	SCR. M12X1,75X30 U5933 10.9ZD	VIS M12X1,75X30 5933 10.9 ZN	SCHR.M12X1,75X30 U5933 10.9 ZN	TORN.M12X1,75X30 5933 10.9 ZN
41	F01410076	ROS.M12 13X 20X2,0 U1749 ZN	WASHER	RONDELLE	SCHEIBE	
42	B0C002357	PIASTRINA ATTACCO CAVI	CABLE ATTACHMENT PLATE	PLAQUETTE ATTELAGE CABLES	KABELHALTERPLATTE	
43	F02100142	SPINA E.P. 8X 40 U6873 C70 BR	ELASTIC PIN 8X40	GOUJON ELASTIQUE 8X40	SPANNHUELSE 8X40	ESPINA ELASTICA 8X40
44	F01410051	ROS.M8 8,4X 17X1,6 U6592 ZN	WASHER M8 8,4X17X1,6 U6592 ZN	RONDELLE	SCHEIBE	
45	F01020440	VITE M8X1,25X25 U5739 8.8ZN	SCR. M8X1,25X25 U5739 8.8ZN	VIS M8X1,25X25 U5739 8.8 ZN	SCHRAUBE M8X1,25X25U5739 8.8ZN	TORNIL.M8X1,25X25 U5739 8.8 ZN



**LEGATORE RETE (PARTE 4)  
NET BINDER (PART 4)**

TAV\_360

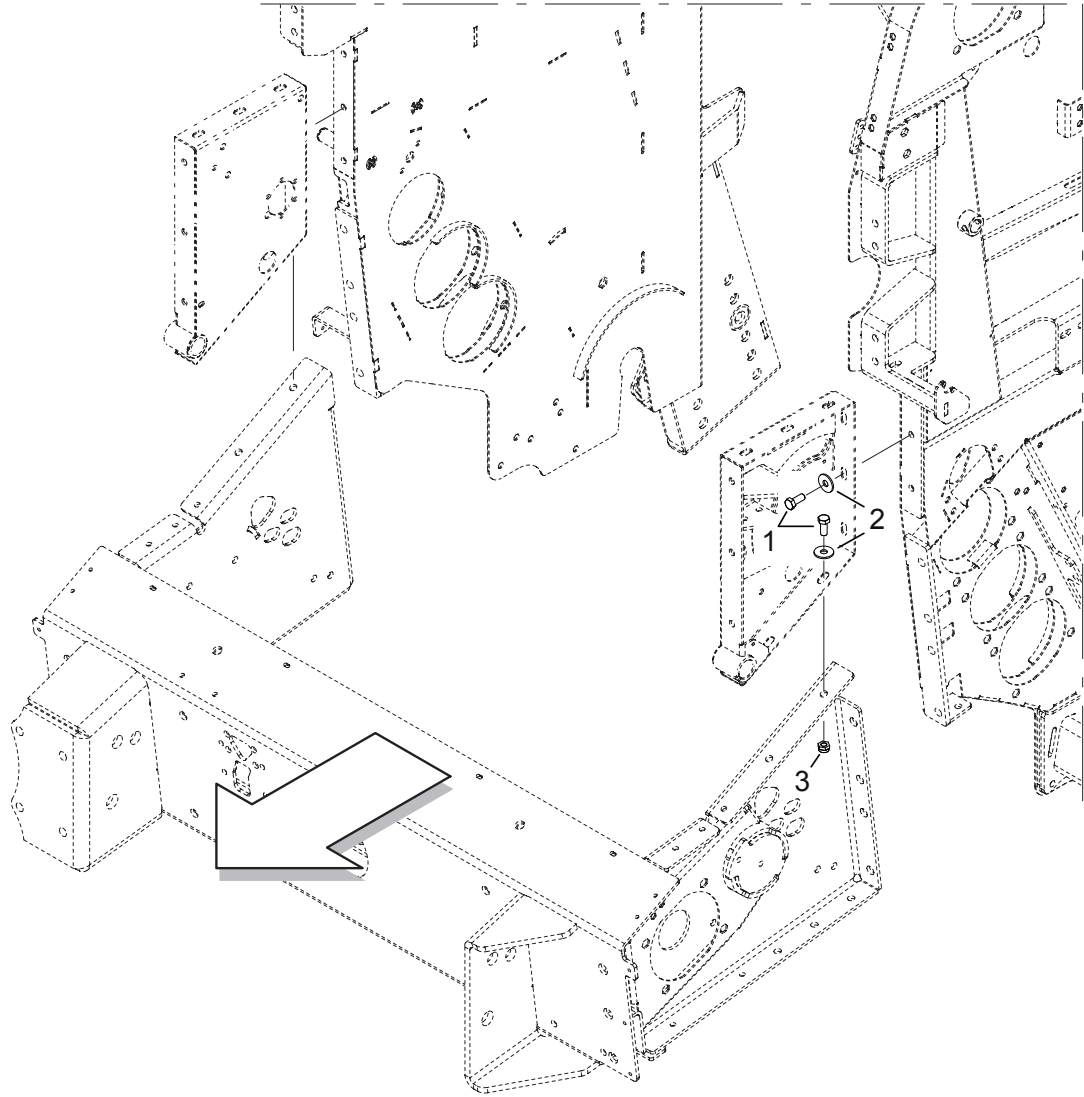
Pos.	Cod.	Descrizione	Description	Description	Benennung	Descripcion
1	B01800082	SILENT BLOCK 30X30-M8X25	SILENT BLOCK 30X30-M8X20	SILENT BLOCK 30X30-M8X20	SILENTBLOCK 30X30-M8X20	
2	B00710208	DADO M 8X1,25 U5588 6.8 ZN	NUT	ECROU	MUTTER M8-6S	
3	F01410051	ROS.M8 8,4X 17X1,6 U6592 ZN	WASHER M8 8,4X17X1,6 U6592 ZN	RONDELLE	SCHIEBE	
4	F01020436	VITE M8X1,25X20 U5739 8.8ZN	SCR. M8X1,25X20 U5739 8.8ZN	VIS M8X1,25X 20 U5739 8.8 ZN	SCHRAUBE M8X1,25X20U5739 8.8ZN	
5	B00920208	DADO M8X1 D985 8ZN	NUT M8X1 D985 8ZN	ECROU	SELBSTSICHERNDE MUTTER M8-5S	
7	B00990007	INSERTO ESAGONALE M8X1,25 ZN	HEXAGONAL CONNECTION M8	CONNECTION HEXAGONALE M8	SECHSECKIGER EINSATZ M8	
8	B07SP1275	PROTEZ. ANTER. CON FORI PULS.	FRONT PROT.WITH BUTTON HOLES			
9	B07SP0675	FIANCATA SX LEGATORE 365	SIDE LEFT BINDER 365			
10	B07SP0679	SOSTEGNO SX CORPO CASSONE	SUPPORT LH BODY CASE			
11	F01410076	ROS.M12 13X 20X2,0 U1749 ZN	WASHER	RONDELLE	SCHIEBE	
12	F01020510	VITE M12X1,75X 30 U5739 8.8ZN	SCREW TE M12X30	VIS	SCHRAUBE	
13	B00920412	DADO M12X1,75 D985 8 ZN	NUT	ECROU	SELBSTSICHERNDE MUTTER M12-5S	
14	B0H1P0005	MOLLA A GAS FRENA RETE 365	SPRING A GAS FRENA NET			
15	B00710208	DADO M 8X1,25 U5588 6.8 ZN	NUT	ECROU	MUTTER M8-6S	
16	B01000010	RIVETTO STR. 6X12 U9200AAL	RIVET	RIVET	ABREISSNIETEN 6X10	
17	F01060040	VITE M8X1,25X25 U5732 4.6ZN	BOLT	BOLUN	BOLZEN	
18	B0C6P0868	FERMO TERMINALE	FERMO			
19	B0C3P0296	CASSONE PORTAROTOLI 365	CASE PORTAROTOLI 365			
20	B013C0143	RALLA 12,5 30 4	SWIVER RING 12,5 30 4			
21	B0C6P0647	DIVISORE	DIVISOR			
22	F01420060	ROS.M10 10,5X 30X2,5 U6593 ZN	WASHER	RONDELLE	SCHIEBE	
23	F01230202	DADO M10X1,25 D985 8 ZN	SELF-LOCKING NUT	ECROU NYLSTOP	SELBSTSICHERNDE MUTTER M10-5S	
24	B00321025	VITE TTQST M10X 25-4.6 UNI 573	SCREW	VIS	SCHRAUBE	
25	B07SP0678	SOSTEGNO DX CORPO CASSONE	SUPPORT RH BODY CASE			
26	B07SP0674	FIANCATA DX LEGATORE 365	SIDE RIGHT BINDER 365			



**LEGATORE RETE (PARTE 5)  
NET BINDER (PART 5)**

**TAV\_370**

Pos.	Cod.	Descrizione	Description	Description	Benennung	Descripcion
1	F01020109	VITE M10X1,5X35 U5737 8.8ZN	SCR. M10X1,5X35 U5737 8.8ZN	VIS M10X1.5X 35 U5737 8.8 ZB	SCHRAUBE M10X1.5X35 U5737 8.8	TORNILLO M8X150 U5737 8.8 ZB
2	F01410064	ROS.M10 10,5X 20X 2 U6592 ZN	WASHER M10 10,5X20X2 U6592 ZN	RONDEL. M10 10,5X20X2 U6592 ZN	SCHEIBE M10 10,5X20X2 U6592 ZN	ARANDEL.M10 10,5X20X2 U6592 Z
3	B0C6P0983	PIASTRA TIRANTE	PLATE ROD			
4	F01230202	DADO M10X 1,5 D985 8 ZN	NUT M10 D985	ECROU AUTOBL. M10	SELBSTSPERR.MUTTER M10	DADO AUTOBL. M10
5	B00181255	VITE M12X 55-8.8 UNI 5739	SCREW	VIS	VERZINKTE SCHRAUBE	
6	F01200293	DADO M12X1,75 U5588 CL8 ZN	NUT M12X1,75 U5588 6S ZN	ECROU M12X1,75 U5588 6S ZN	MUTTER M12X1,75 U5588 6S ZN	TUERCA M12X1,75 U5588 6S ZN
7	B00920412	DADO M12X1,75 D985 8 ZN	NUT	ECROU	SELBSTSICHERNDE MUTTER M12-5S	
8	F01410076	ROS.M12 13X 24X2,5 U6592 ZN	WASHER 12 13X 24X2,5 U6592 ZN	RONDEL. M12 13X24X2,5 U6592 ZN	SCHEIBE M12 13X24X2,5 U6592 ZN	ARANDELA M12 13 X24X2,5 ZN
9	B01810412	MOLLA	SPRING	RESSORT	FEDER	
10	B00545168	OCCHIOLO PER TENDITORI M12-DX	EYELET M12	OEIL M12	OSE M12	
11	B0C6P1103	DISTANZIALE BRACCIO RETE 365	SPACER 365			
12	B0C6P1104	FISSAGGIO PERNO ATTUATORE RETE	FIXING PIN ACTUATOR			
13	B013P0343	BUSSOLA 18_12_10	SPACER 18_12_10			
14	B00191275	VITE M12X1,75X 70 U5737 8.8ZN	SCREW	VIS	SCHRAUBE	
15	F01020168	VITE M12X1,75X90 U5737 8.8ZN	SCR. M12X1,75X90 U5737 8.8ZN	VIS M12X1,75X90 U5737 8.8 ZN	SCHRAB.M12X1,75X90 5737 8.8 ZN	TORNIL.M12X1,75X90 5737 8.8 ZN
16	B035P0129	PERNO ECCENTRICO LEG. RETE	ECCENTRIC PIN 365			
17	F01020517	VITE M12X1,75X50 U5739 8.8ZN	SCR. M12X1,75X50 U5739 8.8ZN	VIS M12X1,75X50 5739 8.8 ZN	SCHRA. M12X1,75X50 5739 8.8 ZN	TORN. M12X1,75X50 5739 8.8 ZN
18	B00700412	DADO M12X1,25 U5589 6S ZN	NUT	ECROU	MUTTER	
19	B0C6P0866	ATTACCO SENSORE	ATTACK SENSORE			
20	F01020472	VITE M10X1,5X25 U5739 8.8ZN	SCR. M10X1,5X25 U5739 8.8ZN	VIS M10X1,5X25 U5739 8.8 ZN	SCHRAUBE M10X1,5X25 U5739 8.8	TORNILLO 10X25 U5739 8.8 ZN
21	B013P0297	PERNO LEVA FRENO RETE	PIVOT BRAKE LEVER NET			
22	B0C2P0521	NUOVA LEVA FRENO RETE 365	NEW BRAKE LEVER 365			
23	F01200444	DADO M16X2 U5589 CL8 ZN 6SZN	NUT M16X2 U5589 6SZN	ECROU M16X2	MUTTER M16X2	DADO M16X2
24	B0C2P0372	LEVA SGANCIO TAGLIA RETE	LEVER			
25	F01100011	ING.M 6X1 7663-A 9SMNPB28 ZN	GREASE NIPPLE M6X1 7663-A ZN	GRAISS. A BILLE M6X1 7663A ZN	SCHMIERBUECHE M6X1 7663-A ZN	ENGRAS. DE ESFE. M6X1 7663-AZ
26	B00500093	PERNO FILETTATO	THREADED PIN	PIVOT FILETE	GEWINDEBOLZEN	
27	B07SP0677	SGANCIO LAMA 365	SGANCIO LAMA 365.			
28	B01811693	MOLLA	SPRING	RESSORT	FEDER	
29	B00181620	VITE M16X 20-8.8 UNI 5739	SCREW	VIS	SCHRAUBE	
30	B013P0298	BUSSOLA	BUSHING			
31	B0E000039	ATTUATORE LEGATORE RETE	ACTUATOR - TOLLO D12 10B5-04			
32	B07SP0854	STAFFA REGOLAZIONE ATTUATORE	BRACKET ADJUSTMENT ACTUATOR			
33	F01020508	VITE M12X1,75X25 U5739 8.8ZN	SCR. M12X1,75X25 U5739 8.8ZN	VIS M12X1,75X25 U5739 8.8 ZN	SCHRAUBE M12X1,75X25U57398.8ZN	TORNIL.M12X1,75X25 U5739 8.8ZN
34	F01020519	VITE M12X1,75X 60 U5739 8.8ZN	SCREW M12X1,75X 60 U5739 8.8ZN			
35	F02200164	COPIGLIA 3X 30 U1336 ZN	SPLIT PIN 3X 30 U1336 ZN			
36	B00471035	VITE TTEI M10X 35-8.8 UNBRAKO	SCREW	VIS	SCHRAUBE TTEI M10X35-8.8	
37	F01410076	ROS.M12 13X 24X2,5 U6592 ZN	WASHER 12 13X 24X2,5 U6592 ZN	RONDEL. M12 13X24X2,5 U6592 ZN	SCHEIBE M12 13X24X2,5 U6592 ZN	ARANDELA M12 13 X24X2,5 ZN
38	F01420120	ROS.M12 13X36X2,5 U6593 ZN	WASHER M12 13X36X2,5 U6593 ZN	RONDELLE M12 13X36X2,5 ZN		
39	B014F2434	RONDELLA NORD-LOCK NL24	NORD-LOCK WASHER NL24			
40	F01420060	ROS.M10 10,5X 30X2,5 U6593 ZG	GALV.WASHER 10,5X30X2,5 U6593	RONDELLE 10,5X30	SCHEIBE 10,5X30	ARANDELA 10,5X30
41	F01050352	VITE M5X0,8 X 20 U5923 12.9ZN	SCREW M5X0,8X20 U5923 12.9ZN			
42	F01200220	DADO M5X0,8 U5588 CL8 ZN	NUT M5X0,8 U5588 6.8ZN	ECROU 5 UNI 5588 6.8 ZN	MUTTER 5 UNI 5588 6.8 ZN	TUERCA 5 UNI 5588 6.8 ZN

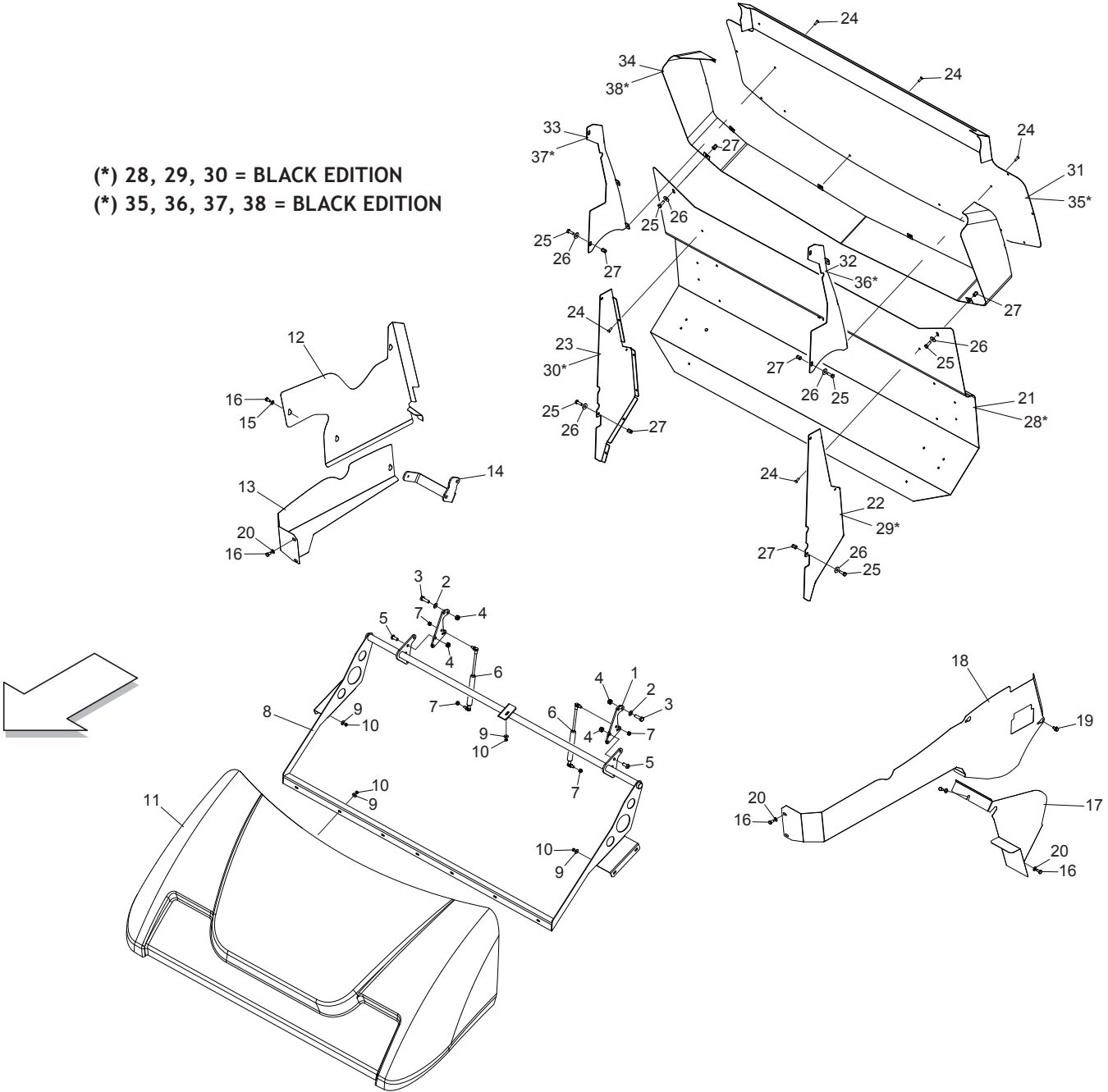


**LEGATORE RETE (PARTE 6)**  
**NET BINDER (PART 6)**

TAV\_380

Pos.	Cod.	Descrizione	Description	Description	Benennung	Descripcion
1	F01020510	VITE M12X1,75X 30 U5739 8.8ZN	SCREW TE M12X30	VIS	SCHRAUBE	
2	F01420120	ROS.M12 13X 36X2,5 U6593 ZN	WASHER	RONDELLE	SCHEIBE	
3	B00920412	DADO M12X1,75 D985 8 ZN	NUT	ECROU	SELBSTSICHERNDE MUTTER M12-5S	

(\* ) 28, 29, 30 = BLACK EDITION  
 (\* ) 35, 36, 37, 38 = BLACK EDITION

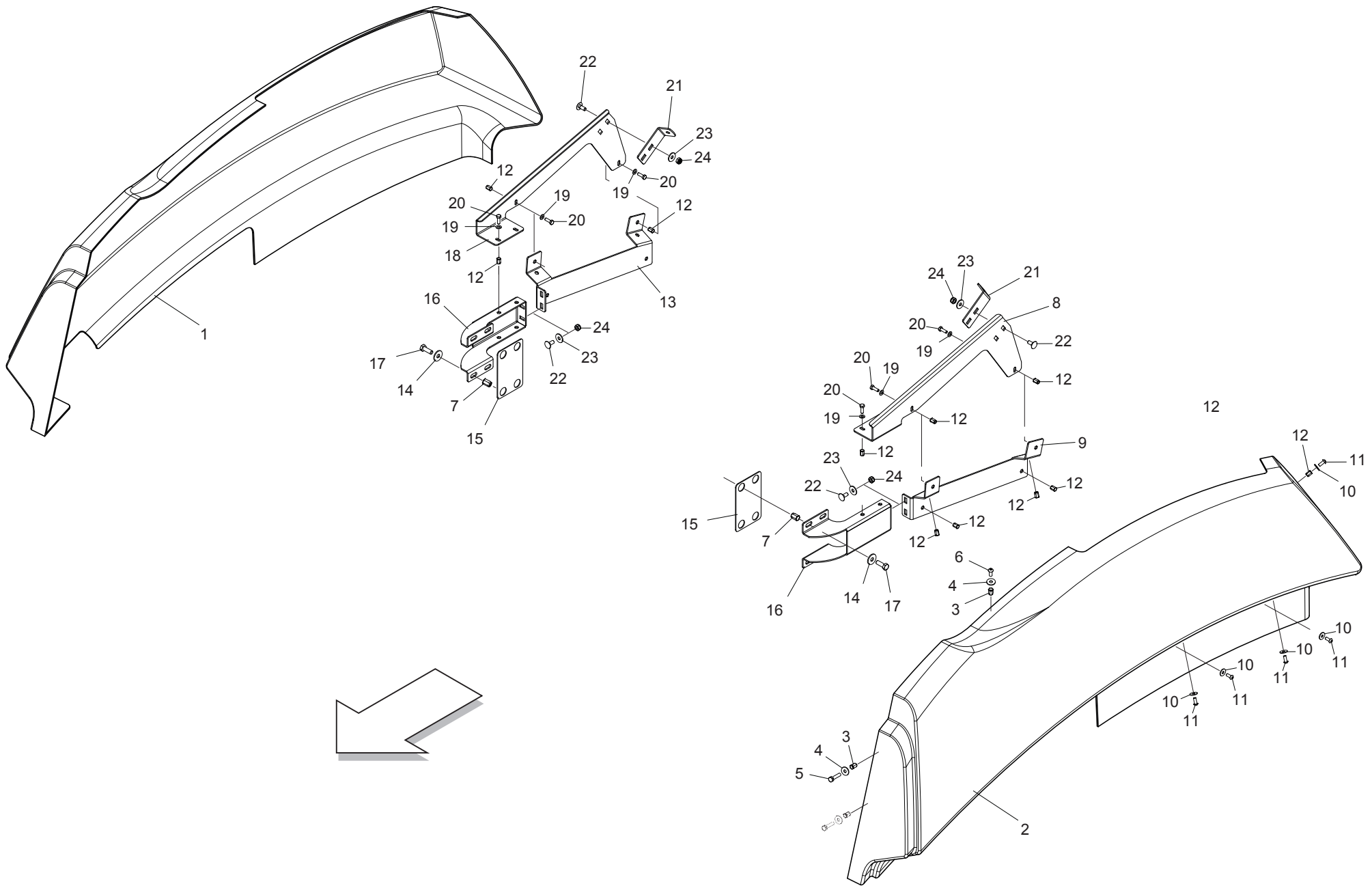




**CARTER (PARTE 1)**  
**CARTER (PART 1)**

TAV\_390

Pos.	Cod.	Descrizione	Description	Description	Benennung	Descripcion
1	BOC1P0922	PROLUNGA FISSAGGIO CARTER	EXTENSION FIXING CARTER			
2	F01410062	ROS.M10 10,5X 18X 2 U6592 ZN	WASHER M10 10,5X 18X 2 U6592	RONDELLE M10 10,5X18X2 ZN	DICHTUNGSRING M10 10,5X18X2 ZN	RONDANA M10 10,5X18X2 ZN
3	F01020479	VITE M10X1,5X35 U5739 8.8ZN	SCR. M10X1,5X35 U5739 8.8ZN	VIS M10X1,5X35 U5739 8.8 ZN	SCHR. M10X1,5X35 U5739 8.8 ZN	TORN. M10X1,5X35 U5739 8.8 ZN
4	F01230202	DADO M10X 1,5 D985 8 ZN	NUT M10 D985	ECROU AUTOBL. M10	SELBSTSPERR.MUTTER M10	DADO AUTOBL. M10
5	B00471025	VITE TTEI M10X 25-8.8 UNBRA	SCREW	VIS	SCHRAUBE TTEI M10X 25-8.8	
6	BOH1P0005	MOLLA A GAS FRENA RETE 365	SPRING A GAS FRENA NET			
7	F01230190	DADO M8X1 D985 8ZN	NUT M8X1 D985 8ZN	ECROU M8	MUTTER M8	DADO M8
8	B07SP0667	TELAIO CARTER LEGATORE RETE	FRAME CARTER NET BINDER			
9	B01430620	ROS.M6 6,4X 18X1,6 U6593 ZN	WASHER	RONDELLE	SCHEIBE	
10	B00920106	DADO M6X1 D985 8ZN	NUT	ECROU	SELBSTSICHERNDE MUTTER M6-5S	
11	BOFMP0069	CARTER ANT.365 SUP.NERO GOF.	COVER FRONT 365 SUP.BLACK			
12	BSP000061	CARTER POST. DX 365 2018	REAR CARTER RIGHT 365 2018			
13	BOC1P0846	CARTER SUP. DX 365	UPPER CARTER RIGHT 365			
14	BOC1P0894	SUPPORTO CARTER	SUPPORT CARTER			
15	F01410051	ROS.M8 8,4X 17X1,6 U6592 ZN	WASHER M8 8,4X17X1,6 U6592 ZN	RONDELLE M8 8,4X17X1,6 ZN	SCHEIBE M8 8,4X17X1,6 U6592 ZN	ARANDELA M8 8,4X17X1,6 U6592Z
16	F01020432	VITE M8X1,25X16 U5739 8.8ZN	SCR. M8X1,25X16 U5739 8.8ZN	VIS M8 X1,25X16 U5739 8.8 ZN	SCHRAUBE M8X1,25X16U5739 8.8ZN	TORNILLO M8X1,25X16U5739 8.8Z
17	BOC1P0847	CARTER SICUREZZA PU	SAFETY CARTER PU			
18	B07SP1121	CARTER SX 365	LEFT CARTER 365			
19	B00370001	VITE TE M 8X16 A SEZ. TRILOBATA	SCREW TRE M 8X16 SEZ TROUBLED	VIS	SCHRAUBE M 8X15	
20	F01410051	ROS.M8 8,4X 17X1,6 U6592 ZN	WASHER M8 8,4X17X1,6 U6592 ZN	RONDELLE M8 8,4X17X1,6 ZN	SCHEIBE M8 8,4X17X1,6 U6592 ZN	ARANDELA M8 8,4X17X1,6 U6592Z
21	BSP000006	CARTER POST. INF	CARTER LOWER BACK			
22	BSP000007	MONTANTE CARTER POST.INF.SX	UPRIGHT CARTER BACK LOWER LEFT			
23	BSP000008	MONTANTE CARTER POST.INF.DX	UPRIGHT CARTER BACK LOWER RIGH			
24	B01000013	RIVETTO STR. 5X18 U9200A AL	RIVET	RIVET	ABREISSNIETEN 6X18	
25	F01020440	VITE M8X1,25X25 U5739 8.8ZN	SCR. M8X1,25X25 U5739 8.8ZN	VIS M8X1,25X25 U5739 8.8 ZN	SCHRAUBE M8X1,25X25U5739 8.8ZN	TORNIL.M8X1,25X25 U5739 8.8 ZN
26	F01420048	ROS.M8 8,4X 24X 2 U6593 ZN	WASHER M8 8,4X 24X2 U6593 ZN	RONDELLE M8 8,4X24X 2 U6593 ZN	SCHEIBEN M8 8,4X24X 2 U6593 ZN	ARANDELA M8 8,4X 24X2 U6593 ZN
27	B00990007	INSERTO ESAGONALE M8X1,25 ZN	HEXAGONAL CONNECTION M8	CONNECTION HEXAGONALE M8	SECHSECKIGER EINSATZ M8	
28	BSP000003	CARTER POST. INF	REAR CARTER			
29	BSP000004	MONTANTE CARTER POST.INF.SX	UPRIGHT CARTER LEFT			
30	BSP000005	MONTANTE CARTER POST.INF.DX	UPRIGHT CARTER RIGHT			
31	BSP000009	CARTER POSTERIORE SUPERIORE	CARTER BACK TOP			
32	BSP000011	MONTANTE CARTER POST.SUP.SX	UPRIGHT CARTER BACK UPPER LEFT			
33	BSP000012	MONTANTE CARTER POST.SUP.DX	UPRIGHT CARTER BACK TOP RIGHT			
34	BSP000010	CONTORNO CARTER POST. SUP.	CONTOUR CARTER BACK TOP			
35	BSP000046	CARTER POST. SUP.	REAR CARTER SUPPORT			
36	BSP000047	MONTANTE CARTER POST.SUP.SX	UPPERCUT REAR CARTER SUPP.LEFT			
37	BSP000048	MONTANTE CARTER POST.SUP.DX	UPPERCUT REAR CARTER SUP.RIGHT			
38	BSP000049	CONTORNO CARTER POST. SUP.	SIDE DISH REAR CARTER UPPER			

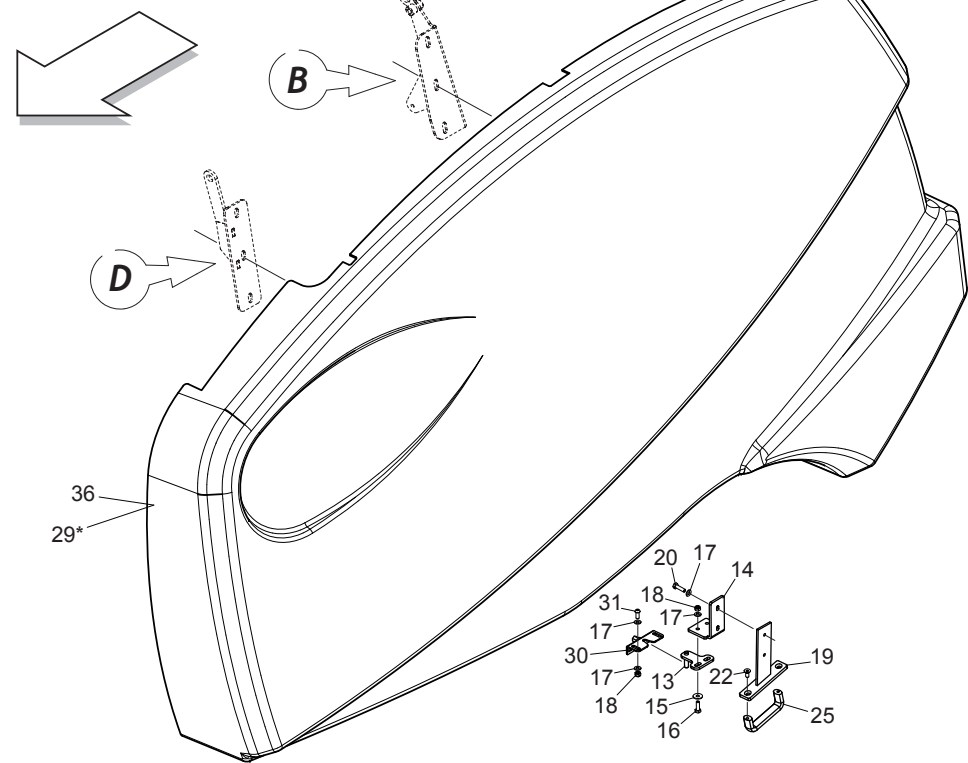
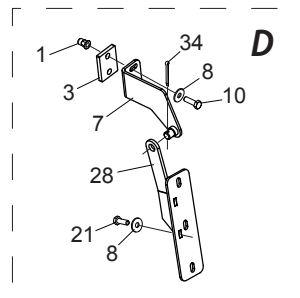
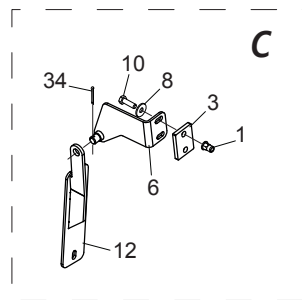
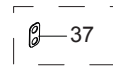
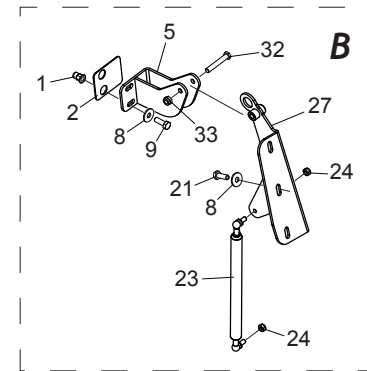
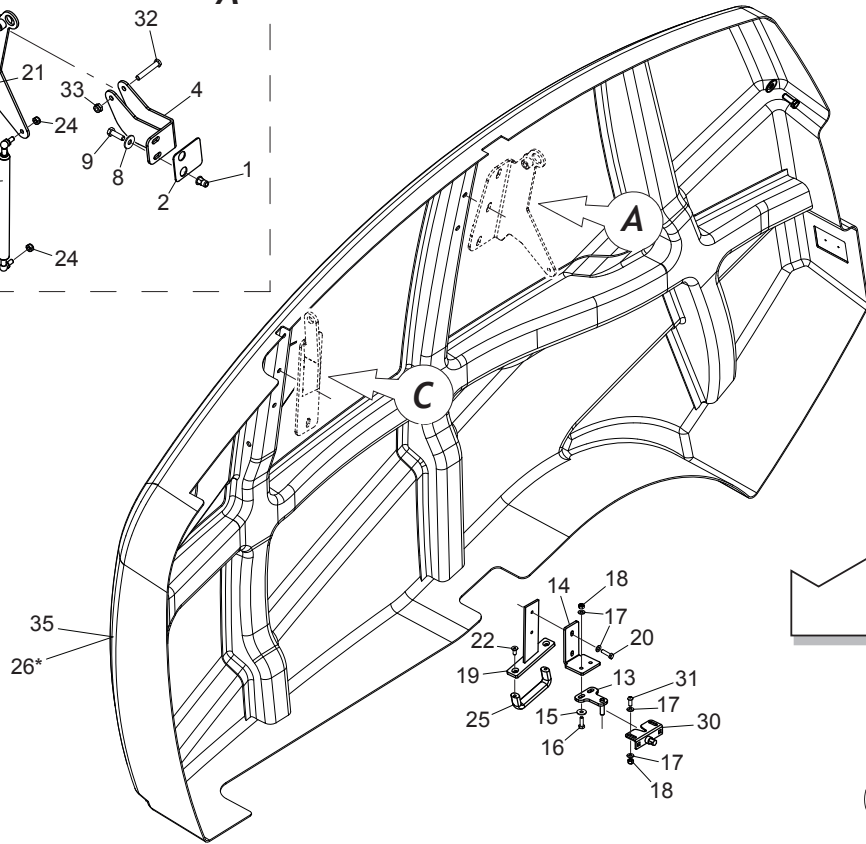
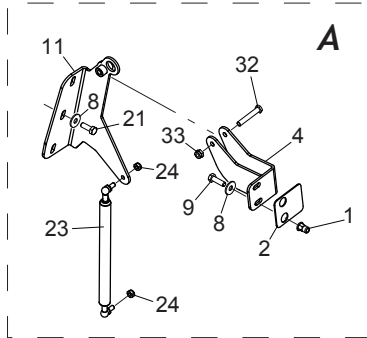


**CARTER (PARTE 2)**  
**CARTER (PART 2)**

TAV\_400

Pos.	Cod.	Descrizione	Description	Description	Benennung	Descripcion
1	B0FMP0067	CARTER SUP.365 DX NERO GOFFRA.	CARTER SUP.365 RIGHT BLACK			
2	B0FMP0068	CARTER SUP.365 SX NERO GOFFRA.	CARTER SUP.365 LEFT BLACK			
3	B00990007	INSERTO ESAGONALE M8X1,25 ZN	HEXAGONAL CONNECTION M8	CONNECTION HEXAGONALE M8	SECHSECKIGER EINSATZ M8	
4	B07V00119	RONDELLA SOTTOVITE HD 8,5X24X2	WASHER HD 8,5X24X2	RONDELLE	STIFT	
5	F01020450	VITE M8X1,25X40 U5739 8.8ZN	SCR. M8X1,25X40 U5739 8.8ZN	VIS M8X1,25X40 U5739 8.8ZN	SCHRA. M8X1,25X40 U5739 8.8ZN	TORN. M8X1,25X40 U5739 8.8ZN
6	B004N0820	VITE NERA TTEI M 8X 20-10,9	SCREW	VIS	SCHRAUBE TTEI M 8X20-10,9	
7	B00990012	INSERTO ESAGONALE M12	HEXAGONAL NUT M12			
8	B0C6P0808	LAMIERA SUP. SX CARTER SUP.	SHEET METAL SUP. LEFT CARTER			
9	B0C6P0806	LAMIERA INF. SX CARTER SUP.	SHEET METAL LOWER LEFT UPPER			
10	B07V00119	RONDELLA SOTTOVITE HD 8,5X24X2	WASHER HD 8,5X24X2	RONDELLE	STIFT	
11	B004N0820	VITE NERA TTEI M 8X 20-10,9	SCREW	VIS	SCHRAUBE TTEI M 8X20-10,9	
12	B00990007	INSERTO ESAGONALE M8X1,25 ZN	HEXAGONAL CONNECTION M8	CONNECTION HEXAGONALE M8	SECHSECKIGER EINSATZ M8	
13	B0C6P0805	LAMIERA INF. DX CARTER SUP.	SHEET METAL LOWER RIGHT UPPER			
14	F01420120	ROS.M12 13X 36X2,5 U6593 ZN	WASHER	RONDELLE	SCHEIBE	
15	B0C6P0832	SPESSORE CARTER SUPERIORE	THICKNESS HIGHER CARTER			
16	B0C6P0804	FORCELLA SUPPORTO CARTER SUP.	FORK SUPPORT CARTER			
17	F01020510	VITE M12X1,75X 30 U5739 8.8ZN	SCREW TE M12X30	VIS	SCHRAUBE	
18	B0C6P0807	LAMIERA SUP. DX CARTER SUP.	SHEET METAL SUP. RIGHT CARTER			
19	F01410051	ROS.M8 8,4X 17X1,6 U6592 ZN	WASHER M8 8,4X17X1,6 U6592 ZN	RONDELLE	SCHEIBE	
20	F01020440	VITE M8X1,25X25 U5739 8.8ZN	SCR. M8X1,25X25 U5739 8.8ZN	VIS M8X1,25X25 U5739 8.8 ZN	SCHRAUBE M8X1,25X25U5739 8.8ZN	TORNIL.M8X1,25X25 U5739 8.8 ZN
21	B0C6P0809	LAMIERA POST. CARTER SUP.	SHEET METAL BACK CARTER SUP.			
22	B00321025	VITE TTQST M10X 25-4.6 UNI 573	SCREW	VIS	SCHRAUBE	
23	F01420060	ROS.M10 10,5X 30X2,5 U6593 ZN	WASHER	RONDELLE	SCHEIBE	
24	F01230202	DADO M10X1,25 D985 8 ZN	SELF-LOCKING NUT	ECROU NYLSTOP	SELBSTSICHERNDE MUTTER M10-5S	

(\*) 26, 29 = BLACK EDITION

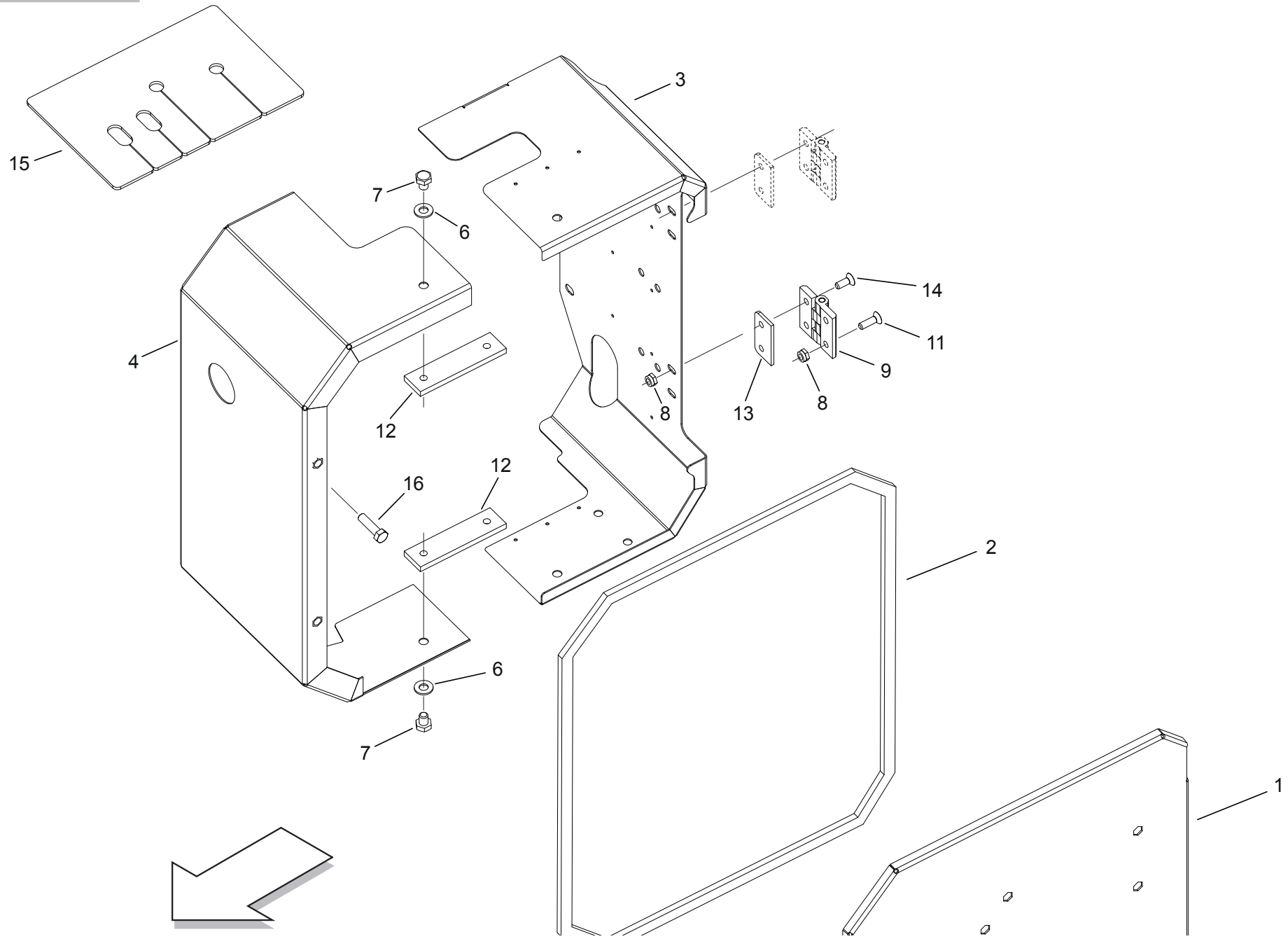


**CARTER (PARTE 3)**  
**CARTER (PART 3)**

TAV\_410

Pos.	Cod.	Descrizione	Description	Description	Benennung	Descripcion
1	B00990012	INSERTO ESAGONALE M12	HEXAGONAL NUT M12			
2	B0C6P0826	SPESSORE CERNIERE	SPACER			
3	B0C6P1074	DISTANZIALE CARTER 365	SPACER			
4	B07SP0654	ATTACCO POSTERIORE CARTER DX	ATTACK BACK CARTER RIGHT			
5	B07SP0655	ATTACCO POSTERIORE CARTER SX	ATTACK LEFT REAR COVER			
6	B07SP0652	ATTACCO ANTERIORE CARTER DX	ATTACK FRONT RIGHT COVER			
7	B07SP0653	ATTACCO ANTERIORE CARTER SX	ATTACK FRONT COVER LEFT			
8	F01420120	ROS.M12 13X 36X2,5 U6593 ZN	WASHER	RONDELLE	SCHEIBE	
9	F01020510	VITE M12X1,75X 30 U5739 8.8ZN	SCREW TE M12X30	VIS	SCHRAUBE	
10	F01020514	VITE M12X1,75X40 U5739 8.8ZN	SCR. M12X1,75X40 U5739 8.8ZN	VIS M12X1,75X40 U5739 8.8ZN	SCHRA. M12X1,75X40 U5739 8.8ZN	TORN. M12X1,75X40 U5739 8,8ZN
11	B07SP0659	FULCRO POSTERIORE CARTER DX	FULCRUM REAR CARTER RIGHT			
12	B07SP0656	FULCRO ANTERIORE DX	FULCRUM FRONT RIGHT			
13	B07S01850	ATTACCO CHIUSURA	CLOSURE CONNECTION	ATTELAGE FERMETURE	VERSCHLUSSANSCHLUSS	
14	B0C6P0670	CHIUSURA CARTER	CLOSING CARTER			
15	F01420048	ROS.M8 8,4X 24X 2 U6593 ZN	WASHER	RONDELLE	SCHEIBE	
16	F01020440	VITE M8X1,25X25 U5739 8.8ZN	SCR. M8X1,25X25 U5739 8.8ZN	VIS M8X1,25X25 U5739 8.8 ZN	SCHRAUBE M8X1,25X25U5739 8.8ZN	TORNIL.M8X1,25X25 U5739 8.8 ZN
17	F01410051	ROS.M8 8,4X 17X1,6 U6592 ZN	WASHER M8 8,4X17X1,6 U6592 ZN	RONDELLE	SCHEIBE	
18	B00920208	DADO M8X1 D985 8ZN	NUT M8X1 D985 8ZN	ECROU	SELBSTSICHERNDE MUTTER M8-5S	
19	B07SP0570	SOSTEGNO MANIGLIA	SUPPORT HANDLE			
20	F01020445	VITE M8X1,25X30 U5739 8.8ZN	SCR. M8X1,25X30 U5739 8.8ZN	VIS M 8X1,25X30 U5739 8.8 ZN	SCHRAU, M8X1,25X30 U5739 8.8ZN	TORN. M8X1,25X30 U5739 8.8 ZN
21	F01020512	VITE M12X1,75X35 U5739 8.8ZN	SCR. M12X1,75X35 U5739 8.8ZN	VIS M12X1,75X35 5739 8.8 ZN	SCHR. M12X1,75X35 5739 8.8 ZN	TORN. M12X1,75X35 5739 8.8 ZN
22	F01030055	VITE M8X1,25X20 U5933 10.9ZD	SCR. M8X1,25X20 U5933 10.9ZD	VIS M 8X20	SCHRAUBE M 8X20	TORNILLO M 8X20
23	B0H1P0003	MOLLA GAS CARTER LATERALI 365	GAS SPRING 365			
24	F01230202	DADO M10X1,25 D985 8 ZN	SELF-LOCKING NUT	ECROU NYLSTOP	SELBSTSICHERNDE MUTTER M10-5S	
25	B07V00117	MANIGL.01M20120D DITTA THENAR	HANDLE 01M20120D DITTA THENAR	POIGNEE 01M20120D	GRIFF	
26	B0FMP0065	CARTER 365 DX NERO	CARTER 365 RIGHT BLACK			
27	B07SP0660	FULCRO POSTERIORE CARTER SX	FULCRUM REAR CARTER LEFT			
28	B07SP0657	FULCRO ANTERIORE SX	LEFT FRONT FULCRUM			
29	B0FMP0066	CARTER 365 SX NERO	LEFT CARTER 365 BLACK			
30	B01800041	CHIUS.SCHWARZ RIF.SV 941104-00	LOCK	FERMETURE	VERSCHLUSS SCHWARZ REF. SV. 9	
31	F01030208	VITE M 8X1,25X 20 U7380 10.9ZN	SCREW M8X1,25X20 U7380 10.9ZN			
32	B00191275	VITE M12X1,75X 70 U5737 8.8ZN	SCREW	VIS	SCHRAUBE	
33	B00920412	DADO M12X1,75 D985 8 ZN	NUT	ECROU	SELBSTSICHERNDE MUTTER M12-5S	
34	B01140440	COPIGLIA 4X40 UNI 1336	PIN			
35	B0FMP0018	COFANO DX	COFANO DX			
36	B0FMP0017	COFANO SX	COFANO			
37	B0C002357	PIASTRINA ATTACCO CAVI	CABLE ATTACHMENT PLATE	PLAQUETTE ATTELAGE CABLES	KABELHALTERPLATTE	

TAV\_420

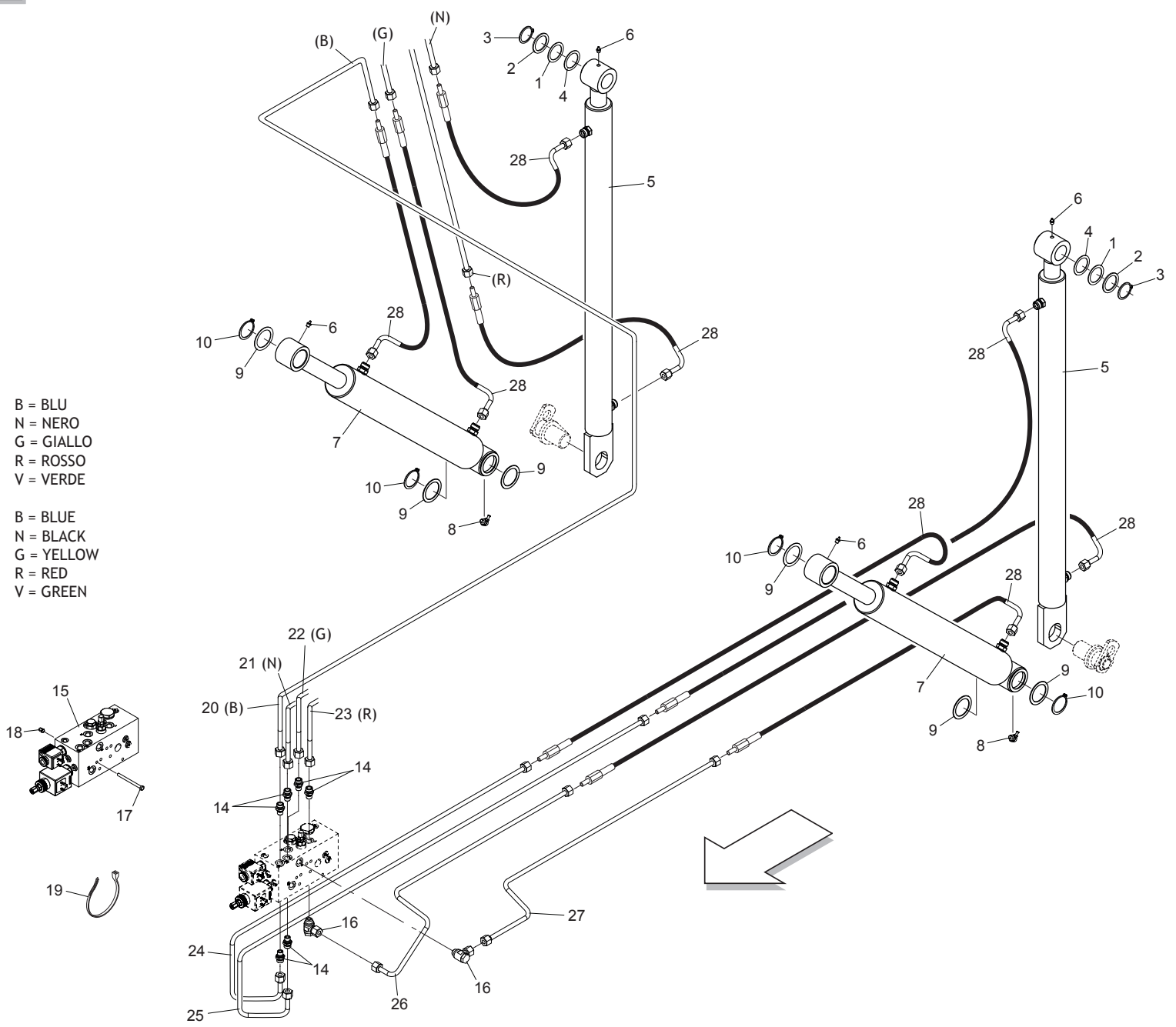


**BOX IMPIANTO IDRAULICO MACCHINA  
MACHINE HYDRAULIC SYSTEM BOX**

**TAV\_420**

Pos.	Cod.	Descrizione	Description	Description	Benennung	Descripcion
1	B0C3P0342	COPERCHIO	COVER			
2	B04945023	LISTELLO PIATTO 6X12 CAT.PIGOM	GASKET	JOINT	DICHTSTREIFEN	
3	B0C3P0341	FASCIA DX	RH BAND			
4	B0C3P0340	FASCIA SX	LEFT CARTER			
5	B00990009	INSERTO ESAGONALE M6	HEXAGONAL CONNECTION M6	CONNECTION HEXAGONALE	SECHSECKIGER EINSATZ M6	
6	F01410051	ROS.M8 8,4X 17X1,6 U6592 ZN	WASHER M8 8,4X17X1,6 U6592 ZN	RONDELLE	SCHEIBE	
7	B00180810	VITE ZINC.TE M 8X 10-8.8 UNI 5	SCREW			
8	B00920106	DADO M6X1 D985 8ZN	NUT	ECROU	SELBSTSICHERNDE MUTTER M6-5S	
9	B07VU0046	CERNIERA ELESA CMM 50 SH 6	HINGE			
10	B07V00346	VOLANTINO M 6X20	KNOB M 6X20			
11	F01030038	VITE M6X1X20 U5933 10.9ZD	SCR. M6X1X20 U5933 10.9ZD	VIS M6X1X20 U5933 10.9ZD	SCHRAU. M6X1X20 U5933 10.9ZD	TORNILLO M6X1X20 U5933 10.9ZD
12	B0C2P0438	PIATTO DI COLLEGAMENTO	CONNECTION PLATE			
13	B0C6P1040	DISTANZIALE CERNIERA	SPACER			
14	F01030036	VITE M6X1X16 U5933 10.9ZD	SCR. M6X1X16 U5933 10.9ZD	VIS M6X1X16 U5933 10.9ZD	SCHRAUBE M6X1X16 U5933 10.9ZD	TORNILLO M6X1X16 U5933 10.9ZD
15	B07VP0208	COPRI FESSURE	COVER SLOTS			
16	F01020436	VITE M8X1,25X20 U5739 8.8ZN	SCR. M8X1,25X20 U5739 8.8ZN	VIS M8X1,25X 20 U5739 8.8 ZN	SCHRAUBE M8X1,25X20U5739 8.8ZN	TORN. M8X1,25X20 U5739 8.8 ZN
17	F01021213	VITE M 8X1,25X 55 U5739 8.8 ZN	SCREW M8X1,25X 55 8.8 ZN			
18	B00170845	VITE ZINCATA M 8X45-10.9 U5737	ZN SCREW M 8X45-10.9 U5737	VIS	SCHRAUBE	
19	B0C1P1730	PIATTO PER BULLONI DI SICUREZZ	PLATE FOR SECURITY BOLT			
20	B03110007	GIUNTO MOLL.N.26 ASA60-1	SPRING JOINT N. 26 ASA 60-1	JOINT	KETTENSCHLOSS	
21	B030G0020	GIUNTO A COPPIGLIA ISO 20 B-1	JOINT ISO 20 B-1			
22	B01430620	ROS.M6 6,4X 18X1,6 U6593 ZN	WASHER	RONDELLE	SCHEIBE	
23	F01220022	DADO M8X1,25 D980 8ZN	NUT M8X1,25 D980 8ZN	ECROU M8X 1,25 D980 8 ZN	MUTTER M8X 1,25 D980 8 ZN	TUERCA M8X 1,25 D980 8 ZN

TAV\_430



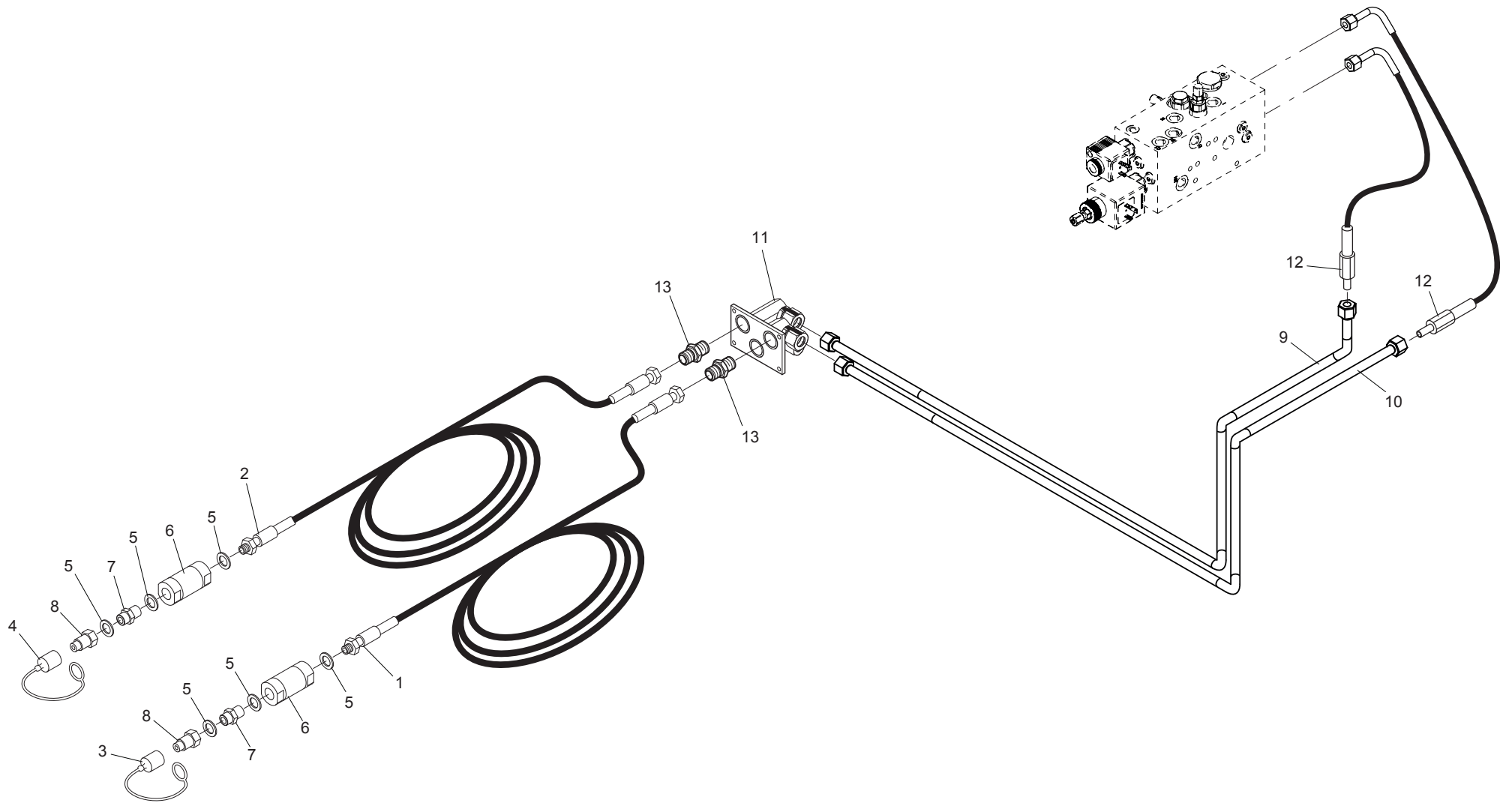


**IMPIANTO IDRAULICO MACCHINA (PARTE 1)  
MACHINE HYDRAULIC SYSTEM (PART 1)**

**TAV\_430**

Pos.	Cod.	Descrizione	Description	Description	Benennung	Descripcion
1	B01300101	SPES. 30,3 40 1 ZINCATO	SHIM GALV	ENTRETOISE GALV		
2	B01300153	SPES. 30 40 2 ZINCATO	SHIM GALV	ENTRETOISE GALV		
3	F02050112	ANEL. D ARR. ALB. 30-E UNI3653	SEEGER RING	BAGUE SEEGER		
4	B01300100	SPES. 30,3 40 0,5 ZINCATO	SHIM GALV	ENTRETOISE GALV		
5	BOH4P0009	MARTINETTO PORTELLONE 365	CYLINDER 365			
6	F01100011	ING.M 6X1 7663-A 9SMNPB28 ZN	GREASE NIPPLE M6X1 7663-A ZN	GRAISS. A BILLE M6X1 7663A ZN	SCHMIERBUECHE M6X1 7663-A ZN	ENGRAS. DE ESFE. M6X1 7663-AZ
7	BOH4P0018	MARTINETTO PRESSIONE 365	CYLINDER 365			
8	F01100013	INGRAS HYDR M 6X1 90	GREASE NIPPLE	GRAISSEUR HYDRAULIQUE	SCHMIERNIPPEL M6X1 90	
9	B01300116	SPES. 35,5 47 1 ZINC.ST_013	SHIM	ENTRETOISE	DISTANZSTUECK 35,5 47 1	
10	F02050146	ANELLO E. DE 35X 1,5 U7435 C70	ELASTIC RING DE 35X 1,5 U7435	BAGUE ELASTIQUE DE 35X 1,5	RING DE 35X 1,5 U7435 C70	ANILLO DE 35X 1,5 U7435 C70
14	BOH0C0019	RACCORDO I 10 RASTELLI TN92GG	JUNCTION			
15	BOH0P0091	VALVOLA PRINCIPALE PORT. 365	MAIN VALVE			
16	BOH000232	RACCORDO O 10 RASTELLI TN111-1	FITTING 0 10			
17	F01020051	VITE M6X1X90 U5737 8.8ZN	SCR. M6X1X90 U5737 8.8ZN	VIS M6X 1X 90 U5737 8.8 ZN	SCHRAUBE M6X 1X90 U5737 8.8 ZN	TORNILLO M6X 1X90 U5737 8.8 ZN
18	B00990009	INSERTO ESAGONALE M6	HEXAGONAL CONNECTION M6	CONNECTION HEXAGONALE	SECHSECKIGER EINSATZ M6	
19	F05150066	FASCETTA SERRAC 8X2 L250MM MIN	CLAMP 8X2	BANDE 8X2	MANSCHETTE 8X2	
20	BOH0P0131	TUBO Z. BLU 10X1,5 L=3690	GALVANIZED PIPE 10X1,5 L=3690			
21	BOH0P0132	TUBO Z. NERO 10X1,5 L=3720	GALVANIZED PIPE 10X1,5 L=3720			
22	BOH0P0130	TUBO Z. GIALLO 10X1,5 L=3690	GALVANIZED PIPE 10X1,5 L=3690			
23	BOH0P0133	TUBO Z. ROSSO 10X1,5 L=3810	GALVANIZED PIPE 10X1,5 L=3810			
24	BOH0P0129	TUBO ZINCATO 10X1,5 L=1050	GALVANIZED PIPE 10X1,5 L=1050			
25	BOH0P0128	TUBO ZINCATO 10X1,5 L=1540	GALVANIZED PIPE 10X1,5 L=1540			
26	BOH0P0126	TUBO ZINCATO 10X1,5 L=1120	GALVANIZED PIPE 10X1,5 L=1120			
27	BOH0P0127	TUBO ZINCATO 10X1,5 L=810	GALVANIZED PIPE 10X1,5 L=810			
28	BOH0P0118	TUBO FLESSIBILE L=550	HYDRAULIC HOSE L=550			

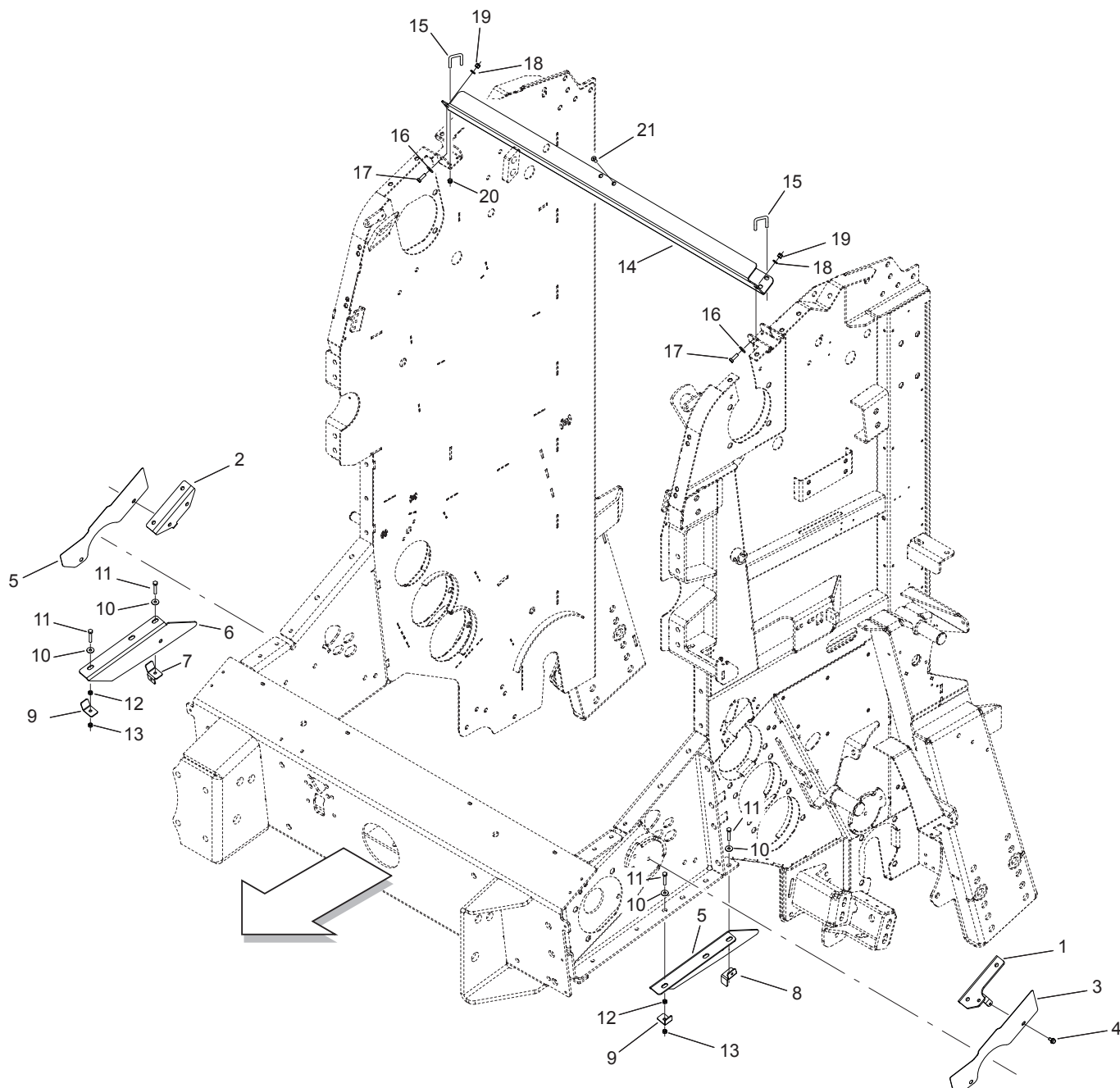
TAV\_440



**IMPIANTO IDRAULICO MACCHINA (PARTE 2)**  
**MACHINE HYDRAULIC SYSTEM (PART 2)**

TAV\_440

Pos.	Cod.	Descrizione	Description	Description	Benennung	Descripcion
1	B0H0P0115	TUBO FLESSIBILE L=2700	HYDRAULIC HOSE L=2700			
2	B0H0P0116	TUBO FLESSIBILE L=2700	HYDRAULIC HOSE L=2700			
3	F05150325	CAPPUC.F X INN.M RAP.1 2 ROSS	COVER CONNECT F 1 2 RED	COUVERCLE CONNEXION F 1 2 ROSE	DECKEL W 1 2 SCHNELLKUPP. ROT	PAC PROTECCION F 1 2 ROJO
4	B0H5C000N	CAPPUCCIO NERO PER INNESTO RAP	COVER CONNECT BLACK			
5	F03020103	RONDELLA BONDED AUTOCENT 1 2	AUTOCENT BONDED WASHER 1 2	RONDELLE BONDED AUTOCENT 1 2	SCHEIBE BONDED AUTOCENT 1 2	ARANDELA BONDED 1 2
6	B0H000040	FILTRO IN LINEA 92400126X	FILTER IL12 60 R 94001261	FILTRE EN LIGNE IL12 60 R94001	FILTER IL12 60 R 94001261	
7	F03150255	NIPPLO MASCH.CIL.1 2-1 2 ZN	NIPPLE M. CYL. 1 2-1 2 ZN	NIPLE M. CYL. 1 2 - 1 2 ZN	NIPLE F. ZYL. 1 2-1 2 ZN	NIPLE M. CIL. 1 2 - 1 2 ZN
8	F03150935	INNESTO RAP.MASCH.1 2 A VALV.	QUICK CONNECT MALE CONE 1 2	CONNEXION RAPIDE MALE CONE 1 2	SCHNELLKUPP.GEWINDE KONISC 1 2	ACOPLAMIENT.RAP.MACHO CONO
9	B0H0P0123	TUBO BONDERIZZATO 12X2 L=144	PIPE 12X2 L=1440			
10	B0H0P0122	TUBO BONDERIZZATO 12X2 L=128	PIPE 12X2 L=1280			
11	B0H0P0150	PIASTRA COLLETTORE 75 X 45	PLATE 75 X 45			
12	F03071178	TG 1 4 2SN CFL12 ML12 350	RUB.TUBE 1 4 2SN CFL12 350			
13	B0H0C0049	RACCORDO I 12 RASTELLI TN92GG	FITTING			



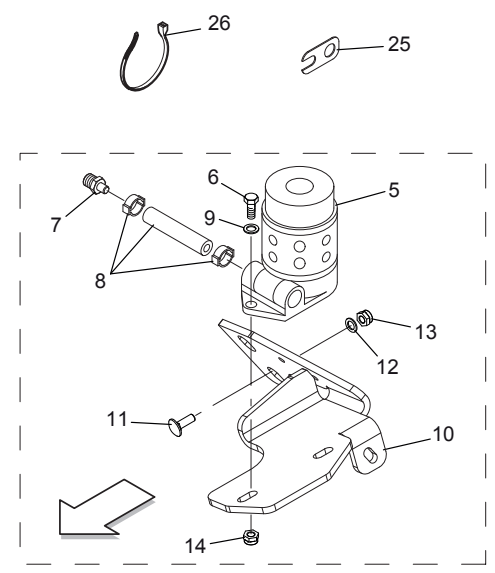
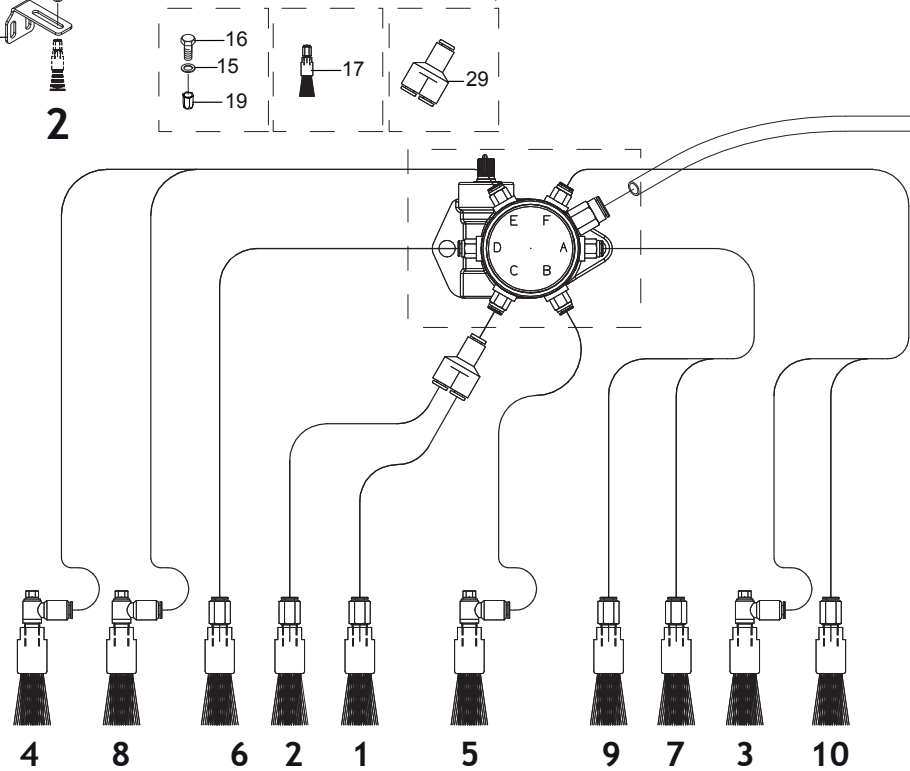
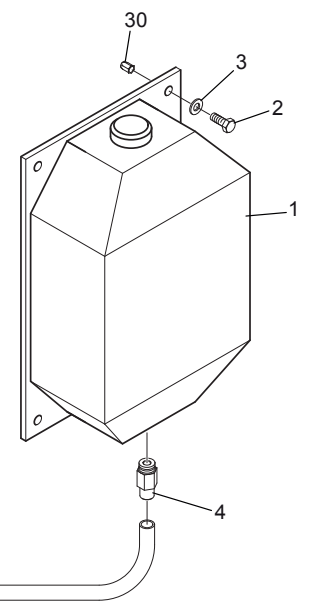
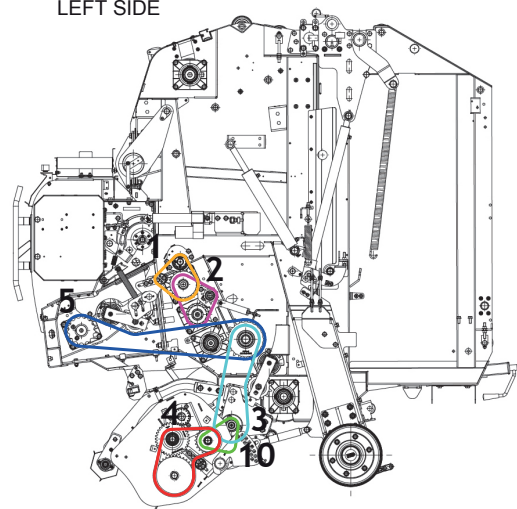
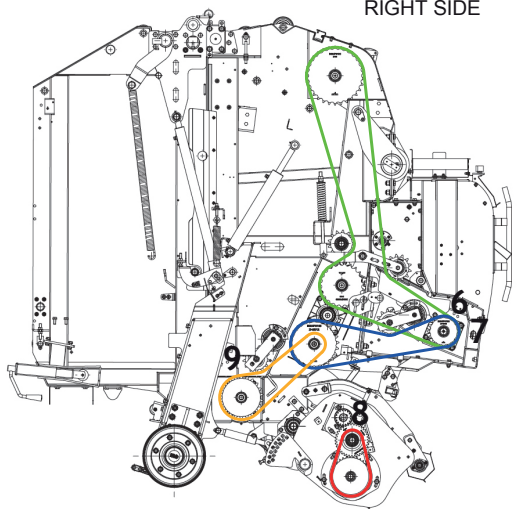
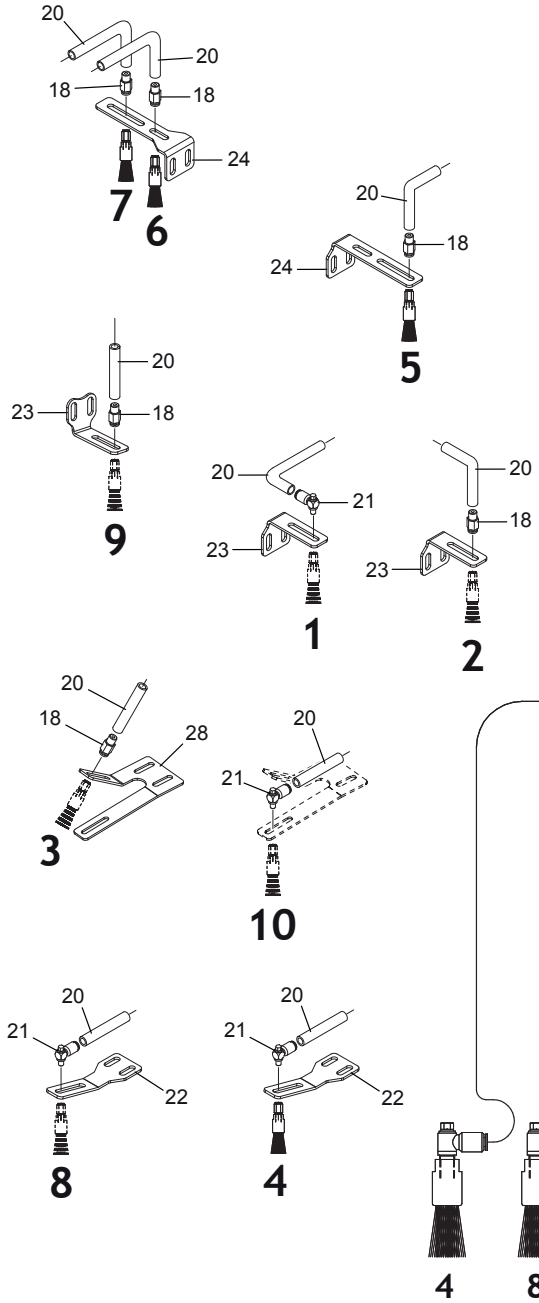
**CARTER IMPIANTO IDRAULICO  
HYDRAULIC SYSTEM CARTER**

TAV\_450

Pos.	Cod.	Descrizione	Description	Description	Benennung	Descripcion
1	B0C1P1055	SUPPORTO CARTER TUBI SX	LEFT CARTER SUPPORT			
2	B0C1P1056	SUPPORTO CARTER TUBI DX	RIGHT CARTER SUPPORT			
3	B0C1P1057	CARTER TUBI	TUBE S CARTER			
4	B00370001	VITE TE M 8X16 A SEZ. TRILOBATA	SCREW TRE M 8X16 SEZ TROUBLED	VIS		SCHRAUBE M 8X15
5	B0C1P1048	PIASTRA DI CONVOGLIAMENTO SX	CONVEYING PLATE LEFT			
6	B0C1P1049	PIASTRA DI CONVOGLIAMENTO DX	CONVEYING PLATE RIGHT			
7	B0C6P0851	SOSTEGNO ANTERIORE DX TUBAZION	LEFT FRONT SUPPORT			
8	B0C6P0852	SOSTEGNO ANTERIORE DX TUBAZION	RIGHT FRONT SUPPORT			
9	B0C6P0853	SOSTEGNO POSTERIORE TUBAZIONI	REAR SUPPORT			
10	F01420048	ROS.M8 8,4X 24X 2 U6593 ZN	WASHER	RONDELLE		SCHEIBE
11	B00180850	VITE ZINC.TE M 8X 50-8.8 U5739	SCREW			
12	B00710208	DADO M 8X1,25 U5588 6.8 ZN	NUT	ECROU		MUTTER M8-6S
13	B00920208	DADO M8X1 D985 8ZN	NUT M8X1 D985 8ZN	ECROU		SELBSTSICHERNDE MUTTER M8-5S
14	B0C1P1489	TRAVERSA PROTEZIONE TUBI	CROSSPIECE PROTECTION TUBES			
15	B0C2P0439	CAVALLOTTO QUADRO M6 20X20	U BOLT M6 20X20			
16	F01420036	ROS.M6 6,4X 18X1,5 U6593 ZN	WASHER M6 6,4X 18X1,5 U6593 ZN	RONDELLE M6 6,4X18X1,5 U6593ZN	SCHEIBEN M6 6,4X18X1,5U6593 ZN	ARANDELA M6 6,4X18X1,5U6593ZN
17	F01020404	VITE M6X1X20 U5739 8.8ZN	SCREW M6X1X20 U5739 8.8ZN	VIS M6X1X20 U5739 8.8ZN	SCHRAUBE M6X1X20 U5739 8.8ZN	TORNILLO M6X1X20 U5739 8.8ZN
18	F01410037	ROS.M6 6,4X12,5X1,6 U6592 ZN	WASHER	RONDELLE		BEILAGSCHEIBE 6
19	F01230022	DADO M6X1 D982 8ZN	NUT M6X1 D982 8ZN	ECROU AUTO-FREIN.M6X1 D982 8ZN	SICHERUNGSMUT. M6X1 D982 8 ZN	TUERCA DE SEGU.M6X1 D982 8 ZN
20	B00920106	DADO M6X1 D985 8ZN	NUT	ECROU		SELBSTSICHERNDE MUTTER M6-5S
21	F01030036	VITE M6X1X16 U5933 10.9ZD	SCR. M6X1X16 U5933 10.9ZD	VIS M6X1X16 U5933 10.9ZD	SCHRAUBE M6X1X16 U5933 10.9ZD	TORNILLO M6X1X16 U5933 10.9ZD

LATO DESTRO  
RIGHT SIDE

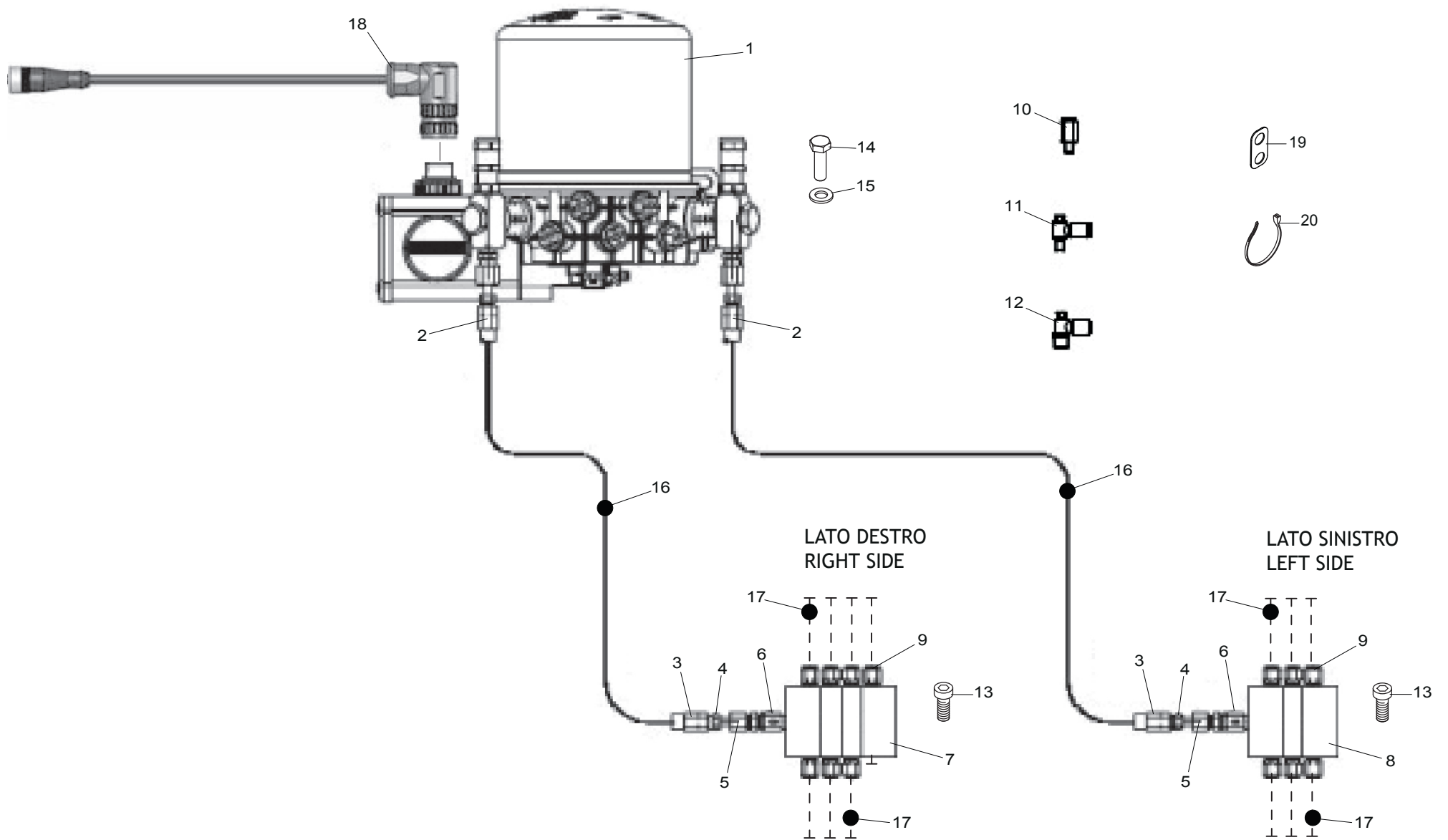
LATO SINISTRO  
LEFT SIDE



**IMPIANTO OLIATURA AUTOMATICA  
AUTOMATIC OILING SYSTEM**

TAV\_600

Pos.	Cod.	Descrizione	Description	Description	Benennung	Descripcion
1	B0H0P0110	GR. SERBATOIO 4 LT	TANK 4 LT			
2	F01020404	VITE M6X1X20 U5739 8.8ZN	SCREW M6X1X20 U5739 8.8ZN	VIS M6X1X20 U5739 8.8ZN	SCHRAUBE M6X1X20 U5739 8.8ZN	TORNILLO M6X1X20 U5739 8.8ZN
3	F01410037	ROS.M6 6,4X12,5X1,6 U6592 ZN	WASHER	RONDELLE	BEILAGSCHEIBE 6	
4	B042C0811	RACC. RAPIDO DIRITTO 1 4 D.8	GREASE NIPPLE 1 4 G D. 8MM			
5	F03156180	POMPA MULTIUSCITE 6 POMPANTI	PUMP MULTI OUTPUT			
6	F01020445	VITE M8X1,25X30 U5739 8.8ZN	SCR. M8X1,25X30 U5739 8.8ZN	VIS M 8X1,25X30 U5739 8.8 ZN	SCHRAU, M8X1,25X30 U5739 8.8ZN	TORN. M8X1,25X30 U5739 8.8 ZN
7	B035P0101	PERNO POMPA OLIATURA				
8	B0H0P0112	KIT DI COLLEGAMENTO	KIT FOR CONNECTION			
9	F01410051	ROS.M8 8,4X 17X1,6 U6592 ZN	WASHER M8 8,4X17X1,6 U6592 ZN	RONDELLE	SCHEIBE	
10	B0C1P0844	SUPPORTO POMPA OLIO	SUPPORT OIL PUMP			
11	B00321020	VITE M10X1,5 X 30 U5731 4.6ZN	SCREW	VIS	SCHRAUBE VERZINKT TTQST M10X20	
12	F01420060	ROS.M10 10,5X 30X2,5 U6593 ZN	WASHER	RONDELLE	SCHEIBE	
13	F01230202	DADO M10X1,25 D985 8 ZN	SELF-LOCKING NUT	ECROU NYLSTOP	SELBSTSICHERNDE MUTTER M10-5S	
14	B00920208	DADO M8X1 D985 8ZN	NUT M8X1 D985 8ZN	ECROU	SELBSTSICHERNDE MUTTER M8-5S	
15	F01020436	VITE M8X1,25X20 U5739 8.8ZN	SCR. M8X1,25X20 U5739 8.8ZN	VIS M8X1,25X 20 U5739 8.8 ZN	SCHRAUBE M8X1,25X20U5739 8.8ZN	TORN. M8X1,25X20 U5739 8.8 ZN
16	F01420048	ROS.M8 8,4X 24X 2 U6593 ZN	WASHER	RONDELLE	SCHEIBE	
17	B0H0P0048	SPAZZOLA M8X1 D.20 H.52	BRUSH M8X1 D.20 H.52			
18	B04280810	PUSH-IN DIRITTO D.4 M8X1	GREASE NIPPLE			
19	B00990007	INSERTO ESAGONALE M8X1,25 ZN	HEXAGONAL CONNECTION M8	CONNECTION HEXAGONALE M8	SECHSECKIGER EINSATZ M8	
20	B09600006	TUBO NYLON PER A.C. DN2 4 X2	NYLON TUBE			
21	B04290810R	INGRASS.90 ORIENTAB.M8X1 ILC	GREASE NIPPLE			
22	B0C6P0666	STAFFA PORTA SPAZZ.LUBRIFIC.	BRACKET			
23	B0C6P0739	STAFFA PORTA SPAZZOLA LUBRIF	BRACKET			
24	B0C6P0615	STAFFA PORTA SPAZZ.LUBRIFIC.	BRACKET			
25	B0C6P0692	PIASTRINA ATTACCO CAVI	PLATE CONNECTION CABLES			
26	F05150055	FASCETTA LUMEFIX 3,6X180	CLAMP LUMEFIX	BANDE LUMEFIX	MANSCHETTE LUMEFIX	
27	B0H0P0109	TUBO 8 MM TRASPARENTE	TRASPARENT TUBE 8			
28	B0C1P0835	STAFFA PORTA SPAZZOLA PICK-UP	BRACKET SUPP.BRUSH PICK-UP			
29	B0H0P0163	RACCORDO AD Y TUBO 4	FITTING Y PIPE 4			
30	B00990009	INSERTO ESAGONALE M6	HEXAGONAL CONNECTION M6	CONNECTION HEXAGONALE	SECHSECKIGER EINSATZ M6	





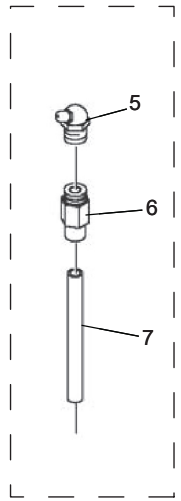
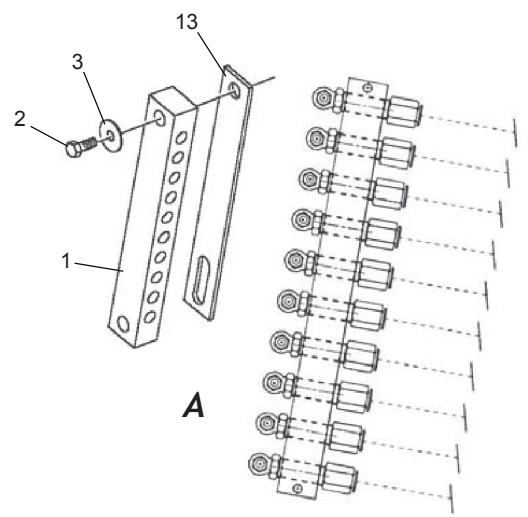
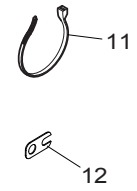
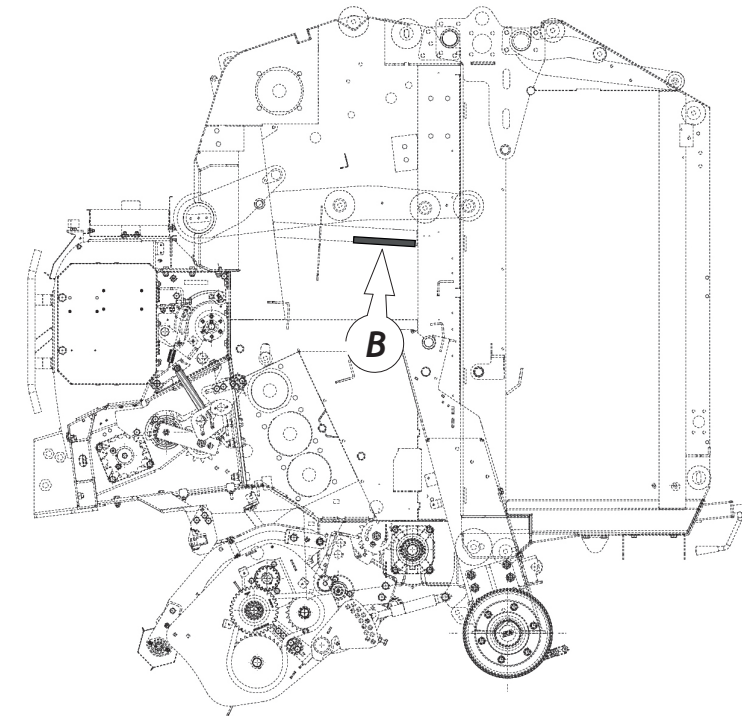
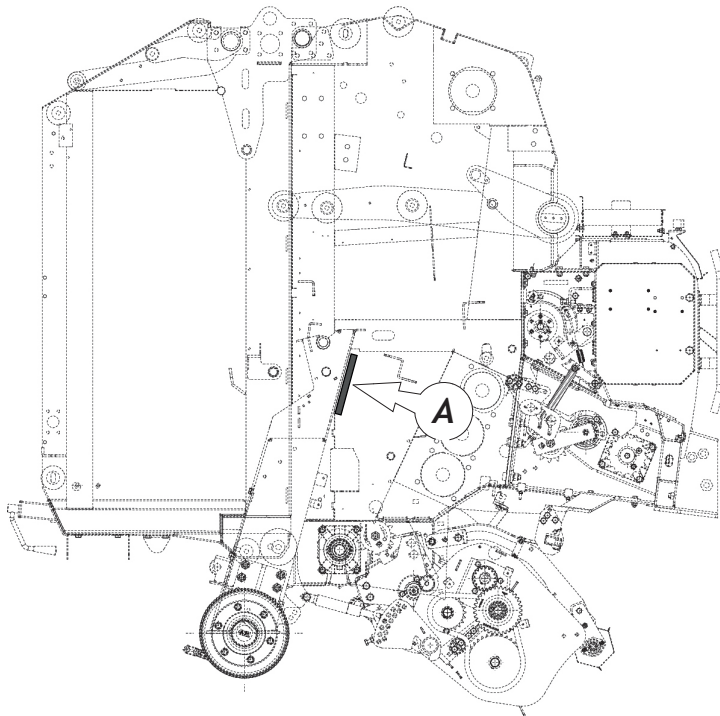
**IMPIANTO LUBRIFICAZIONE AUTOMATICA  
AUTOMATIC GREASING SYSTEM**

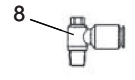
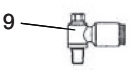
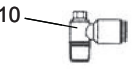
TAV\_460

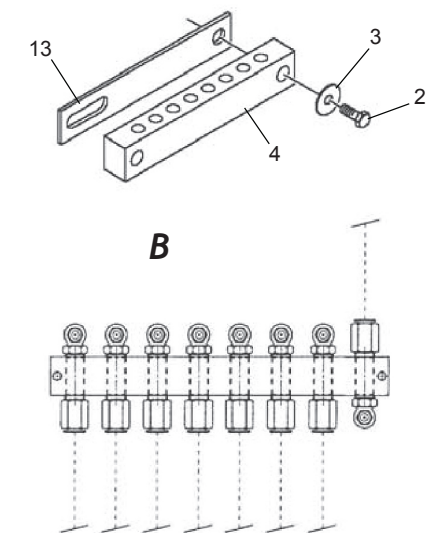
Pos.	Cod.	Descrizione	Description	Description	Benennung	Descripcion
1	B0H0P0215	ELETROPOMPA PICO MAX 12V DC 2	ELCTROPUMP MAX 12V DC 2			
2	B0H0P0164	RACC. A.P. DIR. D.6MM 1 4 GK	FITTING			
3	B0H0P0166	GHIERA PER TUBO A.P. 8,6X4	RING FOR PIPE			
4	B0H0P0165	INSERTO DIRITTO	INSERT			
5	B0H0P0167	RACC. A.P. DIR. D.6MM M10X1 K	FITTING			
6	B0H0P0168	VALV.NON RITORNO 1 8 MK10X1F	VALVE			
7	B0H0P0252	DISTR.PROG.DPX-4 4 ELEM.8 USC.	DISTR.PROG.DPX-4 4 ELEM.8 OUT.			
8	B0H0P0253	DISTR.PROG.DPX-3 3 ELEM.6 USC.	DISTR.PROG.DPX-3 3 ELEM.6 OUT.			
9	B0H0P0171	PUSH-IN DIRITTO D.6 M10X1K	PUSH-IN			
10	B0H0P0216	RACCORDO RAPIDO DRITTO M6*1	JOINT			
11	B042A0610	INGRASS. 90 ORIENTABILE M6X1	GREASE NIPPLE			
12	B0H0P0217	RACCORDO RAPIDO 90 M10*1	JOINT			
13	B00400530	VITE ZN.TCEI M 5X 30-8.8 U5931	SCREW TCEI M 5X 30-8.8 U5931			
14	F01020065	VITE M 8X1,25X 30 U5737 8.8ZN	SCREW M 8X1,25X 30 U5737 8.8Z			
15	F01410051	ROS.M8 8,4X 17X1,6 U6592 ZN	WASHER M8 8,4X17X1,6 U6592 ZN	RONDELLE	SCHEIBE	
16	B09600004	TUBO FLEX PER IMPIANTI A GRASS	PIPE FOR SYSTEMS GREASE			
17	F03152149	TUBO PA12 6 X 3 ROSSO	TUBE PA12 6 X 3 RED			
18	F05200672	CABL UNIF INGRASSAT AUT GR	WIRING			
19	B0C002357	PIASTRINA ATTACCO CAVI	CABLE ATTACHMENT PLATE	PLAQUETTE ATTELAGE CABLES	KABELHALTERPLATTE	
20	F05150055	FASCETTA LUMEFIX 3,6X180	CLAMP LUMEFIX	BANDE LUMEFIX	MANSCHETTE LUMEFIX	

LATO DESTRO  
RIGHT SIDE

LATO SINISTRO  
LEFT SIDE



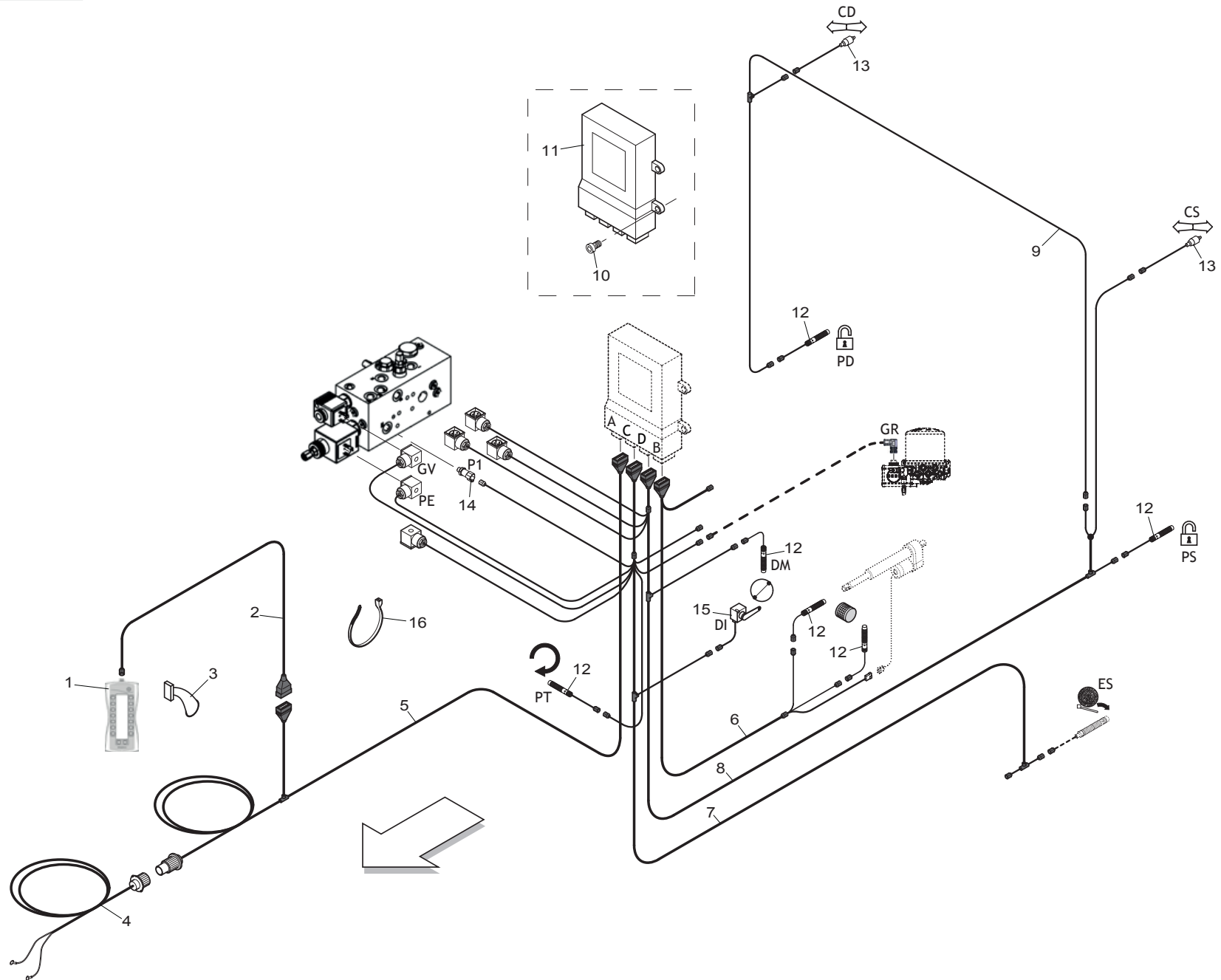
- 
n.2 = CERNIERA PORTELLONE  
NET-COUNTER ROLLER
- 
n.22 = PORTELLONE  
REAR GATE
- 
n.2 = CERNIERA PORTELLONE  
TAILGATE HINGE



**IMPIANTO LUBRIFICAZIONE MANUALE  
MANUAL GREASING SYSTEM**

TAV\_470

Pos.	Cod.	Descrizione	Description	Description	Benennung	Descripcion
1	B0R001127	DISTRIBUTORE PASSANTE G1 8	DISTRIBUTOR			
2	B00180430	VITE ZIN.TE M 4X30-8.8 UNI5739	SCREW			
3	F01420011	ROS.M4 4,3X 16X 1 U6593 ZN	FLAT WASHER 4-3X 16X1-5 6593 G	ROND.PLATE 4-3X 16X1-5 6593 ZN	SCHEIBE 4-3X 16X1-5 6593 ZN	
4	B0R001126	DISTRIBUTORE PASSANTE G1 8	DISTRIBUTOR			
5	B0R001128	INGRASSATORE 90 1 8 GAS	GREASE NIPPLE			
6	B0R001129	INGRASSATORE DIRITTO	GREASE NIPPLE			
7	F03152149	TUBO PA12 6 X 3 ROSSO	TUBE PA12 6 X 3 RED			
8	B04270810	INGRASS. 90 ORIENTABILE M8X1	INGRASS. 90 ORIENTABILE M8X1.			
9	B042A0610	INGRASS. 90 ORIENTABILE M6X1	GREASE NIPPLE			
10	B0R001130	INGRAS.90 ILC M10 X TUBO 6	GREASE NIPPLE			
11	F05150055	FASCETTA LUMEFIX 3,6X180	CLAMP LUMEFIX	BANDE LUMEFIX	MANSCHETTE LUMEFIX	
12	B0C6P0692	PIASTRINA ATTACCO CAVI	PLATE CONNECTION CABLES			
13	B0C6P0974	SPESSORE	THICKNESS			

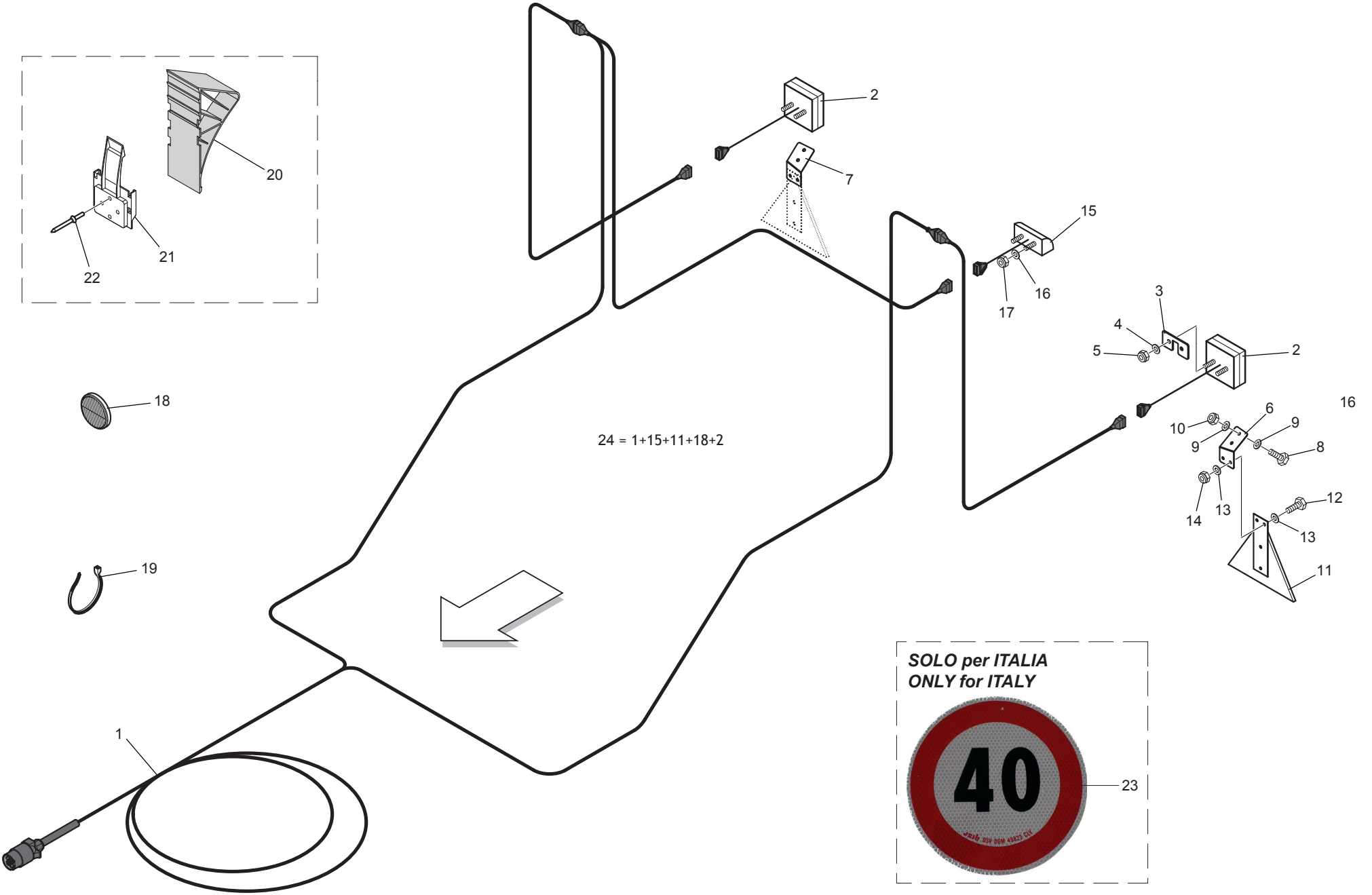
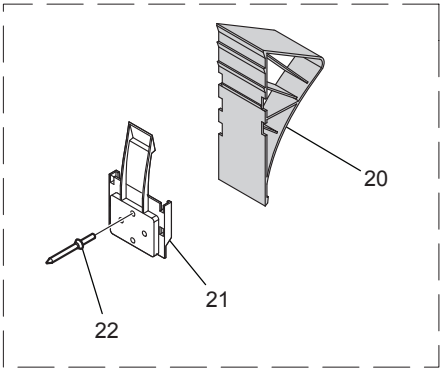


**CABLAGGIO PRINCIPALE ICON  
ICON MAIN CABLING**

TAV\_480

Pos.	Cod.	Descrizione	Description	Description	Benennung	Descripcion
1	F05011716	CENTRALINA ELETTRONICA	ELECTRIC CONTROL UNIT			
2	B0E0P0169	CAVO CENTRALINA	USER UNITS CABLE			
3	B0E0P0104	KIT FISSAGGIO SUPP. A VENTOSA	KIT FISSAGGIO SUPPORT			
4	B0E000090	CAVO TRATTORE CON FUSIBILE 50A	TRACTOR CABLE	CABLE TRACTEUR AVEC FUSEE	TRAKTORVERBINDUNGSKABEL	
5	F05200613	CABL UNIF EXTREME BB CONN A	WIRING			
6	F05200614	CABL UNIF EXTREME BB CONN B	WIRING			
7	F05200620	CABL UNIF EXTREME 3 BB CONN C	WIRING			
8	F05200621	CABL UNIF EXTREME 3 BB CONN D	WIRING			
9	F05200618	CABL UNIF EXTREME BB CONN D1	WIRING			
10	B00400630	VITE ZN.TCEI M 6X30-8.8 U5931	SCREW			
11	F05011831	ECU ASSY BB BIG BLOCK UNIF	ELECTRIC			
12	F05011719	SENS PROXIM M12 PNP NO CN SS 4	PROXIMITY SENSOR PNP 20CM CABL			
13	F05011715	SENS ANGOLARE CARICO CAMERA	ANGULAR SENSOR LOAD CAMERA			
14	B0E0P0130	PRESSOSTATO ELETTR. 0..250BAR	ELECTRONIC PRESSURE			
15	B0E0P0073	POTENZIOMETRO DIMENSIONE BALLA	POT SIZE BALE 60			
16	B0E600022	FASCETTA LUMEFIX 4,8X340	CLAMP LUMEFIX 4,8X340			

TAV\_490



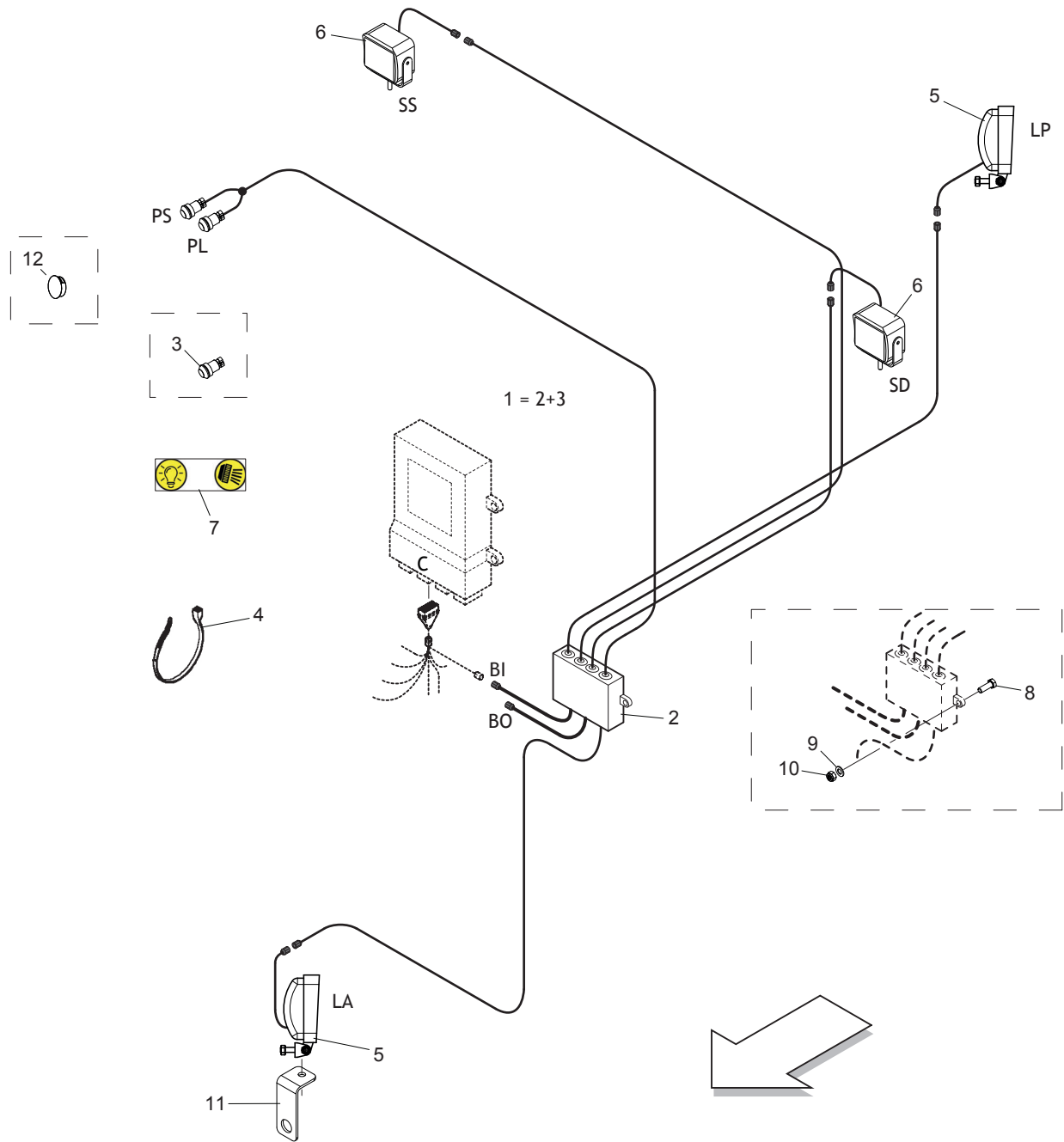
$24 = 1 + 15 + 11 + 18 + 2$



**IMPIANTO LUCI + CUNEI  
LIGHTS PLAN + WHEELS CHOCKS**

**TAV\_490**

Pos.	Cod.	Descrizione	Description	Description	Benennung	Descripcion
1	B0E0P0180	CABLAGGIO SPINA 7 POLI PER 36	WIRING			
2	F05011788	FANALE POST LED CONN ADATT IMP	POST LIGHT LED CONN SYST ADAPT			
3	B0C6P0812	PIASTRINA ATTACCO FANALE	MOUNT PLATE LIGHT			
4	F01410037	ROS.M6 6,4X12,5X1,6 U6592 ZN	WASHER	RONDELLE	BEILAGSCHEIBE 6	
5	B00920106	DADO M6X1 D985 8ZN	NUT	ECROU	SELBSTSICHERNDE MUTTER M6-5S	
6	B0C6P1061	ATTACCO FANALE SX	LEFT LIGHT ATTACK			
7	B0C6P1060	ATTACCO FANALE DX	RIGHT LIGHT ATTACK			
8	F01020404	VITE M6X1X20 U5739 8.8ZN	SCREW M6X1X20 U5739 8.8ZN	VIS M6X1X20 U5739 8.8ZN	SCHRAUBE M6X1X20 U5739 8.8ZN	TORNILLO M6X1X20 U5739 8.8ZN
9	F01410037	ROS.M6 6,4X12,5X1,6 U6592 ZN	WASHER	RONDELLE	BEILAGSCHEIBE 6	
10	B00920106	DADO M6X1 D985 8ZN	NUT	ECROU	SELBSTSICHERNDE MUTTER M6-5S	
11	B0E0P0183	TRIANGOLO CON STAFFA DA 150 M	TRIANGLE WITH BRACKET			
12	F01020404	VITE M6X1X20 U5739 8.8ZN	SCREW M6X1X20 U5739 8.8ZN	VIS M6X1X20 U5739 8.8ZN	SCHRAUBE M6X1X20 U5739 8.8ZN	TORNILLO M6X1X20 U5739 8.8ZN
13	F01410037	ROS.M6 6,4X12,5X1,6 U6592 ZN	WASHER	RONDELLE	BEILAGSCHEIBE 6	
14	B00920106	DADO M6X1 D985 8ZN	NUT	ECROU	SELBSTSICHERNDE MUTTER M6-5S	
15	B0E0P0182	LUCI TARGA LED C CONN.	PLATE LIGHT			
16	F01410037	ROS.M6 6,4X12,5X1,6 U6592 ZN	WASHER	RONDELLE	BEILAGSCHEIBE 6	
17	B00920106	DADO M6X1 D985 8ZN	NUT	ECROU	SELBSTSICHERNDE MUTTER M6-5S	
18	B0E0P0184	CATADIOTTRO BIANCO 60MM ADESI	WHITE REFLECTOR			
19	F05150055	FASCETTA LUMEFIX 3,6X180	CLAMP LUMEFIX	BANDE LUMEFIX	MANSCHETTE LUMEFIX	
20	B07V00070	CUNEO D ARRESTO TIPO UK10K	WHEEL CHOCK	COIN D ARRET UK10K	UNTERLEGEKEIL	
21	B07V00071	SOSTEGNO CUNEO TIPO HA10K	CHOCK SUPPORT TYPE HA10K	SUPPORT COIN HA10K	KEILHALTERUNG HA10K	
22	F02250148	RIVETTO STR. 6 X12 U9200A AL	PULL RIVET 6X12 ALL	RIVET A RUPTURE 6X12 ALU	REISSNIETE 6X12 ALL	REMACHE DESGAR. 6X12 AL
23	F20030261	ETICH. LIMITE VELOCITA 40	SPEED LIMIT 40 LABEL			
24	B0FMP0070	GRUPPO LUCI 365 MOND120	GROUP LIGHTS 365 MONDIALE 120			



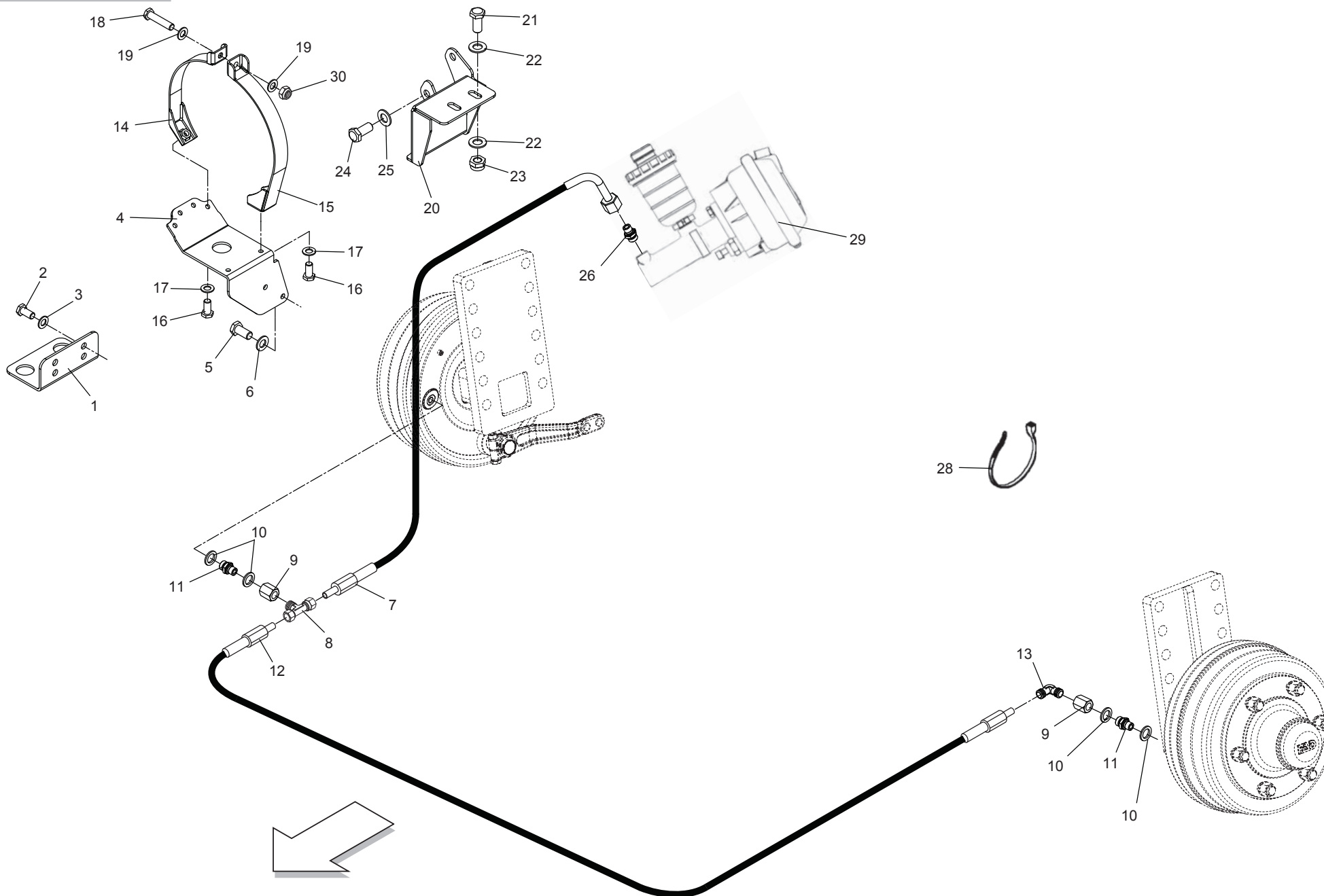


**FARI LAVORO  
WORKING LIGHTS**

TAV\_500

Pos.	Cod.	Descrizione	Description	Description	Benennung	Descripcion
1	B0FMP0073	KIT ECU LUCI LAV SERV BUS	KIT ECU LIGHTS			
2	F05011789	ECU CABL LUCI LAV SERV BUS	ELECTRIC WIRING			
3	F05011790	PULSANTE MACCHINA GIALLO	YELLOW BUTTON			
4	F05150055	FASCETTA LUMEFIX 3,6X180	WHITE BAND	BANDE LUMEFIX	MANSCHETTE LUMEFIX	
5	F05011714	FARO LAVORO LED 2000 LMN	LED WORKING LIGHT 2000LM			
6	F05011877	FARO LAVORO LED 800 LMN	WORKING LIGHT 800 LMN			
7	F20030573	ETICH.PULS LUCI LAV SERV	LABEL BUTTONS LIGHTS			
8	F01020378	VITE M5X0,8X16 U5739 8.8ZN	SCR. M5X0,8X16 U5739 8.8ZN	VIS M5X0,8X16 U5739 8.8ZN	SCHRAUBE M5X0,8X16 U5739 8.8ZN	TORNILLO M5X0,8X16 U5739 8.8ZN
9	F01410023	RONDELLA D5 UNI 6592 ZN	WASHER M5 5,3X 10X 1 U6592			
10	B00920005	DADO AUTOB.BASSO M 5-5S DIN985	NUT	ECROU	SELBSTSICHERNDE MUTTER M5-5S	
11	B0C1P1092	SUPPORTO FARO ANTERIORE	FORWARD HEADLIGHT SUPPORT			
12	F05050046	TAPPO LAMIERA 30.1	CAP METAL SHEET 30.1			

TAV\_510



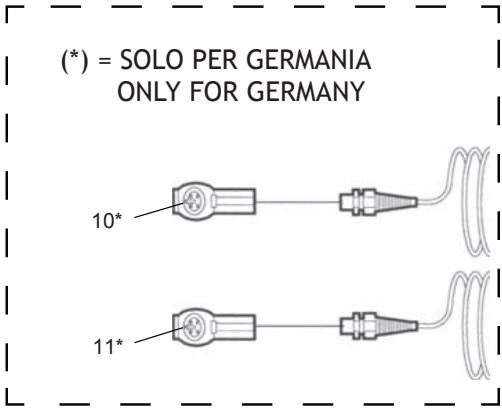
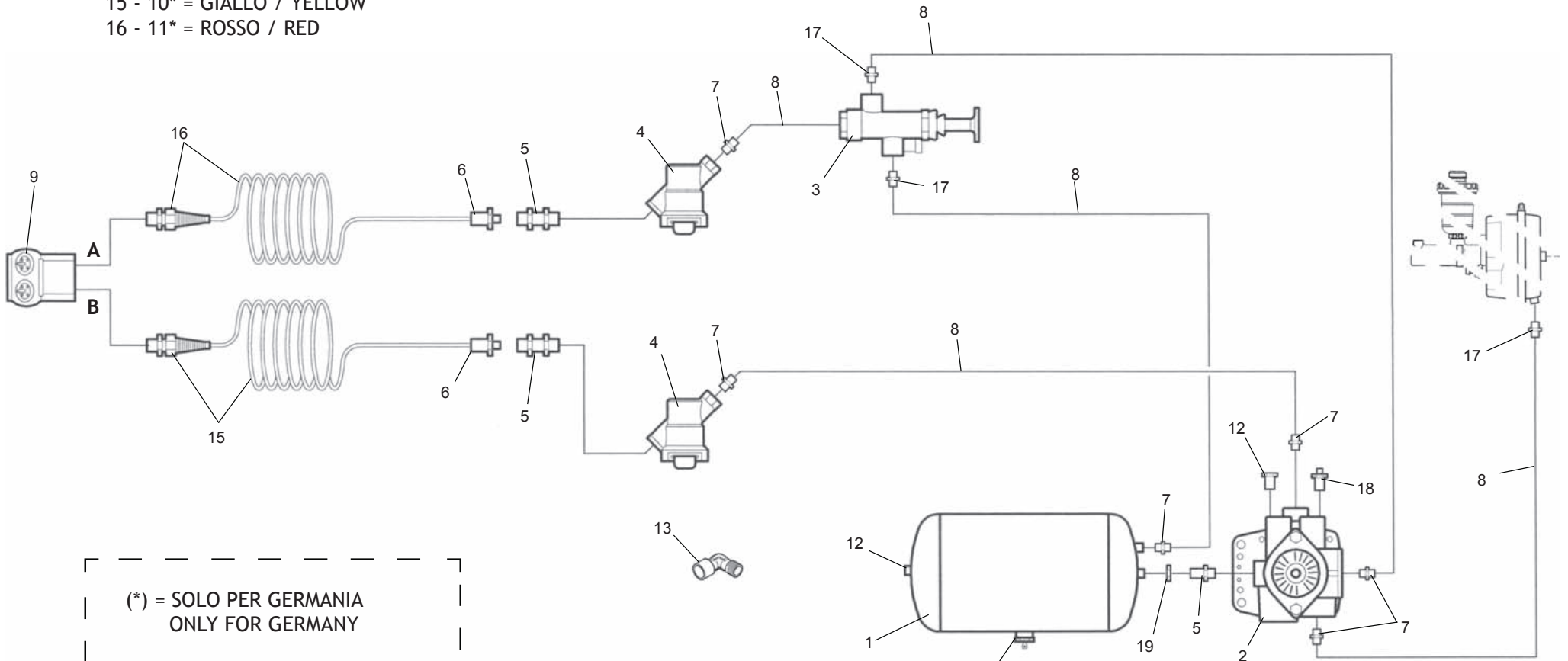
**FRENO PNEUMO-IDRAULICO (PARTE 1)**  
**AIR-HYDRAULIC BRAKE (PART 1)**

TAV\_510

Pos.	Cod.	Descrizione	Description	Description	Benennung	Descripcion
1	BOC6P1050	STAFFA FILTRI ARIA	STIRRUP FILTRI ARIA			
2	F01020436	VITE M8X1,25X20 U5739 8.8ZN	SCR. M8X1,25X20 U5739 8.8ZN	VIS M8X1,25X 20 U5739 8.8 ZN	SCHRAUBE M8X1,25X20U5739 8.8ZN	TORN. M8X1,25X20 U5739 8.8 ZN
3	F01410051	ROS.M8 8,4X 17X1,6 U6592 ZN	WASHER M8 8,4X17X1,6 U6592 ZN	RONDELLE	SCHRAUBE	
4	BOC3P0339	SOSTEGNO RETE SERBATOIO	SUPPORT NET SERBATOIO			
5	F01020506	VITE M12X1,75X20 U5739 8.8ZN	SCR. M12X1,75X20 U5739 8.8ZN	VIS M 12X20	SCHRAUBE M 12X20	TORNILLO M 12X20
6	F01410076	ROS.M12 13X 20X2,0 U1749 ZN	WASHER	RONDELLE	SCHRAUBE	
7	F03071132	TG 1 4 2SN FL8 F8L L=700	RUB.TUBE 1 4 2SN FL8 L=700			
8	BOH0C0036	RACCORDO T 8 RASTELLI TN96-8LR	FITTING T 8 RASTELLI TN96-8LR			
9	BOH000162	MANICOTTO DI RACCORDO	FITTING SLEEVE	MANCHON DE RACCORD	ANSCHLUSS	
10	F01500012	RONDELLA IN RAME 1 4	COPPER WASHER 13X19X1,5-1 4	RONDELLE 13X19X1,5-1 4	SCHRAUBE 13X19X1,5-1 4	ARANDELA 13X19X1,5-1 4
11	BOH000140	NIPPLIO GIUNZ GAS CILIN.1 4-1 4	NIPPLE 1 4-1 4	NIPPLE JONCTION	NIPPEL 1 4-1 4	
12	F03071133	TG 1 4 2SN FL8 F8L L=2200	RUB.TUBE 1 4 2SN FL8 L=2200			
13	B0L7G0183	RACCORDO L 8 RASTELLI TN94-8	FITTING L 8 RASTELLI TN4-8			
14	B07SP0807	SOSTEGNO ESTERNO SERBATOIO	SUPPORT ESTERNO SERBATOIO			
15	B07SP0806	SOSTEGNO INTERNO SERBATOIO	SUPPORT INTERNO SERBATOIO			
16	F01020470	VITE M10X1,5X20 U5739 8.8ZN	SCR. M10X1,5X20 U5739 8.8ZN	VIS M10X1,5X20 U5739 8.8 ZN	SCHRAUBE M10X1,5X20 U5739 ZN	TORNILLOM10X1,5X20 U5739 8.8Z
17	F01410062	ROS.M10 10,5X 18X 2 U6592 ZN	WASHER M10 10,5X 18X 2 U6592	RONDELLE M10 10,5X18X2 ZN	DICHTUNGSRING M10 10,5X18X2 ZN	RONDANA M10 10,5X18X2 ZN
18	F01020116	VITE M10X1,5X55 U5737 8.8ZN	SCR. M10X1,5X55 U5737 8.8ZN	VIS M10X1,5X60	SCHRAUBE M10X1,5X60	TORNILLO M10X1,5X60
19	F01410062	ROS.M10 10,5X 18X 2 U6592 ZN	WASHER M10 10,5X 18X 2 U6592	RONDELLE M10 10,5X18X2 ZN	DICHTUNGSRING M10 10,5X18X2 ZN	RONDANA M10 10,5X18X2 ZN
20	B07SP0948	STAFFA SUPP. ATTUATORE IDR 365	ACTUATOR SUPPORT			
21	F01020510	VITE M12X1,75X 30 U5739 8.8ZN	SCREW TE M12X30	VIS	SCHRAUBE	
22	F01410076	ROS.M12 13X 20X2,0 U1749 ZN	WASHER	RONDELLE	SCHRAUBE	
23	B00920412	DADO M12X1,75 D985 8 ZN	NUT	ECROU	SELBSTSICHERNDE MUTTER M12-5S	
24	F01020508	VITE M12X1,75X 25 U5739 8.8ZN	SCREW	VIS	SCHRAUBE	
25	F01410076	ROS.M12 13X 20X2,0 U1749 ZN	WASHER	RONDELLE	SCHRAUBE	
26	BOH0P0156	RACC. I 8 RASTELLI TN92GG-8LM	CONNECTION			
28	BOE600025	FASCETTA SERRAC 8X2 L500MM MIN	CLAMP	PETITE BANDE SERRE-CABLES	KLEINE STREIFEN	
29	BOFMP0042	COMPONENTI IDRO PNEUMAT. CILI	COMPONENTI IDRO PNEUMAT			
30	F01230202	DADO M10X1,25 D985 8 ZN	SELF-LOCKING NUT	ECROU NYLSTOP	SELBSTSICHERNDE MUTTER M10-5S	

TAV\_520

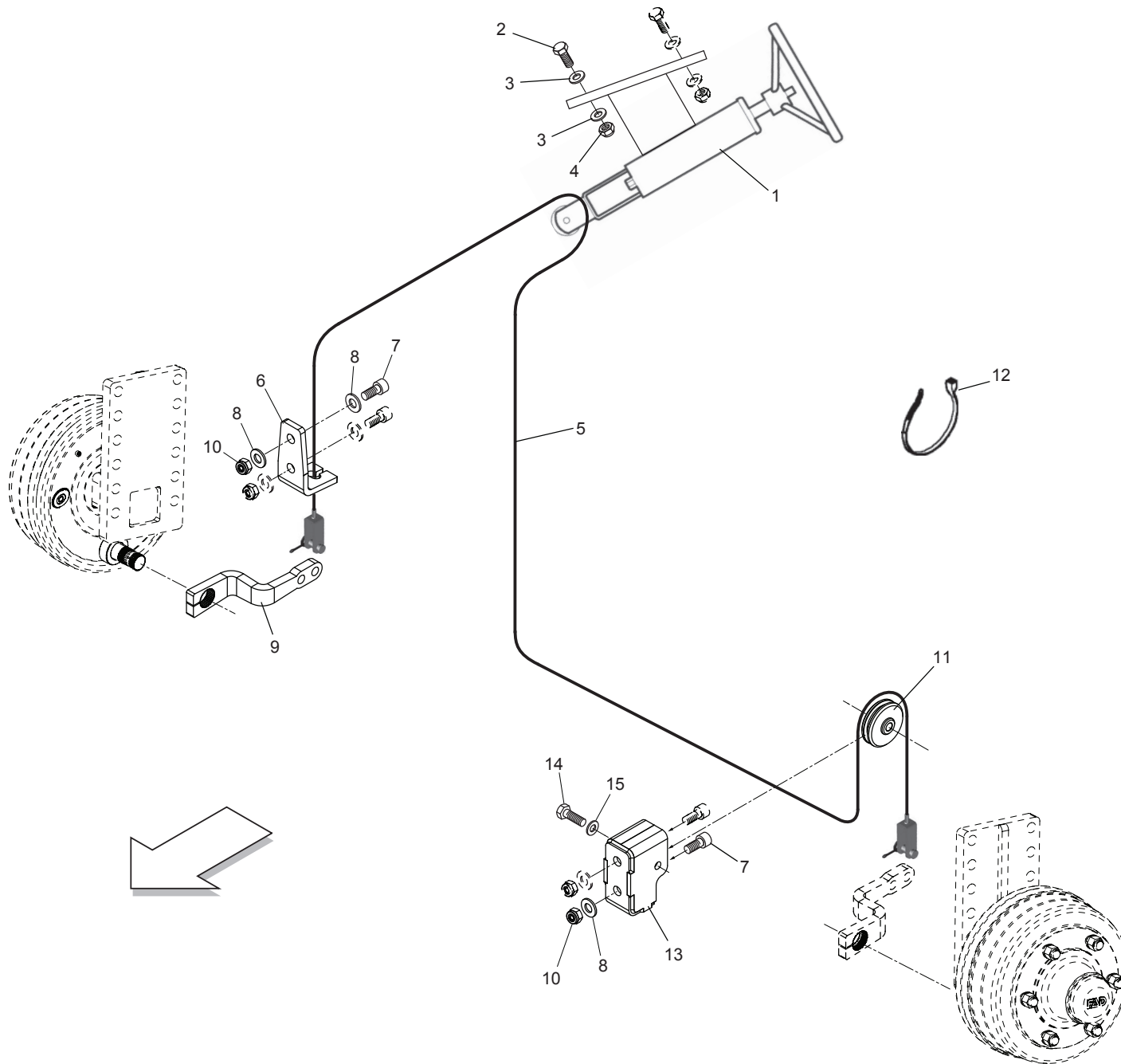
15 - 10\* = GIALLO / YELLOW  
 16 - 11\* = ROSSO / RED



**FRENO PNEUMO-IDRAULICO (PARTE 2)**  
**AIR-HYDRAULIC BRAKE (PART 2)**

TAV\_520

Pos.	Cod.	Descrizione	Description	Description	Benennung	Descripcion
1	F13060021	SERBAT. ARIA LT.20 D.250	AIR TANK			
2	F13050021	SERVOAUTO	SERBVO-DRIVE			
3	F13050023	VALVOLA DI SFRENATURA	RELEASE VALVE			
4	F13040007	FILTRO DI LINEA	LINE FILTER			
5	F13010080	PAS.P M22X1,5 22X1,5 F16X2 CG	BULKEHAD UNION			
6	F13010081	DIRITTO M.16X1,5 T.12X9	STRAIGHT CONNECTOR			
7	F13010077	INNESTO M.22X1,5 REGULAR	UNION			
8	B0H0C0062	TUBO ARIA 12X9 NERO PA12PHL	AIR TUBE			
9	B0H0P0155	GIUNTO DOPPIO GIALLO ROSSO	DOUBLE JOINT YELLOW RED			
10	B0H0P0154	GIUNTO ACCOPPIAMENTO GIALLO	COUPLING YELLOW			
11	B0H0P0153	GIUNTO ACCOPPIAMENTO ROSSO	COUPLING RED			
12	F13030003	TAPPO M22X1,5 CON OR	PLUG			
13	F13010082	GOMITO 90 REGULAR T.12X9	WELBOW FITTING			
14	F13050022	VALVOLA SCAR.CONDENSE M22X1,5	CONDENSATE EXHAUST VALVE			
15	F13070017	SOTTOTIMONE 12X9 GI. COD.RA	SPIRAL AIR TUBE			
16	F13070016	SOTTOTIMONE 12X9 ROS. COD.RA	SPIRAL AIR TUBE			
17	F13010079	INNESTO M.16X1,5 REGULAR	UNION			
18	F13010078	PRESA PRESSIONE M.22X1,5	JACK PRESSUREE			
19	F13010076	CONTRODADO M22X1,5 CON O-RING	LOCKNUT			

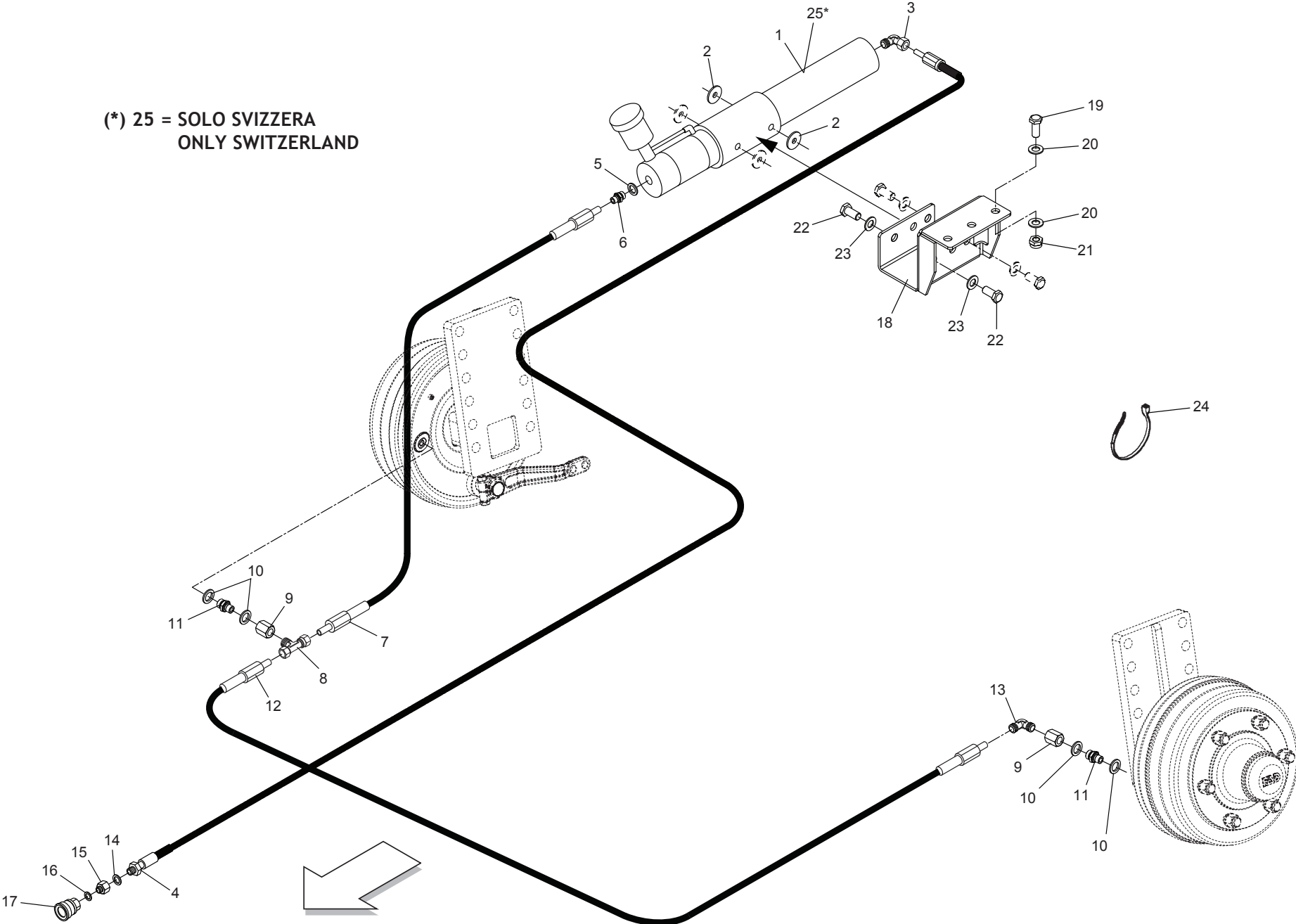


**DISPOSITIVO DI STAZIONAMENTO MECCANICO  
MECHANICAL PARKING DEVICE**

TAV\_530

Pos.	Cod.	Descrizione	Description	Description	Benennung	Descripcion
1	B07JP0002	COMANDO FRENO STAZIONAMENTO	PARKING BRAKE CONTROL			
2	F01020512	VITE M12X1,75X35 U5739 8.8ZN	SCR. M12X1,75X35 U5739 8.8ZN	VIS M12X1,75X35 5739 8.8 ZN	SCHR. M12X1,75X35 5739 8.8 ZN	TORN. M12X1,75X35 5739 8.8 ZN
3	F01410076	ROS.M12 13X 24X2,5 U6592 ZN	WASHER 12 13X 24X2,5 U6592 ZN	RONDEL. M12 13X24X2,5 U6592 ZN	SCHEIBE M12 13X24X2,5 U6592 ZN	ARANDELA M12 13 X24X2,5 ZN
4	B00920412	DADO M12X1,75 D985 8 ZN	NUT	ECROU	SELBSTSICHERNDE MUTTER M12-5S	
5	B07JP0004	CAVO COMAN.FRENO STAZ. 365HTI	WIRE BRAKE SYSTEM 365HTI			
6	B0C6P1024	PIASTRA INFERIORE LATO DX	PLATE BOTTOM RIGHT SIDE			
7	F01020512	VITE M12X1,75X35 U5739 8.8ZN	SCR. M12X1,75X35 U5739 8.8ZN	VIS M12X1,75X35 5739 8.8 ZN	SCHR. M12X1,75X35 5739 8.8 ZN	TORN. M12X1,75X35 5739 8.8 ZN
8	F01410076	ROS.M12 13X 24X2,5 U6592 ZN	WASHER 12 13X 24X2,5 U6592 ZN	RONDEL. M12 13X24X2,5 U6592 ZN	SCHEIBE M12 13X24X2,5 U6592 ZN	ARANDELA M12 13 X24X2,5 ZN
9	B07VP0206	LEVA COMANDO PERNO	LEVER			
10	F01230202	DADO M10X 1,5 D985 8 ZN	NUT M10 D985	ECROU AUTOBL. M10	SELBSTSPERR.MUTTER M10	DADO AUTOBL. M10
11	B038U0001	RUOTA SLITTA	RUOTA SLITTA			
12	F05150055	FASCETTA POLYA. 3,6X200 NERA	WHITE BAND	BANDE BIANCHE	WEIBE BAND	CINTA BLANCA
13	B07SP0808	ATTACCO CARRUCO	ATTACK PULLEY			
14	F01060081	VITE M10X1,5X60 U5731 8.8ZN	SCR. M10X1,5X60 U5732 4.6ZN	VIS 10X60 5732 4.6 ZN	SCHRAUBE 10X60 5732 4.6 ZN	TORNILLO 10X60 5732 4 6 ZN
15	F01410062	ROS.M10 10,5X 18X 2 U6592 ZN	WASHER M10 10,5X 18X 2 U6592	RONDELLE M10 10,5X18X2 ZN	DICHTUNGSRING M10 10,5X18X2 ZN	RONDANA M10 10,5X18X2 ZN

(\* ) 25 = SOLO SVIZZERA  
ONLY SWITZERLAND

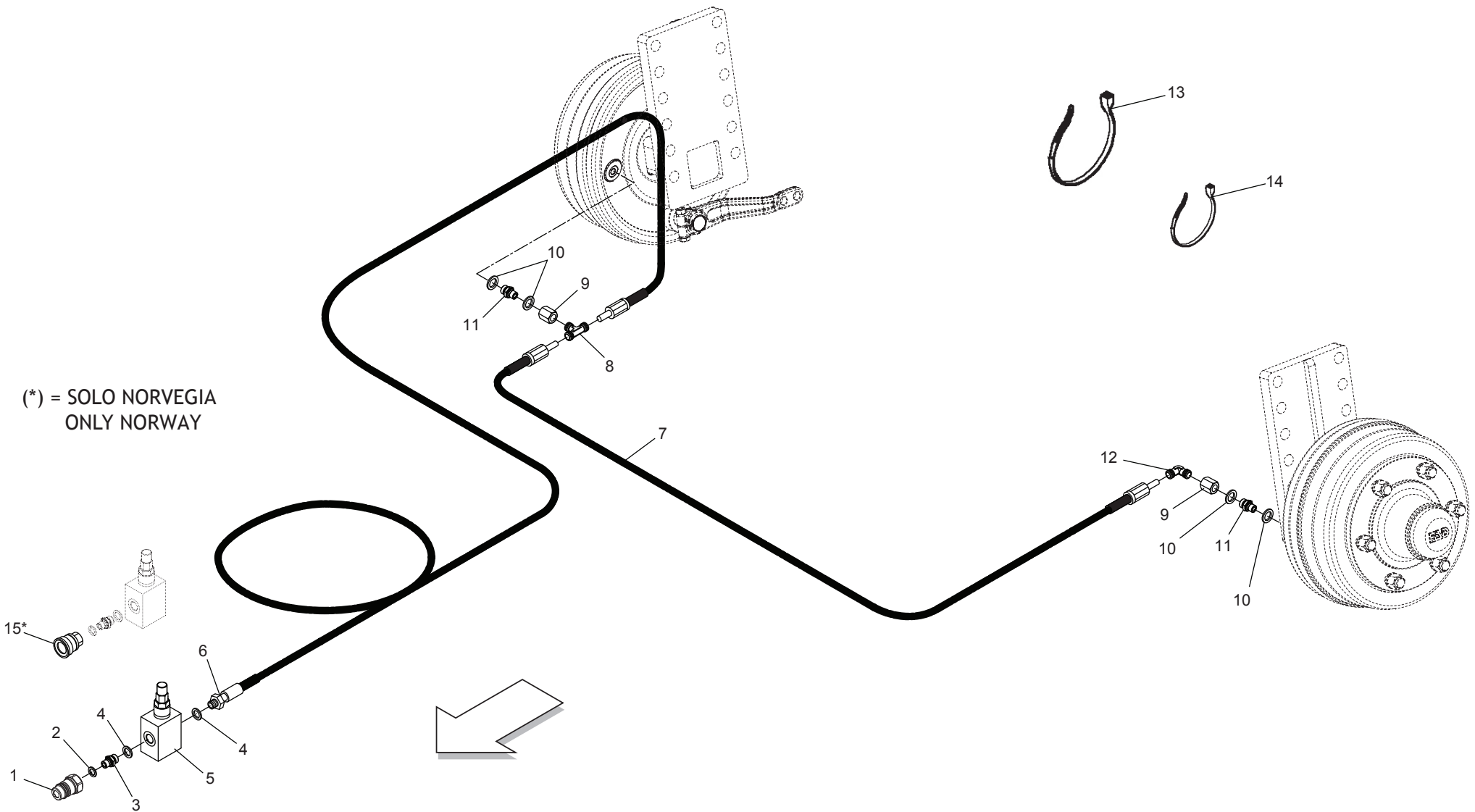




**FRENO IDRAULICO  
HYDRAULIC BRAKE**

**TAV\_540**

Pos.	Cod.	Descrizione	Description	Description	Benennung	Descripcion
1	B0FMP0025	POMPA SERVO-COMANDATA 32 25	HYDRAULIC COMPONENTS			
2	F01420120	ROS.M12 13X36X2,5 U6593 ZN	WASHER M12 13X36X2,5 U6593 ZN	RONDELLE M12 13X36X2,5 ZN		
3	B0H000050	RACCORDO L 10-3 8 RASTELLI	UNION L 10-3 8	RACCORD L 10-3 8	WINKELSTUECK L 10-3 8	
4	B0H000097	TUBO R1T 1 4 L. 5500	FLEXIBLE TUBE SAE 100 R1AT	TUYAU FLEXIBLE SAE 100 R1AT 1	ROEHRE FLEX SAE 100 R1AT 1 4	
5	F01500012	RONDELLA IN RAME 1 4	COPPER WASHER 13X19X1,5-1 4	RONDELLE 13X19X1,5-1 4	SCHEIBE 13X19X1,5-1 4	ARANDELA 13X19X1,5-1 4
6	B0H0C0052	RACCORDO I 8 RASTELLI TN92-8LR	CONNECTER I 8 RASTEL. TN92-8LR			
7	F03071132	TG 1 4 2SN FL8 F8L L=700	RUB.TUBE 1 4 2SN FL8 L=700			
8	B0H0C0036	RACCORDO T 8 RASTELLI TN96-8LR	FITTING T 8 RASTELLI TN96-8LR			
9	B0H000162	MANICOTTO DI RACCORDO	FITTING SLEEVE	MANCHON DE RACCORD	ANSCHLUSS	
10	F01500012	RONDELLA IN RAME 1 4	COPPER WASHER 13X19X1,5-1 4	RONDELLE 13X19X1,5-1 4	SCHEIBE 13X19X1,5-1 4	ARANDELA 13X19X1,5-1 4
11	B0H000140	NIPPLO GIUNZ GAS CILIN.1 4-1 4	NIPPLE 1 4-1 4	NIPPLE JONCTION	NIPPEL 1 4-1 4	
12	F03071133	TG 1 4 2SN FL8 F8L L=2200	RUB.TUBE 1 4 2SN FL8 L=2200			
13	B0L7G0183	RACCORDO L 8 RASTELLI TN94-8	FITTING L 8 RASTELLI TN4-8			
14	B01441815	ROS. 17 X23X1,5 RAME -3 8	WASHER	RONDELLE	SCHEIBE	
15	F03151213	NIPPLO MF CIL-CIL 1 2-3 8 ZN	M 1 2-F 3 8 CONNECTION PIPE	RACCORD REDUCTION FINALEM 1 2-	ANSCHLUSS REDUKTIONM 1 2-F 3 8	UNION REDUCCION M -F 3 8
16	F03151237	ROS. 21 X27X1,5 RAME -1 2	COPPER WASHER 21X27X1,5 1 2	RONDELLE CUIVRE 21X27X1,5 1 2	SCHEIBE KUPFER 21X27X1,5 1 2	ARANDELA COBRE 21X27X1,5 1 2
17	B0H000223	INNESTO RAP FEM VF0 12 GAS	INNESTO RAP FEM VF0 12 GAS	EMBAYAGE RAPIDE FEMELLE		
18	B0C4P0525	STAFFA SOSTEGNO CILINDRO	STIRRUP SUPPORT CYLINDER			
19	F01020512	VITE M12X1,75X35 U5739 8.8ZN	SCR. M12X1,75X35 U5739 8.8ZN	VIS M12X1,75X35 5739 8.8 ZN	SCHR. M12X1,75X35 5739 8.8 ZN	TORN. M12X1,75X35 5739 8.8 ZN
20	F01410076	ROS.M12 13X 24X2,5 U6592 ZN	WASHER 12 13X 24X2,5 U6592 ZN	RONDEL. M12 13X24X2,5 U6592 ZN	SCHEIBE M12 13X24X2,5 U6592 ZN	ARANDELA M12 13 X24X2,5 ZN
21	F01230213	DADO M12X1,75 U7474 CL8 ZN	NUT M12X1,75 U7474 6SZN	ECROU AUTOBL. M12	SELBSTSPERR.MUTTER M12	DADO AUTOBL. M12
22	F01020506	VITE M12X1,75X20 U5739 8.8ZN	SCR. M12X1,75X20 U5739 8.8ZN	VIS M 12X20	SCHRAUBE M 12X20	TORNILLO M 12X20
23	F01410076	ROS.M12 13X 24X2,5 U6592 ZN	WASHER 12 13X 24X2,5 U6592 ZN	RONDEL. M12 13X24X2,5 U6592 ZN	SCHEIBE M12 13X24X2,5 U6592 ZN	ARANDELA M12 13 X24X2,5 ZN
24	B0E600025	FASCETTA SERRAC 8X2 L500MM MIN	CLAMP	PETITE BANDE SERRE-CABLES	KLEINE STREIFEN	
25	B0FMP0044	POMPA SERVO-COMANDATA 25 25	HYDRAULIC COMPONENTS			

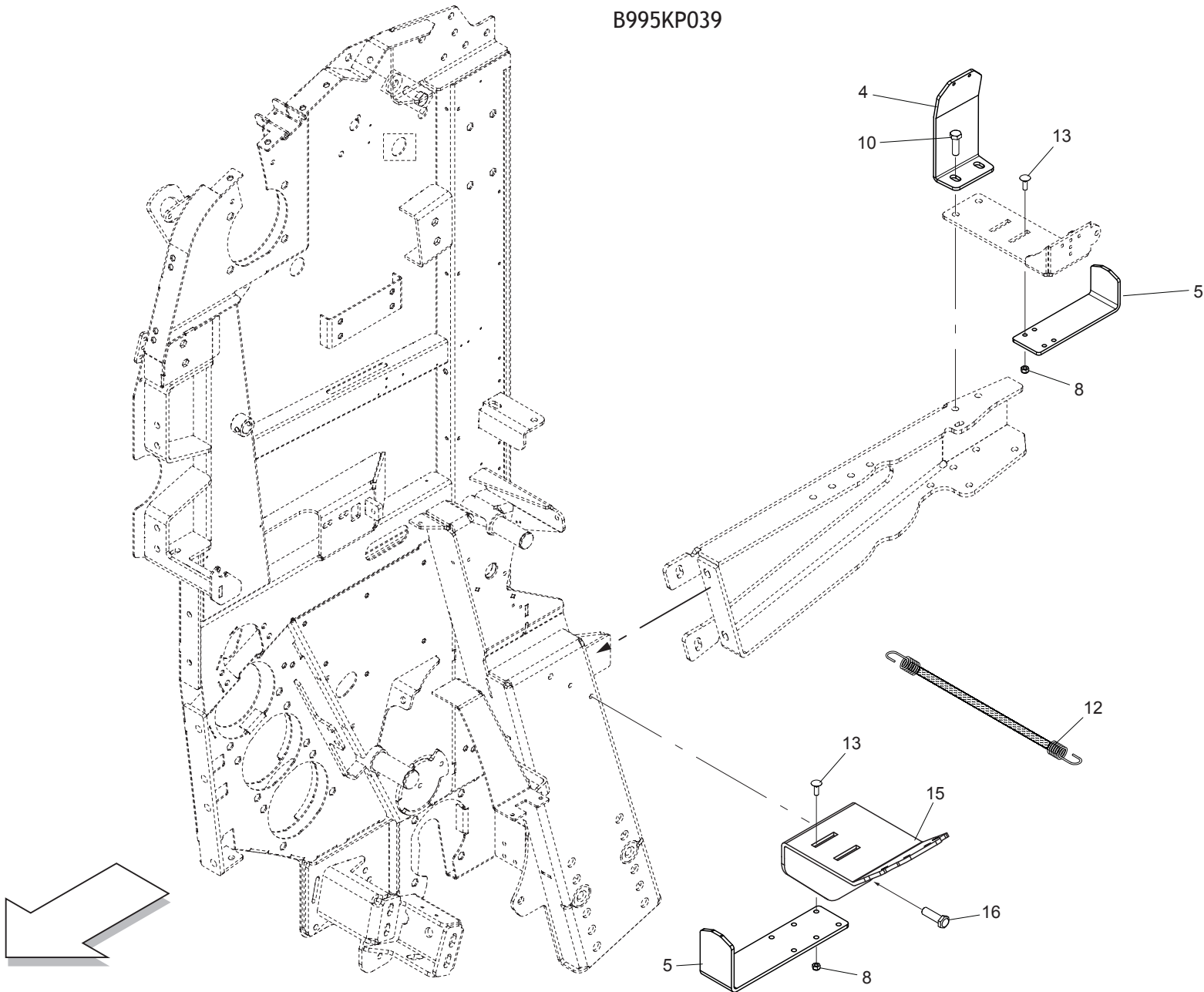


**FRENO IDRAULICO (NO OMOLOGAZIONE ITALIA)  
HYDRAULIC BRAKE (NO ITALY APPROVAL)**

TAV\_550

Pos.	Cod.	Descrizione	Description	Description	Benennung	Descripcion
1	BOH6000A0	INNESTO RAP.NV 12GAS-M	QUICK CLUTCH	EMBAYAGE	SCHNELLKUPPLUNG	
2	F03151237	ROS. 21 X27X1,5 RAME -1 2	COPPER WASHER 21X27X1,5 1 2	RONDELLE CUIVRE 21X27X1,5 1 2	SCHEIBE KUPFER 21X27X1,5 1 2	ARANDELA COBRE 21X27X1,5 1 2
3	BOH6000AB	NIPPLO RIDUZ.1 2 -3 8 RASTEL	NIPPLE	NIPPLE REDUCTION 1 2 - 3 8		
4	B01441815	ROS. 17 X23X1,5 RAME -3 8	WASHER	RONDELLE	SCHEIBE	
5	BOH000143	VALV. DI RID. VRPRL2B38TS.SR	REDUCTION VALVE	VALVE DE REDUCTION VRPRL2B38TS	VENTIL	
6	BOH000097	TUBO R1T 1 4 L. 5500	FLEXIBLE TUBE SAE 100 R1AT	TUYAU FLEXIBLE SAE 100 R1AT 1	ROEHRE FLEX SAE 100 R1AT 1 4	
7	BOH000091	TUBO FLEX SAE 100 R1AT1 4L2050	FLEXIBLE TUBE SAE 100 R1AT	TUYAU FLEXIBLE SAE 100 R1AT 1	ROEHRE FLEX SAE 100 R1AT 1 4	
8	BOH000098	RACCORDO T 10 TN 127-10LR	UNION T 10	RACCORD T 10	T.VERSCHRAUBUNG	
9	BOH000162	MANICOTTO DI RACCORDO	FITTING SLEEVE	MANCHON DE RACCORD	ANSCHLUSS	
10	F01500012	RONDELLA IN RAME 1 4	COPPER WASHER 13X19X1,5-1 4	RONDELLE 13X19X1,5-1 4	SCHEIBE 13X19X1,5-1 4	ARANDELA 13X19X1,5-1 4
11	BOH000140	NIPPLO GIUNZ GAS CILIN.1 4-1 4	NIPPLE 1 4-1 4	NIPPLE JONCTION	NIPPEL 1 4-1 4	
12	BOH000086	RACCORDO L 10 TN94-10LR	UNION L 10	RACCORD L 10	ANSCHLUSSSTUECK L 10	
13	BOE600025	FASCETTA SERRAC 8X2 L500MM MIN	CLAMP	PETITE BANDE SERRE-CABLES	KLEINE STREIFEN	
14	F05150055	FASCETTA LUMEFIX 3,6X180	CLAMP LUMEFIX	BANDE LUMEFIX	MANSCHETTE LUMEFIX	
15	BOH000223	INNESTO RAP FEM VF0 12 GAS	INNESTO RAP FEM VF0 12 GAS	EMBAYAGE RAPIDE FEMELLE		

B995KP039

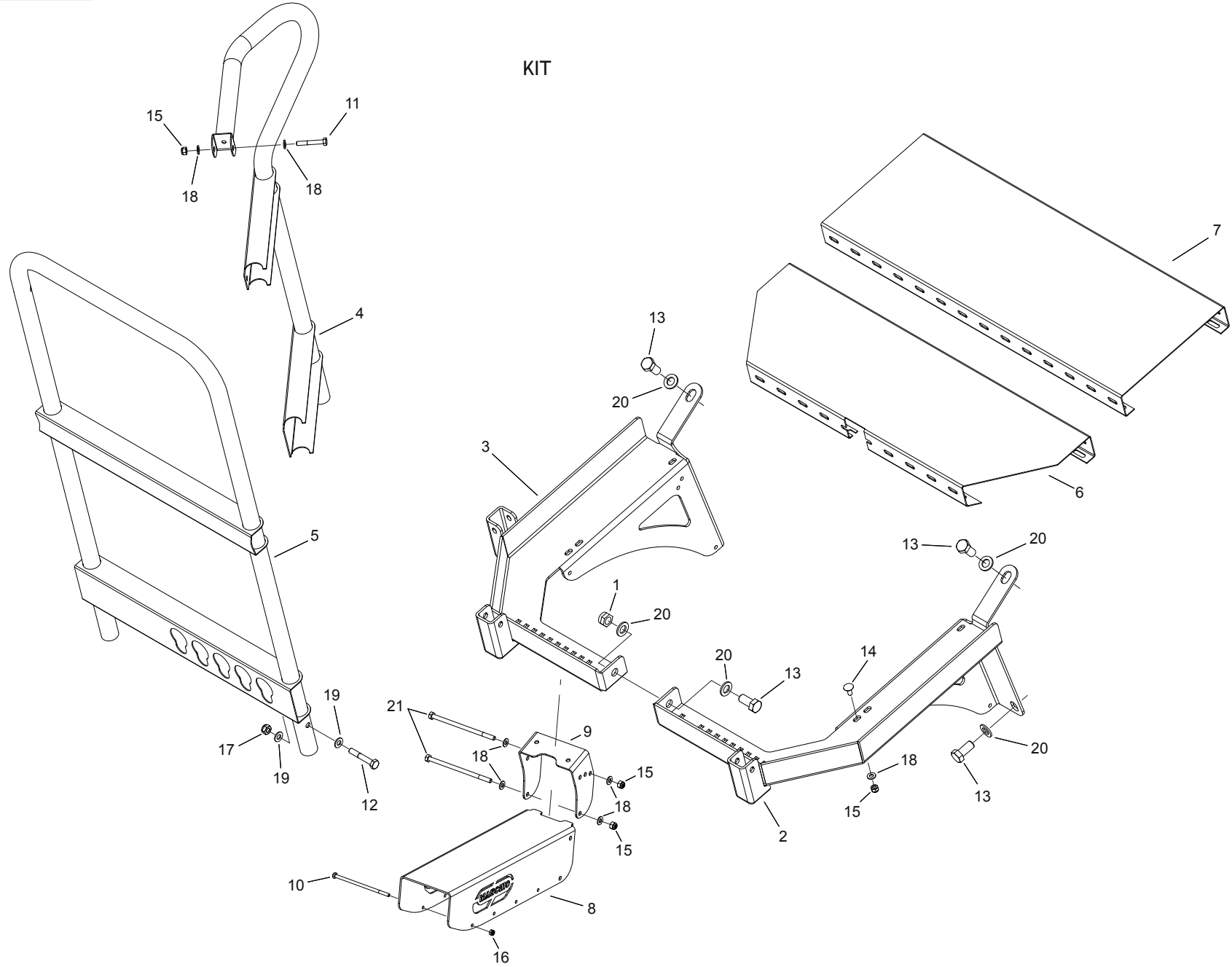


**KIT ROTOLO SUPPLEMENTARE  
ADDITIONAL ROLL SUPPORT KIT**

TAV\_580

Pos.	Cod.	Descrizione	Description	Description	Benennung	Descripcion
4	B0C4P0524	SUPPORTO STAFFA POSTERIORE	REAR SUPPORT BRACKET			
5	B0C6P1123	STAFFETTA CONTIENI RULLO RETE	STIRRUP			
8	B00920208	DADO M8X1 D985 8ZN	NUT M8X1 D985 8ZN	ECROU	SELBSTSICHERNDE MUTTER M8-5S	
10	F01020510	VITE M12X1,75X 30 U5739 8.8ZN	SCREW TE M12X30	VIS	SCHRAUBE	
12	B07V00107	FUNE ELASTICA CON GANCI	ELASTIC CABLE WITH HOOKS	CABLE ELASTIQUE AVEC CROCHETS	ELASTISCHES SEIL MIT HAKEN	
13	F01060202	VITE M8X1,25X25 U5731 4.6ZN	SCR. M8X1,25X25 U5731 4.6ZN	VIS M8X1,25X25 U5731 4.6	DUEBEL M8X1,25X25 U5731 4.6 ZN	TORNILLO M8X1,25X25 U5731 4.6
15	B0C3P0338	SOSTEGNO ROTOLO RETE SX	NET LEFT SUPPORT			
16	F01020514	VITE M12X1,75X40 U5739 8.8ZN	SCR. M12X1,75X40 U5739 8.8ZN	VIS M12X1,75X40 U5739 8.8ZN	SCHRA. M12X1,75X40 U5739 8.8ZN	TORN. M12X1,75X40 U5739 8,8ZN

KIT

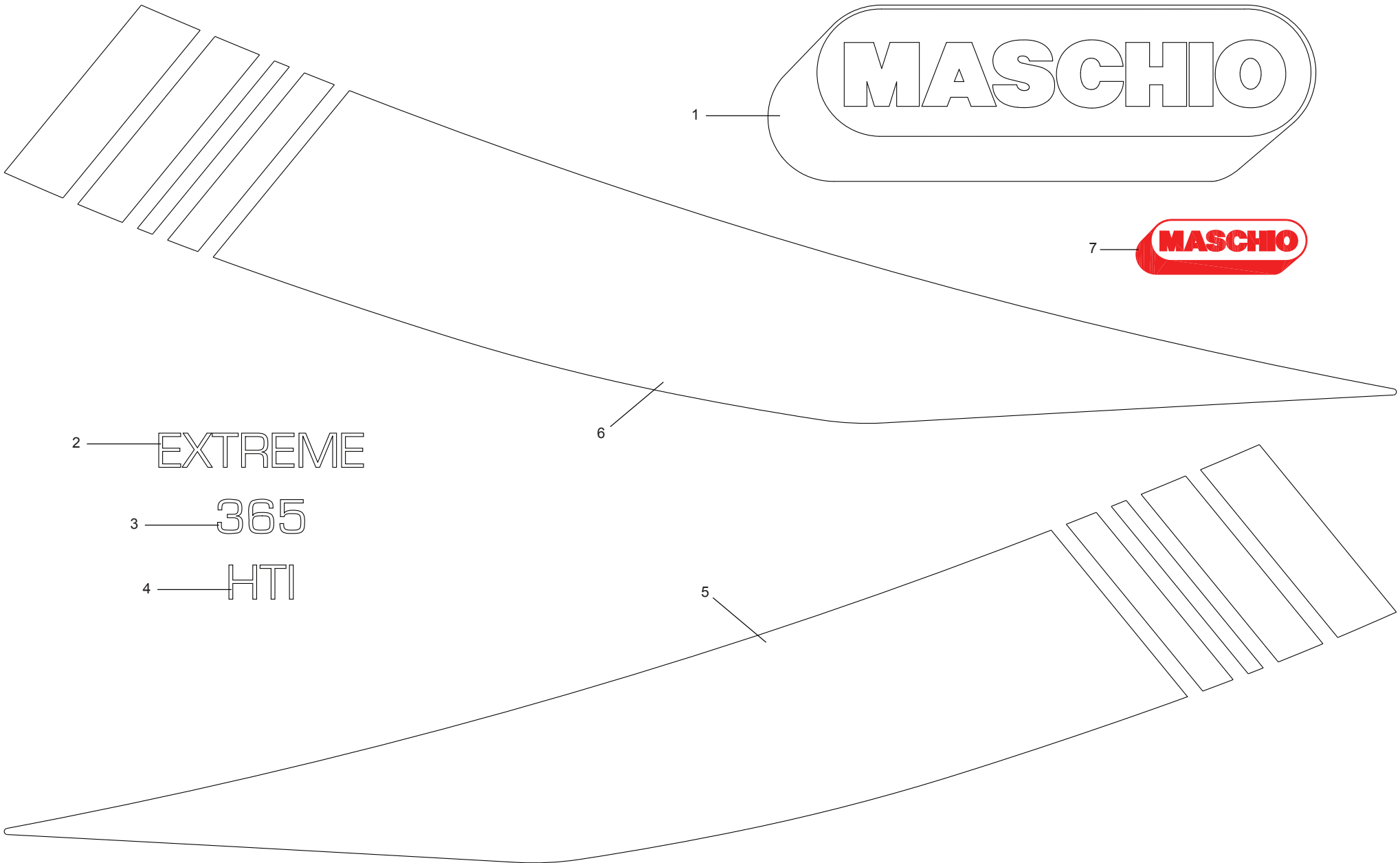


**BALLATOIO  
FOOTBOARD**

TAV\_320

Pos.	Cod.	Descrizione	Description	Description	Benennung	Descripcion
1	B00920516	DADO M16X 1,5 D985 6S ZN	NUT M16X1,5 D985 6S ZN	ECROU	SELBSTSICHERNDE MUTTER M16-5S	
2	B07SP1127	SUPPORTO SINISTRO PEDANA	SUPPORT LEFT PLATFORM			
3	B07SP1128	SUPPORTO DESTRO PEDANA	RIGHT SUPPORT PLATFORM			
4	B07SP1129	PARAPETTO CORTO 365 HTI	SHORT PARAPET 365 HTI			
5	B07SP1150	PARAPETTO LUNGO 365 HTI	LONG PARAPET 365 HTI			
6	B0C1P0869	PEDANA ANTERIORE	FOOTBOARD FRONT			
7	B0C1P0946	PEDANA POSTERIORE	REAR PLATFORM			
8	B0C1P1070	LAM. PORTATUBI	SHEET METAL SUPPORT TUBES			
9	B0C1P1071	SUPPORTO PORTATUBI	SUPPORT TUBES			
10	F01020055	VITE M6X1X130 U5737 8.8ZN	SCR. M6X1X130 U5737 8.8ZN			
11	F01020075	VITE M8X1,25X55 U5737 8.8ZN	SCR. M8X1,25X55 U5737 8.8ZN	VIS M8X1,25X 55 U5737 8.8 ZN	SCHRAU. M8X1,25X55 U5737 8.8ZN	TORNIL. M8X1,25X55 U5737 8.8ZN
12	F01020120	VITE M10X1,5X65 U5737 8.8ZN	SCR. M10X1,5X65 U5737 8.8ZN	VIS M10X1,5X65 U5737 8.8 ZN	SCHRA. M10X1,5X65 U5737 8.8 ZN	TORN. M10X1,5X65 U5737 8.8 ZN
13	F01020564	VITE M16X2X35 U5739 8.8ZN	SCR. M16X2X35 U5739 8.8ZN	VIS M 16X35	SCHRAUBE M 16X35	TORNILLO M 16X35
14	F01060040	VITE M8X1,25X25 U5732 4.6ZN	BOLT	BOULON	BOLZEN	
15	F01230034	DADO M8X1,25 D982 8ZN	NUT M8X1,25 D982 8ZN	ECROU M8X 1,25 ZN	MUTTER M8X 1,25 D982 8 ZN	TUERCA M8X 1,25 D982 8 ZN
16	F01230184	DADO M6X1 D985 8ZN	NUT M6X1 D985 8ZN			
17	F01230202	DADO M10X1,25 D985 8 ZN	SELF-LOCKING NUT	ECROU NYLSTOP	SELBSTSICHERNDE MUTTER M10-5S	
18	F01410051	ROS.M8 8,4X 17X1,6 U6592 ZN	WASHER M8 8,4X17X1,6 U6592 ZN	RONDELLE	SCHEIBE	
19	F01410062	ROS.M10 10,5X 18X 2 U6592 ZN	WASHER M10 10,5X 18X 2 U6592	RONDELLE M10 10,5X18X2 ZN	DICHTUNGSRING M10 10,5X18X2 ZN	RONDANA M10 10,5X18X2 ZN
20	F01410100	ROS.M16 17X 30X 3 U6592 ZN	WASHER	RONDELLE	SCHEIBE	
21	F01020097	VITE M8X1,25X150 U5737 8.8ZN	SCR. M8X1,25X150 U5737 8.8ZN	VIS 8 X150 5737 8.G ZN	SCHRAUBE 8 X150 5737 8.G ZN	TORNILLO 8 X150 5737 8.G ZN

TAV\_610





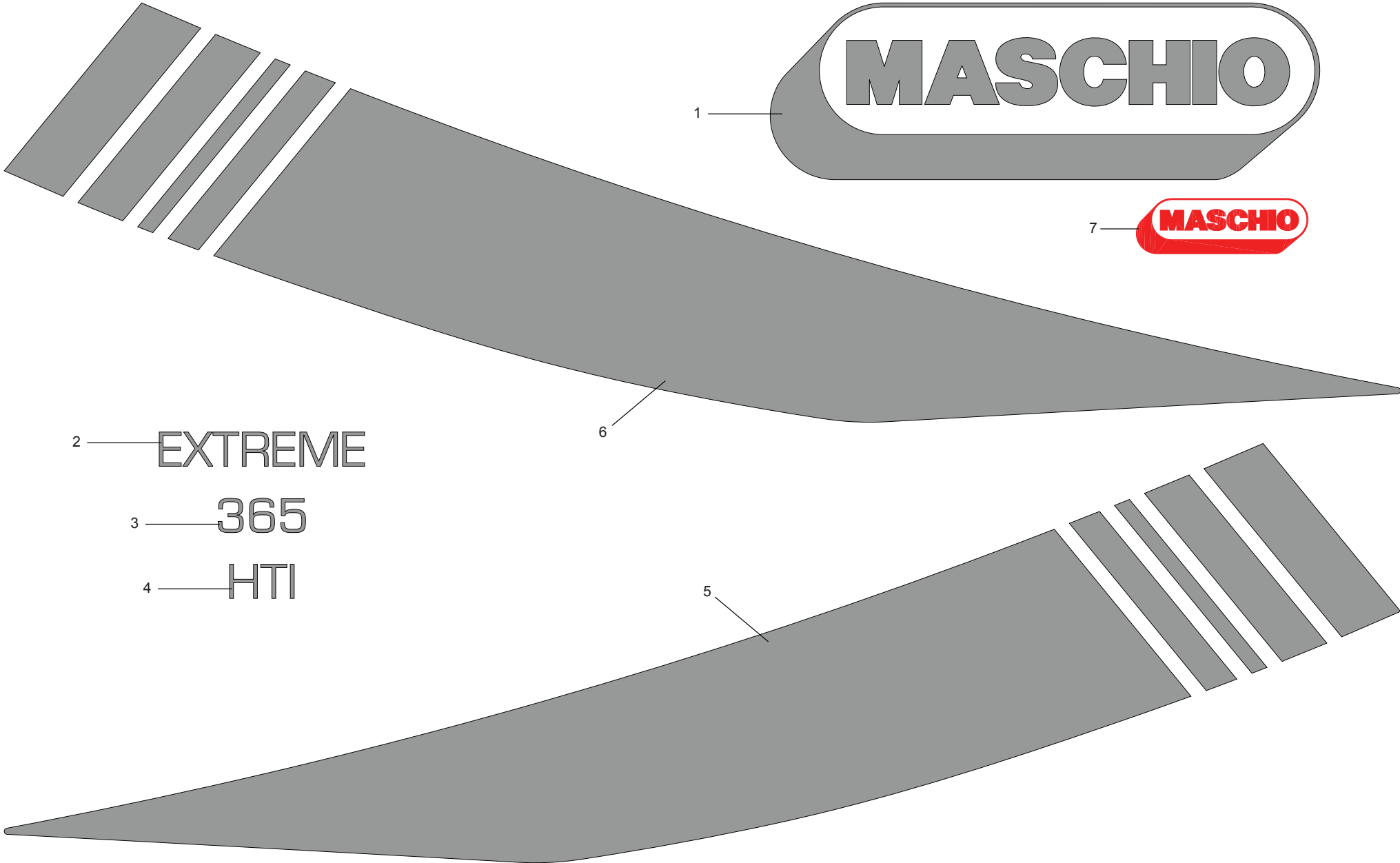
**DECAL "LOGO"  
"LOGO" DECAL**

TAV\_610

Pos.	Cod.	Descrizione	Description	Description	Benennung	Descripcion
1	F20010506	ETICH.ID.MASCHIO802X267 BIANCO	ID LABEL MASCHIO 802X267 WHITE	DECAL MASCHIO 802X267 BLANC	AUFKLEBER MASCHIO 802X267 WEI	
2	F20020560	ETICHETTA EXTREME	DECAL EXTREME	DECAL EXTREME	AUFKLEBER EXTREME	
3	F20020562	ETICHETTA 365	DECAL 365	DECAL 365	AUFKLEBER 365	
4	F20020595	DECAL. HTI	DECAL. HTI			
5	F20020566	DECAL FASCIA SX 365-120	DECAL LEFT STRIP 365-120			
6	F20020565	DECAL FASCIA DX 365-120	DECAL RIGHT STRIP 365-120			
7	F20010107	ETICH.IDENT. MASCHIO 240X 80	LABEL MASCHIO 240X 80	ETIQUETTE MASCHIO 240X80	MASCHIO AUFKLEBER	ETIQUETA MASCHIO

TAV\_620

BLACK EDITION



2 — EXTREME

3 — 365

4 — HTI



**DECAL "LOGO BLACK EDITION"  
"LOGO BLACK EDITION" DECAL**

TAV\_620

Pos.	Cod.	Descrizione	Description	Description	Benennung	Descripcion
1	F20010516	ETICH.ID.MASC. 802X267 ARGENT	ID LABEL MASCHIO 802X267 SILV.			
2	F20020605	DECAL. EXTREME ARGENTO	LABEL EXTREME SILVER			
3	F20020606	DECAL. 365 ARGENTO	LABEL 365 SILVER			
4	F20020613	DECAL HTI ARGENTO	LABEL HTI SILVER			
5	F20020612	DECAL FASCIA SX ARGENTO	LABEL FASCIA SX ARGENTO			
6	F20020611	DECAL FASCIA DX ARGENTO	LABEL FASCIA DX ARGENTO			
7	F20010107	ETICH.IDENT. MASCHIO 240X 80	LABEL MASCHIO 240X 80	ETIQUETTE MASCHIO 240X80	MASCHIO AUFKLEBER	ETIQUETA MASCHIO





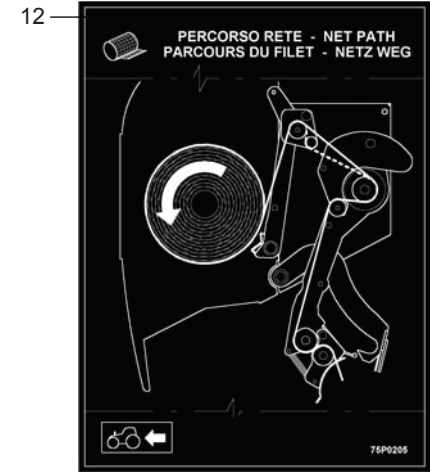
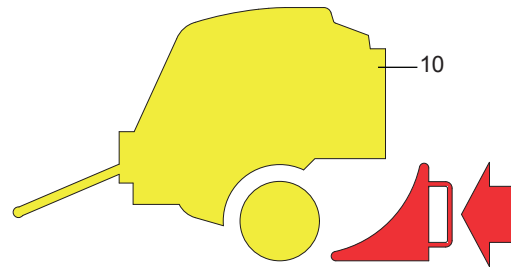
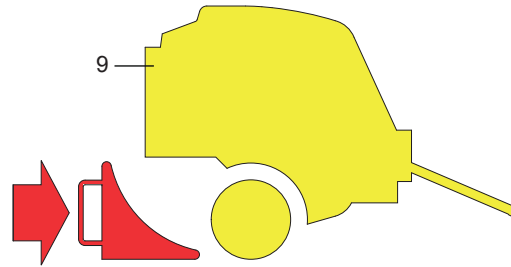
**DECAL "CE"  
"CE" DECAL**

TAV\_630

Pos.	Cod.	Descrizione	Description	Description	Benennung	Descripcion
1	B07500185	ET CONSULT IL LIBRETTO OP.	DECAL SEE OPERATOR S MANUAL	DECAL LIRE LE LIVRE OPERATEU	AUFKLEBE BUCH ANSCHLAGEN	
2	B07500186	ET TOGLIERE LA CHIAVE...	DECAL TAKE THE WRENCH AWAY	DECAL CHASSER LA CLEF	AUFKLEBE SCHLUSSEL ZIEHEN	
3	B07500208	ET MANO-OLIO SOTTO PRESSIONE	DECAL OIL UNDER PRESSURE HAND	DECAL MAIN-HUILE SOUS PRESSIO	AUFKLEBE HAND-OEL	
4	B07500187	ET 540 GIRI - RICC SX NORMA	DECAL 540RPM - LEFT BURR	DECAL 540 T H-SENS DE ROTATIO	AUFKLEBE 540 RPM	
5	B07500199	ET PERSONA SCHIACC.-ZONA	DECAL SQUEEZED PERSON	DEECAL PERSONNE ECRASEE -ZONE	AUFKLEBE GEQUETSCHER MANN	
6	B07500203	ET TAGLIO MANO-STOP NORMA CEE	DECAL HAND CUT _ STOP	DECAL COUPE MAINE - STOP	AUFKLEBE HANDSCHNITT - HALT	
7	B07500221	ET PIEDE TAGLI-STARE DISTANTE	WARNING CUT FEET DECAL	DECAL PIED COUPE	AUFKLEBE GESCHNITTER FUSS	
8	B07500207	ET PERSONA INTRAPP. PICK-UP	TRAPPED MAN DECAL	DECAL PERSONNE PIEGEE-PICK-UP	AUFKLEBE GEFANGTENER MANN	
9	B07500198	ET PERSONA SCHIAC-SOTTO PORTE	SQUEEZED MAN DECAL	DECAL PERSONNE ECRASE -SOUS	AUFKLEBE GEQUETSCHER MANN	
10	B07500726	DECAL TAGLIO MANO-LAMA SPAGO	LABEL CUTTING BLADE HAND-TWINE			
11	B07500201	ET SCOSSA ELETTR NORMA CEE	ELECTRIC SHOCK DECAL	DECAL SECOUSSE ELECTRIQUE	AUFKLEBER STROMSTOSS	
12	B07500212	ET PERSONA SCHIACC-BALLA NORM	SQUEEZED MAN-BALE DECAL	DECAL PERSONNE ECRASEE -BALLE	AUFKLEBER GEQUERSCHTER MANN	
13	B07500197	ET PERSONA SCHIACC-PRES MURO	SQUEEZED MAN DECAL	DECAL PERSONNE ECRASE - PRES	AUFKLEBER GEQUETSCHER MANN	
14	B07500781	ET PERICOLO CARDANO	DANGER PTO SHAFT DECAL	DECAL DANGER CARDAN	ABZIEHBILD GEFAHR GELENKWELLE	
15	B07500724	ET PERS SCHIACC.-BLOCC.PORTE	DECAL	DECAL PERSONNE-ECRASEE - BLOC	AUFKLEBER GEDRUCKTE PERSON	
16	B07500210	ET MANO SCHIACC-ORGANI SCH	DECAL SQUEEZED HAND _ ORGANS	DECAL MAIN ECRASEE	AUFKLEBE GEQUERSCHTE HAND	

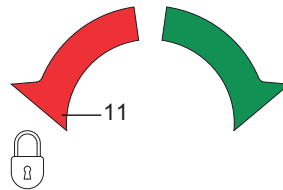
<p><b>I</b></p> <p><b>IMPORTANTE</b></p> <p>NON USARE GETTI AD ELEVATE PRESSIONI VICINO ALLE PARTI MECCANICHE, SI POSSONO CAUSARE DANNI.</p>	<p><b>ENG</b></p> <p><b>IMPORTANT</b></p> <p>DO NOT USE HIGH PRESSURE JETS NEAR MECHANICAL PARTS, AS DAMAGES CAN BE CAUSED.</p>
<p><b>F</b></p> <p><b>IMPORTANTE</b></p> <p>NE PAS UTILISER DES JETS A PRESSION ELEVÉE PRES DE PARTIES MÉCANIQUES, ON PEUT CAUSER DES DOMMAGES.</p>	<p><b>D</b></p> <p><b>WICHTIG</b></p> <p>HOCHDRUCKSTRAHLE NEBEN MECHANISCHEN TEILEN NICHT VERWENDEN, DA SCHADEN VERURSACHT WERDEN KÖNNTEN.</p>

7500217



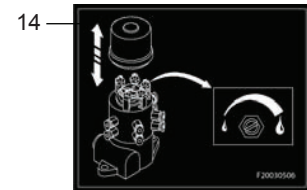
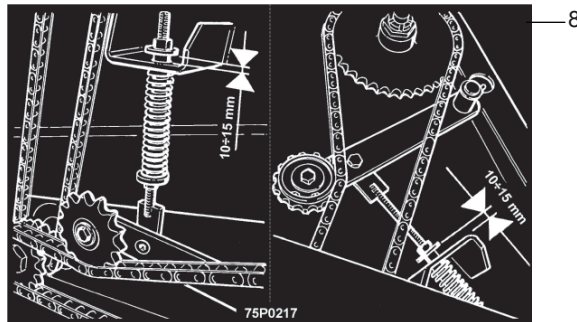
<p><b>CUT OPEN</b></p>	<p><b>CUT CLOSED</b></p>	<p><b>PICK-UP</b></p>
------------------------	--------------------------	-----------------------

75P0218



**-20° +40° = AGIP OSO 32**  
**-10° +60° = AGIP OSO 100**

F20030511



**DECAL "ISTRUZIONE"  
"INSTRUCTION" DECAL**

TAV\_640

Pos.	Cod.	Descrizione	Description	Description	Benennung	Descripcion
1	B07500217	ET NON USARE GETTI..	DECAL DO NOT USE SPOUTS	DECAL NE PAS USER JETS	AUFKLEBE KEINE STRAHL BENUTZE	
2	B07500214	ET POMPETTA GRASSO	DECAL GREASE SQUIRT	DECAL PETITE POMPE GRAISSE	AUFKLEBE OELKAENNCHEN	
3	B07500216	ET GANCIO	DECAL HOOK	DECAL CROC	AUFKLEBE HACKEN	
7	B075P0218	DECAL COLORE 3 INNESTI IDRAULI	COLOR DECAL 3 COUPLINGS HYDRAU			
8	B075P0217	DECAL TENSIONE CATENE	DECAL SUPPLY CHAINS			
9	B07500733	ET BLOCCO RUOTA DX	DECAL BLOCK WHEEL	DECAL BLOC ROUE DROIT	AUFKLEBER BLOCKIERUNG RAD RECH	
10	B07500750	ET BLOCCO RUOTA SX	DECAL BLOCK WHEEL	DECAL BLOC ROUE GAUCHE	AUFKLEBER BLOCKIERUNG RAD LINKS	
11	B07500748	ET MANOPOLA APERTO CHIUSO	DECAL KNOB OPEN CLOSE	DECAL BOUTON OUVERT FERME	AUFKLEBER HANDGRIFF OEFF. SCHL	
12	B075P0205	DECAL PERCORSO RETE EXTREME	DECAL NET PATH EXTREME			
13	F20030511	DEC.TIPO OLIO PER SERBATOIO	DECAL OIL TYPE			
14	F20030506	DECAL REGOLAZIONE POMPA OLIO	DECAL OIL PUMP REGOLATION			
15	B075P0225	DECAL FRECCHE INSERIMENTO RETE	DECAL INSERTING NET ARROWS			

**USATE SEMPRE RICAMBI ORIGINALI  
ALWAYS USE ORIGINAL SPARE PARTS  
IMMER DIE ORIGINAL-ERSATZTEILE VERWENDEN  
EMPLOYEZ TOUJOURS LES PIECES DE RECHANGE ORIGINALES  
UTILIZAR SIEMPRE REPUESTOS ORIGINALES**



**Servizio Assistenza Tecnica - After Sales Service  
Servizio Ricambi - Spare Parts Service**



**maschio.com**

DEALER:



**MASCHIO Fienagione S.p.A.**  
Sede legale Cremona  
Via Bredina, 6 - 26100 Cremona (Italy)  
Tel. +39 0372 564610  
Fax +39 0372 564625  
info@maschio.com

**ООО МАСКИО-ГАСПАРДО РУССИЯ**  
404130, ВОЛЖСКИЙ,  
ВОЛГОГРАДСКАЯ обл.,  
УЛ. ПУШКИНА, 117 Б., РОССИЯ  
TEL. +7 8443 203100  
FAX +7 8443 203101  
info@maschio.ru

**MASCHIO GASPARDO Poland sp z.o.o.**  
Ul. Wapienna 6/8 - 87 – 100 Torun Poland  
Tel. +48 56 6506051  
Fax +48 56 6506053  
www.gaspardo.pl

**MASCHIO FRANCE Sarl**  
1, Rue de Mérignan ZA  
F - 45240 La Ferte St. Aubin  
France  
Tel. +33 (0) 2.38.64.12.12  
Fax +33 (0) 2.38.64.66.79  
info@maschio.fr

**MASCHIO-GASPARDO ROMANIA S.R.L.**  
Strada Înfrățirii, F.N.  
315100 Chisineu-Cris (Arad) - România  
Tel. +40 257 307030  
Fax +40 257 307040  
info@maschio.ro

**MASCHIO GASPARDO NORTH AMERICA, Inc.**  
112 3rd Avenue East  
Dewitt IA 52742 - USA  
Tel. +1 563 6596400  
Fax +1 563 6596405  
info@maschio.us

**MASCHIO IBERICA S.L.**  
**MASCHIO DEUTSCHLAND GMBH**  
**MASCHIO-GASPARDO UCRAINA**  
**GASPARDO-MASCHIO TURCHIA**  
**MASCHIO-GASPARDO CINA**  
**MASCHIO-GASPARDO INDIA**