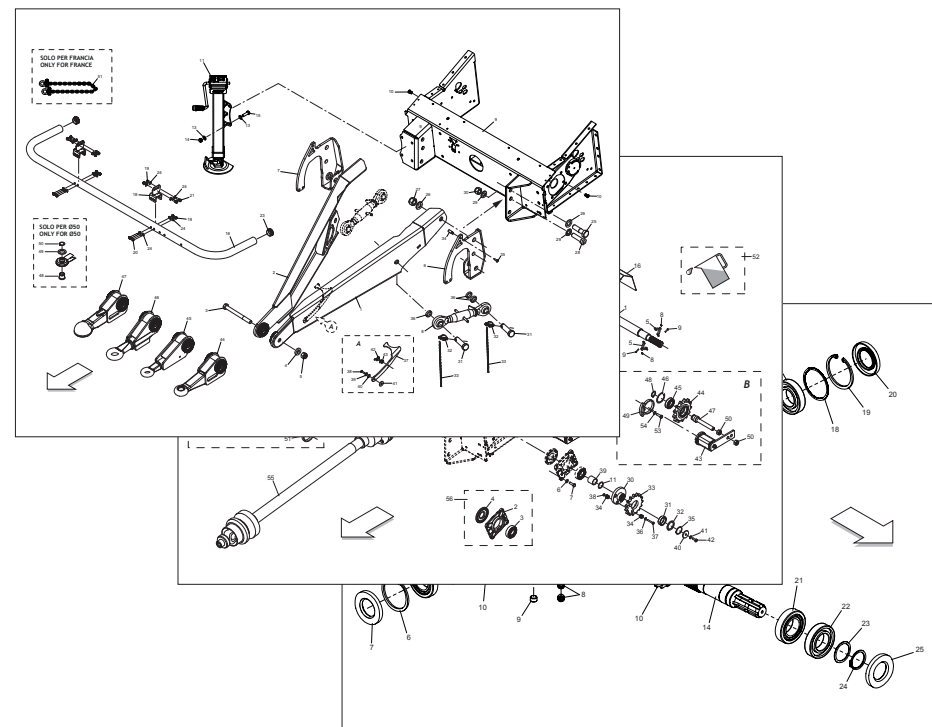


MASCHIO Fienagione S.p.A.



EXTREME 365 HTI

Cod: F07022402 2019-09

- *) Valido per Paesi UE
- *) Valid for EU member countries
- *) Valable dans les Pays UE
- *) Gilt für EU-Mitgliedsländer
- *) Válido para Países UE

- IT** PARTI DI RICAMBIO
- EN** SPARE PARTS
- DE** ERSATZTEILE
- FR** PIÈCES DÉTACHÉES
- ES** PIEZAS DE REPUESTO

PARTI DI RICAMBIO

Le ordinazioni delle parti di ricambio vanno fatte presso i nostri concessionari di zona e devono essere sempre corredate dalle seguenti indicazioni:

- **Tipo, modello e numero di matricola dell'attrezzatura.** Tali dati sono stampigliati nell'apposita targhetta di cui è dotata ogni attrezzatura.

- **Numero di codice della parte richiesta** rilevabile dal catalogo ricambi.

- **Descrizione del particolare e quantità richiesta.**

- **Numero della tavola.**

- **Mezzo di trasporto.** Nel caso questa voce non sia specificata, la Ditta Costruttrice, pur dedicando a questo servizio una particolare cura, non risponde di eventuali ritardi di spedizione dovuti a cause di forza maggiore.

Le spese di trasporto si intendono sempre a carico del destinatario. La merce viaggia a rischio e pericolo del committente anche se venduta franco destino.

NOTA: Il termine **(Dx) Destro** o **(Sx) Sinistro** della macchina o di parti di essa, è inteso guardando la macchina dalla parte posteriore. Le eccezioni saranno indicate.

SPARE PARTS

Orders must be transmitted through our area dealers and should always include the following indications:

- **Type, model and serial number of the machine.** *These data are punched on the data plate with which every implement is equipped.*

- **Code number of the required spare part.** *This will be found in the spare parts catalogue.*

- **Description of the part and required quantity.**

- **Table number.**

- **Means of dispatch.** *If this item is not indicated, the Manufacturer, while dedicating particular care to this service, shall not be held responsible for delays in delivery caused by cases of force majeure.*

Transport expenses shall always be at the consignee's charge. The goods travel at the purchaser's risk and peril even when sold ex destination.

NOTE: *The symbols (Dx) right and (Sx) left, concerning the machine or single parts of it, are referred, as in the figure, to a rear view of them. Exceptions will be indicated.*

ERSATZTEILE

Die Bestellungen müssen bei unseren Gebietshändlern aufgegeben werden. Bei der Bestellung sind stets die folgenden Angaben zu machen:

- **Typ, Modell und Serien-Nummer des Geräts.** Diese Daten stehen auf dem Typenschild, mit dem jedes Gerät versehen ist.

- **Artikel Nr. der erforderlichen Ersatzteile.** Diese stehen im Ersatzteil-Katalog.

- **Beschreibung des Ersatzteils und die erforderliche Stückzahl.**

- **Tafelnummer.**

- **Versandmittel.** Wenn dieser Punkt nicht spezifiziert wird, haftet die Herstellerfirma nicht für etwaigen Lieferverzug aufgrund höherer Gewalt, auch wenn er diesen Service besonders aufmerksam abwickelt.

Die Frachtkosten gehen dagegen immer zu Lasten des Empfängers. Die Ware reist auf Gefahr und Risiko des Auftraggebers, auch wenn frei Haus Verkauft vereinbart worden ist.

N.B.: Die Merkzeichen **(Dx) rechts** und **(Sx) links** betreffen eine rückwärtige Aussicht der Maschine oder Teile von ihr (siehe Bild). Ausnahmen werden gezeigt.

PIECES DÉTACHÉES

Les ordres doivent être effectués auprès de nos concessionnaires de zone en précisant les indications suivantes:

- **Type, modèle et numéro de série de la machine.** *Ces données sont gravées sur la plaque d'identification de chaque outil.*

- **Numéro de code de la pièce détachée** *indiqué sur le catalogue des pièces détachées.*

- **Description de la pièce et quantité requise.**

- **Numéro de plan.**

- **Moyen d'expédition.** *Si cette rubrique n'est pas indiquée, le Constructeur, bien que soucieux de ce service, ne répond pas des retards d'expédition pour des causes de force majeure.*

Les frais de transport sont toujours à la charge du destinataire. La marchandise voyage aux risques et périls de l'acheteur même si vendue franco de port.

N.B.: *Les références (Dx) droit et (Sx) gauche de la machine ou des parties de la même, est entendue, comme de la figure, en regardant la machine de derriere dans le sens de marche.*

RESPUESTOS

Los pedidos han de efectuarse en nuestros concesionarios de zona y deben incluir siempre las siguientes indicaciones:

- **Tipo, modelo y número de matrícula del equipo.** Dichos datos están impresos en la relativa placa presente en el equipo.

- **Número de código de la parte requerida** presente en el catálogo respuestas.

- **Descripción de la pieza y cantidad requerida.**

- **Numero de ilustración.**

- **Medio de transporte.** En caso que este ítem no esté especificado, el Fabricante, aún prestando la debidas consideraciones para este aspecto, no responde por eventuales retardos de env'o debidos a causas de fuerza mayor.

Los gastos de transporte se consideran siempre a cargo del destinatario. La mercadería viaja bajo riesgo y peligro del comprador, incluso cuando se vende franco destino.

N.B.: La referencia **(Dx) derecha** o **(Sx) izquierda** de la máquina o de sus componentes, se entiende, como en la figura, mirando la máquina por la parte trasera. Se indicarán las excepciones.

N° Tavola	INDICE	Pagina	N° Table	INDEX	Page
TAV_010	TRAVERA ANTERIORE (PARTE 1).....	7	TAV_010	FRONT CROSSBAR (PART 1).....	7
TAV_020	TRAVERA ANTERIORE (PARTE 2).....	9	TAV_020	FRONT CROSSBAR (PART 2).....	9
TAV_040	ESPLOSO SCATOLA DI TRASMISSIONE.....	11	TAV_040	GEAR BOX PARTS.....	11
TAV_050	SCALETTA.....	13	TAV_050	LADDER.....	13
TAV_060	PORTATUBI.....	15	TAV_060	TUBE HOLDER.....	15
TAV_070	TELAIO ANTERIORE (PARTE 1).....	17	TAV_070	FRONT FRAME (PART 1).....	17
TAV_080	TELAIO ANTERIORE (PARTE 2).....	19	TAV_080	FRONT FRAME (PART 2).....	19
TAV_560	MOZZI E PNEUMATICI.....	21	TAV_560	HUBS AND TYRES.....	21
TAV_650	ESPLOSO MOZZO NON FRENATO.....	23	TAV_650	HUB WITHOUT BRAKE PARTS.....	23
TAV_660	ESPLOSO MOZZO CON FRENO.....	25	TAV_660	HUB WITH BRAKE PARTS.....	25
TAV_210	ROLLBAR.....	27	TAV_210	ROLLBAR.....	27
TAV_130	BILANCIERE.....	29	TAV_130	BELT TENSIONER ARM.....	29
TAV_090	PORTELLONE (PARTE 1).....	31	TAV_090	REAR GATE (PART 1).....	31
TAV_100	PORTELLONE (PARTE 2).....	33	TAV_100	REAR GATE (PART 2).....	33
TAV_120	PORTELLONE (PARTE 3).....	35	TAV_120	REAR GATE (PART 3).....	35
TAV_110	KIT COLLINA FRENA CINGHIE.....	37	TAV_110	HILL BRAKES BELTS KIT.....	37
TAV_670	KIT RUOTE RACCOGLITORE FISSE.....	39	TAV_670	FIXED WHEEL COLLECTOR KIT.....	39
TAV_160	CATENE TRASMISSIONE RULLI (LATO DESTRO).....	41	TAV_160	ROLLERS TRANSMISSION CHAINS (RIGHT SIDE).....	41
TAV_170	CATENE TRASMISSIONE RULLI (LATO SINISTRO).....	43	TAV_170	ROLLERS TRANSMISSION CHAINS (LEFT SIDE).....	43
TAV_140	RULLI.....	45	TAV_140	ROLLERS.....	45
TAV_150	TENDITORI CATENE.....	47	TAV_150	CHAINS TENSIONER.....	47
TAV_180	CINGHIE.....	49	TAV_180	BELTS.....	49
TAV_200	INFALDATORE.....	51	TAV_200	FEEDER.....	51
TAV_220	PICK-UP (PARTE 1).....	53	TAV_220	PICK-UP (PART 1).....	53
TAV_230	PICK-UP (PARTE 2).....	55	TAV_230	PICK-UP (PART 2).....	55
TAV_240	PICK-UP (PARTE 3).....	57	TAV_240	PICK-UP (PART 3).....	57
TAV_250	PICK-UP (PARTE 4).....	59	TAV_250	PICK-UP (PART 4).....	59
TAV_260	PICK-UP (PARTE 5).....	61	TAV_260	PICK-UP (PART 5).....	61
TAV_270	PICK-UP (PARTE 6).....	63	TAV_270	PICK-UP (PART 6).....	63
TAV_280	PICK-UP (PARTE 7).....	65	TAV_280	PICK-UP (PART 7).....	65
TAV_300	RASTRELLO.....	67	TAV_300	RAKE.....	67
TAV_310	RULLO CONVOGLIATORE.....	69	TAV_310	ROLLER CONVEYOR.....	69
TAV_330	LEGATORE RETE (PARTE 1).....	71	TAV_330	NET BINDER (PART 1).....	71
TAV_340	LEGATORE RETE (PARTE 2).....	73	TAV_340	NET BINDER (PART 2).....	73
TAV_350	LEGATORE RETE (PARTE 3).....	75	TAV_350	NET BINDER (PART 3).....	75
TAV_360	LEGATORE RETE (PARTE 4).....	77	TAV_360	NET BINDER (PART 4).....	77
TAV_370	LEGATORE RETE (PARTE 5).....	79	TAV_370	NET BINDER (PART 5).....	79
TAV_380	LEGATORE RETE (PARTE 6).....	81	TAV_380	NET BINDER (PART 6).....	81
TAV_390	CARTER (PARTE 1).....	83	TAV_390	CARTER (PART 1).....	83

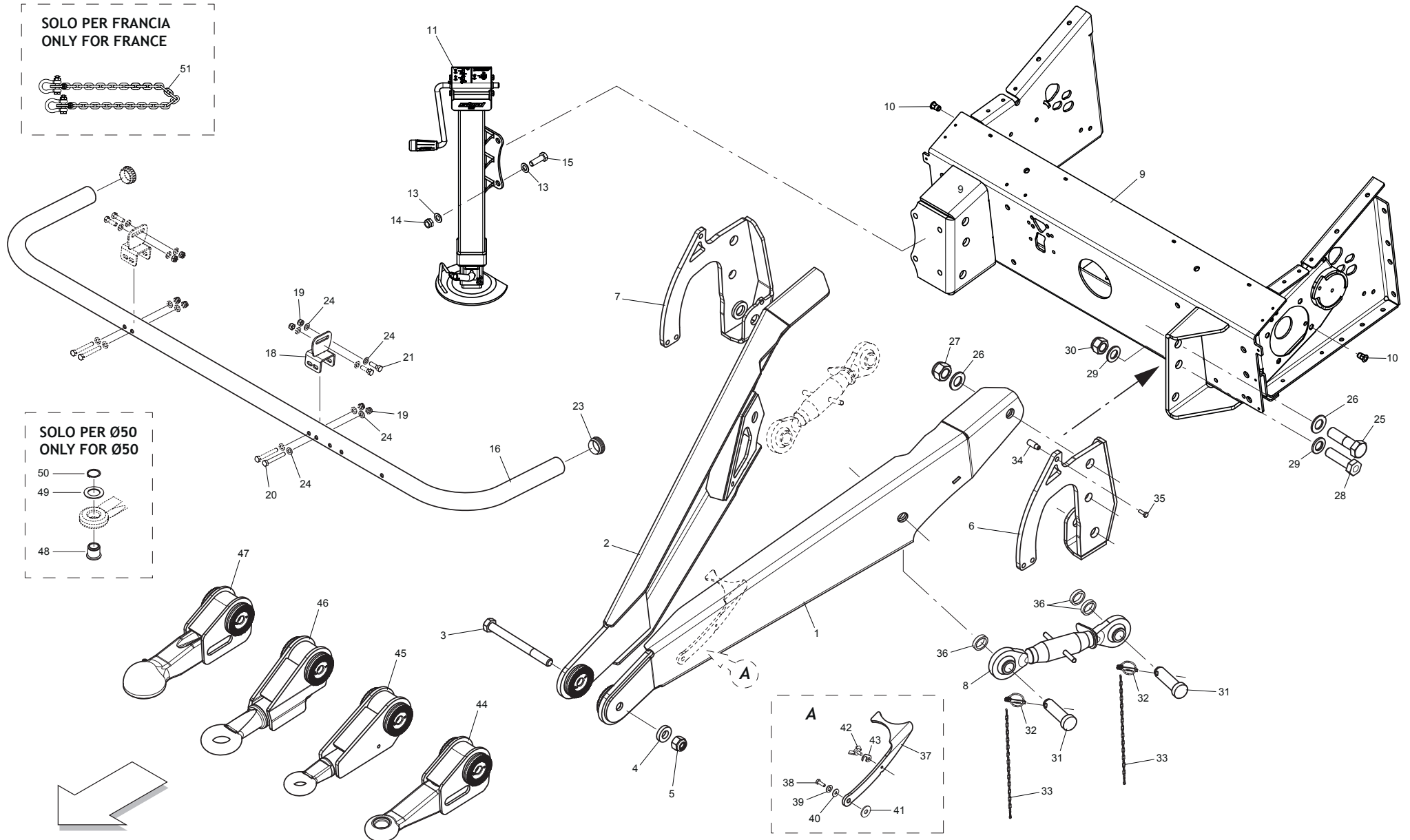
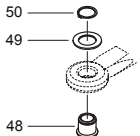
N° Tavola	INDICE	Pagina	N° Table	INDEX	Page
TAV_400	CARTER (PARTE 2).....	85	TAV_400	CARTER (PART 2).....	85
TAV_410	CARTER (PARTE 3).....	87	TAV_410	CARTER (PART 3).....	87
TAV_420	BOX IMPIANTO IDRAULICO MACCHINA.....	89	TAV_420	MACHINE HYDRAULIC SYSTEM BOX.....	89
TAV_430	IMPIANTO IDRAULICO MACCHINA (PARTE 1).....	91	TAV_430	MACHINE HYDRAULIC SYSTEM (PART 1).....	91
TAV_440	IMPIANTO IDRAULICO MACCHINA (PARTE 2).....	93	TAV_440	MACHINE HYDRAULIC SYSTEM (PART 2).....	93
TAV_450	CARTER IMPIANTO IDRAULICO.....	95	TAV_450	HYDRAULIC SYSTEM CARTER.....	95
TAV_600	IMPIANTO OLIIATURA AUTOMATICA.....	97	TAV_600	AUTOMATIC OILING SYSTEM.....	97
TAV_460	IMPIANTO LUBRIFICAZIONE AUTOMATICA.....	99	TAV_460	AUTOMATIC GREASING SYSTEM.....	99
TAV_470	IMPIANTO LUBRIFICAZIONE MANUALE.....	101	TAV_470	MANUAL GREASING SYSTEM.....	101
TAV_480	CABLAGGIO PRINCIPALE ICON.....	103	TAV_480	ICON MAIN CABLING.....	103
TAV_490	IMPIANTO LUCI.....	105	TAV_490	LIGHTS PLAN.....	105
TAV_890	CUNEI.....	107	TAV_890	WHEELS CHOCKS.....	107
TAV_500	FARI LAVORO.....	109	TAV_500	WORKING LIGHTS.....	109
TAV_570	ESPULSORE.....	111	TAV_570	EJECTOR.....	111
TAV_510	FRENO PNEUMO-IDRAULICO (PARTE 1).....	113	TAV_510	AIR-HYDRAULIC BRAKE (PART 1).....	113
TAV_520	FRENO PNEUMO-IDRAULICO (PARTE 2).....	115	TAV_520	AIR-HYDRAULIC BRAKE (PART 2).....	115
TAV_530	DISPOSITIVO DI STAZIONAMENTO MECCANICO.....	117	TAV_530	MECHANICAL PARKING DEVICE.....	117
TAV_540	FRENO IDRAULICO.....	119	TAV_540	HYDRAULIC BRAKE.....	119
TAV_550	FRENO IDRAULICO (NO OMOLOGAZIONE ITALIA).....	121	TAV_550	HYDRAULIC BRAKE (NO ITALY APPROVAL).....	121
TAV_580	KIT ROTOLO SUPPLEMENTARE.....	123	TAV_580	ADDITIONAL ROLL SUPPORT KIT.....	123
TAV_590	KIT GRAFFATRICE.....	125	TAV_590	STAPLING DEVICE KIT.....	125
TAV_320	BALLATOIO.....	127	TAV_320	FOOTBOARD.....	127
TAV_610	DECAL "LOGO".....	129	TAV_610	"LOGO" DECAL.....	129
TAV_630	DECAL "CE".....	131	TAV_630	"CE" DECAL.....	131
TAV_640	DECAL "ISTRUZIONE".....	133	TAV_640	"INSTRUCTION" DECAL.....	133

TAV_010

SOLO PER FRANCA
ONLY FOR FRANCE



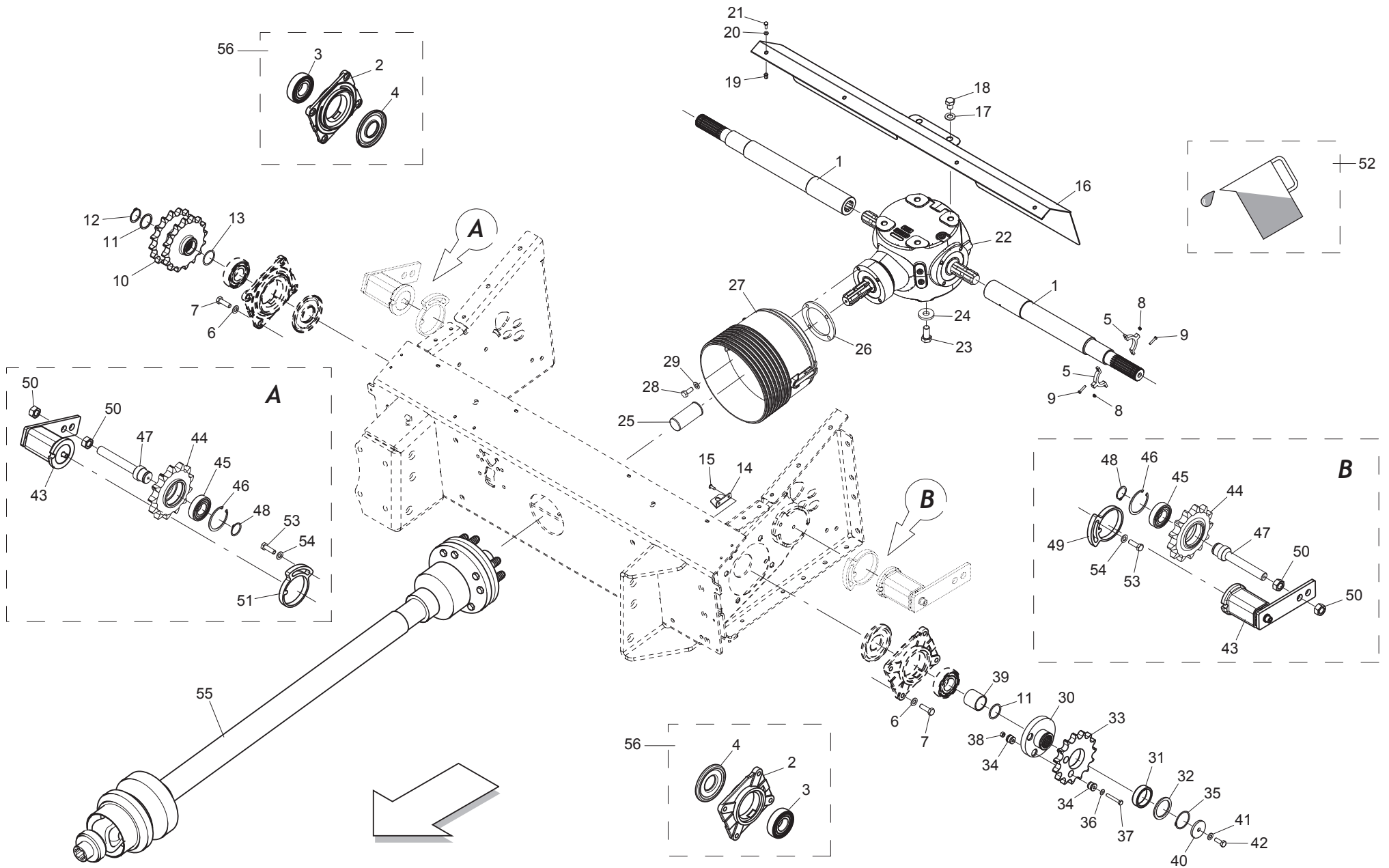
SOLO PER Ø50
ONLY FOR Ø50



**TRAVERA ANTERIORE (PARTE 1)
FRONT CROSSBAR (PART 1)**

TAV_010

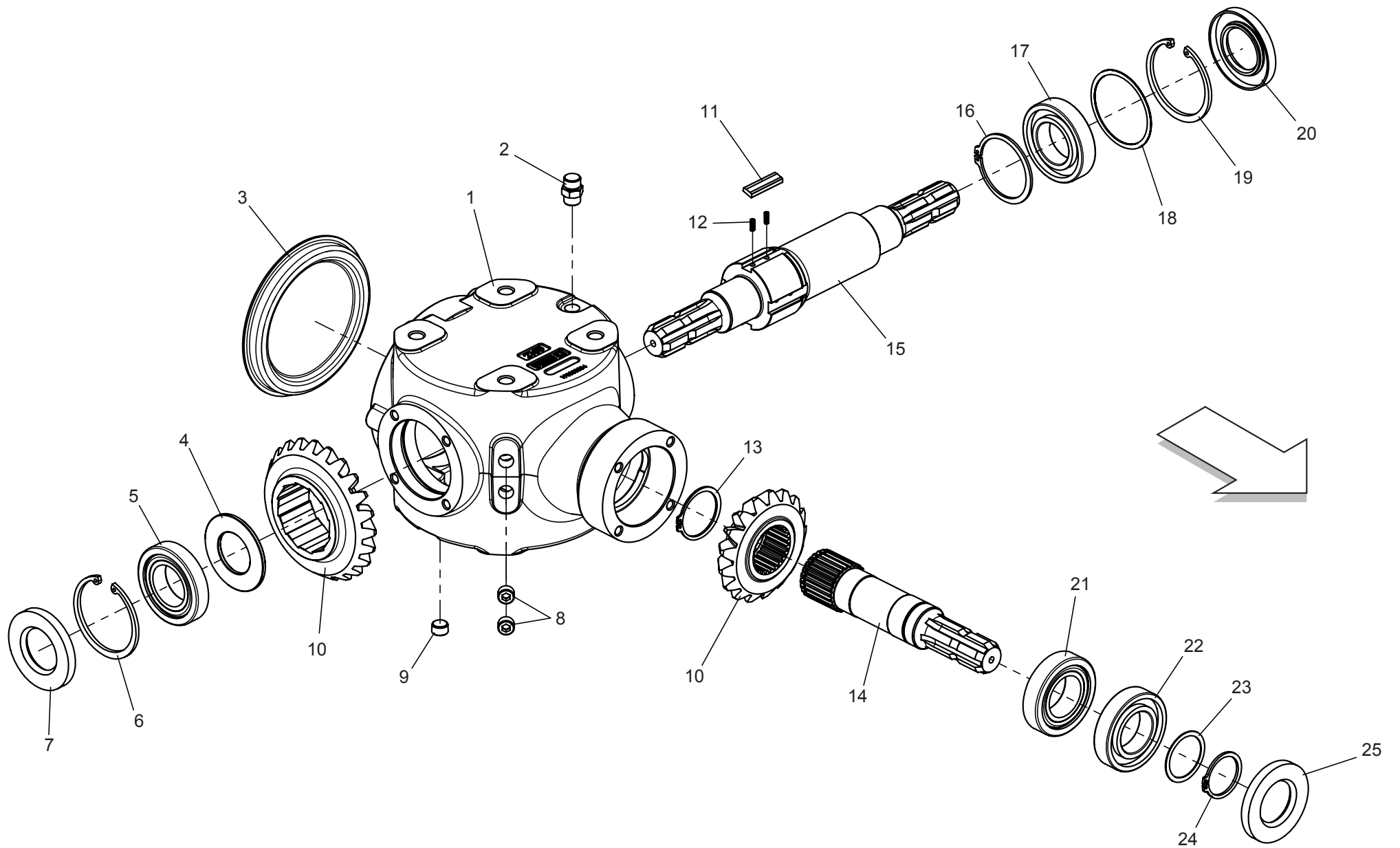
Pos.	Cod.	Descrizione	Description	Description	Benennung	Descripcion
1	B07SP1518R	ALA SX TIMONE	WING LEFT DRAWBAR			
2	B07SP1520R	ALA DX TIMONE	WING RIGHT DRAWBAR			
3	F01021229R	VITE M24X 3X250 U5737 10.9 ZD	SCREW M24X 3X250 U5737 10.9 ZD			
4	B013P0680R	DISTANZIALE 25X49X11	SPACER 25X49X11			
5	F01230144R	DADO M24X3 D982 8ZN	NUT M24X3 D982 8ZN	ECROU M24X 3 D982 8 ZN	MUTTER M24X 3 D982 8 ZN	TUERCA M24X 3 D982 8 ZN
6	B07SP1650R	ATTACCO TIMONE 365 SX	CONNECT.DRAWBAR 365 LEFT			
7	B07SP1521R	ATTACCO TIMONE DX	CONNECT.DRAWBAR RIGHT			
8	F02450024R	MART M.L=465L=360D=32 BOCC.ZN	TIE-ROD L=465 L=360 D=32	TRINGLE L=465 L=360 D=32	ZUGSTANGE L=465 L=360 D=32	TIRANTE L=465 L=360 D=32
9	B07SP1631R	TRAVERSA ANTERIORE 365 2019	FRONT CROSSBEAM 365 2019			
10	B00990012R	INSERTO ESAGONALE M12	HEXAGONAL NUT M12			
11	B07MP0397R	SERVOTIMONE 365 120 2016	SERVO DRAW BAR 365 120 2016			
13	F01410100R	ROS.M16 17X 30X 3 U6592 ZN	WASHER M16 17X30X3 U6592 ZN	RONDELLE M16 17X30X3 ZN	SCHRAUBE M16 17X 30X3 U6592 ZN	ARAND.M16 17X 30X 3 U6592 ZN
14	B00920516R	DADO M16X 1,5 D985 6S ZN	NUT M16X1,5 D985 6S ZN	ECROU	SELBSTSICHERNDE MUTTER M16-5S	TUERCA M16X 1,5 D985 6S
15	F01020571R	VITE M16X2X50 U5739 8.8ZN	SCR. M16X2X50 U5739 8.8ZN	VIS M16X2X50 U5739 8.8 ZN	SCHRAUBE M16 X2X50 U5739 8.8ZN	TORNILLO M16X2X50 U5739 8
16	B0C1P1861R	TUBO PER BULL-BAR 2018	PIPE FOR BULL-BAR 2018			
18	B07SP1419R	SUPPORTO BULL-BAR 365 MOND120	SUPP.BULL-BAR 365 MOND120			
19	F01230213R	DADO M12X1,75 D985 8 ZN	NUT M12X1,75 U7474 6SZN	ECROU AUTOBL. M12	SELBSTSPERR.MUTTER M12	TUERCA M12X1,75 U7474 CL8 ZN
20	F01020524R	VITE M12X1,75X90 U5739 8.8ZN	SCR. M12X1,75X90 U5739 8.8ZN			
21	F01020152R	VITE M12X1,75X40 U5737 8.8ZN	SCR. M12X1,75X40 U5737 8.8ZN	VIS M12X1,75X40 U5737 8.8 ZN	SCHRAUBE M12X1,75X40U57378.8ZN	TORNILLO M12X1,75X40 U5737 8
23	F05100223R	TAPPO PLT X TUBO 60 SP.1.5-3	STOP.PLT FOR TUBE 60 SP.1.5-3			
24	F01410076R	ROS.M12 13X 24X2,5 U6592 ZN	WASHER 12 13X 24X2,5 U6592 ZN	RONDEL. M12 13X24X2,5 U6592 ZN	SCHEIBE M12 13X24X2,5 U6592 ZN	ARAND.M12 13X 24X2,5 U6592 ZN
25	F01021230R	VITE M30X 3,5X 110 U5737 8.8 Z	SCREW M30X 3,5X110 U5737 8.8 Z			
26	F01410168R	ROS.M30 31X 56X 4 U6592 ZN	WASHER M30 31X56X4 U6592 ZN	RONDELLA M30 31X56X4 U6592 ZN	SCHRAUBE M30 31X56X4 U6592 ZN	ARANDELLA M30 31X56X4 U6592 ZN
27	F01230159R	DADO M30X3.5 D982 10ZN	NUT M30X3.5 D982 10ZN	ECROU M30X3.5 D982 10ZN	MUTTER M30X3.5 D982 10XN	TUERCA M30X3.5 D982 10ZN
28	B00252791R	VITE ZN.TE M27X2X100-10.9U5738	SCREW			
29	B014R2750R	ROSETTA 27 UNI 5714-69 ZN E DE	WASHER 27 UNI 5714-69 ZN E DE			
30	B00911527R	DADO AUTOB.ALTO M27X2 -8G D982	NUT			
31	F20100177R	PERNO D32 L100	PIN D32 L100			
32	F02200574R	SPINA SICUR.D.10X45 A SCATT.ZN	SAFETY PIN D.10X45 A SCATT.ZN			
33	M58100930R	CATENELLA L=476	ASSEMBLY CHAIN DMP L=476	CHAINE L=476	KETTE L=476	CADENA L=476
34	B013P0661R	PERNO FERMO	STOPPER PIN			
35	F01020440R	VITE M8X1,25X25 U5739 8.8ZN	SCR. M8X1,25X25 U5739 8.8ZN	VIS M8X1,25X25 U5739 8.8 ZN	SCHRAUBE M8X1,25X25U5739 8.8ZN	TORNILLO M8X1,25X25 U5739 8.8
36	B013P0645R	DISTANZIALE	SPACER			
37	B0C1P2245R	SUPPORTO CARDANO	SUPP.CARDAN			
38	F01020440R	VITE M8X1,25X25 U5739 8.8ZN	SCR. M8X1,25X25 U5739 8.8ZN	VIS M8X1,25X25 U5739 8.8 ZN	SCHRAUBE M8X1,25X25U5739 8.8ZN	TORNILLO M8X1,25X25 U5739 8.8
39	F01480504R	ROND.GROWER 12 TIPO B DIN127	WASHER GROW.12 TIPE B DIN127			
40	F01410051R	ROS.M8 8,4X 17X1,6 U6592 ZN	WASHER M8 8,4X17X1,6 U6592 ZN	RONDELLE M8 8,4X17X1,6 ZN	SCHEIBE M8 8,4X17X1,6 U6592 ZN	ARAND.M8 8,4X 17X1,6 U6592 ZN
41	F01420120R	ROS.M12 13X36X2,5 U6593 ZN	WASHER M12 13X36X2,5 U6593 ZN	RONDELLE M12 13X36X2,5 ZN		ARAND.M12 13X36X2,5 U6593 ZN
42	B00340815R	VITE ALETTE M 8X 15-5.8 UNI 5	SCREW	VIS	SCHRAUBE	
43	B0C1P2373R	AGGANCIO	HOOK			
44	B07SP1506R	OCCHIONE 40 2018	TOWING EYE 40 2018			
45	B07SP1485R	OCCHIONE 35 R	TOWING EYE 35 R			
46	B07SP1427R	OCCHIONE 50 2018	TOWING EYE 50 2018			
47	B07SP1446R	OCCHIONE K80 2018	TOYING EYE K80 2018			
48	B01300957R	BUSSOLA DI RIDUZIONE	REDUCTION BUSH	DOUILLE DE REDUCTION	REDUZIER BUCHSE	
49	B01300959R	FLANGIA 50X80X4	FLANGE 50X80X4	BRIDE	FLANSCH 50X80X4	
50	F02050203R	ANELLO E. DE 50X 2 U7435 C70	SEEGER RING D50X2 U7435 C70	ANEL SEEGER D50X2 U7435 C70	SEEGER RING D50X2 U7435 C70	ANILLO SEEGER D50X2 U7435 C70
51	B07VP0023R	CATENA DI SICUREZZA	SICURITY CHAIN	ENTRAIT DE SURETE	SICHERHEITSKETTE	



**TRAVERA ANTERIORE (PARTE 2)
FRONT CROSSBAR (PART 2)**

TAV_020

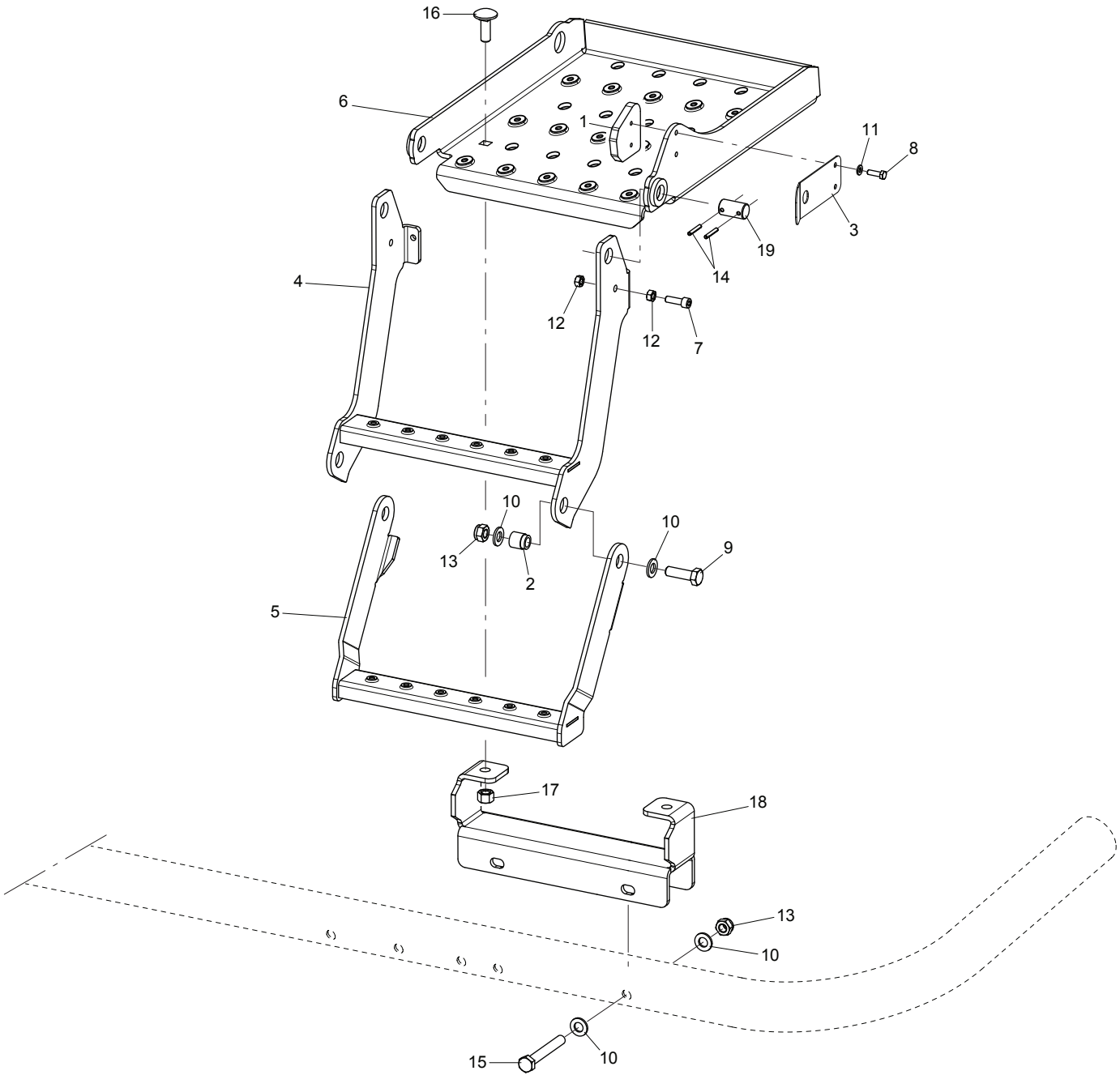
Pos.	Cod.	Descrizione	Description	Description	Benennung	Descripcion
1	B035P0126R	PROLUNGA EXTREME 365	PROL EXTREME 365			
2	B027P0028R	SUPP CUSC RETTANG VERN 365	BEARING SUPPORT			
3	B02384023R	CUSCINETTO INA 308 NPPB - 2RS	BEARING INA 308 NPPB-2RS	ROULEMENT INA 308 NPPB 2RS	LAGER INA308 NPPB-2RS	
4	B01300827R	CAPPELOTTO DI PROT.	PROTECTION CAP	FLASQUE PROTECTRICE	SCHUTZDECKEL	
5	B0C6P0745R	DISCO PER SENSORE EXTREME	DISC PER SENSORE EXTREME			
6	F01410076R	ROS.M12 13X 24X2,5 U6592 ZN	WASHER 12 13X 24X2,5 U6592 ZN	RONDEL. M12 13X24X2,5 U6592 ZN	SCHEIBE M12 13X24X2,5 U6592 ZN	ARAND.M12 13X 24X2,5 U6592 ZN
7	F01020514R	VITE M12X1,75X40 U5739 8.8ZN	SCR. M12X1,75X40 U5739 8.8ZN	VIS M12X1,75X40 U5739 8.8ZN	SCHRA. M12X1,75X40 U5739 8.8ZN	TORNILLO M12X1,75X40 U5739 8.
8	B00920005R	DADO AUTOB.BASSO M 5-5S DIN985	NUT	ECROU	SELBSTSICHERNDE MUTTER M5-5S	TUERCA AUTOB.BAJA M 5-5S DIN98
9	F01020380R	VITE M5X0,8X20 U5739 8.8ZN	SCR. M5X0,8X20 U5739 8.8ZN	VIS M5X0,8X20 U5739 8.8ZN	SCHRAUBE M5X0,8X20 U5739 8.8ZN	TORNILLO M5X0,8X20 U5739 8
10	B034P0103R	INGR. Z=16-16 1 14 COM. SCA	GEAR Z=16-16 1 14 COM. SCA			
11	B01300151R	SPES. 40 48 2 ZINCATO	SHIM	ENTRETOISE	DISTANZSTUECK 40 48 2	ESPES. 40 48 2 CINCADO
12	F02050168R	ANELLO E.DE 40X1,75 U7435	SEEGER RING 40X1,75 U7435	BAGUE SEEGER 40X1,75 U7435	SEEGERRING 40X1,75 U7435	ANIL. SEEGER 40X1,75 U7435
13	B01300126R	SPES. 40 48 1 ZINC.ST_013	SHIM	ENTRETOISE	DISTANZSTUECK 40 408 1	ESPES. 40 48 1 CINC.EST_013
14	B0C6P0825R	ATTACCO SENSORE	ATTACK SENSORE			
15	B01000011R	RIVETTO STR. 6X12 U9200A AL	RIVET 6X12 U9200A AL	RIVET	ABREISSNIETEN 6X15	REMACHE EXTR. 6X12 U9200AA
16	B0C3P0280R	CARTER PROTEZIONE SCATOLA	CARTER PROT			
17	F01410100R	ROS.M16 17X 30X 3 U6592 ZN	WASHER M16 17X30X3 U6592 ZN	RONDELLE M16 17X30X3 ZN	SCHRAUBE M16 17X 30X3 U6592 ZN	ARAND.M16 17X 30X 3 U6592 ZN
18	B00181620R	VITE M16X 20-8.8 UNI 5739	SCREW	VIS	SCHRAUBE	
19	B00990009R	INSERTO ESAGONALE M6	HEXAGONAL CONNECTION M6	CONNECTION HEXAGONALE	SECHSECKIGER EINSATZ M6	
20	F01410037R	ROS.M6 6,4X12,5X1,6 U6592 ZN	WASHER M6 6,4X12,5X1,6 U6592ZN	RONDEL. M6 6,4X12,5X1,6 U6592ZN	SCHEIB. M6 6,4X12,5X1,6 U6592ZN	ARAND.M6 6,4X12,5X1,6 U6592 ZN
21	F01020404R	VITE M6X1X20 U5739 8.8ZN	SCREW M6X1X20 U5739 8.8ZN	VIS M6X1X20 U5739 8.8ZN	SCHRAUBE M6X1X20 U5739 8.8ZN	TORNILLO M6X1X20 U5739 8.8ZN
22	BSP000040R	SCATOLA TRASMISSIONE	TRANSMISSION BOX			
23	F01020564R	VITE M16X2X35 U5739 8.8ZN	SCR. M16X2X35 U5739 8.8ZN	VIS M 16X35	SCHRAUBE M 16X35	TORNILLO M16X2X35 U5739 8
24	B013P0084R	RALLA 17X42X6	FITH WHEEL 17X42X6	BUTEE 17X42X6	DISTANZSCHEIBE 17X42X6	
25	G19002131R	PROTEZIONE P.D.P.	PDP GUARD			PROTECCI N T.D.F.
26	B013P0300R	FLANGIA DI SPESSORAMENTO CUFFI	FLANGE DI SPESSORAMENTO CUFFI			
27	B07VP0501R	CONTROCUFFIA COMPLETA SFT	CONTROCUFFIA COMPLETA			
28	F01020472R	VITE M10X1,5X25 U5739 8.8ZN	SCR. M10X1,5X25 U5739 8.8ZN	VIS M10X1,5X25 U5739 8.8 ZN	SCHRAUBE M10X1,5X25 U5739 8.8	TORNILLO M10X1,5X25 U5739 8.8
29	F01410064R	ROS.M10 10,5X 20X 2 U6592 ZN	WASHER M10 10,5X20X2 U6592 ZN	RONDEL. M10 10,5X20X2 U6592 ZN	SCHEIBE M10 10,5X20X2 U6592 ZN	ARAND.M10 10,5X 20X 2 U6592 ZN
30	B07SP1195R	SICUREZZA TRASMISSIONE 365 HTI	ROTOR SAFTE 365HTI			
31	B025P0013R	BRONZINA D=65 D=54 L=18	BUSHING D=65 D=54 L=18			
32	B0C1P1079R	RALLA D=70 D=54,5 L=4	RALLA D=70 D=54,5 L=4			
33	B034P0205R	INGR. Z=15; 1 1 4; ISO 20B-1	PLATE WHEEL; Z=15; 1 1 4; ISO			
34	B013P0453R	BUSSOLA DI TRACCIAMENTO	SAFE CUTTING BUSH			
35	F02050215R	ANELLO E. DE 55X 2 U7435 C70	RET. RING FOR SHAFT 55X2 U7435	BAGUE ELASTIQUE UNI 7435	RING 55X 2 U7435 C70	ANILLO UNI 7435
36	F01410051R	ROS.M8 8,4X 17X1,6 U6592 ZN	WASHER M8 8,4X17X1,6 U6592 ZN	RONDELLE M8 8,4X17X1,6 ZN	SCHEIBE M8 8,4X17X1,6 U6592 ZN	ARAND.M8 8,4X 17X1,6 U6592 ZN
37	F01021213R	VITE M 8X1,25X 55 U5739 8.8 ZN	SCREW M8X1,25X 55 8.8 ZN			
38	F01220022R	DADO M8X1,25 D980 8ZN	NUT M8X1,25 D980 8ZN	ECROU M8X 1,25 D980 8 ZN	MUTTER M8X 1,25 D980 8 ZN	TUERCA M8X 1,25 D980 8 ZN
39	B013P0388R	DISTANZIALE 41X48X46	SPACER 41X48X46			
40	B0C1P1139R	RALLA 60X11X6	RALLA 60X11X6			
41	F01410064R	ROS.M10 10,5X 20X 2 U6592 ZN	WASHER M10 10,5X20X2 U6592 ZN	RONDEL. M10 10,5X20X2 U6592 ZN	SCHEIBE M10 10,5X20X2 U6592 ZN	ARAND.M10 10,5X 20X 2 U6592 ZN
42	F01020476R	VITE M10X1,5X30 U5739 8.8ZN	SCR. M10X1,5X30 U5739 8.8ZN	VIS M10X1,5X30 U5739 8.8 ZN	SCHRAUBE M10X1,5X30U5739 8.8ZN	TORNILLO M10X1,5X30 U5739 8.8
43	F06140026R	EL. TENDITORE SE-F38 RUBMIX15	TURNBUCKLE			
44	B034P0134R	CORONA Z=13 1 1 4 ISO	GEAR Z=13 1 1 4 ISO			
45	B02043016R	CUSC. 6206-2RS CAT.B-ST004	CUSC.	ROULEMENT	LAGER	
46	F02050392R	ANELLO E. DI 62X 2 U7437 C70	SEEGER RING E. 62X 2 U7437 C70	SEEGER E. 62X 2 U7437 C70	SEEGERING E. 62X 2 U7437 C70	ANILLO E. 62 X 2 U7437 C70
47	B0C1P0451R	PERNO PER TENDITORE	PIN L105 FOR TENSIONER SE38			
48	F02050112R	ANELLO E.DE 30X 1,5 U7435 ZN	SEEGER RING 30X 1,5 U7435 C70	SEEGER E. 30 X 1,5 U7435 C70	SEEGERING E. 30X 1,5 U7435 C70	ANILLO E. 30 X 1,5 U7435 C70
49	B0C1P0795R	PIASTRA DI FISS.TENDIT.SE-F 38	PLATE OF FIX.TENDIT.SE-F 38			
50	F01200352R	DADO M20X2,5 U5588 CL8 ZN	NUT M20X2,5 U5588 6.8ZN	ECROU 20 UNI 5588 6.8 ZN	MUTTER M20X 2,5 U5588 6.8 ZN	TUERCA M20X 2,5 U5588 6.8 ZN
51	B0C1P1074R	PIASTRA DI FISS.TENDIT.SE-F 38	FIXING PLATE SE-F 38			
52	F03260016R	OLIO AGIP BLASIA 150	OIL AGIP BLASIA 150			ACEITE AGIP BLASIA 150
53	F01020514R	VITE M12X1,75X40 U5739 8.8ZN	SCR. M12X1,75X40 U5739 8.8ZN	VIS M12X1,75X40 U5739 8.8ZN	SCHRA. M12X1,75X40 U5739 8.8ZN	TORNILLO M12X1,75X40 U5739 8.
54	F01410076R	ROS.M12 13X 24X2,5 U6592 ZN	WASHER 12 13X 24X2,5 U6592 ZN	RONDEL. M12 13X24X2,5 U6592 ZN	SCHEIBE M12 13X24X2,5 U6592 ZN	ARAND.M12 13X 24X2,5 U6592 ZN
55	B03600076R	CAR BO7 Z6-Z6 OMFZRZ 1700 L1546	PTO BO7 Z6-Z6 OMFZRZ 1700 L1546	CARDAN	GELLENKWELLE	CARD N BO7 Z6-Z6 OMFZRZ 1700 L1
56	B0FMP0185R	SUPP CUSC RETTANG VERN 365	BEARING SUPPORT			



**ESPLOSO SCATOLA DI TRASMISSIONE
GEAR BOX PARTS**

TAV_040

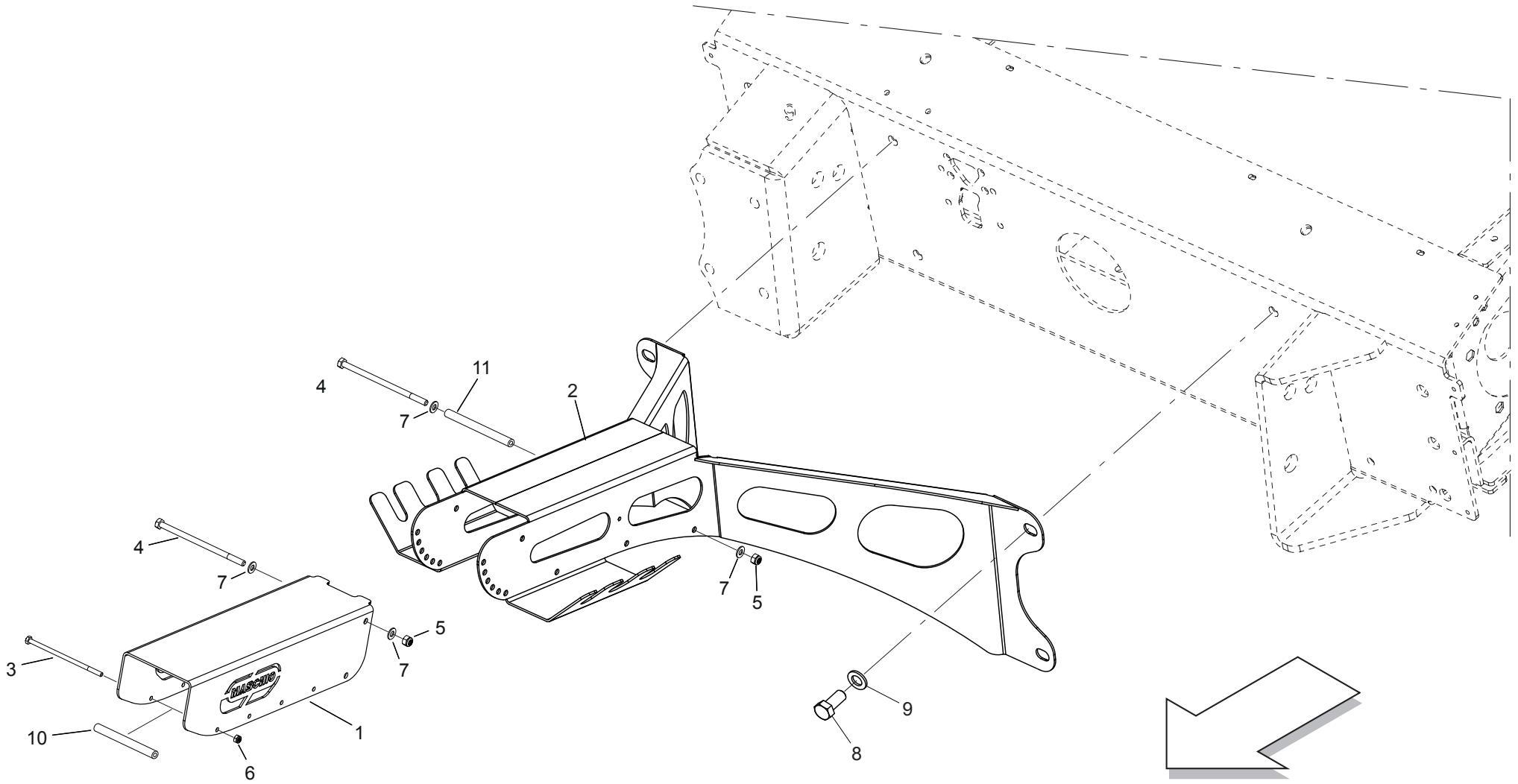
Pos.	Cod.	Descrizione	Description	Description	Benennung	Descripcion
1	B0R001106R	SCATOLA RINVIO 2100 -G25-	GEAR BOX			
2	B0R001123R	TAPPO 3 8 GAS CON. SFIATO	PLUG			
3	M62100114R	COPERCHIO BON.298616000	COVER			
4	B0R001109R	DISTANZIALE D.45.2X82.5X4	SPACER			
5	B0R001120R	CUSC. 30209 45X85X20,75 R.C.D	BEARING			
6	B0R001115R	ANELLO ELAST.E. 85X4,00 DIN47	ELASTIC RING			
7	B0R001122R	ANELLO TENUTA 045X085X010	SEAL			
8	B0R001124R	TAPPO 3 8 GAS CON. DIN 906	PLUG			
9	B0R001124R	TAPPO 3 8 GAS CON. DIN 906	PLUG			
10	B0R001125R	C.CONICA R=0,74 X 2100 RL SU	BEVEL GEAR			
11	M50400903R	PIASTRINA	PLATE			
12	F02400084R	MOLLA X RUOTA LIBERA BONDIOLI	SPRING FOR FREE WHEEL BONDIOLI			
13	B0R001113R	ANELLO ELAST.E. 52X2,00 DIN47	ELASTIC RING			
14	B0R001107R	ALBERO ASSE Z=1-3 8 Z=6 L=76	AXEL SHAFT			
15	B0R001108R	ALBERO XY MONT.G CON RL	XY SHAFT			
16	B0R001112R	ANELLO ELAST.E. 68X2,50 DIN47	ELASTIC RING			
17	B0R001119R	CUSC. 6209 45X85X19 SF.D.Q.	BEARING			
18	B0R001117R	ANELLI DI SPESS. I. 085	SHIM			
19	B0R001115R	ANELLO ELAST.E. 85X4,00 DIN47	ELASTIC RING			
20	B0R001122R	ANELLO TENUTA 045X085X010	SEAL			
21	B0R001121R	CUSC. 32209 45X85X24,75 R.C.D	BEARING			
22	B0R001119R	CUSC. 6209 45X85X19 SF.D.Q.	BEARING			
23	B0R001116R	ANELLI DI SPESS. E. 045	SHIM			
24	B0R001114R	ANELLO ELAST.E. 45X2,50 DIN47	ELASTIC RING			
25	B0R001122R	ANELLO TENUTA 045X085X010	SEAL			



**SCALETTA
LADDER**

TAV_050

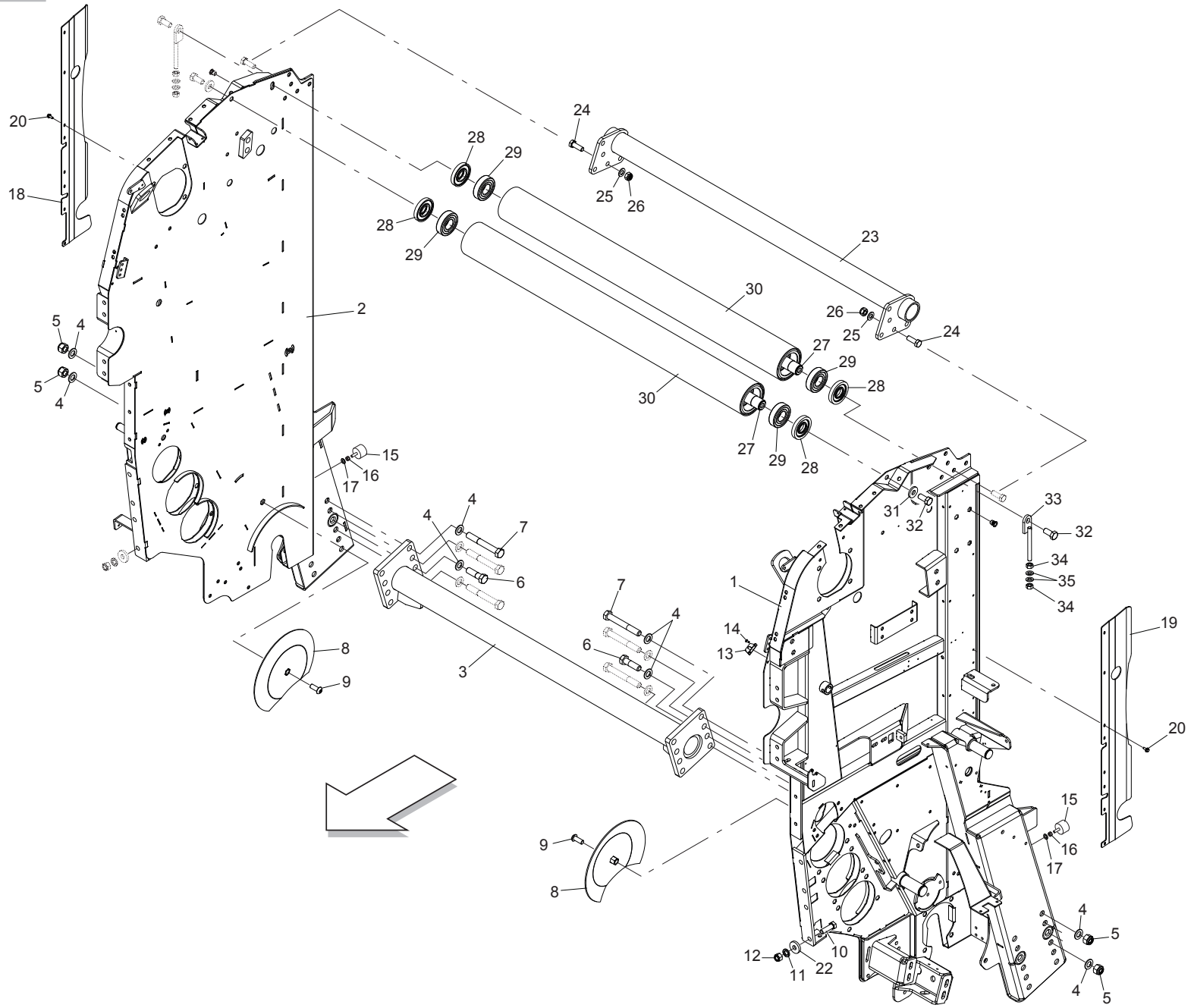
Pos.	Cod.	Descrizione	Description	Description	Benennung	Descripcion
1	B0C1P0928R	FINECORSА SCALETTA ZN	LADDER S STOPPER ZN			
2	B013P0336R	BUSSOLA	BUSH			
3	B018P0017R	GANCIO PER SCALA	HOOK PER SCWING			
4	B07SP1151R	GRADINO INTERMEDIO	INTERMEDIATE STEP			
5	B07SP1152R	GRADINO FINALE	FINAL STEP			
6	B07SP1153R	GRADINO SUPERIORE SINISTRO	UPPER LEFT STEP			
7	B00400825R	VITE M8X1,25X25 U5931 10.9ZD	SCREW	VIS	SCHRAUBE	TORNILLO M8X1,25X25 U5931 10
8	F01020404R	VITE M6X1X20 U5739 8.8ZN	SCREW M6X1X20 U5739 8.8ZN	VIS M6X1X20 U5739 8.8ZN	SCHRAUBE M6X1X20 U5739 8.8ZN	TORNILLO M6X1X20 U5739 8.8ZN
9	F01020514R	VITE M12X1,75X40 U5739 8.8ZN	SCR. M12X1,75X40 U5739 8.8ZN	VIS M12X1,75X40 U5739 8.8ZN	SCHRA. M12X1,75X40 U5739 8.8ZN	TORNILLO M12X1,75X40 U5739 8.
10	F01410076R	ROS.M12 13X 24X2,5 U6592 ZN	WASHER 12 13X 24X2,5 U6592 ZN	RONDEL. M12 13X24X2,5 U6592 ZN	SCHEIBE M12 13X24X2,5 U6592 ZN	ARAND.M12 13X 24X2,5 U6592 ZN
11	F01410037R	ROS.M6 6,4X12,5X1,6 U6592 ZN	WASHER M6 6,4X12,5X1,6 U6592ZN	RONDEL.M6 6,4X12,5X1,6 U6592ZN	SCHEIB.M6 6,4X12,5X1,6 U6592ZN	ARAND.M6 6,4X12,5X1,6 U6592 ZN
12	F01200244R	DADO M8X1,25 U5588 CL8 ZN	NUT M8X1,25 U5588 6.8ZN	ECROU M8 X1,25 U5588 6.8 ZN	MUTTER M8 X1,25 U5588 6.8 ZN	TUERCA M8X1,25 U5588 CL8 ZN
13	F01230059R	DADO M12X1,75 D982 8ZN	LOCK-NUT M12X1,75 D982 8ZN	ECR.AUTO-FREI.M12X1,75 ZN	SICHERUNGSMUT.M12X1,75 D982 8ZN	TUER.DE SEGUR.M12X1,75 D982 ZN
14	F02100065R	SPINA E.P. 4X 30 U6873 C70 BR	PIN EL. 4X30 DIN 1481	GOUPILLE EL.4 X30 DIN 1481	SPANNSTIFT 4X30 DIN 1481	CLAVIJA EL.P. 4X 30 U6873 C70
15	F01020526R	VITE M12X1,75X100 U5739 8.8ZN	SCR. M12X1,75X100 U5739 8.8ZN	VIS 12X100 5739 8.G ZN	SCHRAUBE 12X100 5739 8.G ZN	TORNILLO 12X100 5739 8.G ZN
16	B00523421R	VITE SPECIALE TTQST M12X35-8.8	SPECIAL SCREW	VIS SPCIALE	SCHRAUBE TTQST M12X 35-8.8	TORNILLO ESPECIAL TTQST M12X3
17	F01200076R	DADO M12X1,75 U5587 CL8 ZN	NUT M12X1,75 U5587 6.8ZN	ECROU M12X 1.75 U5587 6.8 ZN	MUTTER M12X1.75 U5587 6.8 ZN	DADO M12X1.75 U5587 6.8 ZN
18	B0C1P1105R	STAFFA SCALETТА SX EXTR. 365 P	STIRRUP LEFT STEPLADDER			
19	B0C1P1058R	PERNO SCALETТА 365 HTI 20	PIN LADDER 365 HTI 20			



**PORTATUBI
TUBE HOLDER**

TAV_060

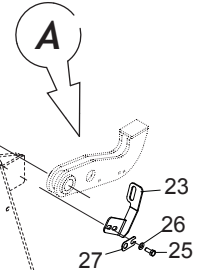
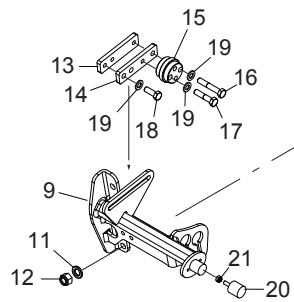
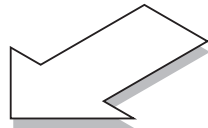
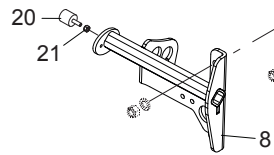
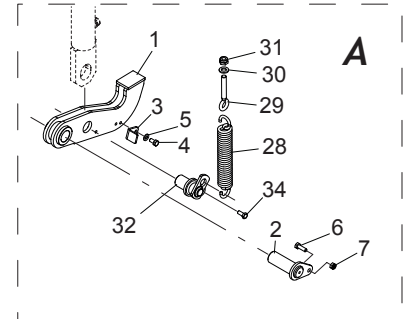
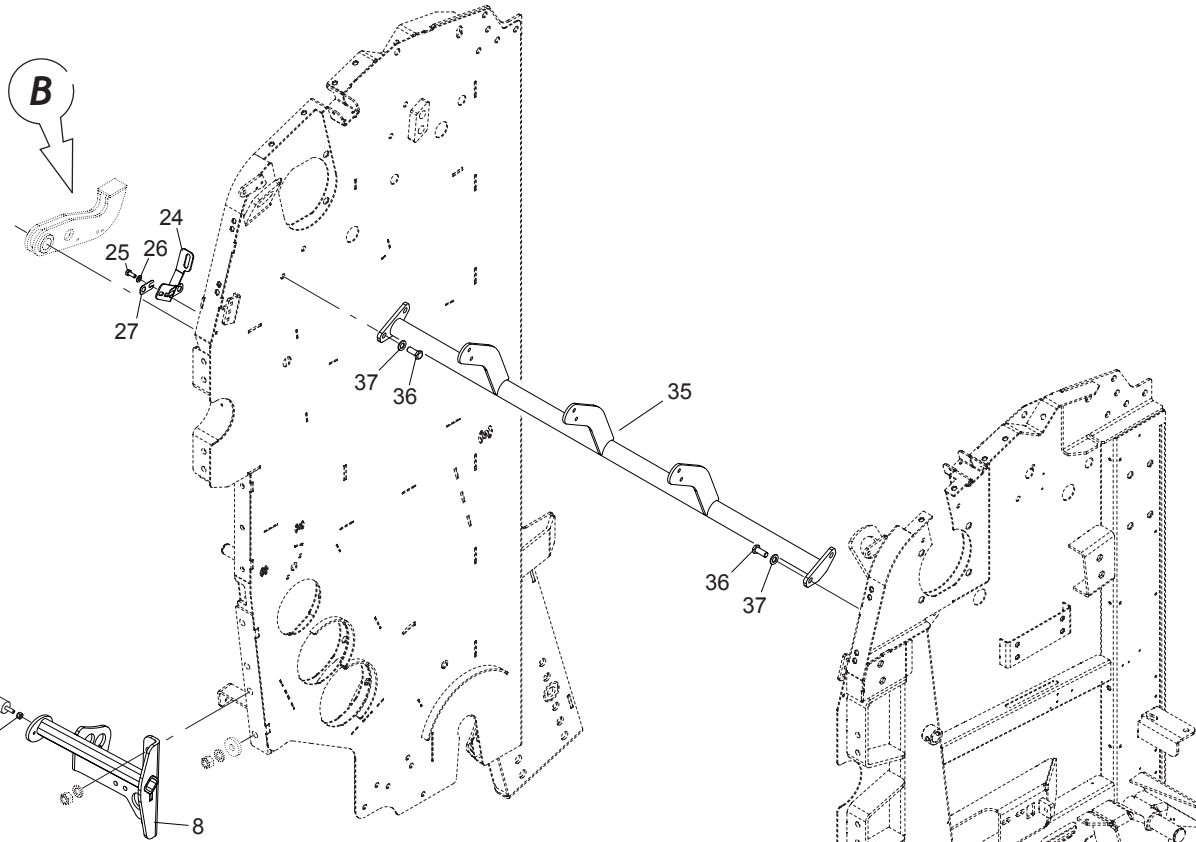
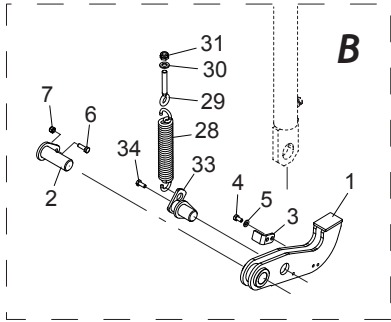
Pos.	Cod.	Descrizione	Description	Description	Benennung	Descripcion
1	B0C1P1070R	LAM. PORTATUBI	SHEET METAL SUPPORT TUBES			
2	B07SP1648R	PORTATUBI CON REGOLAZIONE 2018	PIPE SUPPORT WITH REGUL.2018			
3	F01020055R	VITE M6X1X130 U5737 8.8ZN	SCR. M6X1X130 U5737 8.8ZN			
4	F01020097R	VITE M8X1,25X150 U5737 8.8ZN	SCR. M8X1,25X150 U5737 8.8ZN	VIS 8 X150 5737 8.G ZN	SCHRAUBE 8 X150 5737 8.G ZN	TORNILLO 8 X150 5737 8.G ZN
5	F01230034R	DADO M8X1,25 D982 8ZN	NUT M8X1,25 D982 8ZN	ECROU M8X 1,25 ZN	MUTTER M8X 1,25 D982 8 ZN	TUERCA M8X1,25 D982 8
6	F01230184R	DADO M6X1 D985 8ZN	NUT M6X1 D985 8ZN			TUERCA M6X1 D985 8
7	F01410051R	ROS.M8 8,4X 17X1,6 U6592 ZN	WASHER M8 8,4X17X1,6 U6592 ZN	RONDELLE M8 8,4X17X1,6 ZN	SCHEIBE M8 8,4X17X1,6 U6592 ZN	ARAND.M8 8,4X 17X1,6 U6592 ZN
8	F01020564R	VITE M16X2X35 U5739 8.8ZN	SCR. M16X2X35 U5739 8.8ZN	VIS M 16X35	SCHRAUBE M 16X35	TORNILLO M16X2X35 U5739 8
9	F01410100R	ROS.M16 17X 30X 3 U6592 ZN	WASHER M16 17X30X3 U6592 ZN	RONDELLE M16 17X30X3 ZN	SCHRAUBE M16 17X 30X3 U6592 ZN	ARAND.M16 17X 30X 3 U6592 ZN
10	B035P0258R	DISTANZIALE 8,2X17,2X115	SPACER 8,2X17,2X115			
11	B035P0257R	DISTANZIALE 8,2X17,2X123	SPACER 8,2X17,2X123			



**TELAIO ANTERIORE (PARTE 1)
FRONT FRAME (PART 1)**

TAV_070

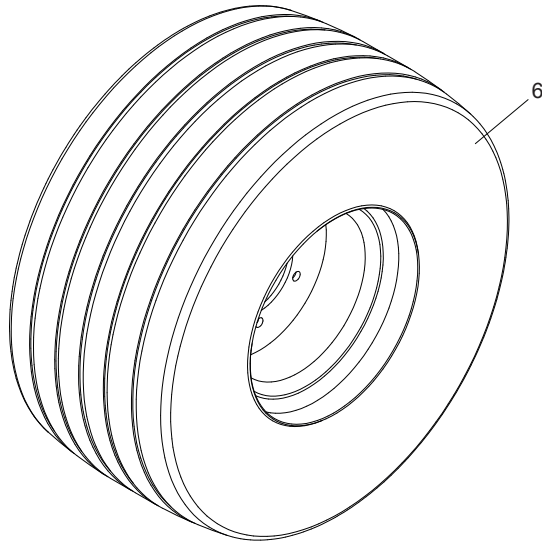
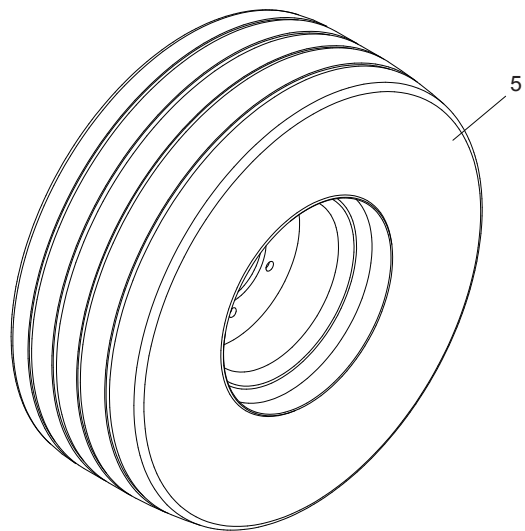
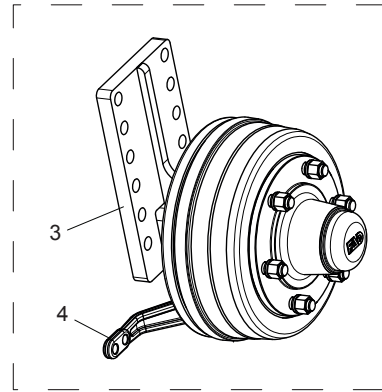
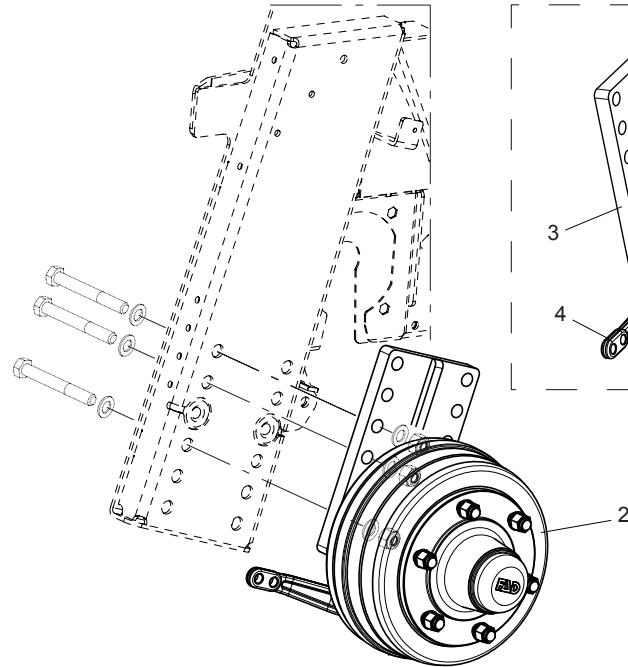
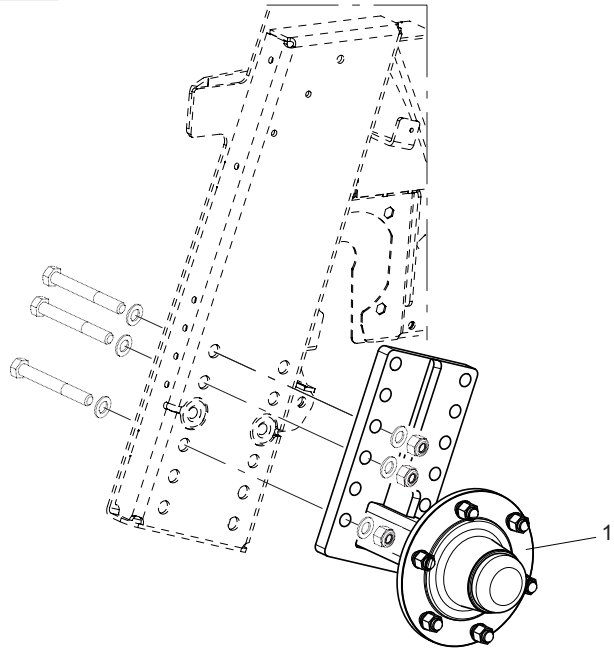
Pos.	Cod.	Descrizione	Description	Description	Benennung	Descripcion
1	B07SP1037R	FIANCATA SX EXTREME 365 HTI	LEFT FLANK EXTREME 365 HTI			
2	B07SP1038R	FIANCATA DX EXTREME 365 HTI	RIGHT FLANK EXTREME 365 HTI			
3	B07SP1108R	ASSALE TELAIO	AXLE FRAME			
4	F01410124R	ROS.M20 21X 37X 3 U6592 ZN	WASHER M20 21X 37X 3 U6592 ZN	RONDEL.M20 21X37X3 ZN	MUTTER M20 21X 37X 3 U6592 ZN	ARAND.M20 21X 37X 3 U6592 ZN
5	F01230134R	DADO M20X 2,5 D982 10 ZN	NUT M20X 2,5 D982 10 ZN			
6	F01020310R	VITE M20X2,5X70 U5737 10.9ZD	SCR. M20X2,5X70 U5737 10.9ZD	VIS M20X2,5X70	SCHRAUBE M20X2,5X70	TORNILLO M20X2,5X70
7	F01021214R	VITE M20X2,5X150 U5737 10.9 ZN	SCREW M20X2,5X150 10,9 ZN			
8	B07S01845R	TAZZA RESTRINGIMENTO	CHAMBER TIGHTENING CUPS	TASSE DE RETRECISSEMENT NEW	KAMMERVERENGUNGSTASSEN	PLATILLO DE REDUCCI N
9	B00471230R	VITE TTEI M12X 30-8.8 UNBRA	SCREW	VIS	SCHRAUBE TTEI M12X 30-8.8	TORNILLO CAB.ALLEN CON HUECO
10	B00251655R	VITE M16X1,5X55-10.9UNI5738	BOLT M16X1,5X55-10.9	VIS ZINGUEE TE M16X1,5 X 55 10	SCHRAUBE VERZINKT TE M16X1,5 X	
11	B014R1640R	ROSETTA 16 UNI 5714-69 ZINC.E	WASHER			
12	B00911316R	DADO M16X1,5 D982 8 ZN	NUT	ECROU M16X1,5 D982 8 ZN	SCHRAUBE	
13	B0C6P0825R	ATTACCO SENSORE	ATTACK SENSORE			
14	B01000011R	RIVETTO STR. 6X12 U9200AAL	RIVET 6X12 U9200AAL	RIVET	ABREISSNIETEN 6X15	REMACHE EXTR. 6X12 U9200AA
15	B01800076R	SILENT BLOCK 50X30-M10	RUBBER BUSHING 50X30-M10	SILENT BLOCK 50X30-M10	SILENTBLOCK 50X30-M10	
16	B00710310R	DADO M10X1,25 U5588 6S ZN	NUT	ECROU	MUTTER M10-6S	TUERCA M10X1,25 U5588 6S
17	F01420061R	ROS.M10 10,5X 40X2,5 U6593 ZN	WASHER 11X40X2,5 6593 ZN	RONDELLE 11X40X2,5 6593 ZN	UNTERLEGSCHIEBE 11X40X2,5 6593	ARANDELA 11X40X2,5 6593 ZN
18	B0C4P0428R	RIPARO GANCIO DX	RIGHT SHELTER HOOK			
19	B0C4P0429R	RIPARO GANCIO SX	LEFT SHELTER HOOK			
20	F01170001R	VITE M 6X16 ZN SEZ.TRIL. U8111	SCREW			
22	B013C0030R	RALLA 16,5X45X8	WASHER 16,5X45X8			
23	B07SP0622R	COLLEGAMENTO ANTER. CERNIERA	CONNECTING THE FRONT			
24	B00161440R	VITE ZN.TE M14X 40-10.9 U5739	SCREW M14X 40 ZN			
25	F01410088R	ROS.M14 15X 28X2,5 U6592 ZN	WAS.M14 15X 28X2,5 U6592 ZB	RON.M14 15X 28X2,5 U6592 ZB	SCH.M14 15X 28X2,5 U6592 ZB	ARA.M14 15X 28X2,5 U6592 ZB
26	B00920514R	DADO M14X 2 D985 8 ZN	NUT	ECROU	SELBSTSICHERNDE MUTTER M14-5S	TUERCA M14X 2 D985 8
27	B03500214R	ALBERO LUNGO	LONG SHAFT	ARBRE LONG	LANGE WELLE	RBOL LARGO
28	B01300623R	CHIUSURA RULLI FOLLI	IDLE ROLLER LOCK	FERMETURE ROULEAUX FOUX	UMLENKWALZENVERSCHLUSS	CIERRE DE RODILLOS LOCOS
29	F04010350R	CUSCINETTO 6307C 2HRS L100 50	BEARING 6307C 2HRS L100 50			
30	BSP000044R	RULLO FOLLE LUNGO	LONG ROLLER			
31	B01519319R	RALLA 16X38X5	FIFTH WHEEL	BUTEE	SCREIBE	RANGUA 16X38X5
32	F01020564R	VITE M16X2X35 U5739 8.8ZN	SCR. M16X2X35 U5739 8.8ZN	VIS M 16X35	SCHRAUBE M 16X35	TORNILLO M16X2X35 U5739 8
33	B07SP0649R	REGOLATORE RULLO LUNGO	CONTROLLER LONG ROLLER			
34	F01200293R	DADO M12X1,75 U5588 CL8 ZN	NUT M12X1,75 U5588 6S ZN	ECROU M12X1,75 U5588 6S ZN	MUTTER M12X1,75 U5588 6S ZN	TUERCA M12X1,75 U5588 CL8 ZN
35	F01410076R	ROS.M12 13X 24X2,5 U6592 ZN	WASHER 12 13X 24X2,5 U6592 ZN	RONDEL. M12 13X24X2,5 U6592 ZN	SCHIEBE M12 13X24X2,5 U6592 ZN	ARAND.M12 13X 24X2,5 U6592 ZN



**TELAIO ANTERIORE (PARTE 2)
FRONT FRAME (PART 2)**

TAV_080

Pos.	Cod.	Descrizione	Description	Description	Benennung	Descripcion
1	B07SP0646R	GANCIO PORTELLONE SX	LEFT HOOK TRUNK			
2	B07SP0664R	SPINA GANCIO PORTELLONE	PLUG DOOR HOOK			
3	B0C6P1009R	RISCONTRO GANCIO	HOOK PLATE			
4	F01020432R	VITE M8X1,25X16 U5739 8.8ZN	SCR. M8X1,25X16 U5739 8.8ZN	VIS M8 X1,25X16 U5739 8.8 ZN	SCHRAUBE M8X1,25X16U5739 8.8ZN	TORNILLO M8X1,25X16 U5739 8.8
5	F01410051R	ROS.M8 8,4X 17X1,6 U6592 ZN	WASHER M8 8,4X17X1,6 U6592 ZN	RONDELLE M8 8,4X17X1,6 ZN	SCHEIBE M8 8,4X17X1,6 U6592 ZN	ARAND.M8 8,4X 17X1,6 U6592 ZN
6	F01020440R	VITE M8X1,25X25 U5739 8.8ZN	SCR. M8X1,25X25 U5739 8.8ZN	VIS M8X1,25X25 U5739 8.8 ZN	SCHRAUBE M8X1,25X25U5739 8.8ZN	TORNILLO M8X1,25X25 U5739 8.8
7	B00920208R	DADO AUTOB.BASSO M 8-5S D985	NUT M8X1 D985 8ZN	ECROU	SELBSTSICHERNDE MUTTER M8-5S	TUERCA M8X1 D985 8
8	B07SP0789R	BATTENTE REGGICATENA DX	SUPPORT CHAIN RIGHT			
9	B07SP1130R	BATTENTE REGGICATENA SX HTI	SWING SUPPORT CHAIN LEFT HTI			
10	B00251655R	VITE M16X1,5X55-10.9UNI5738	BOLT M16X1,5X55-10.9	VIS ZINGUEE TE M16X1,5 X 55 10	SCHRAUBE VERZINKT TE M16X1,5 X	
11	B014R1640R	ROSETTA 16 UNI 5714-69 ZINC.E	WASHER			
12	B00911316R	DADO M16X1,5 D982 8 ZN	NUT	ECROU M16X1,5 D982 8 ZN	SCHRAUBE	
13	B0C1P0528R	TENDITORE PICK-UP	PICK UP TENSIONER			
14	B0C1P0529R	TENDITORE PICK UP LATO SX	PICK UP TENSIONER LEFT SIDE			
15	B07VP0513R	TENDICATENA IN NYLON	NYLON CHAIN TIGHTENER	TENDEUR DE CHAINE EN NYLON		SENSOR DE CADENA DE NYLON
16	F01020164R	VITE M12X1,75X70 U5737 8.8ZN	SCREW M12X1,75X70 U5737 8.8ZN	VIS M12X1,75X70 ZN	SCHR. M12X1,75X70 U5737 8.8 ZN	TORNILLO M12X1,75X70 U5737 8.8
17	F01020158R	VITE M12X1,75X55 U5737 8.8ZN	BOLT M12X1,75X55 U5737 8.8ZN	VIS M12X1,75X55 U5737 8.8 ZN	SCHR. M12X1,75X55 U5737 8.8 ZN	TORN. M12X1,75X55 U5737 8.8 ZN
18	F01020512R	VITE M12X1,75X35 U5739 8.8ZN	SCR. M12X1,75X35 U5739 8.8ZN	VIS M12X1,75X35 5739 8.8 ZN	SCHR. M12X1,75X35 5739 8.8 ZN	TORNILLO M12X1,75X35 U5739 8
19	F01410076R	ROS.M12 13X 24X2,5 U6592 ZN	WASHER 12 13X 24X2,5 U6592 ZN	RONDEL. M12 13X24X2,5 U6592 ZN	SCHEIBE M12 13X24X2,5 U6592 ZN	ARAND.M12 13X 24X2,5 U6592 ZN
20	B01800082R	SILENT BLOCK 30X30-M8X25	SILENT BLOCK 30X30-M8X20	SILENT BLOCK 30X30-M8X20	SILENTBLOCK 30X30-M8X20	SILENT BLOCK 30X30-M8X25
21	B00920208R	DADO AUTOB.BASSO M 8-5S D985	NUT M8X1 D985 8ZN	ECROU	SELBSTSICHERNDE MUTTER M8-5S	TUERCA M8X1 D985 8
23	B0C6P1007R	SUPPORTO SENSORE SX	LEFT SENSOR SUPPORT			
24	B0C6P1008R	SUPPORTO SENSORE DX	RIGHT SENSOR SUPPORT			
25	F01020436R	VITE M8X1,25X20 U5739 8.8ZN	SCR. M8X1,25X20 U5739 8.8ZN	VIS M8X1,25X 20 U5739 8.8 ZN	SCHRAUBE M8X1,25X20U5739 8.8ZN	TORNILLO M8X1,25X20 U5739 8.8
26	F01410051R	ROS.M8 8,4X 17X1,6 U6592 ZN	WASHER M8 8,4X17X1,6 U6592 ZN	RONDELLE M8 8,4X17X1,6 ZN	SCHEIBE M8 8,4X17X1,6 U6592 ZN	ARAND.M8 8,4X 17X1,6 U6592 ZN
27	B0C6P0692R	PIASTRINA ATTACCO CAVI	PLATE CONNECTION CABLES			
28	B01826161R	MOLLA CONTRASTO RULLO	SPRING	RESSORT	FEDER	MUELLE DE CONTRASTE DEL RODI
29	B00545168R	OCCHIOLO PER TENDITORI M12-DX	EYELET M12	OEIL M12	OSE M12	OJAL PARA TENSORES M12-DER
30	F01410076R	ROS.M12 13X 24X2,5 U6592 ZN	WASHER 12 13X 24X2,5 U6592 ZN	RONDEL. M12 13X24X2,5 U6592 ZN	SCHEIBE M12 13X24X2,5 U6592 ZN	ARAND.M12 13X 24X2,5 U6592 ZN
31	F01230213R	DADO M12X1,75 D985 8 ZN	NUT M12X1,75 U7474 6SZN	ECROU AUTOBL. M12	SELBSTSPERR.MUTTER M12	TUERCA M12X1,75 U7474 CL8 ZN
32	B07SP0665R	SPINA PERNO PORTELLONE	PIN PLUG TAILGATE			
33	B07SP0860R	SPINA PERNO PORTELLONE DX	RIGHT PIN PLUG TAILGATE			
34	F01020436R	VITE M8X1,25X20 U5739 8.8ZN	SCR. M8X1,25X20 U5739 8.8ZN	VIS M8X1,25X 20 U5739 8.8 ZN	SCHRAUBE M8X1,25X20U5739 8.8ZN	TORNILLO M8X1,25X20 U5739 8.8
35	B07SP0668R	GUIDACINGHIE ANTERIORE	BELT-GUIDING FRONT			
36	F01020510R	VITE M12X1,75X30 U5739 8.8ZN	SCR. M12X1,75X30 U5739 8.8ZN	VIS M12X1,75X30 U5739 8.8ZN	SCHRAU.M12X1,75X30 U5739 8.8ZN	TORNILLO M12X1,75X30 U5739
37	F01410076R	ROS.M12 13X 24X2,5 U6592 ZN	WASHER 12 13X 24X2,5 U6592 ZN	RONDEL. M12 13X24X2,5 U6592 ZN	SCHEIBE M12 13X24X2,5 U6592 ZN	ARAND.M12 13X 24X2,5 U6592 ZN



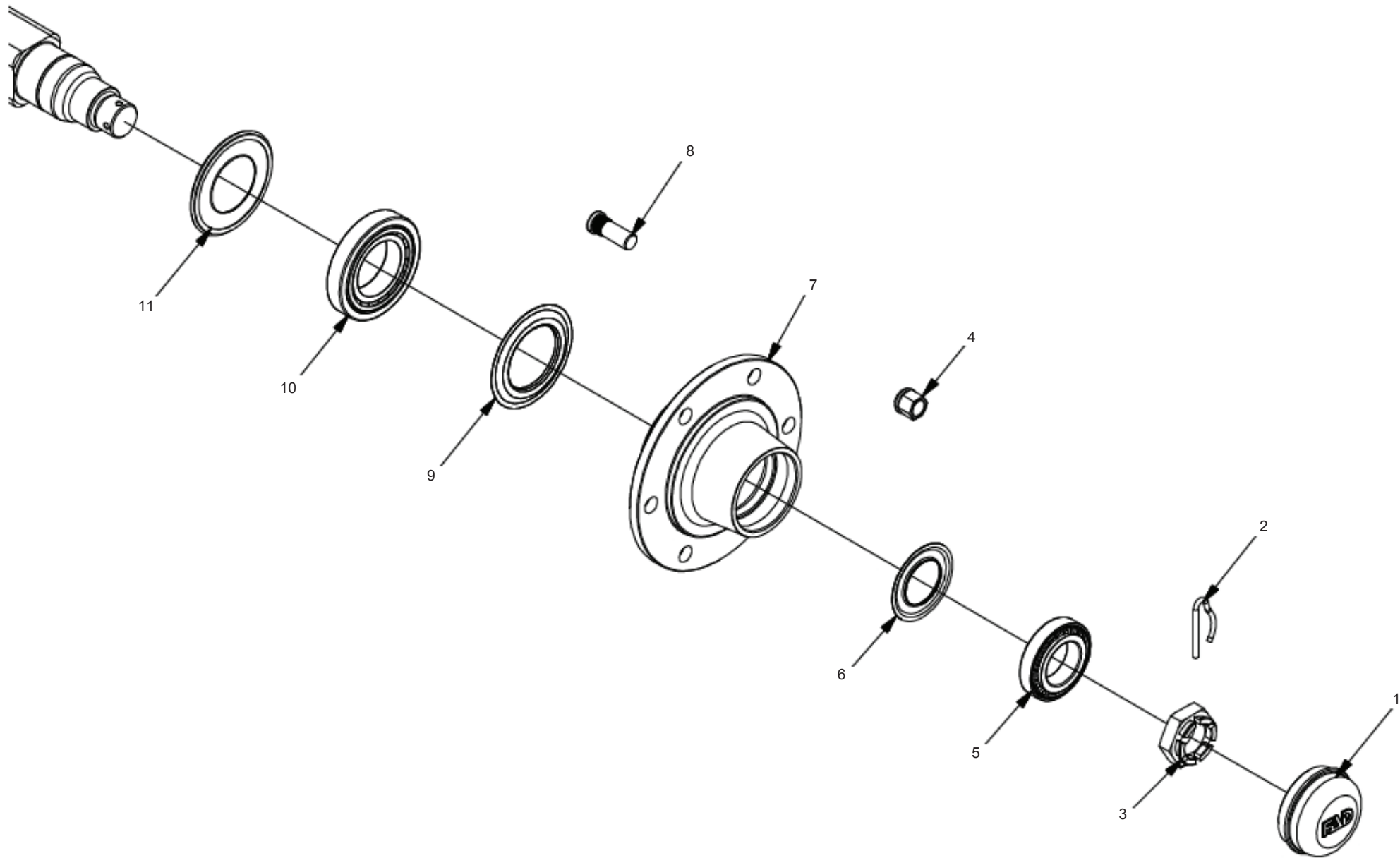
**MOZZI E PNEUMATICI
HUBS AND TYRES**

TAV_560

Pos.	Cod.	Descrizione	Description	Description	Benennung	Descripcion
1	B07SP1192R	MOZZO FAD NON FRENATO	HUB			
2	B0FMP0062R	COMPONENT. MOZZO FAD FRENATO	COMPON.HUB FAD			
3	B07SP1054R	MOZZO FRENATO FAD	CHECKED HUB FAD			
4	B07VP0206R	LEVA COMANDO PERNO	LEVER			
5	B07100022R	RUOTA CPLTA 400-15.5 6F P 14PR	COMPLETE WHEEL	ROUE 400-15.5	RAD KOMPLETT 400.15.5 6F P14PR	RUEDA CPLTA 400-15.5 6F P 14PR
6	B071P0012R	RUOTA COMPLETA 19.0 45-17 FLOT	RUOTA COMPLETA 19.0 45-17 FLO.			



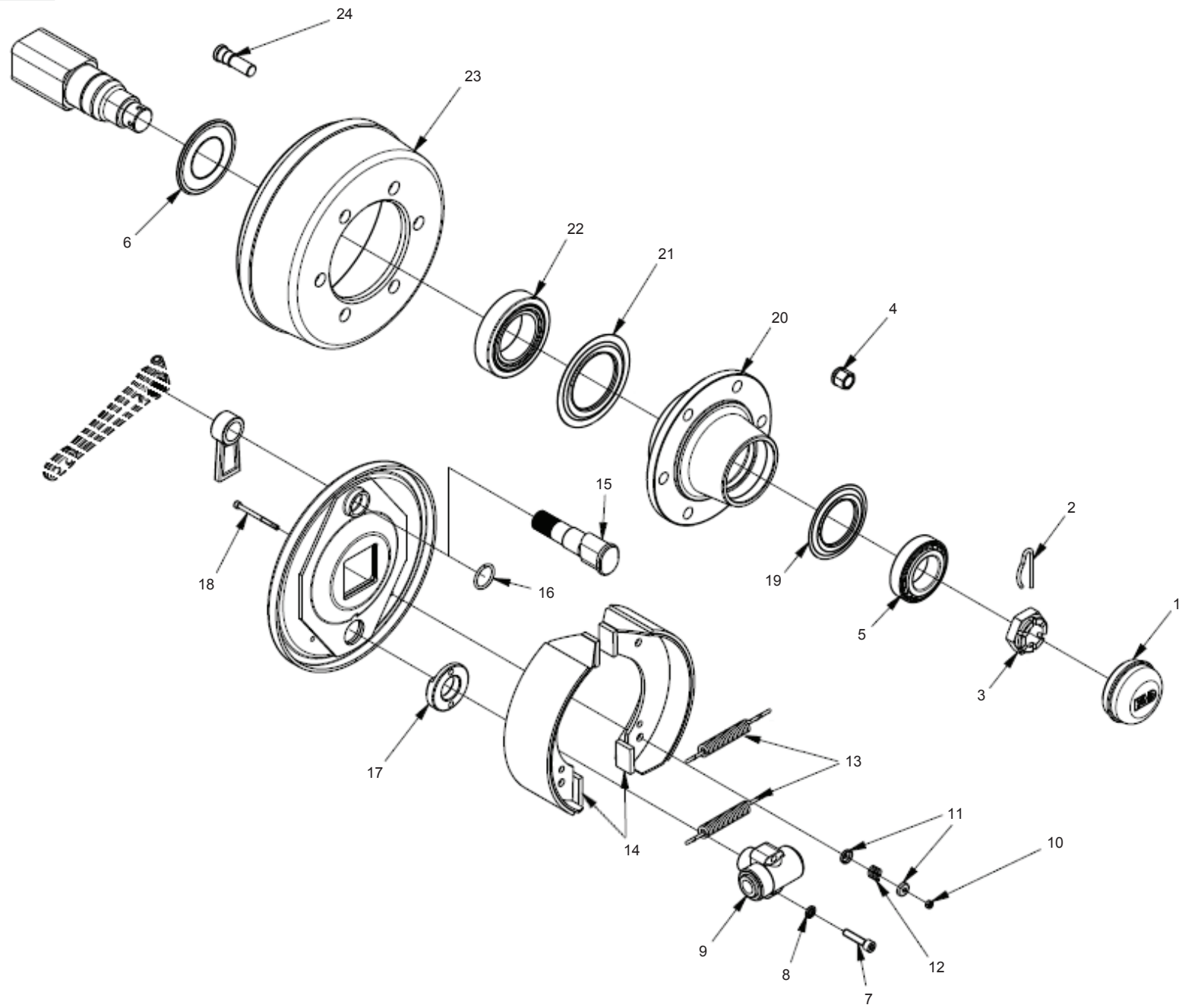
TAV_650



**ESPLOSO MOZZO NON FRENATO
HUB WITHOUT BRAKE PARTS**

TAV_650

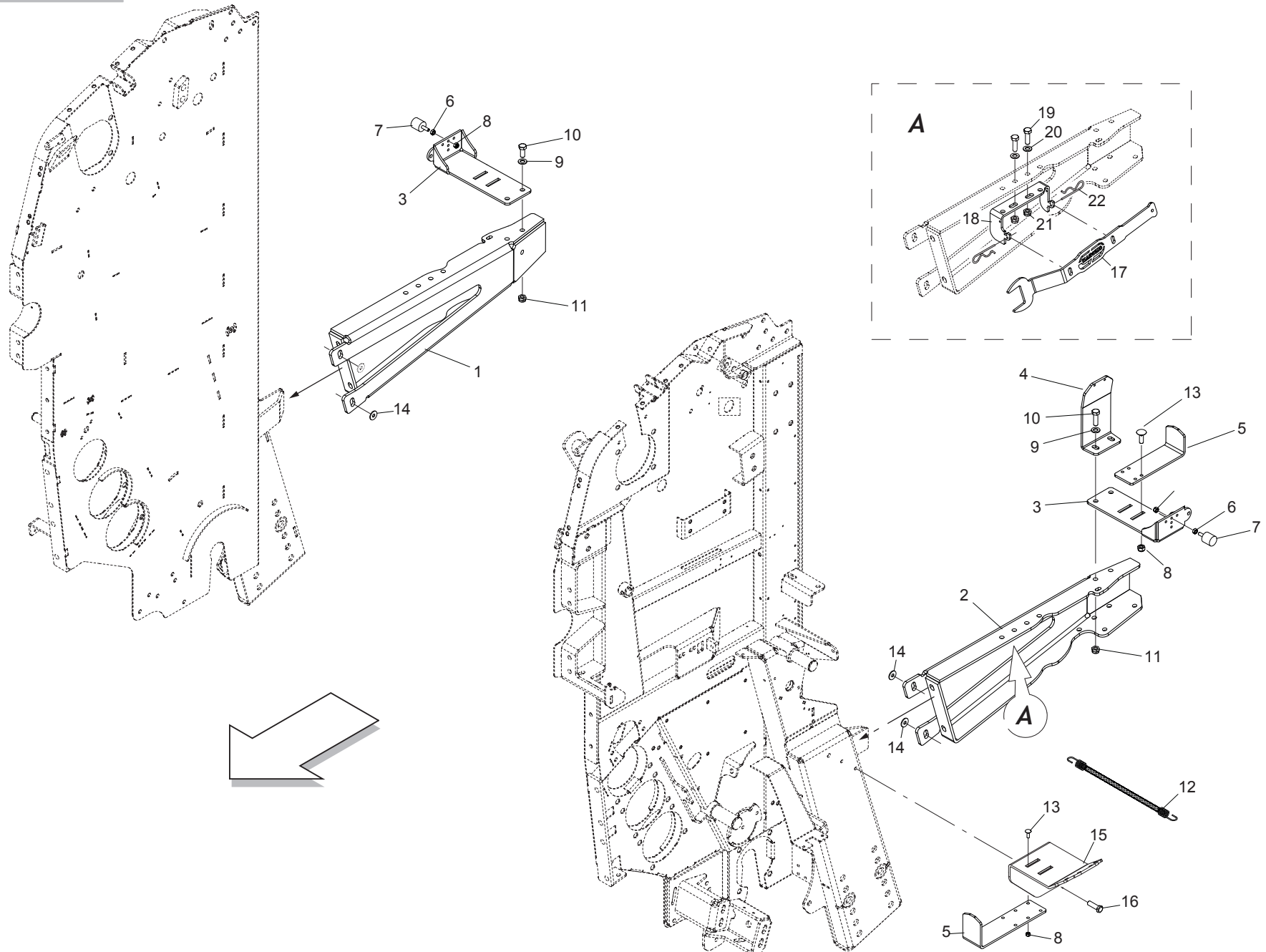
Pos.	Cod.	Descrizione	Description	Description	Benennung	Descripcion
1	B0R001079R	CALOTTA	CAP			
2	B0R001080R	SPINA ELASTICA	SPRING PIN			
3	B0R001081R	DADO INTAGLI	CROWN NUT			
4	B0R001082R	DADO COLONNETTA	WHEEL NUT			
5	B0R001083R	CUSCINETTO ESTERNO	EXTERNAL BEARING			
6	B0R001084R	ANELLO PARAGRASSO	GREASE RING			
7	B0R001104R	MOZZO	HUB			
8	B0R001089R	COLONNETTA	WHEELSTUD			
9	B0R001086R	ANELLO PARAGRASSO	GREASE RING			
10	B0R001087R	CUSCINETTO INTERNO	INNER BEARING			
11	B0R001105R	ANELLO DI TENUTA	RETAINING RING			



**ESPLOSO MOZZO CON FRENO
HUB WITH BRAKE PARTS**

TAV_660

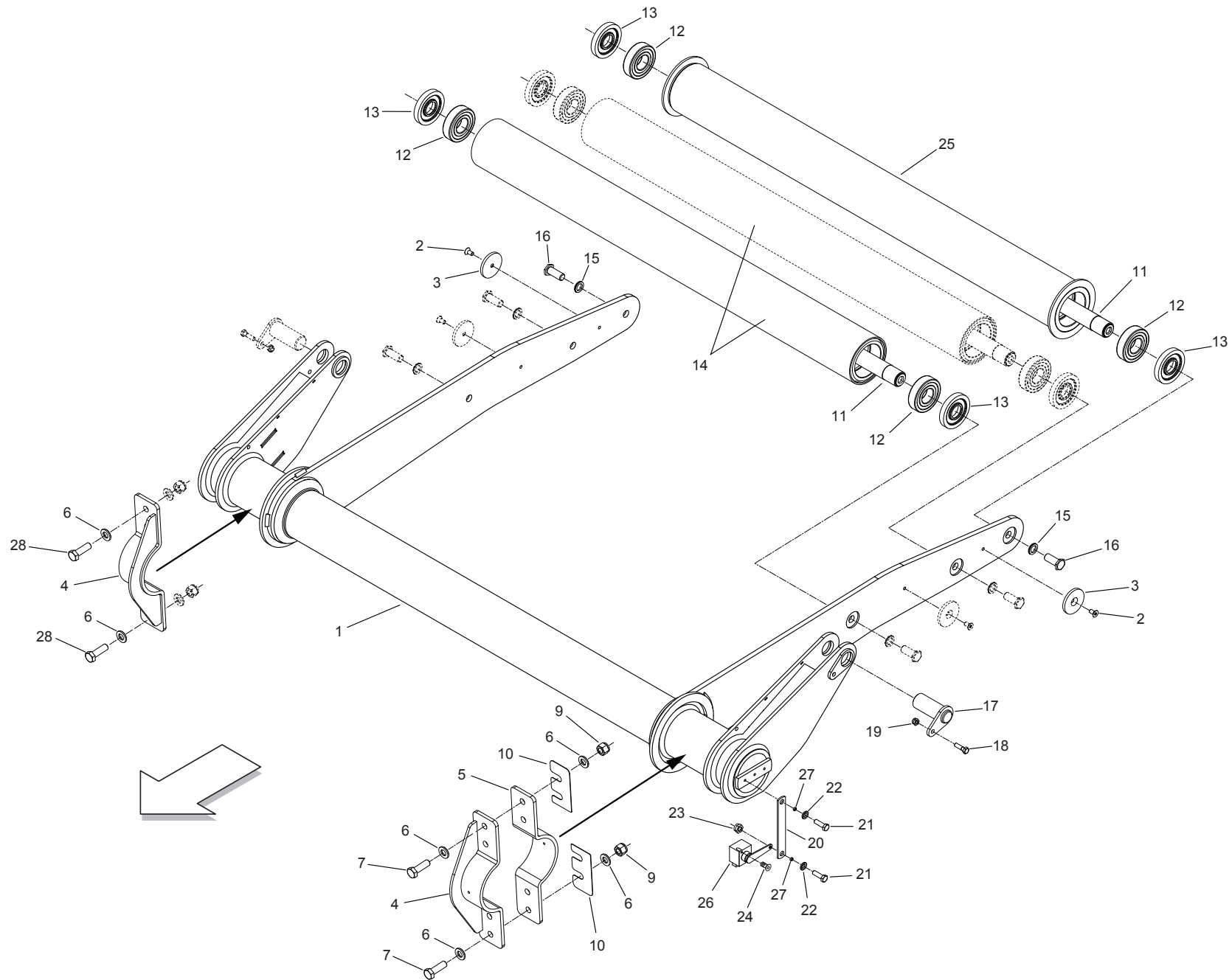
Pos.	Cod.	Descrizione	Description	Description	Benennung	Descripcion
1	B0R001079R	CALOTTA	CAP			
2	B0R001080R	SPINA ELASTICA	SPRING PIN			
3	B0R001081R	DADO INTAGLI	CROWN NUT			
4	B0R001082R	DADO COLONNETTA	WHEEL NUT			
5	B0R001083R	CUSCINETTO ESTERNO	EXTERNAL BEARING			
6	B0R001090R	ANELLO DI TENUTA	RETAINING RING			
7	B0R001091R	VITE	SCREW			
8	B0R001092R	RONDELLA	WASHER			
9	B0R001093R	CILINDRO	CYLINDER			
10	B0R001094R	DADO	NUT			
11	B0R001095R	SUPPORTO	SUPPORT			
12	B0R001096R	MOLLA	SPRING			
13	B0R001097R	MOLLA	SPRING			
14	B0R001098R	MASSA FRENO COMPLETA	BRAKESHOES ASSEMBLED			
15	B0R001099R	ALBERO CAMMA	CAM SHAFT			
16	B0R001100R	ANELLO DI ARRESTO CAMMA	CAMESHAFT RING			
17	B0R001101R	SUPPORTO	SUPPORT			
18	B0R001102R	VITE	SCREW			
19	B0R001084R	ANELLO PARAGRASSO	GREASE RING			
20	B0R001085R	MOZZO	HUB			
21	B0R001086R	ANELLO PARAGRASSO	GREASE RING			
22	B0R001087R	CUSCINETTO INTERNO	INNER BEARING			
23	B0R001088R	TAMBURO	DRUM			
24	B0R001089R	COLONNETTA	WHEELSTUD			



**ROLLBAR
ROLLBAR**

TAV_210

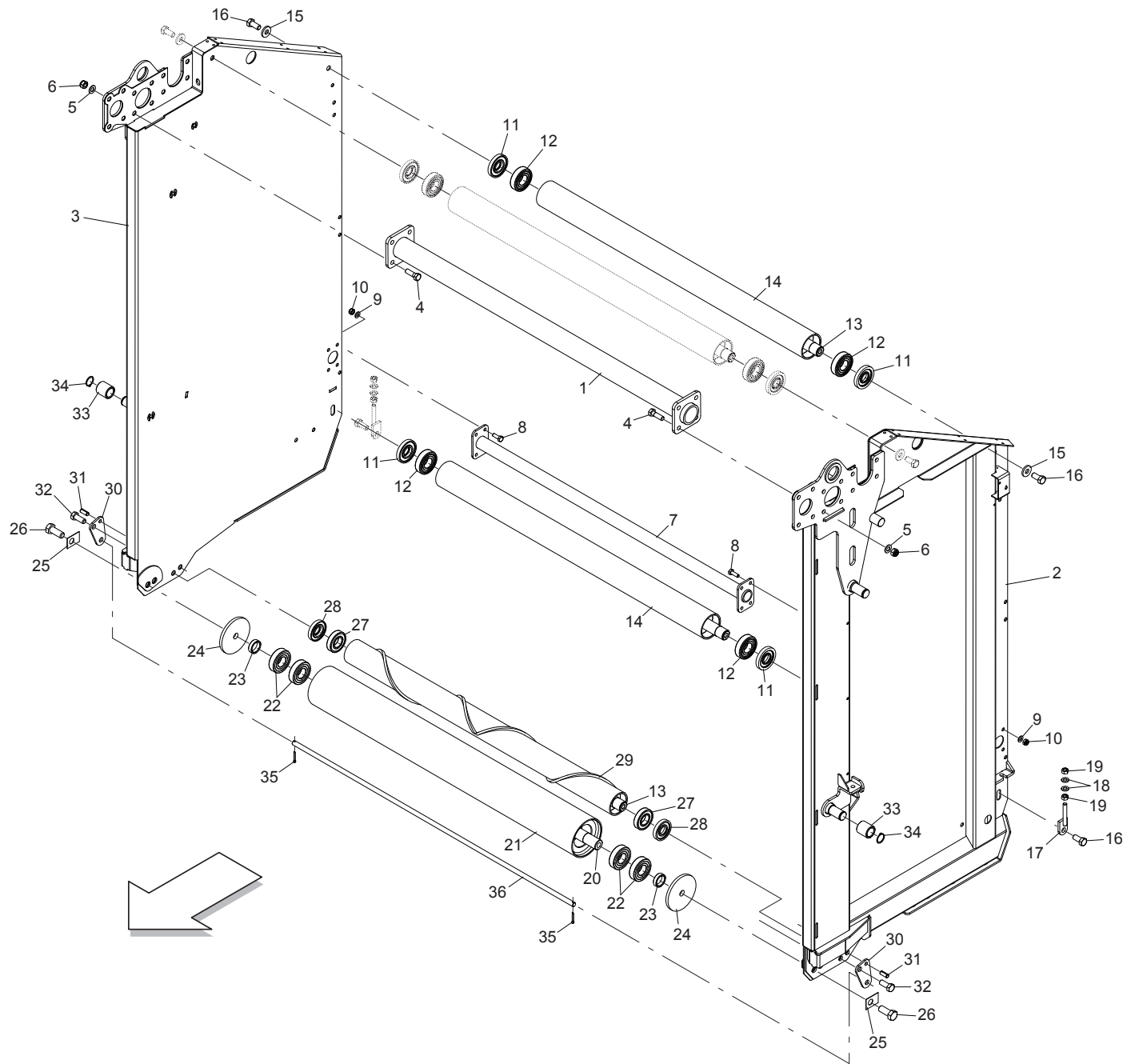
Pos.	Cod.	Descrizione	Description	Description	Benennung	Descripcion
1	B0C1P1006R	ROLL-BAR DESTRO 365	RIGHT ROLL-BAR 365			
2	B0C1P1011R	ROLL-BAR SINISTRO 365	LEFT ROLL-BAR 365			
3	B0C4P0518R	STAFFA POSTERIORE	REAR HANGER			
4	B0C4P0524R	SUPPORTO STAFFA POSTERIORE	REAR SUPPORT BRACKET			
5	B0C6P1123R	STAFFETTA CONTIENI RULLO RETE	STIRRUP			
6	F01200244R	DADO M8X1,25 U5588 CL8 ZN	NUT M8X1,25 U5588 6.8ZN	ECROU M8 X1,25 U5588 6.8 ZN	MUTTER M8 X1,25 U5588 6.8 ZN	TUERCA M8X1,25 U5588 CL8 ZN
7	B01800082R	SILENT BLOCK 30X30-M8X25	SILENT BLOCK 30X30-M8X20	SILENT BLOCK 30X30-M8X20	SILENTBLOCK 30X30-M8X20	SILENT BLOCK 30X30-M8X25
8	B00920208R	DADO AUTOB.BASSO M 8-5S D985	NUT M8X1 D985 8ZN	ECROU	SELBSTSICHERNDE MUTTER M8-5S	TUERCA M8X1 D985 8
9	F01410076R	ROS.M12 13X 24X2,5 U6592 ZN	WASHER 12 13X 24X2,5 U6592 ZN	RONDEL. M12 13X24X2,5 U6592 ZN	SCHLEIBE M12 13X24X2,5 U6592 ZN	ARAND.M12 13X 24X2,5 U6592 ZN
10	F01020510R	VITE M12X1,75X30 U5739 8.8ZN	SCR. M12X1,75X30 U5739 8.8ZN	VIS M12X1,75X30 U5739 8.8ZN	SCHRAU.M12X1,75X30 U5739 8.8ZN	TORNILLO M12X1,75X30 U5739
11	F01230213R	DADO M12X1,75 D985 8 ZN	NUT M12X1,75 U7474 6SZN	ECROU AUTOBL. M12	SELBSTSPERR.MUTTER M12	TUERCA M12X1,75 U7474 CL8 ZN
12	B07V00107R	FUNE ELASTICA CON GANCI	ELASTIC CABLE WITH HOOKS	CABLE ELASTIQUE AVEC CROCHETS	ELASTISCHES SEIL MIT HAKEN	CABLE EL STICO CON GANCHOS
13	F01060202R	VITE M8X1,25X25 U5731 4.6ZN	SCR. M8X1,25X25 U5731 4.6ZN	VIS M8X1,25X25 U5731 4.6	DUEBEL M8X1,25X25 U5731 4.6 ZN	TORNILLO M8X1,25X25 U5731 4.6
14	F01420120R	ROS.M12 13X36X2,5 U6593 ZN	WASHER M12 13X36X2,5 U6593 ZN	RONDELLE M12 13X36X2,5 ZN		ARAND.M12 13X36X2,5 U6593 ZN
15	B0C3P0338R	SOSTEGNO ROTOLO RETE SX	NET LEFT SUPPORT			
16	F01020514R	VITE M12X1,75X40 U5739 8.8ZN	SCR. M12X1,75X40 U5739 8.8ZN	VIS M12X1,75X40 U5739 8.8ZN	SCHRA. M12X1,75X40 U5739 8.8ZN	TORNILLO M12X1,75X40 U5739 8.
17	B0C1P1496R	CHIAVE PER ROSTA SE-F 38	TOOL FOR ROSTA SE-F 38			
18	B0C1P1502R	SUPPORTO PER CHIAVE PER ROSTA	TOOL S SUPPORT FOR ROSTA			
19	F01020476R	VITE M10X1,5X30 U5739 8.8ZN	SCR. M10X1,5X30 U5739 8.8ZN	VIS M10X1,5X30 U5739 8.8 ZN	SCHRAUBE M10X1,5X30U5739 8.8ZN	TORNILLO M10X1,5X30 U5739 8.8
20	F01230202R	DADO M10X 1,5 D985 8 ZN	NUT M10 D985	ECROU AUTOBL. M10	SELBSTSPERR.MUTTER M10	TUERCA M10X 1,5 D985 8
21	F01410062R	ROS.M10 10,5X 18X 2 U6592 ZN	WASHER M10 10,5X 18X 2 U6592	RONDELLE M10 10,5X18X2 ZN	DICHTUNGSRING M10 10,5X18X2 ZN	ARAND.M10 10,5X 18X 2 U6592 ZN
22	F02200363R	COPIGLIA R 3X 62 ZN	SPRING SPLIT PIN 3X 62 ZN	GOUPILLE R 3X62	SPLINT R 3X62	PASADOR R 3X 62



**BILANCIERE
BELT TENSIONER ARM**

TAV_130

Pos.	Cod.	Descrizione	Description	Description	Benennung	Descripcion
1	B07SP0811R	BRACCIO TENDICINGHIE 365	BELT-STRETCHER ARM 365			
2	B00440816R	VITE ZN.TSPEI M 8X16-10.9U5933	SCREW			
3	B013P0324R	PATTINO STRISCIAMENTO BILANCIE	CREEP RUBBER			
4	B07SP0658R	CAVALLOTTO DI CHIUSURA	CLOSING			
5	B0C4P0537R	CAVALLOTTO VERNICIATO	PAINTED JUMPER			
6	B014R1440R	ROSETTA 14 UNI 5714-69 ZINC.E	WASHER			
7	B00251460R	VIT ZN.TE M14X1,5X60-10.9U5538	SCREW			
9	B00911314R	DADO AUT.ALTO M14X1,5-8G D982	NUT			
10	B0C6P0815R	SPESSORE DI REGOLAZIONE	THICKNESS ADJUSTMENT			
11	B03500213R	ALBERO CORTO	SHORT SHAFT	ARBRE COURT	KURZE WELLE	RBOL CORTO
12	F04010350R	CUSCINETTO 6307C 2HRS L100 50	BEARING 6307C 2HRS L100 50			
13	B01300623R	CHIUSURA RULLI FOLLI	IDLE ROLLER LOCK	FERMETURE ROULEAUX FOUX	UMLLENKWALZENVERSCHLUSS	CIERRE DE RODILLOS LOCOS
14	B07SP0614R	RULLO FOLLE CORTO	ROLLER SHORT			
15	B014F1634R	RONDELLA NORD-LOCK NL16	BUSHING NORD-LOCK NL16			
16	B005C0019R	VITE M16X35 RIBASSATA	SCREW			
17	B07SP0810R	SPINA MARTINETTO	CYLINDER PIN			
18	F01020065R	VITE M 8X1,25X 30 U5737 8.8ZN	SCREW M 8X1,25X 30 U5737 8.8Z			
19	B00920208R	DADO AUTOB.BASSO M 8-5S D985	NUT M8X1 D985 8ZN	ECROU	SELBSTSICHERNDE MUTTER M8-5S	TUERCA M8X1 D985 8
20	B0C004227R	PIATTO SPOSTAMENTO SENSORE	SENSOR SHIFTING PLATE	PLAT COURSE SENSEUR	SENSORVERSCHIEBERPLATTE	PLATO DE DESPLAZAMIENTO DEL
21	F01020404R	VITE M6X1X20 U5739 8.8ZN	SCREW M6X1X20 U5739 8.8ZN	VIS M6X1X20 U5739 8.8ZN	SCHRAUBE M6X1X20 U5739 8.8ZN	TORNILLO M6X1X20 U5739 8.8ZN
22	F01420036R	ROS.M6 6,4X 18X1,5 U6593 ZN	WASHER M6 6,4X 18X1,5 U6593 ZN	RONDELLE M6 6,4X18X1,5 U6593ZN	SCHIEBEN M6 6,4X18X1,5U6593 ZN	ARANDELA M6 6,4X18X1,5U6593ZN
23	B00920106R	DADO M6X1 D985 8ZN	NUT	ECROU	SELBSTSICHERNDE MUTTER M6-5S	TUERCA M6X1 D985 8
24	B00440510R	VITE TSPEI M 5X 10-10.9 UNI 5	SCREW	VIS	SCHRAUBE TSPEI M5X 10-10.9	TORNILLO CAB. AVE.ALLEN PAV.M
25	BSP000068R	RULLO FOLLE CORTO CON GUIDA CI	SHORT ROLLER WITH GUIDE			
26	B0E0P0073R	SENS. ANG.AB91743 120 0.5-4.5V	POT SIZE BALE 60	SENS. ANG.AB91743 120 0.5-4.5V		POTENCI METRO DIMENSIONES DE
27	B01300866R	BOCCOLA DI MOVIMENTO	BUSH	DOUILLE	BUCHSE	CASQUILLO DE MOVIMIENTO
28	B00251445R	VITE Z.TE M14X1,5X45-10.9U5738	SCREW			

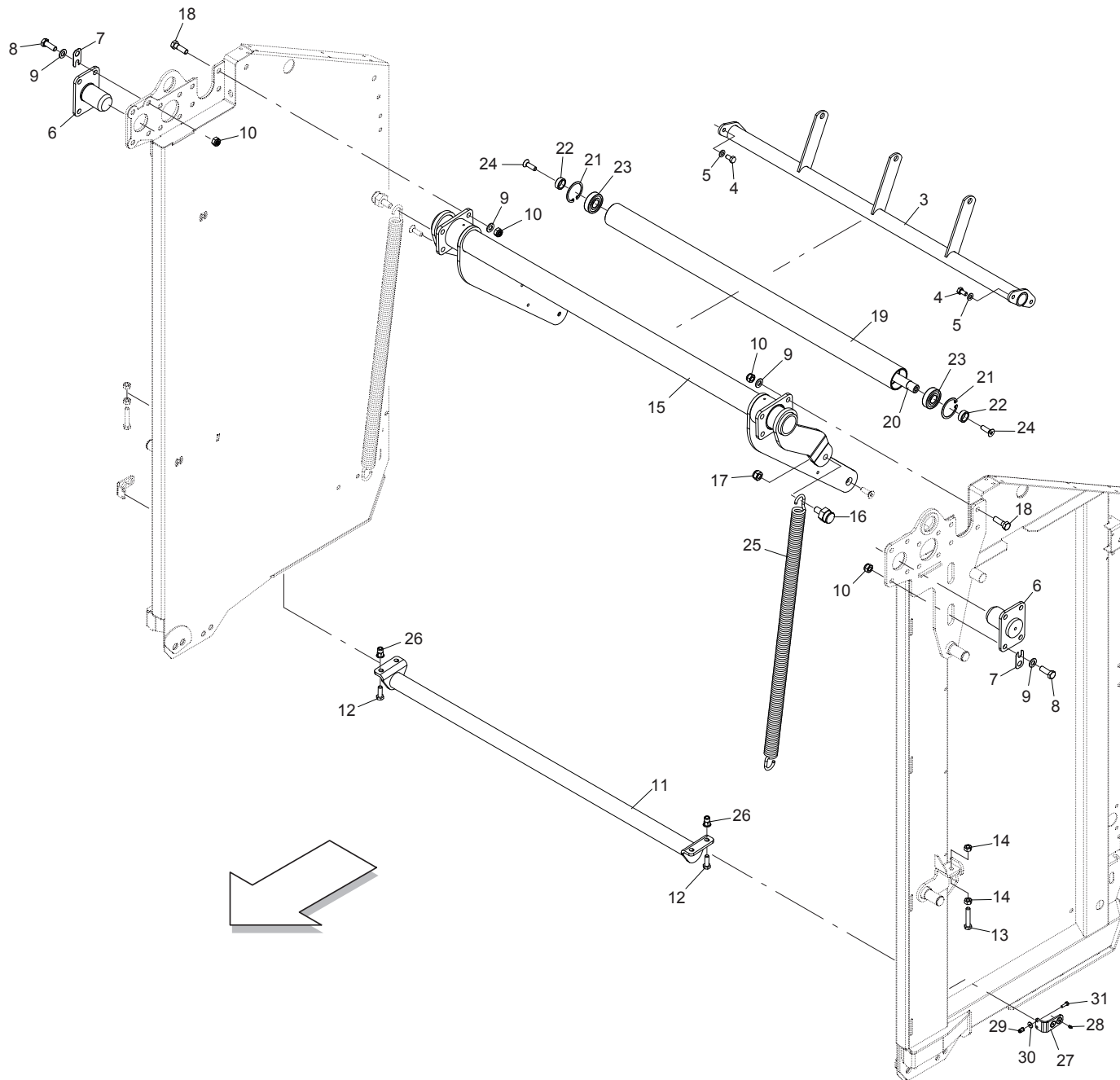


**PORTELLONE (PARTE 1)
REAR GATE (PART 1)**

TAV_090

Pos.	Cod.	Descrizione	Description	Description	Benennung	Descripcion
1	B07SP0621R	COLLEGAMENTO PORTELLONE	TAILGATE CONNECTION			
2	B07SP0791R	FIANCATA SX PORTELLONE 365	LEFT SIDE TAILGATE 365			
3	B07SP0792R	FIANCATA DX PORTELLONE 365	RIGHT SIDE			
4	F01020198R	VITE M14X2X45 U5737 8.8ZN	SCR. M14X2X45 U5737 8.8ZN	VIS 14X45 5737 8.G ZN *	SCHRAUBE 14X45 5737 8.G ZN *	TORNILLO 14X45 5737 8.G ZN *
5	F01410088R	ROS.M14 15X 28X2,5 U6592 ZN	WAS.M14 15X 28X2,5 U6592 ZB	RON.M14 15X 28X2,5 U6592 ZB	SCH.M14 15X 28X2,5 U6592 ZB	ARA.M14 15X 28X2,5 U6592 ZB
6	B00920514R	DADO M14X 2 D985 8 ZN	NUT	ECROU	SELBSTSICHERNDE MUTTER M14-5S	TUERCA M14X 2 D985 8
7	B07SP0469R	COLLEGAMENTO POSTERIORE	BACK CONNECTION			
8	F01020476R	VITE M10X1,5X30 U5739 8.8ZN	SCR. M10X1,5X30 U5739 8.8ZN	VIS M10X1,5X30 U5739 8.8 ZN	SCHRAUBE M10X1,5X30U5739 8.8ZN	TORNILLO M10X1,5X30 U5739 8.8
9	F01410064R	ROS.M10 10,5X 20X 2 U6592 ZN	WASHER M10 10,5X20X2 U6592 ZN	RONDEL. M10 10,5X20X2 U6592 ZN	SCHEIBE M10 10,5X20X2 U6592 ZN	ARAND.M10 10,5X 20X 2 U6592 ZN
10	F01230202R	DADO M10X 1,5 D985 8 ZN	NUT M10 D985	ECROU AUTOBL. M10	SELBSTSPERR.MUTTER M10	TUERCA M10X 1,5 D985 8
11	B01300623R	CHIUSURA RULLI FOLLI	IDLE ROLLER LOCK	FERMETURE ROULEAUX FOUX	UMLLENK WALZENVERSCHLUSS	CIERRE DE RODILLOS LOCOS
12	F04010350R	CUSCINETTO 6307C 2HRS L100 50	BEARING 6307C 2HRS L100 50			
13	B03500214R	ALBERO LUNGO	LONG SHAFT	ARBRE LONG	LANGE WELLE	RBOL LARGO
14	B03500172R	RULLO FOLLE	IDLE ROLLER	ROULEAU FOU	UMLLENK WALZE	RODILLO LOCO
15	B01519319R	RALLA 16X38X5	FIFTH WHEEL	BUTEE	SCREIBE	RANGUA 16X38X5
16	F01020564R	VITE M16X2X35 U5739 8.8ZN	SCR. M16X2X35 U5739 8.8ZN	VIS M 16X35	SCHRAUBE M 16X35	TORNILLO M16X2X35 U5739 8
17	B07S01608R	REGOLATORE RULLO	ROLLER ADJUSTER	REGLEUR ROULEAU	WALZENEINSTELLER	REGULADOR DEL RODILLO
18	F01410076R	ROS.M12 13X 24X2,5 U6592 ZN	WASHER 12 13X 24X2,5 U6592 ZN	RONDEL. M12 13X24X2,5 U6592 ZN	SCHEIBE M12 13X24X2,5 U6592 ZN	ARAND.M12 13X 24X2,5 U6592 ZN
19	F01200293R	DADO M12X1,75 U5588 CL8 ZN	NUT M12X1,75 U5588 6S ZN	ECROU M12X1,75 U5588 6S ZN	MUTTER M12X1,75 U5588 6S ZN	TUERCA M12X1,75 U5588 CL8 ZN
20	B03500237R	ALBERO CORTO	SHORT SHAFT	ARBRE COURT	KURZE WELLE	RBOL CORTO
21	B07S00959R	RULLO FOLLE PORTELLONE	TAIL GATE IDLE ROLLER	ROULEAU FOU PORTE EN ARRIERE	HECKKLAPPENUMLENK WALZE	RODILLO LOCO DE LA PUERTA
22	F04010350R	CUSCINETTO 6307C 2HRS L100 50	BEARING 6307C 2HRS L100 50			
23	B01300523R	DISTANZIALE 35X 45X12,5	SPACER	ENTRETOISE	DISTANZSTUECK 35X45X12,5	DISTANCIADOR 35X 45X12,5
24	B01300590R	RALLA 20,5 128 10	FIFTH WHEEL	BUTEE	SCHEIBE 20,5 128 10	RANGUA 20,5 128 10
25	B0C004148R	RALLA DI FERMO	LOCK WASHER	BUTEE D ARRET	ANSCHLAGPLATTE	RANGUA DE TOPE
26	F01020605R	VITE M20X2,5X50 U5739 8.8ZN	SCR. M20X2,5X50 U5739 8.8ZN	VIS M 20X2,5X50	SCHRAUBE M 20X2,5X50	TORNILLO M20X2,5X50 U5739 8.8
27	B02043517R	CUSC. 6207-2RS CAT.B-ST004	BEARING	ROULEMENT	LAGER 6207-2RS	COJIN. 6207-2RS CAT.B-ST00
28	B013P0150R	CHIUSURA RULLI PULITORE	ROLLER LOCK	FERMETURE ROULEAUX	WALZEN VERSCHLUSS	CIERRE DE RODILLOS DEL LIMPIADOR
29	B07SP0293R	RULLO PULITORE	CLEANER ROLLER	ROULEAU POLISSEUS	REINIGUNGSWALZE	RODILLO LIMPIADOR
30	B0C6P0219R	GUIDA LAT.	LATERAL GUIDE	GUIDE LATERAL	FUEHRUNG SEITE	
31	B01111230R	SPINA ELAST.12X 30 SS DIN 1481	PIN	GROUPILLE ELASTIQUE	STIFT	
32	F01020566R	VITE M16X2X40 U5739 8.8ZN	SCR. M16X2X40 U5739 8.8ZN	VIS M16X2X40 U5739 8.8 ZN	SCHRAUBE M16X2X40 U5739 8.8 ZN	TORNILLO M16X2X40 U5739 8
33	B01300612R	DISTANZIALE 30,5X42X45	SPACER	ENTRETOISE	DISTANZSTUECK 30,5X42X45	DISTANCIADOR 30,5X42X45
34	F02050112R	ANELLO E.DE 30X 1,5 U7435 ZN	SEEGER RING 30X 1,5 U7435 C70	SEEGER E. 30 X 1,5 U7435 C70	SEEGERING E. 30X 1,5 U7435 C70	ANILLO E. 30 X 1,5 U7435 C70
35	F02200195R	COPIGLIA 4X 30 U1336 ZN	SPLIT PIN 4 X30 U1336 ZN	GOUPILLE 4 X30 U1336 ZN	SPLINT 4 X30 U1336 ZN	CLAVIJA 4 X30 U1336 ZN
36	B01300855R	SPINA GUIDACINGHIE L=1235	BELT GUIDE PIN	GOUPILLE GUIDE-COURROIES	RIEMEN STIFT	

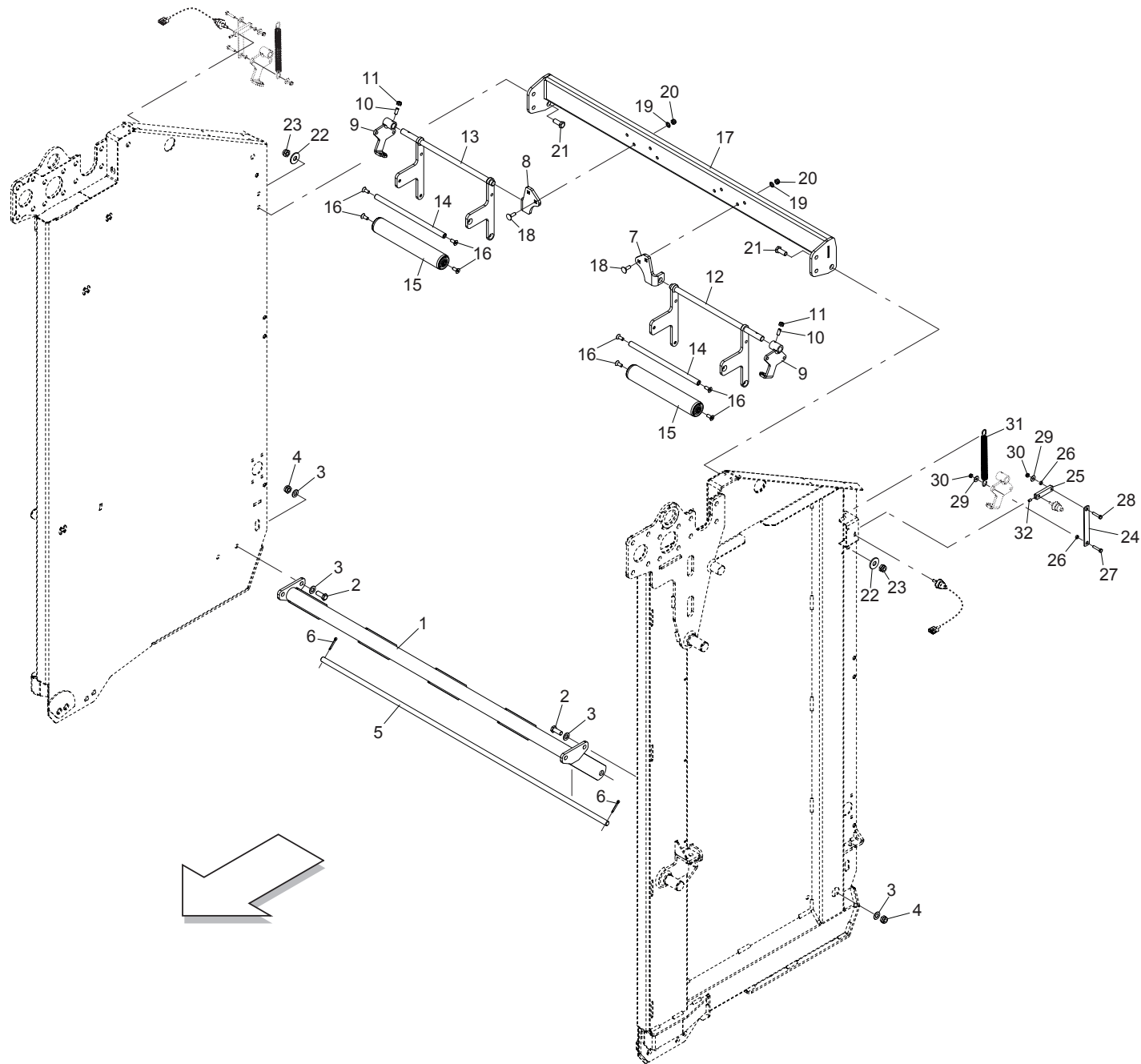
TAV_100



**PORTELLONE (PARTE 2)
REAR GATE (PART 2)**

TAV_100

Pos.	Cod.	Descrizione	Description	Description	Benennung	Descripcion
3	B07SP0683R	GUIDACINGHIE	PIPE PALETTE			
4	F01020470R	VITE M10X1,5X20 U5739 8.8ZN	SCR. M10X1,5X20 U5739 8.8ZN	VIS M10X1,5X20 U5739 8.8 ZN	SCHRAUBE M10X1,5X20 U5739 ZN	TORNILLO M10X1,5X20 U5739 8
5	F01410064R	ROS.M10 10,5X 20X 2 U6592 ZN	WASHER M10 10,5X20X2 U6592 ZN	RONDEL. M10 10,5X20X2 U6592 ZN	SCHLEIBE M10 10,5X20X2 U6592 ZN	ARAND.M10 10,5X 20X 2 U6592 ZN
6	B07SP0626R	SPINA CERNIERA	PIN CHAIN			
7	B0C6P0692R	PIASTRINA ATTACCO CAVI	PLATE CONNECTION CABLES			
8	B00161440R	VITE ZN.TE M14X 40-10.9 U5739	SCREW M14X 40 ZN			
9	F01410088R	ROS.M14 15X 28X2,5 U6592 ZN	WAS.M14 15X 28X2,5 U6592 ZB	RON.M14 15X 28X2,5 U6592 ZB	SCH.M14 15X 28X2,5 U6592 ZB	ARA.M14 15X 28X2,5 U6592 ZB
10	B00920514R	DADO M14X 2 D985 8 ZN	NUT	ECROU	SELBSTSICHERNDE MUTTER M14-5S	TUERCA M14X 2 D985 8
11	B07SP0099R	COLLEGAMENTO INFERIORE LT	LOWER CONNECTION LT	CONNEXION INFERIEURE LT	UNTERER ANSCHLUSS LT	
12	F01020512R	VITE M12X1,75X35 U5739 8.8ZN	SCR. M12X1,75X35 U5739 8.8ZN	VIS M12X1,75X35 5739 8.8 ZN	SCHR. M12X1,75X35 5739 8.8 ZN	TORNILLO M12X1,75X35 U5739 8
13	F01020519R	VITE M12X1,75X 60 U5739 8.8ZN	SCREW M12X1,75X 60 U5739 8.8ZN			TORNILLO M12X1,75X 60 U5739 8
14	F01200293R	DADO M12X1,75 U5588 CL8 ZN	NUT M12X1,75 U5588 6S ZN	ECROU M12X1,75 U5588 6S ZN	MUTTER M12X1,75 U5588 6S ZN	TUERCA M12X1,75 U5588 CL8 ZN
15	B07SP0790R	II BILANCIERE 365	ROCKER			
16	B01300937R	PERNO MOLLONE	SPRING BOLT	PIVOT	FEDERBOLZEN	PERNO MUELLE DISTANCIADOR
17	B00920516R	DADO M16X 1,5 D985 6S ZN	NUT M16X1,5 D985 6S ZN	ECROU	SELBSTSICHERNDE MUTTER M16-5S	TUERCA M16X 1,5 D985 6S
18	F01020198R	VITE M14X2X45 U5737 8.8ZN	SCR. M14X2X45 U5737 8.8ZN	VIS 14X45 5737 8.G ZN *	SCHRAUBE 14X45 5737 8.G ZN *	TORNILLO 14X45 5737 8.G ZN *
19	BSP000045R	RULLO FOLLE 2 BILANCIERE	ROLLER			
20	B035P0119R	PERNO FOLLE 2 BILANCIERE	PIN FOLLE 2 BILANCIERE			
21	B01710062R	ANEL. D ARR. FORO 62-I UNI3654	SEEGER RING	BAGUE SEEGER	SEEGERRING 62-I	
22	B01300934R	DISTANZIALE 25,5X33,7X12	SPACER	ENTRETOISE	DISTANZSTUCK 25,5X33,7X12	DISTANCIADOR 25,5X33,7X12
23	B02042517R	CUSC 6305-2RS CAT.B-ST004	BEARING	ROULEMENT	LAGER 6305-2RS	COJIN 6305-2RS CAT.B-ST004
24	F01030111R	VITE M12X1,75X40 U5933 10.9ZD	SCR. M12X1,75X40 U5933 10.9ZD	VIS 12X40 5933 8.8 ZN	SCHRAUBE 12X40 5933 8.8 ZN	TORNILLO M12X1,75X40 U5933 10.
25	B01800037R	MOLLA II BILANCERE	II. BELTTENSIONER SPRING	RESSORT II BILANCIER	ZWEITER GURTENSPANNERFEDER	MUELLE II BALANC N
26	B00990012R	INSERTO ESAGONALE M12	HEXAGONAL NUT M12			
27	B07SG0058R	SALD.STAFFA PORTA ING.ALA SX 0	SALD.STAFFA PORTA ING.ALA SX .			
28	F01100011R	ING.M 6X1 7663-A 9SMNPB28 ZN	GREASE NIPPLE M6X1 7663-A ZN	GRAISS. A BILLE M6X1 7663A ZN	SCHMIERBUECHE M6X1 7663-A ZN	ENG.M 6X1 7663-A 9SMNPB28 ZN
29	B00990009R	INSERTO ESAGONALE M6	HEXAGONAL CONNECTION M6	CONNECTION HEXAGONALE	SECHSECKIGER EINSATZ M6	
30	F01420036R	ROS.M6 6,4X 18X1,5 U6593 ZN	WASHER M6 6,4X 18X1,5 U6593 ZN	RONDELLE M6 6,4X18X1,5 U6593ZN	SCHLEIBEN M6 6,4X18X1,5U6593 ZN	ARANDELA M6 6,4X18X1,5U6593ZN
31	F01020404R	VITE M6X1X20 U5739 8.8ZN	SCREW M6X1X20 U5739 8.8ZN	VIS M6X1X20 U5739 8.8ZN	SCHRAUBE M6X1X20 U5739 8.8ZN	TORNILLO M6X1X20 U5739 8.8ZN

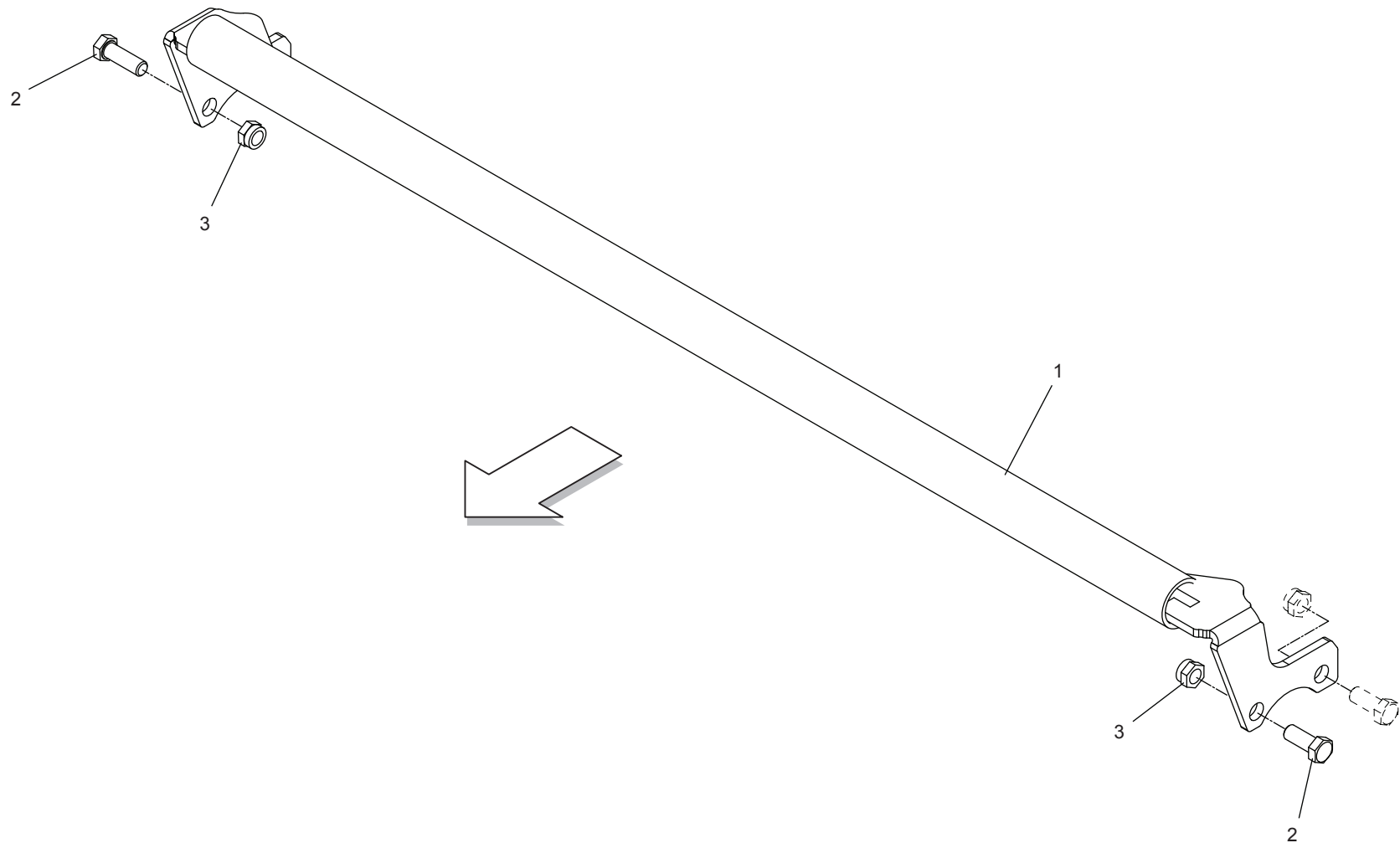


**PORTELLONE (PARTE 3)
REAR GATE (PART 3)**

TAV_120

Pos.	Cod.	Descrizione	Description	Description	Benennung	Descrpcion
1	B07SP0636R	GUIDACINGHIE POSTERIORE	BELT-GUIDING REAR			
2	F01020510R	VITE M12X1,75X30 U5739 8.8ZN	SCR. M12X1,75X30 U5739 8.8ZN	VIS M12X1,75X30 U5739 8.8ZN	SCHRAU.M12X1,75X30 U5739 8.8ZN	TORNILLO M12X1,75X30 U5739
3	F01410076R	ROS.M12 13X 24X2,5 U6592 ZN	WASHER 12 13X 24X2,5 U6592 ZN	RONDEL. M12 13X24X2,5 U6592 ZN	SCHEIBE M12 13X24X2,5 U6592 ZN	ARAND.M12 13X 24X2,5 U6592 ZN
4	F01230213R	DADO M12X1,75 D985 8 ZN	NUT M12X1,75 U7474 6SZN	ECROU AUTOBL. M12	SELBSTSPERR.MUTTER M12	TUERCA M12X1,75 U7474 CL8 ZN
5	B013P0286R	SPINA GUIDACINGHIE	PIN GUIDECINGHIE			
6	F02200195R	COPIGLIA 4X 30 U1336 ZN	SPLIT PIN 4 X30 U1336 ZN	GOUPILLE 4 X30 U1336 ZN	SPLINT 4 X30 U1336 ZN	CLAVIJA 4 X30 U1336 ZN
7	B0C6P0971R	CERNIERA SX	LEFT HINGE			
8	B0C6P0972R	CERNIERA DX	RIGHT HINGE			
9	B07SP0764R	ASSEMBLAGGIO ATTACCO SENSORE	ATTACK SENSOR ASSEMBLY			
10	B00420820R	VITE ZINC.STEI M8X20-12.9 UNI	SCREW			
11	B00920208R	DADO AUTOB.BASSO M 8-5S D985	NUT M8X1 D985 8ZN	ECROU	SELBSTSICHERNDE MUTTER M8-5S	TUERCA M8X1 D985 8
12	B07SP0765R	PORTA RULLO SX 4 CINGHIE	LEFT ROLLER SUPPORT 4 BELTS			
13	B07SP0766R	PORTA RULLO DX 4 CINGHIE	RIGHT ROLLER SUPPORT 4 BELTS			
14	B035P0127R	COLLEGAMENTO	COLL			
15	B035P0128R	RULLO SEGNALE	ROLLER			
16	F01030055R	VITE M8X1,25X20 U5933 10.9ZD	SCR. M8X1,25X20 U5933 10.9ZD	VIS M 8X20	SCHRAUBE M 8X20	TORNILLO M 8X20
17	B07SP0769R	TRAVERSA CON PIASTRE	CROSS WITH PLATES			
18	F01060202R	VITE M8X1,25X25 U5731 4.6ZN	SCR. M8X1,25X25 U5731 4.6ZN	VIS M8X1,25X25 U5731 4.6	DUEBEL M8X1,25X25 U5731 4.6 ZN	TORNILLO M8X1,25X25 U5731 4.6
19	F01410051R	ROS.M8 8,4X 17X1,6 U6592 ZN	WASHER M8 8,4X17X1,6 U6592 ZN	RONDELLE M8 8,4X17X1,6 ZN	SCHEIBE M8 8,4X17X1,6 U6592 ZN	ARAND.M8 8,4X 17X1,6 U6592 ZN
20	B00920208R	DADO AUTOB.BASSO M 8-5S D985	NUT M8X1 D985 8ZN	ECROU	SELBSTSICHERNDE MUTTER M8-5S	TUERCA M8X1 D985 8
21	F01020510R	VITE M12X1,75X30 U5739 8.8ZN	SCR. M12X1,75X30 U5739 8.8ZN	VIS M12X1,75X30 U5739 8.8ZN	SCHRAU.M12X1,75X30 U5739 8.8ZN	TORNILLO M12X1,75X30 U5739
22	F01420120R	ROS.M12 13X36X2,5 U6593 ZN	WASHER M12 13X36X2,5 U6593 ZN	RONDELLE M12 13X36X2,5 ZN	SCHEIBEN M12 13X36X2,5 U6593 ZN	ARAND.M12 13X36X2,5 U6593 ZN
23	F01230213R	DADO M12X1,75 D985 8 ZN	NUT M12X1,75 U7474 6SZN	ECROU AUTOBL. M12	SELBSTSPERR.MUTTER M12	TUERCA M12X1,75 U7474 CL8 ZN
24	B0C004227R	PIATTO SPOSTAMENTO SENSORE	SENSOR SHIFTING PLATE	PLAT COURSE SENSEUR	SENSORVERSCHIEBERPLATTE	PLATO DE DESPLAZAMIENTO DEL
25	B0C6P0987R	PIATTINO	PLATE			
26	B01300866R	BOCCOLA DI MOVIMENTO	BUSH	DOUILLE	BUCHSE	CASQUILLO DE MOVIMIENTO
27	F01020406R	VITE M6X1X25 U5739 8.8ZN	SCR. M6X1X25 U5739 8.8ZN	VIS M 6X25	SCHRAUBE M 6X25	TORNILLO M 6X25
28	F01020408R	VITE M6X1X30 U5739 8.8ZN	SCR. M6X1X30 U5739 8.8ZN	VIS M 6X1X30	SCHRAUBE M 6X1X30	TORNILLO M6X1X30 U5739 8
29	F01420036R	ROS.M6 6,4X 18X1,5 U6593 ZN	WASHER M6 6,4X 18X1,5 U6593 ZN	RONDELLE M6 6,4X18X1,5 U6593ZN	SCHEIBEN M6 6,4X18X1,5U6593 ZN	ARANDELA M6 6,4X18X1,5U6593ZN
30	B00920106R	DADO M6X1 D985 8ZN	NUT	ECROU	SELBSTSICHERNDE MUTTER M6-5S	TUERCA M6X1 D985 8
31	B01810409R	MOLLA T FILO D.2,5 DP14,5 L210	SPRING	RESSORT	T- FEDER	MUELLE T HILO D.2,5 DP14,5 L21
32	B00430610R	VITE STEI M 6X10-12.9 UNI 5	SCREW	VIS	SCHRAUBE STEI M6X10-12.9	TORNILLO SIN CAB. CON RAN.HEX

TAV_110



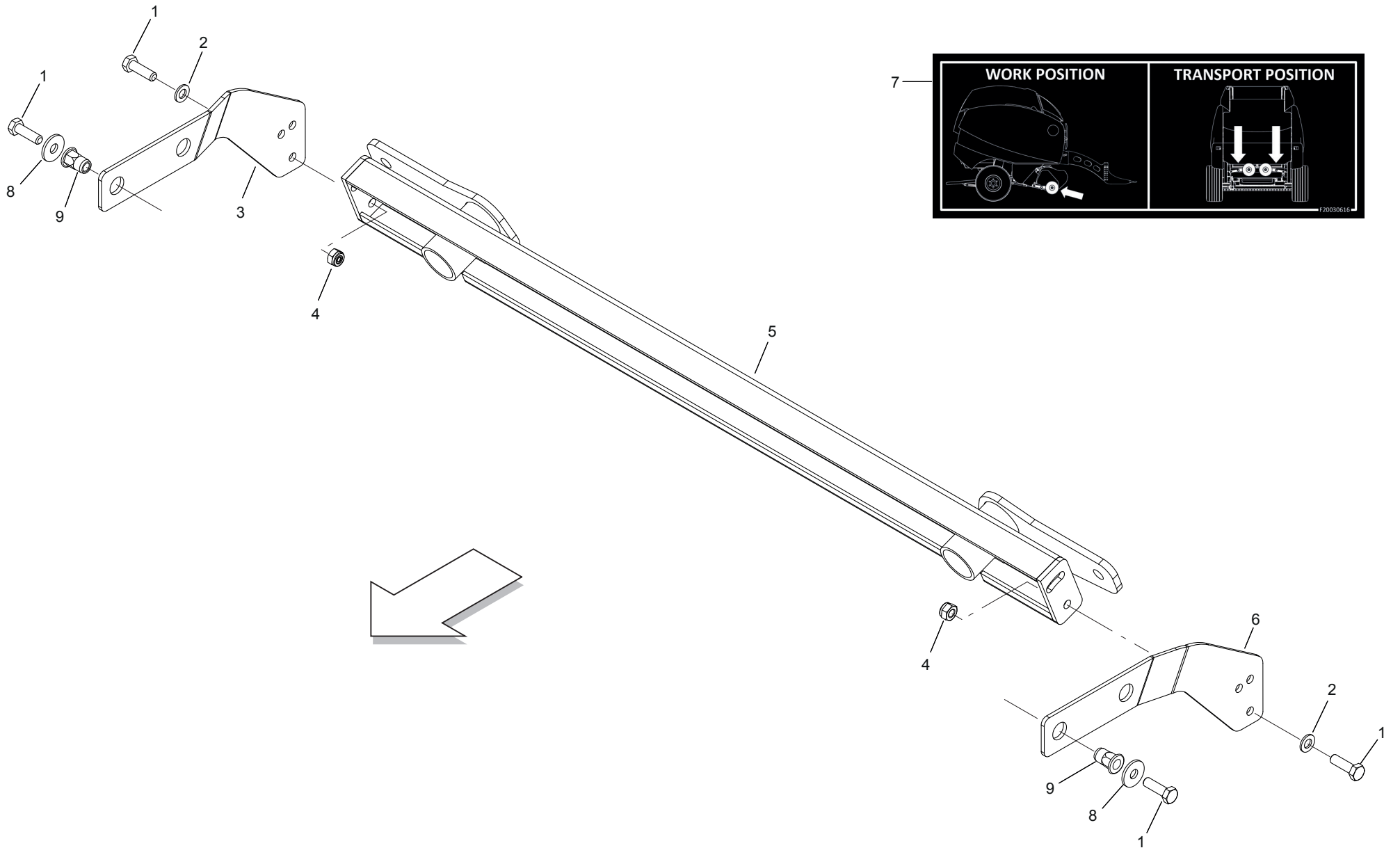
**KIT COLLINA FRENA CINGHIE
HILL BRAKES BELTS KIT**

TAV_110

Pos.	Cod.	Descrizione	Description	Description	Benennung	Descripcion
1	B07SP0817R	BLOCCO CINGHIE 365	BLOCK BELTS			
2	F01020201R	VITE M14X2X55 U5737 8.8ZN	SCR. M14X2X55 U5737 8.8ZN	VIS M 14X55	SCHRAUBE M 14X55	TORNILLO M 14X55
3	B00920514R	DADO M14X 2 D985 8 ZN	NUT	ECROU	SELBSTSICHERNDE MUTTER M14-5S	TUERCA M14X 2 D985 8



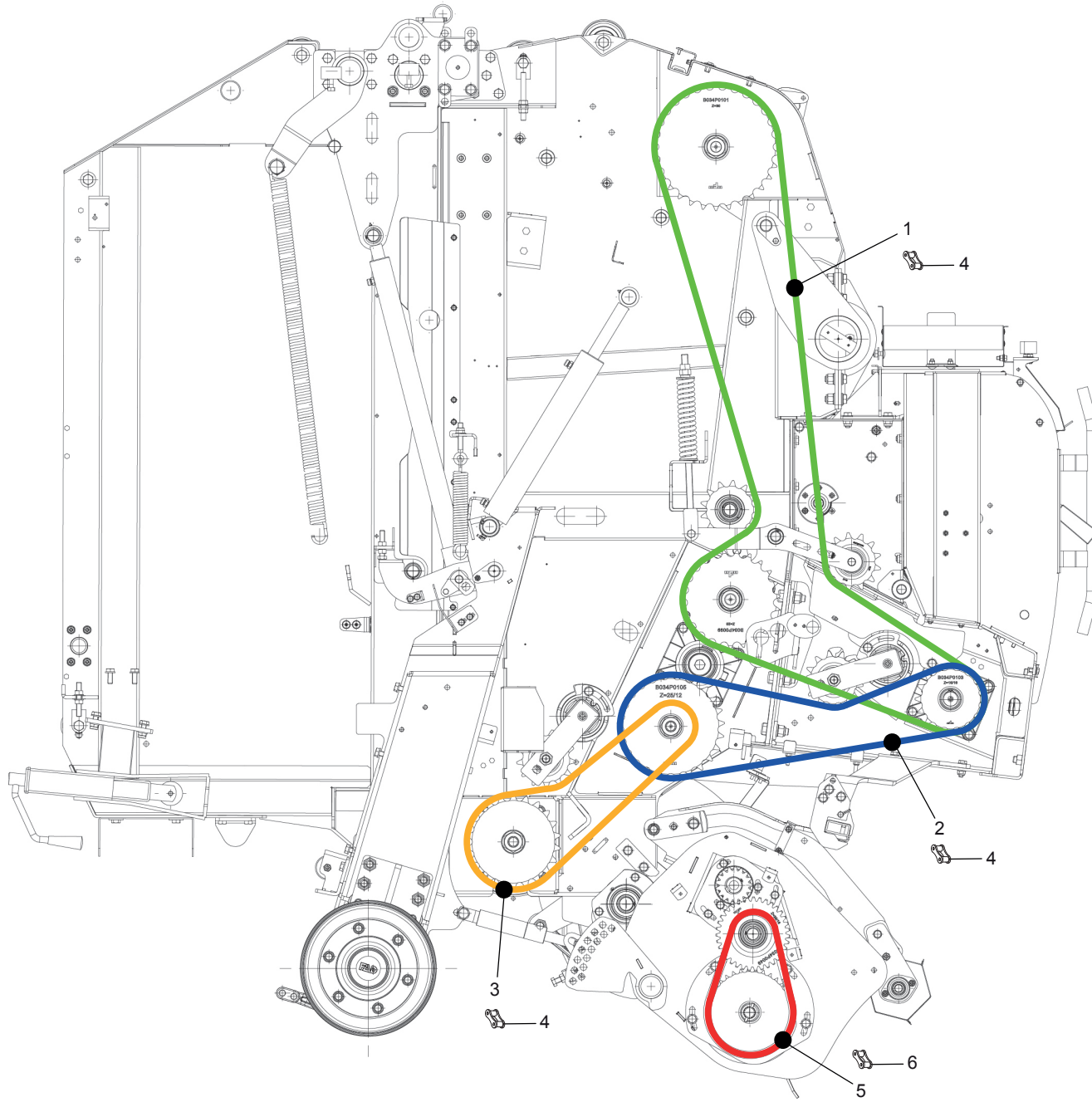
TAV_670



**KIT RUOTE RACCOGLITORE FISSE
FIXED WHEEL COLLECTOR KIT**

TAV_670

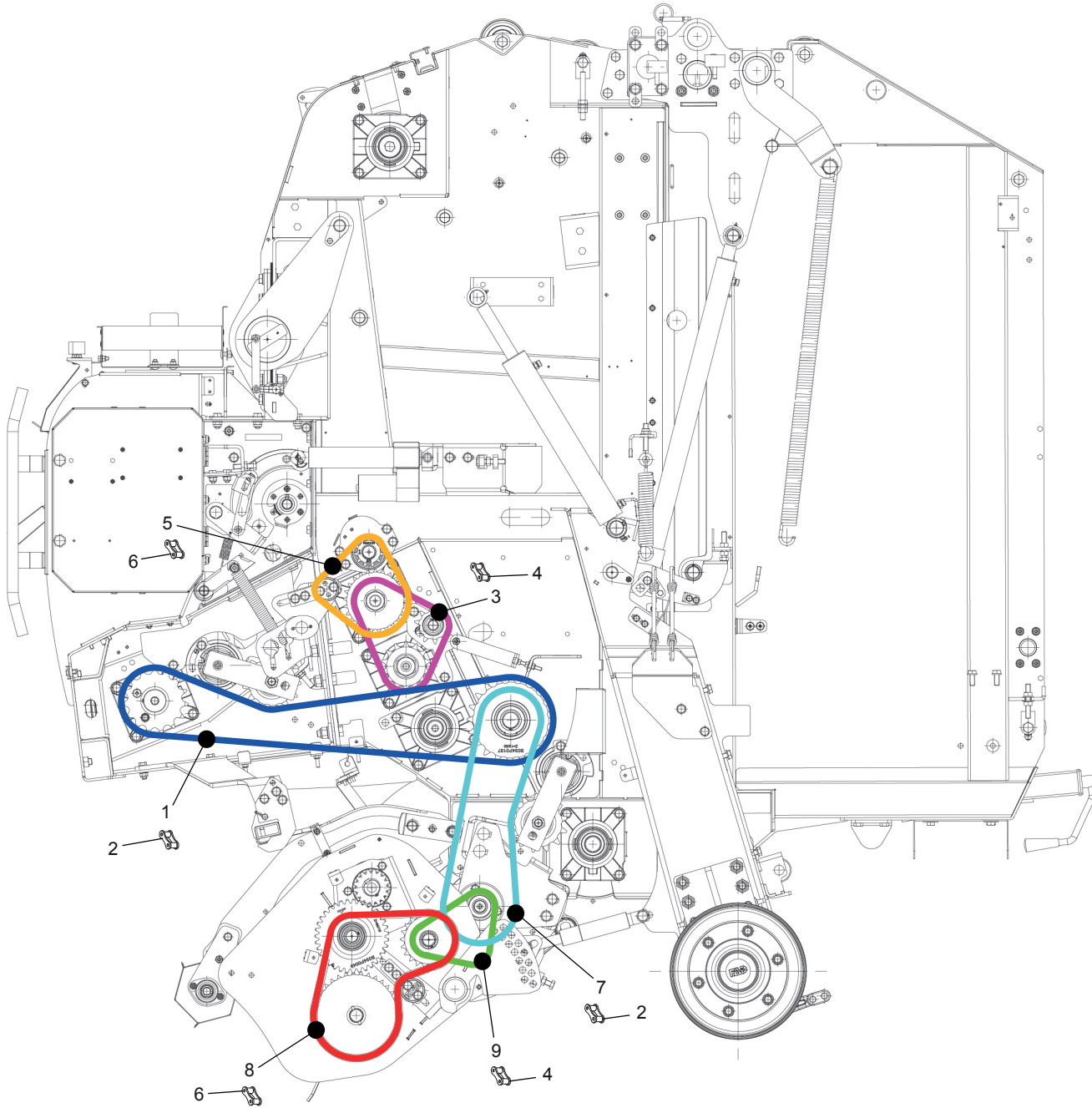
Pos.	Cod.	Descrizione	Description	Description	Benennung	Descripcion
1	F01020514R	VITE M12X1,75X40 U5739 8.8ZN	SCR. M12X1,75X40 U5739 8.8ZN	VIS M12X1,75X40 U5739 8.8ZN	SCHRA. M12X1,75X40 U5739 8.8ZN	TORNILLO M12X1,75X40 U5739 8.
2	F01410076R	ROS.M12 13X 24X2,5 U6592 ZN	WASHER 12 13X 24X2,5 U6592 ZN	RONDEL. M12 13X24X2,5 U6592 ZN	SCHEIBE M12 13X24X2,5 U6592 ZN	ARAND.M12 13X 24X2,5 U6592 ZN
3	B0C1P2669R	PIASTRA DX SOSTEGNO POSTERIORE	RIGHT PLATE REAR SUPPORT			
4	F01230213R	DADO M12X1,75 D985 8 ZN	NUT M12X1,75 U7474 6SZN			
5	B07SP0236R	SOSTEGNO POST.	BACK SUPPORT	ECROU AUTOBL. M12 SUPPORT POSTERIEUR	SELBSTSPERR.MUTTER M12 HALTER HINTEN	TUERCA M12X1,75 U7474 CL8 ZN
6	B0C1P2668R	PIASTRA SX SOSTEGNO POSTERIORE	LEFT PLATE REAR SUPPORT			
7	F20030616R	DECAL TRASPORTO RUOTINI FISSI	DECAL TRANSPORT FIXED WHEELS			
8	F01420120R	ROS.M12 13X36X2,5 U6593 ZN	WASHER M12 13X36X2,5 U6593 ZN	RONDELLE M12 13X36X2,5 ZN		ARAND.M12 13X36X2,5 U6593 ZN
9	B00990012R	INSERTO ESAGONALE M12	HEXAGONAL NUT M12			



**CATENE TRASMISSIONE RULLI (LATO DESTRO)
ROLLERS TRANSMISSION CHAINS (RIGHT SIDE)**

TAV_160

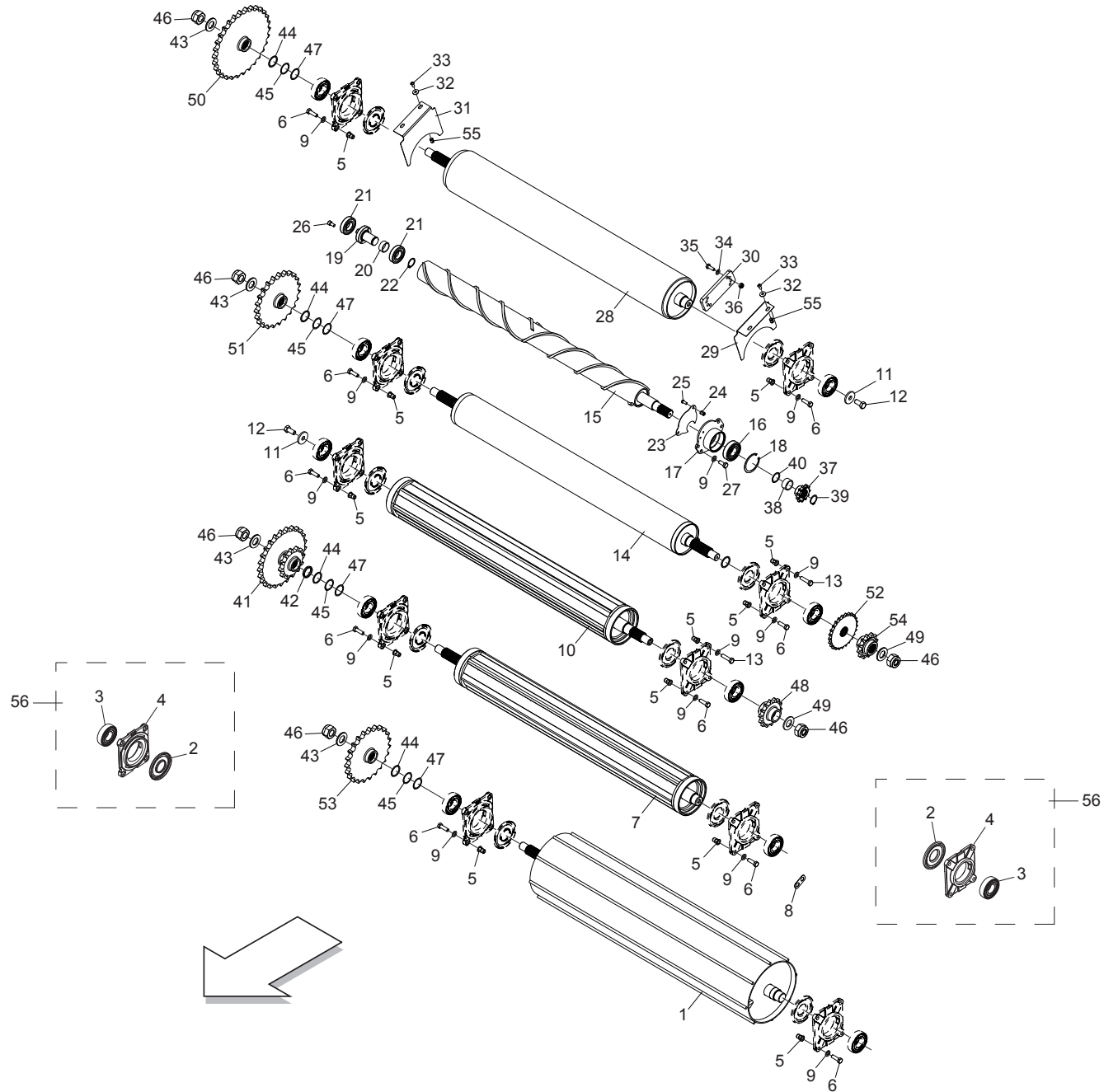
Pos.	Cod.	Descrizione	Description	Description	Benennung	Descripcion
1	B30GD1001R	CATENA RULLI ISO 20 B-1 131M	ROLLER CHAIN ISO 20 B-1 131M		CHAIN ROLLEN ISO 20 B-1 131M	
2	B30G65001R	CATENA RULLI ISO 20 B-1 65M	ROLLER CHAIN ISO 20 B-1 65M		KETTE ISO 20 B-1 65M	
3	B30G47001R	CATENA RULLI ISO 20 B-1 47M	ROLLER CHAIN		ROLLER CHAIN	
4	B030G0020R	GIUNTO A COPPIGLIA ISO 20 B-1	JOINT ISO 20 B-1		JOINT BORG PEN ISO 20 B-1	
5	B03111046R	CATENA RULLI ASA 60-1 46 MGL	ROLLER CHAIN ASA60-1 46 MGL	CHAINE ROULEAUX	KETTE DER WALZEN	CADENA DE LOS RODILLOS ASA 60-
6	B03110007R	GIUNTO MOLL.N.26 ASA60-1	SPRING JOINT N. 26 ASA 60-1	JOINT	KETTENSCHLOSS	JUNTA DE MUELLE N. 26 ASA60-1



**CATENE TRASMISSIONE RULLI (LATO SINISTRO)
ROLLERS TRANSMISSION CHAINS (LEFT SIDE)**

TAV_170

Pos.	Cod.	Descrizione	Description	Description	Benennung	Descripcion
1	B30G73001R	CATENA RULLI ISO 20 B-1 73M	ROLLER CHAIN ISO 20 B-1 73M			
2	B030G0020R	GIUNTO A COPPIGLIA ISO 20 B-1	JOINT ISO 20 B-1		JOINT BORGPEN ISO 20 B-1	
3	B030E1029R	CATENA RULLI ISO 16 B-1 29M	ROLLER CHAIN ISO 16 B-1 29 M		WALZENKETTE ISO 16 B-1 29M	
4	B030E0017R	GIUNTO MOLL N26 ISO 16 B-1	SPRING JOINT N.26 ISO 16 B-1	JOINT RESSORT	KETTENFEDER	JUNTA DE MUELL N26 ISO 16 B-1
5	B03111037R	CATENA RULLI ASA 60-1 37 MG	CHAIN	CHAINE	KETTE	
6	B03110007R	GIUNTO MOLL.N.26 ASA60-1	SPRING JOINT N. 26 ASA 60-1	JOINT	KETTENSCHLOSS	JUNTA DE MUELLE N. 26 ASA60-1
7	B30G44001R	CATENA RULLI ISO 20 B-1 44M	ROLLER CHAIN ISO 20 B-1 44M		KETTENROLLEN ISO 20 B-1 44M	
8	B03111061R	CATENA RULLI ASA 60-1 61 MGL	ASA 60-1 ROLLER CHAIN	CHAINE ROULEAU ASA 60_1	KETTE	
9	B030E1027R	CATENA RULLI ISO 16 B-1 27M	ROLLER CHAIN ISO16 B-1 27M	CHAINE ROULEAUX	WALZENKETTE	CADENA DE LOS RODILLOS ISO 16

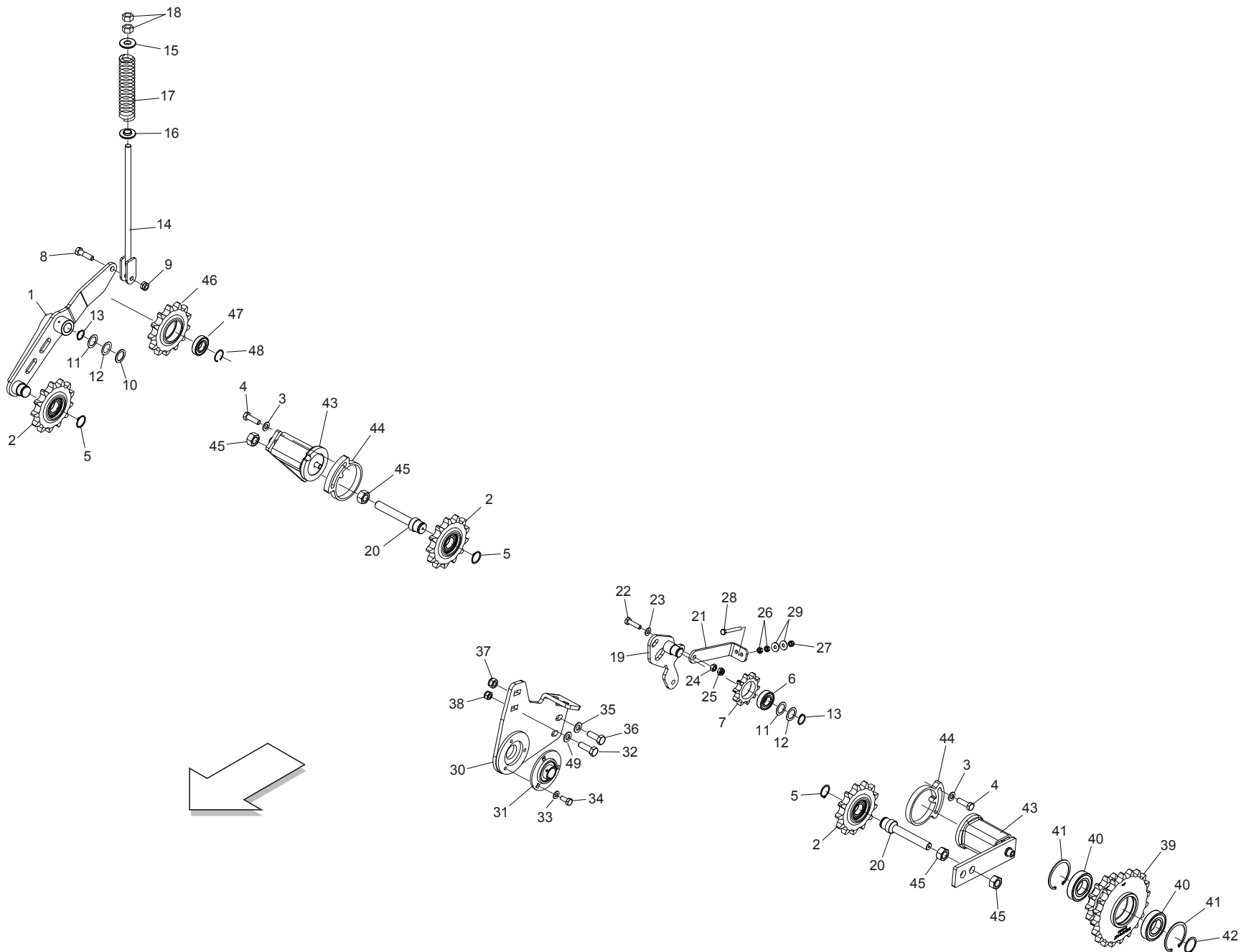


**RULLI
ROLLERS**

TAV_140

Pos.	Cod.	Descrizione	Description	Description	Benennung	Descripcion
1	B07SP0602R	RULLO GRANDE 365	ROLL GRANDE 365			
2	B01300827R	CAPPELOTTO DI PROT.	PROTECTION CAP	FLASQUE PROTECTRICE	SCHUTZDECKEL	
3	B02384023R	CUSCINETTO INA 308 NPPB - 2RS	BEARING INA 308 NPPB-2RS	ROULEMENT INA 308 NPPB 2RS	LAGER INA308 NPPB-2RS	
4	B027P0028R	SUPP CUSC RETTANG VERN 365	BEARING SUPPORT			
5	B00990012R	INSERTO ESAGONALE M12	HEXAGONAL NUT M12			
6	F01020514R	VITE M12X1,75X40 U5739 8.8ZN	SCR. M12X1,75X40 U5739 8.8ZN	VIS M12X1,75X40 U5739 8.8ZN	SCHRA. M12X1,75X40 U5739 8.8ZN	TORNILLO M12X1,75X40 U5739 8.
7	B07SP0604R	RULLO ALETTATO 365	ROLL ALETTATO 365			
8	B0C002357R	PIASTRINA ATTACCO CAVI	CABLE ATTACHMENT PLATE	PLAQUETTE ATTELAGE CABLES	KABELHALTERPLATTE	PLACA CONEXI N DE LOS CABLES
9	F01410076R	ROS.M12 13X 24X2,5 U6592 ZN	WASHER 12 13X 24X2,5 U6592 ZN	RONDEL. M12 13X24X2,5 U6592 ZN	SCHEIBE M12 13X24X2,5 U6592 ZN	ARAND.M12 13X 24X2,5 U6592 ZN
10	B07SP0782R	RULLO ALETTATO 365	FINNED ROLLER 365			
11	B01515091R	RALLA 17 52 6	FIFTH WHEEL	BUTEE	SCHEIBE	RANGUA 17 52 6
12	F01020564R	VITE M16X2X35 U5739 8.8ZN	SCR. M16X2X35 U5739 8.8ZN	VIS M 16X35	SCHRAUBE M 16X35	TORNILLO M16X2X35 U5739 8
13	F01020517R	VITE M12X1,75X50 U5739 8.8ZN	SCR. M12X1,75X50 U5739 8.8ZN	VIS M12X1,75X50 5739 8.8 ZN	SCHRA. M12X1,75X50 5739 8.8 ZN	TORNILLO M12X1,75X50 U5739 8
14	B07SP0607R	RULLO MOTORE DOPPIO 365	ROLL MOTORE DOPPIO 365			
15	B07SP1181R	RULLO PULITORE EXTR. CON PERNO	CLEANER ROLLER EXTREME			
16	B02040002R	CUSCINETTO 6307-2RS CAT.KST004	BEARING	ROULEMENT CAT.KST004	LAGER 6307-2RS	COJINETE 6307-2RS CAT.KST004
17	B07SP0943R	SUPPORTO RULLO PULITORE	SUPPORT ROLLER CLEANER			
18	F02050425R	ANELLO E. DI 80X 2,5 U7437 C70	SEEGER RING D.80	BAGUE SEEGER D.80	SEEGERRING D.80	ANILLO E. DI 80X 2,5 U7437 C70
19	B013P0368R	NUOVO SUPPORTO RULLO PULITORE	NEW SUPPORT ROLLER CLEANER			
20	B013P0369R	DISTANZIALE L=17 D=35,5	SPACER L=17 D=35,5			
21	F04010178R	CUSC.D35 D72 B17 6207 2RS1 EX	BEAR.D35 D72 B17 6207 2RS1 EX	ROULEM. D35 D72 B17 6207 2RS1	LAGER D35 D72 B17 6207 2RS1	COJINETE D35 D72 6207 2RS1
22	F02050146R	ANELLO E. DE 35X 1,5 U7435 C70	ELASTIC RING DE 35X 1,5 U7435	BAGUE ELASTIQUE DE 35X 1,5	RING DE 35X 1,5 U7435 C70	ANILLO DE 35X 1,5 U7435 C70
23	B0C6P0747R	CARTER FORO RULLO PULITORE	CARTER HOLE ROLL PULITORE			
24	B00990007R	INSERTO ESAGONALE M8X1,25 ZN	HEXAGONAL CONNECTION M8	CONNECTION HEXAGONALE M8	SECHSECKIGER EINSATZ M8	
25	F01030208R	VITE M 8X1,25X 20 U7380 10.9ZN	SCREW M8X1,25X20 U7380 10.9ZN			TORNILLO M 8X1,25X 20 U7380 10
26	B00401020R	VITE TCEI M10X 20-8.8 UNI 5931	SCREW	VIS	SCHRAUBE	
27	F01020510R	VITE M12X1,75X30 U5739 8.8ZN	SCR. M12X1,75X30 U5739 8.8ZN	VIS M12X1,75X30 U5739 8.8ZN	SCHRAU.M12X1,75X30 U5739 8.8ZN	TORNILLO M12X1,75X30 U5739
28	B035P0114R	RULLO GOMMATO 365	ROLL GOMMATO 365			
29	B0C3P0284R	CHIUSURA RULLO GOMMATO SX	CHAIN ROLL GOMMATO LH			
30	B0C1P1007R	RINF. SUPPORTO RULLO GOMMATO	REINFORCEMENT PLATE			
31	B0C3P0283R	CHIUSURA RULLO GOMMATO DX	CHAIN ROLL GOMMATO RH			
32	F01420048R	ROS.M8 8,4X 24X 2 U6593 ZN	WASHER M8 8,4X 24X2 U6593 ZN	RONDELLE M8 8,4X24X 2 U6593 ZN	SCHEIBEN M8 8,4X24X 2 U6593 ZN	ARAND.M8 8,4X 24X 2 U6593 ZN
33	B004N0820R	VITE NERA TTEI M 8X 20-10,9	SCREW	VIS	SCHRAUBE TTEI M 8X20-10,9	TORNILLO NEGRO CAB.ALLEN CON
34	F01410064R	ROS.M10 10,5X 20X 2 U6592 ZN	WASHER M10 10,5X20X2 U6592 ZN	RONDEL. M10 10,5X20X2 U6592 ZN	SCHEIBE M10 10,5X20X2 U6592 ZN	ARAND.M10 10,5X 20X 2 U6592 ZN
35	F01020476R	VITE M10X1,5X30 U5739 8.8ZN	SCR. M10X1,5X30 U5739 8.8ZN	VIS M10X1,5X30 U5739 8.8 ZN	SCHRAUBE M10X1,5X30U5739 8.8ZN	TORNILLO M10X1,5X30 U5739 8.8
36	F01230202R	DADO M10X 1,5 D985 8 ZN	NUT M10 D985	ECROU AUTOBL. M10	SELBSTSPERR.MUTTER M10	TUERCA M10X 1,5 D985 8
37	B034P0153R	PIGNONE Z=11 3 4 ISO 12B-1	PINION Z=11 3 4 ISO 12B-1			
38	B013P0345R	DISTANZIALE 35X42X21	SPACER			
39	B01700035R	ANEL. D ARR. ALB. 35-E UNI3653	SEEGER RING	BAGUE SEEGER	SEEGERRING 35-E	ANIL. DE PARAD. RB. 35-E UNI3
40	B01534416R	SPES. 35 43 1 ZINCATO	SHIM	ENTRETOISE	AUSGLEICHSCHLEIBE 35X43X1	ESPE. 35 43 1 CINCADO
41	B034P0105R	INGR. Z=25-12 1 1 4 RULLO IN	GEAR Z=25-12 1 1 4 ROLL IN			
42	B01329469R	DISTANZIALE 40X48X 7	SPACER	ENTRETOISE	DISTANZSTUECK 40X48X7	DISTANCIADOR 40X48X 7
43	B014R3050R	ROSETTA 30 UNI 5714-69 E DEIDR	WASHER	RONDELLE	BEILAGSSCHLEIBE	ARANDELA 30 UNI 5714-69 E DEID
44	B01300151R	SPES. 40 48 2 ZINCATO	SHIM	ENTRETOISE	DISTANZSTUECK 40 48 2	ESPE. 40 48 2 CINCADO
45	B01300125R	SPES. 40 48 0,5 ZINCATO	SHIM GALV	ENTRETOISE GALV	DISTANZSTUECK 40 48 0,5	ESPE. 40 48 0,5 CINCADO
46	F01230291R	DADO M30X2 D985 ZN	NUT M30X2 D985 ZN	ECROU AUTOB. M30X2 DIN 985 ZN	SELBSTSP. MU. M30X2 DIN 985 ZN	TUERCA M30X2 D985 ZN
47	B01300126R	SPES. 40 48 1 ZINC.ST_013	SHIM	ENTRETOISE	DISTANZSTUECK 40 408 1	ESPE. 40 48 1 CINC.EST_013
48	B034P0110R	INGR. Z=14; 1; ISO 16B-1	GEAR Z=14; 1; ISO 16B-1			
49	B013C0094R	RALLA 30 50 4	SWIVER RING 30 50 4			
50	B034P0101R	INGR. Z=30; 1-1 4; ISO 20B-1	GEAR Z=30; 1-1 4; ISO 20B-1			
51	B034P0099R	INGR. Z=23; 1-1 4; ISO 20B-1	GEAR Z=23; 1-1 4; ISO 20B-1			
52	B034P0109R	INGR. Z=12; 1; ISO 16B-1	GEAR Z=12; 1; ISO 16B-1			
53	B034P0107R	INGR. Z=22; 1-1 4; ISO 20B-1	GEAR Z=22; 1-1 4; ISO 20B-1			
54	B034P0152R	PIGNONE Z=25 3 4 ISO 12B-1	PINION =25 3 4 ISO 12B-1			
55	B00990007R	INSERTO ESAGONALE M8X1,25 ZN	HEXAGONAL CONNECTION M8	CONNECTION HEXAGONALE M8	SECHSECKIGER EINSATZ M8	
56	B0FMP0185R	SUPP CUSC RETTANG VERN 365	BEARING SUPPORT			

TAV_150



**TENDITORI CATENE
CHAINS TENSIONER**

TAV_150

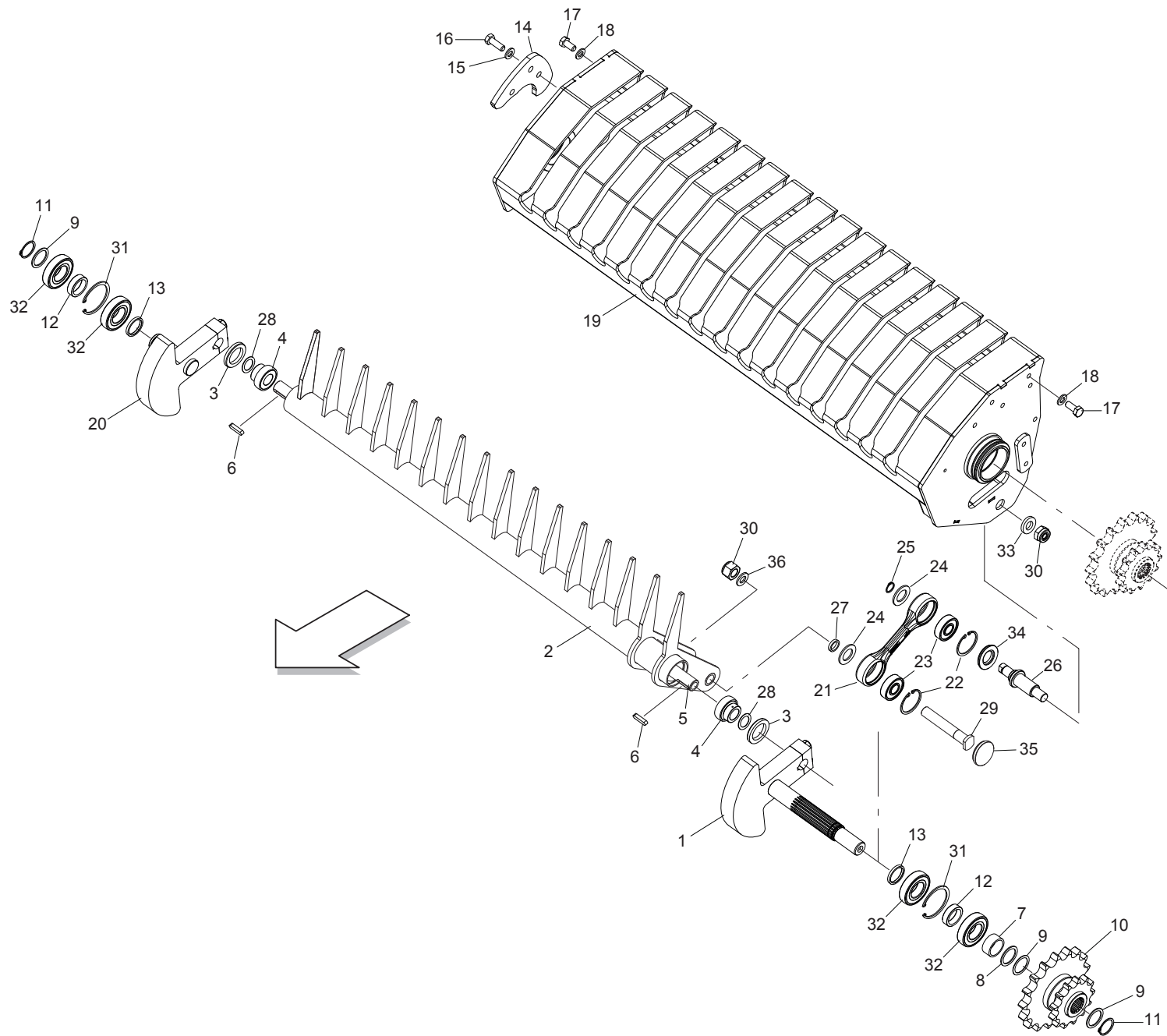
Pos.	Cod.	Descrizione	Description	Description	Benennung	Descripcion
1	B07SP0991R	TENDITORE PRINCIPALE	MAIN TENSIONER			
2	B0FMP0151R	PIGNONE Z=13 1,1 4 ISO 20-B1	PINION Z=13 1,1 4 ISO 20-B1			
3	B01515797R	SPESSORE 13 25 5 ZINCATO	FIFTH WHEEL			
4	F01020514R	VITE M12X1,75X40 U5739 8.8ZN	SCR. M12X1,75X40 U5739 8.8ZN	BUTEE	SCHRA. M12X1,75X40 U5739 8.8ZN	RANGUA 13 25 5
5	F02050112R	ANELLO E.DE 30X 1,5 U7435 ZN	SEEGER RING 30X 1,5 U7435 C70	SEEGER E. 30 X 1,5 U7435 C70	SEEGERING E. 30X 1,5 U7435 C70	TORNILLO M12X1,75X40 U5739 8.8ZN
6	F04010170R	CUSC.D25 D52 B15 6205 2RS EX	BEARING D25 D52 B15 6205 2RS	ROULEMENT 6205 2RS	LAGER 6205 2RS	ANILLO E. 30 X 1,5 U7435 C70
7	B03400274R	CORONA Z10-1 ISO F52 TRATT	SPROCKET Z=10-1	ENGRANAGE SPECIAL TRAITE	ZAHNKRANZ Z=10-1	COJIN.D25 D52 B15 6205 2RS EX
8	F01020154R	VITE M12X1,75X45 U5737 8.8ZN	SCR. M12X1,75X45 U5737 8.8ZN	VIS M12X1,75X 45 U5737 8.8 ZN	SCHR.M12X1,75X 45 U5737 8.8 ZN	CORONA Z10-1 ISO F52 TRA
9	F01230213R	DADO M12X1,75 D985 8 ZN	NUT M12X1,75 U7474 6SZN	ECROU AUTOBL. M12	SELBSTSPERR.MUTTER M12	TORN.M12X1,75X 45 U5737 8.8 ZN
10	B013C0024R	SPES. 26,5X37X2	SHIM 26,5X37X2	EPAISSEUR 26,5X37X2	SCHEIBE 26,5X37X2	TUERCA M12X1,75 U7474 CL8 ZN
11	B01300106R	SPES. 25,5 37 1 ZINCATO	SHIM GALV	ENTRETOISE GALV	DISTANZSTUECK 25,5 37 1	ESPE. 25,5 37 1 CINCADO
12	B01300105R	SPES. 25,5 37 0,5	SHIM	ENTRETOISE	DISTANZSTUECK 25,5 37 0,5	ESPE. 25,5 37 0,5
13	F02050101R	ANELLO E. DE 25X 1,2 U7435 C7	SEEGER RING E. 25X1,2 7435 C70	SEEGER E. 25X 1,2 U7435 C70	SEEGERING E. 25X 1,2 U7435 C70	ANILLO E. DE 25X 1,2 U7435 C7
14	B07SP0648R	TIRANTE GALOPPINO M16	TENSIONER GALOPPINO M16			
15	B013P0225R	RALLA TENDITORE	SWIVER RING TENSIONER			
16	B013P0239R	RALLA TENDITORE DOPPIA	SWIVER RING TENSIONER DOPPIA			
17	B01800067R	MOLLA RASCHIATORE	TROTTER SPRING	RESSORT TROTTER	TROTTER FEDER	
18	B00710516R	DADO M16X 2 U5588 6.8 ZN	NUT M16X2 U5588 6.8 ZN	ECROU	MUTTER M16-6S	TUERCA M16X 2 U5588 6.8
19	B07SP0702R	TIRANTE	TENSIONER			
20	B0C1P0864R	PERNO PER TENDITORE	PIN FOR TENSIONER			
21	B0C1P0821R	TIRANTE	TIE ROD			
22	F01020481R	VITE M10X1,5X40 U5739 8.8ZN	SCR. M10X1,5X40 U5739 8.8ZN	VIS M10 X1,5X40 U5739 8.8 ZN	SCHRAUBE M10X1,5X40U5739 8.8ZN	TORNIL.M10 X1,5X40 U5739 8.8ZN
23	F01410064R	ROS.M10 10,5X 20X 2 U6592 ZN	WASHER M10 10,5X20X2 U6592 ZN	RONDEL. M10 10,5X20X2 U6592 ZN	SCHEIBE M10 10,5X20X2 U6592 ZN	ARAND.M10 10,5X 20X 2 U6592 ZN
24	F01200268R	DADO M10X1,25 U5588 CL8 ZN6SZN	NUT M10X1,25 U5588 6SZN	ECROU M10X1,25	MUTTER M10X1,25	TUER. M10X1,25
25	F01230201R	DADO M10X1,25 D985 8ZN	NUT M10X1,25 D985 8ZN			
26	F01200244R	DADO M8X1,25 U5588 CL8 ZN	NUT M8X1,25 U5588 6.8ZN	ECROU M8 X1,25 U5588 6.8 ZN	MUTTER M8 X1,25 U5588 6.8 ZN	TUERCA M8X1,25 U5588 CL8 ZN
27	F01230301R	DADO M 8X1,25 UNI7474 8 ZN	DADO M 8X1,25 UNI7474 8 ZN			
28	F01020454R	VITE M8X1,25X70 U5739 8.8ZN	SCR. M8X1,25X70 U5739 8.8ZN	VIS M8X1,25X70 U5739 8.8 ZN	SCHRA. M8X1,25X70 U5739 8.8 ZN	TORN. M8X1,25X70 U5739 8.8 ZN
29	F01420048R	ROS.M8 8,4X 24X 2 U6593 ZN	WASHER M8 8,4X 24X2 U6593 ZN	RONDELLE M8 8,4X24X 2 U6593 ZN	SCHEIBEN M8 8,4X24X 2 U6593 ZN	ARAND.M8 8,4X 24X 2 U6593 ZN
30	B07SP1180R	PIASTRA DI SUPPORTO ALBERO	SUPPORT SHAFT PLATE			
31	B02353030R	SUPP.FLANG.TONDO 30 LAM.	BEARING FLANGED SUPPORT 30	SUPPORT FLANGE ROND 30 LAM.	FLANSCHLAGER	SOP.BRIDA REDONDO 30 CHAP.
32	F01020512R	VITE M12X1,75X35 U5739 8.8ZN	SCR. M12X1,75X35 U5739 8.8ZN	VIS M12X1,75X35 5739 8.8 ZN	SCHR. M12X1,75X35 5739 8.8 ZN	TORNILLO M12X1,75X35 U5739 8
33	F01410062R	ROS.M10 10,5X 18X 2 U6592 ZN	WASHER M10 10,5X 18X 2 U6592	RONDELLE M10 10,5X18X2 ZN	DICHTUNGSRING M10 10,5X18X2 ZN	ARAND.M10 10,5X 18X 2 U6592 ZN
34	F01020474R	VITE M10X1,5X25 U5739 8.8BR	SCR. M10X1,5X25 U5739 8.8BR	VIS M 10X25	SCHRAUBE M 10X25	TORNILLO M 10X25
35	F01410088R	ROS.M14 15X 28X2,5 U6592 ZN	WAS.M14 15X 28X2,5 U6592 ZB	RON.M14 15X 28X2,5 U6592 ZB	SCH.M14 15X 28X2,5 U6592 ZB	ARA.M14 15X 28X2,5 U6592 ZB
36	F01020544R	VITE M14X2X40 U5739 8.8ZN	SCR. M14X2X40 U5739 8.8ZN	VIS M14X2X40 U5739 8.8ZN	SCHR.M14X2X40 U5739 8.8ZN	TOR.M14X2X40 U5739 8.8ZN
37	F01230074R	DADO M14X2 D982 A2 IX	NUT M14X2 D982 A2IX			
38	F01230213R	DADO M12X1,75 D985 8 ZN	NUT M12X1,75 U7474 6SZN	ECROU AUTOBL. M12	SELBSTSPERR.MUTTER M12	TUERCA M12X1,75 U7474 CL8 ZN
39	B034P0137R	ING.Z=20 13;1-1 4;1-1 4	GEAR Z=20 13;1-1 4;1-1 4			
40	B02044018R	CUSCINETTO 6208-2RS CAT.B	6208-2RS BEARING	ROULEMENT	LAGER	
41	F02050425R	ANELLO E. DI 80X 2,5 U7437 C70	SEEGER RING D.80	BAGUE SEEGER D.80	SEEGERRING D.80	ANILLO E. DI 80X 2,5 U7437 C70
42	F02050168R	ANELLO E.DE 40X1,75 U7435	SEEGER RING 40X1,75 U7435	BAGUE SEEGER 40X1,75 U7435	SEEGERRING 40X1,75 U7435	ANIL. SEEGER 40X1,75 U7435
43	F06140026R	EL. TENDITORE SE-F38 RUBMIX15	TURNBUCKLE			
44	B0C1P0795R	PIASTRA DI FISS.TENDIT.SE-F 38	PLATE OF FIX.TENDIT.SE-F 38			
45	F01200352R	DADO M20X2,5 U5588 CL8 ZN	NUT M20X2,5 U5588 6.8ZN	ECROU 20 UNI 5588 6.8 ZN	MUTTER M20X 2,5 U5588 6.8 ZN	TUERCA M20X 2,5 U5588 6.8 ZN
46	B034P0135R	ING Z=13; 1-1 4; ISO20B-1	GEAR Z=13; 1-1 4; ISO20B-1			
47	B02043016R	CUSC. 6206-2RS CAT.B-ST004	BEARING	ROULEMENT	LAGER	
48	F02050392R	ANELLO E. DI 62X 2 U7437 C70	SEEGER RING E. 62X 2 U7437 C70	SEEGER E. 62X 2 U7437 C70	SEEGERING E. 62X 2 U7437 C70	ANILLO E. 62 X 2 U7437 C70
49	B01515797R	SPESSORE 13 25 5 ZINCATO	FIFTH WHEEL	BUTEE	SCHEIBE	RANGUA 13 25 5

**CINGHIE
BELTS**

TAV_180

Pos.	Cod.	Descrizione	Description	Description	Benennung	Descripcion
1	B076P0014R	CINGHIA EXTR. 365 AN. CHIUSO	ENDLESS BELT EXTREME 365			
2	B076P0013R	CINGHIA EXTREME 365 GRAFFATA	STAPLED BELT EXTREME 365	COURROIE POUR EXTREME 365	STAPLED BELT EXTREME 365	
3	B076P0017R	CAVETTO GIUNZIONE CINGHIA MT01	CABLE BELT JUNCTION 22G			

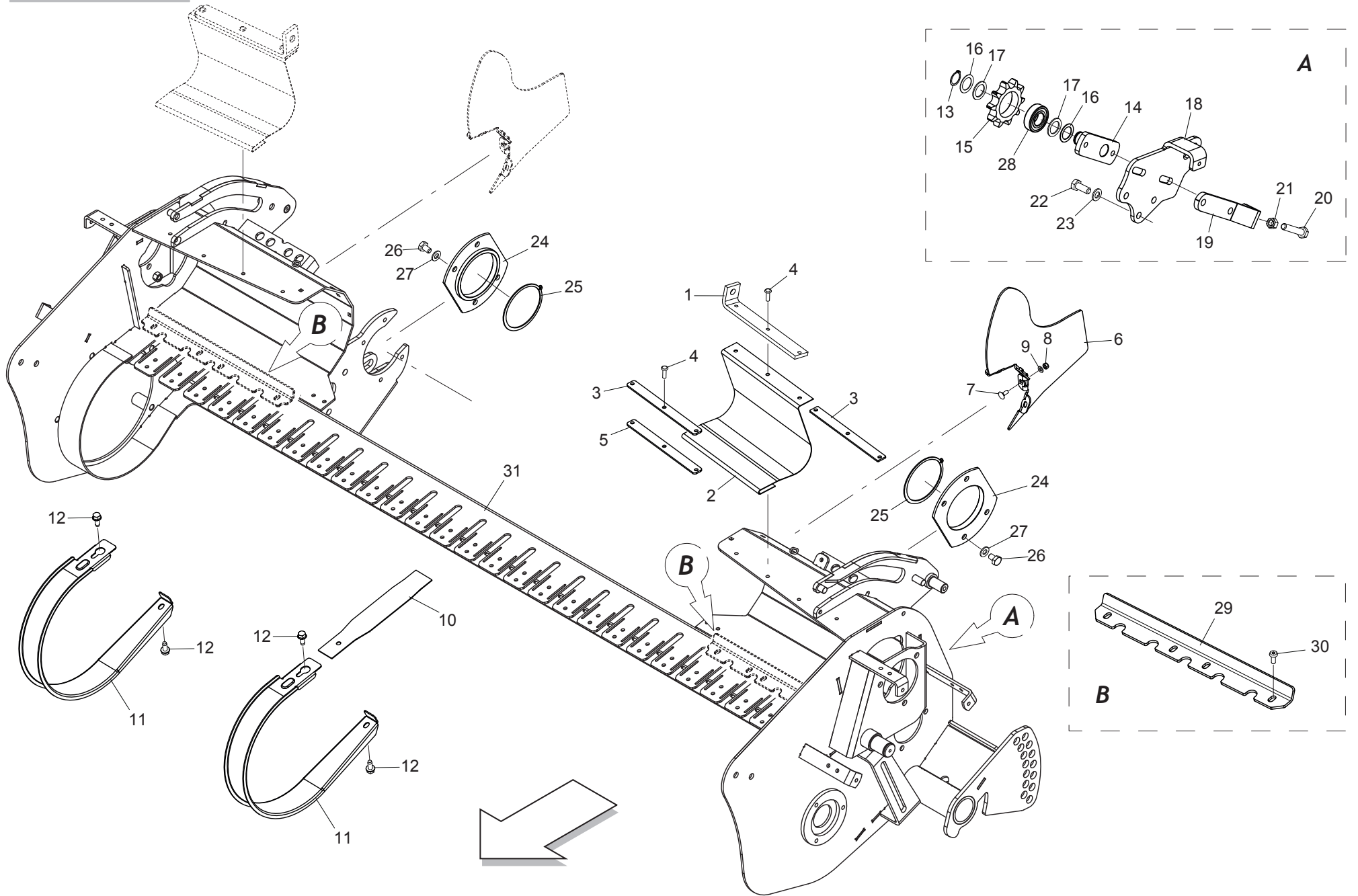
TAV_200



**INFALDATORE
FEEDER**

TAV_200

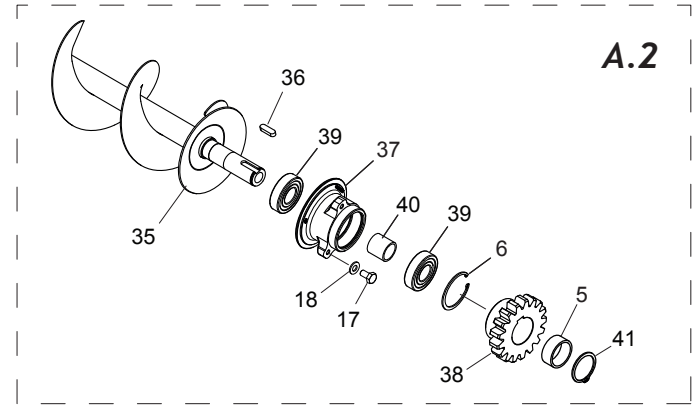
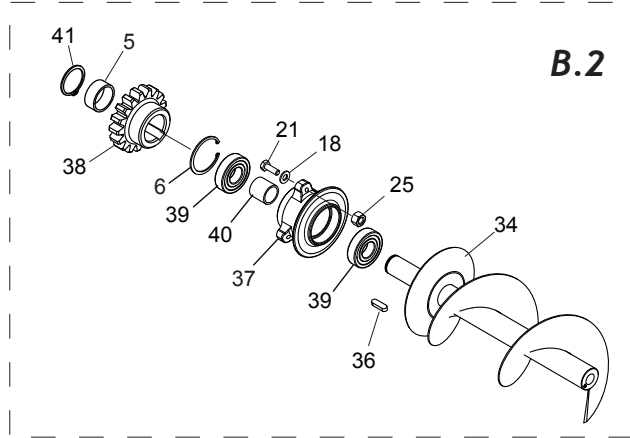
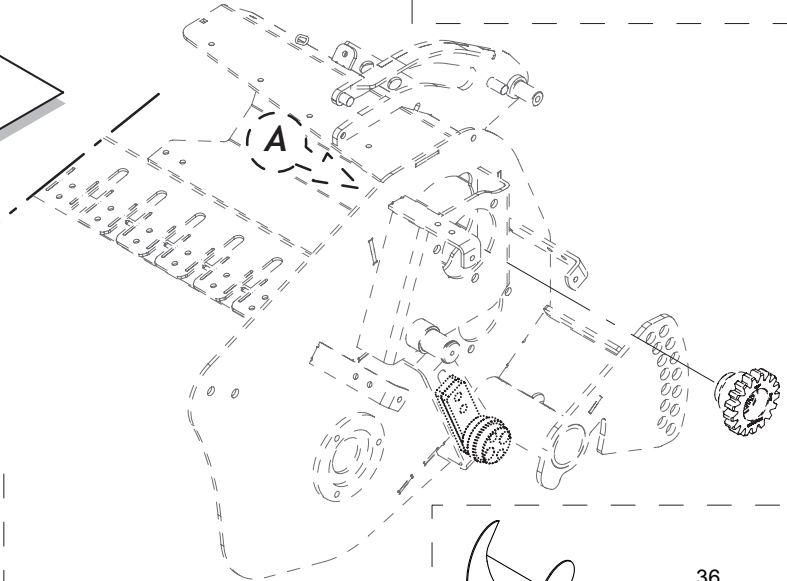
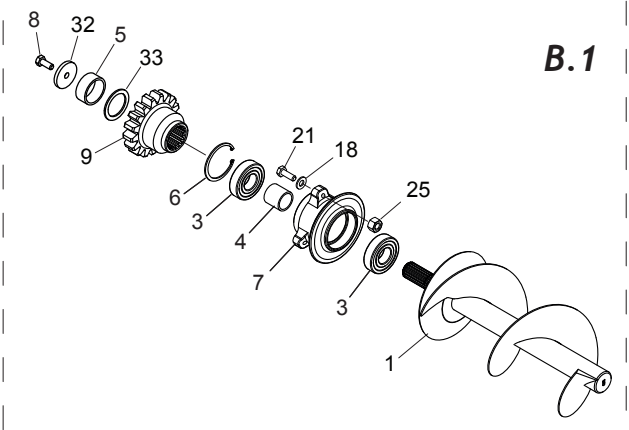
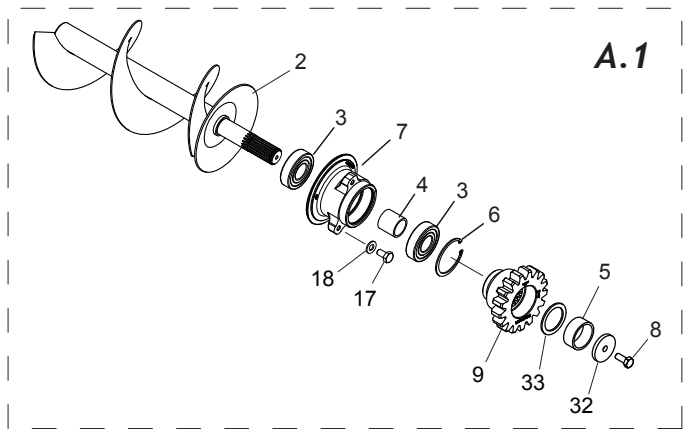
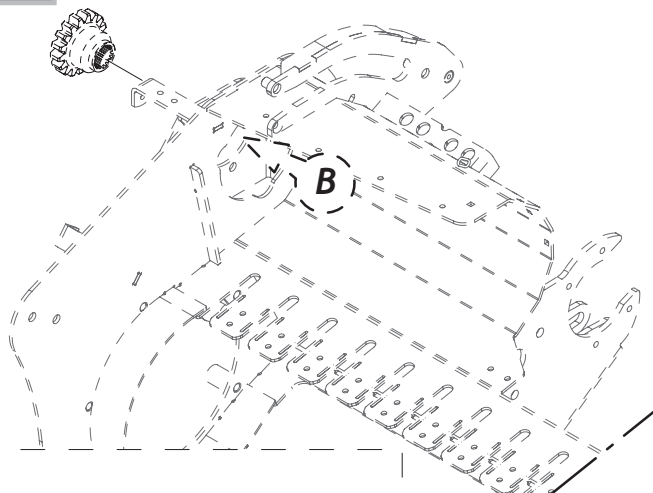
Pos.	Cod.	Descrizione	Description	Description	Benennung	Descripcion
1	B07SP1115R	MANOVELLA INFA LATO MOT.365HTI	MOTOR FEEDER ROD 365 HTI			
2	B07SP1188R	INFALDATORE	FEEDER			
3	B013P0373R	PROTEZIONE CUSCINETTO	BEARING COVER			
4	F04010426R	CUSCINETTO INA RAE 25 NPPB	BEARING INA RAE 25 NPPB			
5	B035P0170R	ALBERO INFALDATORE	SHAFT			
6	F02150070R	LINGUETTA 8X 7X 35 U6604A	PARALLEL KEY 8X 7X 35 U6604A	LANGUETTE 08X7X35 UNI6604 A	FEDERKEIL 08X7X35 UNI6604 A	LENGSETA 08X7X35 UNI6604 A
7	B013P0447R	DISTANZIALE	SPACER			
8	F01440100R	ROS. 35X45X 2 D988 ST2K60 BR	WASHER 35X45X BR			
9	F01440033R	ROS. 35X45X 1 D988 ST2K60 BR	SPRING WASHER D.35,2X45X1	RESSORT A DISQUES D.35,2X45X1	FEDER D.35,2X45X1	MUELLE DISCO D.35,2X45X1
10	B034P0141R	ING.SALDATO Z17 Z13	W.GEAR Z17 Z13			
11	F02050146R	ANELLO E. DE 35X 1,5 U7435 C70	ELASTIC RING DE 35X 1,5 U7435	BAGUE ELASTIQUE DE 35X 1,5	RING DE 35X 1,5 U7435 C70	ANILLO DE 35X 1,5 U7435 C70
12	B01300523R	DISTANZIALE 35X 45X12,5	SPACER	ENTRETOISE	DISTANZSTUECK 35X45X12,5	DISTANCIADOR 35X 45X12,5
13	B01300605R	DISTANZIALE 35X42X 5	SPACER	ENTRETOISE	DISTANZSTUECK 35X42X5	DISTANCIADOR 35X42X 5
14	B0C1P2491R	FERMO PICK-UP 3 FORI	PICK-UP LATCH 3 HOLES			
15	F01410076R	ROS.M12 13X 24X2,5 U6592 ZN	WASHER 12 13X 24X2,5 U6592 ZN	RONDEL. M12 13X24X2,5 U6592 ZN	SCHEIBE M12 13X24X2,5 U6592 ZN	ARAND.M12 13X 24X2,5 U6592 ZN
16	F01020537R	VITE M12X1,75X 35 U5737 10.9ZN	SCREW M12X1,75X35 10.9ZN			
17	F01020508R	VITE M12X1,75X25 U5739 8.8ZN	SCR. M12X1,75X25 U5739 8.8ZN	VIS M12X1,75X25 U5739 8.8 ZN	SCHRAUBE M12X1,75X25U57398.8ZN	TORNILLO M12X1,75X25 U5739
18	F01410076R	ROS.M12 13X 24X2,5 U6592 ZN	WASHER 12 13X 24X2,5 U6592 ZN	RONDEL. M12 13X24X2,5 U6592 ZN	SCHEIBE M12 13X24X2,5 U6592 ZN	ARAND.M12 13X 24X2,5 U6592 ZN
19	B07SP1384R	TELAIO INFALDATORE	MAINFRAME FEEDER			
20	B07SP1099R	MANOVELLA INFA LATO FOL.365HTI	FEEDER ROD 365 HTI			
21	B055P0008R	BIELLA	ROD			
22	F02050381R	ANELLO E. DI 52X 2 U7437 C70	SEEGER RING E. 52X 2 U7437 C70	SEEGER E. 52X 2 U7437 C70	SEEGERING E. 52X 2 U7437 C70	ANILLO 52X 2 U7437 C70
23	F04010208R	CUSCINETTO 6304 2RS	COJINETE 6304 2RS			
24	B013P0444R	PROTEZIONE BIELLA 27X45X3	PROTECTION ROD 27X45X3			
25	F02050078R	ANELLO E. DE 20X 1,2 U7435 C7	SEEGER RING E. 20X1,2 7435 C70	SEEGER 20X 1,2 U7435 C70	SEEGER E. 20X 1,2 U7435 C70	
26	B013P0630R	PERNO BIELLA	ROD PIN			
27	B013P0411R	DISTANZIALE 20X26X5	SPACER 20X26X5			
28	B01300106R	SPES. 25,5 37 1 ZINCATO	SHIM GALV	ENTRETOISE GALV	DISTANZSTUECK 25,5 37 1	ESPES. 25,5 37 1 CINCADO
29	B013P0647R	PERNO BIELLA INFALDATORE	FEEDER ROD PIN			
30	F01230259R	DADO M20X 2,5 U7474 CL.8 ZN	NUT M20X 2,5 U7474 CL.8 ZN			
31	F02050403R	ANELLO E. DI 72X 2,5 U7437 C7	SEEGER RING E.72X2,5 U7437 C70	SEEGER E. 72X 2,5 U7437 C70	SEEGERING E. 72X 2,5 U7437 C70	TUERCA M20X 2,5 U7474 CL.8
32	F04010178R	CUSC.D35 D72 B17 6207 2RS1 EX	BEAR.D35 D72 B17 6207 2RS1 EX	ROULEM. D35 D72 B17 6207 2RS1	LAGER D35 D72 B17 6207 2RS1	ANILLO E. DI 72X 2,5 U7437 C7 COJINETE D35 D72 6207 2RS1
33	B01522468R	RALLA 20 38 6	FIFTH WHEEL	BUTEE	SCHEIBE	
34	B013P0606R	CAPPELOTTO DI PROTEZ. APERTO	OPEN PROTECTION COAT			
35	B013P0605R	CAPPELOTTO DI PROTEZ. CHIUSO	CLOSED PROTECTION COAT			
36	F01410124R	ROS.M20 21X 37X 3 U6592 ZN	WASHER M20 21X 37X 3 U6592 ZN	RONDEL.M20 21X37X3 ZN	MUTTER M20 21X 37X 3 U6592 ZN	ARAND.M20 21X 37X 3 U6592 ZN



PICK-UP (PARTE 1)
PICK-UP (PART 1)

TAV_220

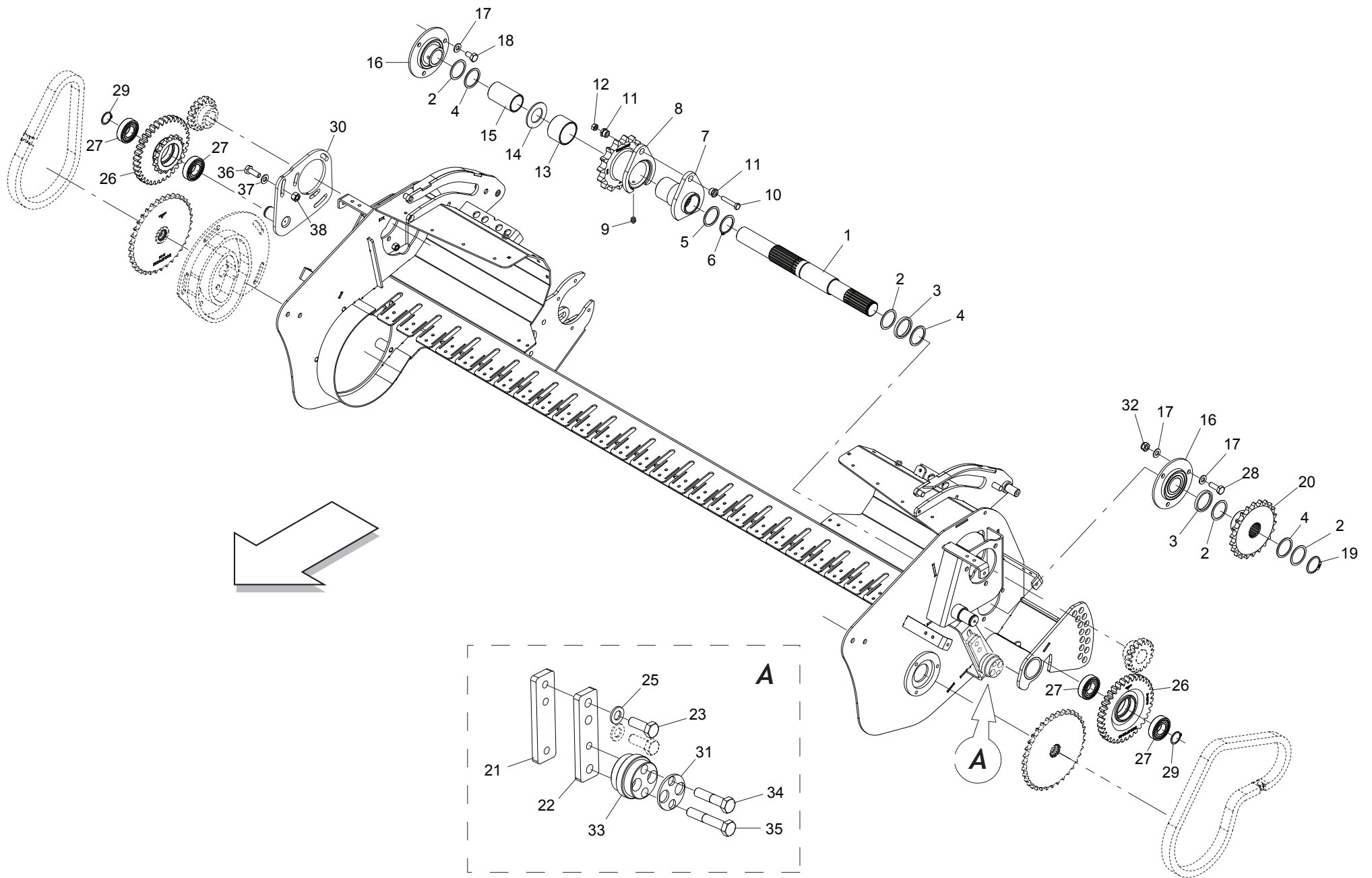
Pos.	Cod.	Descrizione	Description	Description	Benennung	Descripcion
1	B0C002409R	SOSTEGNO GOMMA PUL	RUBBER SUPPORT	SUPPORT PNEUS	GUMMIHALTER	SOPORTE DE GOMA POL
2	B07V00074R	PROT. COCLEA PU 180	AUGER PROTECTION	PROTECTION PELLETEUSE PU 180	SCHNECKENSCHUTZ	PROT. TORNILLO SIN FIN PU 180
3	B0C1P0583R	PIATTINO DI FISSAGGIO	FIXING PLATE			PAT N DE FIJACI N
4	F02250160R	RIVETTO STR. 6,4X22 ACCIAIO	RIVET	RIVET	KUPFERNIET	REMACHE
5	B0C002410R	PIATTO FISSAGGIO GOMMA PUL	FIXING PLATE	PLAT FIXAGE	GUMMIFIXIERPLATTE	
6	B0C1P1673R	LAMIERA DI CONTENIMENTO 365HTI	SHEET METAL CONTAINMENT 365HTI			
7	F01030510R	VITE TTQST M6 X16-4,6 ZN U5731	SCREW TTQST M6X16-4,6 ZN U5731			
8	F01230184R	DADO M6X1 D985 8ZN	NUT M6X1 D985 8ZN			TUERCA M6X1 D985 8
9	F01410037R	ROS.M6 6,4X12,5X1,6 U6592 ZN	WASHER M6 6,4X12,5X1,6 U6592ZN	RONDEL.M6 6,4X12,5X1,6 U6592ZN	SCHEIB.M6 6,4X12,5X1,6 U6592ZN	ARAND.M6 6,4X12,5X1,6 U6592 ZN
10	B0C1P0527R	COMPENSO FASCIA 365 HTI	COMPENSATION FOR BAND 365 HTI			
11	B0C1P1388R	FASCIA PER PICK UP BUGNATA	BEND FOR PICK UP PUNCHED			
12	F01170002R	VITE M8X20 ZN DIN7500 TORX	SCREW M8X20 ZN TORX			
13	F02050101R	ANELLO E. DE 25X 1,2 U7435 C7	SEEGER RING E. 25X1,2 7435 C7	SEEGER E. 25X 1,2 U7435 C70	SEEGERING E. 25X 1,2 U7435 C70	ANILLO E. DE 25X 1,2 U7435 C7
14	B07SP1201R	TENSIONATORE CATENA PICK-UP	TENSIONER CHAIN PICK-UP			
15	B03400274R	CORONA Z10-1 ISO F52 TRATT	SPROCKET Z=10-1	ENGRANAGE SPECIAL TRAITE	ZAHNKRANZ Z=10-1	CORONA Z10-1 ISO F52 TRA
16	B01300106R	SPES. 25,5 37 1 ZINCATO	SHIM GALV	ENTRETOISE GALV	DISTANZSTUECK 25,5 37 1	ESPE. 25,5 37 1 CINCADO
17	B01300159R	SPES. 25 37 2 ZINCATO	SHIM GALV	ENTRETOISE GALV	DISTANZSTUECK 25 37 2	ESPE. 25 37 2 CINCADO
18	B0C1P0526R	ATTACCO IMBULL. PER TENDITORE	CONNECTION FOR TURNBUCKLE			
19	B0C1P1109R	TIRANTE PER TENDITORE PICK-UP	TIE BEAM FOR TURNBUCKLE			
20	F01020519R	VITE M12X1,75X 60 U5739 8.8ZN	SCREW M12X1,75X 60 U5739 8.8ZN			TORNILLO M12X1,75X 60 U5739 8
21	F01200293R	DADO M12X1,75 U5588 CL8 ZN	NUT M12X1,75 U5588 6S ZN	ECROU M12X1,75 U5588 6S ZN	MUTTER M12X1,75 U5588 6S ZN	TUERCA M12X1,75 U5588 CL8 ZN
22	F01020510R	VITE M12X1,75X30 U5739 8.8ZN	SCR. M12X1,75X30 U5739 8.8ZN	VIS M12X1,75X30 U5739 8.8ZN	SCHRAU.M12X1,75X30 U5739 8.8ZN	TORNILLO M12X1,75X30 U5739
23	F01410076R	ROS.M12 13X 24X2,5 U6592 ZN	WASHER 12 13X 24X2,5 U6592 ZN	RONDEL. M12 13X24X2,5 U6592 ZN	SCHEIBE M12 13X24X2,5 U6592 ZN	ARAND.M12 13X 24X2,5 U6592 ZN
24	B01300715R	FLANGIA SX PICK-UP	PICK-UP FLANGE	FLASQUE GAUCHE POUR PICK-UP	PICK-UP FLANSCH	BRIDA IZQ PICK-UP
25	B01700095R	ANEL. D ARR. ALB. 95-E UNI3653	SEEGER RING	BAGUE SEEGER	SEEGERRING 95-E	ANIL. DE PARAD. RB. 95-E UNI3
26	F01020468R	VITE M10X1,5X16 U5739 8.8ZN	SCR. M10X1,5X16 U5739 8.8ZN	RONDELLE M10X1,5 X 16	DUEBEL M10X1,5 X 16	TORNILLO M10X1,5X16 U5739 8
27	F01410062R	ROS.M10 10,5X 18X 2 U6592 ZN	WASHER M10 10,5X 18X 2 U6592	RONDELLE M10 10,5X18X2 ZN	DICHTUNGSRING M10 10,5X18X2 ZN	ARAND.M10 10,5X 18X 2 U6592 ZN
28	F04010170R	CUSC.D25 D52 B15 6205 2RS EX	BEARING D25 D52 B15 6205 2RS	ROULEMENT 6205 2RS	LAGER 6205 2RS	COJIN.D25 D52 B15 6205 2RS EX
29	B0C1P2344R	RASCHIATORE INFERIORE	SCRAPER LOWER			
30	F01170002R	VITE M8X20 ZN DIN7500 TORX	SCREW M8X20 ZN TORX			
31	B07SP1058R	TELAIO PICK-UP 365 HTI	FRAME PICK-UP 365 HTI			



PICK-UP (PARTE 2)
PICK-UP (PART 2)

TAV_230

Pos.	Cod.	Descrizione	Description	Description	Benennung	Descripcion
1	B07S01653R	COCLEA DX PU 220	RIGHT PICK-UP AUGER 220	VIS DROIT PU 220	RECHTE PICK-UP ZUBRINGERSCHNEC	TORNILLO SIN FIN DER PU 220
2	B07S01654R	COCLEA SX PU 220	LEFT PICK-UP AUGER 220	VIS GAUCHE PU 220	LINKE PICK-UP ZUBRINGERSCHNECK	TORNILLO SIN FIN IZQ PU 220
3	F04010350R	CUSCINETTO 6307C 2HRS L100 50	BEARING 6307C 2HRS L100 50			
4	B01300266R	DISTANZIALE 35X42X40	35X42X40 SPACER			
5	B013P0389R	DISTANZIALE 41X48X15	SPACER 41X48X15	ENTRETOISE 35X42X40	DISTANZSTUECK 35X42X40	
6	F02050425R	ANELLO E. DI 80X 2,5 U7437 C70	SEEGER RING D.80			
7	B027P0026R	MOZZO COCLEA FUSIONE	HUB	BAGUE SEEGER D.80	SEEGERRING D.80	ANILLO E. DI 80X 2,5 U7437 C70
8	F01020436R	VITE M8X1,25X20 U5739 8.8ZN	SCR. M8X1,25X20 U5739 8.8ZN	VIS M8X1,25X 20 U5739 8.8 ZN	SCHRAUBE M8X1,25X20U5739 8.8ZN	TORNILLO M8X1,25X20 U5739 8.8
9	B034P0124R	INGRANAGGIO Z=17 M=5 CON MOZZO	GEAR Z=17 M=5			
17	F01020470R	VITE M10X1,5X20 U5739 8.8ZN	SCR. M10X1,5X20 U5739 8.8ZN	VIS M10X1,5X20 U5739 8.8 ZN	SCHRAUBE M10X1,5X20 U5739 ZN	TORNILLO M10X1,5X20 U5739 8
18	F01410062R	ROS.M10 10,5X 18X 2 U6592 ZN	WASHER M10 10,5X 18X 2 U6592 ZN	RONDELLE M10 10,5X18X2 ZN	DICHTUNGSRING M10 10,5X18X2 ZN	ARAND.M10 10,5X 18X 2 U6592 ZN
21	F01020476R	VITE M10X1,5X30 U5739 8.8ZN	SCR. M10X1,5X30 U5739 8.8ZN	VIS M10X1,5X30 U5739 8.8 ZN	SCHRAUBE M10X1,5X30U5739 8.8ZN	TORNILLO M10X1,5X30 U5739 8.8
25	F01200049R	DADO M10X1,5 U5587 CL8 BR6.8BR	NUT M10X1,5 U5587 6.8BR	ECROU 10 UNI 5587 6.8	MUTTER 10 UNI 5587 6.8	TUERCA 10 UNI 5587 6.8
32	B013P0583R	SPESSORE 8 40 5 ZINCATO	WASHER 8 40 5			
33	B01522427R	SPESS. 35 47 2	SHIM	ENTRETOISE	SCHEIBE	ESPES. 35 47 2
34	B07SP1067R	COCLEA DESTRA PU 365 HTI	RIGHT COCHLEA PU 365 HTI			
35	B07SP1068R	COCLEA SINISTRA PU 365 HTI	LEFT COCHLEA PU 365 HTI			
36	B01205040R	LINGUETTA12X8X40 UNI 6604 FA64	TANG	LANGUETTE	FEDERKEIL	
37	B027P0022R	MOZZO COCLEA - FUSIONE	HUB COCHLEA - FUSION			
38	B034P0148R	INGR. Z=17 M=5 CON MOZZO 40	INGR. Z=17 M=5 WITH HUB 40			
39	B02044018R	CUSCINETTO 6208-2RS CAT.B	6208-2RS BEARING	ROULEMENT	LAGER	
40	B013P0388R	DISTANZIALE 41X48X46	SPACER 41X48X46			
41	F02050168R	ANELLO E.DE 40X1,75 U7435	SEEGER RING 40X1,75 U7435	BAGUE SEEGER 40X1,75 U7435	SEEGERRING 40X1,75 U7435	ANIL.SEEGER 40X1,75 U7435

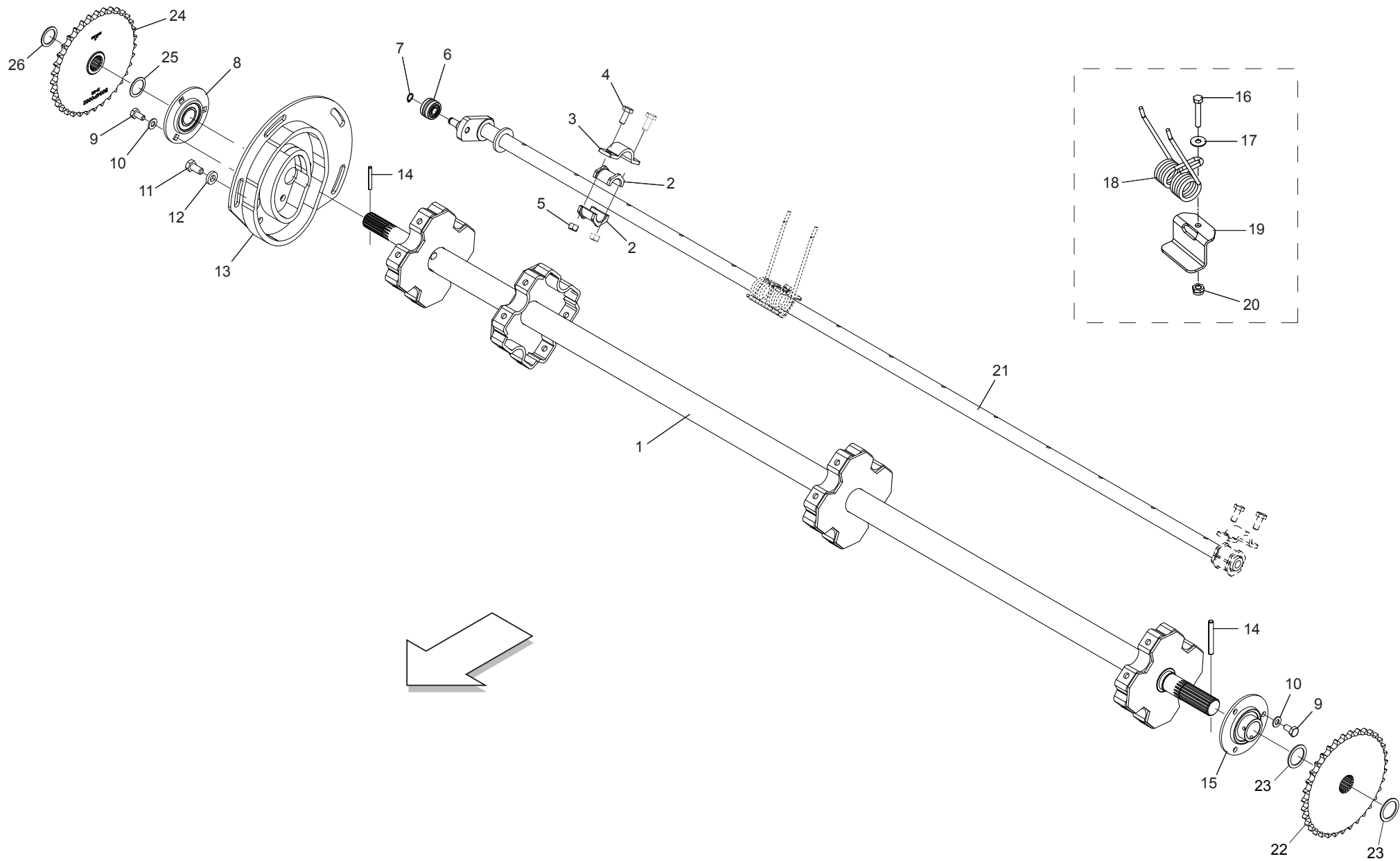


PICK-UP (PARTE 3)
PICK-UP (PART 3)

TAV_240

Pos.	Cod.	Descrizione	Description	Description	Benennung	Descripcion
1	B035P0166R	ALBERO RINVIO PICK_UP 365 HTI	COUNTERSHAFT PICK-UP 365 HTI			
2	B01534416R	SPES. 35 43 1 ZINCATO	SHIM	ENTRETOISE	AUSGLEICHSCHIEBE 35X43X1	ESPES. 35 43 1 CINCADO
3	B01300605R	DISTANZIALE 35X42X 5	SPACER	ENTRETOISE	DISTANZSTUECK 35X42X5	DISTANCIADOR 35X42X 5
4	B01522427R	SPES. 35 47 2	SHIM	ENTRETOISE	SCHIEBE	ESPES. 35 47 2
5	B01300151R	SPES. 40 48 2 ZINCATO	SHIM	ENTRETOISE	DISTANZSTUECK 40 48 2	ESPES. 40 48 2 CINCADO
6	F02050168R	ANELLO E.DE 40X1,75 U7435	SEEGER RING 40X1,75 U7435	BAGUE SEEGER 40X1,75 U7435	SEEGERRING 40X1,75 U7435	ANIL.SEEGER 40X1,75 U7435
7	B07SP1049R	MOZZO CALETTATO	HUB WITH CONNECTION			
8	B034P0146R	MOZZO PER GIUNTO DI SICUREZZA	HUB FOR SAFETY LINK Z=14 1			
9	F01100011R	ING.M 6X1 7663-A 9SMNPB28 ZN	GREASE NIPPLE M6X1 7663-A ZN	GRAISS. A BILLE M6X1 7663A ZN	SCHMIERBUECHE M6X1 7663-A ZN	ENG.M 6X1 7663-A 9SMNPB28 ZN
10	B00170845R	VITE ZINCATA M 8X45-10.9 U5737	ZN SCREW M 8X45-10.9 U5737	VIS	SCHRAUBE	TORNILLO CINCADO M 8X45-10.9 U
11	B00511057R	BUSSOLA DI TRANCIAMENTO	BUSHING	BAGUE	BUCHSE	CASQUILLO DE CIZALLADO
12	F01220022R	DADO M8X1,25 D980 8ZN	NUT M8X1,25 D980 8ZN	ECROU M8X 1,25 D980 8 ZN	MUTTER M8X 1,25 D980 8 ZN	TUERCA M8X 1,25 D980 8 ZN
13	B02500001R	BRONZINA 50X56 L38	BUSHING 50X56 L38	COUSSINET	LAGERBUCHSE	COJINETE 50X56 L38
14	B01534395R	RALLA 35.5X 62 X 3 ZINCATO	FIFTH WHEEL	BUTEE	SPEZIALSCHEIBE	RANGUA 35.5X 62 X 3 CINCADO
15	B013P0405R	DISTANZIALE 35X42X69	SPACER 35X42X69			
16	B02353035R	SUPP.FLANG.TONDO 35 LAMIERA	BEARING FLANGED SUPPORT D.35	SUPPORT FLANGE ROND 35 LAMES	FLANSCHLAGER	SOPORTE BRIDA REDONDO 35 CHA
17	F01410062R	ROS.M10 10,5X 18X 2 U6592 ZN	WASHER M10 10,5X 18X 2 U6592	RONDELLE M10 10,5X18X2 ZN	DICHTUNGSRING M10 10,5X18X2 ZN	ARAND.M10 10,5X 18X 2 U6592 ZN
18	F01020470R	VITE M10X1,5X20 U5739 8.8ZN	SCR. M10X1,5X20 U5739 8.8ZN	VIS M10X1,5X20 U5739 8.8 ZN	SCHRAUBE M10X1,5X20 U5739 ZN	TORNILLO M10X1,5X20 U5739 8
19	F02050145R	ANELLO E. DE 35X1,5 U7435 C70	SEEGER RING D.35	BAGUE SEEGER D.35	SEEGERRING D.35	ANILLO E. DE 35X1,5 U7435 C70
20	B03400003R	INGR. Z=22; 3 4; ISO 12B-1	GEAR Z=22-3 4	ENGRANAGE	KETTENRAD Z=22-3 4	ENGR. Z=22; 3 4; ISO 12B-1 PU
21	B0C1P0528R	TENDITORE PICK-UP	PICK UP TENSIONER			
22	B0C1P0529R	TENDITORE PICK UP LATO SX	PICK UP TENSIONER LEFT SIDE			
23	F01020512R	VITE M12X1,75X35 U5739 8.8ZN	SCR. M12X1,75X35 U5739 8.8ZN	VIS M12X1,75X35 5739 8.8 ZN	SCHR. M12X1,75X35 5739 8.8 ZN	TORNILLO M12X1,75X35 U5739 8
25	F01410076R	ROS.M12 13X 24X2,5 U6592 ZN	WASHER 12 13X 24X2,5 U6592 ZN	RONDEL. M12 13X24X2,5 U6592 ZN	SCHIEBE M12 13X24X2,5 U6592 ZN	ARAND.M12 13X 24X2,5 U6592 ZN
26	B034P0049R	INGR. Z=35 M=5 WITH SPROCKET Z	GEAR Z=35 M=5 WITH SPROCKET Z=	PINION Z=16 3 4 ET ENGRANAGE Z	RITZEL Z=16 3 4 UND ZAHNRADPAA	
27	B02043016R	CUSCINETTO 6206-2RS CAT.B	BEARING	ROULEMENT	LAGER	
28	F01020476R	VITE M10X1,5X30 U5739 8.8ZN	SCR. M10X1,5X30 U5739 8.8ZN	VIS M10X1,5X30 U5739 8.8 ZN	SCHRAUBE M10X1,5X30U5739 8.8ZN	TORNILLO M10X1,5X30 U5739 8.8
29	F02050112R	ANELLO E.DE 30X 1,5 U7435 ZN	SEEGER RING 30X 1,5 U7435 C70	SEEGER E. 30 X 1,5 U7435 C70	SEEGERING E. 30X 1,5 U7435 C70	ANILLO E. 30 X 1,5 U7435 C70
30	B07SP1070R	PIASTRA CON TENSIONATORE X PU	PLATE WITH TENSIONER			
31	B0C1P2781R	PIASTRA DI CHIUSURA ZINCATA	CLOSURE PLATE ZN			
32	F01220033R	DADO M10X1,5 D980 8ZN	NUT M10X1,5 D980 8ZN	ECROU M10X1,5 D980 8ZN	MUTTER M10X1,5 D980 8ZN	TUERCA M10X1,5 D980 8
33	B07VP0513R	TENDICATENA IN NYLON	NYLON CHAIN TIGHTENER	TENDEUR DE CHAINE EN NYLON		SENSOR DE CADENA DE NYLON
34	F01020158R	VITE M12X1,75X55 U5737 8.8ZN	BOLT M12X1,75X55 U5737 8.8ZN	VIS M12X1,75X55 U5737 8.8 ZN	SCHR. M12X1,75X55 U5737 8.8 ZN	TORN. M12X1,75X55 U5737 8.8 ZN
35	F01020164R	VITE M12X1,75X70 U5737 8.8ZN	SCREW M12X1,75X70 U5737 8.8ZN	VIS M12X1,75X70 ZN	SCHR. M12X1,75X70 U5737 8.8 ZN	TORNILLO M12X1,75X70 U5737 8.
36	F01020476R	VITE M10X1,5X30 U5739 8.8ZN	SCR. M10X1,5X30 U5739 8.8ZN	VIS M10X1,5X30 U5739 8.8 ZN	SCHRAUBE M10X1,5X30U5739 8.8ZN	TORNILLO M10X1,5X30 U5739 8.8
37	F01410062R	ROS.M10 10,5X 18X 2 U6592 ZN	WASHER M10 10,5X 18X 2 U6592	RONDELLE M10 10,5X18X2 ZN	DICHTUNGSRING M10 10,5X18X2 ZN	ARAND.M10 10,5X 18X 2 U6592 ZN
38	F01200049R	DADO M10X1,5 U5587 CL8 BR6.8BR	NUT M10X1,5 U5587 6.8BR	ECROU 10 UNI 5587 6.8	MUTTER 10 UNI 5587 6.8	TUERCA 10 UNI 5587 6.8

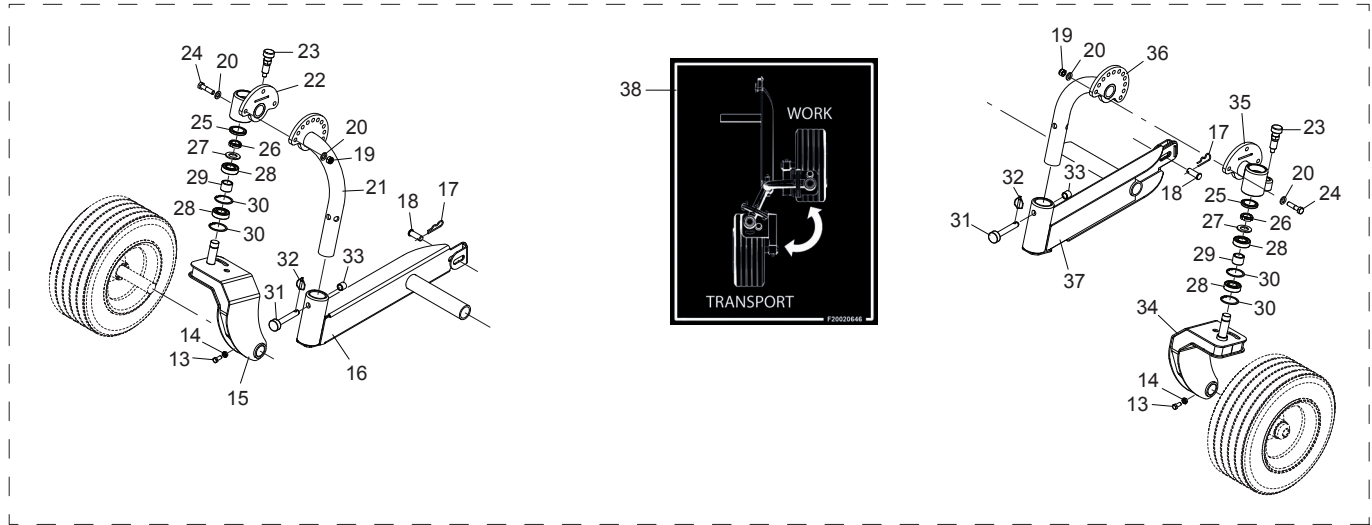
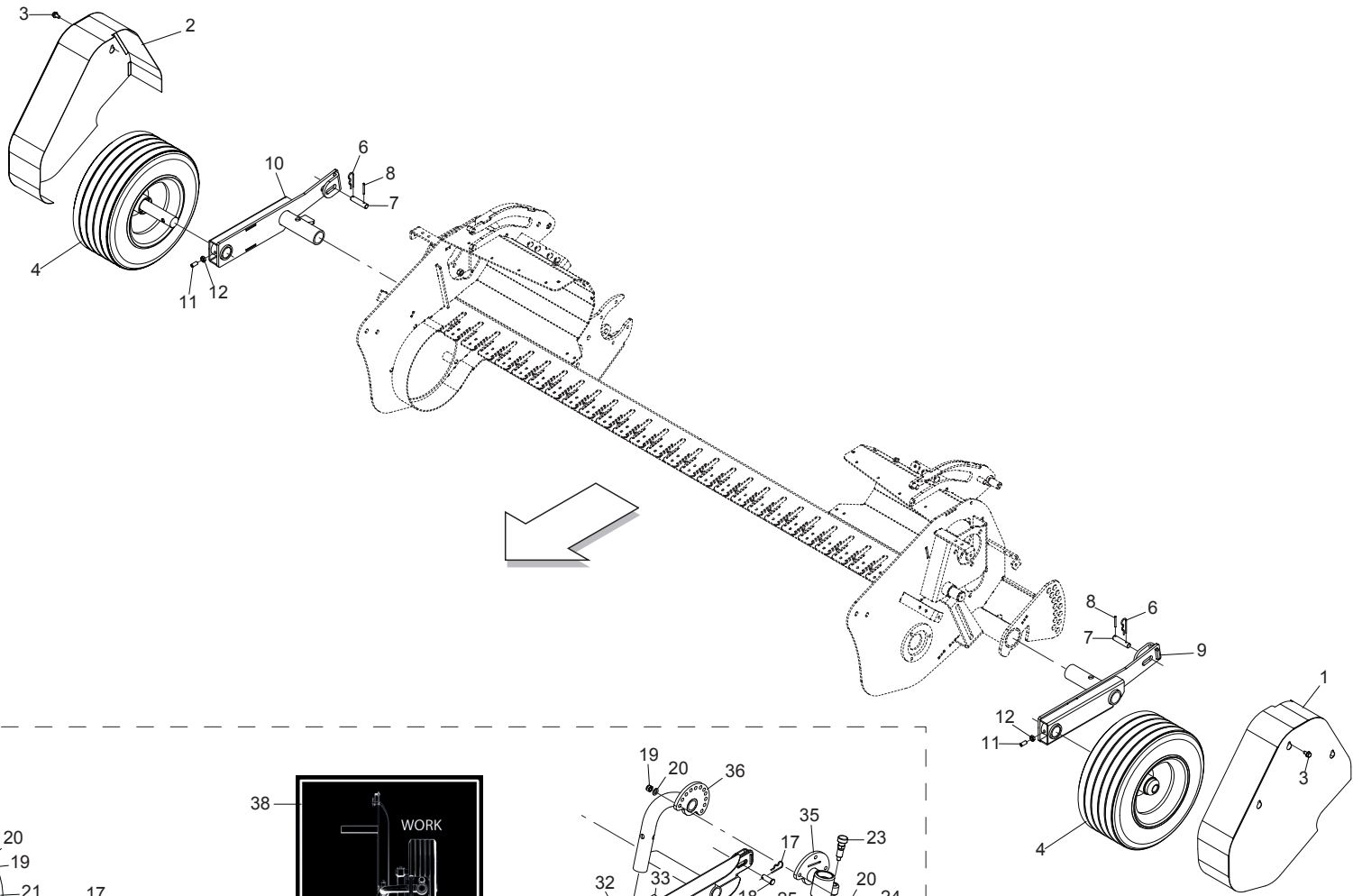
TAV_250



PICK-UP (PARTE 4)
PICK-UP (PART 4)

TAV_250

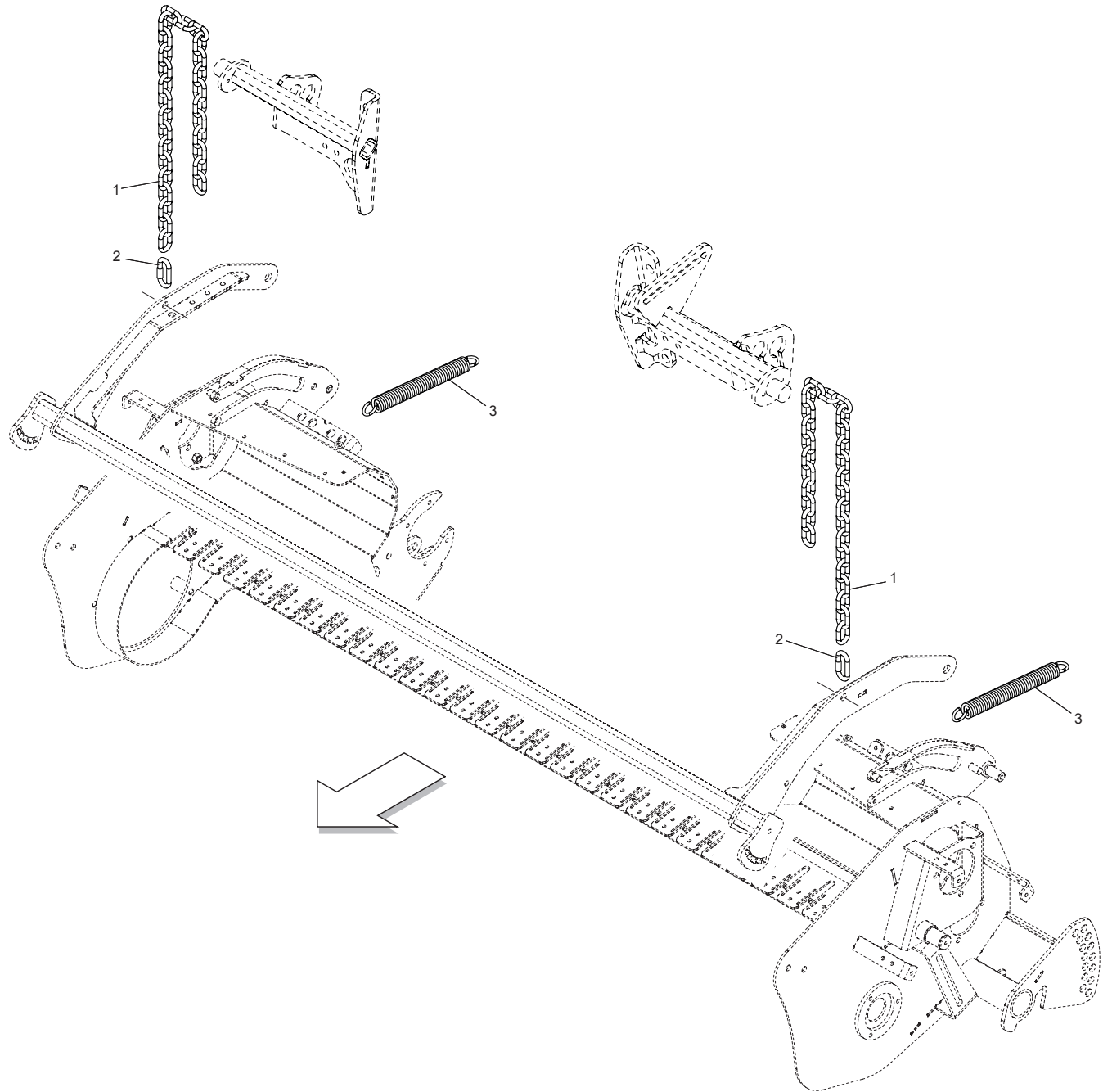
Pos.	Cod.	Descrizione	Description	Description	Benennung	Descripcion
1	B07SP0195R	CORPO ASPO L LT	REEL BODY	CORPS ENROULEUR LT	KOERPER ASPO L LT	
2	B025P0010R	SEMIBUSSOLA PER ASPO PICK-UP	HALF-BUSHFOR ASPO PICK-UP	SEMI-PALIER SPECIAL	HALBLAGERBUCHSE	SEMICASQUILLO PARA MOLINETE
3	B0C001521R	CAVALLOTTO	U BOLT	BOULON	BUEGELBOLZEN	PUENTE
4	F01020472R	VITE M10X1,5X25 U5739 8.8ZN	SCR. M10X1,5X25 U5739 8.8ZN	VIS M10X1,5X25 U5739 8.8 ZN	SCHRAUBE M10X1,5X25 U5739 8.8	TORNILLO M10X1,5X25 U5739 8.8
5	F01220033R	DADO M10X1,5 D980 8ZN	NUT M10X1,5 D980 8ZN	ECROU M10X1,5 D980 8ZN	MUTTER M10X1,5 D980 8ZN	TUERCA M10X1,5 D980 8
6	F04250001R	ROTELLA SKF 361201 R	ROWEL SKF 361201 R			
7	F02050023R	ANELLO E. DE 12X 1 U7435 C70	SEEGER RING D 12X 1 U7435 C70	BAGUE SEEGER D 12X 1 U7435 C70	SEEGERRING D 12X 1 U7435 C70	ANILLO D 12X 1 U7435 C70
8	B02353030R	SUPP.FLANG.TONDO 30 LAM.	BEARING FLANGED SUPPORT 30	SUPPORT FLANGE ROND 30 LAM.	FLANSCHLAGER	SOP.BRIDA REDONDO 30 CHAP.
9	F01020470R	VITE M10X1,5X20 U5739 8.8ZN	SCR. M10X1,5X20 U5739 8.8ZN	VIS M10X1,5X20 U5739 8.8 ZN	SCHRAUBE M10X1,5X20 U5739 ZN	TORNILLO M10X1,5X20 U5739 8
10	F01410062R	ROS.M10 10,5X 18X 2 U6592 ZN	WASHER M10 10,5X 18X 2 U6592	RONDELLE M10 10,5X18X2 ZN	DICHTUNGSRING M10 10,5X18X2 ZN	ARAND.M10 10,5X 18X 2 U6592 ZN
11	F01020510R	VITE M12X1,75X30 U5739 8.8ZN	SCR. M12X1,75X30 U5739 8.8ZN	VIS M12X1,75X30 U5739 8.8ZN	SCHRAU.M12X1,75X30 U5739 8.8ZN	TORNILLO M12X1,75X30 U5739
12	B01515797R	SPESSORE 13 25 5 ZINCATO	FIFTH WHEEL	BUTEE	SCHEIBE	RANGUA 13 25 5
13	B057P0203R	CAMMA PICK-UP	PICK-UP CAM			LEVA PICK-UP
14	F02100124R	SPINA E.P. 6X 50 U6873 C70 BR	PIN EL. 6X50 U6873 C70 BR	GOUJON 6X50 U6873 C70 BR	STIFT 6X50 U6873 C70 BR	CLAVIJA EL.P. 6X 50 U6873 C70
15	B02353035R	SUPP.FLANG.TONDO 35 LAMIERA	BEARING FLANGED SUPPORT D.35	SUPPORT FLANGE ROND 35 LAMES	FLANSCHLAGER	SOPORTE BRIDA REDONDO 35 CHA
16	F01020074R	VITE M8X1,25X50 U5737 10.9ZD	SCR. M8X1,25X50 U5737 10.9ZD	VIS M 8X50	SCHRAUBE M 8X50	TORNILLO M8X1,25X50 U5737 10
17	F01420048R	ROS.M8 8,4X 24X 2 U6593 ZN	WASHER M8 8,4X 24X2 U6593 ZN	RONDELLE M8 8,4X24X 2 U6593 ZN	SCHEIBEN M8 8,4X24X 2 U6593 ZN	ARAND.M8 8,4X 24X 2 U6593 ZN
18	B018P0003R	DENTE RACCOGLITORE 5.5	TOOTH COLLECTING 5.5	DENT PICK-UP	PICK-UP ZINKEN	DIENTE RECOGEDOR PICK-UP
19	B0C1P0655R	PIASTRA SOSTEGNO MOLLA	PLATE SUPPORT SPRING			
20	F01021205R	DADO M 8X1,25 UNI7473 10 ZN	NUT M 8X1,25 UNI7473 10 ZN			
21	B07SP1050R	BARRA P.DENTI PU 220 TEMPRATA	PICK-UP BAR HARDENED 200	BARRE PO.-DENTS PU 220 TEMP.		BARRA P.DIENTES PU 220 TEMPLA
22	B034P0041R	INGR. Z=35; 3 4; ISO 12B-1	GEAR	ENGRANAGE	ZAHNRAD Z=35-3 4	
23	B01522427R	SPES. 35 47 2	SHIM	ENTRETOISE	SCHEIBE	ESPE. 35 47 2
24	B034P0002R	INGR. Z=35-3 4 ISO ASPO LT	GEAR Z=35; 3 4; ISO 12B-1	ENGRANAGE	ZAHNRAD	
25	B01300101R	SPES. 30,3 40 1 ZINCATO	SHIM GALV	ENTRETOISE GALV	DISTANZSTUECK 30,3 40 1	ESPE. 30,3 40 1 CINCADO
26	B01300153R	SPES. 30 40 2 ZINCATO	SHIM GALV	ENTRETOISE GALV	DISTANZSTUECK 30 40 2	ESPE. 30 40 2 CINCADO



PICK-UP (PARTE 5)
PICK-UP (PART 5)

TAV_260

Pos.	Cod.	Descrizione	Description	Description	Benennung	Descripcion
1	BSP000069R	CARTER SX PICK-UP 365	LEFT CARTER PICK-UP 365			
2	BSP000070R	CARTER DX PICK-UP 365	RIGHT CARTER PICK-UP 365			
3	B00370001R	VITE TE M 8X16 A SEZ.TRILOBATA	SCREW TRE M 8X16 SEZ TROUBLED	VIS	SCHRAUBE M 8X15	TORNILLO CHEX M 8X16 A SECC. T
4	B07100040R	RUOTA IN GOMMA CON FUSEL16.650	TYRE WITH SPINDLE	ROUE EN CAOOUTCHOUC	GUMMI RAD	
6	F02200363R	COPIGLIA R 3X 62 ZN	SPRING SPLIT PIN 3X 62 ZN	GOUPILLE R 3X62	SPLINT R 3X62	PASADOR R 3X 62
7	B01300610R	SPINA 15X 65 2F 4	PIN	AXE	ZAPFEN 15 X65	
8	F02100060R	SPINA E.P. 4X 40 U6873 C70 BR	PIN E.P. 4X 40 U6873 C70 BR			
9	B07SP0084R	ATTACCO RUOTA SX LT	LT WHELL LEFT CONNECTION	ATTELAGE ROUE GAUCHE LT	RAD ANSCHLUSS LINKS LT	
10	B07SP0085R	ATTACCO RUOTA DX LT	LT WHELL RIGHT CONNECTION	ATTELAGE ROUE DROIT LT	RAD ANSCHLUSS RECHTS LT	
11	F01050138R	VITE M10X1,5 X 20 U5927 8.8BR	SCREW M10X1,5 X 20 U5927 8.8BR			
12	F01200416R	DADO M10X1,5 U5589 CL8 ZN 6SZN	NUT M10X1,5 U5589 6SZN	ECROU 10 UNI 5589 6.8 ZN	MUTTER 10 UNI 5589 6.8 ZN	TUERCA 10 UNI 5589 6.8 ZN
13	F01020472R	VITE M10X1,5X25 U5739 8.8ZN	SCR. M10X1,5X25 U5739 8.8ZN	VIS M10X1,5X25 U5739 8.8 ZN	SCHRAUBE M10X1,5X25 U5739 8.8	TORNILLO M10X1,5X25 U5739 8.8
14	F01200416R	DADO M10X1,5 U5589 CL8 ZN 6SZN	NUT M10X1,5 U5589 6SZN	ECROU 10 UNI 5589 6.8 ZN	MUTTER 10 UNI 5589 6.8 ZN	TUERCA 10 UNI 5589 6.8 ZN
15	B07SP1114R	SUPPORTO RUOTA DESTRA	SUPPORT RIGHT WHEEL			
16	B07SP1113R	SUPPORTO BRACCIO DESTRO	ARM RIGHT SUPPORT			
17	F02200363R	COPIGLIA R 3X 62 ZN	SPRING SPLIT PIN 3X 62 ZN	GOUPILLE R 3X62	SPLINT R 3X62	PASADOR R 3X 62
18	F02100352R	PERNO D.16 UNI 1710 ZN	PIN D.16 UNI 1710 ZN			
19	F01230059R	DADO M12X1,75 D982 8ZN	LOCK-NUT M12X1,75 D982 8ZN	ECR.AUTO-FREI.M12X1,75 D982 8ZN	SICHERUNGSMUT.M12X1,75 D982 8ZN	TUER.DE SEGUR.M12X1,75 D982 ZN
20	F01410076R	ROS.M12 13X 24X2,5 U6592 ZN	WASHER 12 13X 24X2,5 U6592 ZN	RONDEL. M12 13X24X2,5 U6592 ZN	SCHEIBE M12 13X24X2,5 U6592 ZN	ARAND.M12 13X 24X2,5 U6592 ZN
21	B07SP1222R	BRACCIO PU DESTRO 365 HTI	365 HTI PU RIGHT ARM			
22	B07SP1221R	MOZZO DESTRO PICK-UP	RIGHT HUN PICK-UP			
23	F06220042R	PISTONC. A MOL.D12 M20X1,5BR	PISTON AT SPRING D12 M20X1,5BR			
24	F01020156R	VITE M12X1,75X50 U5737 8.8ZN	SCR. M12X1,75X50 U5737 8.8ZN	VIS M12X1,75X50 U5737 8.8 ZN	SCHR. M12X1,75X50 U5737 8.8 ZN	TORN. M12X1,75X50 U5737 8.8 ZN
25	F05100222R	TAPPO DI CHIUSURA D52 X 7	CLOSING STOPPER D52 X 7			
26	F02010011R	GHIERA AU.GUK M25X1,5 T.4H ZG	SELF LOCKING NUT	COLLIER AUTOBL.	SELBSTSP. NUTMUTTER	VIROLA AUTOBL.
27	B01522663R	SPES. 25 45	SHIM	ENTRETOISE	SCHEIBE	ESPE. 25 45
28	F04010170R	CUSC.D25 D52 B15 6205 2RS EX	BEARING D25 D52 B15 6205 2RS	ROULEMENT 6205 2RS	LAGER 6205 2RS	COJIN.D25 D52 B15 6205 2RS EX
29	B0C1P0853R	DISTANZIALE 25.5 33.7 25	SPACER 25.5 33.7 25			
30	F02050381R	ANELLO E. DI 52X 2 U7437 C70	SEEGER RING E. 52X 2 U7437 C70	SEEGER E. 52X 2 U7437 C70	SEEGERING E. 52X 2 U7437 C70	ANILLO 52X 2 U7437 C70
31	F20100022R	PERNO D16 L86 C43 TEST.D35 ZN	PIN FOR BAR LINKAGE	GOUJON ATTELAGE BARRE	VERB.BOLZEN SCHUTZHOLM	PERNO ATAQUE BARRA
32	F02200486R	SPINA SCATTO D.6 X27 ZN	SNAP PIN D.6 X27 ZN	FICHE A DETENTE D6 X 27 ZN	EINRASTSTIFT D6 X 27 ZN	CLAVIJA CON DISPARO D.6 X27
33	B013P0455R	DISTANZIALE 16 21,3 19	BUSHING 16 21,3 19			
34	B07SP1111R	SUPPORTO RUOTA SINISTRA	SUPPORT LEFT WHEEL			
35	B07SP1199R	MOZZO SINISTRO PICK-UP	LEFT HUB PICK-UP			
36	B07SP1198R	BRACCIO PU SINISTRO 365 HTI	365 HTI PU LEFT ARM			
37	B07SP1110R	BRACCIO SUPPORTO RUOTA SX	ARM FOR LEFT WHEEL			
38	F20020646R	DECAL RUOTINI PIVOTTANTI 365	DECAL WHEELS PIVOTING 365			

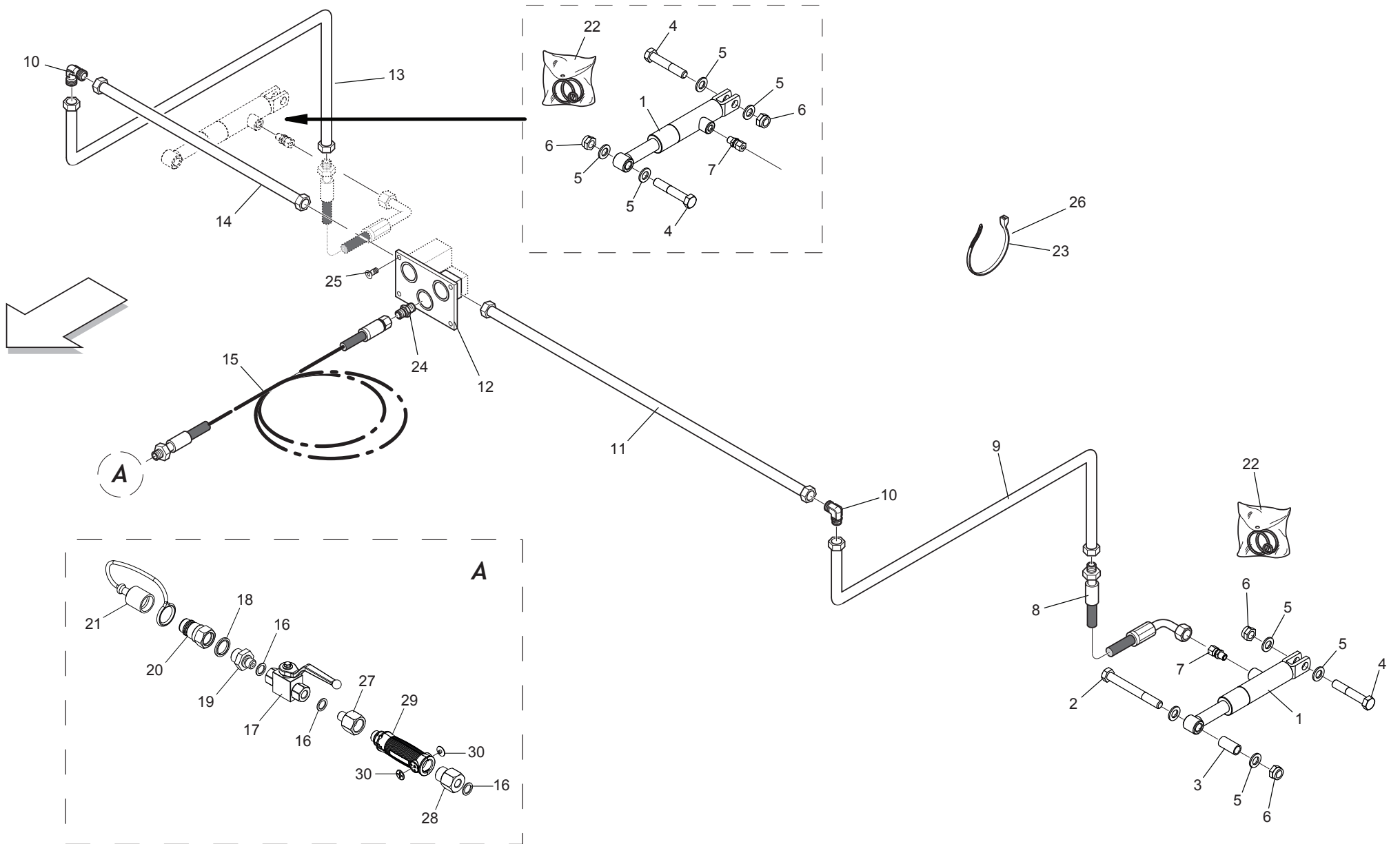


PICK-UP (PARTE 6)
PICK-UP (PART 6)

TAV_270

Pos.	Cod.	Descrizione	Description	Description	Benennung	Descripcion
1	B033C0001R	CATENA GENOVESE N.28 20 ANELLI	GENOVESE CHAIN 28 20 RINGS			
2	B038C0003R	MAGLIA RAPIDA OVALE CON VITE	QUICK RING OVAL SCREW			
3	B01826161R	MOLLA CONTRASTO RULLO	SPRING	RESSORT	FEDER	MUELLE DE CONTRASTE DEL RODI

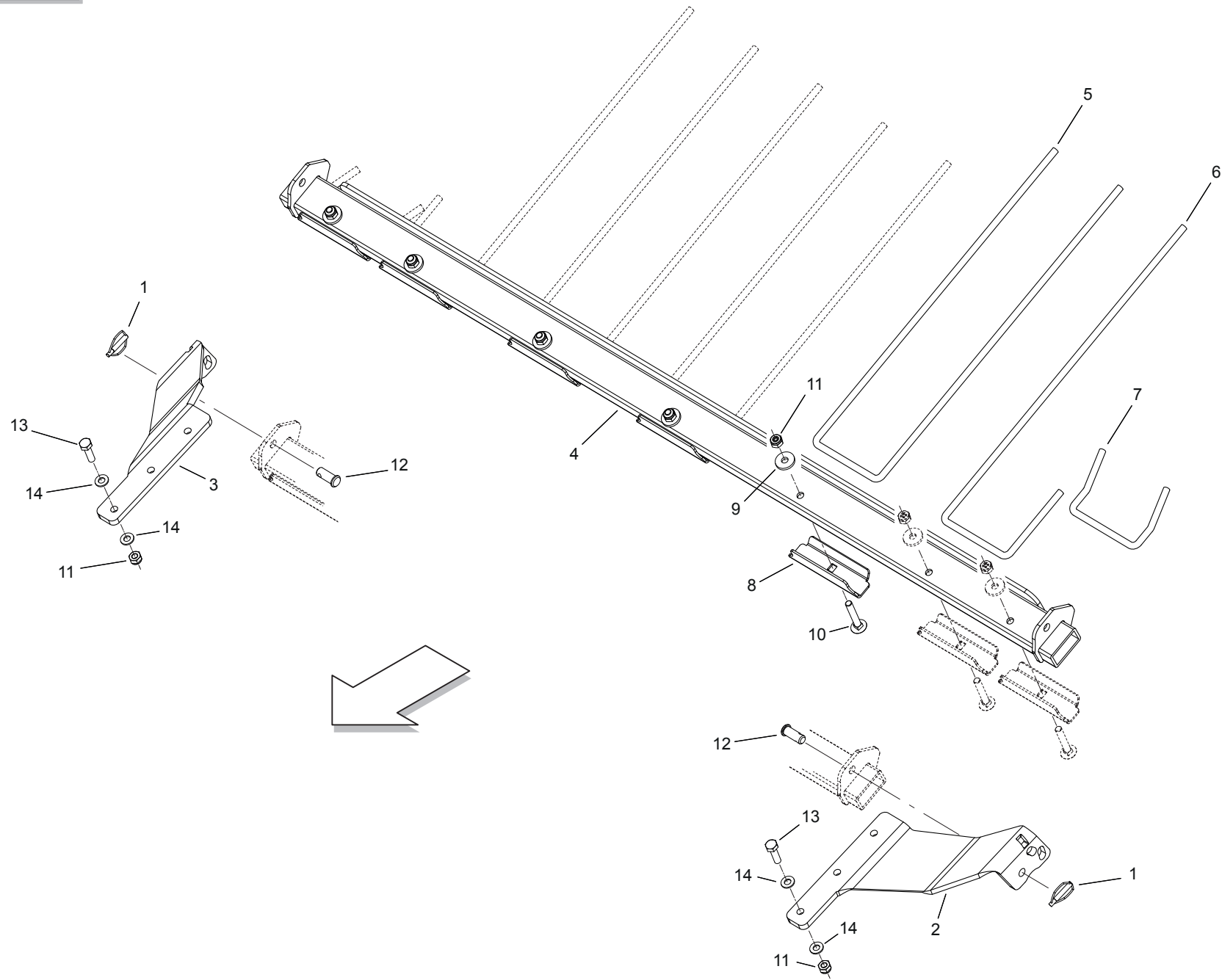
TAV_280



PICK-UP (PARTE 7)
PICK-UP (PART 7)

TAV_280

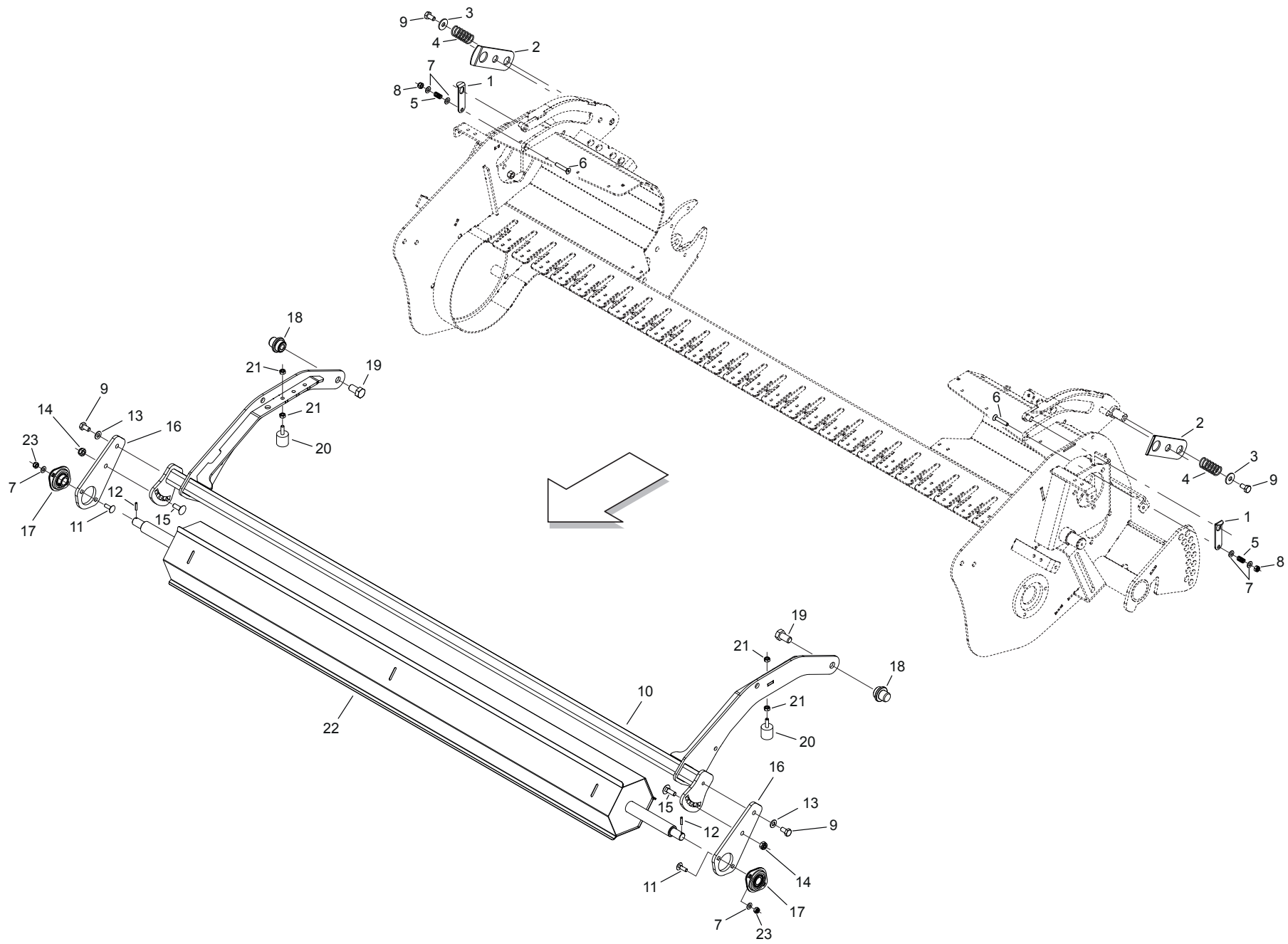
Pos.	Cod.	Descrizione	Description	Description	Benennung	Descripcion
1	BOH400062R	MARTINETTO PICK-UP	SPRINTER PICK-UP JACK	VERIN PICK-UP SPRINTER	SPRINTER PICK-UP ZYLINDER	CILINDRO PICK-UP
2	F01020365R	VITE M16X2X140 U5737 10.9ZN	SCR. M16X2X140 U5737 10.9ZN	VIS M16X2X140 U5737 10.9 ZN	SCHRA. M16X2X140 U5737 10.9 ZN	TORNI. M16X2X140 U5737 10.9 ZN
3	B013P0215R	DISTANZIALE 16 21,3 42	SPACER 16 21,3 42			
4	F01020264R	VITE M16X2X90 U5737 8.8ZN	SCR. M16X2X90 U5737 8.8ZN	VIS M16X2X90 5737 8.8 ZN	SCHRAUBE M16X2X90 5737 8.8 ZN	TORNILLO M16X2X90 U5737 8.8Z
5	F01410100R	ROS.M16 17X 30X 3 U6592 ZN	WASHER M16 17X30X3 U6592 ZN	RONDELLE M16 17X30X3 ZN	SCHRAUBE M16 17X 30X3 U6592 ZN	ARAND.M16 17X 30X 3 U6592 ZN
6	B00920516R	DADO M16X 1,5 D985 6S ZN	NUT M16X1,5 D985 6S ZN	ECROU	SELBSTSICHERNDE MUTTER M16-5S	TUERCA M16X 1,5 D985 6S
7	BOH0C0028R	RACCORDO I 8 RASTEL TN93GG-8LR	JOINT I 8 RASTEL TN93GG-8LR			
8	F03071448R	TG 1 4 2SC CFL8 ML8 500	TG 1 4 2SC CFL8 ML8 500			
9	BOH0P0136R	TUBO ZINCATO 8X1,5 L=1390	GALVANIZED PIPE 8X1,5 L=1390			
10	B0L7G0186R	RACCORDO L 8 RASTELLI TN99-8L	FITTING			
11	BOH0P0134R	TUBO ZINCATO 8X1,5 L=875	GALVANIZED PIPE 8X1,5 L=875			
12	BOH0P0150R	PIASTRA COLLETTORE 75 X 45	PLATE 75 X 45			
13	BOH0P0137R	TUBO ZINCATO 8X1,5 L=1430	GALVANIZED PIPE 8X1,5 L=1430			
14	BOH0P0135R	TUBO ZINCATO 8X1,5 L=410	GALVANIZED PIPE 8X1,5 L=410			
15	BOH0P0114R	TUBO FLESSIBILE L=2700	HYDRAULIC HOSE L=2700			
16	F01500012R	RONDELLA IN RAME 1 4	COPPER WASHER 13X19X1,5-1 4	RONDELLE 13X19X1,5-1 4	SCHEIBE 13X19X1,5-1 4	ARANDELA 13X19X1,5-1 4
17	F03151245R	RUBINETTO F-F 1 4	COCK F.-F. 1 4	ROBINET F.-F. 1 4	HAHN F.-F. 1 4	GRIFO H.-H. 1 4
18	F03020103R	RONDELLA BONDED AUTOCENT 1 2	AUTOCENT BONDED WASHER 1 2	RONDELLE BONDED AUTOCENT 1 2	SCHEIBE BONDED AUTOCENT 1 2	ARANDELA BONDED 1 2
19	BOH733671R	NIPPLO RID.FORO 1MM. 1 2 -1 4	NIPPLE 1 2 -1 4	NIPPLE 1 MM 1 2 -1 4	NIPPEL 1 2 -1 4	NIPLE RED. ORIFICIO 1MM. 1 2 -
20	F03150935R	INNESTO RAP.MASCH.1 2 A VALV.	QUICK CONNECT MALE CONE 1 2	CONNEXION RAPIDE MALE CONE 1 2	SCHNELLKUPP.GEWINDE KONISC 1 2	ACOPLAMIENT.RAP.MACHO CONO
21	F05150330R	CAPPUC.F X INN.M RAP.1 2 BLU	PROTECT. COVER CAP F 1 2 BLUE	COUVERCLE CONNEXION F 1 2 BLEU	DECKEL W 1 2 SCHNELLKUPP. BLUE	PAC PROTECCION F 1 2 AZUL
22	BOH400061R	KIT GUARNIZ. MARTIN. PICK_UP	KIT JOINTS	KIT JOINTS POUR VERIN	DICHTUNGSSATZ	KIT JUNTAS CILINDRO PICK_UP
23	B0E000061R	FASCETTA A COPPIGLIA	STEEL HOSE CLAMP			ABRAZADERA CON PASADOR
24	F03151245R	RUBINETTO F-F 1 4	COCK F.-F. 1 4	ROBINET F.-F. 1 4	HAHN F.-F. 1 4	GRIFO H.-H. 1 4
25	B00440616R	VITE TSPEI M 6X 20-10.9 UNI 5	SCREW	VIS	SCHRAUBE	
26	F05150055R	FASCETTA POLYA. 3,6X200 NERA	WHITE BAND	BANDE BIANCHE	WEIBE BAND	BANDA POLYA. 3,6X200 NEGRA
27	F03020117R	RID M F BSP 1 4-19X1 2-14	RID M F BSP 1 4-19X1 2-14			
28	F03151066R	RIDUZIONE 1 2 M-1 4 F	NIPPLE 1 2 -M 1 4 F	RACCORD FILETE 1 2 -M 1 4 F	NIPPEL 1 2 -M 1 4 F	RACOR 1 2 -M 1 4 F
29	F05150649R	MANIGLIA TUBO IDRAULIC.RAC1 2	HANDLE HYDR.TUBE JUNCTION 1 2			
30	F05150652R	INSERTO BLU PER MAN.TUB.IDR	BLUE INSERT FOR HANDLE HYD.TU.			



**RASTRELLO
RAKE**

TAV_300

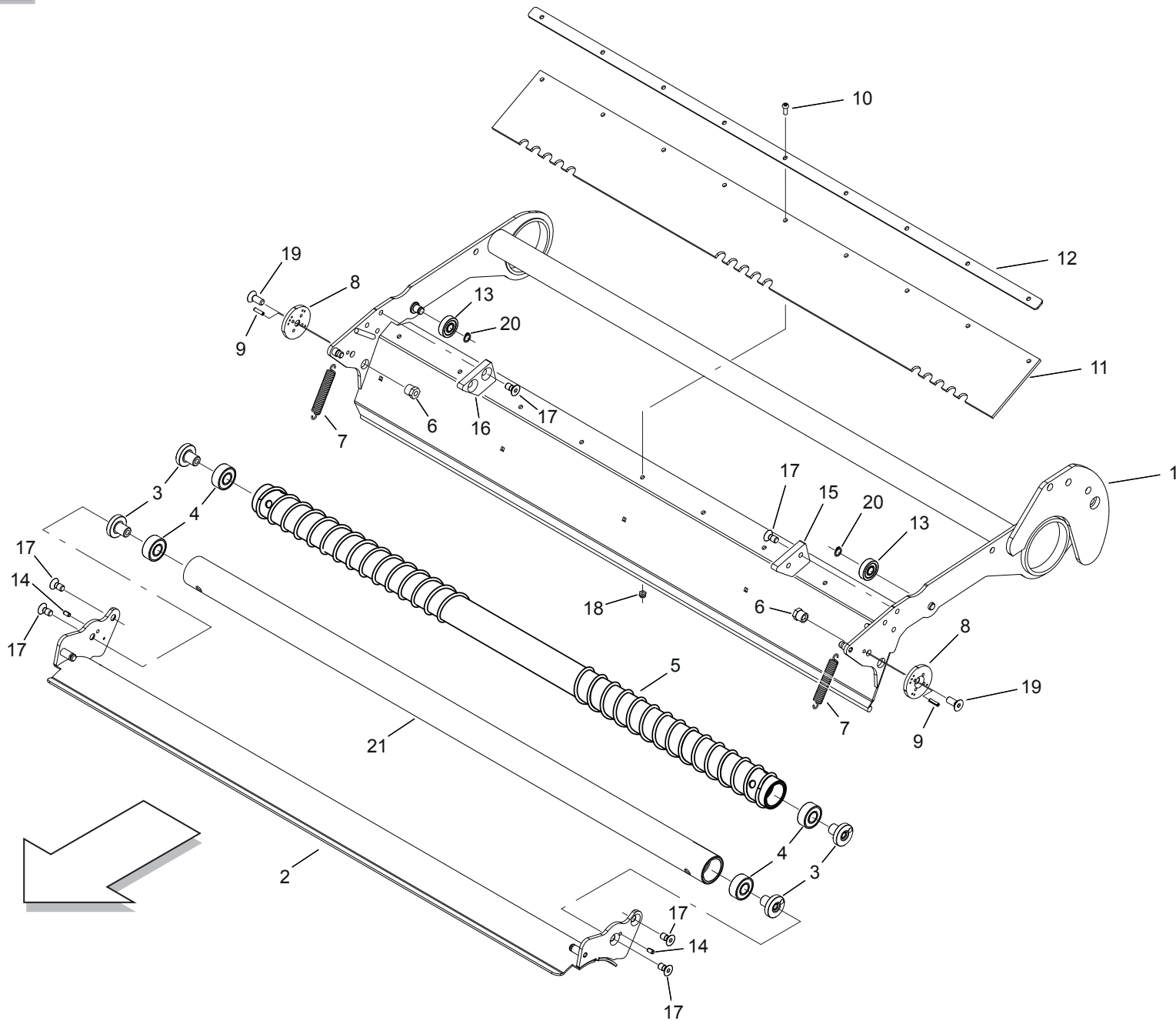
Pos.	Cod.	Descrizione	Description	Description	Benennung	Descripcion
1	F02200486R	SPINA SCATTO D.6 X27 ZN	SNAP PIN D.6 X27 ZN	FICHE A DETENTE D6 X 27 ZN	EINRASTSTIFT D6 X 27 ZN	CLAVIJA CON DISPARO D.6 X27
2	B0C1P1688R	STAFFA SX ATT.BARRA PORTADENTI	LEFT BRACK.CONNE.ROD SUP.TEETH			
3	B0C1P1689R	STAFFA DX ATT.BARRA PORTADENTI	RIGHT BRACK.CONN.ROD SUP.TEETH			
4	B07SP1310R	BARRA PORTADENTI	ROD SUPPORT TEETH			
5	B0C2P0383R	DENTE L=590	TOOTH L=590			DENTE L=590
6	B0C2P0384R	DENTE L=590 E L=137	TOOTH L=590 E L=137			DENTE L=590 E L=137
7	B0C2P0385R	DENTE LATERALE L=111	LATERAL TOOTH			DIENTE LATERAL L=111
8	B0C1P1460R	FERMO DENTE	FIRM TOOTH			
9	B01524584R	RALLA 10,5 30 4	FIFTH WHEEL	BUTEE	SCHEIBE	RANGUA 10,5 30 4
10	F01060081R	VITE M10X1,5X60 U5731 8.8ZN	SCR. M10X1,5X60 U5732 4.6ZN	VIS 10X60 5732 4.6 ZN	SCHRAUBE 10X60 5732 4.6 ZN	TORNILLO M10X1,5X60 U5731 8.8
11	F01230202R	DADO M10X 1,5 D985 8 ZN	NUT M10 D985	ECROU AUTOBL. M10	SELBSTSPERR.MUTTER M10	TUERCA M10X 1,5 D985 8
12	B0C1P1632R	PERNO D.12 F.6	PIN D.12 F.6			PERNO D.12 F.6
13	F01020479R	VITE M10X1,5X35 U5739 8.8ZN	SCR. M10X1,5X35 U5739 8.8ZN	VIS M10X1,5X35 U5739 8.8 ZN	SCHR. M10X1,5X35 U5739 8.8 ZN	TORNILLO M10X1,5X35 U5739 8
14	F01410064R	ROS.M10 10,5X 20X 2 U6592 ZN	WASHER M10 10,5X20X2 U6592 ZN	RONDEL. M10 10,5X20X2 U6592 ZN	SCHEIBE M10 10,5X20X2 U6592 ZN	ARAND.M10 10,5X 20X 2 U6592 ZN



**RULLO CONVOGLIATORE
ROLLER CONVEYOR**

TAV_310

Pos.	Cod.	Descrizione	Description	Description	Benennung	Descripcion
1	B0C6P1116R	LAMIERA FERMO RASTRELLO	LAMIERA FERMO			
2	B0C6P0934R	AGGANCIAMENTO FIANCO	SUPPORT			
3	F01420060R	ROS.M10 10,5X 30X2,5 U6593 ZG	GALV.WASHER 10,5X30X2,5 U6593	RONDELLE 10,5X30	SCHEIBE 10,5X30	ARAND.M10 10,5X 30X2,5 U6593
4	B01817605R	MOLLA C FILO 2,5 P24,5 L=60	SPRING	RESSORT	C-FEDER	MUELLE C HILO 2,5 P24,5 L=60
5	B01821993R	MOLLA	SPRING	RESSORT	FEDER	MUELLE
6	F01030061R	VITE M8X1,25X45 U5933 10.9ZD	SCR. M8X1,25X45 U5933 10.9ZD	VIS 8X45 5933 8.8 ZN	SCHRAUBE 8X45 5933 8.8 ZN	TORNILLO 8X45 5933 8.8 ZN
7	F01410051R	ROS.M8 8,4X 17X1,6 U6592 ZN	WASHER M8 8,4X17X1,6 U6592 ZN	RONDELLE M8 8,4X17X1,6 ZN	SCHEIBE M8 8,4X17X1,6 U6592 ZN	ARAND.M8 8,4X 17X1,6 U6592 ZN
8	F01220022R	DADO M8X1,25 D980 8ZN	NUT M8X1,25 D980 8ZN	ECROU M8X 1,25 D980 8 ZN	MUTTER M8X 1,25 D980 8 ZN	TUERCA M8X 1,25 D980 8 ZN
9	F01020470R	VITE M10X1,5X20 U5739 8.8ZN	SCR. M10X1,5X20 U5739 8.8ZN	VIS M10X1,5X20 U5739 8.8 ZN	SCHRAUBE M10X1,5X20 U5739 ZN	TORNILLO M10X1,5X20 U5739 8
10	B07SP1311R	SUPP. RULLO PREMIANDANA 365HTI	SUPP.ROLLER 365HTI			
11	F01060202R	VITE M8X1,25X25 U5731 4.6ZN	SCR. M8X1,25X25 U5731 4.6ZN	VIS M8X1,25X25 U5731 4.6	DUEBEL M8X1,25X25 U5731 4.6 ZN	TORNILLO M8X1,25X25 U5731 4.6
12	F02100065R	SPINA E.P. 4X 30 U6873 C70 BR	PIN EL. 4X30 DIN 1481	GOUPILLE EL.4 X30 DIN 1481	SPANNSTIFT 4X30 DIN 1481	CLAVIJA EL.P. 4X 30 U6873 C70
13	F01410062R	ROS.M10 10,5X 18X 2 U6592 ZN	WASHER M10 10,5X 18X 2 U6592	RONDELLE M10 10,5X18X2 ZN	DICHTUNGSRING M10 10,5X18X2 ZN	ARAND.M10 10,5X 18X 2 U6592 ZN
14	F01230202R	DADO M10X 1,5 D985 8 ZN	NUT M10 D985	ECROU AUTOBL. M10	SELBSTSPERR.MUTTER M10	TUERCA M10X 1,5 D985 8
15	F01060069R	VITE M10X1,5X30 U5731 8.8ZN	SCR. M10X1,5X30 U5732 4.6ZN	BOULON 10X30 5732 4.6	SCHRAUBE 10X30 5732 4.6	TORNILLO M10X1,5X30 U5731 8.8
16	B0C6P1118R	PIASTRA LATERALE	PLATE LATERALE			
17	B02341020R	SUPP.FLANG.OV 20 LAM NBR-NSK	SUPPORT	SUPPORT	GEFLANSCHTES LAGER	SOP.BRIDA.OV 20 CHAP. NBR-NSK
18	B013P0342R	SPINA PORTA BUSSOLA	BUSH PIN			
19	F01020562R	VITE M16X2X30 U5739 8.8ZN	SCR. M16X2X30 U5739 8.8ZN	VIS M16X2X30 U5739 8.8 ZN	SCHRAUBE M16X2X30 U5739 8.8 ZN	TORNILLO M16X2X30 U5739 8.8ZN
20	B01800082R	SILENT BLOCK 30X30-M8X25	SILENT BLOCK 30X30-M8X20	SILENT BLOCK 30X30-M8X20	SILENTBLOCK 30X30-M8X20	SILENT BLOCK 30X30-M8X25
21	F01200244R	DADO M8X1,25 U5588 CL8 ZN	NUT M8X1,25 U5588 6.8ZN	ECROU M8 X1,25 U5588 6.8 ZN	MUTTER M8 X1,25 U5588 6.8 ZN	TUERCA M8X1,25 U5588 CL8 ZN
22	B07SP0863R	RULLO D200 PER 365 2015	ROLL D200 FOR 365 2015			
23	B00920208R	DADO AUTOB.BASSO M 8-5S D985	NUT M8X1 D985 8ZN	ECROU	SELBSTSICHERNDE MUTTER M8-5S	TUERCA M8X1 D985 8

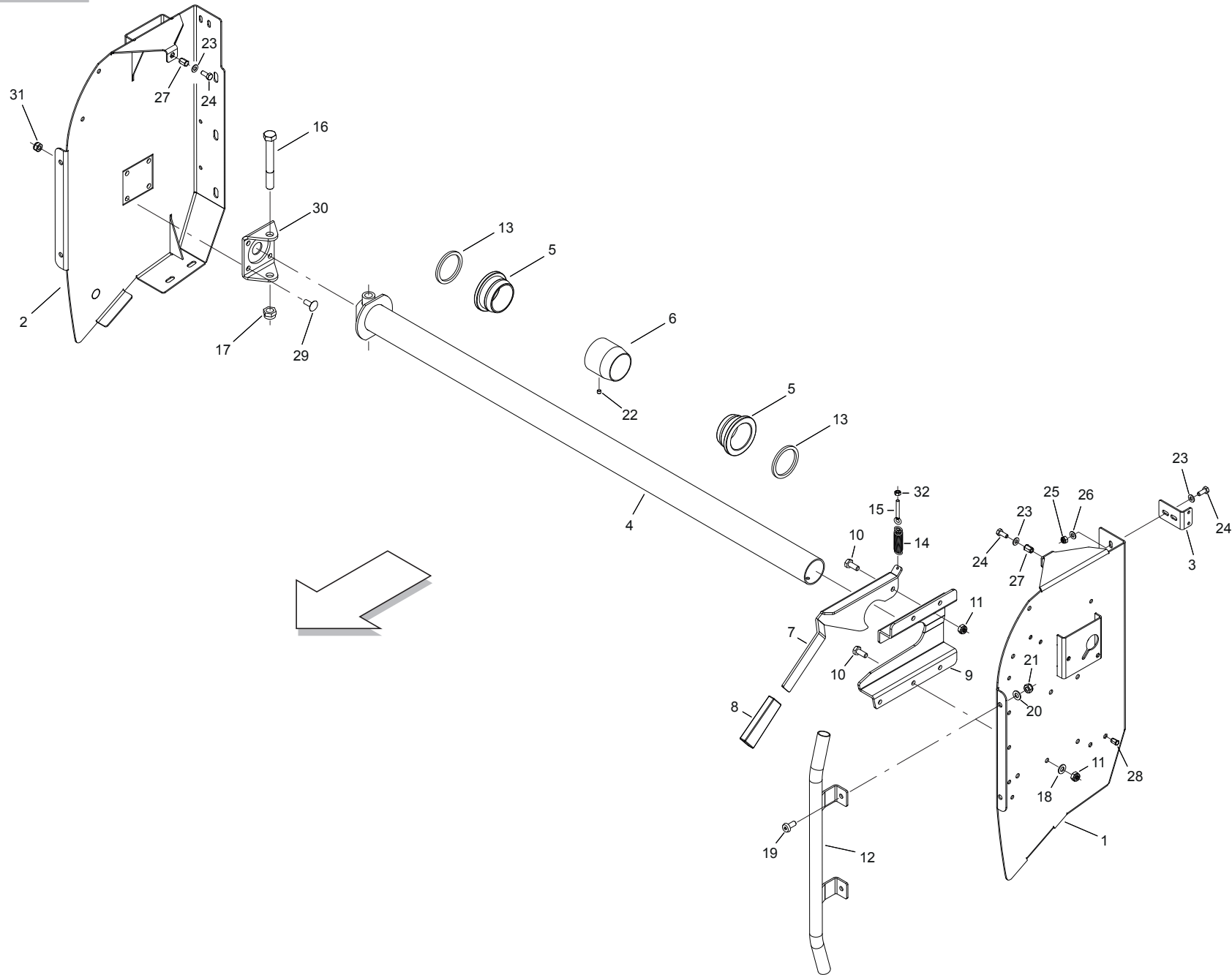


**LEGATORE RETE (PARTE 1)
NET BINDER (PART 1)**

TAV_330

Pos.	Cod.	Descrizione	Description	Description	Benennung	Descripcion
1	B07SP0671R	BRACCIO PORTERETE 365	ARM PORTENET 365			
2	B07SP0846R	PINZA RETE FILO 365	NET CLAMP			
3	B035P0008R	PERNO RULLO FOLLE NEW	NEW IDLE ROLLER PIN	TOURILLON ROULEAU FOU NEW	BOLZEN UMLENKWALZE	PERNO RODILLO LOCO NEW
4	B02301716R	CUSC. 2203 E-2RS1TN9 RIF.SKF	BEARING	ROULEMENT	LAGER 2203 E-2RS1TN9 RIF. SKF	COJIN. 2203 E-2RS1TN9 REF.SKF
5	B07SP0571R	RULLO FOLLE RETE	RULLO FOLLE RETE			
6	B01300401R	BUSSOLA FILETTATA	PIN WITHOUT NET	DOUILLE FILETEE	NETZAUFNAHMEZANGENBOLZEN	CASQUILLO ROSCADO
7	B01800025R	MOLLA 2 13 98T GRUPPO RETE	SPRING	RESSORT	FEDER	MUELLE 2 13 98T GRUPO RED
8	B013P0128R	RALLA DI FERMO	STOP FIFTH WHEEL	EXCENTRIQUES	DISTANZSCHEIBE	RANGUA DE TOPE
9	F02100079R	SPINA E.P. 5X20 U6873 C70 BR	PIN EL. 5X20 U6873 C70 BR			CLAVIJA EL.P. 5X20 30 U6873 C
10	B00470620R	VITE TTEI M 6X 20-8.8 UNBRA	SCREW	VIS	SCHRAUBE TTEI M6X20-10.9	TORNILLO CAB.ALLEN CON HUEC
11	B07VP0194R	BANDELLA SOSTEGNO	STRIP SUPPORT			
12	B0C2P0020R	PREMIGOMMA	RUBBER HOLDER	PRESSE-CAOUTCHOUC	GUMMIDRUCKER	SUJETA GOMA
13	B020R1210R	ROTELLA SKF 361201 R	ROLLER SKF 361201 R PU BINDER	GALET SKF 361201 R PICK UP LEG	LAGER SKF 361201 R	ARANDELA SKF 361201 R
14	B01110612R	SPINA ELAST. 6X 12 SS DIN 1481	PIN	GOUPILLE	STIFT	CLAVIJA EL ST. 6X 12 SS DIN 14
15	B0C6P1102R	SPESSORE SX PER RETE	THICKNESS			
16	B0C6P1101R	SPESSORE DX PER RETE	THICKNESS			
17	B00441020R	VITE TSPEI M10X 20-10.9 UNI 5	SCREW	VIS	SCHRAUBE TSPEI M10X 20-10.9	TORNILLO CAB. AVE.ALLEN PAV M1
18	B00920106R	DADO M6X1 D985 8ZN	NUT	ECROU	SELBSTSICHERNDE MUTTER M6-5S	TUERCA M6X1 D985 8
19	F01030084R	VITE M10X1,5X25 U5933 10.9ZD	SCREW M10X1,5X25 U5933 10.9ZD	VIS M10X1,5X25 U5933 10.9ZD	SCHRA.M10X1,5X25 U5933 10.9ZD	TORN. M10X1,5X25 U5933 10.9ZD
20	B01700012R	ANEL. D ARR. ALB. 12-E UNI3653	SEEGER RING	BAGUE SEEGER	SEEGERRING 12-E	ANIL. DE PARAD. RB. 12-E UNI3
21	B07SP0100R	CORPO RULLO FOLLE LISCIO	SMOOTH IDLE ROLLER BODY	CORPS ROULEAU FOU LISSE	GEHAUSE DER GLATTLOSCHWALZE	CUERPO DEL RODILLO LOCO LISO

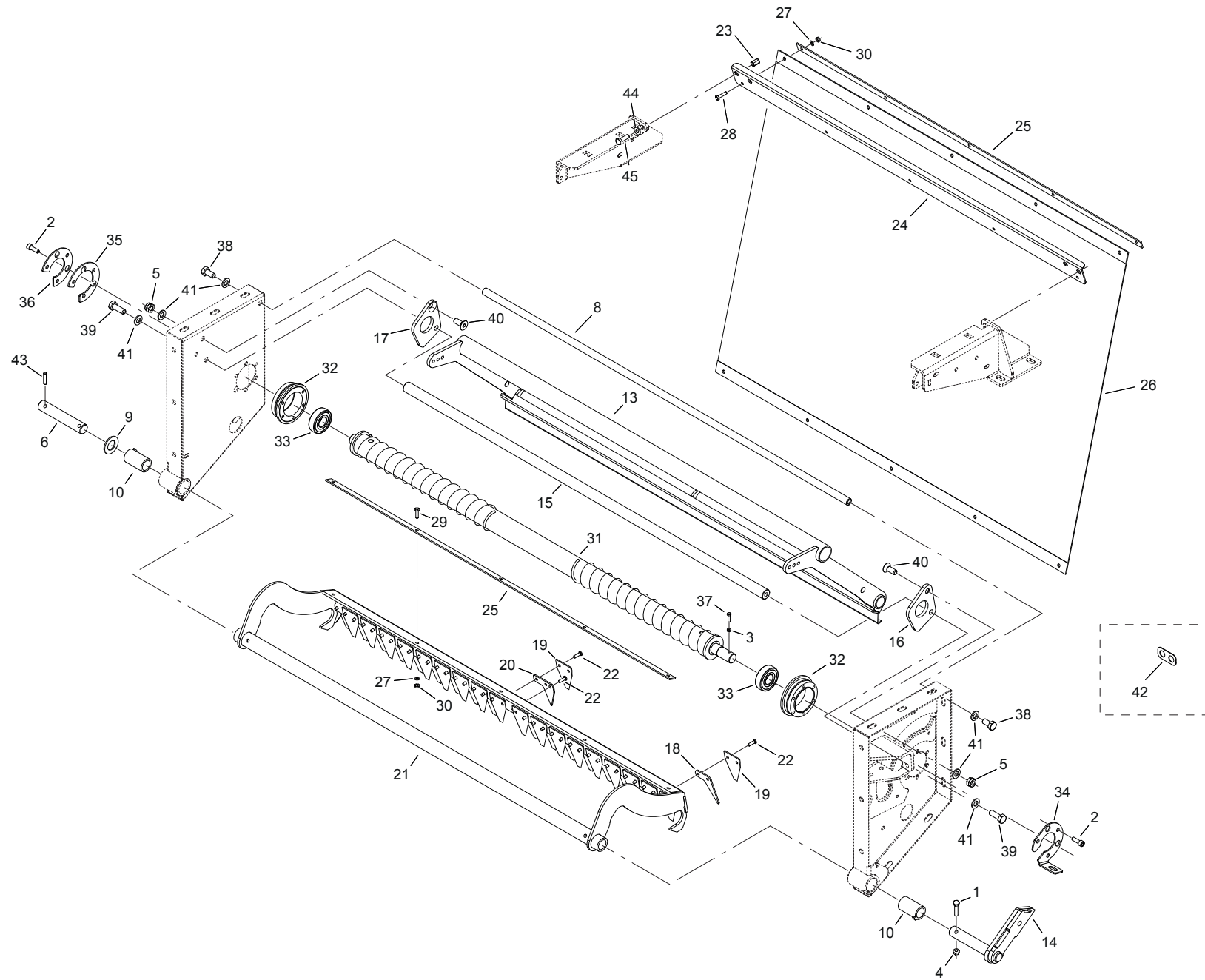
TAV_340



**LEGATORE RETE (PARTE 2)
NET BINDER (PART 2)**

TAV_340

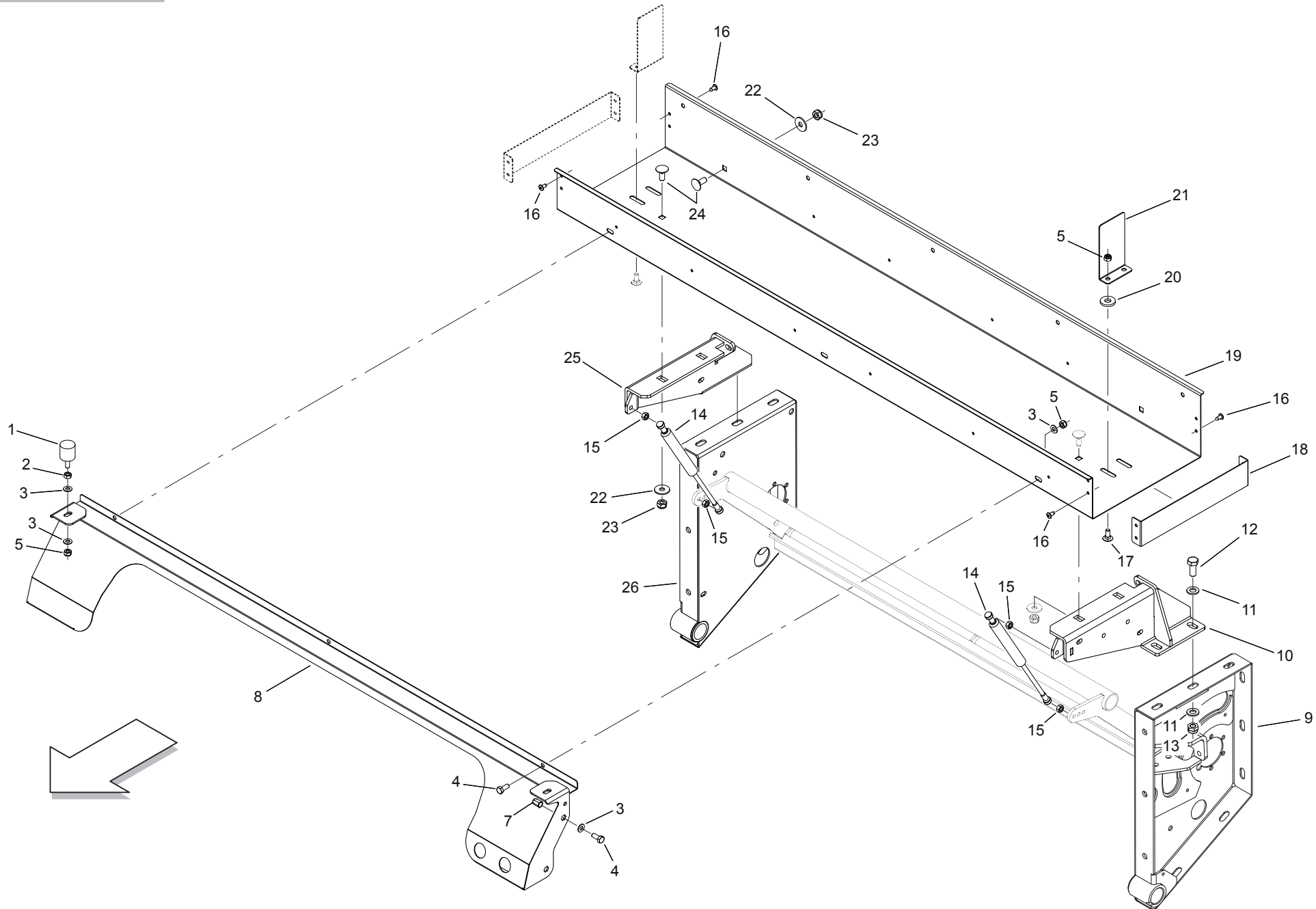
Pos.	Cod.	Descrizione	Description	Description	Benennung	Descripcion
1	B07SP1379R	FIANCO SINISTRO LEG.RETE	LEFT SIDE GRID			
2	B07SP1380R	FIANCO DESTRO LEG.RETE	RIGHT SIDE GRID			
3	B0C6P1034R	PIASTRINA FISSAGGIO TUBI SX	PIPE FIXING PLATE			
4	B07SP0681R	TUBO PORTA ROTOLO 365	PIPE ROLL HOLDER 365			
5	B025P0011R	TAMPONE ROTOLO RETE	BUSH FOR NET ROLL	BAGUES	SCHLEDEL	TAP N ROLLO DE RED
6	B01300376R	BUSSOLA TUBO PORTA ROTOLO	BUSSOLA TUBO PORTA ROTOLO			
7	B0C4P0439R	MANIGLIA	HANDLE			
8	B07VP0193R	MANIGLIA ATTACCO ROTOLO AUTOMA	HANDLE ROLL ATTACK			
9	B0C4P0440R	FERMO	FERMO.			
10	F01020472R	VITE M10X1,5X25 U5739 8.8ZN	SCR. M10X1,5X25 U5739 8.8ZN	VIS M10X1,5X25 U5739 8.8 ZN	SCHRAUBE M10X1,5X25 U5739 8.8	TORNILLO M10X1,5X25 U5739 8.8
11	F01230202R	DADO M10X 1,5 D985 8 ZN	NUT M10 D985	ECROU AUTOBL. M10	SELBSTSPERR.MUTTER M10	TUERCA M10X 1,5 D985 8
12	B07SP0569R	MANIGLIA PER SCALETTA	MANIGLIA			
13	B07VP0209R	SPESSORE TAMPONE ROTOLO RETE	SPACER			
14	B01800025R	MOLLA 2 13 98T GRUPPO RETE	SPRING	RESSORT	FEDER	MUELLE 2 13 98T GRUPO RED
15	B00500004R	OCCHIOLO PER TENDIT. M8X80 DX	GUIDE FOR TENSIONER M8X80 RIGH	OEIL POUR TENDEUR M8X80 DROIT	GARNOESE M8X80	
16	F01020268R	VITE M16X2X130 U5737 8.8ZN	SCR. M16X2X130 U5737 8.8ZN	VIS M16X2X130 U5737 8.8 ZN	SCHRA. M16X2X130 U5737 8.8 ZN	TORNILLO M16X2X130 U5737 8.8Z
17	B00920516R	DADO M16X 1,5 D985 6S ZN	NUT M16X1,5 D985 6S ZN	ECROU	SELBSTSICHERNDE MUTTER M16-5S	TUERCA M16X 1,5 D985 6S
18	F01410062R	ROS.M10 10,5X 18X 2 U6592 ZN	WASHER M10 10,5X 18X 2 U6592	RONDELLE M10 10,5X18X2 ZN	DICHTUNGSRING M10 10,5X18X2 ZN	ARAND.M10 10,5X 18X 2 U6592 ZN
19	F01030223R	VITE M10X1,5X25 U7380 10.9ZD	SCR. M10X1,5X25 U7380 10.9ZD	VIS 10X25 7380 8.G ZN	SCHRAUBE 10X25 7380 8.G ZN	TORNILLO 10X25 7380 8.G ZN
20	F01410062R	ROS.M10 10,5X 18X 2 U6592 ZN	WASHER M10 10,5X 18X 2 U6592	RONDELLE M10 10,5X18X2 ZN	DICHTUNGSRING M10 10,5X18X2 ZN	ARAND.M10 10,5X 18X 2 U6592 ZN
21	F01230302R	DADO M10X 1,5 UNI7474 8 ZN	NUT M10X1,5 UNI7474 8 ZN			
22	B00430806R	VITE ZINC.STEI M 8X6-12.9 UNI	SCREW			
23	F01420048R	ROS.M8 8,4X 24X 2 U6593 ZN	WASHER M8 8,4X 24X2 U6593 ZN	RONDELLE M8 8,4X24X 2 U6593 ZN	SCHEIBEN M8 8,4X24X 2 U6593 ZN	ARAND.M8 8,4X 24X 2 U6593 ZN
24	F01020436R	VITE M8X1,25X20 U5739 8.8ZN	SCR. M8X1,25X20 U5739 8.8ZN	VIS M8X1,25X 20 U5739 8.8 ZN	SCHRAUBE M8X1,25X20U5739 8.8ZN	TORNILLO M8X1,25X20 U5739 8.8
25	B00920208R	DADO AUTOB.BASSO M 8-5S D985	NUT M8X1 D985 8ZN	ECROU	SELBSTSICHERNDE MUTTER M8-5S	TUERCA M8X1 D985 8
26	F01410051R	ROS.M8 8,4X 17X1,6 U6592 ZN	WASHER M8 8,4X17X1,6 U6592 ZN	RONDELLE M8 8,4X17X1,6 ZN	SCHEIBE M8 8,4X17X1,6 U6592 ZN	ARAND.M8 8,4X 17X1,6 U6592 ZN
27	B00990007R	INSERTO ESAGONALE M8X1,25 ZN	HEXAGONAL CONNECTION M8	CONNECTION HEXAGONALE M8	SECHSECKIGER EINSATZ M8	
28	B00990009R	INSERTO ESAGONALE M6	HEXAGONAL CONNECTION M6	CONNECTION HEXAGONALE	SECHSECKIGER EINSATZ M6	
29	F01060041R	VITE M8X1,25X25 U5731 8.8ZN	SCR. M8X1,25X25 U5732 4.6ZN	VIS 8 X25 5732 4.6 ZN	SCHRAUBE 8 X25 5732 4.6 ZN	TORNILLO 8 X25 5732 4.6 ZN
30	B0C1P1733R	FULCRO RETE I=61	NET FULCRUM I=61			
31	F01230034R	DADO M8X1,25 D982 8ZN	NUT M8X1,25 D982 8ZN	ECROU M8X 1,25 ZN	MUTTER M8X 1,25 D982 8 ZN	TUERCA M8X1,25 D982 8
32	F01230301R	DADO M 8X1,25 UNI7474 8 ZN	DADO M 8X1,25 UNI7474 8 ZN			



**LEGATORE RETE (PARTE 3)
NET BINDER (PART 3)**

TAV_350

Pos.	Cod.	Descrizione	Description	Description	Benennung	Descripcion
1	B00170845R	VITE ZINCATA M 8X45-10.9 U5737	ZN SCREW M 8X45-10.9 U5737	VIS	SCHRAUBE	TORNILLO CINCADO M 8X45-10.9 U
2	B00400825R	VITE M8X1,25X25 U5931 10.9ZD	SCREW	VIS	SCHRAUBE	TORNILLO M8X1,25X25 U5931 10
3	F01200220R	DADO M5X0,8 U5588 CL8 ZN	NUT M5X0,8 U5588 6.8ZN	ECROU 5 UNI 5588 6.8 ZN	MUTTER 5 UNI 5588 6.8 ZN	TUERCA M5X0,8 U5588 CL8 ZN
4	B008B0208R	DADO M 8X1,25 D980 8 ZN	NUT	ECROU	SELBSTSICHERNDE MUTTER M8 KL8	TUERCA M 8X1,25 D980 8
5	F01230213R	DADO M12X1,75 D985 8 ZN	NUT M12X1,75 U7474 6SZN	ECROU AUTOBL. M12	SELBSTSPERR.MUTTER M12	TUERCA M12X1,75 U7474 CL8 ZN
6	B01300390R	SPINA SX BRACCIO TAGLIA RETE	ARM LEFT PIN	EPINE GAUCHE BRAS COUPE-FILET	LINKER NETZSCHNEIDVORRICHTUNG	CLAVIJA IZQ DEL BRAZO CORTA RE
8	B013P0299R	SCIVOLO PROTEZIONE	SCIVOLO PROTECTION.			
9	B01522663R	SPE. 25 45	SHIM	ENTRETOISE	SCHEIBE	ESPE. 25 45
10	B02526852R	BUSSOLA NYLON	NYLON BUSH	GALET	BUCHSE	CASQUILLO DE NAILON
13	B07SP0676R	BRACCIO FRENA RETE 365	ARM SLOWS NETWORK 365			
14	B07SP0818R	SPINA LAMA RETE LATO COMANDO	PIN			
15	B0C2P0371R	SCIVOLA RETE	SCIVOLA NET			
16	B0C6P1106R	SOSTEGNO SINISTRO BRACCIO FREN	SUPPORT LEFT ARM BRAKE			
17	B0C6P1107R	SOSTEGNO DESTRO BRACCIO FRENAN	SUPPORT RIGHT ARM BRAKE			
18	B0C6P0532R	TERMINALE LAMA	TERMINALE LAMA.			TERMINAL DE LA CUCHILLA
19	B07U00012R	LAMINO RASSPE D200 LISCIA	PLATE RASPE D200	PETITE LAME DE COUPE FILET		HOJA RASSPE D200 LISA
20	B0C6P0334R	COMPENSO LAMINI SU BRACCIO LAM	SHIM	EPAISSEUR	DICHTUNG	COMPENSADO HOJAS EN BRAZO C
21	B07SP0673R	BRACCIO PORTALAMA 365	ARM PORTWINGMA 365			
22	B01000013R	RIVETTO STR. 6X18 U9200AAL	RIVET	RIVET	ABREISSNIETEN 6X18	REMACHE EXTR. 6X18 U9200AA
23	B00990007R	INSERTO ESAGONALE M8X1,25 ZN	HEXAGONAL CONNECTION M8	CONNECTION HEXAGONALE M8	SECHSECKIGER EINSATZ M8	
24	B0C2P0029R	LAMIERA SOSTEGNO PROT.	LAMIERA SOSTEGNO PROT.			
25	B0C002398R	PREMIGOMMA	RUBBERHOLDER	PRESSE-PNEU	GUMMIHALTERLEISTE	SUJETA GOMA
26	B07VP0035R	CHIUSURA IN GOMMA 365	CHAIN IN GOMMA 365			
27	F01410037R	ROS.M6 6,4X12,5X1,6 U6592 ZN	WASHER M6 6,4X12,5X1,6 U6592ZN	RONDEL.M6 6,4X12,5X1,6 U6592ZN	SCHEIB.M6 6,4X12,5X1,6 U6592ZN	ARAND.M6 6,4X12,5X1,6 U6592 ZN
28	F01020406R	VITE M6X1X25 U5739 8.8ZN	SCR. M6X1X25 U5739 8.8ZN	VIS M 6X25	SCHRAUBE M 6X25	TORNILLO M 6X25
29	F01020404R	VITE M6X1X20 U5739 8.8ZN	SCREW M6X1X20 U5739 8.8ZN	VIS M6X1X20 U5739 8.8ZN	SCHRAUBE M6X1X20 U5739 8.8ZN	TORNILLO M6X1X20 U5739 8.8ZN
30	B00920106R	DADO M6X1 D985 8ZN	NUT	ECROU	SELBSTSICHERNDE MUTTER M6-5S	TUERCA M6X1 D985 8
31	B07SP0672R	RULLO CONTARETE PERNO A SINIST	ROLL CONTANET PIN A SINIST			
32	B027P0023R	SUPPORTO BRACCIO PORTARETE	SUPPORT FOR ARM			
33	F04010429R	CUSC.D25 D62 B17 1726305 2RS1	BEARING D25 D62 B17 1726305 2R			
34	B0C004932R	PIASTRA RITEGNO	PLATE	PLAQUE	PLATTE	PLACA DE RETENCI N
35	B0C1P0552R	DISTANZIALE FLANGIA CONTEGNO	RETAINING FLANGE SPACER			
36	B01300389R	FLANGIA DI CONTEGNO	FLANGE	FLASQUE	DICHTUNGSFLANSCH	BRIDA DE CONTENCI N
37	F01020380R	VITE M5X0,8X20 U5739 8.8ZN	SCR. M5X0,8X20 U5739 8.8ZN	VIS M5X0,8X20 U5739 8.8ZN	SCHRAUBE M5X0,8X20 U5739 8.8ZN	TORNILLO M5X0,8X20 U5739 8
38	F01020508R	VITE M12X1,75X25 U5739 8.8ZN	SCR. M12X1,75X25 U5739 8.8ZN	VIS M12X1,75X25 U5739 8.8 ZN	SCHRAUBE M12X1,75X25U57398.8ZN	TORNILLO M12X1,75X25 U5739
39	F01020512R	VITE M12X1,75X35 U5739 8.8ZN	SCR. M12X1,75X35 U5739 8.8ZN	VIS M12X1,75X35 5739 8.8 ZN	SCHR. M12X1,75X35 5739 8.8 ZN	TORNILLO M12X1,75X35 U5739 8
40	F01030107R	VITE M12X1,75X30 U5933 10.9ZD	SCR. M12X1,75X30 U5933 10.9ZD	VIS M12X1,75X30 5933 10.9 ZN	SCHR.M12X1,75X30 U5933 10.9 ZN	TORN.M12X1,75X30 5933 10.9 ZN
41	F01410076R	ROS.M12 13X 24X2,5 U6592 ZN	WASHER 12 13X 24X2,5 U6592 ZN	RONDEL. M12 13X24X2,5 U6592 ZN	SCHEIBE M12 13X24X2,5 U6592 ZN	ARAND.M12 13X 24X2,5 U6592 ZN
42	B0C002357R	PIASTRINA ATTACCO CAVI	CABLE ATTACHMENT PLATE	PLAQUETTE ATTELAGE CABLES	KABELHALTERPLATTE	PLACA CONEXI N DE LOS CABLES
43	F02100142R	SPINA E.P. 8X 40 U6873 C70 BR	ELASTIC PIN 8X40	GOUJON ELASTIQUE 8X40	SPANNHUELSE 8X40	CLAVIJA EL.P. 8X 40 U6873 C70
44	F01410051R	ROS.M8 8,4X 17X1,6 U6592 ZN	WASHER M8 8,4X17X1,6 U6592 ZN	RONDELLE M8 8,4X17X1,6 ZN	SCHEIBE M8 8,4X17X1,6 U6592 ZN	ARAND.M8 8,4X 17X1,6 U6592 ZN
45	F01020440R	VITE M8X1,25X25 U5739 8.8ZN	SCR. M8X1,25X25 U5739 8.8ZN	VIS M8X1,25X25 U5739 8.8 ZN	SCHRAUBE M8X1,25X25U5739 8.8ZN	TORNILLO M8X1,25X25 U5739 8.8

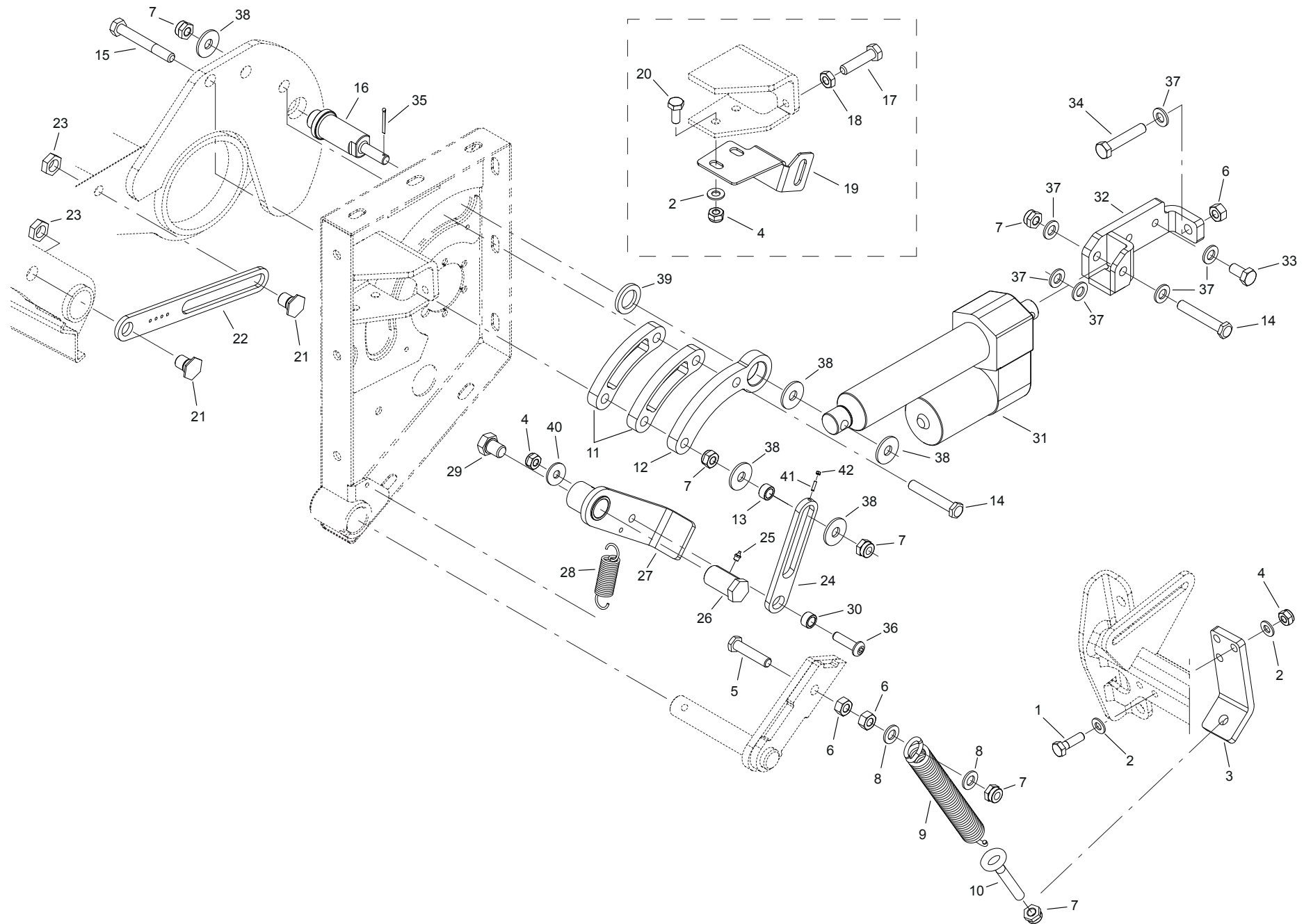


**LEGATORE RETE (PARTE 4)
NET BINDER (PART 4)**

TAV_360

Pos.	Cod.	Descrizione	Description	Description	Benennung	Descripcion
1	B01800082R	SILENT BLOCK 30X30-M8X25	SILENT BLOCK 30X30-M8X20	SILENT BLOCK 30X30-M8X20	SILENTBLOCK 30X30-M8X20	SILENT BLOCK 30X30-M8X25
2	F01200244R	DADO M8X1,25 U5588 CL8 ZN	NUT M8X1,25 U5588 6.8ZN	ECROU M8 X1,25 U5588 6.8 ZN	MUTTER M8 X1,25 U5588 6.8 ZN	TUERCA M8X1,25 U5588 CL8 ZN
3	F01410051R	ROS.M8 8,4X 17X1,6 U6592 ZN	WASHER M8 8,4X17X1,6 U6592 ZN	RONDELLE M8 8,4X17X1,6 ZN	SCHEIBE M8 8,4X17X1,6 U6592 ZN	ARAND.M8 8,4X 17X1,6 U6592 ZN
4	F01020436R	VITE M8X1,25X20 U5739 8.8ZN	SCR. M8X1,25X20 U5739 8.8ZN	VIS M8X1,25X 20 U5739 8.8 ZN	SCHRAUBE M8X1,25X20U5739 8.8ZN	TORNILLO M8X1,25X20 U5739 8.8
5	B00920208R	DADO AUTOB.BASSO M 8-5S D985	NUT M8X1 D985 8ZN	ECROU	SELBSTSICHERNDE MUTTER M8-5S	TUERCA M8X1 D985 8
7	B00990007R	INSERTO ESAGONALE M8X1,25 ZN	HEXAGONAL CONNECTION M8	CONNECTION HEXAGONALE M8	SECHSECKIGER EINSATZ M8	
8	B07SP1275R	PROTEZ. ANTER. CON FORI PULS.	FRONT PROT.WITH BUTTON HOLES			
9	B07SP0675R	FIANCATA SX LEGATORE 365	SIDE LEFT BINDER 365			
10	B07SP0679R	SOSTEGNO SX CORPO CASSONE	SUPPORT LH BODY CASE			
11	F01410076R	ROS.M12 13X 24X2,5 U6592 ZN	WASHER 12 13X 24X2,5 U6592 ZN	RONDEL. M12 13X24X2,5 U6592 ZN	SCHEIBE M12 13X24X2,5 U6592 ZN	ARAND.M12 13X 24X2,5 U6592 ZN
12	F01020510R	VITE M12X1,75X30 U5739 8.8ZN	SCR. M12X1,75X30 U5739 8.8ZN	VIS M12X1,75X30 U5739 8.8ZN	SCHRAU.M12X1,75X30 U5739 8.8ZN	TORNILLO M12X1,75X30 U5739
13	F01230213R	DADO M12X1,75 D985 8 ZN	NUT M12X1,75 U7474 6SZN	ECROU AUTOBL. M12	SELBSTSPERR.MUTTER M12	TUERCA M12X1,75 U7474 CL8 ZN
14	B0H1P0005R	MOLLA A GAS FRENA RETE 365	GAS SPRING NET STOPPER			
15	F01200244R	DADO M8X1,25 U5588 CL8 ZN	NUT M8X1,25 U5588 6.8ZN	ECROU M8 X1,25 U5588 6.8 ZN	MUTTER M8 X1,25 U5588 6.8 ZN	TUERCA M8X1,25 U5588 CL8 ZN
16	B01000010R	RIVETTO STR. 6X12 U9200AA	RIVET	RIVET	ABREISSNIETEN 6X10	REMACHE EXTR. 6X12 U9200AA
17	F01060040R	VITE M8X1,25X20 U5731 8.8ZN	SCR. M8X1,25X20 U5732 4.6ZG	VIS M8X1,25X20 U5732 4.6 ZN	SCHRA. M8X1,25X20 U5732 4.6 ZN	TORN. M8X1,25X20 U5732 4.6 ZN
18	B0C6P0868R	FERMO TERMINALE	FERMO			
19	B0C3P0296R	CASSONE PORTAROTOLI 365	CASE PORTAROTOLI 365			
20	B013C0143R	RALLA 12,5 30 4	SWIVER RING 12,5 X 30 X 4			
21	B0C6P0647R	DIVISORE	DIVISOR			
22	F01420060R	ROS.M10 10,5X 30X2,5 U6593 ZG	GALV.WASHER 10,5X30X2,5 U6593	RONDELLE 10,5X30	SCHEIBE 10,5X30	ARAND.M10 10,5X 30X2,5 U6593
23	F01230202R	DADO M10X 1,5 D985 8 ZN	NUT M10 D985	ECROU AUTOBL. M10	SELBSTSPERR.MUTTER M10	TUERCA M10X 1,5 D985 8
24	B00321025R	VITE TTQST M10X 25-4.6 UNI 573	SCREW	VIS	SCHRAUBE	
25	B07SP0678R	SOSTEGNO DX CORPO CASSONE	SUPPORT RH BODY CASE			
26	B07SP0674R	FIANCATA DX LEGATORE 365	SIDE RIGHT BINDER 365			

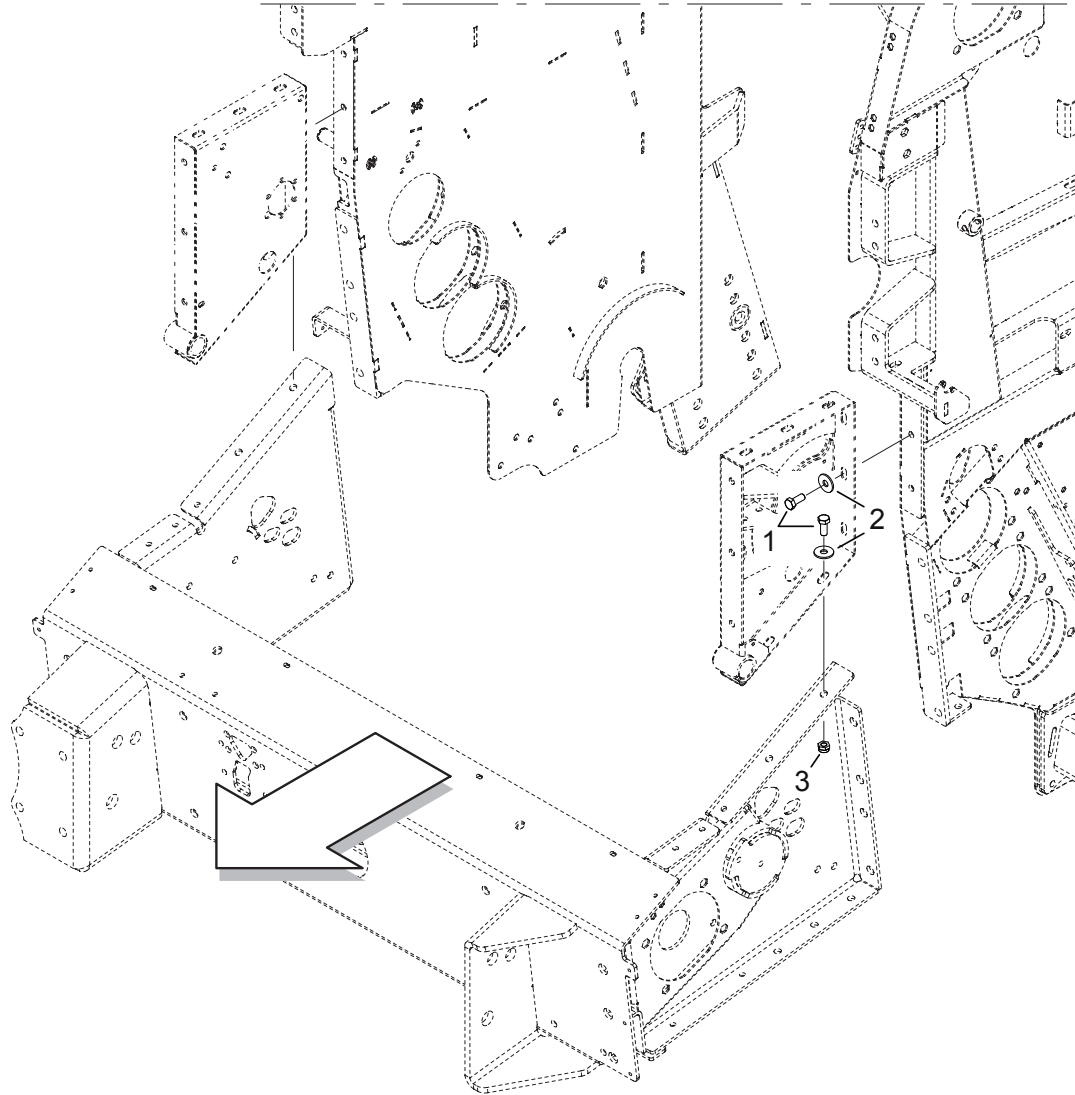
TAV_370



**LEGATORE RETE (PARTE 5)
NET BINDER (PART 5)**

TAV_370

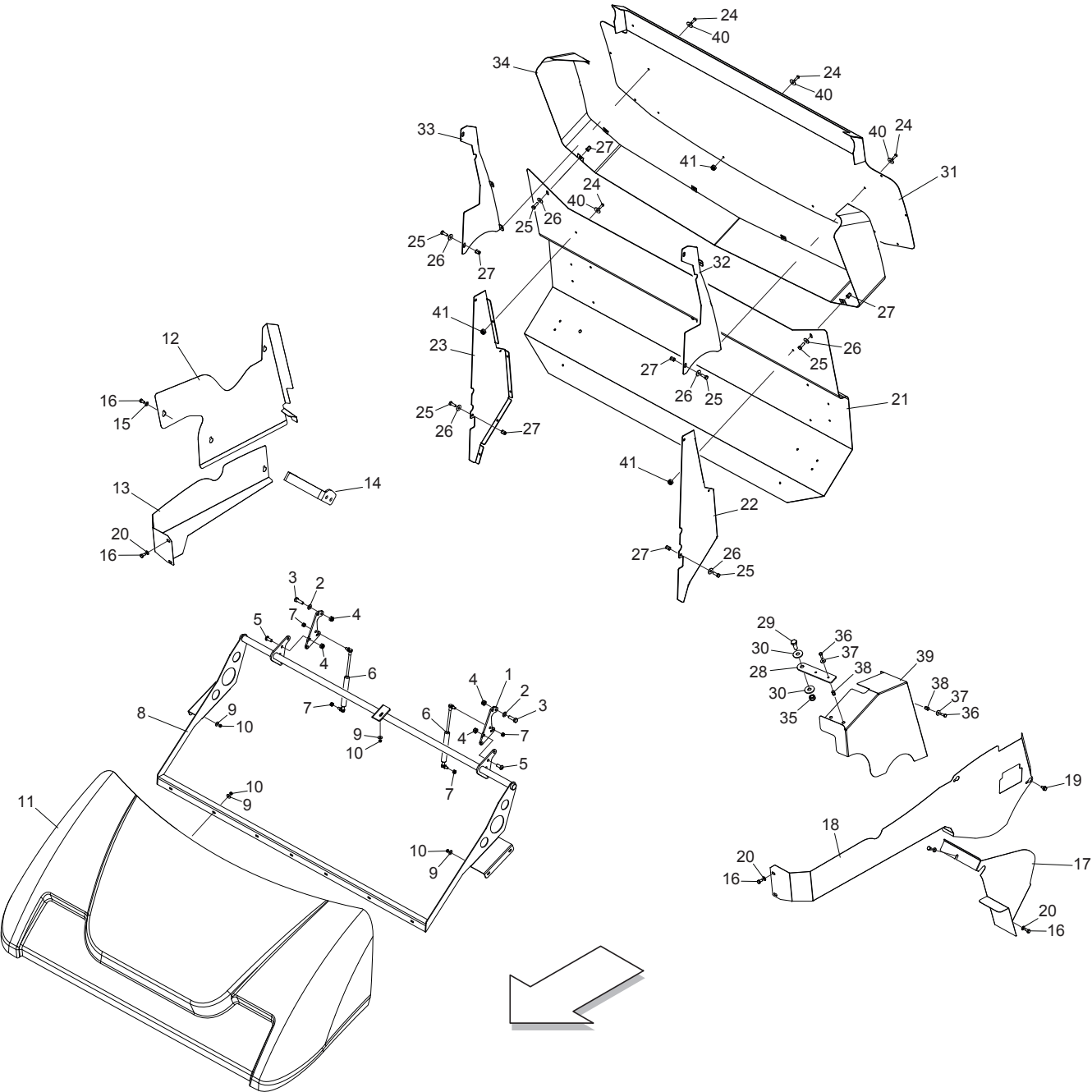
Pos.	Cod.	Descrizione	Description	Description	Benennung	Descripcion
1	F01020109R	VITE M10X1,5X35 U5737 8.8ZN	SCR. M10X1,5X35 U5737 8.8ZN	VIS M10X1.5X 35 U5737 8.8 ZB	SCHRAUBE M10X1.5X35 U5737 8.8	TORNILLO M8X150 U5737 8.8 ZB
2	F01410064R	ROS.M10 10,5X 20X 2 U6592 ZN	WASHER M10 10,5X20X2 U6592 ZN	RONDEL. M10 10,5X20X2 U6592 ZN	SCHEIBE M10 10,5X20X2 U6592 ZN	ARAND.M10 10,5X 20X 2 U6592 ZN
3	B0C6P0983R	PIASTRA TIRANTE	PLATE ROD			
4	F01230202R	DADO M10X 1,5 D985 8 ZN	NUT M10 D985	ECROU AUTOBL. M10	SELBSTSPERR.MUTTER M10	TUERCA M10X 1,5 D985 8
5	B00181255R	VITE ZINC.TE M12X55-8.8 U5739	SCREW	VIS	VERZINKTE SCHRAUBE	TORNILLO M12X 55-8.8 UNI 5739
6	F01200293R	DADO M12X1,75 U5588 CL8 ZN	NUT M12X1,75 U5588 6S ZN	ECROU M12X1,75 U5588 6S ZN	MUTTER M12X1,75 U5588 6S ZN	TUERCA M12X1,75 U5588 CL8 ZN
7	F01230213R	DADO M12X1,75 D985 8 ZN	NUT M12X1,75 U7474 6SZN	ECROU AUTOBL. M12	SELBSTSPERR.MUTTER M12	TUERCA M12X1,75 U7474 CL8 ZN
8	F01410076R	ROS.M12 13X 24X2,5 U6592 ZN	WASHER 12 13X 24X2,5 U6592 ZN	RONDEL. M12 13X24X2,5 U6592 ZN	SCHEIBE M12 13X24X2,5 U6592 ZN	ARAND.M12 13X 24X2,5 U6592 ZN
9	B01810412R	MOLLA	SPRING	RESSORT	FEDER	MUELLE
10	B00545168R	OCCHIOLO PER TENDITORI M12-DX	EYELET M12	OEIL M12	OSE M12	OJAL PARA TENSOIRES M12-DER
11	B0C6P1103R	DISTANZIALE BRACCIO RETE 365	SPACER 365			
12	B0C6P1104R	FISSAGGIO PERNO ATTUATORE RETE	FIXING PIN ACTUATOR			
13	B013P0343R	BUSSOLA 18_12_10	SPACER 18_12_10			
14	B00191275R	VITE M12X1,75X 70 U5737 8.8ZN	SCREW	VIS	SCHRAUBE	
15	F01020168R	VITE M12X1,75X90 U5737 8.8ZN	SCR. M12X1,75X90 U5737 8.8ZN	VIS M12X1,75X90 U5737 8.8 ZN	SCHRAB.M12X1,75X90 5737 8.8 ZN	TORNIL.M12X1,75X90 5737 8.8 ZN
16	B035P0129R	PERNO ECCENTRICO LEG. RETE	ECCENTRIC PIN 365			
17	F01020517R	VITE M12X1,75X50 U5739 8.8ZN	SCR. M12X1,75X50 U5739 8.8ZN	VIS M12X1,75X50 5739 8.8 ZN	SCHRA. M12X1,75X50 5739 8.8 ZN	TORNILLO M12X1,75X50 U5739 8
18	B00700412R	DADO M12X1,25 U5589 6S ZN	NUT	ECROU	MUTTER	
19	B0C6P0866R	ATTACCO SENSORE	ATTACK SENSORE			
20	F01020472R	VITE M10X1,5X25 U5739 8.8ZN	SCR. M10X1,5X25 U5739 8.8ZN	VIS M10X1,5X25 U5739 8.8 ZN	SCHRAUBE M10X1,5X25 U5739 8.8	TORNILLO M10X1,5X25 U5739 8.8
21	B013P0297R	PERNO LEVA FRENO RETE	PIVOT BRAKE LEVER NET			
22	B0C2P0521R	NUOVA LEVA FRENO RETE 365	NEW BRAKE LEVER 365			
23	F01200444R	DADO M16X2 U5589 CL8 ZN 6SZN	NUT M16X2 U5589 6SZN	ECROU M16X2	MUTTER M16X2	TUERCA M16X2 U5589 CL8 ZN 6S
24	B0C2P0372R	LEVA SGANCIO TAGLIA RETE	LEVER			
25	F01100011R	ING.M 6X1 7663-A 9SMNPB28 ZN	GREASE NIPPLE M6X1 7663-A ZN	GRAISS. A BILLE M6X1 7663A ZN	SCHMIERBUECHE M6X1 7663-A ZN	ENG.M 6X1 7663-A 9SMNPB28 ZN
26	B00500093R	PERNO FILETTATO	THREADED PIN	PIVOT FILETE	GEWINDEBOLZEN	PERNO ROSCADO
27	B07SP0677R	SGANCIO LAMA 365	SGANCIO LAMA 365.			
28	B01811693R	MOLLA	SPRING	RESSORT	FEDER	
29	B00181620R	VITE M16X 20-8.8 UNI 5739	SCREW	VIS	SCHRAUBE	
30	B013P0298R	BUSSOLA	BUSHING			
31	B0E000039R	ATTUATORE LEGATORE RETE	ACTUATOR - TOLLO D12 10B5-04			
32	B07SP0854R	STAFFA REGOLAZIONE ATTUATORE	BRACKET ADJUSTMENT ACTUATOR			
33	F01020508R	VITE M12X1,75X25 U5739 8.8ZN	SCR. M12X1,75X25 U5739 8.8ZN	VIS M12X1,75X25 U5739 8.8 ZN	SCHRAUBE M12X1,75X25U5739.8ZN	TORNILLO M12X1,75X25 U5739
34	F01020519R	VITE M12X1,75X 60 U5739 8.8ZN	SCREW M12X1,75X 60 U5739 8.8ZN			TORNILLO M12X1,75X 60 U5739 8
35	F02200164R	COPIGLIA 3X 30 U1336 ZN	SPLIT PIN 3X 30 U1336 ZN			PASADOR 3X 30 U1336 ZN
36	B00471035R	VITE TTEI M10X 35-8.8 UNBRAKO	SCREW	VIS	SCHRAUBE TTEI M10X35-8.8	
37	F01410076R	ROS.M12 13X 24X2,5 U6592 ZN	WASHER 12 13X 24X2,5 U6592 ZN	RONDEL. M12 13X24X2,5 U6592 ZN	SCHEIBE M12 13X24X2,5 U6592 ZN	ARAND.M12 13X 24X2,5 U6592 ZN
38	F01420120R	ROS.M12 13X36X2,5 U6593 ZN	WASHER M12 13X36X2,5 U6593 ZN	RONDELLE M12 13X36X2,5 ZN		ARAND.M12 13X36X2,5 U6593 ZN
39	B014F2434R	RONDELLA NORD-LOCK NL24	NORD-LOCK WASHER NL24			
40	F01420060R	ROS.M10 10,5X 30X2,5 U6593 ZG	GALV.WASHER 10,5X30X2,5 U6593	RONDELLE 10,5X30	SCHEIBE 10,5X30	ARAND.M10 10,5X 30X2,5 U6593
41	F01050352R	VITE M5X0,8 X 20 U5923 12.9ZN	SCREW M5X0,8X20 U5923 12.9ZN			
42	F01200220R	DADO M5X0,8 U5588 CL8 ZN	NUT M5X0,8 U5588 6.8ZN	ECROU 5 UNI 5588 6.8 ZN	MUTTER 5 UNI 5588 6.8 ZN	TUERCA M5X0,8 U5588 CL8 ZN



**LEGATORE RETE (PARTE 6)
NET BINDER (PART 6)**

TAV_380

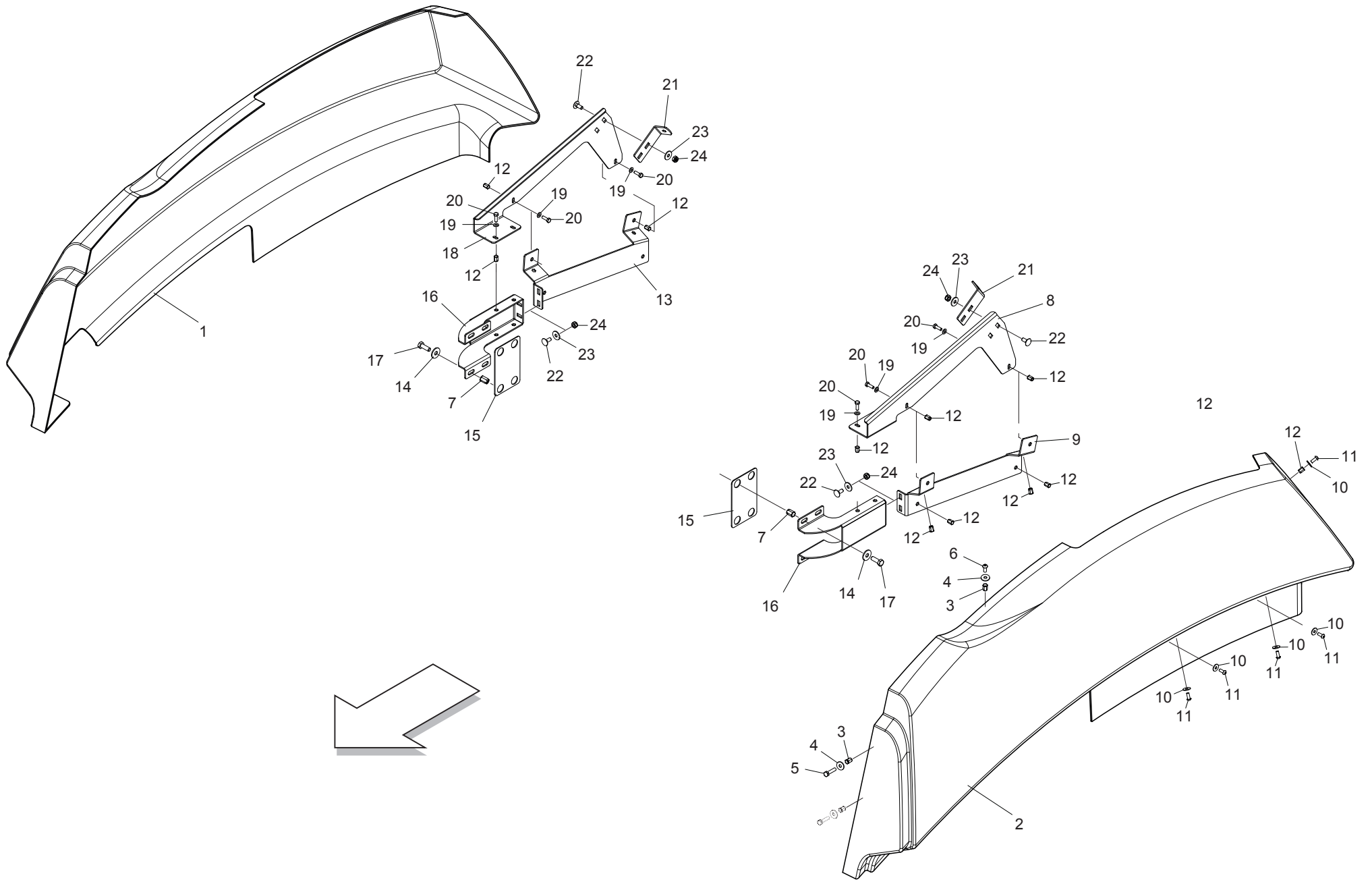
Pos.	Cod.	Descrizione	Description	Description	Benennung	Descripcion
1	F01020510R	VITE M12X1,75X30 U5739 8.8ZN	SCR. M12X1,75X30 U5739 8.8ZN	VIS M12X1,75X30 U5739 8.8ZN	SCHRAU.M12X1,75X30 U5739 8.8ZN	TORNILLO M12X1,75X30 U5739
2	F01420120R	ROS.M12 13X36X2,5 U6593 ZN	WASHER M12 13X36X2,5 U6593 ZN	RONDELLE M12 13X36X2,5 ZN		ARAND.M12 13X36X2,5 U6593 ZN
3	F01230213R	DADO M12X1,75 D985 8 ZN	NUT M12X1,75 U7474 6SZN	ECROU AUTOBL. M12	SELBSTSPERR.MUTTER M12	TUERCA M12X1,75 U7474 CL8 ZN



CARTER (PARTE 1)
CARTER (PART 1)

TAV_390

Pos.	Cod.	Descrizione	Description	Description	Benennung	Descrpcion
1	BOC1P0922R	PROLUNGA FISSAGGIO CARTER	EXTENSION FIXING CARTER			
2	F01410062R	ROS.M10 10,5X 18X 2 U6592 ZN	WASHER M10 10,5X 18X 2 U6592	RONDELLE M10 10,5X18X2 ZN	DICHTUNGSRING M10 10,5X18X2 ZN	ARAND.M10 10,5X 18X 2 U6592 ZN
3	F01020479R	VITE M10X1,5X35 U5739 8.8ZN	SCR. M10X1,5X35 U5739 8.8ZN	VIS M10X1,5X35 U5739 8.8 ZN	SCHR. M10X1,5X35 U5739 8.8 ZN	TORNILLO M10X1,5X35 U5739 8
4	F01230202R	DADO M10X 1,5 D985 8 ZN	NUT M10 D985	ECROU AUTOBL. M10	SELBSTSPERR.MUTTER M10	TUERCA M10X 1,5 D985 8
5	B00471025R	VITE TTEI M10X 25-8.8 UNBRA	SCREW	VIS	SCHRAUBE TTEI M10X 25-8.8	TORNILLO CAB.ALLEN CON HUECO
6	BOH1P0005R	MOLLA A GAS FRENA RETE 365	GAS SPRING NET STOPPER			
7	F01230190R	DADO M8X1 D985 8ZN	NUT M8X1 D985 8ZN	ECROU M8	MUTTER M8	TUERCA M8X1 D985 8
8	B07SP0667R	TELAIO CARTER LEGATORE RETE	FRAME CARTER NET BINDER			
9	F01420036R	ROS.M6 6,4X 18X1,5 U6593 ZN	WASHER M6 6,4X 18X1,5 U6593 ZN	RONDELLE M6 6,4X18X1,5 U6593ZN	SCHEIBEN M6 6,4X18X1,5U6593 ZN	ARANDELA M6 6,4X18X1,5U6593ZN
10	B00920106R	DADO M6X1 D985 8ZN	NUT	ECROU	SELBSTSICHERNDE MUTTER M6-5S	TUERCA M6X1 D985 8
11	BOFMP0069R	CARTER ANT.365 SUP.NERO GOF.	COVER FRONT 365 SUP.BLACK			
12	BSP000061R	CARTER POST. DX 365 2018	REAR CARTET RIGHT 365 2018			
13	BOC1P0846R	CARTER SUP. DX 365	UPPER CARTER RIGHT 365			
14	BOC1P2704R	SUPP. CARTER TRASMISSIONE DX	SUPP.CARTER RIGHT TRANSMISS.			
15	F01410051R	ROS.M8 8,4X 17X1,6 U6592 ZN	WASHER M8 8,4X17X1,6 U6592 ZN	RONDELLE M8 8,4X17X1,6 ZN	SCHEIBE M8 8,4X17X1,6 U6592 ZN	ARAND.M8 8,4X 17X1,6 U6592 ZN
16	F01020432R	VITE M8X1,25X16 U5739 8.8ZN	SCR. M8X1,25X16 U5739 8.8ZN	VIS M8 X1,25X16 U5739 8.8 ZN	SCHRAUBE M8X1,25X16U5739 8.8ZN	TORNILLO M8X1,25X16 U5739 8.8
17	BOC1P0847R	CARTER SICUREZZA PU	SAFETY CARTER PU			
18	B07SP1121R	CARTER SX 365	LEFT CARTER 365			
19	B00370001R	VITE TE M 8X16 A SEZ.TRILOBATA	SCREW TRE M 8X16 SEZ TROUBLED	VIS	SCHRAUBE M 8X15	TORNILLO CHEX M 8X16 A SECC. T
20	F01410051R	ROS.M8 8,4X 17X1,6 U6592 ZN	WASHER M8 8,4X17X1,6 U6592 ZN	RONDELLE M8 8,4X17X1,6 ZN	SCHEIBE M8 8,4X17X1,6 U6592 ZN	ARAND.M8 8,4X 17X1,6 U6592 ZN
21	BSP000006R	CARTER POST. INF	CARTER LOWER BACK			
22	BSP000007R	MONTANTE CARTER POST.INF.SX	UPRIGHT CARTER BACK LOWER LEFT			
23	BSP000008R	MONTANTE CARTER POST.INF.DX	UPRIGHT CARTER BACK LOWER RIGH			
24	B00470618R	VITE TTEI M 6X 18-8.8 UNBRAKO	SCREW	VIS	SCHRAUBE	
25	F01020440R	VITE M8X1,25X25 U5739 8.8ZN	SCR. M8X1,25X25 U5739 8.8ZN	VIS M8X1,25X25 U5739 8.8 ZN	SCHRAUBE M8X1,25X25U5739 8.8ZN	TORNILLO M8X1,25X25 U5739 8.8
26	F01420048R	ROS.M8 8,4X 24X 2 U6593 ZN	WASHER M8 8,4X 24X2 U6593 ZN	RONDELLE M8 8,4X24X 2 U6593 ZN	SCHEIBEN M8 8,4X24X 2 U6593 ZN	ARAND.M8 8,4X 24X 2 U6593 ZN
27	B00990007R	INSERTO ESAGONALE M8X1,25 ZN	HEXAGONAL CONNECTION M8	CONNECTION HEXAGONALE M8	SECHSECKIGER EINSATZ M8	
28	BOC1P2105R	PIASTRA	PLATE			
29	F01020510R	VITE M12X1,75X30 U5739 8.8ZN	SCR. M12X1,75X30 U5739 8.8ZN	VIS M12X1,75X30 U5739 8.8ZN	SCHRAU.M12X1,75X30 U5739 8.8ZN	TORNILLO M12X1,75X30 U5739
30	F01420120R	ROS.M12 13X36X2,5 U6593 ZN	WASHER M12 13X36X2,5 U6593 ZN	RONDELLE M12 13X36X2,5 ZN		ARAND.M12 13X36X2,5 U6593 ZN
31	BSP000009R	CARTER POSTERIORE SUPERIORE	CARTER BACK TOP			
32	BSP000011R	MONTANTE CARTER POST.SUP.SX	UPRIGHT CARTER BACK UPPER LEFT			
33	BSP000012R	MONTANTE CARTER POST.SUP.DX	UPRIGHT CARTER BACK TOP RIGHT			
34	BSP000010R	CONTORNO CARTER POST. SUP.	CONTOUR CARTER BACK TOP			
35	F01230213R	DADO M12X1,75 D985 8 ZN	NUT M12X1,75 U7474 6SZN	ECROU AUTOBL. M12	SELBSTSPERR.MUTTER M12	TUERCA M12X1,75 U7474 CL8 ZN
36	F01020404R	VITE M6X1X20 U5739 8.8ZN	SCREW M6X1X20 U5739 8.8ZN	VIS M6X1X20 U5739 8.8ZN	SCHRAUBE M6X1X20 U5739 8.8ZN	TORNILLO M6X1X20 U5739 8.8ZN
37	F01420036R	ROS.M6 6,4X 18X1,5 U6593 ZN	WASHER M6 6,4X 18X1,5 U6593 ZN	RONDELLE M6 6,4X18X1,5 U6593ZN	SCHEIBEN M6 6,4X18X1,5U6593 ZN	ARANDELA M6 6,4X18X1,5U6593ZN
38	B00990009R	INSERTO ESAGONALE M6	HEXAGONAL CONNECTION M6	CONNECTION HEXAGONALE	SECHSECKIGER EINSATZ M6	
39	BOC1P1891R	CARTER PULITORE	CARTER CLEANER ROLLER			
40	F01420036R	ROS.M6 6,4X 18X1,5 U6593 ZN	WASHER M6 6,4X 18X1,5 U6593 ZN	RONDELLE M6 6,4X18X1,5 U6593ZN	SCHEIBEN M6 6,4X18X1,5U6593 ZN	ARANDELA M6 6,4X18X1,5U6593ZN
41	F01230184R	DADO M6X1 D985 8ZN	NUT M6X1 D985 8ZN			TUERCA M6X1 D985 8

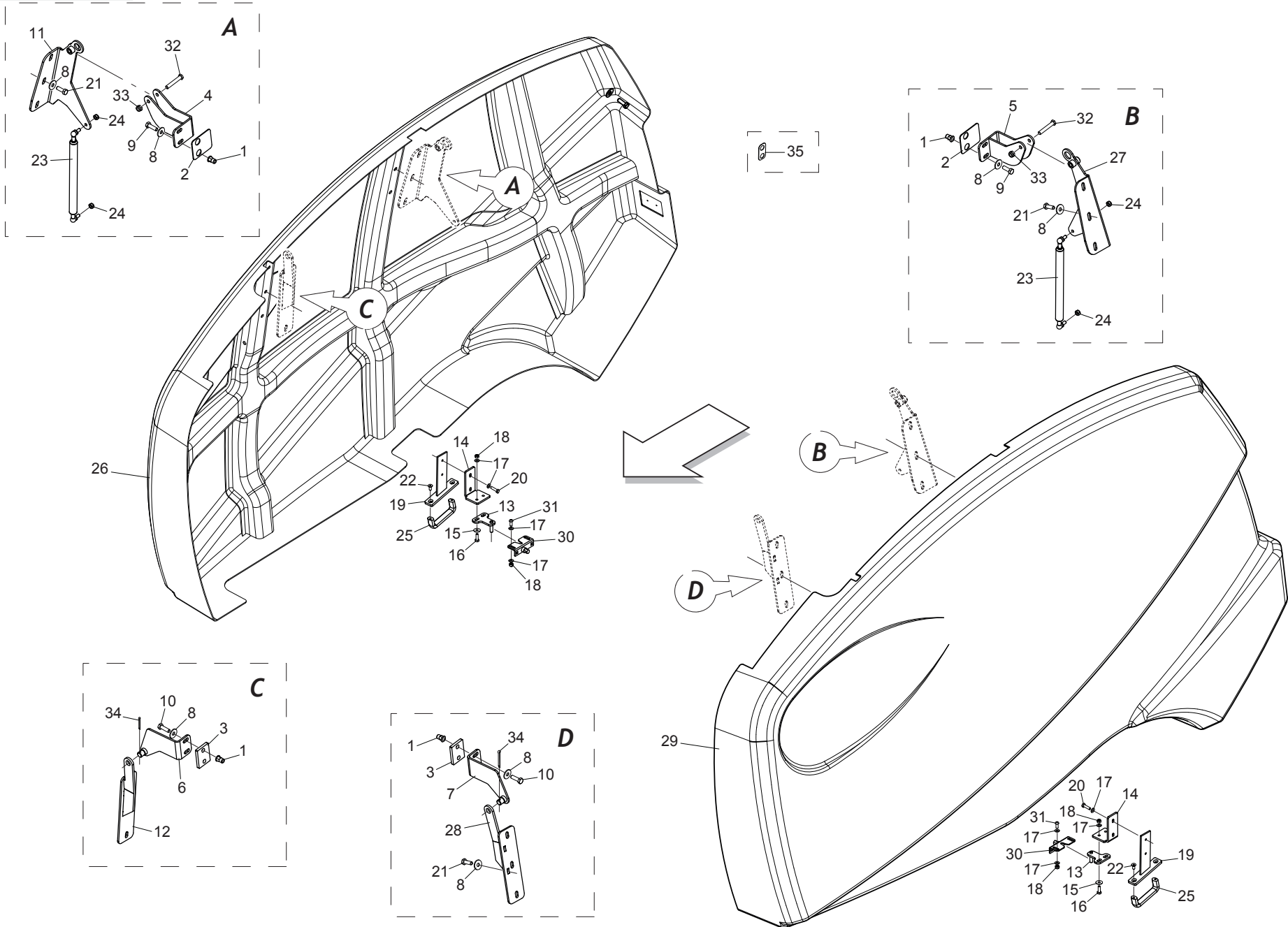


CARTER (PARTE 2)
CARTER (PART 2)

TAV_400

Pos.	Cod.	Descrizione	Description	Description	Benennung	Descripcion
1	B0FMP0067R	CARTER SUP.365 DX NERO GOFFRA.	CARTER SUP.365 RIGHT BLACK			
2	B0FMP0068R	CARTER SUP.365 SX NERO GOFFRA.	CARTER SUP.365 LEFT BLACK			
3	B00990007R	INSERTO ESAGONALE M8X1,25 ZN	HEXAGONAL CONNECTION M8	CONNECTION HEXAGONALE M8	SECHSECKIGER EINSATZ M8	
4	B07V00119R	RONDELLA SOTTOVITE HD 8,5X24X2	WASHER HD 8,5X24X2	RONDELLE	STIFT	ARANDELA BAJO TORNILLO HD 8,5
5	F01020450R	VITE M8X1,25X40 U5739 8.8ZN	SCR. M8X1,25X40 U5739 8.8ZN	VIS M8X1,25X40 U5739 8.8ZN	SCHRA. M8X1,25X40 U5739 8.8ZN	TORNILLO M8X1,25X40 U5739 8.8
6	B004N0820R	VITE NERA TTEI M 8X 20-10,9	SCREW	VIS	SCHRAUBE TTEI M 8X20-10,9	TORNILLO NEGRO CAB.ALLEN CON
7	B00990012R	INSERTO ESAGONALE M12	HEXAGONAL NUT M12			
8	B0C6P0808R	LAMIERA SUP. SX CARTER SUP.	SHEET METAL SUP. LEFT CARTER			
9	B0C6P0806R	LAMIERA INF. SX CARTER SUP.	SHEET METAL LOWER LEFT UPPER			
10	B07V00119R	RONDELLA SOTTOVITE HD 8,5X24X2	WASHER HD 8,5X24X2	RONDELLE	STIFT	ARANDELA BAJO TORNILLO HD 8,5
11	B004N0820R	VITE NERA TTEI M 8X 20-10,9	SCREW	VIS	SCHRAUBE TTEI M 8X20-10,9	TORNILLO NEGRO CAB.ALLEN CON
12	B00990007R	INSERTO ESAGONALE M8X1,25 ZN	HEXAGONAL CONNECTION M8	CONNECTION HEXAGONALE M8	SECHSECKIGER EINSATZ M8	
13	B0C6P0805R	LAMIERA INF. DX CARTER SUP.	SHEET METAL LOWER RIGHT UPPER			
14	F01420120R	ROS.M12 13X36X2,5 U6593 ZN	WASHER M12 13X36X2,5 U6593 ZN	RONDELLE M12 13X36X2,5 ZN		ARAND.M12 13X36X2,5 U6593 ZN
15	B0C6P0832R	SPESSORE CARTER SUPERIORE	THICKNESS HIGHER CARTER			
16	B0C6P0804R	FORCELLA SUPPORTO CARTER SUP.	FORK SUPPORT CARTER			
17	F01020510R	VITE M12X1,75X30 U5739 8.8ZN	SCR. M12X1,75X30 U5739 8.8ZN	VIS M12X1,75X30 U5739 8.8ZN	SCHRAU.M12X1,75X30 U5739 8.8ZN	TORNILLO M12X1,75X30 U5739
18	B0C6P0807R	LAMIERA SUP. DX CARTER SUP.	SHEET METAL SUP. RIGHT CARTER			
19	F01410051R	ROS.M8 8,4X 17X1,6 U6592 ZN	WASHER M8 8,4X17X1,6 U6592 ZN	RONDELLE M8 8,4X17X1,6 ZN	SCHEIBE M8 8,4X17X1,6 U6592 ZN	ARAND.M8 8,4X 17X1,6 U6592 ZN
20	F01020440R	VITE M8X1,25X25 U5739 8.8ZN	SCR. M8X1,25X25 U5739 8.8ZN	VIS M8X1,25X25 U5739 8.8 ZN	SCHRAUBE M8X1,25X25U5739 8.8ZN	TORNILLO M8X1,25X25 U5739 8.8
21	B0C6P0809R	LAMIERA POST. CARTER SUP.	SHEET METAL BACK CARTER SUP.			
22	B00321025R	VITE TTQST M10X 25-4.6 UNI 573	SCREW	VIS	SCHRAUBE	
23	F01420060R	ROS.M10 10,5X 30X2,5 U6593 ZG	GALV.WASHER 10,5X30X2,5 U6593	RONDELLE 10,5X30	SCHEIBE 10,5X30	ARAND.M10 10,5X 30X2,5 U6593
24	F01230202R	DADO M10X 1,5 D985 8 ZN	NUT M10 D985	ECROU AUTOBL. M10	SELBSTSPERR.MUTTER M10	TUERCA M10X 1,5 D985 8

TAV_410

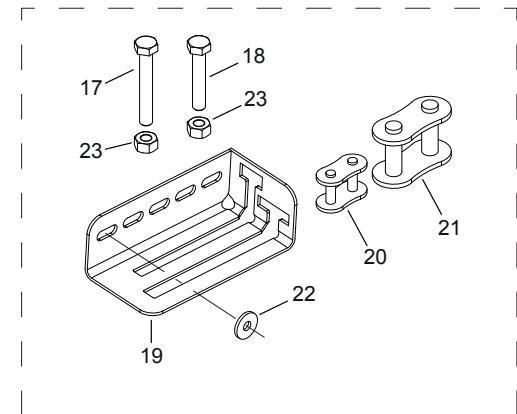
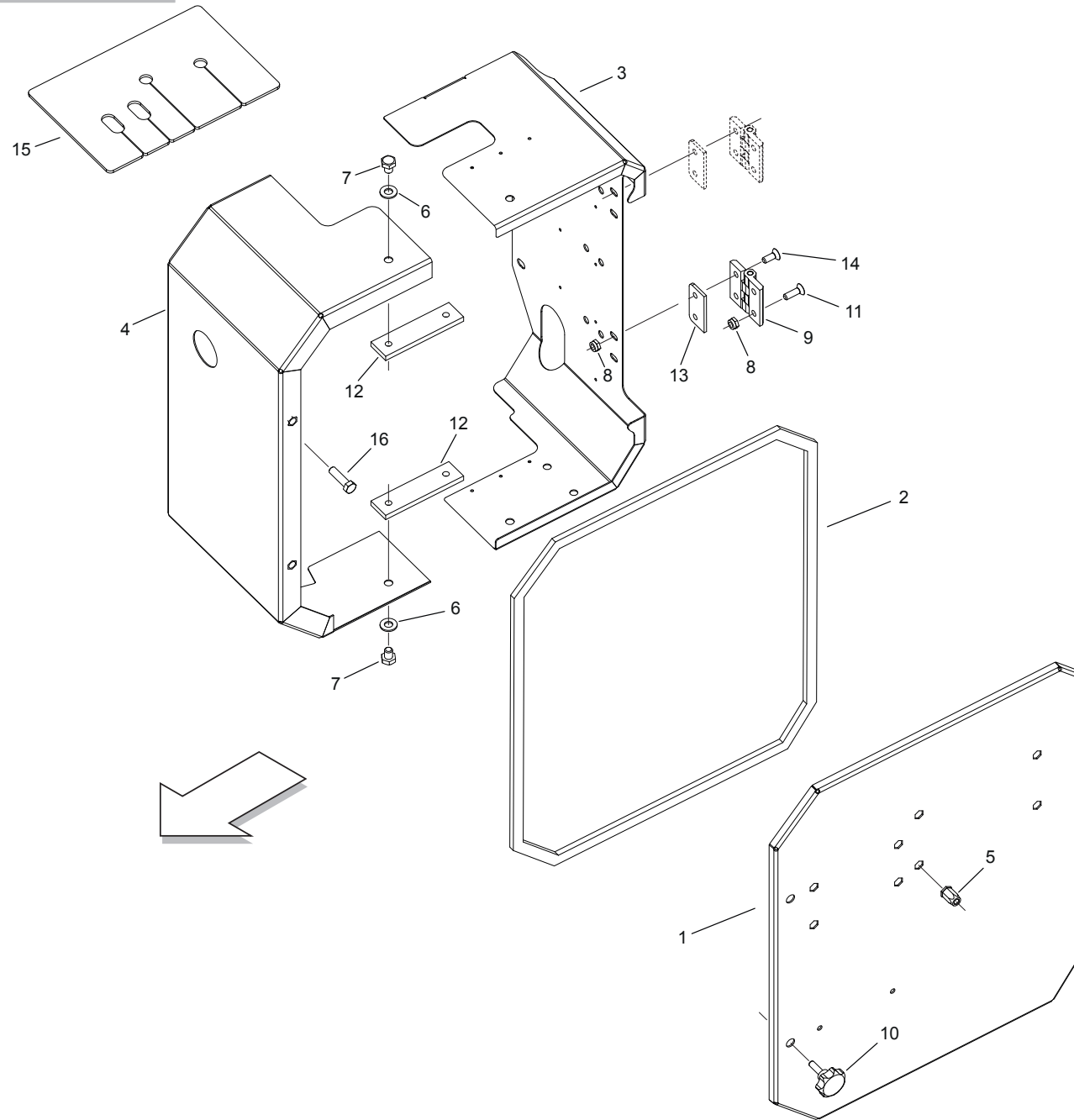


CARTER (PARTE 3)
CARTER (PART 3)

TAV_410

Pos.	Cod.	Descrizione	Description	Description	Benennung	Descripcion
1	B00990012R	INSERTO ESAGONALE M12	HEXAGONAL NUT M12			
2	B0C6P0826R	SPESSORE CERNIERE	SPACER			
3	B0C6P1074R	DISTANZIALE CARTER 365	SPACER			
4	B07SP0654R	ATTACCO POSTERIORE CARTER DX	ATTACK BACK CARTER RIGHT			
5	B07SP0655R	ATTACCO POSTERIORE CARTER SX	ATTACK LEFT REAR COVER			
6	B07SP0652R	ATTACCO ANTERIORE CARTER DX	ATTACK FRONT RIGHT COVER			
7	B07SP0653R	ATTACCO ANTERIORE CARTER SX	ATTACK FRONT COVER LEFT			
8	F01420120R	ROS.M12 13X36X2,5 U6593 ZN	WASHER M12 13X36X2,5 U6593 ZN	RONDELLE M12 13X36X2,5 ZN		ARAND.M12 13X36X2,5 U6593 ZN
9	F01020510R	VITE M12X1,75X30 U5739 8.8ZN	SCR. M12X1,75X30 U5739 8.8ZN	VIS M12X1,75X30 U5739 8.8ZN	SCHRAU.M12X1,75X30 U5739 8.8ZN	TORNILLO M12X1,75X30 U5739
10	F01020514R	VITE M12X1,75X40 U5739 8.8ZN	SCR. M12X1,75X40 U5739 8.8ZN	VIS M12X1,75X40 U5739 8.8ZN	SCHRA. M12X1,75X40 U5739 8.8ZN	TORNILLO M12X1,75X40 U5739 8.
11	B07SP0659R	FULCRO POSTERIORE CARTER DX	FULCRUM REAR CARTER RIGHT			
12	B07SP0656R	FULCRO ANTERIORE DX	FULCRUM FRONT RIGHT			
13	B07S01850R	ATTACCO CHIUSURA	CLOSURE CONNECTION	ATTELAGE FERMETURE	VERSCHLUSSANSCHLUSS	CONEXI N DE CIERRE
14	B0C6P0670R	CHIUSURA CARTER	CLOSING CARTER			
15	F01420048R	ROS.M8 8,4X 24X 2 U6593 ZN	WASHER M8 8,4X 24X2 U6593 ZN	RONDELLE M8 8,4X24X 2 U6593 ZN	SCHLEIBEN M8 8,4X24X 2 U6593 ZN	ARAND.M8 8,4X 24X 2 U6593 ZN
16	F01020440R	VITE M8X1,25X25 U5739 8.8ZN	SCR. M8X1,25X25 U5739 8.8ZN	VIS M8X1,25X25 U5739 8.8 ZN	SCHRAUBE M8X1,25X25U5739 8.8ZN	TORNILLO M8X1,25X25 U5739 8.8
17	F01410051R	ROS.M8 8,4X 17X1,6 U6592 ZN	WASHER M8 8,4X17X1,6 U6592 ZN	RONDELLE M8 8,4X17X1,6 ZN	SCHLEIBE M8 8,4X17X1,6 U6592 ZN	ARAND.M8 8,4X 17X1,6 U6592 ZN
18	B00920208R	DADO AUTOB.BASSO M 8-5S D985	NUT M8X1 D985 8ZN	ECROU	SELBSTSICHERNDE MUTTER M8-5S	TUERCA M8X1 D985 8
19	B07SP0570R	SOSTEGNO MANIGLIA	SUPPORT HANDLE			
20	F01020445R	VITE M8X1,25X30 U5739 8.8ZN	SCR. M8X1,25X30 U5739 8.8ZN	VIS M 8X1,25X30 U5739 8.8 ZN	SCHRAU, M8X1,25X30 U5739 8.8ZN	TORNILLO M8X1,25X30 U5739 8.8
21	F01020512R	VITE M12X1,75X35 U5739 8.8ZN	SCR. M12X1,75X35 U5739 8.8ZN	VIS M12X1,75X35 5739 8.8 ZN	SCHR. M12X1,75X35 5739 8.8 ZN	TORNILLO M12X1,75X35 U5739 8
22	F01030055R	VITE M8X1,25X20 U5933 10.9ZD	SCR. M8X1,25X20 U5933 10.9ZD	VIS M 8X20	SCHRAUBE M 8X20	TORNILLO M 8X20
23	B0H1P0003R	MOLLA GAS CARTER LATERALI 365	GAS SPRING 365			
24	F01230202R	DADO M10X 1,5 D985 8 ZN	NUT M10 D985	ECROU AUTOBL. M10	SELBSTSPERR.MUTTER M10	TUERCA M10X 1,5 D985 8
25	B07V00117R	MANIGL.01M20120D DITTA THENAR	HANDLE 01M20120D FROM THENAR	POIGNEE 01M20120D	GRIFF	MANILL.01M20120D EMPRESA THE
26	B0FMP0018R	COFANO DX	COFANO DX			
27	B07SP0660R	FULCRO POSTERIORE CARTER SX	FULCRUM REAR CARTER LEFT			
28	B07SP0657R	FULCRO ANTERIORE SX	LEFT FRONT FULCRUM			
29	B0FMP0017R	COFANO SX	COFANO SX			
30	B01800041R	CHIUS.SCHWARZ RIF.SV 941104-00	LOCK	FERMETURE	VERSCHLUSS SCHWARZ REF. SV. 9	CIERRE SCHWARZ REF.SV 941104-0
31	F01030208R	VITE M 8X1,25X 20 U7380 10.9ZN	SCREW M8X1,25X20 U7380 10.9ZN			TORNILLO M 8X1,25X 20 U7380 10
32	B00191275R	VITE M12X1,75X 70 U5737 8.8ZN	SCREW	VIS	SCHRAUBE	
33	F01230213R	DADO M12X1,75 D985 8 ZN	NUT M12X1,75 U7474 6SZN	ECROU AUTOBL. M12	SELBSTSPERR.MUTTER M12	TUERCA M12X1,75 U7474 CL8 ZN
34	B01140440R	COPIGLIA 4X40 UNI 1336	PIN			
35	B0C002357R	PIASTRINA ATTACCO CAVI	CABLE ATTACHMENT PLATE	PLAQUETTE ATTELAGE CABLES	KABELHALTERPLATTE	PLACA CONEXI N DE LOS CABLES

TAV_420

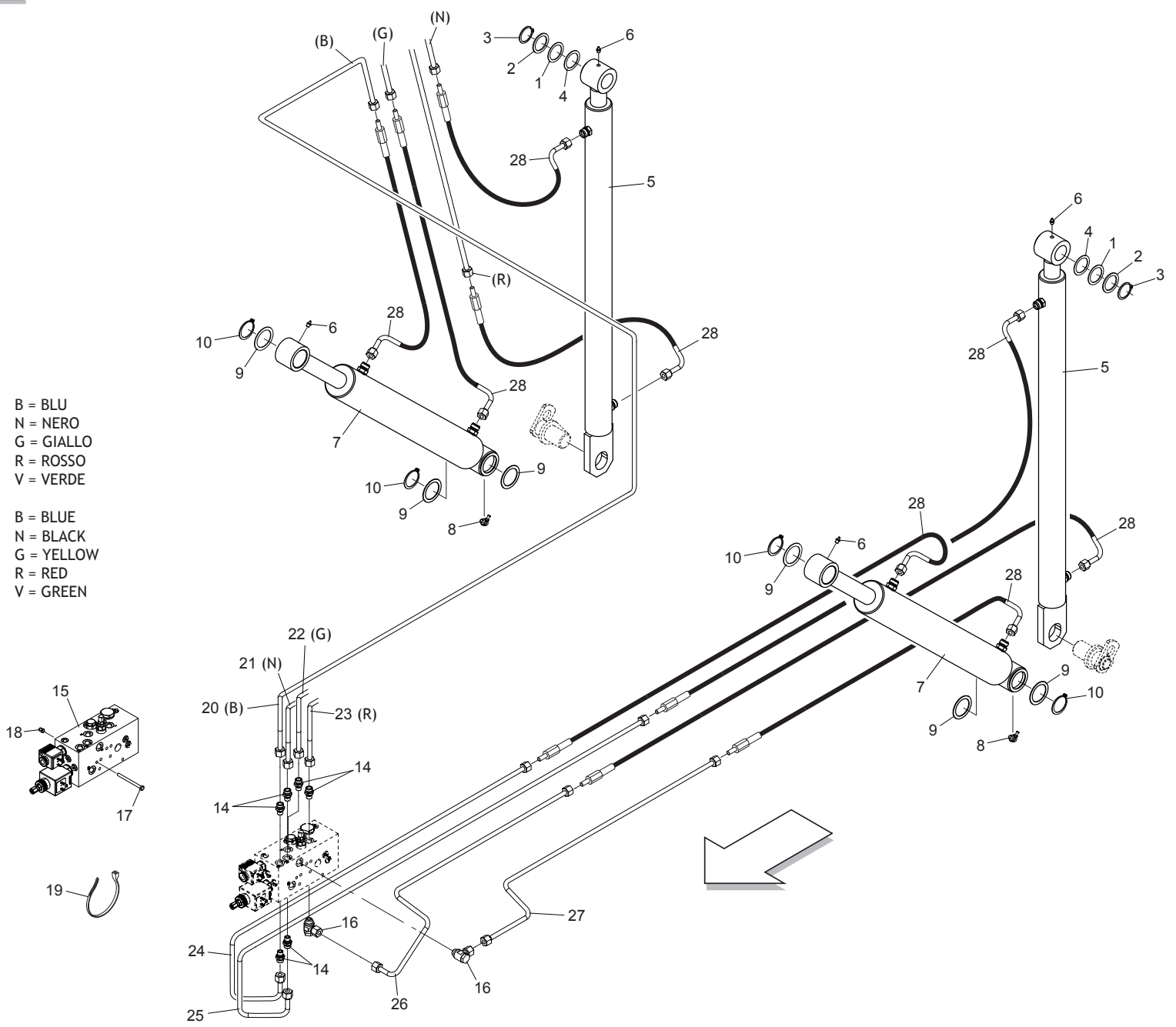


**BOX IMPIANTO IDRAULICO MACCHINA
MACHINE HYDRAULIC SYSTEM BOX**

TAV_420

Pos.	Cod.	Descrizione	Description	Description	Benennung	Descripcion
1	B0C3P0342R	COPERCHIO	COVER			
2	B04945023R	LISTELLO PIATTO 6X12 CAT.PIGOM	GASKET	JOINT	DICHTSTREIFEN	
3	B0C3P0341R	FASCIA DX	RH BAND			
4	B0C3P0340R	FASCIA SX	LEFT CARTER			
5	B00990009R	INSERTO ESAGONALE M6	HEXAGONAL CONNECTION M6	CONNECTION HEXAGONALE	SECHSECKIGER EINSATZ M6	
6	F01410051R	ROS.M8 8,4X 17X1,6 U6592 ZN	WASHER M8 8,4X17X1,6 U6592 ZN	RONDELLE M8 8,4X17X1,6 ZN	SCHIBE M8 8,4X17X1,6 U6592 ZN	ARAND.M8 8,4X 17X1,6 U6592 ZN
7	B00180810R	VITE ZINC.TE M 8X 10-8.8 UNI 5	SCREW			
8	B00920106R	DADO M6X1 D985 8ZN	NUT	ECROU	SELBSTSICHERNDE MUTTER M6-5S	TUERCA M6X1 D985 8
9	B07VU0046R	CERNIERA ELESA CMM 50 SH 6	HINGE			
10	B07V00346R	VOLANTINO M 6X20	KNOB M 6X20			
11	F01030038R	VITE M6X1X20 U5933 10.9ZD	SCR. M6X1X20 U5933 10.9ZD	VIS M6X1X20 U5933 10.9ZD	SCHRAU. M6X1X20 U5933 10.9ZD	TORNILLO M6X1X20 U5933 10.9ZD
12	B0C2P0438R	PIATTO DI COLLEGAMENTO	CONNECTION PLATE			
13	B0C6P1040R	DISTANZIALE CERNIERA	SPACER			
14	F01030036R	VITE M6X1X16 U5933 10.9ZD	SCR. M6X1X16 U5933 10.9ZD	VIS M6X1X16 U5933 10.9ZD	SCHRAUBE M6X1X16 U5933 10.9ZD	TORNILLO M6X1X16 U5933 10.9ZD
15	B07VP0208R	COPRI FESSURE	COVER SLOTS			
16	F01020436R	VITE M8X1,25X20 U5739 8.8ZN	SCR. M8X1,25X20 U5739 8.8ZN	VIS M8X1,25X 20 U5739 8.8 ZN	SCHRAUBE M8X1,25X20U5739 8.8ZN	TORNILLO M8X1,25X20 U5739 8.8
17	F01021213R	VITE M 8X1,25X 55 U5739 8.8 ZN	SCREW M8X1,25X 55 8.8 ZN			
18	B00170845R	VITE ZINCATA M 8X45-10.9 U5737	ZN SCREW M 8X45-10.9 U5737	VIS	SCHRAUBE	TORNILLO CINCADO M 8X45-10.9 U
19	B0C1P1730R	PIATTO PER BULLONI DI SICUREZZ	PLATE FOR SECURITY BOLT			
20	B03110007R	GIUNTO MOLL.N.26 ASA60-1	SPRING JOINT N. 26 ASA 60-1	JOINT	KETTENSCHLOSS	JUNTA DE MUELLE N. 26 ASA60-1
21	B030G0020R	GIUNTO A COPPIGLIA ISO 20 B-1	JOINT ISO 20 B-1		JOINT BORG PEN ISO 20 B-1	
22	F01420036R	ROS.M6 6,4X 18X1,5 U6593 ZN	WASHER M6 6,4X 18X1,5 U6593 ZN	RONDELLE M6 6,4X18X1,5 U6593ZN	SCHIBEN M6 6,4X18X1,5U6593 ZN	ARANDELA M6 6,4X18X1,5U6593ZN
23	F01220022R	DADO M8X1,25 D980 8ZN	NUT M8X1,25 D980 8ZN	ECROU M8X 1,25 D980 8 ZN	MUTTER M8X 1,25 D980 8 ZN	TUERCA M8X 1,25 D980 8 ZN

TAV_430



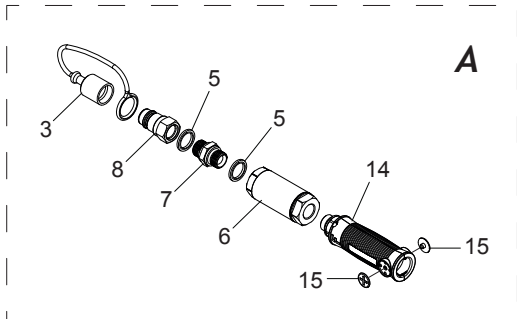
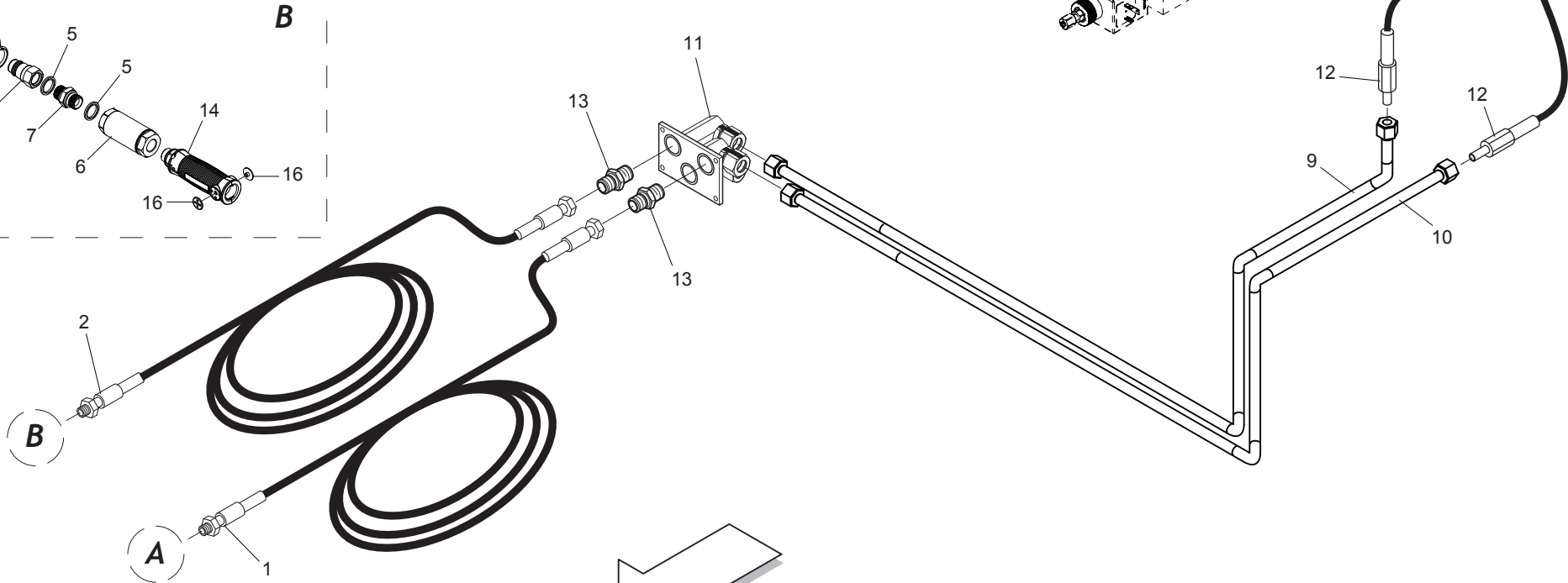
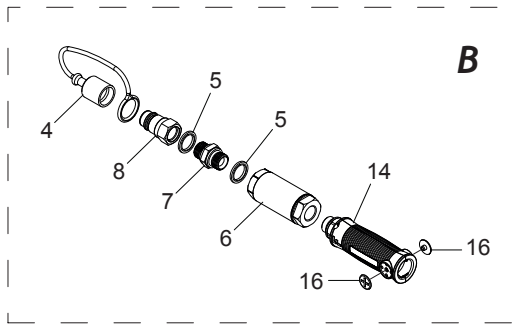
- B = BLU
- N = NERO
- G = GIALLO
- R = ROSSO
- V = VERDE

- B = BLUE
- N = BLACK
- G = YELLOW
- R = RED
- V = GREEN

**IMPIANTO IDRAULICO MACCHINA (PARTE 1)
MACHINE HYDRAULIC SYSTEM (PART 1)**

TAV_430

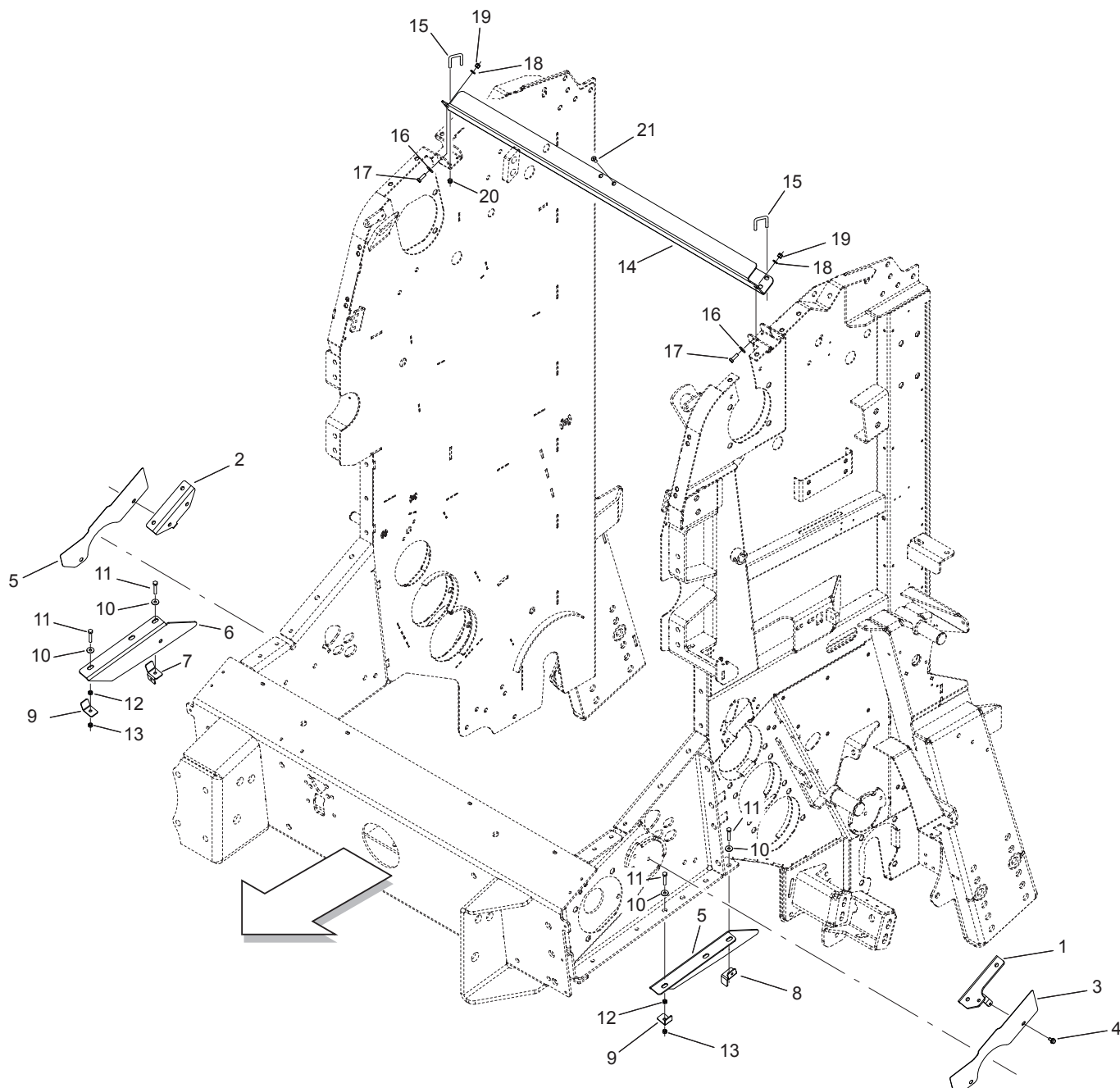
Pos.	Cod.	Descrizione	Description	Description	Benennung	Descripcion
1	B01300101R	SPES. 30,3 40 1 ZINCATO	SHIM GALV	ENTRETOISE GALV	DISTANZSTUECK 30,3 40 1	ESPE. 30,3 40 1 CINCADO
2	B01300153R	SPES. 30 40 2 ZINCATO	SHIM GALV	ENTRETOISE GALV	DISTANZSTUECK 30 40 2	ESPE. 30 40 2 CINCADO
3	F02050112R	ANELLO E.DE 30X 1,5 U7435 ZN	SEEGER RING 30X 1,5 U7435 C70	SEEGER E. 30 X 1,5 U7435 C70	SEEGERING E. 30X 1,5 U7435 C70	ANILLO E. 30 X 1,5 U7435 C70
4	B01300100R	SPES. 30,3 40 0,5 ZINCATO	SHIM GALV	ENTRETOISE GALV	DISTANZSTUECK 30,3 40 0,5	ESPE. 30,3 40 0,5 CINCADO
5	BOH4P0009R	MARTINETTO PORTELLONE 365	CYLINDER 365			
6	F01100011R	ING.M 6X1 7663-A 9SMNPB28 ZN	GREASE NIPPLE M6X1 7663-A ZN	GRAISS. A BILLE M6X1 7663A ZN	SCHMIERBUECHE M6X1 7663-A ZN	ENG.M 6X1 7663-A 9SMNPB28 ZN
7	BOH4P0018R	MARTINETTO PRESSIONE 365	CYLINDER 365			
8	F01100013R	ING.M 6X1 7663-C 9SMNPB28 ZN	SPHERE NIPPLE M6X1 90	GRAISSEUR A BILLES M6X1 90	KUGELFETTBSCHSE M6X1 90	ENG.M 6X1 7663-C 9SMNPB28 ZN
9	B01519696R	SPES. 35 47 1	SHIM	ENTRETOISE	DISTANZSTUECK 35 50 1	ESPE. 35 47 1
10	F02050146R	ANELLO E. DE 35X 1,5 U7435 C70	ELASTIC RING DE 35X 1,5 U7435	BAGUE ELASTIQUE DE 35X 1,5	RING DE 35X 1,5 U7435 C70	ANILLO DE 35X 1,5 U7435 C70
14	BOH0C0019R	RACCORDO I 10 RASTELLI TN92GG	JUNCTION			
15	BOH0P0091R	VALVOLA PRINCIPALE PORT. 365	MAIN VALVE			
16	BOH000232R	RACCORDO O 10 RASTELLI TN111-1	FITTING O 10			
17	F01020051R	VITE M6X1X90 U5737 8.8ZN	SCR. M6X1X90 U5737 8.8ZN	VIS M6X 1X 90 U5737 8.8 ZN	SCHRAUBE M6X 1X90 U5737 8.8 ZN	TORNILLO M6X1X90 U5737 8
18	B00990009R	INSERTO ESAGONALE M6	HEXAGONAL CONNECTION M6	CONNECTION HEXAGONALE	SECHSECKIGER EINSATZ M6	
19	F05150066R	FASCETTA POLYA. 9,0X265 NERA	CLAMP 9X265 BLACK			BANDA POLYA. 9X265 NEGRA
20	BOH0P0131R	TUBO Z. BLU 10X1,5 L=3690	GALVANIZED PIPE 10X1,5 L=3690			
21	BOH0P0132R	TUBO Z. NERO 10X1,5 L=3720	GALVANIZED PIPE 10X1,5 L=3720			
22	BOH0P0130R	TUBO Z. GIALLO 10X1,5 L=3690	GALVANIZED PIPE 10X1,5 L=3690			
23	BOH0P0133R	TUBO Z. ROSSO 10X1,5 L=3810	GALVANIZED PIPE 10X1,5 L=3810			
24	BOH0P0129R	TUBO ZINCATO 10X1,5 L=1050	GALVANIZED PIPE 10X1,5 L=1050			
25	BOH0P0128R	TUBO ZINCATO 10X1,5 L=1540	GALVANIZED PIPE 10X1,5 L=1540			
26	BOH0P0126R	TUBO ZINCATO 10X1,5 L=1120	GALVANIZED PIPE 10X1,5 L=1120			
27	BOH0P0127R	TUBO ZINCATO 10X1,5 L=810	GALVANIZED PIPE 10X1,5 L=810			
28	BOH0P0118R	TUBO FLESSIBILE L=550	HYDRAULIC HOSE L=550			



IMPIANTO IDRAULICO MACCHINA (PARTE 2)
MACHINE HYDRAULIC SYSTEM (PART 2)

TAV_440

Pos.	Cod.	Descrizione	Description	Description	Benennung	Descripcion
1	B0H0P0115R	TUBO FLESSIBILE L=2700	HYDRAULIC HOSE L=2700			
2	B0H0P0116R	TUBO FLESSIBILE L=2700	HYDRAULIC HOSE L=2700			
3	F05150325R	CAPPUC.F X INN.M RAP.1 2 ROSS	COVER CONNECT F 1 2 RED	COUVERCLE CONNEXION F 1 2 ROSE	DECKEL W 1 2 SCHNELLKUPP. ROT	PAC PROTECCION F 1 2 ROJO
4	B0H5C000NR	CAPPUCCIO NERO PER INNESTO RAP	COVER CONNECT BLACK			
5	F03020200R	RONDELLA BONDED AUTOCENT 1 2	WASHER BONDED AUTOC. 1 2			
6	B0H000040R	FILTRO IN LINEA 92400126X	FILTER IL12 60 R 94001261	FILTRE EN LIGNE IL12 60 R94001	FILTER IL12 60 R 94001261	FILTRO EN L NEA 92400126X
7	F03150255R	NIPPLO MASCH.CIL.1 2-1 2 ZN	NIPPLE M. CYL. 1 2-1 2 ZN	NIPLE M. CYL. 1 2 - 1 2 ZN	NIPLE F. ZYL. 1 2-1 2 ZN	NIPLE M. CIL. 1 2 - 1 2 ZN
8	F03150935R	INNESTO RAP.MASCH.1 2 A VALV.	QUICK CONNECT MALE CONE 1 2	CONNEXION RAPIDE MALE CONE 1 2	SCHNELLKUPP.GEWINDE KONISC 1 2	ACOPLAMIEN.T.RAP.MACHO CONO
9	B0H0P0123R	TUBO BONDERIZZATO 12X2 L=144	PIPE 12X2 L=1440			
10	B0H0P0122R	TUBO BONDERIZZATO 12X2 L=128	PIPE 12X2 L=1280			
11	B0H0P0150R	PIASTRA COLLETTORE 75 X 45	PLATE 75 X 45			
12	F03071178R	TG 1 4 2SN CFL12 ML12 350	RUB.TUBE 1 4 2SN CFL12 350			
13	F03080001R	NIPPLO M3 8 SEAL ML12 ZN	NIPPLE M3 8 SEAL ML12 ZN	NIPLE M3 8 SEAL ML12 ZN	NIPPEL M3 8 SEAL ML12 ZN	NIPLE M3 8 SEAL ML12 ZN
14	F05150649R	MANIGLIA TUBO IDRAULIC.RAC1 2	HANDLE HYDR.TUBE JUNCTION 1 2			
15	F05150654R	INSERTO ROSSO PER MAN.TUB.IDR	RED INSERT FOR HANDLE HYD.TUBE			
16	F05150650R	INSERTO NERO PER MAN.TUB.IDR	BLACK INSERT FOR HANDLE HYD.T.			



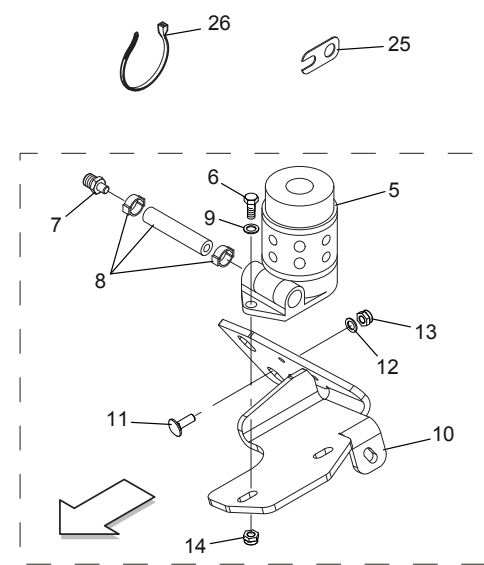
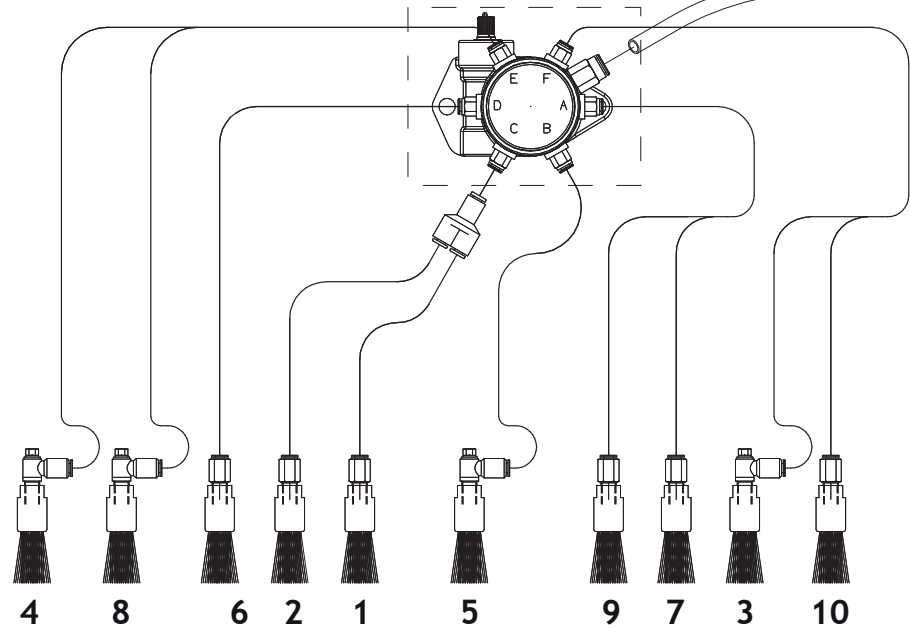
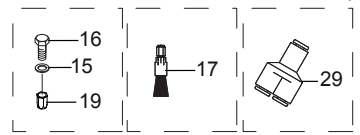
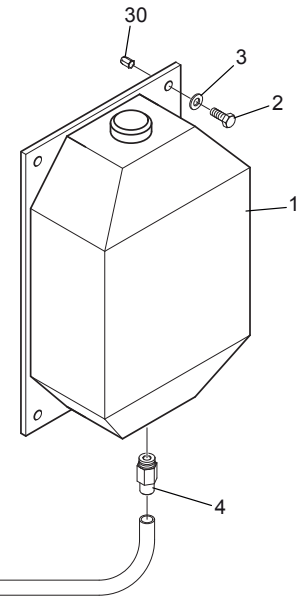
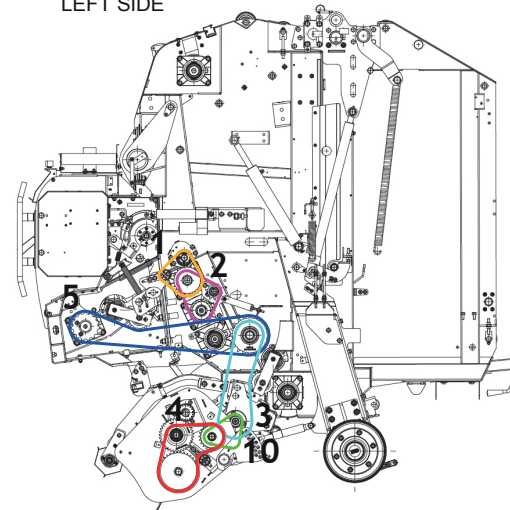
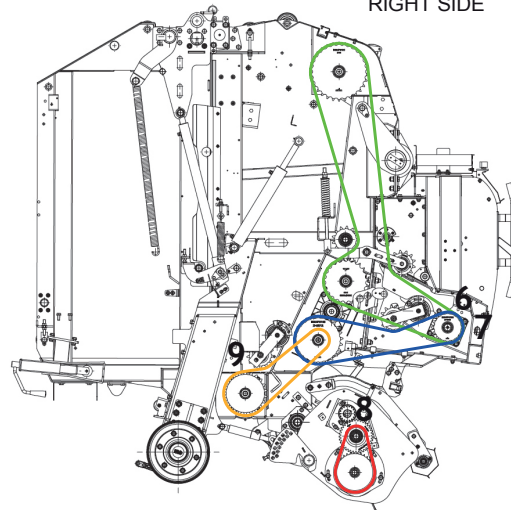
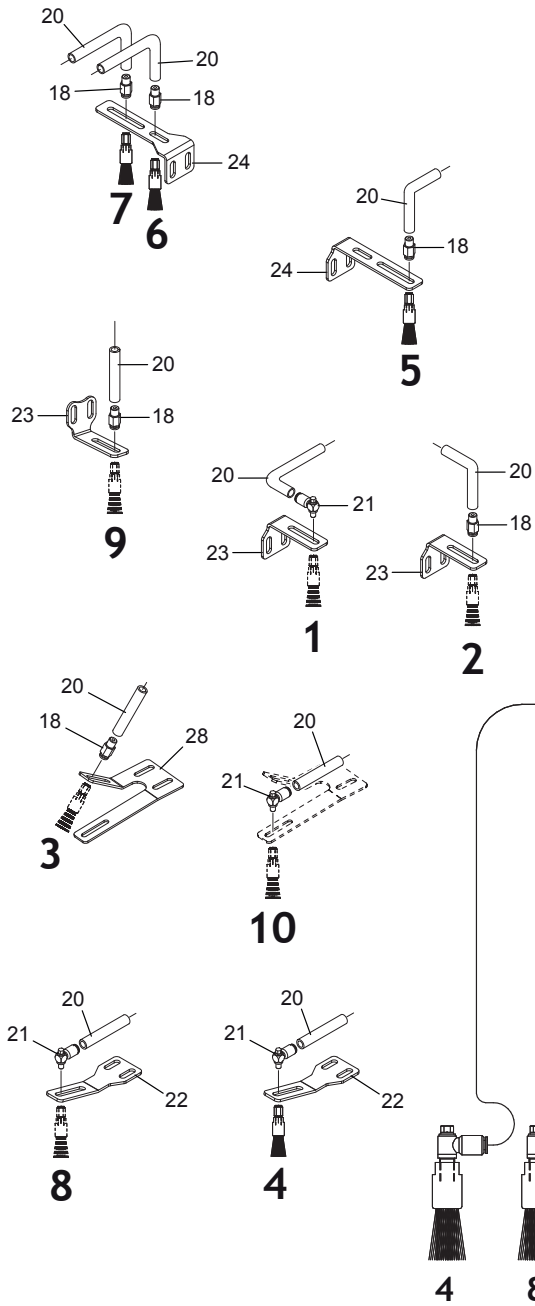
**CARTER IMPIANTO IDRAULICO
HYDRAULIC SYSTEM CARTER**

TAV_450

Pos.	Cod.	Descrizione	Description	Description	Benennung	Descripcion
1	B07SP1740R	SUPPORTO CARTER TUBI SX	CARTER SUPPORT LEFT PIPES			
2	B0C1P1056R	SUPPORTO CARTER TUBI DX	RIGHT CARTER SUPPORT			
3	B0C1P1057R	CARTER TUBI	TUBE S CARTER			
4	B00370001R	VITE TE M 8X16 A SEZ. TRILOBATA	SCREW TRE M 8X16 SEZ TROUBLED	VIS	SCHRAUBE M 8X15	TORNILLO CHEX M 8X16 A SECC. T
5	B0C1P1048R	PIASTRA DI CONVOGLIAMENTO SX	CONVEYING PLATE LEFT			
6	B0C1P1049R	PIASTRA DI CONVOGLIAMENTO DX	CONVEYING PLATE RIGHT			
7	B0C6P0851R	SOSTEGNO ANTERIORE DX TUBAZION	LEFT FRONT SUPPORT			
8	B0C6P0852R	SOSTEGNO ANTERIORE DX TUBAZION	RIGHT FRONT SUPPORT			
9	B0C6P0853R	SOSTEGNO POSTERIORE TUBAZIONI	REAR SUPPORT			
10	F01420048R	ROS.M8 8,4X 24X 2 U6593 ZN	WASHER M8 8,4X 24X2 U6593 ZN	RONDELLE M8 8,4X24X 2 U6593 ZN	SCHEIBEN M8 8,4X24X 2 U6593 ZN	ARAND.M8 8,4X 24X 2 U6593 ZN
11	B00180850R	VITE ZINC.TE M 8X 50-8.8 U5739	SCREW			
12	F01200244R	DADO M8X1,25 U5588 CL8 ZN	NUT M8X1,25 U5588 6.8ZN	ECROU M8 X1,25 U5588 6.8 ZN	MUTTER M8 X1,25 U5588 6.8 ZN	TUERCA M8X1,25 U5588 CL8 ZN
13	B00920208R	DADO AUTOB.BASSO M 8-5S D985	NUT M8X1 D985 8ZN	ECROU	SELBSTSICHERNDE MUTTER M8-5S	TUERCA M8X1 D985 8
14	B0C1P1489R	TRAVERSA PROTEZIONE TUBI	CROSSPIECE PROTECTION TUBES			
15	B0C2P0439R	CAVALLOTTO QUADRO M6 20X20	U BOLT M6 20X20			
16	F01420036R	ROS.M6 6,4X 18X1,5 U6593 ZN	WASHER M6 6,4X 18X1,5 U6593 ZN	RONDELLE M6 6,4X18X1,5 U6593ZN	SCHEIBEN M6 6,4X18X1,5U6593 ZN	ARANDELA M6 6,4X18X1,5U6593ZN
17	F01020404R	VITE M6X1X20 U5739 8.8ZN	SCREW M6X1X20 U5739 8.8ZN	VIS M6X1X20 U5739 8.8ZN	SCHRAUBE M6X1X20 U5739 8.8ZN	TORNILLO M6X1X20 U5739 8.8ZN
18	F01410037R	ROS.M6 6,4X12,5X1,6 U6592 ZN	WASHER M6 6,4X12,5X1,6 U6592ZN	RONDEL.M6 6,4X12,5X1,6 U6592ZN	SCHEIB.M6 6,4X12,5X1,6 U6592ZN	ARAND.M6 6,4X12,5X1,6 U6592 ZN
19	F01230022R	DADO M6X1 D982 8ZN	NUT M6X1 D982 8ZN	ECROU AUTO-FREIN.M6X1 D982 8ZN	SICHERUNGSMUT. M6X1 D982 8 ZN	TUERCA DE SEGU.M6X1 D982 8 ZN
20	B00920106R	DADO M6X1 D985 8ZN	NUT	ECROU	SELBSTSICHERNDE MUTTER M6-5S	TUERCA M6X1 D985 8
21	F01030036R	VITE M6X1X16 U5933 10.9ZD	SCR. M6X1X16 U5933 10.9ZD	VIS M6X1X16 U5933 10.9ZD	SCHRAUBE M6X1X16 U5933 10.9ZD	TORNILLO M6X1X16 U5933 10.9ZD

LATO DESTRO
RIGHT SIDE

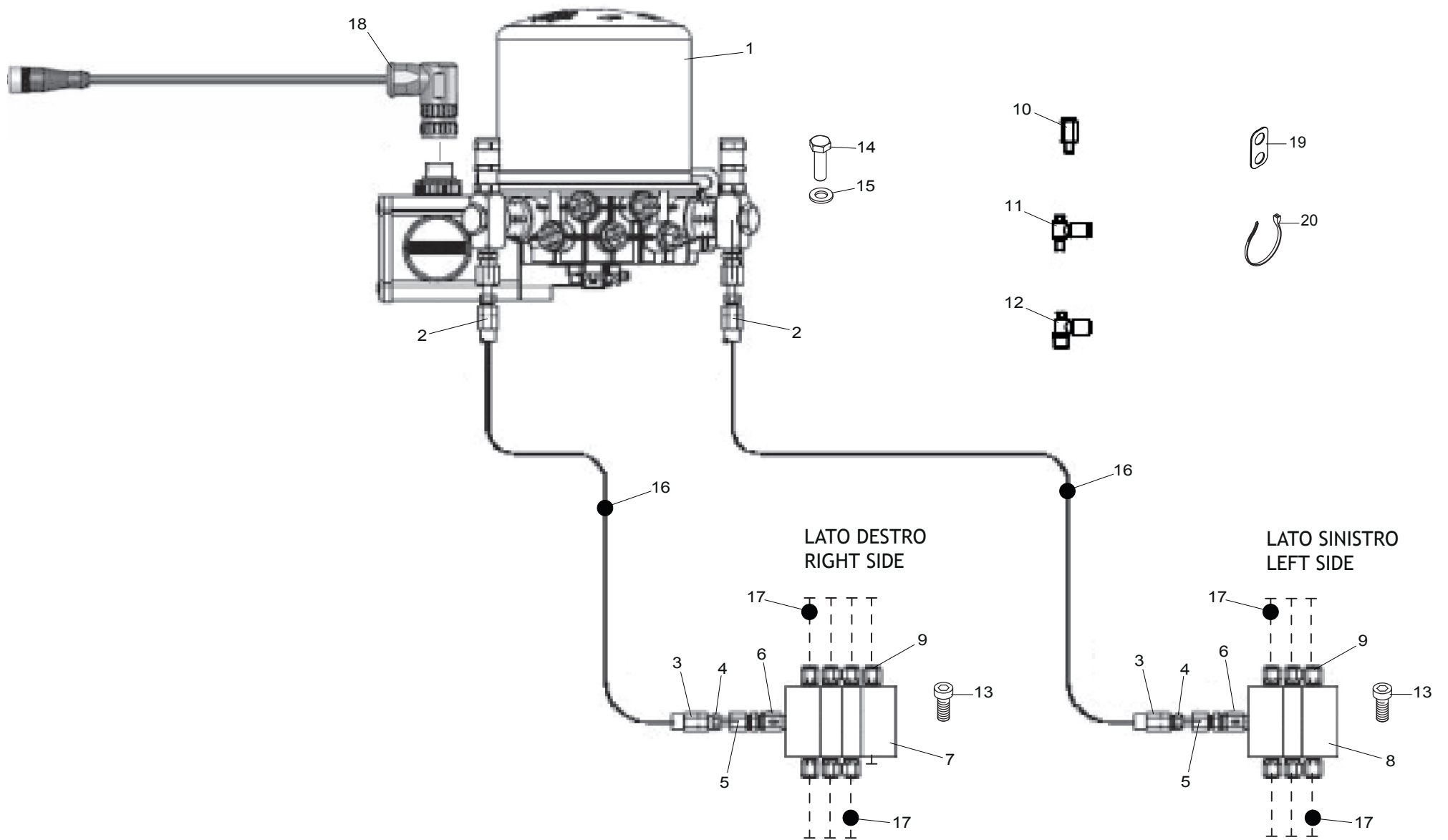
LATO SINISTRO
LEFT SIDE



**IMPIANTO OLIIATURA AUTOMATICA
AUTOMATIC OILING SYSTEM**

TAV_600

Pos.	Cod.	Descrizione	Description	Description	Benennung	Descripcion
1	B0H0P0110R	GR. SERBATOIO 4 LT	TANK 4 LT			
2	F01020404R	VITE M6X1X20 U5739 8.8ZN	SCREW M6X1X20 U5739 8.8ZN	VIS M6X1X20 U5739 8.8ZN	SCHRAUBE M6X1X20 U5739 8.8ZN	TORNILLO M6X1X20 U5739 8.8ZN
3	F01410037R	ROS.M6 6,4X12,5X1,6 U6592 ZN	WASHER M6 6,4X12,5X1,6 U6592ZN	RONDEL.M6 6,4X12,5X1,6 U6592ZN	SCHEIB.M6 6,4X12,5X1,6 U6592ZN	ARAND.M6 6,4X12,5X1,6 U6592 ZN
4	B042C0811R	RACC. RAPIDO DIRITTO 1 4 D.8	GREASE NIPPLE 1 4 G D. 8MM			
5	F03156180R	POMPA MULTIUSCITE 6 POMPANTI	PUMP MULTI OUTPUT			
6	F01020445R	VITE M8X1,25X30 U5739 8.8ZN	SCR. M8X1,25X30 U5739 8.8ZN	VIS M 8X1,25X30 U5739 8.8 ZN	SCHRAU, M8X1,25X30 U5739 8.8ZN	TORNILLO M8X1,25X30 U5739 8.8
7	B035P0101R	PERNO POMPA OLIIATURA	PIN PUMP OIL			
8	B0H0P0112R	KIT DI COLLEGAMENTO	KIT FOR CONNECTION			
9	F01410051R	ROS.M8 8,4X 17X1,6 U6592 ZN	WASHER M8 8,4X17X1,6 U6592 ZN	RONDELLE M8 8,4X17X1,6 ZN	SCHEIBE M8 8,4X17X1,6 U6592 ZN	ARAND.M8 8,4X 17X1,6 U6592 ZN
10	B0C1P0844R	SUPPORTO POMPA OLIO	SUPPORT OIL PUMP			
11	B00321020R	VITE M10X1,5 X 30 U5731 4.6ZN	SCREW	VIS	SCHRAUBE VERZINKT TTQST M10X20	TORNILLO M10X1,5 X 30 U5731 4
12	F01420060R	ROS.M10 10,5X 30X2,5 U6593 ZG	GALV.WASHER 10,5X30X2,5 U6593	RONDELLE 10,5X30	SCHEIBE 10,5X30	ARAND.M10 10,5X 30X2,5 U6593
13	F01230202R	DADO M10X 1,5 D985 8 ZN	NUT M10 D985	ECROU AUTOBL. M10	SELBSTSPERR.MUTTER M10	TUERCA M10X 1,5 D985 8
14	B00920208R	DADO AUTOB.BASSO M 8-5S D985	NUT M8X1 D985 8ZN	ECROU	SELBSTSICHERNDE MUTTER M8-5S	TUERCA M8X1 D985 8
15	F01020436R	VITE M8X1,25X20 U5739 8.8ZN	SCR. M8X1,25X20 U5739 8.8ZN	VIS M8X1,25X 20 U5739 8.8 ZN	SCHRAUBE M8X1,25X20U5739 8.8ZN	TORNILLO M8X1,25X20 U5739 8.8
16	F01420048R	ROS.M8 8,4X 24X 2 U6593 ZN	WASHER M8 8,4X 24X2 U6593 ZN	RONDELLE M8 8,4X24X 2 U6593 ZN	SCHEIBEN M8 8,4X24X 2 U6593 ZN	ARAND.M8 8,4X 24X 2 U6593 ZN
17	B0H0P0048R	SPAZZOLA M8X1 D.20 H.52	BRUSH M8X1 D.20 H.52			
18	B04280810R	PUSH-IN DIRITTO D.4 M8X1	GREASE NIPPLE			
19	B00990007R	INSERTO ESAGONALE M8X1,25 ZN	HEXAGONAL CONNECTION M8	CONNECTION HEXAGONALE M8	SECHSECKIGER EINSATZ M8	
20	B0H0P0095R	TUBETTO IN NYLON 4 L=3300	TUBE NYLON 4 L=3300			
21	B04290810R	INGRASS.90 ORIENTAB.M8X1 ILC	GREASE NIPPLE			
22	B0C6P0666R	STAFFA PORTA SPAZZ.LUBRIFIC.	BRACKET			
23	B0C6P0739R	STAFFA PORTA SPAZZOLA LUBRIF	BRACKET			
24	B0C6P0615R	STAFFA PORTA SPAZZ.LUBRIFIC.	BRACKET			
25	B0C6P0692R	PIASTRINA ATTACCO CAVI	PLATE CONNECTION CABLES			
26	F05150055R	FASCETTA POLYA. 3,6X200 NERA	WHITE BAND	BANDE BIANCHE	WEIBE BAND	BANDA POLYA. 3,6X200 NEGRA
27	B0H0P0109R	TUBO 8 MM TRASPARENTE	TRASPARENT TUBE 8 MM			
28	B0C1P0835R	STAFFA PORTA SPAZZOLA PICK-UP	BRACKET SUPP.BRUSH PICK-UP			
29	B0H0P0163R	RACCORDO AD Y TUBO 4	FITTING Y PIPE 4			
30	B00990009R	INSERTO ESAGONALE M6	HEXAGONAL CONNECTION M6	CONNECTION HEXAGONALE	SECHSECKIGER EINSATZ M6	



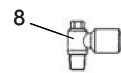
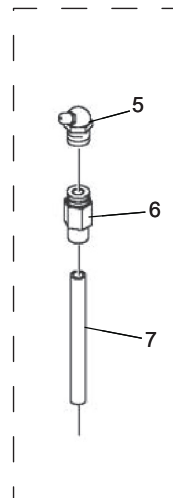
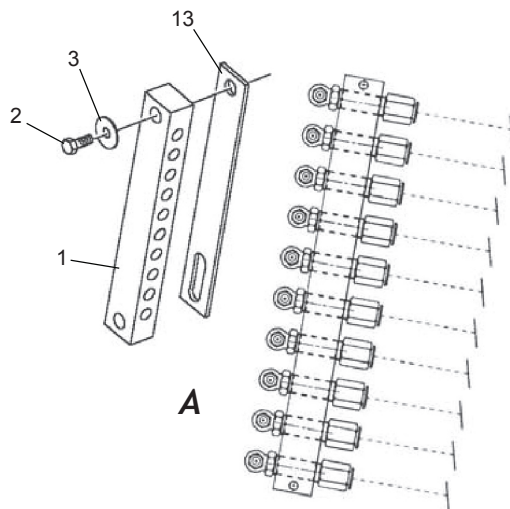
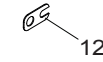
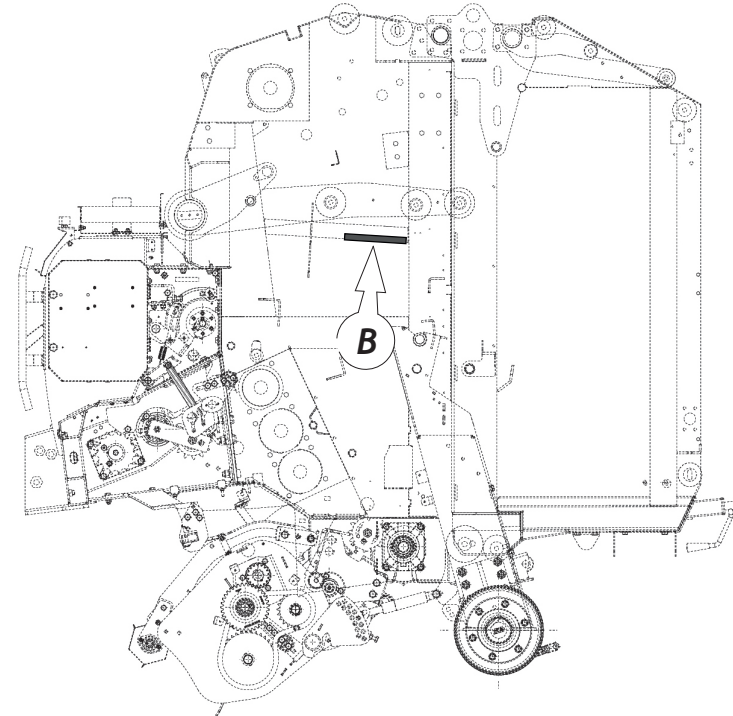
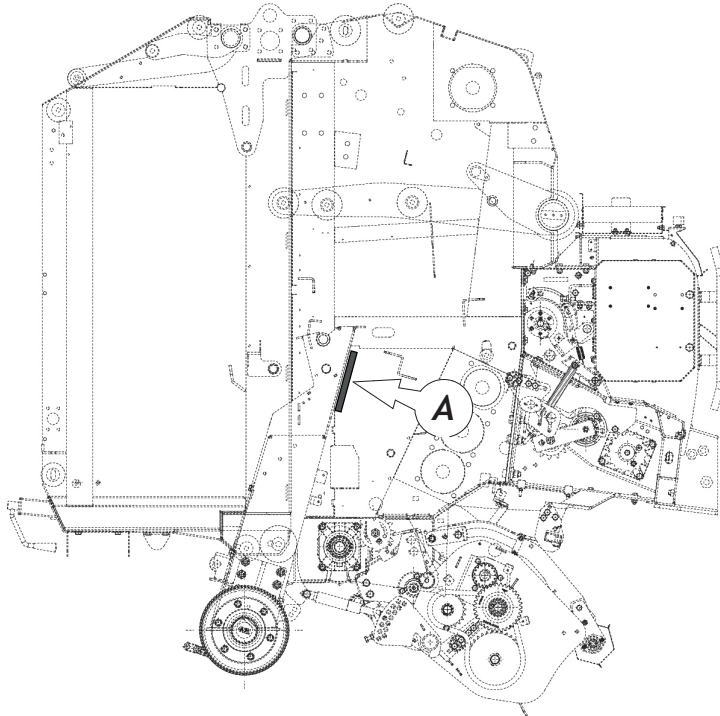
**IMPIANTO LUBRIFICAZIONE AUTOMATICA
AUTOMATIC GREASING SYSTEM**

TAV_460

Pos.	Cod.	Descrizione	Description	Description	Benennung	Descripcion
1	B0H0P0215R	ELETROPOMPA PICO MAX 12V DC 2	ELCTROPUMP MAX 12V DC 2			
2	B0H0P0164R	RACC. A.P. DIR. D.6MM 1 4 GK	FITTING			
3	B0H0P0166R	GHIERA PER TUBO A.P. 8,6X4	RING FOR PIPE			
4	B0H0P0165R	INSERTO DIRITTO	INSERT			
5	B0H0P0167R	RACC. A.P. DIR. D.6MM M10X1 K	FITTING			
6	B0H0P0168R	VALV.NON RITORNO 1 8 MK10X1F	VALVE			
7	B0H0P0252R	DISTR.PROG.DPX-4 4 ELEM.8 USC.	DISTR.PROG.DPX-4 4 ELEM.8 OUT.			
8	B0H0P0253R	DISTR.PROG.DPX-3 3 ELEM.6 USC.	DISTR.PROG.DPX-3 3 ELEM.6 OUT.			
9	B0H0P0171R	PUSH-IN DIRITTO D.6 M10X1K	PUSH-IN			
10	B0H0P0216R	RACCORDO RAPIDO DRITTO M6*1	JOINT			
11	B042A0610R	INGRASS. 90 ORIENTABILE M6X1	GREASE NIPPLE			
12	B0H0P0217R	RACCORDO RAPIDO 90 M10*1	JOINT			
13	B00400530R	VITE ZN.TCEI M 5X 30-8.8 U5931	SCREW TCEI M 5X 30-8.8 U5931			
14	F01020065R	VITE M 8X1,25X 30 U5737 8.8ZN	SCREW M 8X1,25X 30 U5737 8.8Z			
15	F01410051R	ROS.M8 8,4X 17X1,6 U6592 ZN	WASHER M8 8,4X17X1,6 U6592 ZN	RONDELLE M8 8,4X17X1,6 ZN	SCHEIBE M8 8,4X17X1,6 U6592 ZN	TORNILLO M 8X1,25X 30 U5737 8. ARAND.M8 8,4X 17X1,6 U6592 ZN
16	B09600004R	TUBO FLEX PER IMPIANTI A GRASS	PIPE FOR SYSTEMS GREASE			
17	F03152149R	TUBO PA12 6 X 3 ROSSO	TUBE PA12 6 X 3 RED			
18	F05200672R	CABL UNIF INGRASSAT AUT GR	WIRING			
19	B0C002357R	PIASTRINA ATTACCO CAVI	CABLE ATTACHMENT PLATE	PLAQUETTE ATTELAGE CABLES	KABELHALTERPLATTE	PLACA CONEXI N DE LOS CABLES
20	F05150055R	FASCETTA POLYA. 3,6X200 NERA	WHITE BAND	BANDE BIANCHE	WEIBE BAND	BANDA POLYA. 3,6X200 NEGRA

LATO DESTRO
RIGHT SIDE

LATO SINISTRO
LEFT SIDE



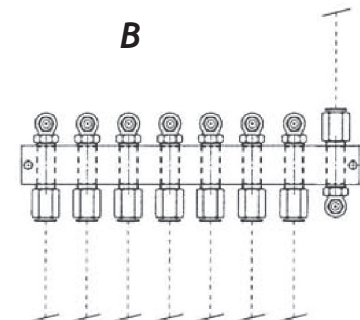
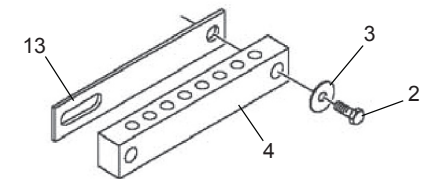
n.2 = CERNIERA PORTELLONE
NET-COUNTER ROLLER



n.22 = PORTELLONE
REAR GATE



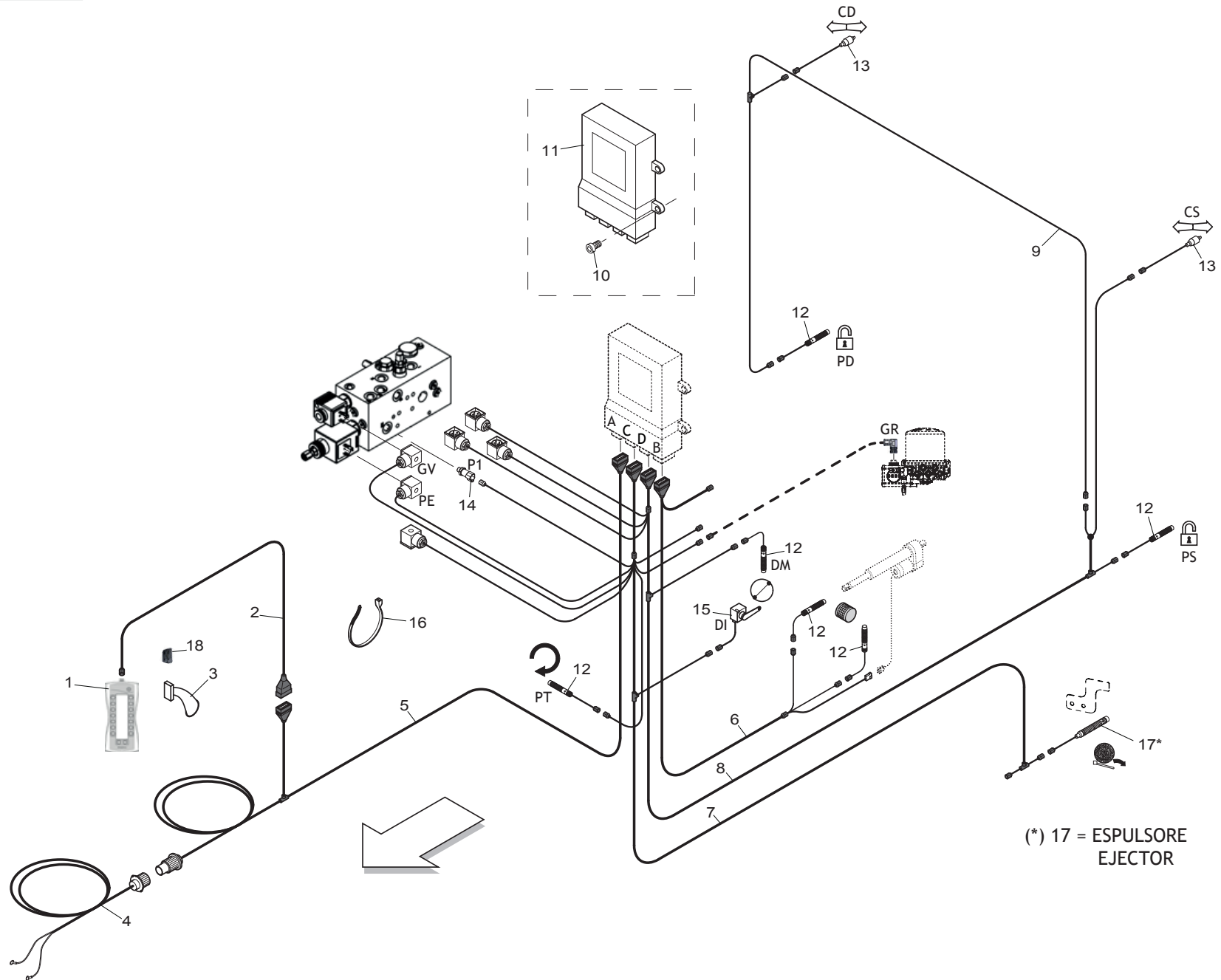
n.2 = CERNIERA PORTELLONE
TAILGATE HINGE



**IMPIANTO LUBRIFICAZIONE MANUALE
MANUAL GREASING SYSTEM**

TAV_470

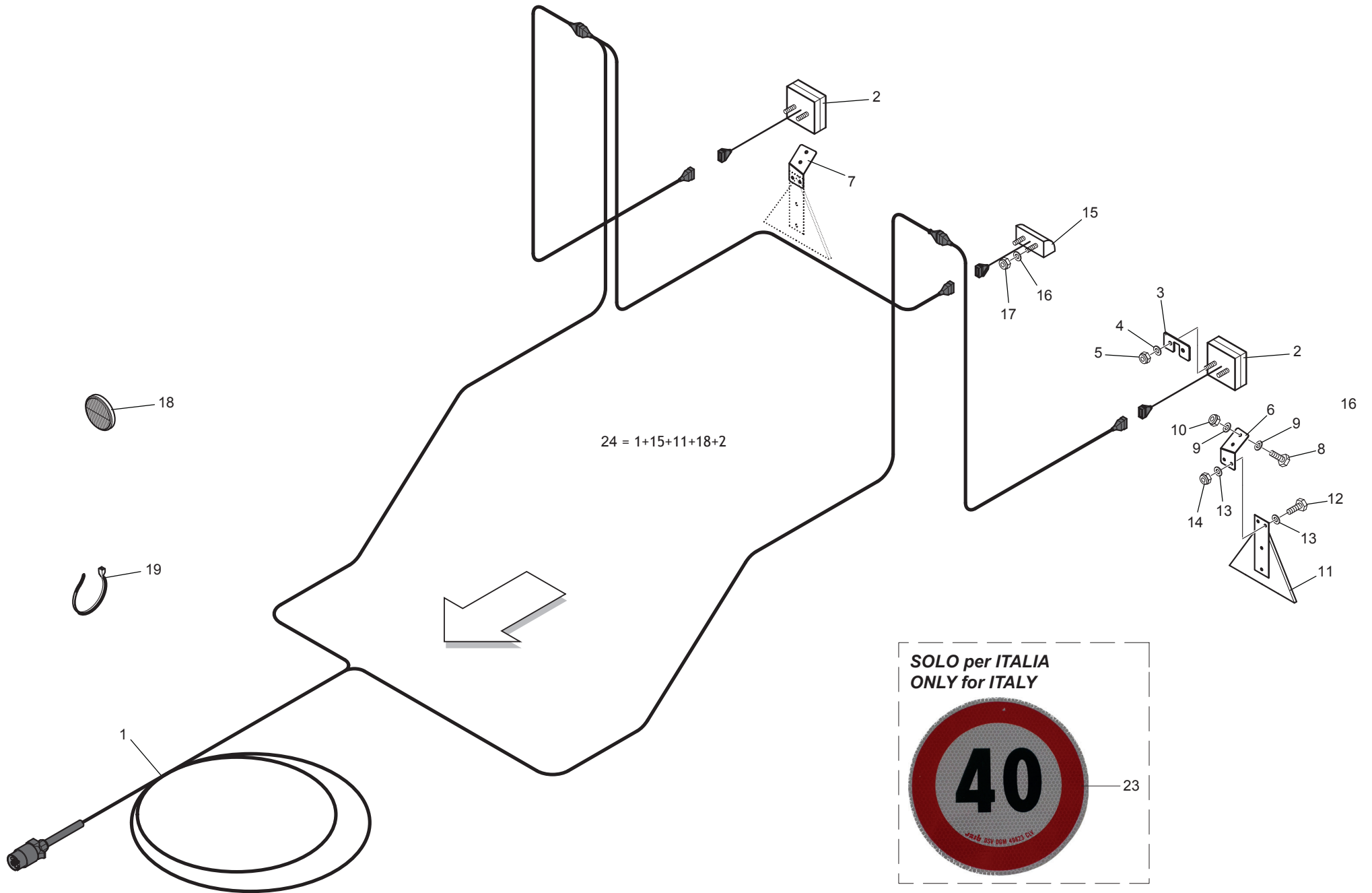
Pos.	Cod.	Descrizione	Description	Description	Benennung	Descripcion
1	B0R001127R	DISTRIBUTORE PASSANTE G1 8	DISTRIBUTOR			
2	B00180430R	VITE ZIN.TE M 4X30-8.8 UNI5739	SCREW			
3	F01420011R	ROS.M4 4,3X 16X 1 U6593 ZN	FLAT WASHER 4-3X 16X1-5 6593 G	ROND.PLATE 4-3X 16X1-5 6593 ZN	SCHEIBE 4-3X 16X1-5 6593 ZN	ARAND. PLANA 4-3X 16X1-5 6593
4	B0R001126R	DISTRIBUTORE PASSANTE G1 8	DISTRIBUTOR			
5	B0R001128R	INGRASSATORE 90 1 8 GAS	GREASE NIPPLE			
6	B0R001129R	INGRASSATORE DIRITTO	GREASE NIPPLE			
7	F03152149R	TUBO PA12 6 X 3 ROSSO	TUBE PA12 6 X 3 RED			
8	B04270810R	INGRASS. 90 ORIENTABILE M8X1	INGRASS. 90 ORIENTABILE M8X1.			
9	B042A0610R	INGRASS. 90 ORIENTABILE M6X1	GREASE NIPPLE			
10	B0R001130R	INGRAS.90 ILC M10 X TUBO 6	GREASE NIPPLE			
11	F05150055R	FASCETTA POLYA. 3,6X200 NERA	WHITE BAND	BANDE BIANCHE	WEIBE BAND	BANDA POLYA. 3,6X200 NEGRA
12	B0C6P0692R	PIASTRINA ATTACCO CAVI	PLATE CONNECTION CABLES			
13	B0C6P0974R	SPESSORE	THICKNESS			



**CABLAGGIO PRINCIPALE ICON
ICON MAIN CABLING**

TAV_480

Pos.	Cod.	Descrizione	Description	Description	Benennung	Descripcion
1	F05011716R	ASSY MON ICON USB ROTOPRES	ASSY MON ICON USB ROTOPRES			
2	B0E0P0169R	CAVO CENTRALINA	USER UNITS CABLE			
3	B0E0P0104R	KIT FISSAGGIO SUPP. A VENTOSA	KIT FISSAGGIO SUPPORT			
4	B0E000090R	CAVO TRATTORE CON FUSIBILE 50A	TRACTOR CABLE	CABLE TRACTEUR AVEC FUSEE	TRAKTORVERBINDUNGSKABEL	
5	F05200613R	CABL UNIF EXTREME BB CONN A	WIRING			
6	F05200614R	CABL UNIF EXTREME BB CONN B	WIRING			
7	F05200620R	CABL UNIF EXTREME 3 BB CONN C	WIRING			
8	F05200621R	CABL UNIF EXTREME 3 BB CONN D	WIRING			
9	F05200618R	CABL UNIF EXTREME BB CONN D1	WIRING			
10	B00400630R	VITE ZN.TCEI M 6X30-8.8 U5931	SCREW			
11	F05011831R	ECU ASSY BB BIG BLOCK UNIF	ELECTRIC			
12	F05011719R	SENS PROXIM M12 PNP NO CN SS 4	PROXIMITY SENSOR PNP 20CM CABL			
13	F05011715R	SENS ANGOLARE CARICO CAMERA	ANGULAR SENSOR LOAD CAMERA			
14	B0E0P0130R	PRESSOSTATO ELETTR. 0..250BAR	ELECTRONIC PRESSURE			
15	B0E0P0073R	SENS. ANG.AB91743 120 0.5-4.5V	POT SIZE BALE 60	SENS. ANG.AB91743 120 0.5-4.5V		POTENCI METRO DIMENSIONES DE
16	B0E600022R	FASCETTA LUMEFIX 4,8X340	CLAMP LUMEFIX 4,8X340			ABRAZADERA LUMEFIX 4,8X340
17	B0E0P0128R	SENSORE M12 DIGITALE ESPULSORE	DIGITAL EJECTOR SENSOR M12			SENSOR M12 DIGITAL DEL EXPULS
18	B0E0P0141R	PIASTRINA ATTACCO	ATTACK PLATE			

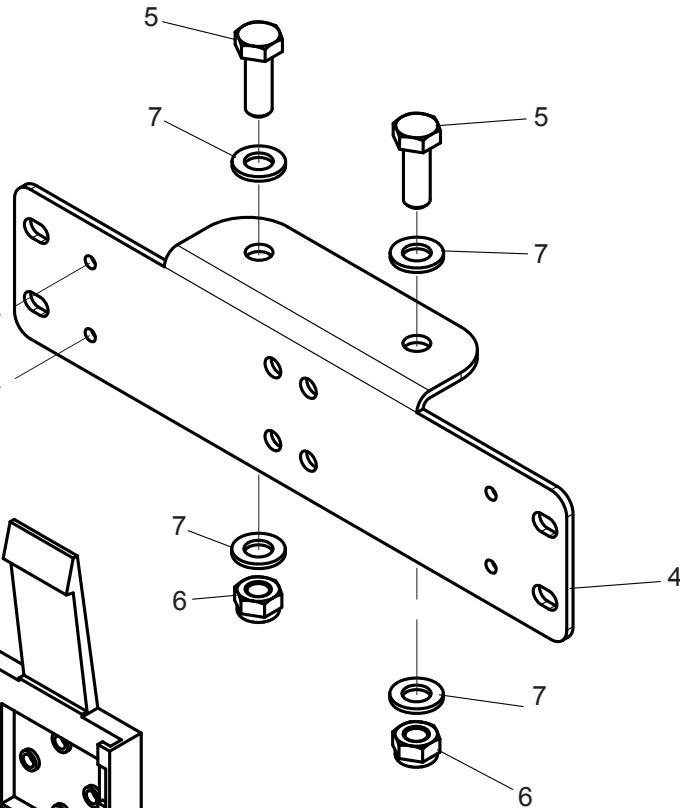
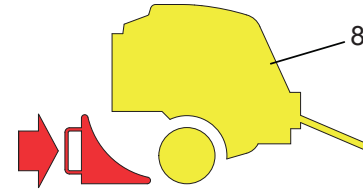
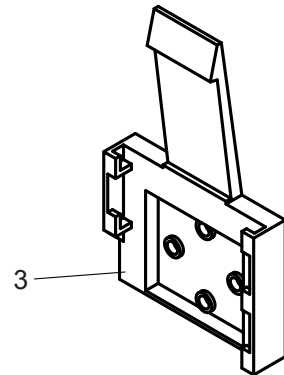
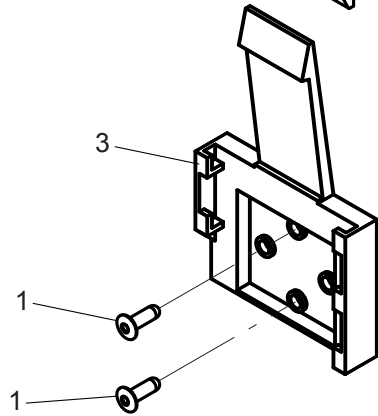
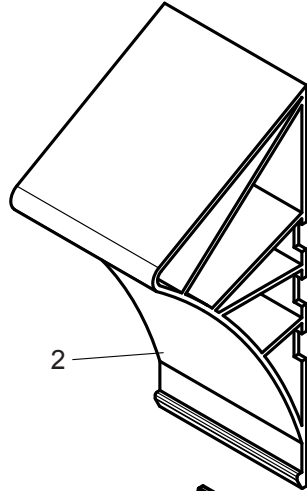
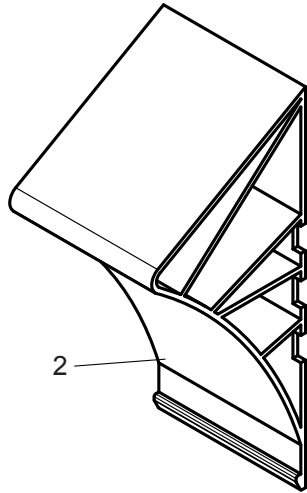


**IMPIANTO LUCI
LIGHTS PLAN**

TAV_490

Pos.	Cod.	Descrizione	Description	Description	Benennung	Descripcion
1	B0E0P0180R	CABLAGGIO SPINA 7 POLI PER 36	WIRING			
2	F05011788R	FANALE POST LED CONN ADATT IMP	POST LIGHT LED CONN SYST ADAPT			
3	B0C6P0812R	PIASTRINA ATTACCO FANALE	MOUNT PLATE LIGHT			
4	F01410037R	ROS.M6 6,4X12,5X1,6 U6592 ZN	WASHER M6 6,4X12,5X1,6 U6592ZN	RONDEL.M6 6,4X12,5X1,6 U6592ZN	SCHEIB.M6 6,4X12,5X1,6 U6592ZN	ARAND.M6 6,4X12,5X1,6 U6592 ZN
5	B00920106R	DADO M6X1 D985 8ZN	NUT	ECROU	SELBSTSICHERNDE MUTTER M6-5S	TUERCA M6X1 D985 8
6	B0C6P1061R	ATTACCO FANALE SX	LEFT LIGHT ATTACK			
7	B0C6P1060R	ATTACCO FANALE DX	RIGHT LIGHT ATTACK			
8	F01020404R	VITE M6X1X20 U5739 8.8ZN	SCREW M6X1X20 U5739 8.8ZN	VIS M6X1X20 U5739 8.8ZN	SCHRAUBE M6X1X20 U5739 8.8ZN	TORNILLO M6X1X20 U5739 8.8ZN
9	F01410037R	ROS.M6 6,4X12,5X1,6 U6592 ZN	WASHER M6 6,4X12,5X1,6 U6592ZN	RONDEL.M6 6,4X12,5X1,6 U6592ZN	SCHEIB.M6 6,4X12,5X1,6 U6592ZN	ARAND.M6 6,4X12,5X1,6 U6592 ZN
10	B00920106R	DADO M6X1 D985 8ZN	NUT	ECROU	SELBSTSICHERNDE MUTTER M6-5S	TUERCA M6X1 D985 8
11	B0E0P0183R	TRIANGOLO CON STAFFA DA 150 M	TRIANGLE WITH BRACKET			
12	F01020404R	VITE M6X1X20 U5739 8.8ZN	SCREW M6X1X20 U5739 8.8ZN	VIS M6X1X20 U5739 8.8ZN	SCHRAUBE M6X1X20 U5739 8.8ZN	TORNILLO M6X1X20 U5739 8.8ZN
13	F01410037R	ROS.M6 6,4X12,5X1,6 U6592 ZN	WASHER M6 6,4X12,5X1,6 U6592ZN	RONDEL.M6 6,4X12,5X1,6 U6592ZN	SCHEIB.M6 6,4X12,5X1,6 U6592ZN	ARAND.M6 6,4X12,5X1,6 U6592 ZN
14	B00920106R	DADO M6X1 D985 8ZN	NUT	ECROU	SELBSTSICHERNDE MUTTER M6-5S	TUERCA M6X1 D985 8
15	B0E0P0182R	LUCE TARGA LED C CONN.	PLATE LIGHT			
16	F01410037R	ROS.M6 6,4X12,5X1,6 U6592 ZN	WASHER M6 6,4X12,5X1,6 U6592ZN	RONDEL.M6 6,4X12,5X1,6 U6592ZN	SCHEIB.M6 6,4X12,5X1,6 U6592ZN	ARAND.M6 6,4X12,5X1,6 U6592 ZN
17	B00920106R	DADO M6X1 D985 8ZN	NUT	ECROU	SELBSTSICHERNDE MUTTER M6-5S	TUERCA M6X1 D985 8
18	B0E0P0184R	CATADIOTTRO BIANCO 60MM ADESI	WHITE REFLECTOR			
19	F05150055R	FASCETTA POLYA. 3,6X200 NERA	WHITE BAND	BANDE BIANCHE	WEIBE BAND	BANDA POLYA. 3,6X200 NEGRA
23	F20030261R	ETICH. LIMITE VELOCITA 40	SPEED LIMIT 40 LABEL			ETIQ. L MITE VELOCIDAD 40
24	B0FMP0070R	GRUPPO LUCI 365	GROUP LIGHTS 365			

TAV_890



**CUNEI
WHEELS CHOCKS**

TAV_890

Pos.	Cod.	Descrizione	Description	Description	Benennung	Descripcion
1	B01000011R	RIVETTO STR. 6X12 U9200A AL	RIVET 6X12 U9200A AL	RIVET	ABREISSNIETEN 6X15	REMACHE EXTR. 6X12 U9200AA
2	F02250716R	CUNEO FERMO MACCHINA PLA	WEDGE STOP MACHINE PLA			
3	F02250717R	SUPPORTO CUNEO PLA	SUPPORT WEDGE PLA			
4	B0C1P1966R	STAFFA CUNEI	STIRRUP			SOPORTE DE CU A PLA
5	F01020512R	VITE M12X1,75X35 U5739 8.8ZN	SCR. M12X1,75X35 U5739 8.8ZN	VIS M12X1,75X35 5739 8.8 ZN	SCHR. M12X1,75X35 5739 8.8 ZN	TORNILLO M12X1,75X35 U5739 8
6	F01230213R	DADO M12X1,75 D985 8 ZN	NUT M12X1,75 U7474 6SZN	ECROU AUTOBL. M12	SELBSTSPERR.MUTTER M12	TUERCA M12X1,75 U7474 CL8 ZN
7	F01410076R	ROS.M12 13X 24X2,5 U6592 ZN	WASHER 12 13X 24X2,5 U6592 ZN	RONDEL. M12 13X24X2,5 U6592 ZN	SCHEIBE M12 13X24X2,5 U6592 ZN	ARAND.M12 13X 24X2,5 U6592 ZN
8	B07500733R	ET BLOCCO RUOTA DX	DECAL BLOCK WHEEL	DECAL BLOC ROUE DROIT	AUFKLEBER BLOCKIERUNG RAD RECH	ET BLOQUEO RUEDA DER

**FARI LAVORO
WORKING LIGHTS**

TAV_500

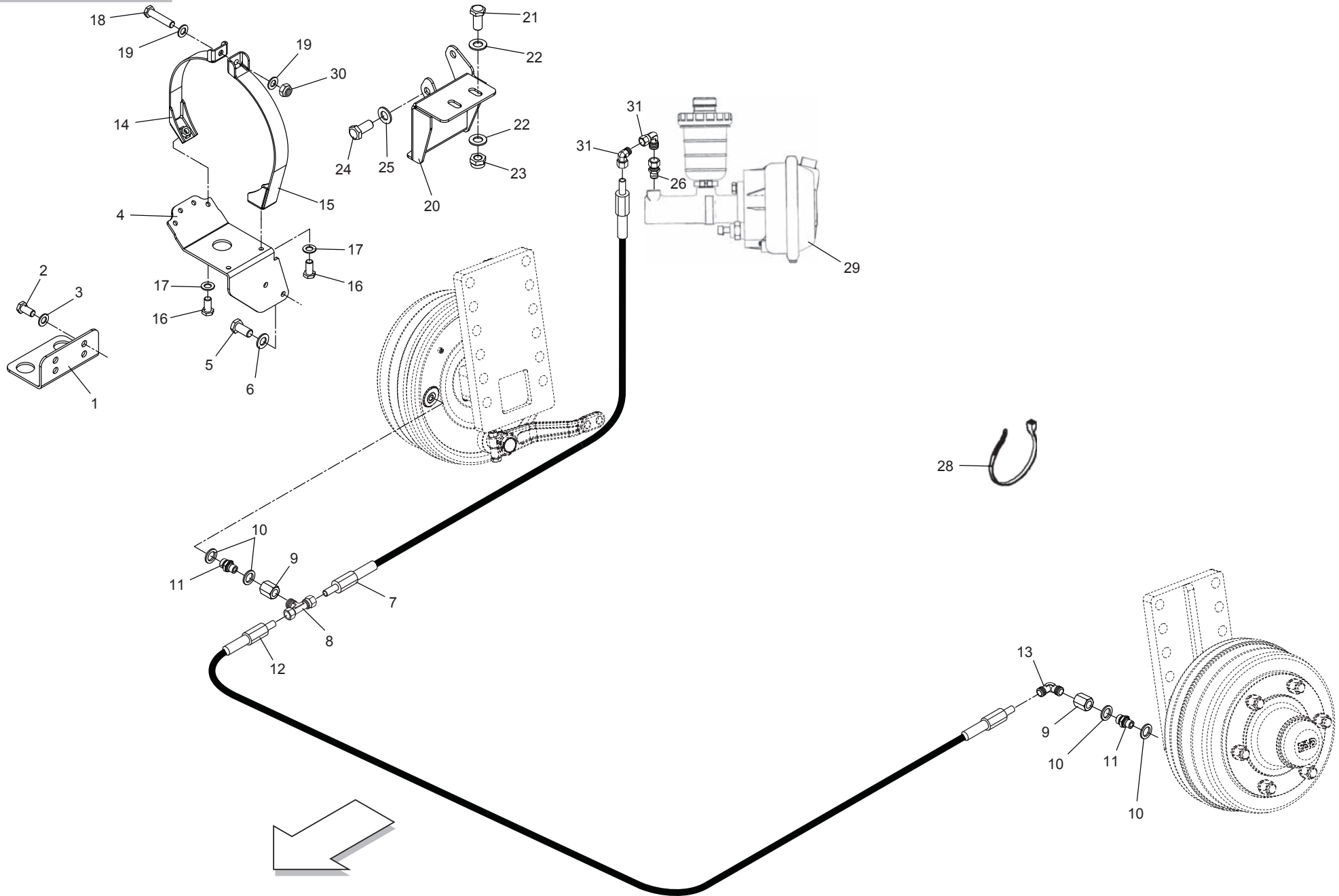
Pos.	Cod.	Descrizione	Description	Description	Benennung	Descripcion
1	B0FMP0073R	KIT ECU LUCI LAV SERV BUS	KIT ECU LIGHTS			
2	F05011789R	ECU CABL LUCI LAV SERV BUS	ELECTRIC WIRING			
3	F05011790R	PULSANTE MACCHINA GIALLO	YELLOW BUTTON			
4	F05150055R	FASCETTA POLYA. 3,6X200 NERA	WHITE BAND	BANDE BIANCHE	WEIBE BAND	BANDA POLYA. 3,6X200 NEGRA
5	F05011714R	FARO LAVORO LED 2000 LMN	LED WORKING LIGHT 2000LM			
6	F05011877R	FARO LAVORO LED 800 LMN	WORKING LIGHT 800 LMN			
7	F20030573R	ETICH.PULS LUCI LAV SERV	LABEL BUTTONS LIGHTS			
8	F01020378R	VITE M5X0,8X16 U5739 8.8ZN	SCR. M5X0,8X16 U5739 8.8ZN	VIS M5X0,8X16 U5739 8.8ZN	SCHRAUBE M5X0,8X16 U5739 8.8ZN	TORNILLO M5X0,8X16 U5739 8
9	F01410023R	RONDELLA D5 UNI 6592 ZN	WASHER M5 5,3X 10X 1 U6592			
10	B00920005R	DADO AUTOB.BASSO M 5-5S DIN985	NUT	ECROU	SELBSTSICHERNDE MUTTER M5-5S	TUERCA AUTOB.BAJA M 5-5S DIN98
11	B0C1P1092R	SUPPORTO FARO ANTERIORE	FORWARD HEADLIGHT SUPPORT			
12	F05050046R	TAPPO LAMIERA 30.1	CAP METAL SHEET 30.1			

**ESPULSORE
EJECTOR**

TAV_570

Pos.	Cod.	Descrizione	Description	Description	Benennung	Descripcion
1	B00920516R	DADO M16X 1,5 D985 6S ZN	NUT M16X1,5 D985 6S ZN	ECROU	SELBSTSICHERNDE MUTTER M16-5S	TUERCA M16X 1,5 D985 6S
2	B013P0255R	DISTANZIALE 16 21,3 13	SPACER 16 21,3 13			DISTANCIADOR 16 21,3 13
3	B01800090R	MOLLA TRAZ. 8 M=35 L=596	SPRING	RESSORT DE TRAC.DE 8 M35 L596	FEDER	MUELLE DE TRACC. 8 M=35 L=596
4	B07049749R	TAMPONE 50X21 M10	BUMPER 50X21 M10	TAMPON 50X21 M10	PUFFER 50X21 M10	TAP N 50X21 M10
5	B07S01806R	ESPULSORE	EJECTOR	EJECTEUR	BALLENAUSWERFER	EXPULSOR
6	B0C1P1876R	ATTACCO MOLLA CON REGOLAZIONE	SPRING LINK			PLACA DEL SENSOR EXPULSOR
7	B0C1P1878R	APPOGGIO DX TAMPONE ESPULSORE	SUPPORT RIGHT			APOYO DER TAP N EXPULSOR
8	B0C1P1879R	APPOGGIO SX TAMPONE ESPULSORE	SUPPORT LEFT			APOYO IZQ TAP N EXPULSOR
9	B0C6P0226R	CAVALLOTTO	U BOLT	BOULON	U-BUEGEL	PUENTE
10	F01020512R	VITE M12X1,75X35 U5739 8.8ZN	SCR. M12X1,75X35 U5739 8.8ZN	VIS M12X1,75X35 5739 8.8 ZN	SCHR. M12X1,75X35 5739 8.8 ZN	TORNILLO M12X1,75X35 U5739 8
11	F01020566R	VITE M16X2X40 U5739 8.8ZN	SCR. M16X2X40 U5739 8.8ZN	VIS M16X2X40 U5739 8.8 ZN	SCHRAUBE M16X2X40 U5739 8.8 ZN	TORNILLO M16X2X40 U5739 8
12	F01020576R	VITE M16X2X65 U5739 8.8ZN	SCR. M16X2X65 U5739 8.8ZN	VIS M16X2X65 U5739 8.8 ZN	SCHRAUBE M16X2X65 U5739 8.8 ZN	TORNILLO M16X2X65 U5739 8
13	F01200324R	DADO M16X2 U5588 8.8ZN	NUT M16X2 U5588 8.8ZN	ECROU M16X2 U5588 8.8ZN	MUTTER M16X2 U5588 8.8ZN	TUERCA M16X2 U5588 8.8ZN
14	F01230202R	DADO M10X 1,5 D985 8 ZN	NUT M10 D985	ECROU AUTOBL. M10	SELBSTSPERR.MUTTER M10	TUERCA M10X 1,5 D985 8
15	F01230213R	DADO M12X1,75 D985 8 ZN	NUT M12X1,75 U7474 6SZN	ECROU AUTOBL. M12	SELBSTSPERR.MUTTER M12	TUERCA M12X1,75 U7474 CL8 ZN
16	F01410064R	ROS.M10 10,5X 20X 2 U6592 ZN	WASHER M10 10,5X20X2 U6592 ZN	RONDEL. M10 10,5X20X2 U6592 ZN	SCHEIBE M10 10,5X20X2 U6592 ZN	ARAND.M10 10,5X 20X 2 U6592 ZN
17	F01410076R	ROS.M12 13X 24X2,5 U6592 ZN	WASHER 12 13X 24X2,5 U6592 ZN	RONDEL. M12 13X24X2,5 U6592 ZN	SCHEIBE M12 13X24X2,5 U6592 ZN	ARAND.M12 13X 24X2,5 U6592 ZN
18	F01410100R	ROS.M16 17X 30X 3 U6592 ZN	WASHER M16 17X30X3 U6592 ZN	RONDELLE M16 17X30X3 ZN	SCHRAUBE M16 17X 30X3 U6592 ZN	ARAND.M16 17X 30X 3 U6592 ZN
19	B07SP1422R	BATTUTA TAMPONE	STOPPER			
20	B0C1P1880R	BASE PER CAVO FRENO E BATTUTA	BASE FOR CABLE BRAKE			
21	B0C1P1887R	SUPPORTO SENSORE ESPULSORE	SUPPORT SENSOR			
22	B0C1P2066R	PIASTRINA BULLONI	PLATELET BOLTS			
23	F01020440R	VITE M8X1,25X25 U5739 8.8ZN	SCR. M8X1,25X25 U5739 8.8ZN	VIS M8X1,25X25 U5739 8.8 ZN	SCHRAUBE M8X1,25X25U5739 8.8ZN	TORNILLO M8X1,25X25 U5739 8.8
24	F01040201R	VITE M12X1,75X 35 8.8 U5931 Z	SCREW M12X1,75X 35 8.8 U5931 Z			TORNILLO M12X1,75X 35 8.8 U593
25	F01220022R	DADO M8X1,25 D980 8ZN	NUT M8X1,25 D980 8ZN	ECROU M8X 1,25 D980 8 ZN	MUTTER M8X 1,25 D980 8 ZN	TUERCA M8X 1,25 D980 8 ZN
26	F01410051R	ROS.M8 8,4X 17X1,6 U6592 ZN	WASHER M8 8,4X17X1,6 U6592 ZN	RONDELLE M8 8,4X17X1,6 ZN	SCHEIBE M8 8,4X17X1,6 U6592 ZN	ARAND.M8 8,4X 17X1,6 U6592 ZN
27	F01420120R	ROS.M12 13X36X2,5 U6593 ZN	WASHER M12 13X36X2,5 U6593 ZN	RONDELLE M12 13X36X2,5 ZN		ARAND.M12 13X36X2,5 U6593 ZN
28	B0C1P1877R	PIASTRA SENSORE ESPULSORE	PLATE SENSOR			

TAV_510



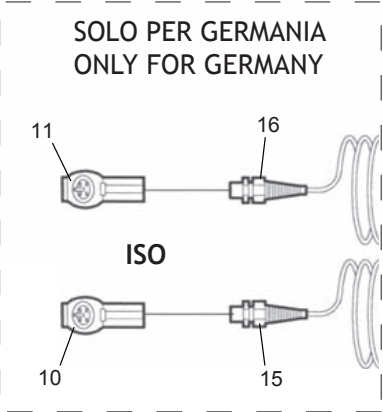
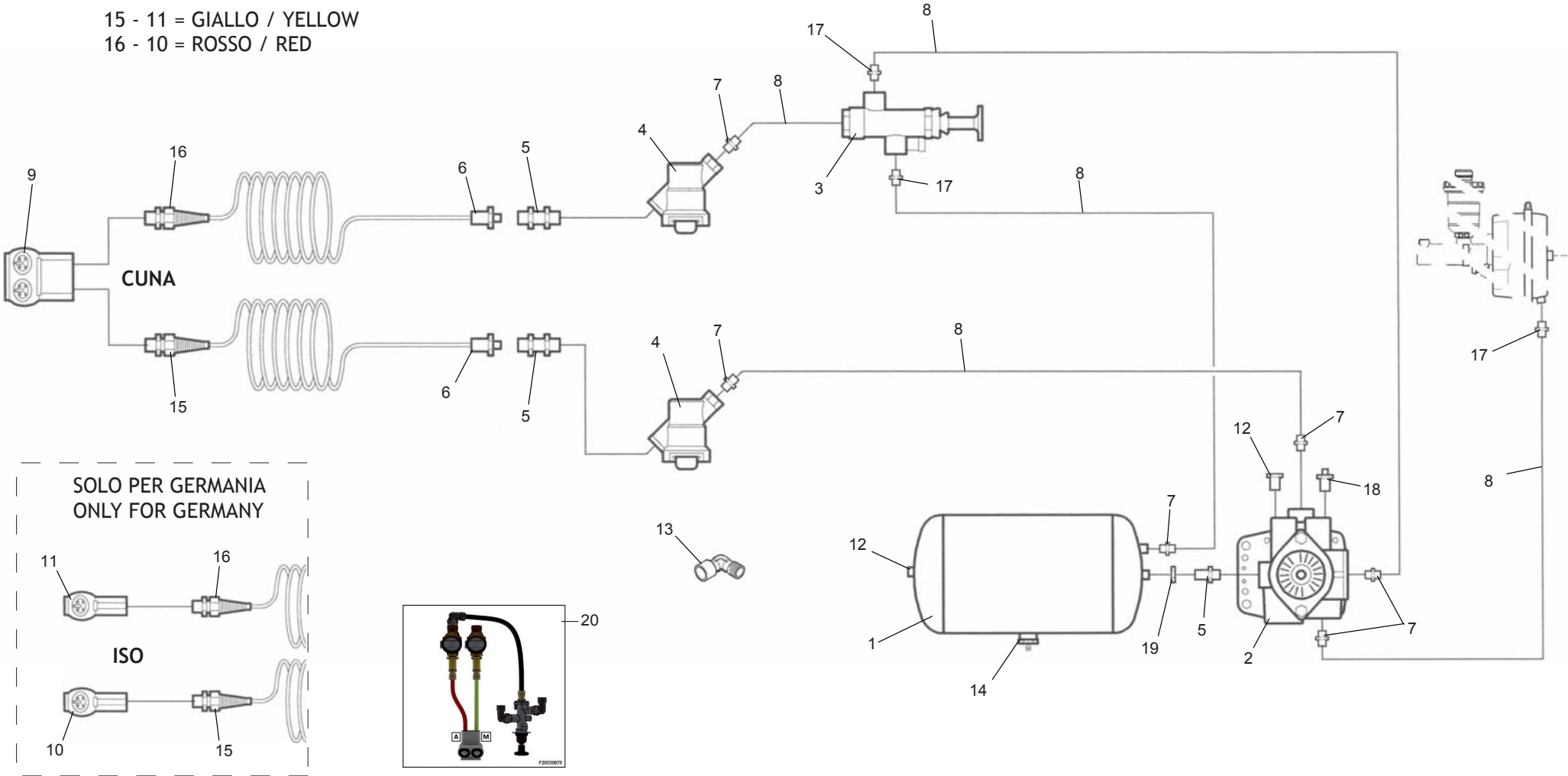
FRENO PNEUMO-IDRAULICO (PARTE 1)
AIR-HYDRAULIC BRAKE (PART 1)

TAV_510

Pos.	Cod.	Descrizione	Description	Description	Benennung	Descripcion
1	B0C6P1050R	STAFFA FILTRI ARIA	STIRRUP FILTRI ARIA			
2	F01020436R	VITE M8X1,25X20 U5739 8.8ZN	SCR. M8X1,25X20 U5739 8.8ZN	VIS M8X1,25X 20 U5739 8.8 ZN	SCHRAUBE M8X1,25X20U5739 8.8ZN	TORNILLO M8X1,25X20 U5739 8.8
3	F01410051R	ROS.M8 8,4X 17X1,6 U6592 ZN	WASHER M8 8,4X17X1,6 U6592 ZN	RONDELLE M8 8,4X17X1,6 ZN	SCHEIBE M8 8,4X17X1,6 U6592 ZN	ARAND.M8 8,4X 17X1,6 U6592 ZN
4	B0C3P0339R	SOSTEGNO RETE SERBATOIO	SUPPORT NET SERBATOIO			
5	F01020506R	VITE M12X1,75X20 U5739 8.8ZN	SCR. M12X1,75X20 U5739 8.8ZN	VIS M 12X20	SCHRAUBE M 12X20	TORNILLO M12X1,75X20 U5739
6	F01410076R	ROS.M12 13X 24X2,5 U6592 ZN	WASHER 12 13X 24X2,5 U6592 ZN	RONDEL. M12 13X24X2,5 U6592 ZN	SCHEIBE M12 13X24X2,5 U6592 ZN	ARAND.M12 13X 24X2,5 U6592 ZN
7	F03071132R	TG 1 4 2SN FL8 F8L L=700	RUB.TUBE 1 4 2SN FL8 L=700			
8	B0H0C0036R	RACCORDO T 8 RASTELLI TN96-8LR	FITTING T 8 RASTELLI TN96-8LR			
9	B0H000162R	MANICOTTO DI RACCORDO	FITTING SLEEVE	MANCHON DE RACCORD	ANSCHLUSS	MANGUITO DE RACOR
10	F01500012R	RONDELLA IN RAME 1 4	COPPER WASHER 13X19X1,5-1 4	RONDELLE 13X19X1,5-1 4	SCHEIBE 13X19X1,5-1 4	ARANDELA 13X19X1,5-1 4
11	F03150266R	NIPPLO MM CIL-CIL 1 4-1 4 ZN	NIPPLE CYL.MALE 1 4 GALV.	NIPPLE MALE CYL. 1 4 ZN	NIPPELZYL.1 4 ZN	NIPLE MACHO CIL.1 4 ZN
12	F03071133R	TG 1 4 2SN FL8 F8L L=2200	RUB.TUBE 1 4 2SN FL8 L=2200			
13	B0L7G0183R	RACCORDO L 8 RASTELLI TN94-8	FITTING L 8 RASTELLI TN4-8			
14	B07SP0807R	SOSTEGNO ESTERNO SERBATOIO	SUPPORT ESTERNO SERBATOIO			
15	B07SP0806R	SOSTEGNO INTERNO SERBATOIO	SUPPORT INTERNO SERBATOIO			
16	F01020470R	VITE M10X1,5X20 U5739 8.8ZN	SCR. M10X1,5X20 U5739 8.8ZN	VIS M10X1,5X20 U5739 8.8 ZN	SCHRAUBE M10X1,5X20 U5739 ZN	TORNILLO M10X1,5X20 U5739 8
17	F01410062R	ROS.M10 10,5X 18X 2 U6592 ZN	WASHER M10 10,5X 18X 2 U6592	RONDELLE M10 10,5X18X2 ZN	DICHTUNGSRING M10 10,5X18X2 ZN	ARAND.M10 10,5X 18X 2 U6592 ZN
18	F01020116R	VITE M10X1,5X55 U5737 8.8ZN	SCR. M10X1,5X55 U5737 8.8ZN	VIS M10X1,5X60	SCHRAUBE M10X1,5X60	TORNILLO M10X1,5X60
19	F01410062R	ROS.M10 10,5X 18X 2 U6592 ZN	WASHER M10 10,5X 18X 2 U6592	RONDELLE M10 10,5X18X2 ZN	DICHTUNGSRING M10 10,5X18X2 ZN	ARAND.M10 10,5X 18X 2 U6592 ZN
20	B07SP0948R	STAFFA SUPP. ATTUATORE IDR 365	ACTUATOR SUPPORT			
21	F01020510R	VITE M12X1,75X30 U5739 8.8ZN	SCR. M12X1,75X30 U5739 8.8ZN	VIS M12X1,75X30 U5739 8.8ZN	SCHRAU.M12X1,75X30 U5739 8.8ZN	TORNILLO M12X1,75X30 U5739
22	F01410076R	ROS.M12 13X 24X2,5 U6592 ZN	WASHER 12 13X 24X2,5 U6592 ZN	RONDEL. M12 13X24X2,5 U6592 ZN	SCHEIBE M12 13X24X2,5 U6592 ZN	ARAND.M12 13X 24X2,5 U6592 ZN
23	F01230213R	DADO M12X1,75 D985 8 ZN	NUT M12X1,75 U7474 6SZN	ECROU AUTOBL. M12	SELBSTSPERR.MUTTER M12	TUERCA M12X1,75 U7474 CL8 ZN
24	F01020508R	VITE M12X1,75X25 U5739 8.8ZN	SCR. M12X1,75X25 U5739 8.8ZN	VIS M12X1,75X25 U5739 8.8 ZN	SCHRAUBE M12X1,75X25U57398.8ZN	TORNILLO M12X1,75X25 U5739
25	F01410076R	ROS.M12 13X 24X2,5 U6592 ZN	WASHER 12 13X 24X2,5 U6592 ZN	RONDEL. M12 13X24X2,5 U6592 ZN	SCHEIBE M12 13X24X2,5 U6592 ZN	ARAND.M12 13X 24X2,5 U6592 ZN
26	B0H0P0156R	RACC. I 8 RASTELLI TN92GG-8LM	CONNECTION			
28	B0E600025R	FASCETTA SERRAC 8X2 L500MM MIN	CLAMP	PETITE BANDE SERRE-CABLES	KLEINE STREIFEN	
29	B0FMP0042R	COMPONENTI IDRO PNEUMAT. CILI	COMPONENTI IDRO PNEUMAT			
30	F01230202R	DADO M10X 1,5 D985 8 ZN	NUT M10 D985	ECROU AUTOBL. M10	SELBSTSPERR.MUTTER M10	TUERCA M10X 1,5 D985 8
31	B0H0C0051R	RACCORDO L 8 RASTELLI TN119-8	L FITTING 8 RASTELLI TN119-8			

TAV_520

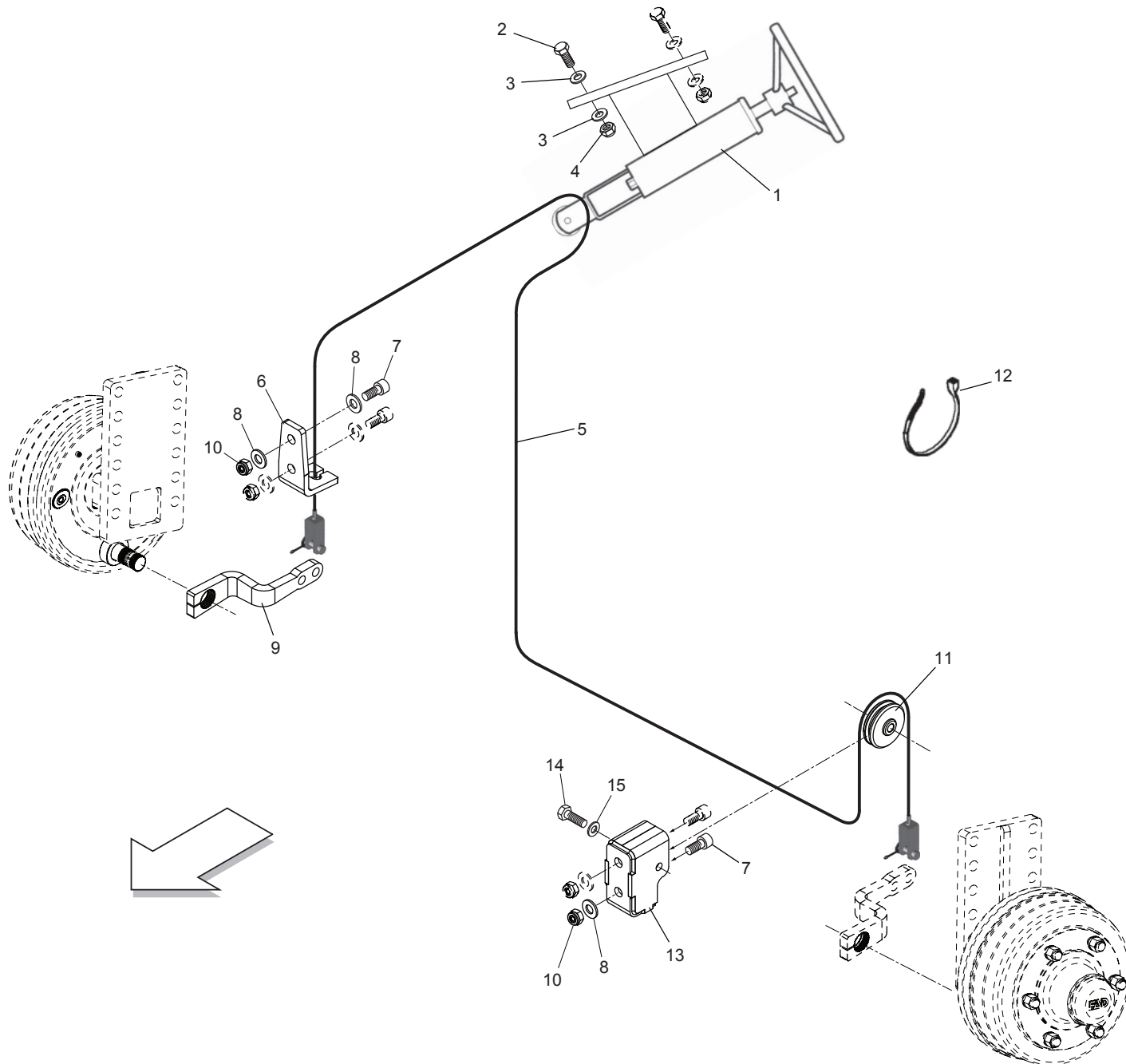
15 - 11 = GIALLO / YELLOW
 16 - 10 = ROSSO / RED



FRENO PNEUMO-IDRAULICO (PARTE 2)
AIR-HYDRAULIC BRAKE (PART 2)

TAV_520

Pos.	Cod.	Descrizione	Description	Description	Benennung	Descripcion
1	F13060021R	SERBAT. ARIA LT.20 D.250	AIR TANK			
2	F13050021R	SERVOAUTO	SERBVO-DRIVE			
3	F13050023R	VALVOLA DI SFRENATURA	RELEASE VALVE			
4	F13040007R	FILTRO DI LINEA	LINE FILTER			
5	F13010080R	PAS.P M22X1,5 22X1,5 F16X2 CG	BULKEHAD UNION			
6	F13010081R	DIRITTO M.16X1,5 T.12X9	STRAIGHT CONNECTOR			
7	F13010077R	INNESTO M.22X1,5 REGULAR	UNION			
8	B0H0C0062R	TUBO ARIA 12X9 NERO PA12PHL	AIR TUBE			
9	B0H0P0155R	GIUNTO DOPPIO GIALLO ROSSO	DOUBLE JOINT YELLOW RED			
10	B0H0P0154R	GIUNTO ACCOPPIAMENTO GIALLO	COUPLING YELLOW			
11	B0H0P0153R	GIUNTO ACCOPPIAMENTO ROSSO	COUPLING RED			
12	F13030003R	TAPPO M22X1,5 CON OR	PLUG			
13	F13010082R	GOMITO 90 REGULAR T.12X9	WELBOW FITTING			
14	F13050022R	VALVOLA SCAR.CONDENSE M22X1,5	CONDENSATE EXHAUST VALVE			
15	F13070017R	SOTTOTIMONE 12X9 GI. COD.RA	SPIRAL AIR TUBE			
16	F13070016R	SOTTOTIMONE 12X9 ROS. COD.RA	SPIRAL AIR TUBE			
17	F13010079R	INNESTO M.16X1,5 REGULAR	UNION			
18	F13010078R	PRESA PRESSIONE M.22X1,5	JACK PRESSUREE			
19	F13010076R	CONTRODADO M22X1,5 CON O-RING	LOCKNUT			
20	F20030675R	DECAL TUBI ROSSO GIALLO FRENO	RED YELLOW BRAKE TUBE DECAL			CALCOM.TUBO FRENO ROJO AMAR

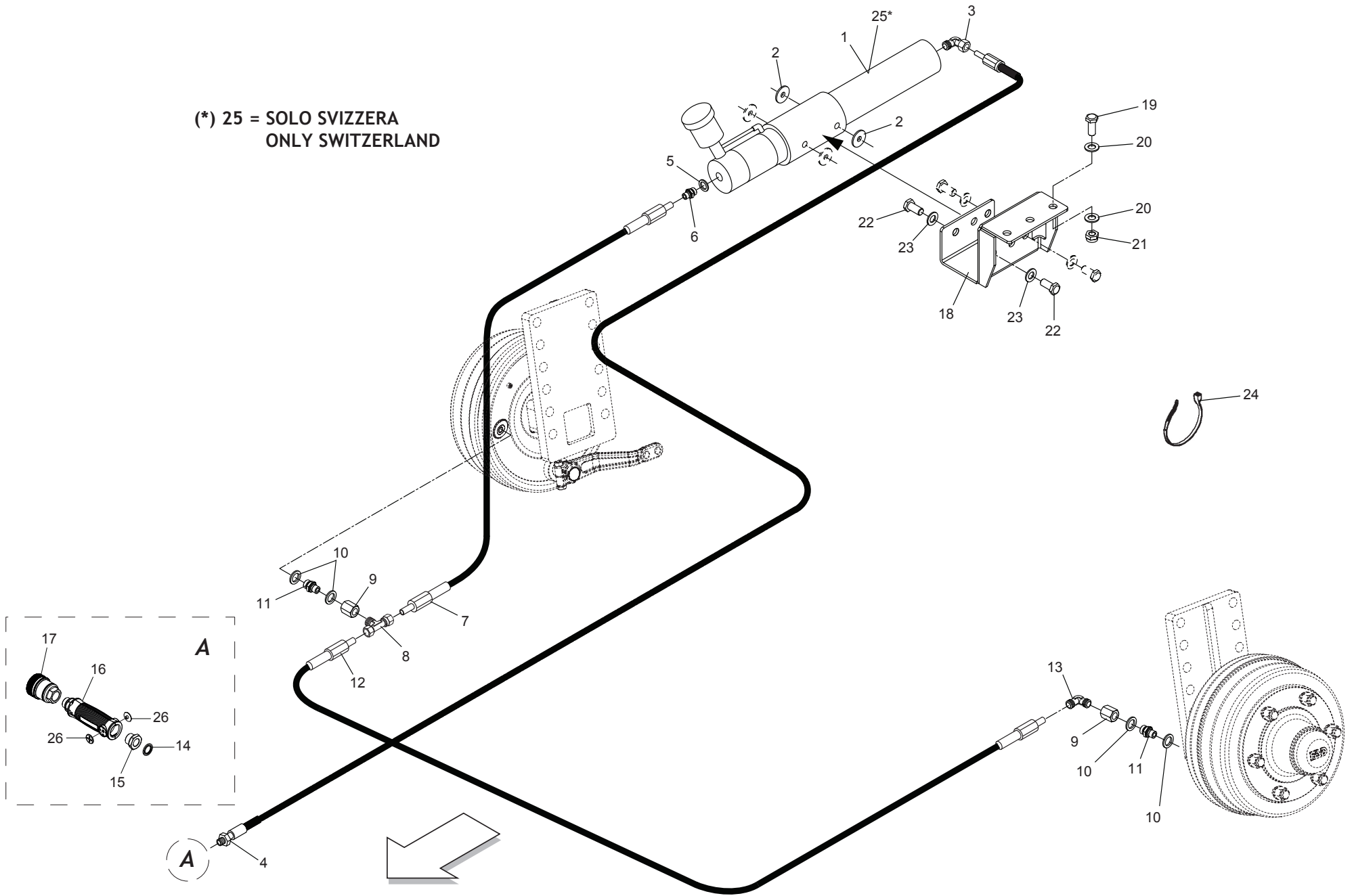


**DISPOSITIVO DI STAZIONAMENTO MECCANICO
MECHANICAL PARKING DEVICE**

TAV_530

Pos.	Cod.	Descrizione	Description	Description	Benennung	Descripcion
1	B07JP0002R	COMANDO FRENO STAZIONAMENTO	PARKING BRAKE CONTROL			
2	F01020512R	VITE M12X1,75X35 U5739 8.8ZN	SCR. M12X1,75X35 U5739 8.8ZN	VIS M12X1,75X35 5739 8.8 ZN	SCHR. M12X1,75X35 5739 8.8 ZN	TORNILLO M12X1,75X35 U5739 8
3	F01410076R	ROS.M12 13X 24X2,5 U6592 ZN	WASHER 12 13X 24X2,5 U6592 ZN	RONDEL. M12 13X24X2,5 U6592 ZN	SCHEIBE M12 13X24X2,5 U6592 ZN	ARAND.M12 13X 24X2,5 U6592 ZN
4	F01230213R	DADO M12X1,75 D985 8 ZN	NUT M12X1,75 U7474 6SZN	ECROU AUTOBL. M12	SELBSTSPERR.MUTTER M12	TUERCA M12X1,75 U7474 CL8 ZN
5	B07JP0004R	CAVO COMAN.FRENO STAZ. 365HTI	WIRE BRAKE SYSTEM 365HTI			
6	B0C6P1024R	PIASTRA INFERIORE LATO DX	PLATE BOTTOM RIGHT SIDE			
7	F01040201R	VITE M12X1,75X 35 8.8 U5931 Z	SCREW M12X1,75X 35 8.8 U5931 Z			TORNILLO M12X1,75X 35 8.8 U593
8	F01410076R	ROS.M12 13X 24X2,5 U6592 ZN	WASHER 12 13X 24X2,5 U6592 ZN	RONDEL. M12 13X24X2,5 U6592 ZN	SCHEIBE M12 13X24X2,5 U6592 ZN	ARAND.M12 13X 24X2,5 U6592 ZN
9	B07VP0206R	LEVA COMANDO PERNO	LEVER			
10	F01230213R	DADO M12X1,75 D985 8 ZN	NUT M12X1,75 U7474 6SZN	ECROU AUTOBL. M12	SELBSTSPERR.MUTTER M12	TUERCA M12X1,75 U7474 CL8 ZN
11	B038U0001R	RUOTA SLITTA	RUOTA SLITTA			
12	F05150055R	FASCETTA POLYA. 3,6X200 NERA	WHITE BAND	BANDE BIANCHE	WEIBE BAND	BANDA POLYA. 3,6X200 NEGRA
13	B07SP1420R	SUPPORTO CARRUCOLA SLIM	PULLEY SUPPORT SLIM			
14	F01020110R	VITE M10X1,5X40 U5737 8.8ZN	SCR. M10X1,5X40 U5737 8.8ZN	VIS M 10X40	SCHRAUBE M 10X40	TORNILLO M 10X40
15	F01430023R	ROS.M10 10,5X 18X0,9 U8842J Z	WASHER D10 DIN 6798 D.INT.ZN	RONDELLE D10 DIN 6798 D. INT.	UNT. SCHEIBE D10 DIN 6798 D.IN	ARANDELA D10 DIN 6798 D.INT.ZN

(*) 25 = SOLO SVIZZERA
ONLY SWITZERLAND

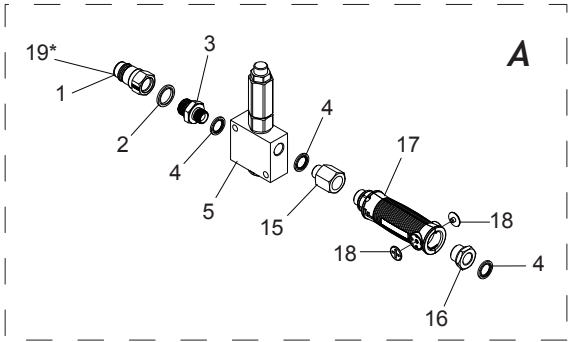


**FRENO IDRAULICO
HYDRAULIC BRAKE**

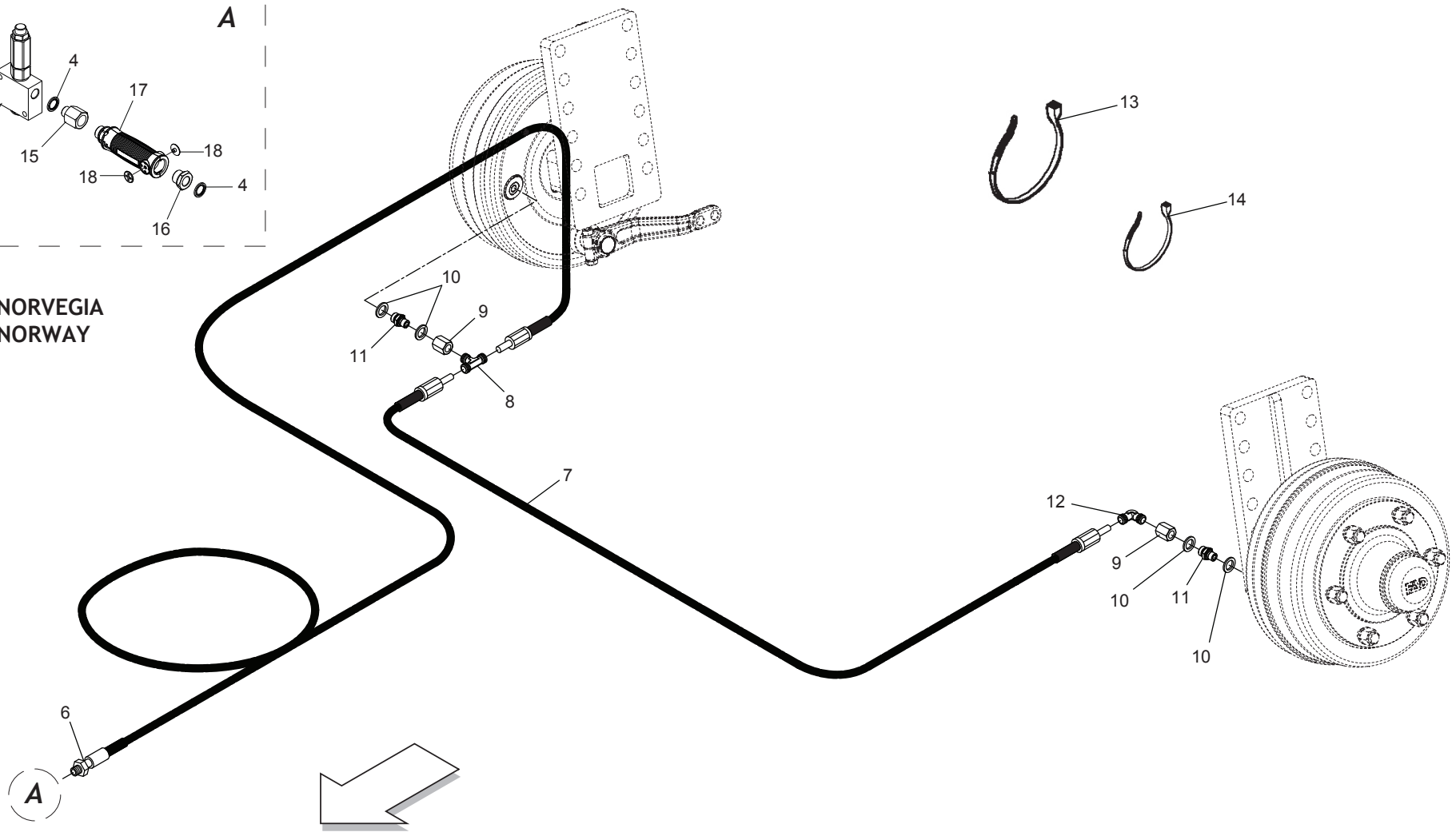
TAV_540

Pos.	Cod.	Descrizione	Description	Description	Benennung	Descripcion
1	B0FMP0025R	POMPA SERVO-COMANDATA 32 25	HYDRAULIC COMPONENTS			
2	F01420120R	ROS.M12 13X36X2,5 U6593 ZN	WASHER M12 13X36X2,5 U6593 ZN	RONDELLE M12 13X36X2,5 ZN		ARAND.M12 13X36X2,5 U6593 ZN
3	B0H000050R	RACCORDO L 10-3 8 RASTELLI	UNION L 10-3 8	RACCORD L 10-3 8	WINKELSTUECK L 10-3 8	
4	B0H000097R	TUBO R1T 1 4 L. 5500	FLEXIBLE TUBE SAE 100 R1AT	TUYAU FLEXIBLE SAE 100 R1AT 1	ROEHRE FLEX SAE 100 R1AT 1 4	TUBO R1T 1 4 L. 5500
5	F01500012R	RONDELLA IN RAME 1 4	COPPER WASHER 13X19X1,5-1 4	RONDELLE 13X19X1,5-1 4	SCHEIBE 13X19X1,5-1 4	ARANDELA 13X19X1,5-1 4
6	B0H0C0052R	RACCORDO I 8 RASTELLI TN92-8LR	CONNECTER I 8 RASTEL. TN92-8LR			
7	F03071132R	TG 1 4 2SN FL8 F8L L=700	RUB.TUBE 1 4 2SN FL8 L=700			
8	B0H0C0036R	RACCORDO T 8 RASTELLI TN96-8LR	FITTING T 8 RASTELLI TN96-8LR			
9	B0H000162R	MANICOTTO DI RACCORDO	FITTING SLEEVE	MANCHON DE RACCORD	ANSCHLUSS	MANGUITO DE RACOR
10	F01500012R	RONDELLA IN RAME 1 4	COPPER WASHER 13X19X1,5-1 4	RONDELLE 13X19X1,5-1 4	SCHEIBE 13X19X1,5-1 4	ARANDELA 13X19X1,5-1 4
11	F03150266R	NIPPLO MM CIL-CIL 1 4-1 4 ZN	NIPPLE CYL.MALE 1 4 GALV.	NIPPLE MALE CYL. 1 4 ZN	NIPPELZYL.1 4 ZN	NIPLE MACHO CIL.1 4 ZN
12	F03071133R	TG 1 4 2SN FL8 F8L L=2200	RUB.TUBE 1 4 2SN FL8 L=2200			
13	B0L7G0183R	RACCORDO L 8 RASTELLI TN94-8	FITTING L 8 RASTELLI TN4-8			
14	F03020070R	RONDELLA BONDED AUTOCENT 3 8	AUTOCENT BONDED WASHER 3 8	RONDELLE BONDED AUTOCENT 3 8	SCHEIBE BONDED AUTOCENT 3 8	ARANDELA BONDED AUTOCENT 3 8
15	F03151213R	NIPPLO MF CIL-CIL 1 2-3 8 ZN	M 1 2-F 3 8 CONNECTION PIPE	RACCORD REDUCTION FINALEM 1 2-	ANSCHLUSS REDUKTIONM 1 2-F 3 8	UNION REDUCCION M -F 3 8
16	F05150649R	MANIGLIA TUBO IDRAULIC.RAC1 2	HANDLE HYDR.TUBE JUNCTION 1 2			
17	F03152144R	INNESTO RAPIDO FEMMINA VF0 12	RAPID GRAFT FEMALE VF0 12			
18	B0C4P0525R	STAFFA SOSTEGNO CILINDRO	STIRRUP SUPPORT CYLINDER			
19	F01020512R	VITE M12X1,75X35 U5739 8.8ZN	SCR. M12X1,75X35 U5739 8.8ZN	VIS M12X1,75X35 5739 8.8 ZN	SCHR. M12X1,75X35 5739 8.8 ZN	TORNILLO M12X1,75X35 U5739 8
20	F01410076R	ROS.M12 13X 24X2,5 U6592 ZN	WASHER 12 13X 24X2,5 U6592 ZN	RONDEL. M12 13X24X2,5 U6592 ZN	SCHEIBE M12 13X24X2,5 U6592 ZN	ARAND.M12 13X 24X2,5 U6592 ZN
21	F01230213R	DADO M12X1,75 D985 8 ZN	NUT M12X1,75 U7474 6SZN	ECROU AUTOBL. M12	SELBSTSPERR.MUTTER M12	TUERCA M12X1,75 U7474 CL8 ZN
22	F01020506R	VITE M12X1,75X20 U5739 8.8ZN	SCR. M12X1,75X20 U5739 8.8ZN	VIS M 12X20	SCHRAUBE M 12X20	TORNILLO M12X1,75X20 U5739
23	F01410076R	ROS.M12 13X 24X2,5 U6592 ZN	WASHER 12 13X 24X2,5 U6592 ZN	RONDEL. M12 13X24X2,5 U6592 ZN	SCHEIBE M12 13X24X2,5 U6592 ZN	ARAND.M12 13X 24X2,5 U6592 ZN
24	B0E600025R	FASCETTA SERRAC 8X2 L500MM MIN	CLAMP	PETITE BANDE SERRE-CABLES	KLEINE STREIFEN	
25	B0FMP0044R	POMPA SERVO-COMANDATA 25 25	HYDRAULIC COMPONENTS			
26	F05150664R	INSERTO GIALL PER MAN.TUB.IDR	YELLOW GRAFT FOR MAN.HYDR.PIPE			

TAV_550



(*) 19 = SOLO NORVEGIA
ONLY NORWAY

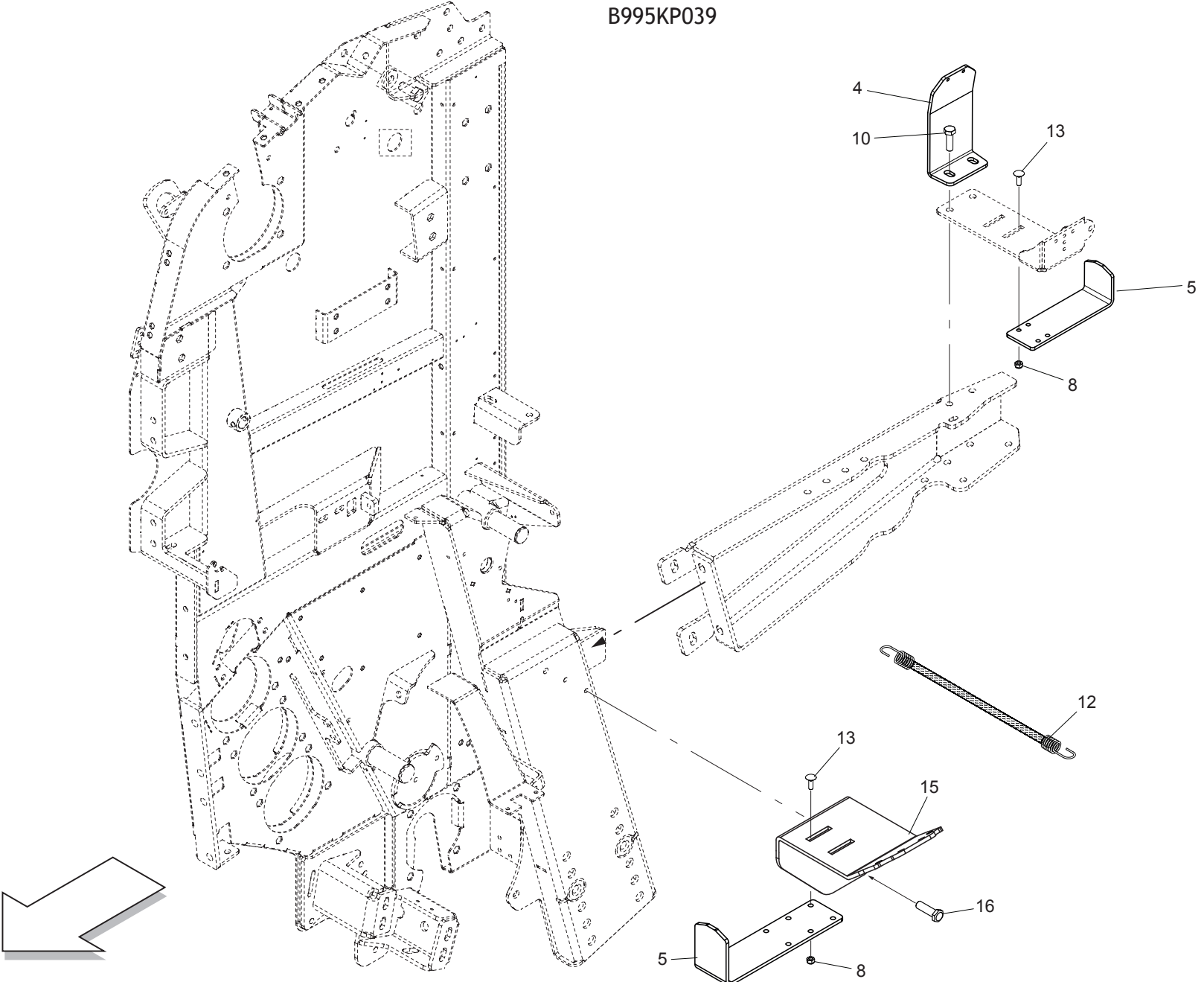


**FRENO IDRAULICO (NO OMOLOGAZIONE ITALIA)
HYDRAULIC BRAKE (NO ITALY APPROVAL)**

TAV_550

Pos.	Cod.	Descrizione	Description	Description	Benennung	Descripcion
1	F03150935R	INNESTO RAP.MASCH.1 2 A VALV.	QUICK CONNECT MALE CONE 1 2	CONNEXION RAPIDE MALE CONE 1 2	SCHNELLKUPP.GEWINDE KONISC 1 2	ACOPLAMIEN.T.RAP.MACHO CONO
1 2						
2	F03020200R	RONDELLA BONDED AUTOCENT 1 2	WASHER BONDED AUTOC. 1 2			
3	F03150222R	NIPPLO MM CIL-CIL 1 2-3 8 ZG	NIPPLE M-M CYL-CYL 1 2-3 8 ZG	NIPPLE H-H CIL-CIL 1 2-3 8 ZG	NIPPEL M-M CIL-CIL 1 2-3 8 ZG	NIPLE H-H CIL-CIL 1 2-3 8 ZG
4	F03020070R	RONDELLA BONDED AUTOCENT 3 8	AUTOCENT BONDED WASHER 3 8	RONDELLE BONDED AUTOCENT 3 8	SCHEIBE BONDED AUTOCENT 3 8	ARANDELA BONDED AUTOCENT 3 8
5	B0H000143R	VALV. DI RID. VRPRL2B38TS.SR	REDUCTION VALVE	VALVE DE REDUCTION VRPRL2B38TS	VENTIL	V LV. DE RED. VRPRL2B38TS.SR
6	B0H000097R	TUBO R1T 1 4 L. 5500	FLEXIBLE TUBE SAE 100 R1AT	TUYAU FLEXIBLE SAE 100 R1AT 1	ROEHRE FLEX SAE 100 R1AT 1 4	TUBO R1T 1 4 L. 5500
7	B0H000091R	TUBO FLEX SAE 100 R1AT1 4L2050	FLEXIBLE TUBE SAE 100 R1AT	TUYAU FLEXIBLE SAE 100 R1AT 1	ROEHRE FLEX SAE 100 R1AT 1 4	TUBO FLEX SAE 100 R1AT1 4L2050
8	B0H000098R	RACCORDO T 10 TN 127-10LR	UNION T 10	RACCORD T 10	T.VERSCHRAUBUNG	RACOR EN T 10 TN 127-10LR
9	B0H000162R	MANICOTTO DI RACCORDO	FITTING SLEEVE	MANCHON DE RACCORD	ANSCHLUSS	MANGUITO DE RACOR
10	F01500012R	RONDELLA IN RAME 1 4	COPPER WASHER 13X19X1,5-1 4	RONDELLE 13X19X1,5-1 4	SCHEIBE 13X19X1,5-1 4	ARANDELA 13X19X1,5-1 4
11	F03150266R	NIPPLO MM CIL-CIL 1 4-1 4 ZN	NIPPLE CYL.MALE 1 4 GALV.	NIPPLE MALE CYL. 1 4 ZN	NIPPELZYL.1 4 ZN	NIPLE MACHO CIL.1 4 ZN
12	B0H000086R	RACCORDO L 10 TN94-10LR	UNION L 10	RACCORD L 10	ANSCHLUSSTUECK L 10	RACOR L 10 TN94-10LR
13	B0E600025R	FASCETTA SERRAC 8X2 L500MM MIN	CLAMP	PETITE BANDE SERRE-CABLES	KLEINE STREIFEN	
14	F05150055R	FASCETTA POLYA. 3,6X200 NERA	WHITE BAND	BANDE BIANCHE	WEIBE BAND	BANDA POLYA. 3,6X200 NEGRA
15	F03156158R	RIDUZIONE 1 2F - 3 8M L=25	REDUCTION 1 2F - 3 8M L=25			
16	F03151213R	NIPPLO MF CIL-CIL 1 2-3 8 ZN	M 1 2-F 3 8 CONNECTION PIPE	RACCORD REDUCTION FINALEM 1 2-	ANSCHLUSS REDUKTIONM 1 2-F 3 8	UNION REDUCCION M -F 3 8
17	F05150649R	MANIGLIA TUBO IDRAULIC.RAC1 2	HANDLE HYDR.TUBE JUNCTION 1 2			
18	F05150664R	INSERTO GIALL PER MAN.TUB.IDR	YELLOW GRAFT FOR MAN.HYDR.PIPE			
19	F03152144R	INNESTO RAPIDO FEMMINA VF0 12	RAPID GRAFT FEMALE VF0 12			

B995KP039

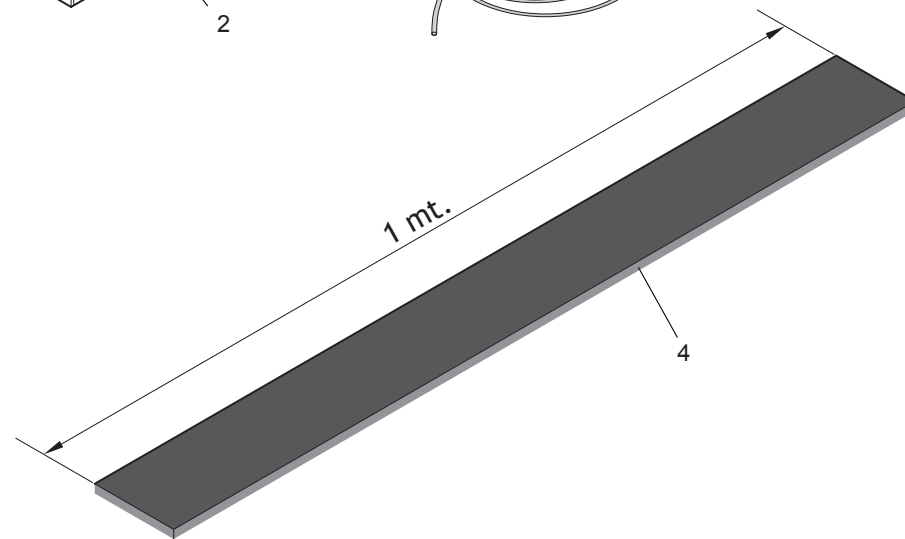
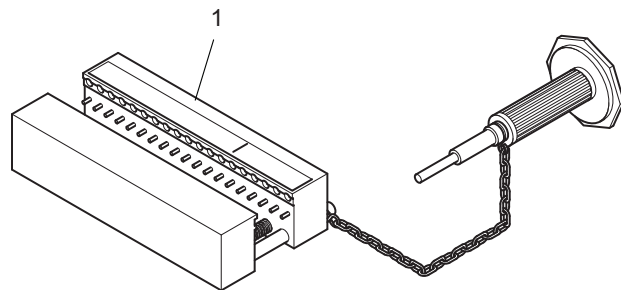
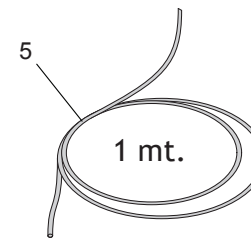
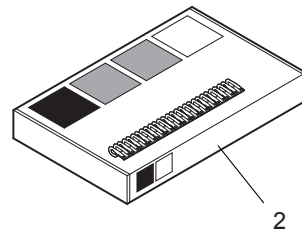
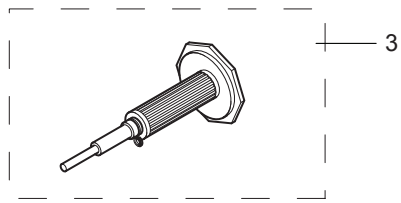


**KIT ROTOLO SUPPLEMENTARE
ADDITIONAL ROLL SUPPORT KIT**

TAV_580

Pos.	Cod.	Descrizione	Description	Description	Benennung	Descripcion
4	B0C4P0524R	SUPPORTO STAFFA POSTERIORE	REAR SUPPORT BRACKET			
5	B0C6P1123R	STAFFETTA CONTIENI RULLO RETE	STIRRUP			
8	B00920208R	DADO AUTOB.BASSO M 8-5S D985	NUT M8X1 D985 8ZN	ECROU	SELBSTSICHERNDE MUTTER M8-5S	TUERCA M8X1 D985 8
10	F01020510R	VITE M12X1,75X30 U5739 8.8ZN	SCR. M12X1,75X30 U5739 8.8ZN	VIS M12X1,75X30 U5739 8.8ZN	SCHRAU.M12X1,75X30 U5739 8.8ZN	TORNILLO M12X1,75X30 U5739
12	B07V00107R	FUNE ELASTICA CON GANCI	ELASTIC CABLE WITH HOOKS	CABLE ELASTIQUE AVEC CROCHETS	ELASTISCHES SEIL MIT HAKEN	CABLE EL STICO CON GANCHOS
13	F01060202R	VITE M8X1,25X25 U5731 4.6ZN	SCR. M8X1,25X25 U5731 4.6ZN	VIS M8X1,25X25 U5731 4.6	DUEBEL M8X1,25X25 U5731 4.6 ZN	TORNILLO M8X1,25X25 U5731 4.6
15	B0C3P0338R	SOSTEGNO ROTOLO RETE SX	NET LEFT SUPPORT			
16	F01020514R	VITE M12X1,75X40 U5739 8.8ZN	SCR. M12X1,75X40 U5739 8.8ZN	VIS M12X1,75X40 U5739 8.8ZN	SCHRA. M12X1,75X40 U5739 8.8ZN	TORNILLO M12X1,75X40 U5739 8.

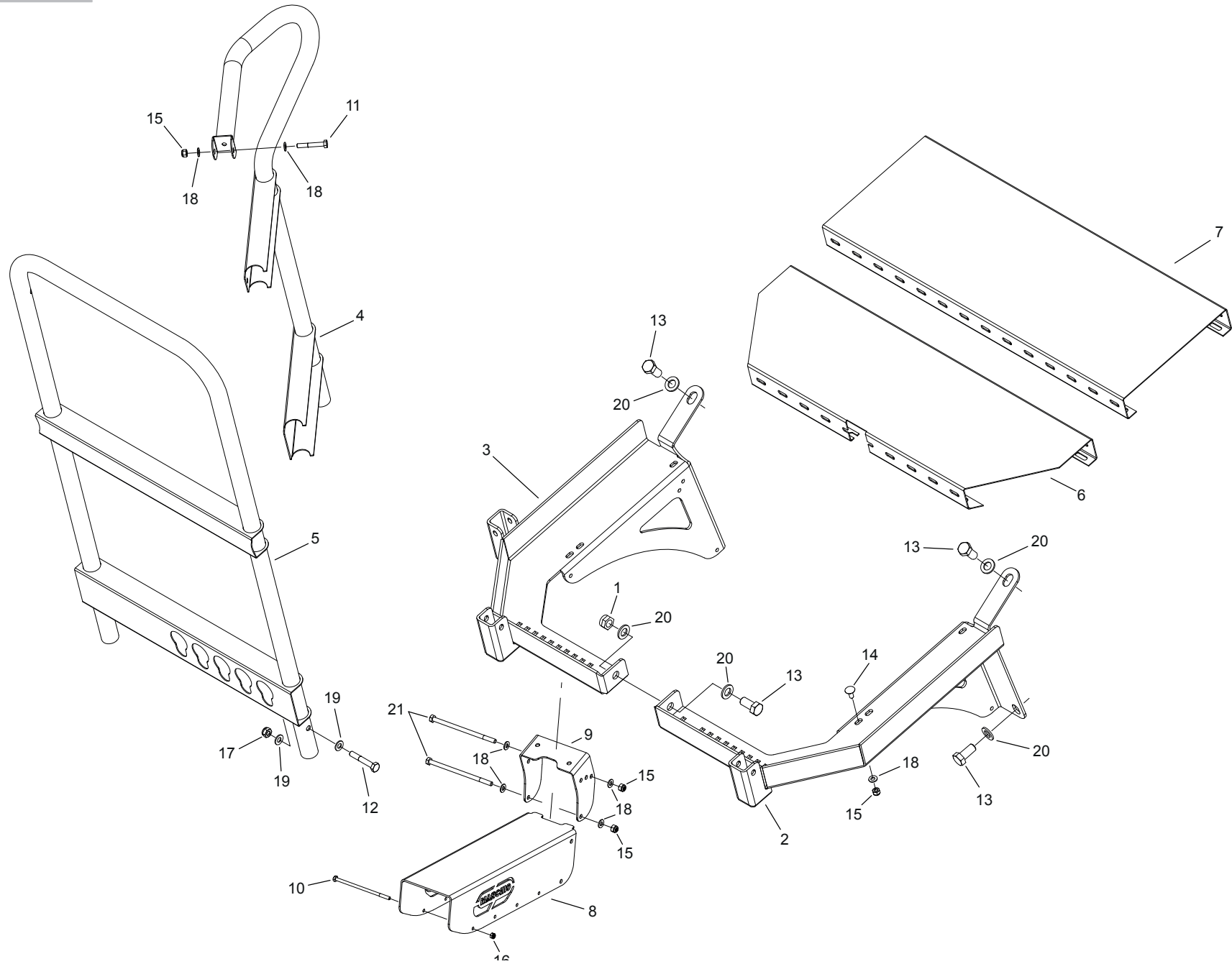
B995KP253



**KIT GRAFFATRICE
STAPLING DEVICE KIT**

TAV_590

Pos.	Cod.	Descrizione	Description	Description	Benennung	Descripcion
1	B0ZAP0098R	GRAFFATRICE MATO PROFI 25	GRAFFATRICE MATO PROFI 25			
2	B09940023R	SCAT. GRAFFE MATO U24BS- 8 22	SCAT. GRAFFE MATO U24BS- 8 22			
3	B07U00049R	SEPAR.PUNCH H X VICE LACERS	PUNCH	POINCON	PUNZEN	SEPAR.PUNZ N H X VICE LACERS
4	B076P0021R	CINGHIA SPEZZONE L=1000	BELT SPEZZONE L=1000			
5	B09962005R	CAVETTO GIUNZIONE MT.1	WIRE 2,5 PLAST.L.1MT	CABLE	KABEL 49 SCHNUREN	CABLE DE UNI N 1 M

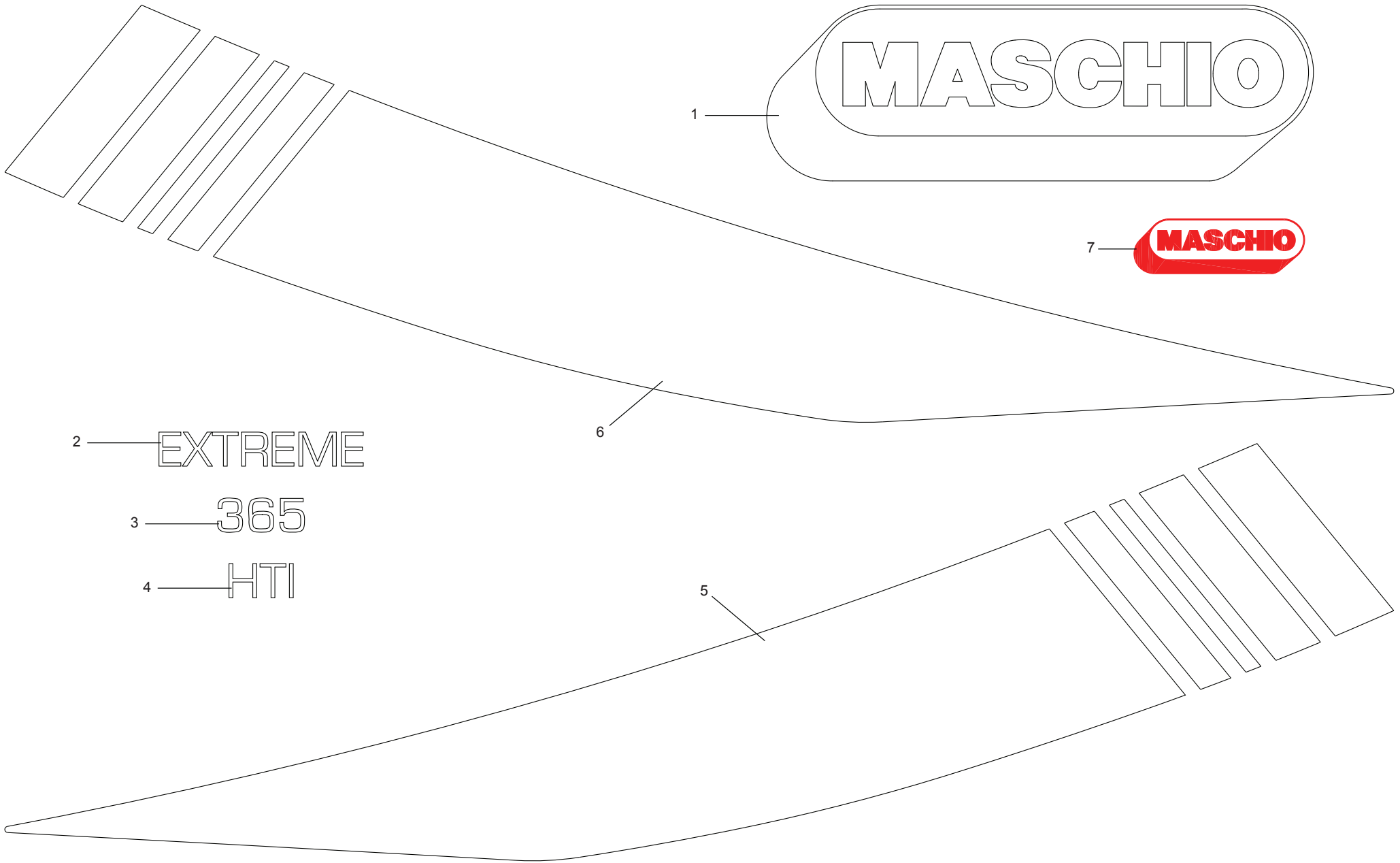


**BALLATOIO
FOOTBOARD**

TAV_320

Pos.	Cod.	Descrizione	Description	Description	Benennung	Descripcion
1	B00920516R	DADO M16X 1,5 D985 6S ZN	NUT M16X1,5 D985 6S ZN	ECROU	SELBSTSICHERNDE MUTTER M16-5S	TUERCA M16X 1,5 D985 6S
2	B07SP1127R	SUPPORTO SINISTRO PEDANA	SUPPORT LEFT PLATFORM			
3	B07SP1128R	SUPPORTO DESTRO PEDANA	RIGHT SUPPORT PLATFORM			
4	B07SP1129R	PARAPETTO CORTO 365 HTI	SHORT PARAPET 365 HTI			
5	B07SP1150R	PARAPETTO LUNGO 365 HTI	LONG PARAPET 365 HTI			
6	B0C1P0869R	PEDANA ANTERIORE	FOOTBOARD FRONT			
7	B0C1P0946R	PEDANA POSTERIORE	REAR PLATFORM			
8	B0C1P1070R	LAM. PORTATUBI	SHEET METAL SUPPORT TUBES			
9	B0C1P1071R	SUPPORTO PORTATUBI	SUPPORT TUBES			
10	F01020055R	VITE M6X1X130 U5737 8.8ZN	SCR. M6X1X130 U5737 8.8ZN			
11	F01020075R	VITE M8X1,25X55 U5737 8.8ZN	SCR. M8X1,25X55 U5737 8.8ZN	VIS M8X1,25X 55 U5737 8.8 ZN	SCHRAU. M8X1,25X55 U5737 8.8ZN	TORNIL. M8X1,25X55 U5737 8.8ZN
12	F01020120R	VITE M10X1,5X65 U5737 8.8ZN	SCR. M10X1,5X65 U5737 8.8ZN	VIS M10X1,5X65 U5737 8.8 ZN	SCHRA. M10X1,5X65 U5737 8.8 ZN	TORN. M10X1,5X65 U5737 8.8 ZN
13	F01020564R	VITE M16X2X35 U5739 8.8ZN	SCR. M16X2X35 U5739 8.8ZN	VIS M 16X35	SCHRAUBE M 16X35	TORNILLO M16X2X35 U5739 8
14	F01060040R	VITE M8X1,25X20 U5731 8.8ZN	SCR. M8X1,25X20 U5732 4.6ZG	VIS M8X1,25X20 U5732 4.6 ZN	SCHRA. M8X1,25X20 U5732 4.6 ZN	TORN. M8X1,25X20 U5732 4.6 ZN
15	F01230034R	DADO M8X1,25 D982 8ZN	NUT M8X1,25 D982 8ZN	ECROU M8X 1,25 ZN	MUTTER M8X 1,25 D982 8 ZN	TUERCA M8X1,25 D982 8
16	F01230184R	DADO M6X1 D985 8ZN	NUT M6X1 D985 8ZN			TUERCA M6X1 D985 8
17	F01230202R	DADO M10X 1,5 D985 8 ZN	NUT M10 D985	ECROU AUTOBL. M10	SELBSTSPERR.MUTTER M10	TUERCA M10X 1,5 D985 8
18	F01410051R	ROS.M8 8,4X 17X1,6 U6592 ZN	WASHER M8 8,4X17X1,6 U6592 ZN	RONDELLE M8 8,4X17X1,6 ZN	SCHEIBE M8 8,4X17X1,6 U6592 ZN	ARAND.M8 8,4X 17X1,6 U6592 ZN
19	F01410062R	ROS.M10 10,5X 18X 2 U6592 ZN	WASHER M10 10,5X 18X 2 U6592 ZN	RONDELLE M10 10,5X18X2 ZN	DICHTUNGSRING M10 10,5X18X2 ZN	ARAND.M10 10,5X 18X 2 U6592 ZN
20	F01410100R	ROS.M16 17X 30X 3 U6592 ZN	WASHER M16 17X30X3 U6592 ZN	RONDELLE M16 17X30X3 ZN	SCHRAUBE M16 17X 30X3 U6592 ZN	ARAND.M16 17X 30X 3 U6592 ZN
21	F01020097R	VITE M8X1,25X150 U5737 8.8ZN	SCR. M8X1,25X150 U5737 8.8ZN	VIS 8 X150 5737 8.G ZN	SCHRAUBE 8 X150 5737 8.G ZN	TORNILLO 8 X150 5737 8.G ZN

TAV_610



DECAL "LOGO"
"LOGO" DECAL

TAV_610

Pos.	Cod.	Descrizione	Description	Description	Benennung	Descripcion
1	F20010506R	ETICH.ID.MASCHIO802X267 BIANCO	ID LABEL MASCHIO 802X267 WHITE	DECAL MASCHIO 802X267 BLANC	AUFKLEBER MASCHIO 802X267 WEI	ETIQU..ID.MACHO802X267 BLANCO
2	F20020560R	ETICHETTA EXTREME	DECAL EXTREME	DECAL EXTREME	AUFKLEBER EXTREME	ETIQUETA EXTREME
3	F20020562R	ETICHETTA 365	DECAL 365	DECAL 365	AUFKLEBER 365	
4	F20020595R	DECAL. HTI	DECAL. HTI			DECAL. HTI
5	F20020566R	DECAL FASCIA SX 365-120	DECAL LEFT STRIP 365-120			
6	F20020565R	DECAL FASCIA DX 365-120	DECAL RIGHT STRIP 365-120			
7	F20010107R	ETICH.IDENT. MASCHIO 240X 80	LABEL MASCHIO 240X 80	ETIQUETTE MASCHIO 240X80	MASCHIO AUFKLEBER	ETIQUETA MASCHIO



**DECAL "CE"
"CE" DECAL**

TAV_630

Pos.	Cod.	Descrizione	Description	Description	Benennung	Descripcion
1	B07500185R	ET CONSULT IL LIBRETTO OP.	DECAL SEE OPERATOR S MANUAL	DECAL LIRE LE LIVRE OPERATEU	AUFKLEBE BUCH ANSCHLAGEN	ET CONSULT EL MANUAL OP.
2	B07500186R	ET TOGLIERE LA CHIAVE...	DECAL TAKE THE WRENCH AWAY	DECAL CHASSER LA CLEF	AUFKLEBE SCHLUSSEL ZIEHEN	ET QUITAR LA LLAVE...
3	B07500208R	ET MANO-OLIO SOTTO PRESSIONE	DECAL OIL UNDER PRESSURE HAND	DECAL MAIN-HUILE SOUS PRESSIO	AUFKLEBE HAND-OEL	ET MANO-ACEITE BAJO PRESI N
4	B07500187R	ET 540 GIRI - RICC SX NORMA	DECAL 540RPM - LEFT BURR	DECAL 540 T H-SENS DE ROTATIO	AUFKLEBE 540 RPM	ET 540 REVOLUCIONES -SENTIDO
5	B07500199R	ET PERSONA SCHIACC.-ZONA	DECAL SQUEEZED PERSON	DEECAL PERSONNE ECRASEE -ZONE	AUFKLEBE GEQUETSCHER MANN	ET PERSONA PLASTADO-ZONA
6	B07500203R	ET TAGLIO MANO-STOP NORMA CEE	DECAL HAND CUT _ STOP	DECAL COUPE MAINE - STOP	AUFKLEBE HANDSCHNITT - HALT	ET CORTE MANO-STOP NORMA CE
7	B07500221R	ET PIEDE TAGLI-STARE DISTANTE	WARNING CUT FEET DECAL	DECAL PIED COUPE	AUFKLEBE GESCHNITTER FUSS	ET PIE CORTES MANTENERSE ALE
8	B07500207R	ET PERSONA INTRAPP. PICK-UP	TRAPPED MAN DECAL	DECAL PERSONNE PIEGEE-PICK-UP	AUFKLEBE GEFANGTENER MANN	ET PERSONA ATRAPADA PICK-UP
9	B07500198R	ET PERSONA SCHIACC-SOTTO PORTE	SQUEEZED MAN DECAL	DECAL PERSONNE ECRASE -SOUS	AUFKLEBE GEQUETSCHER MANN	ET PERSONA APLASTADO-BAJO P
10	B07500726R	DECAL TAGLIO MANO-LAMA SPAGO	LABEL CUTTING BLADE HAND-TWINE			DECAL CORTE MANO-CUCHILLA C
11	B07500201R	ET SCOSSA ELETTR NORMA CEE	ELECTRIC SHOCK DECAL	DECAL SECOUSSE ELECTRIQUE	AUFKLEBER STROMSTOSS	ET DESCARGA EL CTRICA NORMA
12	B07500212R	ET PERSONA SCHIACC-BALLA NORM	SQUEEZED MAN-BALE DECAL	DECAL PERSONNE ECRASEE -BALLE	AUFKLEBER GEQUERSCHTER MANN	ET PERSONA APLASTADA BALA NO
13	B07500197R	ET PERSONA SCHIACC-PRES MURO	SQUEEZED MAN DECAL	DECAL PERSONNE RCRASE - PRES	AUFKLEBER GEQUETSCHER MANN	ET PERSONA APLASTADO-TOMA P
14	B07500781R	ET PERICOLO CARDANO	DANGER PTO SHAFT DECAL	DECAL DANGER CARDAN	ABZIEHBILD GEFAHR GELENKWELLE	ET PELIGRO CARD N
15	B07500724R	ET PERS SCHIACC.-BLOCC.PORTE	DECAL	DECAL PERSONNE-ECRASEE - BLOC	AUFKLEBER GEDRUCKTE PERSON	ET PERS APLASTADA BLOCC.PUERT
16	B07500210R	ET MANO SCHIACC-ORGANI SCH	DECAL SQUEEZED HAND _ ORGANS	DECAL MAIN ECRASEE	AUFKLEBE GEQUERSCHTE HAND	ET MANO APLASTADA RGANOS SC
17	F20030621R	DECAL POSIZIONE CRIC	DECAL POSITION CRIC			

TAV_640

<p>I IMPORTANTE NON USARE GETTI AD ELEVATE PRESSIONI VICINO ALLE PARTI MECCANICHE, SI POSSONO CAUSARE DANNI.</p>	<p>ENG IMPORTANT DO NOT USE HIGH PRESSURE JETS NEAR MECHANICAL PARTS, AS DAMAGES CAN BE CAUSED.</p>
<p>F IMPORTANTE NE PAS UTILISER DES JETS A PRESSION ELEVÉE PRES DE PARTIES MÉCANIQUES, ON PEUT CAUSER DES DOMMAGES.</p>	<p>D WICHTIG HOCHDRUCKSTRAHLE NERBEN MECHANISCHEN TEILEN NICHT VERWENDEN, DA SCHADEN VERURSACHT WERDEN KÖNNEN.</p>

7500217

1



2



3

-20° +40° = AGIP OSO 32
-10° +60° = AGIP OSO 100

F20030511

13

12

PERCORSO RETE - NET PATH
PARCOURS DU FILET - NETZ WEG

F20030509

75P0205

475 Nm (350 lb-ft)

F20030512

4

70 Nm

F2000687

5

<p>CUT OPEN</p>	<p>CUT CLOSED</p>	<p>PICK-UP</p>
------------------------	--------------------------	-----------------------

75P0218

7

F20030509

14

2010 Nm (1483 lb-ft)
1598 Nm (1179 lb-ft)
1000 Nm (738 lb-ft)

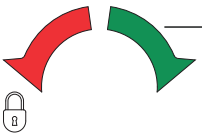
F2002683

16

10-15 mm
10-15 mm

75P0217

8



11

3,5 bar (350 kpa)
230 Nm (168 lb-ft)

F20030503

10

50 mm | 50 mm

F20030523

9

15

NO

**DECAL "ISTRUZIONE"
"INSTRUCTION" DECAL**

TAV_640

Pos.	Cod.	Descrizione	Description	Description	Benennung	Descripcion
1	B07500217R	ET NON USARE GETTI..	DECAL DO NOT USE SPOUTS	DECAL NE PAS USER JETS	AUFKLEBE KEINE STRAHL BENUTZE	ET NO USAR CHORROS.
2	B07500214R	ET POMPETTA GRASSO	DECAL GREASE SQUIRT	DECAL PETITE POMPE GRAISSE	AUFKLEBE OELKAENNCHEN	ET BOMBA DE GRASA
3	B07500216R	ET GANCIO	DECAL HOOK	DECAL CROC	AUFKLEBE HACKEN	ET GANCHO
4	F20030512R	DEC.BULLONE RULLO PORTELLONE	DEC.BOLT ROLLER HATCH			
5	F20030582R	DECAL CHIAVE PER ROSTA SE-F 38	DECAL KEY FOR ROSTA SE-F 38			
7	B075P0218R	DECAL COLORE 3 INNESTI IDRAULI	COLOR DECAL 3 COUPLINGS HYDRAU			
8	B075P0217R	DECAL TENSIONE CATENE	DECAL SUPPLY CHAINS			
9	F20030523R	DECAL ASSE CARDANO-OCCHIONE	DECAL AXLE CARDAN-TOWING EYE			
10	F20030503R	DECAL PNEUMATICI 3,5 BAR 230NM	DECAL TIRE 3,5 BAR 230NM			DECAL NEUM TICOS 3,5 BAR 230NM
11	B07500748R	ET MANOPOLA APERTO CHIUSO	DECAL KNOB OPEN CLOSE	DECAL BOUTON OUVERT FERME	AUFKLEBER HANDGRIFF OEFF. SCHL	ET MANDO ABIERTO CERRADO
12	B075P0205R	DECAL PERCORSO RETE EXTREME	DECAL NET PATH EXTREME			
13	F20030511R	DEC.TIPO OLIO PER SERBATOIO	DECAL OIL TYPE			
14	F20030506R	DECAL REGOLAZIONE POMPA OLIO	DECAL OIL PUMP REGOLATION			
15	B075P0225R	DECAL FRECCHE INSERIMENTO RETE	DECAL INSERTING NET ARROWS			
16	F20020683R	DECAL SERR.TIMONE 365 HTC-R-U	DECAL SERR.DRAWBAR 365 HTC-R-U			

**USATE SEMPRE RICAMBI ORIGINALI
ALWAYS USE ORIGINAL SPARE PARTS
IMMER DIE ORIGINAL-ERSATZTEILE VERWENDEN
EMPLOYEZ TOUJOURS LES PIECES DE RECHANGE ORIGINALES
UTILIZAR SIEMPRE REPUESTOS ORIGINALES**



**Servizio Assistenza Tecnica - After Sales Service
Servizio Ricambi - Spare Parts Service**



maschio.com

DEALER:



MASCHIO Fienagione S.p.A.
Sede legale Cremona
Via Bredina, 6 - 26100 Cremona (Italy)
Tel. +39 0372 564610
Fax +39 0372 564625
info@maschio.com

ООО МАСКИО-ГАСПАРДО РУССИЯ
404130, ВОЛЖСКИЙ,
ВОЛГОГРАДСКАЯ обл.,
УЛ. ПУШКИНА, 117 Б., РОССИЯ
TEL. +7 8443 203100
FAX +7 8443 203101
info@maschio.ru

MASCHIO GASPARDO Poland sp z.o.o.
Ul. Wapienna 6/8 - 87 – 100 Torun Poland
Tel. +48 56 6506051
Fax +48 56 6506053
www.gaspardo.pl

MASCHIO FRANCE Sarl
1, Rue de Mérignan ZA
F - 45240 La Ferte St. Aubin
France
Tel. +33 (0) 2.38.64.12.12
Fax +33 (0) 2.38.64.66.79
info@maschio.fr

MASCHIO-GASPARDO ROMANIA S.R.L.
Strada Înfrățirii, F.N.
315100 Chisineu-Cris (Arad) - România
Tel. +40 257 307030
Fax +40 257 307040
info@maschio.ro

MASCHIO GASPARDO NORTH AMERICA, Inc.
112 3rd Avenue East
Dewitt IA 52742 - USA
Tel. +1 563 6596400
Fax +1 563 6596405
info@maschio.us

MASCHIO IBERICA S.L.
MASCHIO DEUTSCHLAND GMBH
MASCHIO-GASPARDO UCRAINA
GASPARDO-MASCHIO TURCHIA
MASCHIO-GASPARDO CINA
MASCHIO-GASPARDO INDIA