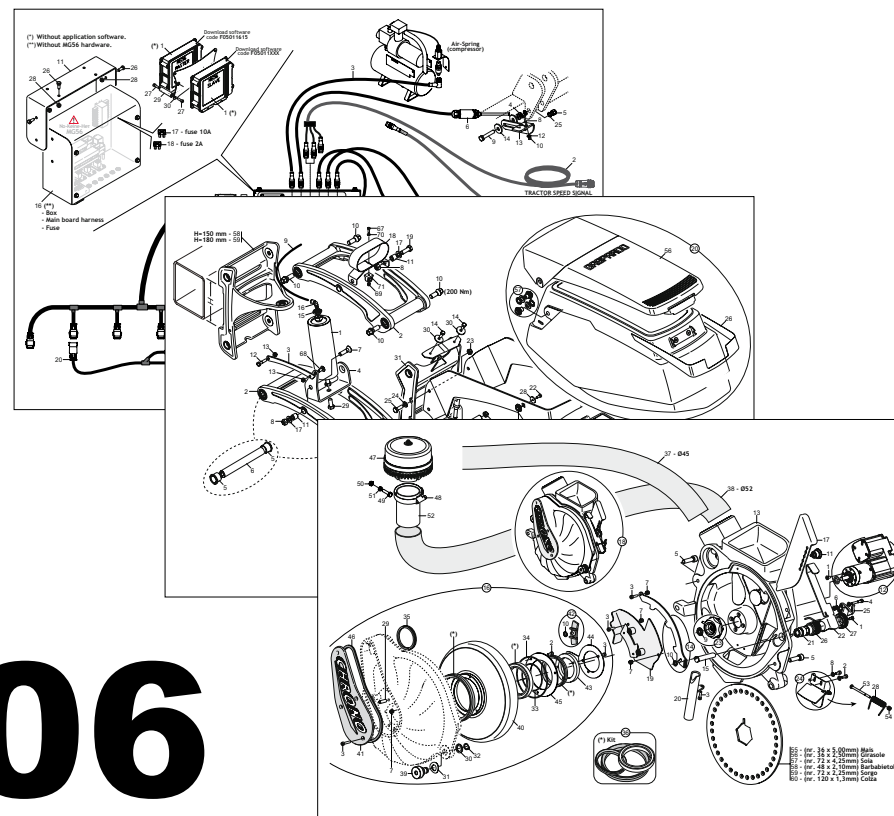


# GASPARDO

## MASCHIO GASPARDO S.p.A.



# CHRONO 306

Cod: G19532000 2019-10

- \*) Valido per Paesi UE
- \*) Valid for EU member countries
- \*) Gilt für EU-Mitgliedsländer
- \*) Valable dans le Pays UE
- \*) Válido para Países UE
- \*) Valabil pentru țările UE

- IT** PARTI DI RICAMBIO
- EN** SPARE PARTS
- DE** ERSATZTEILE
- FR** PIECES DÉTACHÉES
- ES** PIEZAS DE REPUESTO

## PARTI DI RICAMBIO

Le ordinazioni delle parti di ricambio vanno fatte presso i nostri concessionari di zona e devono essere sempre corredate dalle seguenti indicazioni:

- **Tipo, modello e numero di matricola dell'attrezzatura.** Tali dati sono stampigliati nell'apposita targhetta di cui è dotata ogni attrezzatura.

- **Numero di codice della parte richiesta** rilevabile dal catalogo ricambi.

- **Descrizione del particolare e quantità richiesta.**

- **Numero della tavola.**

- **Mezzo di trasporto.** Nel caso questa voce non sia specificata, la Ditta Costruttrice, pur dedicando a questo servizio una particolare cura, non risponde di eventuali ritardi di spedizione dovuti a cause di forza maggiore.

Le spese di trasporto si intendono sempre a carico del destinatario. La merce viaggia a rischio e pericolo del committente anche se venduta franco destino.

**NOTA:** Il termine **(Dx) Destro** o **(Sx) Sinistro** della macchina o di parti di essa, è inteso guardando la macchina dalla parte posteriore. Le eccezioni saranno indicate.

## SPARE PARTS

Orders must be transmitted through our area dealers and should always include the following indications:

- **Type, model and serial number of the machine.** These data are punched on the data plate with which every implement is equipped.

- **Code number of the required spare part.** This will be found in the spare parts catalogue.

- **Description of the part and required quantity.**

- **Table number.**

- **Means of dispatch.** If this item is not indicated, the Manufacturer, while dedicating particular care to this service, shall not be held responsible for delays in delivery caused by cases of force majeure.

Transport expenses shall always be at the consignee's charge. The goods travel at the purchaser's risk and peril even when sold ex destination.

**NOTE:** The symbols **(Dx) right** and **(Sx) left**, concerning the machine or single parts of it, are referred, as in the figure, to a rear view of them. Exceptions will be indicated.

## ERSATZTEILE

Die Bestellungen müssen bei unseren Gebietshändlern aufgegeben werden. Bei der Bestellung sind stets die folgenden Angaben zu machen:

- **Typ, Modell und Serien-Nummer des Geräts.** Diese Daten stehen auf dem Typenschild, mit dem jedes Gerät versehen ist.

- **Artikel Nr. der erforderlichen Ersatzteile.** Diese stehen im Ersatzteil-Katalog.

- **Beschreibung des Ersatzteils und die erforderliche Stückzahl.**

- **Tafelnummer.**

- **Versandmittel.** Wenn dieser Punkt nicht spezifiziert wird, haftet die Herstellerfirma nicht für etwaigen Lieferverzug aufgrund höherer Gewalt, auch wenn er diesen Service besonders aufmerksam abwickelt. Die Frachtkosten gehen dagegen immer zu Lasten des Empfängers. Die Ware reist auf Gefahr und Risiko des Auftraggebers, auch wenn frei Haus Verkauft vereinbart worden ist.

**N.B.:** Die Merkzeichen **(Dx) rechts** und **(Sx) links** betreffen eine rückwärtige Aussicht der Maschine oder Teile von ihr (siehe Bild). Ausnahmen werden gezeit.

## PIECES DÉTACHÉES

Les ordres doivent être effectués auprès de nos concessionnaires de zone en précisant les indications suivantes:

- **Type, modèle et numéro de série de la machine.** Ces données sont gravées sur la plaque d'identification de chaque outil.

- **Numéro de code de la pièce détachée** indiqué sur le catalogue des pièces détachées.

- **Description de la pièce et quantité requise.**

- **Numéro de plan.**

- **Moyen d'expédition.** Si cette rubrique n'est pas indiquée, le Constructeur, bien que soucieux de ce service, ne répond pas des retards d'expédition pour des causes de force majeure.

Les frais de transport sont toujours à la charge du destinataire. La marchandise voyage aux risques et périls de l'acheteur même si vendue franco de port.

**N.B.:** Les références **(Dx) droit** et **(Sx) gauche** de la machine ou des parties de la même, est entendue, comme de la figure, en regardant la machine de derriere dans le sens de marche.

## RESPUESTOS

Los pedidos han de efectuarse en nuestros concesionarios de zona y deben incluir siempre las siguientes indicaciones:

- **Tipo, modelo y número de matricula del equipo.** Dichos datos están impresos en la relativa placa presente en el equipo.

- **Número de código de la parte requerida** presente en el catálogo respuestas.

- **Descripción de la pieza y cantidad requerida.**

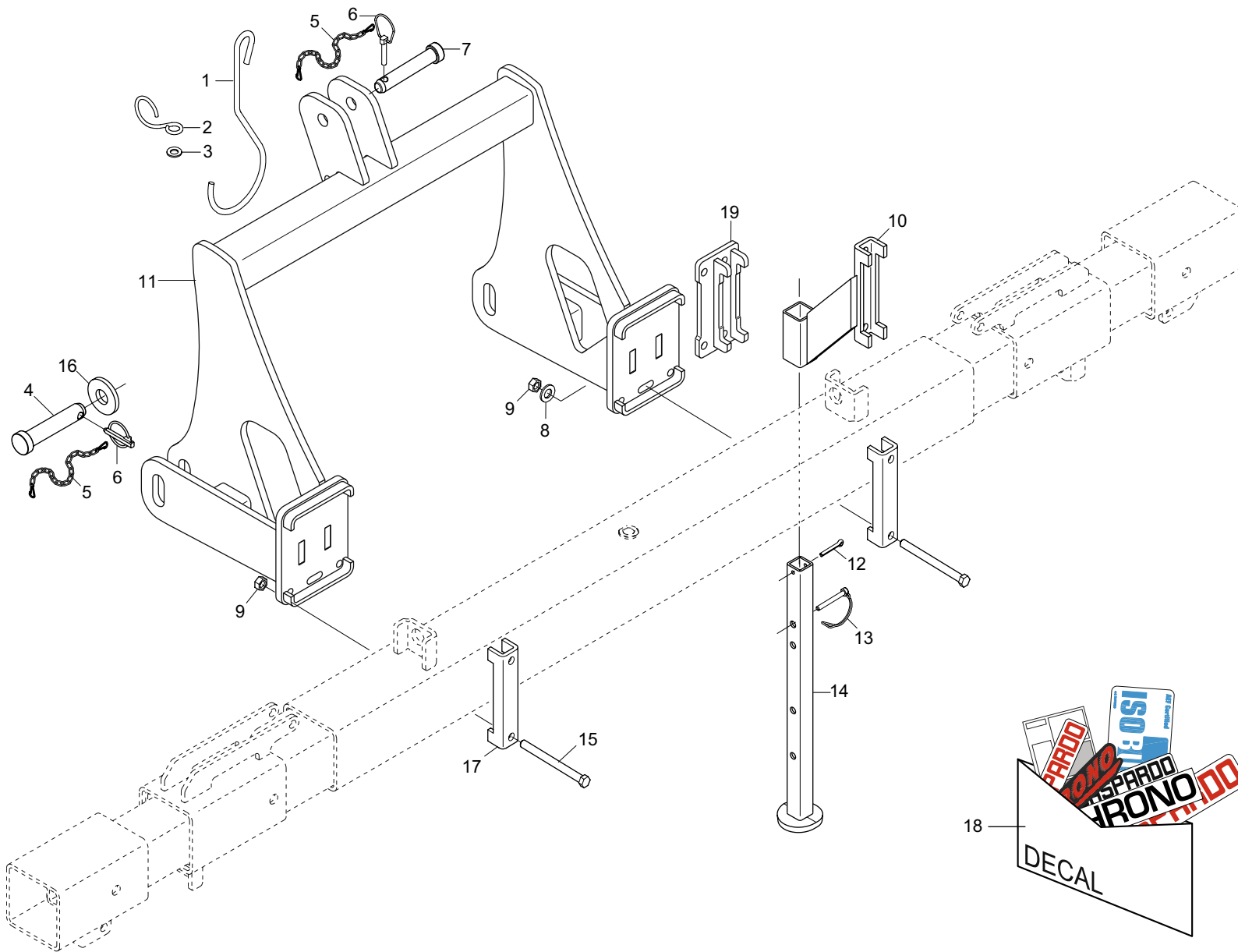
- **Numero de ilustración.**

- **Medio de transporte.** En caso que este ítem no esté especificado, el Fabricante, aún prestando la debidas consideraciones para este aspecto, no responde por eventuales retardos de env'o debidos a causas de fuerza mayor.

Los gastos de transporte se consideran siempre a cargo del destinatario. La mercadería viaja bajo riesgo y peligro del comprador, incluso cuando se vende franco destino.

**N.B.:** La referencia **(Dx) derecha** o **(Sx) izquierda** de la máquina o de sus componentes, se entiende, como en la figura, mirando la máquina por la parte trasera. Se indicarán las excepciones.

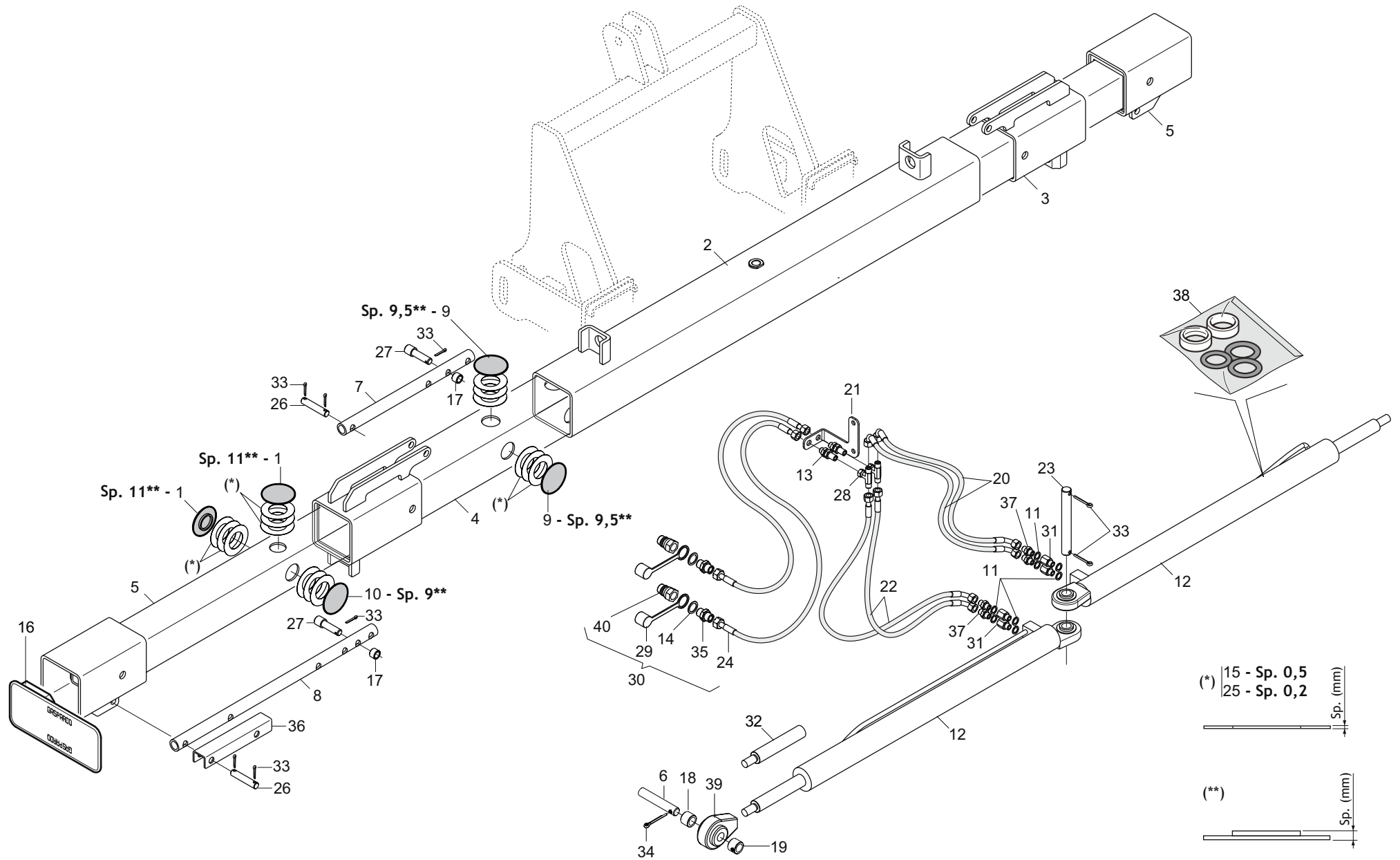
<b>Nr. Tav.</b>	<b>Descrizione</b>	<b>Description</b>	<b>Pag.</b>
TAV. 010	Terzo punto .....	Third point .....	4
TAV. 020	Telaio posteriore.....	Rear frame .....	6
TAV. 030	Segnafile .....	Row marker .....	8
TAV. 040	Impianto oleodinamico segnafile.....	Hydraulic row marker system.....	10
TAV. 050	Depressore.....	Air pump.....	12
TAV. 060	Distributore semi .....	Seed distributor .....	14
TAV. 070	Telaio elemento .....	Unit toolbar .....	16
TAV. 080	Ruote di profondità.....	Depth wheels .....	20
TAV. 090	Ruote di compressione .....	Compression wheels.....	22
TAV. 100	Impianto AIR-SPRING.....	AIR-SPRING system.....	24
TAV. 110	Doppia linea Air-Spring .....	Air-Spring double line.....	26
TAV. 120	Coltro a disco striato .....	Corrugated disc coulter .....	28
TAV. 130	Spartiresidui rotativo .....	Trash wheel.....	30
TAV. 140	Compressore aria.....	Air compressor .....	32
TAV. 150	Gestione elettrica .....	Electric system .....	34
TAV. 160	Microgranulatore .....	Microgranulator .....	36
TAV. 170	Ruote di trasmissione.....	Drive wheels.....	38
TAV. 180	Scaletta ruote portanti.....	Ladder.....	40
TAV. 190	Supporti serbatoi concime.....	Supports fertilizer hopper .....	42
TAV. 200	Serbatoi concime .....	Fertilizer hopper .....	44
TAV. 210	Elementi di concimazione .....	Fertilizer unit .....	46
TAV. 220	Speedy set.....	Speedy set .....	48
TAV. 230	Kit luci e tabelle di ingombro stradale .....	Lighting kit and warning boards .....	50
TAV. 240	Cardano .....	Cardan shaft.....	52



**TERZO PUNTO  
THIRD POINT**

**TAV. 010**

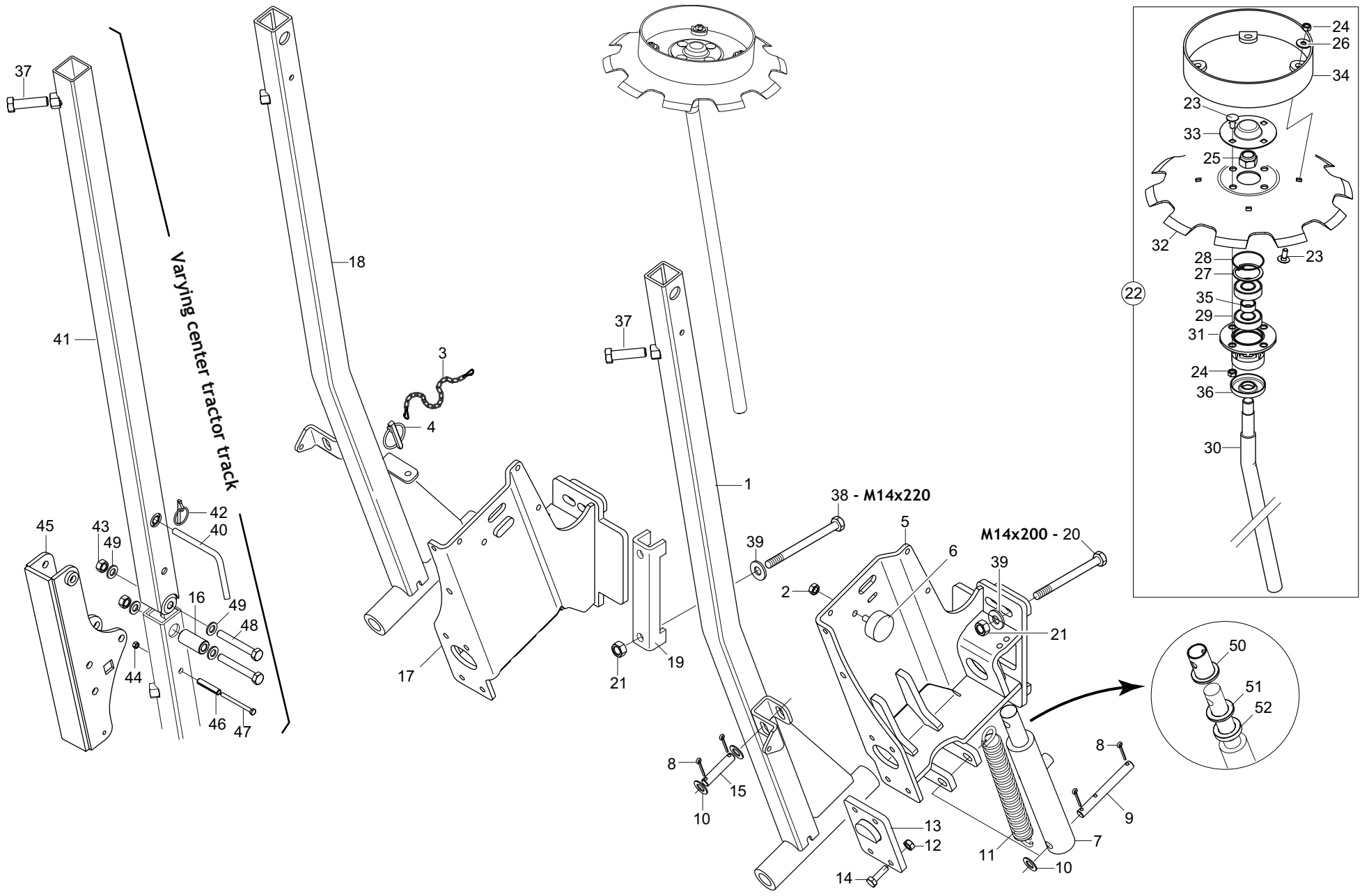
Pos.	Cod.	Descrizione	Description	Description	Benennung	Descripcion
1	F20120400R	GANCIO SOSTEGNO CARDANO	SHAFT HOOK SUPPORT	SUPPORT CARDAN	GELENKWELLE - HACKEN	SOPORTE CARDAN
2	G65336004R	MOLLA SPEC.ZN AGG.SEMINAT. SP	SPEC SPRING- ZN ADD. SEEDER SP	RESSORT SPEC. ZN ATTELAGE SEME	SPEZIALFEDER ZN SZELEM. KUPPL.	MUELLE ESPEC. ZN CONEX. SEMBRA
3	F01410088R	ROS.M14 15X 28X2,5 U6592 ZN	WAS.M14 15X 28X2,5 U6592 ZB	RON.M14 15X 28X2,5 U6592 ZB	SCH.M14 15X 28X2,5 U6592 ZB	ARA.M14 15X 28X2,5 U6592 ZB
4	F20100136R	PERNO D28 L109 C43 TEST.D60 Z	BOLT D28 L109 C43 ZN	BOULON D28 L109 C43 ZN	BOLTZEN D28 L109 C43 ZN	PERNO D28 L109 C43 ZN
5	G13812311R	CATENELLA CON MOSCHETTONE	CHAIN WITH SPRING CATCH	CHAINETTE AVEC MOUSQUETON	KETTE MIT KARABINERHAKEN	CADENA CON GANCHO
6	F02200507R	SPINA A SCATTO D 9 B 83	SNAP PIN D9 B 83 ZN	FICHE A DETENTE D9 B 83 ZN	EINRASTSTIFT D9 B 83 ZN	CLAVIJA DE MUELLE D9 B 83 ZN
7	F20100133R	PERNO D25 L122 C43 TEST.D60 ZN	PIN D25 L122 C43 ZN	BOULON D25 L122 C43 ZN	BOLZEN D25 L122 C43 ZN	PERNO D25 L122 C43 ZN
8	G20970142R	RONDELLA 32X4X15,5	WASHER 32X4X15-5	RONDELLE 32X4X15-5	UNTERLEGSCHIEBE 32X4X15-5	ARANDELA 32X4X15-5
9	F01200306R	DADO M14X2 U5588 CL8 ZN	NUT M14X2 U5588 6.8ZN	ECROU M14X2	MUTTER M14X2	DADO M14X2
10	G19204860R	SUPPORTO PUNTELLO SP-MT	SHORE SUPPORT SP-MT			
11	G16610463R	TERZO PUNTO 2 CATEGORIA	3RD POINT 2 CAT.			
12	F02200246R	COPIGLIA 6X 45 U1336 ZN	PIN 6 X45 U1336 ZN	GOUPILLE 6 X45 U1336 ZN	SPLINT 6 X45 U1336 ZN	CLAVIJA 6 X45 U1336 ZN
13	F02200584R	SPINA SICUR.D.12X70 ZN	PIN D12 L70 ZN	FICHE D12 L70 ZN	STIFT D12 L70 ZN	CLAVIJA D12 L70 ZN
14	G15112692R	ASS.PUNTELLO ST250	PROP ASSEMBLY ST250			
15	F01020236R	VITE M14X2X220 U5737 8.8BR	SCR. M14X2X220 U5737 8.8BR	VIS M14X2X220 U5737 8.8 BR	SCHRAUBE M14X2X220 U5737 8.8	TORNILLO M14X2X220 U5737 8.8
16	G20970120R	RONDELLA 70X8X28,5	WASHER 70X8X28-5	RONDELLE 70X8X28-5	UNTERLEGSCHIEBE 70X8X28-5	ARANDELA 70X8X28-5
17	G15110091R	SCONTRO A U	CONTRA U	BRIDE 150 MM	ANSCHLAG	ELEMENTO DE EMPALME
18	G89900529R	KIT DECALCOMANIE CHRONO 300	KIT DECAL. CHRONO 300			
19	G18210900R	ASS.SCONTRO RINFORZO 3 PUNTO	ASS.3RD POINT HITCH REINFORCEM			



## TELAIO POSTERIORE REAR FRAME

TAV. 020

Pos.	Cod.	Descrizione	Description	Description	Benennung	Description
1	G19003570R	PIASTRA SCORRIMENTO SP.11	SLIDING PLATE SP.11	PLAQUE GLISSEMENT SP.11	GLEITPLATTE SP.11	PLACA DE DESPLAZAMIENTO SP.11
2	G15211080R	TELAIO CENTRALE MTE	FRAME CENTRAL MTE	BATI CENTR. MTE	MITTELRAHMEN MTE	BASTIDOR CENTRAL MTE
3	G18210880R	ASS.2 TUBO TELESC.DX CHRONO300	RH 2 TELESCOPIC TUBE CHRONO300			
4	G18210890R	ASS.2 TUBO TELESC.SX CHRONO300	LH 2 TELESCOPIC TUBE CHRONO300			
5	G18210650R	ASS.3 TUBO TELESC.CHRONO 300	3TH TELESCOPIC TUBE CHRONO			
6	G15110991R	ASSE LATERALE PISTONI ZN	SIDE SPINDLE PISTONS ZN	AXEL LATERAL PISTON ZN	SEITENACHSE KOLBEN ZN	EJE LATERAL PISTONES ZN
7	G15211280R	REGOLAZIONE 2 TUBO MTE300	2. TUBE REGULATION MTE300	REGLAGE 2. TUBE MTE300	EINSTELLUNG 2. ROHR MTE300	REGULACI N 2.TUBO MTE300
8	G15211290R	REGOLAZIONE 3 TUBO MTE300	3RD TUBE REGULATION MTE300	REGLAGE 3 TUBE MTE300	EINSTELLUNG 3 ROHR MTE300	REGULACI N 3 TUBO MTE300
9	G19003560R	PIASTRA SCORRIMENTO SP.9,5	SLIDING PLATE SP9,5	PLAQUE GLISSEMENT SP.9,5	GLEITPLATTE SP9,5	PLACA DE DESPLAZAMIENTO SP9,5
10	G19003590R	PIASTRA SCORRIMENTO SP.9	SLIDING PLATE SP.9	PLAQUE GLISSEMENT SP.9	GLEITPLATTE SP.9	PLACA DE DESPLAZAMIENTO SP.9
11	F03020069R	RONDELLA BONDED AUTOCENT 1 4	BONDED WASHER 1 4	RONDELLE BONDED 1 4	BONDED SCHEIBE 1 4	BONDED ARANDELA 1 4
12	G15112630R	CILINDRO 30X50 -875	CYLINDER 30X50 -875	CYLINDRE 30X50 -875	ZYLINDER 30X50 -875	CILINDRO 30X50 -875
13	F05010359R	PASSAPARETE 1 4M-1 4M	PASS WALL 1 4M -1 4M			
14	F03151370R	RONDELLA BONDED SEAL 1 2 NBR	WASHER BONDED SEAL 1 2 NBR			
15	G18701770R	RONDELLA 50 X90 X0,5	WASHER 50 X90 X0,5	RONDELLE 50 X90 X0,5	UNTERLEGSSCHEIBE 50 X90 X0,5	ARANDELA 50 X90 X0,5
16	G15213660R	MONT.TAPPO TELAI0 150X150	ASS.PLUG-FRAME 150X150			
17	G20980094R	BOCCOLA 18,25X25X18	BUSHING 18,25X25X18	BOITE 18,25X25X18	BSCHSE 18,25X25X18	CASQUILLO 18,25X25X18
18	G22500018R	BOCCOLA PERNO EST.CILINDRO	BUSHING CYLIND. OUTER PIN	BOITE PIVOT EXT. CYLINDRE	BSCHSE AUSSEN BOLZEN ZYLINDER	CASQUILLO ESPIGA EXT. CILINDRO
19	G22500019R	BOCCOLA FERMO PERNO EST.CIL.	CYLIND. OUTER PIN STOP BUSHING	BOITE ARRET PIVOT EXT. CYL.	ANSCHLAGBSCHSE AUSSEN BOLZ. ZYL	CASQUILLO BLOQUEO ESPIGA EXT.C
20	G22500022R	TUBO 1 4 R2 C-C MT.1,00	PIPE 1 4 R1 C-C MT.1-00	TUBE 1 4 R1 C-C M. 1-00	ROHR 1 4 R1 C-C M 1-00	TUBO 1 4 R1 C-C MT.1-00
21	G15113000R	SUPPORTO TUBI IDRAULICI	PIPE SUPPORT	SUPPORT TUBES	ROHRHALTERUNG	SOPORTE TUBOS
22	G22500024R	TUBO 1 4 R2 C-F MT.0,60	PIPE 1 4 R1 C-F MT.0-60	TUBE 1 4 R1 C-F M. 0-60	ROHR 1 4 R1 C-F M 0-60	TUBO 1 4 R1 C-F MT.0-60
23	G22500025R	PERNO CENTRALE CILINDRI	PIN- CYLINDER CENTRAL	PIVOT CENTR. CYLINDRES	MITTELZAPFEN ZYLINDER	PERNO CENTRAL CILINDROS
24	G22270463R	TUB.TR.1 4R2 F-F 1 4 L1500 LM	TUBE TR.1 4R2 F-F 1 4 L1500 LM	TUB.TR.1 4R2 F-F 1 4 L1500 LM	ROHR1 4R2 F-F 1 4 L1500 LM	TUB.TR.1 4R2 F-F 1 4 L1500 LM
25	G18701940R	RONDELLA 50 X90 X0,2	WASHER 50 X90 X0,2	RONDELLE 50 X90 X0,2	UNTERLEGSSCHEIBE 50 X90 X0,2	ARANDELA 50 X90 X0,2
26	G15210210R	SPINA 18 X90 ZN	PIN 18 X90 ZN			
27	G22505027R	SPINA	PIN	BROCHE	STIFT	CLAVIJA
28	F03151216R	RACCORDO -T- CENTR.M-FG-M 1 4	UNION T M-M-F 1 4 ZN	RACCORD T M-M-F ZN	ANSCHLUSSTSCK TM-M-F 1 4 ZN	UNI N T M-M-F 1 4 ZN
29	F05150325R	CAPPUC.F X INN.M RAP.1 2 ROSS	COVER CONNECT F 1 2 RED	COUVERCLE CONNEXION F 1 2 ROSE	DECKEL W 1 2 SCHNELLKUPP. ROT	PAC PROTECCION F 1 2 ROJO
30	G13811211R	TUBO X COLLEG. AL TRATTORE	PIPE FOR CONNECTION TO TRACTOR	TUBE POUR CONN. AU TRACTEUR	ROHR F. KUPPLUNG AM SCHLEPPER	TUBO P CONEXI N AL TRACTOR
31	F03151194R	PROLUNGA CORTA 1 4 L.36	SHORT EXTENSION 1 4 L.36	RALLONGE COURTE 1 4 L.36	KURZE VERLZNGERUNG 1 4 L.36	PROLONG. CORTA 1 4 L.36
32	G15112650R	PROLUNGA PISTONE	PISTON EXTENSION	RALLONGE PISTON	VERLZNGERUNG KOLBEN	PROLONGACI N PIST N
33	F02200227R	COPIGLIA 5 X30 1336 ZN	PIN 5X 30 U1336 ZN			
34	F02200229R	COPIGLIA 5X 45 U1336 ZN	SPLIT PIN 5X 45 U1336 ZN	GOUPILLE 5X 45 U1336 ZN	SPANNSTIFT 5X 45 U1336 ZN	PASADOR 5X 45 U1336 ZN
35	F03150211R	NIPPLO MM CIL-CIL 1 2-1 4 ZN	NIPPLE MM CIL-CIL 1 4-1 2 ZN	NIPLE MM 1 4-1 2 ZN	NIPLE GG 1 4-1 2 ZN	NIPLE MM 1 4-1 2 ZN
36	G15211091R	DISTANZIALE CHIUSURA MTE300	MTE300 CLOSING SPACER			
37	F03150266R	NIPPLO MM CIL-CIL 1 4-1 4 ZN	NIPPLE CYL.MALE 1 4 GALV.	NIPPLE MALE CYL. 1 4 ZN	NIPPELZYL.1 4 ZN	NIPLE MACHO CIL. 1 4 ZN
38	F03100181R	KIT GUARNIZ.CILINDRO 15112630	KIT O-RING CYLINDER 15112630	KIT GARNIT. CYLINDRE 15112630	KIT DICHT.OR ZYLINDER15112630	SET JUNTA OR CILINDRO15112630
39	G67004010R	SUPP.CON ROTULA CAT.1 D.22,1	SUPP. WITH JOINT CHAIN 1 D.22.	SUPP.AVEC ROTULE CAT.1 D.22,1	HALTERUNG MIT GELENK KETTE 1	SOP. CON R TULA CAD.1 D.22,1
40	F03150935R	INNESTO RAP.MASCH.1 2 A VALV.	QUICK CONNECT MALE CONE 1 2	CONNEXION RAPIDE MALE CONE 1 2	SCHNELLKUPP.GEWINDE KONISC 1 2	ACOPLAMIEN.T.RAP.MACHO CONO 1 2

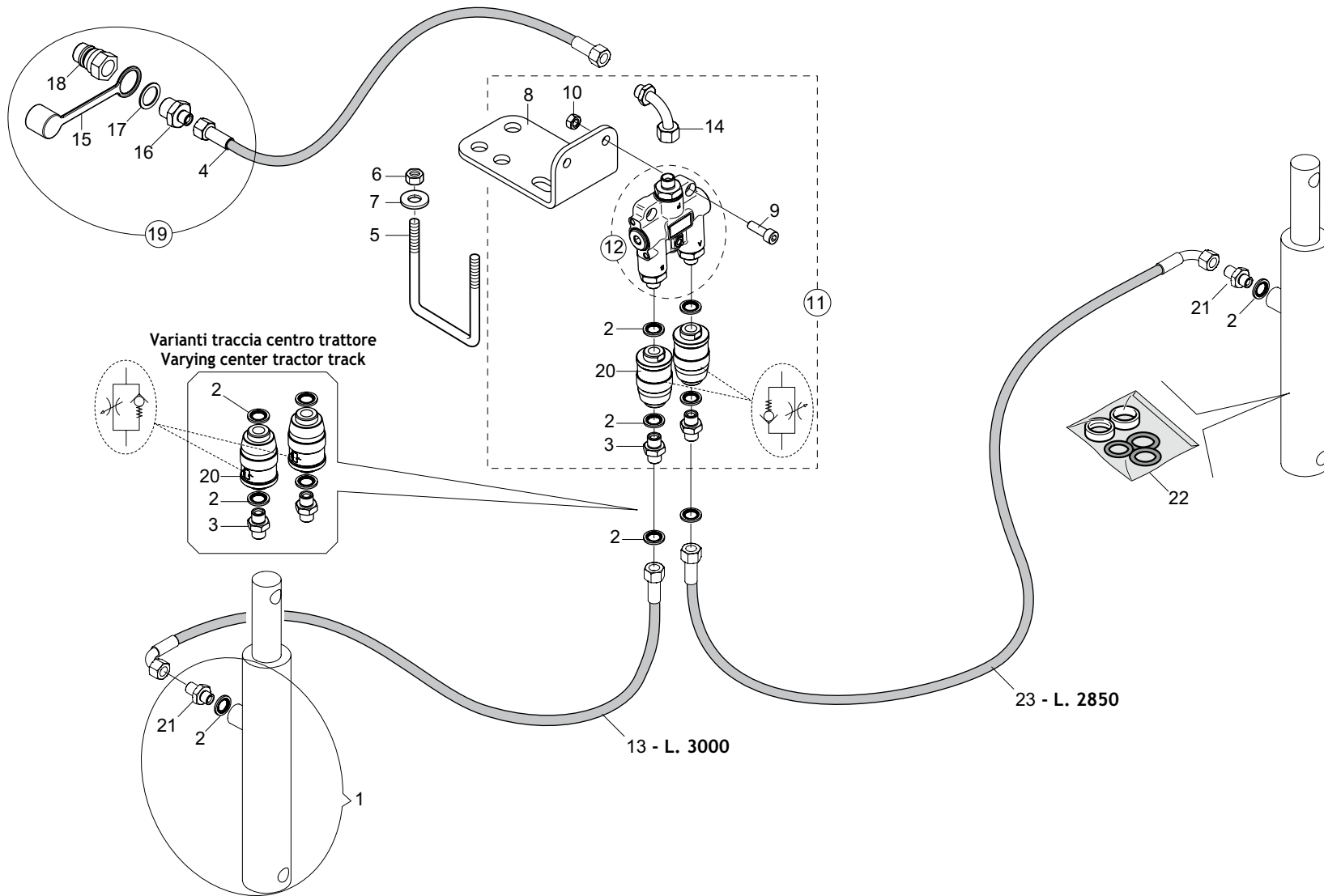




## SEGNAFILE ROW MARKER

TAV. 030

Pos.	Cod.	Descrizione	Description	Description	Benennung	Descripcion
1	G15212750R	BRACCIO SEGNAFILE SX	ROW MARKER ARM LEFT			
2	F01230048R	DADO M10X1,5 D982 8ZN	NUT M10X1,5 D982 8ZN	ECR.AUTO-FREIN.M10X1,5 D982 ZN	SICHERUNGSMUTT.M10X1,5 D982 ZN	TUERCA SEGURID.M10X1,5 D982 ZN
3	G13812311R	CATENELLA CON MOSCHETTONE	CHAIN WITH SPRING CATCH	CHAINETTE AVEC MOUSQUETON	KETTE MIT KARABINERHAKEN	CADENA CON GANCHO
4	F02200507R	SPINA A SCATTO D 9 B 83	SNAP PIN D9 B 83 ZN	FICHE A DETENTE D9 B 83 ZN	EINRASTSTIFT D9 B 83 ZN	CLAVIJA DE MUELLE D9 B 83 ZN
5	G15213750R	SUPPORTO SEGNAFILE SX	LEFT ROWMARKER SUPPORT			
6	F05150460R	PARACOLPI CIL.D50X21 M10X26,5	RUBBER BUFFER- CYLINDR.D50X21	PARE-CHOCS CYL. D50X21	PUFFER ZYL.50X21	PARAGOLPES CIL.D50X21
7	G14217360R	CILINDRO SEGNAF.30X40-155	ROWMARKER CYLINDER.D.30X40-155	CYLINDRE TRACEUR 30X40-155	ZYLINDER SPURREISSER.30X40-155	CILINDRO MARC.FILAS 35X40-155
8	F02200194R	COPIGLIA 4X 25 U1336 ZN	SPLIT PIN 4 X25 1336 GALVAN.	GOUPILLE 4 X25 1336 ZN	SPLINT 4 X25 1336 ZN	PASADOR 4 X25 1336 ZN
9	G15413020R	SPINA 15X120 ZN	GALVANIZED PIN 15X120	GOUPILLE 15X120 ZN	STIFT 15X120 ZN	CLAVIJA 15X120 ZN
10	F01410100R	ROS.M16 17X 30X 3 U6592 ZN	WASHER M16 17X30X3 U6592 ZN	RONDELLE M16 17X30X3 ZN	SCHRAUBE M16 17X 30X3 U6592 ZN	ARAND.M16 17X 30X 3 U6592 ZN
11	G65337004R	MOLLA TRAZ.SOLLEV. FU	TRACTION SPRING LIFT. FU	RESSORT TRACT. LEVAGE FU	ZUGFEDER HEBUNG FU	MUELLE TRAC. LEVDEL. FU
12	F01200270R	DADO M10X1,5 U5588 CL8 ZN	NUT M10X1,5 U5588 6.8ZN	ECROU M10X 1,5 U5588 6.8 ZN	MUTTER M10X 1,5 U5588 6.8 ZN	TUERCA M10X1,5 U5588 CL8 ZN
13	G15212791R	PIASTRA POSTERIORE	REAR PLATE			
14	F01020479R	VITE M10X1,5X35 U5739 8.8ZN	SCR. M10X1,5X35 U5739 8.8ZN	VIS M10X1,5X35 U5739 8.8 ZN	SCHR. M10X1,5X35 U5739 8.8 ZN	TORNILLO M10X1,5X35 U5739 8
15	G15413010R	SPINA 15X62 ZN	PIN 15X62 ZN	GOUPILLE 15X62 ZN	BOLZENSTIFT 15X62 ZN	PASADOR 15X62 ZN
16	G18803070R	BOCCOLA 12,5X25X52 ZN	BUSHING 25X12,5X52 GALVA	BOITE 25X12,5X52 ZN	BSCHSE 25X12,5X52 ZN	CASQUILLO 25X12,5X52 ZN
17	G15213740R	SUPPORTO SEGNAFILE DX	RIGHT ROWMARKER SUPPORT			
18	G15212760R	ASS.BRACCIO SEGNAFILE DX	ROW MARKER ARM RIGHT			
19	G15110091R	SCONTRO A U	CONTRA U	BRIDE 150 MM	ANSCHLAG	ELEMENTO DE EMPALME
20	F01020233R	VITE M14X2X200 U5737 8.8BR	SCR. M14X2X200 U5737 8.8BR	VIS M14X2X 200 U5737 8.8 ZB	SCHRAUBE M14X 2X200 U5737 8.8	TORNILLO M14X2X200 5737 8.8 ZB
21	F01200306R	DADO M14X2 U5588 CL8 ZN	NUT M14X2 U5588 6.8ZN	ECROU M14X2	MUTTER M14X2	DADO M14X2
22	G17312700R	MONT.DISCO SEGN.D.350	ROWMARKER DISK D.350			
23	F01060041R	VITE M8X1,25X25 U5731 8.8ZN	SCR. M8X1,25X25 U5732 4.6ZN	VIS 8 X25 5732 4.6 ZN	SCHRAUBE 8 X25 5732 4.6 ZN	TORNILLO 8 X25 5732 4.6 ZN
24	F01200244R	DADO M8X1,25 U5588 CL8 ZN	NUT M8X1,25 U5588 6.8ZN	ECROU M8 X1,25 U5588 6.8 ZN	MUTTER M8 X1,25 U5588 6.8 ZN	TUERCA M8X1,25 U5588 CL8 ZN
25	F01230098R	DADO M18X2,5 D982 8 ZN	NUT M18X2,5 D982 8 ZN	ECROU M18X 2,5 D982 8 ZN	MUTTER M18X 2,5 D982 8 ZN	TUERCA M18X 2,5 D982 8 ZN
26	F01420048R	ROS.M8 8,4X 24X 2 U6593 ZN	WASHER M8 8,4X 24X2 U6593 ZN	RONDELLE M8 8,4X24X 2 U6593 ZN	SCHLEIBEN M8 8,4X24X 2 U6593 ZN	ARAND.M8 8,4X 24X 2 U6593 ZN
27	F02050370R	ANELLO E. DI 47X1,75 U7437 C70	SEEGER RING 47X 1,75 U7437 C70	SEEGER E. 47X 1,75 U7437 C70	SEEGERING E. 47X1,75 U7437 C70	ANILLO E. 47X 1,75 U7437 C70
28	F03010576R	ANELLO OR 50,52X1,78 NBR	GASKET OR 50,52X1,78 NBR	BAGUE OR 50,52X1,78 NBR	RING OR 50,52X1,78 NBR	ANILLO OR 50,52X1,78 NBR
29	F04010156R	CUSC. D20 D47 B14 6204 2RSH	BEARING D20 D47 B14 6204 2RSH	ROULEMENTD20 D47 B14		
30	G15111311R	PERNO SEGNAFILE	ROWMARKER PIN			
31	G16610160R	SUPP.CUSCINETTI DISCO SEGN.ZN.	GALVAN. ROWMARKER DISK BEARING	SUPPORT ROULEMENTS DISQUE TRAC	SCHEIBENLAGERHALTERUNG	SOPORTE COJINETE DE DISCO MARC
32	G16072590R	DISCO SEGNAFILE D.350	ROW-MARKER DISK D.350			
33	G16610190R	CHIUSURA CUSCINETTO ZN	END BEARING ZN			
34	G16610210R	ASS.LIMITATORE PROFONDITA	LIMITER DEPTH COUPLYNG	GR. ASS. LIMITEUR DE PROFONDEU	TIEFENBEGRENZERKOMPLEX	CONJ. LIMITADOR DE PROFUNDIDAD
35	G18801270R	BOCCOLA 21 X25 X12 ZN B.	BUSHING 21 X25 X12 ZN			
36	G16610431R	FONDELLO ZN	BOTTOM GALV.ED			
37	F01020254R	VITE M16X2X55 U5737 10.9ZD	SCR. M16X2X55 U5737 10.9ZD			
38	F01020236R	VITE M14X2X220 U5737 8.8BR	SCR. M14X2X220 U5737 8.8BR	VIS M14X2X220 U5737 8.8 BR	SCHRAUBE M14X2X220 U5737 8.8	TORNILLO M14X2X220 U5737 8.8
39	G20970142R	RONDELLA 32X4X15,5	WASHER 32X4X15-5	RONDELLE 32X4X15-5	UNTERLEGSCHLEIBE 32X4X15-5	ARANDELA 32X4X15-5
40	G14212010R	CHIAVISTELLO PUNTELLO PIEGH.ZN	PROP LATCH ZN			
41	G15212811R	TUBO ESTERNO	OUTER TUBE			
42	F02200594R	SPINA SICUR.D. 5X32 A SCATT.ZN	SAFETY PIN D. 5X32 A SCATT.ZN			
43	F01220048R	DADO M12X1,75 D980 8ZN	NUT M12X1,75 D980 8ZN	ECROU M12X1,75 D980 8 ZN	SCHLEIBE M12X1,75 D980 8 ZN	TUERCA M12X1,75 D980 8 ZN
44	F01220011R	DADO M6X1 D980 8ZN	NUT M6X1 D980 8ZN	ECROU M6X1 D980 8 ZN	MUTTER M6X1 D980 8 ZN	TUERCA M6X1 D980 8 ZN
45	G16311781R	SUPPORTO ROTAZ.TUBO SEGNAFILE	ROTATION SUPP.TUBE ROWMARKER			
46	F02100164R	SPINA E.P. 10X 50 U6873 C70 BR	PIN EL. 10X50 DIN 1481 *	GOUPILLE EL.10 X50 DIN 1481	SPANNSTIFT 10X50 DIN 1481	CLAVIJA EL.10 X50 DIN 1481
47	F01020048R	VITE M6X1X75 U5737 8.8ZN	SCR. M6X1X75 U5737 8.8ZN	VIS M6X1X75 U5737 8.8ZN	SCHRAU. M6X 1X 75 U5737 8.8 ZN	TORNI. M6X1X75 U5737 8.8ZN
48	F01020168R	VITE M12X1,75X90 U5737 8.8ZN	SCR. M12X1,75X90 U5737 8.8ZN	VIS M12X1,75X90 U5737 8.8 ZN	SCHRAB.M12X1,75X90 5737 8.8 ZN	TORNIL.M12X1,75X90 5737 8.8 ZN
49	F01420084R	ROS.M14 14,5X 36X 3 U6593 ZN	GALVANIZED WASHER 14 X36 X3	RONDELLE 14 X36 X3 ZN	UNTERLEGSCHLEIBE 14 X36 X3 ZN	ARANDELA 14 X36 X3 ZN
50	GA5210920R	BOCCOLA FINECORSA SEGNAF. CRM	BUSHING LIMIT ROWMARKER CRM			
51	G18804520R	BOCCOLA 31 X 50 X10 PLA	BUSHING 31X50X10 PLA			
52	G18804530R	BOCCOLA 31 X 50 X 5 PLA	BUSHING 31X50X 5 PLA			

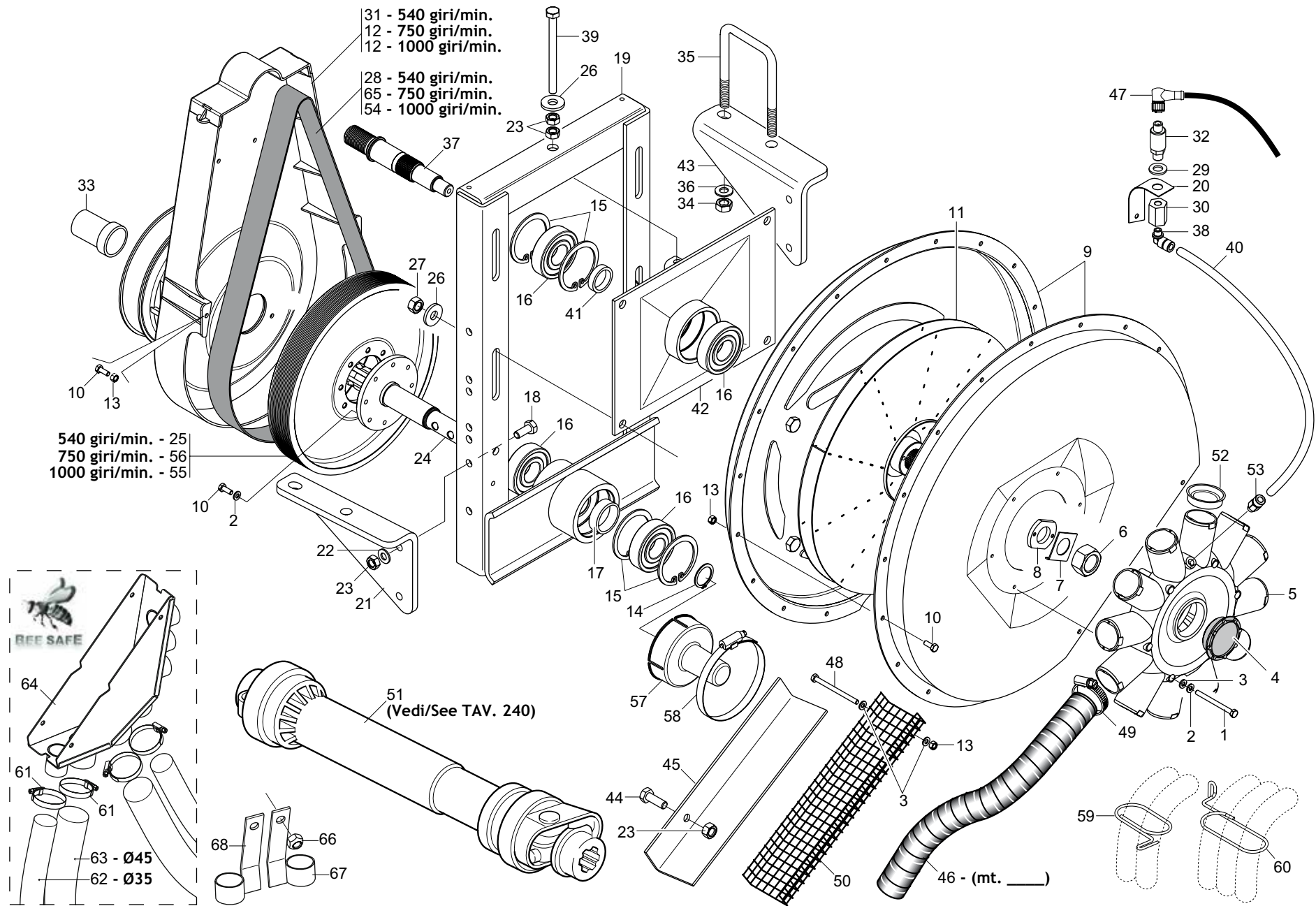


**IMPIANTO OLEODINAMICO SEGNAFILE  
HYDRAULIC ROW MARKER SYSTEM**

**TAV. 040**

Pos.	Cod.	Descrizione	Description	Description	Benennung	Descripcion
1	G14217360R	CILINDRO SEGNAF.30X40-155	ROWMARKER CYLINDER.D.30X40-155	CYLINDRE TRACEUR 30X40-155	ZYLINDER SPURREISSER.30X40-155	CILINDRO MARC.FILAS 35X40-155
2	F03020069R	RONDELLA BONDED AUTOCENT 1 4	BONDED WASHER 1 4	RONDELLE BONDED 1 4	BONDED SCHEIBE 1 4	BONDED ARANDELA 1 4
3	F03150266R	NIPPLO MM CIL-CIL 1 4-1 4 ZN	NIPPLE CYL.MALE 1 4 GALV.	NIPPLE MALE CYL. 1 4 ZN	NIPPELZYL.1 4 ZN	NIPLE MACHO CIL.1 4 ZN
4	G22270463R	TUB.TR.1 4R2 F-F 1 4 L1500 LM	TUBE TR.1 4R2 F-F1 4 L1500 LM	TUB.TR.1 4R2 F-F 1 4 L1500 LM	ROHR1 4R2 F-F 1 4 L1500 LM	TUB.TR.1 4R2 F-F 1 4 L1500 LM
5	F20110770R	CAV.Q.B=80 M=14X2 L=119	U BOLT Q.B=80 M=14X2 L=119	BRIDE U M14X2X50 96X119 ZN	ANSCHLANG U M14X2X50 96X119 ZN	EL.DE EMPALME M14X2X50 96X119
6	F01200306R	DADO M14X2 U5588 CL8 ZN	NUT M14X2 U5588 6.8ZN	ECROU M14X2	MUTTER M14X2	DADO M14X2
7	G20970142R	RONDELLA 32X4X15,5	WASHER 32X4X15-5	RONDELLE 32X4X15-5	UNTERLEGSCHEIBE 32X4X15-5	ARANDELA 32X4X15-5
8	G15412351R	SUPPORTO VALVOLA	VALVE SUPPORT			
9	F01040501R	VITE M8X1,25X25 D7984 8.8ZN	SCREW M8X1,25X25 D7984 8.8ZN	VIS M8X1,25X25 D7984 8.8ZN	SCHRAU. M8X1,25X25 D7984 8.8ZN	TORN. M8X1,25X25 D7984 8.8ZN
10	F01200244R	DADO M8X1,25 U5588 CL8 ZN	NUT M8X1,25 U5588 6.8ZN	ECROU M8 X1,25 U5588 6.8 ZN	MUTTER M8 X1,25 U5588 6.8 ZN	TUERCA M8X1,25 U5588 CL8 ZN
11	G16013820R	VALVOLA SEGNAFILE COMPL	ROWMARKER VALVE ASSY.	SOUPAPE TRACEUR COMPL.	KOMPL. SPURREISSERVENTIL	V-LVULA MARC. DE FILAS COMPL
12	G16611051R	MONT.VALVOLA SEGNAFILE BP	ROWMARKER VALVE ASSY.			
13	G15210631R	TUBO 1 4R2 CF1 4- F1 4 3000	PIPE 1 4R2 CF1 4- F1 4 3000	TUBE 1 4R2 CF1 4- F1 4 3000	ROHR 1 4R2 CF1 4- F1 4 3000	TUBO 1 4R2 CF1 4- F1 4 3000
14	F03150859R	CURVA 90 F.GIREV.1 4 - M.1 4	ELBOW 90 F.SLEWING 1 4 -M.1 4	COUDE 90 F.TOURN.1 4 - M.1 4	KNIESTSCK 90 F.DREHB.1 4 - M.	CURVA 90 F.GIRAT.1 4 - M.1 4
15	F05150325R	CAPPUC.F X INN.M RAP.1 2 ROSS	COVER CONNECT F 1 2 RED	COUVERCLE CONNEXION F 1 2 ROSE	DECKEL W 1 2 SCHNELLKUPP. ROT	PAC PROTECCION F 1 2 ROJO
16	F03150211R	NIPPLO MM CIL-CIL 1 2-1 4 ZN	NIPLE MM CIL-CIL 1 4-1 2 ZN	NIPLE MM 1 4-1 2 ZN	NIPLE GG 1 4-1 2 ZN	NIPLE MM 1 4-1 2 ZN
17	F03151370R	RONDELLA BONDED SEAL 1 2 NBR	WASHER BONDED SEAL 1 2 NBR			
18	F03150935R	INNESTO RAP.MASCH.1 2 A VALV.	QUICK CONNECT MALE CONE 1 2	CONNEXION RAPIDE MALE CONE 1 2	SCHNELLKUPP.GEWINDE KONISC 1 2	ACOPLAMIENT.RAP.MACHO CONO 1 2
19	G13811211R	TUBO X COLLEG. AL TRATTORE	PIPE FOR CONNECTION TO TRACTOR	TUBE POUR CONN. AU TRACTEUR	ROHR F. KUPPLUNG AM SCHLEPPER	TUBO P CONEXI N AL TRACTOR
20	F03151226R	REGOL.DI FLUSSO VRF 1 4 GAS	1 4 GAS VALVE VRF	SOUPAPE REG DEBIT VRF 1 4 GAZ	VENITL VRF 1 4 GAS	V LVULA VRF 1 4 GAS
21	G16011690R	MONT.NIPPLO 1 4 GRANO F.1,0	UPRIGHT 1 4 NIPPLE WITH GRUB	MONTANT NIPPLE 1 4 AVEC GRAIN	STZNDER NIPPEL 1 4 MIT STIFT 8	MONT.NIPLE 1 4 TORNIL.SIN CABE
22	F03100191R	KIT GUARNIZ.CILINDRO 15413110	CYLINDER SEAL KIT 15413110	KIT GARNIT. CYLINDRE 15413110	KIT ZYLINDERDICHTUNG 15413110	KIT JUNTA CILINDRO 15413110
23	G15210554R	TUBO 1 4R2 F1 4-CF1 4 2850	TUBE 1 4R2 F1 4-CF1 4 2850			

TAV. 050



## DEPRESSORE AIR PUMP

TAV. 050

Pos.	Cod.	Descrizione	Description	Description	Benennung	Descripcion
1	F01020047R	VITE M6X1X70 U5737 8.8ZN	SCR. M6X1X70 U5737 8.8ZN	VIS 6 X70 5737 8.G ZN	SCHRAUBE 6 X70 5737 8.G ZN	TORNILLO 6 X70 5737 8.G ZN
2	F01430047R	ROS.M6 6,4X 11X0,7 U8842J ZN	WASHER D6 DIN 6798 D.INT.GALV.	RONDELLE D6 DIN 6798 D. INT. Z	UNT. SCHEIBE D6 DIN 6798 D. IN	ARANDELA D6 DIN 6798 D.INT.ZN
3	F01420036R	ROS.M6 6,4X 18X1,5 U6593 ZN	WASHER M6 6,4X 18X1,5 U6593 ZN	RONDELLE M6 6,4X18X1,5 U6593ZN	SCHEIBEN M6 6,4X18X1,5U6593 ZN	ARANDELA M6 6,4X18X1,5U6593ZN
4	F03150722R	TAPPO 700 M52X2	M52 X 2 PLUG 700	BOUCHON M52 X 2	PFROPFEN M52 X 2	TAP N M52 X 2
5	G19004480R	CONVOGLIATORE 12 USCITE	CONVEYOR 12 OUTLETS	CONVOYEUR 12 SORTIES	TRICHTER MIT 12 AUSG-NGEN	TRANSPORTADOR 12 SALIDAS
6	F01230143R	DADO M24X2 D982 8ZN	NUT M24X2 D982 8ZN	ECROU M24X2 D982 8 ZN	MUTTER M24X2 D982 8 ZN	TUERCA M24X2 D982 8 ZN
7	G13912060R	PIASTRINA DI TENUTA	STOP PLATE	PLAQUETTE DE TENUE	DICHTPLZTTCHEN	PLACA DE RETENCI N
8	G13912050R	RONDELLA DI FERMO	STOP WASHER	RONDELLE DE BLOQUE	FESTSTELLSCHEIBE	ARANDELLA DE BLOQUEO
9	G22230335R	INVOLUCRI DEPRESSORE	VACUUM PUMP CASINGS	ENVELOPPES DEPRESSEUR	HSLLEN VAKUUMPUMPE	CAJAS BOMBA VAC O
10	F01020403R	VITE M6X1X16 U5739 8.8ZN	SCR. M6X1X16 U5739 8.8ZN	VIS M6X1X16 U5739 8.8 ZN	SCHRAUBE M6X1X16 U5739 8.8 ZN	TORNILLO M6X1X16 U5739 8.8 ZN
11	G22230015R	GIRANTE	ROTOR			
12	G15450500R	PROTEZIONE CINGHIA 1000 GIRI	BELT GUARD 1000 RPM	PROTECTION COURROIE 1000 TOURS	RIEMENSCHUTZ 1000 UMDR.	PROTECCI N CORREA 1000 REV.
13	F01220011R	DADO M6X1 D980 8ZN	NUT M6X1 D980 8ZN	ECROU M6X1 D980 8 ZN	MUTTER M6X1 D980 8 ZN	TUERCA M6X1 D980 8 ZN
14	F02050112R	ANELLO E.DE 30X 1,5 U7435 ZN	SEEEGER RING 30X 1,5 U7435 C70	SEEEGER E. 30 X 1,5 U7435 C70	SEEEGERING E. 30X 1,5 U7435 C70	ANILLO E. 30 X 1,5 U7435 C70
15	F02050403R	ANELLO E. DI 72X 2,5 U7437 C7	SEEEGER RING E.72X2,5 U7437 C70	SEEEGER E. 72X 2,5 U7437 C70	SEEEGERING E. 72X 2,5 U7437 C70	ANILLO E. DI 72X 2,5 U7437 C7
16	F04010215R	CUSC.D30 D72 B19 6306 2RSC3 EX	BEARING D30 D72 B19 6306 2RSC3	BEARING D30 D72 B19 6306 2RSC3	LAGER 6306 2RS C3	COJINETE 6306 2RS C3
17	G22230010R	DISTANZIALE CUSCINETTI	BEARING SPACER	ENTRETOISE PALIERS	DISTANZSTSCK LAGER	DISTANCIADOR COJINETES
18	F01020476R	VITE M10X1,5X30 U5739 8.8ZN	SCR. M10X1,5X30 U5739 8.8ZN	VIS M10X1,5X30 U5739 8.8 ZN	SCHRAUBE M10X1,5X30U5739 8.8ZN	TORNILLO M10X1,5X30 U5739 8.8
19	F15850200R	INCASTELLATURA DEPRESSORE	DIFFUSION AIR PUMP FRAME	B-TI POMPE A D PRESSION	GESTELL VAKUUMPUMPE	ARMAZ N BOMBA VAC-O
20	G22270134R	SUPPORTO VACUOMETRO SP	VACUUM METER SUPPORT SP	SUPPORT VACUOMETRE SP	HALTERUNG VAKUUMMETER SP	SOPORTE VACU METRO SP
21	G15450061R	SUPPORTO SX	LEFT SUPPORT			
22	F01430023R	ROS.M10 10,5X 18X0,9 U8842J Z	WASHER D10 DIN 6798 D.INT.ZN	RONDELLE D10 DIN 6798 D. INT.	UNT. SCHEIBE D10 DIN 6798 D.IN	ARANDELA D10 DIN 6798 D.INT.ZN
23	F01200270R	DADO M10X1,5 U5588 CL8 ZN	NUT M10X1,5 U5588 6.8ZN	ECROU M10X 1,5 U5588 6.8 ZN	MUTTER M10X 1,5 U5588 6.8 ZN	TUERCA M10X1,5 U5588 CL8 ZN
24	G22270369R	P.D.PI.CON CODOLO	POWER TAKE-OFF- W SPIGOT	PRISE DE FORCE AVEC CONE	KRAFTABTRIEB MIT ENDSTSCCK	TOMA DE FUERZA CON MANGO
25	G22230012R	PULEGGIA MOTRICE 540 GIRI	DRIVING PULLEY 540	POULIE MOTRICE 540T	ANTRIEBSSCHEIBE 540	POLEA MOTRIZ 540
26	G20970035R	RONDELLA 32X4X13	WASHER 32X4X13	RONDELLE 32X4X13	UNTERLEGSCHIEBE 32X4X13	ARANDELA 32X4X13
27	F01200293R	DADO M12X1,75 U5588 CL8 ZN	NUT M12X1,75 U5588 6S ZN	ECROU M12X1,75 U5588 6S ZN	MUTTER M12X1,75 U5588 6S ZN	TUERCA M12X1,75 U5588 CL8 ZN
28	F06010160R	CINGHIA POLY V 1287 J-16 GOLE	BELT POLY V 1287 J-16 CU GAT	COURROIE POLY V	BELT POLY J-16 1287 V GOLE	BANDA POLY V 1287 J-16 GOLE
29	F05150479R	ROND.APPOGGIO MANOMETRI SV	PRESSURE GAUGE REST WASHER	ROND. LOGEMENT MANOMETRES SV	STSTZSCHEIBE MANOMETER SV	ARAND. SOPORTE MANOMETROS SV
30	G22250274R	COLLEGAMENTO MANOMETRI SP-SV	PRESSURE GAUGE CONNECT. SP-SV	RACCORD MANOMETRES SP-SV	VERBINDUNG MANOMETER SP-SV	CONEXI N MAN METROS SP-SV
31	G15450342R	PROTEZ.CINGHIA DEPRES.COMPLETO	DEPRES. COMPL.PROTECTION BELT	DEPRES. COMPL.PROTECTION BELT	DEPRES. COMPL.PROTECTION BELT	
32	F05011136R	SENSORE DEPR.-200MBAR 0,5-4,5	DEPRES.SENSOR -200MBAR 0,5-4,5	DEPRES.SENSOR -200MBAR 0,5-4,5	DEPRES. SENSOR -200MBAR 0,5-4,5	
33	M38100146R	MANICOTTO PROTEZIONE PDF 1 3 8	P.T.O. PROTECTION	MANCHON DE PROTECTION P.T.O.	ZAPFWELLENSCHUTZ P.T.O.	MANGUITO PROTECCION P.T.O.
34	F01200306R	DADO M14X2 U5588 CL8 ZN	NUT M14X2 U5588 6.8ZN	ECROU M14X2	MUTTER M14X2	DADO M14X2
35	F20110770R	CAV.Q.B=80 M=14X2 L=119	U BOLT Q.B=80 M=14X2 L=119	BRIDE U M14X2X50 96X119 ZN	ANSCHLANG U M14X2X50 96X119 ZN	EL.DE EMPALME M14X2X50 96X119
36	G20970142R	RONDELLA 32X4X15,5	WASHER 32X4X15,5	RONDELLE 32X4X15-5	UNTERLEGSCHIEBE 32X4X15-5	ARANDELA 32X4X15-5
37	G15450390R	PULEGGIA CONDOTTA D.28	DRIVEN PULLEY D.28	POULIE ENTRAINEE D. 28	GETRIEBENE SCHEIBE D.28	POLEA CONDUCIDA D.28
38	F13010027R	RACC.SUPERAPIDO 90 1 8G-8	90 UNION STRAIGHT 1 8G-8			
39	G15450270R	VITE 10X130 8.8 FIL.60 ZN	GALVANIZ. BOLT 10X130 8.8 FIL	VIS 10X130 8.8 FIL.60 ZN	SCHRAUBE 10X130 8.8 GEW.60 ZN	TORNILLO 10X130 8.8 FIL.60 ZN
40	F13070005R	TUBO POLIURETANO 8-6 NERO	POLIURETHAN PIPE 8-6 BLACK			
41	G22230014R	DISTANZIALE	SPACER	ENTRETOISE	DISTANZSTSCK	DISTANCIADOR
42	G15450091R	SUPPORTO PULEGGIA CONDOTTA	DRIVEN PULLEY SUPPORT	SUPPORT POULIE ENTRAINEE	HALTERUNG GETRIEBENE RIEMENSCH	SOPORTE POLEA CONDUCIDA
43	G15450051R	SUPPORTO DX	RIGHT SUPPORT			
44	F01020472R	VITE M10X1,5X25 U5739 8.8ZN	SCR. M10X1,5X25 U5739 8.8ZN	VIS M10X1,5X25 U5739 8.8 ZN	SCHRAUBE M10X1,5X25 U5739 8.8	TORNILLO M10X1,5X25 U5739 8.8
45	G15450280R	PROTEZIONE DEPRESSORE	VACUUM PUMP PROTECTION	PROTECTION DEPRESSEUR	SCHUTZ VAKUUMPUMPE	PROTECCI N BOMBA DE VAC O
46	F03100562R	TUBO EOLO PU D.45 TRASP. NERO	TUBE EOLO PU D.45 TRASP BLACK	EXT.WIRING M12-M12 MF 180 1,5M		
47	F19902310R	CABL.PROL.M12-M12 M-F 180 1,5M	EXT.WIRING M12-M12 MF 180 1,5M			
48	F01020050R	VITE M6X1X80 U5737 8.8ZN	SCR. M6X1X80 U5737 8.8ZN	VIS 6 X80 5737 8.G ZN	SCHRAUBE 6 X80 5737 8.G ZN	TORNILLO 6 X80 5737 8.G ZN
49	F05150058R	FASCETTA POLYA. 7,8X550 NERA	POLYAM.CLAMP 7,8X550 BLACK	COLLIER DE SERRAGE 7,8X550NOIR	ROHRSCHELLE 7,8X550 SCHWARZ	ABRAZADERA APRET. 7,8X550 NEGR
50	G10150291R	GRIGLIA PROTEZIONE ZN	AIR PUMP PROTECT. GRID	GRILLE DE PROTECT.DISP. DEPRES	SCHUTZGITTER VAKUUMPUMPE	REJILLA DE PROTECCI N BOMBA VA
51	F08011716R	CARD.B1 Z6-Z6 L900 R.LIB	UNIV.JOINT B1 Z6-Z6 L900 R.LIB	CARD.B1 Z6-Z6 L900 R.LIB	KARDAN CE T100710 112 R12	CEJAN CA T100710 112 R12
52	F05050020R	TAPPO SALVAFIETTO D.39	THREAD PROTECTION CAP D.39	BOUCHON PROTEGE-FILET D. 39	GEWINDESCHUTZPFROPFEN D.39	TAPON GUARDARROSCA D.39
53	F13010028R	RACC.SUPERAPIDO DRITTO 1 8G-8	SUPERAPRIGHT JUNCTION 1 8G-8			
54	F06010171R	CINGHIA POLY V 1051 J-16 GOLE	POLY-V BELT 1051 J-16 GROOVES			
55	G15450310R	PULEG.MOTR.1000 GIRI CINGHIA	DRIV.PULLEY 1000 REVS BELT	POULIE MOTRICE 1000T	ANTRIEBSSCHEIBE 1000 UMDREHUNG	POLEA MOTRIZ 1000 REVOLUCIONES
56	G15250100R	PULEGGIA MOTRICE 750 GIRI	DRIVE PULLEY 750			
57	G19005570R	CUFFIA PROTEZIONE PTO	PROTECTION CAP PTO			
58	F02300025R	FASCETTA STRING. 90 110 H.12	HOSE CLAMP 90 110 H.12			
59	G18903852R	MOLLA GUIDA 2 TUBI D71 ZN	SPRING GUIDE 2 TUBES D71			
60	G18904590R	MOLLA GUIDA 3 TUBI D71 ZN	GUIDE SPRING 3 PIPE D71 ZN			
61	F02300020R	FASCETTA STRING. 32 50 H.9	HOSE CLAMP 32 50 H.9			
62	F03100500R	TUBO EOLO 35 PU	TUBE EOLO 35 PU			
63	F03100506R	TUBO EOLO PU D.45	TUBE EOLO PU D.45			
64	G18250400R	ASS.CONVOGL.SOFF.5U 35 2U 45	AIR CONVEYOR 5 35 2 45			
65	F06010165R	CINGHIA POLY V 1092 J-16 GOLE	BELT POLY V 1092 J-16 GOLE			
66	F01220255R	DADO M14X2 D980 8ZN	NUT M14X2 D980 8ZN	ECROU M14X2 D980 8 ZN	MUTTER M14X2 D980 8 ZN	TUERCA M14X2 D980 8 ZN
67	G15276780R	SUPPORTO TUBO DEXON D35 DX	RIGHT DEXON PIPE SUPPORT D35			
68	G15276800R	SUPPORTO TUBO DEXON D35 SX	LEFT DEXON PIPE SUPPORT D35			



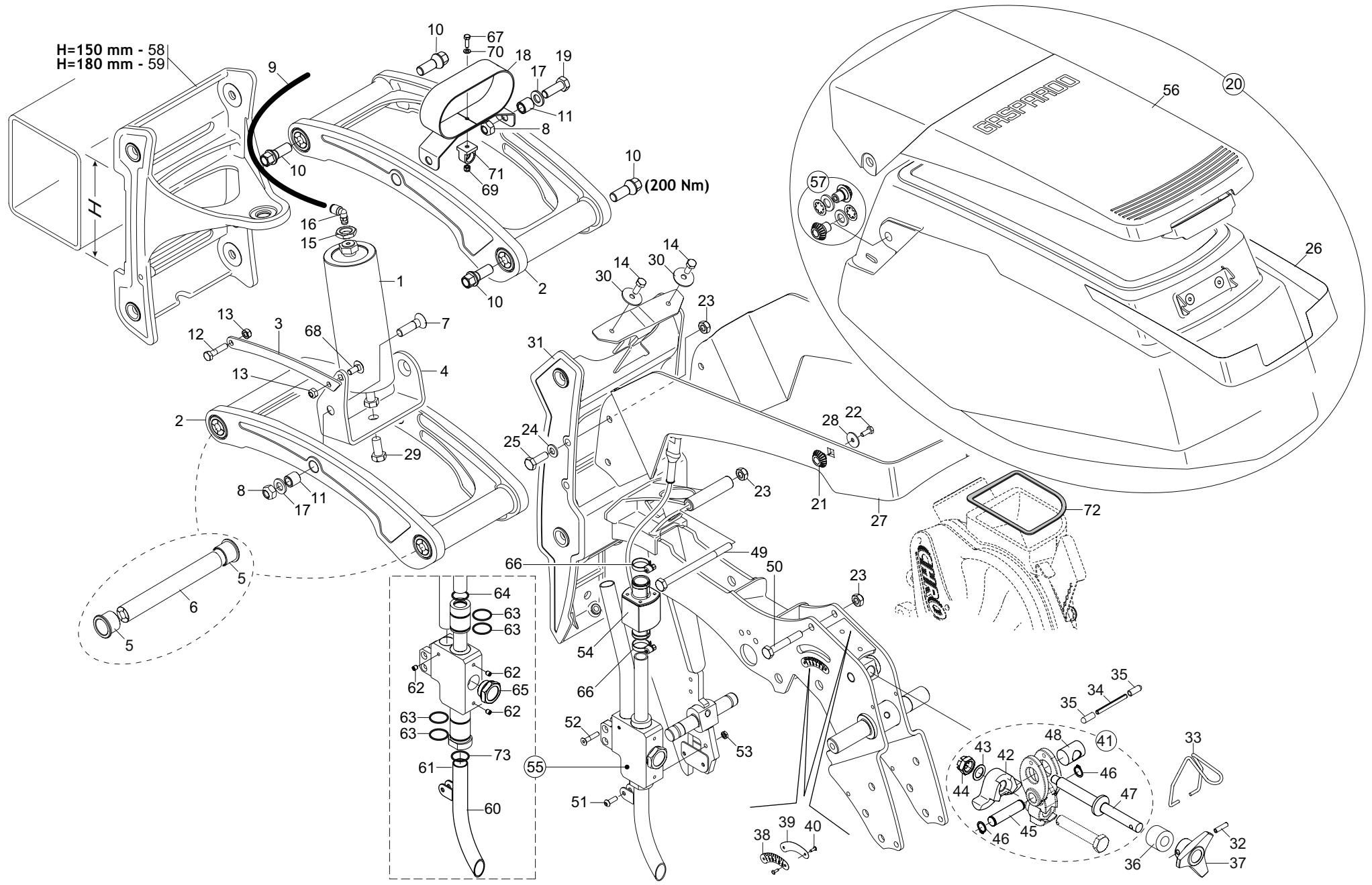


## DISTRIBUTORE SEMI SEED DISTRIBUTOR

TAV. 060

Pos.	Cod.	Descrizione	Description	Description	Benennung	Descripcion
1	F01030011R	VITE M4X0,7X10 U5933 10.9ZD	SCR. M4X0,7X10 U5933 10.9ZD			
2	F01040026R	VITE M4X0,7X10 U5931 A2IX	SCR. M4X0,7X10 U5931 A2IX	VIS 4X10 5931 INOX A2	SCHRAUBE 4X10 5931 INOX A2	TORNILLO 4X10 5931 INOX A2
3	F01040028R	VITE M4X0,7X16 U5931 8.8ZN	SCREW M4X0,7X16 U5931 8.8ZN	VIS M4X0,7X16 U5931 8.8ZN	SCHRAUBE M4X0,7X16 U5931 8.8ZN	TORNILLO M4X0,7X16 U5931 8.8ZN
4	F01040029R	VITE M4X0,7X30 U5931 8.8ZN	SCR. M4X0,7X30 U5931* 8.8ZN			
5	F01040107R	VITE M8X1,25X30 U5931 A2IX	SCR. M8X1,25X30 U5931 A2IX	VIS M8X1,25X 30 U5931 A2 IX	SCHRAUBE M8X1,25X 30 U5931 A2	TORNIL. M8X1,25X 30 U5931 A2
6	F01410011R	ROS.M4 4,3X 9X0,8 U6592 ZN	PLANE WASHER 4,5X 9 6592	RONDELLE 4,5X 9 6592	SCHEIBE 4,5X 9 6592	ARANDELA 4,5X 9 6592
7	F01230016R	DADO M4X0,7 D982 8ZN	NUT M4X0,7 D982 8ZN	ECROU AUTOB.NOR.4 ZN	SELBSTSP. MUTTER NOR. 4 ZN	TUERCA AUTOB. NOR. 4 ZN
8	F01410011R	ROS.M4 4,3X 9X0,8 U6592 ZN	PLANE WASHER 4,5X 9 6592	RONDELLE 4,5X 9 6592	SCHEIBE 4,5X 9 6592	ARANDELA 4,5X 9 6592
9	F02050648R	ANELLO BENZING-QUICKLOCK BQ7	BENZING-QUICKLOCK BQ7 RING	BAGUE BENZING-QUICKLOCK BQ7	RING BENZING-QUICKLOCK BQ7	ANILLO BENZING-QUICKLOCK BQ7
10	F02050668R	FISSATORE ELASTICO RPCO D.4	ELASTIC FIXER RPCO D.4			
11	F03100660R	MINI PISTON.GN 822.7-4-M8X1-B	MINI PISTON.GN 822.7-4-M8X1-B			
12	F05011793R	MOTORID.BRUSHLESS SHORT C ELN	RATIOMOTOR BRUSHLESS SHORT W E			
13	G18220080R	CORPO DISTRIBUTORE CHRONO	DISTRIBUTOR BODY CHRONO			
14	G18220160R	SELETTORE MOBILE CHRONO	MOBILE SELECTOR CHRONO			
15	G18220180R	PUNTA SELETTORE ECCENTR.CHRONO	ECCENTR SELECTOR TIP CHRONO			
16	G18220250R	MONT.COPERCHIO CHRONO	LID ASSEMBLY CHRONO			MONT. COBERTURA CHRONO
17	G18220620R	LAMA PARZIALIZZAZIONE SEME	BLADE PARTIALIZATION SEED			
18	G18221160R	MONT.DISTRIBUTORE CHRONO	DISTRIBUTOR ASSEMBLY CHRONO			
19	G18220660R	MONT.SELETTORE INTERNO	MONT.INTERNAL SELECTOR			
20	G18221010R	ASS.TUBO DISCESA SEME	ASSEMBLY DESCENT TUBE SEED			
21	G18221070R	BOCCOLA FISSAGGIO SELETTORE	SELECTOR MOUNTING BUSHING			
22	G18221080R	PORTA DI ISPEZIONE	INSPECTION PORT			
23	G18221270R	MONT.ESAGONO CH 42	MONT.ESAGONO CH 42			
24	G18220650R	MONT.PORTA SCARICO SEME	DISCHARGE SEED UNIT MOUNTING			
25	G18221520R	SCATTO SELETTORE ALTA VELOCITA	HIGH SPEED SELECTOR SHUTTER			
26	G18904970R	MOLLA PORTA ISPEZIONE	INSPECTION SPRING			
27	G19002122R	POMELLO GRADUATO SELET.ECC.SV	GRADUATED SELECT KNOB.ECC.SV			
28	G18904960R	MOLLA TORS.SCARICO SEME	DISCHARGE SEED SPRING			
29	F01050026R	VITE M6X1X20	SCREW M6X1X20			
30	F01440095R	RONDELLA ALLUMINIO D12	WASHER ALUMINIUM D12	RONDELLE ALUMINIUM D12	UNTERLEGSCHIEBE ALUMINIUM D12	ARANDELA ALUMINIO D12
31	F01460129R	ROS.OND.13,0X 24X1,2 IX D137B	WASHER D13 DIN 137 B IX			
32	F02050023R	ANELLO E. DE 12X 1 U7435 C70	SEEGER RING D 12X 1 U7435 C70	BAGUE SEEGER D 12X 1 U7435 C70	SEEGERRING D 12X 1 U7435 C70	ANILLO D 12X 1 U7435 C70
33	F03010601R	ANEL. OR 57,00X1,50 NBR	ANEL. OR 57,00X1,50 NBR			
34	F03010667R	ANEL. OR 88 X1,78 NBR	ANEL. OR 88 X1,78 NBR			
35	F03013000R	GUARNIZIONE 45 KFM	SEAL 45 KFM			
36	F50010008R	KIT CUSC.CAMPANA CHRONO	BEARING KIT CHRONO			KIT COJINETE CAMPANA CHRONO
37	F03100562R	TUBO EOLO PU D.45 TRASP. NERO	TUBE EOLO PU D.45 TRASP BLACK			
38	F03100563R	TUBO EOLO PU D.52 TRASP. NERO	TUBE EOLO PU D.52 TRASP. BLACK			
39	G16622070R	POMELLO COPERCHIO IX	SEED COVER KNOB IX			
40	G18220100R	CAMPANA CHRONO	BELL CHRONO			
41	G18220210R	COPERCHIO CHIUSURA ASPIRAZIONE	SUCTION CLOSING COVER			
42	G18220220R	TASSELLO ROMPIVUOTO	TASSELLO ROMPIVUOTO			
43	G18221240R	FLANGIA INT.BLOCCO CUSCINETTO	BEARING INTERNAL FLANGE			
44	G18221250R	SUPPORTO TASSELLO CIRCOLARE	CIRCULAR ANCHOR SUPPORT			
45	G18221260R	FLANGIA EST.BLOCCO CUSCINETTO	BEARING EXTERNAL FLANGE			
46	F07100132R	MOUSSE ADESIVA MM 5X3	ADHESIVE MOUSSE MM 5X3			
47	F06260634R	PREFILTRO ARIA VORTEX D.50	VORTEX AIR PREFILTER D.50			
48	F02300068R	FASCE.INOX W4 40X60 BANDA12 CO	INOX CLAMP W4 40X60 BANDA12 CO			
49	F01020440R	VITE M8X1,25X25 U5739 8.8ZN	SCR. M8X1,25X25 U5739 8.8ZN	VIS M8X1,25X25 U5739 8.8 ZN	SCHRAUBE M8X1,25X25U5739 8.8ZN	TORNILLO M8X1,25X25 U5739 8.8
50	F01220022R	DADO M8X1,25 D980 8ZN	NUT M8X1,25 D980 8ZN	ECROU M8X 1,25 D980 8 ZN	MUTTER M8X 1,25 D980 8 ZN	TUERCA M8X 1,25 D980 8 ZN
51	F01200244R	DADO M8X1,25 U5588 CL8 ZN	NUT M8X1,25 U5588 6.8ZN	ECROU M8 X1,25 U5588 6.8 ZN	MUTTER M8 X1,25 U5588 6.8 ZN	TUERCA M8X1,25 U5588 CL8 ZN
52	G18250050R	TUBO D. 50X2 X 80 1F9	TUBO D. 50X2X80 1F9			
53	F01021236R	VITE M4X 0,7X 55 U5737 A2IX	SCREW M4X 0,7X 55 U5737 A2IX			
54	F01230309R	DADO M 4X 0,7 D982 A2 IX	NUT M 4X 0,7 D982 A2 IX			
55	G18221330R	DISCO SEM. 36F D.5,00 SP.4 P.	SEED DISC 36F D.5,00 SP.4 P			
56	G18221720R	DISCO SEM. 36 F. D.2,50 SP.4	SEED DISC 36 F. D.2,50 SP.4			
57	G18221730R	DISCO SEM. 72 F. D.4,25 SP.4	SEED DISC 72 F. D.4,25 SP.4			
58	G18221710R	DISCO SEM. 48 F. D.2,10 SP.4	SEED DISC 48 F. D.2,10 SP.4			
59	G18221700R	DISCO SEM. 72 F. D.2,25 SP.4	SEED DISC 72 F. D.2,25 SP.4			
60	G18221530R	DISCO SEM.120 F. D.1,30 SP.4	SEED DISC 120 F. D.1,30 SP.4			

TAV. 070



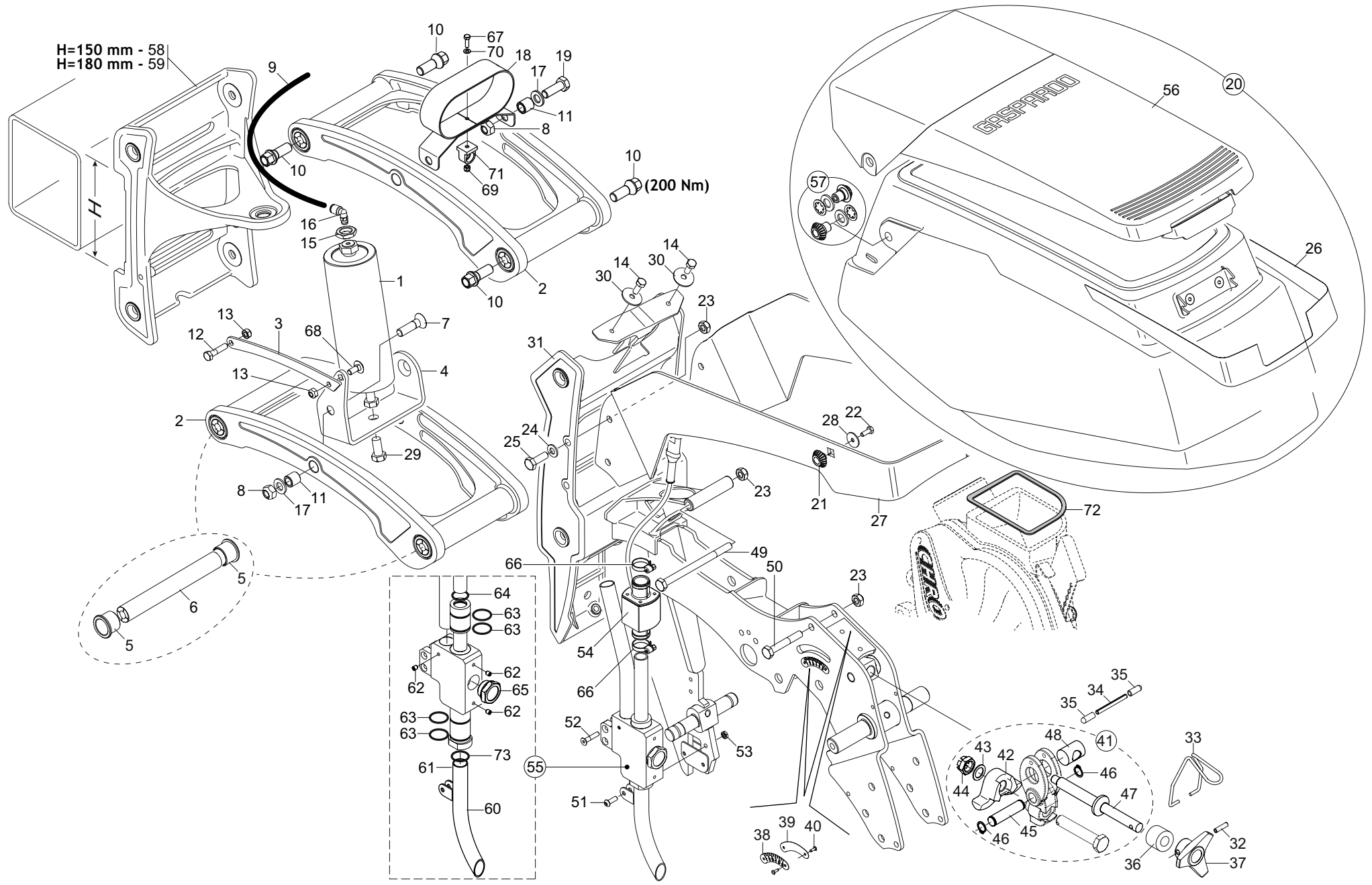


## TELAIO ELEMENTO UNIT TOOLBAR

TAV. 070

Pos.	Cod.	Descrizione	Description	Description	Benennung	Descripcion
1	F02400028R	MOLLA AD ARIA D.80 - 7BAR	AIR SPRING D.80 -7BAR			
2	G18221340R	MONT.PARALLELO 430	PARALLEL ASSEMBLY 430			
3	G18220410R	GUIDA AIR BAG	AIR BAG GUIDE			
4	G18220430R	SUPPORTO AIR BAG	AIR BAG SOPORT			
5	G66349003R	BOCCOLA SINT.	BUSHING- SINTERED	BOITE FRITTEE	SYNTH. BUECHSE	CASQUILLO SINT.
6	G18210620R	PERNO D25	PIN D25			
7	F01030111R	VITE M12X1,75X40 U5933 10.9ZD	SCR. M12X1,75X40 U5933 10.9ZD	VIS 12X40 5933 8.8 ZN	SCHRAUBE 12X40 5933 8.8 ZN	TORNILLO M12X1,75X40 U5933 10.
8	F01220048R	DADO M12X1,75 D980 8ZN	NUT M12X1,75 D980 8ZN	ECROU M12X1,75 D980 8 ZN	SCHEIBE M12X1,75 D980 8 ZN	TUERCA M12X1,75 D980 8 ZN
9	F13070005R	TUBO POLIURETANO 8-6 NERO	POLIURETHAN PIPE 8-6 BLACK			
10	GA5210440R	VITE COLONNETTA M14X1,5X28CH17	SCREW COLONNET M14X1,5X28CH17			
11	G18804410R	BOCCOLA 12,25X18 X18,5 ZN	BUSHING 12,25X18 X17,5 ZN			
12	F01020068R	VITE M8X1,25X40 U5737 8.8ZN	SCR. M8X1,25X40 U5737 8.8ZN	VIS M 8X1,25X40 U5737 8.8 ZN	SCHRA. M8X1,25X40 U5737 8.8 ZN	TORNILLO M8X1,25X40 U5737 8.8
13	F01220022R	DADO M8X1,25 D980 8ZN	NUT M8X1,25 D980 8ZN	ECROU M8X 1,25 D980 8 ZN	MUTTER M8X 1,25 D980 8 ZN	TUERCA M8X 1,25 D980 8 ZN
14	F01020436R	VITE M8X1,25X20 U5739 8.8ZN	SCR. M8X1,25X20 U5739 8.8ZN	VIS M8X1,25X 20 U5739 8.8 ZN	SCHRAUBE M8X1,25X20U5739 8.8ZN	TORNILLO M8X1,25X20 U5739 8.8
15	F01280010R	DADO 3 4 -16 UNF H=1 4	NUT 3 4 -16 UNF H=1 4			
16	F13010027R	RACC.SUPERAPIDO 90 1 8G-8	90 UNION STRAIGHT 1 8G-8			
17	F01410076R	ROS.M12 13X 24X2,5 U6592 ZN	WASHER 12 13X 24X2,5 U6592 ZN	RONDEL. M12 13X24X2,5 U6592 ZN	SCHEIBE M12 13X24X2,5 U6592 ZN	ARAND.M12 13X 24X2,5 U6592 ZN
18	G18210680R	SUPPORTO TUBI	TUBE SUPPORT			
19	F01020512R	VITE M12X1,75X35 U5739 8.8ZN	SCR. M12X1,75X35 U5739 8.8ZN	VIS M12X1,75X35 5739 8.8 ZN	SCHR. M12X1,75X35 5739 8.8 ZN	TORNILLO M12X1,75X35 U5739 8
20	G18220510R	MONT.COMPL. COPERC.-SERB.CHRO	MONT.COMPL. COPERC.-SERB.CHRO			
21	G19007840R	PERNO M6 FISSAGGIO SERB.CHRONO	M6 PIN FIXING OF CHRONO TANK			
22	F01020403R	VITE M6X1X16 U5739 8.8ZN	SCR. M6X1X16 U5739 8.8ZN	VIS M6X1X16 U5739 8.8 ZN	SCHRAUBE M6X1X16 U5739 8.8 ZN	TORNILLO M6X1X16 U5739 8.8 ZN
23	F01220033R	DADO M10X1,5 D980 8ZN	NUT M10X1,5 D980 8ZN	ECROU M10X1,5 D980 8ZN	MUTTER M10X1,5 D980 8ZN	TUERCA M10X1,5 D980 8
24	F01410062R	ROS.M10 10,5X 18X 2 U6592 ZN	WASHER M10 10,5X 18X 2 U6592	RONDELLE M10 10,5X18X2 ZN	DICHTUNGSRING M10 10,5X18X2 ZN	ARAND.M10 10,5X 18X 2 U6592 ZN
25	F01020476R	VITE M10X1,5X30 U5739 8.8ZN	SCR. M10X1,5X30 U5739 8.8ZN	VIS M10X1,5X30 U5739 8.8 ZN	SCHRAUBE M10X1,5X30U5739 8.8ZN	TORNILLO M10X1,5X30 U5739 8.8
26	G19709800R	DECAL.SERBATOIO CHRONO	DECAL CHRONO TANK			
27	G18221370R	LAME SUPPORTO SERB.CHRONO	CHRONO TANK SUPPORT BLADE			
28	F01420037R	ROS.M6 6,4X 24X1,5 U6593 ZN	WASHER M6 6,4X24X1,5 U6593 ZN			
29	F01120013R	VITE 1 2 X1	SCREW 1 2 X1			
30	F01420049R	ROS.M8 8,4X 32X 2 U6593 ZN	WASHER M8 8,4X32X2 U6593 ZN	RONDELLA M8 8,4X32X2 U6593 ZN	SCHEIBE M8 8,4X32X2 U6593 ZN	ARAND.M8 8,4X 32X 2 U6593 ZN
31	G18221150R	ASS.CORPO CENTRALE MTR	CENTRAL BODY ASSEMBLY MTR			
32	F02100115R	SPINA E.P. 6X 30 U6873 C70 IX	PIN EL. 6X30 DIN 1481 S.STEEL*	GOUPILLE EL.6 X30 DIN 1481 IN	SPANNSTIFT 6 X30 DIN 1481 EDEL	ENSAMBLE CUERPO CENTRAL MTR CLAVIJA EL.6 X30 DIN 1481 INO
33	G18903741R	MOLLA FERMO MANI GL.MAGICA 2004	HANDLE STOP SPRING MAGICA 2004	RESSORT ARRET POIG.MAGICA 2004	FEDER GRIFFSPERRE MAGICA 2004	MUELLE BLOQUEO MAN. MAGICA 04
34	F02100126R	SPINA E.P. 6X60 U6873 C70 BR	PIN E.D. 6X60 U6873 C70 BR	FICHE E.D. 6X60 U6873 C70 BR	BOLTZEN E.D. 6X60 U6873 C70 BR	CLAVIJA E.D. 6X60 U6873 C70 BR
35	F05100193R	CAPPUCCIO 5,95X19,05 GIALLO	CAP	BOUCHON	DECKEL	CORCHO
36	G18804470R	BOCCOLA 15,5X 32 X 25 ZN	BUSHING 15,5X32X25 ZN			
37	G18221690R	VOLANT.3 BRACCI	STEERING WHEEL 3 ARMS			
38	G19705280R	TARGHETTA REG.SX RUOTE PROFOND	PLATE	PLAQUET	PLATTE	PLACA
39	G19705290R	TARGHETTA REG.DX RUOTE PROFOND	PLATE	PLAQUET	PLATTE	PLACA
40	F02250066R	RIVETTO STR. 3 X 9 U9200A AL	POP RIVET 3X9 ALUMINIUM	RIVET 3 X 9 ALL	REISSNIETE 3 X 9 ALU	REMACHE DESGAR. 3 X 9 AL
41	G17740010R	BILANCIERE REGINA COMPL	REGINA ROCKER ARM MOUNTED ASSY			
42	G17720291R	BILANCIERE	ROCKER ARM		UITHOUDER	
43	G18701820R	RONDELLA 16,5 X25 X1,0 ZN	WASHER 16,5X25X1,0 ZN			
44	F01210035R	DADO M16X2 U5594 5.8ZN	NUT M16X2 U5594 5.8ZN			
45	G17722800R	PERNO 15 X 63 ZN	PIN 15 X 63 ZN			
46	F02050034R	ANELLO E. DE 15X 1 U7435 C70	ELASTIC RING DE 15X 1	BAGUE ELASTIQUE DE 15X 1	RING DE 15X 1	ANILLO DE 15X 1
47	G17722510R	ASS.VITE TENSIONAMENTO ZN	ADJUSTING SCREW ASSY ZN			
48	G22230063R	ELEMENTO ARTICOLATO	ARTICULATED ELEMENT	ELEMENT ARTICULE	GELENKELEMENT	ELEMENTO ARTICULADO
49	F01020139R	VITE M10X1,5X140 U5737 8.8ZN	SCR. M10X1,5X140 U5737 8.8ZN	VIS M10X 1,5X140 U5737 8.8	SCHRAUBE M10X 1,5X140 U5737	TORNIL. M10X 1,5X140 U5737 8.8
50	F01020120R	VITE M10X1,5X65 U5737 8.8ZN	SCR. M10X1,5X65 U5737 8.8ZN	VIS M10X1,5X65 U5737 8.8 ZN	SCHRA. M10X1,5X65 U5737 8.8 ZN	TORN. M10X1,5X65 U5737 8.8 ZN
51	F01030268R	VITE M6X1X18	SCREW M6X1X18			
52	F01030042R	VIT.M 6X 1X 30 U5933 10.9 ZN	SCREW 6X 1X 30 U5933 10.9 ZN			
53	F01200446R	DADO M 6X1	NUT M 6X1			
54	G18221050R	FOTOCPELLULA CHRONO	PHOTOCELL CHRONO			
55	G18220290R	MONT.EIETTORE CHRONO	ASSEMBLY EJECTOR CHRONO			

TAV. 070

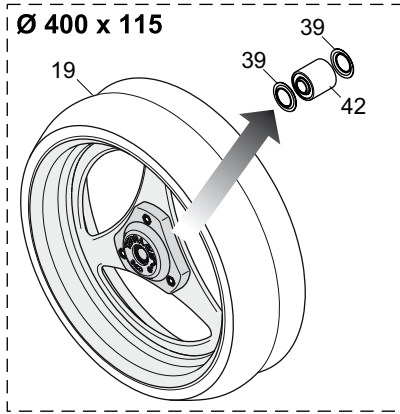
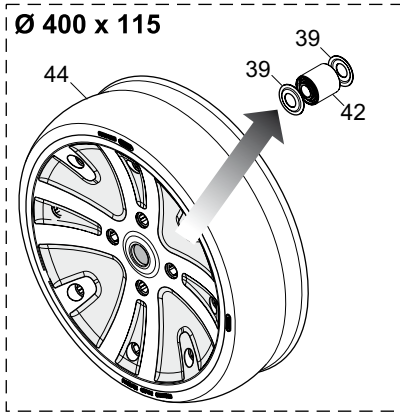
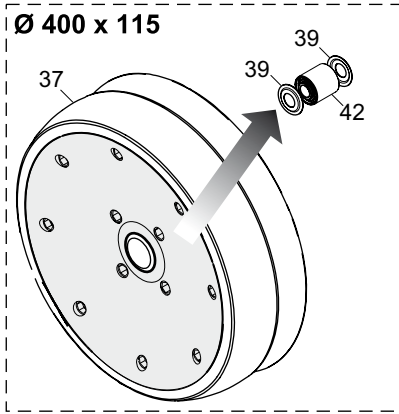
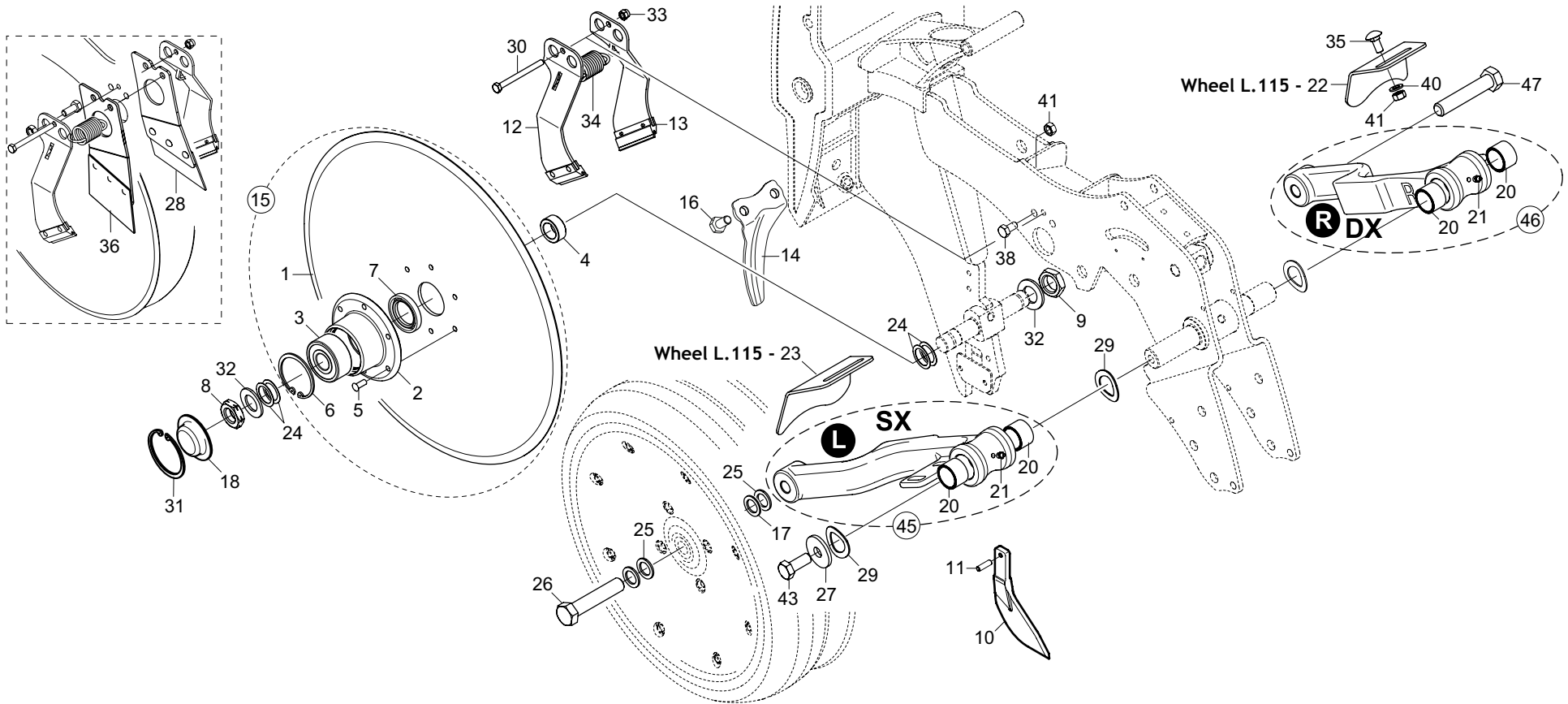


**TELAIO ELEMENTO  
UNIT TOOLBAR**

**TAV. 070**

Pos.	Cod.	Descrizione	Description	Description	Benennung	Descripcion
56	G18220490R	MONT.COPERCHIO SERBAT.CHRONO	MONT. TANK COVER CHRONO			
57	G19007850R	PERNO D14 FISSAGG.SERB.CHRONO	PIN D14 FIXING OF CHRONO TANK			PASADOR D14 FIJO TANQUE CHRONO
58	G19206100R	PIAST.ATT.FRONTAL.EL.H150 L220	PIAST.ATT.FRONTAL.EL.H150 L220			
59	G19206160R	PIASTRA ATT.FRONT.EL.H180 L220	FRONT PLATE ELEM.H180 L220			
60	G18220940R	ASS.CURVA	ASS. CURVE			
61	F03010464R	ANEL. OR 25,12X1,78 NBR	ANEL. OR 25,12X1,78 NBR			
62	F01050088R	VITE M6X1X6	SCREW M6X1X6			
63	F03010470R	ANEL. OR 26,7 X1,78 NBR	ANEL. OR 26,7 X1,78 NBR			
64	F03011323R	ANEL. OR 20,352X1,78 NBR	OR RING 20,352X1,78 NBR			
65	F03150707R	TAPPO OLIO 3 4 SENZA SFIATO	OIL PLUG 3 4 W O HOLE			
66	F02300016R	FASCETTA STRING. 16 27 H.8	CLAMP 16 27 H.8			
67	F01020378R	VITE M5X0,8X16 U5739 8.8ZN	SCR. M5X0,8X16 U5739 8.8ZN	VIS M5X0,8X16 U5739 8.8ZN	SCHRAUBE M5X0,8X16 U5739 8.8ZN	TORNILLO M5X0,8X16 U5739 8
68	F01060041R	VITE M8X1,25X25 U5731 8.8ZN	SCR. M8X1,25X25 U5732 4.6ZN	VIS 8 X25 5732 4.6 ZN	SCHRAUBE 8 X25 5732 4.6 ZN	TORNILLO 8 X25 5732 4.6 ZN
69	F01230019R	DADO M5X0,8 D982 8ZN	NUT M5X0,8 D982 8ZN	ECROU AUTOB.NOR.5 ZN	SELBSTSP. MUTTER NOR.5 ZN	TUERCA AUTOB. NOR. 5 ZN
70	F01410023R	RONDELLA D5 UNI 6592 ZN	WASHER M5 5,3X 10X 1 U6592			
71	F05011013R	FISSAGUAINA NW12	FIXED SHEATH NW12			
72	G18221430R	GUARNIZIONE DOSAT.-SERB. SEME	SEED TANK DOSER GASKET			
73	F03011324R	ANEL. OR 21,95 X1,78 NBR	OR RING 21,95 X1,78 NBR			

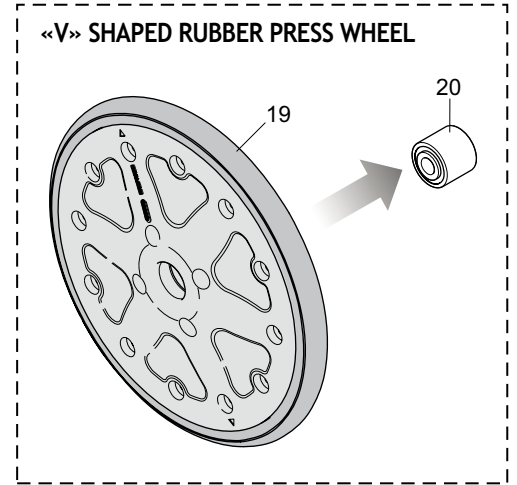
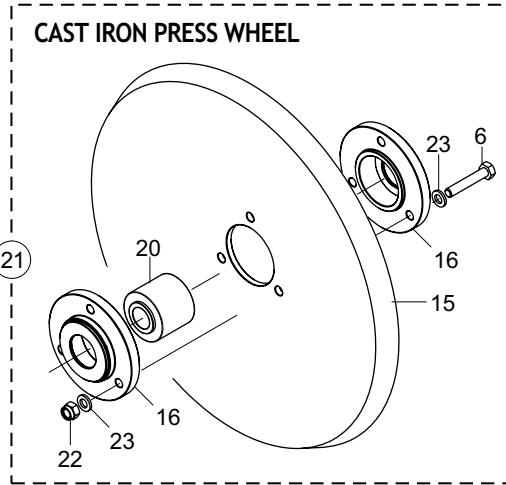
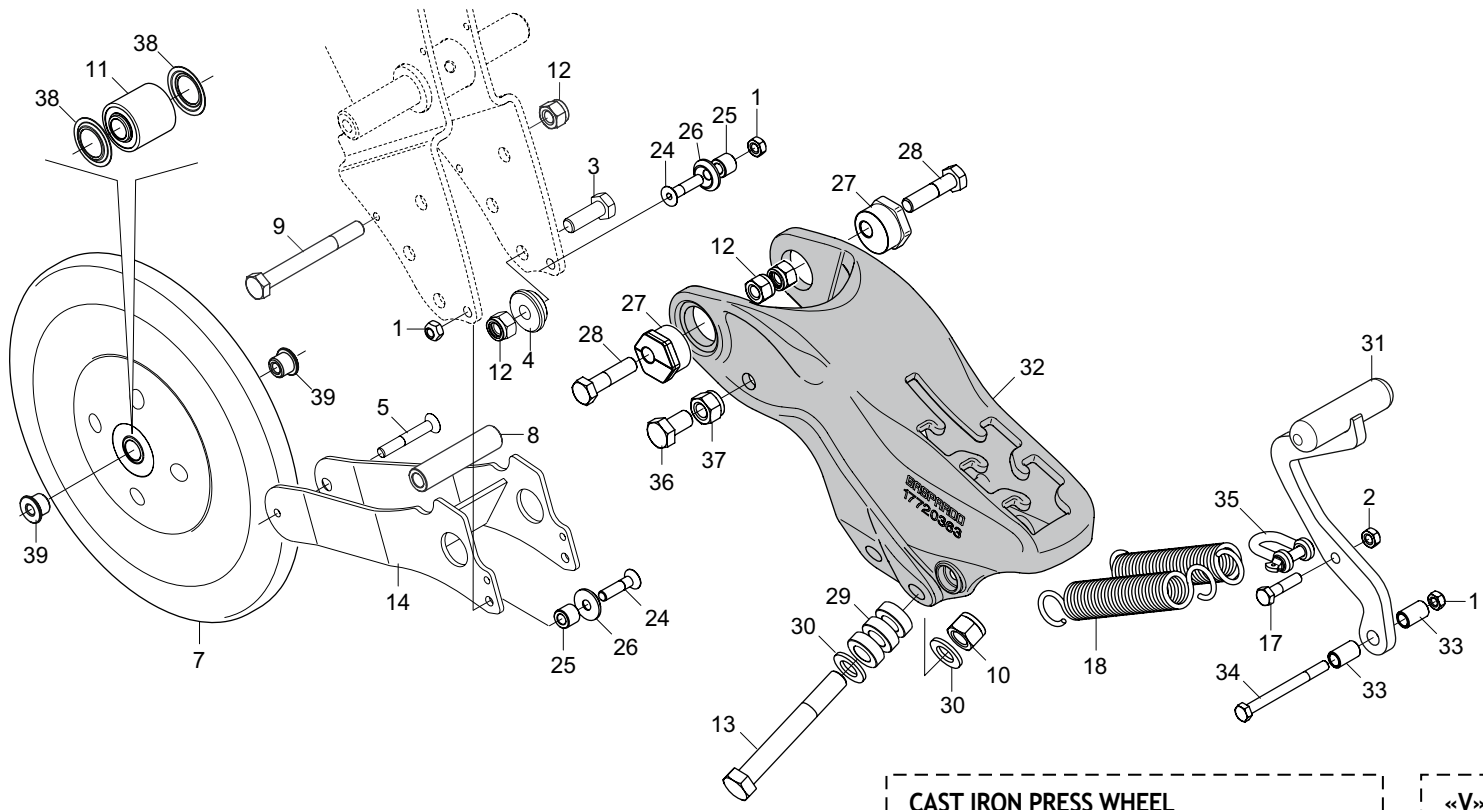
TAV. 080



## RUOTE DI PROFONDITÀ DEPTH WHEELS

TAV. 080

Pos.	Cod.	Descrizione	Description	Description	Benennung	Description
1	G17722471R	DISCO ASSOLCATORE D.420	FURROW OPENER DISC D.420	DISC D.420		DISCO SURGADOR D.420
2	G17722493R	SUPP.CUSC.DISCO	BEARING SUPPORT DISC			
3	F04010094R	CUSC.D20 D52 B22,2 3304 LLU	BEAR.D20 D52 B22,2 3304 LLU	ROULEMENT D20 D52 B22,2 LLU		
4	G17722482R	BOCCOLA 20 X30 X12,3	BUSHING D20X30X12,3	BOITE	BSCHSE	CASQUILLO
5	F02250521R	RIBATTINO TSC 6 X19,8 A 2	RIVET TSC 6X19,8 A 2 BY PIECE	PAQUET RIVETS TSC 6X 19,8 A 2	PACKUNG NIETEN TSC 6X19,8 A 2	PAQU.REMACHES TSC 6X 19,8 A 2
6	F02050381R	ANELLO E. DI 52X 2 U7437 C70	SEEGER RING E. 52X 2 U7437 C70	SEEGER E. 52X 2 U7437 C70	SEEGERING E. 52X 2 U7437 C70	ANILLO 52X 2 U7437 C70
7	F03011159R	AN. TENUTA 30X47X7 AS	SEALING RING 30X47X7	BAGUE D ETANCHEITE 30X47X7	DICHTUNGSRING 30X47X7	ANILLO AISLADOR 30X47X7
8	G17722811R	DADO M20X 2,5 SINISTRO ZN.	NUTS M20X2,5 LEFT GALV.ED			
9	F01200468R	DADO M20X2,5 U5589 CL8 ZN	NUT M20X2,5 U5589 6.8ZN	ECROU 20 5589 5.8 ZN *	MUTTER 20 5589 6.8 ZN *	TUERCA 20 5589 6.8 ZN
10	G19203943R	TAGLIENTE INT.DISCHI	INTERNAL DISC COULTER	COUTEUR INTERIEUR		HILO DE CORTE INTERNO DISCOS
11	F02100106R	SPINA E.P. 6X 20 U6873 C70 BR	EL. PIN E.P. 6X20 U6873 C70 BR	GOUJON E.P. 6X 20 U6873 C70BR	BOLZEN E.P. 6X 20 U6873 C70BR	ESPINA E.P. 6X 20 U6873 C70BR
12	GA5220051R	ASS.RASCHIATERRA VIDIA SX	LEFT VIDIA SOIL SCRAPER ASS.			
13	GA5220311R	ASS.RASCHIATERRA VIDIA DX	RIGHT VIDIA SOIL SCRAPER ASS.			
14	G15225861R	PROTEZIONE DISCHI	DISC PROTECTION			
15	G17722613R	DISCO ASSOLCATORE	DISC COULTER			
16	F01020470R	VITE M10X1,5X20 U5739 8.8ZN	SCR. M10X1,5X20 U5739 8.8ZN	VIS M10X1,5X20 U5739 8.8 ZN	SCHRAUBE M10X1,5X20 U5739 ZN	TORNILLO M10X1,5X20 U5739 8
17	G18701820R	RONDELLA 16,5 X25 X1,0 ZN	WASHER 16,5X25X1,0 ZN			
18	GA5224970R	TAPPO FLANGIA DISCHI MTR ZN	TAP FLANGE DISCS MTR ZN			
19	F06120609R	RUOTA PROF.RAZZE MTR L115 O-L	DEPTH WHEEL 400X115 SPOKE O-PL			
20	G17722830R	BOCCOLA ELEM.REGINA SINTERIZ.	SINTER.BUSHING FOR REGINA EL.			
21	F01100011R	ING.M 6X1 7663-A 9SMNPB28 ZN	GREASE NIPPLE M6X1 7663-A ZN	GRAISS. A BILLE M6X1 7663A ZN	SCHMIERBUECHE M6X1 7663-A ZN	ENG.M 6X1 7663-A 9SMNPB28 ZN
22	G17723000R	RASCHIATERRA DX	RIGHT SOILSCRAPER			
23	G17723080R	RASCHIATERRA SX	LEFT SOILSCRAPER			
24	G20970100R	RONDELLA 30X0,5X22 ACC.	WASHER 30X0-5X22 ACC.	RONDELLE 30X0-5X22 ACIER	UNTERLEGSSCHEIBE 30X0-5X22 ACC.	ARANDELA 30X0-5X22 ACC.
25	G20970025R	RONDELLA 25,2X2X16,5	WASHER 25-2X2X16-5	RONDELLE 25-2X2X16-5	UNTERLEGSSCHEIBE 25-2X2X16-5	ARANDELA 25-2X2X16-5
26	GA5220170R	VITE M16X 2X80 SX U5737 8.8 ZN	SCREW M16X2X80LEFT U5737 8.8ZN			
27	G20970085R	RONDELLA 40X4X13	WASHER 40X4X13	RONDELLE 40X4X13	UNTERLEGSSCHEIBE 40X4X13	ARANDELA 40X4X13
28	F05050022R	TAPPO PROTEZIONE D.58 H.14 ZN	GUARD CAP D.58 H.14 GALV.			
29	G18701880R	RONDELLA DI SPINTA	IMPULSE WASHER	RONDELLE	UNTERLEGSSCHEIBE	ARANDELA
30	F01020047R	VITE M6X1X70 U5737 8.8ZN	SCR. M6X1X70 U5737 8.8ZN	VIS 6 X70 5737 8.G ZN	SCHRAUBE 6 X70 5737 8.G ZN	TORNILLO 6 X70 5737 8.G ZN
31	F02050528R	ANELLO E. DI 58X 2 U7437 C70	ELASTIC RING 58X2 C70			
32	F01410124R	ROS.M20 21X 37X 3 U6592 ZN	WASHER M20 21X 37X 3 U6592 ZN	RONDEL.M20 21X37X3 ZN	MUTTER M20 21X 37X 3 U6592 ZN	ARAND.M20 21X 37X 3 U6592 ZN
33	F01230022R	DADO M6X1 D982 8ZN	NUT M6X1 D982 8ZN	ECROU AUTO-FREIN.M6X1 D982 8ZN	SICHERUNGSMUT. M6X1 D982 8 ZN	TUERCA DE SEGU.M6X1 D982 8 ZN
34	G18904540R	MOLLA TRAZIONE ZN	SPRING TENSION ZN			
35	F01060040R	VITE M8X1,25X20 U5731 8.8ZN	SCR. M8X1,25X20 U5732 4.6ZG	VIS M8X1,25X20 U5732 4.6 ZN	SCHRA. M8X1,25X20 U5732 4.6 ZN	TORN. M8X1,25X20 U5732 4.6 ZN
36	GA5221161R	RASCHIATERRA INT.SX MTR	SOIL SCRAPER INT.LEFT MTR			
37	F06120406R	RUOTA PROF.TAMB.MTR L115 M	DEPTH GAUGE WHEEL SM.CR.OFFS M		WIEL PROF.TAMB.MTR L115	RUEDA CONTRO PROFUNDIDAD MTR L
38	F01020436R	VITE M8X1,25X20 U5739 8.8ZN	SCR. M8X1,25X20 U5739 8.8ZN	VIS M8X1,25X 20 U5739 8.8 ZN	SCHRAUBE M8X1,25X20U5739 8.8ZN	TORNILLO M8X1,25X20 U5739 8.8
39	F01440086R	ROS. 23X40X0,5 D988 ST2K60 BR	WASHER 23X40X0,5 D988 ST2K60 B			
40	F01410051R	ROS.M8 8,4X 17X1,6 U6592 ZN	WASHER M8 8,4X17X1,6 U6592 ZN	RONDELLE M8 8,4X17X1,6 ZN	SCHEIBE M8 8,4X17X1,6 U6592 ZN	ARAND.M8 8,4X 17X1,6 U6592 ZN
41	F01200244R	DADO M8X1,25 U5588 CL8 ZN	NUT M8X1,25 U5588 6.8ZN	ECROU M8 X1,25 U5588 6.8 ZN	MUTTER M8 X1,25 U5588 6.8 ZN	TUERCA M8X1,25 U5588 CL8 ZN
42	F04100150R	CUSC.D16 D40 B39 WPS	BEARING D16 D40 B39 WPS	ROULEMENT D16 D40 B39		COJINETE D16 D40 B39 WPS
43	F01020510R	VITE M12X1,75X30 U5739 8.8ZN	SCR. M12X1,75X30 U5739 8.8ZN	VIS M12X1,75X30 U5739 8.8ZN	SCHRAU.M12X1,75X30 U5739 8.8ZN	TORNILLO M12X1,75X30 U5739
44	F06120449R	RUOTA PROF.TAMB.MTR L115 I	DEPTH WHEEL MTR L115			
45	GA5221511R	BRACCIO RUOTA PROF.TAM.SX COMP	LEFT ARM DEPTH WHEEL ASSEMBLY			
46	GA5221501R	BRACCIO RUOTA PROF.TAM.DX COMP	RIGHT ARM DEPTH WHEEL ASSEMBLY			
47	F01020262R	VITE M16X2X80 U5737 8.8ZN	SCR. M16X2X80 U5737 8.8ZN	VIS M16X2X80 U5737 8.8 ZN	SCHRAUBE M16X2X80 U5737 8.8 ZN	TORNILLO M16X2X80 U5737 8.8 ZN
48	GA5221181R	RASCHIATERRA INT.DX MTR	SOIL SCRAPER INT.RIGHT MTR			



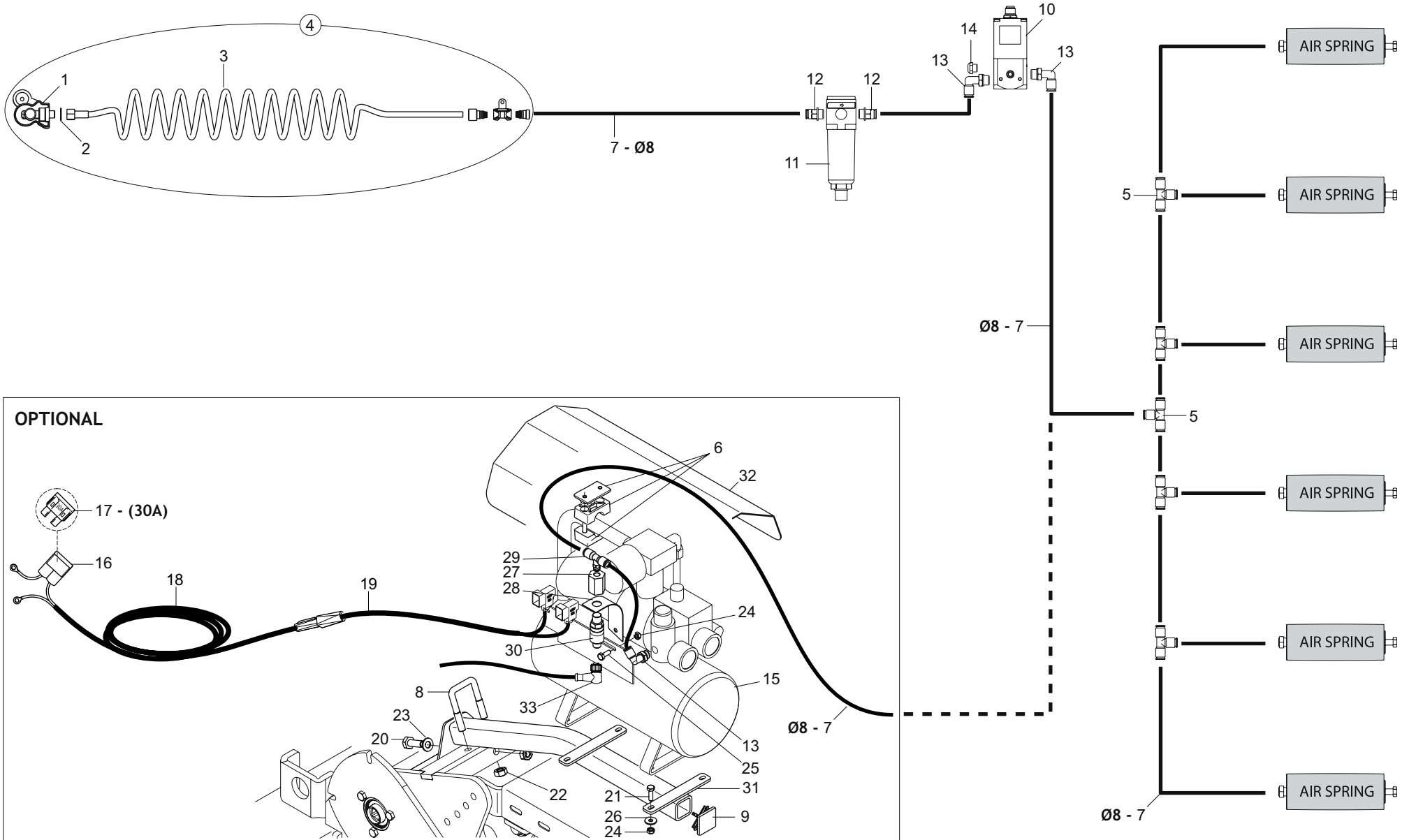


## RUOTE DI COMPRESSIONE COMPRESSION WHEELS

TAV. 090

Pos.	Cod.	Descrizione	Description	Description	Benennung	Description
1	F01220022R	DADO M8X1,25 D980 8ZN	NUT M8X1,25 D980 8ZN	ECROU M8X 1,25 D980 8 ZN	MUTTER M8X 1,25 D980 8 ZN	TUERCA M8X 1,25 D980 8 ZN
2	F01200244R	DADO M8X1,25 U5588 CL8 ZN	NUT M8X1,25 U5588 6.8ZN	ECROU M8 X1,25 U5588 6.8 ZN	MUTTER M8 X1,25 U5588 6.8 ZN	TUERCA M8X1,25 U5588 CL8 ZN
3	F01020512R	VITE M12X1,75X35 U5739 8.8ZN	SCR. M12X1,75X35 U5739 8.8ZN	VIS M12X1,75X35 5739 8.8 ZN	SCHR. M12X1,75X35 5739 8.8 ZN	TORNILLO M12X1,75X35 U5739 8
4	G23440001R	BOCCOLA PARALLELOGRAMMA	BUSHING- PARALLELOGRAM	BOITE PARALLELOGRAMME	BSCHSE PARALLELOGRAMM	CASQUILLO PARALELOGRAMA
5	F01030075R	VIT.M 8X1,25X 60 U5933 10.9 ZD	BOLT.M8X1,25X 60 U5933 10.9 ZD			
6	F01020068R	VITE M8X1,25X40 U5737 8.8ZN	SCR. M8X1,25X40 U5737 8.8ZN	VIS M 8X1,25X40 U5737 8.8 ZN	SCHRA. M8X1,25X40 U5737 8.8 ZN	TORNILLO M8X1,25X40 U5737 8.8
7	GA5223300R	MONT.RUOT.PREM. GOMMA D300	PREM GOMMA D300 WHEEL ASSEMBLY			
8	G18803081R	BOCCOLA 12,25X20 X85 ZN	BUSHING D12,25X20X84 ZN			
9	F01020174R	VITE M12X1,75X120 U5737 8.8ZN	SCR. M12X1,75X120 U5737 8.8ZN	VIS M12X1,75X120 U5737 8.8 ZN	SCHRAUBE M12X1,75X120 U5737 ZN	TORN.M12X1,75X120 U5737 8.8 ZN
10	F01230085R	DADO M16X2 D982 10ZN	NUT M16X2 D982 10ZN	ECROU M16X2 D982 10ZN	MUTTER M16X2 D982 10ZN	TUERCA M16X2 D982 10ZN
11	F04100150R	CUSC.D16 D40 B39 WPS	BEARING D16 D40 B39 WPS	ROULEMENT D16 D40 B39		COJINETE D16 D40 B39 WPS
12	F01230059R	DADO M12X1,75 D982 8ZN	LOCK-NUT M12X1,75 D982 8ZN	ECR.AUTO-FREI.M12X1,75 ZN	SICHERUNGSMUT.M12X1,75 D982 8ZN	TUER.DE SEGUR.M12X1,75 D982 ZN
13	F01020266R	VITE M16X2X120 U5737 8.8ZN	SCR. M16X2X120 U5737 8.8ZN	VIS M16X2X120 U5737 8.8ZN	SCHRAU. M16X2X120 U5737 8.8ZN	TORN. M16X2X120 U5737 8.8ZN
14	G18221000R	ASSIEME SUPPORTO RUOTINO	ASSEMBLY WHEEL SUPPORT			
15	G17722930R	RUOTA GHISA EL.REGINA	CAST IRON WHEEL EL.REGINA			
16	G17740850R	FLANGIA CUSC.RUOTA GHISA MBF	FLANGE BEAR.IRONCAST GEAR MBF			
17	F01020063R	VITE M8X1,25X35 U5737 8.8ZN	SCR. M8X1,25X35 U5737 8.8ZN	VIS M8X1,25X35 U5737 8.8ZN	SCHRAU. M8X1,25X35 U5737 8.8ZN	TORNILLO M8X1,25X35 U5737 8.8
18	G18904890R	MOLLA TRAZ.L=163 D=29 DF=3,8	TRACT.SPRING L=163 D=29 DF=3,8			
19	F06120292R	RUOTA GOMMA D355X32 PLA WPS	RUBBER WHEEL D355X32 PLA WPS	ROUE EN CAOUTCHOUC D355X32 PLA		
20	F04100154R	CUSC.D16 D47 B44 WPS	BEARING D16 D47 B44 WPS			
21	G17722630R	MONT.RUOTA GHISA 360	WHEELCAST IRON 360			
22	F01230034R	DADO M8X1,25 D982 8ZN	NUT M8X1,25 D982 8ZN	ECROU M8X 1,25 ZN	MUTTER M8X 1,25 D982 8 ZN	TUERCA M8X1,25 D982 8
23	F01410051R	ROS.M8 8,4X 17X1,6 U6592 ZN	WASHER M8 8,4X17X1,6 U6592 ZN	RONDELLE M8 8,4X17X1,6 ZN	SCHEIBE M8 8,4X17X1,6 U6592 ZN	ARAND.M8 8,4X 17X1,6 U6592 ZN
24	F01030060R	VITE M8X1,25X35 U5933 10.9ZD	SCREW M8X1,25X35 U5933 10.9ZD	VIS M8X1,25X35 U5933 10.9ZD	SCHRA.M8X1,25X35 U5933 10.9ZD	TORNILLO M8X1,25X35 U5933 10.9
25	G18801880R	BOCCOLA 8,25 X15 X13 ZN	BUSHING 8,25 X15 X13 ZN	BOITE 8,25 X15 X13 ZN	BSCHSE 8,25 X15 X13 ZN	CASQUILLO 8,25 X15 X13 ZN
26	G15355500R	RONDELLA AUTOCENTRANTE ZN	SELF-CENTERING WASHER ZN	RONDELLE AUTOCENTREE ZN	SELBSTZENTR.UNTERLEGSCH. ZN	ARANDELA AUTOCENTRADORA ZN
27	G17722453R	BOCCOLA SINT.ECCENT.H14 REGIN	BUSHING SINT.ECCENT.H14 MTR HD			
28	F01020156R	VITE M12X1,75X50 U5737 8.8ZN	SCR. M12X1,75X50 U5737 8.8ZN	VIS M12X1,75X50 U5737 8.8 ZN	SCHR. M12X1,75X50 U5737 8.8 ZN	TORN. M12X1,75X50 U5737 8.8 ZN
29	G18803240R	BOCCOLA 16,5 X30 X10 ZN	BUSHING 16,25X20 X43 GALVA	BOITE 16,25X20 X43 ZN	BSCHSE 16,25X20 X43 ZN	CASQUILLO 16,25X20 X43 ZN
30	F01410100R	ROS.M16 17X 30X 3 U6592 ZN	WASHER M16 17X30X3 U6592 ZN	RONDELLE M16 17X30X3 ZN	SCHRAUBE M16 17X 30X3 U6592 ZN	ARAND.M16 17X 30X 3 U6592 ZN
31	G18221560R	ASS.MANIGLIA CODINO	ASSEMBLY OF THE TAIL HANDLE			
32	G17720363R	SUPPORTO RUOTE DI COMPRESSIONE	COMPRESSION WHEEL SUPPORT			
33	G18801480R	BOCCOLA 10,25X14 X23 ZN	BUSHING 10,25 X 14 X 23 GALVA	BOITE 10,25X14 X23 ZN	BSCHSE 10,25X14 X23 ZN	CASQUILLO 10,25X14 X23 ZN
34	F01020088R	VITE M8X1,25X90 U5737 8.8ZN	SCREW M8X1,25X90 U5737 8.8ZN	VIS M8X1,25X90 U5737 8.8 ZN	SCHR.M8X1,25X90 U5737 8.8 ZN	TORN. M8X1,25X90 U5737 8.8 ZN
35	F02250668R	GRILLO M8 U1947A ZN	GRILLE M 8 ZN	MANILLE DE M 8 ZN	SCH-KEL M 8 ZN	GRILLETE DE M 8 ZN
36	F01020539R	VITE M14X2X25 U5739 8.8ZN	SCR. M14X2X25 U5739 8.8ZN	VIS M14X2X25 U5739 8.8 ZN	SCHRAUBE M14X2X25 U5739 8.8 ZN	TORNILLO M14X2X25 U5739 8.8 ZN
37	F01230073R	DADO M14X2 D982 8ZN	SELF LOCK NUT M14X2 D982 8ZN	ECROU AUTOBL.M14X2 ZN	SELBSTSP.MUTT. M14X2 D982 8ZN	TUERCA AUTOBL. M14X2 D982 8ZN
38	F01440086R	ROS. 23X40X0,5 D988 ST2K60 BR	WASHER 23X40X0,5 D988 ST2K60 B			
39	G18220700R	BOCCOLA DISTANZIALE RUOTINO	WHEEL SPACER BUSH			

TAV. 100

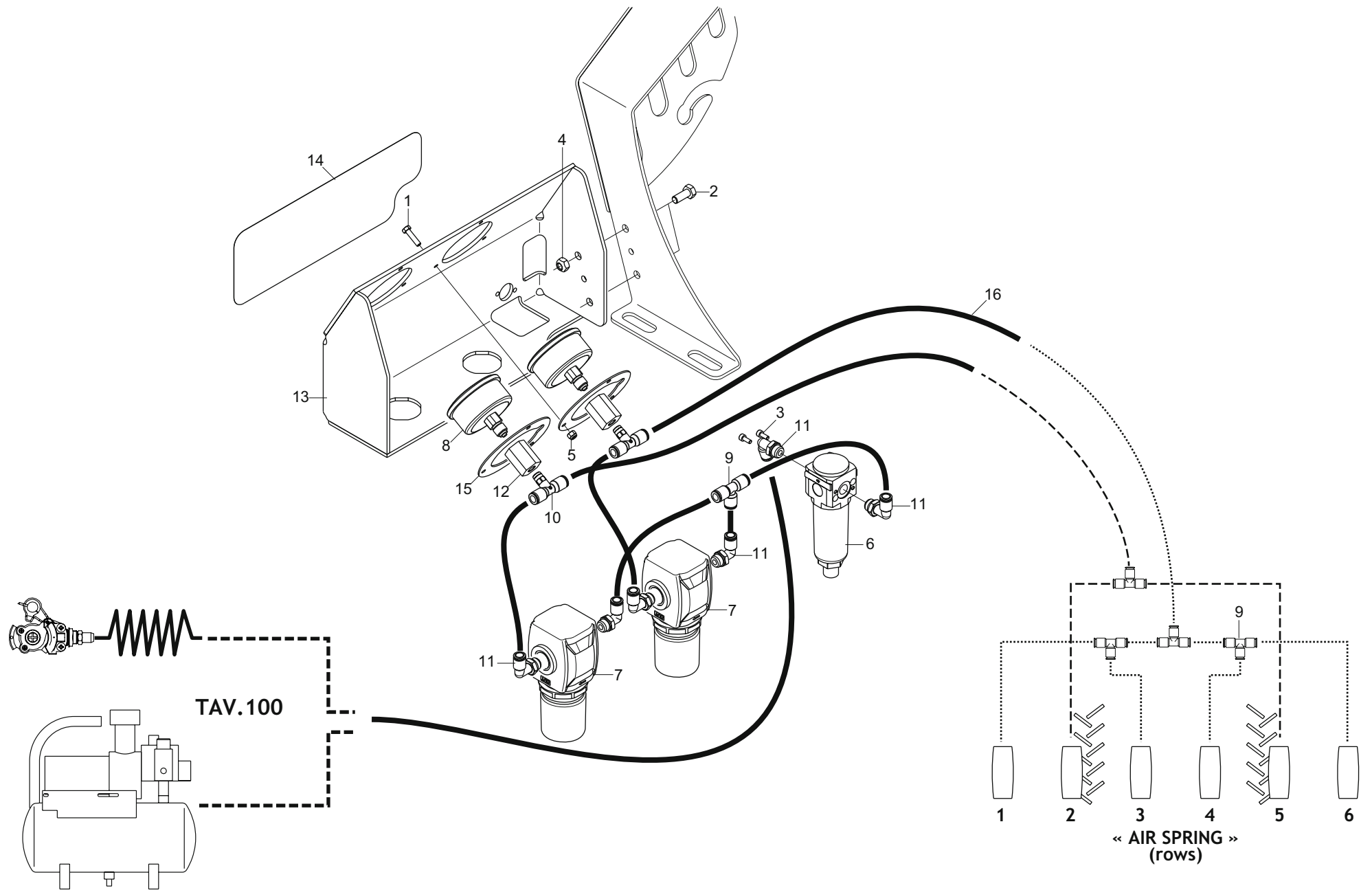




# AIR-SPRING AIR-SPRING

TAV. 100

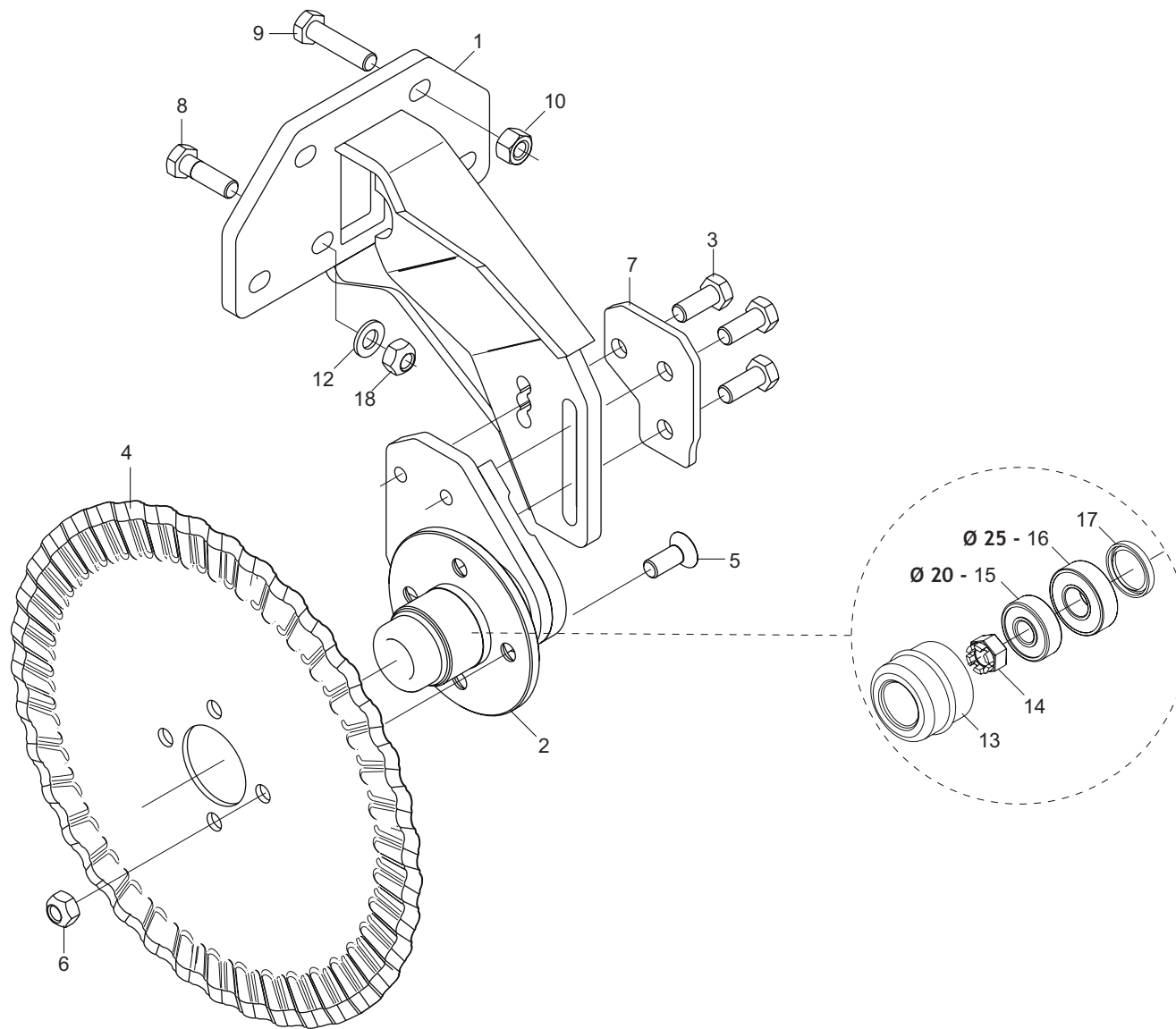
Pos.	Cod.	Descrizione	Description	Description	Benennung	Description
1	F13050007R	SEMIACC.ISO ROSSO M16X1,5 P F	ISO CONNECTION RED M16X1,5 P F			
2	F13010014R	RONDELLA IN ALLUMINIO D16	ALUMINIUM WASHER D16			
3	F13070013R	SP.ROSSA 12X9 M16X1,5-LIBERA	PL.TU.RED 12X9 M16X1,5-FREE			
4	F03060333R	KIT ARIA AIRBAG DA IMP.FRENI	IMP AIRBAG AIR KIT BRAKES			
5	F13010041R	RACC.SUPERAP.T D8-D8-D8	FITT.SUPERAP.T D8-D8-D8			
6	F03020068R	COLLARE FERMA 1 TUBO D20	STOP COLLAR 1 TUBE D20			
7	F13070005R	TUBO POLIURETANO 8-6 NERO	POLIURETHAN PIPE 8-6 BLACK			
8	F20110706R	CAV.Q.B=35 M=10X1,5 L=60	U BOLT Q.B=35 M=10X1,5 L=60	CAVALIER SUPPORT DISQUE SV	VERBINDUNG SCHEIBENHALTERUNG S	PERNO EN U SOP. DISCO SV
9	F20120346R	PUNTALE Q 35 ALETT.POLIT.NERO	SQ.TIP 35 BLACK			
10	F03151814R	REGOL.FL.PROPORZ.M12 CAN OPEN	REGOL.FL.PROPORZ.M12 CAN OPEN			
11	F03151815R	FILTRO	FILTER			
12	F13010044R	RACC.SUPERAPIDO DRITTO 1 4G-D8	RACC.STRAIGHT SUPERAPID 1 4G-D			
13	F13010103R	RACC.A L GIREVOLE G1 4 -D8	RACC.A L GIREVOLE G1 4 -D8			
14	F03020327R	SILENZIATORE SCARICO G1 8	EXHAUST SILENCER G1 8			
15	F05010714R	COMPRESSORE 12V - SERB. 5LT	COMPRESSOR 12V - TANK 5LT			
16	F05010021R	PORTAFUSIBILE MAXI STAGNO	SUPPORT FUSE MAXI STAGNO			
17	F05010022R	FUSIBILE AUTO MAXI 30A VERDE	FUSE AUTO MAXI 30A GREEN			
18	G19900100R	CAVO BATT.TRASM.ELETT.GENIUS	BATT. POWER SUPPLY CABLE GENIU			
19	F05012094R	CAVO 2X10 MMQ L=4,5M	CABLE 2X10 MMQ L=4,5M			
20	F01020476R	VITE M10X1,5X30 U5739 8.8ZN	SCR. M10X1,5X30 U5739 8.8ZN	VIS M10X1,5X30 U5739 8.8 ZN	SCHRAUBE M10X1,5X30U5739 8.8ZN	TORNILLO M10X1,5X30 U5739 8.8
21	F01020404R	VITE M6X1X20 U5739 8.8ZN	SCREW M6X1X20 U5739 8.8ZN	VIS M6X1X20 U5739 8.8ZN	SCHRAUBE M6X1X20 U5739 8.8ZN	TORNILLO M6X1X20 U5739 8.8ZN
22	F01200270R	DADO M10X1,5 U5588 CL8 ZN	NUT M10X1,5 U5588 6.8ZN	ECROU M10X 1,5 U5588 6.8 ZN	MUTTER M10X 1,5 U5588 6.8 ZN	TUERCA M10X1,5 U5588 CL8 ZN
23	F01410062R	ROS.M10 10,5X 18X 2 U6592 ZN	WASHER M10 10,5X 18X 2 U6592	RONDELLE M10 10,5X18X2 ZN	DICHTUNGSRING M10 10,5X18X2 ZN	ARAND.M10 10,5X 18X 2 U6592 ZN
24	F01220011R	DADO M6X1 D980 8ZN	NUT M6X1 D980 8ZN	ECROU M6X1 D980 8 ZN	MUTTER M6X1 D980 8 ZN	TUERCA M6X1 D980 8 ZN
25	F01020403R	VITE M6X1X16 U5739 8.8ZN	SCR. M6X1X16 U5739 8.8ZN	VIS M6X1X16 U5739 8.8 ZN	SCHRAUBE M6X1X16 U5739 8.8 ZN	TORNILLO M6X1X16 U5739 8.8 ZN
26	F01420036R	ROS.M6 6,4X 18X1,5 U6593 ZN	WASHER M6 6,4X 18X1,5 U6593 ZN	RONDELLE M6 6,4X18X1,5 U6593ZN	SCHRAUBE M6 6,4X18X1,5U6593 ZN	ARANDELA M6 6,4X18X1,5U6593ZN
27	G22250274R	COLLEGAMENTO MANOMETRI SP-SV	PRESSURE GAUGE CONNECT. SP-SV	RACCORD MANOMETRES SP-SV	VERBINDUNG MANOMETER SP-SV	CONEXI N MAN METROS SP-SV
28	G22270134R	SUPPORTO VACUOMETRO SP	VACUUM METER SUPPORT SP	SUPPORT VACUOMETRE SP	HALTERUNG VAKUUMMETER SP	SOPORTE VACU METRO SP
29	F13010043R	RACC.SUPERAP.T 1 8 BSPT-D8-D8	SUPERAP.FITTING T1 8BSPT-D8-D8			
30	F05011766R	SENS.PRESS. 0- 10BAR 0,5-4,5V	PRESS.SENS. 0, 10BAR 0,5-4,5V			
31	G18210980R	ASS.SUPP.COMPR.5L CHRONO 300	COMPR.SUPP.ASS. 5L CHRONO 300			
32	G18211020R	ASS.COPERTURA COMPR. 5L	COMPRESSOR COVER ASSEMBLY 5L			
33	G19902310R	CABL.PROL.M12-M12 M-F 180 1,5M	EXT.WIRING M12-M12 MF 180 1,5M			



**DOPPIA LINEA AIR-SPRING  
AIR-SPRING DOUBLE LINE**

**TAV. 110**

Pos.	Cod.	Descrizione	Description	Description	Benennung	Descripcion
1	F01020380R	VITE M5X0,8X20 U5739 8.8ZN	SCR. M5X0,8X20 U5739 8.8ZN	VIS M5X0,8X20 U5739 8.8ZN	SCHRAUBE M5X0,8X20 U5739 8.8ZN	TORNILLO M5X0,8X20 U5739 8
2	F01020436R	VITE M8X1,25X20 U5739 8.8ZN	SCR. M8X1,25X20 U5739 8.8ZN	VIS M8X1,25X 20 U5739 8.8 ZN	SCHRAUBE M8X1,25X20U5739 8.8ZN	TORNILLO M8X1,25X20 U5739 8.8
3	F01040026R	VITE M4X0,7X10 U5931 A2IX	SCR. M4X0,7X10 U5931 A2IX	VIS 4X10 5931 INOX A2	SCHRAUBE 4X10 5931 INOX A2	TORNILLO 4X10 5931 INOX A2
4	F01220022R	DADO M8X1,25 D980 8ZN	NUT M8X1,25 D980 8ZN	ECROU M8X 1,25 D980 8 ZN	MUTTER M8X 1,25 D980 8 ZN	TUERCA M8X 1,25 D980 8 ZN
5	F01230019R	DADO M5X0,8 D982 8ZN	NUT M5X0,8 D982 8ZN	ECROU AUTOB.NOR.5 ZN	SELBSTSP. MUTTER NOR.5 ZN	TUERCA AUTOB. NOR. 5 ZN
6	F03151815R	FILTRO	FILTER			
7	F03151817R	REGOLATORE PRESSIONE ARIA	AIR PRESSURE REGULATOR			REGULADOR DE PRESION DE AIRE
8	F03152134R	MANOM.D.63 -0 10BAR G1 4 POST	MANOM.D.63 -0 10BAR G1 4 POST			
9	F13010041R	RACC.SUPERAP.T D8-D8-D8	FITT.SUPERAP.T D8-D8-D8			
10	F13010043R	RACC.SUPERAP.T 1 8 BSPT-D8-D8	SUPERAP.FITTING T1 8BSPT-D8-D8			
11	F13010103R	RACC.A L GIREVOLE G1 4 -D8	RACC.A L GIREVOLE G1 4 -D8			
12	G22250274R	COLLEGAMENTO MANOMETRI SP-SV	PRESSURE GAUGE CONNECT. SP-SV	RACCORD MANOMETRES SP-SV	VERBINDUNG MANOMETER SP-SV	CONEXI N MAN METROS SP-SV
13	G18250370R	SUPPORTO MANOMETRI	PRESURE GAUGE SUPPORT			
14	G19710070R	DEC.DOPPIA LINEA AIRBAG	LABEL DOUBLE LINE AIRBAG			
15	GC5917520R	PIASTRA FISSAGGIO MANOMETRO	PLATE			
16	F13070005R	TUBO POLIURETANO 8-6 NERO	POLIURETHAN PIPE 8-6 BLACK			

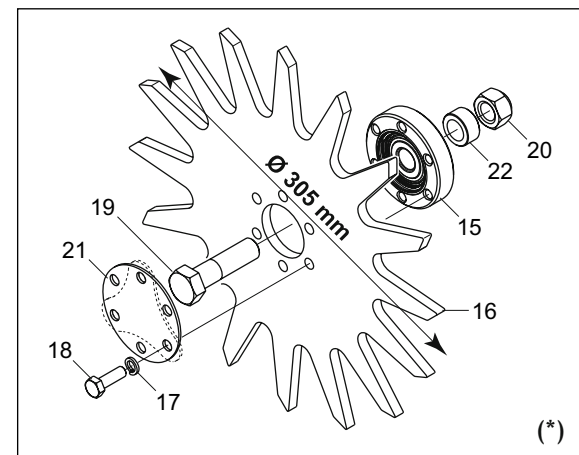
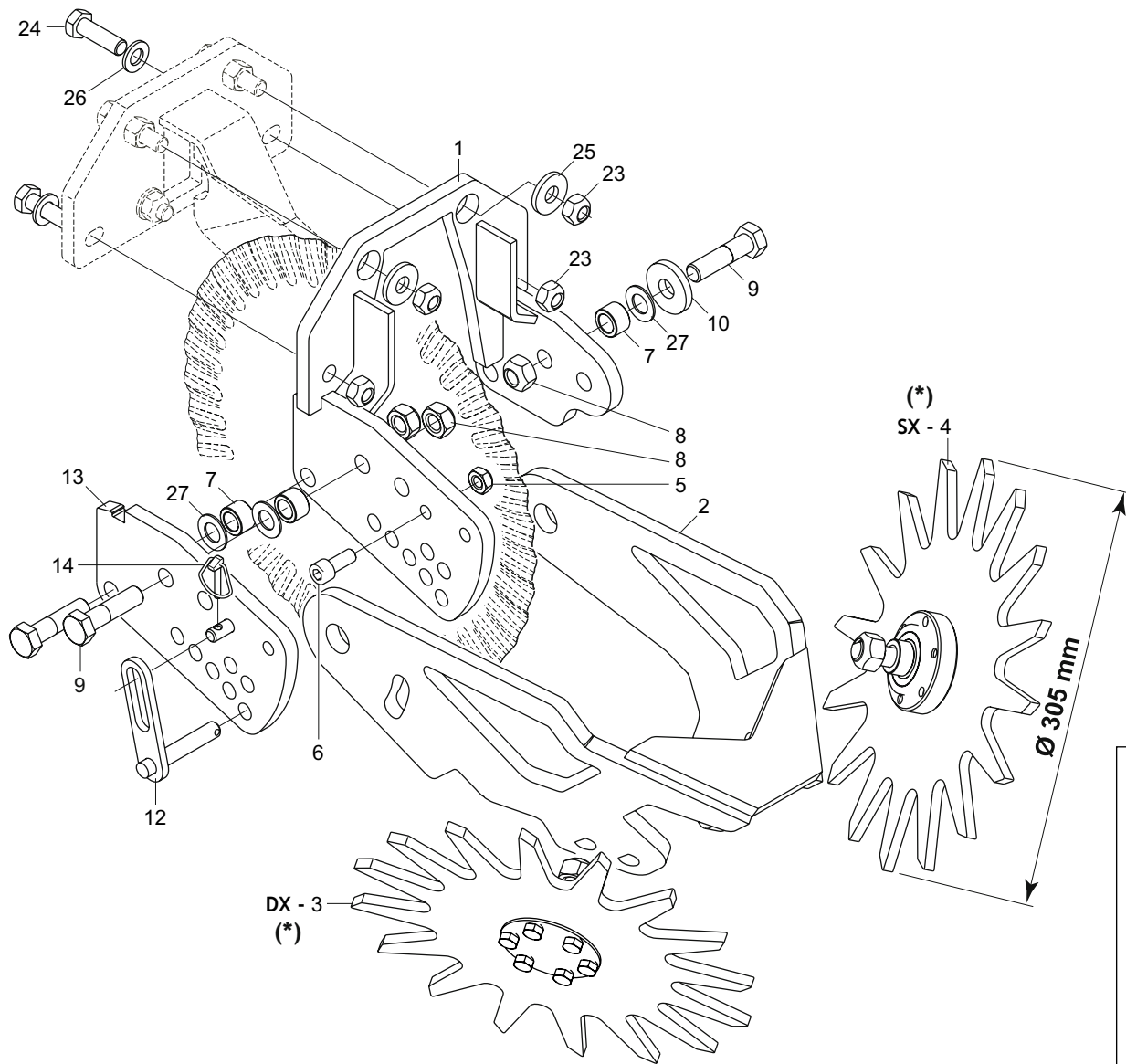


**COLTRO A DISCO STRIATO  
CORRUGATED DISC COULTER**

TAV. 120

Pos.	Cod.	Descrizione	Description	Description	Benennung	Descripcion
1	GSP000286R	ASS.SUPPORTO COLTRO FISSO	ASS.SUPPORT COULTER FIXED			
2	GSP000287R	ASS.MOZZETTO	ASS. HUB			
3	F01020510R	VITE M12X1,75X30 U5739 8.8ZN	SCR. M12X1,75X30 U5739 8.8ZN	VIS M12X1,75X30 U5739 8.8ZN	SCHRAU.M12X1,75X30 U5739 8.8ZN	TORNILLO M12X1,75X30 U5739
4	GA5220130R	DISCO STRIATO D.355	STRIPED DISC D.355			
5	F01030107R	VITE M12X1,75X30 U5933 10.9ZD	SCR. M12X1,75X30 U5933 10.9ZD	VIS M12X1,75X30 5933 10.9 ZN	SCHR.M12X1,75X30 U5933 10.9 ZN	TORN.M12X1,75X30 5933 10.9 ZN
6	F01220048R	DADO M12X1,75 D980 8ZN	NUT M12X1,75 D980 8ZN	ECROU M12X1,75 D980 8 ZN	SCHEIBE M12X1,75 D980 8 ZN	TUERCA M12X1,75 D980 8 ZN
7	GSP000288R	LAMIERA CONTENIMENTO	SHEET METAL OF RESTRAINT			
8	F01020152R	VITE M12X1,75X40 U5737 8.8ZN	SCR. M12X1,75X40 U5737 8.8ZN	VIS M12X1,75X40 U5737 8.8 ZN	SCHRAUBE M12X1,75X40U57378.8ZN	TORNILLO M12X1,75X40 U5737 8.
9	F01020517R	VITE M12X1,75X50 U5739 8.8ZN	SCR. M12X1,75X50 U5739 8.8ZN	VIS M12X1,75X50 5739 8.8 ZN	SCHRA. M12X1,75X50 5739 8.8 ZN	TORNILLO M12X1,75X50 U5739 8
10	F01200079R	DADO M12X1,75 U5587 CL8 GEE GE	NUT M12X1,75 U5587 6S GE			
12	F01410076R	ROS.M12 13X 24X2,5 U6592 ZN	WASHER 12 13X 24X2,5 U6592 ZN	RONDEL. M12 13X24X2,5 U6592 ZN	SCHEIBE M12 13X24X2,5 U6592 ZN	ARAND.M12 13X 24X2,5 U6592 ZN
13	F06120238R	TAPPO MOZZO DX DP	RIGHT HUB PLUG DP	BOUCHON MOYEU DP A VISSER DRT	NABENPFROPFEN RE DP	TAP N CUBO DER. DP
14	F01210091R	DADO M18X1,5 U5594 5.8BR	NUT M18X1,5 U5594 5.8BR			
15	F04050011R	CUSC.D20 D47 T15,25 30204	BEARING D20 D47 T15,25 30204	PALIER 30204	LAGER 30204	COJINETE 30204
16	F04050012R	CUSC.D25 D52 T16,25 30205	BEARING D25 D52 T16,25 30205	ROULEMENT 30205	LAGER 30205	COJINETE 30205
17	F03010061R	ANELLO T.A. 30X 52X 7 D3760NBR	OIL SEAL 30X52X7	PARE-HUILE 30X52X7	OELABDICHTUNG 30X52X7	PARA-ACEITE 30X52X7
18	F01220048R	DADO M12X1,75 D980 8ZN	NUT M12X1,75 D980 8ZN	ECROU M12X1,75 D980 8 ZN	SCHEIBE M12X1,75 D980 8 ZN	TUERCA M12X1,75 D980 8 ZN

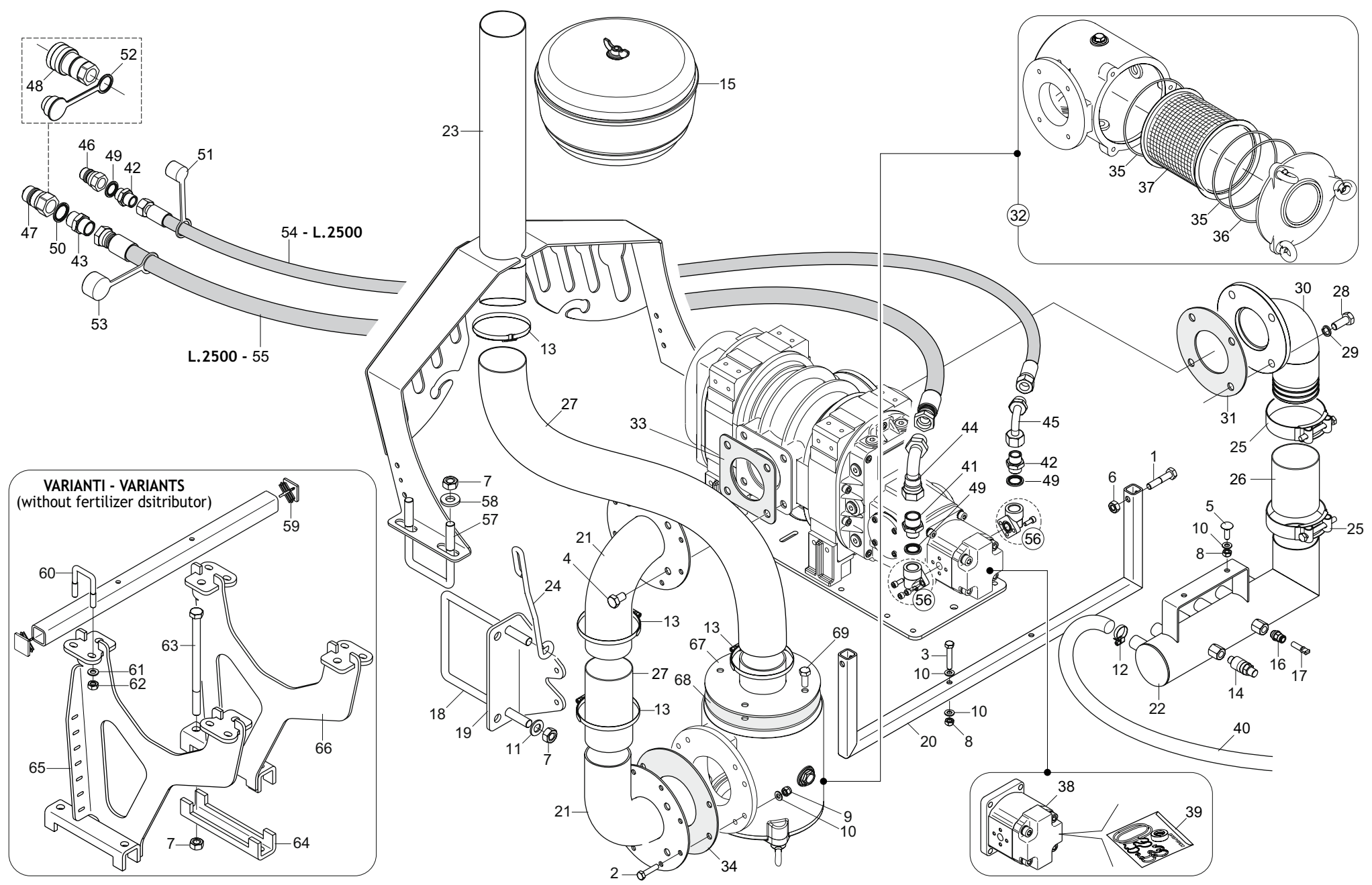
TAV. 130



**SPARTIRESIDUI ROTATIVO  
TRASH WHEEL**

**TAV. 130**

Pos.	Cod.	Descrizione	Description	Description	Benennung	Description
1	GSP000290R	ASS.SUPPORTO FISSO TRASH WHEEL	ASS.SUPPORT FIXED TRASH WHEEL			
2	GSP000291R	ASS.SUPP.MOBILE TRASH WHEELS	ASS.MOBILE SUPPORT TRA.WHEELS			
3	GA5223430R	MONT.STELLA SPARTIRES.D.305 DX	ASS.STAR D. RIGHT			
4	GA5223440R	MONT.STELLA SPARTIRES.D.305 SX	ASS.STAR D.305 LEFT			
5	F01220033R	DADO M10X1,5 D980 8ZN	NUT M10X1,5 D980 8ZN	ECROU M10X1,5 D980 8ZN	MUTTER M10X1,5 D980 8ZN	TUERCA M10X1,5 D980 8
6	F01040118R	VITE M10X1,5X25 U5931 8.8ZN	SCR. M10X1,5X25 U5931 8.8ZN			
7	G18800060R	BOCCOLA 14,5 X22 X14	BUSHING D14,5X22X14			
8	F01220255R	DADO M14X2 D980 8ZN	NUT M14X2 D980 8ZN	ECROU M14X2 D980 8 ZN	MUTTER M14X2 D980 8 ZN	TUERCA M14X2 D980 8 ZN
9	F01020201R	VITE M14X2X55 U5737 8.8ZN	SCR. M14X2X55 U5737 8.8ZN	VIS M 14X55	SCHRAUBE M 14X55	TORNILLO M 14X55
10	G18700690R	RONDELLA 15 X40 X6 ZN	WASHER 15 X 40 X 6 ZN	RONDELLE 15 X40 X6 ZN	UNTERLEGSCHNEIBE 15 X40 X6 ZN	ARANDELA 15 X40 X6 ZN
12	GA5223460R	ASS.PERNO D12X56 C.ANTIROT.ZN	ASS.PIN D12X56 ANTIROT.ZN			
13	GSP000289R	ASS.PIASTRA DX TRASH WHEELS	ASS.PLATE RIGHT TRASH WHEELS			
14	F02200452R	SPINA SCATTO D.4,4 B 80 ZN	SNAP PIN D4.4 B 80 ZN	FICHE A DETENTE D4.4 B 80 ZN	EINRASTSTIFT D4.4 B 80 ZN	CLAVIJA DE MUELLE D4,4 B 80 ZN
15	G16045970R	CUSCIN.E SUP.D16 D72 L23 6XM8	BEARING & SUP.D16 D72 L23 6XM8			
16	GSP000282R	DISCO SPARTI RESIDUI 12IN	DISC 12IN			
17	F01480033R	ROS.G 8,1X 12,7X 2 D7980 ZN	GROVER WASHER D8,1X12,7D7980ZN	ROND.ELASTIQ D8,1X12,7 D7980ZN	FEDERRINGE D8,1X12,7 D7980 ZN	ARAND.ELICOI.D8,1X12,7 D7980ZN
18	F01020436R	VITE M8X1,25X20 U5739 8.8ZN	SCR. M8X1,25X20 U5739 8.8ZN	VIS M8X1,25X 20 U5739 8.8 ZN	SCHRAUBE M8X1,25X20U5739 8.8ZN	TORNILLO M8X1,25X20 U5739 8.8
19	GA5223340R	VITE TE M16X60 FRESATA ZN	BOLT M16X60 ZN			
20	F01220266R	DADO M16X2 D980 8ZN	NUT M16X2 D980 8ZN	ECROU M16X 2 D980 8 ZN	MUTTER M16X 2 D980 8 ZN	TUERCA M16X 2 D980 8 ZN
21	GSP000285R	TAPPO STELLA SPARTIRESIDUI	STAR CAP RESIDUAL DIVIDER			
22	G20980081R	BOCCOLA 25X12X16,25	BUSHING 25X12X16-25	BOITE 25X12X16-25	BSCHE 25X12X16-25	CASQUILLO 25X12X16-25
23	F01220048R	DADO M12X1,75 D980 8ZN	NUT M12X1,75 D980 8ZN	ECROU M12X1,75 D980 8 ZN	SCHEIBE M12X1,75 D980 8 ZN	TUERCA M12X1,75 D980 8 ZN
24	F01020528R	VITE M12X1,75X40 U5739 10.9ZN	BOLT M12X1,75X40 U5739 10.9ZN	VIS M12X1,75X40 U5739 10.9 ZN	SCHR.M12X1,75X40 U5739 10.9 ZN	TORN.M12X1,75X40 U5739 10.9 ZN
25	G20970035R	RONDELLA 32X4X13	WASHER 32X4X13	RONDELLE 32X4X13	UNTERLEGSCHNEIBE 32X4X13	ARANDELA 32X4X13
26	F01410076R	ROS.M12 13X 24X2,5 U6592 ZN	WASHER 12 13X 24X2,5 U6592 ZN	RONDEL. M12 13X24X2,5 U6592 ZN	SCHEIBE M12 13X24X2,5 U6592 ZN	ARAND.M12 13X 24X2,5 U6592 ZN
27	G20970149R	RONDELLA D.15X28X1,5	WASHER D.15X28X1-5	RONDELLE D. 15X28X1-5	UNTERLEGSCHNEIBE D.15X28X1-5	ARANDELA D.15X28X1-5





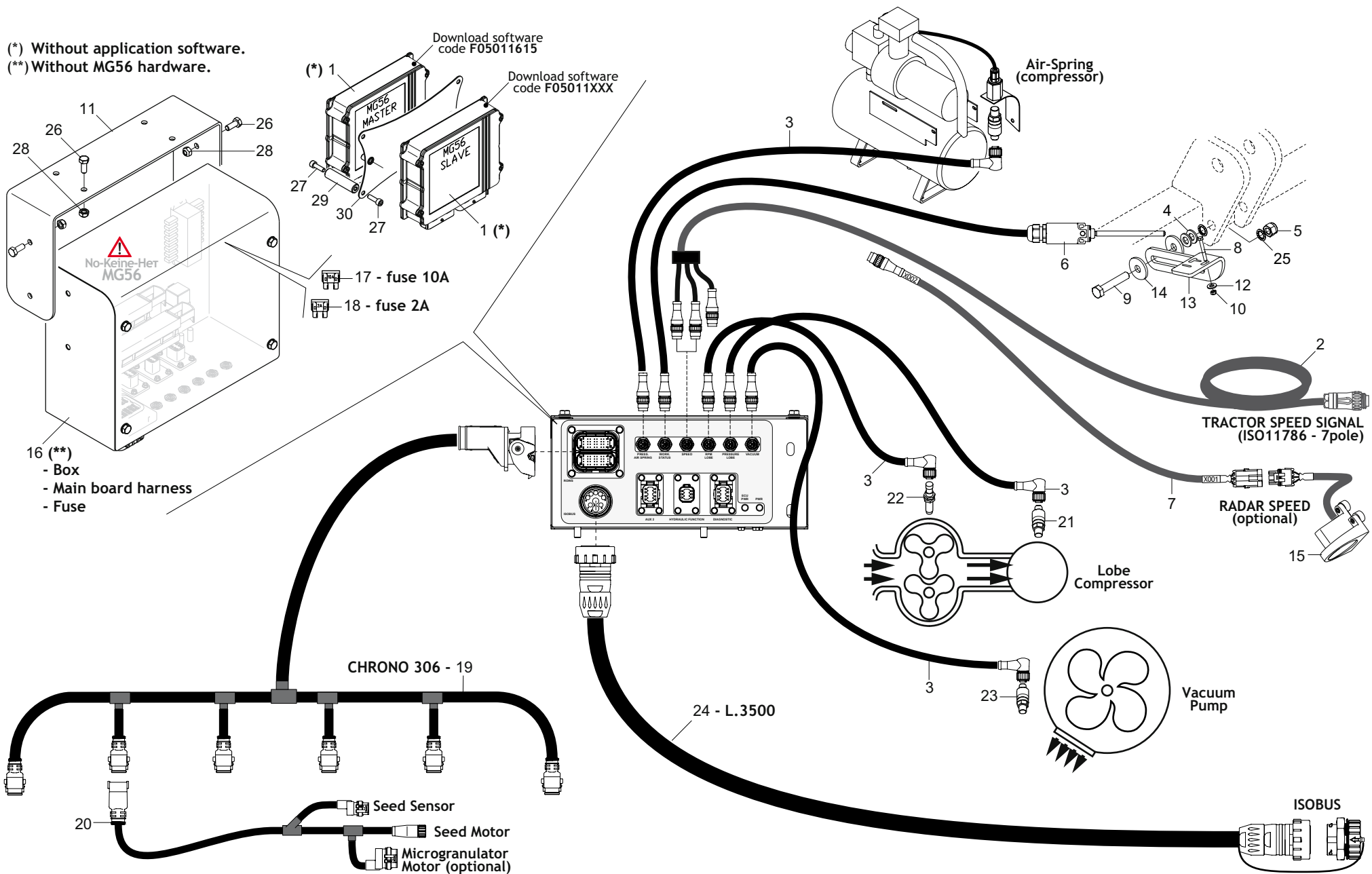
## COMPRESSORE ARIA AIR COMPRESSOR

TAV. 140

Pos.	Cod.	Descrizione	Description	Description	Benennung	Descripcion
1	F01020142R	VITE M10X1,5X50 U5737 A2IX	SCR. M10X1,5X50 U5737 A2IX			
2	F01020449R	VITE M8X1,25X35 U5739 8.8ZN	SCR. M8X1,25X35 U5739 8.8ZN	VIS M8X1,25X35 U5739 8.8ZN	SCHRA. M8X1,25X35 U5739 8.8ZN	TORN. M8X1,25X35 U5739 8.8ZN
3	F01020451R	VITE M8X1,25X45 U5739 8.8ZN	SCR. M8X1,25X45 U5739 8.8ZN	VIS M8X1,25X45 U5739 8.8ZN	SCHRA.M8X1,25X45 U5739 8.8ZN	TORN. M8X1,25X45 U5739 8.8ZN
4	F01020506R	VITE M12X1,75X20 U5739 8.8ZN	SCR. M12X1,75X20 U5739 8.8ZN	VIS M 12X20	SCHRAUBE M 12X20	TORNILLO M12X1,75X20 U5739
5	F01060041R	VITE M8X1,25X25 U5731 8.8ZN	SCR. M8X1,25X25 U5732 4.6ZN	VIS 8 X25 5732 4.6 ZN	SCHRAUBE 8 X25 5732 4.6 ZN	TORNILLO 8 X25 5732 4.6 ZN
6	F01200271R	DADO M10X1,5 U5588 A2IX	NUT M10X1,5 U5588 A2IX	ECROU 10 5588 6.8 INOX	MUTTER 10 5588 6.8 INOX	TUERCA 10 5588 6.8 INOX
7	F01200306R	DADO M14X2 U5588 CL8 ZN	NUT M14X2 U5588 6.8ZN	ECROU M14X2	MUTTER M14X2	DADO M14X2
8	F01220022R	DADO M8X1,25 D980 8ZN	NUT M8X1,25 D980 8ZN	ECROU M8X 1,25 D980 8 ZN	MUTTER M8X 1,25 D980 8 ZN	TUERCA M8X 1,25 D980 8 ZN
9	F01230034R	DADO M8X1,25 D982 8ZN	NUT M8X1,25 D982 8ZN	ECROU M8X 1,25 D982 8 ZN	MUTTER M8X 1,25 D982 8 ZN	TUERCA M8X1,25 D982 8
10	F01410051R	ROS.M8 8,4X 17X1,6 U6592 ZN	WASHER M8 8,4X17X1,6 U6592 ZN	RONDELLE M8 8,4X17X1,6 ZN	SCHIEBE M8 8,4X17X1,6 U6592 ZN	ARAND.M8 8,4X 17X1,6 U6592 ZN
11	F01410088R	ROS.M14 15X 28X2,5 U6592 ZN	WAS.M14 15X 28X2,5 U6592 ZB	RON.M14 15X 28X2,5 U6592 ZB	SCH.M14 15X 28X2,5 U6592 ZB	ARA.M14 15X 28X2,5 U6592 ZN
12	F02300016R	FASCETTA STRING. 16 27 H.8	CLAMP 16 27 H.8			
13	F02300023R	FASCETTA STRING. 80 100 H.8	PIPE CLAMP 80 100 H.8	COLLIER DE SERRAGE 77 95	ROHRSCHELLE 80 100 H.8	ABRAZADERA P. MANGUERA 80 100
14	F05011766R	SENS.PRESS. 0- 10BAR 0,5-4,5V	PRESS.SENS. 0, 10BAR 0,5-4,5V			
15	F05010991R	PREFILTRO COMPRESSORE LOBI D76	LOBE COMPRESSOR FILTER D.76			
16	F13010044R	RACC.SUPERAPIDO DRITTO 1 4G-D8	RACC.STRAIGHT SUPERAPID 1 4G-D			
17	F13010059R	TAPPO D8 PLA	CUP D8 PLA			
18	F20110785R	CAV.Q.B=150 M=14X2 L=189	U BOLT Q.B=150 M=14X2 L=189	CAVALIER 150	VERBINDUNG 150	PERNO EN U 150
19	G18210780R	SUPP.FILTRO COMPRESSORE T.150	COMPRESSOR FILTER SUPP. T.150			
20	G18250100R	ASS.SUPP.COMPR.CHRONO 300 SPA	ASS.SUPPORT COMP.CHRONO 300SPA			
21	G18250220R	ASS.CURVA COMPRES.CHR.300 D.76	COMPRESS.CURVE ASS.CHR.300 D76			
22	G18250250R	ASS.COLLETTORE 6U	ASS. COLLECTOR 6 OUTLETS			
23	G18250320R	ASS.SUPPORTO FILTRO CHRONO 300	ASS.FILTER SUPPORT CHRONO 300			
24	G18903961R	MOLLA SUPPORTO VASO ESPANSORE	EXPANSION TANK SUPPORT SPRING			
25	U10030076R	FASC.A COLL.VITE M8 \$86-95	HOSE CLAMP M8 \$86-95			
26	F03100551R	TUBO ZEUS PU FOOD D.76 TR. NER	TUBO ZEUS PU FOOD D.76 TR. NER			
27	F03100564R	TUBO EOLO PU D.76 TRASP. NERO	TUBE EOLO PU D.76 TRASP. BLACK			
28	F01020510R	VITE M12X1,75X30 U5739 8.8ZN	SCR. M12X1,75X30 U5739 8.8ZN	VIS M12X1,75X30 U5739 8.8ZN	SCHRAU.M12X1,75X30 U5739 8.8ZN	TORNILLO M12X1,75X30 U5739
29	F01480055R	ROS.G 12,2X 18X2,5 D7980 ZN	WASHER. 12,2X18X2,5 D7980ZN	ROND.ELAST. 12,2X18X2,5D7980ZN	FEDERRINGE 12,2X18 2,5 D7980ZN	ARAND. EL. 12,2X18X2,5 D7980ZN
30	F13010110R	CURVA 90 D76	CURVA 90 D76			
31	F13010111R	GUARN.FLANGIA CURVA D76	GUARN.FLANGIA CURVA D76			
32	F13010112R	FILTRO CT50 COMPLETO	FILTRO CT50 COMPLETO			
33	F13010114R	GUARN.CORPO - FLANGIA	GUARN.CORPO - FLANGIA			
34	F13010108R	GUARN.FLANGIA - FILTRO	FILTER - FLANGE GASKET			
35	F13010107R	ANELLO OR 4625	O-RING 4625			ANILLO O-RING
36	F13010106R	ANELLO OR 4675	O-RING 4675			ANILLO O RING
37	F13010105R	CARTUCCIA MESH120	CARTRIDGE MESH120			CARTUCHO
38	F03150998R	MOTORE PLM 20,8 DX ANTICAV.	MOTOR PLM 20,8 DX ANTICAV			
39	F03100224R	KIT GUAR.MOTORE DX20,8ANTICAV.	KIT O-RING ENGINE DX20,8			
40	F03100560R	TUBO EOLO PU D.22 TRASP. NERO	TUBO EOLO PU D.22 TRASP. NERO			
41	F03020015R	NIPPLO DI RID BSP3 4-14X1 2-1	REDUCTION NIPPLE 3 4-14X1 2-14	REDUCT.NIPPLE BSP 3 4X1 2 - 14	REDUZIERTSTUCK BSP 3 4X1 2 -14	REDUCION BSP 3 4 X 1 2 - 14
42	F03150255R	NIPPLO MASCH.CIL.1 2-1 2 ZN	NIPPLE M. CYL. 1 2-1 2 ZN	NIPLE M. CYL. 1 2 - 1 2 ZN	NIPLE F. ZYL. 1 2-1 2 ZN	NIPLE M. CIL. 1 2 - 1 2 ZN
43	F03150299R	NIPPLO MM CIL.CIL 3 4-3 4 ZN	NIPPLE MM CIL.CIL 3 4-3 4 ZN	NIPLES MM CIL.CIL 3 4-3 4 ZN	NIPLES 3 4 GAS	NIPLE MM CIL.CIL 3 4-3 4 ZN
44	F03150856R	CURVA MF 3 4-3 4 GIR. 90	ELBOW 90 F. SWIVEL 3 4 -M.3 4	COUDE 90 F.TOURN.3 4 - M.3 4	KNIESTUCK 90 F.DREHB.3 4 - M.	CURVA 90 F.GIRAT.3 4 - M.3 4C
45	F03150858R	CURVA 90 F.GIREV.1 2 - M.1 2	ELBOW 90 F.SLEWING 1 2 - M.1 2			
46	F03150935R	INNESTO RAP.MASCH.1 2 A VALV.	QUICK CONNECT MALE CONE 1 2	CONNEXION RAPIDE MALE CONE 1 2	SCHNELLKUPP.GEWINDE KONISC 1 2	ACOPLAMIENTO.RAP.MACHO CONO 1 2
47	F03150936R	INNESTO RAP.MASCH.3 4 A VALV.	QUICK CONNECT MALE CONE 3 4 CO	PRISE A BILLE MALE CONE 3 4	SCHNELLKUPPLUNG GEWINDE KONISC	ACOPLAMIENTO R PIDO MACHO CONO
48	F03150949R	INNESTO RAP.FEMM.3 4 A VALV.	QUICK-CONNECT 3 4 VALVE FEM.	PRISE A BILLE F ELLE CONE 3 4	SCHNELLKUPPLUNG NUT 3 4	ACOPLA. R P.HEMB.3 4 V LVLUA
49	F03151370R	RONDELLA BONDED SEAL 1 2 NBR	WASHER BONDED SEAL 1 2 NBR			
50	F03020146R	RONDELLA BONDED AUTOCENT 3 4	WASHER BONDED AUTOCENT 3 4			
51	F05150328R	CAPPUC.F X INN.M RAP.1 2 VERDE	PROTECT. COVER CAP F 1 2 GREEN			
52	F05150492R	CAPPUCCIO INNESTO RAP.FEMM 3 4	CONNECTION CAP NUT 3 4	COUVERCLE CONNEXION F 1 2 VERT	DECKEL W 1 2 SCHNELLKUPP. GRUN	PAC PROTECCION F 1 2 VERDE
53	F05150493R	TAPPO INNESTO MASCHIO TF34	CONNECTION CAP NUT 3 4	CLAPET ACCOUPLEMENT MALE TF34	HAUBE KUPPLUNG 3 4	CAPUCHON ACOPLAMIENTO 3 4
54	G15355300R	TUBO 1 2 R2 F1 2-F1 2 L.2500	PIPE 1 2 R2 F1 2-F1 2 L.2500	TUBE 1 2 R2 F1 2-F1 2 L.2500	ROHR 1 2 R2 F1 2-F1 2 L.2500	TAPA ACOPLAMIENTO MACHO TF34
55	G17930500R	TUBO 3 4R2 F3 4-F3 4 2500	PIPE 3 4R2 F3 4-F3 4 2500	TUBE 3 4R2 F3 4-F3 4 2500	ROHR 3 4R2 F3 4-F3 4 2500	TUBO 1 2 R2 F1 2-F1 2 L.2500
56	F03151203R	KIT RACCORDO A GOMITO 1 2	1 2 ANGLED UNION	RACCORD A COUDE	WINKELANSCHLUSSTSCK 1 2	TUBO 3 4R2 F3 4-F3 4 2500
57	F20110770R	CAV.Q.B=80 M=14X2 L=119	U BOLT Q.B=80 M=14X2 L=119	BRIDE U M14X2X50 96X119 ZN	ANSCHLANG U M14X2X50 96X119 ZN	CODO DE UNI N 1 2
58	G20970142R	RONDELLA 32X4X15,5	WASHER 32X4X15-5	RONDELLE 32X4X15-5	UNTERLEGSCHEIBE 32X4X15-5	EL.DE EMPALME M14X2X50 96X119
59	F20120346R	PUNTALE Q 35 ALETT.POLIT.NERO	SQ.TIP 35 BLACK			ARANDELA 32X4X15-5
60	F20110706R	CAV.Q.B=35 M=10X1,5 L=60	U BOLT Q.B=35 M=10X1,5 L=60	CAVALIER SUPPORT DISQUE SV	VERBINDUNG SCHEIBENHALTERUNG S	PERNO EN U SOP. DISCO SV
61	F01410062R	ROS.M10 10,5X 18X 2 U6592 ZN	WASHER M10 10,5X 18X 2 U6592	RONDELLE M10 10,5X18X2 ZN	DICHTUNGSRING M10 10,5X18X2 ZN	ARAND.M10 10,5X 18X 2 U6592 ZN
62	F01200270R	DADO M10X1,5 U5588 CL8 ZN	NUT M10X1,5 U5588 6.8ZN	ECROU M10X 1,5 U5588 6.8 ZN	MUTTER M10X 1,5 U5588 6.8 ZN	TUERCA M10X1,5 U5588 CL8 ZN
63	F01020236R	VITE M14X2X220 U5737 8.8BR	SCR. M14X2X220 U5737 8.8BR	VIS M14X2X220 U5737 8.8 BR	SCHRAUBE M14X2X220 U5737 8.8	TORNILLO M14X2X220 U5737 8.8
64	G15110091R	SCONTRO A U	CONTRA U	BRIDE 150 MM	ANSCHLAG	ELEMENTO DE EMPALME
65	G18210930R	ASS.SUPP.COMPR.CHR300 S.SPA SX	COMPR.SUPP.ASS.CHR300 S.SPA LF			
66	G18210960R	ASS.SUPP.COMPR.CHR300 S.SPA DX	COMPR.SUPP.ASS.CHR300 S.SPA RH			
67	G18250040R	FLANGIA FILTRO COMPRESSORE	COMPRESSOR FILTER FLANGE			
68	G18250090R	GUARNIZ.FILTRO COMPRESS.A LOBI	GUARNIZ.FILTRO COMPRESS.A LOBI			
69	F01020472R	VITE M10X1,5X25 U5739 8.8ZN	SCR. M10X1,5X25 U5739 8.8ZN	VIS M10X1,5X25 U5739 8.8 ZN	SCHRAUBE M10X1,5X25 U5739 8.8	TORNILLO M10X1,5X25 U5739 8.8

# TAV. 150

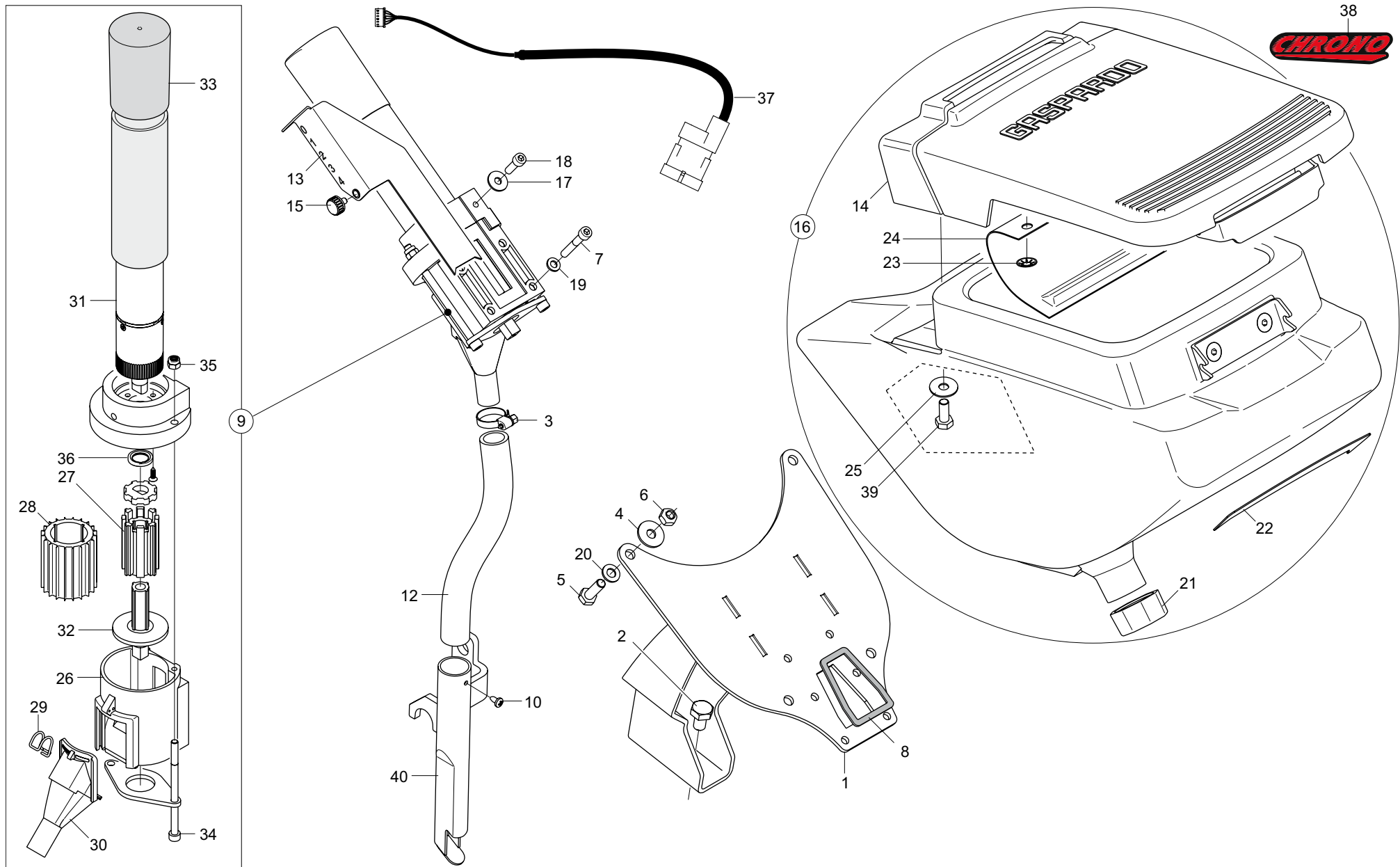
(\*) Without application software.  
 (\*\*) Without MG56 hardware.



## GESTIONE ELETTRICA ELECTRIC SYSTEM

TAV. 150

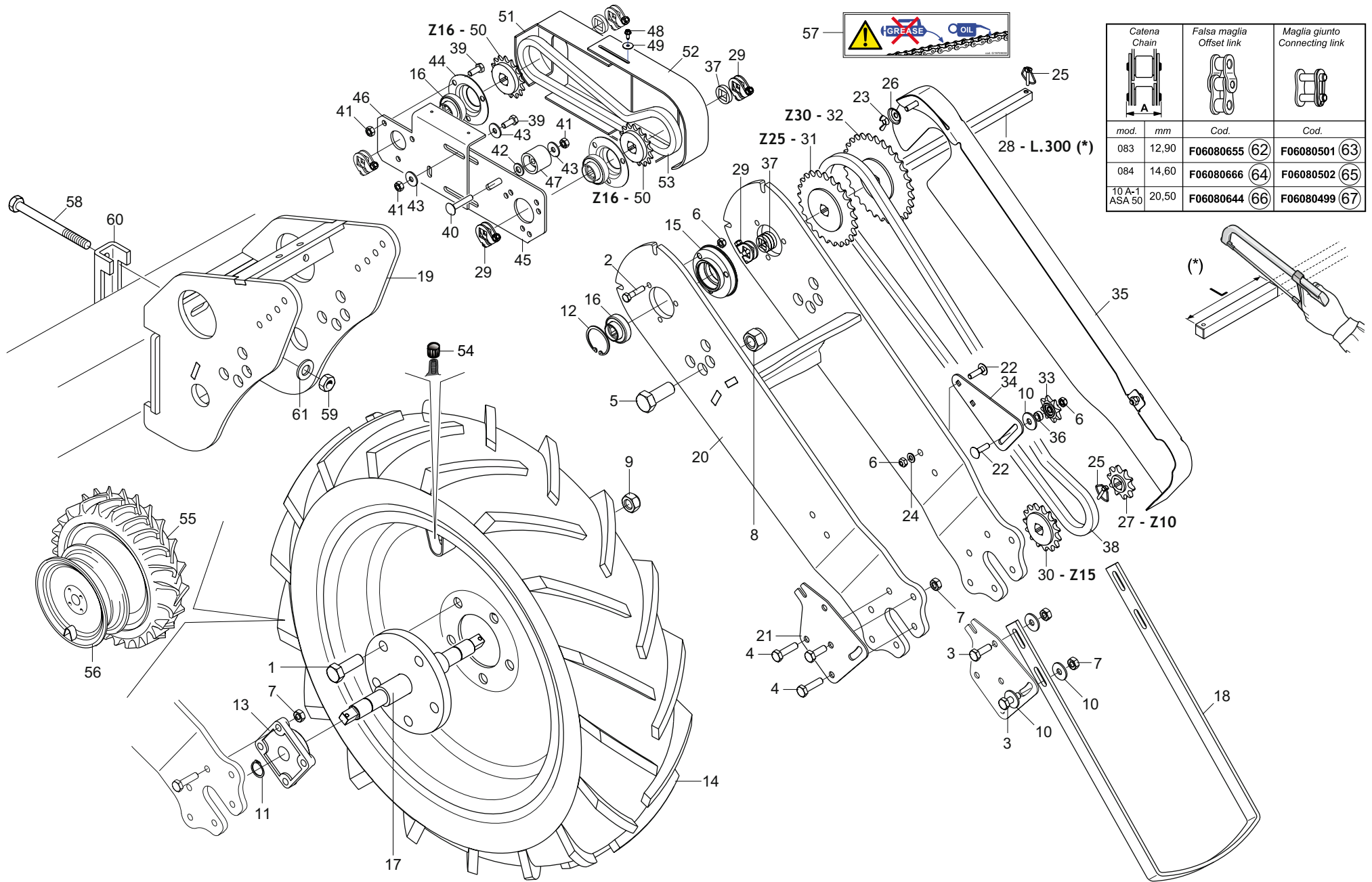
Pos.	Cod.	Descrizione	Description	Description	Benennung	Descripcion
1	F05011504R	HARDWARE ECU MG 56	HARDWARE ECU			
2	G19902400R	CABL.VELOC.DA TRATT.A SEMINAT	CABL.VELOC.DA TRATT.A SEMINAT			
3	G19902310R	CABL.PROL.M12-M12 M-F 180 1,5M	EXT.WIRING M12-M12 MF 180 1,5M			
4	F01410076R	ROS.M12 13X 24X2,5 U6592 ZN	WASHER 12 13X 24X2,5 U6592 ZN	RONDEL. M12 13X24X2,5 U6592 ZN	SCHEIBE M12 13X24X2,5 U6592 ZN	ARAND.M12 13X 24X2,5 U6592 ZN
5	F01230059R	DADO M12X1,75 D982 8ZN	LOCK-NUT M12X1,75 D982 8ZN	ECR.AUTO-FREI.M12X1,75 ZN	SICHERUNGSMUT.M12X1,75 D982 8ZN	TUER.DE SEGUR.M12X1,75 D982 ZN
6	G19902350R	INTERRUT DITA C CONN M12 2,1M	FINGER SWITCH C CONN M12 2,1M			
7	G19902190R	CABL.ADATTATORE RADAR X IST 20	CABL.ADAPTAR RADAR X IST 20			
8	F01020024R	VITE M5X0,8X40 U5737 8.8ZN	SCR. M5X0,8X40 U5737 8.8ZN	VIS 5X40 5737 8.G ZN	SCHRAUBE 5X40 5737 8.G ZN	TORNILLO 5X40 5737 8.G ZN
9	F01020521R	VITE M12X1,75X65 U5739 8.8ZN	SCR. M12X1,75X65 U5739 8.8ZN	VIS M12X1,75X65 U5739 8.8ZN	SCHRAU.M12X1,75X65 U5739 8.8ZN	TORNILLO M12X1,75X65 U5739 8
10	F01200220R	DADO M5X0,8 U5588 CL8 ZN	NUT M5X0,8 U5588 6.8ZN	ECROU 5 UNI 5588 6.8 ZN	MUTTER 5 UNI 5588 6.8 ZN	TUERCA M5X0,8 U5588 CL8 ZN
11	G18210790R	SUPPORTO BOX EE CHRONO 300	BOX SUPPORT EE CHRONO 300			
12	F01420023R	ROS.M5 5,3X 15X1,5 U6593 ZN	WASHER M5 5,3X 15X1,5 U6593			ARAND.M5 5,3X 15X1,5 U6593
13	GA7912420R	LAMA SUPPORTO FINGER ZN	BLADE SUPPORT FINGER ZN			
14	G20970085R	RONDELLA 40X4X13	WASHER 40X4X13	RONDELLE 40X4X13	UNTERLEGSCHEIBE 40X4X13	ARANDELA 40X4X13
15	F05010905R	RADAR RDS TGSS MK3V	RADAR RDS TGSS MK3V .			
16	G18210740R	MONT.BOX ELETTRICO CHRONO 300	ELECTR.BOX ASSEMBLY CHRONO 300			
17	F05011415R	FUSIBILE 10AATO	FUSE 10AATO			
18	F05012068R	FUSIBILE 2AATO	FUSE 2AATO			
19	G19902210R	CABL.CHRONO 306	CHRONO WIRING 306			
20	F05200974R	CABL.ELEMENTO CHRONO	CABLE ELEMENT CHRONO			
21	F05011766R	SENS.PRESS. 0- 10BAR 0,5-4,5V	PRESS.SENS. 0, 10BAR 0,5-4,5V			
22	F05010396R	SENSORE IND.M12X1 NPN-NO 4 MM	SENSOR IND. NBN4-12GM50-EO-V1			
23	F05011136R	SENSORE DEPR.-200MBAR 0,5-4,5	DEPRES.SENSOR -200MBAR 0,5-4,5			
24	F05200739R	CABLAGGIO ISOBUS F-F 3,5 METRI	F-F ISOBUS CABLE 3,5 METERS			
25	F01430071R	ROS.M12 13X20,5X 1 U8842J ZN	WASHER D12 DIN 6798 D.INT.ZN	RONDELLE D12 DIN 6798 D. INT.	UNT. SCHEIBE D12 DIN 6798 D.IN	ARANDELA D12 DIN 6798 D.INT.ZN
26	F01020436R	VITE M8X1,25X20 U5739 8.8ZN	SCR. M8X1,25X20 U5739 8.8ZN	VIS M8X1,25X 20 U5739 8.8 ZN	SCHRAUBE M8X1,25X20U5739 8.8ZN	TORNILLO M8X1,25X20 U5739 8.8
27	F01040063R	VITE M6X1X20 U5931 8.8ZN	SCR. M6X1X20 U5931 8.8ZN	VIS M 6	SCHRAUBE M 6	TORNILLO M 6
28	F01220022R	DADO M8X1,25 D980 8ZN	NUT M8X1,25 D980 8ZN	ECROU M8X 1,25 D980 8 ZN	MUTTER M8X 1,25 D980 8 ZN	TUERCA M8X 1,25 D980 8 ZN
29	G16131380R	BOCCOLA DISTANZIALE ZN	BUSHING SPACER ZN			
30	G18210770R	PIASTRA SUPPORTO CENTRALINA	CONTROL UNIT SUPPORT PLATE			



**MICROGRANULATORE  
MICROGRANULATOR**

**TAV. 160**

Pos.	Cod.	Descrizione	Description	Description	Benennung	Description
1	G18270010R	ASS.SUPPORTO MICRO	MICRO SUPPORT SET			
2	F01020468R	VITE M10X1,5X16 U5739 8.8ZN	SCR. M10X1,5X16 U5739 8.8ZN	VITI M10X1,5 X 16	DUEBEL M10X1,5 X 16	TORNILLO M10X1,5X16 U5739 8
3	F02300016R	FASCETTA STRING. 16 27 H.8	CLAMP 16 27 H.8			
4	F01420047R	ROS.M8 8,4X 24X 2 U6593 IX	WASHER M8 8,4X24X2 U6593 IX	RONDELLE M8 8,4X24X2 U6593 IX	SCHEIBE M8 8,4X24X2 U6593 IX	ARANDELA M8 8,4X24X2 U6593 IX
5	F01020440R	VITE M8X1,25X25 U5739 8.8ZN	SCR. M8X1,25X25 U5739 8.8ZN	VIS M8X1,25X25 U5739 8.8 ZN	SCHRAUBE M8X1,25X25U5739 8.8ZN	TORNILLO M8X1,25X25 U5739 8.8
6	F01220022R	DADO M8X1,25 D980 8ZN	NUT M8X1,25 D980 8ZN	ECROU M8X 1,25 D980 8 ZN	MUTTER M8X 1,25 D980 8 ZN	TUERCA M8X 1,25 D980 8 ZN
7	F01040075R	VITE M6X1X40 U5931 8.8ZN	SCR. M6X1X40 U5931 8.8ZN	VIS 6X40 5931 8.8	SCHRAUBE 6X40 5931 8.8	TORNILLO 6X40 5931 8.8
8	G18221420R	GUARNIZIONE DOSAT.-SERB. MICRO	GASKET OF THE MICRO TANK DOSER			
9	G18270130R	MONT.DISTR.MICRO ELETTRICO	MICRO-ELECTRIC MOUNT DISTRIB.			
10	F01070073R	VITE A4,2X1,41X9,5 U6954 4.8NI	SCR. H4,2X1,41X9,5 U6954 4.8NI			
12	G11425080R	RACCORDO INF.L.280	FITTING INF.L.280			
13	G18270080R	REG.APERTURA DIST.MICRO CHRONO	REG. MICRO CHRONO DIST.OPENING			
14	G18220540R	MONT.COPERCHIO MICRO CHRONO	MONT. MICRO COVER CHRONO			
15	F06220036R	VOLANTINO ZIGR. D.15-M5 X10	KNURLED FLYWHEEL D.15-M5 X10	VOLANT CANNEL D.15-M5 X10	GER-ND. HANDRAD D.15-M5 X10	VOLANTE ESTR. D.15-M5 X10
16	G18220530R	MONT.SERB.MICRO CHRONO	MONT.MICRO TANK CHRONO			
17	F01420036R	ROS.M6 6,4X 18X1,5 U6593 ZN	WASHER M6 6,4X 18X1,5 U6593 ZN	RONDELLE M6 6,4X18X1,5 U6593ZN	SCHEIBEN M6 6,4X18X1,5U6593 ZN	ARANDELA M6 6,4X18X1,5U6593ZN
18	F01040063R	VITE M6X1X20 U5931 8.8ZN	SCR. M6X1X20 U5931 8.8ZN	VIS M 6	SCHRAUBE M 6	TORNILLO M 6
19	F01410037R	ROS.M6 6,4X12,5X1,6 U6592 ZN	WASHER M6 6,4X12,5X1,6 U6592ZN	RONDEL.M6 6,4X12,5X1,6 U6592ZN	SCHEIB.M6 6,4X12,5X1,6 U6592ZN	ARAND.M6 6,4X12,5X1,6 U6592 ZN
20	F01410051R	ROS.M8 8,4X 17X1,6 U6592 ZN	WASHER M8 8,4X17X1,6 U6592 ZN	RONDELLE M8 8,4X17X1,6 ZN	SCHEIBE M8 8,4X17X1,6 U6592 ZN	ARAND.M8 8,4X 17X1,6 U6592 ZN
21	G16675090R	TAPPO PLASTICA MICRO C OR	PLASTIC PLUG MICRO C OR			
22	G19709810R	ADESIVO SERBATOIO MICRO	TANK ADHESIVE MICRO			
23	F02050648R	ANELLO BENZING-QUICKLOCK BQ7	BENZING-QUICKLOCK BQ7 RING	BAGUE BENZING-QUICKLOCK BQ7	RING BENZING-QUICKLOCK BQ7	ANILLO BENZING-QUICKLOCK BQ7
24	G18221410R	TELO PROTEZIONE MICRO CHRONO	MICRO PROTECTION COVER CHRONO			
25	F01420048R	ROS.M8 8,4X 24X 2 U6593 ZN	WASHER M8 8,4X 24X2 U6593 ZN	RONDELLE M8 8,4X24X 2 U6593 ZN	SCHEIBEN M8 8,4X24X 2 U6593 ZN	ARAND.M8 8,4X 24X 2 U6593 ZN
26	G18270100R	CORPO DISTR.M80 X CHRONO	BODY DISTRIBUTOR 80X CHRONO			
27	G18270110R	ANIMA DOSATORE M80 X CHRONO	DOSING SOUL M80 X CHRONO			
28	G66248189R	DOSATORE M80	SEED METERING DEVICE M80	DOSEUR M80	DOSIERER M80	DOSIFICADOR M80
29	G65336046R	MOLLA SPEC.ZN SCIVOLO M80	SPEC SPRING ZN CHUTE M80	RESSORT SPEC. ZN LANCOIR M80	SPEZIALFEDER ZN RUTSCHE M80	MUELLE ESPEC. ZN PLANO INCLINA
30	G66248154R	SCIVOLO DISTR. M80	CHUTE- DISTRIB. M80	ENTONNOIR DOSEUR MINIMAX MICRO	SAAPPARAT RUTSCHE M80	PLANO INCLINADO DISTR. M80
31	F05012195R	MOTORID.DC12V I=48 ENC12PPR	ENGINE RID.DC12V I=48 ENC12PPR			
32	G18270120R	AS.ASSE RONDELLA ALBER.X CHRON	ASSEM. WASHER SHAFT.X CHRONO			
33	F05100205R	CAPPUCCIO 50,8 X79,40 NERO	COVER 50,8 X79,40 BLACK			
34	F01040073R	VITE M6X1X100 U5931 8.8ZN	SCR. M6X1X100 U5931 8.8ZN	VIS M 6X1X100	SCHRAUBE M 6X1X100	TORNILLO M 6X1X100
35	F01230022R	DADO M6X1 D982 8ZN	NUT M6X1 D982 8ZN	ECROU AUTO-FREIN.M6X1 D982 8ZN	SICHERUNGSMUT. M6X1 D982 8 ZN	TUERCA DE SEGU.M6X1 D982 8 ZN
36	F03011328R	GUARNIZIONE A LABBRO 14X22X3	LIP GASKET 14X22X3			
37	G19902480R	CABL.MICRO ELEMENTO CHRONO	CAB.MICRO ELEMENT CHRONO			
38	F20020718R	DECAL.CHRONO 80 X 20	DECAL.CHRONO 80 X 20			
39	F01020436R	VITE M8X1,25X20 U5739 8.8ZN	SCR. M8X1,25X20 U5739 8.8ZN	VIS M8X1,25X 20 U5739 8.8 ZN	SCHRAUBE M8X1,25X20U5739 8.8ZN	TORNILLO M8X1,25X20 U5739 8.8
40	G18270050R	ASS.TUBO DISCESA MICRO DRITTO	ASSE.MICRO STRAIGHT DOWN TUBE			

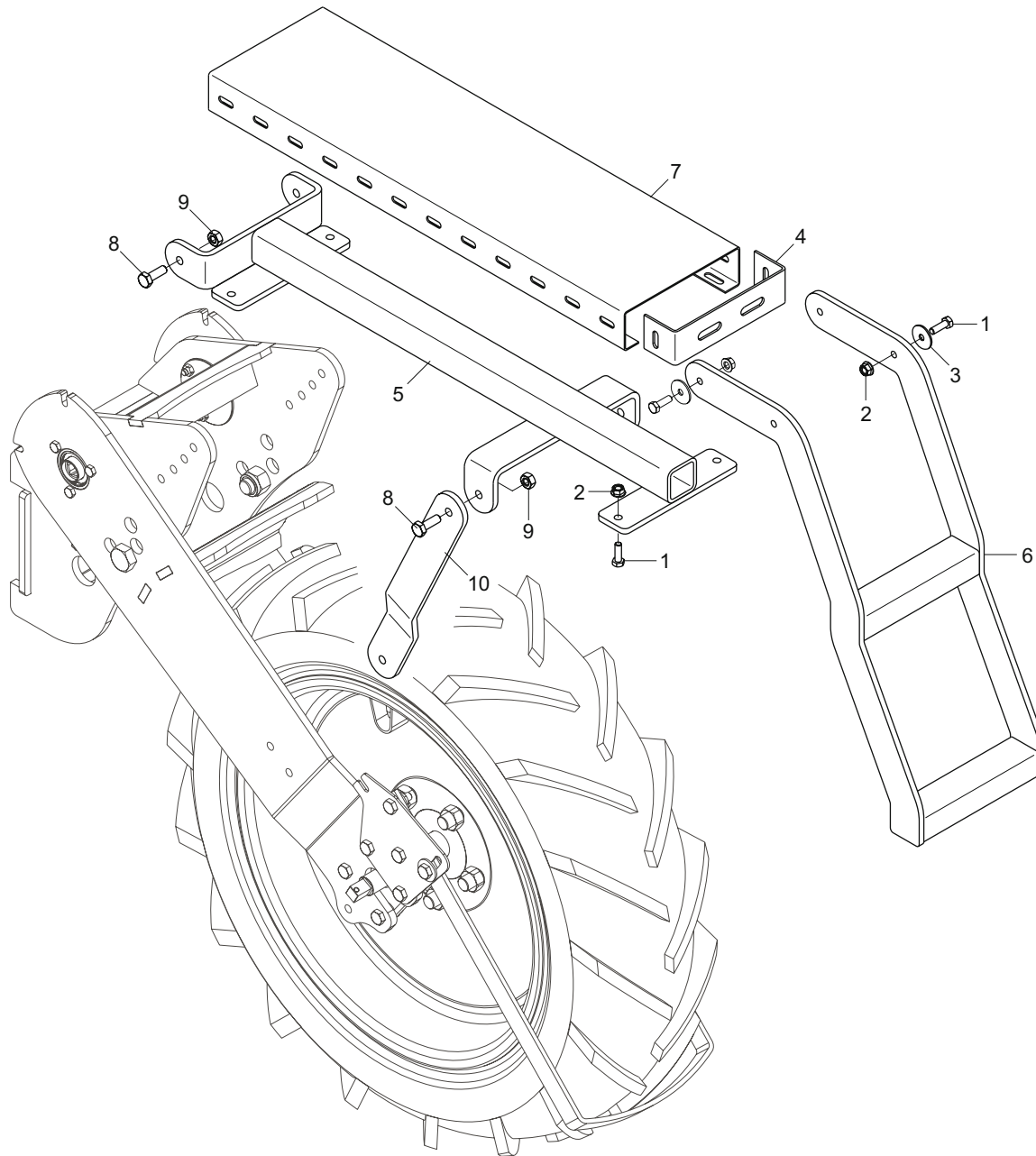




## RUOTE DI TRASMISSIONE DRIVE WHEELS

TAV. 170

Pos.	Cod.	Descrizione	Description	Description	Benennung	Descripcion
1	F01010365R	VITE M18X1,5X50 U5740 8.8ZN	SCR. M18X1,5X50 U5740 8.8ZN	VIS M18X1,5X50 U5740 8.8 ZN	SCHRAUBE 18X1,5X50 U5740 8.8ZN	TORNI. M18X1,5X50 U5740 8.8ZN
2	F01020063R	VITE M8X1,25X35 U5737 8.8ZN	SCR. M8X1,25X35 U5737 8.8ZN	VIS M8X1,25X35 U5737 8.8ZN	SCHRAU. M8X1,25X35 U5737 8.8ZN	TORNILLO M8X1,25X35 U5737 8.8
3	F01020476R	VITE M10X1,5X30 U5739 8.8ZN	SCR. M10X1,5X30 U5739 8.8ZN	VIS M10X1,5X30 U5739 8.8 ZN	SCHRAUBE M10X1,5X30U5739 8.8ZN	TORNILLO M10X1,5X30 U5739 8.8
4	F01020483R	VITE M10X1,5X40 U5739 10.9ZD	SCR. M10X1,5X40 U5739 10.9ZD	VIS M10X1,5X40 U5739 10.9 ZD	SCHRA.M10X1,5X40 U5739 10.9 ZD	TORN. M10X1,5X40 U5739 10.9 ZD
5	F01020630R	VITE M20X2,5X50 U5739 10.9ZN	SCR. M20X2,5X50 U5739 10.9ZN			
6	F01220022R	DADO M8X1,25 D980 8ZN	NUT M8X1,25 D980 8ZN	ECROU M8X 1,25 D980 8 ZN	MUTTER M8X 1,25 D980 8 ZN	TUERCA M8X 1,25 D980 8 ZN
7	F01200270R	DADO M10X1,5 U5588 CL8 ZN	NUT M10X1,5 U5588 6.8ZN	ECROU M10X 1,5 U5588 6.8 ZN	MUTTER M10X 1,5 U5588 6.8 ZN	TUERCA M10X1,5 U5588 CL8 ZN
8	F01230131R	DADO M20X 2,5 D982 6S ZN	NUT M20X2,5 D982 6ZN	ECROU M20X,5 D982 6ZN	MUTTER M20X2,5 D982 6ZN	TUERCA M20X2,5 D982 6ZN
9	F01250052R	DADO COLON. 18X1,5 ZN	COLUMN NUT M18X1,5 ZN	ECROU M18X1,5 COLONNE ZN	MUTTER COLON. M18X1,5 ZN	TUERCA M18X1,5 COLUMNA ZN
10	F01420060R	ROS.M10 10,5X 30X2,5 U6593 ZG	GALV.WASHER 10,5X30X2,5 U6593	RONDELLE 10,5X30	SCHEIBE 10,5X30	ARAND.M10 10,5X 30X2,5 U6593
11	F02050101R	ANELLO E. DE 25X 1,2 U7435 C7	SEEGER RING E. 25X1,2 7435 C70	SEEGER E. 25X 1,2 U7435 C70	SEEGERING E. 25X 1,2 U7435 C70	ANILLO E. DE 25X 1,2 U7435 C7
12	F02050370R	ANELLO E. DI 47X1,75 U7437 C70	SEEGER RING 47X 1,75 U7437 C70	SEEGER E. 47X 1,75 U7437 C70	SEEGERING E. 47X1,75 U7437 C70	ANILLO E. 47X 1,75 U7437 C70
13	F04100137R	SUPPORTO FY 25 TF	SUPPORTO FY 25 TF			
14	F06120069R	RUOTA 7.50-16 AG 10	WHEEL 7.50-16 AG 10	ROUE 7.50-16 AG10	RAD 7.50-16 AG10	RUEDA 7.50-16 AG10
15	G22310011R	FLANGIA CAMBIO DP	GEARBOX FLANGE DP	BRIDE BOITE DE VITESSE DP	FLANSCH GETRIEBE DP	BRIDA CAMBIO DP
16	G14830390R	CUSCINETTO FORO QUADRO	SQUARE-HOLED BEARING	ROULEMENT TROU CARRE	VIERKANTLAGER	COJINETE ORIFICIO CUADRADO
17	G15231162R	ASSE RUOTA 7,50X16	ASS. AXIS WHEEL 7,50X16			
18	G15231171R	RASCHIATERRA RUOTA 7,50X16	WHEEL SOIL SCRAPER 7,50X16			
19	G18230020R	ASS.SUPPORTO RUOTA REGOLABILE	ASS. SUPPORTABLE WHEEL SUPPORT	RACLEUR ROUE 7,50X16	ERDSCHABER RAD 7,50X16	RASCADOR TIERRA RUEDA 7,50X16
20	G18230080R	ASS.FORCELLA RUOTA 7,5	ASS.FORK WHEEL 7.5			
21	G18230200R	SUPP.RASCHIATERRA R7.5 REGOL.	SCRAPER SUPPORT WHEEL 7.5 ADJ.			
22	F01060042R	VITE M8X1,25X30 U5731 8.8ZN	SCR. M8X1,25X30 U5732 4.6ZN	VIS 8 X30 5732 4.6 ZN	SCHRAUBE 8 X30 5732 4.6 ZN	TORNILLO 8 X30 5732 4.6 ZN
23	F01240024R	DADO M8X1,25 U5448 5.8ZN	NUT M8X1,25 U5448 5.8ZN	ECROU 8 UNI 5448 5.8 ZN	MUTTER 8 UNI 5448 5.8 ZN	TUERCA 8 UNI 5448 5.8 ZN
24	F01410051R	ROS.M8 8,4X 17X1,6 U6592 ZN	WASHER M8 8,4X17X1,6 U6592 ZN	RONDELLE M8 8,4X17X1,6 ZN	SCHEIBE M8 8,4X17X1,6 U6592 ZN	ARAND.M8 8,4X 17X1,6 U6592 ZN
25	F02200452R	SPINA SCATTO D.4.4 B 80 ZN	SNAP PIN D4.4 B 80 ZN	FICHE A DETENTE D4.4 B 80 ZN	EINRASTSTIFT D4.4 B 80 ZN	CLAVIJA DE MUELLE D4.4 B 80 ZN
26	G22220083R	RONDELLA AD IMBOCCO	LEAD-IN WASHER	RONDELLE EMBOUTIE	TRICHTERSCHEIBE	ARANDELA DE MUESCA
27	G22220113R	INGRANAGGIO Z-10 FERRO	GEAR Z-10 IRON	ENGRENAGE Z-10 FER	ZAHNRAD Z-10 EISEN	ENGRANAJE Z-10 HIERRO
28	G22230138R	ASSE CAMBIO 4F.80-6F.45 L.1000	GEAR SPINDLE 4-ROW 80- 6-ROW.4	AXE BOITE DE VITESSE 4 RA	GETRIEBEACHSE 4 R. 80-6 R.45 L	EJE CAMBIO 4 FILAS. 80-6 FILAS
29	G22505085R	FERMO ASSE IN LAMIERA	PLATE AXLE STOP	ARRET AXE EN TOLE	FESTSTELLVORRICHTUNG BLECHACHS	BLOQUEO EJE DE CHAPA
30	G16630390R	PIGNONE Z-15 ZN	PINION Z-15 ZN	PIGNON Z-15 ZN	RITZE Z-15 ZN	PINION Z-15 ZN
31	G16630420R	PIGNONE Z-25 ZN.	PINION Z-25 ZN.	PIGNON Z-25 ZN.	RITZE Z-25 ZN.	PINION Z-25 ZN.
32	G16630430R	PIGNONE Z-30 ZN.	PINION Z-30 ZN.	PIGNON Z-30 ZN.	RITZE Z-30 ZN.	PINION Z-30 ZN.
33	G16630790R	INGR.Z8 5 8X3 8 TENDICAT.COMPL	GEAR Z8 5 8X3 8 CHAIN			
34	G18230250R	SUPP.TENDICATENA	SUPPORT CHAIN TENSIONER			
35	G18230260R	ASS.CARTER RUOTE 7.50 REG. DX	ASS.CARTER ADJ. WHEEL 7.50 RH			
36	G20980050R	BOCCOLA 15X7X8,5 ZN	BUSHING 15X7X8-5 ZN	BOITE 15X7X8-5 ZN	BSCHE 15X7X8-5 ZN	CASQUILLO 15X7X8-5 ZN
37	G66248218R	RONDELLA DISTAN.SPAND.	MAN. SPR. SPACER WASHER	RONDELLE ENTRETOISE EP. ENGRAI	ABSTANDSCHEIBE DSNGERSTREUER	ARANDELA DISTAN.ABONAD.
38	F06080171R	CATENA 5 8 ISO 10B 100 MAGLIE	CHAIN ISO 10B-1 100 LINKS	TRONCON CHAINE ISO10B-1 100MA.	KETTENLNZNGE ISO 10B-1 100 GLIE	TRECHO CADENA ISO 10B-1 100 ES
39	F01020436R	VITE M8X1,25X20 U5739 8.8ZN	SCR. M8X1,25X20 U5739 8.8ZN	VIS M8X1,25X 20 U5739 8.8 ZN	SCHRAUBE M8X1,25X20U5739 8.8ZN	TORNILLO M8X1,25X20 U5739 8.8
40	F01060047R	VITE M8X1,25X45 U5731 8.8ZN	SCR. M8X1,25X45 U5732 4.6ZN	VIS 8X45 5732 4.6 ZN	SCHRAUBE 8X45 5732 4.6 ZN	TORNILLO 8X45 5732 4.6 ZN
41	F01200244R	DADO M8X1,25 U5588 CL8 ZN	NUT M8X1,25 U5588 6.8ZN	ECROU M8 X1,25 U5588 6.8 ZN	MUTTER M8 X1,25 U5588 6.8 ZN	TUERCA M8X1,25 U5588 CL8 ZN
42	F01410064R	ROS.M10 10,5X 20X 2 U6592 ZN	WASHER M10 10,5X20X2 U6592 ZN	RONDEL. M10 10,5X20X2 U6592 ZN	SCHEIBE M10 10,5X20X2 U6592 ZN	ARAND.M10 10,5X 20X 2 U6592 ZN
43	F01420048R	ROS.M8 8,4X 24X 2 U6593 ZN	WASHER M8 8,4X 24X2 U6593 ZN	RONDELLE M8 8,4X24X 2 U6593 ZN	SCHEIBEN M8 8,4X24X 2 U6593 ZN	ARAND.M8 8,4X 24X 2 U6593 ZN
44	G22230094R	SUPPORTO CUSCINETTO	BEARING SUPPORT	SUPPORT DE ROULEMENT	LAGERBSCHSE	SOPORTE COJINETE
45	G15470851R	FIANCO SUPP.TRASM.SPANDI	SPREADER TRANSM. SIDE SUPPORT	COTE SUPPORT TRANSM. EPAND.	SEITEN HALTER. ANTRIEB DUNGERS	COSTADO SOPORTE TRANSM. ABONAD
46	G17170150R	FIANCO SUPPORTO TRASM.SPAND.	SPREADER TRANSM. SIDE SUPPORT			
47	G66248207R	TENDICATENA SPAND. SP-520	CHAIN TENSIONER	TENDEUR DE CHAINE EPAND. ENGR.	KETTENSPELLER DSNGERSTR. SP-52	SENSOR DE CADENA ABON. SP-520
48	F01070078R	VITE A4,2X1,41X13 U6950 4.8ZN	SCR. H4,2X1,41X13 U6950 4.8ZN	VIS AUTOTARADEUSE 4-2X13 TE	KETTENSCHNEID. SCHRAUBE 4-2X13	TORNILLO AUTOR.4-2X13 TE
49	F01420011R	ROS.M4 4,3X 16X 1 U6593 ZN	FLAT WASHER 4-3X 16X1-5 6593 G	ROND.PLATE 4-3X 16X1-5 6593 ZN	SCHEIBE 4-3X 16X1-5 6593 ZN	ARAND. PLANA 4-3X 16X1-5 6593
50	G17170130R	PIGNONE Z16 1 2-3 16 Q.16,4 ZN	PINION Z16 1 2-3 16 Q.16,4 ZN			
51	G19002830R	CARTER TRASMISSIONE SUPERIORE	TOP TRANSMISSION CASE	CARTER ENTRAINEMENT SUPERIEUR	OBERES ANTRIEBSGEHUSE	C RTER TRANSMISI N SUPERIOR
52	G19002880R	CARTER INFERIORE TRASM.SPAND.	BOTTOM SPREADER TRANSM. CASE	CARTER INFERIEUR TRANSM EPAND.	UNTER. ANTRIEBSGEHUSE DSNG.GE	C RTER INFER. TRANSMISI N ABON
53	F06080022R	CATENA 1 2 ISO 083 50 MAGLIE	CHAIN 1 2 ISO 083 50 LINKS	TR. CH. 1 2 ISO 083 50 MAILLE	KETTENLNZNGE 1 2 ISO 083 50 GL	TRECHO CADENA 1 2 ISO 083 50 E
54	F05050025R	CAPPELLOTTO PROTEZ. X VALV.PVC	PROTECTION CAP PVC X VALVA	CAPUCHON PROTECION PVC X VALVA	SCHUTZKAPPE PVC X VENTIL	TAPA PROTECION PVC X VALVA
55	F06120400R	COPERTURA 7.50-16 IM110 8PR TU	TYRE 7.50-16 IM110 8PR TU	JANTE 7.50-16 PV TU	REIFEN 7.50-16 PV TU	LLANTA 7.50-16 PV TU
56	F06120208R	CERCHIO 7.50-16 PV TU	RING 7.50-16 PV TU			
57	G19709030R	DECAL.OLIO CATENE	LABEL OIL CHAIN			
58	F01020236R	VITE M14X2X220 U5737 8.8BR	SCR. M14X2X220 U5737 8.8BR	VIS M14X2X220 U5737 8.8 BR	SCHRAUBE M14X2X220 U5737 8.8	TORNILLO M14X2X220 U5737 8.8
59	F01200306R	DADO M14X2 U5588 CL8 ZN	NUT M14X2 U5588 6.8ZN	ECROU M14X2	MUTTER M14X2	DADO M14X2
60	G15110091R	SCONTRO A U	CONTRA U	BRIDE 150 MM	ANSCHLAG	ELEMENTO DE EMPALME
61	G20970142R	RONDELLA 32X4X15,5	WASHER 32X4X15-5	RONDELLE 32X4X15-5	UNTERLEGSCHHEIBE 32X4X15-5	ARANDELA 32X4X15-5
62	F06080655R	FALSA MAGLIA CAT.1 2 ISO 083	FALSE CHAIN LINK 1 2 ISO 083	FAUSSE MAILLE CHAINE 1 2 ISO 0	FALSCHES GLIED 1 2 ISO 083	ESLAB N FICTICIO CAD. 1 2 ISO
63	F06080501R	GIUNZIONE CATENA 1 2 ISO 083	CHAIN JOINT 1 2 ISO 083	JONCTION CHAINE 1 2 ISO 083	KETTENVERBINDUNG 1 2 ISO 083	UNI N CADENA 1 2 ISO 083
64	F06080666R	FALSA MAGLIA CAT.1 2 ISO 084-1				
65	F06080502R	GIUNZIONE CATENA 1 2 ISO 084-1	CHAIN JUNCTION 1 2 ISO 084-1			
66	F06080644R	FALSA MAGLIA CAT.5 8 ASA 50LUB		FAUSSE MAILLE CHAINE ASA 50LUB	FALSCHES GLIED 5 8 ASA 50LUB	ESLAB N FICTICIO CAD.5 8 ASA50
67	F06080499R	GIUNZIONE CATENA 5 8 ASA 50LUB	CHAIN JOINT 5 8 ASA 50LUB	JONCTIONS CHAINE 5 8 ASA 50LUB	KETTENVERBINDUNG 5 8 ASA 50LUB	UNIONES CADENA 5 8 ASA 50LUB

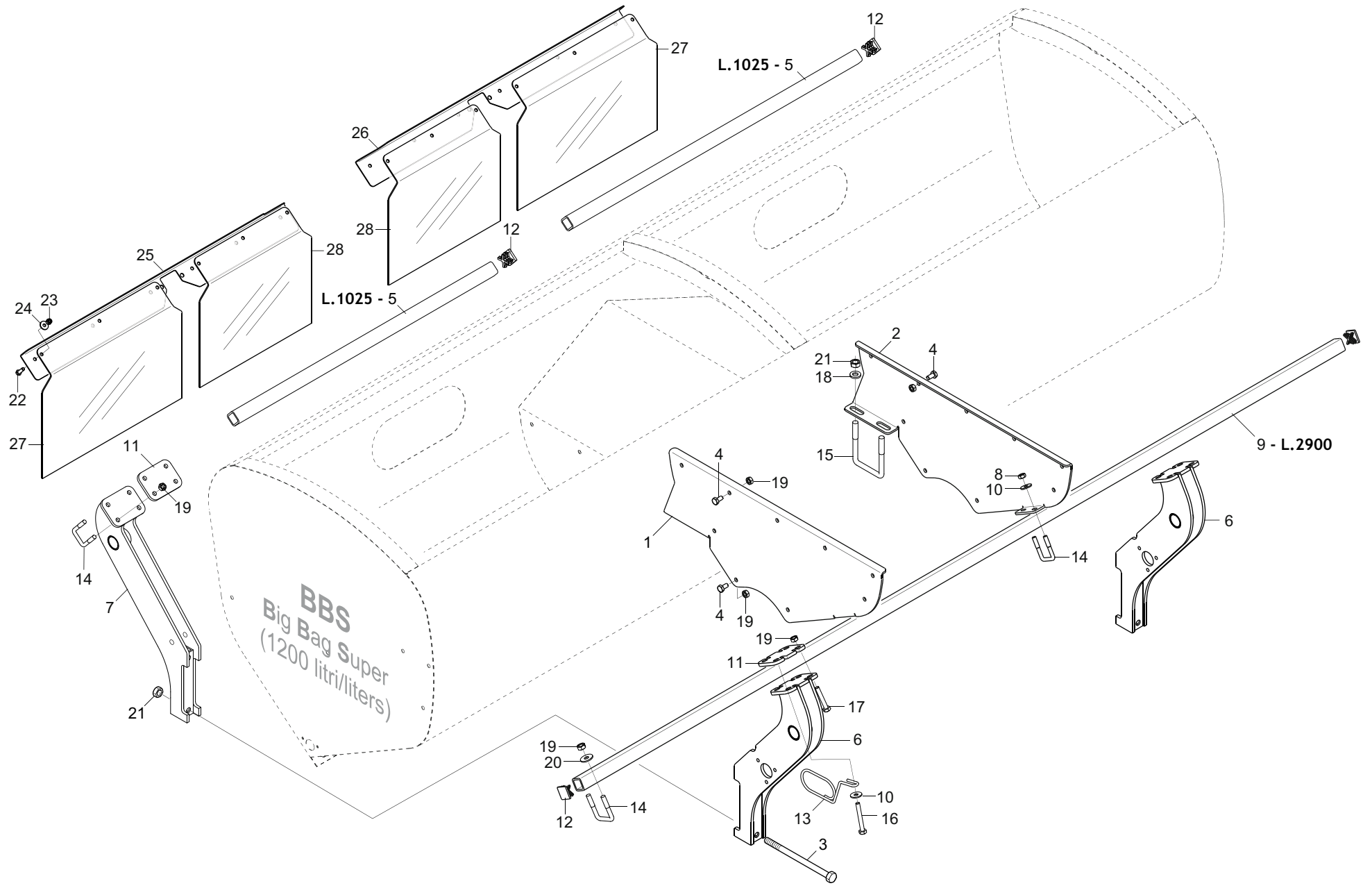




## SCALETTA RUOTE PORTANTI LADDER

TAV. 180

Pos.	Cod.	Descrizione	Description	Description	Benennung	Descripcion
1	F01020440R	VITE M8X1,25X25 U5739 8.8ZN	SCR. M8X1,25X25 U5739 8.8ZN	VIS M8X1,25X25 U5739 8.8 ZN	SCHRAUBE M8X1,25X25U5739 8.8ZN	TORNILLO M8X1,25X25 U5739 8.8
2	F01260043R	DADO M8 D6923 8.8ZN	NUT M8 D6923 8.8ZN	ECROU BRIDE .M8 DIN 6923 8.8 Z	GEFLANSCHTE MUTTER M8 DIN6923	TUERCA BRIDA M8 DIN 6923 8.8 Z
3	F01420049R	ROS.M8 8,4X 32X 2 U6593 ZN	WASHER M8 8,4X32X2 U6593 ZN	RONDELLA M8 8,4X32X2 U6593 ZN	SCHEIBE M8 8,4X32X2 U6593 ZN	ARAND.M8 8,4X 32X 2 U6593 ZN
4	G15276640R	TERMINALE PEDANA 200 ZN	GALVANIZED PLATFORM END			
5	G18230110R	ASS.SUPPORTO PEDANA R.7.50	ASS.PLATFORM SUPPORT 7.50			
6	G18230160R	ASS.PEDANA RUOTA 7,5 REGOL.	ASS.STEPS 7.50 ADJUSTABLE			
7	G18230230R	PEDANA 200 X 720 X 58 SP.2 ZN	FOOTBOARD 200X720X58 SP.2 ZN			
8	F01020476R	VITE M10X1,5X30 U5739 8.8ZN	SCR. M10X1,5X30 U5739 8.8ZN	VIS M10X1,5X30 U5739 8.8 ZN	SCHRAUBE M10X1,5X30U5739 8.8ZN	TORNILLO M10X1,5X30 U5739 8.8
9	F01200270R	DADO M10X1,5 U5588 CL8 ZN	NUT M10X1,5 U5588 6.8ZN	ECROU M10X 1,5 U5588 6.8 ZN	MUTTER M10X 1,5 U5588 6.8 ZN	TUERCA M10X1,5 U5588 CL8 ZN
10	G18230190R	SUPPORTO SCALETTA R.7.50 REGOL	ASS.PLATFORM SUPPORT 7.50 ADJ.			

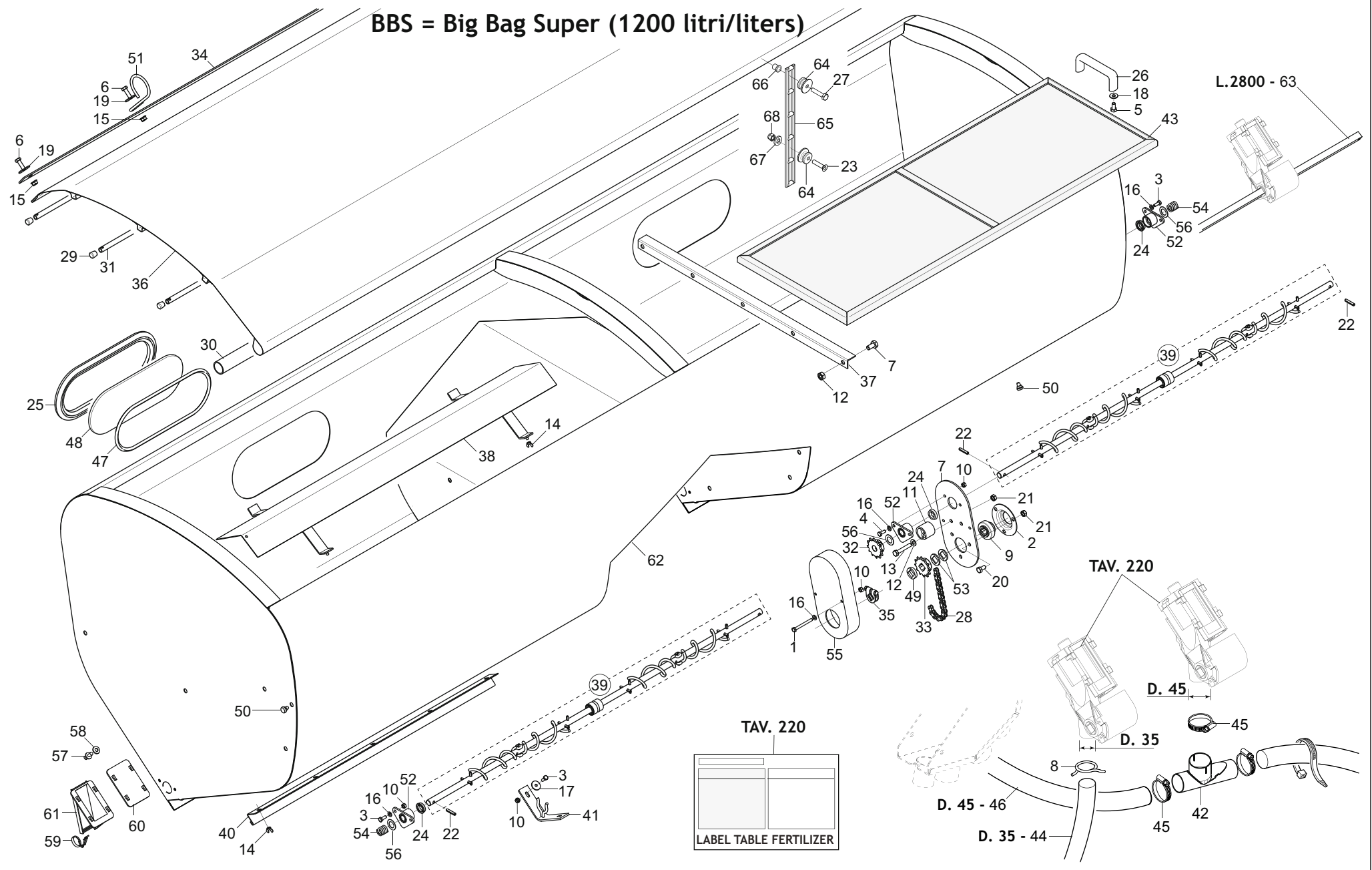


**SUPPORTI SERBATOIO CONCIME  
SUPPORTS FERTILIZER HOPPER**

**TAV. 190**

Pos.	Cod.	Descrizione	Description	Description	Benennung	Description
1	G15274270R	FIANCO SUPP.INT.SX BB1200L	L.INTERNAL SUPP.SIDE BB1200L			
2	G15274260R	FIANCO SUPP.INT.DX BB1200L	R.INTERNAL SUPP.SIDE BB1200L			
3	F01020238R	VITE M14X2X240 U5737 8.8BR	SCR. M14X2X240 U5737 8.8BR	VIS M 14 X240 5737 8.G	SCHRAUBE M 14 X240 5737 8.G	TORNILLO M 14 X240 5737 8.G
4	F01020461R	VITE M10X1,5X20 U5739 8.8GE	SCREW M10X1,5X20 U5739 8.8GE			
5	G15273491R	TUBO Q. 35X 4X1025	SQ.PIPE 35X 4X1025			
6	G15273444R	SUPPORTO POSTERIORE	REAR SUPPORT			
7	G15273472R	SUPPORTO FRONTALE	FRONT SUPPORT			
8	F01200270R	DADO M10X1,5 U5588 CL8 ZN	NUT M10X1,5 U5588 6.8ZN	ECROU M10X 1,5 U5588 6.8 ZN	MUTTER M10X 1,5 U5588 6.8 ZN	TUERCA M10X1,5 U5588 CL8 ZN
9	G07000656R	TUBO Q. 35X 4X2900	SQUARE PIPE 35X35X4X2900	TUBE CARRE 35X35X4X2900	VIERKANTROHR 35X35X4X2900	TUBO CUADRADO 35X35X4X2900
10	F01420060R	ROS.M10 10,5X 30X2,5 U6593 ZG	GALV.WASHER 10,5X30X2,5 U6593	RONDELLE 10,5X30	SCHEIBE 10,5X30	ARAND.M10 10,5X 30X2,5 U6593
11	G15274520R	PIASTRA D APPOGGIO MTE300	SUPPORT PLATE MTE300			
12	F20120346R	PUNTALE Q 35 ALETT.POLIT.NERO	SQ.TIP 35 BLACK			
13	G18904050R	MOLLA GUIDA 2 TUBI DEPRESS.	TUBE GUIDE SPRING	RESSORT GUIDE-TUBES	EDER ROHRF_HRUNG	MUELLE GUA TUBOS
14	F20110706R	CAV.Q.B=35 M=10X1,5 L=60	U BOLT Q.B=35 M=10X1,5 L=60	CAVALIER SUPPORT DISQUE SV	VERBINDUNG SCHEIBENHALTERUNG S	PERNO EN U SOP. DISCO SV
15	F20110770R	CAV.Q.B=80 M=14X2 L=119	U BOLT Q.B=80 M=14X2 L=119	BRIDE U M14X2X50 96X119 ZN	ANSCHLANG U M14X2X50 96X119 ZN	EL.DE EMPALME M14X2X50 96X119
16	F01020144R	VITE M10X1,5X75 U5737 A2IX	SCR. M10X1,5X75 U5737 A2IX	VIS M10X 1,5X 75 U5737 8.8 IX	SCHRAUBE M10X 1,5X 75 U5737 8.	TORNIL. M10X 1,5X 75 U5737 8.8
17	F01020143R	VITE M10X1,5X65 U5737 A2IX	SCR. M10X1,5X65 U5737 A2IX	VIS M10X 1,5X 65 U5737 8.8 IX	SCHRAUBE M10X 1,5X 65 U5737 8.	TORNIL. M10X 1,5X 65 U5737 8.8
18	G20970142R	RONDELLA 32X4X15,5	WASHER 32X4X15-5	RONDELLE 32X4X15-5	UNTERLEGSCHEIBE 32X4X15-5	ARANDELA 32X4X15-5
19	F01200271R	DADO M10X1,5 U5588 A2IX	NUT M10X1,5 U5588 A2IX	ECROU 10 5588 6.8 INOX	MUTTER 10 5588 6.8 INOX	TUERCA 10 5588 6.8 INOX
20	F01420059R	ROS.M10 10,5X 30X2,5 U6593 IX	WASHER 11X30X2,5 6593 A2	RONDELLE 11X30X2,5 6593 A2	UNTERLEGSCHEIBE 11X30X2,5 6593	ARANDELA 11X30X2,5 6593 A2
21	F01200306R	DADO M14X2 U5588 CL8 ZN	NUT M14X2 U5588 6.8ZN	ECROU M14X2	MUTTER M14X2	DADO M14X2
22	F01020443R	VITE M8X1,25X25 U5739 A2IX	SCR. M8X1,25X25 U5739 A2IX	VIS M8X1.25X25 U5739 A2 IX	SCHRAUBE M8X1.25X25 5739 A2 IX	TORNILLO M8X1.25X25 5739 A2 IX
23	F01230032R	DADO M8X1,25 D982 A2IX	NUT M8X1,25 D982 A2IX	ECROU M 8X1,25 D982 A2 IX	MUTTER M 8X1,25 D982 A2 IX	TUERCA M 8X1,25 D982 A2 IX
24	F01420047R	ROS.M8 8,4X 24X 2 U6593 IX	WASHER M8 8,4X24X2 U6593 IX	RONDELLE M8 8,4X24X2 U6593 IX	SCHEIBE M8 8,4X24X2 U6593 IX	ARANDELA M8 8,4X24X2 U6593 IX
25	G18270200R	SUPPORTO TELO PROTEZIONE DX	PROTECTIVE COVER SUPPORT RH			
26	G18270230R	SUPPORTO TELO PROTEZIONE SX	PROTECTIVE COVER SUPPORT LH			
27	G18270210R	TELO PROTEZIONE ESTERNO	OUTSIDE PROTECTION COVER			
28	G18270220R	TELO PROTEZIONE INTERNO	INSIDE PROTECTION COVER			

BBS = Big Bag Super (1200 litri/liters)

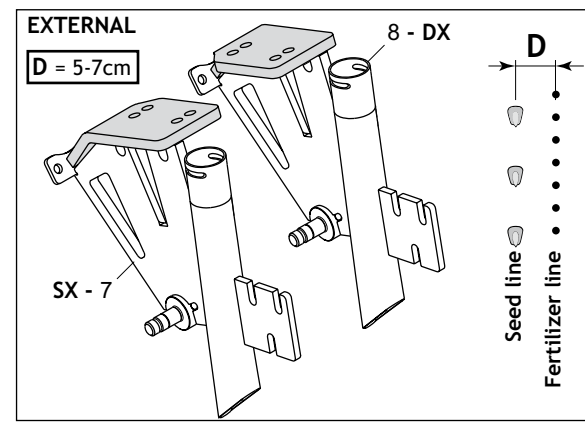
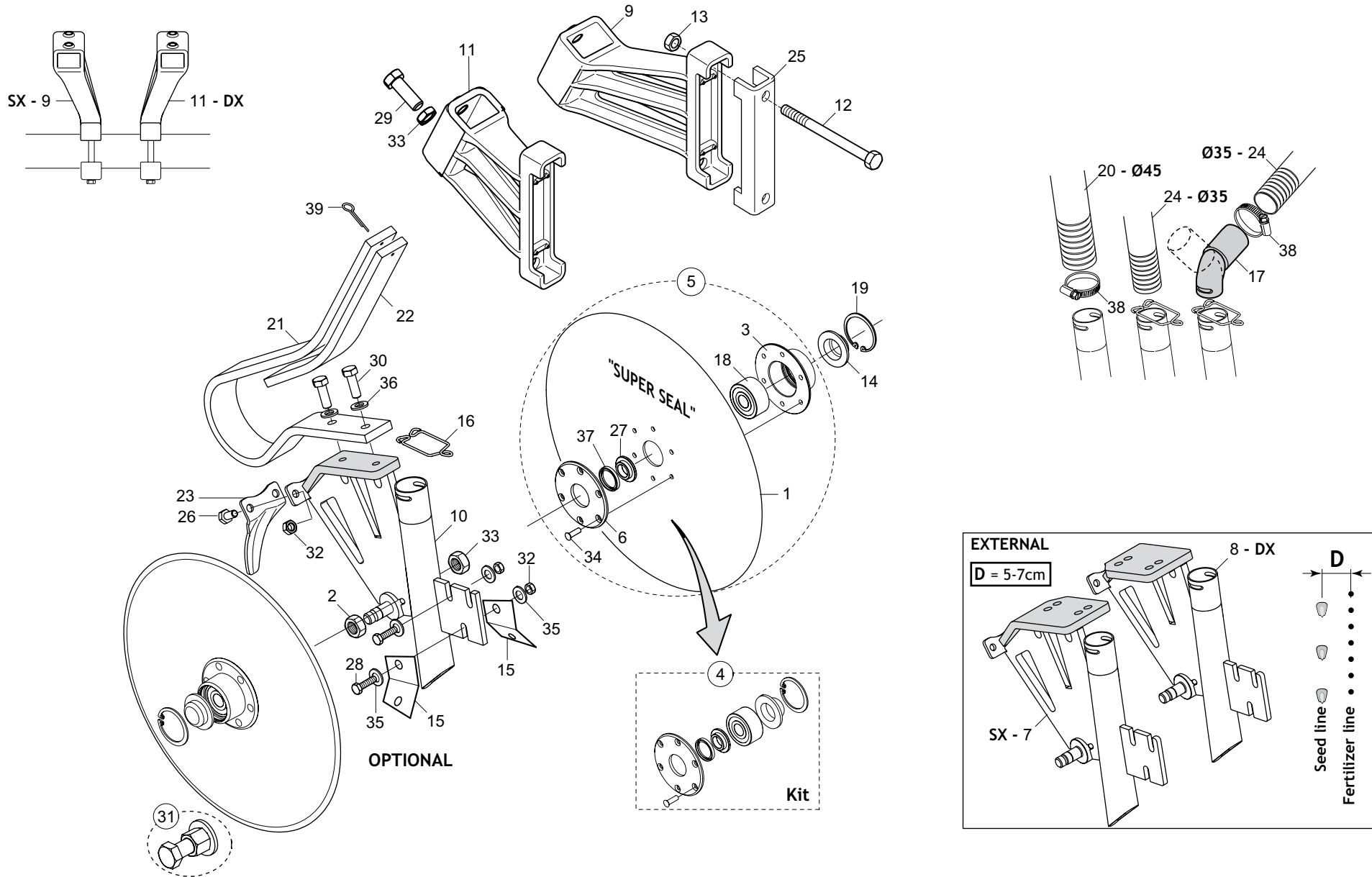


# SERBATOIO CONCIME FERTILIZER HOPPER

TAV. 200

Pos.	Cod.	Descrizione	Description	Description	Benennung	Descripcion
1	F01020043R	VITE M6X1X60 U5737 8.8ZN	SCR. M6X1X60 U5737 8.8ZN	VIS M6X1X60 U5737 8.8 ZN	SCHRAUBE M6X1X60 U5737 8.8 ZN	TORNILLO M6X1X60 U5737 8.8 ZN
2	G22230094R	SUPPORTO CUSCINETTO	BEARING SUPPORT	SUPPORT DE ROULEMENT	LAGERBSCHSE	SOPORTE COJINETE
3	F01020419R	VITE M 6X1 X 16 U5739 A2IX	SCR. M6X1X16 U5739 A2IX	VIS M6 X1 X 16 U5739 8.8 IX	SCHRAUBE M6 X1 X 16 U5739 8.8	TORNIL. M6 X1 X 16 U5739 8.8
4	F01020420R	VITE M6X1X20 U5739 A2IX	SCR. M6X1X20 U5739 A2IX	VIS M6 X1 X 20 U5739 8.8 IX	SCHRAUBE M6X1X20 U5739 A2 IX	TORNIL. M6 X1 X 20 U5739 8.8
5	F01020426R	VITE M 8X1,25X 12 U5739 A2IX	SCR. M8X1,25X12 U5739 A2IX	VIS M8 X1,25X 12 U5739 8.8 IX	SCHRAUBE M8 X1,25X 12 U5739 8.	TORNIL. M8 X1,25X 12 U5739 8.8
6	F01020443R	VITE M8X1,25X25 U5739 A2IX	SCR. M8X1,25X25 U5739 A2IX	VIS M8X1,25X25 U5739 A2 IX	SCHRAUBE M8X1,25X25 5739 A2 IX	TORNILLO M8X1,25X25 5739 A2 IX
7	G15471930R	PROTEZIONE	GUARD	PROTECTION	SCHUTZ	PROTECCI N
8	G65336025R	MOLLA SPEC.ZN STRINGIT.ASP.SP	SPEC SPRING ZN FAN . PIPE CLAM	RESSORT SPEC. ZN SERRE-TUBE AS	SPEZIALFEDER ZN RORHSCHELLE AB	MUELLE ESPEC. ZN APIRIETA TUBOS
9	G14830390R	CUSCINETTO FORO QUADRO	SQUARE-HOLED BEARING	ROULEMENT TROU CARRE	VIERKANTLAGER	COJINETE ORIFICIO CUADRADO
10	F01200233R	DADO M6X1 U5588 A2IX	NUT M6X1 U5588 A2IX	ECROU M 6X 1 U5588 I	MUTTER M 6X 1 U5588	TUERCA M 6X 1 U5588
11	G66248207R	TENDICATENA SPAND. SP-520	CHAIN TENSIONER	TENDEUR DE CHAINE EPAND. ENGR.	KETTENSANNER DSNGERSTR. SP-52	ENSOR DE CADENA ABON. SP-520
12	F01410051R	ROS.M8 8,4X 17X1,6 U6592 ZN	WASHER M8 8,4X17X1,6 U6592 ZN	RONDELLE M8 8,4X17X1,6 ZN	SCHEIBE M8 8,4X17X1,6 U6592 ZN	ARAND.M8 8,4X 17X1,6 U6592 ZN
13	F01020068R	VITE M8X1,25X40 U5737 8.8ZN	SCR. M8X1,25X40 U5737 8.8ZN	VIS M 8X1,25X40 U5737 8.8 ZN	SCHRA. M8X1,25X40 U5737 8.8 ZN	TORNILLO M8X1,25X40 U5737 8.8
14	F01240013R	DADO M6X1 U5448 A2 GE	NUT M6X1 U5448 A2 GE	NUT M8	MUTTER FLANG. M8 D6923 A2 IX	TUERCA FLANG. M8 D6923 A2 IX
15	F01260032R	DADO M8 D6923 A2IX	NUT M8 D6923 A2IX	ECROU FLANG. M8 D6923 A2 IX	MUTTER FLANG. M8 D6923 A2 IX	TUERCA FLANG. M8 D6923 A2 IX
16	F01410034R	ROS.M6 6,4X12,5X1,6 U6592 IX	WASHER M6 6,4X12,5X1,6 U6592	RONDELL.M6 6,4X24X1,5 U6593 IX	SCHEIBE M6 6,4X24X1,5 U6593 IX	ARANDEL.M6 6,4X24X1,5 U6593 IX
17	F01420039R	ROSSET.M6 6,4X24X1,5 U6593 IX	WASHER M6 6,4X24X1,5 U6593 IX	RONDELLE M8 8,4X24X2 U6593 IX	SCHEIBE M8 8,4X24X2 U6593 IX	ARANDELA M8 8,4X24X2 U6593 IX
18	F01420047R	ROS.M8 8,4X 24X 2 U6593 IX	WASHER M8 8,4X24X2 U6593 IX	RONDELLA M8 8,4X32X2 U6593 ZN	SCHEIBE M8 8,4X32X2 U6593 ZN	ARAND.M8 8,4X 32X 2 U6593 ZN
19	F01420049R	ROS.M8 8,4X 32X 2 U6593 ZN	WASHER M8 8,4X32X2 U6593 ZN	SCR. M8X1,25X16 U5739 8.8ZN	SCHRAUBE M8X1,25X16U5739 8.8ZN	TORNILLO M8X1,25X16 U5739 8.8
20	F01020432R	VITE M8X1,25X16 U5739 8.8ZN	SCR. M8X1,25X16 U5739 8.8ZN	VIS M8 X1,25X16 U5739 8.8 ZN	MUTTER M8 X1,25 U5588 6.8 ZN	TUERCA M8X1,25 U5588 CL8 ZN
21	F01200244R	DADO M8X1,25 U5588 CL8 ZN	NUT M8X1,25 U5588 6.8ZN	ECROU M8 X1,25 U5588 6.8 ZN	MUTTER M8 X1,25 U5588 6.8 ZN	TUERCA M8X1,25 U5588 CL8 ZN
22	F02100114R	SPINA E.P. 6X 30 U6873 C70 BR	ELASTIC PIN 6X30	GOUJON ELASTIQUE 6X30	SPANNHUELSE 6X30	ESPINA ELASTICA 6X30
23	F01030039R	VITE M6X1X25 U5933 A2IX	SCR. M6X1X25 U5933 A2IX	VIS 6X25 5933	SCHRAUBE 6X25 5933	TORNILLO 6X25 5933
24	F03011081R	GUARNIZIONI LABBRO DE100	LIP GASKET D100	GARNITURE VERRE	GLASDICHTUNG	JUNTA VIDRIO
25	F03011155R	GUARNIZIONE VETRO TRAMOGGIA	GLASS SEAL	HANDLE	HANDGRIFF	MANILLA
26	F05150112R	MANIGLIA INTERAS. 117 FORO 8MM	HANDLE	TRONCON CHAINE 1 2 ISO 083 32	KETTENZNGE 1 2 ISO 083 32 GL	TRECHO CADENA 1 2 ISO 083 32
27	F01020410R	VITE M 6X1 X 30 U5739 A2IX	SCR. M6X1X30 U5739 A2IX	CUT-DOWN CHAIN .1 2 ISO 083 32		
28	F06080196R	CATENA 1 2 ISO 083 32 MAGLIE	PVC TIP D.10	PIPE D. 33,7X1,4X2880 2H9,5		
29	F05150472R	PUNTALE PVC D.10	TUBO D. 33,7X1,4X2880 2F9,5	REINFORCEMENT ROD	TIGE DE RENFORCEMENT	VARILLA DE REFUERZO
30	G15274390R	TUBO D. 33,7X1,4X2880 2F9,5	TUBO RINFORZO TELO	GEAR 1 2 Z-12 F.T.	ENGRENAGE 1 2 Z-12 TROUS ROND	ENGRANAJE 1 2 Z-12 F.T.
31	G15273670R	TUBO RINFORZO TELO	INGRANAGGIO 1 2 Z-12 F.T.	PIGNON Z12 1 2-3 16	PIGNON Z12 1 2-3 16	PINION Z12 1 2-3 16
32	G20860088R	INGRANAGGIO 1 2 Z-12 F.T.	PIGNONE Z12 1 2-3 16 Q.16,4 ZN	FIXING ROD	TIGE DE FIXATION	VARILLA DE FIJACIN
33	G11220560R	PIGNONE Z12 1 2-3 16 Q.16,4 ZN	ASTA FISSAGGIO TELO	PLATE AXLE STOP	ARRET AXE EN TOLE	BLOQUEO EJE DE CHAPA
34	G15273680R	ASTA FISSAGGIO TELO	FERMO ASSE IN LAMIERA	TANKCOVER SHEET BB1200L		
35	G22505085R	FERMO ASSE IN LAMIERA	TELO COPRISERBATOIO BB1200L	SHEET METAL SUPPORT GRID		
36	G15274370R	TELO COPRISERBATOIO BB1200L	LAMIERA APPOGGIO GRIGLIA	BENT TILE MTE300		
37	G15273541R	LAMIERA APPOGGIO GRIGLIA	TEGOLO MTE300	STIRRER SPINDLE BB300 TANK	AXE AGITATEUR RESERVOIR BB300	SAMENMISCHERACHSE BEH. BB300
38	G15273581R	TEGOLO MTE300	ASSE AGITAT.SERBAT.UNICO COMPL	CLEANING DOOR MTE300 5H.	SUPPORT VIS ALIMENTATION	HALTERUNG SCHNECKE
39	G15273610R	ASSE AGITAT.SERBAT.UNICO COMPL	PORTA PULIZIA MTE300 5F.	BOLT SUPPORT		SOPORTE C CLEA
40	G15273622R	PORTA PULIZIA MTE300 5F.	SUPPORTO COCLEA	VENTURI D42		
41	G15273700R	SUPPORTO COCLEA	VENTURI D42	TANK GRID. MTE300	GRILLE RESERVOIR MTE300	REJILLA DEPS. MTE300
42	G14276810R	VENTURI D42	GRIGLIA SERBATOIO MTE300	TUBO EOLO PU D.35 TRASP. NERO		
43	G15273840R	GRIGLIA SERBATOIO MTE300	TUBO EOLO PU D.35 TRASP. NERO	FASCETTA STRING. 32 50 H.9		
44	F03100561R	TUBO EOLO PU D.35 TRASP. NERO	FASCETTA STRING. 32 50 H.9	TUBE EOLO PU D.45 TRASP. NERO		
45	F02300020R	FASCETTA STRING. 32 50 H.9	TUBO EOLO PU D.45 TRASP. NERO	TURNBUCKLE GASKET	TENDEUR GARNITURE	DICHTUNGSSPANNER
46	F03100562R	TUBO EOLO PU D.45 TRASP. NERO	TENDITORE GUARNIZIONE	SEED LEVEL CHECKING WINDOW	FENETRE CONTROLE NIV. GRAINES	KONTROLLFENSTER SAMENSTAND
47	G68005092R	TENDITORE GUARNIZIONE	FINESTRA CONTR.LIVELLO SEMI	MAN. SPR. SPACER WASHER	RONDELLE ENTRETOISE EP. ENGRAI	ABSTANDSCHEIBE DSNGERSTREUER
48	G16021080R	FINESTRA CONTR.LIVELLO SEMI	RONDELLA DISTAN.SPAND.	PLUG MAN. SPR. SUPP. D.11	BOUCHON SUPPORT EP. ENGRAIS D.	HALTERUNGSPFROPFEN DSNGERSTR.
49	G66248218R	RONDELLA DISTAN.SPAND.	TAPPO SUPP.SPAND.D.11	TUBE GUIDE ZN TEL	GUIDER TUBE TEL ZN	FUHREN ROHR TEL ZN
50	G66248223R	TAPPO SUPP.SPAND.D.11	GUIDATUBO ZN TEL	BUSHING W FLANGE M80	SUPPORT AVEC BRIDE M80	BSCHE MIT FLANSCH M80
51	G18902270R	GUIDATUBO ZN TEL	BOCCOLA CON FLANGIA M80	WASHER 16,5X30X2,5 SQ.HOLE GAL	RONDELLE 16,5X30X2,5 ZN	ARANDELA 16,5X30X2,5 ZN
52	G66248121R	BOCCOLA CON FLANGIA M80	RONDELLA FORO QUADRO ZN	ZN TANK COMP.SP.RING M80	RESSORT COMPL. ZN RESERVOIR M8	DRUCKFEDER ZN BEHLLTER M80
53	G18701650R	RONDELLA FORO QUADRO ZN	MOLLA COMP.ZN SERB. M80	INTERNAL TRANSMISS. TANK PROTE	PROTECTION RENVOI TREMIE	VORGELEGESCHUTZ BEH-LTER
54	G65338043R	MOLLA COMP.ZN SERB. M80	PROTEZIONE RINVIO SERBATOIO	WASHER 28X0-3X16-5	RONDELLE 28X0-3X16-5	UNTERLEGSCHEIBE 28X0-3X16-5
55	G17170270R	PROTEZIONE RINVIO SERBATOIO	RONDELLA 28X0,3X16,5	PLASTIC RIVET SCREW D7X3-9		
56	G22220073R	RONDELLA 28X0,3X16,5	RIVETTO PLAST. A VITE D7X3-9	WASHER 18X7,5X2		
57	F02250032R	RIVETTO PLAST. A VITE D7X3-9	RONDELLA NYLON 18X7,5X2	SPEC. SPRING SPREDER RELIEF		
58	F05150478R	RONDELLA NYLON 18X7,5X2	MOLLA SPEC.SCARICO SPAND.T.M.	OUTLET CLOSURE- MAN.SPREAD. TA	FERMETURE SORTIE RESERVOIR FER	VERSCHLUSS AUSTRITT DSNGERSTR.
59	G65336080R	MOLLA SPEC.SCARICO SPAND.T.M.	CHIUSURA USCITA SERB.SPAND.SP	MICRO TYPE MAN.SPR.TANK DISCH.	TRAPPE DE VIDANGE TYPE MICRO	BEHLLTERENTLADUNG STREUER TYP
60	G66248184R	CHIUSURA USCITA SERB.SPAND.SP	SCARICO SERB.SPAND.TIPO MICRO	FERTILIZER BBP 1200L		CIERRE SALIDA DEP S. ABON. SP
61	G66248187R	SCARICO SERB.SPAND.TIPO MICRO	SERBATOIO BBP 1200L	TRANSMISSION SHAFT L. 2800	AXE TRANSMISSION L.2800	DESCARGA DEP S. ABON.TIPO MICR
62	G15274340R	SERBATOIO BBP 1200L	ASSE TRASM.L.2800	FIXING PIVOT		EJE TRANSM.L.2800
63	G15273750R	ASSE TRASM.L.2800	GANCIO A FUNGO NERO	RUBBER FRAME CONNECTION CHAIN	CHA NE ACCROCHAGE TOILE EN CAO	KETTE BEFESTIGUNG GUMMITUCH
64	G17772490R	GANCIO A FUNGO NERO	CATENA AGGANCO TELO IN GOMMA	THREADED ZINCKED INSERT M6X14	JOINT FILETE M6X14 ZN	CADENA ENGANCHE LONA DE CAUCHO
65	F06080487R	CATENA AGGANCO TELO IN GOMMA	INSERTO FIL.M 6X14 ZN T.TONDA	WASHER M6 6,4X18X1,5 U6593 IX	RONDELLE M6 6,4X18X1,5U6593 IX	YUGO MUESCADO M6X14 ZN
66	F02250681R	INSERTO FIL.M 6X14 ZN T.TONDA	ROS.M6 6,4X18X1,5 U6593 IX	NUT M6X1 D982 A2IX	ECROU AUTOB.NOR.10	ARANDELA M6 6,4X18X1,5 U6593IX
67	F01420038R	ROS.M6 6,4X18X1,5 U6593 IX	DADO M6X1 D982 A2IX			TUERCA AUTOB. NOR. 10
68	F01230024R	DADO M6X1 D982 A2IX				

TAV. 210

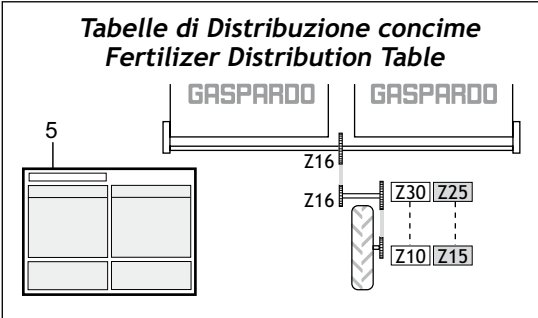
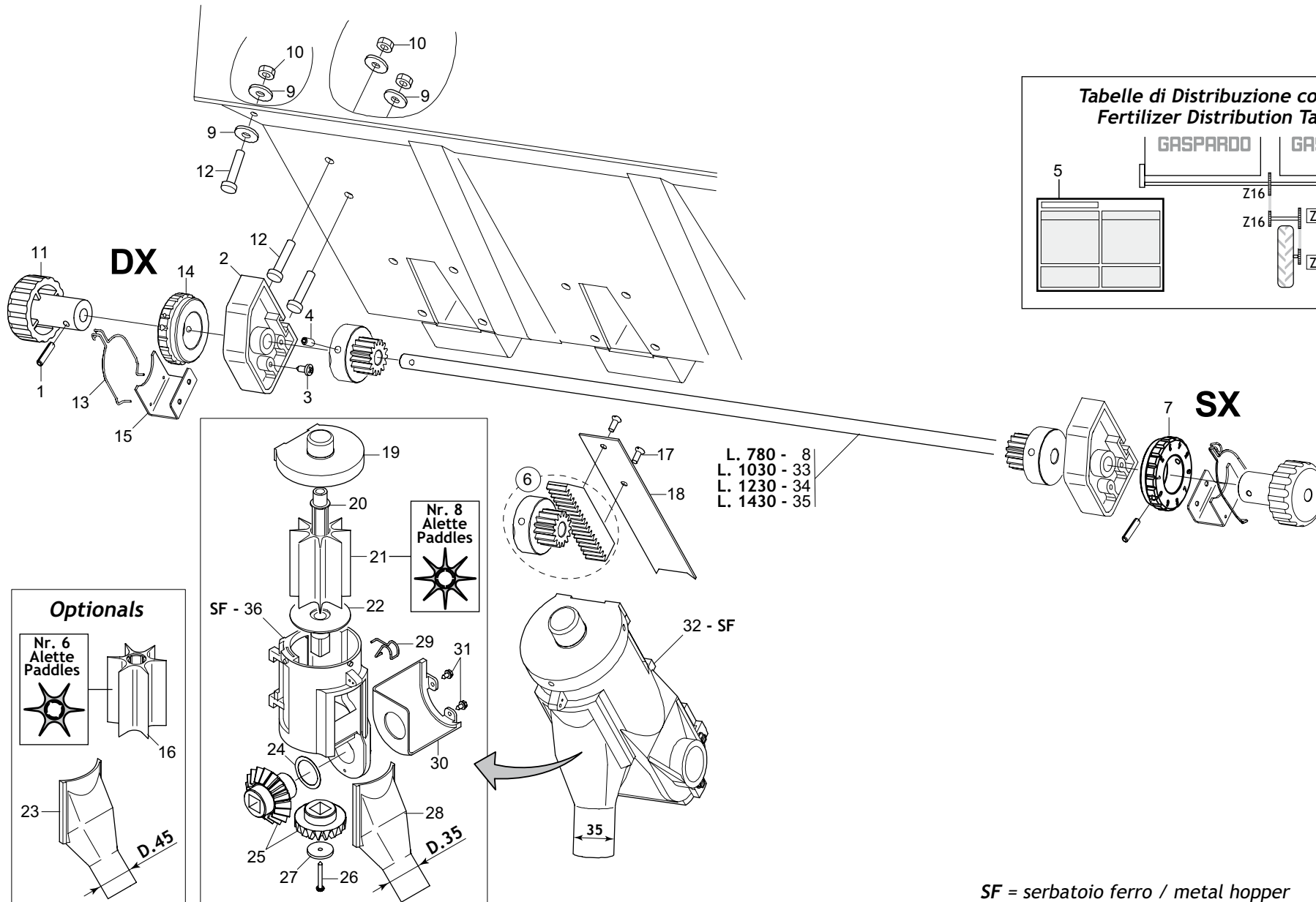


## ELEMENTI DI CONCIMAZIONE FERTILIZER UNIT

TAV. 210

Pos.	Cod.	Descrizione	Description	Description	Benennung	Description
1	G13825091R	DISCO ASSOLCATORE D.373	FURROW OPENER DISK D.373	DISQUE SOC D. 373 6 T.D.6	SCHEIBE SZSCHARENREISSER D.373	DISCO SURCADOR D.373
2	G15220540R	DADO M16X1,5 SX	NUT M16X1-5 LEFT	ECROU M16X1-5 GCH	MUTTER M16X1-5 LI	TUERCA M16X1-5 IZQ
3	G15223651R	SUPPORTO CUSCINETTO DISCO	DISC BEARING SUPPORT	SUPPORT PALIER DISQUE	SCHEIBENLAGERBSCHSE	SOPORTE COJINETE DISCO
4	G15226600R	KIT X DISCO SUPER SEAL	SUPER-SEAL DISC KIT	KIT X DISC SUPER SEAL		KIT PARA DISCO SUPER SEAL
5	G15225500R	DISCO ASSOLC.PROTETTO COMPL.	FULLY PROTECTED DISC COULTER	DISQUE DU SOC PROT G COMPLET		DISCO SURGADOR COMPLETO
6	G15225480R	FLANGIA INT.DISCO PROTETTO ZN	INNER DISK FLANGE	BRIDE INT. DISQUE	INNENFLANSCH SCHEIBE	BRIDA INTERIOR DISCO
7	G16671271R	ASS.SUPP.DISCHI CONC.LAT.SX	ASS.SUPP.DISCS FERT.SIDE LEFT			
8	G16671261R	ASS.SUPP.DISCHI CONC.LAT.DX	ASS.SUPP.DISCS FERT.SIDE RIGHT			
9	G19204110R	SUPP.SX MOLLA DISCHI	LEFT DISCS SPRING SUPPORT			
10	G16670272R	SUPPORTO DISCHI CONCIMAZIONE	FERTILIZAT.DISCS SUPPORT			
11	G19204100R	SUPP.DX MOLLA DISCHI	RIGHT DISCS SPRING SUPPORT			
12	F01020236R	VITE M14X2X220 U5737 8.8BR	SCR. M14X2X220 U5737 8.8BR	VIS M14X2X220 U5737 8.8 BR	SCHRAUBE M14X2X220 U5737 8.8	TORNILLO M14X2X220 U5737 8.8
13	F01200306R	DADO M14X2 U5588 CL8 ZN	NUT M14X2 U5588 6.8ZN	ECROU M14X2	MUTTER M14X2	DADO M14X2
14	G66248248R	TAPPO IN PLASTICA	PLASTIC PLUG	BOUCHON EN PLASTIQUE	PLASTIKPFROPFEN	TAP N DE PL STICO
15	G15472301R	RASCHIATERRA INTERNO	INTERNAL SCRAPER SOIL			
16	G18903911R	MOLLA FERMO TUBO D.35 ZN	PIPE LOCK SPRING D.35	RESSORT ARR-T TUBE D.35	ROHRSPERRFEDER D.35	MUELLE TOPE TUBO D. 35
17	G15473060R	TUBO DISCESA CONCIME	FERTILISER DOWN TUBE	COUDE DESCENTE ENGRAIS	DSNGERSENKROHR	TUBO DESCENSO ABONO
18	F04010084R	CUSC.D17D47 B22,2 3303 LLU DDU	BEARING 3303 2RS	ROULEMENT	LAGER 3303 2RS	COJINETE 3303 2RS
19	F02050370R	ANELLO E. DI 47X1,75 U7437 C70	SEEGER RING 47X 1,75 U7437 C70	SEEGER E. 47X 1,75 U7437 C70	SEEGERING E. 47X1,75 U7437 C70	ANILLO E. 47X 1,75 U7437 C70
20	F03100562R	TUBO EOLO PU D.45 TRASP. NERO	TUBE EOLO PU D.45 TRASP BLACK			
21	G18903821R	MOLLA CONCIMAZIONE	FERTILIZER SPRING			
22	G18903901R	RINFORZO MOLLA CONCIMAZIONE	FERTILIZER SPRING SUPPORT			
23	G15225861R	PROTEZIONE DISCHI	DISC PROTECTION			
24	F03100561R	TUBO EOLO PU D.35 TRASP. NERO	TUBO EOLO PU D.35 TRASP. NERO			
25	G15110091R	SCONTRO A U	CONTRA U	BRIDE 150 MM	ANSCHLAG	ELEMENTO DE EMPALME
26	F01020470R	VITE M10X1,5X20 U5739 8.8ZN	SCR. M10X1,5X20 U5739 8.8ZN	VIS M10X1,5X20 U5739 8.8 ZN	SCHRAUBE M10X1,5X20 U5739 ZN	TORNILLO M10X1,5X20 U5739 8
27	G15225490R	BOCCOLA PARAP.DISCO PROTETTO	DISC DUST SEAL BUSH D.34	BOITE PARAP.DISCO PROTETTO	BUCHSE PARAP.DISCO PROTETTO	MANGUITO PARAP.DISCO PROTETTO
28	F01020476R	VITE M10X1,5X30 U5739 8.8ZN	SCR. M10X1,5X30 U5739 8.8ZN	VIS M10X1,5X30 U5739 8.8 ZN	SCHRAUBE M10X1,5X30U5739 8.8ZN	TORNILLO M10X1,5X30 U5739 8.8
29	F01020568R	VITE M16X2X45 U5739 8.8ZN	SCR. M16X2X45 U5739 8.8ZN	VIS M 16X 2X45 U5739 8.8 ZG	SCHRAUBE M 16X 2X45 U5739 8.8	TORNILLO M16X2X45 U5739 8.8Z
30	F01020528R	VITE M12X1,75X40 U5739 10.9ZN	BOLT M12X1,75X40 U5739 10.9ZN	VIS M12X1,75X40 U5739 10.9 ZN	SCHR.M12X1,75X40 U5739 10.9 ZN	TORN.M12X1,75X40 U5739 10.9 ZN
31	G15225240R	ESTRATTORE DISCHI ELEMENTO MT	SEED PLATE EXTRACTOR ELEM. MT	EXTRACTEUR DISQUE ELEMENT MT	SCHEIBENAUSZIEHER ELEMENT MT	EXTRACTOR DISCOS ELEMENTO MT
32	F01200270R	DADO M10X1,5 U5588 CL8 ZN	NUT M10X1,5 U5588 6.8ZN	ECROU M10X 1,5 U5588 6.8 ZN	MUTTER M10X 1,5 U5588 6.8 ZN	TUERCA M10X1,5 U5588 CL8 ZN
33	F01200442R	DADO M16X1,5 U5589 CL8 ZN	NUT M16X1,5 R. U5589 6.8ZN	ECROU 16X1-5 UNI 5589 6.8 ZN	MUTTER 16X1-5 UNI 5589 6.8 ZN	TUERCA 16X1-5 UNI 5589 6.8 ZN
34	F02250521R	RIBATTINO TSC 6 X19,8 A 2	RIVET TSC 6X19,8 A 2 BY PIECE	PAQUET RIVETS TSC 6X 19,8 A 2	PACKUNG NIETEN TSC 6X19,8 A 2	PAQU.REMACHES TSC 6X 19,8 A 2
35	F01410064R	ROS.M10 10,5X 20X 2 U6592 ZN	WASHER M10 10,5X20X2 U6592 ZN	RONDEL. M10 10,5X20X2 U6592 ZN	SCHEIBE M10 10,5X20X2 U6592 ZN	ARAND.M10 10,5X 20X 2 U6592 ZN
36	F01410076R	ROS.M12 13X 24X2,5 U6592 ZN	WASHER 12 13X 24X2,5 U6592 ZN	RONDEL. M12 13X24X2,5 U6592 ZN	SCHEIBE M12 13X24X2,5 U6592 ZN	ARAND.M12 13X 24X2,5 U6592 ZN
37	F03011075R	AN. TENUTA B1OF 24X32X4	SEALING RING 24X32X4	BAGUE D ETANCHEITE 24X32X4	DICHTUNGSRING 24X32X4	ANILLO AISLADOR 24X32X4
38	F02300020R	FASCETTA STRING. 32 50 H.9	HOSE CLAMP 32 50 H.9			
39	F02200229R	COPIGLIA 5X 45 U1336 ZN	SPLIT PIN 5X 45 U1336 ZN	GOUPILLE 5X 45 U1336 ZN	SPANNSTIFT 5X 45 U1336 ZN	PASADOR 5X 45 U1336 ZN





- L. 780 - 8
- L. 1030 - 33
- L. 1230 - 34
- L. 1430 - 35

SF = serbatoio ferro / metal hopper

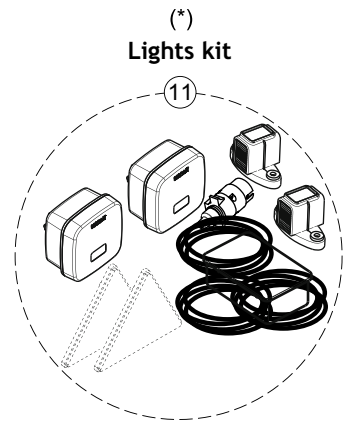
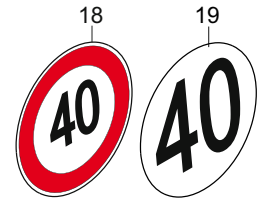
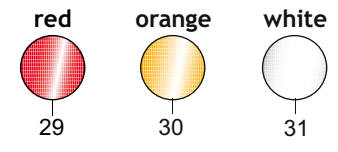
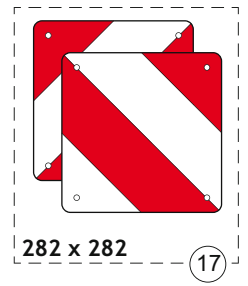
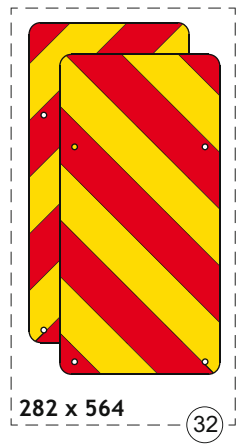
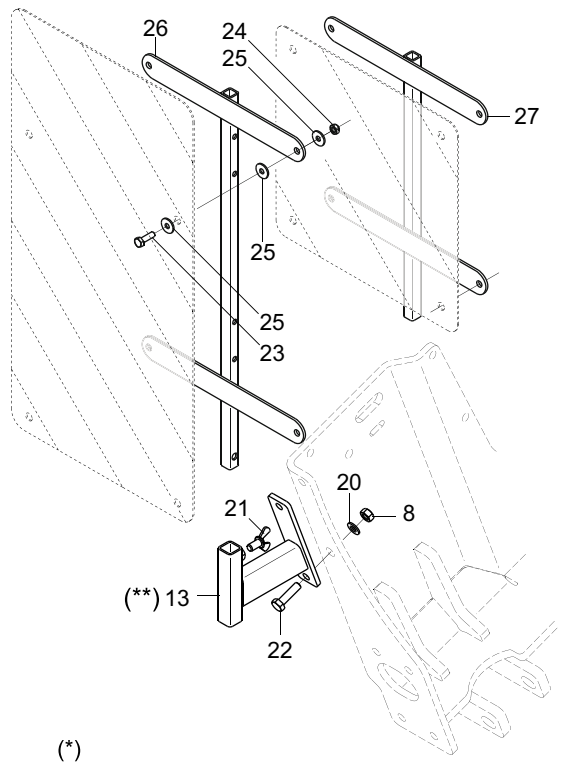


## SPEEDY SET SPEEDY SET

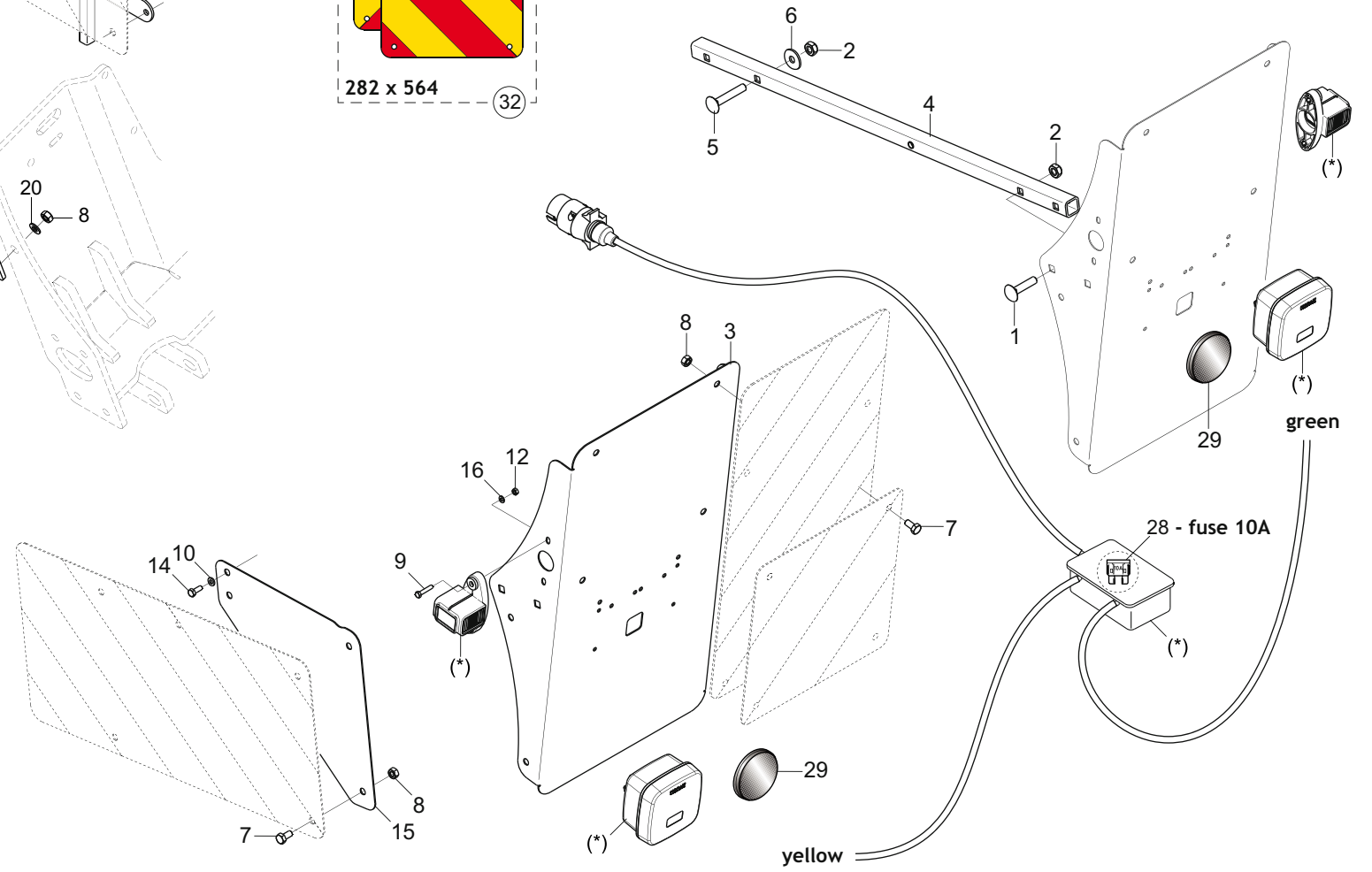
TAV. 220

Pos.	Cod.	Descrizione	Description	Description	Benennung	Descripcion
1	F02100066R	SPINA EL.4 X36 DIN 1481	PIN EL. 4X 36 U6873 C70 BR			CLAVIJA EL.4 X36 DIN 1481
2	G19003660R	SUPPORTO	SUPPORT	SUPPORT	HALTERUNG	SOPORTE
3	F01070061R	VITE A3,9X1,34X9,5 U6954 4.8NI	SCR. H3,9X1,34X9,5 U6954 4.8NI	VIS 3,9X 9,5 DIN 7981	SCHRAUBE 3,9X 9,5 DIN 7981	TORNILLO 3,9X 9,5 DIN 7981
4	F01050083R	VITE M5X0,8X12 U5927 A2IX	SCR. M5X0,8X12 U5927 A2IX	GOUJON 5X12 UNI 5927	STIFT 5X12 UNI 5927	TORNILLO SIN CABEZA 5X12 5927
5	G19710030R	DEC.TAB.CONC.SPE.SET MT-SP R7	FERT.CHART LABEL SPEEDY-SET			
6	G16675490R	KIT PIGNONE CREMAGLIERA	KIT PINION RACK			
7	G19003710R	GHIERA REGOLAZIONE DX	RIGHT ADJUSTMENT KNURLED	BAGUE REGLAGE DROITE	EINSTELLMUTTER RE	CONTRATUERCA REGULACIN DER.
8	G16670321R	TONDO D.10X 780 3F4	ROUND BAR D.10X780 3F4			
9	F01420038R	ROS.M6 6,4X18X1,5 U6593 IX	WASHER M6 6,4X18X1,5 U6593 IX	RONDELLE M6 6,4X18X1,5U6593 IX	SCHEIBE M6 6,4X18X1,5 U6593 IX	ARANDELA M6 6,4X18X1,5 6593IX
10	F01200233R	DADO M6X1 U5588 A2IX	NUT M6X1 U5588 A2IX	ECROU M 6X 1 U5588 I	MUTTER M 6X 1 U5588	TUERCA M 6X 1 U5588
11	G19003670R	MANOPOLA SPEEDY SET	SPEEDY HANDLE SET	POIGN E SPEEDY SET	GRIFF SPEEDY SET	EMPU ADURA SPEEDY SET
12	F01020419R	VITE M 6X1 X 16 U5739 A2IX	SCR. M6X1X16 U5739 A2IX	VIS M6 X1 X 16 U5739 8.8 IX	SCHRAUBE M6 X1 X 16 U5739 8.	TORNIL. M6 X1 X 16 U5739 8.8
13	G65336055R	MOLLA SPEC.REGOL.SPAND. SP	SPEC SPRING MAN. SPR. ADJUSTM.	RESSORT SPEC. REGL. EP. ENTRA	SPEZIALFEDER STREUERINSTELLUN	MUELLE ESPEC. REGUL. ABONADORA
14	G19003720R	GHIERA REGOLAZIONE SX	LEFT ADJUSTMENT KNURLED NUT	MANCHON DE REGLAGE GCH	EINSTELLMUTTER LINKS	ROSCA REGULACION IZQUIERDA
15	G16670310R	SUPPORTO MOLLA REGOLATORE	ADJ.SPRING SUPPORT			
16	G19003610R	DOSATORE 6 PALE	DISTRIBUTOR ROTOR 6 GROOVES	ROTOR DOSEUR 6 FERTI	DOSIERER KOMPL.6 ZELLEN	DOSIFICADOR COMPL.6 SECTOR
17	F01080032R	VITE M4X0,7X10 U7688 A2IX	SCR. M4X0,7X10 U7688 A2IX	VIS M4X 0,7X10 U7688 A2 IX	SCHRAUBE M4X 0,7X10 7688 A2 IX	TORNILLO M4X0.7X10 U7688 A2 IX
18	G16670100R	REGOLATORE APERTURA	OPENING REGULATOR	REGULATEUR OUVERTURE	TFFNUNGSEINSTELLER	REGULADOR ABERTURA
19	G19003700R	COPERCHIO SPEEDY SET	COVER SPEEDY SET	COUVERCLE SPEEDY SET	DECKEL SPEEDY SET	TAPA SPEEDY SET
20	G66248173R	ASSE DISTR.SPAND. SP	MANURE SPREADER DISTR. SPINDLE	AXE DISTRIBUTEUR EP.ENGRAIS SP	ACHSE SZAPPARAT STREUER SP	EJE DISTR. ABON. SP
21	G66248172R	DOSATORE DISTR.SPAND. SP	MAN.SPR. SEED METERING DEVICE	DOSEUR DISTRIBUTEUR EP. ENGRAI	DOSIERER DSNGERSTREUER. SP	DOSIFICADOR DISTR.ABON. SP
22	G66248211R	PERNO RONDELLA FUSA SPAND. SP	MAN. SPR. CAST WASHER PIN. SP	PIVOT RONDELLE MOULEE EP. ENGR	ZAPFEN LOSE UNTERLEGSCHIEBE ST	PERNO ARANDELA FUNDIDA ABONAD
23	G19003620R	SCIVOLO D.45	CHUTE D.45	LANCOIR D.45	RUTSCHE D.45	PLANO INCLINADO D.45
24	G18701500R	RONDELLA 29,5 X38 X0,3	WASHER 29,5 X 38 X 0,3	RONDELLE 29,5 X38 X0,3	UNTERLEGSCHIEBE 29,5X38X0,3	ARANDELA 29,5 X38 X0,3
25	G20860126R	KIT INGRANAGGI DISTRIB.CONCIME	KIT- MAN. DISTR. GEARS 2 2	COUPLE CON DISTR ENGRAIS 2 2	KIT ZAHNRZDER DSNGERSTREUER	SET ENGRANAJES DISTRIB. ABONO
26	F01070075R	VITE A4,2X1,41X38 U6954 4.8NI	SCR. H4,2X1,41X38 U6954 4.8NI	VIS 4-2X38 DIN 7981	SCHRAUBE 4-2X38 DIN 7981	TORNILLO 4-2X38 DIN 7981
27	G20970097R	RONDELLA 32X3X4,5	WASHER 32X3X4-5	RONDELLE 32X3X4-5	UNTERLEGSCHIEBE 32X3X4-5	ARANDELA 32X3X4-5
28	G66248178R	SCIVOLO DISTR.SPAND. SP	CHUTE- MANURE-SPREADER DISTRIB	LANCOIR DISTRIBUTION EP. ENGR.	DSNGERSTREUER RUTSCHE SP	PLANO INCLINADO DISTR. ABON. S
29	G65336062R	MOLLA SPEC.SCIV.DISTR.SPAND.SP	SPEC SPRING - MAN. SPR. DISTR.	RESS. SPEC. LANCOIR DISTR. EP.	SPEZ.FEDER RUTSCHE SZAPP. STRE	MUELLE ESPEC.PLANO INCL.DISTR.
30	G19002850R	PROTEZIONE PIGNONE	PINION GUARD	PROTECTION PIGNON	RITZELSCHUTZ	PROTECCI N PI N
31	F01070011R	VITE A4,2X1,41X9,5 U6950 4.8NI	SCR. H4,2X1,41X9,5 U6950 4.8NI	VIS AUTOTAR. 4-2X9-5 T. E. COU	SELBSTSCHNEID. SCHRAUBE 4-2X9-	TORNILLO AUTORROSC. 4-2X9-5
32	G13722330R	DISTR.COMPL.8PALE SPEEDY SET F	COMPL.SPEEDY 8-BLADE DISTR. SE	DISTR.COMPL.8PALETTES SPEEDY S	SAATGUTAUS.8SCH.KOMPL.SPEEDY S	DISTR.COMPL.8PALETAS SPEEDY SE
33	G16670330R	TONDO D.10X1030	ROUND D.10X1030			
34	G16670340R	TONDO D.10X1230	D.10X1230 ROUND	ROND D.10X1230	RUNDEISEN D.10X1230	BARRA REDONDA D. 10X1230
35	G16670350R	TONDO D.10X1430	D.10X1430 ROUND	ROND D.10X1430	RUNDEISEN D.10X1430	BARRA REDONDA D. 10X1430
36	G66248176R	CORPO DISTR.SPAND. SP	MANURE SPREADER DISTR. CASING	CORPS DISTRIB. EP. ENGRAIS SP	VERTEILUNGSKTRPER STREUER SP	CUERPO DISTR. ABON. SP

TAV. 230



(\*\*) Fornito completo di pos. 26  
Supplied with pos. 26



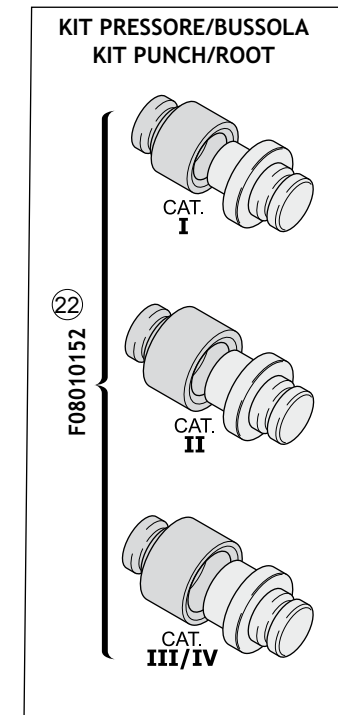
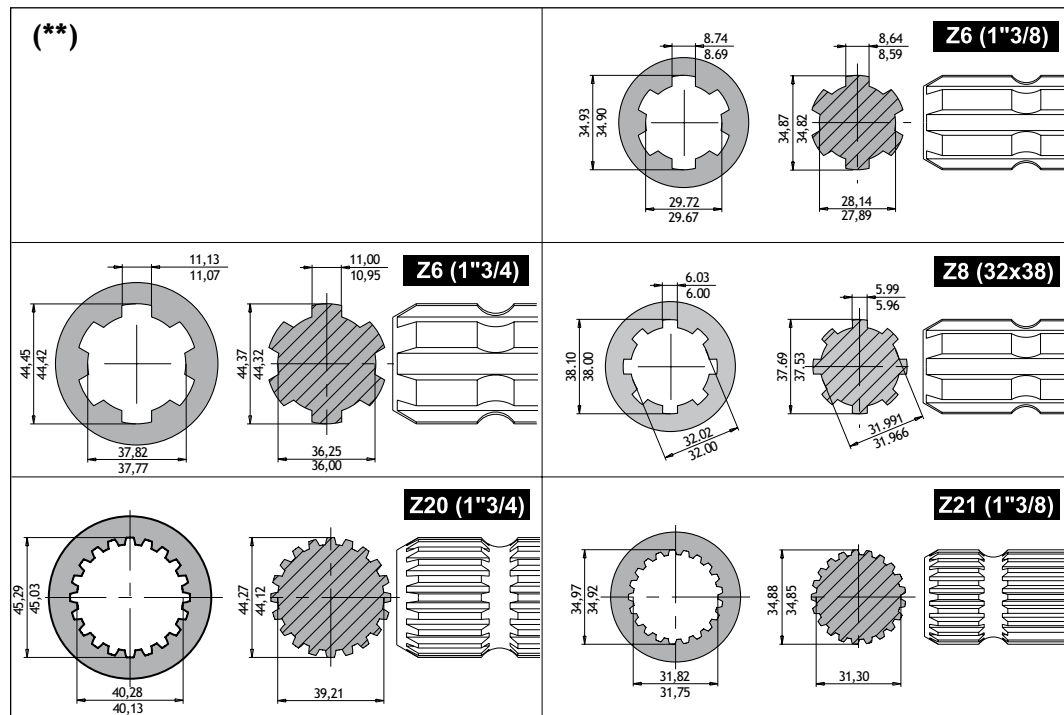
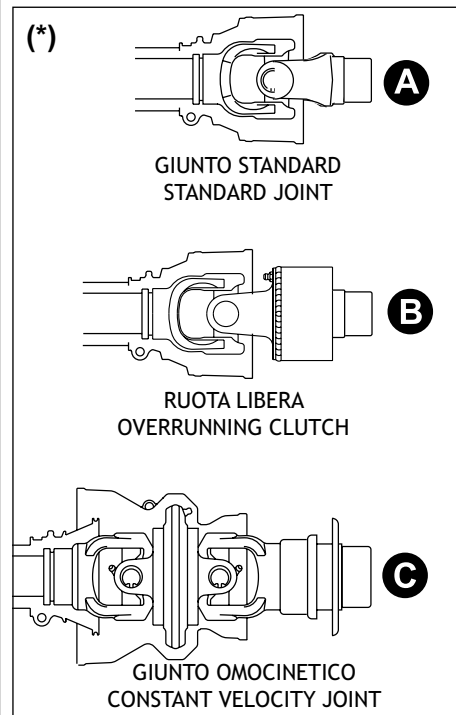
## KIT LUCI E TABELLE DI INGOMBRO STRADALE LIGHTING KIT AND WARNING BOARDS

TAV. 230

Pos.	Cod.	Descrizione	Description	Description	Benennung	Descripcion
1	F01060077R	VITE M10X1,5X45 U5731 8.8ZN	SCR. M10X1,5X45 U5732 4.8ZN	VIS 10X45 5732 4.8 ZN	SCHRAUBE 10X45 5732 4.8 ZN	TORNILLO 10X45 5732 4.8 ZN
2	F01220033R	DADO M10X1,5 D980 8ZN	NUT M10X1,5 D980 8ZN	ECROU M10X1,5 D980 8ZN	MUTTER M10X1,5 D980 8ZN	TUERCA M10X1,5 D980 8
3	G18221810R	SUPPORTO KIT LUCI POSTERIORE	LIGHT KIT REAR SUPPORT			
4	G18221860R	TUBO SUPP.TABELLA CHRONO	WARNING LIGHT SUPPORT			
5	F01060081R	VITE M10X1,5X60 U5731 8.8ZN	SCR. M10X1,5X60 U5732 4.6ZN	VIS 10X60 5732 4.6 ZN	SCHRAUBE 10X60 5732 4.6 ZN	TORNILLO M10X1,5X60 U5731 8.8
6	F01420060R	ROS.M10 10,5X 30X2,5 U6593 ZG	GALV.WASHER 10,5X30X2,5 U6593	RONDELLE 10,5X30	SCHEIBE 10,5X30	ARAND.M10 10,5X 30X2,5 U6593
7	F01020432R	VITE M8X1,25X16 U5739 8.8ZN	SCR. M8X1,25X16 U5739 8.8ZN	VIS M8 X1,25X16 U5739 8.8 ZN	SCHRAUBE M8X1,25X16U5739 8.8ZN	TORNILLO M8X1,25X16 U5739 8.8
8	F01200244R	DADO M8X1,25 U5588 CL8 ZN	NUT M8X1,25 U5588 6.8ZN	ECROU M8 X1,25 U5588 6.8 ZN	MUTTER M8 X1,25 U5588 6.8 ZN	TUERCA M8X1,25 U5588 CL8 ZN
9	F01020382R	VITE M5X0,8X25 U5739 8.8ZN	SCR. M5X0,8X25 U5739 8.8ZN	VIS 5 X25 5739 8.G ZN	SCHRAUBE 5 X25 5739 8.G ZN	TORNILLO 5 X25 5739 8.G ZN
10	F01410037R	ROS.M6 6,4X12,5X1,6 U6592 ZN	WASHER M6 6,4X12,5X1,6 U6592ZN	RONDEL.M6 6,4X12,5X1,6 U6592ZN	SCHEIB.M6 6,4X12,5X1,6 U6592ZN	ARAND.M6 6,4X12,5X1,6 U6592 ZN
11	G19902500R	KIT LUCI CHRONO 708	LIGHT KIT CHRONO 708			
12	F01200220R	DADO M5X0,8 U5588 CL8 ZN	NUT M5X0,8 U5588 6.8ZN	ECROU 5 UNI 5588 6.8 ZN	MUTTER 5 UNI 5588 6.8 ZN	TUERCA M5X0,8 U5588 CL8 ZN
13	G16611681R	SUPPORTO TABELLE ANT.MTE-MONIC	SUPP.HIGHWAY TAB.FRONT MTE-MON			
14	F01020403R	VITE M6X1X16 U5739 8.8ZN	SCR. M6X1X16 U5739 8.8ZN	VIS M6X1X16 U5739 8.8 ZN	SCHRAUBE M6X1X16 U5739 8.8 ZN	TORNILLO M6X1X16 U5739 8.8 ZN
15	G18221820R	SUPPORTO TABELLA LATERALE	LIGHT KIT LATERAL SUPPORT			
16	F01410023R	RONDELLA D5 UNI 6592 ZN	WASHER M5 5,3X 10X 1 U6592			
17	F05012326R	TABELLE 2 CAR.SPOR.282X282MR	TABLES 2 CAR.SPOR.282X282MR			
18	F20030261R	ETICH. LIMITE VELOCITA 40	SPEED LIMIT 40 LABEL			ETIQ. L MITE VELOCIDAD 40
19	F20030444R	ETICH. LIMITE VELOC.40 GERMAN	GERMANY SPEED LIMIT 40 LABEL			
20	F01410051R	ROS.M8 8,4X 17X1,6 U6592 ZN	WASHER M8 8,4X17X1,6 U6592 ZN	RONDELLE M8 8,4X17X1,6 ZN	SCHEIBE M8 8,4X17X1,6 U6592 ZN	ARAND.M8 8,4X 17X1,6 U6592 ZN
21	F01090215R	VITE M8X1,25X15 U5449 5.8ZN	SCR. M8X1,25X15 U5449 5.8ZN	VIS M8X1,25X15 U5449 5.8ZN	SCHRAU. M8X1,25X15 U5449 5.8ZN	TORN. M8X1,25X15 U5449 5.8ZN
22	F01020445R	VITE M8X1,25X30 U5739 8.8ZN	SCR. M8X1,25X30 U5739 8.8ZN	VIS M 8X1,25X30 U5739 8.8 ZN	SCHRAU. M8X1,25X30 U5739 8.8ZN	TORNILLO M8X1,25X30 U5739 8.8
23	F01020404R	VITE M6X1X20 U5739 8.8ZN	SCREW M6X1X20 U5739 8.8ZN	VIS M6X1X20 U5739 8.8ZN	SCHRAUBE M6X1X20 U5739 8.8ZN	TORNILLO M6X1X20 U5739 8.8ZN
24	F01220011R	DADO M6X1 D980 8ZN	NUT M6X1 D980 8ZN	ECROU M6X1 D980 8 ZN	MUTTER M6X1 D980 8 ZN	TUERCA M6X1 D980 8 ZN
25	F01420036R	ROS.M6 6,4X 18X1,5 U6593 ZN	WASHER M6 6,4X 18X1,5 U6593 ZN	RONDELLE M6 6,4X18X1,5 U6593ZN	SCHEIBEN M6 6,4X18X1,5U6593 ZN	ARANDELA M6 6,4X18X1,5U6593ZN
26	G16612071R	TELAIO SUPP.TABELLE STRAD.	FRAME SUPPORT TABLE			
27	GA5210870R	ASS.TELAIO SUP.TABELLE 282X282	FRAME ASS.TABLE SUPP.282X282			
28	F05011415R	FUSIBILE 10AATO	FUSE 10AATO			
29	F05010820R	CATARIFR.TONDO D60 ROSSO	ROUND REFLECTOR D.60 RED			
30	F05010819R	CATARIFR.TONDO D60 GIALLO	ROUND REFLECTOR D.60 YELLOW	JAUNE R FLECTEUR ROUND	RUNDREFLEKTOR GELB D60	REFLECTOR REDONDO AMARILLO
31	F05010818R	CATARIFR.TONDO D60 BIANCO	ROUND REFLECTOR D.60 WHITE			
32	F05010816R	TABELLE 2 CAR.SPORGENTI IT	WARNING BOARDS 2 IT			

# TAV. 240

Codice - Code	Descrizione - Description	Lunghezze Lengths		Classe - Size (A x B)	Tipo - Type (*)		Forcelle - Yokes (**)					Forcelle - Yokes Z6 (1"3/8)
		min.	max.		Z6 (1"3/8)	Z6 (1"3/4)	Z8 (32x38)	Z20 (1"3/4)	Z21 (1"3/8)			
① F08011711	CARD.B1 Z6-Z6 L700	700	960	B1 (22 x 54)	A	A	G58161015 (11)	F08011772 (13)	F08011742 (15)	F08011758 (18)	F08011767 (20)	G58161015 (11)
② F08011713	CARD.B1 Z8-Z6 L700	700	960	B1 (22 x 54)	A	A	G58161015 (11)	F08011772 (13)	F08011742 (15)	F08011758 (18)	F08011767 (20)	G58161015 (11)
③ F08011714	CARD.B1 Z20-Z6 L700	760	1020	B1 (22 x 54)	A	A	G58161015 (11)	F08011772 (13)	F08011742 (15)	F08011758 (18)	F08011767 (20)	G58161015 (11)
④ F08011715	CARD.B1 Z8-Z6 L900 R.LIB	915	1190	B1 (22 x 54)	A	B	G58161015 (11)	F08011772 (13)	F08011742 (15)	F08011758 (18)	F08011767 (20)	—
⑤ F08011716	CARD.B1 Z6-Z6 L900 R.LIB	915	1190	B1 (22 x 54)	A	B	G58161015 (11)	F08011772 (13)	F08011742 (15)	F08011758 (18)	F08011767 (20)	—
⑥ F08011719	CARD.B2 Z6-Z6 L900	900	1300	B2 (23,8 x 61,3)	A	A	—	—	—	—	—	—
⑦ F08011720	CARD.B3 Z8-Z6 L1300	1300	1775	B3 (27 x 74,6)	A	A	G58161016 (14)	—	F08011743 (16)	—	—	G58161016 (14)
⑧ F08011757	CARD.B1 Z20-Z6 L900 R.L	975	1250	B1 (22 x 54)	A	B	G58161015 (11)	F08011772 (13)	F08011742 (15)	F08011758 (18)	F08011767 (20)	—
⑨ F08011764	CARD.R4 Z20-Z6 L1381 OM-RL	1381		R4 (22 x 86)	C	B	F08011768 (12)	—	F08011766 (17)	F08011774 (19)	F08011773 (21)	—
⑩ F08011783	CARD.R4 Z6-Z6 L1565 OM-RL	1565		R4 (22 x 86)	C	B	F08011768 (12)	—	F08011766 (17)	F08011774 (19)	F08011773 (21)	—
⑩ F08011930	CARD.B3 Z6-Z6 L1200	1200	1700	B3 (27 x 70)	A	A	—	G58161016 (14)	F08011743 (16)	—	—	—



## CARDANO CARDAN SHAFT

TAV. 240

Pos.	Cod.	Descrizione	Description	Description	Benennung	Descripcion
1	F08011711R	CARD. S10 0700F 112 112 1CAT	PTO SHAFT B1 Z6-Z6 L700			
2	F08011713R	CARD.B1 Z8-Z6 L700	PTO SHAFT B1 Z8-Z6 L700			
3	F08011714R	CARD.B1 Z20-Z6 L700	PTO SHAFT B1 Z20-Z6 L700			
4	F08011715R	CARD.B1 Z8-Z6 L900 R.LIB	CARD.B1 Z8-Z6 L900 FREE W.			
5	F08011716R	CARD.B1 Z6-Z6 L900 R.LIB	UNIV.JOINT B1 Z6-Z6 L900 R.LIB	CARD.B1 Z6-Z6 L900 R.LIB	KARDAN CE T100710 112 R12	CARDAN CE T100710 112 R12
6	F08011719R	CARD.B2 Z6-Z6 L900	UNIVERSAL JOINT 102 071 N T07	CARD. 102 071 N T07 T07 1 CAT	KARDAN 102 071 N T07 T07 1CAT	CARD N 102 071 N T07 T07 1CAT
7	F08011720R	CARD.B3 Z8-Z6 L1300	UNIV.JOINT B3 Z8-Z6 L1300			
8	F08011757R	CARD.B1 Z20-Z6 L900 R.L	UNIVERSAL JOINTB1 Z20-Z6 L900			
9	F08011764R	CARDANO OM 3 4Z20-RL Z6 L1381	CARD.R4 Z20-Z6 L1381 OM-RL			
10	F08011930R	CARD. B3 1192 CE ASAE	PTO SHAFT B3 1192 CE ASAE			
11	G58161015R	FORCELLA CARD.1 3 8 Z6 B1	CARD. FORK 1 3 8 Z6 B1			
12	F08011768R	FORCELLA CARD.1 3 8 Z6 R4	FORK 1 3 8 Z6 R4			
13	F08011772R	FORCELLA CARD.1 3 4 Z6 B1	YOKE 1 3 4 Z6 B1			
14	G58161016R	FORCELLA CARD.1 3 8 Z6 B3	CARD.FORK 1 3 8 Z6 B3			
15	F08011742R	FORCELLA CARD.32X38 Z8 B1	YOKE CARD.32X38 Z8 B1	FOURCHETTE CARDAN Z8 B1	GABEL KARDAN Z8 B1	HORQUILLA CARDAN Z8 B1
16	F08011743R	FORCELLA CARD.32X38 Z8 B3	YOKE CARD.32X38 Z8 B3			
17	F08011766R	FORCELLA CARD.32X38 Z8 R4	FORK 32X38 Z8 R4			
18	F08011758R	FORCELLA CARD.1 3 4 Z20 B1	CARD.FORK 1 3 4 Z20 B1			
19	F08011774R	FORCELLA CARD.1 3 4 Z20 R4	CARD. FORK 1 3 4 Z20 R4			
20	F08011767R	FORCELLA CARD.1 3 8 Z21 B1	CARD.FORK 1 3 8 Z21 B1			
21	F08011773R	FORCELLA CARD.1 3 8 Z21 R4	FORK 1 3 8 Z21 R4			
22	F08010152R	KIT PRESSORE BUSSOLA CAT I-IV	TOOLS FOR PTO YOKE CAT I-IV			
23	F08011783R	CARD.R4 Z6-Z6 L1565 OM-RL	UNIV. PTO SHAFT R4 Z6-Z6 L1210			

**USATE SEMPRE RICAMBI ORIGINALI  
ALWAYS USE ORIGINAL SPARE PARTS  
IMMER DIE ORIGINAL-ERSATZTEILE VERWENDEN  
EMPLOYEZ TOUJOURS LES PIECES DE RECHANGE ORIGINALES  
UTILIZAR SIEMPRE REPUESTOS ORIGINALES**

# **GASPARDO**

**Servizio Assistenza Tecnica - After Sales Service**

**Servizio Ricambi - Spare Parts Service**



**maschio.com**

DEALER:



**MASCHIO GASPARDO SpA**

**Registered office & Production plant**  
Via Marcello, 73 - 35011 Campodarsego (Padova) - Italy  
Tel. +39 049 9289810  
Fax +39 049 9289900  
info@maschio.com  
www.maschionet.com

**MASCHIO GASPARDO SpA  
Production plant**

Via Mussons, 7 - 33075 Morsano al Tagliamento (PN) - Italy  
Tel. +39 0434 695410  
Fax +39 0434 695425  
info@gaspardo.it

**MASCHIO DEUTSCHLAND GMBH**

Äußere Nürnberger Straße 5  
D - 91177 Thalmässing - Deutschland  
Tel. +49 (0) 9173 79000  
Fax +49 (0) 9173 790079  
dialog@maschio.de  
www.maschio.de

**MASCHIO-GASPARDO North America**

112 3rd Avenue East  
Dewitt, IA 52742 - USA  
Ph. +1 563 659 6400  
Fax +1 563 659 6405  
info@maschio.us

**MASCHIO FRANCE Sarl**

Rue Denis Papin ZA  
F - 45240 La Ferté St. Aubin  
France  
Tel. +33 (0) 2.38.64.12.12  
Fax +33 (0) 2.38.64.66.79  
info@maschio.fr

**MASCHIO-GASPARDO ROMANIA S.R.L.**

Strada Înfrăţirii, F.N.  
315100 Chisineu-Cris (Arad) -România  
Tel. +40 257 307030  
Fax +40 257 307040  
info@maschio.ro

**000 MASCHIO-GASPARDO РУССИЯ**

Улица Пушкина, 117 Б  
404130 Волжский  
Волгоградская область  
Тел. +7 8443 203100  
факс. +7 8443 203101  
info@maschio.ru

**MASCHIO-GASPARDO IBERICA  
MASCHIO-GASPARDO POLAND  
MASCHIO-GASPARDO UCRAINA  
GASPARDO-MASCHIO TURCHIA  
MASCHIO-GASPARDO CINA  
MASCHIO-GASPARDO INDIA**