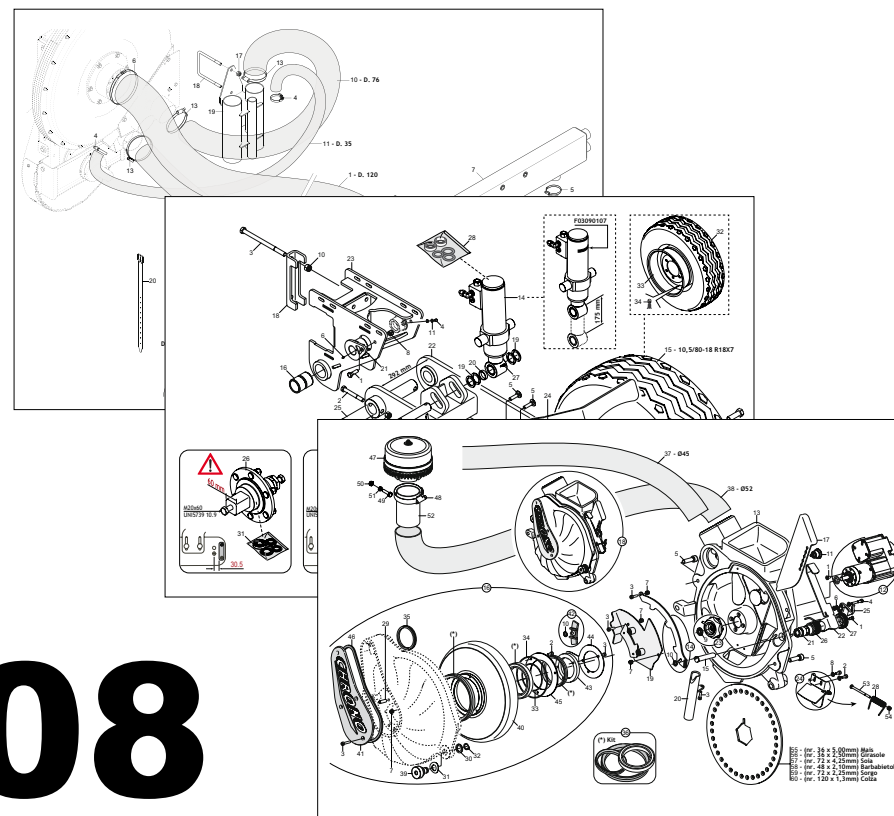


GASPARDO

MASCHIO GASPARDO S.p.A.



CHRONO 708

Cod: G19531970 2019-10

- *) Valido per Paesi UE
- *) Valid for EU member countries
- *) Gilt für EU-Mitgliedsländer
- *) Valable dans le Pays UE
- *) Válido para Países UE
- *) Valabil pentru țările UE

- IT** PARTI DI RICAMBIO
- EN** SPARE PARTS
- DE** ERSATZTEILE
- FR** PIÈCES DÉTACHÉES
- ES** PIEZAS DE REPUESTO

PARTI DI RICAMBIO

Le ordinazioni delle parti di ricambio vanno fatte presso i nostri concessionari di zona e devono essere sempre corredate dalle seguenti indicazioni:

- **Tipo, modello e numero di matricola dell'attrezzatura.** Tali dati sono stampigliati nell'apposita targhetta di cui è dotata ogni attrezzatura.

- **Numero di codice della parte richiesta** rilevabile dal catalogo ricambi.

- **Descrizione del particolare e quantità richiesta.**

- **Numero della tavola.**

- **Mezzo di trasporto.** Nel caso questa voce non sia specificata, la Ditta Costruttrice, pur dedicando a questo servizio una particolare cura, non risponde di eventuali ritardi di spedizione dovuti a cause di forza maggiore.

Le spese di trasporto si intendono sempre a carico del destinatario. La merce viaggia a rischio e pericolo del committente anche se venduta franco destino.

NOTA: Il termine **(Dx) Destro** o **(Sx) Sinistro** della macchina o di parti di essa, è inteso guardando la macchina dalla parte posteriore. Le eccezioni saranno indicate.

SPARE PARTS

Orders must be transmitted through our area dealers and should always include the following indications:

- **Type, model and serial number of the machine.** These data are punched on the data plate with which every implement is equipped.

- **Code number of the required spare part.** This will be found in the spare parts catalogue.

- **Description of the part and required quantity.**

- **Table number.**

- **Means of dispatch.** If this item is not indicated, the Manufacturer, while dedicating particular care to this service, shall not be held responsible for delays in delivery caused by cases of force majeure.

Transport expenses shall always be at the consignee's charge. The goods travel at the purchaser's risk and peril even when sold ex destination.

NOTE: The symbols **(Dx) right** and **(Sx) left**, concerning the machine or single parts of it, are referred, as in the figure, to a rear view of them. Exceptions will be indicated.

ERSATZTEILE

Die Bestellungen müssen bei unseren Gebietshändlern aufgegeben werden. Bei der Bestellung sind stets die folgenden Angaben zu machen:

- **Typ, Modell und Serien-Nummer des Geräts.** Diese Daten stehen auf dem Typenschild, mit dem jedes Gerät versehen ist.

- **Artikel Nr. der erforderlichen Ersatzteile.** Diese stehen im Ersatzteil-Katalog.

- **Beschreibung des Ersatzteils und die erforderliche Stückzahl.**

- **Tafelnummer.**

- **Versandmittel.** Wenn dieser Punkt nicht spezifiziert wird, haftet die Herstellerfirma nicht für etwaigen Lieferverzug aufgrund höherer Gewalt, auch wenn er diesen Service besonders aufmerksam abwickelt. Die Frachtkosten gehen dagegen immer zu Lasten des Empfängers. Die Ware reist auf Gefahr und Risiko des Auftraggebers, auch wenn frei Haus Verkauft vereinbart worden ist.

N.B.: Die Merkzeichen **(Dx) rechts** und **(Sx) links** betreffen eine rückwärtige Aussicht der Maschine oder Teile von ihr (siehe Bild). Ausnahmen werden gezeit.

PIECES DÉTACHÉES

Les ordres doivent être effectués auprès de nos concessionnaires de zone en précisant les indications suivantes:

- **Type, modèle et numéro de série de la machine.** Ces données sont gravées sur la plaque d'identification de chaque outil.

- **Numéro de code de la pièce détachée** indiqué sur le catalogue des pièces détachées.

- **Description de la pièce et quantité requise.**

- **Numéro de plan.**

- **Moyen d'expédition.** Si cette rubrique n'est pas indiquée, le Constructeur, bien que soucieux de ce service, ne répond pas des retards d'expédition pour des causes de force majeure.

Les frais de transport sont toujours à la charge du destinataire. La marchandise voyage aux risques et périls de l'acheteur même si vendue franco de port.

N.B.: Les références **(Dx) droit** et **(Sx) gauche** de la machine ou des parties de la même, est entendue, comme de la figure, en regardant la machine de derriere dans le sens de marche.

RESPUESTOS

Los pedidos han de efectuarse en nuestros consesionarios de zona y deben incluir siempre las siguientes indicaciones:

- **Tipo, modelo y número de matricula del equipo.** Dichos datos están impresos en la relativa placa presente en el equipo.

- **Número de código de la parte requerida** presente en el catálogo respuestas.

- **Descripción de la pieza y cantidad requerida.**

- **Numero de ilustración.**

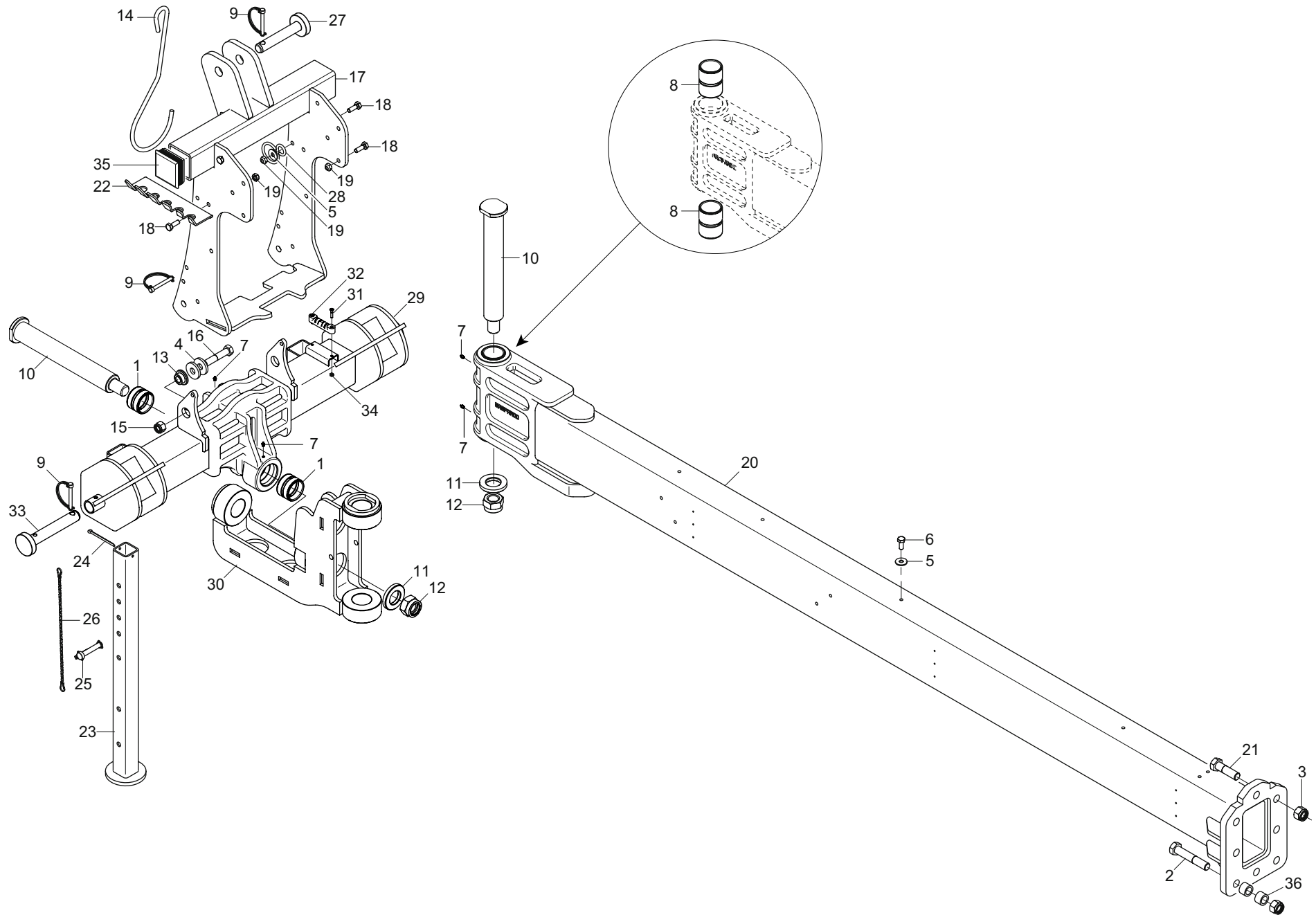
- **Medio de transporte.** En caso que este ítem no esté especificado, el Fabricante, aún prestando la debidas consideraciones para este aspecto, no responde por eventuales retardos de env'o debidos a causas de fuerza mayor.

Los gastos de transporte se consideran siempre a cargo del destinatario. La mercadería viaja bajo riesgo y peligro del comprador, incluso cuando se vende franco destino.

N.B.: La referencia **(Dx) derecha** o **(Sx) izquierda** de la máquina o de sus componentes, se entiende, como en la figura, mirando la máquina por la parte trasera. Se indicarán las excepciones.

Nr. Tav.	Descrizione	Description	Pag.
TAV. 010	Timone	Drawbar.....	4
TAV. 020	Telaio.....	Frame	6
TAV. 031	Segnafile	Row marker	8
TAV. 040	Ruote di trasporto (matricole KG98A0201÷ KG98A0232)	Transport wheels (S/N KG98A0201÷ KG98A0232).....	10
TAV. 041	Ruote di trasporto.....	Transport wheels.....	12
TAV. 050	Ruotino di trasmissione concime	Fertilizer drive wheel	14
TAV. 060	Impianto elettrovalvole	Hydraulic valveset.....	18
TAV. 070	Impianto oleodinamico anteriore	Front hydraulic system	20
TAV. 081	Impianto oleodinamico posteriore	Rear hydraulic system.....	22
TAV. 090	Depressore / Soffiante	Air pump / Blower.....	24
TAV. 100	Tubi aspirazione	Aspiration pipe	26
TAV. 111	Distributore semi	Seed distributor	28
TAV. 121	Telaio elemento	Unit toolbar	30
TAV. 130	Ruote di profondità.....	Depth wheels	34
TAV. 140	Ruote di compressione	Compression wheels.....	36
TAV. 150	Impianto AIR-SPRING.....	AIR-SPRING system.....	38
TAV. 160	Coltro a disco striato	Corrugated disc coulter	40
TAV. 171	Spartiresidui rotativo	Trash wheel.....	42
TAV. 180	Compressore aria.....	Air compressor	44
TAV. 190	Impianto elettrico (matricole KG98A0201÷ KG98A0232).....	Electric system (S/N KG98A0201÷ KG98A0232)	46
TAV. 191	Impianto elettrico	Electric system	48
TAV. 200	Microgranulatore	Microgranulator	50
TAV. 210	Supporti spandiconcime	Supports fertilizer distributor	52
TAV. 220	Serbatoi spandiconcime.....	Fertilizer distributor	54
TAV. 230	Speedy set	Speedy set	58
TAV. 240	Elementi di concimazione	Fertilizer unit	60
TAV. 250	Pedana di ispezione e scaletta	Inspection footbooard with ladder	62
TAV. 261	Kit luci e tabelle di ingombro stradale	Lighting kit and warning boards	64
TAV. 270	Cardano	Cardan shaft.....	66

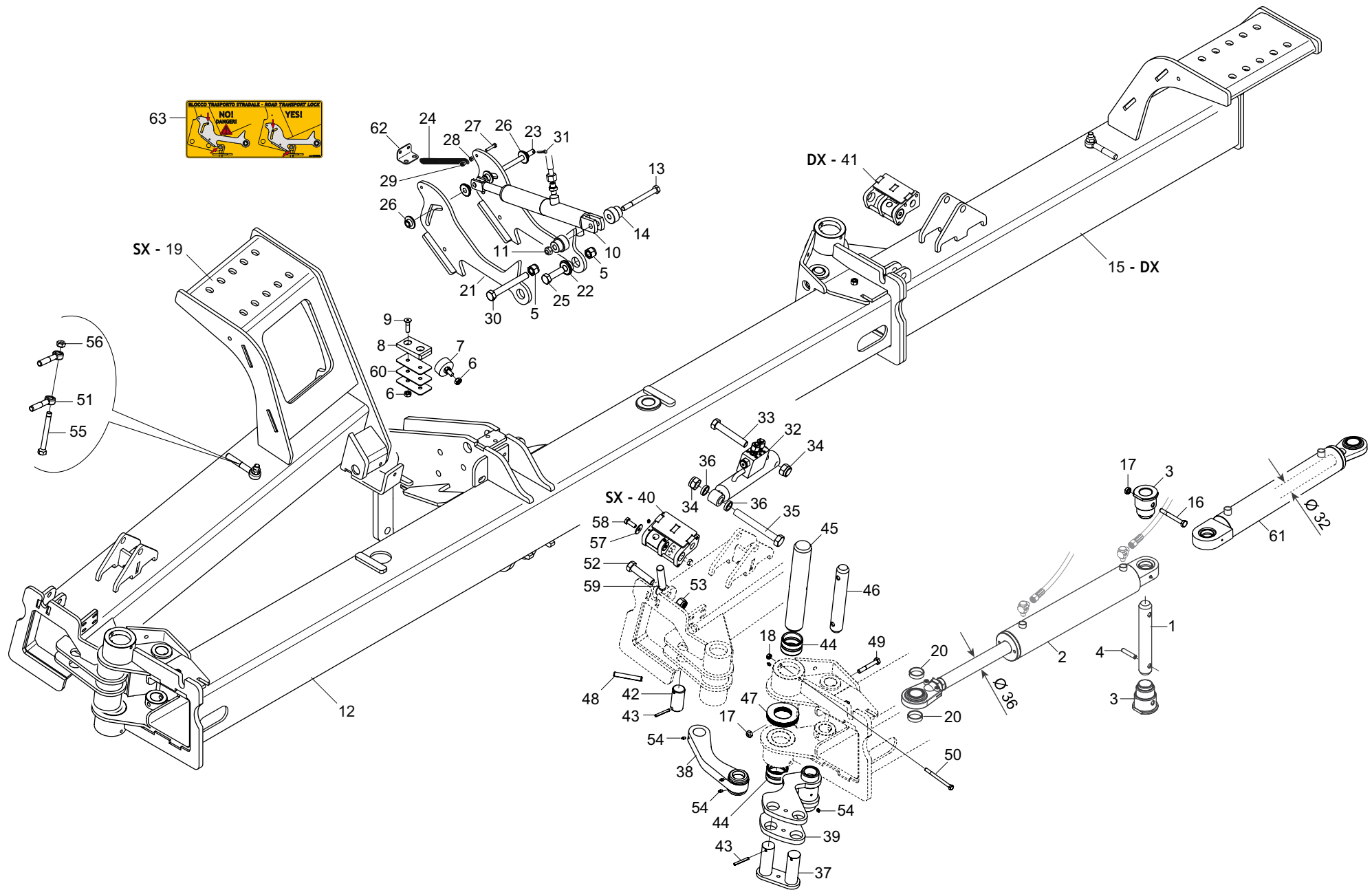
TAV. 010



TIMONE DRAWBAR

TAV. 010

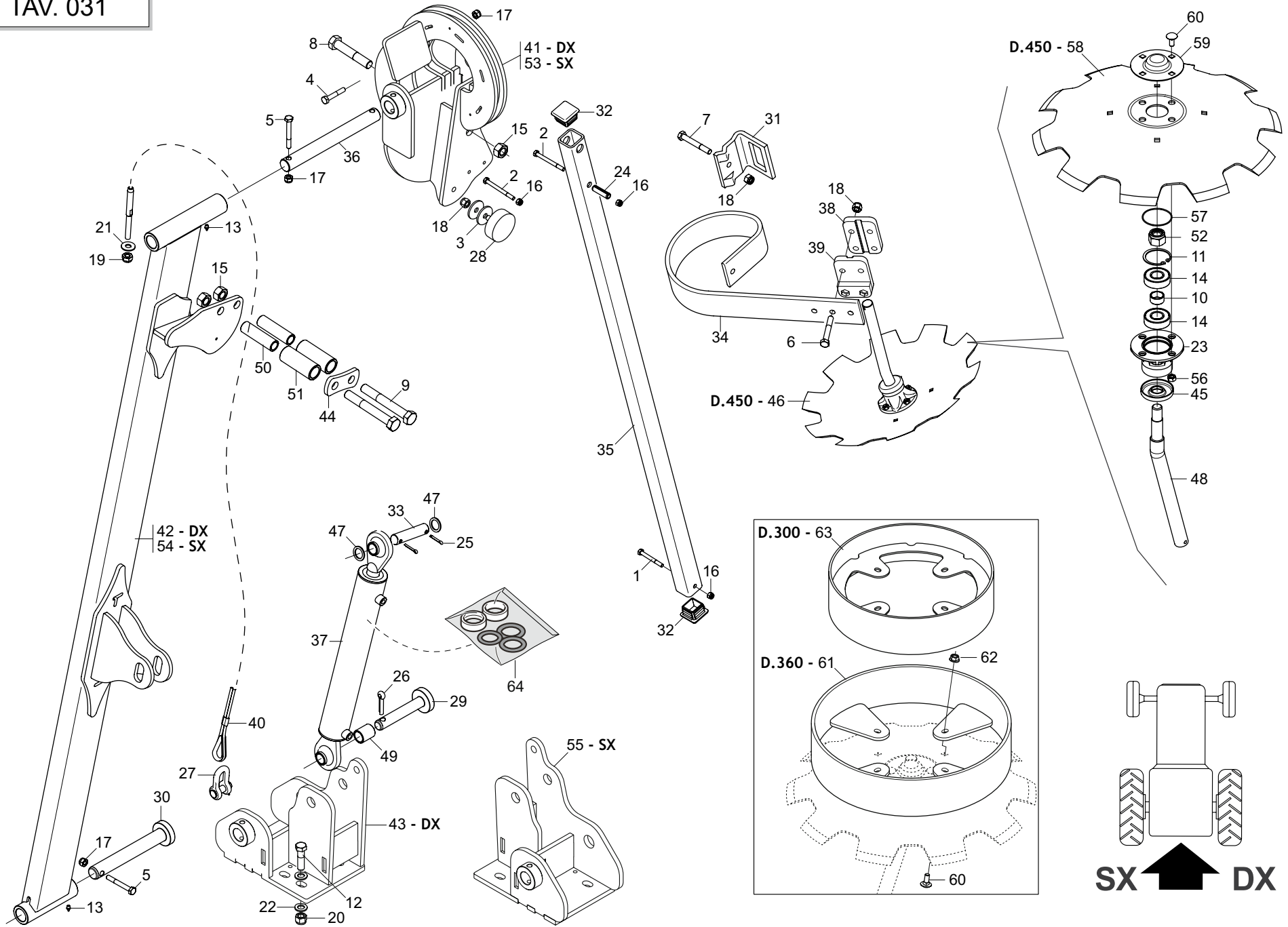
Pos.	Cod.	Descrizione	Description	Description	Benennung	Description
1	G15315980R	BOCCOLA CIMENTATA 50X60X40	BUSHING CEMENT. 50X60X40	BAGUE 50X60X40	BUCHSE 50X60X40	CASQUILLO 50X60X40
2	F01020313R	VITE M20X2,5X110 U5737 8.8ZN	SCR. M20X2,5X110 U5737 8.8ZN	VIS M20X2,5X110 U5737 8.8 ZN	SCHRA.M20X2,5X110 U5737 8.8 ZN	TORN. M20X2,5X110 U5737 8.8 ZN
3	F01230131R	DADO M20X 2,5 D982 6S ZN	NUT M20X2,5 D982 6ZN	ECROU M20X,5 D982 6ZN	MUTTER M20X2,5 D982 6ZN	TUERCA M20X2,5 D982 6ZN
4	G18700450R	SAIBA 17X45X6 ZN	WASHER 17X45X6 GALV.ED			
5	F01420060R	ROS.M10 10,5X 30X2,5 U6593 ZG	GALV.WASHER 10,5X30X2,5 U6593	RONDELLE 10,5X30	SCHEIBE 10,5X30	ARAND.M10 10,5X 30X2,5 U6593
6	F01020472R	VITE M10X1,5X25 U5739 8.8ZN	SCR. M10X1,5X25 U5739 8.8ZN	VIS M10X1,5X25 U5739 8.8 ZN	SCHRAUBE M10X1,5X25 U5739 8.8	TORNILLO M10X1,5X25 U5739 8.8
7	F01100011R	ING.M 6X1 7663-A 9SMNPB28 ZN	GREASE NIPPLE M6X1 7663-A ZN	GRAISS. A BILLE M6X1 7663A ZN	SCHMIERBUECHE M6X1 7663-A ZN	ENG.M 6X1 7663-A 9SMNPB28 ZN
8	G15315990R	BOCCOLA CEMENTATA 50X60X80	BUSHING CEMENTATE 50X60X80	BOITE 50X60X80	BSCHE 50X60X80	CASQUILLO 50X60X80
9	F02200562R	SPINA SICUR.D. 8X70 ZN	SNAP PIN D.8X 70 ZN	FICHE EL. D.8X70 ZN	SCHERSTIFT D.8X 70 ZN	CLAVIJA D.8X 70 ZN
10	G16114900R	SPINA ATTACCO 1-2 PUNTO	COUPLING PIN 1-2 POINT	BOULON COUPLING 1-2 P.	KUPPLUNGSAPFEN 1-2 PUNKT	PERNO CONEXIN 1-2 PUNTO
11	G18701810R	RONDELLA 38X70X10	WASHER 38X70X10	RONDELLE 38X70X10	UNTERLEGSCHIEBE 38X70X10	ARANDELA 38X70X10
12	F01230291R	DADO M30X2 D985 ZN	NUT M30X2 D985 ZN	ECROU AUTOB. M30X2 DIN 985 ZN	SELBSTSP. MU. M30X2 DIN 985 ZN	TUERCA M30X2 D985 ZN
13	G17121530R	BOCCOLA SINT.16,25X28 L.11 PAR	BUSHING SINT.16,25X28 L.11 PAR			
14	F20120400R	GANCIO SOSTEGNO CARDANO	SHAFT HOOK SUPPORT	SUPPORT CARDAN	GELENKWELLE - HACKEN	SOPORTE CARDAN
15	F01230085R	DADO M16X2 D982 10ZN	NUT M16X2 D982 10ZN	ECROU M16X2 D982 10ZN	MUTTER M16X2 D982 10ZN	TUERCA M16X2 D982 10ZN
16	F01020262R	VITE M16X2X80 U5737 8.8ZN	SCR. M16X2X80 U5737 8.8ZN	VIS M16X2X80 U5737 8.8 ZN	SCHRAUBE M16X2X80 U5737 8.8 ZN	TORNILLO M16X2X80 U5737 8.8 ZN
17	G17650311R	SUPPORTO DEPRESSORE RENATA	RENATA FAN SUPPORT FRAME			
18	F01020476R	VITE M10X1,5X30 U5739 8.8ZN	SCR. M10X1,5X30 U5739 8.8ZN	VIS M10X1,5X30 U5739 8.8 ZN	SCHRAUBE M10X1,5X30U5739 8.8ZN	TORNILLO M10X1,5X30 U5739 8.8
19	F01220033R	DADO M10X1,5 D980 8ZN	NUT M10X1,5 D980 8ZN	ECROU M10X1,5 D980 8ZN	MUTTER M10X1,5 D980 8ZN	TUERCA M10X1,5 D980 8
20	GA7610060R	TIMONE RENATA 19	HELM RENATA 19			
21	F01020310R	VITE M20X2,5X70 U5737 10.9ZD	SCR. M20X2,5X70 U5737 10.9ZD	VIS M20X2,5X70	SCHRAUBE M20X2,5X70	TORNILLO M20X2,5X70
22	GA7610320R	SUPPORTO 5 TUBI GAS1 2	SUPPORTO 5 TUBI GAS1 2			
23	G13619620R	ASS.PUNTELLO UNIFICATO	PROP STANDARD			
24	F02200248R	COPIGLIA 6 X80 1336 ZN	SPLIT PIN 6X 80 U1336 ZN			
25	F02200584R	SPINA SICUR.D.12X70 ZN	PIN D12 L70 ZN	FICHE D12 L70 ZN	STIFT D12 L70 ZN	CLAVIJA D12 L70 ZN
26	G13812311R	CATENELLA CON MOSCHETTONE	CHAIN WITH SPRING CATCH	CHAINETTE AVEC MOUSQUETON	KETTE MIT KARABINERHAKEN	CADENA CON GANCHO
27	F20100133R	PERNO D25 L122 C43 TEST.D60 ZN	PIN D25 L122 C43 ZN	BOULON D25 L122 C43 ZN	BOLZEN D25 L122 C43 ZN	PERNO D25 L122 C43 ZN
28	G65336004R	MOLLA SPEC.ZN AGG.SEMINAT. SP	SPEC SPRING- ZN ADD. SEEDER SP	RESSORT SPEC. ZN ATTELAGE SEME	SPEZIALFEDER ZN SZELEM. KUPPL.	MUELLE ESPEC. ZN CONEX. SEMBRA
29	G17613250R	BILANCIERE	ROCKER ARM			
30	G17615531R	SNODO	LINK			
31	F01030024R	VITE M5X0,8X25 U5933 10.9ZD	SCR. M5X0,8X25 U5933 10.9ZD	VIS 5X25 5933 10.9 ZN	SCHRAUBE 5X25 5933 10.9 ZN	TORNILLO 5X25 5933 10.9 ZN
32	F05150246R	BOLLA ORIZZONTALE LIVELLO	HORIZONTAL BUBBLE LEVEL			
33	G17613730R	SPINA ATTACCO BARRE TIMONE ZN	HITCH PIN DRAWBAR			
34	F01200220R	DADO M5X0,8 U5588 CL8 ZN	NUT M5X0,8 U5588 6.8ZN	ECROU 5 UNI 5588 6.8 ZN	MUTTER 5 UNI 5588 6.8 ZN	TUERCA M5X0,8 U5588 CL8 ZN
35	F05100158R	TAPPO TELAIO DIRECTA	TAP N BASTIDOR DIRECTO			
36	G18802330R	BOCCOLA 20,5X30X20 ZN	BUSHING 20,5X30X20 ZN	BOITE 20,5X30X20 ZN	BUCHSE 20,5X30X20 ZN	CASQUILLO 20,5X30X20 ZN



TELAIO FRAME

TAV. 020

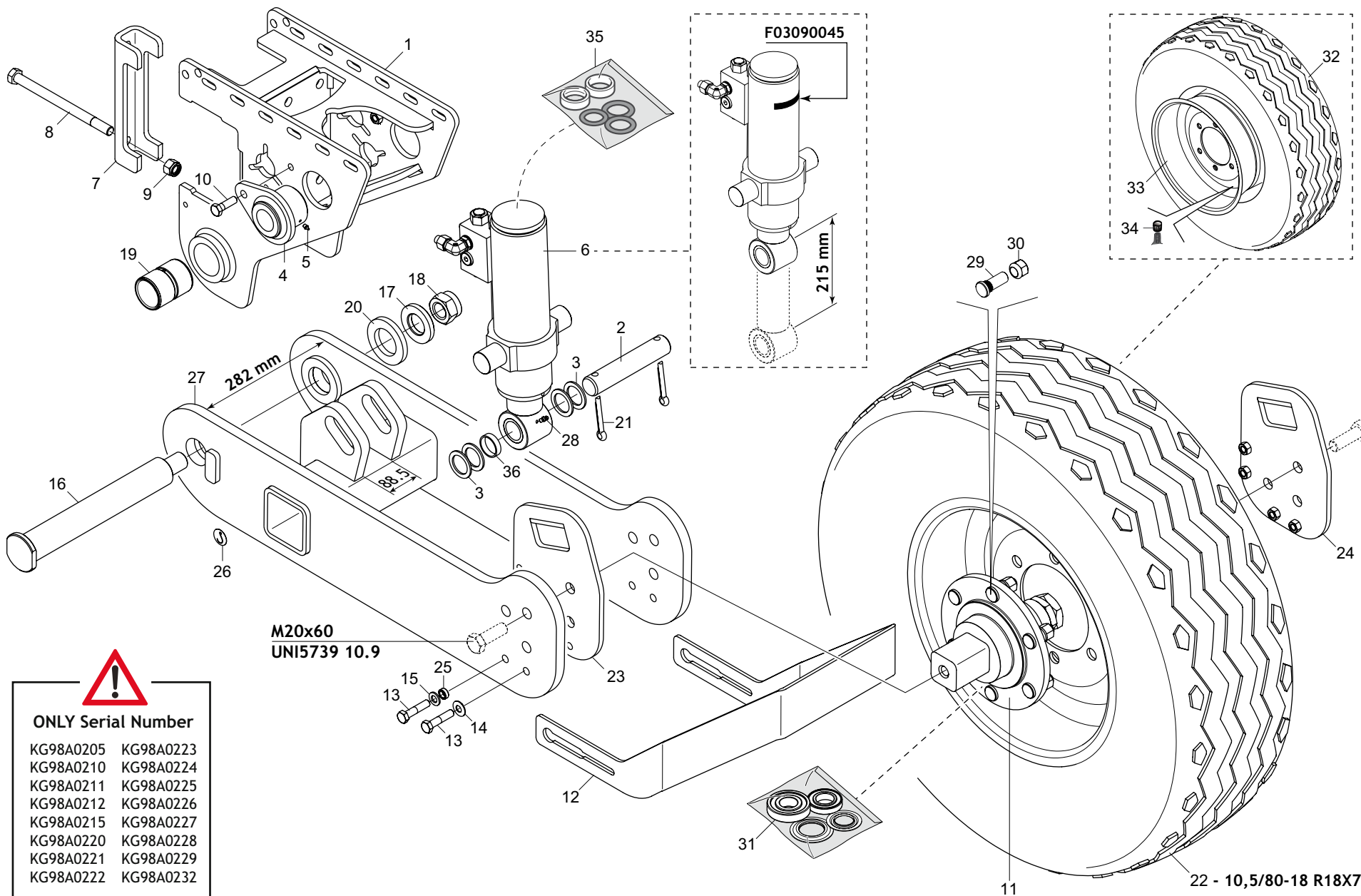
Pos.	Cod.	Descrizione	Description	Description	Benennung	Description
1	G17714660R	SPINA D.35X232 2F10 172 ZN	PIN D35X232 2F10 172 ZN			
2	G17611881R	CILINDRO CSA-70 36X295	CYLINDER CSA-70 36X295			
3	G17714760R	BOCCOLA PERNO CILINDRO ZN	BUSHING CYLINDER PIN ZN			
4	F02100164R	SPINA E.P. 10X 50 U6873 C70 BR	PIN EL. 10X50 DIN 1481 *	GOUPILLE EL.10 X50 DIN 1481	SPANNSTIFT 10X50 DIN 1481	CLAVIJA EL.10 X50 DIN 1481
5	F01230085R	DADO M16X2 D982 10ZN	NUT M16X2 D982 10ZN	ECROU M16X2 D982 10ZN	MUTTER M16X2 D982 10ZN	TUERCA M16X2 D982 10ZN
6	F01200270R	DADO M10X1,5 U5588 CL8 ZN	NUT M10X1,5 U5588 6.8ZN	ECROU M10X 1,5 U5588 6.8 ZN	MUTTER M10X 1,5 U5588 6.8 ZN	TUERCA M10X1,5 U5588 CL8 ZN
7	F05150463R	PARACOLPI CIL.D50X18 M10X26,5	BUFFER- CYLINDR.D50X18			
8	G17611831R	PATTINO ALA	WING SLIDER			
9	F01030097R	VITE M10X1,5X40 U5933 10.9ZD	SCR. M10X1,5X40 U5933 10.9ZD			
10	M58100711R	MARTINETTO AGGANCI COMPL.T.N.	CYLINDER D42 C60 L392	CILINDRE D42 C60 L392	ZYLINDER D42 C60 L392	CILINDRO D42 C60 L392
11	F01220048R	DADO M12X1,75 D980 8ZN	NUT M12X1,75 D980 8ZN	ECROU M12X1,75 D980 8 ZN	SCHEIBE M12X1,75 D980 8 ZN	TUERCA M12X1,75 D980 8 ZN
12	GA7610040R	TELAIO CENTRALE RENATA 19	CENTRAL FRAME RENATA 19			
13	F01020174R	VITE M12X1,75X120 U5737 8.8ZN	SCR. M12X1,75X120 U5737 8.8ZN	VIS M12X1,75X120 U5737 8.8 ZN	SCHRAUBE M12X1,75X120 U5737 ZN	TORN.M12X1,75X120 U5737 8.8 ZN
14	G17619320R	BOCCOLA COLL. 13X40X34 ZN	BUSHING 13X40X34 ZN			
15	GA7610020R	ALA DX	RIGHT WING			
16	F01020130R	VITE M10X1,5X90 U5737 8.8ZN	SCR. M10X1,5X90 U5737 8.8ZN	VIS M 10X90	SCHRAUBE M 10X90	TORNILLO M 10X90
17	F01220033R	DADO M10X1,5 D980 8ZN	NUT M10X1,5 D980 8ZN	ECROU M10X1,5 D980 8ZN	MUTTER M10X1,5 D980 8ZN	TUERCA M10X1,5 D980 8
18	F01220022R	DADO M8X1,25 D980 8ZN	NUT M8X1,25 D980 8ZN	ECROU M8X 1,25 D980 8 ZN	MUTTER M8X 1,25 D980 8 ZN	TUERCA M8X 1,25 D980 8 ZN
19	GA7610010R	ALA SX	LEFT WING			
20	G18803720R	BOCCOLA 35,25X40X10 ZN	BUSHING 35,25X40X10 ZN			
21	G17619640R	GANCIO FERMO ALA ANTERIORE	WING FORWARD HOOK			
22	G17121530R	BOCCOLA SINT.16,25X28 L.11 PAR	BUSHING SINT.16,25X28 L.11 PAR			
23	G17614720R	SPINA D.12X115 2F5 102 ZN	PIN D.12X115 2F5 102 ZN			
24	G18910010R	MOLLA TRAZ.LO=202 DE=14 DF=2	TENSI.SPRING LO=202 D =14 D=2			
25	F01020572R	VITE M16X2X55 U5739 8.8ZN	SCR. M16X2X55 U5739 8.8ZN	VIS M16X2X55	SCHRAUBE M16X2X55	TORNILLO M16X2X55 U5739 8
26	F15421232R	BOCCOLA SINT.12,25X20 L.13 PAR	BUSHING SINT.12,25X20 L.13 PAR	BOITE BRAS PARALLELE SP.8	BSCHE ARM PARALLEL SP.8	CASQUILLO BRAZO PARALELO SP.8
27	F01020408R	VITE M6X1X30 U5739 8.8ZN	SCR. M6X1X30 U5739 8.8ZN	VIS M 6X1X30	SCHRAUBE M 6X1X30	TORNILLO M6X1X30 U5739 8
28	F01200232R	DADO M6X1 U5588 CL8 ZN	NUT M6X1 U5588 6.8ZN	ECROU 6 UNI 5588 6.8 ZN	MUTTER 6 UNI 5588 6.8 ZN	TUERCA M6X1 U5588 CL8 ZN
29	F01230022R	DADO M6X1 D982 8ZN	NUT M6X1 D982 8ZN	ECROU AUTO-FREIN.M6X1 D982 8ZN	SICHERUNGSMUT. M6X1 D982 8 ZN	TUERCA DE SEGU.M6X1 D982 8 ZN
30	F01020269R	VITE M16X2X140 U5737 8.8ZN	SCR. M16X2X140 U5737 8.8ZN	VIS M16X2X140 ZN	SCHRA. M16X2X140 U5737 8.8ZN	TORN. M16X2X140 U5737 8.8ZN
31	F02200226R	COPIGLIA 5X 25 U1336 ZN	SPLIT PIN 5 X25 1336 GALVAN.	GOUPIILLE 5 X25 1336 ZN	SPLINT 5 X25 1336 ZN	PASADOR 5 X25 1336 ZN
32	F03090018R	CILINDRO DE 25X 40-100 V.BLOC.	CYLINDER DE 25X40 -100			
33	F01020312R	VITE M20X2,5X100 U5737 8.8ZN	SCR. M20X2,5X100 U5737 8.8ZN	VIS M20X2,5X100 U5737 8.8 ZN	SCHRA.M20X2,5X100 U5737 8.8 ZN	TORN. M20X2,5X100 U5737 8.8 ZN
34	F01230131R	DADO M20X 2,5 D982 6S ZN	NUT M20X2,5 D982 6ZN	ECROU M20X,5 D982 6ZN	MUTTER M20X2,5 D982 6ZN	TUERCA M20X2,5 D982 6ZN
35	F01020317R	VITE M20X2,5X150 U5737 8.8ZN	SCR. M20X2,5X150 U5737 8.8ZN	VIS M20X2,5X150 U5737 8.8ZN	SCHRAU.M20X2,5X150 U5737 8.8ZN	TORN. M20X2,5X150 U5737 8.8ZN
36	G18802790R	BOCCOLA 25 X20 X7 ZN B.	BUSHING 25 X20 X7 ZN B.	BOITE 25 X20 X7 ZN B.	B_CHSE 25 X20 X7 ZN B.	CASQUILLO 25 X20 X7 ZN B
37	G17611730R	SPINE TRIANGOLO ROTAZIONE ZN	ROTARY TRIANGLE PIN ZN			
38	G17611761R	BIELLA AZIONAMENTO ALA ZN	CONNECTING ROD			
39	G17714681R	TRIANGOLO MECCANISMO ZN	TRIANGLE MECHANISM ZN			
40	G17614651R	LEVA CHIAVISTELLO SX ZN	LEFT HOOK GALV.			
41	G17616011R	LEVA CHIAVISTELLO DX ZN	RIGHT HOOK GALV.			
42	G17714740R	SPINA D.35X72 2F6 ZN	PIN D35X72 2F6 ZN			
43	F02100124R	SPINA E.P. 6X 50 U6873 C70 BR	PIN EL. 6X50 U6873 C70 BR	GOUJON 6X50 U6873 C70 BR	STIFT 6X50 U6873 C70 BR	CLAVIJA EL.P. 6X 50 U6873 C70
44	G15315980R	BOCCOLA CIMENTATA 50X60X40	BUSHING CEMENT. 50X60X40	BAGUE 50X60X40	BUCHSE 50X60X40	CASQUILLO 50X60X40
45	G17714700R	PERNO CERNIERA ALA TELAI	HINGE PIN FRAME WING			
46	G17714660R	SPINA D.35X232 2F10 172 ZN	PIN D35X232 2F10 172 ZN			
47	G18701770R	RONDELLA 50 X90 X0,5	WASHER 50 X90 X0,5	RONDELLE 50 X90 X0,5	UNTERLEGSSCHEIBE 50 X90 X0,5	ARANDELA 50 X90 X0,5
48	F02100181R	SPINA E.P. 12X 80 U6873 C70 BR	PIN EL. 12X 80 U6873 C70 BR	FICHE EL. 12X 80 U6873 C70 BR	SPANNSTIFT 12X 80 U6873 C70 BR	CLAVIJA EL.12X 80 U6873 C70 BR
49	F01020124R	VITE M10X1,5X70 U5737 10.9ZD	SCR. M10X1,5X70 U5737 10.9ZD	VIS M10X1,5X 70 U5737 10.9 ZN	SCHRAUBE M10X1,5X70 U5737 10.9	TORNILLO M10X1,5X70 U5737 10.9
50	F01020090R	VITE M8X1,25X100 U5737 8.8ZN	SCR. M8X1,25X100 U5737 8.8ZN	VIS M8X1,25X100 U5737 8.8ZN	SCRAU. M8X1,25X100 U5737 8.8ZN	TORN. M8X1,25X100 U5737 8.8ZN
51	F01130000R	VITE VO M16X100 DIN444 ZN	BOLT VO M16X100 DIN444 ZN			
52	F01020298R	VITE M18X2,5X75 U5737 10.9ZD	SCR. M18X2,5X75 U5737 10.9ZD	VIS M18X2,5X75 U5737 10.9 ZN	SCHAR. M18X2,5X75 5737 10.9 ZN	TORNIL.M18X2,5X75 5737 10.9 ZN
53	F01230098R	DADO M18X2,5 D982 8 ZN	NUT M18X2,5 D982 8 ZN	ECROU M18X 2,5 D982 8 ZN	MUTTER M18X 2,5 D982 8 ZN	TUERCA M18X 2,5 D982 8 ZN
54	F01100011R	ING.M 6X1 7663-A 9SMNPB28 ZN	GREASE NIPPLE M6X1 7663-A ZN	GRAISS. A BILLE M6X1 7663A ZN	SCHMIERBUECHE M6X1 7663-A ZN	ENG.M 6X1 7663-A 9SMNPB28 ZN
55	F01020238R	VITE M14X2X240 U5737 8.8BR	SCR. M14X2X240 U5737 8.8BR	VIS M 14 X240 5737 8.G	SCHRAUBE M 14 X240 5737 8.G	TORNILLO M 14 X240 5737 8.G
56	F01220255R	DADO M14X2 D980 8ZN	NUT M14X2 D980 8ZN	ECROU M14X2 D980 8 ZN	MUTTER M14X2 D980 8 ZN	TUERCA M14X2 D980 8 ZN
57	F01420060R	ROS.M10 10,5X 30X2,5 U6593 ZG	GALV.WASHER 10,5X30X2,5 U6593	RONDELLE 10,5X30	SCHEIBE 10,5X30	ARAND.M10 10,5X 30X2,5 U6593
58	F01020472R	VITE M10X1,5X25 U5739 8.8ZN	SCR. M10X1,5X25 U5739 8.8ZN	VIS M10X1,5X25 U5739 8.8 ZN	SCHRAUBE M10X1,5X25 U5739 8.8	TORNILLO M10X1,5X25 U5739 8.8
59	F01130001R	VITE VO M20X100 DIN444 ZN	BOLT VO M20X100 DIN444 ZN			
60	G17617800R	SPESSORE PATTINO ALA	WING SLIDER SPACER			
61	G17617790R	CILINDRO 60 32X295	CYLINDER 60 32X295			
62	G17619680R	LAMIERA MOLLE GANCIO	SHEET FOR HOOK SPRINGS			
63	G19709890R	DECALC.CHIUSURA GANCI RENATA	DECAL CLOSING HOOKS RENATA			



SEGNAFILE ROW MARKER

TAV. 031

Pos.	Cod.	Descrizione	Description	Description	Benennung	Descripcion
1	F01020083R	VITE M8X1,25X70 U5737 8.8ZN	SCR. M8X1,25X70 U5737 8.8ZN	VIS M 8X1,25X 70 U5737 8.8 ZN	SCHRA. M8X1,25X70 U5737 8.8ZN	TORN. M 8X1,25X 70 U5737 8.8ZN
2	F01020088R	VITE M8X1,25X90 U5737 8.8ZN	SCREW M8X1,25X90 U5737 8.8ZN	VIS M8X1,25X90 U5737 8.8 ZN	SCHR.M8X1,25X90 U5737 8.8 ZN	TORN. M8X1,25X90 U5737 8.8 ZN
3	G18701530R	RONDELLA 13X48X4 ZN	WASHER 13X48X4 ZN	RONDELLE 13X48X4 ZN	SCHEIBE 13X48X4 ZN	ARANDELA 13X48X4 ZN
4	F01020118R	VITE M10X1,5X60 U5737 8.8ZN	SCR. M10X1,5X60 U5737 8.8ZN	VIS 10X60 5737 8.G ZN	SCHRAUBE 10X60 5737 8.G ZN	TORNILLO 10X60 5737 8.G ZN
5	F01020128R	VITE M10X1,5X80 U5737 8.8ZN	SCR. M10X1,5X80 U5737 8.8ZN	VIS M10X1,5X80 U5737 8.8 ZN	SCHRAU. M10X1,5X80 U5737 8.8ZN	TORNIL.M10X1,5X80 U5737 8.8 ZN
6	F01020166R	VITE M12X1,75X80 U5737 8.8ZN	SCR. M12X1,75X80 U5737 8.8ZN	VIS M12X1,75X80 U5737 8.8ZN	SCHRA. M12X1,75X80 U5737 8.8ZN	TORN. M12X1,75X80 U5737 8.8ZN
7	F01020168R	VITE M12X1,75X90 U5737 8.8ZN	SCR. M12X1,75X90 U5737 8.8ZN	VIS M12X1,75X90 U5737 8.8 ZN	SCHHRAB.M12X1,75X90 U5737 8.8 ZN	TORNIL.M12X1,75X90 5737 8.8 ZN
8	F01020313R	VITE M20X2,5X110 U5737 8.8ZN	SCR. M20X2,5X110 U5737 8.8ZN	VIS M20X2,5X110 U5737 8.8 ZN	SCHRA.M20X2,5X110 U5737 8.8 ZN	TORN. M20X2,5X110 U5737 8.8 ZN
9	F01020317R	VITE M20X2,5X150 U5737 8.8ZN	SCR. M20X2,5X150 U5737 8.8ZN	VIS M20X2,5X150 U5737 8.8ZN	SCHRAU.M20X2,5X150 U5737 8.8ZN	TORN. M20X2,5X150 U5737 8.8ZN
10	G18801270R	BOCCOLA 21 X25 X12 ZN B.	BUSHING 21 X25 X12 ZN			
11	F02050370R	ANELLO E. DI 47X1,75 U7437 C70	SEEGER RING 47X 1,75 U7437 C70	SEEGER E. 47X 1,75 U7437 C70	SEEGERING E. 47X1,75 U7437 C70	ANILLO E. 47X 1,75 U7437 C70
12	F01020256R	VITE M16X2X60 U5737 8.8ZN	SCR. M16X2X60 U5737 8.8ZN	VIS M16X 2X60 U5737 8.8 ZN	SCHRAUBE M16X2X60 U5737 8.8 ZN	TORNILLO M16X2X60 U5737 8.8Z
13	F01100011R	ING.M 6X1 7663-A 9SMNPB28 ZN	GREASE NIPPLE M6X1 7663-A ZN	GRAISS. A BILLE M6X1 7663-A ZN	SCHMIERBUECHE M6X1 7663-A ZN	ENG.M 6X1 7663-A 9SMNPB28 ZN
14	F04010156R	CUSC. D20 D47 B14 6204 2RSH	BEARING D20 D47 B14 6204 2RSH	ROULEMENTD20 D47 B14		
15	F01200352R	DADO M20X2,5 U5588 CL8 ZN	NUT M20X2,5 U5588 6.8ZN	ECROU 20 UNI 5588 6.8 ZN	MUTTER M20X 2,5 U5588 6.8 ZN	TUERCA M20X 2,5 U5588 6.8 ZN
16	F01230034R	DADO M8X1,25 D982 8ZN	NUT M8X1,25 D982 8ZN	ECROU M8X 1,25 ZN	MUTTER M8X 1,25 D982 8 ZN	TUERCA M8X1,25 D982 8
17	F01230048R	DADO M10X1,5 D982 8ZN	NUT M10X1,5 D982 8ZN	ECR.AUTO-FREIN.M10X1,5 D982 ZN	SICHERUNGSMUTT.M10X1,5 D982 ZN	TUERCA SEGURID.M10X1,5 D982 ZN
18	F01230059R	DADO M12X1,75 D982 8ZN	LOCK-NUT M12X1,75 D982 8ZN	ECR.AUTO-FREI.M12X1,75 ZN	SICHERUNGSMUT.M12X1,75 D982 8ZN	TUER.DE SEGUR.M12X1,75 D982 ZN
19	F01230061R	DADO M12X1,75 D982 A2IX	NUT M12X1,75 D982 A2IX			
20	F01230085R	DADO M16X2 D982 10ZN	NUT M16X2 D982 10ZN	ECROU M16X2 D982 10ZN	MUTTER M16X2 D982 10ZN	TUERCA M16X2 D982 10ZN
21	F01410077R	ROS.M12 13X 24X2,5 U6592 IX	WASHER M12 13X 24X2,5 U6592			
22	F01410100R	ROS.M16 17X 30X 3 U6592 ZN	WASHER M16 17X30X3 U6592 ZN	RONDELLE M16 17X30X3 ZN	SCHRAUBE M16 17X 30X3 U6592 ZN	ARAND.M16 17X 30X 3 U6592 ZN
23	G16610160R	SUPP.CUSCINETTI DISCO SEGN. ZN.	GALVAN. ROWMARKER DISK BEARING	SUPPORT ROUEMENTS DISQUE TRAC	SCHREIBENLAGERHALTERUNG	SOPORTE COJINETE DE DISCO MARC
24	F02100197R	SPINA E.P. 14X 50 U6873 C70 BR	PIN E.P. 14X 50 U6873 C70 BR	GROUPILLE E.P. 14X50 U6873 C70	SPANNSTIFT E.P,14X50 6873 C70	
25	F02200227R	COPIGLIA 5 X30 1336 ZN	PIN 5X 30 U1336 ZN			
26	F01020152R	VITE M12X1,75X40 U5737 8.8ZN	SCR. M12X1,75X40 U5737 8.8ZN	VIS M12X1,75X40 U5737 8.8 ZN	SCHRAUBE M12X1,75X40U57378.8ZN	TORNILLO M12X1,75X40 U5737 8.
27	F02250667R	GRILLO M10 U1947A ZN	CLEVIS- 3 8- GALVANISED- ART.	MANILLE DE 3 8 ZN ART. 9	U KETTENANSCHLUSS DA 3 8 ZN A	GRILLETE DA 3 8 ZN ART.9
28	F05150459R	PARACOLPI CIL. 75X25 SH71	CYLINDER GUARD 75X25 M12 SH71	TAMPON CIL. 75X25 M12	PUFFER CIL. 75X25 M12	PARACHOQ. CIL. 75X25 M12
29	F20100133R	PERNO D25 L122 C43 TEST.D60 ZN	PIN D25 L122 C43 ZN	BOULON D25 L122 C43 ZN	BOLZEN D25 L122 C43 ZN	PERNO D25 L122 C43 ZN
30	F20100140R	PERNO D32 L208 C43 TEST.D60 ZN	PIN D32 L208 C43 ZN			
31	F20120075R	STAFFA SUPP.MOLLA 80X10 T.Q.50	STAFFA SUPP.SPRING 80X10 T.Q.			
32	F20120349R	PUNTALE Q.50 ALETT.POLIT.NERO	CAP	BOUCHON	DECKEL	CORCHO
33	G15310160R	SPINA PROLUNGA 1-2 PUNTO	EXTENSION 1.-2. POINT PIN	BROCHE RALLONGE 1-2. POINT	VERLZNGERUNGSSTIFT 1-2. PUNKT	CLAVIJA PROLONGACI N 1-2. PUNT
34	F20120076R	MOLLA 80X10 SEGNAFILE	SPRING 80X10 ROWMARKER			
35	G17612200R	SECONDO BRACCIO	SECOND ARM			
36	G17612340R	PERNO DI ROTAZIONE ZN	ROTATION PIN ZN			
37	G17612801R	CILINDRO 60 30X292	CYLINDER 60 30X292		ZYLINDER 60 30X292	
38	G17612860R	SUPPORTO PERNO DISCO SEGNAFILE	ROWMARKER DISC PIN SUPPORT			
39	G17613010R	SUPPORTO DISCO SEGNAFILE	ROWMARKER DISC SUPPORT			
40	G17615470R	FUNE AISI316	AISI316 CABLE			
41	G17615841R	ASS.TERMINALE II BRACCIO DX	ASS.TERMINAL II RIGHT ARM			
42	G17615850R	PRIMO BRACCIO DX	RIGHT FIRST ARM			
43	G17619580R	ASS.BASAMENTO SEGNAFILE DX	ASS.SUPP.ROW MARKER RIGHT			
44	G17616210R	LAMIERA GUIDA FUNE	ROPE GUIDE			
45	G16610431R	FONDELLO ZN	BOTTOM GALV.ED			
46	G17712730R	MONT.DISCO SEGNAFILE	ROWMARKER DISC ASSEMBLY			
47	G18701590R	RONDELLA 25 X35 X2,5 ZN	WASHER 25 X35 X2,5 ZN	RONDELLE 25 X35 X2,5 ZN	SCHEIBE 25 X35 X2,5 ZN	ARANDELA 25 X35 X2,5 ZN
48	G17712721R	PERNO REGGI DISCO SEGNAFILE	ROWMARKER DISCHOLDER PIN			
49	G18803710R	BOCCOLA DISTANZIALE 33X26 ZN	SPACER BUSHING 33X26 ZN			
50	G18803930R	BOCCOLA 20,25X28X100	BUSHING D20,25X28X100			
51	G18803940R	BOCCOLA 29X40X99	BUSHING D29X40X99			
52	F01230098R	DADO M18X2,5 D982 8 ZN	NUT M18X2,5 D982 8 ZN	ECROU M18X 2,5 D982 8 ZN	MUTTER M18X 2,5 D982 8 ZN	TUERCA M18X 2,5 D982 8 ZN
53	G17615831R	ASS.TERMINALE II BRACCIO SX	ASS.TERMINAL II LEFT ARM			
54	G17615860R	PRIMO BRACCIO SX	LEFT FIRST ARM			
55	G17619510R	ASS.BASAMENTO SEGNAFILE SX	ASS.BASE ROW MARKER LEFT			
56	F01200244R	DADO M8X1,25 U5588 CL8 ZN	NUT M8X1,25 U5588 6.8ZN	ECROU M8 X1,25 U5588 6.8 ZN	MUTTER M8 X1,25 U5588 6.8 ZN	TUERCA M8X1,25 U5588 CL8 ZN
57	F03010576R	ANELLO OR 50,52X1,78 NBR	GASKET OR 50,52X1,78 NBR	BAGUE OR 50,52X1,78 NBR	RING OR 50,52X1,78 NBR	ANILLO OR 50,52X1,78 NBR
58	G17712830R	DISCO SEGNAFILE D.450	ROWMARKER DISK D.450			
59	G16610190R	CHIUSURA CUSCINETTO ZN	END BEARING ZN			
60	F01060041R	VITE M8X1,25X25 U5731 8.8ZN	SCR. M8X1,25X25 U5732 4.6ZN	VIS 8 X25 5732 4.6 ZN	SCHRAUBE 8 X25 5732 4.6 ZN	TORNILLO 8 X25 5732 4.6 ZN
61	G17641190R	LIMITATORE PROF.DISCO D360	DISC DEPTH LIMITER D360			
62	F01260043R	DADO M8 D6923 8.8ZN	NUT M8 D6923 8.8ZN	ECROU BRIDE .M8 DIN 6923 8.8 Z	GEFLANSCHTE MUTTER M8 DIN6923	TUERCA BRIDA M8 DIN 6923 8.8 Z
63	G17640600R	LIMITATORE PROF.DISCO D300	DISC DEPTH LIMITER D300			
64	F03090064R	KIT GUARNIZ.CILINDRO F03090045	KIT O-RING CYLINDER F03090045			



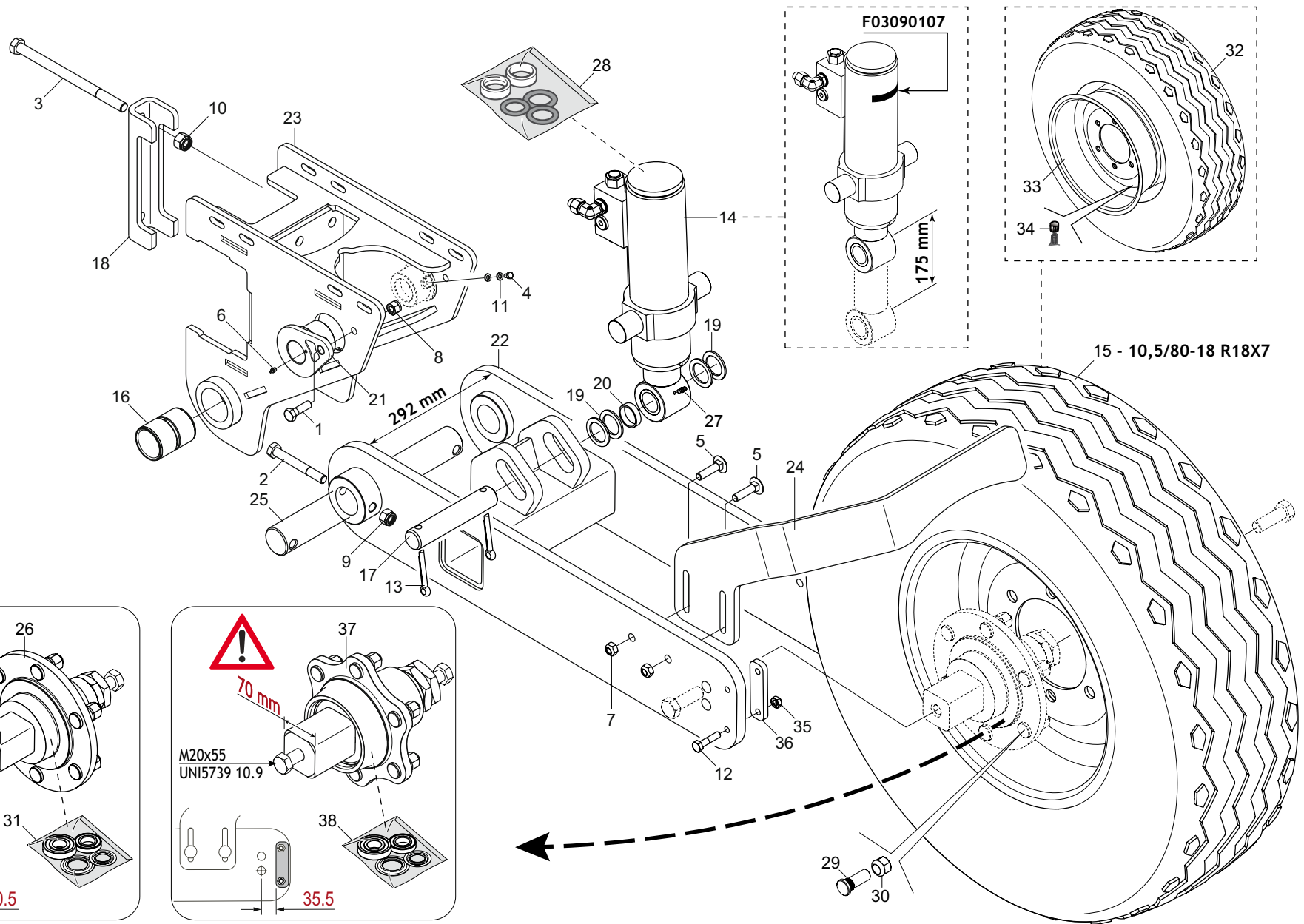
ONLY Serial Number

KG98A0205	KG98A0223
KG98A0210	KG98A0224
KG98A0211	KG98A0225
KG98A0212	KG98A0226
KG98A0215	KG98A0227
KG98A0220	KG98A0228
KG98A0221	KG98A0229
KG98A0222	KG98A0232

**RUOTE DI TRASPORTO «2019»
TRANSPORT WHEELS «2019»**

TAV. 040

Pos.	Cod.	Descrizione	Description	Description	Benennung	Description
1	G17611171R	SUPPORTO CARRELLO	CARRIAGE SUPPORT ASSY			
2	G16113350R	SPINA 35,00X180 2F11 147 NP	PIN 35X180 2H11 147 NP	GOUPILLE 35X180 NP	BOLZENSTIFT 35X180 NP	PASADOR 35X180 NP
3	G18701600R	RONDELLA 35,5 X50 X3 ZN	WASHER 35.5 X 50 X 3- GALVANIZ	RONDELLE 35-5 X50 X3 ZN	UNTERLEGSSCHEIBE 35-5 X50 X3	ARANDELA 35-5 X50 X3 ZN
4	G17611320R	BOCCOLA PERNO CILINDRO ZN	BUSHING CYLINDER PIN ZN			
5	F01100011R	ING.M 6X1 7663-A 9SMNPB28 ZN	GREASE NIPPLE M6X1 7663-A ZN	GRAISS. A BILLE M6X1 7663A ZN	SCHMIERBUECHE M6X1 7663-A ZN	ENG.M 6X1 7663-A 9SMNPB28 ZN
6	F03090045R	CILINDRO DE 60X 80-215 V.BLOC.	CYLINDER DE 60X 80-215			
7	G17714320R	SCONTRO A U SP.10 2F16,5 197	BRACKET SP.10 2F16,5 197			
8	F01020388R	VITE M16X2X240 U5737 8.8	SCR. M16X2X240 U5737 8.8			
9	F01230085R	DADO M16X2 D982 10ZN	NUT M16X2 D982 10ZN	ECROU M16X2 D982 10ZN	MUTTER M16X2 D982 10ZN	TUERCA M16X2 D982 10ZN
10	F01020152R	VITE M12X1,75X40 U5737 8.8ZN	SCR. M12X1,75X40 U5737 8.8ZN	VIS M12X1,75X40 U5737 8.8 ZN	SCHRAUBE M12X1,75X40U57378.8ZN	TORNILLO M12X1,75X40 U5737 8.
11	G17630131R	MOZZO ASSALE PASSANTE D160	PASSING AXLE DIAM.160 ASSY			
12	G17615780R	RASCHIATERRA	SOIL-SCRAPER			
13	F01020158R	VITE M12X1,75X55 U5737 8.8ZN	BOLT M12X1,75X55 U5737 8.8ZN	VIS M12X1,75X55 U5737 8.8 ZN	SCHR. M12X1,75X55 U5737 8.8 ZN	TORN. M12X1,75X55 U5737 8.8 ZN
14	F01470022R	ROS.T 12,2X28X1,50 FLZNNC-240	WASHER 12	ROSETTE	SCHEIBE 12	ARANDELLA 12
15	F01410076R	ROS.M12 13X 24X2,5 U6592 ZN	WASHER 12 13X 24X2,5 U6592 ZN	RONDEL. M12 13X24X2,5 U6592 ZN	SCHEIBE M12 13X24X2,5 U6592 ZN	ARAND.M12 13X 24X2,5 U6592 ZN
16	G16114900R	SPINA ATTACCO 1-2 PUNTO	COUPLING PIN 1-2 POINT	BOULON COUPLING 1-2 P.	KUPPLUNGSAUFEN 1-2 PUNKT	PERNO CONEXIN 1-2 PUNTO
17	G18701810R	RONDELLA 38X70X10	WASHER 38X70X10	RONDELLE 38X70X10	UNTERLEGSSCHEIBE 38X70X10	ARANDELA 38X70X10
18	F01230291R	DADO M30X2 D985 ZN	NUT M30X2 D985 ZN	ECROU AUTOB. M30X2 DIN 985 ZN	SELBSTSP. MU. M30X2 DIN 985 ZN	TUERCA M30X2 D985 ZN
19	G15315990R	BOCCOLA CEMENTATA 50X60X80	BUSHING CEMENTATE 50X60X80	BOITE 50X60X80	BSCHSE 50X60X80	CASQUILLO 50X60X80
20	G17611920R	RONDELLA 51X85X10	WASHER 51X85X10			
21	F02200272R	COPIGLIA 10X 60 U1336 ZN	SPLIT PIN 10 X60 1336 GALVAN.	GOUPILLE 10 X60 1336 ZN	SPLINT 10 X60 1336 ZN	PASADOR 10 X60 1336 ZN
22	F06120301R	RUOTA COMPL.10.5 80-18 6F	COMPL. WHEEL 10.5 80-18 6F			
23	G17618780R	DISTANZIALE ASSALE SX COMUNE	COMMON LEFT AXLE SPACER			
24	G17618800R	DISTANZIALE ASSALE DX ROMINA	ROMINA RIGHT AXLE SPACER			
25	G18800820R	BOCCOLA 12,25X18 X7	BUSHING 12,25X18X7			
26	F20030114R	ETICH. PUNTO DI AGGANCIO	DECAL.LIFT POINT			
27	G17615751R	FORCELLONE CARRELLO	CARRIAGE FORK			
28	F01100011R	ING.M 6X1 7663-A 9SMNPB28 ZN	GREASE NIPPLE M6X1 7663-A ZN	GRAISS. A BILLE M6X1 7663A ZN	SCHMIERBUECHE M6X1 7663-A ZN	ENG.M 6X1 7663-A 9SMNPB28 ZN
29	F01110010R	VITE COLON.M18X1,5X35 L49ST	AXLE COLUMN BOLT DP	VIS COLONETTE ESSIEU DP	SCHRAUBE ACHSENS-ULE DP	TORNILLO COLUMNA EJE DP
30	F01250052R	DADO COLON. 18X1,5 ZN	COLUMN NUT M18X1,5 ZN	ECROU M18X1,5 COLONNE ZN	MUTTER COLON. M18X1,5 ZN	TUERCA M18X1,5 COLUMNA ZN
31	F04100029R	KIT CUSC.ASSALE G17630131	AXLE BEARING KIT G17630131			
32	F06120491R	COPERTURA 10.5 80 R18 14PR	TYRE 10.5 80 R18 14PR			
33	F06120492R	CERCHIO 22X205 D162R18X7 6F	WHEEL RIM 22X205 D162 R18X7 6F			
34	F05050025R	CAPPELOTTO PROTEZ. X VALV.PVC	PROTECTION CAP PVC X VALVA	CAPUCHON PROTECION PVC X VALVA	SCHUTZKAPPE PVC X VENTIL	TAPA PROTECION PVC X VALVA
35	F03090064R	KIT GUARNIZ.CILINDRO F03090045	KIT O-RING CYLINDER F03090045			
36	G18803720R	BOCCOLA 35,25X40X10 ZN	BUSHING 35,25X40X10 ZN			

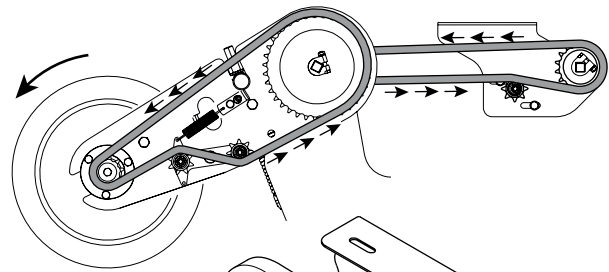


**RUOTE DI TRASPORTO «2020»
TRANSPORT WHEELS «2020»**

TAV. 041

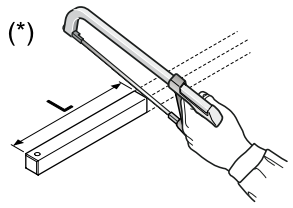
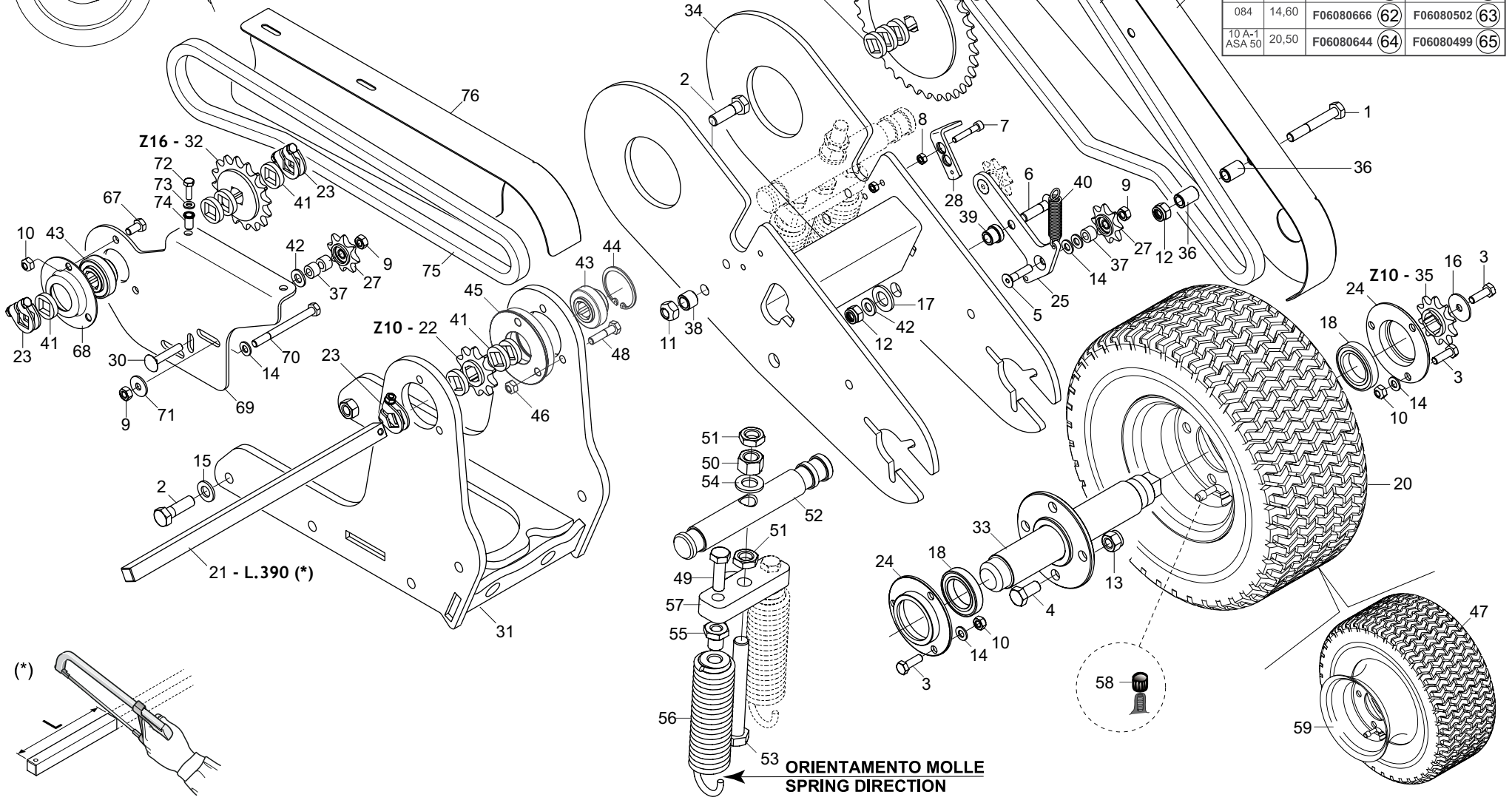
Pos.	Cod.	Descrizione	Description	Description	Benennung	Descripcion
1	F01020152R	VITE M12X1,75X40 U5737 8.8ZN	SCR. M12X1,75X40 U5737 8.8ZN	VIS M12X1,75X40 U5737 8.8 ZN	SCHRAUBE M12X1,75X40U57378.8ZN	TORNILLO M12X1,75X40 U5737 8.
2	F01020217R	VITE M14X2X110 U5737 8.8BR	SCR. M14X2X110 U5737 8.8BR	VIS M 14X100	SCHRAUBE M 14X100	TORNILLO M 14X110
3	F01020388R	VITE M16X2X240 U5737 8.8	SCR. M16X2X240 U5737 8.8			
4	F01020397R	VITE M6X1X10 U5739 8.8ZN	SCR. M6X1X10 U5739 8.8ZN	VIS 6X10 5739 8.G ZN	SCHRAUBE 6X10 5739 8.G ZN	TORNILLO 6X10 5739 8.G ZN
5	F01060096R	VITE M12X1,75X50 U5731 A2IX	BOLT M12X1,75X 50 U5732 A2 IX			
6	F01100011R	ING.M 6X1 7663-A 9SMNPB28 ZN	GREASE NIPPLE M6X1 7663-A ZN	GRAISS. A BILLE M6X1 7663A ZN	SCHMIERBUECHE M6X1 7663-A ZN	ENG.M 6X1 7663-A 9SMNPB28 ZN
7	F01220048R	DADO M12X1,75 D980 8ZN	NUT M12X1,75 D980 8ZN	ECROU M12X1,75 D980 8 ZN	SCHEIBE M12X1,75 D980 8 ZN	TUERCA M12X1,75 D980 8 ZN
8	F01230059R	DADO M12X1,75 D982 8ZN	LOCK-NUT M12X1,75 D982 8ZN	ECR.AUTO-FREI.M12X1,75 ZN	SICHERUNGSMUT.M12X1,75 D982 8ZN	TUER.DE SEGUR.M12X1,75 D982 ZN
9	F01230073R	DADO M14X2 D982 8ZN	SELF LOCK NUT M14X2 D982 8ZN	ECROU AUTOBL.M14X2 ZN	SELBSTSP.MUTT. M14X2 D982 8ZN	TUERCA AUTOBL. M14X2 D982 8ZN
10	F01230085R	DADO M16X2 D982 10ZN	NUT M16X2 D982 10ZN	ECROU M16X2 D982 10ZN	MUTTER M16X2 D982 10ZN	TUERCA M16X2 D982 10ZN
11	F01410037R	ROS.M6 6,4X12,5X1,6 U6592 ZN	WASHER M6 6,4X12,5X1,6 U6592ZN	RONDEL.M6 6,4X12,5X1,6 U6592ZN	SCHEIB.M6 6,4X12,5X1,6 U6592ZN	ARAND.M6 6,4X12,5X1,6 U6592 ZN
12	F01020112R	VITE M10X1,5X45 U5737 8.8ZN	SCR. M10X1,5X45 U5737 8.8ZN	VIS M 10X45	SCHRAUBE M 10X45	TORNILLO M 10X45
13	F02200272R	COPIGLIA 10X 60 U1336 ZN	SPLIT PIN 10 X60 1336 GALVAN.	GOUPILE 10 X60 1336 ZN	SPLINT 10 X60 1336 ZN	PASADOR 10 X60 1336 ZN
14	F03090107R	CILINDRO DE 60X80-175 V.BLOC.	CILINDRO DE 60X80-175 V.BLOC.			
15	F06120301R	RUOTA COMPL. 10.5 80-18 6F	COMPL. WHEEL 10.5 80-18 6F			
16	G15315990R	BOCCOLA CEMENTATA 50X60X80	BUSHING CEMENTATE 50X60X80	BOITE 50X60X80	BSCHE 50X60X80	CASQUILLO 50X60X80
17	G16113350R	SPINA 35,00X180 2F11 147 NP	PIN 35X180 2H11 147 NP	GOUPILE 35X180 NP	BOLZENSTIFT 35X180 NP	PASADOR 35X180 NP
18	G17714320R	SCONTRO A U SP.10 2F16,5 197	BRACKET SP.10 2F16,5 197			
19	G18701600R	RONDELLA 35,5 X50 X3 ZN	WASHER 35.5 X 50 X 3- GALVANIZ	RONDELLE 35-5 X50 X3 ZN	UNTERLEGSSCHEIBE 35-5 X50 X3	ARANDELA 35-5 X50 X3 ZN
20	G18803720R	BOCCOLA 35,25X40X10 ZN	BUSHING 35,25X40X10 ZN			
21	G19206320R	SUPPORTO PISTONE ZN	SUPPORTO PISTONE ZN			
22	GA7610170R	ASS.FORCELLONE CARRELLO	ASS.FORCELLONE CARRELLO			
23	GA7610220R	SUPPORTO CARRELLO CHRONO 700	CHRONO 700 CARRIAGE SUPPORT			
24	GA7610240R	RASCHIATERRA CHRONO 700	RASCHIATERRA CHRONO 700			
25	GA7610250R	SPINA D.50X405 2F14,5 374,5 NP	SPINA D.50X405 2F14,5 374,5 NP			
26	GA7630030R	ASS.MOZZO ASS.Q.60 PASS.D160	ASS.MOZZO ASSALE PASSAN.D160			
27	F01100011R	ING.M 6X1 7663-A 9SMNPB28 ZN	GREASE NIPPLE M6X1 7663-A ZN	GRAISS. A BILLE M6X1 7663A ZN	SCHMIERBUECHE M6X1 7663-A ZN	ENG.M 6X1 7663-A 9SMNPB28 ZN
28	F03090064R	KIT GUARNIZ.CILINDRO F03090045	KIT O-RING CYLINDER F03090045			
29	F01110010R	VITE COLON.M18X1,5X35 L49ST	AXLE COLUMN BOLT DP	VIS COLONETTE ESSIEU DP	SCHRAUBE ACHSENS-ULE DP	TORNILLO COLUMNA EJE DP
30	F01250052R	DADO COLON. 18X1,5 ZN	COLUMN NUT M18X1,5 ZN	ECROU M18X1,5 COLONNE ZN	MUTTER COLON. M18X1,5 ZN	TUERCA M18X1,5 COLUMNA ZN
31	F04100029R	KIT CUSC.ASSALE G17630131	AXLE BEARING KIT G17630131			
32	F06120491R	COPERTURA 10.5 80 R18 14PR	TYRE 10.5 80 R18 14PR			
33	F06120492R	CERCHIO 22X205 D162R18X7 6F	WHEEL RIM 22X205 D162 R18X7 6F			
34	F05050025R	CAPPELOTTO PROTEZ. X VALV.PVC	PROTECTION CAP PVC X VALVA	CAPUCHON PROTECION PVC X VALVA	SCHUTZKAPPE PVC X VENTIL	TAPA PROTECION PVC X VALVA
35	F01220033R	DADO M10X1,5 D980 8ZN	NUT M10X1,5 D980 8ZN	ECROU M10X1,5 D980 8ZN	MUTTER M10X1,5 D980 8ZN	TUERCA M10X1,5 D980 8
36	GA7610390R	ANTIROTAZIONE	ANTIROTAZIONE			
37	GA7630040R	ASS.MOZZO ASS.Q.70 PASS.D160	ASS.MOZZO ASS.Q.70 PASS.D160			
38	F04100035R	KIT CUSC.ASSALE GA7630040	AXLE BEARING KIT GA7630040			

TAV. 050

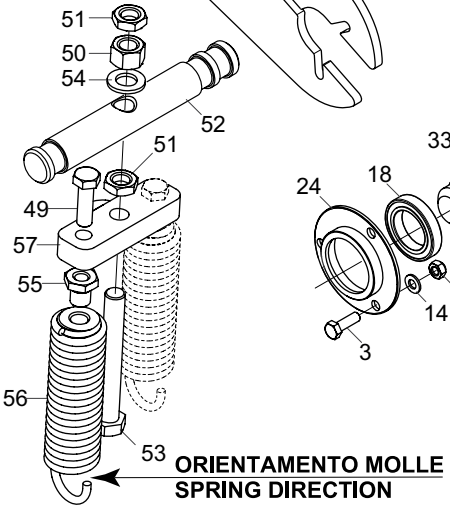


66

Catena Chain		Falsa maglia Offset link		Maglia giunto Connecting link	
mod.	mm	Cod.		Cod.	
083	12,90	F06080655	(60)	F06080501	(61)
084	14,60	F06080666	(62)	F06080502	(63)
10 A-1 ASA 50	20,50	F06080644	(64)	F06080499	(65)



(*)

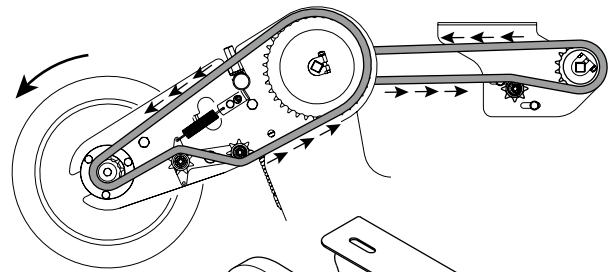


RUOTINO DI TRASMISSIONE CONCIME FERTILIZER DRIVE WHEEL

TAV. 050

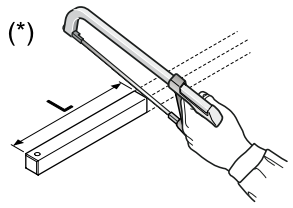
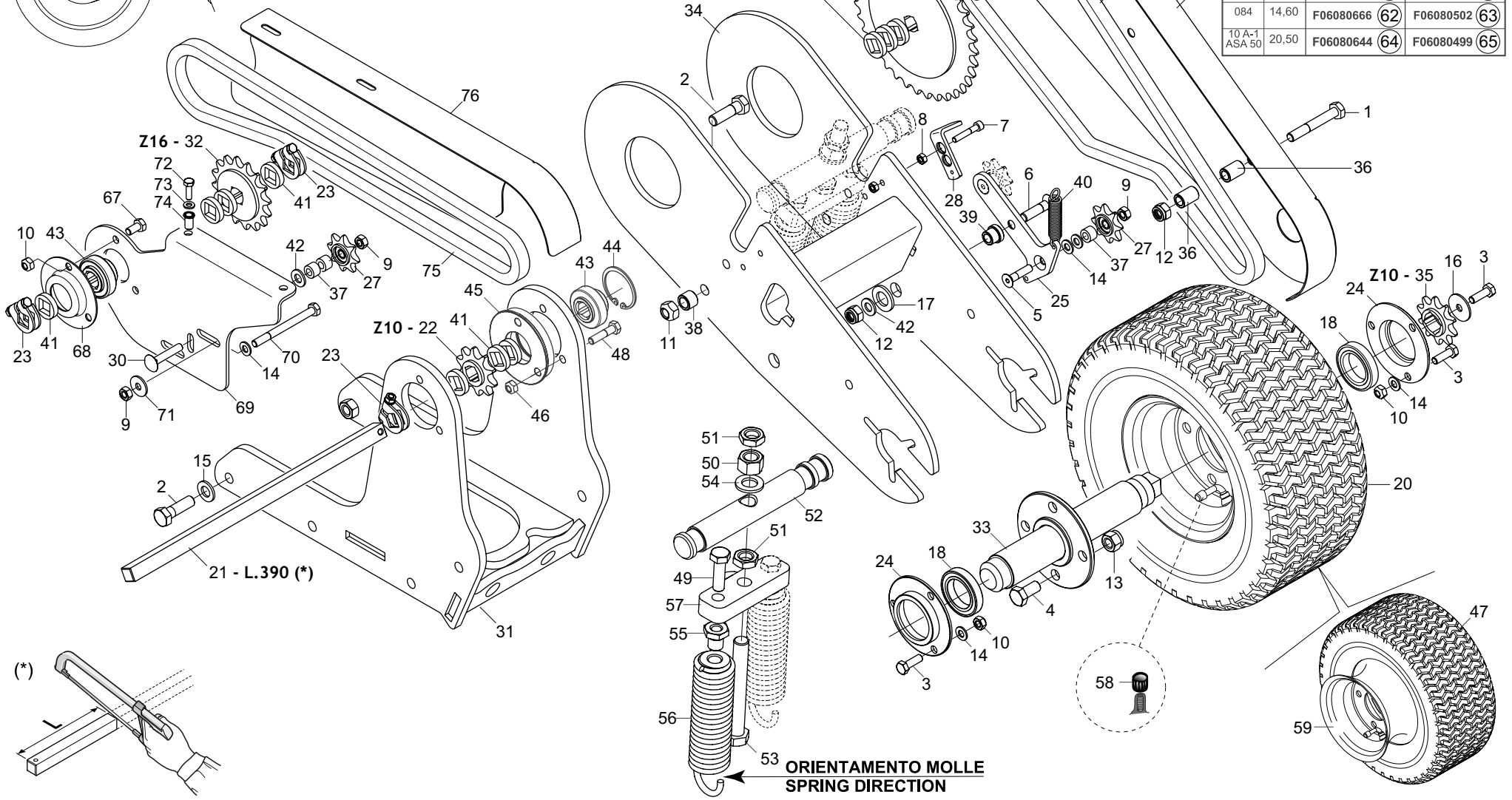
Pos.	Cod.	Descrizione	Description	Description	Benennung	Descripcion
1	F01020124R	VITE M10X1,5X70 U5737 10.9ZD	SCR. M10X1,5X70 U5737 10.9ZD	VIS M10X1.5X 70 U5737 10.9 ZN	SCHRAUBE M10X1.5X70 U5737 10.9	TORNILLO M10X1.5X70 U5737 10.9
2	F01020152R	VITE M12X1,75X40 U5737 8.8ZN	SCR. M12X1,75X40 U5737 8.8ZN	VIS M12X1,75X40 U5737 8.8 ZN	SCHRAUBE M12X1,75X40U57378.8ZN	TORNILLO M12X1,75X40 U5737 8.
3	F01020440R	VITE M8X1,25X25 U5739 8.8ZN	SCR. M8X1,25X25 U5739 8.8ZN	VIS M8X1,25X25 U5739 8.8 ZN	SCHRAUBE M8X1,25X25U5739 8.8ZN	TORNILLO M8X1,25X25 U5739 8.8
4	F01020508R	VITE M12X1,75X25 U5739 8.8ZN	SCR. M12X1,75X25 U5739 8.8ZN	VIS M12X1,75X25 U5739 8.8 ZN	SCHRAUBE M12X1,75X25U57398.8ZN	TORNILLO M12X1,75X25 U5739
5	F01030060R	VITE M8X1,25X35 U5933 10.9ZD	SCREW M8X1,25X35 U5933 10.9ZD	VIS M8X1,25X35 U5933 10.9ZD	SCHRA.M8X1,25X35 U5933 10.9ZD	TORNILLO M8X1,25X35 U5933 10.9
6	F01030097R	VITE M10X1,5X40 U5933 10.9ZD	SCR. M10X1,5X40 U5933 10.9ZD			
7	F01040066R	VITE M6X1X35 U5931 8.8ZN	SCREW M6X1X35 U5931 8.8ZN	VIS M6X1X35 U5931 8.8ZN	SCHRAUBE M6X1X35 U5931 8.8ZN	TORNILLO M6X1X35 U5931 8.8ZN
8	F01200232R	DADO M6X1 U5588 CL8 ZN	NUT M6X1 U5588 6.8ZN	ECROU 6 UNI 5588 6.8 ZN	MUTTER 6 UNI 5588 6.8 ZN	TUERCA M6X1 U5588 CL8 ZN
9	F01200244R	DADO M8X1,25 U5588 CL8 ZN	NUT M8X1,25 U5588 6.8ZN	ECROU M8 X1,25 U5588 6.8 ZN	MUTTER M8 X1,25 U5588 6.8 ZN	TUERCA M8X1,25 U5588 CL8 ZN
10	F01220022R	DADO M8X1,25 D980 8ZN	NUT M8X1,25 D980 8ZN	ECROU M8X 1,25 D980 8 ZN	MUTTER M8X 1,25 D980 8 ZN	TUERCA M8X 1,25 D980 8 ZN
11	F01220048R	DADO M12X1,75 D980 8ZN	NUT M12X1,75 D980 8ZN	ECROU M12X1,75 D980 8 ZN	SCHEIBE M12X1,75 D980 8 ZN	TUERCA M12X1,75 D980 8 ZN
12	F01230048R	DADO M10X1,5 D982 8ZN	NUT M10X1,5 D982 8ZN	ECR.AUTO-FREIN.M10X1,5 D982 ZN	SICHERUNGSMUTT.M10X1,5 D982 ZN	TUERCA SEGURID.M10X1,5 D982 ZN
13	F01230059R	DADO M12X1,75 D982 8ZN	LOCK-NUT M12X1,75 D982 8ZN	ECR.AUTO-FREI.M12X1,75 ZN	SICHERUNGSMUT.M12X1,75 D982 8ZN	TUER.DE SEGUR.M12X1,75 D982 ZN
14	F01410051R	ROS.M8 8,4X 17X1,6 U6592 ZN	WASHER M8 8,4X17X1,6 U6592 ZN	RONDELLE M8 8,4X17X1,6 ZN	SCHEIBE M8 8,4X17X1,6 U6592 ZN	ARAND.M8 8,4X 17X1,6 U6592 ZN
15	F01410076R	ROS.M12 13X 24X2,5 U6592 ZN	WASHER 12 13X 24X2,5 U6592 ZN	RONDEL. M12 13X24X2,5 U6592 ZN	SCHEIBE M12 13X24X2,5 U6592 ZN	ARAND.M12 13X 24X2,5 U6592 ZN
16	F01420049R	ROS.M8 8,4X 32X 2 U6593 ZN	WASHER M8 8,4X32X2 U6593 ZN	RONDELLA M8 8,4X32X2 U6593 ZN	SCHEIBE M8 8,4X32X2 U6593 ZN	ARAND.M8 8,4X 32X 2 U6593 ZN
17	F01410101R	ROS.M16 17X 30X 3 U6592 IX	WASHER M16 17X 30X 3 U6592 IX			
18	F04010311R	CUSC.D35 D55 B10 61907 LLU	BEARING D35 D55 B10 61907 L			
19	F06080183R	CATENA 5 8 ASA 50 L 76 MAGLIE	CHAIN 5 8 ASA 50 L 76 LINKS	CHAINE 5 8 ASA 50 L 76 MAILLE	KETTE 5 8 ASA 50 L 76 GLIEDER	CADENA 5 8 ASA 50 L 76 ESLABO
20	F06120484R	RUOTA COMP.13X6,5-6 6PR TUBEL.	WHEEL 13X6,5-6 6PR TUBELESS			
21	G22230138R	ASSE CAMBIO 4F.80-6F.45 L.1000	GEAR SPINDLE 4-ROW 80- 6-ROW.4	AXE BOITE DE VITESSE 4 RA	GETRIEBEACHSE 4 R. 80-6 R.45 L	EJE CAMBIO 4 FILAS. 80-6 FILAS
22	G22220113R	INGRANAGGIO Z-10 FERRO	GEAR Z-10 IRON	ENGRENAGE Z-10 FER	ZAHNRAD Z-10 EISEN	ENGRANAJE Z-10 HIERRO
23	G22505085R	FERMO ASSE IN LAMIERA	PLATE AXLE STOP	ARRET AXE EN TOLE	FESTSTELLVORRICHTUNG BLECHACHS	BLOQUEO EJE DE CHAPA
24	G22500092R	SUPPORTO CUSCINETTO	BEARING SUPPORT	SUPPORT PALIER	LAGERBSCHSE	SOPORTE COJINETE
25	G15835330R	TENDICATENA ZN	CHAINSTRETCHER ZN			
26	G15930140R	PIGNONE Z36 5 8-3 8 Q.16,4 ZN	PIGNONE Z36 5 8-3 8 Q.16,4 ZN			
27	G16630790R	INGR.Z8 5 8X3 8 TENDICAT.COMPL	GEAR Z8 5 8X3 8 CHAIN			
28	G17130140R	LEVA CAMBIO	GEAR LEVER	LEVIER BOITE DE VITESSE	GETRIEBE HEBEL	PALANCA DE CAMBIO
29	G17621740R	CARTER TRASMISSIONE SPANDI	CARTER TRASMISSIONE SPANDI			
30	F01060047R	VITE M8X1,25X45 U5731 8.8ZN	SCR. M8X1,25X45 U5732 4.6ZN	VIS 8X45 5732 4.6 ZN	SCHRAUBE 8X45 5732 4.6 ZN	TORNILLO 8X45 5732 4.6 ZN
31	G17630194R	ASS.SUPPORTO BRACCIO	ASS.SUPPORT ARM			
32	G16630400R	PIGNONE Z-16 ZN.	PINION Z-16 ZN.	PIGNON Z-16 ZN.	RITZE Z-16 ZN.	PINION Z-16 ZN.
33	G17632320R	ASSE RUOTINO ZN	WHEEL AXIS			
34	G17633190R	ASS.BRACCIO OSCILL.RUOTINO SPA	ASS.BRACCIO OSCILL.RUOTINO SPA			
35	G17732200R	PIGNONE Z10 5 8-3 8 Q.20,4 ZN	PINION Z10 5 8-3 8 SQ.20,4 ZN			
36	G18801500R	BOCCOLA 10,25X16 X23 ZN	BUSHING 10,25 X 16 X 23 GALVA	BOITE 10,25X16 X23 ZN	BSCHSE 10,25X16 X23 ZN	CASQUILLO 10,25X16 X23 ZN
37	G18801580R	BOCCOLA 8,5 X15 X10	BUSH 8.5 X15 X10	DOUILLE 8,5 X15 X10	BUCHSE 8,5 X15 X10	MANGUITO 8,5 X15 X10
38	G18802260R	BOCCOLA 12,25X18X13,5 ZN	BUSH 12.25X18X13.5 ZN	DOUILLE 12,25X18X13,5 ZN	BUCHSE 12,25X18X13,5 ZN	MANGUITO 12,25X18X13,5 ZN
39	G18804150R	BOCCOLA 10,25X20 X16	BUSHING 10,25X20 X16			
40	G18902970R	MOLLA TRAZ.CAMBIO ZN SP	GALVAN. GEAR TRACT. SPRING SP	RESS. TRACT. BOITE VITESSE ZN	ZUGFEDER GETRIEBE ZN SP	MUELLE TRAC. CAMBIO ZN SP
41	G66248218R	RONDELLA DISTAN.SPAND.	MAN. SPR. SPACER WASHER	RONDELLE ENTRETOISE EP. ENGRAI	ABSTANDSCHEIBE DSNGERSTREUER	ARANDELA DISTAN.ABONAD.
42	F01410062R	ROS.M10 10,5X 18X 2 U6592 ZN	WASHER M10 10,5X 18X 2 U6592	RONDELLE M10 10,5X18X2 ZN	DICHTUNGSRING M10 10,5X18X2 ZN	ARAND.M10 10,5X 18X 2 U6592 ZN
43	G14830390R	CUSCINETTO FORO QUADRO	SQUARE-HOLED BEARING	ROULEMENT TROU CARRÉ	VIERKANTLAGER	COJINETE ORIFICIO CUADRADO
44	F02050370R	ANELLO E. DI 47X1,75 U7437 C70	SEEGER RING 47X 1,75 U7437 C70	SEEGER E. 47X 1,75 U7437 C70	SEEGERING E. 47X1,75 U7437 C70	ANILLO E. 47X 1,75 U7437 C70
45	G22310011R	FLANGIA CAMBIO DP	GEARBOX FLANGE DP	BRIDE BOITE DE VITESSE DP	FLANSCH GETRIEBE DP	BRIDA CAMBIO DP
46	F01220022R	DADO M8X1,25 D980 8ZN	NUT M8X1,25 D980 8ZN	ECROU M8X 1,25 D980 8 ZN	MUTTER M8X 1,25 D980 8 ZN	TUERCA M8X 1,25 D980 8 ZN
47	F06120486R	PNEUM.13X6,50 6PR	TYRE 13X6,50 6PR			
48	F01020063R	VITE M8X1,25X35 U5737 8.8ZN	SCR. M8X1,25X35 U5737 8.8ZN	VIS M8X1,25X35 U5737 8.8ZN	SCHRAU. M8X1,25X35 U5737 8.8ZN	TORNILLO M8X1,25X35 U5737 8.8
49	F01020152R	VITE M12X1,75X40 U5737 8.8ZN	SCR. M12X1,75X40 U5737 8.8ZN	VIS M12X1,75X40 U5737 8.8 ZN	SCHRAUBE M12X1,75X40U57378.8ZN	TORNILLO M12X1,75X40 U5737 8.
50	F01200110R	DADO M16X2 U5587 CL8 ZN 6.8ZN	NUT M16X2 U5587 6.8ZN	ECROU M16	MUTTER M16	TUERCA M16
51	F01200444R	DADO M16X2 U5589 CL8 ZN 6SZN	NUT M16X2 U5589 6SZN	ECROU M16X2	MUTTER M16X2	TUERCA M16X2 U5589 CL8 ZN 6S
52	G17630251R	TONDO AGG.MOLLE RUOT.LARGO ZN	ROD HITCH WHEEL SPRING			
53	F01020581R	VITE M16X2X120 U5739 8.8ZN	SCR. M16X2X120 U5739 8.8ZN			
54	F01410100R	ROS.M16 17X 30X 3 U6592 ZN	WASHER M16 17X30X3 U6592 ZN	RONDELLE M16 17X30X3 ZN	SCHRAUBE M16 17X 30X3 U6592 ZN	ARAND.M16 17X 30X 3 U6592 ZN
55	G15220120R	VITE REGOLAZIONE ZN	REGULATION BOLT	VIS R GLAGE ZN	STELLSCHRAUBE ZN	TORNILLO REGULACI N ZN

TAV. 050

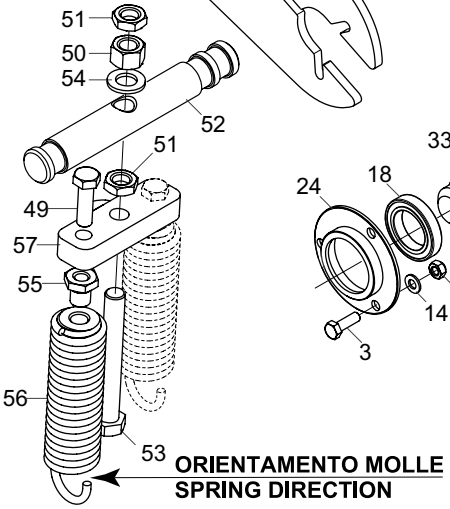


66

Catena Chain		Falsa maglia Offset link		Maglia giunto Connecting link	
mod.	mm	Cod.		Cod.	
083	12,90	F06080655	(60)	F06080501	(61)
084	14,60	F06080666	(62)	F06080502	(63)
10 A-1 ASA 50	20,50	F06080644	(64)	F06080499	(65)



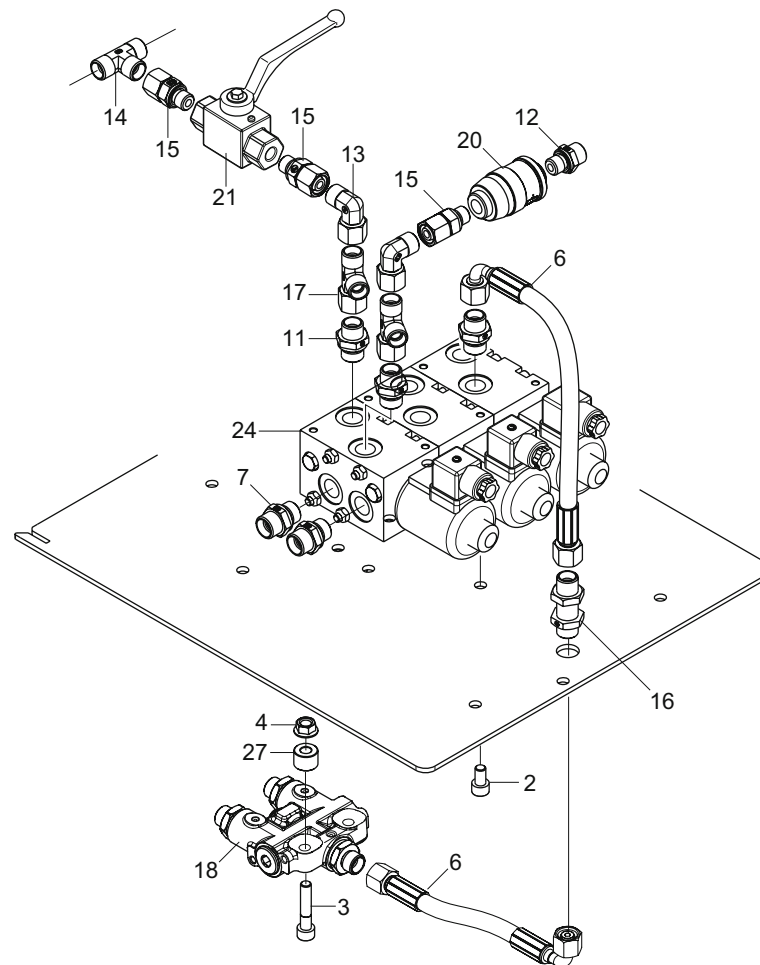
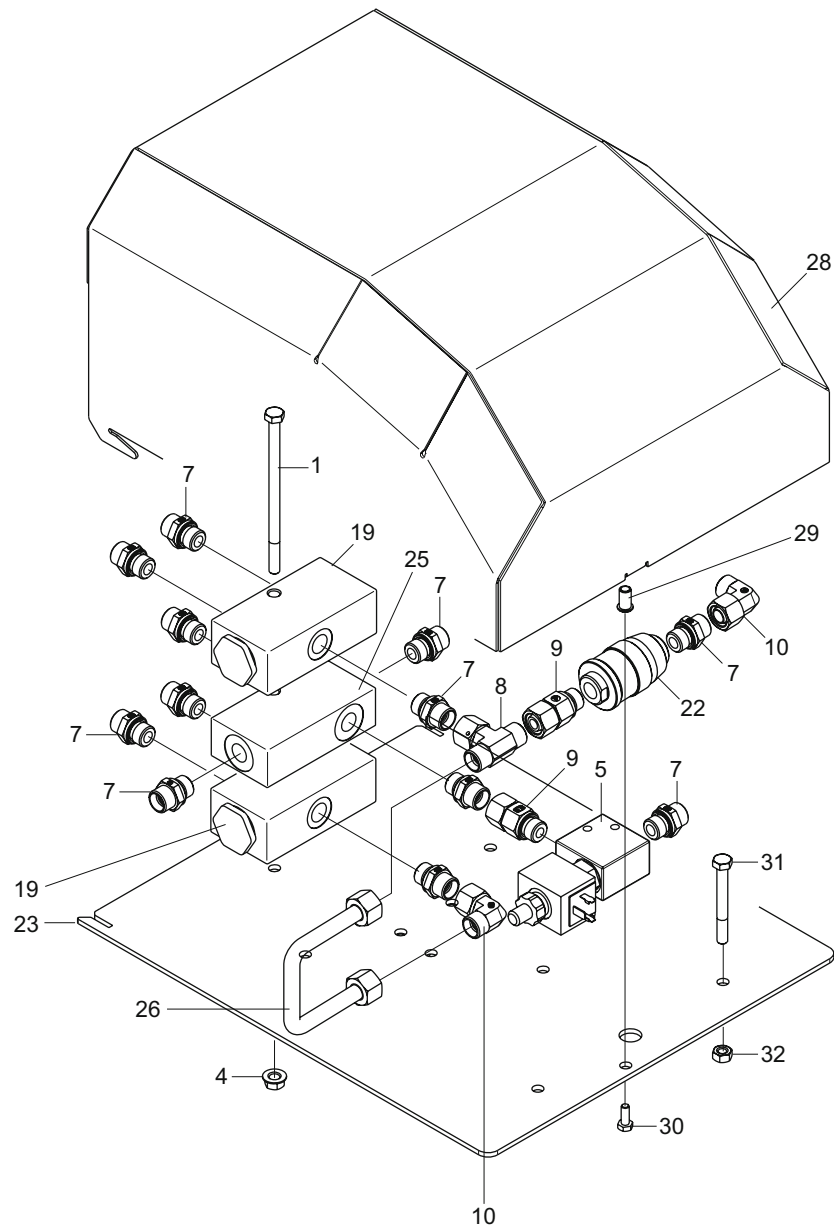
(*)



**RUOTINO DI TRASMISSIONE CONCIME
FERTILIZER DRIVE WHEEL**

TAV. 050

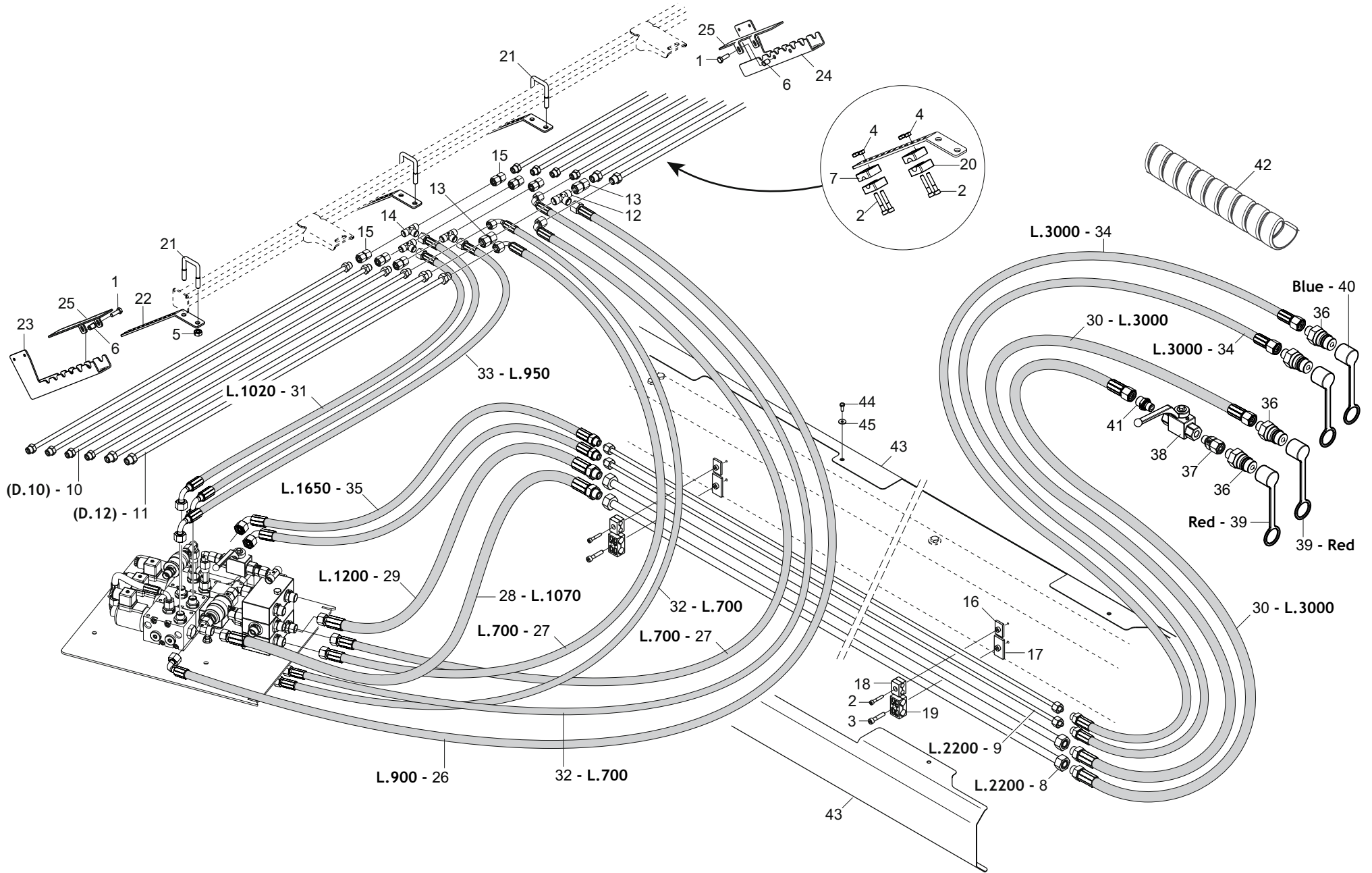
Pos.	Cod.	Descrizione	Description	Description	Benennung	Descripcion
56	G15226270R	MOLLA COMPL.	COMPL. SPRING	RESSORT COMPLETE		
57	G17722770R	ASS.TIRO MOLLA	SPRING TIGHTENER ASS.BLY			
58	F05050025R	CAPPELOTTO PROTEZ. X VALV.PVC	PROTECTION CAP PVC X VALVA	CAPUCHON PROTECION PVC X VALVA	SCHUTZKAPPE PVC X VENTIL	TAPA PROTECION PVC X VALVA
59	F06120485R	CERCHIO 6 4 FORI D.12 TUBELES	CIRCLE 6 4 HOLES D.12 TUBELES			
60	F06080655R	FALSA MAGLIA CAT.1 2 ISO 083	FALSE CHAIN LINK 1 2 ISO 083	FAUSSE MAILLE CHAINE 1 2 ISO 0	FALSCHES GLIED 1 2 ISO 083	ESLAB N FICTICIO CAD. 1 2 ISO
61	F06080501R	GIUNZIONE CATENA 1 2 ISO 083	CHAIN JOINT 1 2 ISO 083	JONCTION CHAINE 1 2 ISO 083	KETTENVERBINDUNG 1 2 ISO 083	UNI N CADENA 1 2 ISO 083
62	F06080666R	FALSA MAGLIA CAT.1 2 ISO 084-1				
63	F06080502R	GIUNZIONE CATENA 1 2 ISO 084-1	CHAIN JUNCTION 1 2 ISO 084-1			
64	F06080644R	FALSA MAGLIA CAT.5 8 ASA 50LUB		FAUSSE MAILLE CHAINE ASA 50LUB	FALSCHES GLIED 5 8 ASA 50LUB	ESLAB N FICTICIO CAD.5 8 ASA50
65	F06080499R	GIUNZIONE CATENA 5 8 ASA 50LUB	CHAIN JOINT 5 8 ASA 50LUB	JONCTIONS CHAINE 5 8 ASA 50LUB	KETTENVERBINDUNG 5 8 ASA 50LUB	UNIONES CADENA 5 8 ASA 50LUB
66	G19709030R	DECAL.OLIO CATENE	LABEL OIL CHAIN			
67	F01020432R	VITE M8X1,25X16 U5739 8.8ZN	SCR. M8X1,25X16 U5739 8.8ZN	VIS M8 X1,25X16 U5739 8.8 ZN	SCHRAUBE M8X1,25X16U5739 8.8ZN	TORNILLO M8X1,25X16 U5739 8.8
68	G22230094R	SUPPORTO CUSCINETTO	BEARING SUPPORT	SUPPORT DE ROULEMENT	LAGERBSCHSE	SOPORTE COJINETE
69	G17671510R	SUPPORTO TRASMISSIONE SPANDI	SUPPORTO TRASMISSIONE SPANDI			
70	F01020088R	VITE M8X1,25X90 U5737 8.8ZN	SCREW M8X1,25X90 U5737 8.8ZN	VIS M8X1,25X90 U5737 8.8 ZN	SCHR.M8X1,25X90 U5737 8.8 ZN	TORN. M8X1,25X90 U5737 8.8 ZN
71	F01420047R	ROS.M8 8,4X 24X 2 U6593 IX	WASHER M8 8,4X24X2 U6593 IX	RONDELLE M8 8,4X24X2 U6593 IX	SCHEIBE M8 8,4X24X2 U6593 IX	ARANDELA M8 8,4X24X2 U6593 IX
72	F01020404R	VITE M6X1X20 U5739 8.8ZN	SCREW M6X1X20 U5739 8.8ZN	VIS M6X1X20 U5739 8.8ZN	SCHRAUBE M6X1X20 U5739 8.8ZN	TORNILLO M6X1X20 U5739 8.8ZN
73	F01410037R	ROS.M6 6,4X12,5X1,6 U6592 ZN	WASHER M6 6,4X12,5X1,6 U6592ZN	RONDEL.M6 6,4X12,5X1,6 U6592ZN	SCHEIB.M6 6,4X12,5X1,6 U6592ZN	ARAND.M6 6,4X12,5X1,6 U6592 ZN
74	F02250684R	INSERTO FIL.M 6X17,5 ZN T.TOND	CYLINDRICAL NUT M 6X17,5 ZN			
75	F06080165R	SP.CAT.5 8 71M.ASA 50 LUB	SP.CAT.5 8 71M.ASA 50 LUB			
76	G17621830R	CARTER TRAMISS.RENATA 2019	RENATA 2019 TRANSMISSION COVER			



**IMPIANTO ELETTROVALVOLE
HYDRAULIC VALVESET**

TAV. 060

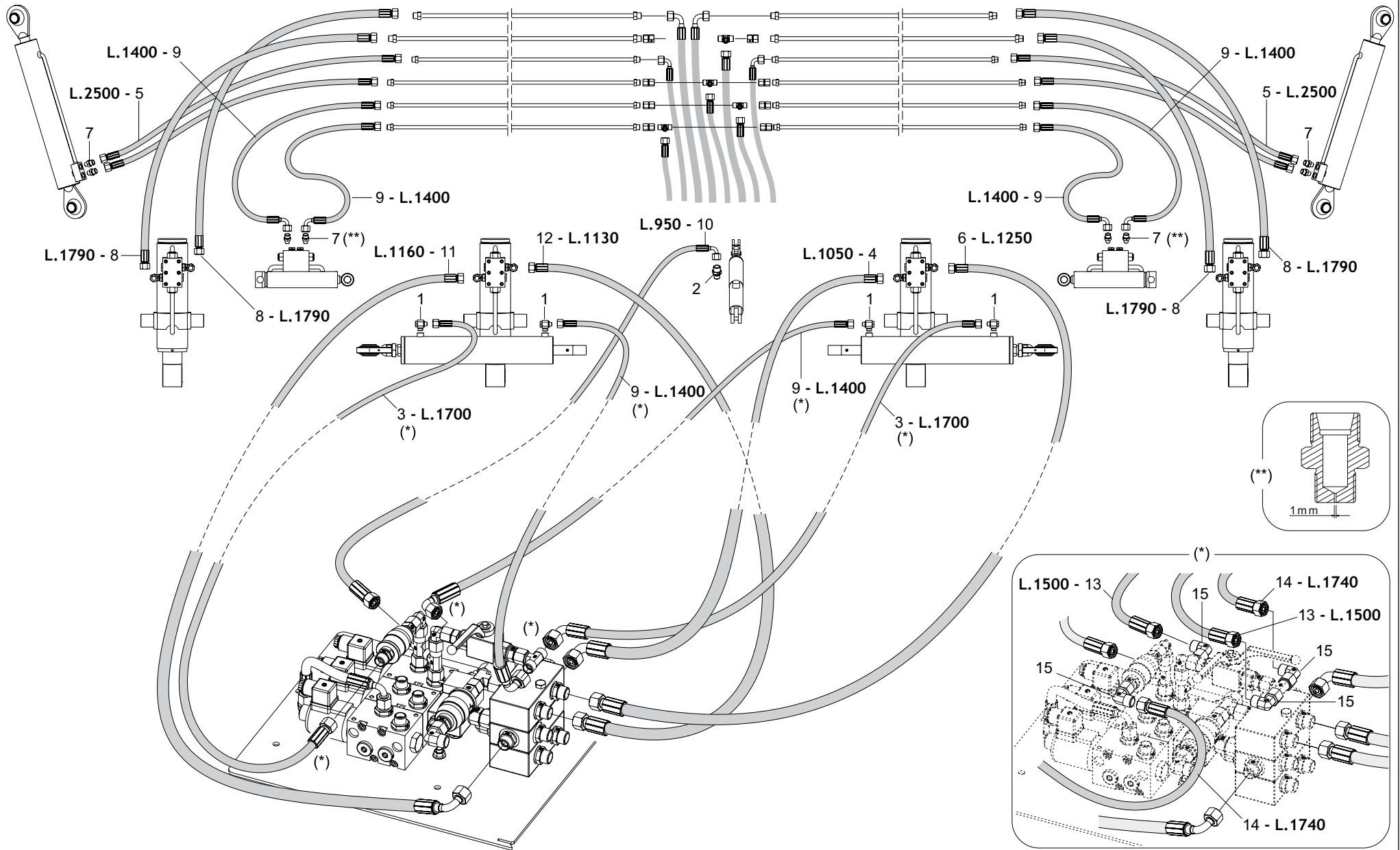
Pos.	Cod.	Descrizione	Description	Description	Benennung	Description
1	F01020096R	VITE M8X1,25X140 U5737 8.8ZN	SCR. M8X1,25X140 U5737 8.8ZN			
2	F01040086R	VITE M8X1,25X14 U5931 8.8ZN	SCR. M8X1,25X14 U5931 8.8ZN	VIS 8 X14 5931 8.G ZN	SCHRAUBE 8 X14 5931 8.G ZN	TORNILLO 8 X14 5931 8.G ZN
3	F01040101R	VITE M8X1,25X40 U5931 8.8ZN	SCR. M8X1,25X40 U5931 8.8ZN	VIS M8X1,25X40 U5931 8.8 ZN	SCHRAUBE M8X1,25X40 U5931 8.8	TORNILLO M8X1,25X40 U5931 8.8
4	F01260043R	DADO M8 D6923 8.8ZN	NUT M8 D6923 8.8ZN	ECROU BRIDE .M8 DIN 6923 8.8 Z	GEFLANSCHTE MUTTER M8 DIN6923	TUERCA BRIDA M8 DIN 6923 8.8 Z
5	F03020189R	ELETTROVALVOLVA 2V G3 8 12V	ELETTROVALVE 2V G3 8 12V			
6	F03070170R	TUBO 1 4 R17 FL10 CFL10 L160	TUBE 1 4 R17 FL10 CFL10 L160			
7	F03080001R	NIPPLO M3 8 SEAL ML12 ZN	NIPPLE M3 8 SEAL ML12 ZN	NIPLE M3 8 SEAL ML12 ZN	NIPPEL M3 8 SEAL ML12 ZN	NIPLE M3 8 SEAL ML12 ZN
8	F03080009R	RACC.T ML12 FL12 ML12 ZN	T-UNION ML12 FL12 ML12	RACCORD T ML12 FL12 ML12 ZN	ANSCHLUSST.ML12 FL12 ML12 ZN	UNION T ML12 FL12 ML12 ZN
9	F03080042R	NIPPLO M3 8 SEAL FL12 ZN	NIPPLE M3 8 SEAL FL12 ZN			
10	F03080062R	RACC.L FL12 ML12 ZN	L-UNION FL12 ML12 ZN	RACCORD L FL12 ML12 ZN	ANSCHLUSST. L FL12 ML12 ZN	UNION L FL12 ML12 ZN
11	F03080081R	NIPPLO M3 8 SEAL ML10 ZN	NIPPLE M3 8 SEAL ML10 ZN			
12	F03080082R	NIPPLO M1 4 SEAL ML10 ZN	NIPPLE M1 4 SEAL ML10 ZN			
13	F03080086R	RACC.L FL10 ML10 ZN	L-UNION FL10 ML10 ZN			
14	F03080087R	RACC.T ML10 ML10 ML10 ZN	T-UNION ML10 ML10 ML10 ZN			
15	F03080097R	NIPPLO M1 4 SEAL FL10 ZN	NIPPLE M1 4 SEAL FL10			
16	F03080098R	PASSAPARETE ML10 ML10 ZN	PASS WALL ML10 ML10			PASAMUROS ML10 ML10 ZN
17	F03080189R	RACC.T FL10 ML10 ML10 ZN	T-UNION FL10 ML10 ML10 ZN			
18	F03095001R	VALVOLA SEGNAFILE M16 DIN24	ROWMARKER VALVE M16 DIN24			
19	F03151146R	DIVISORE FLUSSO RIUNIF.3 8-24	REUNITED FLOW DIVIDER 3 8-24	DIVISEUR FLUX UNIF. 3 8-24	FLUSSTEILER 3 8-24	DIVISOR FLUJO REUNIF.3 8-24
20	F03151226R	REGOL.DI FLUSSO VRF 1 4 GAS	1 4 GAS VALVE VRF	SOUPAPE REG DEBIT VRF 1 4 GAZ	VENITL VRF 1 4 GAS	V LVULA VRF 1 4 GAS
21	F03151245R	RUBINETTO F-F 1 4	COCK F.-F. 1 4	ROBINET F.-F. 1 4	HAHN F.-F. 1 4	GRIFO H.-H. 1 4
22	F03151252R	STROZZATORE UNIDIREZ.VSRU 3 8	UNI-DIRECTIONAL VENTURI 3 8	ETRANGLEUR UNIDIRECTIONN. 3 8	ZWEIS. DROSSEL 3 8	ESTRANGULADOR UNIDIRECCION.3 8
23	G17619660R	PIASTRA SUPPORTO ELETTROVALVOL	PIASTRA SUPPORTO ELETTROVALVOL			
24	G17620580R	BLOCCO VALVOLE 3 SEZIONI	BLOCK VALVES 3			
25	G17621470R	BLOCCHETTO DI GIUNZ.4 VIE	CONNECTION BLOCK 4 WAY			
26	G17621810R	TM U D.12 FL12 FL12 ZN	TM U D.12 FL12 FL12 ZN			
27	G18801540R	BOCCOLA 8,25 X18 X13	BUSHING 8.25 X 18 X 13	BOITE 8-25X18X13	BSCHE 8-25X18X13	CASQUILLO 8-25X18X13
28	G17621750R	ASS.CARTER ELETTROV. 19	ASS.CARTER ELETTROV. 19			
29	F02250684R	INSERTO FIL.M 6X17,5 ZN T.TOND	CYLINDRICAL NUT M 6X17,5 ZN			
30	F01020403R	VITE M6X1X16 U5739 8.8ZN	SCR. M6X1X16 U5739 8.8ZN	VIS M6X1X16 U5739 8.8 ZN	SCHRAUBE M6X1X16 U5739 8.8 ZN	TORNILLO M6X1X16 U5739 8.8 ZN
31	F01020083R	VITE M8X1,25X70 U5737 8.8ZN	SCR. M8X1,25X70 U5737 8.8ZN	VIS M 8X1,25X 70 U5737 8.8 ZN	SCHRA. M8X1,25X70 U5737 8.8ZN	TORN. M 8X1,25X 70 U5737 8.8ZN
32	F01200244R	DADO M8X1,25 U5588 CL8 ZN	NUT M8X1,25 U5588 6.8ZN	ECROU M8 X1,25 U5588 6.8 ZN	MUTTER M8 X1,25 U5588 6.8 ZN	TUERCA M8X1,25 U5588 CL8 ZN



**IMPIANTO OLEODINAMICO ANTERIORE
FRONT HYDRAULIC SYSTEM**

TAV. 070

Pos.	Cod.	Descrizione	Description	Description	Benennung	Descripcion
1	F01020440R	VITE M8X1,25X25 U5739 8.8ZN	SCR. M8X1,25X25 U5739 8.8ZN	VIS M8X1,25X25 U5739 8.8 ZN	SCHRAUBE M8X1,25X25U5739 8.8ZN	TORNILLO M8X1,25X25 U5739 8.8
2	F01040066R	VITE M6X1X35 U5931 8.8ZN	SCREW M6X1X35 U5931 8.8ZN	VIS M6X1X35 U5931 8.8ZN	SCHRAUBE M6X1X35 U5931 8.8ZN	TORNILLO M6X1X35 U5931 8.8ZN
3	F01040101R	VITE M8X1,25X40 U5931 8.8ZN	SCR. M8X1,25X40 U5931 8.8ZN	VIS M8X1,25X40 U5931 8.8 ZN	SCHRAUBE M8X1,25X40 U5931 8.8	TORNILLO M8X1,25X40 U5931 8.8
4	F01200232R	DADO M6X1 U5588 CL8 ZN	NUT M6X1 U5588 6.8ZN	ECROU 6 UNI 5588 6.8 ZN	MUTTER 6 UNI 5588 6.8 ZN	TUERCA M6X1 U5588 CL8 ZN
5	F01200270R	DADO M10X1,5 U5588 CL8 ZN	NUT M10X1,5 U5588 6.8ZN	ECROU M10X 1,5 U5588 6.8 ZN	MUTTER M10X 1,5 U5588 6.8 ZN	TUERCA M10X1,5 U5588 CL8 ZN
6	F02250682R	INSERTO FIL.M 8X16 ZN T.RIDOTT	CYLINDRICAL NUT 8X16 ZG T.RIDO	ECROU CYLINDRIQUE 8X16 ZG T.RI	ZYLINDRISCHE MUTTER 8X16 ZG	TUERCA CILINDRICA 8X16 ZG T.RI
7	F02350075R	COLLARE FERMA 1 TUBO D.10	FIXING BLOCK 1 TUBE D.10			
8	F03070480R	TM D.18X2 FL18 FL18 2200 ZN	TUBE D.18X2 FL18 FL18 2200 ZN			
9	F03070545R	TM D.12X1,5 FL12 FL12 2200 ZN	TM D.12X1,5 FL12 FL12 2200 ZN			
10	F03071358R	TM D.10X1,5 ML10 ML10 1100	TM D.10X1,5 ML10 ML10 1100			
11	F03071359R	TM D.12X1,5 ML12 ML12 1100	TM D.12X1,5 ML12 ML12 1100			
12	F03080030R	RACC. T ML12 ML12 ML12 ZN	T-UNION ML 12 ML12 ML12 ZN	RACCORD T ML12 ML12 ML12 ZN	ANSCHLUSST.ML12 ML12 ML12 ZN	UNION T ML12 ML12 ML12 ZN
13	F03080031R	NIPPLO FL12 FL12 ZN	NIPPLE FL12 FL12 ZN			
14	F03080087R	RACC.T ML10 ML10 ML10 ZN	T-UNION ML10 ML10 ML10 ZN			
15	F03080165R	NIPPLO FL10 FL10 ZN	NIPPLE FL10 FL10 ZN			
16	F03150974R	P.INF.COLL.2T I=00 M6 37X30 Z	P.INF.COLL.2T I=00 M6 37X30 Z			
17	F03150975R	P.INF.COLL.2T I=00 M8 56X30	FIX.BLOCK 2TUBES I=00 M8 56X30			
18	F03150991R	COPPIA COLL.2T D12 1V I=00 M6	COLLAR PAIR 2T D12 1V I=00 M6	PAIRE COLL. 2T D12 1V I=00 M6	KRAGEN PAAR 2T D12 1V I=00 M6	PAR COLL. 2T D12 1V I=00 M6
19	F03150996R	COPPIA COLLARI X TUBO D.18	DOUBLE TUBE SUPPORT D.18			
20	F03151136R	COLLARE A1-12 S	COLLAR A1-12 S	COLLIER A1-12 S	BUNDRING A1-12 S	ARGOLLA A1-12 S
21	F20110706R	CAV.Q.B=35 M=10X1,5 L=60	U BOLT Q.B=35 M=10X1,5 L=60	CAVALIER SUPPORT DISQUE SV	VERBINDUNG SCHEIBENHALTERUNG S	PERNO EN U SOP. DISCO SV
22	G17619720R	LASTRA COLLARI TUBI IDRAULICI	LASTRA COLLARI TUBI IDRAULICI			
23	G17650930R	SUPPORTO TUBI IDR.AIR DX	SUPPORTO TUBI IDR.AIR DX			
24	G17650940R	SUPPORTO TUBI IDR.AIR SX	SUPPORTO TUBI IDR.AIR SX			
25	G17650950R	COPERCHIO SUPPORTO TUBI	COPERCHIO SUPPORTO TUBI			
26	F03070016R	TUBO 3 8 R17 FL12 CFL12 L900	PIPE 3 8 R17 FL12 CFL12 L900			
27	F03070105R	TUBO 3 8 R17 FL12 CFL12 L700	PIPE 3 8 R17 FL12 CFL12 L700			
28	F03070529R	TG 1 2 R17 FL12 ML18 1070	TG 1 2 R17 ML18 ML18 1070			
29	F03070530R	TG 1 2 R17 FL12 ML18 1200	TG 1 2 R17 ML18 ML18 1200			
30	F03070531R	TG 1 2 R17 FL12 ML18 3000	TG 1 2 R17 ML18 ML18 3000			
31	F03070532R	TG 1 4 R17 FL10 CFL10 1020	TG 1 4 R17 FL10 CFL10 1020			
32	F03070535R	TG 1 4 R17 FL10 CFL10 700	TG 1 4 R17 FL10 CFL10 700			
33	F03070537R	TG 1 4 R17 FL10 CFL10 950	TG 1 4 R17 FL10 CFL10 950			
34	F03070542R	TG 3 8 R17 FL12 ML12 3000	TG 3 8 R17 FL12 ML12 3000			
35	F03070543R	TG 3 8 R17 ML12 CFL12 1650	TG 3 8 R17 ML12 CFL12 1650			
36	F03080089R	INNESTO RAP.MASCH.DL M18X1,5	QUICK CONNECT MALE CONE DL M18			
37	F03080042R	NIPPLO M3 8 SEAL FL12 ZN	NIPPLE M3 8 SEAL FL12 ZN			
38	F03151246R	RUBINETTO F-F 3 8	BREATHER TAP F-F 3 8	BOUCHON REFOUL. F-F 3 8	ENTLSFTUNGSPFROPFEN F-F 3 8	TAPON PURGADOR F-F 3 8
39	F05150325R	CAPPUC.F X INN.M RAP.1 2 ROSS	COVER CONNECT F 1 2 RED	COUVERCLE CONNEXION F 1 2 ROSE	DECKEL W 1 2 SCHNELLKUPP. ROT	PAC PROTECCION F 1 2 ROJO
40	F05150330R	CAPPUC.F X INN.M RAP.1 2 BLU	PROTECT. COVER CAP F 1 2 BLUE	COUVERCLE CONNEXION F 1 2 BLEU	DECKEL W 1 2 SCHNELLKUPP. BLUE	PAC PROTECCION F 1 2 AZUL
41	F03080001R	NIPPLO M3 8 SEAL ML12 ZN	NIPPLE M3 8 SEAL ML12 ZN	NIPLE M3 8 SEAL ML12 ZN	NIPPEL M3 8 SEAL ML12 ZN	NIPLE M3 8 SEAL ML12 ZN
42	F05150484R	SPIRALE PROTETTIVA D.27-32	PROTECTIVE SPIRAL D.27-32	SPIRALE DE PROTECTION D.27-32	SPIRAL SCHUTZ D.27-32	ESPIRAL PROTECIEN D.27-32
43	GA7610080R	CARTER TIMONE	CARTER TIMONE			
44	F01020403R	VITE M6X1X16 U5739 8.8ZN	SCR. M6X1X16 U5739 8.8ZN	VIS M6X1X16 U5739 8.8 ZN	SCHRAUBE M6X1X16 U5739 8.8 ZN	TORNILLO M6X1X16 U5739 8.8 ZN
45	F01420036R	ROS.M6 6,4X 18X1,5 U6593 ZN	WASHER M6 6,4X 18X1,5 U6593 ZN	RONDELLE M6 6,4X18X1,5 U6593ZN	SCHEIBEN M6 6,4X18X1,5U6593 ZN	ARANDELA M6 6,4X18X1,5U6593ZN

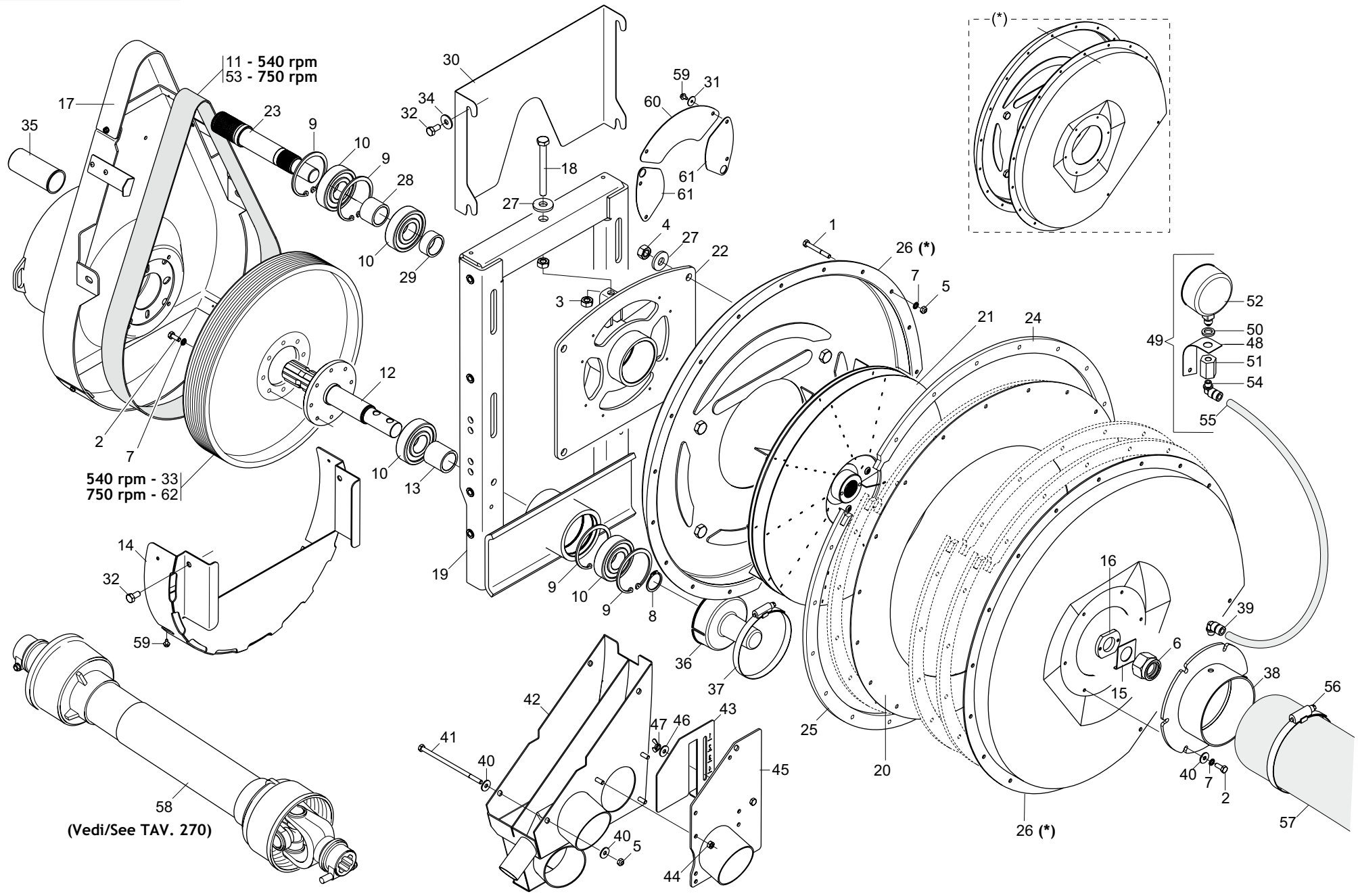


**IMPIANTO OLEODINAMICO POSTERIORE
REAR HYDRAULIC SYSTEM**

TAV. 081

Pos.	Cod.	Descrizione	Description	Description	Benennung	Descripcion
1	F03080172R	RACC.L BANJO M1 4 SEAL ML10 ZN	L-UNION BANJO M1 4 SEAL ML10			
2	F03080082R	NIPPLO M1 4 SEAL ML10 ZN	NIPPLE M1 4 SEAL ML10 ZN			
3	F03070152R	TUBO 1 4 R17 FL10 CFL10 L1700	PIPE 1 4 R17 FL10 CFL10 L1700			
4	F03070180R	TUBO 3 8 R17 FL12 CFL12 L1050	TUBE 3 8 R17 FL12 CFL12 L1050			
5	F03070231R	TG 1 4 R17 FL10 CFL10 2500	TG 1 4 R17 FL10 CFL10.2500			
6	F03070601R	TG 3 8 R17 FL12 FL12 1250	TG 3 8 R17 FL12 FL12 1250			
7	G15232270R	NIPPLO M-M GAS-DIN F1,0	NIPPLE M-M GAS-DIN F1,0			
8	F03070541R	TG 3 8 R17 FL12 FL12 1790	TG 3 8 R17 FL12 FL12 1790			
9	F03070534R	TG 1 4 R17 FL10 CFL10 1400	TG 1 4 R17 FL10 CFL10 1400			
10	F03070537R	TG 1 4 R17 FL10 CFL10 950	TG 1 4 R17 FL10 CFL10 950			
11	F03070538R	TG 3 8 R17 FL12 CFL12 1160	TG 3 8 R17 FL12 CFL12 1160			
12	F03070539R	TG 3 8 R17 FL12 FL12 1130	TG 3 8 R17 FL12 FL12 1130			
13	F03070089R	TUBO 1 4 R17 FL10 FL10 L1500	PIPE 1 4 R17 FL10 FL10 L1500			
14	F03070093R	TUBO 1 4 R17 FL10 FL10 L1740	PIPE 1 4 R17 FL10 FL10 L1740			
15	F03080086R	RACC.L FL10 ML10 ZN	L-UNION FL10 ML10 ZN			

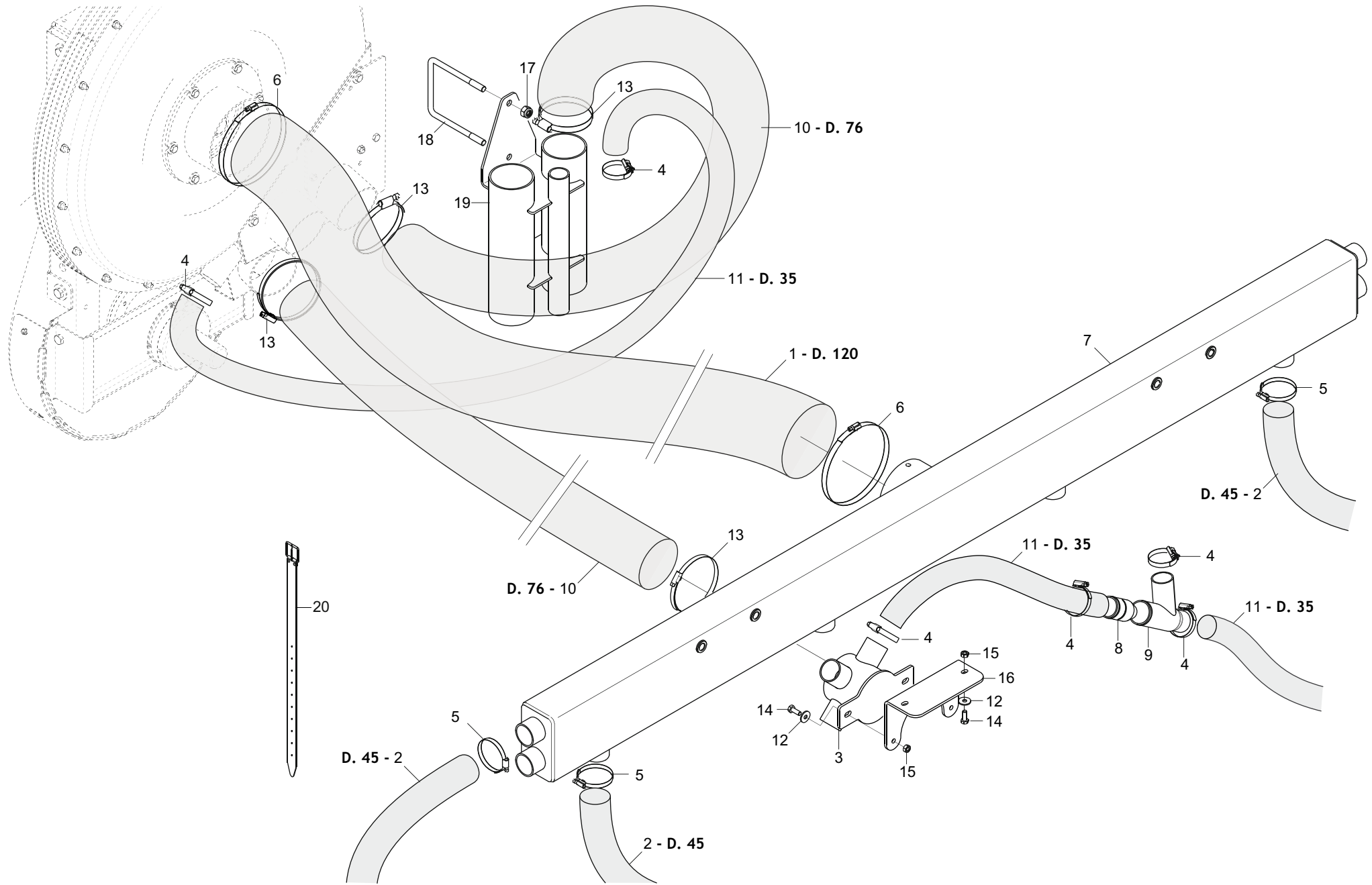
TAV. 090



**DEPRESSORE / SOFFIANTE
AIR PUMP / BLOWER**

TAV. 090

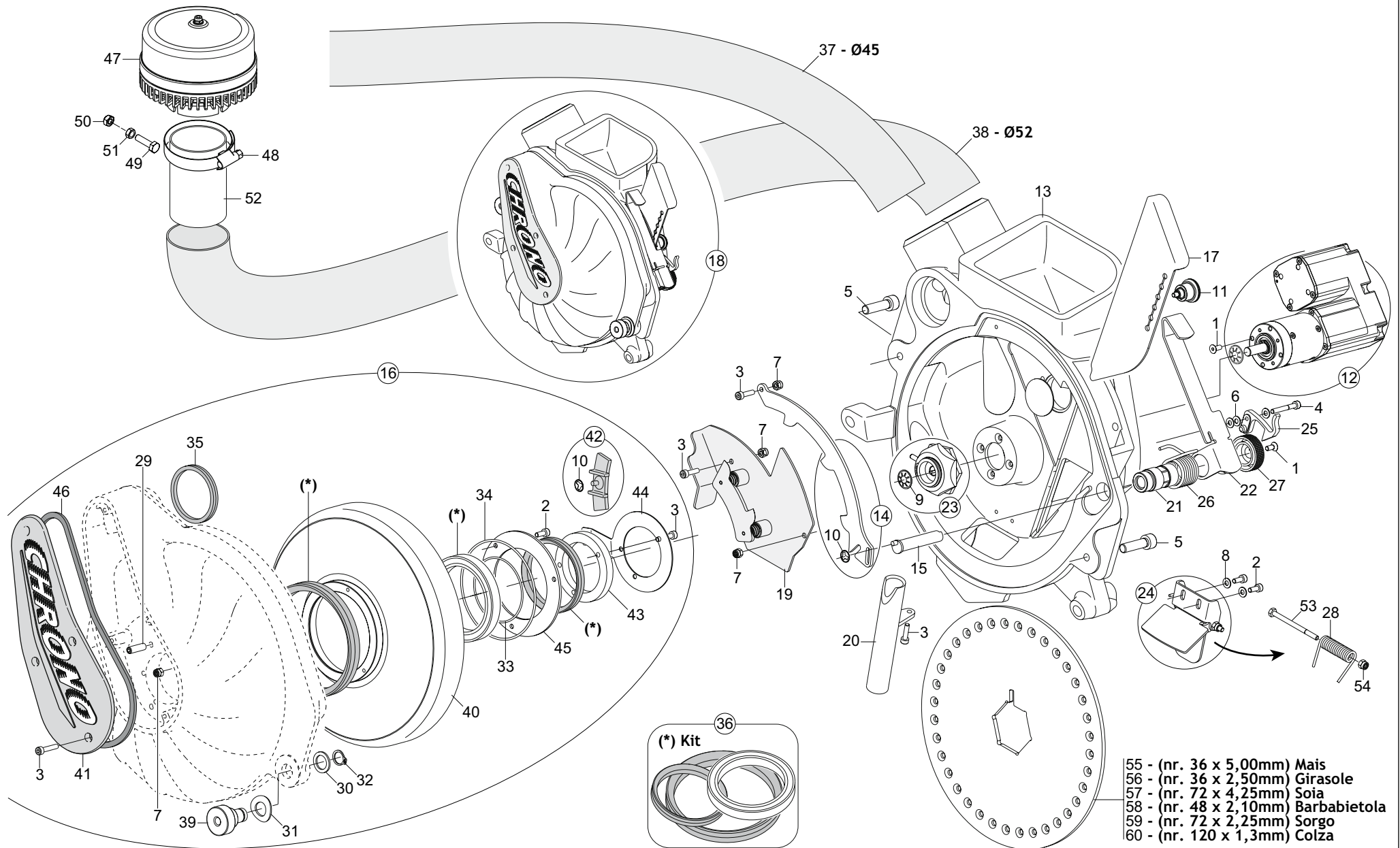
Pos.	Cod.	Descrizione	Description	Description	Benennung	Descripcion
1	F01020042R	VITE M6X1X50 U5737 8.8ZN	SCR. M6X1X50 U5737 8.8ZN	VIS M6X1X50 U5737 8.8ZN	SCHRAU. M6X1X50 U5737 8.8ZN	TORNI. M6X1X50 U5737 8.8ZN
2	F01020403R	VITE M6X1X16 U5739 8.8ZN	SCR. M6X1X16 U5739 8.8ZN	VIS M6X1X16 U5739 8.8 ZN	SCHRAUBE M6X1X16 U5739 8.8 ZN	TORNILLO M6X1X16 U5739 8.8 ZN
3	F01200270R	DADO M10X1,5 U5588 CL8 ZN	NUT M10X1,5 U5588 6.8ZN	ECROU M10X 1,5 U5588 6.8 ZN	MUTTER M10X 1,5 U5588 6.8 ZN	TUERCA M10X1,5 U5588 CL8 ZN
4	F01200293R	DADO M12X1,75 U5588 CL8 ZN	NUT M12X1,75 U5588 6S ZN	ECROU M12X1,75 U5588 6S ZN	MUTTER M12X1,75 U5588 6S ZN	TUERCA M12X1,75 U5588 CL8 ZN
5	F01220011R	DADO M6X1 D980 8ZN	NUT M6X1 D980 8ZN	ECROU M6X1 D980 8 ZN	MUTTER M6X1 D980 8 ZN	TUERCA M6X1 D980 8 ZN
6	F01230143R	DADO M24X2 D982 8ZN	NUT M24X2 D982 8ZN	ECROU M24X2 D982 8 ZN	MUTTER M24X2 D982 8 ZN	TUERCA M24X2 D982 8 ZN
7	F01430047R	ROS.M6 6,4X 11X0,7 U8842J ZN	WASHER D6 DIN 6798 D.INT.GALV.	RONDELLE D6 DIN 6798 D. INT. Z	UNT. SCHEIBE D6 DIN 6798 D. IN	ARANDELA D6 DIN 6798 D.INT.ZN
8	F02050112R	ANELLO E.DE 30X 1,5 U7435 ZN	SEEGER RING 30X 1,5 U7435 C70	SEEGER E. 30 X 1,5 U7435 C70	SEEGERING E. 30X 1,5 U7435 C70	ANILLO E. 30 X 1,5 U7435 C70
9	F02050403R	ANELLO E. DI 72X 2,5 U7437 C7	SEEGER RING E.72X2,5 U7437 C70	SEEGER E. 72X 2,5 U7437 C70	SEEGERING E. 72X 2,5 U7437 C70	ANILLO E. DI 72X 2,5 U7437 C7
10	F04010215R	CUSC.D30 D72 B19 6306 2RSC3 EX	BEARING D30 D72 B19 6306 2RSC3	ROULEMENT	LAGER 6306 2RS C3	COJINETE 6306 2RS C3
11	F06010164R	CINGHIA POLY V 1473 J-20 GOLE	BELT- POLY V 1475 J-20 GOLE	COURROIE POLY-V 1475 J-20 GOR	RIEMEN POLY V 1475 J-20 RILLEN	CORREA POLY V 1475 J-20 GARGAN
12	G22270369R	P.DI P.CON CODOLO	POWER TAKE-OFF- W SPIGOT	PRISE DE FORCE AVEC CONE	KRAFTABTRIEB MIT ENDSTSCK	TOMA DE FUERZA CON MANGO
13	G22230010R	DISTANZIALE CUSCINETTI	BEARING SPACER	ENTRETOISE PALIERS	DISTANZSTSCK LAGER	DISTANCIADOR COJINETES
14	G17650680R	CARTER PROTEZIONE PULEGGIA	PULLEY PROTECTION			
15	G13912060R	PIASTRINA DI TENUTA	STOP PLATE	PLAQUETTE DE TENUE	DICHTPLZTTCHEN	PLACA DE RETENCI N
16	G13912050R	RONDELLA DI FERMO	STOP WASHER	RONDELLE DE BLOCAGE	FESTSTELLSCHEIBE	ARANDELLA DE BLOQUEO
17	G14255241R	PROTEZIONE CINGHIA DEPR.D.GIR.	DEPRES. COMPL.PROTECTION BELT			
18	F01020493R	VITE M10X1,5X100 U5739 8.8ZN	SCR. M10X1,5X100 U5739 8.8ZN	VIS 10X100 5739 8.G ZN	SCHRAUBE 10X100 5739 8.G ZN	TORNILLO 10X100 5739 8.G ZN
19	G14255251R	INCASTELLATURA RINF.	REINF. FRAME			
20	G16650291R	SETTO DIVISORE DEPRESSORE	AIR PUMP DIVIDER			
21	G16650340R	DOPPIA GIRANTE	DOUBLE FAN			
22	G16650351R	SUPPORTO PULEGGIA CONDOTTA	DRIVEN PULLEY SUPPORT			
23	G14255230R	PUL.CONDOTTA DOPPIA GIR.D35	DRIVEN PULLEY D35			
24	G16650390R	DISTANZIALE DEPRESSORE 8 MM	AIR PUMP SPACER 8 MM			
25	G16650400R	DISTANZIALE DEPRESSORE 2-8 MM	AIR PUMP SPACER 8 MM			
26	G16650550R	INVOLUCRI DEPRESSORE-SOFFIANTE	VACUUM PUMP CASINGS			
27	G20970035R	RONDELLA 32X4X13	WASHER 32X4X13	RONDELLE 32X4X13	UNTERLEGSscheibe 32X4X13	ARANDELA 32X4X13
28	G18803750R	BOCCOLA 30,2 X38 X28	BUSHING 30,2 X38 X28			
29	G18803790R	BOCCOLA 30,2 X38 X18	BUSHING 30,2 X38 X18			
30	G16650500R	PROTEZIONE DEPRESSORE-SOFF.	AIR PUMP PROTECTION			
31	F01420011R	ROS.M4 4,3X 16X 1 U6593 ZN	FLAT WASHER 4-3X 16X1-5 6593 G	ROND.PLATE 4-3X 16X1-5 6593 ZN	SCHEIBE 4-3X 16X1-5 6593 ZN	ARAND. PLANA 4-3X 16X1-5 6593
32	F01020432R	VITE M8X1,25X16 U5739 8.8ZN	SCR. M8X1,25X16 U5739 8.8ZN	VIS M8 X1,25X16 U5739 8.8 ZN	SCHRAUBE M8X1,25X16U5739 8.8ZN	TORNILLO M8X1,25X16 U5739 8.8
33	G16032350R	PULEGGIA MOTRICE 540 G.	DRIVING PULLEY 540 TOURS	POULIE MOTRICE 540 TOURS	ANTRIEBSscheibe 540 UMDREHUNG	POLEA MOTRIZ 540 REVOLUCIONES
34	F01420048R	ROS.M8 8,4X 24X 2 U6593 ZN	WASHER M8 8,4X 24X2 U6593 ZN	RONDELLE M8 8,4X24X 2 U6593 ZN	SCHEIBEN M8 8,4X24X 2 U6593 ZN	ARAND.M8 8,4X 24X 2 U6593 ZN
35	M38100146R	MANICOTTO PROTEZIONE PDF 1 3 8	P.T.O. PROTECTION	MANCHON DE PROTECTION P.T.O.	ZAPFWELLENSCHUTZ P.T.O.	MANGUITO PROTECCION P.T.O.
36	G19005570R	CUFFIA PROTEZIONE PTO	PROTECTION CAP PTO			
37	F02300025R	FASCETTA STRING. 90 110 H.12	HOSE CLAMP 90 110 H.12			
38	G17650300R	FLANGIA DEPRESSORE	AIR PUMP FLANGE			
39	F13010027R	RACC.SUPERAPIDO 90 1 8G-8	90 UNION STRAIGHT 1 8G-8			
40	F01420036R	ROS.M6 6,4X 18X1,5 U6593 ZN	WASHER M6 6,4X 18X1,5 U6593 ZN	RONDELLE M6 6,4X18X1,5 U6593ZN	SCHEIBEN M6 6,4X18X1,5U6593 ZN	ARANDELA M6 6,4X18X1,5U6593ZN
41	F01020055R	VITE M6X1X130 U5737 8.8ZN	SCR. M6X1X130 U5737 8.8ZN			
42	G17650530R	CONVOGLIATORE USCITA ARIA	CONVEYOR EXIT AIR			
43	G16650420R	GHIgliOTTINA	GUILLOTTINE			
44	F01200232R	DADO M6X1 U5588 CL8 ZN	NUT M6X1 U5588 6.8ZN	ECROU 6 UNI 5588 6.8 ZN	MUTTER 6 UNI 5588 6.8 ZN	TUERCA M6X1 U5588 CL8 ZN
45	G16650650R	SCARICO D.76	DISCHARGE D.76			
46	F01420036R	ROS.M6 6,4X 18X1,5 U6593 ZN	WASHER M6 6,4X 18X1,5 U6593 ZN	RONDELLE M6 6,4X18X1,5 U6593ZN	SCHEIBEN M6 6,4X18X1,5U6593 ZN	ARANDELA M6 6,4X18X1,5U6593ZN
47	F01240013R	DADO M6X1 U5448 A2 GE	NUT M6X1 U5448 A2 GE			
48	G22270134R	SUPPORTO VACUOMETRO SP	VACUUM METER SUPPORT SP	SUPPORT VACUOMETRE SP	HALTERUNG VAKUUMMETER SP	SOPORTE VACU METRO SP
49	G22270093R	VACUOMETRO COMPL. SP LM	VACUUM METER ASSY. SP LM	VACUOMETRE COMPL. SP LM	KOMPL. VAKUUMMETER SP LM	VACU METRO COMPL. SP LM
50	F05150479R	ROND.APPOGGIO MANOMETRI SV	PRESSURE GAUGE REST WASHER	ROND. LOGEMENT MANOMETRES SV	STSTZscheibe MANOMETER SV	ARAND. SOPORTE MANOMETROS SV
51	G22250274R	COLLEGAMENTO MANOMETRI SP-SV	PRESSURE GAUGE CONNECT. SP-SV	RACCORD MANOMETRES SP-SV	VERBINDUNG MANOMETER SP-SV	CONEXI N MAN METROS SP-SV
52	F03151288R	VACUOM.0-100 MBAR C.SM.INC.D8	VACUUM METER 0-100 MBAR C.SMOR	VACUOM.0-100 MBARS A SUPPO	VAKUUMMETER 0-100 MBAR M. DZMP	VACUM. 0-100 MBAR C.ATEN.INC.V
53	F06010173R	CINGHIA POLY V 1287 J-20 EPDM	BELT POLY V 1287 J-20 EPDM			
54	F13010027R	RACC.SUPERAPIDO 90 1 8G-8	90 UNION STRAIGHT 1 8G-8			
55	F13070005R	TUBO POLIURETANO 8-6 NERO	POLIURETHAN PIPE 8-6 BLACK			
56	F02300014R	FASCETTA STRING. 110 130 H.12	CABLE TIE 100 140 H.12	COLLIER 100 140 H.12	SHELLE 100 140 H.12	ABRAZADERA 100 140 H.12
57	F03100566R	TUBO EOLO PU D.120 TRASP. NERO	TUBO EOLO PU D.120 TRASP. NERO			
58	F08011711R	CARD. S10 070UF 112 112 1CAT	PTO SHAFT B1 Z6-Z6 L700			
59	F01070011R	VITE A4,2X1,41X9,5 U6950 4.8NI	SCR. H4,2X1,41X9,5 U6950 4.8NI	VIS AUTOTAR. 4-2X9-5 T. E. COU	SELBSTSCHNEID. SCHRAUBE 4-2X9-	TORNILLO AUTORROSC. 4-2X9-5
60	G16650580R	TAPPO ALTO ZN	PLUG			
61	G16650561R	TAPPO SX-DX ZN	PLUG RH-LH			
62	G16650820R	PULEGGIA MOTRICE 750 GIRI 20G.	DRIVING PULLEY 750RPM 20RIBS			



**TUBI ASPIRAZIONE
ASPIRATION PIPE**

TAV. 100

Pos.	Cod.	Descrizione	Description	Description	Benennung	Descripcion
1	F03100566R	TUBO EOLO PU D.120 TRASP. NERO	TUBO EOLO PU D.120 TRASP. NERO			
2	F03100562R	TUBO EOLO PU D.45 TRASP. NERO	TUBE EOLO PU D.45 TRASP. BLACK			
3	G15275810R	CONVOGLIATORE 4 U.	CONVEYOR 4 OUT.			
4	F02300018R	FASCETTA STRING. 25 40 H.8	CLAMP 25 40 H.8	GAINE 25 40 H.8	KLEMME 25 40 H.8	BRAZADERA 25 40 H.8
5	F02300020R	FASCETTA STRING. 32 50 H.9	HOSE CLAMP 32 50 H.9			
6	F02300014R	FASCETTA STRING. 110 130 H.12	CABLE TIE 100 140 H.12	COLLIER 100 140 H.12	SHELLE 100 140 H.12	ABRAZADERA 100 140 H.12
7	G17620690R	COLLETORE SUPP.SPANDI ANT.	FRONT FERTILIZER SUPPORT			
8	G13912101R	UGELLO CONCIMAZIONE PNEUMATICA	NOZZLE PNEUMATIC FERTILIZATION			
9	G13912131R	RACCORDO CONCIMAZ.PNEUMATICA	UNION PNEUMATIC FERTILIZATION	RACCORD FUMAGE PNEUMATIQUE	ANSCHLUSS PNEUMATISCHE DSNGUNG	UNIN DE ABONO NEUMAT.
10	F03100564R	TUBO EOLO PU D.76 TRASP. NERO	TUBE EOLO PU D.76 TRASP. BLACK			
11	F03100561R	TUBO EOLO PU D.35 TRASP. NERO	TUBO EOLO PU D.35 TRASP. NERO			
12	F01420038R	ROS.M6 6,4X18X1,5 U6593 IX	WASHER M6 6,4X18X1,5 U6593 IX	RONDELLE M6 6,4X18X1,5U6593 IX	SCHEIBE M6 6,4X18X1,5 U6593 IX	ARANDELA M6 6,4X18X1,5 6593IX
13	F02300023R	FASCETTA STRING. 80 100 H.8	PIPE CLAMP 80 100 H.8	COLLIER DE SERRAGE 77 95	ROHRSCHELLE 80 100 H.8	ABRAZADERA P. MANGUERA 80 100
14	F01020419R	VITE M 6X1 X 16 U5739 A2IX	SCR. M6X1X16 U5739 A2IX	VIS M6 X1 X 16 U5739 8.8 IX	SCHRAUBE M6 X1 X 16 U5739 8.	TORNIL. M6 X1 X 16 U5739 8.8
15	F01200233R	DADO M6X1 U5588 A2IX	NUT M6X1 U5588 A2IX	ECROU M 6X 1 U5588 I	MUTTER M 6X 1 U5588	TUERCA M 6X 1 U5588
16	G17650910R	SUPPORTO CONVOGLIATORE 4U 4F	SUPPORT CONVOGLIATOR 4U 4F			
17	F01230294R	DADO M10X1,5 U7473 8ZN	NUT M10X1,5 U7473 8ZN			
18	F20110726R	CAV.Q.B=100 M=10X1,5 L=122	U BOLT M10X 1,5X 30 111X122 ZG	ATTEL.M10X 1,5X 30 111X122 ZG	VERBI.M10X 1,5X 30 111X122 ZG	PERNO M10X 1,5X 30 111X122 ZG
19	GA7650080R	ASS.TUBI API	ASS.TUBI API			
20	G16126850R	FASCETTA PVC NERA L.450	PVC CLAMP BLACK L.450			



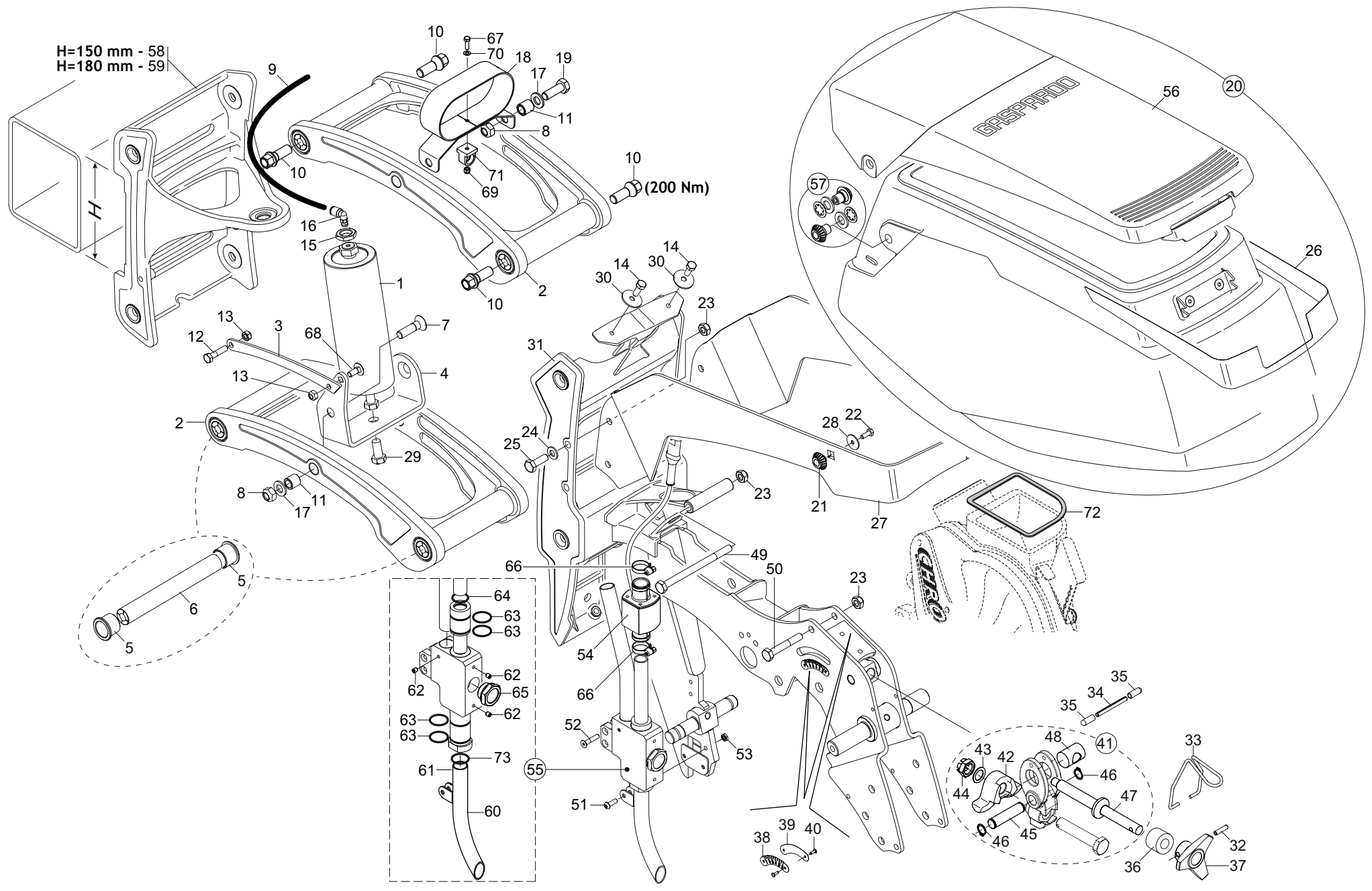
- 55 - (nr. 36 x 5,00mm) Mais
- 56 - (nr. 36 x 2,50mm) Girasole
- 57 - (nr. 72 x 4,25mm) Soia
- 58 - (nr. 48 x 2,10mm) Barbabietola
- 59 - (nr. 72 x 2,25mm) Sorgo
- 60 - (nr. 120 x 1,3mm) Colza

DISTRIBUTORE SEMI SEED DISTRIBUTOR

TAV. 111

Pos.	Cod.	Descrizione	Description	Description	Benennung	Descripcion
1	F01030011R	VITE M4X0,7X10 U5933 10.9ZD	SCR. M4X0,7X10 U5933 10.9ZD			
2	F01040026R	VITE M4X0,7X10 U5931 A2IX	SCR. M4X0,7X10 U5931 A2IX	VIS 4X10 5931 INOX A2	SCHRAUBE 4X10 5931 INOX A2	TORNILLO 4X10 5931 INOX A2
3	F01040028R	VITE M4X0,7X16 U5931 8.8ZN	SCREW M4X0,7X16 U5931 8.8ZN	VIS M4X0,7X16 U5931 8.8ZN	SCHRAUBE M4X0,7X16 U5931 8.8ZN	TORNILLO M4X0,7X16 U5931 8.8ZN
4	F01040029R	VITE M4X0,7X30 U5931 8.8ZN	SCR. M4X0,7X30 U5931* 8.8ZN			
5	F01040107R	VITE M8X1,25X30 U5931 A2IX	SCR. M8X1,25X30 U5931 A2IX	VIS M8X1,25X 30 U5931 A2 IX	SCHRAUBE M8X1,25X 30 U5931 A2	TORNIL. M8X1,25X 30 U5931 A2
6	F01410011R	ROS.M4 4,3X 9X0,8 U6592 ZN	PLANE WASHER 4,5X 9 6592	RONDELLE 4,5X 9 6592	SCHEIBE 4,5X 9 6592	ARANDELA 4,5X 9 6592
7	F01230016R	DADO M4X0,7 D982 8ZN	NUT M4X0,7 D982 8ZN	ECROU AUTOB.NOR.4 ZN	SELBSTSP. MUTTER NOR. 4 ZN	TUERCA AUTOB. NOR. 4 ZN
8	F01410011R	ROS.M4 4,3X 9X0,8 U6592 ZN	PLANE WASHER 4,5X 9 6592	RONDELLE 4,5X 9 6592	SCHEIBE 4,5X 9 6592	ARANDELA 4,5X 9 6592
9	F02050648R	ANELLO BENZING-QUICKLOCK BQ7	BENZING-QUICKLOCK BQ7 RING	BAGUE BENZING-QUICKLOCK BQ7	RING BENZING-QUICKLOCK BQ7	ANILLO BENZING-QUICKLOCK BQ7
10	F02050668R	FISSATORE ELASTICO RPCO D.4	ELASTIC FIXER RPCO D.4			
11	F03100660R	MINI PISTON.GN 822.7-4-M8X1-B	MINI PISTON.GN 822.7-4-M8X1-B			
12	F05011793R	MOTORID.BRUSHLESS SHORT C ELN	RATIOMOTOR BRUSHLESS SHORT W E			
13	G18220080R	CORPO DISTRIBUTORE CHRONO	DISTRIBUTOR BODY CHRONO			
14	G18220160R	SELETTORE MOBILE CHRONO	MOBILE SELECTOR CHRONO			
15	G18220180R	PUNTA SELETTORE ECCENTR.CHRONO	ECCENTR SELECTOR TIP CHRONO			
16	G18220250R	MONT.COPERCHIO CHRONO	LID ASSEMBLY CHRONO			MONT. COBERTURA CHRONO
17	G18220620R	LAMA PARZIALIZZAZIONE SEME	BLADE PARTIALIZATION SEED			
18	G18221160R	MONT.DISTRIBUTORE CHRONO	DISTRIBUTOR ASSEMBLY CHRONO			
19	G18220660R	MONT.SELETTORE INTERNO	MONT.INTERNAL SELECTOR			
20	G18221010R	ASS.TUBO DISCESA SEME	ASSEMBLY DESCENT TUBE SEED			
21	G18221070R	BOCCOLA FISSAGGIO SELETTORE	SELECTOR MOUNTING BUSHING			
22	G18221080R	PORTA DI ISPEZIONE	INSPECTION PORT			
23	G18221270R	MONT.ESAGONO CH 42	MONT.ESAGONO CH 42			
24	G18220650R	MONT.PORTA SCARICO SEME	DISCHARGE SEED UNIT MOUNTING			
25	G18221520R	SCATTO SELETTORE ALTA VELOCITA	HIGH SPEED SELECTOR SHUTTER			
26	G18904970R	MOLLA PORTA ISPEZIONE	INSPECTION SPRING			
27	G19002122R	POMELLO GRADUATO SELET.ECC.SV	GRADUATED SELECT KNOB.ECC.SV			
28	G18904960R	MOLLA TORS.SCARICO SEME	DISCHARGE SEED SPRING			
29	F01050026R	VITE M6X1X20	SCREW M6X1X20			
30	F01440095R	RONDELLA ALLUMINIO D12	WASHER ALUMINIUM D12	RONDELLE ALUMINIUM D12	UNTERLEGSCHIEBE ALUMINIUM D12	ARANDELA ALUMINIO D12
31	F01460129R	ROS.OND.13,0X 24X1,2 IX D137B	WASHER D13 DIN 137 B IX			
32	F02050023R	ANELLO E. DE 12X 1 U7435 C70	SEEGER RING D 12X 1 U7435 C70	BAGUE SEEGER D 12X 1 U7435 C70	SEEGERRING D 12X 1 U7435 C70	ANILLO D 12X 1 U7435 C70
33	F03010601R	ANEL. OR 57,00X1,50 NBR	ANEL. OR 57,00X1,50 NBR			
34	F03010667R	ANEL. OR 88 X1,78 NBR	ANEL. OR 88 X1,78 NBR			
35	F03013000R	GUARNIZIONE 45 KFM	SEAL 45 KFM			
36	F50010008R	KIT CUSC.CAMPANA CHRONO	BEARING KIT CHRONO			KIT COJINETE CAMPANA CHRONO
37	F03100562R	TUBO EOLO PU D.45 TRASP. NERO	TUBE EOLO PU D.45 TRASP BLACK			
38	F03100563R	TUBO EOLO PU D.52 TRASP. NERO	TUBE EOLO PU D.52 TRASP. BLACK			
39	G16622070R	POMELLO COPERCHIO IX	SEED COVER KNOB IX			
40	G18220100R	CAMPANA CHRONO	BELL CHRONO			
41	G18220210R	COPERCHIO CHIUSURA ASPIRAZIONE	SUCTION CLOSING COVER			
42	G18220220R	TASSELLO ROMPIVUOTO	TASSELLO ROMPIVUOTO			
43	G18221240R	FLANGIA INT.BLOCCO CUSCINETTO	BEARING INTERNAL FLANGE			
44	G18221250R	SUPPORTO TASSELLO CIRCOLARE	CIRCULAR ANCHOR SUPPORT			
45	G18221260R	FLANGIA EST.BLOCCO CUSCINETTO	BEARING EXTERNAL FLANGE			
46	F07100132R	MOUSSE ADESIVA MM 5X3	ADHESIVE MOUSSE MM 5X3			
47	F06260634R	PREFILTRO ARIA VORTEX D.50	VORTEX AIR PREFILTER D.50			
48	F02300068R	FASCE.INOX W4 40X60 BANDA12 CO	INOX CLAMP W4 40X60 BANDA12 CO			
49	F01020440R	VITE M8X1,25X25 U5739 8.8ZN	SCR. M8X1,25X25 U5739 8.8ZN	VIS M8X1,25X25 U5739 8.8 ZN	SCHRAUBE M8X1,25X25U5739 8.8ZN	TORNILLO M8X1,25X25 U5739 8.8
50	F01220022R	DADO M8X1,25 D980 8ZN	NUT M8X1,25 D980 8ZN	ECROU M8X 1,25 D980 8 ZN	MUTTER M8X 1,25 D980 8 ZN	TUERCA M8X 1,25 D980 8 ZN
51	F01200244R	DADO M8X1,25 U5588 CL8 ZN	NUT M8X1,25 U5588 6.8ZN	ECROU M8 X1,25 U5588 6.8 ZN	MUTTER M8 X1,25 U5588 6.8 ZN	TUERCA M8X1,25 U5588 CL8 ZN
52	G18250050R	TUBO D. 50X2 X 80 1F9	TUBO D. 50X2X80 1F9			
53	F01021236R	VITE M4X 0,7X 55 U5737 A2IX	SCREW M4X 0,7X 55 U5737 A2IX			
54	F01230309R	DADO M 4X 0,7 D982 A2 IX	NUT M 4X 0,7 D982 A2 IX			
55	G18221330R	DISCO SEM. 36F D.5,00 SP.4 P.	SEED DISC 36F D.5,00 SP.4 P			
56	G18221720R	DISCO SEM. 36 F. D.2,50 SP.4	SEED DISC 36 F. D.2,50 SP.4			
57	G18221730R	DISCO SEM. 72 F. D.4,25 SP.4	SEED DISC 72 F. D.4,25 SP.4			
58	G18221710R	DISCO SEM. 48 F. D.2,10 SP.4	SEED DISC 48 F. D.2,10 SP.4			
59	G18221700R	DISCO SEM. 72 F. D.2,25 SP.4	SEED DISC 72 F. D.2,25 SP.4			
60	G18221530R	DISCO SEM.120 F. D.1,30 SP.4	SEED DISC 120 F. D.1,30 SP.4			

TAV. 121

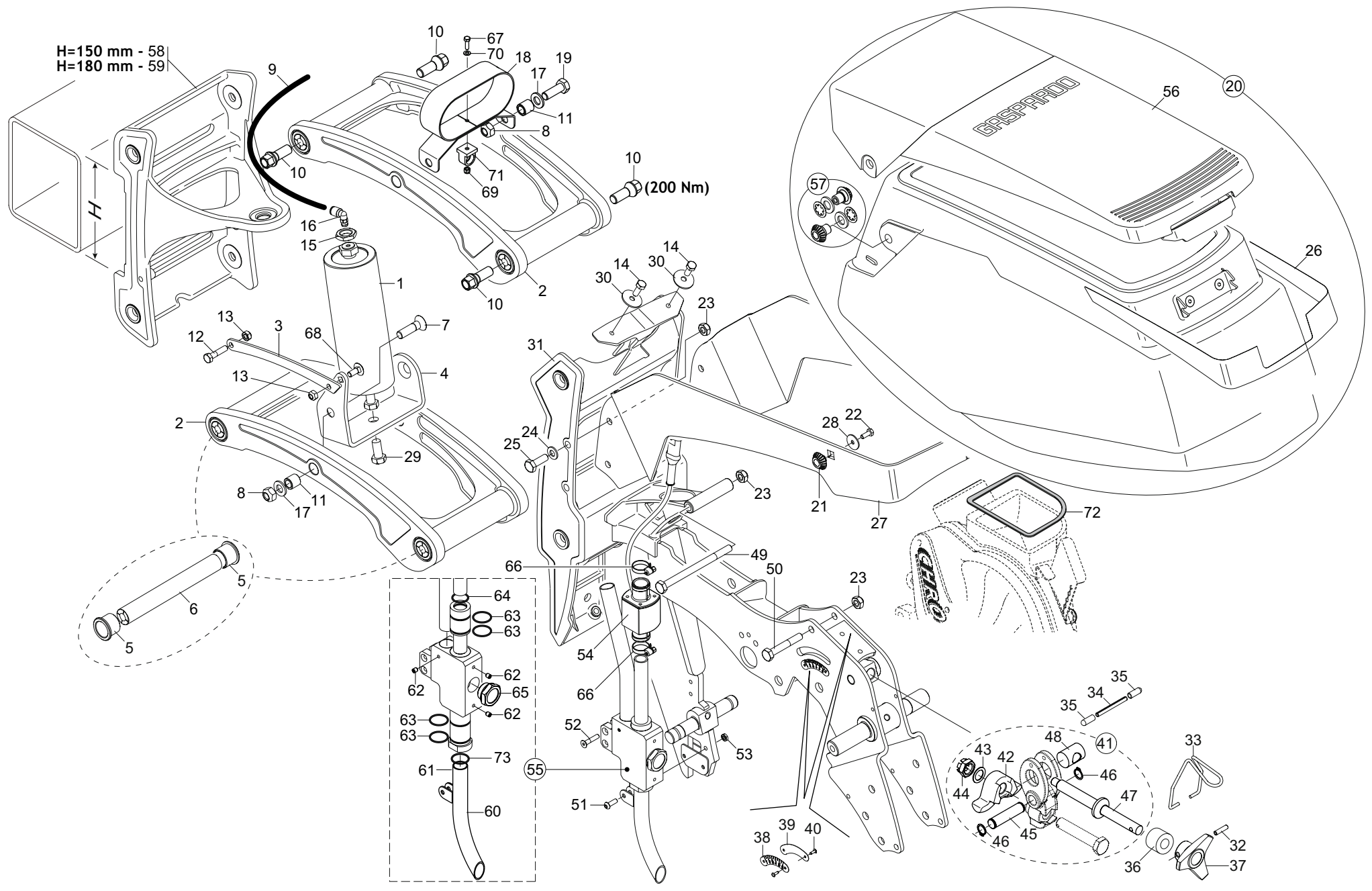


TELAIO ELEMENTO UNIT TOOLBAR

TAV. 121

Pos.	Cod.	Descrizione	Description	Description	Benennung	Descripcion
1	F02400028R	MOLLA AD ARIA D.80 - 7BAR	AIR SPRING D.80 -7BAR			
2	G18221340R	MONT.PARALLELO 430	PARALLEL ASSEMBLY 430			
3	G18220410R	GUIDA AIR BAG	AIR BAG GUIDE			
4	G18220430R	SUPPORTO AIR BAG	AIR BAG SOPORT			
5	G66349003R	BOCCOLA SINT.	BUSHING- SINTERED	BOITE FRITTEE	SYNTH. BUECHSE	CASQUILLO SINT.
6	G18210620R	PERNO D25	PIN D25			
7	F01030111R	VITE M12X1,75X40 U5933 10.9ZD	SCR. M12X1,75X40 U5933 10.9ZD	VIS 12X40 5933 8.8 ZN	SCHRAUBE 12X40 5933 8.8 ZN	TORNILLO M12X1,75X40 U5933 10.
8	F01220048R	DADO M12X1,75 D980 8ZN	NUT M12X1,75 D980 8ZN	ECROU M12X1,75 D980 8 ZN	SCHEIBE M12X1,75 D980 8 ZN	TUERCA M12X1,75 D980 8 ZN
9	F13070005R	TUBO POLIURETANO 8-6 NERO	POLIURETHAN PIPE 8-6 BLACK			
10	GA5210440R	VITE COLONNETTA M14X1,5X28CH17	SCREW COLONNET M14X1,5X28CH17			
11	G18804410R	BOCCOLA 12,25X18 X18,5 ZN	BUSHING 12,25X18 X17,5 ZN			
12	F01020068R	VITE M8X1,25X40 U5737 8.8ZN	SCR. M8X1,25X40 U5737 8.8ZN	VIS M 8X1,25X40 U5737 8.8 ZN	SCHRA. M8X1,25X40 U5737 8.8 ZN	TORNILLO M8X1,25X40 U5737 8.8
13	F01220022R	DADO M8X1,25 D980 8ZN	NUT M8X1,25 D980 8ZN	ECROU M8X 1,25 D980 8 ZN	MUTTER M8X 1,25 D980 8 ZN	TUERCA M8X 1,25 D980 8 ZN
14	F01020436R	VITE M8X1,25X20 U5739 8.8ZN	SCR. M8X1,25X20 U5739 8.8ZN	VIS M8X1,25X 20 U5739 8.8 ZN	SCHRAUBE M8X1,25X20U5739 8.8ZN	TORNILLO M8X1,25X20 U5739 8.8
15	F01280010R	DADO 3 4 -16 UNF H=1 4	NUT 3 4 -16 UNF H=1 4			
16	F13010027R	RACC.SUPERAPIDO 90 1 8G-8	90 UNION STRAIGHT 1 8G-8			
17	F01410076R	ROS.M12 13X 24X2,5 U6592 ZN	WASHER 12 13X 24X2,5 U6592 ZN	RONDEL. M12 13X24X2,5 U6592 ZN	SCHEIBE M12 13X24X2,5 U6592 ZN	ARAND.M12 13X 24X2,5 U6592 ZN
18	G18210680R	SUPPORTO TUBI	TUBE SUPPORT			
19	F01020512R	VITE M12X1,75X35 U5739 8.8ZN	SCR. M12X1,75X35 U5739 8.8ZN	VIS M12X1,75X35 5739 8.8 ZN	SCHR. M12X1,75X35 5739 8.8 ZN	TORNILLO M12X1,75X35 U5739 8
20	G18220510R	MONT.COMPL. COPERC.-SERB.CHRO	MONT.COMPL. COPERC.-SERB.CHRO			
21	G19007840R	PERNO M6 FISSAGGIO SERB.CHRONO	M6 PIN FIXING OF CHRONO TANK			
22	F01020403R	VITE M6X1X16 U5739 8.8ZN	SCR. M6X1X16 U5739 8.8ZN	VIS M6X1X16 U5739 8.8 ZN	SCHRAUBE M6X1X16 U5739 8.8 ZN	TORNILLO M6X1X16 U5739 8.8 ZN
23	F01220033R	DADO M10X1,5 D980 8ZN	NUT M10X1,5 D980 8ZN	ECROU M10X1,5 D980 8ZN	MUTTER M10X1,5 D980 8ZN	TUERCA M10X1,5 D980 8
24	F01410062R	ROS.M10 10,5X 18X 2 U6592 ZN	WASHER M10 10,5X 18X 2 U6592	RONDELLE M10 10,5X18X2 ZN	DICHTUNGSRING M10 10,5X18X2 ZN	ARAND.M10 10,5X 18X 2 U6592 ZN
25	F01020476R	VITE M10X1,5X30 U5739 8.8ZN	SCR. M10X1,5X30 U5739 8.8ZN	VIS M10X1,5X30 U5739 8.8 ZN	SCHRAUBE M10X1,5X30U5739 8.8ZN	TORNILLO M10X1,5X30 U5739 8.8
26	G19709800R	DECAL.SERBATOIO CHRONO	DECAL CHRONO TANK			
27	G18221370R	LAME SUPPORTO SERB.CHRONO	CHRONO TANK SUPPORT BLADE			
28	F01420037R	ROS.M6 6,4X 24X1,5 U6593 ZN	WASHER M6 6,4X24X1,5 U6593 ZN			
29	F01120013R	VITE 1 2 X1	SCREW 1 2 X1			
30	F01420049R	ROS.M8 8,4X 32X 2 U6593 ZN	WASHER M8 8,4X32X2 U6593 ZN	RONDELLA M8 8,4X32X2 U6593 ZN	SCHEIBE M8 8,4X32X2 U6593 ZN	ARAND.M8 8,4X 32X 2 U6593 ZN
31	G18221150R	ASS.CORPO CENTRALE MTR	CENTRAL BODY ASSEMBLY MTR			
32	F02100115R	SPINA E.P. 6X 30 U6873 C70 IX	PIN EL. 6X30 DIN 1481 S.STEEL*	GOUPILLE EL.6 X30 DIN 1481 IN	SPANNSTIFT 6 X30 DIN 1481 EDEL	ENSAMBLE CUERPO CENTRAL MTR CLAVIJA EL.6 X30 DIN 1481 INO
33	G18903741R	MOLLA FERMO MANIGL.MAGICA 2004	HANDLE STOP SPRING MAGICA 2004	RESSORT ARRET POIG.MAGICA 2004	FEDER GRIFFSPERRE MAGICA 2004	MUELLE BLOQUEO MAN. MAGICA 04
34	F02100126R	SPINA E.P. 6X60 U6873 C70 BR	PIN E.D. 6X60 U6873 C70 BR	FICHE E.D. 6X60 U6873 C70 BR	BOLTZEN E.D. 6X60 U6873 C70 BR	CLAVIJA E.D. 6X60 U6873 C70 BR
35	F05100193R	CAPPUCCIO 5,95X19,05 GIALLO	CAP	BOUCHON	DECKEL	CORCHO
36	G18804470R	BOCCOLA 15,5X 32 X 25 ZN	BUSHING 15,5X32X25 ZN			
37	G18221690R	VOLANT.3 BRACCI	STEERING WHEEL 3 ARMS			
38	G19705280R	TARGHETTA REG.SX RUOTE PROFOND	PLATE	PLAQUET	PLATTE	PLACA
39	G19705290R	TARGHETTA REG.DX RUOTE PROFOND	PLATE	PLAQUET	PLATTE	PLACA
40	F02250066R	RIVETTO STR. 3 X 9 U9200A AL	POP RIVET 3X9 ALUMINIUM	RIVET 3 X 9 ALL	REISSNIETE 3 X 9 ALU	REMACHE DESGAR. 3 X 9 AL
41	G17740010R	BILANCIERE REGINA COMPL	REGINA ROCKER ARM MOUNTED ASSY			
42	G17720291R	BILANCIERE	ROCKER ARM		UITHOUDER	
43	G18701820R	RONDELLA 16,5 X25 X1,0 ZN	WASHER 16,5X25X1,0 ZN			
44	F01210035R	DADO M16X2 U5594 5.8ZN	NUT M16X2 U5594 5.8ZN			
45	G17722800R	PERNO 15 X 63 ZN	PIN 15 X 63 ZN			
46	F02050034R	ANELLO E. DE 15X 1 U7435 C70	ELASTIC RING DE 15X 1	BAGUE ELASTIQUE DE 15X 1	RING DE 15X 1	ANILLO DE 15X 1
47	G17722510R	ASS.VITE TENSIONAMENTO ZN	ADJUSTING SCREW ASSY ZN			
48	G22230063R	ELEMENTO ARTICOLATO	ARTICULATED ELEMENT	ELEMENT ARTICULE	GELENKELEMENT	ELEMENTO ARTICULADO
49	F01020139R	VITE M10X1,5X140 U5737 8.8ZN	SCR. M10X1,5X140 U5737 8.8ZN	VIS M10X 1,5X140 U5737 8.8	SCHRAUBE M10X 1,5X140 U5737	TORNIL. M10X 1,5X140 U5737 8.8
50	F01020120R	VITE M10X1,5X65 U5737 8.8ZN	SCR. M10X1,5X65 U5737 8.8ZN	VIS M10X1,5X65 U5737 8.8 ZN	SCHRA. M10X1,5X65 U5737 8.8 ZN	TORN. M10X1,5X65 U5737 8.8 ZN
51	F01030268R	VITE M6X1X18	SCREW M6X1X18			
52	F01030042R	VIT.M 6X 1X 30 U5933 10.9 ZN	SCREW 6X 1X 30 U5933 10.9 ZN			
53	F01200446R	DADO M 6X1	NUT M 6X1			
54	G18221050R	FOTOCCELLULA CHRONO	PHOTOCELL CHRONO			
55	G18220290R	MONT.EIETTORE CHRONO	ASSEMBLY EJECTOR CHRONO			

TAV. 121

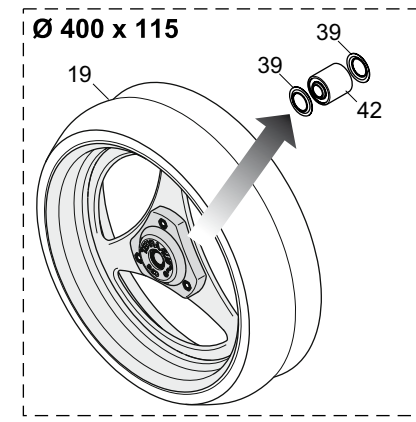
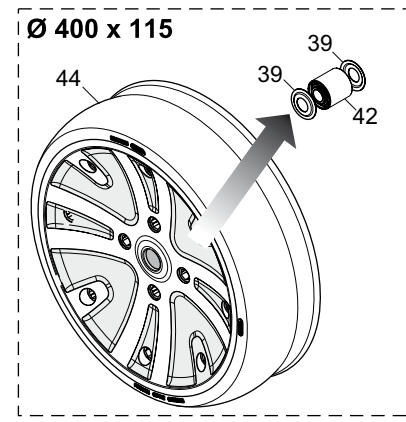
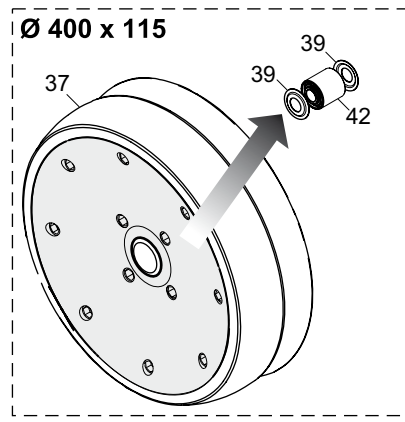
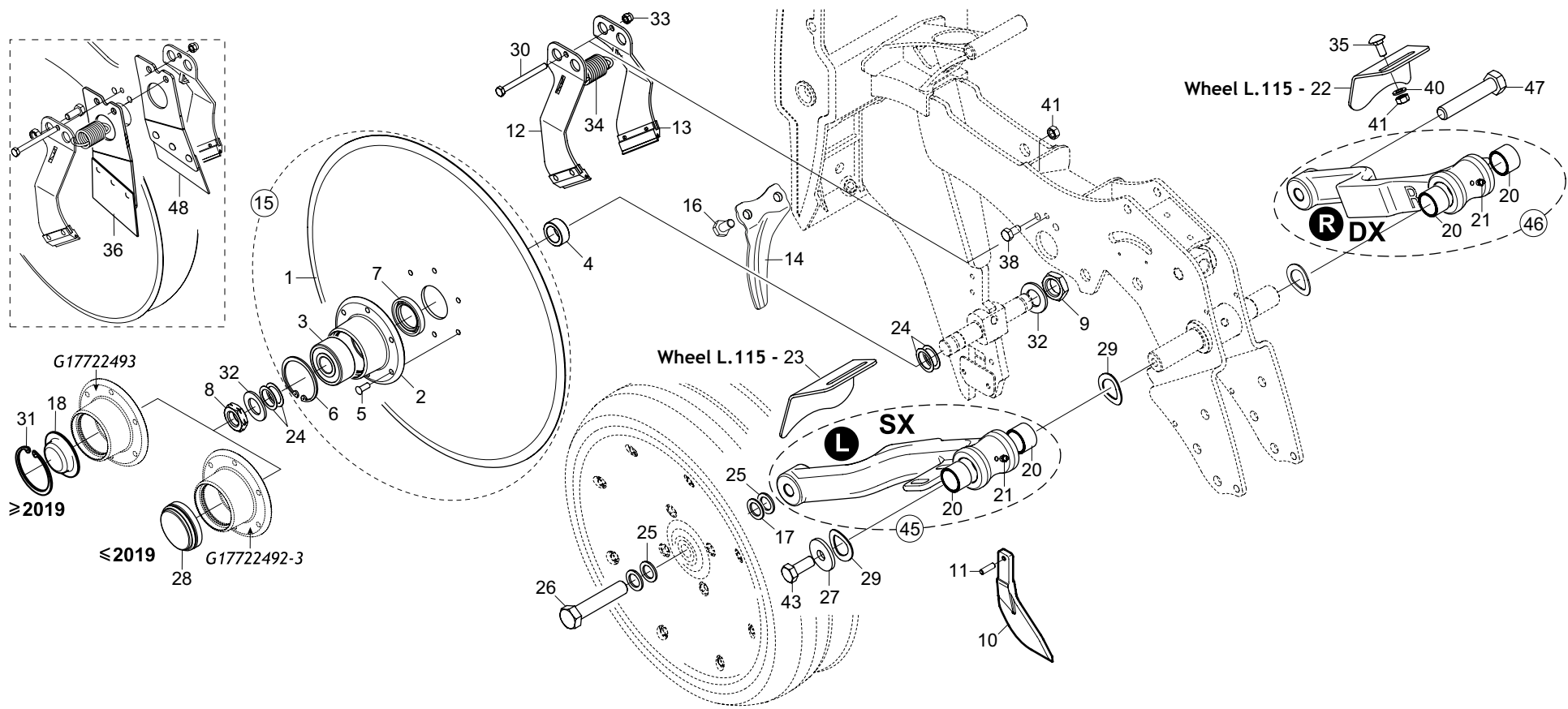


**TELAIO ELEMENTO
UNIT TOOLBAR**

TAV. 121

Pos.	Cod.	Descrizione	Description	Description	Benennung	Descripcion
56	G18220490R	MONT.COPERCHIO SERBAT.CHRONO	MONT. TANK COVER CHRONO			
57	G19007850R	PERNO D14 FISSAGG.SERB.CHRONO	PIN D14 FIXING OF CHRONO TANK			PASADOR D14 FIJO TANQUE CHRONO
58	G19206100R	PIAST.ATT.FRONTAL.EL.H150 L220	PIAST.ATT.FRONTAL.EL.H150 L220			
59	G19206160R	PIASTRA ATT.FRONT.EL.H180 L220	FRONT PLATE ELEM.H180 L220			
60	G18220940R	ASS.CURVA	ASS. CURVE			
61	F03010464R	ANEL. OR 25,12X1,78 NBR	ANEL. OR 25,12X1,78 NBR			
62	F01050088R	VITE M6X1X6	SCREW M6X1X6			
63	F03010470R	ANEL. OR 26,7 X1,78 NBR	ANEL. OR 26,7 X1,78 NBR			
64	F03011323R	ANEL. OR 20,352X1,78 NBR	OR RING 20,352X1,78 NBR			
65	F03150707R	TAPPO OLIO 3 4 SENZA SFIATO	OIL PLUG 3 4 W O HOLE			
66	F02300016R	FASCETTA STRING. 16 27 H.8	CLAMP 16 27 H.8			
67	F01020378R	VITE M5X0,8X16 U5739 8.8ZN	SCR. M5X0,8X16 U5739 8.8ZN	VIS M5X0,8X16 U5739 8.8ZN	SCHRAUBE M5X0,8X16 U5739 8.8ZN	TORNILLO M5X0,8X16 U5739 8
68	F01060041R	VITE M8X1,25X25 U5731 8.8ZN	SCR. M8X1,25X25 U5732 4.6ZN	VIS 8 X25 5732 4.6 ZN	SCHRAUBE 8 X25 5732 4.6 ZN	TORNILLO 8 X25 5732 4.6 ZN
69	F01230019R	DADO M5X0,8 D982 8ZN	NUT M5X0,8 D982 8ZN	ECROU AUTOB.NOR.5 ZN	SELBSTSP. MUTTER NOR.5 ZN	TUERCA AUTOB. NOR. 5 ZN
70	F01410023R	RONDELLA D5 UNI 6592 ZN	WASHER M5 5,3X 10X 1 U6592			
71	F05011013R	FISSAGUAINA NW12	FIXED SHEATH NW12			
72	G18221430R	GUARNIZIONE DOSAT.-SERB. SEME	SEED TANK DOSER GASKET			
73	F03011324R	ANEL. OR 21,95 X1,78 NBR	OR RING 21,95 X1,78 NBR			

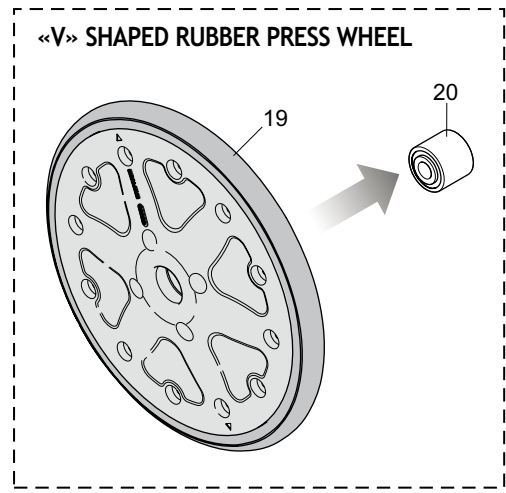
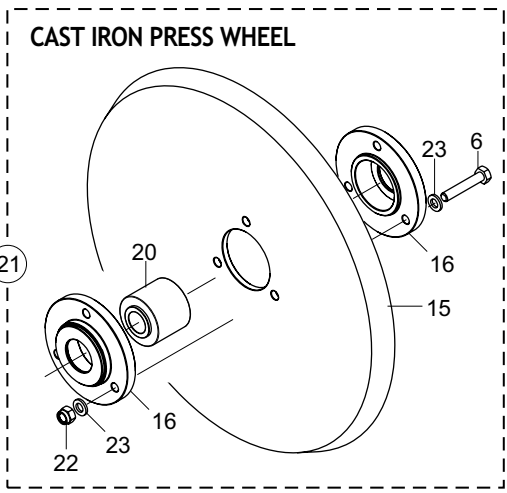
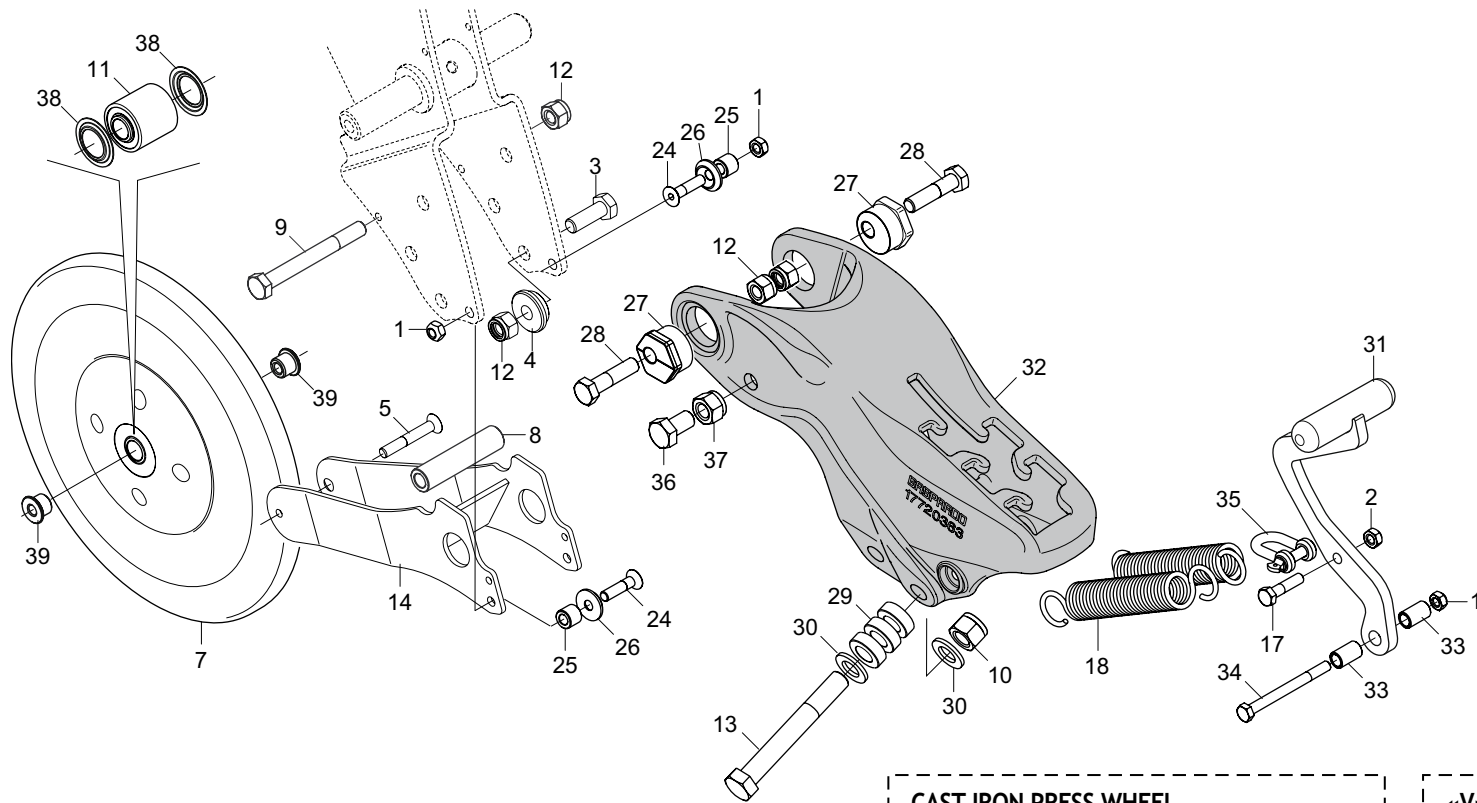
TAV. 130



RUOTE DI PROFONDITÀ DEPTH WHEELS

TAV. 130

Pos.	Cod.	Descrizione	Description	Description	Benennung	Description
1	G17722471R	DISCO ASSOLCATORE D.420	FURROW OPENER DISC D.420	DISC D.420		DISCO SURGADOR D.420
2	G17722493R	SUPP.CUSC.DISCO	BEARING SUPPORT DISC			
3	F04010094R	CUSC.D20 D52 B22,2 3304 LLU	BEAR.D20 D52 B22,2 3304 LLU	ROULEMENT D20 D52 B22,2 LLU		
4	G17722482R	BOCCOLA 20 X30 X12,3	BUSHING D20X30X12,3	BOITE	BSCHSE	CASQUILLO
5	F02250521R	RIBATTINO TSC 6 X19,8 A 2	RIVET TSC 6X19,8 A 2 BY PIECE	PAQUET RIVETS TSC 6X 19,8 A 2	PACKUNG NIETEN TSC 6X19,8 A 2	PAQU.REMACHES TSC 6X 19,8 A 2
6	F02050381R	ANELLO E. DI 52X 2 U7437 C70	SEEGER RING E. 52X 2 U7437 C70	SEEGER E. 52X 2 U7437 C70	SEEGERING E. 52X 2 U7437 C70	ANILLO 52X 2 U7437 C70
7	F03011159R	AN. TENUTA 30X47X7 AS	SEALING RING 30X47X7	BAGUE D ETANCHEITE 30X47X7	DICHTUNGSRING 30X47X7	ANILLO AISLADOR 30X47X7
8	G17722811R	DADO M20X 2,5 SINISTRO ZN.	NUTS M20X2,5 LEFT GALV.ED			
9	F01200468R	DADO M20X2,5 U5589 CL8 ZN	NUT M20X2,5 U5589 6.8ZN	ECROU 20 5589 5.8 ZN *	MUTTER 20 5589 6.8 ZN *	TUERCA 20 5589 6.8 ZN
10	G19203943R	TAGLIENTE INT.DISCHI	INTERNAL DISC COULTER	COUTEUR INTERIEUR		HILO DE CORTE INTERNO DISCOS
11	F02100106R	SPINA E.P. 6X 20 U6873 C70 BR	EL. PIN E.P. 6X20 U6873 C70 BR	GOUJON E.P. 6X 20 U6873 C70BR	BOLZEN E.P. 6X 20 U6873 C70BR	ESPINA E.P. 6X 20 U6873 C70BR
12	GA5220051R	ASS.RASCHIATERRA VIDIA SX	LEFT VIDIA SOIL SCRAPER ASS.			
13	GA5220311R	ASS.RASCHIATERRA VIDIA DX	RIGHT VIDIA SOIL SCRAPER ASS.			
14	G15225861R	PROTEZIONE DISCHI	DISC PROTECTION			
15	G17722613R	DISCO ASSOLCATORE	DISC COULTER			
16	F01020470R	VITE M10X1,5X20 U5739 8.8ZN	SCR. M10X1,5X20 U5739 8.8ZN	VIS M10X1,5X20 U5739 8.8 ZN	SCHRAUBE M10X1,5X20 U5739 ZN	TORNILLO M10X1,5X20 U5739 8
17	G18701820R	RONDELLA 16,5 X25 X1,0 ZN	WASHER 16,5X25X1,0 ZN			
18	GA5224970R	TAPPO FLANGIA DISCHI MTR ZN	TAP FLANGE DISCS MTR ZN			
19	F06120609R	RUOTA PROF.RAZZE MTR L115 O-L	DEPTH WHEEL 400X115 SPOKE O-PL			
20	G17722830R	BOCCOLA ELEM.REGINA SINTERIZ.	SINTER.BUSHING FOR REGINA EL.			
21	F01100011R	ING.M 6X1 7663-A 9SMNPB28 ZN	GREASE NIPPLE M6X1 7663-A ZN	GRAISS. A BILLE M6X1 7663A ZN	SCHMIERBUECHE M6X1 7663-A ZN	ENG.M 6X1 7663-A 9SMNPB28 ZN
22	G17723000R	RASCHIATERRA DX	RIGHT SOILSCRAPER			
23	G17723080R	RASCHIATERRA SX	LEFT SOILSCRAPER			
24	G20970100R	RONDELLA 30X0,5X22 ACC.	WASHER 30X0-5X22 ACC.	RONDELLE 30X0-5X22 ACIER	UNTERLEGSSCHEIBE 30X0-5X22 ACC.	ARANDELA 30X0-5X22 ACC.
25	G20970025R	RONDELLA 25,2X2X16,5	WASHER 25-2X2X16-5	RONDELLE 25-2X2X16-5	UNTERLEGSSCHEIBE 25-2X2X16-5	ARANDELA 25-2X2X16-5
26	GA5220170R	VITE M16X 2X80 SX U5737 8.8 ZN	SCREW M16X2X80LEFT U5737 8.8ZN			
27	G20970085R	RONDELLA 40X4X13	WASHER 40X4X13	RONDELLE 40X4X13	UNTERLEGSSCHEIBE 40X4X13	ARANDELA 40X4X13
28	F05050022R	TAPPO PROTEZIONE D.58 H.14 ZN	GUARD CAP D.58 H.14 GALV.			
29	G18701880R	RONDELLA DI SPINTA	IMPULSE WASHER	RONDELLE	UNTERLEGSSCHEIBE	ARANDELA
30	F01020047R	VITE M6X1X70 U5737 8.8ZN	SCR. M6X1X70 U5737 8.8ZN	VIS 6 X70 5737 8.G ZN	SCHRAUBE 6 X70 5737 8.G ZN	TORNILLO 6 X70 5737 8.G ZN
31	F02050528R	ANELLO E. DI 58X 2 U7437 C70	ELASTIC RING 58X2 C70			
32	F01410124R	ROS.M20 21X 37X 3 U6592 ZN	WASHER M20 21X 37X 3 U6592 ZN	RONDEL.M20 21X37X3 ZN	MUTTER M20 21X 37X 3 U6592 ZN	ARAND.M20 21X 37X 3 U6592 ZN
33	F01230022R	DADO M6X1 D982 8ZN	NUT M6X1 D982 8ZN	ECROU AUTO-FREIN.M6X1 D982 8ZN	SICHERUNGSMUT. M6X1 D982 8 ZN	TUERCA DE SEGU.M6X1 D982 8 ZN
34	G18904540R	MOLLA TRAZIONE ZN	SPRING TENSION ZN			
35	F01060040R	VITE M8X1,25X20 U5731 8.8ZN	SCR. M8X1,25X20 U5732 4.6ZG	VIS M8X1,25X20 U5732 4.6 ZN	SCHRA. M8X1,25X20 U5732 4.6 ZN	TORN. M8X1,25X20 U5732 4.6 ZN
36	GA5221161R	RASCHIATERRA INT.SX MTR	SOIL SCRAPER INT.LEFT MTR			
37	F06120406R	RUOTA PROF.TAMB.MTR L115 M	DEPTH GAUGE WHEEL SM.CR.OFFS M		WIEL PROF.TAMB.MTR L115	RUEDA CONTRO PROFUNDIDAD MTR L
38	F01020436R	VITE M8X1,25X20 U5739 8.8ZN	SCR. M8X1,25X20 U5739 8.8ZN	VIS M8X1,25X 20 U5739 8.8 ZN	SCHRAUBE M8X1,25X20U5739 8.8ZN	TORNILLO M8X1,25X20 U5739 8.8
39	F01440086R	ROS. 23X40X0,5 D988 ST2K60 BR	WASHER 23X40X0,5 D988 ST2K60 B			
40	F01410051R	ROS.M8 8,4X 17X1,6 U6592 ZN	WASHER M8 8,4X17X1,6 U6592 ZN	RONDELLE M8 8,4X17X1,6 ZN	SCHEIBE M8 8,4X17X1,6 U6592 ZN	ARAND.M8 8,4X 17X1,6 U6592 ZN
41	F01200244R	DADO M8X1,25 U5588 CL8 ZN	NUT M8X1,25 U5588 6.8ZN	ECROU M8 X1,25 U5588 6.8 ZN	MUTTER M8 X1,25 U5588 6.8 ZN	TUERCA M8X1,25 U5588 CL8 ZN
42	F04100150R	CUSC.D16 D40 B39 WPS	BEARING D16 D40 B39 WPS	ROULEMENT D16 D40 B39		COJINETE D16 D40 B39 WPS
43	F01020510R	VITE M12X1,75X30 U5739 8.8ZN	SCR. M12X1,75X30 U5739 8.8ZN	VIS M12X1,75X30 U5739 8.8ZN	SCHRAU.M12X1,75X30 U5739 8.8ZN	TORNILLO M12X1,75X30 U5739
44	F06120449R	RUOTA PROF.TAMB.MTR L115 I	DEPTH WHEEL MTR L115			
45	GA5221511R	BRACCIO RUOTA PROF.TAM.SX COMP	LEFT ARM DEPTH WHEEL ASSEMBLY			
46	GA5221501R	BRACCIO RUOTA PROF.TAM.DX COMP	RIGHT ARM DEPTH WHEEL ASSEMBLY			
47	F01020262R	VITE M16X2X80 U5737 8.8ZN	SCR. M16X2X80 U5737 8.8ZN	VIS M16X2X80 U5737 8.8 ZN	SCHRAUBE M16X2X80 U5737 8.8 ZN	TORNILLO M16X2X80 U5737 8.8 ZN
48	GA5221181R	RASCHIATERRA INT.DX MTR	SOIL SCRAPER INT.RIGHT MTR			

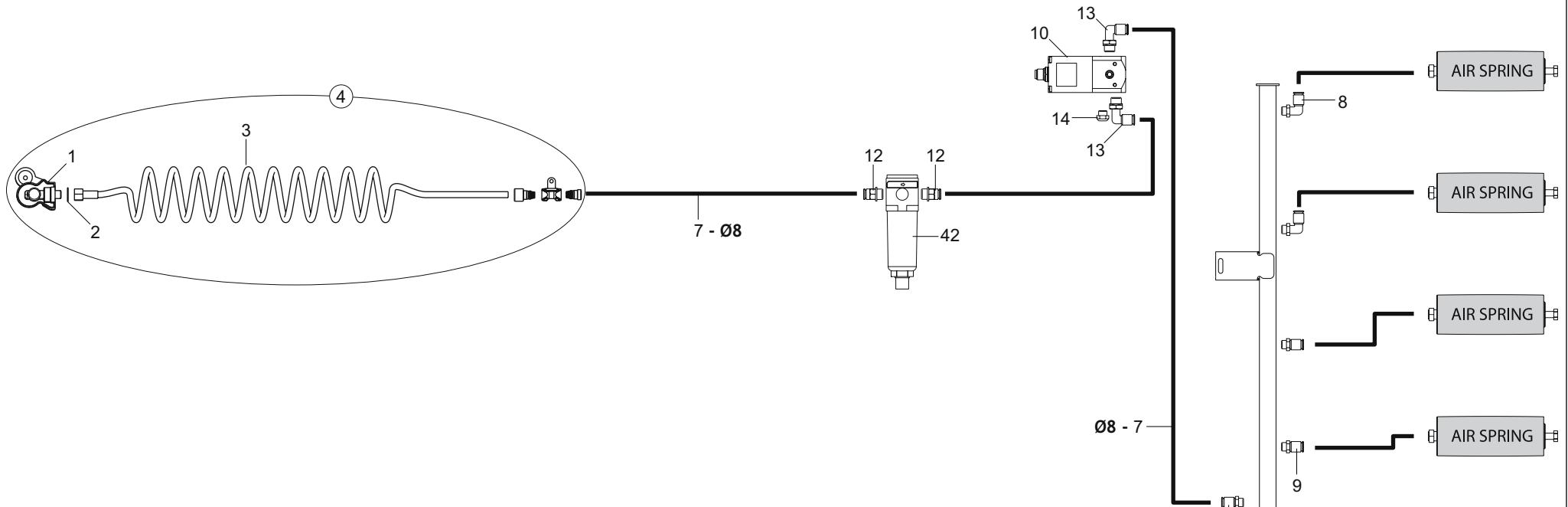


RUOTE DI COMPRESSIONE COMPRESSION WHEELS

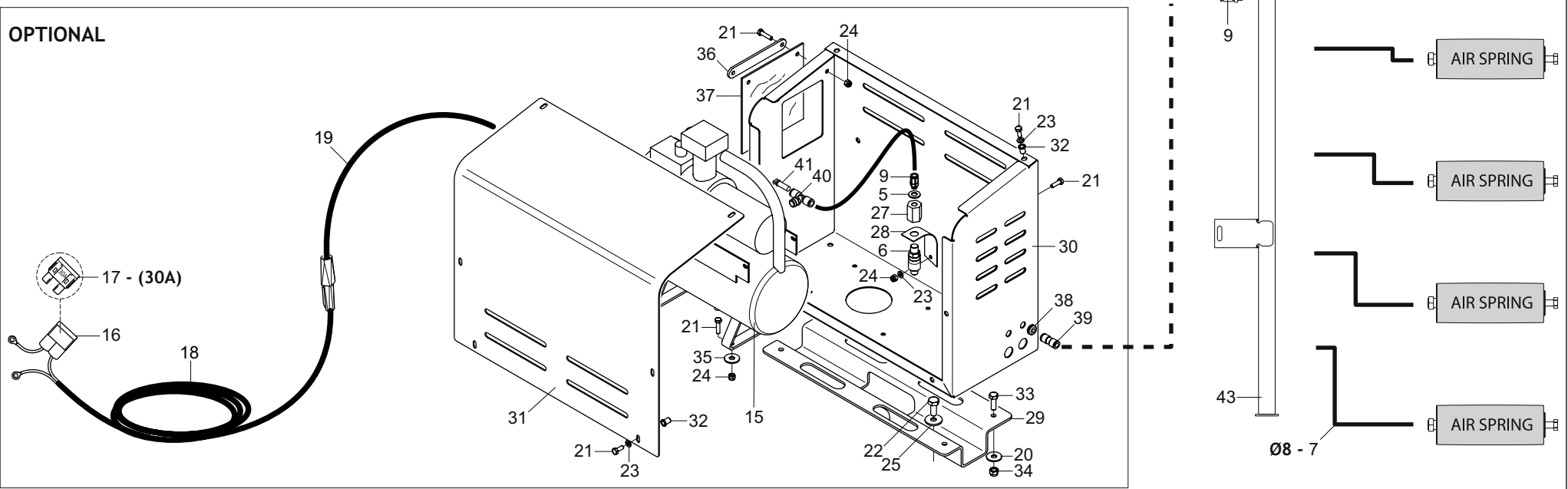
TAV. 140

Pos.	Cod.	Descrizione	Description	Description	Benennung	Description
1	F01220022R	DADO M8X1,25 D980 8ZN	NUT M8X1,25 D980 8ZN	ECROU M8X 1,25 D980 8 ZN	MUTTER M8X 1,25 D980 8 ZN	TUERCA M8X 1,25 D980 8 ZN
2	F01200244R	DADO M8X1,25 U5588 CL8 ZN	NUT M8X1,25 U5588 6.8ZN	ECROU M8 X1,25 U5588 6.8 ZN	MUTTER M8 X1,25 U5588 6.8 ZN	TUERCA M8X1,25 U5588 CL8 ZN
3	F01020512R	VITE M12X1,75X35 U5739 8.8ZN	SCR. M12X1,75X35 U5739 8.8ZN	VIS M12X1,75X35 5739 8.8 ZN	SCHR. M12X1,75X35 5739 8.8 ZN	TORNILLO M12X1,75X35 U5739 8
4	G23440001R	BOCCOLA PARALLELOGRAMMA	BUSHING- PARALLELOGRAM	BOITE PARALLELOGRAMME	BSCHSE PARALLELOGRAMM	CASQUILLO PARALELOGRAMA
5	F01030075R	VIT.M 8X1,25X 60 U5933 10.9 ZD	BOLT.M8X1,25X 60 U5933 10.9 ZD			
6	F01020068R	VITE M8X1,25X40 U5737 8.8ZN	SCR. M8X1,25X40 U5737 8.8ZN	VIS M 8X1,25X40 U5737 8.8 ZN	SCHRA. M8X1,25X40 U5737 8.8 ZN	TORNILLO M8X1,25X40 U5737 8.8
7	GA5223300R	MONT.RUOT.PREM. GOMMA D300	PREM GOMMA D300 WHEEL ASSEMBLY			
8	G18803081R	BOCCOLA 12,25X20 X85 ZN	BUSHING D12,25X20X84 ZN			
9	F01020174R	VITE M12X1,75X120 U5737 8.8ZN	SCR. M12X1,75X120 U5737 8.8ZN	VIS M12X1,75X120 U5737 8.8 ZN	SCHRAUBE M12X1,75X120 U5737 ZN	TORN.M12X1,75X120 U5737 8.8 ZN
10	F01230085R	DADO M16X2 D982 10ZN	NUT M16X2 D982 10ZN	ECROU M16X2 D982 10ZN	MUTTER M16X2 D982 10ZN	TUERCA M16X2 D982 10ZN
11	F04100150R	CUSC.D16 D40 B39 WPS	BEARING D16 D40 B39 WPS	ROULEMENT D16 D40 B39		COJINETE D16 D40 B39 WPS
12	F01230059R	DADO M12X1,75 D982 8ZN	LOCK-NUT M12X1,75 D982 8ZN	ECR.AUTO-FREI.M12X1,75 ZN	SICHERUNGSMUT.M12X1,75 D982 8ZN	TUER.DE SEGUR.M12X1,75 D982 ZN
13	F01020266R	VITE M16X2X120 U5737 8.8ZN	SCREW M16X2X120 U5737 8.8ZN	VIS M16X2X120 U5737 8.8ZN	SCHRAU. M16X2X120 U5737 8.8ZN	TORN. M16X2X120 U5737 8.8ZN
14	G18221000R	ASSIEME SUPPORTO RUOTINO	ASSEMBLY WHEEL SUPPORT			
15	G17722930R	RUOTA GHISA EL.REGINA	CAST IRON WHEEL EL.REGINA			
16	G17740850R	FLANGIA CUSC.RUOTA GHISA MBF	FLANGE BEAR.IRONCAST GEAR MBF			
17	F01020063R	VITE M8X1,25X35 U5737 8.8ZN	SCR. M8X1,25X35 U5737 8.8ZN	VIS M8X1,25X35 U5737 8.8ZN	SCHRAU. M8X1,25X35 U5737 8.8ZN	TORNILLO M8X1,25X35 U5737 8.8
18	G18904890R	MOLLA TRAZ.L=163 D=29 DF=3,8	TRACT.SPRING L=163 D=29 DF=3,8			
19	F06120292R	RUOTA GOMMA D355X32 PLA WPS	RUBBER WHEEL D355X32 PLA WPS	ROUE EN CAOUTCHOUC D355X32 PLA		
20	F04100154R	CUSC.D16 D47 B44 WPS	BEARING D16 D47 B44 WPS			
21	G17722630R	MONT.RUOTA GHISA 360	WHEELCAST IRON 360			
22	F01230034R	DADO M8X1,25 D982 8ZN	NUT M8X1,25 D982 8ZN	ECROU M8X 1,25 ZN	MUTTER M8X 1,25 D982 8 ZN	TUERCA M8X1,25 D982 8
23	F01410051R	ROS.M8 8,4X 17X1,6 U6592 ZN	WASHER M8 8,4X17X1,6 U6592 ZN	RONDELLE M8 8,4X17X1,6 ZN	SCHEIBE M8 8,4X17X1,6 U6592 ZN	ARAND.M8 8,4X 17X1,6 U6592 ZN
24	F01030060R	VITE M8X1,25X35 U5933 10.9ZD	SCREW M8X1,25X35 U5933 10.9ZD	VIS M8X1,25X35 U5933 10.9ZD	SCHRA.M8X1,25X35 U5933 10.9ZD	TORNILLO M8X1,25X35 U5933 10.9
25	G18801880R	BOCCOLA 8,25 X15 X13 ZN	BUSHING 8,25 X15 X13 ZN	BOITE 8,25 X15 X13 ZN	BSCHSE 8,25 X15 X13 ZN	CASQUILLO 8,25 X15 X13 ZN
26	G15355500R	RONDELLA AUTOCENTRANTE ZN	SELF-CENTERING WASHER ZN	RONDELLE AUTOCENTREE ZN	SELBSTZENTR.UNTERLEGSCH. ZN	ARANDELA AUTOCENTRADORA ZN
27	G17722453R	BOCCOLA SINT.ECCENT.H14 REGIN	BUSHING SINT.ECCENT.H14 MTR HD			
28	F01020156R	VITE M12X1,75X50 U5737 8.8ZN	SCR. M12X1,75X50 U5737 8.8ZN	VIS M12X1,75X50 U5737 8.8 ZN	SCHR. M12X1,75X50 U5737 8.8 ZN	TORN. M12X1,75X50 U5737 8.8 ZN
29	G18803240R	BOCCOLA 16,5 X30 X10 ZN	BUSHING 16,25X20 X43 GALVA	BOITE 16,25X20 X43 ZN	BSCHSE 16,25X20 X43 ZN	CASQUILLO 16,25X20 X43 ZN
30	F01410100R	ROS.M16 17X 30X 3 U6592 ZN	WASHER M16 17X30X3 U6592 ZN	RONDELLE M16 17X30X3 ZN	SCHRAUBE M16 17X 30X3 U6592 ZN	ARAND.M16 17X 30X 3 U6592 ZN
31	G18221560R	ASS.MANIGLIA CODINO	ASSEMBLY OF THE TAIL HANDLE			
32	G17720363R	SUPPORTO RUOTE DI COMPRESSIONE	COMPRESSION WHEEL SUPPORT			
33	G18801480R	BOCCOLA 10,25X14 X23 ZN	BUSHING 10,25 X 14 X 23 GALVA	BOITE 10,25X14 X23 ZN	BSCHSE 10,25X14 X23 ZN	CASQUILLO 10,25X14 X23 ZN
34	F01020088R	VITE M8X1,25X90 U5737 8.8ZN	SCREW M8X1,25X90 U5737 8.8ZN	VIS M8X1,25X90 U5737 8.8 ZN	SCHR.M8X1,25X90 U5737 8.8 ZN	TORN. M8X1,25X90 U5737 8.8 ZN
35	F02250668R	GRILLO M8 U1947A ZN	GRILLE M 8 ZN	MANILLE DE M 8 ZN	SCH-KEL M 8 ZN	GRILLETE DE M 8 ZN
36	F01020539R	VITE M14X2X25 U5739 8.8ZN	SCR. M14X2X25 U5739 8.8ZN	VIS M14X2X25 U5739 8.8 ZN	SCHRAUBE M14X2X25 U5739 8.8 ZN	TORNILLO M14X2X25 U5739 8.8 ZN
37	F01230073R	DADO M14X2 D982 8ZN	SELF LOCK NUT M14X2 D982 8ZN	ECROU AUTOBL.M14X2 ZN	SELBSTSP.MUTT. M14X2 D982 8ZN	TUERCA AUTOBL. M14X2 D982 8ZN
38	F01440086R	ROS. 23X40X0,5 D988 ST2K60 BR	WASHER 23X40X0,5 D988 ST2K60 B			
39	G18220700R	BOCCOLA DISTANZIALE RUOTINO	WHEEL SPACER BUSH			

TAV. 150



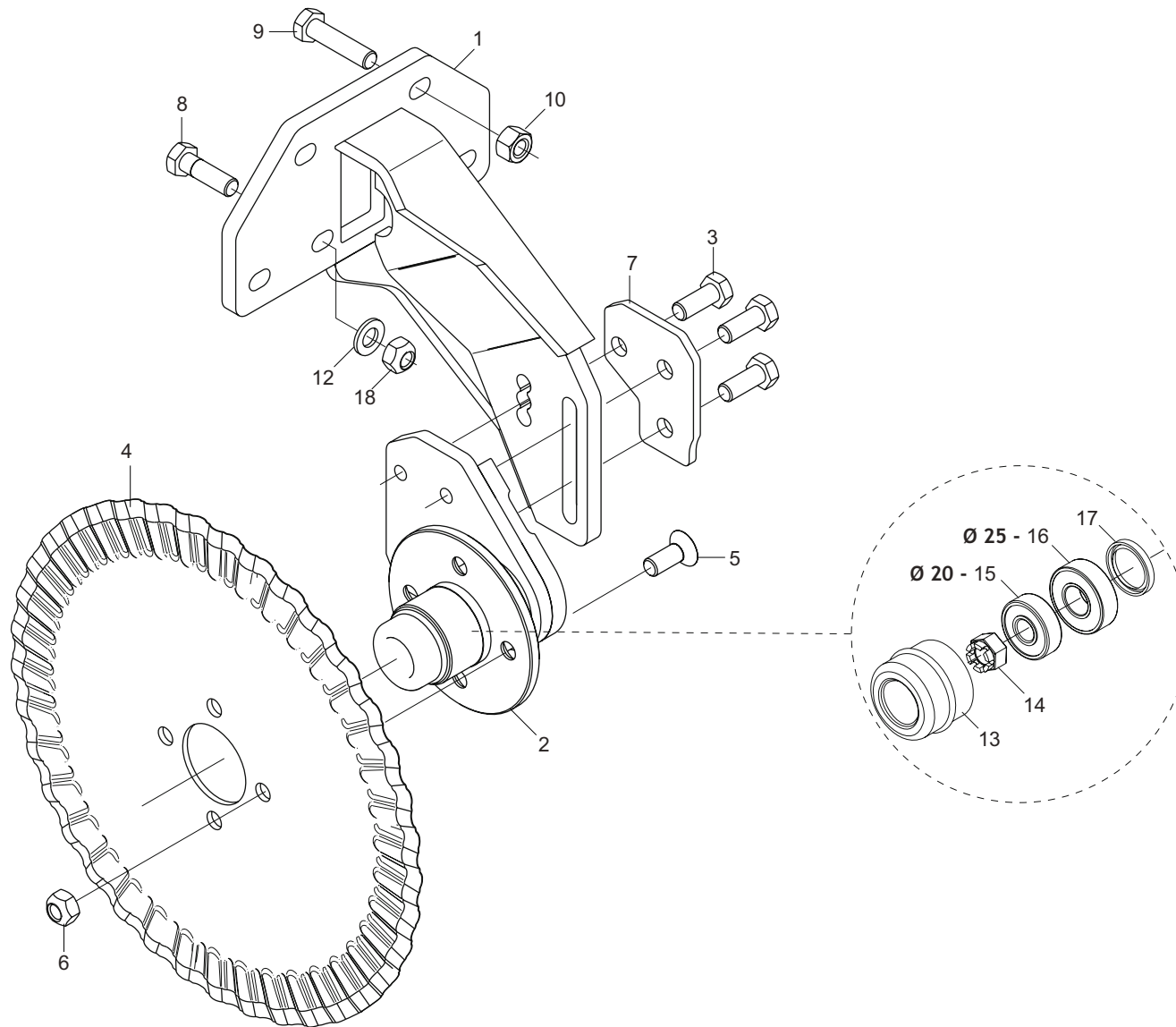
OPTIONAL



**AIR-SPRING
AIR-SPRING**

TAV. 150

Pos.	Cod.	Descrizione	Description	Description	Benennung	Descripcion
1	F13050007R	SEMIACC.ISO ROSSO M16X1,5 P F	ISO CONNECTION RED M16X1,5 P F			
2	F13010014R	RONDELLA IN ALLUMINIO D16	ALUMINIUM WASHER D16			
3	F13070013R	SP.ROSSA 12X9 M16X1,5-LIBERA	PL.TU.RED 12X9 M16X1,5-FREE			
4	F03060333R	KIT ARIA AIRBAG DA IMP.FRENI	IMP AIRBAG AIR KIT BRAKES			
5	F01440094R	RONDELLA ALLUMINIO D10	WASHER D10 ALUMINIUM	RONDELLE D10 AL	SCHIEBE D10 ALUMIN	ARANDELA DE ALUMINIO D10
6	F05011766R	SENS.PRESS. 0- 10BAR 0,5-4,5V	PRESS.SENS. 0, 10BAR 0,5-4,5V			
7	F13070005R	TUBO POLIURETANO 8-6 NERO	POLIURETHAN PIPE 8-6 BLACK			
8	F13010027R	RACC.SUPERAPIDO 90 1 8G-8	90 UNION STRAIGHT 1 8G-8			
9	F13010028R	RACC.SUPERAPIDO DRITTO 1 8G-8	SUPERAP.RIGHT JUNCTION 1 8G-8			
10	F03151814R	REGOL.FL.PROPORZ.M12 CAN OPEN	REGOL.FL.PROPORZ.M12 CAN OPEN			
12	F13010044R	RACC.SUPERAPIDO DRITTO 1 4G-D8	RACC.STRAIGHT SUPERAPID 1 4G-D			
13	F13010103R	RACC.A L GIREVOLE G1 4 -D8	RACC.A L GIREVOLE G1 4 -D8			
14	F03020327R	SILENZIATORE SCARICO G1 8	EXHAUST SILENCER G1 8			
15	F05010714R	COMPRESSORE 12V - SERB. 5LT	COMPRESSOR 12V - TANK 5LT			
16	F05010021R	PORTAFUSIBILE MAXI STAGNO	SUPPORT FUSE MAXI STAGNO			
17	F05010022R	FUSIBILE AUTO MAXI 30A VERDE	FUSE AUTO MAXI 30A GREEN			
18	G19900100R	CAVO BATT.TRASM.ELETT.GENIUS	BATT. POWER SUPPLY CABLE GENIU			
19	F05012094R	CAVO 2X10 MMQ L=4,5M	CABLE 2X10 MMQ L=4,5M			
20	F01420048R	ROS.M8 8,4X 24X 2 U6593 ZN	WASHER M8 8,4X 24X2 U6593 ZN	RONDELLE M8 8,4X24X 2 U6593 ZN	SCHEIBEN M8 8,4X24X 2 U6593 ZN	ARAND.M8 8,4X 24X 2 U6593 ZN
21	F01020404R	VITE M6X1X20 U5739 8.8ZN	SCREW M6X1X20 U5739 8.8ZN	VIS M6X1X20 U5739 8.8ZN	SCHRAUBE M6X1X20 U5739 8.8ZN	TORNILLO M6X1X20 U5739 8.8ZN
22	F01020472R	VITE M10X1,5X25 U5739 8.8ZN	SCR. M10X1,5X25 U5739 8.8ZN	VIS M10X1,5X25 U5739 8.8ZN	SCHRAUBE M10X1,5X25 U5739 8.8	TORNILLO M10X1,5X25 U5739 8.8
23	F01410037R	ROS.M6 6,4X12,5X1,6 U6592 ZN	WASHER M6 6,4X12,5X1,6 U6592ZN	RONDEL.M6 6,4X12,5X1,6 U6592ZN	SCHIEB.M6 6,4X12,5X1,6 U6592ZN	ARAND.M6 6,4X12,5X1,6 U6592 ZN
24	F01230022R	DADO M6X1 D982 8ZN	NUT M6X1 D982 8ZN	ECROU AUTO-FREIN.M6X1 D982 8ZN	SICHERUNGSMUT. M6X1 D982 8 ZN	TUERCA DE SEGU.M6X1 D982 8 ZN
25	F01420060R	ROS.M10 10,5X 30X2,5 U6593 ZG	GALV.WASHER 10,5X30X2,5 U6593	RONDELLE 10,5X30	SCHIEBE 10,5X30	ARAND.M10 10,5X 30X2,5 U6593
27	G22250274R	COLLEGAMENTO MANOMETRI SP-SV	PRESSURE GAUGE CONNECT. SP-SV	RACCORD MANOMETRES SP-SV	VERBINDUNG MANOMETER SP-SV	CONEXI N MAN METROS SP-SV
28	G22270134R	SUPPORTO VACUOMETRO SP	VACUUM METER SUPPORT SP	SUPPORT VACUOMETRE SP	HALTERUNG VAKUUMMETER SP	SOPORTE VACU METRO SP
29	G17619110R	SUPPORTO COMPRESSORE	SUPPORT COMPRESSOR			
30	G15915520R	SCATOLA COMPRESSORE	AIR COMPRESSOR BOX			
31	GA5910050R	COPERCHIO SCATOLA COMPRESSORE	COMPRESSOR BOX COVER			
32	F02250681R	INSERTO FIL.M 6X14 ZN T.TONDA	THREADED ZINCKED INSERT M6X14	JOINT FILETE M6X14 ZN	GEWINDE BUGEL M6X14 ZN	YUGO MUESCADO M6ZX14 ZN
33	F01020436R	VITE M8X1,25X20 U5739 8.8ZN	SCR. M8X1,25X20 U5739 8.8ZN	VIS M8X1,25X 20 U5739 8.8 ZN	SCHRAUBE M8X1,25X20U5739 8.8ZN	TORNILLO M8X1,25X20 U5739 8.8
34	F01230034R	DADO M8X1,25 D982 8ZN	NUT M8X1,25 D982 8ZN	ECROU M8X 1,25 ZN	MUTTER M8X 1,25 D982 8 ZN	TUERCA M8X1,25 D982 8
35	F01420036R	ROS.M6 6,4X 18X1,5 U6593 ZN	WASHER M6 6,4X 18X1,5 U6593 ZN	RONDELLE M6 6,4X18X1,5 U6593ZN	SCHEIBEN M6 6,4X18X1,5U6593 ZN	ARANDELA M6 6,4X18X1,5U6593ZN
36	GA5910480R	SCONTRIO 140X 20- 4 2F7 120	PLATE 140X 20- 4 2F7 120			
37	GA5911160R	CHIUSURA PVC	CLOSING PVC			
38	F05010750R	PASSACAVO PER FORO 10 D.7	CABLE THROUGH HOLE 10 D.7			
39	F03151380R	GIUNZIONE INTERM.D8-D8 FEM	INTER.JOINT D8-D8 FEM.			
40	F13010040R	RACC.SUPERAP.T 1 4 BSPT-D8-D8	SUPERAP.T JUNCT.1 4 BSPT-D8-D8			
41	F13010059R	TAPPO D8 PLA	CUP D8 PLA			
42	F03151815R	FILTRO	FILTER			
43	G17650850R	TUBO COLLETTORE ARIA RENATA	AIR PIPE RENATA			

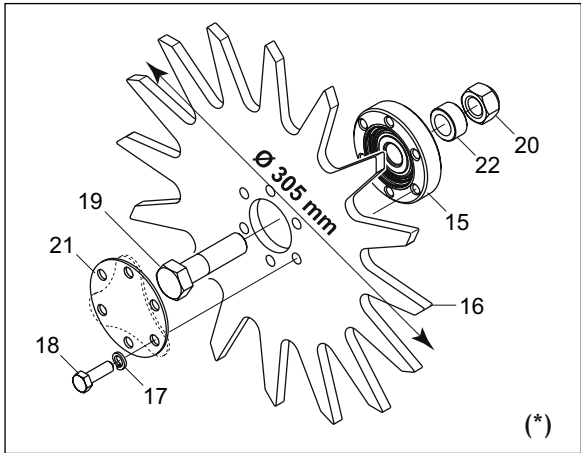
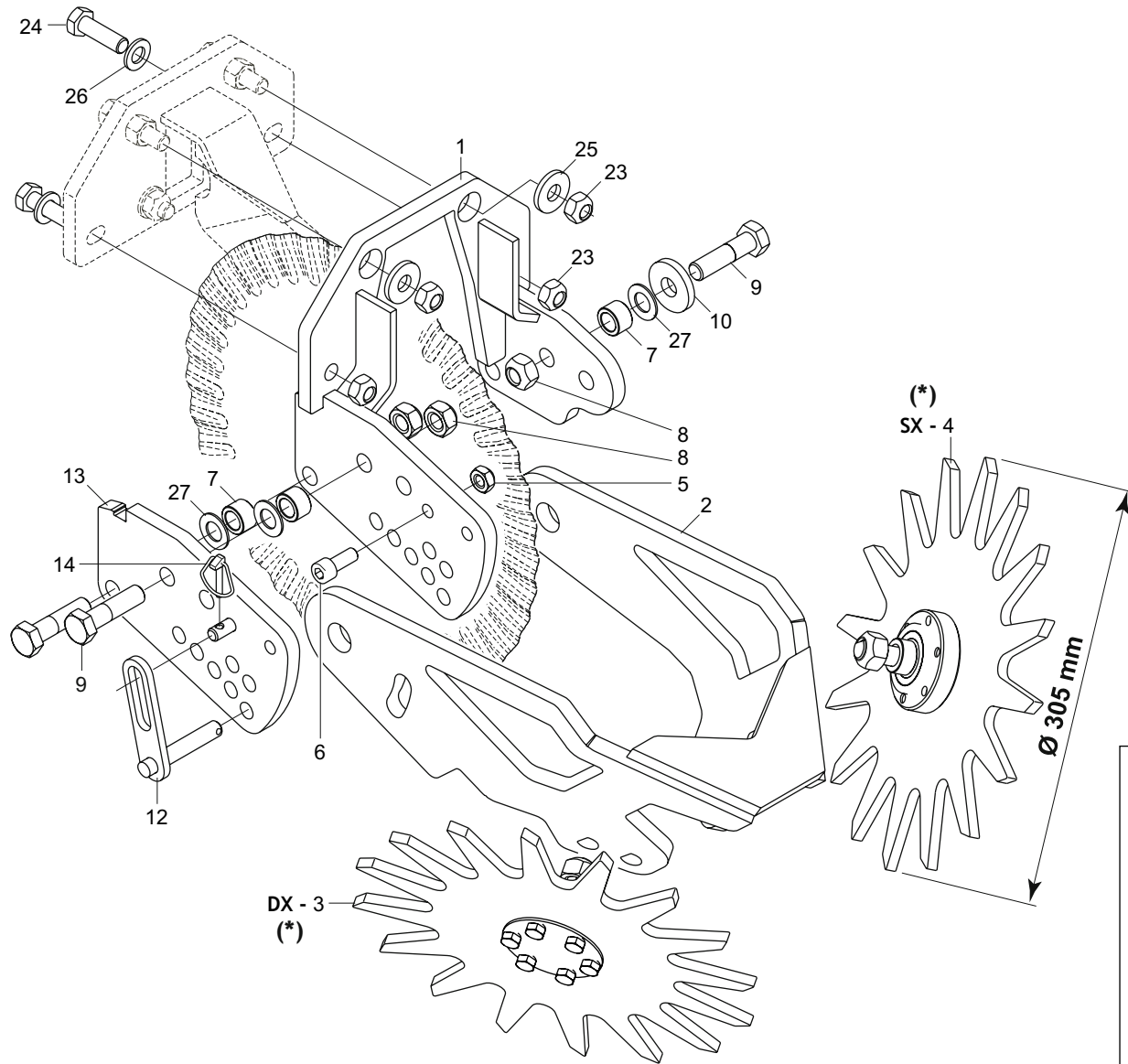


**COLTRO A DISCO STRIATO
CORRUGATED DISC COULTER**

TAV. 160

Pos.	Cod.	Descrizione	Description	Description	Benennung	Descripcion
1	GSP000286R	ASS.SUPPORTO COLTRO FISSO	ASS.SUPPORT COULTER FIXED			
2	GSP000287R	ASS.MOZZETTO	ASS. HUB			
3	F01020510R	VITE M12X1,75X30 U5739 8.8ZN	SCR. M12X1,75X30 U5739 8.8ZN	VIS M12X1,75X30 U5739 8.8ZN	SCHRAU.M12X1,75X30 U5739 8.8ZN	TORNILLO M12X1,75X30 U5739
4	GA5220130R	DISCO STRIATO D.355	STRIPED DISC D.355			
5	F01030107R	VITE M12X1,75X30 U5933 10.9ZD	SCR. M12X1,75X30 U5933 10.9ZD	VIS M12X1,75X30 5933 10.9 ZN	SCHR.M12X1,75X30 U5933 10.9 ZN	TORN.M12X1,75X30 5933 10.9 ZN
6	F01220048R	DADO M12X1,75 D980 8ZN	NUT M12X1,75 D980 8ZN	ECROU M12X1,75 D980 8 ZN	SCHEIBE M12X1,75 D980 8 ZN	TUERCA M12X1,75 D980 8 ZN
7	GSP000288R	LAMIERA CONTENIMENTO	SHEET METAL OF RESTRAINT			
8	F01020152R	VITE M12X1,75X40 U5737 8.8ZN	SCR. M12X1,75X40 U5737 8.8ZN	VIS M12X1,75X40 U5737 8.8 ZN	SCHRAUBE M12X1,75X40U57378.8ZN	TORNILLO M12X1,75X40 U5737 8.
9	F01020517R	VITE M12X1,75X50 U5739 8.8ZN	SCR. M12X1,75X50 U5739 8.8ZN	VIS M12X1,75X50 5739 8.8 ZN	SCHRA. M12X1,75X50 5739 8.8 ZN	TORNILLO M12X1,75X50 U5739 8
10	F01200079R	DADO M12X1,75 U5587 CL8 GEE GE	NUT M12X1,75 U5587 6S GE			
12	F01410076R	ROS.M12 13X 24X2,5 U6592 ZN	WASHER 12 13X 24X2,5 U6592 ZN	RONDEL. M12 13X24X2,5 U6592 ZN	SCHEIBE M12 13X24X2,5 U6592 ZN	ARAND.M12 13X 24X2,5 U6592 ZN
13	F06120238R	TAPPO MOZZO DX DP	RIGHT HUB PLUG DP	BOUCHON MOYEU DP A VISSER DRT	NABENPFROPFEN RE DP	TAP N CUBO DER. DP
14	F01210091R	DADO M18X1,5 U5594 5.8BR	NUT M18X1,5 U5594 5.8BR			
15	F04050011R	CUSC.D20 D47 T15,25 30204	BEARING D20 D47 T15,25 30204	PALIER 30204	LAGER 30204	COJINETE 30204
16	F04050012R	CUSC.D25 D52 T16,25 30205	BEARING D25 D52 T16,25 30205	ROULEMENT 30205	LAGER 30205	COJINETE 30205
17	F03010061R	ANELLO T.A. 30X 52X 7 D3760NBR	OIL SEAL 30X52X7	PARE-HUILE 30X52X7	OELABDICHTUNG 30X52X7	PARA-ACEITE 30X52X7
18	F01220048R	DADO M12X1,75 D980 8ZN	NUT M12X1,75 D980 8ZN	ECROU M12X1,75 D980 8 ZN	SCHEIBE M12X1,75 D980 8 ZN	TUERCA M12X1,75 D980 8 ZN

TAV. 171

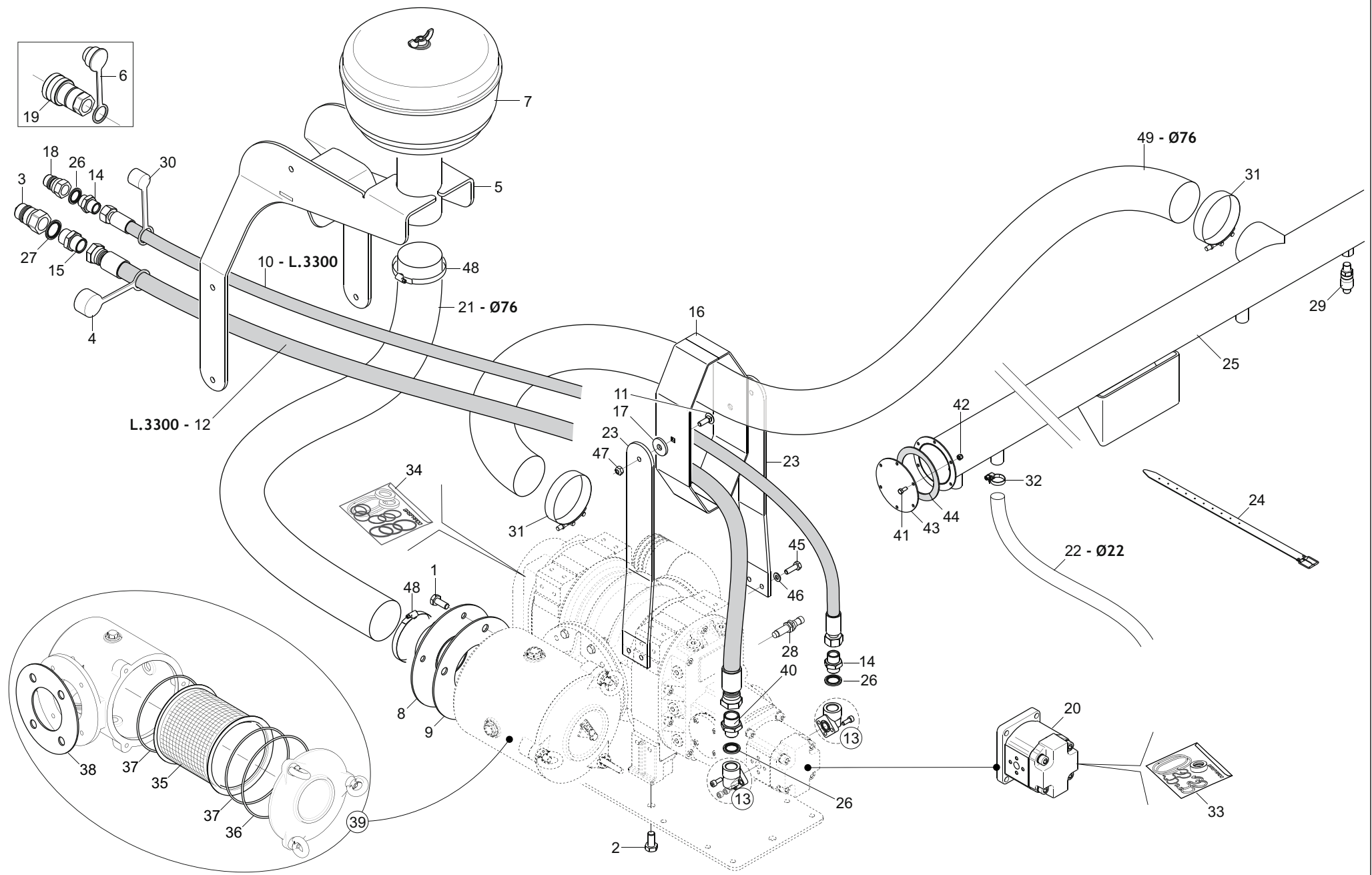


**SPARTIRESIDUI ROTATIVO
TRASH WHEEL**

TAV. 171

Pos.	Cod.	Descrizione	Description	Description	Benennung	Description
1	GSP000290R	ASS.SUPPORTO FISSO TRASH WHEEL	ASS.SUPPORT FIXED TRASH WHEEL			
2	GSP000291R	ASS.SUPP.MOBILE TRASH WHEELS	ASS.MOBILE SUPPORT TRA.WHEELS			
3	GA5223430R	MONT.STELLA SPARTIRES.D.305 DX	ASS.STAR D. RIGHT			
4	GA5223440R	MONT.STELLA SPARTIRES.D.305 SX	ASS.STAR D.305 LEFT			
5	F01220033R	DADO M10X1,5 D980 8ZN	NUT M10X1,5 D980 8ZN	ECROU M10X1,5 D980 8ZN	MUTTER M10X1,5 D980 8ZN	TUERCA M10X1,5 D980 8
6	F01040118R	VITE M10X1,5X25 U5931 8.8ZN	SCR. M10X1,5X25 U5931 8.8ZN			
7	G18800060R	BOCCOLA 14,5 X22 X14	BUSHING D14,5X22X14			
8	F01220255R	DADO M14X2 D980 8ZN	NUT M14X2 D980 8ZN	ECROU M14X2 D980 8 ZN	MUTTER M14X2 D980 8 ZN	TUERCA M14X2 D980 8 ZN
9	F01020201R	VITE M14X2X55 U5737 8.8ZN	SCR. M14X2X55 U5737 8.8ZN	VIS M 14X55	SCHRAUBE M 14X55	TORNILLO M 14X55
10	G18700690R	RONDELLA 15 X40 X6 ZN	WASHER 15 X 40 X 6 ZN	RONDELLE 15 X40 X6 ZN	UNTERLEGSCHIEBE 15 X40 X6 ZN	ARANDELA 15 X40 X6 ZN
12	GA5223460R	ASS.PERNO D12X56 C.ANTIROT.ZN	ASS.PIN D12X56 ANTIROT.ZN			
13	GSP000289R	ASS.PIASTRA DX TRASH WHEELS	ASS.PLATE RIGHT TRASH WHEELS			
14	F02200452R	SPINA SCATTO D.4,4 B 80 ZN	SNAP PIN D4.4 B 80 ZN	FICHE A DETENTE D4.4 B 80 ZN	EINRASTSTIFT D4.4 B 80 ZN	CLAVIJA DE MUELLE D4,4 B 80 ZN
15	G16045970R	CUSCIN.E SUP.D16 D72 L23 6XM8	BEARING & SUP.D16 D72 L23 6XM8			
16	GSP000282R	DISCO SPARTI RESIDUI 12IN	DISC 12IN			
17	F01480033R	ROS.G 8,1X 12,7X 2 D7980 ZN	GROVER WASHER D8,1X12,7D7980ZN	ROND.ELASTIQ D8,1X12,7 D7980ZN	FEDERRINGE D8,1X12,7 D7980 ZN	ARAND.ELICOI.D8,1X12,7 D7980ZN
18	F01020436R	VITE M8X1,25X20 U5739 8.8ZN	SCR. M8X1,25X20 U5739 8.8ZN	VIS M8X1,25X 20 U5739 8.8 ZN	SCHRAUBE M8X1,25X20U5739 8.8ZN	TORNILLO M8X1,25X20 U5739 8.8
19	GA5223340R	VITE TE M16X60 FRESATA ZN	BOLT M16X60 ZN			
20	F01220266R	DADO M16X2 D980 8ZN	NUT M16X2 D980 8ZN	ECROU M16X 2 D980 8 ZN	MUTTER M16X 2 D980 8 ZN	TUERCA M16X 2 D980 8 ZN
21	GSP000285R	TAPPO STELLA SPARTIRESIDUI	STAR CAP RESIDUAL DIVIDER			
22	G20980081R	BOCCOLA 25X12X16,25	BUSHING 25X12X16-25	BOITE 25X12X16-25	BSCHE 25X12X16-25	CASQUILLO 25X12X16-25
23	F01220048R	DADO M12X1,75 D980 8ZN	NUT M12X1,75 D980 8ZN	ECROU M12X1,75 D980 8 ZN	SCHEIBE M12X1,75 D980 8 ZN	TUERCA M12X1,75 D980 8 ZN
24	F01020528R	VITE M12X1,75X40 U5739 10.9ZN	BOLT M12X1,75X40 U5739 10.9ZN	VIS M12X1,75X40 U5739 10.9 ZN	SCHR.M12X1,75X40 U5739 10.9 ZN	TORN.M12X1,75X40 U5739 10.9 ZN
25	G20970035R	RONDELLA 32X4X13	WASHER 32X4X13	RONDELLE 32X4X13	UNTERLEGSCHIEBE 32X4X13	ARANDELA 32X4X13
26	F01410076R	ROS.M12 13X 24X2,5 U6592 ZN	WASHER 12 13X 24X2,5 U6592 ZN	RONDEL. M12 13X24X2,5 U6592 ZN	SCHEIBE M12 13X24X2,5 U6592 ZN	ARAND.M12 13X 24X2,5 U6592 ZN
27	G20970149R	RONDELLA D.15X28X1,5	WASHER D.15X28X1-5	RONDELLE D. 15X28X1-5	UNTERLEGSCHIEBE D.15X28X1-5	ARANDELA D.15X28X1-5

TAV. 180

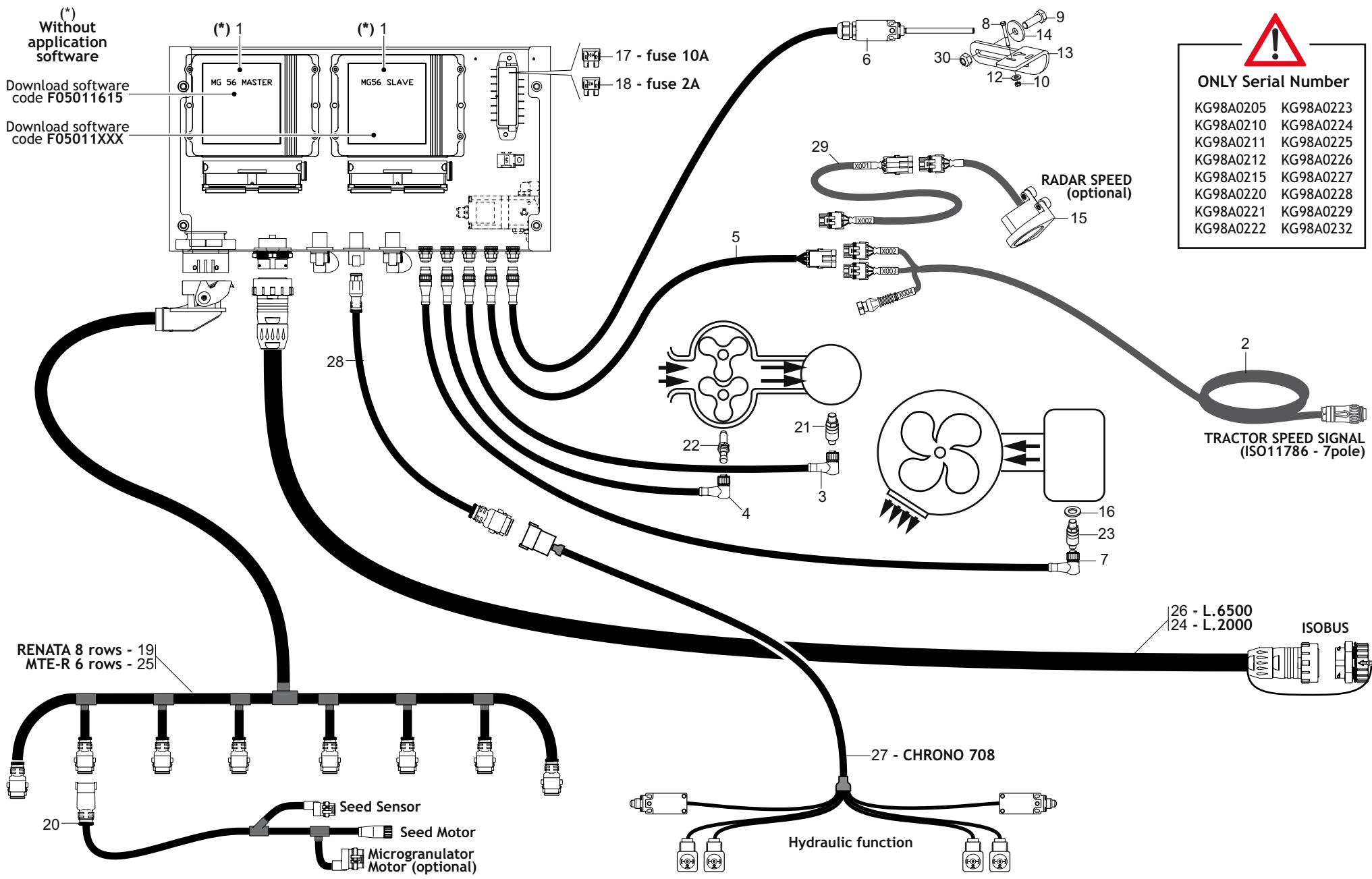


COMPRESSORE ARIA AIR COMPRESSOR

TAV. 180

Pos.	Cod.	Descrizione	Description	Description	Benennung	Description
1	F01020472R	VITE M10X1,5X25 U5739 8.8ZN	SCR. M10X1,5X25 U5739 8.8ZN	VIS M10X1,5X25 U5739 8.8 ZN	SCHRAUBE M10X1,5X25 U5739 8.8	TORNILLO M10X1,5X25 U5739 8.8
2	F01020508R	VITE M12X1,75X25 U5739 8.8ZN	SCR. M12X1,75X25 U5739 8.8ZN	VIS M12X1,75X25 U5739 8.8 ZN	SCHRAUBE M12X1,75X25 U5739 8.8ZN	TORNILLO M12X1,75X25 U5739
3	F03150936R	INNESTO RAP.MASCH.3 4 A VALV.	QUICK CONNECT MALE CONE 3 4 CO	PRISE A BILLE MALE CONE 3 4	SCHNELLKUPPLUNG GEWINDE KONISC	ACOPLAMIENTO R PIDO MACHO CONO
4	F05150493R	TAPPO INNESTO MASCHIO TF34	TF 34 MALE CONNECTION PLUG	CLAPET ACCOUPLEMENT MALE TF34	PFPROPFEN KUPPLUNG GEWINDEZAPFE	TAPA ACOPLAMIENTO MACHO TF34
5	GA7650010R	SUPPORTO FILTRO COMPRESSORE	SUPPORTO FILTRO COMPRESSORE			
6	F05150492R	CAPPUCCIO INNESTO RAP.FEMM 3 4	CONNECTION CAP NUT 3 4	CAPUCHON ACCOUPLEMENT 3 4	HAUBE KUPPLUNG 3 4	CAPUCHON ACOPLAMIENTO 3 4
7	F05010991R	PREFILTRO COMPRESSORE LOBI D76	LOBE COMPRESSOR FILTER D.76			
8	G18250040R	FLANGIA FILTRO COMPRESSORE	COMPRESSOR FILTER FLANGE			
9	G18250090R	GUARNIZ.FILTRO COMPRESS.A LOBI	GUARNIZ.FILTRO COMPRESS.A LOBI			
10	G15355650R	TUBO 1 2R2 F1 2-F1 2 3300	PIPE 1 2R2 F1 2-F1 2 3300	TUBE 1 2R2 F1 2-F1 2 3300	ROHR 1 2R2 F1 2-F1 2 3300	TUBO 1 2R2 F1 2-F1 2 3300
11	F01060041R	VITE M8X1,25X25 U5731 8.8ZN	SCR. M8X1,25X25 U5732 4.6ZN	VIS 8 X25 5732 4.6 ZN	SCHRAUBE 8 X25 5732 4.6 ZN	TORNILLO 8 X25 5732 4.6 ZN
12	G15355281R	TUBO 3 4R2 F3 4- F3 4 3300 G.	PIPE 3 4R2 F3 4-F3 4 3300 G.			
13	F03151203R	KIT RACCORDO A GOMITO 1 2	1 2 ANGLED UNION	RACCORD A COUDE	WINKELANSCHLUSSTSCK 1 2	CODO DE UNI N 1 2
14	F03150255R	NIPPLO MASCH.CIL.1 2-1 2 ZN	NIPPLE M. CYL. 1 2-1 2 ZN	NIPLE M. CYL. 1 2 - 1 2 ZN	NIPLE F. ZYL. 1 2-1 2 ZN	NIPLE M. CIL. 1 2 - 1 2 ZN
15	F03150299R	NIPPLO MM CIL.CIL 3 4-3 4 ZN	NIPPLE MM CIL.CIL 3 4-3 4 ZN	NIPLES MM CIL.CIL 3 4-3 4 ZN	NIPLES 3 4 GAS	NIPLE MM CIL.CIL 3 4-3 4 ZN
16	GA7650020R	SUPPORTO TUBI EOLO	EOLO TUBES SUPPORT			
17	G20970012R	RONDELLA 32X4X11	WASHER 32X4X11	RONDELLE 32X4X11	UNTERLEGSSCHEIBE 32X4X11	ARANDELA 32X4X11
18	F03150935R	INNESTO RAP.MASCH.1 2 A VALV.	QUICK CONNECT MALE CONE 1 2	CONNEXION RAPIDE MALE CONE 1 2	SCHNELLKUPP.GEWINDE KONISC 1 2	ACOPLAMIENT.RAP.MACHO CONO 1 2
19	F03150949R	INNESTO RAP.FEMM.3 4 A VALV.	QUICK-CONNECT 3 4 VALVE FEM.	PRISE A BILLE F ELLE CONE 3 4	SCHNELLKUPPLUNG NUT 3 4	ACOPLA. R P.HEMB.3 4 V LVLUA
20	F03150998R	MOTORE PLM 20,8 DX ANTICAV.	MOTOR PLM 20,8 DX ANTICAV			
21	F03100564R	TUBO EOLO PU D.76 TRASP. NERO	TUBE EOLO PU D.76 TRASP. BLACK			
22	F03100560R	TUBO EOLO PU D.22 TRASP. NERO	TUBO EOLO PU D.22 TRASP. NERO			
23	GA7650030R	SUPPORTO TUBI EOLO SU COMPRES.	SUPPORTO TUBI EOLO SU COMPRES.			
24	G16126850R	FASCETTA PVC NERA L.450	PVC CLAMP BLACK L.450			
25	G18220810R	ASS.COLLETTORE ARIA COMPRESSA	ASS.COLLETTORE ARIA COMPRESSA			
26	F03151370R	RONDELLA BONDED SEAL 1 2 NBR	WASHER BONDED SEAL 1 2 NBR			
27	F03020146R	RONDELLA BONDED AUTOCENT 3 4	WASHER BONDED AUTOCENT 3 4			
28	F05010396R	SENSORE IND.M12X1 NPN-NO 4 MM	SENSOR IND. NBN4-12GM50-EO-V1			
29	F05011766R	SENS.PRESS. 0- 10BAR 0,5-4,5V	PRESS.SENS. 0, 10BAR 0,5-4,5V			
30	F05150328R	CAPPUC.F X INN.M RAP.1 2 VERDE	PROTECT. COVER CAP F 1 2 GREEN	COUVERCLE CONNEXION F 1 2 VERT	DECKEL W 1 2 SCHNELLKUPP. GRUN	PAC PROTECCION F 1 2 VERDE
31	U10030076R	FASC.A COLL.VITE M8 \$86-95	HOSE CLAMP M8 \$86-95			
32	F02300020R	FASCETTA STRING. 32 50 H.9	HOSE CLAMP 32 50 H.9			
33	F03100224R	KIT GUAR.MOTORE DX20,8ANTICAV.	KIT O-RING ENGINE DX20,8			
34	F13010104R	SET GUARNIZIONE CT30-50	GASKET KIT CT30-50			SET JUNTA CT30-50
35	F13010105R	CARTUCCIA MESH120	CARTRIDGE MESH120			CARTUCHO
36	F13010106R	ANELLO OR 4675	O-RING 4675			ANILLO O RING
37	F13010107R	ANELLO OR 4625	O-RING 4625			ANILLO O-RING
38	F13010108R	GUARN.FLANGIA - FILTRO	FILTER - FLANGE GASKET			
39	F13010112R	FILTRO CT50 COMPLETO	FILTRO CT50 COMPLETO			
40	F03020015R	NIPPLO DI RID BSP3 4-14X1 2-1	RIDUCTION NIPPLE 3 4-14X1 2-14	REDUCT.NIPPLE BSP 3 4X1 2 - 14	REDUZIERTSTUCK BSP 3 4X1 2 -14	REDUCION BSP 3 4 X 1 2 - 14
41	F01020648R	VITE M5X0,8X12 U5739 A2IX	SCR. M5X0,8X12 U5739 A2IX			
42	F01230020R	DADO M5X0,8 D982 A2IX	NUT M5X0,8 D982 A2IX	ECROU M5X0,8 D982 A2 IX	MUTTER M5X0,8 D982 A2 IX	TUERCA M5X0,8 D982 A2 IX
43	G18250310R	TAPPO COLLETTORE PRESSIONE	TAPPO COLLETTORE PRESSIONE			
44	F07100132R	MOUSSE ADESIVA MM 5X3	ADHESIVE MOUSSE MM 5X3			
45	F01020436R	VITE M8X1,25X20 U5739 8.8ZN	SCR. M8X1,25X20 U5739 8.8ZN	VIS M8X1,25X 20 U5739 8.8 ZN	SCHRAUBE M8X1,25X20 U5739 8.8ZN	TORNILLO M8X1,25X20 U5739 8.8
46	F01410051R	ROS.M8 8,4X 17X1,6 U6592 ZN	WASHER M8 8,4X17X1,6 U6592 ZN	RONDELLE M8 8,4X17X1,6 ZN	SCHEIBE M8 8,4X17X1,6 U6592 ZN	ARAND.M8 8,4X 17X1,6 U6592 ZN
47	F01220022R	DADO M8X1,25 D980 8ZN	NUT M8X1,25 D980 8ZN	ECROU M8X 1,25 D980 8 ZN	MUTTER M8X 1,25 D980 8 ZN	TUERCA M8X 1,25 D980 8 ZN
48	F02300023R	FASCETTA STRING. 80 100 H.8	PIPE CLAMP 80 100 H.8	COLLIER DE SERRAGE 77 95	ROHRSCHELLE 80 100 H.8	ABRAZADERA P. MANGUERA 80 100
49	F03100551R	TUBO ZEUS PU FOOD D.76 TR. NER	TUBO ZEUS PU FOOD D.76 TR. NER			

TAV. 190



!

ONLY Serial Number

KG98A0205	KG98A0223
KG98A0210	KG98A0224
KG98A0211	KG98A0225
KG98A0212	KG98A0226
KG98A0215	KG98A0227
KG98A0220	KG98A0228
KG98A0221	KG98A0229
KG98A0222	KG98A0232

RENATA 8 rows - 19
MTE-R 6 rows - 25

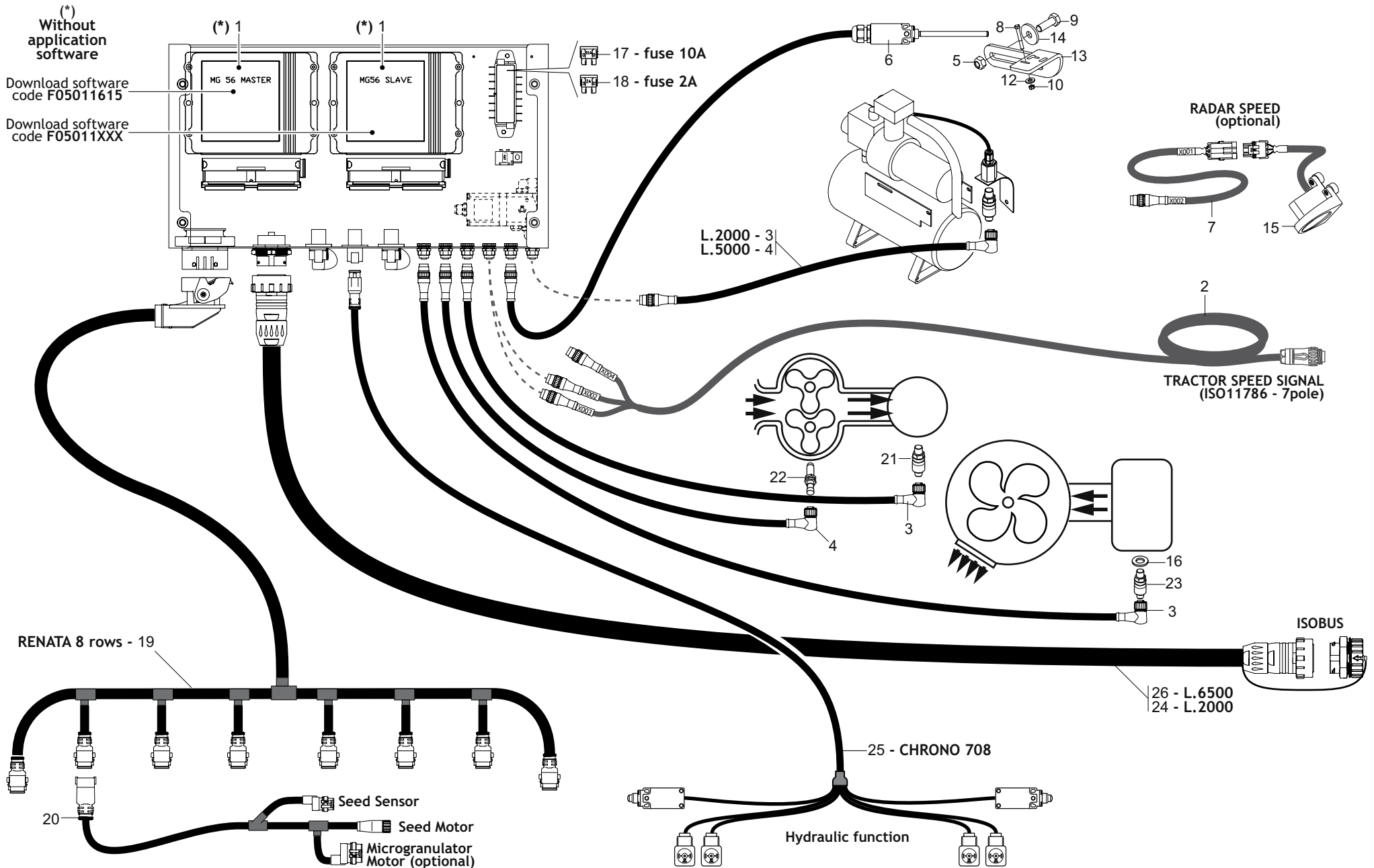
26 - L.6500
24 - L.2000
ISOBUS

**IMPIANTO ELETTRICO
ELECTRIC SYSTEM**

TAV. 190

Pos.	Cod.	Descrizione	Description	Description	Benennung	Descripcion
1	F05011504R	HARDWARE ECU MG 56	HARDWARE ECU			
2	F05200884R	CABL.VEL.DA TRAT.A SEM.6M GMP	SPEED SGN TRACT.-SEEDER GMP 6M			
3	F05200948R	CABL.SENSORE PRESSIONE CHRONO	CABLE CHRONO PRESSURE SENSOR			
4	F05200949R	CABL.SENSORE GIRI CHRONO	CABLE SENSOR RPM CHRONO			
5	F05200950R	CABL.VELOCITA CHRONO	CABLE SPEED CHRONO			
6	F05200951R	CAVO FINGER CHRONO	CABLE FINGER CHRONO			
7	F05200952R	CAVO DEPRESSIONE CHRONO	CABLE DEPRESSION CHRONO			
8	F01020024R	VITE M5X0,8X40 U5737 8.8ZN	SCR. M5X0,8X40 U5737 8.8ZN	VIS 5X40 5737 8.G ZN	SCHRAUBE 5X40 5737 8.G ZN	TORNILLO 5X40 5737 8.G ZN
9	F01020521R	VITE M12X1,75X65 U5739 8.8ZN	SCR. M12X1,75X65 U5739 8.8ZN	VIS M12X1,75X65 U5739 8.8ZN	SCHRAU.M12X1,75X65 U5739 8.8ZN	TORNILLO M12X1,75X65 U5739 8
10	F01200220R	DADO M5X0,8 U5588 CL8 ZN	NUT M5X0,8 U5588 6.8ZN	ECROU 5 UNI 5588 6.8 ZN	MUTTER 5 UNI 5588 6.8 ZN	TUERCA M5X0,8 U5588 CL8 ZN
12	F01420023R	ROS.M5 5,3X 15X1,5 U6593 ZN	WASHER M5 5,3X 15X1,5 U6593			ARAND.M5 5,3X 15X1,5 U6593
13	GA7912420R	LAMA SUPPORTO FINGER ZN	BLADE SUPPORT FINGER ZN			
14	G20970085R	RONDELLA 40X4X13	WASHER 40X4X13	RONDELLE 40X4X13	UNTERLEGSCHIEBE 40X4X13	ARANDELA 40X4X13
15	F05010905R	RADAR RDS TGSS MK3V	RADAR RDS TGSS MK3V .			
16	F01440094R	RONDELLA ALLUMINIO D10	WASHER D10 ALUMINIUM	RONDELLE D10 AL	SCHIEBE D10 ALUMIN	ARANDELA DE ALUMINIO D10
17	F05011415R	FUSIBILE 10A ATO	FUSE 10A ATO			
18	F05012068R	FUSIBILE 2A ATO	FUSE 2A ATO			
19	F05200946R	CAVO RENATA CHRONO 8F	CABL.RENATA CHRONO 8F			
20	F05200974R	CABL.ELEMENTO CHRONO	CABLE ELEMENT CHRONO			
21	F05011766R	SENS.PRESS. 0- 10BAR 0,5-4,5V	PRESS.SENS. 0, 10BAR 0,5-4,5V			
22	F05010396R	SENSORE IND.M12X1 NPN-NO 4 MM	SENSOR IND. NBN4-12GM50-EO-V1			
23	F05011136R	SENSORE DEPR.-200MBAR 0,5-4,5	DEPRES.SENSOR -200MBAR 0,5-4,5			
24	F05200806R	CABLAGGIO ISOBUS F-F 2 METRI	ISOBUS F-F 2 METER WIRING			
25	F05200947R	CAVO MTE CHRONO 6F	CAVO MTE CHRONO 6F			
26	F05200740R	CABLAGGIO ISOBUS F-F 6,5 METRI	F-F ISOBUS CABLE 6,5 METERS			
27	F05200753R	CABL.MOV.IDR.4EV. 2MICROINT.G	HYDR.FUNC.WIRING 4SV-2MICROSW			
28	F05200996R	CABL.PROL.HYDR.RENATA CHRONO	CABL.PROL.HYDR.RENATA CHRONO			
29	F05200931R	CABL.ADAPT.RADAR PER ISOTRONIC	WIRING ADAPTE.RADAR FOR ISOTR.			
30	F01230059R	DADO M12X1,75 D982 8ZN	LOCK-NUT M12X1,75 D982 8ZN	ECR.AUTO-FREI.M12X1,75 ZN	SICHERUNGSMUT.M12X1,75 D982 8ZN	TUER.DE SEGUR.M12X1,75 D982 ZN

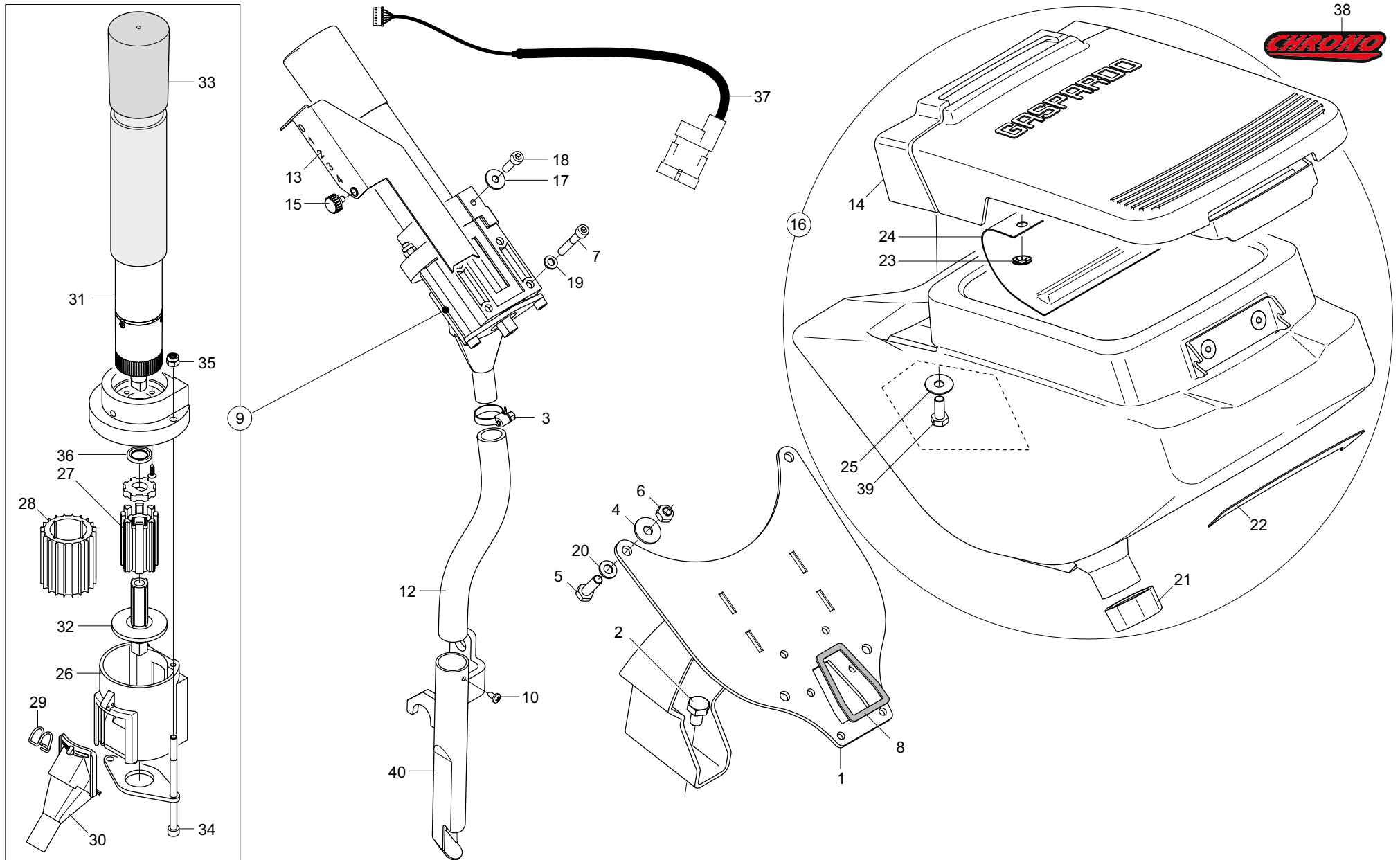
TAV. 191



**IMPIANTO ELETTRICO
ELECTRIC SYSTEM**

TAV. 191

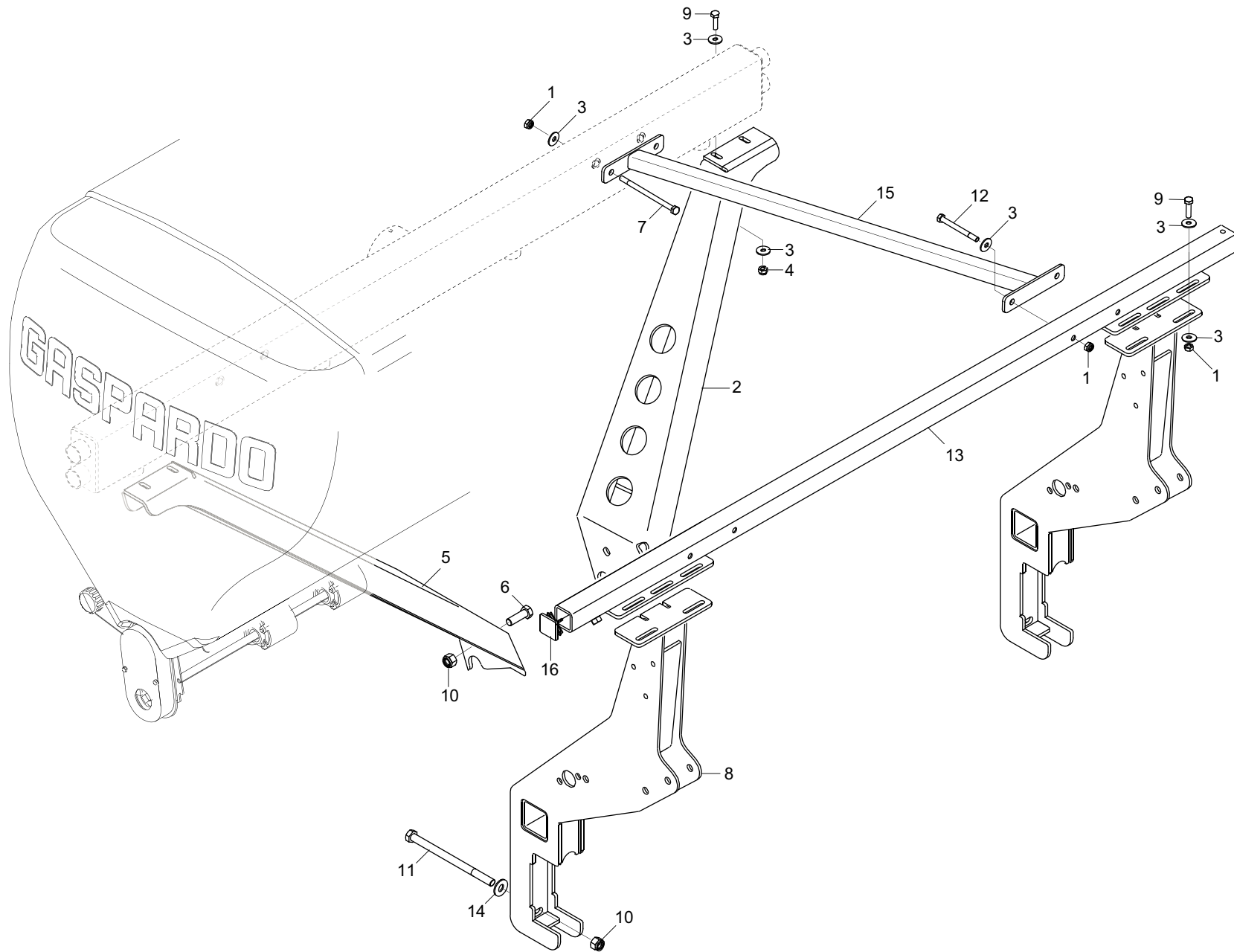
Pos.	Cod.	Descrizione	Description	Description	Benennung	Descripcion
1	F05011504R	HARDWARE ECU MG 56	HARDWARE ECU			
2	G19902400R	CABL.VELOC.DA TRATT.A SEMINAT	CABL.VELOC.DA TRATT.A SEMINAT			
3	G19902320R	CAVO CONN.M12-M12 M-F 180 2M	CABL.CONN.M12-M12 M-F 180 2M			
4	G19902340R	CAVO CONN.M12-M12 M-F 180 5M	CABL.CONN.M12-M12 M-F 180 5M			
5	F01230059R	DADO M12X1,75 D982 8ZN	LOCK-NUT M12X1,75 D982 8ZN	ECR.AUTO-FREI.M12X1,75 ZN	SICHERUNGSMUT.M12X1,75 D982 8ZN	TUER.DE SEGUR.M12X1,75 D982 ZN
6	G19902350R	INTERRUT DITA C CONN M12 2,1M	FINGER SWITCH C CONN M12 2,1M			
7	G19902190R	CABL.ADATTATORE RADAR X IST 20	CABL.ADAPTAR RADAR X IST 20			
8	F01020024R	VITE M5X0,8X40 U5737 8.8ZN	SCR. M5X0,8X40 U5737 8.8ZN	VIS 5X40 5737 8.G ZN	SCHRAUBE 5X40 5737 8.G ZN	TORNILLO 5X40 5737 8.G ZN
9	F01020521R	VITE M12X1,75X65 U5739 8.8ZN	SCR. M12X1,75X65 U5739 8.8ZN	VIS M12X1,75X65 U5739 8.8ZN	SCHRAU.M12X1,75X65 U5739 8.8ZN	TORNILLO M12X1,75X65 U5739 8
10	F01200220R	DADO M5X0,8 U5588 CL8 ZN	NUT M5X0,8 U5588 6.8ZN	ECROU 5 UNI 5588 6.8 ZN	MUTTER 5 UNI 5588 6.8 ZN	TUERCA M5X0,8 U5588 CL8 ZN
12	F01420023R	ROS.M5 5,3X 15X1,5 U6593 ZN	WASHER M5 5,3X 15X1,5 U6593			ARAND.M5 5,3X 15X1,5 U6593
13	GA7912420R	LAMA SUPPORTO FINGER ZN	BLADE SUPPORT FINGER ZN			
14	G20970085R	RONDELLA 40X4X13	WASHER 40X4X13	RONDELLE 40X4X13	UNTERLEGSCHIEBE 40X4X13	ARANDELA 40X4X13
15	F05010905R	RADAR RDS TGSS MK3V	RADAR RDS TGSS MK3V .			
16	F01440094R	RONDELLA ALLUMINIO D10	WASHER D10 ALUMINIUM	RONDELLE D10 AL	SCHIEBE D10 ALUMIN	ARANDELA DE ALUMINIO D10
17	F05011415R	FUSIBILE 10A ATO	FUSE 10A ATO			
18	F05012068R	FUSIBILE 2A ATO	FUSE 2A ATO			
19	G19902370R	CABL.CHRONO 708	CABL.CHRONO 708			
20	F05200974R	CABL.ELEMENTO CHRONO	CABLE ELEMENT CHRONO			
21	F05011766R	SENS.PRESS. 0- 10BAR 0,5-4,5V	PRESS.SENS. 0, 10BAR 0,5-4,5V			
22	F05010396R	SENSORE IND.M12X1 NPN-NO 4 MM	SENSOR IND. NBN4-12GM50-EO-V1			
23	F05011136R	SENSORE DEPR.-200MBAR 0,5-4,5	DEPRES.SENSOR -200MBAR 0,5-4,5			
24	F05200806R	CABLAGGIO ISOBUS F-F 2 METRI	ISOBUS F-F 2 METER WIRING			
25	G19902290R	CABL.MOV.IDR.4EV. 2MICROINT.GM	CABL.MOV.IDR.4EV. 2MICROINT.GM			
26	F05200740R	CABLAGGIO ISOBUS F-F 6,5 METRI	F-F ISOBUS CABLE 6,5 METERS			



**MICROGRANULATORE
MICROGRANULATOR**

TAV. 200

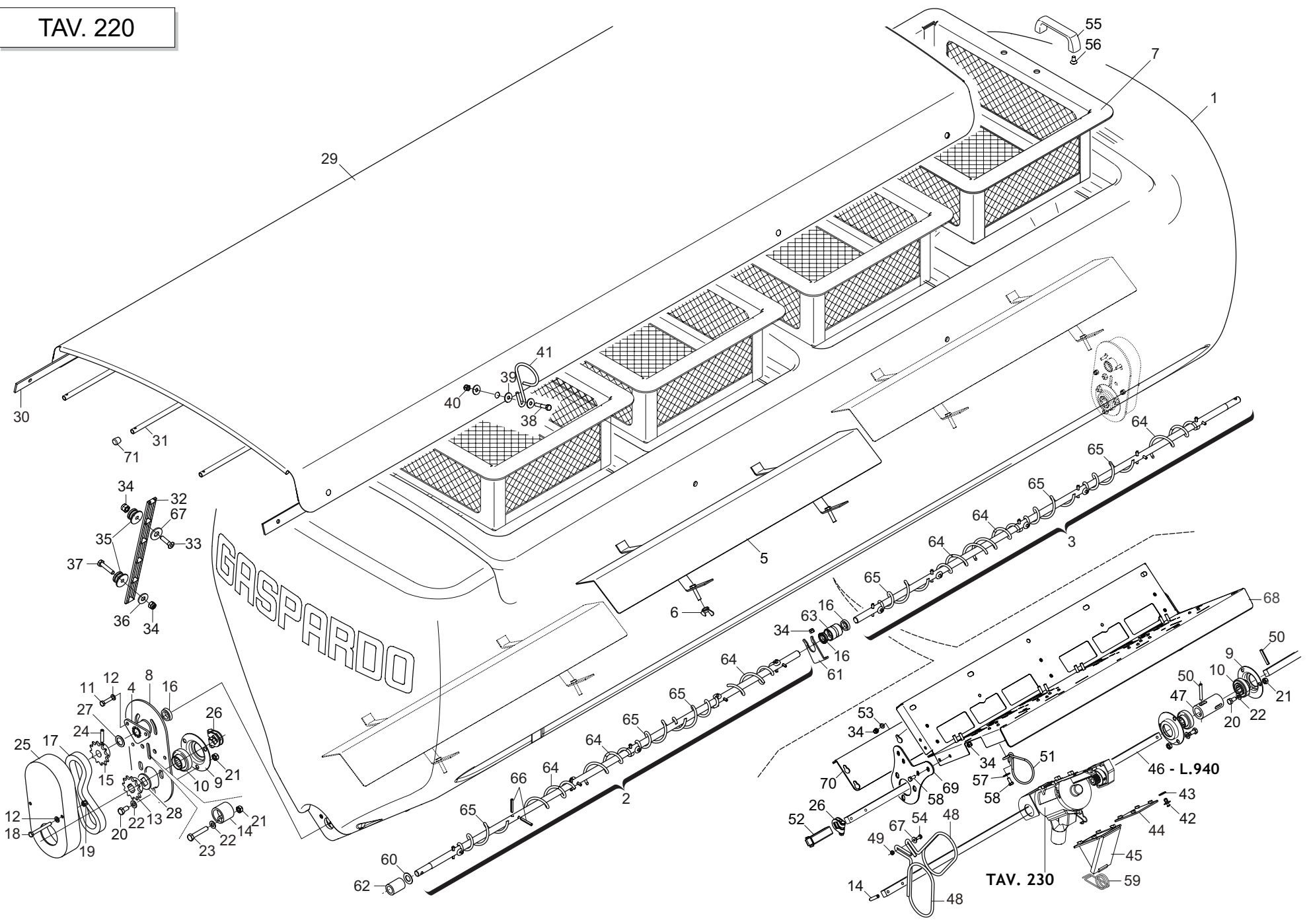
Pos.	Cod.	Descrizione	Description	Description	Benennung	Description
1	G18270010R	ASS.SUPPORTO MICRO	MICRO SUPPORT SET			
2	F01020468R	VITE M10X1,5X16 U5739 8.8ZN	SCR. M10X1,5X16 U5739 8.8ZN	VITI M10X1,5 X 16	DUEBEL M10X1,5 X 16	TORNILLO M10X1,5X16 U5739 8
3	F02300016R	FASCETTA STRING. 16 27 H.8	CLAMP 16 27 H.8			
4	F01420047R	ROS.M8 8,4X 24X 2 U6593 IX	WASHER M8 8,4X24X2 U6593 IX	RONDELLE M8 8,4X24X2 U6593 IX	SCHEIBE M8 8,4X24X2 U6593 IX	ARANDELA M8 8,4X24X2 U6593 IX
5	F01020440R	VITE M8X1,25X25 U5739 8.8ZN	SCR. M8X1,25X25 U5739 8.8ZN	VIS M8X1,25X25 U5739 8.8 ZN	SCHRAUBE M8X1,25X25U5739 8.8ZN	TORNILLO M8X1,25X25 U5739 8.8
6	F01220022R	DADO M8X1,25 D980 8ZN	NUT M8X1,25 D980 8ZN	ECROU M8X 1,25 D980 8 ZN	MUTTER M8X 1,25 D980 8 ZN	TUERCA M8X 1,25 D980 8 ZN
7	F01040075R	VITE M6X1X40 U5931 8.8ZN	SCR. M6X1X40 U5931 8.8ZN	VIS 6X40 5931 8.8	SCHRAUBE 6X40 5931 8.8	TORNILLO 6X40 5931 8.8
8	G18221420R	GUARNIZIONE DOSAT.-SERB. MICRO	GASKET OF THE MICRO TANK DOSER			
9	G18270130R	MONT.DISTR.MICRO ELETTRICO	MICRO-ELECTRIC MOUNT DISTRIB.			
10	F01070073R	VITE A4,2X1,41X9,5 U6954 4.8NI	SCR. H4,2X1,41X9,5 U6954 4.8NI			
12	G11425080R	RACCORDO INF.L.280	FITTING INF.L.280			
13	G18270080R	REG.APERTURA DIST.MICRO CHRONO	REG. MICRO CHRONO DIST.OPENING			
14	G18220540R	MONT.COPERCHIO MICRO CHRONO	MONT. MICRO COVER CHRONO			
15	F06220036R	VOLANTINO ZIGR. D.15-M5 X10	KNURLED FLYWHEEL D.15-M5 X10	VOLANT CANNEL D.15-M5 X10	GER-ND. HANDRAD D.15-M5 X10	VOLANTE ESTR. D.15-M5 X10
16	G18220530R	MONT.SERB.MICRO CHRONO	MONT.MICRO TANK CHRONO			
17	F01420036R	ROS.M6 6,4X 18X1,5 U6593 ZN	WASHER M6 6,4X 18X1,5 U6593 ZN	RONDELLE M6 6,4X18X1,5 U6593ZN	SCHEIBEN M6 6,4X18X1,5U6593 ZN	ARANDELA M6 6,4X18X1,5U6593ZN
18	F01040063R	VITE M6X1X20 U5931 8.8ZN	SCR. M6X1X20 U5931 8.8ZN	VIS M 6	SCHRAUBE M 6	TORNILLO M 6
19	F01410037R	ROS.M6 6,4X12,5X1,6 U6592 ZN	WASHER M6 6,4X12,5X1,6 U6592ZN	RONDEL.M6 6,4X12,5X1,6 U6592ZN	SCHEIB.M6 6,4X12,5X1,6 U6592ZN	ARAND.M6 6,4X12,5X1,6 U6592 ZN
20	F01410051R	ROS.M8 8,4X 17X1,6 U6592 ZN	WASHER M8 8,4X17X1,6 U6592 ZN	RONDELLE M8 8,4X17X1,6 ZN	SCHEIBE M8 8,4X17X1,6 U6592 ZN	ARAND.M8 8,4X 17X1,6 U6592 ZN
21	G16675090R	TAPPO PLASTICA MICRO C OR	PLASTIC PLUG MICRO C OR			
22	G19709810R	ADESIVO SERBATOIO MICRO	TANK ADHESIVE MICRO			
23	F02050648R	ANELLO BENZING-QUICKLOCK BQ7	BENZING-QUICKLOCK BQ7 RING	BAGUE BENZING-QUICKLOCK BQ7	RING BENZING-QUICKLOCK BQ7	ANILLO BENZING-QUICKLOCK BQ7
24	G18221410R	TELO PROTEZIONE MICRO CHRONO	MICRO PROTECTION COVER CHRONO			
25	F01420048R	ROS.M8 8,4X 24X 2 U6593 ZN	WASHER M8 8,4X 24X2 U6593 ZN	RONDELLE M8 8,4X24X 2 U6593 ZN	SCHEIBEN M8 8,4X24X 2 U6593 ZN	ARAND.M8 8,4X 24X 2 U6593 ZN
26	G18270100R	CORPO DISTR.M80 X CHRONO	BODY DISTRIBUTOR 80X CHRONO			
27	G18270110R	ANIMA DOSATORE M80 X CHRONO	DOSING SOUL M80 X CHRONO			
28	G66248189R	DOSATORE M80	SEED METERING DEVICE M80	DOSEUR M80	DOSIERER M80	DOSIFICADOR M80
29	G65336046R	MOLLA SPEC.ZN SCIVOLO M80	SPEC SPRING ZN CHUTE M80	RESSORT SPEC. ZN LANCOIR M80	SPEZIALFEDER ZN RUTSCHE M80	MUELLE ESPEC. ZN PLANO INCLINA
30	G66248154R	SCIVOLO DISTR. M80	CHUTE- DISTRIB. M80	ENTONNOIR DOSEUR MINIMAX MICRO	SAAPPARAT RUTSCHE M80	PLANO INCLINADO DISTR. M80
31	F05012195R	MOTORID.DC12V I=48 ENC12PPR	ENGINE RID.DC12V I=48 ENC12PPR			
32	G18270120R	AS.ASSE RONDELLA ALBER.X CHRON	ASSEM. WASHER SHAFT.X CHRONO			
33	F05100205R	CAPPUCCIO 50,8 X79,40 NERO	COVER 50,8 X79,40 BLACK			
34	F01040073R	VITE M6X1X100 U5931 8.8ZN	SCR. M6X1X100 U5931 8.8ZN	VIS M 6X1X100	SCHRAUBE M 6X1X100	TORNILLO M 6X1X100
35	F01230022R	DADO M6X1 D982 8ZN	NUT M6X1 D982 8ZN	ECROU AUTO-FREIN.M6X1 D982 8ZN	SICHERUNGSMUT. M6X1 D982 8 ZN	TUERCA DE SEGU.M6X1 D982 8 ZN
36	F03011328R	GUARNIZIONE A LABBRO 14X22X3	LIP GASKET 14X22X3			
37	G19902480R	CABL.MICRO ELEMENTO CHRONO	CAB.MICRO ELEMENT CHRONO			
38	F20020718R	DECAL.CHRONO 80 X 20	DECAL.CHRONO 80 X 20			
39	F01020436R	VITE M8X1,25X20 U5739 8.8ZN	SCR. M8X1,25X20 U5739 8.8ZN	VIS M8X1,25X 20 U5739 8.8 ZN	SCHRAUBE M8X1,25X20U5739 8.8ZN	TORNILLO M8X1,25X20 U5739 8.8
40	G18270050R	ASS.TUBO DISCESA MICRO DRITTO	ASSE.MICRO STRAIGHT DOWN TUBE			



**SUPPORTI SPANDICONCIME
SUPPORTS FERTILIZER DISTRIBUTOR**

TAV. 210

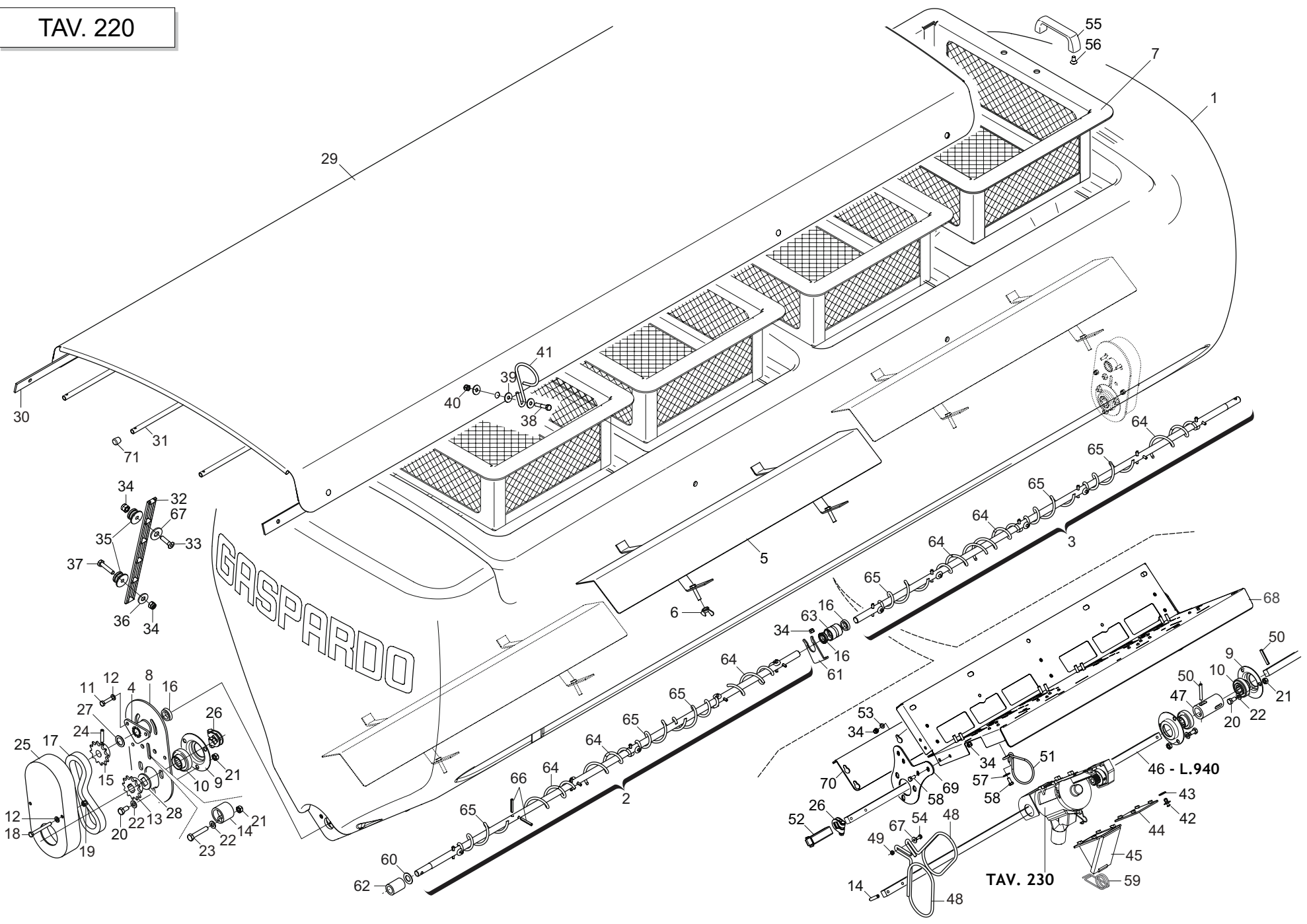
Pos.	Cod.	Descrizione	Description	Description	Benennung	Descripcion
1	F01230294R	DADO M10X1,5 U7473 8ZN	NUT M10X1,5 U7473 8ZN			
2	G17670170R	SUPPORTO ANT.DX TRAMOGGIA	FRONT.RIGHT HOPPER SUPPORT			
3	F01420059R	ROS.M10 10,5X 30X2,5 U6593 IX	WASHER 11X30X2,5 6593 A2	RONDELLE 11X30X2,5 6593 A2	UNTERLEGSCHIEBE 11X30X2,5 6593	ARANDELA 11X30X2,5 6593 A2
4	F01230294R	DADO M10X1,5 U7473 8ZN	NUT M10X1,5 U7473 8ZN			
5	G17670180R	SUPPORTO ANT.SX TRAMOGGIA	LEFT FRONT HOPPER SUPPORT			
6	F01020287R	VITE M16X2X50 U5737 10.9ZD	SCR. M16X2X50 U5737 10.9ZD	VIS M16X2X50 U5737 10.9ZD	SCHRAU.M16X2X50 U5737 10.9ZD	TORN. M16X2X50 U5737 10.9ZD
7	F01020146R	VITE M10X1,5X120 U5737 A2IX	SCR. M10X1,5X120 U5737 A2IX			
8	G17670872R	SUPPORTO POSTERIORE SPANDI	HOPPER REAR SUPPORT			
9	F01020465R	VITE M10X1,5X35 U5739 A2IX	SCR. M10X1,5X35 U5739 A2IX	VIS M10X1,5X35 U5739 A2IX	SCHRA.M10X1,5X35 U5739 A2IX	TOR.M10X1,5X35 U5739 A2IX
10	F01230085R	DADO M16X2 D982 10ZN	NUT M16X2 D982 10ZN	ECROU M16X2 D982 10ZN	MUTTER M16X2 D982 10ZN	TUERCA M16X2 D982 10ZN
11	F01020283R	VITE M16X2X260 U5737 8.8ZN	SCR. M16X2X260 U5737 8.8ZN	VIS 16X260 5737 8.G ZN	SCHRAUBE 16X260 5737 8.G ZN	TORNILLO 16X260 5737 8.G ZN
12	F01020145R	VITE M10X1,5X90 U5737 A2IX	SCR. M10X1,5X90 U5737 A2IX	VIS M10X1.5X 90 U5737 A2 IX	SCHRAUBE M10X1.5X90 5737 A2 IX	TORNILLO M10X1.5X90 5737 A2 IX
13	G17670071R	TUBO SUPP.ANT.TRAMOGGIA	HOPPER S ANT.SUPPORT TUBE			
14	F01410100R	ROS.M16 17X 30X 3 U6592 ZN	WASHER M16 17X30X3 U6592 ZN	RONDELLE M16 17X30X3 ZN	SCHRAUBE M16 17X 30X3 U6592 ZN	ARAND.M16 17X 30X 3 U6592 ZN
15	G17620130R	RINFORZO INT.TRAMOGGIA	HOPPER INT. REINF. ASS.BLY			
16	F20120349R	PUNTALE Q.50 ALETT.POLIT.NERO	CAP	BOUCHON	DECKEL	CORCHO



**SERBATOI SPANDICONCIME
FERTILIZER DISTRIBUTOR**

TAV. 220

Pos.	Cod.	Descrizione	Description	Description	Benennung	Descripcion
1	G19006040R	SERBATOIO CONCIME 1600LT	FERTILIZER TANK 1600LT			
2	G17772230R	ASSE AGITATORE SX COMPL	LEFT AGITATOR AXLE COMPL.			
3	G17772260R	ASSE AGITATORE DX COMPL	RIGHT AGITATOR AXLE COMPL.			
4	G66248121R	BOCCOLA CON FLANGIA M80	BUSHING W FLANGE M80	SUPPORT AVEC BRIDE M80	BSCHSE MIT FLANSCH M80	CASQUILLO CON BRIDA M80
5	G17772381R	TEGOLO SPA REGINA	BENT TILE REGINA			
6	F01240024R	DADO M8X1,25 U5448 5.8ZN	NUT M8X1,25 U5448 5.8ZN	ECROU 8 UNI 5448 5.8 ZN	MUTTER 8 UNI 5448 5.8 ZN	TUERCA 8 UNI 5448 5.8 ZN
7	G17773891R	ASS.GRIGLIA SUPERIOR.SPA 1600L	ASS.GRIGLIA SUPERIOR.SPA 1600L			
8	G17770541R	SUPPORTO TRASM.AGITATORE	TRASM.SUPPORT AGITATOR			
9	G22230094R	SUPPORTO CUSCINETTO	BEARING SUPPORT	SUPPORT DE ROULEMENT	LAGERBSCHSE	SOPORTE COJINETE
10	G14830390R	CUSCINETTO FORO QUADRO	SQUARE-HOLED BEARING	ROULEMENT TROU CARRE	VIERKANTLAGER	COJINETE ORIFICIO CUADRADO
11	F01020406R	VITE M6X1X25 U5739 8.8ZN	SCR. M6X1X25 U5739 8.8ZN	VIS M 6X25	SCHRAUBE M 6X25	TORNILLO M 6X25
12	F01410037R	ROS.M6 6,4X12,5X1,6 U6592 ZN	WASHER M6 6,4X12,5X1,6 U6592ZN	RONDEL.M6 6,4X12,5X1,6 U6592ZN	SCHEIB.M6 6,4X12,5X1,6 U6592ZN	ARAND.M6 6,4X12,5X1,6 U6592 ZN
13	G11220560R	PIGNONE Z12 1 2-3 16 Q.16,4 ZN	PINION Z12 1 2-3 16	PIGNON Z12 1 2-3 16	RITZE Z12 1 2-3 16	PINION Z12 1 2-3 16
14	G66248207R	TENDICATENA SPAND. SP-520	CHAIN TENSIONER	TENDEUR DE CHAINE EPAND. ENGR.	KETTENSPELLER DSNGERSTR. SP-52	SENSOR DE CADENA ABON. SP-520
15	G20860088R	INGRANAGGIO 1 2 Z-12 F.T.	GEAR 1 2 Z-12 F.T.	ENGRENAGE 1 2 Z-12 TROUS ROUNDS	ZAHNRAD 1 2 Z-12 F.T.	ENGRANAJE 1 2 Z-12 F.T.
16	F03011081R	GUARNIZIONI LABBRO DE100	LIP GASKET D100			
17	F06080196R	CATENA 1 2 ISO 083 32 MAGLIE	CUT-DOWN CHAIN .1 2 ISO 083 32	TRONCON CHAINE 1 2 ISO 083 32	KETTENLNZNGE 1 2 ISO 083 32 GL	TRECHO CADENA 1 2 ISO 083 32
18	F01020416R	VITE M6X1X55 U5739 8.8ZN	SCR. M6X1X55 U5739 8.8ZN	VIS 6 X55 5739 8.G ZN	SCHRAUBE 6 X55 5739 8.G ZN	TORNILLO 6X55 5739 8.G ZN
19	F01230022R	DADO M6X1 D982 8ZN	NUT M6X1 D982 8ZN	ECROU AUTO-FREIN.M6X1 D982 8ZN	SICHERUNGSMUT. M6X1 D982 8 ZN	TUERCA DE SEGU.M6X1 D982 8 ZN
20	F01020432R	VITE M8X1,25X16 U5739 8.8ZN	SCR. M8X1,25X16 U5739 8.8ZN	VIS M8 X1,25X16 U5739 8.8 ZN	SCHRAUBE M8X1,25X16U5739 8.8ZN	TORNILLO M8X1,25X16 U5739 8.8
21	F01220022R	DADO M8X1,25 D980 8ZN	NUT M8X1,25 D980 8ZN	ECROU M8X 1,25 D980 8 ZN	MUTTER M8X 1,25 D980 8 ZN	TUERCA M8X 1 2,3 D980 8 ZN
22	F01410051R	ROS.M8 8,4X 17X1,6 U6592 ZN	WASHER M8 8,4X17X1,6 U6592 ZN	RONDELLE M8 8,4X17X1,6 ZN	SCHEIBE M8 8,4X17X1,6 U6592 ZN	ARAND.M8 8,4X 17X1,6 U6592 ZN
23	F01020451R	VITE M8X1,25X45 U5739 8.8ZN	SCR. M8X1,25X45 U5739 8.8ZN	VIS M8X1,25X45 U5739 8.8ZN	SCHRA.M8X1,25X45 U5739 8.8ZN	TORN. M8X1,25X45 U5739 8.8ZN
24	F02100114R	SPINA E.P. 6X 30 U6873 C70 BR	ELASTIC PIN 6X30	GOUJON ELASTIQUE 6X30	SPANNHUELSE 6X30	ESPINA ELASTICA 6X30
25	G19002710R	PROTEZ.RINVIO SPANDICONCIME	FERTILIZER TRANSM. PROTECTION	PROTECTION RENVOI FERTILISEUR	SCHUTZ VORGELEGE DUNGERSTREUER	PROTECCION TRANSMISION ABONADO
26	G22505085R	FERMO ASSE IN LAMIERA	PLATE AXLE STOP	ARRET AXE EN TOLE	FESTSTELLVORRICHTUNG BLECHACHS	BLOQUEO EJE DE CHAPA
27	G18701820R	RONDELLA 16,5 X25 X1,0 ZN	WASHER 16,5X25X1,0 ZN			
28	G18701620R	RONDELLA 16,5 X35 X3 QU.ZN	WASHER 16,5X35X3 SQ.HOLE GALV.	RONDELLE 16-5 X35 X3 QU.ZN	UNTERLEGSCHIEBE 16-5 X35 X3 Q	ARANDELA 16-5 X35 X3 QU.ZN
29	G17671620R	TELO DI COPERTURA SERB.L1600	TELO DI COPERTURA SERB.L1600			
30	G17772420R	PIATTO AGG.POST.TELO TRAMOGGIA	CLOTH HOPPER REAR HITCH			
31	G13722250R	TUBO RINFORZO TELO COPRISEME	REINFORCEMENT TUBE	TUBE DE RENFORCEMENT	VERSTZRKUNGROHR	TUBO DE REFUERZO
32	F06080487R	CATENA AGGANCIO TELO IN GOMMA	RUBBER FRAME CONNECTION CHAIN	CHA NE ACCROCHAGE TOILE EN CAO	KETTE BEFESTIGUNG GUMMITUCH	CADENA ENGANCHE LONA DE CAUCHO
33	F01020410R	VITE M 6X1 X 30 U5739 A2IX	SCR. M6X1X30 U5739 A2IX			
34	F01230024R	DADO M6X1 D982 A2IX	NUT M6X1 D982 A2IX	ECROU AUTOB.NOR. 10	SELBSTSP. MUTTER NOR. 10	TUERCA AUTOB. NOR. 10
35	G17772490R	GANCIO A FUNGO NERO	FIXING PIVOT			
36	F01420039R	ROSSET.M6 6,4X24X1,5 U6593 IX	WASHER M6 6,4X24X1,5 U6593 IX	RONDELL.M6 6,4X24X1,5 U6593 IX	SCHEIBE M6 6,4X24X1,5 U6593 IX	ARANDEL.M6 6,4X24X1,5 U6593 IX
37	F01030039R	VITE M6X1X25 U5933 A2IX	SCR. M6X1X25 U5933 A2IX	VIS 6X25 5933	SCHRAUBE 6X25 5933	TORNILLO 6X25 5933
38	F01020071R	VITE M8X1,25X45 U5737 A2IX	SCR. M8X1,25X45 U5737 A2IX	VIS 8 X45 5737 8.G IX	SCHRAUBE 8 X45 5737 8.G IX	TORNILLO 8 X45 5737 8.G IX
39	F01420047R	ROS.M8 8,4X 24X 2 U6593 IX	WASHER M8 8,4X24X2 U6593 IX	RONDELLE M8 8,4X24X2 U6593 IX	SCHEIBE M8 8,4X24X2 U6593 IX	ARANDELA M8 8,4X24X2 U6593 IX
40	F01230032R	DADO M8X1,25 D982 A2IX	NUT M8X1,25 D982 A2IX	ECROU M 8X1,25 D982 A2 IX	MUTTER M 8X1,25 D982 A2 IX	TUERCA M 8X1,25 D982 A2 IX
41	G18902270R	GUIDATUBO ZN TEL	TUBE GUIDE ZN TEL	GUIDER TUBE TEL ZN	FUHRER ROHR TEL ZN	GUIAR TUBO TEL ZN
42	F02250032R	RIVETTO PLAST. A VITE D7X3-9	PLASTIC RIVET SCREW D7X3-9			
43	F05150478R	RONDELLA NYLON 18X7,5X2	WASHER 18X7,5X2			
44	G66248184R	CHIUSURA USCITA SERB.SPAND.SP	OUTLET CLOSURE- MAN.SPREAD. TA	FERMETURE SORTIE RESERVOIR FER	VERSCHLUSS AUSTRITT DSNGERSTR.	CIERRE SALIDA DEP S. ABON. SP
45	G66248187R	SCARICO SERB.SPAND.TIPO MICRO	MICRO TYPE MAN.SPR.TANK DISCH.	TRAPPE DE VIDANGE TYPE MICRO	BEHZLTERENTLADUNG STREUER TYP	DESCARGA DEP S. ABON.TIPO MICR
46	G17772200R	ASSE TRASM.L.940	TRANS. AXLE L.940			
47	G17772190R	GIUNTO ALBERO QUADRO 16	SQ.AXLE 16 JOINT			
48	G18903852R	MOLLA GUIDA 2 TUBI D71 ZN	SPRING GUIDE 2 TUBES D71			
49	F01200271R	DADO M10X1,5 U5588 A2IX	NUT M10X1,5 U5588 A2IX	ECROU 10 5588 6.8 INOX	MUTTER 10 5588 6.8 INOX	TUERCA 10 5588 6.8 INOX
50	F02100121R	SPINA E.P. 6X 40 U6873 C70 BR	ELASTIC PIN 6X40	GOUJON ELASTIQUE 6X40	SPANNHUELSE 6X40	PASADOR 6X40
51	G18903140R	MOLLA GUIDATUBO	PIPE GUIDE SUPPORT	RESSORT GUIDE-TUBE	FEDER ROHRFSHRUNG	MUELLE GU A TUBOS
52	G17631220R	TUBO Q. 20X1 X 68 INOX	SQ. TUBE 20X1X68 INOX			
53	F01410034R	ROS.M6 6,4X12,5X1,6 U6592 IX	WASHER M6 6,4X12,5X1,6 U6592			
54	F01020463R	VITE M10X1,5X25 U5739 A2IX	SCR. M10X1,5X25 U5739 A2IX	VIS 10X25 5739 INOX A2	SCHRAUBE 10X25 5739 INOX A2	TORNILLO 10X25 5739 INOX A2
55	F05150112R	MANIGLIA INTERAS. 117 FORO 8MM	HANDLE	POIGNEE	HANDGRIFF	MANILLA

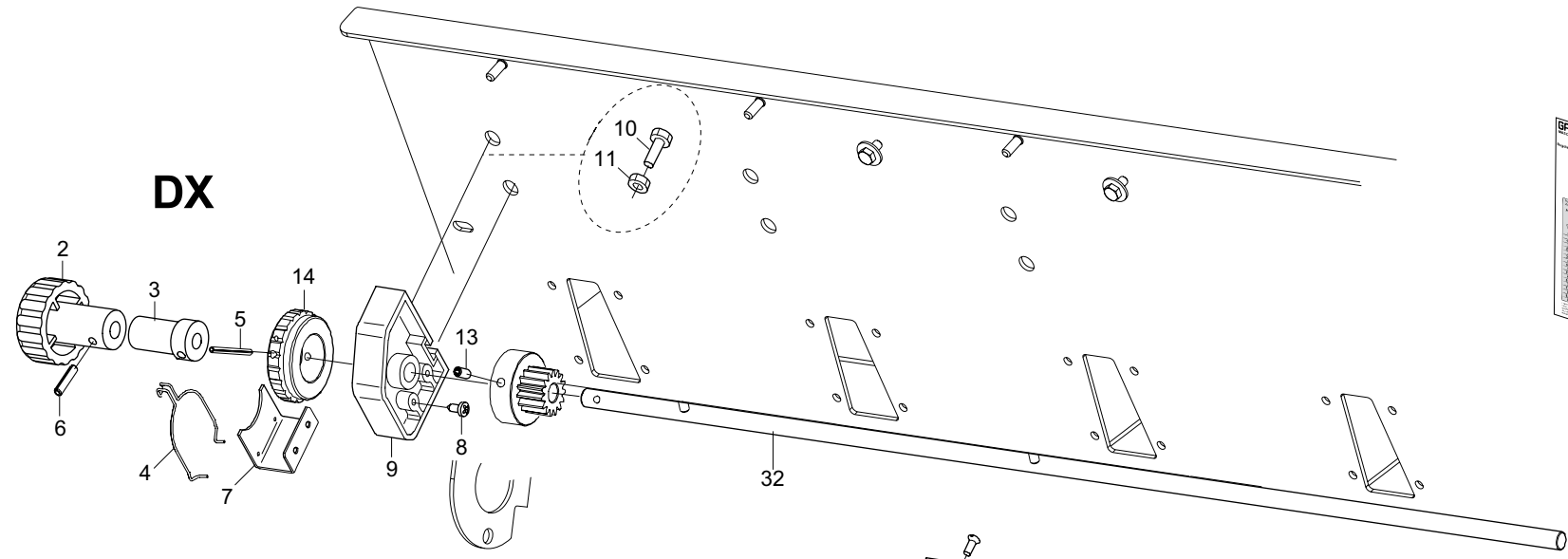


**SERBATOI SPANDICONCIME
FERTILIZER DISTRIBUTOR**

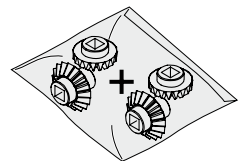
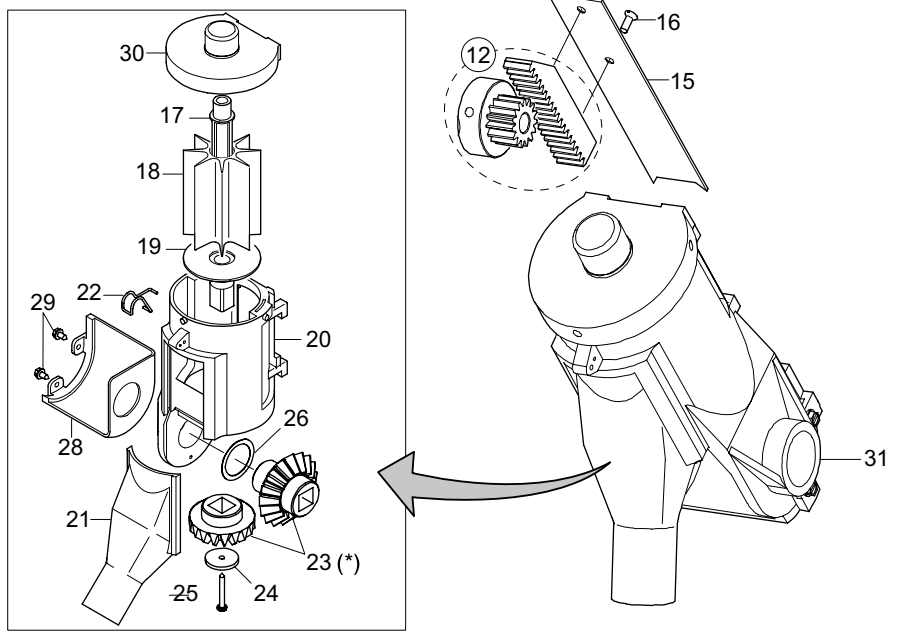
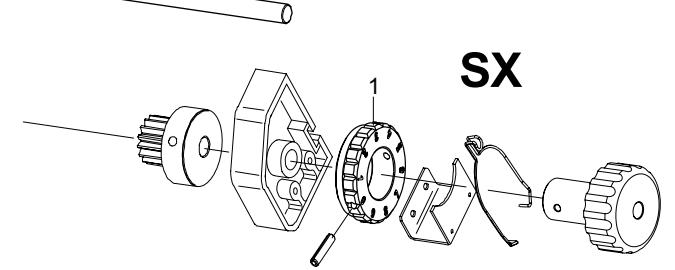
TAV. 220

Pos.	Cod.	Descrizione	Description	Description	Benennung	Descripcion
56	F01030054R	VITE M8X1,25X16 U5933 10.9 ZD	SCREW M8X1,25X16 U5933 10.9 GA	VIS M8X1,25X16 U5933 10.9 ZD	SCHRAU.M8X1,25X16 U5933 10.9ZD	TORNI.M8X1,25X16 U5933 10.9 ZD
57	F01420038R	ROS.M6 6,4X18X1,5 U6593 IX	WASHER M6 6,4X18X1,5 U6593 IX	RONDELLE M6 6,4X18X1,5U6593 IX	SCHEIBE M6 6,4X18X1,5 U6593 IX	ARANDELA M6 6,4X18X1,5 6593IX
58	F01020418R	VITE M6X1X14 U5739 A2IX	SCR. M6X1X14 U5739 A2IX	VIS 6X14 5739 INOX A2	SCHRAUBE 6X14 5739 INOX A2	TORNILLO 6X14 5739 INOX A2
59	G65336080R	MOLLA SPEC.SCARICO SPAND.T.M.	SPEC. SPRING SPREDER RELIEF			
60	F01410089R	ROS. M14 15X28X2,5 U6592 IX	WASHER M14 15X28X2,5 U6592 IX			
61	G17772580R	SUPPORTO AGITATORE SPA PLA	AGITATOR SUPP.FERT. PLAST.			
62	G19006681R	BOCCOLA ASSE AGITATORE	AGITATOR AXLE BUSHING			
63	G19005040R	BOCCOLA ASSE SPANDI	FERT. SPREADER AXLE BUSH	DOUILLE AXE PANDEUR	ACHSENBUCHSE STREUER	MANGUITO -RBOL.ABONADORA
64	G65336065R	MOLLA SPEC.COCLEA SX SPAND.HL	SPEC. WORM SCREW SPRING LEFT M	RESSORT SPEC. VIS GCH. EP. ENG	SPEZ.FEDER LI SCHNECKE STREUER	MUELLE ESPEC. TORN.S F IZQ. AB
65	G65336064R	MOLLA SPEC.COCLEA DX SPAND.HL	SPEC. WORM SCREW SPRING RIGHT	RESSORT SPEC. VIS DRT. EP. ENG	SPEZ.FEDER RE SCHNECKE STREUER	MUELLE ESPEC. TORN.S F DER. AB
66	F02100314R	SPINA EL.5 X36 DIN 1481 INOX	PIN EL.5 X36 DIN 1481 INOX			
67	F01420059R	ROS.M10 10,5X 30X2,5 U6593 IX	WASHER 11X30X2,5 6593 A2	RONDELLE 11X30X2,5 6593 A2	UNTERLEGSSCHEIBE 11X30X2,5 6593	ARANDELA 11X30X2,5 6593 A2
68	G17774020R	PIASTRA SUPP.DISTRIBUTORI	SUPPORT DISTRIBUTOR PLATE			
69	G17774030R	LAMIERA SUPPORTO CUSCINETTO	PLATE BEARING SUPPORT			
70	G17671240R	LAMIERA CHIUSURA FERITOIA	CLOSURE			
71	F05150472R	PUNTALE PVC D.10	PVC TIP D.20			

DX



SX

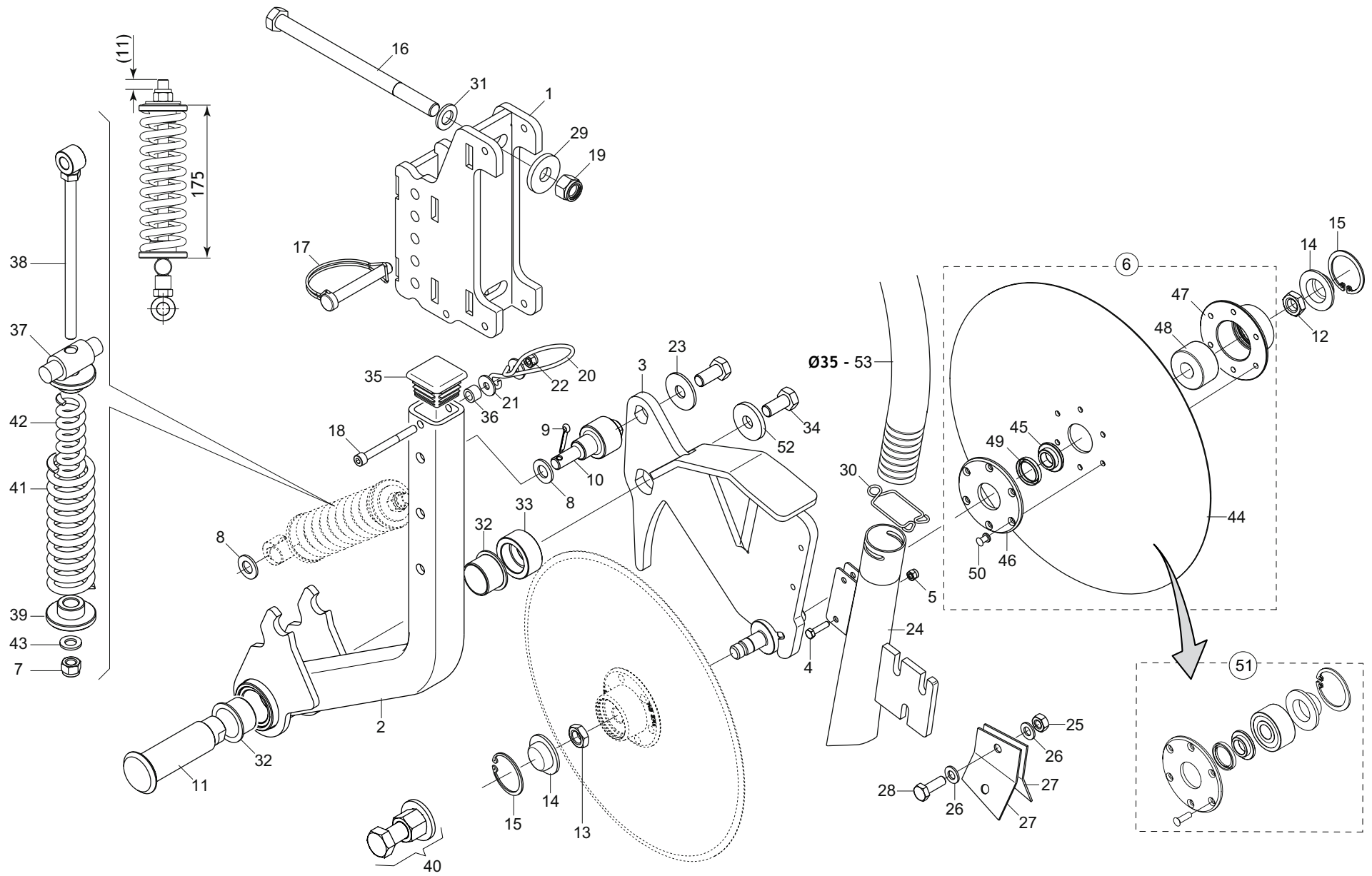


(*) Kit = (2+2 pz.)

**SPEEDY SET
SPEEDY SET**

TAV. 230

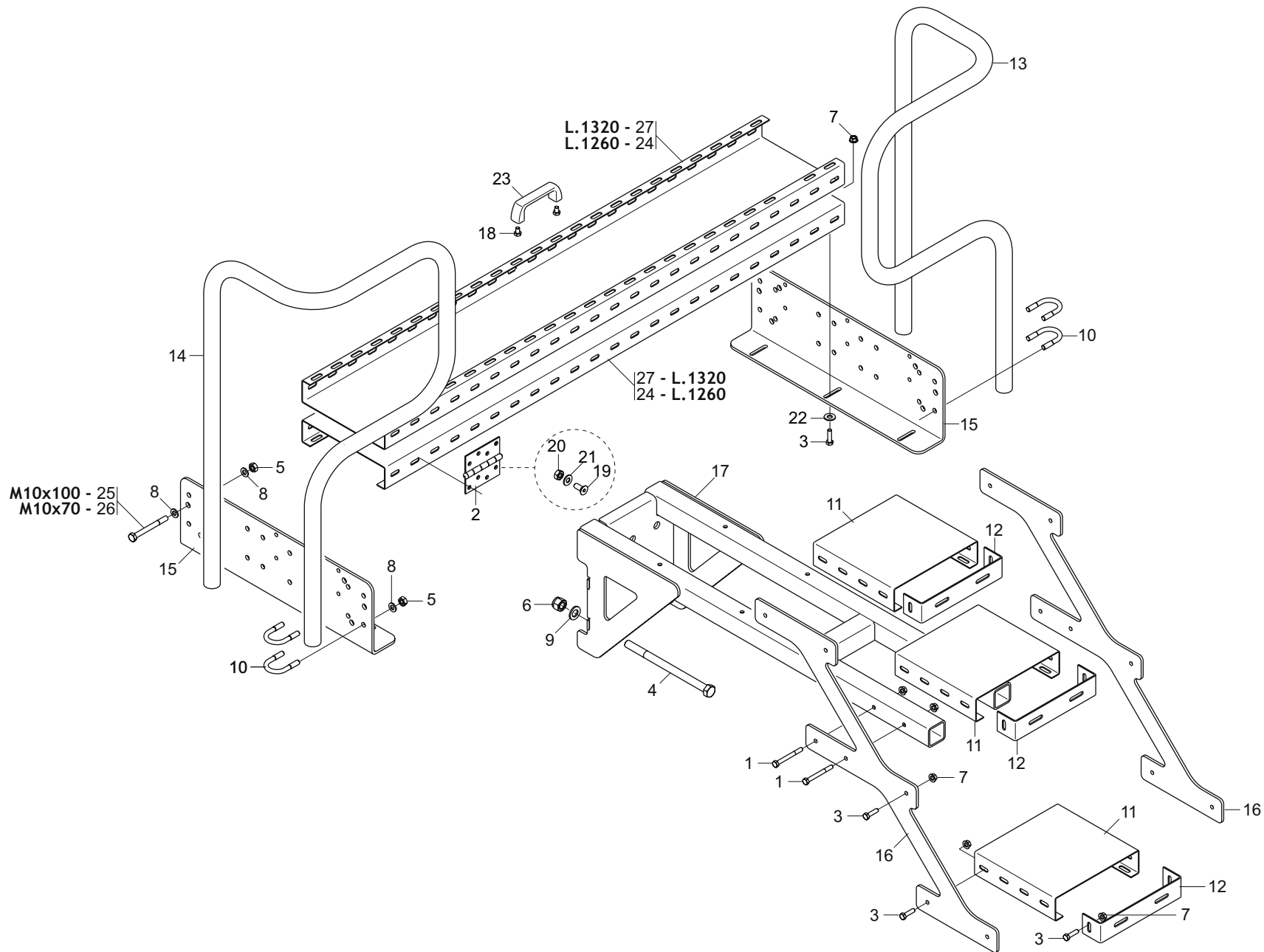
Pos.	Cod.	Descrizione	Description	Description	Benennung	Descripcion
1	G19003720R	GHIERA REGOLAZIONE SX	LEFT ADJUSTMENT KNURLED NUT	MANCHON DE REGLAGE GCH	EINSTELLMUTTER LINKS	ROSCA REGULACION IZQUIERDA
2	G19003670R	MANOPOLA SPEEDY SET	SPEEDY HANDLE SET	POIGN E SPEEDY SET	GRIFF SPEEDY SET	EMPU ADURA SPEEDY SET
3	G16670130R	BOCCOLA	BUSHING	BOITE	BSCHSE	CASQUILLO
4	G65336055R	MOLLA SPEC.REGOL.SPAND. SP	SPEC SPRING MAN. SPR. ADJUSTM.	RESSORT SPEC. REGL. EP. ENTRA	SPEZIALFEDER STREUEREINSTELLUN	MUELLE ESPEC. REGUL. ABONADORA
5	F02100066R	SPINA EL.4 X36 DIN 1481	PIN EL. 4X 36 U6873 C70 BR			CLAVIJA EL.4 X36 DIN 1481
6	F02100062R	SPINA E.P. 4X 24 U6873 C70 BR	PIN EL. 4 X24 DIN 1481	FICHE EL. 4 X24 DIN 1481	SPANNSTIFT 4 X24 DIN 1481	CLAVIJA EL.4 X24 DIN 1481
7	G16670310R	SUPPORTO MOLLA REGOLATORE	ADJ.SPRING SUPPORT			
8	F01070061R	VITE A3,9X1,34X9,5 U6954 4.8NI	SCR. H3,9X1,34X9,5 U6954 4.8NI	VIS 3,9X 9,5 DIN 7981	SCHRAUBE 3,9X 9,5 DIN 7981	TORNILLO 3,9X 9,5 DIN 7981
9	G19003660R	SUPPORTO	SUPPORT	SUPPORT	HALTERUNG	SOPORTE
10	F01030041R	VITE M6X1X10 U5933 10.9ZD	SCREW M6X1X10 U5933 10.9ZD	VIS M6X1X10 U5933 10.9ZD	SCHRAU. M6X1X10 U5933 10.9ZD	TORNILLO M6X1X10 U5933 10.9ZD
11	F01200233R	DADO M6X1 U5588 A2IX	NUT M6X1 U5588 A2IX	ECROU M 6X 1 U5588 I	MUTTER M 6X 1 U5588	TUERCA M 6X 1 U5588
12	G16675490R	KIT PIGNONE CREMAGLIERA	KIT PINION RACK			
13	F01050083R	VITE M5X0,8X12 U5927 A2IX	SCR. M5X0,8X12 U5927 A2IX	GOUJON 5X12 UNI 5927	STIFT 5X12 UNI 5927	TORNILLO SIN CABEZA 5X12 5927
14	G19003710R	GHIERA REGOLAZIONE DX	RIGHT ADJUSTMENT KNURLED	BAGUE REGLAGE DROITE	EINSTELLMUTTER RE	CONTRATUERCA REGULACIN DER.
15	G16670100R	REGOLATORE APERTURA	OPENING REGULATOR	REGULATEUR OUVERTURE	TFFNUNGSEINSTELLER	REGULADOR ABERTURA
16	F01080032R	VITE M4X0,7X10 U7688 A2IX	SCR. M4X0,7X10 U7688 A2IX	VIS M4X 0,7X10 U7688 A2 IX	SCHRAUBE M4X 0,7X10 7688 A2 IX	TORNILLO M4X0.7X10 U7688 A2 IX
17	G66248173R	ASSE DISTR.SPAND. SP	MANURE SPREADER DISTR. SPINDLE	AXE DISTRIBUTEUR EP.ENGRAIS SP	ACHSE SZAPPARAT STREUER SP	EJE DISTR. ABON. SP
18	G66248172R	DOSATORE DISTR.SPAND. SP	MAN.SPR. SEED METERING DEVICE	DOSEUR DISTRIBUTEUR EP. ENGRAI	DOSIERER DSNGERSTREUER. SP	DOSIFICADOR DISTR.ABON. SP
19	G66248211R	PERNO RONDELLA FUSA SPAND. SP	MAN. SPR. CAST WASHER PIN. SP	PIVOT RONDELLE MOULEE EP. ENGR	ZAPFEN LOSE UNTERLEGSCHIEBE ST	PERNO ARANDELA FUNDIDA ABONAD
20	G66248176R	CORPO DISTR.SPAND. SP	MANURE SPREADER DISTR. CASING	CORPS DISTRIB. EP. ENGRAIS SP	VERTEILUNGSKTRPER STREUER SP	CUERPO DISTR. ABON. SP
21	G66248178R	SCIVOLO DISTR.SPAND. SP	CHUTE- MANURE-SPREADER DISTRIB	LANCOIR DISTRIBUTION EP. ENGR.	DSNGERSTREUER RUTSCHE SP	PLANO INCLINADO DISTR. ABON. S
22	G65336062R	MOLLA SPEC.SCIV.DISTR.SPAND.SP	SPEC SPRING - MAN. SPR. DISTR.	RESS. SPEC. LANCOIR DISTR. EP.	SPEZ.FEDER RUTSCHE SZAPP. STRE	MUELLE ESPEC.PLANO INCL.DISTR.
23	G20860126R	KIT INGRANAGGI DISTRIB.CONCIME	KIT- MAN. DISTR. GEARS 2 2	COUPLE CON DISTR ENGRAIS 2 2	KIT ZAHNRZDER DSNGERSTREUER	SET ENGRANAJES DISTRIB. ABONO
24	G20970097R	RONDELLA 32X3X4,5	WASHER 32X3X4-5	RONDELLE 32X3X4-5	UNTERLEGSCHIEBE 32X3X4-5	ARANDELA 32X3X4-5
25	F01070075R	VITE A4,2X1,41X38 U6954 4.8NI	SCR. H4,2X1,41X38 U6954 4.8NI	VIS 4-2X38 DIN 7981	SCHRAUBE 4-2X38 DIN 7981	TORNILLO 4-2X38 DIN 7981
26	G18701500R	RONDELLA 29,5 X38 X0,3	WASHER 29,5 X 38 X 0,3	RONDELLE 29,5 X38 X0,3	UNTERLEGSCHIEBE 29,5X38X0,3	ARANDELA 29,5 X38 X0,3
27	G19709900R	DECAL.TAB.CONCIM.8P CHRON0 700	DECAL.TAB.CONCIM.8P CHRON0 700			
28	G19002850R	PROTEZIONE PIGNONE	PINION GUARD	PROTECTION PIGNON	RITZELSCHUTZ	PROTECCI N PI N
29	F01070011R	VITE A4,2X1,41X9,5 U6950 4.8NI	SCR. H4,2X1,41X9,5 U6950 4.8NI	VIS AUTOTAR. 4-2X9-5 T. E. COU	SELBSTSCHNEID. SCHRAUBE 4-2X9-	TORNILLO AUTORROSC. 4-2X9-5
30	G19003700R	COPERCHIO SPEEDY SET	COVER SPEEDY SET	COUVERCLE SPEEDY SET	DECKEL SPEEDY SET	TAPA SPEEDY SET
31	G13722330R	DISTR.COMPL.8PALE SPEEDY SET F	COMPL.SPEEDY 8-BLADE DISTR. SE	DISTR.COMPL.8PALETTES SPEEDY S	SAATGUT AUS.8SCH.COMPL.SPEEDY S	DISTR.COMPL.8PALETAS SPEEDY SE
32	G16670340R	TONDO D.10X1230	D.10X1230 ROUND	ROND D.10X1230	RUNDEISEN D.10X1230	BARRA REDONDA D. 10X1230



ELEMENTI DI CONCIMAZIONE FERTILIZER UNIT

TAV. 240

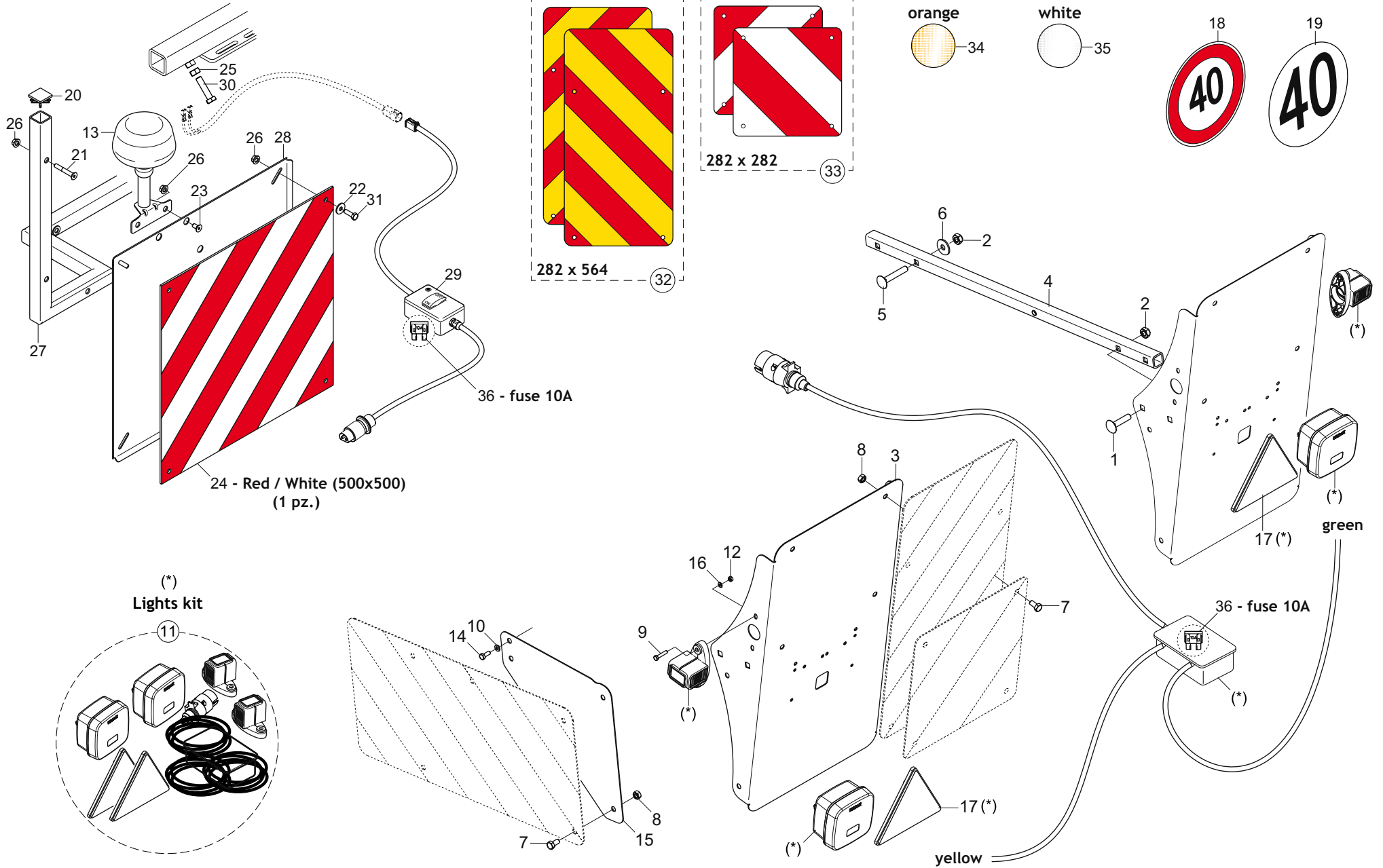
Pos.	Cod.	Descrizione	Description	Description	Benennung	Description
1	G17641240R	ASS.SUPP.DISCHI CONC.RENATA	ASS.SUPP.DISCS CONC.RENATA			
2	G17640751R	TUBO SUPPORTO DISCHI CONC.	FERTILIZ.DISC SUPPORT PIPE			
3	G17640731R	ASS.BRACCETTO SUPPORTO DISCHI	ASS.ARM IN ARM SUPPORT DISCS			
4	F01020421R	VITE M6X1X25 U5739 A2IX	SCR. M6X1X25 U5739 A2IX			
5	F01230024R	DADO M6X1 D982 A2IX	NUT M6X1 D982 A2IX	ECROU AUTOB.NOR.10	SELBSTSP. MUTTER NOR. 10	TUERCA AUTOB. NOR. 10
6	G15225500R	DISCO ASSOLC.PROTETTO COMPL.	FULLY PROTECTED DISC COULTER	DISQUE DU SOC PROT G COMPLET		DISCO SURGADOR COMPLETO
7	F01230059R	DADO M12X1,75 D982 8ZN	LOCK-NUT M12X1,75 D982 8ZN	ECR.AUTO-FREI.M12X1,75 ZN	SICHERUNGSMUT.M12X1,75 D982 8ZN	TUER.DE SEGUR.M12X1,75 D982 ZN
8	F01410088R	ROS.M14 15X 28X2,5 U6592 ZN	WAS.M14 15X 28X2,5 U6592 ZB	RON.M14 15X 28X2,5 U6592 ZB	SCH.M14 15X 28X2,5 U6592 ZB	ARA.M14 15X 28X2,5 U6592 ZB
9	F02200227R	COPIGLIA 5 X30 1336 ZN	PIN 5X 30 U1336 ZN			
10	G17640811R	PERNO AZIONAMENTO MOLLA ZN	SPRING PIVOT GALVANIZED			
11	G17640760R	PERNO D.35 ZN	PIN D.35			
12	F01200442R	DADO M16X1,5 U5589 CL8 ZN	NUT M16X1,5 R. U5589 6.8ZN	ECROU 16X1-5 UNI 5589 6.8 ZN	MUTTER 16X1-5 UNI 5589 6.8 ZN	TUERCA 16X1-5 UNI 5589 6.8 ZN
13	G15220540R	DADO M16X1,5 SX	NUT M16X1-5 LEFT	ECROU M16X1-5 GCH	MUTTER M16X1-5 LI	TUERCA M16X1-5 IZQ
14	G66248248R	TAPPO IN PLASTICA	PLASTIC PLUG	BOUCHON EN PLASTIQUE	PLASTIKPFROPFEN	TAP N DE PL STICO
15	F02050370R	ANELLO E. DI 47X1,75 U7437 C70	SEEGER RING 47X 1,75 U7437 C70	SEEGER E. 47X 1,75 U7437 C70	SEEGERING E. 47X1,75 U7437 C70	ANILLO E. 47X 1,75 U7437 C70
16	F01020388R	VITE M16X2X240 U5737 8.8	SCR. M16X2X240 U5737 8.8			
17	F02200585R	SPINA SICUR.D.12X90 ZN	SAFETY PIN D.12X90 ZN			
18	F01040108R	VITE M8X1,25X80 U5931 8.8ZN	SCR. M8X1,25X80 U5931 8.8ZN			
19	F01230085R	DADO M16X2 D982 10ZN	NUT M16X2 D982 10ZN	ECROU M16X2 D982 10ZN	MUTTER M16X2 D982 10ZN	TUERCA M16X2 D982 10ZN
20	G18903140R	MOLLA GUIDATUBO	PIPE GUIDE SUPPORT	RESSORT GUIDE-TUBE	FEDER ROHRFSHRUNG	MUELLE GU A TUBOS
21	F01420048R	ROS.M8 8,4X 24X 2 U6593 ZN	WASHER M8 8,4X 24X2 U6593 ZN	RONDELLE M8 8,4X24X 2 U6593 ZN	SCHEIBEN M8 8,4X24X 2 U6593 ZN	ARAND.M8 8,4X 24X 2 U6593 ZN
22	F01230034R	DADO M8X1,25 D982 8ZN	NUT M8X1,25 D982 8ZN	ECROU M8X 1,25 ZN	MUTTER M8X 1,25 D982 8 ZN	TUERCA M8X1,25 D982 8
23	F01420084R	ROS.M14 14,5X 36X 3 U6593 ZN	GALVANIZED WASHER 14 X36 X3	RONDELLE 14 X36 X3 ZN	UNTERLEGSSCHEIBE 14 X36 X3 ZN	ARANDELA 14 X36 X3 ZN
24	G16675450R	TUBO CONCIMAZIONE	FERTILIZER PIPE			
25	F01200270R	DADO M10X1,5 U5588 CL8 ZN	NUT M10X1,5 U5588 6.8ZN	ECROU M10X 1,5 U5588 6.8 ZN	MUTTER M10X 1,5 U5588 6.8 ZN	TUERCA M10X1,5 U5588 CL8 ZN
26	F01410062R	ROS.M10 10,5X 18X 2 U6592 ZN	WASHER M10 10,5X 18X 2 U6592	RONDELLE M10 10,5X18X2 ZN	DICHTUNGSRING M10 10,5X18X2 ZN	ARAND.M10 10,5X 18X 2 U6592 ZN
27	G15472301R	RASCHIATERRA INTERNO	INTERNAL SCRAPER SOIL			
28	F01020476R	VITE M10X1,5X30 U5739 8.8ZN	SCR. M10X1,5X30 U5739 8.8ZN	VIS M10X1,5X30 U5739 8.8 ZN	SCHRAUBE M10X1,5X30U5739 8.8ZN	TORNILLO M10X1,5X30 U5739 8.8
29	G18700450R	SAIBA 17X45X6 ZN	WASHER 17X45X6 GALV.ED			
30	G18903911R	MOLLA FERMO TUBO D.35 ZN	PIPE LOCK SPRING D.35	RESSORT ARR-T TUBE D.35	ROHRSPERRFEDER D.35	MUELLE TOPE TUBO D. 35
31	F01410101R	ROS.M16 17X 30X 3 U6592 IX	WASHER M16 17X 30X 3 U6592			
32	F04150055R	CUSCINETTO FLANGIATO 35X39X26	BEARING FLANGED 35X39X26			
33	G18804111R	BOCCOLA 30,2 X50 X22	BUSHER 30,2X50X22			
34	F01020540R	VITE M14X2X30 U5739 8.8ZN	SCR. M14X2X30 U5739 8.8ZN	VIS M14X2X30 U5739 8.8ZN	SCHRAUBE M14X2X30 U5739 8.8ZN	TORNILLO M14X2X30 U5739 8.8ZN
35	F20120349R	PUNTALE Q.50 ALETT.POLIT.NERO	CAP	BOUCHON	DECKEL	CORCHO
36	G18801610R	BOCCOLA 10,25X16 X11 ZN	BUSHING 10.25 X 16 X 11- GALVA	BOITE 10-25X16 X11 ZN	BSCHSE 10-25X16 X11 ZN	CASQUILLO 10-25X16 X11 ZN
37	G17671330R	FONDELLO MOLLA ZN	SPRING WASHER GALV.			
38	G17914401R	VITE DI REGOLAZIONE ZN	ADJUSTMENT BOLT ZN	VIS DE REGLAGE ZN	EINSTELLSCHRAUBE ZN	TORNILLO DE REGULACION ZN
39	G17940260R	FONDELLO PER MOLLA	SPRING BOTTOM	CULOT POUR RESSORT	BODENSCHLEIBE F_R FEDER	FONDO PARA MUELLE
40	G15225240R	ESTRATTORE DISCHI ELEMENTO MT	SEED PLATE EXTRACTOR ELEM. MT	EXTRACTEUR DISQUE ELEMENT MT	SCHEIBENAUSZIEHER ELEMENT MT	EXTRACTOR DISCOS ELEMENTO MT
41	G18904201R	MOLLA ELEMENTO OPERATORE ZN	OPERADORES ELEMENT SPRING	RESSORT ELEMENT OPERATEUR	FEDER ELEMENT FAHRER	MUELLE ELEMENTO OPERADOR
42	G18904380R	MOLLA COMPRESSIONE SU MOLLA ZN	COMPRESSION SPRING ZN	RESSORT COMPRESSION ZN	DRUCKFEDER ZN	MUELLE COMPRESI N ZN
43	F01410076R	ROS.M12 13X 24X2,5 U6592 ZN	WASHER 12 13X 24X2,5 U6592 ZN	RONDEL. M12 13X24X2,5 U6592 ZN	SCHEIBE M12 13X24X2,5 U6592 ZN	ARAND.M12 13X 24X2,5 U6592 ZN
44	G13825091R	DISCO ASSOLCATORE D.373	FURROW OPENER DISK D.373	DISQUE SOC D. 373 6 T.D.6	SCHEIBE SZSCHARENREISSER D.373	DISCO SURCADOR D.373
45	G15225490R	BOCCOLA PARAP.DISCO PROTETTO	DISC DUST SEAL BUSH D.34	BOITE PARAP.DISCO PROTETTO	BUCHSE PARAP.DISCO PROTETTO	MANGUITO PARAP.DISCO PROTETTO
46	G15225480R	FLANGIA INT.DISCO PROTETTO ZN	INNER DISK FLANGE	BRIDE INT. DISQUE	INNENFLANSCH SCHEIBE	BRIDA INTERIOR DISCO
47	G15223651R	SUPPORTO CUSCINETTO DISCO	DISC BEARING SUPPORT	SUPPORT PALIER DISQUE	SCHLEIBENLAGERBSCHSE	SOPORTE COJINETE DISCO
48	F04010084R	CUSC.D17D47 B22,2 3303 LLU DDU	BEARING 3303 2RS	ROULEMENT	LAGER 3303 2RS	COJINETE 3303 2RS
49	F03011075R	AN. TENUTA B1OF 24X32X4	SEALING RING 24X32X4	BAGUE D ETANCHEITE 24X32X4	DICHTUNGSRING 24X32X4	ANILLO AISLADOR 24X32X4
50	F02250521R	RIBATTINO TSC 6 X19,8 A 2	RIVET TSC 6X19,8 A 2 BY PIECE	PAQUET RIVETS TSC 6X 19,8 A 2	PACKUNG NIETEN TSC 6X19,8 A 2	PAQU.REMACHES TSC 6X 19,8 A 2
51	G15226600R	KIT X DISCO SUPER SEAL	SUPER-SEAL DISC KIT	KIT X DISC SUPER SEAL		KIT PARA DISCO SUPER SEAL
52	G18700690R	RONDELLA 15 X40 X6 ZN	WASHER 15 X 40 X 6 ZN	RONDELLE 15 X40 X6 ZN	UNTERLEGSSCHEIBE 15 X40 X6 ZN	ARANDELA 15 X40 X6 ZN
53	F03100561R	TUBO EOLO PU D.35 TRASP. NERO	TUBO EOLO PU D.35 TRASP. NERO			



**PEDANA DI ISPEZIONE E SCALETTA
INSPECTION FOOTBOARD WITH LADDER**

TAV. 250

Pos.	Cod.	Descrizione	Description	Description	Benennung	Description
1	F01020085R	VITE M8X1,25X75 U5737 8.8ZN	SCR. M8X1,25X75 U5737 8.8ZN	VIS M8X1,25X75 U5737 8.8 ZN	SCHR. M8X1,25X75 U5737 8.8 ZN	TORN. M8X1,25X75 U5737 8.8 ZN
2	GA7670020R	CERNIERA 1 2 LARGA S ZN	CERNIERA 1 2 LARGA S ZN			
3	F01020445R	VITE M8X1,25X30 U5739 8.8ZN	SCR. M8X1,25X30 U5739 8.8ZN	VIS M 8X1,25X30 U5739 8.8 ZN	SCHRAU, M8X1,25X30 U5739 8.8ZN	TORNILLO M8X1,25X30 U5739 8.8
4	F01020388R	VITE M16X2X240 U5737 8.8	SCR. M16X2X240 U5737 8.8			
5	F01200270R	DADO M10X1,5 U5588 CL8 ZN	NUT M10X1,5 U5588 6.8ZN	ECROU M10X 1,5 U5588 6.8 ZN	MUTTER M10X 1,5 U5588 6.8 ZN	TUERCA M10X1,5 U5588 CL8 ZN
6	F01230085R	DADO M16X2 D982 10ZN	NUT M16X2 D982 10ZN	ECROU M16X2 D982 10ZN	MUTTER M16X2 D982 10ZN	TUERCA M16X2 D982 10ZN
7	F01260043R	DADO M8 D6923 8.8ZN	NUT M8 D6923 8.8ZN	ECROU BRIDE .M8 DIN 6923 8.8 Z	GEFLANSCHTE MUTTER M8 DIN6923	TUERCA BRIDA M8 DIN 6923 8.8 Z
8	F01410062R	ROS.M10 10,5X 18X 2 U6592 ZN	WASHER M10 10,5X 18X 2 U6592	RONDELLE M10 10,5X18X2 ZN	DICHTUNGSRING M10 10,5X18X2 ZN	ARAND.M10 10,5X 18X 2 U6592 ZN
9	F01410100R	ROS.M16 17X 30X 3 U6592 ZN	WASHER M16 17X30X3 U6592 ZN	RONDELLE M16 17X30X3 ZN	SCHRAUBE M16 17X 30X3 U6592 ZN	ARAND.M16 17X 30X 3 U6592 ZN
10	F20110855R	CAV.T.M10X 1,5X 25 46X58,5 ZN	U BOLT T.M10X1,5X25 46X L=58,5			
11	GA7670010R	PEDANA 250 X 240 X 60 SP.2 ZN	PEDANA 250 X 240 X 60 SP.2 ZN			
12	G07000379R	TERMINALE PEDANA ZN	GALVANIZED PLATFORM END	PIECE TERMINALE MARCHEPIED ZN	LAUFSTEGABSCHLUSS ZN	TERMINAL PLATAFORMA ZN
13	G17600170R	PARAPETTO CHRONO 700 DX	PARAPETTO CHRONO 700 DX			
14	G17671430R	PARAPETTO CHRONO 700 SX	PARAPETTO CHRONO 700 SX			
15	G17671440R	SUPPORTO PEDANA CHRONO 700	SUPPORTO PEDANA CHRONO 700			
16	G17671450R	SUPPORTO SCALETTA CHRONO 700	SUPPORTO SCALETTA CHRONO 700			
17	G17671460R	ASS.SUPP.SCALETTA CHRONO 700	ASS.SUPP.SCALETTA CHRONO 700			
18	F01020427R	VITE M 8X1,25X 12 U5739 8.8ZN	SCR. M8X1,25X12 U5739 8.8ZN	VIS M8X1,25X12 U5739 8.8ZN	SCHRA. M8X1,25X12 U5739 8.8ZN	TORN. M8X1,25X12 U5739 8.8ZN
19	F01030022R	VITE M5X0,8X16 U5933 10.9ZD	SCR. M5X0,8X16 U5933 10.9ZD	VIS M5X0,8X 16 U5933 10.9 ZD	SCHRA.M5X0,8X 16 U5933 10.9 ZD	TORN. M5X0,8X 16 U5933 10.9 ZD
20	F01230019R	DADO M5X0,8 D982 8ZN	NUT M5X0,8 D982 8ZN	ECROU AUTOB.NOR.5 ZN	SELBSTSP. MUTTER NOR.5 ZN	TUERCA AUTOB. NOR. 5 ZN
21	F01410023R	RONDELLA D5 UNI 6592 ZN	WASHER M5 5,3X 10X 1 U6592			
22	F01410051R	ROS.M8 8,4X 17X1,6 U6592 ZN	WASHER M8 8,4X17X1,6 U6592 ZN	RONDELLE M8 8,4X17X1,6 ZN	SCHEIBE M8 8,4X17X1,6 U6592 ZN	ARAND.M8 8,4X 17X1,6 U6592 ZN
23	F05150112R	MANIGLIA INTERAS. 117 FORO 8MM	HANDLE	POIGNEE	HANDGRIFF	MANILLA
24	GA7670080R	PEDANA 250 X 1260 X 58 SP2 ZN	PEDANA 250 X 1260 X 58 SP2 ZN			
25	F01020133R	VITE M10X1,5X100 U5737 8.8ZN	SCR. M10X1,5X100 U5737 8.8ZN	VIS M10X1,5 X100 U5737 8.8ZN	SCHRAU.M10X1,5X100 U5737 8.8ZN	TORNI. M10X1,5X100 U5737 8.8ZN
26	F01020124R	VITE M10X1,5X70 U5737 10.9ZD	SCR. M10X1,5X70 U5737 10.9ZD	VIS M10X1.5X 70 U5737 10.9 ZN	SCHRAUBE M10X1.5X70 U5737 10.9	TORNILLO M10X1.5X70 U5737 10.9
27	G17671420R	PEDANA 250 X 1380 X 58 SP2 ZN	FOOTBOARD 250X1320X58 SP2 ZN			



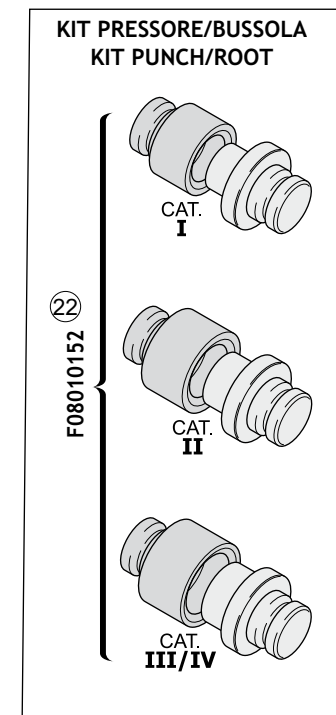
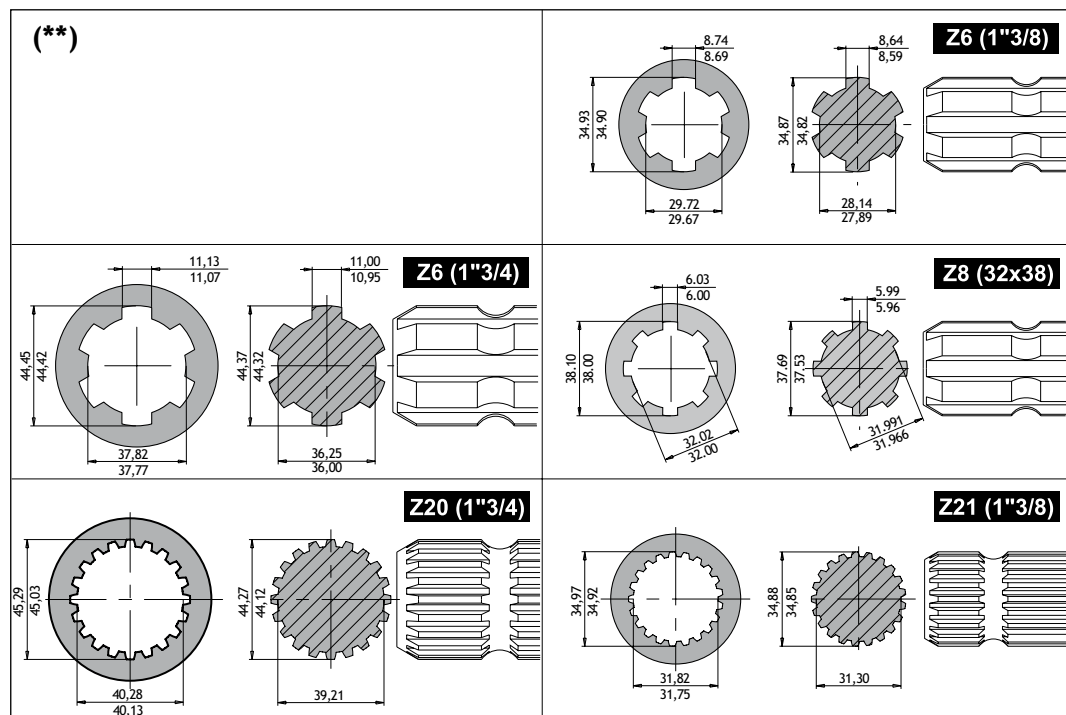
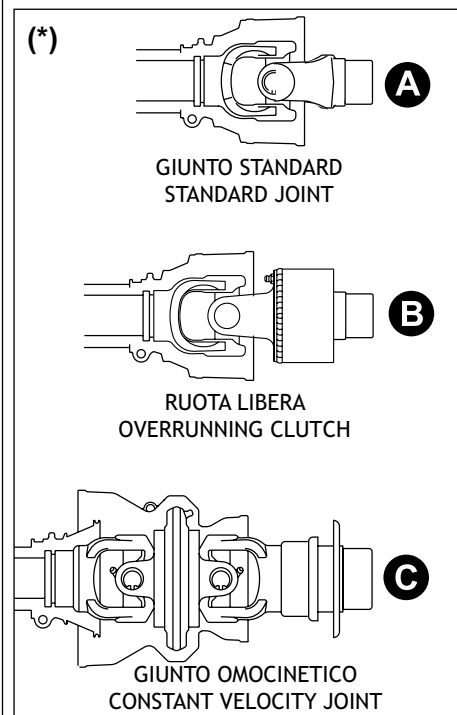
KIT LUCI E TABELLE DI INGOMBRO STRADALE LIGHTING KIT AND WARNING BOARDS

TAV. 261

Pos.	Cod.	Descrizione	Description	Description	Benennung	Descripcion
1	F01060077R	VITE M10X1,5X45 U5731 8.8ZN	SCR. M10X1,5X45 U5732 4.8ZN	VIS 10X45 5732 4.8 ZN	SCHRAUBE 10X45 5732 4.8 ZN	TORNILLO 10X45 5732 4.8 ZN
2	F01220033R	DADO M10X1,5 D980 8ZN	NUT M10X1,5 D980 8ZN	ECROU M10X1,5 D980 8ZN	MUTTER M10X1,5 D980 8ZN	TUERCA M10X1,5 D980 8
3	G18221810R	SUPPORTO KIT LUCI POSTERIORE	LIGHT KIT REAR SUPPORT			
4	G18221860R	TUBO SUPP.TABELLA CHRONO	WARNING LIGHT SUPPORT			
5	F01060081R	VITE M10X1,5X60 U5731 8.8ZN	SCR. M10X1,5X60 U5732 4.6ZN	VIS 10X60 5732 4.6 ZN	SCHRAUBE 10X60 5732 4.6 ZN	TORNILLO M10X1,5X60 U5731 8.8
6	F01420060R	ROS.M10 10,5X 30X2,5 U6593 ZG	GALV.WASHER 10,5X30X2,5 U6593	RONDELLE 10,5X30	SCHRAUBE 10,5X30	ARAND.M10 10,5X 30X2,5 U6593
7	F01020432R	VITE M8X1,25X16 U5739 8.8ZN	SCR. M8X1,25X16 U5739 8.8ZN	VIS M8 X1,25X16 U5739 8.8 ZN	SCHRAUBE M8X1,25X16U5739 8.8ZN	TORNILLO M8X1,25X16 U5739 8.8
8	F01200244R	DADO M8X1,25 U5588 CL8 ZN	NUT M8X1,25 U5588 6.8ZN	ECROU M8 X1,25 U5588 6.8 ZN	MUTTER M8 X1,25 U5588 6.8 ZN	TUERCA M8X1,25 U5588 CL8 ZN
9	F01020382R	VITE M5X0,8X25 U5739 8.8ZN	SCR. M5X0,8X25 U5739 8.8ZN	VIS 5 X25 5739 8.G ZN	SCHRAUBE 5 X25 5739 8.G ZN	TORNILLO 5 X25 5739 8.G ZN
10	F01410037R	ROS.M6 6,4X12,5X1,6 U6592 ZN	WASHER M6 6,4X12,5X1,6 U6592ZN	RONDEL.M6 6,4X12,5X1,6 U6592ZN	SCHHEIB.M6 6,4X12,5X1,6 U6592ZN	ARAND.M6 6,4X12,5X1,6 U6592 ZN
11	G19902500R	KIT LUCI CHRONO 708	LIGHT KIT CHRONO 708			
12	F01200220R	DADO M5X0,8 U5588 CL8 ZN	NUT M5X0,8 U5588 6.8ZN	ECROU 5 UNI 5588 6.8 ZN	MUTTER 5 UNI 5588 6.8 ZN	TUERCA M5X0,8 U5588 CL8 ZN
13	F05011631R	LAMPEGGIANTE CON INN.TUBOLARE	BEACON LIGHT			
14	F01020403R	VITE M6X1X16 U5739 8.8ZN	SCR. M6X1X16 U5739 8.8ZN	VIS M6X1X16 U5739 8.8 ZN	SCHRAUBE M6X1X16 U5739 8.8 ZN	TORNILLO M6X1X16 U5739 8.8 ZN
15	G18221820R	SUPPORTO TABELLA LATERALE	LIGHT KIT LATERAL SUPPORT			
16	F01410023R	RONDELLA D5 UNI 6592 ZN	WASHER M5 5,3X 10X 1 U6592			
17	F05010222R	CATARIFRANGENTE TRIANGOLARE	TRIANGULAR REFLECTOR	CATADIOPTRE TRIANGULAIRE	DREIECKIGE RSCKSTRAHLER	CATAFARO TRIANGULAR
18	F20030261R	ETICH. LIMITE VELOCITA 40	SPEED LIMIT 40 LABEL			ETIQ. L MITE VELOCIDAD 40
19	F20030261R	ETICH. LIMITE VELOCITA 40	SPEED LIMIT 40 LABEL			ETIQ. L MITE VELOCIDAD 40
20	F20120346R	PUNTALE Q 35 ALETT.POLIT.NERO	SQ.TIP 35 BLACK			
21	F01030063R	VITE M8X1,25X55 U5933 10.9ZD	SCR. M8X1,25X55 U5933 10.9ZD			
22	F01420048R	ROS.M8 8,4X 24X 2 U6593 ZN	WASHER M8 8,4X 24X2 U6593 ZN	RONDELLE M8 8,4X24X 2 U6593 ZN	SCHEIBEN M8 8,4X24X 2 U6593 ZN	ARAND.M8 8,4X 24X 2 U6593 ZN
23	F01030054R	VITE M8X1,25X16 U5933 10.9 ZD	SCREW M8X1,25X16 U5933 10.9 GA	VIS M8X1,25X16 U5933 10.9 ZD	SCHRAU.M8X1,25X16 U5933 10.9ZD	TORN.M8X1,25X16 U5933 10.9 ZD
24	F05011000R	TABELLA CAR. SPORGENTI 500X500	WARNING BOARD 500X500			
25	F01200293R	DADO M12X1,75 U5588 CL8 ZN	NUT M12X1,75 U5588 6S ZN	ECROU M12X1,75 U5588 6S ZN	MUTTER M12X1,75 U5588 6S ZN	TUERCA M12X1,75 U5588 CL8 ZN
26	F01260043R	DADO M8 D6923 8.8ZN	NUT M8 D6923 8.8ZN	ECROU BRIDE .M8 DIN 6923 8.8 Z	GEFLANSCHTE MUTTER M8 DIN6923	TUERCA BRIDA M8 DIN 6923 8.8 Z
27	G17660050R	SUPPORTO PANNELLO E GIROFARO	ROTARY-TIER SUPPORT			
28	G17660060R	SUPPORTO TABELLA	TABLE SUPPORT			
29	F05200172R	CABL.COMANDO GIROFARO E PRED.	WIRING BEACON LIGHT			
30	F01020510R	VITE M12X1,75X30 U5739 8.8ZN	SCR. M12X1,75X30 U5739 8.8ZN	VIS M12X1,75X30 U5739 8.8ZN	SCHRAU.M12X1,75X30 U5739 8.8ZN	TORNILLO M12X1,75X30 U5739
31	F01020440R	VITE M8X1,25X25 U5739 8.8ZN	SCR. M8X1,25X25 U5739 8.8ZN	VIS M8X1,25X25 U5739 8.8 ZN	SCHRAUBE M8X1,25X25U5739 8.8ZN	TORNILLO M8X1,25X25 U5739 8.8
32	F05010816R	TABELLE 2 CAR.SPORGENTI IT	WARNING BOARDS 2 IT			
33	F05012326R	TABELLE 2 CAR.SPOR.282X282MR	TABLES 2 CAR.SPOR.282X282MR			
34	F05010819R	CATARIFR.TONDO D60 GIALLO	ROUND REFLECTOR D.60 YELLOW	JAUNE R FLECTEUR ROUND	RUNDREFLEKTOR GELB D60	REFLECTOR REDONDO AMARILLO
35	F05010818R	CATARIFR.TONDO D60 BIANCO	ROUND REFLECTOR D.60 WHITE			
36	F05011415R	FUSIBILE 10AATO	FUSE 10AATO			

TAV. 270

Codice - Code	Descrizione - Description	Lunghezze Lengths		Classe - Size (A x B)	Tipo - Type (*)		Forcelle - Yokes (**)					Forcelle - Yokes Z6 (1"3/8)
		min.	max.		Z6 (1"3/8)	Z6 (1"3/4)	Z8 (32x38)	Z20 (1"3/4)	Z21 (1"3/8)			
① F08011711	CARD.B1 Z6-Z6 L700	700	960	B1 (22 x 54)	A	A	G58161015 (11)	F08011772 (13)	F08011742 (15)	F08011758 (18)	F08011767 (20)	G58161015 (11)
② F08011713	CARD.B1 Z8-Z6 L700	700	960	B1 (22 x 54)	A	A	G58161015 (11)	F08011772 (13)	F08011742 (15)	F08011758 (18)	F08011767 (20)	G58161015 (11)
③ F08011714	CARD.B1 Z20-Z6 L700	760	1020	B1 (22 x 54)	A	A	G58161015 (11)	F08011772 (13)	F08011742 (15)	F08011758 (18)	F08011767 (20)	G58161015 (11)
④ F08011715	CARD.B1 Z8-Z6 L900 R.LIB	915	1190	B1 (22 x 54)	A	B	G58161015 (11)	F08011772 (13)	F08011742 (15)	F08011758 (18)	F08011767 (20)	—
⑤ F08011716	CARD.B1 Z6-Z6 L900 R.LIB	915	1190	B1 (22 x 54)	A	B	G58161015 (11)	F08011772 (13)	F08011742 (15)	F08011758 (18)	F08011767 (20)	—
⑥ F08011719	CARD.B2 Z6-Z6 L900	900	1300	B2 (23,8 x 61,3)	A	A	—	—	—	—	—	—
⑦ F08011720	CARD.B3 Z8-Z6 L1300	1300	1775	B3 (27 x 74,6)	A	A	G58161016 (14)	—	F08011743 (16)	—	—	G58161016 (14)
⑧ F08011757	CARD.B1 Z20-Z6 L900 R.L	975	1250	B1 (22 x 54)	A	B	G58161015 (11)	F08011772 (13)	F08011742 (15)	F08011758 (18)	F08011767 (20)	—
⑨ F08011764	CARD.R4 Z20-Z6 L1381 OM-RL	1381		R4 (22 x 86)	C	B	F08011768 (12)	—	F08011766 (17)	F08011774 (19)	F08011773 (21)	—
⑬ F08011783	CARD.R4 Z6-Z6 L1565 OM-RL	1565		R4 (22 x 86)	C	B	F08011768 (12)	—	F08011766 (17)	F08011774 (19)	F08011773 (21)	—
⑩ F08011930	CARD.B3 Z6-Z6 L1200	1200	1700	B3 (27 x 70)	A	A	—	G58161016 (14)	F08011743 (16)	—	—	—



CARDANO CARDAN SHAFT

TAV. 270

Pos.	Cod.	Descrizione	Description	Description	Benennung	Descripcion
1	F08011711R	CARD. S10 0700F 112 112 1CAT	PTO SHAFT B1 Z6-Z6 L700			
2	F08011713R	CARD.B1 Z8-Z6 L700	PTO SHAFT B1 Z8-Z6 L700			
3	F08011714R	CARD.B1 Z20-Z6 L700	PTO SHAFT B1 Z20-Z6 L700			
4	F08011715R	CARD.B1 Z8-Z6 L900 R.LIB	CARD.B1 Z8-Z6 L900 FREE W.			
5	F08011716R	CARD.B1 Z6-Z6 L900 R.LIB	UNIV.JOINT B1 Z6-Z6 L900 R.LIB	CARD.B1 Z6-Z6 L900 R.LIB	KARDAN CE T100710 112 R12	CARDAN CE T100710 112 R12
6	F08011719R	CARD.B2 Z6-Z6 L900	UNIVERSAL JOINT 102 071 N T07	CARD. 102 071 N T07 T07 1 CAT	KARDAN 102 071 N T07 T07 1CAT	CARD N 102 071 N T07 T07 1CAT
7	F08011720R	CARD.B3 Z8-Z6 L1300	UNIV.JOINT B3 Z8-Z6 L1300			
8	F08011757R	CARD.B1 Z20-Z6 L900 R.L	UNIVERSAL JOINTB1 Z20-Z6 L900			
9	F08011764R	CARDANO OM 3 4Z20-RL Z6 L1381	CARD.R4 Z20-Z6 L1381 OM-RL			
10	F08011930R	CARD. B3 1192 CE ASAE	PTO SHAFT B3 1192 CE ASAE			
11	G58161015R	FORCELLA CARD.1 3 8 Z6 B1	CARD. FORK 1 3 8 Z6 B1			
12	F08011768R	FORCELLA CARD.1 3 8 Z6 R4	FORK 1 3 8 Z6 R4			
13	F08011772R	FORCELLA CARD.1 3 4 Z6 B1	YOKE 1 3 4 Z6 B1			
14	G58161016R	FORCELLA CARD.1 3 8 Z6 B3	CARD.FORK 1 3 8 Z6 B3			
15	F08011742R	FORCELLA CARD.32X38 Z8 B1	YOKE CARD.32X38 Z8 B1	FOURCHETTE CARDAN Z8 B1	GABEL KARDAN Z8 B1	HORQUILLA CARDAN Z8 B1
16	F08011743R	FORCELLA CARD.32X38 Z8 B3	YOKE CARD.32X38 Z8 B3			
17	F08011766R	FORCELLA CARD.32X38 Z8 R4	FORK 32X38 Z8 R4			
18	F08011758R	FORCELLA CARD.1 3 4 Z20 B1	CARD.FORK 1 3 4 Z20 B1			
19	F08011774R	FORCELLA CARD.1 3 4 Z20 R4	CARD. FORK 1 3 4 Z20 R4			
20	F08011767R	FORCELLA CARD.1 3 8 Z21 B1	CARD.FORK 1 3 8 Z21 B1			
21	F08011773R	FORCELLA CARD.1 3 8 Z21 R4	FORK 1 3 8 Z21 R4			
22	F08010152R	KIT PRESSORE BUSSOLA CAT I-IV	TOOLS FOR PTO YOKE CAT I-IV			
23	F08011783R	CARD.R4 Z6-Z6 L1565 OM-RL	UNIV. PTO SHAFT R4 Z6-Z6 L1210			

USATE SEMPRE RICAMBI ORIGINALI
ALWAYS USE ORIGINAL SPARE PARTS
IMMER DIE ORIGINAL-ERSATZTEILE VERWENDEN
EMPLOYEZ TOUJOURS LES PIECES DE RECHANGE ORIGINALES
UTILIZAR SIEMPRE REPUESTOS ORIGINALES

GASPARDO

Servizio Assistenza Tecnica - After Sales Service

Servizio Ricambi - Spare Parts Service



maschio.com

DEALER:



MASCHIO GASPARDO SpA

Registered office & Production plant
Via Marcello, 73 - 35011 Campodarsego (Padova) - Italy
Tel. +39 049 9289810
Fax +39 049 9289900
info@maschio.com
www.maschionet.com

MASCHIO GASPARDO SpA
Production plant

Via Mussons, 7 - 33075 Morsano al Tagliamento (PN) - Italy
Tel. +39 0434 695410
Fax +39 0434 695425
info@gaspardo.it

MASCHIO DEUTSCHLAND GMBH

Äußere Nürnberger Straße 5
D - 91177 Thalmässing - Deutschland
Tel. +49 (0) 9173 79000
Fax +49 (0) 9173 790079
dialog@maschio.de
www.maschio.de

MASCHIO-GASPARDO North America

112 3rd Avenue East
Dewitt, IA 52742 - USA
Ph. +1 563 659 6400
Fax +1 563 659 6405
info@maschio.us

MASCHIO FRANCE Sarl

Rue Denis Papin ZA
F - 45240 La Ferté St. Aubin
France
Tel. +33 (0) 2.38.64.12.12
Fax +33 (0) 2.38.64.66.79
info@maschio.fr

MASCHIO-GASPARDO ROMANIA S.R.L.

Strada Înfrâții, F.N.
315100 Chisineu-Cris (Arad) -România
Tel. +40 257 307030
Fax +40 257 307040
info@maschio.ro

000 MASCHIO-GASPARDO РУССИЯ

Улица Пушкина, 117 Б
404130 Волжский
Волгоградская область
Тел. +7 8443 203100
факс. +7 8443 203101
info@maschio.ru

MASCHIO-GASPARDO IBERICA
MASCHIO-GASPARDO POLAND
MASCHIO-GASPARDO UCRAINA
GASPARDO-MASCHIO TURCHIA
MASCHIO-GASPARDO CINA
MASCHIO-GASPARDO INDIA