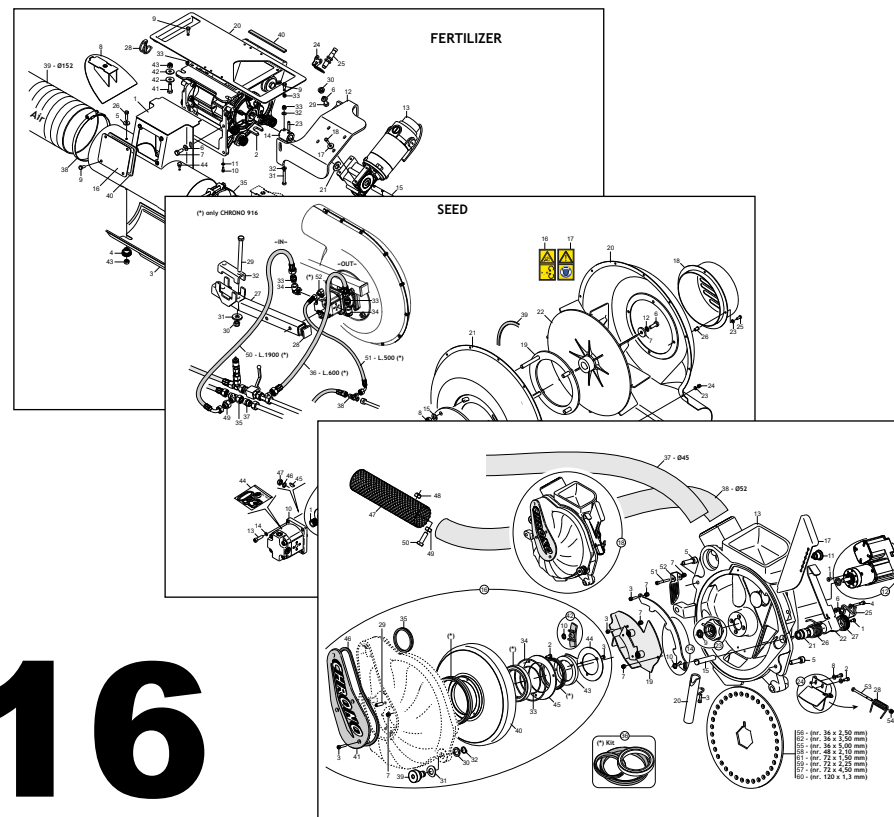


GASPARDO

MASCHIO GASPARDO S.p.A.



CHRONO 916

Cod: G19532050 2020-10

- *) Valido per Paesi UE
- *) Valid for EU member countries
- *) Gilt für EU-Mitgliedsländer
- *) Valable dans le Pays UE
- *) Válido para Países UE
- *) Valabil pentru țările UE

- IT** PARTI DI RICAMBIO
- EN** SPARE PARTS
- DE** ERSATZTEILE
- FR** PIECES DÉTACHÉES
- ES** PIEZAS DE REPUESTO

PARTI DI RICAMBIO

Le ordinazioni delle parti di ricambio vanno fatte presso i nostri concessionari di zona e devono essere sempre corredate dalle seguenti indicazioni:

- **Tipo, modello e numero di matricola dell'attrezzatura.** Tali dati sono stampigliati nell'apposita targhetta di cui è dotata ogni attrezzatura.

- **Numero di codice della parte richiesta** rilevabile dal catalogo ricambi.

- **Descrizione del particolare e quantità richiesta.**

- **Numero della tavola.**

NOTA: Il termine **(Dx) Destro** o **(Sx) Sinistro** della macchina o di parti di essa, è inteso guardando la macchina dalla parte posteriore. Le eccezioni saranno indicate.

SPARE PARTS

Orders must be transmitted through our area dealers and should always include the following indications:

- **Type, model and serial number of the machine.** These data are punched on the data plate with which every implement is equipped.

- **Code number of the required spare part.** This will be found in the spare parts catalogue.

- **Description of the part and required quantity.**

- **Table number.**

NOTE: The symbols **(Dx) right** and **(Sx) left**, concerning the machine or single parts of it, are referred, as in the figure, to a rear view of them. Exceptions will be indicated.

ERSATZTEILE

Die Bestellungen müssen bei unseren Gebietshändlern aufgegeben werden. Bei der Bestellung sind stets die folgenden Angaben zu machen:

- **Typ, Modell und Serien-Nummer des Geräts.** Diese Daten stehen auf dem Typenschild, mit dem jedes Gerät versehen ist.

- **Artikel Nr. der erforderlichen Ersatzteile.** Diese stehen im Ersatzteil-Katalog.

- **Beschreibung des Ersatzteils und die erforderliche Stückzahl.**

- **Tafelnummer.**

N.B.: Die Merkzeichen **(Dx) rechts** und **(Sx) links** betreffen eine rückwärtige Aussicht der Maschine oder Teile von ihr (siehe Bild). Ausnahmen werden gezeigt.

PIECES DÉTACHÉES

Les ordres doivent être effectués auprès de nos concessionnaires de zone en précisant les indications suivantes:

- **Type, modèle et numéro de série de la machine.** Ces données sont gravées sur la plaque d'identification de chaque outil.

- **Numéro de code de la pièce détachée** indiqué sur le catalogue des pièces détachées.

- **Description de la pièce et quantité requise.**

- **Numéro de plan.**

N.B.: Les références **(Dx) droit** et **(Sx) gauche** de la machine ou des parties de la même, est entendue, comme de la figure, en regardant la machine de derrière dans le sens de marche.

RESPUESTOS

Los pedidos han de efectuarse en nuestros concesionarios de zona y deben incluir siempre las siguientes indicaciones:

- **Tipo, modelo y número de matricula del equipo.** Dichos datos están impresos en la relativa placa presente en el equipo.

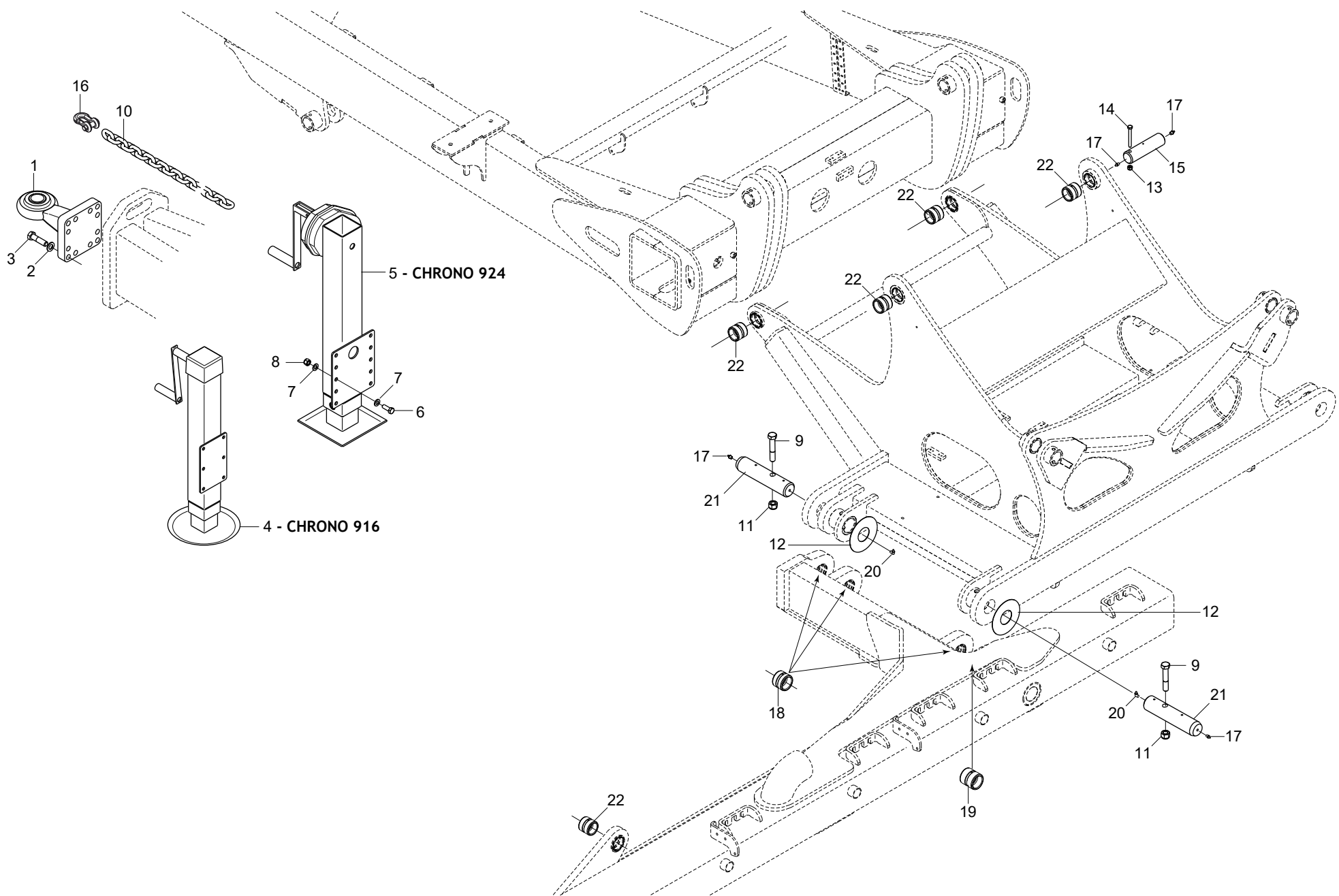
- **Número de código de la parte requerida** presente en el catálogo respuestas.

- **Descripción de la pieza y cantidad requerida.**

- **Numero de ilustración.**

N.B.: La referencia **(Dx) derecha** o **(Sx) izquierda** de la máquina o de sus componentes, se entiende, como en la figura, mirando la máquina por la parte trasera. Se indicarán las excepciones.

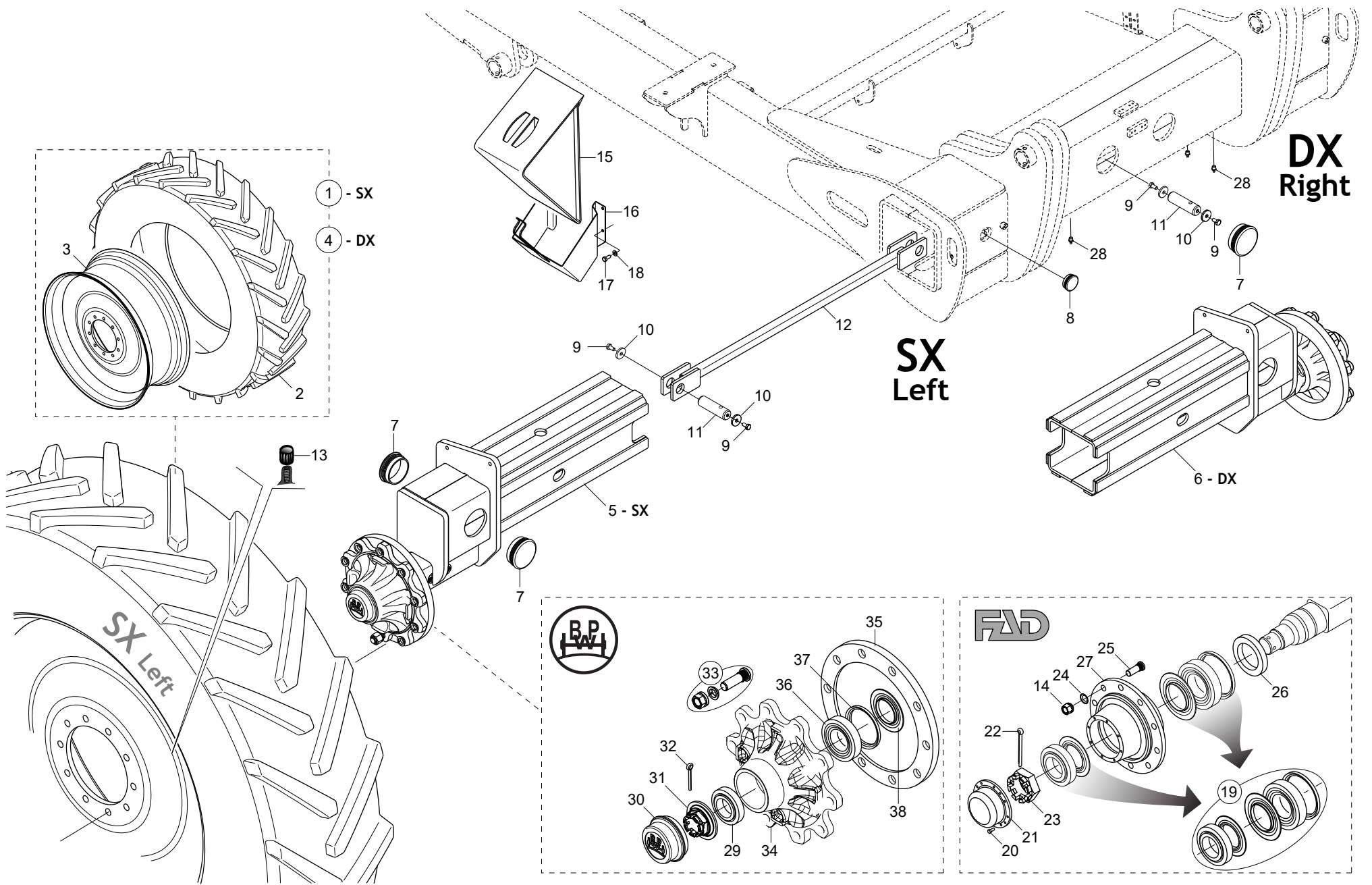
Nr. Tav.	Descrizione	Description	Pag.
TAV. 010	Parti telaio	Frame details	4
TAV. 020	Carrello trasporto	Transport trolley	6
TAV. 030	Ruote ali laterali	Side wing wheels	8
TAV. 040	Impianto oleodinamico anteriore	Front hydraulic system	10
TAV. 050	Impianto oleodinamico posteriore	Rear hydraulic system	12
TAV. 060	Impianto elettrovalvola	Hydraulic valveset	14
TAV. 070	Impianto oleodinamico carrello telescopico	Hydraulic system telescopic trolley	16
TAV. 080	Tramoggia	Hopper	18
TAV. 090	Pedana di ispezione	Inspection platform	20
TAV. 100	Impianto AIR-SPRING	AIR-SPRING system	22
TAV. 110	Compressore aria (optional)	Air compressor (optional)	24
TAV. 120	Soffiante - Concime	Blower - Fertilizer	26
TAV. 130	Azionamento oleodinamico soffiante - Concime	Fan hydraulic drive - Fertilizer	28
TAV. 140	Gruppo di dosaggio	Dosing system	30
TAV. 150	Dosatore concime	Fertilizer doser	32
TAV. 160	Tubi trasporto prodotto - Concime	Pipe product transport - Fertilizer	34
TAV. 170	Elementi concimazione	Fertilizer unit	36
TAV. 180	Soffiante - Seme	Blower - Seed	38
TAV. 190	Dosatore seme	Seed doser	40
TAV. 200	Tubi trasporto prodotto - Seme	Pipe product transport - Seed	42
TAV. 210	Depressore	Vacuum pump	44
TAV. 220	Distributore semi	Seed distributor	46
TAV. 230	Telaio elemento	Unit toolbar	48
TAV. 240	Disco assolcatore	Disc furrower	50
TAV. 250	Ruote di profondità	Depth wheels	52
TAV. 260	Ruote di compressione	Compression wheels	54
TAV. 270	Compressore aria	Air compressor	56
TAV. 280	Linea aria compressa	Compressed Air-Line	58
TAV. 290	Scatola comando elettrico - versione CHRONO 916	Electrical control box - CHRONO 916 version	60
TAV. 300	Cablaggio sensori	Sensor cable	62
TAV. 310	Cablaggio sensori	Sensor cable	64
TAV. 320	Cablaggio sensori - versione CHRONO 916	Sensor cable - CHRONO 916 version	66
TAV. 330	Kit luci e tabelle di ingombro stradale	Lighting kit and warning boards	68
TAV. 340	Dotazioni	Equipment	70
TAV. 350	Decalcomanie	Stickers	72



**PARTI TELAIO
FRAME DETAILS**

TAV. 010

Pos.	Cod.	Descrizione	Description	Description	Benennung	Descripcion
1	F02350090R	OCCHIONE D51 SNODATO 160X160	TOWING EYE D51 160X160	COUPLE REMORQUAGE D51 160X160	KOPPEL. SCHLEPPEN D51 160X160	GANCHO DE REMOLQUE D51 160X160
2	F01410124R	ROS.M20 21X 37X 3	WASHER M20 21X 37X 3	RONDELLE M20 21X 37X 3	SCHEIBE D20 UNI 6592 ZN	ARAND.M20 21X 37X 3 U6592 ZN
3	F01020307R	VITE M20X2,5X75	SCREW M20X2,5X75 U5737 12.9ZF	VIS M20X2,5X75 U5737 12.9ZF	SCHRAUBE M20X 2,5X 75 U5737	TORNIL.M20X2,5X75 U5737 12.9ZF
4	F02250840R	PUNTELLO 90X600	SUPPORT 90X600			
5	F02250830R	PIEDE 110X860	FOOT 110X860			
6	F01020544R	VITE M14X2X40	SCREW M14X2X40 U5739 8.8ZN	VIS M14X2X40 U5739 8.8ZN	SCHRAUBE M14X2X35	TORNILLO M14X2X40 U5739 8.8ZN
7	F01410088R	ROS.M14 15X 28X2,5	WASHER M14 15X 28X2,5	RONDELLE M14 15X 28X2,5	SCHEIBE M14 15X28X2,5 U6592 ZB	ARA.M14 15X 28X2,5 U6592 ZB
8	F01230073R	DADO M14X2	NUT M14X2 D982 8ZN	ECROU M14X2 D982 8ZN	SELBSTSP.MUTT. M14X2	TUERCA AUTOBL. M14X2 D982 8ZN
9	F01020313R	VITE M20X2,5X110	SCREW M20X2,5X110 U5737 8.8ZN	VIS M20X2,5X110 U5737 8.8ZN	SCHRA.M20X2,5X110 U5737 8.8 ZN	TORN. M20X2,5X110 U5737 8.8ZN
10	R18516280R	CATENA D14 L1500 ZN	CHAIN D14 L1500 ZN	CHAINE D14 L1500 ZN	KETTEN D14 L1500 ZN	CADENA D14 L1500 ZN
11	F01230131R	DADO M20X 2,5S	NUT M20X 2,5S	ECROU M20X 2,5 D982 6S ZN	MUTTER M20X 2,5 D982 6 ZN	TUERCA M20X2,5 D982 6ZN
12	G18705330R	RONDELLA 61 X130X 1 C67ARM.	WASHER 61 X130X 1			
13	F01230048R	DADO M10X1,5	NUT M10X1,5	ECROU M10X1,5 D982 8GALV.	SELBSTSP. MUTTER NOR. 10 ZN	TUERCA SEGURID.M10X1,5 D982 ZN
14	F01020492R	VITE M10X1,5X90	SCREW M10X1,5X90 U5739 8.8ZN	VIS M10X1,5X90 U5739 8.8ZN	SCHRAUBE 19X90 5739 8.G ZN	TORNIL. M10X1,5X90 U5739 8.8ZN
15	GA5915020R	PERNO D.50,00X186 INGRASS.NP	PIN D.50X186			
16	F02250664R	GRILLO D16 U1947C ZN	D SHACKLES D16 U1947C ZN	MANILLES VISSER D16 U1947C ZN	U KETTENANSCHLUSS 5 8 D16 ZN	HORQUI.CINCADAS D16 U1947C ZN
17	F01100061R	ING.M10X1 7663A 9SMNPB28 Z	GREASE NIPPLE M10X1 7663-A ZN	GRAISSEUR M10X1 7663-A ZN	SCHMIERNIPPEL M10X1	ENGRASADOR M10X1 7663-A ZN
18	F04150204R	BOCCOLA 60 X70 X40 CEMEN.	BUSHING 60X70X40	DOUILLE 60 X70 X40 CEMEN.	BUCHSE 60X70X40	CASQUILLO 60X70X40 CEMEN.
19	G15919960R	BOCCOLA 60 X70 X100	BUSHING 60 X70 X100	DOUILLE 60 X70 X100	BUCHSE 60 X70 X100	CASQUILLO 60 X70 X100
20	F01100063R	ING.M10X1 7663C 9SMNPB28 Z	GREASE NIPPLE M10X1 7663	ING.M10X1 7663-C 9SMNPB28 ZN	SCHMIERBUECHSE M10X1	ING.M10X1 7663-C 9SMNPB28 ZN
21	GA5915031R	PERNO D.60,00X270 INGRASS. NP	PIN D.60X270			
22	G15315980R	BOCCOLA CIMENTATA 50X60X40	BUSHING CEMENT. 50X60X40	DOUILLE 50X60X40	BUCHSE 50X60X40	CASQUILLO 50X60X40



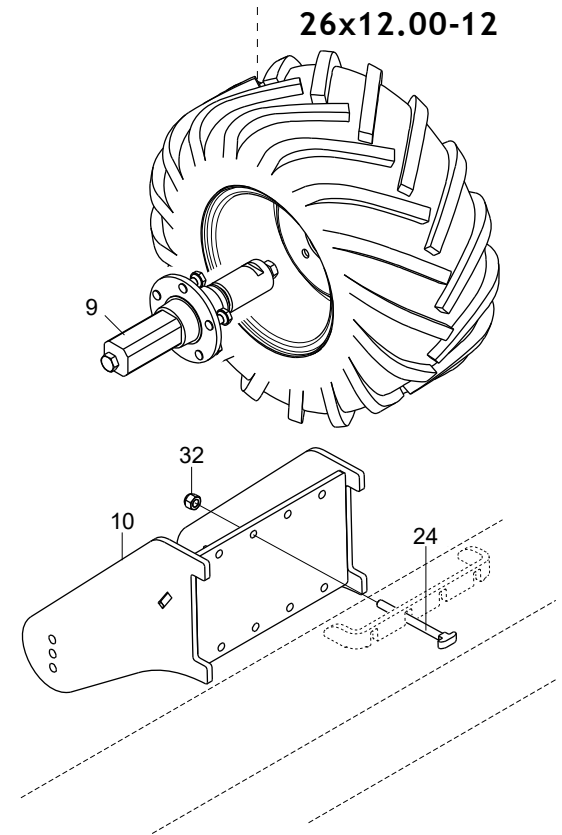
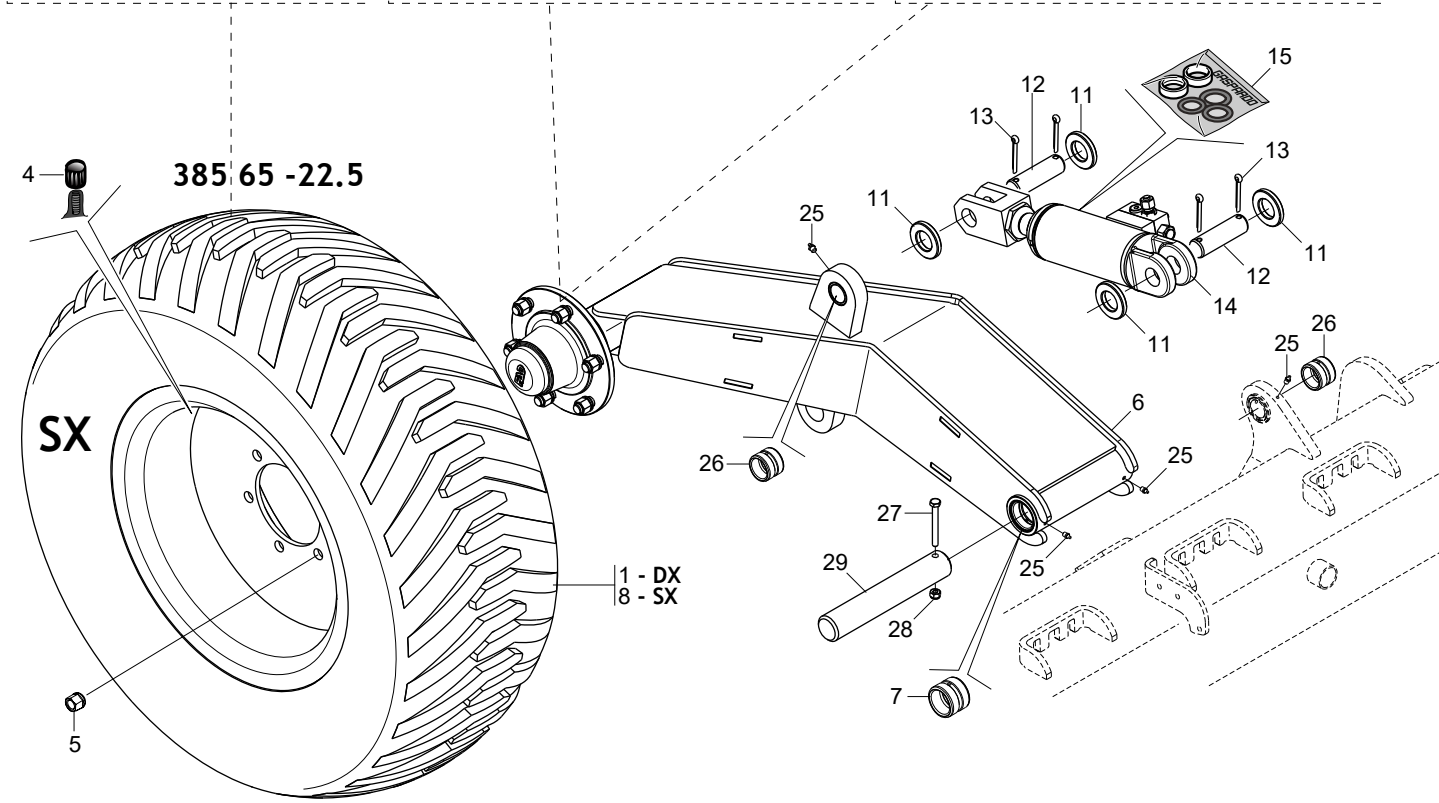
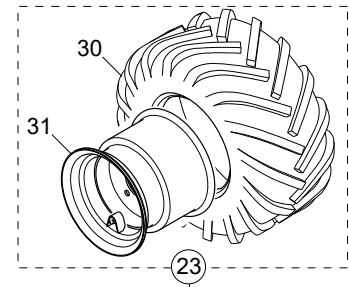
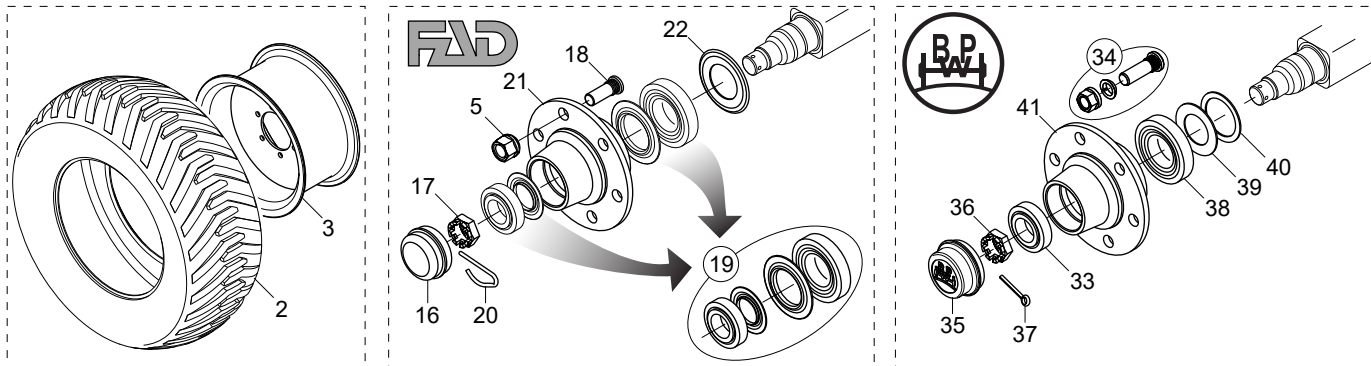
CARRELLO DI TRASPORTO TRANSPORT TROLLEY

TAV. 020

Pos.	Cod.	Descrizione	Description	Description	Benennung	Descripcion
1	F06120530R	RUOTA COMPL 520 85 R42 SX	WHEEL COMPL 520 85 R42	ROUE COMPL 520 85 R42 GAU.	RADE COMPL 520 85 R42	RUEDA COMPL 520 85 R42 IZQ.
2	F06120606R	COPERTURA 520 85 R 42 167 A8B	COVER 520 85 R 42 167 A8B			
3	F06120607R	CERCHIO 11.75X22.5 6F 161-205	CIRCLE 11.75X22.5 6F 161-205		CIRCLE 11.75X22.5 6F 161-205	
4	F06120529R	RUOTA COMPL.520 85 R42 DX	WHEEL COMPL.520 85 R42 DX	ROUE COMPL.520 85 R42 DRT.	RADE KOMPL.520 85 R42 RE.	RUEDA COMPL.520 85 R42 DRH.
5	GA5918620R	ASS.ASSALE TELESCOPICO SX 17	ASS.AXLE TELESC.LEFT 17			
6	GA5918610R	ASS.ASSALE TELESCOPICO DX 17	ASS.AXLE TELESC.RIGHT 17			
7	F05100186R	TAPPO TT D.105	TAP TT D.105		TAP TT D.105	
8	F05100185R	TAPPO TT D.55	TAP TT D.55			
9	F01020470R	VITE M10X1,5X20	SCREW M10X1,5X20 U5739 8.8ZN	VIS M10X1,5X20 U5739 8.8ZN	SCHRAUBE M 10X20	TORNIL. M10X1,5X20 U5739 8.8ZN
10	G20970085R	RONDELLA 40X4X13	WASHER 40X4X13	RONDELLE 40X4X13	UNTERLEGSSCHEIBE 40X4X13	ARANDELA 40X4X13
11	G15317700R	ASSE D.35 X120	D.35X120 AXLE AXIS	AXE D.35X120	ACHSE D.35X120	EJE D.35X120
12	GA5915040R	TIRANTE ASSALE 3,5 M	TIE ROD AXLE 3,5M			
13	F05050026R	CAPPELLOTTO PROTEZ. X VALV. FE	GUARD CAP VALVE FE		CAPPELOTTO SCHUTZ X VENTIL.FE	
14	F01230501R	DADO M22X1.5	NUT M22X1.5	ECROU M22X1.5 DIN74361	MUTTER M22X1,5 DIN	TUERCA M22X1,5 DIN
15	U18460087R	CUNEO GRANDE PER FERMO RUOTA	STOP WHEEL WEDGE		CUNEO GRANDE PER FERMO RAD	
16	U30020768R	SUPP CUNEO GRANDE PER RUOTA	SUPPORT WEDGE BIG WHEEL		HALTER WEDGE GROSS RAD	
17	F01020436R	VITE M8X1,25X20	SCREW M8X1,25X20 U5739 8.8ZN	VIS M8X1,25X20 U5739 8.8ZN	SCHRAUBE M 8X20	TORN. M8X1,25X20 U5739 8.8ZN
18	F01410051R	ROS.M8 8,4X 17X1,6	WASHER M8 8,4X17X1,6	RONDELLE M8 8,4X17X1,6	SCHEIBE D.8	ARAND.M8 8,4X 17X1,6 U6592 ZN
19	F06160050R	KIT RIC.MOZZO COD.F06160028	KIT RIC.HUB COD.F06160028		KIT RIC.NABE COD.F06160028	
20	F01040237R	VITE M6X10	SCREW M6X10	VIS M6X10 UNI5931 8.8	SCHRAUBE M6X10 8.8	TORN. M6X10 UNI5931 8.8
21	F06120345R	CALOTTA X MOZZO FAD F06160028	CAP FOR HUB FAD F06160028		KAPPE FOR NABE FAD F06160028	
22	F02200410R	COPIGLIA	SPLIT PIN	GOUPILLE	SPLIT BOLZEN	CHAVETA
23	F01200014R	DADO INTAGLI M80X2	NUT CUT M80X2	ECROU RAINURES M80X2	MUTTER INTAGLI M80X2	TUERCA RANURAS M80X2
24	G68200003R	RONDELLA GROWER D.22,5	WASHER G. D.22,5	RONDELLE G. D.22,5	SPRENGRING D.22,5	ARANDELLA G. D.22,5
25	F01110037R	VIT. COLONNETTA M22X1,5X70	BOLT M22X1,5X70	VIS COLONNETTA M22X1,5X70	RADBOLZEN M22X1,5X65 109 CL	EJE RUEDA M22X1,5X70 109 CL
26	F03010103R	ANELLO DI SPALLAMENTO	SHOULDER RING			
27	F06160065R	MOZZO RUOTE ALI FAD F06160028	HUB WHEELS WINGS FAD F06160028		NABE RADS WINGS FAD F06160028	
28	F01100011R	ING.M 6X1 7663A 9SMNPB28 Z	GREASE NIPPLE M6X1 7663-A ZN	GRAISS. A BILLE M6X1 7663A ZN	KUGELFETTBUCHSE M6X1 A	ENG.M 6X1 7663-A 9SMNPB28 ZN
29	UA5600127R	ROND. MOZZO CAMPO44 65 C22,5	WASHER CAMPO 44 65 HUB C22,5			
30	UA5600129R	COPRIMOZZO RUOTA D.120,3	WHEEL HUB D.120,3		RAD NABE D.120,3	
31	F01310001R	DADO CASTELLATO M52X2	NUT M52X2	ECROU M52X2	MUTTER M52X2	
32	F02200013R	COPIGLIA 8X32 ISO 1234	PIN 8X32			
33	F50010012R	KIT BULLONE M22X1,5 BPW	KIT BOLT M22X1,5 BPW	KIT BOULON M22X1,5 BPW		KIT TORN. TUER. M22X1,5 BPW
34	F06160150R	MOZZO BPW	HUB BPW			
35	F02350253R	FLANGIA	FLANGE	BRIDE		BRIDA
36	F04050048R	CUSCINETTO 32215 720	BEARING 32215 720	ROULEMENT 32215 720		COJINETE 32215 720
37	F03013010R	ANELLO	RING			
38	F03013009R	ANELLO DI SPALLAMENTO 32215	RING 32215			

CHRONO 924 version

CHRONO 916 version



RUOTE ALI LATERALI SIDE WING WHEELS

TAV. 030

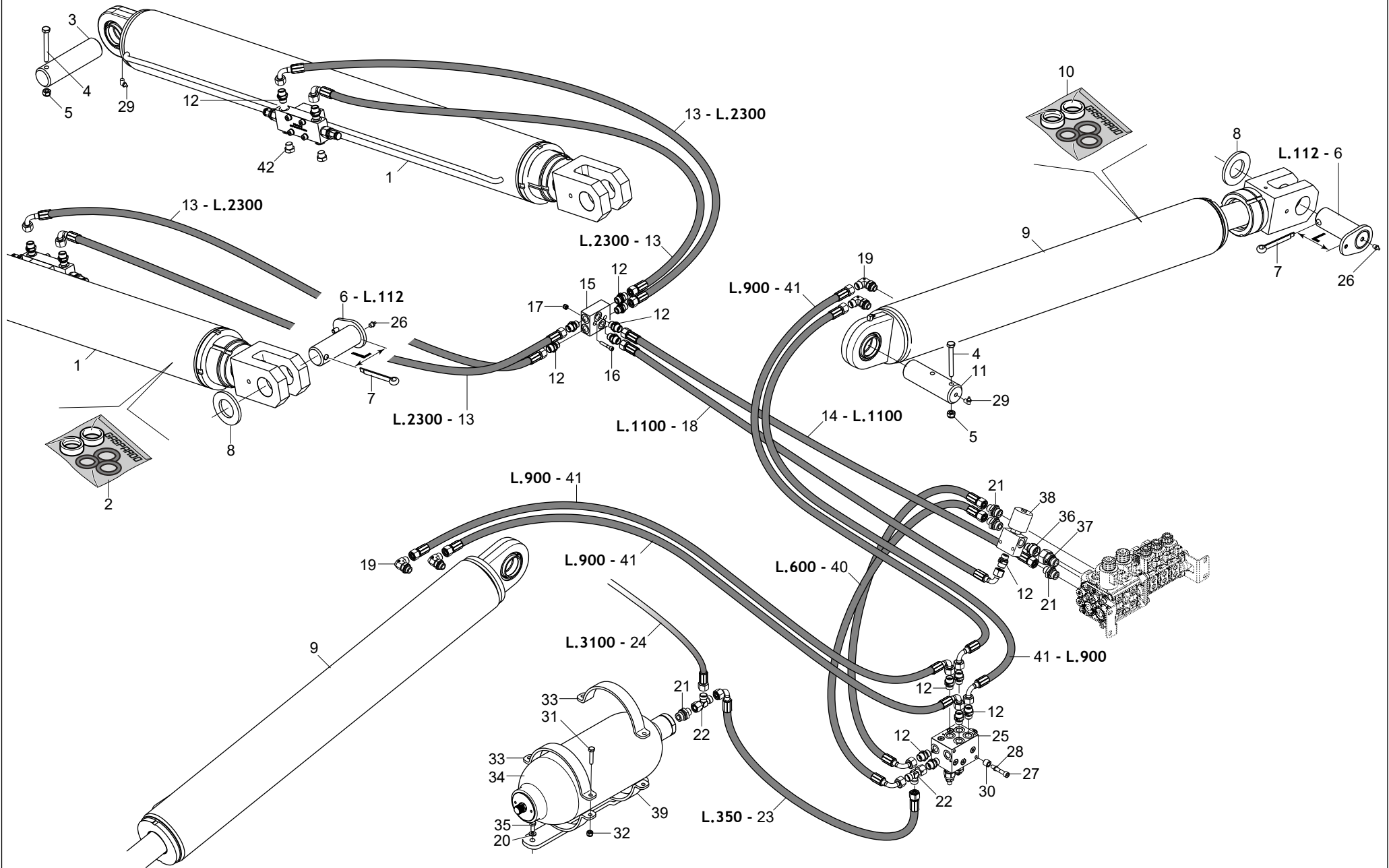
Pos.	Cod.	Descrizione	Description	Description	Benennung	Description
1	F06120531R	RUOTA COMPL 385 65 -22.5 DX	WHEEL COMPL 385 65 -22.5	ROUE COMPL.385 65 -22.5 DRT.	RADE COMPL 385 65 -22.5	RUEDA COMPL.385 65 -22.5 DRH.
2	F06120608R	COPERTURA 385 65 22.5 156 B	COVER 385 65 22.5 156 B	COUVERTURE 385 65 22.5 156 B		
3	F06120607R	CERCHIO 11.75X22.5 6F 161-205	CIRCLE 11.75X22.5 6F 161-205		CIRCLE 11.75X22.5 6F 161-205	
4	F05050026R	CAPPELLOTTO PROTEZ. X VALV. FE	GUARD CAP VALVE FE		CAPPELLOTTO SCHUTZ X VENTIL.FE	
5	F01230314R	DADO M18X1.5	NUT M18X1.5	ECROU M18X1.5	MUTTER M18X1.5	TUERCA M18X1.5
6	GA5917021R	ASS.SUPP.RUOTE ALA JULIA	ASS.SUPP.RUOTE ALA JULIA			
7	G15315980R	BOCCOLA CIMENTATA 50X60X40	BUSHING CEMENT. 50X60X40	DOUILLE 50X60X40	BUCHSE 50X60X40	CASQUILLO 50X60X40
8	F06120644R	RUOTA COMPL 385 65 -22.5 SX	WHEEL COMPL 385 65 -22.5 SX	ROUE COMPL 385 65 -22.5 GAU.		RUEDA COMPL 385 65 -22.5 SX
9	GA5919430R	S.ASSE 5C.M16D.94X140 L390 M20	S.ASSE 5C.M16D.94X140 L390 M20			
10	GC5917010R	ASS.SUPP.RUOTA ALA JULIA 16F	ASS.SUPP.RUOTA ALA JULIA 16F			
11	G18701810R	RONDELLA 38X70X10	WASHER 38X70X10	RONDELLE 38X70X10	UNTERLEGSSCHEIBE 38X70X10	ARANDELA 38X70X10
12	R17012460R	SPINA 35X99 ZN	PIN 35X99 ZN	FICHE EL. 35X99 ZN	STIFT 35X99 ZN	CLAVIJA 35X99 ZN
13	F02200260R	COPIGLIA 8X 60 U1336 ZN	SPLIT PIN 8 X60 1336 GALV.	GOUPILLE 8 X60 1336 GALV.	SPLINT 8 X60 1336 ZN	CHAVETA 8 X60 1336 GALV.
14	F03090065R	CILINDRO DE 90X40-120 V.BLOCC.	CILINDER DE 90X40-120 V.BLOCC		CILINDER DE 90X40-120 V.BLOCC	
15	F03090087R	KIT GUARNIZ.CILINDRO F03090065	KIT SEALS CILINDER F03090065			
16	F06120215R	CALOTTA	CAP		KAPPE	
17	F01200009R	DADO INTAGLI M39X2	NUT CUT M39X2	ECROU RAINURES M39X2	KRONEN MUTTER M39X2	TUERCA RANURAS M39X2
18	F01110010R	VITE COON.M18X1,5X35	SCREW COON.M18X1,5X35 L49ST	VIS COON.M18X1,5X35 L49ST	SCHRAUBE ACHSENS-ULE DP	TORNILLO COL.M18X1,5X35 L49ST
19	F06160049R	KIT RIC.MOZZO COD.F06160029	KIT RIC.HUB COD.F06160029		KIT RIC.NABE COD.F06160029	
20	F02100343R	SPINA ELASTICA	SPRING PIN		FEDER BOLZEN	
21	F06160064R	MOZZO RUOTE ALI FAD F06160029	HUB WHEELS WINGS FAD F06160029			
22	F03010331R	ANEL. T.65 X120 FAD	OIL SEAL RING T.65	BAGUE T.65X120 FAD		
23	G16715750R	RUOTA GOMM.26X12.00-12 8PR SX	RUBBER WHEEL 26X12.00-12 RH	ROUE CAOUTCHOU.26X12.00-12 DRT	RAD GUMMITA 26.00-12 LINKS COM	RUEDA CAUC.26X12.00-12 8PR IZQ
24	G16610010R	VITE A MARTELLO M14 X 165	HAMMER SCREW M14 X 165	VIS DE MARTEAU M14 X 165	ZWEIFL GEL-SCHRAUBEN M14 X 165	TORNILLO MARTILLO M14 X 165
25	F01100011R	ING.M 6X1 7663A 9SMNPB28 Z	GREASE NIPPLE M6X1 7663-A ZN	GRAISS. A BILLE M6X1 7663A ZN	KUGELFETTBUCHSE M6X1 A	ENG.M 6X1 7663-A 9SMNPB28 ZN
26	F04150205R	BOCCOLA 35 X45 X30 CEMEN.	BUSHING 35X45X30 CONCRETED	DOUILLE 35 X45 X30 CEMEN.		CASQUILLO 35X45X30 CEMEN.
27	F01020492R	VITE M10X1,5X90	SCREW M10X1,5X90 U5739 8.8ZN	VIS M10X1,5X90 U5739 8.8ZN	SCHRAUBE 19X90 5739 8.G ZN	TORNIL. M10X1,5X90 U5739 8.8ZN
28	F01230048R	DADO M10X1,5	NUT M10X1,5	ECROU M10X1,5 D982 8GALV.	SELBSTSP. MUTTER NOR. 10 ZN	TUERCA SEGURID.M10X1,5 D982 ZN
29	GA5914831R	PERNO D.50,00X325 ZN	PIN D.50325 ZN			
30	F06120162R	COPERTURA 26X12.00-12	TYRE 26X12.00 - 12	COUVERTURE 26X12.00-12	REIFEN 26X12.00-12 F R MIRKA	CUBIERTA 26X12.00-12
31	F06120638R	CERCHIO RUOTA 26X12.00-12	RIMS FOR WHEEL 320 60-12 TREL.	CERCLE ROUE 26X12.00-12	FELGE 26X12.00-12	LLANTA RUEDA 26X12.00-12
32	F01230073R	DADO M14X2	NUT M14X2 D982 8ZN	ECROU M14X2 D982 8ZN	SELBSTSP.MUTT. M14X2	TUERCA AUTOBL. M14X2 D982 8ZN
33	F04050136R	CUSCIN.A RULLI CONI.32207 720	BEARING AT CONIC ROLLER			
34	F50010013R	KIT BULLONE M18X1,5 BPW	KIT BOLT M18X1,5 BPW	KIT BOULON M18X1,5 BPW		KIT TORN. TUER. M18X1,5 BPW
35	F05100033R	TAPPO D=72,1 GSST 5508	TAP D=72,1 GSST 5508			
36	M32700377R	DADO M27X1.5 D937	NUT M27X1.5 D937	ECROU M27X1,5 U5594 ZB	MUTTER M27X1.5 D937	TUERCA M27X1.5 D937
37	F02200251R	COPIGLIA 5X45 DIN94 GSST 5508	SPLIT PIN 5X45 DIN94	GOUPILLE 5X45 DIN94 GSST 5508		CHAVETA 5X45 DIN94 GSST 5508
38	F04050135R	CUSCIN.A RULLI CONI.32013 720	BEARING AT CONIC ROLLER			
39	F03011023R	PARAOLIO 68X100X12 GSST 5508	BLOCK OIL 68X100X12 GSST 5508			
40	F03010014R	ANELLO TENUTA GSST 5508	SEAL RING GSST 5508	BAGUE D ETAINCHEITE GSST 5508		
41	M32700380R	ALLOGGIAMENTO FLANGIATO BPW	HOUSING FLANGE BPW		GEHAEUSE FLANSCH BPW	

IMPIANTO OLEODINAMICO ANTERIORE FRONT HYDRAULIC SYSTEM

TAV. 040

Pos.	Cod.	Descrizione	Description	Description	Benennung	Description
1	F01020088R	VITE M8X1,25X90	SCREW M8X1,25X90 U5737 8.8ZN	VIS M8X1,25X90 U5737 8.8ZN	SCHR. M8X1,25X90 U5737 8.8 BR	TORN. M8X1,25X90 U5737 8.8ZN
2	F03080103R	NIPPLO ML22 ML22 ZN	NIPPLE ML22 ML22		NIPPEL ML22 ML22	
3	F03080100R	NIPPLO FL22 ML18 ZN	NIPPLE FL22 ML18		NIPPEL FL22 ML18	
4	F03071653R	TG 3 4 R17 FL22 FL22 800	RT 3 4 R17 FL22 FL22 800			MG 3 4 R17 FL22 FL22 800
5	F03070128R	TUBO D.18X2 FL18 FL18 L2500	PIPE D.18X2 FL18 FL18 L2500			
6	F03080021R	NIPPLO FL22 FL18 ZN	NIPPLE FL22 FL18		NIPPEL FL22 FL18	
7	F01040066R	VITE M6X1X35	SCREW M6X1X35	VIS M6X1X35 U5931 8.8ZN	SCHRAUBE 6 X35 5931 8.G ZN	TORNILLO M6X1X35 U5931 8.8ZN
8	F01040067R	VITE M6X1X45	SCREW M6X1X45	VIS M6X1X45 U5931 8.8ZN	SCHRAUBE M 6X45	TORNILLO M6X1X45 U5931 8.8ZN
9	F03150990R	COPPIA COLL.1T D28 2V I=40 M6	PAIR OF COLLARS 1T			
10	F01230022R	DADO M6X1	NUT M6X1	CROU M6X1 D982 8ZN	SELBSTSP. MUTTER NOR.6 ZN	TUERCA M6X1 D982 8ZN
11	F03070417R	TG 3 8 R17 FL12 1000	RUB.TUBE 3 8 R17 FL12 1000			
12	F03070811R	TG 3 8 R17 FL12 CFL12 1250	RUB.TUBE 3 8 R17 FL12 CFL12			
13	F01410051R	ROS.M8 8,4X 17X1,6	WASHER M8 8,4X17X1,6	RONDELLE M8 8,4X17X1,6	SCHEIBE D.8	ARAND.M8 8,4X 17X1,6 U6592 ZN
14	F03070416R	TG 3 8 R17 FL12 F45L12 1800	RUB.TUBE 3 8 R17 FL12 F45L12			
15	F01420036R	ROS.M6 6,4X 18X1,5	WASHER M6 6,4X 18X1,5	RONDELLE M6 6,4X 18X1,5	SCHEIBE 6-6X 18X2 6593 ZN	ARANDELA M6 6,4X18X1,5U6593ZN
16	F03151136R	COLLARE A1-12 S	COLLAR A1-12 S	COLLIER A1-12 S	BUNDRING A1-12 S	ARGOLLA A1-12 S
17	F02350077R	COLLARE FERMA 1 TUBO D.18	FIXING BLOCK 1 TUBE D.18			
18	F03080263R	REG.FLUSSO UNIDIR.3 8 200BAR	REG.FLOW 3 8 200BAR	REGUL.DE FLUX 3 8 200BAR		
19	F03150934R	INNESTO RAP.MASCH.1 A VALV.	QUICK CONNECT MALE CONE 1			
20	F03070129R	TUBO D.12X1,5 FL12 FL12 L1200	PIPE D.12X1,5 FL12 FL12 L1200			
21	F03150935R	INNESTO RAP.MASCH.1 2 A VALV.	QUICK CONNECT MALE CONE 1 2	CONNEXION RAPIDE MALE CONE 1 2	SCHNELLKUPPLUNG GEWINDE KONISC	ACOPLAMIENT.RAP.MACHO CONO 1 2
22	F03070471R	TUBO D.18X2 FL18 FL18 L3000 ZN	PIPE D.18X2 FL18 FL18 L3000			
23	F03150947R	INNESTO RAP.FEMM.1 A VALV.	QUICK-CONNECT 1 VALVE FEM.			
24	F03080001R	NIPPLO M3 8 SEAL ML12 ZN	NIPPLE M3 8 SEAL ML12 ZN	NIPLE M3 8 SEAL ML12 ZN	INNESTO RAP.FEMM.1 A VENTIL.	NIPLE M3 8 SEAL ML12 ZN
25	F03070407R	TG 1 R17 FL28 F45L28 1800	RUB.TUB.1 R17 FL28 F45L28 1800	TG 1 R17 FL28 F45L28 1800		TG 1 R17 FL28 F45L28 1800
26	F03151402R	MINIPRESA 16X2 ATT.1 4	SOCKET 16X2 -1 4		SOCKET 16X2 -1 4	
27	F03080010R	PASSAPARETE ML12 ML12 ZN	PASS WALL ML12 ML12			
28	F03080012R	PASSAPARETE ML18 ML18 ZN	PASS WALL ML18 ML18	PASSE CLOISON ML18 ML18	PASS WAND ML18 ML18	PASACABLES PARED ML18 ML18
29	F03080013R	PASSAPARETE ML28 ML28 ZN	PASS WALL ML28 ML28		PASS WAND ML28 ML28	
30	F03080015R	NIPPLO M1 2 SEAL ML18 ZN	NIPPLE M1 2 SEAL ML18		NIPPEL M1 2 DICHTUNG ML18	
31	F03080016R	NIPPLO M1 SEAL ML28 ZN	NIPPLE M1 SEAL ML28		NIPPEL M1 DICHTUNG ML28	
32	F03070546R	TG 1 2 R17 FL18 CFL18 2600	TG 1 2 R17 FL18 CFL18 2600			
33	F03080020R	PROLUNGA F1 4 ML12 ZN	EXTENSION F1 4 ML12		ERWEITERUNG F1 4 ML12	
34	F03151432R	PRESA PIATTA 3 8 FEMMINA	FLAT COUPLING 3 8 FEMALE		FLACH KUPPLUNG 3 8 FESTECKER	
35	F03080031R	NIPPLO FL12 FL12 ZN	NIPPLE FL12 FL12		NIPPEL FL12 FL12	
36	F03080030R	RACC.T ML12 ML12 ML12 ZN	T-UNION ML 12 ML12 ML12 ZN	RACCORD T ML12 ML12 ML12 ZN	ANSCHLUSST.T ML12 ML12 ML12 ZN	UNION T ML12 ML12 ML12 ZN
37	F03070405R	TG 1 2 R17 FL18 F45L18 1800	RUB.TUBE 1 2 R17 FL18 F45L18			
38	F03080042R	NIPPLO M3 8 SEAL FL12 ZN	NIPPLE M3 8 SEAL FL12 ZN		NIPPEL M3 8 DICHTUNG FL12 ZN	
39	F03080044R	RACC.T FL12 ML12 ML12 ZN	T-UNION FL12 ML12 ML12 ZN	RACCORD T FL12 ML12 ML12 ZN	ANSCHLUSST.T FL12 ML12 ML12 ZN	UNION T FL12 ML12 ML12 ZN
40	F03151362R	PRESA PIATTA MASCHIO	FLAT COUPLING 3 8 MALE		FLACH KUPPLUNG 3 8 STECKER	
41	F03080054R	TAPPO M 1 2 SEAL ZN	PLUG M 1 2 SEAL		STECKER M 1 2 DICHTUNG	
42	F03080062R	RACC.L FL12 ML12 ZN	L-UNION FL12 ML12 ZN	RACCORD L FL12 ML12 ZN	ANSCHLUSST. L FL12 ML12 ZN	UNION L FL12 ML12 ZN
43	F03151246R	RUBINETTO F-F 3 8	BREATHER TAP F-F 3 8	BOUCHON REFOUL. F-F 3 8	ENTLFTUNGSPFROPFEN F-F 3 8	TAPON PURGADOR F-F 3 8
44	F03070571R	TM D.22X2 FL22 FL22 3000 ZN	TM D.22X2 FL22 FL22 3000 ZN			TM D.22X2 FL22 FL22 3000 ZN
45	F03080093R	NIPPLO M3 4 SEAL ML18 ZN	NIPPLE M3 4 SEAL ML18		NIPPEL M3 4 DICHTUNG ML18	
46	F03080102R	NIPPLO ML18 ML18 ZN	NIPPLE ML18 ML18 ZN		NIPPEL ML18 ML18 ZN	
47	F03080121R	NIPPLO M1-1 4 SEAL ML28 ZN	NIPPLE M1-1 4 SEAL ML28 ZN			
48	F03080000R	NIPPLO M3 8 SEAL ML18 ZN	NIPPLE M3 8 SEAL ML18	GRAISSEUR M3 8 SEAL ML18	NIPPEL M3 8 DICHTUNG ML18	NIPLE M3 8 SEAL ML18
49	F03080045R	RACCORDO T FL18 ML18 ML18 ZN	UNION T FL18 ML18 ML18	RACCORD T FL18 ML18 ML18	UNION T FL18 ML18 ML18	UNION T FL18 ML18 ML18
50	GC5918360R	ASS.PIAST.PASSAPAR.C MANOMETRI	PLATE ASSY PASSW.W MANOMETERS			
51	GA5910240R	COLLETTORE 1-1 4	MANIFOLD 1-1 4		ADAPTER 1-1 4	MONT.PLACA PASSW.C MAN METROS
52	F05150323R	CAPPUCCIO INNESTO RAP.FEMM.1	PROTECT. COVER CAP F 1		KAPPE INNESTO RAP.FEMM.1	
53	F05150324R	CAPPUCCIO PROT.INNESTO RAP.1	PROTECT. COVER CAP 1		KAPPE SCHUTZINNESTO RAP.1	
54	F05150325R	CAPPUC.F X INN.M RAP.1 2 ROSS	COVER CONNECT F 1 2 RED	COUVERCLE CONNEXION F 1 2 ROSE	DECKEL W 1 2 SCHNELLKUPP. ROT	PAC PROTECCION F 1 2 ROJO
55	F05150328R	CAPPUC.F X INN.M RAP.1 2 VERDE	PROTECT. COVER CAP F 1 2 GREEN	COUVERCLE CONNEXION F 1 2 VERT	CAPPUC.M X INN.F RAP.1 2 VERDE	PAC PROTECCION F 1 2 VERDE
56	F05150329R	CAPPUC.F X INN.M RAP.1 2 GIALL	PROTECT. COVER CAP F 1 2 YELLO	COUVERCLE CONNEX. F 1 2 JAUNE	CAPPUC.M X INN.F RAP.1 2 GIALL	PAC PROTECCION F 1 2 AMARILLO
57	F05150330R	CAPPUC.F X INN.M RAP.1 2 BLU	PROTECT. COVER CAP F 1 2 BLUE	COUVERCLE CONNEXION F 1 2 BLEU	CAPPUC.M X INN.F RAP.1 2 BLU	PAC PROTECCION F 1 2 AZUL
58	F03150581R	VALV.UNID.IN LINEA 2,5BAR 3 8	VALVE IN LINE 2.5BAR 3 8		VENTIL IN LINE 2.5LEISTE 3 8	
59	F03070550R	TG 1 2 R17 CFL15 CF180L182300	TG 1 2 R17 CFL15 CF180L182300	TG 1 2 R17 CFL15 CF180L182300		TG 1 2 R17 CFL15 CF180L182300
60	F03070551R	TG 1 R4 FL28 CFL28 2000	TG 1 R4 FL28 CFL28 2000	TG 1 R4 FL28 CFL28 2000		TG 1 R4 FL28 CFL28 2000
61	F02350087R	COLLARE FERMA 1 TUBO D.22	FIXING BLOCK 1 TUBE D.22		FESTSTELLER BLOCK 1 ROHR D.22	
62	F03080043R	RACCORDO T FL22 ML22 ML22 ZN	UNION T FL22 ML22 ML22	RACCORD T FL22 ML22 ML22 ZN	UNION T FL22 ML22 ML22	UNION T FL22 ML22 ML22 ZN
63	F03070482R	TM D.12X1,5 FL12 FL12 2500 ZN	TM D.12X1,5 FL12 FL12 2500 ZN			
64	F03071590R	TG 1 2 R17 CFL18 FL15 1600	RT 1 2 R17 CFL18 FL15 1600			
65	F03080014R	NIPPLO M3 4 SEAL ML22 ZN	NIPPLE M3 4 SEAL ML22		NIPPEL M3 4 DICHTUNG ML22	
66	F03080030R	RACC.T ML12 ML12 ML12 ZN	T-UNION ML 12 ML12 ML12 ZN	RACCORD T ML12 ML12 ML12 ZN	ANSCHLUSST.T ML12 ML12 ML12 ZN	UNION T ML12 ML12 ML12 ZN
67	F03070162R	TG 1 2 R17 FL18 CFL18 350	TG 1 2 R17 FL18 CFL18 350	TG 1 2 R17 FL18 CFL18 350		TG 1 2 R17 FL18 CFL18 350

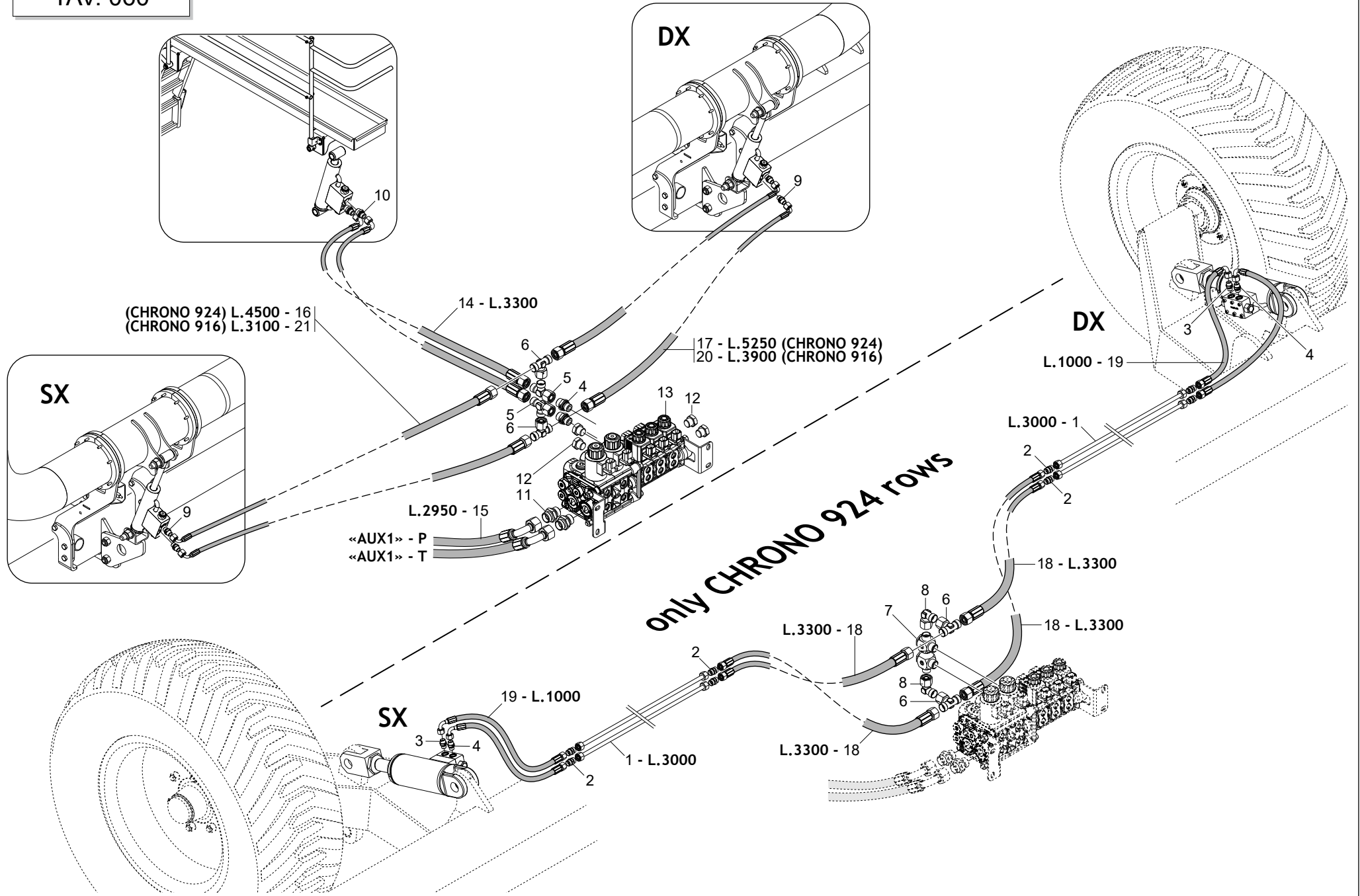
TAV. 050



IMPIANTO OLEODINAMICO POSTERIORE REAR HYDRAULIC SYSTEM

TAV. 050

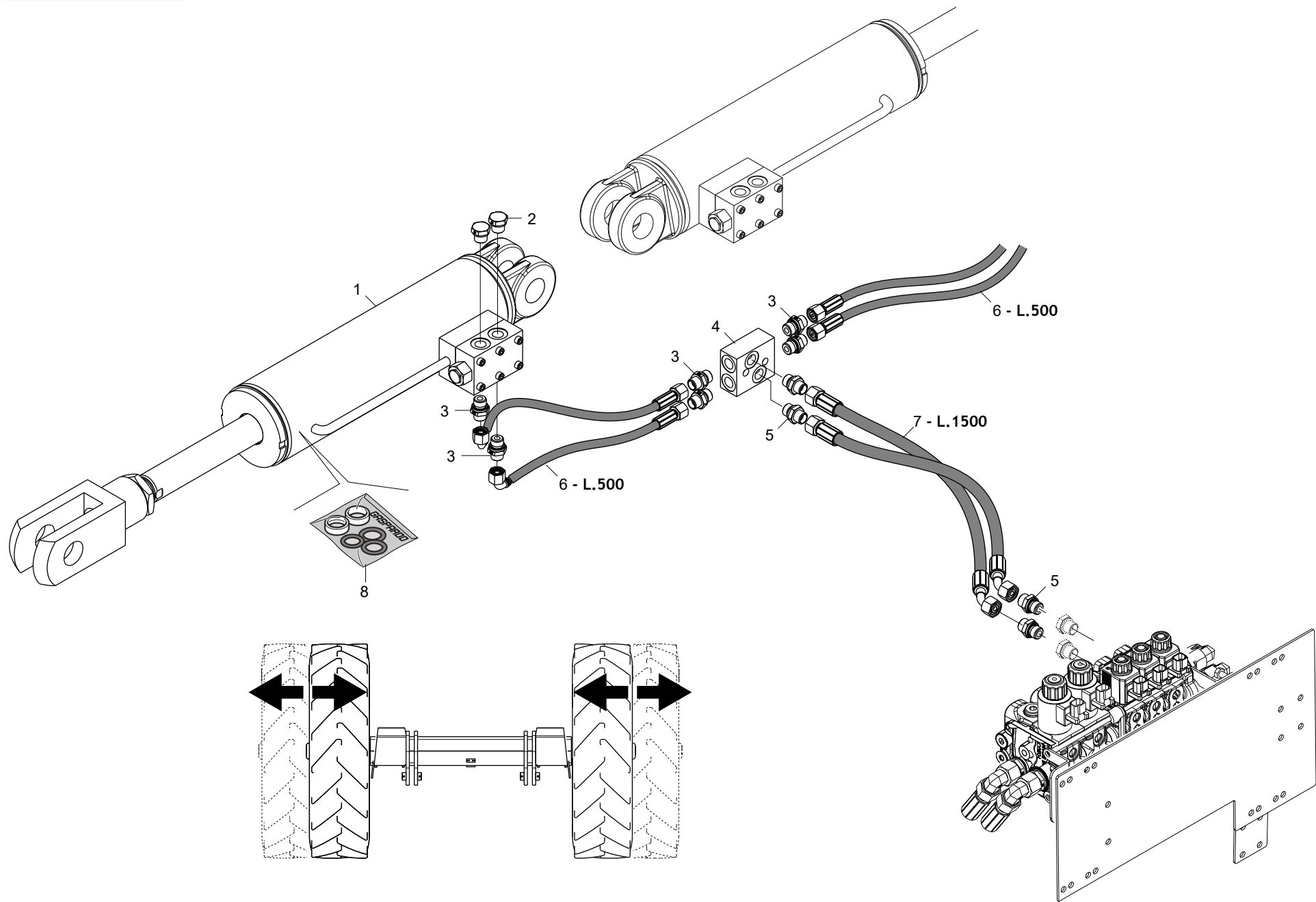
Pos.	Cod.	Descrizione	Description	Description	Benennung	Description
1	F03090092R	CILINDRO DE130X70-1240V.OVERC.	CYLINDER DE130X70-1240		ZYLINDER DE130X70-1240	
2	F03090095R	KIT GUARNIZ.CILINDRO F03090092	KIT GASKET CYLINDER		DICHTSATZ ZYLINDER	
3	G16115640R	PERNO D.50,00X186	PIN D.50,00X186		BOLZEN D.50,00X186	
4	F01020492R	VITE M10X1,5X90	SCREW M10X1,5X90 U5739 8.8ZN	VIS M10X1,5X90 U5739 8.8ZN	SCHRAUBE 19X90 5739 8.G ZN	TORNIL. M10X1,5X90 U5739 8.8ZN
5	F01230048R	DADO M10X1,5	NUT M10X1,5	ECROU M10X1,5 D982 8GALV.	SELBSTSP. MUTTER NOR. 10 ZN	TUERCA SEGURID.M10X1,5 D982 ZN
6	GA5913771R	ASS.SPINA D.50,00X134 ZN	ASS.PIN D.50X134 ZN			
7	F02200273R	COPIGLIA 10X 80 U1336 ZN	SPLIT PIN 10X80 GALV.	GOUPILLE 10X 80 U1336 GALV.		CHAVETA 10X 80 U1336 GALV.
8	G18705350R	ROSETTA 50,5 X 90 X 6 ZN	WASHER 50,5X90X6 ZN			
9	F03090085R	CILINDRO DE120X60-990	CILINDER DE120X60-990		CILINDER DE120X60-990	
10	F03090089R	KIT GUARNIZ.CILINDRO F03090085	KIT SEALS CYLINDER F03090085			
11	G16115630R	PERNO D.50X160	BOLT D.50X160		BOLZEN D.50,00X160	
12	F03080001R	NIPPLO M3 8 SEAL ML12 ZN	NIPPLE M3 8 SEAL ML12 ZN	NIPLE M3 8 SEAL ML12 ZN	NIPPEL M3 8 SEAL ML12 ZN	NIPLE M3 8 SEAL ML12 ZN
13	F03070151R	TUBO 3 8 R17 FL12 CFL12 L2300	PIPE 3 8 R17 FL12 CFL12 L2300		ROHR 3 8 R17 FL12 CFL12 L2300	
14	F03070031R	TUBO 3 8 R17 FL12 FL12 L1100	PIPE 3 8 R17 FL12 FL12 L1100		ROHR 3 8 R17 FL12 FL12 L1100	
15	F03080209R	MASSELLO 3 3 VIE FEMM. 3 8	BLOCK VALVE 3 3 F. 3 8	VALVE BLOQ. 3 3 F. 3 8	VENTIL SCHL. 3 3 VIE F. 3 8	VALVULA BLOQ. 3 3 F. 3 8
16	F01040066R	VITE M6X1X35	SCREW M6X1X35	VIS M6X1X35 U5931 8.8ZN	SCHRAUBE 6 X35 5931 8.G ZN	TORNILLO M6X1X35 U5931 8.8ZN
17	F01230022R	DADO M6X1	NUT M6X1	CROU M6X1 D982 8ZN	SELBSTSP. MUTTER NOR.6 ZN	TUERCA M6X1 D982 8ZN
18	F03070609R	TG 3 8 R17 FL12 CFL12 1100	PIPE 3 8 R17 FL12 CFL12 1100			
19	F03080008R	RACCORDO L M3 8 SEAL ML12 ZN	UNION L M3 8 SEAL ML12		UNION L M3 8 DICHTUNG ML12	
20	F01410051R	ROS.M8 8,4X 17X1,6	WASHER M8 8,4X17X1,6	RONDELLE M8 8,4X17X1,6	SCHIEBE D.8	ARAND.M8 8,4X 17X1,6 U6592 ZN
21	F03080017R	NIPPLO M1 2 SEAL ML12 ZN	NIPPLE M1 2 SEAL ML12 ZN	NIPLE M1 2 SEAL ML12 ZN	NIPPEL M1 2 DICHTUNG ML12 ZN	NIPLE M1 2 SEAL ML12 ZN
22	F03080044R	RACC.T FL12 ML12 ML12 ZN	T-UNION FL12 ML12 ML12	RACCORD T FL12 ML12 ML12 ZN	ANSCHLUSST.T FL12 ML12 ML12 ZN	UNION T FL12 ML12 ML12 ZN
23	F03070611R	TUBO DI GOMMA	RUBBER TUBE			
24	F03070564R	TG 1 4 R17 FL12 FL12 3100	TG 1 4 R17 FL12 FL12 3100			
25	F03152573R	BLC.INTEGR.DIV.FL.4 VALVOLE	BLC.INTEGR.DIV.FL.4 VALVOL			
26	F01100061R	ING.M10X1 7663A 9SMNPB28 Z	GREASE NIPPLE M10X1 7663-A ZN	GRAISSEUR M10X1 7663-A ZN	SCHMIERNIPPEL M10X1	ENGRASADOR M10X1 7663-A ZN
27	F01040231R	VITE M 8X1,25X 45	SCREW.M8X1,25X 45	VIS.M8X1,25X 45	SCHRAUBE.M8X1,25X 45	TORN. M8X1,25X45 U5931 8.8 ZN
28	F01480033R	ROS.G 8,1X 12,7X 2	GROVER WASHER D8,1X12,7	GROVER RONDELLE D8,1X12,7	SPRENGRING VERST. D8 DIN79	ARAND.ELICOI.D8,1X12,7 D7980ZN
29	F01100072R	ING.M 8X1 7663-C 9SMNPB28 ZN	GEAR M8X1 7663-C ZN			
30	G18801880R	BOCCOLA 8,25 X15 X13 ZN	BUSHING 8,25 X15 X13 ZN	DOUILLE 8,25 X15 X13 GALV.	BUCHSE 8,25 X15 X13 ZN	CASQUILLO 8,25 X15 X13 ZN
31	F01020450R	VITE M8X1,25X40	SCREW M8X1,25X40 U5739 8.8ZN	VIS M8X1,25X40 U5739 8.8ZN	SCHRAUBE M 8X40	TORN. M8X1,25X40 U5739 8.8ZN
32	F01230034R	DADO M8X1,25	NUT M8X1,25	CROU M8X1,25 D982 8	SELBSTSP.MUTT. M8X1,25	TUERCA M8X1,25 D982 8
33	G16117710R	ANELLO FISSAG.ACCUMULAT.AZOTO	FIXING RING ACCUMULATOR		FESTSTELLER RING AKKUMULATOR	
34	F03152518R	ACCUMULATORE AZOTO 6L 60BAR	NITROGEN ACCOMULATOR 6L 60BAR	ACCUMULATEUR AZOTE 6L 60BAR	STICKSTOFF ACCOMULAT.6L 60BAR	
35	F01020436R	VITE M8X1,25X20	SCREW M8X1,25X20 U5739 8.8ZN	VIS M8X1,25X20 U5739 8.8ZN	SCHRAUBE M 8X20	TORN. M8X1,25X20 U5739 8.8ZN
36	F03080000R	NIPPLO M3 8 SEAL ML18 ZN	NIPPLE M3 8 SEAL ML18	GRAISSEUR M3 8 SEAL ML18	NIPPEL M3 8 DICHTUNG ML18	NIPLE M3 8 SEAL ML18
37	F03080036R	NIPPLO M1 2 SEAL FL18 ZN	NIPPLE M1 2 SEAL FL18 GALV.	GRAISSEUR M1 2 SEAL FL18	NIPPEL M1 2 SEAL FL18 ZN	NIPLE M1 2 SEAL FL18 ZN
38	F03151806R	EV.2VIE 3 8 DIR.N.A.A TENUTA	EV.2WAY 3 8 DIR.N.A.A SEAL		EV.2WAY 3 8 DIR.N.A.A DICHTUNG	
39	GA5919760R	ASS.SUPP.ACCUMUL.6,5L	ASS.ACCUM.SUPPORT 6,5L			
40	F03070004R	TUBO 3 8 R17 FL12 CFL12 L600	PIPE 3 8 R17 FL12 CFL12 L600		ROHR 3 8 R17 FL12 CFL12 L600	
41	F03070016R	TUBO 3 8 R17 FL12 CFL12 L900	PIPE 3 8 R17 FL12 CFL12 L900		ROHR 3 8 R17 FL12 CFL12 L900	
42	F03150666R	TAPPO MASCHIO 3 8 E336	COVER MASCHIO 3 8 E336	COUVERCLE MASCHIO 3 8 E336	GEWINDEPFROPFEN 3 8 E336	TAPA MASCHIO 3 8 E336



**IMPIANTO ELETTROVALVOLA
HYDRAULIC VALVESET**

TAV. 060

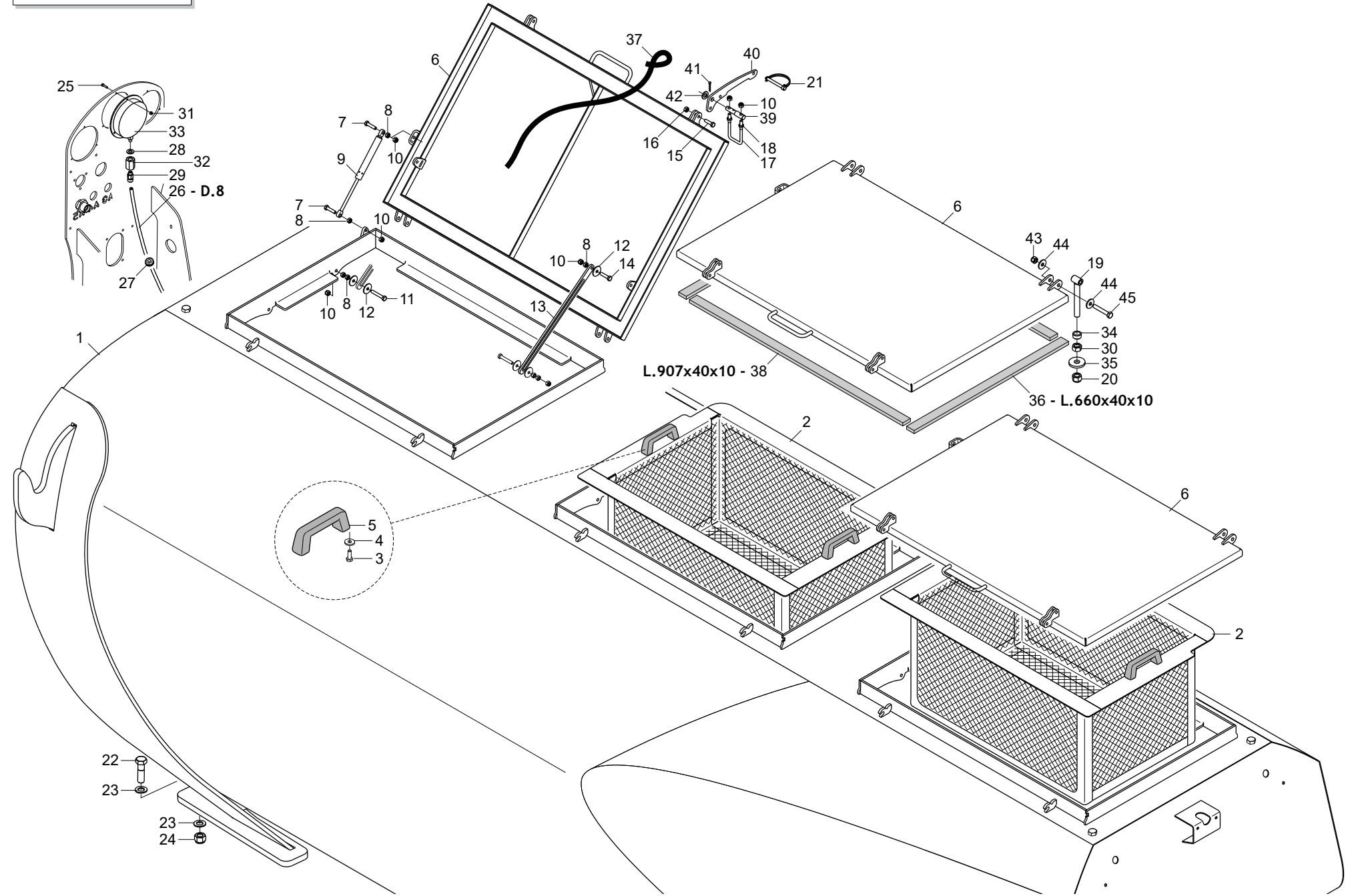
Pos.	Cod.	Descrizione	Description	Description	Benennung	Description
1	F03070776R	TM D.12X1,5 FL12 FL12 3000 ZN	STIFF HOSE12X1,5FL12-12 3000ZN	TM D.12X1,5 FL12 FL12 3000 ZN	TM D.12X1,5 FL12 FL12 3000 ZN	TM D.12X1,5 FL12 FL12 3000 ZN
2	F03080034R	NIPPLO ML12 ML12 ZN	NIPPLE ML12 ML12	NIPPLE ML12 ML12	NIPPEL ML12 ML12	NIPPLE ML12 ML12 ZN
3	F03080001R	NIPPLO M3 8 SEAL ML12 ZN	NIPPLE M3 8 SEAL ML12 ZN	NIPPLE M3 8 SEAL ML12 ZN	NIPPEL M3 8 SEAL ML12 ZN	NIPPLE M3 8 SEAL ML12 ZN
4	G18131030R	NIPPLO M3 8 SEAL ML12 D.1	NIPPLE M3 8 SEAL ML12 D.1	NIPPLE M3 8 SEAL ML12 D.1	NIPPEL M3 8 SEAL ML12 ZN	NIPPLE M3 8 SEAL ML12 ZN
5	F03080044R	RACC.T FL12 ML12 ML12 ZN	T-UNION FL12 ML12 ML12	RACCORD T FL12 ML12 ML12 ZN	ANSCHLUSST.T FL12 ML12 ML12 ZN	UNION T FL12 ML12 ML12 ZN
6	F03080009R	RACC.T ML12 FL12 ML12 ZN	T-UNION ML12 FL12 ML12	RACCORD T ML12 FL12 ML12 ZN	ANSCHLUSST.T ML12 FL12 ML12 ZN	UNION T ML12 FL12 ML12 ZN
7	F03080039R	RACC.L BANJO M3 8 SEAL ML12 ZN	L-UNION BANJO M3 8 SEAL ML12	L-UNION BANJO M3 8 SEAL ML12	L-UNION BANJO M3 8 SEAL ML12	L-UNION BANJO M3 8 SEAL ML12
8	F03080062R	RACC.L FL12 ML12 ZN	L-UNION FL12 ML12 ZN	RACCORD L FL12 ML12 ZN	ANSCHLUSST. L FL12 ML12 ZN	UNION L FL12 ML12 ZN
9	F03080064R	NIPPLO M1 4 SEAL ML12 ZN	NIPPLE M1 4 SEAL ML12 ZN	NIPPLE M1 4 SEAL ML12 ZN	NIPPEL M1 4 DICHTUNG ML12 ZN	NIPPLE M1 4 SEAL ML12 ZN
10	G15931640R	MONT.NIPPL.M1 4 SEAL ML12 D0,5	ASS.NIPPLE M1 4 SEAL ML12 D0,5	ASS.NIPPLE M1 4 SEAL ML12 D0,5	ASS.NIPPLE M1 4 SEAL ML12 D0,5	ASS.NIPPLE M1 4 SEAL ML12 D0,5
11	F03080201R	NIPPLO M1 2 SEAL ML15 ZN	NIPPLE M1 2 SEAL ML15 ZN	NIPPLE M1 2 SEAL ML15 ZN	NIPPEL M1 2 DICHTUNG ML15 ZN	NIPPLE M1 2 SEAL ML15 ZN
12	F03150666R	TAPPO MASCHIO 3 8 E336	COVER MASCHIO 3 8 E336	COVER MASCHIO 3 8 E336	GEWINDEPFROPFEN 3 8 E336	TAPA MASCHIO 3 8 E336
13	F03151811R	BLOCCO VALV.CONTROL.MOVIMENTI	VALVE BLOCK MOVEMENTS CONTROL	VALVE BLOCK MOVEMENTS CONTROL	SPERRVENTIL	VALVE BLOCK MOVEMENTS CONTROL
14	F03070565R	TG 1 4 R17 FL12 CFL12 3300	TG 1 4 R17 FL12 CFL12 3300	TG 1 4 R17 FL12 CFL12 3300	TG 1 4 R17 FL12 CFL12 3300	TG 1 4 R17 FL12 CFL12 3300
15	F03070563R	TG 1 2 R17 FL18 CFL15 2950	TG 1 2 R17 FL18 CFL15 2950	TG 1 2 R17 FL18 CFL15 2950	TG 1 2 R17 FL18 CFL15 2950	TG 1 2 R17 FL18 CFL15 2950
16	F03070461R	TUBO 1 4 R17 FL12 CFL12 L4500	PIPE 1 4 R17 FL12 CFL12 L4500	PIPE 1 4 R17 FL12 CFL12 L4500	PIPE 1 4 R17 FL12 CFL12 L4500	PIPE 1 4 R17 FL12 CFL12 L4500
17	F03070464R	TUBO 1 4 R17 FL12 CFL12 L5250	PIPE 1 4 R17 FL12 CFL12 L5250	PIPE 1 4 R17 FL12 CFL12 L5250	PIPE 1 4 R17 FL12 CFL12 L5250	PIPE 1 4 R17 FL12 CFL12 L5250
18	F03070569R	TG 1 4 R17 FL12 FL12 3300	TG 1 4 R17 FL12 FL12 3300	TG 1 4 R17 FL12 FL12 3300	TG 1 4 R17 FL12 FL12 3300	TG 1 4 R17 FL12 FL12 3300
19	F03070570R	TG 1 4 R17 FL12 CFL12 1000	TG 1 4 R17 FL12 CFL12 1000	TG 1 4 R17 FL12 CFL12 1000	TG 1 4 R17 FL12 CFL12 1000	TG 1 4 R17 FL12 CFL12 1000
20	F03070544R	TG 1 4 R17 FL12 CFL12 3900	R.P.1 4 R17 FL12 CFL12 3900	R.P.1 4 R17 FL12 CFL12 3900	R.P.1 4 R17 FL12 CFL12 3900	R.P.1 4 R17 FL12 CFL12 3900
21	F03070699R	TG 1 4 R17 FL12 CFL12 3100	RUB.TUBE 1 4 R17 FL12 CFL12	RUB.TUBE 1 4 R17 FL12 CFL12	RUB.TUBE 1 4 R17 FL12 CFL12	RUB.TUBE 1 4 R17 FL12 CFL12



**IMPIANTO OLEODINAMICO CARRELLO TELESCOPICO
HYDRAULIC SYSTEM TELESCOPIC TROLLEY**

TAV. 070

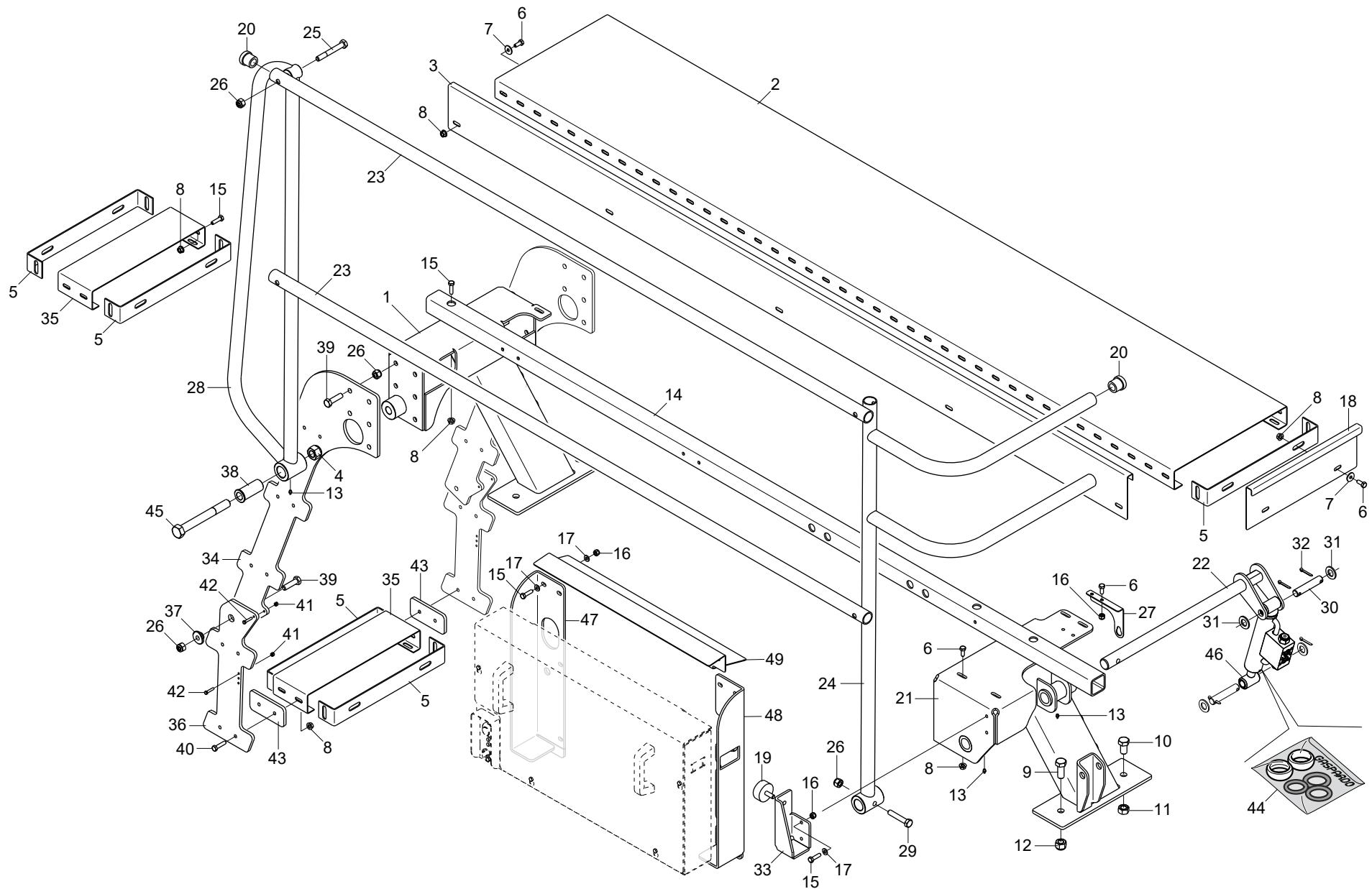
Pos.	Cod.	Descrizione	Description	Description	Benennung	Descripcion
1	F03090066R	CILINDRO DE100X40-300 V.BLOCC.	CYLINDER DE100X40-300 V.BLOCK.		ZYLINDER DE100X40-300 V.BLOCK.	
2	F03150666R	TAPPO MASCHIO 3 8 E336	COVER MASCHIO 3 8 E336	COUVERCLE MASCHIO 3 8 E336	GEWINDEPFROPFEN 3 8 E336	TAPA MASCHIO 3 8 E336
3	F03080081R	NIPPLO M3 8 SEAL ML10 ZN	NIPPLE M3 8 SEAL ML10 ZN		NIPPEL M3 8 DICHTUNG ML10 ZN	
4	F03080209R	MASSELLO 3 3 VIE FEMM. 3 8	BLOCK VALVE 3 3 F. 3 8	VALVE BLOQ. 3 3 F. 3 8	VENTIL SCHL. 3 3 VIE F. 3 8	VALVULA BLOQ. 3 3 F. 3 8
5	F03080001R	NIPPLO M3 8 SEAL ML12 ZN	NIPPLE M3 8 SEAL ML12 ZN	NIPLE M3 8 SEAL ML12 ZN	NIPPEL M3 8 SEAL ML12 ZN	NIPLE M3 8 SEAL ML12 ZN
6	F03071174R	TG 1 4 R17 FL10 CFL10 500	RUB.TUBE 1 4 R17 FL10 CFL10			
7	F03070498R	TG 3 8 R17 FL12 F45L12 1500	RUB.TUBE 3 8 R17 FL12 F45L12			
8	F03090096R	KIT GUARNIZ.CILINDRO F03090066	KIT GASKET CYLINDER		DICHTSATZ ZYLINDER	



TRAMOGGIA HOPPER

TAV. 080

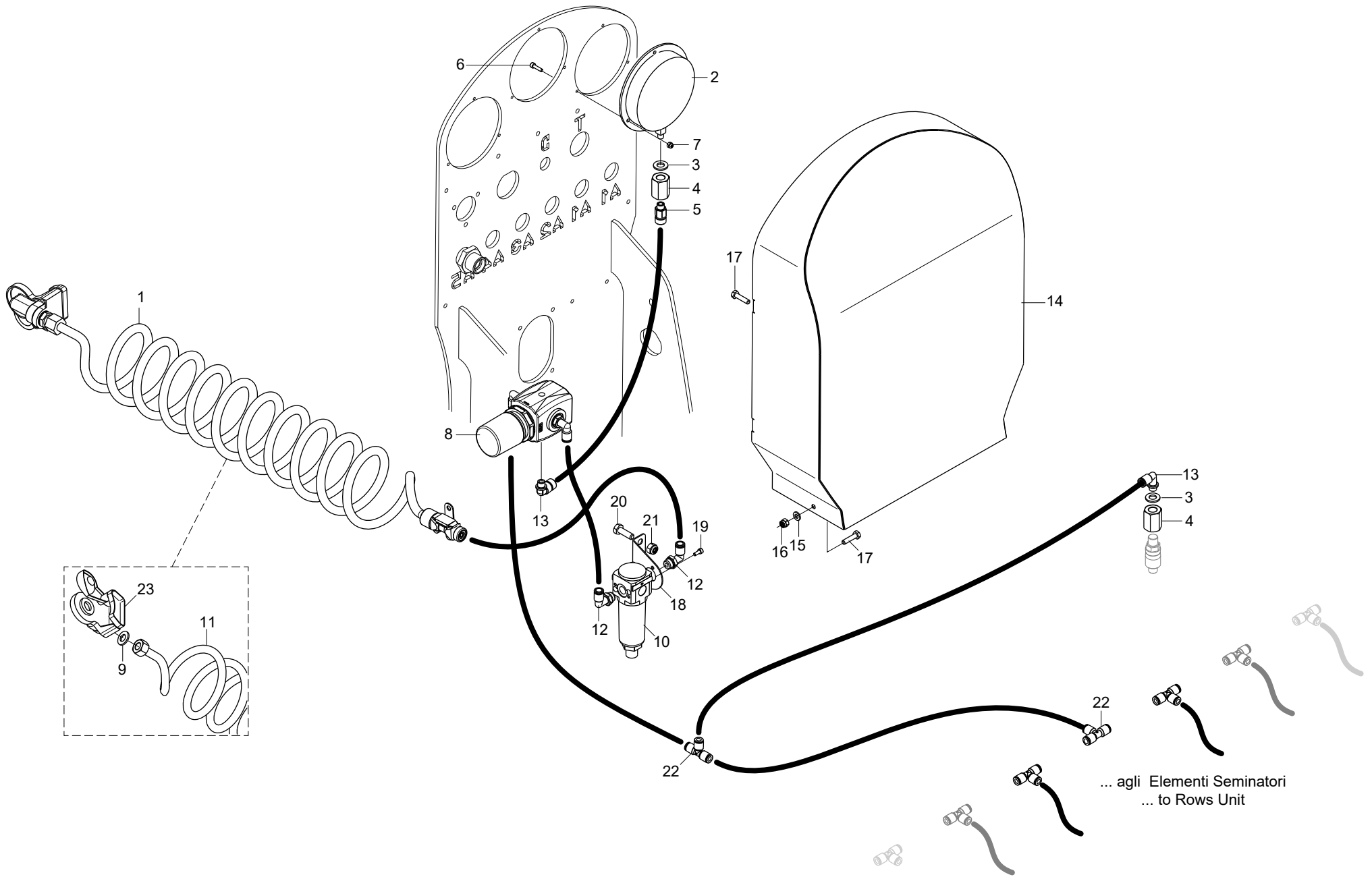
Pos.	Cod.	Descrizione	Description	Description	Benennung	Descripcion
1	G15974392R	ASS.TRAMOGGIA JULIA 20	JULIA 20 HOPPER ASSEMBLY			ENSAMBLE TOLVA JULIA 20
2	G15974062R	MONT.CESTA TRAMOGGIA JULIA	JULIA TANK GRID ASSEMBLY			ENSAMBLE DE CESTA JULIA HOPPER
3	F01040085R	VITE M8X1,25X12	SCREW M8X1,25X12	VIS M8X1,25X12 U5931 A2IX	SCHRAUBE M8X1,25X 12 U5931 IX	TORN. M8X1,25X12 U5931 A2IX
4	F01410050R	ROS.M8 8,4X 17X1,6	WASHER M8 8,4X 17X1,6	RONDELLE M8 8,4X 17X1,6	SCHIEBE 8,4X 17X1,6 U6592 IX	ARANDELA M8 8,4X 17X1,6 IX
5	F05150112R	MANIGLIA INTERAS. 117 FORO 8MM	HANDLE	POIGNEE	HANDGRIFF	MANILLA
6	G15975650R	ASS.COPERCHIO TRAMOGGIA JULIA	COVER ASSEMBLY JULIA			CONJ.CUBIERTA DE TOLVA JULIA
7	F01020450R	VITE M8X1,25X40	SCREW M8X1,25X40 U5739 8.8ZN	VIS M8X1,25X40 U5739 8.8ZN	SCHRAUBE M 8X40	TORN. M8X1,25X40 U5739 8.8ZN
8	F01200244R	DADO M8X1,25	NUT M8X1,25	CROU M8X1,25 U5588 CL8 ZN	MUTTER M8 X1,25 U5588 6.8 ZN	TUERCA M8X1,25 U5588 CL8 ZN
9	F03151166R	MOLLA A ARIA 19828070 MULT.	AIR SPRING 19828070 MULT.			
10	F01230034R	DADO M8X1,25	NUT M8X1,25	CROU M8X1,25 D982 8	FEDER A GAS 19828070 MULT.	TUERCA M8X1,25 D982 8
11	F01020452R	VITE M8X1,25X50	SCREW M8X1,25X50 U5739 8.8ZN	VIS M8X1,25X50 U5739 8.8ZN	SCHRA. M8X1,25X50 U5739 8.8 ZN	TORNIL.M8X1,25X50 U5739 8.8ZN
12	F01420049R	ROS.M8 8,4X 32X 2	WASHER M8 8,4X32X2	RONDELLE M8 8,4X32X2	SCHIEBE M8 8,4X32X2 U6593 ZN	ARAND.M8 8,4X 32X 2 U6593 ZN
13	G15975740R	LAMA FERMO APERTURA ZN	STOP-COVER PLATE			HOJA DE PARADA DE APERTURA ZN
14	F01020449R	VITE M8X1,25X35	SCREW M8X1,25X35 U5739 8.8ZN	VIS M8X1,25X35 U5739 8.8ZN	SCHRAUBE M 8X35	TORN. M8X1,25X35 U5739 8.8ZN
15	F01020445R	VITE M8X1,25X30	SCREW M8X1,25X30 U5739 8.8ZN	VIS M8X1,25X30 U5739 8.8ZN	SCHRAUBE 8 X30 5739 8.G	TORN. M8X1,25X30 U5739 8.8ZN
16	F01220022R	DADO M8X1,25	NUT M8X1,25	CROU M8X1,25 D980 ZN	SELBSTSP.MUTT. M8X1,25 980-V	TUERCA M8X 1,25 D980 8 ZN
17	U04180148R	CAV.Q.B=40 M8X1,25 L=82 GEOME	U-BOLT Q.B=40 M8X1,25 L=82 GEO			
18	F01200410R	DADO M8X1,25 6S	NUT M8X1,25 6S	CROU M8X1,25U5589 CL8 ZN 6SZN	MUTTER M8X1.25	TUERCA M8X1,25 U5589 CL8 ZN 6S
19	G16129300R	CERNIERA COPERCHIO ZN	HINGE COVER GALV.			
20	F01230085R	DADO M16X2 D982 10ZN	NUT M16X2	ECROU M16X2 D982 10ZN	MUTTER M16X 2 D982 8 ZN	TUERCA M16X2 D982 10ZN
21	F02200562R	SPINA SICUR.D. 8X70 ZN	SNAP PIN D.8X 70 ZN	FICHE EL. D.8X70 ZN	SCHERSTIFT D.8X 70 ZN	CLAVIJA D.8X 70 ZN
22	F01020310R	VITE M20X2,5X70	SCREW M20X2,5X70 U5737 10.9ZD	VIS M20X2,5X70 U5737 10.9ZD	SCHRAUBE M20X2,5X70	TORN. M20X2,5X70 U5737 10.9ZD
23	F01410124R	ROS.M20 21X 37X 3	WASHER M20 21X 37X 3	RONDELLE M20 21X 37X 3	SCHIEBE D20 UNI 6592 ZN	ARAND.M20 21X 37X 3 U6592 ZN
24	F01230131R	DADO M20X 2,5S	NUT M20X 2,5S	ECROU M20X 2,5 D982 6S ZN	MUTTER M20X 2,5 D982 6 ZN	TUERCA M20X2,5 D982 6ZN
25	F01040028R	VITE M4X0,7X16	SCREW M4X0,7X16	VIS M4X0,7X16 U5931 8.8ZN	SCHRAUBE 4X16 5931 8.G ZN	TORNILLO M4X0,7X16 U5931 8.8ZN
26	F13070005R	TUBO POLIURETANO 8-6 NERO	POLIURETHAN PIPE 8-6 BLACK			POLYURETHAN ROHR 8-6 BLACK
27	F05010750R	PASSACAVO PER FORO 10 D.7	CABLE THROUGH HOLE 10 D.7			KABEL THROUGH HOLE 10 D.7
28	F01440094R	RONDELLA D10	WASHER D10	RONDELLE D10	SCHIEBE D10 ALUMIN	ARANDELA DE ALUMINIO D10
29	F13010028R	RACC.SUPERAPIDO DRITTO 1 8G-8	SUPERAP.RIGHT JUNCTION 1 8G-8			EINSCHRAUBNIPPEL 1 8G-8
30	F01200324R	DADO M16X2	NUT M16X2	ECROU M16X2 U5588 8.8ZN	MUTTER M16X2 U5588 6.8 ZN	TUERCA M16X2 U5588 8.8ZN
31	F01230016R	DADO M4X0,78	NUT M4X0,78	CROU M4X0,7 D982 8ZN	SELBSTSP. MUTTER NOR. 4 ZN	TUERCA AUTOB. NOR. 4 ZN
32	G22250274R	COLLEGAMENTO MANOMETRI SP-SV	PRESSURE GAUGE CONNECT. SP-SV	RACCORD MANOMETRES SP-SV	VERBINDUNG MANOMETER SP-SV	CONEXI N MAN METROS SP-SV
33	F03151574R	MANOM.PANN.0-60MBAR G1 4 D.100	PAN.PRES.G.0-60 MBAR G1 4 D100			PAN.MANOMETRO 0-60 MBAR G1 4
34	G18800810R	BOCCOLA 16,25X25X12 ZN	BUSHING 16,25X25X12 ZN	DOUILLE 16,25X25X12 GALV.		CASQUILLO 16,25X25X12 GALV.
35	G18701640R	RONDELLA 17 X48 X6 ZN	WASHER 17 X 48 X 6- GALVANIZED	RONDELLE 17 X48 X6 ZN	UNTERLEGSCHIEBE 17 X48 X6	ARANDELA 17 X48 X6 ZN
36	G15975840R	GUARNIZIONE 40X660 SP.10 MM	SEAL 40X660 SP.10 MM			JUNTA 40X660 ESPESOR 10 MM
37	F05150399R	CORDA POLIPROPILENE D.12	POLIPR. D.12 ROPE			SEIL POLIPROPILENE 12
38	G15975850R	GUARNIZIONE 40X907 SP.10 MM	SEAL 40X907 SP.10 MM			JUNTA 40X907 ESPESOR 10 MM
39	G15975870R	ASSE MANIGLIA ZN	HANLE AXLE			MANGO EJE ZN
40	G15975730R	MANIGLIA ZN	HANDLE ZN			MANIJA ZN
41	F02200194R	COPIGLIA 4X 25 U1336 ZN	SPLIT PIN 4 X25 1336 GALV.	GOUPILLE 4 X25 1336 GALV.	SPLINT 4 X25 1336 ZN	CHAVETA 4X25 1336 GALV.
42	F01410076R	ROS.M1213X24X2,5	WASHER 12 13X 24X2,5	RONDELLE 12 13X 24X2,5	SCHIEBE D12 UNI 6592 ZN	ARAND.M12 13X 24X2,5 U6592 ZN
43	F01230048R	DADO M10X1,5	NUT M10X1,5	ECROU M10X1,5 D982 8GALV.	SELBSTSP. MUTTER NOR. 10 ZN	TUERCA SEGURID.M10X1,5 D982 ZN
44	F01420060R	ROS.M10 10,5X 30X2,5	WASHER 10,5X30X2,5	RONDELLE 10,5X30X2,5	SCHIEBE 10,5X30	ARAND.M10 10,5X 30X2,5 U6593
45	F01020120R	VITE M10X1,5X65	SCREW M10X1,5X65 U5737 8.8ZN	VIS M10X1,5X65 U5737 8.8ZN	SCHRAUBE M 10X65	TORNIL. M10X1,5X65 U5737 8.8ZN



PEDANA DI ISPEZIONE INSPECTION PLATFORM

TAV. 090

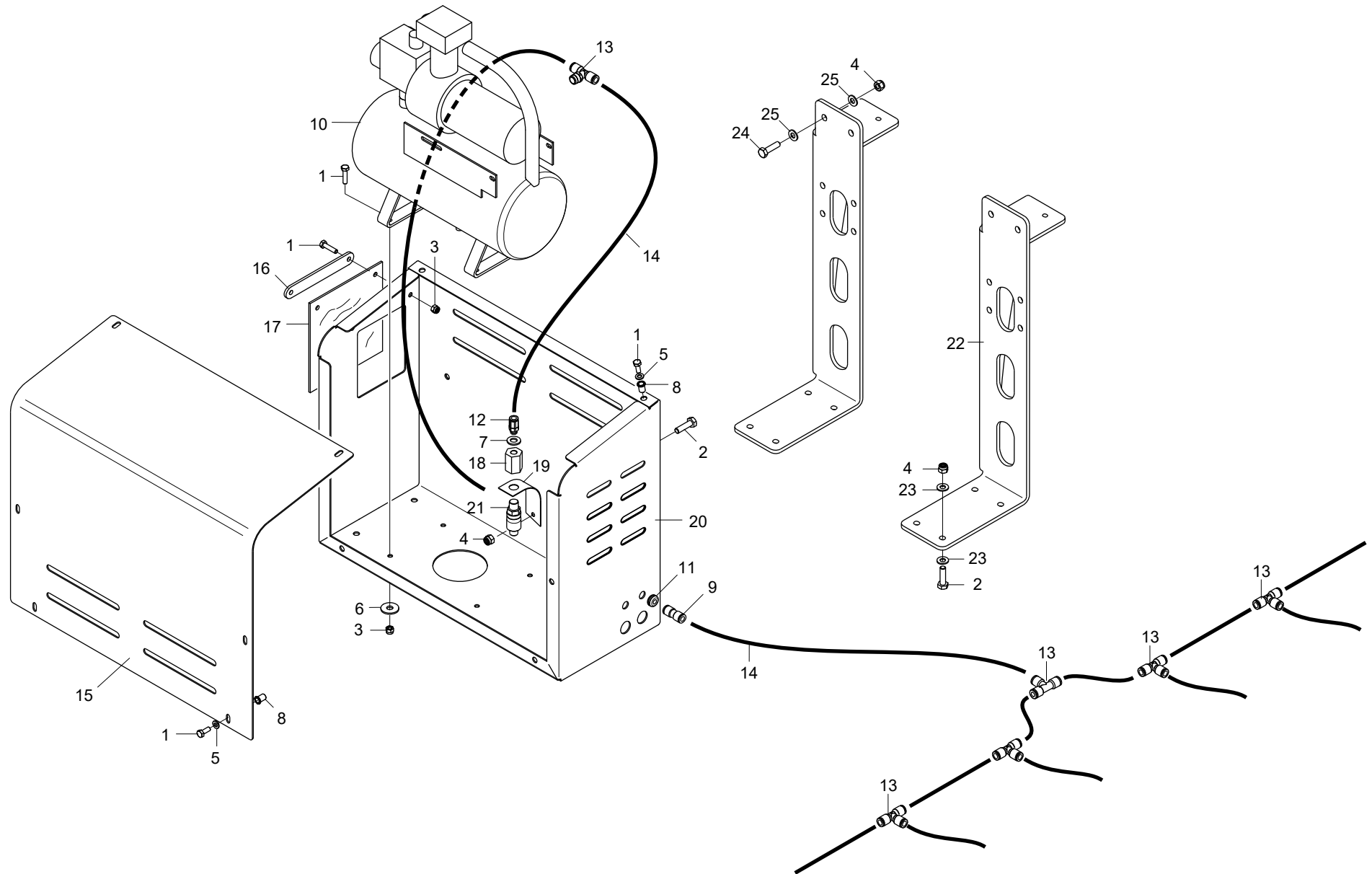
Pos.	Cod.	Descrizione	Description	Description	Benennung	Descripcion
1	GC5916780R	SUPPORTO ANT.PEDANA	PLATFORM FRONT SUPPORT			
2	G16310500R	PEDANA MC250	PLATAFORM MC250		TRITTBRETT MC250	
3	GA5917801R	BATTITACCO L.2400	BATTITACCO L.2400			
4	F01230131R	DADO M20X 2,5S	NUT M20X 2,5S	ECROU M20X 2,5 D982 6S ZN	MUTTER M20X 2,5 D982 6 ZN	TUERCA M20X2,5 D982 6ZN
5	G16310681R	TERMINALE PEDANA 400 ZN	GALVANIZED PLATFORM END	TERMINALE MARCHEPIED	GALVANISIERTE PLATTFORM	TERMINAL PLATAFORMA
6	F01020436R	VITE M8X1,25X20	SCREW M8X1,25X20 U5739 8.8ZN	VIS M8X1,25X20 U5739 8.8ZN	SCHRAUBE M 8X20	TORN. M8X1,25X20 U5739 8.8ZN
7	F01420048R	ROS.M8 8,4X 24X 2	WASHER M8 8,4X 24X2	RONDELLE M8 8,4X 24X2	SCHEIBE D.8	ARAND.M8 8,4X 24X 2 U6593 ZN
8	F01260043R	DADO M8	NUT M8	CROU M8 D6923 8.8ZN	MUTTER MIT SCHEIBE M8 DIN6923	TUERCA M8 D6923 8.8ZN
9	F01020566R	VITE M16X2X40	SCREW M16X2X40 U5739 8.8ZN	VIS M16X2X40 U5739 8.8ZN	SCHRAUBE M16X2X40 U5739 8.8 ZN	TORNILLO M16X2X40 U5739 8.8ZN
10	F01020562R	VITE M16X2X30	SCREW M16X2X30 U5739 8.8ZN	VIS M16X2X30 U5739 8.8ZN	SCHRAUBE M16X2X30 U5739 8.8 BR	TORNILLO M16X2X30 U5739 8.8ZN
11	F01200324R	DADO M16X2	NUT M16X2	ECROU M16X2 U5588 8.8ZN	MUTTER M16X2 U5588 6.8 ZN	TUERCA M16X2 U5588 8.8ZN
12	F01230085R	DADO M16X2 D982 10ZN	NUT M16X2	ECROU M16X2 D982 10ZN	MUTTER M16X 2 D982 8 ZN	TUERCA M16X2 D982 10ZN
13	F01100011R	ING.M 6X1 7663A 9SMNPB28 Z	GREASE NIPPLE M6X1 7663-A ZN	GRAISS. A BILLE M6X1 7663A ZN	KUGELFETTBUCHSE M6X1 A	ENG.M 6X1 7663-A 9SMNPB28 ZN
14	GA5917430R	TUBO Q. 50X 4X2350 FORATO	TUBE Q.50X 4X2350 HOLING			
15	F01020445R	VITE M8X1,25X30	SCREW M8X1,25X30 U5739 8.8ZN	VIS M8X1,25X30 U5739 8.8ZN	SCHRAUBE 8 X30 5739 8.G	TORN. M8X1,25X30 U5739 8.8ZN
16	F01230034R	DADO M8X1,25	NUT M8X1,25	CROU M8X1,25 D982 8	SELBSTSP.MUTT. M8X1,25	TUERCA M8X1,25 D982 8
17	F01410051R	ROS.M8 8,4X 17X1,6	WASHER M8 8,4X17X1,6	RONDELLE M8 8,4X17X1,6	SCHEIBE D.8	ARAND.M8 8,4X 17X1,6 U6592 ZN
18	GA5918171R	BATTITACCO L.390	BATTITACCO L.390			
19	F05150460R	PARACOLPI CIL.D50X21 M10X26,5	RUBBER BUFFER- CYLINDR.D50X21	PARE-CHOCS CYL. D50X21	PUFFER ZYL.50X21	PARAGOLPES CIL.D50X21
20	G67008050R	TERMINALE ROTONDO 28	ROUND END 28	PIECE TERMIN.RONDE 28	RUNDER ABSCHLUSS 28	TERMINAL REDONDO 28
21	GC5916090R	ASS.SUPPORTO POST.PEDANA	ASS.SUPPORTO POST.PEDANA			
22	GC5916120R	ASS.ASSE PEDANA	ASS.ASSE PEDANA			
23	GC5916160R	TUBO PEDANA	TUBO PEDANA			
24	GC5915990R	ASS.TUBO PASS.POST.JULIA	ASS.TUBO PASS.POST.JULIA			
25	F01020168R	VITE M12X1,75X90	SCREW M12X1,75X90 U5737 8.8ZN	VIS M12X1,75X90 U5737 8.8ZN	SCHRAUBE 12X90 5737 8.G	TORN. M12X1,75X90 U5737 8.8ZN
26	F01230059R	DADO M12X1,75	NUT M12X1,75	ECROU M12X1,75 D982 8ZN	MUTTER M12X1,75	TUERCA M12X1,75 D982 ZN
27	GC5916770R	STAFFA SUPP.SENSORE	STAFFA SUPP.SENSORE			
28	GA5914380R	ASS.TUBO SALITA PEDANA	ASS.TUBE CLIMB FOOTBO.			
29	F01020521R	VITE M12X1,75X65	SCREW M12X1,75X65 U5739 8.8ZN	VIS M12X1,75X65 U5739 8.8ZN	SCHRAUBE M 12 X65 5739 8.G ZN	TORN. M12X1,75X65 U5739 8.8ZN
30	G15210210R	SPINA 18 X90 ZN	PIN 18 X90 ZN		BOLZEN 18 X90 ZN	
31	F01410112R	ROS.M18 19X 34X 3	WASHER M18 19X 34X 3	RONDELLE M18 19X 34X 3	SCHEIBE M18 19X34X 3 U6592 ZN	ARANDELA M18 19X 34X3 U6592 ZN
32	F02200227R	COPIGLIA 5 X30 1336 ZN	SPLIT PIN 5X 30 U1336 GALV.	GOUPIILLE 5X 30 U1336 GALV.	SPLINT 5 X30 1336 ZN	CHAVETA 5X 30 U1336 GALV.
33	GA5918821R	SUPP.PARACOLPI	SUPP.PARACOLPI			
34	GC5916820R	FIANCO SCALETTA SUP.JULIA	FIANCO SCALETTA SUP.JULIA			
35	GC5916800R	PEDANA 400 X 120 X 58 SP.2 ZN	PEDANA 400 X 120 X 58 SP.2 ZN			
36	GC5916830R	FIANCO SCALETTA INF.JULIA	FIANCO SCALETTA INF.JULIA			
37	G15421232R	BOCCOLA SINT.12,25X20 L.13 PAR	BUSHING SINT.12,25X20 L.13 PAR	DOUILLE SINT.12,25X20 L.13 PAR	BUCHSE ARM PARALLEL SP.8	CASQUILLO BRAZO PARALELO SP.8
38	GC5916810R	BOCCOLA FLANGIATA 20,2X30 X70	BOCCOLA FLANGIATA 20,2X30 X70	DOUILLE STRIEE 20,2X30 X70		CASQUILLO BISELADO 20,2X30 X70
39	F01020516R	VITE M12X1,75X45	SCREW M12X1,75X45 U5739 8.8ZN	VIS M12X1,75X45 U5739 8.8ZN	SCHRAUBE M 12X45	TORN. M12X1,75X45 U5739 8.8ZN
40	F01020449R	VITE M8X1,25X35	SCREW M8X1,25X35 U5739 8.8ZN	VIS M8X1,25X35 U5739 8.8ZN	SCHRAUBE M 8X35	TORN. M8X1,25X35 U5739 8.8ZN
41	F01230019R	DADO M5X0,88	NUT M5X0,88	CROU M5X0,8 D982 8ZN	SELBSTSP. MUTTER NOR.5 ZN	TUERCA AUTOB. NOR. 5 ZN
42	F01020382R	VITE M5X0,8X25	SCREW M5X0,8X25 U5739 8.8ZN	VIS M5X0,8X25 U5739 8.8ZN	SCHRAUBE 5 X25 5739 8.G ZN	TORN. M5X0,8X25 U5739 8.8ZN
43	GC5916860R	SCONTR0 58 X 120 SP.8 2F55	SCONTR0 58 X 120 SP.8 2F55			
44	F03100614R	KIT GUARNIZ.CILINDRO GA5912060	KIT O-RING CYLINDER GA5912060		KIT O-RING ZYLINDER GA5912060	
45	F01020320R	VITE M20X2,5X170	SCREW M20X2,5X170 U5737 8.8ZN	VIS M20X2,5X170 U5737 8.8ZN	SCHRAUBE M20X2,5X170	TORN. M20X2,5X170 U5737 8.8ZN
46	GA5912060R	CILINDRO DE 20X 35-113 V.BLOC.	CYLINDER 20 35-113		ZYLINDER 20 35-113	
47	GC5916460R	STAFFA SUPP.BOX CARRO DX	BOX BRACKET RIGHT FRAME			
48	GC5916470R	STAFFA SUPP.BOX CARRO SX	BOX BRACKET LEFT FRAME			
49	GC5915590R	TEGOLO PROTEZ. CONNETTORI BOX	TEGOLO PROTEZ. CONNETTORI BOX			



**IMPIANTO AIR-SPRING
AIR-SPRING SYSTEM**

TAV. 100

Pos.	Cod.	Descrizione	Description	Description	Benennung	Descripcion
1	F03060333R	KIT ARIA AIRBAG DA IMP.FRENI	IMP AIRBAG AIR KIT BRAKES			
2	F03151575R	MANOM.PANN.0-10BAR G1 4 D.100	PAN.PRES.G.0-10 BAR G1 4 D.100			PAN.MANOMETRO 0-10BAR G1 4
3	F01440094R	RONDELLA D10	WASHER D10	RONDELLE D10	SCHIEBE D10 ALUMIN	ARANDELA DE ALUMINIO D10
4	G22250274R	COLLEGAMENTO MANOMETRI SP-SV	PRESSURE GAUGE CONNECT. SP-SV	RACCORD MANOMETRES SP-SV	VERBINDUNG MANOMETER SP-SV	CONEXI N MAN METROS SP-SV
5	F13010028R	RACC.SUPERAPIDO DRITTO 1 8G-8	SUPERAP.RIGHT JUNCTION 1 8G-8		EINSCHRAUBNIPPEL 1 8G-8	
6	F01040028R	VITE M4X0,7X16	SCREW M4X0,7X16	VIS M4X0,7X16 U5931 8.8ZN	SCHRAUBE 4X16 5931 8.G ZN	TORNILLO M4X0,7X16 U5931 8.8ZN
7	F01230016R	DADO M4X0,78	NUT M4X0,78	CROU M4X0,7 D982 8ZN	SELBSTSP. MUTTER NOR. 4 ZN	TUERCA AUTOB. NOR. 4 ZN
8	F03151817R	REGOLATORE PRESSIONE ARIA	AIR PRESSURE REGULATOR			REGULADOR DE PRESION DE AIRE
9	F13010014R	RONDELLA ALLUMINIO D16	ALUMINUM WASHER D16	ALUMINUM RONDELLE D16	ALUMINIUM UNTERLEGSCHIEBE D16	
10	F03151815R	FILTRO	FILTER			
11	F13070013R	SP.ROSSA 12X9 M16X1,5-LIBERA	PL.TU.RED 12X9 M16X1,5-FREE			
12	F13010103R	RACC.A L GIREVOLE G1 4 -D8	RACC.A L GIREVOLE G1 4 -D8			
13	F13010027R	RACC.SUPERAPIDO 90 1 8G-8	90 UNION STRAIGHT 1 8G-8			
14	GC5918230R	ASS.CARTER COPERTURA MANOMETRI	MANOMETER COVER ASSEMBLY			CUBRE MAN METRO CARTER MONTAJE
15	F01410037R	ROS.M6 6,4X12,5X1,6	WASHER M6 6,4X12,5X1,6	RONDELLE M6 6,4X12,5X1,6	SCHEIBE D.6	ARAND.M6 6,4X12,5X1,6 U6592 ZN
16	F01230022R	DADO M6X1	NUT M6X1	CROU M6X1 D982 8ZN	SELBSTSP. MUTTER NOR.6 ZN	TUERCA M6X1 D982 8ZN
17	F01020406R	VITE M6X1X25	SCREW M6X1X25 U5739 8.8ZN	VIS M6X1X25 U5739 8.8ZN	SCHRAUBE 6 X25 5737 8.G ZN	TORNILLO M6X1X25 U5739 8.8ZN
18	G18250300R	SUPPORTO FILTRO ARIA AIRBAG	AIRBAG AIR FILTER SUPPORT			SOPORTE FILTRO DE AIRE AIRBAG
19	F01040026R	VITE M4X0,7X10	SCREW M4X0,7X10	VIS M4X0,7X10 U5931 A2IX	SCHRAUBE 4X10 5931 INOX A2	TORNILLO M4X0,7X10 U5931 A2IX
20	F01020444R	VITE M8X1,25X25	SCREW M8X1,25X25 U5739 10.9ZD	VIS M8X1,25X25 U5739 10.9ZD	SCHRAUBE M 8X25	TORN. M8X1,25X25 U5739 10.9ZD
21	F01230034R	DADO M8X1,25	NUT M8X1,25	CROU M8X1,25 D982 8	SELBSTSP.MUTT. M8X1,25	TUERCA M8X1,25 D982 8
22	F13010041R	RACC.SUPERAP.T D8-D8-D8	FITT.SUPERAP.T D8-D8-D8		FITT.SUPERAP.T D8-D8-D8	
23	F13050007R	SEMIACC.ISO ROSSO M16X1,5 P F	ISO CONNECTION RED M16X1,5 P F		ISO VERBINDUNG ROT M16X1,5 P F	

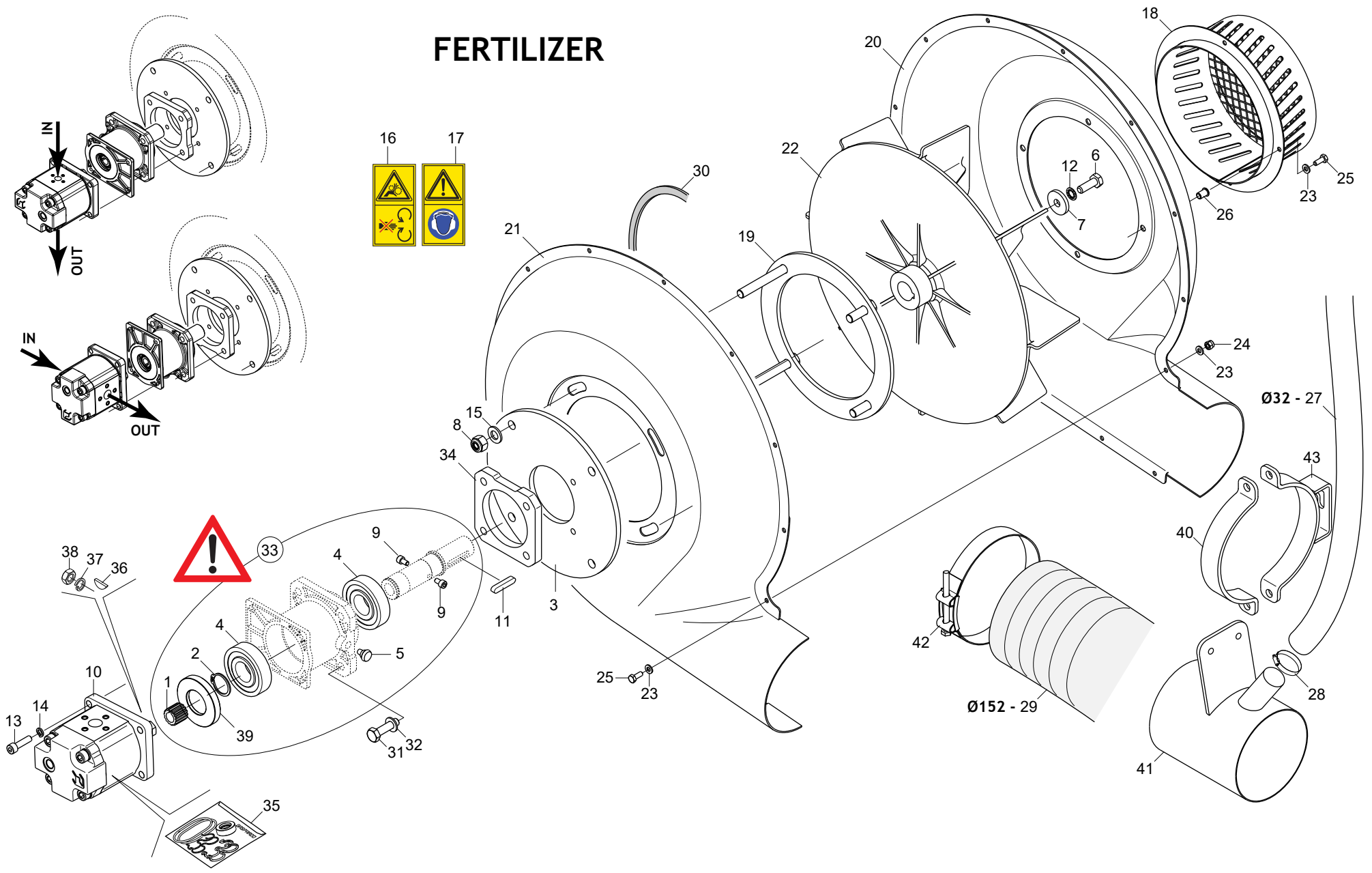


**COMPRESSORE ARIA (OPTIONAL)
AIR COMPRESSOR (OPTIONAL)**

TAV. 110

Pos.	Cod.	Descrizione	Description	Description	Benennung	Descripcion
1	F01020404R	VITE M6X1X20	SCREW M6X1X20 U5739 8.8ZN	VIS M6X1X20 U5739 8.8ZN	SCHRAUBE 6X20 5739 8.G ZN	TORNILLO M6X1X20 U5739 8.8ZN
2	F01020436R	VITE M8X1,25X20	SCREW M8X1,25X20 U5739 8.8ZN	VIS M8X1,25X20 U5739 8.8ZN	SCHRAUBE M 8X20	TORN. M8X1,25X20 U5739 8.8ZN
3	F01230022R	DADO M6X1	NUT M6X1	CROU M6X1 D982 8ZN	SELBSTSP. MUTTER NOR.6 ZN	TUERCA M6X1 D982 8ZN
4	F01230034R	DADO M8X1,25	NUT M8X1,25	CROU M8X1,25 D982 8	SELBSTSP.MUTT. M8X1,25	TUERCA M8X1,25 D982 8
5	F01410037R	ROS.M6 6,4X12,5X1,6	WASHER M6 6,4X12,5X1,6	RONDELLE M6 6,4X12,5X1,6	SCHEIBE D.6	ARAND.M6 6,4X12,5X1,6 U6592 ZN
6	F01420036R	ROS.M6 6,4X 18X1,5	WASHER M6 6,4X 18X1,5	RONDELLE M6 6,4X 18X1,5	SCHEIBE 6-6X 18X2 6593 ZN	ARANDELA M6 6,4X18X1,5U6593ZN
7	F01440094R	RONDELLA D10	WASHER D10	RONDELLE D10	SCHIEBE D10 ALUMIN	ARANDELA DE ALUMINIO D10
8	F02250681R	INSERTO FIL.M 6X14 ZN T.TONDA	THREADED ZINCKED INSERT M6X14	JOINT FILETE M6X14 ZN	GEWINDEBUCHSE M6X14 ZN	YUGO MUESCADO M6ZX14 ZN
9	F03151380R	GIUNZIONE INTERM.D8-D8 FEM	INTER.JOINT D8-D8 FEM.		INTER.GELENK D8-D8 FEM.	
10	F05010714R	COMPRESSORE 12V - SERB. 5LT	COMPRESSOR 12V - TANK 5LT		COMPRESSORE 12V - SERB. 5LT	
11	F05010750R	PASSACAVO PER FORO 10 D.7	CABLE THROUGH HOLE 10 D.7		KABEL THROUGH HOLE 10 D.7	
12	F13010028R	RACC.SUPERAPIDO DRITTO 1 8G-8	SUPERAP.RIGHT JUNCTION 1 8G-8		EINSCHRAUBNIPPEL 1 8G-8	
13	F13010041R	RACC.SUPERAP.T D8-D8-D8	FITT.SUPERAP.T D8-D8-D8		FITT.SUPERAP.T D8-D8-D8	
14	F13070005R	TUBO POLIURETANO 8-6 NERO	POLIURETHAN PIPE 8-6 BLACK		POLYURETHAN ROHR 8-6 BLACK	
15	GA5910050R	COPERCHIO SCATOLA COMPRESSORE	COMPRESSOR BOX COVER		KOMPRESSOR BOX DECKEL	
16	GA5910480R	SCONTRIO 140X 20- 4 2F7 120	PLATE 140X 20- 4 2F7 120		PLATTE 140X 20- 4 2F7 120	
17	GA5911160R	CHIUSURA PVC	CLOSING PVC		VERSCHLUSS PVC	
18	G22250274R	COLLEGAMENTO MANOMETRI SP-SV	PRESSURE GAUGE CONNECT. SP-SV	RACCORD MANOMETRES SP-SV	VERBINDUNG MANOMETER SP-SV	CONEXI N MAN METROS SP-SV
19	G22270134R	SUPPORTO VACUOMETRO SP	VACUUM METER SUPPORT SP	SUPPORT VACUOMETRE SP	HALTERUNG VAKUUMMETER SP	SOPORTE VACU METRO SP
20	G15915520R	SCATOLA COMPRESSORE	AIR COMPRESSOR BOX		LUFT KOMPRESSOR BOX	
21	F05011766R	SENS.PRESS. 0- 10BAR 0,5-4,5V	PRESS.SENS. 0, 10BAR 0,5-4,5V		PRESS.SENS.0,10LEISTE 0,5-4,5V	
22	GA5918130R	STAFFA SUPP.SCATOLA COMPR.	STIRRUP SUPPORT BOX			
23	F01420048R	ROS.M8 8,4X 24X 2	WASHER M8 8,4X 24X2	RONDELLE M8 8,4X 24X2	SCHEIBE D.8	ARAND.M8 8,4X 24X 2 U6593 ZN
24	F01020445R	VITE M8X1,25X30	SCREW M8X1,25X30 U5739 8.8ZN	VIS M8X1,25X30 U5739 8.8ZN	SCHRAUBE 8 X30 5739 8.G	TORN. M8X1,25X30 U5739 8.8ZN
25	F01410051R	ROS.M8 8,4X 17X1,6	WASHER M8 8,4X17X1,6	RONDELLE M8 8,4X17X1,6	SCHEIBE D.8	ARAND.M8 8,4X 17X1,6 U6592 ZN

FERTILIZER



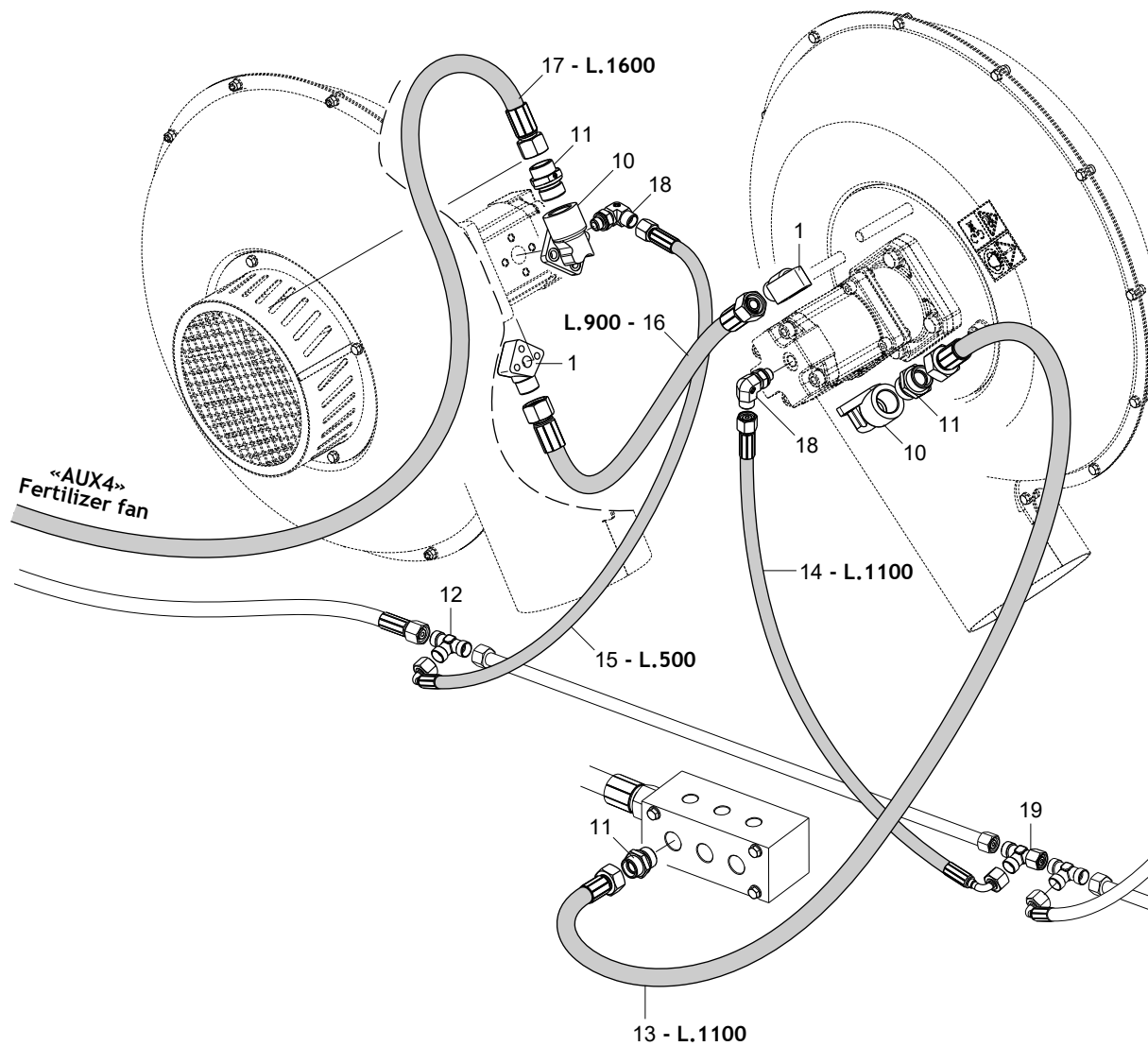
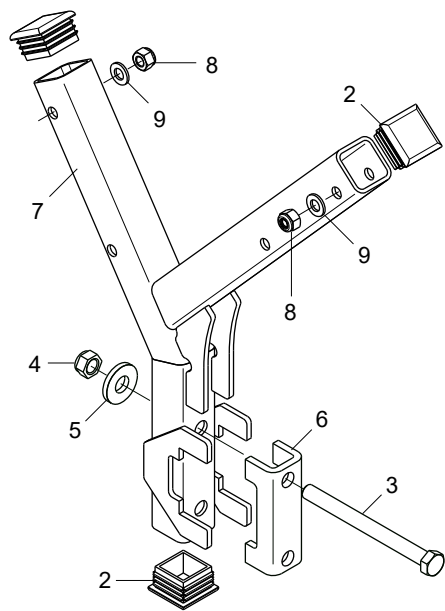
SOFFIANTE - CONCIME BLOWER - FERTILIZER

TAV. 120

Pos.	Cod.	Descrizione	Description	Description	Benennung	Descripcion
1	F03151249R	SEMIGIUNTO ALBERO CONICO POMPA	SEMI-COUPLING PUMP TAPER-SHAFT	DEMI ACCOUPLEMENT	HALBKUPPLUNG KEGELWELLE PUMPE	SEMIJUNTA
2	F02050112R	ANELLO E.DE 30X 1,5 U7435 ZN	ELAST. RING DE 30X1,5 U7435 ZN	BAGUE ELAST. 30X1,5 U7435 C70	SEEGERING E. 30X 1,5 U7435 C70	ANILLO ELAST. 30X1,5 U7435 C70
3	G15951770R	FLANGIA VENTOLA	FLANGE FAN	ACCOUPLEMENT TURBINE	FLANSCH GEBLZSE	BRIDA SOPLADORA
4	F04010215R	CUSC.D30 D72 B19 6306 2RSC3 EX	BEARING D30 D72 B19 6306 2RSC3	ROUL. D30 D72 B19 6306 2RSC3	LAGER 6306 2RS C3	COJINETE D30D72 B19 6306 2RSC3
5	G66248223R	TAPPO SUPP.SPAND.D.11	PLUG MAN. SPR. SUPP. D.11	BOUCHON SUPPORT EP. ENGRAIS D.	HALTERUNGSPFROPFEN D NGERSTR.	TAP N SOPORTE ABON.D.11
6	F01020445R	VITE M8X1,25X30	SCREW M8X1,25X30 U5739 8.8ZN	VIS M8X1,25X30 U5739 8.8ZN	SCHRAUBE 8 X30 5739 8.G	TORN. M8X1,25X30 U5739 8.8ZN
7	G20970110R	RONDELLA 38X4X8,5	WASHER 38X4X8-5	RONDELLE 38X4X8-5	UNTERLEGSSCHEIBE 38X4X8-5	ARANDELA 38X4X8-5
8	F01230059R	DADO M12X1,75	NUT M12X1,75	ECROU M12X1,75 D982 8ZN	MUTTER M12X1,75	TUERCA M12X1,75 D982 ZN
9	F01040058R	VITE M6X1X10	SCREW M6X1X10	VIS M6X1X10 U5931 8.8ZN	SCHRAUBE 6 X10 5931 8.G ZN	TORNILLO M6X1X10 U5931 8.8ZN
10	F03151908R	MOTORE GR.2 14.5 REV ANTIC DR	ENGINE GR.2 14.5 REV	MOTEUR GR.2 14.5 REV	MOTOR GR.2 14.5 REV	MOTOR GR.2 14.5 REV
11	F02150073R	LINGUETTA 8X 7X 40 U6604A	PARALLEL KEY 8X 7X 40 U6604A	CLEVETTE 8X7X40 UNI 6604	FEDER 8X7X40 UNI 6604	LENGSETA 8X 7X 40 U6604A
12	F01430059R	ROS.M8 8,4X 15X0,8	WASHER M8 8,4X15X0,8	RONDELLE M8 8,4X15X0,8	SCHEIBE M8 8,4X15X0,8 U8842JZN	ARAND. M8 8,4X15X0,8 U8842J ZN
13	F01040107R	VITE M8X1,25X30	SCREW M8X1,25X30	VIS M8X1,25X30 U5931 A2IX	SCHRAUBE M8X1,25X 30 U5931 A2	TORN. M8X1,25X30 U5931 A2IX
14	F01480033R	ROS.G 8,1X 12,7X 2	GROVER WASHER D8,1X12,7	GROVER RONDELLE D8,1X12,7	SPRENGRING VERST. D8 DIN79	ARAND.ELICOI.D8,1X12,7 D7980ZN
15	F01410076R	ROS.M1213X24X2,5	WASHER 12 13X 24X2,5	RONDELLE 12 13X 24X2,5	SCHEIBE D12 UNI 6592 ZN	ARAND.M12 13X 24X2,5 U6592 ZN
16	F20030042R	ETICH.ORGANI IN MOVIMENTO	DECAL.MOVING UNITS	DECAL.MOVING UNITS	AUFKLEBER.MOVING EINHEITS	
17	F20030014R	DECALCOM.PROTEZIONE UDITO	DECAL.HEARING PROTECTION	DECALC. PROTECTION OUIE	AUFKLEBERGEH RSCHUTZ	ETIQUETA ADHES. PROTECCION OID
18	GA5950090R	ASS.PROTEZIONE SOFFIANTE	ASS.PROTECTION FERTILIZER		ASS.SCHUTZ D NGER	
19	G16150050R	FLANGIA INTERNA	INTERNAL FLANGE	FLASQUE INTERIEUR	INNENFLANSCH	BRIDA INTERNA
20	G16150650R	CONCHIGLIA ESTERNA DX	RIGHT EXTERN PROTECTION	CARTER TURBINE GAUCHE	CONCHIGLIA ESTERNA RECHTS	MOLDE DER.
21	G16150640R	CONCHIGLIA DI FISSAGGIO DX	RIGHT PROTECTION FOR FIX.	CARTER TURBINE DROIT	CONCHIGLIA FISSAGGIO RECHTS	CONCHA DE FIJACI N DX
22	G16150142R	VENTOLA SOFFIANTE GIGANTE	GIANT BLOWER FAN	ROTOR SOUFFLANT GIGANTE	FLUEGELRAD GIGANTE	VENTILADOR SOPLANTE GIGANTE
23	F01410037R	ROS.M6 6,4X12,5X1,6	WASHER M6 6,4X12,5X1,6	RONDELLE M6 6,4X12,5X1,6	SCHEIBE D.6	ARAND.M6 6,4X12,5X1,6 U6592 ZN
24	F01230022R	DADO M6X1	NUT M6X1	CROU M6X1 D982 8ZN	SELBSTSP. MUTTER NOR.6 ZN	TUERCA M6X1 D982 8ZN
25	F01020403R	VITE M6X1X16	SCREW M6X1X16 U5739 8.8ZN	VIS M6X1X16 U5739 8.8ZN	SCHRAUBE M 6X16	TORNILLO M6X1X16 U5739 8.8ZN
26	F02250681R	INSERTO FIL.M 6X14 ZN T.TONDA	THREADED ZINCKED INSERT M6X14	JOINT FILETE M6X14 ZN	GEWINDEBUCHSE M6X14 ZN	YUGO MUESCADO M6ZX14 ZN
27	F03100441R	TUBO NETTUNO PU FF 32 ANTI UV	TUBE NETTUNO PU FF 32 ANTI UV		ROHR NETTUNO PU FF 32 ANTI UV	
28	F02300020R	FASCETTA STRING. 32 50 H.9	HOSE CLAMP 32 50 H.9	COLLIER DE SERRAGE 32 50 H.9	SCHELLE 32 50 H.9	ABRAZADERA 32 50 H.9
29	F03100573R	TUBO VULCANO PU R 152 TR. NERO	TUBO VULCANO PU R 152 TR. NERO			
30	F07100132R	MOUSSE ADESIVA MM 5X3	ADHESIVE MOUSSE MM 5X3		DICHTBAND MM 5X3	
31	F01020483R	VITE M10X1,5X40	SCREW M10X1,5X40 U5739 10.9ZD	VIS M10X1,5X40 U5739 10.9ZD	SCHRAUBE 10X40 5739 8.G ZN	TORNIL.M10X1,5X40 U5739 10.9ZD
32	F01410064R	ROS.M10 10,5X 20X 2	WASHER M10 10,5X20X2	RONDELLE M10 10,5X20X2	SCHEIBE 10,5X21	ARAND.M10 10,5X 20X 2 U6592 ZN
33	G15932040R	MOZZO CUSC.ALB.D.28 Z14 COMPL.	COMP.RHT BEAR.SHAFT HUB 28 Z14	MOYEU ROUL.ARBRE DR.28Z14 COMP	NABE KOMPL.	CUBO COJIN.EJE DER.28Z14 COMP.
34	GA5250100R	FLANGIA 115X115X12 D.85	FLANGE 115X115X12 D.85	BRIDE 115X115X12 D.85	FLANSCH 115X115X12 D.85,	BRIDA 115X115X12 D.85
35	F03151568R	KIT GUARN.MOT.F03151559-1908	KIT SEALS MOTOR F03151559-1908	KIT JOINTES MOT.F03151559-908	KIT DICHT. MOT.F03151559-908	SET JUNTA MOT.F03151559-908
36	F02150300R	LING.PL-K20 ALB.82 3,15X6,5X16	LING.PL-K20 ALB.82 3,15X6,5X16	CLAVETTE 8X 7X 40 U6604A	LINGUETTA 8X 7X 40 U6604A	LENGSETA 8X 7X 40 U6604A
37	F01480055R	ROS.G 12,2X 18X2,5	GROVER WASHER 12.2X18X2,5	GROVER RONDELLE 12.2X18X2,5	VERST. FEDERSCHEIBE D12	ARAND. EL. 12,2X18X2,5 D7980ZN
38	F01200422R	DADO M12X1,5	NUT M12X1,5	ECROU M12X1,5 U5589 CL8 ZN6SZN	MUTTER M12	TUERCA M12X1,5 U5589 CL8 ZN 6S
39	GA5250160R	ANELLO CENTRAGGIO MOT.IDR.	MOT.IDR CENTERING RING	BAGUE CENTR.	MITTL. RING	ANILLO CENTR.
40	R18516910R	COLLARE X TUBO D150 ZN	STRAP PIPE D.150 ZN		STRAP ROHR D.150 ZN	
41	GA5920090R	CONVOGLIAT.RIGIDO SOFF.CONCIME	CONVEYOR BLOWER FERTILIZER		CONVEYOR BUNT. D NGER	
42	F02350089R	FASC. 162-174 26 W4 IX C.VIT	BAND 162-174 26 W4 IX		BUND 162-174 26 W4 IX	
43	G15912240R	COLLARE TUBO D150 ZN	COLLAR PIPE D150 ZN	COLLIER TUBE D150 ZN	KRAGEN ROHR D150 ZN	COLLAR TUBO D150 ZN

FERTILIZER

CHRONO 916

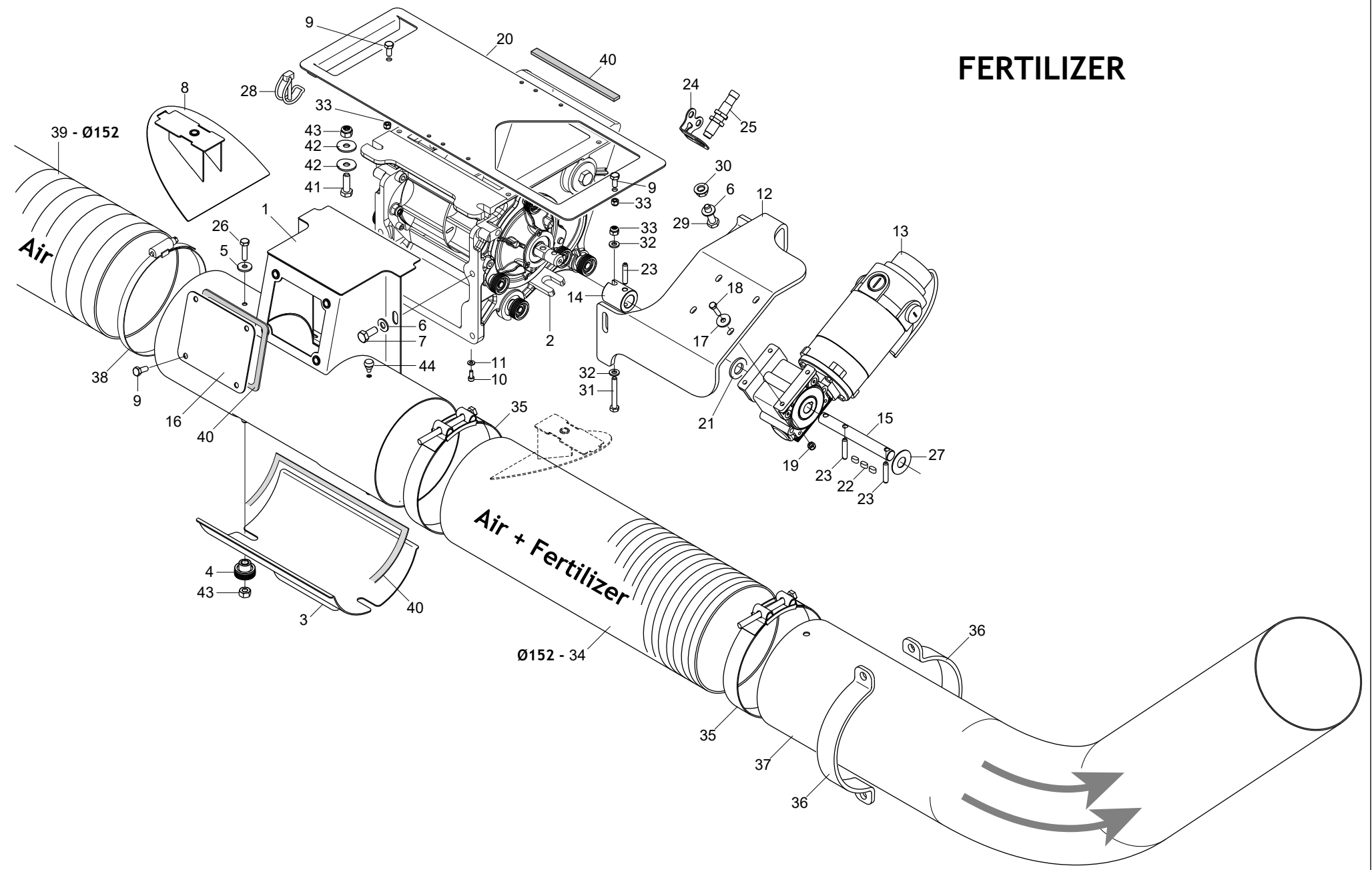


**AZIONAMENTO OLEODINAMICO SOFFIANTE - CONCIME
FAN HYDRAULIC DRIVE - FERTILIZER**

TAV. 130

Pos.	Cod.	Descrizione	Description	Description	Benennung	Descripcion
1	F03080570R	FLANGIA L 3 FORI ML15	FLANGE L 3 HOLES ML22		FLANSCH L 3 HOLES ML22	
2	F20120349R	PUNTALE Q.50 ALETT.POLIT.NERO	CAP	BOUCHON	DECKEL	CORCHO
3	F01020278R	VITE M16X2X180	SCREW M16X2X180 U5737 8.8BR	VIS M16X2X180 U5737 8.8BR	SCHRA. M16X2X180 U5737 8.8	TORNILLO M16X2X180 U5737 8.8BR
4	F01230085R	DADO M16X2 D982 10ZN	NUT M16X2	ECROU M16X2 D982 10ZN	MUTTER M16X 2 D982 8 ZN	TUERCA M16X2 D982 10ZN
5	G18700450R	RONDELLA 17X45X6 ZN	WASHER 17X45X6 GALV.ED	RONDELLE 17X45X6	SCHEIBE17X45X6 ZN	ARANDELA 17X45X6
6	G36200241R	SCONTRO U 80	FLANGE U 80	BRIDE U 80	ANSCHLAG U 80	ELEMENTO DE EMPALME U 80
7	GC5917290R	ASS.SUPP.SOFF. CONC.JULIA 16F	ASS.SUPP.SOFF. CONC.JULIA 16F			
8	F01230059R	DADO M12X1,75	NUT M12X1,75	ECROU M12X1,75 D982 8ZN	MUTTER M12X1,75	TUERCA M12X1,75 D982 ZN
9	F01410076R	ROS.M1213X24X2,5	WASHER 12 13X 24X2,5	RONDELLE 12 13X 24X2,5	SCHEIBE D12 UNI 6592 ZN	ARAND.M12 13X 24X2,5 U6592 ZN
10	F03151204R	KIT RACCORDO A GOMITO 3 4	3 4 ANGLED UNION	RACCORD A COUDE	WINKELANSCHLUSSTUECK 3 4	CODO DE UNI N 3 4
11	F03080093R	NIPPLO M3 4 SEAL ML18 ZN	NIPPLE M3 4 SEAL ML18		NIPPEL M3 4 DICHTUNG ML18	
12	F03080030R	RACC.T ML12 ML12 ML12 ZN	T-UNION ML 12 ML12 ML12 ZN	RACCORD T ML12 ML12 ML12 ZN	ANSCHLUSST.T ML12 ML12 ML12 ZN	UNION T ML12 ML12 ML12 ZN
13	F03070074R	TUBO 1 2 R17 FL18 CFL18 L1100	PIPE 1 2 R17 FL18 CFL18 L1100		ROHR 1 2 R17 FL18 CFL18 L1100	
14	F03071595R	TG 1 4 R17 FL10 CFL12 1100	TG 1 4 R17 FL10 CFL12 1100			
15	F03071593R	TG 1 4 R17 FL10 CFL12 500	TG 1 4 R17 FL10 CFL12 500			
16	F03071591R	TG 1 2 R17 FL18 CFL15 900	TG 1 2 R17 FL18 CFL15 900	TG 1 2 R17 FL18 CFL15 900		TG 1 2 R17 FL18 CFL15 900
17	F03070548R	TG 1 2 R17 CFL18 CFL15 1600	TG 1 2 R17 CFL18 CFL15 1600	TG 1 2 R17 CFL18 CFL15 1600		TG 1 2 R17 CFL18 CFL15 1600
18	F03080177R	RACC.L M1 4 SEAL ML10 ZN	JUNCTION L M1 4 SEAL ML10 ZN			
19	F03080044R	RACC.T FL12 ML12 ML12 ZN	T-UNION FL12 ML12 ML12	RACCORD T FL12 ML12 ML12 ZN	ANSCHLUSST.T FL12 ML12 ML12 ZN	UNION T FL12 ML12 ML12 ZN

FERTILIZER

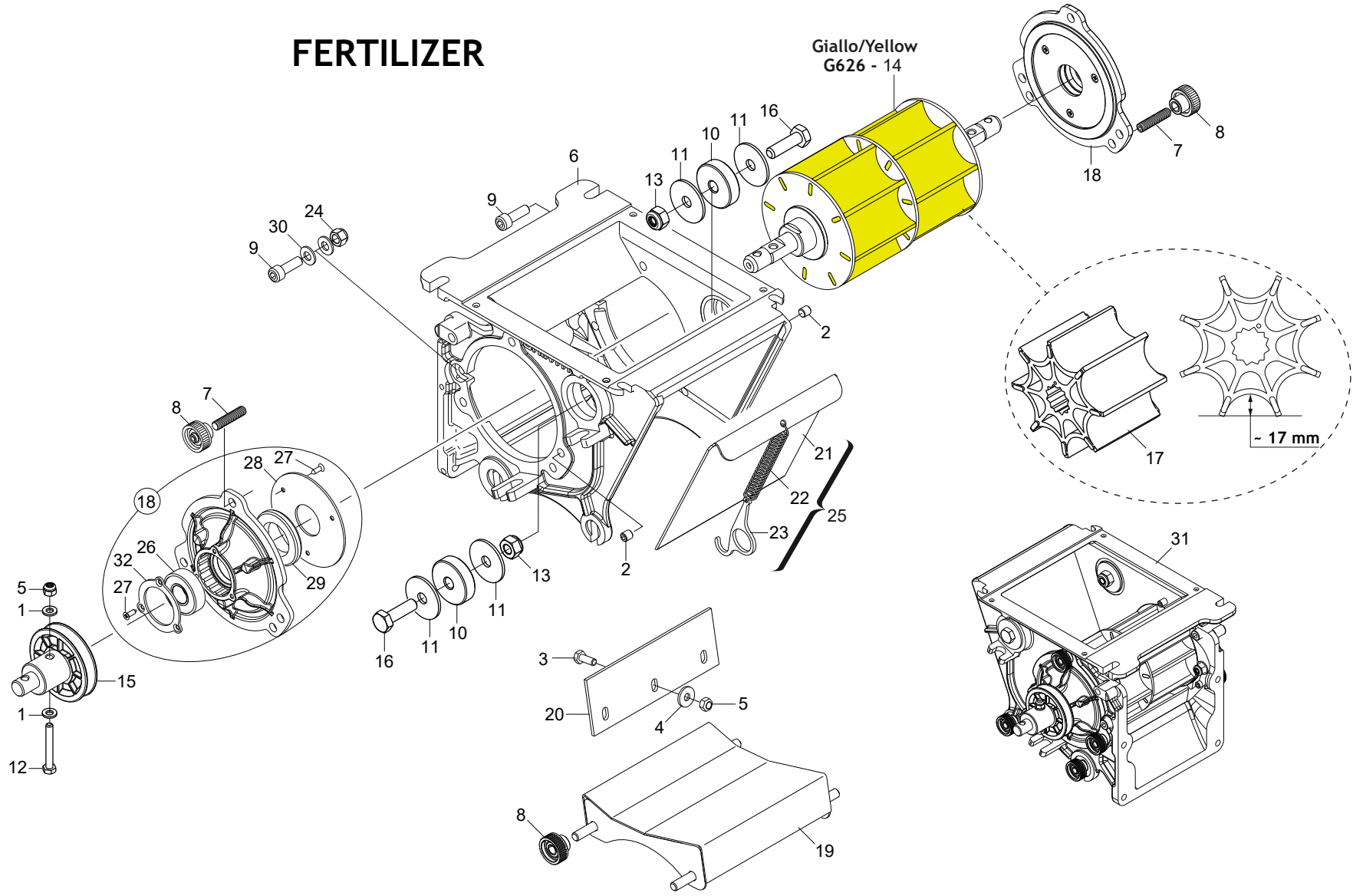


**GRUPPO DI DOSAGGIO
DOSING SYSTEM**

TAV. 140

Pos.	Cod.	Descrizione	Description	Description	Benennung	Description
1	G15920940R	ASS.CONVOGLIATORE D.150 BASSO	ASS.CONVEYOR D.150 LOWER			
2	G15921050R	MONT.DOS.CONC.ST.FL.P.IND.FRES	ASS.BATCHER FERTILIZER		ASS.BATCHER FERTILIZER	
3	G16125270R	ASS.COPERCHIO DI CHIUSURA	LOCKING COVER ASS.BLY		HALTER_DECKEL DI VERSCHLUSS	
4	F06220037R	VOLANTINO ZIGR.D.26-M8 FEM	KNURLED HANDWHEEL D.26-M8	VOLANT D.26-M8	GER-ND. HANDRAD D.26-M8 FEM	FOLLETO ZIGR.D.26-M8
5	F01420039R	ROSSET.M6 6,4X24X1,5	WASHER M6 6,4X24X1,5	RONDELLE M6 6,4X24X1,5	SCHEIBE M6 6,4X24X2 U6593 IX	ARANDEL.M6 6,4X24X1,5 U6593 IX
6	F01410050R	ROS.M8 8,4X 17X1,6	WASHER M8 8,4X 17X1,6	RONDELLE M8 8,4X 17X1,6	SCHEIBE 8,4X 17X1,6 U6592 IX	ARANDELA M8 8,4X 17X1,6 IX
7	F01020457R	VITE M8X1,25X20	SCREW M8X1,25X20 U5739 A2IX	VIS M8X1,25X20 U5739 A2IX	SCHRAUBE M8X1,25X20 U5739 8	TORNILLO M8X1,25X20 U5739 A2IX
8	G15974310R	ASS.DEFLETTORE	DEFLECTOR ASSEMBLY			CONJUNTO DEFLECTOR
9	F01020418R	VITE M6X1X14	SCREW M6X1X14 U5739 A2IX	VIS M6X1X14 U5739 A2IX	SCHRAUBE 6X14 5739 INOX A2	TORNILLO M6X1X14 U5739 A2IX
10	F01040026R	VITE M4X0,7X10	SCREW M4X0,7X10	VIS M4X0,7X10 U5931 A2IX	SCHRAUBE 4X10 5931 INOX A2	TORNILLO M4X0,7X10 U5931 A2IX
11	F01410012R	ROS.M4 4,3X 9X0,8	WASHER M4 4,3X 9X0,8	RONDELLE M4 4,3X 9X0,8	SCHEIBE M4 4,3X 9X0,8 U6592 IX	
12	GA5915060R	SUPP.DESTRO MOTORE ELETTRICO	RIGHT SUPPORT ELECT.ENGINE			
13	F05011172R	MOTORID.12V-157W 50 1 C.CONN.	RATIOMOTOR 12V-157W 50 1	MOTEUR DOSEUR 12V-157W 50 1	RATIOMOTOR 12V-157W 50 1	MOTO 12V-157W 50 1 CONEX
14	G16130860R	BOCCOLA UNIONE CAMBIO-DOS.STA.	GEAR JUNCTION BUSHING	DOUILLE ACCOUPLEMENT	BUECHSE	ARANDELA
15	G16130891R	ALBERO DI TRASM.MOT.ELETTR. IX	TRANSMISSION SHAFT	ARBRE ENTRAINEMENT	ANTRIEB WELLE	EJE DE TRANSM.
16	G15921120R	FINESTRA ISPEZIONE	FINESTRA ISPEZIONE			
17	F01420038R	ROS.M6 6,4X18X1,5	WASHER M6 6,4X18X1,5	RONDELLE M6 6,4X18X1,5	SCHEIBE M6 6,4X18X2 U6593 IX	ARANDELA M6 6,4X18X1,5 6593IX
18	F01020381R	VITE M5X0,8X20	SCREW M5X0,8X20 U5739 A2IX	VIS M5X0,8X20 U5739 A2IX	SCHRAUBE 5X20 5739	TORNILLO M5X0,8X20
19	F01230020R	DADO M5X0,8	NUT M5X0,8	CROU M5X0,8 D982 A2IX	MUTTER M5X0,8 D982 A2 IX	TUERCA M5X0,8 D982 A2 IX
20	G15921550R	LAMA GHIGLIOTTINA DOSATORE IX	PLATE DOSER			
21	F01410089R	ROS. M14 15X28X2,5	WASHER M14 15X28X2,5	RONDELLE M14 15X28X2,5	SCHEIBE M14 15X28X2,5 U6592 IX	ARANDELA M14 15X28X2,5
22	F02150012R	LINGUETTA 05X5X10 UNI6604	PARALLEL KEY 5X 5X 10 U6604A	CLAVETTE 05X5X10 UNI6604	FEDERKEIL 05X5X10 UNI6604	LENGSETA 05X5X10 UNI6604
23	F02100115R	SPINA E.P. 6X 30 U6873 C70 IX	PIN EL. 6X30 DIN 1481 S.STEEL*	GOUPILLE EL.6 X30 DIN 1481 IN	SPANNSTIFT 6 X30 DIN 1481 EDEL	CLAVIJA EL.6 X30 DIN 1481 INO
24	G17932480R	SUPP.INOX SENSORE IND.DOSATORE	IND.SENS.DOSER SS SUPPORT	SUPPORT CAPTEUR	IND.SENS.DOSIERER SS HALTER	SOPORTE SENSOR
25	F05010806R	SENSORE MAGNETICO CON CAVO	MAGNETIC SENSOR WITH CABLE		MAGNETIC SENSOR MIT KABEL	
26	F01020421R	VITE M6X1X25	SCREW M6X1X25 U5739 A2IX	VIS M6X1X25 U5739 A2IX	SCHRAUBE M6X1X 25 U5739 A2 IX	TORNILLO M6X1X25 U5739 A2IX
27	G18701660R	RONDELLA 14,2 X33 X0,3	WASHER 33X 0-3X14-2	RONDELLE 33X 0-3X14-2	UNTERLEGSCHNEIBE 14-2X33X0-3	ARANDELA 33X 0-3X14-2
28	F02200595R	SPINA SICUR.D. 5X30 ZN	PIN X GEAR	GOUJON	BOLZEN KLAPPSPLINT GESCHWUNGEN	ESPINA
29	F01020445R	VITE M8X1,25X30	SCREW M8X1,25X30 U5739 8.8ZN	VIS M8X1,25X30 U5739 8.8ZN	SCHRAUBE 8 X30 5739 8.G	TORN. M8X1,25X30 U5739 8.8ZN
30	F01260032R	DADO M8	NUT M8	CROU M8 D6923 A2IX	MUTTER FLANG. M8 D6923 A2 IX	TUERCA M8 D6923 A2IX
31	F01020415R	VITE M6X1X45	SCREW M6X1X45 U5739 A2IX	VIS M6X1X45 U5739 A2IX	SCHRAUBE 6X45 5739 EDELST.A2	TORNILLO M6X1X45 U5739 A2IX
32	F01410034R	ROS.M6 6,4X12,5X1,6	WASHER M6 6,4X12,5X1,6	RONDELLE M6 6,4X12,5X1,6	UNTERLEGSCHNEIBE D6 UNI6592 IN	ARANDELA M6 6,4X12,5X1,6
33	F01230024R	DADO M6X1	NUT M6X1	CROU M6X1 D982 A2IX	SELBSTSP. MUTTER NOR. 10	TUERCA M6X1 D982 A2IX
34	F03100514R	TUBO VULCANO PU 152 15 HDS AUV	PIPE VULCANO PU 152 15 HDS AUV		ROHR VULCANO PU 152 15 HDS AUV	
35	F02350089R	FASC. 162-174 26 W4 IX C.VIT	BAND 162-174 26 W4 IX		BUND 162-174 26 W4 IX	
36	G16124400R	FASCETTA TUBO D.150 ZN	STRAP PIPE D.150 ZN	COLLIER SERRAGE TUBE D.150 ZN	ROHRSCHELLE D.150 ZN	ABRAZADERA TUBO D.150 ZN
37	G15921080R	ASS.TUBO D.150 CURVO CONCIME	ASS.TUBE D.150 CURVE FERTILIZ.			
38	F02300026R	FASCETTA STRING.150 170 H.12	STRING STRAP 150 170 H.12	COLLIER DE SERRAGE 150 170 H.1	KABELSCHELLE 150 170 H.12	ABRAZADERA 150 170 H.12
39	F03100573R	TUBO VULCANO PU R 152 TR. NERO	TUBO VULCANO PU R 152 TR. NERO			
40	F07100132R	MOUSSE ADESIVA MM 5X3	ADHESIVE MOUSSE MM 5X3		DICHTBAND MM 5X3	
41	F01020443R	VITE M8X1,25X25	SCREW M8X1,25X25 U5739 A2IX	VIS M8X1,25X25 U5739 A2IX	SCHRAUBE M8X1.25X25 5739 A2 IX	TORN. M8X1,25X25 U5739 A2IX
42	F01420047R	ROS.M8 8,4X 24X 2	WASHER M8 8,4X24X2	RONDELLE M8 8,4X24X2	SCHEIBE M8 8,4X24X2 U6593 IX	ARANDELA M8 8,4X24X2 U6593 IX
43	F01230032R	DADO M8X1,25	NUT M8X1,25	CROU M8X1,25 D982 A2IX	MUTTER M8X1,25 D982 A2 I	TUERCA M 8X1,25 D982 A2 IX
44	G19003160R	TAPPO PER FORO D.7	PLUG FOR D.7 HOLE	BOUCHON POUR TROU D.7	FROPFEN FUER LOCH D.7 T	TAP N PARA AGUJERO D.7

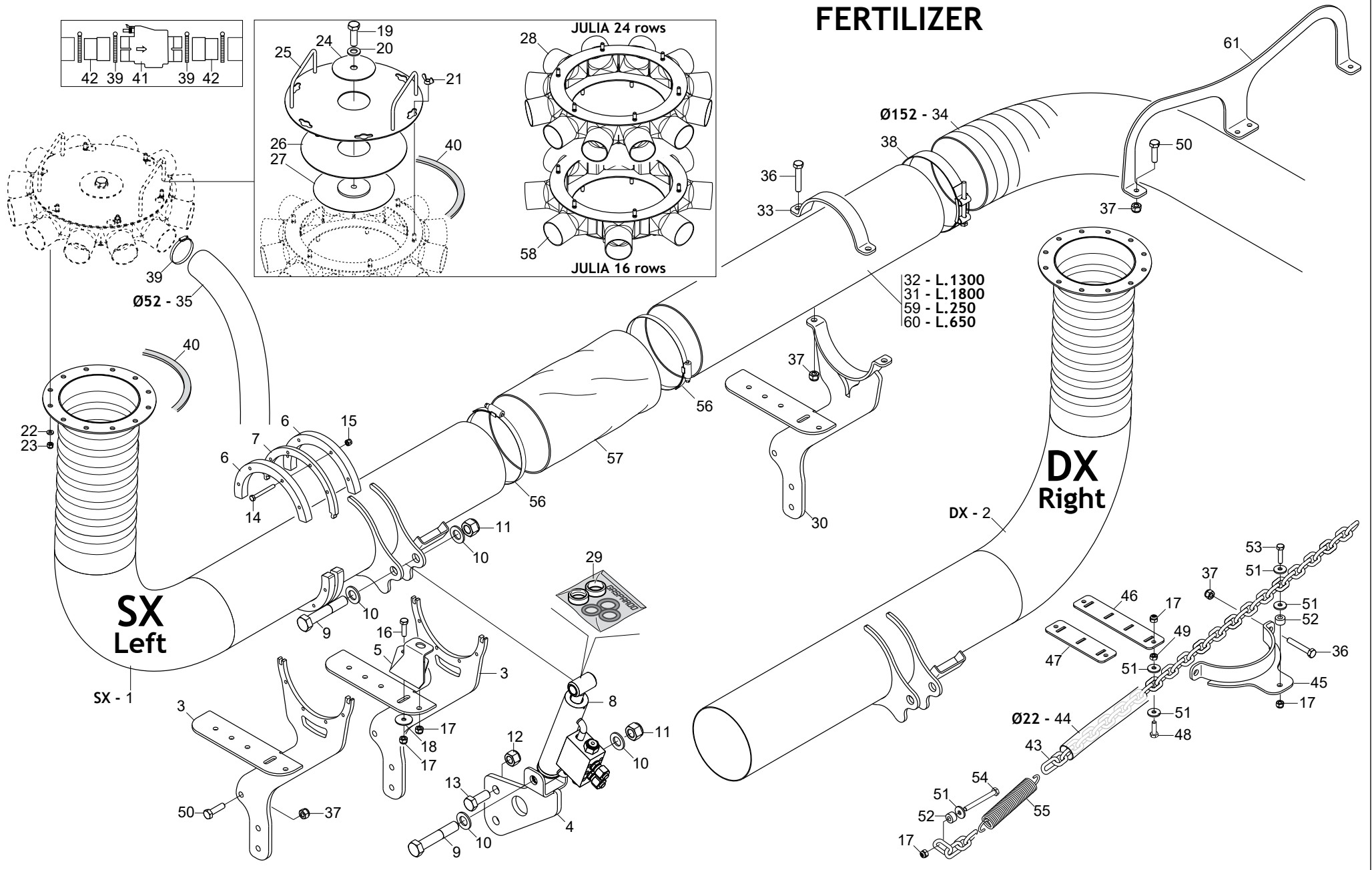
FERTILIZER



**DOSATORE CONCIME
FERTILIZER DOSER**

TAV. 150

Pos.	Cod.	Descrizione	Description	Description	Benennung	Description
1	F01410034R	ROS.M6 6,4X12,5X1,6	WASHER M6 6,4X12,5X1,6	RONDELLE M6 6,4X12,5X1,6	UNTERLEGSCHIEBE D6 UNI6592 IN	ARANDELA M6 6,4X12,5X1,6
2	F01050037R	VITE M8X1,25X10	SCREW M8X1,25X10	VIS M8X1,25X10 U5923 8.8BR	STIFT 8X10 UNI 5923 12.9	TORNIL. M8X1,25X10 U5923 8.8BR
3	F01020419R	VITE M 6X1 X 16	SCREW M 6X1 X 16 U5739 A2IX	VIS M 6X1 X 16 U5739 A2IX	SCHRAUBE M6 X1 X 16 U5739 8.	TORN. M 6X1 X 16 U5739 A2IX
4	F01420038R	ROS.M6 6,4X18X1,5	WASHER M6 6,4X18X1,5	RONDELLE M6 6,4X18X1,5	SCHIEBE M6 6,4X18X2 U6593 IX	ARANDELA M6 6,4X18X1,5 6593IX
5	F01230024R	DADO M6X1	NUT M6X1	CROU M6X1 D982 A2IX	SELBSTSP. MUTTER NOR. 10	TUERCA M6X1 D982 A2IX
6	G15921060R	CORPO DISTRIB.STAGNO FRESATO	BODY DISTRIB.TIN MILLED		K RPER DISTRIB.TIN MILLED	
7	F01050040R	VITE M8X1,25X35	SCREW M8X1,25X35	VIS M8X1,25X35 U5923 A2IX	STIFT 8X35 UNI 5923	TORN. M8X1,25X35 U5923 A2IX
8	F06220037R	VOLANTINO ZIGR.D.26-M8 FEM	KNURLED HANDWHEEL D.26-M8	VOLANT D.26-M8	GER-ND. HANDRAD D.26-M8 FEM	FOLLETO ZIGR.D.26-M8
9	F01040090R	VITE M8X1,25X18	SCREW M8X1,25X18	VIS M8X1,25X18 U5931 A2IX	SCHRAUBE M8X1,25X 18 U5931 IX	TORN. M8X1,25X18 U5931 A2IX
10	GC5915680R	TAPPO ASSE AGITATORE	TAP AXLE AGITATOR			
11	F01420062R	ROS.M10 10,5X 40X2,5	WASHER M10 10,5X 40X2,5	RONDELLE M10 10,5X 40X2,5	ROS M10 10,5X 40X2,5 U6593 IX	
12	F01020415R	VITE M6X1X45	SCREW M6X1X45 U5739 A2IX	VIS M6X1X45 U5739 A2IX	SCHRAUBE 6X45 5739 EDELST.A2	TORNILLO M6X1X45 U5739 A2IX
13	F01230294R	DADO M10X1,5	NUT M10X1,5	ECROU M10X1,5 U7473 8GALV.	MUTTER M10X1,5 U7473 8ZN	TUERCA M8X1,5 U7473 8ZN
14	G16124151R	RULLO G626 STAGNO COMPL.IND.	IND.HERM. G626 ROLLER COMPL.	DOSEUR G626 COMPL.	IND.HERM. G626 WALZE KOMPL.	RODILLO G626 COMPL.
15	G16125241R	MONT.ALBERO TRASCIN.RULLO	SHAFT DRIVE ROLLER	MOYEU DOSEUR	ANBAUWELLE TRASCIN.WALZE	CUBO
16	F01020465R	VITE M10X1,5X35	SCREW M10X1,5X35 U5739 A2IX	VIS M10X1,5X35 U5739 A2IX	SCHRAUBE 10X35 5739 INOX A2	TORNILLO M10X1,5X35 U5739 A2IX
17	G16063070R	RUOTA G313	WHEEL G313	DOSEUR G313	RAD G313	RUEDA G313
18	G16124511R	MONT.FLANGIA PORTA CUSC.RULLO	FLANGE SUPP.ROLLER BEARING	GOUJON BRIDE PORTE-ROUL.ROUL.	ANBAUFLANSCH F.LAGER BEI WALZE	BRIDA
19	G16125261R	ASS.SCIVOLO INFERIORE RULLO IX	ASSY LOWER CHUTE ROLLER IX			
20	G16124600R	TASTATORE IN GOMMA	RUBBER FEELER PIN		TSTANGETORE IN GUMMI	
21	G16060160R	SPORTELLO GRANDE INOX	LARGE HATCH	PORTILLON GRAND	GROSSE KLAPPE	PORTILLO GRANDE
22	G18904170R	MOLLA SPORTELLO GRANDE	SPRING BIG-DOOR	RESSORT TRAPPE	GROSSE KLAPPE FEDER	MUELLE
23	G16060170R	GANCIO INOX	HOOK INOX	CROCHET INOX	HAKEN	GANCHO INOX
24	F01230032R	DADO M8X1,25	NUT M8X1,25	CROU M8X1,25 D982 A2IX	MUTTER M8X1,25 D982 A2 I	TUERCA M 8X1,25 D982 A2 IX
25	G16060050R	SPORTELLO GRANDE COMPL.	LARGE DOOR COMPL.	TRAPPE COMPLETE	GROSSE KLAPPE KOMPL.	PORTILLO GRANDE COMPL.
26	F04010161R	CUSC.D17 D40 B12 6203 2RS EX	BEARING D17 D40 B12 6203 2RSEX	ROUL. D17 D40 B12 6203 2RS EX	LAGER 6203 2RS	COJIN.D17 D40 B12 6203 2RS EX
27	F01070122R	VITE A3,9X1,34X13	SCREW A3,9X1,34X13 U6955 4.8NI	VIS A3,9X1,34X13 U6955 4.8NI	SCHR. 3,9X1,34X13 U6955 4.8 ZN	TORN. A3,9X1,34X13 U6955 4.8NI
28	G16125691R	PROTEZIONE POST.PARAPOLVERE IX	DUSTCOVER REAR GUARD FRD 210	PROT. POST. ANTI POUSSIERE	SCHUTZ HINTERER PARAPOLVERE IX	PROTECCI N TRASERA
29	F03010062R	ANEL. T.A 30X 52X 7 HMS4R	SEALING RING 30X 52X 7	BAGUE D ETANCHEITE 30X 52X 7	DICHTUNGSRING 30X 52X 7	ANILLO AISLADOR 30X 52X 7
30	F01410050R	ROS.M8 8,4X 17X1,6	WASHER M8 8,4X 17X1,6	RONDELLE M8 8,4X 17X1,6	SCHIEBE 8,4X 17X1,6 U6592 IX	ARANDELA M8 8,4X 17X1,6 IX
31	G15921050R	MONT.DOS.CONC.ST.FL.P.IND.FRES	ASS.BATCHER FERTILIZER		ASS.BATCHER FERTILIZER	
32	G16126880R	FERMO CUSCINETTO IX	BEARING LOCK IX	ARRET ROULEMENT	FESTSTELLER LAGER IX	FAJA SEGURO

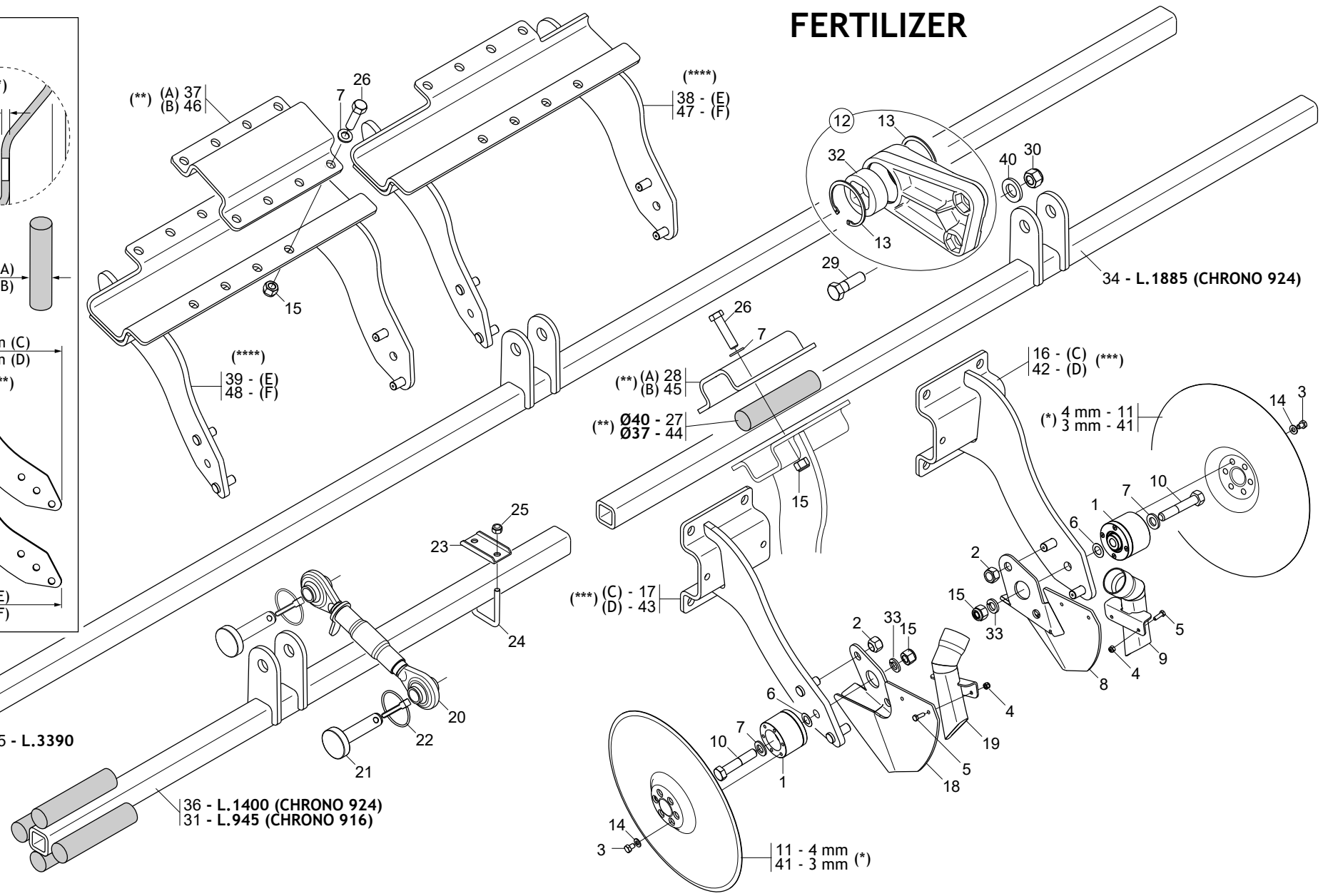
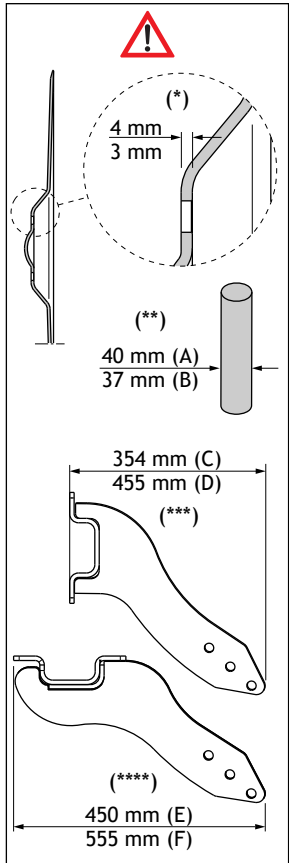


**TUBI TRASPORTO PRODOTTO - CONCIME
PIPE PRODUCT TRANSPORT - FERTILIZER**

TAV. 160

Pos.	Cod.	Descrizione	Description	Description	Benennung	Descripcion
1	G15974680R	ASS.TUBO MISCELATORE SX	ASS.MIXER TUBE LEFT			
2	G15974670R	ASS.TUBO MISCELATORE DX	ASS.MIXER TUBE RIGHT			
3	GC5916510R	ASS.SUPPORTO TORRE CONCIME JUL	ASS.SUPPORTO TORRE CONCIME JUL			
4	GA5918920R	ASS.STAFFA CILINDRO	ASS.STIRRUP CYLINDER			
5	GA5918931R	PIASTRA SUPP.SENSORE	PLATE SUPPORT SENSOR			
6	GA5913910R	ANELLO D.152,5 POLIZENE	RING D.152,5 POLIZENE	BAGUE ARRET 152,5 POLIZENE		
7	GA5913850R	FLANGIA SUPP.SUPERIORE	FLANGE UPPER SUPPORT			
8	GA5912060R	CILINDRO DE 20X 35-113 V.BLOC.	CYLINDER 20 35-113		ZYLINDER 20 35-113	
9	F01020296R	VITE M18X2,5X100 U5737 8.8ZN	SCR. M18X2,5X100 U5737 8.8 ZN	VIS M18X2,5X100 U5737 8.8 ZN	SCHR. M18X2,5X100 U5737 8.8 ZN	TORN. M18X2,5X100 U5737 8.8 ZN
10	F01410112R	ROS.M18 19X 34X 3	WASHER M18 19X 34X 3	RONDELLE M18 19X 34X 3	SCHEIBE M18 19X34X 3 U6592 ZN	ARANDELA M18 19X 34X3 U6592 ZN
11	F01230098R	DADO M18X2,5	NUT M18X2,5	ECROU M18X2,5 D982 8ZN	MUTTER M18X 2,5 D982 8 ZN	TUERCA M18X 2,5 D982 8 ZN
12	F01230085R	DADO M16X2 D982 10ZN	NUT M16X2	ECROU M16X2 D982 10ZN	MUTTER M16X 2 D982 8 ZN	TUERCA M16X2 D982 10ZN
13	F01020566R	VITE M16X2X40	SCREW M16X2X40 U5739 8.8ZN	VIS M16X2X40 U5739 8.8ZN	SCHRAUBE M16X2X40 U5739 8.8 ZN	TORNILLO M16X2X40 U5739 8.8ZN
14	F01020416R	VITE M6X1X55	SCREW M6X1X55 U5739 8.8ZN	VIS M6X1X55 U5739 8.8ZN	SCHRAUBE M 6X1 X 45	TORNILLO M6X1X55 U5739 8.8ZN
15	F01230022R	DADO M6X1	NUT M6X1	CROU M6X1 D982 8ZN	SELBSTSP. MUTTER NOR.6 ZN	TUERCA M6X1 D982 8ZN
16	F01020445R	VITE M8X1,25X30	SCREW M8X1,25X30 U5739 8.8ZN	VIS M8X1,25X30 U5739 8.8ZN	SCHRAUBE 8 X30 5739 8.G	TORN. M8X1,25X30 U5739 8.8ZN
17	F01230034R	DADO M8X1,25	NUT M8X1,25	CROU M8X1,25 D982 8	SELBSTSP.MUTT. M8X1,25	TUERCA M8X1,25 D982 8
18	F01420049R	ROS.M8 8,4X 32X 2	WASHER M8 8,4X32X2	RONDELLE M8 8,4X32X2	SCHEIBE M8 8,4X32X2 U6593 ZN	ARAND.M8 8,4X 32X 2 U6593 ZN
19	F01020531R	VITE M12X1,75X 40	SCREW M12X1,75X40 U5739 A2IX	VIS M12X1,75X 40 U5739 A2IX	SCHRAUBE M12X1,75X40	TORN. M12X1,75X40 U5739 A2IX
20	F01410077R	ROS.M12 13X24X2,5	WASHER M12 13X 24X2,5	RONDELLE M12 13X 24X2,5	SCHEIBE M12 13X 24X2,5	ARANDELA M12 13X 24X2,5
21	F01240013R	DADO M6X1	NUT M6X1	CROU M6X1 U5448 A2 GE	MUTTER M6X1 U5448 A2 GE	TUERCA M6X1 U5448 A2 GE
22	F01410034R	ROS.M6 6,4X12,5X1,6	WASHER M6 6,4X12,5X1,6	RONDELLE M6 6,4X12,5X1,6	UNTERLEGSCHIEBE D6 UNI6592 IN	ARANDELA M6 6,4X12,5X1,6
23	F01230024R	DADO M6X1	NUT M6X1	CROU M6X1 D982 A2IX	SELBSTSP. MUTTER NOR. 10	TUERCA M6X1 D982 A2IX
24	GA5919700R	CHIUSURA	CLOSING			
25	GA5919580R	COPERCHIO FUNGO 12U	COVER MUSHROOM 12 EXITS			
26	GA5919710R	ANELLO D.196-D.60 IX	RING D.196-D.60 IX	BAGUE D.196-D.60 IX		
27	GA5919620R	CONO	CONE			
28	GA5913921R	ASS.DISTR.INOX 12U 30 D.50	ASS.DISTR.INOX 12 EX.30 D.50			
29	F03100614R	KIT GUARNIZ.CILINDRO GA5912060	KIT O-RING CYLINDER GA5912060		KIT O-RING ZYLINDER GA5912060	
30	GC5917360R	ASS.SUPP.TUBO CONC. D.150 JUL	ASS.SUPP.TUBO CONC. D.150 JUL			
31	G15971130R	TUBO D.150X1,2X1800 FE	PIPE D.150X1,2X1800		ROHR D.150X1,2X1800	
32	G15971810R	TUBO D.150X1,2X1300 FE	PIPE FE D.150X1,2X1300		ROHR FE D.150X1,2X1300	
33	G16124400R	FASCETTA TUBO D.150 ZN	STRAP PIPE D.150 ZN	COLLIER SERRAGE TUBE D.150 ZN	ROHRSCHELLE D.150 ZN	ABRAZADERA TUBO D.150 ZN
34	F03100568R	TUBO EOLO PU D.152 TRASP. NERO	TUBO EOLO PU D.152 TRASP. NERO			
35	F03100563R	TUBO EOLO PU D.52 TRASP. NERO	TUBE EOLO PU D.52 TRASP. BLACK			
36	F01020484R	VITE M10X1,5X45	SCREW M10X1,5X45 U5739 8.8ZN	VIS M10X1,5X45 U5739 8.8ZN	SCHRAUBE 10X45 5739 8.G ZN	TORNIL. M10X1,5X45 U5739 8.8ZN
37	F01230048R	DADO M10X1,5	NUT M10X1,5	ECROU M10X1,5 D982 8GALV.	SELBSTSP. MUTTER NOR. 10 ZN	TUERCA SEGURID.M10X1,5 D982 ZN
38	F02350089R	FASC. 162-174 26 W4 IX C.VIT	BAND 162-174 26 W4 IX		BUND 162-174 26 W4 IX	
39	F02300022R	FASCETTA STRING. 50 70 H.9	HOSE CLAMP 50 70 H.9		SCHELLE 50 70 H.9	
40	F07100132R	MOUSSE ADESIVA MM 5X3	ADHESIVE MOUSSE MM 5X3		DICHTBAND MM 5X3	
41	F05012116R	FOTOCELLULA ANTI-INTASAM.DJ	PHOTOCCELL			
42	G15975040R	ADATTATORE FOTOCELLULA DJ	DJ PHOTOCCELL ADAPTER			
43	F06080279R	CATENA GENOVESE D.5 ZN	CHAIN GENOVESE D.5	CHAINE GENOISE D.5	KETTE GENOVESE D.5	CADENA GENOVESA D.5
44	F03100560R	TUBO EOLO PU D.22 TRASP. NERO	TUBO EOLO PU D.22 TRASP. NERO			
45	GA5918980R	ASS FASCETTA D 150	ASS.WRAPPER D 150	COLLIER DE SERRAGE D.150	KLEMME D.150	BRAZADERA D.150
46	GA5918990R	STAFFA 3 TUBI	STIRRUP 3 TUBES			
47	GA5919000R	STAFFA 2 TUBI	STIRRUP 2 TUBES			
48	F01020449R	VITE M8X1,25X35	SCREW M8X1,25X35 U5739 8.8ZN	VIS M8X1,25X35 U5739 8.8ZN	SCHRAUBE M 8X35	TORN. M8X1,25X35 U5739 8.8ZN
49	F01200244R	DADO M8X1,25	NUT M8X1,25	CROU M8X1,25 U5588 CL8 ZN	MUTTER M8 X1,25 U5588 6.8 ZN	TUERCA M8X1,25 U5588 CL8 ZN
50	F01020109R	VITE M10X1,5X35	SCREW M10X1,5X35 U5737 8.8ZN	VIS M10X1,5X35 U5737 8.8ZN	SCHRAUBE M10X1.5X35 U5737 8.8	TORNIL. M10X1,5X35 U5737 8.8ZN
51	F01410051R	ROS.M8 8,4X 17X1,6	WASHER M8 8,4X17X1,6	RONDELLE M8 8,4X17X1,6	SCHEIBE D.8	ARAND.M8 8,4X 17X1,6 U6592 ZN
52	G18801580R	BOCCOLA 8,5 X15 X10	BUSH 8.5 X15 X10	DOUILLE 8,5 X15 X10	BUCHSE 8,5 X15 X10	CASQUILLO 8,5X15X10
53	F01020450R	VITE M8X1,25X40	SCREW M8X1,25X40 U5739 8.8ZN	VIS M8X1,25X40 U5739 8.8ZN	SCHRAUBE M 8X40	TORN. M8X1,25X40 U5739 8.8ZN
54	F01020085R	VITE M8X1,25X75	SCREW M8X1,25X75 U5737 8.8ZN	VIS M8X1,25X75 U5737 8.8ZN	SCHR. M8X1,25X75 U5737 8.8 ZN	TORN. M8X1,25X75 U5737 8.8ZN
55	G65337004R	MOLLA TRAZ.SOLLEV. FU	TRACTION SPRING LIFT. FU	RESSORT TRACT. LEVAGE FU	ZUGFEDER	MUELLE TRAC. LEVDEL. FU
56	F02300026R	FASCETTA STRING.150 170 H.12	STRING STRAP 150 170 H.12	COLLIER DE SERRAGE 150 170 H.12	KABELSCHELLE 150 170 H.12	ABRAZADERA 150 170 H.12
57	F03100442R	TUBO MERCURIO L D.153	MERCURY PIPE L D.153		MERCURY SCHLAUCH L D.153	
58	GC5916700R	ASS.DISTRIBUTORE INOX 8U D.50	ASS.DISTRIBUTORE INOX 8U D.50			
59	G15975360R	TUBO D.150X1,2X250 FE	TUBE D.150X1,2X250 FE			TUBO D.150X1,2X250 FE
60	G15975370R	TUBO D.150X1,2X650 FE	TUBE D.150X1,2X650 FE			TUBO D.150X1,2X650 FE
61	G15951910R	GUIDATUBO D.120-D.150	PIPE GUIDE D.120-D.150			GU A DE TUBO D.120-D.150

FERTILIZER



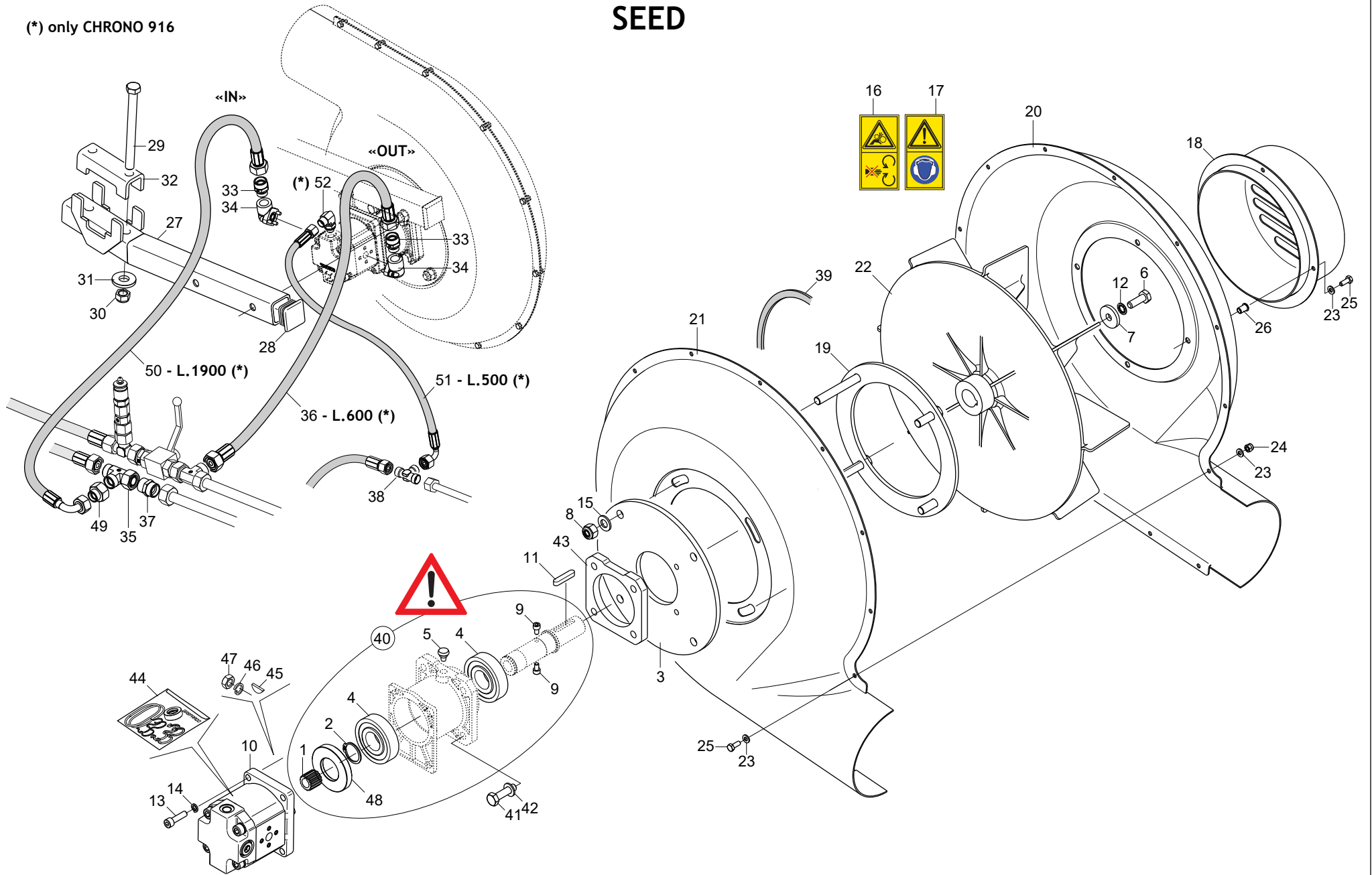
**ELEMENTI DI CONCIMAZIONE
FERTILIZER UNIT**

TAV. 170

Pos.	Cod.	Descrizione	Description	Description	Benennung	Descripcion
1	G15975030R	MONT.MOZZO DISCHI CONC.JULIA	FERTILIZER DISC HUB			
2	F01250046R	DADO COLON. 16X1,5	NUT 16X1,5	ECR.COLONNE 16X1,5 GALV.	MUTTER COLON.16X1,5 ZN	TUER.COLUMNNA 16X1,5 GALV.
3	F01020432R	VITE M8X1,25X16	SCREW M8X1,25X16 U5739 8.8ZN	VIS M8X1,25X16 U5739 8.8ZN	SCHRAUBE M 8X16	TORN. M8X1,25X16 U5739 8.8ZN
4	F01230024R	DADO M6X1	NUT M6X1	CROU M6X1 D982 A2IX	SELBSTSP. MUTTER NOR. 10	TUERCA M6X1 D982 A2IX
5	F01020420R	VITE M6X1X20	SCREW M6X1X20 U5739 A2IX	VIS M6X1X20 U5739 A2IX	SCHRAUBE M6X1X20 U5739 A2 IX	TORNILLO M6X1X20 U5739 A2IX
6	G22220073R	RONDELLA 28X0,3X16,5	WASHER 28X0-3X16-5	RONDELLE 28X0-3X16-5	UNTERLEGSCHIEBE 28X0-3X16-5	ARANDELA 28X0-3X16-5
7	F01410100R	ROS.M16 17X30X 3	WASHER M16 17X30X3	RONDELLE M16 17X30X3	SCHEIBE D.16 UNI 6592 ZN	ARAND.M16 17X 30X 3 U6592 ZN
8	G15974771R	ASS.FALCIONE DX	ASS.PLATE RIGHT			
9	G15974721R	ASS.TUBO DISCESA DX	ASS.DESCENT PIPE RIGHT		ASS.DESCENT ROHR RECHTS	
10	F01020262R	VITE M16X2X80	SCREW M16X2X80 U5737 8.8ZN	VIS M16X2X80 U5737 8.8ZN	SCHRAUBE M16X2X80 U5737 8.8 BR	TORNILLO M16X2X80 U5737 8.8ZN
11	M36700499R	DISCO D380 S=4 SFC BE 6T8.4D60	DISC D380 S=4 SFC BE 6T8.4D60			DISCO D380 S=4 SFC BE 6T8.4D60
12	G15974152R	MONT.SUPPORTO Q.50	MOUNTING SUPPORT Q.50			SOPORTE DE MONTAJE Q.50
13	F02050675R	ANELLO E. DI 78X 2,5 U7437 C70	E.RING 78X2,5 C70			
14	F01410051R	ROS.M8 8,4X 17X1,6	WASHER M8 8,4X17X1,6	RONDELLE M8 8,4X17X1,6	SCHEIBE D.8	ARAND.M8 8,4X 17X1,6 U6592 ZN
15	F01230085R	DADO M16X2 D982 10ZN	NUT M16X2	ECROU M16X2 D982 10ZN	MUTTER M16X 2 D982 8 ZN	TUERCA M16X2 D982 10ZN
16	G15975500R	MONT.SUPPORTO DISCO DX	RIGHT DISK SUPPORT ASSEMBLY			CONJUNTO SOPORTE DE DISCO DER.
17	G15975520R	MONT.SUPPORTO DISCO SX	LEFT DISK SUPPORT ASSEMBLY			CONJUNTO SOPORTE DE DISCO IZQ.
18	G15974781R	ASS.FALCIONE SX	ASS.PLATE LEFT			
19	G15974731R	TUBO DISCESA SX	DESCENT PIPE LEFT		ASS.DESCENT ROHR LINKS	
20	F20300001R	MART M.L.= 350 L= 286 D=25,5 Z	TIE-ROD L350 L286 D25,5 ZN	TENDEUR 3EME POINT	SPINDEL 3. PUNKT SAEHEMASCHINE	SENSOR TERCER PUNTO
21	F20100132R	PERNO D25 L 91 C43 TEST.D60 Z	PIN D25 L 91 C43 TEST.D60 Z	GOIJON D25 L 91 C43 TEST.D60 Z	BOLZEN D25 L91 C43 ZN	PERNO D25 L 91 C43 TEST.D60 Z
22	F02200507R	SPINA A SCATTO D 9 B 83	SNAP PIN D9 B 83 ZN	FICHE A DETENTE D9 B 83 ZN	EINRASTSTIFT D 9 B 83	CLAVIJA DE MUELLE D9 B 83 ZN
23	GA7912170R	PIASTRINA DENTI A MOLLA ZN	GALVANIZED SPRING FIXING PLATE			
24	F20110715R	CAV.Q.B=50 M=10X1,5 L=80	UBOLTSTRIKER Q.B=50M10X1,5L=80	BUTEE M10X 1,5X 30 61X 80 ZB	ANSCHLAG M10X 1,5X 30 61X 80	EL. DE EMPALME M10X 1,5X 30
25	F01230048R	DADO M10X1,5	NUT M10X1,5	ECROU M10X1,5 D982 8GALV.	SELBSTSP. MUTTER NOR. 10 ZN	TUERCA SEGURID.M10X1,5 D982 ZN
26	F01020576R	VITE M16X2X65	SCREW M16X2X65 U5739 8.8ZN	VIS M16X2X65 U5739 8.8ZN	SCHRAUBE 16X65 5737 8.G	TORNILLO M16X2X65 U5739 8.8ZN
27	M65700378R	GOMMINO SILENT BLOCK D40 L180	SILENT BLOCK L=180			
28	G15973921R	STAFFA ELEMENTI OPERATORI	OPERATING ELEMENTS BRACKET			SOP.DE ELEMENTOS OPERATIVOS
29	F01020310R	VITE M20X2,5X70	SCREW M20X2,5X70 U5737 10.9ZD	VIS M20X2,5X70 U5737 10.9ZD	SCHRAUBE M20X2,5X70	TORN. M20X2,5X70 U5737 10.9ZD
30	F01230131R	DADO M20X 2,5S	NUT M20X 2,5S	ECROU M20X 2,5 D982 6S ZN	MUTTER M20X 2,5 D982 6 ZN	TUERCA M20X2,5 D982 6ZN
31	GC5916720R	TUBO L.945	PIPE L.945			
32	GA5917960R	BOCCOLA PLA	BUSH PLA		BUCHSE PLA	
33	F01480077R	ROS.G 16,2X 24,4X3,5	GROVER WASHER 16,2X24,4X3,5	GROVER RONDELLE 16,2X24,4X3,5	SCHEIBEG 16,2X24,4X3,5 D7980ZN	
34	GA5918010R	ASS.TUBO 1885	ASS.TUBE 1885			
35	GA5918020R	ASS.TUBO 3390	ASS.TUBE 3390		ASS.ROHR 3390	
36	GA5918000R	ASS.TUBO 1400	ASS.TUBE 1400			
37	G15974211R	FLANGIA BLOCC. DOPPIO DISCO	DOUBLE DISK LOCKING FLANGE			BRIDA DE BLOQUEO DOBLE DISCO
38	G15975540R	MONT.DOPPIO SUP.DISCO DX C CO	RIGHT DOUBLE SUPP.DISK C CO			SOP.DOUBLE DISCO MONT.DER.C CO
39	G15975560R	MONT.DOPPIO SUP.DISCO SX C CO	LEFT DOUBLE SUPP. DISK C CO			SOP.DOUBLE PARA DISCO IZQ.C CO
40	F01410124R	ROS.M20 21X 37X 3	WASHER M20 21X 37X 3	RONDELLE M20 21X 37X 3	SCHEIBE D20 UNI 6592 ZN	ARAND.M20 21X 37X 3 U6592 ZN
41	M36700456R	DISCO D380 S=3 SFC BE 6T8.4D60	DISC D=380 S=3 SFC BE 6T8.4D60			
42	G15974930R	MONT.SUPP.DISCO DX	ASS.SUPP.DISK RIGHT			
43	G15974940R	SUPPORTO DISCO SX	LEFT DISC SUPPORT			
44	G15973970R	GOMMINO D37X200 RB15	RUBBER D37X200 RB15		GUMMI D37X200 RB15	
45	G15973920R	STAFFA ELEMENTI OPERATORI	STIRRUP ELEMENTS OPER.			
46	G15974210R	FLANGIA	FLANGE	BRIDE		BRIDA
47	G15974960R	MONT.DOPPIO SUPPORTO ALA DX	ASS.DOUBLE SUPPORT WING RIGHT			
48	G15974970R	MONT.DOPPIO SUPPORTO ALA SX	ASS.DOUBLE SUPPORT WING LEFT			

(*) only CHRONO 916

SEED

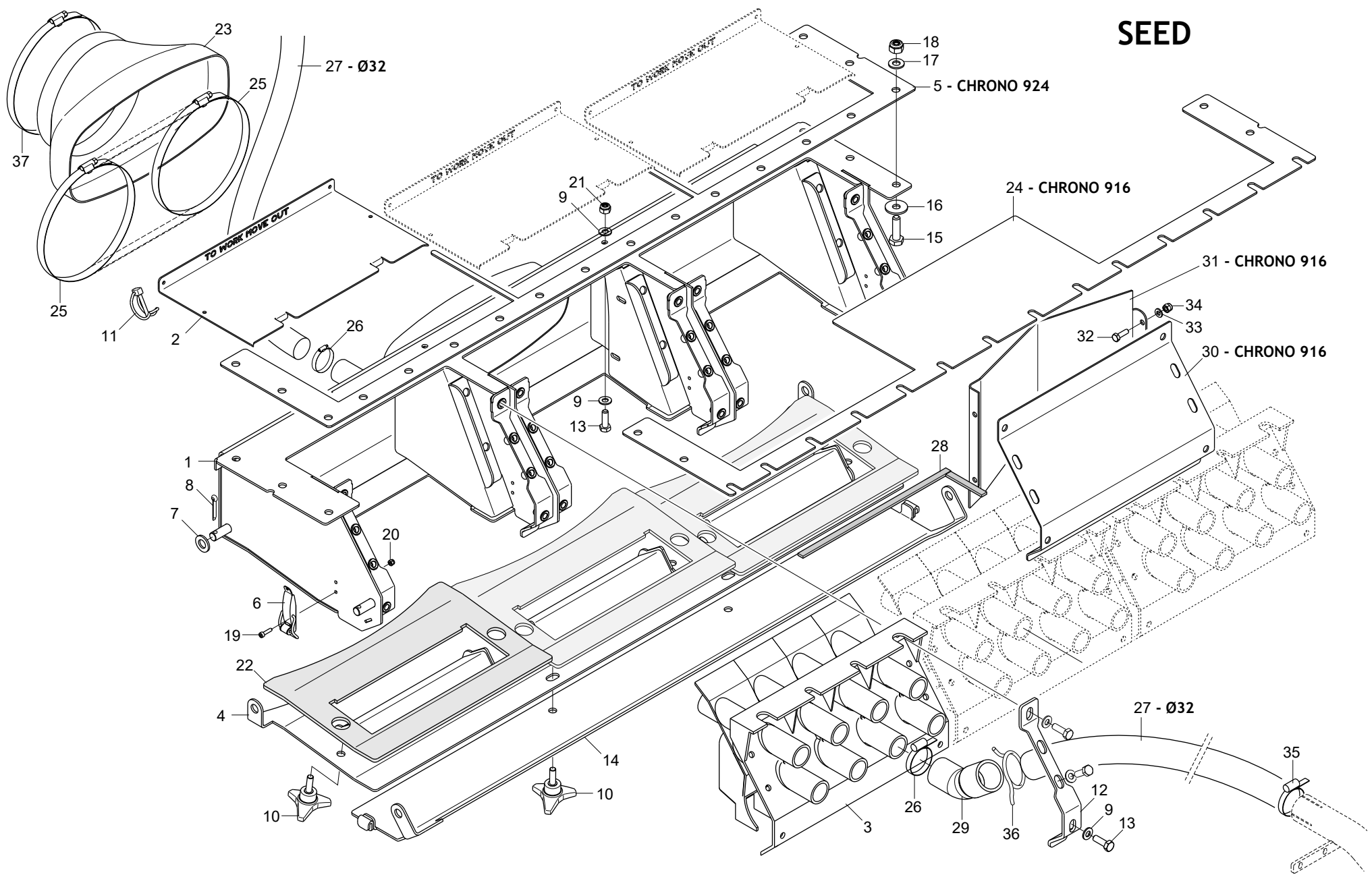


SOFFIANTE - SEME BLOWER - SEED

TAV. 180

Pos.	Cod.	Descrizione	Description	Description	Benennung	Descripcion
1	F03151249R	SEMIGIUNTO ALBERO CONICO POMPA	SEMI-COUPLING PUMP TAPER-SHAFT	DEMI ACCOUPLEMENT	HALBKUPPLUNG KEGELWELLE PUMPE	SEMIJUNTA
2	F02050112R	ANELLO E.DE 30X 1,5 U7435 ZN	ELAST. RING DE 30X1,5 U7435 ZN	BAGUE ELAST. 30X1,5 U7435 C70	SEEGERING E. 30X 1,5 U7435 C70	ANILLO ELAST. 30X1,5 U7435 C70
3	G15951770R	FLANGIA VENTOLA	FLANGE FAN	ACCOUPLEMENT TURBINE	FLANSCH GEBLZSE	BRIDA SOPLADORA
4	F04010215R	CUSC.D30 D72 B19 6306 2RSC3 EX	BEARING D30 D72 B19 6306 2RSC3	ROUL. D30 D72 B19 6306 2RSC3	LAGER 6306 2RS C3	COJINETE D30D72 B19 6306 2RSC3
5	G66248223R	TAPPO SUPP.SPAND.D.11	PLUG MAN. SPR. SUPP. D.11	BOUCHON SUPPORT EP. ENGRAIS D.	HALTERUNGSPFROPFEN D NGERSTR.	TAP N SOPORTE ABON.D.11
6	F01020445R	VITE M8X1,25X30	SCREW M8X1,25X30 U5739 8.8ZN	VIS M8X1,25X30 U5739 8.8ZN	SCHRAUBE 8 X30 5739 8.G	TORN. M8X1,25X30 U5739 8.8ZN
7	G20970110R	RONDELLA 38X4X8,5	WASHER 38X4X8-5	RONDELLE 38X4X8-5	UNTERLEGSSCHEIBE 38X4X8-5	ARANDELA 38X4X8-5
8	F01230059R	DADO M12X1,75	NUT M12X1,75	ECROU M12X1,75 D982 8ZN	MUTTER M12X1,75	TUERCA M12X1,75 D982 ZN
9	F01040058R	VITE M6X1X10	SCREW M6X1X10	VIS M6X1X10 U5931 8.8ZN	SCHRAUBE 6 X10 5931 8.G ZN	TORNILLO M6X1X10 U5931 8.8ZN
10	F03151559R	MOTORE PLM 20,8 REV ANTIC. DR	MOTOR PLM 20,8 REV ANTIC. DR		MOTOR PLM 20,8 REV ANTIC. DR	
11	F02150073R	LINGUETTA 8X 7X 40 U6604A	PARALLEL KEY 8X 7X 40 U6604A	CLEVETTE 8X7X40 UNI 6604	FEDER 8X7X40 UNI 6604	LENGSETA 8X 7X 40 U6604A
12	F01430059R	ROS.M8 8,4X 15X0,8	WASHER M8 8,4X15X0,8	RONDELLE M8 8,4X15X0,8	SCHIBE M8 8,4X15X0,8 U8842JZN	ARAND. M8 8,4X15X0,8 U8842J ZN
13	F01040107R	VITE M8X1,25X30	SCREW M8X1,25X30	VIS M8X1,25X30 U5931 A2IX	SCHRAUBE M8X1,25X 30 U5931 A2	TORN. M8X1,25X30 U5931 A2IX
14	F01480033R	ROS.G 8,1X 12,7X 2	GROVER WASHER D8,1X12,7	GROVER RONDELLE D8,1X12,7	SPRENGRING VERST. D8 DIN79	ARAND.ELICOI.D8,1X12,7 D7980ZN
15	F01410076R	ROS.M1213X24X2,5	WASHER 12 13X 24X2,5	RONDELLE 12 13X 24X2,5	SCHIBE D12 UNI 6592 ZN	ARAND.M12 13X 24X2,5 U6592 ZN
16	F20030042R	ETICH.ORGANI IN MOVIMENTO	DECAL.MOVING UNITS		AUFKLEBER.MOVING EINHEITS	
17	F20030014R	DECALCOM.PROTEZIONE UDITO	DECAL.HEARING PROTECTION	DECALC. PROTECTION OUIE	AUFKLEBERGEH RSCHUTZ	ETIQUETA ADHES. PROTECCION OID
18	G16150700R	AS.TUBO ASPIRAZ.SOFFIANTE	INLET BLOWER TUBE	ASPIRATION TURBINE	HALTER_SCHLAUCH ASP.SOFFIANTE	TUBO ASPIRACI N
19	G16150050R	FLANGIA INTERNA	INTERNAL FLANGE	FLASQUE INTERIEUR	INNENFLANSCH	BRIDA INTERNA
20	G16150650R	CONCHIGLIA ESTERNA DX	RIGHT EXTERN PROTECTION	CARTER TURBINE GAUCHE	CONCHIGLIA ESTERNA RECHTS	MOLDE DER.
21	G16150640R	CONCHIGLIA DI FISSAGGIO DX	RIGHT PROTECTION FOR FIX.	CARTER TURBINE DROIT	CONCHIGLIA FISSAGGIO RECHTS	CONCHA DE FIJACI N DX
22	G16150142R	VENTOLA SOFFIANTE GIGANTE	GIANT BLOWER FAN	ROTOR SOUFFLANT GIGANTE	FLUEGELRAD GIGANTE	VENTILADOR SOPLANTE GIGANTE
23	F01410037R	ROS.M6 6,4X12,5X1,6	WASHER M6 6,4X12,5X1,6	RONDELLE M6 6,4X12,5X1,6	SCHIBE D.6	ARAND.M6 6,4X12,5X1,6 U6592 ZN
24	F01230022R	DADO M6X1	NUT M6X1	CROU M6X1 D982 8ZN	SELBSTSP. MUTTER NOR.6 ZN	TUERCA M6X1 D982 8ZN
25	F01020403R	VITE M6X1X16	SCREW M6X1X16 U5739 8.8ZN	VIS M6X1X16 U5739 8.8ZN	SCHRAUBE M 6X16	TORNILLO M6X1X16 U5739 8.8ZN
26	F02250681R	INSERTO FIL.M 6X14 ZN T.TONDA	THREADED ZINCKED INSERT M6X14	JOINT FILETE M6X14 ZN	GEWINDEBUCHSE M6X14 ZN	YUGO MUESCADO M6ZX14 ZN
27	GA5919811R	SUPPORTO SOFFIANTE	BLOWER SUPPORT			
28	F20120349R	PUNTALE Q.50 ALETT.POLIT.NERO	CAP	BOUCHON	DECKEL	CORCHO
29	F01020278R	VITE M16X2X180	SCREW M16X2X180 U5737 8.8BR	VIS M16X2X180 U5737 8.8BR	SCHRA. M16X2X180 U5737 8.8	TORNILLO M16X2X180 U5737 8.8BR
30	F01230085R	DADO M16X2 D982 10ZN	NUT M16X2	ECROU M16X2 D982 10ZN	MUTTER M16X 2 D982 8 ZN	TUERCA M16X2 D982 10ZN
31	G18700450R	RONDELLA 17X45X6 ZN	WASHER 17X45X6 GALV.ED	RONDELLE 17X45X6	SCHIBE17X45X6 ZN	ARANDELA 17X45X6
32	G36200241R	SCONTRO U 80	FLANGE U 80	BRIDE U 80	ANSCHLAG U 80	ELEMENTO DE EMPALME U 80
33	F03080015R	NIPPLO M1 2 SEAL ML18 ZN	NIPPLE M1 2 SEAL ML18		NIPPEL M1 2 DICHTUNG ML18	
34	F03151203R	KIT RACCORDO A GOMITO 1 2	1 2 ANGLED UNION	RACCORD A COUDE	WINKELANSCHLUSSTUECK 1 2	CODO DE UNI N 1 2
35	F03080043R	RACCORD T FL22 ML22 ML22 ZN	UNION T FL22 ML22 ML22	RACCORD T FL22 ML22 ML22 ZN	UNION T FL22 ML22 ML22	UNION T FL22 ML22 ML22 ZN
36	F03070549R	TG 1 2 R17 FL15 FL18 600	TG 1 2 R17 FL15 FL18 600	TG 1 2 R17 FL15 FL18 600	TG 1 2 R17 FL15 FL18 600	TG 1 2 R17 FL15 FL18 600
37	F03080103R	NIPPLO ML22 ML22 ZN	NIPPLE ML22 ML22		NIPPEL ML22 ML22	
38	F03080030R	RACC. T ML12 ML12 ML12 ZN	T-UNION ML 12 ML12 ML12 ZN	RACCORD T ML12 ML12 ML12 ZN	ANSCHLUSST.T ML12 ML12 ML12 ZN	UNION T ML12 ML12 ML12 ZN
39	F07100132R	MOUSSE ADESIVA MM 5X3	ADHESIVE MOUSSE MM 5X3		DICHTBAND MM 5X3	
40	G15932040R	MOZZO CUSC.ALB.D.28 Z14 COMPL.	COMP.RHT BEAR.SHAFT HUB 28 Z14	MOYEU ROUL.ARBRE DR.28Z14 COMP	NABE KOMPL.	CUBO COJIN.EJE DER.28Z14 COMP.
41	F01020483R	VITE M10X1,5X40	SCREW M10X1,5X40 U5739 10.9ZD	VIS M10X1,5X40 U5739 10.9ZD	SCHRAUBE 10X40 5739 8.G ZN	TORNIL.M10X1,5X40 U5739 10.9ZD
42	F01410064R	ROS.M10 10,5X 20X 2	WASHER M10 10,5X20X2	RONDELLE M10 10,5X20X2	SCHIBE 10,5X21	ARAND.M10 10,5X 20X 2 U6592 ZN
43	GA5250100R	FLANGIA 115X115X12 D.85	FLANGE 115X115X12 D.85	BRIDE 115X115X12 D.85	SCHEIBSCH 115X115X12 D.85,	BRIDA 115X115X12 D.85
44	F03151568R	KIT GUARN.MOT.F03151559-1908	KIT SEALS MOTOR F03151559-1908	KIT JOINTES MOT.F03151559-908	KIT DICHT. MOT.F03151559-908	SET JUNTA MOT.F03151559-908
45	F02150300R	LING.PL-K20 ALB.82 3,15X6,5X16	LING.PL-K20 ALB.82 3,15X6,5X16	CLAVETTE 8X 7X 40 U6604A	LINGUETTA 8X 7X 40 U6604A	LENGSETA 8X 7X 40 U6604A
46	F01480055R	ROS.G 12,2X 18X2,5	GROVER WASHER 12.2X18X2,5	GROVER RONDELLE 12.2X18X2,5	VERST.FEDERSCHIBE D12	ARAND. EL. 12,2X18X2,5 D7980ZN
47	F01200422R	DADO M12X1,5	NUT M12X1,5	ECROU M12X1,5 U5589 CL8 ZN6SZN	MUTTER M12	TUERCA M12X1,5 U5589 CL8 ZN 6S
48	GA5250160R	ANELLO CENTRAGGIO MOT.IDR.	MOT.IDR CENTERING RING	BAGUE CENTR.	MITTL. RING	ANILLO CENTR.
49	F03080100R	NIPPLO FL22 ML18 ZN	NIPPLE FL22 ML18		NIPPEL FL22 ML18	
50	F03070035R	TUBO 1 2 R17 FL18 CFL18 L1900	PIPE 1 2 R17 FL18 CFL18 L1900		ROHR 1 2 R17 FL18 CFL18 L1900	
51	F03071593R	TG 1 4 R17 FL10 CFL12 500	TG 1 4 R17 FL10 CFL12 500			
52	F03080177R	RACC.L M1 4 SEAL ML10 ZN	JUNCTION L M1 4 SEAL ML10 ZN			

SEED

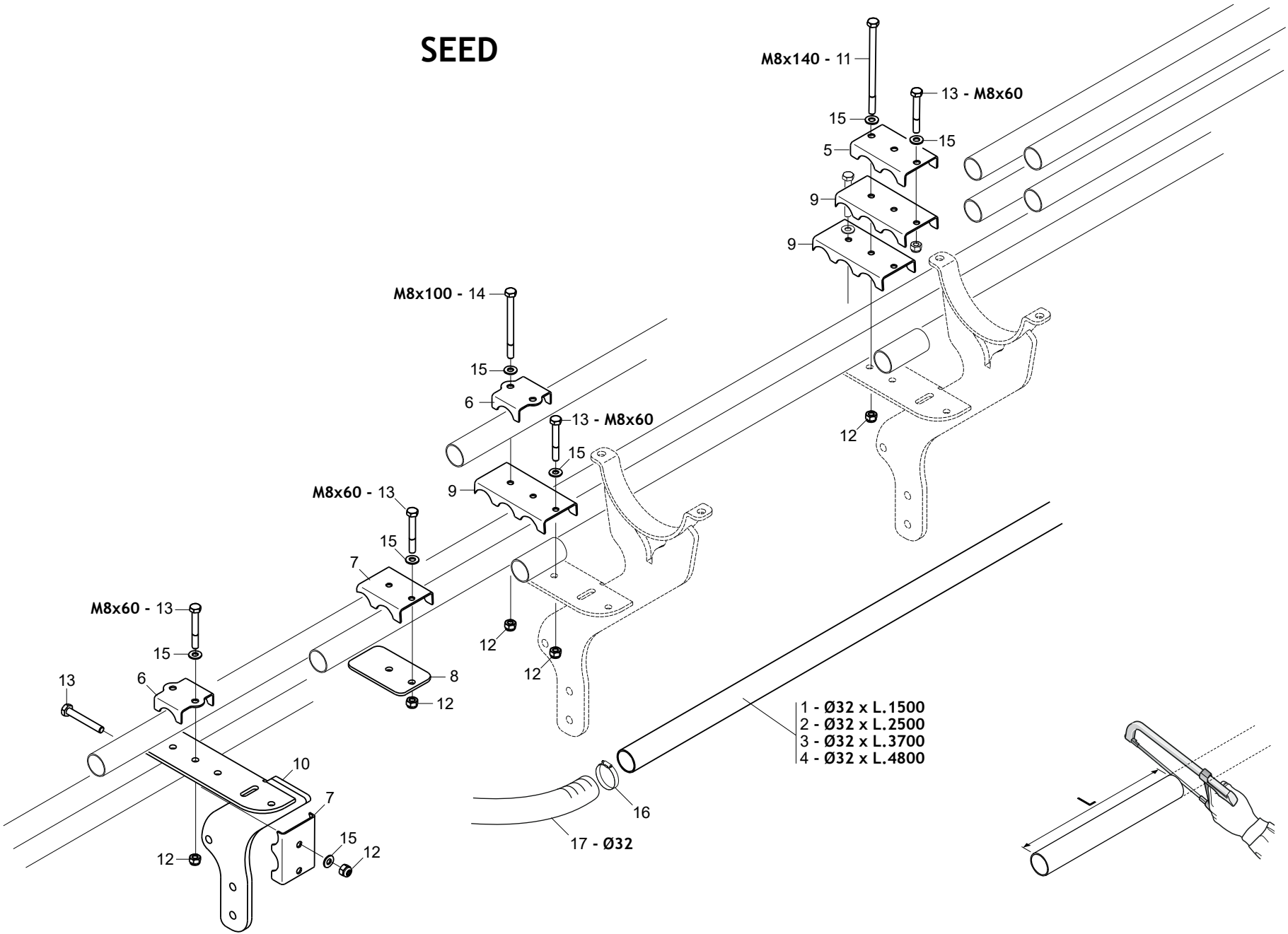


**DOSATORE SEME
SEED DOSER**

TAV. 190

Pos.	Cod.	Descrizione	Description	Description	Benennung	Description
1	GA5919930R	DISTRIBUTORE 24U JULIA	DISTRIBUTOR 240 JULIA			
2	GA5913620R	GHIGLIOTTINA DOSATORE JULIA IX	DISPENSER JULIA IX			
3	G15920220R	MONT.DISTRIBUT.SEME SDU 8U PLA	ASS.DISTR.SEED SDU 8U PLA		ASS.DISTR.SAAT SDU 8U PLA	
4	GA5919920R	ASS.SPORTELLO INT.DISTR.JULIA	ASS.INTERNAL DOOR JULIA			
5	GA5913630R	LAMA SPESSORE DOSATOR.JULIA IX	BLADE SPES.DISPENSER JULIA IX			
6	G67004058R	CHIUSURA A LEVA	LEVER-CLOSED		HEBEL-CLOSED	
7	F01410076R	ROS.M1213X24X2,5	WASHER 12 13X 24X2,5	RONDELLE 12 13X 24X2,5	SCHEIBE D12 UNI 6592 ZN	ARAND.M12 13X 24X2,5 U6592 ZN
8	F02200194R	COPIGLIA 4X 25 U1336 ZN	SPLIT PIN 4 X25 1336 GALV.	GOUPILLE 4 X25 1336 GALV.	SPLINT 4 X25 1336 ZN	CHAVETA 4X25 1336 GALV.
9	F01410051R	ROS.M8 8,4X 17X1,6	WASHER M8 8,4X17X1,6	RONDELLE M8 8,4X17X1,6	SCHEIBE D.8	ARAND.M8 8,4X 17X1,6 U6592 ZN
10	F06220019R	VOLANTINO 4L.VTPX 40 M8X25 IX	4-LOBE HANDWHEEL M8X25	VOLANT 4 LOBES M8X25	HANDRAD 4 BUCKEL M8X25	VOLANTE 4 LOBI M8X25
11	F02200595R	SPINA SICUR.D. 5X30 ZN	PIN X GEAR	GOUJON	BOLZEN KLAPPSPLINT GESCHWUNGEN	ESPINA
12	G15920170R	GUARNIZIONE STAFFA CONVOGL.	GASKET STIRRUP CONVEYOR			
13	F01020440R	VITE M8X1,25X25	SCREW M8X1,25X25 U5739 8.8ZN	VIS M8X1,25X25 U5739 8.8ZN	SCHRAUBE M8 X25 5739 8.8 ZN	TORN. M8X1,25X25 U5739 8.8ZN
14	GA5913670R	ASS.SPORTELLO EST.DISTR.JULIA	ASS.EST.DOOR DISTR.JULIA			
15	F01020479R	VITE M10X1,5X35	SCREW M10X1,5X35 U5739 8.8ZN	VIS M10X1,5X35 U5739 8.8ZN	SCHRAUBE M 10X35	TORNIL. M10X1,5X35 U5739 8.8ZN
16	F01420060R	ROS.M10 10,5X 30X2,5	WASHER 10,5X30X2,5	RONDELLE 10,5X30X2,5	SCHEIBE 10,5X30	ARAND.M10 10,5X 30X2,5 U6593
17	F01410064R	ROS.M10 10,5X 20X 2	WASHER M10 10,5X20X2	RONDELLE M10 10,5X20X2	SCHEIBE 10,5X21	ARAND.M10 10,5X 20X 2 U6592 ZN
18	F01230048R	DADO M10X1,5	NUT M10X1,5	ECROU M10X1,5 D982 8GALV.	SELBSTSP. MUTTER NOR. 10 ZN	TUERCA SEGURID.M10X1,5 D982 ZN
19	F01040028R	VITE M4X0,7X16	SCREW M4X0,7X16	VIS M4X0,7X16 U5931 8.8ZN	SCHRAUBE 4X16 5931 8.G ZN	TORNILLO M4X0,7X16 U5931 8.8ZN
20	F01230016R	DADO M4X0,78	NUT M4X0,78	CROU M4X0,7 D982 8ZN	SELBSTSP. MUTTER NOR. 4 ZN	TUERCA AUTOB. NOR. 4 ZN
21	F01230034R	DADO M8X1,25	NUT M8X1,25	CROU M8X1,25 D982 8	SELBSTSP.MUTT. M8X1,25	TUERCA M8X1,25 D982 8
22	GA5919850R	GUARNIZ.SPORT.INT.DISTRIB.	GASKET SPORT.INT.DISTRIB.		GASKET SPORT.INT.DISTRIB.	
23	G17350740R	MANICOTTO UNIONE PA2 ARGENTO	MANICOTTO UNIONE PA2 ARGENTO	MANCHON RACCORD PA2 ARGENT		MANGUITO UNION PA2 PLATEADO
24	GC5916960R	LAMA SPESS.DOSAT. JULIA 16F IX	LAMA SPESS.DOSAT. JULIA 16F IX			
25	F02300014R	FASCETTA STRING. 110 130 H.12	CABLE TIE 100 140 H.12	COLLIER 100 140 H.12	SHELLE 100 140 H.12	ABRAZADERA 100 140 H.12
26	F02300018R	FASCETTA STRING. 25 40 H.8	CLAMP 25 40 H.8	COLLIER DE SERRAGE 25 40 H.8	SHELLE 25 40 H.8	BRAZADERA 25 40 H.8
27	F03100567R	TUBO EOLO PU D.32 TRASP. NERO	EOLO PIPE PU D.32 TRASP BLACK	TUYAUX SOUPLE 32	ROHR EOLO 32	TUBO EOLO PU D.32 TRASP. NEGR
28	F07100132R	MOUSSE ADESIVA MM 5X3	ADHESIVE MOUSSE MM 5X3		DICHTBAND MM 5X3	
29	G19004350R	MANICOTTO PIEGATO	BEND SLEEVE	MANCHON PLI E	DUENGERSENKROHR	MANGUITO PLEGADO
30	GC5916900R	TAMPONAMENTO EST.SEME	TAMPONAMENTO EST.SEME			
31	GC5916880R	TAMPONAMENTO SEME 16F	TAMPONAMENTO SEME 16F			
32	F01020404R	VITE M6X1X20	SCREW M6X1X20 U5739 8.8ZN	VIS M6X1X20 U5739 8.8ZN	SCHRAUBE 6X20 5739 8.G ZN	TORNILLOM6X1X20 U5739 8.8ZN
33	F01410037R	ROS.M6 6,4X12,5X1,6	WASHER M6 6,4X12,5X1,6	RONDELLE M6 6,4X12,5X1,6	SCHEIBE D.6	ARAND.M6 6,4X12,5X1,6 U6592 ZN
34	F01230022R	DADO M6X1	NUT M6X1	CROU M6X1 D982 8ZN	SELBSTSP. MUTTER NOR.6 ZN	TUERCA M6X1 D982 8ZN
35	F02300020R	FASCETTA STRING. 32 50 H.9	HOSE CLAMP 32 50 H.9	COLLIER DE SERRAGE 32 50 H.9	SHELLE 32 50 H.9	ABRAZADERA 32 50 H. 9
36	G65336025R	MOLLA SPEC.ZN STRINGIT.ASP.SP	SPEC SPRING ZN FAN . PIPE CLAM	RESSORT SPEC. ZN SERRE-TUBE AS	SPEZIALFEDER ZN ROHRSCHELLE AB	MUELLE ESPEC. ZN APRIETA TUBOS
37	F02300026R	FASCETTA STRING.150 170 H.12	STRING STRAP 150 170 H.12	COLLIER DE SERRAGE 150 170 H.1	KABELSCHELLE 150 170 H.12	ABRAZADERA 150 170 H.12

SEED

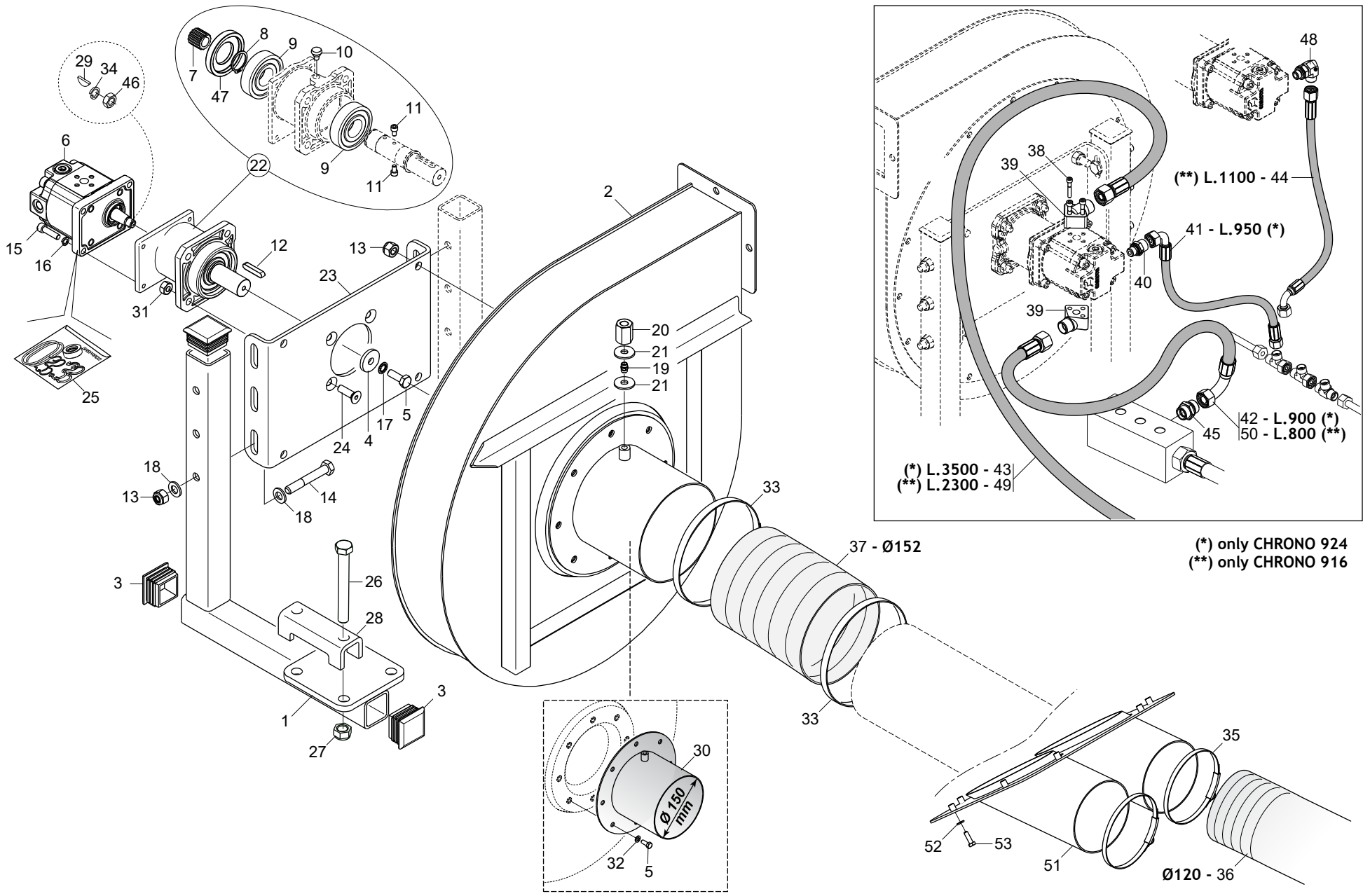


**TUBI TRASPORTO PRODOTTO - SEME
PIPE PRODUCT TRANSPORT - SEED**

TAV. 200

Pos.	Cod.	Descrizione	Description	Description	Benennung	Description
1	G15920680R	TUBO D. 32X1,5X1500 ALLUMINIO	TUBE D.32X1,5X1500 ALLUMINIUM			
2	G15920880R	TUBO D. 32X1,5X2500 ALLUMINIO	TUBE D.32X1,5X2500 ALLUMINIUM			
3	G15920650R	TUBO D. 32X1,5X3700 ALLUMINIO	TUBE D.32X1,5X3700 ALLUMINIUM			
4	G15920830R	TUBO D. 32X1,5X4800 ALLUMINIO	TUBE D.32X1,5X4800 ALLUMINIUM			
5	G15921010R	STAFFA TUBO D.32 2 POSIZIONI	STIRRUP TUBE D.32 2 POSITIONS			
6	G15921020R	STAFFA TUBO D.32 1 POSIZIONI	STIRRUP TUBE D.32 1 POSITION			
7	G15921030R	STAFFA TUBO D.32 2 POSIZ. CORTO	STIRRUP TUBE D.32 2 POS.SHORT			
8	G15921040R	PIASTRINA	PLATELET			
9	G15920810R	FLANGIA FISSATUBI D.32 3 POS.	FLANGE FIX-TUBES D.32 3 POS.			
10	GC5917380R	ASS.SUPPORTO TUBO JULIA	ASS.SUPPORTO TUBO JULIA			
11	F01020096R	VITE M8X1,25X140	SCREW M8X1,25X140 U5737 8.8ZN	VIS M8X1,25X140 U5737 8.8ZN	SCHRAUBE M8X1,25X140	TORN. M8X1,25X140 U5737 8.8ZN
12	F01230034R	DADO M8X1,25	NUT M8X1,25	CROU M8X1,25 D982 8	SELBSTSP.MUTT. M8X1,25	TUERCA M8X1,25 D982 8
13	F01020077R	VITE M8X1,25X60	SCREW M8X1,25X60 U5737 8.8ZN	VIS M8X1,25X60 U5737 8.8ZN	SCHRAUBE M 8X60 8.8	TORN. M8X1,25X60 U5737 8.8ZN
14	F01020090R	VITE M8X1,25X100	SCREW M8X1,25X100 U5737 8.8ZN	VIS M8X1,25X100 U5737 8.8ZN	SCHRAUBE 8 X100 5737 8.G	TORN. M8X1,25X100 U5737 8.8ZN
15	F01410051R	ROS.M8 8,4X 17X1,6	WASHER M8 8,4X17X1,6	RONDELLE M8 8,4X17X1,6	SCHEIBE D.8	ARAND.M8 8,4X 17X1,6 U6592 ZN
16	F02300020R	FASCETTA STRING. 32 50 H.9	HOSE CLAMP 32 50 H.9	COLLIER DE SERRAGE 32 50 H.9	SHELLE 32 50 H.9	ABRAZADERA 32 50 H. 9
17	F03100567R	TUBO EOLO PU D.32 TRASP. NERO	EOLO PIPE PU D.32 TRASP BLACK	TUYAUX SOUPLE 32	ROHR EOLO 32	TUBO EOLO PU D.32 TRASP. NEGR

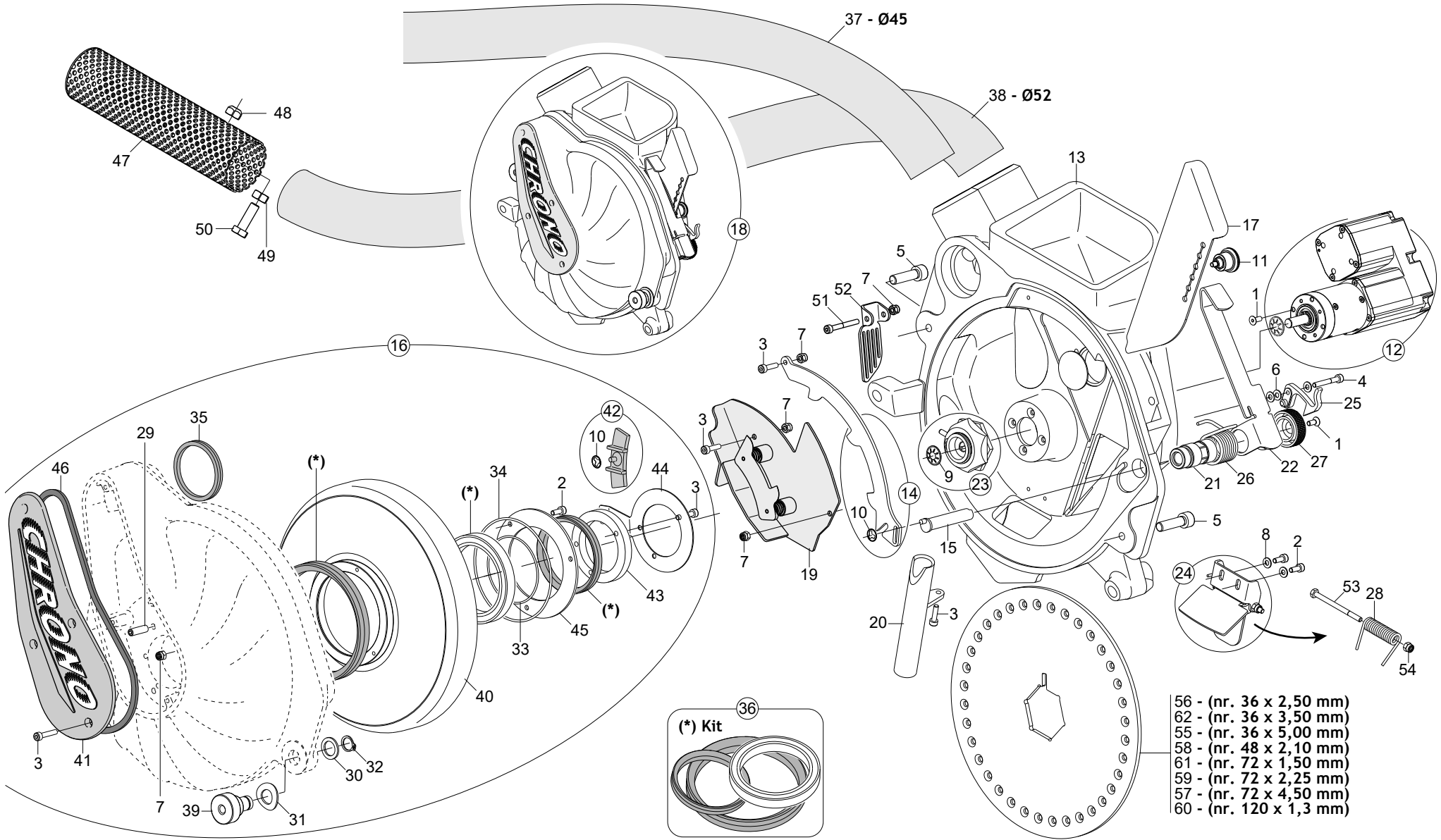
TAV. 210



DEPRESSORE VACUUM PUMP

TAV. 210

Pos.	Cod.	Descrizione	Description	Description	Benennung	Descripcion
1	G15951411R	ASS.SUPP.DEPR.JULIA 16	ASS.SUPPORT JULIA 16			
2	G68190013R	CHIOCCIOLA GIRANTE D.28	VOLUTE FAN WHEEL D.28		VOLUTE LUEFTER RAD D.28	
3	F20120349R	PUNTALE Q.50 ALETT.POLIT.NERO	CAP	BOUCHON	DECKEL	CORCHO
4	G20970110R	RONDELLA 38X4X8,5	WASHER 38X4X8-5	RONDELLE 38X4X8-5	UNTERLEGSSCHEIBE 38X4X8-5	ARANDELA 38X4X8-5
5	F01020445R	VITE M8X1,25X30	SCREW M8X1,25X30 U5739 8.8ZN	VIS M8X1,25X30 U5739 8.8ZN	SCHRAUBE 8 X30 5739 8.G	TORN. M8X1,25X30 U5739 8.8ZN
6	F03151571R	MOTORE PLM 20,6.3 REV ANTIC.	ENGINE PLM 20,6.3 REV			
7	F03151249R	SEMIGIUNTO ALBERO CONICO POMPA	SEMI-COUPPLING PUMP TAPER-SHAFT	DEMI ACCOUPLEMENT	HALBKUPPLUNG KEGELWELLE PUMPE	SEMIJUNTA
8	F02050112R	ANELLO E.DE 30X 1,5 U7435 ZN	ELAST. RING DE 30X1,5 U7435 ZN	BAGUE ELAST. 30X1,5 U7435 C70	SEEGERING E. 30X 1,5 U7435 C70	ANILLO ELAST. 30X1,5 U7435 C70
9	F04010215R	CUSC.D30 D72 B19 6306 2RSC3 EX	BEARING D30 D72 B19 6306 2RSC3	ROUL. D30 D72 B19 6306 2RSC3	LAGER 6306 2RS C3	COJINETE D30D72 B19 6306 2RSC3
10	G66248223R	TAPPO SUPP.SPAND.D.11	PLUG MAN. SPR. SUPP. D.11	BOUCHON SUPPORT EP. ENGRAIS D.	HALTERUNGSPFROPFEN D NGERSTR.	TAP N SOPORTE ABON.D.11
11	F01040058R	VITE M6X1X10	SCREW M6X1X10	VIS M6X1X10 U5931 8.8ZN	SCHRAUBE 6 X10 5931 8.G ZN	TORNILLO M6X1X10 U5931 8.8ZN
12	F02150073R	LINGUETTA 8X 7X 40 U6604A	PARALLEL KEY 8X 7X 40 U6604A	CLEVETTE 8X7X40 UNI 6604	FEDER 8X7X40 UNI 6604	LENGSETA 8X 7X 40 U6604A
13	F01230059R	DADO M12X1,75	NUT M12X1,75	ECROU M12X1,75 D982 8ZN	MUTTER M12X1,75	TUERCA M12X1,75 D982 ZN
14	F01020166R	VITE M12X1,75X80	SCREW M12X1,75X80 U5737 8.8ZN	VIS M12X1,75X80 U5737 8.8ZN	SCHRAUBE 12X80 5737 8.G ZN	TORN. M12X1,75X80 U5737 8.8ZN
15	F01040107R	VITE M8X1,25X30	SCREW M8X1,25X30	VIS M8X1,25X30 U5931 A2IX	SCHRAUBE M8X1,25X 30 U5931 A2	TORN. M8X1,25X30 U5931 A2IX
16	F01480033R	ROS.G 8,1X 12,7X 2	GROVER WASHER D8,1X12,7	GROVER RONDELLE D8,1X12,7	SPRENGRING VERST. D8 DIN79	ARAND.ELICOI.D8,1X12,7 D7980ZN
17	F01430059R	ROS.M8 8,4X 15X0,8	WASHER M8 8,4X15X0,8	RONDELLE M8 8,4X15X0,8	SCHIBE M8 8,4X15X0,8 U8842JZN	ARAND. M8 8,4X15X0,8 U8842J ZN
18	F01410076R	ROS.M1213X24X2,5	WASHER 12 13X 24X2,5	RONDELLE 12 13X 24X2,5	SCHEIBE D12 UNI 6592 ZN	ARAND.M12 13X 24X2,5 U6592 ZN
19	F03150277R	NIPPLO MM CIL-CIL 1 8-1 8 ZN	NIPPLE M. CYL. 1 8-1 8 ZN	NIPLE 1 8	NIPPEL 1 8	NIPLE 1 8
20	G22250274R	COLLEGAMENTO MANOMETRI SP-SV	PRESSURE GAUGE CONNECT. SP-SV	RACCORD MANOMETRES SP-SV	VERBINDUNG MANOMETER SP-SV	CONEXI N MAN METROS SP-SV
21	F01440094R	RONDELLA D10	WASHER D10	RONDELLE D10	SCHIEBE D10 ALUMIN	ARANDELA DE ALUMINIO D10
22	G15932040R	MOZZO CUSC.ALB.D.28 Z14 COMPL.	COMP.RHT BEAR.SHAFT HUB 28 Z14	MOYEU ROUL.ARBRE DR.28Z14 COMP	NABE KOMPL.	CUBO COJIN.EJE DER.28Z14 COMP.
23	G15951731R	STAFFA FISSAGG.DEPR.D500 JULIA	STIRRUP FIX.DEPR.D500 JULIA			
24	F01030089R	VITE M10X1,5X35	SCREW M10X1,5X35	VIS M10X1,5X35 U5933 10.9ZD	SCHRAUBE 10X35 5933 10.9 ZN	TORNIL.M10X1,5X35 U5933 10.9ZD
25	F03151568R	KIT GUARN.MOT.F03151559-1908	KIT SEALS MOTOR F03151559-1908	KIT JOINTES MOT.F03151559-908	KIT DICHT. MOT.F03151559-908	SET JUNTA MOT.F03151559-908
26	F01020266R	VITE M16X2X120	SCREW M16X2X120 U5737 8.8ZN	VIS M16X2X120 U5737 8.8ZN	SCHRAUBE 16X120 5737 8.8 ZN	TORNILLO M16X2X120 U5737 8.8ZN
27	F01230085R	DADO M16X2 D982 10ZN	NUT M16X2	ECROU M16X2 D982 10ZN	MUTTER M16X 2 D982 8 ZN	TUERCA M16X2 D982 10ZN
28	G36200241R	SCONTRO U 80	FLANGE U 80	BRIDE U 80	ANSCHLAG U 80	ELEMENTO DE EMPALME U 80
29	F02150300R	LING.PL-K20 ALB.82 3,15X6,5X16	LING.PL-K20 ALB.82 3,15X6,5X16	CLAVETTE 8X 7X 40 U6604A	LINGUETTA 8X 7X 40 U6604A	LENGSETA 8X 7X 40 U6604A
30	G15950580R	FLANGIA TUBO D.150	PIPE D.150 FLANGE		ROHR D.150 FLANSCH	
31	F01220033R	DADO M10X1,5	NUT M10X1,5	ECROU M10X1,5 D980 8GALV.	MUTTER M10	TUERCA M10X1,5 D980 8
32	F01410051R	ROS.M8 8,4X 17X1,6	WASHER M8 8,4X17X1,6	RONDELLE M8 8,4X17X1,6	SCHEIBE D.8	ARAND.M8 8,4X 17X1,6 U6592 ZN
33	F02300026R	FASCETTA STRING.150 170 H.12	STRING STRAP 150 170 H.12	COLLIER DE SERRAGE 150 170 H.1	KABELSCHELLE 150 170 H.12	ABRAZADERA 150 170 H.12
34	F01480055R	ROS.G 12,2X 18X2,5	GROVER WASHER 12.2X18X2,5	GROVER RONDELLE 12.2X18X2,5	VERST. FEDERSCHIEBE D12	ARAND. EL. 12,2X18X2,5 D7980ZN
35	F02300014R	FASCETTA STRING. 110 130 H.12	CABLE TIE 100 140 H.12	COLLIER 100 140 H.12	SCHELLE 100 140 H.12	ABRAZADERA 100 140 H.12
36	F03100566R	TUBO EOLO PU D.120 TRASP. NERO	TUBO EOLO PU D.120 TRASP. NERO			
37	F03100568R	TUBO EOLO PU D.152 TRASP. NERO	TUBO EOLO PU D.152 TRASP. NERO			
38	F01040066R	VITE M6X1X35	SCREW M6X1X35	VIS M6X1X35 U5931 8.8ZN	SCHRAUBE 6 X35 5931 8.G ZN	TORNILLO M6X1X35 U5931 8.8ZN
39	F03080570R	FLANGIA L 3 FORI ML15	FLANGE L 3 HOLES ML22		FLANSCH L 3 HOLES ML22	
40	F03080064R	NIPPLO M1 4 SEAL ML12 ZN	NIPPLE M1 4 SEAL ML12 ZN	NIPLE M1 4 SEAL ML12 ZN	NIPPEL M1 4 DICHTUNG ML12 ZN	NIPLE M1 4 SEAL ML12 ZN
41	F03070463R	TUBO 1 4 R17 FL12 CFL12 L950	PIPE 1 4 R17 FL12 CFL12 L950			
42	F03070458R	TUBO 1 2 R17 FL15 CFL18 L900	PIPE 1 2 R17 FL15 CFL18 L900		ROHR 1 2 R17 FL15 CFL18 L900	
43	F03070454R	TUBO 1 2 R17 FL15 CFL18 L550	PIPE 1 2 R17 FL15 CFL18 L550			
44	F03071595R	TG 1 4 R17 FL10 CFL12 1100	TG 1 4 R17 FL10 CFL12 1100			
45	F03080093R	NIPPLO M3 4 SEAL ML18 ZN	NIPPLE M3 4 SEAL ML18		NIPPEL M3 4 DICHTUNG ML18	
46	F01200422R	DADO M12X1,5	NUT M12X1,5	ECROU M12X1,5 U5589 CL8 ZN6SZN	MUTTER M12	TUERCA M12X1,5 U5589 CL8 ZN 6S
47	GA5250160R	ANELLO CENTRAGGIO MOT.IDR.	MOT.IDR CENTERING RING	BAGUE CENTR.	MITTL. RING	ANILLO CENTR.
48	F03080177R	RACC.L M1 4 SEAL ML10 ZN	JUNCTION L M1 4 SEAL ML10 ZN			
49	F03070457R	TUBO 1 2 R17 FL15 FL18 L800	PIPE 1 2 R17 FL15 FL18 L800			
50	F03070550R	TG 1 2 R17 CFL15 CF180L182300	TG 1 2 R17 CFL15 CF180L182300	TG 1 2 R17 CFL15 CF180L182300		TG 1 2 R17 CFL15 CF180L182300
51	G15976120R	ASS. COLLETTORE 2 TUBI 120	2 PIPE COLLECTOR ASS.BLY 120			CONJ.COLECTOR 2 TUBOS 120
52	F01410037R	ROS.M6 6,4X12,5X1,6	WASHER M6 6,4X12,5X1,6	RONDELLE M6 6,4X12,5X1,6	SCHEIBE D.6	ARAND.M6 6,4X12,5X1,6 U6592 ZN
53	F01020404R	VITE M6X1X20	SCREW M6X1X20 U5739 8.8ZN	VIS M6X1X20 U5739 8.8ZN	SCHRAUBE 6X20 5739 8.G ZN	TORNILLOM6X1X20 U5739 8.8ZN



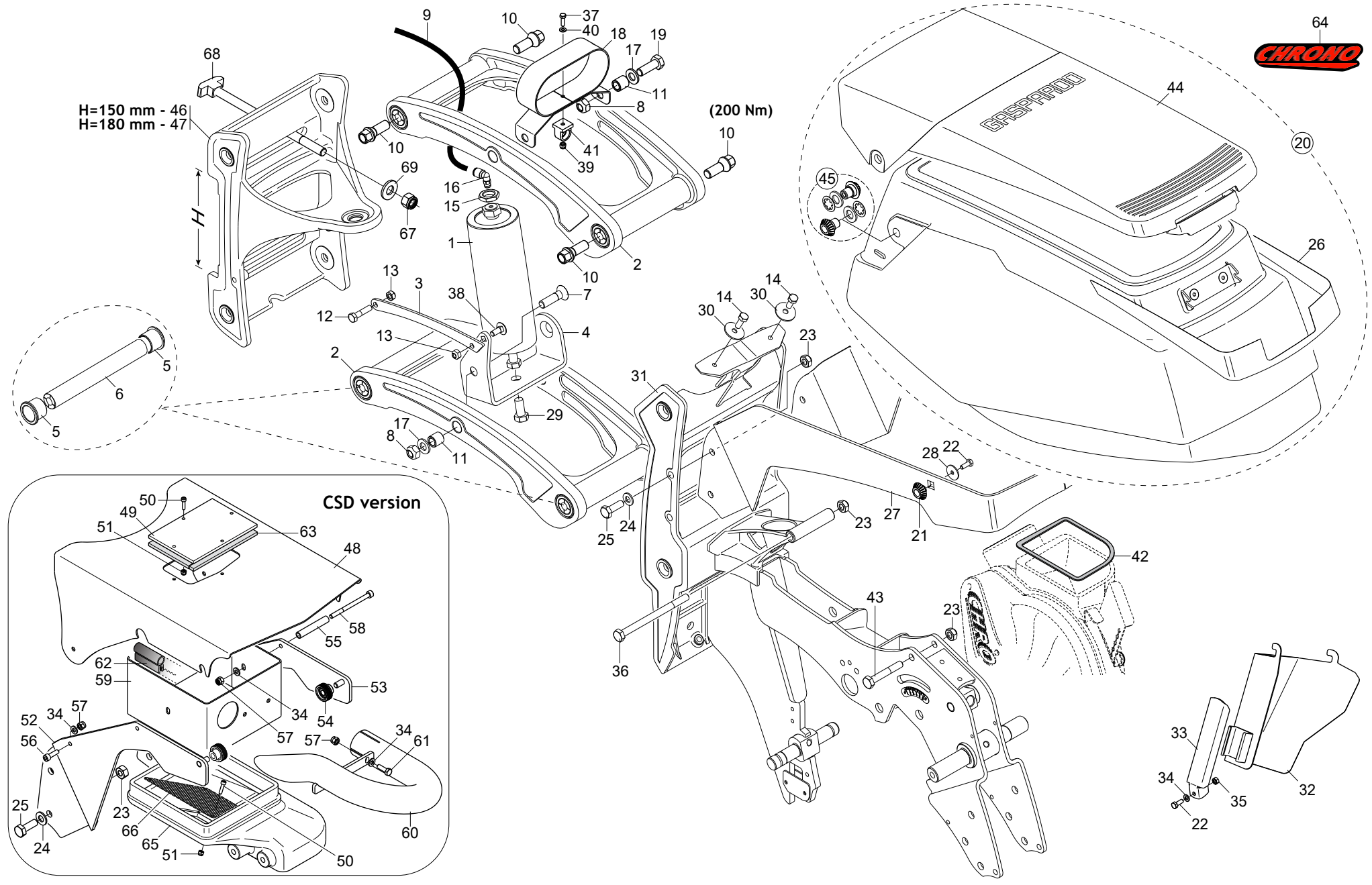
- 56 - (nr. 36 x 2,50 mm)
- 62 - (nr. 36 x 3,50 mm)
- 55 - (nr. 36 x 5,00 mm)
- 58 - (nr. 48 x 2,10 mm)
- 61 - (nr. 72 x 1,50 mm)
- 59 - (nr. 72 x 2,25 mm)
- 57 - (nr. 72 x 4,50 mm)
- 60 - (nr. 120 x 1,3 mm)

DISTRIBUTORE SEMI SEED DISTRIBUTOR

TAV. 220

Pos.	Cod.	Descrizione	Description	Description	Benennung	Description
1	F01030011R	VITE M4X0,7X10	SCREW M4X0,7X10	VIS M4X0,7X10 U5933 10.9ZD	SCHRAUBE 4X10 5933 10.9 ZN	TORNILLO M4X0,7X10U5933 10.9ZD
2	F01040026R	VITE M4X0,7X10	SCREW M4X0,7X10	VIS M4X0,7X10 U5931 A2IX	SCHRAUBE 4X10 5931 INOX A2	TORNILLO M4X0,7X10 U5931 A2IX
3	F01040028R	VITE M4X0,7X16	SCREW M4X0,7X16	VIS M4X0,7X16 U5931 8.8ZN	SCHRAUBE 4X16 5931 8.G ZN	TORNILLO M4X0,7X16 U5931 8.8ZN
4	F01040030R	VITE M4X0,7X35	SCREW M4X0,7X35	VIS M4X0,7X35 U5931 12.9ZF	SCHRAUBE 4 X30 5931 8.G ZN	TORNIL. M4X0,7X35 U5931 12.9ZF
5	F01040107R	VITE M8X1,25X30	SCREW M8X1,25X30	VIS M8X1,25X30 U5931 A2IX	SCHRAUBE M8X1,25X 30 U5931 A2	TORN. M8X1,25X30 U5931 A2IX
6	F01410011R	ROS.M4 4,3X 9X0,8	PANE WASHER 4,5X 9	PANE RONDELLE 4,5X 9	SCHRAUBE 4,5X 9 6592	ARANDELA 4,5X 9 6592
7	F01230016R	DADO M4X0,78	NUT M4X0,78	CROU M4X0,7 D982 8ZN	SELBSTSP. MUTTER NOR. 4 ZN	TUERCA AUTOB. NOR. 4 ZN
8	F01410011R	ROS.M4 4,3X 9X0,8	PANE WASHER 4,5X 9	PANE RONDELLE 4,5X 9	SCHRAUBE 4,5X 9 6592	ARANDELA 4,5X 9 6592
9	F02050648R	ANELLO BENZING-QUICKLOCK BQ7	BENZING-QUICKLOCK BQ7 RING	BAGUE BENZING-QUICKLOCK BQ7	RING BENZING-QUICKLOCK BQ7	ANILLO BENZING-QUICKLOCK BQ7
10	F02050668R	FISSATORE ELASTICO RPCO D.4	ELASTIC FIXER RPCO D.4			
11	F03100660R	MINI PISTON.GN 822.7-4-M8X1-B	MINI PISTON.GN 822.7-4-M8X1-B			
12	F05011793R	MOTORID.BRUSHLESS SHORT C ELN	RATIOMOTOR BRUSHLESS SHORT W E		ELEKTROMOTOR BRUSHLESS KURZ	
13	G18220081R	CORPO DISTRIBUTORE CHRONO	CHRONO DISTRIBUTOR BODY			CUERPO DISTRIBUIDOR CRONO
14	G18220160R	SELETTORE MOBILE CHRONO	MOBILE SELECTOR CHRONO			
15	G18220180R	PUNTA SELETTORE ECCENTR.CHRONO	ECCENTR SELECTOR TIP CHRONO			
16	G18220250R	MONT.COPERCHIO CHRONO	LID ASSEMBLY CHRONO			MONT. COBERTURA CHRONO
17	G18220620R	LAMA PARZIALIZZAZIONE SEME	BLADE PARTIALIZATION SEED			
18	G18221160R	MONT.DISTRIBUTORE CHRONO	DISTRIBUTOR ASSEMBLY CHRONO			
19	G18220661R	MONT.SELETTORE INTERNO	INTERNAL SELECTOR ASSEMBLY			CONJUNTO DE SELECTOR INTERNO
20	G18221010R	ASS.TUBO DISCESA SEME	ASSEMBLY DESCENT TUBE SEED			
21	G18221070R	BOCCOLA FISSAGGIO SELETTORE	SELECTOR MOUNTING BUSHING			
22	G18221080R	PORTA DI ISPEZIONE	INSPECTION PORT			
23	G18221270R	MONT.ESAGONO CH 42	MONT.ESAGONO CH 42			
24	G18220650R	MONT.PORTA SCARICO SEME	DISCHARGE SEED UNIT MOUNTING			
25	G18221520R	SCATTO SELETTORE ALTA VELOCITA	HIGH SPEED SELECTOR SHUTTER			
26	G18904970R	MOLLA PORTA ISPEZIONE	INSPECTION SPRING			
27	G19002122R	POMELLO GRADUATO SELET.ECC.SV	GRADUATED SELECT KNOB.ECC.SV			
28	G18904960R	MOLLA TORS.SCARICO SEME	DISCHARGE SEED SPRING			
29	F01050026R	VITE M6X1X20	SCREW M6X1X20	VIS M6X1X20	SCHRAUBE M6X1X20	TORNILLO M6X1X20 U5923 8.8ZN
30	F01440095R	RONDELLA D12	WASHER D12	RONDELLE D12	UNTERLEGSCHIEBE ALUMINIUM D12	ARANDELA ALUMINIO D12
31	F01460129R	ROS.OND.13,0X 24X1,2	WASHER OND.13,0X 24X1,2	RONDELLE OND.13,0X 24X1,2	SCHIEBE D13 DIN 137 B IX	
32	F02050023R	ANELLO E. DE 12X 1 U7435 C70	SEEGER RING D 12X 1 U7435 C70	BAGUE SEEGER D 12X 1 U7435 C70	RING 12 UNI 7435-75	ANILLO D 12X 1 U7435 C70
33	F03010601R	ANEL. OR 57,00X1,50 NBR	ANEL. OR 57,00X1,50 NBR	BAGUE OR 57,00X1,50 NBR		
34	F03010667R	ANEL. OR 88 X1,78 NBR	ANEL. OR 88 X1,78 NBR	BAGUE OR 88 X1,78 NBR		
35	F03013000R	GUARNIZIONE 45 KFM	GASKET 45 KFM	GARNITURE 45 KFM		JUNTA 45 KFM
36	F50010008R	KIT CUSC.CAMPANA CHRONO	CHRONO BELL BEARING KIT	KIT ROUL. CLOCHE CHRONO		KIT COJINETE CAMPANA CHRONO
37	F03100562R	TUBO EOLO PU D.45 TRASP. NERO	TUBE EOLO PU D.45 TRASP BLACK			
38	F03100563R	TUBO EOLO PU D.52 TRASP. NERO	TUBE EOLO PU D.52 TRASP. BLACK			
39	G16622070R	POMELLO COPERCHIO IX	SEED COVER KNOB IX		SAAT DECKEL KNOB IX	
40	G18220100R	CAMPANA CHRONO	BELL CHRONO			
41	G18220210R	COPERCHIO CHIUSURA ASPIRAZIONE	SUCTION CLOSING COVER			
42	G18220220R	TASSELLO ROMPIVUOTO	VACUUM BREAKER			
43	G18221240R	FLANGIA INT.BLOCCO CUSCINETTO	BEARING INTERNAL FLANGE			
44	G18221250R	SUPPORTO TASSELLO CIRCOLARE	CIRCULAR ANCHOR SUPPORT			
45	G18221260R	FLANGIA EST.BLOCCO CUSCINETTO	BEARING EXTERNAL FLANGE			
46	F07100132R	MOUSSE ADESIVA MM 5X3	ADHESIVE MOUSSE MM 5X3		DICHTBAND MM 5X3	
47	G18222130R	ASS. FILTRO RETE 50	MESH FILTER 50 ASSEMBLY			SET FILTRO MALLA 50
48	F01220022R	DADO M8X1,25	NUT M8X1,25	CROU M8X1,25 D980 ZN	SELBSTSP.MUTT. M8X1,25 980-V	TUERCA M8X 1,25 D980 8 ZN
49	F01200244R	DADO M8X1,25	NUT M8X1,25	CROU M8X1,25 U5588 CL8 ZN	MUTTER M8 X1,25 U5588 6.8 ZN	TUERCA M8X1,25 U5588 CL8 ZN
50	F01020440R	VITE M8X1,25X25	SCREW M8X1,25X25 U5739 8.8ZN	VIS M8X1,25X25 U5739 8.8ZN	SCHRAUBE M8 X25 5739 8.8 ZN	TORN. M8X1,25X25 U5739 8.8ZN
51	F01040030R	VITE M4X0,7X35	SCREW M4X0,7X35	VIS M4X0,7X35 U5931 12.9ZF	SCHRAUBE 4 X30 5931 8.G ZN	TORNIL. M4X0,7X35 U5931 12.9ZF
52	G18222090R	PIASTRINA ANTI TRABOCCAMENT.IX	OVERFLOW STOP PLATE IX			PLACA TOPE DE DESBORDO IX
53	F01021236R	VITE M4X 0,7X 55	SCREW M4X 0,7X 55	VIS M4X 0,7X 55 U5737 A2IX	SCHRAUBE M4X 0,7X 55	TORNILLO M4X0,7X55 U5737 A2IX
54	F01230309R	DADO M 4X 0,7	NUT M 4X 0,7	ECROU M 4X 0,7 D982 A2 IX	MUTTER M 4X 0,7 D982 A2 IX	TUERCA M 4X 0,7 D982 A2 IX
55	G18221330R	DISCO 36F D.5,00 SP.4 P.	DISC 36F D.5,00 SP.4 P	DISQUE 36 TR.D.5,00 SP.4 P.		DISCO 36 OR.D.5,00 SP.4 P.
56	G18221720R	DISCO 36 F. D.2,50 SP.4	DISC 36 F. D.2,50 SP.4	DISQUE 36 TR.D.2,50 SP.4		DISCO 36 OR.D.2,50 SP.4
57	G18221731R	DISCO SEM. 72F D.4,5 SP.4 P.	SEED DISK 72 H. D.4,5 T.4			DISCO DE SEMILLAS 72F D.4,5 SP
58	G18221710R	DISCO 48 F. D.2,10 SP.4	DISC 48 F. D.2,10 SP.4	DISQUE 48 F. D.2,10 SP.4		
59	G18221700R	DISCO 72 F. D.2,25 SP.4	DISC 72 F. D.2,25 SP.4	DISQUE 72TR.D.2,25 SP.4		DISCO 72 OR.D.2,25 SP.4
60	G18221530R	DISCO 120 F. D.1,30 SP.4 P.	SEED DISC 120H D.1,30 TH.4 P.	DISQUE 120TR.D.1,30 SP.4 P.		DISCO 120OR.D.1,30 SP.4 P.
61	G18222050R	DISCO 72 F. D.1,50 SP.4 P.	SEED DISC 72H D.1,50 TH.4 P.	DISQUE 72 TR.. D.1,50 SP.4 P.		DISCO 72 OR.. D.1,50 SP.4 P.
62	G18222000R	DISCO SEM. 36F D.3,50 SP.4 P.	SEED DISK 36 H. D.3,5 T.4			DISCO SEMILLAS 36F D.3,5 SP.4P

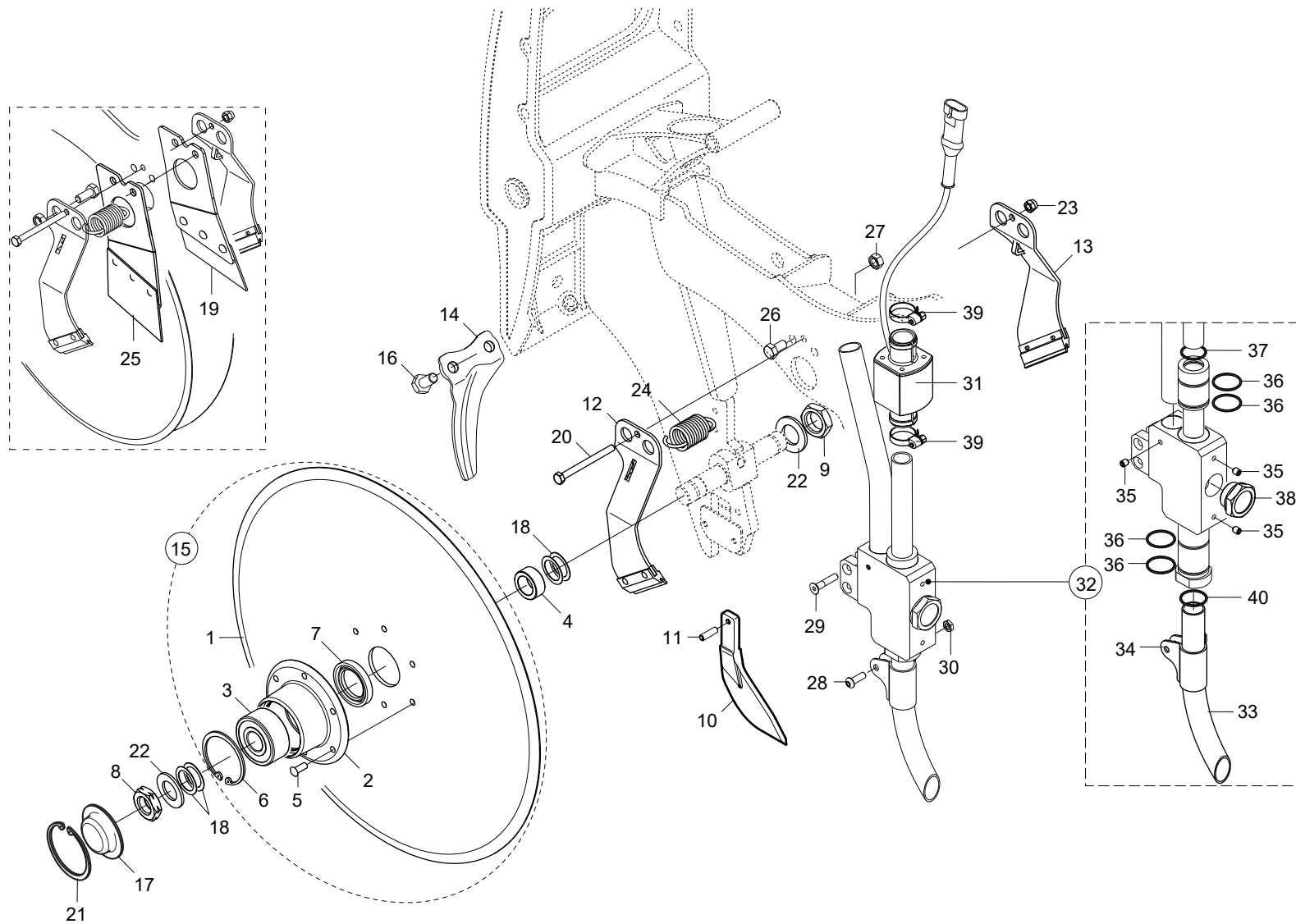
TAV. 230



TELAIO ELEMENTO UNIT TOOLBAR

TAV. 230

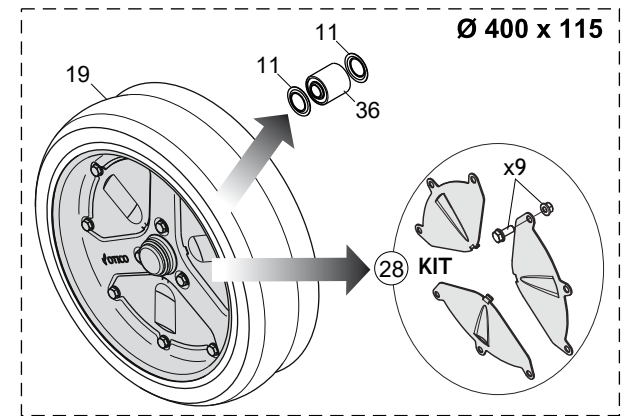
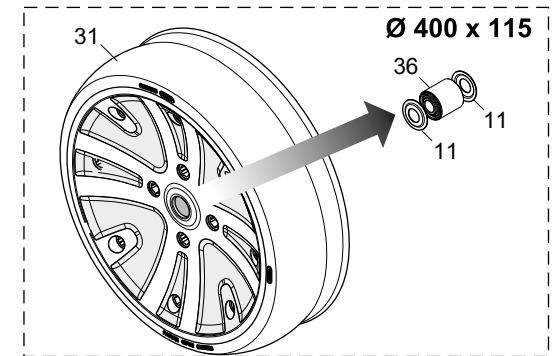
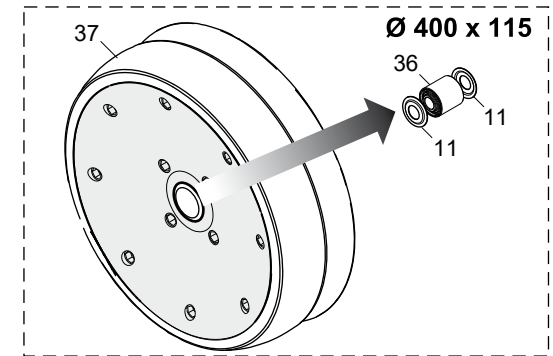
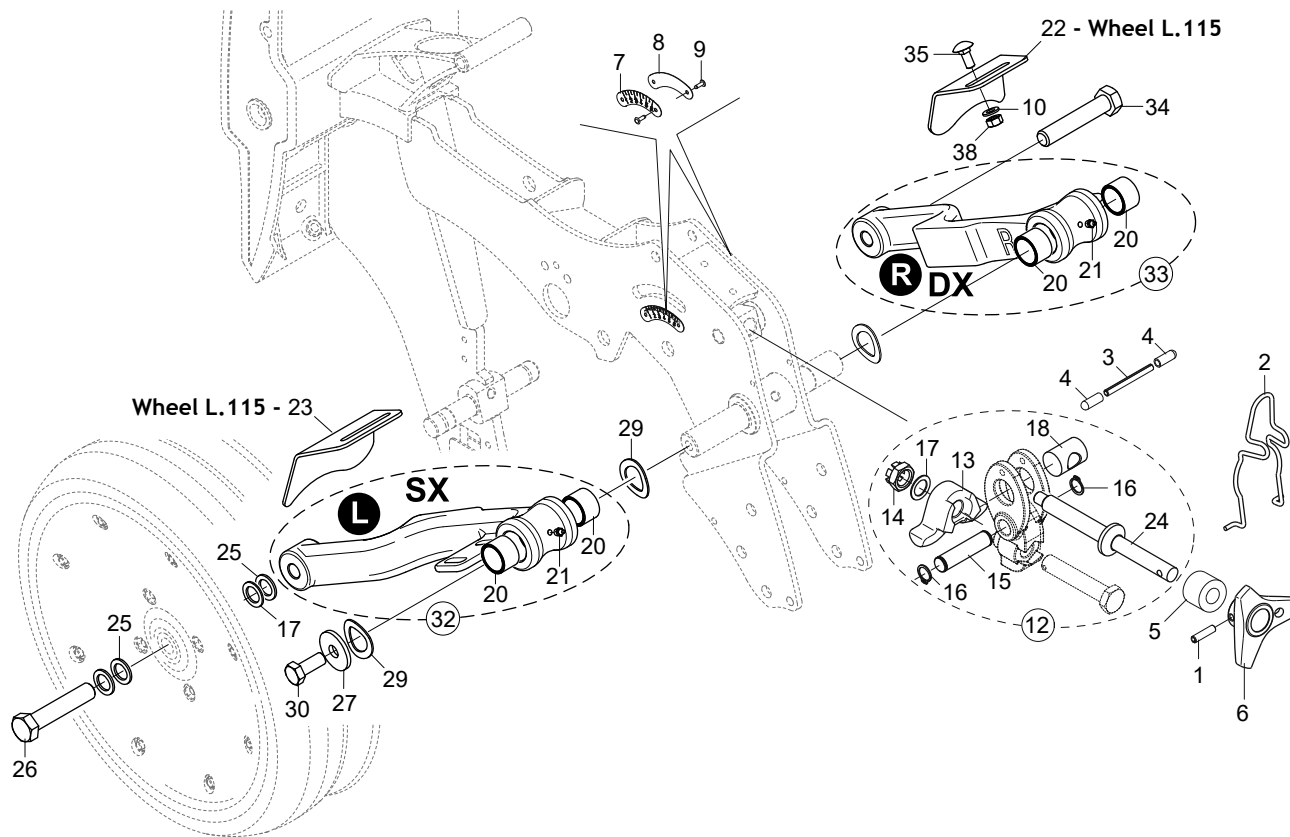
Pos.	Cod.	Descrizione	Description	Description	Benennung	Descripcion
1	F02400028R	MOLLA AD ARIA D.80 - 7BAR	AIR SPRING D.80 -7BAR		FEDER AD ARIA D.80 - 7BAR	
2	G18221340R	MONT.PARALLELO 430	PARALLEL ASSEMBLY 430			
3	G18220410R	GUIDA AIR BAG	AIR BAG GUIDE			
4	G18220430R	SUPPORTO AIR BAG	AIR BAG SOPORT			
5	G66349003R	BOCCOLA SINT.	BUSHING- SINTERED	BOITE FRITTEE	SYNTH. B CHSE	CASQUILLO SINT.
6	G18210620R	PERNO D25	PIN D25	GOUJON D25		PERNO D25
7	F01030111R	VITE M12X1,75X40	SCREW M12X1,75X40	VIS M12X1,75X40	SCHRAUBE 12X40 5933 8.8 ZN	TORN. M12X1,75X40 U5933 10.9ZD
8	F01220048R	DADO M12X1,75	NUT M12X1,75	ECROU M12X1,75 D980 8ZN	SCHIEBE M12X1,75 D980 8 ZN	TUERCA M12X1,75 D980 8 ZN
9	F13070005R	TUBO POLIURETANO 8-6 NERO	POLIURETHAN PIPE 8-6 BLACK			
10	GA5210440R	VITE COLONNETTA M14X1,5X28CH17	COLUMN SCREW M14X1,5X28CH17	VIS COLONNE M14X1,5X28CH17		TORNIL. COLUMNA M14X1,5X28CH17
11	G18804410R	BOCCOLA 12,25X18 X18,5 ZN	BUSHING 12,25X18 X17,5 ZN	DOUILLE 12,25X18 X18,5 GALV.		CASQUILLO 12,25X18 X18,5 GALV.
12	F01020068R	VITE M8X1,25X40	SCREW M8X1,25X40 U5737 8.8ZN	VIS M8X1,25X40 U5737 8.8ZN	SCHRAUBE M8X1,25X40	TORN. M8X1,25X40 U5737 8.8ZN
13	F01220022R	DADO M8X1,25	NUT M8X1,25	CROU M8X1,25 D980 ZN	SELBSTSP.MUTT. M8X1,25 980-V	TUERCA M8X1,25 D980 8 ZN
14	F01020436R	VITE M8X1,25X20	SCREW M8X1,25X20 U5739 8.8ZN	VIS M8X1,25X20 U5739 8.8ZN	SCHRAUBE M 8X20	TORN. M8X1,25X20 U5739 8.8ZN
15	F01280010R	DADO 3 4 -16 UNF H=1 4	NUT 3 4 -16 UNF H=1 4	ECROU 3 4 -16 UNF H=1 4	MUTTER 3 4 -16 UNF H=1 4	TUERCA 3 4 -16 UNF H=1 4
16	F13010027R	RACC.SUPERAPIDO 90 1 8G-8	90 UNION STRAIGHT 1 8G-8			
17	F01410076R	ROS.M1213X24X2,5	WASHER 12 13X 24X2,5	RONDELLE 12 13X 24X2,5	SCHIEBE D12 UNI 6592 ZN	ARAND.M12 13X 24X2,5 U6592 ZN
18	G18210680R	SUPPORTO TUBI	TUBE SUPPORT			
19	F01020512R	VITE M12X1,75X35	SCREW M12X1,75X35 U5739 8.8ZN	VIS M12X1,75X35 U5739 8.8ZN	SCHRAUBE M 12X35	TORN. M12X1,75X35 U5739 8.8ZN
20	G18220510R	MONT.COMPL. COPERC.-SERB.CHRO	MONT.COMPL. COPERC.-SERB.CHRO			
21	G19007840R	PERNO M6 FISSAGGIO SERB.CHRONO	CHRONO TANK FIXING PIN M6			
22	F01020403R	VITE M6X1X16	SCREW M6X1X16 U5739 8.8ZN	VIS M6X1X16 U5739 8.8ZN	SCHRAUBE M 6X16	TORNILLO M6X1X16 U5739 8.8ZN
23	F01220033R	DADO M10X1,5	NUT M10X1,5	ECROU M10X1,5 D980 8GALV.	MUTTER M10	TUERCA M10X1,5 D980 8
24	F01410062R	ROS.M10 10,5X 18X 2	WASHER M10 10,5X 18X 2	RONDELLE M10 10,5X 18X 2	SCHIEBE M10 10,5X18X2 U6592 ZN	ARAND.M10 10,5X 18X 2 U6592 ZN
25	F01020476R	VITE M10X1,5X30	SCREW M10X1,5X30 U5739 8.8ZN	VIS M10X1,5X30 U5739 8.8ZN	SCHRAUBE M 10X30	TORNIL. M10X1,5X30 U5739 8.8ZN
26	G19709800R	DECAL.SERBATOIO CHRONO	DECAL CHRONO TANK			
27	G18221370R	LAME SUPPORTO SERB.CHRONO	CHRONO TANK SUPPORT BLADE			
28	F01420037R	ROS.M6 6,4X 24X1,5	WASHER M6 6,4X24X1,5	RONDELLE M6 6,4X24X1,5	SCHIEBE M6 6,4X24X2 U6593 ZN	ARANDELA M6 6,4X24X1,5
29	F01120013R	VITE 1 2 X1	SCREW 1 2X1 UNC 2A	VIS 1 2 X1 UNC 2A	SCHRAUBE 1 2 X1	TORNILLO 1 2 X1 UNC 2A
30	F01420049R	ROS.M8 8,4X 32X 2	WASHER M8 8,4X32X2	RONDELLE M8 8,4X32X2	SCHIEBE M8 8,4X32X2 U6593 ZN	ARAND.M8 8,4X 32X 2 U6593 ZN
31	G18221150R	ASS.CORPO CENTRALE CHRONO	CENTRAL BODY ASSEMBLY CHRONO			
32	G18221890R	ASS.SCIVOLO SCARICO SEME CHR	ASS.Y SEED DISCHARGE CHUTE CHR			
33	GA5222910R	SUPPORTO SCIVOLO SEME MTR	SEED CHUTE SUPPORT MTR			
34	F01410037R	ROS.M6 6,4X12,5X1,6	WASHER M6 6,4X12,5X1,6	RONDELLE M6 6,4X12,5X1,6	SCHIEBE D.6	ARAND.M6 6,4X12,5X1,6 U6592 ZN
35	F01200232R	DADO M6X1	NUT M6X1	CROU M6X1 U5588 CL8 ZN	MUTTER 6 UNI 5588 6.8 ZN	TUERCA M6X1 U5588 CL8 ZN
36	F01020139R	VITE M10X1,5X140	SCREW M10X1,5X140 U5737 8.8ZN	VIS M10X1,5X140 U5737 8.8ZN	SCHRAUBE M10X 1,5X140 U5737	TORNIL.M10X1,5X140 U5737 8.8ZN
37	F01020378R	VITE M5X0,8X16	SCREW M5X0,8X16 U5739 8.8ZN	VIS M5X0,8X16 U5739 8.8ZN	SCHRAUBE 5X16 5739 8.8 ZN	TORNILLO M5X0,8X16 U5739 8.8ZN
38	F01060041R	VITE M8X1,25X25	SCREW M8X1,25X25	VIS M8X1,25X25 U5731 8.8ZN	SCHRAUBE 8 X25 5732 4.6 ZN	TORN. M8X1,25X25 U5731 8.8ZN
39	F01230019R	DADO M5X0,88	NUT M5X0,88	CROU M5X0,8 D982 8ZN	SELBSTSP. MUTTER NOR.5 ZN	TUERCA AUTOB. NOR. 5 ZN
40	F01410023R	RONDELLA M5 5,3X10X1	ROS.M5 5,3X 10X 1	ROS.M5 5,3X 10X 1	SCHIEBE M5 5,5X10X1 U6593 ZG	
41	F05011013R	FISSAGUAINA NW12	FIXED SHEATH NW12			
42	G18221430R	GUARNIZIONE DOSAT.-SERB. SEME	SEED TANK DOSER GASKET			
43	F01020120R	VITE M10X1,5X65	SCREW M10X1,5X65 U5737 8.8ZN	VIS M10X1,5X65 U5737 8.8ZN	SCHRAUBE M 10X65	TORNIL. M10X1,5X65 U5737 8.8ZN
44	G18220490R	MONT.COPERCHIO SERBAT.CHRONO	MONT. TANK COVER CHRONO			
45	G19007850R	PERNO D14 FISSAGG.SERB.CHRONO	CHRONO TANK FIXING PIN D14			
46	G19206100R	PIAST.ATT.FRONTAL.EL.H150 L220	PIAST.ATT.FRONTAL.EL.H150 L220			
47	G19206160R	PIASTRA ATT.FRONT.EL.H180 L220	FRONT PLATE ELEM.H180 L220			
48	GA5920370R	CARTER COPERTURA CSD CHRONO	CARTER COVER CSD CHRONO			
49	G15921680R	PORTA ISPEZIONE CSD	CSD INSPECTION DOOR			
50	F01040028R	VITE M4X0,7X16	SCREW M4X0,7X16	VIS M4X0,7X16 U5931 8.8ZN	SCHRAUBE 4X16 5931 8.G ZN	PUERTA DE INSPECCI N CSD
51	F01230016R	DADO M4X0,78	NUT M4X0,78	CROU M4X0,7 D982 8ZN	SELBSTSP. MUTTER NOR. 4 ZN	TORNILLO M4X0,7X16 U5931 8.8ZN
52	G15921830R	FIANCO SX SUPP.SERB.CSD	CSD TANK SUPP.LEFT SIDE			TUERCA AUTOB. NOR. 4 ZN
53	G15921840R	FIANCO DX SUPP.SERB.CSD	CSD TANK SUPP.RIGHT SIDE			SOP.TANQUE CSD CONJUNTO IZQ.
54	F06220037R	VOLANTINO ZIGR.D.26-M8 FEM	KNURLED HANDWHEEL D.26-M8	VOLANT D.26-M8	GER-ND. HANDRAD D.26-M8 FEM	SOP.TANQUE CSD CONJUNTO DER.
55	G15921850R	TUBO D.10X1,5 L=60 ALLUMINIO	TUBE D.10 X 1,5 L=60 ALUMINUM			FOLLETO ZIGR.D.26-M8
56	F01040063R	VITE M6X1X20	SCREW M6X1X20	VIS M6X1X20 U5931 8.8ZN	SCHRAUBE M 6	TUBO D.10X1,5 L=60 ALLUMINIO
57	F01230022R	DADO M6X1	NUT M6X1	CROU M6X1 D982 8ZN	SELBSTSP. MUTTER NOR.6 ZN	TORNILLO M6X1X20 U5931 8.8ZN
58	F01040071R	VITE M6X1X80	SCREW M6X1X80	VIS M6X1X80 U5931 8.8ZN	SCHRAUBE M6X1X80 U5931 8.8ZN	TUERCA M6X1 D982 8ZN
59	GA5920360R	SCATOLATO ANT.CSD CHRONO 900	CSD CHRONO 900 FRONT BOX			TORNILLO M6X1X80 U5931 8.8ZN
60	G15976110R	TUBO CSD X ELEMENTO CHRONO	CSD TUBE FOR CHRONO ELEMENT			CAJA FRONTAL CSD CHRONO 900
61	F01020404R	VITE M6X1X20	SCREW M6X1X20 U5739 8.8ZN	VIS M6X1X20 U5739 8.8ZN	SCHRAUBE 6X20 5739 8.G ZN	CONJ.TUBO CSD ELEMENTO CHRONO
62	F03100032R	GUARNIZIONE GOMMA C INSERTO M.	RUBBER GASKET W INSERT M.	GARN.CAOUTC.AVEC INSERT M.	DICHTUNG	TORNILLO M6X1X20 U5739 8.8ZN
63	F07100132R	MOUSSE ADESIVA MM 5X3	ADHESIVE MOUSSE MM 5X3			JUNTA GOMA C INSERC.M.
64	F20020718R	DECAL.CHRONO 80 X 20	DECAL CHRONO 80 X 20			
65	G15921860R	ADATT.SERB.MTR-CHRONO LAVORATO	MTR-CHRONO TANK ADAPTER MACHIN			
66	G15921810R	GRIGLIA TRAPEZIO CSD	CSD TRAPEZOID GRID			ADAPT.TANQUE MTR-CHRONO TRABAJ
67	F01230073R	DADO M14X2	NUT M14X2 D982 8ZN	ECROU M14X2 D982 8ZN	SELBSTSP.MUTT. M14X2	REJILLA CSD
68	G16610010R	VITE A MARTELLO M14 X 165	HAMMER SCREW M14 X 165	VIS DE MARTEAU M14 X 165	ZWEIFL GEL-SCHRAUBEN M14 X 165	TUERCA AUTOBL. M14X2 D982 8ZN
69	G18700880R	RONDELLA 15,5X32X4 ZN	WASHER 15,5X32X4 ZN	RONDELLE 15,5X32X4	SCHIEBE 15,5X32X4	TORNILLO MARTILLO M14 X 165
						ARANDELA 15,5X32X4



DISCO ASSOLCATORE DISC FURROWER

TAV. 231

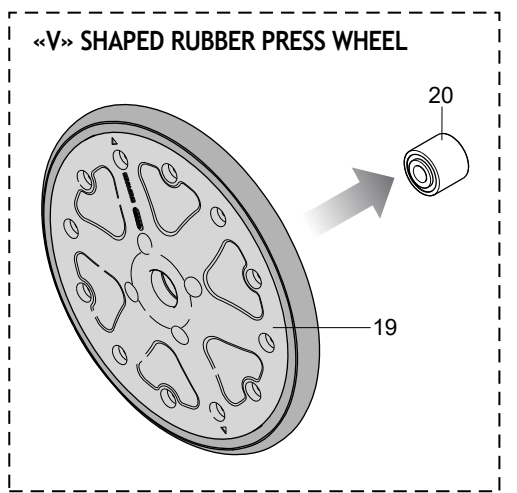
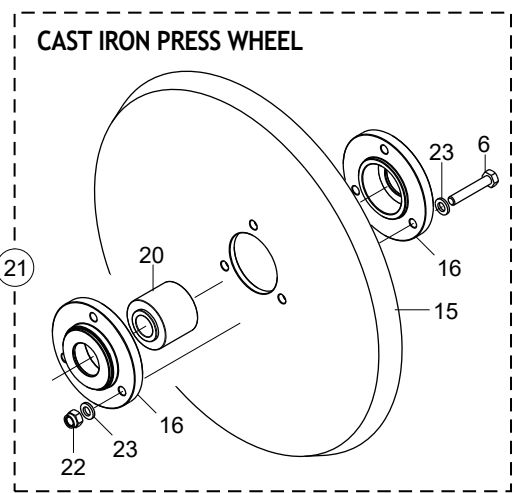
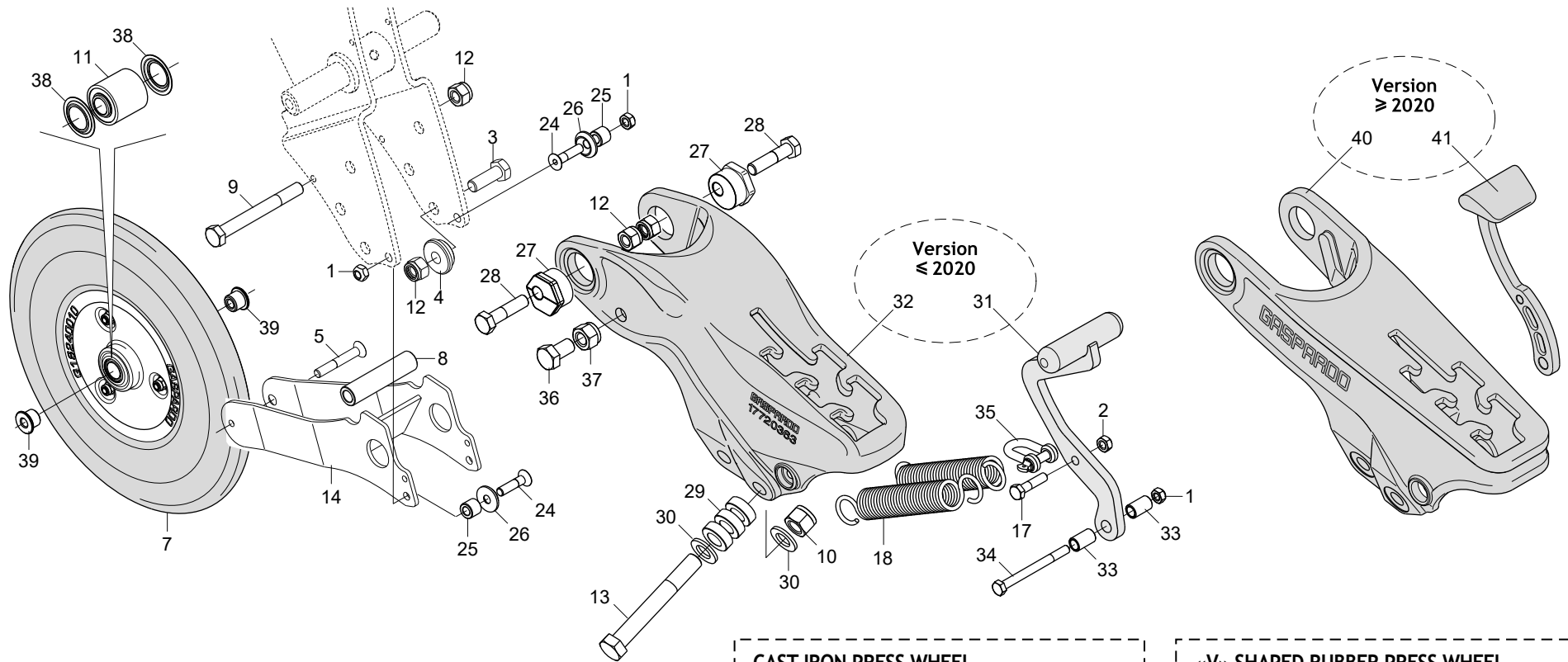
Pos.	Cod.	Descrizione	Description	Description	Benennung	Description
1	G17722471R	DISCO ASSOLCATORE D.420	FURROW OPENER DISC D.420	DISC D.420	SCHEIBE ASSOLCATORE D.420	DISCO SURGADOR D.420
2	G17722493R	SUPP.CUSC.DISCO	BEARING SUPPORT DISC	SUPPORT ROUL. DISQUE		SOPORTE COJINETE DISCO
3	F04010094R	CUSC.D20 D52 B22,2 3304 LLU	BEAR.D20 D52 B22,2 3304 LLU	ROULEMENT D20 D52 B22,2 LLU	LAGER.D20 D52 B22,2 3304 LLU	COJIN. D20 D52 B22,2 3304 LLU
4	G17722482R	BOCCOLA 20 X30 X12,3	BUSHING D20X30X12,3	DOUILLE	BUCHSE	CASQUILLO 20X30 X12,3
5	F02250521R	RIBATTINO TSC 6 X19,8 A 2	RIVET TSC 6X19,8 A 2 BY PIECE	PAQUET RIVETS TSC 6X 19,8 A 2	PACKUNG NIETEN TSC 6X19,8 A 2	PAQU.REMACHES TSC 6X 19,8 A 2
6	F02050381R	ANELLO E. DI 52X 2 U7437 C70	SEEGER RING E. 52X 2 U7437 C70	SEEGER E. 52X 2 U7437 C70	SEEGERING E. 52X 2 U7437 C70	ANILLO 52X 2 U7437 C70
7	F03011159R	AN. TENUTA 30X47X7 AS	SEALING RING 30X47X7	BAGUE D ETANCHEITE 30X47X7	DICHTUNGSRING 30X47X7	ANILLO AISLADOR 30X47X7
8	G17722811R	DADO M20X 2,5 SINISTRO ZN.	NUTS M20X2,5 LEFT GALV.ED			
9	F01200468R	DADO M20X2,5	NUT M20X2,5	ECROU M20X2,5 U5589 CL8 ZN	MUTTER 20 5589 6.8 ZN *	TUERCA 20 5589 6.8 ZN
10	G19203943R	TAGLIENTE INT.DISCHI	INTERNAL DISC COULTER	COUTEUR INTERIEUR		HILO DE CORTE INTERNO DISCOS
11	F02100106R	SPINA E.P. 6X 20 U6873 C70 BR	EL. PIN E.P. 6X20 U6873 C70 BR	GOUJON E.P. 6X 20 U6873 C70BR	BOLZEN 6X 20	ESPINA E.P. 6X 20 U6873 C70BR
12	GA5220051R	ASS.RASCHIATERRA VIDIA SX	LEFT VIDIA SOIL SCRAPER ASS.		LINKS VIDIA ERDABSTREIFER ASS.	
13	GA5220311R	ASS.RASCHIATERRA VIDIA DX	RIGHT VIDIA SOIL SCRAPER ASS.		RECHTS VIDIA ERDABSTREIFER ASS	
14	G15225861R	PROTEZIONE DISCHI	DISC PROTECTION			
15	G17722613R	DISCO ASSOLCATORE	DISC COULTER			
16	F01020470R	VITE M10X1,5X20	SCREW M10X1,5X20 U5739 8.8ZN	VIS M10X1,5X20 U5739 8.8ZN	SCHRAUBE M 10X20	TORNIL. M10X1,5X20 U5739 8.8ZN
17	GA5224970R	TAPPO FLANGIA DISCHI MTR ZN	TAP FLANGE DISCS MTR ZN			
18	G20970100R	RONDELLA 30X0,5X22 ACC.	WASHER 30X0-5X22 ACC.	RONDELLE 30X0-5X22 ACIER	UNTERLEGSSCHEIBE 30X0-5X22 ACC.	ARANDELA 30X0-5X22 ACC.
19	GA5221181R	RASCHIATERRA INT.DX MTR	SOIL SCRAPER INT.RIGHT MTR		ERDABSTREIFER INT.RECHTS MTR	
20	F01020047R	VITE M6X1X70	SCREW M6X1X70 U5737 8.8ZN	VIS M6X1X70 U5737 8.8ZN	SCHRAUBE 6 X70 5737 8.G	TORNILLO M6X1X70 U5737 8.8ZN
21	F02050528R	ANELLO E. DI 58X 2 U7437 C70	ELASTIC RING 58X2 C70			
22	F01410124R	ROS.M20 21X 37X 3	WASHER M20 21X 37X 3	RONDELLE M20 21X 37X 3	SCHEIBE D20 UNI 6592 ZN	ARAND.M20 21X 37X 3 U6592 ZN
23	F01230022R	DADO M6X1	NUT M6X1	CROU M6X1 D982 8ZN	SELBSTSP. MUTTER NOR.6 ZN	TUERCA M6X1 D982 8ZN
24	G18904540R	MOLLA TRAZIONE ZN	SPRING TENSION ZN		FEDER TRAZIONE ZN	
25	GA5221161R	RASCHIATERRA INT.SX MTR	SOIL SCRAPER INT.LEFT MTR		ERDABSTREIFER INT.LINKS MTR	
26	F01020436R	VITE M8X1,25X20	SCREW M8X1,25X20 U5739 8.8ZN	VIS M8X1,25X20 U5739 8.8ZN	SCHRAUBE M 8X20	TORN. M8X1,25X20 U5739 8.8ZN
27	F01200244R	DADO M8X1,25	NUT M8X1,25	CROU M8X1,25 U5588 CL8 ZN	MUTTER M8 X1,25 U5588 6.8 ZN	TUERCA M8X1,25 U5588 CL8 ZN
28	F01030268R	VITE M6X1X18	SCREW M6X1X18	VIS M6X1X18	SCHRAUBE M6X1X18	TORNILLO M6X1X18 U7380 8.8 ZN
29	F01030042R	VITE M 6X1X 30	SCREW 6X 1X 30	VISM 6X 1X 30 U5933 10.9 ZN	SCHRAUBE 6X 1X 30	TORNILLO M6X1X30 U5933 10.9 ZN
30	F01200446R	DADO M 6X1	NUT M 6X1	CROU M 6X1 U5589 8GALV.	MUTTER M 6X1	TUERCA M 6X1 U5589 8GALV.
31	G18221050R	FOTOCELLULA CHRONO	PHOTOCELL CHRONO			
32	G18220291R	MONTAGGIO EIETTORE	EJECTOR ASSEMBLY			ENSAMBLE DEL EYECTOR
33	G18220941R	ASS.CURVA	CURVE ASSEMBLY			MONTAJE DE CURVA
34	G18222040R	FASCETTA FERMA CURVA IX	STOP BAND IX			ABRAZADERA CURVA IX
35	F01050088R	VITE M6X1X6	SCREW M6X1X6	VIS M6X1X6	SCHRAUBE M6X1X6	TORNILLO M6X1X6 U5927 IX
36	F03010470R	ANEL. OR 26,7 X1,78 NBR	ANEL. OR 26,7 X1,78 NBR	BAGUE OR 26,7 X1,78 NBR		
37	F03011323R	ANEL. OR 20,352X1,78 NBR	OR RING 20,352X1,78 NBR			
38	F03150707R	TAPPO OLIO 3 4 SENZA SFIATO	OIL PLUG 3 4 W O HOLE			
39	F02300016R	FASCETTA STRING. 16 27 H.8	CLAMP 16 27 H.8		BAND	
40	F03011324R	ANEL. OR 21,95 X1,78 NBR	OR RING 21,95 X1,78 NBR	BAGUE OR 21,95 X1,78 NBR		



RUOTE DI PROFONDITÀ DEPTH WHEELS

TAV. 250

Pos.	Cod.	Descrizione	Description	Description	Benennung	Descripcion
1	F02100115R	SPINA E.P. 6X 30 U6873 C70 IX	PIN EL. 6X30 DIN 1481 S.STEEL*	GOUPILLE EL.6 X30 DIN 1481 IN	SPANNSTIFT 6 X30 DIN 1481 EDEL	CLAVIJA EL.6 X30 DIN 1481 INO
2	G18905070R	MOLLA FERMO MANIGLIA 3 LOBI ZN	HANDLE STOP SPRING 3 LOBES			MANIJA PARADA MUELLE 3 LOBOS
3	F02100126R	SPINA E.P. 6X60 U6873 C70 BR	PIN E.D. 6X60 U6873 C70 BR	FICHE E.D. 6X60 U6873 C70 BR	SPANNSTIFT 6 X60 U6873 C70 BR	CLAVIJA E.D. 6X60 U6873 C70 BR
4	F05100193R	CAPPUCCIO 5,95X19,05 GIALLO	CAP	BOUCHON	VERSCHLUSSPFROPFEN	CORCHO
5	G18804470R	BOCCOLA 15,5X 32 X 25 ZN	BUSHING 15,5X32X25 ZN	DOUILLE 15,5X32X25 GALV.		CASQUILLO 15,5X32X25 GALV.
6	G18221691R	VOLANT.3 BRACCI	HANDWHEEL 3 ARMS			VOLANTE 3 BRAZOS
7	G19705280R	TARGHETTA REG.SX RUOTE PROFOND	PLATE	PLAQUET	PLATTE	PLACA
8	G19705290R	TARGHETTA REG.DX RUOTE PROFOND	PLATE	PLAQUET	PLATTE	PLACA
9	F02250066R	RIVETTO STR. 3 X 9 U9200A AL	POP RIVET 3X9 ALUMINIUM	RIVET 3 X 9 ALL	REISSNIETE 3 X 9 ALU	REMACHE DESGAR. 3 X 9 AL
10	F01410051R	ROS.M8 8,4X 17X1,6	WASHER M8 8,4X17X1,6	RONDELLE M8 8,4X17X1,6	SCHEIBE D.8	ARAND.M8 8,4X 17X1,6 U6592 ZN
11	F01440086R	ROS. 23X40X0,5 ST2K60	WASHER 23X40X0,5 ST2K60 B	RONDELLE 23X40X0,5 ST2K60 B	SCHEIBE 23X40X0,5 D988 ST2K60	
12	G17740010R	BILANCIERE REGINA COMPL	REGINA ROCKER ARM MOUNTED ASSY		KIPPEBEL REGINA	
13	G17720291R	BILANCIERE	ROCKER ARM		KIPPEBEL	
14	F01210035R	DADO M16X2	NUT M16X2	ECROU M16X2 U5594 5.8ZN	MUTTER 16 UNI 5593 5.8 *	TUERCA M16X2 U5594 5.8ZN
15	G17722800R	PERNO 15 X 63 ZN	PIN 15 X 63 ZN		BOLZEN ZN	
16	F02050034R	ANELLO E. DE 15X 1 U7435 C70	ELASTIC RING DE 15X 1	BAGUE ELASTIQUE DE 15X 1	RING 15 UNI 7435-75	ANILLO DE 15X 1
17	G18701820R	RONDELLA 16,5 X25 X1,0 ZN	WASHER 16,5X25X1,0 ZN		SCHEIBE 16,5X25X1,0 ZN	
18	G22230063R	ELEMENTO ARTICOLATO	ARTICULATED ELEMENT	ELEMENT ARTICULE	GELENKELEMENT	ELEMENTO ARTICULADO
19	F06120662R	RUOTA PROF.RAZZE FL L115 HD	DEPTH WHEEL FL L115 HD	ROUE PROF.RACES FL L115 HD		
20	G17722830R	BOCCOLA ELEM.REGINA SINTERIZ.	SINTER.BUSHING FOR REGINA EL.		B CHSE ELEM.REGINA SINTERIZ.	
21	F01100011R	ING.M 6X1 7663A 9SMNPB28 Z	GREASE NIPPLE M6X1 7663-A ZN	GRAISS. A BILLE M6X1 7663A ZN	KUGELFETTBUCHSE M6X1 A	ENG.M 6X1 7663-A 9SMNPB28 ZN
22	G17723000R	RASCHIATERRA DX	RIGHT SOILSCRAPER			
23	G17723080R	RASCHIATERRA SX	LEFT SOILSCRAPER			
24	G17722510R	ASS.VITE TENSIONAMENTO ZN	ADJUSTING SCREW ASSY ZN		HALTER_SCHRAUBE TENSIONAMEN.ZN	
25	G20970025R	RONDELLA 25,2X2X16,5	WASHER 25-2X2X16-5	RONDELLE 25-2X2X16-5	UNTERLEGSCHNEIBE 25-2X2X16-5	ARANDELA 25-2X2X16-5
26	GA5220170R	VITE M16X 2X80 SX U5737 8.8 ZN	SCREW M16X2X80 SX U5737 8.8 ZN	VIS M16X 2X80 SX U5737 8.8 ZN		TORNIL.M16X2X80 SX U5737 8.8ZN
27	G20970085R	RONDELLA 40X4X13	WASHER 40X4X13	RONDELLE 40X4X13	UNTERLEGSCHNEIBE 40X4X13	ARANDELA 40X4X13
28	F13030012R	KIT TAPPI RUOTA F06120662	KIT WHEEL PLUGS F06120662			
29	G18701880R	RONDELLA DI SPINTA	IMPULSE WASHER	RONDELLE	UNTERLEGSCHNEIBE	ARANDELA
30	F01020510R	VITE M12X1,75X30	SCREW M12X1,75X30 U5739 8.8ZN	VIS M12X1,75X30 U5739 8.8ZN	SCHRAUBE M 12X30	TORN.M12X1,75X30 U5739 8.8ZN
31	F06120449R	RUOTA PROF.TAMB.MTR L115 I	DEPTH WHEEL MTR L115		VERBINDUNGFEN RAD MTR L115	
32	GA5221511R	BRACCIO RUOTA PROF.TAM.SX COMP	LEFT ARM DEPTH WHEEL ASSEMBLY		LINKER ARM TIEFENF HRUNGSRAD	
33	GA5221501R	BRACCIO RUOTA PROF.TAM.DX COMP	RIGHT ARM DEPTH WHEEL ASSEMBLY			
34	F01020262R	VITE M16X2X80	SCREW M16X2X80 U5737 8.8ZN	VIS M16X2X80 U5737 8.8ZN	SCHRAUBE M16X2X80 U5737 8.8 BR	TORNILLO M16X2X80 U5737 8.8ZN
35	F01060040R	VITE M8X1,25X20	SCREW M8X1,25X20	VIS M8X1,25X20 U5731 8.8ZN	SCHRAUBE 8 X20 5732 4.6 ZN	TORN. M8X1,25X20 U5731 8.8ZN
36	F04100150R	CUSC.D16 D40 B39 WPS	BEARING D16 D40 B39 WPS	ROUL. D16 D40 B39	LAGER.D16 D40 B39 WPS	COJINETE D16 D40 B39 WPS
37	F06120406R	RUOTA PROF.TAMB.MTR L115 M	DEPTH GAUGE WHEEL SM.CR.OFFS M		WIEL PROF.TAMB.MTR L115	RUEDA CONTRO PROFUNDIDAD MTR L
38	F01200244R	DADO M8X1,25	NUT M8X1,25	CROU M8X1,25 U5588 CL8 ZN	MUTTER M8 X1,25 U5588 6.8 ZN	TUERCA M8X1,25 U5588 CL8 ZN

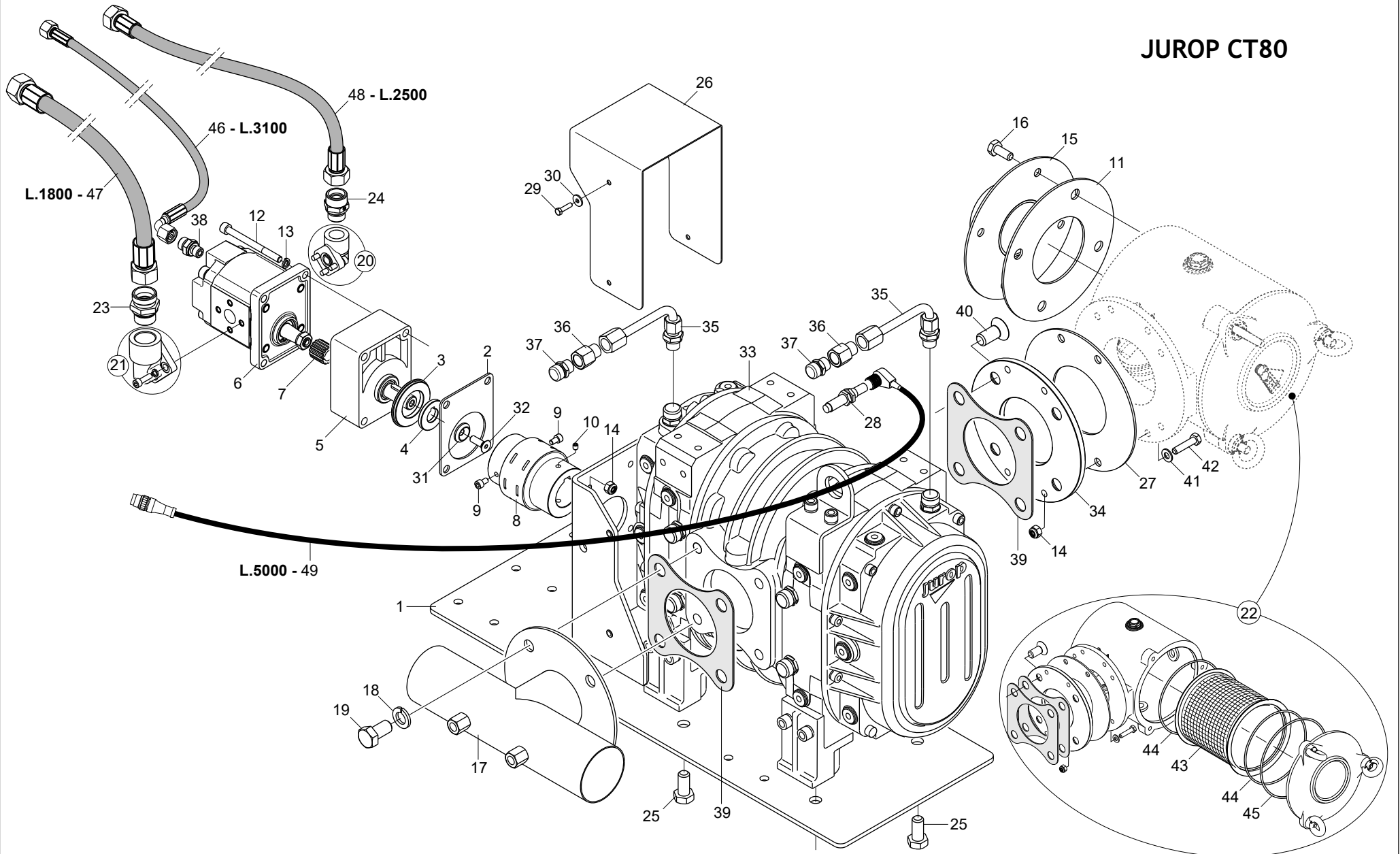


RUOTE DI COMPRESSIONE COMPRESSION WHEELS

TAV. 260

Pos.	Cod.	Descrizione	Description	Description	Benennung	Description
1	F01220022R	DADO M8X1,25	NUT M8X1,25	CROU M8X1,25 D980 ZN	SELBSTSP.MUTT. M8X1,25 980-V	TUERCA M8X 1,25 D980 8 ZN
2	F01200244R	DADO M8X1,25	NUT M8X1,25	CROU M8X1,25 U5588 CL8 ZN	MUTTER M8 X1,25 U5588 6.8 ZN	TUERCA M8X1,25 U5588 CL8 ZN
3	F01020512R	VITE M12X1,75X35	SCREW M12X1,75X35 U5739 8.8ZN	VIS M12X1,75X35 U5739 8.8ZN	SCHRAUBE M 12X35	TORN. M12X1,75X35 U5739 8.8ZN
4	G23440001R	BOCCOLA PARALLELOGRAMMA	BUSHING- PARALLELOGRAM	BOITE PARALLELOGRAMME	BUCHSE PARALLELOGRAMM	CASQUILLO PARALELOGRAMA
5	F01030075R	VITE M 8X1,25X 60	SCREW.M8X1,25X 60	VISM 8X1,25X 60 U5933 10.9 ZD	SCHRAUBE.M8X1,25X 60	TORN. M8X1,25X60 U5933 10.9 ZD
6	F01020068R	VITE M8X1,25X40	SCREW M8X1,25X40 U5737 8.8ZN	VIS M8X1,25X40 U5737 8.8ZN	SCHRAUBE M8X1,25X40	TORN. M8X1,25X40 U5737 8.8ZN
7	GA5223300R	MONT.RUOT.PREM. GOMMA D300	ASSY.RUBBER SEED PRESS WHEEL			
8	G18803081R	BOCCOLA 12,25X20 X85 ZN	BUSHING D12,25X20X84 ZN	DOUILLE 12,25X20 X85 GALV.	BUCHSE 12,25X20 X84 ZN	CASQUILLO 12,25X20 X85 GALV.
9	F01020174R	VITE M12X1,75X120	SCREW M12X1,75X120 U5737 8.8ZN	VIS M12X1,75X120 U5737 8.8ZN	SCHRAUBE M 12X120	TORN. M12X1,75X120 U5737 8.8ZN
10	F01230085R	DADO M16X2 D982 10ZN	NUT M16X2	ECROU M16X2 D982 10ZN	MUTTER M16X 2 D982 8 ZN	TUERCA M16X2 D982 10ZN
11	F04100150R	CUSC.D16 D40 B39 WPS	BEARING D16 D40 B39 WPS	ROUL. D16 D40 B39	LAGER.D16 D40 B39 WPS	COJINETE D16 D40 B39 WPS
12	F01230059R	DADO M12X1,75	NUT M12X1,75	ECROU M12X1,75 D982 8ZN	MUTTER M12X1,75	TUERCA M12X1,75 D982 ZN
13	F01020266R	VITE M16X2X120	SCREW M16X2X120 U5737 8.8ZN	VIS M16X2X120 U5737 8.8ZN	SCHRAUBE 16X120 5737 8.8 ZN	TORNILLO M16X2X120 U5737 8.8ZN
14	G18221001R	ASSIEME SUPPORTO RUOTINO	SEED PRESS WHEEL SUPPORT			MONTAJE SOPORTE DE RUEDAS
15	G17722930R	RUOTA GHISA EL.REGINA	CAST IRON WHEEL EL.REGINA		RAD GHISA EL.REGINA	
16	G17740850R	FLANGIA CUSC.RUOTA GHISA MBF	BEAR.FLANG.CAST IRON WHEEL MBF	BRIDE ROUL. FONTE MBF		BRIDA COJIN.HIERRO FUNDIDO MBF
17	F01020063R	VITE M8X1,25X35	SCREW M8X1,25X35 U5737 8.8ZN	VIS M8X1,25X35 U5737 8.8ZN	SCHRAUBE 8 X35 5737 8.G ZN	TORN. M8X1,25X35 U5737 8.8ZN
18	G18904890R	MOLLA TRAZ.L=163 D=29 DF=3,8	TRACT.SPRING L=163 D=29 DF=3,8		TRACT.FEDER L=163 D=29 DF=3,8	
19	F06120292R	RUOTA GOMMA D355X32 PLA WPS	RUBBER WHEEL D355X32 PLA WPS	ROUE EN CAOUTCHOUC D355X32 PLA	GUMMI RAD D355X32 PLA WPS	
20	F04100154R	CUSC.D16 D47 B44 WPS	BEARING D16 D47 B44 WPS	ROUL. D16 D47 B44 WPS	LAGER D16 D47 B44 WPS	COJINETE D16 D47 B44 WPS
21	G17722630R	MONT.RUOTA GHISA 360	WHEELCAST IRON 360		ANBAURAD GHISA 360	
22	F01230034R	DADO M8X1,25	NUT M8X1,25	CROU M8X1,25 D982 8	SELBSTSP.MUTT. M8X1,25	TUERCA M8X1,25 D982 8
23	F01410051R	ROS.M8 8,4X 17X1,6	WASHER M8 8,4X17X1,6	RONDELLE M8 8,4X17X1,6	SCHEIBE D.8	ARAND.M8 8,4X 17X1,6 U6592 ZN
24	F01030060R	VITE M8X1,25X35	SCREW M8X1,25X35	VIS M8X1,25X35 U5933 10.9ZD	SCHRAUBE 8X35 5933 8.8 ZN	TORN. M8X1,25X35 U5933 10.9ZD
25	G18801880R	BOCCOLA 8,25 X15 X13 ZN	BUSHING 8,25 X15 X13 ZN	DOUILLE 8,25 X15 X13 GALV.	BUCHSE 8,25 X15 X13 ZN	CASQUILLO 8,25 X15 X13 ZN
26	G15355500R	RONDELLA AUTOCENTRANTE ZN	SELF-CENTERING WASHER ZN	RONDELLE AUTOCENTREE ZN	SELBSTZENTR.UNTERLEGSCH. ZN	ARANDELA AUTOCENTRADORA ZN
27	G17722453R	BOCCOLA SINT.ECCENT.H14 REGIN	BUSHING SINT.ECCENT.H14 MTR HD			
28	F01020156R	VITE M12X1,75X50	SCREW M12X1,75X50 U5737 8.8ZN	VIS M12X1,75X50 U5737 8.8ZN	SCHRAUBE 12X50 5737 8.G ZN	TORN. M12X1,75X50 U5737 8.8ZN
29	G18803240R	BOCCOLA 16,5 X30 X10 ZN	BUSHING 16,25X20 X43 GALVA	DOUILLE 16,25X20 X43 GALV.	BUCHSE 16,25X20 X43 ZN	CASQUILLO 16,25X20 X43 ZN
30	F01410100R	ROS.M16 17X30X 3	WASHER M16 17X30X3	RONDELLE M16 17X30X3	SCHEIBE D.16 UNI 6592 ZN	ARAND.M16 17X 30X 3 U6592 ZN
31	G18221560R	MANIGLIA CODINO	TAIL HANDLE			
32	G17720363R	SUPPORTO RUOTE DI COMPRESSIONE	COMPRESSION WHEEL SUPPORT		HALTER RUOTE DI COMPRESSIONE	
33	G18801480R	BOCCOLA 10,25X14 X23 ZN	BUSHING 10,25 X 14 X 23 GALVA	DOUILLE 10,25X14 X23 GALV.	BUCHSE 10,25X14 X23 ZN	CASQUILLO 10,25X14 X23 ZN
34	F01020088R	VITE M8X1,25X90	SCREW M8X1,25X90 U5737 8.8ZN	VIS M8X1,25X90 U5737 8.8ZN	SCHR. M8X1,25X90 U5737 8.8 BR	TORN. M8X1,25X90 U5737 8.8ZN
35	F02250668R	GRILLO M8 U1947A ZN	GRILLE M 8 ZN	MANILLE DE M 8 ZN	SCH-KEL M 8 ZN	GRILLETE DE M 8 ZN
36	F01020539R	VITE M14X2X25	SCREW M14X2X25 U5739 8.8ZN	VIS M14X2X25 U5739 8.8ZN	SCHR.M14X 2X25 U5739 8.8 ZB	TORNILLO M14X2X25 U5739 8.8ZN
37	F01230073R	DADO M14X2	NUT M14X2 D982 8ZN	ECROU M14X2 D982 8ZN	SELBSTSP.MUTT. M14X2	TUERCA AUTOBL. M14X2 D982 8ZN
38	F01440086R	ROS. 23X40X0,5 ST2K60	WASHER 23X40X0,5 ST2K60 B	RONDELLE 23X40X0,5 ST2K60 B	SCHEIBE 23X40X0,5 D988 ST2K60	
39	G18220700R	BOCCOLA DISTANZIALE RUOTINO	WHEEL SPACER BUSH	DOUILLE ENTR. ROUE		CASQ. DISTANCIADOR RUEDA
40	G18221840R	SUPP. RUOTE A V FUSIONE	SUPPORT V WHEELS			SOPORTE RUEDAS EN V
41	G18221850R	MANIGLIA SUPP.RUOTE A V	SUPPORT V WHEELS HANDLE			MANGO SOP.RUEDAS EN V

JUROP CT80

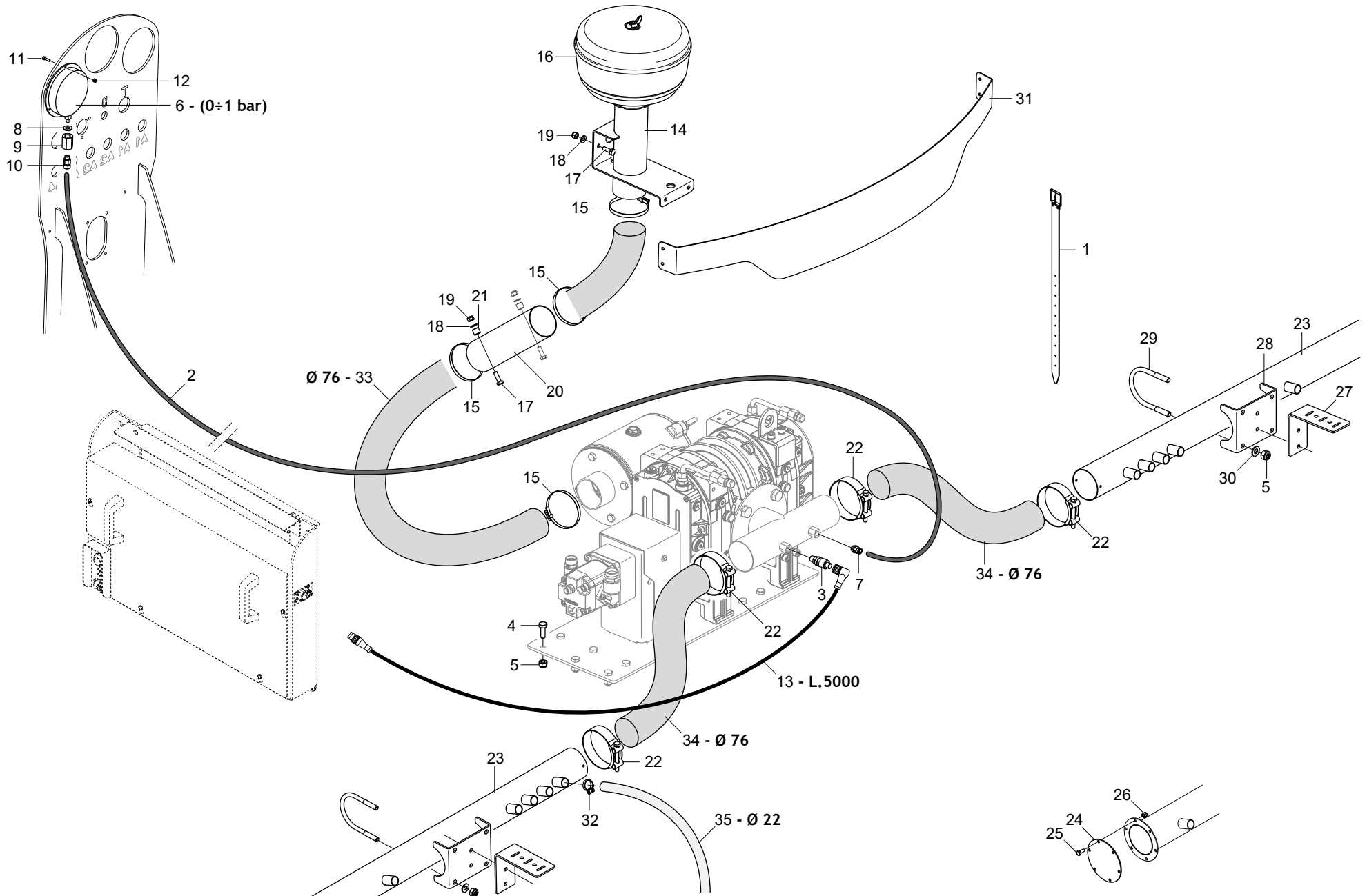


COMPRESSORE ARIA AIR COMPRESSOR

TAV. 270

Pos.	Cod.	Descrizione	Description	Description	Benennung	Description
1	GC5917580R	ASS.PIASTRA CT80	PLATE ASSEMBLY CT80			CONJUNTO PLACA CT80
2	G18220920R	PIATTO DI CENTRAGGIO	CENTERING PLATE			PLACA DE CENTRADO
3	G17350210R	ANELLO ZN	GALVAN RING	BAGUE ZN	RING ZN	ANILLO ZN
4	G16150220R	DISTANZIALE ZN	SPACER ZN	ENTRETOISE GALV.	DISTANZST CK ZN	DISTANCIADOR GALV.
5	F03150924R	TENDICINGHIA X PLM 20,8	BELT STRETCHER PLM 20,8		SPANNKEILRIEMEN PLM 20,8	
6	F03151908R	MOTORE GR.2 14.5 REV ANTIC DR	ENGINE GR.2 14.5 REV	MOTEUR GR.2 14.5 REV	MOTOR GR.2 14.5 REV	MOTOR GR.2 14.5 REV
7	F03151249R	SEMIGIUNTO ALBERO CONICO POMPA	SEMI-COUPLING PUMP TAPER-SHAFT	DEMI ACCOUPLEMENT	HALBKUPPLUNG KEGELWELLE PUMPE	SEMIJUNTA
8	GA5950190R	GIUNTO ELAS.LAV. D.18-38 L104	ELASTIC JOINT LAV.D.18-38 L104			JUNTA EL ST.LAV.D.18-38 L104
9	F01040058R	VITE M6X1X10	SCREW M6X1X10	VIS M6X1X10 U5931 8.8ZN	SCHRAUBE 6 X10 5931 8.G ZN	TORNILLO M6X1X10 U5931 8.8ZN
10	F01050085R	VITE M6X1X8	SCREW M6X1X8	VIS M6X1X8 U5927	STIFT 6X 8 UNI 5927	TORN. M6X1X8 U5927
11	G18250090R	GUARNIZ.FILTRO COMPRESS.A LOBI	GUARNIZ.FILTRO COMPRESS.A LOBI			
12	F01040084R	VITE M8X1,25X90 U5931 8.8ZN	SCR. M8X1,25X90 U5931 8.8ZN			
13	F01480033R	ROS.G 8,1X 12,7X 2	GROVER WASHER D8,1X12,7	GROVER RONDELLE D8,1X12,7	SPRENGRING VERST. D8 DIN79	ARAND.ELICOI.D8,1X12,7 D7980ZN
14	F01230034R	DADO M8X1,25	NUT M8X1,25	CROU M8X1,25 D982 8	SELBSTSP.MUTT. M8X1,25	TUERCA M8X1,25 D982 8
15	G18250040R	FLANGIA FILTRO COMPRESSORE	COMPRESSOR FILTER FLANGE			
16	F01020472R	VITE M10X1,5X25	SCREW M10X1,5X25 U5739 8.8ZN	VIS M10X1,5X25 U5739 8.8ZN	SCHRAUBE 10X25 5739 8.G ZN	TORNIL. M10X1,5X25 U5739 8.8ZN
17	GC5917790R	ASS.CONVOGLIATORE MANDATA	DELIVERY CONVEYOR ASSEMBLY			ENSAMBLE TRANSPORT.DE ENTREGA
18	F01480077R	ROS.G 16,2X 24,4X3,5	GROVER WASHER 16,2X24,4X3,5	GROVER RONDELLE 16,2X24,4X3,5	SCHEIBEG 16,2X24,4X3,5 D7980ZN	
19	F01020562R	VITE M16X2X30	SCREW M16X2X30 U5739 8.8ZN	VIS M16X2X30 U5739 8.8ZN	SCHRAUBE M16X2X30 U5739 8.8 BR	TORNILLO M16X2X30 U5739 8.8ZN
20	F03151203R	KIT RACCORDO A GOMITO 1 2	1 2 ANGLED UNION	RACCORD A COUDE	WINKELANSCHLUSSTUECK 1 2	CODO DE UNI N 1 2
21	F03151204R	KIT RACCORDO A GOMITO 3 4	3 4 ANGLED UNION	RACCORD A COUDE	WINKELANSCHLUSSTUECK 3 4	CODO DE UNI N 3 4
22	F13010117R	KIT ACC.CT80 C FILTRO	KIT ACC.CT80 WITH FILTER			KIT ACC.CT80 CON FILTRO
23	F03080014R	NIPPLO M3 4 SEAL ML22 ZN	NIPPLE M3 4 SEAL ML22		NIPPEL M3 4 DICHTUNG ML22	
24	F03080015R	NIPPLO M1 2 SEAL ML18 ZN	NIPPLE M1 2 SEAL ML18		NIPPEL M1 2 DICHTUNG ML18	
25	F01020540R	VITE M14X2X30	SCREW M14X2X30 U5739 8.8ZN	VIS M14X2X30 U5739 8.8ZN	SCHRAUBE 14X30 5739 8.G	TORNILLO M14X2X30 U5739 8.8ZN
26	GC5917840R	PROTEZIONE CARTER	CARTER PROTECTION			PROTECCI N CARTER
27	F13010108R	GUARN.FLANGIA - FILTRO	FILTER - FLANGE GASKET			
28	F05010396R	SENSORE IND.M12X1 NPN-NO 4 MM	SENSOR IND. NBN4-12GM50-EO-V1	CAPTEUR IND M12X1 NPN-NO 4 MM	SENSOR M12X1 NPN-NO 4 MM	SENSOR M12X1 NPN-NO 4 MM
29	F01020380R	VITE M5X0,8X20	SCREW M5X0,8X20 U5739 8.8ZN	VIS M5X0,8X20 U5739 8.8ZN	SCHRAUBE 5X20 5739 8.G ZN	TORNILLO M5X0,8X20 U5739 8.8ZN
30	F01420023R	ROS.M5 5,3X 15X1,5	WASHER M5 5,3X 15X1,5	RONDELLE M5 5,3X 15X1,5	SCHEIBE M5 5,3X 15X1,5	ARAND.M5 5,3X 15X1,5 U6593
31	G15355500R	RONDELLA AUTOCENTRANTE ZN	SELF-CENTERING WASHER ZN	RONDELLE AUTOCENTREE ZN	SELBSTZENTR.UNTERLEGSCH. ZN	ARANDELA AUTOCENTRADORA ZN
32	F01030056R	VITE M8X1,25X25	SCREW M8X1,25X25	VIS M8X1,25X25 U5933 10.9ZD	SCHRAUBE 8X25 5933 10.9 ZN	TORN. M8X1,25X25 U5933 10.9ZD
33	F05010997R	COMPRESS.LOBI CT80 SX-0-B FIL	LOBE COMPRESS CT80 SX-0-B FIL			COMPR.LOBULAR CT80 SX-0-B FIL
34	F13010115R	FLANG.AD.FILTRO 22-CORPO CT80	22-BODY CT80 FILT.ADAPT.FLANGE			BRIDA ADAP.FILTRO 22CUERP.CT80
35	M07400216R	PROLUNGA SFIATO 90	BREATHER PLUG 90	BOUCHON DE SOUPIRAIL 90	ENTLUEFTERSTOPFEN 90	TAPON RESPIRADERO 90
36	F03020113R	PROLUNGA M F 3 8 L22 L.TOT=33	EXTENSION M F 3 8 L22 L.TOT=33			
37	F03150718R	TAPPO 3 8 GAS CON SFIATO	GAS BREATHER PLUG 3 8	BOUCHON D HUILE SOUPIRAIL	OELENTLUEFTERSTOPFEN	TAPON ACEITE
38	F03080064R	NIPPLO M1 4 SEAL ML12 ZN	NIPPLE M1 4 SEAL ML12 ZN	NIPLE M1 4 SEAL ML12 ZN	NIPPEL M1 4 DICHTUNG ML12 ZN	NIPLE M1 4 SEAL ML12 ZN
39	F13010116R	GUARNIZ.CORPO-FLANGIA CT80	BODY-FLANGE GASKET CT80			JUNTA DE CUERPO-BRIDA CT80
40	F01030148R	VITE M16X2X35	SCREW M16X2X35	VIS M16X2X35	SCHRAUBE M16X2X35	TORNILLO M16X2X35U5933 10.9ZD
41	F01410051R	ROS.M8 8,4X 17X1,6	WASHER M8 8,4X17X1,6	RONDELLE M8 8,4X17X1,6	SCHEIBE D.8	ARAND.M8 8,4X 17X1,6 U6592 ZN
42	F01020449R	VITE M8X1,25X35	SCREW M8X1,25X35 U5739 8.8ZN	VIS M8X1,25X35 U5739 8.8ZN	SCHRAUBE M 8X35	TORN. M8X1,25X35 U5739 8.8ZN
43	F13010105R	CARTUCCIA MESH120	CARTRIDGE MESH120			CARTUCHO
44	F13010107R	ANELLO OR 4625	O-RING 4625	BAGUE OR 4625		ANILLO O-RING
45	F13010106R	ANELLO OR 4675	O-RING 4675	BAGUE OR 4675		ANILLO O RING
46	F03070699R	TG 1 4 R17 FL12 CFL12 3100	RUB.TUBE 1 4 R17 FL12 CFL12			
47	F03070075R	TUBO 3 4 R17 FL22 FL22 L1800	PIPE 3 4 R17 FL22 FL22 L1800		ROHR 3 4 R17 FL22 FL22 L1800	
48	F03070134R	TUBO 1 2 R17 FL18 FL18 2500	PIPE 1 2 R17 FL18 FL18 2500			
49	G19902340R	CAVO CONN.M12-M12 M-F 180 5M	CABL CONN.M12-M12 M-F 180 5M			

TAV. 280



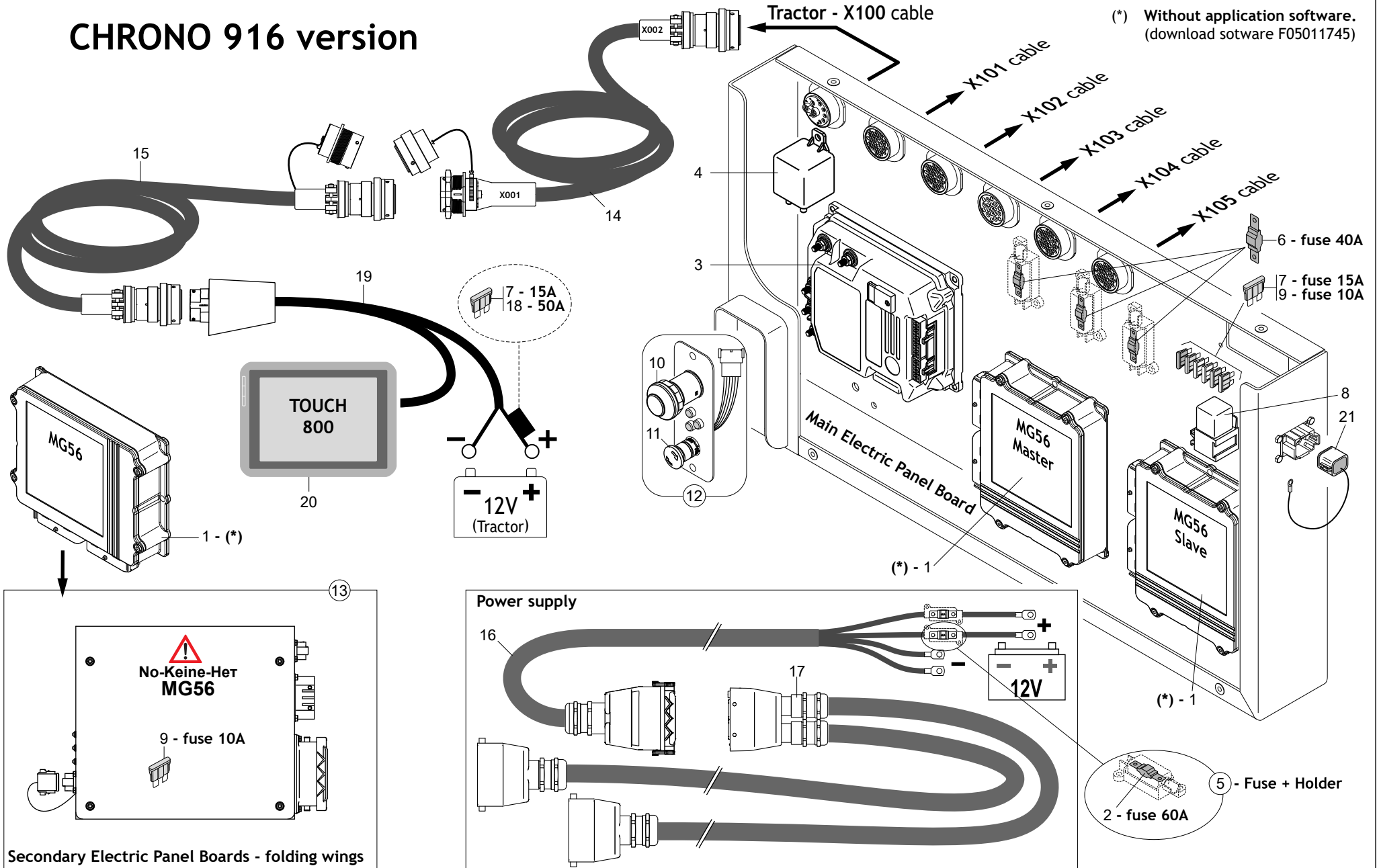
**LINEA ARIA COMPRESSA
COMPRESSED AIR LINE**

TAV. 280

Pos.	Cod.	Descrizione	Description	Description	Benennung	Description
1	G16126850R	FASCETTA PVC NERA L.450	PVC CLAMP BLACK L.450		SCHELLE PVC NERA L.450	
2	F13070005R	TUBO POLIURETANO 8-6 NERO	POLIURETHAN PIPE 8-6 BLACK		POLYURETHAN ROHR 8-6 BLACK	
3	F05012292R	SENSORE PRESS.0- 2BAR 0,5-4,5V	PRESSURE SENS.0-2BAR 0,5-4,5V			SENSOR PRESI N 0-2BAR 0,5-4,5V
4	F01020476R	VITE M10X1,5X30	SCREW M10X1,5X30 U5739 8.8ZN	VIS M10X1,5X30 U5739 8.8ZN	SCHRAUBE M 10X30	TORNIL. M10X1,5X30 U5739 8.8ZN
5	F01230048R	DADO M10X1,5	NUT M10X1,5	ECROU M10X1,5 D982 8GALV.	SELBSTSP. MUTTER NOR. 10 ZN	TUERCA SEGURID.M10X1,5 D982 ZN
6	F03151576R	MANOM.PANN.0-1 BAR G1 4 D.100	PAN.PRES.G.0-1 BAR G1 4 D.100			PAN.MANOMETRO 0-1 BAR G1 4 D.1
7	F13010044R	RACC.SUPERAPIDO DRITTO 1 4G-D8	RACC.STRAIGHT SUPERAPID 1 4G-D			
8	F01440094R	RONDELLA D10	WASHER D10	RONDELLE D10	SCHIEBE D10 ALUMIN	ARANDELA DE ALUMINIO D10
9	G22250274R	COLLEGAMENTO MANOMETRI SP-SV	PRESSURE GAUGE CONNECT. SP-SV	RACCORD MANOMETRES SP-SV	VERBINDUNG MANOMETER SP-SV	CONEXI N MAN METROS SP-SV
10	F13010028R	RACC.SUPERAPIDO DRITTO 1 8G-8	SUPERAP.RIGHT JUNCTION 1 8G-8		EINSCHRAUBNIPPEL 1 8G-8	
11	F01040028R	VITE M4X0,7X16	SCREW M4X0,7X16	VIS M4X0,7X16 U5931 8.8ZN	SCHRAUBE 4X16 5931 8.G ZN	TORNILLO M4X0,7X16 U5931 8.8ZN
12	F01230016R	DADO M4X0,78	NUT M4X0,78	CROU M4X0,7 D982 8ZN	SELBSTSP. MUTTER NOR. 4 ZN	TUERCA AUTOB. NOR. 4 ZN
13	G19902340R	CAVO CONN.M12-M12 M-F 180 5M	CABL CONN.M12-M12 M-F 180 5M			
14	GA5950380R	ASS.SUPP.PRE-FILTRO D.90	PRE-FILTER SUPPORT ASSY D.90			CONJUNTO SOP.PREFILTRO D.90
15	F02300023R	FASCETTA STRING. 80 100 H.8	PIPE CLAMP 80 100 H.8	COLLIER DE SERRAGE 77 95	ROHRSCHELLE 77 95	ABRAZADERA P. MANGUERA 80 100
16	F05012379R	PREFILTRO COMPRESS.LOBI D.90	PREFILTER COMPRESS.LOBI D.90			PREFILTRO COMPRIMIR LOBI D.90
17	F01020440R	VITE M8X1,25X25	SCREW M8X1,25X25 U5739 8.8ZN	VIS M8X1,25X25 U5739 8.8ZN	SCHRAUBE M8 X25 5739 8.8 ZN	TORN. M8X1,25X25 U5739 8.8ZN
18	F01410051R	ROS.M8 8,4X 17X1,6	WASHER M8 8,4X17X1,6	RONDELLE M8 8,4X17X1,6	SCHEIBE D.8	ARAND.M8 8,4X 17X1,6 U6592 ZN
19	F01230034R	DADO M8X1,25	NUT M8X1,25	CROU M8X1,25 D982 8	SELBSTSP.MUTT. M8X1,25	TUERCA M8X1,25 D982 8
20	G15976170R	TUBO D.76,1X1,5 X L=250	TUBE D.76,1X1,5 X L=250			TUBO D.76,1X1,5 X L=250
21	G18801880R	BOCCOLA 8,25 X15 X13 ZN	BUSHING 8,25 X15 X13 ZN	DOUILLE 8,25 X15 X13 GALV.	BUCHSE 8,25 X15 X13 ZN	CASQUILLO 8,25 X15 X13 ZN
22	U10030076R	FASC.A COLL.VITE M8 \$86-95	HOSE CLAMP M8 \$86-95		FASC.A COLL.SCHRAUBE M8 \$86-95	
23	GC5917780R	ASS.COLL.ARIA COMP.ALA CHR900	COMP.AIR MANIFOLD WING CHR900			
24	G18250310R	TAPPO COLLETTORE PRESSIONE	TAPPO COLLETTORE PRESSIONE			
25	F01020403R	VITE M6X1X16	SCREW M6X1X16 U5739 8.8ZN	VIS M6X1X16 U5739 8.8ZN	SCHRAUBE M 6X16	TORNILLO M6X1X16 U5739 8.8ZN
26	F01230022R	DADO M6X1	NUT M6X1	CROU M6X1 D982 8ZN	SELBSTSP. MUTTER NOR.6 ZN	TUERCA M6X1 D982 8ZN
27	GC5917390R	SUPPORTO CAVALLOTTI PORTATUBI	HOSE HOLDER SUPPORT			SOPORTE PORTA MANGUERAS
28	GC5917770R	COLLECTOR SUPPORT PLATE	COLLECTOR SUPPORT PLATE			PLACA DE SOPORTE COLECTOR
29	F20110872R	CAV.T.M10X1,5X40 87X110 ZN	U BOLT T.M10X1,5X40 87X110 ZN	BOULON T.M10X1,5X40 87X110 ZN		PUENTE T.M10X1,5X40 87X110 ZN
30	F01410064R	ROS.M10 10,5X 20X 2	WASHER M10 10,5X20X2	RONDELLE M10 10,5X20X2	SCHEIBE 10,5X21	ARAND.M10 10,5X 20X 2 U6592 ZN
31	G15976160R	TUBE GUIDE SHEET AND ADHESIVE	TUBE GUIDE SHEET AND ADHES.SUP			HOJA GU A TUBO Y SOP.ADHESIVO
32	F02300016R	FASCETTA STRING. 16 27 H.8	CLAMP 16 27 H.8		BAND	
33	F03100564R	TUBO EOLO PU D.76 TRASP. NERO	TUBE EOLO PU D.76 TRASP. BLACK			
34	F03100551R	TUBO ZEUS PU FOOD D.76 TR. NER	TUBO ZEUS PU FOOD D.76 TR. NER			
35	F03100560R	TUBO EOLO PU D.22 TRASP. NERO	TUBO EOLO PU D.22 TRASP. NERO			

CHRONO 916 version

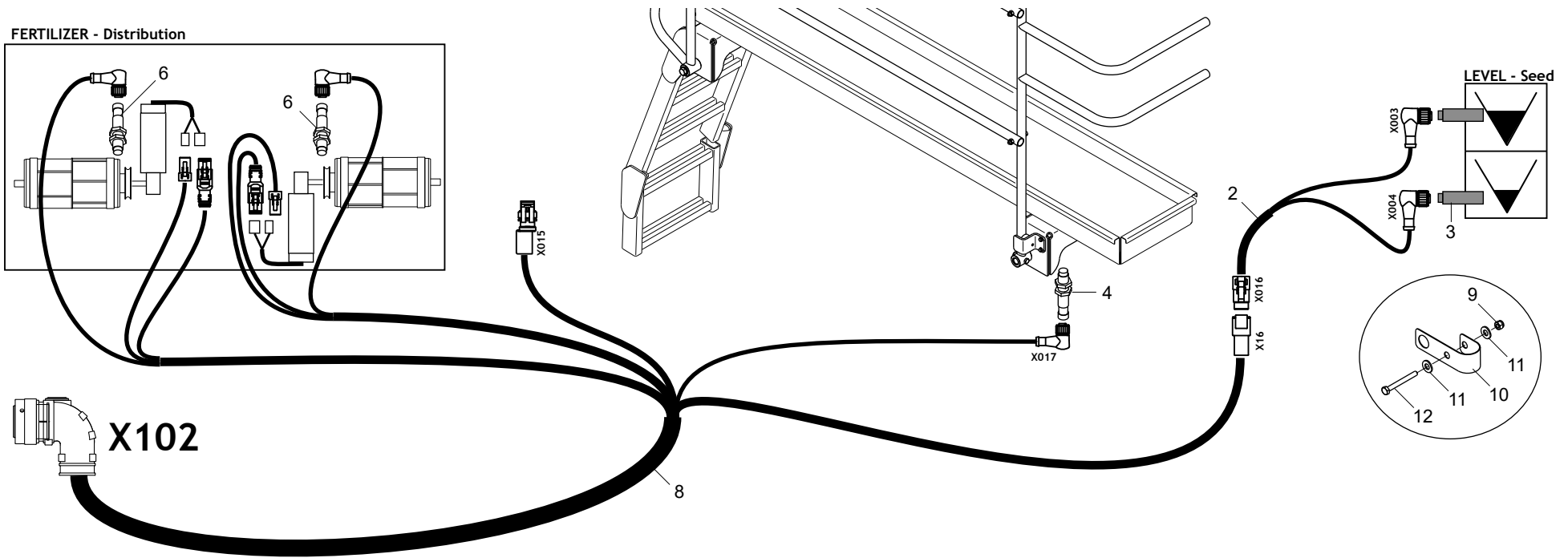
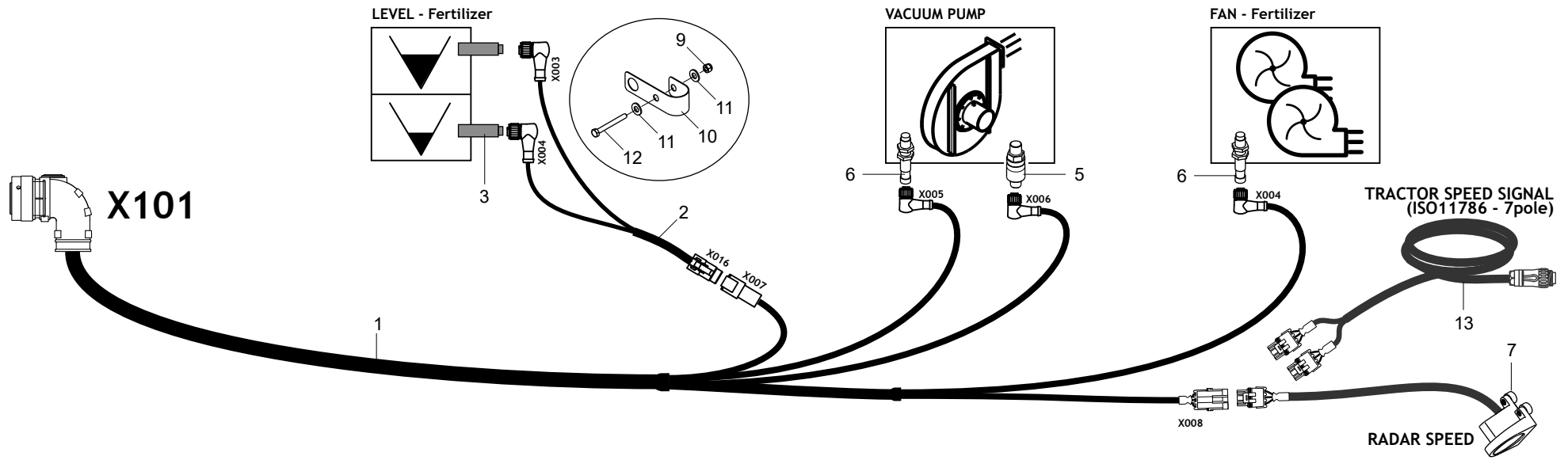
(*) Without application software.
(download sotware F05011745)



**SCATOLA COMANDO ELETTRICO
ELECTRICAL CONTROL BOX**

TAV. 260

Pos.	Cod.	Descrizione	Description	Description	Benennung	Descripcion
1	F05011504R	HARDWARE ECU MG 56	HARDWARE ECU		HARDWARE ECU JOBRECHNER	
2	F05012156R	FUSIBILE 60A MIDI	FUSE 60A MIDI			
3	F05011513R	CHOPPER CAN DUAL	CHOPPER CAN DUAL	DUAL CHOPPER CAN	CTANK CAN DUAL	CHOPPER CAN DUAL
4	F05010573R	RELE 12V-200A CON STAFFA	RELAY 12V-200A WITH BRACKET	RELAIS 12V-200A AVEC SUPPORT	RELAIS 12V-180A	RELE 12V-200A C.SOPORTE
5	F05012177R	FUSIBILE HOLDER MTA 60A MIDI	FUSE HOLDER MTA 60A MIDI			
6	F05012067R	FUSIBILE MTA 40A MIDI	FUSE MTA 40A MIDI		FUSE MTA 40A MIDI	
7	F05011416R	FUSIBILE 15AATO	FUSE 15AATO	FUSIBLE 15AATO	SICHERUNG 15AATO	FUSIBLE 15AATO
8	F05012153R	REL AUTOMOTIVE 12V 20A-NC	REL AUTOMOTIVE 12V 20A-NC			
9	F05011415R	FUSIBILE 10AATO	FUSE 10AATO	FUSIBLE 10AATO	SICHERUNG 10AATO	FUSIBLE 10AATO
10	F05011782R	PULSANTE CALIBRAZIONE	CALIBRATION SWITCH	INTERRUPTEUR CALIBRAGE	KALIBRIERUNGSKNOPF	PULSANTE CALIBRACION
11	F05011750R	PULSANTE EMERGENZA	EMERGENCY SWITCH	INTERUPTEUR URGENCE	EMERGENCY SCHALTER	PULSANTE EMERGENCIA
12	F05012175R	PANNELLO COMANDI BOX GMPE	COMMAND PANNEL BOX GMPE			
13	G19901910R	MONT.BOX ELETT.ALI JULIA	MONT.BOX ELETT.ALI JULIA			
14	F05200320R	CABLAGGIO ISOBUS M-F 5 METRI	M-F ISOBUS CABLE 5 METERS		M-F ISOBUS KABEL 5 METERS	
15	F05200739R	CABLAGGIO ISOBUS F-F 3,5 METRI	F-F ISOBUS CABLE 3,5 METERS		F-F ISOBUS KABEL 3,5 METERS	
16	F05200639R	CABL.POTENZA 8M DA BATTERIA	WIRING POWER BATT. JULIA		VERKABELUNG POWER BATT. JULIA	
17	G19901900R	CABL.POT.MOTORI JULIA 16F EL.	CABL.POT.MOTORI JULIA 16F EL.			
18	U10120014R	FUSIBILE MAXI 50 AH ROSSO	MAXI FUSE 50 AH RED	FUSIBLE MAXI 50	SICHERUNG MAXI 50	FUSIBLE MAXI 50
19	F05010742R	CABLAGGIO MONITOR MULLER	CABLE MONITOR MULLER	CABLE MONITEUR MULLER	VERKABELUNG MONITOR	CABLEADO PANTALLA
20	F05011783R	MONITOR TOUCH 800 ISOBUS	MONITOR TOUCH 800 ISOBUS.	AFFICHEUR TOUCH 800 ISOBUS	MONITOR TOUCH 800 ISOBUS.	PANTALLA TOUCH 800 ISOBUS
21	F05011823R	TAPPO DT 8 CON FISSAGGIO	TAP DT 8 WITH FIXING			

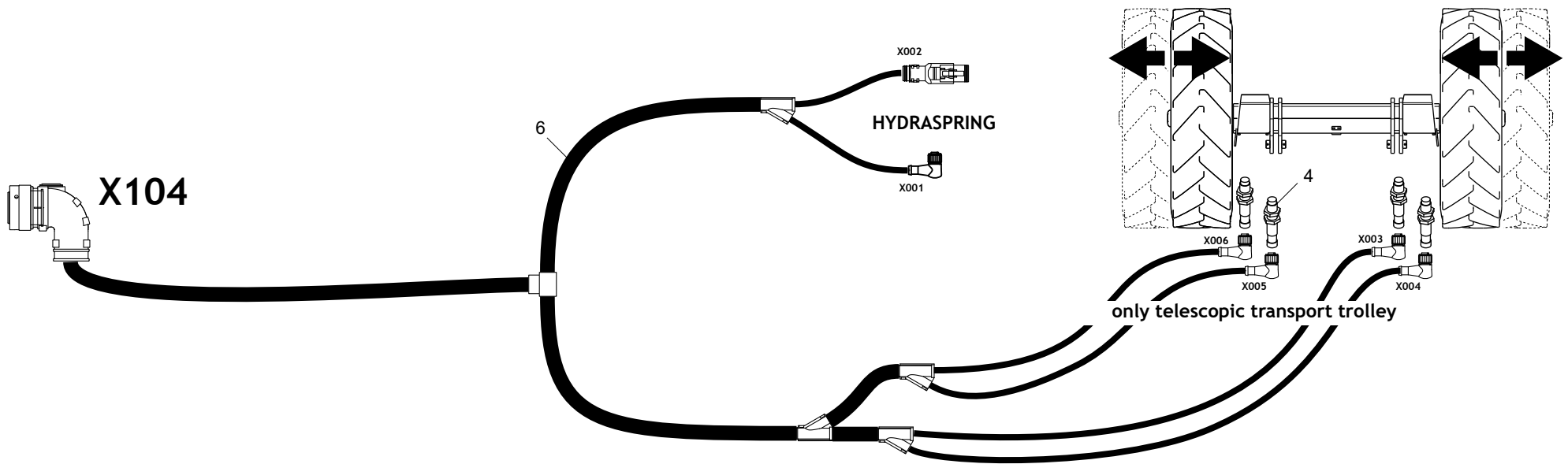
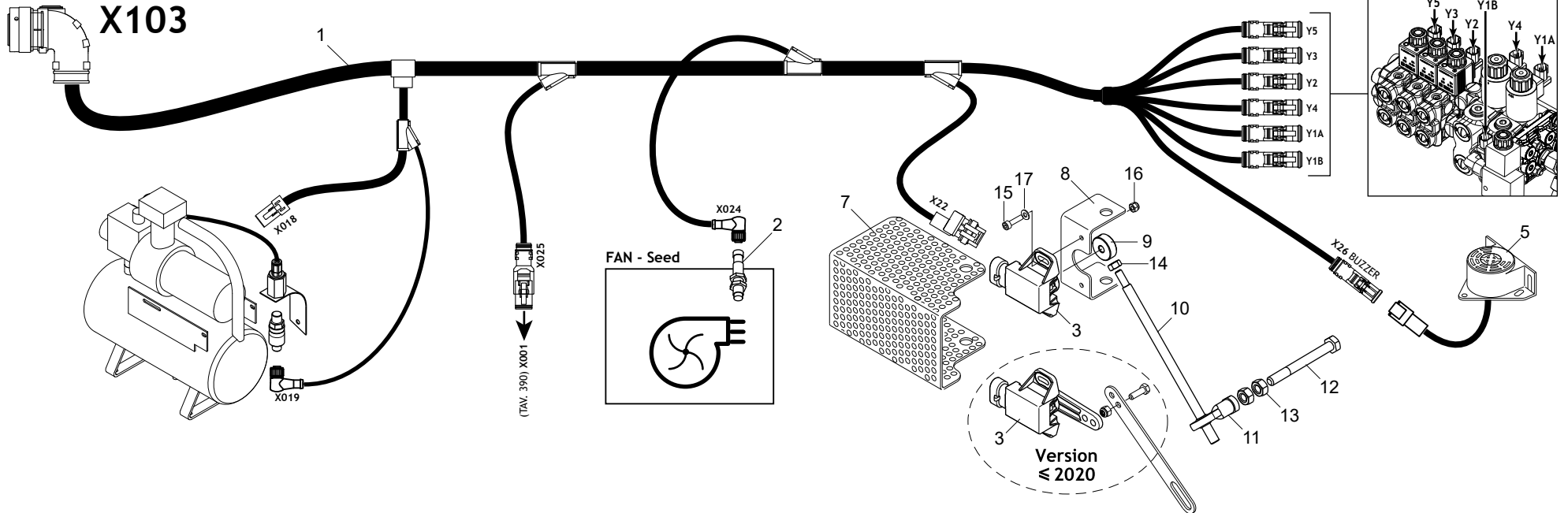


CABLAGGIO SENSORI SENSOR CABLE

TAV. 300

Pos.	Cod.	Descrizione	Description	Description	Benennung	Descripcion
1	G19901850R	CABL.SENS.ANT.CARRO JULIA	CABL.SENS.ANT.CARRO JULIA			
2	G19901880R	CABL.SENSORI TRAMOGGIA	CABL.SENSORI TRAMOGGIA			
3	F05010891R	SENSORE CAP.M18X1 NPN-NO C M12	CAPAC.SENS.M18X1 NPN-NO C M12	CAPTEUR CAP M18X1 NPN-NO CM12	SENSOR CAP.M18X1 NPN-NO C M12	SENSOR CAP.M18X1 NPN-NO C M12
4	F05010526R	SENSORE IND.M12X1 NPN-NO 8 MM	INDUCTIVE SENSOR NBN8-12GM50-E		SENSOR IND. NBN8-12GM50-EO-V1	
5	F05011136R	SENSORE DEPR.-200MBAR 0,5-4,5	DEPRES.SENSOR -200MBAR 0,5-4,5		SENSOR -200MBAR 0,5-4,5	
6	F05010396R	SENSORE IND.M12X1 NPN-NO 4 MM	SENSOR IND. NBN4-12GM50-EO-V1	CAPTEUR IND M12X1 NPN-NO 4 MM	SENSOR M12X1 NPN-NO 4 MM	SENSOR M12X1 NPN-NO 4 MM
7	F05010905R	RADAR RDS TGSS MK3V	RADAR RDS TGSS MK3V .	RADAR RDS TGSS MK3V	RADARSENSOR RDS TGSS MK3V .	RADAR RDS TGSS MK3V
8	G19901860R	CABL.MOT.E SENS.TRAMOGGIA	CABL.MOT.E SENS.TRAMOGGIA			
9	F01230024R	DADO M6X1	NUT M6X1	CROU M6X1 D982 A2IX	SELBSTSP. MUTTER NOR. 10	TUERCA M6X1 D982 A2IX
10	G15974620R	FLANGIA ATT.SENS.LIVELLO IX	FLANGE CONN.SENS.LEVEL IX			
11	F01410050R	ROS.M8 8,4X 17X1,6	WASHER M8 8,4X 17X1,6	RONDELLE M8 8,4X 17X1,6	SCHEIBE 8,4X 17X1,6 U6592 IX	ARANDELA M8 8,4X 17X1,6 IX
12	F01020054R	VITE M 6X 1X 55	SCREW M 6X1X55 U5737 A2IX	VIS M 6X 1X 55 U5737 A2IX	SCHRAUBE M 6X 1X 55 U5737 A2IX	TORNILLO M6X1X55 U5737 A2IX
13	F05200915R	CABL.VEL.DA TRAT.A JULIA	SPEED SIGNAL TRACTOR-JULIA			

TAV. 310



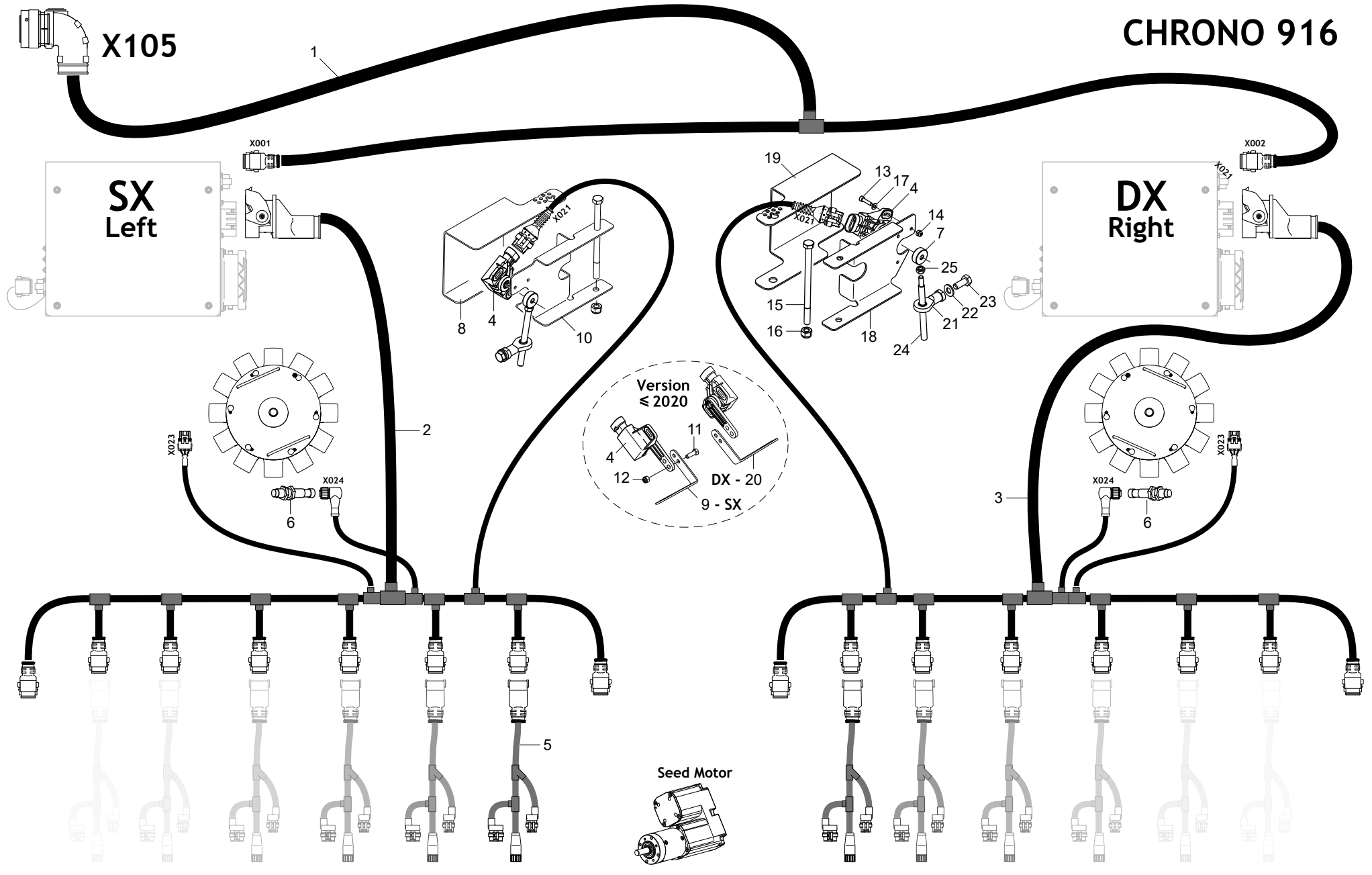
CABLAGGIO SENSORI SENSOR CABLE

TAV. 310

Pos.	Cod.	Descrizione	Description	Description	Benennung	Descripcion
1	G19901890R	CABL.EV E SENS.MOVIMENTI ALI	CABL.EV E SENS.MOVIMENTI ALI			
2	F05010396R	SENSORE IND.M12X1 NPN-NO 4 MM	SENSOR IND. NBN4-12GM50-EO-V1	CAPTEUR IND M12X1 NPN-NO 4 MM	SENSOR M12X1 NPN-NO 4 MM	SENSOR M12X1 NPN-NO 4 MM
3	F05011562R	SENSORE ANG. 0.5-4.5V 120	ANGLE SENSOR 0.5-4.5V 120		WINKEL SENSOR 0.5-4.5V 120	
4	F05010526R	SENSORE IND.M12X1 NPN-NO 8 MM	INDUCTIVE SENSOR NBN8-12GM50-E		SENSOR IND. NBN8-12GM50-EO-V1	
5	F05011366R	BUZZER 12V 95DB	BUZZER 12V 95DB			
6	G19901960R	CABL.KIT HYDRASPRING	CABL.KIT HYDRASPRING			
7	GA5920060R	CARTER SENSORE ANG.CARRO	CARTER SENSOR ANG.FARM WAGON		GEH USE SENSOR ANG.FARM WAGON	
8	GA5918090R	STAFFA SENSORE ANGOLARE CARRO	CARRIAGE ANGUL.SENSOR BRACKET			SOP.SENSOR ANGULAR DE CARRO
9	GC5918310R	BOCCOLA D22-M6 L 8 PLA	BUSHING D22-M6 L 8 PLA			CASQUILLO D22-M6 L 8 PLA
10	GC5918320R	TONDO 8 H11 L.170 IX	ROUND 8 H11 L.170 IX			REDONDO 8 H11 L.170 IX
11	F02450047R	TESTAA SNODO D.8 DX	HEAD JOINT D.8 DX			
12	F01020085R	VITE M8X1,25X75	SCREW M8X1,25X75 U5737 8.8ZN	VIS M8X1,25X75 U5737 8.8ZN	SCHR. M8X1,25X75 U5737 8.8 ZN	TORN. M8X1,25X75 U5737 8.8ZN
13	F01200244R	DADO M8X1,25	NUT M8X1,25	CROU M8X1,25 U5588 CL8 ZN	MUTTER M8 X1,25 U5588 6.8 ZN	TUERCA M8X1,25 U5588 CL8 ZN
14	F01200233R	DADO M6X1	NUT M6X1	CROU M6X1 U5588 A2IX	MUTTER M 6X 1 U5588	TUERCA M 6X 1 U5588
15	F01040028R	VITE M4X0,7X16	SCREW M4X0,7X16	VIS M4X0,7X16 U5931 8.8ZN	SCHRAUBE 4X16 5931 8.G ZN	TORNILLO M4X0,7X16 U5931 8.8ZN
16	F01230016R	DADO M4X0,78	NUT M4X0,78	CROU M4X0,7 D982 8ZN	SELBSTSP. MUTTER NOR. 4 ZN	TUERCA AUTOB. NOR. 4 ZN
17	F01410011R	ROS.M4 4,3X 9X0,8	PANE WASHER 4,5X 9	PANE RONDELLE 4,5X 9	SCHEIBE 4,5X 9 6592	ARANDELA 4,5X 9 6592

TAV. 320

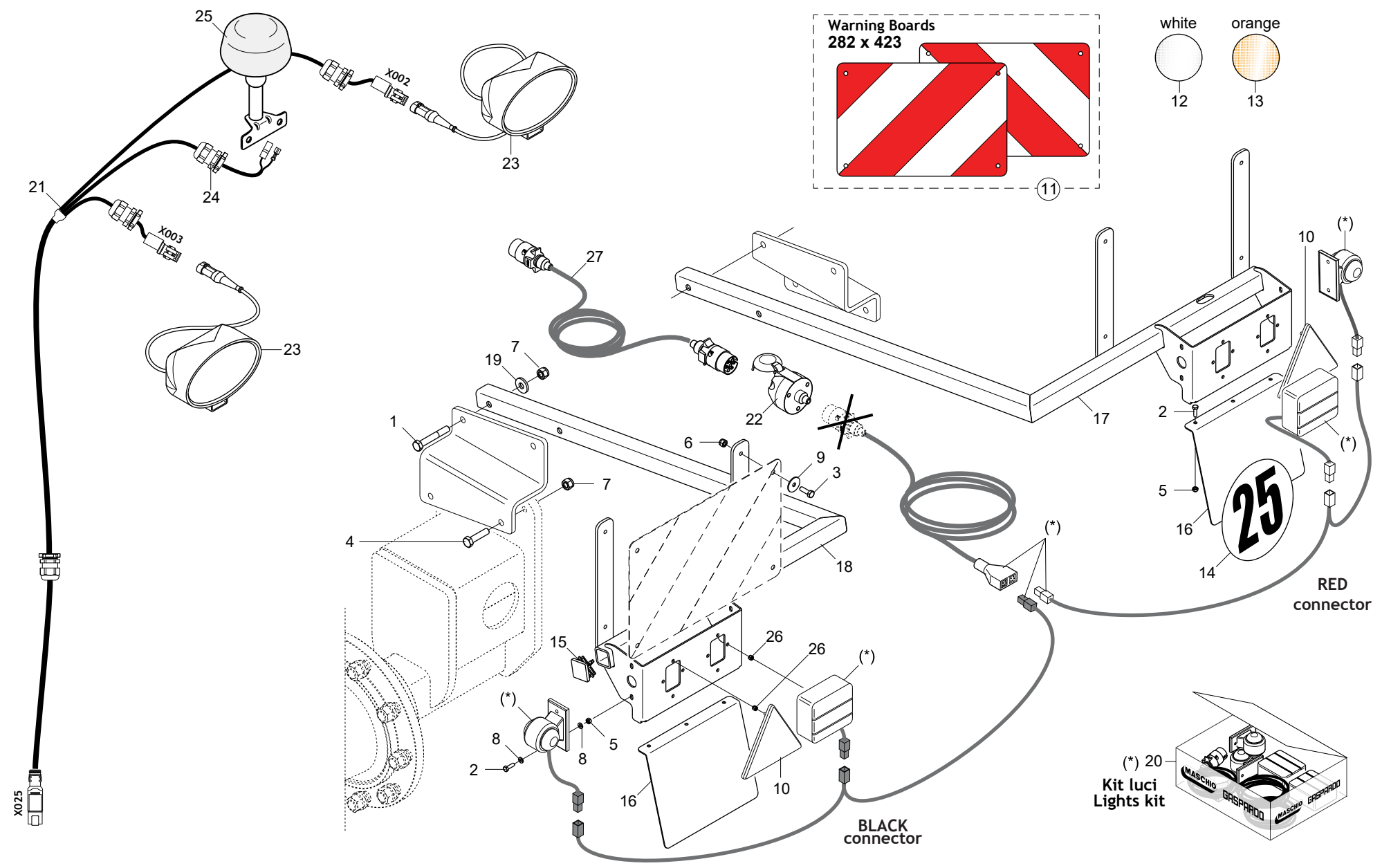
CHRONO 916



CABLAGGIO SENSORI - VERSIONE CHRONO 916
SENSOR CABLE - CHRONO 916 VERSION

TAV. 320

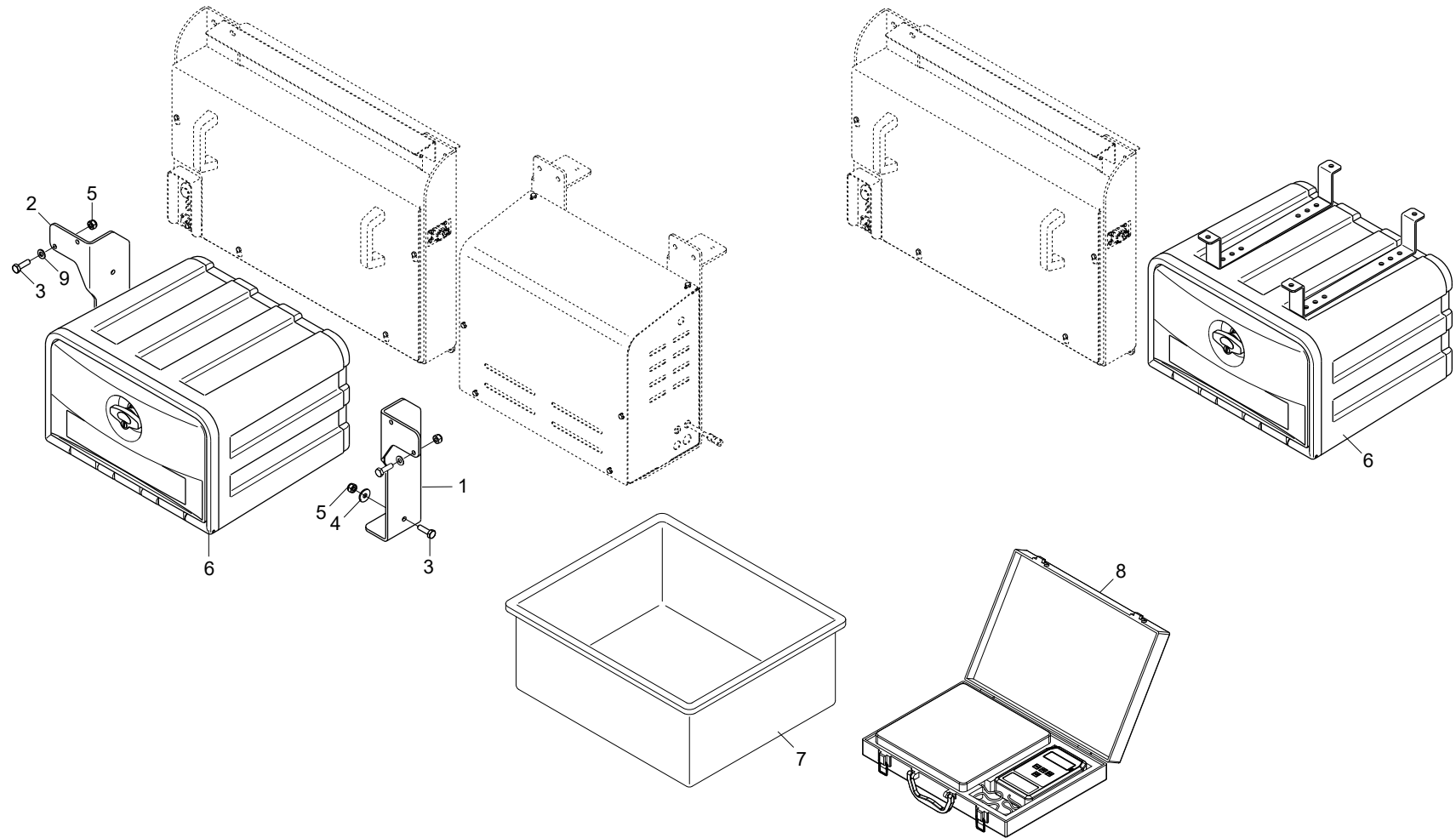
Pos.	Cod.	Descrizione	Description	Description	Benennung	Description
1	G19901840R	CABL.BOX CARRO-BOX ALI	CABL.BOX CARRO-BOX ALI			
2	G19901940R	CABL.ALA SX JULIA 16F70 EL.	CABL.ALA SX JULIA 16F70 EL.			
3	G19901950R	CABL.ALA DX JULIA 16F70 EL.	CABL.ALA DX JULIA 16F70 EL.			
4	F05011562R	SENSORE ANG. 0.5-4.5V 120	ANGLE SENSOR 0.5-4.5V 120		WINKEL SENSOR 0.5-4.5V 120	
5	G19902070R	CABL.ELEMENTO CHRONO	CHRONO ELEMENT WIRING			CABLEADO ELEMENTOS CHRONO
6	F05010526R	SENSORE IND.M12X1 NPN-NO 8 MM	INDUCTIVE SENSOR NBN8-12GM50-E		SENSOR IND. NBN8-12GM50-EO-V1	
7	GC5918310R	BOCCOLA D22-M6 L 8 PLA	BUSHING D22-M6 L 8 PLA			CASQUILLO D22-M6 L 8 PLA
8	GSP000293R	CARTER SENSORE ANG.ALI	CARTER SENSOR ANG.WINGS		GEH USE SENSOR ANG.WINGS	
9	GA5920070R	LEVA BRACCIO SENS.ANG.ALI	LEVEL ARM SENS.ANG.WINGS		LEVEL ARM SENS.ANG.WINGS	
10	GA5918141R	STAFFA SUPP.SENSORE ANGOLAR.SX	STIRRUP SUPP.SENSOR ANGULAR		STIRRUP SUPP.SENSOR ANGULAR	
11	F01020378R	VITE M5X0,8X16	SCREW M5X0,8X16 U5739 8.8ZN	VIS M5X0,8X16 U5739 8.8ZN	SCHRAUBE 5X16 5739 8.8 ZN	TORNILLO M5X0,8X16 U5739 8.8ZN
12	F01230019R	DADO M5X0,88	NUT M5X0,88	CROU M5X0,8 D982 8ZN	SELBSTSP. MUTTER NOR.5 ZN	TUERCA AUTOB. NOR. 5 ZN
13	F01040028R	VITE M4X0,7X16	SCREW M4X0,7X16	VIS M4X0,7X16 U5931 8.8ZN	SCHRAUBE 4X16 5931 8.G ZN	TORNILLO M4X0,7X16 U5931 8.8ZN
14	F01230016R	DADO M4X0,78	NUT M4X0,78	CROU M4X0,7 D982 8ZN	SELBSTSP. MUTTER NOR. 4 ZN	TUERCA AUTOB. NOR. 4 ZN
15	F01020095R	VITE M8X1,25X130	SCREW M8X1,25X130 U5737 8.8ZN	VIS M8X1,25X130 U5737 8.8ZN	SCHR.M8X1,25X130 U5737 8.8 ZN	TORN. M8X1,25X130 U5737 8.8ZN
16	F01230034R	DADO M8X1,25	NUT M8X1,25	CROU M8X1,25 D982 8	SELBSTSP.MUTT. M8X1,25	TUERCA M8X1,25 D982 8
17	F01410011R	ROS.M4 4,3X 9X0,8	PANE WASHER 4,5X 9	PANE RONDELLE 4,5X 9	SCHEIBE 4,5X 9 6592	ARANDELA 4,5X 9 6592
18	GA5920191R	STAFFA SUPP.SENSORE ANGOLAR.DX	RH CORNER SENSOR SUPP.BRACKET			SOPORTE SENSOR DE ESQUINA DER.
19	GA5920200R	CARTER DX SENSORE ANG.ALI	RIGHT CARTER SENSOR ANG.WINGS			
20	GA5920170R	PIASTRA DX SENSORE ANG.ALI	PLATE RIGHT SENSOR ANG.WINGS		PLATTE RECHTS SENSOR ANG.WINGS	
21	F02450047R	TESTA A SNODO D.8 DX	HEAD JOINT D.8 DX			
22	F01410051R	ROS.M8 8,4X 17X1,6	WASHER M8 8,4X17X1,6	RONDELLE M8 8,4X17X1,6	SCHEIBE D.8	ARAND.M8 8,4X 17X1,6 U6592 ZN
23	F01020436R	VITE M8X1,25X20	SCREW M8X1,25X20 U5739 8.8ZN	VIS M8X1,25X20 U5739 8.8ZN	SCHRAUBE M 8X20	TORN. M8X1,25X20 U5739 8.8ZN
24	GC5918340R	TONDO 8 H11 L.100 IX	ROUND 8 H11 L.100 IX			REDONDO 8 H11 L.100 IX
25	F01200233R	DADO M6X1	NUT M6X1	CROU M6X1 U5588 A2IX	MUTTER M 6X 1 U5588	TUERCA M 6X 1 U5588



KIT LUCI E TABELLE DI INGOMBRO STRADALE LIGHTING KIT AND WARNING BOARDS

TAV. 330

Pos.	Cod.	Descrizione	Description	Description	Benennung	Descripcion
1	F01020166R	VITE M12X1,75X80	SCREW M12X1,75X80 U5737 8.8ZN	VIS M12X1,75X80 U5737 8.8ZN	SCHRAUBE 12X80 5737 8.G ZN	TORN. M12X1,75X80 U5737 8.8ZN
2	F01020404R	VITE M6X1X20	SCREW M6X1X20 U5739 8.8ZN	VIS M6X1X20 U5739 8.8ZN	SCHRAUBE 6X20 5739 8.G ZN	TORNILLOM6X1X20 U5739 8.8ZN
3	F01020440R	VITE M8X1,25X25	SCREW M8X1,25X25 U5739 8.8ZN	VIS M8X1,25X25 U5739 8.8ZN	SCHRAUBE M8 X25 5739 8.8 ZN	TORN. M8X1,25X25 U5739 8.8ZN
4	F01020517R	VITE M12X1,75X50	SCREW M12X1,75X50 U5739 8.8ZN	VIS M12X1,75X50 U5739 8.8ZN	SCHRA. M12X1,75X50 5739 8.8 ZN	TORN. M12X1,75X50 U5739 8.8ZN
5	F01220011R	DADO M6X1	NUT M6X1	CROU M6X1 D980 8ZN	SELBSTSPERR.MUTTER M6	TUERCA M6X1 D980 8 ZN
6	F01230034R	DADO M8X1,25	NUT M8X1,25	CROU M8X1,25 D982 8	SELBSTSP.MUTT. M8X1,25	TUERCA M8X1,25 D982 8
7	F01230059R	DADO M12X1,75	NUT M12X1,75	ECROU M12X1,75 D982 8ZN	MUTTER M12X1,75	TUERCA M12X1,75 D982 ZN
8	F01410037R	ROS.M6 6,4X12,5X1,6	WASHER M6 6,4X12,5X1,6	RONDELLE M6 6,4X12,5X1,6	SCHEIBE D.6	ARAND.M6 6,4X12,5X1,6 U6592 ZN
9	F01420049R	ROS.M8 8,4X 32X 2	WASHER M8 8,4X32X2	RONDELLE M8 8,4X32X2	SCHEIBE M8 8,4X32X2 U6593 ZN	ARAND.M8 8,4X 32X 2 U6593 ZN
10	F05010222R	CATARIFRANGENTE TRIANGOLARE	TRIANGULAR REFLECTOR	CATADIOPTRE TRIANGULAIRE	DREIECKIGE RUECKSTRAHLER	CATAFARO TRIANGULAR
11	F05010817R	TABELLE 2 CAR.SPORGENTI FR-D	WARNING BOARDS 2 FR-DE	TABLEAUX 2 AVERTISSEM. FR-DE	SATZ WARNTAFELN ROT WEI	TABLAS 2 CAR.ADVERT. FR-DE
12	F05010818R	CATARIFR.TONDO D60 BIANCO	ROUND REFLECTOR D.60 WHITE		REFLEKTOR RUND WEI D.60	
13	F05010819R	CATARIFR.TONDO D60 GIALLO	ROUND REFLECTOR D.60 YELLOW	JAUNE R FLECTEUR ROUND	REFLEKTOR RUND GELB D.60	REFLECTOR REDONDO AMARILLO
14	F20030258R	ETICH. LIMITE VELOCITA 25	SPEED LIMIT 25 LABEL	ETIQ. LIMITATION VITESSE 25	AUFKLEBER RUND 25KM H	ETIQ. LIMITE VELOCIDAD 25
15	F20120348R	PUNTALE Q.40 NERO	SQUARE TIP 40 BLACK	EXTREMITE Q. 40 NOIRE	ROHRPFROPFEN 40X40	PUNTAL Q.40 NEGRO
16	GA5918540R	PORTATARGA	SUPPORT NUMBER PLATE			
17	GA5918550R	SUPPORTO LUCI DX	RIGHT LIGHTS SUPPORT			
18	GA5918560R	ASS.SUPPORTO LUCI SX	ASS.SUPPORT LIGHTS LEFT			
19	G20970035R	RONDELLA 32X4X13	WASHER 32X4X13	RONDELLE 32X4X13	UNTERLEGSSCHEIBE 32X4X13	ARANDELA 32X4X13
20	F05011509R	KIT LUCI POST.STRAD.S.PROLUNG.	KIT REAR LIGHTS			
21	G19901870R	CABL.LUCI E LAMP.JULIA	CABL.LUCI E LAMP.JULIA			
22	F05010361R	PRESA 7 POLI FEMMINA	SOCKET 7 POLES	PRISE 7 PLOTS FEMELLE	PRESA 7 POLI FEMMINA	PRESA 7 POLI HEMBRA
23	F05012065R	FARO LED 1800 LUMEN OVALE	LED LIGHT 1800 LUMEN OVAL	PHARE LED OVALE 1800 LUMEN	LED LICHT 1800 LUMEN OVAL	FARO LED 1800 OVALADO
24	F05010363R	PRESSACAVO PG16	CABLE PRESS PG16	PRESSE-CABLE PG16	KABELPRESSE PG16	APRIETACABLE PG16
25	F05011631R	LAMPEGGIANTE CON INN.TUBOLARE	BEACON LIGHT		BEACON LICHT	
26	F01200220R	DADO M5X0,8	NUT M5X0,8	CROU M5X0,8 U5588 CL8 ZN	MUTTER M 5X0,8 U5588 6.8ZN	TUERCA M5X0,8 U5588 CL8 ZN
27	G19901530R	PROLUNGA LUCI STRADALI TRATTOR	EXTENSION STREET LIGHT TRACTOR			

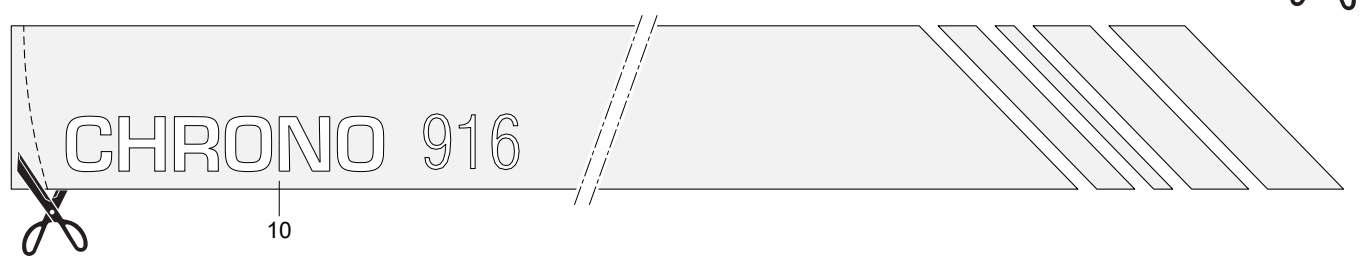
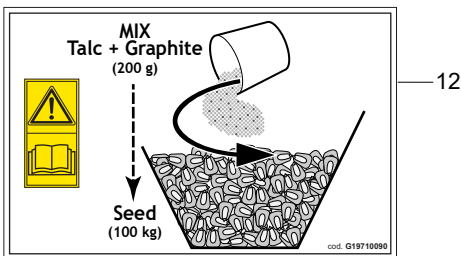
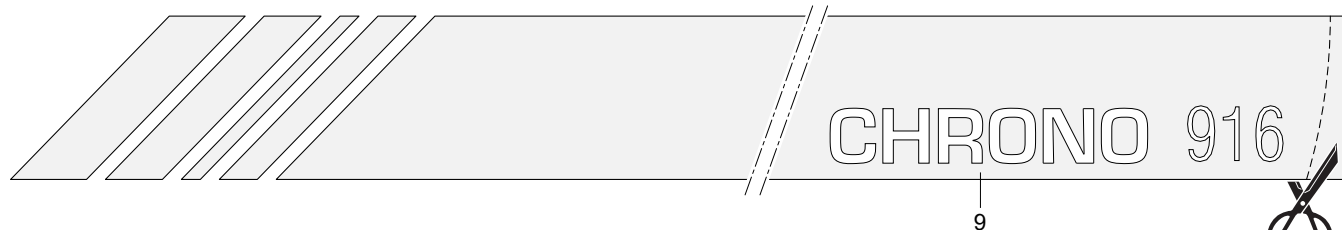
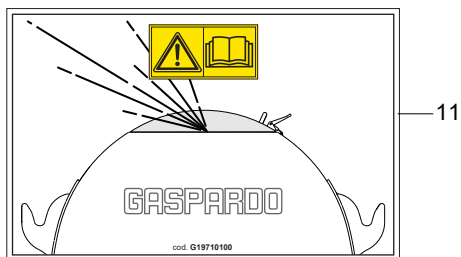
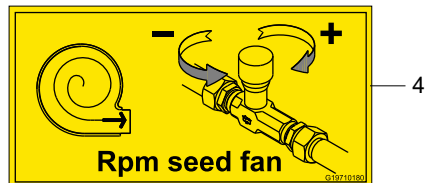
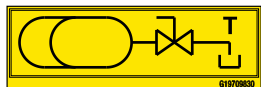
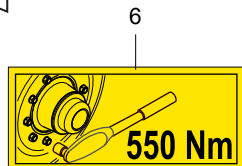
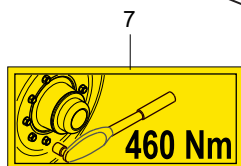
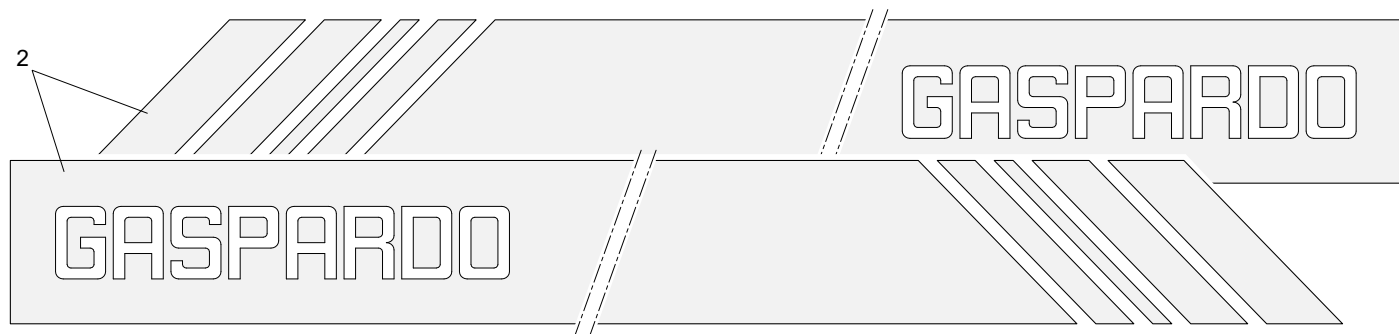
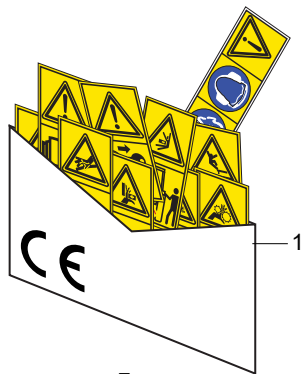


**DOTAZIONI
EQUIPMENT**

TAV. 340

Pos.	Cod.	Descrizione	Description	Description	Benennung	Descripcion
1	GC5917490R	STAFFA SX SUPP.CASS.ATTREZZI	STAFFA SX SUPP.CASS.ATTREZZI			
2	GC5917500R	STAFFA DX SUPP.CASS.ATTREZZI	STAFFA DX SUPP.CASS.ATTREZZI			
3	F01020479R	VITE M10X1,5X35	SCREW M10X1,5X35 U5739 8.8ZN	VIS M10X1,5X35 U5739 8.8ZN	SCHRAUBE M 10X35	TORNIL. M10X1,5X35 U5739 8.8ZN
4	F01420060R	ROS.M10 10,5X 30X2,5	WASHER 10,5X30X2,5	RONDELLE 10,5X30X2,5	SCHEIBE 10,5X30	ARAND.M10 10,5X 30X2,5 U6593
5	F01230046R	DADO M10X1,25	NUT M10X1,25	ECROU M10X1,25 D982 8GALV.	MUTTER M10X 1,25 D982 8 ZN	TUERCA M10X 1,25 D982 8 ZN
6	F05150373R	CASSETTA ATTREZZI 500X370X400	TOOL BOX 500X370X400		BOX ATTREZZI 500X370X400	
7	F05150370R	BACINELLA 45X38X19	TRANK 45X38X19	BAC ESSAIS DE DEBIT 45X38X19	WANNE 45X38X19	CUBETA 45X38X19
8	F20130002R	BILANCIA TCS-M2 MAX 70KG	BALANCE TCS-M2 MAX 70KG		WAAGE TCS-M2 MAX 70KG	
9	F01410064R	ROS.M10 10,5X 20X 2	WASHER M10 10,5X20X2	RONDELLE M10 10,5X20X2	SCHEIBE 10,5X21	ARAND.M10 10,5X 20X 2 U6592 ZN

TAV. 350



DECALCOMANIE STICKERS

TAV. 350

Pos.	Cod.	Descrizione	Description	Description	Benennung	Descripcion
1	G89900500R	KIT DECALCOMANIE -CE-	DECAL KIT -CE-	KIT DECALCOMANIE -CE-	KIT CE AUFKLEBER	SET CALCOMAN AS -CE-
2	G19710210R	DECAL.TIM.CHR 900 GASPAR.DX SX	DECAL TIM.CHR 900 GASP.RH LH			CALCOM.TIM.CHR 900 GAS.DER IZQ
3	F20020715R	DECAL.POST.SPANDI BBS	REAR DECAL SPANDI BBS			CALCOMAN A TRASERA SPANDI BBS
4	G19710180R	DECAL.REGOLAZ.SOFFIANTE SEME	SEED BLOWER REGULATION DECAL			CALCOM.REGUL.SOPLADOR SEMILLAS
5	G19708550R	ETICH.PRESS.GONFIAGGIO 2,5 BAR	DECAL.INFLATION PRESS. 2,5 BAR			
6	G19709760R	DECAL.COPPIA SERRAGGIO 550NM	TIGHTENING TORQUE LABEL 550 NM			PAR APRIETE CALCOMAN AS 550NM
7	G19709770R	DECAL.COPPIA SERRAGGIO 460NM	TIGHTENING TORQUE LABEL 460NM			PAR APRIETE CALCOMAN AS 460NM
8	G19709830R	DECAL.VALV.SCARICO ACCUMULAT.	ACCUMULATOR DRAIN VALVE DECAL			CALCOM.V LVULA DRENAJE ACUMUL.
9	G19710200R	FASCIA ADESIVA DX CHRONO 916	R GHT STICKER CHRONO 916			BANDA ADHESIVA DER.CHRONO 916
10	G19710190R	FASCIA ADESIVA SX CHRONO 916	LEFT STICKER CHRONO 916 SPA			BANDA ADHESIVA IZQ.CHRONO 916
11	G19710100R	ETICH.CONTROLLO PERDITE ARIA	LABEL AIR LEAKS CONTROL			ETIQUETA CONTROL FUGAS DE AIRE
12	G19710090R	ETICH.USO TALCO - GRAFITE	GRAPHITE - TALC USE LABEL			ETIQUETA PARA USO TALCO-GRAFIT

**USATE SEMPRE RICAMBI ORIGINALI
ALWAYS USE ORIGINAL SPARE PARTS
IMMER DIE ORIGINAL-ERSATZTEILE VERWENDEN
EMPLOYEZ TOUJOURS LES PIECES DE RECHANGE ORIGINALES
UTILIZAR SIEMPRE REPUESTOS ORIGINALES**

GASPARDO

Servizio Assistenza Tecnica - After Sales Service

Servizio Ricambi - Spare Parts Service



maschio.com

DEALER:



MASCHIO GASPARDO SpA

Registered office & Production plant
Via Marcello, 73 - 35011 Campodarsego (Padova) - Italy
Tel. +39 049 9289810
Fax +39 049 9289900
info@maschio.com
www.maschionet.com

**MASCHIO GASPARDO SpA
Production plant**

Via Mussons, 7 - 33075 Morsano al Tagliamento (PN) - Italy
Tel. +39 0434 695410
Fax +39 0434 695425
info@gaspardo.it

MASCHIO DEUTSCHLAND GMBH

Äußere Nürnberger Straße 5
D - 91177 Thalmässing - Deutschland
Tel. +49 (0) 9173 79000
Fax +49 (0) 9173 790079
dialog@maschio.de
www.maschio.de

MASCHIO-GASPARDO North America

112 3rd Avenue East
Dewitt, IA 52742 - USA
Ph. +1 563 659 6400
Fax +1 563 659 6405
info@maschio.us

MASCHIO FRANCE Sarl

Rue Denis Papin ZA
F - 45240 La Ferté St. Aubin
France
Tel. +33 (0) 2.38.64.12.12
Fax +33 (0) 2.38.64.66.79
info@maschio.fr

MASCHIO-GASPARDO ROMANIA S.R.L.

Strada Înfrâții, F.N.
315100 Chisineu-Cris (Arad) -România
Tel. +40 257 307030
Fax +40 257 307040
info@maschio.ro

000 MASCHIO-GASPARDO РУССИЯ

Улица Пушкина, 117 Б
404130 Волжский
Волгоградская область
Тел. +7 8443 203100
факс. +7 8443 203101
info@maschio.ru

**MASCHIO-GASPARDO IBERICA
MASCHIO-GASPARDO POLAND
MASCHIO-GASPARDO UCRAINA
GASPARDO-MASCHIO TURCHIA
MASCHIO-GASPARDO CINA
MASCHIO-GASPARDO INDIA**