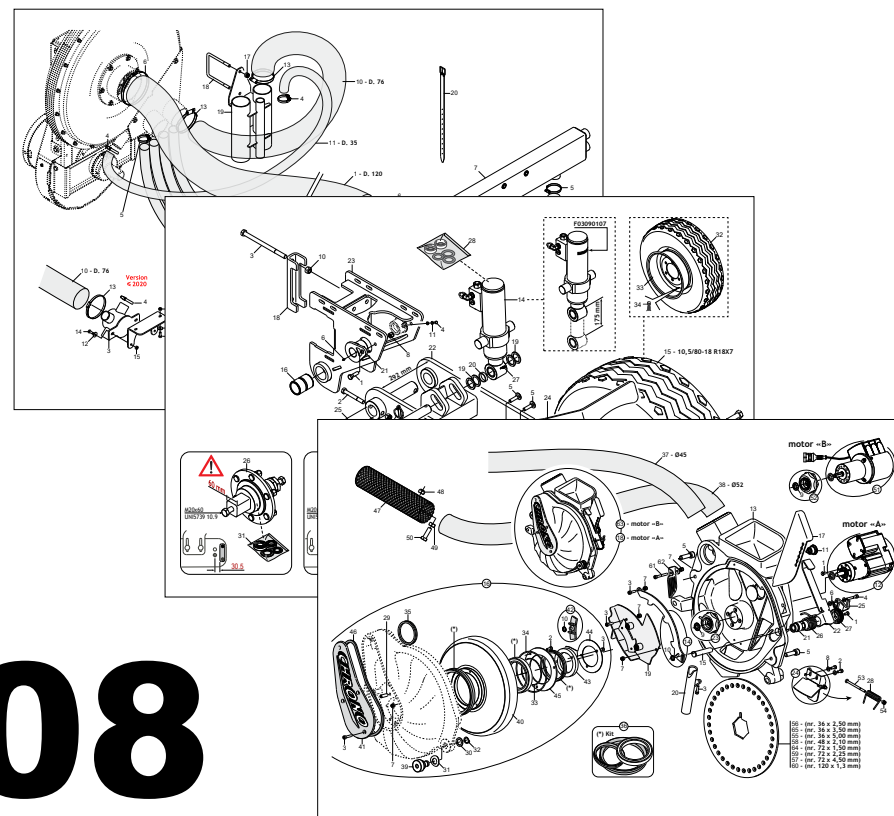


GASPARDO

MASCHIO GASPARDO S.p.A.



CHRONO 708

Cod: G19531970 2020-10

- *) Valido per Paesi UE
- *) Valid for EU member countries
- *) Gilt für EU-Mitgliedsländer
- *) Valable dans le Pays UE
- *) Válido para Países UE
- *) Valabil pentru țările UE

- IT** PARTI DI RICAMBIO
- EN** SPARE PARTS
- DE** ERSATZTEILE
- FR** PIECES DÉTACHÉES
- ES** PIEZAS DE REPUESTO

PARTI DI RICAMBIO

Le ordinazioni delle parti di ricambio vanno fatte presso i nostri concessionari di zona e devono essere sempre corredate dalle seguenti indicazioni:

- **Tipo, modello e numero di matricola dell'attrezzatura.** Tali dati sono stampigliati nell'apposita targhetta di cui è dotata ogni attrezzatura.

- **Numero di codice della parte richiesta** rilevabile dal catalogo ricambi.

- **Descrizione del particolare e quantità richiesta.**

- **Numero della tavola.**

- **Mezzo di trasporto.** Nel caso questa voce non sia specificata, la Ditta Costruttrice, pur dedicando a questo servizio una particolare cura, non risponde di eventuali ritardi di spedizione dovuti a cause di forza maggiore.

Le spese di trasporto si intendono sempre a carico del destinatario. La merce viaggia a rischio e pericolo del committente anche se venduta franco destino.

NOTA: Il termine **(Dx) Destro** o **(Sx) Sinistro** della macchina o di parti di essa, è inteso guardando la macchina dalla parte posteriore. Le eccezioni saranno indicate.

SPARE PARTS

Orders must be transmitted through our area dealers and should always include the following indications:

- **Type, model and serial number of the machine.** These data are punched on the data plate with which every implement is equipped.

- **Code number of the required spare part.** This will be found in the spare parts catalogue.

- **Description of the part and required quantity.**

- **Table number.**

- **Means of dispatch.** If this item is not indicated, the Manufacturer, while dedicating particular care to this service, shall not be held responsible for delays in delivery caused by cases of force majeure.

Transport expenses shall always be at the consignee's charge. The goods travel at the purchaser's risk and peril even when sold ex destination.

NOTE: The symbols **(Dx) right** and **(Sx) left**, concerning the machine or single parts of it, are referred, as in the figure, to a rear view of them. Exceptions will be indicated.

ERSATZTEILE

Die Bestellungen müssen bei unseren Gebietshändlern aufgegeben werden. Bei der Bestellung sind stets die folgenden Angaben zu machen:

- **Typ, Modell und Serien-Nummer des Geräts.** Diese Daten stehen auf dem Typenschild, mit dem jedes Gerät versehen ist.

- **Artikel Nr. der erforderlichen Ersatzteile.** Diese stehen im Ersatzteil-Katalog.

- **Beschreibung des Ersatzteils und die erforderliche Stückzahl.**

- **Tafelnummer.**

- **Versandmittel.** Wenn dieser Punkt nicht spezifiziert wird, haftet die Herstellerfirma nicht für etwaigen Lieferverzug aufgrund höherer Gewalt, auch wenn er diesen Service besonders aufmerksam abwickelt. Die Frachtkosten gehen dagegen immer zu Lasten des Empfängers. Die Ware reist auf Gefahr und Risiko des Auftraggebers, auch wenn frei Haus Verkauft vereinbart worden ist.

N.B.: Die Merkzeichen **(Dx) rechts** und **(Sx) links** betreffen eine rückwärtige Aussicht der Maschine oder Teile von ihr (siehe Bild). Ausnahmen werden gezeit.

PIECES DÉTACHÉES

Les ordres doivent être effectués auprès de nos concessionnaires de zone en précisant les indications suivantes:

- **Type, modèle et numéro de série de la machine.** Ces données sont gravées sur la plaque d'identification de chaque outil.

- **Numéro de code de la pièce détachée** indiqué sur le catalogue des pièces détachées.

- **Description de la pièce et quantité requise.**

- **Numéro de plan.**

- **Moyen d'expédition.** Si cette rubrique n'est pas indiquée, le Constructeur, bien que soucieux de ce service, ne répond pas des retards d'expédition pour des causes de force majeure.

Les frais de transport sont toujours à la charge du destinataire. La marchandise voyage aux risques et périls de l'acheteur même si vendue franco de port.

N.B.: Les références **(Dx) droit** et **(Sx) gauche** de la machine ou des parties de la même, est entendue, comme de la figure, en regardant la machine de derriere dans le sens de marche.

RESPUESTOS

Los pedidos han de efectuarse en nuestros consesionarios de zona y deben incluir siempre las siguientes indicaciones:

- **Tipo, modelo y número de matricula del equipo.** Dichos datos están impresos en la relativa placa presente en el equipo.

- **Número de código de la parte requerida** presente en el catálogo respuestos.

- **Descripción de la pieza y cantidad requerida.**

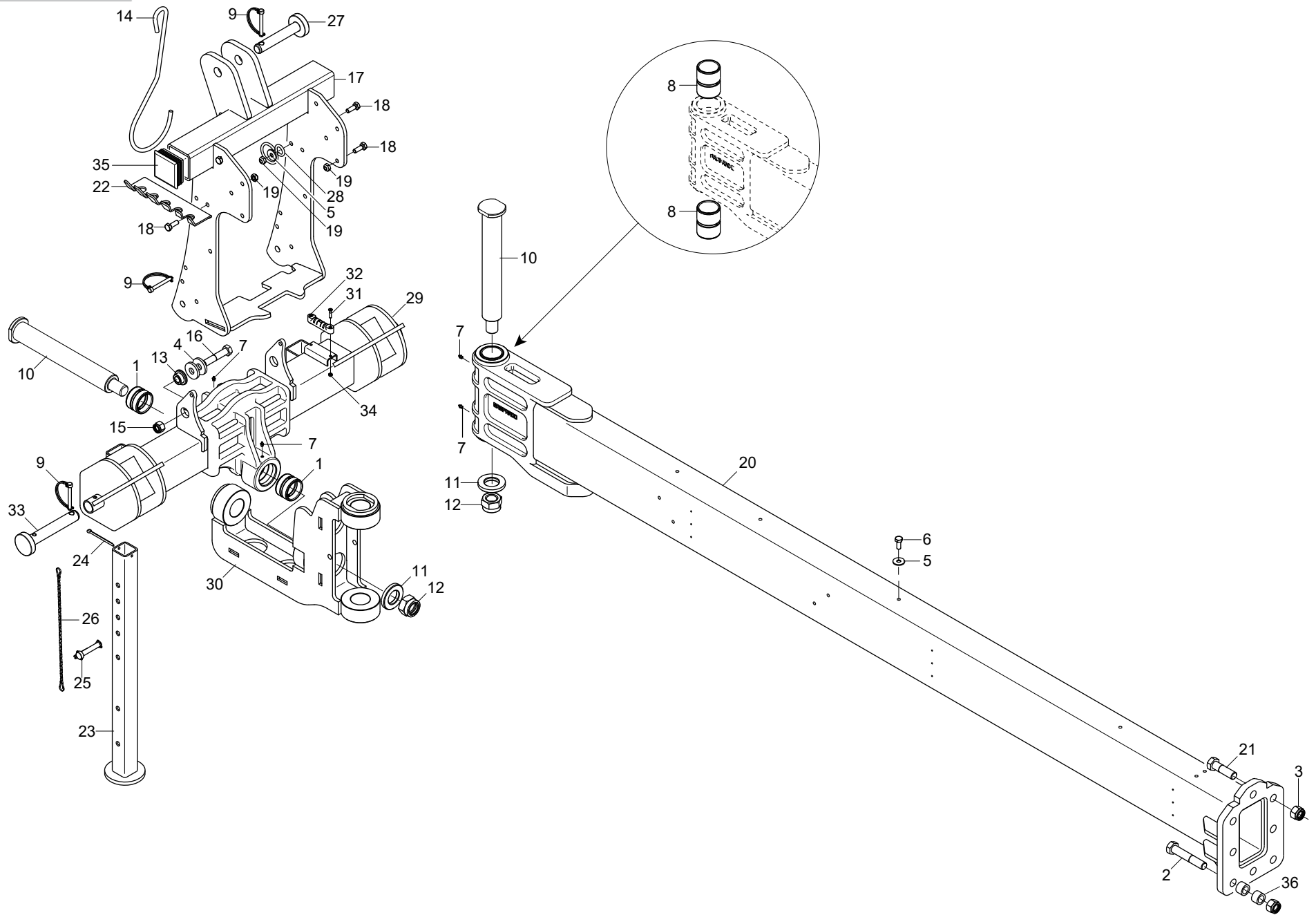
- **Numero de ilustración.**

- **Medio de transporte.** En caso que este ítem no esté especificado, el Fabricante, aún prestando la debidas consideraciones para este aspecto, no responde por eventuales retardos de env'o debidos a causas de fuerza mayor.

Los gastos de transporte se consideran siempre a cargo del destinatario. La mercadería viaja bajo riesgo y peligro del comprador, incluso cuando se vende franco destino.

N.B.: La referencia **(Dx) derecha** o **(Sx) izquierda** de la máquina o de sus componentes, se entiende, como en la figura, mirando la máquina por la parte trasera. Se indicarán las excepciones.

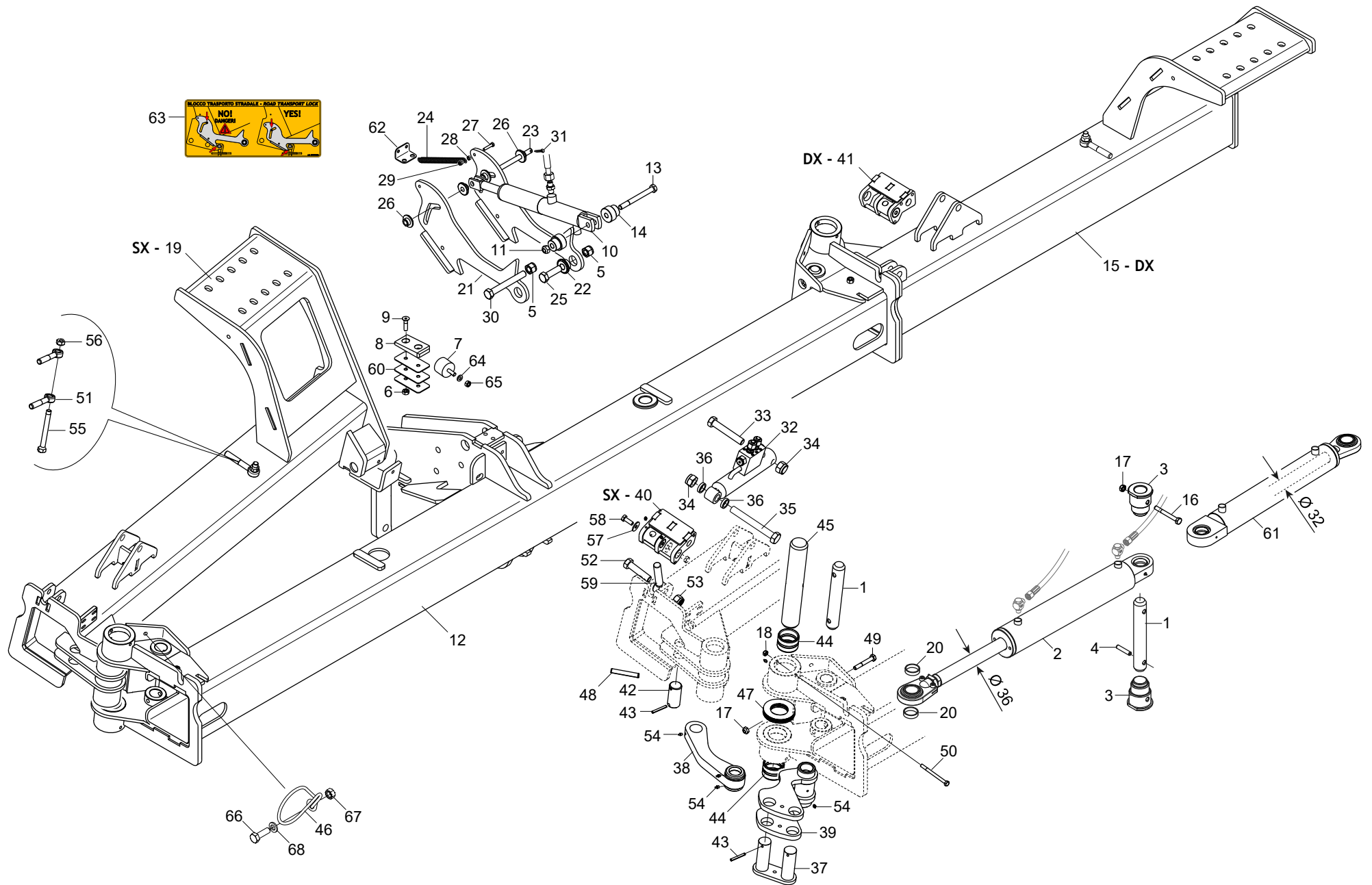
| Nr. Tav. | Descrizione | Description | Pag. |
|-----------------|-----------------------------------------------------------|--------------------------------------------------|-------------|
| TAV. 010 | Timone | Drawbar..... | 4 |
| TAV. 020 | Telaio..... | Frame | 6 |
| TAV. 031 | Segnafile | Row marker | 8 |
| TAV. 040 | Ruote di trasporto (matricole KG98A0201÷ KG98A0232) | Transport wheels (S/N KG98A0201÷ KG98A0232)..... | 10 |
| TAV. 041 | Ruote di trasporto..... | Transport wheels..... | 12 |
| TAV. 050 | Ruotino di trasmissione concime | Fertilizer drive wheel | 14 |
| TAV. 061 | Impianto elettrovalvole | Hydraulic valveset..... | 18 |
| TAV. 070 | Impianto oleodinamico anteriore | Front hydraulic system | 20 |
| TAV. 081 | Impianto oleodinamico posteriore | Rear hydraulic system..... | 22 |
| TAV. 090 | Depressore / Soffiante | Air pump / Blower..... | 24 |
| TAV. 100 | Tubi aspirazione | Aspiration pipe | 26 |
| TAV. 112 | Distributore semi | Seed distributor | 28 |
| TAV. 122 | Telaio elemento | Unit toolbar | 30 |
| TAV. 130 | Ruote di profondità..... | Depth wheels | 34 |
| TAV. 141 | Ruote di compressione | Compression wheels..... | 36 |
| TAV. 150 | Impianto AIR-SPRING..... | AIR-SPRING system..... | 38 |
| TAV. 160 | Coltro a disco striato | Corrugated disc coulter | 40 |
| TAV. 171 | Spartiresidui rotativo | Trash wheel..... | 42 |
| TAV. 180 | Compressore aria..... | Air compressor | 44 |
| TAV. 190 | Impianto elettrico (matricole KG98A0201÷ KG98A0232)..... | Electric system (S/N KG98A0201÷ KG98A0232) | 46 |
| TAV. 191 | Gestione elettrica | Electric system | 48 |
| TAV. 201 | Microgranulatore | Microgranulator | 50 |
| TAV. 210 | Supporti spandiconcime | Supports fertilizer distributor | 52 |
| TAV. 220 | Serbatoi spandiconcime..... | Fertilizer distributor | 54 |
| TAV. 230 | Speedy set | Speedy set | 58 |
| TAV. 280 | Distributore concime elettrico..... | Electric fertilizer distributor | 60 |
| TAV. 240 | Elementi di concimazione | Fertilizer unit | 62 |
| TAV. 251 | Pedana di ispezione e scaletta | Inspection footboeard with ladder | 64 |
| TAV. 261 | Kit luci e tabelle di ingombro stradale | Lighting kit and warning boards | 66 |
| TAV. 270 | Cardano | Cardan shaft..... | 68 |



TIMONE DRAWBAR

TAV. 010

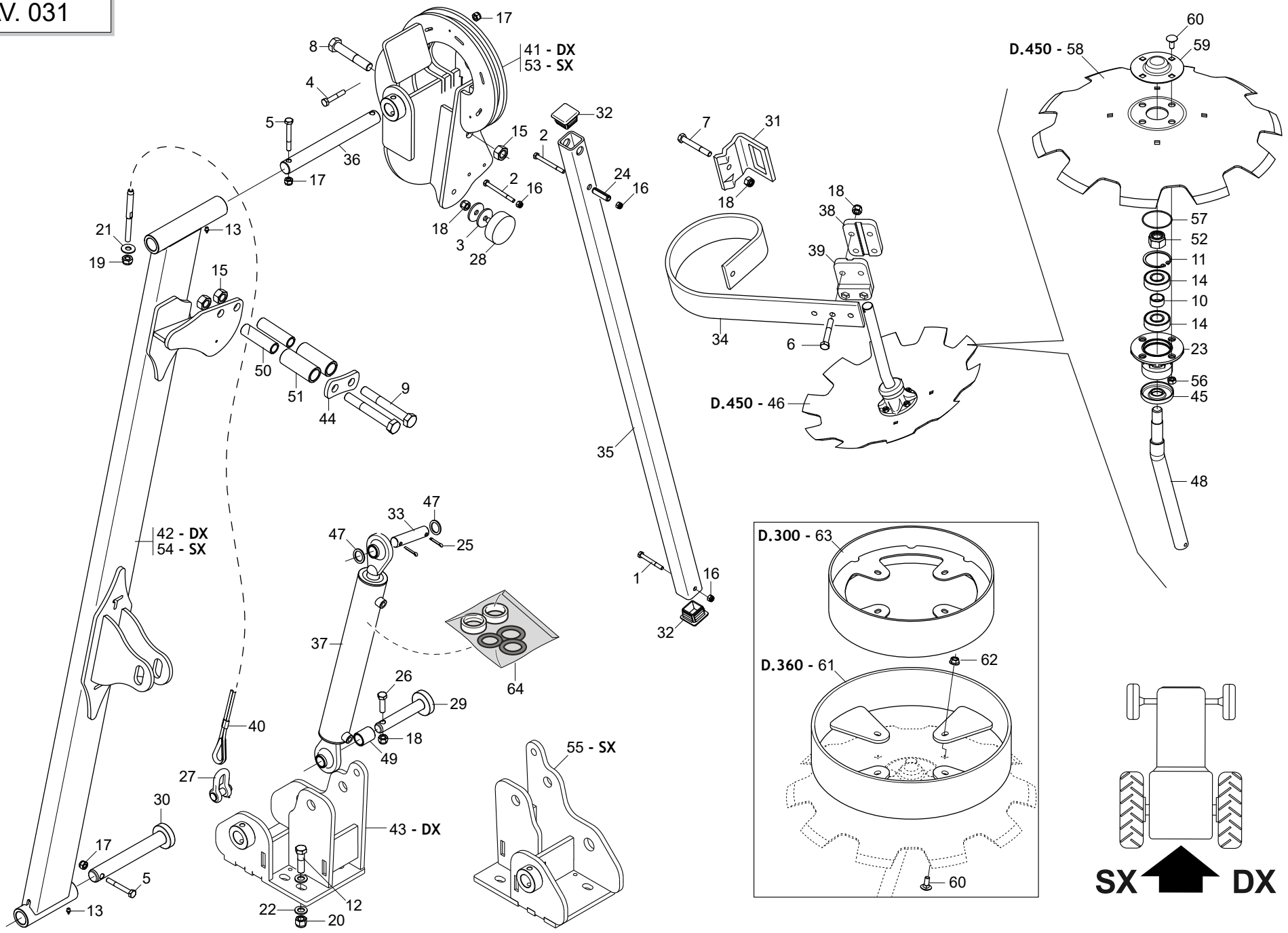
| Pos. | Cod. | Descrizione | Description | Description | Benennung | Description |
|------|------------|--------------------------------|--------------------------------|--------------------------------|--------------------------------|--------------------------------|
| 1 | G15315980R | BOCCOLA CIMENTATA 50X60X40 | BUSHING CEMENT. 50X60X40 | DOUILLE 50X60X40 | BUCHSE 50X60X40 | CASQUILLO 50X60X40 |
| 2 | F01020313R | VITE M20X2,5X110 | SCREW M20X2,5X110 U5737 8.8ZN | VIS M20X2,5X110 U5737 8.8ZN | SCHRA.M20X2,5X110 U5737 8.8 ZN | TORN. M20X2,5X110 U5737 8.8ZN |
| 3 | F01230131R | DADO M20X 2,5S | NUT M20X 2,5S | ECROU M20X 2,5 D982 6S ZN | MUTTER M20X 2,5 D982 6 ZN | TUERCA M20X2,5 D982 6ZN |
| 4 | G18700450R | RONDELLA 17X45X6 ZN | WASHER 17X45X6 GALV.ED | RONDELLE 17X45X6 | SCHEIBE 17X45X6 ZN | ARANDELA 17X45X6 |
| 5 | F01420060R | ROS.M10 10,5X 30X2,5 | WASHER 10,5X30X2,5 | RONDELLE 10,5X30X2,5 | SCHEIBE 10,5X30 | ARAND.M10 10,5X 30X2,5 U6593 |
| 6 | F01020472R | VITE M10X1,5X25 | SCREW M10X1,5X25 U5739 8.8ZN | VIS M10X1,5X25 U5739 8.8ZN | SCHRAUBE 10X25 5739 8.G ZN | TORNIL. M10X1,5X25 U5739 8.8ZN |
| 7 | F01100011R | ING.M 6X1 7663A 9SMNPB28 Z | GREASE NIPPLE M6X1 7663-A ZN | GRAISS. A BILLE M6X1 7663A ZN | KUGELFETTBUCHSE M6X1 A | ENG.M 6X1 7663-A 9SMNPB28 ZN |
| 8 | G15315990R | BOCCOLA CEMENTATA 50X60X80 | BUSHING CEMENTATE 50X60X80 | DOUILLE 50X60X80 | BUCHSE 50X60X80 | CASQUILLO 50X60X80 |
| 9 | F02200562R | SPINA SICUR.D. 8X70 ZN | SNAP PIN D.8X 70 ZN | FICHE EL. D.8X70 ZN | SCHERSTIFT D.8X 70 ZN | CLAVIJA D.8X 70 ZN |
| 10 | G16114900R | SPINA ATTACCO 1-2 PUNTO | COUPLING PIN 1-2 POINT | BOULON COUPLING 1-2 P. | SCHEIBE HALTER 1-2 PUNTO | PERNO CONEXIN 1-2 PUNTO |
| 11 | G18701810R | RONDELLA 38X70X10 | WASHER 38X70X10 | RONDELLE 38X70X10 | UNTERLEGSSCHEIBE 38X70X10 | ARANDELA 38X70X10 |
| 12 | F01230291R | DADO M30X2 | NUT M30X2 | CROU M30X2 U7474 ZN | SELBSTSP. MU. M30X2 DIN 985 ZN | TUERCA M30X2 U7474 ZN |
| 13 | G17121530R | BOCCOLA SINT.16,25X28 L.11 PAR | BUSHING SINT.16,25X28 L.11 PAR | DOUILLE SINT.16,25X28 L.11 PAR | SINTEROT BUCHSE 28X16.25X11 | |
| 14 | F20120400R | GANCIO SOSTEGNO CARDANO | SHAFT HOOK SUPPORT | SUPPORT CARDAN | GELENKWELLE - HAKEN | SOPORTE CARDAN |
| 15 | F01230085R | DADO M16X2 D982 10ZN | NUT M16X2 | ECROU M16X2 D982 10ZN | MUTTER M16X 2 D982 8 ZN | TUERCA M16X2 D982 10ZN |
| 16 | F01020262R | VITE M16X2X80 | SCREW M16X2X80 U5737 8.8ZN | VIS M16X2X80 U5737 8.8ZN | SCHRAUBE M16X2X80 U5737 8.8 BR | TORNILLO M16X2X80 U5737 8.8ZN |
| 17 | G17650311R | SUPPORTO DEPRESSORE RENATA | RENATA FAN SUPPORT FRAME | | | |
| 18 | F01020476R | VITE M10X1,5X30 | SCREW M10X1,5X30 U5739 8.8ZN | VIS M10X1,5X30 U5739 8.8ZN | SCHRAUBE M 10X30 | TORNIL. M10X1,5X30 U5739 8.8ZN |
| 19 | F01220033R | DADO M10X1,5 | NUT M10X1,5 | ECROU M10X1,5 D980 8GALV. | MUTTER M10 | TUERCA M10X1,5 D980 8 |
| 20 | GA7610060R | TIMONE RENATA 19 | HELM RENATA 19 | | | |
| 21 | F01020310R | VITE M20X2,5X70 | SCREW M20X2,5X70 U5737 10.9ZD | VIS M20X2,5X70 U5737 10.9ZD | SCHRAUBE M20X2,5X70 | TORN. M20X2,5X70 U5737 10.9ZD |
| 22 | GA7610320R | SUPPORTO 5 TUBI GAS1 2 | SUPPORTO 5 TUBI GAS1 2 | | | |
| 23 | G13619620R | ASS.PUNTELLO UNIFICATO | PROP STANDARD | | HALTER STREBE | |
| 24 | F02200248R | COPIGLIA 6 X80 1336 ZN | SPLIT PIN 6X 80 U1336 GALV. | GOUPILLE 6X80 U1336 GALV. | SPLINT 6 X80 1336 ZN | CHAVETA 6X80 U1336 GALV. |
| 25 | F02200584R | SPINA SICUR.D.12X70 ZN | PIN D12 L70 ZN | FICHE D12 L70 ZN | SCHERSTIFT D.12X70 ZN | CLAVIJA D12 L70 ZN |
| 26 | G13812311R | CATENELLA CON MOSCHETTONE | CHAIN WITH SPRING CATCH | CHAINETTE AVEC MOUSQUETON | KETTE MIT KARABINERHAKEN | CADENA CON GANCHO |
| 27 | F20100133R | PERNO D25 L122 C43 TEST.D60 ZN | PIN D25 L122 C43 TEST.D60 ZN | GOUJON D25 L122 C43 TEST.D60ZN | BOLZEN D25 L128 ZN | PERNO D25 L122 C43 TEST.D60 ZN |
| 28 | G65336004R | MOLLA SPEC.ZN AGG.SEMINAT. SP | SPEC SPRING- ZN ADD. SEEDER SP | RESSORT SPEC. ZN ATTELAGE SEME | SPEZIALFEDER ZN SZELEM. KUPPL. | MUELLE ESPEC. ZN CONEX. SEMBRA |
| 29 | G17613250R | BILANCIERE | ROCKER ARM | | ARM | |
| 30 | G17615531R | SNODO | LINK | | | |
| 31 | F01030024R | VITE M5X0,8X25 | SCREW M5X0,8X25 | VIS M5X0,8X25 U5933 10.9ZD | SCHRAUBE 5X25 5933 10.9 ZN | TORNIL. M5X0,8X25 U5933 10.9ZD |
| 32 | F05150246R | BOLLA ORIZZONTALE LIVELLO | HORIZONTAL BUBBLE LEVEL | | HORIZONTAL BUBBLE LEVEL | |
| 33 | G17613730R | SPINA ATTACCO BARRE TIMONE ZN | HITCH PIN DRAWBAR | | BOCK BOLZEN ZUGDEICHSEL | |
| 34 | F01200220R | DADO M5X0,8 | NUT M5X0,8 | CROU M5X0,8 U5588 CL8 ZN | MUTTER M 5X0,8 U5588 6.8ZN | TUERCA M5X0,8 U5588 CL8 ZN |
| 35 | F05100158R | TAPPO TELAIO DIRECTA | TAP N BASTIDOR DIRECTO | | RAHMENPFROPFEN DIRECTA | |
| 36 | G18802330R | BOCCOLA 20,5X30X20 ZN | BUSHING 20,5X30X20 ZN | DOUILLE 20,5X30X20 GALV. | BUCHSE 20,5X30X20 ZN | CASQUILLO 20,5X30X20 ZN |



TELAIO FRAME

TAV. 020

| Pos. | Cod. | Descrizione | Description | Description | Benennung | Descripcion |
|------|------------|--------------------------------|---------------------------------|--------------------------------|--------------------------------|--------------------------------|
| 1 | G17714660R | SPINA D.35X232 2F10 172 ZN | PIN D35X232 2F10 172 ZN | | BOLZEN D35X232 2F10 172 ZN | |
| 2 | G17611881R | CILINDRO CSA-70 36X295 | CYLINDER CSA-70 36X295 | | ZYLINDER CSA-70 36X295 | |
| 3 | G17714760R | BOCCOLA PERNO CILINDRO ZN | BUSHING CYLINDER PIN ZN | | BUCHSE ZYLINDER BOLZEN ZN | |
| 4 | F02100164R | SPINA E.P. 10X 50 U6873 C70 BR | PIN EL. 10X50 DIN 1481 * | GOUPILLE EL.10 X50 DIN 1481 | SCHEIBE E.P.10X50 U6873 C70 BR | CLAVIJA EL.10 X50 DIN 1481 |
| 5 | F01230085R | DADO M16X2 D982 10ZN | NUT M16X2 | ECROU M16X2 D982 10ZN | MUTTER M16X 2 D982 8 ZN | TUERCA M16X2 D982 10ZN |
| 6 | F01200270R | DADO M10X1,5 | NUT M10X1,5 | ECROU M10X1,5 U5588 CL8 GALV. | MUTTER M10X1,5 U5588 6.8 ZN | TUER.M10X1,5 U5588 CL8 GALV. |
| 7 | U30020384R | ANTIVIBR. M8X23 M \$40X27 60SH | ANTI-VIBR. M8X23 M \$40X27 60SH | | ANTIVIBR. M8X23 M \$40X27 60SH | |
| 8 | G17611831R | PATTINO ALA | WING SLIDER | | WING SLIDER | |
| 9 | F01030097R | VITE M10X1,5X40 | SCREW M10X1,5X40 | VIS M10X1,5X40 U5933 10.9ZD | SCHRAUBE M10X1,5X40 | TORNIL.M10X1,5X40 U5933 10.9ZD |
| 10 | M58100711R | MARTINETTO AGGANCI COMPL.T.N. | CYLINDER D42 C60 L392 | CILINDRE D42 C60 L392 | ZYLINDER F R KLAPPVERRIEGELUNG | CILINDRO D42 C60 L392 |
| 11 | F01220048R | DADO M12X1,75 | NUT M12X1,75 | ECROU M12X1,75 D980 8ZN | SCHEIBE M12X1,75 D980 8 ZN | TUERCA M12X1,75 D980 8 ZN |
| 12 | GA7610040R | TELAIO CENTRALE RENATA 19 | CENTRAL FRAME RENATA 19 | CH SSIS CENTRAL RENATA 19 | | BASTIDOR CENTRAL RENATA 19 |
| 13 | F01020174R | VITE M12X1,75X120 | SCREW M12X1,75X120 U5737 8.8ZN | VIS M12X1,75X120 U5737 8.8ZN | SCHRAUBE M 12X120 | TORN. M12X1,75X120 U5737 8.8ZN |
| 14 | G17619320R | BOCCOLA COLL. 13X40X34 ZN | BUSHING 13X40X34 ZN | | | |
| 15 | GA7610020R | ALA DX | RIGHT WING | | | |
| 16 | F01020130R | VITE M10X1,5X90 | SCREW M10X1,5X90 U5737 8.8ZN | VIS M10X1,5X90 U5737 8.8ZN | SCHRAUBE M 10X90 | TORNIL. M10X1,5X90 U5737 8.8ZN |
| 17 | F01220033R | DADO M10X1,5 | NUT M10X1,5 | ECROU M10X1,5 D980 8GALV. | MUTTER M10 | TUERCA M10X1,5 D980 8 |
| 18 | F01220022R | DADO M8X1,25 | NUT M8X1,25 | CROU M8X1,25 D980 ZN | SELBSTSP.MUTT. M8X1,25 980-V | TUERCA M8X 1,25 D980 8 ZN |
| 19 | GA7610010R | ALA SX | LEFT WING | | | |
| 20 | G18803720R | BOCCOLA 35,25X40X10 ZN | BUSHING 35,25X40X10 ZN | DOUILLE 35,25X40X10 GALV. | BUCHSE 35,25X40X10 ZN | CASQUILLO 35,25X40X10 GALV. |
| 21 | G17619640R | GANCIO FERMO ALA ANTERIORE | WING FORWARD HOOK | | | |
| 22 | G17121530R | BOCCOLA SINT.16,25X28 L.11 PAR | BUSHING SINT.16,25X28 L.11 PAR | DOUILLE SINT.16,25X28 L.11 PAR | SINTEROT BUCHSE 28X16,25X11 | |
| 23 | G17614720R | SPINA D.12X115 2F5 102 ZN | PIN D.12X115 2F5 102 ZN | | BOLZEN D.12X115 2F5 102 ZN | |
| 24 | G18910010R | MOLLA TRAZ.L0=202 DE=14 DF=2 | TENSI.SPRING L0=202 D =14 D=2 | | | |
| 25 | F01020572R | VITE M16X2X55 | SCREW M16X2X55 U5739 8.8ZN | VIS M16X2X55 U5739 8.8ZN | SCHRAUBE M16X2X55 | TORNILLO M16X2X55 U5739 8.8ZN |
| 26 | G15421232R | BOCCOLA SINT.12,25X20 L.13 PAR | BUSHING SINT.12,25X20 L.13 PAR | DOUILLE SINT.12,25X20 L.13 PAR | BUCHSE ARM PARALLELE SP.8 | CASQUILLO BRAZO PARALELO SP.8 |
| 27 | F01020408R | VITE M6X1X30 | SCREW M6X1X30 U5739 8.8ZN | VIS M6X1X30 U5739 8.8ZN | SCHRAUBE 6 X30 5739 8.G | TORNILLO M6X1X30 U5739 8.8ZN |
| 28 | F01200232R | DADO M6X1 | NUT M6X1 | CROU M6X1 U5588 CL8 ZN | MUTTER 6 UNI 5588 6.8 ZN | TUERCA M6X1 U5588 CL8 ZN |
| 29 | F01230022R | DADO M6X1 | NUT M6X1 | CROU M6X1 D982 8ZN | SELBSTSP MUTTER NOR.6 ZN | TUERCA M6X1 D982 8ZN |
| 30 | F01020269R | VITE M16X2X140 | SCREW M16X2X140 U5737 8.8ZN | VIS M16X2X140 U5737 8.8ZN | SCHRAUBE M16X 2X140 U5737 8.8 | TORNILLO M16X2X140 U5737 8.8ZN |
| 31 | F02200226R | COPIGLIA 5X 25 U1336 ZN | SPLIT PIN 5 X25 1336 GALVAN. | GOUPILLE 5 X25 1336 GALV. | SPLINT 5 X25 1336 GALV. | CHAVETA 5X25 1336 GALV. |
| 32 | F03090018R | CILINDRO DE 25X 40-100 V.BLOC. | CYLINDER DE 25X40 -100 | | ZYLINDER DE 25X40 -100 | |
| 33 | F01020312R | VITE M20X2,5X100 | SCREW M20X2,5X100 U5737 8.8ZN | VIS M20X2,5X100 U5737 8.8ZN | SCHRA.M20X2,5X100 U5737 8.8 ZN | TORN. M20X2,5X100 U5737 8.8ZN |
| 34 | F01230131R | DADO M20X 2,5S | NUT M20X 2,5S | ECROU M20X 2,5 D982 6S ZN | MUTTER M20X 2,5 D982 6 ZN | TUERCA M20X2,5 D982 6ZN |
| 35 | F01020317R | VITE M20X2,5X150 | SCREW M20X2,5X150 U5737 8.8ZN | VIS M20X2,5X150 U5737 8.8ZN | SCHRAUBE 20X150 5737 8.G | TORN. M20X2,5X150 U5737 8.8ZN |
| 36 | G18802790R | BOCCOLA 25 X20 X7 ZN B. | BUSHING 25 X20 X7 ZN B. | DOUILLE 25X20X7 GALV. B. | BUCHSE 25 X20 X7 ZN B. | CASQUILLO 25 X20 X7 ZN B |
| 37 | G17611730R | SPINE TRIANGOLO ROTAZIONE ZN | ROTARY TRIANGLE PIN ZN | | | |
| 38 | G17611761R | BIELLA AZIONAMENTO ALA ZN | CONNECTING ROD | | | |
| 39 | G17714681R | TRIANGOLO MECCANISMO ZN | TRIANGLE MECHANISM ZN | | TRIWINKEL MECHANISM ZN | |
| 40 | G17614651R | LEVA CHIAVISTELLO SX ZN | LEFT HOOK GALV. | | LEVER LOCK LINKS | |
| 41 | G17616011R | LEVA CHIAVISTELLO DX ZN | RIGHT HOOK GALV. | | | |
| 42 | G17714740R | SPINA D.35X72 2F6 ZN | PIN D35X72 2F6 ZN | | BOLZEN D35X72 2F6 ZN | |
| 43 | F02100124R | SPINA E.P. 6X 50 U6873 C70 BR | PIN EL. 6X50 U6873 C70 BR | GOUJON 6X50 U6873 C70 BR | SPANNSTIFT 6 X50 DIN 1481 | CLAVIJA EL.P. 6X 50 U6873 C70 |
| 44 | G15315980R | BOCCOLA CIMENTATA 50X60X40 | BUSHING CEMENT. 50X60X40 | DOUILLE 50X60X40 | BUCHSE 50X60X40 | CASQUILLO 50X60X40 |
| 45 | G17714700R | PERNO CERNIERA ALA TELAI0 | HINGE PIN FRAME WING | | GELENK BOLZEN RAHMEN FL GEL | |
| 46 | G18903140R | MOLLA GUIDATUBO | PIPE GUIDE SUPPORT | RESSORT GUIDE-TUBE | FEDER ROHRFUEHRUNG | MUELLE GU A TUBOS |
| 47 | G18701770R | RONDELLA 50 X90 X0,5 | WASHER 50 X90 X0,5 | RONDELLE 50 X90 X0,5 | UNTERLEGSCHEIBE 50 X90 X0,5 | ARANDELA 50 X90 X0,5 |
| 48 | F02100181R | SPINA E.P. 12X 80 U6873 C70 B | PIN EL. 12X 80 U6873 C70 BR | FICHE EL. 12X 80 U6873 C70 BR | SPANNSTIFT 12X 80 U6873 C70 BR | CLAVIJA EL.12X 80 U6873 C70 BR |
| 49 | F01020124R | VITE M10X1,5X70 | SCREW M10X1,5X70 U5737 10.9ZD | VIS M10X1,5X70 U5737 10.9ZD | SCHRAUBE M10X1,5X70 U5737 10.9 | TORNIL.M10X1,5X70 U5737 10.9ZD |
| 50 | F01020090R | VITE M8X1,25X100 | SCREW M8X1,25X100 U5737 8.8ZN | VIS M8X1,25X100 U5737 8.8ZN | SCHRAUBE 8 X100 5737 8.G | TORN. M8X1,25X100 U5737 8.8ZN |
| 51 | F01130000R | VITE VO M16X100 | SCREW VO M16X100 DIN444 GALV | VIS VO M16X100 DIN444 GALV | SCHRAUBE VO M16X100 DIN444 ZN | TORNILLO VO M16X100 DIN444 GAL |
| 52 | F01020298R | VITE M18X2,5X75 | SCREW M18X2,5X75 U5737 10.9ZD | VIS M18X2,5X75 U5737 10.9ZD | SCHRAUBE M18X2,5X75 U5737 | TORN. M18X2,5X75 U5737 10.9ZD |
| 53 | F01230098R | DADO M18X2,5 | NUT M18X2,5 | ECROU M18X2,5 D982 8ZN | MUTTER M18X 2,5 D982 8 ZN | TUERCA M18X 2,5 D982 8 ZN |
| 54 | F01100011R | ING.M 6X1 7663A 9SMNPNB28 Z | GREASE NIPPLE M6X1 7663-A ZN | GRAISS. A BILLE M6X1 7663A ZN | KUGELFETTBUCHSE M6X1 A | ENG.M 6X1 7663-A 9SMNPNB28 ZN |
| 55 | F01020238R | VITE M14X2X240 | SCREW M14X2X240 U5737 8.8BR | VIS M14X2X240 U5737 8.8BR | SCHRAUBE 14X240 5737 8.G ZN | TORNILLO M14X2X240 U5737 8.8BR |
| 56 | F01220255R | DADO M14X2 | NUT M14X2 D980 8ZN | ECROU M14X2 D980 8ZN | MUTTER TRISTOP M14X2 D980 8 ZN | TUERCA M14X2 D980 8 ZN |
| 57 | F01420060R | ROS.M10 10,5X 30X2,5 | WASHER 10,5X30X2,5 | RONDELLE 10,5X30X2,5 | SCHEIBE 10,5X30 | ARAND.M10 10,5X 30X2,5 U6593 |
| 58 | F01020472R | VITE M10X1,5X25 | SCREW M10X1,5X25 U5739 8.8ZN | VIS M10X1,5X25 U5739 8.8ZN | SCHRAUBE 10X25 5739 8.G ZN | TORNIL. M10X1,5X25 U5739 8.8ZN |
| 59 | F01130001R | VITE VO M20X100 | SCREW VO M20X100 DIN444 GALV | VIS VO M20X100 DIN444 GALV | SCHRAUBE VO M20X100 DIN444 ZN | TORNILLO VO M20X100 DIN444 GAL |
| 60 | G17617800R | SPESSORE PATTINO ALA | WING SLIDER SPACER | | | |
| 61 | G17617790R | CILINDRO 60 32X295 | CYLINDER 60 32X295 | | | |
| 62 | G17619680R | LAMIERA MOLLE GANCIO | SHEET FOR HOOK SPRINGS | | | |
| 63 | G19709890R | DECALC.CHIUSURA GANCI RENATA | DECAL CLOSING HOOKS RENATA | | | |
| 64 | F01200244R | DADO M8X1,25 | NUT M8X1,25 | CROU M8X1,25 U5588 CL8 ZN | MUTTER M8 X1,25 U5588 6.8 ZN | TUERCA M8X1,25 U5588 CL8 ZN |
| 65 | F01410051R | ROS.M8 8,4X 17X1,6 | WASHER M8 8,4X17X1,6 | RONDELLE M8 8,4X17X1,6 | SCHEIBE D.8 | ARAND.M8 8,4X 17X1,6 U6592 ZN |
| 66 | F01020449R | VITE M8X1,25X35 | SCREW M8X1,25X35 U5739 8.8ZN | VIS M8X1,25X35 U5739 8.8ZN | SCHRAUBE M 8X35 | TORN. M8X1,25X35 U5739 8.8ZN |
| 67 | F01230034R | DADO M8X1,25 | NUT M8X1,25 | CROU M8X1,25 D982 8 | SELBSTSP.MUTT. M8X1,25 | TUERCA M8X1,25 D982 8 |
| 68 | F01420048R | ROS.M8 8,4X 24X 2 | WASHER M8 8,4X 24X2 | RONDELLE M8 8,4X 24X2 | SCHEIBE D.8 | ARAND.M8 8,4X 24X 2 U6593 ZN |

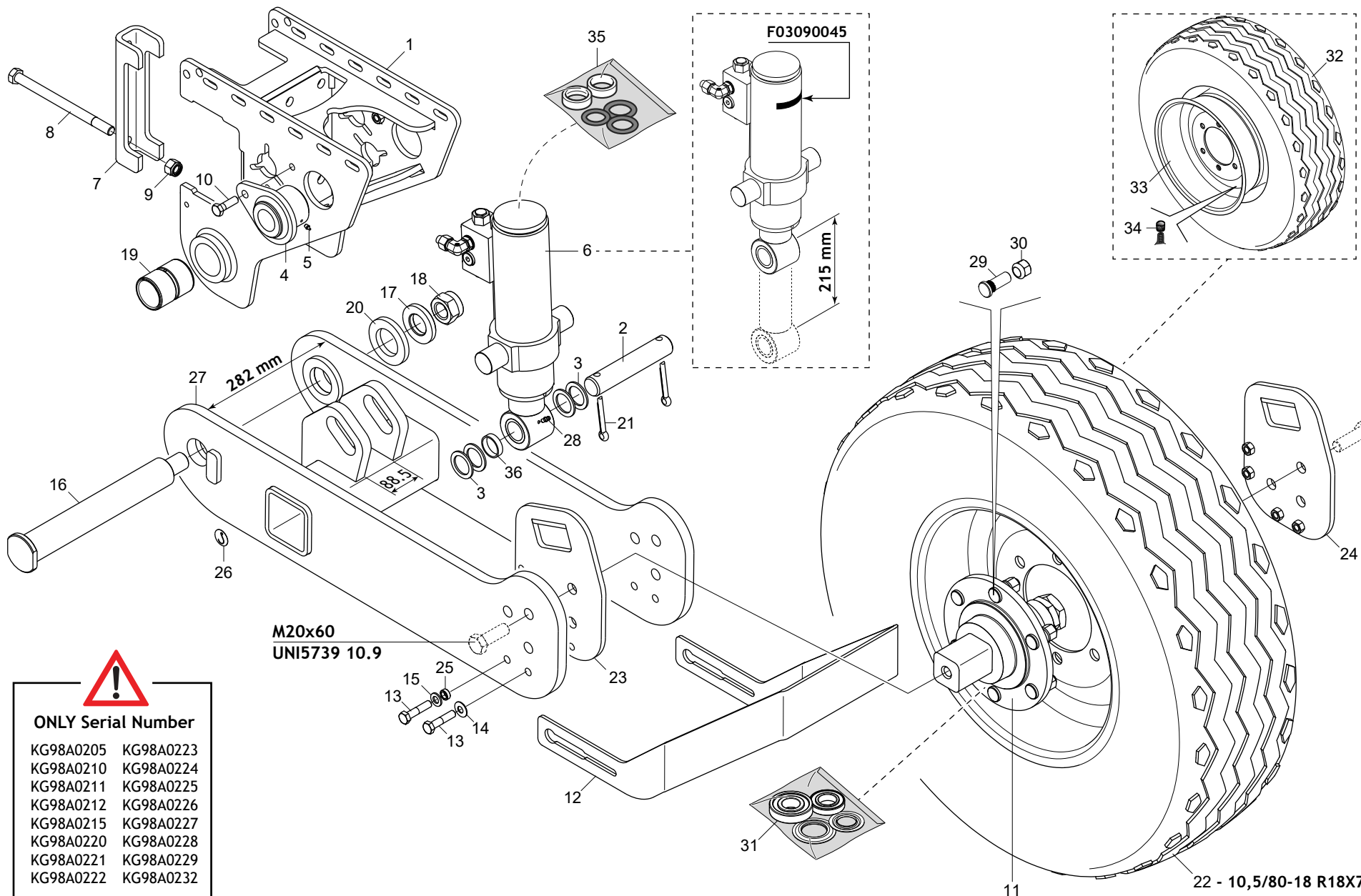


SEGNAFILE ROW MARKER

TAV. 031

| Pos. | Cod. | Descrizione | Description | Description | Benennung | Descripcion |
|------|------------|--------------------------------|--------------------------------|--------------------------------|---------------------------------|--------------------------------|
| 1 | F01020083R | VITE M8X1,25X70 | SCREW M8X1,25X70 U5737 8.8ZN | VIS M8X1,25X70 U5737 8.8ZN | SCHRAUBE M 8X70 | TORN. M8X1,25X70 U5737 8.8ZN |
| 2 | F01020088R | VITE M8X1,25X90 | SCREW M8X1,25X90 U5737 8.8ZN | VIS M8X1,25X90 U5737 8.8ZN | SCHR. M8X1,25X90 U5737 8.8 BR | TORN. M8X1,25X90 U5737 8.8ZN |
| 3 | G18701530R | RONDELLA 13X48X4 ZN | WASHER 13X48X4 ZN | RONDELLE 13X48X4 ZN | SCHEIBE 13X48X4 ZN | ARANDELA 13X48X4 ZN |
| 4 | F01020118R | VITE M10X1,5X60 | SCREW M10X1,5X60 U5737 8.8ZN | VIS M10X1,5X60 U5737 8.8ZN | SCHRAUBE 10X60 5737 8.G ZN | TORNIL. M10X1,5X60 U5737 8.8ZN |
| 5 | F01020128R | VITE M10X1,5X80 | SCREW M10X1,5X80 U5737 8.8ZN | VIS M10X1,5X80 U5737 8.8ZN | SCHRAUBE M10X1,5X80 | TORNIL. M10X1,5X80 U5737 8.8ZN |
| 6 | F01020166R | VITE M12X1,75X80 | SCREW M12X1,75X80 U5737 8.8ZN | VIS M12X1,75X80 U5737 8.8ZN | SCHRAUBE 12X80 5737 8.G ZN | TORN. M12X1,75X80 U5737 8.8ZN |
| 7 | F01020168R | VITE M12X1,75X90 | SCREW M12X1,75X90 U5737 8.8ZN | VIS M12X1,75X90 U5737 8.8ZN | SCHRAUBE 12X90 5737 8.G | TORN. M12X1,75X90 U5737 8.8ZN |
| 8 | F01020313R | VITE M20X2,5X110 | SCREW M20X2,5X110 U5737 8.8ZN | VIS M20X2,5X110 U5737 8.8ZN | SCHRA.M20X2,5X110 U5737 8.8 ZN | TORN. M20X2,5X110 U5737 8.8ZN |
| 9 | F01020317R | VITE M20X2,5X150 | SCREW M20X2,5X150 U5737 8.8ZN | VIS M20X2,5X150 U5737 8.8ZN | SCHRAUBE 20X150 5737 8.G | TORN. M20X2,5X150 U5737 8.8ZN |
| 10 | G18801270R | BOCCOLA 21 X25 X12 ZN B. | BUSHING 21 X25 X12 ZN | DOUILLE 21X25X12 GALV. B. | BUCHSE 21 X25 X12 ZN | CASQUILLO 21X25X12 GALV. B. |
| 11 | F02050370R | ANELLO E. DI 47X1,75 U7437 C70 | SEEGER RING 47X 1,75 U7437 C70 | SEEGER E. 47X 1,75 U7437 C70 | RING 47 UNI 7437-75 | ANILLO E. 47X 1,75 U7437 C70 |
| 12 | F01020256R | VITE M16X2X60 | SCREW M16X2X60 U5737 8.8ZN | VIS M16X2X60 U5737 8.8ZN | SCHRAUBE 16X60 5737 8.G | TORNILLO M16X2X60 U5737 8.8ZN |
| 13 | F01100011R | ING.M 6X1 7663A 9SMNPB28 Z | GREASE NIPPLE M6X1 7663-A ZN | GRAISS. A BILLE M6X1 7663A ZN | KUGELFETTBUCHSE M6X1 A | ENG.M 6X1 7663-A 9SMNPB28 ZN |
| 14 | F04010156R | CUSC. D20 D47 B14 6204 2RSH | BEARING D20 D47 B14 6204 2RSH | ROUL. D20 D47 B14 6204 2RSH | LAGER 6204 2RS | COJINETE D20 D47 B14 6204 2RSH |
| 15 | F01200352R | DADO M20X2,5 | NUT M20X2,5 | ECROU M20X2,5 U5588 CL8 ZN | MUTTER M20X 2,5 U5588 6.8 ZN | TUERCA M20X 2,5 U5588 6.8 ZN |
| 16 | F01230034R | DADO M8X1,25 | NUT M8X1,25 | CROU M8X1,25 D982 8 | SELBSTSP.MUTT. M8X1,25 | TUERCA M8X1,25 D982 8 |
| 17 | F01230048R | DADO M10X1,5 | NUT M10X1,5 | ECROU M10X1,5 D982 8GALV. | SELBSTSP. MUTTER NOR. 10 ZN | TUERCA SEGURID.M10X1,5 D982 ZN |
| 18 | F01230059R | DADO M12X1,75 | NUT M12X1,75 | ECROU M12X1,75 D982 8ZN | MUTTER M12X1,75 | TUERCA M12X1,75 D982 ZN |
| 19 | F01230061R | DADO M12X1,75 | NUT M12X1,75 | ECROU M12X1,75 D982 A2IX | MUTTER M12X1,75 D982 A2IX | TUERCA M12X1,75 D982 A2IX |
| 20 | F01230085R | DADO M16X2 D982 10ZN | NUT M16X2 | ECROU M16X2 D982 10ZN | MUTTER M16X 2 D982 8 ZN | TUERCA M16X2 D982 10ZN |
| 21 | F01410077R | ROS.M12 13X24X2,5 | WASHER M12 13X 24X2,5 | RONDELLE M12 13X 24X2,5 | SCHEIBE M12 13X 24X2,5 | ARANDELA M12 13X 24X2,5 |
| 22 | F01410100R | ROS.M16 17X30X3 | WASHER M16 17X30X3 | RONDELLE M16 17X30X3 | SCHEIBE D.16 UNI 6592 ZN | ARAND.M16 17X 30X 3 U6592 ZN |
| 23 | F16610160R | SUPP.CUSCINETTI DISCO SEGN.ZN. | GALVAN. ROWMARKER DISK BEARING | SUPPORT ROULEMENTS DISQUE TRAC | SCHIEBENLAGERHALTERUNG | SOPORTE COJINETE DE DISCO MARC |
| 24 | F02100197R | SPINA E.P. 14X 50 U6873 C70 BR | PIN E.P. 14X 50 U6873 C70 BR | GOUPILLE E.P. 14X50 U6873 C70 | SPANNSTIFT E.P.14X50 6873 C70 | |
| 25 | F02200227R | COPIGLIA 5 X30 1336 ZN | SPLIT PIN 5X 30 U1336 GALV. | GOUPILLE 5X 30 U1336 GALV. | SPLINT 5 X30 1336 ZN | CHAVETA 5X 30 U1336 GALV. |
| 26 | F01020152R | VITE M12X1,75X40 | SCREW M12X1,75X40 U5737 8.8ZN | VIS M12X1,75X40 U5737 8.8ZN | SCHRAUBE 12X40 5737 8.G | TORN. M12X1,75X40 U5737 8.8ZN |
| 27 | F02250667R | GRILLO M10 U1947A ZN | CLEVIS- 3 8- GALVANISED- ART. | MANILLE DE 3 8 ZN ART. 9 | U KETTENANSCHLUSS DA 3 8 ZN A | GRILLETE DA 3 8 ZN ART.9 |
| 28 | F05150459R | PARACOLPI CIL. 75X25 SH71 | CYLINDER GUARD 75X25 M12 SH71 | TAMPON CIL. 75X25 M12 | PUFFER ZYL. 75X25 M12 781103 | PARACHOQ. CIL. 75X25 M12 |
| 29 | F20100133R | PERNO D25 L122 C43 TEST.D60 ZN | PIN D25 L122 C43 TEST.D60 ZN | GOUJON D25 L122 C43 TEST.D60ZN | BOLZEN D25 L128 ZN | PERNO D25 L122 C43 TEST.D60 ZN |
| 30 | F20100140R | PERNO D32 L208 C43 TEST.D60 ZN | PIN D32 L208 C43 TEST.D60 ZN | GOUJON D32 L208 C43 TEST.D60ZN | BOLZEN D32 L208 C43 ZN | PERNO D32 L208 C43 TEST.D60 ZN |
| 31 | F20120075R | STAFFA SUPP.MOLLA 80X10 T.Q.50 | STAFFA SUPP.SPRING 80X10 T.Q. | | | |
| 32 | F20120349R | PUNTALE Q.50 ALETT.POLIT.NERO | CAP | BOUCHON | DECKEL | CORCHO |
| 33 | F15310160R | SPINA PROLUNGA 1-2 PUNTO | EXTENSION 1.-2. POINT PIN | BROCHE RALLONGE 1-2. POINT | VERLAENGERUNGSTIFT 1-2. PUNKT | CLAVIJA PROLONGACI N 1-2. PUNT |
| 34 | F20120076R | MOLLA 80X10 SEGNAFILE | SPRING 80X10 ROWMARKER | | | |
| 35 | G17612200R | SECONDO BRACCIO | SECOND ARM | | ZWEITER ARM | |
| 36 | G17612340R | PERNO DI ROTAZIONE ZN | ROTATION PIN ZN | | ROTATIONS- BOLZEN ZN | |
| 37 | G17612801R | CILINDRO 60 30X292 | CYLINDER 60 30X292 | | ZYLINDER 60 30X292 | |
| 38 | G17612860R | SUPPORTO PERNO DISCO SEGNAFILE | ROWMARKER DISC PIN SUPPORT | | | |
| 39 | G17613010R | SUPPORTO DISCO SEGNAFILE | ROWMARKER DISC SUPPORT | | SPURANZEIGER SCHEIBE HALTER | |
| 40 | G17615470R | FUNE AISI316 | AISI316 CABLE | | AISI316 KABEL | |
| 41 | G17615841R | ASS.TERMINALE II BRACCIO DX | ASS.TERMINAL II RIGHT ARM | | RE. ERSTE ARM | |
| 42 | G17615850R | PRIMO BRACCIO DX | RIGHT FIRST ARM | | | |
| 43 | G17619580R | ASS.BASAMENTO SEGNAFILE DX | ASS.SUPP.ROW MARKER RIGHT | | | |
| 44 | G17616210R | LAMIERA GUIDA FUNE | ROPE GUIDE | | | |
| 45 | G16610431R | FONDELLO ZN | BOTTOM GALV.ED | FOND | SEIL F HRUNG | FONDO |
| 46 | G17712730R | MONT.DISCO SEGNAFILE | ROWMARKER DISC ASSEMBLY | | BODENSCHLEIBE | |
| 47 | G18701590R | RONDELLA 25 X35 X2,5 ZN | WASHER 25 X35 X2,5 ZN | RONDELLE 25 X35 X2,5 ZN | ANBAUSCHLEIBE SEGNAFILE | ARANDELA 25 X35 X2,5 ZN |
| 48 | G17712721R | PERNO REGGI DISCO SEGNAFILE | ROWMARKER DISCHOLDER PIN | | UNTERLEGSCHLEIBE 25 X 35 X2,5 Z | |
| 49 | G18803710R | BOCCOLA DISTANZIALE 33X26 ZN | SPACER BUSHING 33X26 ZN | DOUILLE ENTR. 33X26 GALV. | DISTANZSTUECK BUCHSE 33X26 ZN | CASQ.DISTANCIADOR 33X26 GALV. |
| 50 | G18803930R | BOCCOLA 20,25X28X100 | BUSHING D20,25X28X100 | DOUILLE 20,25X28X100 | BUCHSE D20,25X28X100 | CASQUILLO 20,25X28X100 |
| 51 | G18803940R | BOCCOLA 29X40X99 | BUSHING D29X40X99 | DOUILLE 29X40X99 | BUCHSE D29X40X99 | CASQUILLO 29X40X99 |
| 52 | F01230098R | DADO M18X2,5 | NUT M18X2,5 | ECROU M18X2,5 D982 8ZN | MUTTER M18X 2,5 D982 8 ZN | TUERCA M18X 2,5 D982 8 ZN |
| 53 | G17615831R | ASS.TERMINALE II BRACCIO SX | ASS.TERMINAL II LEFT ARM | | | |
| 54 | G17615860R | PRIMO BRACCIO SX | LEFT FIRST ARM | | LI. ERSTE ARM | |
| 55 | G17619510R | ASS.BASAMENTO SEGNAFILE SX | ASS.BASE ROW MARKER LEFT | | | |
| 56 | F01200244R | DADO M8X1,25 | NUT M8X1,25 | CROU M8X1,25 U5588 CL8 ZN | MUTTER M8 X1,25 U5588 6.8 ZN | TUERCA M8X1,25 U5588 CL8 ZN |
| 57 | F03010576R | ANELLO OR 50,52X1,78 NBR | GASKET OR 50,52X1,78 NBR | BAGUE OR 50,52X1,78 NBR | RING OR 033 DOWTY | ANILLO OR 50,52X1,78 NBR |
| 58 | G17712830R | DISCO SEGNAFILE D.450 | ROWMARKER DISK D.450 | DISQUE TRACEUR D.450 | SCHEIBE SPURANZEIGER D.450 | DISCO MARCADOR FILAS D.450 |
| 59 | G16610190R | CHIUSURA CUSCINETTO ZN | END BEARING ZN | FERMETURE ROULEMENT | LAGERVERSCHLUSS ZN | CIERRE COJINETE |
| 60 | F01060041R | VITE M8X1,25X25 | SCREW M8X1,25X25 | VIS M8X1,25X25 U5731 8.8ZN | SCHRAUBE 8 X25 5732 4.6 ZN | TORN. M8X1,25X25 U5731 8.8ZN |
| 61 | G17641190R | LIMITATORE PROF.DISCO D360 | DISC DEPTH LIMITER D360 | | | |
| 62 | F01260043R | DADO M8 | NUT M8 | CROU M8 D6923 8.8ZN | MUTTER MIT SCHEIBE M8 DIN6923 | TUERCA M8 D6923 8.8ZN |
| 63 | G17640600R | LIMITATORE PROF.DISCO D300 | DISC DEPTH LIMITER D300 | | | |
| 64 | F03090064R | KIT GUARNIZ.CILINDRO F03090045 | KIT O-RING CYLINDER F03090045 | | KIT O-RING ZYLINDER F03090045 | |

TAV. 040



M20x60
UNI5739 10.9



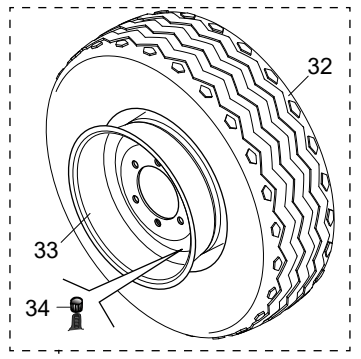
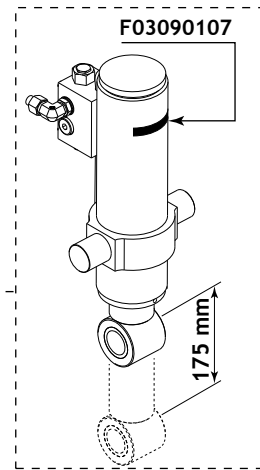
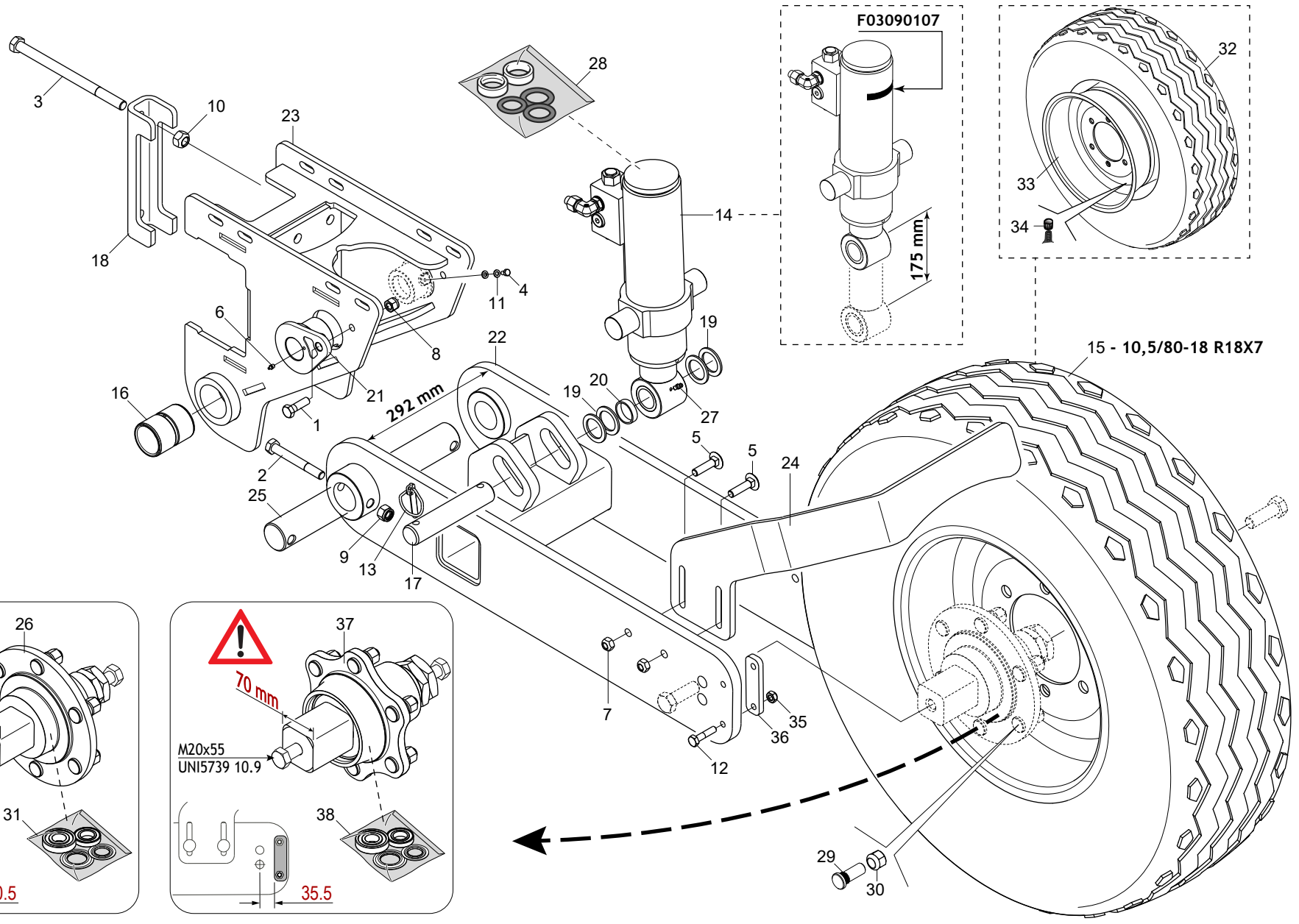
ONLY Serial Number

- | | |
|-----------|-----------|
| KG98A0205 | KG98A0223 |
| KG98A0210 | KG98A0224 |
| KG98A0211 | KG98A0225 |
| KG98A0212 | KG98A0226 |
| KG98A0215 | KG98A0227 |
| KG98A0220 | KG98A0228 |
| KG98A0221 | KG98A0229 |
| KG98A0222 | KG98A0232 |

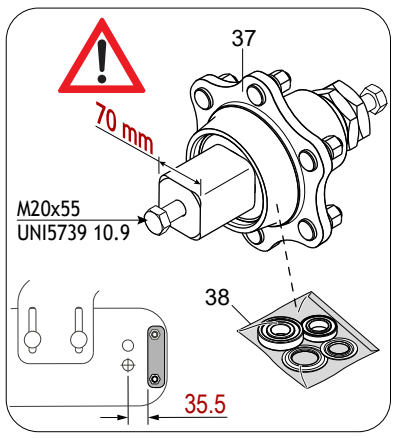
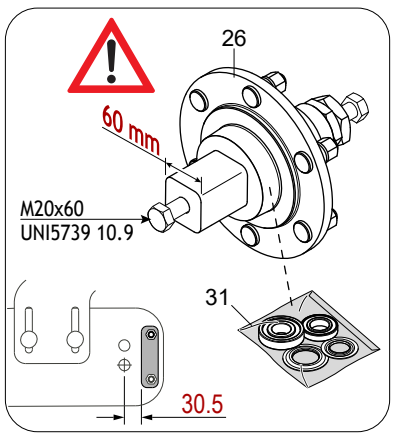
**RUOTE DI TRASPORTO «2019»
TRANSPORT WHEELS «2019»**

TAV. 040

| Pos. | Cod. | Descrizione | Description | Description | Benennung | Descripcion |
|------|------------|--------------------------------|--------------------------------|--------------------------------|--------------------------------|--------------------------------|
| 1 | G17611171R | SUPPORTO CARRELLO | CARRIAGE SUPPORT ASSY | | | |
| 2 | G16113350R | SPINA 35,00X180 2F11 147 NP | PIN 35X180 2H11 147 NP | GOUPILLE 35X180 NP | STIFT 35X150 | PASADOR 35X180 NP |
| 3 | G18701600R | RONDELLA 35,5 X50 X3 ZN | WASHER 35.5 X 50 X 3- GALVANIZ | RONDELLE 35-5 X50 X3 ZN | UNTERLEGSCHEIBE 35-5 X50 X3 | ARANDELA 35-5 X50 X3 ZN |
| 4 | G17611320R | ASS.BOCCOLA PERNO CILINDRO ZN | BUSHING CYLINDER PIN ZN | | BUCHSE ZYLINDER BOLZEN ZN | |
| 5 | F01100011R | ING.M 6X1 7663A 9SMNPB28 Z | GREASE NIPPLE M6X1 7663-A ZN | GRAISS. A BILLE M6X1 7663A ZN | KUGELFETTBUCHSE M6X1 A | ENG.M 6X1 7663-A 9SMNPB28 ZN |
| 6 | F03090045R | CILINDRO DE 60X 80-215 V.BLOC. | CYLINDER DE 60X 80-215 | | ZYLINDER DE 60X 80-215 | |
| 7 | G17714320R | SCONTRO A U SP.10 2F16,5 197 | BRACKET SP.10 2F16,5 197 | | KLAMMER SP.10 2F16,5 197 | |
| 8 | F01020388R | VITE M16X2X240 | SCREW M16X2X240 U5737 8.8 | VIS M16X2X240 U5737 8.8 | SCHRAUBE M16X2X240 U5737 8.8 | TORN. M16X2X240 U5737 8.8 |
| 9 | F01230085R | DADO M16X2 D982 10ZN | NUT M16X2 | ECROU M16X2 D982 10ZN | MUTTER M16X 2 D982 8 ZN | TUERCA M16X2 D982 10ZN |
| 10 | F01020152R | VITE M12X1,75X40 | SCREW M12X1,75X40 U5737 8.8ZN | VIS M12X1,75X40 U5737 8.8ZN | SCHRAUBE 12X40 5737 8.G | TORN. M12X1,75X40 U5737 8.8ZN |
| 11 | G17630131R | MOZZO ASSALE PASSANTE D160 | PASSING AXLE DIAM.160 ASSY | | PASSING ACHSE DIAM.160 ASSY | |
| 12 | G17615780R | RASCHIATERRA | SOIL-SCRAPER | | ERD--ABSTREIFER | |
| 13 | F01020158R | VITE M12X1,75X55 | SCREW M12X1,75X55 U5737 8.8ZN | VIS M12X1,75X55 U5737 8.8ZN | SCHRA.M12X1.75X55 U5737 8.8 BR | TORN. M12X1,75X55 U5737 8.8ZN |
| 14 | F01470022R | ROS.T 12,2X28X1,50 | WASHER 12 | RONDELLE 12 | SCHEIBE 12 | ARANDELLA 12 |
| 15 | F01410076R | ROS.M1213X24X2,5 | WASHER 12 13X 24X2,5 | RONDELLE 12 13X 24X2,5 | SCHEIBE D12 UNI 6592 ZN | ARAND.M12 13X 24X2,5 U6592 ZN |
| 16 | G16114900R | SPINA ATTACCO 1-2 PUNTO | COUPLING PIN 1-2 POINT | BOULON COUPLING 1-2 P. | SCHEIBE HALTER 1-2 PUNTO | PERNO CONEXIN 1-2 PUNTO |
| 17 | G18701810R | RONDELLA 38X70X10 | WASHER 38X70X10 | RONDELLE 38X70X10 | UNTERLEGSCHEIBE 38X70X10 | ARANDELA 38X70X10 |
| 18 | F01230291R | DADO M30X2 | NUT M30X2 | CROU M30X2 U7474 ZN | SELBSTSP. MU. M30X2 DIN 985 ZN | TUERCA M30X2 U7474 ZN |
| 19 | G15315990R | BOCCOLA CEMENTATA 50X60X80 | BUSHING CEMENTATE 50X60X80 | DOUILLE 50X60X80 | BUCHSE 50X60X80 | CASQUILLO 50X60X80 |
| 20 | G17611920R | RONDELLA 51X85X10 | WASHER 51X85X10 | | UNTERLEGSCHEIBE 51X85X10 | |
| 21 | F02200272R | COPIGLIA 10X 60 U1336 ZN | SPLIT PIN 10 X60 1336 GALVAN. | GOUPILLE 10 X60 1336 GALV. | SPLINT 10 X60 1336 ZN | CHAVETA 10 X60 1336 GALV. |
| 22 | F06120301R | RUOTA COMPL.10.5 80-18 6F | COMPL. WHEEL 10.5 80-18 6F | ROUE COMPL.10.5 80-18 6F | KOMPL. RAD 10.5 80-18 6F | RUEDA COMPL.10.5 80-18 6F |
| 23 | G17618780R | DISTANZIALE ASSALE SX COMUNE | COMMON LEFT AXLE SPACER | | | |
| 24 | G17618800R | DISTANZIALE ASSALE DX ROMINA | ROMINA RIGHT AXLE SPACER | | | |
| 25 | G18800820R | BOCCOLA 12,25X18 X7 | BUSHING 12,25X18X7 | DOUILLE 12,25X18 X7 | BUCHSE 12,25X18 X7 | CASQUILLO 12,25X18 X7 |
| 26 | F20030114R | ETICH. PUNTO DI AGGANCIO | DECAL.LIFT POINT | | AUFKLEBER | |
| 27 | G17615751R | FORCELLONE CARRELLO | CARRIAGE FORK | | HALTER GABEL | |
| 28 | F01100011R | ING.M 6X1 7663A 9SMNPB28 Z | GREASE NIPPLE M6X1 7663-A ZN | GRAISS. A BILLE M6X1 7663A ZN | KUGELFETTBUCHSE M6X1 A | ENG.M 6X1 7663-A 9SMNPB28 ZN |
| 29 | F01110010R | VITE COON.M18X1,5X35 | SCREW COON.M18X1,5X35 L49ST | VIS COON.M18X1,5X35 L49ST | SCHRAUBE ACHSENS-ULE DP | TORNILLO COL.M18X1,5X35 L49ST |
| 30 | F01250052R | DADO COLON. 18X1,5 | NUT 18X1,5 | ECR.COLONNE 18X1,5 GALV. | SCHRAUBBOLZENMUTTER 18X1,5 | TUER.COLUMNNA 18X1,5 GALV. |
| 31 | F04100029R | KIT CUSC.ASSALE G17630131 | AXLE BEARING KIT G17630131 | KIT ROULEM. D ESSIEU G17630131 | ACHSE LAGER KIT G17630131 | KIT COJINETE DE EJES G17630131 |
| 32 | F06120491R | COPERTURA 10.5 80 R18 14PR | TYRE 10.5 80 R18 14PR | | REIFEN 10.5 80 R18 14PR | |
| 33 | F06120492R | CERCHIO 22X205 D162R18X7 6F | WHEEL RIM 22X205 D162 R18X7 6F | | RAD RIM 22X205 D162 R18X7 6F | |
| 34 | F05050025R | CAPPELOTTO PROTEZ. X VALV.PVC | PROTECTION CAP PVC X VALVA | CAPUCHON PROTECION PVC X VALVA | SCHUTZ VENTIL.PVC | TAPA PROTECION PVC X VALVA |
| 35 | F03090064R | KIT GUARNIZ.CILINDRO F03090045 | KIT O-RING CYLINDER F03090045 | | KIT O-RING ZYLINDER F03090045 | |
| 36 | G18803720R | BOCCOLA 35,25X40X10 ZN | BUSHING 35,25X40X10 ZN | DOUILLE 35,25X40X10 GALV. | BUCHSE 35,25X40X10 ZN | CASQUILLO 35,25X40X10 GALV. |



15 - 10,5/80-18 R18X7

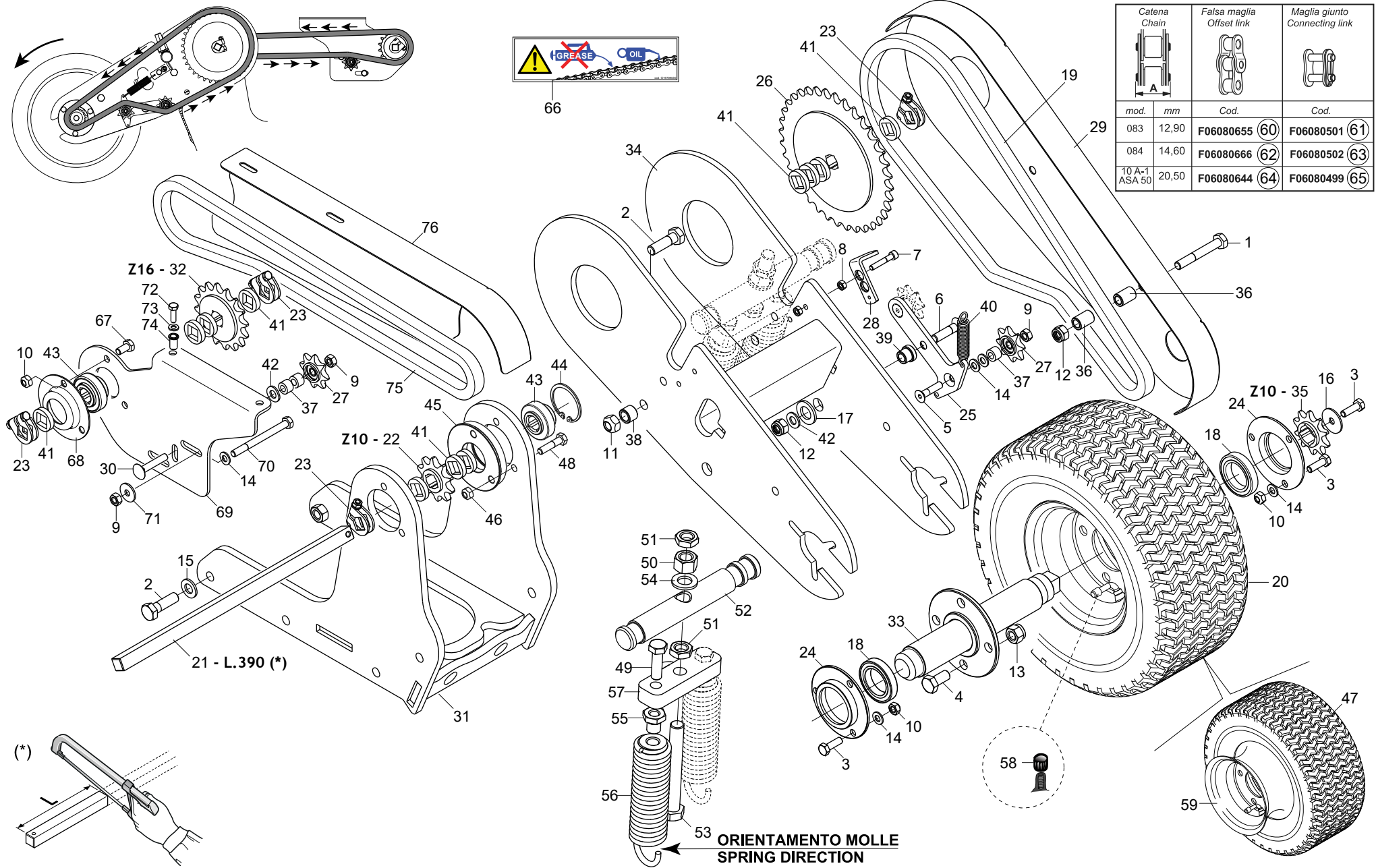


**RUOTE DI TRASPORTO «2020»
TRANSPORT WHEELS «2020»**

TAV. 041

| Pos. | Cod. | Descrizione | Description | Description | Benennung | Description |
|------|------------|--------------------------------|--------------------------------|--------------------------------|-------------------------------|--------------------------------|
| 1 | F01020152R | VITE M12X1,75X40 | SCREW M12X1,75X40 U5737 8.8ZN | VIS M12X1,75X40 U5737 8.8ZN | SCHRAUBE 12X40 5737 8.G | TORN. M12X1,75X40 U5737 8.8ZN |
| 2 | F01020217R | VITE M14X2X110 | SCREW M14X2X110 U5737 8.8BR | VIS M14X2X110 U5737 8.8BR | SCHRAUBE M 14X100 | TORNILLO M14X2X110 U5737 8.8BR |
| 3 | F01020388R | VITE M16X2X240 | SCREW M16X2X240 U5737 8.8 | VIS M16X2X240 U5737 8.8 | SCHRAUBE M16X2X240 U5737 8.8 | TORN. M16X2X240 U5737 8.8 |
| 4 | F01020397R | VITE M6X1X10 | SCREW M6X1X10 U5739 8.8ZN | VIS M6X1X10 U5739 8.8ZN | SCHRAUBE 6X10 5739 8.G ZN | TORNILLO M6X1X10 U5739 8.8ZN |
| 5 | F01060096R | VITE M12X1,75X50 | SCREW M12X1,75X 50 | VIS M12X1,75X50 U5731 A2IX | SCHRAUBE M12X1,75X 50 | TORN. M12X1,75X50 U5731 A2IX |
| 6 | F01100011R | ING.M 6X1 7663A 9SMNPB28 Z | GREASE NIPPLE M6X1 7663-A ZN | GRAISS. A BILLE M6X1 7663A ZN | KUGELFETTBUCHSE M6X1 A | ENG.M 6X1 7663-A 9SMNPB28 ZN |
| 7 | F01220048R | DADO M12X1,75 | NUT M12X1,75 | ECROU M12X1,75 D980 8ZN | SCHEIBE M12X1,75 D980 8 ZN | TUERCA M12X1,75 D980 8 ZN |
| 8 | F01230059R | DADO M12X1,75 | NUT M12X1,75 | ECROU M12X1,75 D982 8ZN | MUTTER M12X1,75 | TUERCA M12X1,75 D982 ZN |
| 9 | F01230073R | DADO M14X2 | NUT M14X2 D982 8ZN | ECROU M14X2 D982 8ZN | SELBSTSP.MUTT. M14X2 | TUERCA AUTOBL. M14X2 D982 8ZN |
| 10 | F01220266R | DADO M16X2 | NUT M16X2 | ECROU M16X2 D980 8ZN | MUTTER M16X2 D980 8 ZN | TUERCA M16X 2 D980 8 ZN |
| 11 | F01410037R | ROS.M6 6,4X12,5X1,6 | WASHER M6 6,4X12,5X1,6 | RONDELLE M6 6,4X12,5X1,6 | SCHEIBE D.6 | ARAND.M6 6,4X12,5X1,6 U6592 ZN |
| 12 | F01020112R | VITE M10X1,5X45 | SCREW M10X1,5X45 U5737 8.8ZN | VIS M10X1,5X45 U5737 8.8ZN | SCHRAUBE M 10X45 | TORN. M10X1,5X45 U5737 8.8ZN |
| 13 | F02200574R | SPINA SICUR.D.10X45 A SCATT.ZN | SAFETY PIN D.10X45 A SCATT.ZN | | | |
| 14 | F03090107R | CILINDRO DE 60X80-175 V.BLOC. | CILINDRO DE 60X80-175 V.BLOC. | | | |
| 15 | F06120301R | RUOTA COMPL. 10.5 80-18 6F | COMPL. WHEEL 10.5 80-18 6F | ROUE COMPL.10.5 80-18 6F | KOMPL. RAD 10.5 80-18 6F | RUEDA COMPL.10.5 80-18 6F |
| 16 | G15315990R | BOCCOLA CEMENTATA 50X60X80 | BUSHING CEMENTATE 50X60X80 | DOUILLE 50X60X80 | BUCHSE 50X60X80 | CASQUILLO 50X60X80 |
| 17 | G16113350R | SPINA 35,00X180 2F11 147 NP | PIN 35X180 2H11 147 NP | GOUPIILLE 35X180 NP | STIFT 35X150 | PASADOR 35X180 NP |
| 18 | G17714320R | SCONTRO A U SP.10 2F16,5 197 | BRACKET SP.10 2F16,5 197 | | KLAMMER SP.10 2F16,5 197 | |
| 19 | G18701600R | RONDELLA 35,5 X50 X3 ZN | WASHER 35.5 X 50 X 3- GALVANIZ | RONDELLE 35-5 X50 X3 ZN | UNTERLEGSCHIEBE 35-5 X50 X3 | ARANDELA 35-5 X50 X3 ZN |
| 20 | G18803720R | BOCCOLA 35,25X40X10 ZN | BUSHING 35,25X40X10 ZN | DOUILLE 35,25X40X10 GALV. | BUCHSE 35,25X40X10 ZN | CASQUILLO 35,25X40X10 GALV. |
| 21 | G19206320R | SUPPORTO PISTONE ZN | SUPPORTO PISTONE ZN | | | |
| 22 | GA7610170R | ASS.FORCELLONE CARRELLO | ASS.FORCELLONE CARRELLO | | | |
| 23 | GA7610220R | SUPPORTO CARRELLO CHRONO 700 | CHRONO 700 CARRIAGE SUPPORT | | | |
| 24 | GA7610240R | RASCHIATERRA CHRONO 700 | RASCHIATERRA CHRONO 700 | | | |
| 25 | GA7610250R | SPINA D.50X405 2F14,5 374,5 NP | SPINA D.50X405 2F14,5 374,5 NP | | | |
| 26 | GA7630030R | ASS.MOZZO ASS.Q.60 PASS.D160 | ASS.MOZZO ASSALE PASSAN.D160 | | | |
| 27 | F01100011R | ING.M 6X1 7663A 9SMNPB28 Z | GREASE NIPPLE M6X1 7663-A ZN | GRAISS. A BILLE M6X1 7663A ZN | KUGELFETTBUCHSE M6X1 A | ENG.M 6X1 7663-A 9SMNPB28 ZN |
| 28 | F03090064R | KIT GUARNIZ.CILINDRO F03090045 | KIT O-RING CYLINDER F03090045 | | KIT O-RING ZYLINDER F03090045 | |
| 29 | F01110010R | VITE COON.M18X1,5X35 | SCREW COON.M18X1,5X35 L49ST | VIS COON.M18X1,5X35 L49ST | SCHRAUBE ACHSENS-ULE DP | TORNILLO COL.M18X1,5X35 L49ST |
| 30 | F01250052R | DADO COLON. 18X1,5 | NUT 18X1,5 | ECR.COLONNE 18X1,5 GALV. | SCHRAUBBOLZENMUTTER 18X1,5 | TUER.COLUMNNA 18X1,5 GALV. |
| 31 | F04100029R | KIT CUSC.ASSALE G17630131 | AXLE BEARING KIT G17630131 | KIT ROULEM. D ESSIEU G17630131 | ACHSE LAGER KIT G17630131 | KIT COJINETE DE EJES G17630131 |
| 32 | F06120491R | COPERTURA 10.5 80 R18 14PR | TYRE 10.5 80 R18 14PR | | REIFEN 10.5 80 R18 14PR | |
| 33 | F06120492R | CERCHIO 22X205 D162R18X7 6F | WHEEL RIM 22X205 D162 R18X7 6F | | RAD RIM 22X205 D162 R18X7 6F | |
| 34 | F05050025R | CAPPELOTTO PROTEZ. X VALV.PVC | PROTECTION CAP PVC X VALVA | CAPUCHON PROTECION PVC X VALVA | SCHUTZ VENTIL.PVC | TAPA PROTECION PVC X VALVA |
| 35 | F01220033R | DADO M10X1,5 | NUT M10X1,5 | ECROU M10X1,5 D980 8GALV. | MUTTER M10 | TUERCA M10X1,5 D980 8 |
| 36 | GA7610390R | ANTIROTAZIONE | ANTIROTAZIONE | | | |
| 37 | GA7630040R | ASS.MOZZO ASS.Q.70 PASS.D160 | ASS.MOZZO ASS.Q.70 PASS.D160 | | | |
| 38 | F04100035R | KIT CUSC.ASSALE GA7630040 | AXLE BEARING KIT GA7630040 | KIT ROULEM. D ESSIEU GA7630040 | | KIT COJINETE DE EJES GA7630040 |

TAV. 050

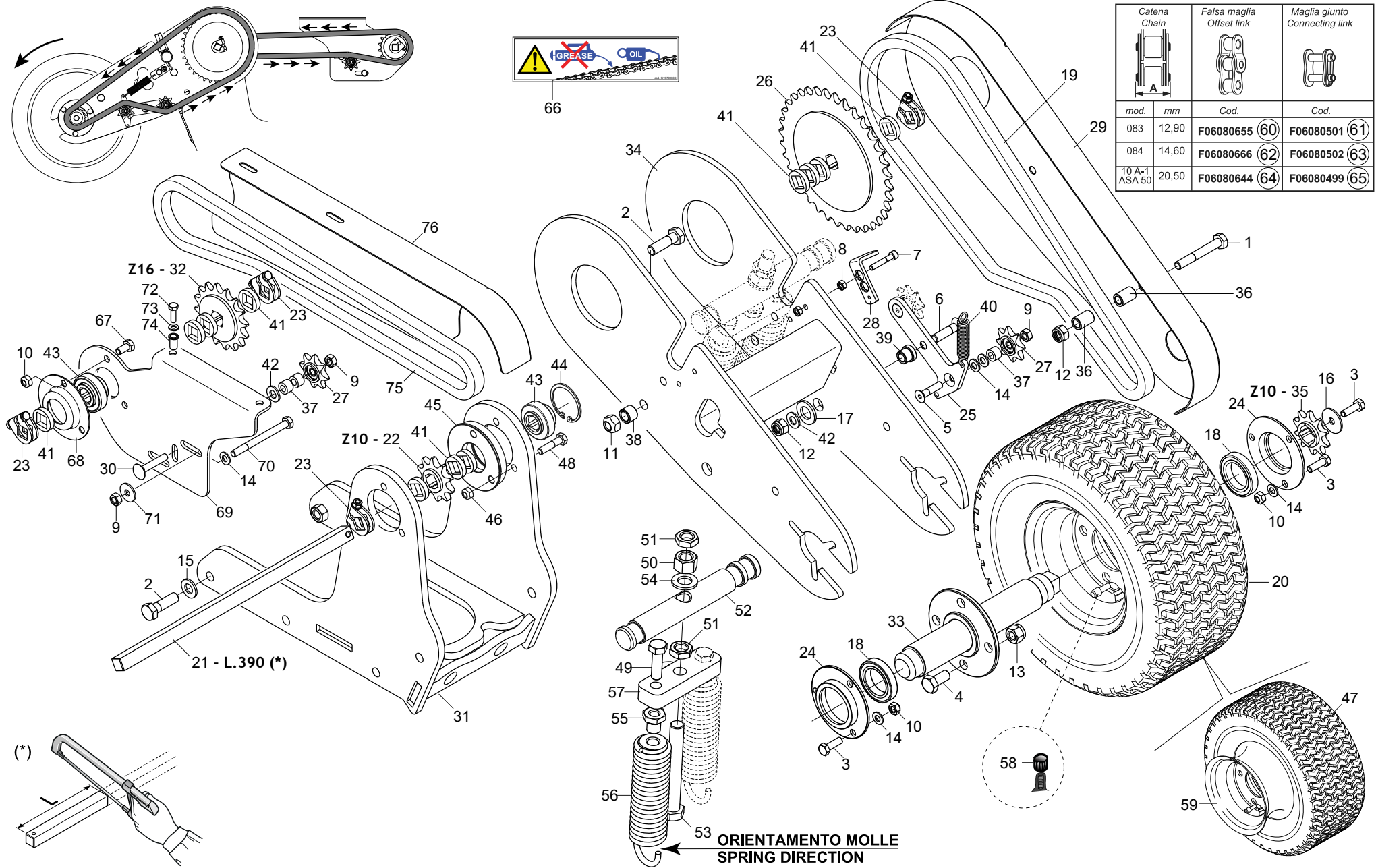


RUOTINO DI TRASMISSIONE CONCIME FERTILIZER DRIVE WHEEL

TAV. 050

| Pos. | Cod. | Descrizione | Description | Description | Benennung | Descripcion |
|------|------------|--------------------------------|--------------------------------|--------------------------------|--------------------------------|--------------------------------|
| 1 | F01020124R | VITE M10X1,5X70 | SCREW M10X1,5X70 U5737 10.9ZD | VIS M10X1,5X70 U5737 10.9ZD | SCHRAUBE M10X1.5X70 U5737 10.9 | TORNIL.M10X1,5X70 U5737 10.9ZD |
| 2 | F01020152R | VITE M12X1,75X40 | SCREW M12X1,75X40 U5737 8.8ZN | VIS M12X1,75X40 U5737 8.8ZN | SCHRAUBE 12X40 5737 8.G | TORN. M12X1,75X40 U5737 8.8ZN |
| 3 | F01020440R | VITE M8X1,25X25 | SCREW M8X1,25X25 U5739 8.8ZN | VIS M8X1,25X25 U5739 8.8ZN | SCHRAUBE M8 X25 5739 8.8 ZN | TORN. M8X1,25X25 U5739 8.8ZN |
| 4 | F01020508R | VITE M12X1,75X25 | SCREW M12X1,75X25 U5739 8.8ZN | VIS M12X1,75X25 U5739 8.8ZN | SCHRAUBE 12X25 5739 8.G | TORN. M12X1,75X25 U5739 8.8ZN |
| 5 | F01030060R | VITE M8X1,25X35 | SCREW M8X1,25X35 | VIS M8X1,25X35 U5933 10.9ZD | SCHRAUBE 8X35 5933 8.8 ZN | TORN. M8X1,25X35 U5933 10.9ZD |
| 6 | F01030097R | VITE M10X1,5X40 | SCREW M10X1,5X40 | VIS M10X1,5X40 U5933 10.9ZD | SCHRAUBE M10X1,5X40 | TORNIL.M10X1,5X40 U5933 10.9ZD |
| 7 | F01040066R | VITE M6X1X35 | SCREW M6X1X35 | VIS M6X1X35 U5931 8.8ZN | SCHRAUBE 6 X35 5931 8.G ZN | TORNILLO M6X1X35 U5931 8.8ZN |
| 8 | F01200232R | DADO M6X1 | NUT M6X1 | CROU M6X1 U5588 CL8 ZN | MUTTER 6 UNI 5588 6.8 ZN | TUERCA M6X1 U5588 CL8 ZN |
| 9 | F01200244R | DADO M8X1,25 | NUT M8X1,25 | CROU M8X1,25 U5588 CL8 ZN | MUTTER M8 X1,25 U5588 6.8 ZN | TUERCA M8X1,25 U5588 CL8 ZN |
| 10 | F01220022R | DADO M8X1,25 | NUT M8X1,25 | CROU M8X1,25 D980 ZN | SELBSTSP.MUTT. M8X1,25 980-V | TUERCA M8X 1,25 D980 8 ZN |
| 11 | F01220048R | DADO M12X1,75 | NUT M12X1,75 | ECROU M12X1,75 D980 8ZN | SCHEIBE M12X1,75 D980 8 ZN | TUERCA M12X1,75 D980 8 ZN |
| 12 | F01230048R | DADO M10X1,5 | NUT M10X1,5 | ECROU M10X1,5 D982 8GALV. | SELBSTSP. MUTTER NOR. 10 ZN | TUERCA SEGURID.M10X1,5 D982 ZN |
| 13 | F01230059R | DADO M12X1,75 | NUT M12X1,75 | ECROU M12X1,75 D982 8ZN | MUTTER M12X1,75 | TUERCA M12X1,75 D982 ZN |
| 14 | F01410051R | ROS.M8 8,4X 17X1,6 | WASHER M8 8,4X17X1,6 | RONDELLE M8 8,4X17X1,6 | SCHEIBE D.8 | ARAND.M8 8,4X 17X1,6 U6592 ZN |
| 15 | F01410076R | ROS.M1213X24X2,5 | WASHER 12 13X 24X2,5 | RONDELLE 12 13X 24X2,5 | SCHEIBE D12 UNI 6592 ZN | ARAND.M12 13X 24X2,5 U6592 ZN |
| 16 | F01420049R | ROS.M8 8,4X 32X 2 | WASHER M8 8,4X32X2 | RONDELLE M8 8,4X32X2 | SCHEIBE M8 8,4X32X2 U6593 ZN | ARAND.M8 8,4X 32X 2 U6593 ZN |
| 17 | F01410101R | ROS.M16 17X30X 3 | WASHER M16 17X 30X 3 | RONDELLE M16 17X 30X 3 | SCHEIBE M16 17X 30X 3 U6592 IX | |
| 18 | F04010311R | CUSC.D35 D55 B10 61907 LLU | BEARING D35 D55 B10 61907 LLU | ROUL. D35 D55 B10 61907 LLU | LAGER D35 D55 B10 61907 L | COJIN.D35 D55 B10 61907 LLU |
| 19 | F06080183R | CATENA 5 8 ASA 50 L 76 MAGLIE | CHAIN 5 8 ASA 50 L 76 LINKS | CHAINE 5 8 ASA 50 L 76 MAILLE | KETTE 5 8 ISO 10B 76 GLIEDER | CADENA 5 8 ASA 50 L 76 ESLABO |
| 20 | F06120484R | RUOTA COMP.13X6,5-6 6PR TUBEL. | WHEEL 13X6,5-6 6PR TUBELESS | ROUE COMP.13X6,5-6 6PR TUBEL. | RAD 13X6,5-6 6PR ROHRLESS | RUEDA COMP.13X6,5-6 6PR TUBEL. |
| 21 | G22230138R | ASSE CAMBIO 4F.80-6F.45 L.1000 | GEAR SPINDLE 4-ROW 80- 6-ROW.4 | AXE BOITE DE VITESSE 4 RA | GETRIEBEACHSE 4 R. 80-6 R.45 L | EJE CAMBIO 4 FILAS. 80-6 FILAS |
| 22 | G22220113R | INGRANAGGIO Z-10 FERRO | GEAR Z-10 IRON | ENGRENAGE Z-10 FER | ZAHNRAD Z-10 EISEN | ENGRANAJE Z-10 HIERRO |
| 23 | G22505085R | FERMO ASSE IN LAMIERA | PLATE AXLE STOP | ARRET AXE EN TOLE | FESTSTELLVORRICHTUNG BLECHACHS | BLOQUEO EJE DE CHAPA |
| 24 | G22500092R | SUPPORTO CUSCINETTO | BEARING SUPPORT | SUPPORT ROULEMENT | LAGERBUCHSE | SOPORTE COJINETE |
| 25 | G15835330R | TENDICATENA ZN | CHAINSTRETCHER ZN | | SPANNKETTE ZN | |
| 26 | G15930140R | PIGNONE Z36 5 8-3 8 Q.16,4 ZN | PIGNONE Z36 5 8-3 8 Q.16,4 ZN | | | |
| 27 | G16630790R | INGR.Z8 5 8X3 8 TENDICAT.COMPL | GEAR Z8 5 8X3 8 CHAIN | | KETTENSPELLNERRITZEL | |
| 28 | G17130140R | LEVA CAMBIO | GEAR LEVER | LEVIER BOITE DE VITESSE | GETRIEBE HEBEL | PALANCA DE CAMBIO |
| 29 | G17621740R | CARTER TRASMISSIONE SPANDI | CARTER TRASMISSIONE SPANDI | | | |
| 30 | F01060047R | VITE M8X1,25X45 | SCREW M8X1,25X45 | VIS M8X1,25X45 U5731 8.8ZN | SCHRAUBE 8X45 5732 4.6 ZN | TORN. M8X1,25X45 U5731 8.8ZN |
| 31 | G17630194R | ASS.SUPPORTO BRACCIO | ASS.SUPPORT ARM | | | |
| 32 | G16630400R | PIGNONE Z-16 ZN. | PINION Z-16 ZN. | PIGNON Z-16 ZN. | ZAHNRAD Z-16 ZN. | PINION Z-16 ZN. |
| 33 | G17632320R | ASSE RUOTINO ZN | WHEEL AXIS | | RADACHSE | |
| 34 | G17633190R | ASS.BRACCIO OSCILL.RUOTINO SPA | ASS.BRACCIO OSCILL.RUOTINO SPA | | | |
| 35 | G17732200R | PIGNONE Z10 5 8-3 8 Q.20,4 ZN | PINION Z10 5 8-3 8 SQ.20,4 ZN | | RITZEL Z10 5 8-3 8 ZN | |
| 36 | G18801500R | BOCCOLA 10,25X16 X23 ZN | BUSHING 10,25 X 16 X 23 GALVA | DOUILLE 10,25X16 X23 GALV. | BUCHSE 10,25X16 X23 ZN | CASQUILLO 10,25X16 X23 ZN |
| 37 | G18801580R | BOCCOLA 8,5 X15 X10 | BUSH 8.5 X15 X10 | DOUILLE 8,5 X15 X10 | BUCHSE 8,5 X15 X10 | CASQUILLO 8,5X15X10 |
| 38 | G18802260R | BOCCOLA 12,25X18X13,5 ZN | BUSH 12.25X18X13.5 ZN | DOUILLE 12,25X18X13,5 ZN | BUCHSE 12,25X18X13,5 ZN | MANGUITO 12,25X18X13,5 ZN |
| 39 | G18804150R | BOCCOLA 10,25X20 X16 | BUSHING 10,25X20 X16 | DOUILLE 10,25X20 X16 | | CASQUILLO 10,25X20 X16 |
| 40 | G18902970R | MOLLA TRAZ.CAMBIO ZN SP | GALVAN. GEAR TRACT. SPRING SP | RESS. TRACT. BOITE VITESSE ZN | ZUGFEDER GETRIEBE ZN SP | MUELLE TRAC. CAMBIO ZN SP |
| 41 | G66248218R | RONDELLA DISTAN.SPAND. | MAN. SPR. SPACER WASHER | RONDELLE ENTRETOISE EP. ENGRAI | ABSTANDSCHEIBE D NGERSTREUER | ARANDELA DISTAN.ABONAD. |
| 42 | F01410062R | ROS.M10 10,5X 18X 2 | WASHER M10 10,5X 18X 2 | RONDELLE M10 10,5X 18X 2 | SCHEIBE M10 10,5X18X2 U6592 ZN | ARAND.M10 10,5X 18X 2 U6592 ZN |
| 43 | G14830390R | CUSCINETTO FORO QUADRO | SQUARE-HOLED BEARING | ROULEMENT TROU CARRE | LAGER VIERKANTLOCH | COJINETE ORIFICIO CUADRADO |
| 44 | F02050370R | ANELLO E. DI 47X1,75 U7437 C70 | SEEGER RING 47X 1,75 U7437 C70 | SEEGER E. 47X 1,75 U7437 C70 | RING 47 UNI 7437-75 | ANILLO E. 47X 1,75 U7437 C70 |
| 45 | G22310011R | FLANGIA CAMBIO DP | GEARBOX FLANGE DP | BRIDE BOITE DE VITESSE DP | FLANSCH GETRIEBE DP | BRIDA CAMBIO DP |
| 46 | F01220022R | DADO M8X1,25 | NUT M8X1,25 | CROU M8X1,25 D980 ZN | SELBSTSP.MUTT. M8X1,25 980-V | TUERCA M8X 1,25 D980 8 ZN |
| 47 | F06120486R | PNEUM.13X6,50 6PR | TYRE 13X6,50 6PR | | REIFEN 13X6,50 6PR | |
| 48 | F01020063R | VITE M8X1,25X35 | SCREW M8X1,25X35 U5737 8.8ZN | VIS M8X1,25X35 U5737 8.8ZN | SCHRAUBE 8 X35 5737 8.G ZN | TORN. M8X1,25X35 U5737 8.8ZN |
| 49 | F01020152R | VITE M12X1,75X40 | SCREW M12X1,75X40 U5737 8.8ZN | VIS M12X1,75X40 U5737 8.8ZN | SCHRAUBE 12X40 5737 8.G | TORN. M12X1,75X40 U5737 8.8ZN |
| 50 | F01200110R | DADO M16X2 | NUT M16X2 | ECROU M16X2 U5587 CL8 ZN 6.8ZN | MUTTER M16 | TUERCA M16X2 U5587 CL8 ZN 6.8Z |
| 51 | F01200444R | DADO M16X2 | NUT M16X2 | ECROU M16X2 U5589 CL8 ZN 6SZN | MUTTER M16X2 | TUERCA M16X2 U5589 CL8 ZN 6S |
| 52 | G17630251R | TONDO AGG.MOLLE RUOT.LARGO ZN | ROD HITCH WHEEL SPRING | | PLEUEL BOCK RAD FEDER | |
| 53 | F01020581R | VITE M16X2X120 | SCREW M16X2X120 U5739 8.8ZN | VIS M16X2X120 U5739 8.8ZN | SCHRAUBE M16X2X120 U5739 8.8ZN | TORN. M16X2X120 U5739 8.8ZN |
| 54 | F01410100R | ROS.M16 17X30X 3 | WASHER M16 17X30X3 | RONDELLE M16 17X30X3 | SCHEIBE D.16 UNI 6592 ZN | ARAND.M16 17X 30X 3 U6592 ZN |
| 55 | G15220120R | VITE REGOLAZIONE ZN | ADJUSTING SCREW ZN | VIS DE R GLAGE ZN | STELLSCHRAUBE ZN | TORNILLO AJUSTE ZN |

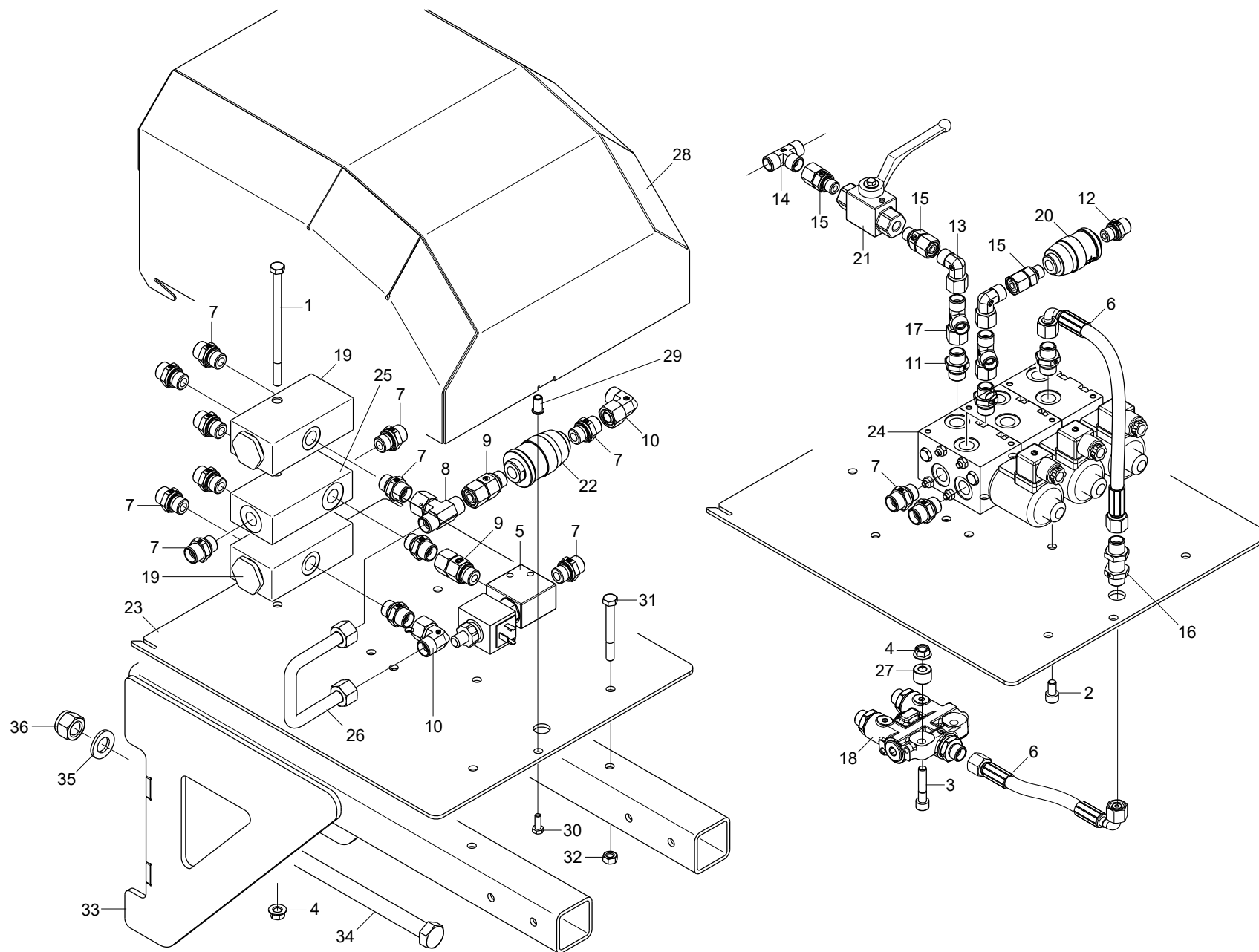
TAV. 050



**RUOTINO DI TRASMISSIONE CONCIME
FERTILIZER DRIVE WHEEL**

TAV. 050

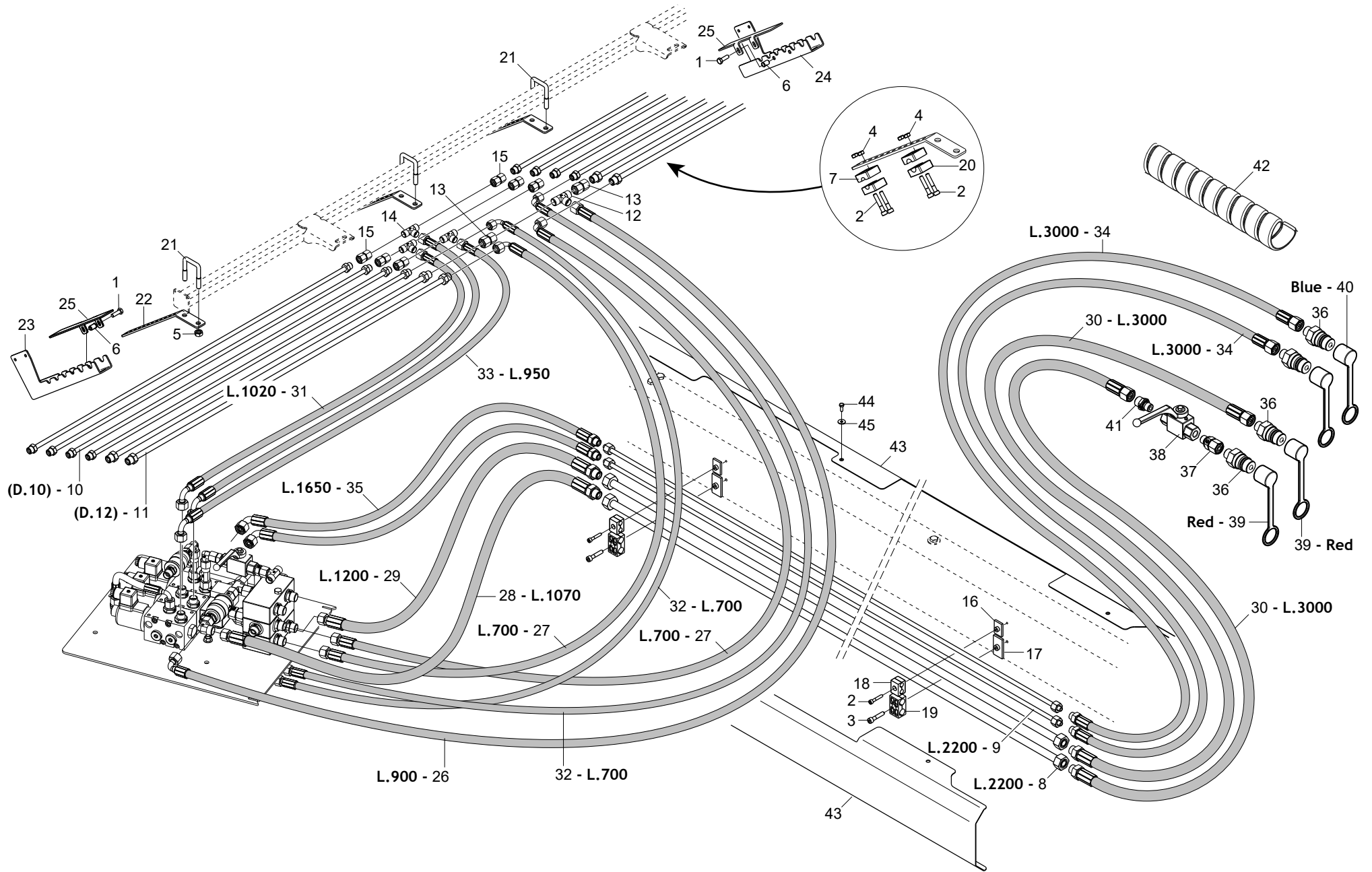
| Pos. | Cod. | Descrizione | Description | Description | Benennung | Descripcion |
|------|------------|--------------------------------|--------------------------------|--------------------------------|--------------------------------|--------------------------------|
| 56 | G15226270R | MOLLA COMPL. | COMPL. SPRING | RESSORT COMPLETE | DRUCKFEDER ELEMENT KOMPL DP | |
| 57 | G17722770R | ASS.TIRO MOLLA | SPRING TIGHTENER ASS.BLY | | HALTER_TIRO FEDER | |
| 58 | F05050025R | CAPPELOTTO PROTEZ. X VALV.PVC | PROTECTION CAP PVC X VALVA | CAPUCHON PROTECION PVC X VALVA | SCHUTZ_VENTIL.PVC | TAPA PROTECION PVC X VALVA |
| 59 | F06120485R | CERCHIO 6 4 FORI D.12 TUBELES | CIRCLE 6 4 HOLES D.12 TUBELES | | CIRCLE 6 4 L CHER D.12 ROHRLES | |
| 60 | F06080655R | FALSA MAGLIA CAT.1 2 ISO 083 | FALSE CHAIN LINK 1 2 ISO 083 | FAUSSE MAILLE CHAINE 1 2 ISO 0 | FALSCHES GLIED 1 2 ISO 083 | ESLAB N FICTICIO CAD. 1 2 ISO |
| 61 | F06080501R | GIUNZIONE CATENA 1 2 ISO 083 | CHAIN JOINT 1 2 ISO 083 | JONCTION CHAINE 1 2 ISO 083 | KETTENVERBINDUNG 1 2 ISO 083 | UNI N CADENA 1 2 ISO 083 |
| 62 | F06080666R | FALSA MAGLIA CAT.1 2 ISO 084-1 | | | | |
| 63 | F06080502R | GIUNZIONE CATENA 1 2 ISO 084-1 | CHAIN JUNCTION 1 2 ISO 084-1 | | GIUNZIONE KETTE 1 2 ISO 084-1 | |
| 64 | F06080644R | FALSA MAGLIA CAT.5 8 ASA 50LUB | | FAUSSE MAILLE CHAINE ASA 50LUB | FALSCHES GLIED ISO 10B1 | ESLAB N FICTICIO CAD.5 8 ASA50 |
| 65 | F06080499R | GIUNZIONE CATENA 5 8 ASA 50LUB | CHAIN JOINT 5 8 ASA 50LUB | JONCTIONS CHAINE 5 8 ASA 50LUB | KETTENVERBINDUNG ISO 10B1 | UNIONES CADENA 5 8 ASA 50LUB |
| 66 | G19709030R | DECAL.OLIO CATENE | LABEL OIL CHAIN | | | |
| 67 | F01020432R | VITE M8X1,25X16 | SCREW M8X1,25X16 U5739 8.8ZN | VIS M8X1,25X16 U5739 8.8ZN | SCHRAUBE M 8X16 | TORN. M8X1,25X16 U5739 8.8ZN |
| 68 | G22230094R | SUPPORTO CUSCINETTO | BEARING SUPPORT | SUPPORT DE ROULEMENT | LAGERB CHSE | SOPORTE COJINETE |
| 69 | G17671510R | SUPPORTO TRASMISSIONE SPANDI | SUPPORTO TRASMISSIONE SPANDI | | | |
| 70 | F01020088R | VITE M8X1,25X90 | SCREW M8X1,25X90 U5737 8.8ZN | VIS M8X1,25X90 U5737 8.8ZN | SCHR. M8X1,25X90 U5737 8.8 BR | TORN. M8X1,25X90 U5737 8.8ZN |
| 71 | F01420047R | ROS.M8 8,4X 24X 2 | WASHER M8 8,4X24X2 | RONDELLE M8 8,4X24X2 | SCHEIBE M8 8,4X24X2 U6593 IX | ARANDELA M8 8,4X24X2 U6593 IX |
| 72 | F01020404R | VITE M6X1X20 | SCREW M6X1X20 U5739 8.8ZN | VIS M6X1X20 U5739 8.8ZN | SCHRAUBE 6X20 5739 8.G ZN | TORNILLOM6X1X20 U5739 8.8ZN |
| 73 | F01410037R | ROS.M6 6,4X12,5X1,6 | WASHER M6 6,4X12,5X1,6 | RONDELLE M6 6,4X12,5X1,6 | SCHEIBE D.6 | ARAND.M6 6,4X12,5X1,6 U6592 ZN |
| 74 | F02250684R | INSERTO FIL.M 6X17,5 ZN T.TOND | CYLINDRICAL NUT M 6X17,5 ZN | | ZYLINDR. MUTTER M 6X17,5 ZN | |
| 75 | F06080165R | SP.CAT.5 8 71M.ASA 50 LUB | SP.CAT.5 8 71M.ASA 50 LUB | | | |
| 76 | G17621830R | CARTER TRASMISS.RENATA 2019 | RENATA 2019 TRANSMISSION COVER | | | |



IMPIANTO ELETTROVALVOLE HYDRAULIC VALVESET

TAV. 061

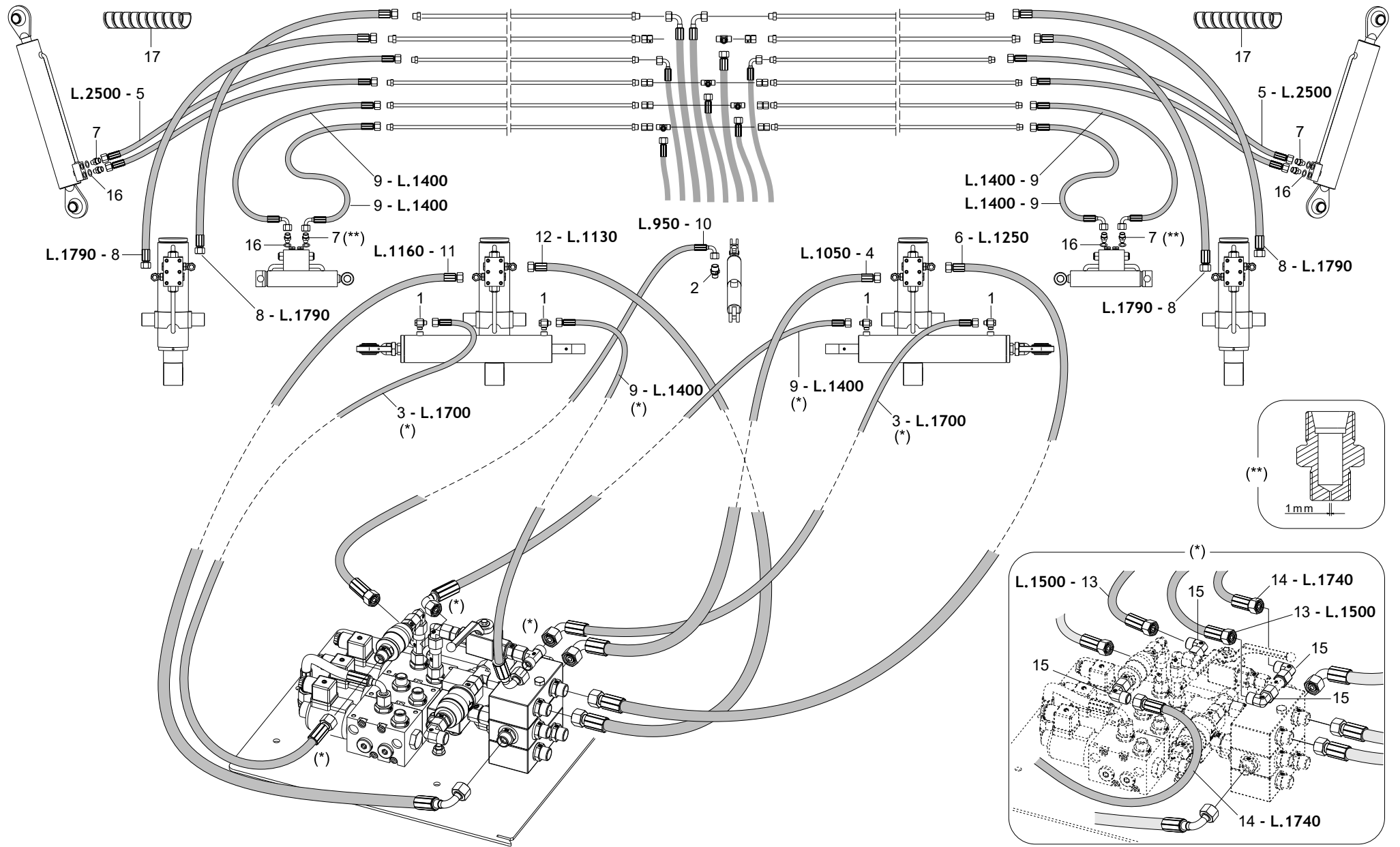
| Pos. | Cod. | Descrizione | Description | Description | Benennung | Description |
|------|------------|--------------------------------|--------------------------------|--------------------------------|---------------------------------|--------------------------------|
| 1 | F01020096R | VITE M8X1,25X140 | SCREW M8X1,25X140 U5737 8.8ZN | VIS M8X1,25X140 U5737 8.8ZN | SCHRAUBE M8X1,25X140 | TORN. M8X1,25X140 U5737 8.8ZN |
| 2 | F01040086R | VITE M8X1,25X14 | SCREW M8X1,25X14 | VIS M8X1,25X14 U5931 8.8ZN | SCHRAUBE 8 X14 5931 8.G ZN | TORN. M8X1,25X14 U5931 8.8ZN |
| 3 | F01040101R | VITE M8X1,25X40 | SCREW M8X1,25X40 | VIS M8X1,25X40 U5931 8.8ZN | SCHRAUBE M8X1,25X40 U5931 8.8 | TORN. M8X1,25X40 U5931 8.8ZN |
| 4 | F01260043R | DADO M8 | NUT M8 | CROU M8 D6923 8.8ZN | MUTTER MIT SCHEIBE M8 DIN6923 | TUERCA M8 D6923 8.8ZN |
| 5 | F03020189R | ELETTROVALVOLVA 2V G3 8 12V | ELETTROVALVE 2V G3 8 12V | | ELEKTROVENTIL 2V G3 8 12V | |
| 6 | F03070170R | TUBO 1 4 R17 FL10 CFL10 L160 | TUBE 1 4 R17 FL10 CFL10 L160 | | | |
| 7 | F03080001R | NIPPLO M3 8 SEAL ML12 ZN | NIPPLE M3 8 SEAL ML12 ZN | NIPLE M3 8 SEAL ML12 ZN | NIPPEL M3 8 SEAL ML12 ZN | NIPLE M3 8 SEAL ML12 ZN |
| 8 | F03080009R | RACC.T ML12 FL12 ML12 ZN | T-UNION ML12 FL12 ML12 | RACCORD T ML12 FL12 ML12 ZN | ANSCHLUSST. T ML12 FL12 ML12 ZN | UNION T ML12 FL12 ML12 ZN |
| 9 | F03080042R | NIPPLO M3 8 SEAL FL12 ZN | NIPPLE M3 8 SEAL FL12 ZN | | NIPPEL M3 8 DICHTUNG FL12 ZN | |
| 10 | F03080062R | RACC.L FL12 ML12 ZN | L-UNION FL12 ML12 ZN | RACCORD L FL12 ML12 ZN | ANSCHLUSST. L FL12 ML12 ZN | UNION L FL12 ML12 ZN |
| 11 | F03080081R | NIPPLO M3 8 SEAL ML10 ZN | NIPPLE M3 8 SEAL ML10 ZN | | NIPPEL M3 8 DICHTUNG ML10 ZN | |
| 12 | F03080082R | NIPPLO M1 4 SEAL ML10 ZN | NIPPLE M1 4 SEAL ML10 ZN | | NIPPEL M1 4 DICHTUNG ML10 ZN | |
| 13 | F03080086R | RACC.L FL10 ML10 ZN | L-UNION FL10 ML10 ZN | | L-UNION FL10 ML10 ZN | |
| 14 | F03080087R | RACC.T ML10 ML10 ML10 ZN | T-UNION ML10 ML10 ML10 ZN | | T-UNION ML10 ML10 ML10 ZN | |
| 15 | F03080097R | NIPPLO M1 4 SEAL FL10 ZN | NIPPLE M1 4 SEAL FL10 | | NIPPEL M1 4 DICHTUNG FL10 | |
| 16 | F03080098R | PASSAPARETE ML10 ML10 ZN | PASS WALL ML10 ML10 | | PASS WAND ML10 ML10 | PASAMUROS ML10 ML10 ZN |
| 17 | F03080189R | RACC.T FL10 ML10 ML10 ZN | T-UNION FL10 ML10 ML10 ZN | | ROHRBOGEN.T FL10 ML10 ML10 ZN | |
| 18 | F03095001R | VALVOLA SEGNAFILE M16 DIN24 | ROWMARKER VALVE M16 DIN24 | | SPURANZEIGER VENTIL M16 DIN24 | |
| 19 | F03151146R | DIVISORE FLUSSO RIUNIF.3 8-24 | REUNITED FLOW DIVIDER 3 8-24 | DIVISEUR FLUX UNIF. 3 8-24 | FLUSSSTEILER 3 8-24 | DIVISOR FLUJO REUNIF.3 8-24 |
| 20 | F03151226R | REGOL.DI FLUSSO VRF 1 4 GAS | 1 4 GAS VALVE VRF | SOUPAPE REG DEBIT VRF 1 4 GAZ | DROSSELVENTIL VRF 1 4 GAS | V LVULA VRF 1 4 GAS |
| 21 | F03151245R | RUBINETTO F-F 1 4 | COCK F.-F. 1 4 | ROBINET F.-F. 1 4 | HAHN F.-F. 1 4 | GRIFO H.-H. 1 4 |
| 22 | F03151252R | STROZZATORE UNIDIREZ.VSRU 3 8 | UNI-DIRECTIONAL VENTURI 3 8 | ETRIANGLEUR UNIDIRECTIONN. 3 8 | ZWEIS. DROSSEL 3 8 | ESTRANGULADOR UNIDIRECCION.3 8 |
| 23 | G17619660R | PIASTRA SUPPORTO ELETTROVALVOL | PIASTRA SUPPORTO ELETTROVALVOL | | | |
| 24 | G17620580R | BLOCCO VALVOLE 3 SEZIONI | BLOCK VALVES 3 | | BLOCK VENTILE 3 | |
| 25 | G17621470R | BLOCCHETTO DI GIUNZ.4 VIE | CONNECTION BLOCK 4 WAY | | | |
| 26 | G17621810R | TM U D.12 FL12 FL12 ZN | TM U D.12 FL12 FL12 ZN | | | |
| 27 | G18801540R | BOCCOLA 8,25 X18 X13 | BUSHING 8.25 X 18 X 13 | DOUILLE 8-25X18X13 | BUCHSE 8-25X18X13 | CASQUILLO 8-25X18X13 |
| 28 | G17621750R | ASS.CARTER ELETTROV. 19 | ASS.CARTER ELETTROV. 19 | | | |
| 29 | F02250684R | INSERTO FIL.M 6X17,5 ZN T.TOND | CYLINDRICAL NUT M 6X17,5 ZN | | ZYLINDR. MUTTER M 6X17,5 ZN | |
| 30 | F01020403R | VITE M6X1X16 | SCREW M6X1X16 U5739 8.8ZN | VIS M6X1X16 U5739 8.8ZN | SCHRAUBE M 6X16 | TORNILLO M6X1X16 U5739 8.8ZN |
| 31 | F01020083R | VITE M8X1,25X70 | SCREW M8X1,25X70 U5737 8.8ZN | VIS M8X1,25X70 U5737 8.8ZN | SCHRAUBE M 8X70 | TORN. M8X1,25X70 U5737 8.8ZN |
| 32 | F01200244R | DADO M8X1,25 | NUT M8X1,25 | CROU M8X1,25 U5588 CL8 ZN | MUTTER M8 X1,25 U5588 6.8 ZN | TUERCA M8X1,25 U5588 CL8 ZN |
| 33 | GA7610440R | ASS.SUPPORTO ELETTROVALVOLE | ELECTRIC VALVES SUPPORT | | | CONJ.SOP.V LVULAS SOLENOIDES |
| 34 | F01020388R | VITE M16X2X240 | SCREW M16X2X240 U5737 8.8 | VIS M16X2X240 U5737 8.8 | SCHRAUBE M16X2X240 U5737 8.8 | TORN. M16X2X240 U5737 8.8 |
| 35 | F01410100R | ROS.M16 17X30X 3 | WASHER M16 17X30X3 | RONDELLE M16 17X30X3 | SCHEIBE D.16 UNI 6592 ZN | ARAND.M16 17X 30X 3 U6592 ZN |
| 36 | F01230085R | DADO M16X2 D982 10ZN | NUT M16X2 | ECROU M16X2 D982 10ZN | MUTTER M16X 2 D982 8 ZN | TUERCA M16X2 D982 10ZN |



**IMPIANTO OLEODINAMICO ANTERIORE
FRONT HYDRAULIC SYSTEM**

TAV. 070

| Pos. | Cod. | Descrizione | Description | Description | Benennung | Description |
|------|------------|--------------------------------|--------------------------------|--------------------------------|--------------------------------|--------------------------------|
| 1 | F01020440R | VITE M8X1,25X25 | SCREW M8X1,25X25 U5739 8.8ZN | VIS M8X1,25X25 U5739 8.8ZN | SCHRAUBE M8 X25 5739 8.8 ZN | TORN. M8X1,25X25 U5739 8.8ZN |
| 2 | F01040066R | VITE M6X1X35 | SCREW M6X1X35 | VIS M6X1X35 U5931 8.8ZN | SCHRAUBE 6 X35 5931 8.G ZN | TORNILLO M6X1X35 U5931 8.8ZN |
| 3 | F01040101R | VITE M8X1,25X40 | SCREW M8X1,25X40 | VIS M8X1,25X40 U5931 8.8ZN | SCHRAUBE M8X1,25X40 U5931 8.8 | TORN. M8X1,25X40 U5931 8.8ZN |
| 4 | F01200232R | DADO M6X1 | NUT M6X1 | CROU M6X1 U5588 CL8 ZN | MUTTER 6 UNI 5588 6.8 ZN | TUERCA M6X1 U5588 CL8 ZN |
| 5 | F01200270R | DADO M10X1,5 | NUT M10X1,5 | ECROU M10X1,5 U5588 CL8 GALV. | MUTTER M10X1,5 U5588 6.8 ZN | TUER.M10X1,5 U5588 CL8 GALV. |
| 6 | F02250682R | INSERTO FIL.M 8X16 ZN T.RIDOTT | CYLINDRICAL NUT 8X16 ZG T.RIDO | ECROU CYLINDRIQUE 8X16 ZG T.RI | ZYLINDRISCHE MUTTER 8X16 ZG | TUERCA CILINDRICA 8X16 ZG T.RI |
| 7 | F02350075R | COLLARE FERMA 1 TUBO D.10 | FIXING BLOCK 1 TUBE D.10 | | FESTSTELLER BLOCK 1 ROHR D.10 | |
| 8 | F03070480R | TM D.18X2 FL18 FL18 2200 ZN | TUBE D.18X2 FL18 FL18 2200 ZN | | | |
| 9 | F03070545R | TM D.12X1,5 FL12 FL12 2200 ZN | TM D.12X1,5 FL12 FL12 2200 ZN | | | |
| 10 | F03071358R | TM D.10X1,5 ML10 ML10 1100 | TM D.10X1,5 ML10 ML10 1100 | | | |
| 11 | F03071359R | TM D.12X1,5 ML12 ML12 1100 | TM D.12X1,5 ML12 ML12 1100 | | | |
| 12 | F03080030R | RACC. T ML12 ML12 ML12 ZN | T-UNION ML 12 ML12 ML12 ZN | RACCORD T ML12 ML12 ML12 ZN | ANSCHLUSST.T ML12 ML12 ML12 ZN | UNION T ML12 ML12 ML12 ZN |
| 13 | F03080031R | NIPPLO FL12 FL12 ZN | NIPPLE FL12 FL12 | | NIPPEL FL12 FL12 | |
| 14 | F03080087R | RACC. T ML10 ML10 ML10 ZN | T-UNION ML10 ML10 ML10 ZN | | T-UNION ML10 ML10 ML10 ZN | |
| 15 | F03080165R | NIPPLO FL10 FL10 ZN | NIPPLE FL10 FL10 ZN | | | |
| 16 | F03150974R | P.INF.COLL.2T I=00 M6 37X30 Z | P.INF.COLL.2T I=00 M6 37X30 Z | | | |
| 17 | F03150975R | P.INF.COLL.2T I=00 M8 56X30 | FIX.BLOCK 2TUBES I=00 M8 56X30 | | | |
| 18 | F03150991R | COPPIA COLL.2T D12 1V I=00 M6 | COLLAR PAIR 2T D12 1V I=00 M6 | PAIRE COLL. 2T D12 1V I=00 M6 | KRAGEN PAAR 2T D12 1V I=00 M6 | PAR COLL. 2T D12 1V I=00 M6 |
| 19 | F03150996R | COPPIA COLLARI X TUBO D.18 | DOUBLE TUBE SUPPORT D.18 | | DOPPELHALTER | |
| 20 | F03151136R | COLLARE A1-12 S | COLLAR A1-12 S | COLLIER A1-12 S | BUNDRING A1-12 S | ARGOLLA A1-12 S |
| 21 | F20110706R | CAV.Q.B=35 M=10X1,5 L=60 | U BOLT Q.B=35 M=10X1,5 L=60 | CAVALIER SUPPORT DISQUE SV | VERBINDUNG SCHEIBENHALTERUNG S | PERNO EN U SOP. DISCO SV |
| 22 | G17619720R | LASTRA COLLARI TUBI IDRAULICI | LASTRA COLLARI TUBI IDRAULICI | | | |
| 23 | G17650930R | SUPPORTO TUBI IDR.AIR DX | SUPPORTO TUBI IDR.AIR DX | | | |
| 24 | G17650940R | SUPPORTO TUBI IDR.AIR SX | SUPPORTO TUBI IDR.AIR SX | | | |
| 25 | G17650950R | COPERCHIO SUPPORTO TUBI | COPERCHIO SUPPORTO TUBI | | | |
| 26 | F03070016R | TUBO 3 8 R17 FL12 CFL12 L900 | PIPE 3 8 R17 FL12 CFL12 L900 | | ROHR 3 8 R17 FL12 CFL12 L900 | |
| 27 | F03070105R | TUBO 3 8 R17 FL12 CFL12 L700 | PIPE 3 8 R17 FL12 CFL12 L700 | | | |
| 28 | F03070529R | TG 1 2 R17 FL12 ML18 1070 | TG 1 2 R17 ML18 ML18 1070 | TG 1 2 R17 FL12 ML18 1070 | | TG 1 2 R17 FL12 ML18 1070 |
| 29 | F03070530R | TG 1 2 R17 FL12 ML18 1200 | TG 1 2 R17 ML18 ML18 1200 | TG 1 2 R17 FL12 ML18 1200 | | TG 1 2 R17 FL12 ML18 1200 |
| 30 | F03070531R | TG 1 2 R17 FL12 ML18 3000 | TG 1 2 R17 ML18 ML18 3000 | TG 1 2 R17 FL12 ML18 3000 | | TG 1 2 R17 FL12 ML18 3000 |
| 31 | F03070532R | TG 1 4 R17 FL10 CFL10 1020 | TG 1 4 R17 FL10 CFL10 1020 | | | |
| 32 | F03070535R | TG 1 4 R17 FL10 CFL10 700 | TG 1 4 R17 FL10 CFL10 700 | | | |
| 33 | F03070537R | TG 1 4 R17 FL10 CFL10 950 | TG 1 4 R17 FL10 CFL10 950 | | | |
| 34 | F03070542R | TG 3 8 R17 FL12 ML12 3000 | TG 3 8 R17 FL12 ML12 3000 | | | |
| 35 | F03070543R | TG 3 8 R17 ML12 CFL12 1650 | TG 3 8 R17 ML12 CFL12 1650 | | | |
| 36 | F03080089R | INNESTO RAP.MASCH.DL M18X1,5 | QUICK CONNECT MALE CONE DL M18 | | | |
| 37 | F03080042R | NIPPLO M3 8 SEAL FL12 ZN | NIPPLE M3 8 SEAL FL12 ZN | | NIPPEL M3 8 DICHTUNG FL12 ZN | |
| 38 | F03151246R | RUBINETTO F-F 3 8 | BREATHER TAP F-F 3 8 | | ENTLSFTUNGSPFROPFEN F-F 3 8 | TAPON PURGADOR F-F 3 8 |
| 39 | F05150325R | CAPPUC.F X INN.M RAP.1 2 ROSS | COVER CONNECT F 1 2 RED | BOUCHON REFOUL. F-F 3 8 | COUVERCLE CONNEXION F 1 2 ROSE | DECKEL W 1 2 SCHNELLKUPP. ROT |
| 40 | F05150330R | CAPPUC.F X INN.M RAP.1 2 BLU | PROTECT. COVER CAP F 1 2 BLUE | COUVERCLE CONNEXION F 1 2 BLEU | CAPPUC.M X INN.F RAP.1 2 BLU | PAC PROTECCION F 1 2 AZUL |
| 41 | F03080001R | NIPPLO M3 8 SEAL ML12 ZN | NIPPLE M3 8 SEAL ML12 ZN | NIPLE M3 8 SEAL ML12 ZN | NIPPEL M3 8 SEAL ML12 ZN | NIPLE M3 8 SEAL ML12 ZN |
| 42 | F03020087R | PIATTINA PLASTICA NERA ID 45 | BLACK PLASTIC PLAT ID 45 | | GEH USE PLASTIK ID 45 | |
| 43 | GA7610080R | CARTER TIMONE | CARTER TIMONE | | | |
| 44 | F01020403R | VITE M6X1X16 | SCREW M6X1X16 U5739 8.8ZN | VIS M6X1X16 U5739 8.8ZN | SCHRAUBE M 6X16 | TORNILLO M6X1X16 U5739 8.8ZN |
| 45 | F01420036R | ROS.M6 6,4X 18X1,5 | WASHER M6 6,4X 18X1,5 | RONDELLE M6 6,4X 18X1,5 | SCHEIBE 6-6X 18X2 6593 ZN | ARANDELA M6 6,4X18X1,5U6593ZN |

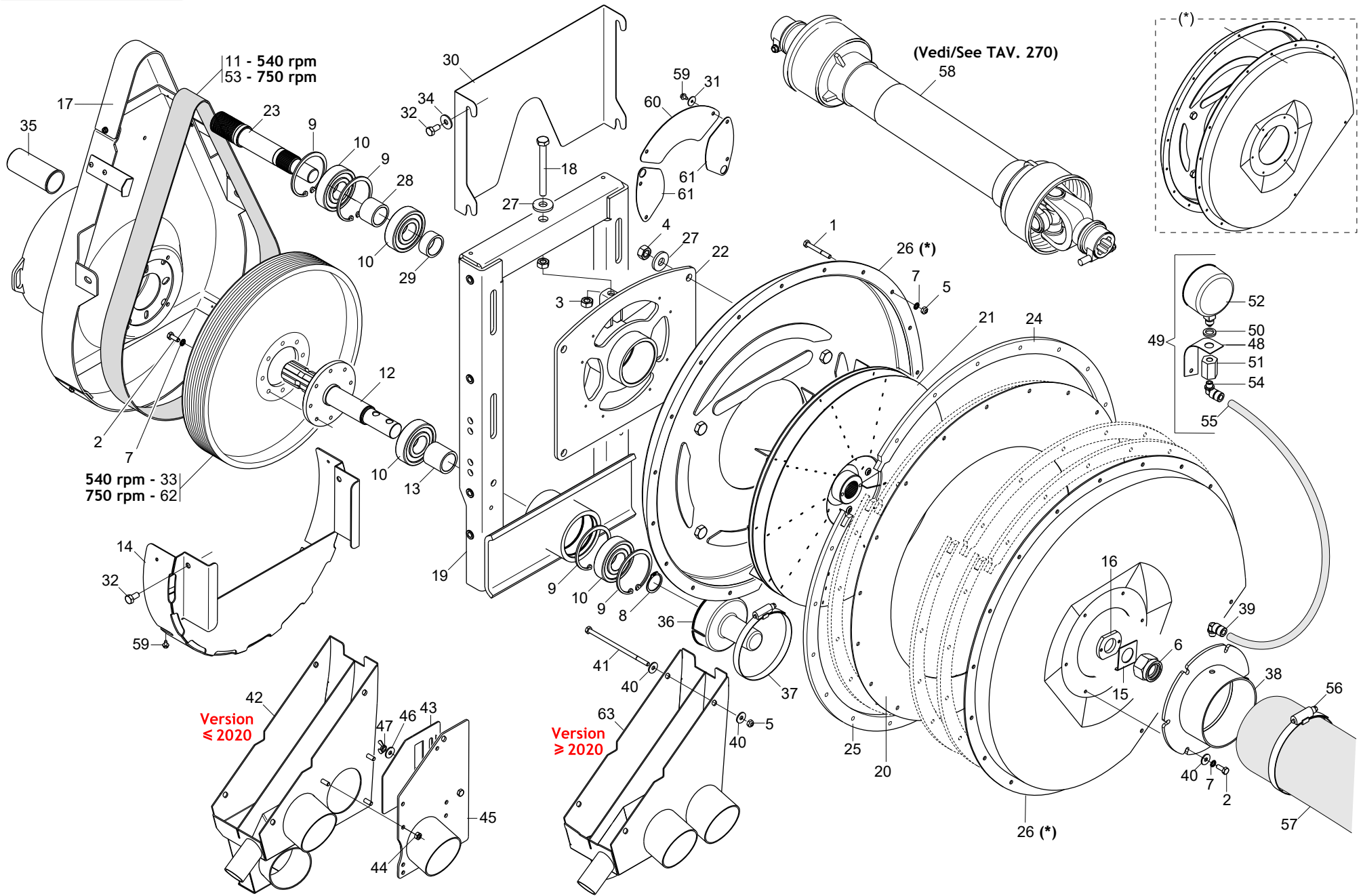


**IMPIANTO OLEODINAMICO POSTERIORE
REAR HYDRAULIC SYSTEM**

TAV. 081

| Pos. | Cod. | Descrizione | Description | Description | Benennung | Descripcion |
|------|------------|--------------------------------|-------------------------------|-------------------------------|-------------------------------|---------------------------|
| 1 | F03080172R | RACC.L BANJO M1 4 SEAL ML10 ZN | L-UNION BANJO M1 4 SEAL ML10 | | | |
| 2 | F03080082R | NIPPLO M1 4 SEAL ML10 ZN | NIPPLE M1 4 SEAL ML10 ZN | | NIPPEL M1 4 DICHTUNG ML10 ZN | |
| 3 | F03070152R | TUBO 1 4 R17 FL10 CFL10 L1700 | PIPE 1 4 R17 FL10 CFL10 L1700 | | ROHR 1 4 R17 FL10 CFL10 L1700 | |
| 4 | F03070180R | TUBO 3 8 R17 FL12 CFL12 L1050 | TUBE 3 8 R17 FL12 CFL12 L1050 | | | |
| 5 | F03070231R | TG 1 4 R17 FL10 CFL10 2500 | TG 1 4 R17 FL10 CFL10.2500 | | TG 1 4 R17 FL10 CFL10.2500 | |
| 6 | F03070601R | TG 3 8 R17 FL12 FL12 1250 | TG 3 8 R17 FL12 FL12 1250 | | | |
| 7 | G15232270R | NIPPLO M-M GAS-DIN F1,0 | NIPPLE M-M GAS-DIN F1,0 | | NIPPEL M-M GAS-DIN F1,0 | |
| 8 | F03070541R | TG 3 8 R17 FL12 FL12 1790 | TG 3 8 R17 FL12 FL12 1790 | | | |
| 9 | F03070534R | TG 1 4 R17 FL10 CFL10 1400 | TG 1 4 R17 FL10 CFL10 1400 | | | |
| 10 | F03070537R | TG 1 4 R17 FL10 CFL10 950 | TG 1 4 R17 FL10 CFL10 950 | | | |
| 11 | F03070538R | TG 3 8 R17 FL12 CFL12 1160 | TG 3 8 R17 FL12 CFL12 1160 | | | |
| 12 | F03070539R | TG 3 8 R17 FL12 FL12 1130 | TG 3 8 R17 FL12 FL12 1130 | | | |
| 13 | F03070089R | TUBO 1 4 R17 FL10 FL10 L1500 | PIPE 1 4 R17 FL10 FL10 L1500 | | ROHR 1 4 R17 FL10 FL10 L1500 | |
| 14 | F03070093R | TUBO 1 4 R17 FL10 FL10 L1740 | PIPE 1 4 R17 FL10 FL10 L1740 | | ROHR 1 4 R17 FL10 FL10 L1740 | |
| 15 | F03080086R | RACC.L FL10 ML10 ZN | L-UNION FL10 ML10 ZN | | L-UNION FL10 ML10 ZN | |
| 16 | F03020069R | RONDELLA AUTO. 1 4 | BONDED WASHER 1 4 | BONDED RONDELLE 1 4 | DICHTSCHEIBE 1 4 | BONDED ARANDELA 1 4 |
| 17 | F05150484R | SPIRALE PROTETTIVA D.27-32 | PROTECTIVE SPIRAL D.27-32 | SPIRALE DE PROTECTION D.27-32 | SPIRAL SCHUTZ D.27-32 | ESPIRAL PROTECIEN D.27-32 |

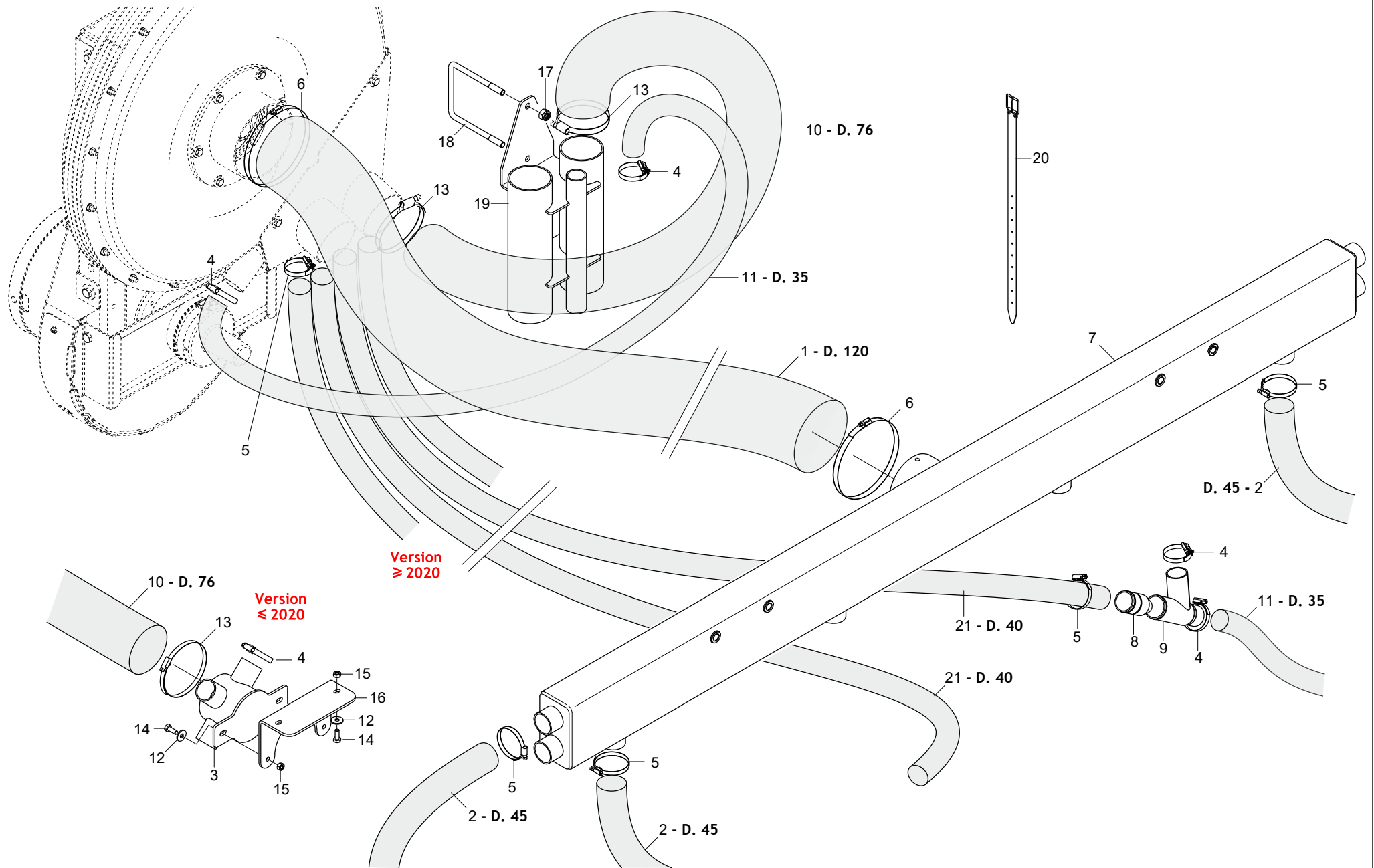
TAV. 090



**DEPRESSORE / SOFFIANTE
AIR PUMP / BLOWER**

TAV. 090

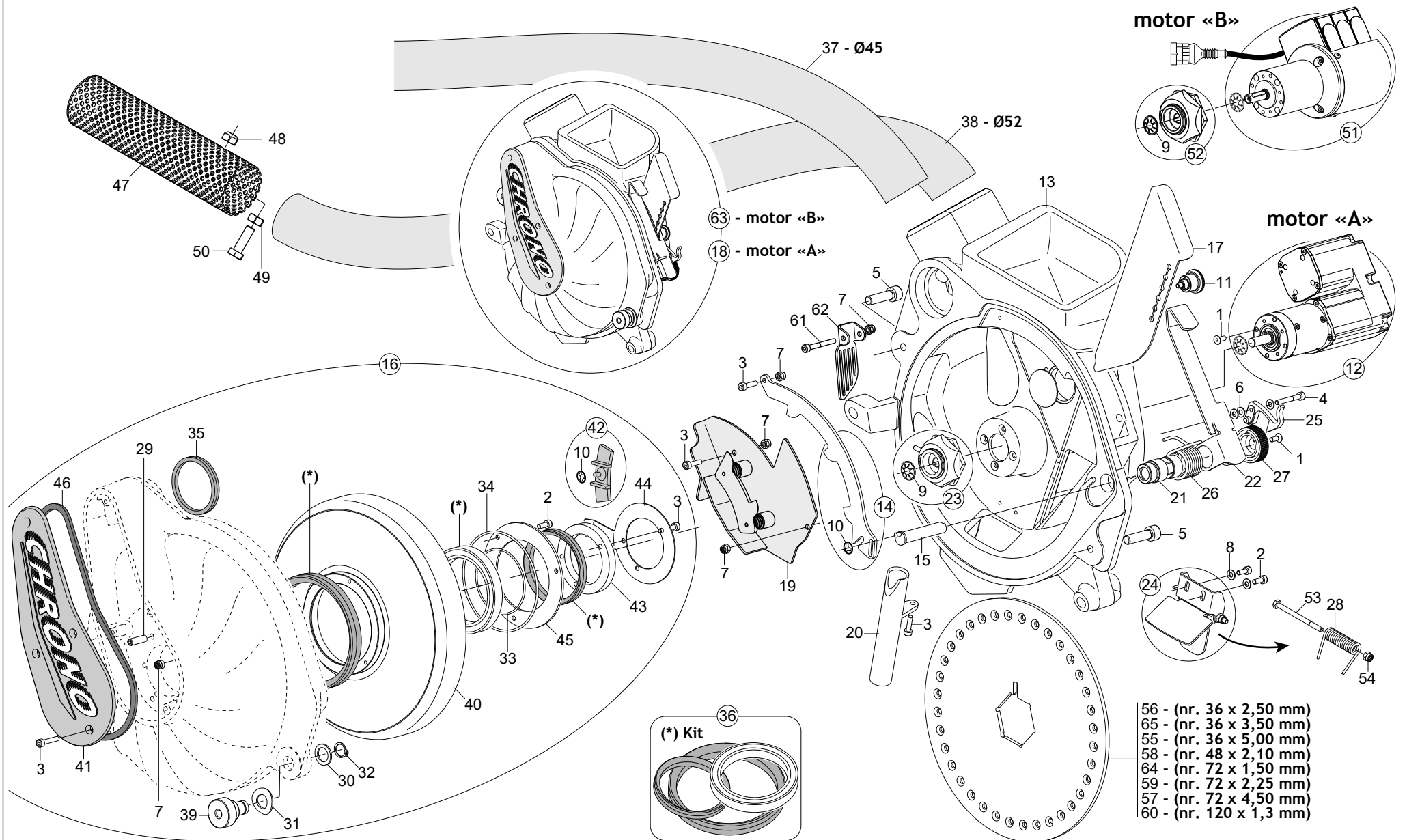
| Pos. | Cod. | Descrizione | Description | Description | Benennung | Descripcion |
|------|------------|--------------------------------|--------------------------------|-------------------------------|--------------------------------|--------------------------------|
| 1 | F01020042R | VITE M6X1X50 | SCREW M6X1X50 U5737 8.8ZN | VIS M6X1X50 U5737 8.8ZN | SCHRAUBE 6 X50 5737 8.G ZN | TORNILLO M6X1X50 U5737 8.8ZN |
| 2 | F01020403R | VITE M6X1X16 | SCREW M6X1X16 U5739 8.8ZN | VIS M6X1X16 U5739 8.8ZN | SCHRAUBE M 6X16 | TORNILLO M6X1X16 U5739 8.8ZN |
| 3 | F01200270R | DADO M10X1,5 | NUT M10X1,5 | ECROU M10X1,5 U5588 CL8 GALV. | MUTTER M10X1,5 U5588 6.8 ZN | TUER.M10X1,5 U5588 CL8 GALV. |
| 4 | F01200293R | DADO M12X1,75 6S ZN | NUT M12X1,75 U5588 6S ZN | ECROU M12X1,75 U5588 CL8 ZN | MUTTER M12X1,75 U5588 6.8 ZN | TUERCA M12X1,75 U5588 CL8 ZN |
| 5 | F01220011R | DADO M6X1 | NUT M6X1 | CROU M6X1 D980 8ZN | SELBSTSPERR.MUTTER M6 | TUERCA M6X1 D980 8 ZN |
| 6 | F01230143R | DADO M24X2 | NUT M24X2 | ECROU M24X2 D982 8ZN | MUTTER M24X2 D982 8 ZN | TUERCA M24X2 D982 8 ZN |
| 7 | F01430047R | ROS.M6 6,4X 11X0,7 | WASHER M6 6,4X 11X0,7 | RONDELLE M6 6,4X 11X0,7 | UNTERLEGSCHNEIBE D6 DIN6798 D | ARANDELA D6 DIN 6798 D.INT.ZN |
| 8 | F02050112R | ANELLO E.DE 30X 1,5 U7435 ZN | ELAST. RING DE 30X1,5 U7435 ZN | BAGUE ELAST. 30X1,5 U7435 C70 | SEEGERING E. 30X 1,5 U7435 C70 | ANILLO ELAST. 30X1,5 U7435 C70 |
| 9 | F02050403R | ANELLO E. DI 72X 2,5 U7437 C7 | SEEGER RING E.72X2,5 U7437 C70 | SEEGER E. 72X 2,5 U7437 C70 | SEEGERING E. 72X 2,5 U7437 C70 | ANILLO E. DI 72X 2,5 U7437 C7 |
| 10 | F04010215R | CUSC.D30 D72 B19 6306 2RSC3 EX | BEARING D30 D72 B19 6306 2RSC3 | ROUL. D30 D72 B19 6306 2RSC3 | LAGER 6306 2RS C3 | COJINETE D30D72 B19 6306 2RSC3 |
| 11 | F06010164R | CINGHIA POLY V 1473 J-20 GOLE | BELT- POLY V 1475 J-20 GOLE | COURROIE POLY-V 1475 J-20 GOR | RIEMEN POLY V 1475 J-20 RILLEN | CORREA POLY V 1475 J-20 GARGAN |
| 12 | G22270369R | P.DI P.CON CODOLO | POWER TAKE-OFF- W SPIGOT | PRISE DE FORCE AVEC CONE | KRAFTABTRIEB MIT ENDST CK | TOMA DE FUERZA CON MANGO |
| 13 | G22230010R | DISTANZIALE CUSCINETTI | BEARING SPACER | ENTRETOISE ROULEMENTS | DISTANZSTUECK LAGER | DISTANCIADOR COJINETES |
| 14 | G17650680R | CARTER PROTEZIONE PULEGGIA | PULLEY PROTECTION | | RIEMENSCHNEIBE SCHUTZ | |
| 15 | G13912060R | PIASTRINA DI TENUTA | STOP PLATE | PLAQUETTE DE TENUE | DICHTPLAETTCHEN | PLACA DE RETENCIN |
| 16 | G13912050R | RONDELLA DI FERMO | STOP WASHER | RONDELLE DE BLOCAGE | FESTSTELLESCHEIBE | ARANDELLA DE BLOQUEO |
| 17 | G14255241R | PROTEZIONE CINGHIA DEPR.D.GIR. | DEPRES.COMPL.PROTECTION BELT | | RIEMENSCHUTZ MIRKA AB 2015 | |
| 18 | F01020493R | VITE M10X1,5X100 | SCREW M10X1,5X100 U5739 8.8ZN | VIS M10X1,5X100 U5739 8.8ZN | SCHRAUBE 10X100 5739 8.G ZN | TORNIL.M10X1,5X100 U5739 8.8ZN |
| 19 | G14255251R | INCASTELLATURA RINF. | REINF. FRAME | | | |
| 20 | G16650291R | SETTO DIVISORE DEPRESSORE | AIR PUMP DIVIDER | | | |
| 21 | G16650340R | DOPPIA GIRANTE | DOUBLE FAN | | DOPPEL LUEFTER | |
| 22 | G16650351R | SUPPORTO PULEGGIA CONDOTTA | DRIVEN PULLEY SUPPORT | | ANTRIEBS RIEMENSCHNEIBE HALTER | |
| 23 | G14255230R | PUL.CONDOTTA DOPPIA GIR.D35 | DRIVEN PULLEY D35 | | | |
| 24 | G16650390R | DISTANZIALE DEPRESSORE 8 MM | AIR PUMP SPACER 8 MM | | GEBLAESE DISTANZSTUECK 8 MM | |
| 25 | G16650400R | DISTANZIALE DEPRESSORE 2-8 MM | AIR PUMP SPACER 8 MM | | GEBLAESE DISTANZSTUECK 8 MM | |
| 26 | G16650551R | INVOLUCRI DEPRESSORE-SOFFIANTE | VACUUM PUMP CASINGS | | VAKUUM PUMPE CASINGS | |
| 27 | G20970035R | RONDELLA 32X4X13 | WASHER 32X4X13 | RONDELLE 32X4X13 | UNTERLEGSCHNEIBE 32X4X13 | ARANDELA 32X4X13 |
| 28 | G18803750R | BOCCOLA 30,2 X38 X28 | BUSHING 30,2 X38 X28 | DOUILLE 30,2 X38 X28 | BUCHSE 30,2 X38 X28 | CASQUILLO 30,2 X38 X28 |
| 29 | G18803790R | BOCCOLA 30,2 X38 X18 | BUSHING 30,2 X38 X18 | DOUILLE 30,2 X38 X18 | BUCHSE 30,2 X38 X18 | CASQUILLO 30,2 X38 X18 |
| 30 | G16650500R | PROTEZIONE DEPRESSORE-SOFF. | AIR PUMP PROTECTION | | SCHEIBE 4-3X 16X1-5 6593 ZN | ARAND. PLANA 4-3X 16X1-5 6593 |
| 31 | F01420011R | ROS.M4 4,3X 16X 1 | FAT WASHER 4-3X 16X1-5 | FAT RONDELLE 4-3X 16X1-5 | SCHRAUBE M 8X16 | TORN. M8X1,25X16 U5739 8.8ZN |
| 32 | F01020432R | VITE M8X1,25X16 | SCREW M8X1,25X16 U5739 8.8ZN | VIS M8X1,25X16 U5739 8.8ZN | ANTRIEBSSCHNEIBE 540 UMDREHUNG | POLEA MOTRIZ 540 REVOLUCIONES |
| 33 | G16032350R | PULEGGIA MOTRICE 540 G. | DRIVING PULLEY 540 REVS | POULIE MOTRICE 540 TOURS | SCHNEIBE D.8 | ARAND.M8 8,4X 24X 2 U6593 ZN |
| 34 | F01420048R | ROS.M8 8,4X 24X 2 | WASHER M8 8,4X 24X2 | RONDELLE M8 8,4X 24X2 | ZAPFWELLENSCHUTZ P.T.O. | MANGUITO PROTECCION PDF 1 3 8 |
| 35 | M38100146R | MANICOTTO PROTEZIONE PDF 1 3 8 | P.T.O. PROTECTION | MANCHON PROTECTION PDF 1 3 8 | SCHUTZKAPPE PTO | |
| 36 | G19005570R | CUFFIA PROTEZIONE PTO | PROTECTION CAP PTO | | ROHRSCHELLE 90 110 | |
| 37 | F02300025R | FASCETTA STRING. 90 110 H.12 | HOSE CLAMP 90 110 H.12 | | GEBLAESE FLANSCH | |
| 38 | G17650300R | FLANGIA DEPRESSORE | AIR PUMP FLANGE | | | |
| 39 | F13010027R | RACC.SUPERAPIDO 90 1 8G-8 | 90 UNION STRAIGHT 1 8G-8 | | | |
| 40 | F01420036R | ROS.M6 6,4X 18X1,5 | WASHER M6 6,4X 18X1,5 | RONDELLE M6 6,4X 18X1,5 | SCHEIBE 6-6X 18X2 6593 ZN | ARANDELA M6 6,4X18X1,5U6593ZN |
| 41 | F01020055R | VITE M6X1X130 | SCREW M6X1X130 U5737 8.8ZN | VIS M6X1X130 U5737 8.8ZN | SCHRAUBE M6X1X130 U5737 8.8ZN | TORNILLO M6X1X130 U5737 8.8ZN |
| 42 | G17650530R | CONVOGLIATORE USCITA ARIA | CONVEYOR EXIT AIR | | FOERDER EXIT LUFT | |
| 43 | G16650420R | GHIgliOTTINA | GUILLOTINE | | GUILLLOTZINKEN | |
| 44 | F01200232R | DADO M6X1 | NUT M6X1 | CROU M6X1 U5588 CL8 ZN | MUTTER 6 UNI 5588 6.8 ZN | TUERCA M6X1 U5588 CL8 ZN |
| 45 | G16650650R | SCARICO D.76 | DISCHARGE D.76 | | ENTLADUNG D.76 | |
| 46 | F01420036R | ROS.M6 6,4X 18X1,5 | WASHER M6 6,4X 18X1,5 | RONDELLE M6 6,4X 18X1,5 | SCHEIBE 6-6X 18X2 6593 ZN | ARANDELA M6 6,4X18X1,5U6593ZN |
| 47 | F01240013R | DADO M6X1 | NUT M6X1 | CROU M6X1 U5448 A2 GE | MUTTER M6X1 U5448 A2 GE | TUERCA M6X1 U5448 A2 GE |
| 48 | G22270134R | SUPPORTO VACUOMETRO SP | VACUUM METER SUPPORT SP | SUPPORT VACUOMETRE SP | HALTERUNG VAKUUMMETER SP | SOPORTE VACU METRO SP |
| 49 | G22270093R | VACUOMETRO COMPL. SP LM | VACUUM METER ASSY. SP LM | VACUOMETRE COMPL. SP LM | KOMPL. VAKUUMMETER SP LM | VACU METRO COMPL. SP LM |
| 50 | F05150479R | ROND.APPOGGIO MANOMETRI | PRESSURE GAUGE REST WASHER | PRESSURE GAUGE REST RONDELLE | ST TZSCHEIBE MANOMETER SV | ARAND. SOPORTE MANOMETRES SV |
| 51 | G22250274R | COLLEGAMENTO MANOMETRI SP-SV | PRESSURE GAUGE CONNECT. SP-SV | RACCORD MANOMETRES SP-SV | VERBINDUNG MANOMETER SP-SV | CONEXI N MAN METROS SP-SV |
| 52 | F03151288R | VACUOM.0-100 MBAR C.SM.INC.D8 | VACUUM METER 0-100 MBAR C.SMOR | VACUOM.0-100 MBARS A SUPPO | VAKUUMMETER 0-100 MBAR M. DZMP | VACUM. 0-100 MBAR C.ATEN.INC.V |
| 53 | F06010173R | CINGHIA POLY V 1287 J-20 EPDM | BELT POLY V 1287 J-20 EPDM | | | |
| 54 | F13010027R | RACC.SUPERAPIDO 90 1 8G-8 | 90 UNION STRAIGHT 1 8G-8 | | | |
| 55 | F13070005R | TUBO POLIURETANO 8-6 NERO | POLIURETHAN PIPE 8-6 BLACK | | POLYURETHAN ROHR 8-6 BLACK | |
| 56 | F02300014R | FASCETTA STRING. 110 130 H.12 | CABLE TIE 100 140 H.12 | COLLIER 100 140 H.12 | SCHELLE 100 140 H.12 | ABRAZADERA 100 140 H.12 |
| 57 | F03100566R | TUBO EOLO PU D.120 TRASP. NERO | TUBO EOLO PU D.120 TRASP. NERO | | | |
| 58 | F08011870R | CARD.R2 Z6-Z6 L930 R.LIB | PTO SHAFT R2 Z6-Z6 L930 | | | |
| 59 | F01070011R | VITE A4,2X1,41X9,5 | SCREW A4,2X1,41X9,5 U6950 4.8 | VIS A4,2X1,41X9,5 U6950 4.8NI | SELBSTSCHNEID. SCHRAUBE 4-2X9- | TORN.A4,2X1,41X9,5 U6950 4.8NI |
| 60 | G16650580R | TAPPO ALTO ZN | PLUG | | STECKER | |
| 61 | G16650561R | TAPPO SX-DX ZN | PLUG RH-LH | | STECKER RE.-LI. | |
| 62 | G16650820R | PULEGGIA MOTRICE 750 GIRI 20G. | DRIVING PULLEY 750RPM 20RIBS | | | |
| 63 | G16650780R | CONVOGLIATORE DEPR.-SOFF. | AIR PUMP CONVEYOR | | | |



**TUBI ASPIRAZIONE
ASPIRATION PIPE**

TAV. 101

| Pos. | Cod. | Descrizione | Description | Description | Benennung | Descripcion |
|------|------------|--------------------------------|--------------------------------|-------------------------------|--------------------------------|-------------------------------|
| 1 | F03100566R | TUBO EOLO PU D.120 TRASP. NERO | TUBO EOLO PU D.120 TRASP. NERO | | | |
| 2 | F03100562R | TUBO EOLO PU D.45 TRASP. NERO | TUBE EOLO PU D.45 TRASP BLACK | | | |
| 3 | G15275810R | CONVOGLIATORE 4 U. | CONVEYOR 4 OUT. | | HALTER_CONVOGLIATORE 4 U. | |
| 4 | F02300018R | FASCETTA STRING. 25 40 H.8 | CLAMP 25 40 H.8 | COLLIER DE SERRAGE 25 40 H.8 | SHELLE 25 40 H.8 | BRAZADERA 25 40 H.8 |
| 5 | F02300020R | FASCETTA STRING. 32 50 H.9 | HOSE CLAMP 32 50 H.9 | COLLIER DE SERRAGE 32 50 H.9 | SHELLE 32 50 H.9 | ABRAZADERA 32 50 H. 9 |
| 6 | F02300014R | FASCETTA STRING. 110 130 H.12 | CABLE TIE 100 140 H.12 | COLLIER 100 140 H.12 | SHELLE 100 140 H.12 | ABRAZADERA 100 140 H.12 |
| 7 | G17620690R | COLLETORE SUPP.SPANDI ANT. | FRONT FERTILIZER SUPPORT | | FRONT D NGERSTREUER HALTER | |
| 8 | G13912101R | UGELLO CONCIMAZIONE PNEUMATICA | NOZZLE PNEUMATIC FERTILIZATION | | | |
| 9 | G13912131R | RACCORDO CONCIMAZ.PNEUMATICA | UNION PNEUMATIC FERTILIZATION | RACCORD FUMAGE PNEUMATIQUE | ANSCHLUSS PNEUMATISCHE DSNGUNG | UNIN DE ABONO NEUMAT. |
| 10 | F03100564R | TUBO EOLO PU D.76 TRASP. NERO | TUBE EOLO PU D.76 TRASP. BLACK | | | |
| 11 | F03100561R | TUBO EOLO PU D.35 TRASP. NERO | TUBO EOLO PU D.35 TRASP. NERO | | | |
| 12 | F01420038R | ROS.M6 6,4X18X1,5 | WASHER M6 6,4X18X1,5 | RONDELLE M6 6,4X18X1,5 | SCHEIBE M6 6,4X18X2 U6593 IX | ARANDELA M6 6,4X18X1,5 6593IX |
| 13 | F02300023R | FASCETTA STRING. 80 100 H.8 | PIPE CLAMP 80 100 H.8 | COLLIER DE SERRAGE 77 95 | ROHRSCHELLE 77 95 | ABRAZADERA P. MANGUERA 80 100 |
| 14 | F01020419R | VITE M 6X1 X 16 | SCREW M 6X1 X 16 U5739 A2IX | VIS M 6X1 X 16 U5739 A2IX | SCHRAUBE M6 X1 X 16 U5739 8. | TORN. M 6X1 X 16 U5739 A2IX |
| 15 | F01200233R | DADO M6X1 | NUT M6X1 | CROU M6X1 U5588 A2IX | MUTTER M 6X 1 U5588 | TUERCA M 6X 1 U5588 |
| 16 | G17650910R | SUPPORTO CONVOGLIATORE 4U 4F | SUPPORT CONVOGLIATOR 4U 4F | | | |
| 17 | F01230294R | DADO M10X1,5 | NUT M10X1,5 | ECROU M10X1,5 U7473 8GALV. | MUTTER M10X1,5 U7473 8ZN | TUERCA M8X1,5 U7473 8ZN |
| 18 | F20110726R | CAV.Q.B=100 M=10X1,5 L=122 | U BOLT M10X 1,5X 30 111X122 ZG | ATTEL.M10X 1,5X 30 111X122 ZG | VERBI.M10X 1,5X 30 111X122 ZG | PERNO M10X 1,5X 30 111X122 ZG |
| 19 | GA7650080R | ASS.TUBI API | ASS.TUBI API | | | |
| 20 | G16126850R | FASCETTA PVC NERA L.450 | PVC CLAMP BLACK L.450 | | SHELLE PVC NERA L.450 | |
| 21 | F03100571R | TUBO EOLO PU D.40 TRASP. NERO | TUBO EOLO PU D.40 TRASP. NERO | | | |

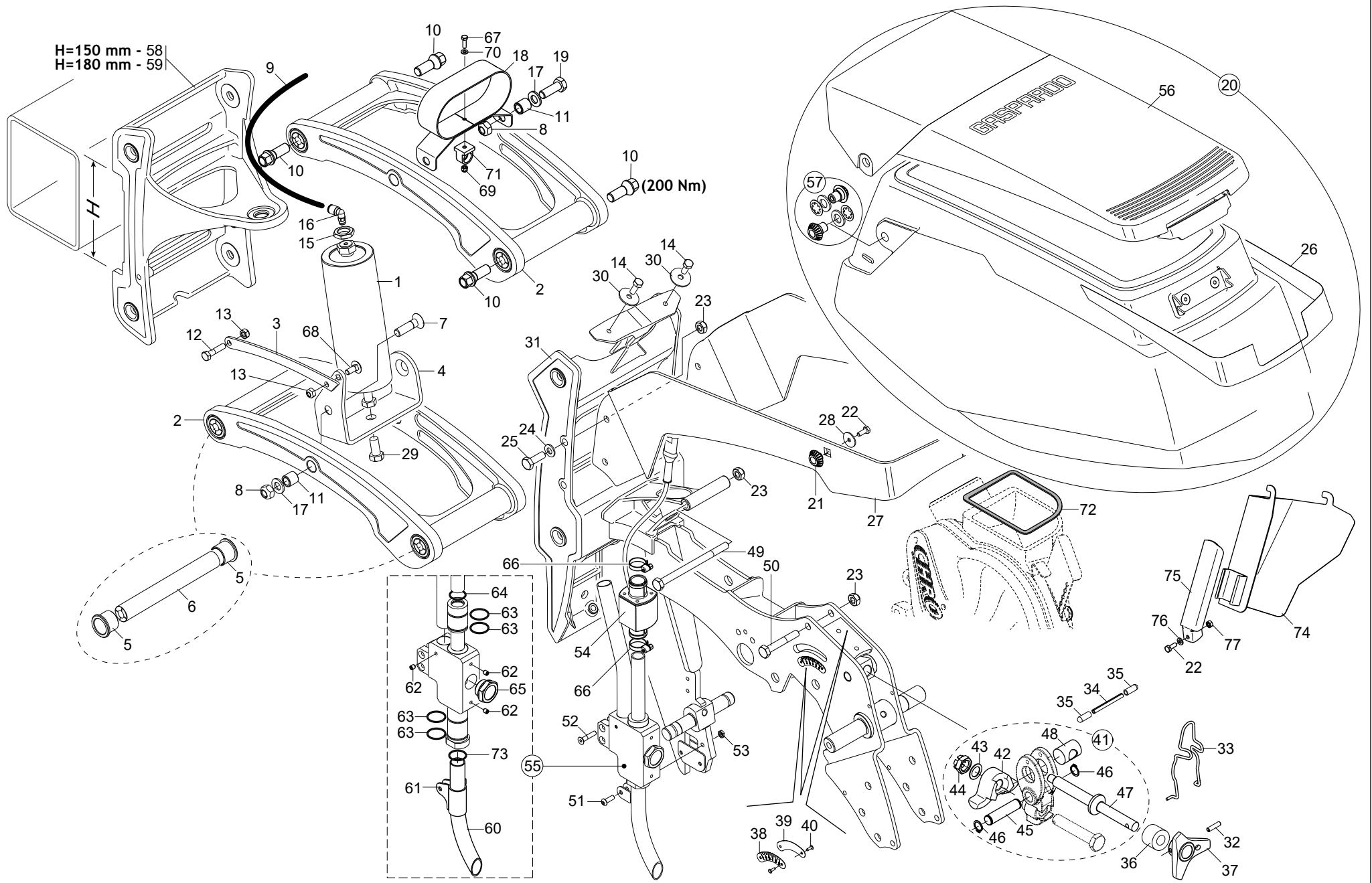


DISTRIBUTORE SEMI SEED DISTRIBUTOR

TAV. 112

| Pos. | Cod. | Descrizione | Description | Description | Benennung | Descripcion |
|------|------------|--------------------------------|--------------------------------|--------------------------------|-------------------------------|---------------------------------|
| 1 | F01030011R | VITE M4X0,7X10 | SCREW M4X0,7X10 | VIS M4X0,7X10 U5933 10.9ZD | SCHRAUBE 4X10 5933 10.9 ZN | TORNILLO M4X0,7X10U5933 10.9ZD |
| 2 | F01040026R | VITE M4X0,7X10 | SCREW M4X0,7X10 | VIS M4X0,7X10 U5931 A2IX | SCHRAUBE 4X10 5931 INOX A2 | TORNILLO M4X0,7X10 U5931 A2IX |
| 3 | F01040028R | VITE M4X0,7X16 | SCREW M4X0,7X16 | VIS M4X0,7X16 U5931 8.8ZN | SCHRAUBE 4X16 5931 8.G ZN | TORNILLO M4X0,7X16 U5931 8.8ZN |
| 4 | F01040030R | VITE M4X0,7X35 | SCREW M4X0,7X35 | VIS M4X0,7X35 U5931 12.9ZF | SCHRAUBE 4 X30 5931 8.G ZN | TORNIL. M4X0,7X35 U5931 12.9ZF |
| 5 | F01040107R | VITE M8X1,25X30 | SCREW M8X1,25X30 | VIS M8X1,25X30 U5931 A2IX | SCHRAUBE M8X1,25X30 U5931 A2 | TORN. M8X1,25X30 U5931 A2IX |
| 6 | F01410011R | ROS.M4 4,3X 9X0,8 | PANE WASHER 4,5X 9 | PANE RONDELLE 4,5X 9 | SCHIEBE 4,5X 9 6592 | ARANDELA 4,5X 9 6592 |
| 7 | F01230016R | DADO M4X0,78 | NUT M4X0,78 | CROU M4X0,7 D982 8ZN | SELBSTSP. MUTTER NOR. 4 ZN | TUERCA AUTOB. NOR. 4 ZN |
| 8 | F01410011R | ROS.M4 4,3X 9X0,8 | PANE WASHER 4,5X 9 | PANE RONDELLE 4,5X 9 | SCHIEBE 4,5X 9 6592 | ARANDELA 4,5X 9 6592 |
| 9 | F02050648R | ANELLO BENZING-QUICKLOCK BQ7 | BENZING-QUICKLOCK BQ7 RING | BAGUE BENZING-QUICKLOCK BQ7 | RING BENZING-QUICKLOCK BQ7 | ANILLO BENZING-QUICKLOCK BQ7 |
| 10 | F02050668R | FISSATORE ELASTICO RPCO D.4 | ELASTIC FIXER RPCO D.4 | | | |
| 11 | F03100660R | MINI PISTON.GN 822.7-4-M8X1-B | MINI PISTON.GN 822.7-4-M8X1-B | | | |
| 12 | F05011793R | MOTORID.BRUSHLESS SHORT C ELN | RATIOMOTOR BRUSHLESS SHORT W E | | ELEKTROMOTOR BRUSHLESS KURZ | |
| 13 | G18220081R | CORPO DISTRIBUTORE CHRONO | CHRONO DISTRIBUTOR BODY | | | CUERPO DISTRIBUIDOR CRONO |
| 14 | G18220160R | SELETTORE MOBILE CHRONO | MOBILE SELECTOR CHRONO | | | |
| 15 | G18220180R | PUNTA SELETTORE ECCENTR.CHRONO | ECCENTR SELECTOR TIP CHRONO | | | |
| 16 | G18220250R | MONT.COPERCHIO CHRONO | LID ASSEMBLY CHRONO | | | MONT. COBERTURA CHRONO |
| 17 | G18220620R | LAMA PARZIALIZZAZIONE SEME | BLADE PARTIALIZATION SEED | | | |
| 18 | G18221160R | MONT.DISTRIBUTORE CHRONO | DISTRIBUTOR ASSEMBLY CHRONO | | | |
| 19 | G18220661R | MONT.SELETTORE INTERNO | INTERNAL SELECTOR ASSEMBLY | | | CONJUNTO DE SELECTOR INTERNO |
| 20 | G18221010R | ASS.TUBO DISCESA SEME | ASSEMBLY DESCENT TUBE SEED | | | |
| 21 | G18221070R | BOCCOLA FISSAGGIO SELETTORE | SELECTOR MOUNTING BUSHING | | | |
| 22 | G18221080R | PORTA DI ISPEZIONE | INSPECTION PORT | | | |
| 23 | G18221270R | MONT.ESAGONO CH 42 | MONT.ESAGONO CH 42 | | | |
| 24 | G18220650R | MONT.PORTA SCARICO SEME | DISCHARGE SEED UNIT MOUNTING | | | |
| 25 | G18221520R | SCATTO SELETTORE ALTA VELOCITA | HIGH SPEED SELECTOR SHUTTER | | | |
| 26 | G18904970R | MOLLA PORTA ISPEZIONE | INSPECTION SPRING | | | |
| 27 | G19002122R | POMELLO GRADUATO SELET.ECC.SV | GRADUATED SELECT KNOB.ECC.SV | | | |
| 28 | G18904960R | MOLLA TORS SCARICO SEME | DISCHARGE SEED SPRING | | | |
| 29 | F01050026R | VITE M6X1X20 | SCREW M6X1X20 | VIS M6X1X20 | SCHRAUBE M6X1X20 | TORNILLO M6X1X20 U5923 8.8ZN |
| 30 | F01440095R | RONDELLA D12 | WASHER D12 | RONDELLE D12 | UNTERLEGSCHIEBE ALUMINIUM D12 | ARANDELA ALUMINIO D12 |
| 31 | F01460129R | ROS.OND.13,0X 24X1,2 | WASHER OND.13,0X 24X1,2 | RONDELLE OND.13,0X 24X1,2 | SCHIEBE D13 DIN 137 B IX | |
| 32 | F02050023R | ANELLO E. DE 12X 1 U7435 C70 | SEEGER RING D 12X 1 U7435 C70 | BAGUE SEEGER D 12X 1 U7435 C70 | RING 12 UNI 7435-75 | ANILLO D 12X 1 U7435 C70 |
| 33 | F03010601R | ANEL. OR 57,00X1,50 NBR | ANEL. OR 57,00X1,50 NBR | BAGUE OR 57,00X1,50 NBR | | |
| 34 | F03010667R | ANEL. OR 88 X1,78 NBR | ANEL. OR 88 X1,78 NBR | BAGUE OR 88 X1,78 NBR | | |
| 35 | F03013000R | GUARNIZIONE 45 KFM | GASKET 45 KFM | GARNITURE 45 KFM | | JUNTA 45 KFM |
| 36 | F50010008R | KIT CUSC.CAMPANA CHRONO | CHRONO BELL BEARING KIT | KIT ROUL. CLOCHE CHRONO | | KIT COJINETE CAMPANA CHRONO |
| 37 | F03100562R | TUBO EOLO PU D.45 TRASP. NERO | TUBE EOLO PU D.45 TRASP BLACK | | | |
| 38 | F03100563R | TUBO EOLO PU D.52 TRASP. NERO | TUBE EOLO PU D.52 TRASP. BLACK | | | |
| 39 | G16622070R | POMELLO COPERCHIO IX | SEED COVER KNOB IX | | SAAT DECKEL KNOB IX | |
| 40 | G18220100R | CAMPANA CHRONO | BELL CHRONO | | | |
| 41 | G18220210R | COPERCHIO CHIUSURA ASPIRAZIONE | SUCTION CLOSING COVER | | | |
| 42 | G18220220R | TASSELLO ROMPIVUOTO | VACUUM BREAKER | | | |
| 43 | G18221240R | FLANGIA INT.BLOCCO CUSCINETTO | BEARING INTERNAL FLANGE | | | |
| 44 | G18221250R | SUPPORTO TASSELLO CIRCOLARE | CIRCULAR ANCHOR SUPPORT | | | |
| 45 | G18221260R | FLANGIA EST.BLOCCO CUSCINETTO | BEARING EXTERNAL FLANGE | | | |
| 46 | F07100132R | MOUSSE ADESIVA MM 5X3 | ADHESIVE MOUSSE MM 5X3 | | DICHTBAND MM 5X3 | |
| 47 | G18222130R | ASS. FILTRO RETE 50 | MESH FILTER 50 ASSEMBLY | | | SET FILTRO MALLA 50 |
| 48 | F01220022R | DADO M8X1,25 | NUT M8X1,25 | CROU M8X1,25 D980 ZN | SELBSTSP.MUTT. M8X1,25 980-V | TUERCA M8X 1,25 D980 8 ZN |
| 49 | F01200244R | DADO M8X1,25 | NUT M8X1,25 | CROU M8X1,25 U5588 CL8 ZN | MUTTER M8 X1,25 U5588 6.8 ZN | TUERCA M8X1,25 U5588 CL8 ZN |
| 50 | F01020440R | VITE M8X1,25X25 | SCREW M8X1,25X25 U5739 8.8ZN | VIS M8X1,25X25 U5739 8.8ZN | SCHRAUBE M8 X25 5739 8.8 ZN | TORN. M8X1,25X25 U5739 8.8ZN |
| 51 | F05012310R | MOTORID.BRUSHLESS 12V 2400RPM | BRUSHLESS GEAR MOT.12V 2400RPM | | | MOTORREDUCTOR SIN CEPILLOS |
| 52 | G18221930R | MONT.ESAGONO CH 42 CHIAV 3 | ASS.BLY CH 42 HEXAGON 3MM KEY | | | CONJUNTO HEXAGONAL CH42 CLAVES3 |
| 53 | F01021236R | VITE M4X 0,7X 55 | SCREW M4X 0,7X 55 | VIS M4X 0,7X 55 U5737 A2IX | SCHRAUBE M4X 0,7X 55 | TORNILLO M4X0,7X55 U5737 A2IX |
| 54 | F01230309R | DADO M 4X 0,7 | NUT M 4X 0,7 | ECROU M 4X 0,7 D982 A2 IX | MUTTER M 4X 0,7 D982 A2 IX | TUERCA M 4X 0,7 D982 A2 IX |
| 55 | G18221330R | DISCO 36F D.5,00 SP.4 P. | DISC 36F D.5,00 SP.4 P | DISQUE 36 TR.D.5,00 SP.4 P. | | DISCO 36 OR.D.5,00 SP.4 P. |
| 56 | G18221720R | DISCO 36 F. D.2,50 SP.4 | DISC 36 F. D.2,50 SP.4 | DISQUE 36 TR.D.2,50 SP.4 | | DISCO 36 OR.D.2,50 SP.4 |
| 57 | G18221731R | DISCO SEM. 72F D.4,5 SP.4 P. | SEED DISK 72 H. D.4,5 T.4 | | | DISCO DE SEMILLAS 72F D.4,5 SP |
| 58 | G18221710R | DISCO 48 F. D.2,10 SP.4 | DISC 48 F. D.2,10 SP.4 | DISQUE 48 F. D.2,10 SP.4 | | |
| 59 | G18221700R | DISCO 72 F. D.2,25 SP.4 | DISC 72 F. D.2,25 SP.4 | DISQUE 72TR.D.2,25 SP.4 | | DISCO 72 OR.D.2,25 SP.4 |
| 60 | G18221530R | DISCO 120 F. D.1,30 SP.4 P. | SEED DISC 120H D.1,30 TH.4 P. | DISQUE 120TR.D.1,30 SP.4 P. | | DISCO 120OR.D.1,30 SP.4 P. |
| 61 | F01040030R | VITE M4X0,7X35 | SCREW M4X0,7X35 | VIS M4X0,7X35 U5931 12.9ZF | SCHRAUBE 4 X30 5931 8.G ZN | TORNIL. M4X0,7X35 U5931 12.9ZF |
| 62 | G18222090R | PIASTRINA ANTI TRABOCCAMENT.IX | OVERFLOW STOP PLATE IX | | | PLACA TOPE DE DESBORDO IX |
| 63 | G18222160R | MONT.DISTRIBUTORE CHRONO 21 | SEED UNIT CHRONO 21 ASS.BLY | | | MONTAJE DISTRIBUIDOR CHRONO 21 |
| 64 | G18222050R | DISCO 72 F. D.1,50 SP.4 P. | SEED DISC 72H D.1,50 TH.4 P. | DISQUE 72 TR.. D.1,50 SP.4 P. | | DISCO 72 OR.. D.1,50 SP.4 P. |
| 65 | G18222000R | DISCO SEM. 36F D.3,50 SP.4 P. | SEED DISK 36 H. D.3,5 T.4 | | | DISCO SEMILLAS 36F D.3,5 SP.4P |

TAV. 122

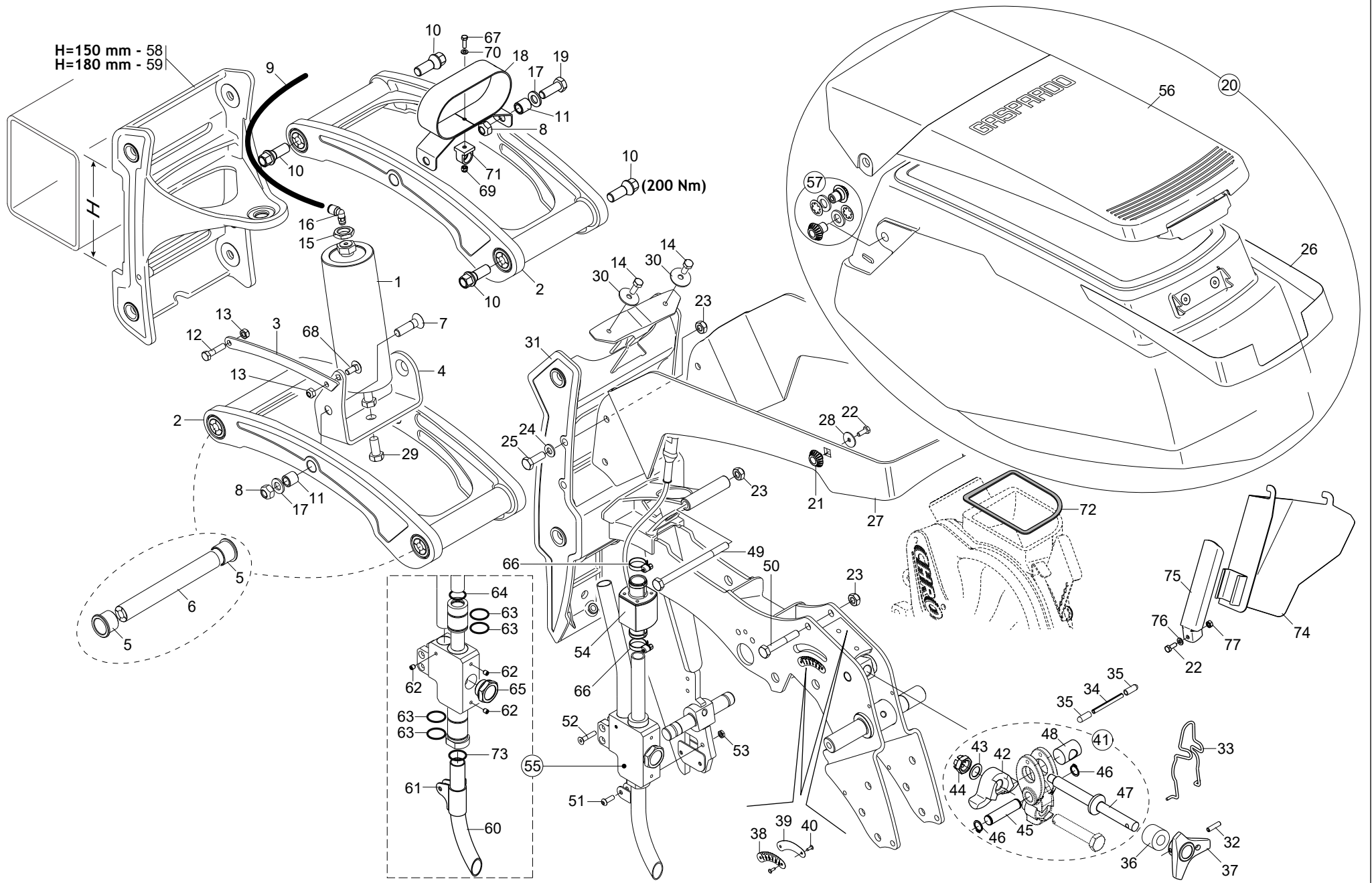


TELAIO ELEMENTO UNIT TOOLBAR

TAV. 122

| Pos. | Cod. | Descrizione | Description | Description | Benennung | Description |
|------|------------|--------------------------------|--------------------------------|-------------------------------|---------------------------------|--------------------------------|
| 1 | F02400028R | MOLLA AD ARIA D.80 - 7BAR | AIR SPRING D.80 -7BAR | | FEDER AD ARIA D.80 - 7BAR | |
| 2 | G18221340R | MONT.PARALLELO 430 | PARALLEL ASSEMBLY 430 | | | |
| 3 | G18220410R | GUIDA AIR BAG | AIR BAG GUIDE | | | |
| 4 | G18220430R | SUPPORTO AIR BAG | AIR BAG SOPORT | | | |
| 5 | G66349003R | BOCCOLA SINT. | BUSHING- SINTERED | BOITE FRITTEE | SYNTH. B CHSE | CASQUILLO SINT. |
| 6 | G18210620R | PERNO D25 | PIN D25 | GOUJON D25 | | PERNO D25 |
| 7 | F01030111R | VITE M12X1,75X40 | SCREW M12X1,75X40 | VIS M12X1,75X40 | SCHRAUBE 12X40 5933 8.8 ZN | TORN. M12X1,75X40 U5933 10.9ZD |
| 8 | F01220048R | DADO M12X1,75 | NUT M12X1,75 | ECROU M12X1,75 D980 8ZN | SCHLEIBE M12X1,75 D980 8 ZN | TUERCA M12X1,75 D980 8 ZN |
| 9 | F13070005R | TUBO POLIURETANO 8-6 NERO | POLIURETHAN PIPE 8-6 BLACK | | POLYURETHAN ROHR 8-6 BLACK | |
| 10 | GA5210440R | VITE COLONNETTA M14X1,5X28CH17 | COLUMN SCREW M14X1,5X28CH17 | VIS COLONNE M14X1,5X28CH17 | | TORNIL. COLUMNA M14X1,5X28CH17 |
| 11 | G18804410R | BOCCOLA 12,25X18 X18,5 ZN | BUSHING 12,25X18 X17,5 ZN | DOUILLE 12,25X18 X18,5 GALV. | | CASQUILLO 12,25X18 X18,5 GALV. |
| 12 | F01020068R | VITE M8X1,25X40 | SCREW M8X1,25X40 U5737 8.8ZN | VIS M8X1,25X40 U5737 8.8ZN | SCHRAUBE M8X1,25X40 | TORN. M8X1,25X40 U5737 8.8ZN |
| 13 | F01220022R | DADO M8X1,25 | NUT M8X1,25 | CROU M8X1,25 D980 ZN | SELBSTSP.MUTT. M8X1,25 980-V | TUERCA M8X 1,25 D980 8 ZN |
| 14 | F01020436R | VITE M8X1,25X20 | SCREW M8X1,25X20 U5739 8.8ZN | VIS M8X1,25X20 U5739 8.8ZN | SCHRAUBE M 8X20 | TORN. M8X1,25X20 U5739 8.8ZN |
| 15 | F01280010R | DADO 3 4 -16 UNF H=1 4 | NUT 3 4 -16 UNF H=1 4 | ECROU 3 4 -16 UNF H=1 4 | MUTTER 3 4 -16 UNF H=1 4 | TUERCA 3 4 -16 UNF H=1 4 |
| 16 | F13010027R | RACC.SUPERAPIDO 90 1 8G-8 | 90 UNION STRAIGHT 1 8G-8 | | | |
| 17 | F01410076R | ROS.M1213X24X2,5 | WASHER 12 13X 24X2,5 | RONDELLE 12 13X 24X2,5 | SCHLEIBE D12 UNI 6592 ZN | ARAND.M12 13X 24X2,5 U6592 ZN |
| 18 | G18210680R | SUPPORTO TUBI | TUBE SUPPORT | | | |
| 19 | F01020512R | VITE M12X1,75X35 | SCREW M12X1,75X35 U5739 8.8ZN | VIS M12X1,75X35 U5739 8.8ZN | SCHRAUBE M 12X35 | TORN. M12X1,75X35 U5739 8.8ZN |
| 20 | G18220510R | MONT.COMPL. COPERC.-SERB.CHRO | MONT.COMPL. COPERC.-SERB.CHRO | | | |
| 21 | G19007840R | PERNO M6 FISSAGGIO SERB.CHRONO | CHRONO TANK FIXING PIN M6 | | | |
| 22 | F01020403R | VITE M6X1X16 | SCREW M6X1X16 U5739 8.8ZN | VIS M6X1X16 U5739 8.8ZN | SCHRAUBE M 6X16 | TORNILLO M6X1X16 U5739 8.8ZN |
| 23 | F01220033R | DADO M10X1,5 | NUT M10X1,5 | ECROU M10X1,5 D980 8GALV. | MUTTER M10 | TUERCA M10X1,5 D980 8 |
| 24 | F01410062R | ROS.M10 10,5X 18X 2 | WASHER M10 10,5X 18X 2 | RONDELLE M10 10,5X 18X 2 | SCHLEIBE M10 10,5X18X2 U6592 ZN | ARAND.M10 10,5X 18X 2 U6592 ZN |
| 25 | F01020476R | VITE M10X1,5X30 | SCREW M10X1,5X30 U5739 8.8ZN | VIS M10X1,5X30 U5739 8.8ZN | SCHRAUBE M 10X30 | TORNIL. M10X1,5X30 U5739 8.8ZN |
| 26 | G19709800R | DECAL.SERBATOIO CHRONO | DECAL CHRONO TANK | | | |
| 27 | G18221370R | LAME SUPPORTO SERB.CHRONO | CHRONO TANK SUPPORT BLADE | | | |
| 28 | F01420037R | ROS.M6 6.4X 24X1,5 | WASHER M6 6,4X24X1,5 | RONDELLE M6 6,4X24X1,5 | SCHLEIBE M6 6,4X24X2 U6593 ZN | ARANDELA M6 6,4X24X1,5 |
| 29 | F01120013R | VITE 1 2 X1 | SCREW 1 2X1 UNC 2A | VIS 1 2 X1 UNC 2A | SCHRAUBE 1 2 X1 | TORNILLO 1 2 X1 UNC 2A |
| 30 | F01420049R | ROS.M8 8,4X 32X 2 | WASHER M8 8,4X32X2 | RONDELLE M8 8,4X32X2 | SCHLEIBE M8 8,4X32X2 U6593 ZN | ARAND.M8 8,4X 32X 2 U6593 ZN |
| 31 | G18221150R | ASS.CORPO CENTRALE CHRONO | CENTRAL BODY ASSEMBLY CHRONO | | | ENSAMBLE CUERPO CENTRAL CHRONO |
| 32 | F02100115R | SPINA E.P. 6X 30 U6873 C70 IX | PIN EL. 6X30 DIN 1481 S.STEEL* | GOUVILLE EL.6 X30 DIN 1481 IN | SPANNSTIFT 6 X30 DIN 1481 EDEL | CLAVIJA EL.6 X30 DIN 1481 INO |
| 33 | G18905070R | MOLLA FERMO MANIGLIA 3 LOBI ZN | HANDLE STOP SPRING 3 LOBES | | | MANIJA PARADA MUELLE 3 LOBOS |
| 34 | F02100126R | SPINA E.P. 6X60 U6873 C70 BR | PIN E.D. 6X60 U6873 C70 BR | FICHE E.D. 6X60 U6873 C70 BR | SPANNSTIFT 6 X60 U6873 C70 BR | CLAVIJA E.D. 6X60 U6873 C70 BR |
| 35 | F05100193R | CAPPUCCIO 5,95X19,05 GIALLO | CAP | BOUCHON | VERSCHLUSSPFROPFEN | CORCHO |
| 36 | G18804470R | BOCCOLA 15,5X 32 X 25 ZN | BUSHING 15,5X32X25 ZN | DOUILLE 15,5X32X25 GALV. | | CASQUILLO 15,5X32X25 GALV. |
| 37 | G18221691R | VOLANT.3 BRACCI | HANDWHEEL 3 ARMS | | | VOLANTE 3 BRAZOS |
| 38 | G19705280R | TARGHETTA REG.SX RUOTE PROFOND | PLATE | PLAQUET | PLATTE | PLACA |
| 39 | G19705290R | TARGHETTA REG.DX RUOTE PROFOND | PLATE | PLAQUET | PLATTE | PLACA |
| 40 | F02250066R | RIVETTO STR. 3 X 9 U9200A AL | POP RIVET 3X9 ALUMINIUM | RIVET 3 X 9 ALL | REISSNIETE 3 X 9 ALU | REMACHE DESGAR. 3 X 9 AL |
| 41 | G17740010R | BILANCIERE REGINA COMPL | REGINA ROCKER ARM MOUNTED ASSY | | KIPPHEBEL REGINA | |
| 42 | G17720291R | BILANCIERE | ROCKER ARM | | KIPPHEBEL | |
| 43 | G18701820R | RONDELLA 16,5 X25 X1,0 ZN | WASHER 16,5X25X1,0 ZN | | SCHLEIBE 16,5X25X1,0 ZN | |
| 44 | F01210035R | DADO M16X2 | NUT M16X2 | ECROU M16X2 U5594 5.8ZN | MUTTER 16 UNI 5593 5.8 * | TUERCA M16X2 U5594 5.8ZN |
| 45 | G17722800R | PERNO 15 X 63 ZN | PIN 15 X 63 ZN | | BOLZEN ZN | |
| 46 | F02050034R | ANELLO E. DE 15X 1 U7435 C70 | ELASTIC RING DE 15X 1 | BAGUE ELASTIQUE DE 15X 1 | RING 15 UNI 7435-75 | ANILLO DE 15X 1 |
| 47 | F17722510R | ASS.VITE TENSIONAMENTO ZN | ADJUSTING SCREW ASSY ZN | | HALTER_SCHRAUBE TENSIONAMEN.ZN | |
| 48 | G22230063R | ELEMENTO ARTICOLATO | ARTICULATED ELEMENT | ELEMENT ARTICULE | GELENKELEMENT | ELEMENTO ARTICULADO |
| 49 | F01020139R | VITE M10X1,5X140 | SCREW M10X1,5X140 U5737 8.8ZN | VIS M10X1,5X140 U5737 8.8ZN | SCHRAUBE M10X 1,5X140 U5737 | TORNIL.M10X1,5X140 U5737 8.8ZN |
| 50 | F01020120R | VITE M10X1,5X65 | SCREW M10X1,5X65 U5737 8.8ZN | VIS M10X1,5X65 U5737 8.8ZN | SCHRAUBE M 10X65 | TORNIL. M10X1,5X65 U5737 8.8ZN |
| 51 | F01030268R | VITE M6X1X18 | SCREW M6X1X18 | VIS M6X1X18 | SCHRAUBE M6X1X18 | TORNILLO M6X1X18 U7380 8.8 ZN |
| 52 | F01030042R | VITE M 6X1X 30 | SCREW 6X 1X 30 | VISM 6X 1X 30 U5933 10.9 ZN | SCHRAUBE 6X 1X 30 | TORNILLO M6X1X30 U5933 10.9 ZN |
| 53 | F01200446R | DADO M 6X1 | NUT M 6X1 | CROU M 6X1 U5589 8GALV. | MUTTER M 6X1 | TUERCA M 6X1 U5589 8GALV. |
| 54 | G18221050R | FOTOCPELLULA CHRONO | PHOTOCCELL CHRONO | | | |
| 55 | G18220291R | MONTAGGIO EIETTORE | EJECTOR ASSEMBLY | | | ENSAMBLE DEL EYECTOR |

TAV. 121

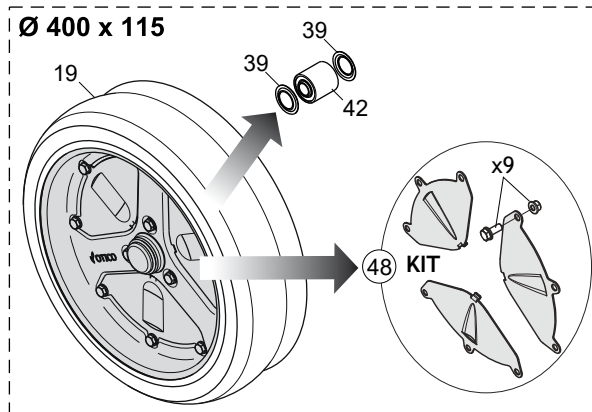
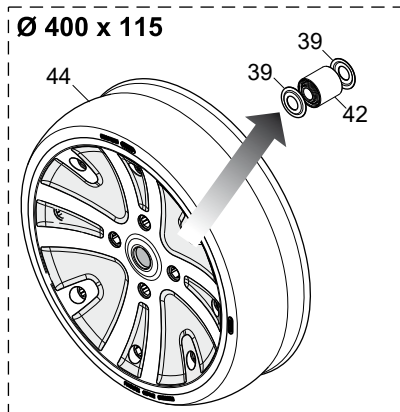
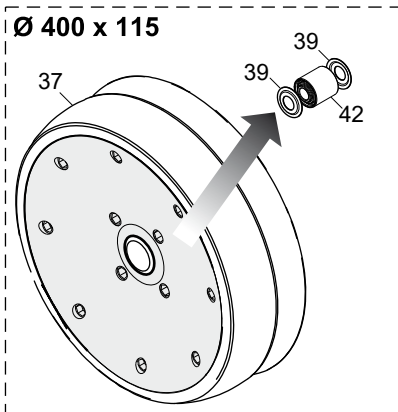
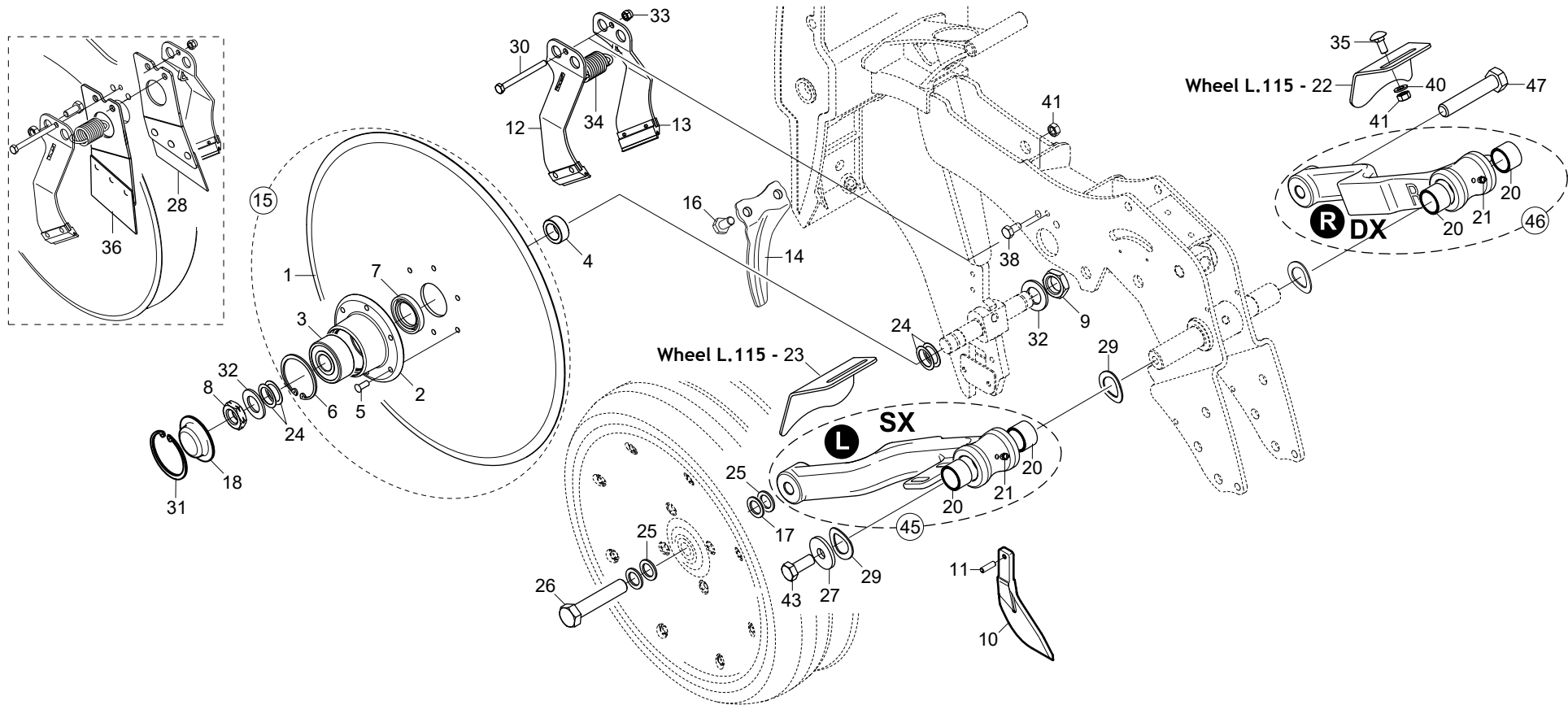


**TELAIO ELEMENTO
UNIT TOOLBAR**

TAV. 121

| Pos. | Cod. | Descrizione | Description | Description | Benennung | Descripcion |
|------|------------|--------------------------------|--------------------------------|----------------------------|------------------------------|--------------------------------|
| 56 | G18220490R | MONT.COPERCHIO SERBAT.CHRONO | MONT. TANK COVER CHRONO | | | |
| 57 | G19007850R | PERNO D14 FISSAGG.SERB.CHRONO | CHRONO TANK FIXING PIN D14 | | | PASADOR D14 FIJO TANQUE CHRONO |
| 58 | G19206100R | PIAST.ATT.FRONTAL.EL.H150 L220 | PIAST.ATT.FRONTAL.EL.H150 L220 | | | |
| 59 | G19206160R | PIASTRA ATT.FRONT.EL.H180 L220 | FRONT PLATE ELEM.H180 L220 | | | |
| 60 | G18220941R | ASS.CURVA | CURVE ASSEMBLY | | | MONTAJE DE CURVA |
| 61 | G18222040R | FASCETTA FERMA CURVA IX | STOP BAND IX | | | ABRAZADERA CURVA IX |
| 62 | F01050088R | VITE M6X1X6 | SCREW M6X1X6 | VIS M6X1X6 | SCHRAUBE M6X1X6 | TORNILLO M6X1X6 U5927 IX |
| 63 | F03010470R | ANEL. OR 26,7 X1,78 NBR | ANEL. OR 26,7 X1,78 NBR | BAGUE OR 26,7 X1,78 NBR | | |
| 64 | F03011323R | ANEL. OR 20,352X1,78 NBR | OR RING 20,352X1,78 NBR | | | |
| 65 | F03150707R | TAPPO OLIO 3 4 SENZA SFIATO | OIL PLUG 3 4 W O HOLE | | | |
| 66 | F02300016R | FASCETTA STRING. 16 27 H.8 | CLAMP 16 27 H.8 | | BAND | |
| 67 | F01020378R | VITE M5X0,8X16 | SCREW M5X0,8X16 U5739 8.8ZN | VIS M5X0,8X16 U5739 8.8ZN | SCHRAUBE 5X16 5739 8.8 ZN | TORNILLO M5X0,8X16 U5739 8.8ZN |
| 68 | F01060041R | VITE M8X1,25X25 | SCREW M8X1,25X25 | VIS M8X1,25X25 U5731 8.8ZN | SCHRAUBE 8 X25 5732 4.6 ZN | TORN. M8X1,25X25 U5731 8.8ZN |
| 69 | F01230019R | DADO M5X0,88 | NUT M5X0,88 | CROU M5X0,8 D982 8ZN | SELBSTSP. MUTTER NOR.5 ZN | TUERCA AUTOB. NOR. 5 ZN |
| 70 | F01410023R | RONDELLA M5 5,3X10X1 | ROS.M5 5,3X 10X 1 | ROS.M5 5,3X 10X 1 | SCHEIBE M5 5,5X10X1 U6593 ZG | |
| 71 | F05011013R | FISSAGUAINA NW12 | FIXED SHEATH NW12 | | | |
| 72 | G18221430R | GUARNIZIONE DOSAT.-SERB. SEME | SEED TANK DOSER GASKET | | | |
| 73 | F03011324R | ANEL. OR 21,95 X1,78 NBR | OR RING 21,95 X1,78 NBR | BAGUE OR 21,95 X1,78 NBR | | |
| 74 | G18221890R | ASS.SCIVOLO SCARICO SEME CHR | ASS.Y SEED DISCHARGE CHUTE CHR | | | |
| 75 | GA5222910R | SUPPORTO SCIVOLO SEME MTR | SEED CHUTE SUPPORT MTR | | SAAT CHUTE HALTER MTR | |
| 76 | F01410037R | ROS.M6 6,4X12,5X1,6 | WASHER M6 6,4X12,5X1,6 | RONDELLE M6 6,4X12,5X1,6 | SCHEIBE D.6 | ARAND.M6 6,4X12,5X1,6 U6592 ZN |
| 77 | F01200232R | DADO M6X1 | NUT M6X1 | CROU M6X1 U5588 CL8 ZN | MUTTER 6 UNI 5588 6.8 ZN | TUERCA M6X1 U5588 CL8 ZN |

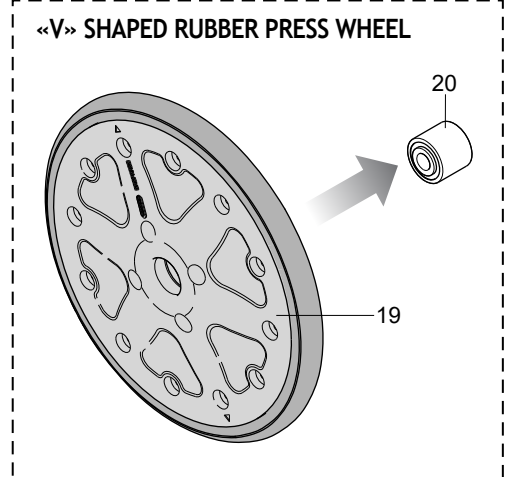
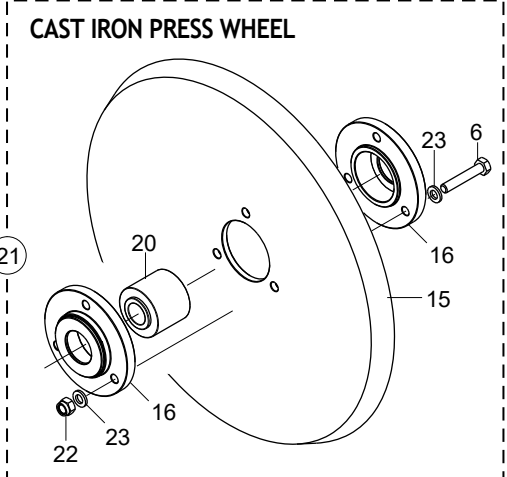
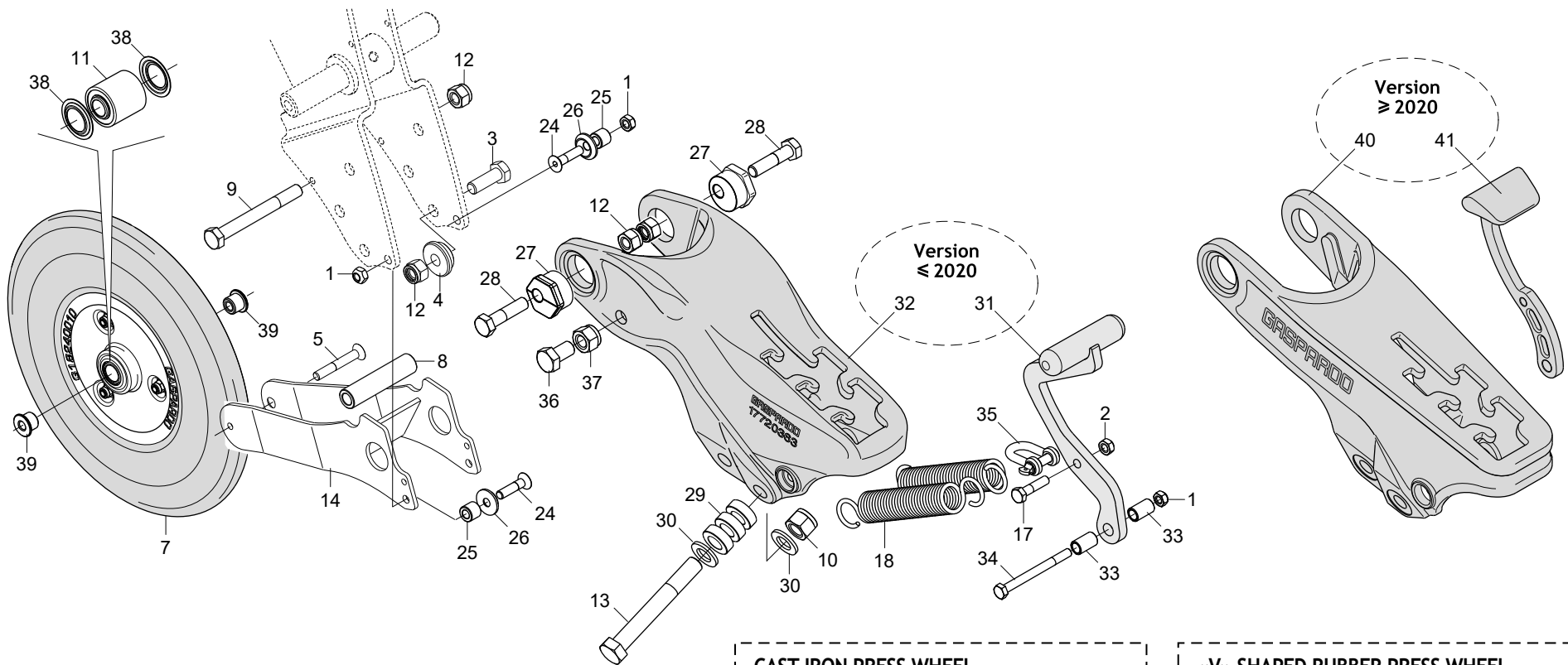
TAV. 130



RUOTE DI PROFONDITÀ DEPTH WHEELS

TAV. 130

| Pos. | Cod. | Descrizione | Description | Description | Benennung | Description |
|------|-------------|--------------------------------|--------------------------------|-------------------------------|---------------------------------|---------------------------------|
| 1 | G17722471R | DISCO ASSOLCATORE D.420 | FURROW OPENER DISC D.420 | DISC D.420 | SCHEIBE ASSOLCATORE D.420 | DISCO SURGADOR D.420 |
| 2 | G17722493R | SUPP.CUSC.DISCO | BEARING SUPPORT DISC | SUPPORT ROUL. DISQUE | | SOPORTE COJINETE DISCO |
| 3 | F04010094R | CUSC.D20 D52 B22,2 3304 LLU | BEAR.D20 D52 B22,2 3304 LLU | ROULEMENT D20 D52 B22,2 LLU | LAGER.D20 D52 B22,2 3304 LLU | COJIN. D20 D52 B22,2 3304 LLU |
| 4 | G17722482R | BOCCOLA 20 X30 X12,3 | BUSHING D20X30X12,3 | DOUILLE | BUCHSE | CASQUILLO 20X30 X12,3 |
| 5 | F02250521R | RIBATTINO TSC 6 X19,8 A 2 | RIVET TSC 6X19,8 A 2 BY PIECE | PAQUET RIVETS TSC 6X 19,8 A 2 | PACKUNG NIETEN TSC 6X19,8 A 2 | PAQU.REMACHES TSC 6X 19,8 A 2 |
| 6 | F02050381R | ANELLO E. DI 52X 2 U7437 C70 | SEEGER RING E. 52X 2 U7437 C70 | SEEGER E. 52X 2 U7437 C70 | SEEGERING E. 52X 2 U7437 C70 | ANILLO 52X 2 U7437 C70 |
| 7 | F03011159R | AN. TENUTA 30X47X7 AS | SEALING RING 30X47X7 | BAGUE D ETANCHEITE 30X47X7 | DICHTUNGSRING 30X47X7 | ANILLO AISLADOR 30X47X7 |
| 8 | G17722811R | DADO M20X 2,5 SINISTRO ZN. | NUTS M20X2,5 LEFT GALV.ED | | | |
| 9 | F01200468R | DADO M20X2,5 | NUT M20X2,5 | ECROU M20X2,5 U5589 CL8 ZN | MUTTER 20 5589 6.8 ZN * | TUERCA 20 5589 6.8 ZN |
| 10 | G19203943R | TAGLIENTE INT.DISCHI | INTERNAL DISC COULTER | COUTEUR INTERIEUR | | HILO DE CORTE INTERNO DISCOS |
| 11 | F02100106R | SPINA E.P. 6X 20 U6873 C70 BR | EL. PIN E.P. 6X20 U6873 C70 BR | GOUJON E.P. 6X 20 U6873 C70BR | BOLZEN 6X 20 | ESPINA E.P. 6X 20 U6873 C70BR |
| 12 | GA52200051R | ASS.RASCHIATERRA VIDIA SX | LEFT VIDIA SOIL SCRAPER ASS. | | LINKS VIDIA ERDABSTREIFER ASS. | |
| 13 | GA5220311R | ASS.RASCHIATERRA VIDIA DX | RIGHT VIDIA SOIL SCRAPER ASS. | | RECHTS VIDIA ERDABSTREIFER ASS | |
| 14 | G15225861R | PROTEZIONE DISCHI | DISC PROTECTION | | | |
| 15 | G17722613R | DISCO ASSOLCATORE | DISC COULTER | | | |
| 16 | F01020470R | VITE M10X1,5X20 | SCREW M10X1,5X20 U5739 8.8ZN | VIS M10X1,5X20 U5739 8.8ZN | SCHRAUBE M 10X20 | TORNIL. M10X1,5X20 U5739 8.8ZN |
| 17 | G18701820R | RONDELLA 16,5 X25 X1,0 ZN | WASHER 16,5X25X1,0 ZN | | SCHEIBE 16,5X25X1,0 ZN | |
| 18 | GA5224970R | TAPPO FLANGIA DISCHI MTR ZN | TAP FLANGE DISCS MTR ZN | | | |
| 19 | F06120662R | RUOTA PROF.RAZZE FL L115 HD | DEPTH WHEEL FL L115 HD | ROUE PROF.RACES FL L115 HD | | |
| 20 | G17722830R | BOCCOLA ELEM.REGINA SINTERIZ. | SINTER.BUSHING FOR REGINA EL. | | B CHSE ELEM.REGINA SINTERIZ. | |
| 21 | F01100011R | ING.M 6X1 7663A 9SMNPB28 Z | GREASE NIPPLE M6X1 7663-A ZN | GRAISS. A BILLE M6X1 7663A ZN | KUGELFETTBUCHSE M6X1 A | ENG.M 6X1 7663-A 9SMNPB28 ZN |
| 22 | G17723000R | RASCHIATERRA DX | RIGHT SOILSCRAPER | | | |
| 23 | G17723080R | RASCHIATERRA SX | LEFT SOILSCRAPER | | | |
| 24 | G20970100R | RONDELLA 30X0,5X22 ACC. | WASHER 30X0-5X22 ACC. | RONDELLE 30X0-5X22 ACIER | UNTERLEGSSCHEIBE 30X0-5X22 ACC. | ARANDELA 30X0-5X22 ACC. |
| 25 | G20970025R | RONDELLA 25,2X2X16,5 | WASHER 25-2X2X16-5 | RONDELLE 25-2X2X16-5 | UNTERLEGSSCHEIBE 25-2X2X16-5 | ARANDELA 25-2X2X16-5 |
| 26 | GA5220170R | VITE M16X 2X80 SX U5737 8.8 ZN | SCREW M16X2X80 SX U5737 8.8 ZN | VIS M16X 2X80 SX U5737 8.8 ZN | | TORNIL.M16X2X80 SX U5737 8.8ZN |
| 27 | G20970085R | RONDELLA 40X4X13 | WASHER 40X4X13 | RONDELLE 40X4X13 | UNTERLEGSSCHEIBE 40X4X13 | ARANDELA 40X4X13 |
| 28 | GA5221181R | RASCHIATERRA INT.DX MTR | SOIL SCRAPER INT.RIGHT MTR | | ERDABSTREIFER INT.RECHTS MTR | |
| 29 | G18701880R | RONDELLA DI SPINTA | IMPULSE WASHER | RONDELLE | UNTERLEGSSCHEIBE | ARANDELA |
| 30 | F01020047R | VITE M6X1X70 | SCREW M6X1X70 U5737 8.8ZN | VIS M6X1X70 U5737 8.8ZN | SCHRAUBE 6 X70 5737 8.G | TORNILLO M6X1X70 U5737 8.8ZN |
| 31 | F02050528R | ANELLO E. DI 58X 2 U7437 C70 | ELASTIC RING 58X2 C70 | | | |
| 32 | F01410124R | ROS.M20 21X 37X 3 | WASHER M20 21X 37X 3 | RONDELLE M20 21X 37X 3 | SCHEIBE D20 UNI 6592 ZN | ARAND.M20 21X 37X 3 U6592 ZN |
| 33 | F01230022R | DADO M6X1 | NUT M6X1 | CROU M6X1 D982 8ZN | SELBSTSP. MUTTER NOR.6 ZN | TUERCA M6X1 D982 8ZN |
| 34 | G18904540R | MOLLA TRAZIONE ZN | SPRING TENSION ZN | | FEDER TRAZIONE ZN | |
| 35 | F01060040R | VITE M8X1,25X20 | SCREW M8X1,25X20 | VIS M8X1,25X20 U5731 8.8ZN | SCHRAUBE 8 X20 5732 4.6 ZN | TORN. M8X1,25X20 U5731 8.8ZN |
| 36 | GA5221161R | RASCHIATERRA INT.SX MTR | SOIL SCRAPER INT.LEFT MTR | | ERDABSTREIFER INT.LINKS MTR | |
| 37 | F06120406R | RUOTA PROF.TAMB.MTR L115 M | DEPTH GAUGE WHEEL SM.CR.OFFS M | | WIEL PROF.TAMB.MTR L115 | RUEDA CONTROL PROFUNDIDAD MTR L |
| 38 | F01020436R | VITE M8X1,25X20 | SCREW M8X1,25X20 U5739 8.8ZN | VIS M8X1,25X20 U5739 8.8ZN | SCHRAUBE M 8X20 | TORN. M8X1,25X20 U5739 8.8ZN |
| 39 | F01440086R | ROS. 23X40X0,5 ST2K60 | WASHER 23X40X0,5 ST2K60 B | RONDELLE 23X40X0,5 ST2K60 B | SCHEIBE 23X40X0,5 D988 ST2K60 | |
| 40 | F01410051R | ROS.M8 8,4X 17X1,6 | WASHER M8 8,4X17X1,6 | RONDELLE M8 8,4X17X1,6 | SCHEIBE D.8 | ARAND.M8 8,4X 17X1,6 U6592 ZN |
| 41 | F01200244R | DADO M8X1,25 | NUT M8X1,25 | CROU M8X1,25 U5588 CL8 ZN | MUTTER M8 X1,25 U5588 6.8 ZN | TUERCA M8X1,25 U5588 CL8 ZN |
| 42 | F04100150R | CUSC.D16 D40 B39 WPS | BEARING D16 D40 B39 WPS | ROUL. D16 D40 B39 | LAGER.D16 D40 B39 WPS | COJINETE D16 D40 B39 WPS |
| 43 | F01020510R | VITE M12X1,75X30 | SCREW M12X1,75X30 U5739 8.8ZN | VIS M12X1,75X30 U5739 8.8ZN | SCHRAUBE M 12X30 | TORN.M12X1,75X30 U5739 8.8ZN |
| 44 | F06120449R | RUOTA PROF.TAMB.MTR L115 I | DEPTH WHEEL MTR L115 | | VERBINDUNGFEN RAD MTR L115 | |
| 45 | GA5221511R | BRACCIO RUOTA PROF.TAM.SX COMP | LEFT ARM DEPTH WHEEL ASSEMBLY | | LINKER ARM TIEFENF HRUNGSRAD | |
| 46 | GA5221501R | BRACCIO RUOTA PROF.TAM.DX COMP | RIGHT ARM DEPTH WHEEL ASSEMBLY | | | |
| 47 | F01020262R | VITE M16X2X80 | SCREW M16X2X80 U5737 8.8ZN | VIS M16X2X80 U5737 8.8ZN | SCHRAUBE M16X2X80 U5737 8.8 BR | TORNILLO M16X2X80 U5737 8.8ZN |
| 48 | F13030012R | KIT TAPPI RUOTA F06120662 | KIT WHEEL PLUGS F06120662 | | | |

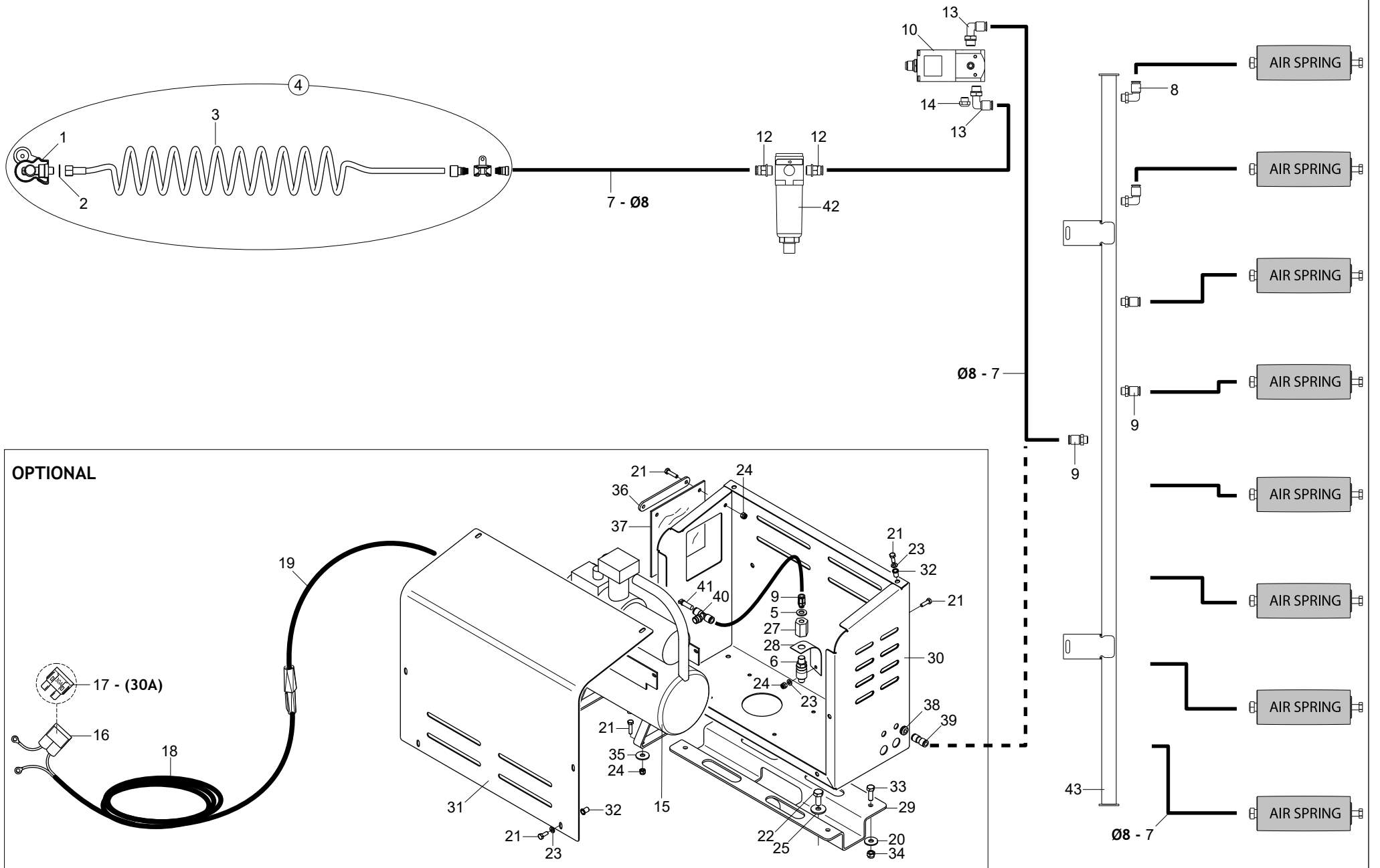


RUOTE DI COMPRESSIONE COMPRESSION WHEELS

TAV. 141

| Pos. | Cod. | Descrizione | Description | Description | Benennung | Description |
|------|------------|--------------------------------|--------------------------------|--------------------------------|-------------------------------|--------------------------------|
| 1 | F01220022R | DADO M8X1,25 | NUT M8X1,25 | CROU M8X1,25 D980 ZN | SELBSTSP.MUTT. M8X1,25 980-V | TUERCA M8X 1,25 D980 8 ZN |
| 2 | F01200244R | DADO M8X1,25 | NUT M8X1,25 | CROU M8X1,25 U5588 CL8 ZN | MUTTER M8 X1,25 U5588 6.8 ZN | TUERCA M8X1,25 U5588 CL8 ZN |
| 3 | F01020512R | VITE M12X1,75X35 | SCREW M12X1,75X35 U5739 8.8ZN | VIS M12X1,75X35 U5739 8.8ZN | SCHRAUBE M 12X35 | TORN. M12X1,75X35 U5739 8.8ZN |
| 4 | G23440001R | BOCCOLA PARALLELOGRAMMA | BUSHING- PARALLELOGRAM | BOITE PARALLELOGRAMME | BUCHSE PARALLELOGRAMM | CASQUILLO PARALELOGRAMA |
| 5 | F01030075R | VITE M 8X1,25X 60 | SCREW.M8X1,25X 60 | VISM 8X1,25X 60 U5933 10.9 ZD | SCHRAUBE.M8X1,25X 60 | TORN. M8X1,25X60 U5933 10.9 ZD |
| 6 | F01020068R | VITE M8X1,25X40 | SCREW M8X1,25X40 U5737 8.8ZN | VIS M8X1,25X40 U5737 8.8ZN | SCHRAUBE M8X1,25X40 | TORN. M8X1,25X40 U5737 8.8ZN |
| 7 | GA5223300R | MONT.RUOT.PREM. GOMMA D300 | ASSY.RUBBER SEED PRESS WHEEL | | | |
| 8 | G18803081R | BOCCOLA 12,25X20 X85 ZN | BUSHING D12,25X20X84 ZN | DOUILLE 12,25X20 X85 GALV. | BUCHSE 12,25X20 X84 ZN | CASQUILLO 12,25X20 X85 GALV. |
| 9 | F01020174R | VITE M12X1,75X120 | SCREW M12X1,75X120 U5737 8.8ZN | VIS M12X1,75X120 U5737 8.8ZN | SCHRAUBE M 12X120 | TORN. M12X1,75X120 U5737 8.8ZN |
| 10 | F01230085R | DADO M16X2 D982 10ZN | NUT M16X2 | ECROU M16X2 D982 10ZN | MUTTER M16X 2 D982 8 ZN | TUERCA M16X2 D982 10ZN |
| 11 | F04100150R | CUSC.D16 D40 B39 WPS | BEARING D16 D40 B39 WPS | ROUL. D16 D40 B39 | LAGER.D16 D40 B39 WPS | COJINETE D16 D40 B39 WPS |
| 12 | F01230059R | DADO M12X1,75 | NUT M12X1,75 | ECROU M12X1,75 D982 8ZN | MUTTER M12X1,75 | TUERCA M12X1,75 D982 ZN |
| 13 | F01020266R | VITE M16X2X120 | SCREW M16X2X120 U5737 8.8ZN | VIS M16X2X120 U5737 8.8ZN | SCHRAUBE 16X120 5737 8.8 ZN | TORNILLO M16X2X120 U5737 8.8ZN |
| 14 | G18221001R | ASSIEME SUPPORTO RUOTINO | SEED PRESS WHEEL SUPPORT | | | MONTAJE SOPORTE DE RUEDAS |
| 15 | G17722930R | RUOTA GHISA EL.REGINA | CAST IRON WHEEL EL.REGINA | | RAD GHISA EL.REGINA | |
| 16 | G17740850R | FLANGIA CUSC.RUOTA GHISA MBF | BEAR.FLANG.CAST IRON WHEEL MBF | BRIDE ROUL. FONTE MBF | | BRIDA COJIN.HIERRO FUNDIDO MBF |
| 17 | F01020063R | VITE M8X1,25X35 | SCREW M8X1,25X35 U5737 8.8ZN | VIS M8X1,25X35 U5737 8.8ZN | SCHRAUBE 8 X35 5737 8.G ZN | TORN. M8X1,25X35 U5737 8.8ZN |
| 18 | G18904890R | MOLLA TRAZ.L=163 D=29 DF=3,8 | TRACT.SPRING L=163 D=29 DF=3,8 | | TRACT.FEDER L=163 D=29 DF=3,8 | |
| 19 | F06120292R | RUOTA GOMMA D355X32 PLA WPS | RUBBER WHEEL D355X32 PLA WPS | ROUE EN CAOUTCHOUC D355X32 PLA | GUMMI RAD D355X32 PLA WPS | |
| 20 | F04100154R | CUSC.D16 D47 B44 WPS | BEARING D16 D47 B44 WPS | ROUL. D16 D47 B44 WPS | LAGER D16 D47 B44 WPS | COJINETE D16 D47 B44 WPS |
| 21 | G17722630R | MONT.RUOTA GHISA 360 | WHEELCAST IRON 360 | | ANBAURAD GHISA 360 | |
| 22 | F01230034R | DADO M8X1,25 | NUT M8X1,25 | CROU M8X1,25 D982 8 | SELBSTSP.MUTT. M8X1,25 | TUERCA M8X1,25 D982 8 |
| 23 | F01410051R | ROS.M8 8,4X 17X1,6 | WASHER M8 8,4X17X1,6 | RONDELLE M8 8,4X17X1,6 | SCHEIBE D.8 | ARAND.M8 8,4X 17X1,6 U6592 ZN |
| 24 | F01030060R | VITE M8X1,25X35 | SCREW M8X1,25X35 | VIS M8X1,25X35 U5933 10.9ZD | SCHRAUBE 8X35 5933 8.8 ZN | TORN. M8X1,25X35 U5933 10.9ZD |
| 25 | G18801880R | BOCCOLA 8,25 X15 X13 ZN | BUSHING 8,25 X15 X13 ZN | DOUILLE 8,25 X15 X13 GALV. | BUCHSE 8,25 X15 X13 ZN | CASQUILLO 8,25 X15 X13 ZN |
| 26 | G15355500R | RONDELLA AUTOCENTRANTE ZN | SELF-CENTERING WASHER ZN | RONDELLE AUTOCENTREE ZN | SELBSTZENTR.UNTERLEGSCH. ZN | ARANDELA AUTOCENTRADORA ZN |
| 27 | G17722453R | BOCCOLA SINT.ECCENT.H14 REGIN | BUSHING SINT.ECCENT.H14 MTR HD | | | |
| 28 | F01020156R | VITE M12X1,75X50 | SCREW M12X1,75X50 U5737 8.8ZN | VIS M12X1,75X50 U5737 8.8ZN | SCHRAUBE 12X50 5737 8.G ZN | TORN. M12X1,75X50 U5737 8.8ZN |
| 29 | G18803240R | BOCCOLA 16,5 X30 X10 ZN | BUSHING 16,25X20 X43 GALVA | DOUILLE 16,25X20 X43 GALV. | BUCHSE 16,25X20 X43 ZN | CASQUILLO 16,25X20 X43 ZN |
| 30 | F01410100R | ROS.M16 17X30X 3 | WASHER M16 17X30X3 | RONDELLE M16 17X30X3 | SCHEIBE D.16 UNI 6592 ZN | ARAND.M16 17X 30X 3 U6592 ZN |
| 31 | G18221560R | MANIGLIA CODINO | TAIL HANDLE | | | |
| 32 | G17720363R | SUPPORTO RUOTE DI COMPRESSIONE | COMPRESSION WHEEL SUPPORT | | HALTER RUOTE DI COMPRESSIONE | |
| 33 | G18801480R | BOCCOLA 10,25X14 X23 ZN | BUSHING 10,25 X 14 X 23 GALVA | DOUILLE 10,25X14 X23 GALV. | BUCHSE 10,25X14 X23 ZN | CASQUILLO 10,25X14 X23 ZN |
| 34 | F01020088R | VITE M8X1,25X90 | SCREW M8X1,25X90 U5737 8.8ZN | VIS M8X1,25X90 U5737 8.8ZN | SCHR. M8X1,25X90 U5737 8.8 BR | TORN. M8X1,25X90 U5737 8.8ZN |
| 35 | F02250668R | GRILLO M8 U1947A ZN | GRILLE M 8 ZN | MANILLE DE M 8 ZN | SCH-KEL M 8 ZN | GRILLETE DE M 8 ZN |
| 36 | F01020539R | VITE M14X2X25 | SCREW M14X2X25 U5739 8.8ZN | VIS M14X2X25 U5739 8.8ZN | SCHR.M14X 2X25 U5739 8.8 ZB | TORNILLO M14X2X25 U5739 8.8ZN |
| 37 | F01230073R | DADO M14X2 | NUT M14X2 D982 8ZN | ECROU M14X2 D982 8ZN | SELBSTSP.MUTT. M14X2 | TUERCA AUTOBL. M14X2 D982 8ZN |
| 38 | F01440086R | ROS. 23X40X0,5 ST2K60 | WASHER 23X40X0,5 ST2K60 B | RONDELLE 23X40X0,5 ST2K60 B | SCHEIBE 23X40X0,5 D988 ST2K60 | |
| 39 | G18220700R | BOCCOLA DISTANZIALE RUOTINO | WHEEL SPACER BUSH | DOUILLE ENTR. ROUE | | CASQ. DISTANCIADOR RUEDA |
| 40 | G18221840R | SUPP. RUOTE A V FUSIONE | SUPPORT V WHEELS | | | SOPORTE RUEDAS EN V |
| 41 | G18221850R | MANIGLIA SUPP.RUOTE A V | SUPPORT V WHEELS HANDLE | | | MANGO SOP.RUEDAS EN V |

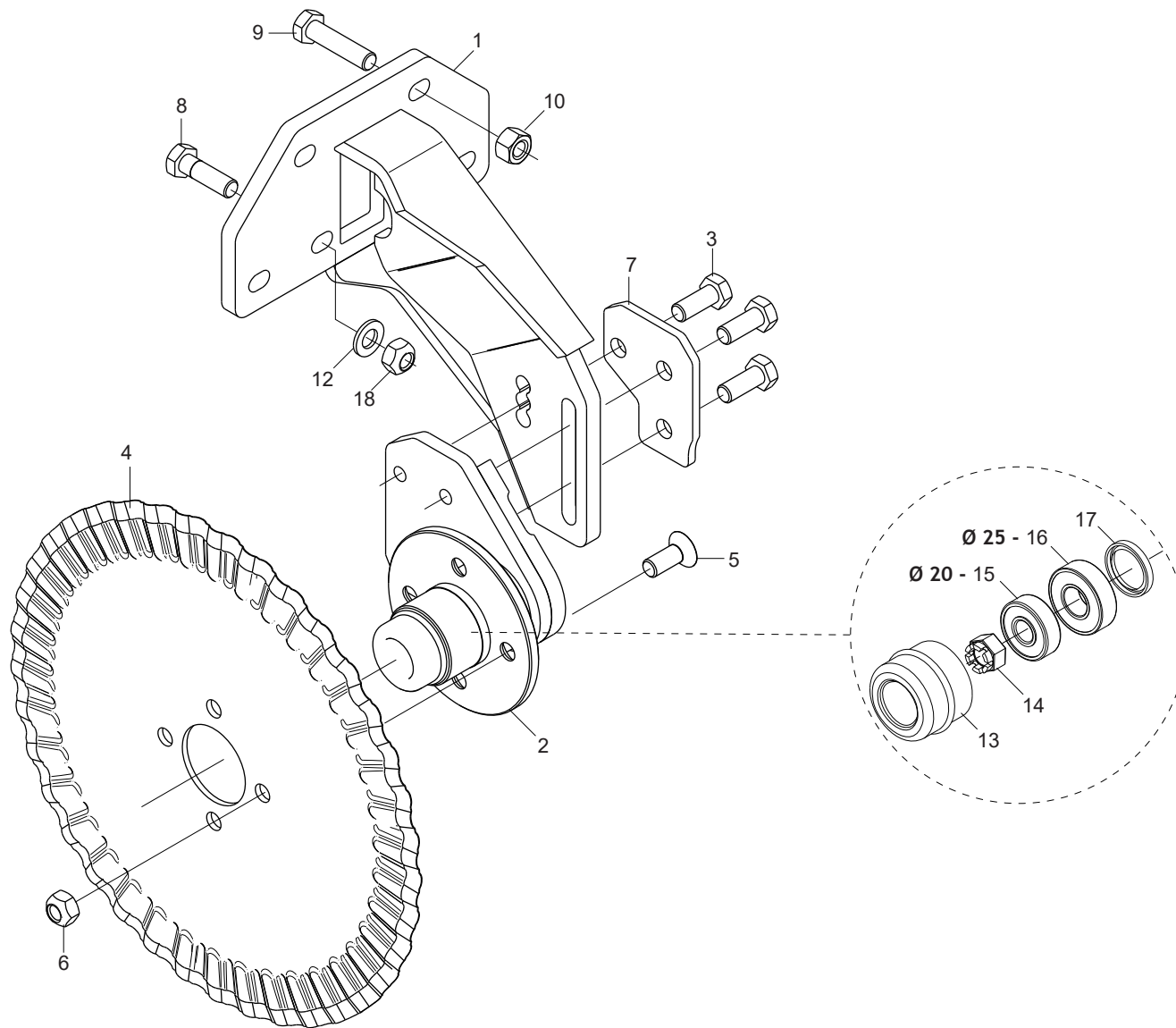
TAV. 150



AIR-SPRING AIR-SPRING

TAV. 150

| Pos. | Cod. | Descrizione | Description | Description | Benennung | Descripcion |
|------|------------|--------------------------------|--------------------------------|----------------------------|--------------------------------|--------------------------------|
| 1 | F13050007R | SEMIACC.ISO ROSSO M16X1,5 P F | ISO CONNECTION RED M16X1,5 P F | | ISO VERBINDUNG ROT M16X1,5 P F | |
| 2 | F13010014R | RONDELLA ALLUMINIO D16 | ALUMINUM WASHER D16 | ALUMINUM RONDELLE D16 | ALUMINIUM UNTERLEGSCHIEBE D16 | |
| 3 | F13070013R | SP.ROSSA 12X9 M16X1,5-LIBERA | PL.TU.RED 12X9 M16X1,5-FREE | | | |
| 4 | F03060333R | KIT ARIA AIRBAG DA IMP.FRENI | IMP AIRBAG AIR KIT BRAKES | | | |
| 5 | F01440094R | RONDELLA D10 | WASHER D10 | RONDELLE D10 | SCHIEBE D10 ALUMIN | ARANDELA DE ALUMINIO D10 |
| 6 | F05011766R | SENS.PRESS. 0- 10BAR 0,5-4,5V | PRESS.SENS. 0, 10BAR 0,5-4,5V | | PRESS.SENS.0,10LEISTE 0,5-4,5V | |
| 7 | F13070005R | TUBO POLIURETANO 8-6 NERO | POLIURETHAN PIPE 8-6 BLACK | | POLYURETHAN ROHR 8-6 BLACK | |
| 8 | F13010027R | RACC.SUPERAPIDO 90 1 8G-8 | 90 UNION STRAIGHT 1 8G-8 | | | |
| 9 | F13010028R | RACC.SUPERAPIDO DRITTO 1 8G-8 | SUPERAP.RIGHT JUNCTION 1 8G-8 | | EINSCHRAUBNIPPEL 1 8G-8 | |
| 10 | F03151814R | REGOL.FL.PROPORZ.M12 CAN OPEN | REGOL.FL.PROPORZ.M12 CAN OPEN | | | |
| 12 | F13010044R | RACC.SUPERAPIDO DRITTO 1 4G-D8 | RACC.STRAIGHT SUPERAPID 1 4G-D | | | |
| 13 | F13010103R | RACC.A L GIREVOLE G1 4 -D8 | RACC.A L GIREVOLE G1 4 -D8 | | | |
| 14 | F03020327R | SILENZIATORE SCARICO G1 8 | EXHAUST SILENCER G1 8 | | | |
| 15 | F05010714R | COMPRESSORE 12V - SERB. 5LT | COMPRESSOR 12V - TANK 5LT | | COMPRESSORE 12V - SERB. 5LT | |
| 16 | F05010021R | PORTAFUSIBILE MAXI STAGNO | SUPPORT FUSE MAXI STAGNO | | SICHERUNGSHALTER MAXI | |
| 17 | F05010022R | FUSIBILE AUTO MAXI 30A VERDE | FUSE AUTO MAXI 30A GREEN | | SICHERUNG AUTO MAXI 30A VERDE | |
| 18 | G19900100R | CAVO BATT.TRASM.ELETT.GENIUS | BATT. POWER SUPPLY CABLE GENIU | | | |
| 19 | F05012094R | CAVO 2X10 MMQ L=4,5M | CABLE 2X10 MMQ L=4,5M | | | |
| 20 | F01420048R | ROS.M8 8,4X 24X 2 | WASHER M8 8,4X 24X2 | RONDELLE M8 8,4X 24X2 | SCHEIBE D.8 | ARAND.M8 8,4X 24X 2 U6593 ZN |
| 21 | F01020404R | VITE M6X1X20 | SCREW M6X1X20 U5739 8.8ZN | VIS M6X1X20 U5739 8.8ZN | SCHRAUBE 6X20 5739 8.G ZN | TORNILLOM6X1X20 U5739 8.8ZN |
| 22 | F01020472R | VITE M10X1,5X25 | SCREW M10X1,5X25 U5739 8.8ZN | VIS M10X1,5X25 U5739 8.8ZN | SCHRAUBE 10X25 5739 8.G ZN | TORNIL. M10X1,5X25 U5739 8.8ZN |
| 23 | F01410037R | ROS.M6 6,4X12,5X1,6 | WASHER M6 6,4X12,5X1,6 | RONDELLE M6 6,4X12,5X1,6 | SCHEIBE D.6 | ARAND.M6 6,4X12,5X1,6 U6592 ZN |
| 24 | F01230022R | DADO M6X1 | NUT M6X1 | CROU M6X1 D982 8ZN | SELBSTSP. MUTTER NOR.6 ZN | TUERCA M6X1 D982 8ZN |
| 25 | F01420060R | ROS.M10 10,5X 30X2,5 | WASHER 10,5X30X2,5 | RONDELLE 10,5X30X2,5 | SCHEIBE 10,5X30 | ARAND.M10 10,5X 30X2,5 U6593 |
| 27 | G22250274R | COLLEGAMENTO MANOMETRI SP-SV | PRESSURE GAUGE CONNECT. SP-SV | RACCORD MANOMETRES SP-SV | VERBINDUNG MANOMETER SP-SV | CONEXI N MAN METROS SP-SV |
| 28 | G22270134R | SUPPORTO VACUOMETRO SP | VACUUM METER SUPPORT SP | SUPPORT VACUOMETRE SP | HALTERUNG VAKUUMMETER SP | SOPORTE VACU METRO SP |
| 29 | G17619110R | SUPPORTO COMPRESSORE | SUPPORT COMPRESSOR | | | |
| 30 | G15915520R | SCATOLA COMPRESSORE | AIR COMPRESSOR BOX | | LUFT KOMPRESSOR BOX | |
| 31 | GA5910050R | COPERCHIO SCATOLA COMPRESSORE | COMPRESSOR BOX COVER | | KOMPRESSOR BOX DECKEL | |
| 32 | F02250681R | INSERTO FIL.M 6X14 ZN T.TONDA | THREADED ZINCKED INSERT M6X14 | JOINT FILETE M6X14 ZN | GEWINDEBUCHSE M6X14 ZN | YUGO MUESCADO M6ZX14 ZN |
| 33 | F01020436R | VITE M8X1,25X20 | SCREW M8X1,25X20 U5739 8.8ZN | VIS M8X1,25X20 U5739 8.8ZN | SCHRAUBE M 8X20 | TORN. M8X1,25X20 U5739 8.8ZN |
| 34 | F01230034R | DADO M8X1,25 | NUT M8X1,25 | CROU M8X1,25 D982 8 | SELBSTSP.MUTT. M8X1,25 | TUERCA M8X1,25 D982 8 |
| 35 | F01420036R | ROS.M6 6,4X 18X1,5 | WASHER M6 6,4X 18X1,5 | RONDELLE M6 6,4X 18X1,5 | SCHEIBE 6-6X 18X2 6593 ZN | ARANDELA M6 6,4X18X1,5U6593ZN |
| 36 | GA5910480R | SCONTRIO 140X 20- 4 2F7 120 | PLATE 140X 20- 4 2F7 120 | | PLATTE 140X 20- 4 2F7 120 | |
| 37 | GA5911160R | CHIUSURA PVC | CLOSING PVC | | VERSCHLUSS PVC | |
| 38 | F05010750R | PASSACAVO PER FORO 10 D.7 | CABLE THROUGH HOLE 10 D.7 | | KABEL THROUGH HOLE 10 D.7 | |
| 39 | F03151380R | GIUNZIONE INTERM.D8-D8 FEM | INTER.JOINT D8-D8 FEM. | | INTER.GELENK D8-D8 FEM. | |
| 40 | F13010040R | RACC.SUPERAP.T 1 4 BSPT-D8-D8 | SUPERAP.T JUNCT.1 4 BSPT-D8-D8 | | SUPERAP.T JUNCT.1 4 BSPT-D8-D8 | |
| 41 | F13010059R | TAPPO D8 PLA | CUP D8 PLA | | | |
| 42 | F03151815R | FILTRO | FILTER | | | |
| 43 | G17650850R | TUBO COLLETTORE ARIA RENATA | AIR PIPE RENATA | | | |

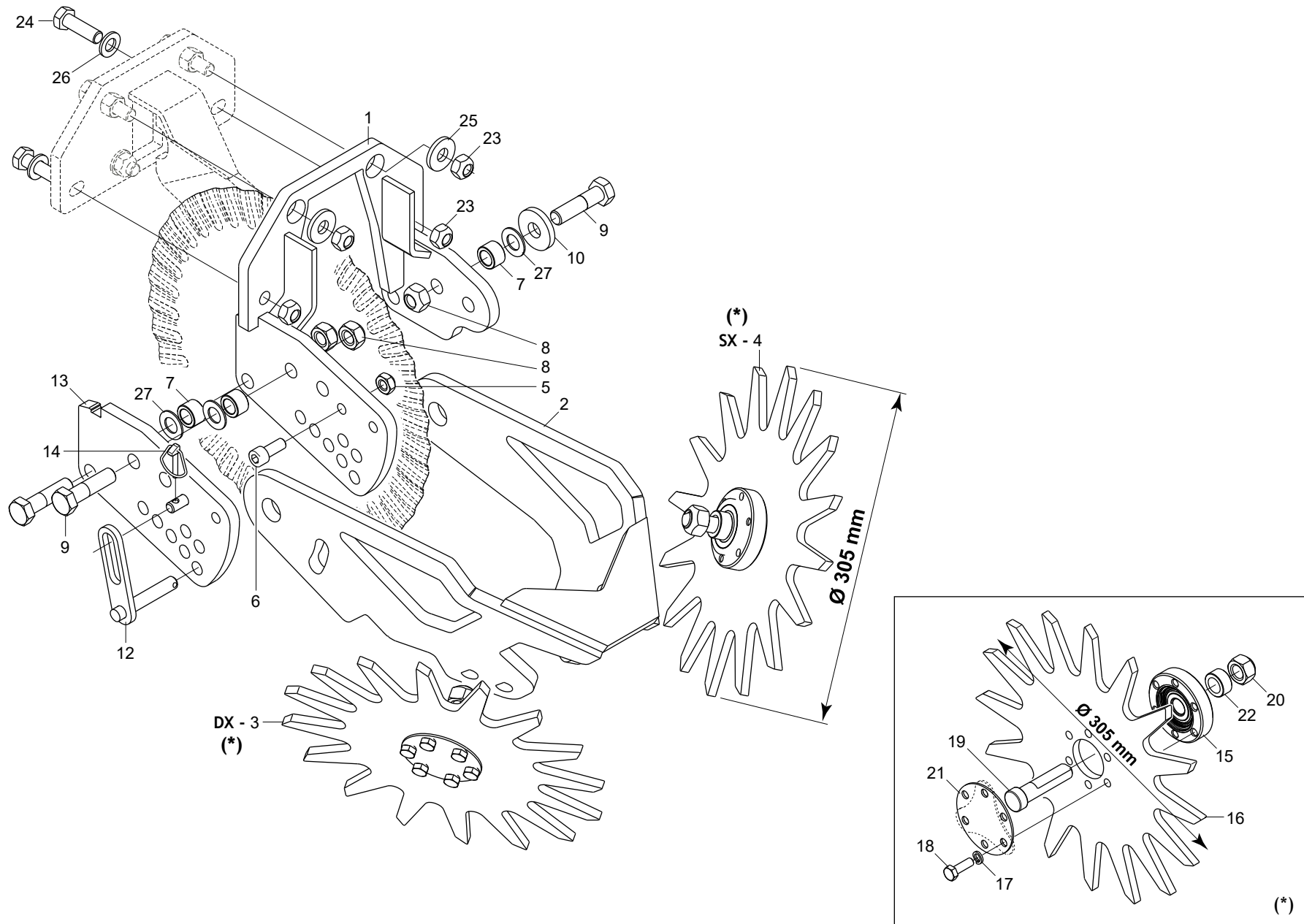


**COLTRO A DISCO STRIATO
CORRUGATED DISC COULTER**

TAV. 160

| Pos. | Cod. | Descrizione | Description | Description | Benennung | Descripcion |
|------|------------|--------------------------------|--------------------------------|--------------------------------|--------------------------------|-------------------------------|
| 1 | GSP000286R | ASS.SUPPORTO COLTRO FISSO | ASS.SUPPORT COULTER FIXED | | ASS.HALTER SCHAR FIXED | |
| 2 | GSP000287R | ASS.MOZZETTO | ASS. HUB | | ASS. NABE | |
| 3 | F01020510R | VITE M12X1,75X30 | SCREW M12X1,75X30 U5739 8.8ZN | VIS M12X1,75X30 U5739 8.8ZN | SCHRAUBE M 12X30 | TORN.M12X1,75X30 U5739 8.8ZN |
| 4 | GA5220130R | DISCO STRIATO D.355 | STRIPED DISC D.355 | | SCHEIBE D.355 | |
| 5 | F01030107R | VITE M12X1,75X30 | SCREW M12X1,75X30 U5933 10.9ZD | VIS M12X1,75X30 U5933 10.9ZD | SCHRAUBE M12X1,75X30 | TORN.M12X1,75X30 U5933 10.9ZD |
| 6 | F01220048R | DADO M12X1,75 | NUT M12X1,75 | ECROU M12X1,75 D980 8ZN | SCHRAUBE M12X1,75 D980 8 ZN | TUERCA M12X1,75 D980 8 ZN |
| 7 | GSP000288R | LAMIERA CONTENIMENTO | SHEET METAL OF RESTRAINT | | SHEET METAL OF RESTRAINT | |
| 8 | F01020152R | VITE M12X1,75X40 | SCREW M12X1,75X40 U5737 8.8ZN | VIS M12X1,75X40 U5737 8.8ZN | SCHRAUBE 12X40 5737 8.G | TORN. M12X1,75X40 U5737 8.8ZN |
| 9 | F01020517R | VITE M12X1,75X50 | SCREW M12X1,75X50 U5739 8.8ZN | VIS M12X1,75X50 U5739 8.8ZN | SCHRA. M12X1,75X50 5739 8.8 ZN | TORN. M12X1,75X50 U5739 8.8ZN |
| 10 | F01200079R | DADO M12X1,75E GE | NUT M12X1,75E GE | ECROU M12X1,75 U5587 CL8 GEEGE | MUTTER M12X1,75 U5587 6S GE | TUERCA M12X1,75 U5587 CL8 GEE |
| 12 | F01410076R | ROS.M1213X24X2,5 | WASHER 12 13X 24X2,5 | RONDELLE 12 13X 24X2,5 | SCHEIBE D12 UNI 6592 ZN | ARAND.M12 13X 24X2,5 U6592 ZN |
| 13 | F06120238R | TAPPO MOZZO DX DP | RIGHT HUB PLUG DP | BOUCHON MOYEU DP A VISSER DRT | NABENPFROPFEN RE DP | TAP N CUBO DER. DP |
| 14 | F01210091R | DADO M18X1,5 | NUT M18X1,5 | ECROU M18X1,5 U5594 5.8BR | MUTTER M18X2,5 U5594 5.8 BR | TUERCA M18X1,5 U5594 5.8BR |
| 15 | F04050011R | CUSC.D20 D47 T15,25 30204 | BEARING D20 D47 T15,25 30204 | ROUL. D20 D47 T15,25 30204 | LAGER 30204 | COJINETE D20 D47 T15,25 30204 |
| 16 | F04050012R | CUSC.D25 D52 T16,25 30205 | BEARING D25 D52 T16,25 30205 | ROUL. D25 D52 T16,25 30205 | LAGER 30205 | COJINETE D25 D52 T16,25 30205 |
| 17 | F03010061R | ANELLO T.A. 30X 52X 7 D3760NBR | OIL SEAL 30X52X7 | PARE-HUILE 30X52X7 | OELABDICHTUNG 30X52X7 | PARA-ACEITE 30X52X7 |
| 18 | F01220048R | DADO M12X1,75 | NUT M12X1,75 | ECROU M12X1,75 D980 8ZN | SCHEIBE M12X1,75 D980 8 ZN | TUERCA M12X1,75 D980 8 ZN |

TAV. 171

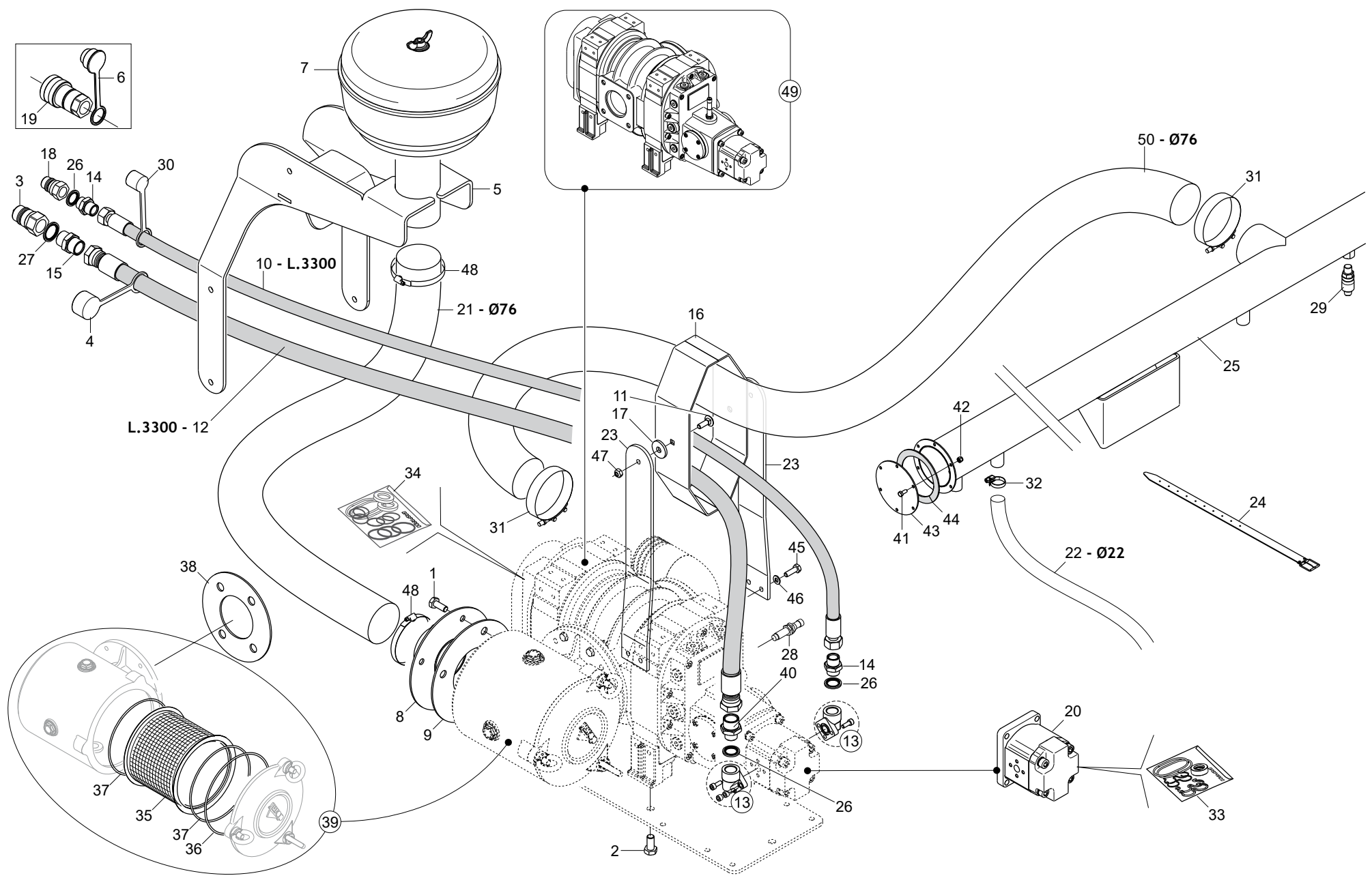


**SPARTIRESIDUI ROTATIVO
TRASH WHEEL**

TAV. 171

| Pos. | Cod. | Descrizione | Description | Description | Benennung | Description |
|------|------------|--------------------------------|--------------------------------|------------------------------|--------------------------------|--------------------------------|
| 1 | GSP000290R | ASS.SUPPORTO FISSO TRASH WHEEL | ASS.SUPPORT FIXED TRASH WHEEL | | | |
| 2 | GSP000291R | ASS.SUPP.MOBILE TRASH WHEELS | ASS.MOBILE SUPPORT TRA.WHEELS | | | |
| 3 | GA5223430R | MONT.STELLA SPARTIRES.D.305 DX | ASS.STAR D. RIGHT | | ASS.STAR D. RECHTS | |
| 4 | GA5223440R | MONT.STELLA SPARTIRES.D.305 SX | ASS.STAR D.305 LEFT | | ASS.STAR D.305 LINKS | |
| 5 | F01220033R | DADO M10X1,5 | NUT M10X1,5 | ECROU M10X1,5 D980 8GALV. | MUTTER M10 | TUERCA M10X1,5 D980 8 |
| 6 | F01040118R | VITE M10X1,5X25 | SCREW M10X1,5X25 | VIS M10X1,5X25 U5931 8.8ZN | SCHRAUBE M10X1,5X25 | TORN. M10X1,5X25 U5931 8.8ZN |
| 7 | G18800060R | BOCCOLA 14,5 X22 X14 | BUSHING D14,5X22X14 | DOUILLE 14,5 X22 X14 | BUCHSE 14,5 X22 X14 | CASQUILLO 14,5 X22 X14 |
| 8 | F01220255R | DADO M14X2 | NUT M14X2 D980 8ZN | ECROU M14X2 D980 8ZN | MUTTER TRISTOP M14X2 D980 8 ZN | TUERCA M14X2 D980 8 ZN |
| 9 | F01020201R | VITE M14X2X55 | SCREW M14X2X55 U5737 8.8ZN | VIS M14X2X50 U5737 8.8BR | SCHRAUBE 14X50 5737 8.G | TORNILLO M14X2X55 U5737 8.8ZN |
| 10 | G18700690R | RONDELLA 15 X40 X6 ZN | WASHER 15 X 40 X 6 ZN | RONDELLE 15 X40 X6 ZN | UNTERLEGSCHEIBE 15X40X6 ZN | ARANDELA 15 X40 X6 ZN |
| 12 | GA5223460R | ASS.PERNO D12X56 C.ANTIROT.ZN | ASS.PIN D12X56 ANTIROT.ZN | | | |
| 13 | GSP000289R | ASS.PIASTRA DX TRASH WHEELS | ASS.PLATE RIGHT TRASH WHEELS | | | |
| 14 | F02200452R | SPINA SCATTO D.4,4 B 80 ZN | SNAP PIN D4.4 B 80 ZN | FICHE A DETENTE D4.4 B 80 ZN | EINRASTSTIFT D 4-4 B 80 | CLAVIJA DE MUELLE D4,4 B 80 ZN |
| 15 | G16045970R | CUSCIN.E SUP.D16 D72 L23 6XM8 | BEARING & SUP.D16 D72 L23 6XM8 | | | |
| 16 | GA5223320R | DISCO SPARTI RESIDUI 12IN | TRASH WHEEL DISC 12IN | | | |
| 17 | F01480033R | ROS.G 8,1X 12,7X 2 | GROVER WASHER D8,1X12,7 | GROVER RONDELLE D8,1X12,7 | SPRENGRING VERST. D8 DIN79 | ARAND.ELICOI.D8,1X12,7 D7980ZN |
| 18 | F01020436R | VITE M8X1,25X20 | SCREW M8X1,25X20 U5739 8.8ZN | VIS M8X1,25X20 U5739 8.8ZN | SCHRAUBE M 8X20 | TORN. M8X1,25X20 U5739 8.8ZN |
| 19 | GA5223340R | VITE TE M16X60 FRESATA ZN | SCREW TE M16X60 MILLED ZN | VIS TE M16X60 FRAISEE ZN | SCHRAUBE M16X60 ZN | TORNILLO TE M16X60 FRESADO ZN |
| 20 | F01220266R | DADO M16X2 | NUT M16X2 | ECROU M16X2 D980 8ZN | MUTTER M16X2 D980 8 ZN | TUERCA M16X 2 D980 8 ZN |
| 21 | GSP000285R | TAPPO STELLA SPARTIRESIDUI | STAR CAP RESIDUAL DIVIDER | | | |
| 22 | G18800810R | BOCCOLA 16,25X25X12 ZN | BUSHING 16,25X25X12 ZN | DOUILLE 16,25X25X12 GALV. | | CASQUILLO 16,25X25X12 GALV. |
| 23 | F01220048R | DADO M12X1,75 | NUT M12X1,75 | ECROU M12X1,75 D980 8ZN | SCHEIBE M12X1,75 D980 8 ZN | TUERCA M12X1,75 D980 8 ZN |
| 24 | F01020528R | VITE M12X1,75X40 | SCREW M12X1,75X40 U5739 10.9ZD | VIS M12X1,75X40 U5739 10.9ZD | SCHRAUBE M12X1,75X40 | TORN. M12X1,75X40 U5739 10.9ZD |
| 25 | G20970035R | RONDELLA 32X4X13 | WASHER 32X4X13 | RONDELLE 32X4X13 | UNTERLEGSCHEIBE 32X4X13 | ARANDELA 32X4X13 |
| 26 | F01410076R | ROS.M1213X24X2,5 | WASHER 12 13X 24X2,5 | RONDELLE 12 13X 24X2,5 | SCHEIBE D12 UNI 6592 ZN | ARAND.M12 13X 24X2,5 U6592 ZN |
| 27 | G20970149R | RONDELLA D.15X28X1,5 | WASHER D.15X28X1-5 | RONDELLE D. 15X28X1-5 | UNTERLEGSCHEIBE D.15X28X1-5 | ARANDELA D.15X28X1-5 |

TAV. 180

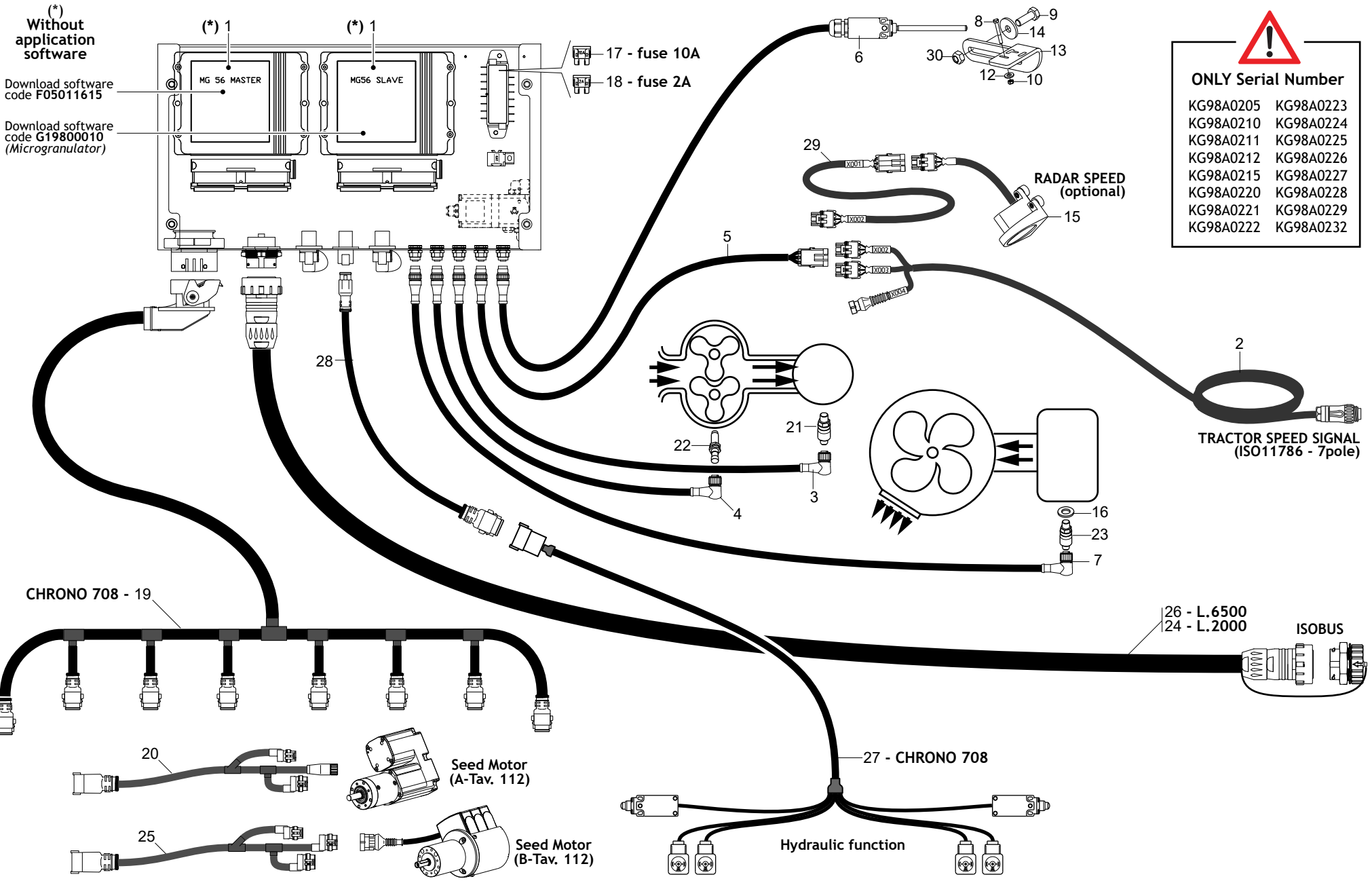


COMPRESSORE ARIA AIR COMPRESSOR

TAV. 180

| Pos. | Cod. | Descrizione | Description | Description | Benennung | Description |
|------|------------|--------------------------------|--------------------------------|--------------------------------|---------------------------------|--------------------------------|
| 1 | F01020472R | VITE M10X1,5X25 | SCREW M10X1,5X25 U5739 8.8ZN | VIS M10X1,5X25 U5739 8.8ZN | SCHRAUBE 10X25 5739 8.G ZN | TORNIL. M10X1,5X25 U5739 8.8ZN |
| 2 | F01020508R | VITE M12X1,75X25 | SCREW M12X1,75X25 U5739 8.8ZN | VIS M12X1,75X25 U5739 8.8ZN | SCHRAUBE 12X25 5739 8.G | TORN. M12X1,75X25 U5739 8.8ZN |
| 3 | F03150936R | INNESTO RAP.MASCH.3 4 A VALV. | QUICK CONNECT MALE CONE 3 4 CO | PRISE A BILLE MALE CONE 3 4 | SCHNELLKUPPLUNG GEWINDE KONISC | ACOPLAMIENTO R PIDO MACHO CONO |
| 4 | F05150493R | TAPPO INNESTO MASCHIO TF34 | TF 34 MALE CONNECTION PLUG | CLAPET ACCOUPLEMENT MALE TF34 | PFPROPFEN KUPPLUNG GEWINDEZAPFE | TAPA ACOPLAMIENTO MACHO TF34 |
| 5 | GA7650010R | SUPPORTO FILTRO COMPRESSORE | SUPPORTO FILTRO COMPRESSORE | | | |
| 6 | F05150492R | CAPPUCCIO INNESTO RAP.FEMM 3 4 | CONNECTION CAP NUT 3 4 | CAPUCHON ACCOUPLEMENT 3 4 | HAUBE KKUPPLUNG 3 4 | CAPUCHON ACOPLAMIENTO 3 4 |
| 7 | F05010991R | PREFILTRO COMPRESSORE LOBI D76 | LOBE COMPRESSOR FILTER D.76 | | | |
| 8 | G18250040R | FLANGIA FILTRO COMPRESSORE | COMPRESSOR FILTER FLANGE | | | |
| 9 | G18250090R | GUARNIZ.FILTRO COMPRESS.A LOBI | GUARNIZ.FILTRO COMPRESS.A LOBI | | | |
| 10 | G15355650R | TUBO 1 2R2 F1 2-F1 2 3300 | PIPE 1 2R2 F1 2-F1 2 3300 | TUBE 1 2R2 F1 2-F1 2 3300 | ROHR 1 2R2 F1 2-F1 2 3300 | TUBO 1 2R2 F1 2-F1 2 3300 |
| 11 | F01060041R | VITE M8X1,25X25 | SCREW M8X1,25X25 | VIS M8X1,25X25 U5731 8.8ZN | SCHRAUBE 8 X25 5732 4.6 ZN | TORN. M8X1,25X25 U5731 8.8ZN |
| 12 | G15355281R | TUBO 3 4R2 F3 4- F3 4 3300 G. | PIPE 3 4R2 F3 4-F3 4 3300 G. | | ROHR 3 4R2 F3 4-F3 4 3300 G. | |
| 13 | F03151203R | KIT RACCORDO A GOMITO 1 2 | 1 2 ANGLED UNION | RACCORD A COUDE | WINKELANSCHLUSSTUECK 1 2 | CODO DE UNI N 1 2 |
| 14 | F03150255R | NIPPLO MASCH.CIL.1 2-1 2 ZN | NIPPLE M. CYL. 1 2-1 2 ZN | NIPLE M. CYL. 1 2 - 1 2 ZN | NIPPEL F. ZYL. 1 2-1 2 ZN | NIPLE M. CIL. 1 2 - 1 2 ZN |
| 15 | F03150299R | NIPPLO MM CIL.CIL 3 4-3 4 ZN | NIPPLE MM CIL.CIL 3 4-3 4 ZN | NIPLES MM CIL.CIL 3 4-3 4 ZN | NIPPEL 3 4 GAS | NIPLE MM CIL.CIL 3 4-3 4 ZN |
| 16 | GA7650020R | SUPPORTO TUBI EOLO | EOLO TUBES SUPPORT | | | |
| 17 | G20970012R | RONDELLA 32X4X11 | WASHER 32X4X11 | RONDELLE 32X4X11 | UNTERLEGSCHEIBE 32X4X11 | ARANDELA 32X4X11 |
| 18 | F03150935R | INNESTO RAP.MASCH.1 2 A VALV. | QUICK CONNECT MALE CONE 1 2 | CONNEXION RAPIDE MALE CONE 1 2 | SCHNELLKUPPLUNG GEWINDE KONISC | ACOPLAMIENT.RAP.MACHO CONO 1 2 |
| 19 | F03150949R | INNESTO RAP.FEMM.3 4 A VALV. | QUICK-CONNECT 3 4 VALVE FEM. | PRISE A BILLE F ELLE CONE 3 4 | SCHNELLKUPPLUNG MUTTER 3 4 | ACOPLA. R P.HEMB.3 4 V LVLUAA |
| 20 | F03150998R | MOTORE PLM 20,8 DX ANTICAV. | MOTOR PLM 20,8 DX ANTICAV | | MOTORE PLM 20,8 RECHTS ANTICAV | |
| 21 | F03100564R | TUBO EOLO PU D.76 TRASP. NERO | TUBE EOLO PU D.76 TRASP. BLACK | | | |
| 22 | F03100560R | TUBO EOLO PU D.22 TRASP. NERO | TUBO EOLO PU D.22 TRASP. NERO | | | |
| 23 | GA7650030R | SUPPORTO TUBI EOLO SU COMPRES. | SUPPORTO TUBI EOLO SU COMPRES. | | | |
| 24 | G16126850R | FASCETTA PVC NERA L.450 | PVC CLAMP BLACK L.450 | | SCHELLE PVC NERA L.450 | |
| 25 | G18220810R | ASS.COLLETTORE ARIA COMPRESSA | ASS.COLLETTORE ARIA COMPRESSA | | | |
| 26 | F03151370R | RONDELLA 1 2 | WASHER SEAL 1 2 | RONDELLE SEAL 1 2 | SCHEIBE SEAL 1 2 | ARANDELA SEAL 1 2 |
| 27 | F03020146R | RONDELLA AUTO. 3 4 | WASHER AUTOCENT 3 4 | RONDELLE AUTOCENT 3 4 | SCHEIBE BONDED AUTOCENT 3 4 | |
| 28 | F05010396R | SENSORE IND.M12X1 NPN-NO 4 MM | SENSOR IND. NBN4-12GM50-EO-V1 | CAPTEUR IND M12X1 NPN-NO 4 MM | SENSOR M12X1 NPN-NO 4 MM | SENSOR M12X1 NPN-NO 4 MM |
| 29 | F05012292R | SENSORE PRESS.0- 2BAR 0,5-4,5V | PRESSURE SENS.0-2BAR 0,5-4,5V | | | SENSOR PRESI N 0-2BAR 0,5-4,5V |
| 30 | F05150328R | CAPPUC.F X INN.M RAP.1 2 VERDE | PROTECT. COVER CAP F 1 2 GREEN | COUVERCLE CONNEXION F 1 2 VERT | CAPPUC.M X INN.F RAP.1 2 VERDE | PAC PROTECCION F 1 2 VERDE |
| 31 | U10030076R | FASC.A COLL.VITE M8 \$86-95 | HOSE CLAMP M8 \$86-95 | | FASC.A COLL.SCHRAUBE M8 \$86-95 | |
| 32 | F02300020R | FASCETTA STRING. 32 50 H.9 | HOSE CLAMP 32 50 H.9 | COLLIER DE SERRAGE 32 50 H.9 | SCHELLE 32 50 H.9 | ABRAZADERA 32 50 H. 9 |
| 33 | F03100224R | KIT GUAR.MOTORE DX20,8ANTICAV. | KIT O-RING ENGINE DX20,8 | | | |
| 34 | F13010104R | SET GUARNIZIONE CT30-50 | GASKET KIT CT30-50 | SET GARN. CT30-50 | | SET JUNTA CT30-50 |
| 35 | F13010105R | CARTUCCIA MESH120 | CARTRIDGE MESH120 | | | CARTUCHO |
| 36 | F13010106R | ANELLO OR 4675 | O-RING 4675 | BAGUE OR 4675 | | ANILLO O RING |
| 37 | F13010107R | ANELLO OR 4625 | O-RING 4625 | BAGUE OR 4625 | | ANILLO O-RING |
| 38 | F13010108R | GUARN.FLANGIA - FILTRO | FILTER - FLANGE GASKET | | | |
| 39 | F13010112R | FILTRO CT50 COMPLETO | FILTRO CT50 COMPLETO | | | |
| 40 | F03020015R | NIPPLO DI RID BSP3 4-14X1 2-1 | RIDUCTION NIPPLE 3 4-14X1 2-14 | REDUCT.NIPPLE BSP 3 4X1 2 - 14 | REDUZIERTSTUCK BSP 3 4X1 2 -14 | REDUCION BSP 3 4 X 1 2 - 14 |
| 41 | F01020648R | VITE M5X0,8X12 | SCREW M5X0,8X12 U5739 A2IX | VIS M5X0,8X12 U5739 A2IX | SCHRAUBE M5X0,8X12 U5739 A2IX | TORNILLO M5X0,8X12 U5739 A2IX |
| 42 | F01230020R | DADO M5X0,8 | NUT M5X0,8 | CROU M5X0,8 D982 A2IX | MUTTER M5X0,8 D982 A2 IX | TUERCA M5X0,8 D982 A2 IX |
| 43 | G18250310R | TAPPO COLLETTORE PRESSIONE | TAPPO COLLETTORE PRESSIONE | | | |
| 44 | F07100132R | MOUSSE ADESIVA MM 5X3 | ADHESIVE MOUSSE MM 5X3 | | DICHTBAND MM 5X3 | |
| 45 | F01020436R | VITE M8X1,25X20 | SCREW M8X1,25X20 U5739 8.8ZN | VIS M8X1,25X20 U5739 8.8ZN | SCHRAUBE M 8X20 | TORN. M8X1,25X20 U5739 8.8ZN |
| 46 | F01410051R | ROS.M8 8,4X 17X1,6 | WASHER M8 8,4X17X1,6 | RONDELLE M8 8,4X17X1,6 | SCHEIBE D.8 | ARAND.M8 8,4X 17X1,6 U6592 ZN |
| 47 | F01220022R | DADO M8X1,25 | NUT M8X1,25 | CROU M8X1,25 D980 ZN | SELBSTSP.MUTT. M8X1,25 980-V | TUERCA M8X 1,25 D980 8 ZN |
| 48 | F02300023R | FASCETTA STRING. 80 100 H.8 | PIPE CLAMP 80 100 H.8 | COLLIER DE SERRAGE 77 95 | ROHRSCHELLE 77 95 | ABRAZADERA P. MANGUERA 80 100 |
| 49 | F05010999R | COMPRESS.LOBI CT50 TRASM.HDR | COMPRESS.LOBI CT50 TRASM.HDR | | | |
| 50 | F03100551R | TUBO ZEUS PU FOOD D.76 TR. NER | TUBO ZEUS PU FOOD D.76 TR. NER | | | |

TAV. 190



ONLY Serial Number

| | |
|-----------|-----------|
| KG98A0205 | KG98A0223 |
| KG98A0210 | KG98A0224 |
| KG98A0211 | KG98A0225 |
| KG98A0212 | KG98A0226 |
| KG98A0215 | KG98A0227 |
| KG98A0220 | KG98A0228 |
| KG98A0221 | KG98A0229 |
| KG98A0222 | KG98A0232 |

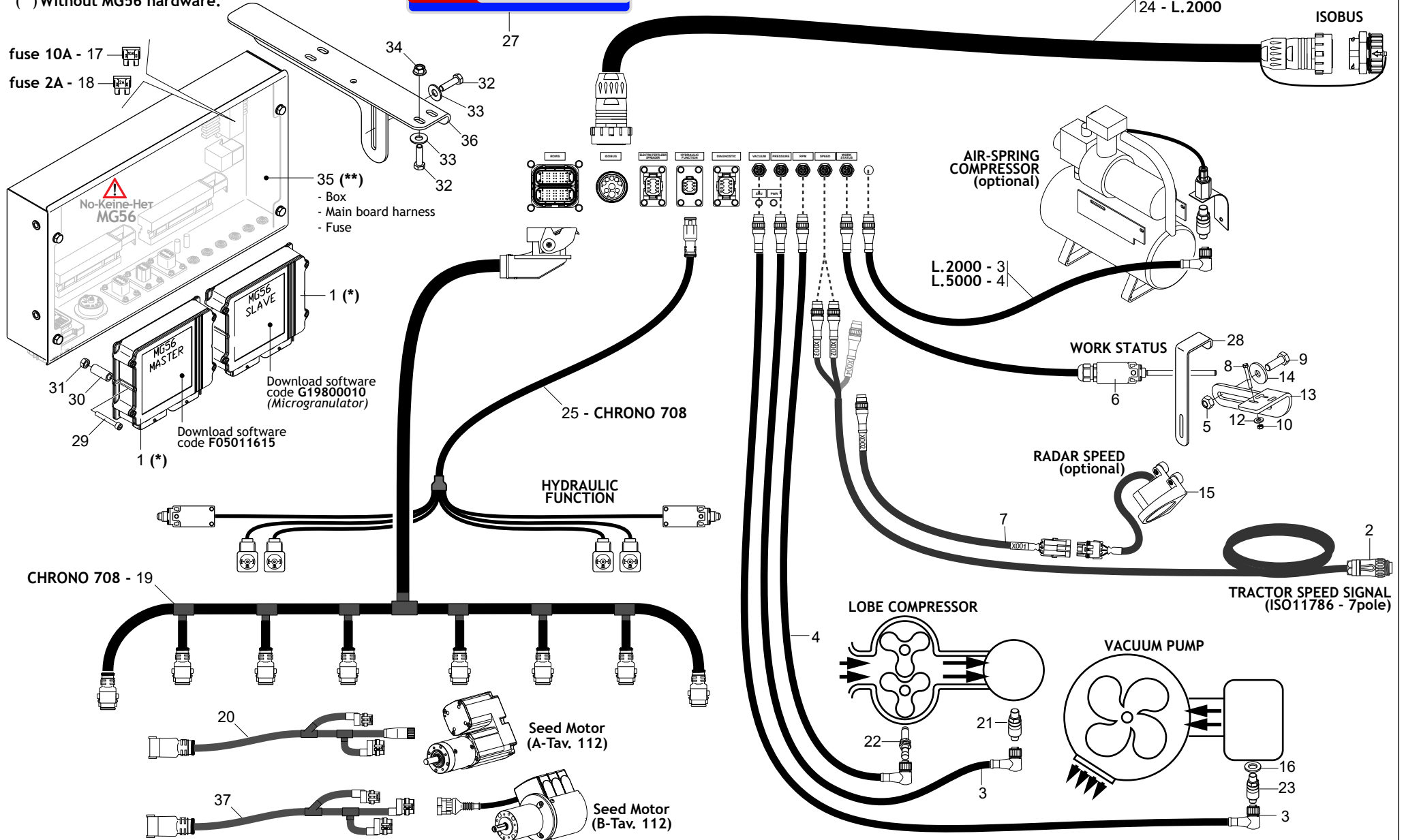
IMPIANTO ELETTRICO ELECTRIC SYSTEM

TAV. 190

| Pos. | Cod. | Descrizione | Description | Description | Benennung | Descripcion |
|------|------------|--------------------------------|--------------------------------|-------------------------------|--------------------------------|--------------------------------|
| 1 | F05011504R | HARDWARE ECU MG 56 | HARDWARE ECU | | HARDWARE ECU JOBRECHNER | |
| 2 | F05200884R | CABL.VEL.DA TRAT.A SEM.6M GMP | SPEED SGN TRACT.-SEEDER GMP 6M | | SPEED SGN TRACT.-SAATER GMP 6M | |
| 3 | F05200948R | CABL.SENSORE PRESSIONE CHRONO | CABLE CHRONO PRESSURE SENSOR | | | |
| 4 | F05200949R | CABL.SENSORE GIRI CHRONO | CABLE SENSOR RPM CHRONO | | | |
| 5 | F05200950R | CABL.VELOCITA CHRONO | CABLE SPEED CHRONO | | | |
| 6 | F05200951R | CAVO FINGER CHRONO | CABLE FINGER CHRONO | | | |
| 7 | F05200952R | CAVO DEPRESSIONE CHRONO | CABLE DEPRESSION CHRONO | | | |
| 8 | F01020024R | VITE M5X0,8X40 | SCREW M5X0,8X40 U5737 8.8ZN | VIS M5X0,8X40 U5737 8.8ZN | SCHRAUBE 5X40 5737 8.G ZN | TORNILLO M5X0,8X40 U5737 8.8ZN |
| 9 | F01020521R | VITE M12X1,75X65 | SCREW M12X1,75X65 U5739 8.8ZN | VIS M12X1,75X65 U5739 8.8ZN | SCHRAUBE M 12 X65 5739 8.G ZN | TORN. M12X1,75X65 U5739 8.8ZN |
| 10 | F01200220R | DADO M5X0,8 | NUT M5X0,8 | CROU M5X0,8 U5588 CL8 ZN | MUTTER M 5X0,8 U5588 6.8ZN | TUERCA M5X0,8 U5588 CL8 ZN |
| 12 | F01420023R | ROS.M5 5,3X 15X1,5 | WASHER M5 5,3X 15X1,5 | RONDELLE M5 5,3X 15X1,5 | SCHEIBE M5 5,3X 15X1,5 | ARAND.M5 5,3X 15X1,5 U6593 |
| 13 | GA7912420R | LAMA SUPPORTO FINGER ZN | BLADE SUPPORT FINGER ZN | SUPPORT FINGER | HALTERUNG FINGER | SOPORTE FINGER |
| 14 | G20970085R | RONDELLA 40X4X13 | WASHER 40X4X13 | RONDELLE 40X4X13 | UNTERLEGSCHEIBE 40X4X13 | ARANDELA 40X4X13 |
| 15 | F05010905R | RADAR RDS TGSS MK3V | RADAR RDS TGSS MK3V . | RADAR RDS TGSS MK3V | RADARSENSOR RDS TGSS MK3V . | RADAR RDS TGSS MK3V |
| 16 | F01440094R | RONDELLA D10 | WASHER D10 | RONDELLE D10 | SCHIEBE D10 ALUMIN | ARANDELA DE ALUMINIO D10 |
| 17 | F05011415R | FUSIBILE 10A ATO | FUSE 10A ATO | FUSIBILE 10A ATO | SICHERUNG 10A ATO | FUSIBLE 10A ATO |
| 18 | F05012068R | FUSIBILE 2A ATO | FUSE 2A ATO | | FUSE 2A ATO | |
| 19 | F05200946R | CAVO RENATA CHRONO 8F | CABL.RENATA CHRONO 8F | | | |
| 20 | F05200974R | CABL.ELEMENTO CHRONO | CABLE ELEMENT CHRONO | | | |
| 21 | F05012292R | SENSORE PRESS.0-2BAR 0,5-4,5V | PRESSURE SENS.0-2BAR 0,5-4,5V | | | SENSOR PRESI N 0-2BAR 0,5-4,5V |
| 22 | F05010396R | SENSORE IND.M12X1 NPN-NO 4 MM | SENSOR IND. NBN4-12GM50-EO-V1 | CAPTEUR IND M12X1 NPN-NO 4 MM | SENSOR M12X1 NPN-NO 4 MM | SENSOR M12X1 NPN-NO 4 MM |
| 23 | F05011136R | SENSORE DEPR.-200MBAR 0,5-4,5 | DEPRES.SENSOR -200MBAR 0,5-4,5 | | SENSOR -200MBAR 0,5-4,5 | |
| 24 | F05200806R | CABLAGGIO ISOBUS F-F 2 METRI | ISOBUS F-F 2 METER WIRING | FAISC. ISOBUS F-F 2 M | ISOBUS F-F 2 METER KABEL | CABLEADO ISOBUS F-F 2 METRI |
| 25 | G19902670R | CABL.ELEMENTO 2XSS 5 VIE | ELEMENT WIRING 2XSS 5 WAY | | | CABLE ELEMENTO 2XSS 5 V AS |
| 26 | F05200740R | CABLAGGIO ISOBUS F-F 6,5 METRI | F-F ISOBUS CABLE 6,5 METERS | | | |
| 27 | F05200753R | CABL.MOV.IDR.4EV. 2MICROINT.G | HYDR.FUNC.WIRING 4SV-2MICROSW | | KABEL EV.RENATA-MARISA G.M. | |
| 28 | F05200996R | CABL.PROL.HYDR.RENATA CHRONO | CABL.PROL.HYDR.RENATA CHRONO | | | |
| 29 | F05200931R | CABL.ADAPT.RADAR PER ISOTRONIC | WIRING ADAPTE.RADAR FOR ISOTR. | | | |
| 30 | F01230059R | DADO M12X1,75 | NUT M12X1,75 | ECROU M12X1,75 D982 8ZN | MUTTER M12X1,75 | TUERCA M12X1,75 D982 ZN |

TAV. 191

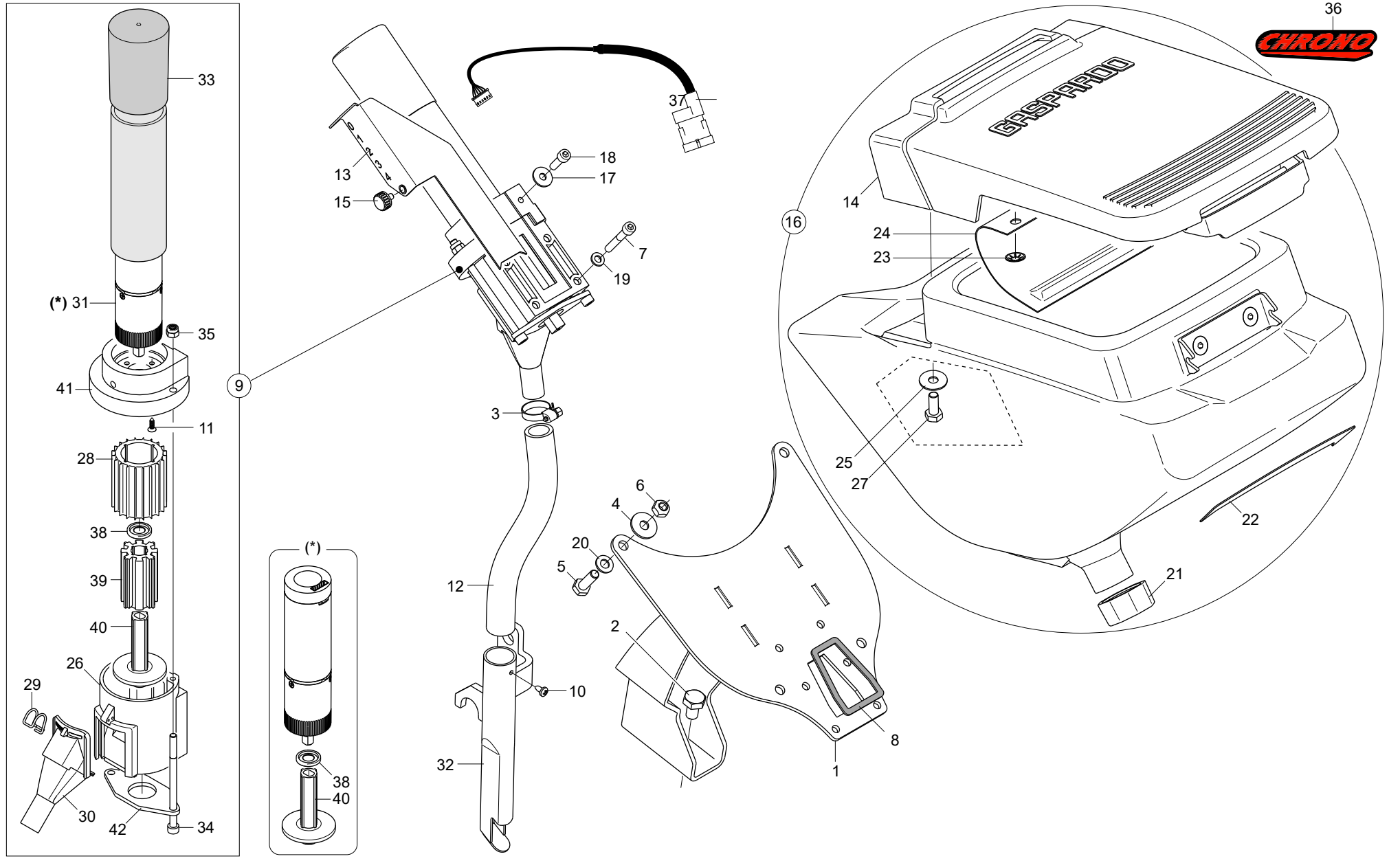
(*) Without application software.
 (**) Without MG56 hardware.



GESTIONE ELETTRICA ELECTRIC SYSTEM

TAV. 191

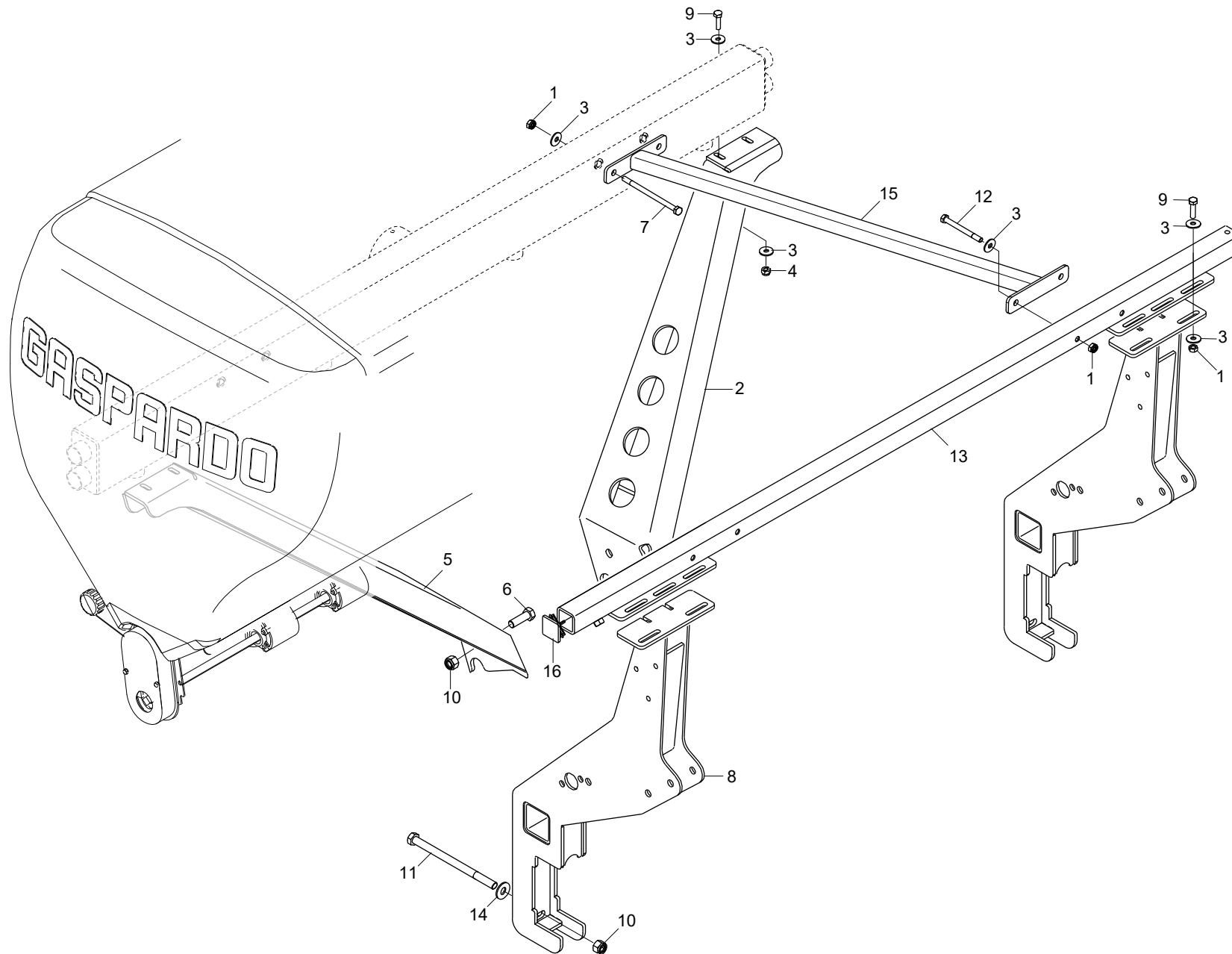
| Pos. | Cod. | Descrizione | Description | Description | Benennung | Descripcion |
|------|------------|--------------------------------|--------------------------------|-------------------------------|-------------------------------|--------------------------------|
| 1 | F05011504R | HARDWARE ECU MG 56 | HARDWARE ECU | | HARDWARE ECU | JOBRECHNER |
| 2 | G19902400R | CABL.VELOC.DA TRATT.A SEMINAT | CABL.VELOC.DA TRATT.A SEMINAT | | | |
| 3 | G19902320R | CAVO CONN.M12-M12 M-F 180 2M | CABL.CONN.M12-M12 M-F 180 2M | | | |
| 4 | G19902340R | CAVO CONN.M12-M12 M-F 180 5M | CABL.CONN.M12-M12 M-F 180 5M | | | |
| 5 | F01230059R | DADO M12X1,75 | NUT M12X1,75 | ECROU M12X1,75 D982 8ZN | MUTTER M12X1,75 | TUERCA M12X1,75 D982 ZN |
| 6 | G19902350R | INTERRUT DITA C CONN M12 2,1M | FINGER SWITCH C CONN M12 2,1M | | | |
| 7 | G19902190R | CABL.ADATTATORE RADAR X IST 20 | CABL.ADAPTAR RADAR X IST 20 | | | |
| 8 | F01020024R | VITE M5X0,8X40 | SCREW M5X0,8X40 U5737 8.8ZN | VIS M5X0,8X40 U5737 8.8ZN | SCHRAUBE 5X40 5737 8.G ZN | TORNILLO M5X0,8X40 U5737 8.8ZN |
| 9 | F01020521R | VITE M12X1,75X65 | SCREW M12X1,75X65 U5739 8.8ZN | VIS M12X1,75X65 U5739 8.8ZN | SCHRAUBE M 12 X65 5739 8.G ZN | TORN. M12X1,75X65 U5739 8.8ZN |
| 10 | F01200220R | DADO M5X0,8 | NUT M5X0,8 | CROU M5X0,8 U5588 CL8 ZN | MUTTER M 5X0,8 U5588 6.8ZN | TUERCA M5X0,8 U5588 CL8 ZN |
| 12 | F01420023R | ROS.M5 5,3X 15X1,5 | WASHER M5 5,3X 15X1,5 | RONDELLE M5 5,3X 15X1,5 | SCHEIBE M5 5,3X 15X1,5 | ARAND.M5 5,3X 15X1,5 U6593 |
| 13 | GA7912420R | LAMA SUPPORTO FINGER ZN | BLADE SUPPORT FINGER ZN | SUPPORT FINGER | HALTERUNG FINGER | SOPORTE FINGER |
| 14 | G20970085R | RONDELLA 40X4X13 | WASHER 40X4X13 | RONDELLE 40X4X13 | UNTERLEGSCHIEBE 40X4X13 | ARANDELA 40X4X13 |
| 15 | F05010905R | RADAR RDS TGSS MK3V | RADAR RDS TGSS MK3V . | RADAR RDS TGSS MK3V | RADARSENSOR RDS TGSS MK3V . | RADAR RDS TGSS MK3V |
| 16 | F01440094R | RONDELLA D10 | WASHER D10 | RONDELLE D10 | SCHIEBE D10 ALUMIN | ARANDELA DE ALUMINIO D10 |
| 17 | F05011415R | FUSIBILE 10AATO | FUSE 10AATO | FUSIBILE 10AATO | SICHERUNG 10AATO | FUSIBLE 10AATO |
| 18 | F05012068R | FUSIBILE 2AATO | FUSE 2AATO | | FUSE 2AATO | |
| 19 | G19902370R | CABL.CHRONO 708 | CABL.CHRONO 708 | | | |
| 20 | F05200974R | CABL.ELEMENTO CHRONO | CABLE ELEMENT CHRONO | | | |
| 21 | F05012292R | SENSORE PRESS.0-2BAR 0,5-4,5V | PRESSURE SENS.0-2BAR 0,5-4,5V | | | SENSOR PRESI N 0-2BAR 0,5-4,5V |
| 22 | F05010396R | SENSORE IND.M12X1 NPN-NO 4 MM | SENSOR IND. NBN4-12GM50-EO-V1 | CAPTEUR IND M12X1 NPN-NO 4 MM | SENSOR M12X1 NPN-NO 4 MM | SENSOR M12X1 NPN-NO 4 MM |
| 23 | F05011136R | SENSORE DEPR.-200MBAR 0,5-4,5 | DEPRES.SENSOR -200MBAR 0,5-4,5 | | SENSOR -200MBAR 0,5-4,5 | |
| 24 | F05200806R | CABLAGGIO ISOBUS F-F 2 METRI | ISOBUS F-F 2 METER WIRING | FAISC. ISOBUS F-F 2 M | ISOBUS F-F 2 METER KABEL | CABLEADO ISOBUS F-F 2 METRI |
| 25 | G19902290R | CABL.MOV.IDR.4EV. 2MICROINT.GM | CABL.MOV.IDR.4EV. 2MICROINT.GM | | | |
| 26 | F05200740R | CABLAGGIO ISOBUS F-F 6,5 METRI | F-F ISOBUS CABLE 6,5 METERS | | | |
| 27 | G19709680R | DECAL.ISOBUS | DECAL ISOBUS | ETIQUETTE ISOBUS | AUFKLEBER ISOBUS | ETIQUETA ISOBUS |
| 28 | GA7610310R | AZIONAMENTO FINGER | FINGER DRIVE | | | |
| 29 | F01040068R | VITE M6X1X50 | SCREW M6X1X50 | VIS M6X1X50 U5931 8.8ZN | SCHRAUBE M 6X1X50 | TORN. M6X1X50 U5931 8.8ZN |
| 30 | G20980086R | BOCCOLA DIST.D.8,5X16X31 | BUSHING SPAC. D.8-5X16X31 | DOUILLE ENTR. D. 8-5X16X31 | BUCHSE 8-25 X16 X33 | CASQUILLO DIST. D.8-5X16X31 |
| 31 | F01230022R | DADO M6X1 | NUT M6X1 | CROU M6X1 D982 8ZN | SELBSTSP. MUTTER NOR.6 ZN | TUERCA M6X1 D982 8ZN |
| 32 | F01020445R | VITE M8X1,25X30 | SCREW M8X1,25X30 U5739 8.8ZN | VIS M8X1,25X30 U5739 8.8ZN | SCHRAUBE 8 X30 5739 8.G | TORN. M8X1,25X30 U5739 8.8ZN |
| 33 | F01420048R | ROS.M8 8,4X 24X 2 | WASHER M8 8,4X 24X2 | RONDELLE M8 8,4X 24X2 | SCHEIBE D.8 | ARAND.M8 8,4X 24X 2 U6593 ZN |
| 34 | F01260043R | DADO M8 | NUT M8 | CROU M8 D6923 8.8ZN | MUTTER MIT SCHEIBE M8 DIN6923 | TUERCA M8 D6923 8.8ZN |
| 35 | G18210690R | CONJ.CAJA ELECTRICA CHRONO 700 | ELECTRIC BOX CHRONO 700 ASSBLY | | | CONJ.CAJA ELECTRICA CHRONO 700 |
| 36 | G18210730R | LAMIERA SCORREV.BOX CHRONO 700 | SUPPORT PLATE BOX | | | CAJA DE PLACA DE SOPORTE |
| 37 | G19902670R | CABL.ELEMENTO 2XSS 5 VIE | ELEMENT WIRING 2XSS 5 WAY | | | CABLE ELEMENTO 2XSS 5 V AS |



**MICROGRANULATORE
MICROGRANULATOR**

TAV. 201

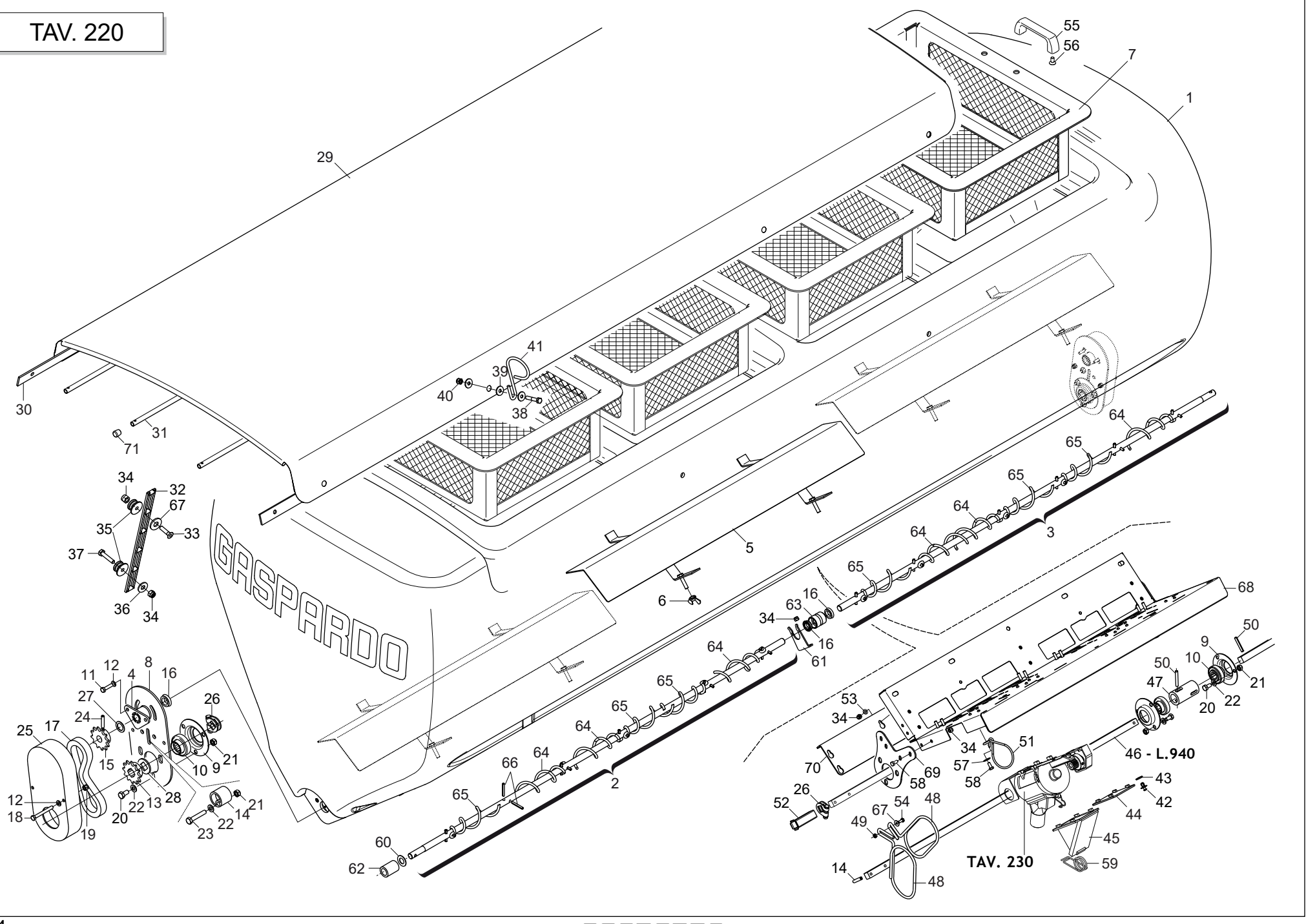
| Pos. | Cod. | Descrizione | Description | Description | Benennung | Descripcion |
|------|------------|--------------------------------|--------------------------------|--------------------------------|--------------------------------|--------------------------------|
| 1 | G18270010R | ASS.SUPPORTO MICRO | MICRO SUPPORT SET | | | |
| 2 | F01020468R | VITE M10X1,5X16 | SCREW M10X1,5X16 U5739 8.8ZN | VIS M10X1,5X16 U5739 8.8ZN | SCHRA. M10X1,5X16 U5739 8.8 ZN | TORNIL. M10X1,5X16 U5739 8.8ZN |
| 3 | F02300016R | FASCETTA STRING. 16 27 H.8 | CLAMP 16 27 H.8 | | BAND | |
| 4 | F01420047R | ROS.M8 8,4X 24X 2 | WASHER M8 8,4X24X2 | RONDELLE M8 8,4X24X2 | SCHLEIBE M8 8,4X24X2 U6593 IX | ARANDELA M8 8,4X24X2 U6593 IX |
| 5 | F01020440R | VITE M8X1,25X25 | SCREW M8X1,25X25 U5739 8.8ZN | VIS M8X1,25X25 U5739 8.8ZN | SCHRAUBE M8 X25 5739 8.8 ZN | TORN. M8X1,25X25 U5739 8.8ZN |
| 6 | F01220022R | DADO M8X1,25 | NUT M8X1,25 | CROU M8X1,25 D980 ZN | SELBSTSP.MUTT. M8X1,25 980-V | TUERCA M8X 1,25 D980 8 ZN |
| 7 | F01040075R | VITE M6X1X40 | SCREW M6X1X40 | VIS M6X1X40 U5931 8.8ZN | SCHRAUBE 6X40 5931 8.8 | TORNILLO M6X1X40 U5931 8.8ZN |
| 8 | G18221420R | GUARNIZIONE DOSAT.-SERB. MICRO | GASKET OF THE MICRO TANK DOSER | | | |
| 9 | G18270130R | MONT.DISTR.MICRO ELETTRICO | MICRO-ELECTRIC MOUNT DISTRIB. | | | |
| 10 | F01070073R | VITE A4,2X1,41X9,5 | SCREW A4,2X1,41X9,5 U6954 4.8 | VIS A4,2X1,41X9,5 U6954 4.8NI | SCHRAUBE 4-2X 9,5 DIN 7981 | TORN.A4,2X1,41X9,5 U6954 4.8NI |
| 11 | F01070122R | VITE A3,9X1,34X13 | SCREW A3,9X1,34X13 U6955 4.8NI | VIS A3,9X1,34X13 U6955 4.8NI | SCHR. 3,9X1,34X13 U6955 4.8 ZN | TORN. A3,9X1,34X13 U6955 4.8NI |
| 12 | G11425080R | RACCORDO INF.L.280 | FITTING INF.L.280 | | | |
| 13 | G18270080R | REG.APERTURA DIST.MICRO CHRONO | REG. MICRO CHRONO DIST.OPENING | | | |
| 14 | G18220540R | MONT.COPERCHIO MICRO CHRONO | MONT. MICRO COVER CHRONO | | | |
| 15 | F06220036R | VOLANTINO ZIGR. D.15-M5 X10 | KNURLED FLYWHEEL D.15-M5 X10 | VOLANT CANNEL D.15-M5 X10 | GER-ND. HANDRAD D.15-M5 X10 | VOLANTE ESTR. D.15-M5 X10 |
| 16 | G18220530R | MONT.SERB.MICRO CHRONO | MONT.MICRO TANK CHRONO | | | |
| 17 | F01420036R | ROS.M6 6,4X 18X1,5 | WASHER M6 6,4X 18X1,5 | RONDELLE M6 6,4X 18X1,5 | SCHLEIBE 6-6X 18X2 6593 ZN | ARANDELA M6 6,4X18X1,5U6593ZN |
| 18 | F01040063R | VITE M6X1X20 | SCREW M6X1X20 | VIS M6X1X20 U5931 8.8ZN | SCHRAUBE M 6 | TORNILLO M6X1X20 U5931 8.8ZN |
| 19 | F01410037R | ROS.M6 6,4X12,5X1,6 | WASHER M6 6,4X12,5X1,6 | RONDELLE M6 6,4X12,5X1,6 | SCHLEIBE D.6 | ARAND.M6 6,4X12,5X1,6 U6592 ZN |
| 20 | F01410051R | ROS.M8 8,4X 17X1,6 | WASHER M8 8,4X17X1,6 | RONDELLE M8 8,4X17X1,6 | SCHLEIBE D.8 | ARAND.M8 8,4X 17X1,6 U6592 ZN |
| 21 | G16675090R | TAPPO PLASTICA MICRO C OR | PLASTIC PLUG MICRO C OR | | GEWINDEPFROPFEN MIKROBEH. | TAPON PL STICO MICRO C OR |
| 22 | G19709810R | ADESIVO SERBATOIO MICRO | TANK ADHESIVE MICRO | | | |
| 23 | F02050648R | ANELLO BENZING-QUICKLOCK BQ7 | BENZING-QUICKLOCK BQ7 RING | BAGUE BENZING-QUICKLOCK BQ7 | RING BENZING-QUICKLOCK BQ7 | ANILLO BENZING-QUICKLOCK BQ7 |
| 24 | G18221410R | TELO PROTEZIONE MICRO CHRONO | MICRO PROTECTION COVER CHRONO | | | |
| 25 | F01420048R | ROS.M8 8,4X 24X 2 | WASHER M8 8,4X 24X2 | RONDELLE M8 8,4X 24X2 | SCHLEIBE D.8 | ARAND.M8 8,4X 24X 2 U6593 ZN |
| 26 | G18270100R | CORPO DISTR.M80 X CHRONO | BODY DISTRIBUTOR 80X CHRONO | | | |
| 27 | F01020436R | VITE M8X1,25X20 | SCREW M8X1,25X20 U5739 8.8ZN | VIS M8X1,25X20 U5739 8.8ZN | SCHRAUBE M 8X20 | TORN. M8X1,25X20 U5739 8.8ZN |
| 28 | G66248189R | DOSATORE M80 | SEED METERING DEVICE M80 | DOSEUR M80 | DOSIERER M80 | DOSIFICADOR M80 |
| 29 | G65336046R | MOLLA SPEC.ZN SCIVOLO M80 | SPEC SPRING ZN CHUTE M80 | RESSORT SPEC. ZN LANCOIR M80 | SPEZIALFEDER ZN RUTSCHE M80 | MUELLE ESPEC. ZN PLANO INCLINA |
| 30 | G66248154R | SCIVOLO DISTR. M80 | CHUTE- DISTRIB. M80 | ENTONNOIR DOSEUR MINIMAX MICRO | S APPARAT RUTSCHE M80 | PLANO INCLINADO DISTR. M80 |
| 31 | F05012426R | KIT MOTORID GUARN AS.RON.ALB | GEAR MOT GASK AX.WA.SHAFT KIT | | | MOT.ID. JUNTA EJE ARAN.EJE KIT |
| 32 | G18270050R | ASS.TUBO DISCESA MICRO DRITTO | ASSE.MICRO STRAIGHT DOWN TUBE | | | |
| 33 | F05100205R | CAPPUCCIO 50,8 X79,40 NERO | COVER 50,8 X79,40 BLACK | | DECKEL 50,8 X79,40 BLACK | |
| 34 | F01040073R | VITE M6X1X100 | SCREW M6X1X100 | VIS M6X1X100 U5931 8.8ZN | SCHRAUBE M 6X1X100 | TORNILLO M6X1X100 U5931 8.8ZN |
| 35 | F01230022R | DADO M6X1 | NUT M6X1 | CROU M6X1 D982 8ZN | SELBSTSP. MUTTER NOR.6 ZN | TUERCA M6X1 D982 8ZN |
| 36 | F20020718R | DECAL.CHRONO 80 X 20 | DECAL.CHRONO 80 X 20 | | | |
| 37 | G19902480R | CABL.MICRO ELEMENTO CHRONO | CAB.MICRO ELEMENT CHRONO | | | |
| 38 | F03011332R | GUARNIZIONE A LABBRO 10X22X3 | LIP SEAL 10X22X3 | | | |
| 39 | G66248188R | ANIMA DOSATORE M80 | INSERTED ROLLER SEED METERING | AME DOSEUR M80 | DOSIERERKERN M80 | SELLO DE LABIOS 10X22X3 |
| 40 | G19008020R | ASS.ASSE RONDEL. ALB.MICRO EL | AXLE WASH. SHAFT EL.MICRO ASSY | | | MACHO DOSIFICADOR M80 |
| 41 | G18270060R | SUPP.MOT.ELETTR.MICRO CHRONO | SUPPORT ELECT. MICROGRANULATOR | | | CONJ.EJE ARAND. MICRO EJE EL. |
| 42 | G18270070R | PIATTO INFERIORE | BOTTOM PLATE | | | SOP.MOTOR ELECT.MICRO CHRONO |
| | | | | | | PLACA INFERIOR |



**SUPPORTI SPANDICONCIME
SUPPORTS FERTILIZER DISTRIBUTOR**

TAV. 210

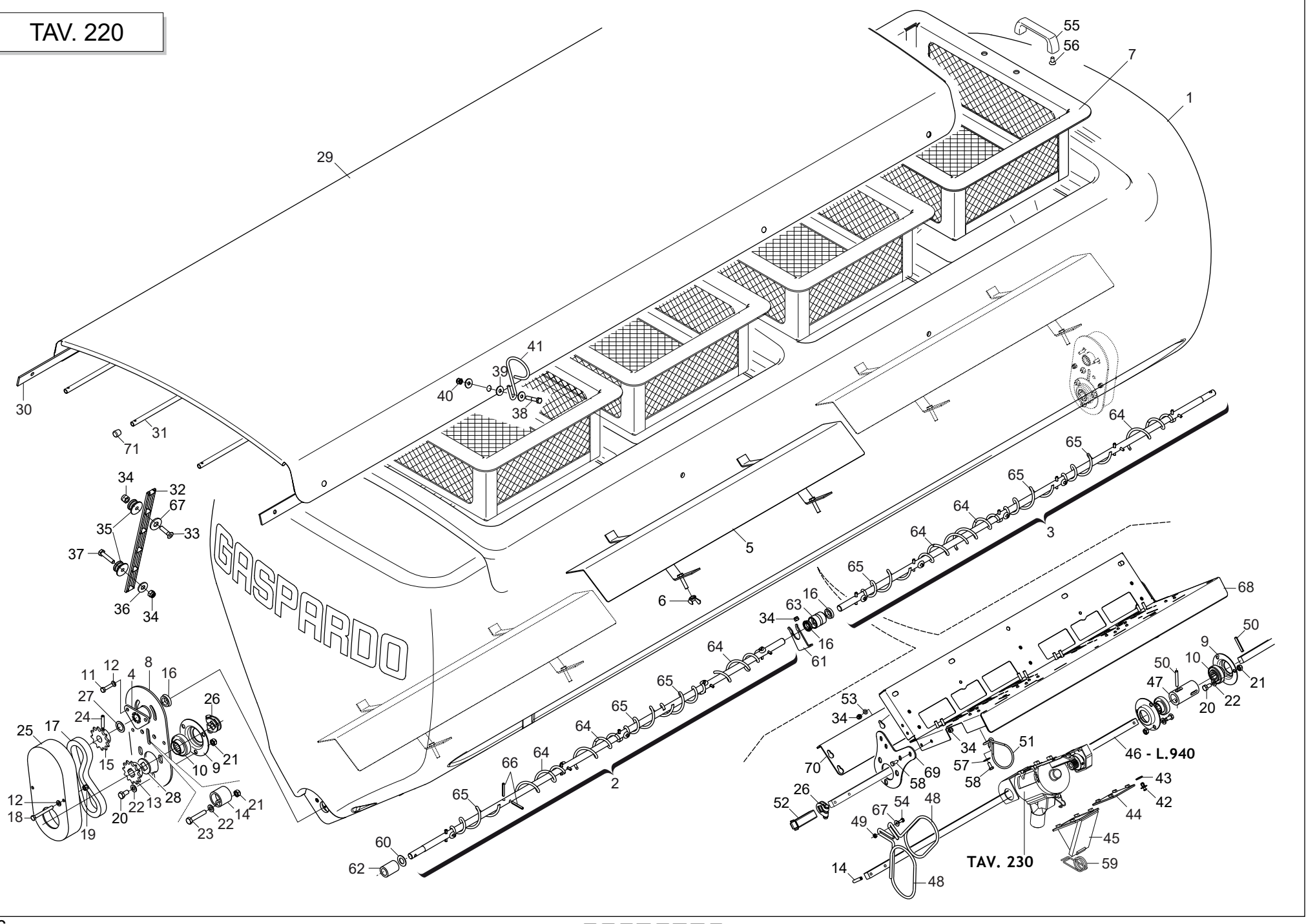
| Pos. | Cod. | Descrizione | Description | Description | Benennung | Descripcion |
|------|------------|-------------------------------|------------------------------|----------------------------|---------------------------------|--------------------------------|
| 1 | F01230294R | DADO M10X1,5 | NUT M10X1,5 | ECROU M10X1,5 U7473 8GALV. | MUTTER M10X1,5 U7473 8ZN | TUERCA M8X1,5 U7473 8ZN |
| 2 | G17670170R | SUPPORTO ANT.DX TRAMOGGIA | FRONT.RIGHT HOPPER SUPPORT | | FRONT.RE. TANK HALTER | |
| 3 | F01420059R | ROS.M10 10,5X 30X2,5 | WASHER 11X30X2,5 | RONDELLE 11X30X2,5 | UNTERLEGSSCHEIBE 11X30X2,5 6593 | ARANDELA 11X30X2,5 6593 A2 |
| 4 | F01230294R | DADO M10X1,5 | NUT M10X1,5 | ECROU M10X1,5 U7473 8GALV. | MUTTER M10X1,5 U7473 8ZN | TUERCA M8X1,5 U7473 8ZN |
| 5 | G17670180R | SUPPORTO ANT.SX TRAMOGGIA | LEFT FRONT HOPPER SUPPORT | | LI. FRONT TANK HALTER | |
| 6 | F01020287R | VITE M16X2X50 | SCREW M16X2X50 U5737 10.9ZD | VIS M16X2X50 U5737 10.9ZD | SCHR. M16X 2X 50 U5737 10.9 ZN | TORNILLO M16X2X50 U5737 10.9ZD |
| 7 | F01020146R | VITE M10X1,5X120 | SCREW M10X1,5X120 U5737 A2IX | VIS M10X1,5X120 U5737 A2IX | SCHRAUBE M10X1,5X120 | TORNIL. M10X1,5X120 U5737 A2IX |
| 8 | G17670872R | SUPPORTO POSTERIORE SPANDI | HOPPER REAR SUPPORT | | | |
| 9 | F01020465R | VITE M10X1,5X35 | SCREW M10X1,5X35 U5739 A2IX | VIS M10X1,5X35 U5739 A2IX | SCHRAUBE 10X35 5739 INOX A2 | TORNILLO M10X1,5X35 U5739 A2IX |
| 10 | F01230085R | DADO M16X2 D982 10ZN | NUT M16X2 | ECROU M16X2 D982 10ZN | MUTTER M16X 2 D982 8 ZN | TUERCA M16X2 D982 10ZN |
| 11 | F01020283R | VITE M16X2X260 | SCREW M16X2X260 U5737 8.8ZN | VIS M16X2X260 U5737 8.8ZN | SCHRAUBE 16X260 5737 8.G ZN | TORN. M16X2X260 U5737 8.8ZN |
| 12 | F01020145R | VITE M10X1,5X90 | SCREW M10X1,5X90 U5737 A2IX | VIS M10X1,5X90 U5737 A2IX | SCHRAUBE M10X1.5X90 5737 A2 IX | TORNILLO M10X1,5X90 U5737 A2IX |
| 13 | G17670071R | TUBO SUPP.ANT.TRAMOGGIA | HOPPER S ANT.SUPPORT TUBE | | | |
| 14 | F01410100R | ROS.M16 17X30X 3 | WASHER M16 17X30X3 | RONDELLE M16 17X30X3 | SCHEIBE D.16 UNI 6592 ZN | ARAND.M16 17X 30X 3 U6592 ZN |
| 15 | G17620130R | RINFORZO INT.TRAMOGGIA | HOPPER INT. REINF. ASS.BLY | | TANK INT. REINF. ASS.BLY | |
| 16 | F20120349R | PUNTALE Q.50 ALETT.POLIT.NERO | CAP | BOUCHON | DECKEL | CORCHO |



SERBATOI SPANDICONCIME FERTILIZER DISTRIBUTOR

TAV. 220

| Pos. | Cod. | Descrizione | Description | Description | Benennung | Descripcion |
|------|------------|--------------------------------|--------------------------------|---------------------------------|--------------------------------|--------------------------------|
| 1 | G19006040R | SERBATOIO CONCIME 1600LT | FERTILIZER TANK 1600LT | | D NGERSTREUER TANK 1600LT | |
| 2 | G18270390R | MONT.ASSE AGITATORE CHR DX | RIGHT CHR AGITATOR AXLE ASSY | | | MONTAJE EJE AGITADOR CHR DER. |
| 3 | G18270400R | MONT.ASSE AGITATORE CHR SX | RIGHT CHR AGITATOR AXLE ASSY | | | MONTAJE EJE AGITADOR CHR IZQ |
| 4 | G66248121R | BOCCOLA CON FLANGIA M80 | BUSHING W FLANGE M80 | DOUILLE AVEC BRIDE M80 | BUCHSE MIT FLANSCH M80 | CASQUILLO CON BRIDA M80 |
| 5 | G17772381R | TEGOLO SPA REGINA | BENT TILE REGINA | | BOGEN TILE REGINA | |
| 6 | F01240024R | DADO M8X1,25 | NUT M8X1,25 | CROU M8X1,25 U5448 5.8ZN | MUTTER 8 UNI 5448 5.8 ZN | TUERCA 8 UNI 5448 5.8 ZN |
| 7 | G17773891R | ASS.GRIGLIA SUPERIOR.SPA 1600L | ASS.GRIGLIA SUPERIOR.SPA 1600L | | | |
| 8 | G17770541R | SUPPORTO TRASM.AGITATORE | TRASM.SUPPORT AGITATOR | | | |
| 9 | G22230094R | SUPPORTO CUSCINETTO | BEARING SUPPORT | SUPPORT DE ROULEMENT | LAGERB CHSE | SOPORTE COJINETE |
| 10 | G14830390R | CUSCINETTO FORO QUADRO | SQUARE-HOLED BEARING | ROULEMENT TROU CARRE | LAGER VIERKANTLOCH | COJINETE ORIFICIO CUADRADO |
| 11 | F01020406R | VITE M6X1X25 | SCREW M6X1X25 U5739 8.8ZN | VIS M6X1X25 U5739 8.8ZN | SCHRAUBE 6 X25 5737 8.G ZN | TORNILLO M6X1X25 U5739 8.8ZN |
| 12 | F01410037R | ROS.M6 6,4X12,5X1,6 | WASHER M6 6,4X12,5X1,6 | RONDELLE M6 6,4X12,5X1,6 | SCHEIBE D.6 | ARAND.M6 6,4X12,5X1,6 U6592 ZN |
| 13 | G11220560R | PIGNONE Z12 1 2-3 16 Q.16,4 ZN | PINION Z12 1 2-3 16 | PIGNON Z12 1 2-3 16 | RITZEL Z12 1 2-3 16 | PINION Z12 1 2-3 16 |
| 14 | G66248207R | TENDICATENA SPAND. SP-520 | CHAIN TENSIONER | TENDEUR DE CHAINE EPAND. ENGR. | KETTENSPELLER D NGERSTR. SP-52 | SENSOR DE CADENA ABON. SP-520 |
| 15 | G20860088R | INGRANAGGIO 1 2 Z-12 F.T. | GEAR 1 2 Z-12 F.T. | ENGRENAGE 1 2 Z-12 TROUS ROUNDS | ZAHNRAD 1 2 Z-12 F.T. | ENGRANAJE 1 2 Z-12 F.T. |
| 16 | F03011081R | GUARNIZIONI LABBRO DE100 | LIP GASKET D100 | | DICHTUNG D 100 | |
| 17 | F06080196R | CATENA 1 2 ISO 083 32 MAGLIE | CUT-DOWN CHAIN .1 2 ISO 083 32 | TRONCON CHAINE 1 2 ISO 083 32 | KETTE 1 2 ISO 083 32 GL | TRECHO CADENA 1 2 ISO 083 32 |
| 18 | F01020416R | VITE M6X1X55 | SCREW M6X1X55 U5739 8.8ZN | VIS M6X1X55 U5739 8.8ZN | SCHRAUBE M 6X1 X 45 | TORNILLO M6X1X55 U5739 8.8ZN |
| 19 | F01230022R | DADO M6X1 | NUT M6X1 | CROU M6X1 D982 8ZN | SELBSTSP. MUTTER NOR.6 ZN | TUERCA M6X1 D982 8ZN |
| 20 | F01020432R | VITE M8X1,25X16 | SCREW M8X1,25X16 U5739 8.8ZN | VIS M8X1,25X16 U5739 8.8ZN | SCHRAUBE M 8X16 | TORN. M8X1,25X16 U5739 8.8ZN |
| 21 | F01220022R | DADO M8X1,25 | NUT M8X1,25 | CROU M8X1,25 D980 ZN | SELBSTSP.MUTT. M8X1,25 980-V | TUERCA M8X 1,25 D980 8 ZN |
| 22 | F01410051R | ROS.M8 8,4X 17X1,6 | WASHER M8 8,4X17X1,6 | RONDELLE M8 8,4X17X1,6 | SCHEIBE D.8 | ARAND.M8 8,4X 17X1,6 U6592 ZN |
| 23 | F01020451R | VITE M8X1,25X45 | SCREW M8X1,25X45 U5739 8.8ZN | VIS M8X1,25X45 U5739 8.8ZN | SCHRAUBE M8X45 | TORNIL.M8X1,25X45 U5739 8.8ZN |
| 24 | F02100114R | SPINA E.P. 6X 30 U6873 C70 BR | ELASTIC PIN 6X30 | GOUJON ELASTIQUE 6X30 | SPANNHUELSE 6X30 | ESPIÑA ELASTICA 6X30 |
| 25 | G19002710R | PROTEZ.RINVIO SPANDICONCIME | FERTILIZER TRANSM. PROTECTION | PROTECTION RENVOI FERTILISEUR | SCHUTZ VORGELEGE D NGERSTREUER | PROTECCION TRANSMISION ABONADO |
| 26 | G22505085R | FERMO ASSE IN LAMIERA | PLATE AXLE STOP | ARRET AXE EN TOLE | FESTSTELLVORRICHTUNG BLECHACHS | BLOQUEO EJE DE CHAPA |
| 27 | G18701820R | RONDELLA 16,5 X25 X1,0 ZN | WASHER 16,5X25X1,0 ZN | | SCHEIBE 16,5X25X1,0 ZN | |
| 28 | G18701620R | RONDELLA 16,5 X35 X3 QU.ZN | WASHER 16,5X35X3 SQ.HOLE GALV. | RONDELLE 16-5 X35 X3 QU.ZN | UNTERLEGSSCHEIBE 16-5X35X3 Q | ARANDELA 16-5 X35 X3 QU.ZN |
| 29 | G17671620R | TELO DI COPERTURA SERB.L1600 | TELO DI COPERTURA SERB.L1600 | | | |
| 30 | G17772420R | PIATTO AGG.POST.TELO TRAMOGGIA | CLOTH HOPPER REAR HITCH | | CLOTH TANK HECK BOCK | |
| 31 | G13722250R | TUBO RINFORZO TELO COPRISEME | REINFORCEMENT TUBE | TUBE DE RENFORCEMENT | VERSTAERKUNGROHR | TUBO DE REFUERZO |
| 32 | F06080487R | CATENA AGGANCIO TELO IN GOMMA | RUBBER FRAME CONNECTION CHAIN | CHA NE ACCROCHAGE TOILE EN CAO | GUMMIKETTE ABDREHWANNE NINA | CADENA ENGANCHE LONA DE CAUCHO |
| 33 | F01020410R | VITE M 6X1 X 30 | SCREW M 6X1 X 30 U5739 A2IX | VIS M 6X1 X 30 U5739 A2IX | SCHRAUBE M 6X1 X 30 U5739 A2IX | TORN. M 6X1 X 30 U5739 A2IX |
| 34 | F01230024R | DADO M6X1 | NUT M6X1 | CROU M6X1 D982 A2IX | SELBSTSP. MUTTER NOR. 10 | TUERCA M6X1 D982 A2IX |
| 35 | G17772490R | GANCIO A FUNGO NERO | FIXING PIVOT | | FESTSTELLER PIVOT | |
| 36 | F01420039R | ROSSET.M6 6,4X24X1,5 | WASHER M6 6,4X24X1,5 | RONDELLE M6 6,4X24X1,5 | SCHEIBE M6 6,4X24X2 U6593 IX | ARANDEL.M6 6,4X24X1,5 U6593 IX |
| 37 | F01030039R | VITE M6X1X25 | SCREW M6X1X25 | VIS M6X1X25 U5933 A2IX | SCHRAUBE 6X25 5933 | TORNILLO M6X1X25 U5933 A2IX |
| 38 | F01020071R | VITE M8X1,25X45 | SCREW M8X1,25X45 U5737 A2IX | VIS M8X1,25X45 U5737 A2IX | SCHRAUBE 8 X45 5737 8.G IX | TORNILLO M8X1,25X45 U5737 A2IX |
| 39 | F01420047R | ROS.M8 8,4X 24X 2 | WASHER M8 8,4X24X2 | RONDELLE M8 8,4X24X2 | SCHEIBE M8 8,4X24X2 U6593 IX | ARANDELA M8 8,4X24X2 U6593 IX |
| 40 | F01230032R | DADO M8X1,25 | NUT M8X1,25 | CROU M8X1,25 D982 A2IX | MUTTER M8X1,25 D982 A2 I | TUERCA M 8X1,25 D982 A2 IX |
| 41 | G18902270R | GUIDATUBO ZN TEL | TUBE GUIDE ZN TEL | GUIDER TUBE TEL ZN | GUIDASCHLAUCH ZN TEL | GUIAR TUBO TEL ZN |
| 42 | F02250032R | RIVETTO PLAST. A VITE D7X3-9 | PLASTIC RIVET SCREW D7X3-9 | RIVET PLASTIFIE A VIS | | TORNILLO REMACHE PLASTIFICADO |
| 43 | F05150478R | RONDELLA NYLON 18X7,5X2 | WASHER 18X7,5X2 | RONDELLE 18X7,5X2 | UNTERLEGSSCHEIBE 18X7,5X2 | |
| 44 | G66248184R | CHIUSURA USCITA SERB.SPAND.SP | OUTLET CLOSURE- MAN.SPREAD. TA | FERMETURE SORTIE RESERVOIR FER | VERSCHLUSS AUSTRITT D NGERSTR. | CIERRE SALIDA DEP S. ABON. SP |
| 45 | G66248187R | SCARICO SERB.SPAND.TIPO MICRO | MICRO TYPE MAN.SPR.TANK DISCH. | TRAPPE DE VIDANGE TYPE MICRO | BEHAELTERENTLADUNG STREUER TYP | DESCARGA DEP S. ABON.TIPO MICR |
| 46 | G17772200R | ASSE TRASM.L.940 | TRANS. AXLE L.940 | | ANTRIEBS- ACHSE L.940 | |
| 47 | G17772190R | GIUNTO ALBERO QUADRO 16 | SQ.AXLE 16 JOINT | | SQ.ACHSE 16 GELENK | |
| 48 | G18903852R | MOLLA GUIDA 2 TUBI D71 ZN | SPRING GUIDE 2 TUBES D71 | | FEDER F HRUNG 2 ROHRS D71 | |
| 49 | F01200271R | DADO M10X1,5 | NUT M10X1,5 | ECROU M10X1,5 U5588 A2IX | MUTTER 10 5588 6.8 INOX | TUERCA 10 5588 6.8 INOX |
| 50 | F02100121R | SPINA E.P. 6X 40 U6873 C70 BR | ELASTIC PIN 6X40 | GOUJON ELASTIQUE 6X40 | SPANNHUELSE 6X40 | PASADOR 6X40 |
| 51 | G18903140R | MOLLA GUIDATUBO | PIPE GUIDE SUPPORT | RESSORT GUIDE-TUBE | FEDER ROHRFUEHRUNG | MUELLE GU A TUBOS |
| 52 | G17631220R | TUBO Q. 20X1 X 68 INOX | SQ. TUBE 20X1X68 INOX | | SQ. ROHR 20X1X68 INOX | |
| 53 | F01410034R | ROS.M6 6,4X12,5X1,6 | WASHER M6 6,4X12,5X1,6 | RONDELLE M6 6,4X12,5X1,6 | UNTERLEGSSCHEIBE D6 UNI6592 IN | ARANDELA M6 6,4X12,5X1,6 |
| 54 | F01020463R | VITE M10X1,5X25 | SCREW M10X1,5X25 U5739 A2IX | VIS M10X1,5X25 U5739 A2IX | SCHRAUBE 10X25 5739 INOX A2 | TORNILLO M10X1,5X25 U5739 A2IX |
| 55 | F05150112R | MANIGLIA INTERAS. 117 FORO 8MM | HANDLE | POIGNEE | HANDGRIFF | MANILLA |

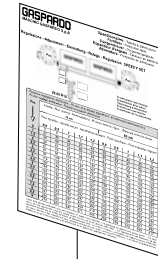
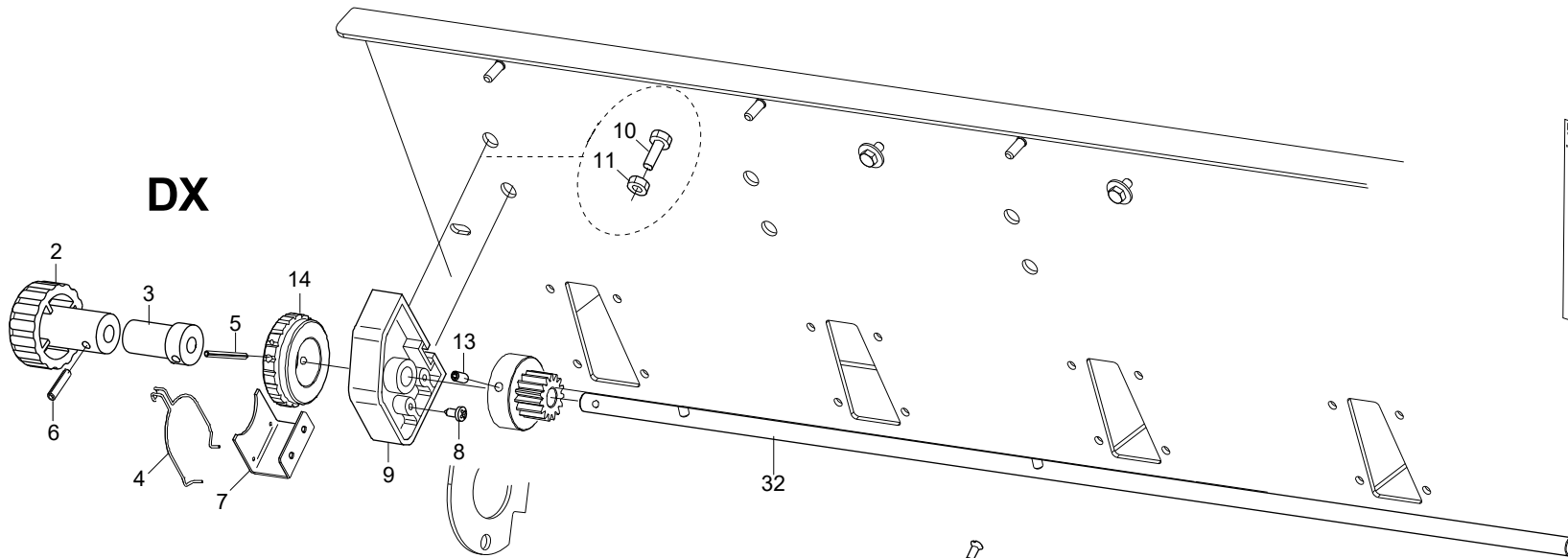


**SERBATOI SPANDICONCIME
FERTILIZER DISTRIBUTOR**

TAV. 220

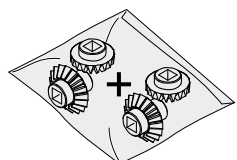
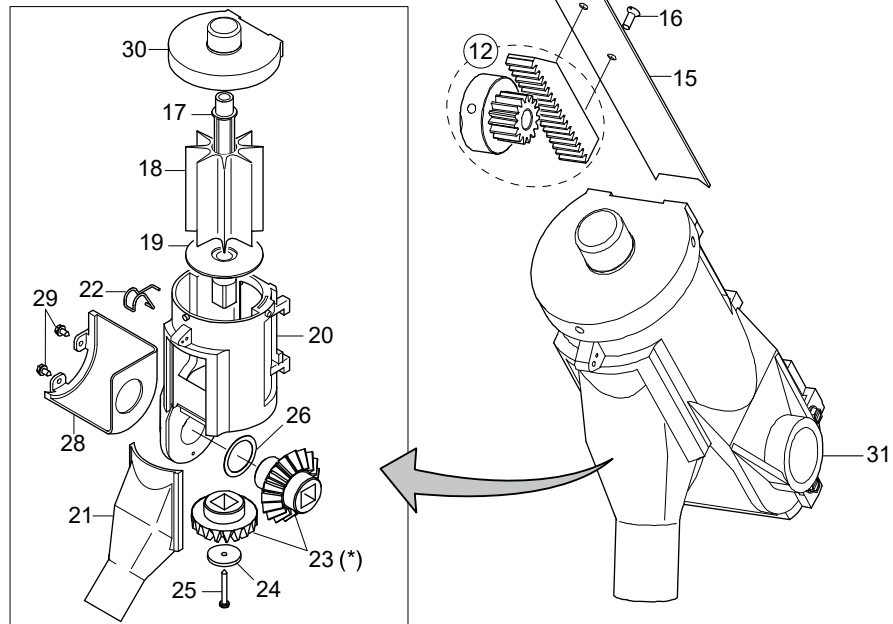
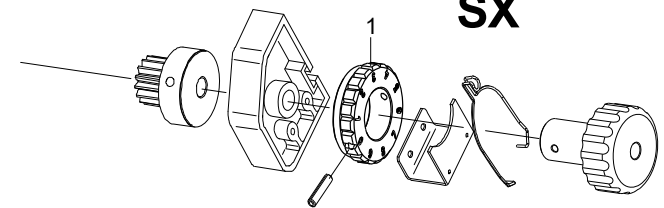
| Pos. | Cod. | Descrizione | Description | Description | Benennung | Descripcion |
|------|------------|-------------------------------|--------------------------------|--------------------------------|--------------------------------|--------------------------------|
| 56 | F01030054R | VITE M8X1,25X16 | SCREW M8X1,25X16 | VIS M8X1,25X16 U5933 10.9ZD | SCHRAUBE M8X1,25X16 | TORN. M8X1,25X16 U5933 10.9ZD |
| 57 | F01420038R | ROS.M6 6,4X18X1,5 | WASHER M6 6,4X18X1,5 | RONDELLE M6 6,4X18X1,5 | SCHEIBE M6 6,4X18X2 U6593 IX | ARANDELA M6 6,4X18X1,5 6593IX |
| 58 | F01020418R | VITE M6X1X14 | SCREW M6X1X14 U5739 A2IX | VIS M6X1X14 U5739 A2IX | SCHRAUBE 6X14 5739 INOX A2 | TORNILLO M6X1X14 U5739 A2IX |
| 59 | G65336080R | MOLLA SPEC.SCARICO SPAND.T.M. | SPEC. SPRING SPREDER RELIEF | | SPEZIALFEDER STREUERENTLADUNG | |
| 60 | F01410089R | ROS. M14 15X28X2,5 | WASHER M14 15X28X2,5 | RONDELLE M14 15X28X2,5 | SCHEIBE M14 15X28X2,5 U6592 IX | ARANDELA M14 15X28X2,5 |
| 61 | G17772580R | SUPPORTO AGITATORE SPA PLA | AGITATOR SUPP.FERT. PLAST. | | RUEHRER SUPP.FERT. PLAST. | |
| 62 | G19006681R | BOCCOLA ASSE AGITATORE | AGITATOR AXLE BUSHING | DOUILLE AXE AGITATEUR | RUEHRER ACHSE BUCHSE | |
| 63 | G19005040R | BOCCOLA ASSE SPANDI | FERT. SPREADER AXLE BUSH | DOUILLE AXE PANDEUR | B CHSE MITTL. DISTANZST CK | MANGUITO -RBOL.ABONADORA |
| 64 | G65336065R | MOLLA SPEC.COCLEA SX SPAND.HL | SPEC. WORM SCREW SPRING LEFT M | RESSORT SPEC. VIS GCH. EP. ENG | SPEZ.FEDER LI SCHNECKE STREUER | MUELLE ESPEC. TORN.S F IZQ. AB |
| 65 | G65336064R | MOLLA SPEC.COCLEA DX SPAND.HL | SPEC. WORM SCREW SPRING RIGHT | RESSORT SPEC. VIS DRT. EP. ENG | SPEZ.FEDER RE SCHNECKE STREUER | MUELLE ESPEC. TORN.S F DER. AB |
| 66 | F02100314R | SPINA EL.5 X36 DIN 1481 INOX | PIN EL.5 X36 DIN 1481 INOX | | STIFT EL. 5X 36 U6873 C70 BR | |
| 67 | F01420059R | ROS.M10 10,5X 30X2,5 | WASHER 11X30X2,5 | RONDELLE 11X30X2,5 | UNTERLEGSCHIEBE 11X30X2,5 6593 | ARANDELA 11X30X2,5 6593 A2 |
| 68 | G17774020R | PIASTRA SUPP.DISTRIBUTORI | SUPPORT DISTRIBUTOR PLATE | | | |
| 69 | G17774030R | LAMIERA SUPPORTO CUSCINETTO | PLATE BEARING SUPPORT | | | |
| 70 | G17671240R | LAMIERA CHIUSURA FERITOIA | CLOSURE | | | |
| 71 | F05150472R | PUNTALE PVC D.10 | PVC TIP D.20 | BOUCHON PVC D.10 | ST PSEL F.SCHAFT PVC D.10 | PUNTAL PVC D.10 |

DX



27

SX

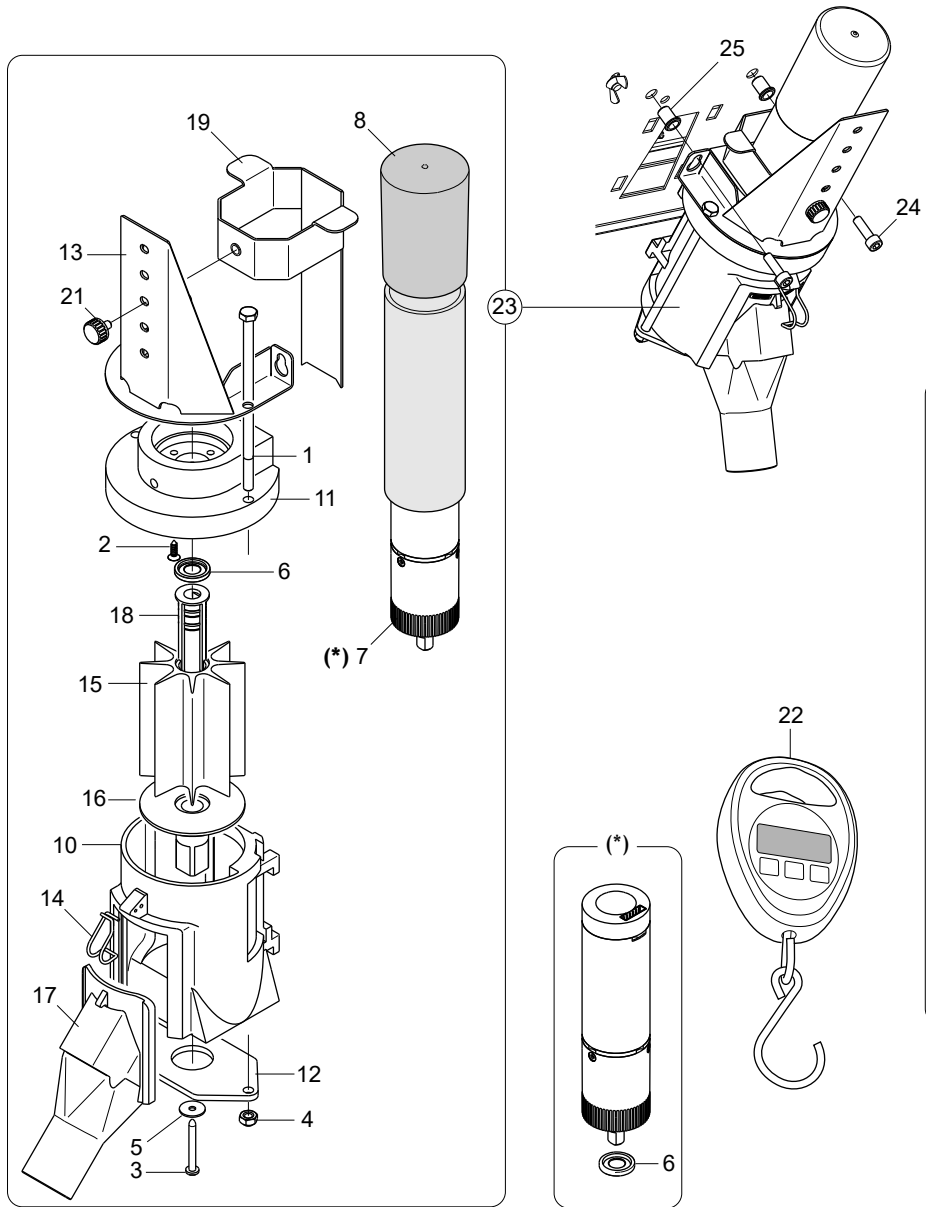


(*) Kit = (2+2 pz.)

**SPEEDY SET
SPEEDY SET**

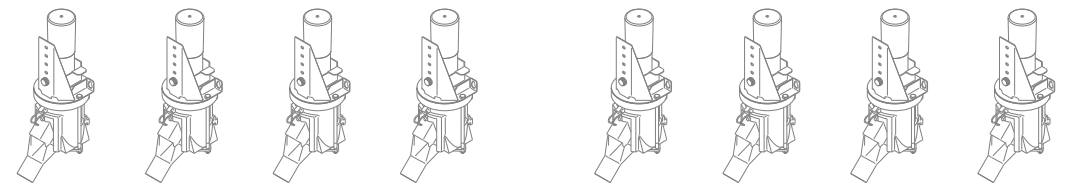
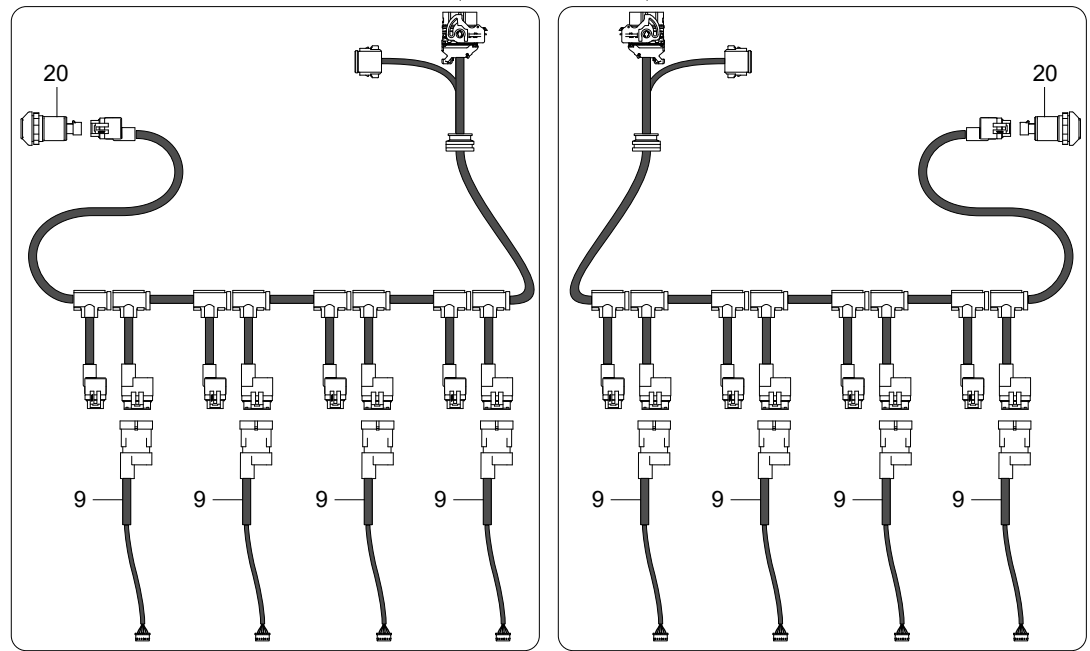
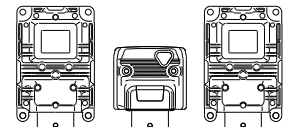
TAV. 230

| Pos. | Cod. | Descrizione | Description | Description | Benennung | Description |
|------|------------|--------------------------------|--------------------------------|--------------------------------|--------------------------------|--------------------------------|
| 1 | G19003720R | GHIERA REGOLAZIONE SX | LEFT ADJUSTMENT KNURLED NUT | MANCHON DE REGLAGE GCH | EINSTELLMUTTER LINKS | ROSCA REGULACION IZQUIERDA |
| 2 | G19003670R | MANOPOLA SPEEDY SET | SPEEDY HANDLE SET | POIGN E SPEEDY SET | GRIFF SPEEDY SET | EMPU ADURA SPEEDY SET |
| 3 | G16670130R | BOCCOLA | BUSHING | DOUILLE | BUCHSE | CASQUILLO |
| 4 | G65336055R | MOLLA SPEC.REGOL.SPAND. SP | SPEC SPRING MAN. SPR. ADJUSTM. | RESSORT SPEC. REGL. EP. ENTRA | SPEZIALFEDER STREUEREINSTELLUN | MUELLE ESPEC. REGUL. ABONADORA |
| 5 | F02100066R | SPINA EL.4 X36 DIN 1481 | PIN EL. 4X 36 U6873 C70 BR | | SCHEIBE E.P.4X36 U6873 C70 BR | CLAVIJA EL.4 X36 DIN 1481 |
| 6 | F02100062R | SPINA E.P. 4X 24 U6873 C70 BR | PIN EL. 4 X24 DIN 1481 | FICHE EL. 4 X24 DIN 1481 | SPANNSTIFT 4 X24 DIN 1481 | CLAVIJA EL.4 X24 DIN 1481 |
| 7 | G16670310R | SUPPORTO MOLLA REGOLATORE | ADJ.SPRING SUPPORT | | HALTER EINSTELLFEDER | |
| 8 | F01070061R | VITE A3,9X1,34X9,5 | SCREW A3,9X1,34X9,5 U6954 4.8 | VIS A3,9X1,34X9,5 U6954 4.8NI | SCHRAUBE H3,9X1,34X9,5 | TORN.A3,9X1,34X9,5 U6954 4.8NI |
| 9 | G19003660R | SUPPORTO | SUPPORT | SUPPORT | HALTER | SOPORTE |
| 10 | F01030041R | VITE M6X1X10 | SCREW M6X1X10 | VIS M6X1X10 U5933 10.9ZD | SCHRAUBE 6X10 5933 10.9 ZN | TORNILLO M6X1X10 U5933 10.9ZD |
| 11 | F01200233R | DADO M6X1 | NUT M6X1 | CROU M6X1 U5588 A2IX | MUTTER M 6X 1 U5588 | TUERCA M 6X 1 U5588 |
| 12 | G16675490R | KIT PIGNONE CREMAGLIERA | KIT PINION RACK | | KIT RITZEL RACK | |
| 13 | F01050083R | VITE M5X0,8X12 | SCREW M5X0,8X12 | VIS M5X0,8X12 U5927 A2IX | SCHRAUBE M5X0,8X12 U5927 A2 IX | TORNILLO M5X0,8X12 U5927 A2IX |
| 14 | G19003710R | GHIERA REGOLAZIONE DX | RIGHT ADJUSTMENT KNURLED | BAGUE REGLAGE DROITE | EINSTELLMUTTER RE | CONTRATUERCA REGULACIN DER. |
| 15 | G16670100R | REGOLATORE APERTURA | OPENING REGULATOR | REGULATEUR OUVERTURE | EINSTELLER REGULIERUNG | REGULADOR ABERTURA |
| 16 | F01080032R | VITE M4X0,7X10 | SCREW M4X0,7X10 U7688 A2IX | VIS M4X0,7X10 U7688 A2IX | SCHRAUBEM4X 0,7X10 7688 A2 IX | TORNILLO M4X0,7X10 U7688 A2IX |
| 17 | G66248173R | ASSE DISTR.SPAND. SP | MANURE SPREADER DISTR. SPINDLE | AXE DISTRIBUTEUR EP.ENGRAIS SP | ACHSE S APPARAT STREUER SP | EJE DISTR. ABON. SP |
| 18 | G66248172R | DOSATORE DISTR.SPAND. SP | MAN.SPR. SEED METERING DEVICE | DOSEUR DISTRIBUTEUR EP. ENGRAI | DOSIERER D NGERSTREUER. SP | DOSIFICADOR DISTR.ABON. SP |
| 19 | G66248211R | PERNO RONDELLA FUSA SPAND. SP | MAN. SPR. CAST WASHER PIN. SP | PIVOT RONDELLE MOULEE EP. ENGR | ZAPFEN LOSE UNTERLEGSCHIEBE ST | PERNO ARANDELA FUNDIDA ABONAD |
| 20 | G66248176R | CORPO DISTR.SPAND. SP | MANURE SPREADER DISTR. CASING | CORPS DISTRIB. EP. ENGRAIS SP | VERTEILUNGSK RPER STREUER SP | CUERPO DISTR. ABON. SP |
| 21 | G66248178R | SCIVOLO DISTR.SPAND. SP | CHUTE- MANURE-SPREADER DISTRIB | LANCOIR DISTRIBUTION EP. ENGR. | D NGERSTREUER RUTSCHE SP | PLANO INCLINADO DISTR. ABON. S |
| 22 | G65336062R | MOLLA SPEC.SCIV.DISTR.SPAND.SP | SPEC SPRING - MAN. SPR. DISTR. | RESS. SPEC. LANCOIR DISTR. EP. | SPEZ.FEDER RUTSCHE SZAPP. STRE | MUELLE ESPEC.PLANO INCL.DISTR. |
| 23 | G20860126R | KIT INGRANAGGI DISTRIB.CONCIME | KIT- MAN. DISTR. GEARS 2 2 | COUPLE CON DISTR ENGRAIS 2 2 | KIT ZAHNR DER D NGERSTREUER | SET ENGRANAJES DISTRIB. ABONO |
| 24 | G20970097R | RONDELLA 32X3X4,5 | WASHER 32X3X4-5 | RONDELLE 32X3X4-5 | UNTERLEGSCHIEBE 32X3X4-5 | ARANDELA 32X3X4-5 |
| 25 | F01070075R | VITE A4,2X1,41X38 | SCREW A4,2X1,41X38 U6954 4.8NI | VIS A4,2X1,41X38 U6954 4.8NI | SCHRAUBE 4-2X38 DIN 7981 | TORN. A4,2X1,41X38 U6954 4.8NI |
| 26 | G18701500R | RONDELLA 29,5 X38 X0,3 | WASHER 29,5 X 38 X 0,3 | RONDELLE 29,5 X38 X0,3 | UNTERLEGSCHIEBE 29,5X38X0,3 | ARANDELA 29,5 X38 X0,3 |
| 27 | G19709900R | DECAL.TAB.CONCIM.8P CHRON0 700 | DECAL.TAB.CONCIM.8P CHRON0 700 | | | |
| 28 | G19002850R | PROTEZIONE PIGNONE | PINION GUARD | PROTECTION PIGNON | RITZELSCHUTZ | PROTECCI N PI N |
| 29 | F01070011R | VITE A4,2X1,41X9,5 | SCREW A4,2X1,41X9,5 U6950 4.8 | VIS A4,2X1,41X9,5 U6950 4.8NI | SELBSTSCHNEID. SCHRAUBE 4-2X9- | TORN.A4,2X1,41X9,5 U6950 4.8NI |
| 30 | G19003700R | COPERCHIO SPEEDY SET | COVER SPEEDY SET | COUVERCLE SPEEDY SET | DECKEL SPEEDY SET | TAPA SPEEDY SET |
| 31 | G13722330R | DISTR.COMPL.8PALE SPEEDY SET F | COMPL.SPEEDY 8-BLADE DISTR. SE | DISTR.COMPL.8PALETTES SPEEDY S | KOMPL. DOSIERER SPEEDY SET | DISTR.COMPL.8PALETAS SPEEDY SE |
| 32 | G16670340R | TONDO D.10X1230 | D.10X1230 ROUND | ROND D.10X1230 | RUNDEISEN D.10X1230 | BARRA REDONDA D. 10X1230 |



Download software code **F05020007**
(GW Seed Motors and/or Fertilizer distributor)

Electrical control box

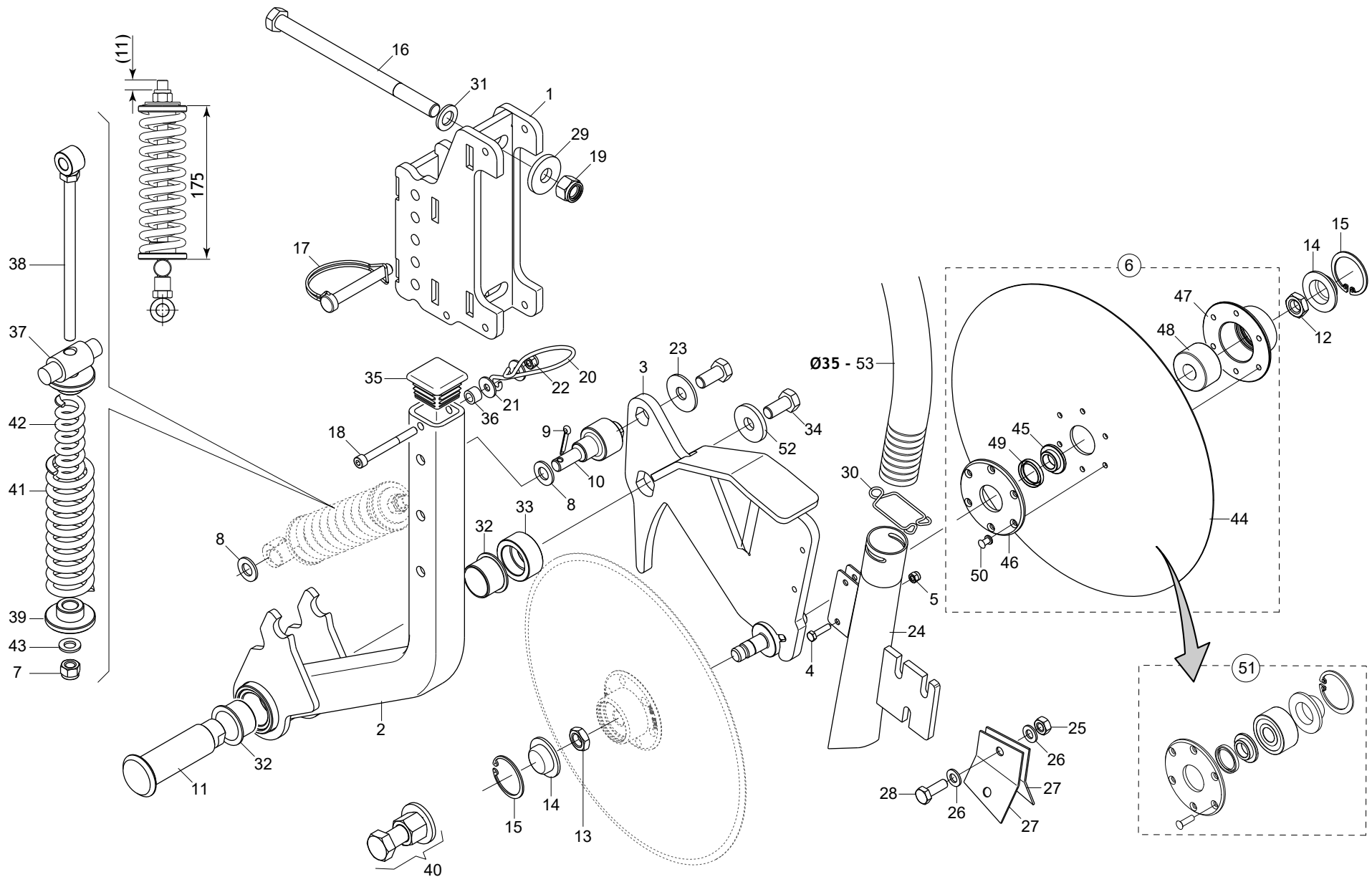


**DISTRIBUTORE CONCIME ELETTRICO
ELECTRIC FERTILIZER DISTRIBUTOR**

TAV. 280

| Pos. | Cod. | Descrizione | Description | Description | Benennung | Descripcion |
|------|------------|--------------------------------|--------------------------------|--------------------------------|--------------------------------|--------------------------------|
| 1 | F01020055R | VITE M6X1X130 | SCREW M6X1X130 U5737 8.8ZN | VIS M6X1X130 U5737 8.8ZN | SCHRAUBE M6X1X130 U5737 8.8ZN | TORNILLO M6X1X130 U5737 8.8ZN |
| 2 | F01070122R | VITE A3,9X1,34X13 | SCREW A3,9X1,34X13 U6955 4.8NI | VIS A3,9X1,34X13 U6955 4.8NI | SCHR. 3,9X1,34X13 U6955 4.8 ZN | TORN. A3,9X1,34X13 U6955 4.8NI |
| 3 | F01070075R | VITE A4,2X1,41X38 | SCREW A4,2X1,41X38 U6954 4.8NI | VIS A4,2X1,41X38 U6954 4.8NI | SCHRAUBE 4-2X38 DIN 7981 | TORN. A4,2X1,41X38 U6954 4.8NI |
| 4 | F01220011R | DADO M6X1 | NUT M6X1 | CROU M6X1 D980 8ZN | SELBSTSPERR.MUTTER M6 | TUERCA M6X1 D980 8 ZN |
| 5 | F01420011R | ROS.M4 4,3X 16X 1 | FAT WASHER 4-3X 16X1-5 | FAT RONDELLE 4-3X 16X1-5 | SCHEIBE 4-3X 16X1-5 6593 ZN | ARAND. PLANA 4-3X 16X1-5 6593 |
| 6 | F03011332R | GUARNIZIONE A LABBRO 10X22X3 | LIP SEAL 10X22X3 | | | SELLO DE LABIOS 10X22X3 |
| 7 | F05012425R | KIT MOTORID.DC12V GUARN.SPAND | ENGINE RID.DC12V GASKET KIT | | | MOTOR RID.DC12V KIT JUNTA |
| 8 | F05100205R | CAPPUCCIO 50,8 X79,40 NERO | COVER 50,8 X79,40 BLACK | | DECKEL 50,8 X79,40 BLACK | |
| 9 | G19902480R | CABL.MICRO ELEMENTO CHRONO | CAB.MICRO ELEMENT CHRONO | | | |
| 10 | G18270250R | CORPO DISTR.SPANDI MET.SP.EL. | SP ELECTRIC METAL DISTRIB.BODY | | | CUERPO DISTRIB.METAL EL CT.SP |
| 11 | G18270260R | SUPP.MOT.EL SPANDI CHRONO | SPANDI CHRONO EL.MOTOR SUPPORT | | | SOP.MOTOR EL CTR.SPANDI CHRONO |
| 12 | G18270270R | PIATTO INFERIORE SPA | BOTTOM PLATE FERT.TANK | | | PLACA INFERIOR SPA |
| 13 | G18270620R | ASS.SELETT.APERTURA SPEEDY SET | SPEEDY SET OPENING SELECTOR | | | CONJ.SELECTOR APERT.SPEEDY SET |
| 14 | G65336062R | MOLLA SPEC.SCIV.DISTR.SPAND.SP | SPEC SPRING - MAN. SPR. DISTR. | RESS. SPEC. LANCOIR DISTR. EP. | SPEZ.FEDER RUTSCHE SZAPP. STRE | MUELLE ESPEC.PLANO INCL.DISTR. |
| 15 | G19001620R | DOSATORE DISTR.SPAND. SP | MAN.SPR.SEED METERING DEVIC.SP | | | |
| 16 | G66248211R | PERNO RONDELLA FUSA SPAND. SP | MAN. SPR. CAST WASHER PIN. SP | PIVOT RONDELLE MOULEE EP. ENGR | ZAPFEN LOSE UNTERLEGSCHIEBE ST | PERNO ARANDELA FUNDIDA ABONAD |
| 17 | G66248178R | SCIVOLO DISTR.SPAND. SP | CHUTE- MANURE-SPREADER DISTRIB | LANCOIR DISTRIBUTION EP. ENGR. | D NGERSTREUER RUTSCHE SP | PLANO INCLINADO DISTR. ABON. S |
| 18 | G19008010R | ASSE DISTR.SPAND.ELETTRICO | ELECTRIC FERTIL.DISTRIB.SHAFT | | | EJE DISTRIB.ABONO EL CTRICO |
| 19 | G18270650R | ASS.REGOL.APERT.DISTR.SPA CHR | DISTR.OPEN.REG.CHRONO FERT.SPR | | | REG.APERT.DISTRIB.FERT.CHRONO |
| 20 | F05011782R | PULSANTE CALIBRAZIONE | CALIBRATION SWITCH | INTERRUPTEUR CALIBRAGE | KALIBRIERUNGSKNOPF | PULSANTE CALIBRACION |
| 21 | F06220036R | VOLANTINO ZIGR. D.15-M5 X10 | KNURLED FLYWHEEL D.15-M5 X10 | VOLANT CANNEL D.15-M5 X10 | GER-ND. HANDRAD D.15-M5 X10 | VOLANTE ESTR. D.15-M5 X10 |
| 22 | F20130003R | DINAMOMETRO DIGITALE 10KG | DIGITAL DYNAMOMETER 10KG | | | DINAM METRO DIGITAL 10KG |
| 23 | G18270590R | MONT.DIST.8 PALE TRONIC | 8 BLADES TRONIC DISTRIBUT.ASSY | | | CONJ.DISTR.TRONIC 8 CUCHILLAS |
| 24 | F01040081R | VITE M6X1X20 | SCREW M 6X1X 20 | VIS M6X1X20 UNI5931 A2 IX | SCHRAUBE M6X1X20 UNI5931 A2 IX | TORNILLO M6X1X20 UNI5931 A2IX |
| 25 | F02250687R | INSERTO M6 INOX UNI 9201 | INSERT M6 INOX UNI 9201 | | INSERT M6 INOX UNI 9201 | |

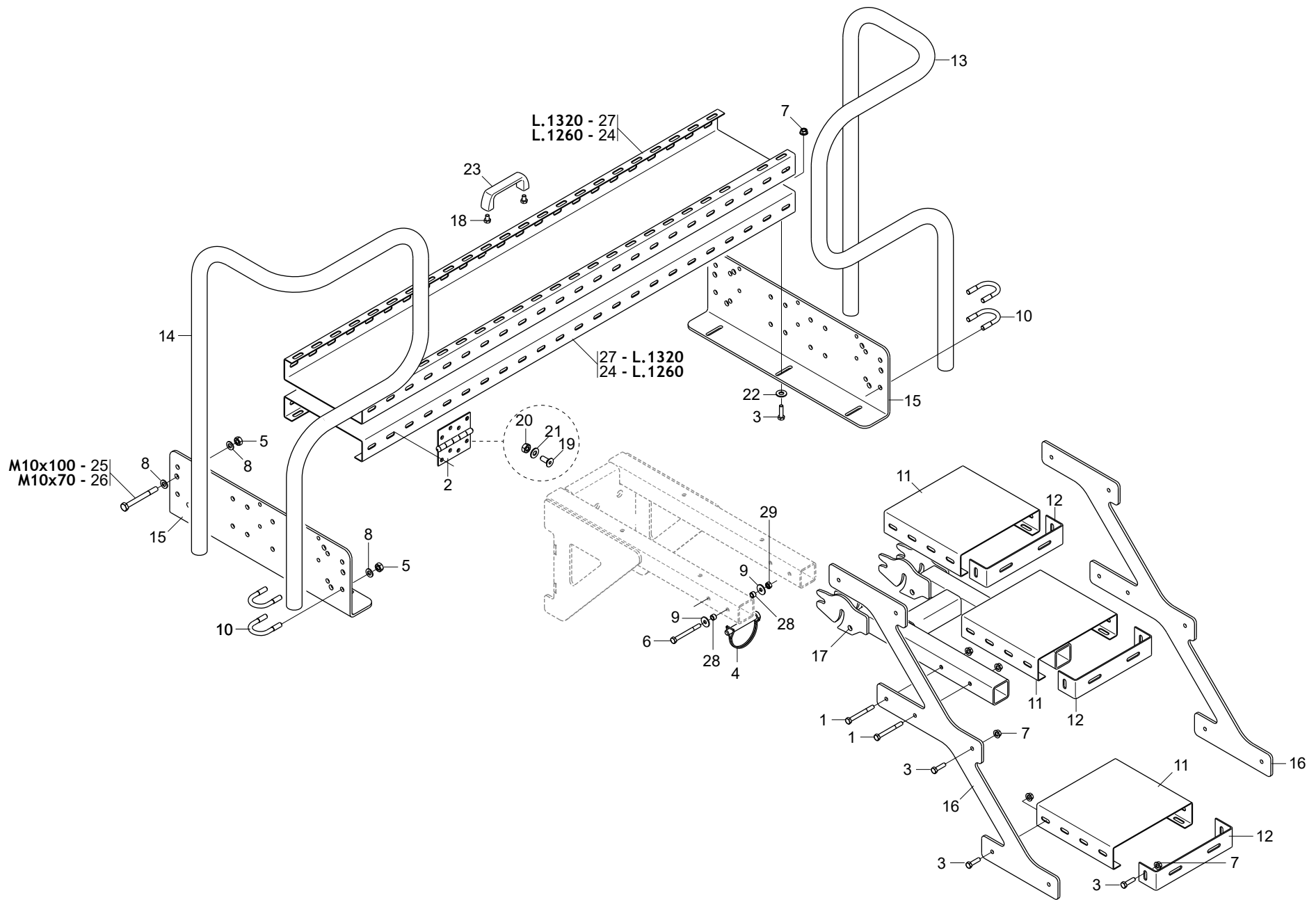
TAV. 240



ELEMENTI DI CONCIMAZIONE FERTILIZER UNIT

TAV. 240

| Pos. | Cod. | Descrizione | Description | Description | Benennung | Description |
|------|------------|--------------------------------|--------------------------------|--------------------------------|-------------------------------|--------------------------------|
| 1 | G17641240R | ASS.SUPP.DISCHI CONC.RENATA | ASS.SUPP.DISCS CONC.RENATA | | | |
| 2 | G17640751R | TUBO SUPPORTO DISCHI CONC. | FERTILIZ.DISC SUPPORT PIPE | | | |
| 3 | G17640731R | ASS.BRACCETTO SUPPORTO DISCHI | ASS.ARM IN ARM SUPPORT DISCS | | | |
| 4 | F01020421R | VITE M6X1X25 | SCREW M6X1X25 U5739 A2IX | VIS M6X1X25 U5739 A2IX | SCHRAUBE M6X1X 25 U5739 A2 IX | TORNILLO M6X1X25 U5739 A2IX |
| 5 | F01230024R | DADO M6X1 | NUT M6X1 | CROU M6X1 D982 A2IX | SELBSTSP. MUTTER NOR. 10 | TUERCA M6X1 D982 A2IX |
| 6 | G15225500R | DISCO ASSOLC.PROTETTO COMPL. | FULLY PROTECTED DISC COULTER | | | |
| 7 | F01230059R | DADO M12X1,75 | NUT M12X1,75 | ECROU M12X1,75 D982 8ZN | MUTTER M12X1,75 | TUERCA M12X1,75 D982 ZN |
| 8 | F01410088R | ROS.M14 15X 28X2,5 | WASHER M14 15X 28X2,5 | RONDELLE M14 15X 28X2,5 | SCHIBE M14 15X28X2,5 U6592 ZB | ARA.M14 15X 28X2,5 U6592 ZB |
| 9 | F02200227R | COPIGLIA 5 X30 1336 ZN | SPLIT PIN 5X 30 U1336 GALV. | GOUPILLE 5X 30 U1336 GALV. | SPLINT 5 X30 1336 ZN | CHAVETA 5X 30 U1336 GALV. |
| 10 | G17640811R | PERNO AZIONAMENTO MOLLA ZN | SPRING PIVOT GALVANIZED | | FEDER PIVOT GALVANIZED | |
| 11 | G17640760R | PERNO D.35 ZN | PIN D.35 | | BOLZEN D.35 | |
| 12 | F01200442R | DADO M16X1,5 | NUT M16X1,5 | ECROU M16X1,5 U5589 CL8 ZN | MUTTER 16X1-5 UNI 5589 6.8 ZN | TUERCA 16X1-5 UNI 5589 6.8 ZN |
| 13 | G15220540R | DADO M16X1,5 SX | NUT M16X1-5 LEFT | ECROU M16X1,5 SX ZN | MUTTER M16X1-5 LI | TUERCA M16X1-5 IZQ |
| 14 | G66248248R | TAPPO IN PLASTICA | PLASTIC PLUG | BOUCHON EN PLASTIQUE | PLASTIKPFROPFEN | TAP N DE PL STICO |
| 15 | F02050370R | ANELLO E. DI 47X1,75 U7437 C70 | SEEGER RING 47X 1,75 U7437 C70 | SEEGER E. 47X 1,75 U7437 C70 | RING 47 UNI 7437-75 | ANILLO E. 47X 1,75 U7437 C70 |
| 16 | F01020388R | VITE M16X2X240 | SCREW M16X2X240 U5737 8.8 | VIS M16X2X240 U5737 8.8 | SCHRAUBE M16X2X240 U5737 8.8 | TORN. M16X2X240 U5737 8.8 |
| 17 | F02200585R | SPINA SICUR.D.12X90 ZN | SAFETY PIN D.12X90 ZN | | FEDER PIVOT GALVANIZED | |
| 18 | F01040108R | VITE M8X1,25X80 | SCREW M8X1,25X80 | VIS M8X1,25X80 U5931 8.8ZN | SCHRAUBE M8X1,25X80 | TORN. M8X1,25X80 U5931 8.8ZN |
| 19 | F01230085R | DADO M16X2 D982 10ZN | NUT M16X2 | ECROU M16X2 D982 10ZN | MUTTER M16X 2 D982 8 ZN | TUERCA M16X2 D982 10ZN |
| 20 | G18903140R | MOLLA GUIDATUBO | PIPE GUIDE SUPPORT | RESSORT GUIDE-TUBE | FEDER ROHRFUEHRUNG | MUELLE GU A TUBOS |
| 21 | F01420048R | ROS.M8 8,4X 24X 2 | WASHER M8 8,4X 24X2 | RONDELLE M8 8,4X 24X2 | SCHIBE D.8 | ARAND.M8 8,4X 24X 2 U6593 ZN |
| 22 | F01230034R | DADO M8X1,25 | NUT M8X1,25 | CROU M8X1,25 D982 8 | SELBSTSP.MUTT. M8X1,25 | TUERCA M8X1,25 D982 8 |
| 23 | F01420084R | ROS.M14 14,5X36X3 | WASHER 14 X36 X3 | RONDELLE 14 X36 X3 | UNTERLEGSCHIBE 14 X36 X3 ZN | ARANDELA 14 X36 X3 ZN |
| 24 | G16675450R | TUBO CONCIMAZIONE | FERTILIZER PIPE | | D NGERSTREUER ROHR | |
| 25 | F01200270R | DADO M10X1,5 | NUT M10X1,5 | ECROU M10X1,5 U5588 CL8 GALV. | MUTTER M10X1,5 U5588 6.8 ZN | TUER.M10X1,5 U5588 CL8 GALV. |
| 26 | F01410062R | ROS.M10 10,5X 18X 2 | WASHER M10 10,5X 18X 2 | RONDELLE M10 10,5X 18X 2 | SCHIBE M10 10,5X18X2 U6592 ZN | ARAND.M10 10,5X 18X 2 U6592 ZN |
| 27 | G15472301R | RASCHIATERRA INTERNO | INTERNAL SCRAPER SOIL | | INTERNER ABSTREIFER | |
| 28 | F01020476R | VITE M10X1,5X30 | SCREW M10X1,5X30 U5739 8.8ZN | VIS M10X1,5X30 U5739 8.8ZN | SCHRAUBE M 10X30 | TORNIL. M10X1,5X30 U5739 8.8ZN |
| 29 | G18700450R | RONDELLA 17X45X6 ZN | WASHER 17X45X6 GALV.ED | RONDELLE 17X45X6 | SCHIBE17X45X6 ZN | ARANDELA 17X45X6 |
| 30 | G18903911R | MOLLA FERMO TUBO D.35 ZN | PIPE LOCK SPRING D.35 | RESSORT ARR-T TUBE D.35 | ROHRSPERRFEDER D.35 | MUELLE TOPE TUBO D. 35 |
| 31 | F01410101R | ROS.M16 17X30X 3 | WASHER M16 17X 30X 3 | RONDELLE M16 17X 30X 3 | SCHIBE M16 17X 30X 3 U6592 IX | |
| 32 | F04150055R | CUSCINETTO FLANGIATO 35X39X26 | BEARING FLANGED 35X39X26 | ROUL. BRIDE 35X39X26 | LAGER FLANSCHD 35X39X26 | COJIN.EMBRIDADO 35X39X26 |
| 33 | G18804111R | BOCCOLA 30,2 X50 X22 | BUSHER 30,2X50X22 | DOUILLE 30,2 X50 X22 | BUCHSEER 35,2X50X22 | CASQUILLO 30,2 X50 X22 |
| 34 | F01020540R | VITE M14X2X30 | SCREW M14X2X30 U5739 8.8ZN | VIS M14X2X30 U5739 8.8ZN | SCHRAUBE 14X30 5739 8.G | TORNILLO M14X2X30 U5739 8.8ZN |
| 35 | F20120349R | PUNTALE Q.50 ALETT.POLIT.NERO | CAP | | BOUCHON | DECKEL |
| 36 | G18801610R | BOCCOLA 10,25X16 X11 ZN | BUSHING 10.25 X 16 X 11- GALVA | DOUILLE 10-25X16 X11 GALV. | BUCHSE 10-25X16 X11 ZN | CASQUILLO 10-25X16 X11 ZN |
| 37 | G17671330R | FONDELLO MOLLA ZN | SPRING WASHER GALV. | | FEDER UNTERLEGSCHIBE GALV. | |
| 38 | G17914401R | VITE DI REGOLAZIONE ZN | ADJUSTING SCREW ZN | VIS DE R GLAGE ZN | SCHRAUBE DI REGOLAZIONE ZN | TORNILLO DE REGULACION ZN |
| 39 | G17940260R | FONDELLO PER MOLLA | SPRING BOTTOM | CULOT POUR RESSORT | BODENSCHIBE FUER FEDER | FONDO PARA MUELLE |
| 40 | G15225240R | ESTRATTORE DISCHI ELEMENTO MT | SEED PLATE EXTRACTOR ELEM. MT | EXTRACTEUR DISQUE ELEMENT MT | SCHIBENAUSZIEHER ELEMENT MT | EXTRACTOR DISCOS ELEMENTO MT |
| 41 | G18904201R | MOLLA ELEMENTO OPERATORE ZN | OPERADORES ELEMENT SPRING | RESSORT ELEMENT OPERATEUR | FEDER ELEMENT FAHRER | MUELLE ELEMENTO OPERADOR |
| 42 | G18904380R | MOLLA COMPRESSIONE SU MOLLA ZN | COMPRESSION SPRING ZN | RESSORT COMPRESSION ZN | DRUCKFEDER ZN | MUELLE COMPRESI N ZN |
| 43 | F01410076R | ROS.M1213X24X2,5 | WASHER 12 13X 24X2,5 | RONDELLE 12 13X 24X2,5 | SCHIBE D12 UNI 6592 ZN | ARAND.M12 13X 24X2,5 U6592 ZN |
| 44 | G13825091R | DISCO ASSOLCATORE D.373 | FURROW OPENER DISK D.373 | DISQUE SOC D. 373 6 T.D.6 | SCHIBE S SCHARENREISSER D.373 | DISCO SURCADOR D.373 |
| 45 | G15225490R | BOCCOLA PARAP.DISCO PROTETTO | DISC DUST SEAL BUSH D.34 | BOITE PARAP.DISCO PROTETTO | BUCHSE | MANGUITO PARAP.DISCO PROTETTO |
| 46 | G15225480R | FLANGIA INT.DISCO PROTETTO ZN | INNER DISK FLANGE | BRIDE INT. DISQUE | INNENFLANSCH SCHIBE | BRIDA INTERIOR DISCO |
| 47 | G15223651R | SUPPORTO CUSCINETTO DISCO | DISC BEARING SUPPORT | SUPPORT ROULEMENT DISQUE | SCHIBENLAGERB CHSE | SOPORTE COJINETE DISCO |
| 48 | F04010084R | CUSC.D17D47 B22,2 3303 LLU DDU | BEAR.D17D47 B22,2 3303 LLU DDU | ROUL.D17D47 B22,2 3303 LLU DDU | LAGER 3303 2RS | COJINETE D17D47 B22,2 3303 LLU |
| 49 | F03011075R | AN. TENUTA B1OF 24X32X4 | SEALING RING 24X32X4 | BAGUE D ETANCHEITE 24X32X4 | DICHTUNGSRING 24X32X4 | ANILLO AISLADOR 24X32X4 |
| 50 | F02250521R | RIBATTINO TSC 6 X19,8 A 2 | RIVET TSC 6X19,8 A 2 BY PIECE | PAQUET RIVETS TSC 6X 19,8 A 2 | PACKUNG NIETEN TSC 6X19,8 A 2 | PAQU.REMACHES TSC 6X 19,8 A 2 |
| 51 | G15226600R | KIT X DISCO SUPER SEAL | SUPER-SEAL DISC KIT | KIT X DISC SUPER SEAL | | KIT PARA DISCO SUPER SEAL |
| 52 | G18700690R | RONDELLA 15 X40 X6 ZN | WASHER 15 X 40 X 6 ZN | RONDELLE 15 X40 X6 ZN | UNTERLEGSCHIBE 15X40X6 ZN | ARANDELA 15 X40 X6 ZN |
| 53 | F03100561R | TUBO EOLO PU D.35 TRASP. NERO | TUBO EOLO PU D.35 TRASP. NERO | | | |

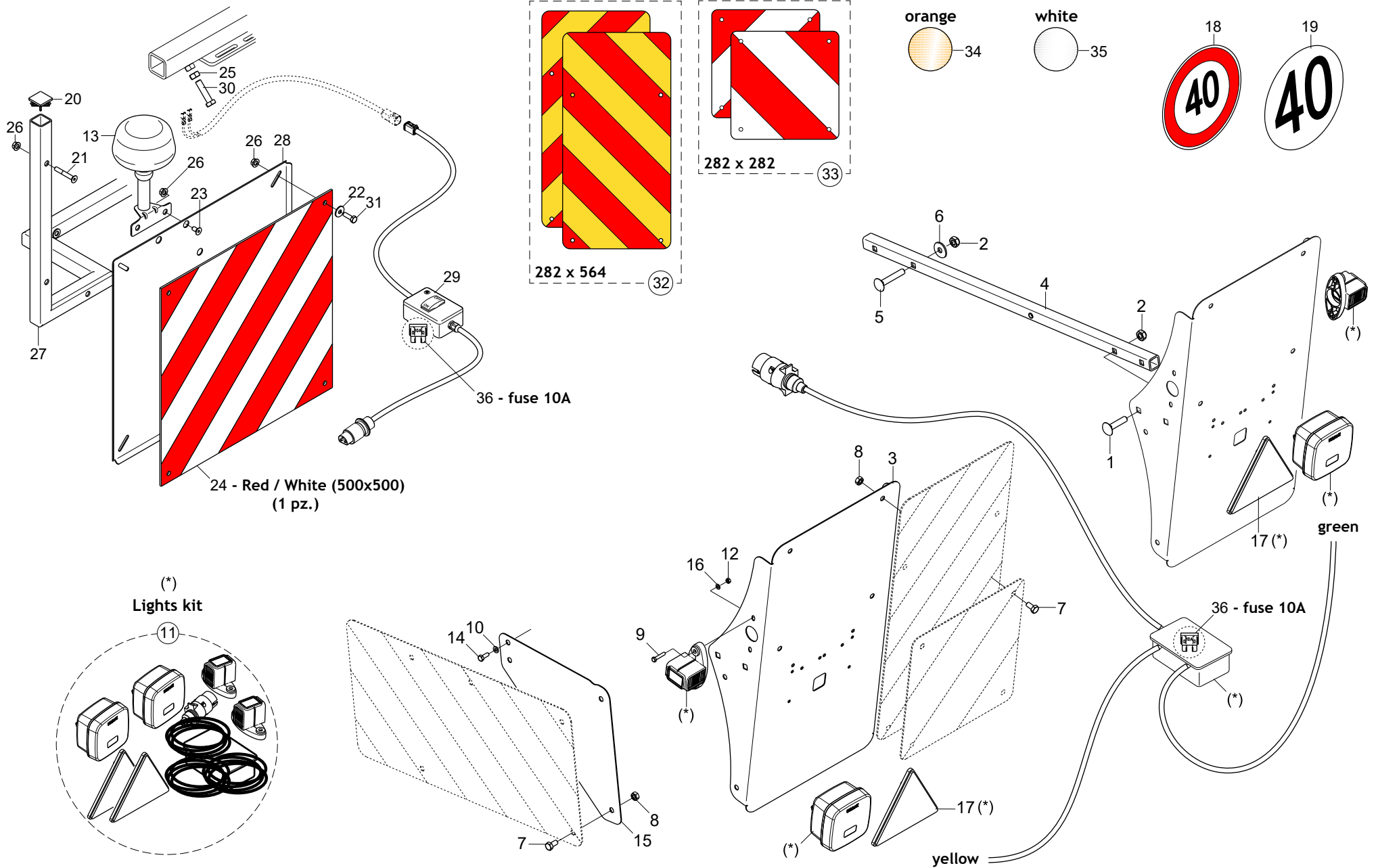


**PEDANA DI ISPEZIONE E SCALETTA
INSPECTION FOOTBOARD WITH LADDER**

TAV. 251

| Pos. | Cod. | Descrizione | Description | Description | Benennung | Description |
|------|------------|--------------------------------|--------------------------------|-------------------------------|--------------------------------|-----------------------------------------------------------------|
| 1 | F01020085R | VITE M8X1,25X75 | SCREW M8X1,25X75 U5737 8.8ZN | VIS M8X1,25X75 U5737 8.8ZN | SCHR. M8X1,25X75 U5737 8.8 ZN | TORN. M8X1,25X75 U5737 8.8ZN |
| 2 | GA7670020R | CERNIERA 1 2 LARGA S ZN | CERNIERA 1 2 LARGA S ZN | | | |
| 3 | F01020445R | VITE M8X1,25X30 | SCREW M8X1,25X30 U5739 8.8ZN | VIS M8X1,25X30 U5739 8.8ZN | SCHRAUBE 8 X30 5739 8.G | TORN. M8X1,25X30 U5739 8.8ZN |
| 4 | F02200585R | SPINA SICUR.D.12X90 ZN | SAFETY PIN D.12X90 ZN | | SICHERHEITS BOLZEN D.12X90 ZN | |
| 5 | F01200270R | DADO M10X1,5 | NUT M10X1,5 | ECROU M10X1,5 U5588 CL8 GALV. | MUTTER M10X1,5 U5588 6.8 ZN | TUER.M10X1,5 U5588 CL8 GALV. |
| 6 | F01020086R | VITE M8X1,25X80 | SCREW M8X1,25X80 U5737 8.8ZN | VIS M8X1,25X80 U5737 8.8ZN | SCHRAUBE M8X1,25X80 | TORN. M8X1,25X80 U5737 8.8ZN |
| 7 | F01260043R | DADO M8 | NUT M8 | CROU M8 D6923 8.8ZN | MUTTER MIT SCHEIBE M8 DIN6923 | TUERCA M8 D6923 8.8ZN |
| 8 | F01410062R | ROS.M10 10,5X 18X 2 | WASHER M10 10,5X 18X 2 | RONDELLE M10 10,5X 18X 2 | SCHEIBE M10 10,5X18X2 U6592 ZN | ARAND.M10 10,5X 18X 2 U6592 ZN |
| 9 | F01420048R | ROS.M8 8,4X 24X 2 | WASHER M8 8,4X 24X2 | RONDELLE M8 8,4X 24X2 | SCHEIBE D.8 | ARAND.M8 8,4X 24X 2 U6593 ZN |
| 10 | F20110855R | CAV.T.M10X 1,5X 25 46X58,5 ZN | U BOLT T.M10X1,5X25 46X L=58,5 | | VERBINDUNG M10X46 -58 ZN | |
| 11 | GA7670010R | PEDANA 250 X 240 X 60 SP.2 ZN | PEDANA 250 X 240 X 60 SP.2 ZN | | | |
| 12 | G07000379R | TERMINALE PEDANA ZN | GALVANIZED PLATFORM END | PIECE TERMINALE MARCHEPIED ZN | LAUFSTEGABSCHLUSS ZN | TERMINAL PLATAFORMA ZN |
| 13 | G17600170R | PARAPETTO CHRONO 700 DX | PARAPETTO CHRONO 700 DX | | | |
| 14 | G17671430R | PARAPETTO CHRONO 700 SX | PARAPETTO CHRONO 700 SX | | | |
| 15 | G17671440R | SUPPORTO PEDANA CHRONO 700 | SUPPORTO PEDANA CHRONO 700 | | | |
| 16 | G17671450R | SUPPORTO SCALETTA CHRONO 700 | SUPPORTO SCALETTA CHRONO 700 | | | |
| 17 | GA7610460R | ASS.SUPP.SCALETTA PIEGHEVOLE | FOLDABLE STAIR SUPPORT | | | |
| 18 | F01020427R | VITE M 8X1,25X 12 | SCREW M 8X1,25X 12 U5739 8.8ZN | VIS M 8X1,25X 12 U5739 8.8ZN | SCHRAUBE 8 X12 5739 8.G | CONJ.SOP.DE ESCALERA PLEGABLE TORN. M 8X1,25X 12 U5739 8.8ZN |
| 19 | F01030022R | VITE M5X0,8X16 | SCREW M5X0,8X16 | VIS M5X0,8X16 U5933 10.9ZD | SCHRAUBE 5X16 5933 10.9 ZN | TORNIL. M5X0,8X16 U5933 10.9ZD |
| 20 | F01230019R | DADO M5X0,88 | NUT M5X0,88 | CROU M5X0,8 D982 8ZN | SELBSTSP. MUTTER NOR.5 ZN | TUERCA AUTOB. NOR. 5 ZN |
| 21 | F01410023R | RONDELLA M5 5,3X10X1 | ROS.M5 5,3X 10X 1 | ROS.M5 5,3X 10X 1 | SCHEIBE M5 5,5X10X1 U6593 ZG | |
| 22 | F01410051R | ROS.M8 8,4X 17X1,6 | WASHER M8 8,4X17X1,6 | RONDELLE M8 8,4X17X1,6 | SCHEIBE D.8 | ARAND.M8 8,4X 17X1,6 U6592 ZN |
| 23 | F05150112R | MANIGLIA INTERAS. 117 FORO 8MM | HANDLE | POIGNEE | HANDGRIFF | MANILLA |
| 24 | GA7670080R | PEDANA 250 X 1260 X 58 SP2 ZN | PEDANA 250 X 1260 X 58 SP2 ZN | | | |
| 25 | F01020133R | VITE M10X1,5X100 | SCREW M10X1,5X100 U5737 8.8ZN | VIS M10X1,5X100 U5737 8.8ZN | SCHRAUBE 10X100 5737 8.G | TORNIL.M10X1,5X100 U5737 8.8ZN |
| 26 | F01020124R | VITE M10X1,5X70 | SCREW M10X1,5X70 U5737 10.9ZD | VIS M10X1,5X70 U5737 10.9ZD | SCHRAUBE M10X1.5X70 U5737 10.9 | TORNIL.M10X1,5X70 U5737 10.9ZD |
| 27 | G17671420R | PEDANA 250 X 1320 X 58 SP2 ZN | FOOTBOARD 250X1320X58 SP2 ZN | | | |
| 28 | G20980079R | BOCCOLA 8,25X12X8 ZN | BUSHING 8,25X12X8 | DOUILLE 8,25X12X8 | BUCHSE 8,25X12X8 | CASQUILLO 8,25X12X8 |
| 29 | F01200244R | DADO M8X1,25 | NUT M8X1,25 | CROU M8X1,25 U5588 CL8 ZN | MUTTER M8 X1,25 U5588 6.8 ZN | TUERCA M8X1,25 U5588 CL8 ZN |

TAV. 261



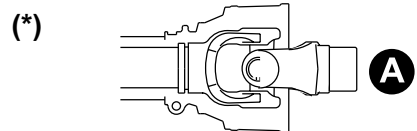
KIT LUCI E TABELLE DI INGOMBRO STRADALE LIGHTING KIT AND WARNING BOARDS

TAV. 261

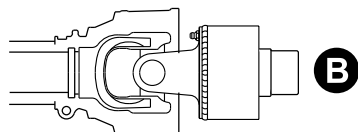
| Pos. | Cod. | Descrizione | Description | Description | Benennung | Descripcion |
|------|------------|--------------------------------|-------------------------------|--------------------------------|-------------------------------|--------------------------------|
| 1 | F01060077R | VITE M10X1,5X45 | SCREW M10X1,5X45 | VIS M10X1,5X45 U5731 8.8ZN | SCHRAUBE 10X45 5732 4.8 ZN | TORNIL. M10X1,5X45 U5731 8.8ZN |
| 2 | F01220033R | DADO M10X1,5 | NUT M10X1,5 | ECROU M10X1,5 D980 8GALV. | MUTTER M10 | TUERCA M10X1,5 D980 8 |
| 3 | G18221810R | SUPPORTO KIT LUCI POSTERIORE | LIGHT KIT REAR SUPPORT | | | |
| 4 | G18221860R | TUBO SUPP.TABELLA CHRONO | WARNING LIGHT SUPPORT | | | |
| 5 | F01060081R | VITE M10X1,5X60 | SCREW M10X1,5X60 | VIS M10X1,5X60 U5731 8.8ZN | SCHRAUBE 10X60 5732 4.6 ZN | TORNIL. M10X1,5X60 U5731 8.8ZN |
| 6 | F01420060R | ROS.M10 10,5X 30X2,5 | WASHER 10,5X30X2,5 | RONDELLE 10,5X30X2,5 | SCHEIBE 10,5X30 | ARAND.M10 10,5X 30X2,5 U6593 |
| 7 | F01020432R | VITE M8X1,25X16 | SCREW M8X1,25X16 U5739 8.8ZN | VIS M8X1,25X16 U5739 8.8ZN | SCHRAUBE M 8X16 | TORN. M8X1,25X16 U5739 8.8ZN |
| 8 | F01200244R | DADO M8X1,25 | NUT M8X1,25 | CROU M8X1,25 U5588 CL8 ZN | MUTTER M8 X1,25 U5588 6.8 ZN | TUERCA M8X1,25 U5588 CL8 ZN |
| 9 | F01020382R | VITE M5X0,8X25 | SCREW M5X0,8X25 U5739 8.8ZN | VIS M5X0,8X25 U5739 8.8ZN | SCHRAUBE 5 X25 5739 8.G ZN | TORN. M5X0,8X25 U5739 8.8ZN |
| 10 | F01410037R | ROS.M6 6,4X12,5X1,6 | WASHER M6 6,4X12,5X1,6 | RONDELLE M6 6,4X12,5X1,6 | SCHEIBE D.6 | ARAND.M6 6,4X12,5X1,6 U6592 ZN |
| 11 | G19902500R | KIT LUCI CHRONO 708 | LIGHT KIT CHRONO 708 | | | |
| 12 | F01200220R | DADO M5X0,8 | NUT M5X0,8 | CROU M5X0,8 U5588 CL8 ZN | MUTTER M 5X0,8 U5588 6.8ZN | TUERCA M5X0,8 U5588 CL8 ZN |
| 13 | F05011631R | LAMPEGGIANTE CON INN.TUBOLARE | BEACON LIGHT | | BEACON LICHT | |
| 14 | F01020403R | VITE M6X1X16 | SCREW M6X1X16 U5739 8.8ZN | VIS M6X1X16 U5739 8.8ZN | SCHRAUBE M 6X16 | TORNILLO M6X1X16 U5739 8.8ZN |
| 15 | G18221820R | SUPPORTO TABELLA LATERALE | LIGHT KIT LATERAL SUPPORT | | | |
| 16 | F01410023R | RONDELLA M5 5,3X10X1 | ROS.M5 5,3X 10X 1 | ROS.M5 5,3X 10X 1 | SCHEIBE M5 5,5X10X1 U6593 ZG | |
| 17 | F05010222R | CATARIFRANGENTE TRIANGOLARE | TRIANGULAR REFLECTOR | CATADIOPTRE TRIANGULAIRE | DREIECKIGE RUECKSTRAHLER | CATAFARO TRIANGULAR |
| 18 | F20030261R | ETICH. LIMITE VELOCITA 40 | SPEED LIMIT 40 LABEL | | | ETIQ. L MITE VELOCIDAD 40 |
| 19 | F20030444R | ETICH. LIMITE VELOC.40 GERMAN | GERMANY SPEED LIMIT 40 LABEL | ETIQ. LIMITE VIT. 40 ALLEMAGNE | AUFKLEBER RUND 40 KM H | ETIQ. LIMITE VEL. 40 ALEMANIA |
| 20 | F20120346R | PUNTALE Q 35 ALETT.POLIT.NERO | SQ.TIP 35 BLACK | EXTREMITÉ Q. 35 NOIRE | VERSCHLU DECKEL D.35 | PUNTAL Q.35 NEGRO |
| 21 | F01030063R | VITE M8X1,25X55 | SCREW M8X1,25X55 | VIS M8X1,25X55 U5933 10.9ZD | SCHRAUBE M8X1,25X55 | TORN. M8X1,25X55 U5933 10.9ZD |
| 22 | F01420048R | ROS.M8 8,4X 24X 2 | WASHER M8 8,4X 24X2 | RONDELLE M8 8,4X 24X2 | SCHEIBE D.8 | ARAND.M8 8,4X 24X 2 U6593 ZN |
| 23 | F01030054R | VITE M8X1,25X16 | SCREW M8X1,25X16 | VIS M8X1,25X16 U5933 10.9ZD | SCHRAUBE M8X1,25X16 | TORN. M8X1,25X16 U5933 10.9ZD |
| 24 | F05011000R | TABELLA CAR. SPORGENTI 500X500 | WARNING BOARD 500X500 | | WARN TAFEL 500X500 | |
| 25 | F01200293R | DADO M12X1,75 6S ZN | NUT M12X1,75 U5588 6S ZN | ECROU M12X1,75 U5588 CL8 ZN | MUTTER M12X1,75 U5588 6.8 ZN | TUERCA M12X1,75 U5588 CL8 ZN |
| 26 | F01260043R | DADO M8 | NUT M8 | CROU M8 D6923 8.8ZN | MUTTER MIT SCHEIBE M8 DIN6923 | TUERCA M8 D6923 8.8ZN |
| 27 | G17660050R | SUPPORTO PANNELLO E GIROFARO | ROTARY-TIER SUPPORT | | | |
| 28 | G17660060R | SUPPORTO TABELLA | TABLE SUPPORT | | | |
| 29 | F05200172R | CABL.COMANDO GIROFARO E PRED. | WIRING BEACON LIGHT | | VERKABELUNG BEACON LICHT | |
| 30 | F01020510R | VITE M12X1,75X30 | SCREW M12X1,75X30 U5739 8.8ZN | VIS M12X1,75X30 U5739 8.8ZN | SCHRAUBE M 12X30 | TORN.M12X1,75X30 U5739 8.8ZN |
| 31 | F01020440R | VITE M8X1,25X25 | SCREW M8X1,25X25 U5739 8.8ZN | VIS M8X1,25X25 U5739 8.8ZN | SCHRAUBE M8 X25 5739 8.8 ZN | TORN. M8X1,25X25 U5739 8.8ZN |
| 32 | F05010816R | TABELLE 2 CAR.SPORGENTI IT | WARNING BOARDS 2 IT | PANNEAU 2 SIGNALISATION IT | WARN TAFELS 2 IT | TABLAS 2 CAR.ADVERT. IT |
| 33 | F05012326R | TABELLE 2 CAR.SPOR.282X282MR | TABLES 2 CAR.SPOR.282X282MR | | | |
| 34 | F05010819R | CATARIFR.TONDO D60 GIALLO | ROUND REFLECTOR D.60 YELLOW | JAUNE R FLECTEUR ROUND | REFLEKTOR RUND GELB D.60 | REFLECTOR REDONDO AMARILLO |
| 35 | F05010818R | CATARIFR.TONDO D60 BIANCO | ROUND REFLECTOR D.60 WHITE | | REFLEKTOR RUND WEI D.60 | |
| 36 | F05011415R | FUSIBILE 10AATO | FUSE 10AATO | FUSIBLE 10AATO | SICHERUNG 10AATO | FUSIBLE 10AATO |

TAV. 270

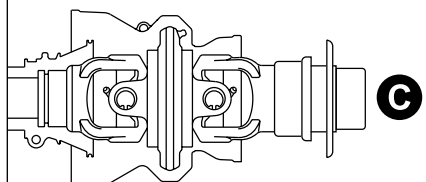
| Codice - Code | Descrizione - Description | Lunghezze Lengths | | Classe - Size (A x B) | Tipo - Type (*) | | Forcelle - Yokes (**) | | | | | Forcelle - Yokes Z6 (1"3/8) |
|---------------|----------------------------|-------------------|------|-----------------------|-----------------|------------|-----------------------|----------------|----------------|----------------|----------------|-----------------------------|
| | | min. | max. | | Z6 (1"3/8) | Z6 (1"3/4) | Z8 (32x38) | Z20 (1"3/4) | Z21 (1"3/8) | | | |
| ① F08011711 | CARD.B1 Z6-Z6 L700 | 700 | 960 | B1 (22 x 54) | A | A | G58161015 (11) | F08011772 (13) | F08011742 (15) | F08011758 (18) | F08011767 (20) | G58161015 (11) |
| ② F08011713 | CARD.B1 Z8-Z6 L700 | 700 | 960 | B1 (22 x 54) | A | A | G58161015 (11) | F08011772 (13) | F08011742 (15) | F08011758 (18) | F08011767 (20) | G58161015 (11) |
| ③ F08011714 | CARD.B1 Z20-Z6 L700 | 760 | 1020 | B1 (22 x 54) | A | A | G58161015 (11) | F08011772 (13) | F08011742 (15) | F08011758 (18) | F08011767 (20) | G58161015 (11) |
| ④ F08011715 | CARD.B1 Z8-Z6 L900 R.LIB | 915 | 1190 | B1 (22 x 54) | A | B | G58161015 (11) | F08011772 (13) | F08011742 (15) | F08011758 (18) | F08011767 (20) | — |
| ⑤ F08011716 | CARD.B1 Z6-Z6 L900 R.LIB | 915 | 1190 | B1 (22 x 54) | A | B | G58161015 (11) | F08011772 (13) | F08011742 (15) | F08011758 (18) | F08011767 (20) | — |
| ④ F08011870 | CARD.R2 Z6-Z6 L930 R.LIB | 930 | 1200 | R2 (23,8 x 61,3) | A | B | — | — | — | — | — | — |
| ⑥ F08011719 | CARD.B2 Z6-Z6 L900 | 900 | 1300 | B2 (23,8 x 61,3) | A | A | — | — | — | — | — | — |
| ⑦ F08011720 | CARD.B3 Z8-Z6 L1300 | 1300 | 1775 | B3 (27 x 74,6) | A | A | G58161016 (14) | — | F08011743 (16) | — | — | G58161016 (14) |
| ⑧ F08011757 | CARD.B1 Z20-Z6 L900 R.L | 975 | 1250 | B1 (22 x 54) | A | B | G58161015 (11) | F08011772 (13) | F08011742 (15) | F08011758 (18) | F08011767 (20) | — |
| ⑨ F08011764 | CARD.R4 Z20-Z6 L1381 OM-RL | 1381 | | R4 (22 x 86) | C | B | F08011768 (12) | — | F08011766 (17) | F08011774 (19) | F08011773 (21) | — |
| ②③ F08011783 | CARD.R4 Z6-Z6 L1565 OM-RL | 1565 | | R4 (22 x 86) | C | B | F08011768 (12) | — | F08011766 (17) | F08011774 (19) | F08011773 (21) | — |
| ⑩ F08011930 | CARD.B3 Z6-Z6 L1200 | 1200 | 1700 | B3 (27 x 70) | A | A | — | G58161016 (14) | F08011743 (16) | — | — | — |



GIUNTO STANDARD
STANDARD JOINT

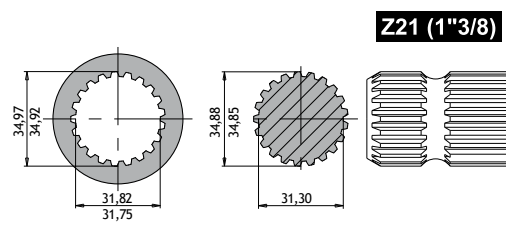
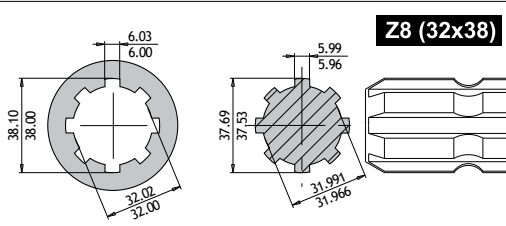
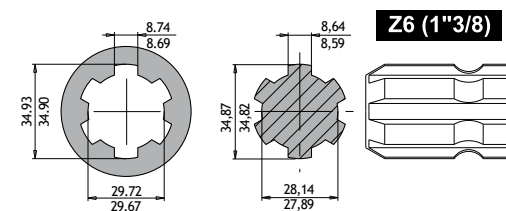
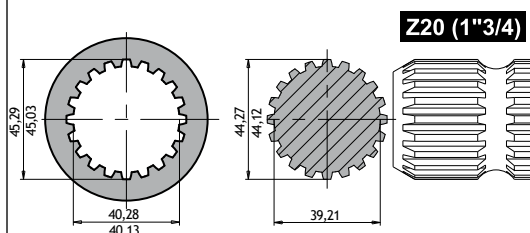
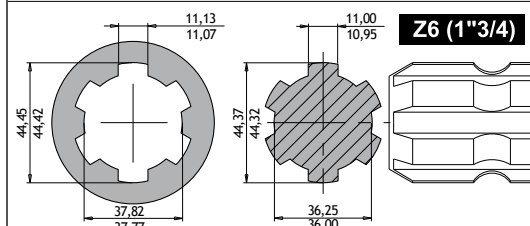


RUOTA LIBERA
OVERRUNNING CLUTCH

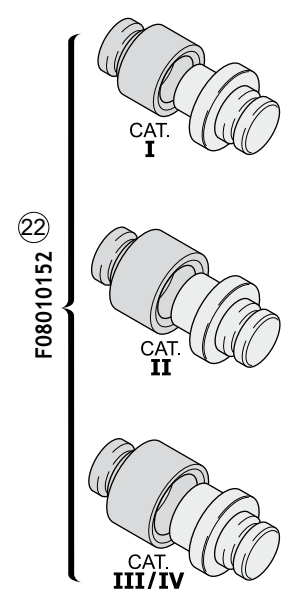


GIUNTO OMOCINETICO
CONSTANT VELOCITY JOINT

(**)



KIT PRESSORE/BUSSOLA
KIT PUNCH/ROOT



CARDANO CARDAN SHAFT

TAV. 270

| Pos. | Cod. | Descrizione | Description | Description | Benennung | Description |
|------|------------|-------------------------------|--------------------------------|-------------------------------|-------------------------------|-------------------------------|
| 1 | F08011711R | CARD. S10 0700F 112 112 1CAT | PTO SHAFT B1 Z6-Z6 L700 | | GELENKWELLE F R ORIETTA | |
| 2 | F08011713R | CARD.B1 Z8-Z6 L700 | PTO SHAFT B1 Z8-Z6 L700 | | KARDAN B1070BA32A60 Z-8 Z-6 | |
| 3 | F08011714R | CARD.B1 Z20-Z6 L700 | PTO SHAFT B1 Z20-Z6 L700 | | KARDANWELLEB1 Z20-Z6 L700 | |
| 4 | F08011715R | CARD.B1 Z8-Z6 L900 R.LIB | CARD.B1 Z8-Z6 L900 FREE W. | | | |
| 5 | F08011716R | CARD.B1 Z6-Z6 L900 R.LIB | UNIV.JOINT B1 Z6-Z6 L900 R.LIB | CARD.B1 Z6-Z6 L900 R.LIB | GELENKWELLE F R MAISS GER T | CARDAN CE T100710 112 R12 |
| 6 | F08011719R | CARD.B2 Z6-Z6 L900 | UNIVERSAL JOINT 102 071 N T07 | CARD. 102 071 N T07 T07 1 CAT | KARDAN 102 071 N T07 T07 1CAT | CARD N 102 071 N T07 T07 1CAT |
| 7 | F08011720R | CARD.B3 Z8-Z6 L1300 | UNIV.JOINT B3 Z8-Z6 L1300 | | KARDANWELLEB3 Z8-Z6 L1300 | |
| 8 | F08011757R | CARD.B1 Z20-Z6 L900 R.L | UNIVERSAL JOINTB1 Z20-Z6 L900 | | | |
| 9 | F08011764R | CARDANO OM 3 4Z20-RL Z6 L1381 | CARD.R4 Z20-Z6 L1381 OM-RL | | | |
| 10 | F08011930R | CARD. B3 1192 CE ASAE | PTO SHAFT B3 1192 CE ASAE | | KARDAN T40 1020F 112 112 1CAT | |
| 11 | G58161015R | FORCELLA CARD.1 3 8 Z6 B1 | CARD. FORK 1 3 8 Z6 B1 | | GABEL KARDANWELLE1 3 8 Z6 B1 | |
| 12 | F08011768R | FORCELLA CARD.1 3 8 Z6 R4 | FORK 1 3 8 Z6 R4 | | GABEL KARDANWELLE1 3 8 Z6 R4 | |
| 13 | F08011772R | FORCELLA CARD.1 3 4 Z6 B1 | YOKE 1 3 4 Z6 B1 | | GABEL KARDANWELLE1 3 4 Z6 B1 | |
| 14 | G58161016R | FORCELLA CARD.1 3 8 Z6 B3 | CARD.FORK 1 3 8 Z6 B3 | | | |
| 15 | F08011742R | FORCELLA CARD.32X38 Z8 B1 | YOKE CARD.32X38 Z8 B1 | FOURCHETTE CARDAN Z8 B1 | GABEL KARDAN Z8 B1 | HORQUILLA CARDAN Z8 B1 |
| 16 | F08011743R | FORCELLA CARD.32X38 Z8 B3 | YOKE CARD.32X38 Z8 B3 | | GABEL KARDANWELLE32X38 Z8 B3 | |
| 17 | F08011766R | FORCELLA CARD.32X38 Z8 R4 | FORK 32X38 Z8 R4 | | GABEL KARDANWELLE32X38 Z8 R4 | |
| 18 | F08011758R | FORCELLA CARD.1 3 4 Z20 B1 | CARD.FORK 1 3 4 Z20 B1 | | | |
| 19 | F08011774R | FORCELLA CARD.1 3 4 Z20 R4 | CARD. FORK 1 3 4 Z20 R4 | | GABEL KARDANWELLE1 3 4 Z20 R4 | |
| 20 | F08011767R | FORCELLA CARD.1 3 8 Z21 B1 | CARD.FORK 1 3 8 Z21 B1 | | | |
| 21 | F08011773R | FORCELLA CARD.1 3 8 Z21 R4 | FORK 1 3 8 Z21 R4 | | GABEL KARDANWELLE1 3 8 Z21 R4 | |
| 22 | F08010152R | KIT PRESSORE BUSSOLA CAT I-IV | TOOLS FOR PTO YOKE CAT I-IV | | KIT PRESSORE BUSSOLA CAT I-IV | |
| 23 | F08011783R | CARD.R4 Z6-Z6 L1565 OM-RL | UNIV. PTO SHAFT R4 Z6-Z6 L1210 | | | |
| 24 | F08011870R | CARD.R2 Z6-Z6 L930 R.LIB | PTO SHAFT R2 Z6-Z6 L930 | | | |

**USATE SEMPRE RICAMBI ORIGINALI
ALWAYS USE ORIGINAL SPARE PARTS
IMMER DIE ORIGINAL-ERSATZTEILE VERWENDEN
EMPLOYEZ TOUJOURS LES PIECES DE RECHANGE ORIGINALES
UTILIZAR SIEMPRE REPUESTOS ORIGINALES**

GASPARDO

Servizio Assistenza Tecnica - After Sales Service

Servizio Ricambi - Spare Parts Service



maschio.com

DEALER:



MASCHIO GASPARDO SpA

Registered office & Production plant
Via Marcello, 73 - 35011 Campodarsego (Padova) - Italy
Tel. +39 049 9289810
Fax +39 049 9289900
info@maschio.com
www.maschionet.com

**MASCHIO GASPARDO SpA
Production plant**

Via Mussons, 7 - 33075 Morsano al Tagliamento (PN) - Italy
Tel. +39 0434 695410
Fax +39 0434 695425
info@gaspardo.it

MASCHIO DEUTSCHLAND GMBH

Äußere Nürnberger Straße 5
D - 91177 Thalmässing - Deutschland
Tel. +49 (0) 9173 79000
Fax +49 (0) 9173 790079
dialog@maschio.de
www.maschio.de

MASCHIO-GASPARDO North America

112 3rd Avenue East
Dewitt, IA 52742 - USA
Ph. +1 563 659 6400
Fax +1 563 659 6405
info@maschio.us

MASCHIO FRANCE Sarl

Rue Denis Papin ZA
F - 45240 La Ferté St. Aubin
France
Tel. +33 (0) 2.38.64.12.12
Fax +33 (0) 2.38.64.66.79
info@maschio.fr

MASCHIO-GASPARDO ROMANIA S.R.L.

Strada Înfrâții, F.N.
315100 Chisineu-Cris (Arad) -România
Tel. +40 257 307030
Fax +40 257 307040
info@maschio.ro

000 MASCHIO-GASPARDO РУССИЯ

Улица Пушкина, 117 Б
404130 Волжский
Волгоградская область
Тел. +7 8443 203100
факс. +7 8443 203101
info@maschio.ru

**MASCHIO-GASPARDO IBERICA
MASCHIO-GASPARDO POLAND
MASCHIO-GASPARDO UCRAINA
GASPARDO-MASCHIO TURCHIA
MASCHIO-GASPARDO CINA
MASCHIO-GASPARDO INDIA**