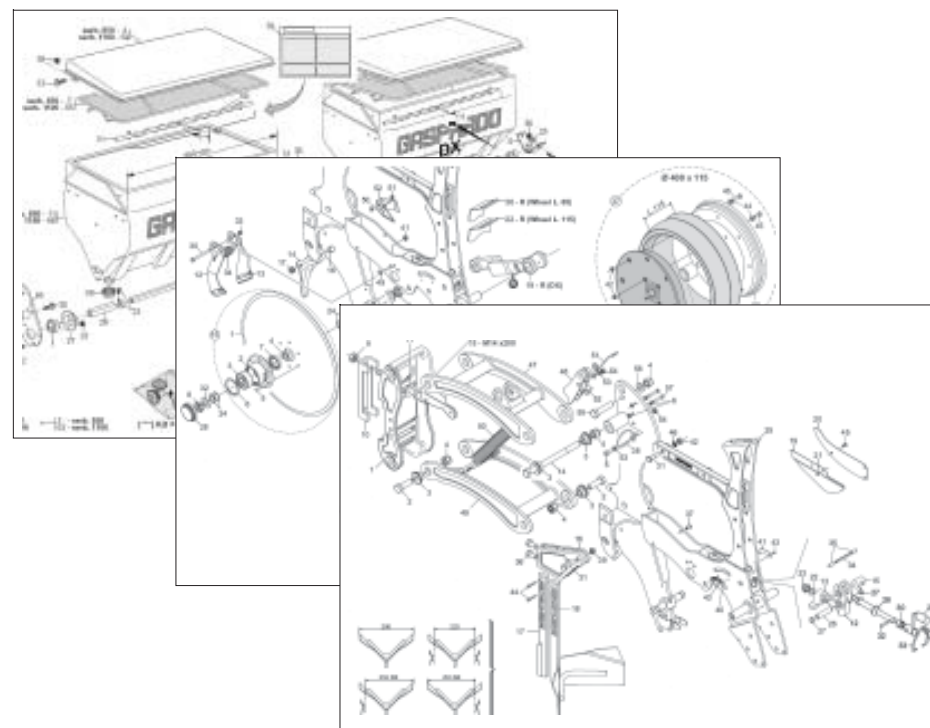


GASPARDO

MASCHIO GASPARDO S.p.A.



MANTA

Cod: G19531060 2010-01

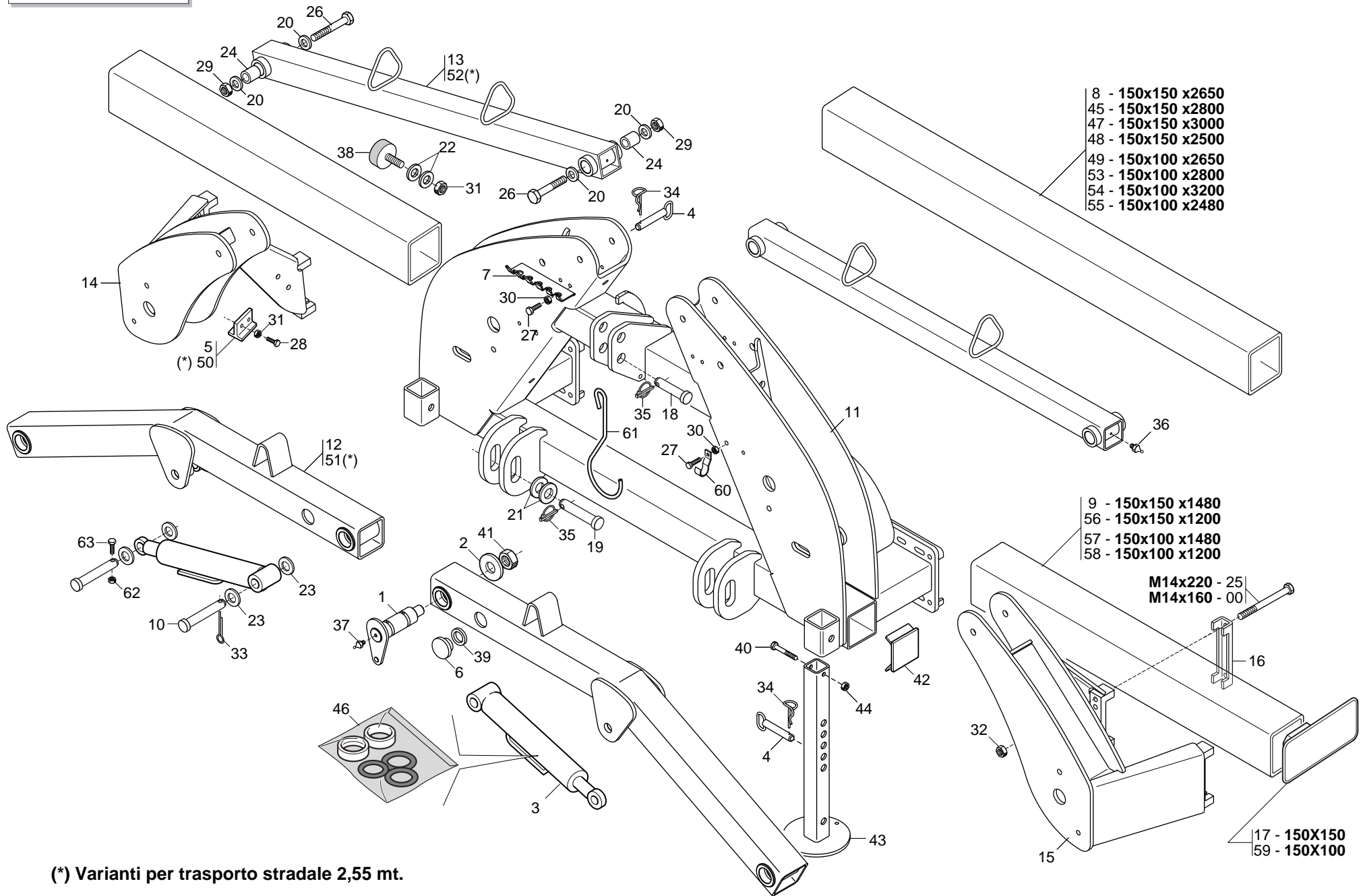
- *) Valido per Paesi UE
- *) Valid for EU member countries
- *) Valable dans les Pays UE
- *) Gilt für EU-Mitgliedsländer
- *) Válido para Países UE

- IT** PARTI DI RICAMBIO
- EN** SPARE PARTS
- DE** ERSATZTEILE
- FR** PIÈCES DÉTACHÉES
- ES** PIEZAS DE REPUESTO

ITALIANO	ENGLISH	DEUTSCH	FRANÇAIS	ESPAÑOL
PARTI DI RICAMBIO	SPARE PARTS	ERSATZTEILE	PIECES DÉTACHÉES	RESPUESTOS
<p>Le ordinazioni delle parti di ricambio vanno fatte presso i nostri concessionari di zona e devono essere sempre corredate dalle seguenti indicazioni:</p> <ul style="list-style-type: none"> - Tipo, modello e numero di matricola dell'attrezzatura. Tali dati sono stampigliati nell'apposita targhetta di cui è dotata ogni attrezzatura. - Numero di codice della parte richiesta rilevabile dal catalogo ricambi. - Descrizione del particolare e quantità richiesta. - Numero della tavola. - Mezzo di trasporto. Nel caso questa voce non sia specificata, la Ditta Costruttrice, pur dedicando a questo servizio una particolare cura, non risponde di eventuali ritardi di spedizione dovuti a cause di forza maggiore. Le spese di trasporto si intendono sempre a carico del destinatario. La merce viaggia a rischio e pericolo del committente anche se venduta franco destino. <p>NOTA: Il termine (Dx) Destro o (Sx) Sinistro della macchina o di parti di essa, è inteso guardando la macchina dalla parte posteriore. Le eccezioni saranno indicate.</p>	<p><i>Orders must be transmitted through our area dealers and should always include the following indications:</i></p> <ul style="list-style-type: none"> - Type, model and serial number of the machine. <i>These data are punched on the data plate with which every implement is equipped.</i> - Code number of the required spare part. <i>This will be found in the spare parts catalogue.</i> - Description of the part and required quantity. - Table number. - Means of dispatch. <i>If this item is not indicated, the Manufacturer, while dedicating particular care to this service, shall not be held responsible for delays in delivery caused by cases of force majeure. Transport expenses shall always be at the consignee's charge. The goods travel at the purchaser's risk and peril even when sold ex destination.</i> <p>NOTE: <i>The symbols (Dx) right and (Sx) left, concerning the machine or single parts of it, are referred, as in the figure, to a rear view of them. Exceptions will be indicated.</i></p>	<p>Die Bestellungen müssen bei unseren Gebietshändlern aufgegeben werden. Bei der Bestellung sind stets die folgenden Angaben zu machen:</p> <ul style="list-style-type: none"> - Typ, Modell und Serien-Nummer des Geräts. Diese Daten stehen auf dem Typenschild, mit dem jedes Gerät versehen ist. - Artikel Nr. der erforderlichen Ersatzteile. Diese stehen im Ersatzteil-Katalog. - Beschreibung des Ersatzteils und die erforderliche Stückzahl. - Tafelnummer. - Versandmittel. Wenn dieser Punkt nicht spezifiziert wird, haftet die Herstellerfirma nicht für etwaigen Lieferverzug aufgrund höherer Gewalt, auch wenn er diesen Service besonders aufmerksam abwickelt. Die Frachtkosten gehen dagegen immer zu Lasten des Empfängers. Die Ware reist auf Gefahr und Risiko des Auftraggebers, auch wenn frei Haus Verkauft vereinbart worden ist. <p>N.B.: Die Merkzeichen (Dx) rechts und (Sx) links betreffen eine rückwärtige Aussicht der Maschine oder Teile von ihr (siehe Bild). Ausnahmen werden gezeigt.</p>	<p><i>Les ordres doivent être effectués auprès de nos concessionaires de zone en précisant les indications suivantes:</i></p> <ul style="list-style-type: none"> - Type, modèle et numéro de série de la machine. <i>Ces données sont gravées sur la plaque d'identification de chaque outil.</i> - Numéro de code de la pièce détachée indiqué sur le catalogue des pièces détachées. - Description de la pièce et quantité requise. - Numéro de plan. - Moyen d'expédition. <i>Si cette rubrique n'est pas indiquée, le Constructeur, bien que soucieux de ce service, ne répond pas des retards d'expédition pour des causes de force majeure. Les frais de transport sont toujours à la charge du destinataire. La marchandise voyage aux risques et périls de l'acheteur même si vendue franco de port.</i> <p>N.B.: <i>Les références (Dx) droit et (Sx) gauche de la machine ou des parties de la même, est entendue, comme de la figure, en regardant la machine de derriere dans le sens de marche.</i></p>	<p>Los pedidos han de efectuarse en nuestros concesionarios de zona y deben incluir siempre las siguientes indicaciones:</p> <ul style="list-style-type: none"> - Tipo, modelo y número de matrícula del equipo. Dichos datos están impresos en la relativa placa presente en el equipo. - Número de código de la parte requerida presente en el catálogo respuestas. - Descripción de la pieza y cantidad requerida. - Numero de ilustración. - Medio de transporte. En caso que este ítem no esté especificado, el Fabricante, aún prestando la debidas consideraciones para este aspecto, no responde por eventuales retardos de env'o debidos a causas de fuerza mayor. Los gastos de transporte se consideran siempre a cargo del destinatario. La mercadería viaja bajo riesgo y peligro del comprador, incluso cuando se vende franco destino. <p>N.B.: La refencia (Dx) derecha o (Sx) izquierda de la máquina o de sus componentes, se entiende, como en la figura, mirando la máquina por la parte trasera. Se indicarán las excepciones.</p>

N° Tavola	Descrizione	Pagina
TAV. 010	Telaio	4
TAV. 020	Impianto telaio	6
TAV. 030	Segnafile con traccia centro trattore	8
TAV. 040	Segnafile con traccia su ruota trattore	10
TAV. 050	Impianto segnafile per traccia centro trattore	12
TAV. 060	Impianto generale con centralina	14
TAV. 070	Depressore	16
TAV. 080	Scatola di rinvio elemento	18
TAV. 090	Distributore semi	20
TAV. 100	Dischi di semina	22
TAV. 110	Telaio elemeto	24
TAV. 120	Ruote di profondità	26
TAV. 130	Ruote compressione posteriore	28
TAV. 140	Coprisemi anteriori	30
TAV. 150	Ruotino premiseme	32
TAV. 160	Coltro a disco striato	34
TAV. 170	Esclusione elettrica file di semina	36
TAV. 180	Sollevamento oleodinamico elemento seminatore	38
TAV. 190	Cambio	40
TAV. 200	Ruote di trasmissione	42
TAV. 210	Presa di potenza posteriore	46
TAV. 220	Kit flangiatura ruote per terreni sassosi	48
TAV. 230	Supporti serbatoi spandiconcime	50
TAV. 240	Serbatoi spandiconcime	52
TAV. 250	Elementi di concimazione	56
TAV. 260	Speedy set	58
TAV. 270	Microgranulatore	60
TAV. 280	Trasmissione spandiconcime e microgranulatore	64
TAV. 290	Accessori	66
TAV. 300	Cardani	68

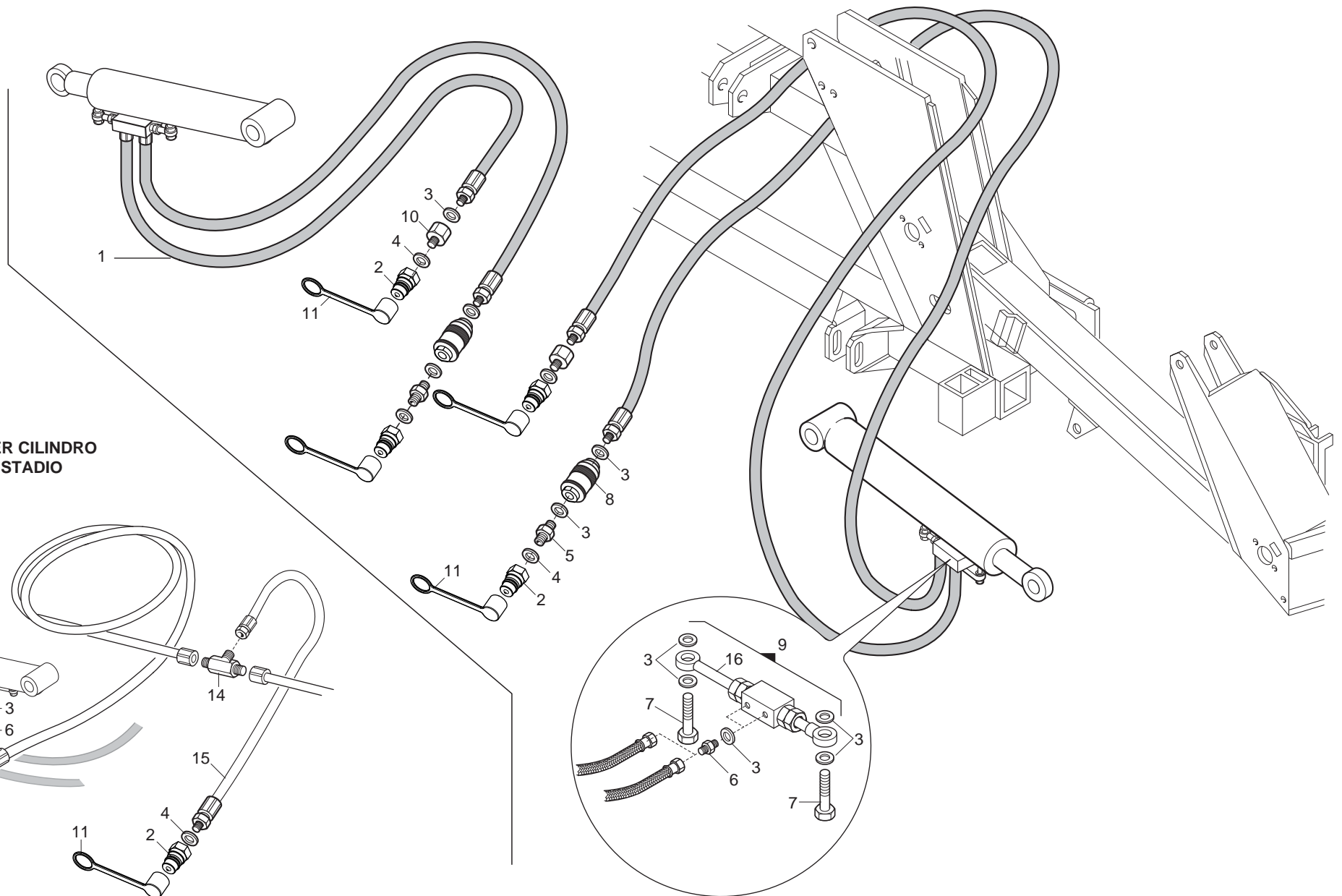
TAV. 010



TELAIO

TAV. 010

Pos.	Cod.	Descrizione	Description	Description	Benennung	Descripcion
1	G14219550	SPINA ROTAZIONE				
2	G14219500	FLANGIA				
3	G14215302	CILINDRO DE 40X80X335	CYLINDER 40X80X335	CYLINDRE 40X80X335	ZYLINDER 40X80X335	CILINDRO 40X80X335
4	G14215360	SPINA DI SICUREZZA	PIN D20 L173,5	FICHE D20 L173,5	STIFT D20 L173,5	CLAVIJA D20 L173,5
5	G14215570	FERMO TELAIO MOBILE	MOBILE FRAME STOP	ARRET BATI MOBILE	FESTSTELLVORRICHTUNG MOBILER R	BLOQUEO BASTIDOR MVIL
6	G14216730	PIASTRA SCORRIMENTO	SLIDING PLATE	PLAQUE GLISSEMENT	GLEITPLATTE	PLACA DE DESPLAZAMIENTO
7	G14217560	SUPPORTO 5 TUBI	5 PIPE SUPPORT	SUPPORT 5 TUBES	5 ROHR HALTERUNG	SOPORTE 5 TUBOS
8	G14215170	TELAIO FISSO	FIXED FRAME	BATI FIXE	FIXER RAHMEN	BASTIDOR FIJO
9	G14215541	TUBO Q.150X 8X1480	SQUARE TUBE 150X1480	TUBE CARR+ 150X1480	ROHR Q.150X1480	TUBO CUADRADO 150X1480
10	F20100076	PERNO D28 L154 C40 ZN				
11	G14219530	TELAIO PORTANTE SI-MTI				
12	G14216613	BRACCIO INFERIORE	LOWER ARM	BRAS INFERIEUR	UNTERER ARM	BRAZO INFERIOR
13	G14216641	BRACCIO SUPERIORE	TOP ARM	BRAS SUPERIEUR	OBERER ARM	BRAZO SUPERIOR
14	G14216714	SUPPORTO TELAIO MOBILE DX				
15	G14216724	SUPPORTO TELAIO MOBILE SX				
16	G19204030	SCONTRO FISS.150 2F D15				
17	G19003000	TAPPO PER TELAIO 150	CAP FOR FRAME 150	BOUCHON POUR BATI 150	PFFROPFEN FOR RAHMEN 150	TAPON PARA BASTIDOR 150
18	F20100124	PERNO D32 L135 C40 ZN	PIN D32 L135 C40 ZN			
19	F20100141	PERNO D36 L128 C43 ZN				
20	G20970043	RONDELLA 50X8X20,5 ZN	WASHER 50X8X20-5	RONDELLE 50X8X20-5	UNTERLEGSSCHEIBE 50X8X20-5	ARANDELA 50X8X20-5
21	G18701810	RONDELLA 38X70X10	WASHER 38X70X10	RONDELLE 38X70X10	UNTERLEGSSCHEIBE 38X70X10	ARANDELA 38X70X10
22	G20970126	RONDELLA 75X2,5X14,5	WASHER 75X2-5X14-5	RONDELLE 75X2-5X14-5	UNTERLEGSSCHEIBE 75X2-5X14-5	ARANDELA 75X2-5X14-5
23	G18701580	RONDELLA 30,5 X76 X4	WASHER 30.5 X 76 X 6	RONDELLE 30-5 X78 X6	UNTERLEGSSCHEIBE 30-5 X78 X6	ARANDELA 30-5 X78 X6
24	G18801380	BOCCOLA 20,25X40 X121	BUSHING 20.25 X 40 X 121	BOITE 20-25X40 X121	BsCHSE 20-25X40 X121	CASQUILLO 20-25X40 X121
25	F01020236	VITE M14X 2X220 U5737 8.8 BR	SCREW M14X2X220 U5737 8.8 BR	VIS M14X2X220 U5737 8.8 BR	SCHRAUBE M14X2X220 U5737 8.8	TORNILLO M14X2X220 U5737 8.8
26	F01020322	VITE M20X2,5X190 U5737 10.9 ZN	SCREW M20X2,5X190 5737 10.9 ZN	VIS M20X2,5X190 5737 10.9 ZN	SCHRA. M20X2,5X190 5737 10.9 ZN	TORN. M20X2,5X190 5737 10.9 ZN
27	F01020476	VITE M10X 1,5X30 U5739 8.8 ZN	SCREW M10X1,5 X 30 5739 8.8 ZN	VIS M10X1,5 X 30 5739 8.8 ZN	SCHRA. M10X1,5X 30 5739 8.8 ZN	TORN. M10X1,5 X 30 5739 8.8 ZN
28	F01020510	VITE M12X1,75X30 U5739 8.8 ZN	BOLT M 12X30	VIS M 12X30	SCHRAUBE M 12X30	TORNILLO M 12X30
29	F01230131	DADO M20X 2,5 D982 6 ZN	NUT M20X 2,5 D982 6 ZN	ECROU M20X 2,5 D982 6 ZN	MUTTER M20X 2,5 D982 6 ZN	TUERCA M20X 2,5 D982 6 ZN
30	F01200270	DADO M10X 1,5 U5588 6.8 ZN	NUT M10X 1,5 U5588 6.8 ZN	ECROU M10X 1,5 U5588 6.8 ZN	MUTTER M10X 1,5 U5588 6.8 ZN	TUERCA M10X 1,5 U5588 6.8 ZN
31	F01200293	DADO M12X1,75 U5588 6.8 ZN	NUT M12X1,75 U5588 6.8 ZN	ECROU M12X1,75 U5588 6.8 ZN	MUTTER M12X1,75 U5588 6.8 ZN	TUERCA M12X1,75 U5588 6.8 ZN
32	F01200306	DADO M14X 2 U5588 6.8 ZN	NUT M14X2	ECROU M14X2	MUTTER M14X2	DADO M14X2
33	F02200272	COPIGLIA 10X 60 U1336 ZN	SPLIT PIN 10 X60 1336 GALVAN.	GOUPILLE 10 X60 1336 ZN	SPLINT 10 X60 1336 ZN	PASADOR 10 X60 1336 ZN
34	F02200374	COPIGLIA R 4X 82 ZN	SPLIT PIN 4X82	GOUPILLE 4X82	SPLINT 4X82	PASADOR 4X82
35	F02200507	SPINA SCATTO D. 9 B/83 ZN	SNAP PIN D9 B/83 ZN	FICHE A DETENTE D9 B/83 ZN	EINRASTSTIFT D9 B/83 ZN	CLAVIJA DE MUELLE D9 B/83 ZN
36	F01100011	ING.M 6X1 7663-A 9SMNPB28 ZN	GREASE NIPPLE M6X1 7663-A ZN	GRAISS. A BILLE M6X1 7663A ZN	SCHMIERBUECHE M6X1 7663-A ZN	ENGRAS. DE ESFERAS M6X1 7663-A
37	F01100061	ING.M10X1 7663-A 9SMNPB28 ZN	GREASE NIPPLE M10X1 7663-A ZN	GRAISSEUR M10X1 7663-A ZN	SCHMIERBUECHSE M10X1 7663-A ZN	ENGRASADOR M10X1 7663-A ZN
38	F05150459	PARACOLPI CIL.75X25 M12 SH70	BUFFER-CYL. 75X25 M12 781103	TAMPON CIL. 75X25 M12 781103	PUFFER ZYL. 75X25 M12 781103	PARACHOQ. CIL.75X25 M12 781103
39	G18701770	RONDELLA 50 X90 X0,5	WASHER 50 X90 X0,5	RONDELLE 50 X90 X0,5	UNTERLEGSSCHEIBE 50 X90 X0,5	ARANDELA 50 X90 X0,5
40	F01020166	VITE M12X1,75X80 U5737 8.8 ZN	SCREW M12X1,75X80 U5737 8.8 ZN	VIS M12X1,75X80 U5737 8.8 ZN	SCHRA. M12X1,75X80 U5737 8.8 ZN	TORN. M12X1,75X80 U5737 8.8 ZN
41	F01230291	DADO M30X 2 D985 ZN	SELF-LOCK NUT M30X2 DIN 985 ZN	ECROU AUTOB. M30X2 DIN 985 ZN	SELBSTSP. MU. M30X2 DIN 985 ZN	TUERCA AUTOB. M30X2 DIN 985 ZN
42	G15413210	TAPPO TELAIO 120 COMPL.				
43	G15817000	PUNTELLO TELAIO PIEGH.				
44	F01220048	DADO M12X1,75 D980 8 ZN	NUT M12X1,75 D980 8 ZN	ECROU M12X1,75 D980 8 ZN	SCHEIBE M12X1,75 D980 8 ZN	TUERCA M12X1,75 D980 8 ZN
45	G22505031	TUBO TELAIO L=2800	FRAME PIPE L=2800	TUBE BATI L=2800	ROHR RAHMEN L=2800	TUBO BASTIDOR L=2800
46	F03100178	KIT GUARNIZ.CILINDRO 14216770	KIT O-RING CYLINDER 15312720	KIT GARNIT. CYLINDRE 15312720	KIT DICHT.OR ZYLINDER15312720	SET JUNTA OR CILINDRO15312720
47	G16610100	TUBO TELAIO FISSO L.3000 Q.150				
48	G15211690	TUBO TELAIO FISSO L.2500 Q.150				
49	G14217260	TUBO R.150X100X 6X2650	RECTANGULAR PIPE 150X100X 6X26	TUBE RECT. 150X100X 6X2650	R. ROHR 150X100X 6X2650	TUBO RECT. 150X100X 6X2650
50	G14218890	FERMO TELAIO	FRAME STOP	ARRET BATI	FESTSTELLVORRICHTUNG	BLOQUEO BASTIDOR
51	G14218851	BRACCIO INF.LUNGO	LOWER ARM LONG	BRAS LONG INFERIEUR	UNTERER LARGER ARM	BRAZO LARGO INFERIOR
52	G14218830	BRACCIO SUPPORTO LUNGO	LONG SUPPORT ARM COUPLING	BRAS SUPPORT LONG	LARGERALTERUNGSARM	BRAZO SOP. LARGO
53	G14217390	TUBO R.150X100X 6X2800	RECTANGULAR PIPE 150X100X 6X28	TUBE RECT. 150X100X 6X2800	R. ROHR 150X100X 6X2800	TUBO RECT. 150X100X 6X2800
54	G14217400	TUBO TELAIO 150X100X3200	FRAME PIPE 150X100X3200	TUBE BATI 150X100X3200	ROHR RAHMEN 150X100X3200	TUBO BASTIDOR 150X100X3200
55	G16610050	TUBO R.150X100X2480	RECTANGULAR PIPE 150X100X6X248	TUBE RECT.150X100X6X2480	R. ROHR150X100X6X2480	TUBO RECT.150X100X6X2480
56	G14219190	TUBO Q.150X 8X1200				
57	G14217270	TUBO R.150X100X 6X1480	RECTANGULAR PIPE 150X100X 6X14	TUBE RECT.150X100X 6X1480	R. ROHR 150X100X 6X1480	TUBO RECT. 150X100X 6X1480
58	G14218860	TUBO R.150X100X 6X1200				
59	G16610110	TAPPO TELAIO 150X100 COMPL.	COMPL. FRAME PLUG 150X100 B319	BOUCHON CH-SSIS 150X100 COMPL.	PFFROPFEN RAHMEN 150X100 KOMPL.	TAPÉN BASTIDOR 150X100 COMPL.
60	F20120401	FASCETTA FERMA CARDANO ZN				
61	F20120400	GANCIO SOSTEGNO CARDANO	SHAFT HOOK	SUPPORT CARDAN	GELENKWELLE - HACKEN	SOPORTE CARDAN
62	F01220033	DADO M10X 1,5 D980 8 ZN	NUT M10X 1,5 D980 8 ZN	ECROU M10X 1,5 D980 8 ZN	MUTTER M10X 1,5 D980 8 ZN	TUERCA M10X 1,5 D980 8 ZN
63	F01020109	VITE M10X1,5X 35 U5737 8.8 ZN	SCREW M10X1.5X35 U5737 8.8 ZB	VIS M10X1.5X 35 U5737 8.8 ZB	SCHRAUBE M10X1.5X35 U5737 8.8	TORNILLO M8X150 U5737 8.8 ZB

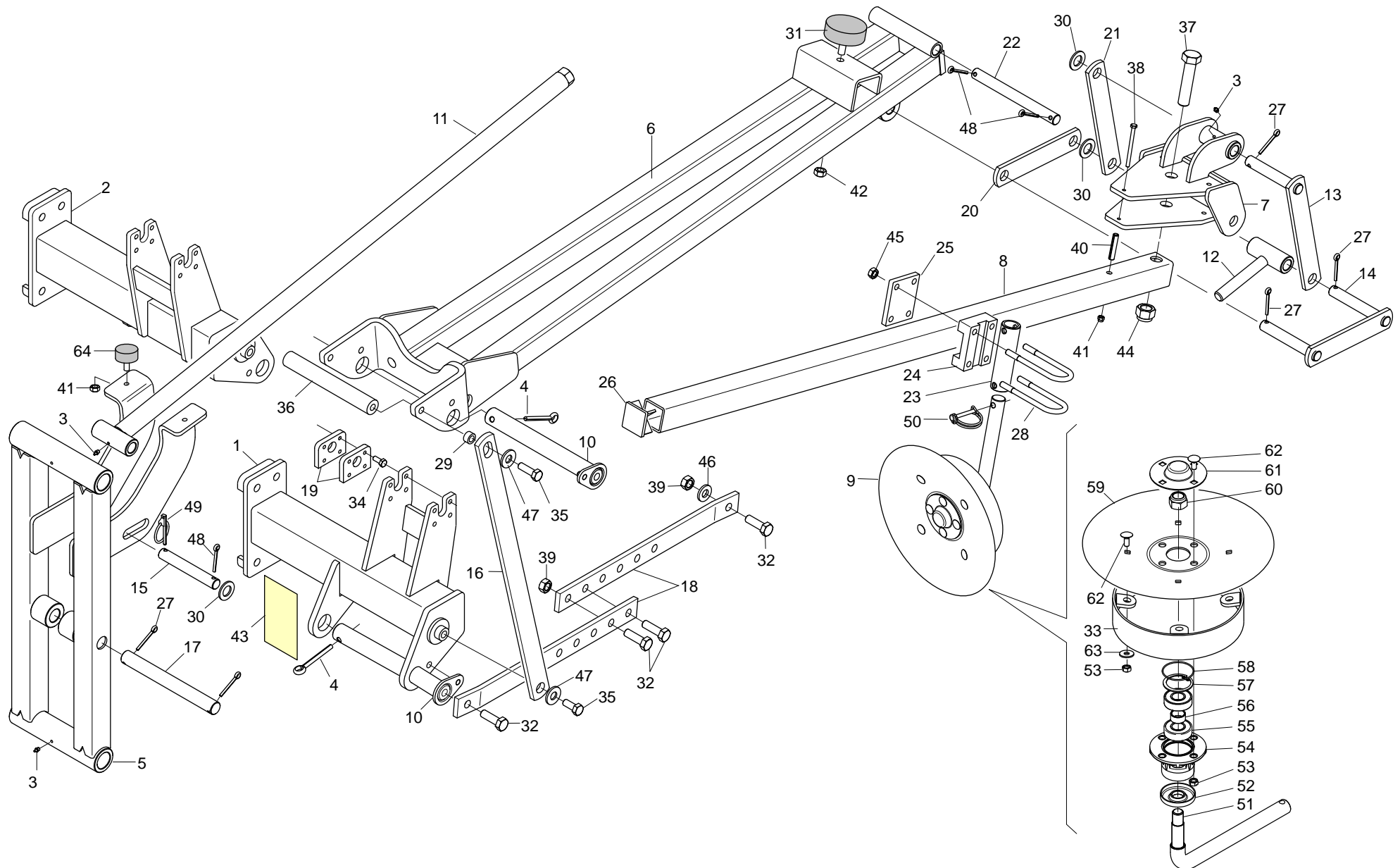


VARIANTI PER CILINDRO
DOPPIO STADIO

IMPIANTO TELAIO

TAV. 020

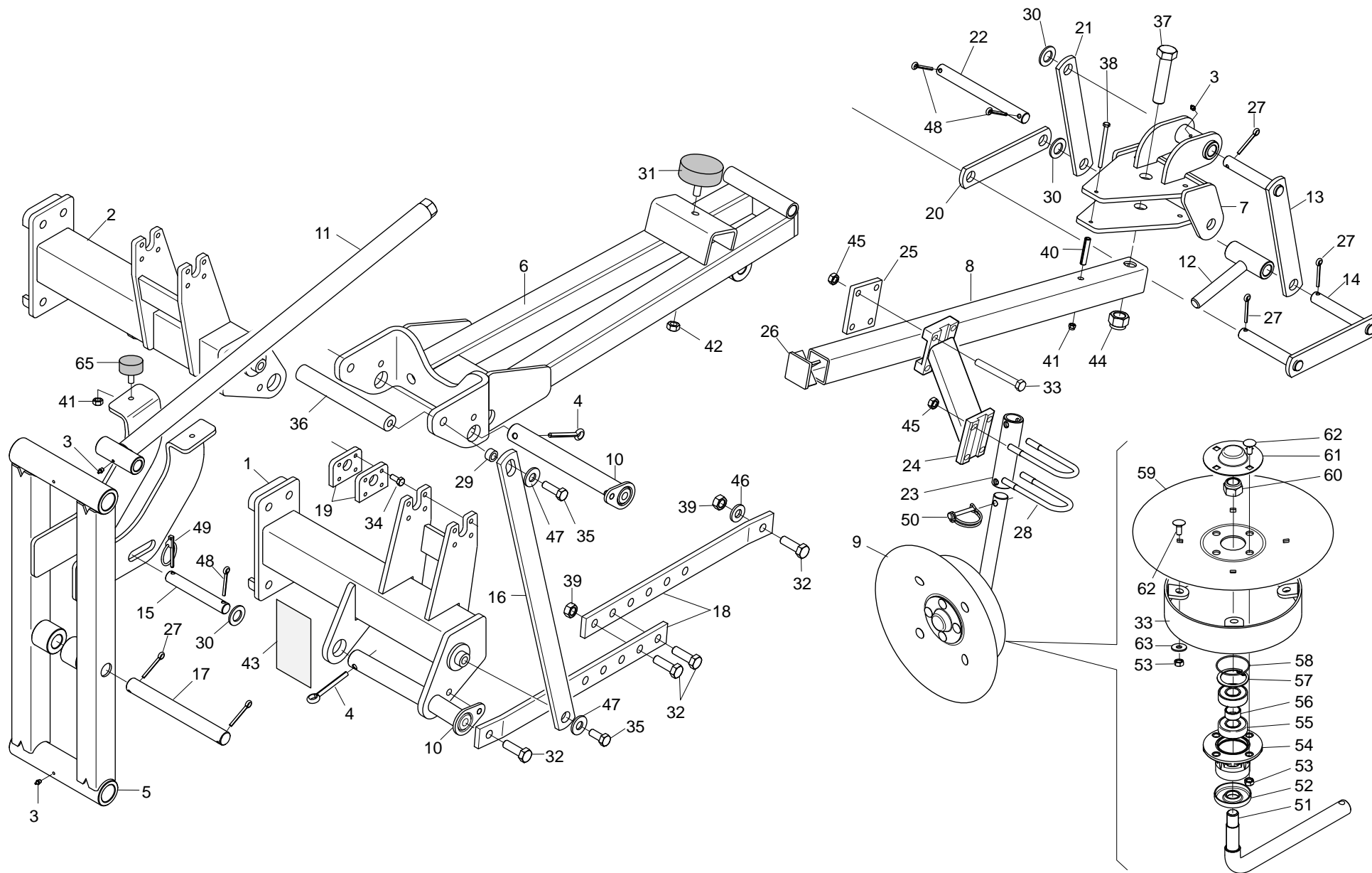
Pos.	Cod.	Descrizione	Description	Description	Benennung	Descripcion
1	G14217120	TUBO 3/8R2 CF3/8- M3/8 3350	PIPE 3/8R2 CF3/8- M3/8 L.3350	TUBE 3/8R2 CF3/8- M3/8 L.3350	ROHR 3/8R2 CF3/8- M3/8 L.3350	TUBO 3/8R2 CF3/8- M3/8 L.3350
2	F03150935	INNESTO RAP.MASCH.1/2 A VALV.	QUICK CONNECT MALE CONE 1/2	CONNEXION RAPIDE MALE CONE 1/2	SCHNELLKUPP.GEWINDE KONISC 1/2	ACOPLAMIENT.RAP.MACHO CONO 1/2
3	F03151240	ROS. 17 X23X1,5 RAME -3/8"	COPPER WASHER 17X23X1,5 3/8"	RONDELLE CUIVRE 17X23X1,5 3/8"	SCHEIBE KUPFER 17X23X1,5 3/8"	ARADNELA COBRE 17X23X1,5 3/8"
4	F03151237	ROS. 21 X27X1,5 RAME -1/2"	COPPER WASHER 21X27X1,5 1/2	RONDELLE CUIVRE 21X27X1,5 1/2	SCHEIBE KUPFER 21X27X1,5 1/2	ARANDELA COBRE 21X27X1,5 1/2
5	F03150222	NIPPLO MM CIL-CIL 1/2-3/8 ZG	NIPPLE M-M CYL-CYL 1/2-3/8 ZN	NIPPLE H-H CIL-CIL 1/2-3/8 ZN	NIPPEL M-M CIL-CIL 1/2-3/8 ZN	NIPLE H-H CIL-CIL 1/2-3/8 ZN
6	F03150321	NIPPLO MM CIL-CIL 3/8-3/8 ZG	NIPPLE MM CYL-CYL 3/8-3/8 ZN	NIPPLE HH CIL-CIL 3/8-3/8 ZN	NIPPEL MM CIL-CIL 3/8-3/8 ZN	NIPLE HH CIL-CIL 3/8-3/8 ZN
7	F03151223	RACCORDO VITE CAVA 3/8	SCREW 3/8	VIS 3/8	SCHRAUBE 3/8	TORNILLO CAVA 3/8
8	F03151252	STROZZATORE UNIDIREZ.VSRU 3/8	BI-DIRECTIONAL VENTURI 3/8	ETRANGLEUR BIDIRECTIONN. 3/8	ZWEIS. DROSSEL 3/8	ESTRANGULADOR BIDIRECCION.3/8
9	F03150589	KIT VALVOLA DI BLOCCO 3/8 DE	PIL. BLOCK VALVE VBPDE38EC	SOUPAPE BLOC GUIDEE VBPDE38EC	GEST. SPERRVENTIL VBPDE38EC	VæLVULA BLOQUE PIL.VBPDE38EC
10	F03151213	RACCORDO RIDUZIONE M 1/2-F 3/8	M 1/2-F 3/8 CONNECTION PIPE	RACCORD REDUCTION FINALEM 1/2-	ANSCHLUSS REDUKTIONM 1/2-F 3/8	UNION REDUCCION M ç-F 3/8
11	F05150325	CAPPUC.F X INN.M RAP.1/2 ROSSO	COVER CONNECT F 1/2 RED	COUVERCLE CONNEXION F 1/2 ROSE	DECKEL W 1/2 SCHNELLKUPP. ROT	PAC PROTECCION F 1/2 ROJO
12	G14217511	CILINDRO DOPPIO STADIO SI-MTI				
13	G15312621	TUBO 3/8 R2 F3/8-C3/8 L.2000	PIPE 3/8 R2 F3/8-C3/8 L2000	TUBE 3/8 R2 F3/8-C3/8 L2000	ROHR 3/8 R2 F3/8-C3/8 L2000	TUBO 3/8 R2 F3/8-C3/8 L2000
14	F03151220	RACCORDO -T- MASCHIO 3/8 ZN	MALE T-UNION 3/8 ZN.	RACCORD -T- MALE 3/8 ZN.	ANSCHLUSSTsCK-T-GEWINDE 3/8 ZN	UNI N -T- MACHO 3/8 ZN.
15	G22280116	TUBO 3/8-R2 F3/8-M1/2 MT.1.50	PIPE 3/8-R1 F3/8-M1/2 MT.1-50	TUBE 3/8-R1 F3/8-M1/2 M. 1-50	ROHR 3/8-R1 F3/8-M1/2 M 1-50	TUBO 3/8-R1 F3/8-M1/2 MT.1-50
16	F03151211	RACCORDO OCCHIO 3/8 D.12 L.300	EYE UNION 3/8 D.12 L.300	RACCORD OEIL 3/8 D.12 L.300	TSENVERBINDUNGSSTsCK 3/8 D.12	UNIN OJO 3/8 O.12 L.300 R



SEGNAFILE CON TRACCIA CENTRO TRATTORE

TAV. 030

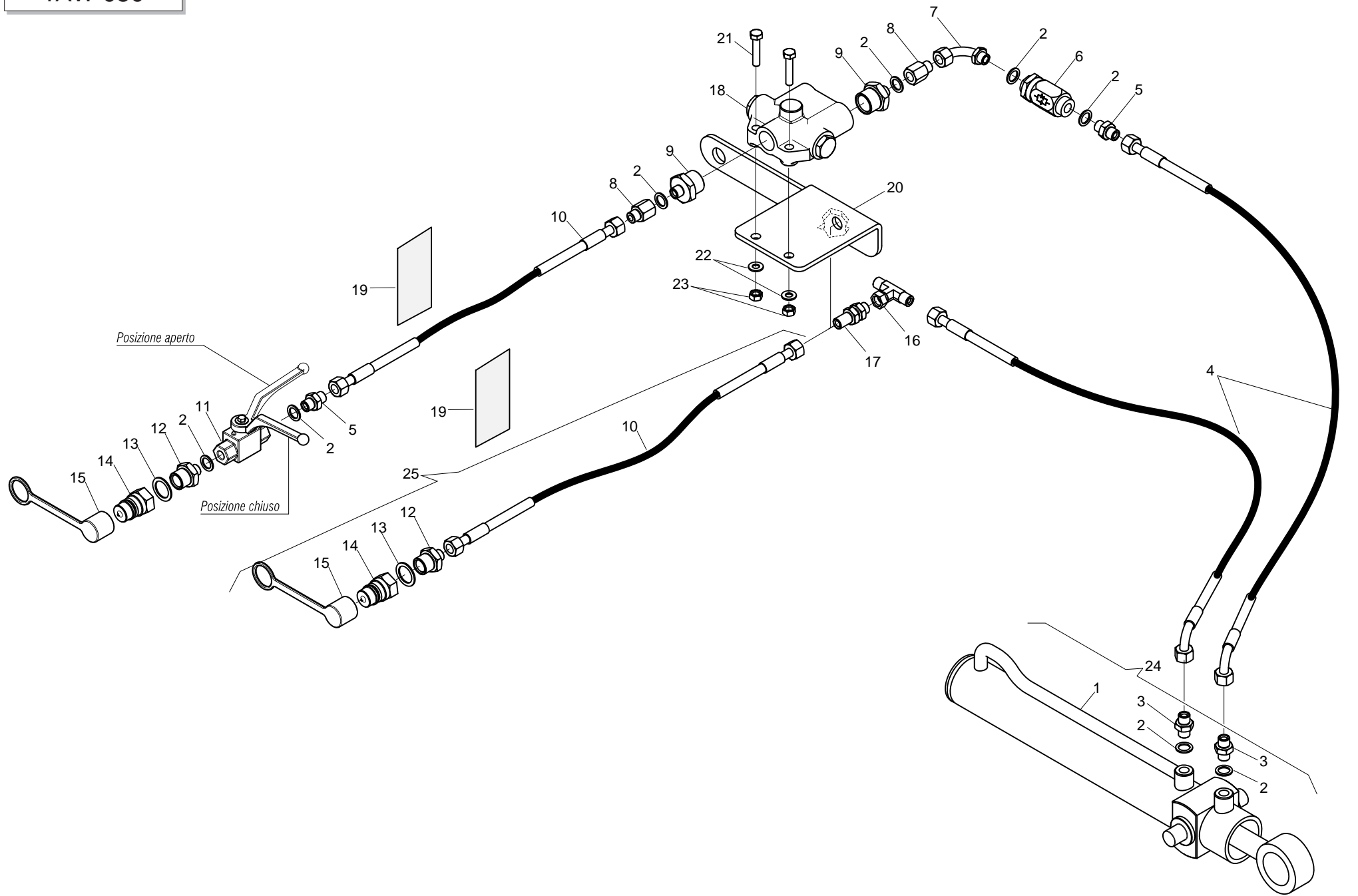
Pos.	Cod.	Descrizione	Description	Description	Benennung	Descripcion
1	G14218073	SUPPORTO DX LUNGO	RIGHT SUPPORT LONG	SUPPORT DRT LONG	HALTERUNG RE LANGES	SOPORTE DER LARGO
2	G14218083	SUPPORTO SX LUNGO	LEFT SUPPORT LONG	SUPPORT GCH LONG	HALTERUNG LI LANGES	SOPORTE IZQ LARGO
3	F01100011	ING.M 6X1 7663-A 9SMNPB28 ZN	GREASE NIPPLE M6X1 7663-A ZN	GRAISS. A BILLE M6X1 7663A ZN	SCHMIERBUECHE M6X1 7663-A ZN	ENGRAS. DE ESFERAS M6X1 7663-A
4	F02200260	COPIGLIA 8X 60 U1336 ZN	SPLIT PIN 8 X60 1336 ZN	GOUPILLE 8 X60 1336 ZN	SPLINT 8 X60 1336 ZN	PASADOR 8 X60 1336 ZN
5	G14218321	BRACCIO SPINTA	PRESS. ARM	POUSSEE BRAS	ARMSCHEIBEN	APRIETE BRAZO
6	G14218112	SECONDO BRACCIO	2.ARM	2.BRAS	2.ARM	2.ARM
7	G14218372	TESTA TERZO BRACCIO	ARM COUPLING	FIXATION BRAS	ARMKUPPLUNG	CONEXIEN BRAZO
8	G14218121	TUBO TERZO BRACCIO	THIRD ARM TUBE	TUBE TROISIEME BRAS	ROHR DRITTER ARM	TUBO TERCER BRAZO
9	G16610222	MONT.DISCO D.320 LIM.	ROWMARKET DISC D.320 ASSEMBLY			
10	G14218190	SPINA ROTAZIONE ZN	ROTATION PIN ZN	GOUPILLE ROTATION ZN	ROTATIONSSTIFT ZN	PASADOR ROTACIEN ZN
11	G14218520	TIRANTE ROTAZIONE	ROTATION TIE ROD	TRINGLE ROTATION	ROTATIONSSTANGE	ROTATIONS SPANNSTANGE
12	G14218210	REGOLAZIONE TIRANTE	TIE ROD ADJUSTMENT	REGLAGE TIRANT	SPANNSTANGENSTELLUNG	REGULACION TIRANTE
13	G14218470	ASTA ROTAZIONE SUP.	UPPER ROTATION ROD	TIGE DE ROTATION SUP.	ROTATIONSTANGE OBEN	VARILLA DE ROTACION SUPERIOR
14	G14218450	ASTA ROTAZIONE INF.	LOWER ROTATION ROD	TIGE DE ROTATION INF.	ROTATIONSTANGE UNTEN	VARILLA DE ROTACION INFERIOR
15	G14218750	SPINA D.20 X124 ZN	GALVANIZED PIN D.20 X124	GOUPILLE D.20 X124 ZN	STIFT D.20 X124 ZN	CLAVIJA D.20 X124 ZN
16	G14218161	TIRANTE ROTAZIONE	ROTATION TIE ROD	TRINGLE ROTATION	ROTATIONS SPANNSTANGE	TIRANTE ROTACI-N
17	G14218200	SPINA DI SPINTA ZN	PRESS. PIN	POUSSEE BROCHE	STIFTSCHUB	APRIETE CLAVIJA
18	G14215840	TIRANTE SEGNAFILE	ROWMARKER TIE ROD	TRINGLE TRACEUR	SPANNSTANGE SPURREISSER	TIRANTE MARCADOR DE FILAS
19	G14218150	PIASTRINA FISSAGGIO CILINDRO	SECURING PLATE	PLAQUE FIXATION	BEFESTIGUNGSPLATTE	PLACA FIJACI-N
20	G14218430	ASTA ROTAZIONE INFERIORE	LOWER ROTATION ROD	TIGE DE ROTATION INF.	ROTATIONSTANGE UNTEN	VARILLA DE ROTACION INFERIOR
21	G14218460	ASTA ROTAZIONE SUPERIORE	UPPER ROTATION ROD	TIGE DE ROTATION SUP.	ROTATIONSTANGE OBEN	VARILLA DE ROTACION SUPERIOR
22	G14215850	SPINA 20 X194 ZN	GALVANIZED PIN 20 X194	GOUPILLE 20 X194 ZN	STIFT 20 X194 ZN	CLAVIJA 20 X194 ZN
23	G17111290	MANICOTTO DISCO	DISC COUPLING SLEEVE	MANCHON DISQUE	SCHIEBENMUFFE	MANGUITO DISCO
24	G16912470	SCONTRO FISS.MANICOTTO TQ.50	STRIKER PLATE SLEEVE	BUTEE MANCHON	ANSCHLAG MUFFE	ELEMENTO DE EMPALME MANGUITO
25	G17111330	SCONTRO 90X70 -10 4F11 66X46	STOP TEETH 90X70 -10 4F11 66X4	BUT+E 90X70 -10 4TROUS 11 66X4	ANSCHLAG 90X70 -10 4F11 66X46	DIENTE DE PARADA 90X70 -10 4F1
26	F20120349	PUNTALE Q.50 ALETT.POLIT.NERO	CAP	BOUCHON	DECKEL	CORCHO
27	F02200229	COPIGLIA 5X 45 U1336 ZN	SPLIT PIN 5X 45 U1336 ZN	GOUPILLE 5 X45 1336 ZN	SPLINT 5X 45 U1336 ZN	PASADOR 5 X45 U1336 ZN
28	F20110860	CAV.T.M10X 1,5X 30 46X128,5ZN	U BOLT M10X46 ZN	CAVALIER M10X46 ZN	VERBINDUNG M10X46 ZN	PERNO EN U M10X46 ZN
29	G20980081	BOCCOLA 25X12X16,25	BUSHING 25X12X16-25	BOITE 25X12X16-25	BsCHSE 25X12X16-25	CASQUILLO 25X12X16-25
30	F01410124	ROS.M20 21X 37X 3 U6592 ZN	WASHER M20 21X37X3 U6592 ZN	RONDELLE M20 21X37X3 U6592 ZN	SCHEIBE M20 21X37X3 U6592 ZN	ARANDELA M20 21X37X3 U6592 ZN
31	F05150459	PARACOLPI CIL.75X25 M12 SH70	BUFFER-CYL. 75X25 M12 781103	TAMPON CIL. 75X25 M12 781103	PUFFER ZYL. 75X25 M12 781103	PARACHOQ. CIL.75X25 M12 781103
32	F01020544	VITE M14X 2X40 U5739 8.8 ZN	BOLT M14X2X40	VIS M14X2X40	SCHRAUBE M14X2X40	TORNILLO M14X2X40
33	G16610210	ASS.LIMITATORE PROFONDITA'	LIMITER DEPTH COUPLYNG	GR. ASS. LIMITEUR DE PROFONDEU	TIEFENBEGRENZERKOMPLEX	CONJ. LIMITADOR DE PROFUNDIDAD
34	F01020436	VITE M 8X1,25X 20 U5739 8.8 ZN	SCREW M8X1,25X20 U5739 8.8 ZN	VIS M8X1,25X20 U5739 8.8 ZN	SCHRAUBE M8X1,25X20 U5739 8.8 ZN	TORNILLO M8X1,25X20 U5739 8.8 ZN
35	F01020252	VITE M16X 2X 50 U5737 8.8 ZN	SCREW M16X 2X 50 U5737 8.8 ZN	VIS M16X 2X 50 U5737 8.8 ZN	SCHRAUBE M16X2X50 U5737 8.8 ZN	TORNILLO M16X2X50 U5737 8.8 ZN
36	G15911290	RINF.FORCELLA BRACCIO SEGN.ZN	ROW MARKER ARM FORK REINF. ZN	RENF.FOURCHE BRAS TRAC.ZN	VERST. ARMGABEL SPURR.ZN	REF. HORQUILLA BRAZO SURC. ZN
37	F01020312	VITE M20X2,5X100 U5737 8.8 ZN	SCREW M20X2,5X100 U5737 8.8 ZN	VIS M20X2,5X100 U5737 8.8 ZN	SCHRA.M20X2,5X100 U5737 8.8 ZN	TORN. M20X2,5X100 U5737 8.8 ZN
38	F01020086	VITE M 8X1,25X80 U5737 8.8 ZN	BOLT M8X1X80	VIS M8X1X80	SCHRAUBE M8X1X80	TORNILLO M8X1X80
39	F01200306	DADO M14X 2 U5588 6.8 ZN	NUT M14X2	ECROU M14X2	MUTTER M14X2	DADO M14X2
40	F02100197	SPINA E.P. 14X 50 U6873 C70 BR	PIN E.P. 14X 50 U6873 C70 BR	GOUPILLE E.P. 14X50 U6873 C70	SPANNSTIFT E.P. 14X50 6873 C70	0
41	F01230034	DADO M 8X1,25 D982 8	SELF LOCK.NUT M8X1,25 D982 8ZN	ECROU AUTOBL.M8X1,25 D982 8 ZN	SELBST.MUTT.M8X1,25 D982 8 ZN	TUERCA AUTO. M8X1,25 D982 8 ZN
42	F01220048	DADO M12X1,75 D980 8 ZN	NUT M12X1,75 D980 8 ZN	ECROU M12X1,75 D980 8 ZN	SCHEIBE M12X1,75 D980 8 ZN	TUERCA M12X1,75 D980 8 ZN
43	F20030078	DECALCOM.CADUTA UTENSILI	δTOOLS FALLING DOWNδ TRANSFER	DECALC. CHUTE OUTILS	AUFKLEBERABSTURZ WERKZEUGE	ETIQUETA ADHES. CAIDA HERRAMIE
44	F01230131	DADO M20X 2,5 D982 6 ZN	NUT M20X 2,5 D982 6 ZN	ECROU M20X 2,5 D982 6 ZN	MUTTER M20X 2,5 D982 6 ZN	TUERCA M20X 2,5 D982 6 ZN
45	F01200270	DADO M10X 1,5 U5588 6.8 ZN	NUT M10X 1,5 U5588 6.8 ZN	ECROU M10X 1,5 U5588 6.8 ZN	MUTTER M10X 1,5 U5588 6.8 ZN	TUERCA M10X 1,5 U5588 6.8 ZN
46	G20970142	RONDELLA 32X4X15,5	WASHER 32X4X15-5	RONDELLE 32X4X15-5	UNTERLEGSSCHEIBE 32X4X15-5	ARANDELA 32X4X15-5
47	G18700450	RONDELLA 17 X45 X6 ZN	WASHER 17X45X6 ZN	RONDELLE 17X45X6 ZN	SCHEIBE 17X45X6 ZN	ARANDELA 17X45X6 ZN
48	F02200226	COPIGLIA 5X 25 U1336 ZN	SPLIT PIN 5 X25 1336 GALVAN.	GOUPILLE 5 X25 1336 ZN	SPINTE 5 X25 1336 ZN	PASADOR 5 X25 1336 ZN
49	F02200463	SPINA SCATTO D. 5 B/81 ZN	SNAP PIN D5 B/81 ZN	FICHE A DETENTE D5 B/81 ZN	EINRASTSTIFT D5 B/81 ZN	CLAVIJA DE MUELLE D5 B/81 ZN
50	F02100312	SPINA DI SICUREZZA D.8X45 ZN	SAFETY PIN D.8X45 ZN	FICHE EL.DE SECURITE D.8X45 ZN	SCHERSTIFT D.8X45 ZN	CLAVIJA DE SEGURIDAD D 8X45 ZN
51	G16610180	PERNO REGGIDISCO SEGNAF.	ROWMAKER DISC-HOLDER PIN	PIVOT PORTE-DISQUE TRACEUR	SCHEIBENTRAGBOLZEN	PERNO SOPORTE DISCO MARCAFILA
52	G18802790	BOCCOLA 25 X20 X7 ZN B.	BUSHING 25 X20 X7 ZN B.	BOITE 25 X20 X7 ZN B.	B.CHSE 25 X20 X7 ZN B.	CASQUILLO 25 X20 X7 ZN B
53	F01200244	DADO M 8X1,25 U5588 6.8 ZN	NUT M8 X1,25 U5588 6.8 ZN	ECROU M8 X1,25 U5588 6.8 ZN	MUTTER M8 X1,25 U5588 6.8 ZN	TUERCA M8 X1,25 U5588 6.8 ZN
54	G16610160	SUPP.CUSCINETTI DISCO SEGN.ZN.	GALVAN. ROWMAKER DISK BEARING	SUPPORT ROULEMENTS DISQUE TRAC	SCHEIBENLAGERHALTERUNG	SOPORTE COJINETE DE DISCO MARC
55	F04010156	CUSC.D20 D47 B14 6204 2RSH	BEARING D20 D47 B14 6204 2RSH			
56	G18801270	BOCCOLA 21 X25 X12 ZN	BUSHING 21 X 25 X 12 ZN	BOITE 21 X25 X12 ZN	BsCHSE 21 X25 X12 ZN	CASQUILLO 21 X25 X12 ZN
57	F02050370	ANELLO E. DI 47X1,75 U7437 C70	SEEGER RING 47X 1,75 U7437 C70	SEEGER E. 47X 1,75 U7437 C70	SEEGERING E. 47X1,75 U7437 C70	ANILLO E. 47X 1,75 U7437 C70
58	F03010576	ANELLO OR 50,52X1,78 NBR	GASKET OR 033 DOWTY	BAGUE OR 033 DOWTY	RING OR 033 DOWTY	ANILLO OR 033 DOWTY
59	G16610170	DISCO SEGNAFILE D.320	ROW MARKER DISK D.320	DISQUE TRACEUR D320	SPURREISSERSSCHEIBE D. 320	DISCO MARCARDOR DE FILAS O 320
60	F01230098	DADO M18X 2,5 D982 8 ZN	NUT M18X 2,5 D982 8 ZN	ECROU M18X 2,5 D982 8 ZN	MUTTER M18X 2,5 D982 8 ZN	TUERCA M18X 2,5 D982 8 ZN
61	G16610190	CHIUSURA CUSCINETTO ZN	GALVAN. BEARING CLOSURE	FERMETURE ROULEMENT ZN	LAGERVERSCHLUSS ZN	CIERRE COJINETE ZN
62	F01060040	BUL.M 8X1,25X 20 U5732 4.6 ZG	SCREW M8X1,25X20 U5732 4.6 ZN	VIS M8X1,25X20 U5732 4.6 ZN	SCHRA. M8X1,25X20 U5732 4.6 ZN	TORN. M8X1,25X20 U5732 4.6 ZN
63	F01420048	ROS.M8 8,4X 24X 2 U6593 ZN	WASHER M8 8,4X 24X 2 U6593 ZN	RONDELLE M8 8,4X 24X2 U6593 ZN	SCHEIBE M8 8,4X 24X 2 U6593 ZN	ARANDELA M8 8,4X 24X2 U6593 ZN
64	G16242560	PARACOLPI 30X8 M8X30	BUFFER 30X8 M8X30	PARE-CHOC30X8 M8X30	STOSSDZMPFER 30X8 M8X30	PARAGOLPES 30X8 M8X30



SEGNAFI LE CON TRACCI A SU RUOTA TRATTORE

TAV. 040

Pos.	Cod.	Descrizione	Description	Description	Benennung	Descripcion
1	G14218073	SUPPORTO DX LUNGO	RIGHT SUPPORT LONG	SUPPORT DRT LONG	HALTERUNG RE LANGES	SOPORTE DER LARGO
2	G14218083	SUPPORTO SX LUNGO	LEFT SUPPORT LONG	SUPPORT GCH LONG	HALTERUNG LI LANGES	SOPORTE IZQ LARGO
3	F01100011	ING.M 6X1 7663-A 9SMNPB28 ZN	GREASE NIPPLE M6X1 7663-A ZN	GRAISS. A BILLE M6X1 7663A ZN	SCHMIERBU ECHE M6X1 7663-A ZN	ENGRAS. DE ESFERAS M6X1 7663-A
4	F02200260	COPIGLIA 8X 60 U1336 ZN	SPLIT PIN 8 X60 1336 ZN	GOUPILLE 8 X60 1336 ZN	SPLINT 8 X60 1336 ZN	PASADOR 8 X60 1336 ZN
5	G14218321	BRACCIO SPINTA	PRESS. ARM	POUSSEE BRAS	ARMSCHUB	APRIETE BRAZO
6	G14218982	SECONDO BRACCIO CORTO				
7	G14218372	TESTA TERZO BRACCIO	ARM COUPLING	FIXATION BRAS	ARMKUPPLUNG	CONEXI EN BRAZO
8	G14219001	TUBO TERZO BRACCIO CORTO	THIRD ARM TUBE SHORT	TUBE TROISIEME BRAS COURT	ROHR DRITTER ARM KURZER	TUBO TERCER BRAZO CORTO
9	G16610222	MONT.DISCO D.320 LIM.	ROWMARKET DISC D.320 ASSEMBLY			
10	G14218190	SPINA ROTAZIONE ZN	ROTATION PIN ZN	GOUPILLE ROTATION ZN	ROTATIONSSTIFT ZN	PASADOR ROTACI EN ZN
11	G14219011	TIRANTE ROTAZIONE BRACCIO	ARM ROTATION TIE ROD	TRINGLE ROTATION BRAS	ROTATIONS SPANNSTANGE ARM	ROTATIONS SPANNSTANGE BRAZO
12	G14218210	REGOLAZIONE TIRANTE	TIE ROD ADJUSTMENT	REGLAGE TIRANT	SPANNSTANGENSTELLUNG	REGULACI EN TIRANTE
13	G14218470	ASTA ROTAZIONE SUP.	UPPER ROTATION ROD	TIGE DE ROTATION SUP.	ROTATIONSTANGE OBEN	VARILLA DE ROTACI EN SUPERIOR
14	G14218450	ASTA ROTAZIONE INF.	LOWER ROTATION ROD	TIGE DE ROTATION INF.	ROTATIONSTANGE UNTEN	VARILLA DE ROTACI EN INFERIOR
15	G14218750	SPINA D.20 X124 ZN	GALVANIZED PIN D.20 X124	GOUPILLE D.20 X124 ZN	STIFT D.20 X124 ZN	CLAVIJA D.20 X124 ZN
16	G14218161	TIRANTE ROTAZIONE	ROTATION TIE ROD	TRINGLE ROTATION	ROTATIONS SPANNSTANGE	TIRANTE ROTACI -N
17	G14218200	SPINA DI SPINTA ZN	PRESS. PIN	POUSSEE BROCHE	STIFTSCHUB	APRIETE CLAVIJA
18	G14215840	TIRANTE SEGNAFI LE	ROWMARKER TIE ROD	TRINGLE TRACEUR	SPANNSTANGE SPURREISSER	TIRANTE MARCADOR DE FILAS
19	G14218150	PIASTRINA FISSAGGIO CILINDRO	SECURING PLATE	PLAQUE FIXATION	BEFESTIGUNGSPLATTE	PLACA FIJACI -N
20	G14218430	ASTA ROTAZIONE INFERIORE	LOWER ROTATION ROD	TIGE DE ROTATION INF.	ROTATIONSTANGE UNTEN	VARILLA DE ROTACI EN INFERIOR
21	G14218460	ASTA ROTAZIONE SUPERIORE	UPPER ROTATION ROD	TIGE DE ROTATION SUP.	ROTATIONSTANGE OBEN	VARILLA DE ROTACI EN SUPERIOR
22	G14215850	SPINA 20 X194 ZN	GALVANIZED PIN 20 X194	GOUPILLE 20 X194 ZN	STIFT 20 X194 ZN	CLAVIJA 20 X194 ZN
23	G17111290	MANICOTTO DISCO	DISC COUPLING SLEEVE	MANCHON DISQUE	SCHIEBENMUFFE	MANGUITO DISCO
24	G14219030	SUPPORTO ESTERNO DISCO	DISC EXT. SUPPORT	SUPPORT EXT. DISQUE	ZUSSERER HALTERUNG SCHEIBEN	SOPORTE EXT. DISCO
25	G17111330	SCONTRO 90X70 -10 4F11 66X46	STOP TEETH 90X70 -10 4F11 66X4	BUT +E 90X70 -10 4TROUS 11 66X4	ANSCHLAG 90X70 -10 4F11 66X46	DIENTE DE PARADA 90X70 -10 4F1
26	F20120349	PUNTALE Q.50 ALETT.POLIT.NERO	CAP	BOUCHON	DECKEL	CORCHO
27	F02200229	COPIGLIA 5X 45 U1336 ZN	SPLIT PIN 5X 45 U1336 ZN	GOUPILLE 5 X45 1336 ZN	SPLINT 5X 45 U1336 ZN	PASADOR 5 X45 U1336 ZN
28	F20110860	CAV.T.M10X 1,5X 30 46X128,5ZN	U BOLT M10X46 ZN	CAVALIER M10X46 ZN	VERBINDUNG M10X46 ZN	PERNO EN U M10X46 ZN
29	G20980081	BOCCOLA 25X12X16,25	BUSHING 25X12X16-25	BOITE 25X12X16-25	BsCHSE 25X12X16-25	CASQUILLO 25X12X16-25
30	F01410124	ROS.M20 21X 37X 3 U6592 ZN	WASHER M20 21X37X3 U6592 ZN	RONDELLE M20 21X37X3 U6592 ZN	SCHEIBE M20 21X37X3 U6592 ZN	ARANDELA M20 21X37X3 U6592 ZN
31	F05150459	PARACOLPI CIL.75X25 M12 SH70	BUFFER-CYL. 75X25 M12 781103	TAMPON CIL. 75X25 M12 781103	PUFFER ZYL. 75X25 M12 781103	PARACHOQ. CIL.75X25 M12 781103
32	F01020544	VITE M14X 2X40 U5739 8.8 ZN	BOLT M14X2X40	VIS M14X2X40	SCHRAUBE M14X2X40	TORNILLO M14X2X40
33	F01020130	VITE M10X 1,5X90 U5737 8.8 ZN	BOLT M 10X90	VIS M 10X90	SCHRAUBE M 10X90	TORNILLO M 10X90
34	F01020436	VITE M 8X1,25X 20 U5739 8.8 ZN	SCREW M8X1,25X20 U5739 8.8 ZN	VIS M8X1,25X20 U5739 8.8 ZN	SCHRA. M8X1,25X20 U5739 8.8 ZN	TORN. M8X1,25X20 U5739 8.8 ZN
35	F01020252	VITE M16X 2X 50 U5737 8.8 ZN	SCREW M16X 2X 50 U5737 8.8 ZN	VIS M16X 2X 50 U5737 8.8 ZN	SCHRAUBE M16X2X50 U5737 8.8 ZN	TORNILLO M16X2X50 U5737 8.8 ZN
36	G15911290	RINF.FORCELLA BRACCIO SEGN.ZN	ROW MARKER ARM FORK REINF. ZN	RENF.FOURCHE BRAS TRAC.ZN	VERST. ARMGABEL SPURR.ZN	REF. HORQUILLA BRAZO SURC. ZN
37	F01020312	VITE M20X2,5X100 U5737 8.8 ZN	SCREW M20X2,5X100 U5737 8.8 ZN	VIS M20X2,5X100 U5737 8.8 ZN	SCHRA.M20X2,5X100 U5737 8.8 ZN	TORN. M20X2,5X100 U5737 8.8 ZN
38	F01020086	VITE M 8X1,25X80 U5737 8.8 ZN	BOLT M8X1X80	VIS M8X1X80	SCHRAUBE M8X1X80	TORNILLO M8X1X80
39	F01200306	DADO M14X 2 U5588 6.8 ZN	NUT M14X2	ECROU M14X2	MUTTER M14X2	DADO M14X2
40	F02100197	SPINA E.P. 14X 50 U6873 C70 BR	PIN E.P. 14X 50 U6873 C70 BR	GOUPILLE E.P. 14X50 U6873 C70	SPANNSTIFT E.P,14X50 6873 C70	
41	F01230034	DADO M 8X1,25 D982 8	SELF LOCK.NUT M8X1,25 D982 8ZN	ECROU AUTOBL.M8X1,25 D982 8 ZN	SELBST.MUTT.M8X1,25 D982 8 ZN	TUERCA AUTO. M8X1,25 D982 8 ZN
42	F01220048	DADO M12X1,75 D980 8 ZN	NUT M12X1,75 D980 8 ZN	ECROU M12X1,75 D980 8 ZN	SCHEIBE M12X1,75 D980 8 ZN	TUERCA M12X1,75 D980 8 ZN
43	F20030078	DECALCOM.CADUTA UTENSILI	øTOOLS FALLING DOWNø TRANSFER	DECALC. CHUTE OUTILS	AUFKLEBERABSTURZ WERKZEUGE	ETIQUETA ADHES. CAIDA HERRAMIE
44	F01230131	DADO M20X 2,5 D982 6 ZN	NUT M20X 2,5 D982 6 ZN	ECROU M20X 2,5 D982 6 ZN	MUTTER M20X 2,5 D982 6 ZN	TUERCA M20X 2,5 D982 6 ZN
45	F01200270	DADO M10X 1,5 U5588 6.8 ZN	NUT M10X 1,5 U5588 6.8 ZN	ECROU M10X 1,5 U5588 6.8 ZN	MUTTER M10X 1,5 U5588 6.8 ZN	TUERCA M10X 1,5 U5588 6.8 ZN
46	G20970142	RONDELLA 32X4X15,5	WASHER 32X4X15-5	RONDELLE 32X4X15-5	UNTERLEGSSCHEIBE 32X4X15-5	ARANDELA 32X4X15-5
47	G18700450	RONDELLA 17 X45 X6 ZN	WASHER 17X45X6 ZN	RONDELLE 17X45X6 ZN	SCHEIBE 17X45X6 ZN	ARANDELA 17X45X6 ZN
48	F02200226	COPIGLIA 5X 25 U1336 ZN	SPLIT PIN 5 X25 1336 GALVAN.	GOUPILLE 5 X25 1336 ZN	SPLINT 5 X25 1336 ZN	PASADOR 5 X25 1336 ZN
49	F02200463	SPINA SCATTO D. 5 B/81 ZN	SNAP PIN D5 B/81 ZN	FICHE A DETENTE D5 B/81 ZN	EINRASTSTIFT D5 B/81 ZN	CLAVIJA DE MUELLE D5 B/81 ZN
50	F02100312	SPINA DI SICUREZZA D.8X45 ZN	SAFETY PIN D.8X45 ZN	FICHE EL.DE SECURITE D.8X45 ZN	SCHERSTIFT D.8X45 ZN	CLAVIJA DE SEGURIDAD D 8X45 ZN
51	G16610180	PERNO REGGIDISCO SEGNAF.	ROWMARKER DISC-HOLDER PIN	PIVOT PORTE-DISQUE TRACEUR	SCHEIBENTRAGBOLZEN	PERNO SOPORTE DISCO MARCAFI LA
52	G18802790	BOCCOLA 25 X20 X7 ZN B.	BUSHING 25 X20 X7 ZN B.	BOITE 25 X20 X7 ZN B.	B.CHSE 25 X20 X7 ZN B.	CASQUILLO 25 X20 X7 ZN B
53	F01200244	DADO M 8X1,25 U5588 6.8 ZN	NUT M8 X1,25 U5588 6.8 ZN	ECROU M8 X1,25 U5588 6.8 ZN	MUTTER M8 X1,25 U5588 6.8 ZN	TUERCA M8 X1,25 U5588 6.8 ZN
54	G16610160	SUPP.CUSCINETTI DISCO SEGN.ZN.	GALVAN. ROWMARKER DISK BEARING	SUPPORT ROULEMENTS DISQUE TRAC	SCHEIBENLAGERHALTERUNG	SOPORTE COJINETE DE DISCO MARC
55	F04010156	CUSC.d20 D47 B14 6204 2RSH	BEARING D20 D47 B14 6204 2RSH			
56	G18801270	BOCCOLA 21 X25 X12 ZN	BUSHING 21 X 25 X 12 ZN	BOITE 21 X25 X12 ZN	BsCHSE 21 X25 X12 ZN	CASQUILLO 21 X25 X12 ZN
57	F02050370	ANELLO E. DI 47X1,75 U7437 C70	SEEEGER RING 47X 1,75 U7437 C70	BOUGE E. 47X 1,75 U7437 C70	SEEGERING E. 47X1,75 U7437 C70	ANILLO E. 47X 1,75 U7437 C70
58	F03010576	ANELLO OR 50,52X1,78 NBR	GASKET OR 033 DOWTY	BAGUE OR 033 DOWTY	RING OR 033 DOWTY	ANILLO OR 033 DOWTY
59	G16610170	DISCO SEGNAFI LE D.320	ROW MARKER DISK D.320	DISQUE TRACEUR D320	SPURREISSERSCHIEBE D. 320	DISCO MARCARDOR DE FILAS O 320
60	F01230098	DADO M18X 2,5 D982 8 ZN	NUT M18X 2,5 D982 8 ZN	ECROU M18X 2,5 D982 8 ZN	MUTTER M18X 2,5 D982 8 ZN	TUERCA M18X 2,5 D982 8 ZN
61	G16610190	CHIUSURA CUSCINETTO ZN	GALVAN. BEARING CLOSURE	FERMETURE ROULEMENT ZN	LAGERVERSCHLUSS ZN	CIERRE COJINETE ZN
62	F01060040	BUL.M 8X1,25X 20 U5732 4.6 ZG	SCREW M8X1,25X20 U5732 4.6 ZN	VIS M8X1,25X20 U5732 4.6 ZN	SCHRA. M8X1,25X20 U5732 4.6 ZN	TORN. M8X1,25X20 U5732 4.6 ZN
63	F01420048	ROS.M8 8,4X 24X 2 U6593 ZN	WASHER M8 8,4X 24X 2 U6593 ZN	RONDELLE M8 8,4X 24X2 U6593 ZN	SCHEIBE M8 8,4X 24X 2 U6593 ZN	ARANDELA M8 8,4X 24X2 U6593 ZN
64	G16610210	ASS.LIMITATORE PROFONDITA'	LIMITER DEPTH COUPLYNG	GR. ASS. LIMITEUR DE PROFONDEU	TIEFENBEGRENZERKOMPLEX	CONJ. LIMITADOR DE PROFUNDIDAD
65	G16242560	PARACOLPI 30X8 M8X30	BUFFER 30X8 M8X30	PARE-CHOC30X8 M8X30	STOSSDZMPFER 30X8 M8X30	PARAGOLPES 30X8 M8X30

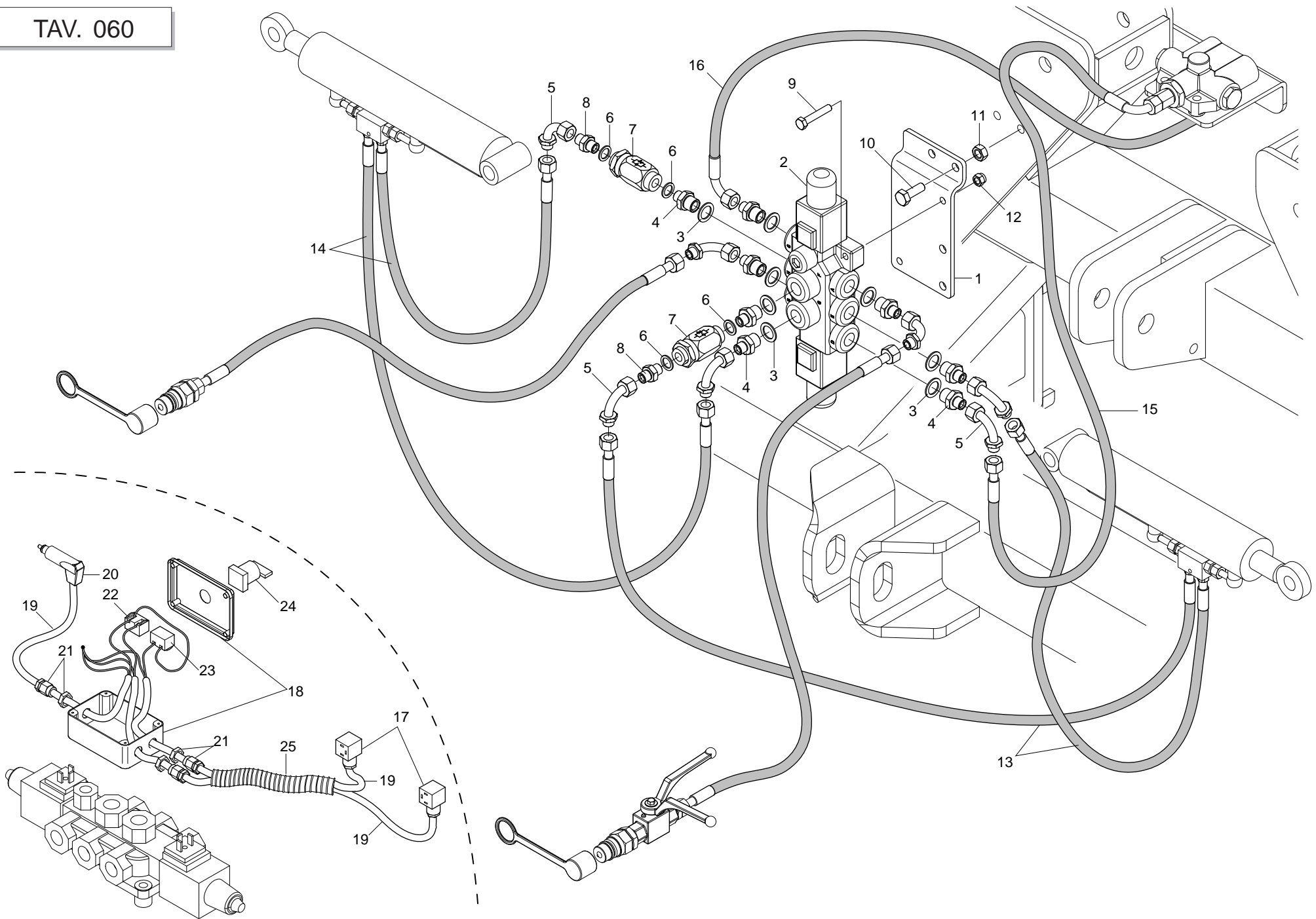


IMPIANTO OLEODINAMICO SEGNAFILE

TAV. 050

Pos.	Cod.	Descrizione	Description	Description	Benennung	Descripcion
1	G14218300	CILINDRO SEGNAFILE	ROW MARKER CYLINDER	CYLINDRE TRACEUR	SYLINDER REIHENANREISSER	CILINDRO MARCADOR DE FILAS
2	F01500012	RONDELLA IN RAME 1/4"	WASHER	RONDELLE	SCHEIBE	ARANDELA
3	G16011690	NIPPLO MM 1/4-1/4 FORO 1,0	UPRIGHT 1/4" NIPPLE WITH GRUB	MONTANT NIPPLE 1/4 AVEC GRAIN	STZNDER NIPPEL 1/4 MIT STIFT 8	MONT.NIPLE 1/4 TORNIL.SIN CABE
4	G16012650	TUBO R2 1/4 C-F L.4000	PIPE 1/4 R2 C-F 1/4 L.4000	TUBE 1/4 R2 C-F 1/4 L. 4000	ROHR 1/4 R2 C-F 1/4 L 4000	TUBO 1/4 R2 C-F 1/4 L.4000
5	F03150266	NIPPLO MM CIL-CIL 1/4-1/4 ZN	NIPPLE GALV.CYL.MALE 1/4 ZN	NIPPLE MALE CYL. 1/4 ZN	NIPPELZYL.1/4 ZN	NIPLE MACHO CIL.1/4 ZN
6	F03151226	REGOL.DI FLUSSO VRF 1/4' GAS	1/4' GAS VALVE VRF	SOUPAPE REG DEBIT VRF 1/4" GAZ	VENITL VRF 1/4' GAS	VæLVULA VRF 1/4' GAS
7	F03150859	CURVA 90°F.GIREV.1/4 - M.1/4	ELBOW 90[F. SWIVEL 1/4 -M.1/4	COUDE 90[F.TOURN.1/4 - M.1/4	KNIESTsCK 90[F.DREHB.1/4 - M.	CURVA 90 F.GIRAT..1/4 - M.1/4C
8	F03151194	PROLUNGA CORTA 036 1/4	SHORT EXTENSION 036 1/4	RALLONGE COURTE 036 1/4	KURZE VERLZNGERUNG 036 1/4	PROLONG. CORTA 036 1/4
9	F03150122	NIPPLO MM 3/4 JIC OR 1/4 OR ZG	NIPPLE- 3/4 JIC OR - 1/4	NIPPLE 3/4 JIC OR - 1/4	NIPPEL 3/4 JIC OR - 1/4	NIPLE 3/4 JIC OR - 1/4
10	G22270463	TUB.TR.1/4R2 F-F 1/4 L1500 LM	TUBE TR.1/4R2 F-F1/4 L1500 LM	TUB.TR.1/4R2 F-F 1/4 L1500 LM	ROHR1/4R2 F-F 1/4 L1500 LM	TUB.TR.1/4R2 F-F 1/4 L1500 LM
11	F03151245	RUBINETTO F-F 1/4	COCK F.-F. 1/4"	ROBINET F.-F. 1/4"	HAHN F.-F. 1/4"	GRIFO H.-H. 1/4"
12	F03150211	NIPPLO MM CIL-CIL 1/2-1/4 ZN	NIPLE MM 1/4-1/2 ZN	NIPLE MM 1/4-1/2 ZN	NIPLE GG 1/4-1/2 ZN	NIPLE MM 1/4-1/2 ZN
13	F03151237	ROS. 21 X27X1,5 RAME -1/2"	COPPER WASHER 21X27X1,5 1/2	RONDELLE CUIVRE 21X27X1,5 1/2	SCHEIBE KUPFER 21X27X1,5 1/2	ARANDELA COBRE 21X27X1,5 1/2
14	F03150935	INNESTO RAP.MASCH.1/2 A VALV.	QUICK CONNECT MALE CONE 1/2	CONNEXION RAPIDE MALE CONE 1/2	SCHNELLKUPP.GEWINDE KONISC 1/2	ACOPLAMIEN.RAP.MACHO CONO 1/2
15	F05150325	CAPPUC.F X INN.M RAP.1/2 ROSSO	COVER CONNECT F 1/2 RED	COUVERCLE CONNEXION F 1/2 ROSE	DECKEL W 1/2 SCHNELLKUPP. ROT	PAC PROTECCION F 1/2 ROJO
16	F03151216	RACCORDO -T- CENTR.M-FG-M 1/4	UNION T M-M-F 1/4' ZN	RACCORD T M-M-F 1/4' ZN	ANSCHLUSStsCK TM-M-F 1/4' ZN	UNIN T M-M-F 1/4' ZN R
17	F05010359	PASSAPARETE 1/4M-1/4M	FAIRLEAD 1/4M-1/4M	TUILE EN 1/4M-1/4M	VOR_BERGEHENDE 1/4M-1/4M	PASTECA 1/4M-1/4M
18	F03150577	VALVOLA SEGNAF.CROSS SQV	ROW MARKER VALVE ATI C128513			
19	G19702880	DECAL.MOVIMENT.SEGNAFILE	STICKER	DECALCOMANIE	ABZIEHBILDER	CALCOMANIAS
20	G14217082	SUPPORTO VALVOLA	VALVE SUPPORT	SUPPORT SOUPAPE	VENTILHALTERUNG	SOPORTE V+LVULA
21	F01020068	VITE M 8X1,25X40 U5737 8.8 ZN	SCREW M8X1,25X40 U5737 8.8 ZN	VIS M 8X1,25X40 U5737 8.8 ZN	SCHRA. M8X1,25X40 U5737 8.8 ZN	TORNIL.M8X1,25X40 U5737 8.8 ZN
22	F01410051	ROS.M8 8,4X 17X1,6 U6592 ZN	WASHER M8 8,4X17X1,6 U6592 ZN	RONDEL. M8 8,4X17X1,6 U6592 ZN	SCHEIBE M8 8,4X17X1,6 U6592 ZN	ARANDELA M8 8,4X17X1,6 U6592ZN
23	F01200244	DADO M 8X1,25 U5588 6.8 ZN	NUT M8 X1,25 U5588 6.8 ZN	ECROU M8 X1,25 U5588 6.8 ZN	MUTTER M8 X1,25 U5588 6.8 ZN	TUERCA M8 X1,25 U5588 6.8 ZN
24	G14218300	CILINDRO SEGNAFILE	ROW MARKER CYLINDER	CYLINDRE TRACEUR	SYLINDER REIHENANREISSER	CILINDRO MARCADOR DE FILAS
25	G13811211	TUBO X COLLEG. AL TRATTORE	PIPE FOR CONNECTION TO TRACTOR	TUBE POUR CONN. AU TRACTEUR	ROHR F. KUPPLUNG AM SCHLEPPER	TUBO P/CONEXIN AL TRACTOR T

TAV. 060



IMPIANTO GENERALE CON CENTRALINA

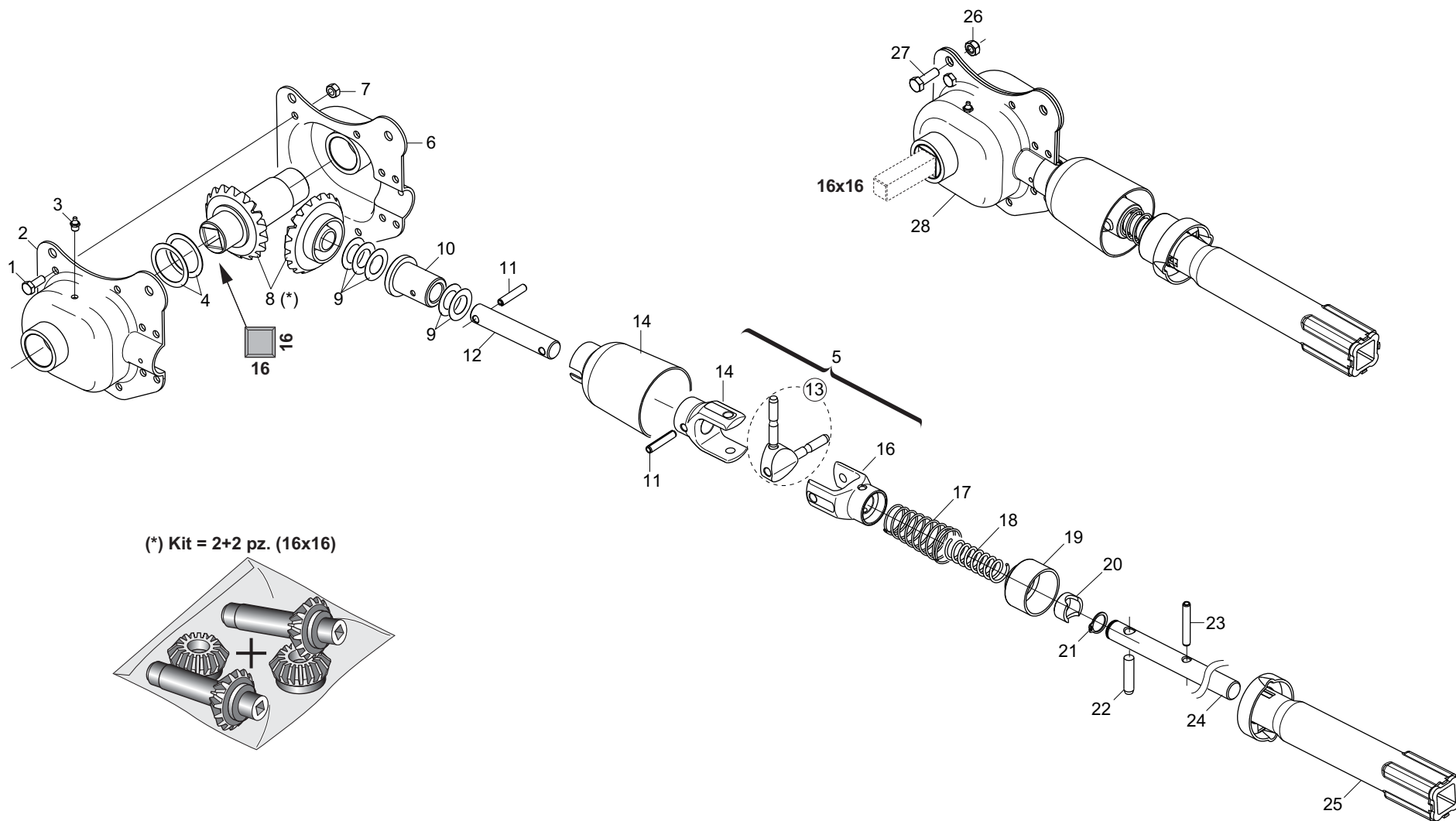
TAV. 060

Pos.	Cod.	Descrizione	Description	Description	Benennung	Descripcion
1	G14217641	SUPPORTO VALVOLA	VALVE SUPPORT	SUPPORT SOUPAPE	VENTILHALTERUNG	SOPORTE V+LVULA
2	F05010294	DEVIATORE COMANDO 3 POSIZIONI	3 POSITIONS CONTROL DEVIATOR	DEVIATEUR COMMANDE 3 POSITIONS	ABLENKER STEUERUNG 3 POSITIONE	DESVIADOR MANDO 3 POSICIONES
3	F03151240	ROS. 17 X23X1,5 RAME -3/8"	COPPER WASHER 17X23X1,5 3/8"	RONDELLE CUIVRE 17X23X1,5 3/8"	SCHEIBE KUPFER 17X23X1,5 3/8"	ARADNDELA COBRE 17X23X1,5 3/8"
4	F03150310	NIPPLO MM CIL-CIL 3/8-1/4 ZN	NIPPLE CYL.MALE3/8-1/4 ZN	NIPPLE MALE CYL.3/8-1/4 ZN	NIPPELZYL.3/8-1/4 ZN	NIPLE MACHO CIL.3/8-1/4 ZN
5	F03150859	CURVA 90°F.GIREV.1/4 - M.1/4	ELBOW 90[F. SWIVEL 1/4 -M.1/4	COUDE 90[F.TOURN.1/4 - M.1/4	KNIESTsCK 90[F.DREHB.1/4 - M.	CURVA 90 F.GIRAT.1/4 - M.1/4C
6	F01500012	RONDELLA IN RAME 1/4"	WASHER	RONDELLE	SCHEIBE	ARANDELA
7	F03151226	REGOL.DI FLUSSO VRF 1/4' GAS	1/4' GAS VALVE VRF	SOUPAPE REG DEBIT VRF 1/4" GAZ	VENITL VRF 1/4' GAS	VæLVULA VRF 1/4' GAS
8	F03150266	NIPPLO MM CIL-CIL 1/4-1/4 ZN	NIPPLE GALV.CYL.MALE 1/4 ZN	NIPPLE MALE CYL. 1/4 ZN	NIPPELZYL.1/4 ZN	NIPLE MACHO CIL.1/4 ZN
9	F01020070	VITE M 8X1,25X45 U5737 8.8 ZN	BOLT 8 X45 5737 8.G GALVANIZED	VIS 8 X45 5737 8.G ZN	SCHRAUBE 8 X45 5737 8.G ZN	TORNILLO 8 X45 5737 8.G ZN
10	F01020476	VITE M10X 1,5X30 U5739 8.8 ZN	SCREW M10X1,5 X 30 5739 8.8 ZN	VIS M10X1,5 X 30 5739 8.8 ZN	SCHRA. M10X1,5X 30 5739 8.8 ZN	TORN. M10X1,5 X 30 5739 8.8 ZN
11	F01200270	DADO M10X 1,5 U5588 6.8 ZN	NUT M10X 1,5 U5588 6.8 ZN	ECROU M10X 1,5 U5588 6.8 ZN	MUTTER M10X 1,5 U5588 6.8 ZN	TUERCA M10X 1,5 U5588 6.8 ZN
12	F01230034	DADO M 8X1,25 D982 8	SELF LOCK.NUT M8X1,25 D982 8ZN	ECROU AUTOBL.M8X1,25 D982 8 ZN	SELBST.MUTT.M8X1,25 D982 8 ZN	TUERCA AUTO. M8X1,25 D982 8 ZN
13	G23440517	TUBO 1/4R2 C-F 1/4 L2000 HL/ID	PIPE 1/4R2 C-F 1/4 L2000 HL/ID	TUBE 1/4R2 C-F 1/4 L2000 HL/ID	ROHR 1/4R2 C-F 1/4 L2000 HL/ID	TUBO 1/4R2 C-F 1/4 L2000 HL/ID
14	G15310732	TUBO 1/4R2 CF45 1/4-F 1/4 1500				
15	G16011680	TUBO 1/4' R2 C-F 1/4' L.900	PIPE 1/4'R2 C-F 1/4'L.900	TUBE 1/4'R2 C-F 1/4'L. 900	ROHR 1/4'R2 C-F 1/4'L 900	TUBO 1/4'R2 C-F 1/4'L.900
16	G17911270	TUBO 1/4R2 CF-F L. 700	PIPE 1/4R2 CF-F L. 700	TUBE 1/4R2 CF-F L. 700	ROHR 1/4R2 CF-F L. 700	TUBO 1/4R2 CF-F L. 700
17	F05010294	DEVIATORE COMANDO 3 POSIZIONI	3 POSITIONS CONTROL DEVIATOR	DEVIATEUR COMMANDE 3 POSITIONS	ABLENKER STEUERUNG 3 POSITIONE	DESVIADOR MANDO 3 POSICIONES
18	F05010378	SCATOLA ELETTRICA 120X80X50				
19	F05010227	CAVO 2X 1,0 H05 VV-F				
20	F05010189	ATTACCO ALL'ACCENDISIGARI	CONNECTION	CONNECTION	VERBINDUNG	CONEXIËN
21	F05010363	PRESSACAVO PG16	CABLE PRESS PG16	PRESSE-CABLE PG16	KABELPRESSE PG16	APRIETACABLE PG16
22	F05010309	ELEMENTO DI CONTATTO V40	CONNECTOR V40	CONNECTEUR V40	VERBINDER V40	CONECTOR V40
23	F05010310	ELEMENTO DI CONTATTO V50	CONNECTOR V50	CONNECTEUR V50	VERBINDER V50	CONECTOR V50
24	F05010383	SELETTORE MANOPOLA	SELECTOR KNOB	SELECTEUR BOUTON	DREHGRIF WZHLER	SELECTOR PERILLA
25	F05010079	GUAINA ELETTR. SPIRALATA D.16	SPIRAL ELECTR. SHEATH D.16	GAINES +LECTR. SPIRAL+E D.16	ELEKTR. SPIRALMANTEL D.16	VAINA EL+CTR. ESPIRAL ĩ16

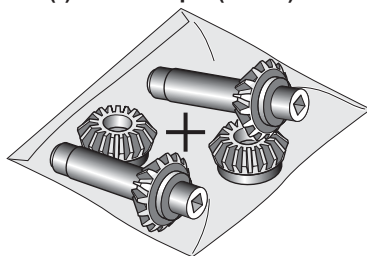
DEPRESSORE

TAV. 070

Pos.	Cod.	Descrizione	Description	Description	Benennung	Descripcion
1	F01020047	VITE M 6X 1X 70 U5737 8.8 ZN	BOLT 6 X70 5737 8.G GALVANIZED	VIS 6 X70 5737 8.G ZN	SCHRAUBE 6 X70 5737 8.G ZN	TORNILLO 6 X70 5737 8.G ZN
2	F01430047	ROS.M6 6,4X 11X0,7 U8842J ZN	WASHER D6 DIN 6798 D.INT.GALV.	RONDELLE D6 DIN 6798 D. INT. Z	UNT. SCHEIBE D6 DIN 6798 D. IN	ARANDELA D6 DIN 6798 D.INT.ZN
3	F01420036	ROS.M6 6,4X 18X 2 U6593 ZN	FLAT WASHER 6-6X 18X2 6593 ZN	ROND. PLATE 6-6X 18X2 6593 ZN	SCHEIBE 6-6X 18X2 6593 ZN	ARAND. PLANA 6-6X 18X2 6593 ZN
4	F03150722	TAPPO 700 M52X2	M52 X 2 PLUG	BOUCHON M52 X 2	PFROPFEN M52 X 2	TAPN M52 X 2 D
5	G15450450	CONVOGLIATORE 12 USCITE *				
6	F01230143	DADO M24X 2 D982 8 ZN	NUT M24X2 D982 8 ZN	ECROU M24X2 D982 8 ZN	MUTTER M24X2 D982 8 ZN	TUERCA M24X2 D982 8 ZN
7	G13912060	PIASTRINA DI TENUTA	STOP PLATE	PLAQUETTE DE TENUE	DICHTPLZTTCHEN	PLACA DE RETENCIN P
8	G13912050	RONDELLA DI FERMO	STOP WASHER	RONDELLE DE BLOCAGE	FESTSTELLSCHEIBE	ARANDELLA DE BLOQUEO
9	G22230335	INVOLUCRI DEPRESSORE	VACUUM PUMP CASINGS	ENVELOPPES DEPRESSEUR H	sLLEN VAKUUMPUMPE C	AJAS BOMBA VACO CA
10	F01020403	VITE M 6X 1X 16 U5739 8.8 ZN	SCREW M6X1X16 U5739 8.8 ZN	VIS M6X1X16 U5739 8.8 ZN	SCHRAUBE M6X1X16 U5739 8.8 ZN	TORNILLO M6X1X16 U5739 8.8 ZN
11	G22230015	GIRANTE	IMPELLER	ROUE TURBINE	LAUFRAD	RODETE
12	G15450500	PROTEZIONE CINGHIA 1000 GIRI	BELT GUARD 1000 RPM	PROTECTION COURROIE 1000 TOURS	RIEMENSCHUTZ 1000 UMDR.	PROTECCIN CORREA 1000 REV. P
13	F01220011	DADO M 6X 1 D980 8 ZN	NUT M6X1 D980 8 ZN	ECROU M6X1 D980 8 ZN	MUTTER M6X1 D980 8 ZN	TUERCA M6X1 D980 8 ZN
14	F02050112	ANELLO E. DE 30X 1,5 U7435 C70	SEEGER RING 30X 1,5 U7435 C70	SEEGER E. 30 X 1,5 U7435 C70	SEEGERING E. 30X 1,5 U7435 C70	ANILLO E. 30 X 1,5 U7435 C70
15	F02050403	ANELLO E. DI 72X 2,5 U7437 C70	SEEGER RING E.72X2,5 U7437 C70	SEEGER E. 72X 2,5 U7437 C70	SEEGERING E. 72X 2,5 U7437 C70	ANILLO E. 72X 2,5 U7437 C70
16	F04010215	CUSC.D30 D72 B19 6306 2RSC3 EX	BEARING 6306 2RS C3	PALIER 6306 2RS C3	LAGER 6306 2RS C3	COJINETE 6306 2RS C3
17	G22230010	DISTANZIALE CUSCINETTI	BEARING SPACER	ENTRETOISE PALIERS	DISTANZSTsCK LAGER	DISTANCIADOR COJINETES
18	F01020476	VITE M10X 1,5X30 U5739 8.8 ZN	SCREW M10X1,5 X 30 5739 8.8 ZN	VIS M10X1,5 X 30 5739 8.8 ZN	SCHRA. M10X1,5X 30 5739 8.8 ZN	TORN. M10X1,5 X 30 5739 8.8 ZN
19	G15850200	INCASTELLATURA DEPRESSORE	DIFFUSION AIR PUMP FRAME	B-TI POMPE A D+PRESSION	GESTELL VAKUUMPUMPE	ARMAZÉN BOMBA VAC-O
20	G22270134	SUPPORTO VACUOMETRO SP	VACUUM METER SUPPORT SP	SUPPORT VACUOMETRE SP	HALTERUNG VAKUUMMETER SP	SOPORTE VACUOMETRO SP S
21	F06010161	CINGHIA POLY V 1016 J-16 GOLE	BELT- POLY V 1016 J-16 GOLE	COURROIE POLY-V 1016 J-16 GORG	RIEMEN POLY-V 1016 J-16 RILLEN	CORREA POLY-V 1016 J-16 GARGA
22	G15450310	PULEGGIA MOTRICE 1000 GIRI	DRIVING PULLEY 1000 REVS	POULIE MOTRICE 1000T	ANTRIEBSSCHEIBE 1000 UMDREHUNG	POLEA MOTRIZ 1000 REVOLUCIONES
23	F01200270	DADO M10X 1,5 U5588 6.8 ZN	NUT M10X 1,5 U5588 6.8 ZN	ECROU M10X 1,5 U5588 6.8 ZN	MUTTER M10X 1,5 U5588 6.8 ZN	TUERCA M10X 1,5 U5588 6.8 ZN
24	G22270369	P.DI P.CON CODOLO	POWER TAKE-OFF- W/ SPIGOT	PRISE DE FORCE AVEC CONE	KRAFTABTRIEB MIT ENDSTsCK	TOMA DE FUERZA CON MANGO
25	G22230012	PULEGGIA MOTRICE	DRIVING PULLEY	POULIE MOTRICE 540T	ANTRIEBSSCHEIBE	POLEA MOTRIZ
26	G20970035	RONDELLA 32X4X13	WASHER 32X4X13	RONDELLE 32X4X13	UNTERLEGSscheibe 32X4X13	ARANDELA 32X4X13
27	F01200293	DADO M12X1,75 U5588 6.8 ZN	NUT M12X1,75 U5588 6.8 ZN	ECROU M12X1,75 U5588 6.8 ZN	MUTTER M12X1,75 U5588 6.8 ZN	TUERCA M12X1,75 U5588 6.8 ZN
28	F06010160	CINGHIA POLY V 1287 J-16 GOLE	BELT- POLY V 1287 J-16 GOLE	COURROIE POLY V 1287 J-16 CANN	RIEMEN POLY V 1287 J-16 RILLEN	CORREA POLY V 1287 J-16 GARGAN
29	F05150479	ROND.APPOGGIO MANOMETRI SV	PRESSURE GAUGE REST WASHER	ROND. LOGEMENT MANOMETRES SV	STsTZSCHEIBE MANOMETER SV	ARAND. SOPORTE MANOMETROS SV
30	G22250274	COLLEGAMENTO MANOMETRI SP-SV	PRESSURE GAUGE CONNECT. SP-SV	RACCORD MANOMETRES SP-SV	VERBINDUNG MANOMETER SP-SV	CONEXIN MANMETROS SP-SV LE
31	G15450342	PROTEZ.CINGHIA DEPRES.COMPLETO				
32	F03151288	VACUOM.0-100 MBAR C.SM.INC.D80				
33	G19002131	PROTEZIONE P.D.P.				
34	F08011716	CARD.B1 Z6-Z6 L900 R.LIB	UNIV.JOINT CE T100710 112 R12	CARD ROUE LIBRE T100710 112R12	KARDAN CE T100710 112 R12	CARDAN CE T100710 112 R12
35	F05050020	TAPPO SALVAFILETTO D.39	CONVEYOR PLUG D.39	BOUCHON PROTEGE-FILET D. 39	GEWINDESCHUTZPFROPFEN D.39	TAPN GUARDARROSCA D.39 D
36	F03151206	RACCORDO DIR. C1 1/8" 6/8	UNION STRAIGHT C1 1/8" 6/8	RACCORD DRT. C1 1/8" 6/8	ANSCHLUSSTsCK GERADE C1 1/8"	UNIN DER. C1 1/8" 6/8 R
37	G15450390	PULEGGIA CONDOTTA	DRIVEN PULLEY D.28	POULIE ENTRAINEE D. 28	GETRIEBENE SCHEIBE D.28	POLEA CONDUCIDA D.28
38	F03151200	RACCORDO 90° C5 1/8" 6/8	UNION 90[C5 1/8" 6/8	RACCORD 90[C5 1/8" 6/8	ANSCHLUSSTsCK 90[C5 1/8" 6/8	UNIN 90 C5 1/8" 6/8 RA
39	F15450270	VITE 10X130 8.8 FIL.60 ZN	GALVANIZ. SCREW 10X130 8.8 FIL	VIS 10X130 8.8 FIL.60 ZN	SCHRAUBE 10X130 8.8 GEW.60 ZN	TORNILLO 10X130 8.8 FIL.60 ZN
40	F03100391	TUBO POLIURETANO 8-6	POLIURETHAN PIPE 8-6			
41	G22230014	DISTANZIALE	SPACER	ENTRETOISE	DISTANZSTsCK	DISTANCIADOR
42	G15450091	SUPPORTO PULEGGIA CONDOTTA	DRIVEN PULLEY SUPPORT	SUPPORT POULIE ENTRAINEE	HALTERUNG GETRIEBENE RIEMENSCH	SOPORTE POLEA CONDUCIDA
43	G10150291	GRIGLIA PROTEZIONE ZN	AIR PUMP PROTECT. GRID	GRILLE DE PROTECT.DIS. DEPRES	SCHUTZGITTER VAKUUMPUMPE	REJILLA DE PROTECCIN BOMBA VAG
44	F01020472	VITE M10X 1,5X25 U5739 8.8 ZN	BOLT 10X25 5739 8.G GALVANIZED	VIS 10X25 5739 8.G ZN	SCHRAUBE 10X25 5739 8.G ZN	TORNILLO 10X25 5739 8.G ZN
45	G15450280	PROTEZIONE DEPRESSORE	VACUUM PUMP PROTECTION	PROTECTION DEPRESSEUR	SCHUTZ VAKUUMPUMPE	PROTECCIN BOMBA DE VACO PR
46	F03100506	TUBO EOLO PU D.45	EOLO PIPE 45 PU			
47	G22270093	VACUOMETRO COMPL. SP LM	VACUUM METER ASSY. SP LM	VACUOMETRE COMPL. SP LM	KOMPL. VAKUUMMETER SP LM	VACUMETRO COMPL. SP LM V
48	F01020050	VITE M 6X 1X 80 U5737 8.8 ZN	BOLT 6 X80 5737 8.G GALVANIZED	VIS 6 X80 5737 8.G ZN	SCHRAUBE 6 X80 5737 8.G ZN	TORNILLO 6 X80 5737 8.G ZN
49	F05150058	FASCETTA POLYAM.7,8X550 31920	POLYAMIDE FASTENING STRAPS 9X5	COLLIER POLYAMIDE 9X508 31920	SHELLE POLYAMID 9X508 31920	ABRAZADERA POLIAMIDA 9X508 319
50	F08011715	CARD.B1 Z8-Z6 L900 R.LIB	CARD.B1 Z8-Z6 L900 FREE W.			



(*) Kit = 2+2 pz. (16x16)



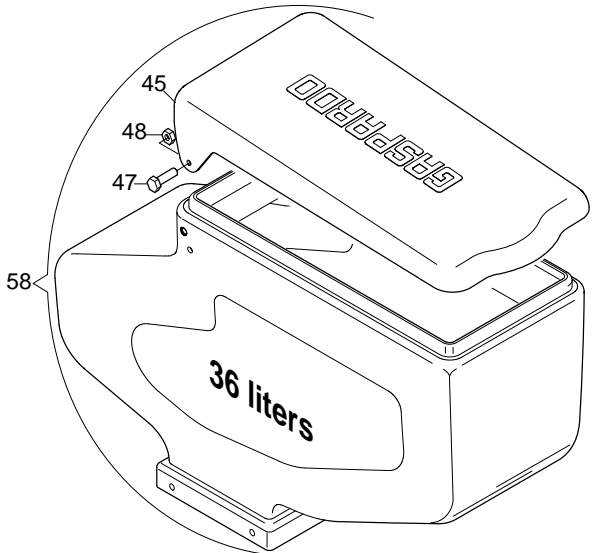
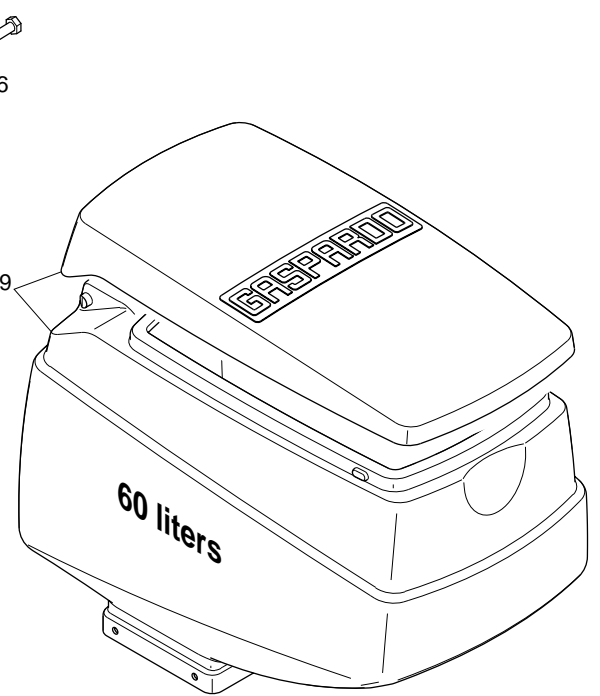
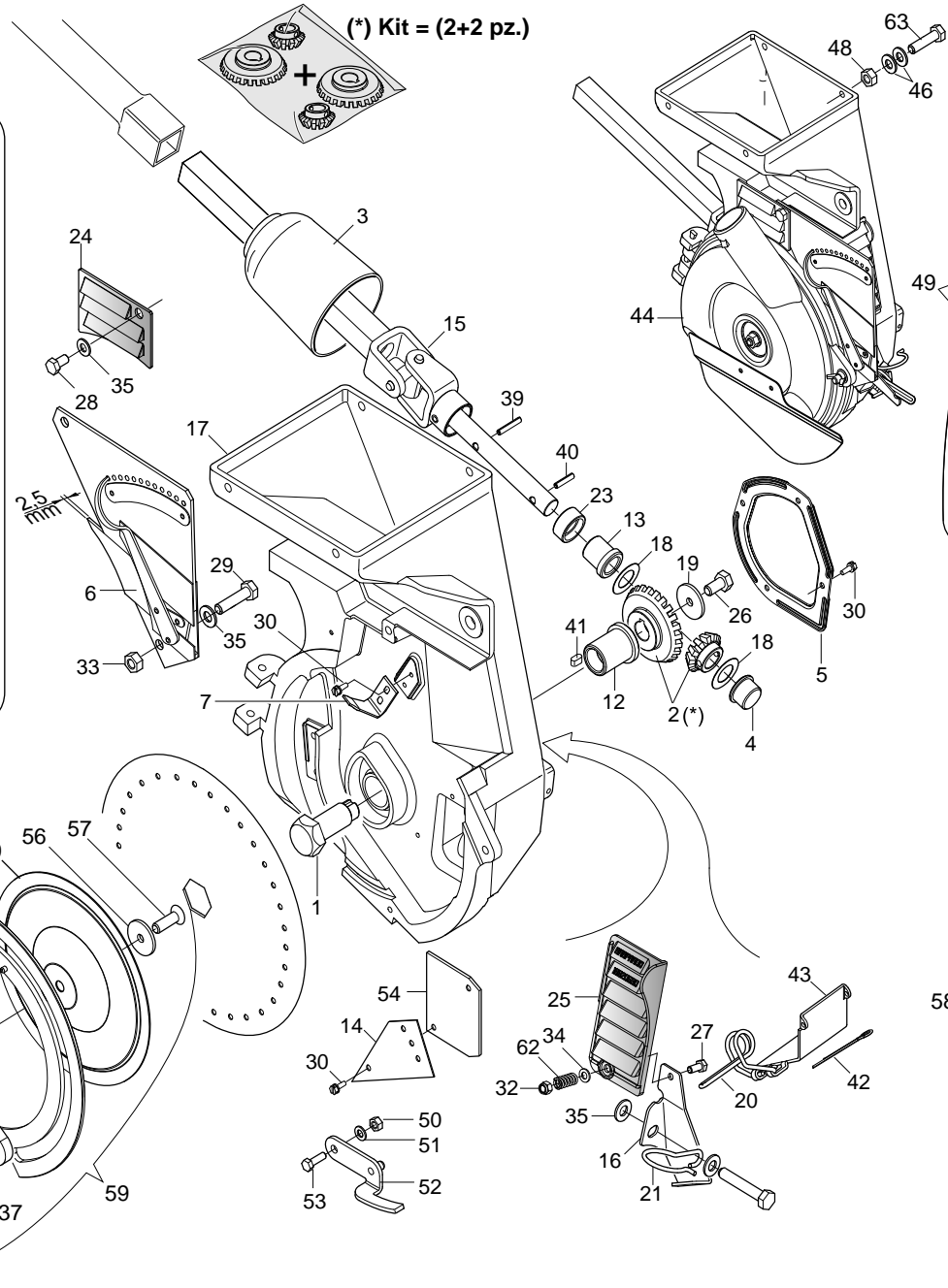
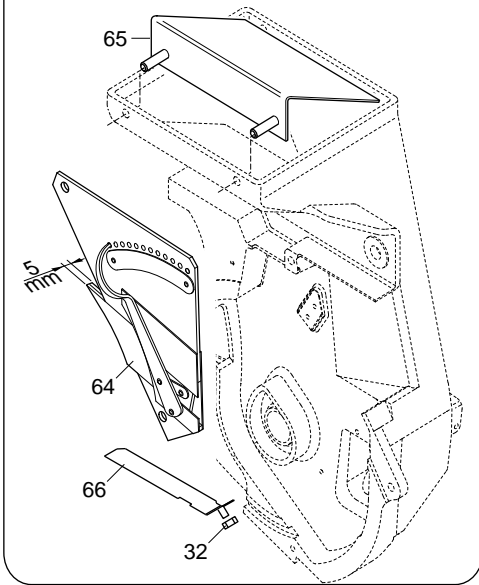
SCATOLA DI RINVIO ELEMENTO

TAV. 080

Pos.	Cod.	Descrizione	Description	Description	Benennung	Descripcion
1	F01020403	VITE M 6X 1X 16 U5739 8.8 ZN	SCREW M6X1X16 U5739 8.8 ZN	VIS M6X1X16 U5739 8.8 ZN	SCHRAUBE M6X1X16 U5739 8.8 ZN	TORNILLO M6X1X16 U5739 8.8 ZN
2	G22220103	CONCHIGLIA SX	LEFT SHELL	COQUILLE GCH.	SCHALE LINKS	MOLDE IZQ.
3	F01100011	ING.M 6X1 7663-A 9SMNPB28 ZN	GREASE NIPPLE M6X1 7663-A ZN	GRAISS. A BILLE M6X1 7663A ZN	SCHMIERBUECHE M6X1 7663-A ZN	ENGRAS. DE ESFERAS M6X1 7663-A
4	G18700510	RONDELLA 32 X40 X0,6 ZN	GROWER 32 X 40 X 0,6 ZN			
5	G15423980	FORCELLE SNODO ESCL.ELET.COMPL	FORK ELECTRIC DISABLE COMPLET	FOURCHETTE EXCL. +LECTR. COMPL	STAFEL ELEKT.AUSSCHALTU KOMPL.	HORQUILLA DESC.EL+CTRICA COMPL
6	G22220102	CONCHIGLIA DX	RIGHT SHELL	COQUILLE DRT.	SCHALE RECHTS	MOLDE DER.
7	F01220011	DADO M 6X 1 D980 8 ZN	NUT M6X1 D980 8 ZN	ECROU M6X1 D980 8 ZN	MUTTER M6X1 D980 8 ZN	TUERCA M6X1 D980 8 ZN
8	G22270389	2+2 INGR.SCATOLA DI RINVIO >	2+2 INTERM. TRANSM. GEAR BOX	COUPLE CON RENV ANGLE (2+2)	2+2 ZAHNRZDER VORGELEGEZEHUSE	2+2 ENGRANAJES CAJA DE LA TRAN
9	G18700220	RONDELLA 16 X28 X0,3 ACC.				
10	G66349001	BOCCOLA	BUSHING	BOITE	B_CHSE	CASQUILLO
11	F02100114	SPINA E.P. 6X 30 U6873 C70 BR	ELASTIC PIN 6X30	GOUJON ELASTIQUE 6X30	SPANNHUELSE 6X30	ESPINA ELASTICA 6X30
12	G22270452	ALBERO SCATOLA RINVIO SP/S	INTERMEDIATE BOX SHAFT	ARBRE TRANSMISSION SP/S	WELLE VORGELEGEZEHUSE SP/S	æRBOL CAJA DE TRANSMISIN SP/SA
13	G22270454	CROCIERA COMPL. SP/S	SPIDER SP/S	CROSILLON COMPL CARDAN TRANSM	GELENKKREUZ KOMPL. SP/S	CRUCETA COMPL. SP/S
14	G19002840	COPRICARDANO SUPERIORE	TOP CARDAN JOINT COVER	COUVRE-CARDAN SUPERIEUR	OBERE KARDANABDECKUNG	CUBRECARDæN SUPERIOR
15	G19204080	FORCELLA				
16	G19204090	FORCELLA				
17	G65338039	MOLLA COMP.ZN INNESTO SP	ZN COUPLING COMP. SPRING SP	RESSORT COMPL. ZN ACCOUPLEM.	DRUCKFEDER ZN KUPPLUNG SP	MUELLE COMP.ZN ACOPLAMIENTO SP
18	G65338018	MOLLA COMP.ZN SCATOLA RINV.SP	TRANSM. BOX COMP. SPRING . SP	RESSORT COMPL. ZN TRANSMISSION	DRUCKFEDER ZN VORGELEGEZEHUSE	MUELLE COMP.ZN CAJA TRANSFER..
19	G66248102	ANELLO SICUREZZA SP	SAFETY RING	BAGUE SECURITE SP	SICHERHEITSRING SP	ANILLO DE SEGURIDAD SP
20	G22220105	BOCCOLA DI SPINTA	THRUST BUSHING	BOITE DE POUSSEE	SCHUBBSCHSE	CASQUILLO DE APRIETE
21	F02050045	ANELLO E. DE 16X 1 U7435 C70	SEEGER RING 16X 1 U7435 C70	BAGUE SEEGER 16 X 1 U7435 C70	SEEGERING 16 X 1 U7435 C70	ANILLO 16X 1 U7435 C70
22	G66248057	SPINA DI SICUREZZA SP	SAFETY PIN SP	BROCHE PLASTIC SECURITE CARDAN	SICHERHEITSSTIFT SP	CLAVIJA DE SEGURIDAD SP
23	F02100121	SPINA E.P. 6X 40 U6873 C70 BR	ELASTIC PIN 6X40	GOUJON ELASTIQUE 6X40	SPANNHUELSE 6X40	PASADOR 6X40
24	G17722540	PERNO ZN.				
25	G17723020	ASS.INNESTO REGINA				
26	F01220022	DADO M 8X1,25 D980 8 ZN	NUT M8X 1,25 D980 8 ZN	ECROU M8X 1,25 D980 8 ZN	MUTTER M8X 1,25 D980 8 ZN	TUERCA M8X 1,25 D980 8 ZN
27	F01020440	VITE M 8X1,25X25 U5739 8.8 ZN	BOLT M8X1,25X25 U5739 8.8 ZN	VIS M8X1,25X25 U5739 8.8 ZN	SCHRA. M8X1,25X25 U5739 8.8 ZN	TORNIL.M8X1,25X25 U5739 8.8 ZN
28	GA5220190	SCATOLA RINVIO Q16 EL.MTR				

(*) Kit = (2+2 pz.)

Varianti Semi Gossi - Varying Large Seeds



DISTRIBUTORE SEMI

TAV. 090

Pos.	Cod.	Descrizione	Description	Description	Benennung	Descripcion
1	G22230046	ASSE TRASMISSIONE DISCO	DISK GEAR AXLE	AXE ENTRAINEMENT DISQUE	ACHSE SCHEIBENANTRIEB	EJE TRANSMISIN DISCO A
2	G22270390	KIT COPPIA CONICA DISTRIB.SEMI	KIT- SEED DISTR. CONICAL PAIR	COUPLE CON DISTR GRAINES (2+2)	KIT KEGELTRIEB SAMEN SZAPPARAT	SET PAR CONICO DISTRIB. SEMILL
3	G66248094	COPRICARDANO SP	UNIVERSAL JOINT COVER SP	COUVRE-CARDAN SP	KARDANABDECKUNG SP	CUBRECARDAN SP
4	G66349008	BOCCOLA	BUSHING	BOITE	BsCHSE	CASQUILLO
5	G22230035	COPERCHIO SCATOLA INGRAN.	GEARWHEEL BOX COVER	COUVERCLE BOITE ENGRENAGE	DECKEL ZAHNRZDERGEHZUSE	TAPA CAJA ENGRAN.
6	G22230040	SELETTORE MOBILE COMPLETO	MOBILE SELECTOR ASSY.	SELECTEUR MOBILE COMPL.	KOMPL. BEWEGLICHER WZHLER	SELECTOR MVIL COMPLETO S
7	G22230041	SELETTORE FISSO	SELECTOR FIXED	SELECTEUR FIXE	FESTER WZHLER	SELECTOR FIJO
8	G15223701	COPERCHIO CORPO MT	BODY COVER MT	COUVERCLE CORPS MT	DECKEL KTRPER MT	TAPACUERPO MT
9	G22230037	TENUTA GUARNIZIONE	SEAL	BLOQUAGE GARNITURE	DICHTUNG	JUNTA ESTANCA
10	G16620470	TAPPO CENTRALE H=7,5	CENTRAL PLUG H=7.5	BOUCHON CENTRAL H=7,5	ZENTRALER PFROPFEN H=7,5	TAPÉN CENTRAL H=7,5
11	G22230039	PERNO COPERCHIO	COVER PIN	PIVOT COUVERCLE	DECKELZAPFEN	PERNO TAPA
12	G66349002	BOCCOLA SINT.BASSOFONDO	BUSHING- SINTERED	BOITE FRITTEE	BOITE CHSE	CASQUILLO SINT.
13	G22270071	BOCCOLA COLL.SINTER.20X24	20X24 SINTERED COLLARED BUSH	BOITE COLLIER FRITTEE 20X24	ANSCHLUSSBUUECHSE SINTER.20X24	CASQUILLO CONEX. SINTER.20X24
14	G22270204	PIASTRA ANTI TRABOCC.SEMI SP	SEED ANTI-OVERFLOW PLATE SP	PLAQUE ANTI-DEBORD.T GRAINES S	SAMENsBERLAUFPLATTE SP	PLACA ANTI DESBORDAMIENTO SEMI
15	G17722580	MONT.ASSE PORTA PIGNONE				
16	G17722990	FERMO MOLLA ZN (DA G15421151)				
17	G15225120	CORPO DI DISTRIBUZIONE MT	MT DISTRIBUTION ASSEMBLY	CORPS DE DISTRIBUTION MT	STREUBEH-LTER MT	ELEMENTO DE DISTRIBUCIÉN MT
18	G18700220	RONDELLA 16 X28 X0,3 ACC.				
19	F01420037	ROS.M6 6,4X 24X 2 U6593 ZN				
20	G18902951	MOLLA SPEC.ZN SCARICO	SPEC SPRING ZN DISCHARGE	RESSORT TRAPPE VIDANGE	SPEZIALFEDER ZN ENTLADUNG	MUELLE ESPEC. ZN DESCARGA
21	G18903180	MOLLA CONVOGLIATORE MICRO	MICRO CONVEYOR SPRING	RESSORT CONVOYEUR MICRO	FEDER MIKRO FTRDERER	MUELLE CONDUCTOR MICRO
22	G19002620	GUARNIZIONE COP.DISTR.SP530-MT	DISTR. COVER GASKET.SP530	JOINT ETANCH PORTE SP530-MT	DICHTUNG SZAPPARATDECKEL SP530	JUNTA TAPA DISTRIB.SP530
23	G66248219	ANELLO PARAPOLVERE SP-520	DUST COVER RING	BAGUE PARE-POUSSIERE SP-520	STAUBSCHUTZRING SP-520	ANILLO GUARDAPOLVO SP-520
24	G16620540	PORTA DI PROTEZIONE	SAFETY HATCH	PORTE DE PROTECTION	SCHUTZSCHIFFUNG	PUERTA DE PROTECCIÉN
25	G16620530	PORTA DI CONTROLLO	INSPECTION DOOR	PORTE CONTROLE	KONTROLLTsR	PUERTA DE CONTROL
26	F01020403	VITE M 6X 1X 16 U5739 8.8 ZN	SCREW M6X1X16 U5739 8.8 ZN	VIS M6X1X16 U5739 8.8 ZN	SCHRAUBE M6X1X16 U5739 8.8 ZN	TORNILLO M6X1X16 U5739 8.8 ZN
27	F01020382	VITE M 5X0,8X 25 U5739 8.8 ZN	BOLT 5 X25 5739 8.G GALVANIZ.	VIS 5 X25 5739 8.G ZN	SCHRAUBE 5 X25 5739 8.G ZN	TORNILLO 5 X25 5739 8.G ZN
28	F01020432	VITE M 8X1,25X16 U5739 8.8 ZN	BOLT M8X16	VIS M 8X16	SCHRAUBE M 8X16	TORNILLO M 8X16
29	F01020451	VITE M 8X1,25X45 U5739 8.8 ZN	BOLT M8X45	VIS M 8X45	SCHRAUBE M 8X45	TORNILLO M 8X45
30	F01070011	VIT.A.4,2X1,41X 9,5 6950 4.8NI	BOLT- SELF-TAPPING 4-2X9-5T.E.	VIS AUTOTAR. 4-2X9-5 T. E. COU	SELBSTSCHNEID. SCHRAUBE 4-2X9-5	TORNILLO AUTORROSC. 4-2X9-5
31	F01240024	DADO M 8X1,25 U5448 5.8 ZN	NUT 8 UNI 5448 5.8 ZN	ECROU 8 UNI 5448 5.8 ZN	MUTTER 8 UNI 5448 5.8 ZN	TUERCA 8 UNI 5448 5.8 ZN
32	F01230019	DADO M 5X 0,8 D982 8 ZN	NORM.SELF-LOCKING NUT 5 GALVAN	ECROU AUTOB.NOR.5 ZN	SELBSTSP. MUTTER NOR.5 ZN	TUERCA AUTOB. NOR. 5 ZN
33	F01200244	DADO M 8X1,25 U5588 6.8 ZN	NUT M8 X1,25 U5588 6.8 ZN	ECROU M8 X1,25 U5588 6.8 ZN	MUTTER M8 X1,25 U5588 6.8 ZN	TUERCA M8 X1,25 U5588 6.8 ZN
34	F01410023	ROS.M5 5,3X 10X 1 U6592 ZN	WASHER D5 UNI 6592 ZN	RONDELLE D5 UNI 6592 ZN	UNTERLEGSSCHEIBE D5 UNI 6592 ZN	ARANDELA D5 UNI 6592 ZN
35	F01410051	ROS.M8 8,4X 17X1,6 U6592 ZN	WASHER M8 8,4X17X1,6 U6592 ZN	RONDEL. M8 8,4X17X1,6 U6592 ZN	SCHHEIBE M8 8,4X17X1,6 U6592 ZN	ARANDELA M8 8,4X17X1,6 U6592ZN
36	F01430059	ROS.M8 8,4X 15X0,8 U8842J ZN	WASHER M8 8,4X15X0,8 U8842J ZN	ROND. M8 8,4X 15X0,8 U8842J ZN	SCHHEIBE M8 8,4X15X0,8 U8842JZN	ARAND. M8 8,4X15X0,8 U8842J ZN
37	F01460115	ROS.OND. 8,4X 15X0,5 BR D137A	WASHER D8 DIN 137/A	RONDELLE D8 DIN 137/A	UNTERLEGSSCHEIBE D8 DIN 137/A	ARANDELA D8 DIN 137/A
38	F02200137	COPIGLIA 2X 15 U1336 ZN	SPLIT PIN 2 X15 1336 GALVAN.	GOUPILE 2 X15 1336 ZN	SPLINT 2 X15 1336 ZN	PASADOR 2 X15 1336 ZN
39	F02100079	SPINA E.P. 5X 16 U6873 C70 BR				
40	F02100083	SPINA E.P. 5X 24 U6873 C70 BR				
41	F02150012	LINGUETTA 5X 5X 10 U6604A	PIN EL. 5 X24 DIN 1481	FICHE EL. 5 X24 DIN 1481	SPANNSTIFT 5 X24 DIN 1481	CLAVIJA EL.5 X24 DIN 1481
42	F02200200	COPIGLIA 4X 70 U1336 ZN	TAB 05X5X10 UNI6604	LANGUETTE 05X5X10 UNI6604	FEDERKEIL 05X5X10 UNI6604	LENGSETA 05X5X10 UNI6604
43	G15421870	PORTA DI SCARICO DISTRIBUTORE	SPLIT PIN 4 X70 1336 GALVAN.	GOUPILE 4 X70 1336 ZN	SPLINT 4 X70 1336 ZN	PASADOR 4 X70 1336 ZN
44	GA5220360	CORPO DISTRIBUZIONE COMPL	DISTRIBUTOR DISCHARGE DOOR	PORTE DE DECHARGEMENT DISTRIB,	ENTLADUNGSTsR SZAPPARAT	PUERTA DESCARGA DISTRIBUIDOR
45	G19002750	COPERCHIO SERBATOIO SEME 530	SEED TANK COVER 530	COUVERCLE RES GRAINES 530-MT	SAMENBEHZLTERDECKEL 530	TAPA DEPSITO SEMILLA 530 A
46	F01420036	ROS.M6 6,4X 18X 2 U6593 ZN	FLAT WASHER 6-6X 18X2 6593 ZN	ROND. PLATE 6-6X 18X2 6593 ZN	SCHEIBE 6-6X 18X2 6593 ZN	ARAND. PLANA 6-6X 18X2 6593 ZN
47	F01020403	VITE M 6X 1X 16 U5739 8.8 ZN	SCREW M6X1X16 U5739 8.8 ZN	VIS M6X1X16 U5739 8.8 ZN	SCHRAUBE M6X1X16 U5739 8.8 ZN	TORNILLO M6X1X16 U5739 8.8 ZN
48	F01220011	DADO M 6X 1 D980 8 ZN	NUT M6X1 D980 8 ZN	ECROU M6X1 D980 8 ZN	MUTTER M6X1 D980 8 ZN	TUERCA M6X1 D980 8 ZN
49	G15226240	MONT.SERB.SEME 60 LITRI				
50	F01200220	DADO M 5X 0,8 U5588 6.8 ZN	NUT 5 UNI 5588 6.8 GALVANIZED	ECROU 5 UNI 5588 6.8 ZN	MUTTER 5 UNI 5588 6.8 ZN	TUERCA 5 UNI 5588 6.8 ZN
51	F01430035	ROS.M5 5,3X 10X0,6 U8842J ZN	WASHER D5 DIN 6798 D.INT.ZN	RONDELLE D5 DIN 6798 D. INT. Z	UNT. SCHEIBE D5 DIN 6798 D. IN	ARANDELA D5 DIN 6798 D.INT.ZN
52	G16620010	ESPULSORE SEMI BIETOLA	SUGAR BEET EJECTOR	EXPULSEUR BETTES	AUSWERFER RÜBEN	EXPULSOR REMOLACHA
53	F01020381	VITE M5X 0,8X 20 U5739 A2 IX	BOLT 5X20 5739	VIS 5X20 5739	SCHRAUBE 5X20 5739	TORNILLO 5X20 5739
54	G22270133	PIASTRINA ANTI TRABOC.SEMI MIN	MINUTE SEED PLATE SP	PLAQUETTE GRAINES PETITES SP	PLZTTCHEIN KLEINE SAMEN SP	PLAQUETA SEMILLAS PEQUE¼AS SP
55	G16620360	DIMA SELETTORE FISSO	POSITION PLATE FOR FIXED SELEC	GABARIT POSITION SELECTEUR FIX	EINSTELLEHRE F_R FIXEN ABSTREI	PLACA PARA LA POSICIÉN SELECTO
56	G18701890	RONDELLA D.8,5 VASATA ZN.	FLARED WASHER D.8.5 ZN.	RONDELLE D.8,5 +VAS+E ZN.	F-CHERSCHHEIBE D.8,5 ZN.	ARANDELA İ 8,5 ABOCINADA ZN.
57	F01030055	VITE M 8X1,25X20 U5933 10.9 ZD	BOLT M8X20	VIS M 8X20	SCHRAUBE M 8X20	TORNILLO M 8X20
58	G15224471	SERBATOIO SEME COMPLETO MT	SEED TANK ASSY. MT	RESERVOIR GRAINES COMPL PLA MT	SAMENBEHZLTER KOMPLETT MT	DEPSITO SEMILLAS COMPLETO MT B
59	G17722791	COPERCHIO DISTRIB.REGINA COMPL				
60	G17722622	PROTEZIONE SX				
61	F01070011	VIT.A.4,2X1,41X 9,5 6950 4.8NI	BOLT- SELF-TAPPING 4-2X9-5T.E.	VIS AUTOTAR. 4-2X9-5 T. E. COU	SELBSTSCHNEID. SCHRAUBE 4-2X9-5	TORNILLO AUTORROSC. 4-2X9-5
62	G18904240	MOLLA APERTURA PORTA CONTROLLO	SPRING	RESSORT	FEDER	MUELLE
63	F01020404	VITE M 6X 1X20 U5739 8.8 ZN	BOLT 6X20 5739 8.G GALVANIZED	VIS 6X20 5739 8.G ZN	SCHRAUBE 6X20 5739 8.G ZN	TORNILLO 6X20 5739 8.G ZN
64	G16620811	SELETTORE MOBILE				
65	G22270129	PARATIA DISTR.ARACHIDI SP	BULKHEAD- PEANUT DISTR. SP	CLOISON DISTRIB. ARACHIDES SP	SCHOTT SZAPPARAT ERDNsSSE SP	ESCUDO DE PROTEC. DISTR.CACAHU
66	G16620840	LAMA INOX	STAINLESS STEEL BLADE	LAME INOX	MESSER INOX	HOJA INOX

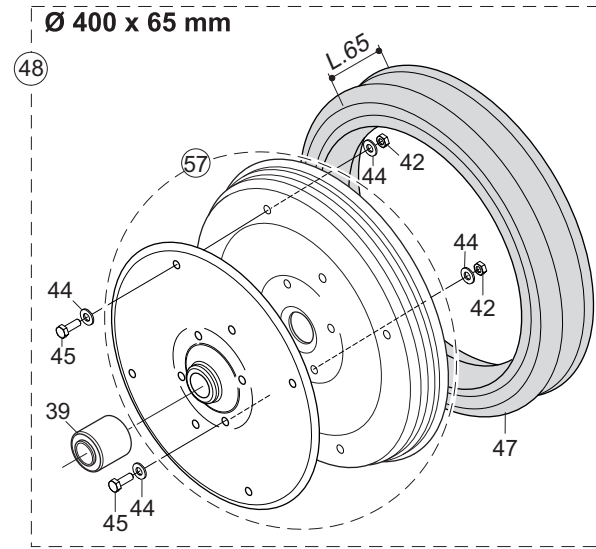
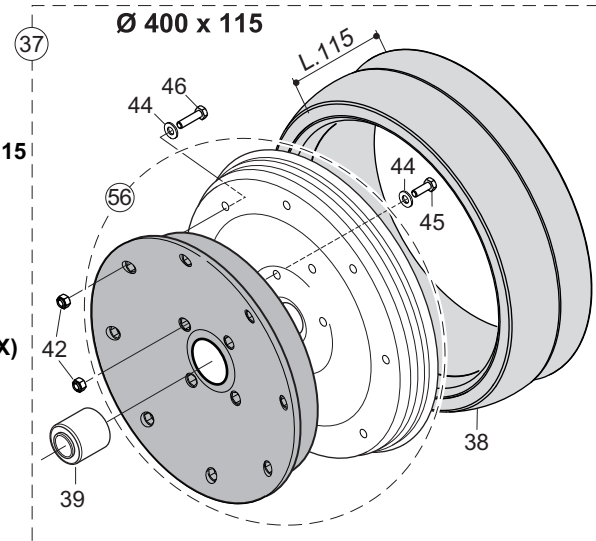
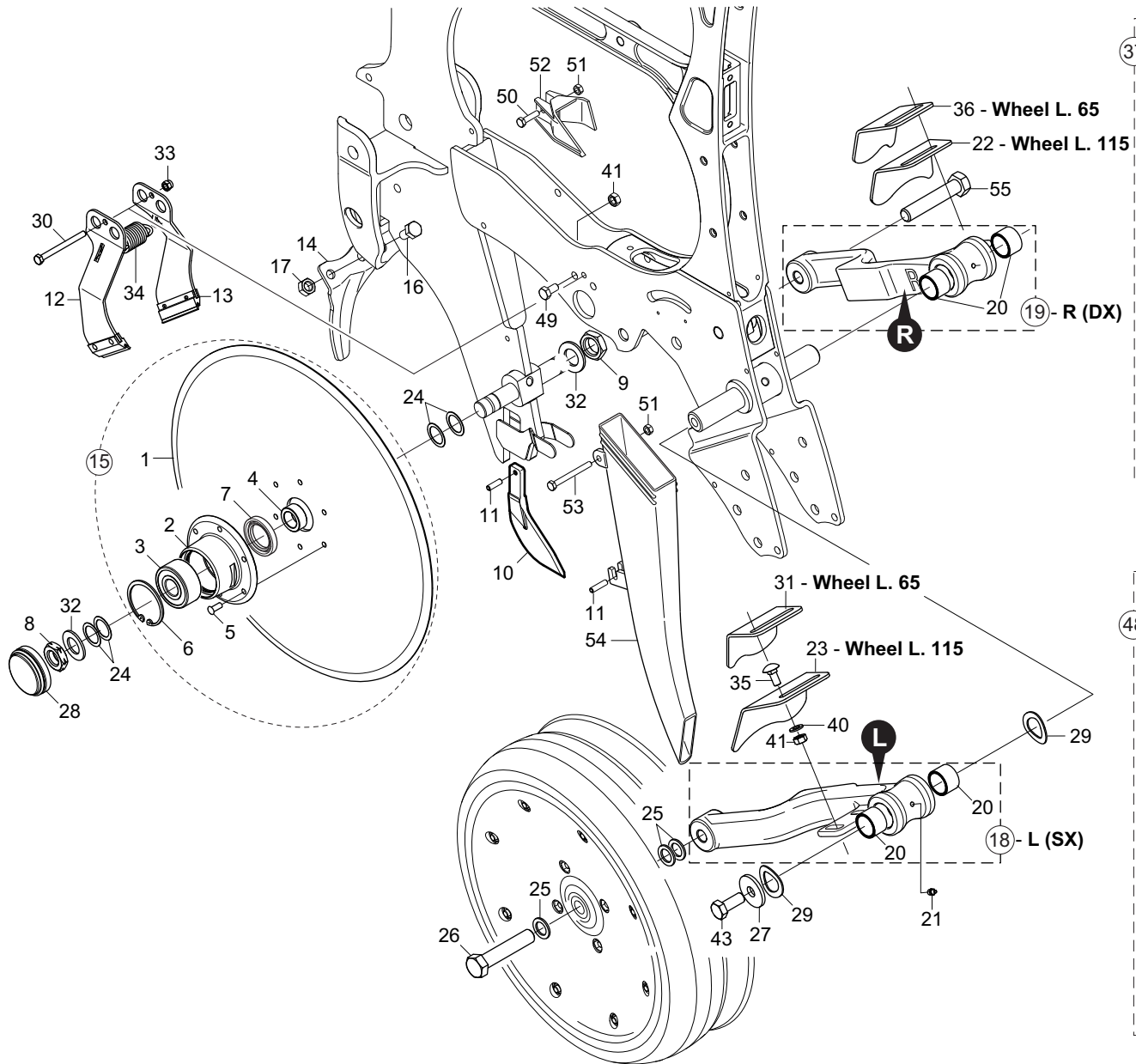
DISCHI DI SEMINA

Pos.	Cod.	Descrizione	Description	Description	Benennung	Descripcion
1	G10121460	DISCO 96 FORI D 1,0 SP	DISK 96 HOLES D.1,0 SP	DISQUE 96 TROUS D. 1,0 SP	SCHEIBE 96 LTCHER D.1,0 SP	DISCO 96 ORIFICIOS D. 1,0 SP
2	G10123970	DISCO 102 F.D.2 SP	DISK 102 HOLES D. 2 SP	DISQUE 102 TROUS D. 2 SP	SCHEIBE 102 LTCHER D.2 SP	DISCO 102 ORIFICIOS D. 2 SP
3	G10124010	DISCO 60 FORI D.4,5 SP LM	DISK 60 HOLES D.4-5 SP LM	DISQUE 60 TROUS D. 4-5 SP LM	SCHEIBE 60 LTCHER D.4-5 SP LM	DISCO 60 ORIFICIOS D.4-5 SP LM
4	G10124020	DISCO 72 FORI D.4,25 SP LM	DISK 72 HOLES D.4-25 SP LM	DISQUE 72 TROUS D. 4-25 SP LM	SCHEIBE 72 LTCHER D.4-25 SP LM	DISCO 72 ORIFICIOS D.4-5 SP LM
5	G10124030	DISCO ACC. 26 FORI D 1,0 SP	STEEL DISK 26 HOLES D 1.0 SP	DISQUE ACC. 26 TROUS D 1-0 SP	SCHEIBE ZUB. 26 LTCHER D 1-0 S	DISCO AC. 26 ORIFICIOS D 1-0 S
6	G10124040	DISCO ACC. 72 FORI D 2,5 SP	DISK ST. 72 H. D 2,5	DISQUE ACIER 72 TROUS D 2,5	STAHLSCHEIBE 72 L. D 2,5	DISCO ACERO 72 ORIF. D 2,5
7	G10124050	DISCO ACC.104 FORI D 1,1 SP	STEEL DISC 104 HOLES D 1.1 SP	DISQUE ACIER 104 TROUS D 1,1	STAHLSCHEIBE 104 BOHR. D 1,1	DISCO ACC.104 AGUJEROS D 1,1
8	G10124060	DISCO 26 F. D.4	DISC 26 F. D.4	DISQUE 26 TROUS D.4	SCHEIBE 26 B. D.4	DISCO 26 AGUJEROS 1 4
9	G10124070	DISCO 36 FORI D 1,7 SP LM	DISK 36 HOLES D.1,7 SP LM	DISQUE 36 TROUS D.1,7 SP LM	SCHEIBE 36 LTCHER D.1,7 SP LM	DISCO 36 ORIFICIOS D.1,7 SP LM
10	G10124090	DISCO 6 FORI D.4,5	DISK 6 HOLES D.4,5	DISQUE 6 TROUS D. 4,5	SCHEIBE 6 LTCHER D.4,5	DISCO 6 ORIFICIOS D.4,5
11	G10124100	DISCO 6 FORI D.3,0	DISK 6 HOLES D.3,0	DISQUE 6 TROUS D. 3,0	SCHEIBE 6 LTCHER D.3,0	DISCO 6 ORIFICIOS D.3,0
12	G22230047	DISCO 20 F. D.5,5 SP LM	DISK 20 H. D.5-5 CORN SP LM	DISQUE 20 TROUS D. 5-5 MAIS SP	SCHEIBE 20 L. D.5-5 MAIS SP LM	DISCO 20 ORIF. D.5-5 MAZ SP LD
13	G22230048	DISCO 20 F. D.4,5 SP LM	DISK 20 H. D.4-5 SUNF..SP LM	DISQUE 20 TROUS D. 4-5 TOURN.	SCHEIBE 20 L. D.4-5 SONNENBLU.	DISCO 20 ORIF. D.4-5 GIRA.SP L
14	G22230049	DISCO 26 F. D.5,5 SP LM	DISK 26 H. D.5-5 CORN SP LM	DISQUE 26 TROUS D. 5-5 MAIS SP	SCHEIBE 26 L. D.5-5 MAIS SP LM	DISCO 26 ORIF. D.5-5 MAZ SP LD
15	G22230050	DISCO 26 F. D.4,5 SP LM	DISK 26 H. D.4-5 CORN SP LM	DISQUE 26 TROUS D. 4-5 MAIS	SCHEIBE 26 L. D.4-5 MAIS	DISCO 26 ORIF. D.4-5 MAIZ SP L
16	G22230051	DISCO 36 F. D.2,1 SP LM	DISK 36 H. D.2-1 BEET.SP LM	DISQUE 36 TROUS D. 2-1 BETTES	SCHEIBE 36 L.R. D.2-1 RsBEN SP	DISCO 36 ORIF. D.2-1 REMOLACHA
17	G22230192	DISCO 20 FORI D.3,5 SP LM	DISK 20 HOLES D.3-5 SP LM	DISQUE 20 TROUS D. 3-5 SP LM	SCHEIBE 20 LTCHER D.3-5 SP LM	DISCO 20 ORIFICIOS D.3-5 SP LM
18	G22230193	DISCO 72 FORI D.1,1 SP LM	DISK 72 HOLES D.1-1 SP LM	DISQUE 72 TROUS D. 1-1 SP LM	SCHEIBE 72 LTCHER D.1-1 SP LM	DISCO 72 ORIFICIOS D.1-1 SP LM
19	G22230194	DISCO 72 FORI D.0,5 SP LM	DISK 72 HOLES D.0-5 SP LM	DISQUE 72 TROUS D. 0-5 SP LM	SCHEIBE 72 LTCHER D.0-5 SP LM	DISCO 72 ORIFICIOS D.0-5 SP LM
20	G22230195	DISCO 72 FORI D.0,8 SP LM	DISK 72 HOLES D.0-8 SP LM	DISQUE 72 TROUS D. 0-8 SP LM	SCHEIBE 72 LTCHER D.0-8 SP LM	DISCO 72 ORIFICIOS D.0-8 SP LM
21	G22230196	DISCO 36 FORI D.1,5 SP LM	DISK 36 HOLES D.1-5 SP LM	DISQUE 36 TROUS D. 1-5 SP LM	SCHEIBE 36 LTCHER D.1-5 SP LM	DISCO 36 ORIFICIOS D.1-5 SP LM
22	G22230197	DISCO 36 FORI D.3,5 SP LM	DISK 36 HOLES D.3-5 SP LM	DISQUE 36 TROUS D. 3-5 SP LM	SCHEIBE 36 LTCHER D.3-5 SP LM	DISCO 36 ORIFICIOS D.3-5 SP LM
23	G22230198	DISCO 72 FORI D.3,5 SP LM	DISK 72 HOLES D.3-5 SP LM	DISQUE 72 TROUS D. 3-5 SP LM	SCHEIBE 72 LTCHER D.3-5 SP LM	DISCO 72 ORIFICIOS D.3-5 SP LM
24	G22230199	DISCO 36 FORI D.4,5 SP LM	DISK 36 HOLES D.4-5 SP LM	DISQUE 36 TROUS D. 4-5 SP LM	SCHEIBE 36 LTCHER D.4-5 SP LM	DISCO 36 ORIFICIOS D.4-5 SP LM
25	G22230203	DISCO 20 FORI D.2,5 SP LM	DISK 20 HOLES D.2-5 SP LM	DISQUE 20 TROUS D. 2-5 SP LM	SCHEIBE 20 LÖCHER D.2-5 SP LM	DISCO 20 ORIF. D.2-5 SP LM
26	G22230205	DISCO 20 F. D.7,0 ARAC.SP LM	DISK 20 H. D.7-0 PEAN..SP LM	DISQUE 20 TROUS D. 7-0 ARACHID	SCHEIBE 20 L. D.7-0 ERDNUSS SP	DISCO 20 ORIF. D.7-0 CACAH. SP
27	G22230213	DISCO 72 FORI D.2,1 SP LM	DISK 72 HOLES D.2-1 SP LM	DISQUE 72 TROUS D. 2-1 SP LM	SCHEIBE 72 LTCHER D.2-1 SP LM	DISCO 72 ORIFICIOS D.2-1 SP LM
28	G22230216	DISCO 144 FORI D.1,1 SP LM	DISK 144 HOLES D.1-1 SP LM	DISQUE 144 TROUS D. 1-1 SP LM	SCHEIBE 144 LTCHER D.1-1 SP LM	DISCO 144 ORIFICIOS D.1-1 SP L
29	G22230217	DISCO 36 FORI D.5,5 SP LM	DISK 36 HOLES D.5-5 SP LM	DISQUE 36 TROUS D. 5-5 SP LM	SCHEIBE 36 LTCHER D.5-5 SP LM	DISCO 36 ORIFICIOS D.5-5 SP LM
30	G22230249	DISCO 26 FORI D 3,5 SP LM	DISK 26 HOLES D 3-5 SP LM	DISQUE 26 TROUS D 3-5 SP LM	SCHEIBE 26 LTCHER D 3-5 SP LM	DISCO 26 ORIFICIOS D 3-5 SP LM
31	G22230250	DISCO 144 FORI D.2,1 SP LM	DISK 144 HOLES D.2-1 SP LM	DISQUE 144 TROUS D. 2-1 SP LM	SCHEIBE 144 LTCHER D.2-1 SP LM	DISCO 144 ORIFICIOS D.2-1 SP L
32	G22230253	DISCO 26 FORI D.1,5 SP LM	DISK 26 HOLES D.1-5 SP LM	DISQUE 26 TROUS D. 1-5 SP LM	SCHEIBE 26 LTCHER D.1-5 SP LM	DISCO 26 ORIFICIOS D.1-5 SP LM
33	G22230256	DISCO 72 FORI D.4,5 SP LM	DISK 72 HOLES D.4-5 SP LM	DISQUE 72 TROUS D. 4-5 SP LM	SCHEIBE 72 LTCHER D.4-5 SP LM	DISCO 72 ORIFICIOS D.4-5 SP LM
34	G22230257	DISCO 72 FORI D.1,5 SP LM	DISK 72 HOLES D.1-5 SP LM	DISQUE 72 TROUS D. 1-5 SP LM	SCHEIBE 72 LTCHER D.1-5 SP LM	DISCO 72 ORIFICIOS D.1-5 SP LM
35	G22230287	DISCO 144 FORI D.1,5 SP LM	DISK 144 HOLES D.1-5 SP LM	DISQUE 144 TROUS D. 1-5 SP LM	SCHEIBE 144 LTCHER D.1-5 SP LM	DISCO 144 ORIFICIOS D.1-5 SP L
36	G22230288	DISCO 52 FORI D.4,25 SP LM	DISK 52 HOLES D.4-25 SP LM	DISQUE 52 TROUS D. 4-25 SP LM	SCHEIBE 52 LTCHER D.4-25 SP LM	DISCO 52 ORIFICIOS D.4-25 SP LM
37	G22230289	DISCO 26 FORI D.2,5 SP LM	DISK 26 HOLES D.2-5 SP LM	DISQUE 26 TROUS D. 2-5 SP LM	SCHEIBE 26 LTCHER D.2-5 SP LM	DISCO 26 ORIFICIOS D.2-5 SP LM
38	G22230290	DISCO 36 FORI D.2,5 SP LM	DISK 36 HOLES D.2-5 SP LM	DISQUE 36 TROUS D. 2-5 SP LM	SCHEIBE 36 LTCHER D.2-5 SP LM	DISCO 36 ORIFICIOS D.2-5 SP LM
39	G22230294	DISCO 20 FORI D.2,1 SP LM	DISK 20 HOLES D.2-1 SP LM	DISQUE 20 TROUS D. 2-1 SP LM	SCHEIBE 20 LTCHER D.2-1 SP LM	DISCO 20 ORIFICIOS D.2-1 SP LM
40	G22230296	DISCO 26 FORI D.2,1 SP LM	DISK 26 HOLES D.2-1 SP LM	DISQUE 26 TROUS D. 2-1 SP LM	SCHEIBE 26 LÖCHER D.2-1 SP LM	DISCO 26 ORIFICIOS D.2-1 SP LM
41	G22230297	DISCO 144 FORI D.0,8 SP LM	DISK 144 HOLES D.0-8 SP LM	DISQUE 144 TROUS D. 0-8 SP LM	SCHEIBE 144 LTCHER D.0-8 SP LM	DISCO 144 ORIFICIOS D.0-8 SP L
42	G22230298	DISCO 20 FORI D.0,8 SP LM	DISK 20 HOLES D.0-8 SP LM	DISQUE 20 TROUS D. 0-8 SP LM	SCHEIBE 20 LTCHER D.0-8 SP LM	DISCO 20 ORIFICIOS D.0-8 SP LM
43	G22230299	DISCO 52 FORI D.2,5 SP LM	DISK 52 HOLES D.2-5 SP LM	DISQUE 52 TROUS D. 2-5 SP LM	SCHEIBE 52 LTCHER D.2-5 SP LM	DISCO 52 ORIFICIOS D.2-5 SP LM
44	G22230300	DISCO POST.10G-3F-D2,1 SP LM	DISK POST.10G-3F-D2-1 SP LM	DISQUE ARRIERE 10G. 3 TROUS D2	HINTERSCHEIBE 10G-3L-D2-1 SP L	DISCO TRAS.10G. 3 ORIF. D2-1 S
45	G22230301	DISCO 144 FORI D.0,5 SP LM	DISK 144 HOLES D.0-5 SP LM	DISQUE 144 TROUS D. 0-5 SP LM	SCHEIBE 144 LTCHER D.0-5 SP LM	DISCO 144 ORIFICIOS D.0-5 SP L
46	G22230303	DISCO 26 FORI D.5,0 SP LM	DISK 26 HOLES D.5-0 SP LM	DISQUE 26 TROUS D. 5-0 SP LM	SCHEIBE 26 LTCHER D.5-0 SP LM	DISCO 26 ORIFICIOS D.5-0 SP LM
47	G22230304	DISCO 36 FORI D.7 LM	DISK 36 HOLES D.7 LM	DISQUE 36 TROUS D. 7 LM	SCHEIBE 36 LTCHER D.7 LM	DISCO 36 ORIFICIOS D.7 LM
48	G22230306	DISCO 12 FORI D.2,1 SP LM	DISK 12 HOLES D.2-1 SP LM	DISQUE 12 TROUS D. 2-1 SP LM	SCHEIBE 12 LTCHER D.2-1 SP LM	DISCO 12 ORIFICIOS D.2-1 SP LM
49	G22230316	DISCO 52 FORI D.3,5 SP LM	DISK 52 HOLES D.3-5 SP LM	DISQUE 52 TROUS D. 3-5 SP LM	SCHEIBE 52 LTCHER D.3-5 SP LM	DISCO 52 ORIFICIOS D.3-5 SP LM
50	G22230317	DISCO 36 FORI D.1,1 SP LM	DISK 36 HOLES D.1-1 SP LM	DISQUE 36 TROUS D. 1-1 SP LM	SCHEIBE 36 LTCHER D.1-1 SP LM	DISCO 36 ORIFICIOS D.1-1 SP LM
51	G22230318	DISCO 10 FORI D.1,5 SP LM	DISK 10 HOLES D.1-5 SP LM	DISQUE 10 TROUS D. 1-5 SP LM	SCHEIBE 10 LTCHER D.1-5 SP LM	DISCO 10 ORIFICIOS D.1-5 SP LM
52	G22230319	DISCO 20 FORI D.1,0 SP LM	DISK 20 HOLES D.1-0 SP LM	DISQUE 20 TROUS D. 1-0 SP LM	SCHEIBE 20 LTCHER D.1-0 SP LM	DISCO 20 ORIFICIOS D.1-0 SP LM
53	G22230320	DISCO 20 FORI D.1,5 SP LM	DISK 20 HOLES D.1-5 SP LM	DISQUE 20 TROUS D. 1-5 SP LM	SCHEIBE 20 LTCHER D.1-5 SP LM	DISCO 20 ORIFICIOS D.1-5 SP LM
54	G22230321	DISCO 52 FORI D.1,5 SP LM	DISK 52 HOLES D.1-5 SP LM	DISQUE 52 TROUS D. 1-5 SP LM	SCHEIBE 52 LTCHER D.1-5 SP LM	DISCO 52 ORIFICIOS D.1-5 SP LM
55	G22230322	DISCO 80 FORI D.1,5 SP LM	DISK 80 HOLES D.1-5 SP LM	DISQUE 80 TROUS D. 1-5 SP LM	SCHEIBE 80 LTCHER D.1-5 SP LM	DISCO 80 ORIFICIOS D.1-5 SP LM
56	G22230323	DISCO 100 FORI D.1,5 SP LM	DISK 100 HOLES D.1-5 SP LM	DISQUE 100 TROUS D. 1-5 SP LM	SCHEIBE 100 LTCHER D.1-5 SP LM	DISCO 100 ORIFICIOS D.1-5 SP L
57	G22230324	DISCO 120 FORI D.1,5 SP LM	DISK 120 HOLES D.1-5 SP LM	DISQUE 120 TROUS D. 1-5 SP LM	SCHEIBE 120 LTCHER D.1-5 SP LM	DISCO 120 ORIFICIOS D.1-5 SP L
58	G22230325	DISCO 160 FORI D.1,5 SP LM	DISK 160 HOLES D.1-5 SP LM	DISQUE 160 TROUS D. 1-5 SP LM	SCHEIBE 160 LTCHER D.1-5 SP LM	DISCO 160 ORIFICIOS D.1-5 SP L
59	G22230326	DISCO 180 FORI D.1,5 SP LM	DISK 180 HOLES D.1-5 SP LM	DISQUE 180 TROUS D. 1-5 SP LM	SCHEIBE 180 LTCHER D.1-5 SP LM	DISCO 180 ORIFICIOS D.1-5 SP L
60	G22230327	DISCO 20 FORI D.1,1 SP LM	DISK 20 HOLES D.1-1 SP LM	DISQUE 20 TROUS D. 1-1 SP LM	SCHEIBE 20 LTCHER D.1-1 SP LM	DISCO 20 ORIFICIOS D.1-1 SP LM
61	G22230328	DISCO 52 FORI D.2,1 SP LM	DISK 52 HOLES D.2-1 SP LM	DISQUE 52 TROUS D. 2-1 SP LM	SCHEIBE 52 LTCHER D.2-1 SP LM	DISCO 52 ORIFICIOS D.2-1 SP LM
62	G22230332	DISCO 13 FORI D.3,5 SP LM	DISK 13 HOLES D.3-5 SP LM	DISQUE 13 TROUS D.3-5 SP LM	SCHEIBE 13 LTCHER D.3-5 SP LM	DISCO 13 ORIFICIOS D.3-5 SP

TELAIO ELEMENTO

TAV. 110

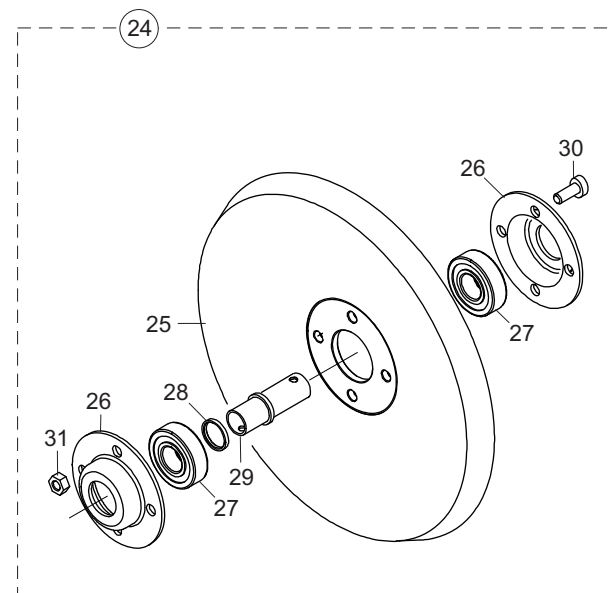
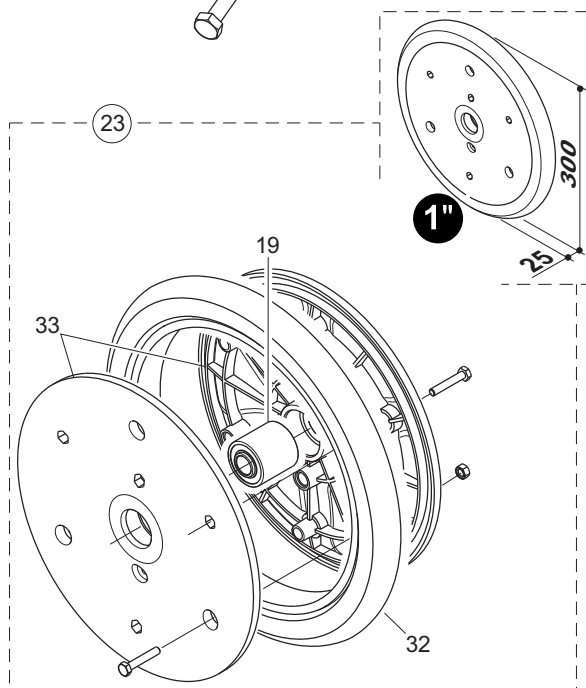
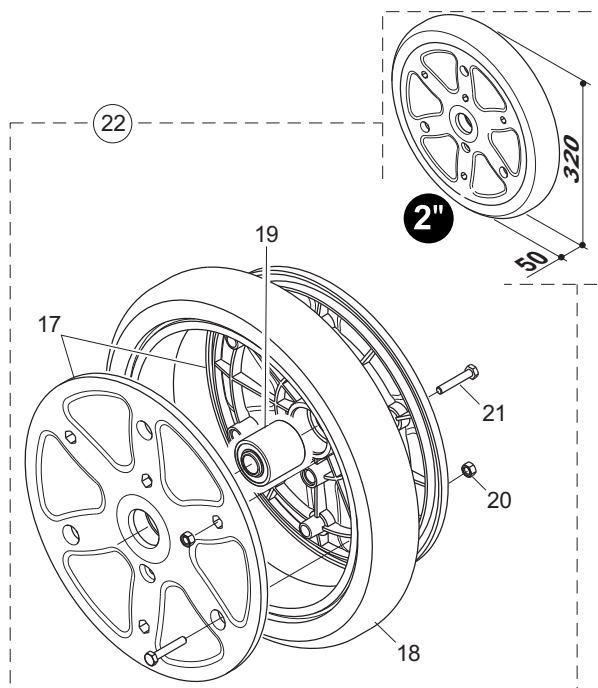
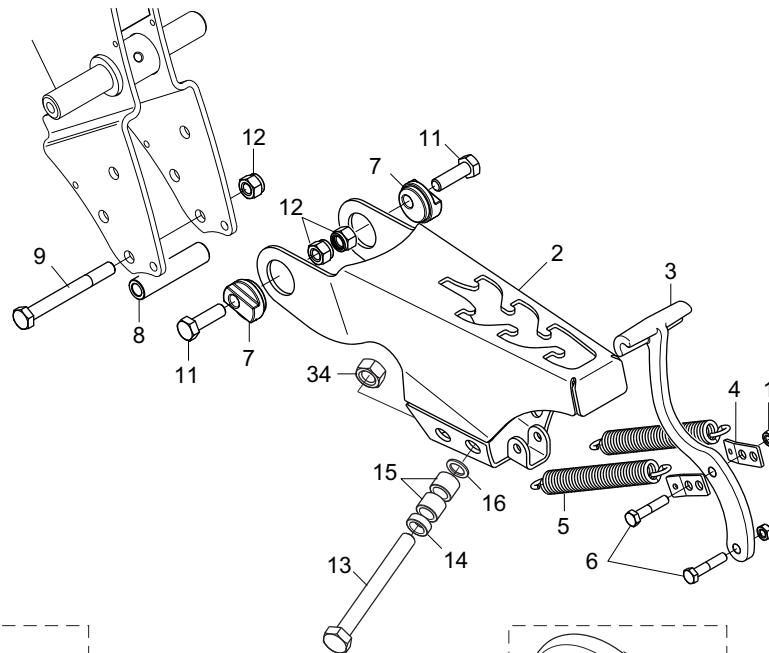
Pos.	Cod.	Descrizione	Description	Description	Benennung	Descrpcion
1	GA5220112	PIASTRA FRONTALE				
2	F01020252	VITE M16X 2X 50 U5737 8.8 ZN	SCREW M16X 2X 50 U5737 8.8 ZN	VIS M16X 2X 50 U5737 8.8 ZN	SCHRAUBE M16X2X50 U5737 8.8 ZN	TORNILLO M16X2X50 U5737 8.8 ZN
3	G17722000	BOCCOLA SINTERIZZATA 28X16.25				
4	F01230085	DADO M16X 2 D982 8 ZN	NUT M16X 2 D982 8 ZN	ECROU M16X 2 D982 8 ZN	MUTTER M16X 2 D982 8 ZN	TUERCA M16X 2 D982 8 ZN
5	F01020440	VITE M 8X1,25X25 U5739 8.8 ZN	BOLT M8X1,25X25 U5739 8.8 ZN	VIS M8X1,25X25 U5739 8.8 ZN	SCHRA. M8X1,25X25 U5739 8.8 ZN	TORNIL. M8X1,25X25 U5739 8.8 ZN
6	F01200232	DADO M 6X 1 U5588 6.8 ZN				
7	F01020225	VITE M14X 2X160 U5737 8.8 BR	SCREW M 14 X160 5737 8.G	VIS M 14 X160 5737 8.G	SCHRAUBE M 14 X160 5737 8.G	TORNILLO M 14 X160 5737 8.G
8	F01020233	VITE M14X 2X200 U5737 8.8 BR	SCREW M14X 2X200 U5737 8.8 ZB	VIS M14X2X 200 U5737 8.8 ZB	SCHRAUBE M14X 2X200 U5737 8.8	TORNILLO M14X2X200 5737 8.8 ZB
9	F01200306	DADO M14X 2 U5588 6.8 ZN	NUT M14X2	ECROU M14X2	MUTTER M14X2	DADO M14X2
10	G15110091	SCONTRO A U	STRIKER	BRIDE 150 MM	ANSCHLAG	ELEMENTO DE EMPALME
11	G20970142	RONDELLA 32X4X15,5	WASHER 32X4X15-5	RONDELLE 32X4X15-5	UNTERLEGSSCHEIBE 32X4X15-5	ARANDELA 32X4X15-5
12	G17722351	SUPPORTO BILANCIERE				
13	G17720291	BILANCIERE				
14	F01020286	VITE M16X 2X220 U5737 10.9 ZD				
15	G22230063	ELEMENTO ARTICOLATO	ARTICULATED ELEMENT	ELEMENT ARTICULE	GELENKELEMENT	ELEMENTO ARTICULADO
16	G19204000	SUPP.SPIANATERRA CORTO				
17	G15420842	TAGLIENTE	EDGE	COUTRE CHASSE-MOTTE	SCHNEIDE	FILO DE CORTE
18	G15224900	SPIANATERRA	SOIL LEVELLER	NIVELEUSE	ERDEBNER	NIVELADORA
19	F01020411	VITE M 6X 1X 35 U5739 8.8 ZN	BOLT 6 X35 5739 8.G GALVANIZ.	VIS 6 X35 5739 8.G ZN	SCHRAUBE 6 X35 5739 8.G ZN	TORNILLO 6X35 5739 8.G ZN
20	G17722712	PIATTO				
21	F01410100	ROS.M16 17X 30X 3 U6592 ZN	WASHER M16 17X30X3 U6592 ZN	RONDELLE M16 17X30X3 U6592 ZN	SCHEIBE M16 17X30X3 U6592 ZN	ARANDELA M16 17X30X3 U6592 ZN
22	G18701820	RONDELLA 16,5X25X1,0 ZN	WASHER 16.5 X 25 X 1- GALVAN.	RONDELLE 16,5 X25 X1 ZN	UNTERLEGSSCHEIBE 16,5 X25 X1 ZN	ARANDELA 16,5 X25 X1 ZN
23	F01210035	DADO M16X 2 U5593 5.8 BR	NUT 16 5593 5.8 *	ECROU 16 5593 5.8	MUTTER 16 UNI 5593 5.8 *	TUERCA 16 5593 5.8
24	F02200164	COPIGLIA 3X 30 U1336 ZN				
25	GA5220011	CORPO CENTRALE				
26	G17722800	PERNO ZN				
27	F02050034	ANELLO E. DE 15X 1 U7435 C70	ELASTIC RING DE 15X 1	BAGUE ELASTIQUE DE 15X 1	RING DE 15X 1	ANILLO DE 15X 1
28	G17722510	ASS.VITE TENSIONAMENTO ZN				
29	G22270235	MANIGLIA REGOLAZIONE B4	ADJUSTMENT HANDLE B4	POIGNEE REGLAGE B4	EINSTELLGRIFF B4	MANIJA REGULACIN B4 M
30	G18803230	BOCCOLA 15 X22 X16 ZN				
31	F01020112	VITE M10X 1,5X45 U5737 8.8 ZN	BOLT 10X45 5737 8.G GALVANIZED	VIS 10X45 5737 8.G ZN	SCHRAUBE 10X45 5737 8.G ZN	TORNILLO 10X45 5737 8.G ZN
32	F02100109	SPINA E.P. 6X 24 U6873 C70 BR	PIN EL. .6 X24 DIN 1481	FICHE EL. 6 X24 DIN 1481	SPANNSTIFT 6 X24 DIN 1481	CLAVIJA EL.6 X24 DIN 1481
33	G18903741	MOLLA FERMO MANIGL.MAGICA>2004	HANDLE STOP SPRING MAGICA 2004	RESSORT ARRET POIG.MAGICA 2004	FEDER GRIFFSPERRE MAGICA 2004	MUELLE BLOQUEO MAN. MAGICA 04
34	F02100126	SPINA E.P. 6X 60 U6873 C70 BR	PIN EL. 6 X60 U6873 C70 BR	FICHE EL. 6 X60 U6873 C70 BR	SPANNSTIFT 6 X60 U6873 C70 BR	CLAVIJA EL.6 X60 U6873 C70 BR
35	F05100193	CAPPUCCIO 5,95X19,05 GIALLO	CAP	BOUCHON	DECKEL	CORCHO
36	F01020508	VITE M12X1,75X25 U5739 8.8 ZN	SCREW M12X1,75X25 U5739 8.8 ZN	VIS M12X1,75X25 U5739 8.8 ZN	SCHR. M12X1,75X25 U5739 8.8 ZN	TORN. M12X1,75X25 U5739 8.8 ZN
37	F02250681	INSERTO FIL.M 6X14 ZN T.TONDA	THREADED INSERT M6X14 ZN	INSERT FILET+ M6X14 ZN	GEWINDEBUCHSE M6X14 ZN	INSERTO FILETT.M6X14 ZN
38	G18903140	MOLLA GUIDATUBO	PIPE GUIDE SUPPORT	RESSORT GUIDE-TUBE	FEDER ROHRFSHRUNG	MUELLE GUA TUBOS A
39	F01220033	DADO M10X 1,5 D980 8 ZN	NUT M10X 1,5 D980 8 ZN	ECROU M10X 1,5 D980 8 ZN	MUTTER M10X 1,5 D980 8 ZN	TUERCA M10X 1,5 D980 8 ZN
40	G19705280	TARGHETTA REG.SX RUOTE PROFOND	PLATE	PLAQUET	PLATTE	PLACA
41	G19705290	TARGHETTA REG.DX RUOTE PROFOND	PLATE	PLAQUET	PLATTE	PLACA
42	F01200270	DADO M10X 1,5 U5588 6.8 ZN	NUT M10X 1,5 U5588 6.8 ZN	ECROU M10X 1,5 U5588 6.8 ZN	MUTTER M10X 1,5 U5588 6.8 ZN	TUERCA M10X 1,5 U5588 6.8 ZN
43	F02250066	RIVETTO STR. 3X 9 U9200A AL	POP RIVET 3X9 ALUMINIUM	RIVET 3 X 9 ALL	REISSNIETE 3 X 9 ALU	REMACHE DESGAR. 3 X 9 AL
44	F02200226	COPIGLIA 5X 25 U1336 ZN	SPLIT PIN 5 X25 1336 GALVAN.	GOUPILLE 5 X25 1336 ZN	SPLINT 5 X25 1336 ZN	PASADOR 5 X25 1336 ZN
45	F01020397	VITE M 6X 1X 10 U5739 8.8 ZN	BOLT 6X10 5739 8.G GALVANIZED	VIS 6X10 5739 8.G ZN	SCHRAUBE 6X10 5739 8.G ZN	TORNILLO 6X10 5739 8.G ZN
46	F01430023	ROS.M10 10,5X 18X0,9 U8842J ZN	WASHER D10 DIN 6798 D.INT.ZN	RONDELLE D10 DIN 6798 D. INT.	UNT. SCHEIBE D10 DIN 6798 D.IN	ARANDELA D10 DIN 6798 D.INT.ZN
47	GA5220201	PARALLELO SUPERIORE				
48	GA5220260	BLOCCO AGGANCIO ELEMENTO				
49	GA5220151	PARALLELO INFERIORE				
50	G65337004	MOLLA TRAZ.SOLLEV. FU	TRACTION SPRING LIFT. FU	RESSORT TRACT. LEVAGE FU	ZUGFEDER HEBUNG FU	MUELLE TRAC. LEVDEL. FU
51	G18903780	MOLLA TORSIONE GANCIO SUP.	UPPER HOOK TORSION SPRING			
52	F01020436	VITE M 8X1,25X 20 U5739 8.8 ZN	SCREW M8X1,25X20 U5739 8.8 ZN	VIS M8X1,25X20 U5739 8.8 ZN	SCHRA. M8X1,25X20 U5739 8.8 ZN	TORN. M8X1,25X20 U5739 8.8 ZN
53	F01420048	ROS.M8 8,4X 24X 2 U6593 ZN	WASHER M8 8,4X 24X 2 U6593 ZN	RONDELLE M8 8,4X 24X2 U6593 ZN	SCHEIBE M8 8,4X 24X 2 U6593 ZN	ARANDELA M8 8,4X 24X2 U6593 ZN
54	F01200244	DADO M 8X1,25 U5588 6.8 ZN	NUT M8 X1,25 U5588 6.8 ZN	ECROU M8 X1,25 U5588 6.8 ZN	MUTTER M8 X1,25 U5588 6.8 ZN	TUERCA M8 X1,25 U5588 6.8 ZN
55	F01020260	VITE M16X 2X 70 U5737 8.8 ZN	SCREW M16X2X70 U5737 8.8 ZN	VIS M16X2X70 U5737 8.8 ZN	SCHRAUBE M16X2X70 U5737 8.8 ZN	TORNILLO M16X2X70 U5737 8.8 ZN



RUOTE DI PROFONDITA'

TAV. 120

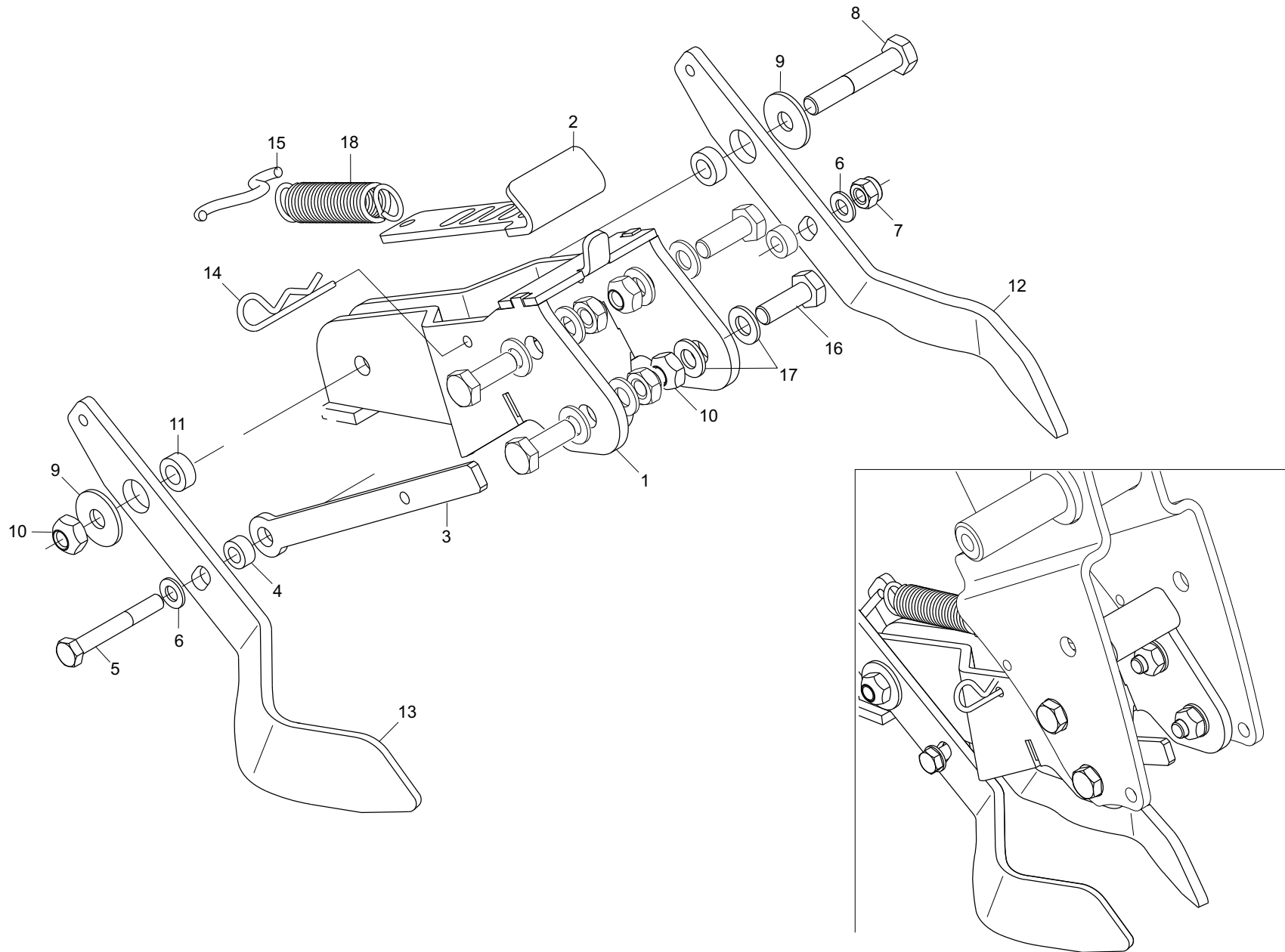
Pos.	Cod.	Descrizione	Description	Description	Benennung	Descrpcion
1	G17722471	DISCO ASSOLCATORE D.420				
2	G17722492	SUPPORTO CUSCINETTO DISCO ZN				
3	F04010094	CUSC.d20 D52 B22,2 3304 LLU				
4	G17722482	BOCCOLA				
5	F02250521	RIBATTINO TSC 6 X19,8 A/2	PACK.BLAD.MOUNT TSC 6X19,8 A/2	PAQUET RIVETS TSC 6X 19,8 A/2	PACKUNG NIETEN TSC 6X19,8 A/2	PAQU.REMACHES TSC 6X 19,8 A/2
6	F02050381	ANELLO E. DI 52X 2 U7437 C70	SEEGER RING E. 52X 2 U7437 C70	SEEGER E. 52X 2 U7437 C70	SEEGERING E. 52X 2 U7437 C70	ANILLO 52X 2 U7437 C70
7	F03011159	AN. TENUTA 30X47X7 AS				
8	G17722811	DADO M20X 2,5 SINISTRO ZN.				
9	F01200468	DADO M20X 2,5 U5589 6.8 ZN	NUT 20 5589 6.8 GALVANISED *	ECROU 20 5589 5.8 ZN *	MUTTER 20 5589 6.8 ZN *	TUERCA 20 5589 6.8 ZN
10	G19203943	TAGLIENTE INT.DISCHI				
11	F02100106	SPINA E.P. 6X 20 U6873 C70 BR	PIN 6X 20	GOUJON 6X 20	BOLZEN 6X 20	ESPINA 6X 20
12	GA5220050	ASS.RASCHIATERRA VIDIA SX				
13	GA5220310	ASS.RASCHIATERRA VIDIA DX				
14	G15225860	PROTEZIONE DISCHI	DISC PROTECTION	PROTECTION DISQUE	DISCSCHUTZ	PROTECCIN DISCO
15	G17722612	MONT.DISCO ASSOLCATORE				
16	F01020472	VITE M10X 1,5X25 U5739 8.8 ZN	BOLT 10X25 5739 8.G GALVANIZED	VIS 10X25 5739 8.G ZN	SCHRAUBE 10X25 5739 8.G ZN	TORNILLO 10X25 5739 8.G ZN
17	F01220033	DADO M10X 1,5 D980 8 ZN	NUT M10X 1,5 D980 8 ZN	ECROU M10X 1,5 D980 8 ZN	MUTTER M10X 1,5 D980 8 ZN	TUERCA M10X 1,5 D980 8 ZN
18	GA5220270	BRACCIO RUOTA SX				
19	GA5220250	BRACCIO RUOTA DX				
20	G17722830	BOCCOLA ELEM.REGINA SINTERIZ.				
21	F01100011	ING.M 6X1 7663-A 9SMNPB28 ZN	GREASE NIPPLE M6X1 7663-A ZN	GRAISS. A BILLE M6X1 7663A ZN	SCHMIERBUECHE M6X1 7663-A ZN	ENGRAS. DE ESFERAS M6X1 7663-A
22	G17723000	RASCHIATERRA DX				
23	G17723080	RASCHIATERRA SX				
24	G20970100	RONDELLA 30X0,5X22 ACC.	WASHER 30X0-5X22 ACC.	RONDELLE 30X0-5X22 ACIER	UNTERLEGSSCHEIBE 30X0-5X22 ACC.	ARANDELA 30X0-5X22 ACC.
25	G20970025	RONDELLA 25,2X2X16,5	WASHER 25-2X2X16-5	RONDELLE 25-2X2X16-5	UNTERLEGSSCHEIBE 25-2X2X16-5	ARANDELA 25-2X2X16-5
26	GA5220170	VITE M16X 2X80 SX U5737 8.8 ZN				
27	G20970085	RONDELLA 40X4X13	WASHER 40X4X13	RONDELLE 40X4X13	UNTERLEGSSCHEIBE 40X4X13	ARANDELA 40X4X13
28	F05050022	TAPPO PROTEZIONE D.58 H.16,5 >				
29	G18701880	RONDELLA DI SPINTA	WASHER	RONDELLE	UNTERLEGSSCHEIBE	ARANDELA
30	F01020047	VITE M 6X 1X 70 U5737 8.8 ZN	BOLT 6 X70 5737 8.G GALVANIZED	VIS 6 X70 5737 8.G ZN	SCHRAUBE 6 X70 5737 8.G ZN	TORNILLO 6 X70 5737 8.G ZN
31	GA5220960	RASCHIATERRA SX L.65				
32	F01410124	ROS.M20 21X 37X 3 U6592 ZN	WASHER M20 21X37X3 U6592 ZN	RONDELLE M20 21X37X3 U6592 ZN	SCHEIBE M20 21X37X3 U6592 ZN	ARANDELA M20 21X37X3 U6592 ZN
33	F01230022	DADO M 6X 1 D982 8 ZN	NORM.SELF-LOCKING NUT 6 GALVAN	ECROU AUTOB.NOR.6 ZN	SELBSTSP. MUTTER NOR.6 ZN	TUERCA AUTOB. NOR. 6 ZN
34	G18904540	MOLLA TRAZIONE ZN				
35	F01060040	BUL.M 8X1,25X 20 U5732 4.6 ZG	SCREW M8X1,25X20 U5732 4.6 ZN	VIS M8X1,25X20 U5732 4.6 ZN	SCHRA. M8X1,25X20 U5732 4.6 ZN	TORN. M8X1,25X20 U5732 4.6 ZN
36	GA5220970	RASCHIATERRA DX L.65				
37	F06120406	RUOTA PROF.TAMB.MTR CUSC.K098				
38	F06120188	COPERTURA RUOTA PROFONDITA' MT	DEPTH WHEEL COVERING MT	COUVERTURE ROUE PROFONDEUR MT	MANTEL TIEFENRAD' MT	CUBIERTA RUEDA PROFUNDIDAD MT
39	F04100150	CUSC.D16 D40 B39 WPC	BEARING D16 D40 B39 WPC			
40	F01410051	ROS.M8 8,4X 17X1,6 U6592 ZN	WASHER M8 8,4X17X1,6 U6592 ZN	RONDEL. M8 8,4X17X1,6 U6592 ZN	SCHEIBE M8 8,4X17X1,6 U6592 ZN	ARANDELA M8 8,4X17X1,6 U6592ZN
41	F01200244	DADO M 8X1,25 U5588 6.8 ZN	NUT M8 X1,25 U5588 6.8 ZN	ECROU M8 X1,25 U5588 6.8 ZN	MUTTER M8 X1,25 U5588 6.8 ZN	TUERCA M8 X1,25 U5588 6.8 ZN
42	F01230034	DADO M 8X1,25 D982 8	SELF LOCK.NUT M8X1,25 D982 8ZN	ECROU AUTOBL.M8X1,25 D982 8 ZN	SELBST.MUTT.M8X1,25 D982 8 ZN	TUERCA AUTO. M8X1,25 D982 8 ZN
43	F01020510	VITE M12X1,75X30 U5739 8.8 ZN	BOLT M 12X30	VIS M 12X30	SCHRAUBE M 12X30	TORNILLO M 12X30
44	F01410051	ROS.M8 8,4X 17X1,6 U6592 ZN	WASHER M8 8,4X17X1,6 U6592 ZN	RONDEL. M8 8,4X17X1,6 U6592 ZN	SCHEIBE M8 8,4X17X1,6 U6592 ZN	ARANDELA M8 8,4X17X1,6 U6592ZN
45	F01020440	VITE M 8X1,25X25 U5739 8.8 ZN	BOLT M8X1,25X25 U5739 8.8 ZN	VIS M8X1,25X25 U5739 8.8 ZN	SCHRA. M8X1,25X25 U5739 8.8 ZN	TORNIL. M8X1,25X25 U5739 8.8 ZN
46	F01020070	VITE M 8X1,25X45 U5737 8.8 ZN	BOLT 8 X45 5737 8.G GALVANIZED	VIS 8 X45 5737 8.G ZN	SCHRAUBE 8 X45 5737 8.G ZN	TORNILLO 8 X45 5737 8.G ZN
47	F06120189	COPERTURA FARMFLEX 400X65	COVERING FARMFLEX 400X65	COUVERTURE FARMFLEX 400X65	MANTEL FARMFLEX 400X65	CUBIERTA FARMFLEX 400X65
48	F06120410	RUOTA PROF.TAMB.MT L65 K098				
49	F01020436	VITE M 8X1,25X 20 U5739 8.8 ZN	SCREW M8X1,25X20 U5739 8.8 ZN	VIS M8X1,25X20 U5739 8.8 ZN	SCHRA. M8X1,25X20 U5739 8.8 ZN	TORN. M8X1,25X20 U5739 8.8 ZN
50	F01020406	VITE M 6X 1X 25 U5739 8.8 ZN	BOLT M6X25	VIS M6X25	SCHRAUBE M 6X25	TORNILLO M 6X25
51	F01220011	DADO M 6X 1 D980 8 ZN	NUT M6X1 D980 8 ZN	ECROU M6X1 D980 8 ZN	MUTTER M6X1 D980 8 ZN	TUERCA M6X1 D980 8 ZN
52	G19002700	PROTEZIONE FOTOCELLULA >	PHOTOCELL PROTECTION	PROTECT CAPT PHOTOC SP3-MT-MG>	SCHUTZ PHOTOZELLE	PROTECCIN FOTOCLULA PR
53	F01020422	VITE M 6X 1X 60 U5739 8.8 ZN				
54	G19002910	CONVOGLIATORE SEME PLASTICA	PLASTIC SEED CONVEYOR	CONVOYEUR GRAINE PLASTIQUE	SAMENFTRDERER PLASTIK	TRANSPORTADOR SEMILLAS DE PLAS
55	F01020262	VITE M16X 2X 80 U5737 8.8 ZN	SCREW M16X2X80 U5737 8.8 ZN	VIS M16X2X80 U5737 8.8 ZN	SCHRAUBE M16X2X80 U5737 8.8 ZN	TORNILLO M16X2X80 U5737 8.8 ZN
56	F06120419	COPPIA CERCHI RUOTA F06120406				
57	G56345120	SEMICERCHIO FE NERO 400X115	HALF RIM 400X115	DEMI-JANTE 400X115	HALBFELGE 400X115	SEMIARO 400X115
58	F06120418	COPPIA CERCHI RUOTA F06120410				



RUOTE COPRISEME POSTERIORI

TAV. 130

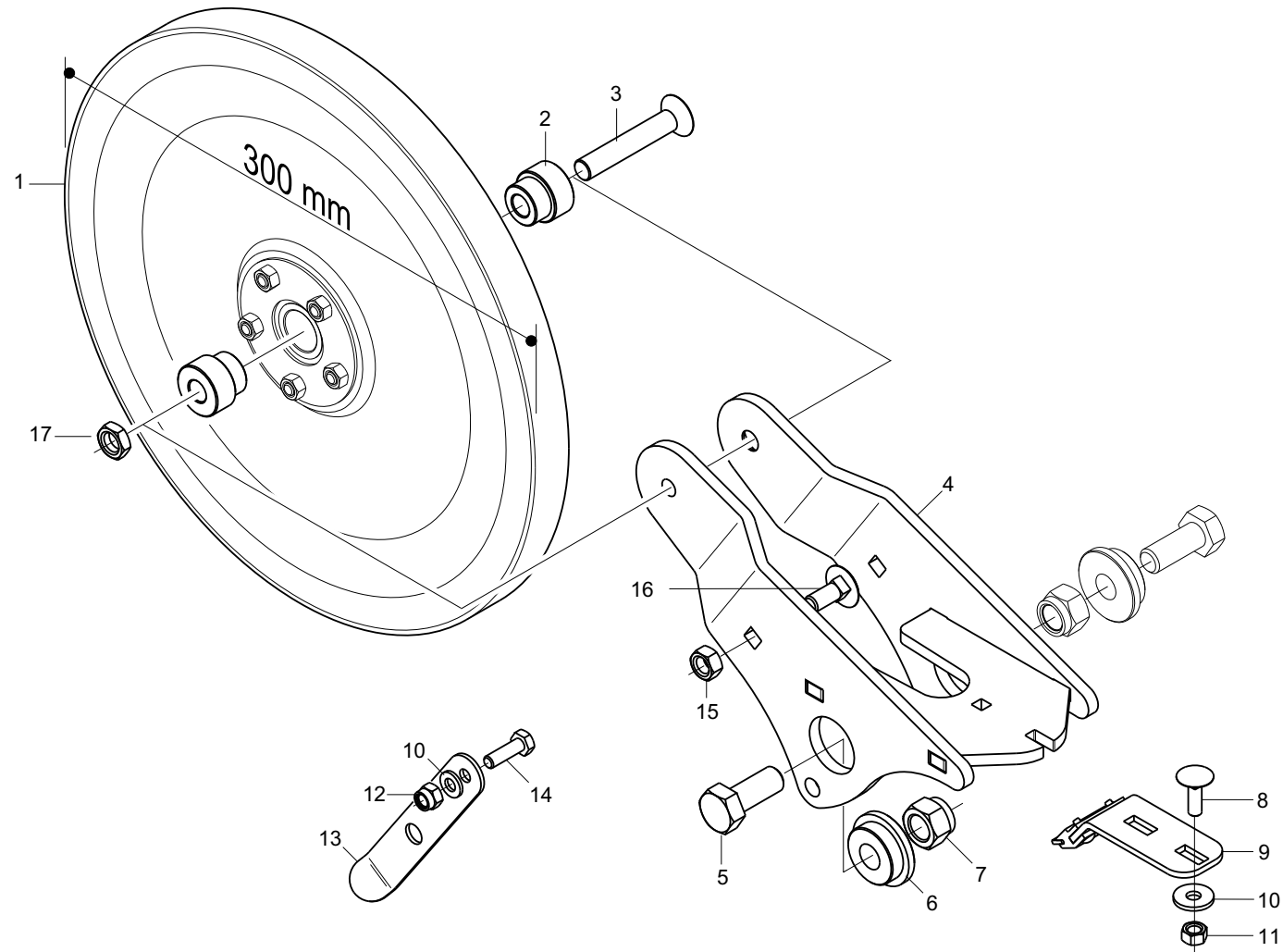
Pos.	Cod.	Descrizione	Description	Description	Benennung	Descripcion
1	F01220022	DADO M 8X1,25 D980 8 ZN	NUT M8X 1,25 D980 8 ZN	ECROU M8X 1,25 D980 8 ZN	MUTTER M8X 1,25 D980 8 ZN	TUERCA M8X 1,25 D980 8 ZN
2	GA5220401	CODINO				
3	GA5220420	MANIGLIA CODINO				
4	G17722340	ATTACCO MOLLA ZN.				
5	G18904560	MOLLA				
6	F01020068	VITE M 8X1,25X40 U5737 8.8 ZN	SCREW M8X1,25X40 U5737 8.8 ZN	VIS M 8X1,25X40 U5737 8.8 ZN	SCHRA. M8X1,25X40 U5737 8.8 ZN	TORNIL.M8X1,25X40 U5737 8.8 ZN
7	GA5220410	BOCCOLA ECCENTRICA				
8	G18803081	BOCCOLA 12,25X20 X84 ZN				
9	F01020172	VITE M12X1,75X110 5737 8.8 ZN	BOLT 12X110 5737 8.G GALVANIZ.	VIS 12X110 5737 8.G ZN	SCHRAUBE 12X110 5737 8.G ZN	TORNILLO 12X110 5737 8.G ZN
10	F01020508	VITE M12X1,75X25 U5739 8.8 ZN	SCREW M12X1,75X25 U5739 8.8 ZN	VIS M12X1,75X25 U5739 8.8 ZN	SCHR. M12X1,75X25 U5739 8.8 ZN	TORN. M12X1,75X25 U5739 8.8 ZN
11	F01020152	VITE M12X1,75X 40 5737 8.8 ZN	SCREW M12X1,75X40 U5737 8.8 ZN	VIS M12X1,75X 40 U5737 8.8 ZN	SCHR.M12X1,75X 40 U5737 8.8 ZN	TORN.M12X1,75X 40 U5737 8.8 ZN
12	F01230059	DADO M12X1,75 D982 8 ZN	NUT M12X1,75 D982 8 ZN	ECROU M12X1,75 D982 8 ZN	MUTTER M12X1,75 D982 8 ZN	TUERCA M12X1,75 D982 8 ZN
13	F01020266	VITE M16X 2X120 U5737 8.8 ZN	BOLT 16X120 5737 8.8 GALVANIZ	VIS 16X120 5737 8.8 ZN	SCHRAUBE 16X120 5737 8.8 ZN	TORNILLO 16X120 5737 8.8 ZN
14	G20980004	BOCCOLA 10X17,5X25	BUSHING 10X17.5X25	BOITE 10X17-5X25	BsCHSE 10X17-5X25	CASQUILLO 10X17-5X25
15	G20980014	BOCCOLA 16,5X16,5X25	BUSHING 16-5X16-5X25	BOITE 16-5X16-5X25	BsCHSE 16-5X16-5X25	CASQUILLO 16-5X16-5X25
16	G20970025	RONDELLA 25,2X2X16,5	WASHER 25-2X2X16-5	RONDELLE 25-2X2X16-5	UNTERLEGSSCHEIBE 25-2X2X16-5	ARANDELA 25-2X2X16-5
17	G19006291	FIANCO RUOTA				
18	G19006280	BATTISTRADA				
19	F04100150	CUSC.D16 D40 B39 WPC	BEARING D16 D40 B39 WPC			
20	F01200232	DADO M 6X 1 U5588 6.8 ZN				
21	F01020039	VITE M 6X 1X 35 U5737 8.8 ZN	BOLT 6 X35 5737 8.G GALVANIZED	VIS 6 X35 5737 8.G ZN	SCHRAUBE 6 X35 5737 8.G ZN	TORNILLO 6 X35 5737 8.G ZN
22	F06120408	RUOTA GOMMA 320X47 PLA WPS				
23	F06120412	RUOTA GOMMA 1'X12' CUSC.K098				
24	G15224790	RUOTA GHISA POST.COMPL.	COMPL. REAR CAST IRON WHEEL	ROUE FONTE ARRI+RE COMPL+TE	HINTERES GUSSEISENRAD KOMPL.	RUEDA FUNDICIÉN TRAS.COMPL.
25	G15224800	RUOTA POSTERIORE GS	REAR WHEEL	ROUE ARRIERE	HINTERRAD	RUEDA TRASERO
26	G16242190	SUPPORTO CUSCINETTO	BEARING SUPPORT	SUPPORT PALIER	LAGERBsCHSE	SOPORTE COJINETE
27	F04010156	CUSC.d20 D47 B14 6204 2RSH	BEARING D20 D47 B14 6204 2RSH			
28	G15224810	BOCCOLA 20,5X25X3	BUSH 20.5X25X3	DOUILLE 20,5X25X3	BUCHSE 20,5X25X3	MANGUITO 20,5X25X3
29	G15423850	BOCCOLA RUOTA FERRO	STEEL WHEEL BUSH	DOUILLE ROUE FER	BÜCHSE EISENRAD	BUJE RUEDA DE HIERRO
30	F01040091	VITE M 8X1,25X20 U5931 8.8 ZN	SCREW 8 X20 5931 8.G ZN	VIS 8 X20 5931 8.G ZN	SCHRAUBE 8 X20 5931 8.G ZN	TORNILLO 8 X20 5931 8.G ZN
31	F01220222	DADO TRISTOP M 8	NUT- TRISTOP M 8	ECROU TRISTOP M 8	MUTTER TRISTOP M 8	TUERCA TRISTOP M 8
32	F06120181	ANELLO IN GOMMA 1 POLLICE MT	RUBBER RING 1X12'	COUVERT FARMF ROUE COMPR 1"X12	MANTEL FARMF.R.DRUCK .MT	CUBIERTA FARMF. R. COMPR. MT
33	F06120420	COPPIA CERCHI RUOTA F06120412				



COPRISEMI ANTERIORI

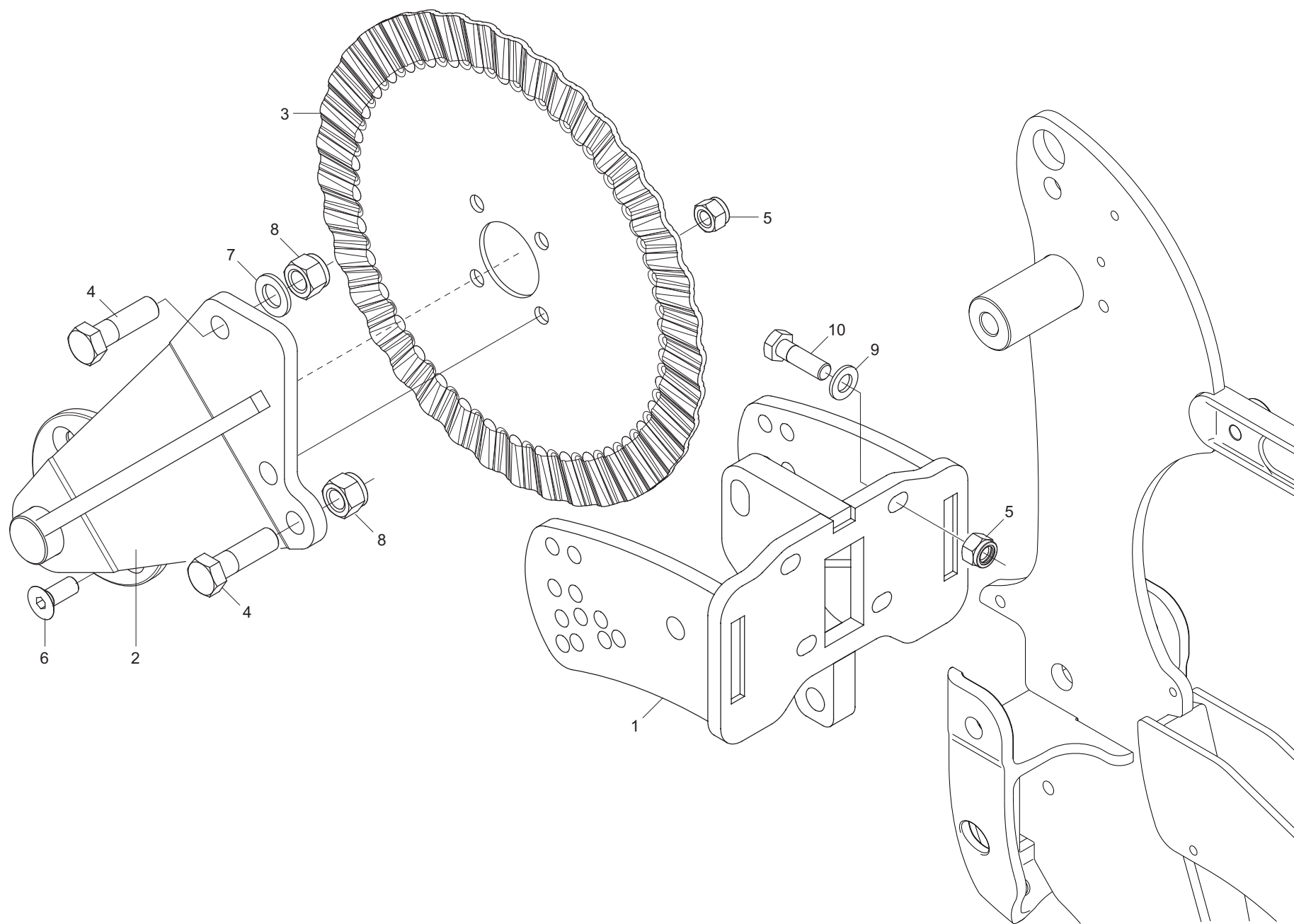
TAV. 140

Pos.	Cod.	Descrizione	Description	Description	Benennung	Descripcion
1	GA5220880	SUPPORTO COPRISEME				
2	GA5221000	PIATTO REGOLAZ.COMPRESSIONE				
3	GA5220990	ASTA FERMO CENTRALE				
4	G20980050	BOCCOLA 15X7X8,5 ZN	BUSHING 15X7X8-5 ZN	BOITE 15X7X8-5 ZN	BsCHSE 15X7X8-5 ZN	CASQUILLO 15X7X8-5 ZN
5	F01020077	VITE M 8X1,25X60 U5737 8.8 ZN	SCREW M8X1,25X60 U5737 8.8 ZN	VIS M8X1,25X60 U5737 8.8 ZN	SCHRA. M8X1,25X60 U5737 8.8 ZN	TORN. M8X1,25X60 U5737 8.8 ZN
6	F01410051	ROS.M8 8,4X 17X1,6 U6592 ZN	WASHER M8 8,4X17X1,6 U6592 ZN	RONDEL. M8 8,4X17X1,6 U6592 ZN	SCHEIBE M8 8,4X17X1,6 U6592 ZN	ARANDELA M8 8,4X17X1,6 U6592ZN
7	F01230034	DADO M 8X1,25 D982 8	SELF LOCK.NUT M8X1,25 D982 8ZN	ECROU AUTOBL.M8X1,25 D982 8 ZN	SELBST.MUTT.M8X1,25 D982 8 ZN	TUERCA AUTO. M8X1,25 D982 8 ZN
8	F01020118	VITE M10X 1,5X60 U5737 8.8 ZN	BOLT 10X60 5737 8.G GALVANIZED	VIS 10X60 5737 8.G ZN	SCHRAUBE 10X60 5737 8.G ZN	TORNILLO 10X60 5737 8.G ZN
9	F01420060	ROS.M10 10,5X 30X2,5 U6593 ZN	WASHER 10,5X30	RONDELLE 10,5X30	SCHEIBE 10,5X30	ARANDELA 10,5X30
10	F01220033	DADO M10X 1,5 D980 8 ZN	NUT M10X 1,5 D980 8 ZN	ECROU M10X 1,5 D980 8 ZN	MUTTER M10X 1,5 D980 8 ZN	TUERCA M10X 1,5 D980 8 ZN
11	G20980022	BOCCOLA 18X10,25X7	BUSHING 18X10-25X7	BOITE 18X10-25X7	BsCHSE 18X10-25X7	CASQUILLO 18X10-25X7
12	GA5220890	COPRISEME SX				
13	GA5220900	COPRISEME DX				
14	F02200363	COPIGLIA R 3X 62 ZN	SPLIT PIN R 3X62	GOUPILLE R 3X62	SPLINT R 3X62	CHAVETAR 3X62
15	G15224250	FERMO MOLLA	SPRING STOP	ARRET RESSORT	FESTSTELLVORRICHTUNG FEDER	BLOQUEO MUELLE
16	F01020476	VITE M10X 1,5X30 U5739 8.8 ZN	SCREW M10X1,5 X 30 5739 8.8 ZN	VIS M10X1,5 X 30 5739 8.8 ZN	SCHRA. M10X1,5X 30 5739 8.8 ZN	TORN. M10X1,5 X 30 5739 8.8 ZN
17	F01410062	ROS.M10 10,5X 18X 2 U6592 ZN	WASHER M10 10,5X18X2 U6592 ZN	RONDEL. M10 10,5X18X2 U6592 ZN	SCHEIBE M10 10,5X18X2 U6592 ZN	ARAND. M10 10,5X18X2 U6592 ZN
18	G65337005	MOLLA TRAZ.CAMBIO SV	TRACTION COUPLING SPRING- GEAR	RESSORT TRACT.BOITE DE VITESSE	ZUGFEDER GETRIEBE SV	MUELLE TRAC. CAMBIO SV



RUOTINO PREMISEME
TAV. 150

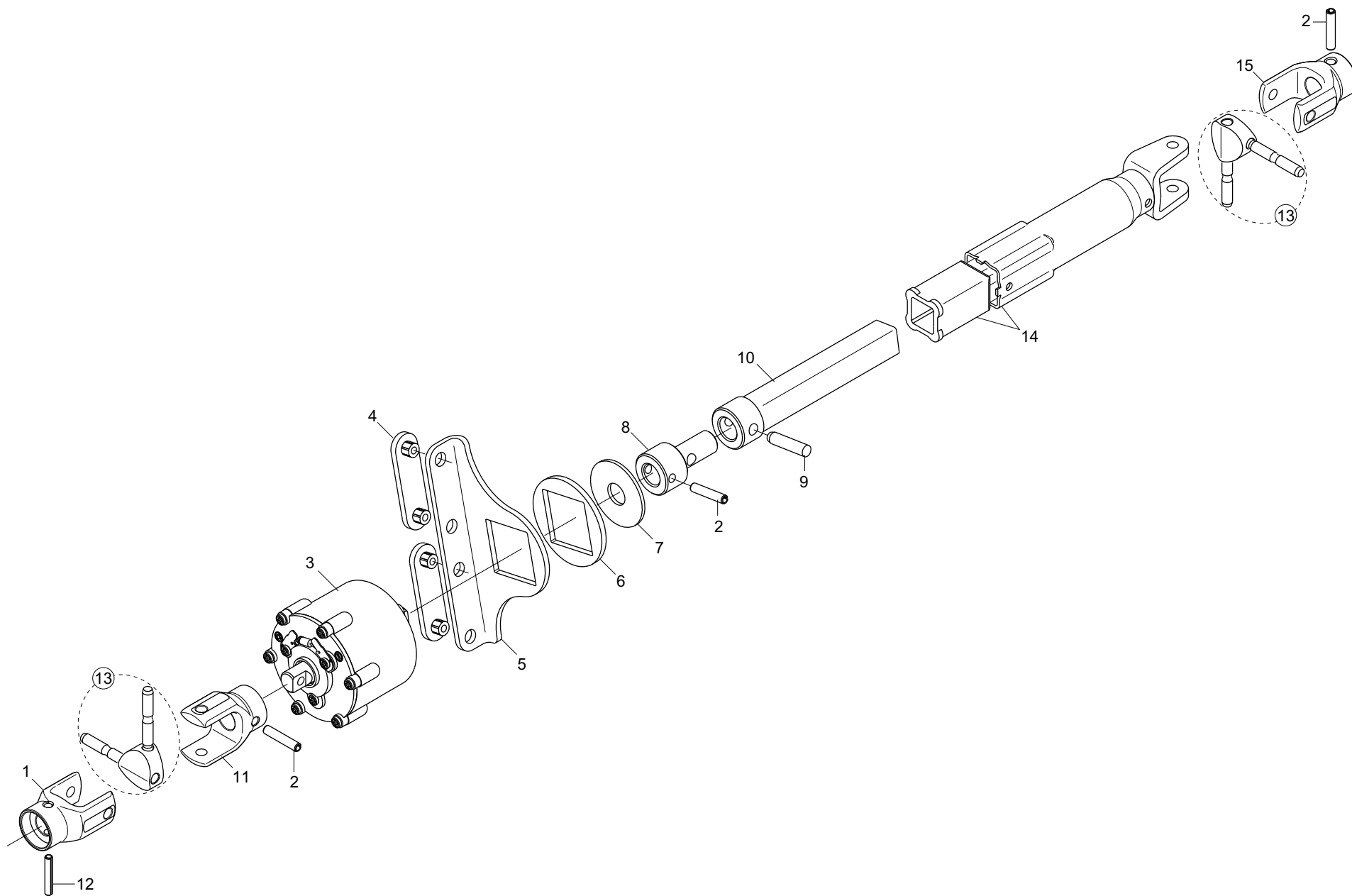
Pos.	Cod.	Descrizione	Description	Description	Benennung	Descripcion
1	G68150017	DISCO PREMISEME D.300 IX				
2	G17722940	BOCCOLA ZN				
3	F01030516	VITE M10X1,5X 60 U5933 10.9 ZD				
4	G17722600	SUPPORTO				
5	F01020512	VITE M12X1,75X35 U5739 8.8 ZN	SCREW M12X1,75X35 5739 8.8 ZN	VIS M12X1,75X35 5739 8.8 ZN	SCHR. M12X1,75X35 5739 8.8 ZN	TORN. M12X1,75X35 5739 8.8 ZN
6	G23440001	BOCCOLA PARALLELOGRAMMA	BUSHING- PARALLELOGRAM	BOITE PARALLELOGRAMME	BsCHSE PARALLELOGRAMM	CASQUILLO PARALELOGRAMA
7	F01230059	DADO M12X1,75 D982 8 ZN	NUT M12X1,75 D982 8 ZN	ECROU M12X1,75 D982 8 ZN	MUTTER M12X1,75 D982 8 ZN	TUERCA M12X1,75 D982 8 ZN
8	F01060013	BUL.M 6X 1X 20 U5732 4.6 ZN	BOLT 6X20 5732 4.6 GALVANIZED	VIS 6X20 5732 4.6 ZN	SCHRAUBE 6X20 5732 4.6 ZN	TORNILLO 6X20 5732 4.6 ZN
9	G17722950	RASCHIATERRA RUOTINI IX D300				
10	F01420036	ROS.M6 6,4X 18X 2 U6593 ZN	FLAT WASHER 6-6X 18X2 6593 ZN	ROND. PLATE 6-6X 18X2 6593 ZN	SCHEIBE 6-6X 18X2 6593 ZN	ARAND. PLANA 6-6X 18X2 6593 ZN
11	F01200232	DADO M 6X 1 U5588 6.8 ZN				
12	F01230022	DADO M 6X 1 D982 8 ZN	NORM.SELF-LOCKING NUT 6 GALVAN	ECROU AUTOB.NOR.6 ZN	SELBSTSP. MUTTER NOR.6 ZN	TUERCA AUTOB. NOR. 6 ZN
13	G17722970	LAMA ESCLUSIONE RUOTINO ZN				
14	F01020404	VITE M 6X 1X20 U5739 8.8 ZN	BOLT 6X20 5739 8.G GALVANIZED	VIS 6X20 5739 8.G ZN	SCHRAUBE 6X20 5739 8.G ZN	TORNILLO 6X20 5739 8.G ZN
15	F01200244	DADO M 8X1,25 U5588 6.8 ZN	NUT M8 X1,25 U5588 6.8 ZN	ECROU M8 X1,25 U5588 6.8 ZN	MUTTER M8 X1,25 U5588 6.8 ZN	TUERCA M8 X1,25 U5588 6.8 ZN
16	F01060040	BUL.M 8X1,25X 20 U5732 4.6 ZG	SCREW M8X1,25X20 U5732 4.6 ZN	VIS M8X1,25X20 U5732 4.6 ZN	SCHRA. M8X1,25X20 U5732 4.6 ZN	TORN. M8X1,25X20 U5732 4.6 ZN
17	F01200416	DADO M10X 1,5 U5589 6S ZN	NUT 10 UNI5589 6.8 GALVANIZED	ECROU 10 UNI 5589 6.8 ZN	MUTTER 10 UNI 5589 6.8 ZN	TUERCA 10 UNI 5589 6.8 ZN



COLTRO A DISCO STRIATO

TAV. 160

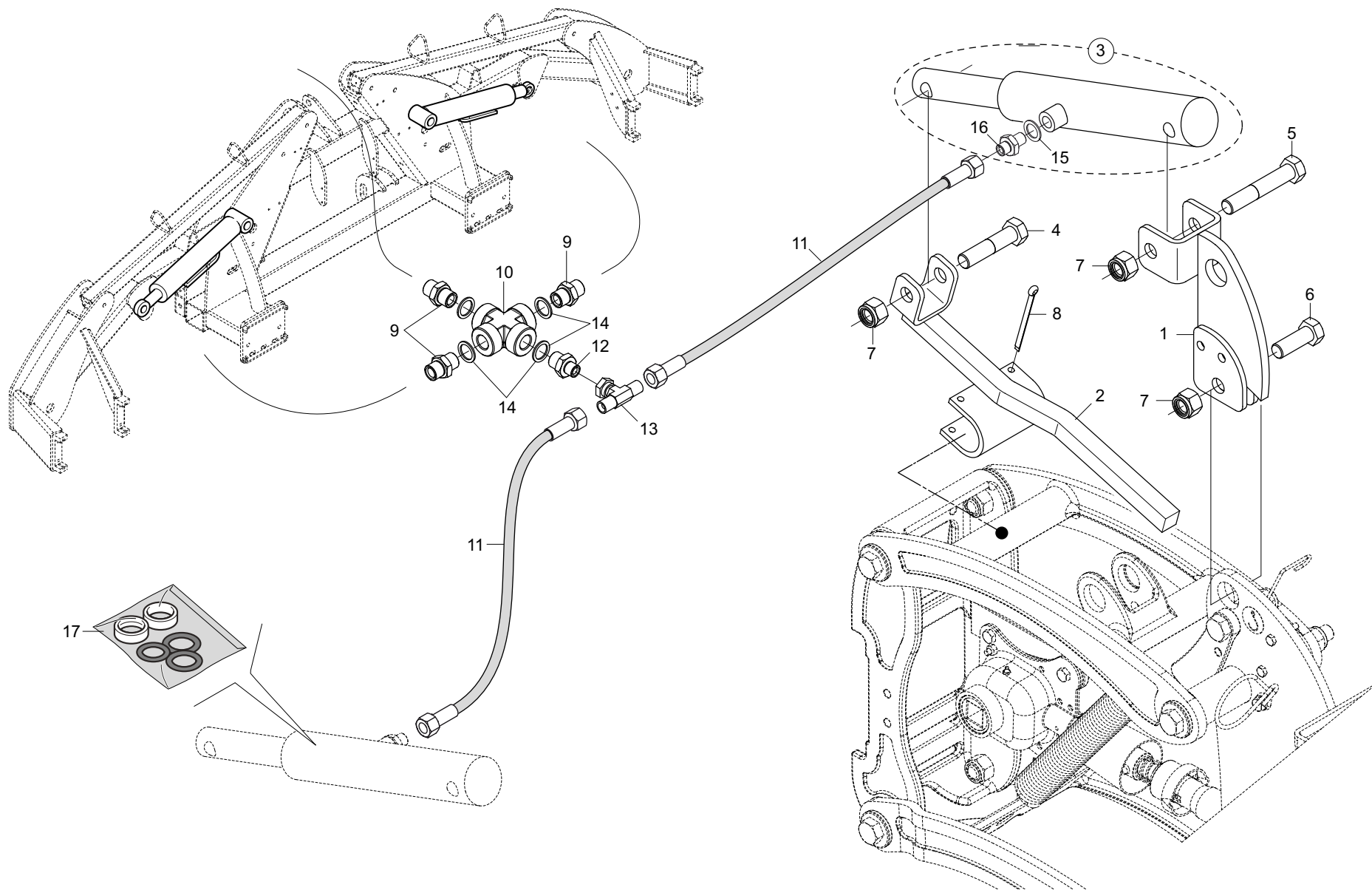
Pos.	Cod.	Descrizione	Description	Description	Benennung	Descripcion
1	GA5220650	SUPPORTO SPARTIRESIDUI				
2	GA5220660	BRACCIO DISCO APRI SOLCO				
3	GA5220130	DISCO STRIATO D.355				
4	F01020254	VITE M16X 2X 55 U5737 10.9 ZD	SCREW 16X55 5737 8.G ZN	VIS 16X55 5737 8.G ZN	SCHRAUBE 16X55 5737 8.G ZN	TORNILLO 16X55 5737 8.G ZN
5	F01230059	DADO M12X1,75 D982 8 ZN	NUT M12X1,75 D982 8 ZN	ECROU M12X1,75 D982 8 ZN	MUTTER M12X1,75 D982 8 ZN	TUERCA M12X1,75 D982 8 ZN
6	F01030107	VITE M12X1,75X30 U5933 10.9 ZD	SCREW M12X1,75X30 5933 10.9 ZN	VIS M12X1,75X30 5933 10.9 ZN	SCHR.M12X1,75X30 U5933 10.9 ZN	TORN.M12X1,75X30 5933 10.9 ZN
7	F01410100	ROS.M16 17X 30X 3 U6592 ZN	WASHER M16 17X30X3 U6592 ZN	RONDELLE M16 17X30X3 U6592 ZN	SCHEIBE M16 17X30X3 U6592 ZN	ARANDELA M16 17X30X3 U6592 ZN
8	F01230085	DADO M16X 2 D982 8 ZN	NUT M16X 2 D982 8 ZN	ECROU M16X 2 D982 8 ZN	MUTTER M16X 2 D982 8 ZN	TUERCA M16X 2 D982 8 ZN
9	F01410076	ROS.M12 13X 24X2,5 U6592 ZN	WASHER D12 U6592 ZN	RONDELLE D12 U6592 ZN	SCHEIBE D12 U6592 ZN	ARANDELA D12 U6592 ZN
10	F01020152	VITE M12X1,75X 40 5737 8.8 ZN	SCREW M12X1,75X40 U5737 8.8 ZN	VIS M12X1,75X 40 U5737 8.8 ZN	SCHR.M12X1,75X 40 U5737 8.8 ZN	TORN.M12X1,75X 40 U5737 8.8 ZN



ESCLUSIONE ELETTRICA FILE DI SEMINA

TAV. 170

Pos.	Cod.	Descrizione	Description	Description	Benennung	Descripcion
1	G19204060	FORCELLA				
2	F02100114	SPINA E.P. 6X 30 U6873 C70 BR	ELASTIC PIN 6X30	GOUJON ELASTIQUE 6X30	SPANNHUELSE 6X30	ESPINA ELASTICA 6X30
3	G16033702	DISINNESTO ELETT.EVO 180 COMPL				
4	G19003470	PATTINO DI SCORRIMENTO	SLIDING SIDE BLOCK	PATIN DE GLISSEMENT	GLEITSCHUH	PATIN DE DESPLAZAMIENTO
5	GA5220520	LAMIERA FERMO ROTAZIONE ZN				
6	G16033740	DISTANZIALE DISINNESTO ELET.ZN	UNCOUPLING ELECTRIC SPACER	ENTRETOISE DEBRAYAGE +LECT.	DISTANZST_CK AUSKUPPLUNG EL.	DISTANCIADOR DESCONEJIN EL.
7	G18701970	RONDELLA 16X48X2,5	WASHER 16X48X2,5	RONDELLE 16X48X2,5	UNTERLEGSCHIEBE 16X48X2,5	ARANDELA 16X48X2,5
8	GA5220490	PERNO ZN				
9	G66248057	SPINA DI SICUREZZA SP	SAFETY PIN SP	BROCHE PLASTIC SECURITE CARDAN	SICHERHEITSTIFT SP	CLAVIJA DE SEGURIDAD SP
10	GA5220480	INNESTO				
11	GA5220500	CROCIERA CARDANICA				
12	F02100087	SPINA E.P. 5X 30 U6873 C70 BR	PIN EL. 5 X30 DIN 1481	FICHE EL. 5 X30 DIN 1481	SPANNSTIFT 5 X30 DIN 1481	CLAVIJA EL.5 X30 DIN 1481
13	G22270454	CROCIERA COMPL. SP/S	SPIDER SP/S	CROSILLON COMPL CARDAN TRANSM	GELENKKREUZ KOMPL. SP/S	CRUCETA COMPL. SP/S
14	GA5220450	TUBO INNESTO CON FORCELLA				
15	G19204080	FORCELLA				

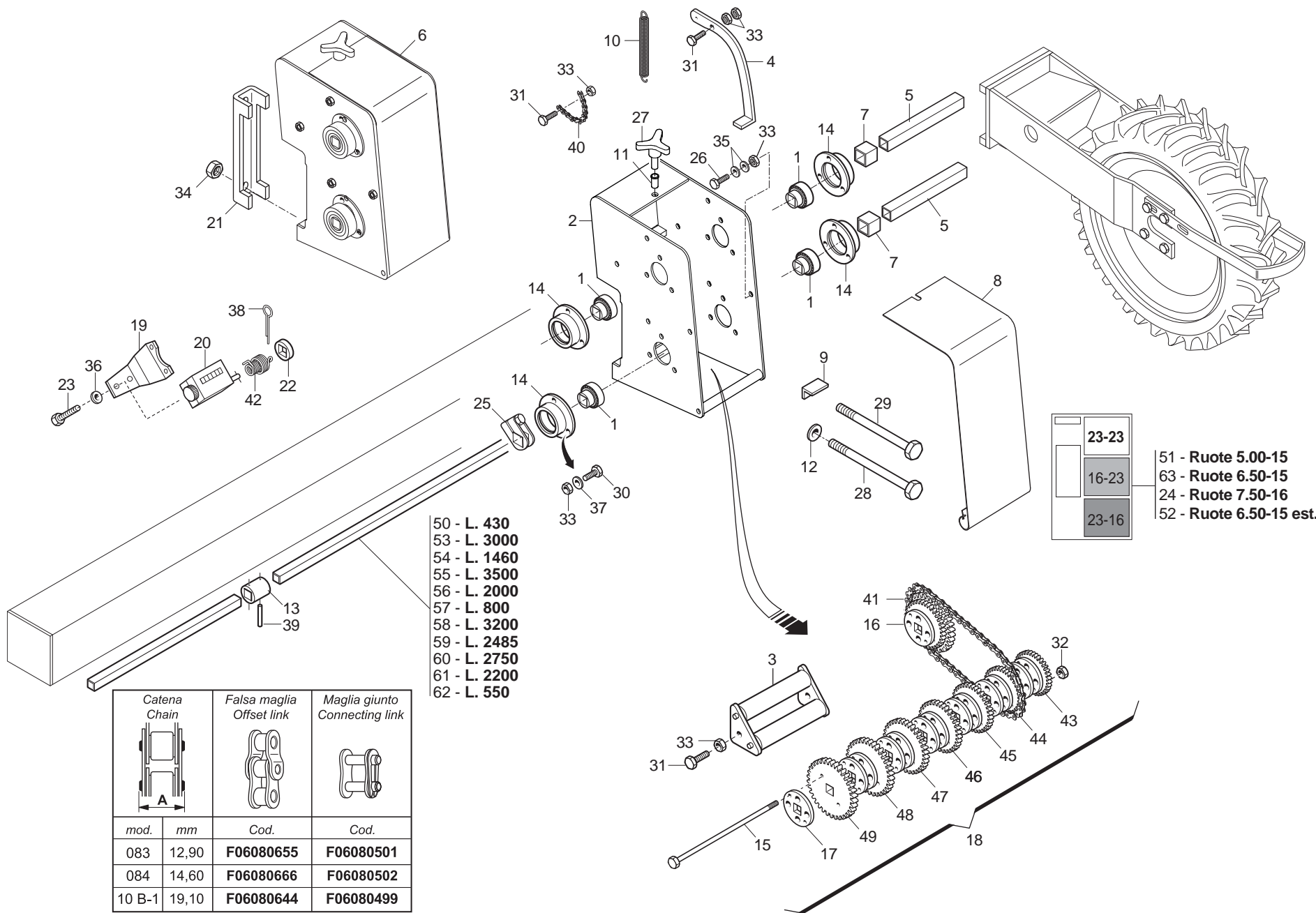


SOLLEVAMENTO OLEODINAMICO ELEMENTO SEMINATORE

TAV. 180

Pos.	Cod.	Descrizione	Description	Description	Benennung	Descripcion
1	GA5220930	PROLUNGA SOLLEVAMENTO ELEMENTO				
2	G15226630	SUPPORTO CILINDRO MOBILE				
3	G14217360	CILINDRO SEGNAF.30X40-155	ROWMARKER CYLINDER.D.30X40-155	CYLINDRE TRACEUR 30X40-155	ZYLINDER SPURREISSER.30X40-155	CILINDRO MARC.FILAS 35X40-155
4	F01020260	VITE M16X 2X 70 U5737 8.8 ZN	SCREW M16X2X70 U5737 8.8 ZN	VIS M16X2X70 U5737 8.8 ZN	SCHRAUBE M16X2X70 U5737 8.8 ZN	TORNILLO M16X2X70 U5737 8.8 ZN
5	F01020264	VITE M16X 2X 90 U5737 8.8 ZN	SCREW M16X2X90 5737 8.8 ZN	VIS M16X2X90 5737 8.8 ZN	SCHRAUBE M16X2X90 5737 8.8 ZN	TORN. M16X2X90 5737 8.8 ZN
6	F01020568	VITE M16X 2X45 U5739 8.8 ZN	BOLT M 16X 2X45 U5739 8.8 ZG	VIS M 16X 2X45 U5739 8.8 ZG	SCHRAUBE M 16X 2X45 U5739 8.8	TORNILLO M16X 2X45 U5739 8.8
7	F01230085	DADO M16X 2 D982 8 ZN	NUT M16X 2 D982 8 ZN	ECROU M16X 2 D982 8 ZN	MUTTER M16X 2 D982 8 ZN	TUERCA M16X 2 D982 8 ZN
8	F02200248	COPIGLIA 6X 80 U1336 ZN	SPLIT PIN 6 X80 1336 GALVAN.	GOUPILLE 6 X80 1336 ZN	SPLINT 6 X80 1336 ZN	PASADOR 6 X80 1336 ZN
9	F03150321	NIPPLO MM CIL-CIL 3/8-3/8 ZG	NIPPLE MM CYL-CYL 3/8-3/8 ZN	NIPPLE HH CIL-CIL 3/8-3/8 ZN	NIPPEL MM CIL-CIL 3/8-3/8 ZN	NIPLE HH CIL-CIL 3/8-3/8 ZN
10	F03151202	RACCORDO A CROCE 3/8 FEM.	CROSS CONNECTION 3/8" F.	RACCORD EN CROIX 3/8" F.	KREUZST_CK 3/8" F.	RACOR CRUCIFORME 3/8" H.
11	G15210950	TUBO 1/4 R2 C-F 1/4 L.3150	PIPE 1/4-R2 C-F 1/4 M.3150	TUBE 1/4-R2 C-F 1/4 M.3150	ROHR 1/4-R2 C-F 1/4 M.3150	TUBO 1/4-R2 C-F 1/4 M.3150
12	F03150310	NIPPLO MM CIL-CIL 3/8-1/4 ZN	NIPPLE CYL.MALE3/8-1/4 ZN	NIPPLE MALE CYL.3/8-1/4 ZN	NIPPELZYL.3/8-1/4 ZN	NIPLE MACHO CIL.3/8-1/4 ZN
13	F03151216	RACCORDO -T- CENTR.M-FG-M 1/4	UNION T M-M-F 1/4' ZN	RACCORD T M-M-F 1/4' ZN	ANSCHLUSSTsCK TM-M-F 1/4' ZN	UNIN T M-M-F 1/4' ZN R
14	F03151240	ROS. 17 X23X1,5 RAME -3/8"	COPPER WASHER 17X23X1,5 3/8"	RONDELLE CUIVRE 17X23X1,5 3/8"	SCHEIBE KUPFER 17X23X1,5 3/8"	ARADNDELA COBRE 17X23X1,5 3/8"
15	F01500012	RONDELLA IN RAME 1/4"	WASHER	RONDELLE	SCHEIBE	ARANDELA
16	G16011690	NIPPLO MM 1/4-1/4 FORO 1,0	UPRIGHT 1/4" NIPPLE WITH GRUB	MONTANT NIPPLE 1/4 AVEC GRAIN	STZNDER NIPPEL 1/4 MIT STIFT 8	MONT.NIPLE 1/4 TORNIL.SIN CABE
17	F03100191	KIT GUARNIZ.CILINDRO 15413110	CYLINDER SEAL KIT 15413110	KIT GARNITURE CYLINDRE 1541311	KIT ZYLINDERDICHTUNG 15413110	KIT JUNTA CILINDRO 15413110

TAV. 190



- 50 - L. 430
- 53 - L. 3000
- 54 - L. 1460
- 55 - L. 3500
- 56 - L. 2000
- 57 - L. 800
- 58 - L. 3200
- 59 - L. 2485
- 60 - L. 2750
- 61 - L. 2200
- 62 - L. 550

23-23
16-23
23-16

- 51 - Ruote 5.00-15
- 63 - Ruote 6.50-15
- 24 - Ruote 7.50-16
- 52 - Ruote 6.50-15 est.

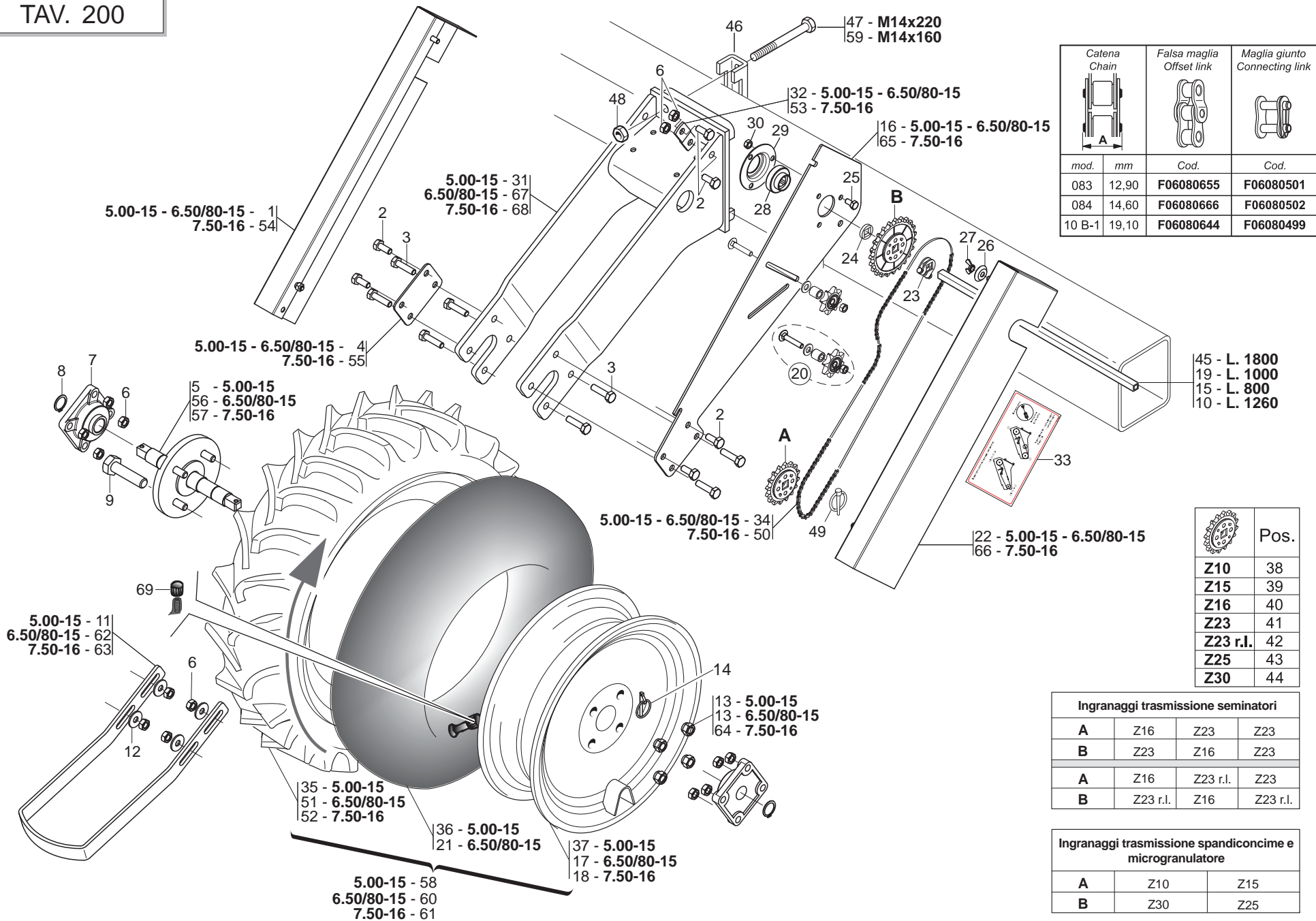
Catena Chain		Falsa maglia Offset link	Maglia giunto Connecting link
mod.	mm	Cod.	Cod.
083	12,90	F06080655	F06080501
084	14,60	F06080666	F06080502
10 B-1	19,10	F06080644	F06080499

CAMBIO

TAV. 190

Pos.	Cod.	Descrizione	Description	Description	Benennung	Descrpcion
1	G14830390	CUSCINETTO FORO QUADRO	SQUARE-HOLED BEARING	ROULEMENT AL+SAGE CARR+	VIERKANTLAGER	COJINETE ORIFICIO CUADRADO
2	G16630840	ASS.SCATOLA CAMBIO Q.150				
3	G15430321	RULLO TENDICATENA	CHAIN STRETCHER ROLLER	ROULEAU TENDEUR DE CHAINE	KETTENSPIANNROLLE	RODILLO TENSOR DE CADENA
4	G15430331	LEVA CAMBIO	GEAR LEVER	LEVIER BOITE DE VITESSE	GETRIEBEHEBEL	PALANCA DE CAMBIO
5	G15430340	ASSE INGRANAGGI L.155	GEAR SPINDLE L.155	AXE ENGRENAGES L155	ACHSE ZAHNRZDER L.122	EJE ENGRANAJES L.155
6	G16630010	SCATOLA CAMBIO Q.150 COMPL.	GEARBOX 150	BOITE DE VITESSE 150	GETRIEBEKASTEN 150	CAJA DE CAMBIO DE VELOCIDAD 15
7	G15430501	DISTANZIALE INTERNO CAMBIO	GEARBOX INNER SPACER	ENTRETOISE INT. BOITE VITESSE	INNERES DISTANZSTsCK GETRIEBE	DISTANCIADOR INTERIOR CAMBIO
8	G15430711	COPERCHIO CAMBIO	GEAR COVER	COUVERCLE BOITE DE VITESSE	GETRIEBEDECKEL	TAPA CAMBIO
9	G15431020	FERMO VITE CAMBIO	GEAR SCREW STOP	ARRET VIS BOITE DE VITESSE	FESTSTELLVORRICHH. GETRIEBESCHR	BLOQUEO TORNILLO
10	G18902970	MOLLA TRAZ.CAMBIO ZN SP	GALVAN. GEAR TRACT. SPRING SP	RESS. TRACT. BOITE VITESSE ZN	ZUGFEDER GETRIEBE ZN SP	MUELLE TRAC. CAMBIO ZN SP
11	F02250683	INSERTO FIL.M 8X17,5 ZN T.TOND	CYLINDRICAL NUT 8 TC 40	ECROU CYLINDRIQUE 8 TC 40	ZYLINDRISCHE MUTTER 8 TC 40	TUERCA CILINDRICA 8 TC 40
12	G20970142	RONDELLA 32X4X15,5	WASHER 32X4X15-5	RONDELLE 32X4X15-5	UNTERLEGSCHEIBE 32X4X15-5	ARANDELA 32X4X15-5
13	G22220085	SNODO	ARTICULATION	ARTICULATION	GELENK	ARTICULACIN A
14	G22230094	SUPPORTO CUSCINETTO	BEARING SUPPORT	SUPPORT PALIER	LAGERBsCHSE	SOPORTE COJINETE
15	G19203260	VITE M5X115 ZN	BOLT M5X115 ZN	VIS M5X115 ZN	SCHRAUBE M5X115 ZN	TORNILLO M5X115 ZN
16	G22270152	ING.Z 16-23 RUOTA-CAMBIO SP	WHEEL- GEARBOX GEARS SP	ENGR. Z 16-23 ROUE BOITE VIT.	ZAHNRAD Z 16-23 GETRIEBERAD SP	ENGRAN. Z 16-23 RUEDA-CAMBIO
17	G22270162	RINFORZO INGR.ASSE DA 20 SP	AXLE GEAR REINFORCEMENT 20 SP	RENFORC. ENGRAN. AXE DE 20 SP	VERSTZRKUNG ACHSZAHNRAD 20 SP	REFUERZO ENGRAN. EJE DE 20 SP
18	G22270163	BLOCCO CAMBIO ASSE DA 20 SP	20 CM SPINDLE GEARBOX SP	ENSEMBLE BOITE DE VITESSE	GETRIEBEBLOCK ACHSE 20 SP	BLOQUE CAMBIO EJE DE 20 SP
19	G22270217	SUPP.CONTAETT. CAMB.35 SP LM	HECTARE COUNTER GEAR SUPPORT 3	SUPPORT COMPT. D'HECT. B. VIT.	HALT. GETRIEBE HEKTARZZHLER 35	SOPORTE CONTADOR HECT. CAMB.35
20	G22270218	CONTAETTARI TEN. STAG. SP LM	HECTARE COUNTER SEAL SP LM	COMPT. D'HECT. ETANCHE SP LM	HEKTARZZHLER DICHT SP LM	CUENTA HECTAREAS ESTANCO
21	G19204030	SCONTRO FISS.150 2F D15				
22	G66248218	RONDELLA DISTAN.SPAND.	MAN. SPR. SPACER WASHER	RONDELLE ENTRETOISE EP. ENGRAN	ABSTANDSCHEIBE DsNGERSTREUER	ARANDELA DISTAN.ABONAD.
23	F01040025	VITE M 4X 0,7X10 U5931* 8.8 ZN	BOLT 4 X10 5931 8.G GALVANIZ.	VIS 4 X10 5931 8.G ZN	SCHRAUBE 4 X10 5931 8.G ZN	TORNILLO 4 X10 5931 8.G ZN
24	G19701452	DECAL.CAMBIO RUOTA 7,50-16				
25	G22505085	FERMO ASSE IN LAMIERA	PLATE AXLE STOP	ARRET AXE EN TOLE	FESTSTELLVORRICHTUNG BLECHACHS	BLOQUEO EJE DE CHAPA
26	F01060040	BUL.M 8X1,25X 20 U5732 4.6 ZG	SCREW M8X1,25X20 U5732 4.6 ZN	VIS M8X1,25X20 U5732 4.6 ZN	SCHRA. M8X1,25X20 U5732 4.6 ZN	TORN. M8X1,25X20 U5732 4.6 ZN
27	F06220018	VOLANTINO 3LOBI D.65-M8X15	3-LOBE HANDWHEEL D.65-M8X15	VOLANT 3 LOBES D.65-M8X15	HANDRAD 3 BUCKEL D.65-M8X15	VOLANTE 3 LOBI D.65-M8X15
28	F01020225	VITE M14X 2X160 U5737 8.8 BR	SCREW M 14 X160 5737 8.G	VIS M 14 X160 5737 8.G	SCHRAUBE M 14 X160 5737 8.G	TORNILLO M 14 X160 5737 8.G
29	F01020232	VITE M14X 2X200 U5737 8.8 ZN	BOLT 14X200 5737 8.G GALVANIZ.	VIS 14X200 5737 8.G ZN	SCHRAUBE 14X200 5737 8.G ZN	TORNILLO 14X200 5737 8.G ZN
30	F01020432	VITE M 8X1,25X16 U5739 8.8 ZN	BOLT M8X16	VIS M8X16	SCHRAUBE M 8X16	TORNILLO M8X16
31	F01020449	VITE M 8X1,25X35 U5739 8.8 ZN	BOLT M8X35	VIS M8X35	SCHRAUBE M 8X35	TORNILLO M8X35
32	F01200220	DADO M 5X 0,8 U5588 6.8 ZN	NUT 5 UNI 5588 6.8 GALVANIZED	ECROU 5 UNI 5588 6.8 ZN	MUTTER 5 UNI 5588 6.8 ZN	TUERCA 5 UNI 5588 6.8 ZN
33	F01200244	DADO M 8X1,25 U5588 6.8 ZN	NUT M8 X1,25 U5588 6.8 ZN	ECROU M8 X1,25 U5588 6.8 ZN	MUTTER M8 X1,25 U5588 6.8 ZN	TUERCA M8 X1,25 U5588 6.8 ZN
34	F01200306	DADO M14X 2 U5588 6.8 ZN	NUT M14X2	ECROU M14X2	MUTTER M14X2	DADO M14X2
35	F01410051	ROS.M8 8,4X 17X1,6 U6592 ZN	WASHER M8 8,4X17X1,6 U6592 ZN	RONDEL. M8 8,4X17X1,6 U6592 ZN	SCHIEBE M8 8,4X17X1,6 U6592 ZN	ARANDELA M8 8,4X17X1,6 U6592 ZN
36	F01410011	ROS.M4 4,3X 9X0,8 U6592 ZN	PLANE WASHER 4,5X 9 6592	RONDELLE 4,5X 9 6592	SCHEIBE 4,5X 9 6592	ARANDELA 4,5X 9 6592
37	F01430059	ROS.M8 8,4X 15X0,8 U8842J ZN	WASHER M8 8,4X15X0,8 U8842J ZN	ROND. M8 8,4X 15X0,8 U8842J ZN	SCHIEBE M8 8,4X15X0,8 U8842JZN	ARAND. M8 8,4X15X0,8 U8842J ZN
38	F02200228	COPIGLIA 5X 35 U1336 ZN	SPLIT PIN 5 X35 1336 GALVAN.	GOUPIILLE 5 X35 1336 ZN	SPLINT 5 X35 1336 ZN	PASADOR 5 X35 1336 ZN
39	F02100087	SPINA E.P. 5X 30 U6873 C70 BR	PIN EL. 5 X30 DIN 1481	FICHE EL. 5 X30 DIN 1481	SPANNSTIFT 5 X30 DIN 1481	CLAVIJA EL.5 X30 DIN 1481
40	F06080008	CATENA 1/2 ISO 083 16 MAGLIE	CHAIN SECTION 1/2-3/16 16 MES	TRONON CHA+NE 1/2-3/16 16 MAI	KET.ABSCHN.1/2-3/16 16 GLIEDER	TRAMO CAD.1/2-3/16 16 ESLABONE
41	F06080230	CATENA 5/8 ISO 10B 46 MAGLIE	CUT-DOWN CHAIN .ISO 10B-1 46-L	TRONCON CHAINE ISO 10B-1 46 MA	KETTENLZNGE ISO 10B-1 46 GLIE	TRECHO CADENA ISO 10B-1 46 ESL
42	G65336098	MOLLA CONTAETTARI CAMB.35 SP	HECT. COUNT. GEAR SPRING 35 SP	RESS. COMPTEUR D'HECTARES CH	FEDER HEKTARZZHLER GETRIEBE.35	MUELLE CONTADOR DE HECTAREAS C
43	G66248162	INGRANAGGIO Z-17 SP	GEAR Z-17 SP	ENGRENAGE Z-17 SP	ZAHNRAD Z-17 SP	ENGRANAJE Z-17 SP
44	G66248163	INGRANAGGIO Z-18 SP	GEAR Z-18 SP	ENGRENAGE Z-18 SP	ZAHNRAD Z-18 SP	ENGRANAJE Z-18 SP
45	G66248164	INGRANAGGIO Z-19 SP	GEAR Z-19 SP	ENGRENAGE Z-19 SP	ZAHNRAD Z-19 SP	ENGRANAJE Z-19 SP
46	G66248165	INGRANAGGIO Z-20 SP	GEAR Z-20 SP	ENGRENAGE Z-20 SP	ZAHNRAD Z-20 SP	ENGRANAJE Z-20 SP
47	G22270159	INGR. Z-21 ASSE DA 20 SP*				
48	G66248167	INGRANAGGIO Z-22 SP	GEAR Z-22 SP	ENGRENAGE Z-22 SP	ZAHNRAD Z-22 SP	ENGRANAJE Z-22 SP
49	G66248168	INGRANAGGIO Z-23 SP	GEAR Z-23 SP	ENGRENAGE Z-23 SP	ZAHNRAD Z-23 SP	ENGRANAJE Z-23 SP
50	G11430240	ASSE TRASMISSIONE L.430	TRANSMISSION AXLE L.430	AXE TRANSMISSION L430	sBERTRAGUNGSACHSE L.430	EJE TRANSMISIN L 430 A
51	G19701403	DECAL.CAMBIO RUOTA 5,00-15				
52	G19703162	DECAL.CAMBIO RUOTA 6,50-15 EST				
53	G13831520	ASSE TRASMISSIONE L.3000	TRANSMISSION AXLE L.3000	AXE TRANSMISSION L3000	sBERTRAGUNGSACHSE L.3000	EJE TRANSMISIN L 3000 A
54	G20860090	ASSE SX 5F.60 L.1460	AXLE- LEFT 5-R.60 L.1460	AXE GCH. 5 RANGEES 60 L. 1460	ACHSE LI 5R.F.60 L.1460	EJE IZQ. 5 FILA. 60 L.1460
55	G22220250	ASSE SX 6 FILE L.3500	AXLE LEFT 6-ROW L.3500	AXE GCH. 6 RANGEES L. 3500	ACHSE LINKS 6 REIHEN L.3500	EJE IZQ. 6 FILAS L.3500
56	G22230141	ASSE SEMINAT.6F.CM.80 L.2000	AXLE- 6-ROW SEEDER MACH. 80 CM	AXE SEMEUR 6 RANGEES CM. 80 L.	ACHSE SZALEMENT 6 R.CM.80 L.2	EJE SEMBR. 6 FILAS. CM.80 L.20
57	G22230142	ASSE 4 FILE L.800	4-ROW SPINDLE L.800	AXE 4 RANGEES L. 800	ACHSE 4 REIHEN B. 800	EJE 4 FILAS L.800
58	G22250031	ASSE TRASM.SEMINAT.L.3200 SV	AXLE- SEEDING MACH. GEARBOX L.	AXE ENTRAINEMENT SEMEUR L.3200	ACHSE SZELEMENTANTRIEB .L.3200	EJE TRANS.SEMBR. L.3200 SV
59	G13732200	ASSE TRASMISSIONE L.2485	TRANSMISSION AXLE L2485	AXE TRANSMISSION L.2485	sBERTRAGUNGSACHSE L.2485	EJE TRANSMISIN L 2485 A
60	G22250275	ASSE TRASM.SEMINAT.L.2750 SV	AXLE- SEEDING MACH. GEARBOX L.	AXE ENTRAINEMENT SEMEUR L. 275	ACHSE SZELEMENTANTRIEB L.2750	EJE TRANS.SEMBR. L.2750 SV
61	G22250276	ASSE TRASM.SEMINAT.L.2200 SV	AXLE- SEEDING MACH. GEARBOX L.	AXE ENTRAINEMENT SEMEUR L. 220	ACHSE SZELEMENT-ANTRIEB.L.2200	EJE TRANS.SEMBR. L.2200 SV
62	G22280071	ASSE RUOTA-CAMBIO L.550 ID	GEARBOX WHEEL AXLE L. 550 ID	AXE ROUE BOITE DE VITESSE	RADACHSE-GETRIEBE L.550 ID	EJE RUEDA-CAMBIO L.550 ID
63	G19701413	DECAL.CAMBIO RUOTA 6,50-15				

TAV. 200



Catena Chain		Falsa maglia Offset link	Maglia giunto Connecting link
mod.	mm	Cod.	Cod.
083	12,90	F06080655	F06080501
084	14,60	F06080666	F06080502
10 B-1	19,10	F06080644	F06080499

45 - L. 1800
19 - L. 1000
15 - L. 800
10 - L. 1260

	Pos.
Z10	38
Z15	39
Z16	40
Z23	41
Z23 r.l.	42
Z25	43
Z30	44

Ingranaggi trasmissione seminatori			
A	Z16	Z23	Z23
B	Z23	Z16	Z23
A	Z16	Z23 r.l.	Z23
B	Z23 r.l.	Z16	Z23 r.l.

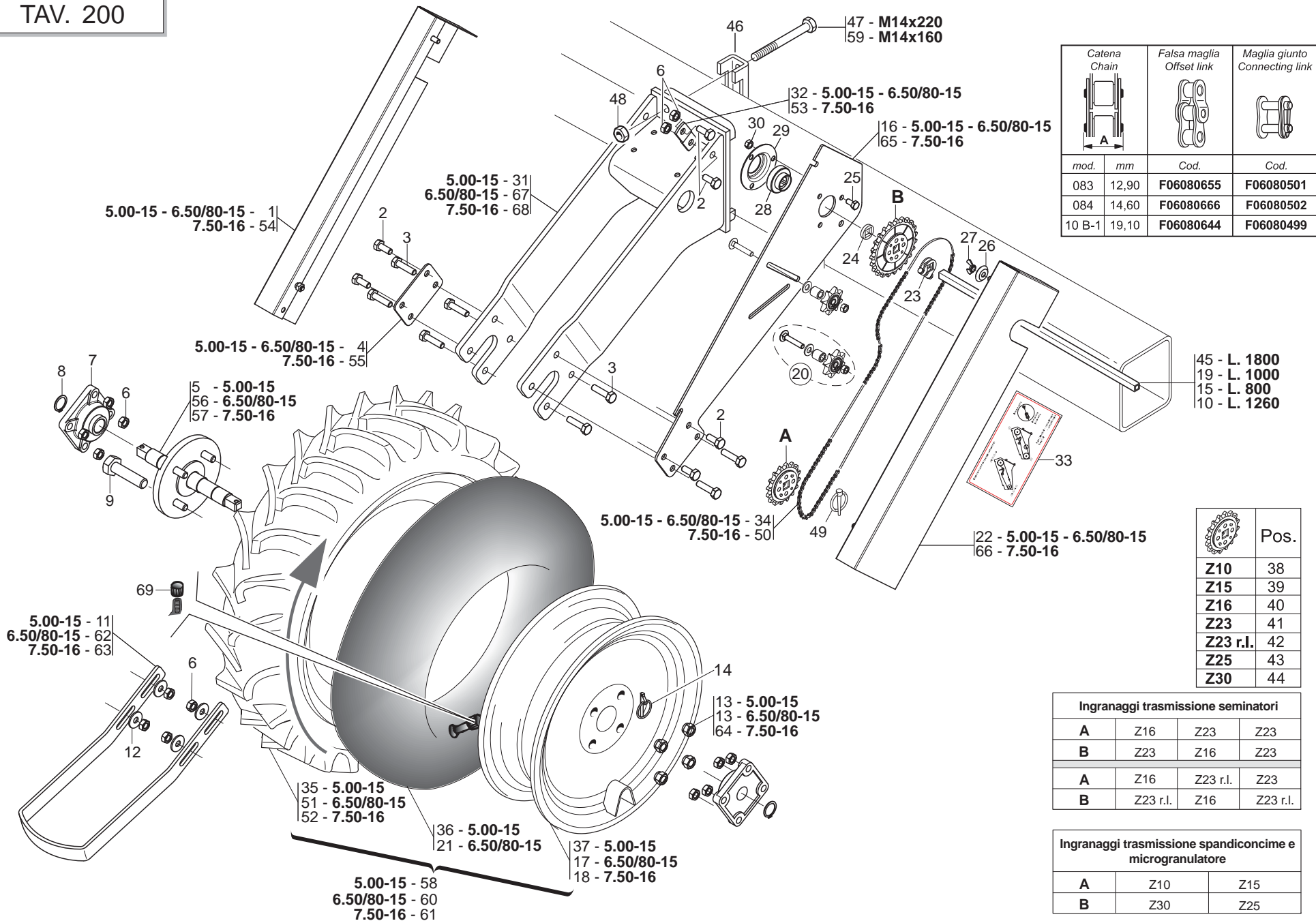
Ingranaggi trasmissione spandiconcime e microgranulatore		
A	Z10	Z15
B	Z30	Z25

RUOTE DI TRASMISSIONE

TAV. 200

Pos.	Cod.	Descrizione	Description	Description	Benennung	Descripcion
1	G16630360	CARTER SX	LEFT CASE	CARTE GCH	GEHZUSE LI	CARTER IZQ
2	F01020472	VITE M10X 1,5X25 U5739 8.8 ZN	BOLT 10X25 5739 8.8 GALVANIZED	VIS 10X25 5739 8.8 G ZN	SCHRAUBE 10X25 5739 8.8 G ZN	TORNILLO 10X25 5739 8.8 G ZN
3	F01020483	VITE M10X 1,5X40 U5739 10.9 ZD	BOLT 10X40 5739 10.9 GALVANIZ.	VIS 10X40 5739 10.9 ZN	SCHRAUBE 10X40 5739 10.9 ZN	TORNILLO 10X40 5739 10.9 ZN
4	G16630380	SCONTRIO 100X70-3 4F11 70X40	STRIKER PLATE 100X70-3 4F	BUTEE 100X70-3 4F	ANSCHLAG 100X70-3 4F	ELEMENTO DE EMPALME 100X70-3 4F
5	G22270280	ASSE RUOTA TRASM.NORMALE SP/S	NORMAL DRIVE WHEEL AXLE	AXE ROUE ENTRAINEMENT 5.00-15	RADACHSE NORMALER ANTRIEB SP/S	EJE RUEDA TRANS. NORMAL SP/S
6	F01200270	DADO M10X 1,5 U5588 6.8 ZN	NUT M10X 1.5 U5588 6.8 ZN	ECROU M10X 1,5 U5588 6.8 ZN	MUTTER M10X 1,5 U5588 6.8 ZN	TUERCA M10X 1,5 U5588 6.8 ZN
7	F04100137	SUPPORTO FY 25 TF	SUPPORT FY 25 TF	SUPPORT FY 25 TF	HALTERUNG FY 25 TF	SOPORTE FY 25 TF
8	F02050101	ANELLO E. DE 25X 1,2 U7435 C70	SEEGER RING E. 25X1,2 7435 C70	SEEGER E. 25X 1,2 U7435 C70	SEEGERING E. 25X 1,2 U7435 C70	ANILLO E. 25X 1,2 U7435 C70
9	F01010365	VITE M18X1,5X 50 U5740 8.8 ZN	SCREW 18X55 MB 5740 8.8 G ZN	VIS 18X55 MB 5740 8.8 G ZN	SCHRAUBE 18X55 MB 5740 8.8 G ZN	TORNILLO 18X55 MB 5740 8.8 G ZN
10	G22230284	ASSE 2 FILE L.1230 *				
11	G15430090	RASCHIATERRA	SOIL SCRAPER	RACLEUR	ERDSCHABER	RASCADOR TIERRA
12	F01420060	ROS.M10 10,5X 30X2,5 U6593 ZN	WASHER 10,5X30	RONDELLE 10,5X30	SCHIBE 10,5X30	ARANDELA 10,5X30
13	F01250040	DADO COLON. 12X1.5 ZN	COLUMN NUT M12X1.5 STUD BOLT	ECROU M12X1. 5 COLONNE	SCHRAUBBOLZNUTTER M12X1.5	TUERCA 12X1.5 COLUMNA
14	F02200452	SPINA SCATTO D.4,4 B/80 ZN	SNAP PIN D4,4 B/80 ZN	FICHE A DETENTE D4,4 B/80 ZN	EINRASTSTIFT D4,4 B/80 ZN	CLAVIJA DE MUELLE D4,4 B/80 ZN
15	G22230142	ASSE 4 FILE L.800	4-ROW SPINDLE L.800	AXE 4 RANGEES L. 800	ACHSE 4 REIHEN B. 800	EJE 4 FILAS L.800
16	G16630311	SUPPORTO TRASMISSIONE SP540				
17	F06120207	CERCHIO 5J 15 H2 PV RAL 9001				
18	F06120208	CERCHIO 7.50-16 PV TU	RING 7.50-16 PV TU	JANTE 7.50-16 PV TU	REIFEN 7.50-16 PV TU	LLANTA 7.50-16 PV TU
19	G22230138	ASSE CAMBIO 4F.80-6F.45 L.1000	GEAR SPINDLE 4-ROW 80- 6-ROW.4	AXE BOITE DE VITESSE 4 RA	GETRIEBEACHSE 4 R. 80-6 R.45 L	EJE CAMBIO 4 FILAS. 80-6 FILAS
20	G16630810	KIT INGR.Z8 5/8"X3/8" CUSC.	GEARS KIT Z8 5/8"X3/8"			
21	F06120135	CAMERA 15 T 340	CHAMBER 15 T 340	CHAMBRE 15 T 340	KAMMER 15 T 340	CAMARA 15 T 340
22	G16630350	CARTER DX	RIGHT CASE	CARTER DRT	GEHZUSE RE	CARTER DER
23	G22505085	FERMO ASSE IN LAMIERA	PLATE AXLE STOP	ARRET AXE EN TOLE	FESTSTELLVORRICHTUNG BLECHACHS	BLOQUEO EJE DE CHAPA
24	G66248218	RONDELLA DISTAN.SPAND.	MAN. SPR. SPACER WASHER	RONDELLE ENTRETOISE EP. ENGRAI	ABSTANDSCHEIBE DsNGERSTREUER	ARANDELA DISTAN.ABONAD.
25	F01020432	VITE M 8X1,25X16 U5739 8.8 ZN	BOLT M8X16	VIS M8X16	SCHRAUBE M 8X16	TORNILLO M 8X16
26	G22220083	RONDELLA AD IMBOCCO	LEAD-IN WASHER	RONDELLE EMBOUTIE	TRICHTERSCHEIBE	ARANDELA DE MUESCA
27	F01240024	DADO M 8X1,25 U5448 5.8 ZN	NUT 8 UNI 5448 5.8 ZN	ECROU 8 UNI 5448 5.8 ZN	MUTTER 8 UNI 5448 5.8 ZN	TUERCA 8 UNI 5448 5.8 ZN
28	G14830390	CUSCINETTO FORO QUADRO	SQUARE-HOLED BEARING	ROULEMENT AL+SAGE CARR+	VIERKANTLAGER	COJINETE ORIFICIO CUADRADO
29	G22230094	SUPPORTO CUSCINETTO	BEARING SUPPORT	SUPPORT PALIER	LAGERBSCHSE	SOPORTE COJINETE
30	F01220022	DADO M 8X1,25 D980 8 ZN	NUT M8X 1,25 D980 8 ZN	ECROU M8X 1,25 D980 8 ZN	MUTTER M8X 1,25 D980 8 ZN	TUERCA M8X 1,25 D980 8 ZN
31	G16630290	SUPPORTO RUOTA 5,00-15	WHEEL SUPPORT 5,00-15	SUPPORT ROUE 5,00-15	RADLAGER 5,00-15	SOPORTE RUEDA 5,00-15
32	G16630320	ATTACCO AL SUPPORTO RUOTA ZN	SUPP. WHEEL COUPLING	FIXATION SUPPORT ROUET	KUPPLUNG HALT. KL. RAD	CONEXIN SOP. RUEDECILLA
33	G19704690	DECAL.DISP.CATENE/INGR.R.POST.	STICKER	DECALCOMANIE	ABZIEHBILDER	CALCOMANIAS
34	F06080168	CATENA 5/8 ISO 10B 86 MAGLIE	CUT-DOWN CHAIN .ISO 10B-1 86 -	TRONCON CHAINE ISO 10B-1 86 MA	KETTENLNZGE ISO 10B-1 186 GLIE	TRECHO CADENA ISO 10B-1 86 ESL
35	F06120170	COPERTURA 5.00-15 IM 110 6PR	COVERING 500-15 IM110 4PR	COUVERTURE 500-15 IM110 4PR	MANTEL 500-15 IM110 4PR	CUBIERTA 500-15 IM110 4PR
36	F06120134	CAMERA 15 L 290	CHAMBER 15 L 290	CHAMBRE 15 L 290	KAMMER 15 L 290	CAMARA 15 L 290
37	F06120206	CERCHIO 3.00 D 15 PV RAL 9001				
38	G22220113	INGRANAGGIO Z-10 FERRO	GEAR Z-10 IRON	ENGRENAGE Z-10 FER	ZAHNRAD Z-10 EISEN	ENGRANAJE Z-10 HIERRO
39	G16630390	PIGNONE Z15 5/8-3/8 Q.16,4 ZN	PINION Z-15 ZN	PIGNON Z-15 ZN	RITZE Z-15 ZN	PINION Z-15 ZN
40	G16630400	PIGNONE Z-16 ZN.	PINION Z-16 ZN.	PINION Z-16 ZN.	RITZE Z-16 ZN.	PINION Z-16 ZN.
41	G16630410	PIGNONE Z-23 ZN.	PINION Z-23 ZN.	PIGNON Z-23 ZN.	RITZE Z-23 ZN.	PINION Z-23 ZN.
42	G16630370	INGRANAGGIO R.LIBERA Z-23 ZN	FREE WHEEL GEAR Z-23	ENGRENAGE Z-23 ROUE LIBRE	ZAHNRAD FREILAUF Z-23	ENGRANAJE R.LIBRE Z-23
43	G16630420	PIGNONE Z-25 ZN.	PINION Z-25 ZN.	PIGNON Z-25 ZN.	RITZE Z-25 ZN.	PINION Z-25 ZN.
44	G16630430	PIGNONE Z-30 ZN.	PINION Z-30 ZN.	PIGNON Z-30 ZN.	RITZE Z-30 ZN.	PINION Z-30 ZN.
45	G20870028	ASSE SERB.LATO TRAS.6F.L.1800	AXLE- GEARBOX SIDE- 6-ROW L.18	AXE RESERVOIR COTE ENTRAINEMEN	ACHSE BEHZLTER ANTRIEBSS. 6F.L	EJE DEPS. LADO TRANS. 6 FILA A
46	G19204030	SCONTRIO FISS.150 2F D15				
47	F01020236	VITE M14X 2X220 U5737 8.8 BR	SCREW M14X2X220 U5737 8.8 BR	VIS M14X2X220 U5737 8.8 BR	SCHRAUBE M14X2X220 U5737 8.8	TORNILLO M14X2X220 U5737 8.8
48	F01200306	DADO M14X 2 U5588 6.8 ZN	NUT M14X2	ECROU M14X2	MUTTER M14X2	DADO M14X2
49	F02200452	SPINA SCATTO D.4,4 B/80 ZN	SNAP PIN D4,4 B/80 ZN	FICHE A DETENTE D4,4 B/80 ZN	EINRASTSTIFT D4,4 B/80 ZN	CLAVIJA DE MUELLE D4,4 B/80 ZN
50	F06080245	CATENA 5/8 ISO 10B 94 MAGLIE				
51	F06120180	COPERTURA 6.5/80-15 IM 110 6PR	COVERING 6.5/80-15 IM 110 2PR	COUVERTURE 6.5/80-15 IM110 4PR	MANTEL .5/80-15 IM 110 2PR	CUBIERTA 6.5/80-15 IM 110 2PR
52	F06120400	COPERTURA 7.50-16 IM110 8PR TU	COVERING 7.50-16 IM110 8PR TU	COUVERTURE 7.50-16 IM110 8PR T	MANTEL 7.50-16 IM110 8PR TU	CUBIERTA 7.50-16 IM110 8PR TU
53	G15231330	ATTACCO AL SUPPORTO RUOTA ZN	SUPP. WHEEL COUPLING	FIXATION SUPPORT ROUET	KUPPLUNG HALT. KL. RAD	CONEXIN SOP. RUEDECILLA
54	G15231321	CARTER SX 7.50				
55	G22270284	ATTACCO RASCHIATERRA SP/S	SOIL SCRAPER COUPLING SP/S	FIXATION RACLEUR SP/S	KUPPLUNG ERDABSCHABER SP/S	CONEXIN RASPADOR SP/S O

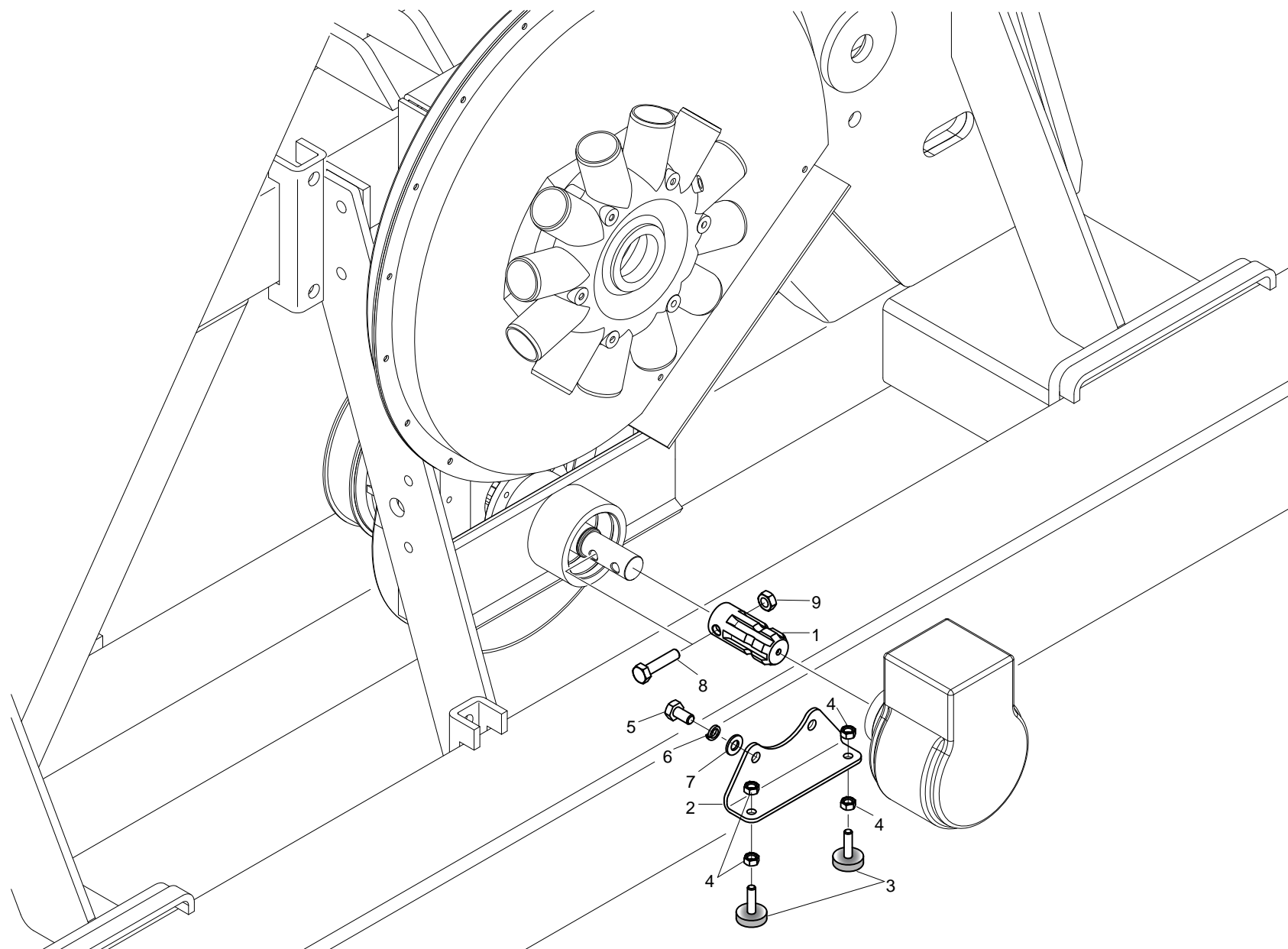
TAV. 200



RUOTE DI TRASMISSIONE

TAV. 200

Pos.	Cod.	Descrizione	Description	Description	Benennung	Descripcion
56	G22270281	ASSE RUOTA TRASM.MAGG. SP/S	INCREASED DRIVE WHEEL AXLE	AXE ROUE ENTRAINEMENT 6.50-15	RADACHSE sBERBEM. ANTRIEB SP/S	EJE RUEDA TRANS. SOBREDIMENS.
57	G15231161	ASSE RUOTA 7.50 X 16				
58	F06120113	RUOTA COMPL.5.00-15 6PR DX	COMPL. WHEEL 5.00-15 6PR RH.	ROUE COMPL. 5.00-15 6PR DRT.	RAD KOMPL.5.00-15 6PR RE	RUEDA COMPL.5.00-15 6PR DER.
59	F01020225	VITE M14X 2X160 U5737 8.8 BR	SCREW M 14 X160 5737 8.G	VIS M 14 X160 5737 8.G	SCHRAUBE M 14 X160 5737 8.G	TORNILLO M 14 X160 5737 8.G
60	F06120116	RUOTA 6.50/80-15 COMPL.	UPRIGHT- WIDE RUBBERED WHEEL	MONT. ROUE CAOUTCHOUT. LARG.	STZNDER BREITES GUMMIRAD	MONT.RUEDA DE GOMADA LARGA
61	F06120069	RUOTA 7.50-16 AG 10	WHEEL 7.50-16 AG10	ROUE 7.50-16 AG10	RAD 7.50-16 AG10	RUEDA 7.50-16 AG10
62	G15430660	RASCHIATERRA MAGGIORATO SP 530	INCREASED SOIL-SCRAPER SP 530	RACLEUR MAJOR. SP 530	sBERGROSSER ERDSCHABER SP 530	RASCADOR TIERRA OBREDIMENS. SP
63	G15231171	RASCHIATERRA RUOTA 7,50X16	WHEEL SOIL SCRAPER 7,50X16	RACLEUR ROUE 7,50X16	ERDSCHABER RAD 7,50X16	RASCADOR TIERRA RUEDA 7,50X16
64	F01250052	DADO COLON. 18X1,5 ZN	COLUMN NUT M18X1,5 ZN	ECROU M18X1,5 COLONNE ZN	MUTTER COLON. M18X1,5 ZN	TUERCA M18X1,5 COLUMNA ZN
65	G15231421	SUPPORTO TRASMISSIONE R.7.5-16	TRANSMSUPPORT 7,50X16	SUPPORT ENTRAINEMENT 7,50X16	HALTERUNG GETRIEBE 7,50X16	SOPORTE TRANSMISIN 7,50X16
66	G15231301	CARTER DX 7.50				
67	G16630300	SUPPORTO RUOTA 6,50/80-15	WHEEL SUPPORT 6,50/80-15	SUPPORT ROUE 6,50/80-15	RADLAGER 6,50/80-15	SOPORTE RUEDA 6,50/80-15
68	G15231141	SUPPORTO RUOTA 7.50	WHEEL SUPPORT 7.50	SUPPORT ROUE 7.50	RADLAGER 7.50	SOPORTE RUEDA 7.50
69	F05050025	CAPPELOTTO PROTEZ. X VALV.PVC				

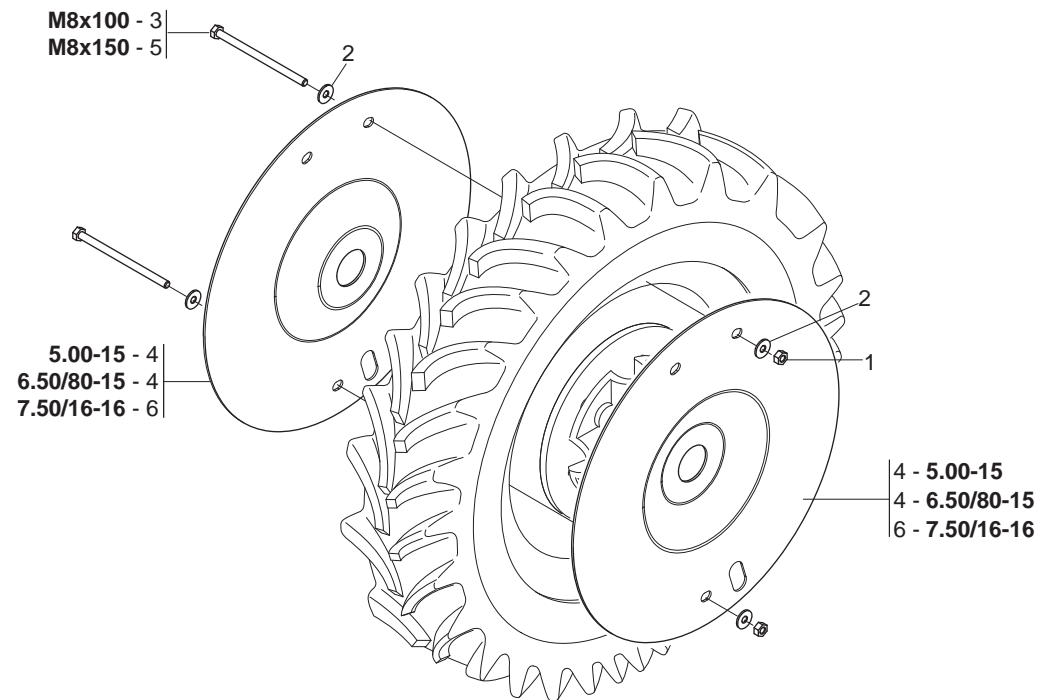


PRESA DI POTENZA POSTERIORE

TAV. 210

Pos.	Cod.	Descrizione	Description	Description	Benennung	Descripcion
1	G14218970	PROLUNGA PRESA DI FORZA POST.	REAR POWER T/OFF EXTENSION	RALLONGE P.R.F. ARRIERE	VERLZNGERUNG HINTERER P.D.P.	PROLONGACIËN T.D.P. TRASERA
2	G14218960	SUPPORTO MOLTIPLICATORE	OVERGEAR SUPPORT	SUPPORT MULTIPLIQUEUR	HALTERUNG_BERSETZER	SOPORTE MULTIPLICADOR
3	G16242560	PARACOLPI 30X8 M8X30	BUFFER 30X8 M8X30	PARE-CHOCS 30X8 M8X30	STOSSDZMPFER 30X8 M8X30	PARAGOLPES 30X8 M8X30
4	F01200244	DADO M 8X1,25 U5588 6.8 ZN	NUT M8 X1,25 U5588 6.8 ZN	ECROU M8 X1,25 U5588 6.8 ZN	MUTTER M8 X1,25 U5588 6.8 ZN	TUERCA M8 X1,25 U5588 6.8 ZN
5	F01020470	VITE M10X 1,5X20 U5739 8.8 ZN	BOLT M 10X20	VIS M 10X20	SCHRAUBE M 10X20	TORNILLO M 10X20
6	F01480220	RONDELLA D10 UNI 1751 ZN	WASHER D10 UNI 1751 ZN	RONDELLE D10 UNI 1751 ZN	UNTERLEGSCHEIBE D10 UNI 1751 Z	ARANDELA D10 UNI 1751 ZN
7	F01410064	ROS.M10 10,5X 20X 2 U6592 ZN	WASHER M10 10,5X20X2 U6592 ZN	RONDELL.M10 10,5X20X2 U6592 ZN	SCHEIBE M10 10,5X20X2 U6592 ZN	ARAND. M10 10,5X20X2 U6592 ZN
8	F01020112	VITE M10X 1,5X45 U5737 8.8 ZN	BOLT 10X45 5737 8.G GALVANIZED	VIS 10X45 5737 8.G ZN	SCHRAUBE 10X45 5737 8.G ZN	TORNILLO 10X45 5737 8.G ZN
9	F01220033	DADO M10X 1,5 D980 8 ZN	NUT M10X 1,5 D980 8 ZN	ECROU M10X 1,5 D980 8 ZN	MUTTER M10X 1,5 D980 8 ZN	TUERCA M10X 1,5 D980 8 ZN

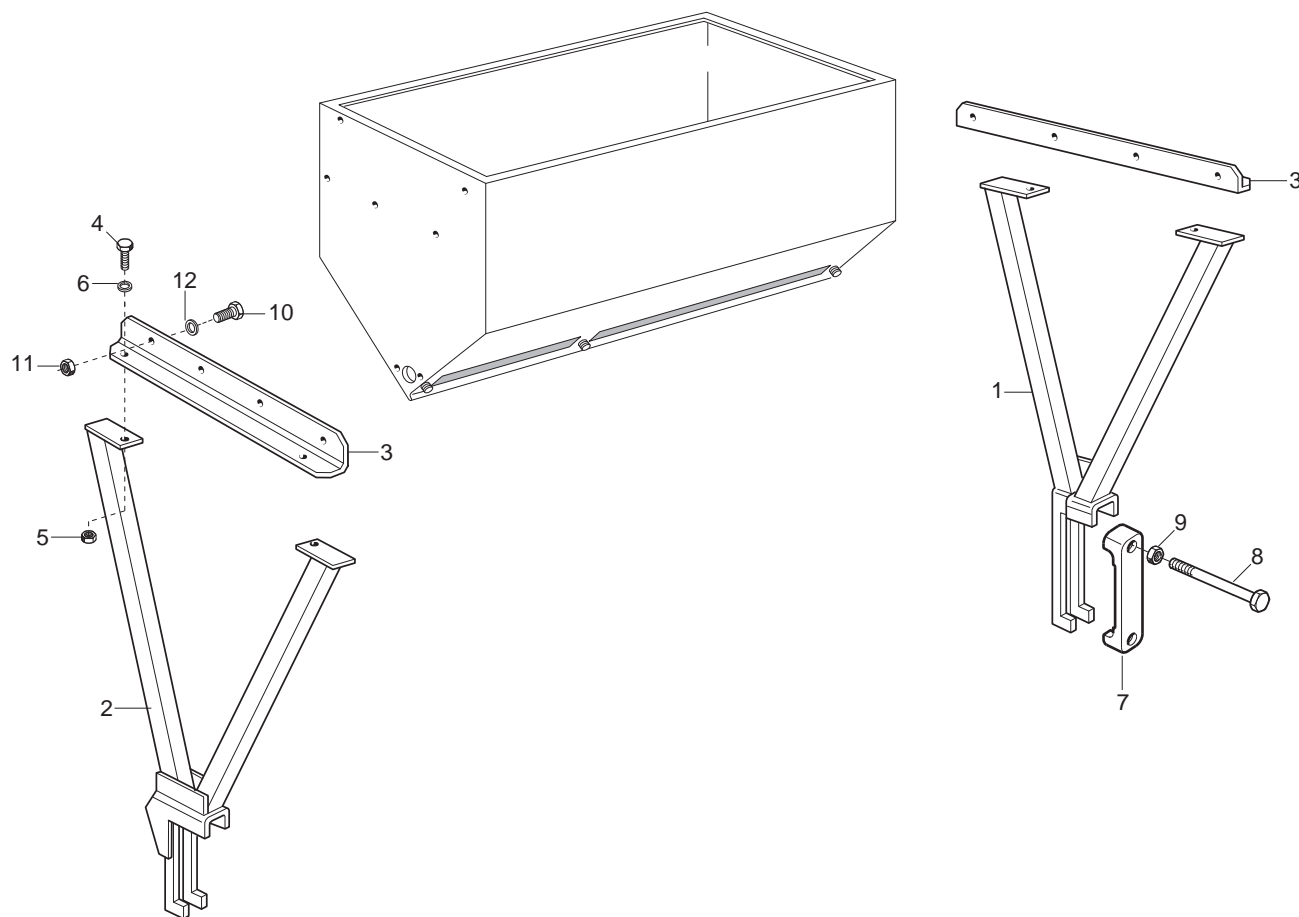
5.00-15 / 6.50/80-15 / 7.50/16-16



KIT RUOTE PER TERRENI SASSOSI - FLANGIATURA RUOTE

TAV. 220

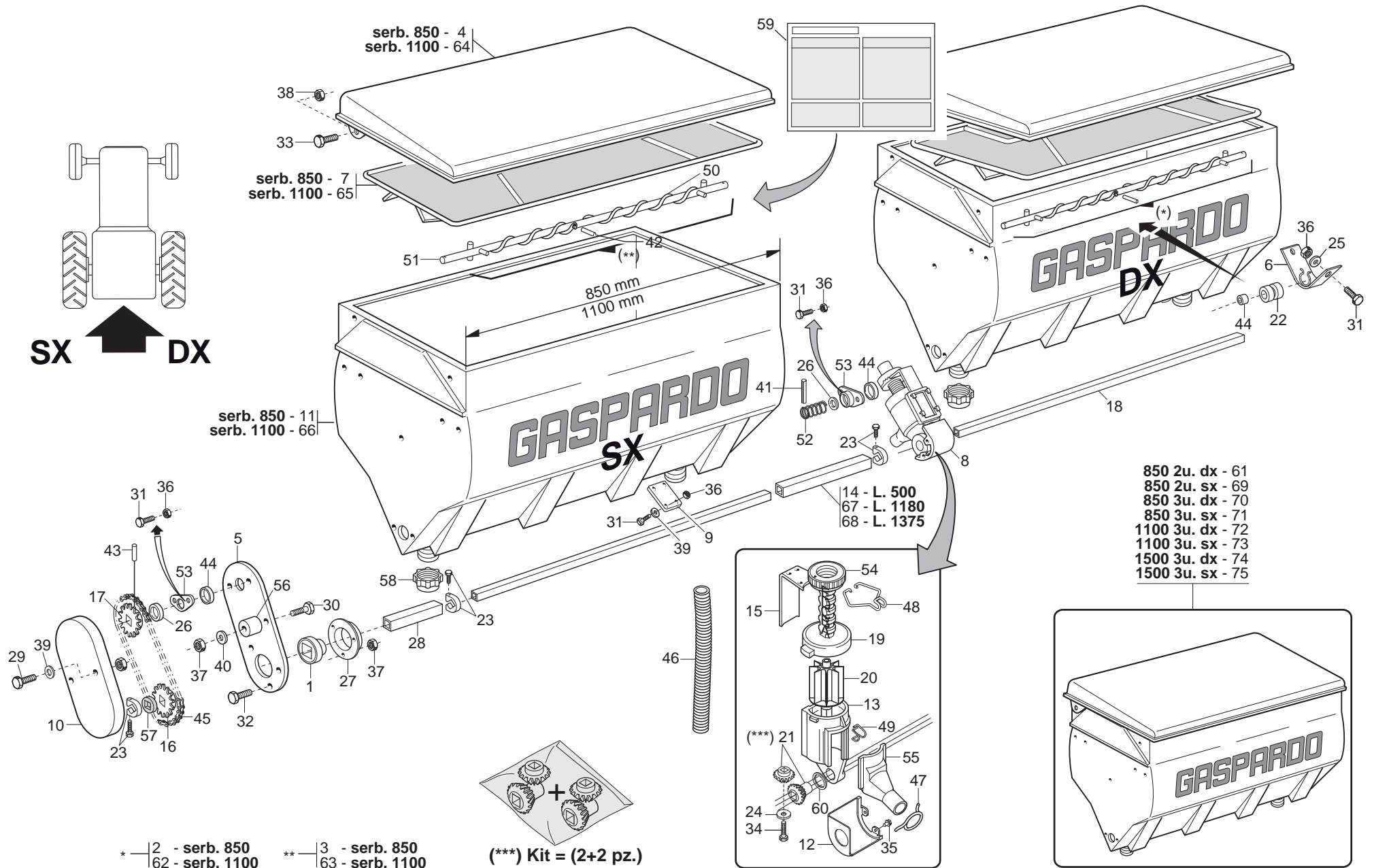
Pos.	Cod.	Descrizione	Description	Description	Benennung	Descripcion
1	F01220022	DADO M 8X1,25 D980 8 ZN	NUT M8X 1,25 D980 8 ZN	ECROU M8X 1,25 D980 8 ZN	MUTTER M8X 1,25 D980 8 ZN	TUERCA M8X 1,25 D980 8 ZN
2	F01420048	ROS.M8 8,4X 24X 2 U6593 ZN	WASHER M8 8,4X 24X 2 U6593 ZN	RONDELLE M8 8,4X 24X2 U6593 ZN	SCHEIBE M8 8,4X 24X 2 U6593 ZN	ARANDELA M8 8,4X 24X2 U6593 ZN
3	F01020090	VITE M8X1,25X100 U5737 8.8 ZN	BOLT 8 X100 5737 8.G GALVANIZ.	VIS 8 X100 5737 8.G ZN	SCHRAUBE 8 X100 5737 8.G ZN	TORNILLO 8 X100 5737 8.G ZN
4	G14830221	DISCO PROTEZIONE SASSI	DISK STONE PROTECTION	DISQUE PROTECTION SOLS GRAVELE	STEINSCHUTZ-SCHEIBE	DISCO PROTECIÉN PIEDRAS
5	F01020097	VITE M8X1,25X150 U5737 8.8 ZN	SCREW 8X150 5737 8.G GALVANIZ.	VIS 8 X150 5737 8.G ZN	SCHRAUBE 8 X150 5737 8.G ZN	TORNILLO 8 X150 5737 8.G ZN
6	G15231910	DISCO PROTEZIONE SASSI R7.50				



SUPPORTI SERBATOI SPANDICONCIME

TAV. 230

Pos.	Cod.	Descrizione	Description	Description	Benennung	Descripcion
1	G14276051	SUPPORTO SPANDICONCIME DX	FERTILIZER SPREADER SUPPORT R.	SUPPORT +PANDEUR D'ENGRAIS DRO	HALTERUNG D_NGERSTREUER RE	SOPORTE ABONADORA DCHA
2	G14276061	SUPPORTO SPANDICONCIME SX	FERTILIZER SPREADER SUPPORT L.	SUPPORT +PANDEUR D'ENGRAIS GAU	HALTERUNG D_NGERSTREUER LI	SOPORTE ABONADORA IZQDA
3	G14276071	SUPPORTO SPANDICONCIME	FERTILIZER SPREADER SUPPORT	SUPPORT +PANDEUR D'ENGRAIS	HALTERUNG D_NGERSTREUER	SOPORTE ABONADORA
4	F01020472	VITE M10X 1,5X25 U5739 8.8 ZN	BOLT 10X25 5739 8.G GALVANIZED	VIS 10X25 5739 8.G ZN	SCHRAUBE 10X25 5739 8.G ZN	TORNILLO 10X25 5739 8.G ZN
5	F01200270	DADO M10X 1,5 U5588 6.8 ZN	NUT M10X 1,5 U5588 6.8 ZN	ECROU M10X 1,5 U5588 6.8 ZN	MUTTER M10X 1,5 U5588 6.8 ZN	TUERCA M10X 1,5 U5588 6.8 ZN
6	F01420060	ROS.M10 10,5X 30X2,5 U6593 ZN	WASHER 10,5X30	RONDELLE 10,5X30	SCHEIBE 10,5X30	ARANDELA 10,5X30
7	G19204030	SCONTRO FISS.150 2F D15				
8	F01020225	VITE M14X 2X160 U5737 8.8 BR	SCREW M 14 X160 5737 8.G	VIS M 14 X160 5737 8.G	SCHRAUBE M 14 X160 5737 8.G	TORNILLO M 14 X160 5737 8.G
9	F01200306	DADO M14X 2 U5588 6.8 ZN	NUT M14X2	ECROU M14X2	MUTTER M14X2	DADO M14X2
10	F01020465	VITE M10X1,5 X35 U5739 A2 IX	SCREW 10X35 5739 INOX A2	VIS 10X35 5739 INOX A2	SCHRAUBE 10X35 5739 INOX A2	TORNILLO 10X35 5739 INOX A2
11	F01200271	DADO M10X 1,5 U5588 A2 IX	NUT 10 5588 6.8 INOX	ECROU 10 5588 6.8 INOX	MUTTER 10 5588 6.8 INOX	TUERCA 10 5588 6.8 INOX
12	F01420059	ROS.M10 10,5X 30X2,5 U6593 IX	WASHER 11X30X2,5 6593 A2	RONDELLE 11X30X2,5 6593 A2	UNTERLEGSSCHEIBE 11X30X2,5 6593	ARANDELA 11X30X2,5 6593 A2



SERBATOI SPANDICONCIME

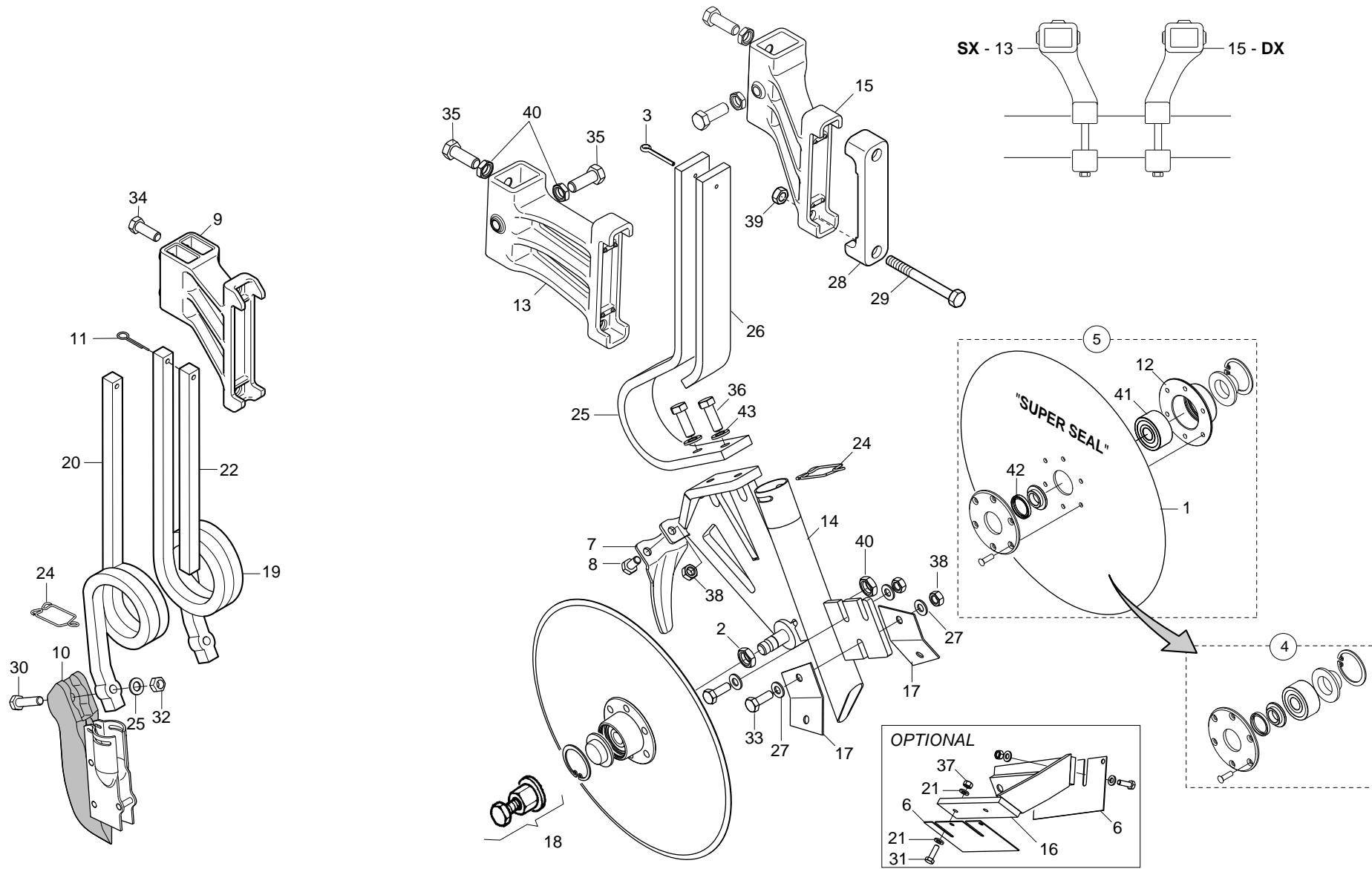
TAV. 240

Pos.	Cod.	Descrizione	Description	Description	Benennung	Descripcion
1	G14830390	CUSCINETTO FORO QUADRO	SQUARE-HOLED BEARING	ROULEMENT AL+SAGE CARR+	VIERKANTLAGER	COJINETE ORIFICIO CUADRADO
2	G20860121	ASSE AGITAT.DX SERB.850 COMPL.	STIRRER SPINDLE- RIGHT 850 TAN	AXE AGITATEUR DRT. RESERVOIR 8	SAMENMISCHERACHSE RE BEH.850	EJE AGITAD. DER. DEPS.850 COMA
3	G20860122	ASSE AGITAT.SX SERB.850 COMPL.	STIRRER SPINDLE- LEFT 850 TANK	AXE AGITATEUR GCH. RESERVOIR 8	SAMENMISCHERACHSE LI BEH.850	EJE AGITAD. IZQ. DEPS. 850 COA
4	G15470580	COPERCHIO SERBATOIO 850	TANK TOP 850	COUVERCLE RESERVOIR 650	BEHZLTERDECKEL 850	TAPA DEPSITO 850 A
5	G15471930	PROTEZIONE	GUARD	PROTECTION	SCHUTZ	PROTECCIN P
6	G15471990	SUPPORTO COCLEA	SCREW SUPPORT	SUPPORT VIS ALIMENTATION	HALTERUNG SCHNECKE	SOPORTE CCLEA S
7	G15472760	GRIGLIA SERBATOIO PLASTICA 850	PLASTIC TANK GRID 850	GRILLE RESERVOIR PLASTIQUE 850	BEHZLTERGITTER PLAST.850	REJILLA DEPSITO PLAST.850 G
8	G15472770	DISTR.COMPL.8PALE SPANDI PL	COMPL.PLAS.FERTIL.DISTR.8RIBS	MINIMAX COMPL.8C PLA	KOMPL.DOSIER.PLA.DÜNGERSTR.8S	DISTR.COMP.ABONO PLAST.8AL.
9	G15472780	TAPPO SPANDI PLASTICA	PLASTIC FERT. SPREADER PLUG	BOUCHON EPAND. PLASTIQUE	PLASTIKPFROPFEN DsNGERSTR.	TAPN ABONADORA PLæSTICO D
10	G19002710	PROTEZ.RINVIO SPANDICONCIME	FERTILIZER TRANSM. PROTECTION	PROTECTION RENVOI FERTILISEUR	SCHUTZ VORGELEGE DUNGERSTREUER	PROTECCIN TRANSMISION ABONADO
11	G19004470	SERBATOIO CONCIME 850	FERTILIZER HOPPER 850	TR+MIE ENGRAIS 850	D_NGERTANK 850	DEPÉSITO ABONO 850
12	G19002850	PROTEZIONE PIGNONE	PINION GUARD	PROTECTION PIGNON	RITZELSCHUTZ	PROTECCIN PIGNON PR
13	G19002920	CORPO DISTRIBUTORE SPANDI PLA.	PLA. F.SPREADER DISTRIB.CASING	CORPS DISTRIBUTEUR EPAND.	VERTEILUNGSKTRPRER STREUER PLA.	CUERPO DIST. ABONADORA PLæS.
14	G20860012	MANICOTTO DI UNIONE L.500	JOINT SLEEVE L.500	MANCHON DE RACCORD L. 500	VERBINDUNGSMUFFE L.500	MANGUITO DE UNIN L.500 M
15	G20860052	REGOLATORE APERTURA	OPENING REGULATOR	REGULATEUR OUVERTURE	TFFNUNGSEINSTELLER	REGULADOR ABERTURA
16	G20860086	INGRANAGGIO 1/2 Z-12 F.Q.	GEAR 1/2 Z-12 F.Q.	ENGRENAGE 1/2 Z-12 TROUS CARRE	ZAHNRAD 1/2 Z-12 F.Q.	ENGRANAJE 1/2 Z-12 F.Q.
17	G20860088	INGRANAGGIO 1/2 Z-12 F.T.	GEAR 1/2 Z-12 F.T.	ENGRENAGE 1/2 Z-12 TROUS ROND	ZAHNRAD 1/2 Z-12 F.T.	ENGRANAJE 1/2 Z-12 F.T.
18	G20860090	ASSE SX 5F.60 L.1460	AXLE- LEFT 5-R.60 L.1460	AXE GCH. 5 RANGEES 60 L. 1460	ACHSE LI 5R.F.60 L.1460	EJE IZQ. 5 FILA. 60 L.1460
19	G20860093	VITE DI REGOL.	ADJUSTMENT BOLT	VIS DE REGLAGE	EINSTELLSCHRAUBE.	TORNILLO DE REGULACIN S
20	G20860106	DOSATORE SPANDI 8 PALE COMPL.	FERT.METERING DEVICE ASS.8 GRO	ROTOR DOSEUR 8C FERTI	DOSIERER DUNGER.KOMPL. 8 SEKT	DOSIFICADOR ABONO COMP.8 SECT
21	G20860126	KIT INGR DISTR CONCIME (2+2)	KIT- MAN. DISTR. GEARS (2+2)	COUPLE CON DISTR ENGRAIS (2+2)	KIT ZAHNRZDER DsNGERSTREUER	SET ENGRANAJES DISTRIB. ABONO
22	G19005040	BOCCOLA ASSE SPANDI	FERT. SPREADER AXLE BUSH	DOUILLE AXE +PANDEUR	ACHSENBUCHSE STREUER	MANGUITO -RBOL ABONADORA
23	G22505085	FERMO ASSE IN LAMIERA	PLATE AXLE STOP	ARRET AXE EN TOLE	FESTSTELLVORRICHTUNG BLECHACHS	BLOQUEO EJE DE CHAPA
24	G20970097	RONDELLA 32X3X4,5	WASHER 32X3X4-5	RONDELLE 32X3X4-5	UNTERLEGSCHIEBE 32X3X4-5	ARANDELA 32X3X4-5
25	G20970125	RONDELLA 28X2,5X6,5	WASHER 28X2-5X6-5	RONDELLE 28X2-5X6-5	UNTERLEGSCHIEBE 28X2-5X6-5	ARANDELA 28X2-5X6-5
26	G18700220	RONDELLA 16 X28 X0,3 ACC.				
27	G22230094	SUPPORTO CUSCINETTO	BEARING SUPPORT	SUPPORT PALIER	LAGERBsCHSE	SOPORTE COJINETE
28	G22250287	MANICOTTO DISTANZIALE SV	SPACER SLEEVE SV	MANCHON ENTRETOISE SV	ABSTANDSMUFFE SV	MANGUITO DISTANCIADOR SV
29	F01020043	VITE M 6X 1X 60 U5737 8.8 ZN	BOLT 6 X60 5737 8.G GALVANIZED	VIS 6 X60 5737 8.G ZN	SCHRAUBE 6 X60 5737 8.G ZN	TORNILLO 6 X60 5737 8.G ZN
30	F01020068	VITE M 8X1,25X40 U5737 8.8 ZN	SCREW M8X1,25X40 U5737 8.8 ZN	VIS M 8X1,25X40 U5737 8.8 ZN	SCHRA. M8X1,25X40 U5737 8.8 ZN	TORNIL.M8X1,25X40 U5737 8.8 ZN
31	F01020403	VITE M 6X 1X 16 U5739 8.8 ZN	SCREW M6X1X16 U5739 8.8 ZN	VIS M6X1X16 U5739 8.8 ZN	SCHRAUBE M6X1X16 U5739 8.8 ZN	TORNILLO M6X1X16 U5739 8.8 ZN
32	F01020432	VITE M 8X1,25X16 U5739 8.8 ZN	BOLT M8X16	VIS M8X16	SCHRAUBE M8X16	TORNILLO M8X16
33	F01020472	VITE M10X 1,5X25 U5739 8.8 ZN	BOLT 10X25 5739 8.G GALVANIZED	VIS 10X25 5739 8.G ZN	SCHRAUBE 10X25 5739 8.G ZN	TORNILLO 10X25 5739 8.G ZN
34	F01070075	VIT.A.4,2X1,41X 38 6954 4.8NI	BOLT 4-2X38 DIN 7981	VIS 4-2X38 DIN 7981	SCHRAUBE 4-2X38 DIN 7981	TORNILLO 4-2X38 DIN 7981
35	F01070011	VIT.A.4,2X1,41X 9,5 6950 4.8NI	BOLT- SELF-TAPPING 4-2X9-5T.E.	VIS AUTOTAR. 4-2X9-5 T. E. COU	SELBSTSCHNEID. SCHRAUBE 4-2X9-	TORNILLO AUTORROSC. 4-2X9-5
36	F01200232	DADO M 6X 1 U5588 6.8 ZN				
37	F01200244	DADO M 8X1,25 U5588 6.8 ZN	NUT M8 X1,25 U5588 6.8 ZN	ECROU M8 X1,25 U5588 6.8 ZN	MUTTER M8 X1,25 U5588 6.8 ZN	TUERCA M8 X1,25 U5588 6.8 ZN
38	F01220033	DADO M10X 1,5 D980 8 ZN	NUT M10X 1,5 D980 8 ZN	ECROU M10X 1,5 D980 8 ZN	MUTTER M10X 1,5 D980 8 ZN	TUERCA M10X 1,5 D980 8 ZN
39	F01410037	ROS.M6 6,4X12,5X1,6 U6592 ZN	PLANE WASHER D.6	RONDELLE D.6	SCHEIBE D.6	ARANDELA D.6
40	F01410051	ROS.M8 8,4X 17X1,6 U6592 ZN	WASHER M8 8,4X17X1,6 U6592 ZN	RONDEL. M8 8,4X17X1,6 U6592 ZN	SCHEIBE M8 8,4X17X1,6 U6592 ZN	ARANDELA M8 8,4X17X1,6 U6592ZN
41	F02100079	SPINA E.P. 5X 16 U6873 C70 BR				
42	F02100089	SPINA E.P. 5X 36 U6873 C70 BR	PIN EL. 5X 36 U6873 C70 BR	FICHE EL. 5X 36 U6873 C70 BR	STIFT EL. 5X 36 U6873 C70 BR	CLAVIJA EL. 5X 36 U6873 C70 BR
43	F02100114	SPINA E.P. 6X 30 U6873 C70 BR	ELASTIC PIN 6X30	GOUJON ELASTIQUE 6X30	SPANNHUELSE 6X30	ESPINA ELASTICA 6X30
44	F03011081	GUARNIZIONI LABBRO DE100				
45	F06080196	CATENA 1/2 ISO 083 32 MAGLIE	CUT-DOWN CHAIN .1/2 ISO 083 32	TRONCON CHAINE 1/2 ISO 083 32	KETTENZNGE 1/2 ISO 083 32 GL	TRECHO CADENA 1/2 ISO 083 32
46	F03100500	TUBO EOLO 35 PU	EOLO PIPE 35 PU	TUBE EOLO 35 PU	ROHR EOLO 35 PU	TUBO EOLO 35 PU
47	G65336025	MOLLA SPEC.ZN STRINGIT.ASP.SP	SPEC SPRING ZN FAN . PIPE CLAM	RESSORT SPEC. ZN SERRE-TUBE AS	SPEZIALFEDER ZN RORHSCHELLE AB	MUELLE SPEC. ZN APRIETA TUBOS
48	G65336055	MOLLA SPEC.REGOL.SPAND. SP	SPEC SPRING MAN. SPR. ADJUSTM.	RESSORT SPEC. REGL. EP. ENTRA	SPEZIALFEDER STREUERINSTELLUN	MUELLE ESPEC. REGUL. ABONADORA
49	G65336062	MOLLA SPEC.SCIV.DISTR.SPAND.SP	SPEC SPRING - MAN. SPR. DISTR.	RESS. SPEC. LANCOIR DISTR. EP.	SPEZ.FEDER RUTSCHE SZAPP. STRE	MUELLE ESPEC.PLANO INCL.DISTR.
50	G65336064	MOLLA SPEC.COCLEA DX SPAND.HL	SPEC. WORM SCREW SPRING RIGHT	RESSORT SPEC. VIS DRT. EP. ENG	SPEZ.FEDER RE SCHNECKE STREUER	MUELLE ESPEC. TORN.S/F DER. AB
51	G65336065	MOLLA SPEC.COCLEA SX SPAND.HL	SPEC. WORM SCREW SPRING LEFT M	RESSORT SPEC. VIS GCH. EP. ENG	SPEZ.FEDER LI SCHNECKE STREUER	MUELLE ESPEC. TORN.S/F IZQ. AB
52	G65338043	MOLLA COMP.ZN SERB. M80	ZN TANK COMP.SPRING M80	RESSORT COMPL. ZN RESERVOIR M8	DRUCKFEDER ZN BEHZLTER M80	MUELLE COMP.ZN DEPS. M80 A
53	G66248121	BOCCOLA CON FLANGIA M80	BUSHING W/ FLANGE M80	SUPPORT AVEC BRIDE M80	BsCHSE MIT FLANSCH M80	CASQUILLO CON BRIDA M80
54	G66248125	GHIERA REGOLAZIONE M80	ADJUSTMENT KNURLED NUT M80	BAGUE REGLAGE M80	EINSTELLMUTTER M80	CONTRATUERCA REGULACIN M80 G
55	G66248178	SCIVOLO DISTR.SPAND. SP	CHUTE- MANURE-SPREADER DISTRIB	LANCOIR DISTRIBUTION EP. ENGR.	DsNGERSTREUER RUTSCHE SP	PLANO INCLINADO DISTR. ABON. S

SERBATOI SPANDICONCIME

TAV. 240

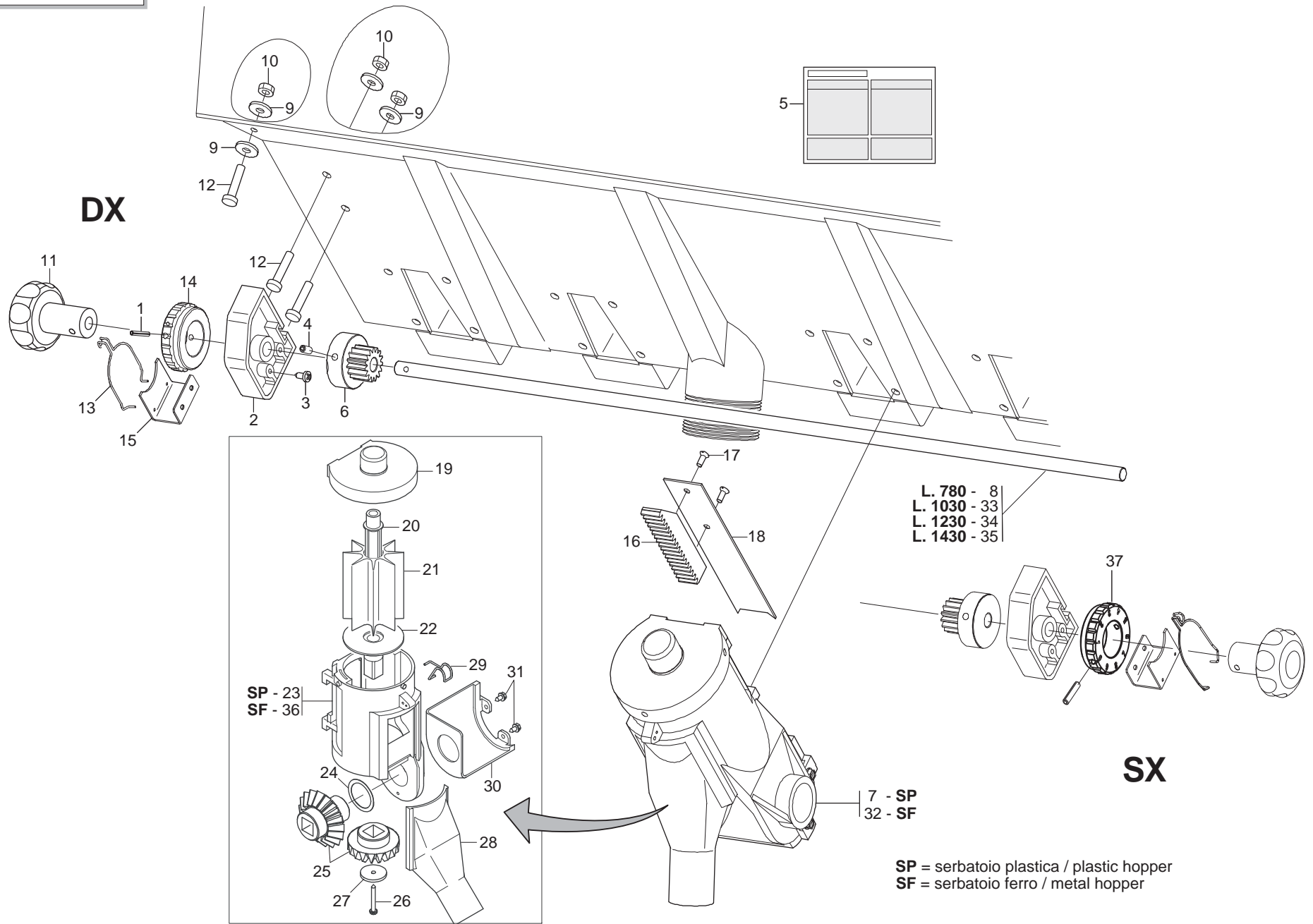
Pos.	Cod.	Descrizione	Description	Description	Benennung	Descripcion
56	G66248207	TENDICATENA SPAND. SP-520	CHAIN TENSIONER	TENDEUR DE CHAINE EPAND. ENGR.	KETTENSPIANNER DsNGERSTR. SP-52	SENSOR DE CADENA ABON. SP-520
57	G66248218	RONDELLA DISTAN.SPAND.	MAN. SPR. SPACER WASHER	RONDELLE ENTRETOISE EP. ENGRAI	ABSTANDSCHEIBE DsNGERSTREUER	ARANDELA DISTAN.ABONAD.
58	F03150757	TAPPO FILETT.SERBAT.PLASTICA	PLASTIC TANK THREADED PLUG	BOUCHON FILETE RESERV.PLAST.	GEWINDEPFROPFEN PLASTIKBEH.	TAPN ROSCADO DEPS.PLæSTICO DO
59	G19700821	TABELLA CONCIME SP540	FERTILIZER CHART STICKER	DECALC. TABLEAU DE ENGRAIS	ABZIEHB. TABELLE D_NGER	CAL.TABLA ABONO
60	G18701500	RONDELLA 29,5 X38 X0,3	WASHER 29,5 X 38 X 0,3	RONDELLE 29,5 X38 X0,3	UNTERLEGSCHIEBE 29,5X38X0,3	ARANDELA 29,5 X38 X0,3
61	G15472790	SERBATOIO 850 PLA.2U DX	PLAS.FERT.TANK 850 2 OUT. RH	RESERV 850 PLA 2S COMPL DRT	BEHZLTER 850 PLAST. RE 2 AUSG.	DEPSITO 850 PLA.2 SAL. DER. B
62	G15271540	ASSE AGITATORE DX 1100	STIRRER SPINDLE-RIGHT 1100 TAN	AXE AGITATEUR DRT.RESERV.1100	SAMENMISCHERACHSE RE BEH.1100	EJE AGITAD.DER.DEPS.1100 COM A
63	G15271550	ASSE AGITATORE SX 1100	STIRRER SPINDLE- LEFT 1100	AXE AGITATEUR GCH. 1100	SAMENMISCHERACHSE LINKER 1100	EJE AGITAD. IZQ. 1100
64	G15471920	COPERCHIO SERBATOIO L.1100	TANK COVER L.1100	COUVERCLE RESERVOIR L.1100	BEHZLTERDECKEL L.1100	TAPA DEPS.L.1100 A
65	G15473130	GRIGLIA SERBATOIO 1100 PLAST.	PLASTIC TANK GRID 1100	GRILLE RESERVOIR PLAST.1100	BEHZLTERGITTER PLAST.1100	REJILLA DEPSITO PLAST.1100 G
66	G19003060	SERBATOIO 1100 PLASTICA	PLASTIC TANK 1100	RESERVOIR 1100 PLASTIQUE	PLASTIKBEHZLTER 1100	DEPSITO 1100 PLæSTICA B
67	G20910045	MANICOTTO UNIONE L.1180	JOINT SLEEVE L.1180	MANCHON RACCORD L. 1180	VERBINDUNGSMUFFE L.1180	MANGUITO DE UNIN L.1180 M
68	G20910044	MANICOTTO UNIONE L.1375	JOINT SLEEVE L.1375	MANCHON RACCORD L. 1375	VERBINDUNGSMUFFE L.1375	MANGUITO DE UNIN L.1375 M
69	G15472800	SERBATOIO 850 PLA.2U SX	PLAS.FERT.TANK 850 2 OUT. L	RESERV 850 PLA 2S COMPL GCH	BEHZLTER 850 PLAST. LI 2 AUSG.	DEPSITO 850 PLA.2 SAL. IZQ. B
70	G15472810	SERBATOIO 850 PLA.3U DX	PLAS.FERT.TANK 850 3 OUT. RH	RESERV 850 PLA 3S COMPL DRT	BEHZLTER 850 PLAST. RE 3 AUSG.	DEPSITO 850 PLA.3 SAL. DER. B
71	G15472820	SERBATOIO 850 PLA.3U SX	PLAS.FERT.TANK 850 3 OUT. LH	RESERV 850 PLA 3S COMPL GCH	BEHZLTER 850 PLAST. LI 3 AUSG.	DEPSITO 850 PLA.3 SAL. IZQ. B
72	G15272680	SERBATOIO 1100 3U.DX PLA.COMP.	TANK ASSY.1100 RIGHT 3U	RESERV 1100 PLA 3S COMPL DRT	KOMPL. BEHZLTER 1100 RE 3AUSG	DEPS. COMPL.1100 DER. 3 SAL. B
73	G15272720	SERBATOIO 1100 3U.SX PLA.COMP.	TANK ASSY. 1100 LEFT 3U	RESERV 1100 PLA 3S COMPL GCH	KOMPL. BEHZLTER 1100 LI 3AUSG	DEPS. COMPL.1100 IZQ. 3 SAL. B
74	G15471430	SERBATOIO 1500 3U DX	TANK ASSY.1500 LEFT 3U	RESERV 1500 FER 3S COMPL DRT	KOMPL. BEHZLTER 500 LI 3U	DEPS. COMPL.500 IZQ. 3 SAL. B
75	G15471440	SERBATOIO 1500 3U SX	TANK ASSY.1500 LEFT 3U	RESERV 1500 FER 3S COMPL DRT	KOMPL. BEHZLTER 1500 LI 3U	DEPS. COMPL.1500 IZQ. 3 SAL. B



ELEMENTI DI CONCIMAZIONE

TAV. 250

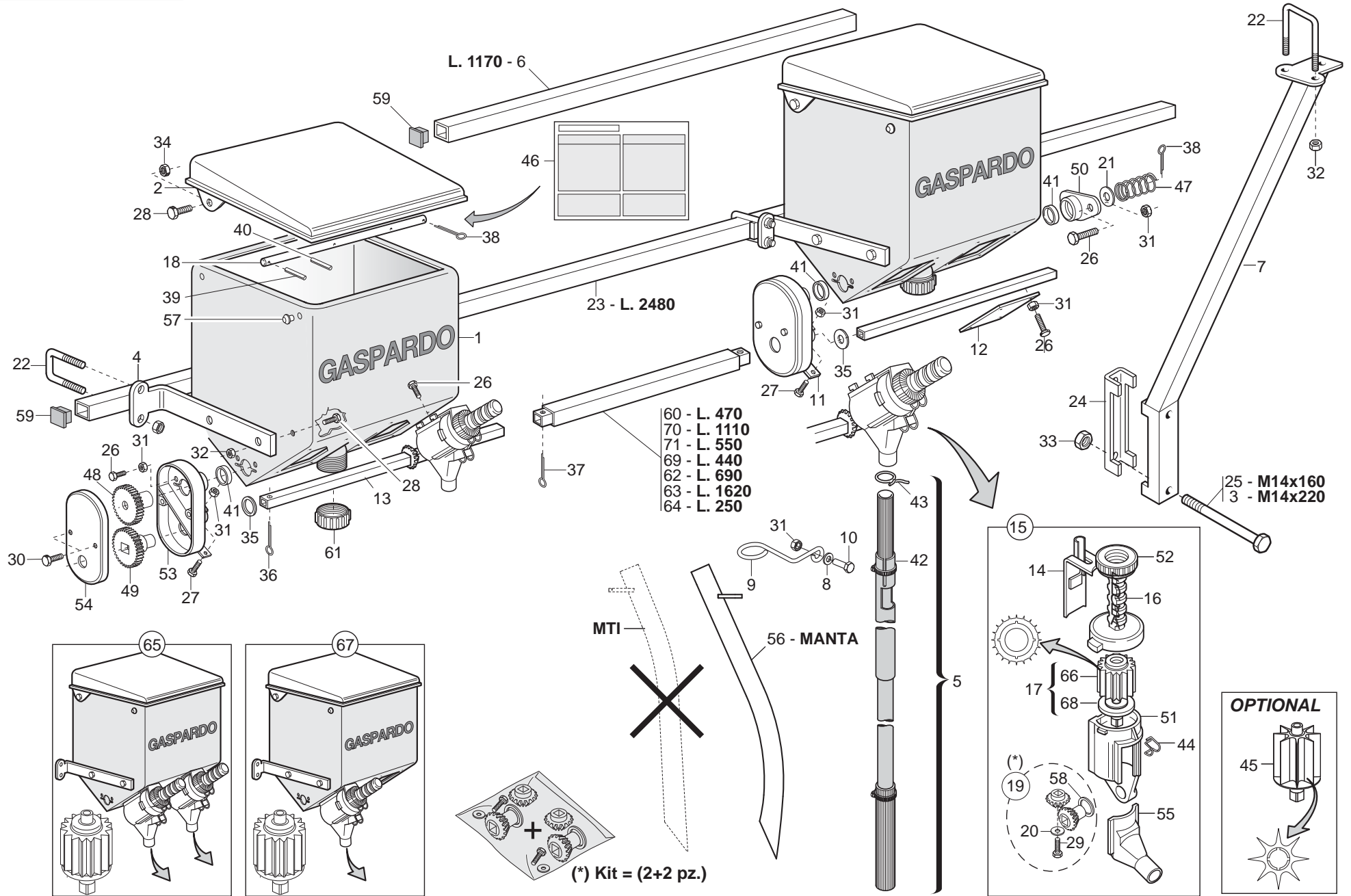
Pos.	Cod.	Descrizione	Description	Description	Benennung	Description
1	G13825091	DISCO ASSOLCATORE D.373	FURROW OPENER DISK D.373	DISQUE D. 373 6 T.D.6	SCHEIBE SZSCHARENREISSER D.373	DISCO SURCADOR D.373
2	G15220540	DADO M16X1,5 SX	NUT M16X1-5 LEFT	ECROU M16X1-5 GCH	MUTTER M16X1-5 LI	TUERCA M16X1-5 IZQ
3	F02200228	COPIGLIA 5X 35 U1336 ZN	SPLIT PIN 5 X35 1336 GALVAN.	GOUPILLE 5 X35 1336 ZN	SPLINT 5 X35 1336 ZN	PASADOR 5 X35 1336 ZN
4	G15226600	KIT X DISCO SUPER SEAL	SUPER-SEAL DISC KIT			
5	G15225500	DISCO ASSOLC.PROTETTO COMPL.	COMPL. PROTECTED DISC COULTER	DISQUE DU SOC PROT+G+ COMPLET	GESCH_TZTE FURCHENFORMSCHEIBE	DISCO SURC.PROTEGIDO COMPL.
6	G15422231	RASCHIATERRA DISCO				
7	G15225860	PROTEZIONE DISCHI	DISC PROTECTION	PROTECTION DISQUE	DISCSCHUTZ	PROTECCIN DISCO
8	F01020470	VITE M10X 1,5X20 U5739 8.8 ZN	BOLT M 10X20	VIS M 10X20	SCHRAUBE M 10X20	TORNILLO M 10X20
9	G19203920	SUPP.MOLLA QUADRA DOPPIA POS.				
10	G16670600	FALCIONE ELEM.CONCIMAQ.QUADRA	BASIC SQUARE FERTILIZATION COU	SOC +LEM. FERTILIS. RESSORT CA	S-SCHAR ELEM.D_NGUNG QUADR.FED	BOTA ELEM.ABONAD.MUELLE CUADRA
11	F02200229	COPIGLIA 5X 45 U1336 ZN	SPLIT PIN 5X 45 U1336 ZN	GOUPILLE 5 X45 1336 ZN	SPLINT 5X 45 U1336 ZN	PASADOR 5 X45 U1336 ZN
12	G15223651	SUPPORTO CUSCINETTO DISCO	DISK BEARING SUPPORT	SUPPORT PALIER DISQUE	SCHEIBENLAGERBsCHSE	SOPORTE COJINETE DISCO
13	G19204130	SUPP.SX MOLLA PIATTA				
14	G15472111	SUPPORTO DISCHI CONCIMAZIONE				
15	G19204120	SUPP.DX MOLLA PIATTA				
16	G15472290	SUPPORTO RASCHIAT.DISCHI CONC.	FERTIL DISKS SOIL SCRAPER SUPP	SUPP. RACLEUR DISQUES FUMAGE	HALTER. ERDSCHABER DsNGUNGSSCH	SOPORTE RASCADOR DISCOS ABONO
17	G15472301	RASCHIATERRA INTERNO				
18	G15225240	ESTRATTORE DISCHI ELEMENTO MT	SEED PLATE EXTRACTOR ELEM. MT	EXTRACTEUR DISQUE ELEMENT MT	SCHEIBENAUZSIEHER ELEMENT MT	EXTRACTOR DISCOS ELEMENTO MT
19	G18902770	MOLLA CONCIMAZIONE 20X20 DX	RIGHT MANURING SPRING 20X20	RESSORT FUMAGE 20X20 DRT	FEDER DsNGUNG 20X20 RE	MUELLE ABONO 20X20 DER
20	G18902780	MOLLA CONCIMAZIONE 20X20 SX	LEFT MANURING SPRING 20X20	RESSORT FUMAGE 20X20 GCH	FEDER DsNGUNG 20X20 LI	MUELLE ABONO 20X20 IZQ
21	F01420036	ROS.M6 6,4X 18X 2 U6593 ZN	FLAT WASHER 6-6X 18X2 6593 ZN	ROND. PLATE 6-6X 18X2 6593 ZN	SCHEIBE 6-6X 18X2 6593 ZN	ARAND. PLANA 6-6X 18X2 6593 ZN
22	G18903200	FERMO SPIRALE	SPIRAL STOP	ARRET SPIRALE	FESTSTELLVORRICHTUNG SPIRALE	BLOQUEO ESPIRAL
23	G18903210	MOLLA CONCIM.FILE DISPARI	ODD NUMBER ROW MANUR.SPRING	RESS. FUMAGE RANGEES IMPAIRES	FEDER DsNGUNG UNGERADE REIHEN	MUELLE ABONO FILAS IMPARES
24	G18903911	MOLLA FERMO TUBO D.35	PIPE LOCK SPRING D.35	RESSORT ARR-T TUBE D.35	ROHRSPERRFEDER D.35	MUELLE TOPE TUBO D. 35
25	G18903451	MOLLA DI CONCIMAZIONE				
26	G18903460	MOLLA RINFORZO CONCIMAZIONE	FERT. REINFOR. SPRING	RESSORT RENFORT FUMAGE	VERST.FEDER DsNGER.	MUELLE REF. ABONO
27	F01410064	ROS.M10 10,5X 20X 2 U6592 ZN	WASHER M10 10,5X20X2 U6592 ZN	RONDELL.M10 10,5X20X2 U6592 ZN	SCHEIBE M10 10,5X20X2 U6592 ZN	ARAND. M10 10,5X20X2 U6592 ZN
28	G19204030	SCONTRO FISS.150 2F D15				
29	F01020236	VITE M14X 2X220 U5737 8.8 BR	SCREW M14X2X220 U5737 8.8 BR	VIS M14X2X220 U5737 8.8 BR	SCHRAUBE M14X2X220 U5737 8.8	TORNILLO M14X2X220 U5737 8.8
30	F01020156	VITE M12X1,75X50 U5737 8.8 ZN	SCREW M12X1,75X50 U5737 8.8 ZN	VIS M12X1,75X50 U5737 8.8 ZN	SCHR. M12X1,75X50 U5737 8.8 ZN	TORN. M12X1,75X50 U5737 8.8 ZN
31	F01020403	VITE M 6X 1X 16 U5739 8.8 ZN	SCREW M6X1X16 U5739 8.8 ZN	VIS M6X1X16 U5739 8.8 ZN	SCHRAUBE M6X1X16 U5739 8.8 ZN	TORNILLO M6X1X16 U5739 8.8 ZN
32	F01220048	DADO M12X1,75 D980 8 ZN	NUT M12X1,75 D980 8 ZN	ECROU M12X1,75 D980 8 ZN	SCHEIBE M12X1,75 D980 8 ZN	TUERCA M12X1,75 D980 8 ZN
33	F01020476	VITE M10X 1,5X30 U5739 8.8 ZN	SCREW M10X1,5 X 30 5739 8.8 ZN	VIS M10X1,5 X 30 5739 8.8 ZN	SCHRA. M10X1,5X 30 5739 8.8 ZN	TORN. M10X1,5 X 30 5739 8.8 ZN
34	F01020506	VITE M12X1,75X20 U5739 8.8 ZN	BOLT M 12X20	VIS M 12X20	SCHRAUBE M 12X20	TORNILLO M 12X20
35	F01020568	VITE M16X 2X45 U5739 8.8 ZN	BOLT M 16X 2X45 U5739 8.8 ZG	VIS M 16X 2X45 U5739 8.8 ZG	SCHRAUBE M 16X 2X45 U5739 8.8	TORNILLO M16X 2X45 U5739 8.8
36	F01020528	VITE M12X1,75X40 U5739 10.9 ZD	SCREW M12X1,75X40 U5739 10.9 ZN	VIS M12X1,75X40 U5739 10.9 ZN	SCHR.M12X1,75X40 U5739 10.9 ZN	TORN.M12X1,75X40 U5739 10.9 ZN
37	F01200232	DADO M 6X 1 U5588 6.8 ZN				
38	F01200270	DADO M10X 1,5 U5588 6.8 ZN	NUT M10X 1,5 U5588 6.8 ZN	ECROU M10X 1,5 U5588 6.8 ZN	MUTTER M10X 1,5 U5588 6.8 ZN	TUERCA M10X 1,5 U5588 6.8 ZN
39	F01200306	DADO M14X 2 U5588 6.8 ZN	NUT M14X2	ECROU M14X2	MUTTER M14X2	DADO M14X2
40	F01200442	DADO M16X 1,5 U5589 6.8 ZN	NUT 16X1-5 UNI 5589 6.8 GALVAN	ECROU 16X1-5 UNI 5589 6.8 ZN	MUTTER 16X1-5 UNI 5589 6.8 ZN	TUERCA 16X1-5 UNI 5589 6.8 ZN
41	F04010084	CUSC.D17D47 B22,2 3303 LLU/DDU	BEARING 3303 2RS	PALIER 3303 2RS	LAGER 3303 2RS	COJINETE 3303 2RS
42	F03011075	AN. TENUITA B1OF 24X32X4				
43	F01410076	ROS.M12 13X 24X2,5 U6592 ZN	WASHER D12 U6592 ZN	RONDELLE D12 U6592 ZN	SCHEIBE D12 U6592 ZN	ARANDELA D12 U6592 ZN



SPEEDY SET

TAV. 260

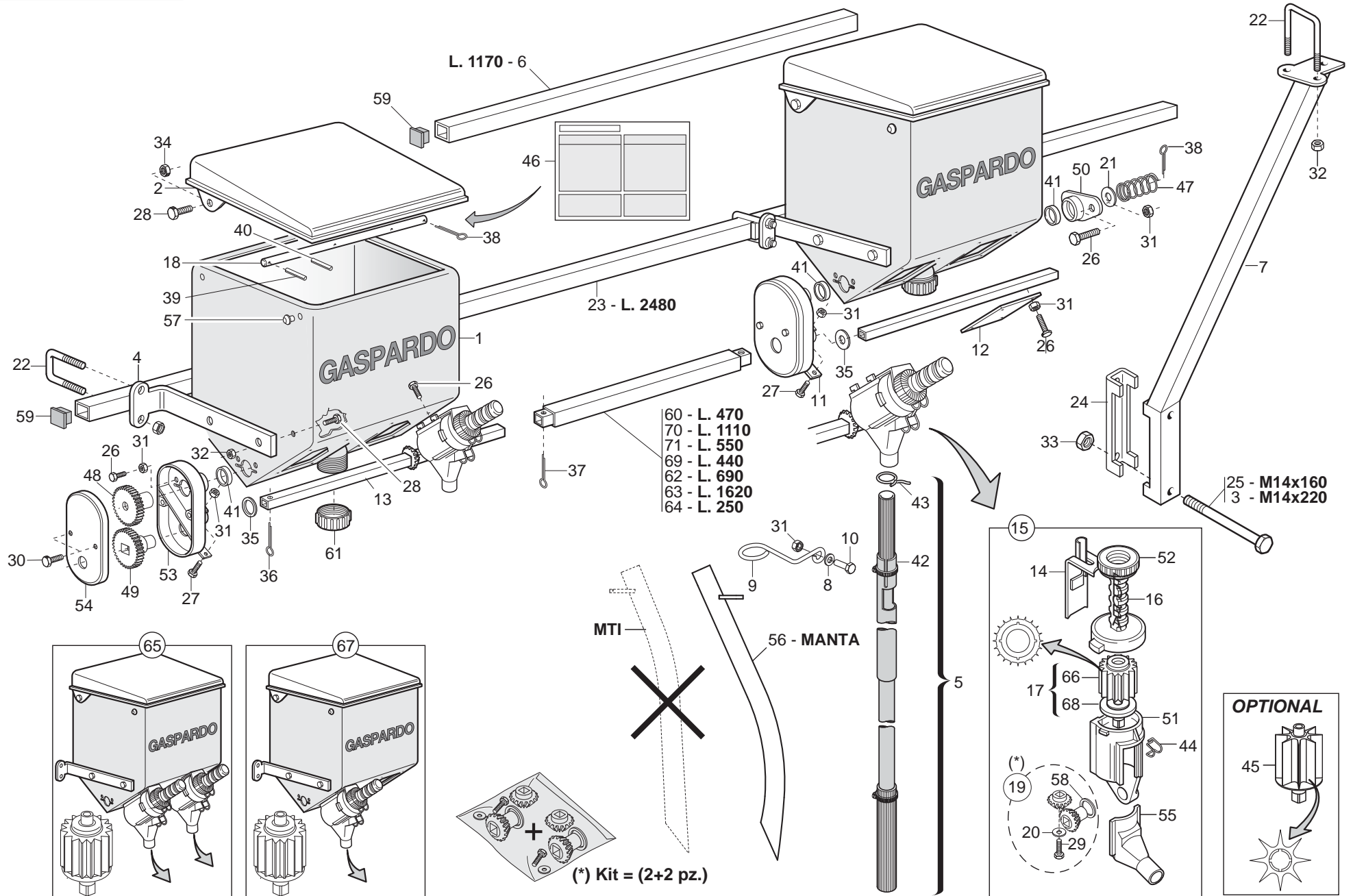
Pos.	Cod.	Descrizione	Description	Description	Benennung	Descripcion
1	F02100066	SPINA E.P. 4X 36 U6873 C70 BR				
2	G19003660	SUPPORTO	SUPPORT	SUPPORT	HALTERUNG	SOPORTE
3	F01070061	VIT.A.3,9X1,34X 9,5 6954 4.8NI				
4	F01050083	VIT.M 5X 0,8X 12 U5927 A2 IX				
5	G19702952	DECAL.TAB.DISTRIB.SPEEDY-SET				
6	G19003680	INGRANAGGIO Z.15	GEAR Z 15	ENGRENAGE Z 15	ZAHNRAD Z 15	ENGRANAJE Z 15
7	G16670040	DISTR.COMPL.8PALE SPEEDY SET P	COMPL.PLA.SPEEDY SET DISTR.8R	MINIMAX COMPL 8C PLA SPEEDYSET	KOMPL.DOSIER.SPEEDY SET PLA.8S	DISTR.COMP.SPEEDY SET PLA.8AL.
8	G16670320	TONDO D.10X780	D.10X780 ROUND	ROND D.10X780	RUNDEISEN D.10X780	BARRA REDONDA D. 10X780
9	F01420038	ROS.M6 6,4X 18X 2 U6593 IX	WASHER M6 6,4X18X2 U6593 IX	RONDELLE M6 6,4X18X2 U6593 IX	SCHIEBE M6 6,4X18X2 U6593 IX	ARANDELA M6 6,4X18X2 U6593 IX
10	F01200233	DADO M 6X 1 U5588 A2 IX	NUT M 6X 1 U5588 IX	ECROU M 6X 1 U5588 I	MUTTER M 6X 1 U5588	TUERCA M 6X 1 U5588
11	G19003670	MANOPOLA SPEEDY SET	SPEEDY HANDLE SET	POIGN+E SPEEDY SET	GRIFF SPEEDY SET	EMPUJADURA SPEEDY SET
12	F01020419	VITE M 6X1 X 16 U5739 A2 IX	BOLT M6 X1 X 16 U5739 8.8 IX	VIS M6 X1 X 16 U5739 8.8 IX	SCHRAUBE M6 X1 X 16 U5739 8.	TORNIL. M6 X1 X 16 U5739 8.8
13	G65336055	MOLLA SPEC.REGOL.SPAND. SP	SPEC SPRING MAN. SPR. ADJUSTM.	RESSORT SPEC. REGL. EP. ENTRA	SPEZIALFEDER STREUEREinstellun	MUELLE ESPEC. REGUL. ABONADORA
14	G19003720	GHIERA REGOLAZIONE SX	LEFT ADJUSTMENT KNURLED NUT	MANCHON DE REGLAGE GCH	EINSTELLMUTTER LINKS	ROSCA REGULACION IZQUIERDA
15	G16670310	SUPPORTO MOLLA REGOLATORE	REGULATOR SPRING SUPPORT	SUPPORT RESSORT R+GULATEUR	HALTERUNG EINSTELLFEDER	SOPORTE MUELLE REGULADOR
16	G19003690	CREMAGLIERA	RACK	CR+MAILL+RE	ZAHNSTANGE	CREMALLERA
17	F01080032	VITE M 4X 0,7X10 U7688 A2 IX	SCREW M4X 0,7X10 U7688 A2 IX	VIS M4X 0,7X10 U7688 A2 IX	SCHRAUBE M4X 0,7X10 7688 A2 IX	TORNILLO M4X0.7X10 U7688 A2 IX
18	G16670100	REGOLATORE APERTURA	OPENING REGULATOR	REGULATEUR OUVERTURE	TFFNUNGSEINSTELLER	REGULADOR ABERTURA
19	G19003700	COPERCHIO SPEEDY SET	COVER SPEEDY SET	COUVERCLE SPEEDY SET	DECKEL SPEEDY SET	TAPA SPEEDY SET
20	G66248173	ASSE DISTR.SPAND. SP	MANURE SPREADER DISTR. SPINDLE	AXE DISTRIBUTEUR EP.ENGRAIS SP	ACHSE SZAPPARAT STREUER SP	EJE DISTR. ABON. SP
21	G66248172	DOSATORE DISTR.SPAND. SP	MAN.SPR. SEED METERING DEVICE	DOSEUR DISTRIBUTEUR EP. ENGRAI	DOSIERER DsNGERSTREUER. SP	DOSIFICADOR DISTR.ABON. SP
22	G66248211	PERNO RONDELLA FUSA SPAND. SP	MAN. SPR. CAST WASHER PIN. SP	PIVOT RONDELLE MOULEE EP. ENGR	ZAPPEN LOSE UNTERLEGSCHIEBE ST	PERNO ARANDELA FUNDIDA ABONAD
23	G19002920	CORPO DISTRIBUTORE SPANDI PLA.	PLA. F.SPREADER DISTRIB.CASING	CORPS DISTRIBUTEUR EPAND.	VERTEILUNGSKTRPER STREUER PLA.	CUERPO DIST. ABONADORA PLæS.
24	G18701500	RONDELLA 29,5 X38 X0,3	WASHER 29,5 X 38 X 0,3	RONDELLE 29,5 X38 X0,3	UNTERLEGSCHIEBE 29,5X38X0,3	ARANDELA 29,5 X38 X0,3
25	G20860126	KIT INGR DISTR CONCIME (2+2)	KIT- MAN. DISTR. GEARS (2+2)	COUPLE CON DISTR ENGRAIS (2+2)	KIT ZAHNRZDER DsNGERSTREUER	SET ENGRANAJES DISTRIB. ABONO
26	F01070075	VIT.A.4,2X1,41X 38 6954 4.8NI	BOLT 4-2X38 DIN 7981	VIS 4-2X38 DIN 7981	SCHRAUBE 4-2X38 DIN 7981	TORNILLO 4-2X38 DIN 7981
27	G20970097	RONDELLA 32X3X4,5	WASHER 32X3X4-5	RONDELLE 32X3X4-5	UNTERLEGSCHIEBE 32X3X4-5	ARANDELA 32X3X4-5
28	G66248178	SCIVOLO DISTR.SPAND. SP	CHUTE- MANURE-SPREADER DISTRIB	LANCOIR DISTRIBUTION EP. ENGR.	DsNGERSTREUER RUTSCHE SP	PLANO INCLINADO DISTR. ABON. S
29	G65336062	MOLLA SPEC.SCIV.DISTR.SPAND.SP	SPEC SPRING - MAN. SPR. DISTR.	RESS. SPEC. LANCOIR DISTR. EP.	SPEZ.FEDER RUTSCHE SZAPP. STRE	MUELLE ESPEC.PLANO INCL.DISTR.
30	G19002850	PROTEZIONE PIGNONE	PINION GUARD	PROTECTION PIGNON	RITZELSCHUTZ	PROTECCIN PIGN PR
31	F01070011	VIT.A.4,2X1,41X 9,5 6950 4.8NI	BOLT- SELF-TAPPING 4-2X9-5T.E.	VIS AUTOTAR. 4-2X9-5 T. E. COU	SELBSTSCHNEID. SCHRAUBE 4-2X9-	TORNILLO AUTORROSC. 4-2X9-5
32	G13722330	DISTR.COMPL.8PALE SPEEDY SET F	COMPL.SPEEDY 8-BLADE DISTR. SE	DISTR.COMPL.8PALETTES SPEEDY S	SAATGUTAU.S.8SCH.KOMPL.SPEEDY S	DISTR.COMPL.8PALETAS SPEEDY SE
33	G16670330	TONDO D.10X1030	D.10X1030 ROUND	ROND D.10X1030	RUNDEISEN D.10X1030	BARRA REDONDA D. 10X1030
34	G16670340	TONDO D.10X1230	D.10X1230 ROUND	ROND D.10X1230	RUNDEISEN D.10X1230	BARRA REDONDA D. 10X1230
35	G16670350	TONDO D.10X1430	D.10X1430 ROUND	ROND D.10X1430	RUNDEISEN D.10X1430	BARRA REDONDA D. 10X1430
36	G66248176	CORPO DISTR.SPAND. SP	MANURE SPREADER DISTR. CASING	CORPS DISTRIB. EP. ENGRAIS SP	VERTEILUNGSKTRPER STREUER SP	CUERPO DISTR. ABON. SP
37	G19003710	GHIERA REGOLAZIONE DX	RIGHT ADJUSTMENT KNURLED	BAGUE REGLAGE DROITE	EINSTELLMUTTER RE	CONTRATUERCA REGULACIN DER.



MICROGRANULATORE

TAV. 270

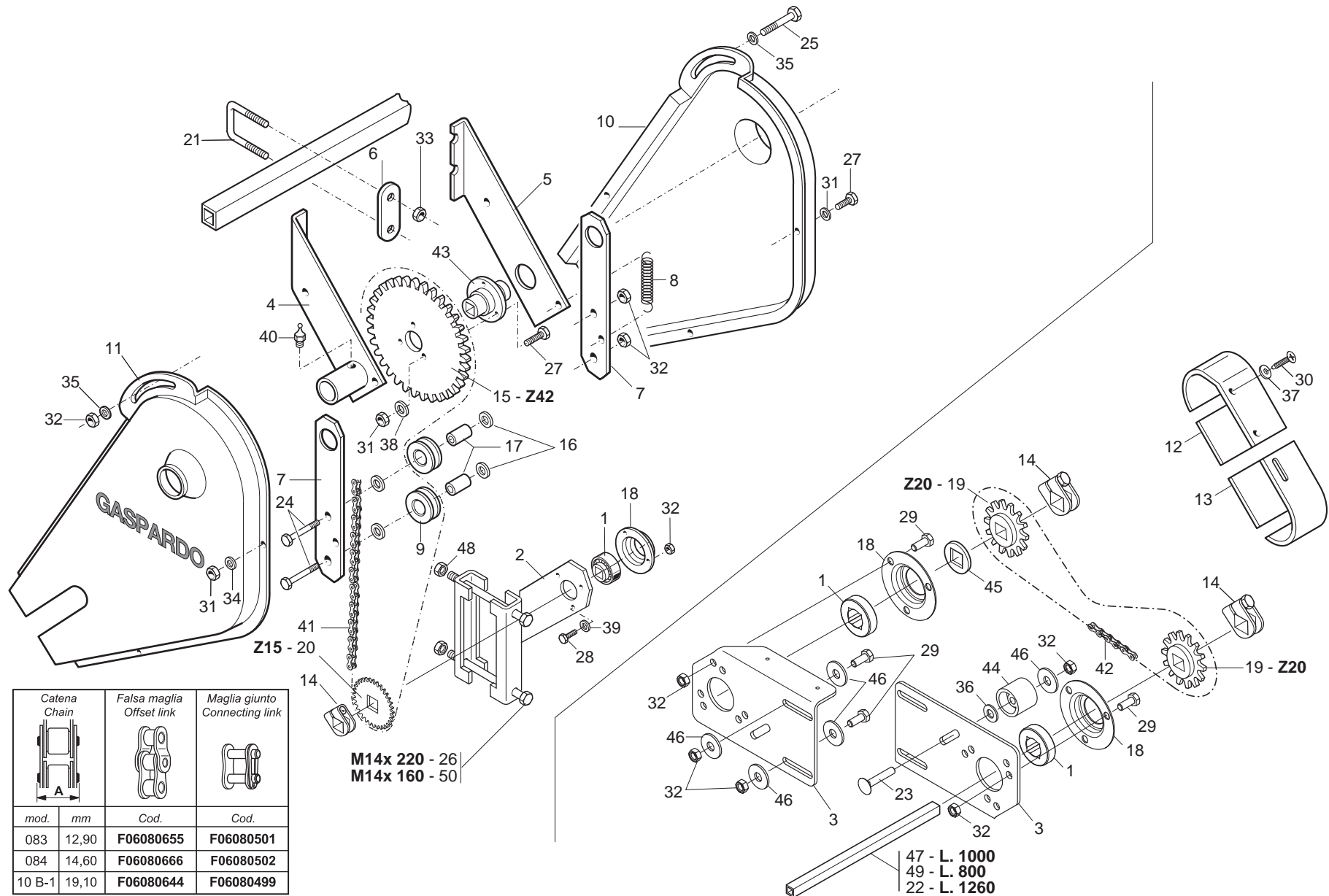
Pos.	Cod.	Descrizione	Description	Description	Benennung	Descripcion
1	G19002932	SERBATOIO MICRO 250 PLA.	PLASTIC TANK MICRO 250	RESERVOIR MICRO 250 PLASTIQUE	MIKROGRANULATBEHZLTER PLAST.	DEPSITO MICRO 250 PLAST.
2	G15475231	COPERCHIO MICRO 250 PLA.	PLASTIC COVER MICRO 250	COUVERCLE MICRO 250 PLASTIQUE	MIKRO DECKEL 250 PLAST.	TAPA MICRO 250 PLAST.
3	F01020236	VITE M14X 2X220 U5737 8.8 BR	SCREW M14X2X220 U5737 8.8 BR	VIS M14X2X220 U5737 8.8 BR	SCHRAUBE M14X2X220 U5737 8.8	TORNILLO M14X2X220 U5737 8.8
4	G15475271	SUPPORTO MICRO	MICRO SUPPORT	SUPPORT MICROGRANULATEUR	HALTERUNG MICRO	SOPORTE MICRO
5	G14276311	TUBO DISCESA MICRO MTI COMPL	PIPE- MICRO DESCENT MTI COMPL.	TUBE DESCENTE MICRO COMPL MTI	SENKROHR MIKRO MTI KOMPL.	TUBO DESCENSO MICRO MTI COMPL.
6	G15475300	TUBO SUPPORTO MICRO L.1170	MICRO SUPPORT PIPE L.1170	TUBE SUPPORT MICRO L.1170	ROHR HALTERUNG MIKRO L.1170	TUBO SOPORTE MICRO L.1170
7	G14276122	SUPPORTO MICRO S.SPANDI	MICRO SUPPORT	SUPPORT MICRO	MIKRO HALTERUNG	SOPORTE MICRO
8	F01420036	ROS.M6 6,4X 18X 2 U6593 ZN	FLAT WASHER 6-6X 18X2 6593 ZN	ROND. PLATE 6-6X 18X2 6593 ZN	SCHLEIBE 6-6X 18X2 6593 ZN	ARAND. PLANA 6-6X 18X2 6593 ZN
9	G18904290	MOLLA GUIDA TUBO DISC.MICRO ZN	MICRO GUIDE SPRING	RESSORT GUIDE MICRO	FsHRUNGSFEDER MIKRO	MUELLE GUID.MICRO
10	F01020404	VITE M 6X 1X20 U5739 8.8 ZN	BOLT 6X20 5739 8.G GALVANIZED	VIS 6X20 5739 8.G ZN	SCHRAUBE 6X20 5739 8.G ZN	TORNILLO 6X20 5739 8.G ZN
11	G20890078	PIASTRA DI COLLEGAMENTO	CONNECTION PLATE	PLAQUE DE RACCORD	VERBINDUNGSPLATTE	PLACA DE CONEXIN P
12	G20890079	PIASTRA DI CHIUSURA	CLOSURE PLATE	PLAQUE DE FERMETURE	ABSCHLUSSPLATTE	PLACA DE CIERRE
13	G20890081	ASSE DISTRIB.MICRO L.445	MICRO DISTR. SPINDLE- L. 445	AXE DISTRIBUTEUR MICRO L. 445	MIKRO STREUERACHSE L 445	EJE DISTRIB.MICRO L.445
14	G20890089	REGOLATORE DI APERTURA	OPENING REGULATOR	REGULATEUR D'OUVERTURE	TFFNUNGSEINSTELLER	REGULADOR DE ABERTURA
15	G20890135	DISTRIB.NYLON COMPL.E SCIVOLO	DISTRIB. NYLON ASSY. AND CHUTE	MINIMAX COMPL.20C MICRO	SZAPPARAT NYLON KOMPL. UND RUT	DISTRIB.NYLON COMPL.Y PLANO IN
16	G20890151	VITE-SCALA GRADUATA	GRADUATED SCALE BOLT	VIS-ECHELLE GRADUEE	SCHRAUBE - GRADSKALA	TORNILLO - ESCALA GRADUADA
17	G20890158	DOSATORE MICRO COMPL.	ROTOR DIST. MICRO 20 GROOVES	ROTOR DOSEUR 20C MICRO	DOSIERER MIKRO KOMPL. 20 SEKT	DOSIFICADOR MICRO COMPL.20 SEC
18	G20890194	ASSE AGITATORE SERB.MICRO 250	STIRRER SPINDLE- MICRO TANK 25	AXE AGITATEUR RESERVOIR MICRO	SAMENMISCHERACHSE BEH.MIKRO 25	EJE AGITADOR DEPS. MICRO 250 A
19	G20890211	KIT INGRANAGGI DISTRIB.MICRO	KIT- MICRO. DISTR. GEARS	COUPLE CON DISTR MICRO (2+2)	KIT ZAHNRZDER MIKROSTREUER	SET ENGRANAJES DISTRIB.MICRO
20	F01420011	ROS.M4 4,3X 16X 1 U6593 ZN	FLAT WASHER 4-3X 16X1-5 6593 G	ROND.PLATE 4-3X 16X1-5 6593 ZN	SCHLEIBE 4-3X 16X1-5 6593 ZN	ARAND. PLANA 4-3X 16X1-5 6593
21	G18700220	RONDELLA 16 X28 X0,3 ACC.				
22	F20110706	CAV.Q.M10X 1,5X 30 47X 60 ZN	DISK SUPPORT.ELEMENT U BOLT SV	CAVALIER SUPPORT DISQUE SV	VERBINDUNG SCHEIBENHALTERUNG S	PERNO EN U SOP. DISCO SV
23	G15475130	TUBO SUPPORTO SERBATOIO L.2480	TANK SUPPORT PIPE L.2480	TUBE SUPPORT RESERVOIR L2460	ROHR HALTERUNG BEHZLTER L.2480	TUBO SOPORTE DEPSITO L 2480 T
24	G15110091	SCONTRO A U	STRIKER	BRIDE 150 MM	ANSCHLAG	ELEMENTO DE EMPALME
25	F01020225	VITE M14X 2X160 U5737 8.8 BR	SCREW M 14 X160 5737 8.G	VIS M 14 X160 5737 8.G	SCHRAUBE M 14 X160 5737 8.G	TORNILLO M 14 X160 5737 8.G
26	F01020397	VITE M 6X 1X 10 U5739 8.8 ZN	BOLT 6X10 5739 8.G GALVANIZED	VIS 6X10 5739 8.G ZN	SCHRAUBE 6X10 5739 8.G ZN	TORNILLO 6X10 5739 8.G ZN
27	F01020403	VITE M 6X 1X 16 U5739 8.8 ZN	SCREW M6X1X16 U5739 8.8 ZN	VIS M6X1X16 U5739 8.8 ZN	SCHRAUBE M6X1X16 U5739 8.8 ZN	TORNILLO M6X1X16 U5739 8.8 ZN
28	F01020472	VITE M10X 1,5X25 U5739 8.8 ZN	BOLT 10X25 5739 8.G GALVANIZED	VIS 10X25 5739 8.G ZN	SCHRAUBE 10X25 5739 8.G ZN	TORNILLO 10X25 5739 8.G ZN
29	F01070061	VIT.A.3,9X1,34X 9,5 6954 4.8NI				
30	F01070121	VIT.A.3,9X1,34X 9,5 6955 4.8NI	BOLT 3-9X 9-5 DIN 7982	VIS 3-9X 9-5 DIN 7982	SCHRAUBE 3-9X 9-5 DIN 7982	TORNILLO 3-9X 9-5 DIN 7982
31	F01200232	DADO M 6X 1 U5588 6.8 ZN				
32	F01200270	DADO M10X 1,5 U5588 6.8 ZN	NUT M10X 1,5 U5588 6.8 ZN	ECROU M10X 1,5 U5588 6.8 ZN	MUTTER M10X 1,5 U5588 6.8 ZN	TUERCA M10X 1,5 U5588 6.8 ZN
33	F01200306	DADO M14X 2 U5588 6.8 ZN	NUT M14X2	ECROU M14X2	MUTTER M14X2	DADO M14X2
34	F01220033	DADO M10X 1,5 D980 8 ZN	NUT M10X 1,5 D980 8 ZN	ECROU M10X 1,5 D980 8 ZN	MUTTER M10X 1,5 D980 8 ZN	TUERCA M10X 1,5 D980 8 ZN
35	F01410088	ROS.M14 15X 28X2,5 U6592 ZN	WAS.M14 15X 28X2,5 U6592 ZB	RON.M14 15X 28X2,5 U6592 ZB	SCH.M14 15X 28X2,5 U6592 ZB	ARA.M14 15X 28X2,5 U6592 ZB
36	F02200161	COPIGLIA 3X 15 U1336 ZN	SPLIT PIN 3 X15 1336 GALVAN.	GOUPILLE 3 X15 1336 ZN	SPLINT 3 X15 1336 ZN	PASADOR 3 X15 1336 ZN
37	F02200162	COPIGLIA 3X 20 U1336 ZN	SPLIT PIN 3 X20 1336 GALVAN.	GOUPILLE 3 X20 1336 ZN	SPLINT 3 X20 1336 ZN	PASADOR 3 X20 1336 ZN
38	F02200194	COPIGLIA 4X 25 U1336 ZN	SPLIT PIN 4 X25 1336 GALVAN.	GOUPILLE 4 X25 1336 ZN	SPLINT 4 X25 1336 ZN	PASADOR 4 X25 1336 ZN
39	F02100083	SPINA E.P. 5X 24 U6873 C70 BR	PIN EL. 5 X24 DIN 1481	FICHE EL. 5 X24 DIN 1481	SPANNSTIFT 5 X24 DIN 1481	CLAVIJA EL.5 X24 DIN 1481
40	F02100089	SPINA E.P. 5X 36 U6873 C70 BR	PIN EL. 5X 36 U6873 C70 BR	FICHE EL. 5X 36 U6873 C70 BR	STIFT EL. 5X 36 U6873 C70 BR	CLAVIJA EL. 5X 36 U6873 C70 BR
41	F03011081	GUARNIZIONI LABBRO DE100				
42	F02300016	FASCETTA STRING. 16/27 H.8				
43	G65336041	MOLLA SPEC.ZN STRINGITUBO M80	SPEC.SPRING ZN . PIPE CLAMP M8	RESSORT SPEC. ZN SERRE-TUBE M8	SPEZIALFEDER ZN ROHRSCHELLE M8	MUELLE SPEC. ZN APLASTA TUBOS
44	G65336046	MOLLA SPEC.ZN SCIVOLO M80	SPEC SPRING ZN CHUTE M80	RESSORT SPEC. ZN LANCOIR M80	SPEZIALFEDER ZN RUTSCHE M80	MUELLE SPEC. ZN PLANO INCLINA
45	G22250240	DOSATORE COMPL. SV	MICRO DISTR.ROTOR 8 GROOVES	ROTOR DOSEUR 8C MICRO	DOSIERER KOMPL. SV	DOSIFICADOR COMPL. SV
46	G19700832	DECAL.TABELLA MICRO SP540				
47	G65338043	MOLLA COMP.ZN SERB. M80	ZN TANK COMP.SPRING M80	RESSORT COMPL. ZN RESERVOIR M8	DRUCKFEDER ZN BEHZLTER M80	MUELLE COMP.ZN DEPS. M80 A
48	G66248119	RUOTA DENTATA Z-24 M80	GEAR-WHEEL Z-24 M80	ROUE DENTEE Z-24 M80	ZAHNRAD Z-24 M80	RUEDA DENTADA Z-24 M80
49	G66248120	RUOTA DENT.FORO QUAD.Z-24 M80	GEAR-WHEEL- SQUARE HOLE- Z-24	ROUE DENTEE TROU CARRE Z-24 M8	RAD VERZAHNT VIERKANTLOCH.Z-24	RUEDA DENT.ORIFICIO CUAD.Z-24
50	G66248121	BOCCOLA CON FLANGIA M80	BUSHING W/ FLANGE M80	SUPPORT AVEC BRIDE M80	BsCHSE MIT FLANSCH M80	CASQUILLO CON BRIDA M80
51	G66248123	CORPO DISTRIBUZIONE M80	DISTRIBUTION CASING M80	CORPS DISTRIBUTION M80	VERTEILUNGSKTRPER	CUERPO DISTRIBUCIN M80 C
52	G66248125	GHIERA REGOLAZIONE M80	ADJUSTMENT KNURLED NUT M80	BAGUE REGLAGE M80	EINSTELLMUTTER M80	CONTRATUERCA REGULACIN M80 G
53	G66248126	SUPP.TRASMISSIONE M80	TRANSM.SUPPORT M80	SUPPORT ENTRAINEMENT M80	ANTRIEBSHALTERUNG M80	SOPORTE TRANSMISIN M80 S
54	G66248138	COPERCHIO SUPP.TRASM. M80	TRANSMISSION SUPP. COVER M80	COUVERCLE SUPPORT ENTRAINEM.	DECKEL ANTRIEBSHALTERUNGS M80	TAPA SOP. TRANSM. M80
55	G66248154	SCIVOLO DISTR. M80	CHUTE- DISTRIB. M80	ENTONNOIR DOSEUR MINIMAX MICRO	SAAPPARAT RUTSCHE M80	PLANO INCLINADO DISTR. M80



MICROGRANULATORE

TAV. 270

Pos.	Cod.	Descrizione	Description	Description	Benennung	Descripcion
56	G17772000	ASS.TUBO MICROGRANULATORE				
57	G66248223	TAPPO SUPP.SPAND.D.11	PLUG MAN. SPR. SUPP. D.11	BOUCHON SUPPORT EP. ENGRAIS D.	HALTERUNGSPFROPFEN DsNGERSTR.	TAPN SOPORTE ABON.D.11 D
58	G20970100	RONDELLA 30X0,5X22 ACC.	WASHER 30X0-5X22 ACC.	RONDELLE 30X0-5X22 ACIER	UNTERLEGSCHIEBE 30X0-5X22 ACC.	ARANDELA 30X0-5X22 ACC.
59	F20120346	PUNTALE Q 35 ALETT.POLIT.NERO				
60	G20890111	MANIC.UNIONE RINV.MICRO L.470	MICRO TRANSM.JOINT SLEEVE L.47	MANCHON RACCORD TRANSMISSION M	VERBINDUNGSMUFFE VORGELEGE MIK	MANGUITO EMPALME TRANSM. MICRO
61	G16675090	TAPPO PLASTICA MICRO C/OR				
62	G20890202	MANICOTTO UNIONE MICRO L.690	MICRO JOINT SLEEVE L.690	MANCHON RACCORD MICRO L. 690	VERBINDUNGSMUFFE MIKRO L.690	MANGUITO DE UNIN MICRO L.690 M
63	G20890203	MANICOTTO UNIONE MICRO L.1620	MICRO JOINT SLEEVE L.1620	MANCHON RACCORD MICRO L. 1620	VERBINDUNGSMUFFE MIKRO L.1620	MANGUITO DE UNIN MICRO L.1620M
64	G20890205	MANICOTTO UNIONE MICRO L.250	MICRO JOINT SLEEVE L.250	MANCHON RACCORD MICRO L. 250	VERBINDUNGSMUFFE MIKRO L.250	MANGUITO DE UNIN MICRO L.250 M
65	G15476270	SERBATOIO MICRO 250 2 U.PLA	MICRO TANK 250 2 OUTPUTS	RESERVOIR MICRO 250 2 SORTIES	MIKROGRANULATBEHZLTER 250 2 AU	DEPSITO MICRO 250 2 SALIDAS B
66	G66248189	DOSATORE M80	SEED METERING DEVICE M80	DOSEUR M80	DOSIERER M80	DOSIFICADOR M80
67	G15476280	SERBATOIO MICRO PLA 1U COMPL	COMPL. MICRO TANK PLA 1U	RESERVOIR MICRO PLA 1U COMPL.	BEH-LTER MIKROGRANULAT PLASTIK	DEPOSITO MICRO PLA 1U COMPL.
68	G19001802	RONDELLA-ALBERO MICRO				
69	G20890201	MANICOTTO UNIONE MICRO L.440	MICRO JOINT SLEEVE L.440	MANCHON RACCORD MICRO L. 440	VERBINDUNGSMUFFE MIKRO L.440	MANGUITO DE UNIN MICRO L.440 M
70	G20890112	MANICOTTO UNIONE MICRO L.1110	MICRO JOINT SLEEVE L.1110	MANCHON RACCORD MICRO L. 1110	VERBINDUNGSMUFFE MIKRO L1110	MANGUITO DE UNIN MICRO L.1110M
71	G20890130	MANICOTTO UNIONE MICRO L.550	MICRO JOINT SLEEVE	MANCHON RACCORD MICRO L. 550	VERBINDUNGSMUFFE MIKRO L 550	MANGUITO DE UNIN MICRO L.550 M



Catena Chain		Falsa maglia Offset link	Maglia giunto Connecting link
mod.	mm	Cod.	Cod.
083	12,90	F06080655	F06080501
084	14,60	F06080666	F06080502
10 B-1	19,10	F06080644	F06080499

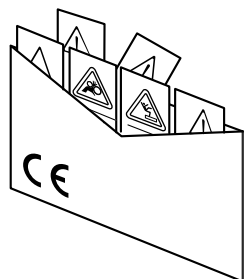
M14x 220 - 26
M14x 160 - 50

47 - L. 1000
49 - L. 800
22 - L. 1260

TRASMISSIONE SPANDICONCIME E MICROGRANULATORE

TAV. 280

Pos.	Cod.	Descrizione	Description	Description	Benennung	Descripcion
1	G14830390	CUSCINETTO FORO QUADRO	SQUARE-HOLED BEARING	ROULEMENT AL+SAGE CARR+	VIERKANTLAGER	COJINETE ORIFICIO CUADRADO
2	G15470381	SUPPORTO RINVIO TUBO 150	TRANSM. SUPPORT FOR PIPE 150	SUPPORT RENVOI POUR TUBE 150	HALTERUNG VORGELEGE ROHR 150	SOPORTE TRANSMISION TUBO 150
3	G15470851	FIANCO SUPP.TRASM.SPANDI	SPREADER TRANS. SIDE SUPPORT	COTE SUPPORT TRANS. EPAND.	SEITEN HALTER. ANTRIEB DUNGERS	COSTADO SOPORTE TRANS. ABONAD
4	G15475031	SUPPORTO TRASMISSIONE SX	LEFT TRANSMISSION SUPPORT	SUPPORT ENTRAINEMENT GCH	HALTERUNG GETRIEBE LI	SOPORTE TRANSMISIN IZQ S
5	G15475041	SUPPORTO TRASMISSIONE DX	RIGHT TRANSMISSION SUPPORT	SUPPORT ENTRAINEMENT DRT	HALTERUNG GETRIEBE RE	SOPORTE TRANSMISIN DER S
6	G15475260	SCONTRO SP	STRIKER PLATE SP	BUTEE SP	ANSCHLAG STREUER	ELEMENTO DE EMPALME SP
7	G15475310	SUPPORTO RULLINI TENDIC. MICRO	MICRO CHAIN STRETCHER ROLLERS	SUPP. ROUETS TEND. CHAINE MICR	HALTERUNG KETTENSANNROLLEN	SOP. RODILLOS TENSOR CADENA MI
8	G18902960	MOLLA TRAZ. TRASM.RUOTA ZN	TRANSMISSION TENSIONER SPRING	RESSORT TRACT. ENTRAIN. ROUE Z	ZUGFEDER RADANTRIEB ZN	MUELLE TRAC. TRANSM.RUEDA ZN
9	G19000091	ROCCHETTO 2 META'	CHAIN TENSIONER	TENDEUR DE CHAINE 2 MOITIE	KLEINRAD SPANNER SA	CARRETE TENSOR SA
10	G19002810	CARTER RINVIO MICRO DX	RIGHT MICRO TRANS. CASE	CARTER TRANS. MICRO DRT	VORGELEGEGEHZUSE MIKRO RE	CæRTER TRANSMISIN MICRO DER C
11	G19002820	CARTER RINVIO MICRO SX	LEFT MICRO TRANS. CASE	CARTER TRANS. MICRO GCH	VORGELEGEGEHZUSE MIKRO LI	CæRTER TRANSMISIN MICRO IZQ C
12	G19002830	CARTER TRASMISSIONE SUPERIORE	TOP TRANSMISSION CASE	CARTER ENTRAINEMENT SUPERIEUR	OBERES ANTRIEBSGEHZUSE	CæRTER TRANSMISIN SUPERIOR C
13	G19002880	CARTER INFERIORE TRASM.SPAND.	BOTTOM SPREADER TRANS. CASE	CARTER INFERIEUR TRANS. EPAND.	UNTER. ANTRIEBSGEHZUSE DsNG.GE	CæRTER INFER. TRANSMISIN ABONC
14	G22505085	FERMO ASSE IN LAMIERA	PLATE AXLE STOP	ARRET AXE EN TOLE	FESTSTELLVORRICHTUNG BLECHACHS	BLOQUEO EJE DE CHAPA
15	G20890128	CORONA Z-42 SP	RING GEAR Z-42 SP	COURONNE Z-42 SP	KRANZ Z-42 SP	CORONA Z-42 SP
16	G20970032	RONDELLA 32X4X8,5	WASHER 32X4X8-5	RONDELLE 32X4X8-5	UNTERLEGSSCHEIBE 32X4X8-5	ARANDELA 32X4X8-5
17	G20980086	BOCCOLA DIST.D.8,5X16X31	BUSHING SPAC.. D.8-5X16X31	BOITE ENTRETOISE D. 8-5X16X31	VERTEILERBsCHSE D.8-5X16X31	CASQUILLO DIST. D.8-5X16X31
18	G22230094	SUPPORTO CUSCINETTO	BEARING SUPPORT	SUPPORT PALIER	LAGERBsCHSE	SOPORTE COJINETE
19	G20910039	INGRANAGGIO SUP.Z-20 FERRO *				
20	G22250028	PIGNONE Z-15 SV	Z-15 PINION SV	PIGNON Z-15 SV	RITZEL Z-15 SV	PI½N Z-15 SV P
21	F20110706	CAV.Q.M10X 1,5X 30 47X 60 ZN	DISK SUPPORT.ELEMENT U BOLT SV	CAVALIER SUPPORT DISQUE SV	VERBINDUNG SCHEIBENHALTERUNG S	PERNO EN U SOP. DISCO SV
22	G22230284	ASSE 2 FILE L.1230 *				
23	F01060047	BUL.M 8X1,25X 45 U5732 4.6 ZN	BOLT 8X45 5732 4.6 GALVANIZED	VIS 8X45 5732 4.6 ZN	SCHRAUBE 8X45 5732 4.6 ZN	TORNILLO 8X45 5732 4.6 ZN
24	F01020075	VITE M8X1,25X 55 U5737 8.8 ZN	BOLT 8 X55 5737 8.8 GALVANIZED	VIS 8 X55 5737 8.8 ZN	SCHRAUBE 8 X55 5737 8.8 ZN	TORNILLO 8 X55 5737 8.8 ZN
25	F01020083	VITE M 8X1,25X70 U5737 8.8 ZN	BOLT M8X70	VIS M 8X70	SCHRAUBE M 8X70	TORNILLO M 8X70
26	F01020236	VITE M14X 2X220 U5737 8.8 BR	SCREW M14X2X220 U5737 8.8 BR	VIS M14X2X220 U5737 8.8 BR	SCHRAUBE M14X2X220 U5737 8.8	TORNILLO M14X2X220 U5737 8.8
27	F01020403	VITE M 6X 1X 16 U5739 8.8 ZN	SCREW M6X1X16 U5739 8.8 ZN	VIS M6X1X16 U5739 8.8 ZN	SCHRAUBE M6X1X16 U5739 8.8 ZN	TORNILLO M6X1X16 U5739 8.8 ZN
28	F01020432	VITE M 8X1,25X16 U5739 8.8 ZN	BOLT M8X16	VIS M8X16	SCHRAUBE M8X16	TORNILLO M 8X16
29	F01020436	VITE M 8X1,25X 20 U5739 8.8 ZN	SCREW M8X1,25X20 U5739 8.8 ZN	VIS M8X1,25X20 U5739 8.8 ZN	SCHRA. M8X1,25X20 U5739 8.8 ZN	TORN. M8X1,25X20 U5739 8.8 ZN
30	F01070074	VIT.A.4,2X1,41X 25 6954 4.8NI	BOLT 4-2X25 DIN 7981	VIS 4-2X25 DIN 7981	SCHRAUBE 4-2X25 DIN 7981	TORNILLO 4-2X25 DIN 7981
31	F01200232	DADO M 6X 1 U5588 6.8 ZN				
32	F01200244	DADO M 8X1,25 U5588 6.8 ZN	NUT M8 X1,25 U5588 6.8 ZN	ECROU M8 X1,25 U5588 6.8 ZN	MUTTER M8 X1,25 U5588 6.8 ZN	TUERCA M8 X1,25 U5588 6.8 ZN
33	F01200270	DADO M10X 1,5 U5588 6.8 ZN	NUT M10X 1,5 U5588 6.8 ZN	ECROU M10X 1,5 U5588 6.8 ZN	MUTTER M10X 1,5 U5588 6.8 ZN	TUERCA M10X 1,5 U5588 6.8 ZN
34	F01410037	ROS.M6 6,4X12,5X1,6 U6592 ZN	PLANE WASHER D.6	RONDELLE D.6	SCHEIBE D.6	ARANDELA D.6
35	F01410051	ROS.M8 8,4X 17X1,6 U6592 ZN	WASHER M8 8,4X17X1,6 U6592 ZN	RONDEL. M8 8,4X17X1,6 U6592 ZN	SCHEIBE M8 8,4X17X1,6 U6592 ZN	ARANDELA M8 8,4X17X1,6 U6592ZN
36	F01410064	ROS.M10 10,5X 20X 2 U6592 ZN	WASHER M10 10,5X20X2 U6592 ZN	RONDELL.M10 10,5X20X2 U6592 ZN	SCHEIBE M10 10,5X20X2 U6592 ZN	ARAND. M10 10,5X20X2 U6592 ZN
37	F01420011	ROS.M4 4,3X 16X 1 U6593 ZN	FLAT WASHER 4-3X 16X1-5 6593 G	ROND.PLATE 4-3X 16X1-5 6593 ZN	SCHEIBE 4-3X 16X1-5 6593 ZN	ARAND. PLANA 4-3X 16X1-5 6593
38	F01430047	ROS.M6 6,4X 11X0,7 U8842J ZN	WASHER D6 DIN 6798 D.INT.GALV.	RONDELLE D6 DIN 6798 D. INT. Z	UNT. SCHEIBE D6 DIN 6798 D. IN	ARANDELA D6 DIN 6798 D.INT.ZN
39	F01430059	ROS.M8 8,4X 15X0,8 U8842J ZN	WASHER M8 8,4X15X0,8 U8842J ZN	ROND. M8 8,4X 15X0,8 U8842J ZN	SCHEIBE M8 8,4X15X0,8 U8842JZN	ARAND. M8 8,4X15X0,8 U8842J ZN
40	F01100011	ING.M 6X1 7663-A 95MNPB28 ZN	GREASE NIPPLE M6X1 7663-A ZN	GRAISS. A BILLE M6X1 7663A ZN	SCHMIERBUÈCHE M6X1 7663-A ZN	ENGRAS. DE ESFERAS M6X1 7663-A
41	F06080057	CATENA 1/2 ISO 083 107 MAGLIE	CHAIN ISO 083 107 LINKS	CHAINE ISO 083 107 MAILLES	KETTE ISO 083 107 GLIEDER	CADENA ISO 083 107 ESLABNE L
42	F06080025	CATENA 1/2 ISO 083 56 MAGLIE	CHAIN 1/2-3/16 56 LINKS.	CHAINE 1/2-3/16 56 MAILLES	KETTE 1/2-3/16 56 GLIEDER	CADENA 1/2-3/16 56 ESLABNE
43	G66248152	MOZZO TRASM.MICRO M80	HUB - TRANS. MICRO M80	MOYEU ENTRAINEMENT MICRO M80	ANTRIEBSNABE MIKRO M80	CUBO TRANS. MICRO M80
44	G66248207	TENDICATENA SPAND. SP-520	CHAIN TENSIONER	TENDEUR DE CHAINE EPAND. ENGR.	KETTENSANNER DsNGERSTR. SP-52	TENSOR DE CADENA ABON. SP-520
45	G66248218	RONDELLA DISTAN.SPAND.	MAN. SPR. SPACER WASHER	RONDELLE ENTRETOISE EP. ENGRAI	ABSTANDSCHEIBE DsNGERSTREUER	ARANDELA DISTAN.ABONAD.
46	F01420048	ROS.M8 8,4X 24X 2 U6593 ZN	WASHER M8 8,4X 24X 2 U6593 ZN	RONDELLE M8 8,4X 24X2 U6593 ZN	SCHEIBE M8 8,4X 24X 2 U6593 ZN	ARANDELA M8 8,4X 24X2 U6593 ZN
47	G22230138	ASSE CAMBIO 4F.80-6F.45 L.1000	GEAR SPINDLE 4-ROW 80- 6-ROW.4	AXE BOITE DE VITESSE 4 RA	GETRIEBEACHSE 4 R. 80-6 R.45 L	EJE CAMBIO 4 FILAS. 80-6 FILAS
48	F01200306	DADO M14X 2 U5588 6.8 ZN	NUT M14X2	ECROU M14X2	MUTTER M14X2	DADO M14X2
49	G22230142	ASSE 4 FILE L.800	4-ROW SPINDLE L.800	AXE 4 RANGEES L. 800	ACHSE 4 REIHEN B. 800	EJE 4 FILAS L.800
50	F01020225	VITE M14X 2X160 U5737 8.8 BR	SCREW M 14 X160 5737 8.G	VIS M 14 X160 5737 8.G	SCHRAUBE M 14 X160 5737 8.G	TORNILLO M 14 X160 5737 8.G



13
 DECALCOMANIE AVVERTIMENTO
 DECAL
 DBZIEHBILD
 DECALCOMANIE
 CALCOMANIE
 CALCOMANIE

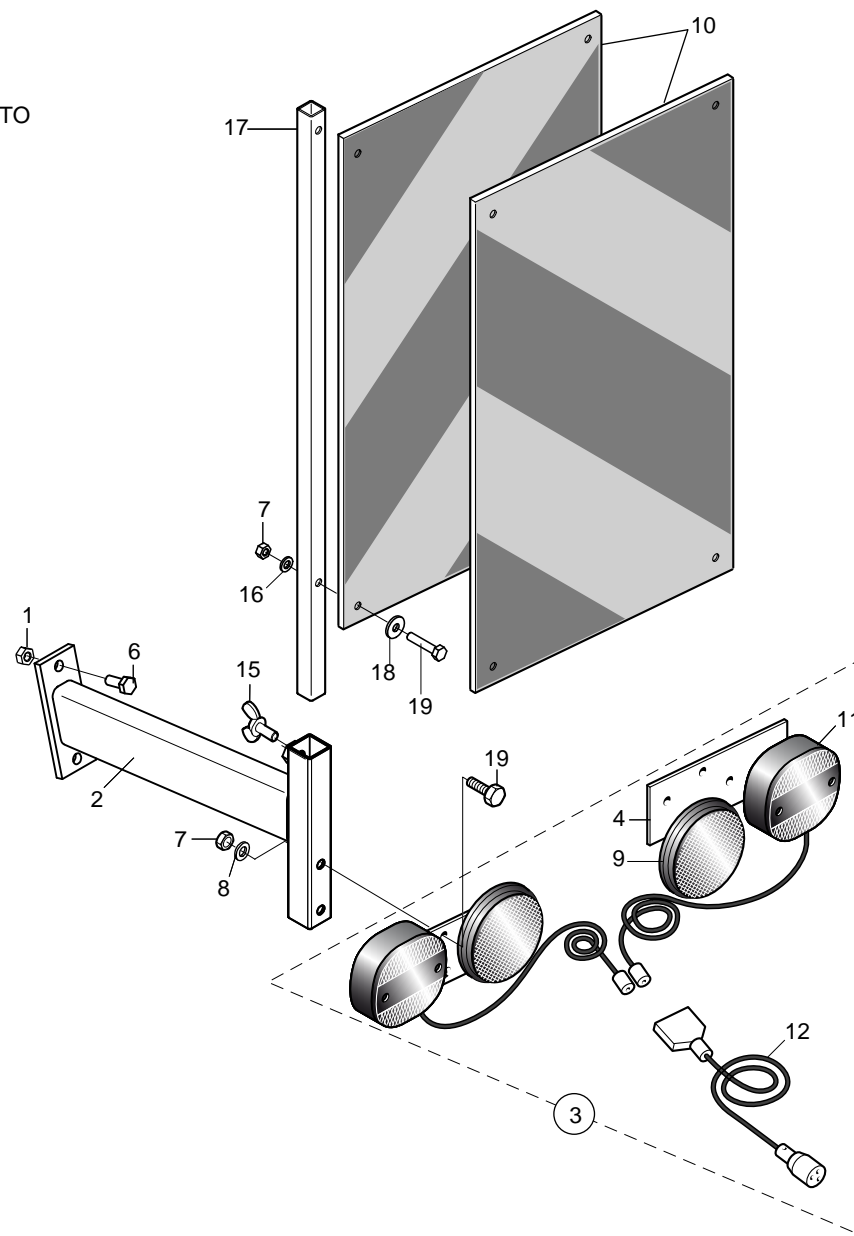
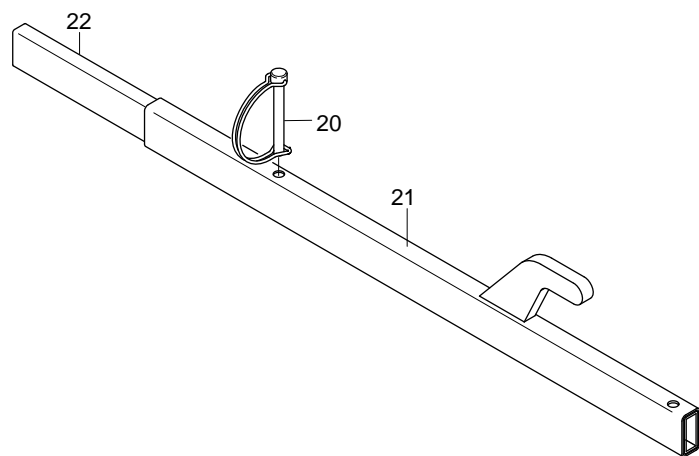
GASPARDO

MANTA

14



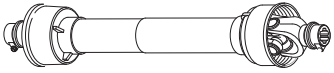
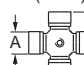
5
 Rosso Gaspardo - 1Kg
 Gaspardo red - 1Kg
 Rot Gaspardo - 1Kg
 Rouge Gaspardo - 1Kg
 Rojo Gaspardo - 1Kg

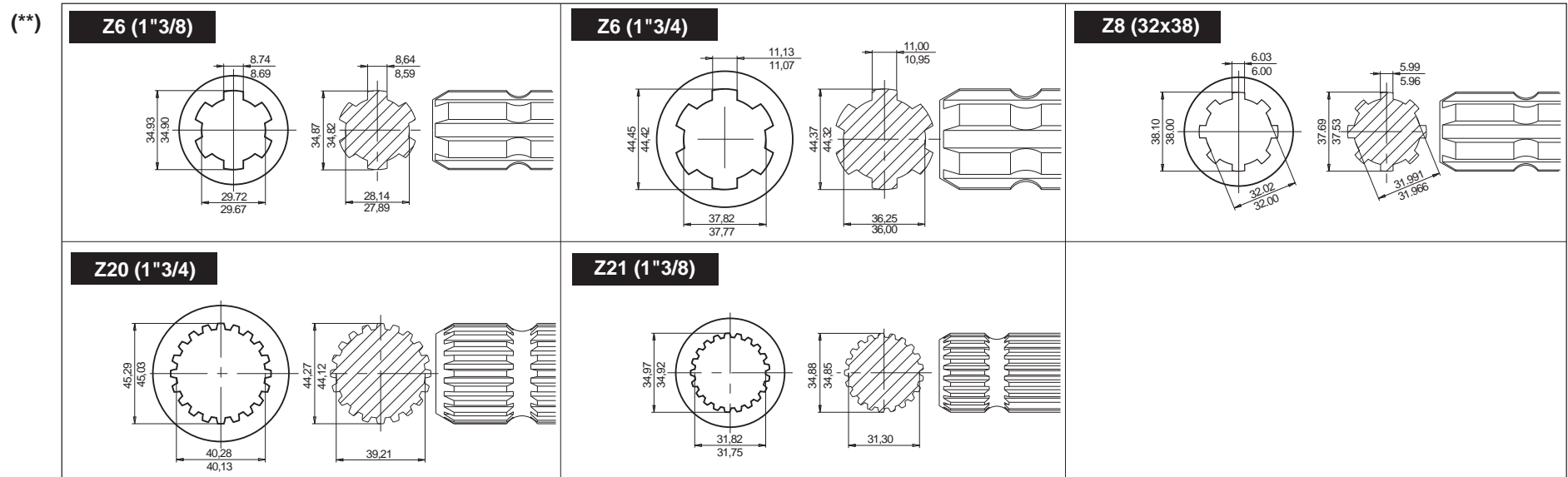
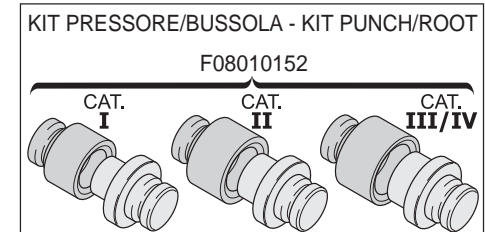
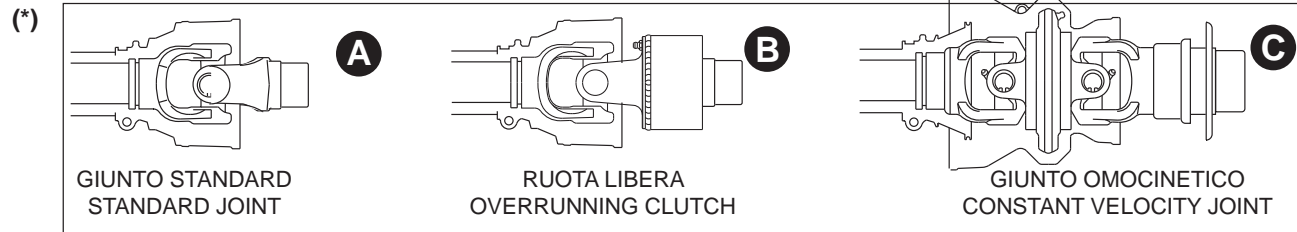


ACCESSORI

TAV. 290

Pos.	Cod.	Descrizione	Description	Description	Benennung	Descripcion
1	F01200232	DADO M 6X 1 U5588 6.8 ZN				
2	G15211760	SUPPORTO LUCI POST.	LIGHTS SUPPORT	SUPPORT ECLAIRAGE	LICHTERHALTERUNG	SOPORTE LUCES
3	G13616620	KIT LUCI PER MACCHINE PORTATE	LIGHT KIT FOR MOUNTED MACHINE	KIT FEUX POUR MACHINES PORT+ES	KIT LICHTER F_R FIRDERMASCHINE	KIT LUCES PARA M-QUINAS SUSPEN
4	G13616570	PIASTRA SUPP.LUCI	LIGHTS SUPPORT PLATE	PLAQUE DE SUPPORT ECLAIRAGE	LICHTERHALTERUNGSPLATTE	PLACA SOPORTE LUCES
5	F03200251	ROSSO GAS.RAL3020 BICOM.LT.1,5				
6	F01020403	VITE M 6X 1X 16 U5739 8.8 ZN	SCREW M6X1X16 U5739 8.8 ZN	VIS M6X1X16 U5739 8.8 ZN	SCHRAUBE M6X1X16 U5739 8.8 ZN	TORNILLO M6X1X16 U5739 8.8 ZN
7	F01220011	DADO M 6X 1 D980 8 ZN	NUT M6X1 D980 8 ZN	ECROU M6X1 D980 8 ZN	MUTTER M6X1 D980 8 ZN	TUERCA M6X1 D980 8 ZN
8	F01410037	ROS.M6 6,4X12,5X1,6 U6592 ZN	PLANE WASHER D.6	RONDELLE D.6	SCHEIBE D.6	ARANDELA D.6
9	F05010221	CATARIFRANGENTE TONDO D.80 >	D.80 ROUND REFLECTOR	CATADIOPTRE ROND D.80	RUNDER R_CKSTRAHLER D.80	PAPEL REFRACTARIO REDONDO D.80
10	F05010357	N.2 PANNELLI CARICHI SPORGENTI	N.2 JUTTING LOAD PANELS	N.2 PANNEAUX CHARGES SAILLANT	N.2 TAFELN VORSRINGENDE LADUN	2 PANELES CARGADOS SALIENTES
11	F05010076	FANALE X KIT LUCI	LAMP KIT LIGHTS COMPL.	FEU KIT ECLAIRAGE COMPL.	LAMPEN KIT LICHT KOMPL.	FAROL SET LUCES COMPL.
12	F05010080	CABLAGGIO PER KIT LUCI	LIGHT WIRING HARNESS	CABLAGE KIT PHARES	VERKABELUNG LAMPENKIT	CABLEADO JUEGO LUCES
13	G89900500	KIT DECALCOMANIE -CE-	DECAL KIT -CE-	KIT DECALCOMANIE -CE- K	IT ABZIEHB. -CE- S	ET CALCOMANAS -CE-
14	G89900512	KIT DECALCOMANIE SI-MTI	DECAL KIT SI-MTI	KIT DECALCOMANIE SI-MTI	KIT ABZIEHB. SI-MTI	SET CALCOMANAS SI-MTI
15	F01090215	VITE M 8X1,25X15 U5449 5.8 ZN	BOLT 8X15 UNI 5449 5.8 GALVANI	VIS 8X15 UNI 5449 5.8 ZN	SCHRAUBE 8X15 UNI 5449 5.8 ZN	TORNILLO 8X15 UNI 5449 5.8 ZN
16	F01410037	ROS.M6 6,4X12,5X1,6 U6592 ZN	PLANE WASHER D.6	RONDELLE D.6	SCHEIBE D.6	ARANDELA D.6
17	G15412650	TUBO Q. 16X1,5X 643 ZN	GALVAN. SQUARE 16X1,5X643	TUBE CARRE 16X1,5X643 ZN	ROHR Q. 16X1,5X643 ZN	TUBO CUADRADO 16X1,5X643 ZN
18	F01420036	ROS.M6 6,4X 18X 2 U6593 ZN	FLAT WASHER 6-6X 18X2 6593 ZN	ROND. PLATE 6-6X 18X2 6593 ZN	SCHEIBE 6-6X 18X2 6593 ZN	ARAND. PLANA 6-6X 18X2 6593 ZN
19	F01020408	VITE M 6X 1X 30 U5739 8.8 ZN	BOLT M6X1X30	VIS M 6X1X30	SCHRAUBE M 6X1X30	TORNILLO M 6X1X30
20	F02200562	SPINA SICUR. D. 8X70 ZN	SAFETY PIN D.8X 70 ZN	FICHE EL. D.8X70 ZN	SCHERSTIFT D.8X 70 ZN	CLAVIJA D.8X 70 ZN
21	G15225380	LEVA SOLLEVAMENTO ELEMENTO	LIFTING LEVER	LEVIER DE LEVAGE	HEBELHUB	PALANCA LEVANTAMIENTO
22	G15225370	TUBO R.35X15X1,5X750 FORATO	TUBE R.35X15X1,5X750	TUBE R.35X15X1,5X750	ROHR R.35X15X1,5X750	TUBO R.35X15X1,5X750

 Codice - Code Descrizione - Description		Lunghezze Lengths		Classe - Size (A x B) 	Tipo - Type (*)		Forcelle - Yokes (**)				
		min.	max.				Z6 (1"3/8)	Z6 (1"3/4)	Z8 (32x38)	Z20 (1"3/4)	Z21 (1"3/8)
F08011711	CARD.B1 Z6-Z6 L700	700	1100	B1 (22 x 54)	A	A	G58161015	F08011772	F08011742	F08011758	F08011767
F08011712	CARD.B3 Z6-Z6 L1300	1300	2000	B3 (27 x 70)	A	A	—	G58161016	F08011743	—	—
F08011713	CARD.B1 Z8-Z6 L700	700	1100	B1 (22 x 54)	A	A	G58161015	F08011772	F08011742	F08011758	F08011767
F08011714	CARD.B1 Z20-Z6 L700	700	1100	B1 (22 x 54)	A	A	G58161015	F08011772	F08011742	F08011758	F08011767
F08011715	CARD.B1 Z8-Z6 L900 R.LIB	900	1400	B1 (22 x 54)	A	B	G58161015	F08011772	F08011742	F08011758	F08011767
F08011716	CARD.B1 Z6-Z6 L900 R.LIB	900	1400	B1 (22 x 54)	A	B	G58161015	F08011772	F08011742	F08011758	F08011767
F08011719	CARD.B2 Z6-Z6 L900	900	1400	B2 (23,8 x 61,3)	A	B	—	—	—	—	—
F08011720	CARD.B3 Z8-Z6 L1300	1300	2000	B3 (27 x 70)	A	A	—	G58161016	F08011743	—	—
F08011757	CARD.B1 Z20-Z6 L900 R.L	900	1400	B1 (22 x 54)	A	B	G58161015	F08011772	F08011742	F08011758	F08011767
F08011764	CARD.R4 Z20-Z6 L1210 OM-RL	1210		R4 (27 x 74,6)	A	C	F08011768	—	F08011766	F08011774	F08011773



CARDANI

TAV. 300

Pos.	Cod.	Descrizione	Description	Description	Benennung	Descripcion
	F08010152	KIT PRESSORE BUSSOLA CAT I-IV>	TOOLS FOR PTO YOKE CAT I-IV			
	F08011711	CARD.B1 Z6-Z6 L700	CARD.B1 Z6-Z6 L700	CARD.B1 Z6-Z6 L700	KARD.B1 Z6-Z6 L700	CARD.B1 Z6-Z6 L700
	F08011712	CARD.B3 Z6-Z6 L1300	UNIVERSAL JOINT T40 1020F 112	CARD. T40 1020F 112 112 1 CAT	KARDAN T40 1020F 112 112 1CAT	CARDæN T40 1020F 112 112 1CAT
	F08011713	CARD.B1 Z8-Z6 L700	UNIV.JOINT B1070BA32A60 Z-8 Z-	CARD. B1070BA32A60 Z-8 Z-6	KARDAN B1070BA32A60 Z-8 Z-6	CARD+N B1070BA32A60 Z-8 Z-6
	F08011714	CARD.B1 Z20-Z6 L700				
	F08011715	CARD.B1 Z8-Z6 L900 R.LIB	CARD.B1 Z8-Z6 L900 FREE W.			
	F08011716	CARD.B1 Z6-Z6 L900 R.LIB	UNIV.JOINT CE T100710 112 R12	CARD ROUE LIBRE T100710 112R12	KARDAN CE T100710 112 R12	CARDAN CE T100710 112 R12
	F08011719	CARD.B2 Z6-Z6 L900	UNIVERSAL JOINT 102 071 N T07	CARD. 102 071 N T07 T07 1 CAT	KARDAN 102 071 N T07 T07 1CAT	CARDæN 102 071 N T07 T07 1CAT
	F08011720	CARD.B3 Z8-Z6 L1300				
	F08011742	FORCELLA CARD.32X38 Z8 B1	PTO YOKE Z8 B1	FOURCHETTE CARDAN Z8 B1	GABEL KARDAN Z8 B1	HORQUILLA CARDAN Z8 B1
	F08011743	FORCELLA CARD.32X38 Z8 B3	YOKE CARD.32X38 Z8 B3			
	F08011757	CARD.B1 Z20-Z6 L900 R.L >				
	F08011758	FORCELLA CARD.1"3/4 Z20 B1 >				
	F08011764	CARDANO OM 3/4Z20-RL Z6 L1381				
	F08011766	FORCELLA CARD.32X38 Z8 R4				
	F08011767	FORCELLA CARD.1 3/8 Z21 B1 >				
	F08011768	FORCELLA CARD.1 3/8 Z6 R4				
	F08011772	FORCELLA CARD.1"3/4 Z6 B1 >				
	F08011773	FORCELLA CARD.1 3/8 Z21 R4 >				
	F08011774	FORCELLA CARD.1 3/4 Z20 R4				
	G58161015	FORCELLA CARD.1'3/8 Z6 B1				
	G58161016	FORCELLA CARD.1'3/8 Z6 B3 >				

**USATE SEMPRE RICAMBI ORIGINALI
ALWAYS USE ORIGINAL SPARE PARTS
IMMER DIE ORIGINAL-ERSATZTEILE VERWENDEN
EMPLOYEZ TOUJOURS LES PIECES DE RECHANGE ORIGINALES
UTILIZAR SIEMPRE REPUESTOS ORIGINALES**

GASPARDO

**Servizio Assistenza Tecnica - After Sales Service
Servizio Ricambi - Spare Parts Service
+39 0434 695410**

DEALER:



MASCHIO GASPARDO SpA
Sede legale e stabilimento produttivo
Via Marcello, 73 - 35011 Campodarsego (Padova) - Italy
Tel. +39 049 9289810
Fax +39 049 9289900
Email: info@maschio.com
www.maschionet.com

MASCHIO GASPARDO SpA
Stabilimento produttivo
Via Mussons, 7 - 33075
Morsano al Tagliamento (PN) - Italy
Tel. +39 0434 695410
Fax +39 0434 695425
Email: info@gaspardo.it

MASCHIO DEUTSCHLAND GMBH
Äußere Nürnberger Straße 5
D - 91177 Thalmässing
Deutschland
Tel. +49 (0) 9173 79000
Fax +49 (0) 9173 790079

MASCHIO FRANCE Sarl
1, Rue de Mérignan ZA
F - 45240 La Ferte St. Aubin
France
Tel. +33 (0) 2.38.64.12.12
Fax +33 (0) 2.38.64.66.79

MASCHIO IBERICA S.L.
Calle Cabernet, 10
Polígono Industrial Clot de Moja
Olerdola - 08734 Barcelona
Tel. +34 93.81.99.058
Fax +34 93.81.99.059

MASCHIO-GASPARDO USA Inc
120 North Scott Park Road
Eldridge, IA 52748 - USA
Ph. +1 563 2859937
Fax +1 563 2859938
e-mail: info@maschio.us

ООО МАСКИО-ГАСПАРДО РУССИЯ
Улица Пушкина, 117 Б
404126 Волжский
Волгоградская область
Тел. +7 8443 525065
факс. +7 8443 525064

MASCHIO-GASPARDO ROMANIA S.R.L.
Strada Înfrâții, F.N.
315100 Chisineu-Cris (Arad) - România
Tel. +40 257 307030
Fax +40 257 307040
e-mail: maschio@maschio.ro

MASCHIO MIDDLE EAST
P.O. Box 922388
Amman, 11192 Jordan
Tel. 962 605511384
Fax 962 6 5538398
e-mail: tahaeng@nets.com.jo

GASPARDO-MASCHIO TURCHIA
MASCHIO-GASPARDO CANADA Inc
MASCHIO-GASPARDO CINA
MASCHIO-GASPARDO POLAND
MASCHIO-GASPARDO UCRAINA
GASPARDO BIELORUSSIA
MASCHIO-GASPARDO KOREA