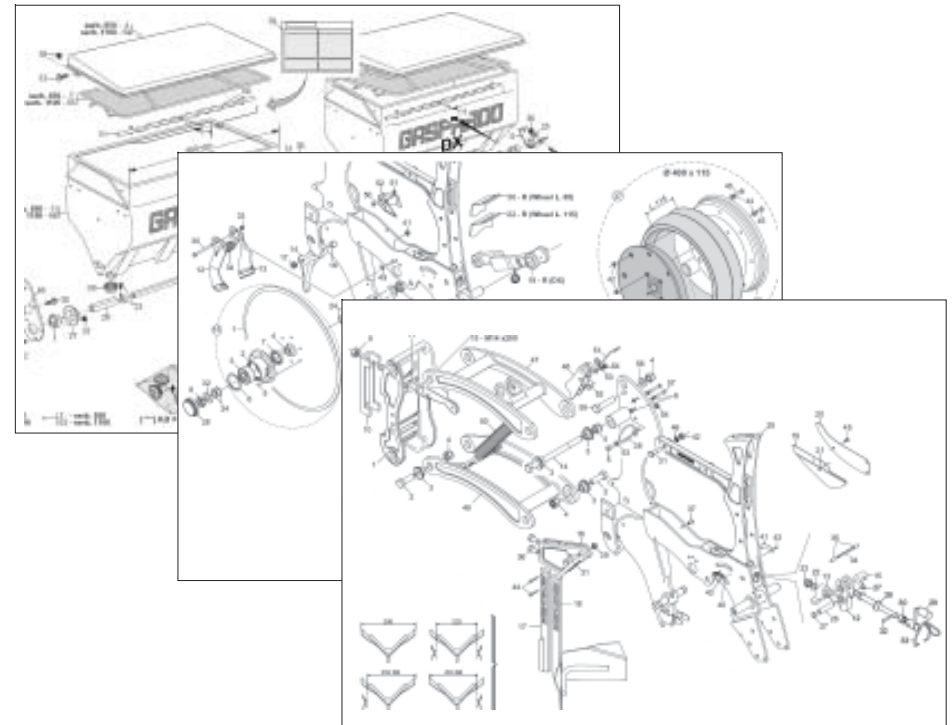




GASPARDO

MASCHIO GASPARDO S.p.A.



MANTA-MT

Cod: G19530297 2012-11

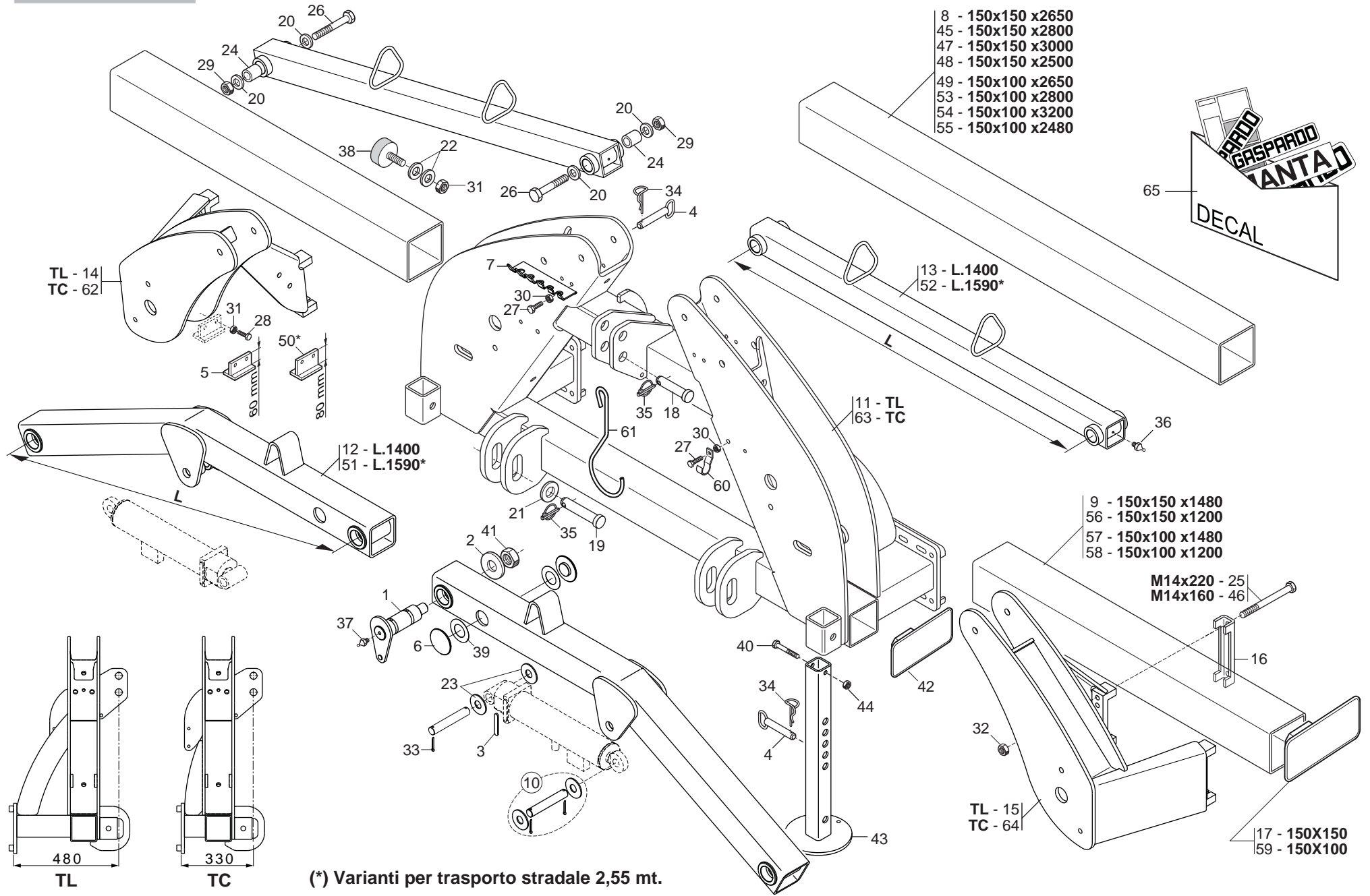
- *) Valido per Paesi UE
- *) Valid for EU member countries
- *) Valable dans les Pays UE
- *) Gilt für EU-Mitgliedsländer
- *) Válido para Países UE

- IT** PARTI DI RICAMBIO
- EN** SPARE PARTS
- DE** ERSATZTEILE
- FR** PIÈCES DÉTACHÉES
- ES** PIEZAS DE REPUESTO

| ITALIANO | ENGLISH | DEUTSCH | FRANÇAIS | ESPAÑOL |
|---|---|--|---|--|
| PARTI DI RICAMBIO | SPARE PARTS | ERSATZTEILE | PIECES DÉTACHÉES | RESPUESTOS |
| <p>Le ordinazioni delle parti di ricambio vanno fatte presso i nostri concessionari di zona e devono essere sempre corredate dalle seguenti indicazioni:</p> <ul style="list-style-type: none"> - Tipo, modello e numero di matricola dell'attrezzatura. Tali dati sono stampigliati nell'apposita targhetta di cui è dotata ogni attrezzatura. - Numero di codice della parte richiesta rilevabile dal catalogo ricambi. - Descrizione del particolare e quantità richiesta. - Numero della tavola. - Mezzo di trasporto. Nel caso questa voce non sia specificata, la Ditta Costruttrice, pur dedicando a questo servizio una particolare cura, non risponde di eventuali ritardi di spedizione dovuti a cause di forza maggiore. Le spese di trasporto si intendono sempre a carico del destinatario. La merce viaggia a rischio e pericolo del committente anche se venduta franco destino. <p>NOTA: Il termine (Dx) Destro o (Sx) Sinistro della macchina o di parti di essa, è inteso guardando la macchina dalla parte posteriore. Le eccezioni saranno indicate.</p> | <p><i>Orders must be transmitted through our area dealers and should always include the following indications:</i></p> <ul style="list-style-type: none"> - Type, model and serial number of the machine. <i>These data are punched on the data plate with which every implement is equipped.</i> - Code number of the required spare part. <i>This will be found in the spare parts catalogue.</i> - Description of the part and required quantity. - Table number. - Means of dispatch. <i>If this item is not indicated, the Manufacturer, while dedicating particular care to this service, shall not be held responsible for delays in delivery caused by cases of force majeure. Transport expenses shall always be at the consignee's charge. The goods travel at the purchaser's risk and peril even when sold ex destination.</i> <p>NOTE: <i>The symbols (Dx) right and (Sx) left, concerning the machine or single parts of it, are referred, as in the figure, to a rear view of them. Exceptions will be indicated.</i></p> | <p>Die Bestellungen müssen bei unseren Gebietshändlern aufgegeben werden. Bei der Bestellung sind stets die folgenden Angaben zu machen:</p> <ul style="list-style-type: none"> - Typ, Modell und Serien-Nummer des Geräts. Diese Daten stehen auf dem Typenschild, mit dem jedes Gerät versehen ist. - Artikel Nr. der erforderlichen Ersatzteile. Diese stehen im Ersatzteil-Katalog. - Beschreibung des Ersatzteils und die erforderliche Stückzahl. - Tafelnummer. - Versandmittel. Wenn dieser Punkt nicht spezifiziert wird, haftet die Herstellerfirma nicht für etwaigen Lieferverzug aufgrund höherer Gewalt, auch wenn er diesen Service besonders aufmerksam abwickelt. Die Frachtkosten gehen dagegen immer zu Lasten des Empfängers. Die Ware reist auf Gefahr und Risiko des Auftraggebers, auch wenn frei Haus Verkauft vereinbart worden ist. <p>N.B.: Die Merkzeichen (Dx) rechts und (Sx) links betreffen eine rückwärtige Aussicht der Maschine oder Teile von ihr (siehe Bild). Ausnahmen werden gezeigt.</p> | <p><i>Les ordres doivent être effectués auprès de nos concessionaires de zone en précisant les indications suivantes:</i></p> <ul style="list-style-type: none"> - Type, modèle et numéro de série de la machine. <i>Ces données sont gravées sur la plaque d'identification de chaque outil.</i> - Numéro de code de la pièce détachée indiqué sur le catalogue des pièces détachées. - Description de la pièce et quantité requise. - Numéro de plan. - Moyen d'expédition. <i>Si cette rubrique n'est pas indiquée, le Constructeur, bien que soucieux de ce service, ne répond pas des retards d'expédition pour des causes de force majeure. Les frais de transport sont toujours à la charge du destinataire. La marchandise voyage aux risques et périls de l'acheteur même si vendue franco de port.</i> <p>N.B.: <i>Les références (Dx) droit et (Sx) gauche de la machine ou des parties de la même, est entendue, comme de la figure, en regardant la machine de derriere dans le sens de marche.</i></p> | <p>Los pedidos han de efectuarse en nuestros concesionarios de zona y deben incluir siempre las siguientes indicaciones:</p> <ul style="list-style-type: none"> - Tipo, modelo y número de matrícula del equipo. Dichos datos están impresos en la relativa placa presente en el equipo. - Número de código de la parte requerida presente en el catálogo respuestas. - Descripción de la pieza y cantidad requerida. - Numero de ilustración. - Medio de transporte. En caso que este ítem no esté especificado, el Fabricante, aún prestando la debidas consideraciones para este aspecto, no responde por eventuales retardos de env'o debidos a causas de fuerza mayor. Los gastos de transporte se consideran siempre a cargo del destinatario. La mercadería viaja bajo riesgo y peligro del comprador, incluso cuando se vende franco destino. <p>N.B.: La refencia (Dx) derecha o (Sx) izquierda de la máquina o de sus componentes, se entiende, como en la figura, mirando la máquina por la parte trasera. Se indicarán las excepciones.</p> |

| N° Tavola | Descrizione | Pagina |
|------------------|---|---------------|
| TAV. 015 | Telaio | 4 |
| TAV. 032 | Impianto telaio | 6 |
| TAV. 284 | Segnafile | 8 |
| TAV. 290 | Impianto segnafile | 10 |
| TAV. 350 | Impianto generale con centralina | 12 |
| TAV. 074 | Depressore | 14 |
| TAV. 094 | Scatola di rinvio elemento | 16 |
| TAV. 103 | Distributore semi | 18 |
| TAV. 230 | Dischi di semina | 20 |
| TAV. 116 | Telaio elemeto | 22 |
| TAV. 126 | Ruote di profondità | 26 |
| TAV. 380 | Ruote di compressione posteriore | 28 |
| TAV. 312 | Coprisemi anteriori e posteriori per ruote a "V" | 30 |
| TAV. 241 | Ruota compressione farmflex Ø 370 (con copriseme anteriore) | 32 |
| TAV. 333 | Coltro a disco striato | 34 |
| TAV. 360 | Trash wheel - Spartiresidui rotativo | 36 |
| TAV. 254 | Esclusione elettrica file di semina | 38 |
| TAV. 136 | Cambio | 40 |
| TAV. 146 | Ruote di trasmissione | 42 |
| TAV. 212 | Presa di potenza posteriore | 46 |
| TAV. 265 | Kit flangiatura ruote per terreni sassosi | 48 |
| TAV. 152 | Supporti serbatoi spandiconcime | 50 |
| TAV. 165 | Serbatoi spandiconcime | 52 |
| TAV. 176 | Elementi di concimazione | 56 |
| TAV. 204 | Speedy set | 58 |
| TAV. 187 | Microgranulatore | 60 |
| TAV. 194 | Trasmissione spandiconcime e microgranulatore | 64 |
| TAV. 222 | Accessori | 66 |
| TAV. 341 | Cardani | 68 |

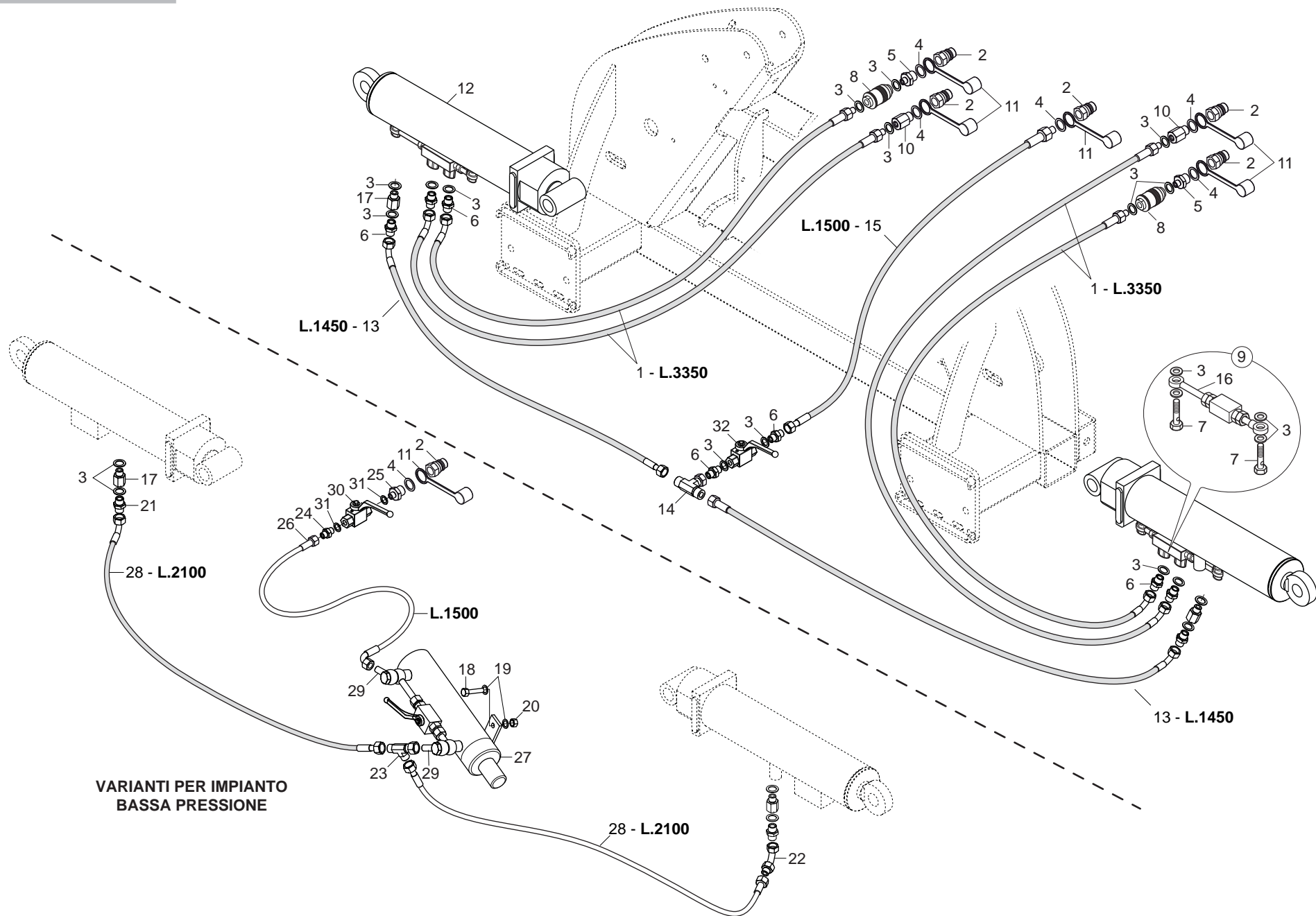
TAV. 015



TELAIO

TAV. 015

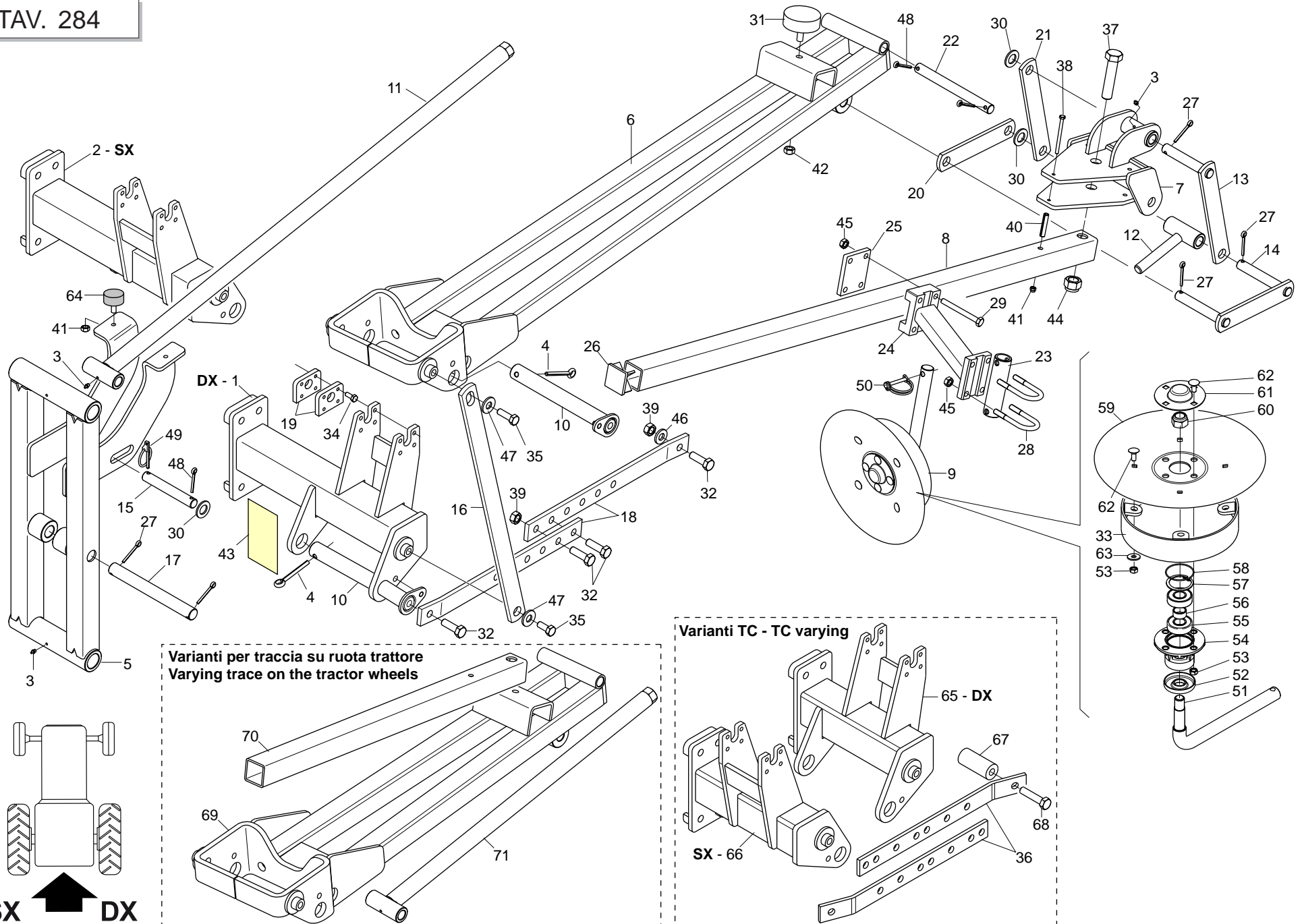
| Pos. | Cod. | Descrizione | Description | Description | Benennung | Descripcion |
|------|-----------|--------------------------------|--------------------------------|--------------------------------|--------------------------------|-----------------------------------|
| 1 | G14219550 | SPINA ROTAZIONE | ROTATION PIN | | | |
| 2 | G14219500 | FLANGIA | FLANGE | | | |
| 3 | GA4210060 | | | | | |
| 4 | G14215360 | SPINA DI SICUREZZA | PIN D20 L173,5 | FICHE D20 L173,5 | STIFT D20 L173,5 | CLAVIJA D20 L173,5 |
| 5 | G14215570 | FERMO TELAIO MOBILE | MOBILE FRAME STOP | ARRET BATI MOBILE | FESTSTELLVORRICHTUNG MOBILER R | BLOQUEO BASTIDOR MVIL O |
| 6 | G14216730 | PIASTRA SCORRIMENTO | SLIDING PLATE | PLAQUE GLISSEMENT | GLEITPLATTE | PLACA DE DESPLAZAMIENTO |
| 7 | G14217560 | SUPPORTO 5 TUBI | 5 PIPE SUPPORT | SUPPORT 5 TUBES | 5 ROHR HALTERUNG | SOPORTE 5 TUBOS |
| 8 | G14215170 | TELAIO FISSO | FIXED FRAME | BATI FIXE | FIXER RAHMEN | BASTIDOR FIJO |
| 9 | G14215541 | TUBO Q.150X8X1480 | SQUARE TUBE 150X1480 | TUBE CARR+ 150X1480 | ROHR Q.150X1480 | TUBO CUADRADO 150X1480 |
| 10 | G14215272 | SPINA 29,8X164 ZN | PIN 29,8X164 ZN | | | |
| 11 | G14219530 | TELAIO PORTANTE SI-MTI | MAIN FRAME SI-MTI | | | |
| 12 | G14216614 | BRACCIO INF.L1400 | LOWER ARM L.1400 | | | |
| 13 | G14216641 | BRACCIO SUPERIORE | TOP ARM | BRAS SUPERIEUR | OBERER ARM | BRAZO SUPERIOR |
| 14 | G14216714 | SUPPORTO TELAIO MOBILE DX | SUPP.R.OFFSET FRAME | | | |
| 15 | G14216724 | SUPPORTO TELAIO MOBILE SX | SUPP.L.OFFSET FRAME | | | |
| 16 | G15110091 | SCONTRIO A U SP.8 2F15 165 | STRIKER | BRIDE 150 MM | ANSCHLAG | ELEMENTO DE EMPALME |
| 17 | G19003000 | TAPPO PER TELAIO 150 | CAP FOR FRAME 150 | BOUCHON POUR BATI 150 | PFROPFEN FOR RAHMEN 150 | TAPON PARA BASTIDOR 150 |
| 18 | F20100139 | >PERNO D36 L135 C43 ZN | PIN D36 L135 C40 ZN | | | |
| 19 | F20100141 | PERNO D36 L128 C43 ZN | PIN D36 L128 C43 ZN | BOULON D36 L128 C43 ZN | BOLTZEN D36 L128 C43 ZN | PERNO D36 L128 C43 ZN |
| 20 | G20970043 | RONDELLA 50X8X20,5 ZN | WASHER 50X8X20-5 ZN | RONDELLE 50X8X20-5 ZN | UNTERLEGSCHEIBE 50X8X20-5 ZN | ARANDELA 50X8X20-5 ZN |
| 21 | G18701810 | RONDELLA 38 X70 X10 ZN | WASHER 38X70X10 | RONDELLE 38X70X10 | UNTERLEGSCHEIBE 38X70X10 | ARANDELA 38X70X10 |
| 22 | G20970126 | RONDELLA 75X2,5X14,5 | WASHER 75X2-5X14-5 | RONDELLE 75X2-5X14-5 | UNTERLEGSCHEIBE 75X2-5X14-5 | ARANDELA 75X2-5X14-5 |
| 23 | G18701580 | RONDELLA 30,5 X76 X4 | WASHER 30.5 X 76 X 6 | RONDELLE 30-5 X78 X6 | UNTERLEGSCHEIBE 30-5 X78 X6 | ARANDELA 30-5 X78 X6 |
| 24 | G18801380 | BOCCOLA 20,25X40 X121 | BUSHING 20,25X 40 X121 | | | |
| 25 | F01020236 | VITE M14X2X220 U5737 8.8 BR | BOLT M14X2X220 U5737 8.8 BR | VIS M14X2X220 U5737 8.8 BR | SCHRAUBE M14X2X220 U5737 8.8 | TORNILLO M14X2X220 U5737 8.8 |
| 26 | F01020322 | VITE M20X2,5X190 U5737 10.9 ZD | BOLT M20X2,5X190 5737 10.9 ZN | VIS M20X2,5X190 5737 10.9 ZN | SCHRA.M20X2,5X190 5737 10.9 ZN | TORN. M20X2,5X190 5737 10.9 ZN |
| 27 | F01020476 | VITE M10X1,5X30 U5739 8.8 ZN | BOLT M10X1,5 X 30 5739 8.8 ZN | VIS M10X1,5 X 30 5739 8.8 ZN | SCHRA. M10X1,5X 30 5739 8.8 ZN | TORN. M10X1,5 X 30 5739 8.8 ZN |
| 28 | F01020510 | VITE M12X1,75X30 U5739 8.8 ZN | BOLT M12X30 | VIS M 12X30 | SCHRAUBE M 12X30 | TORNILLO M 12X30 |
| 29 | F01230131 | DADO M20X 2,5 D982 6 ZN | NUT M20X 2,5 D982 6 ZN | ECROU M20X 2,5 D982 6 ZN | MUTTER M20X 2,5 D982 6 ZN | TUERCA M20X 2,5 D982 6 ZN |
| 30 | F01200270 | DADO M10X 1,5 U5588 6.8 ZN | NUT M10X 1,5 U5588 6.8 ZN | ECROU M10X 1,5 U5588 6.8 ZN | MUTTER M10X 1,5 U5588 6.8 ZN | TUERCA M10X 1,5 U5588 6.8 ZN |
| 31 | F01200293 | DADO M12X1,75 U5588 6.8 ZN | NUT M12X1,75 U5588 6.8 ZN | ECROU M12X1,75 U5588 6.8 ZN | MUTTER M12X1,75 U5588 6.8 ZN | TUERCA M12X1,75 U5588 6.8 ZN |
| 32 | F01200306 | DADO M14X 2 U5588 6.8 ZN | NUTM14X2 | ECROU M14X2 | MUTTER M14X2 | DADO M14X2 |
| 33 | F02200246 | COPIGLIA 6X 45 U1336 ZN | PIN 6 X45 U1336 ZN | GOUPIILLE 6 X45 U1336 ZN | SPLINT 6 X45 U1336 ZN | CLAVIJA 6 X45 U1336 ZN |
| 34 | F02200374 | COPIGLIA R 4X 82 | SPRING SPLIT PIN 4X82 | GOUPIILLE 4X82 | SPLINT 4X82 | PASADOR 4X82 |
| 35 | F02200507 | SPINA A SCATTO D 9 B/83 | SNAP PIN D9 B/83 ZN | FICHE A DETENTE D9 B/83 ZN | EINRASTSTIFT D9 B/83 ZN | CLAVIJA DE MUELLE D9 B/83 ZN |
| 36 | F01100011 | ING.M 6X1 7663-A 9SMNPB28 ZN | GREASE NIPPLE M6X1 7663-A ZN | GRAISS. A BILLE M6X1 7663A ZN | SCHMIERBUECHE M6X1 7663-A ZN | ENGRAS. DE ESFERAS M6X1 7663-A ZN |
| 37 | F01100061 | ING.M10X1 7663-A 9SMNPB28 ZN | GREASE NIPPLE M10X1 7663-A ZN | GRAISSEUR M10X1 7663-A ZN | SCHMIERBUECHSE M10X1 7663-A ZN | ENGRASADOR M10X1 7663-A ZN |
| 38 | F05150459 | PARACOLPI CIL.75X25 M12 SH70 | CYLINDER GUARD 75X25 M12 SH71 | TAMPON CIL. 75X25 M12 | PUFFER CIL. 75X25 M12 | PARACHOC. CIL. 75X25 M12 |
| 39 | G18701770 | RONDELLA 50 X90 X0,5 | WASHER 50 X90 X0,5 | RONDELLE 50 X90 X0,5 | UNTERLEGSCHEIBE 50 X90 X0,5 | ARANDELA 50 X90 X0,5 |
| 40 | F01020166 | VITE M12X1,75X80 U5737 8.8 ZN | BOLT M12X1,75X80 U5737 8.8 ZN | | | |
| 41 | F01230291 | DADO M30X 2 D985 ZN | SELF-LOCK NUT M30X2 DIN 985 ZN | ECROU AUTOB. M30X2 DIN 985 ZN | SELBSTSP. MU. M30X2 DIN 985 ZN | TUERCA AUTOB. M30X2 DIN 985 ZN |
| 42 | G15413210 | TAPPO TELAIO 120 COMPL. | FRAME PLUG 120 COMPL. | | | |
| 43 | G15817000 | PUNTELLO TELAIO PIEGH. | | | | |
| 44 | F01220059 | DADO M14X 1,5 D980 8 ZN | NUT M14X 1,5 D980 8 ZB | ECROU M14X 1,5 D980 8 ZB | MUTTER M14X 1,5 D980 8 ZB | TUERCA M14X 1,5 D980 8 ZB |
| 45 | G22505031 | TUBO TELAIO L=2800 | FRAME PIPE L=2800 | TUBE BATI L=2800 | ROHR RAHMEN L=2800 | TUBO BASTIDOR L=2800 |
| 46 | F01020225 | VITE M14X2X160 U5737 8.8 BR | BOLT M 14 X160 5737 8.G | VIS M 14 X160 5737 8.G | SCHRAUBE M 14 X160 5737 8.G | TORNILLO M 14 X160 5737 8.G |
| 47 | G16610100 | TUBO TELAIO FISSO L.3000 Q.150 | FIXED FRAME PIPE L.3000 Q.150 | TUBE BATI FIXE L.3000 Q.150 | ROHR FIXER RAHMEN L.3000 Q.150 | TUBO BASTIDOR FIJO L.3000 Q150 |
| 48 | G15211690 | TUBO TELAIO FISSO L.2500 Q.150 | FIXED FRAME PIPE L.2500 Q.150 | TUBE BATI FIXE L.2500 Q.150 | ROHR FIXER RAHMEN L.2500 Q.150 | TUBO BASTIDOR FIJO L.2500 Q150 |
| 49 | G14217260 | TUBO R.150X100X 6X2650 | RECTANGULAR PIPE 150X100X2650 | TUBE RECT. 150X100X 6X2650 | R. ROHR 150X100X 6X2650 | TUBO RECT. 150X100X 6X2650 |
| 50 | G14218890 | FERMO TELAIO | FRAME STOP | ARRET BATI | FESTSTELLVORRICHTUNG | BLOQUEO BASTIDOR |
| 51 | G14218852 | BRACCIO INF.L1590 | LOWER ARM L.1590 | | | |
| 52 | G14218831 | BRACCIO SUP.L=1590 | TOP ARM L.1590 | | | |
| 53 | G14217390 | TUBO R.150X100X 6X2800 | RECTANGULAR PIPE 150X100X2800 | TUBE RECT. 150X100X 6X2800 | R. ROHR 150X100X 6X2800 | TUBO RECT. 150X100X 6X2800 |
| 54 | G14217400 | TUBO TELAIO 150X100X3200 | FRAME PIPE 150X100X3200 | TUBE RECT.150X100X3200 | ROHR RAHMEN 150X100X3200 | TUBO BASTIDOR 150X100X3200 |
| 55 | G16610050 | TUBO R.150X100X2480 | RECTANGULAR PIPE 150X100X2480 | TUBE RECT.150X100X6X2480 | R. ROHR150X100X6X2480 | TUBO RECT.150X100X6X2480 |
| 56 | G14219190 | TUBO Q.150X 8X1200 | TUBE Q.150X 8X1200 | | | |
| 57 | G14217270 | TUBO R.150X100X 6X1480 | RECTANGULAR PIPE 150X100X 1480 | TUBE RECT.150X100X 6X1480 | R. ROHR 150X100X 6X1480 | TUBO RECT. 150X100X 6X1480 |
| 58 | G14218860 | TUBO R.150X100X 6X1200 | RECTANGULAR PIPE 150X100X 1200 | TUBE RECT.150X100X 6X1200 | R. ROHR 150X100X 6X1200 | TUBO RECT. 150X100X 6X1200 |
| 59 | G16610110 | TAPPO TELAIO 150X100 COMPL. | COMPL. FRAME PLUG 150X100 B319 | BOUCHON CH-SSIS 150X100 COMPL. | PFROPFEN RAHMEN 150X100 KOMPL. | TAPEN BASTIDOR 150X100 COMPL. |
| 60 | F20120401 | FASCETTA FERMA CARDANO ZN | SHAFT HOOK SUPPORT | SUPPORT CARDAN | GELENKWELLE HACKEN HALTER | SOPORTE CARDAN |
| 61 | F20120400 | GANCIO SOSTEGNO CARDANO | SHAFT HOOK SUPPORT | SUPPORT CARDAN | GELENKWELLE - HACKEN | SOPORTE CARDAN |
| 62 | G14219850 | TELAIO MOBILE DX TC | MOBILE RIGHT FRAME TC | | | |
| 63 | G14219880 | TELAIO PORTANTE TC | MAIN FRAME TC | | | |
| 64 | G14219860 | TELAIO MOBILE SX TC | MOBILE LEFT FRAME TC | | | |
| 65 | G89900512 | KIT DECALCOMANIE SI-MTI | DECAL KIT SI-MTI | KIT DECALCOMANIE SI-MTI | KIT ABZIEHB. SI-MTI | SET CALCOMANAS SI-MTI |



IMPIANTO TELAIO

TAV. 032

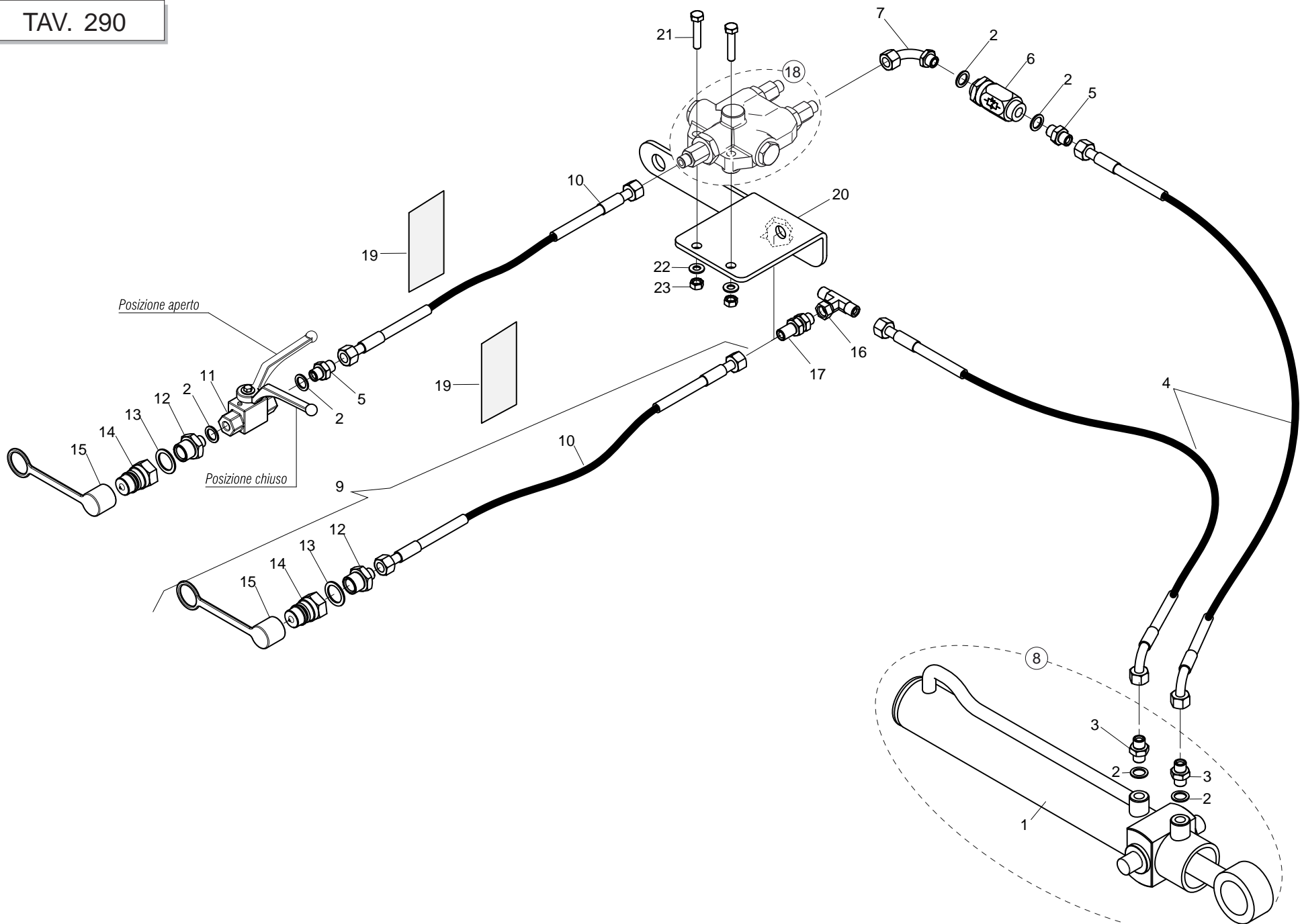
| Pos. | Cod. | Descrizione | Description | Description | Benennung | Description |
|------|-----------|--------------------------------|--------------------------------|--------------------------------|--------------------------------|--------------------------------|
| 1 | G14217120 | TUBO 3/8R2 CF3/8- M3/8 3350 | PIPE 3/8R2 CF3/8- M3/8 L.3350 | TUBE 3/8R2 CF3/8- M3/8 L.3350 | ROHR 3/8R2 CF3/8- M3/8 L.3350 | TUBO 3/8R2 CF3/8- M3/8 L.3350 |
| 2 | F03150935 | INNESTO RAP.MASCH.1/2 A VALV. | QUICK CONNECT MALE CONE 1/2 | CONNEXION RAPIDE MALE CONE 1/2 | SCHNELLKUPP.GEWINDE KONISC 1/2 | ACOPLAMIENT.RAP.MACHO CONO 1/2 |
| 3 | F03100023 | ROS. 17 X23X1,5 RAME -3/8" | WASHER 17X23X1,5 | RONDELLE 17X23X1,5 | SCHEIBE 17X23X1,5 | ARANDELA 17X23X1,5 |
| 4 | F03151237 | ROS. 21 X27X1,5 RAME -1/2" | COPPER WASHER 21X27X1,5 1/2 | RONDELLE CUIVRE 21X27X1,5 1/2 | SCHEIBE KUPFER 21X27X1,5 1/2 | ARANDELA COBRE 21X27X1,5 1/2 |
| 5 | F03150222 | NIPPLO MM CIL-CIL 1/2-3/8 ZG | NIPPLE M-M CYL-CYL 1/2-3/8 ZN | NIPPLE H-H CIL-CIL 1/2-3/8 ZN | NIPPEL M-M CIL-CIL 1/2-3/8 ZN | NIPLE H-H CIL-CIL 1/2-3/8 ZN |
| 6 | F03150321 | NIPPLO MM CIL-CIL 3/8-3/8 ZG | NIPPLE MM CIL-CIL 3/8-3/8 ZN | NIPPLE MM CIL-CIL 3/8-3/8 ZN | NIPPELZYL MM 3/8-3/8 ZN | NIPLE MM CIL-CIL 3/8-3/8 ZN |
| 7 | F03151223 | RACCORDO VITE CAVA 3/8 | UNION BOLT 3/8 | VIS 3/8 | SCHRAUBE 3/8 | TORNILLO CAVA 3/8 |
| 8 | F03151252 | STROZZATORE UNIDIREZ.VSRU 3/8 | UNI-DIRECTIONAL VENTURI 3/8 | ETRANGLEUR UNIDIRECTIONN. 3/8 | ZWEIS. DROSSEL 3/8 | ESTRANGULADOR UNIDIRECCION.3/8 |
| 9 | F03150589 | KIT VALVOLA DI BLOCCO 3/8 DE | PIL. BLOCK VALVE VBPDE38EC | SOUPAPE BLOC GUIDEE VBPDE38EC | GEST. SPERRVENTIL VBPDE38EC | VæLVULA BLOQUE PIL.VBPDE38EC |
| 10 | F03151213 | NIPPLO MF CIL-CIL 1/2-3/8 ZN | M 1/2-F 3/8 CONNECTION PIPE | RACCORD REDUCTION FINALEM 1/2- | ANSCHLUSS REDUKTIONM 1/2-F 3/8 | UNION REDUCCION M ç-F 3/8 |
| 11 | F05150325 | CAPPUC.F X INN.M RAP.1/2 ROSSO | COVER CONNECT F 1/2 RED | COUVERCLE CONNEXION F 1/2 ROSE | DECKEL W 1/2 SCHNELLKUPP. ROT | PAC PROTECCION F 1/2 ROJO |
| 12 | G14217511 | CILINDRO DOPPIO STADIO SI-MTI | CYLINDER 2STEPS SI-MTI | | | |
| 13 | G16117780 | TUBO 3/8R2 CF3/8- F3/8 1450 | PIPE 3/8R2 CF3/8-F3/8 1450 | | | |
| 14 | F03151221 | RACCORDO -T- M-FG-M 3/8' ZN | CONNECTOR T- M-FG-M 3/8' ZN | RACCORD -T- M-FG-M 3/8 ZN | ANSCHLUSSTsCK-T-M-FG-M 3/8 ZN | UNION -T- M-FG-M 3/8 ZN |
| 15 | G22280116 | TUBO 3/8-R2 F3/8-M1/2 MT.1,50 | PIPE 3/8-R1 F3/8-M1/2 MT.1-50 | TUBE 3/8-R1 F3/8-M1/2 M. 1-50 | ROHR 3/8-R1 F3/8-M1/2 M 1-50 | TUBO 3/8-R1 F3/8-M1/2 MT.1-50 |
| 16 | F03151211 | RACCORDO OCCHIO 3/8 D.12 L.300 | EYE UNION 3/8 D.12 L.300 | RACCORD OEIL 3/8 D.12 L.300 | TSENVERBINDUNGSSTsCK 3/8 D.12 | UNIN OJO 3/8 O.12 L.300 R |
| 17 | F03151212 | RACCORDO PROLUNGA CORTA 3/8 ZN | SHORT EXTENSION UNION 3/8 ZN | RACCORD RALLONGE COURTE 3/8 ZN | ANSCHL.KURZE VERLZNG. 3/8 ZN | UNIN PROLONG. CORTA 3/8 ZN P |
| 18 | F01020479 | VITE M10X1,5X35 U5739 8.8 ZN | BOLT M10X1,5X35 U5739 8.8 ZN | VIS M10X1,5X35 U5739 8.8 ZN | SCHR. M10X1,5X35 U5739 8.8 ZN | TORN. M10X1,5X35 U5739 8.8 ZN |
| 19 | F01420060 | ROS.M10 10,5X 30X2,5 U6593 ZN | WASHER 10,5X30 | RONDELLE 10,5X30 | SCHEIBE 10,5X30 | ARANDELA 10,5X30 |
| 20 | F01230048 | DADO M10X 1,5 D982 8 ZN | NUT M10X 1,5 D982 8 ZN | ECROU M10X 1,5 D982 8 ZN | SCHEIBE M10X 1,5 D982 8 ZN | TUERCA M10X 1,5 D982 8 ZN |
| 21 | F03150310 | NIPPLO MM CIL-CIL 3/8-1/4 ZN | NIPPLE CYL.MALE3/8-1/4 ZN | NIPPLE MALE CYL.3/8-1/4 ZN | NIPPELZYL.3/8-1/4 ZN | NIPLE MACHO CIL.3/8-1/4 ZN |
| 22 | F03150859 | CURVA 90°F.GIREV.1/4 - M.1/4 | ELBOW 90° F. SWIVEL 1/4 -M.1/4 | COUDE 90° F.TOURN.1/4 - M.1/4 | KNIESTsCK 90[F.DREHB.1/4 - M. | CURVA 90 F.GIRAT.1/4 - M.1/4 |
| 23 | F03151217 | RACCORDO -T- LATER.M-M-FG 1/4 | T M-FG-M LATER.CONNECTION PIPE | RACCORD T M-FG-M 1/4 | ANSCHLUSST M-FG-M 1/4 | UNION T M-HG-M 1/4 |
| 24 | F03150266 | NIPPLO MM CIL-CIL 1/4-1/4 ZN | NIPPLE GALV.CYL.MALE 1/4 ZN | NIPPLE MALE CYL. 1/4 ZN | NIPPELZYL.1/4 ZN | NIPLE MACHO CIL.1/4 ZN |
| 25 | F03150211 | NIPPLO MM CIL-CIL 1/2-1/4 ZN | NIPLE MM CIL-CIL 1/4-1/2 ZN | NIPLE MM 1/4-1/2 ZN | NIPLE GG 1/4-1/2 ZN | NIPLE MM 1/4-1/2 ZN |
| 26 | G22270463 | TUB.TR.1/4R2 F-F 1/4 L1500 LM | TUBE TR.1/4R2 F-F1/4 L1500 LM | TUB.TR.1/4R2 F-F 1/4 L1500 LM | ROHR1/4R2 F-F 1/4 L1500 LM | TUB.TR.1/4R2 F-F 1/4 L1500 LM |
| 27 | G14219220 | CILINDRO DI SPINTA | CYLINDER | CYLINDRE | ZYLINDER | CILINDRO |
| 28 | G15210541 | TUBO 1/4R2 CF1/4- F1/4 2100 | TUBE 1/4R2 CF1/4- F1/4 2100 | | | |
| 29 | F03151182 | OCCHIO FILETTATO CONICO 1/4 G | CONICAL UNION BOLT HOLLOW 1/4 | RACCORD VIS CREUSE 1/4 G CONIQ | ANSCHLUSS GEWINDEHOHLSCHR.1/4 | UNIN TORNILLO RANURA 1/4 G C+N |
| 30 | F03151245 | RUBINETTO F-F 1/4 | COCK F.-F. 1/4" | ROBINET F.-F. 1/4" | HAHN F.-F. 1/4" | GRIFO H.-H. 1/4" |
| 31 | F01500012 | RONDELLA IN RAME 1/4" | COPPER WASHER 13X19X1,5-1/4" | RONDELLE | SCHEIBE | ARANDELA |
| 32 | F03151246 | RUBINETTO F-F 3/8 | BREATHER TAP F-F 3/8 | BOUCHON REFOUL. F-F 3/8 | ENTLsFTUNGSPFROPFEN F-F 3/8 | TAPON PURGADOR F-F 3/8 |



SEGNAFI LE CON TRAC CIA CENTRO TRATTORE

TAV. 284

| Pos. | Cod. | Descrizione | Description | Description | Benennung | Descripcion |
|------|-----------|--------------------------------------|--|---------------------------------|---------------------------------|--------------------------------|
| 1 | G14218073 | SUPPORTO DX LUNGO | RIGHT SUPPORT LONG | SUPPORT DRT LONG | HALTERUNG RE LANGES | SOPORTE DER LARGO |
| 2 | G14218083 | SUPPORTO SX LUNGO | LEFT SUPPORT LONG | SUPPORT GCH LONG | HALTERUNG LI LANGES | SOPORTE IZQ LARGO |
| 3 | F01100011 | ING.M 6X1 7663-A 9SMNPB28 ZN | GREASE NIPPLE M6X1 7663-A ZN | GRAISS. A BILLE M6X1 7663A ZN | SCHMIERBU ECHE M6X1 7663-A ZN | ENGRAS. DE ESFERAS M6X1 7663-A |
| 4 | F02200260 | COPIGLIA 8 X60 1336 ZN | SPLIT PIN 8 X60 1336 ZN | GOUPILLE 8 X60 1336 ZN | SPLINT 8 X60 1336 ZN | PASADOR 8 X60 1336 ZN |
| 5 | G14218321 | BRACCIO SPINTA | PRESS. ARM | POUSSEE BRAS | ARMSC HUB | APIRIETE BRAZO |
| 6 | G14218112 | SECONDO BRACCIO | 2.ARM | 2.ARM | 2.ARM | 2.ARM |
| 7 | G14218372 | TESTA TERZO BRACCIO | ARM COUPLING | FIXATION BRAS | ARMKUPPLUNG | CONEXI EN BRAZO |
| 8 | G14218121 | TUBO TERZO BRACCIO | THIRD ARM TUBE | TUBE TROISIEME BRAS | ROHR DRITTER ARM | TUBO TERCER BRAZO |
| 9 | G16610222 | MONT.DISCO D.320 LIM. | ROWMARKET DISC D.320 ASSEMBLY | | | |
| 10 | G14218190 | SPINA ROTAZIONE ZN | ROTATION PIN ZN | GOUPILLE ROTATION ZN | ROTATIONSSTIFT ZN | PASADOR ROTACI EN ZN |
| 11 | G14218520 | TIRANTE ROTAZIONE | ROTATION TIE ROD | TRINGLE ROTATION | ROTATIONS SPANNSTANGE | ROTATIONS SPANNSTANGE |
| 12 | G14218210 | REGOLAZIONE TIRANTE | TIE ROD ADJUSTMENT | REGLAGE TIRANT | SPANNSTANGENSTELLUNG | REGULACI EN TIRANTE |
| 13 | G14218470 | ASTA ROTAZIONE SUP. | UPPER ROTATION ROD | TIGE DE ROTATION SUP. | ROTATIONSTANGE OBEN | VARILLA DE ROTACI EN SUPERIOR |
| 14 | G14218450 | ASTA ROTAZIONE INF. | LOWER ROTATION ROD | TIGE DE ROTATION INF. | ROTATIONSTANGE UNTEN | VARILLA DE ROTACI EN INFERIOR |
| 15 | G14218750 | SPINA D.20 X124 ZN | GALVANIZED PIN D.20 X124 | GOUPILLE D.20 X124 ZN | STIFT D.20 X124 ZN | CLAVIJA D.20 X124 ZN |
| 16 | G14218162 | TIRANTE ROTAZIONE | ROTATION TIE ROD | | | |
| 17 | G14218200 | SPINA DI SPINTA ZN | PRESS. PIN | POUSSEE BROCHE | STIFTSCHUB | APIRIETE CLAVIJA |
| 18 | G14215840 | TIRANTE SEGNAFI LE | ROWMARKER TIE ROD | TRINGLE TRACEUR | SPANNSTANGE SPURREISSE R | TIRANTE MARCADOR DE FILAS |
| 19 | G14218150 | PIASTRINA FISSAGGIO CILINDRO | SECURING PLATE | PLAQUE FIXATION | BEFESTIGUNGSPLATTE | PLACA FIJACI-N |
| 20 | G14218430 | ASTA ROTAZIONE INFERIORE | LOWER ROTATION ROD | TIGE DE ROTATION INF. | ROTATIONSTANGE UNTEN | VARILLA DE ROTACI EN INFERIOR |
| 21 | G14218460 | ASTA ROTAZIONE SUPERIORE | UPPER ROTATION ROD | TIGE DE ROTATION SUP. | ROTATIONSTANGE OBEN | VARILLA DE ROTACI EN SUPERIOR |
| 22 | G14215850 | SPINA 20 X194 ZN | GALVANIZED PIN 20 X194 | GOUPILLE 20 X194 ZN | STIFT 20 X194 ZN | CLAVIJA 20 X194 ZN |
| 23 | G17111290 | MANICOTTO DISCO ZN | DISK SLEEVE U BOLT | MANCHON DISQUE | SCHIEBENMUFFE | MANGUITO DISCO |
| 24 | G14219030 | SUPPORTO ESTERNO DISCO | DISC EXT. SUPPORT | SUPPORT EXT. DISQUE | ZUSSE RE HALTERUNG SCHEIBEN | SOPORTE EXT. DISCO |
| 25 | G17111330 | SCONTRO 90X70-10 4F11 66X46 | STOP TEETH 90X70 -10 4F11 66X4 | BUT+E 90X70 -10 4TROUS 11 66X4 | ANSCHLAG 90X70 -10 4F11 66X46 | DIENTE DE PARADA 90X70 -10 4F1 |
| 26 | F20120349 | PUNTALE Q.50 ALETT.POLIT.NERO | CAP | BOUCHON | DECKEL | CORCHO |
| 27 | F02200229 | COPIGLIA 5X 45 U1336 ZN | SPLIT PIN 5X 45 U1336 ZN | GOUPILLE 5X 45 U1336 ZN | SPANNSTIFT 5X 45 U1336 ZN | PASADOR 5X 45 U1336 ZN |
| 28 | F20110855 | CAV.T.M10X 1.5X 25 46X58,5 ZN | U BOLT T.M10X1,5X25 46X L=58,5 | | | |
| 29 | F01020132 | VITE M10X1,5X 90 U5737 10,9 ZD | BOLT M10X1,5X90 U5737 10.9 ZN | VIS M10X1,5X90 U5737 10.9 ZN | SCHR. M10X1,5X90 U5737 10.9 ZN | TORN.M10X1,5X90 U5737 10.9 ZN |
| 30 | F01410124 | ROS.M20 21X 37X 3 U6592 ZN | WASHER M20 21X37X3 U6592 ZN | RONDELLE M20 21X37X3 U6592 ZN | SCHBEI E M20 21X37X3 U6592 ZN | ARANDELA M20 21X37X3 U6592 ZN |
| 31 | F05150459 | PARACOLPI CIL.75X25 M12 SH70 | CYLINDER GUARD 75X25 M12 SH71 | TAMPON CIL. 75X25 M12 | PUFFER CIL. 75X25 M12 | PARACHOQ. CIL. 75X25 M12 |
| 32 | F01020544 | VITE M14X2X40 U5739 8.8 ZN | BOLT M14X2X40 U5739 8.8 ZG | VIS M14X2X40 | SCHRAUBE M14X2X40 | TORNILLO M14X2X40 |
| 33 | G16610210 | ASS.LIMITATORE PROFONDITA' | LIMITER DEPTH COUPLYNG | GR. ASS. LIMITEUR DE PROFONDEUR | TIEFENBEGRENZERKOMPLEX | CONJ. LIMITADOR DE PROFUNDIDAD |
| 34 | F01020436 | VITE M 8X1,25X 20 U5739 8.8 ZN | BOLT M8X1,25X20 U5739 8.8 ZN | VIS M8X1,25X20 U5739 8.8 ZN | SCHRA. M8X1,25X20 U5739 8.8 ZN | TORN. M8X1,25X20 U5739 8.8 ZN |
| 35 | F01020252 | VITE M16X2X50 U5737 8.8 ZN | BOLT M16X 2X 50 U5737 8.8 ZN | VIS M16X 2X 50 U5737 8.8 ZN | SCHRAUBE M16X2X50 U5737 8.8 ZN | TORNILLO M16X2X50 U5737 8.8 ZN |
| 36 | G14217050 | TIRANTE SUPPORTO SEGNAF. VITE 20X100 | ROW MARKER SUPPORT TIE ROD BOLT 20X100 | TRINGLE SUPPORT TRACEUR | SPANNSTANGE HALTERUNG SPURR. | TIRANTE SOPORTE MARCADOR |
| 37 | F01020086 | VITE M 8X1,25X80 U5737 8.8 ZN | BOLT M 8X1,25X80 U5737 8.8 ZN | VIS M8X1X80 | SCHRAUBE M8X1X80 | TORNILLO M8X1X80 |
| 38 | F01200306 | DADO M14X 2 U5588 6.8 ZN | NUT M14X2 | ECROU M14X2 | MUTTER M14X2 | DADO M14X2 |
| 39 | F02100197 | SPINA E.P. 14X 50 U6873 C70 BR | PIN E.P. 14X 50 U6873 C70 BR | GOUPI LLE E.P. 14X50 U6873 C70 | SPANNSTIFT E.P.14X50 6873 C70 | 0 |
| 40 | F01230034 | DADO M 8X1,25 D982 8 | SELF LOCK.NUT M8X1,25 D982 8ZN | ECROU AUTOBL.M8X1,25 D982 8 ZN | SELBST.MUTT.M8X1,25 D982 8 ZN | TUERCA AUTO. M8X1,25 D982 8 ZN |
| 41 | F01220048 | DADO M12X1,75 D980 8 ZN | NUT M12X1,75 D980 8 ZN | ECROU M12X1,75 D980 8 ZN | SCHBEI E M12X1,75 D980 8 ZN | TUERCA M12X1,75 D980 8 ZN |
| 42 | F20030078 | DECALCOM.CADUTA UTENSILI | øTOOLS FALLING DOWNø TRANSFER | øTOOLS FALLING DOWNø TRANSFER | DECALC. CHUTE OUTILS | ETIQUETA ADHES. CAIDA HERRAMIE |
| 43 | F01230131 | DADO M20X 2,5 D982 6 ZN | NUT M20X 2,5 D982 6 ZN | ECROU M20X 2,5 D982 6 ZN | MUTTER M20X 2,5 D982 6 ZN | TUERCA M20X 2,5 D982 6 ZN |
| 44 | F01200270 | DADO M10X 1,5 U5588 6.8 ZN | NUT M10X 1,5 U5588 6.8 ZN | ECROU M10X 1,5 U5588 6.8 ZN | MUTTER M10X 1,5 U5588 6.8 ZN | TUERCA M10X 1,5 U5588 6.8 ZN |
| 45 | G20970142 | RONDELLA 32X4X15,5 | WASHER 32X4X15-5 | RONDELLE 32X4X15-5 | UNTERLEGSCHBEI E 32X4X15-5 | ARANDELA 32X4X15-5 |
| 46 | G18700450 | RONDELLA 17 X45 X6 ZN | WASHER 17X45X6 GALV.ED | | | |
| 47 | F02200226 | COPIGLIA 5X 25 U1336 ZN | SPLIT PIN 5 X25 U1336 GALVAN. | GOUPILLE 5 X25 1336 ZN | SPLINT 5 X25 1336 ZN | PASADOR 5 X25 1336 ZN |
| 48 | F02200463 | SPINA SCATTO D. 5 B/81 ZN | SNAP PIN D5 B/81 ZN | FICHE A DETENTE D5 B/81 ZN | EINRASTSTIFT D5 B/81 ZN | CLAVIJA DE MUELLE D5 B/81 ZN |
| 49 | F02100312 | SPINA DI SICUREZZA D.8X45 ZN | SAFETY PIN D.8X45 ZN | FICHE EL.DE SECURITE D.8X45 ZN | SCHERSTIFT D.8X45 ZN | CLAVIJA DE SEGURIDAD D 8X45 ZN |
| 50 | G16610180 | PERNO REGGIDISCO SEGNAF. | | | | |
| 51 | G18802790 | BOCCOLA 25 X20 X7 ZN B. | BUSHING 25 X20 X7 ZN B. | BOITE 25 X20 X7 ZN B. | B. CHSE 25 X20 X7 ZN B. | CASQUILLO 25 X20 X7 ZN B |
| 52 | F01200244 | DADO M 8X1,25 U5588 6.8 ZN | NUT M8 X1,25 U5588 6.8 ZN | ECROU M8 X1,25 U5588 6.8 ZN | MUTTER M8 X1,25 U5588 6.8 ZN | TUERCA M8 X1,25 U5588 6.8 ZN |
| 53 | G16610160 | SUPP.CUSCINETTI DISCO SEGN.ZN. | GALVAN. ROWMARKER DISK BEARING | SUPPORT ROULEMENTS DISQUE TRAC | SCHBEI ENLAGERHALTERUNG | SOPORTE COJINETE DE DISCO MARC |
| 54 | F04010156 | CUSC.d20 D47 B14 6204 2RSH | BEARING d20 D47 B14 6204 2RSH | | | |
| 55 | G18801270 | BOCCOLA 21 X25 X12 ZN | BUSHING 21 X25 X12 ZN | | | |
| 56 | F02050370 | ANELLO E. DI 47X1,75 U7437 C70 | SEEGER RING 47X 1,75 U7437 C70 | SEEGER E. 47X 1,75 U7437 C70 | SEEGERING E. 47X1,75 U7437 C70 | ANILLO E. 47X 1,75 U7437 C70 |
| 57 | F03010576 | ANELLO OR 50,52X1,78 NBR | GASKET OR 50,52X1,78 NBR | BAGUE OR 50,52X1,78 NBR | RING OR 50,52X1,78 NBR | ANILLO OR 50,52X1,78 NBR |
| 58 | G16610170 | DISCO SEGNAFI LE D.320 | ROW MARKER DISK D.320 | DISQUE TRACEUR D320 | SPURREISSERSCHBEI E D. 320 | DISCO MARCADOR DE FILAS O 320 |
| 59 | F01230098 | DADO M18X 2,5 D982 8 ZN | NUT M18X 2,5 D982 8 ZN | ECROU M18X 2,5 D982 8 ZN | MUTTER M18X 2,5 D982 8 ZN | TUERCA M18X 2,5 D982 8 ZN |
| 60 | G16610190 | CHIUSURA CUSCINETTO ZN | END BEARING ZN | | | |
| 61 | F01060040 | VITE M8X1,25X20 U5732 4.6 ZG | BOLT M8X1,25X20 U5732 4.6 ZN | VIS M8X1,25X20 U5732 4.6 ZN | SCHRA. M8X1,25X20 U5732 4.6 ZN | TORN. M8X1,25X20 U5732 4.6 ZN |
| 62 | F01420048 | ROS.M8 8,4X 24X 2 U6593 ZN | WASHER M8 8,4X 24X 2 U6593 ZN | RONDELLE M8 8,4X 24X2 U6593 ZN | SCHBEI E M8 8,4X 24X 2 U6593 ZN | ARANDELA M8 8,4X 24X2 U6593 ZN |
| 63 | G16242560 | PARACOLPI 30X8 M8X30 | BUFFER 30X8 M8X30 | PARE-CHOC30X8 M8X30 | STOSSDZMPFER 30X8 M8X30 | PARAGOLPES 30X8 M8X30 |
| 64 | G14218233 | SUPPORTO DX CORTO | RIGHT SUPPORT SHORT | SUPPORT DRT COURT | HALTERUNG RE KURZER | SOPORTE DER CORTO |
| 65 | G14218243 | SUPPORTO SX CORTO | LEFT SUPPORT SHORT | SUPPORT GCH COURT | HALTERUNG LI KURZER | SOPORTE IZQ CORTO |
| 66 | G14217020 | BOCCOLA 15 X35 X80 | BUSHING 15 X35 X80 | BOITE 15 X35 X80 | B CHSE 15 X35 X80 | CASQUILLO 15 X35 X80 |
| 67 | F01020218 | VITE M14X2X130 U5737 8.8 ZN | BOLT M14X 2X130 U5737 8.8 ZN | VIS M 14X130 | SCHRAUBE M 14X130 | TORNILLO M 14X130 |
| 68 | G14218982 | SECONDO BRACCIO CORTO | 2ND ARM SHORT | | | |
| 69 | G14219001 | TUBO TERZO BRACCIO CORTO | THIRD ARM TUBE SHORT | TUBE TROISIEME BRAS COURT | ROHR DRITTER ARM KURZER | TUBO TERCER BRAZO CORTO |
| 70 | G14219011 | TIRANTE ROTAZIONE BRACCIO | ARM ROTATION TIE ROD | TRINGLE ROTATION BRAS | ROTATIONS SPANNSTANGE ARM | ROTATIONS SPANNSTANGE BRAZO |

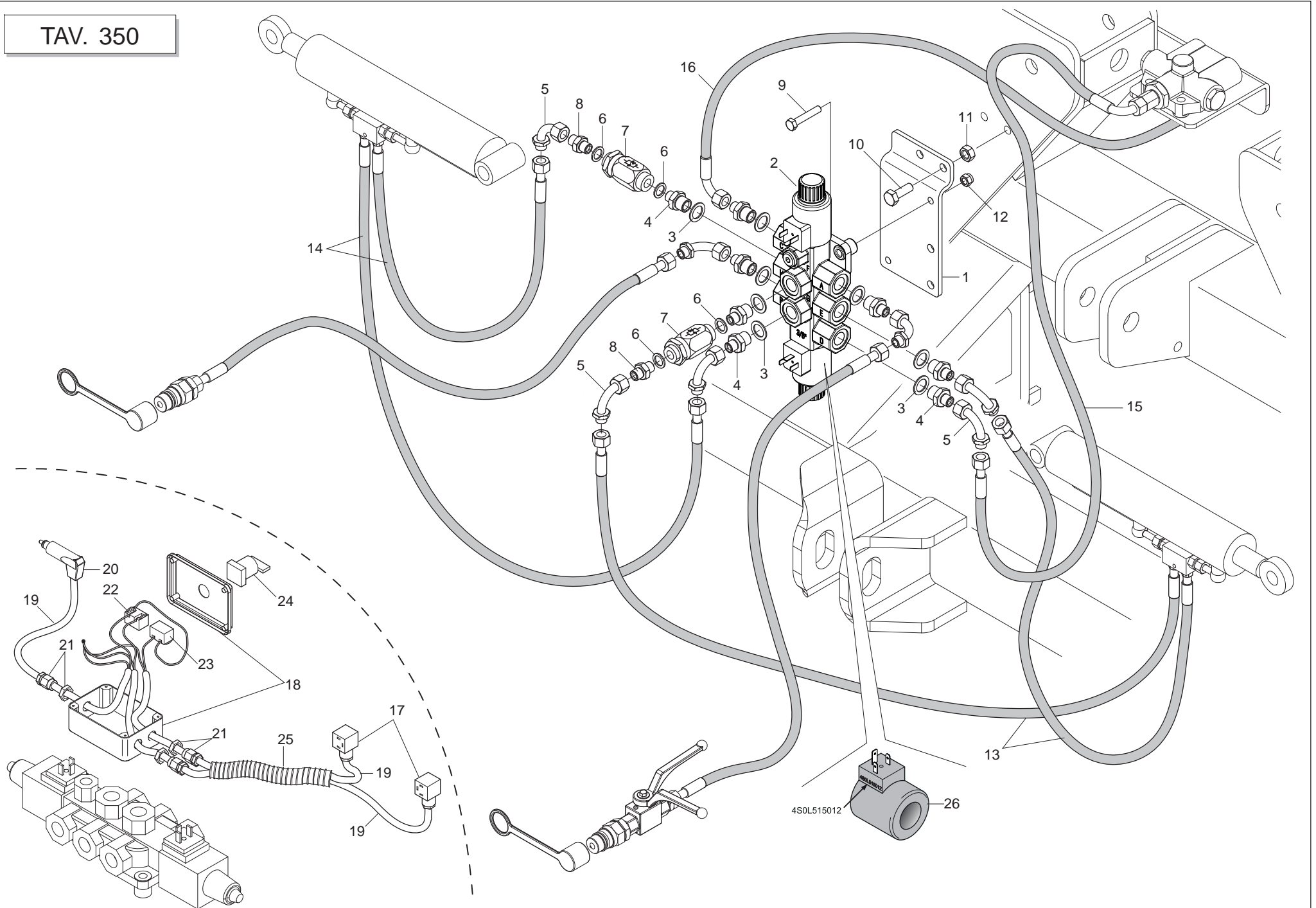


IMPIANTO OLEODINAMICO SEGNAFILE

TAV. 290

| Pos. | Cod. | Descrizione | Description | Description | Benennung | Descripcion |
|------|-----------|--------------------------------|--------------------------------|--------------------------------|--------------------------------|--------------------------------|
| 1 | G14218300 | CILINDRO SEGNAFILE | ROW MARKER CYLINDER | CYLINDRE TRACEUR | SYLINDER REIHENANREISSER | CILINDRO MARCADOR DE FILAS |
| 2 | F01500012 | RONDELLA IN RAME 1/4" | COPPER WASHER 13X19X1,5-1/4" | RONDELLE | SCHEIBE | ARANDELA |
| 3 | G16011690 | MONT.NIPPLO 1/4 GRANO F.1,0 | UPRIGHT 1/4" NIPPLE WITH GRUB | MONTANT NIPPLE 1/4 AVEC GRAIN | STZNDER NIPPEL 1/4 MIT STIFT 8 | MONT.NIPLE 1/4 TORNIL.SIN CABE |
| 4 | G16012650 | TUBO R2 1/4 C-F L.4000 | PIPE 1/4 R2 C-F 1/4 L.4000 | TUBE 1/4 R2 C-F 1/4 L. 4000 | ROHR 1/4 R2 C-F 1/4 L 4000 | TUBO 1/4 R2 C-F 1/4 L.4000 |
| 5 | F03150266 | NIPPLO MM CIL-CIL 1/4-1/4 ZN | NIPPLE GALV.CYL.MALE 1/4 ZN | NIPPLE MALE CYL. 1/4 ZN | NIPPELZYL.1/4 ZN | NIPLE MACHO CIL.1/4 ZN |
| 6 | F03151226 | REGOL.DI FLUSSO VRF 1/4' GAS | 1/4' GAS VALVE VRF | SOUPAPE REG DEBIT VRF 1/4" GAZ | VENITL VRF 1/4' GAS | VæLVULA VRF 1/4' GAS |
| 7 | F03150859 | CURVA 90°F.GIREV.1/4 - M.1/4 | ELBOW 90° F. SWIVEL 1/4 -M.1/4 | COUDE 90° F.TOURN.1/4 - M.1/4 | KNIESTsCK 90[F.DREHB.1/4 - M. | CURVA 90 F.GIRAT.1/4 - M.1/4 |
| 8 | G14218300 | CILINDRO SEGNAFILE | ROW MARKER CYLINDER | CYLINDRE TRACEUR | SYLINDER REIHENANREISSER | CILINDRO MARCADOR DE FILAS |
| 9 | G13811211 | TUBO X COLLEG. AL TRATTORE | PIPE FOR CONNECTION TO TRACTOR | TUBE POUR CONN. AU TRACTEUR | ROHR F. KUPPLUNG AM SCHLEPPER | TUBO P/CONEXIN AL TRACTOR T |
| 10 | G22270463 | TUB.TR.1/4R2 F-F 1/4 L1500 LM | TUBE TR.1/4R2 F-F1/4 L1500 LM | TUB.TR.1/4R2 F-F 1/4 L1500 LM | ROHR1/4R2 F-F 1/4 L1500 LM | TUB.TR.1/4R2 F-F 1/4 L1500 LM |
| 11 | F03151245 | RUBINETTO F-F 1/4 | COCK F.-F. 1/4" | ROBINET F.-F. 1/4" | HAHN F.-F. 1/4" | GRIFO H.-H. 1/4" |
| 12 | F03150211 | NIPPLO MM CIL-CIL 1/2-1/4 ZN | NIPLE MM CIL-CIL 1/4-1/2 ZN | NIPLE MM 1/4-1/2 ZN | NIPLE GG 1/4-1/2 ZN | NIPLE MM 1/4-1/2 ZN |
| 13 | F03151237 | ROS. 21 X27X1,5 RAME -1/2" | COPPER WASHER 21X27X1,5 1/2 | RONDELLE CUIVRE 21X27X1,5 1/2 | SCHEIBE KUPFER 21X27X1,5 1/2 | ARANDELA COBRE 21X27X1,5 1/2 |
| 14 | F03150935 | INNESTO RAP.MASCH.1/2 A VALV. | QUICK CONNECT MALE CONE 1/2 | CONNEXION RAPIDE MALE CONE 1/2 | SCHNELLKUPP.GEWINDE KONISC 1/2 | ACOPLAMIENT.RAP.MACHO CONO 1/2 |
| 15 | F05150325 | CAPPUC.F X INN.M RAP.1/2 ROSSO | COVER CONNECT F 1/2 RED | COUVERCLE CONNEXION F 1/2 ROSE | DECKEL W 1/2 SCHNELLKUPP. ROT | PAC PROTECCION F 1/2 ROJO |
| 16 | F03151216 | RACCORDO -T- CENTR.M-FG-M 1/4 | UNION T M-M-F 1/4' ZN | RACCORD T M-M-F 1/4' ZN | ANSCHLUSStsCK TM-M-F 1/4' ZN | UNIN T M-M-F 1/4' ZN R |
| 17 | F05010359 | PASSAPARETE 1/4M-1/4M | PASS WALL 1/4M -1/4M | | | |
| 18 | G16611050 | VALVOLA SEGNAFILE CN COMPL | ROWMARKER VALVE ASSY. | SOUPAPE TRACEUR COMPL. | KOMPL. SPURREISSERVENTIL | V-LVULA MARC. DE FILAS COMPL |
| 19 | G19702880 | DECAL.MOVIMENT.SEGNAFILE | STICKER | DECALCOMANIE | ABZIEHBILDER | CALCOMANIAS |
| 20 | G14217082 | SUPPORTO VALVOLA | VALVE SUPPORT | SUPPORT SOUPAPE | VENTILHALTERUNG | SOPORTE V+LVULA |
| 21 | F01020068 | VITE M 8X1,25X40 U5737 8.8 ZN | BOLT M8X1,25X40 U5737 8.8 ZN | VIS M 8X1,25X40 U5737 8.8 ZN | SCHRA. M8X1,25X40 U5737 8.8 ZN | TORNIL.M8X1,25X40 U5737 8.8 ZN |
| 22 | F01410051 | ROS.M8 8,4X 17X1,6 U6592 ZN | WASHER M8 8,4X17X1,6 U6592 ZN | RONDEL. M8 8,4X17X1,6 U6592 ZN | SCHEIBE M8 8,4X17X1,6 U6592 ZN | ARANDELA M8 8,4X17X1,6 U6592ZN |
| 23 | F01200244 | DADO M 8X1,25 U5588 6.8 ZN | NUT M8 X1,25 U5588 6.8 ZN | ECROU M8 X1,25 U5588 6.8 ZN | MUTTER M8 X1,25 U5588 6.8 ZN | TUERCA M8 X1,25 U5588 6.8 ZN |

TAV. 350



IMPIANTO GENERALE CON CENTRALINA

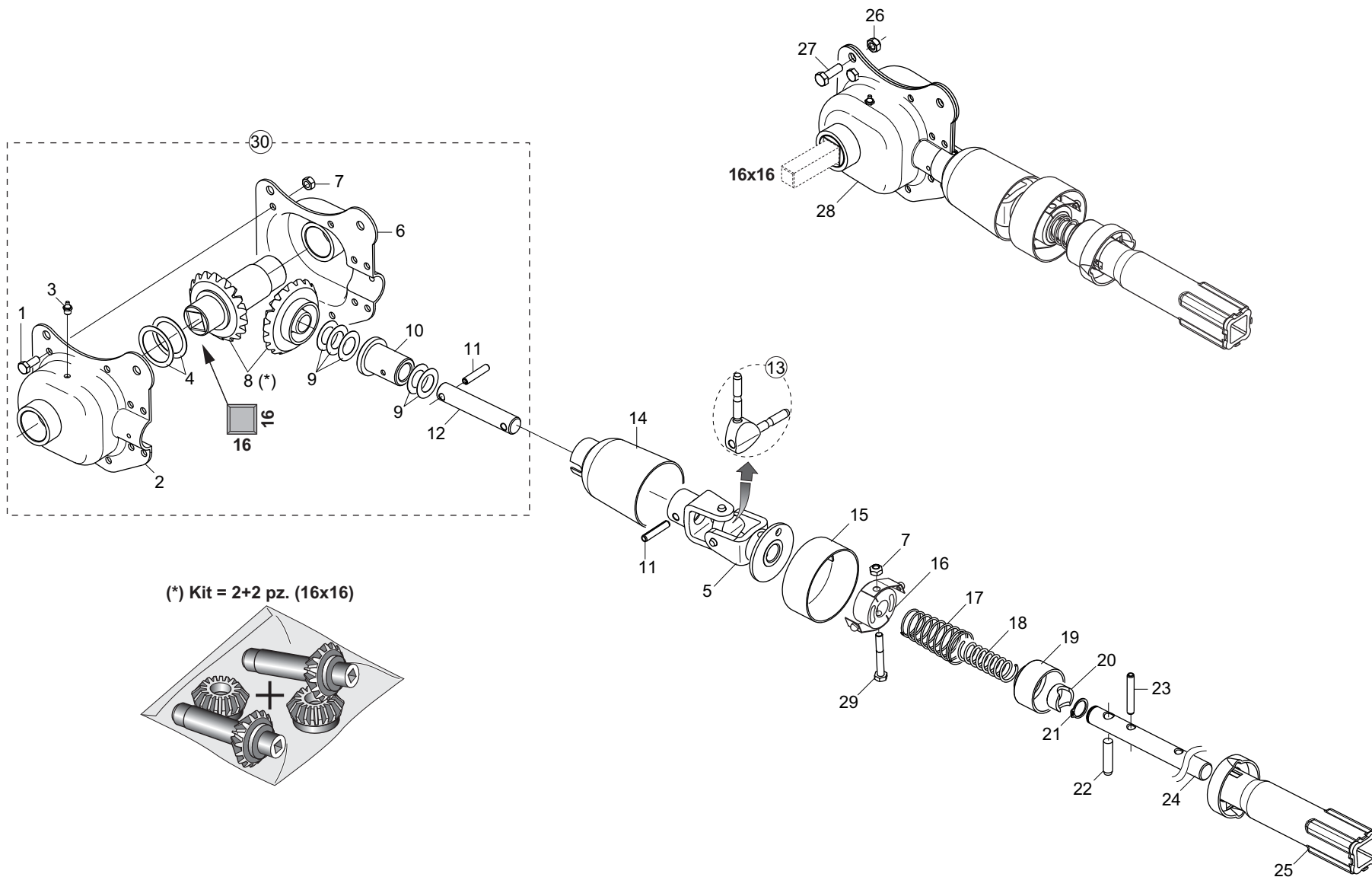
TAV. 350

| Pos. | Cod. | Descrizione | Description | Description | Benennung | Descripcion |
|------|-----------|--------------------------------|--------------------------------|--------------------------------|--------------------------------|--------------------------------|
| 1 | G14217641 | SUPPORTO VALVOLA | VALVE SUPPORT | SUPPORT SOUPAPE | VENTILHALTERUNG | SOPORTE V+LVULA |
| 2 | F05010294 | DEVIATORE COMANDO 3 POSIZIONI | SWITCH CONTROL 3 POSITIONS | | | |
| 3 | F03100023 | ROS. 17 X23X1,5 RAME -3/8" | WASHER 17X23X1,5 | RONDELLE 17X23X1,5 | SCHEIBE 17X23X1,5 | ARANDELA 17X23X1,5 |
| 4 | F03150310 | NIPPLO MM CIL-CIL 3/8-1/4 ZN | NIPPLE CYL.MALE3/8-1/4 ZN | NIPPLE MALE CYL.3/8-1/4 ZN | NIPPELZYL.3/8-1/4 ZN | NIPLE MACHO CIL.3/8-1/4 ZN |
| 5 | F03150859 | CURVA 90°F.GIREV.1/4 - M.1/4 | ELBOW 90° F. SWIVEL 1/4 -M.1/4 | COUDE 90° F.TOURN.1/4 - M.1/4 | KNIESTsCK 90[F.DREHB.1/4 - M. | CURVA 90 F.GIRAT.1/4 - M.1/4 |
| 6 | F01500012 | RONDELLA IN RAME 1/4" | COPPER WASHER 13X19X1,5-1/4" | RONDELLE | SCHEIBE | ARANDELA |
| 7 | F03151226 | REGOL.DI FLUSSO VRF 1/4' GAS | 1/4' GAS VALVE VRF | SOUPAPE REG DEBIT VRF 1/4" GAZ | VENITL VRF 1/4' GAS | VæLVULA VRF 1/4' GAS |
| 8 | F03150266 | NIPPLO MM CIL-CIL 1/4-1/4 ZN | NIPPLE GALV.CYL.MALE 1/4 ZN | NIPPLE MALE CYL. 1/4 ZN | NIPPELZYL.1/4 ZN | NIPLE MACHO CIL.1/4 ZN |
| 9 | F01020070 | VITE M 8X1,25X45 U5737 8.8 ZN | BOLT M8X1,25X45 U5737 8.8 ZN | VIS 8 X45 5737 8.G ZN | SCHRAUBE 8 X45 5737 8.G ZN | TORNILLO 8 X45 5737 8.G ZN |
| 10 | F01020476 | VITE M10X1,5X30 U5739 8.8 ZN | BOLT M10X1,5 X 30 5739 8.8 ZN | VIS M10X1,5 X 30 5739 8.8 ZN | SCHRA. M10X1,5X 30 5739 8.8 ZN | TORN. M10X1,5 X 30 5739 8.8 ZN |
| 11 | F01200270 | DADO M10X 1,5 U5588 6.8 ZN | NUT M10X 1,5 U5588 6.8 ZN | ECROU M10X 1,5 U5588 6.8 ZN | MUTTER M10X 1,5 U5588 6.8 ZN | TUERCA M10X 1,5 U5588 6.8 ZN |
| 12 | F01230034 | DADO M 8X1,25 D982 8 | SELF LOCK.NUT M8X1,25 D982 8ZN | ECROU AUTOBL.M8X1,25 D982 8 ZN | SELBST.MUTT.M8X1,25 D982 8 ZN | TUERCA AUTO. M8X1,25 D982 8 ZN |
| 13 | G23440517 | TUBO 1/4R2 C-F 1/4 L2000 HL/ID | PIPE 1/4R2 C-F 1/4 L2000 HL/ID | TUBE 1/4R2 C-F 1/4 L2000 HL/ID | ROHR 1/4R2 C-F 1/4 L2000 HL/ID | TUBO 1/4R2 C-F 1/4 L2000 HL/ID |
| 14 | F15310732 | TUBO 1/4R2 CF45 1/4-F 1/4 1500 | TUBE 1/4R2 CF45 1/4-F 1/4 1500 | | | |
| 15 | G16011680 | TUBO 1/4' R2 C-F 1/4' L.900 | PIPE 1/4'R2 C-F 1/4'L.900 | TUBE 1/4'R2 C-F 1/4'L. 900 | ROHR 1/4'R2 C-F 1/4'L 900 | TUBO 1/4'R2 C-F 1/4'L.900 |
| 16 | G17911270 | TUBO 1/4R2 CF-F L. 700 | PIPE 1/4R2 CF-F L. 700 | TUBE 1/4R2 CF-F L. 700 | ROHR 1/4R2 CF-F L. 700 | TUBO 1/4R2 CF-F L. 700 |
| 17 | F05010294 | DEVIATORE COMANDO 3 POSIZIONI | SWITCH CONTROL 3 POSITIONS | | | |
| 18 | F05010378 | SCATOLA ELETTRICA 120X80X50 | CONTROL BOX W/ WIRES 120X80X50 | | | |
| 19 | F05010227 | CAVO 2X 1,0 H05 VV-F | WIRE 2X 1,0 H05 VV-F | | | |
| 20 | F05010189 | ATTACCO ALL'ACCENDISIGARI | CONNECTION | CONNECTION | VERBINDUNG | CONEXIËN |
| 21 | F05010363 | PRESSACAVO PG16 | CABLE PRESS PG16 | PRESSE-CABLE PG16 | KABELPRESSE PG16 | APRIETACABLE PG16 |
| 22 | F05010309 | ELEMENTO DI CONTATTO V40 | CONNECTOR V40 | CONNECTEUR V40 | VERBINDER V40 | CONECTOR V40 |
| 23 | F05010310 | ELEMENTO DI CONTATTO V50 | CONNECTOR V50 | CONNECTEUR V50 | VERBINDER V50 | CONECTOR V50 |
| 24 | F05010383 | SELETTORE MANOPOLA | SELECTOR KNOB | SELECTEUR BOUTON | DREHGRIF WZHLER | SELECTOR PERILLA |
| 25 | F05010079 | GUAINA ELETTR.SPIRALATA D.16 | SPIRAL ELECTR. SHEATH D.16 | GAINES +LECTR. SPIRAL+E D.16 | ELEKTR. SPIRALMANTEL D.16 | VAINA EL+CTR. ESPIRAL ĩ16 |
| 26 | F05010555 | SOLENOIDE PER DEV.COMANDO 3P-> | SOLENOID CONTROL DEVIATION 3P. | | | |

DEPRESSORE

TAV. 074

| Pos. | Cod. | Descrizione | Description | Description | Benennung | Descripcion |
|------|-----------|---------------------------------|--------------------------------|--------------------------------|--------------------------------|--------------------------------|
| 1 | F01020047 | VITE M6X1X70 U5737 8.8 ZN | BOLT M6X 1X70 U5737 8.8 ZN | VIS 6 X70 5737 8.G ZN | SCHRAUBE 6 X70 5737 8.G ZN | TORNILLO 6 X70 5737 8.G ZN |
| 2 | F01430047 | ROS.M6 6,4X 11X0,7 U8842J ZN | WASHER D6 DIN 6798 D.INT.GALV. | RONDELLE D6 DIN 6798 D. INT. Z | UNT. SCHEIBE D6 DIN 6798 D. IN | ARANDELA D6 DIN 6798 D.INT.ZN |
| 3 | F01420036 | ROS.M6 6,4X 18X 2 U6593 ZN | FLAT WASHER 6-6X 18X2 6593 ZN | ROND. PLATE 6-6X 18X2 6593 ZN | SCHEIBE 6-6X 18X2 6593 ZN | ARAND. PLANA 6-6X 18X2 6593 ZN |
| 4 | F03150722 | TAPPO 700 M52X2 | M52 X 2 PLUG 700 | BOUCHON M52 X 2 | PFROPFEN M52 X 2 | TAPN M52 X 2 D |
| 5 | G15450440 | CONVOGLIATORE 8 USCITE * | | | | |
| 6 | F01230143 | DADO M24X 2 D982 8 ZN | NUT M24X2 D982 8 ZN | ECROU M24X2 D982 8 ZN | MUTTER M24X2 D982 8 ZN | TUERCA M24X2 D982 8 ZN |
| 7 | G13912060 | PIASTRINA DI TENUTA | STOP PLATE | PLAQUETTE DE TENUE | DICHTPLZTTCHEN | PLACA DE RETENCIN P |
| 8 | G13912050 | RONDELLA DI FERMO | STOP WASHER | RONDELLE DE BLOCAGE | FESTSTELLSCHEIBE | ARANDELLA DE BLOQUEO |
| 9 | G22230335 | INVOLUCRI DEPRESSORE | VACUUM PUMP CASINGS | ENVELOPPES DEPRESSEUR H | sLLEN VAKUUMPUMPE C | AJAS BOMBA VACO CA |
| 10 | F01020403 | VITE M6X1X16 U5739 8.8 ZN | BOLT M6X1X16 U5739 8.8 ZN | VIS M6X1X16 U5739 8.8 ZN | SCHRAUBE M6X1X16 U5739 8.8 ZN | TORNILLO M6X1X16 U5739 8.8 ZN |
| 11 | G22230015 | GIRANTE | ROTOR | | | |
| 12 | G15450500 | PROTEZIONE CINGHIA 1000 GIRI | BELT GUARD 1000 RPM | PROTECTION COURROIE 1000 TOURS | RIEMENSCHUTZ 1000 UMDR. | PROTECCIN CORREA 1000 REV. P |
| 13 | F01220011 | DADO M 6X 1 D980 8 ZN | NUT M6X1 D980 8 ZN | ECROU M6X1 D980 8 ZN | MUTTER M6X1 D980 8 ZN | TUERCA M6X1 D980 8 ZN |
| 14 | F02050112 | ANELLO E. DE 30X 1,5 U7435 C70 | SEEGER RING 30X 1,5 U7435 C70 | SEEGER E. 30 X 1,5 U7435 C70 | SEEGERING E. 30X 1,5 U7435 C70 | ANILLO E. 30 X 1,5 U7435 C70 |
| 15 | F02050403 | ANELLO E. DI 72X 2,5 U7437 C70 | SEEGER RING E.72X2,5 U7437 C70 | SEEGER E. 72X 2,5 U7437 C70 | SEEGERING E. 72X 2,5 U7437 C70 | ANILLO E. 72X 2,5 U7437 C70 |
| 16 | F04010215 | CUSC.D30 D72 B19 6306 2RSC3 EX | BEARING D30 D72 B19 6306 2RSC3 | PALIER 6306 2RS C3 | LAGER 6306 2RS C3 | COJINETE 6306 2RS C3 |
| 17 | G22230010 | DISTANZIALE CUSCINETTI | BEARING SPACER | ENTRETOISE PALIERS | DISTANZSTsCK LAGER | DISTANCIADOR COJINETES |
| 18 | F02300025 | FASCETTA STRING. 90/110 H.12 | STRING FASTENING STRAPS 90/110 | COLLIER DE SERRAGE 90/110 | ROHRSCHELLE 90/110 | ABRAZADERA APRET. 90/110 |
| 19 | G15850200 | INCASTELLATURA DEPRESSORE | DIFFUSION AIR PUMP FRAME | B-TI POMPE A D+PRESSION | GESTELL VAKUUMPUMPE | ARMAZÉN BOMBA VAC-O |
| 20 | G22270134 | SUPPORTO VACUOMETRO SP | VACUUM METER SUPPORT SP | SUPPORT VACUOMETRE SP | HALTERUNG VAKUUMMETER SP | SOPORTE VACUMETRO SP S |
| 21 | G18903850 | MOLLA SPEC.ZN GUIDA 2 TUBI DEP | GUIDE SPRING 2 PIPE DEPRESS. | | | |
| 22 | G18903860 | MOLLA GUIDA 3 TUBI ZN | GUIDE SPRING 3 PIPE ZN | | | |
| 23 | F01200270 | DADO M10X 1,5 U5588 6.8 ZN | NUT M10X 1,5 U5588 6.8 ZN | ECROU M10X 1,5 U5588 6.8 ZN | MUTTER M10X 1,5 U5588 6.8 ZN | TUERCA M10X 1,5 U5588 6.8 ZN |
| 24 | G22270369 | P.DI P.CON CODOLO | POWER TAKE-OFF- W/ SPIGOT | PRISE DE FORCE AVEC CONE | KRAFTABTRIEB MIT ENDSTsCK | TOMA DE FUERZA CON MANGO |
| 25 | G22230012 | PULEGGIA MOTRICE | DRIVING PULLEY 540 | POULIE MOTRICE 540T | ANTRIEBSSCHEIBE 540T | POLEA MOTRIZ 540 |
| 26 | G20970035 | RONDELLA 32X4X13 | WASHER 32X4X13 | RONDELLE 32X4X13 | UNTERLEGSscheibe 32X4X13 | ARANDELA 32X4X13 |
| 27 | F01200293 | DADO M12X1,75 U5588 6.8 ZN | NUT M12X1,75 U5588 6.8 ZN | ECROU M12X1,75 U5588 6.8 ZN | MUTTER M12X1,75 U5588 6.8 ZN | TUERCA M12X1,75 U5588 6.8 ZN |
| 28 | F06010160 | CINGHIA POLY V 1287 J-16 GOLE | BELT POLY V 1287 J-16 CU GAT | COURROIE POLY V 1287 J-16 GOR | BANDA POLY V 1287 J-16 GOLE | BANDA POLY V 1287 J-16 GOLE |
| 29 | F05150479 | ROND.APPOGGIO MANOMETRI SV | PRESSURE GAUGE REST WASHER | ROND. LOGEMENT MANOMETRES SV | STsTZSCHEIBE MANOMETER SV | ARAND. SOPORTE MANOMETROS SV |
| 30 | G22250274 | COLLEGAMENTO MANOMETRI SP-SV | PRESSURE GAUGE CONNECT. SP-SV | RACCORD MANOMETRES SP-SV | VERBINDUNG MANOMETER SP-SV | CONEXIN MANMETROS SP-SV LE |
| 31 | G15450342 | PROTEZ.CINGHIA DEPRES.COMPLETEO | DEPRES. COMPL.PROTECTION BELT | | | |
| 32 | F03151288 | VACUOM.0-100 MBAR C.SM.INC.D80 | VACUUM METER 0-100 MBAR C.SMOR | VACUOMETRE 0-100 MBARS A/SUPPO | VAKUUMMETER 0-100 MBAR M. DZMP | VACUM. 0-100 MBAR C.ATEN.INC.V |
| 33 | G19002131 | PROTEZIONE P.D.P. | PDP GUARD | | | |
| 34 | F06010161 | CINGHIA POLY V 1016 J-16 GOLE | BELT- POLY V 1016 J-16 GOLE | COURROIE POLY-V 1016 J-16 GORG | RIEMEN POLY-V 1016 J-16 RILLEN | CORREA POLY-V 1016 J-16 GARGA |
| 35 | G15450310 | PULEGGIA MOTRICE 1000 GIRI | DRIVING PULLEY 1000 REVS | POULIE MOTRICE 1000T | ANTRIEBSSCHEIBE 1000 UMDREHUNG | POLEA MOTRIZ 1000 REVOLUCIONES |
| 36 | F03151356 | VETRO VACUOM.0-100 MBAR D80 | VETRO VACUOM.0-100 MBAR D80 | | | |
| 37 | G15450390 | PULEGGIA CONDOTTA | DRIVEN PULLEY D.28 | POULIE ENTRAINEE D. 28 | GETRIEBENE SCHEIBE D.28 | POLEA CONDUCIDA D.28 |
| 38 | F03151200 | RACCORDO 90° C5 1/8" 6/8 | UNION 90° C5 1/8" 6/8 | RACCORD 90° C5 1/8" 6/8 | ANSCHLUSSTsCK 90° C5 1/8" 6/8 | UNION 90° C5 1/8" 6/8 |
| 39 | F15450270 | VITE 10X130 8.8 FIL.60 ZN | GALVANIZ. BOLT 10X130 8.8 FIL | VIS 10X130 8.8 FIL.60 ZN | SCHRAUBE 10X130 8.8 GEW.60 ZN | TORNILLO 10X130 8.8 FIL.60 ZN |
| 40 | F03100391 | TUBO POLIURETANO 8-6 | POLIURETHAN PIPE 8-6 | | | |
| 41 | G22230014 | DISTANZIALE | SPACER | ENTRETOISE | DISTANZSTsCK | DISTANCIADOR |
| 42 | G15450091 | SUPPORTO PULEGGIA CONDOTTA | DRIVEN PULLEY SUPPORT | SUPPORT POULIE ENTRAINEE | HALTERUNG GETRIEBENE RIEMENSCH | SOPORTE POLEA CONDUCIDA |
| 43 | G19005570 | CUFFIA PROTEZIONE PTO | | | | |
| 44 | F01020472 | VITE M10X1,5X25 U5739 8.8 ZN | BOLT 10X25 5739 8.G GALVANIZED | VIS 10X25 5739 8.G ZN | SCHRAUBE 10X25 5739 8.G ZN | TORNILLO 10X25 5739 8.G ZN |
| 45 | G15450280 | PROTEZIONE DEPRESSORE | VACUUM PUMP PROTECTION | PROTECTION DEPRESSEUR | SCHUTZ VAKUUMPUMPE | PROTECCIN BOMBA DE VACO PR |
| 46 | F03100506 | TUBO EOLO PU D.45 | TUBE EOLO PU D.45 | TUBE EOLO PU D.45 | | |
| 47 | G22270093 | VACUOMETRO COMPL. SP LM | VACUUM METER ASSY. SP LM | VACUOMETRE COMPL. SP LM | KOMPL. VAKUUMMETER SP LM | VACUMETRO COMPL. SP LM V |
| 48 | F01020050 | VITE M6X1X80 U5737 8.8 ZN | BOLT M6X 1X80 U5737 8.8 ZN | VIS 6 X80 5737 8.G ZN | SCHRAUBE 6 X80 5737 8.G ZN | TORNILLO 6 X80 5737 8.G ZN |
| 49 | F05150058 | FASCETTA POLYAM.7,8X550 31920 | POLYAM.CLAMP 7,8X550 31921 | | | |
| 50 | G10150291 | GRIGLIA PROTEZIONE ZN | AIR PUMP PROTECT. GRID | GRILLE DE PROTECT.DISP. DEPRES | SCHUTZGITTER VAKUUMPUMPE | REJILLA DE PROTECCIN BOMBA VAG |
| 51 | F08011716 | CARD.B1 Z6-Z6 L900 R.LIB | CARD.B1 Z6-Z6 L900 R.LIB | CARD ROUE LIBRE T100710 112R12 | KARDAN CE T100710 112 R12 | CARDAN CE T100710 112 R12 |
| 52 | F05050020 | TAPPO SALVAFILETTO D.39 | CONVEYOR PLUG D.39 | BOUCHON PROTEGE-FILET D. 39 | GEWINDESCHUTZPFROPFEN D.39 | TAPN GUARDARROSCA D.39 D |
| 53 | F03151206 | RACCORDO DIR. C1 1/8" 6/8 | UNION STRAIGHT C1 1/8" 6/8 | RACCORD DRT. C1 1/8" 6/8 | ANSCHLUSSTsCK GERADE C1 1/8" | UNIN DER. C1 1/8" 6/8 R |
| 54 | F08011715 | CARD.B1 Z8-Z6 L900 R.LIB | CARD.B1 Z8-Z6 L900 FREE W. | | | |

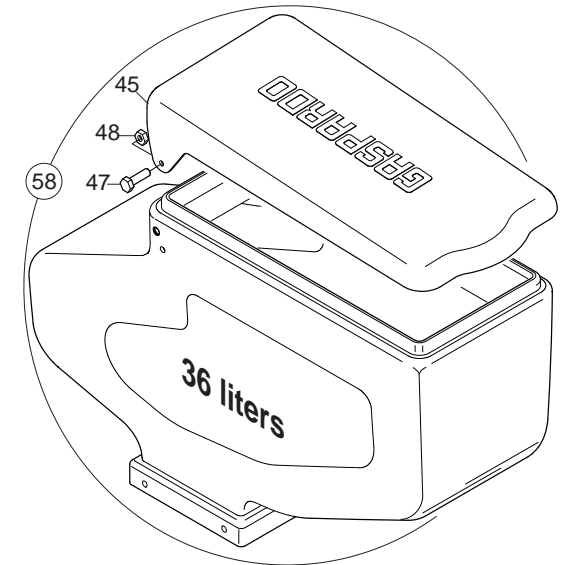
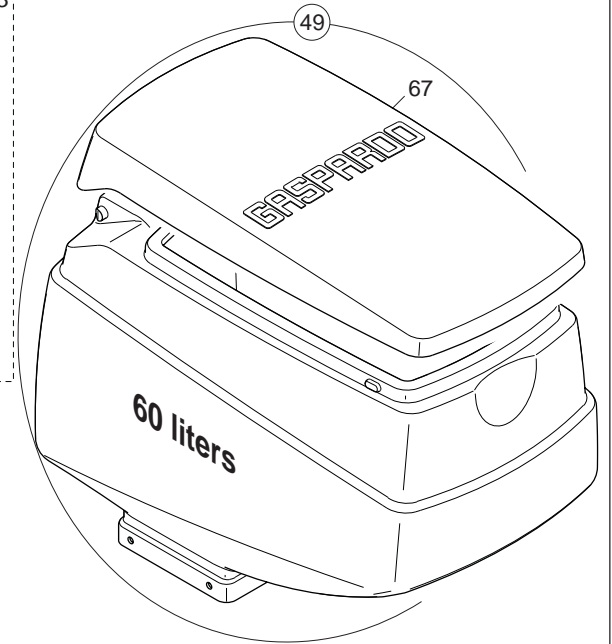
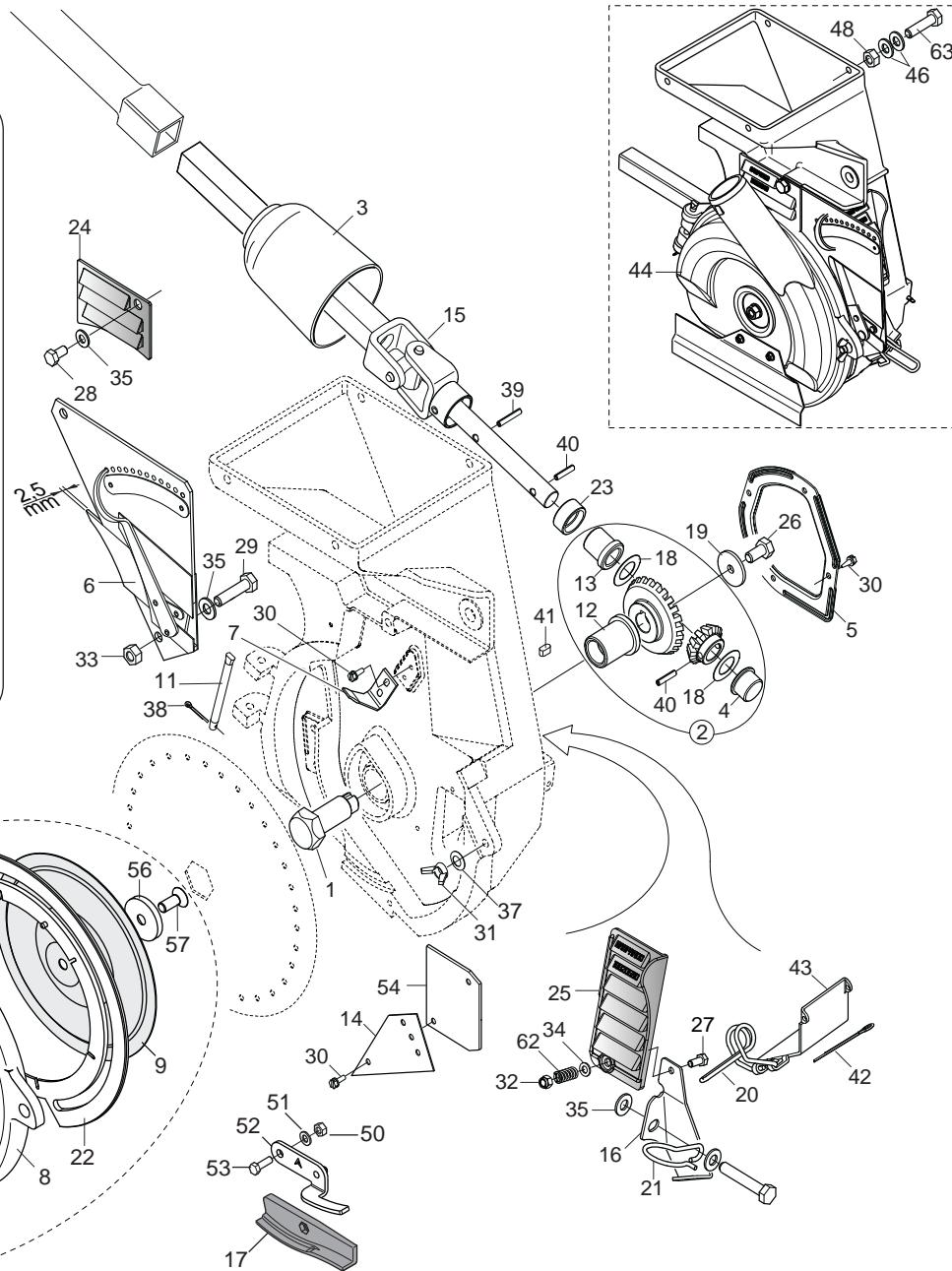
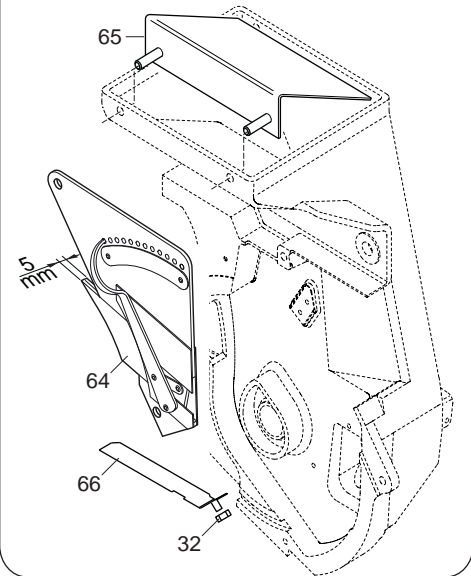


SCATOLA DI RINVIO ELEMENTO

TAV. 095

| Pos. | Cod. | Descrizione | Description | Description | Benennung | Descripcion |
|------|-----------|--------------------------------|-------------------------------|--------------------------------|--------------------------------|--------------------------------|
| 1 | F01020403 | VITE M6X1X16 U5739 8.8 ZN | BOLT M6X1X16 U5739 8.8 ZN | VIS M6X1X16 U5739 8.8 ZN | SCHRAUBE M6X1X16 U5739 8.8 ZN | TORNILLO M6X1X16 U5739 8.8 ZN |
| 2 | G22220103 | CONCHIGLIA SX | LEFT SHELL | | | |
| 3 | F01100011 | ING.M 6X1 7663-A 9SMNPB28 ZN | GREASE NIPPLE M6X1 7663-A ZN | GRAISS. A BILLE M6X1 7663A ZN | SCHMIERBUECHE M6X1 7663-A ZN | ENGRAS. DE ESFERAS M6X1 7663-A |
| 4 | G18700510 | RONDELLA 31 X40 X0,6 ZN | GROWER 32 X 40 X 0,6 ZN | | | |
| 5 | G22270453 | SNODO AVVISATORE SP/S | SIGNALLER ARTICULATION SP/S | ARTICULATION SIGNALISATION SP/ | HUPGELENK SP/S | ARTICULACION AVISADOR SP/S A |
| 6 | G22220102 | CONCHIGLIA DX | RIGHT SHELL | COQUILLE DRT. | SCHALE RECHTS | MOLDE DER. |
| 7 | F01220011 | DADO M 6X 1 D980 8 ZN | NUT M6X1 D980 8 ZN | ECROU M6X1 D980 8 ZN | MUTTER M6X1 D980 8 ZN | TUERCA M6X1 D980 8 ZN |
| 8 | G22270389 | 2+2 INGR.SCATOLA DI RINVIO > | 2+2 INTERM. TRANSM. GEAR BOX | COUPLE CON RENV ANGLE (2+2) | 2+2 ZAHNRZDER VORGELEGEGEHZUSE | 2+2 ENGRANAJES CAJA DE LA TRAN |
| 9 | G22220073 | RONDELLA 28X0,3X16,5 | WASHER 28X0-3X16-5 | RONDELLE 28X0-3X16-5 | UNTERLEGSCHSHEIBE 28X0-3X16-5 | ARANDELA 28X0-3X16-5 |
| 10 | G66349001 | BOCCOLA | BUSHING | BOITE | B_CHSE | CASQUILLO |
| 11 | F02100114 | SPINA E.P. 6X 30 U6873 C70 BR | ELASTIC PIN 6X30 | GOIJON ELASTIQUE 6X30 | SPANNHUELSE 6X30 | ESPINA ELASTICA 6X30 |
| 12 | G22270452 | ALBERO SCATOLA RINVIO SP/S | INTERMEDIATE BOX SHAFT | ARBRE TRANSMISSION SP/S | WELLE VORGELEGEGEHZUSE SP/S | æRBOL CAJA DE TRANSMISIN SP/SA |
| 13 | G22270454 | CROCIERA COMPL. SP/S | SPIDER SP/S | CROSILLON COMPL CARDAN TRANSM | GELENKKREUZ KOMPL. SP/S | CRUCETA COMPL. SP/S |
| 14 | G19002840 | COPRICARDANO SUPERIORE | TOP CARDAN JOINT COVER | COUVRE-CARDAN SUPERIEUR | OBERE KARDANABDECKUNG | CUBRECARDæN SUPERIOR |
| 15 | G22220071 | AVVISATORE ACUSTICO | HOOTER | SIGNALISATION ACOUSTIQUE | HUPE | INDICADOR ACSTICO A |
| 16 | G22220155 | ELEM.TENUTAMOLLE COMP. | SPRING SEAL ELEMENT ASSY. | ELEMENT D'ETANCHEITE RESSORTS | DICHTUNGSELEMENT FEDERN KOMP. | ELEM. RESISTENCIA MUELLES COMP |
| 17 | G65338039 | MOLLA COMP.ZN INNESTO SP | ZN COUPLING COMP. SPRING SP | RESSORT COMPL. ZN ACCOULEM. | DRUCKFEDER ZN KUPPLUNG SP | MUELLE COMP.ZN ACOPLAMIENTO SP |
| 18 | G65338018 | MOLLA COMP.ZN SCATOLA RINV.SP | TRANSM. BOX COMP. SPRING . SP | RESSORT COMPL. ZN TRANSMISSION | DRUCKFEDER ZN VORGELEGEGEHZUSE | MUELLE COMP.ZN CAJA TRANSFER.. |
| 19 | G66248102 | ANELLO SICUREZZA SP | SAFETY RING | BAGUE SECURITE SP | SICHERHEITSRING SP | ANILLO DE SEGURIDAD SP |
| 20 | G22220105 | BOCCOLA DI SPINTA | THRUST BUSHING | BOITE DE POUSSEE | SCHUBBSCHSE | CASQUILLO DE APRIETE |
| 21 | F02050045 | ANELLO E. DE 16X 1 U7435 C70 | SEEGER RING 16X 1 U7435 C70 | BAGUE SEEGER 16 X 1 U7435 C70 | SEEGERING 16 X 1 U7435 C70 | ANILLO 16X 1 U7435 C70 |
| 22 | G66248057 | SPINA DI SICUREZZA SP | SAFETY PIN SP | BROCHE PLASTIC SECURITE CARDAN | SICHERHEITSSTIFT SP | CLAVIJA DE SEGURIDAD SP |
| 23 | F02100121 | SPINA E.P. 6X 40 U6873 C70 BR | ELASTIC PIN 6X40 | GOIJON ELASTIQUE 6X40 | SPANNHUELSE 6X40 | PASADOR 6X40 |
| 24 | G15220691 | ASSE AVVISATORE MT | SIGNALLING AXIS MT | AXE AVERTISSEUR MT | ACHSE SIGNALHUPE MT | EJE INDICADOR MT |
| 25 | G15220681 | INNESTO RINVIO MT | TRANSMISSION COUPLING MT | ACCOUPLLEMENT TRANSMISSION MT | KUPPLUNG VORGELEGE MT | CONEXIN TRANSFERENCIA MT C |
| 26 | F01220022 | DADO M 8X1,25 D980 8 ZN | NUT M8X 1,25 D980 8 ZN | ECROU M8X 1,25 D980 8 ZN | MUTTER M8X 1,25 D980 8 ZN | TUERCA M8X 1,25 D980 8 ZN |
| 27 | F01020440 | VITE M 8X1,25X25 U5739 8.8 ZN | BOLT M8X1,25X25 U5739 8.8 ZN | VIS M8X1,25X25 U5739 8.8 ZN | SCHRA. M8X1,25X25 U5739 8.8 ZN | TORNIL.M8X1,25X25 U5739 8.8 ZN |
| 28 | G15226460 | MONT.SCATOLA RINVIO Q.16 EL.MT | BOX TRANS. SQ.16EL.MT | | | |
| 29 | F01020041 | VITE M6X1X45 U5737 8.8 ZN | BOLT M6X 1X45 U5737 8.8 ZN | VIS 6 X45 5737 8.G ZN | SCHRAUBE 6 X45 5737 8.G ZN | TORNILLO 6 X45 5737 8.G ZN |
| 30 | G16033200 | MONT.SCATOLA RINVIO Q.16 PLA > | TRANSFER CASE | BOITE RENVOI | VORGELEGEGEHZUSE | CAJA DE DISTRIBUCIN |

Varianti Semi Gossi - Varying Large Seeds



DISTRIBUTORE SEMI

TAV. 103

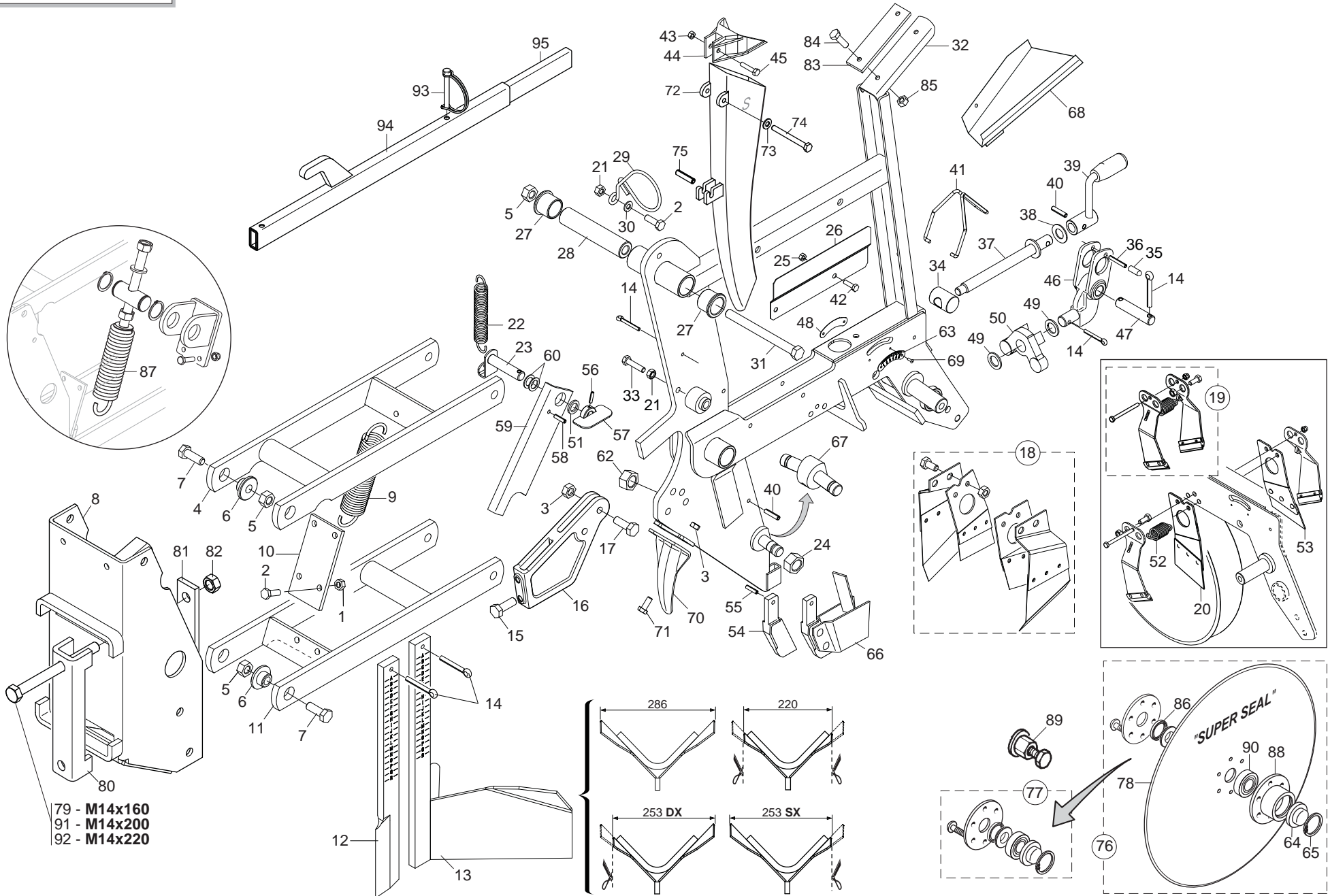
| Pos. | Cod. | Descrizione | Description | Description | Benennung | Descripcion |
|------|-----------|--------------------------------|--------------------------------|--------------------------------|---------------------------------|--------------------------------|
| 1 | G22230046 | ASSE TRASMISSIONE DISCO | DISK GEAR AXLE | AXE ENTRAINEMENT DISQUE | ACHSE SCHEIBENANTRIEB | EJE TRANSMISIN DISCO A |
| 2 | G22270390 | KIT COPPIA CONICA DISTRIB.SEMI | KIT- SEED DISTR. CONICAL PAIR | COUPLE CON DISTR GRAINES (2+2) | KIT KEGELTRIEB SAMEN SZAPPARAT | SET PAR CONICO DISTRIB. SEMILL |
| 3 | G66248094 | COPRICARDANO SP | UNIVERSAL JOINT COVER SP | COUVRE-CARDAN SP | KARDANABDECKUNG SP | CUBRECARDÆN SP |
| 4 | G66349008 | BOCCOLA | BUSHING | BOITE | BsCHSE | CASQUILLO |
| 5 | G22230035 | COPERCHIO SCATOLA INGRAN. | GEARWHEEL BOX COVER | COUVERCLE BOITE ENGRENAGE | DECKEL ZAHNRZDERGEHZUSE | TAPA CAJA ENGRAN. |
| 6 | G22230040 | SELETTORE MOBILE COMPLETO | MOBILE SELECTOR ASSY. | SELECTEUR MOBILE COMPL. | KOMPL. BEWEGLICHER WZHLER | SELECTOR MVIL COMPLETO S |
| 7 | G22230041 | SELETTORE FISSO | SELECTOR FIXED | SELECTEUR FIXE | FESTER WZHLER | SELECTOR FIJO |
| 8 | G15223701 | COPERCHIO CORPO MT | BODY COVER MT | COUVERCLE CORPS MT | DECKEL KTRPER MT | TAPA CUERPO MT |
| 9 | G22230037 | TENUTA GUARNIZIONE | SEAL | BLOQUAGE GARNITURE | DICHTUNG | JUNTA ESTANCA |
| 10 | G16620470 | TAPPO CENTRALE H=7,5 | CENTRAL PLUG H=7.5 | BOUCHON CENTRAL H=7,5 | ZENTRALER PFROPFEN H=7,5 | TAPÉN CENTRAL H=7,5 |
| 11 | G22230039 | PERNO COPERCHIO | COVER PIN | PIVOT COUVERCLE | DECKELZAPFEN | PERNO TAPA |
| 12 | G66349002 | BOCCOLA SINT.BASSOFONDO | BUSHING- SINTERED | BOITE FRITTEE | SYNTH. B. CHSE | CASQUILLO SINT. |
| 13 | G22270071 | BOCCOLA COLL.SINTER.20X24 | 20X24 SINTERED COLLARED BUSH | BOITE COLLIER FRITTEE 20X24 | ANSCHLUSSBUUECHSE SINTER.20X24 | CASQUILLO CONEX. SINTER.20X24 |
| 14 | G22270204 | PIASTRA ANTI TRABOCC.SEMI SP | SEED ANTI-OVERFLOW PLATE SP | PLAQUE ANTI-DEBORD.T GRAINES S | SAMENSBERLAUFPLATTE SP | PLACA ANTI DESBORDAMIENTO SEMI |
| 15 | G15225130 | ASSE PORTA PIGNONE MT COMPL. | COMPL. MT PINION-HOLDER SHAFT | AXE PORTE-PIGNON MT COMPLET | RITZELTRAGACHSE MT KOMPL. | EJE PORTA PIDÉN MT COMPL. |
| 16 | G15421151 | FERMO MOLLA FALCIONE | CUTTER SPRING STOP | ARRET RESSORT HACHOIR | FESTSTELLVOR. FEDER FUTTERSCHN | BLOQUEO MUELLE GUADA¾ADORA |
| 17 | G19006960 | ESPULSORE SEME MAIS | SEED EJECTOR FOR CORN | | | |
| 18 | G22220073 | RONDELLA 28X0,3X16,5 | WASHER 28X0-3X16-5 | RONDELLE 28X0-3X16-5 | UNTERLEGSCHIEBE 28X0-3X16-5 | ARANDELA 28X0-3X16-5 |
| 19 | F01420037 | ROS.M6 6,4X 24X 2 U6593 ZN | WASHER M6 6,4X24X2 U6593 ZN | | | |
| 20 | G18902951 | MOLLA SPEC.ZN SCARICO | SPEC SPRING ZN DISCHARGE | RESSORT TRAPPE VIDANGE | SPEZIALFEDER ZN ENTLADUNG | MUELLE ESPEC. ZN DESCARGA |
| 21 | G18903180 | MOLLA CONVOGLIATORE MICRO | MICRO CONVEYOR SPRING | RESSORT CONVOYEUR MICRO | FEDER MIKRO FTRDERER | MUELLE CONDUCTOR MICRO |
| 22 | G19002620 | GUARNIZIONE COP.DISTR.SP530-MT | DISTRIBUTION COVER AIR SEAL MT | JOINT ETANCH PORTE SP530-MT | DICHTUNG SZAPPARATDECKEL SP530 | JUNTA TAPA DISTRIB.SP530 |
| 23 | G66248219 | ANELLO PARAPOLVERE SP-520 | DUST COVER RING | BAGUE PARE-POUSSIÈRE SP-520 | STAUBSCHUTZRING SP-520 | ANILLO GUARDAPOLVO SP-520 |
| 24 | G16620540 | PORTA DI PROTEZIONE | SAFETY HATCH | PORTE DE PROTECTION | SCHUTZIFFNUNG | PUERTA DE PROTECCIÉN |
| 25 | G16620530 | PORTA DI CONTROLLO | INSPECTION DOOR | PORTE CONTROLE | KONTROLLTÜR | PUERTA DE CONTROL |
| 26 | F01020403 | VITE M6X1X16 U5739 8.8 ZN | BOLT M6X1X16 U5739 8.8 ZN | VIS M6X1X16 U5739 8.8 ZN | SCHRAUBE M6X1X16 U5739 8.8 ZN | TORNILLO M6X1X16 U5739 8.8 ZN |
| 27 | F01020382 | VITE M5X0,8X25 U5739 8.8 ZN | BOLT 5 X25 5739 8.G GALVANIZ. | VIS 5 X25 5739 8.G ZN | SCHRAUBE 5 X25 5739 8.G ZN | TORNILLO 5 X25 5739 8.G ZN |
| 28 | F01020432 | VITE M 8X1,25X16 U5739 8.8 ZN | BOLT M8X 1.25X16 U5739 8.8 ZN | VIS M 8X16 | SCHRAUBE M 8X16 | TORNILLO M 8X16 |
| 29 | F01020451 | VITE M 8X1,25X45 U5739 8.8 ZN | BOLT M8X 1.25X45 U5739 8.8 ZN | VIS M 8X45 | SCHRAUBE M 8X45 | TORNILLO M 8X45 |
| 30 | F01070011 | VITE M4,2X1,41X9,5 U6950 4.8NI | BOLT- SELF-TAPPING 4-2X9-5T.E. | VIS AUTOTAR. 4-2X9-5 T. E. COU | SELBSTSCHNEID. SCHRAUBE 4-2X9- | TORNILLO AUTORROSC. 4-2X9-5 |
| 31 | F01240024 | DADO M 8X1,25 U5448 5.8 ZN | NUT 8 UNI 5448 5.8 ZN | ECROU 8 UNI 5448 5.8 ZN | MUTTER 8 UNI 5448 5.8 ZN | TUERCA 8 UNI 5448 5.8 ZN |
| 32 | F01230019 | DADO M 5X 0,8 D982 8 ZN | NORM.SELF-LOCKING NUT 5 GALVAN | ECROU AUTOB.NOR.5 ZN | SELBSTSP. MUTTER NOR.5 ZN | TUERCA AUTOB. NOR. 5 ZN |
| 33 | F01200244 | DADO M 8X1,25 U5588 6.8 ZN | NUT M8 X1,25 U5588 6.8 ZN | ECROU M8 X1,25 U5588 6.8 ZN | MUTTER M8 X1,25 U5588 6.8 ZN | TUERCA M8 X1,25 U5588 6.8 ZN |
| 34 | F01410023 | ROS.M5 5,3X 10X 1 U6592 ZN | WASHER M5 5,3X 10X 1 U6592 | | | |
| 35 | F01410051 | ROS.M8 8,4X 17X1,6 U6592 ZN | WASHER M8 8,4X17X1,6 U6592 ZN | RONDEL. M8 8,4X17X1,6 U6592 ZN | SCHEIBE M8 8,4X17X1,6 U6592 ZN | ARANDELA M8 8,4X17X1,6 U6592ZN |
| 36 | F01430059 | ROS.M8 8,4X 15X0,8 U8842J ZN | WASHER M8 8,4X15X0,8 U8842J ZN | ROND. M8 8,4X 15X0,8 U8842J ZN | SCHEIBE M8 8,4X15X0,8 U8842JZN | ARAND. M8 8,4X15X0,8 U8842J ZN |
| 37 | F01460115 | ROS.OND. 8,4X 15X0,5 BR D137A | WASHER D8 DIN 137/A | RONDELLE D8 DIN 137/A | UNTERLEGSCHIEBE D8 DIN 137/A | ARANDELA D8 DIN 137/A |
| 38 | F02200137 | COPIGLIA 2X 15 U1336 ZN | SPLIT PIN 2 X15 1336 GALVAN. | GOUPILLE 2 X15 1336 ZN | SPLINT 2 X15 1336 ZN | PASADOR 2 X15 1336 ZN |
| 39 | F02100079 | SPINA E.P. 5X 16 U6873 C70 BR | PIN EL. 5X 16 U6873 C70 BR | | | |
| 40 | F02100083 | SPINA E.P. 5X 24 U6873 C70 BR | PIN EL. 5 X24 DIN 1481 | FICHE EL. 5 X24 DIN 1481 | SPANNSTIFT 5 X24 DIN 1481 | CLAVIJA EL.5 X24 DIN 1481 |
| 41 | F02150012 | LINGUETTA 5X 5X 10 U6604A | PARALLEL KEY 5X 5X 10 U6604A | | | |
| 42 | F02200200 | COPIGLIA 4X 70 U1336 ZN | SPLIT PIN 4 X70 1336 GALVAN. | GOUPILLE 4 X70 1336 ZN | SPLINT 4 X70 1336 ZN | PASADOR 4 X70 1336 ZN |
| 43 | G15421870 | PORTA DI SCARICO DISTRIBUTORE | DISTRIBUTOR DISCHARGE DOOR | PORTE DE DECHARGEMENT DISTRIB, | ENTLADUNGSTÜR SZAPPARAT | PUERTA DESCARGA DISTRIBUIDOR |
| 44 | G15225141 | MONT. CORPO DISTRIBUZIONE MT | DISTRIBUTION BODY ASSEMBLY MT | | | |
| 45 | G19002750 | COPERCHIO SERBATOIO SEME 530 | SEED TANK COVER 530 | COUVERCLE RES GRAINES 530-MT | SAMENBEHZLTERDECKEL 530 | TAPA DEPSITO SEMILLA 530 A |
| 46 | F01420036 | ROS.M6 6,4X 18X 2 U6593 ZN | FLAT WASHER 6-6X 18X2 6593 ZN | ROND. PLATE 6-6X 18X2 6593 ZN | SCHEIBE 6-6X 18X2 6593 ZN | ARAND. PLANA 6-6X 18X2 6593 ZN |
| 47 | F01020403 | VITE M6X1X16 U5739 8.8 ZN | BOLT M6X1X16 U5739 8.8 ZN | VIS M6X1X16 U5739 8.8 ZN | SCHRAUBE M6X1X16 U5739 8.8 ZN | TORNILLO M6X1X16 U5739 8.8 ZN |
| 48 | F01220011 | DADO M 6X 1 D980 8 ZN | NUT M6X1 D980 8 ZN | ECROU M6X1 D980 8 ZN | MUTTER M6X1 D980 8 ZN | TUERCA M6X1 D980 8 ZN |
| 49 | G15226240 | MONT.SERB.SEME 60 LITRI | TANKASSEMBLY SEED 60LT | | | |
| 50 | F01200220 | DADO M 5X 0,8 U5588 6.8 ZN | NUT 5 UNI 5588 6.8 GALVANIZED | ECROU 5 UNI 5588 6.8 ZN | MUTTER 5 UNI 5588 6.8 ZN | TUERCA 5 UNI 5588 6.8 ZN |
| 51 | F01430035 | ROS.M5 5,3X 10X0,6 U8842J ZN | WASHER D5 DIN 6798 D.INT.ZN | RONDELLE D5 DIN 6798 D. INT. Z | UNT. SCHEIBE D5 DIN 6798 D. IN | ARANDELA D5 DIN 6798 D.INT.ZN |
| 52 | G16620010 | ESPULSORE SEMI BIETOLA | SUGAR BEET EJECTOR | EXPULSEUR BETTES | AUSWERFER RÜBEN | EXPULSOR REMOLACHA |
| 53 | F01020381 | VITE M5X0,8X20 U5739 A2 IX | BOLT M5X 0.8X20 U5739 A2 IX | VIS 5X20 5739 | SCHRAUBE 5X20 5739 | TORNILLO 5X20 5739 |
| 54 | G22270133 | PIASTRINA ANTI TRABOC.SEMI MIN | MINUTE SEED PLATE SP | PLAQUETTE GRAINES PETITES SP | PLZTTCHEN KLEINE SAMEN SP | PLAQUETA SEMILLAS PEQUE¾AS SP |
| 55 | G16620360 | DIMA SELETTORE FISSO | POSITION PLATE FOR FIXED SELEC | GABARIT POSITION SELECTEUR FIX | EINSTELLEHRE F. R FIXEN ABSTREI | PLACA PARA LA POSICIÉN SELECTO |
| 56 | G18701890 | RONDELLA D.8,5 SVASATA ZN. | FLARED WASHER D.8.5 ZN. | RONDELLE D.8,5 +VAS+E ZN. | F-CHERSCHIEBE D.8,5 ZN. | ARANDELA Ì 8,5 ABOCINADA ZN. |
| 57 | F01030055 | VITE M 8X1,25X20 U5933 10.9 ZD | BOLT M8X1.25X20 U5933 10.9 ZD | VIS M 8X20 | SCHRAUBE M 8X20 | TORNILLO M 8X20 |
| 58 | G15224471 | SERBATOIO SEME COMPLETO MT | SEED TANK ASSY. MT | RESERVOIR GRAINES COMPL PLA MT | SAMENBEHZLTER KOMPLETT MT | DEPSITO SEMILLAS COMPLETO MT B |
| 59 | G15201081 | COPERCHIO CORPO MT COMPL. | BODY COVER MT | COUVERCLE CORPS MT | DECKEL KTRPER MT | TAPA CUERPO MT |
| 60 | G15223571 | PROTEZIONE SX | LEFT GUARD | PROTECTION GCH | SCHUTZ LI | PROTECCIN IZQ P |
| 61 | F01070047 | VITE M3,5X1,34X9,5 U6954 4.8NI | BOLT 3-5X 9-5 DIN 7981 | VIS 3-5X 9-5 DIN 7981 | SCHRAUBE 3-5X 9-5 DIN 7981 | TORNILLO 3-5X 9-5 DIN 7981 |
| 62 | G18904240 | MOLLA APERTURA PORTA CONTROLLO | SPRING | RESSORT | FEDER | MUELLE |
| 63 | F01020404 | VITE M6X1X20 U5739 8.8 ZN | BOLT M 6X 1X20 U5739 8.8 ZN | VIS M 6X20 | SCHRAUBE M 6X20 | TORNILLO M 6X20 |

TAV. 230

| Codice Code Kodex Codigo | Nr e ø fori Nr and ø holes Nr et ø trous Nr und ø löcher Nr y ø agujeros | Coltura | Seeds | Cultures | Samen | Semillas | Distanza semina Seeding dist. Dist. de semis Saatabstandes Dist. siembra | Codice Code Kodex Codigo | Nr e ø fori Nr and ø holes Nr et ø trous Nr und ø löcher Nr y ø agujeros | Coltura | Seeds | Cultures | Samen | Semillas | Distanza semina Seeding dist. Dist. de semis Saatabstandes Dist. siembra | | |
|--------------------------|--|---------|---|--|---|---|--|---|--|---------|--|---|--|---|--|--|---|
| 22230298 | 20 | 0,8 (1) | | | | | ↓ min.10,4 cm. max. 41,7 cm. ↑ | 22230290 | 36 | 2,5 | Pomodoro conf. ø 3,5÷4,5 mm Ginseng | Tomato pilled ø 3,5÷4,5 mm Ginseng | Tomate enrobé ø 3,5÷4,5 mm Ginseng | Tomate pilliert ø 3,5÷4,5 mm Ginseng | Tomate conf. ø 3,5÷4,5 mm Ginseng | max. 23,2 cm. | |
| 22230319 | 20 | 1 (1) | Cavolo broccolo | Broccoli | Chou-Broccoli | Brokkoli | | Brócoli | 22230197 | 36 | 3,5 | Fagiolino Piselli Soia | Beans (Little) Peas Soyabeans | Haricot (Petit) Pois Soja | Grüne Bohnen Erbsen Soja | | Judias verdes Arveja Soja |
| 22230327 | 20 | 1,1 (1) | Cavolo verza | Cabbage,Savoy | Chou de Milan | Wirsing | | Col de Milán | 22230199 | 36 | 4,5 | Fagiolo Piselli Favino | Beans Peas | Haricot Pois | Bohnen Erbsen | Poroto Arveja | |
| 22230320 | 20 | 1,5 | | | | | | | 22230295 | 36 | 5,5 | Fagiolo | Beans | Haricot | Bohnen | Poroto | ↑ |
| 22230294 | 20 | 2,1 | Zucchini Melone Anguria Cardo | Squash Melon Watermelon | Courgette Pastèque | Kürbis Melone Wassermelone | | Calabacín Melón Sandía | 10123760R | 36 | 5,5 (2) | Fagiolo | Beans | Haricot | Bohnen | Poroto | |
| 22230203 | 20 | 2,5 | Girasole | Sunflower | Tournesol | Sonnenblumen | | Girasol | 22230304 | 36 | 7 | | | | | | min. 4 cm. |
| 22230192 | 20 | 3,5 | Cotone Mais (Piccolo) | Cotton Corn (Little) | - Mais (Petit) | Baumwohl Mais (Klein) | | - Maiz (Pequeño) | 22230321 | 52 | 1,5 | | | | | | |
| 22230048 | 20 | 4,5 | Mais | Corn | Mais | Mais | | Maiz | 22230328 | 52 | 2,1 | Barbabietola | Beets | Betteraves | Rüben | Remolacha | ↓ ↑ |
| 22230047 | 20 | 5,5 | Mais (Grosso) Ceci Fagiolo borlotto e cannellino Arachidi | Corn (Big) Pulses Beans Peanut | Mais (Gros) - Haricot | Mais (Grosse) - Bohnen | | Maiz (Grueso) - Poroto | 22230299 | 52 | 2,5 | | | | | | |
| 22230205 | 20 | 7 | Arachidi Lupino | Peanut - | - - | - - | | - - | 22230316 | 52 | 3,5 | Fagiolino | Beans (Little) | Haricot (Petit) | Grüne Bohnen | Judias verdes | max. 16 cm. |
| 10124030R | 26 | 1 (1) | | | | | | 22230288 | 52 | 4,25 | Soia | Soyabeans | Soja | Soja | Soja | | |
| 22230253 | 26 | 1,5 | | | | | ↓ min. 8 cm. max. 32,1 cm. ↑ | 22230194 | 72 | 0,5 (1) | Endivia Lattuga | Endive Lettuce | Chicorée Laitue | Winterendivien Kopfsalat | Escarola Lechuga | ↓ | |
| 22230296 | 26 | 2,1 | Zucchini Melone Anguria Cardo | Squash Melon Watermelon | Courgette Pastèque | Kürbis Melone Wassermelone | | Calabacín Melón Sandía | 22230195 | 72 | 0,8 (1) | Endivia Lattuga Rapa Senape Finocchio Anice | Endive Lettuce Turnip Mustard Fennel | Chicorée Laitue Navet Moutarde Fenouil | Winterendivien Kopfsalat Speiserüben Senf Fenchel | | Escarola Lechuga Nabo - - Hinojo |
| 22230289 | 26 | 2,5 | Girasole | Sunflower | Tournesol | Sonnenblumen | | Girasol | 22230193 | 72 | 1,1 (1) | Pomodoro Rapa Finocchio Colza Panico | Tomato Turnip Fennel Canola | Tomate Navet Fenouil Colza | Tomate Speiserüben Fenchel Raps | Tomate Nabo Hinojo Colza | min. 2,9 cm. |
| 22230249 | 26 | 3,5 | Cotone Mais (Piccolo) | Cotton Corn (Little) | - Mais (Petit) | Baumwohl Mais (Klein) | | - Maiz (Pequeño) | 22230257 | 72 | 1,5 | Spinacio Ravanello Asparagio Pomodoro conf. ø 2,5÷3,5 mm | Spinach Radish Asparagus Tomato pilled ø 2,5÷3,5 mm | Epinard Radis Asperge Tomate enrobé ø 2,5÷3,5 mm | Spinat Radies Spargel Tomate pilliert ø 2,5÷3,5 mm | Espinaca Rabanito Espárrago Tomate conf. ø 2,5÷3,5 mm | |
| 22230050 | 26 | 4,5 | Mais | Corn | Mais | Mais | | Maiz | 22230213 | 72 | 2,1 | Bieta a coste Saggina | Swiss Chard | Poirée | Mangold | Acelga | max. 11,6 cm. |
| 22230303 | 26 | 5 | | | | | | | 10124040R | 72 | 2,5 | | | | | | |
| 22230049 | 26 | 5,5 | Mais (Grosso) Ceci Fagiolo borlotto e cannellino Arachidi | Corn (Big) - Beans - | Mais (Gros) - Haricot | Mais (Grosse) - Bohnen | | Maiz (Grueso) - Poroto | 22230198 | 72 | 3,5 | Fagiolino Soia | Beans (Little) Soyabeans | Haricot (Petit) Soja | Grüne Bohnen Soja | Judias verdes Soja | ↑ |
| 22230317 | 36 | 1,1 (1) | Pomodoro | Tomato | Tomate | Tomate | | Tomate | 10124020R | 72 | 4,25 | Soia | Soyabeans | Soja | Soja | Soja | |
| 22230196 | 36 | 1,5 | Lenticchia Cetriolo Pomodoro conf. ø 2,5÷3,5 mm | - Cucumber Tomato pilled ø 2,5÷3,5 mm | - Concombre Tomate enrobé ø 2,5÷3,5 mm | - Gurke Tomate pilliert ø 2,5÷3,5 mm | | - Pepino Tomate conf. ø 2,5÷3,5 mm | 22230256 | 72 | 4,5 | | | | | | |
| 22230051 | 36 | 2,1 | Barbabietola Zucchini Melone Anguria Cardo Sorgo Sesamo | Beets Squash Melon Watermelon - Sorghum | Betteraves Courgette Pastèque - Sorgo | Rüben Kürbis Melone Wassermelone - Hirse | | Remolacha Calabacín Melón Sandía - Sorgo | | | | | | | | | |

DISCHI DI SEMINA

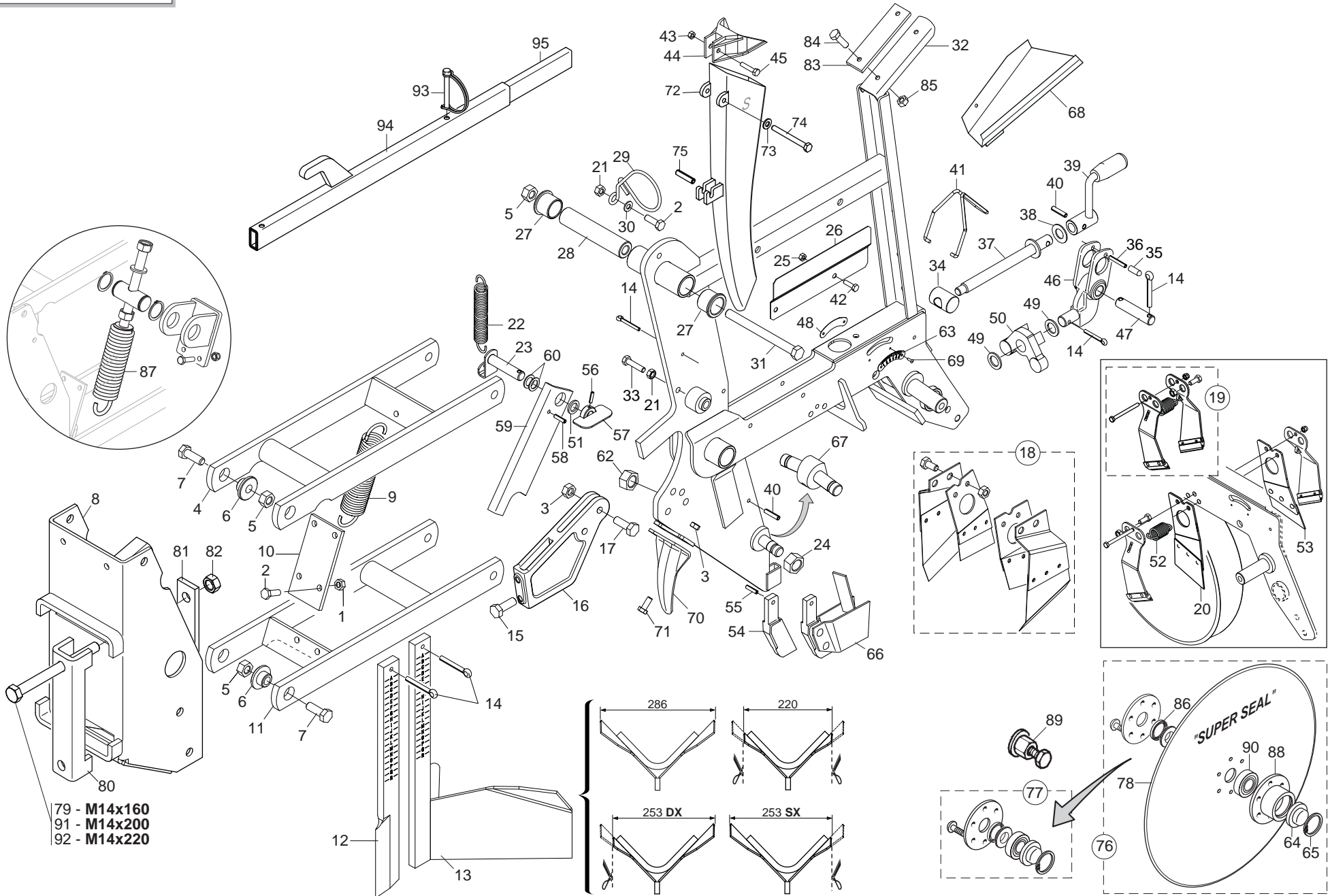
| Pos. | Cod. | Descrizione | Description | Description | Benennung | Descripcion |
|------|-----------|-------------------------------|-------------------------------|--------------------------------|--------------------------------|---------------------------------|
| 1 | G10123970 | DISCO 104F D.2,0 SP-MT | DISK 104 HOLES D.2,00 SP | DISQUE 104 TROUS D.2,00 SP | SCHEIBE 104 LTCHER D.2,00 SP | DISCO 104 ORIFICIOS D.2,00 SP |
| 2 | G10124010 | DISCO 60F D.4,5 SP-MT | DISK 60 HOLES D.4-5 SP LM | DISQUE 60 TROUS D. 4-5 SP LM | SCHEIBE 60 LTCHER D.4-5 SP LM | DISCO 60 ORIFICIOS D.4-5 SP LM |
| 3 | G10124020 | DISCO 72F D.4,25 SP-MT | DISK 72 HOLES D.4-25 SP LM | DISQUE 72 TROUS D. 4-25 SP LM | SCHEIBE 72 LTCHER D.4-25 SP | DISCO 72 ORIFICIOS D.4-5 SP LM |
| 4 | G10124030 | DISCO 26F D.1,0 SP-MT | STEEL DISK 26 HOLES D 1.0 SP | DISQUE ACC. 26 TROUS D 1-0 SP | DISQUE ZUB. 26 LTCHER D 1-0 S | DISCO AC. 26 ORIFICIOS D 1-0 S |
| 5 | G10124040 | DISCO 72F D.2,5 SP-MT | DISK ST. 72 H. D 2,5 | DISQUE ACIER 72 TROUS D 2,5 | STAHLSCHEIBE 72 L. D 2,5 | DISCO ACERO 72 ORIF. D 2,5 |
| 6 | G10124050 | DISCO 104F D.1,1 SP-MT | STEEL DISC 104 HOLES D 1.1 SP | DISQUE ACIER 104 TROUS D 1,1 | STAHLSCHEIBE 104 BOHR. D 1,1 | DISCO ACC.104 AGUJEROS D 1,1 |
| 7 | G10124060 | DISCO 26F D.4,0 SP-MT | DISC 26 F. D.4 | DISQUE 26 TROUS D.4 | SCHEIBE 26 B. D.4 | DISCO 26 AGUJEROS Í 4 |
| 8 | G10124070 | DISCO 36F D.1,7 SP-MT | DISK 36 HOLES D.1.7 SP LM | DISQUE 36 TROUS D.1,7 SP LM | SCHEIBE 36 LTCHER D.1,7 SP LM | DISCO 36 ORIFICIOS D.1,7 SP LM |
| 9 | G10124090 | DISCO 6F D.4,5 SP-MT | DISK 6 HOLES D.4,5 | DISQUE 6 TROUS D. 4,5 | SCHEIBE 6 LTCHER D.4,5 | DISCO 6 ORIFICIOS D.4,5 |
| 10 | G10124100 | DISCO 6F D.3,0 SP-MT | DISK 6 HOLES D.3,0 | DISQUE 6 TROUS D. 3,0 | SCHEIBE 6 LTCHER D.3,0 | DISCO 6 ORIFICIOS D.3,0 |
| 11 | G22230047 | DISCO 20F D.5,5 SP-MT | DISK 20 H. D.5-5 CORN SP LM | DISQUE 20 TROUS D. 5-5 MAIS SP | SCHEIBE 20 L. D.5-5 MAIS SP LM | DISCO 20 ORIF. D.5-5 MAZ SP LD |
| 12 | G22230048 | DISCO 20F D.4,5 SP-MT | DISK 20 H. D.4-5 SUNF..SP LM | DISQUE 20 TROUS D. 4-5 TOURN. | SCHEIBE 20 L. D.4-5 SONNENBLU. | DISCO 20 ORIF. D.4-5 GIRA.SP L |
| 13 | G22230049 | DISCO 26F D.5,5 SP-MT | DISK 26 H. D.5-5 CORN SP LM | DISQUE 26 TROUS D. 5-5 MAIS SP | SCHEIBE 26 L. D.5-5 MAIS SP LM | DISCO 26 ORIF. D.5-5 MAZ SP LD |
| 14 | G22230050 | DISCO 26F D.4,5 SP-MT | DISK 26 H. D.4-5 CORN SP LM | DISQUE 26 TROUS D. 4-5 MAIS | SCHEIBE 26 L. D.4-5 MAIS | DISCO 26 ORIF. D.4-5 MAZ SP L |
| 15 | G22230051 | DISCO 36F D.2,1 SP-MT | DISK 36 H. D.2-1 BEET.SP LM | DISQUE 36 TROUS D. 2-1 BETTES | SCHEIBE 36 L.R. D.2-1 RsBEN SP | DISCO 36 ORIF. D.2-1 REMOLACHA |
| 16 | G22230192 | DISCO 20F D.3,5 SP-MT | DISK 20 HOLES D.3-5 SP LM | DISQUE 20 TROUS D. 3-5 SP LM | SCHEIBE 20 LTCHER D.3-5 SP LM | DISCO 20 ORIFICIOS D.3-5 SP LM |
| 17 | G22230193 | DISCO 72F D.1,1 SP-MT | DISK 72 HOLES D.1-1 SP LM | DISQUE 72 TROUS D. 1-1 SP LM | SCHEIBE 72 LTCHER D.1-1 SP LM | DISCO 72 ORIFICIOS D.1-1 SP LM |
| 18 | G22230194 | DISCO 72F D.0,5 SP-MT | DISK 72 HOLES D.0-5 SP LM | DISQUE 72 TROUS D. 0-5 SP LM | SCHEIBE 72 LTCHER D.0-5 SP LM | DISCO 72 ORIFICIOS D.0-5 SP LM |
| 19 | G22230195 | DISCO 72F D.0,8 SP-MT | DISK 72 HOLES D.0-8 SP LM | DISQUE 72 TROUS D. 0-8 SP LM | SCHEIBE 72 LTCHER D.0-8 SP LM | DISCO 72 ORIFICIOS D.0-8 SP LM |
| 20 | G22230196 | DISCO 36F D.1,5 SP-MT | DISK 36 HOLES D.1-5 SP LM | DISQUE 36 TROUS D. 1-5 SP LM | SCHEIBE 36 LTCHER D.1-5 SP LM | DISCO 36 ORIFICIOS D.1-5 SP LM |
| 21 | G22230197 | DISCO 36F D.3,5 SP-MT | DISK 36 HOLES D.3-5 SP LM | DISQUE 36 TROUS D. 3-5 SP LM | SCHEIBE 36 LTCHER D.3-5 SP LM | DISCO 36 ORIFICIOS D.3-5 SP LM |
| 22 | G22230198 | DISCO 72F D.3,5 SP-MT | DISK 72 HOLES D.3-5 SP LM | DISQUE 72 TROUS D. 3-5 SP LM | SCHEIBE 72 LTCHER D.3-5 SP LM | DISCO 72 ORIFICIOS D.3-5 SP LM |
| 23 | G22230199 | DISCO 36F D.4,5 SP-MT | DISK 36 HOLES D.4-5 SP LM | DISQUE 36 TROUS D. 4-5 SP LM | SCHEIBE 36 LTCHER D.4-5 SP LM | DISCO 36 ORIFICIOS D.4-5 SP LM |
| 24 | G22230203 | DISCO 20F D.2,5 SP-MT | DISK 20 HOLES D.2-5 SP LM | DISQUE 20 TROUS D. 2-5 SP LM | SCHEIBE 20 LÖCHER D.2-5 SP LM | DISCO 20 ORIF. D.2-5 SP LM |
| 25 | G22230205 | DISCO 20F D.7,0 SP-MT | DISK 20 H. D.7-0 PEAN..SP LM | DISQUE 20 TROUS D. 7-0 ARACHID | SCHEIBE 20 L. D.7-0 ERDNUSS SP | DISCO 20 ORIF. D.7-0 CACAH. SP |
| 26 | G22230213 | DISCO 72F D.2,1 SP-MT | DISK 72 HOLES D.2-1 SP LM | DISQUE 72 TROUS D. 2-1 SP LM | SCHEIBE 72 LTCHER D.2-1 SP LM | DISCO 72 ORIFICIOS D.2-1 SP LM |
| 27 | G22230216 | DISCO 144F D.1,1 SP-MT | DISK 144 HOLES D.1-1 SP LM | DISQUE 144 TROUS D. 1-1 SP LM | SCHEIBE 144 LTCHER D.1-1 SP LM | DISCO 144 ORIFICIOS D.1-1 SP L |
| 28 | G22230217 | DISCO 36F D.5,5 SP-MT | DISK 36 HOLES D.5-5 SP LM | DISQUE 36 TROUS D. 5-5 SP LM | SCHEIBE 36 LTCHER D.5-5 SP LM | DISCO 36 ORIFICIOS D.5-5 SP LM |
| 29 | G22230249 | DISCO 26F D.3,5 SP-MT | DISK 26 HOLES D 3-5 SP LM | DISQUE 26 TROUS D 3-5 SP LM | SCHEIBE 26 LTCHER D 3-5 SP LM | DISCO 26 ORIFICIOS D 3-5 SP LM |
| 30 | G22230250 | DISCO 144F D.2,1 SP-MT | DISK 144 HOLES D.2-1 SP LM | DISQUE 144 TROUS D. 2-1 SP LM | SCHEIBE 144 LTCHER D.2-1 SP LM | DISCO 144 ORIFICIOS D.2-1 SP L |
| 31 | G22230253 | DISCO 26F D.1,5 SP-MT | DISK 26 HOLES D.1-5 SP LM | DISQUE 26 TROUS D. 1-5 SP LM | SCHEIBE 26 LTCHER D.1-5 SP LM | DISCO 26 ORIFICIOS D.1-5 SP LM |
| 32 | G22230256 | DISCO 72F D.4,5 SP-MT | DISK 72 HOLES D.4-5 SP LM | DISQUE 72 TROUS D. 4-5 SP LM | SCHEIBE 72 LTCHER D.4-5 SP LM | DISCO 72 ORIFICIOS D.4-5 SP LM |
| 33 | G22230257 | DISCO 72F D.1,5 SP-MT | DISK 72 HOLES D.1-5 SP LM | DISQUE 72 TROUS D. 1-5 SP LM | SCHEIBE 72 LTCHER D.1-5 SP LM | DISCO 72 ORIFICIOS D.1-5 SP LM |
| 34 | G22230287 | DISCO 144F D.1,5 SP-MT | DISK 144 HOLES D.1-5 SP LM | DISQUE 144 TROUS D. 1-5 SP LM | SCHEIBE 144 LTCHER D.1-5 SP LM | DISCO 144 ORIFICIOS D.1-5 SP LM |
| 35 | G22230288 | DISCO 52F D.4,25 SP-MT | DISK 52 HOLES D.4-25 SP LM | DISQUE 52 TROUS D. 4-25 SP LM | SCHEIBE 52 LTCHER D.4-25 SP LM | DISCO 52 ORIFICIOS D.4-25 SP L |
| 36 | G22230289 | DISCO 26F D.2,5 SP-MT | DISK 26 HOLES D.2-5 SP LM | DISQUE 26 TROUS D. 2-5 SP LM | SCHEIBE 26 LTCHER D.2-5 SP LM | DISCO 26 ORIFICIOS D.2-5 SP LM |
| 37 | G22230290 | DISCO 36F D.2,5 SP-MT | DISK 36 HOLES D.2-5 SP LM | DISQUE 36 TROUS D. 2-5 SP LM | SCHEIBE 36 LTCHER D.2-5 SP LM | DISCO 36 ORIFICIOS D.2-5 SP LM |
| 38 | G22230294 | DISCO 20F D.2,1 SP-MT | DISK 20 HOLES D.2-1 SP LM | DISQUE 20 TROUS D. 2-1 SP LM | SCHEIBE 20 LTCHER D.2-1 SP LM | DISCO 20 ORIFICIOS D.2-1 SP LM |
| 39 | G22230296 | DISCO 26F D.2,1 SP-MT | DISK 26 HOLES D.2-1 SP LM | DISQUE 26 TROUS D. 2-1 SP LM | SCHEIBE 26 LÖCHER D.2-1 SP LM | DISCO 26 ORIFICIOS D.2-1 SP LM |
| 40 | G22230297 | DISCO 144F D.0,8 SP-MT | DISK 144 HOLES D.0-8 SP LM | DISQUE 144 TROUS D. 0-8 SP LM | SCHEIBE 144 LTCHER D.0-8 SP LM | DISCO 144 ORIFICIOS D.0-8 SP L |
| 41 | G22230298 | DISCO 20F D.0,8 SP-MT | DISK 20 HOLES D.0-8 SP LM | DISQUE 20 TROUS D. 0-8 SP LM | SCHEIBE 20 LTCHER D.0-8 SP LM | DISCO 20 ORIFICIOS D.0-8 SP LM |
| 42 | G22230299 | DISCO 52F D.2,5 SP-MT | DISK 52 HOLES D.2-5 SP LM | DISQUE 52 TROUS D. 2-5 SP LM | SCHEIBE 52 LTCHER D.2-5 SP LM | DISCO 52 ORIFICIOS D.2-5 SP LM |
| 43 | G22230300 | DISCO POST.10G-3F D.2,1 SP-MT | DISK POST.10G-3F-D2-1 SP LM | DISQUE ARRIERE 10G. 3 TROUS D2 | HINTERSCHEIBE 10G-3L-D2-1 SP L | DISCO TRAS.10G. 3 ORIF. D2-1 S |
| 44 | G22230301 | DISCO 144F D.0,5 SP-MT | DISK 144 HOLES D.0-5 SP LM | DISQUE 144 TROUS D. 0-5 SP LM | SCHEIBE 144 LTCHER D.0-5 SP LM | DISCO 144 ORIFICIOS D.0-5 SP L |
| 45 | G22230303 | DISCO 26F D.5,0 SP-MT | DISK 26 HOLES D.5-0 SP LM | DISQUE 26 TROUS D. 5-0 SP LM | SCHEIBE 26 LTCHER D.5-0 SP LM | DISCO 26 ORIFICIOS D.5-0 SP LM |
| 46 | G22230304 | DISCO 36F D.7,0 SP-MT | DISK 36 HOLES D.7 LM | DISQUE 36 TROUS D. 7 LM | SCHEIBE 36 LTCHER D.7 LM | DISCO 36 ORIFICIOS D.7 LM |
| 47 | G22230306 | DISCO 12F D.2,1 SP-MT | DISK 12 HOLES D.2-1 SP LM | DISQUE 12 TROUS D. 2-1 SP LM | SCHEIBE 12 LTCHER D.2-1 SP LM | DISCO 12 ORIFICIOS D.2-1 SP LM |
| 48 | G22230316 | DISCO 52F D.3,5 SP-MT | DISK 52 HOLES D.3-5 SP LM | DISQUE 52 TROUS D. 3-5 SP LM | SCHEIBE 52 LTCHER D.3-5 SP LM | DISCO 52 ORIFICIOS D.3-5 SP LM |
| 49 | G22230317 | DISCO 36F D.1,1 SP-MT | DISK 36 HOLES D.1-1 SP LM | DISQUE 36 TROUS D. 1-1 SP LM | SCHEIBE 36 LTCHER D.1-1 SP LM | DISCO 36 ORIFICIOS D.1-1 SP LM |
| 50 | G22230318 | DISCO 10F D.1,5 SP-MT | DISK 10 HOLES D.1-5 SP LM | DISQUE 10 TROUS D. 1-5 SP LM | SCHEIBE 10 LTCHER D.1-5 SP LM | DISCO 10 ORIFICIOS D.1-5 SP LM |
| 51 | G22230319 | DISCO 20F D.1,0 SP-MT | DISK 20 HOLES D.1-0 SP LM | DISQUE 20 TROUS D. 1-0 SP LM | SCHEIBE 20 LTCHER D.1-0 SP LM | DISCO 20 ORIFICIOS D.1-0 SP LM |
| 52 | G22230320 | DISCO 20F D.1,5 SP-MT | DISK 20 HOLES D.1-5 SP LM | DISQUE 20 TROUS D. 1-5 SP LM | SCHEIBE 20 LTCHER D.1-5 SP LM | DISCO 20 ORIFICIOS D.1-5 SP LM |
| 53 | G22230321 | DISCO 52F D.1,5 SP-MT | DISK 52 HOLES D.1-5 SP LM | DISQUE 52 TROUS D. 1-5 SP LM | SCHEIBE 52 LTCHER D.1-5 SP LM | DISCO 52 ORIFICIOS D.1-5 SP LM |
| 54 | G22230325 | DISCO 160F D.1,5 SP-MT | DISK 160 HOLES D.1-5 SP LM | DISQUE 160 TROUS D. 1-5 SP LM | SCHEIBE 160 LTCHER D.1-5 SP LM | DISCO 160 ORIFICIOS D.1-5 SP L |
| 55 | G22230326 | DISCO 180F D.1,5 SP-MT | DISK 180 HOLES D.1-5 SP LM | DISQUE 180 TROUS D. 1-5 SP LM | SCHEIBE 180 LTCHER D.1-5 SP LM | DISCO 180 ORIFICIOS D.1-5 SP L |
| 56 | G22230327 | DISCO 20F D.1,1 SP-MT | DISK 20 HOLES D.1-1 SP LM | DISQUE 20 TROUS D. 1-1 SP LM | SCHEIBE 20 LTCHER D.1-1 SP LM | DISCO 20 ORIFICIOS D.1-1 SP LM |
| 57 | G22230328 | DISCO 52F D.2,1 SP-MT | DISK 52 HOLES D.2-1 SP LM | DISQUE 52 TROUS D. 2-1 SP LM | SCHEIBE 52 LTCHER D.2-1 SP LM | DISCO 52 ORIFICIOS D.2-1 SP LM |
| 58 | G22230332 | DISCO 13F D.3,5 SP-MT | DISK 13 HOLES D.3.5 SP LM | DISQUE 13 TROUS D.3-5 SP LM | SCHEIBE 13 LTCHER D.3-5 SP LM | DISCO 13 ORIFICIOS D.3-5 SP |



TELAIO ELEMENTO

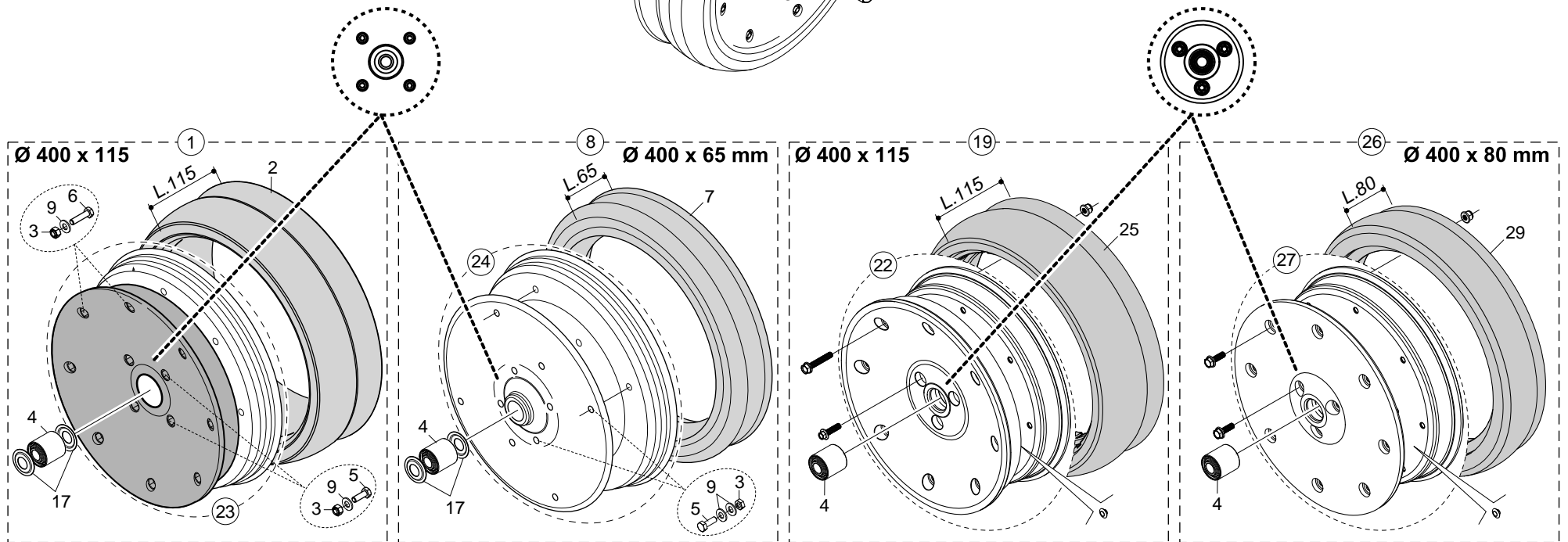
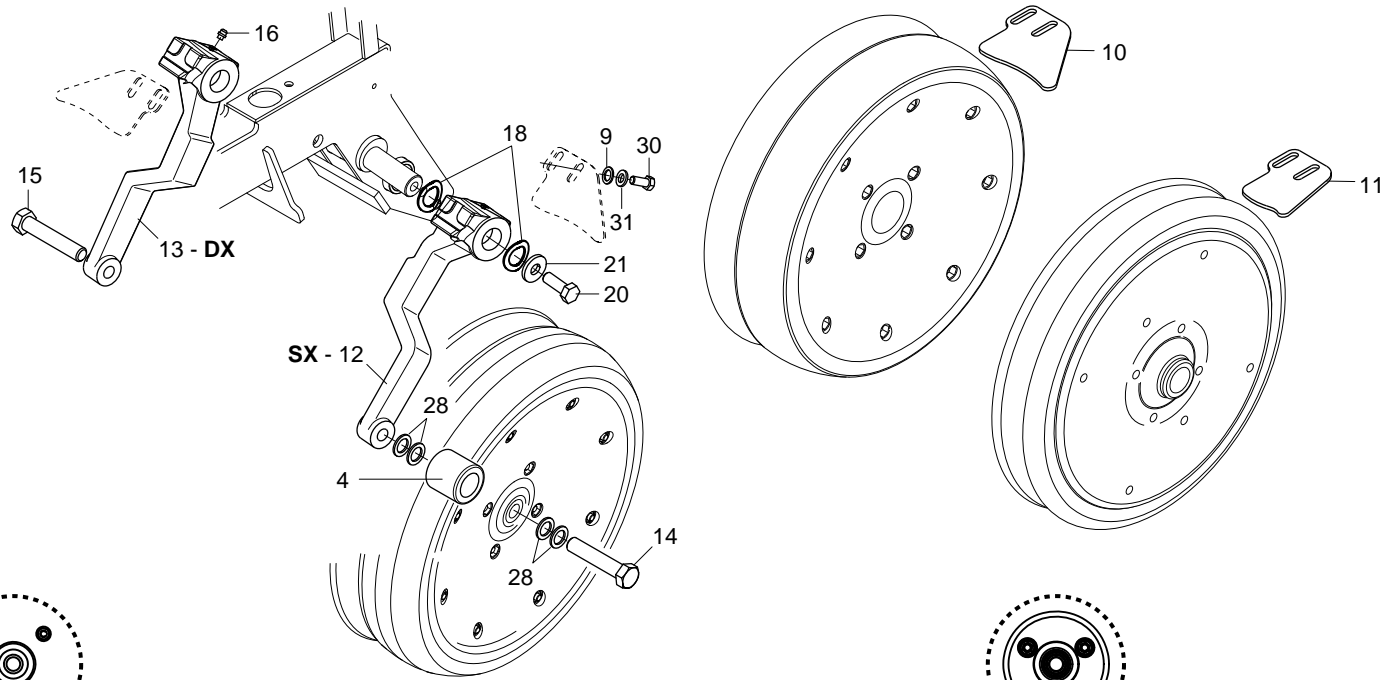
TAV. 116

| Pos. | Cod. | Descrizione | Description | Description | Benennung | Descripcion |
|------|-----------|--------------------------------|--------------------------------|--------------------------------|--------------------------------|---------------------------------|
| 1 | F01200244 | DADO M 8X1,25 U5588 6.8 ZN | NUT M8 X1,25 U5588 6.8 ZN | ECROU M8 X1,25 U5588 6.8 ZN | MUTTER M8 X1,25 U5588 6.8 ZN | TUERCA M8 X1,25 U5588 6.8 ZN |
| 2 | F01020440 | VITE M 8X1,25X25 U5739 8.8 ZN | BOLT M8X1,25X25 U5739 8.8 ZN | VIS M8X1,25X25 U5739 8.8 ZN | SCHRA. M8X1,25X25 U5739 8.8 ZN | TORNIL.M8X1,25X25 U5739 8.8 ZN |
| 3 | F01220033 | DADO M10X 1,5 D980 8 ZN | NUT M10X 1,5 D980 8 ZN | ECROU M10X 1,5 D980 8 ZN | MUTTER M10X 1,5 D980 8 ZN | TUERCA M10X 1,5 D980 8 ZN |
| 4 | G15223060 | ASS.PARALLELO SUPERIORE | UPPER PARALLEL | PARALL. SUP. | PARALLELOGRAMM OBEN | PARALELO SUPERIOR |
| 5 | F01220048 | DADO M12X1,75 D980 8 ZN | NUT M12X1,75 D980 8 ZN | ECROU M12X1,75 D980 8 ZN | SCHEIBE M12X1,75 D980 8 ZN | TUERCA M12X1,75 D980 8 ZN |
| 6 | G15224630 | BOCCOLA BRACCIO | ARM BUSHING | BOITE BRAS | BsCHSE ARM | CASQUILLO BRAZO |
| 7 | F01020512 | VITE M12X1,75X35 U5739 8.8 ZN | BOLT M12X1,75X35 5739 8.8 ZN | VIS M12X1,75X35 5739 8.8 ZN | SCHR. M12X1,75X35 5739 8.8 ZN | TORN. M12X1,75X35 5739 8.8 ZN |
| 8 | G15225150 | PIASTRAATTACCO SEMINATORE | COUPLING PLATE | PLAQUE DE RACCORD | KUPPLUNGSPLATTE | PLACA DE CONEXIN |
| 9 | G65337040 | MOLLA TRAZ.ELEMENTO MT600 | TRACTION SPRING MT600 | RESSORT TRACT. ELEMENT MT600 | ZUGFEDER ELEMENT MT600 | MUELLE TRACC. ELEMENTO MT600 |
| 10 | G15224410 | ATTACCO MOLLA | SPRING CONNECTION | FIXATION RESSORT | FEDERANSCHLUSS | ENGANCHE MUELLE |
| 11 | G15223071 | PARALLELO INFERIORE | LOWER PARALLEL | PARALL. INF. | PARALLELOGRAMM UNTEN | PARALELO INFERIOR |
| 12 | G15420842 | TAGLIENTE | EDGE | COUTRE CHASSE-MOTTE | SCHNEIDE | FILO DE CORTE |
| 13 | G15224900 | SPIANATERRA | SOIL LEVELLER | NIVELEUSE | ERDEBNER | NIVELADORA |
| 14 | F02200226 | COPIGLIA 5X 25 U1336 ZN | SPLIT PIN 5 X25 1336 GALVAN. | GOUPILLE 5 X25 1336 ZN | SPLINT 5 X25 1336 ZN | PASADOR 5 X25 1336 ZN |
| 15 | F01020508 | VITE M12X1,75X25 U5739 8.8 ZN | BOLT M12X1,75X25 U5739 8.8 ZN | VIS M12X1,75X25 U5739 8.8 ZN | SCHR. M12X1,75X25 U5739 8.8 ZN | TORN. M12X1,75X25 U5739 8.8 ZN |
| 16 | G19204000 | SUPP.SPIANATERRA CORTO | SUPPORT SHORT SOIL BRAKER | | | |
| 17 | F01020112 | VITE M10X1,5X45 U5737 8.8 ZN | BOLT M10X1,5X45 U5737 8.8 ZN | VIS M 10X45 | SCHRAUBE M 10X45 | TORNILLO M 10X45 |
| 18 | G15226580 | KIT RASCHIATERRA | SCRAPER KIT | | | |
| 19 | G15226590 | KIT RASCHIATERRA VIDIA | KIT SCRAPERS VIDIA | | | |
| 20 | G15226360 | RASCHIATERRA INT.SX | SCRAPER INSIDE LEFT | RACLEUR DE TERRE INT. GCH | | |
| 21 | F01200244 | DADO M 8X1,25 U5588 6.8 ZN | NUT M8 X1,25 U5588 6.8 ZN | ECROU M8 X1,25 U5588 6.8 ZN | MUTTER M8 X1,25 U5588 6.8 ZN | TUERCA M8 X1,25 U5588 6.8 ZN |
| 22 | G65337007 | MOLLA TRAZ.ATT.3 PUNTI 12 F SP | TRACTION COUPLING SPRING 3 POI | RESSORT TRACT. ATTELAGE 3 POIN | ZUGFEDER 3 PUNKTE KUPPLUNG 12 | MUELLE TRAC. CONEX. 3 PUNTOS 12 |
| 23 | G22505109 | FERMO MOLLA AGGANCIO | SPRING STOP LINKAGE | ARRET RESSORT ATTELAGE | FESTSTELLVORR. FEDER VERBINDUN | BLOQUEO MUELLE ENGANCHE |
| 24 | G15220540 | DADO M16X1,5 SX ZN | NUT M16X1-5 LEFT | ECROU M16X1-5 LEFT | MUTTER M16X1-5 LI | TUERCA M16X1-5 IZQ |
| 25 | F01200232 | DADO M 6X 1 U5588 6.8 ZN | NUT 6 UNI 5588 6.8 GALVANIZED | ECROU 6 UNI 5588 6.8 ZN | MUTTER 6 UNI 5588 6.8 ZN | TUERCA 6 UNI 5588 6.8 ZN |
| 26 | G15223561 | PROTEZIONE DX | RIGHT GUARD | PROTECTION DRT | SCHUTZ RE | PROTECCIN DER P |
| 27 | G66349003 | BOCCOLA SINT. | BUSHING- SINTERED | BOITE FRITTEE | SYNTH. BUECHSE | CASQUILLO SINT. |
| 28 | G22505108 | MOZZO BRACCI PARALLELOGRAMMA | PARALLELOGRAM ARM HUB | MOYEU BRAS PARALLELOGRAMME | NABE PARALLELOGRAMM ARME | CUBO BRAZOS PARALELOGRAMA |
| 29 | G18903140 | MOLLA GUIDATUBO | PIPE GUIDE SUPPORT | RESSORT GUIDE-TUBE | FEDER ROHRFSHRUNG | MUELLE GUA TUBOS A |
| 30 | F01410051 | ROS.M8 8,4X 17X1,6 U6592 ZN | WASHER M8 8,4X17X1,6 U6592 ZN | RONDEL. M8 8,4X17X1,6 U6592 ZN | SCHEIBE M8 8,4X17X1,6 U6592 ZN | ARANDELA M8 8,4X17X1,6 U6592ZN |
| 31 | F01020179 | VITE M12X1,75X150 5737 8.8 ZN | BOLT M12X1,75X150 5737 8.8 ZN | VIS M12X1,75X150 5737 8.8 ZN | SCHRA.M12X1,75X150 5737 8.8 ZN | TORN. M12X1,75X150 5737 8.8 ZN |
| 32 | G15225851 | CORPO CENTRALE MT | CENTRAL CASING | CORPS CENTR. MT | MITTELTRPER MT | CUERPO CENTRAL MT |
| 33 | F01020449 | VITE M 8X1,25X35 U5739 8.8 ZN | BOLT M8X 1.25X35 U5739 8.8 ZN | VIS M 8X35 | SCHRAUBE M 8X35 | TORNILLO M 8X35 |
| 34 | G22230063 | ELEMENTO ARTICOLATO | ARTICULATED ELEMENT | ELEMENT ARTICULE | GELENKELEMENT | ELEMENTO ARTICULADO |
| 35 | F05100193 | CAPPUCCIO 5,95X19,05 GIALLO | CAP | BOUCHON | DECKEL | CORCHO |
| 36 | F02100126 | SPINA E.P. 6X 60 U6873 C70 BR | PIN E.D. 6X60 U6873 C70 BR | FICHE E.D. 6X60 U6873 C70 BR | BOLTZEN E.D. 6X60 U6873 C70 BR | CLAVIJA E.D. 6X60 U6873 C70 BR |
| 37 | G22505058 | VITE DI REGOLAZIONE POSTERIORE | REAR ADJUSTMENT BOLT | VIS DE REGLAGE ARRIERE | HINTERE EINSTELLSCHRAUBE | TORNILLO DE REGULACIN TRASEROS |
| 38 | G20970149 | RONDELLA D.15X28X1,5 | WASHER D.15X28X1-5 | RONDELLE D. 15X28X1-5 | UNTERLEGSSCHEIBE D.15X28X1-5 | ARANDELA D.15X28X1-5 |
| 39 | G22270235 | MANIGLIA REGOLAZIONE B4 | ADJUSTMENT HANDLE B4 | POIGNEE REGLAGE B4 | EINSTELLGRIFF B4 | MANIJA REGULACIN B4 M |
| 40 | F02100109 | SPINA E.P. 6X 24 U6873 C70 BR | PIN EL. .6 X24 DIN 1481 | FICHE EL. 6 X24 DIN 1481 | SPANNSTIFT 6 X24 DIN 1481 | CLAVIJA EL.6 X24 DIN 1481 |
| 41 | G18903741 | MOLLA FERMO MANIGL.MAGICA>2004 | HANDLE STOP SPRING MAGICA 2004 | RESSORT ARRET POIG.MAGICA 2004 | FEDER GRIFFSPERRE MAGICA 2004 | MUELLE BLOQUEO MAN. MAGICA 04 |
| 42 | F01020403 | VITE M6X1X16 U5739 8.8 ZN | BOLT M6X1X16 U5739 8.8 ZN | VIS M6X1X16 U5739 8.8 ZN | SCHRAUBE M6X1X16 U5739 8.8 ZN | TORNILLO M6X1X16 U5739 8.8 ZN |
| 43 | F01230022 | DADO M 6X 1 D982 8 ZN | NORM.SELF-LOCKING NUT 6 GALVAN | ECROU AUTOB.NOR.6 ZN | SELBSTSP. MUTTER NOR.6 ZN | TUERCA AUTOB. NOR. 6 ZN |
| 44 | G19002700 | PROTEZIONE FOTOCELLULA > | PHOTOCELL PROTECTION | PROTECT CAPT PHOTOC SP3-MT-MG> | SCHUTZ PHOTOZELLE | PROTECCIN FOTOCLULA PR |
| 45 | F01020408 | VITE M6X1X30 U5739 8.8 ZN | BOLT M6X1X30 | VIS M6X1X30 | SCHRAUBE M 6X1X30 | TORNILLO M 6X1X30 |
| 46 | G15224691 | SUPP.BILANC.REG.RUOTE PROFOND. | SUPP.EQUALIZ.ADJ.DEPTH WHEELS | | | |
| 47 | G15220810 | SPINA 14 X56 ZN | PIN 14 X56 ZN | | | |
| 48 | G19705290 | TARGHETTA REG.DX RUOTE PROFOND | PLATE | PLAQUET | PLATTE | PLACA |
| 49 | G18701820 | RONDELLA 16,5 X25 X1,0 ZN | WASHER 16,5X25X1,0 ZN | | | |
| 50 | G19203130 | BILANCIERE PROFONDITA' | DEPTH EQUALISER | BALANCIER PROFONDEUR | KIPPHEBEL TIEFE | BALANCÍN PROFUNDIDAD |
| 51 | G20970035 | RONDELLA 32X4X13 | WASHER 32X4X13 | RONDELLE 32X4X13 | UNTERLEGSSCHEIBE 32X4X13 | ARANDELA 32X4X13 |
| 52 | G18904540 | MOLLA TRAZIONE ZN | SPRING TENSION ZN | | | |
| 53 | G15226340 | RASCHIATERRA INT.DX | SCRAPER INSIDE RIGHT | RACLEUR DE TERRE INT. DRT | | |
| 54 | G19203121 | TAGLIENTE INTERNO DISCHI MT | INNER DISC CUTTING EDGE MT | TRANCHANT INT+RIEUR DISQUES MT | INNERE SCHNEIDE SCHEIBEN MT | FILO INTERNO DISCOS MT |
| 55 | F02100106 | SPINA E.P. 6X 20 U6873 C70 BR | ELASTIC PIN 6X20 | GOUJON 6X 20 | BOLZEN 6X 20 | ESPINA 6X 20 |



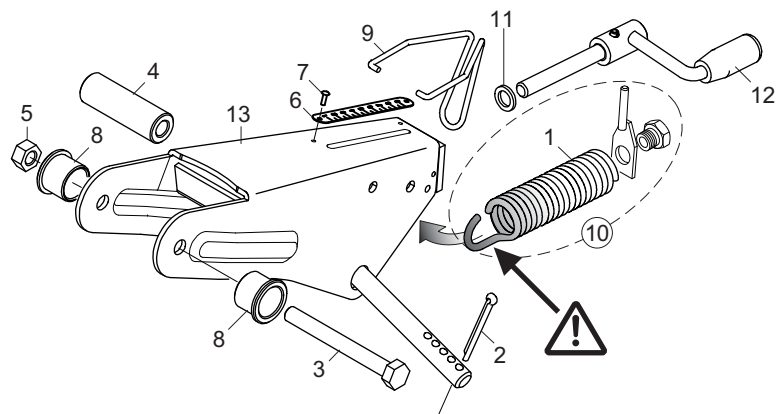
TELAIO ELEMENTO
TAV. 116

| Pos. | Cod. | Descrizione | Description | Description | Benennung | Descripcion |
|------|------------|--------------------------------|--------------------------------|------------------------------|---------------------------------|--------------------------------|
| 56 | F02100062 | SPINA E.P. 4X 24 U6873 C70 BR | PIN EL. 4 X24 DIN 1481 | FICHE EL. 4 X24 DIN 1481 | SPANNSTIFT 4 X24 DIN 1481 | CLAVIJA EL.4 X24 DIN 1481 |
| 57 | G22505048 | FERMO LEVA | LEVER STOP | ARRET LEVIER | FESTSTELLVORRICHTUNG HEBEL | BLOQUEO PALANCA |
| 58 | F02100083 | SPINA E.P. 5X 24 U6873 C70 BR | PIN EL. 5 X24 DIN 1481 | FICHE EL. 5 X24 DIN 1481 | SPANNSTIFT 5 X24 DIN 1481 | CLAVIJA EL.5 X24 DIN 1481 |
| 59 | G22505110 | LEVAAGGANCIAMENTO ELEMENTO | ELEMENT COUPLING LEVER | LEVIER ATTELAGE ELEMENT | KUPPLUNG SHEBEL ELEMENT | PALANCA ENGANCHE ELEMENTO |
| 60 | G20970100 | RONDELLA 30X0,5X22 ACC. | WASHER 30X0-5X22 ACC. | RONDELLE 30X0-5X22 ACIER | UNTERLEGSCHLEIBE 30X0-5X22 ACC. | ARANDELA 30X0-5X22 ACC. |
| 61 | G197000810 | DECAL.REGOLAZIONE PROFONDITA' | DEPTH ADJUSTMENT STICKER | DECALC. REGLAGE PROFONDEUR | ABZIEHB. EINST. TIEFE | CAL.REGULACION PROFUNDIDAD |
| 62 | F01200442 | DADO M16X 1,5 U5589 6.8 ZN | NUT 16X1-5 UNI 5589 6.8 GALVAN | ECROU 16X1-5 UNI 5589 6.8 ZN | MUTTER 16X1-5 UNI 5589 6.8 ZN | TUERCA 16X1-5 UNI 5589 6.8 ZN |
| 63 | G19705280 | TARGHETTA REG.SX RUOTE PROFOND | PLATE | PLAQUET | PLATTE | PLACA |
| 64 | G66248248 | TAPPO IN PLASTICA | PLASTIC PLUG | BOUCHON EN PLASTIQUE | PLASTIKPFROPFEN | TAPN DE PLÆSTICO D |
| 65 | F03011075 | AN. TENUITA B1 OF 24X32X4 | SEALING RING 24X32X4 | BAGUE D'ETANCHEITE 24X32X4 | DICHTUNGSRING 24X32X4 | ANILLO AISLADOR 24X32X4 |
| 66 | G15225970 | FALCIONE CORTO INT.DISCHI COMP | | | | |
| 67 | G15223140 | ASSE DISCHI | DISC SPINDLE | AXES DISQUES | SCHEIBENACHSE | EJE DISCOS |
| 68 | G15224500 | SCIVOLO SCARICO SEMI | SEED DISCHARGE CHUTE | LANCOIR DECHARGE GRAINES | RUTSCHE SAMENENTLADUNG | PLANO INCLINADO DESCARGA SEMIL |
| 69 | F02250066 | RIVETTO STR. 3X 9 U9200A AL | POP RIVET 3X9 ALUMINIUM | RIVET 3 X 9 ALL | REISSNIETE 3 X 9 ALU | REMACHE DESGAR. 3 X 9 AL |
| 70 | G15225861 | PROTEZIONE DISCHI | DISK PROTECTION | | | |
| 71 | F01020470 | VITE M10X1,5X20 U5739 8.8 ZN | BOLT M10X1,5X20 U5739 8.8 ZN | VIS M 10X20 | SCHRAUBE M 10X20 | TORNILLO M 10X20 |
| 72 | GA5221490 | CONVOGLIATORE SEME MT | SEED CONVEYOR MT | | | |
| 73 | F01410037 | ROS.M6 6,4X12,5X1,6 U6592 ZN | PLANE WASHER D.6 | RONDELLE D.6 | SCHEIBE D.6 | ARANDELA D.6 |
| 74 | F01020043 | VITE M6X1X60 U5737 8.8 ZN | SCREW M6X1X60 U5737 8.8 ZN | VIS M6X1X60 U5737 8.8 ZN | SCHRAUBE M6X1X60 U5737 8.8 ZN | TORNILLO M6X1X60 U5737 8.8 ZN |
| 75 | F02100110 | SPINA E.P. 6X 26 U6873 C70 BR | PIN EL. 6 X26 DIN 1481 | FICHE EL.6 X26 DIN 1481 | SPANNSTIFT 6 X26 DIN 1481 | CLAVIJA EL.6 X26 DIN 1481 |
| 76 | G15225500 | DISCO ASSOLC.PROTETTO COMPL. | FULLY PROTECTED DISC COULTER | | | |
| 77 | G15226600 | KIT X DISCO SUPER SEAL | SUPER-SEAL DISC KIT | | | |
| 78 | G13825091 | DISCO ASSOLCATORE D.373 | FURROW OPENER DISK D.373 | DISQUE SOC D. 373 6 T.D.6 | SCHEIBE SZSCHARENREISSER D.373 | DISCO SURCADOR D.373 |
| 79 | F01020225 | VITE M14X2X160 U5737 8.8 BR | BOLT M 14 X160 5737 8.G | VIS M 14 X160 5737 8.G | SCHRAUBE M 14 X160 5737 8.G | TORNILLO M 14 X160 5737 8.G |
| 80 | G15110091 | SCONTRO A U SP.8 2F15 165 | STRIKER | BRIDE 150 MM | ANSCHLAG | ELEMENTO DE EMPALME |
| 81 | G22505037 | SCONTRO PIASTRA ATTACCO MT | STRIKER PLATE ATT. MT | BUTEE PLAQUE FIXATION MT | KUPPLUNGSPATTEN-ANSCHLAG MT | ELEMENTO DE EMPALME PLACA CONE |
| 82 | F01200306 | DADO M14X 2 U5588 6.8 ZN | NUT M14X2 | ECROU M14X2 | MUTTER M14X2 | DADO M14X2 |
| 83 | G22505102 | SCONTRO RINFORZO SERBATOIO | STRIKER PLATE TANK REINFORCEME | BUTEE RENFORCEMENT RESERVOIR | BEHÄLTNER VERSTÄRKUNGSANSCHLAG | ELEM.EMPALME REFUERZO DEPOSITO |
| 84 | F01020404 | VITE M6X1X20 U5739 8.8 ZN | BOLT M 6X 1X20 U5739 8.8 ZN | VIS M 6X20 | SCHRAUBE M 6X20 | TORNILLO M 6X20 |
| 85 | F01220011 | DADO M 6X 1 D980 8 ZN | NUT M6X1 D980 8 ZN | ECROU M6X1 D980 8 ZN | MUTTER M6X1 D980 8 ZN | TUERCA M6X1 D980 8 ZN |
| 86 | F03011075 | AN. TENUITA B1 OF 24X32X4 | SEALING RING 24X32X4 | BAGUE D'ETANCHEITE 24X32X4 | DICHTUNGSRING 24X32X4 | ANILLO AISLADOR 24X32X4 |
| 87 | G15226270 | MOLLA COMPL. | COMPL. SPRING | | | |
| 88 | G15223651 | SUPPORTO CUSCINETTO DISCO | DISK BEARING SUPPORT | SUPPORT PALIER DISQUE | SCHEIBENLAGERBschSE | SOPORTE COJINETE DISCO |
| 89 | G15225240 | ESTRATTORE DISCHI ELEMENTO MT | SEED PLATE EXTRACTOR ELEM. MT | EXTRACTEUR DISQUE ELEMENT MT | SCHEIBENAUSZIEHER ELEMENT MT | EXTRACTOR DISCOS ELEMENTO MT |
| 90 | F04010084 | CUSC.D17D47 B22,2 3303 LLU/DDU | BEARING 3303 2RS | PALIER 3303 2RS | LAGER 3303 2RS | COJINETE 3303 2RS |
| 91 | F01020233 | VITE M14X2X200 U5737 8.8 BR | BOLT M14X 2X200 U5737 8.8 ZB | VIS M14X2X 200 U5737 8.8 ZB | SCHRAUBE M14X 2X200 U5737 8.8 | TORNILLO M14X2X200 5737 8.8 ZB |
| 92 | F01020236 | VITE M14X2X220 U5737 8.8 BR | BOLT M14X2X220 U5737 8.8 BR | VIS M14X2X220 U5737 8.8 BR | SCHRAUBE M14X2X220 U5737 8.8 | TORNILLO M14X2X220 U5737 8.8 |
| 93 | F02200562 | SPINA SICUR. D. 8X70 ZN | SNAP PIN D.8X 70 ZN | FICHE EL. D.8X70 ZN | SCHERSTIFT D.8X 70 ZN | CLAVIJA D.8X 70 ZN |
| 94 | G15225380 | LEVA SOLLEVAMENTO ELEMENTO | LIFTING LEVER | LEVIER DE LEVAGE | HEBELHUB | PALANCA LEVANTAMIENTO |
| 95 | G15225370 | TUBO R.35X15X1,5X750 FORATO | TUBE R.35X15X1,5X750 | TUBE R.35X15X1,5X750 | ROHR R.35X15X1,5X750 | TUBO R.35X15X1,5X750 |

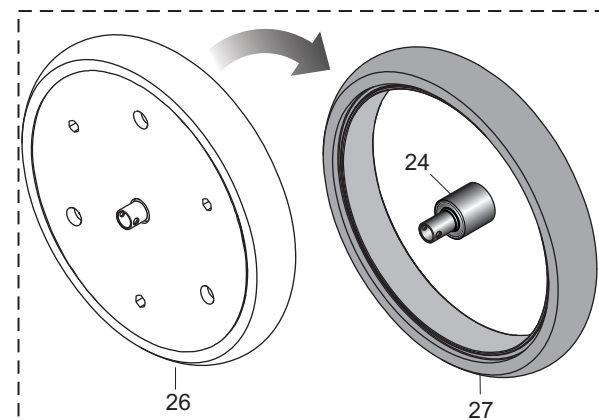


RUOTE DI PROFONDITA'
TAV. 126

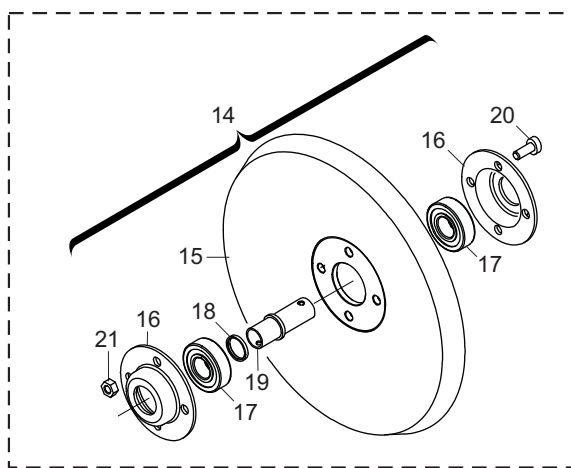
| Pos. | Cod. | Descrizione | Description | Description | Benennung | Descripcion |
|------|-----------|--------------------------------|--------------------------------|--------------------------------|---------------------------------|--------------------------------|
| 1 | F06120406 | RUOTA PROF.TAMB.MTR L115 M | DEPTH GAUGE WHEEL SM.CR.OFFS M | | | |
| 2 | F06120188 | COPERTURA RUOTA PROF.L115 M | WHEEL COVER PROF.L115 M | | | |
| 3 | F01440086 | ROS. 23X40X0,5 D988 ST2K60 BR | WASHER 23X40X0,5 D988 ST2K60 B | | | |
| 4 | F04100150 | CUSC.D16 D40 B39 WPS | BEARING D16 D40 B39 WPS | | | |
| 5 | F06120449 | RUOTA PROF.TAMB.MTR L115 I | DEPTH WHEEL MTR L115 | | | |
| 6 | F06120410 | RUOTA PROF.TAMB.MTR L65 M | DEPTH GAUGE WHEEL SM.CR.MT L65 | | | |
| 7 | F06120189 | COPERTURA RUOTA PROF.L65 M | TYRE FARMFLEX 400X65 | COUVERTURE FARMFLEX 400X65 | MANTEL FARMFLEX 400X65 | CUBIERTA FARMFLEX 400X65 |
| 8 | F01480213 | RONDELLA D8 UNI 1751 ZN | WASHER D8 UNI 1751 ZN | RONDELLE D8 UNI 1751 ZN | UNTERLEGSSCHEIBE D8 UNI 1751 ZN | ARANDELA D8 UNI 1751 ZN |
| 9 | F01410051 | ROS.M8 8,4X 17X1,6 U6592 ZN | WASHER M8 8,4X17X1,6 U6592 ZN | RONDEL. M8 8,4X17X1,6 U6592 ZN | SCHEIBE M8 8,4X17X1,6 U6592 ZN | ARANDELA M8 8,4X17X1,6 U6592ZN |
| 10 | G15223863 | RASCHIATERRA MT L115 | SOILSCRAPER MT L115 | | | |
| 11 | G15225013 | RASCHIATERRA L65 | SOILSCRAPER L65 | | | |
| 12 | G15226730 | BRACCIO RUOTA PROFONDITA' SX | L.DEPTH WHEEL ARM | | | |
| 13 | G15221212 | BRACCIO RUOTA PROFONDITA' DX | R.DEPTH WHEEL ARM | | | |
| 14 | GA5220780 | VITE M16X2X 70 SX U5737 8.8 ZN | SCREW M16X2X70LEFT U5737 8.8ZN | | | |
| 15 | F01020260 | VITE M16X2X70 U5737 8.8 ZN | BOLT M16X2X70 U5737 8.8 ZN | VIS M16X2X70 U5737 8.8 ZN | SCHRAUBE M16X2X70 U5737 8.8 ZN | TORNILLO M16X2X70 U5737 8.8 ZN |
| 16 | F01100011 | ING.M 6X1 7663-A 9SMNPB28 ZN | GREASE NIPPLE M6X1 7663-A ZN | GRAISS. A BILLE M6X1 7663A ZN | SCHMIERBUECHE M6X1 7663-A ZN | ENGRAS. DE ESFERAS M6X1 7663-A |
| 17 | F01020432 | VITE M 8X1,25X16 U5739 8.8 ZN | BOLT M8X 1.25X16 U5739 8.8 ZN | VIS M8X16 | SCHRAUBE M 8X16 | TORNILLO M 8X16 |
| 18 | G18701880 | RONDELLA DI SPINTA | IMPULSE WASHER | RONDELLE | UNTERLEGSSCHEIBE | ARANDELA |
| 19 | G20970025 | RONDELLA 25,2X2X16,5 | WASHER 25-2X2X16-5 | RONDELLE 25-2X2X16-5 | UNTERLEGSSCHEIBE 25-2X2X16-5 | ARANDELA 25-2X2X16-5 |
| 20 | F01020510 | VITE M12X1,75X30 U5739 8.8 ZN | BOLT M 12X30 | VIS M 12X30 | SCHRAUBE M 12X30 | TORNILLO M 12X30 |
| 21 | G20970035 | RONDELLA 32X4X13 | WASHER 32X4X13 | RONDELLE 32X4X13 | UNTERLEGSSCHEIBE 32X4X13 | ARANDELA 32X4X13 |



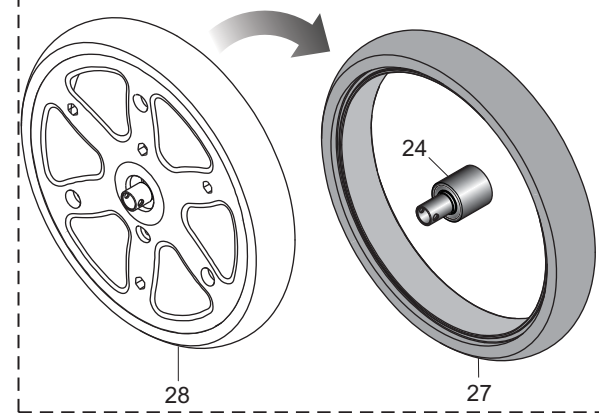
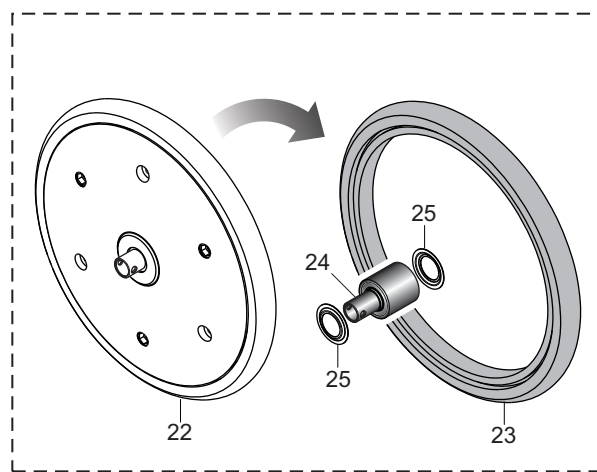
2" «V» SHAPED RUBBER PRESS WHEEL



CAST IRON PRESS WHEEL



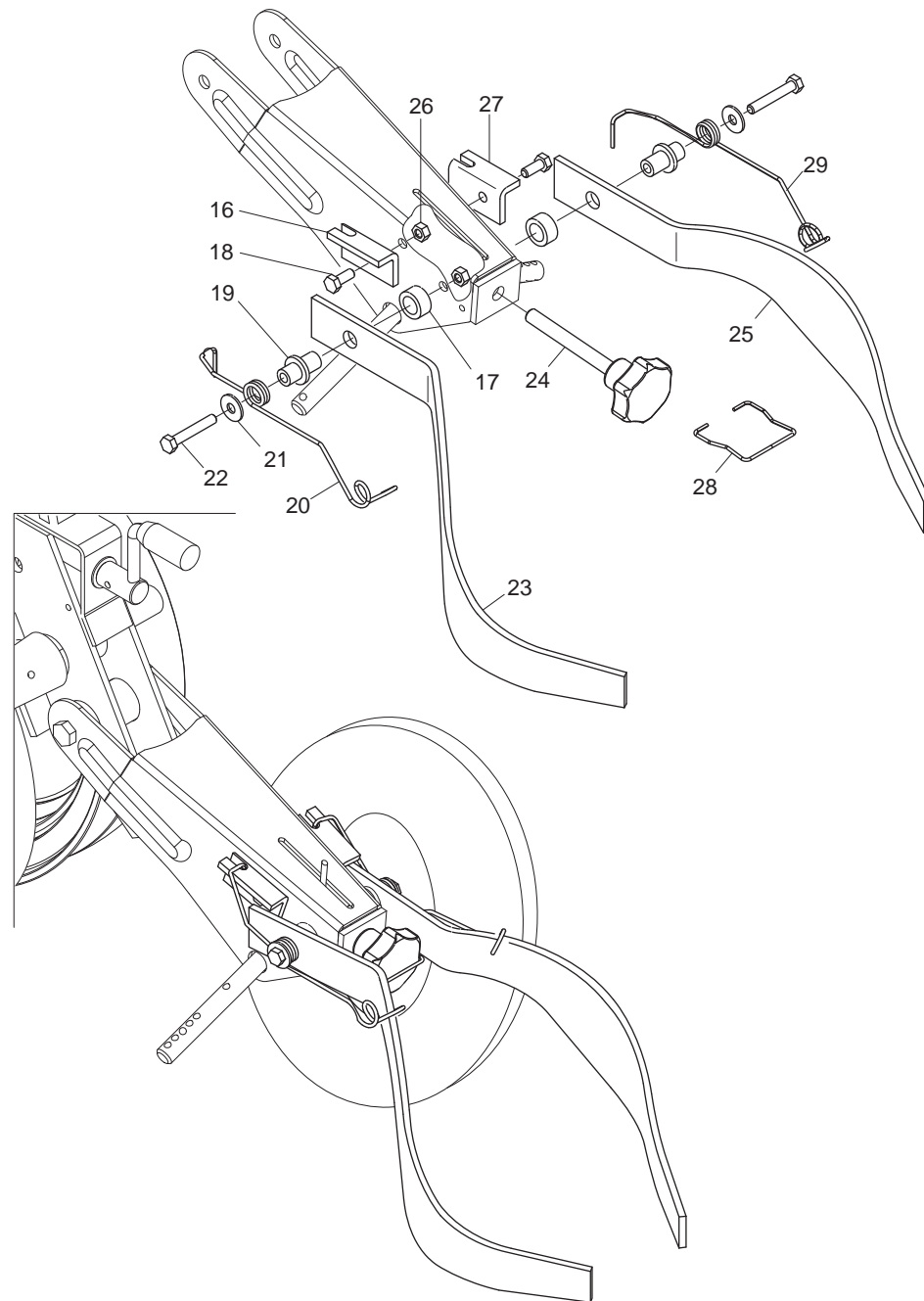
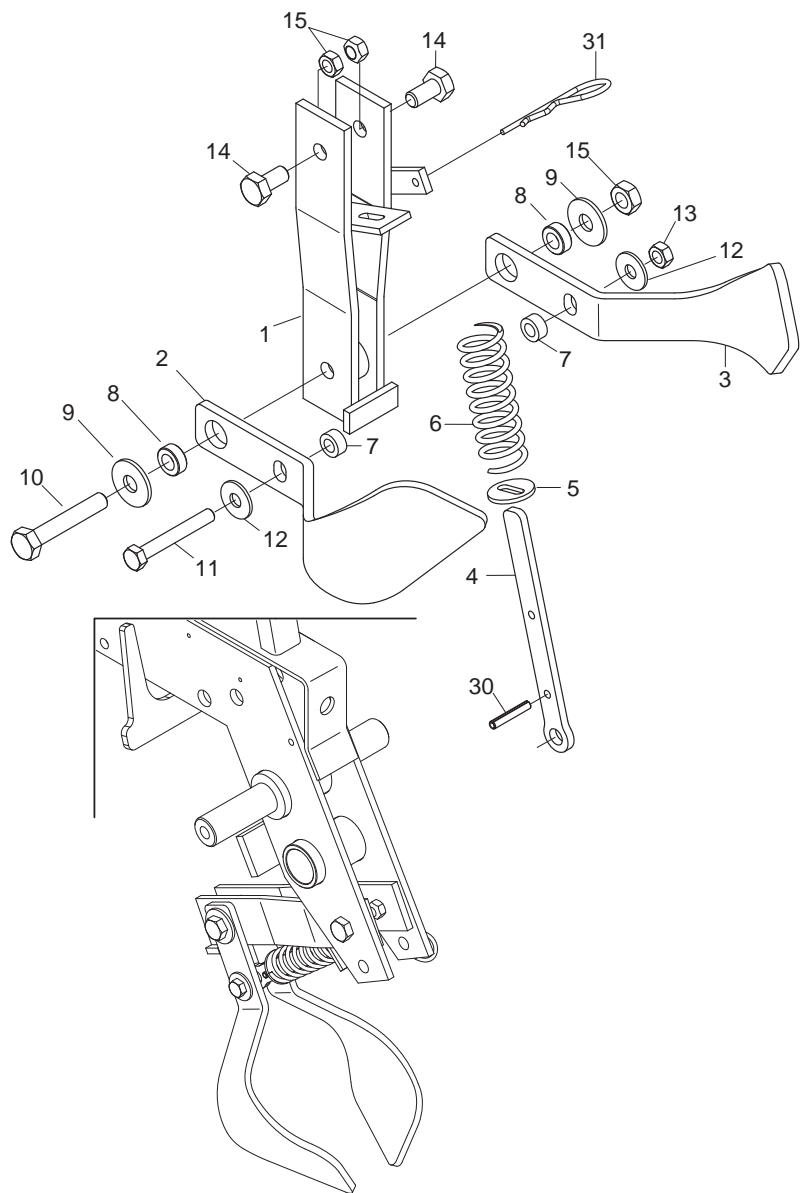
1" «V» SHAPED RUBBER PRESS WHEEL



RUOTE COPRISEME POSTERIORI

TAV. 380

| Pos. | Cod. | Descrizione | Description | Description | Benennung | Descripcion |
|------|-----------|--------------------------------|---------------------------------|--------------------------------|--------------------------------|--------------------------------|
| 1 | G15226270 | MOLLA COMPL. | COMPL. SPRING | | | |
| 2 | F02200227 | COPIGLIA 5X 30 U1336 ZN | PIN 5X 30 U1336 ZN | | | |
| 3 | F01020170 | VITE M12X1,75X100 5737 8.8 ZN | BOLT M12X1,75X100 5737 8.8 ZN | VIS M12X1,75X100 5737 8.8 ZN | SCHRA.M12X1,75X100 5737 8.8 ZN | TORN. M12X1,75X100 5737 8.8 ZN |
| 4 | G22505059 | MOZZO POSTERIORE | REAR HUB | MOYEU ARRIERE | HINTERNABE | CUBO TRASERO |
| 5 | F01220048 | DADO M12X1,75 D980 8 ZN | NUT M12X1,75 D980 8 ZN | ECROU M12X1,75 D980 8 ZN | SCHEIBE M12X1,75 D980 8 ZN | TUERCA M12X1,75 D980 8 ZN |
| 6 | G19703480 | TARGHETTA REG.RUOTE COMPRESS. | PLATE | PLAQUET | PLATTE | PLACA |
| 7 | F02250066 | RIVETTO STR. 3X 9 U9200A AL | POP RIVET 3X9 ALUMINIUM | RIVET 3 X 9 ALL | REISSNIETE 3 X 9 ALU | REMACHE DESGAR. 3 X 9 AL |
| 8 | G66349003 | BOCCOLA SINT. | BUSHING- SINTERED | BOITE FRITTEE | SYNTH. BUECHSE | CASQUILLO SINT. |
| 9 | G18903741 | MOLLA FERMO MANIGL.MAGICA>2004 | HANDLE STOP SPRING MAGICA 2004 | RESSORT ARRET POIG.MAGICA 2004 | FEDER GRIFFSPERRE MAGICA 2004 | MUELLE BLOQUEO MAN. MAGICA 04 |
| 10 | G15226280 | INDICATORE REGOLAZIONE COMPL | COMPLETE DEPTH INDICATOR | INDICATEUR DE PROFONDEUR COMPL | | |
| 11 | F01410076 | ROS.M12 13X 24X2,5 U6592 ZN | WASHER D12 U6592 ZN | RONDELLE D12 U6592 ZN | SCHEIBE D12 U6592 ZN | ARANDELA D12 U6592 ZN |
| 12 | G15220960 | MANIGLIA REGOLAZIONE | ADJUSTMENT HANDLE | POIGNEE REGLAGE | EINSTELLGRIFF | MANIJA REGULACION |
| 13 | G15224611 | ASS.SUPP.RUOTE COMPRESIONE | ASS.SUPP.WHEEL COMPRESS. | | | |
| 14 | G15224790 | RUOTA GHISA POST.COMPL. | COMPL. REAR CAST IRON WHEEL | ROUE FONTE ARRI+RE COMPL+TE | HINTERES GUSSEISENRAD KOMPL. | RUEDA FUNDICIEN TRAS.COMPL. |
| 15 | G15224800 | RUOTA POSTERIORE GS | REAR WHEEL | ROUE ARRIERE | HINTERRAD | RUEDA TRASERO |
| 16 | G16242190 | SUPPORTO CUSCINETTO | BEARING SUPPORT | SUPPORT PALIER | LAGERBsCHSE | SOPORTE COJINETE |
| 17 | F04010156 | CUSC.d20 D47 B14 6204 2RSH | BEARING d20 D47 B14 6204 2RSH | | | |
| 18 | G15224810 | BOCCOLA 20,5X25X3 | BUSH 20.5X25X3 | DOUILLE 20,5X25X3 | BUCHSE 20,5X25X3 | MANGUITO 20,5X25X3 |
| 19 | G15423850 | BOCCOLA RUOTA FERRO | STEEL WHEEL BUSH | DOUILLE ROUE FER | BÜCHSE EISENRAD | BUJE RUEDA DE HIERRO |
| 20 | F01040091 | VITE M 8X1,25X20 U5931 8.8 ZN | BOLT 8 X20 5931 8.G ZN | VIS 8 X20 5931 8.G ZN | SCHRAUBE 8 X20 5931 8.G ZN | TORNILLO 8 X20 5931 8.G ZN |
| 21 | F01220022 | DADO M 8X1,25 D980 8 ZN | NUT M8X 1,25 D980 8 ZN | ECROU M8X 1,25 D980 8 ZN | MUTTER M8X 1,25 D980 8 ZN | TUERCA M8X 1,25 D980 8 ZN |
| 22 | F06120475 | RUOTA GOMMA 1" X 12" WPL C | RUBBER WHEEL 1"X12" WPL | | | |
| 23 | F06120181 | ANELLO GOMMA 1"X12" M | RUBBER RING 1X12' | COUVERT FARMF ROUE COMPR 1"X12 | MANTEL FARMF.R.DRUCK .MT | CUBIERTA FARMF. R. COMPR. MT |
| 24 | F04100149 | CUSC.D16 D40 B39 WPL | BEARING D16 D40 B39 WPL | | | |
| 25 | F01440086 | ROS. 23X40X0,5 D988 ST2K60 BR | WASHER 23X40X0,5 D988 ST2K60 BR | | | |
| 26 | F06120440 | RUOTA GOMMA 2"X13" WPL C | RUBBER WHEEL 320X47 PLA WPL C | | | |
| 27 | F06120165 | COPERTURA 2' X 13' | COVER 2' X 13' | | | |
| 28 | F06120405 | RUOTA GOMMA 2"X13" WPL R | RUBBER WHEEL 320X47 PLA WPL | | | |

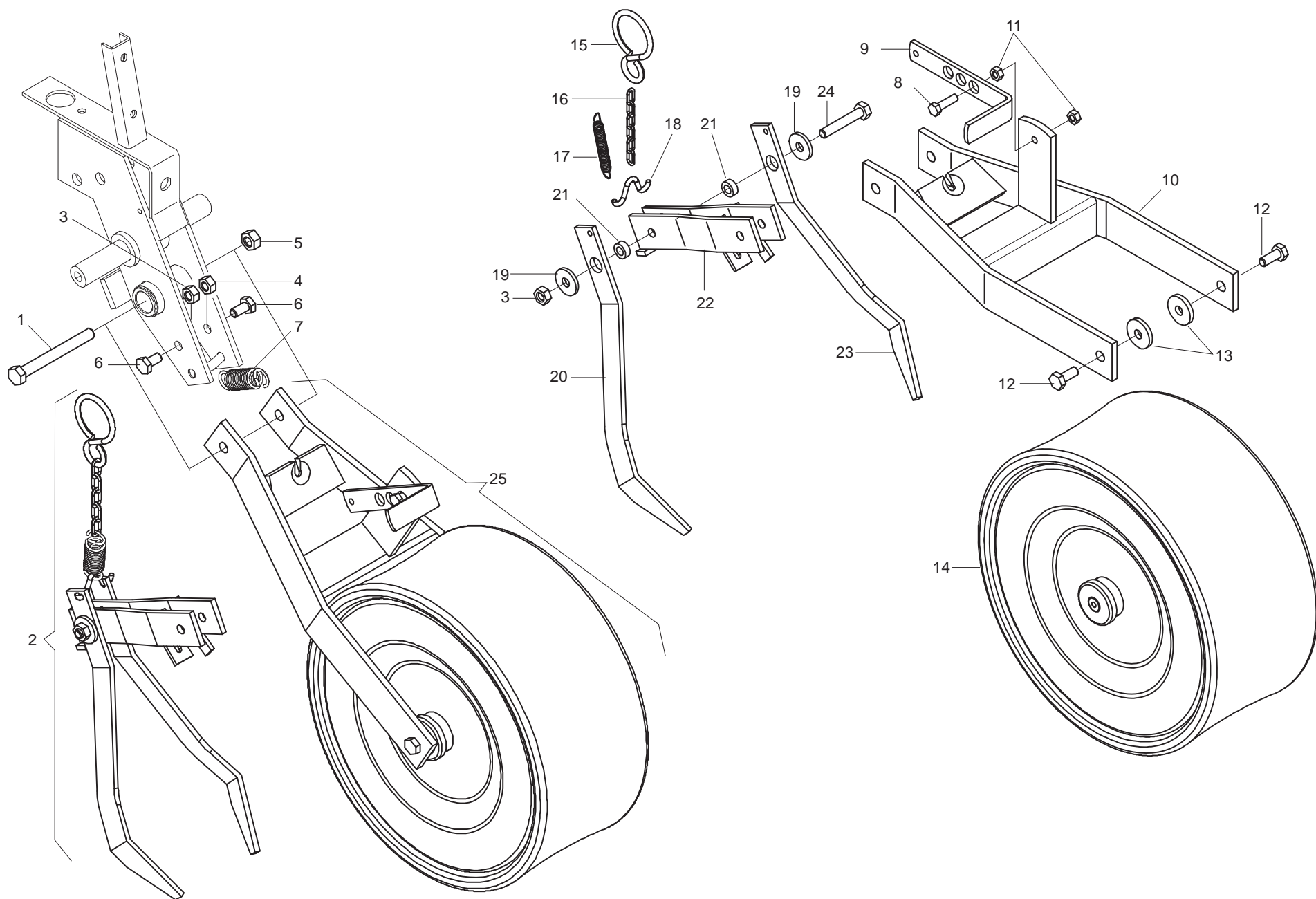


COPRISEMI ANTERIORI E POSTERIORI PER RUOTE A «V»

TAV. 312

| Pos. | Cod. | Descrizione | Description | Description | Benennung | Descripcion |
|------|-----------|--------------------------------|---------------------------------|--------------------------------|--------------------------------|--------------------------------|
| 1 | G15224182 | SUPPORTO COPRISEME | SEED COVER SUPPORT | SUPPORT COUVRE-GRAINES | SAMENABDECKERHALTERUNG | SOPORTE CUBRESEMILLAS |
| 2 | G15224461 | COPRISEME SX | LEFT SEED COVER | COUVRE-GRAINES GCH. | SAMENABDECKER LINKS | CUBRESEMILLA IZQ. |
| 3 | G15224451 | COPRISEME DX | RIGHT SEED COVER | COUVRE-GRAINES DRT. | SAMENABDECKER RECHTS | CUBRESEMILLA DER. |
| 4 | G15224431 | SCORRIMOLLA | | | | |
| 5 | G15224440 | RONDELLA 6X28X2,5 ASOLATA | SLOT WASHER 6X28X2,5 | RONDELLE A BOUTON.6X28X2,5 | TSENSCHEIBE 6X28X2,5 | ARANDELA DE OJETE 6X28X2,5 |
| 6 | G18904220 | MOLLA COPRISEME | SEED COVERING TINE | RESSORT COUVRE-GRAINES | SAMENABDECKFEDER | MUELLE CUBRESEMILLAS |
| 7 | G20980050 | BOCCOLA 15X7X8,5 ZN | BUSHING 15X7X8-5 ZN | BOITE 15X7X8-5 ZN | BsCHSE 15X7X8-5 ZN | CASQUILLO 15X7X8-5 ZN |
| 8 | G20980022 | BOCCOLA 18X10,25X7 | BUSHING 18X10-25X7 | BOITE 18X10-25X7 | BsCHSE 18X10-25X7 | CASQUILLO 18X10-25X7 |
| 9 | F01420060 | ROS.M10 10,5X 30X2,5 U6593 ZN | WASHER 10,5X30 | RONDELLE 10,5X30 | SCHEIBE 10,5X30 | ARANDELA 10,5X30 |
| 10 | F01020118 | VITE M10X1,5X60 U5737 8.8 ZN | BOLT 10X60 5737 8.G GALVANIZED | VIS 10X60 5737 8.G ZN | SCHRAUBE 10X60 5737 8.G ZN | TORNILLO 10X60 5737 8.G ZN |
| 11 | F01020077 | VITE M 8X1,25X60 U5737 8.8 ZN | BOLT M8X1,25X60 U5737 8.8 ZN | VIS M8X1,25X60 U5737 8.8 ZN | SCHRA. M8X1,25X60 U5737 8.8 ZN | TORN. M8X1,25X60 U5737 8.8 ZN |
| 12 | F01410051 | ROS.M8 8,4X 17X1,6 U6592 ZN | WASHER M8 8,4X17X1,6 U6592 ZN | RONDEL. M8 8,4X17X1,6 U6592 ZN | SCHEIBE M8 8,4X17X1,6 U6592 ZN | ARANDELA M8 8,4X17X1,6 U6592ZN |
| 13 | F01230034 | DADO M 8X1,25 D982 8 | SELF LOCK.NUT M8X1,25 D982 8ZN | ECROU AUTOBL.M8X1,25 D982 8 ZN | SELBST.MUTT.M8X1,25 D982 8 ZN | TUERCA AUTO. M8X1,25 D982 8 ZN |
| 14 | F01020470 | VITE M10X1,5X20 U5739 8.8 ZN | BOLT M10X1,5X20 U5739 8.8 ZN | VIS M 10X20 | SCHRAUBE M 10X20 | TORNILLO M 10X20 |
| 15 | F01220033 | DADO M10X 1,5 D980 8 ZN | NUT M10X 1,5 D980 8 ZN | ECROU M10X 1,5 D980 8 ZN | MUTTER M10X 1,5 D980 8 ZN | TUERCA M10X 1,5 D980 8 ZN |
| 16 | G15223920 | FERMO MOLLA SX | LEFT SPRING STOP | ARRET RESSORT GCH. | FESTSTELLVORRICHTUNG FEDER LI. | BLOQUEO MUELLE IZQ. |
| 17 | G20980081 | BOCCOLA 25X12X16,25 | BUSHING 25X12X16-25 | BOITE 25X12X16-25 | BsCHSE 25X12X16-25 | CASQUILLO 25X12X16-25 |
| 18 | F01020436 | VITE M 8X1,25X 20 U5739 8.8 ZN | BOLT M8X1,25X20 U5739 8.8 ZN | VIS M8X1,25X20 U5739 8.8 ZN | SCHRA. M8X1,25X20 U5739 8.8 ZN | TORN. M8X1,25X20 U5739 8.8 ZN |
| 19 | G15223900 | PERNO AGGANCIO MOLLA | SPRING HOOK PIN | PIVOT FIXATION RESSORT | ZAPFEN FEDERKUPPLUNG | PERNO ENGANCHE MUELLE |
| 20 | G18902920 | MOLLA COPRISEME SX SP | LEFT SEED COVER SPRING SP | RESSORT COUVRE-GRAINE GCH SP | FEDER SAMENABDECKER LI SP | MUELLE CUBRESEMILLAS IZQ SP |
| 21 | F01420048 | ROS.M8 8,4X 24X 2 U6593 ZN | WASHER M8 8,4X 24X 2 U6593 ZN | RONDELLE M8 8,4X 24X2 U6593 ZN | SCHEIBE M8 8,4X 24X 2 U6593 ZN | ARANDELA M8 8,4X 24X2 U6593 ZN |
| 22 | F01020072 | VITE M 8X1,25X50 U5737 8.8 ZN | BOLT M8X1,25X50 U5737 8.8 ZN | VIS M8X1,25X50 U5737 8.8 ZN | SCHR. M8X1,25X50 U5737 8.8 ZN | TORN. M8X1,25X50 U5737 8.8 ZN |
| 23 | G22220059 | COPRISEME SINISTRO | LEFT SEED COVER | COUVRE-GRAINES GCH. | SAMENABDECKER LINKS | CUBRESEMILLA IZQUIERDO |
| 24 | F06220012 | VOLANTINO 4 LOBI M12X100 | HANDWHEEL M12X100 | VOLANT M12X100 | HANDRAD M12X100 | VOLANTE M12X100 |
| 25 | G22220060 | COPRISEME DESTRO | RIGHT SEED COVER | COUVRE-GRAINES DRT. | SAMENABDECKER RECHTS | CUBRESEMILLA DERECHO |
| 26 | F01220022 | DADO M 8X1,25 D980 8 ZN | NUT M8X 1,25 D980 8 ZN | ECROU M8X 1,25 D980 8 ZN | MUTTER M8X 1,25 D980 8 ZN | TUERCA M8X 1,25 D980 8 ZN |
| 27 | G15223910 | FERMO MOLLA DX | RIGHT SPRING STOP | ARRET RESSORT DRT. | FESTSTELLVORRICHTUNG FEDER RE. | BLOQUEO MUELLE DER. |
| 28 | G18902660 | MOLLA SPEC.ZN FERMO SV MINI | SPEC. GALV. SPRING STOP SV MINI | RESSORT SPEC. ZN ARRET SV MINI | SPEZ.FEDER ZN FESTSTELL-VOR. S | MUELLE ESPEC.ZN BLOQUEO SV MIN |
| 29 | G18902910 | MOLLA COPRISEME DX SP | RIGHT SEED COVER SPRING SP | RESSORT COUVRE-GRAINE DRT SP | FEDER SAMENABDECKER RE SP | MUELLE CUBRESEMILLAS DER SP |
| 30 | F02100087 | SPINA E.P. 5X 30 U6873 C70 BR | PIN EL. 5 X30 DIN 1481 | FICHE EL. 5 X30 DIN 1481 | SPANNSTIFT 5 X30 DIN 1481 | CLAVIJA EL.5 X30 DIN 1481 |
| 31 | F02200363 | COPIGLIA R 3X 62 ZN | SPRING SPLIT PIN 3X 62 ZN | GOUPILLE R 3X62 | SPLINT R 3X62 | CHAVETA R 3X62 |

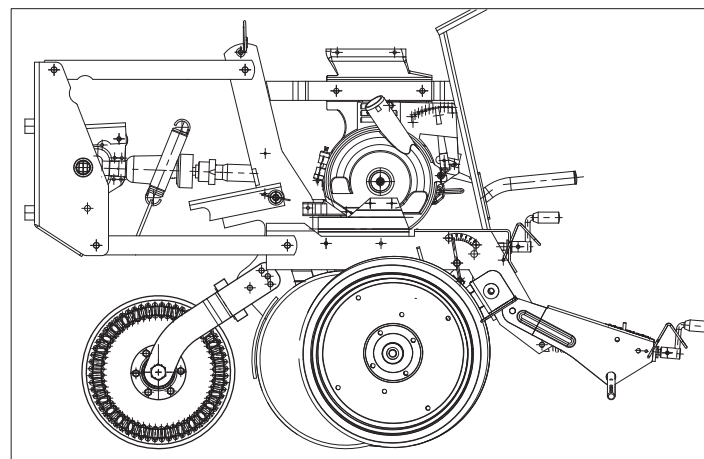
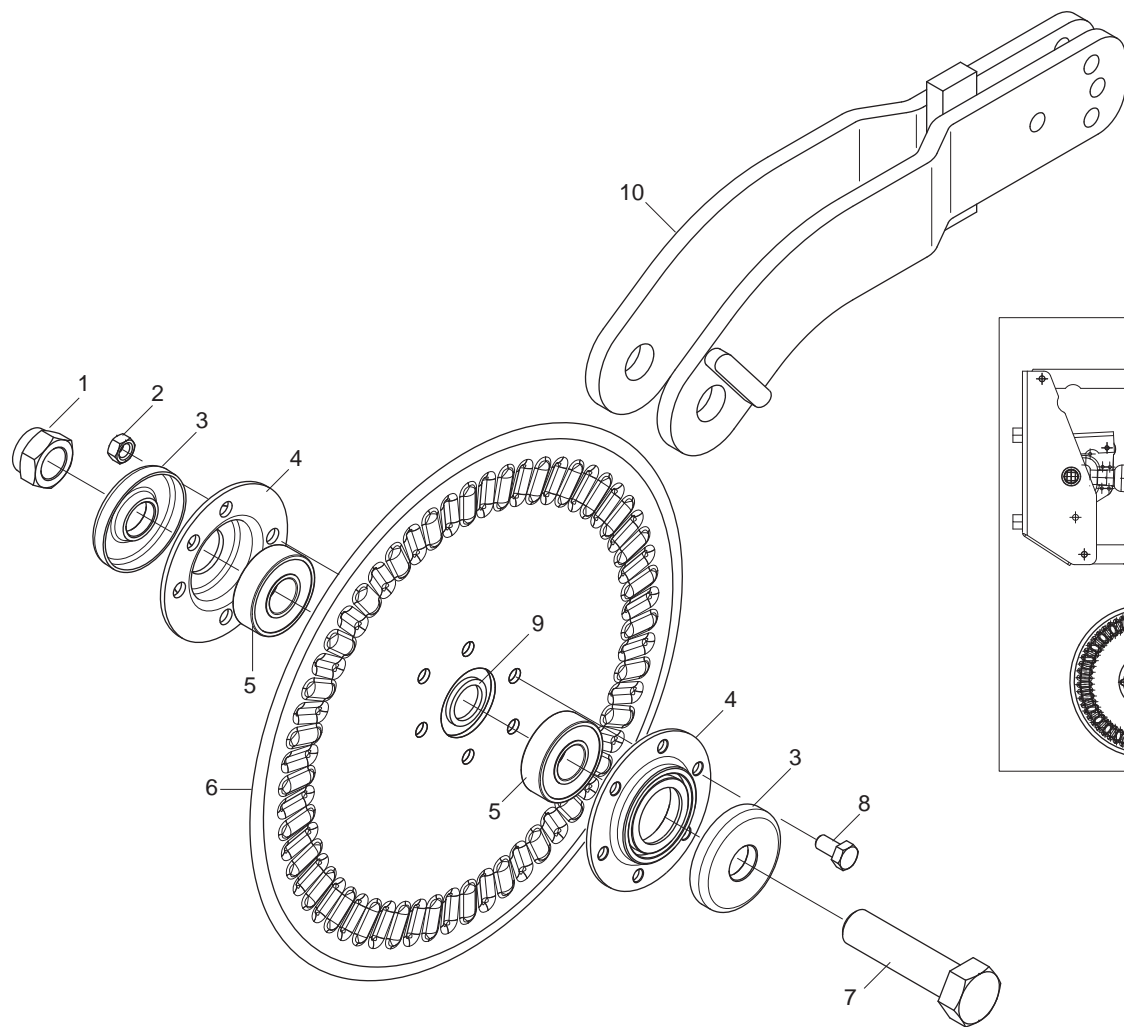
TAV. 241



RUOTA COMPRESSIONE FARMFLEX 370

TAV. 241

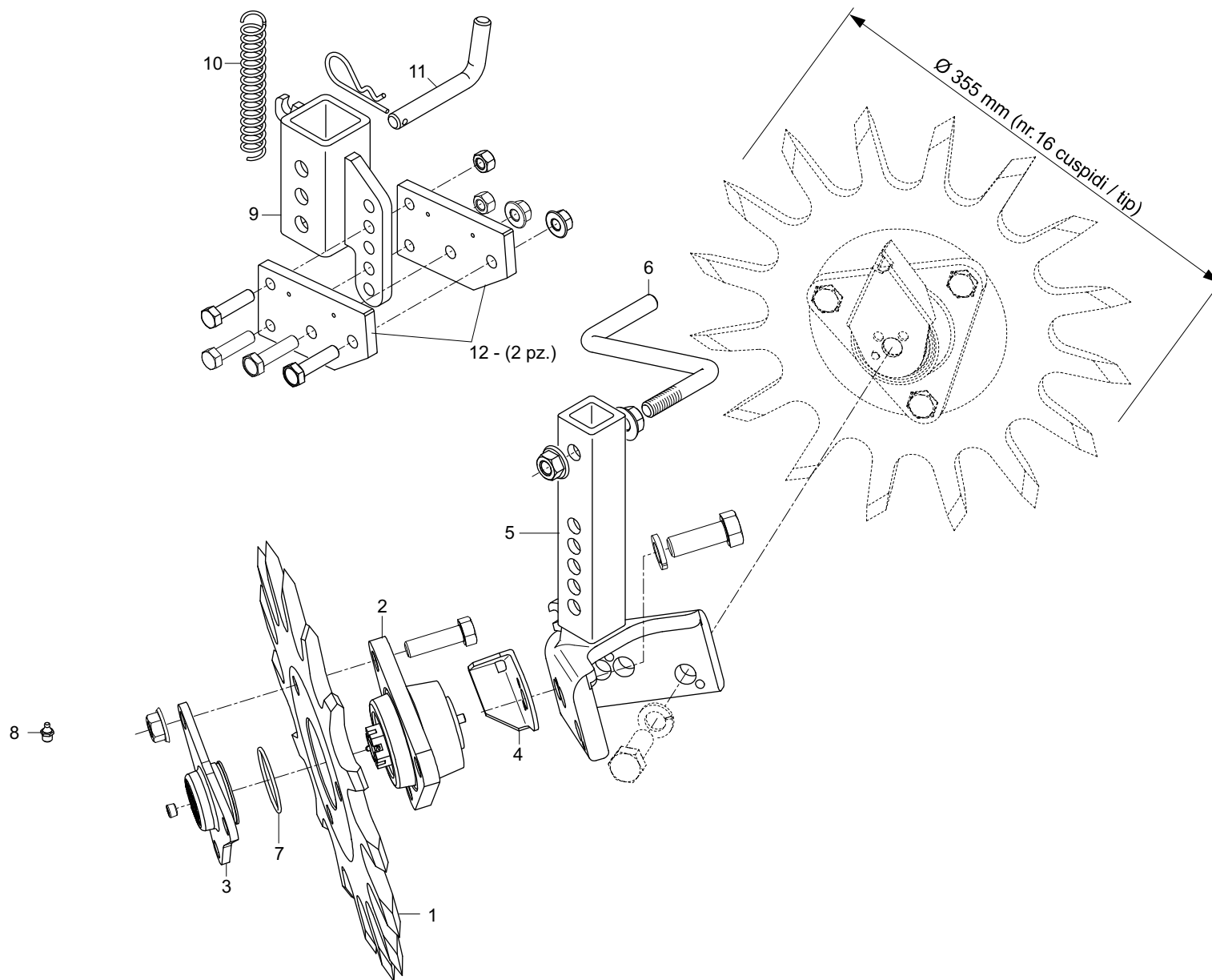
| Pos. | Cod. | Descrizione | Description | Description | Benennung | Descripcion |
|------|-----------|-------------------------------|--------------------------------|--------------------------------|--------------------------------|--------------------------------|
| 1 | F01020172 | VITE M12X1,75X110 5737 8.8 ZN | BOLT M12X1,75X110 5737 8.8 ZN | VIS 12X110 5737 8.G ZN | SCHRAUBE 12X110 5737 8.G ZN | TORNILLO 12X110 5737 8.G ZN |
| 2 | G15224290 | MONT.SUPPORTO COPRISEME | SEED COVERING WHEEL SUPPORT PO | MONT.SUPPORT RECOUVRE-GRAINES | MONT.ZUSTREIFERHALTERUNG | MONT.SOPORTE CUBRESEMILLA |
| 3 | F01200270 | DADO M10X 1,5 U5588 6.8 ZN | NUT M10X 1,5 U5588 6.8 ZN | ECROU M10X 1,5 U5588 6.8 ZN | MUTTER M10X 1,5 U5588 6.8 ZN | TUERCA M10X 1,5 U5588 6.8 ZN |
| 4 | F01220033 | DADO M10X 1,5 D980 8 ZN | NUT M10X 1,5 D980 8 ZN | ECROU M10X 1,5 D980 8 ZN | MUTTER M10X 1,5 D980 8 ZN | TUERCA M10X 1,5 D980 8 ZN |
| 5 | F01220048 | DADO M12X1,75 D980 8 ZN | NUT M12X1,75 D980 8 ZN | ECROU M12X1,75 D980 8 ZN | SCHEIBE M12X1,75 D980 8 ZN | TUERCA M12X1,75 D980 8 ZN |
| 6 | F01020470 | VITE M10X1,5X20 U5739 8.8 ZN | BOLT M10X1,5X20 U5739 8.8 ZN | VIS M 10X20 | SCHRAUBE M 10X20 | TORNILLO M 10X20 |
| 7 | G18902670 | MOLLA TRAZ.ZN PRESS.SV-MINI | GALV. PRESS. SV-MINI TRACT.SPR | RESSORT TRACT.ZN PRESS.SV-MINI | ZUGFEDER ZN DRUCK SV - MINI | MUELLE TRACC.ZN PRES.SV-MINI |
| 8 | F01020445 | VITE M8X1,25X30 U5739 8.8 ZN | BOLT M8X30 | VIS M8X30 | SCHRAUBE M8X30 | TORNILLO M8X30 |
| 9 | G15224240 | STAFFA REGOLAZ.MOLLA | SPRING ADJUSTMENT BRACKET | BRIDE REGLAGE RESSORT | BsGEL FEDEREINSTELLUNG | ESTRIBO REGULAC.MUELLE |
| 10 | G15224230 | SUPPORTO RUOTA FARMFLEX | WHEEL SUPPORT FARMFLEX | SUPPORT ROUE FARMFLEX | RADHALTERUNG FARMFLEX | SOPORTE RUEDA FARMFLEX |
| 11 | F01200244 | DADO M 8X1,25 U5588 6.8 ZN | NUT M8 X1,25 U5588 6.8 ZN | ECROU M8 X1,25 U5588 6.8 ZN | MUTTER M8 X1,25 U5588 6.8 ZN | TUERCA M8 X1,25 U5588 6.8 ZN |
| 12 | F01020472 | VITE M10X1,5X25 U5739 8.8 ZN | BOLT 10X25 5739 8.G GALVANIZED | VIS 10X25 5739 8.G ZN | SCHRAUBE 10X25 5739 8.G ZN | TORNILLO 10X25 5739 8.G ZN |
| 13 | G18701140 | RONDELLA 11 X35 X5 ZN | WASHER 11 X 35 X 5 | RONDELLE 11 X35 X5 | UNTERLEGSSCHEIBE 11 X35 X5 | ARANDELA 11 X35 X5 |
| 14 | G14821590 | RUOTA FARMFLEX 370X165 PROF.A | FARMFLEX WHEEL 370X165 DEPTH.A | ROUE FARMFLEX 370X165 PROF.A | RAD FARMFLEX 370X165PROF.A | RUEDA FARMFLEX |
| 15 | G65336004 | MOLLA SPEC.ZN AGG.SEMINAT. SP | SPEC SPRING- ZN ADD. SEEDER SP | RESSORT SPEC. ZN ATTELAGE SEME | SPEZIALFEDER ZN SZELEM. KUPPL. | MUELLE ESPEC. ZN CONEX. SEMBRA |
| 16 | G15224260 | CATENAL.122 | CHAIN L.122 | CHAINE L.122 | KETTE L.122 | CADENA L.122 |
| 17 | G65337005 | MOLLA TRAZ.CAMBIO SV | TRACTION COUPLING SPRING- GEAR | RESSORT TRACT.BOXE DE VITESSE | ZUGFEDER GETRIEBE SV | MUELLE TRAC. CAMBIO SV |
| 18 | G15224250 | FERMO MOLLA | SPRING STOP | ARRET RESSORT | FESTSTELLVORRICHTUNG FEDER | BLOQUEO MUELLE |
| 19 | G20970012 | RONDELLA 32X4X11 | WASHER 32X4X11 | RONDELLE 32X4X11 | UNTERLEGSSCHEIBE 32X4X11 | ARANDELA 32X4X11 |
| 20 | G15224280 | COPRISEME SX | LEFT CORN SEED COVER | COUVRE-GRAINES GCH. | SAMENABDECKER LINKS | CUBRESEMILLA IZQUIERDO |
| 21 | G20980022 | BOCCOLA 18X10,25X7 | BUSHING 18X10-25X7 | BOITE 18X10-25X7 | BsCHSE 18X10-25X7 | CASQUILLO 18X10-25X7 |
| 22 | G15224180 | SUPPORTO COPRISEME | SEED COVER SUPPORT | SUPPORT COUVRE-GRAINES | SAMENABDECKERHALTERUNG | SOPORTE CUBRESEMILLAS |
| 23 | G15224270 | COPRISEME DX | RIGHT SEED COVER | COUVRE-GRAINES DRT. | SAMENABDECKER RECHTS | CUBRESEMILLA DERECHO |
| 24 | F01020118 | VITE M10X1,5X60 U5737 8.8 ZN | BOLT 10X60 5737 8.G GALVANIZED | VIS 10X60 5737 8.G ZN | SCHRAUBE 10X60 5737 8.G ZN | TORNILLO 10X60 5737 8.G ZN |
| 25 | G15224300 | RUOTA FARMFLEX COMPL | FARMFLEX WHEEL ASS.BLY | | | |



COLTRO A DISCO STRIATO

TAV. 333

| Pos. | Cod. | Descrizione | Description | Description | Benennung | Descripcion |
|------|-----------|--------------------------------|--------------------------------|-----------------------------|--------------------------------|-------------------------------|
| 1 | F01230131 | DADO M20X 2,5 D982 6 ZN | NUT M20X 2,5 D982 6 ZN | ECROU M20X 2,5 D982 6 ZN | MUTTER M20X 2,5 D982 6 ZN | TUERCA M20X 2,5 D982 6 ZN |
| 2 | F01220022 | DADO M 8X1,25 D980 8 ZN | NUT M8X 1,25 D980 8 ZN | ECROU M8X 1,25 D980 8 ZN | MUTTER M8X 1,25 D980 8 ZN | TUERCA M8X 1,25 D980 8 ZN |
| 3 | G16610430 | FONDELLO ZN. | BOTTOM ZN. | | | |
| 4 | G15226210 | FLANGIA SUPP.CUSCINETTO | BEARING SUPP. FLANGE | BRIDE SUPPORT PALIER | FLANSCH LAGERHALTERUNG | BRIDA SOPORTE COJINETE |
| 5 | F04010156 | CUSC.d20 D47 B14 6204 2RSH | BEARING d20 D47 B14 6204 2RSH | | | |
| 6 | G15226041 | DISCO STRIATO D.320 | DISK D.320 | DISQUE D.320 | SCHEIBE D.320 | DISCO D.320 |
| 7 | F01020325 | VITE M20X2,5X 90 U5737 10.9 ZD | BOLT M20X2,5X 90 U5737 10.9 ZD | | | |
| 8 | F01020436 | VITE M 8X1,25X 20 U5739 8.8 ZN | BOLT M8X1,25X20 U5739 8.8 ZN | VIS M8X1,25X20 U5739 8.8 ZN | SCHRA. M8X1,25X20 U5739 8.8 ZN | TORN. M8X1,25X20 U5739 8.8 ZN |
| 9 | G20970100 | RONDELLA 30X0,5X22 ACC. | WASHER 30X0-5X22 ACC. | RONDELLE 30X0-5X22 ACIER | UNTERLEGSCHIEBE 30X0-5X22 ACC. | ARANDELA 30X0-5X22 ACC. |
| 10 | G15226012 | SUPPORTO DISCO STRIATO | DISK SUPPORT | | | |
| 11 | G15226220 | KIT COLTRO DISCO STRIATO 1F. | DISC COULTER KIT | KIT COUTRE DISQUE | KOLTERSCHIEBEKIT | KIT CUCHILLA DE ARADO DISCO |

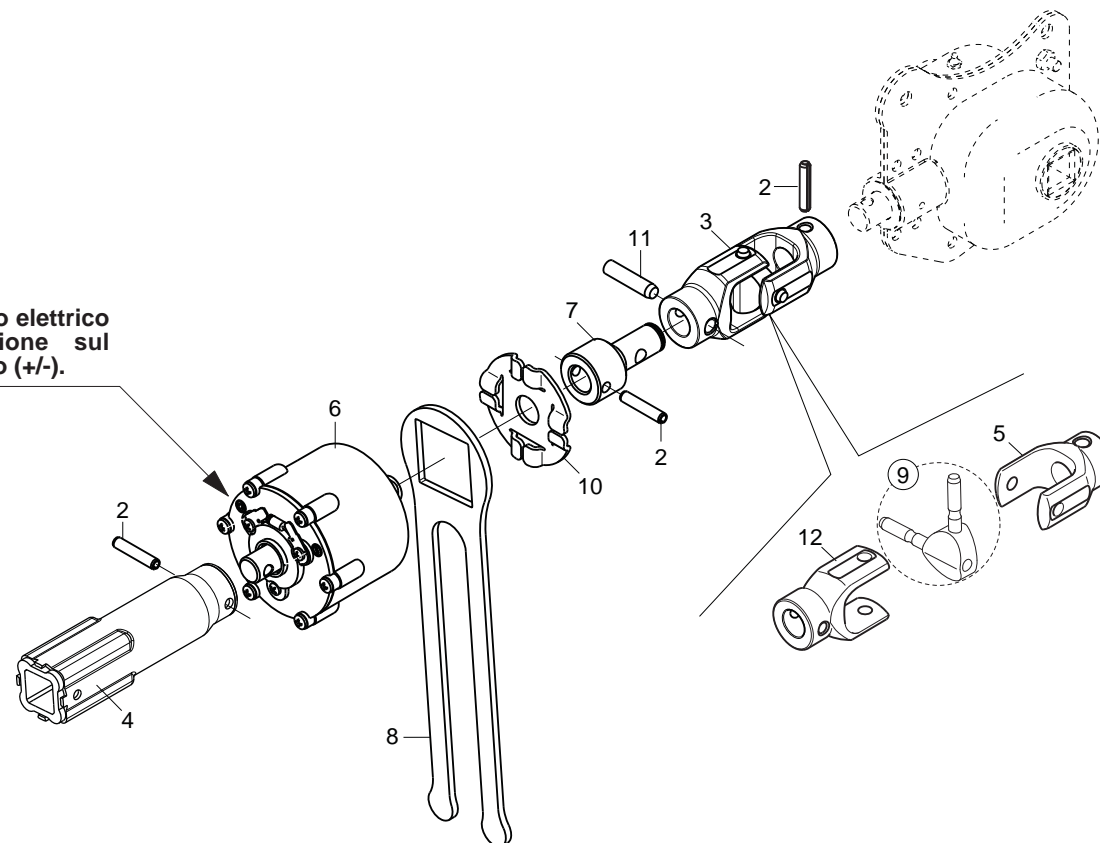


TRASH WHEEL - SPARTIRESIDUI ROTATIVO

TAV. 360

| Pos. | Cod. | Descrizione | Description | Description | Benennung | Descripcion |
|------|-----------|-------------------------------|-------------------------------|-------------|-----------|-------------|
| 1 | G68008004 | DISCO STELLARE | | | | |
| 2 | G68008006 | MOZZO CON CUSCINETTO | HUB WITH BEARING | | | |
| 3 | G68008015 | TAPPO MOZZO | HUB PLUG | | | |
| 4 | G68008003 | PROTEZIONE MOZZO | | | | |
| 5 | G68008005 | SUPPORTO DISCHI | DISKS SUPPORT | | | |
| 6 | G68008007 | MANIGLIA | HANDLE | | | |
| 7 | G68008014 | O-RING 1,78X44,17 (2175) | O-RING 1,78X44,17 (2175) | | | |
| 8 | G68008013 | INGRASSATORE 1/8 GAS (=M10X1) | GREASE NIPPLE 1/8 GAS(=M10X1) | | | |
| 9 | G68008008 | SUPPORTO | SUPPORT | | | |
| 10 | G68008009 | MOLLA | SPRING | | | |
| 11 | G68008010 | CHIAVISTELLO | | | | |
| 12 | G68008011 | PIATTO ATTACCO | | | | |

ATTENZIONE!
Per il collegamento elettrico
seguire l'indicazione sul
disinnesto elettrico (+/-).

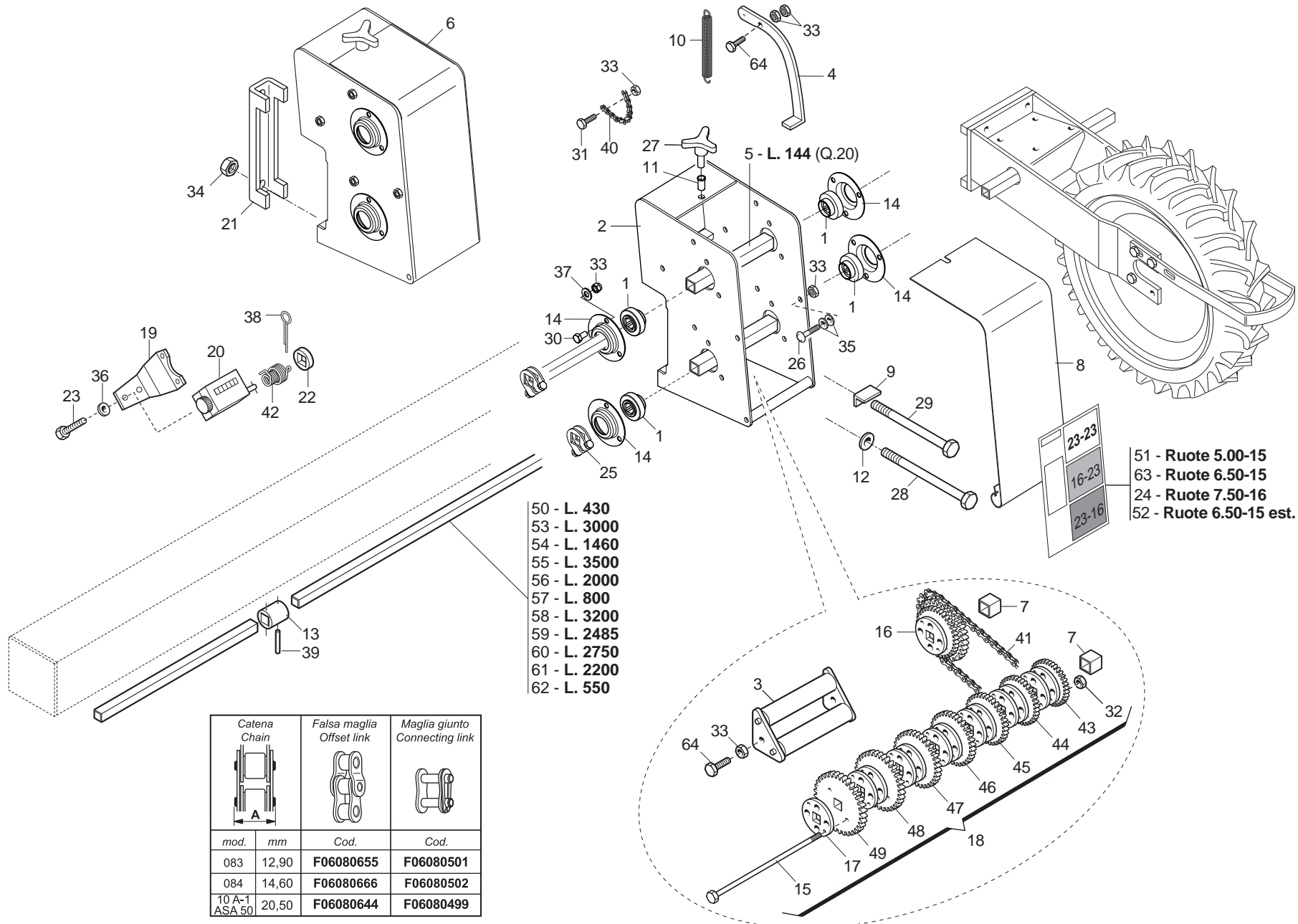


ESCLUSIONE ELETTRICA FILE DI SEMINA

TAV. 254

| Pos. | Cod. | Descrizione | Description | Description | Benennung | Descripcion |
|------|-----------|--------------------------------|--------------------------------|--------------------------------|------------------------------|-----------------------------|
| 1 | F02050045 | ANELLO E. DE 16X 1 U7435 C70 | SEEGER RING 16X 1 U7435 C70 | BAGUE SEEGER 16 X 1 U7435 C70 | SEEGERING 16 X 1 U7435 C70 | ANILLO 16X 1 U7435 C70 |
| 2 | F02100114 | SPINA E.P. 6X 30 U6873 C70 BR | ELASTIC PIN 6X30 | GOUJON ELASTIQUE 6X30 | SPANNHUELSE 6X30 | ESPINA ELASTICA 6X30 |
| 3 | G15423980 | FORCELLE SNODO ESCL.ELET.COMPL | COMPLET FORK ELECTRIC SWITCH O | | | |
| 4 | G15225323 | INNESTO ESCL.ELETTR.MT | ELETTR.EXCL.CLUTCH MT | | | |
| 5 | G19204090 | FORCELLA | FORK | | | |
| 6 | G16033703 | DISINNESTO ELETTRICO MBN | ELECTRICAL DISCONNECTION MBN | | | |
| 7 | G16033730 | ADATTATORE CROCIERA | SPIDER ADAPTOR | ADAPTATEUR CROISIERE | PASSST_CK GELENKKREUZ | ADAPTADOR CRUCETA |
| 8 | G16033750 | FERMO DISINNESTO ELETTRICO ZN | UNCOUPLING ELECTRIC STOP | ARRET DEBRAYAGE +LECT. | FESTSTELL. AUSKUPPLUNG EL. | BLOQUEO DESCONEJIN EL. |
| 9 | G22270454 | CROCIERA COMPL. SP/S | SPIDER SP/S | CROSILLON COMPL CARDAN TRANSM | GELENKKREUZ KOMPL. SP/S | CRUCETA COMPL. SP/S |
| 10 | G16033740 | DISTANZIALE DISINNESTO ELET.ZN | UNCOUPLING ELECTRIC SPACER | ENTRETOISE DEBRAYAGE +LECT. | DISTANZST_CK AUSKUPPLUNG EL. | DISTANCIADOR DESCONEJIN EL. |
| 11 | G66248057 | SPINA DI SICUREZZA SP | SAFETY PIN SP | BROCHE PLASTIC SECURITE CARDAN | SICHERHEITSTIFT SP | CLAVIJA DE SEGURIDAD SP |
| 12 | G19204080 | FORCELLA | FORK | | | |
| 13 | G18701970 | RONDELLA 16X48X2,5 | WASHER 16X48X2,5 | RONDELLE 16X48X2,5 | UNTERLEGSCHIEBE 16X48X2,5 | ARANDELA 16X48X2,5 |

TAV. 136



- 50 - L. 430
- 53 - L. 3000
- 54 - L. 1460
- 55 - L. 3500
- 56 - L. 2000
- 57 - L. 800
- 58 - L. 3200
- 59 - L. 2485
- 60 - L. 2750
- 61 - L. 2200
- 62 - L. 550

- 51 - Ruote 5.00-15
- 63 - Ruote 6.50-15
- 24 - Ruote 7.50-16
- 52 - Ruote 6.50-15 est.

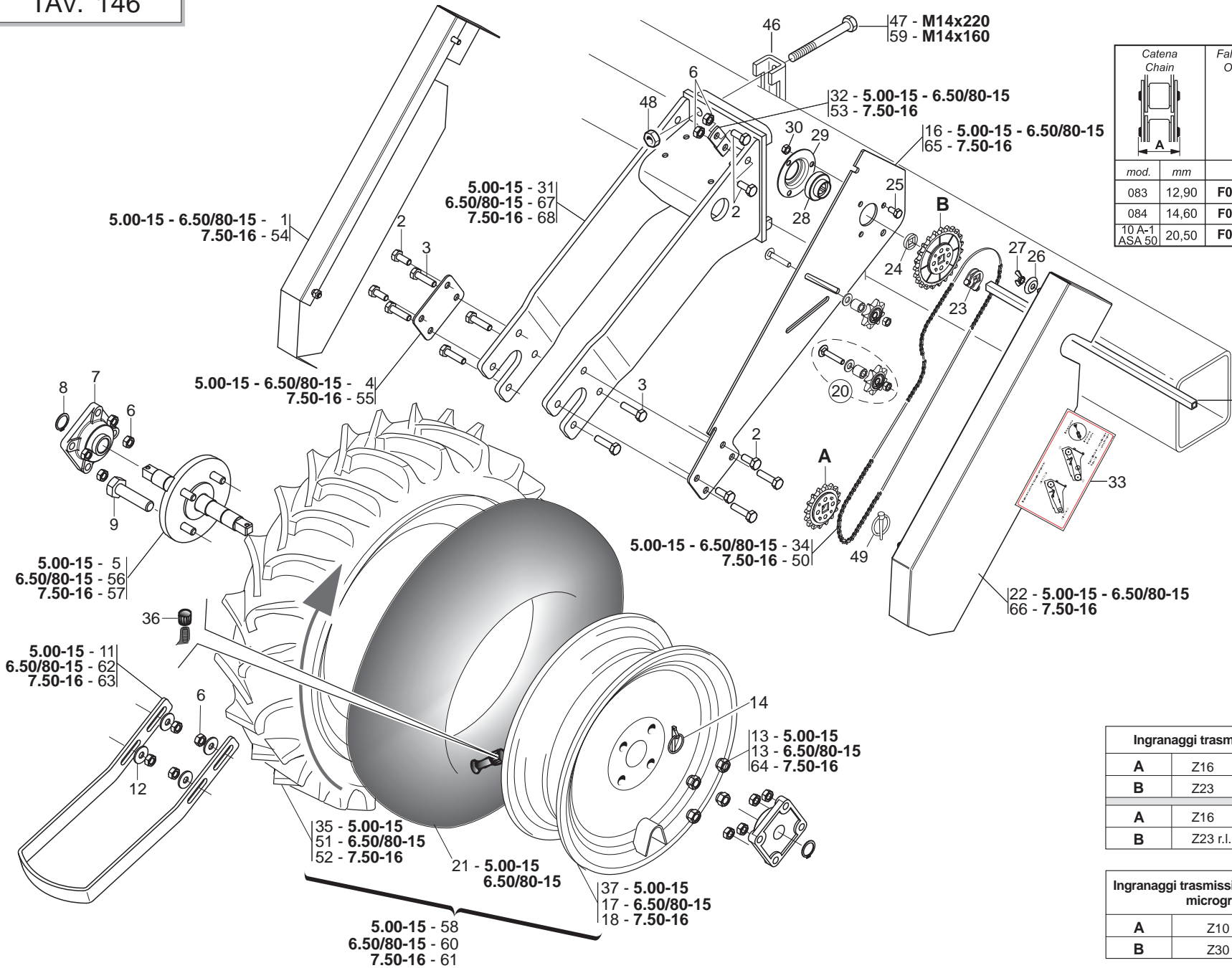
| Catena Chain | | Falsa maglia Offset link | Maglia giunto Connecting link |
|------------------|-------|-----------------------------|----------------------------------|
| | | | |
| mod. | mm | Cod. | Cod. |
| 083 | 12,90 | F06080655 | F06080501 |
| 084 | 14,60 | F06080666 | F06080502 |
| 10 A-1 ASA 50 | 20,50 | F06080644 | F06080499 |

CAMBIO

TAV. 136

| Pos. | Cod. | Descrizione | Description | Description | Benennung | Descrpcion |
|------|-----------|--------------------------------|--------------------------------|--------------------------------|----------------------------------|---------------------------------|
| 1 | G14830390 | CUSCINETTO FORO QUADRO | SQUARE-HOLED BEARING | ROULEMENT AL+SAGE CARR+ | VIERKANTLAGER | COJINETE ORIFICIO CUADRADO |
| 2 | G16630840 | ASS.SCATOLA CAMBIO Q.150 | ASSY GEARBOX Q.150 | | | |
| 3 | G15430321 | RULLO TENDICATENA | CHAIN STRETCHER ROLLER | ROULEAU TENDEUR DE CHAINE | KETTENSANNROLLE | RODILLO TENSOR DE CADENA |
| 4 | G15430331 | LEVA CAMBIO | GEAR LEVER | LEVIER BOITE DE VITESSE | GETRIEBEHEBEL | PALANCA DE CAMBIO |
| 5 | G15430340 | ASSE INGRANAGGI L.144 | GEAR SPINDLE L.144 | AXE ENGRNAGES L144 | ACHSE ZAHNRZDER L.144 | EJE ENGRANAJES L.144 |
| 6 | G16630010 | SCATOLA CAMBIO Q.150 COMPL. | GEARBOX 150 | BOITE DE VITESSE 150 | GETRIEBEKASTEN 150 | CAJA DE CAMBIO DE VELOCIDAD 150 |
| 7 | G15430501 | DISTANZIALE INTERNO CAMBIO | GEARBOX INNER SPACER | ENTRETOISE INT. BOITE VITESSE | INNERES DISTANZSTsCK GETRIEBE | DISTANCIADOR INTERIOR CAMBIO |
| 8 | G15430711 | COPERCHIO CAMBIO | GEAR COVER | COUVERCLE BOITE DE VITESSE | GETRIEBEDECKEL | TAPACAMBIO |
| 9 | G15431020 | FERMO VITE CAMBIO | GEAR BOLT STOP | ARRET VIS BOITE DE VITESSE | FESTSTELLVORRICH. GETRIEBESCHR | BLOQUEO TORNILLO |
| 10 | G18902970 | MOLLA TRAZ. CAMBIO ZN SP | GALVAN. GEAR TRACT. SPRING SP | RESS. TRACT. BOITE VITESSE ZN | ZUGFEDER GETRIEBE ZN SP | MUELLE TRAC. CAMBIO ZN SP |
| 11 | F02250683 | INSERTO FIL.M 8X17,5 ZN T.TOND | CYLINDRICAL NUT 8 TC 40 | ECROU CYLINDRIQUE 8 TC 40 | ZYLINDRISCHE MUTTER 8 TC 40 | TUERCA CILINDRICA 8 TC 40 |
| 12 | G20970142 | RONDELLA 32X4X15,5 | WASHER 32X4X15-5 | RONDELLE 32X4X15-5 | UNTERLEGSCHEIBE 32X4X15-5 | ARANDELA 32X4X15-5 |
| 13 | G22220085 | SNODO | ARTICULATION | ARTICULATION | GELENK | ARTICULACION A |
| 14 | G22230094 | BEARING SUPPORT | BEARING SUPPORT | SUPPORT PALIER | LAGERBsCHSE | SOPORTE COJINETE |
| 15 | G19203260 | VITE M5X115 ZN | BOLT M5X115 ZN | VIS M5X115 ZN | SCHRAUBE M5X115 ZN | TORNILLO M5X115 ZN |
| 16 | G22270152 | ING.Z 16-23 RUOTA-CAMBIO SP | WHEEL- GEARBOX GEARS SP | ENGR. Z 16-23 ROUE BOITE VIT. | ZAHNRAD Z 16-23 GETRIEBERAD SP | ENGRAN. Z 16-23 RUEDA-CAMBIO |
| 17 | G22270162 | RINFORZO INGR.ASSE DA 20 SP | AXLE GEAR REINFORCEMENT 20 SP | RENFORC. ENGREN. AXE DE 20 SP | VERSTZRKUNG ACHSZAHNRAD 20 SP | REFUERZO ENGRAN. EJE DE 20 SP |
| 18 | G22270163 | BLOCCO CAMBIO ASSE DA 20 SP | 20 CM SPINDLE GEARBOX SP | ENSEMBLE BOITE DE VITESSE | ENSEMBLE BOITE DE VITESSE | BLOQUE CAMBIO EJE DE 20 SP |
| 19 | G22270217 | SUPP.CONTAETT. CAMB.35 SP LM | HECTARE COUNTER GEAR SUPPORT 3 | SUPPORT COMPT. D'HECT. B. VIT. | HALT. GETRIEBE HEKTARZZHLER 35 | SOPORTE CONTADOR HECT. CAMB.35 |
| 20 | G22270218 | CONTAETTARI TEN. STAG. SP LM | HECTARE COUNTER SEAL SP LM | COMPT. D'HECT. ETANCHE SP LM | HEKTARZZHLER DICHT SP LM | CUENTAHECTAREAS ESTANCO |
| 21 | G15110091 | SCONTRO A U SP.8 2F15 165 | STRIKER | BRIDE 150 MM | ANSCHLAG | ELEMENTO DE EMPALME |
| 22 | G66248218 | RONDELLA DISTAN.SPANDI | MAN. SPR. SPACER WASHER | RONDELLE ENTRETOISE EP. ENGRAI | ABSTANDSCHEIBE DsNGERSTREUER | ARANDELA DISTAN.ABONAD. |
| 23 | F01040025 | VITE M 4X 0,7X10 U5931* 8.8 ZN | BOLT M4X 0.7X10 U5931 8.8 ZN. | VIS 4 X10 5931 8.G ZN | SCHRAUBE 4 X10 5931 8.G ZN | TORNILLO 4 X10 5931 8.G ZN |
| 24 | G19701452 | DECAL.CAMBIO RUOTA 7,50-16 | LABEL WHEEL GEAR 7,50-16 | | | |
| 25 | G22505085 | FERMO ASSE IN LAMIERA | PLATE AXLE STOP | ARRET AXE EN TOLE | FESTSTELLVORRICHTUNG BLECHACHS | BLOQUEO EJE DE CHAPA |
| 26 | F01060040 | VITE M8X1,25X20 U5732 4.6 ZG | BOLT M8X1,25X20 U5732 4.6 ZN | VIS M8X1,25X20 U5732 4.6 ZN | SCHRA. M8X1,25X20 U5732 4.6 ZN | TORN. M8X1,25X20 U5732 4.6 ZN |
| 27 | F06220018 | VOLANTINO 3LOBI D.65-M8X15 | 3-LOBE HANDWHEEL D.65-M8X15 | | | |
| 28 | F01020225 | VITE M14X2X160 U5737 8.8 BR | BOLT M 14 X160 5737 8.G | VIS M 14 X160 5737 8.G | SCHRAUBE M 14 X160 5737 8.G | TORNILLO M 14 X160 5737 8.G |
| 29 | F01020233 | VITE M14X2X200 U5737 8.8 BR | BOLT M14X 2X200 U5737 8.8 ZB | VIS M14X2X 200 U5737 8.8 ZB | SCHRAUBE M14X 2X200 U5737 8.8 ZB | TORNILLO M14X2X200 5737 8.8 ZB |
| 30 | F01020432 | VITE M 8X1,25X16 U5739 8.8 ZN | BOLT M8X1 1.25X16 U5739 8.8 ZN | VIS M 8X16 | SCHRAUBE M 8X16 | TORNILLO M 8X16 |
| 31 | F01020449 | VITE M 8X1,25X35 U5739 8.8 ZN | BOLT M8X1 1.25X35 U5739 8.8 ZN | VIS M 8X35 | SCHRAUBE M 8X35 | TORNILLO M 8X35 |
| 32 | F01200220 | DADO M 5X 0,8 U5588 6.8 ZN | NUT 5 UNI 5588 6.8 GALVANIZED | NUT 5 UNI 5588 6.8 ZN | ECROU 5 UNI 5588 6.8 ZN | TUERCA 5 UNI 5588 6.8 ZN |
| 33 | F01200244 | DADO M 8X1,25 U5588 6.8 ZN | NUT M8 X1,25 U5588 6.8 ZN | NUT M8 X1,25 U5588 6.8 ZN | MUTTER M8 X1,25 U5588 6.8 ZN | TUERCA M8 X1,25 U5588 6.8 ZN |
| 34 | F01200306 | DADO M14X 2 U5588 6.8 ZN | NUT M14X2 | NUT M14X2 | ECROU M14X2 | DADO M14X2 |
| 35 | F01410051 | ROS.M8 8,4X 17X1,6 U6592 ZN | WASHER M8 8,4X17X1,6 U6592 ZN | RONDEL. M8 8,4X17X1,6 U6592 ZN | SCHEIBE M8 8,4X17X1,6 U6592 ZN | ARANDELA M8 8,4X17X1,6 U6592 ZN |
| 36 | F01410011 | ROS.M4 4,3X 9X0,8 U6592 ZN | PLANE WASHER 4,5X 9 6592 | RONDELLE 4,5X 9 6592 | SCHEIBE 4,5X 9 6592 | ARANDELA 4,5X 9 6592 |
| 37 | F01430059 | ROS.M8 8,4X 15X0,8 U8842J ZN | WASHER M8 8,4X15X0,8 U8842J ZN | ROND. M8 8,4X 15X0,8 U8842J ZN | SCHEIBE M8 8,4X15X0,8 U8842JZN | ARAND. M8 8,4X15X0,8 U8842J ZN |
| 38 | F02200229 | COPIGLIA 5X 45 U1336 ZN | SPLIT PIN 5X 45 U1336 ZN | GOUPILLE 5X 45 U1336 ZN | SPANNSTIFT 5X 45 U1336 ZN | PASADOR 5X 45 U1336 ZN |
| 39 | F02100087 | SPINA E.P. 5X 30 U6873 C70 BR | PIN EL. 5 X30 DIN 1481 | FICHE EL. 5 X30 DIN 1481 | SPANNSTIFT 5 X30 DIN 1481 | CLAVIJA EL.5 X30 DIN 1481 |
| 40 | F06080008 | CATENA 1/2 ISO 083 16 MAGLIE | CHAIN 1/2 ISO 083 16 LINKS | CHAIN 1/2 ISO 083 16 MAI | KET.ABSCHN.1/2-3/16 16 GLIEDER | TRAMO CAD.1/2-3/16 16 ESLABONE |
| 41 | F06080230 | CATENA 5/8 ASA 50 L 46 MAGLIE | CHAIN 5/8 ISO 10B 46 MESH | | | |
| 42 | G65336098 | MOLLA CONTAETTARI CAMB.35 SP | HECT. COUNT. GEAR SPRING 35 SP | RESS. COMPTEUR D'HECTARES CH | FEDER HEKTARZZHLER GETRIEBE.35 | MUELLE CONTADOR DE HECTAREAS C |
| 43 | G66248162 | INGRANAGGIO Z-17 SP | GEAR Z-17 SP | ENGRENAGE Z-17 SP | ZAHNRAD Z-17 SP | ENGRANAJE Z-17 SP |
| 44 | G66248163 | INGRANAGGIO Z-18 SP | GEAR Z-18 SP | ENGRENAGE Z-18 SP | ZAHNRAD Z-18 SP | ENGRANAJE Z-18 SP |
| 45 | G66248164 | INGRANAGGIO Z-19 SP | GEAR Z-19 SP | ENGRENAGE Z-19 SP | ZAHNRAD Z-19 SP | ENGRANAJE Z-19 SP |
| 46 | G66248165 | INGRANAGGIO Z-20 SP | GEAR Z-20 SP | ENGRENAGE Z-20 SP | ZAHNRAD Z-20 SP | ENGRANAJE Z-20 SP |
| 47 | G66248166 | INGRANAGGIO Z-21 SP | GEAR Z-21 SP | ENGRENAGE Z-21 SP | ZAHNRAD Z-21 SP | ENGRANAJE Z-21 SP |
| 48 | G66248167 | INGRANAGGIO Z-22 SP | GEAR Z-22 SP | ENGRENAGE Z-22 SP | ZAHNRAD Z-22 SP | ENGRANAJE Z-22 SP |
| 49 | G66248168 | INGRANAGGIO Z-23 SP | GEAR Z-23 SP | ENGRENAGE Z-23 SP | ZAHNRAD Z-23 SP | ENGRANAJE Z-23 SP |
| 50 | G22270127 | ASSE RUOTA CAMBIO 2F.L.500 SP | WHEEL AXLE - GEARBOX 2-ROW L. | AXE ROUE BOITE DE VITESSE | GEBTRIEBERADACHSE 2R.L.500 SP | EJE RUEDA CAMBIO 2 FILAS. L.50 |
| 51 | G19701403 | DECAL.CAMBIO RUOTA 5,00-15 | DECAL.WHEEL 5,00-15 | | | |
| 52 | G19703162 | DECAL.CAMBIO RUOTA 6,50-15 EST | LABEL WHELL GEAR 6,50-15 EXT | | | |
| 53 | G13831520 | ASSE TRASMISSIONE L.3000 | TRANSMISSION AXLE L.3000 | AXE TRANSMISSION L3000 | sBERTRAGUNGSACHSE L.3000 | EJE TRANSMISIN L 3000 A |
| 54 | G20860090 | ASSE SX 5F.60 L.1460 | AXLE- LEFT 5-R.60 L.1460 | AXE GCH. 5 RANGEES 60 L. 1460 | ACHSE LI 5R.F.60 L.1460 | EJE IZQ. 5 FILA. 60 L.1460 |
| 55 | G22220250 | ASSE SX 6 FILE L.3500 | AXLE LEFT 6-ROW L.3500 | AXE GCH. 6 RANGEES L. 3500 | ACHSE LINKS 6 REIHEN L.3500 | EJE IZQ. 6 FILAS L.3500 |
| 56 | G22230141 | ASSE SEMINAT.6F.CM.80 L.2000 | AXLE-6-ROW SEEDER MACH.L.2000 | AXE SEMEUR 6 RANGEES CM. 80 L. | ACHSE SZALEMENT 6 R.CM.80 L.2 | EJE SEMBR. 6 FILAS. CM.80 L.20 |
| 57 | G22230142 | ASSE 4 FILE L.800 | 4-ROW SPINDLE L.800 | AXE 4 RANGEES L. 800 | ACHSE 4 REIHEN B. 800 | EJE 4 FILAS L.800 |
| 58 | G22250031 | ASSE TRASM.SEMINAT.L.3200 SV | AXLE- SEEDING MACH. GEARBOX L. | AXE ENTRAINEMENT SEMEUR L.3200 | ACHSE SZELEMENTANTRIEB .L.3200 | EJE TRANS.SEMBR. L.3200 SV |
| 59 | G13732200 | ASSE TRASMISSIONE L.2485 | TRANSMISSION AXLE L2485 | AXE TRANSMISSION L.2485 | sBERTRAGUNGSACHSE L.2485 | EJE TRANSMISIN L 2485 A |
| 60 | G22250275 | ASSE TRASM.SEMINAT.L.2750 SV | AXLE- SEEDING MACH. GEARBOX L. | AXE ENTRAINEMENT SEMEUR L. 275 | ACHSE SZELEMENTANTRIEB.L.2750 | EJE TRANS.SEMBR. L.2750 SV |
| 61 | G22250276 | ASSE TRASM.SEMINAT.L.2200 SV | AXLE- SEEDING MACH. GEARBOX L. | AXE ENTRAINEMENT SEMEUR L. 220 | ACHSE SZELEMENT-ANTRIEB.L.2200 | EJE TRANS.SEMBR. L.2200 SV |
| 62 | G22280071 | ASSE RUOTA-CAMBIO L.550 ID | GEARBOX WHEEL AXLE L. 550 ID | AXE ROUE BOITE DE VITESSE | RADACHSE-GETRIEBE L.550 ID | EJE RUEDA-CAMBIO L.550 ID |
| 63 | G19701413 | DECAL.CAMBIO RUOTA 6,50-15 | DECAL.WHEEL 6,50-15 | | | |
| 64 | F01020445 | VITE M8X1,25X30 U5739 8.8 ZN | BOLT M 8X30 | VIS M 8X30 | SCHRAUBE M 8X30 | TORNILLO M 8X30 |

TAV. 146



| Catena Chain | | Falsa maglia Offset link | | Maglia giunto Connecting link | |
|------------------|-------|--------------------------|--|-------------------------------|--|
| | | | | | |
| mod. | mm | Cod. | | Cod. | |
| 083 | 12,90 | F06080655 | | F06080501 | |
| 084 | 14,60 | F06080666 | | F06080502 | |
| 10 A-1 ASA 50 | 20,50 | F06080644 | | F06080499 | |

- 45 - L. 1800
- 19 - L. 1000
- 15 - L. 800
- 10 - L. 1260

| | Pos. |
|----------|------|
| Z10 | 38 |
| Z15 | 39 |
| Z16 | 40 |
| Z23 | 41 |
| Z23 r.l. | 42 |
| Z25 | 43 |
| Z30 | 44 |

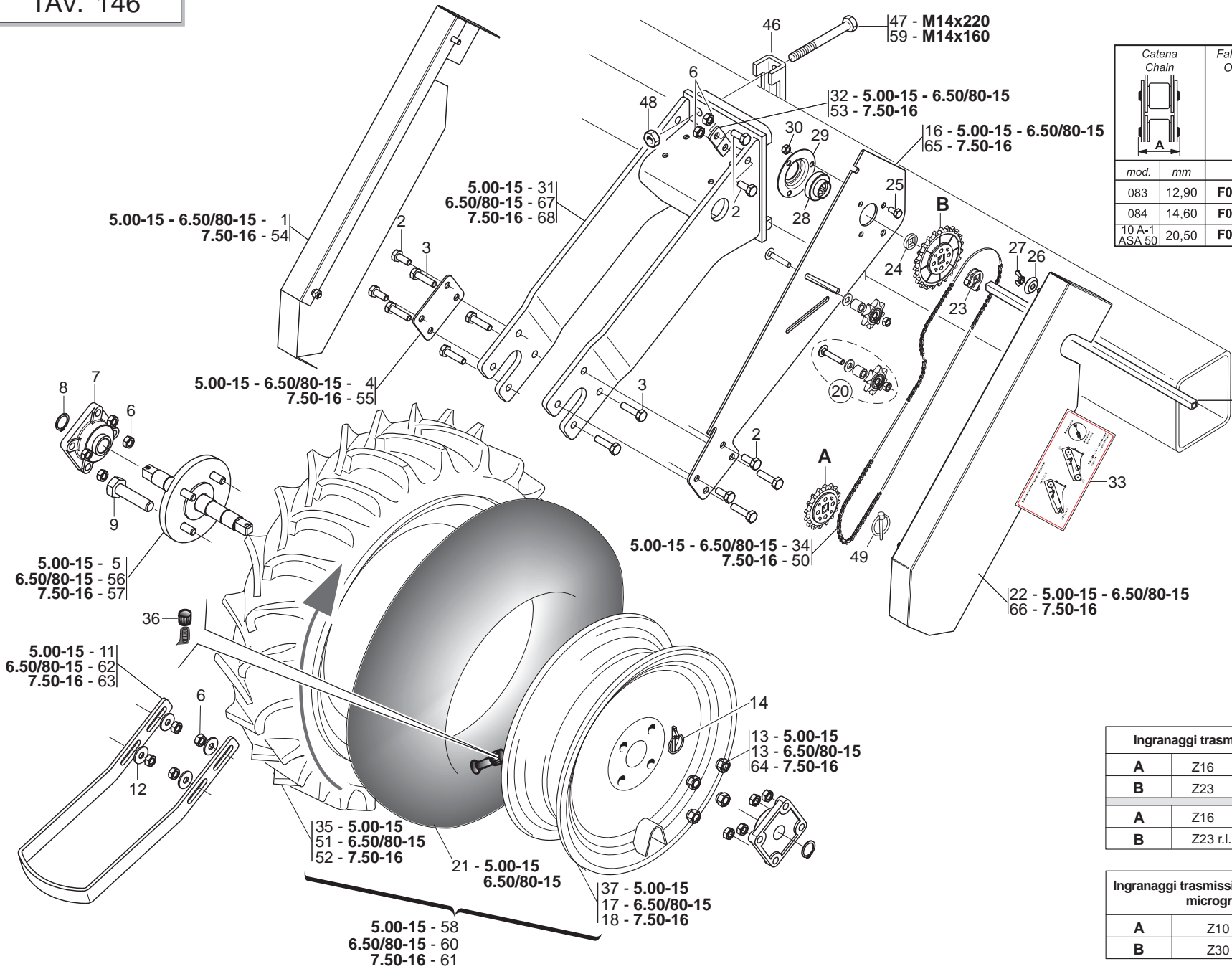
| Ingranaggi trasmissione seminatori | | | |
|------------------------------------|----------|----------|----------|
| A | Z16 | Z23 | Z23 |
| B | Z23 | Z16 | Z23 |
| A | Z16 | Z23 r.l. | Z23 |
| B | Z23 r.l. | Z16 | Z23 r.l. |

| Ingranaggi trasmissione spandiconcime e microgranulatore | | |
|--|-----|-----|
| A | Z10 | Z15 |
| B | Z30 | Z25 |

RUOTE DI TRASMISSIONE

TAV. 146

| Pos. | Cod. | Descrizione | Description | Description | Benennung | Descrpcion |
|------|-----------|--------------------------------|--------------------------------|--------------------------------|--------------------------------|--------------------------------|
| 1 | G16630361 | CARTER SX | CARTER SX | | | |
| 2 | F01020472 | VITE M10X1,5X25 U5739 8.8 ZN | BOLT 10X25 5739 8.G GALVANIZED | VIS 10X25 5739 8.G ZN | SCHRAUBE 10X25 5739 8.G ZN | TORNILLO 10X25 5739 8.G ZN |
| 3 | F01020483 | VITE M10X1,5X40 U5739 10.9 ZD | SCREW M10X1,5X40 U5739 10.9 ZD | VIS M10X1,5X40 U5739 10.9 ZD | SCHRA.M10X1,5X40 U5739 10.9 ZD | TORN. M10X1,5X40 U5739 10.9 ZD |
| 4 | G16630380 | SCONTRIO 100X 70- 3 4F11 70X40 | STRIKER PLATE 100X70-3 4F | BUTEE 100X70-3 4F | ANSCHLAG 100X70-3 4F | ELEMENTO DE EMPALME 100X70-3 4 |
| 5 | G22270280 | ASSE RUOTA TRASM.NORMALE SP/S | NORMAL DRIVE WHEEL AXLE | AXE ROUE ENTRAINEMENT 5.00-15 | RADACHSE NORMALER ANTRIEB SP/S | EJE RUEDA TRANS. NORMAL SP/S |
| 6 | F01200270 | DADO M10X 1,5 U5588 6.8 ZN | NUT M10X 1,5 U5588 6.8 ZN | ECROU M10X 1,5 U5588 6.8 ZN | MUTTER M10X 1,5 U5588 6.8 ZN | TUERCA M10X 1,5 U5588 6.8 ZN |
| 7 | F04100137 | SUPPORTO FY 25 TF | SUPPORT FY 25 TF | | | |
| 8 | F02050101 | ANELLO E. DE 25X 1,2 U7435 C70 | SEEGER RING E. 25X1,2 7435 C70 | SEEGER E. 25X 1,2 U7435 C70 | SEEGERING E. 25X 1,2 U7435 C70 | ANILLO E. 25X 1,2 U7435 C70 |
| 9 | F01010365 | VITE M18X1,5X 50 U5740 8.8 ZN | BOLT 18X55 MB 5740 8.G ZN | VIS 18X55 MB 5740 8.G ZN | SCHRAUBE 18X55 MB 5740 8.G ZN | TORNILLO 18X55 MB 5740 8.G ZN |
| 10 | G22270049 | ASSE 4F.85-6F.50 L.1260 | ASSE 4F.85-6F.50 L.1260 | 4-ROW SPINDLE - 85-6-ROW-50 L. | ACHSE 4 REIHEN 85-6 REIH. 50 | EJE 4 FILAS. 85-6 FILAS. 50 L. |
| 11 | G15430090 | RASCHIATERRA | SOIL SCRAPER | RACLEUR | ERDSCHABER | RASCADOR TIERRA |
| 12 | F01420060 | ROS.M10 10,5X 30X2,5 U6593 ZN | WASHER 10,5X30 | RONDELLE 10,5X30 | SCHIBE 10,5X30 | ARANDELA 10,5X30 |
| 13 | F01250040 | DADO COLON. 12X1.5 ZN | COLUMN NUT M12X1.5 STUD BOLT | ECROU M12X1. 5 COLONNE | SCHRAUBBOLZENMUTTER M12X1.5 | TUERCA 12X1.5 COLUMNA |
| 14 | F02200452 | SPINA SCATTO D.4,4 B/80 ZN | SNAP PIN D4,4 B/80 ZN | FICHE A DETENTE D4,4 B/80 ZN | EINRASTSTIFT D4,4 B/80 ZN | CLAVIJA DE MUELLE D4,4 B/80 ZN |
| 15 | G22230142 | ASSE 4 FILE L.800 | 4-ROW SPINDLE L.800 | AXE 4 RANGEES L. 800 | ACHSE 4 REIHEN B. 800 | EJE 4 FILAS L.800 |
| 16 | G16630311 | SUPPORTO TRASMISSIONE SP540 | TRASM.SUPPORT SP541 | | | |
| 17 | F06120207 | CERCHIO 5J 15 H2 PV RAL 9001 | RIM 5J 15 H2 PV RAL 9001 | | | |
| 18 | F06120208 | CERCHIO 7.50-16 PV TU | RING 7.50-16 PV TU | JANTE 7.50-16 PV TU | REIFEN 7.50-16 PV TU | LLANTA 7.50-16 PV TU |
| 19 | G22230138 | ASSE CAMBIO 4F.80-6F.45 L.1000 | GEAR SPINDLE 4-ROW 80- 6-ROW.4 | AXE BOITE DE VITESSE 4 RA | GETRIEBEACHSE 4 R. 80-6 R.45 L | EJE CAMBIO 4 FILAS. 80-6 FILAS |
| 20 | G16630810 | KIT INGR.Z8 5/8"X3/8" CUSC. | GEARS KIT Z8 5/8"X3/8" | | | |
| 21 | F06120134 | CAMERA X R5.00-15 E 6.5/80-15 | INNER TUBE R5.00-15 6.5/80-15 | CHAMBRE R5.00-15 6.5/80-15 | KAMMER R5.00-15 6.5/80-15 | CAMARA R5.00-15 6.5/80-15 |
| 22 | G16630351 | CARTER DX | RIGHT CARTER | | | |
| 23 | G22505085 | FERMO ASSE IN LAMIERA | PLATE AXLE STOP | ARRET AXE EN TOLE | FESTSTELLVORRICHTUNG BLECHACHS | BLOQUEO EJE DE CHAPA |
| 24 | G66248218 | RONDELLA DISTAN.SPANDI | MAN. SPR. SPACER WASHER | RONDELLE ENTRETOISE EP. ENGRAI | ABSTANDSCHEIBE DsNGERSTREUER | ARANDELA DISTAN.ABONAD. |
| 25 | F01020432 | VITE M 8X1,25X16 U5739 8.8 ZN | BOLT M8X 1.25X16 U5739 8.8 ZN | VIS M 8X16 | SCHRAUBE M 8X16 | TORNILLO M 8X16 |
| 26 | G22220083 | RONDELLA AD IMBOCCO | LEAD-IN WASHER | RONDELLE EMBOUTIE | TRICHTERSCHEIBE | ARANDELA DE MUESCA |
| 27 | F01240024 | DADO M 8X1,25 U5448 5.8 ZN | NUT 8 UNI 5448 5.8 ZN | ECROU 8 UNI 5448 5.8 ZN | MUTTER 8 UNI 5448 5.8 ZN | TUERCA 8 UNI 5448 5.8 ZN |
| 28 | G14830390 | CUSCINETTO FORO QUADRO | SQUARE-HOLED BEARING | ROULEMENT AL+SAGE CARR+ | VIERKANTLAGER | COJINETE ORIFICIO CUADRADO |
| 29 | G22230094 | BEARING SUPPORT | BEARING SUPPORT | SUPPORT PALIER | LAGERBsCHSE | SOPORTE COJINETE |
| 30 | F01220022 | DADO M 8X1,25 D980 8 ZN | NUT M8X 1,25 D980 8 ZN | ECROU M8X 1,25 D980 8 ZN | MUTTER M8X 1,25 D980 8 ZN | TUERCA M8X 1,25 D980 8 ZN |
| 31 | G16630290 | SUPPORTO RUOTA 5,00-15 | WHEEL SUPPORT 5,00-15 | SUPPORT ROUE 5,00-15 | RADLAGER 5,00-15 | SOPORTE RUEDA 5,00-15 |
| 32 | G16630320 | ATTACCO AL SUPPORTO RUOTA ZN | CONEXIN SOP. RUEDECILLA | | | |
| 33 | G19704690 | DECAL.DISP.CATENE/INGR.R.POST. | | | | |
| 34 | F06080168 | CATENA 5/8 ASA 50 L 86 MAGLIE | CHAIN 5/8 ISO 10B 86 SHACKLE | CHAINE ISO 10B-1 86 MAILLES | | |
| 35 | F06120170 | COPERTURA 5.00-15 IM 110 6PR | TYRE 500-15 IM110 4PR | COUVERTURE 500-15 IM110 4PR | MANTEL 500-15 IM110 4PR | CUBIERTA 500-15 IM110 4PR |
| 36 | F05050025 | CAPPELOTTO PROTEZ. X VALV.PVC | PROTECTION CAP PVC X VALVA | CAPUCHON PROTECION PVC X VALVA | SCHUTZKAPPE PVC X VENTIL | TAPA PROTECION PVC X VALVA |
| 37 | F06120206 | CERCHIO 3.00 D 15 PV RAL 9001 | RIM 3.00 D 15 PV RAL 9002 | | | |
| 38 | G22220113 | INGRANAGGIO Z-10 FERRO | GEAR Z-10 IRON | ENGRENAGE Z-10 FER | ZAHNRAD Z-10 EISEN | ENGRANAJE Z-10 HIERRO |
| 39 | G16630390 | PIGNONE Z15 5/8-3/8 Q.16,4 ZN | PINION Z-15 ZN | PIGNON Z-15 ZN | RITZE Z-15 ZN | PINION Z-15 ZN |
| 40 | G16630400 | PIGNONE Z-16 ZN. | PINION Z-16 ZN. | PIGNON Z-16 ZN. | RITZE Z-16 ZN. | PINION Z-16 ZN. |
| 41 | G16630410 | PIGNONE Z-23 ZN. | PINION Z-23 ZN. | PIGNON Z-23 ZN. | RITZE Z-23 ZN. | PINION Z-23 ZN. |
| 42 | G16630370 | INGRANAGGIO R.LIB. Z-23 CSK25 | FREE WHEEL GEAR Z-23 CSK25 | ENGRENAGE Z23 ROUE LIBRE CSK25 | ZAHNRAD FREILAUF Z-23 CSK25 | ENGRANAJE R.LIBRE Z-23 CSK25 |
| 43 | G16630420 | PIGNONE Z-25 ZN. | PINION Z-25 ZN. | PIGNON Z-25 ZN. | RITZE Z-25 ZN. | PINION Z-25 ZN. |
| 44 | G16630430 | PIGNONE Z-30 ZN. | PINION Z-30 ZN. | PIGNON Z-30 ZN. | RITZE Z-30 ZN. | PINION Z-30 ZN. |
| 45 | G20870028 | ASSE SERB.LATO TRAS.6F.L.1800 | AXLE- GEARBOX SIDE- 6-ROW L.18 | AXE RESERVOIR COTE ENTRAINEMEN | ACHSE BEHZLTER ANTRIEBSS. 6F.L | EJE DEPS. LADO TRANS. 6 FILA A |
| 46 | G15110091 | SCONTRIO A U SP.8 2F15 165 | STRIKER | BRIDE 150 MM | ANSCHLAG | ELEMENTO DE EMPALME |
| 47 | F01020236 | VITE M14X2X220 U5737 8.8 BR | BOLT M14X2X220 U5737 8.8 BR | VIS M14X2X220 U5737 8.8 BR | SCHRAUBE M14X2X220 U5737 8.8 | TORNILLO M14X2X220 U5737 8.8 |
| 48 | F01200306 | DADO M14X 2 U5588 6.8 ZN | NUT M14X2 | ECROU M14X2 | MUTTER M14X2 | DADO M14X2 |
| 49 | F02200452 | SPINA SCATTO D.4,4 B/80 ZN | SNAP PIN D4,4 B/80 ZN | FICHE A DETENTE D4,4 B/80 ZN | EINRASTSTIFT D4,4 B/80 ZN | CLAVIJA DE MUELLE D4,4 B/80 ZN |
| 50 | F06080245 | CATENA 5/8 ASA 50 L 94 MAGLIE | CHAIN 5/8 ISO 10B 94 SHACKLE | CHAINE 5/8 ISO 10B 94 MAILLES | | |
| 51 | F06120180 | COPERTURA 6.5/80-15 IM 110 6PR | TYRE 6.5/80-15 IM 110 6PR | | | |
| 52 | F06120400 | COPERTURA 7.50-16 IM110 8PR TU | TYRE 7.50-16 IM110 8PR TU | | | |
| 53 | G15231330 | ATTACCO AL SUPPORTO RUOTA ZN | SUPP. WHEEL COUPLING | FIXATION SUPPORT ROUET | KUPPLUNG HALT. KL. RAD | CONEXIN SOP. RUEDECILLA |
| 54 | G15231321 | CARTER SX 7.50 | CARTER LEFT 7.50 | | | |
| 55 | G22270284 | ATTACCO RASCHIATERRA SP/S | SOIL SCRAPER COUPLING SP/S | FIXATION RACLEUR SP/S | KUPPLUNG ERDABSCHABER SP/S | CONEXIN RASPADOR SP/S O |



| Catena Chain | | Falsa maglia Offset link | | Maglia giunto Connecting link | |
|------------------|-------|--------------------------|--|-------------------------------|--|
| | | | | | |
| mod. | mm | Cod. | | Cod. | |
| 083 | 12,90 | F06080655 | | F06080501 | |
| 084 | 14,60 | F06080666 | | F06080502 | |
| 10 A-1 ASA 50 | 20,50 | F06080644 | | F06080499 | |

- 45 - L. 1800
- 19 - L. 1000
- 15 - L. 800
- 10 - L. 1260

| | Pos. |
|----------|------|
| Z10 | 38 |
| Z15 | 39 |
| Z16 | 40 |
| Z23 | 41 |
| Z23 r.l. | 42 |
| Z25 | 43 |
| Z30 | 44 |

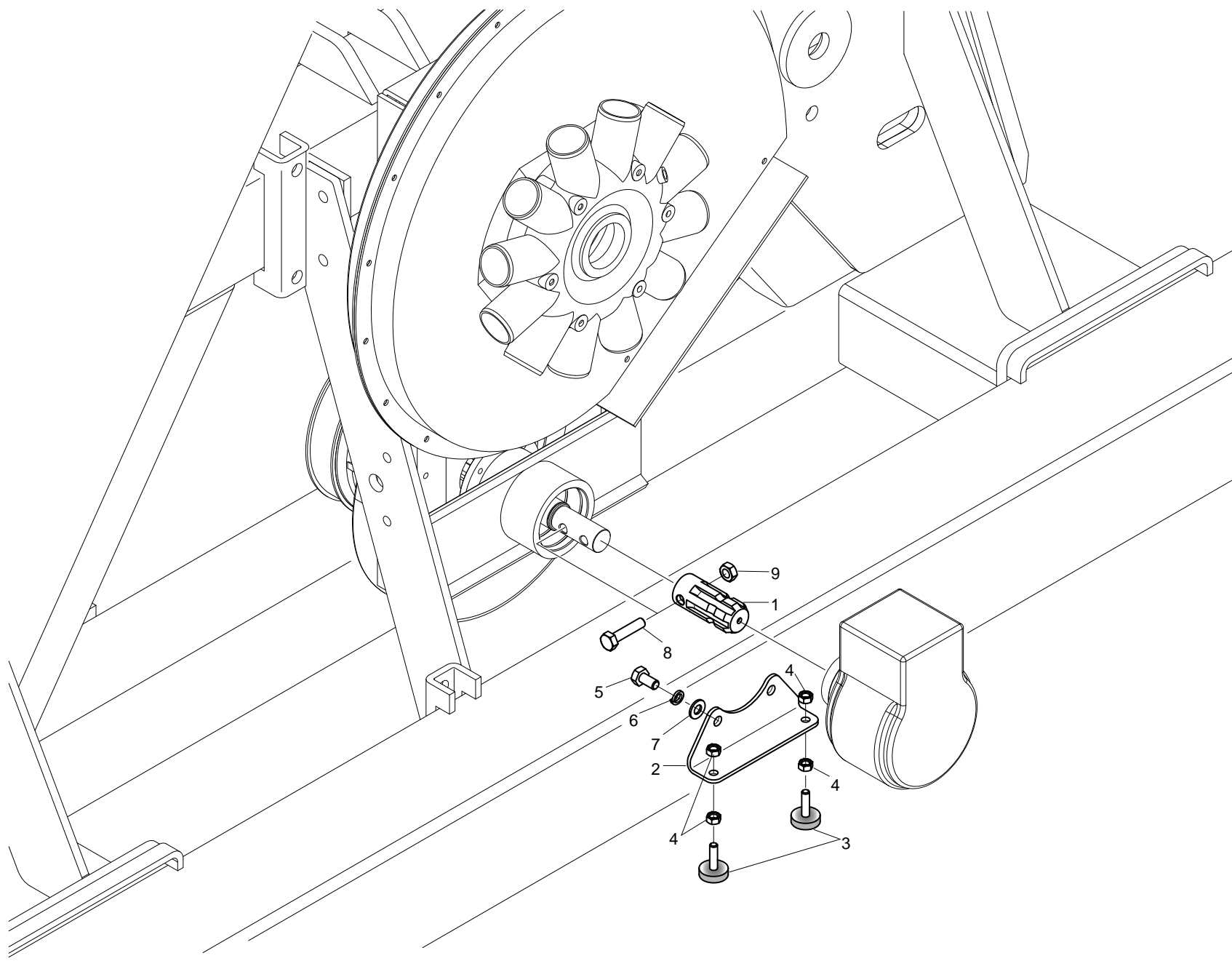
| Ingranaggi trasmissione seminatori | | | |
|------------------------------------|----------|----------|----------|
| A | Z16 | Z23 | Z23 |
| B | Z23 | Z16 | Z23 |
| A | Z16 | Z23 r.l. | Z23 |
| B | Z23 r.l. | Z16 | Z23 r.l. |

| Ingranaggi trasmissione spandiconcime e microgranulatore | | |
|--|-----|-----|
| A | Z10 | Z15 |
| B | Z30 | Z25 |

RUOTE DI TRASMISSIONE

TAV. 146

| Pos. | Cod. | Descrizione | Description | Description | Benennung | Descripcion |
|------|-----------|--------------------------------|-------------------------------|-------------------------------|--------------------------------|--------------------------------|
| 56 | G22270281 | ASSE RUOTA TRASM.MAGG. SP/S | INCREASED DRIVE WHEEL AXLE | AXE ROUE ENTRAINEMENT 6.50-15 | RADACHSE sBERBEM. ANTRIEB SP/S | EJE RUEDA TRANS. SOBREDIMENS. |
| 57 | G15231162 | ASSE RUOTA 7,50X16 | ASS. AXIS WHEEL 7,50X16 | | | |
| 58 | F06120113 | RUOTA COMPL.5.00-15 6PR DX | COMPL. WHEEL 5.00-15 6PR RH. | ROUE COMPL. 5.00-15 6PR DRT. | RAD KOMPL.5.00-15 6PR RE | RUEDA COMPL.5.00-15 6PR DER. |
| 59 | F01020225 | VITE M14X2X160 U5737 8,8 BR | BOLT M 14 X160 5737 8.G | VIS M 14 X160 5737 8.G | SCHRAUBE M 14 X160 5737 8.G | TORNILLO M 14 X160 5737 8.G |
| 60 | F06120116 | RUOTA 6.50/80-15 COMPL. | COMPLETE WHEEL 6.50/80-15 | | | |
| 61 | F06120069 | RUOTA 7.50-16 AG 10 | WHEEL 7.50-16 AG10 | ROUE 7.50-16 AG10 | RAD 7.50-16 AG10 | RUEDA 7.50-16 AG10 |
| 62 | G15430660 | RASCHIATERRA MAGGIORATO SP 530 | INCREASED SOIL-SCRAPER SP 530 | RACLEUR MAJOR. SP 530 | sBERGROSSER ERDSCHABER SP 530 | RASCADOR TIERRA OBREDIMENS. SP |
| 63 | G15231171 | RASCHIATERRA RUOTA 7,50X16 | WHEEL SOIL SCRAPER 7,50X16 | RACLEUR ROUE 7,50X16 | ERDSCHABER RAD 7,50X16 | RASCADOR TIERRA RUEDA 7,50X16 |
| 64 | F01250052 | DADO COLON. 18X1,5 ZN | COLUMN NUT M18X1,5 ZN | ECROU M18X1,5 COLONNE ZN | MUTTER COLON. M18X1,5 ZN | TUERCA M18X1,5 COLUMNA ZN |
| 65 | G15231421 | SUPPORTO TRASMISSIONE R.7.5-16 | TRANSMSUPPORT 7,50X16 | SUPPORT ENTRAINEMENT 7,50X16 | HALTERUNG GETRIEBE 7,50X16 | SOPORTE TRANSMISIN 7,50X16 |
| 66 | G15231301 | CARTER DX 7.50 | CARTER DX 7.50 | | | |
| 67 | G16630300 | SUPPORTO RUOTA 6,50/80-15 | WHEEL SUPPORT 6,50/80-15 | SUPPORT ROUE 6,50/80-15 | RADLAGER 6,50/80-15 | SOPORTE RUEDA 6,50/80-15 |
| 68 | G15231141 | SUPPORTO RUOTA 7.50 | WHEEL SUPPORT 7.50 | SUPPORT ROUE 7.50 | RADLAGER 7.50 | SOPORTE RUEDA 7.50 |

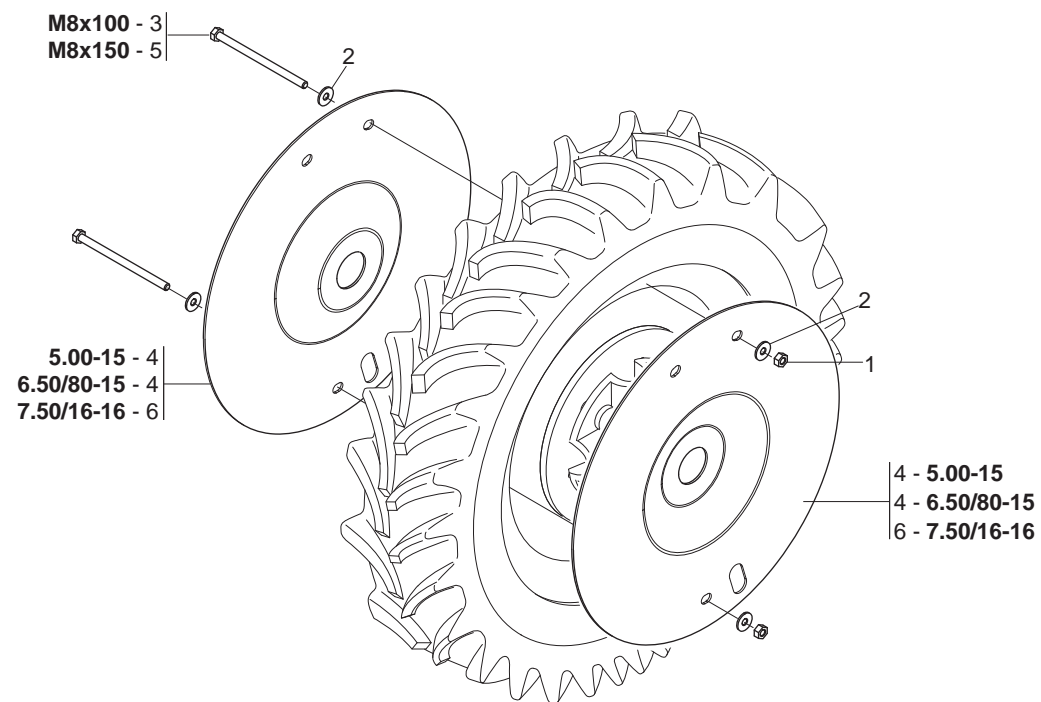


PRESA DI POTENZA POSTERIORE

TAV. 212

| Pos. | Cod. | Descrizione | Description | Description | Benennung | Descripcion |
|------|-----------|-------------------------------|-------------------------------|--------------------------------|--------------------------------|-------------------------------|
| 1 | G14218970 | PROLUNGA PRESA DI FORZA POST. | PTO EXTENSION POST. | | | |
| 2 | G14218960 | SUPPORTO MOLTIPLICATORE | OVERGEAR SUPPORT | SUPPORT MULTIPLICATEUR | HALTERUNG_BERSETZER | SOPORTE MULTIPLICADOR |
| 3 | G16242560 | PARACOLPI 30X8 M8X30 | BUFFER 30X8 M8X30 | PARE-CHOCS 30X8 M8X30 | STOSSDZMPFER 30X8 M8X30 | PARAGOLPES 30X8 M8X30 |
| 4 | F01200244 | DADO M 8X1,25 U5588 6.8 ZN | NUT M8 X1,25 U5588 6.8 ZN | ECROU M8 X1,25 U5588 6.8 ZN | MUTTER M8 X1,25 U5588 6.8 ZN | TUERCA M8 X1,25 U5588 6.8 ZN |
| 5 | F01020470 | VITE M10X1,5X20 U5739 8.8 ZN | BOLT M10X1,5X20 U5739 8.8 ZN | VIS M 10X20 | SCHRAUBE M 10X20 | TORNILLO M 10X20 |
| 6 | F01480220 | RONDELLA D10 UNI 1751 ZN | WASHER D10 UNI 1751 ZN | RONDELLE D10 UNI 1751 ZN | UNTERLEGSCHEIBE D10 UNI 1751 Z | ARANDELA D10 UNI 1751 ZN |
| 7 | F01410064 | ROS.M10 10,5X 20X 2 U6592 ZN | WASHER M10 10,5X20X2 U6592 ZN | RONDELL.M10 10,5X20X2 U6592 ZN | SCHEIBE M10 10,5X20X2 U6592 ZN | ARAND. M10 10,5X20X2 U6592 ZN |
| 8 | F01020112 | VITE M10X1,5X45 U5737 8.8 ZN | BOLT M10X1,5X45 U5737 8.8 ZN | VIS M 10X45 | SCHRAUBE M 10X45 | TORNILLO M 10X45 |
| 9 | F01220033 | DADO M10X 1,5 D980 8 ZN | NUT M10X 1,5 D980 8 ZN | ECROU M10X 1,5 D980 8 ZN | MUTTER M10X 1,5 D980 8 ZN | TUERCA M10X 1,5 D980 8 ZN |

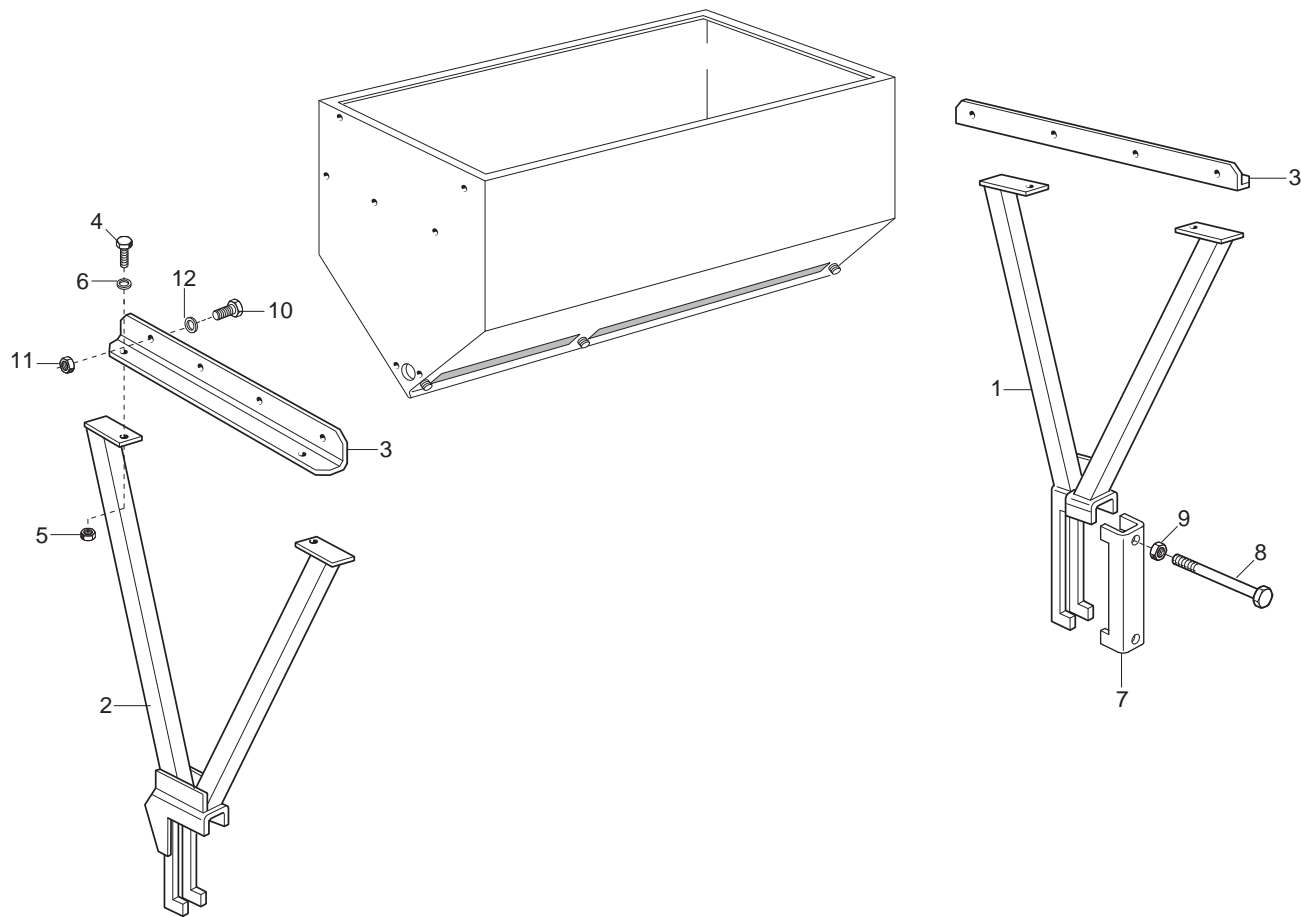
5.00-15 / 6.50/80-15 / 7.50/16-16



KIT RUOTE PER TERRENI SASSOSI - FLANGIATURA RUOTE

TAV. 265

| Pos. | Cod. | Descrizione | Description | Description | Benennung | Descripcion |
|------|-----------|-------------------------------|--------------------------------|--------------------------------|--------------------------------|--------------------------------|
| 1 | F01220022 | DADO M 8X1,25 D980 8 ZN | NUT M8X 1,25 D980 8 ZN | ECROU M8X 1,25 D980 8 ZN | MUTTER M8X 1,25 D980 8 ZN | TUERCA M8X 1,25 D980 8 ZN |
| 2 | F01420048 | ROS.M8 8,4X 24X 2 U6593 ZN | WASHER M8 8,4X 24X 2 U6593 ZN | RONDELLE M8 8,4X 24X2 U6593 ZN | SCHEIBE M8 8,4X 24X 2 U6593 ZN | ARANDELA M8 8,4X 24X2 U6593 ZN |
| 3 | F01020090 | VITE M8X1,25X100 U5737 8.8 ZN | BOLT 8 X100 5737 8.G GALVANIZ. | VIS 8 X100 5737 8.G ZN | SCHRAUBE 8 X100 5737 8.G ZN | TORNILLO 8 X100 5737 8.G ZN |
| 4 | G14830221 | DISCO PROTEZIONE SASSI | DISK PROTECTIONS SASSI | | | |
| 5 | F01020097 | VITE M8X1,25X150 U5737 8.8 ZN | BOLT 8X150 5737 8.G GALVANIZ. | VIS 8 X150 5737 8.G ZN | SCHRAUBE 8 X150 5737 8.G ZN | TORNILLO 8 X150 5737 8.G ZN |
| 6 | G15231910 | DISCO PROTEZIONE SASSI R7.50 | STONE GUARD DISK R7.50 | | | |



SUPPORTI SERBATOI SPANDICONCIME

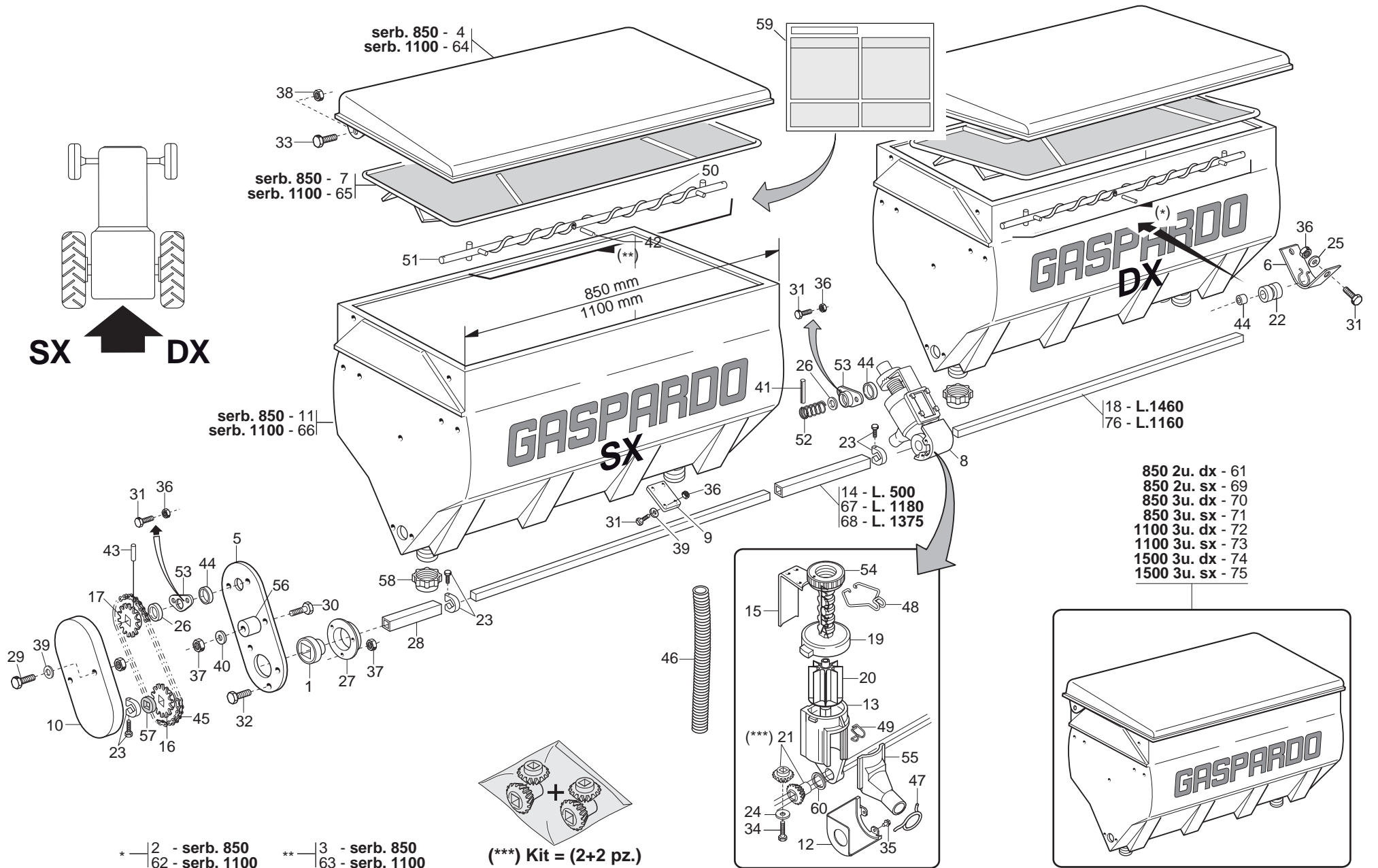
TAV. 152

| Pos. | Cod. | Descrizione | Description | Description | Benennung | Descripcion |
|------|-----------|-------------------------------|--------------------------------|--------------------------------|--------------------------------|------------------------------|
| 1 | G14276051 | SUPPORTO SPANDICONCIME DX | FERTILIZER SPREADER SUPPORT R. | SUPPORT +PANDEUR D'ENGRAIS DRO | HALTERUNG D_NGERSTREUER RE | SOPORTE ABONADORA DCHA |
| 2 | G14276061 | SUPPORTO SPANDICONCIME SX | FERTILIZER SPREADER SUPPORT L. | SUPPORT +PANDEUR D'ENGRAIS GAU | HALTERUNG D_NGERSTREUER LI | SOPORTE ABONADORA IZQDA |
| 3 | G14276071 | SUPPORTO SPANDICONCIME | FERTILIZER SPREADER SUPPORT | SUPPORT +PANDEUR D'ENGRAIS | HALTERUNG D_NGERSTREUER | SOPORTE ABONADORA |
| 4 | F01020472 | VITE M10X1,5X25 U5739 8.8 ZN | BOLT 10X25 5739 8.G GALVANIZED | VIS 10X25 5739 8.G ZN | SCHRAUBE 10X25 5739 8.G ZN | TORNILLO 10X25 5739 8.G ZN |
| 5 | F01200270 | DADO M10X 1,5 U5588 6.8 ZN | NUT M10X 1,5 U5588 6.8 ZN | ECROU M10X 1,5 U5588 6.8 ZN | MUTTER M10X 1,5 U5588 6.8 ZN | TUERCA M10X 1,5 U5588 6.8 ZN |
| 6 | F01420060 | ROS.M10 10,5X 30X2,5 U6593 ZN | WASHER 10,5X30 | RONDELLE 10,5X30 | SCHEIBE 10,5X30 | ARANDELA 10,5X30 |
| 7 | G15110091 | SCONTRO A U SP.8 2F15 165 | STRIKER | BRIDE 150 MM | ANSCHLAG | ELEMENTO DE EMPALME |
| 8 | F01020225 | VITE M14X2X160 U5737 8.8 BR | BOLT M 14 X160 5737 8.G | VIS M 14 X160 5737 8.G | SCHRAUBE M 14 X160 5737 8.G | TORNILLO M 14 X160 5737 8.G |
| 9 | F01200306 | DADO M14X 2 U5588 6.8 ZN | NUT M14X2 | ECROU M14X2 | MUTTER M14X2 | DADO M14X2 |
| 10 | F01020465 | VITE M10X1,5 X35 U5739 A2 IX | BOLT 10X35 5739 INOX A2 | VIS 10X35 5739 INOX A2 | SCHRAUBE 10X35 5739 INOX A2 | TORNILLO 10X35 5739 INOX A2 |
| 11 | F01200271 | DADO M10X 1,5 U5588 A2 IX | NUT 10 5588 6.8 INOX | ECROU 10 5588 6.8 INOX | MUTTER 10 5588 6.8 INOX | TUERCA 10 5588 6.8 INOX |
| 12 | F01420059 | ROS.M10 10,5X 30X2,5 U6593 IX | WASHER 11X30X2,5 6593 A2 | RONDELLE 11X30X2,5 6593 A2 | UNTERLEGSCHIEBE 11X30X2,5 6593 | ARANDELA 11X30X2,5 6593 A2 |

SERBATOI SPANDICONCIME

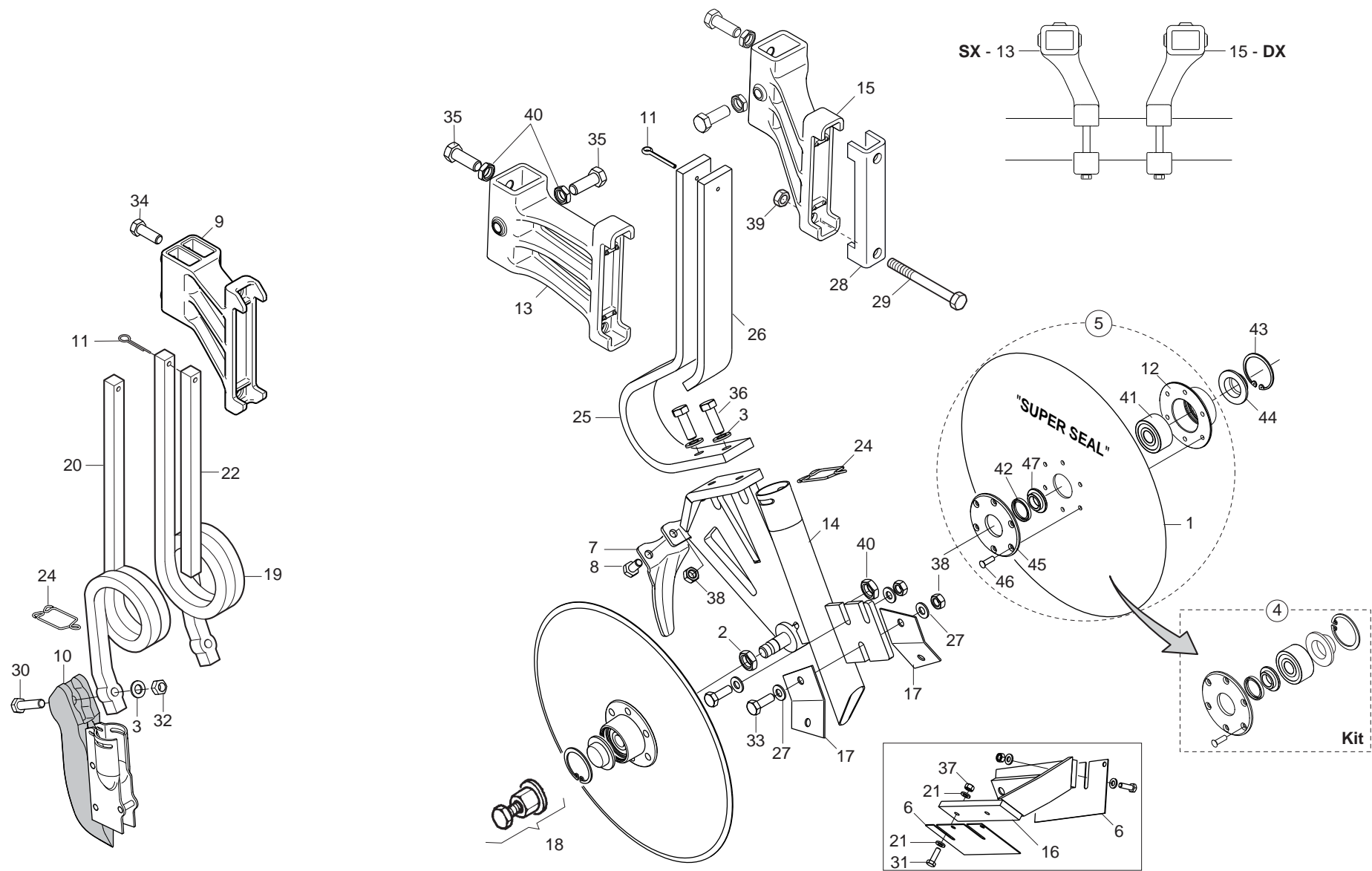
TAV. 165

| Pos. | Cod. | Descrizione | Description | Description | Benennung | Descripcion |
|------|-----------|--------------------------------|--------------------------------|--------------------------------|---------------------------------|--------------------------------|
| 1 | G14830390 | CUSCINETTO FORO QUADRO | SQUARE-HOLED BEARING | ROULEMENT AL+SAGE CARR+ | VIERKANTLAGER | COJINETE ORIFICIO CUADRADO |
| 2 | G20860121 | ASSE AGITAT.DX SERB.850 COMPL. | STIRRER SPINDLE- RIGHT 850 TAN | AXE AGITATEUR DRT. RESERVOIR 8 | SAMENMISCHERACHSE RE BEH.850 | EJE AGITAD. DER. DEPS.850 COMA |
| 3 | G20860122 | ASSE AGITAT.SX SERB.850 COMPL. | STIRRER SPINDLE- LEFT 850 TANK | AXE AGITATEUR GCH. RESERVOIR 8 | SAMENMISCHERACHSE LI BEH.850 | EJE AGITAD. IZQ. DEPS. 850 COA |
| 4 | G15470580 | COPERCHIO SERBATOIO 850 | TANK TOP 850 | COUVERCLE RESERVOIR 650 | BEHZLTERDECKEL 850 | TAPA DEPSITO 850 A |
| 5 | G15471930 | PROTEZIONE | GUARD | PROTECTION | SCHUTZ | PROTECCIN P |
| 6 | G15471990 | SUPPORTO COCLEA | SCREW SUPPORT | SUPPORT VIS ALIMENTATION | HALTERUNG SCHNECKE | SOPORTE CCLEA S |
| 7 | G15472760 | GRIGLIA SERBATOIO PLASTICA 850 | PLASTIC TANK GRID 850 | GRILLE RESERVOIR PLASTIQUE 850 | BEHZLTERGITTER PLAST.850 | REJILLA DEPSITO PLAST.850 G |
| 8 | G15472770 | DISTRIB.PER SPANDI.PLA.8 PALE | COMPL.PLAS.FERTIL.DISTR.8RIBS | MINIMAX COMPL.8C PLA | KOMPL.DOSIER.PLA.DÜNGERSTR.8S | DISTR.COMP.ABONO PLAST.8AL. |
| 9 | G15472780 | TAPPO SPANDI PLASTICA | PLASTIC FERT. SPREADER PLUG | BOUCHON EPAND. PLASTIQUE | PLASTIKPFROPFEN DsNGERSTR. | TAPN ABONADORA PLæSTICO D |
| 10 | G19002710 | PROTEZ.RINIVIO SPANDICONCIME | FERTILIZER TRANSM. PROTECTION | PROTECTION RENVOI FERTILISEUR | SCHUTZ VORGELEGE DUNGERSTREUER | PROTECCIN TRANSMISION ABONADO |
| 11 | G19004470 | SERBATOIO CONCIME 850 | FERTILIZER HOPPER 850 | TR+MIE ENGRAIS 850 | D_NGERTANK 850 | DEPÉSITO ABONO 850 |
| 12 | G19002850 | PROTEZIONE PIGNONE | PINION GUARD | PROTECTION PIGNON | RITZELSCHUTZ | PROTECCIN PIGNON PR |
| 13 | G19002920 | CORPO DISTRIBUTORE SPANDI PLA. | PLA. F.SPREADER DISTRIB.CASING | CORPS DISTRIBUTEUR EPAND. | VERTEILUNGSKTRPRER STREUER PLA. | CUERPO DIST. ABONADORA PLæS. |
| 14 | G20860012 | MANICOTTO DI UNIONE L.500 | JOINT SLEEVE L.500 | MANCHON DE RACCORD L. 500 | VERBINDUNGSMUFFE L.500 | MANGUITO DE UNIN L.500 M |
| 15 | G20860052 | REGOLATORE APERTURA | OPENING REGULATOR | REGULATEUR OUVERTURE | TFFNUNGSEINSTELLER | REGULADOR ABERTURA |
| 16 | G20860086 | INGRANAGGIO 1/2 Z-12 F.Q. | GEAR 1/2 Z-12 F.Q. | ENGRENAGE 1/2 Z-12 TROUS CARRE | ZAHNRAD 1/2 Z-12 F.Q. | ENGRANAJE 1/2 Z-12 F.Q. |
| 17 | G20860088 | INGRANAGGIO 1/2 Z-12 F.T. | GEAR 1/2 Z-12 F.T. | ENGRENAGE 1/2 Z-12 TROUS RONDS | ZAHNRAD 1/2 Z-12 F.T. | ENGRANAJE 1/2 Z-12 F.T. |
| 18 | G20860090 | ASSE SX 5F.60 L.1460 | AXLE- LEFT 5-R.60 L.1460 | AXE GCH. 5 RANGEES 60 L. 1460 | ACHSE LI 5R.F.60 L.1460 | EJE IZQ. 5 FILA. 60 L.1460 |
| 19 | G20860093 | VITE DI REGOL. | ADJUSTMENT BOLT | VIS DE REGLAGE | EINSTELLSCHRAUBE. | TORNILLO DE REGULACIN S |
| 20 | G20860106 | DOSATORE SPANDI 8 PALE COMPL. | FERT.METERING DEVICE ASS.8 GRO | ROTOR DOSEUR 8C FERTIL COMPL. | DOSIERER DUNGER.KOMPL. 8 SEKT | DOSIFICADOR ABONO COMP.8 SECT |
| 21 | G20860126 | KIT INGR DISTR CONCIME (2+2) | KIT- MAN. DISTR. GEARS (2+2) | COUPLE CON DISTR ENGRAIS (2+2) | KIT ZAHNRZDER DsNGERSTREUER | SET ENGRANAJES DISTRIB. ABONO |
| 22 | G19005040 | BOCCOLA ASSE AGITATORE SPANDI | FERT. SPREADER AXLE BUSH | DOUILLE AXE +PANDEUR | ACHSENBUCHSE STREUER | MANGUITO -RBOL ABONADORA |
| 23 | G22505085 | FERMO ASSE IN LAMIERA | PLATE AXLE STOP | ARRET AXE EN TOLE | FESTSTELLVORRICHTUNG BLECHACHS | BLOQUEO EJE DE CHAPA |
| 24 | G20970097 | RONDELLA 32X3X4,5 | WASHER 32X3X4-5 | RONDELLE 32X3X4-5 | UNTERLEGSCHIEBE 32X3X4-5 | ARANDELA 32X3X4-5 |
| 25 | G20970125 | RONDELLA 28X2,5X6,5 | WASHER 28X2,5X6-5 | RONDELLE 28X2-5X6-5 | UNTERLEGSCHIEBE 28X2-5X6-5 | ARANDELA 28X2-5X6-5 |
| 26 | G22220073 | RONDELLA 28X0,3X16,5 | WASHER 28X0-3X16-5 | RONDELLE 28X0-3X16-5 | UNTERLEGSCHIEBE 28X0-3X16-5 | ARANDELA 28X0-3X16-5 |
| 27 | G22230094 | BEARING SUPPORT | BEARING SUPPORT | SUPPORT PALIER | LAGERBSCHSE | SOPORTE COJINETE |
| 28 | G22250287 | MANICOTTO DISTANZIALE SV | SPACER SLEEVE SV | MANCHON ENTRETOISE SV | ABSTANDSMUFFE SV | MANGUITO DISTANCIADOR SV |
| 29 | F01020043 | VITE M6X1X60 U5737 8.8 ZN | SCREW M6X1X60 U5737 8.8 ZN | VIS M6X1X60 U5737 8.8 ZN | SCHRAUBE M6X1X60 U5737 8.8 ZN | TORNILLO M6X1X60 U5737 8.8 ZN |
| 30 | F01020068 | VITE M 8X1,25X40 U5737 8.8 ZN | BOLT M8X1,25X40 U5737 8.8 ZN | VIS M 8X1,25X40 U5737 8.8 ZN | SCHRA. M8X1,25X40 U5737 8.8 ZN | TORNIL.M8X1,25X40 U5737 8.8 ZN |
| 31 | F01020403 | VITE M6X1X16 U5739 8.8 ZN | BOLT M6X1X16 U5739 8.8 ZN | VIS M6X1X16 U5739 8.8 ZN | SCHRAUBE M6X1X16 U5739 8.8 ZN | TORNILLO M6X1X16 U5739 8.8 ZN |
| 32 | F01020432 | VITE M 8X1,25X16 U5739 8.8 ZN | BOLT M8X 1.25X16 U5739 8.8 ZN | VIS M 8X16 | SCHRAUBE M 8X16 | TORNILLO M 8X16 |
| 33 | F01020472 | VITE M10X1,5X25 U5739 8.8 ZN | BOLT 10X25 5739 8.G GALVANIZED | VIS 10X25 5739 8.G ZN | SCHRAUBE 10X25 5739 8.G ZN | TORNILLO 10X25 5739 8.G ZN |
| 34 | F01070075 | VITE M4,2X1,41X38 U6954 4.8 NI | BOLT 4-2X38 DIN 7981 | VIS 4-2X38 DIN 7981 | SCHRAUBE 4-2X38 DIN 7981 | TORNILLO 4-2X38 DIN 7981 |
| 35 | F01070011 | VITE M4,2X1,41X9,5 U6950 4.8NI | BOLT- SELF-TAPPING 4-2X9-5T.E. | VIS AUTOTAR. 4-2X9-5 T. E. COU | SELBSTSCHNEID. SCHRAUBE 4-2X9- | TORNILLO AUTORROSC. 4-2X9-5 |
| 36 | F01200232 | DADO M 6X 1 U5588 6.8 ZN | NUT 6 UNI 5588 6.8 GALVANIZED | ECROU 6 UNI 5588 6.8 ZN | MUTTER 6 UNI 5588 6.8 ZN | TUERCA 6 UNI 5588 6.8 ZN |
| 37 | F01200244 | DADO M 8X1,25 U5588 6.8 ZN | NUT M8 X1,25 U5588 6.8 ZN | ECROU M8 X1,25 U5588 6.8 ZN | MUTTER M8 X1,25 U5588 6.8 ZN | TUERCA M8 X1,25 U5588 6.8 ZN |
| 38 | F01220033 | DADO M10X 1,5 D980 8 ZN | NUT M10X 1,5 D980 8 ZN | ECROU M10X 1,5 D980 8 ZN | MUTTER M10X 1,5 D980 8 ZN | TUERCA M10X 1,5 D980 8 ZN |
| 39 | F01410037 | ROS.M6 6,4X12,5X1,6 U6592 ZN | PLANE WASHER D.6 | RONDELLE D.6 | SCHEIBE D.6 | ARANDELA D.6 |
| 40 | F01410051 | ROS.M8 8,4X 17X1,6 U6592 ZN | WASHER M8 8,4X17X1,6 U6592 ZN | RONDEL. M8 8,4X17X1,6 U6592 ZN | SCHEIBE M8 8,4X17X1,6 U6592 ZN | ARANDELA M8 8,4X17X1,6 U6592ZN |
| 41 | F02100079 | SPINA E.P. 5X 16 U6873 C70 BR | PIN EL. 5X 16 U6873 C70 BR | | | |
| 42 | F02100314 | SPINA EL.5 X36 DIN 1481 INOX | PIN EL.5 X36 DIN 1481 INOX | | | |
| 43 | F02100114 | SPINA E.P. 6X 30 U6873 C70 BR | ELASTIC PIN 6X30 | GOUJON ELASTIQUE 6X30 | SPANNHUELSE 6X30 | ESPINA ELASTICA 6X30 |
| 44 | F03011081 | GUARNIZIONI LABBRO DE100 | LIP GASKET D100 | | | |
| 45 | F06080196 | CATENA 1/2 ISO 083 32 MAGLIE | CUT-DOWN CHAIN .1/2 ISO 083 32 | TRONCON CHAINE 1/2 ISO 083 32 | KETTENLNZNGE 1/2 ISO 083 32 GL | TRECHO CADENA 1/2 ISO 083 32 |
| 46 | F03100500 | TUBO EOLO 35 PU | TUBE EOLO 35 PU | TUBE EOLO 35 PU | | TUBO EOLO |
| 47 | G65336025 | MOLLA SPEC.ZN STRINGIT.ASP.SP | SPEC SPRING ZN FAN . PIPE CLAM | RESSORT SPEC. ZN SERRE-TUBE AS | SPEZIALFEDER ZN RORHSCHELLE AB | MUELLE ESPEC. ZN APRIETA TUBOS |
| 48 | G65336055 | MOLLA SPEC.REGOL.SPAND. SP | SPEC SPRING MAN. SPR. ADJUSTM. | RESSORT SPEC. REGL. EP. ENTRA | SPEZIALFEDER STREUERINSTELLUN | MUELLE ESPEC. REGUL. ABONADORA |
| 49 | G65336062 | MOLLA SPEC.SCIV.DISTR.SPAND.SP | SPEC SPRING - MAN. SPR. DISTR. | RESS. SPEC. LANCOIR DISTR. EP. | SPEZ.FEDER RUTSCHE SZAPP. STRE | MUELLE ESPEC.PLANO INCL.DISTR. |
| 50 | G65336064 | MOLLA SPEC.COCLEA DX SPAND.HL | SPEC. WORM SCREW SPRING RIGHT | RESSORT SPEC. VIS DRT. EP. ENG | SPEZ.FEDER RE SCHNECKE STREUER | MUELLE ESPEC. TORN.S/F DER. AB |
| 51 | G65336065 | MOLLA SPEC.COCLEA SX SPAND.HL | SPEC. WORM SCREW SPRING LEFT M | RESSORT SPEC. VIS GCH. EP. ENG | SPEZ.FEDER LI SCHNECKE STREUER | MUELLE ESPEC. TORN.S/F IZQ. AB |
| 52 | G65338043 | MOLLA COMP.ZN SERB. M80 | ZN TANK COMP.SPRING M80 | RESSORT COMPL. ZN RESERVOIR M8 | DRUCKFEDER ZN BEHZLTER M80 | MUELLE COMP.ZN DEPS. M80 A |
| 53 | G66248121 | BOCCOLA CON FLANGIA M80 | BUSHING W/ FLANGE M80 | SUPPORT AVEC BRIDE M80 | BsCHSE MIT FLANSCH M80 | CASQUILLO CON BRIDA M80 |
| 54 | G66248125 | GHIERA REGOLAZIONE M80 | ADJUSTMENT KNURLED NUT M80 | BAGUE REGLAGE M80 | EINSTELLMUTTER M80 | CONTRATUERCA REGULACIN M80 G |
| 55 | G66248178 | SCIVOLO DISTR.SPAND. SP | CHUTE- MANURE-SPREADER DISTRIB | LANCOIR DISTRIBUTION EP. ENGR. | DsNGERSTREUER RUTSCHE SP | PLANO INCLINADO DISTR. ABON. S |



SERBATOI SPANDICONCIME
TAV. 165

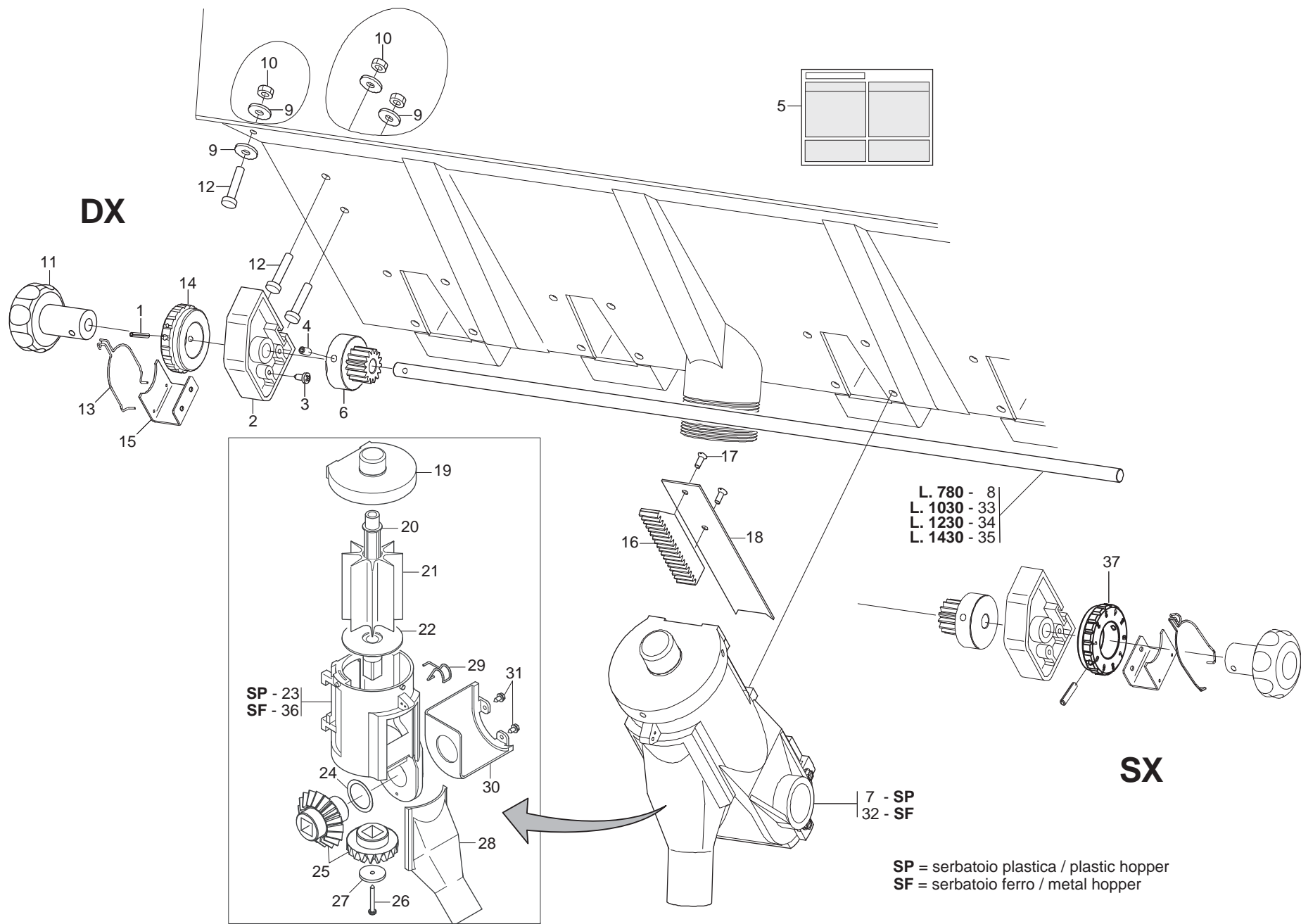
| Pos. | Cod. | Descrizione | Description | Description | Benennung | Descripcion |
|------|-----------|--------------------------------|--------------------------------|--------------------------------|--------------------------------|--------------------------------|
| 56 | G66248207 | TENDICATENA SPAND. SP-520 | CHAIN TENSIONER | TENDEUR DE CHAINE EPAND. ENGR. | KETTENSPELLER DsNGERSTR. SP-52 | SENSOR DE CADENA ABON. SP-520 |
| 57 | G66248218 | RONDELLA DISTAN.SPANDI | MAN. SPR. SPACER WASHER | RONDELLE ENTRETOISE EP. ENGRAI | ABSTANDSCHEIBE DsNGERSTREUER | ARANDELA DISTAN.ABONAD. |
| 58 | F03150757 | TAPPO FILETT.SERBAT.PLASTICA | SCREWED PLUG FOR PLASTIC TANK | | | |
| 59 | G19700822 | DECAL.TABELLA CONCIME SP540 | DECAL.FERTILIZER TABLE SP540 | | | |
| 60 | G18701500 | RONDELLA 29,5 X38 X0,3 IX | WASHER 29,5 X 38 X 0,3 | RONDELLE 29,5 X38 X0,3 | UNTERLEGSCHNEIBE 29,5X38X0,3 | ARANDELA 29,5 X38 X0,3 |
| 61 | G15472790 | SERBATOIO 850 PLA.2U DX | PLAS.FERT.TANK 850 2 OUT. RH | RESERV 850 PLA 2S COMPL DRT | BEHZLTER 850 PLAST. RE 2 AUSG. | DEPSITO 850 PLA.2 SAL. DER. B |
| 62 | G15271540 | ASSE AGITATORE DX 1100 | STIRRER SPINDLE-RIGHT 1100 TAN | AXE AGITATEUR DRT.RESERV.1100 | SAMENMISCHERACHSE RE BEH.1100 | EJE AGITAD.DER.DEPS.1100 COM A |
| 63 | G15271550 | ASSE AGITATORE SX 1100 | STIRRER SPINDLE- LEFT 1100 | AXE AGITATEUR GCH. 1100 | SAMENMISCHERACHSE LINKER 1100 | EJE AGITAD. IZQ. 1100 |
| 64 | G15471920 | COPERCHIO SERBATOIO L.1100 | TANK COVER L.1100 | COUVERCLE RESERVOIR L.1100 | BEHZLTERDECKEL L.1100 | TAPA DEPS.L.1100 A |
| 65 | G15473130 | GRIGLIA SERBATOIO 1100 PLAST. | PLASTIC TANK GRID 1100 | GRILLE RESERVOIR PLAST.1100 | BEHZLTERGITTER PLAST.1100 | REJILLA DEPSITO PLAST.1100 G |
| 66 | G19003060 | SERBATOIO 1100 PLASTICA | PLASTIC TANK 1100 | RESERVOIR 1100 PLASTIQUE | PLASTIKBEHZLTER 1100 | DEPSITO 1100 PLÆSTICA B |
| 67 | G20910045 | MANICOTTO UNIONE L.1180 | JOINT SLEEVE L.1180 | MANCHON RACCORD L. 1180 | VERBINDUNGSMUFFE L.1180 | MANGUITO DE UNIN L.1180 M |
| 68 | G20910044 | MANICOTTO UNIONE L.1375 | JOINT SLEEVE L.1375 | MANCHON RACCORD L. 1375 | VERBINDUNGSMUFFE L.1375 | MANGUITO DE UNIN L.1375 M |
| 69 | G15472800 | SERBATOIO 850 PLA.2U SX | PLAS.FERT.TANK 850 2 OUT. L | RESERV 850 PLA 2S COMPL GCH | BEHZLTER 850 PLAST. LI 2 AUSG. | DEPSITO 850 PLA.2 SAL. IZQ. B |
| 70 | G15472810 | SERBATOIO 850 PLA.3U DX | PLAS.FERT.TANK 850 3 OUT. RH | RESERV 850 PLA 3S COMPL DRT | BEHZLTER 850 PLAST. RE 3 AUSG. | DEPSITO 850 PLA.3 SAL. DER. B |
| 71 | G15472820 | SERBATOIO 850 PLA.3U SX | PLAS.FERT.TANK 850 3 OUT. LH | RESERV 850 PLA 3S COMPL GCH | BEHZLTER 850 PLAST. LI 3 AUSG. | DEPSITO 850 PLA.3 SAL. IZQ. B |
| 72 | G15272680 | SERBATOIO 1100 3U.DX PLA.COMP. | TANK ASSY.1100 RIGHT 3U | RESERV 1100 PLA 3S COMPL DRT | KOMPL. BEHZLTER 1100 RE 3AUSG | DEPS. COMPL.1100 DER. 3 SAL. B |
| 73 | G15272720 | SERBATOIO 1100 3U.SX PLA.COMP. | TANK ASSY. 1100 LEFT 3U | RESERV 1100 PLA 3S COMPL GCH | KOMPL. BEHZLTER 1100 LI 3AUSG | DEPS. COMPL.1100 IZQ. 3 SAL. B |
| 74 | G15471430 | SERBATOIO 1500 3U DX | TANK ASSY.1500 LEFT 3U | RESERV 1500 FER 3S COMPL DRT | KOMPL. BEHZLTER 500 LI 3U | DEPS. COMPL.500 IZQ. 3 SAL. B |
| 75 | G15471440 | SERBATOIO 1500 3U SX | TANK ASSY.1500 LEFT 3U | RESERV 1500 FER 3S COMPL DRT | KOMPL. BEHZLTER 1500 LI 3U | DEPS. COMPL.1500 IZQ. 3 SAL. B |
| 76 | G20860032 | ASSE RUOTA CAMBIO L.1160 | WHEEL AXLE - GEARBOX L.1160 | AXE ROUE BOITE DE VITESSE | GEBTRIEBERADACHSE L 1160 | EJE RUEDA CAMBIO L.1160 |



ELEMENTI DI CONCIMAZIONE

TAV. 176

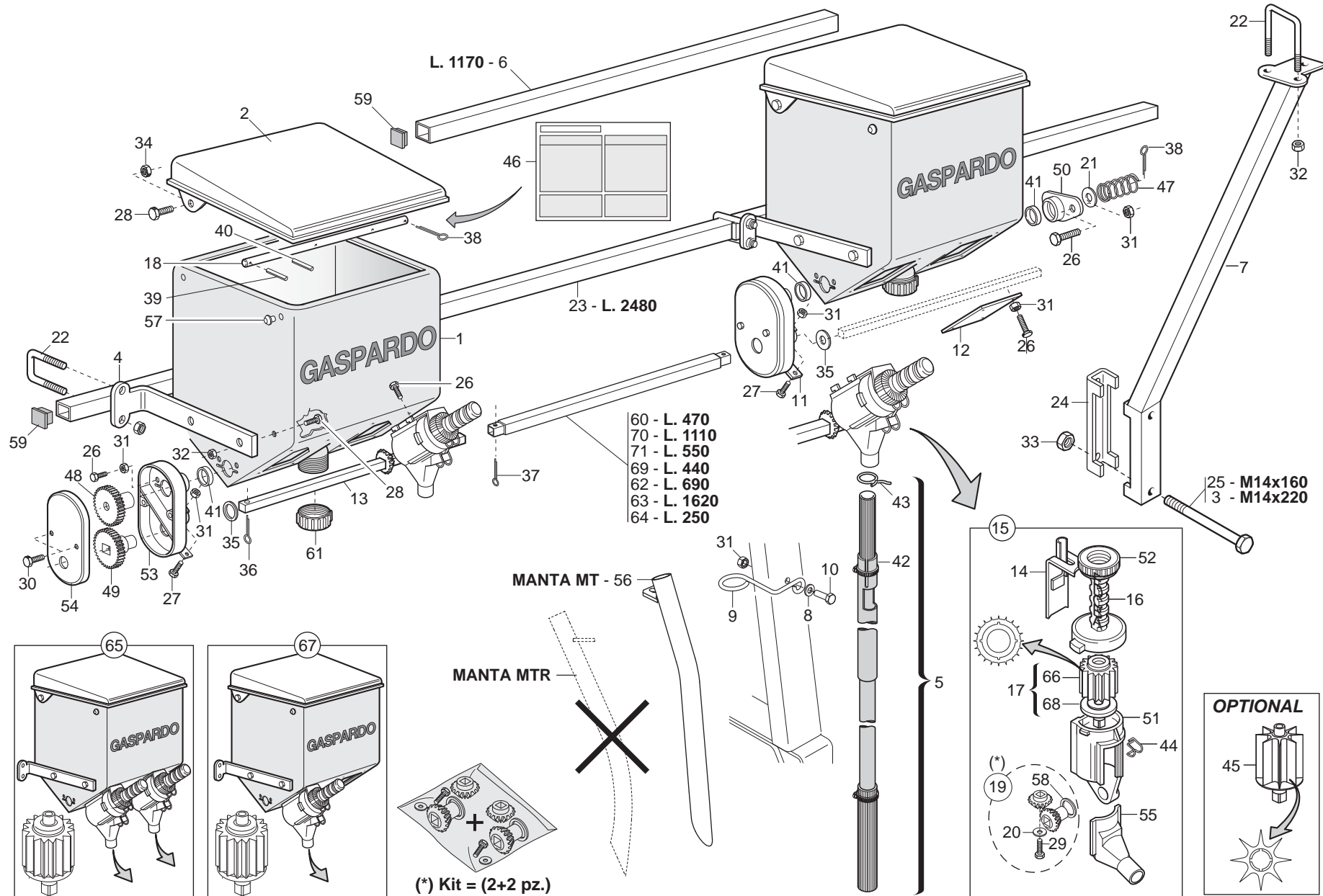
| Pos. | Cod. | Descrizione | Description | Description | Benennung | Descripcion |
|------|-----------|--------------------------------|--------------------------------|--------------------------------|---------------------------------|--------------------------------|
| 1 | G13825091 | DISCO ASSOLCATORE D.373 | FURROW OPENER DISK D.373 | DISQUE SOC D. 373 6 T.D.6 | SCHEIBE SZSCHARENREISSER D.373 | DISCO SURCADOR D.373 |
| 2 | G15220540 | DADO M16X1,5 SX ZN | NUT M16X1-5 LEFT | ECROU M16X1-5 GCH | MUTTER M16X1-5 LI | TUERCA M16X1-5 IZQ |
| 3 | F01410076 | ROS.M12 13X 24X2,5 U6592 ZN | WASHER D12 U6592 ZN | RONDELLE D12 U6592 ZN | SCHEIBE D12 U6592 ZN | ARANDELA D12 U6592 ZN |
| 4 | G15226600 | KIT X DISCO SUPER SEAL | SUPER-SEAL DISC KIT | | | |
| 5 | G15225500 | DISCO ASSOLC.PROTETTO COMPL. | FULLY PROTECTED DISC COULTER | | | |
| 6 | G15422231 | RASCHIATERRA DISCO | SCRAPER DISK | | | |
| 7 | G15225861 | PROTEZIONE DISCHI | DISK PROTECTION | | | |
| 8 | F01020470 | VITE M10X1,5X20 U5739 8.8 ZN | BOLT M10X1,5X20 U5739 8.8 ZN | VIS M 10X20 | SCHRAUBE M 10X20 | TORNILLO M 10X20 |
| 9 | G19203920 | SUPP.MOLLA QUADRA DOPPIA POS. | SQUARE SPRING SUPPORT | | | |
| 10 | G16670600 | FALCIONE ELEM.CONCIMAZ.QUADRA | SQUARE SPRING FERT COULTER | SOC +LEM. FERTILIS. RESSORT CA | S-SCHAR ELEM.D_NGUNG QUADR.FED | BOTA ELEM.ABONAD.MUELLE CUADRA |
| 11 | F02200229 | COPIGLIA 5X 45 U1336 ZN | SPLIT PIN 5X 45 U1336 ZN | GOUPILLE 5X 45 U1336 ZN | SPANNSTIFT 5X 45 U1336 ZN | PASADOR 5X 45 U1336 ZN |
| 12 | G15223651 | SUPPORTO CUSCINETTO DISCO | DISK BEARING SUPPORT | SUPPORT PALIER DISQUE | SCHEIBENLAGERBsCHSE | SOPORTE COJINETE DISCO |
| 13 | G19204130 | SUPP.SX MOLLA PIATTA | LEFT SUPPORT FLAT SPRING | | | |
| 14 | G15472111 | SUPPORTO DISCHI CONCIMAZIONE | | | | |
| 15 | G19204120 | SUPP.DX MOLLA PIATTA | PLATE SPRING SUPPORT RIGHT | | | |
| 16 | G15472290 | SUPPORTO RASCHIAT.DISCHI CONC. | FERTIL DISKS SOIL SCRAPER SUPP | SUPP. RACLEUR DISQUES FUMAGE | HALTER. ERDSCHABER DsNGUNGSSCH | SOPORTE RASCADOR DISCOS ABONO |
| 17 | G15472301 | RASCHIATERRA INTERNO | INTERNAL SCRAPER SOIL | | | |
| 18 | G15225240 | ESTRATTORE DISCHI ELEMENTO MT | SEED PLATE EXTRACTOR ELEM. MT | EXTRACTEUR DISQUE ELEMENT MT | SCHEIBENAUSZIEHER ELEMENT MT | EXTRACTOR DISCOS ELEMENTO MT |
| 19 | G18902770 | MOLLA CONCIMAZIONE 20X20 DX | SPRING 20X20 FERTILIZER RIGHT | RESSORT FUMAGE 20X20 DRT | FEDER DsNGUNG 20X20 RE | MUELLE ABONO 20X20 DER |
| 20 | G18902780 | MOLLA CONCIMAZIONE 20X20 SX | SPRING 20X20 FERTILIZER LEFT | RESSORT FUMAGE 20X20 GCH | FEDER DsNGUNG 20X20 LI | MUELLE ABONO 20X20 IZQ |
| 21 | F01420036 | ROS.M6 6,4X 18X 2 U6593 ZN | FLAT WASHER 6-6X 18X2 6593 ZN | ROND. PLATE 6-6X 18X2 6593 ZN | SCHEIBE 6-6X 18X2 6593 ZN | ARAND. PLANA 6-6X 18X2 6593 ZN |
| 22 | G18903200 | FERMO SPIRALE | SPIRAL STOP | ARRET SPIRALE | FESTSTELLVORRICHTUNG SPIRALE | BLOQUEO ESPIRAL |
| 23 | G18903210 | MOLLA CONCIM.FILE DISPARI | ODD NUMBER ROW MANUR.SPRING | RESS. FUMAGE RANGEES IMPAIRES | FEDER DsNGUNG UNGERADE REIHEN | MUELLE ABONO FILAS IMPARES |
| 24 | G18903911 | MOLLA FERMO TUBO D.35 | PIPE LOCK SPRING D.35 | RESSORT ARR-T TUBE D.35 | ROHRSPERRFEDER D.35 | MUELLE TOPE TUBO D. 35 |
| 25 | G18903451 | MOLLA DI CONCIMAZIONE | FERTILIZER SPRING | | | |
| 26 | G18903460 | MOLLA RINFORZO CONCIMAZIONE | FERT. REINFOR. SPRING | RESSORT RENFORT FUMAGE | VERST.FEDER DsNGER. | MUELLE REF. ABONO |
| 27 | F01410064 | ROS.M10 10,5X 20X 2 U6592 ZN | WASHER M10 10,5X20X2 U6592 ZN | RONDELL.M10 10,5X20X2 U6592 ZN | SCHEIBE M10 10,5X20X2 U6592 ZN | ARAND. M10 10,5X20X2 U6592 ZN |
| 28 | G15110091 | SCONTRO A U SP.8 2F15 165 | STRIKER | BRIDE 150 MM | ANSCHLAG | ELEMENTO DE EMPALME |
| 29 | F01020236 | VITE M14X2X220 U5737 8.8 BR | BOLT M14X2X220 U5737 8.8 BR | VIS M14X2X220 U5737 8.8 BR | SCHRAUBE M14X2X220 U5737 8.8 | TORNILLO M14X2X220 U5737 8.8 |
| 30 | F01020156 | VITE M12X1,75X50 U5737 8.8 ZN | BOLT M12X1,75X50 U5737 8.8 ZN | VIS M12X1,75X50 U5737 8.8 ZN | SCHR. M12X1,75X50 U5737 8.8 ZN | TORN. M12X1,75X50 U5737 8.8 ZN |
| 31 | F01020403 | VITE M6X1X16 U5739 8.8 ZN | BOLT M6X1X16 U5739 8.8 ZN | VIS M6X1X16 U5739 8.8 ZN | SCHRAUBE M6X1X16 U5739 8.8 ZN | TORNILLO M6X1X16 U5739 8.8 ZN |
| 32 | F01220048 | DADO M12X1,75 D980 8 ZN | NUT M12X1,75 D980 8 ZN | ECROU M12X1,75 D980 8 ZN | SCHEIBE M12X1,75 D980 8 ZN | TUERCA M12X1,75 D980 8 ZN |
| 33 | F01020476 | VITE M10X1,5X30 U5739 8.8 ZN | BOLT M10X1,5 X 30 5739 8.8 ZN | VIS M10X1,5 X 30 5739 8.8 ZN | SCHRA. M10X1,5X 30 5739 8.8 ZN | TORN. M10X1,5 X 30 5739 8.8 ZN |
| 34 | F01020506 | VITE M12X1,75X20 U5739 8.8 ZN | BOLT M12X1,75X20 U5739 8.8 ZG | VIS M 12X20 | SCHRAUBE M 12X20 | TORNILLO M 12X20 |
| 35 | F01020568 | VITE M16X2X45 U5739 8.8 ZN | BOLT M 16X 2X45 U5739 8.8 ZG | VIS M 16X 2X45 U5739 8.8 ZG | SCHRAUBE M 16X 2X45 U5739 8.8 | TORNILLO M16X 2X45 U5739 8.8 |
| 36 | F01020528 | VITE M12X1,75X40 U5739 10.9 ZD | BOLT M12X1,75X40 U5739 10.9ZN | VIS M12X1,75X40 U5739 10.9 ZN | SCHR.M12X1,75X40 U5739 10.9 ZN | TORN.M12X1,75X40 U5739 10.9 ZN |
| 37 | F01200232 | DADO M 6X 1 U5588 6.8 ZN | NUT 6 UNI 5588 6.8 GALVANIZED | ECROU 6 UNI 5588 6.8 ZN | MUTTER 6 UNI 5588 6.8 ZN | TUERCA 6 UNI 5588 6.8 ZN |
| 38 | F01200270 | DADO M10X 1,5 U5588 6.8 ZN | NUT M10X 1,5 U5588 6.8 ZN | ECROU M10X 1,5 U5588 6.8 ZN | MUTTER M10X 1,5 U5588 6.8 ZN | TUERCA M10X 1,5 U5588 6.8 ZN |
| 39 | F01200306 | DADO M14X 2 U5588 6.8 ZN | NUT M14X2 | ECROU M14X2 | MUTTER M14X2 | DADO M14X2 |
| 40 | F01200442 | DADO M16X 1,5 U5589 6.8 ZN | NUT 16X1-5 UNI 5589 6.8 GALVAN | ECROU 16X1-5 UNI 5589 6.8 ZN | MUTTER 16X1-5 UNI 5589 6.8 ZN | TUERCA 16X1-5 UNI 5589 6.8 ZN |
| 41 | F04010084 | CUSC.D17D47 B22,2 3303 LLU/DDU | BEARING 3303 2RS | PALIER 3303 2RS | LAGER 3303 2RS | COJINETE 3303 2RS |
| 42 | F03011075 | AN. TENUTA B1OF 24X32X4 | SEALING RING 24X32X4 | BAGUE D'ETANCHEITE 24X32X4 | DICHTUNGSRING 24X32X4 | ANILLO AISLADOR 24X32X4 |
| 43 | F02050370 | ANELLO E. DI 47X1,75 U7437 C70 | SEEGER RING 47X 1,75 U7437 C70 | SEEGER E. 47X 1,75 U7437 C70 | SEEGERING E. 47X 1,75 U7437 C70 | ANILLO E. 47X 1,75 U7437 C70 |
| 44 | G66248248 | TAPPO IN PLASTICA | PLASTIC PLUG | BOUCHON EN PLASTIQUE | PLASTIKPFROPFEN | TAPN DE PLÆSTICO D |
| 45 | G15225480 | FLANGIA INT.DISCO PROTETTO ZN | INNER DISK FLANGE | BRIDE INT. DISQUE | INNENFLANSCH SCHEIBE | BRIDA INTERIOR DISCO |
| 46 | F02250521 | RIBATTINO TSC 6 X19,8 A/2 | RIVET TSC 6X19,8 A/2 BY PIECE | PAQUET RIVETS TSC 6X 19,8 A/2 | PACKUNG NIETEN TSC 6X19,8 A/2 | PAQU.REMACHES TSC 6X 19,8 A/2 |
| 47 | G15225490 | BOCCOLA PARAP.DISCO PROTETTO | BUSHING PARAP.DISCO PROTETTO | BOITE PARAP.DISCO PROTETTO | BUCHSE PARAP.DISCO PROTETTO | MANGUITO PARAP.DISCO PROTETTO |



SPEEDY SET

TAV. 204

| Pos. | Cod. | Descrizione | Description | Description | Benennung | Descripcion |
|------|-----------|--------------------------------|--------------------------------|--------------------------------|---------------------------------|--------------------------------|
| 1 | F02100066 | SPINA E.P. 4X 36 U6873 C70 BR | PIN EL. 4X 36 U6873 C70 BR | | | |
| 2 | G19003660 | SUPPORTO | SUPPORT | SUPPORT | HALTERUNG | SOPORTE |
| 3 | F01070061 | VITE M3,9X1,34X9,5 U6954 4.8NI | BOLT 3,9X 9,5 DIN 7981 | VIS 3,9X 9,5 DIN 7981 | SCHRAUBE 3,9X 9,5 DIN 7981 | TORNILLO 3,9X 9,5 DIN 7981 |
| 4 | F01050083 | VITE M5X0,8X12 U5927 A2 IX | GRUB-BOLT5X12 UNI 5927 | GOUJON 5X12 UNI 5927 | STIFT 5X12 UNI 5927 | TORNILLO SIN CABEZA 5X12 5927 |
| 5 | G19702952 | DECAL.TAB.DISTRIB.SPEEDY-SET | | | | |
| 6 | G19003680 | INGRANAGGIO Z.15 | GEAR Z 15 | ENGRENAGE Z 15 | ZAHNRAD Z 15 | ENGRANAJE Z 15 |
| 7 | G16670040 | DISTR.COMPL.8PALE SPEEDY SET P | COMPL.PLA.SPEEDY SET DISTR.8R | MINIMAX COMPL 8C PLA SPEEDYSET | KOMPL.DOSIER.SPEEDY SET PLA.8S | DISTR.COMP.SPEEDY SET PLA.8AL. |
| 8 | G16670320 | TONDO D.10X780 | D.10X780 ROUND | ROND D.10X780 | RUNDEISEN D.10X780 | BARRA REDONDA D. 10X780 |
| 9 | F01420038 | ROS.M6 6,4X 18X 2 U6593 IX | WASHER M6 6,4X18X2 U6593 IX | RONDELLE M6 6,4X18X2 U6593 IX | SCHEIBE M6 6,4X18X2 U6593 IX | ARANDELA M6 6,4X18X2 U6593 IX |
| 10 | F01200233 | DADO M 6X 1 U5588 A2 IX | NUT M 6X 1 U5588 IX | ECROU M 6X 1 U5588 I | MUTTER M 6X 1 U5588 | TUERCA M 6X 1 U5588 |
| 11 | G19003670 | MANOPOLA SPEEDY SET | SPEEDY HANDLE SET | POIGN+E SPEEDY SET | GRIFF SPEEDY SET | EMPUJADURA SPEEDY SET |
| 12 | F01020419 | VITE M 6X1 X 16 U5739 A2 IX | BOLT M6 X1 X 16 U5739 8.8 IX | VIS M6 X1 X 16 U5739 8.8 IX | SCHRAUBE M6 X1 X 16 U5739 8. | TORNIL. M6 X1 X 16 U5739 8.8 |
| 13 | G65336055 | MOLLA SPEC.REGOL.SPAND. SP | SPEC SPRING MAN. SPR. ADJUSTM. | RESSORT SPEC. REGL. EP. ENTRA | SPEZIALFEDER STREUEREinstellUN | MUELLE ESPEC. REGUL. ABONADORA |
| 14 | G19003720 | GHIERA REGOLAZIONE SX | LEFT ADJUSTMENT KNURLED NUT | MANCHON DE REGLAGE GCH | EINSTELLMUTTER LINKS | ROSCA REGULACION IZQUIERDA |
| 15 | G16670310 | SUPPORTO MOLLA REGOLATORE | ADJ.SPRING SUPPORT | | | |
| 16 | G19003690 | CREMAGLIERA | RACK | CR+MAILL+RE | ZAHNSTANGE | CREMALLERA |
| 17 | F01080032 | VITE M4X0,7X10 U7688 A2 IX | BOLT M4X 0,7X10 U7688 A2 IX | VIS M4X 0,7X10 U7688 A2 IX | SCHRAUBE M4X 0,7X10 7688 A2 IX | TORNILLO M4X0.7X10 U7688 A2 IX |
| 18 | G16670100 | REGOLATORE APERTURA | OPENING REGULATOR | REGULATEUR OUVERTURE | TFFNUNGSEINSTELLER | REGULADOR ABERTURA |
| 19 | G19003700 | COPERCHIO SPEEDY SET | COVER SPEEDY SET | COUVERCLE SPEEDY SET | DECKEL SPEEDY SET | TAPA SPEEDY SET |
| 20 | G66248173 | ASSE DISTR.SPAND. SP | MANURE SPREADER DISTR. SPINDLE | AXE DISTRIBUTEUR EP.ENGRAIS SP | ACHSE SZAPPARAT STREUER SP | EJE DISTR. ABON. SP |
| 21 | G66248172 | DOSATORE DISTR.SPAND. SP | MAN.SPR. SEED METERING DEVICE | DOSEUR DISTRIBUTEUR EP. ENGRAI | DOSIERER DsNGERSTREUER. SP | DOSIFICADOR DISTR.ABON. SP |
| 22 | G66248211 | PERNO RONDELLA FUSA SPAND. SP | MAN. SPR. CAST WASHER PIN. SP | PIVOT RONDELLE MOULEE EP. ENGR | ZAPFEN LOSE UNTERLEGSSCHEIBE ST | PERNO ARANDELA FUNDIDA ABONAD |
| 23 | G19002920 | CORPO DISTRIBUTORE SPANDI PLA. | PLA. F.SPREADER DISTRIB.CASING | CORPS DISTRIBUTEUR EPAND. | VERTEILUNGSKTRPER STREUER PLA. | CUERPO DIST. ABONADORA PLæS. |
| 24 | G18701500 | RONDELLA 29,5 X38 X0,3 IX | WASHER 29,5 X 38 X 0,3 | RONDELLE 29,5 X38 X0,3 | UNTERLEGSSCHEIBE 29,5X38X0,3 | ARANDELA 29,5 X38 X0,3 |
| 25 | G20860126 | KIT INGR DISTR CONCIME (2+2) | KIT- MAN. DISTR. GEARS (2+2) | COUPLE CON DISTR ENGRAIS (2+2) | KIT ZAHNRZDER DsNGERSTREUER | SET ENGRANAJES DISTRIB. ABONO |
| 26 | F01070075 | VITE M4,2X1,41X38 U6954 4.8 NI | BOLT 4-2X38 DIN 7981 | VIS 4-2X38 DIN 7981 | SCHRAUBE 4-2X38 DIN 7981 | TORNILLO 4-2X38 DIN 7981 |
| 27 | G20970097 | RONDELLA 32X3X4,5 | WASHER 32X3X4-5 | RONDELLE 32X3X4-5 | UNTERLEGSSCHEIBE 32X3X4-5 | ARANDELA 32X3X4-5 |
| 28 | G66248178 | SCIVOLO DISTR.SPAND. SP | CHUTE- MANURE-SPREADER DISTRIB | LANCOIR DISTRIBUTION EP. ENGR. | DsNGERSTREUER RUTSCHE SP | PLANO INCLINADO DISTR. ABON. S |
| 29 | G65336062 | MOLLA SPEC.SCIV.DISTR.SPAND.SP | SPEC SPRING - MAN. SPR. DISTR. | RESS. SPEC. LANCOIR DISTR. EP. | SPEZ.FEDER RUTSCHE SZAPP. STRE | MUELLE ESPEC.PLANO INCL.DISTR. |
| 30 | G19002850 | PROTEZIONE PIGNONE | PINION GUARD | PROTECTION PIGNON | RITZELSCHUTZ | PROTECCIN PIGN PR |
| 31 | F01070011 | VITE M4,2X1,41X9,5 U6950 4.8NI | BOLT- SELF-TAPPING 4-2X9-5T.E. | VIS AUTOTAR. 4-2X9-5 T. E. COU | SELBSTSCHNEID. SCHRAUBE 4-2X9- | TORNILLO AUTORROSC. 4-2X9-5 |
| 32 | G13722330 | DISTR.COMPL.8PALE SPEEDY SET F | COMPL.SPEEDY 8-BLADE DISTR. SE | DISTR.COMPL.8PALETTES SPEEDY S | SAATGUTAU.8SCH.KOMPL.SPEEDY S | DISTR.COMPL.8PALETAS SPEEDY SE |
| 33 | G16670330 | TONDO D.10X1030 | ROUND D.10X1030 | | | |
| 34 | G16670340 | TONDO D.10X1230 | D.10X1230 ROUND | ROND D.10X1230 | RUNDEISEN D.10X1230 | BARRA REDONDA D. 10X1230 |
| 35 | G16670350 | TONDO D.10X1430 | D.10X1430 ROUND | ROND D.10X1430 | RUNDEISEN D.10X1430 | BARRA REDONDA D. 10X1430 |
| 36 | G66248176 | CORPO DISTR.SPAND. SP | MANURE SPREADER DISTR. CASING | CORPS DISTRIB. EP. ENGRAIS SP | VERTEILUNGSKTRPER STREUER SP | CUERPO DISTR. ABON. SP |
| 37 | G19003710 | GHIERA REGOLAZIONE DX | RIGHT ADJUSTMENT KNURLED | BAGUE REGLAGE DROITE | EINSTELLMUTTER RE | CONTRATUERCA REGULACIN DER. |



MICROGRANULATORE

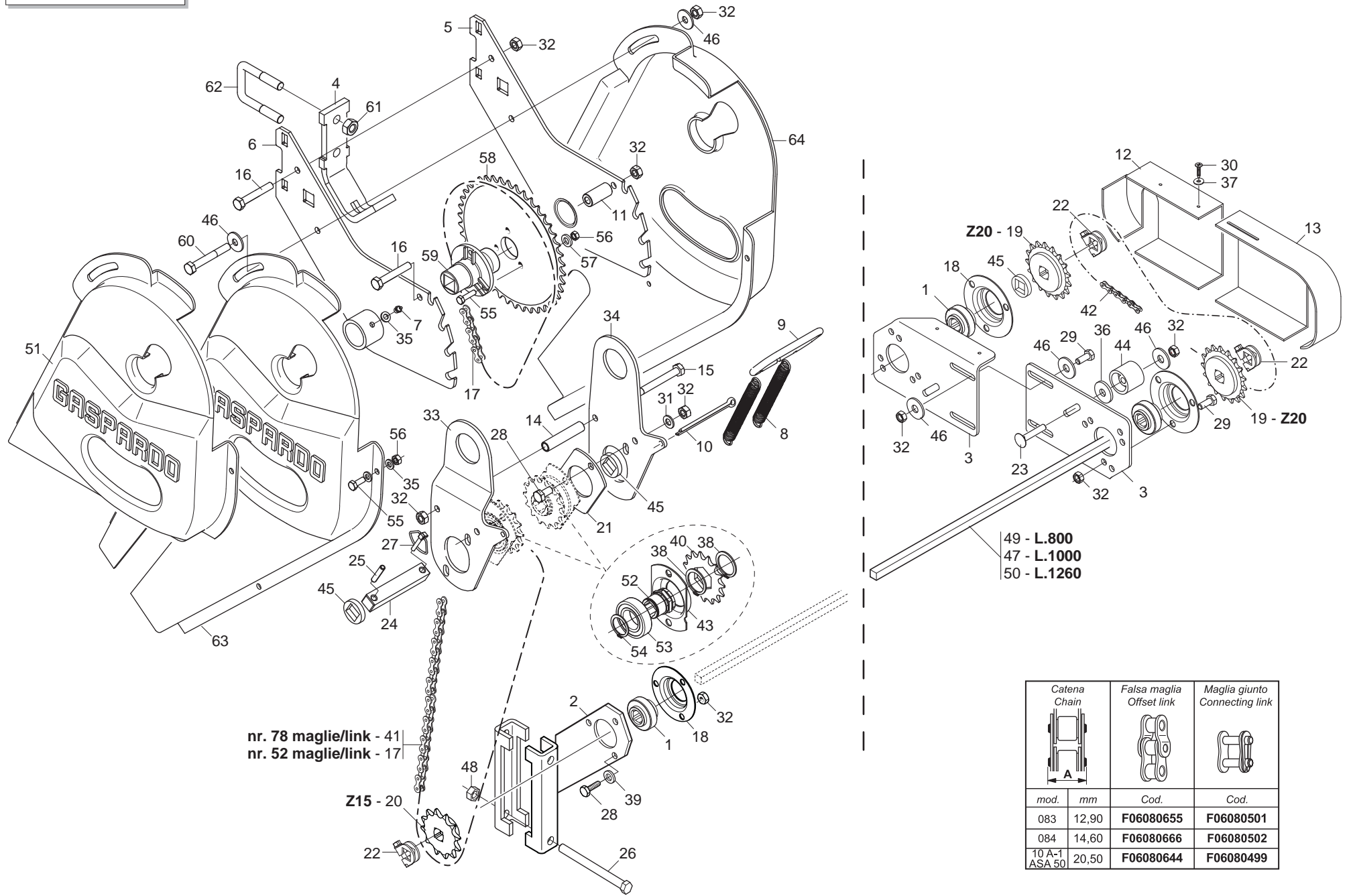
TAV. 187

| Pos. | Cod. | Descrizione | Description | Description | Benennung | Description |
|------|------------|--------------------------------|--------------------------------|--------------------------------|----------------------------------|--------------------------------|
| 1 | G19002932 | SERBATOIO MICRO 250 PLA. | PLASTIC TANK MICRO 250 | RESERVOIR MICRO 250 PLASTIQUE | MIKROGRANULATBEHZLTER PLAST. | DEPSITO MICRO 250 PLAST. |
| 2 | G15475231 | COPERCHIO MICRO 250 PLA. | PLASTIC COVER MICRO 250 | COUVERCLE MICRO 250 PLASTIQUE | MIKRO DECKEL 250 PLAST. | TAPA MICRO 250 PLAST. |
| 3 | F01020236 | VITE M14X2X220 U5737 8.8 BR | BOLT M14X2X220 U5737 8.8 BR | VIS M14X2X220 U5737 8.8 BR | SCHRAUBE M14X2X220 U5737 8.8 | TORNILLO M14X2X220 U5737 8.8 |
| 4 | G15475271 | SUPPORTO MICRO | MICRO SUPPORT | SUPPORT MICROGRANULATEUR | HALTERUNG MICRO | SOPORTE MICRO |
| 5 | G14276311 | TUBO DISCESA MICRO MTI COMPL | PIPE DOWN MICRO MTI COMPL. | | | |
| 6 | G15475300 | TUBO SUPPORTO MICRO L.1170 | MICRO SUPPORT PIPE L.1170 | TUBE SUPPORT MICRO L1170 | ROHR HALTERUNG MIKRO L.1170 | TUBO SOPORTE MICRO L1170 |
| 7 | G14276122 | SUPPORTO MICRO S.SPANDI | MICRO SUPPORT | SUPPORT MICRO | MIKRO HALTERUNG | SOPORTE MICRO |
| 8 | F01420036 | ROS.M6 6,4X 18X 2 U6593 ZN | FLAT WASHER 6-6X 18X2 6593 ZN | ROND. PLATE 6-6X 18X2 6593 ZN | SCHEIBE 6-6X 18X2 6593 ZN | ARAND. PLANA 6-6X 18X2 6593 ZN |
| 9 | G18904290 | MOLLA GUIDA TUBO DISC.MICRO ZN | MICRO GUIDE SPRING | RESSORT GUIDE MICRO | FsHRUNGSFEDER MIKRO | MUELLE GUID.MICRO |
| 10 | F01020404 | VITE M6X1X20 U5739 8.8 ZN | BOLT M 6X 1X20 U5739 8.8 ZN | VIS M 6X20 | SCHRAUBE M 6X20 | TORNILLO M 6X20 |
| 11 | G20890078 | PIASTRA DI COLLEGAMENTO | CONNECTION PLATE | PLAQUE DE RACCORD | VERBINDUNGSPLATTE | PLACA DE CONEXIN P |
| 12 | G20890079 | PIASTRA DI CHIUSURA | CLOSURE PLATE | PLAQUE DE FERMETURE | ABSCHLUSSPLATTE | PLACA DE CIERRE |
| 13 | G20890081 | ASSE DISTRIB.MICRO L.445 | MICRO DISTR. SPINDLE- L. 445 | AXE DISTRIBUTEUR MICRO L. 445 | MIKRO STREUERACHSE L 445 | EJE DISTRIB.MICRO L.445 |
| 14 | G20890089 | REGOLATORE DI APERTURA | OPENING REGULATOR | REGULATEUR D'OUVERTURE | TFFNUNGSEINSTELLER | REGULADOR DE ABERTURA |
| 15 | G20890135 | DISTRIB.NYLON COMPL.E SCIVOLO | DISTRIB. NYLON ASSY. AND CHUTE | MINIMAX COMPL.20C MICRO | SZAPPARAT NYLON KOMPL. UND RUT | DISTRIB.NYLON COMPL.Y PLANO IN |
| 16 | G20890151 | VITE-SCALA GRADUATA | GRADUATED SCALE BOLT | VIS-ECHELLE GRADUEE | SCHRAUBE - GRADSKALA | TORNILLO - ESCALA GRADUADA |
| 17 | G20890158 | DOSATORE MICRO COMPL. | ROTOR DIST. MICRO 20 GROOVES | ROTOR DOSEUR 20C MICRO COMPL. | DOSIERER MIKRO KOMPL. 20 SEKT | DOSIFICADOR MICRO COMPL.20 SEC |
| 18 | G20890194 | ASSE AGITATORE SERB.MICRO 250 | STIRRER SPINDLE- MICRO TANK 25 | AXE AGITATEUR RESERVOIR MICRO | SAMENMISCHERACHSE BEH.MIKRO 25 | EJE AGITADOR DEPS. MICRO 250 A |
| 19 | G20890211 | KIT INGRANAGGI DISTRIB.MICRO | DISTRIBUTION GEAR KIT MICRO | | | KIT ENGRANAJES DISTRIB.MICRO |
| 20 | F01420011 | ROS.M4 4,3X 16X 1 U6593 ZN | FLAT WASHER 4-3X 16X1-5 6593 G | ROND.PLATE 4-3X 16X1-5 6593 ZN | SCHIEBE 4-3X 16X1-5 6593 ZN | ARAND. PLANA 4-3X 16X1-5 6593 |
| 21 | G22220073 | RONDELLA 28X0,3X16,5 | WASHER 28X0-3X16-5 | RONDELLE 28X0-3X16-5 | UNTERLEGSCHIEBE 28X0-3X16-5 | ARANDELA 28X0-3X16-5 |
| 22 | F20110706 | CAV.Q.B=35 M=10X1,5 L=60 | U BOLT Q.B=35 M=10X1,5 L=60 | CAVALIER SUPPORT DISQUE SV | VERBINDUNG SCHEIBENHALTERUNG S | PERNO EN U SOP. DISCO SV |
| 23 | G15475130 | TUBO SUPPORTO SERBATOIO L.2480 | TANK SUPPORT PIPE L.2480 | TUBE SUPPORT RESERVOIR L2460 | ROHR HALTERUNG BEHZLTER L.2480 T | TUBO SOPORTE DEPSITO L 2480 T |
| 24 | G15110091 | SCONTRO A U SP.8 2F15 165 | STRIKER | BRIDE 150 MM | ANSCHLAG | ELEMENTO DE EMPALME |
| 25 | F01020225 | VITE M14X2X160 U5737 8.8 BR | BOLT M 14 X160 5737 8.G | VIS M 14 X160 5737 8.G | SCHRAUBE M 14 X160 5737 8.G | TORNILLO M 14 X160 5737 8.G |
| 26 | F01020397 | VITE M6X1X10 U5739 8.8 ZN | BOLT M 6X 1X 10 U5739 8.8 ZN | VIS 6X10 5739 8.G ZN | SCHRAUBE 6X10 5739 8.G ZN | TORNILLO 6X10 5739 8.G ZN |
| 27 | F01020403 | VITE M6X1X16 U5739 8.8 ZN | BOLT M6X1X16 U5739 8.8 ZN | VIS M6X1X16 U5739 8.8 ZN | SCHRAUBE M6X1X16 U5739 8.8 ZN | TORNILLO M6X1X16 U5739 8.8 ZN |
| 28 | F01020472 | VITE M10X1,5X25 U5739 8.8 ZN | BOLT 10X25 5739 8.G GALVANIZED | VIS 10X25 5739 8.G ZN | SCHRAUBE 10X25 5739 8.G ZN | TORNILLO 10X25 5739 8.G ZN |
| 29 | F01030180 | VITE M 4X X 10 U7380 A2 IX | BOLT M 4X X 10 U7380 A2 IX | | | |
| 30 | F01070121 | VITE M3,9X1,34X9,5 6955 4.8NI | BOLT 3-9X 9-5 DIN 7982 | VIS 3-9X 9-5 DIN 7982 | SCHRAUBE 3-9X 9-5 DIN 7982 | TORNILLO 3-9X 9-5 DIN 7982 |
| 31 | F01200232 | DADO M 6X 1 U5588 6.8 ZN | NUT 6 UNI 5588 6.8 GALVANIZED | ECROU 6 UNI 5588 6.8 ZN | MUTTER 6 UNI 5588 6.8 ZN | TUERCA 6 UNI 5588 6.8 ZN |
| 32 | F01200270 | DADO M10X 1,5 U5588 6.8 ZN | NUT M10X 1,5 U5588 6.8 ZN | ECROU M10X 1,5 U5588 6.8 ZN | MUTTER M10X 1,5 U5588 6.8 ZN | TUERCA M10X 1,5 U5588 6.8 ZN |
| 33 | F01200306 | DADO M14X 2 U5588 6.8 ZN | NUT M14X2 | ECROU M14X2 | MUTTER M14X2 | DADO M14X2 |
| 34 | F012220033 | DADO M10X 1,5 D980 8 ZN | NUT M10X 1,5 D980 8 ZN | ECROU M10X 1,5 D980 8 ZN | MUTTER M10X 1,5 D980 8 ZN | TUERCA M10X 1,5 D980 8 ZN |
| 35 | F01410088 | ROS.M14 15X 28X2,5 U6592 ZN | WAS.M14 15X 28X2,5 U6592 ZB | RON.M14 15X 28X2,5 U6592 ZB | SCH.M14 15X 28X2,5 U6592 ZB | ARA.M14 15X 28X2,5 U6592 ZB |
| 36 | F02200161 | COPIGLIA 3X 15 U1336 ZN | SPLIT PIN 3 X15 1336 GALVAN. | GOUPILLE 3 X15 1336 ZN | SPLINT 3 X15 1336 ZN | PASADOR 3 X15 1336 ZN |
| 37 | F02200162 | COPIGLIA 3X 20 U1336 ZN | SPLIT PIN 3 X20 1336 GALVAN. | GOUPILLE 3 X20 1336 ZN | SPLINT 3 X20 1336 ZN | PASADOR 3 X20 1336 ZN |
| 38 | F02200194 | COPIGLIA 4X 25 U1336 ZN | SPLIT PIN 4 X25 1336 GALVAN. | GOUPILLE 4 X25 1336 ZN | SPLINT 4 X25 1336 ZN | PASADOR 4 X25 1336 ZN |
| 39 | F02100083 | SPINA E.P. 5X 24 U6873 C70 BR | PIN EL. 5 X24 DIN 1481 | FICHE EL. 5 X24 DIN 1481 | SPANNSTIFT 5 X24 DIN 1481 | CLAVIJA EL.5 X24 DIN 1481 |
| 40 | F02100314 | SPINA EL.5 X36 DIN 1481 INOX | PIN EL.5 X36 DIN 1481 INOX | | | |
| 41 | F03011081 | GUARNIZIONI LABBRO DE100 | LIP GASKET D100 | | | |
| 42 | F02300016 | FASCETTA STRING. 16/27 H.8 | STRING FASTEN.STRAPS 16/27 H.8 | | | |
| 43 | G65336041 | MOLLA SPEC.ZN STRINGITUBO M80 | SPEC.SPRING ZN . PIPE CLAMP M8 | RESSORT SPEC. ZN SERRE-TUBE M8 | SPEZIALFEDER ZN ROHRSCHELLE M8 | MUELLE SPEC. ZN APLASTA TUBOS |
| 44 | G65336046 | MOLLA SPEC.ZN SCIVOLO M80 | SPEC SPRING ZN CHUTE M80 | RESSORT SPEC. ZN LANCOIR M80 | SPEZIALFEDER ZN RUTSCHE M80 | MUELLE SPEC. ZN PLANO INCLINA |
| 45 | G22250240 | DOSATORE COMPL. SV | MICRO DISTR.ROTOR 8 GROOVES | ROTOR DOSEUR 8C MICRO SV | DOSIERER KOMPL. SV | DOSIFICADOR COMPL. SV |
| 46 | G19700832 | DECAL.TABELLA MICRO SP540 | | | | |
| 47 | G65338043 | MOLLA COMP.ZN SERB. M80 | ZN TANK COMP.SPRING M80 | RESSORT COMPL. ZN RESERVOIR M8 | DRUCKFEDER ZN BEHZLTER M80 | MUELLE COMP.ZN DEPS. M80 A |
| 48 | G66248119 | RUOTA DENTATA Z-24 M80 | GEAR-WHEEL Z-24 M80 | ROUE DENTEE Z-24 M80 | ZAHNRAD Z-24 M80 | RUEDA DENTADA Z-24 M80 |
| 49 | G66248120 | RUOTA DENT.FORO QUAD.Z-24 M80 | GEAR-WHEEL- SQUARE HOLE- Z-24 | ROUE DENTEE TROU CARRE Z-24 M8 | RAD VERZAHNT VIERKANTLOCH.Z-24 | RUEDA DENT.ORIFICIO CUAD.Z-24 |
| 50 | G66248121 | BOCCOLA CON FLANGIA M80 | BUSHING W/ FLANGE M80 | SUPPORT AVEC BRIDE M80 | BsCHSE MIT FLANSCH M80 | CASQUILLO CON BRIDA M80 |
| 51 | G66248123 | CORPO DISTRIBUZIONE M80 | DISTRIBUTION CASING M80 | CORPS DISTRIBUTION M80 | VERTEILUNGSKTRPER | CUERPO DISTRIBUCIN M80 C |
| 52 | G66248125 | GHIERA REGOLAZIONE M80 | ADJUSTMENT KNURLED NUT M80 | BAGUE REGLAGE M80 | EINSTELLMUTTER M80 | CONTRATUERCA REGULACIN M80 G |
| 53 | G66248126 | SUPP.TRASMISSIONE M80 | TRANSM.SUPPORT M80 | SUPPORT ENTRAINEMENT M80 | ANTRIEBSHALTERUNG M80 | SOPORTE TRANSMISIN M80 S |
| 54 | G66248138 | COPERCHIO SUPP.TRASM. M80 | TRANSMISSION SUPP. COVER M80 | COUVERCLE SUPPORT ENTRAINEM. | DECKEL ANTRIEBSHALTERUNGS M80 | TAPA SOP. TRANSM. M80 |
| 55 | G66248154 | SCIVOLO DISTR. M80 | CHUTE- DISTRIB. M80 | ENTONNOIR DOSEUR MINIMAX MICRO | SAAPPARAT RUTSCHE M80 | PLANO INCLINADO DISTR. M80 |

MICROGRANULATORE

TAV. 187

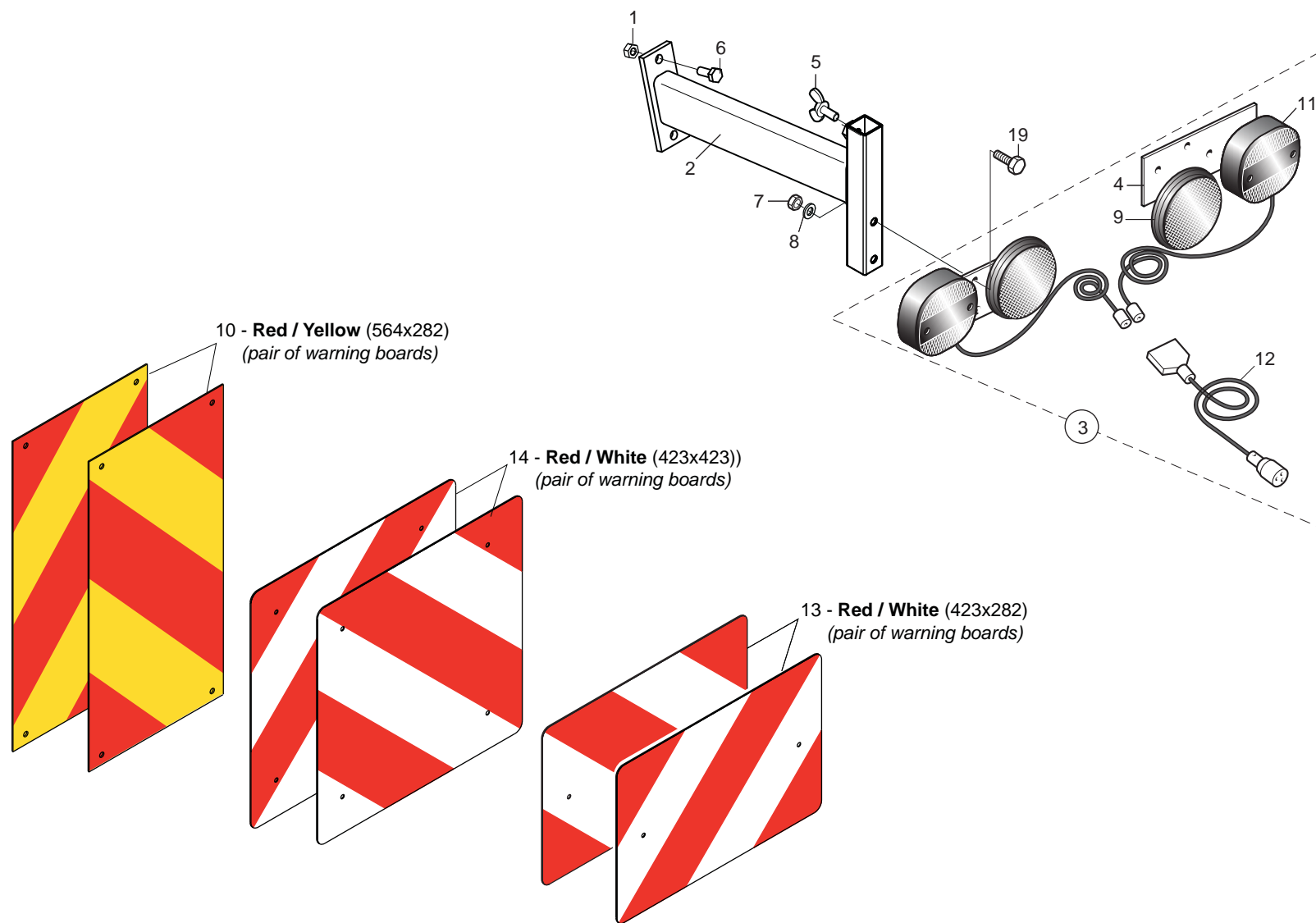
| Pos. | Cod. | Descrizione | Description | Description | Benennung | Descripcion |
|------|-----------|-------------------------------|--------------------------------|--------------------------------|--------------------------------|--------------------------------|
| 56 | G15273020 | TUBO DISCESA MICRO D.28X2 | MICRO DOWN TUBE D.28X2 | | | |
| 57 | G66248223 | TAPPO SUPP.SPAND.D.11 | PLUG MAN. SPR. SUPP. D.11 | BOUCHON SUPPORT EP. ENGRAIS D. | HALTERUNGSPFROPFEN DsNGERSTR. | TAPN SOPORTE ABON.D.11 D |
| 58 | G20970100 | RONDELLA 30X0,5X22 ACC. | WASHER 30X0-5X22 ACC. | RONDELLE 30X0-5X22 ACIER | UNTERLEGSCHIEBE 30X0-5X22 ACC. | ARANDELA 30X0-5X22 ACC. |
| 59 | F20120346 | PUNTALE Q 35 ALETT.POLIT.NERO | | | | |
| 60 | G20890111 | MANIC.UNIONE RINV.MICRO L.470 | MICRO TRANSM.JOINT SLEEVE L.47 | MANCHON RACCORD TRANSMISSION M | VERBINDUNGSMUFFE VORGELEGE MIK | MANGUITO EMPALME TRANSM. MICRO |
| 61 | G16675090 | TAPPO PLASTICA MICRO C/OR | PLASTIC PLUG MICRO C/OR | | | |
| 62 | G20890202 | MANICOTTO UNIONE MICRO L.690 | MICRO JOINT SLEEVE L.690 | MANCHON RACCORD MICRO L. 690 | VERBINDUNGSMUFFE MIKRO L.690 | MANGUITO DE UNIN MICRO L.690 M |
| 63 | G20890203 | MANICOTTO UNIONE MICRO L.1620 | MICRO JOINT SLEEVE L.1620 | MANCHON RACCORD MICRO L. 1620 | VERBINDUNGSMUFFE MIKRO L.1620 | MANGUITO DE UNIN MICRO L.1620M |
| 64 | G20890205 | MANICOTTO UNIONE MICRO L.250 | MICRO JOINT SLEEVE L.250 | MANCHON RACCORD MICRO L. 250 | VERBINDUNGSMUFFE MIKRO L.250 | MANGUITO DE UNIN MICRO L.250 M |
| 65 | G15476270 | SERBATOIO MICRO 250 2 U.PLA | MICRO TANK 250 2 OUTPUTS | RESERVOIR MICRO 250 2 SORTIES | MIKROGRANULATBEHZLTER 250 2AU | DEPSITO MICRO 250 2 SALIDAS B |
| 66 | G66248189 | DOSATORE M80 | SEED METERING DEVICE M80 | DOSEUR M80 | DOSIERER M80 | DOSIFICADOR M80 |
| 67 | G15476280 | SERBATOIO MICRO PLA 1U COMPL | COMPL. MICRO TANK PLA 1U | RESERVOIR MICRO PLA 1U COMPL. | BEH-LTER MIKROGRANULAT PLASTIK | DEPOSITO MICRO PLA 1U COMPL. |
| 68 | G19001802 | RONDELLA-ALBERO MICRO | | | | |
| 69 | G20890201 | MANICOTTO UNIONE MICRO L.440 | MICRO JOINT SLEEVE L.440 | MANCHON RACCORD MICRO L. 440 | VERBINDUNGSMUFFE MIKRO L.440 | MANGUITO DE UNIN MICRO L.440 M |
| 70 | G20890112 | MANICOTTO UNIONE MICRO L.1110 | MICRO JOINT SLEEVE L.1110 | MANCHON RACCORD MICRO L. 1110 | VERBINDUNGSMUFFE MIKRO L1110 | MANGUITO DE UNIN MICRO L.1110M |
| 71 | G20890130 | MANICOTTO UNIONE MICRO L.550 | MICRO JOINT SLEEVE | MANCHON RACCORD MICRO L. 550 | VERBINDUNGSMUFFE MIKRO L 550 | MANGUITO DE UNIN MICRO L.550 M |



TRASMISSIONE SPANDICONCIME E MICROGRANULATORE

TAV. 194

| Pos. | Cod. | Descrizione | Description | Description | Benennung | Descripcion |
|------|-----------|--------------------------------|--------------------------------|--------------------------------|--------------------------------|----------------------------------|
| 1 | G14830390 | CUSCINETTO FORO QUADRO | SQUARE-HOLED BEARING | ROULEMENT AL+SAGE CARR+ | VIERKANTLAGER | COJINETE ORIFICIO CUADRADO |
| 2 | G15470381 | SUPPORTO RINVIO TUBO 150 | TRANSM. SUPPORT FOR PIPE 150 | SUPPORT RENVOI POUR TUBE 150 | HALTERUNG VORGELEGE ROHR 150 | SOPORTE TRANSMISION TUBO 150 |
| 3 | G15470851 | FIANCO SUPP.TRASM.SPANDI | SPREADER TRANSM. SIDE SUPPORT | COTE SUPPORT TRANSM. EPAND. | SEITEN HALTER. ANTRIEB DUNGERS | COSTADO SOPORTE TRANSM. ABONAD |
| 4 | G15476390 | | | | | |
| 5 | G15476380 | | | | | |
| 6 | G15476410 | | | | | |
| 7 | F01100011 | ING.M 6X1 7663-A 9SMNPB28 ZN | GREASE NIPPLE M6X1 7663-A ZN | GRAISS. A BILLE M6X1 7663A ZN | SCHMIERBUECHE M6X1 7663-A ZN | ENGRAS. DE ESFERAS M6X1 7663-A |
| 8 | G18902960 | MOLLA TRAZ.TRASM.RUOTA ZN | TRANSMISSION TENSIONER SPRING | RESSORT TRACT. ENTRAIN. ROUE Z | ZUGFEDER RADANTRIEB ZN | MUELLE TRAC. TRANSM.RUEDA ZN |
| 9 | G13644071 | | | | | |
| 10 | F02200248 | COPIGLIA 6X 80 U1336 ZN | SPLIT PIN 6 X80 1336 GALVAN. | GOUPILLE 6 X80 1336 ZN | SPLINT 6 X80 1336 ZN | PASADOR 6 X80 1336 ZN |
| 11 | G20980086 | BOCCOLA DIST.D.8,5X16X31 | BUSHING SPAC.. D.8-5X16X31 | BOITE ENTRETOISE D. 8-5X16X31 | VERTEILERBsCHSE D.8-5X16X31 | CASQUILLO DIST. D.8-5X16X31 |
| 12 | G19002830 | CARTER TRASMISSIONE SUPERIORE | TOP TRANSMISSION CASE | CARTER ENTRAINEMENT SUPERIEUR | OBERES ANTRIEBSGEHÜSE | CæRTER TRANSMISIN SUPERIOR C |
| 13 | G19002880 | CARTER INFERIORE TRASM.SPAND. | BOTTOM SPREADER TRANSM. CASE | CARTER INFÉRIEUR TRANSM EPAND. | UNTER. ANTRIEBSGEHÜSE DsNG.GE | CæRTER INFÉR. TRANSMISIN ABONC |
| 14 | G15911111 | | | | | |
| 15 | F01020086 | VITE M 8X1,25X80 U5737 8.8 ZN | BOLT M 8X1,25X80 U5737 8.8 ZN | VIS M8X1X80 | SCHRAUBE M8X1X80 | TORNILLO M8X1X80 |
| 16 | F01020072 | VITE M 8X1,25X50 U5737 8.8 ZN | BOLT M8X1,25X50 U5737 8.8 ZN | VIS M8X1,25X50 U5737 8.8 ZN | SCHR. M8X1,25X50 U5737 8.8 ZN | TORN. M8X1,25X50 U5737 8.8 ZN |
| 17 | F06080010 | CATENA 1/2 ISO 083 52 MAGLIE | CHAIN 1/2 ISO 083 52 LINKS | | | |
| 18 | G22230094 | BEARING SUPPORT | BEARING SUPPORT | SUPPORT PALIER | LAGERBsCHSE | SOPORTE COJINETE |
| 19 | G22250007 | INGR.CON MOZZO 1/2 Z-20 SV | GEARS- W/ HUB 1/2 Z-20 SV | ENGRENAGE 1/2 Z-20 | ZAHNRAD MIT NABE 1/2 Z-20 SV | ENGRAN.CON PERNO 1/2 Z-20 SV |
| 20 | G22250028 | PIGNONE Z-15 SV | Z-15 PINION SV | PIGNON Z-15 SV | RITZEL Z-15 SV | Pi¼N Z-15 SV P |
| 21 | G15476440 | | | | | |
| 22 | G22505085 | FERMO ASSE IN LAMIERA | PLATE AXLE STOP | ARRET AXE EN TOLE | FESTSTELLVORRICHTUNG BLECHACHS | BLOQUEO EJE DE CHAPA |
| 23 | F01060047 | VITE M8X1,25X45 U5732 4.6 ZN | BOLT 8X45 5732 4.6 GALVANIZED | VIS 8X45 5732 4.6 ZN | SCHRAUBE 8X45 5732 4.6 ZN | TORNILLO 8X45 5732 4.6 ZN |
| 24 | G15476450 | | | | | |
| 25 | F02100114 | SPINA E.P. 6X 30 U6873 C70 BR | ELASTIC PIN 6X30 | GOUJON ELASTIQUE 6X30 | SPANNHUELSE 6X30 | ESPINA ELASTICA 6X30 |
| 26 | F01020236 | VITE M14X2X220 U5737 8.8 BR | BOLT M14X2X220 U5737 8.8 BR | VIS M14X2X220 U5737 8.8 BR | SCHRAUBE M14X2X220 U5737 8.8 | TORNILLO M14X2X220 U5737 8.8 |
| 27 | F02200452 | SPINA SCATTO D.4,4 B/80 ZN | SNAP PIN D4,4 B/80 ZN | FICHE A DETENTE D4,4 B/80 ZN | EINRASTSTIFT D4,4 B/80 ZN | CLAVIJA DE MUELLE D4,4 B/80 ZN |
| 28 | F01020432 | VITE M 8X1,25X16 U5739 8.8 ZN | BOLT M8X 1.25X16 U5739 8.8 ZN | VIS M 8X16 | SCHRAUBE M 8X16 | TORNILLO M 8X16 |
| 29 | F01020436 | VITE M 8X1,25X 20 U5739 8.8 ZN | BOLT M8X1,25X20 U5739 8.8 ZN | VIS M8X1,25X20 U5739 8.8 ZN | SCHRA. M8X1,25X20 U5739 8.8 ZN | TORN. M8X1,25X20 U5739 8.8 ZN |
| 30 | F01070074 | VITE M4,2X1,41X25 U6954 4.8 NI | BOLT 4-2X25 DIN 7981 | VIS 4-2X25 DIN 7981 | SCHRAUBE 4-2X25 DIN 7981 | TORNILLO 4-2X25 DIN 7981 |
| 31 | F01410051 | ROS.M8 8,4X 17X1,6 U6592 ZN | WASHER M8 8,4X17X1,6 U6592 ZN | RONDEL. M8 8,4X17X1,6 U6592 ZN | SCHEIBE M8 8,4X17X1,6 U6592 ZN | ARANDELA M8 8,4X17X1,6 U6592ZN |
| 32 | F01200244 | DADO M 8X1,25 U5588 6.8 ZN | NUT M8 X1,25 U5588 6.8 ZN | ECROU M8 X1,25 U5588 6.8 ZN | MUTTER M8 X1,25 U5588 6.8 ZN | TUERCA M8 X1,25 U5588 6.8 ZN |
| 33 | G15476420 | | | | | |
| 34 | G15476430 | | | | | |
| 35 | F01410037 | ROS.M6 6,4X12,5X1,6 U6592 ZN | PLANE WASHER D.6 | RONDELLE D.6 | SCHEIBE D.6 | ARANDELA D.6 |
| 36 | F01410064 | ROS.M10 10,5X 20X 2 U6592 ZN | WASHER M10 10,5X20X2 U6592 ZN | RONDELL.M10 10,5X20X2 U6592 ZN | SCHEIBE M10 10,5X20X2 U6592 ZN | ARAND. M10 10,5X20X2 U6592 ZN |
| 37 | F01420011 | ROS.M4 4,3X 16X 1 U6593 ZN | FLAT WASHER 4-3X 16X1-5 6593 G | ROND.PLATE 4-3X 16X1-5 6593 G | SCHEIBE 4-3X 16X1-5 6593 ZN | ARAND. PLANA 4-3X 16X1-5 6593 ZN |
| 38 | F02050615 | ANELLO E. DE 28X 1,5 U7435 C70 | STOP RING 28 UNI 7435-75 | BAGUE DE SERRAGE 28 UNI 7435-7 | DRAHTSPRENGRING 28 UNI 7435-75 | ANILLO PARADA 28 UNI 7435-75 |
| 39 | F01430059 | ROS.M8 8,4X 15X0,8 U8842J ZN | WASHER M8 8,4X15X0,8 U8842J ZN | ROND. M8 8,4X 15X0,8 U8842J ZN | SCHEIBE M8 8,4X15X0,8 U8842JZN | ARAND. M8 8,4X15X0,8 U8842J ZN |
| 40 | G22250190 | PLANTING UNIT AXLE Z-15 RING G | PLANTING UNIT AXLE Z-15 RING G | COURONNE AXE SEMEUR Z-15 SV | KRANZ SZELEMENTACHSE Z-15 SV | CORONA EJE SEMBR. Z-15 SV |
| 41 | F06080041 | | | | | |
| 42 | F06080029 | CATENA 1/2 ISO 083 61 MAGLIE | CHAIN 1/2 ISO 083 61 LINKS | CHAINE 1/2 ISO 083 61 MAILLES | KETTE 1/2 ISO 083 61 GLIEDER | CADENA 1/2 ISO 083 61 ESLABEL |
| 43 | G15725030 | SUPPORTO CUSCINETTO | BEARING SUPPORT | SUPPORT PALIER | LAGERHALTERUNG | SOPORTE COJINETE |
| 44 | G66248207 | TENDICATENA SPAND. SP-520 | CHAIN TENSIONER | TENDEUR DE CHAINE EPAND. ENGR. | KETTENSPELLER DsNGERSTR. SP-52 | SENSOR DE CADENA ABON. SP-520 |
| 45 | G66248218 | RONDELLA DISTAN.SPANDI | MAN. SPR. SPACER WASHER | RONDELLE ENTRETOISE EP. ENGRAI | ABSTANDSCHEIBE DsNGERSTREUER | ARANDELA DISTAN.ABONAD. |
| 46 | F01420048 | ROS.M8 8,4X 24X 2 U6593 ZN | WASHER M8 8,4X 24X 2 U6593 ZN | RONDELLE M8 8,4X 24X2 U6593 ZN | SCHEIBE M8 8,4X 24X 2 U6593 ZN | ARANDELA M8 8,4X 24X2 U6593 ZN |
| 47 | G22230138 | ASSE CAMBIO 4F.80-6F.45 L.1000 | GEAR SPINDLE 4-ROW 80- 6-ROW.4 | AXE BOITE DE VITESSE 4 RA | GETRIEBEACHSE 4 R. 80-6 R.45 L | EJE CAMBIO 4 FILAS. 80-6 FILAS |
| 48 | F01200306 | DADO M14X 2 U5588 6.8 ZN | NUT M14X2 | ECROU M14X2 | MUTTER M14X2 | DADO M14X2 |
| 49 | G22230142 | ASSE 4 FILE L.800 | 4-ROW SPINDLE L.800 | AXE 4 RANGEES L. 800 | ACHSE 4 REIHEN B. 800 | EJE 4 FILAS L.800 |
| 50 | G22270049 | ASSE 4F.85-6F.50 L.1260 | 4-ROW SPINDLE - 85-6-ROW-50 L. | AXE 4 RANGEES 85-6 RANGEES 50 | ACHSE 4 REIHEN 85-6 REIH. 50 | EJE 4 FILAS. 85-6 FILAS. 50 L. |
| 51 | G16675380 | CARTER MICRO SX 45-50 | LEFT CASE MICR. | | | |
| 52 | G22250441 | PLANTING UNIT CROWN HUB S 2 | PLANTING UNIT CROWN HUB SV/2 | MOYEU COURONNE SEMEUR SV/2 | KRANZNABE SZELEMENT SV/2 | CUBO CORONA SEMBRADOR SV/2 |
| 53 | F04010135 | CUSC.D25 D47 B12 6005 2RS EX> | BEARING D25 D47 B12 6005 2RS | | | |
| 54 | F02050101 | ANELLO E. DE 25X 1,2 U7435 C70 | SEEGER RING E. 25X1,2 7435 C70 | SEEGER E. 25X 1,2 U7435 C70 | SEEGERING E. 25X 1,2 U7435 C70 | ANILLO E. 25X 1,2 U7435 C70 |
| 55 | F01020403 | VITE M6X1X16 U5739 8.8 ZN | BOLT M6X1X16 U5739 8.8 ZN | VIS M6X1X16 U5739 8.8 ZN | SCHRAUBE M6X1X16 U5739 8.8 ZN | TORNILLO M6X1X16 U5739 8.8 ZN |
| 56 | F01200232 | DADO M 6X 1 U5588 6.8 ZN | NUT 6 UNI 5588 6.8 GALVANIZED | ECROU 6 UNI 5588 6.8 ZN | MUTTER 6 UNI 5588 6.8 ZN | TUERCA 6 UNI 5588 6.8 ZN |
| 57 | F01430047 | ROS.M6 6,4X 11X0,7 U8842J ZN | WASHER D6 DIN 6798 D.INT.GALV. | RONDELLE D6 DIN 6798 D. INT. Z | UNT. SCHEIBE D6 DIN 6798 D. IN | ARANDELA D6 DIN 6798 D.INT.ZN |
| 58 | G20890128 | CORONA Z-42 SP | RING GEAR Z-42 SP | COURONNE Z-42 SP | KRANZ Z-42 SP | CORONA Z-42 SP |
| 59 | G66248152 | MOZZO TRASM.MICRO M80 | HUB - TRANSM. MICRO M80 | MOYEU ENTRAINEMENT MICRO M80 | ANTRIEBSNABE MIKRO M80 | CUBO TRANSM. MICRO M80 |
| 60 | F01020077 | VITE M 8X1,25X60 U5737 8.8 ZN | BOLT M8X1,25X60 U5737 8.8 ZN | VIS M8X1,25X60 U5737 8.8 ZN | SCHRA. M8X1,25X60 U5737 8.8 ZN | TORN. M8X1,25X60 U5737 8.8 ZN |
| 61 | F01200270 | DADO M10X 1,5 U5588 6.8 ZN | NUT M10X 1,5 U5588 6.8 ZN | ECROU M10X 1,5 U5588 6.8 ZN | MUTTER M10X 1,5 U5588 6.8 ZN | TUERCA M10X 1,5 U5588 6.8 ZN |
| 62 | F20110706 | CAV.Q.B=35 M=10X1,5 L=60 | U BOLT Q.B=35 M=10X1,5 L=60 | CAVALIER SUPPORT DISQUE SV | VERBINDUNG SCHEIBENHALTERUNG S | PERNO EN U SOP. DISCO SV |
| 63 | G19006920 | CARTER TRASM.MICRO SX | | | | |
| 64 | G19006930 | CARTER TRASM.MICRO DX | | | | |

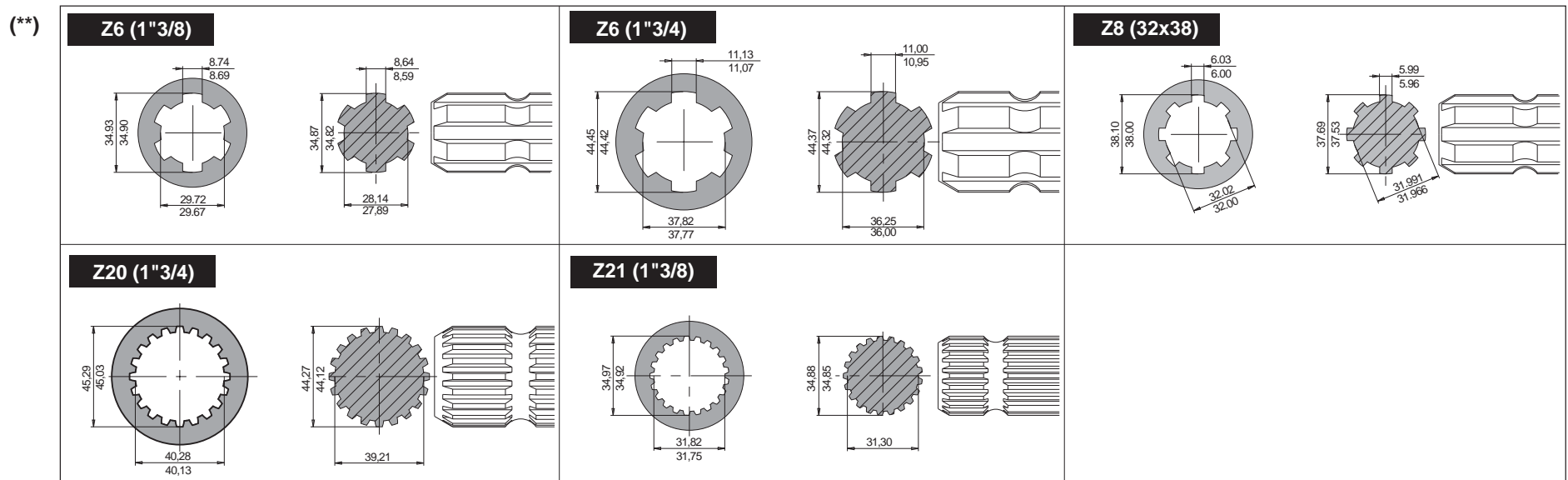
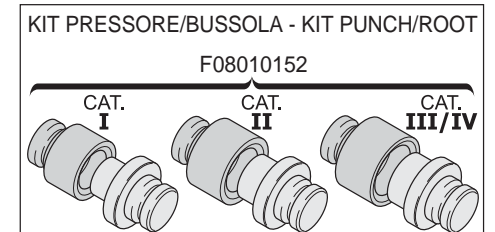
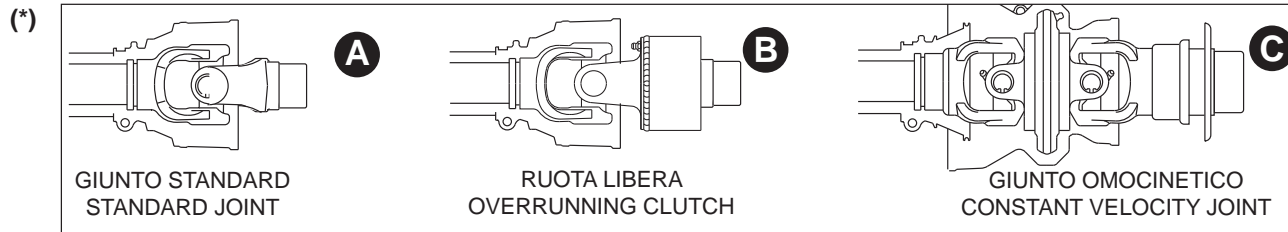


ACCESSORI

TAV. 222

| Pos. | Cod. | Descrizione | Description | Description | Benennung | Descripcion |
|------|-----------|--------------------------------|--------------------------------|--------------------------------|-------------------------------|-------------------------------|
| 1 | F01200232 | DADO M 6X 1 U5588 6.8 ZN | NUT 6 UNI 5588 6.8 GALVANIZED | ECROU 6 UNI 5588 6.8 ZN | MUTTER 6 UNI 5588 6.8 ZN | TUERCA 6 UNI 5588 6.8 ZN |
| 2 | G15211760 | SUPPORTO LUCI POST. | LIGHTS SUPPORT | SUPPORT ECLAIRAGE | LICHTERHALTERUNG | SOPORTE LUCES |
| 3 | G13616620 | KIT LUCI PER MACCHINE PORTATE | | | | |
| 4 | G13616570 | PIASTRA SUPP.LUCI | LIGHTS PLATE SUPPORT | | | |
| 5 | F01090215 | VITE M 8X1,25X15 U5449 5.8 ZN | BOLT 8X15 UNI 5449 5.8 GALVANI | VIS 8X15 UNI 5449 5.8 ZN | SCHRAUBE 8X15 UNI 5449 5.8 ZN | TORNILLO 8X15 UNI 5449 5.8 ZN |
| 6 | F01020403 | VITE M6X1X16 U5739 8.8 ZN | BOLT M6X1X16 U5739 8.8 ZN | VIS M6X1X16 U5739 8.8 ZN | SCHRAUBE M6X1X16 U5739 8.8 ZN | TORNILLO M6X1X16 U5739 8.8 ZN |
| 7 | F01220011 | DADO M 6X 1 D980 8 ZN | NUT M6X1 D980 8 ZN | ECROU M6X1 D980 8 ZN | MUTTER M6X1 D980 8 ZN | TUERCA M6X1 D980 8 ZN |
| 8 | F01410037 | ROS.M6 6,4X12,5X1,6 U6592 ZN | PLANE WASHER D.6 | RONDELLE D.6 | SCHEIBE D.6 | ARANDELA D.6 |
| 9 | F05010221 | CATARIFRANGENTE TONDO D.80 > | ROUND REFLECTOR D.80 | | | |
| 10 | F05010357 | N.2 PANNELLI CARICHI SPORGENTI | N.2 JUTTING LOAD PANELS | N.2 PANNEAUX CHARGES SAILLANT | N.2 TAFELN VORSRINGENDE LADUN | 2 PANELES CARGADOS SALIENTES |
| 11 | F05010076 | FANALE X KIT LUCI | LAMP KIT LIGHTS COMPL. | FEU KIT ECLAIRAGE COMPL. | LAMPEN KIT LICHT KOMPL. | FAROL SET LUCES COMPL. |
| 12 | F05010080 | CABLAGGIO PER KIT LUCI | LIGHT WIRING HARNESS | CABLAGE KIT PHARES | VERKABELUNG LAMPENKIT | CABLEADO JUEGO LUCES |
| 13 | F05010591 | PANNELLI CAR.SPORG.423X282 | WARNING BOARD 423X282 | PANNEAUX REFLECHISSANT 423X282 | WARNTAFEL 423X282 | ADVERTENCIA BORDO 423X282 |
| 14 | F05010590 | PANNELLI CAR.SPORG.423X423 | REFLECT PANELS 423X423 | | | |

| Codice - Code | Descrizione - Description | Lunghezze Lengths | | Classe - Size (A x B) | Tipo - Type (*) | | Forcelle - Yokes (**) | | | | |
|---------------|----------------------------|-------------------|------|--------------------------|-----------------|---|-----------------------|---------------|---------------|----------------|----------------|
| | | min. | max. | | | | Z6 (1"3/8) | Z6 (1"3/4) | Z8 (32x38) | Z20 (1"3/4) | Z21 (1"3/8) |
| F08011711 | CARD.B1 Z6-Z6 L700 | 700 | 1100 | B1 (22 x 54) | A | A | G58161015 | F08011772 | F08011742 | F08011758 | F08011767 |
| F08011713 | CARD.B1 Z8-Z6 L700 | 700 | 1100 | B1 (22 x 54) | A | A | G58161015 | F08011772 | F08011742 | F08011758 | F08011767 |
| F08011714 | CARD.B1 Z20-Z6 L700 | 700 | 1100 | B1 (22 x 54) | A | A | G58161015 | F08011772 | F08011742 | F08011758 | F08011767 |
| F08011715 | CARD.B1 Z8-Z6 L900 R.LIB | 900 | 1400 | B1 (22 x 54) | A | B | G58161015 | F08011772 | F08011742 | F08011758 | F08011767 |
| F08011716 | CARD.B1 Z6-Z6 L900 R.LIB | 900 | 1400 | B1 (22 x 54) | A | B | G58161015 | F08011772 | F08011742 | F08011758 | F08011767 |
| F08011719 | CARD.B2 Z6-Z6 L900 | 900 | 1400 | B2 (23,8 x 61,3) | A | B | — | — | — | — | — |
| F08011720 | CARD.B3 Z8-Z6 L1300 | 1300 | 2000 | B3 (27 x 70) | A | A | — | G58161016 | F08011743 | — | — |
| F08011757 | CARD.B1 Z20-Z6 L900 R.L | 900 | 1400 | B1 (22 x 54) | A | B | G58161015 | F08011772 | F08011742 | F08011758 | F08011767 |
| F08011764 | CARD.R4 Z20-Z6 L1210 OM-RL | 1210 | | R4 (27 x 74,6) | A | C | F08011768 | — | F08011766 | F08011774 | F08011773 |
| F08011930 | CARD.B3 Z6-Z6 L1200 | 1200 | 1700 | B3 (27 x 70) | A | A | — | G58161016 | F08011743 | — | — |



CARDANI

TAV. 341

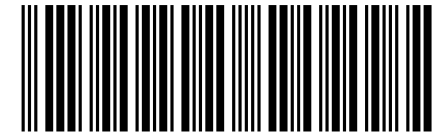
| Pos. | Cod. | Descrizione | Description | Description | Benennung | Descripcion |
|------|-----------|--------------------------------|-------------------------------|--------------------------------|-------------------------------|-------------------------------|
| | F08010152 | KIT PRESSORE BUSSOLA CAT I-IV> | TOOLS FOR PTO YOKE CAT I-IV | | | |
| | F08011711 | CARD.B1 Z6-Z6 L700 | PTO SHAFT B1 Z6-Z6 L700 | | | |
| | F08011713 | CARD.B1 Z8-Z6 L700 | PTO SHAFT B1 Z8-Z6 L700 | | | |
| | F08011714 | CARD.B1 Z20-Z6 L700 | PTO SHAFT B1 Z20-Z6 L700 | | | |
| | F08011715 | CARD.B1 Z8-Z6 L900 R.LIB | CARD.B1 Z8-Z6 L900 FREE W. | | | |
| | F08011716 | CARD.B1 Z6-Z6 L900 R.LIB | CARD.B1 Z6-Z6 L900 R.LIB | CARD ROUE LIBRE T100710 112R12 | KARDAN CE T100710 112 R12 | CARDAN CE T100710 112 R12 |
| | F08011719 | CARD.B2 Z6-Z6 L900 | UNIVERSAL JOINT 102 071 N T07 | CARD. 102 071 N T07 T07 1 CAT | KARDAN 102 071 N T07 T07 1CAT | CARDæN 102 071 N T07 T07 1CAT |
| | F08011720 | CARD.B3 Z8-Z6 L1300 | UNIV.JOINT B3 Z8-Z6 L1300 | | | |
| | F08011742 | FORCELLA CARD.32X38 Z8 B1 | YOKE CARD.32X38 Z8 B1 | FOURCHETTE CARDAN Z8 B1 | GABEL KARDAN Z8 B1 | HORQUILLA CARDAN Z8 B1 |
| | F08011743 | FORCELLA CARD.32X38 Z8 B3 | YOKE CARD.32X38 Z8 B3 | | | |
| | F08011757 | CARD.B1 Z20-Z6 L900 R.L > | UNIVERSAL JOINTB1 Z20-Z6 L900 | | | |
| | F08011758 | FORCELLA CARD.1"3/4 Z20 B1 > | CARD.FORK 1"3/4 Z20 B1 > | | | |
| | F08011764 | CARDANO OM 3/4Z20-RL Z6 L1381 | CARD.R4 Z20-Z6 L1381 OM-RL | | | |
| | F08011766 | FORCELLA CARD.32X38 Z8 R4 | FORK 32X38 Z8 R4 | | | |
| | F08011767 | FORCELLA CARD.1 3/8 Z21 B1 > | CARD.FORK 1 3/8 Z21 B1 > | | | |
| | F08011768 | FORCELLA CARD.1 3/8 Z6 R4 | FORK 1 3/8 Z6 R4 | | | |
| | F08011772 | FORCELLA CARD.1"3/4 Z6 B1 > | YOKE 1" 3/4 Z6 B1 | | | |
| | F08011773 | FORCELLA CARD.1 3/8 Z21 R4 > | FORK 1 3/8 Z21 R4 | | | |
| | F08011774 | FORCELLA CARD.1 3/4 Z20 R4 | CARD. FORK 1 3/4 Z20 R4 | | | |
| | F08011930 | CARD.B3 Z6-Z6 L1200 | PTO SHAFT B3 Z6-Z6 L1200 | | | |
| | G58161015 | FORCELLA CARD.1'3/8 Z6 B1 | CARD. FORK 1'3/8 Z6 B1 | | | |
| | G58161016 | FORCELLA CARD.1'3/8 Z6 B3 > | CARD.FORK 1'3/8 Z6 B3 > | | | |

**USATE SEMPRE RICAMBI ORIGINALI
ALWAYS USE ORIGINAL SPARE PARTS
IMMER DIE ORIGINAL-ERSATZTEILE VERWENDEN
EMPLOYEZ TOUJOURS LES PIECES DE RECHANGE ORIGINALES
UTILIZAR SIEMPRE REPUESTOS ORIGINALES**

GASPARDO

**Servizio Assistenza Tecnica - After Sales Service
Servizio Ricambi - Spare Parts Service
+39 0434 695410**

DEALER:



G19530297



MASCHIO GASPARDO SpA
Registered Office and Production Plant
Via Marcello, 73 - 35011 Campodarsego (Padova) - Italy
Tel. +39 049 9289810
Fax +39 049 9289900
info@maschio.com
www.maschionet.com

MASCHIO DEUTSCHLAND GMBH
Äußere Nürnberger Straße 5
D - 91177 Thalmässing - Deutschland
Tel. +49 (0) 9173 79000
Fax +49 (0) 9173 790079
dialog@maschio.de
www.maschionet.de

MASCHIO FRANCE Sarl
1, Rue de Mérignan ZA
F - 45240 La Ferte St. Aubin
France
Tel. +33 (0) 2.38.64.12.12
Fax +33 (0) 2.38.64.66.79
info@maschio.fr

000 МАСКИО-ГАСПАРДО РУССИЯ
Улица Пушкина, 117 Б
404126 Волжский
Волгоградская область
Тел. +7 8443 515152
факс. +7 8443 515153
info@maschio.ru

MASCHIO GASPARDO SpA
Production Plant
Via Mussons, 7 - 33075 Morsano al Tagliamento (PN) - Italy
Tel. +39 0434 695410
Fax +39 0434 695425
info@gaspardo.it

MASCHIO-GASPARDO USA Inc
120 North Scott Park Road
Eldridge, IA 52748 - USA
Ph. +1 563 2859937
Fax +1 563 2859938
info@maschio.us

MASCHIO-GASPARDO ROMANIA S.R.L.
Strada Înfrâții, F.N.
315100 Chisineu-Cris (Arad) -România
Tel. +40 257 307030
Fax +40 257 307040
info@maschio.ro

MASCHIO IBERICA S.L.
MASCHIO-GASPARDO POLAND
MASCHIO-GASPARDO UCRAINA
GASPARDO-MASCHIO TURCHIA
MASCHIO-GASPARDO CINA
MASCHIO-GASPARDO INDIA
MASCHIO-GASPARDO KOREA