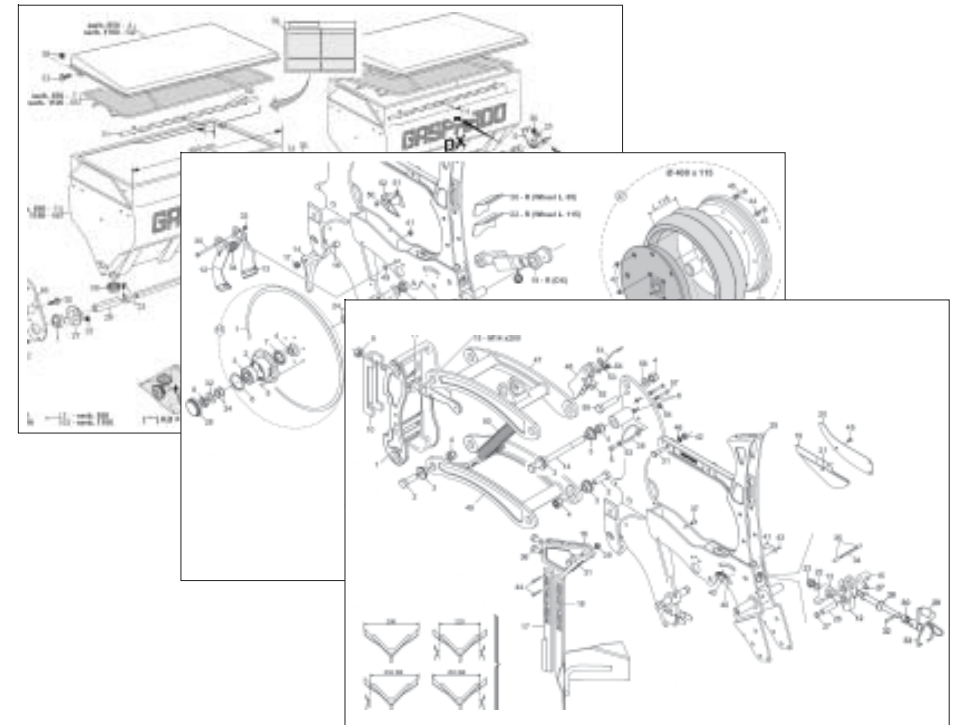


GASPARDO

MASCHIO GASPARDO S.p.A.



MANTA

Cod: G19531064 2016-10

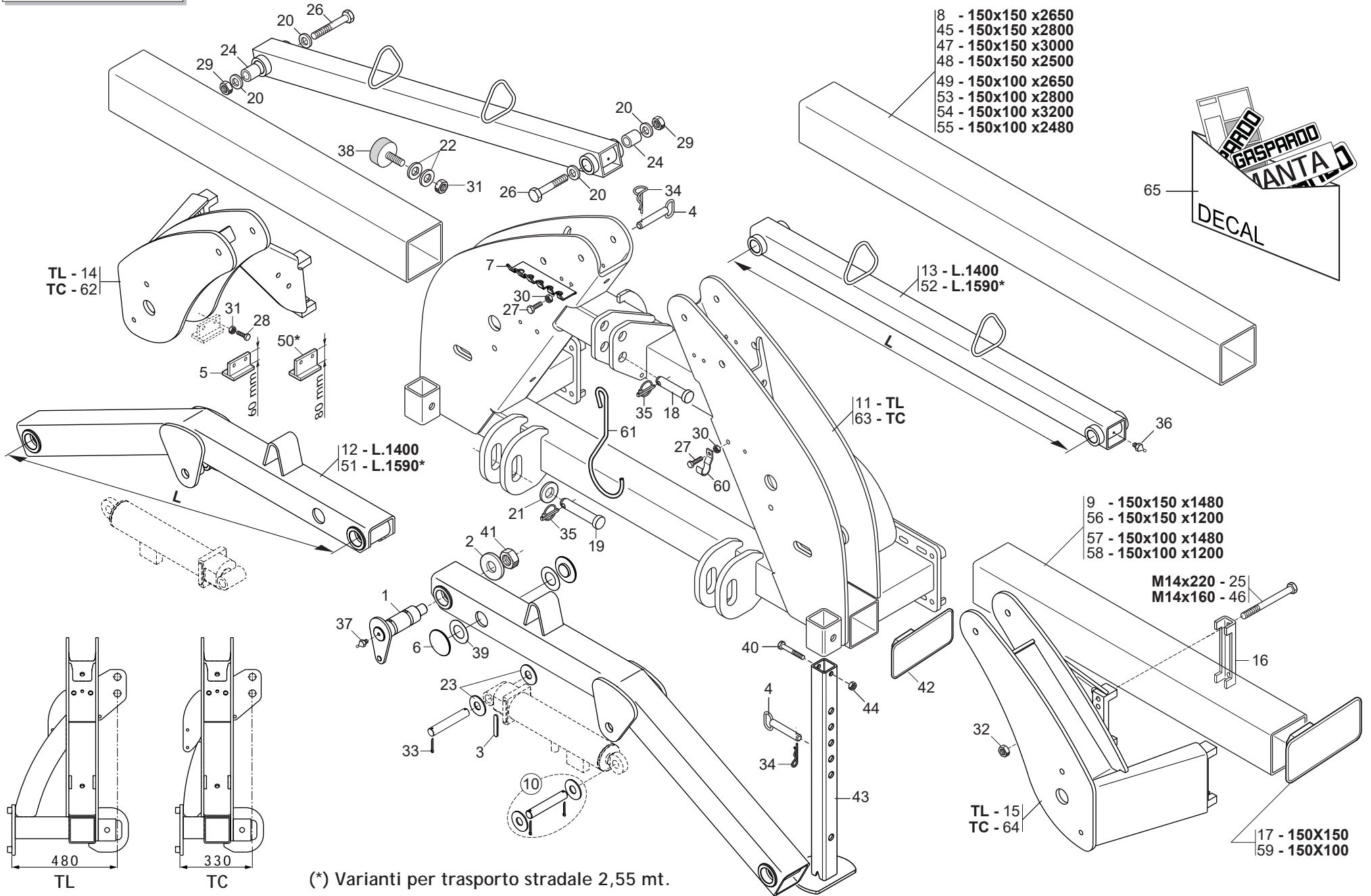
- *) Valido per Paesi UE
- *) Valid for EU member countries
- *) Valable dans les Pays UE
- *) Gilt für EU-Mitgliedsländer
- *) Válido para Países UE

- IT** PARTI DI RICAMBIO
- EN** SPARE PARTS
- DE** ERSATZTEILE
- FR** PIÈCES DÉTACHÉES
- ES** PIEZAS DE REPUESTO

ITALIANO	ENGLISH	DEUTSCH	FRANÇAIS	ESPAÑOL
PARTI DI RICAMBIO	SPARE PARTS	ERSATZTEILE	PIECES DÉTACHÉES	RESPUESTOS
Le ordinazioni delle parti di ricambio vanno fatte presso i nostri concessionari di zona e devono essere sempre corredate dalle seguenti indicazioni:	<i>Orders must be transmitted through our area dealers and should always include the following indications:</i>	Die Bestellungen müssen bei unseren Gebietshändlern aufgegeben werden. Bei der Bestellung sind stets die folgenden Angaben zu machen:	<i>Les ordres doivent être effectués auprès de nos concessionaires de zone en précisant les indications suivantes:</i>	Los pedidos han de efectuarse en nuestros concesionarios de zona y deben incluir siempre las siguientes indicaciones:
- Tipo, modello e numero di matricola dell'attrezzatura. Tali dati sono stampigliati nell'apposita targhetta di cui è dotata ogni attrezzatura.	- Type, model and serial number of the machine. <i>These data are punched on the data plate with which every implement is equipped.</i>	- Typ, Modell und Serien-Nummer des Geräts. Diese Daten stehen auf dem Typenschild, mit dem jedes Gerät versehen ist.	- Type, modèle et numéro de série de la machine. <i>Ces données sont gravées sur la plaque d'identification de chaque outil.</i>	- Tipo, modelo y número de matrícula del equipo. Dichos datos están impresos en la relativa placa presente en el equipo.
- Numero di codice della parte richiesta rilevabile dal catalogo ricambi.	- Code number of the required spare part. <i>This will be found in the spare parts catalogue.</i>	- Artikel Nr. der erforderlichen Ersatzteile. Diese stehen im Ersatzteil-Katalog.	- Numéro de code de la pièce détachée indiqué sur le catalogue des pièces détachées.	- Número de código de la parte requerida presente en el catálogo respuestas.
- Descrizione del particolare e quantità richiesta.	- Description of the part and required quantity.	- Beschreibung des Ersatzteils und die erforderliche Stückzahl.	- Description de la pièce et quantité requise.	- Descripción de la pieza y cantidad requerida.
- Numero della tavola.	- Table number.	- Tafelnummer.	- Numéro de plan.	- Numero de ilustración.
- Mezzo di trasporto. Nel caso questa voce non sia specificata, la Ditta Costruttrice, pur dedicando a questo servizio una particolare cura, non risponde di eventuali ritardi di spedizione dovuti a cause di forza maggiore. Le spese di trasporto si intendono sempre a carico del destinatario. La merce viaggia a rischio e pericolo del committente anche se venduta franco destino.	- Means of dispatch. <i>If this item is not indicated, the Manufacturer, while dedicating particular care to this service, shall not be held responsible for delays in delivery caused by cases of force majeure. Transport expenses shall always be at the consignee's charge. The goods travel at the purchaser's risk and peril even when sold ex destination.</i>	- Versandmittel. Wenn dieser Punkt nicht spezifiziert wird, haftet die Herstellerfirma nicht für etwaigen Lieferverzug aufgrund höherer Gewalt, auch wenn er diesen Service besonders aufmerksam abwickelt. Die Frachtkosten gehen dagegen immer zu Lasten des Empfängers. Die Ware reist auf Gefahr und Risiko des Auftraggebers, auch wenn frei Haus Verkauft vereinbart worden ist.	- Moyen d'expédition. <i>Si cette rubrique n'est pas indiquée, le Constructeur, bien que soucieux de ce service, ne répond pas des retards d'expédition pour des causes de force majeure. Les frais de transport sont toujours à la charge du destinataire. La marchandise voyage aux risques et périls de l'acheteur même si vendue franco de port.</i>	- Medio de transporte. En caso que este ítem no esté especificado, el Fabricante, aún prestando la debidas consideraciones para este aspecto, no responde por eventuales retardos de env'o debidos a causas de fuerza mayor. Los gastos de transporte se consideran siempre a cargo del destinatario. La mercadería viaja bajo riesgo y peligro del comprador, incluso cuando se vende franco destino.
NOTA: Il termine (Dx) Destro o (Sx) Sinistro della macchina o di parti di essa, è inteso guardando la macchina dalla parte posteriore. Le eccezioni saranno indicate.	NOTE: <i>The symbols (Dx) right and (Sx) left, concerning the machine or single parts of it, are referred, as in the figure, to a rear view of them. Exceptions will be indicated.</i>	N.B.: Die Merkzeichen (Dx) rechts und (Sx) links betreffen eine rückwärtige Aussicht der Maschine oder Teile von ihr (siehe Bild). Ausnahmen werden gezeigt.	N.B.: <i>Les références (Dx) droit et (Sx) gauche de la machine ou des parties de la même, est entendue, comme de la figure, en regardant la machine de derriere dans le sens de marche.</i>	N.B.: La refencia (Dx) derecha o (Sx) izquierda de la máquina o de sus componentes, se entiende, como en la figura, mirando la máquina por la parte trasera. Se indicarán las excepciones.

N° Tavola	Descrizione	Pagina
TAV. 012	Telaio	4
TAV. 025	Impianto oleodinamico telaio «BSP 60»	6
TAV. 026	Impianto oleodinamico telaio «DIN 24»	8
TAV. 034	Segnafile	10
TAV. 053	Impianto oleodinamico segnafile «BSP 60»	12
TAV. 054	Impianto oleodinamico segnafile «DIN 24»	14
TAV. 060	Impianto generale con centralina	16
TAV. 072	Depressore	18
TAV. 081	Scatola di rinvio elemento	20
TAV. 092	Distributore semi	22
TAV. 371	Variante distributore semi minuti	26
TAV. 102	Dischi di semina	28
TAV. 114	Telaio elemeto	30
TAV. 123	Ruote di profondità	34
TAV. 135	Ruote compressione posteriore	36
TAV. 141	Coprisemi anteriori	38
TAV. 153	Ruotino premiseme	40
TAV. 161	Coltro a disco striato	42
TAV. 320	Trash wheel - Spartiresidui rotativo	44
TAV. 172	Esclusione elettrica file di semina	46
TAV. 181	Sollevamento oleodinamico elemento seminatore «BSP 60»	48
TAV. 182	Sollevamento oleodinamico elemento seminatore «DIN 24»	50
TAV. 192	Cambio	52
TAV. 201	Ruote di trasmissione	56
TAV. 210	Presa di potenza posteriore	60
TAV. 220	Kit flangiatura ruote per terreni sassosi	62
TAV. 230	Supporti serbatoi spandiconcime	64
TAV. 240	Serbatoi spandiconcime	66
TAV. 252	Elementi di concimazione	70
TAV. 261	Speedy set	72
TAV. 350	Supporti ed assi di trasmissione Microgranulatore	74
TAV. 272	Microgranulatore	76
TAV. 283	Trasmissione spandiconcime e microgranulatore	78
TAV. 341	Applicazione doppio microgranulatore	80
TAV. 361	Distribuzione concime con PA	82
TAV. 291	Kit luci e tabelle di ingombro	84
TAV. 292	Kit luci e tabelle di ingombro (OM.)	86
TAV. 302	Cardani	88

TAV. 012

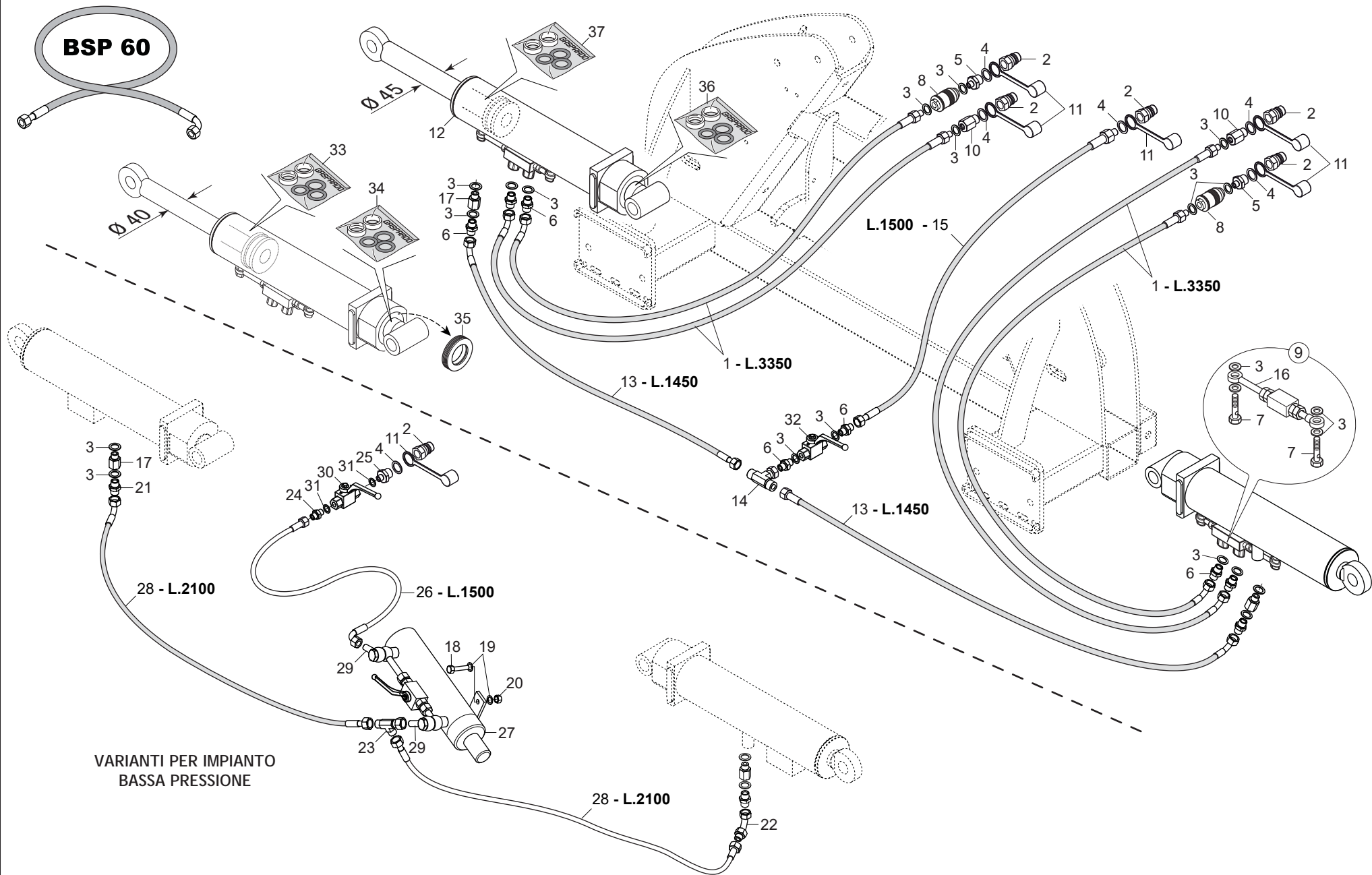


TELAIO

TAV. 012

Pos.	Cod.	Descrizione	Description	Description	Benennung	Descrpcion
1	G14219551	SPINA ROTAZIONE	ROTATION PIN			
2	G14219500	FLANGIA	FLANGE			
3	GA4210060	SPESSORE 0,5 MM PATTINO ZN	SHIMS 0,5 MM			
4	G14215360	SPINA DI SICUREZZA	PIN D20 L173,5	FICHE D20 L173,5	STIFT D20 L173,5	CLAVIJA D20 L173,5
5	G14215570	FERMO TELAIO MOBILE	MOBILE FRAME STOP	ARRET BATI MOBILE	FESTSTELLVORRICHTUNG MOBILER R	BLOQUEO BASTIDOR MVIL O
6	G14216730	PIASTRA SCORRIMENTO	SLIDING PLATE	PLAQUE GLISSEMENT	GLEITPLATTE	PLACA DE DESPLAZAMIENTO
7	G14217560	SUPPORTO 5 TUBI	5 PIPE SUPPORT	SUPPORT 5 TUBES	5 ROHR HALTERUNG	SOPORTE 5 TUBOS
8	G14215170	TELAIO FISSO	FIXED FRAME	BATI FIXE	FIXER RAHMEN	BASTIDOR FIJO
9	G14215541	TUBO Q.150X8X1480	SQUARE TUBE 150X1480	TUBE CARR+ 150X1480	ROHR Q.150X1480	TUBO CUADRADO 150X1480
10	G14215272	SPINA 29,8X164 ZN	PIN 29,8X164 ZN			
11	G14219530	TELAIO PORTANTE SI-MTI	MAIN FRAME SI-MTI			
12	G14216614	BRACCIO INF.L1400	LOWER ARM L.1400			
13	G14216641	BRACCIO SUPERIORE	TOP ARM	BRAS SUPERIEUR	OBERER ARM	BRAZO SUPERIOR
14	G14216714	SUPPORTO TELAIO MOBILE DX	SUPP.R.OFFSET FRAME			
15	G14216724	SUPPORTO TELAIO MOBILE SX	SUPP.L.OFFSET FRAME			
16	G15110091	SCONTRO A U SP.8 2F15 165	STRIKER			
17	G19003000	TAPPO PER TELAIO 150	CAP FOR FRAME 150	BRIDE 150 MM	ANSCHLAG	ELEMENTO DE EMPALME
18	F20100139	PERNO D32 L135 C43 TEST.D60 Z>	PIN D32 L135 C40 ZN	BOUCHON POUR BATI 150	PFROPFEN FOR RAHMEN 150	TAPON PARA BASTIDOR 150
19	F20100141	PERNO D36 L128 C43 TEST.D60 ZN	PIN D36 L128 C43 ZN	BOULON D32 L135 C43 ZN	BOLTZEN D32 L135 C43 ZN	PERNO D32 L135 C43 ZN
20	G20970043	RONDELLA 50X8X20,5 ZN	WASHER 50X8X20-5 ZN	BOULON D36 L128 C43 ZN	BOLTZEN D36 L128 C43 ZN	PERNO D36 L128 C43 ZN
21	G18701810	RONDELLA 38 X70 X10 ZN	WASHER 38X70X10	RONDELLE 50X8X20-5 ZN	UNTERLEGSSCHEIBE 50X8X20-5 ZN	ARANDELA 50X8X20-5 ZN
22	G20970126	RONDELLA 75X2,5X14,5	WASHER 75X2,5X14-5	RONDELLE 38X70X10	UNTERLEGSSCHEIBE 38X70X10	ARANDELA 38X70X10
23	G18701580	RONDELLA 30,5 X76 X6	WASHER 30.5 X 76 X 6	RONDELLE 75X2-5X14-5	UNTERLEGSSCHEIBE 75X2-5X14-5	ARANDELA 75X2-5X14-5
24	G18801380	BOCCOLA 20,25X40 X121	BUSHING 20,25X 40 X121	RONDELLE 30-5 X78 X6	UNTERLEGSSCHEIBE 30-5 X78 X6	ARANDELA 30-5 X78 X6
25	F01020236	VITE M14X2X220 U5737 8.8BR >	SCR. M14X2X220 U5737 8.8BR			
26	F01020322	VITE M20X2,5X190 U5737 10.9ZD	SCR. M20X2,5X190 U5737 10.9ZD	VIS M14X2X220 U5737 8.8 BR	SCHRAUBE M14X2X220 U5737 8.8	TORNILLO M14X2X220 U5737 8.8
27	F01020476	VITE M10X1,5X30 U5739 8.8ZN >	SCR. M10X1,5X30 U5739 8.8ZN	VIS M20X2,5X190 5737 10.9 ZN	SCHRA.M20X2,5X190 5737 10.9 ZN	TORN. M20X2,5X190 5737 10.9 ZN
28	F01020510	VITE M12X1,75X30 U5739 8.8ZN	SCR. M12X1,75X30 U5739 8.8ZN	VIS M10X1,5X30 U5739 8.8 ZN	SCHRAUBE M10X1,5X30U5739 8.8ZN	TORNIL.M10X1,5X30 U5739 8.8 ZN
29	F01230131	DADO M20X2,5 D982 6ZN >	NUT M20X2,5 D982 6ZN	VIS M12X1,75X30 U5739 8.8ZN	SCHRAU.M12X1,75X30 U5739 8.8ZN	TORN. M12X1,75X30 U5739 8.8ZN
30	F01200270	DADO M10X1,5 U5588 CL8 ZN >	NUT M10X1,5 U5588 6.8ZN	ECROU M20X,5 D982 6ZN	MUTTER M20X2,5 D982 6ZN	TUERCA M20X2,5 D982 6ZN
31	F01200293	DADO M12X1,75 U5588 CL8 ZN >	NUT M12X1,75 U5588 6.8ZN	ECROU M10X 1,5 U5588 6.8 ZN	MUTTER M10X 1,5 U5588 6.8 ZN	TUERCA M10X 1,5 U5588 6.8 ZN
32	F01200306	DADO M14X2 U5588 CL8 ZN >	NUT M14X2 U5588 6.8ZN	ECROU M12X1,75 U5588 6S ZN	MUTTER M12X1,75 U5588 6S ZN	TUERCA M12X1,75 U5588 6S ZN
33	F02200246	COPIGLIA 6X 45 U1336 ZN	PIN 6 X45 U1336 ZN	ECROU M14X2	MUTTER M14X2	DADO M14X2
34	F02200374	COPIGLIA R 4X 82 ZN >	SPRING SPLIT PIN 4X82	PIN 6 X45 U1336 ZN	GOUPIILLE 6 X45 U1336 ZN	SPLINT 6 X45 U1336 ZN
35	F02200507	SPINA A SCATTO D 9 B/83	SNAP PIN D9 B/83 ZN	GOUPIILLE 4X82	GOUPIILLE 4X82	PASADOR 4X82
36	F01100011	ING.M 6X1 7663-A 9SMNPB28 ZN >	GREASE NIPPLE M6X1 7663-A ZN	FICHE A DETENTE D9 B/83 ZN	EINRASTSTIFT D9 B/83 ZN	CLAVIJA DE MUELLE D9 B/83 ZN
37	F01100061	ING.M10X1 7663-A 9SMNPB28 ZN>	GREASE NIPPLE M10X1 7663-A ZN	GRAISS. A BILLE M6X1 7663A ZN	GRAISS. A BILLE M6X1 7663A ZN	ENGRAS. DE ESFE. M6X1 7663-AZN
38	F05150459	PARACOLPI CIL.75X25 M12 SH70	CYLINDER GUARD 75X25 M12 SH71	GRAISSEUR M10X1 7663-A ZN	SCHMIERBUECHSE M10X1 7663-A ZN	ENGRASADOR M10X1 7663-A ZN
39	G18701770	RONDELLA 50 X90 X0,5	WASHER 50 X90 X0,5	TAMPON CIL. 75X25 M12	PUFFER CIL. 75X25 M12	PARACHOC. CIL. 75X25 M12
40	F01020166	VITE M12X1,75X80 U5737 8.8ZN>	SCR. M12X1,75X80 U5737 8.8ZN	RONDELLE 50 X90 X0,5	UNTERLEGSSCHEIBE 50 X90 X0,5	ARANDELA 50 X90 X0,5
41	F01230291	DADO M30X2 D985 ZN >	NUT M30X2 D985 ZN	SCR. M12X1,75X80 U5737 8.8ZN	SCHRA. M12X1,75X80 U5737 8.8ZN	TORN. M12X1,75X80 U5737 8.8ZN
42	G15413210	TAPPO TELAIO 120 COMPL.	FRAME PLUG 120 COMPL.	ECROU AUTOB. M30X2 DIN 985 ZN	SELBSTSP. MU. M30X2 DIN 985 ZN	TUERCA AUTOB. M30X2 DIN 985 ZN
43	G15817001	PUNTELLO TEL.PIEG.ORIETTA	PROP FLEXIBLE FRAME			
44	F01220059	DADO M14X1,5 D980 8ZN >	NUT M14X1,5 D980 8ZN			
45	G22505031	TUBO TELAIO L=2800	FRAME PIPE L=2800	ECROU M14X 1,5 D980 8 ZN	MUTTER M14X 1,5 D980 8 ZN	TUERCA M14X 1,5 D980 8 ZN
46	F01020225	VITE M14X2X160 U5737 8.8BR	SCR. M14X2X160 U5737 8.8BR	TUBE BATI L=2800	ROHR RAHMEN L=2800	TUBO BASTIDOR L=2800
47	G16610100	TUBO TELAIO FISSO L.3000 Q.150	FIXED FRAME PIPE L.3000 SQ.150	VIS M 14 X160 5737 8.G	SCHRAUBE M 14 X160 5737 8.G	TORNILLO M 14 X160 5737 8.G
48	G15211690	TUBO TELAIO FISSO L.2500 Q.150	FIXED FRAME PIPE L.2500 Q.150	TUBE BATI FIXE L.3000 Q.150	ROHR FIXER RAHMEN L.3000 Q.150	TUBO BASTIDOR FIJO L.3000 Q150
49	G14217260	TUBO R.150X100X 6X2650	RECTANGULAR PIPE 150X100X2650	TUBE BATI FIXE L.2500 Q.150	ROHR FIXER RAHMEN L.2500 Q.150	TUBO BASTIDOR FIJO L.2500 Q150
50	G14218890	FERMO TELAIO	FRAME STOP	TUBE RECT. 150X100X 6X2650	R. ROHR 150X100X 6X2650	TUBO RECT. 150X100X 6X2650
51	G14218852	BRACCIO INF.L1590	LOWER ARM L.1590	ARRET BATI	FESTSTELLVORRICHTUNG	BLOQUEO BASTIDOR
52	G14218831	BRACCIO SUP.L=1590	TOP ARM L.1590			
53	G14217390	TUBO R.150X100X 6X2800	RECTANGULAR PIPE 150X100X2800			
54	G14217400	TUBO TELAIO 150X100X3200	FRAME PIPE 150X100X3200	TUBE RECT. 150X100X 6X2800	ROHR RAHMEN 150X100X3200	TUBO BASTIDOR 150X100X3200
55	G16610050	TUBO R.150X100X2480	RECTANGULAR PIPE 150X100X2480	TUBE RECT.150X100X6X2480	R. ROHR150X100X6X2480	TUBO RECT.150X100X6X2480
56	G14219190	TUBO Q.150X 8X1200	TUBE Q.150X 8X1200			
57	G14217270	TUBO R.150X100X 6X1480	RECTANGULAR PIPE 150X100X 1480			
58	G14218860	TUBO R.150X100X 6X1200	RECTANGULAR PIPE 150X100X 1200	TUBE RECT.150X100X 6X1480	R. ROHR 150X100X 6X1480	TUBO RECT. 150X100X 6X1480
59	G16610110	TAPPO TELAIO 150X100 COMPL.	COMPL. FRAME PLUG 150X100 B319	TUBE RECT.150X100X 6X1200	R. ROHR 150X100X 6X1200	TUBO RECT. 150X100X 6X1200
60	F20120401	FASCETTA FERMA CARDANO ZN	SHAFT HOOK SUPPORT	BOUCHON CH-SSIS 150X100 COMPL.	PFROPFEN RAHMEN 150X100 KOMPL.	TAPEN BASTIDOR 150X100 COMPL.
61	F20120400	GANCIO SOSTEGNO CARDANO	SHAFT HOOK SUPPORT	SUPPORT CARDAN	GELENKWELLE HACKEN HALTER	SOPORTE CARDAN
62	G14219850	TELAIO MOBILE DX TC	MOBILE RIGHT FRAME TC	SUPPORT CARDAN	GELENKWELLE - HACKEN	SOPORTE CARDAN
63	G14219880	TELAIO PORTANTE TC	MAIN FRAME TC			
64	G14219860	TELAIO MOBILE SX TC	MOBILE LEFT FRAME TC			
65	G89900512	KIT DECALCOMANIE SI-MTI	DECAL KIT SI-MTI	KIT DECALCOMANIE SI-MTI	KIT ABZIEHB. SI-MTI	SET CALCOMANAS SI-MTI

BSP 60

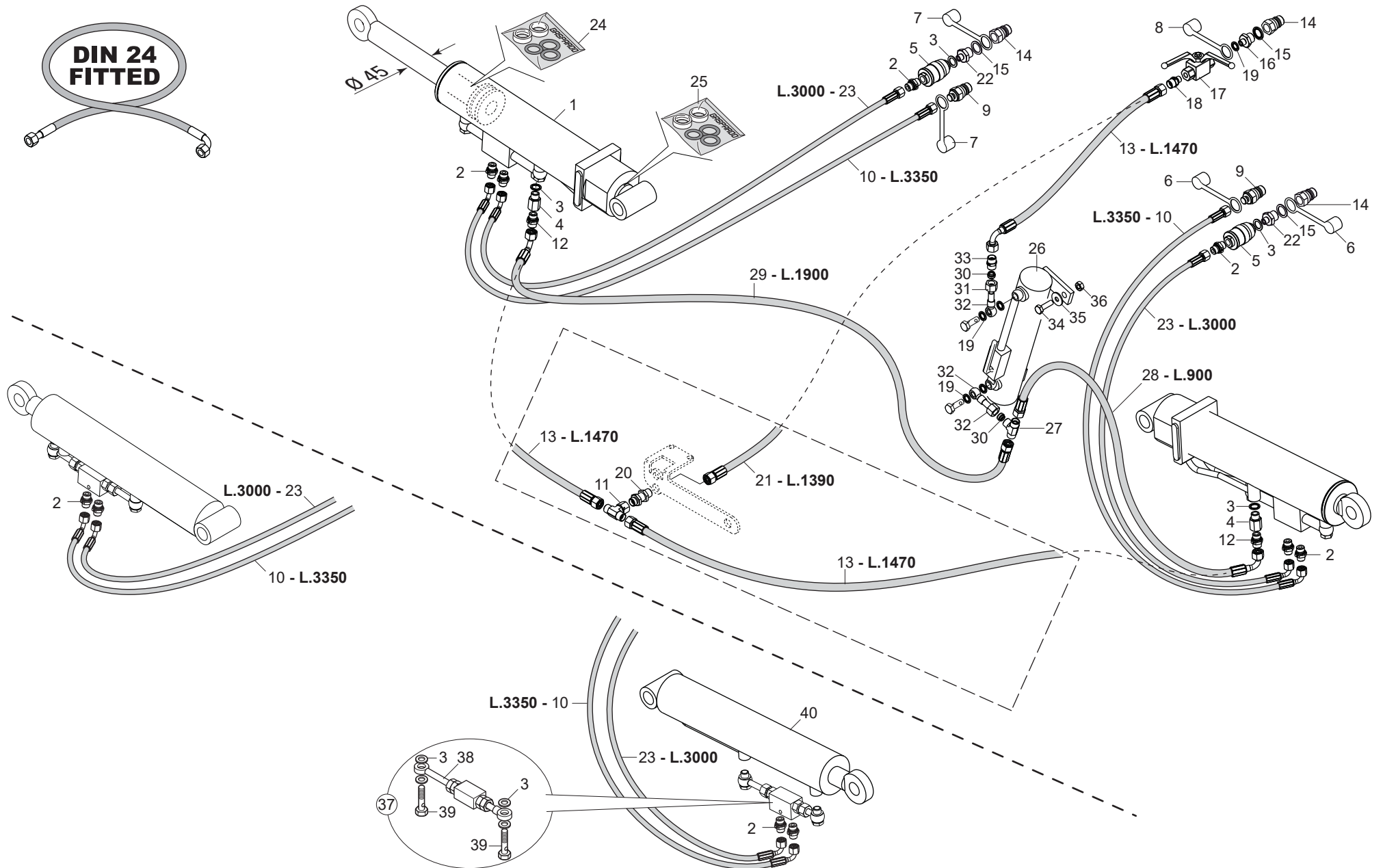


VARIANTI PER IMPIANTO
BASSA PRESSIONE

IMPIANTO OLEODINAMICO TELAIO «BSP 60»
TAV. 025

Pos.	Cod.	Descrizione	Description	Description	Benennung	Descripcion
1	G14217120	TUBO 3/8R2 CF3/8- M3/8 3350	PIPE 3/8R2 CF3/8- M3/8 L.3350	TUBE 3/8R2 CF3/8- M3/8 L.3350	ROHR 3/8R2 CF3/8- M3/8 L.3350	TUBO 3/8R2 CF3/8- M3/8 L.3350
2	F03150935	INNESTO RAP.MASCH.1/2 A VALV.>	QUICK CONNECT MALE CONE 1/2	CONNEXION RAPIDE MALE CONE 1/2	SCHNELLKUPP.GEWINDE KONISC 1/2	ACOPLAMIENT.RAP.MACHO CONO 1/2
3	F03151401	RONDELLA BONDED SEAL 3/8" NBR	WASHER BONDED SEAL 3/8" NBR			
4	F03151370	RONDELLA BONDED SEAL 1/2" NBR	WASHER BONDED SEAL 1/2" NBR			
5	F03150222	NIPPLO MM CIL-CIL 1/2-3/8 ZG >	NIPPLE M-M CYL-CYL 1/2-3/8 ZG	NIPPLE H-H CIL-CIL 1/2-3/8 ZG	NIPPEL M-M CIL-CIL 1/2-3/8 ZG	NIPLE H-H CIL-CIL 1/2-3/8 ZG
6	F03150321	NIPPLO MM CIL-CIL 3/8-3/8 ZG >	NIPPLE MM CIL-CIL 3/8-3/8 ZN	NIPPLE MM CIL-CIL 3/8-3/8 ZN	NIPPELZYL MM 3/8-3/8 ZN	NIPLE MM CIL-CIL 3/8-3/8 ZN
7	F03151223	RACCORDO VITE CAVA 3/8" L=39M>	UNION BOLT 3/8	VIS 3/8	SCHRAUBE 3/8	TORNILLO CAVA 3/8
8	F03151252	STROZZATORE UNIDIREZ.VSRU 3/8>	UNI-DIRECTIONAL VENTURI 3/8	ETRANGLEUR UNIDIRECTIONN. 3/8	ZWEIS. DROSSEL 3/8	ESTRANGULADOR UNIDIRECCION.3/8
9	F03150589	KIT VALVOLA DI BLOCCO 3/8 DE	PIL. BLOCK VALVE VBPDE38EC	SOUPAPE BLOC GUIDEE VBPDE38EC	GEST. SPERRVENTIL VBPDE38EC	VæLVULA BLOQUE PIL.VBPDE38EC
10	F03151213	NIPPLO MF CIL-CIL 1/2-3/8 ZN>	M 1/2-F 3/8 CONNECTION PIPE	RACCORD REDUCTION FINALEM 1/2-	ANSCHLUSS REDUKTIONM 1/2-F 3/8	UNION REDUCCION M ç-F 3/8
11	F05150325	CAPPUC.F X INN.M RAP.1/2 ROSS>	COVER CONNECT F 1/2 RED	COUVERCLE CONNEXION F 1/2 ROSE	DECKEL W 1/2 SCHNELLKUPP. ROT	PAC PROTECCION F 1/2 ROJO
12	G14217513	CILINDRO DOPPIO STADIO SI-MTI	CYLINDER 2STEPS SI-MTI			
13	G16117780	TUBO 3/8R2 CF3/8- F3/8 1450	PIPE 3/8R2 CF3/8-F3/8 1450			
14	F03151221	RACCORDO -T- M-FG-M 3/8' ZN	CONNECTOR T- M-FG-M 3/8' ZN	RACCORD -T- M-FG-M 3/8 ZN	ANSCHLUSSTsCK-T-M-FG-M 3/8 ZN	UNION -T- M-FG-M 3/8 ZN
15	G22280116	TUBO 3/8-R2 F3/8-M1/2 MT.1,50	PIPE 3/8-R1 F3/8-M1/2 MT.1-50	TUBE 3/8-R1 F3/8-M1/2 M. 1-50	ROHR 3/8-R1 F3/8-M1/2 M 1-50	TUBO 3/8-R1 F3/8-M1/2 MT.1-50
16	F03151211	RACCORDO OCCHIO 3/8 D.12 L.300	EYE UNION 3/8 D.12 L.300	RACCORD OEIL 3/8 D.12 L.300	TSENVERBINDUNGSSTsCK 3/8 D.12	UNIN OJO 3/8 O.12 L.300 R
17	F03151212	PROLUNGA CORTA 3/8	SHORT EXTENSION 3/8	RALLONGE COURTE 3/8	KURZE VERLZNGERUNG 3/8	PROLONG. CORTA 3/8
18	F01020479	VITE M10X1,5X35 U5739 8.8ZN	SCR. M10X1,5X35 U5739 8.8ZN	VIS M10X1,5X35 U5739 8.8 ZN	SCHR. M10X1,5X35 U5739 8.8 ZN	TORN. M10X1,5X35 U5739 8.8 ZN
19	F01420060	ROS.M10 10,5X 30X2,5 U6593 ZN	GALV.WASHER 10,5X30X2,5 U6593	RONDELLE 10,5X30	SCHEIBE 10,5X30	ARANDELA 10,5X30
20	F01230048	DADO M10X1,5 D982 8ZN >	NUT M10X1,5 D982 8ZN	ECR.AUTO-FREIN.M10X1,5 D982 ZN	SICHERUNGSMUTT.M10X1,5 D982 ZN	TUERCA SEGURID.M10X1,5 D982 ZN
21	F03150310	NIPPLO MM CIL-CIL 3/8-1/4 ZN >	NIPPLE CYL.MALE3/8-1/4 ZN	NIPPLE MALE CYL.3/8-1/4 ZN	NIPPELZYL.3/8-1/4 ZN	NIPLE MACHO CIL.3/8-1/4 ZN
22	F03150859	CURVA 90°F.GIREV.1/4 - M.1/4	ELBOW 90° F.SLEWING 1/4 -M.1/4	COUDE 90° F.TOURN.1/4 - M.1/4	KNIESTsCK 90[F.DREHB.1/4 - M.	CURVA 90 F.GIRAT.1/4 - M.1/4
23	F03151217	RACCORDO -T- LATER.M-M-FG 1/4	T M-FG-M LATER.CONNECTION PIPE	RACCORD T M-FG-M 1/4	ANSCHLUSST M-FG-M 1/4	UNION T M-HG-M 1/4
24	F03150266	NIPPLO MM CIL-CIL 1/4-1/4 ZN	NIPPLE CYL.MALE 1/4 GALV.	NIPPLE MALE CYL. 1/4 ZN	NIPPELZYL.1/4 ZN	NIPLE MACHO CIL.1/4 ZN
25	F03150211	NIPPLO MM CIL-CIL 1/2-1/4 ZN >	NIPLE MM CIL-CIL 1/4-1/2 ZN	NIPLE MM 1/4-1/2 ZN	NIPLE GG 1/4-1/2 ZN	NIPLE MM 1/4-1/2 ZN
26	G22270463	TUB.TR.1/4R2 F-F 1/4 L1500 LM	TUBE TR.1/4R2 F-F1/4 L1500 LM	TUB.TR.1/4R2 F-F 1/4 L1500 LM	ROHR1/4R2 F-F 1/4 L1500 LM	TUB.TR.1/4R2 F-F 1/4 L1500 LM
27	G14219220	CILINDRO DI SPINTA	CYLINDER	CYLINDRE	ZYLINDER	CILINDRO
28	G15210541	TUBO 1/4R2 CF1/4- F1/4 2100	TUBE 1/4R2 CF1/4- F1/4 2100			
29	F03151182	OCCHIO FILETTATO CONICO 1/4 G	CONICAL UNION BOLT HOLLOW 1/4	RACCORD VIS CREUSE 1/4 G CONIQ	ANSCHLUSS GEWINDEHOHLSCHR.1/4	UNIN TORNILLO RANURA 1/4 G C+N
30	F03151245	RUBINETTO F-F 1/4	COCK F.-F. 1/4"	ROBINET F.-F. 1/4"	HAHN F.-F. 1/4"	GRIFO H.-H. 1/4"
31	F03151414	RONDELLA BONDED SEAL 1/4" NBR	WASHER BONDED SEAL 1/4" NBR			
32	F03151246	RUBINETTO F-F 3/8 >	BREATHER TAP F-F 3/8	BOUCHON REFOUL. F-F 3/8	ENTLsFTUNGSPFROPFEN F-F 3/8	TAPON PURGADOR F-F 3/8
33	F03100601	KIT GUAR.STELO-C.LUNGA14217512	KIT GASK.-LONG STROKE14217512			
34	F03100602	KIT GUAR.STELO-C.BREVE14217512	KIT GASK.-SHORT.STROKE14217512			
35	F03100603	KIT GUAR.TEST.RASCH. 14217512	KIT OIL SEAL			
36	F03100634	KIT GUAR.STELO-C.CORTA1421751>	KIT O-RING CYLINDER G14217513			
37	F03100633	KIT GUAR.STELO-C.LUNGA1421751>	KIT O-RING CYLINDER G14217513			

**DIN 24
FITTED**

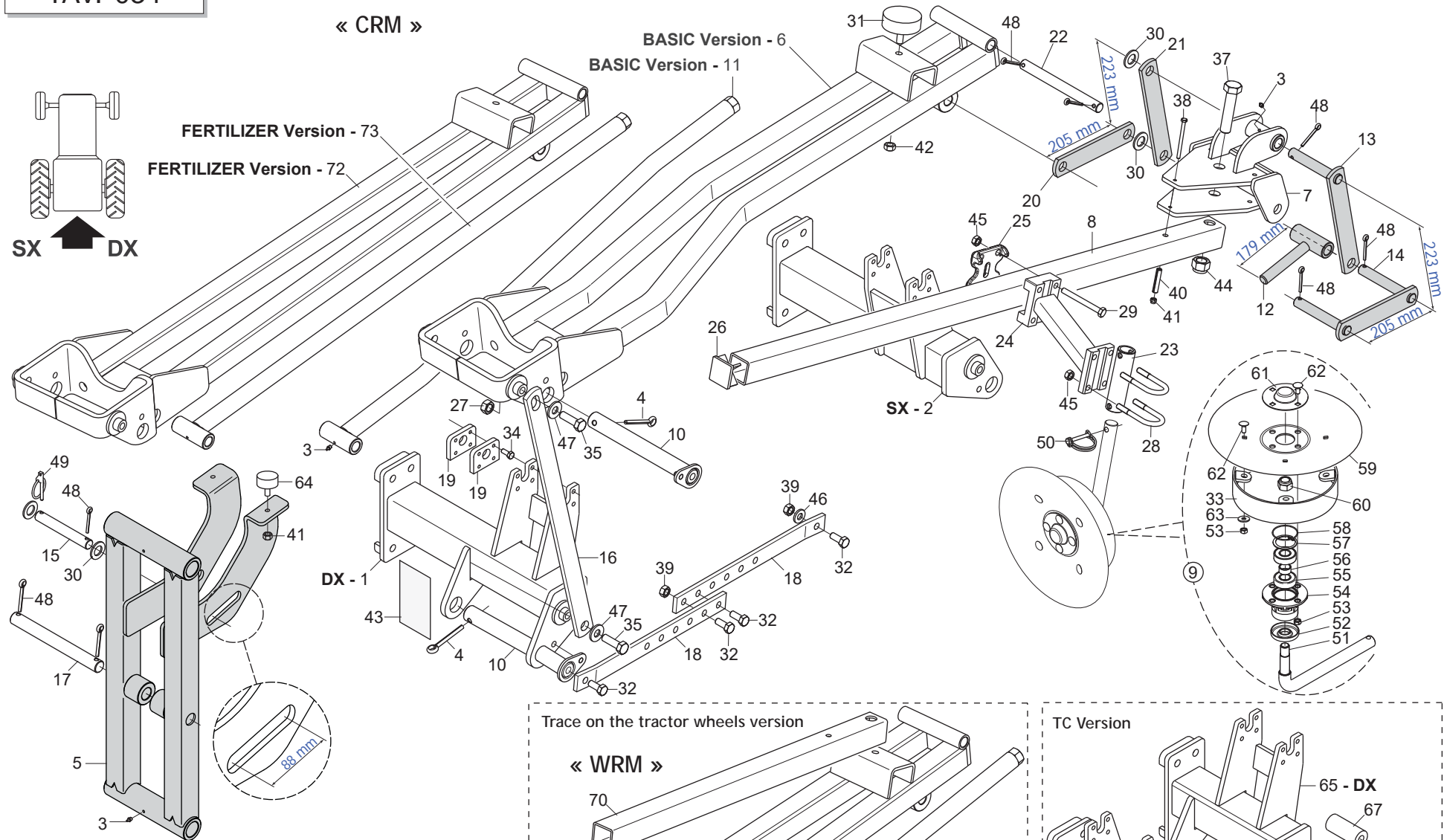


IMPIANTO OLEODINAMICO TELAIO «DIN 24»

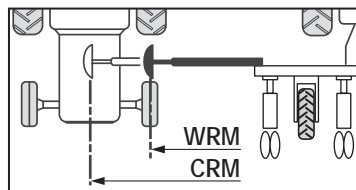
TAV. 026

Pos.	Cod.	Descrizione	Description	Description	Benennung	Description
1	G14217513	CILINDRO DOPPIO STADIO SI-MTI	CYLINDER 2STEPS SI-MTI			
2	F03080081	NIPPLO M3/8 SEAL ML10 ZN	NIPPLE M3/8 SEAL ML10 ZN			
3	F03151401	RONDELLA BONDED SEAL 3/8" NBR	WASHER BONDED SEAL 3/8" NBR			
4	F03151212	PROLUNGA CORTA 3/8	SHORT EXTENSION 3/8	RALLONGE COURTE 3/8	KURZE VERLZNGERUNG 3/8	PROLONG. CORTA 3/8
5	F03151252	STROZZATORE UNIDIREZ.VSRU 3/8>	UNI-DIRECTIONAL VENTURI 3/8	ETRANGLEUR UNIDIRECTIONN. 3/8	ZWEIS. DROSSEL 3/8	ESTRANGULADOR UNIDIRECCION.3/8
6	F05150330	CAPPUC.F X INN.M RAP.1/2 BLU >	PROTECT. COVER CAP F 1/2 BLUE	COUVERCLE CONNEXION F 1/2 BLEU	DECKEL W 1/2 SCHNELLKUPP. BLUE	PAC PROTECCION F 1/2 AZUL
7	F05150329	CAPPUC.F X INN.M RAP.1/2 GIALL	PROTECT. COVER CAP F 1/2 YELLO	COUVERCLE CONNEX. F 1/2 JAUNE	DECKEL W 1/2 SCHNELLKUPP GELB	PAC PROTECCION F 1/2 AMARILLO
8	F05150328	CAPPUC.F X INN.M RAP.1/2 VERDE	PROTECT. COVER CAP F 1/2 GREEN	COUVERCLE CONNEXION F 1/2 VERT	DECKEL W 1/2 SCHNELLKUPP. GRUN	PAC PROTECCION F 1/2 VERDE
9	F03080090	INNESTO RAP.MASCH.DL M16X1,5	QUICK CONNECT MALE CONE DL M16			
10	F03070064	TUBO 1/4 R17 FL10 CFL10 L3350	TUBE 1/4 R17 FL10 CFL10 L3350			
11	F03080009	RACC.T ML12 FL12 ML12 ZN	T-UNION ML12 FL12 ML12	RACCORD T ML12 FL12 ML12 ZN	ANSCHLUSST.T ML12 FL12 ML12 ZN	UNION T ML12 FL12 ML12 ZN
12	F03080001	NIPPLO M3/8 SEAL ML12 ZN	NIPPLE M3/8 SEAL ML12 ZN	NIPLE M3/8 SEAL ML12 ZN	NIPPEL M3/8 SEAL ML12 ZN	NIPLE M3/8 SEAL ML12 ZN
13	F03070747	TUBO 3/8 2SC FL12 CFL12 L1470	PIPE 3/8 2SC FL12 CFL12 L1470			
14	F03150935	INNESTO RAP.MASCH.1/2 A VALV.>	QUICK CONNECT MALE CONE 1/2	CONNEXION RAPIDE MALE CONE 1/2	SCHNELLKUPP.GEWINDE KONISC 1/2	ACOPLAMIENT.RAP.MACHO CONO 1/2
15	F03151370	RONDELLA BONDED SEAL 1/2" NBR	WASHER BONDED SEAL 1/2" NBR			
16	F03150211	NIPPLO MM CIL-CIL 1/2-1/4 ZN >	NIPLE MM CIL-CIL 1/4-1/2 ZN	NIPLE MM 1/4-1/2 ZN	NIPLE GG 1/4-1/2 ZN	NIPLE MM 1/4-1/2 ZN
17	F03151245	RUBINETTO F-F 1/4	COCK F.-F. 1/4"	ROBINET F.-F. 1/4"	HAHN F.-F. 1/4"	GRIFO H.-H. 1/4"
18	F03080064	NIPPLO M1/4 SEAL ML12 ZN	NIPPLE M1/4 SEAL ML12 ZN	NIPLE M1/4 SEAL ML12 ZN	NIPPEL M1/4 SEAL ML12 ZN	NIPLE M1/4 SEAL ML12 ZN
19	F03151414	RONDELLA BONDED SEAL 1/4" NBR	WASHER BONDED SEAL 1/4" NBR			
20	F03080010	PASSAPARETE ML12 ML12 ZN	PASS WALL ML12 ML12			
21	F03070903	TUBO 3/8 2SC FL12 FL12 L1390	PIPE 3/8 2SC FL12 FL12 L1390			
22	F03150222	NIPPLO MM CIL-CIL 1/2-3/8 ZG >	NIPPLE M-M CYL-CYL 1/2-3/8 ZG	NIPPLE H-H CIL-CIL 1/2-3/8 ZG	NIPPEL M-M CIL-CIL 1/2-3/8 ZG	NIPLE H-H CIL-CIL 1/2-3/8 ZG
23	F03070167	TUBO 1/4 R17 FL10 CFL10 L3000	TUBE 1/4 R17 FL10 CFL10 L3000			
24	F03100633	KIT GUAR.STELO-C.LUNGA1421751>	KIT O-RING CYLINDER G14217513			
25	F03100634	KIT GUAR.STELO-C.CORTA1421751>	KIT O-RING CYLINDER G14217513			
26	G14219220	CILINDRO DI SPINTA	CYLINDER	CYLINDRE	ZYLINDER	CILINDRO
27	F03080030	RACC.T ML12 ML12 ML12 ZN	T-UNION ML 12 ML12 ML12 ZN	RACCORD T ML12 ML12 ML12 ZN	ANSCHLUSST.T ML12 ML12 ML12 ZN	UNION T ML12 ML12 ML12 ZN
28	F03070995	TUBO 3/8 2SC FL12 CFL12 L900	PIPE 3/8 2SC FL12 CFL12 L900			
29	F03070819	TUBO 3/8 2SC FL12 CFL12 L1900	PIPE 3/8 2SC FL12 CFL12 L1900			
30	F03080066	OGIVA TUBO 12 ERMETO2	OGIVE PIPE 12 ERMETO2			
31	F03080058	DADO EO2 FL12 PER TUBI ACCIAIO	NUT EO2 FL12 STEEL PIPES			
32	F03150827	ADATT. OCCHIO 1/4 3/8 L.175	EYE UNION 1/4 3/8 L.175			
33	F03080034	NIPPLO ML12 ML12 ZN	NIPPLE ML12 ML12			
34	F01020479	VITE M10X1,5X35 U5739 8.8ZN	SCR. M10X1,5X35 U5739 8.8ZN	VIS M10X1,5X35 U5739 8.8 ZN	SCHR. M10X1,5X35 U5739 8.8 ZN	TORN. M10X1,5X35 U5739 8.8 ZN
35	F01420060	ROS.M10 10,5X 30X2,5 U6593 ZN	GALV.WASHER 10,5X30X2,5 U6593	RONDELLE 10,5X30	SCHEIBE 10,5X30	ARANDELA 10,5X30
36	F01200270	DADO M10X1,5 U5588 CL8 ZN >	NUT M10X1,5 U5588 6.8ZN	ECROU M10X 1,5 U5588 6.8 ZN	MUTTER M10X 1,5 U5588 6.8 ZN	TUERCA M10X 1,5 U5588 6.8 ZN
37	F03150589	KIT VALVOLA DI BLOCCO 3/8 DE	PIL. BLOCK VALVE VBPDE38EC	SOUPAPE BLOC GUIDEE VBPDE38EC	GEST. SPERRVENTIL VBPDE38EC	VæLVULA BLOQUE PIL.VBPDE38EC
38	F03151211	RACCORDO OCCHIO 3/8 D.12 L.300	EYE UNION 3/8 D.12 L.300	RACCORD OEIL 3/8 D.12 L.300	TSENVERBINDUNGSSTsCK 3/8 D.12	UNIN OJO 3/8 O.12 L.300 R
39	F03151223	RACCORDO VITE CAVA 3/8" L=39M>	UNION BOLT 3/8	VIS 3/8	SCHRAUBE 3/8	TORNILLO CAVA 3/8
40	G14215302	CILINDRO DE 40X80X335	CYLINDER 40X80X335	CYLINDRE 40X80X335	ZYLINDER 40X80X335	CILINDRO 40X80X335

« CRM »

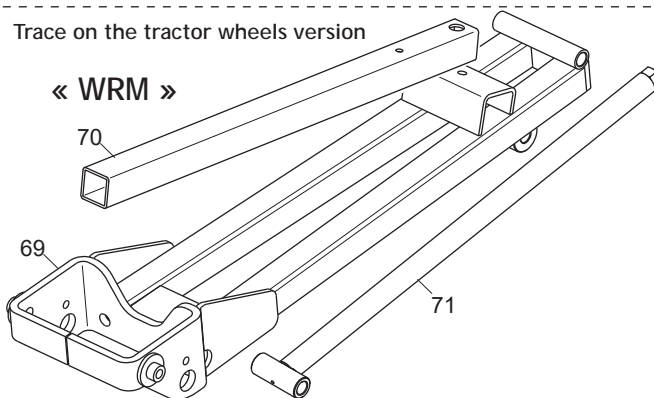


- « CRM »: trace on the tractor center.
- « WRM »: trace on the tractor wheels.
- BASIC Version: *without* Fertilizer Hopper.
- FERTILIZER Version: *with* Fertilizer Hopper.
- TC Version: Compact frame.

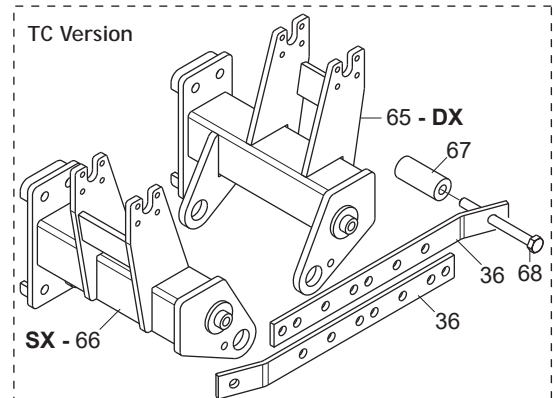


Trace on the tractor wheels version

« WRM »



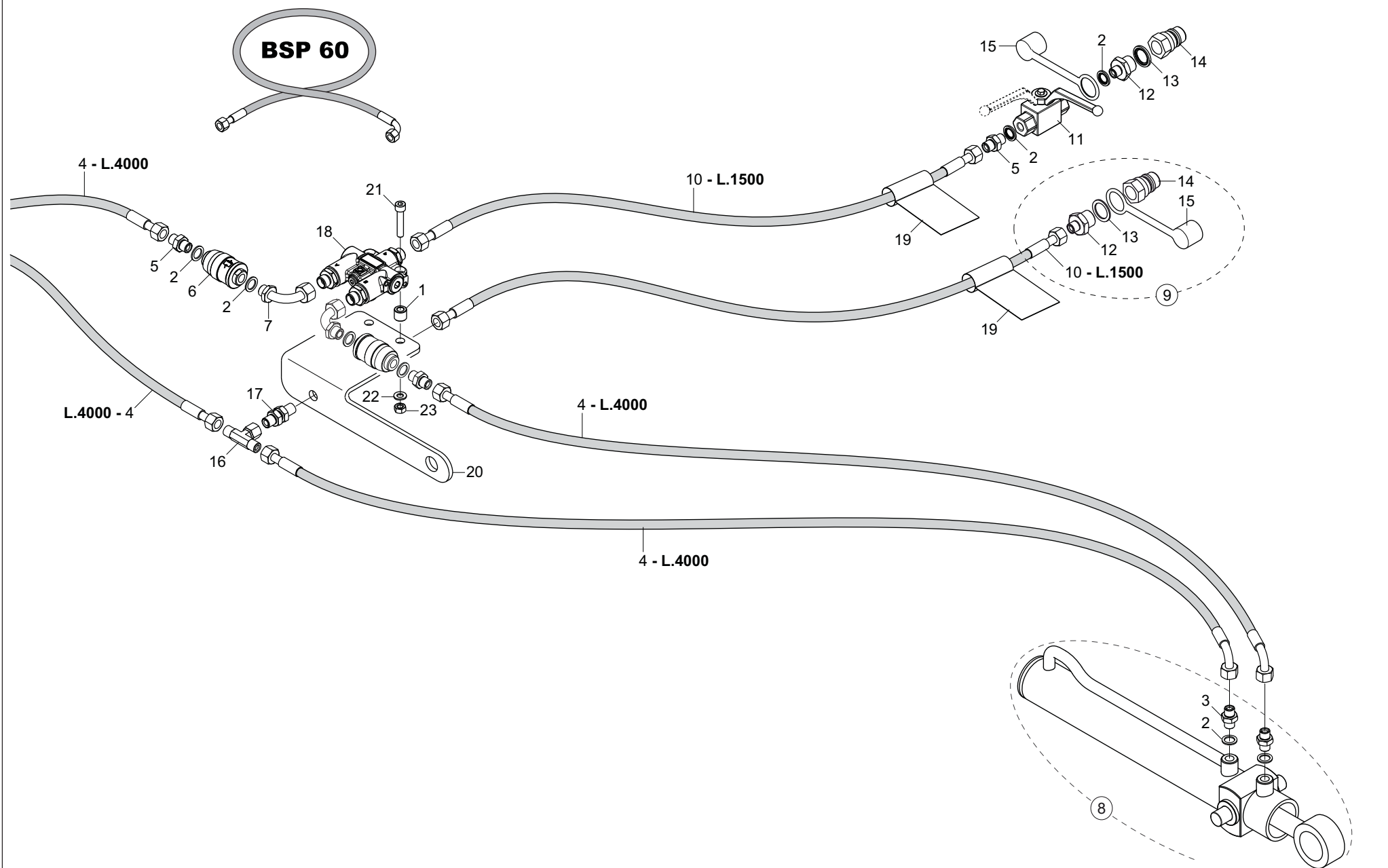
TC Version



SEGNAFILE

TAV. 034

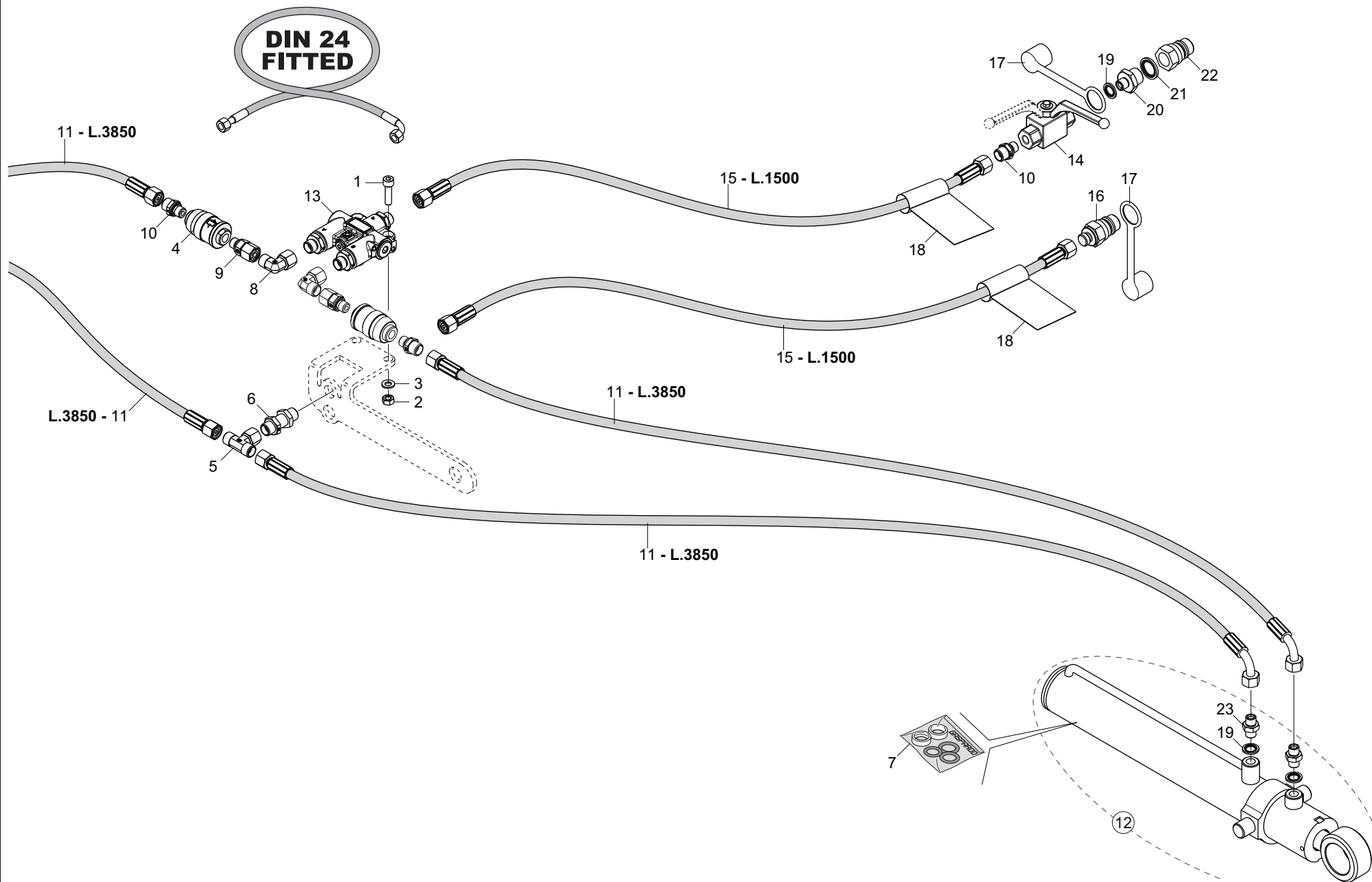
Pos.	Cod.	Descrizione	Description	Description	Benennung	Descripcion
1	G14218073	SUPPORTO DX LUNGO	RIGHT SUPPORT LONG	SUPPORT DRT LONG	HALTERUNG RE LANGES	SOPORTE DER LARGO
2	G14218083	SUPPORTO SX LUNGO	LEFT SUPPORT LONG	SUPPORT GCH LONG	HALTERUNG LI LANGES	SOPORTE IZQ LARGO
3	F01100011	ING.M 6X1 7663-A 9SMNPB28 ZN >	GREASE NIPPLE M6X1 7663-A ZN	GRAISS. A BILLE M6X1 7663A ZN	SCHMIERBUECHE M6X1 7663-A ZN	ENGRAS. DE ESFE. M6X1 7663-AZN
4	F02200260	COPIGLIA 8 X60 1336 ZN	SPLIT PIN 8 X60 1336 ZN	GOUPILLE 8 X60 1336 ZN	SPLINT 8 X60 1336 ZN	PASADOR 8 X60 1336 ZN
5	GA4211690	BRACCIO SPINTA	PRESS. ARM			
6	GA4210950	SECONDO BRACCIO CRM DX	SECOND RIGHT ARM CRM			
7	G14218372	TESTA TERZO BRACCIO	ARM COUPLING	FIXATION BRAS	ARMKUPPLUNG	CONEXIEN BRAZO
8	G14218121	TUBO TERZO BRACCIO	THIRD ARM TUBE	TUBE TROISIEME BRAS	ROHR DRITTER ARM	TUBO TERCER BRAZO
9	G16610222	MONT.DISCO D.320 LIM.	ROWMARKET DISC D.320 ASSEMBLY			
10	G14218190	SPINA ROTAZIONE ZN	ROTATION PIN ZN	GOUPILLE ROTATION ZN	ROTATIONSSTIFT ZN	PASADOR ROTACION ZN
11	GA4211100	TIRANTE INF.	LOWER TIE ROD			
12	GA4211770	REGOLAZIONE TIRANTE	TIE ROD ADJUSTMENT			
13	GA4211720	ASTA ROTAZIONE SUP.	UPPER ROTATION ROD			
14	GA4211700	ASTA ROTAZIONE INF.	LOWER ROTATION ROD			
15	G14218750	SPINA D.20 X124 ZN	GALVANIZED PIN D.20 X124	GOUPILLE D.20 X124 ZN	STIFT D.20 X124 ZN	CLAVIJA D.20 X124 ZN
16	G14218162	TIRANTE ROTAZIONE	ROTATION TIE ROD			
17	G14218200	SPINA DI SPINTA ZN	PRESS. PIN	POUSSEE BROCHE	STIFTSCHUB	APRIETE CLAVIJA
18	G14215840	TIRANTE SEGNAFILE	ROWMARKER TIE ROD	TRINGLE TRACEUR	SPANNSTANGE SPURREISSER	TIRANTE MARCADOR DE FILAS
19	G14218150	PIASTRINA FISSAGGIO CILINDRO	SECURING PLATE	PLAQUE FIXATION	BEFESTIGUNGSPLATTE	PLACA FIJACI-N
20	GA4211710	ASTA ROTAZIONE INFERIORE	LOWER ROTATION ROD			
21	GA4211730	ASTA ROTAZIONE SUPERIORE	UPPER ROTATION ROD			
22	G14215850	SPINA 20 X194 ZN	GALVANIZED PIN 20 X194	GOUPILLE 20 X194 ZN	STIFT 20 X194 ZN	CLAVIJA 20 X194 ZN
23	G17111290	MANICOTTO DISCO ZN	DISC SLEEVE U BOLT	MANCHON DISQUE	SCHIEBENMUFFE	MANGUITO DISCO
24	G14219030	SUPPORTO ESTERNO DISCO	DISC EXT. SUPPORT	SUPPORT EXT. DISQUE	ZUSSERE HALTERUNG SCHEIBEN	SOPORTE EXT. DISCO
25	G19204230	SUPPORTO MANICOTTO TQ.50	SLEEVE SUPPORT TQ.50			
26	F20120349	PUNTALE Q.50 ALETTI.POLIT.NERO>	CAP	BOUCHON	DECKEL	CORCHO
27	F01220266	DADO M16X2 D980 8ZN	NUT M16X2 D980 8ZN	ECROU M16X 2 D980 8 ZN	MUTTER M16X 2 D980 8 ZN	TUERCA M16X 2 D980 8 ZN
28	F20110855	CAV.T.M10X 1.5X 25 46X58.5 ZN	U BOLT.T.M10X1.5X25 46X L=58.5			
29	F01020132	VITE M10X1.5X90 U5737 10.9ZD	SCREW M10X1.5X90 U5737 10.9ZD	VIS M10X1.5X90 U5737 10.9ZD	SCHRAU.M10X1.5X90 U5737 10.9ZD	TORN. M10X1.5X90 U5737 10.9ZD
30	F01410124	ROS.M20 21X 37X 3 U6592 ZN >	WASHER M20 21X 37X 3 U6592 ZN	RONDEL.M20 21X 37X 3 U6592 ZN	WASHER M20 21X 37X 3 U6592 ZN	ARANDELA M20 21X37X3 U6592 ZN
31	F05150459	PARACOLPI CIL.75X25 M12 SH70	CYLINDER GUARD 75X25 M12 SH71	TAMPON CIL. 75X25 M12	PUFFER CIL. 75X25 M12	PARACHOQ. CIL. 75X25 M12
32	F01020544	VITE M14X2X40 U5739 8.8ZN	SCR. M14X2X40 U5739 8.8ZN	SCR. M14X2X40 U5739 8.8ZN	SCHR.M14X2X40 U5739 8.8ZN	TOR.M14X2X40 U5739 8.8ZN
33	G16610210	ASS.LIMITATORE PROFONDIITA'	LIMITER DEPTH COUPLYNG	GR. ASS. LIMITEUR DE PROFONDEUR	TIEFENBEGRENZERKOMPLEX	CONJ. LIMITADOR DE PROFUNDIDAD
34	F01020436	VITE M8X1.25X20 U5739 8.8ZN >	SCR. M8X1.25X20 U5739 8.8ZN	VIS M8X1.25X 20 U5739 8.8 ZN	SCHRAUBE M8X1.25X20U5739 8.8ZN	TORN. M8X1.25X20 U5739 8.8 ZN
35	F01020576	VITE M16X2X65 U5739 8.8ZN	SCR. M16X2X65 U5739 8.8ZN	VIS M16X2X65 U5739 8.8 ZN	SCHRAUBE M16X2X65 U5739 8.8 ZN	TORNILLO M16X2X65 U5739 8.8 ZN
36	G14217050	TIRANTE SUPPORTO SEGNAF.	ROW MARKER SUPPORT TIE ROD	TRINGLE SUPPORT TRACEUR	SPANNSTANGE HALTERUNG SPURR.	TIRANTE SOPORTE MARCADOR
37	F01020312	VITE M20X2.5X100 U5737 8.8ZN >	SCR. M20X2.5X100 U5737 8.8ZN	SCR. M20X2.5X100 U5737 8.8 ZN	SCHRA.M20X2.5X100 U5737 8.8 ZN	TORN. M20X2.5X100 U5737 8.8 ZN
38	F01020086	VITE M8X1.25X80 U5737 8.8ZN >	SCR. M8X1.25X80 U5737 8.8ZN	SCR. M8X1.25X80 U5737 8.8 ZN	SCHRAUBE M8X1X80	TORNILLO M8X1X80
39	F01200306	DADO M14X2 U5588 CL8 ZN >	NUT M14X2 U5588 6.8ZN	ECROU M14X2	MUTTER M14X2	DADO M14X2
40	F02100197	SPINA E.P. 14X 50 U6873 C70 BR	PIN E.P. 14X 50 U6873 C70 BR	GOUPILLE E.P. 14X50 U6873 C70	SPANNSTIFT E.P.14X50 6873 C70	
41	F01230034	DADO M8X1.25 D982 8	NUT M8X1.25 D982 8ZN	ECROU M8X 1,25 D982 8 ZN	MUTTER M8X 1,25 D982 8 ZN	TUERCA M8X 1,25 D982 8 ZN
42	F01220048	DADO M12X1.75 D980 8ZN	NUT M12X1.75 D980 8ZN	ECROU M12X1,75 D980 8 ZN	SCHIEBE M12X1,75 D980 8 ZN	TUERCA M12X1,75 D980 8 ZN
43	F20030078	DECALCOM.CADUTA UTENSILI >	6TOOLS FALLING DOWN6 TRANSFER	DECALC. CHUTE OUTILS	AUFKLEBERABSTURZ WERKZEUGE	ETIQUETA ADHES. CAIDA HERRAMIE
44	F01230131	DADO M20X2.5 D982 6ZN >	NUT M20X2.5 D982 6ZN	ECROU M20X,5 D982 6ZN	MUTTER M20X,5 D982 6ZN	TUERCA M20X2,5 D982 6ZN
45	F01200270	DADO M10X1.5 U5588 CL8 ZN >	NUT M10X1,5 U5588 6.8ZN	ECROU M10X 1,5 U5588 6.8 ZN	MUTTER M10X 1,5 U5588 6.8 ZN	TUERCA M10X 1,5 U5588 6.8 ZN
46	G20970142	RONDELLA 32X4X15,5	WASHER 32X4X15-5	RONDELLE 32X4X15-5	UNTERLEGSCHIEBE 32X4X15-5	ARANDELA 32X4X15-5
47	G18700450	RONDELLA 17 X45 X6 ZN	WASHER 17X45X6 GALV.ED			
48	F02200227	COPIGLIA 5X 30 U1336 ZN	PIN 5X 30 U1336 ZN			
49	F02200463	SPINA SCATTORE D.5 B/81 ZN	SNAP PIN D5 B/81 ZN	FICHE A DETENTE D5 B/81 ZN	EINRASTSTIFT D5 B/81 ZN	CLAVIJA DE MUELLE D5 B/81 ZN
50	F02100312	SPINA DI SICUREZZA D.8X45 ZN	SAFETY PIN D.8X45 ZN	FICHE EL.DE SECURITE D.8X45 ZN	SCHERSTIFT D.8X45 ZN	CLAVIJA DE SEGURIDAD D 8X45 ZN
51	G16610180	PERNO REGGIDISCO SEGNAF.	ROWMARKER DISCHOLDER PIN			
52	G18802790	BOCCOLA 20 X25 X7 ZN B.	BUSHING 25 X20 X7 ZN B.	BOITE 25 X20 X7 ZN B.	B.CHSE 25 X20 X7 ZN B.	CASQUILLO 25 X20 X7 ZN B
53	F01200244	DADO M8X1.25 U5588 CL8 ZN >	NUT M8X1,25 U5588 6.8ZN	ECROU M8 X1,25 U5588 6.8 ZN	MUTTER M8 X1,25 U5588 6.8 ZN	TUERCA M8 X1,25 U5588 6.8 ZN
54	G16610160	SUPP.CUSCINETTI DISCO SEGNA.ZN.	GALVAN. ROWMARKER DISK BEARING	SUPPORT ROULEMENTS DISQUE TRAC	SCHIEBENLAGERHALTERUNG	SOPORTE COJINETE DE DISCO MARC
55	F04010156	CUSC.d20 D47 B14 6204 2RSH	BEARING d20 D47 B14 6204 2RSH			
56	G18801270	BOCCOLA 21 X25 X12 ZN B.	BUSHING 21 X25 X12 ZN			
57	F02050370	ANELLO E. DI 47X1.75 U7437 C70	SEEGER RING 47X 1,75 U7437 C70	SEEGER E. 47X 1,75 U7437 C70	SEEGERING E. 47X1,75 U7437 C70	ANILLO E. 47X 1,75 U7437 C70
58	F03010576	ANELLO OR 50.52X1.78 NBR	GASKET OR 50.52X1.78 NBR	BAGUE OR 50.52X1,78 NBR	RING OR 50.52X1,78 NBR	ANILLO OR 50.52X1,78 NBR
59	G16610170	DISCO SEGNAFILE D.320	ROW MARKER DISK D.320	DISQUE TRACEUR D320	SPURREISSERSCHIEBE D. 320	DISCO MARCADOR DE FILAS O 320
60	F01230098	DADO M18X2.5 D982 8ZN	NUT M18X2,5 D982 8 ZN	ECROU M18X 2,5 D982 8 ZN	MUTTER M18X 2,5 D982 8 ZN	TUERCA M18X 2,5 D982 8 ZN
61	G16610190	CHIUSURA CUSCINETTO ZN	END BEARING ZN			
62	F01060040	VITE M8X1.25X20 U5731 8.8ZN	SCR. M8X1.25X20 U5732 4.6ZG	VIS M8X1.25X20 U5732 4.6 ZN	SCHRA. M8X1,25X20 U5732 4.6 ZN	TORN. M8X1,25X20 U5732 4.6 ZN
63	F01420048	ROS.M8 8,4X 24X 2 U6593 ZN	WASHER M8 8,4X 24X 2 U6593 ZN	RONDELLE M8 8,4X24X 2 U6593 ZN	SCHIEBEN M8 8,4X24X 2 U6593 ZN	ARANDELA M8 8,4X 24X2 U6593 ZN
64	G16242560	PARACOLPI 30X8 M8X30	BUFFER 30X8 M8X30	PARE-CHOC3 30X8 M8X30	STOSSZIMPFER 30X8 M8X30	PARAGOLPES 30X8 M8X30
65	G14218233	SUPPORTO DX CORTO	RIGHT SUPPORT SHORT	SUPPORT DRT COURT	HALTERUNG RE KURZER	SOPORTE DER CORTO
66	G14218243	SUPPORTO SX CORTO	LEFT SUPPORT SHORT	SUPPORT GCH COURT	HALTERUNG LI KURZER	SOPORTE IZQ CORTO
67	G14217020	BOCCOLA 15 X35 X80	BUSHING 15 X35 X80	BOITE 15 X35 X80	B.CHSE 15 X35 X80	CASQUILLO 15 X35 X80
68	F01020218	VITE M14X2X130 U5737 8.8ZN	SCR. M14X2X130 U5737 8.8ZN	VIS M 14X130	SCHRAUBE M 14X130	TORNILLO M 14X130
69	G14218982	SECONDO BRACCIO CORTO	2ND ARM SHORT			
70	G14219001	TUBO TERZO BRACCIO CORTO	THIRD ARM TUBE SHORT	TUBE TROISIEME BRAS COURT	ROHR DRITTER ARM KURZER	TUBO TERCER BRAZO CORTO
71	G14219011	TIRANTE ROTAZIONE BRACCIO	ARM ROTATION TIE ROD	TRINGLE ROTATION BRAS	ROTATIONS SPANNSTANGE ARM	ROTATIONS SPANNSTANGE BRAZO
72	G14218112	SECONDO BRACCIO	2.ARM	2.BRAS	2.ARM	2.ARM
73	G14218520	TIRANTE ROTAZIONE	ROTATION TIE ROD	TRINGLE ROTATION	ROTATIONS SPANNSTANGE	ROTATIONS SPANNSTANGE



IMPIANTO OLEODINAMICO SEGNAFILE «BSP 60»
TAV. 053

Pos.	Cod.	Descrizione	Description	Description	Benennung	Descripcion
1	G18801880	BOCCOLA 8,25X15,0 X13 ZN	BUSHING 8,25 X15 X13 ZN	BOITE 8,25 X15 X13 ZN	BsCHSE 8,25 X15 X13 ZN	CASQUILLO 8,25 X15 X13 ZN
2	F03151414	RONDELLA BONDED SEAL 1/4" NBR	WASHER BONDED SEAL 1/4" NBR			
3	G16011690	MONT.NIPPLO 1/4 GRANO F.1,0	UPRIGHT 1/4" NIPPLE WITH GRUB	MONTANT NIPPLE 1/4 AVEC GRAIN	STZNDER NIPPEL 1/4 MIT STIFT 8	MONT.NIPLE 1/4 TORNIL.SIN CABE
4	G16012650	TUBO R2 1/4 C-F L.4000	PIPE 1/4 R2 C-F 1/4 L.4000	TUBE 1/4 R2 C-F 1/4 L. 4000	ROHR 1/4 R2 C-F 1/4 L 4000	TUBO 1/4 R2 C-F 1/4 L.4000
5	F03150266	NIPPLO MM CIL-CIL 1/4-1/4 ZN	NIPPLE CYL.MALE 1/4 GALV.	NIPPLE MALE CYL. 1/4 ZN	NIPPELZYL.1/4 ZN	NIPLE MACHO CIL.1/4 ZN
6	F03151226	REGOL.DI FLUSSO VRF 1/4' GAS	1/4' GAS VALVE VRF	SOUPAPE REG DEBIT VRF 1/4" GAZ	VENITL VRF 1/4' GAS	VæLVULA VRF 1/4' GAS
7	F03150859	CURVA 90°F.GIREV.1/4 - M.1/4	ELBOW 90° F.SLEWING 1/4 -M.1/4	COUDE 90° F.TOURN.1/4 - M.1/4	KNIESTsCK 90[F.DREHB.1/4 - M.	CURVA 90 F.GIRAT.1/4 - M.1/4
8	G14218300	CILINDRO SEGNAFILE	ROW MARKER CYLINDER	CYLINDRE TRACEUR	SYLINDER REIHENANREISSER	CILINDRO MARCADOR DE FILAS
9	G13811211	TUBO X COLLEG. AL TRATTORE	PIPE FOR CONNECTION TO TRACTOR	TUBE POUR CONN. AU TRACTEUR	ROHR F. KUPPLUNG AM SCHLEPPER	TUBO P/CONEXIN AL TRACTOR T
10	G22270463	TUB.TR.1/4R2 F-F 1/4 L1500 LM	TUBE TR.1/4R2 F-F1/4 L1500 LM	TUB.TR.1/4R2 F-F 1/4 L1500 LM	ROHR1/4R2 F-F 1/4 L1500 LM	TUB.TR.1/4R2 F-F 1/4 L1500 LM
11	F03151245	RUBINETTO F-F 1/4	COCK F.-F. 1/4"	ROBINET F.-F. 1/4"	HAHN F.-F. 1/4"	GRIFO H.-H. 1/4"
12	F03150211	NIPPLO MM CIL-CIL 1/2-1/4 ZN >	NIPLE MM CIL-CIL 1/4-1/2 ZN	NIPLE MM 1/4-1/2 ZN	NIPLE GG 1/4-1/2 ZN	NIPLE MM 1/4-1/2 ZN
13	F03151370	RONDELLA BONDED SEAL 1/2" NBR	WASHER BONDED SEAL 1/2" NBR			
14	F03150935	INNESTO RAP.MASCH.1/2 A VALV.>	QUICK CONNECT MALE CONE 1/2	CONNEXION RAPIDE MALE CONE 1/2	SCHNELLKUPP.GEWINDE KONISC 1/2	ACOPLAMIENT.RAP.MACHO CONO 1/2
15	F05150325	CAPPUC.F X INN.M RAP.1/2 ROSS>	COVER CONNECT F 1/2 RED	COUVERCLE CONNEXION F 1/2 ROSE	DECKEL W 1/2 SCHNELLKUPP. ROT	PAC PROTECCION F 1/2 ROJO
16	F03151216	RACCORDO -T- CENTR.M-FG-M 1/4	UNION T M-M-F 1/4' ZN	RACCORD T M-M-F * ZN	ANSCHLUSStsCK TM-M-F 1/4' ZN	UNIN T M-M-F 1/4' ZN R
17	F05010359	PASSAPARETE 1/4M-1/4M	PASS WALL 1/4M -1/4M			
18	G16611051	MONT.VALVOLA SEGNAFILE BP	ROWMARKER VALVE ASSY.			
19	G19702880	DECAL.COLL.IDRAULICO SEGNAFILE	STICKER	DECALCOMANIE	ABZIEHBILDER	CALCOMANIAS
20	G14217082	SUPPORTO VALVOLA	VALVE SUPPORT	SUPPORT SOUPAPE	VENTILHALTERUNG	SOPORTE V+LVULA
21	F01040101	VITE M8X1,25X40 U5931 8.8ZN	SCR. M8X1,25X40 U5931 8.8ZN	VIS M8X1,25X40 U5931 8.8 ZN	SCHRAUBE M8X1,25X40 U5931 8.8	TORNILLO M8X1,25X40 U5931 8.8
22	F01410051	ROS.M8 8,4X 17X1,6 U6592 ZN >	WASHER M8 8,4X17X1,6 U6592 ZN	RONDELLE M8 8,4X17X1,6 U6592ZN	SCHEIBE M8 8,4X17X1,6 U6592 ZN	ARANDELA M8 8,4X17X1,6 U6592ZN
23	F01200244	DADO M8X1,25 U5588 CL8 ZN >	NUT M8X1,25 U5588 6.8ZN	ECROU M8 X1,25 U5588 6.8 ZN	MUTTER M8 X1,25 U5588 6.8 ZN	TUERCA M8 X1,25 U5588 6.8 ZN

**DIN 24
FITTED**

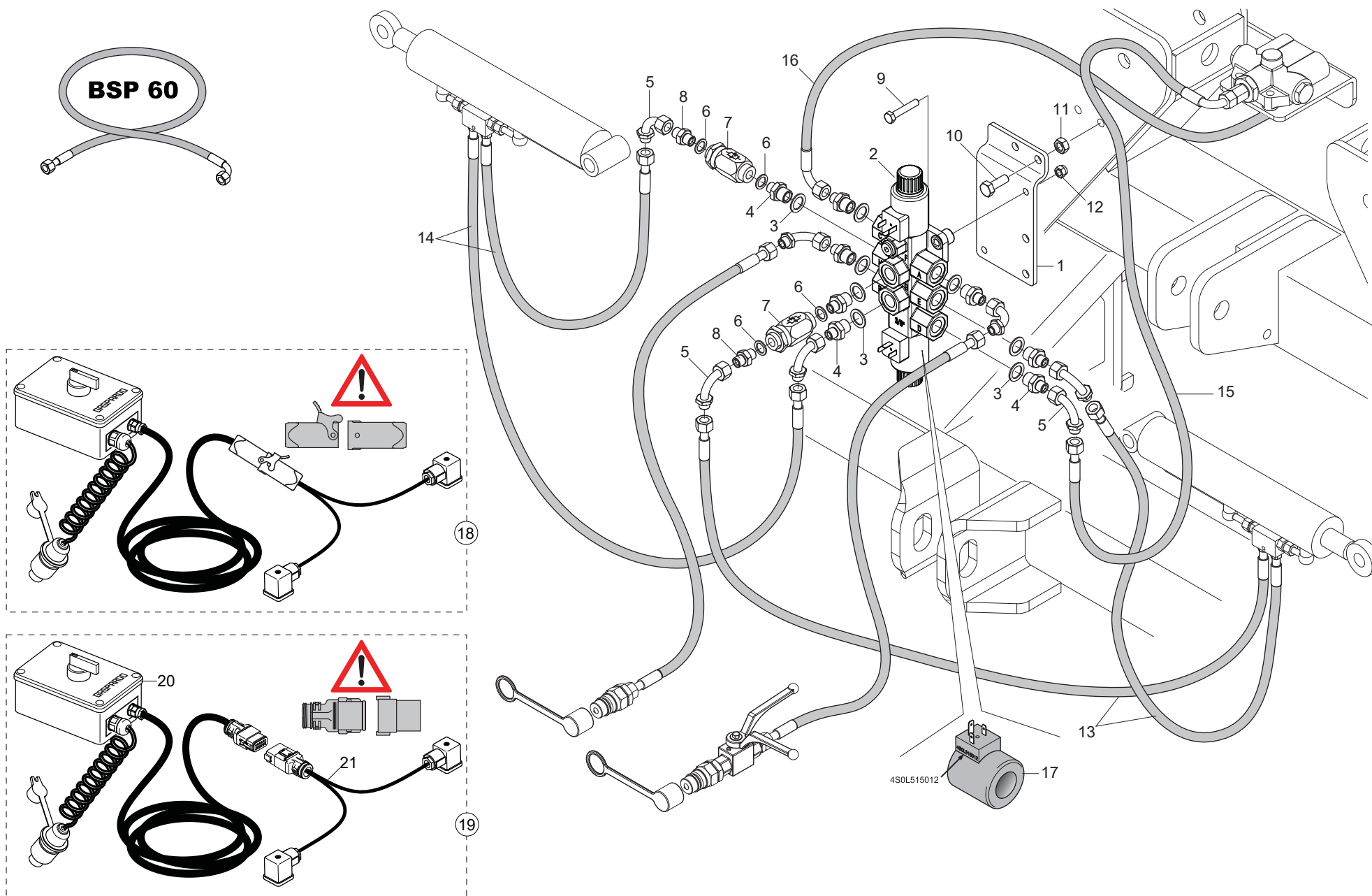


IMPIANTO OLEODINAMICO SEGNAFILE «DIN 24»

TAV. 054

Pos.	Cod.	Descrizione	Description	Description	Benennung	Descripcion
1	F01040107	VITE M8X1,25X30 U5931 A2IX	SCR. M8X1,25X30 U5931 A2IX	VIS M8X1,25X 30 U5931 A2 IX	SCHRAUBE M8X1,25X 30 U5931 A2	TORNIL. M8X1,25X 30 U5931 A2
2	F01200244	DADO M8X1,25 U5588 CL8 ZN >	NUT M8X1,25 U5588 6.8ZN	ECROU M8 X1,25 U5588 6.8 ZN	MUTTER M8 X1,25 U5588 6.8 ZN	TUERCA M8 X1,25 U5588 6.8 ZN
3	F01410051	ROS.M8 8,4X 17X1,6 U6592 ZN >	WASHER M8 8,4X17X1,6 U6592 ZN	RONDELLE M8 8,4X17X1,6 U6592ZN	SCHEIBE M8 8,4X17X1,6 U6592 ZN	ARANDELA M8 8,4X17X1,6 U6592ZN
4	F03151226	REGOL.DI FLUSSO VRF 1/4' GAS	1/4' GAS VALVE VRF	SOUPAPE REG DEBIT VRF 1/4" GAZ	VENITL VRF 1/4' GAS	VæLVULA VRF 1/4' GAS
5	F03080080	RACC.T ML10 FL10 ML10 ZN	T-UNION ML10 FL10 ML10 ZN			
6	F03080098	PASSAPARETE ML10 ML10 ZN	PASS WALL ML10 ML10			
7	F03090017	KIT GUARNIZ.CILINDRO F03090016	KIT O-RING CYLINDER F03090016			
8	F03080086	RACC.L FL10 ML10 ZN	L-UNION FL10 ML10 ZN			
9	F03080097	NIPPLO M1/4 SEAL FL10 ZN	NIPPLE M1/4 SEAL FL10			
10	F03080082	NIPPLO M1/4 SEAL ML10 ZN	NIPPLE M1/4 SEAL ML10 ZN			
11	F03070061	TUBO 1/4 R17 FL10 CFL10 L3850	TUBE 1/4 R17 FL10 CFL10 L3850			
12	F03090016	CILINDRO DE 25X50 -350	CYLINDER DE 25X50 -350			
13	F03095001	VALVOLA SEGNAFILE M16 DIN24	ROWMARKER VALVE M16 DIN24			
14	F03151245	RUBINETTO F-F 1/4	COCK F.-F. 1/4"	ROBINET F.-F. 1/4"	HAHN F.-F. 1/4"	GRIFO H.-H. 1/4"
15	F03070089	TUBO 1/4 R17 FL10 FL10 L1500	PIPE 1/4 R17 FL10 FL10 L1500			
16	F03080090	INNESTO RAP.MASCH.DL M16X1,5	QUICK CONNECT MALE CONE DL M16			
17	F05150325	CAPPUC.F X INN.M RAP.1/2 ROSS>	COVER CONNECT F 1/2 RED	COUVERCLE CONNEXION F 1/2 ROSE	DECKEL W 1/2 SCHNELLKUPP. ROT	PAC PROTECCION F 1/2 ROJO
18	G19702880	DECAL.COLL.IDRAULICO SEGNAFILE	STICKER	DECALCOMANIE	ABZIEHBILDER	CALCOMANIAS
19	F03151414	RONDELLA BONDED SEAL 1/4" NBR	WASHER BONDED SEAL 1/4" NBR			
20	F03150211	NIPPLO MM CIL-CIL 1/2-1/4 ZN >	NIPLE MM CIL-CIL 1/4-1/2 ZN	NIPLE MM 1/4-1/2 ZN	NIPLE GG 1/4-1/2 ZN	NIPLE MM 1/4-1/2 ZN
21	F03151370	RONDELLA BONDED SEAL 1/2" NBR	WASHER BONDED SEAL 1/2" NBR			
22	F03150935	INNESTO RAP.MASCH.1/2 A VALV.>	QUICK CONNECT MALE CONE 1/2	CONNEXION RAPIDE MALE CONE 1/2	SCHNELLKUPP.GEWINDE KONISC 1/2	ACOPLAMIENT.RAP.MACHO CONO 1/2
23	G15232270	NIPPLO M-M GAS-DIN F1,0	NIPPLE M-M GAS-DIN F1,0			

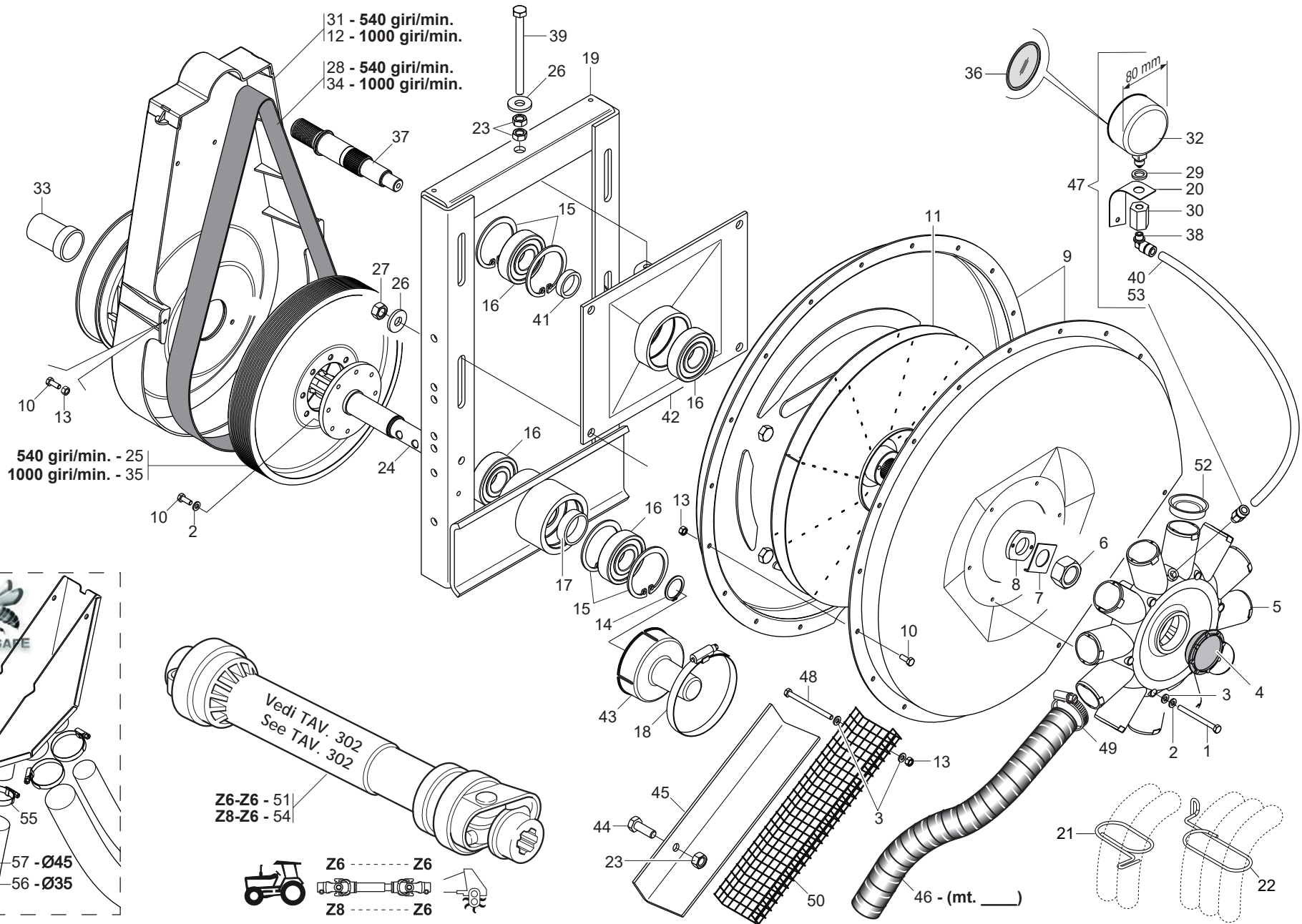
BSP 60



IMPIANTO OLEODINAMICO GENERALE CON CENTRALINA «BSP 60»

TAV. 060

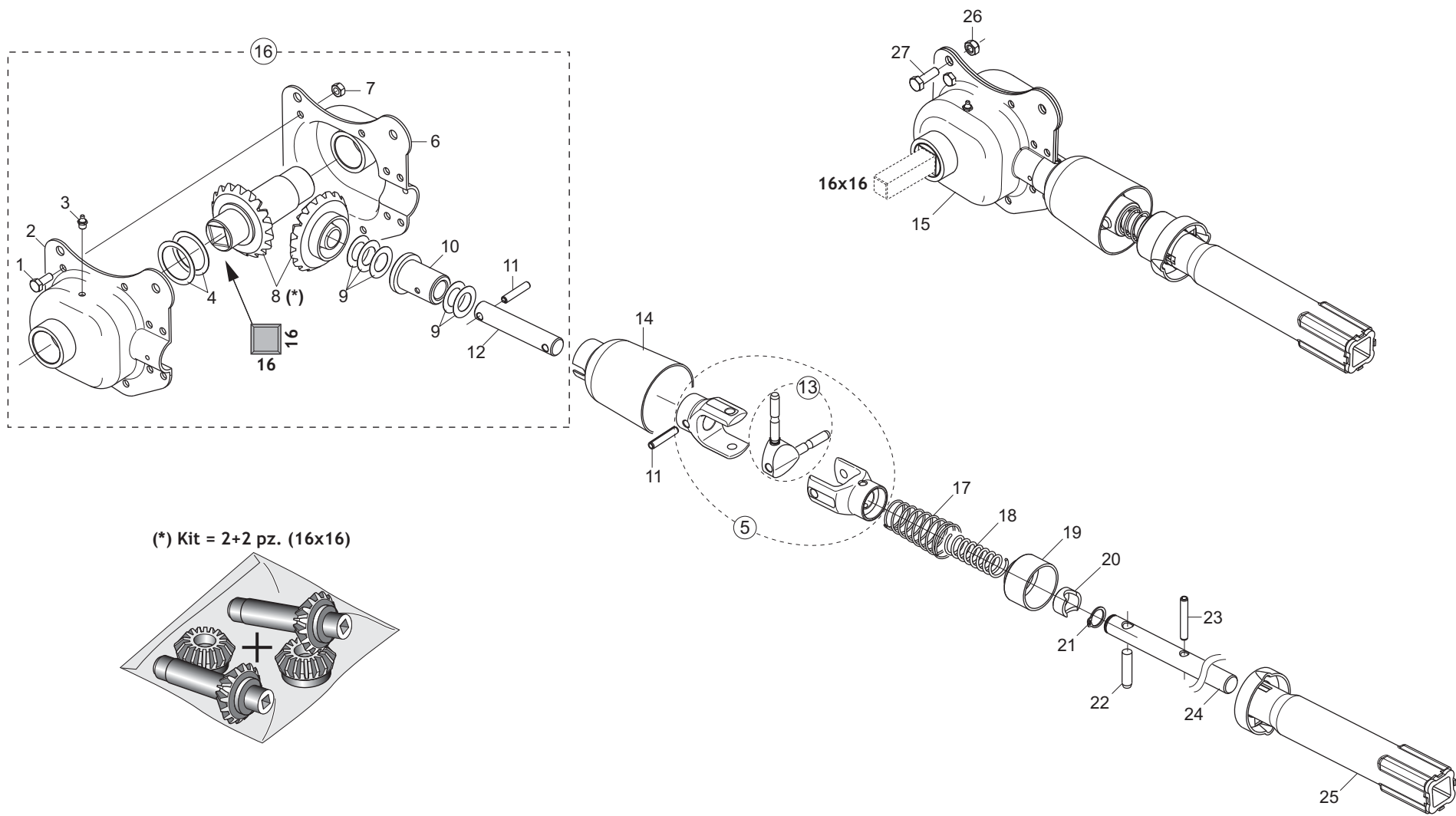
Pos.	Cod.	Descrizione	Description	Description	Benennung	Descripcion
1	G14217641	SUPPORTO VALVOLA	VALVE SUPPORT	SUPPORT SOUPAPE	VENTILHALTERUNG	SOPORTE V+LVULA
2	F05010294	DEVIATORE COMANDO 3 POSIZIONI	SWITCH CONTROL 3 POSITIONS			
3	F03151401	RONDELLA BONDED SEAL 3/8" NBR	WASHER BONDED SEAL 3/8" NBR			
4	F03150310	NIPPLO MM CIL-CIL 3/8-1/4 ZN >	NIPPLE CYL.MALE3/8-1/4 ZN	NIPPLE MALE CYL.3/8-1/4 ZN	NIPPELZYL.3/8-1/4 ZN	NIPLE MACHO CIL.3/8-1/4 ZN
5	F03150859	CURVA 90°F.GIREV.1/4 - M.1/4	ELBOW 90° F.SLEWING 1/4 -M.1/4	COUDE 90° F.TOURN.1/4 - M.1/4	KNIESTsCK 90[F.DREHB.1/4 - M.	CURVA 90 F.GIRAT.1/4 - M.1/4
6	F03151414	RONDELLA BONDED SEAL 1/4" NBR	WASHER BONDED SEAL 1/4" NBR			
7	F03151226	REGOL.DI FLUSSO VRF 1/4' GAS	1/4' GAS VALVE VRF	SOUPAPE REG DEBIT VRF 1/4" GAZ	VENITL VRF 1/4' GAS	VæLVULA VRF 1/4' GAS
8	F03150266	NIPPLO MM CIL-CIL 1/4-1/4 ZN	NIPPLE CYL.MALE 1/4 GALV.	NIPPLE MALE CYL. 1/4 ZN	NIPPELZYL.1/4 ZN	NIPLE MACHO CIL.1/4 ZN
9	F01020070	VITE M8X1,25X45 U5737 8.8ZN >	SCR. M8X1,25X45 U5737 8.8ZN	VIS M 8X1,25X 45 U5737 8.8ZN	SCHRAU. M8X1,25X45 U5737 8.8ZN	TORN. M 8X1,25X 45 U5737 8.8ZN
10	F01020476	VITE M10X1,5X30 U5739 8.8ZN >	SCR. M10X1,5X30 U5739 8.8ZN	VIS M10X1,5X30 U5739 8.8ZN	SCHRAUBE M10X1,5X30U5739 8.8ZN	TORNIL.M10X1,5X30 U5739 8.8ZN
11	F01200270	DADO M10X1,5 U5588 CL8 ZN >	NUT M10X1,5 U5588 6.8ZN	ECROU M10X 1,5 U5588 6.8 ZN	MUTTER M10X 1,5 U5588 6.8 ZN	TUERCA M10X 1,5 U5588 6.8 ZN
12	F01230034	DADO M8X1,25 D982 8	NUT M8X1,25 D982 8ZN	ECROU M8X 1,25 D982 8 ZN	MUTTER M8X 1,25 D982 8 ZN	TUERCA M8X 1,25 D982 8 ZN
13	G23440517	TUBO 1/4R2 C-F 1/4 L2000 HL/ID	PIPE 1/4R2 C-F 1/4 L2000 HL/ID	TUBE 1/4R2 C-F 1/4 L2000 HL/ID	ROHR 1/4R2 C-F 1/4 L2000 HL/ID	TUBO 1/4R2 C-F 1/4 L2000 HL/ID
14	G15310732	TUBO 1/4R2 CF45 1/4-F 1/4 1500	TUBE 1/4R2 CF45 1/4-F 1/4 1500			
15	G16011680	TUBO 1/4' R2 C-F 1/4' L.900	PIPE 1/4'R2 C-F 1/4'L.900	TUBE 1/4'R2 C-F 1/4'L. 900	ROHR 1/4'R2 C-F 1/4'L 900	TUBO 1/4'R2 C-F 1/4'L.900
16	G17911270	TUBO 1/4R2 CF-F L. 700	PIPE 1/4R2 CF-F L. 700	TUBE 1/4R2 CF-F L. 700	ROHR 1/4R2 CF-F L. 700	TUBO 1/4R2 CF-F L. 700
17	F05010555	SOLENOIDE PER DEV.COMANDO 3P.>	SOLENOID FOR DEV.COMMAND 3P.			
18	G19901350	COMANDO DEVIATORE CONN.5 POLI	SWITCH CONTROL 5 POSITIONS			
19	F05011939	ASSY SCAT.HYDR.'16 MANTA	ASSY SCAT.HYDR.'16 MANTA			
20	F05011936	SCAT.COM.HYDR.MANTA	BOX COM.HYDR.MANTA			
21	F05200404	CABL.2 COM.EV.MAGICA G.M.	CABLE 2 COM.EV.MAGICA G.M.			



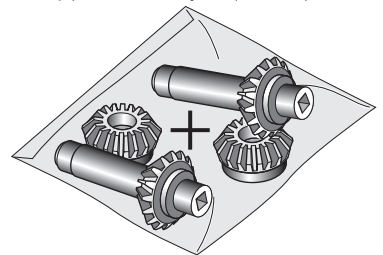
DEPRESSORE

TAV. 072

Pos.	Cod.	Descrizione	Description	Description	Benennung	Descripcion
1	F01020047	VITE M6X1X70 U5737 8.8ZN	SCR. M6X1X70 U5737 8.8ZN	VIS 6 X70 5737 8.G ZN	SCHRAUBE 6 X70 5737 8.G ZN	TORNILLO 6 X70 5737 8.G ZN
2	F01430047	ROS.M6 6,4X 11X0,7 U8842J ZN	WASHER D6 DIN 6798 D.INT.GALV.	RONDELLE D6 DIN 6798 D. INT. Z	UNT. SCHEIBE D6 DIN 6798 D. IN	ARANDELA D6 DIN 6798 D.INT.ZN
3	F01420036	ROS.M6 6,4X 18X1,5 U6593 ZN	WASHER M6 6,4X 18X1,5 U6593 ZN	RONDELLE M6 6,4X18X1,5 U6593ZN	SCHEIBEN M6 6,4X18X1,5U6593 ZN	ARANDELA M6 6,4X18X1,5U6593ZN
4	F03150722	TAPPO 700M52X2	M52 X 2 PLUG 700	BOUCHON M52 X 2	PFROPFEN M52 X 2	TAPN M52 X 2
5	G19004480	CONVOGLIATORE 12 USCITE	CONVEYOR 12 OUTLETS	CONVOYEUR 12 SORTIES	TRICHTER MIT 12 AUSG-NGEN	TRANSPORTADOR 12 SALIDAS
6	F01230143	DADO M24X2 D982 8ZN >	NUT M24X2 D982 8ZN	ECROU M24X2 D982 8 ZN	MUTTER M24X2 D982 8 ZN	TUERCA M24X2 D982 8 ZN
7	G13912060	PIASTRINA DI TENUTA	STOP PLATE	PLAQUETTE DE TENUE	DICHTPLZTTCHEN	PLACA DE RETENCIN P
8	G13912050	RONDELLA DI FERMO	STOP WASHER	RONDELLE DE BLOCAGE	FESTSTELLSCHEIBE	ARANDELLA DE BLOQUEO
9	G22230335	INVOLUCRI DEPRESSORE	VACUUM PUMP CASINGS	ENVELOPPES DEPRESSEUR H	sLLEN VAKUUMPUMPE C	AJAS BOMBA VACO CA
10	F01020403	VITE M6X1X16 U5739 8.8ZN	SCR. M6X1X16 U5739 8.8ZN	VIS M6X1X16 U5739 8.8 ZN	SCHRAUBE M6X1X16 U5739 8.8 ZN	TORNILLO M6X1X16 U5739 8.8 ZN
11	G22230015	GIRANTE	ROTOR			
12	G15450500	PROTEZIONE CINGHIA 1000 GIRI	BELT GUARD 1000 RPM	PROTECTION COURROIE 1000 TOURS	RIEMENSCHUTZ 1000 UMDR.	PROTECCIN CORREA 1000 REV. P
13	F01220011	DADO M6X1 D980 8ZN >	NUT M6X1 D980 8ZN	ECROU M6X1 D980 8 ZN	MUTTER M6X1 D980 8 ZN	TUERCA M6X1 D980 8 ZN
14	F02050112	ANELLO E. DE 30X 1,5 U7435 C7>	SEEGER RING 30X 1,5 U7435 C70	SEEGER E. 30 X 1,5 U7435 C70	SEEGERING E. 30X 1,5 U7435 C70	ANILLO E. 30 X 1,5 U7435 C70
15	F02050403	ANELLO E. DI 72X 2,5 U7437 C7>	SEEGER RING E.72X2,5 U7437 C70	SEEGER E. 72X 2,5 U7437 C70	SEEGERING E. 72X 2,5 U7437 C70	ANILLO E. 72X 2,5 U7437 C70
16	F04010215	CUSC.D30 D72 B19 6306 2RSC3 EX	BEARING D30 D72 B19 6306 2RSC3	PALIER 6306 2RS C3	LAGER 6306 2RS C3	COJINETE 6306 2RS C3
17	G22230010	DISTANZIALE CUSCINETTI	BEARING SPACER	ENTRETOISE PALIERS	DISTANZSTsCK LAGER	DISTANCIADOR COJINETES
18	F02300025	FASCETTA STRING. 90/110 H.12	HOSE CLAMP 90/110 H.12			
19	G15850200	INCASTELLATURA DEPRESSORE	DIFFUSION AIR PUMP FRAME	B-TI POMPE A D+PRESSION	GESTELL VAKUUMPUMPE	ARMAZĚN BOMBA VAC-O
20	G22270134	SUPPORTO VACUOMETRO SP	VACUUM METER SUPPORT SP	SUPPORT VACUOMETRE SP	HALTERUNG VAKUUMMETER SP	SOPORTE VACUMETRO SP S
21	G18903852	MOLLA GUIDA 2 TUBI D71 ZN	SPRING GUIDE 2 TUBES D71			
22	G18904590	MOLLA GUIDA 3 TUBI D71 ZN	GUIDE SPRING 3 PIPE D71 ZN			
23	F01200270	DADO M10X1,5 U5588 CL8 ZN >	NUT M10X1,5 U5588 6.8ZN	ECROU M10X 1,5 U5588 6.8 ZN	MUTTER M10X 1,5 U5588 6.8 ZN	TUERCA M10X 1,5 U5588 6.8 ZN
24	G22270369	P.DI P.CON CODOLO	POWER TAKE-OFF- W/ SPIGOT	PRISE DE FORCE AVEC CONE	KRAFTABTRIEB MIT ENDSTsCK	TOMA DE FUERZA CON MANGO
25	G22230012	PULEGGIA MOTRICE	DRIVING PULLEY 540	POULIE MOTRICE 540T	ANTRIEBSSCHEIBE 540	POLEA MOTRIZ 540
26	G20970035	RONDELLA 32X4X13	WASHER 32X4X13	RONDELLE 32X4X13	UNTERLEGSscheibe 32X4X13	ARANDELA 32X4X13
27	F01200293	DADO M12X1,75 U5588 CL8 ZN >	NUT M12X1,75 U5588 6S ZN	ECROU M12X1,75 U5588 6S ZN	MUTTER M12X1,75 U5588 6S ZN	TUERCA M12X1,75 U5588 6S ZN
28	F06010160	CINGHIA POLY V 1287 J-16 GOLE>	BELT POLY V 1287 J-16 CU GAT	COURROIE POLY V 1287 J-16 GOR		BANDA POLY V 1287 J-16 GOLE
29	F05150479	ROND.APPOGGIO MANOMETRI SV	PRESSURE GAUGE REST WASHER	ROND. LOGEMENT MANOMETRES SV	STsTZSCHEIBE MANOMETER SV	ARAND. SOPORTE MANOMETROS SV
30	G22250274	COLLEGAMENTO MANOMETRI SP-SV	PRESSURE GAUGE CONNECT. SP-SV	RACCORD MANOMETRES SP-SV	VERBINDUNG MANOMETER SP-SV	CONEXIN MANMETROS SP-SV LE
31	G15450342	PROTEZ.CINGHIA DEPRES.COMPLETEO	DEPRES. COMPL.PROTECTION BELT			
32	F03151288	VACUOM.0-100 MBAR C.SM.INC.D8>	VACUUM METER 0-100 MBAR C.SMOR	VACUOMETRE 0-100 MBARS A/SUPPO	VAKUUMMETER 0-100 MBAR M. DZMP	VACUM. 0-100 MBAR C.ATEN.INC.V
33	G19002131	PROTEZIONE P.D.P.	PDP GUARD			
34	F06010171	CINGHIA POLY V 1051 J-16 GOLE	POLY-V BELT 1051 J-16 GROOVES			
35	G15450310	PULEGGIA MOTRICE 1000 GIRI	DRIVING PULLEY 1000 REVS	POULIE MOTRICE 1000T	ANTRIEBSSCHEIBE 1000 UMDREHUNG	POLEA MOTRIZ 1000 REVOLUCIONES
36	F03151356	VETRO VACUOM.0-100 MBAR D80 >	VACUOM. GLASS 0-100 MBAR D80			
37	G15450390	PULEGGIA CONDOTTA	DRIVEN PULLEY D.28	POULIE ENTRAINEE D. 28	GETRIEBENE SCHEIBE D.28	POLEA CONDUCIDA D.28
38	F13010027	RACC.SUPERAPIDO 90° 1/8G-8	90° UNION STRAIGHT 1/8G-8			
39	G15450270	VITE 10X130 8.8 FIL.60 ZN	GALVANIZ. BOLT 10X130 8.8 FIL	VIS 10X130 8.8 FIL.60 ZN	SCHRAUBE 10X130 8.8 GEW.60 ZN	TORNILLO 10X130 8.8 FIL.60 ZN
40	F13070005	TUBO POLIURETANO 8-6 NERO	POLIURETHAN PIPE 8-6 BLACK			
41	G22230014	DISTANZIALE	SPACER	ENTRETOISE	DISTANZSTsCK	DISTANCIADOR
42	G15450091	SUPPORTO PULEGGIA CONDOTTA	DRIVEN PULLEY SUPPORT	SUPPORT POULIE ENTRAINEE	HALTERUNG GETRIEBENE RIEMENSCH	SOPORTE POLEA CONDUCIDA
43	G19005570	CUFFIA PROTEZIONE PTO	PROTECTION CAP PTO			
44	F01020472	VITE M10X1,5X25 U5739 8.8ZN >	SCR. M10X1,5X25 U5739 8.8ZN	VIS M10X1,5X25 U5739 8.8 ZN	SCHRAUBE M10X1,5X25 U5739 8.8	TORNILLO 10X25 U5739 8.8 ZN
45	G15450280	PROTEZIONE DEPRESSORE	VACUUM PUMP PROTECTION	PROTECTION DEPRESSEUR	SCHUTZ VAKUUMPUMPE	PROTECCIN BOMBA DE VACO PR
46	F03100506	TUBO EOLO PU D.45	TUBE EOLO PU D.45	TUBE EOLO PU D.45		
47	G22270093	VACUOMETRO COMPL. SP LM	VACUUM METER ASSY. SP LM	VACUOMETRE COMPL. SP LM	KOMPL. VAKUUMMETER SPLM	VACUMETRO COMPL. SP LM V
48	F01020050	VITE M6X1X80 U5737 8.8ZN	SCR. M6X1X80 U5737 8.8ZN	VIS 6 X80 5737 8.G ZN	SCHRAUBE 6 X80 5737 8.G ZN	TORNILLO 6 X80 5737 8.G ZN
49	F05150058	FASCETTA POLYA. 7,8X550 NERA>	POLYAM.CLAMP 7,8X550 BLACK	COLLIER DE SERRAGE 7,8X550NOIR	ROHRSCHELLE 7,8X550 SCHWARZ	ABRAZADERA APRET. 7,8X550 NEGR
50	G10150291	GRIGLIA PROTEZIONE ZN	AIR PUMP PROTECT. GRID	GRILLE DE PROTECT.DISP. DEPRES	SCHUTZGITTER VAKUUMPUMPE	REJILLA DE PROTECCIN BOMBA VAG
51	F08011716	CARD.B1 Z6-Z6 L900 R.LIB	UNIV.JOINT B1 Z6-Z6 L900 R.LIB	CARD.B1 Z6-Z6 L900 R.LIB	KARDAN CE T100710 112 R12	CARDAN CE T100710 112 R12
52	F05050020	TAPPO SALVAFILETTO D.39	CONVEYOR PLUG D.39	BOUCHON PROTEGE-FILET D. 39	GEWINDESCHUTZPFROPFEN D.39	TAPN GUARDARROSCA D.39 D
53	F13010028	RACC.SUPERAPIDO DRITTO 1/8G-8	SUPERAP.RIGHT JUNCTION 1/8G-8			
54	F08011715	CARD.B1 Z8-Z6 L900 R.LIB	CARD.B1 Z8-Z6 L900 FREE W.			
55	F02300020	FASCETTA STRING. 32/50 H.9	HOSE CLAMP 32/50 H.9			
56	F03100500	TUBO EOLO 35 PU	TUBE EOLO 35 PU	TUBE EOLO 35 PU		TUBO EOLO
57	F03100506	TUBO EOLO PU D.45	TUBE EOLO PU D.45	TUBE EOLO PU D.45		
58	G15276370	CONVOGLIATORE SOFF.2+2U 35-45	CONVEYOR BLOWER 2+2 OUT 35-45			



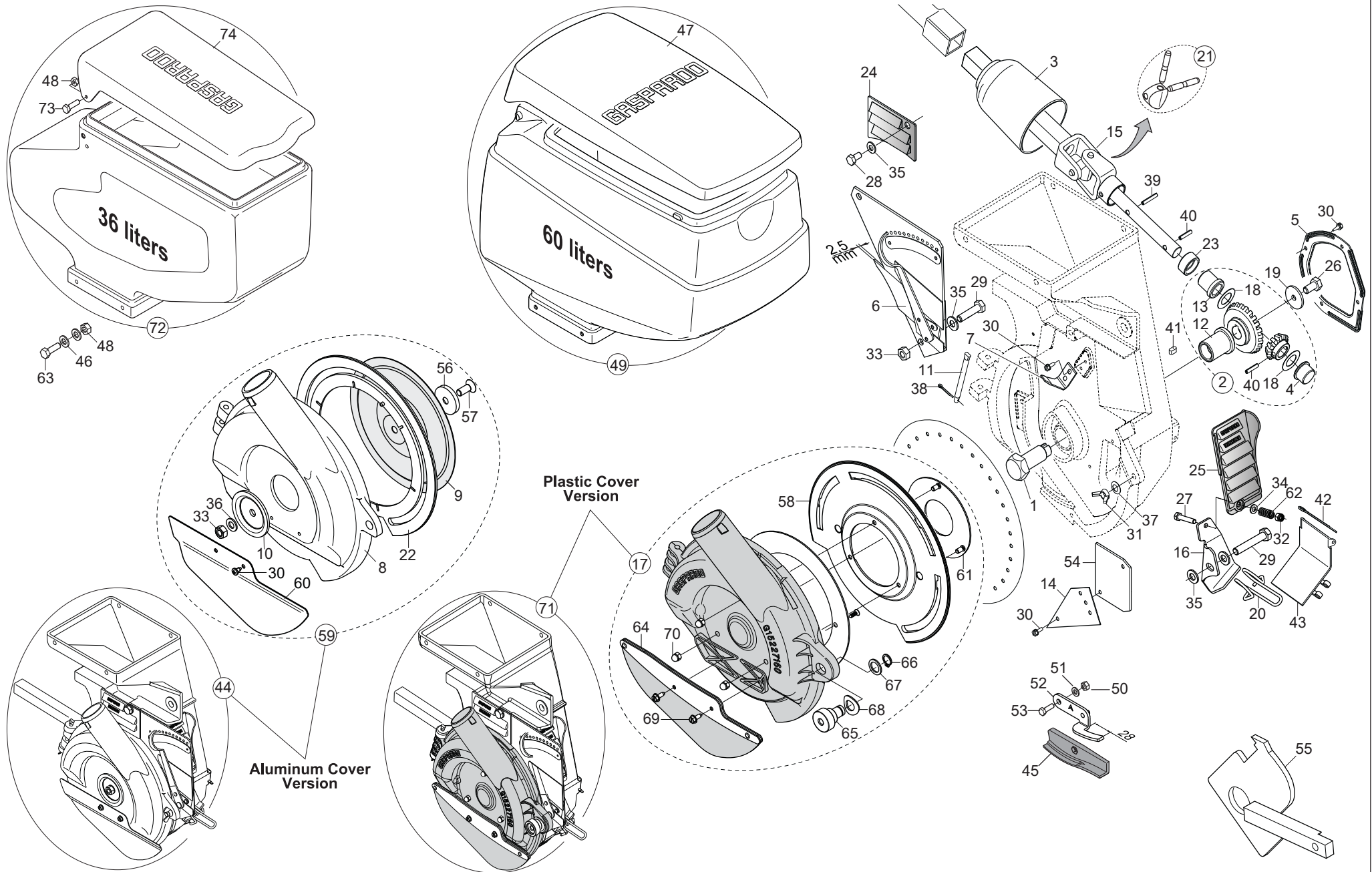
(* Kit = 2+2 pz. (16x16)



SCATOLA DI RINVIO ELEMENTO

TAV. 081

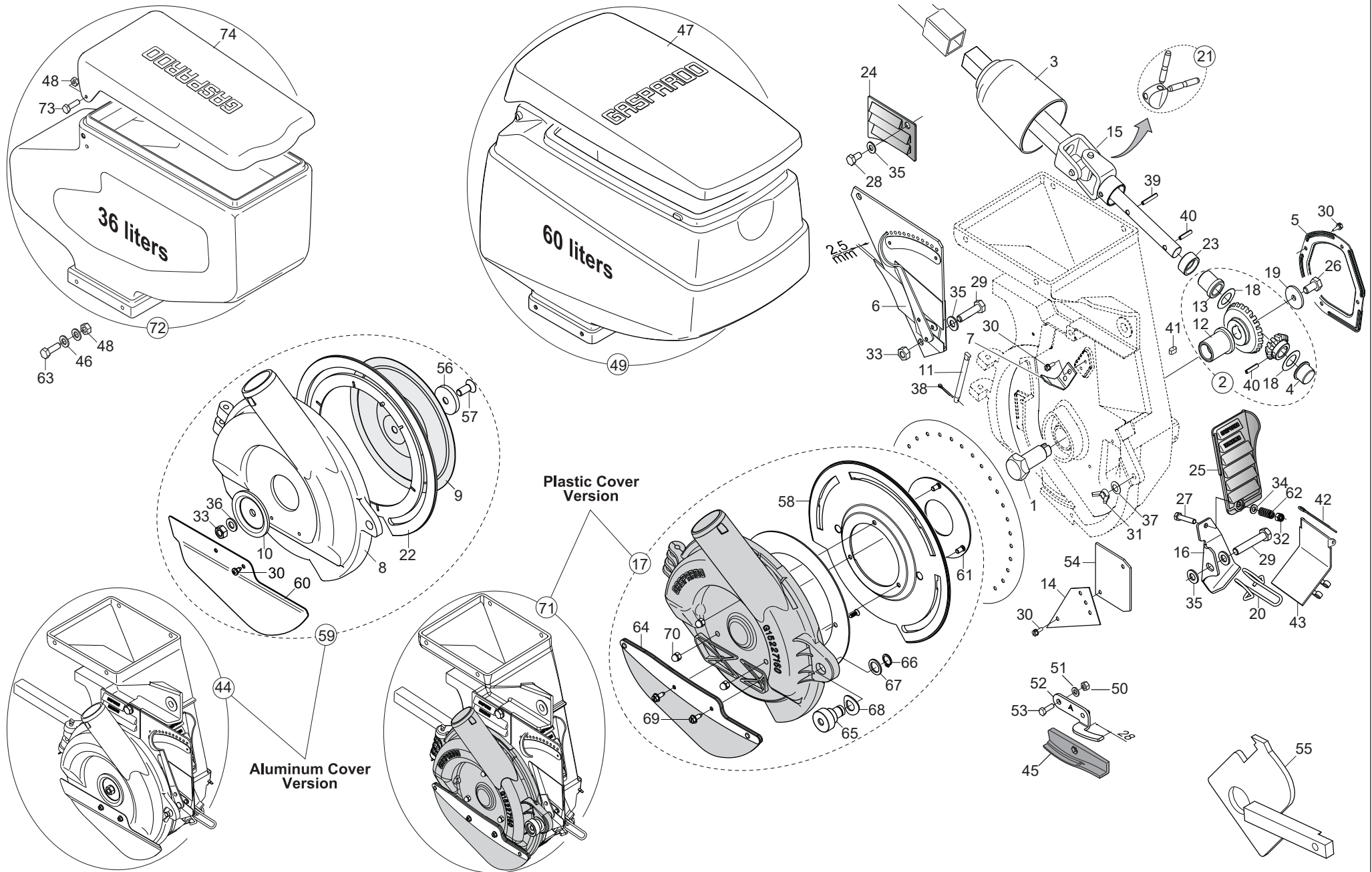
Pos.	Cod.	Descrizione	Description	Description	Benennung	Descrpcion
1	F01020403	VITE M6X1X16 U5739 8.8ZN	SCR. M6X1X16 U5739 8.8ZN	VIS M6X1X16 U5739 8.8 ZN	SCHRAUBE M6X1X16 U5739 8.8 ZN	TORNILLO M6X1X16 U5739 8.8 ZN
2	G22220103	CONCHIGLIA SX	LEFT SHELL			
3	F01100011	ING.M 6X1 7663-A 9SMNPB28 ZN >	GREASE NIPPLE M6X1 7663-A ZN	GRAISS. A BILLE M6X1 7663A ZN	SCHMIERBUECHE M6X1 7663-A ZN	ENGRAS. DE ESFE. M6X1 7663-AZN
4	G18700510	RONDELLA 31 X40 X0,6 ZN	GROWER 32 X 40 X 0,6 ZN			
5	G15423980	FORCELLE SNODO ESCL.ELET.COMPL	COMPLET FORK ELECTRIC SWITCH O			
6	G22220102	CONCHIGLIA DX	RIGHT SHELL	COQUILLE DRT.	SCHALE RECHTS	MOLDE DER.
7	F01220011	DADO M6X1 D980 8ZN >	NUT M6X1 D980 8ZN	ECROU M6X1 D980 8 ZN	MUTTER M6X1 D980 8 ZN	TUERCA M6X1 D980 8 ZN
8	G22270389	KIT INGR.SCATOLA DI RINVIO 2+>	KIT INTERM.TRANSM.GEAR BOX 2+2	COUPLE CON RENV ANGLE (2+2)	2+2 ZAHNRZDER VORGELEGEGEHZUSE	2+2 ENGRANAJES CAJA DE LA TRAN
9	G22220073	RONDELLA 28X0,3X16,5	WASHER 28X0-3X16-5	RONDELLE 28X0-3X16-5	UNTERLEGSSCHEIBE 28X0-3X16-5	ARANDELA 28X0-3X16-5
10	G66349001	BOCCOLA	BUSHING	BOITE	B_CHSE	CASQUILLO
11	F02100114	SPINA E.P. 6X 30 U6873 C70 BR	ELASTIC PIN 6X30	GOUJON ELASTIQUE 6X30	SPANNHUELSE 6X30	ESPINA ELASTICA 6X30
12	G22270452	ALBERO SCATOLA RINVIO SP/S	INTERMEDIATE BOX SHAFT	ARBRE TRANSMISSION SP/S	WELLE VORGELEGEGEHZUSE SP/S	æRBOL CAJA DE TRANSMISIN SP/SA
13	G22270454	KIT CROCIERA 2 PEZZI	KIT SPIDER 2 ITEMS	CROSILLON COMPL CARDAN TRANSM	GELENKKREUZ KOMPL. SP/S	CRUCETA COMPL. SP/S
14	G19002840	COPRICARDANO SUPERIORE	TOP CARDAN JOINT COVER	COUVRE-CARDAN SUPERIEUR	OBERE KARDANABDECKUNG	CUBRECARDæN SUPERIOR
15	GA5220190	SCATOLA RINVIO Q16 EL.MTR	DROP BOX Q16 EL.MTR			
16	G16033200	MONT.SCATOLA RINVIO Q.16 PLA >	TRANSFER CASE	BOITE RENVOI	VORGELEGEGEHZUSE	CAJA DE DISTRIBUCIN
17	G65338039	MOLLA COMP.ZN INNESTO SP	ZN COUPLING COMP. SPRING SP	RESSORT COMPL. ZN ACCOUPLEM.	DRUCKFEDER ZN KUPPLUNG SP	MUELLE COMP.ZN ACOPLAMIENTO SP
18	G65338018	MOLLA COMP.ZN SCATOLA RINV.SP	TRANSM. BOX COMP. SPRING . SP	RESSORT COMPL. ZN TRANSMISSION	DRUCKFEDER ZN VORGELEGEGEHZUSE	MUELLE COMP.ZN CAJA TRANSFER..
19	G66248102	ANELLO SICUREZZA SP	SAFETY RING	BAGUE SECURITE SP	SICHERHEITSRING SP	ANILLO DE SEGURIDAD SP
20	G22220105	BOCCOLA DI SPINTA	THRUST BUSHING	BOITE DE POUSSEE	SCHUBBSCHSE	CASQUILLO DE APRIETE
21	F02050045	ANELLO E. DE 16X 1 U7435 C70	SEEGER RING 16X 1 U7435 C70	BAGUE SEEGER 16 X 1 U7435 C70	SEEGERING 16 X 1 U7435 C70	ANILLO 16X 1 U7435 C70
22	G66248057	SPINA DI SICUREZZA SP	SAFETY PIN SP	BROCHE PLASTIC SECURITE CARDAN	SICHERHEITSTIFT SP	CLAVIJA DE SEGURIDAD SP
23	F02100121	SPINA E.P. 6X 40 U6873 C70 BR	ELASTIC PIN 6X40	GOUJON ELASTIQUE 6X40	SPANNHUELSE 6X40	PASADOR 6X40
24	G17722540	PERNO ZN.	PIN ZN.			
25	G17723020	ASS.INNESTO REGINA	ASSY CLUTCH REGINA			
26	F01220022	DADO M8X1,25 D980 8ZN	NUT M8X1,25 D980 8ZN	ECROU M8X 1,25 D980 8 ZN	MUTTER M8X 1,25 D980 8 ZN	TUERCA M8X 1,25 D980 8 ZN
27	F01020440	VITE M8X1,25X25 U5739 8.8ZN >	SCR. M8X1,25X25 U5739 8.8ZN	VIS M8X1,25X25 U5739 8.8 ZN	SCHRAUBE M8X1,25X25U5739 8.8ZN	TORNIL.M8X1,25X25 U5739 8.8 ZN



DISTRIBUTORE SEMI

TAV. 092

Pos.	Cod.	Descrizione	Description	Description	Benennung	Descripcion
1	G22230046	ASSE TRASMISSIONE DISCO	DISC GEAR AXLE	AXE ENTRAINEMENT DISQUE	ACHSE SCHEIBENANTRIEB	EJE TRANSMISIN DISCO A
2	G22270390	KIT COPPIA CONICA DISTRIB.SEMI	KIT- SEED DISTR. CONICAL PAIR	COUPLE CON DISTR GRAINES (2+2)	KIT KEGELTRIEB SAMEN SZAPPARAT	SET PAR CONICO DISTRIB. SEMILL
3	G66248094	COPRICARDANO SP	UNIVERSAL JOINT COVER SP	COUVRE-CARDAN SP	KARDANABDECKUNG SP	CUBRECARDAN SP
4	G66349008	BOCCOLA	BUSHING	BOITE	BsCHSE	CASQUILLO
5	G22230035	COPERCHIO SCATOLA INGRAN.	GEARWHEEL BOX COVER	COUVERCLE BOITE ENGRENAGE	DECKEL ZAHNRZDERGEHZUSE	TAPA CAJA ENGRAN.
6	G22230040	SELETTORE MOBILE COMPLETO	MOBILE SELECTOR ASSY.	SELECTEUR MOBILE COMPL.	KOMPL. BEWEGLICHER WZHLER	SELECTOR MVIL COMPLETO S
7	G22230041	SELETTORE FISSO	SELECTOR FIXED	SELECTEUR FIXE	FESTER WZHLER	SELECTOR FIJO
8	G15421260	COPERCHIO CORPO DISTRIB.SP530	DISTRIB. CASING COVER SP530	COUVERCLE CORPS DISTRIBUTEUR S	DECKEL SZAPPARATKTRPER SP530	TAPA CUERPO DISTRIB. SP530
9	G22230037	TENUTA GUARNIZIONE	SEAL	BLOQUAGE GARNITURE	DICHTUNG	JUNTA ESTANCA
10	G16620470	TAPPO CENTRALE H=7,5	CENTRAL PLUG H=7.5	BOUCHON CENTRAL H=7,5	ZENTRALER PFROPFEN H=7,5	TAPÉN CENTRAL H=7,5
11	G22230039	PERNO COPERCHIO	COVER PIN	PIVOT COUVERCLE	DECKELZAPFEN	PERNO TAPA
12	G66349002	BOCCOLA SINT.BASSOFONDO	BUSHING- SINTERED	BOITE FRITTEE	SYNTH. B_CHSE	CASQUILLO SINT.
13	G22270071	BOCCOLA COLL.SINTER.20X24	20X24 SINTERED COLLARED BUSH	BOITE COLLIER FRITTEE 20X24	ANSCHLUSSBUECHSE SINTER.20X24	CASQUILLO CONEX. SINTER.20X24
14	G22270204	PIASTRA ANTI TRABOCC.SEMI SP	SEED ANTI-OVERFLOW PLATE SP	PLAQUE ANTI-DEBORD.T GRAINES S	SAMENSBERLAUFPLATTE SP	PLACA ANTI DESBORDAMIENTO SEMI
15	G17722581	ASSE PORTA PIGNONE L.165 COMPL	COMPL.PINION HOLDER SPINDLE			
16	G17722990	FERMO MOLLA ZN (DA G15421151)	SPRING LOCK ZN (DA G15421151)			
17	GA5222440	COPERCHIO DISTRIB.MTR PLA COMP	PLASTIC SEED COVER MTR COMPL.			
18	G22220073	RONDELLA 28X0,3X16,5	WASHER 28X0-3X16-5	RONDELLE 28X0-3X16-5	UNTERLEGSSCHEIBE 28X0-3X16-5	ARANDELA 28X0-3X16-5
19	F01420037	ROS.M6 6,4X 24X1,5 U6593 ZN >	WASHER M6 6,4X24X1,5 U6593 ZN			
20	G18902951	MOLLA SPEC.ZN SCARICO	SPEC. SPRING ZN DISCHARGE	RESSORT TRAPPE VIDANGE	SPEZIALFEDER ZN ENTLADUNG	MUELLE ESPEC. ZN DESCARGA
21	G22270454	KIT CROCIERA 2 PEZZI	KIT SPIDER 2 ITEMS	CROSILLON COMPL CARDAN TRANSM	GELENKKREUZ KOMPL. SP/S	CRUCETA COMPL. SP/S
22	G19002620	GUARNIZIONE COP.DISTR.SP530-MT	DISTRIBUTION COVER AIR SEAL MT	JOINT ETANCH PORTE SP530-MT	DICHTUNG SZAPPARATDECKEL SP530	JUNTA TAPA DISTRIB.SP530
23	G66248219	ANELLO PARAPOLVERE SP-520	DUST COVER RING	BAGUE PARE-POUSSIÈRE SP-520	STAUBSCHUTZRING SP-520	ANILLO GUARDAPOLVO SP-520
24	G16620540	PORTA DI PROTEZIONE	SAFETY HATCH	PORTE DE PROTECTION	SCHUTZÖFFNUNG	PUERTA DE PROTECCIÓN
25	G16620530	PORTA DI CONTROLLO	INSPECTION DOOR	PORTE CONTROLE	KONTROLLTÜR	PUERTA DE CONTROL
26	F01020403	VITE M6X1X16 U5739 8.8ZN	SCR. M6X1X16 U5739 8.8ZN	VIS M6X1X16 U5739 8.8 ZN	SCHRAUBE M6X1X16 U5739 8.8 ZN	TORNILLO M6X1X16 U5739 8.8 ZN
27	F01020382	VITE M5X0,8X25 U5739 8.8ZN >	SCR. M5X0,8X25 U5739 8.8ZN	VIS 5 X25 5739 8.G ZN	SCHRAUBE 5 X25 5739 8.G ZN	TORNILLO 5 X25 5739 8.G ZN
28	F01020432	VITE M8X1,25X16 U5739 8.8ZN >	SCR. M8X1,25X16 U5739 8.8ZN	VIS M8 X1,25X16 U5739 8.8 ZN	SCHRAUBE M8X1,25X16U5739 8.8ZN	TORNILLO M8X1,25X16U5739 8.8ZN
29	F01020451	VITE M8X1,25X45 U5739 8.8ZN	SCR. M8X1,25X45 U5739 8.8ZN	VIS M8X1,25X45 U5739 8.8ZN	SCHRA.M8X1,25X45 U5739 8.8ZN	TORN. M8X1,25X45 U5739 8.8ZN
30	F01070011	VITE A4,2X1,41X9,5 U6950 4.8NI	SCR. H4,2X1,41X9,5 U6950 4.8NI	VIS AUTOTAR. 4-2X9-5 T. E. COU	SELBSTSCHNEID. SCHRAUBE 4-2X9-	TORNILLO AUTORROSC. 4-2X9-5
31	F01240024	DADO M8X1,25 U5448 5.8ZN	NUT M8X1,25 U5448 5.8ZN	ECROU 8 UNI 5448 5.8 ZN	MUTTER 8 UNI 5448 5.8 ZN	TUERCA 8 UNI 5448 5.8 ZN
32	F01230019	DADO M5X0,8 D982 8ZN	NUT M5X0,8 D982 8ZN	ECROU AUTOB.NOR.5 ZN	SELBSTSP. MUTTER NOR.5 ZN	TUERCA AUTOB. NOR. 5 ZN
33	F01200244	DADO M8X1,25 U5588 CL8 ZN >	NUT M8X1,25 U5588 6.8ZN	ECROU M8 X1,25 U5588 6.8 ZN	MUTTER M8 X1,25 U5588 6.8 ZN	TUERCA M8 X1,25 U5588 6.8 ZN
34	F01410023	ROS.M5 5,3X 10X 1 U6592 ZN	WASHER M5 5,3X 10X 1 U6592			
35	F01410051	ROS.M8 8,4X 17X1,6 U6592 ZN >	WASHER M8 8,4X17X1,6 U6592 ZN	RONDELLE M8 8,4X17X1,6 U6592ZN	SCHEIBE M8 8,4X17X1,6 U6592 ZN	ARANDELA M8 8,4X17X1,6 U6592ZN
36	F01430059	ROS.M8 8,4X 15X0,8 U8842J ZN >	WASHER M8 8,4X15X0,8 U8842J ZN	ROND. M8 8,4X 15X0,8 U8842J ZN	SCHEIBE M8 8,4X15X0,8 U8842JZN	ARAND. M8 8,4X15X0,8 U8842J ZN
37	F01460115	ROS.OND. 8,4X 15X0,5 BR D137A	WASHER D8 DIN 137/A	RONDELLE D8 DIN 137/A	UNTERLEGSSCHEIBE D8 DIN 137/A	ARANDELA D8 DIN 137/A
38	F02200137	COPIGLIA 2X 15 U1336 IX	SPLIT PIN 2 X15 1336 GALVAN.	GOUPILLE 2 X15 1336 ZN	SPLINT 2 X15 1336 ZN	PASADOR 2 X15 1336 ZN
39	F02100079	SPINA E.P. 5X 20 U6873 C70 BR	PIN EL. 5X 20 U6873 C70 BR			
40	F02100083	SPINA E.P. 5X 24 U6873 C70 BR	PIN EL. 5 X24 DIN 1481	FICHE EL. 5 X24 DIN 1481	SPANNSTIFT 5 X24 DIN 1481	CLAVIJA EL.5 X24 DIN 1481
41	F02150012	LINGUETTA 5X 5X 10 U6604A	PARALLELE KEY 5X 5X 10 U6604A			
42	F02200200	COPIGLIA 4X 70 U1336 ZN	SPLIT PIN 4 X70 1336 GALVAN.	GOUPILLE 4 X70 1336 ZN	SPLINT 4 X70 1336 ZN	PASADOR 4 X70 1336 ZN
43	G15421870	PORTA DI SCARICO DISTRIBUTORE	DISTRIBUTOR DISCHARGE DOOR	PORTE DE DECHARGEMENT DISTRIB,	ENTLADUNGSTÜR SZAPPARAT	PUERTA DESCARGA DISTRIBUIDOR
44	GA5220361	MONT.CORPO DISTRIBUZIONE MTR	DISTRIB.BODY MTR COMPL.			
45	G19006960	ESPULSORE SEME MAIS	SEED EJECTOR FOR CORN			
46	F01420036	ROS.M6 6,4X 18X1,5 U6593 ZN	WASHER M6 6,4X 18X1,5 U6593 ZN	RONDELLE M6 6,4X18X1,5 U6593ZN	SCHEIBEN M6 6,4X18X1,5U6593 ZN	ARANDELA M6 6,4X18X1,5U6593ZN
47	G19005480	COPERCHIO SERBAT.SEME 60 LITRI	COVER SEED HOPPER 60 LITRE			
48	F01220011	DADO M6X1 D980 8ZN >	NUT M6X1 D980 8ZN	ECROU M6X1 D980 8 ZN	MUTTER M6X1 D980 8 ZN	TUERCA M6X1 D980 8 ZN
49	G15226240	MONT.SERB.SEME 60 LITRI	TANK ASSEMBLY SEED 60LT	MONT.SERB.SEME 60 LIT.		
50	F01200220	DADO M5X0,8 U5588 CL8 ZN >	NUT M5X0,8 U5588 6.8ZN	ECROU 5 UNI 5588 6.8 ZN	MUTTER 5 UNI 5588 6.8 ZN	TUERCA 5 UNI 5588 6.8 ZN
51	F01430035	ROS.M5 5,3X 10X0,6 U8842J ZN	WASHER D5 DIN 6798 D.INT.ZN	RONDELLE D5 DIN 6798 D. INT. Z	UNT. SCHEIBE D5 DIN 6798 D. IN	ARANDELA D5 DIN 6798 D.INT.ZN
52	G16620010	ESPULSORE SEMI BIETOLA	SUGAR BEET EJECTOR	EXPULSEUR BETTES	AUSWERFER RÜBEN	EXPULSOR REMOLACHA
53	F01020381	VITE M5X0,8X20 U5739 A2IX	SCR. M5X0,8X20 U5739 A2IX	VIS 5X20 5739	SCHRAUBE 5X20 5739	TORNILLO 5X20 5739
54	G22270133	PIASTRINA ANTI TRABOC.SEMI MIN	MINUTE SEED PLATE SP	PLAQUETTE GRAINES PETITES SP	PLZTTCHEN KLEINE SAMEN SP	PLAQUETA SEMILLAS PEQUEAS SP
55	G16620360	DIMA SELETTORE FISSO	POSITION PLATE FOR FIXED SELEC	GABARIT POSITION SELECTEUR FIX	EINSTELLEHRE F_R FIXEN ABSTREI	PLACA PARA LA POSICIÉN SELECTO

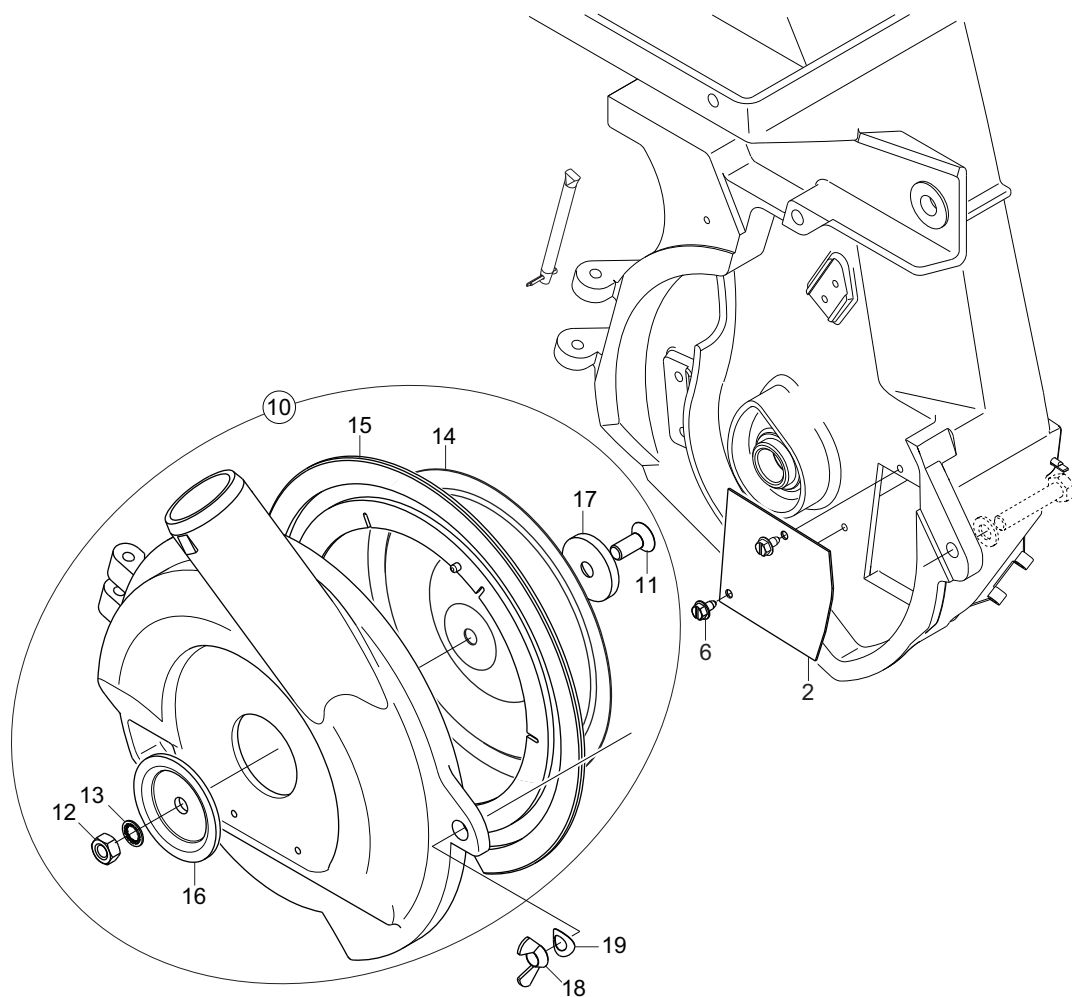


DISTRIBUTORE SEMI
TAV. 092

Pos.	Cod.	Descrizione	Description	Description	Benennung	Descripcion
56	G18701890	RONDELLA SVAS. 8,5X35 X5 ZN	FLARED WASHER D.8.5 ZN.	RONDELLE D.8,5 +VAS+E ZN.	F-CHERSCHEIBE D.8,5 ZN.	ARANDELA İ 8,5 ABOCINADA ZN.
57	F01030055	VITE M8X1,25X20 U5933 10.9ZD>	SCR. M8X1,25X20 U5933 10.9ZD	VIS M 8X20	SCHRAUBE M 8X20	TORNILLO M 8X20
58	G19007240	GUARNIZIONE COPERCHIO MT	SEED UNIT SEAL MT			
59	G17722791	MONT.COPERCHIO DISTRIB.REGINA	ASSEMBLY DISTRIB. COVER REGINA			
60	G17722622	PROTEZIONE SX	LEFT GUARD			
61	G16622050	DISCO FISSAGGIO CENTRALE IX	CENTRAL FIX DISK IX			
62	G18904240	MOLLA APERTURA PORTA CONTROLL>	SPRING	RESSORT	FEDER	MUELLE
63	F01020404	VITE M6X1X20 U5739 8.8ZN	SCREW M6X1X20 U5739 8.8ZN	VIS M6X1X20 U5739 8.8ZN	SCHRAUBE M6X1X20 U5739 8.8ZN	TORNILLO M6X1X20 U5739 8.8ZN
64	GA5222320	PROTEZIONE MTR	PROTECTION MTR			
65	G16622070	POMELLO COPERCHIO IX	SEED COVER KNOB IX			
66	F02050023	ANELLO E. DE 12X 1 U7435 C70	SEEGER RING D 12X 1 U7435 C70	BAGUE SEEGER D 12X 1 U7435 C70	SEEGERRING D 12X 1 U7435 C70	ANILLO D 12X 1 U7435 C70
67	F01440095	RONDELLA ALLUMINIO D12	WASHER ALUMINIUM D12	RONDELLE ALUMINIUM D12	UNTERLEGSCHIEBE ALUMINIUM D12	ARANDELA ALUMINIO D12
68	F01460129	ROS.OND.13,0X 24X1,2 IX D137B	WASHER D13 DIN 137/B IX			
69	F01070081	VITE A4,2X1,41X13 U6950 A2IX	SCR. H4,2X1,41X13 U6950 A2IX			
70	F01260011	DADO M5 U5721 5.8IX	NUT M5 U5721 5.8IX			
71	GA5222680	CORPO DISTRIB.MTR PLA COMPL.	DISTRIBUTOR MTR PLA COMPLETE			
72	G15224471	SERBATOIO SEME COMPLETO MT	SEED TANK ASSY. MT	RESERVOIR GRAINES COMPL PLA MT	SAMENBEHZLTER KOMPLETT MT	DEPSITO SEMILLAS COMPLETO MT B
73	F01020403	VITE M6X1X16 U5739 8.8ZN	SCR. M6X1X16 U5739 8.8ZN	VIS M6X1X16 U5739 8.8 ZN	SCHRAUBE M6X1X16 U5739 8.8 ZN	TORNILLO M6X1X16 U5739 8.8 ZN
74	G19002750	COPERCHIO SERBATOIO SEME 530	SEED TANK COVER 530	COUVERCLE RES GRAINES 530-MT	SAMENBEHZLTERDECKEL 530	TAPA DEPSITO SEMILLA 530 A

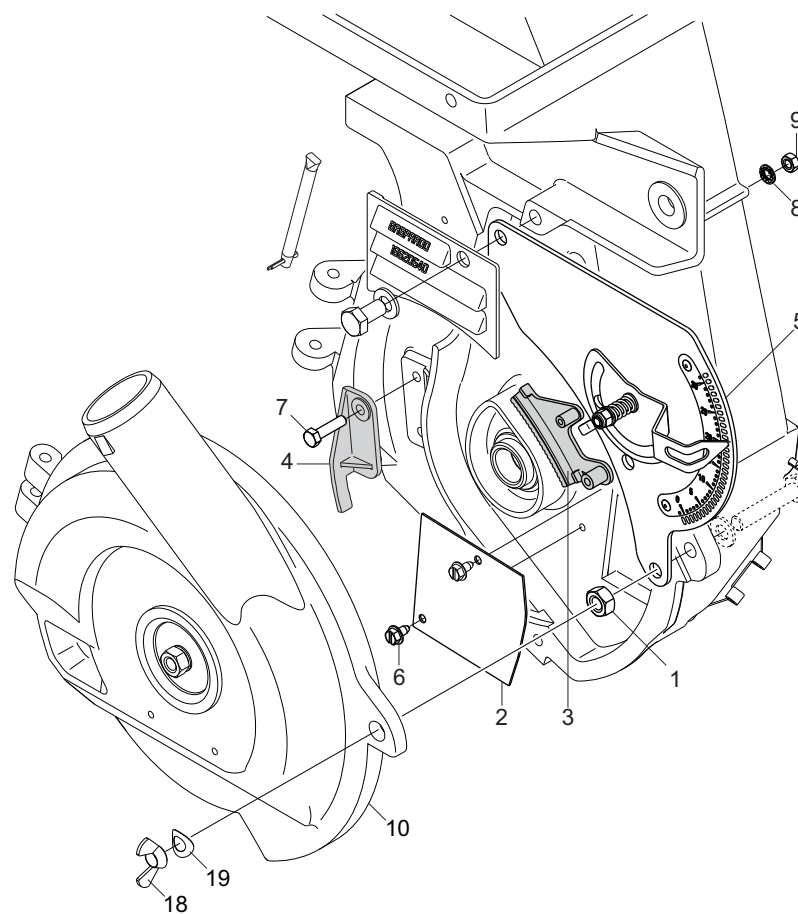
Varianti Semi Minuti
Variant Small Seeds

Vacuum COVER for small seeds



Special application


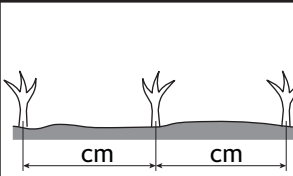
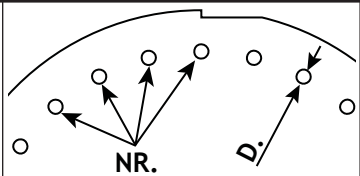
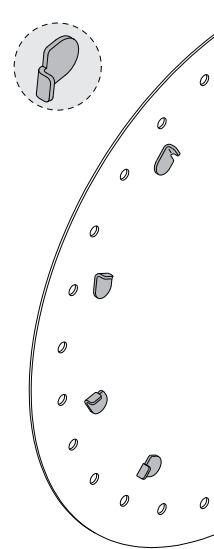
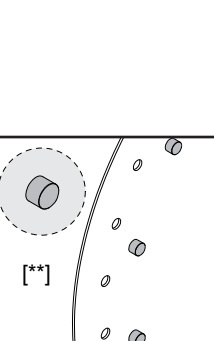
Peso di 1000 semi < 4,5 gr
1000 grains weight (tgw) < 4,5 gr



VARIANTI DISTRIBUTORE SEMI MINUTI
TAV. 371

Pos.	Cod.	Descrizione	Description	Description	Benennung	Descripcion
1	F01410051	ROS.M8 8,4X 17X1,6 U6592 ZN	WASHER M8 8,4X17X1,6 U6592 ZN	RONDELLE	SCHEIBE	
2	G22270133	PIASTRINA ANTI TRABOC.SEMI MIN	MINUTE SEED PLATE SP	PLAQUETTE GRAINES PETITES SP	PLZTTCHEN KLEINE SAMEN SP	PLAQUETA SEMILLAS PEQUE AS SP
3	G19005530	PATTINO SELETTORE FS	SKATE SELECTOR			
4	G19004890	ESPULSORE SEME DISTRIB.R1	SEED EJECTOR DISTR. R1			
5	G15829600	GRUPPO SELETTORE COMPL	COMPLETE SELECTING GROUP			
6	F01070011	VITE A4,2X1,41X9,5 U6950 4.8NI	SCR. H4,2X1,41X9,5 U6950 4.8NI	VIS AUTOTAR. 4-2X9-5 T. E. COU	SELBSTSCHNEID. SCHRAUBE 4-2X9-	TORNILLO AUTORROSC. 4-2X9-5
7	F01020381	VITE M5X0,8X20 U5739 A2IX	SCR. M5X0,8X20 U5739 A2IX	VIS 5X20 5739	SCHRAUBE 5X20 5739	TORNILLO 5X20 5739
8	F01430035	ROS.M5 5,3X 10X0,6 U8842J ZN	WASHER D5 DIN 6798 D.INT.ZN	RONDELLE D5 DIN 6798 D. INT. Z	UNT. SCHEIBE D5 DIN 6798 D. IN	ARANDELA D5 DIN 6798 D.INT.ZN
9	F01200220	DADO M5X0,8 U5588 CL8 ZN	NUT M5X0,8 U5588 6.8ZN	ECROU 5 UNI 5588 6.8 ZN	MUTTER 5 UNI 5588 6.8 ZN	TUERCA 5 UNI 5588 6.8 ZN
10	G15424070	COPERCHIO SEMI MINUTI COMPL	COMPL. MINUTE SEED COVER	COUVERCLE GRAINES PETITES COMP	DECKEL KLEINSAMEN KOMPL.	TAPA SEMILLAS PEQUE AS COMPL
11	F01030055	VITE M8X1,25X20 U5933 10.9ZD	SCR. M8X1,25X20 U5933 10.9ZD	VIS M 8X20	SCHRAUBE M 8X20	TORNILLO M 8X20
12	F01200244	DADO M8X1,25 U5588 CL8 ZN	NUT M8X1,25 U5588 6.8ZN	ECROU M8 X1,25 U5588 6.8 ZN	MUTTER M8 X1,25 U5588 6.8 ZN	TUERCA M8 X1,25 U5588 6.8 ZN
13	F01430059	ROS.M8 8,4X 15X0,8 U8842J ZN	WASHER M8 8,4X15X0,8 U8842J ZN	ROND. M8 8,4X 15X0,8 U8842J ZN	SCHEIBE M8 8,4X15X0,8 U8842JZN	ARAND. M8 8,4X15X0,8 U8842J ZN
14	G22230037	TENUTA GUARNIZIONE	SEAL	BLOQUAGE GARNITURE	DICHTUNG	JUNTA ESTANCA
15	G19002620	GUARNIZIONE COP.DISTRIB.SP530	DISTRIBUTION COVER AIR SEAL MT	JOINT ETANCH PORTE SP530-MT	DICHTUNG SZAPPARATDECKEL SP530	JUNTA TAPA DISTRIB.SP530
16	G16620470	TAPPO CENTRALE H=7,5	CENTRAL PLUG H=7.5	BOUCHON CENTRAL H=7,5	ZENTRALER PFROPFEN H=7,5	TAP N CENTRAL H=7,5
17	G18701890	RONDELLA SVAS. 8,5X35 X5 ZN	FLARED WASHER D.8.5 ZN.	RONDELLE D.8,5 VAS E ZN.	F-CHERSCHEIBE D.8,5 ZN.	ARANDELA 8,5 ABOCINADA ZN.
18	F01240024	DADO M8X1,25 U5448 5.8ZN	NUT M8X1,25 U5448 5.8ZN	ECROU 8 UNI 5448 5.8 ZN	MUTTER 8 UNI 5448 5.8 ZN	TUERCA 8 UNI 5448 5.8 ZN
19	F01460115	ROS.OND. 8,4X 15X0,5 BR D137A	WASHER D8 DIN 137 A	RONDELLE D8 DIN 137 A	UNTERLEGSCHIEBE D8 DIN 137 A	ARANDELA D8 DIN 137 A

TAV. 102

							Code	Pos.
		min.	max.	NR.	D (mm)			
	Mais	Corn	8	32	26	4,5	G10121410	1
	Mais seme grosso, fagiolo	Large corn seed, bean	8	32	26	5,0	G10123710	2
	Mais seme grosso	Corn large seed	8	32	26	5,5	G10121390	3
	Girasole	Sunflower	8	32	26	2,5	G10123560	4
	Cotone	Cotton	8	32	26	3,5	G10121440	5
	Bietola, Sorgho	Sugarbeet, Sorghum	6	23	36	2,1	G10121420	6
	Cetriolo [*]	Cucumber [*]	6	23	36	1,5	G10121520	7
	Fagiolino, Cotone	Green bean, Cotton	6	23	36	3,5	G10121430	8
	Pisello	Peas	6	23	36	4,5	G10121630	9
	Fagiolo Borlotto	Bean	6	23	36	5,5	G10121570	10
	Soia (consigliato per interfila 45-50 cm)	Soya (recommended for 45-50 cm inter-row)	4	16	52	4,25	G10123430	11
	Insalata [*]	Green salad [*]	3	11,5	72	0,8	G10121510	12
	Pomodoro, Finocchio, Colza [*]	Tomato, Fennel, Rape [*]	3	11,5	72	1,1	G10121450	13
	Sorgo, Coriandolo	Sorghum, Coriander	3	11,5	72	2,1	G10121470	14
	Cotone (consigliato per interfila 70-75)	Cotton (recommended for 70-75 cm inter-row)	3	11,5	72	3,5	G10121500	15
	Soia (consigliato per interfila 70-75)	Soya (recommended for 70 - 75 cm inter-row)	3	11,5	72	4,25	G10124020	16
	Mais	Corn	8	32	26	4,5	G10124480	17
	Mais seme grosso, fagiolo	Large corn seed, bean	8	32	26	5,0	G10124780	18
	Girasole	Sunflower	8	32	26	2,5	G10124760	19
	Cotone	Cotton	4	16	52	3,5	G10124770	20
	Cotone (consigliato per interfila 70-75)	Cotton (recommended for 70-75 cm inter-row)	3	11,5	72	3,5	G10124790	21

[*] Si consiglia di sostituire il coperchio del distributore semi con il coperchio per semi minuti. We recommend the substitution of the seed distributor cover with the small seed cover.

[**] Versioni ISOTRONIC. ISOTRONIC version.

Per particolari esigenze, fare specifica richiesta. For special requirements make a specific order.

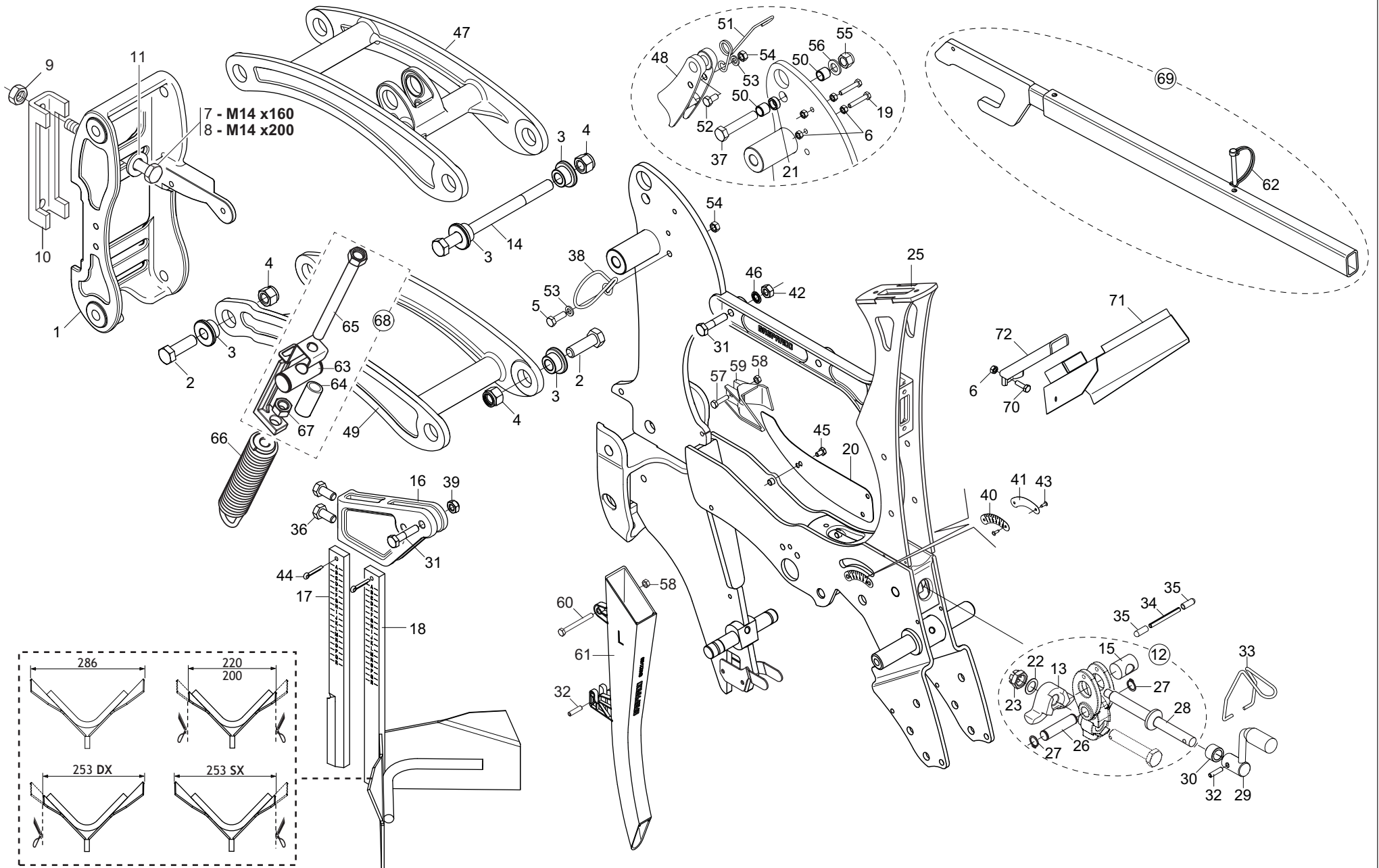
I valori della tabella sono puramente indicativi. La scelta definitiva dei dischi di semina è a totale discrezione dell'utente. Non si accettano reclami per semine eseguite con dischi non idonei.

The values shown on the table are approximate. The definite choice of seed plates is completely up to the user. Complaints for imprecise sowing due to utilization of improper seed plates will not be accepted.

DISCHI DI SEMINA

TAV. 102

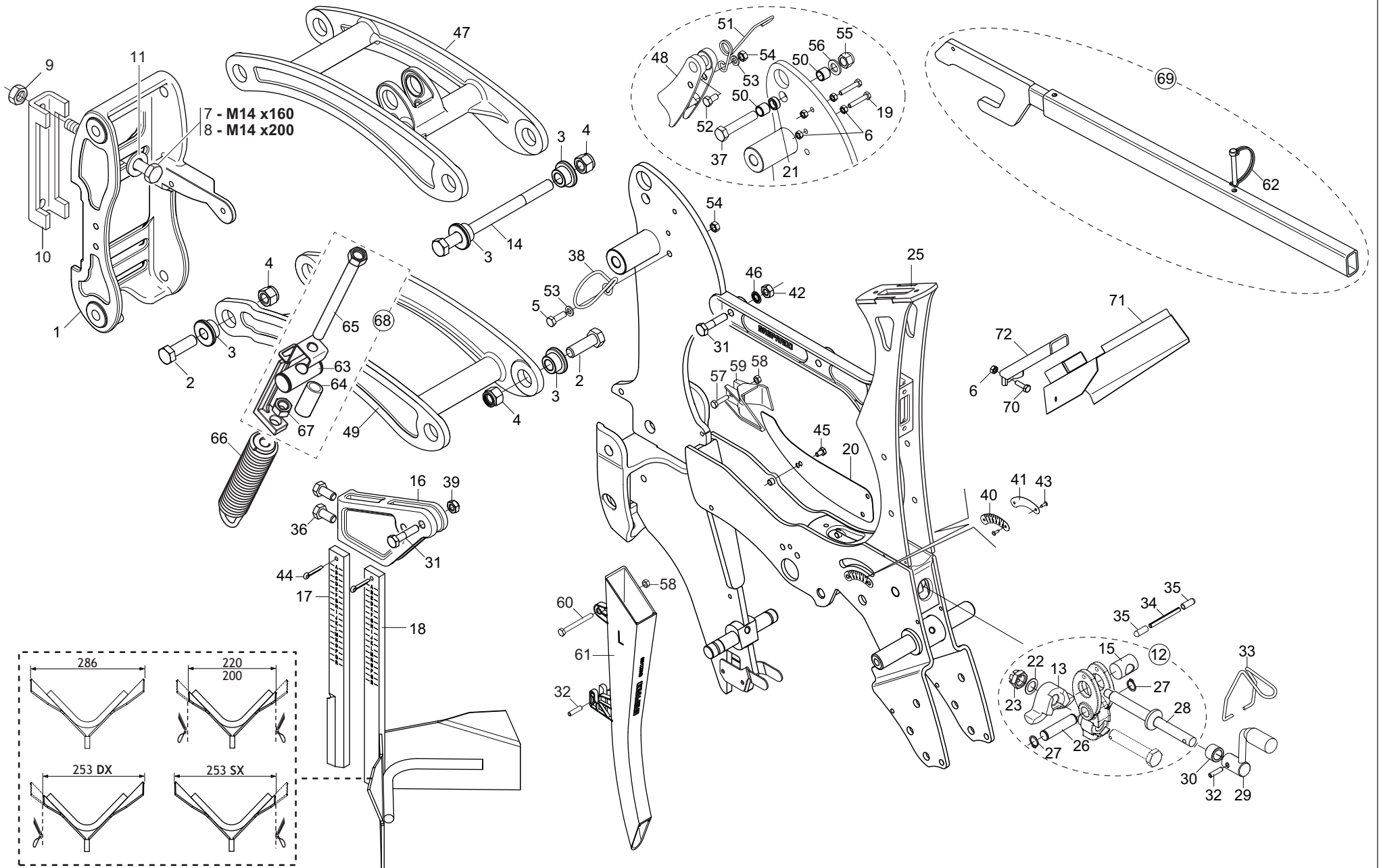
Pos.	Cod.	Descrizione	Description	Description	Benennung	Descripcion
1	G10121410	DISCO 26F D.4,5 SP-MT	DISC 26 H. D.4,5 SP-MT			
2	G10123710	DISCO 26F D.5,0 SP-MT	DISC 26 HOLES D.5-0 SP LM			
3	G10121390	DISCO 26F D.5,5 SP-MT	DISC 26 H. D.5-5 CORN SP LM			
4	G10123560	DISCO 26F D.2,5 SP-MT	DISC 26 H. D. 2,5			
5	G10121440	DISCO 26F D.3,5 SP-MT	DISC 26 HOLES D 3-5 SP LM			
6	G10121420	DISCO 36F D.2,1 SP-MT	DISC 36 H. D.2,1 SP-MT			
7	G10121520	DISCO 36F D.1,5 SP-MT	DISC 36 HOLES D.1-5 SP LM			
8	G10121430	DISCO 36F D.3,5 SP-MT	DISC 36 HOLES D.3-5 SP LM			
9	G10121630	DISCO 36F D.4,5 SP-MT	DISC 36 HOLES D.4-5 SP LM			
10	G10123760	DISCO 36F D.5,5 P.OTT.SP-MT	STEEL DISC 36 HOLES D5,5 P.ARR	DISQUE ACC.36 TROUS D5,5 P.ARR	SCHEIBE ZUB.36 LTCHER D5,50	DISCO AC.36 ORIFICIOS D 5,5
11	G10123430	DISCO 52F D.4,25 SP-MT	DISC 52 HOLES D.4-25 SP LM			
12	G10121510	DISCO 72F D.0,8 SP-MT	DISC 72 HOLES D.0-8 SP LM			
13	G10121450	DISCO 72F D.1,1 SP-MT	DISC 72 HOLES D.1-1 SP LM			
14	G10121470	DISCO 72F D.2,1 SP-MT	DISC 72 HOLES D.2-1 SP LM			
15	G10121500	DISCO 72F D.3,5 SP-MT	DISC 72 H. D. 3,5			
16	G10124020	DISCO 72F D.4,25 SP-MT	DISC 72 HOLES D.4-25 SP LM	DISQUE 72 TROUS D. 4-25 SP LM	SCHEIBE 72 LTCHER D.4-25 SP	DISCO 72 ORIFICIOS D.4-5 SP LM
17	G10124480	DISCO 26F D.4,5 P.OTT.SP-MT	DISC 26H D.4,25 P.OTT.SP-MT			
18	G10124780	DISCO 26F D.5,0 P.OTT.SP-MT	SEED DISC 26 H. D. 5,0 P.BRASS			
19	G10124760	DISCO 26F D.2,5 P.OTT.SP-MT	SEED DISC 26 H. D. 2,5 P.BRASS			
20	G10124770	DISCO 52F D.3,5 P.OTT.SP-MT	SEED DISC 52 H. D. 3,5 P.BRASS			
21	G10124790	DISCO 72F D.3,5 P.OTT.SP-MT	SEED DISC 72 H. D. 3,5 P.BRASS			



TELAIO ELEMENTO

TAV. 114

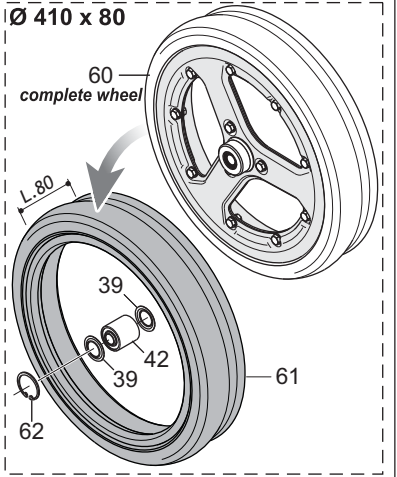
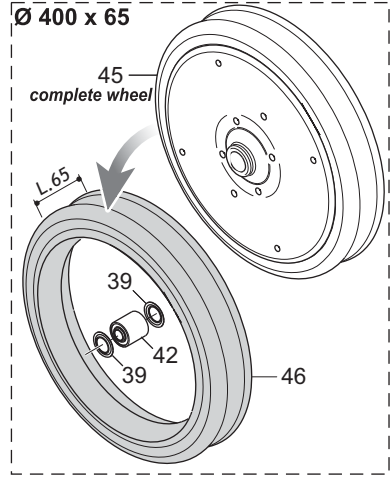
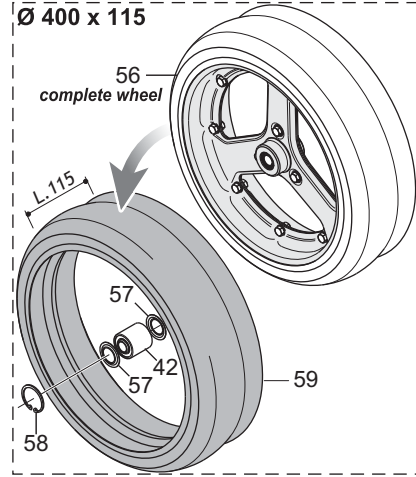
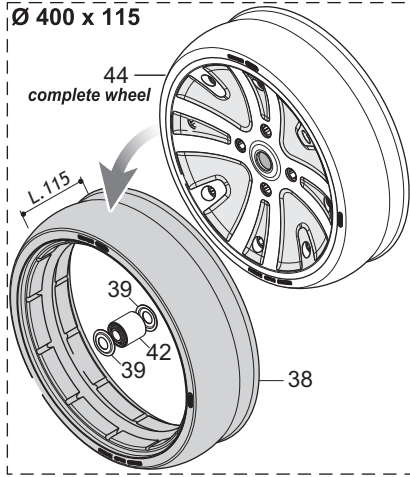
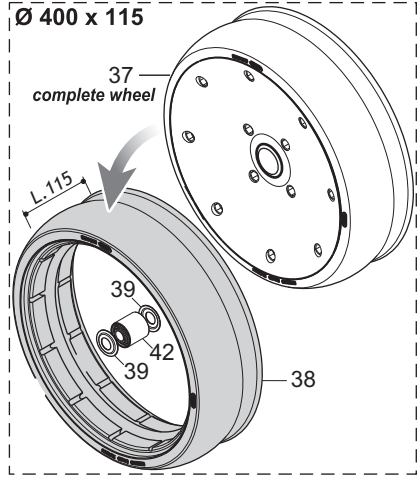
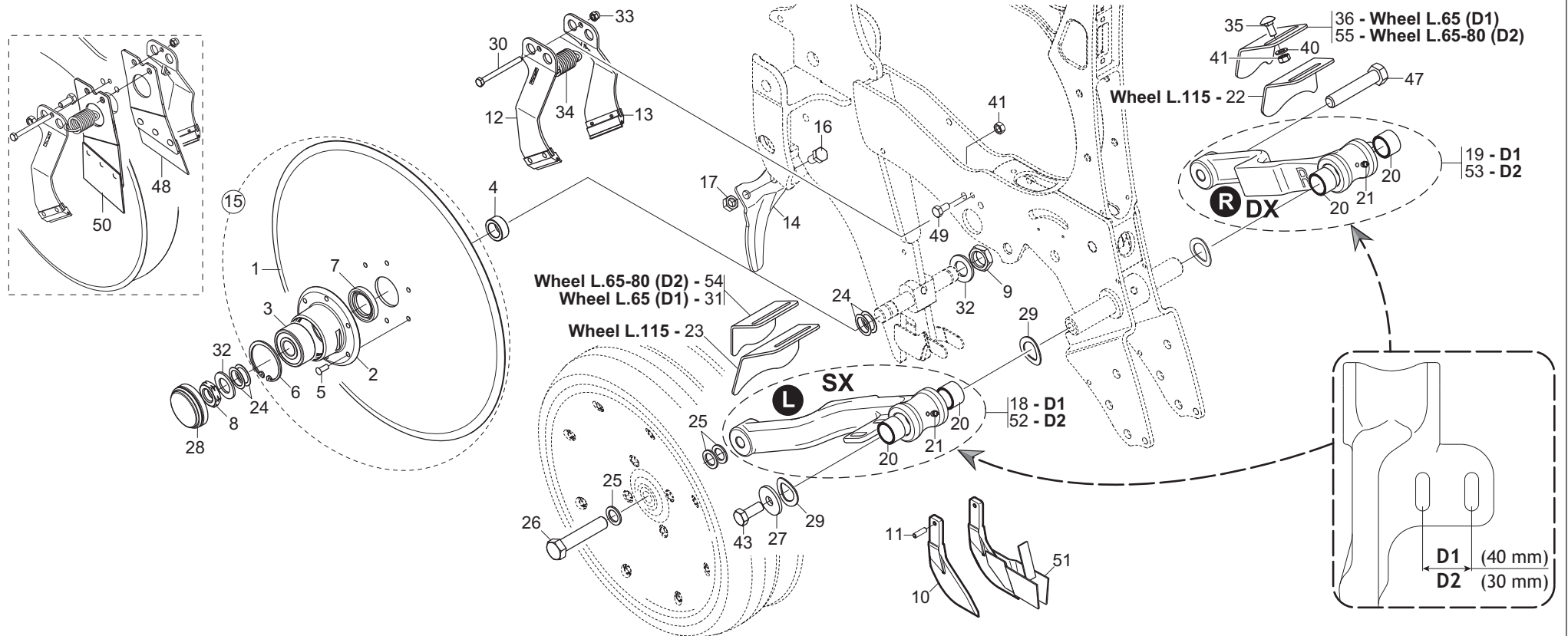
Pos.	Cod.	Descrizione	Description	Description	Benennung	Descripcion
1	GA5220112	PIASTRA FRONTALE	FRONT PLATE			
2	F01020254	VITE M16X2X55 U5737 10.9ZD >	SCR. M16X2X55 U5737 10.9ZD			
3	G17722000	BOCCOLA SINTERIZZ.16,25X28X13	SINTERED BUSHING			
4	F01230085	DADO M16X2 D982 10ZN	NUT M16X2 D982 10ZN	ECROU M16X2 D982 10ZN	MUTTER M16X2 D982 10ZN	TUERCA M16X2 D982 10ZN
5	F01020440	VITE M8X1,25X25 U5739 8.8ZN >	SCR. M8X1,25X25 U5739 8.8ZN	VIS M8X1,25X25 U5739 8.8 ZN	SCHRAUBE M8X1,25X25U5739 8.8ZN	TORNIL.M8X1,25X25 U5739 8.8 ZN
6	F01200232	DADO M6X1 U5588 CL8 ZN >	NUT M6X1 U5588 6.8ZN	ECROU 6 UNI 5588 6.8 ZN	MUTTER 6 UNI 5588 6.8 ZN	TUERCA 6 UNI 5588 6.8 ZN
7	F01020225	VITE M14X2X160 U5737 8.8BR	SCR. M14X2X160 U5737 8.8BR	VIS M 14 X160 5737 8.G	SCHRAUBE M 14 X160 5737 8.G	TORNILLO M 14 X160 5737 8.G
8	F01020233	VITE M14X2X200 U5737 8.8BR >	SCR. M14X2X200 U5737 8.8BR	VIS M14X2X 200 U5737 8.8 ZB	SCHRAUBE M14X 2X200 U5737 8.8	TORNILLO M14X2X200 5737 8.8 ZB
9	F01200306	DADO M14X2 U5588 CL8 ZN >	NUT M14X2 U5588 6.8ZN	ECROU M14X2	MUTTER M14X2	DADO M14X2
10	G15110091	SCONTRO A U SP.8 2F15 165	STRIKER	BRIDE 150 MM	ANSCHLAG	ELEMENTO DE EMPALME
11	G20970142	RONDELLA 32X4X15,5	WASHER 32X4X15-5	RONDELLE 32X4X15-5	UNTERLEGSCHNEIBE 32X4X15-5	ARANDELA 32X4X15-5
12	G17740010	BILANCIERE REGINA COMPL	REGINA ROCKER ARM MOUNTED ASSY			
13	G17720291	BILANCIERE	ROCKER ARM			
14	F01020286	VITE M16X2X220 U5737 10.9ZD	SCR. M16X2X220 U5737 10.9ZD	VIS M16X 2X220 U5737 10.9 ZD	SCHRAU.M16X 2X220 U5737 10.9ZD	TORNI.M16X 2X220 U5737 10.9 ZD
15	G22230063	ELEMENTO ARTICOLATO	ARTICULATED ELEMENT	ELEMENT ARTICULE	GELENKELEMENT	ELEMENTO ARTICULADO
16	G19204000	SUPP.SPIANATERRA CORTO	SUPPORT SHORT SOIL BRAKER			
17	G15420842	TAGLIENTE	EDGE	COUTRE CHASSE-MOTTE	SCHNEIDE	FILO DE CORTE
18	G15224901	SPIANATERRA LARGH.240 MM	SOIL LEVELLER WIDTH 240 MM			
19	F01020416	VITE M6X1X55 U5739 8.8ZN	SCR. M6X1X55 U5739 8.8ZN	VIS 6 X55 5739 8.G ZN	SCHRAUBE 6 X55 5739 8.G ZN	TORNILLO 6X55 5739 8.G ZN
20	G17722713	PIATTO DX	RIGHT PLATE			
21	G20980082	BOCCOLA 18X7X12,25	BUSHING 18X7X12-25			
22	G18701820	RONDELLA 16,5 X25 X1,0 ZN	WASHER 16,5X25X1,0 ZN			
23	F01210035	DADO M16X2 U5594 5.8ZN	NUT M16X2 U5594 5.8ZN			
25	GA5220013	CORPO CENTRALE MTR	MAINFRAME MTR ASSEMBLY			
26	G17722800	PERNO 15 X 63 ZN	PIN 15 X 63 ZN			
27	F02050034	ANELLO E. DE 15X 1 U7435 C70	ELASTIC RING DE 15X 1	BAGUE ELASTIQUE DE 15X 1	RING DE 15X 1	ANILLO DE 15X 1
28	G17722510	ASS.VITE TENSIONAMENTO ZN	ADJUSTING SCREW ASSY ZN			
29	G22270235	MANIGLIA REGOLAZIONE B4	HANDLE STOP SPRING MAGICA B4	POIGNEE REGLAGE B4	EINSTELLGRIFF B4	MANIJA REGULACIN B4 M
30	G18803230	BOCCOLA 15 X22 X16 ZN	BUSHING 15 X22 X16 GALVA	BOITE 15 X22 X16 ZN	BsCHSE 15 X22 X16 ZN	CASQUILLO 15 X22 X16 ZN
31	F01020112	VITE M10X1,5X45 U5737 8.8ZN >	SCR. M10X1,5X45 U5737 8.8ZN	VIS M 10X45	SCHRAUBE M 10X45	TORNILLO M 10X45
32	F02100111	SPINA E.P. 6X 24 U6873 A2 IX	PIN EL. 6 X24 U6873 A2 IX			
33	G18903741	MOLLA FERMO MANIGL.MAGICA>2004	HANDLE STOP SPRING MAGICA 2004	RESSORT ARRET POIG.MAGICA 2004	FEDER GRIFFSPERRE MAGICA 2004	MUELLE BLOQUEO MAN. MAGICA 04
34	F02100126	SPINA E.P. 6X 60 U6873 C70 BR	PIN E.D. 6X60 U6873 C70 BR	FICHE E.D. 6X60 U6873 C70 BR	BOLTZEN E.D. 6X60 U6873 C70 BR	CLAVIJA E.D. 6X60 U6873 C70 BR
35	F05100193	CAPPUCCIO 5,95X19,05 GIALLO	CAP	BOUCHON	DECKEL	CORCHO
36	F01020508	VITE M12X1,75X25 U5739 8.8ZN >	SCR. M12X1,75X25 U5739 8.8ZN	VIS M12X1,75X25 U5739 8.8 ZN	SCHRAUBE M12X1,75X25U57398.8ZN	TORNIL.M12X1,75X25 U5739 8.8ZN
37	F01020521	VITE M12X1,75X65 U5739 8.8ZN	SCR. M12X1,75X65 U5739 8.8ZN	VIS M12X1,75X65 U5739 8.8ZN	SCHRAU.M12X1,75X65 U5739 8.8ZN	TORN.M12X1,75X65 U5739 8.8ZN
38	G18903140	MOLLA GUIDATUBO	PIPE GUIDE SUPPORT	RESSORT GUIDE-TUBE	FEDER ROHRFSHRUNG	MUELLE GUA TUBOS A
39	F01220033	DADO M10X1,5 D980 8ZN	NUT M10X1,5 D980 8ZN	ECROU M10X1,5 D980 8ZN	MUTTER M10X1,5 D980 8ZN	TUERCA M10X1,5 D980 8ZN
40	G19705280	TARGHETTA REG.SX RUOTE PROFOND	PLATE	PLAQUET	PLATTE	PLACA
41	G19705290	TARGHETTA REG.DX RUOTE PROFOND	PLATE	PLAQUET	PLATTE	PLACA
42	F01200270	DADO M10X1,5 U5588 CL8 ZN >	NUT M10X1,5 U5588 6.8ZN	ECROU M10X 1,5 U5588 6.8 ZN	MUTTER M10X 1,5 U5588 6.8 ZN	TUERCA M10X 1,5 U5588 6.8 ZN
43	F02250066	RIVETTO STR. 3 X 9 U9200A AL	POP RIVET 3X9 ALUMINIUM	RIVET 3 X 9 ALL	REISSNIETE 3 X 9 ALU	REMACHE DESGAR. 3 X 9 AL
44	F02200226	COPIGLIA 5X 25 U1336 ZN	SPLIT PIN 5 X25 1336 GALVAN.	GOUPILLE 5 X25 1336 ZN	SPLINT 5 X25 1336 ZN	PASADOR 5 X25 1336 ZN
45	F01020397	VITE M6X1X10 U5739 8.8ZN	SCR. M6X1X10 U5739 8.8ZN	VIS 6X10 5739 8.G ZN	SCHRAUBE 6X10 5739 8.G ZN	TORNILLO 6X10 5739 8.G ZN
46	F01430023	ROS.M10 10,5X 18X0,9 U8842J Z>	WASHER D10 DIN 6798 D.INT.ZN	RONDELLE D10 DIN 6798 D. INT.	UNT. SCHEIBE D10 DIN 6798 D.INT	ARANDELA D10 DIN 6798 D.INT.ZN
47	GA5220202	PARALLELO SUPERIORE	UPPER PARALLEL ARM			
48	GA5220260	BLOCCO AGGANCIO ELEMENTO	HOOK BLOCK			
49	GA5220153	PARALLELO INFERIORE MTR	LOWER PARALLEL ARM MTR			
50	G18801340	BOCCOLA 12,25X16 X14	BUSHING 12,25X16 X14	BOITE 12,25X16 X14	B_CHSE 12,25X16 X14	CASQUILLO 12,25X16 X14
51	G18903780	MOLLA TORSIONE GANCIO SUP.	UPPER HOOK TORSION SPRING			
52	F01020436	VITE M8X1,25X20 U5739 8.8ZN >	SCR. M8X1,25X20 U5739 8.8ZN	VIS M8X1,25X 20 U5739 8.8 ZN	SCHRAUBE M8X1,25X20U5739 8.8ZN	TORN. M8X1,25X20 U5739 8.8 ZN
53	F01420048	ROS.M8 8,4X 24X 2 U6593 ZN	WASHER M8 8,4X 24X2 U6593 ZN	RONDELLE M8 8,4X24X 2 U6593 ZN	SCHEIBEN M8 8,4X24X 2 U6593 ZN	ARANDELA M8 8,4X 24X2 U6593 ZN
54	F01200244	DADO M8X1,25 U5588 CL8 ZN >	NUT M8X1,25 U5588 6.8ZN	ECROU M8 X1,25 U5588 6.8 ZN	MUTTER M8 X1,25 U5588 6.8 ZN	TUERCA M8 X1,25 U5588 6.8 ZN
55	F01230059	DADO M12X1,75 D982 8ZN >	LOCK-NUT M12X1,75 D982 8ZN	ECR.AUTO-FREI.M12X1,75 D982 ZN	SICHERUNGSMUT.M12X1,75 D982 8ZN	TUER.DE SEGUR.M12X1,75 D982 ZN
56	F01410076	ROS.M12 13X 24X2,5 U6592 ZN >	WASHER 12 13X 24X2,5 U6592 ZN	RONDEL. M12 13X24X2,5 U6592 ZN	SCHEIBE M12 13X24X2,5 U6592 ZN	ARANDELA M12 13 X24X2,5 ZN



TELAIO ELEMENTO
TAV. 114

Pos.	Cod.	Descrizione	Description	Description	Benennung	Descripcion
57	F01020406	VITE M6X1X25 U5739 8.8ZN	SCR. M6X1X25 U5739 8.8ZN	VIS M6X25	SCHRAUBE M6X25	TORNILLO M6X25
58	F01220011	DADO M6X1 D980 8ZN >	NUT M6X1 D980 8ZN	ECROU M6X1 D980 8 ZN	MUTTER M6X1 D980 8 ZN	TUERCA M6X1 D980 8 ZN
59	G19002700	PROTEZIONE FOTOCELLULA >	PHOTOCELL PROTECTION	PROTECT CAPT PHOTOC SP3-MT-MG	SCHUTZ PHOTOZELLE	PROTECCIN FOTOCLULA PR
60	F01020422	VITE M6X1X60 U5739 8.8ZN >	SCR. M6X1X60 U5739 8.8ZN	VIS M6 X1 X 60 U5739 8.8	SCHRAUBE M6 X1 X 60 U5739 8.	TORNIL. M6 X1 X 60 U5739 8.8
61	GA5221460	CONVOGLIATORE SEME MTR	SEED CONVEYOR			
62	F02200562	SPINA SICUR.D. 8X70 ZN >	SNAP PIN D.8X 70 ZN	FICHE EL. D.8X70 ZN	SCHERSTIFT D.8X 70 ZN	CLAVIJA D.8X 70 ZN
63	G15226550	SPINA ZN	PIN ZN			
64	G17940250	BOCCOLA ZN	BUSHING	BOITE	BsCHSE	CASQUILLO
65	G15226570	VITE REGOLAZIONE M16 X 225 ZN	ADJUSTING BOLT - GALVANIZED	VIS RÉGLAGE ZN	STELLSCHRAUBE ZN	TORNILLO REGULACIÓN ZN
66	GA5220820	MOLLA REGOLABILE MTR	ADJUSTABLE MTR SPRING			
67	F01200324	DADO M16X2 U5588 8.8ZN	NUT M16X2 U5588 8.8ZN	ECROU M16X2 U5588 8.8ZN	MUTTER M16X2 U5588 8.8ZN	TUERCA M16X2 U5588 8.8ZN
68	GA5221260	REGOLATORE MOLLA COMPL. MTR	ADJUSTABLE MTR SPRING ASS.BLY			
69	GA5221560	LEVA SOLLEV.ELEMENTO MTR	LIFTING LEVER ELEMENT MTR			
70	F01020404	VITE M6X1X20 U5739 8.8ZN	SCREW M6X1X20 U5739 8.8ZN	VIS M6X1X20 U5739 8.8ZN	SCHRAUBE M6X1X20 U5739 8.8ZN	TORNILLO M6X1X20 U5739 8.8ZN
71	G15224500	SCIVOLO SCARICO SEMI	SEED DISCHARGE CHUTE	LANCOIR DECHARGE GRAINES	RUTSCHE SAMENENTLADUNG	PLANO INCLINADO DESCARGA SEMIL
72	GA5222910	SUPPORTO SCIVOLO SEME MTR	SEED CHUTE SUPPORT MTR			

TAV. 123

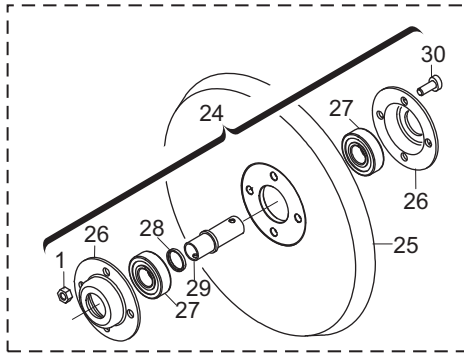


RUOTE DI PROFONDITA'

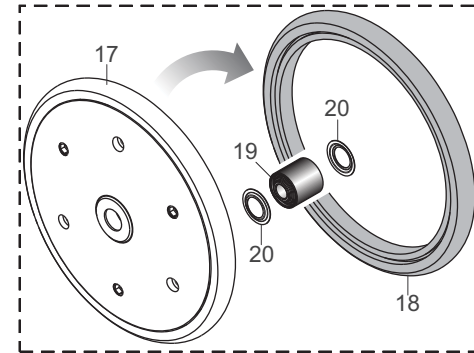
TAV. 123

Pos.	Cod.	Descrizione	Description	Description	Benennung	Descrpcion
1	G17722471	DISCO ASSOLCATORE D.420	FURROW OPENER DISC D.420			DISCO SURGADOR D.420
2	G17722492	SUPPORTO CUSCINETTO DISCO ZN	BEARING DISK SUPPORT ZN			
3	F04010094	CUSC.d20 D52 B22,2 3304 LLU	BEAR.D20 D52 B22,2 3304 LLU			
4	G17722482	BOCCOLA 20 X30 X12,3	BUSHING D20X30X12,3			
5	F02250521	RIBATTINO TSC 6 X19,8 A/2	RIVET TSC 6X19,8 A/2 BY PIECE	BOITE	BsCHSE	CASQUILLO
6	F02050381	ANELLO E. DI 52X 2 U7437 C70>	SEEGER RING E. 52X 2 U7437 C70	PAQUET RIVETS TSC 6X 19,8 A/2	PACKUNG NIETEN TSC 6X19,8 A/2	PAQU.REMACHES TSC 6X 19,8 A/2
7	F03011159	AN. TENUTA 30X47X7 AS	SEEGER RING E. 52X 2 U7437 C70	SEEGER E. 52X 2 U7437 C70	SEEGERING E. 52X 2 U7437 C70	ANILLO 52X 2 U7437 C70
8	G17722811	DADO M20X 2,5 SINISTRO ZN.	SEALING RING 30X47X7	BAGUE D'ETANCHEITE 30X47X7	DICHTUNGSRING 30X47X7	ANILLO AISLADOR 30X47X7
9	F01200468	DADO M20X2,5 U5589 CL8 ZN >	NUTS M20X2,5 LEFT GALV.ED			
10	G19203943	TAGLIENTE INT.DISCHI	NUT M20X2,5 U5589 6.8ZN	ECROU 20 5589 5.8 ZN *	MUTTER 20 5589 6.8 ZN *	TUERCA 20 5589 6.8 ZN
11	F02100106	SPINA E.P. 6X 20 U6873 C70 BR	INTERNAL DISC COULTER			HILO DE CORTE INTERNO DISCOS
12	GA5220050	ASS.RASCHIATERRA VIDIA SX	EL. PIN E.P. 6X20 U6873 C70 BR	GOUJON E.P. 6X 20 U6873 C70BR	BOLZEN E.P. 6X 20 U6873 C70BR	ESPINA E.P. 6X 20 U6873 C70BR
13	GA5220310	ASS.RASCHIATERRA VIDIA DX	ASS.SOIL-SCRAPER VIDIA LEFT			
14	G15225861	PROTEZIONE DISCHI	ASS.SOIL-SCRAPER VIDIA RIGHT			
15	G17722612	MONT.DISCO ASSOLCATORE	DISC PROTECTION			DISCO SURGADOR D.420 COMPLETO
16	F01020472	VITE M10X1,5X25 U5739 8.8ZN >	RIDGING DISC ASSEMBLY			TORNILLO 10X25 U5739 8.8 ZN
17	F01220033	DADO M10X1,5 D980 8ZN	SCR. M10X1,5X25 U5739 8.8ZN	VIS M10X1,5X25 U5739 8.8 ZN	SCHRAUBE M10X1,5X25 U5739 8.8	TUERCA M10X1,5 D980 8ZN
18	GA5220270	BRACCIO RUOTA SX	NUT M10X1,5 D980 8ZN	ECROU M10X1,5 D980 8ZN	MUTTER M10X1,5 D980 8ZN	
19	GA5220250	BRACCIO RUOTA DX	LEFT ARM WHEEL			
20	G17722830	BOCCOLA ELEM.REGINA SINTERIZ.	RIGHT ARM WHEEL			
21	F01100011	ING.M 6X1 7663-A 9SMNPB28 ZN >	SINTER.BUSHING FOR REGINA EL.	GRAISS. A BILLE M6X1 7663A ZN	SCHMIERBUECHE M6X1 7663-A ZN	ENGRAS. DE ESFE. M6X1 7663-AZN
22	G17723000	RASCHIATERRA DX	GREASE NIPPLE M6X1 7663-A ZN			
23	G17723080	RASCHIATERRA SX	RIGHT SOILSCRAPER			
24	G20970100	RONDELLA 30X0,5X22 ACC.	LEFT SOILSCRAPER			
25	G20970025	RONDELLA 25,2X2X16,5	WASHER 30X0-5X22 ACC.	RONDELLE 30X0-5X22 ACIER	UNTERLEGSSCHEIBE 30X0-5X22 ACC.	ARANDELA 30X0-5X22 ACC.
26	GA5220170	VITE M16X 2X80 SX U5737 8.8 ZN	WASHER 25-2X2X16-5	RONDELLE 25-2X2X16-5	UNTERLEGSSCHEIBE 25-2X2X16-5	ARANDELA 25-2X2X16-5
27	G20970085	RONDELLA 40X4X13	SCREW M16X2X80LEFT U5737 8.8ZN			
28	F05050022	TAPPO PROTEZIONE D.58 H.14 ZN	WASHER 40X4X13	RONDELLE 40X4X13	UNTERLEGSSCHEIBE 40X4X13	ARANDELA 40X4X13
29	G18701880	RONDELLA DI SPINTA	GUARD CAP D.58 H.14 GALV.			
30	F01020047	VITE M6X1X70 U5737 8.8ZN	IMPULSE WASHER	RONDELLE	UNTERLEGSSCHEIBE	ARANDELA
31	GA5220960	RASCHIATERRA SX L.65	SCR. M6X1X70 U5737 8.8ZN	VIS 6 X70 5737 8.G ZN	SCHRAUBE 6 X70 5737 8.G ZN	TORNILLO 6 X70 5737 8.G ZN
32	F01410124	ROS.M20 21X 37X 3 U6592 ZN >	LEFT SOILSCRAPER L.65			
33	F01230022	DADO M6X1 D982 8ZN	WASHER M20 21X 37X 3 U6592 ZN	RONDEL.M20 21X 37X 3 U6592 ZN	MUTTER M20 21X 37X 3 U6592 ZN	ARANDELA M20 21X37X3 U6592 ZN
34	G18904540	MOLLA TRAZIONE ZN	NUT M6X1 D982 8ZN	ECROU AUTO-FREIN.M6X1 D982 8ZN	SICHERUNGSMUT. M6X1 D982 8 ZN	TUERCA DE SEGU.M6X1 D982 8 ZN
35	F01060040	VITE M8X1,25X20 U5731 8.8ZN	SPRING TENSION ZN			
36	GA5220970	RASCHIATERRA DX L.65	SCR. M8X1,25X20 U5732 4.6ZG	VIS M8X1,25X20 U5732 4.6 ZN	SCHRA. M8X1,25X20 U5732 4.6 ZN	TORN. M8X1,25X20 U5732 4.6 ZN
37	F06120406	RUOTA PROF.TAMB.MTR L115 M	RIGHT SOILSCRAPER L.65			
38	F06120188	COPERTURA RUOTA PROF.L115 M	DEPTH GAUGE WHEEL SM.CR.OFFS M			RUEDA CONTROL PROFUNDIDAD MTR L
39	F01440086	ROS. 23X40X0,5 D988 ST2K60 BR>	WHEEL COVER PROF.L115 M			
40	F01410051	ROS.M8 8,4X 17X1,6 U6592 ZN >	WASHER 23X40X0,5 D988 ST2K60 B			
41	F01200244	DADO M8X1,25 U5588 CL8 ZN >	WASHER M8 8,4X17X1,6 U6592 ZN	RONDELLE M8 8,4X17X1,6 U6592ZN	SCHHEIBE M8 8,4X17X1,6 U6592 ZN	ARANDELA M8 8,4X17X1,6 U6592ZN
42	F04100150	CUSC.D16 D40 B39 WPS	NUT M8X1,25 U5588 6.8ZN	ECROU M8 X1,25 U5588 6.8 ZN	MUTTER M8 X1,25 U5588 6.8 ZN	TUERCA M8 X1,25 U5588 6.8 ZN
43	F01020510	VITE M12X1,75X30 U5739 8.8ZN	BEARING D16 D40 B39 WPS			COJINETE D16 D40 B39 WPS
44	F06120449	RUOTA PROF.TAMB.MTR L115 I	SCR. M12X1,75X30 U5739 8.8ZN	VIS M12X1,75X30 U5739 8.8ZN	SCHRAU.M12X1,75X30 U5739 8.8ZN	TORN. M12X1,75X30 U5739 8.8ZN
45	F06120410	RUOTA PROF.TAMB.MTR L65 M	DEPTH WHEEL MTR L115			
46	F06120189	COPERTURA RUOTA PROF.L65 M	DEPTH GAUGE WHEEL SM.CR.MT L65			
47	F01020262	VITE M16X2X80 U5737 8.8ZN >	TYRE FARMFLEX 400X65	COUVERTURE FARMFLEX 400X65	MANTEL FARMFLEX 400X65	CUBIERTA FARMFLEX 400X65
48	GA5221180	RASCHIATERRA INT.DX	SCR. M16X2X80 U5737 8.8ZN	VIS M16X2X80 U5737 8.8 ZN	SCHRAUBE M16X2X80 U5737 8.8 ZN	TORNILLO M16X2X80 U5737 8.8 ZN
49	F01020436	VITE M8X1,25X20 U5739 8.8ZN >	RIGHT INNER SOILSCRAPER			RASCATIERRA INTERNO DER
50	GA5221160	RASCHIATERRA INT.SX	SCR. M8X1,25X20 U5739 8.8ZN	VIS M8X1,25X 20 U5739 8.8 ZN	SCHRAUBE M8X1,25X20U5739 8.8ZN	TORN. M8X1,25X20 U5739 8.8 ZN
51	GA5221620	FALCIONE CORTO INT.MTR	LEFT INNER SOILSCRAPER			RASCATIERRA INTERNO IZQ
52	GA5221511	BRACCIO RUOTA PROF.TAM.SX COMP	SHORT CUTTER INT.MTR			
53	GA5221501	BRACCIO RUOTA PROF.TAM.DX COMP	LEFT ARM DEPTH WHEEL ASSEMBLY			
54	GA5223290	RASCHIATERRA SX L65	RIGHT ARM DEPTH WHEEL ASSEMBLY			
55	GA5223280	RASCHIATERRA DX L65	LEFT SCRAPER L65			
56	F06120453	RUOTA PROF.RAZZE MTR L115 PLUS	RIGHT SCRAPER L65			
57	F06120534	RONDELLA RUOTA A RAZZE	DEPTH WHEEL MTR L115 PLUS			
58	F02050348	ANELLO E. DI 40X1,75 U7437 C7>	WHEEL WASHER			
59	F06120466	COPERT.FARMF.410X115 LV 63SH	SEEGER RING E. 40X1,75 U7437	SEEGER E. 40X 1,75 U7437 C70	SEEGERING 40X 1,75 U7437 C70	ANILLO E. 40 X1,75 U7437 C70
60	F06120326	RUOTA PROF.TAMB.MTR 410X82	FARMF.COVER 410X115 LV 63S			
61	F06120328	COPERTURA RUOTA PROF.410X82	WHEEL PROF.TAMB.MTR 410X82	ROUE PROF. MTR 410X82		
62	F02050168	ANELLO E. DE 40X1,75 U7435 C7>	WHEEL COVER PROF.410X82			
			SEEGER RING 40X1,75 U7435 C70	BAGUE SEEGER 40X1,75 U7435 C70	SEEGERRING 40X1,75 U7435 C70	ANIL.SEEGER 40X1,75 U7435 C70

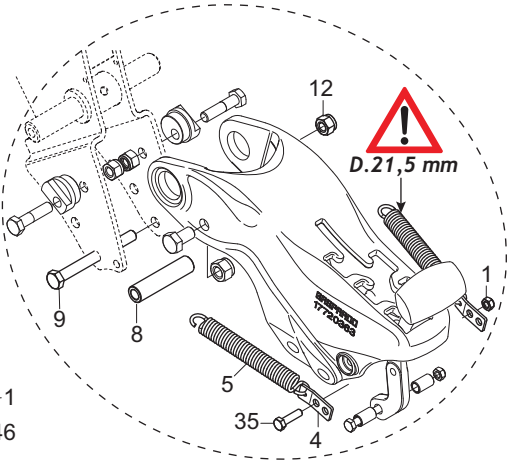
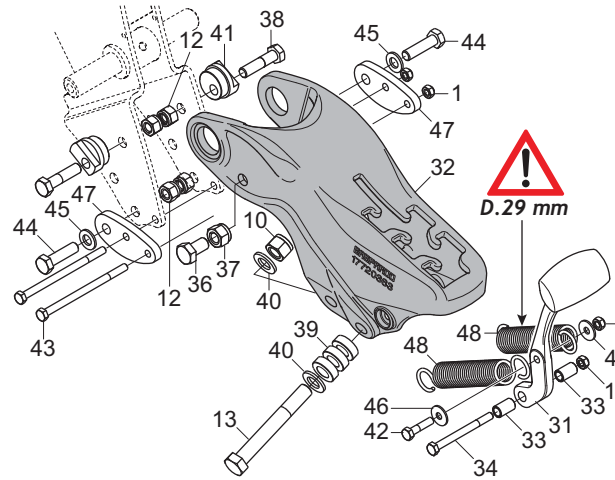
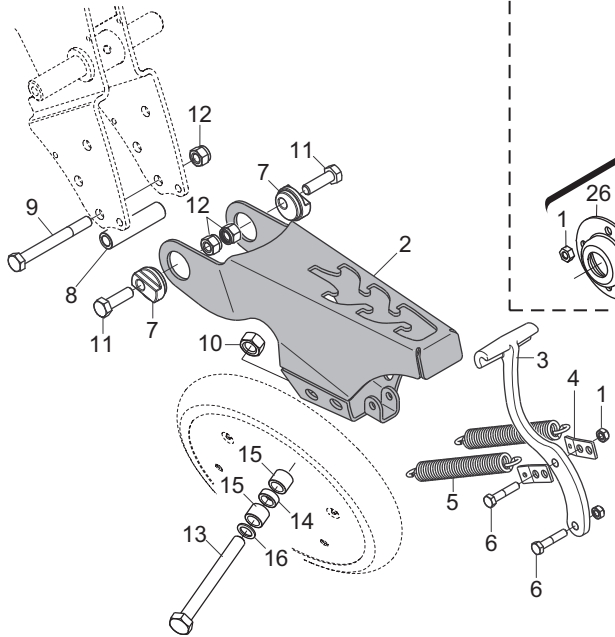
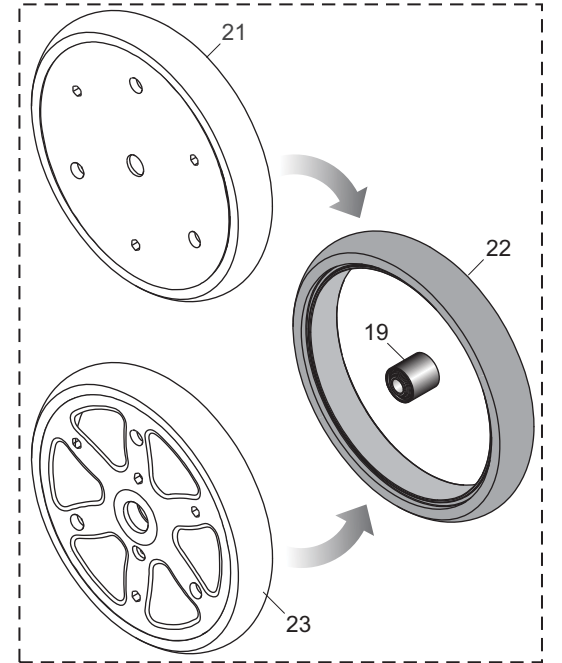
CAST IRON PRESS WHEEL



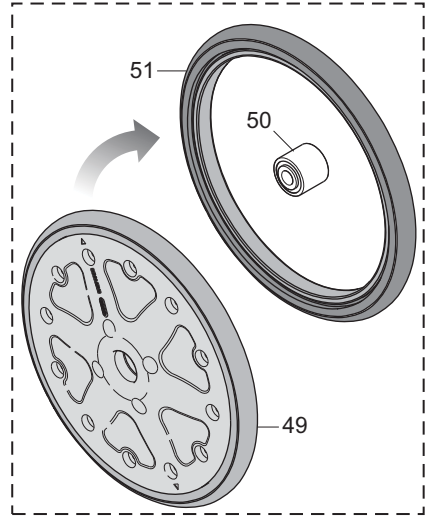
1" «V» SHAPED RUBBER PRESS WHEEL



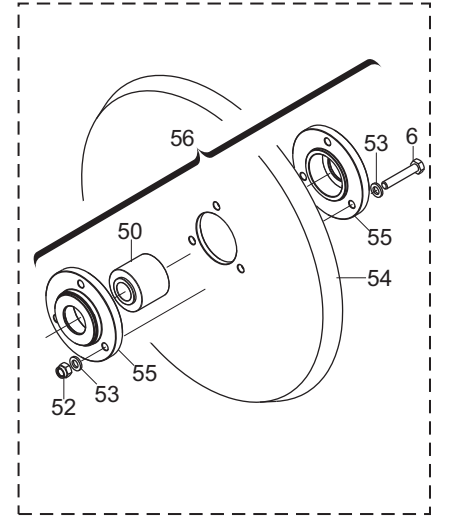
2" «V» SHAPED RUBBER PRESS WHEEL



«V» SHAPED RUBBER PRESS WHEEL



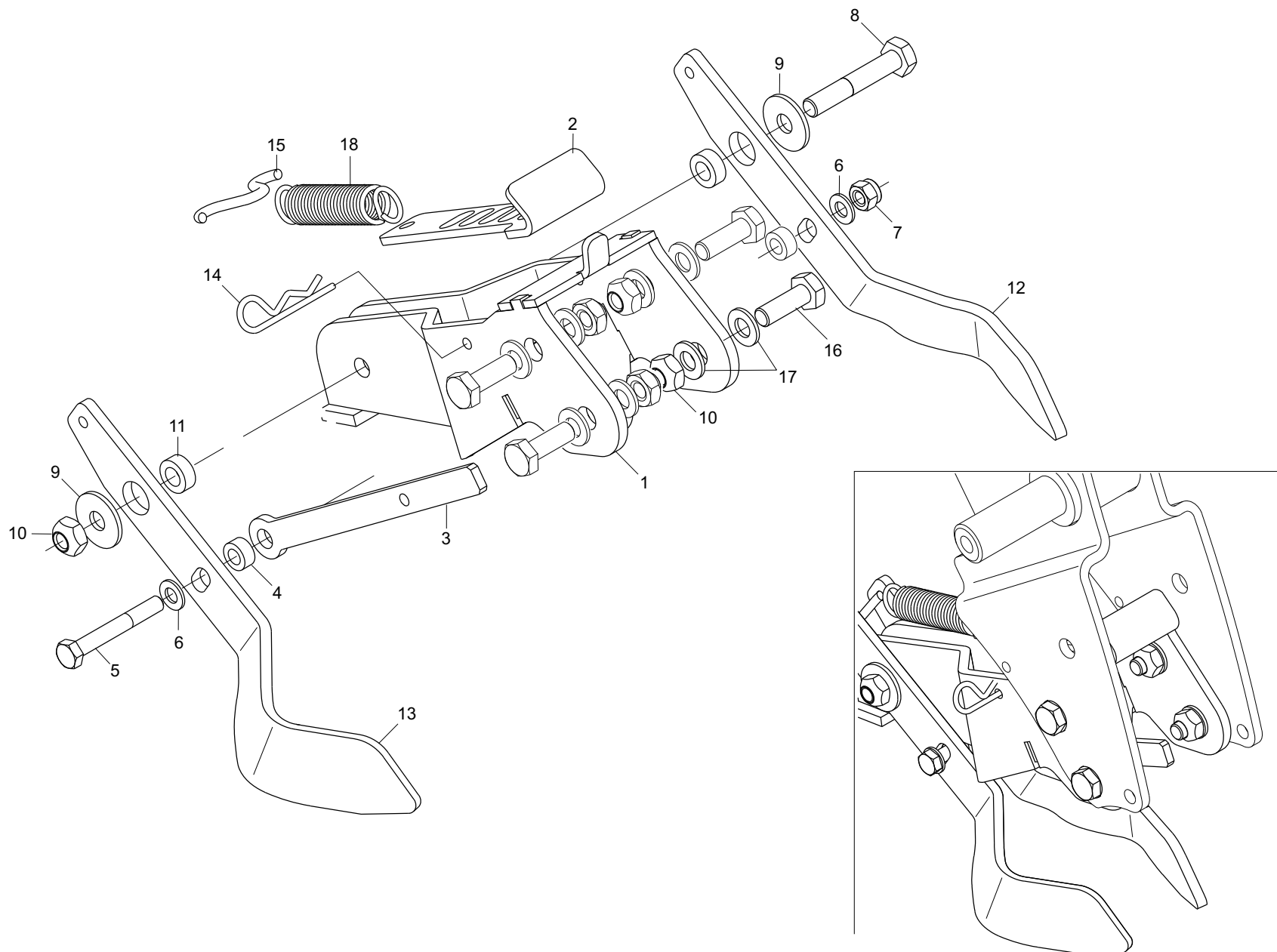
CAST IRON PRESS WHEEL



RUOTE COPRISEME POSTERIORI

TAV. 135

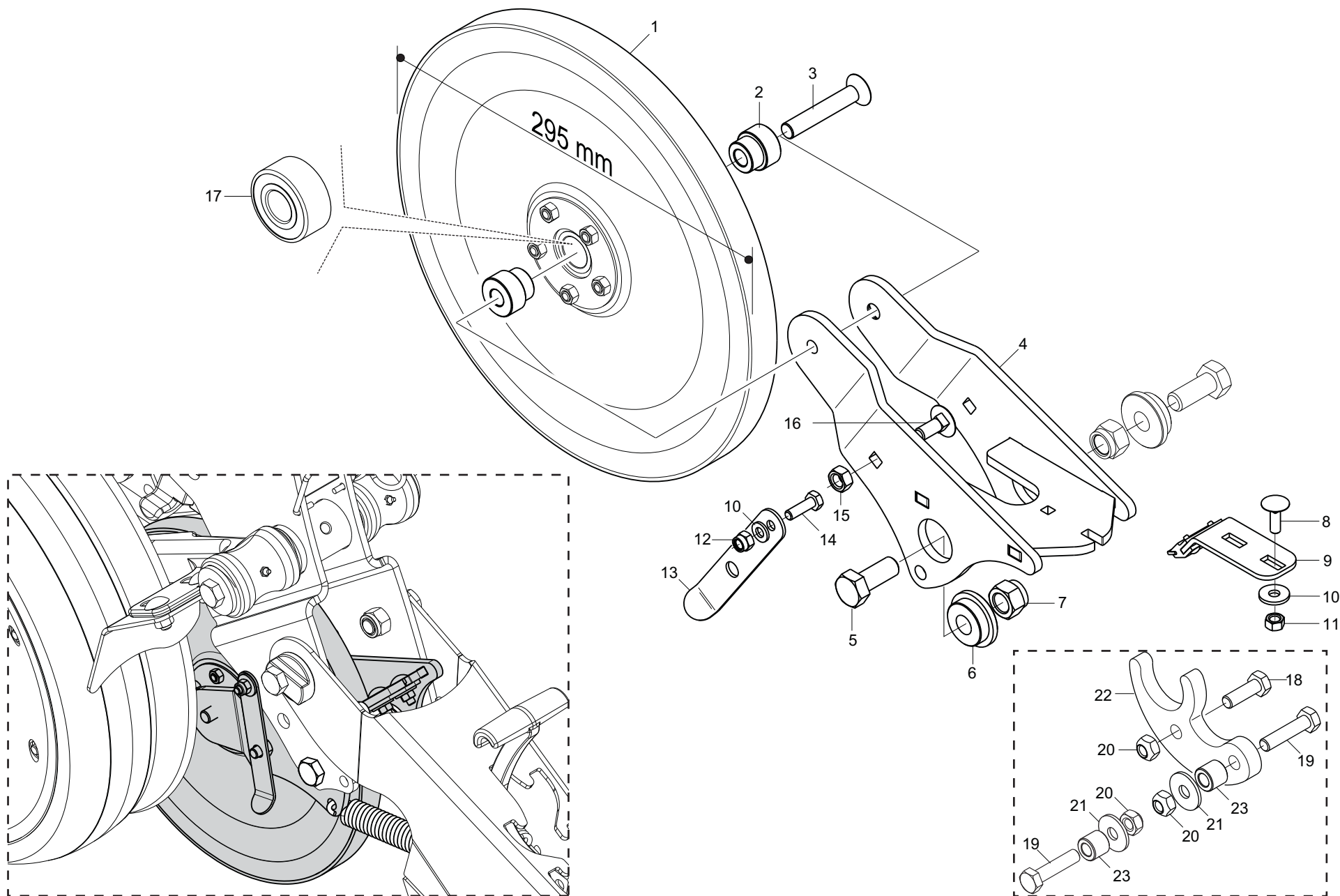
Pos.	Cod.	Descrizione	Description	Description	Benennung	Descripcion
1	F01220022	DADO M8X1,25 D980 8ZN	NUT M8X1,25 D980 8ZN	ECROU M8X 1,25 D980 8 ZN	MUTTER M8X 1,25 D980 8 ZN	TUERCA M8X 1,25 D980 8 ZN
2	GA5220401	CODINO	TAIL			
3	GA5220420	MANIGLIA CODINO	END HANDLE			
4	G17722340	ATTACCO MOLLA ZN	SPRING CONNECTION ZN			
5	G18904560	MOLLA TRAZ.RUOTE COMPRESSIONE	TRACTION SPRING PRESS.WHEEL			MUELLE TRACTION RUEDA COMPRESS
6	F01020068	VITE M8X1,25X40 U5737 8.8ZN >	SCR. M8X1,25X40 U5737 8.8ZN	VIS M 8X1,25X40 U5737 8.8 ZN	SCHRA. M8X1,25X40 U5737 8.8 ZN	TORNIL.M8X1,25X40 U5737 8.8 ZN
7	GA5220411	BOCCOLA ECCENTRICA	BUSHING			
8	G18803081	BOCCOLA 12,25X20 X85 ZN	BUSHING D12,25X20X84 ZN			
9	F01020174	VITE M12X1,75X120 U5737 8.8ZN>	SCR. M12X1,75X120 U5737 8.8ZN	VIS M12X1,75X120 U5737 8.8 ZN	SCHRAUBE M12X1,75X120 U5737 ZN	TORN.M12X1,75X120 U5737 8.8 ZN
10	F01230085	DADO M16X2 D982 10ZN	NUT M16X2 D982 10ZN	ECROU M16X2 D982 10ZN	MUTTER M16X2 D982 10ZN	TUERCA M16X2 D982 10ZN
11	F01020152	VITE M12X1,75X40 U5737 8.8ZN>	SCR. M12X1,75X40 U5737 8.8ZN	VIS M12X1,75X40 U5737 8.8 ZN	SCHRAUBE M12X1,75X40U57378.8ZN	TORNIL.M12X1,75X40 U5737 8.8ZN
12	F01230059	DADO M12X1,75 D982 8ZN >	LOCK-NUT M12X1,75 D982 8ZN	ECR.AUTO-FREI.M12X1,75 D982 ZN	SICHERUNGSMUT.M12X1,75 D982 8ZN	TUER.DE SEGUR.M12X1,75 D982 ZN
13	F01020266	VITE M16X2X120 U5737 8.8ZN >	SCREW M16X2X120 U5737 8.8ZN	VIS M16X2X120 U5737 8.8ZN	SCHRAU. M16X2X120 U5737 8.8ZN	TORN. M16X2X120 U5737 8.8ZN
14	G20980004	BOCCOLA 10X17,5X25	BUSHING 10X17.5X25	BOITE 10X17-5X25	BsCHSE 10X17-5X25	CASQUILLO 10X17-5X25
15	G20980014	BOCCOLA 16,5X16,5X25	BUSHING 16-5X16-5X25	BOITE 16-5X16-5X25	BsCHSE 16-5X16-5X25	CASQUILLO 16-5X16-5X25
16	G20970025	RONDELLA 25,2X2X16,5	WASHER 25-2X2X16-5	RONDELLE 25-2X2X16-5	UNTERLEGSCHIEBE 25-2X2X16-5	ARANDELA 25-2X2X16-5
17	F06120412	RUOTA GOMMA 1"X12" WPS C	RUBB.WHEEL1'X12'BEARINGK098			RUEDA GOMA 1"X12" WPS
18	F06120181	ANELLO GOMMA 1"X12" M	RUBBER RING 1X12'	COUVERT FARMF ROUE COMPR 1"X12	MANTEL FARMF.R.DRUCK .MT	CUBIERTA FARMF. R. COMPR. MT
19	F04100150	CUSC.D16 D40 B39 WPS	BEARING D16 D40 B39 WPS			COJINETE D16 D40 B39 WPS
20	F01440086	ROS. 23X40X0,5 D988 ST2K60 BR>	WASHER 23X40X0,5 D988 ST2K60 B			
21	F06120474	RUOTA GOMMA 2"X13" WPS C	RUBBER WHEEL 2"X13" WPS			
22	F06120165	COPERTURA 2' X 13'	COVER 2' X 13'			
23	F06120408	RUOTA GOMMA 2"X13" WPS R	RUBBER WHEEL 2"X13" WPS			RUEDA GOMA 2"X13" WPS
24	G15224790	RUOTA GHISA POST.COMPL.	COMPL. REAR CAST IRON WHEEL	ROUE FONTE ARRI+RE COMPL+TE	HINTERES GUSSEISENRAD KOMPL.	RUEDA FUNDICIÉN TRAS.COMPL.
25	G15224800	RUOTA POSTERIORE GS	REAR WHEEL	ROUE ARRIERE	HINTERRAD	RUEDA TRASERO
26	G16242190	SUPPORTO CUSCINETTO	BEARING SUPPORT	SUPPORT PALIER	LAGERBsCHSE	SOPORTE COJINETE
27	F04010156	CUSC.d20 D47 B14 6204 2RSH	BEARING d20 D47 B14 6204 2RSH			
28	G15224810	BOCCOLA 20,5X25X3	BUSH 20.5X25X3	DOUILLE 20,5X25X3	BUCHSE 20,5X25X3	MANGUITO 20,5X25X3
29	G15423850	BOCCOLA RUOTA FERRO	STEEL WHEEL BUSH	DOUILLE ROUE FER	BÜCHSE EISENRAD	BUJE RUEDA DE HIERRO
30	F01040091	VITE M8X1,25X20 U5931 8.8ZN	SCREW M8X1,25X20 U5931 8.8ZN	VIS M8X1,25X20 U5931 8.8ZN	SCHRAU. M8X1,25X20 U5931 8.8ZN	TORN. M8X1,25X20 U5931 8.8ZN
31	G17720221	LEVA GRUPPO POSTERIORE	REAR LEVER ASSEMBLY			
32	G17720363	SUPPORTO RUOTE DI COMPRESSIONE	COMPRESSION WHEEL SUPPORT			
33	G18801480	BOCCOLA 10,25X14 X23 ZN	BUSHING 10,25 X 14 X 23 GALVA	BOITE 10,25X14 X23 ZN	BsCHSE 10,25X14 X23 ZN	CASQUILLO 10,25X14 X23 ZN
34	F01020088	VITE M8X1,25X90 U5737 8.8ZN	SCREW M8X1,25X90 U5737 8.8ZN	VIS M8X1,25X90 U5737 8.8 ZN	SCHR.M8X1,25X90 U5737 8.8 ZN	TORN. M8X1,25X90 U5737 8.8 ZN
35	F01020445	VITE M8X1,25X30 U5739 8.8ZN >	SCR. M8X1,25X30 U5739 8.8ZN	VIS M 8X1,25X30 U5739 8.8 ZN	SCHRAU, M8X1,25X30 U5739 8.8ZN	TORN. M8X1,25X30 U5739 8.8 ZN
36	F01020539	VITE M14X2X25 U5739 8.8ZN	SCR. M14X2X25 U5739 8.8ZN	VIS M14X2X25 U5739 8.8 ZN	SCHRAUBE M14X2X25 U5739 8.8 ZN	TORNILLO M14X2X25 U5739 8.8 ZN
37	F01230073	DADO M14X2 D982 8ZN	SELF LOCK NUT M14X2 D982 8ZN	ECROU AUTOBL. M14X2 D982 8ZN	SELBSTSP.MUTT. M14X2 D982 8ZN	TUERCA AUTOBL. M14X2 D982 8ZN
38	F01020156	VITE M12X1,75X50 U5737 8.8ZN>	SCR. M12X1,75X50 U5737 8.8ZN	VIS M12X1,75X50 U5737 8.8 ZN	SCHR. M12X1,75X50 U5737 8.8 ZN	TORN. M12X1,75X50 U5737 8.8 ZN
39	G18803240	BOCCOLA 16,5 X30 X10 ZN	BUSHING 16,25X20 X43 GALVA	BOITE 16,25X20 X43 ZN	BsCHSE 16,25X20 X43 ZN	CASQUILLO 16,25X20 X43 ZN
40	F01410100	ROS.M16 17X 30X 3 U6592 ZN >	WASHER M16 17X30X3 U6592 ZN	RONDELLE M16 17X30X3 U6592 ZN	SCHRAUBE M16 17X 30X3 U6592 ZN	ARANDELA M16 17X30X 3 U6592 ZN
41	G17722452	BOCCOLA ECCENTRICA ZN	ECCENTRIC BUSHING ZN			
42	F01020063	VITE M8X1,25X35 U5737 8.8ZN >	SCR. M8X1,25X35 U5737 8.8ZN	VIS M8X1,25X35 U5737 8.8ZN	SCHRAU. M8X1,25X35 U5737 8.8ZN	TORN. M8X1,25X35 U5737 8.8ZN
43	F01020395	VITE M8X1,25X130 U5737 12.9ZF	BOLT M 8X1,25X130 U5737 12.9ZF			
44	F01020516	VITE M12X1,75X45 U5739 8.8ZN	SCR. M12X1,75X45 U5739 8.8ZN	VIS M12X1,75X45 U5739 8.8 ZN	SCHARAUBE M12X1,75X45 U5739 ZN	TORNIL.M12X1,75X45 U5739 8.8ZN
45	F01410076	ROS.M12 13X 24X2,5 U6592 ZN >	WASHER 12 13X 24X2,5 U6592 ZN	RONDEL. M12 13X24X2,5 U6592 ZN	SCHEIBE M12 13X24X2,5 U6592 ZN	ARANDELA M12 13 X24X2,5 ZN
46	F01420048	ROS.M8 8,4X 24X 2 U6593 ZN	WASHER M8 8,4X 24X2 U6593 ZN	RONDELLE M8 8,4X24X 2 U6593 ZN	SCHEIBEN M8 8,4X24X 2 U6593 ZN	ARANDELA M8 8,4X 24X2 U6593 ZN
47	G17741370	LAMIERA RINVIO MOLLA CODINO	TRANSM.BLADE TAIL SPRING			
48	G18904890	MOLLA TRAZ.L=163 D=29 DF=3,8	TRACT.SPRING L=163 D=29 DF=3,8			
49	F06120292	RUOTA GOMMA D355X32 PLA WPS	RUBBER WHEEL D355X32 PLA WPS			
50	F04100154	CUSC.D16 D47 B44 WPS	BEARING D16 D47 B44 WPS			
51	G19007120	COPERTURA D.355 X 32	WHEEL COVER D.355 X 32	COUVERTURE DE ROUE D355 X 32		
52	F01230034	DADO M8X1,25 D982 8	NUT M8X1,25 D982 8ZN	ECROU M8X 1,25 D982 8 ZN	MUTTER M8X 1,25 D982 8 ZN	TUERCA M8X 1,25 D982 8 ZN
53	F01410051	ROS.M8 8,4X 17X1,6 U6592 ZN >	WASHER M8 8,4X17X1,6 U6592 ZN	RONDELLE M8 8,4X17X1,6 U6592ZN	SCHEIBE M8 8,4X17X1,6 U6592 ZN	ARANDELA M8 8,4X17X1,6 U6592ZN
54	G17722930	RUOTA GHISA EL.REGINA	CAST IRON WHEEL EL.REGINA			
55	G17740850	FLANGIA CUSC.RUOTA GHISA MBF	FLANGE BEAR.IRONCAST GEAR MBF			
56	G17722630	MONT.RUOTA GHISA 360	WHEELCAST IRON 360			



COPRISEMI ANTERIORI

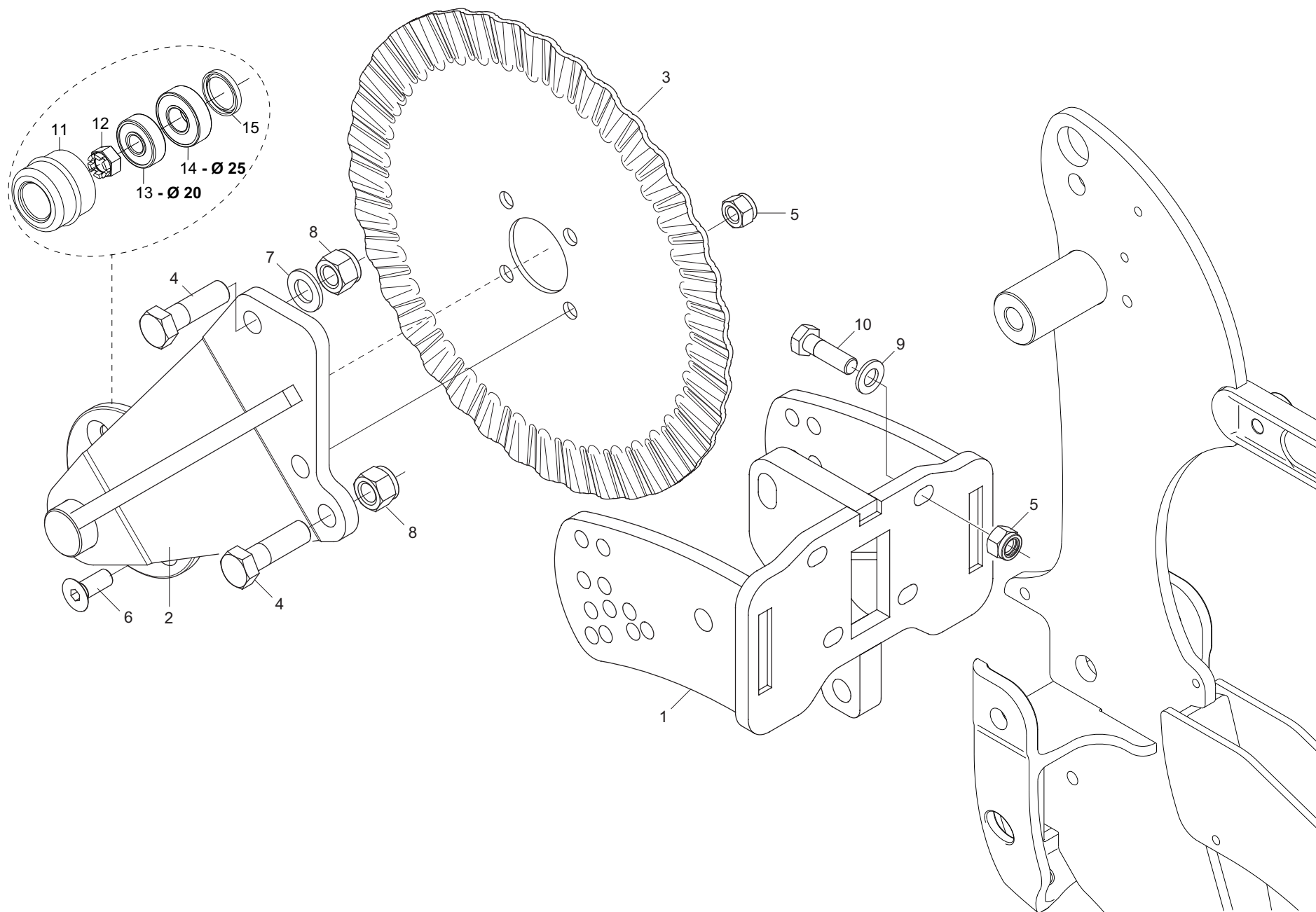
TAV. 141

Pos.	Cod.	Descrizione	Description	Description	Benennung	Descripcion
1	GA5220880	SUPPORTO COPRISEME	SEEDCOVER SUPPORT			
2	GA5221000	PIATTO REGOLAZ.COMPRESSIONE	COMPR. ADJUST.ENT PLATE			
3	GA5220990	ASTA FERMO CENTRALE	ROD CENTRAL LOCKING			
4	G20980050	BOCCOLA 15X7X8,5 ZN	BUSHING 15X7X8-5 ZN	BOITE 15X7X8-5 ZN	BsCHSE 15X7X8-5 ZN	CASQUILLO 15X7X8-5 ZN
5	F01020077	VITE M8X1,25X60 U5737 8.8ZN >	SCR. M8X1,25X60 U5737 8.8ZN	VIS M8X1,25X60 U5737 8.8 ZN	SCHRAU. M8X1,25X60 U5737 8.8ZN	TORN. M8X1,25X60 U5737 8.8 ZN
6	F01410051	ROS.M8 8,4X 17X1,6 U6592 ZN >	WASHER M8 8,4X17X1,6 U6592 ZN	RONDELLE M8 8,4X17X1,6 U6592ZN	SCHEIBE M8 8,4X17X1,6 U6592 ZN	ARANDELA M8 8,4X17X1,6 U6592ZN
7	F01230034	DADO M8X1,25 D982 8	NUT M8X1,25 D982 8ZN	ECROU M8X 1,25 D982 8 ZN	MUTTER M8X 1,25 D982 8 ZN	TUERCA M8X 1,25 D982 8 ZN
8	F01020118	VITE M10X1,5X60 U5737 8.8ZN	SCR. M10X1,5X60 U5737 8.8ZN	VIS 10X60 5737 8.G ZN	SCHRAUBE 10X60 5737 8.G ZN	TORNILLO 10X60 5737 8.G ZN
9	F01420060	ROS.M10 10,5X 30X2,5 U6593 ZN	GALV.WASHER 10,5X30X2,5 U6593	RONDELLE 10,5X30	SCHEIBE 10,5X30	ARANDELA 10,5X30
10	F01220048	DADO M12X1,75 D980 8ZN	NUT M12X1,75 D980 8ZN	ECROU M12X1,75 D980 8 ZN	SCHEIBE M12X1,75 D980 8 ZN	TUERCA M12X1,75 D980 8 ZN
11	G20980022	BOCCOLA 18X10,25X7	BUSHING 18X10-25X7	BOITE 18X10-25X7	BsCHSE 18X10-25X7	CASQUILLO 18X10-25X7
12	GA5220890	COPRISEME SX	LEFT SEED COVER			CUBRESEMILLA IZQ
13	GA5220900	COPRISEME DX	RIGHT SEED COVER			CUBRESEMILLA DER
14	F02200363	COPIGLIA R 3X 62 ZN	SPRING SPLIT PIN 3X 62 ZN	GOUPILLE R 3X62	SPLINT R 3X62	CHAVETA R 3X62
15	G15224250	FERMO MOLLA	SPRING STOP	ARRET RESSORT	FESTSTELLVORRICHTUNG FEDER	BLOQUEO MUELLE
16	F01020512	VITE M12X1,75X35 U5739 8.8ZN	SCR. M12X1,75X35 U5739 8.8ZN	VIS M12X1,75X35 5739 8.8 ZN	SCHR. M12X1,75X35 5739 8.8 ZN	TORN. M12X1,75X35 5739 8.8 ZN
17	F01410076	ROS.M12 13X 24X2,5 U6592 ZN >	WASHER 12 13X 24X2,5 U6592 ZN	RONDEL. M12 13X24X2,5 U6592 ZN	SCHEIBE M12 13X24X2,5 U6592 ZN	ARANDELA M12 13 X24X2,5 ZN
18	G65337005	MOLLA TRAZ.CAMBIO SV	TRACTION COUPLING SPRING- GEAR	RESSORT TRACT.BOITE DE VITESSE	ZUGFEDER GETRIEBE SV	MUELLE TRAC. CAMBIO SV



RUOTINO PREMISEME
TAV. 153

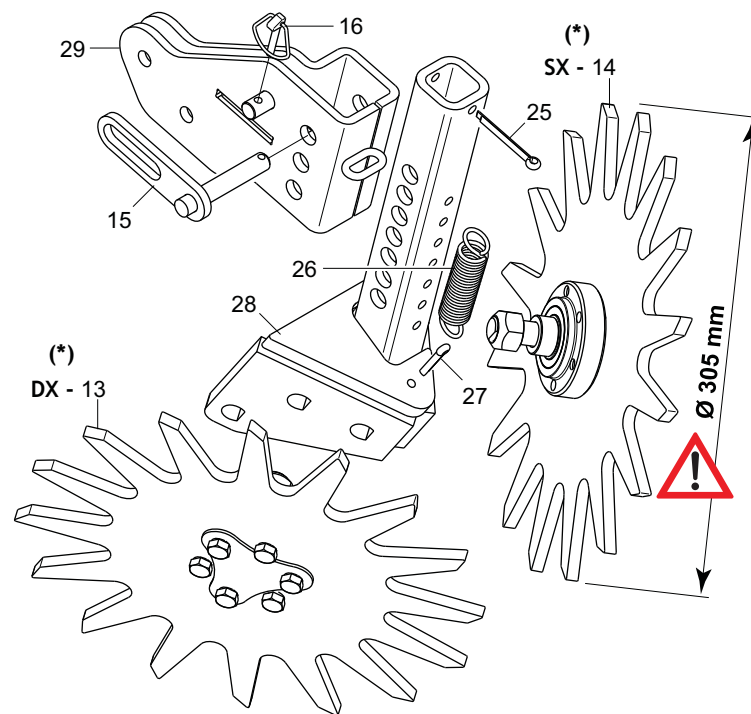
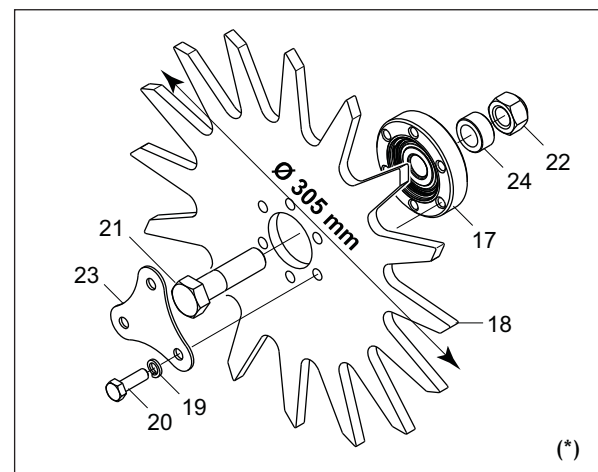
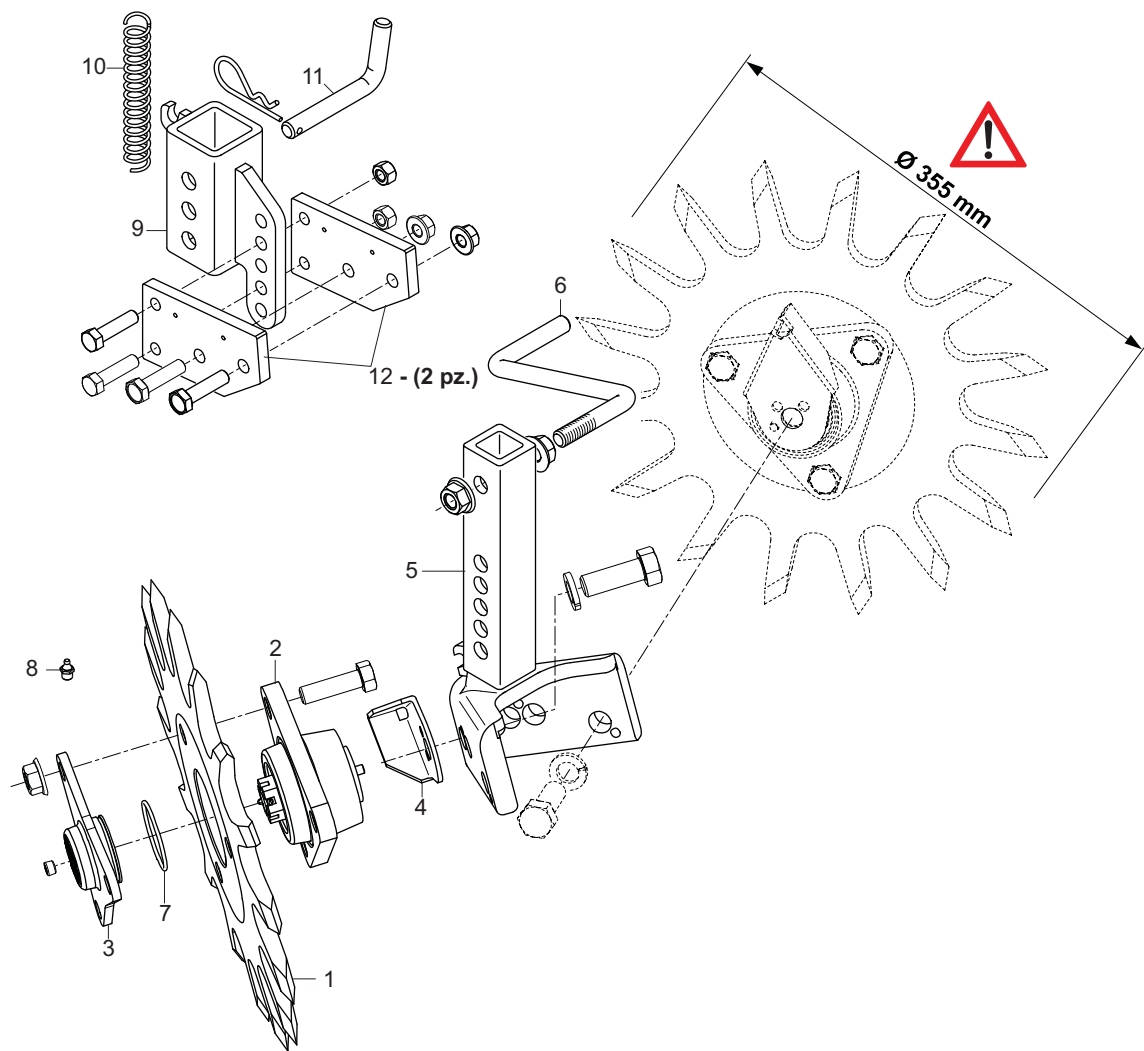
Pos.	Cod.	Descrizione	Description	Description	Benennung	Descripcion
1	G68150028	RUOTINO COMPLETO D.295 IX	WHEEL D.295 IX COMPLETE			
2	G17722940	BOCCOLA ZN	BUSHING	BOITE	BsCHSE	CASQUILLO
3	F01030516	VITE M10X1,5X60 U5933 10.9ZD	SCR. M10X1,5X60 U5933 10.9ZD	VIS 10X60 5933 8.8 ZD	SCHRAUBE 10X60 5933 8.8 ZN	TORNILLO 10X60 5933 8.8 ZD
4	G17722600	SUPPORTO	SUPPORT			
5	F01020512	VITE M12X1,75X35 U5739 8.8ZN	SCR. M12X1,75X35 U5739 8.8ZN	VIS M12X1,75X35 5739 8.8 ZN	SCHR. M12X1,75X35 5739 8.8 ZN	TORN. M12X1,75X35 5739 8.8 ZN
6	G23440001	BOCCOLA PARALLELOGRAMMA	BUSHING- PARALLELOGRAM	BOITE PARALLELOGRAMME	BsCHSE PARALLELOGRAMM	CASQUILLO PARALELOGRAMA
7	F01230059	DADO M12X1,75 D982 8ZN >	LOCK-NUT M12X1,75 D982 8ZN	ECR.AUTO-FREI.M12X1,75 D982 ZN	SICHERUNGSMUT.M12X1,75 D982 8ZN	TUER.DE SEGUR.M12X1,75 D982 ZN
8	F01060013	VITE M6X1X20 U5731 8.8ZN	SCR. M6X1X20 U5732 4.6ZN	VIS 6X20 5732 4.6 ZN	SCHRAUBE 6X20 5732 4.6 ZN	TORNILLO 6X20 5732 4.6 ZN
9	G17722950	RASCHIATERRA RUOTINI IX D300	WHEEL SOILSCRAPER IX D300			
10	F01420036	ROS.M6 6,4X 18X1,5 U6593 ZN	WASHER M6 6,4X 18X1,5 U6593 ZN	RONDELLE M6 6,4X18X1,5 U6593ZN	SCHEIBEN M6 6,4X18X1,5U6593 ZN	ARANDELA M6 6,4X18X1,5U6593ZN
11	F01200232	DADO M6X1 U5588 CL8 ZN >	NUT M6X1 U5588 6.8ZN	ECROU 6 UNI 5588 6.8 ZN	MUTTER 6 UNI 5588 6.8 ZN	TUERCA 6 UNI 5588 6.8 ZN
12	F01230022	DADO M6X1 D982 8ZN	NUT M6X1 D982 8ZN	ECROU AUTO-FREIN.M6X1 D982 8ZN	SICHERUNGSMUT. M6X1 D982 8 ZN	TUERCA DE SEGU.M6X1 D982 8 ZN
13	G17722970	LAMA ESCLUSIONE RUOTINO ZN	WHEEL EXCLUSION BLADE			
14	F01020404	VITE M6X1X20 U5739 8.8ZN	SCREW M6X1X20 U5739 8.8ZN	VIS M6X1X20 U5739 8.8ZN	SCHRAUBE M6X1X20 U5739 8.8ZN	TORNILLO M6X1X20 U5739 8.8ZN
15	F01200244	DADO M8X1,25 U5588 CL8 ZN >	NUT M8X1,25 U5588 6.8ZN	ECROU M8 X1,25 U5588 6.8 ZN	MUTTER M8 X1,25 U5588 6.8 ZN	TUERCA M8 X1,25 U5588 6.8 ZN
16	F01060040	VITE M8X1,25X20 U5731 8.8ZN	SCR. M8X1,25X20 U5732 4.6ZG	VIS M8X1,25X20 U5732 4.6 ZN	SCHRA. M8X1,25X20 U5732 4.6 ZN	TORN. M8X1,25X20 U5732 4.6 ZN
17	F04010071	CUSC.d20 D47 B20,6 3204 2RS>	BEARING d20 D47 B20,6 3204			
18	F01020440	VITE M8X1,25X25 U5739 8.8ZN >	SCR. M8X1,25X25 U5739 8.8ZN	VIS M8X1,25X25 U5739 8.8 ZN	SCHRAUBE M8X1,25X25U5739 8.8ZN	TORNIL.M8X1,25X25 U5739 8.8 ZN
19	F01020449	VITE M8X1,25X35 U5739 8.8ZN >	SCR. M8X1,25X35 U5739 8.8ZN	VIS M8X1,25X35 U5739 8.8ZN	SCHRA. M8X1,25X35 U5739 8.8ZN	TORN. M8X1,25X35 U5739 8.8ZN
20	F01220022	DADO M8X1,25 D980 8ZN	NUT M8X1,25 D980 8ZN	ECROU M8X 1,25 D980 8 ZN	MUTTER M8X 1,25 D980 8 ZN	TUERCA M8X 1,25 D980 8 ZN
21	F01420048	ROS.M8 8,4X 24X 2 U6593 ZN	WASHER M8 8,4X 24X2 U6593 ZN	RONDELLE M8 8,4X24X 2 U6593 ZN	SCHEIBEN M8 8,4X24X 2 U6593 ZN	ARANDELA M8 8,4X 24X2 U6593 ZN
22	G17741380	PIASTRAATTACCO MOLLA RUOTINO	SPRING ATTACK PLATE			
23	G18801880	BOCCOLA 8,25X15,0 X13 ZN	BUSHING 8,25 X15 X13 ZN	BOITE 8,25 X15 X13 ZN	BsCHSE 8,25 X15 X13 ZN	CASQUILLO 8,25 X15 X13 ZN



COLTRO A DISCO STRIATO

TAV. 161

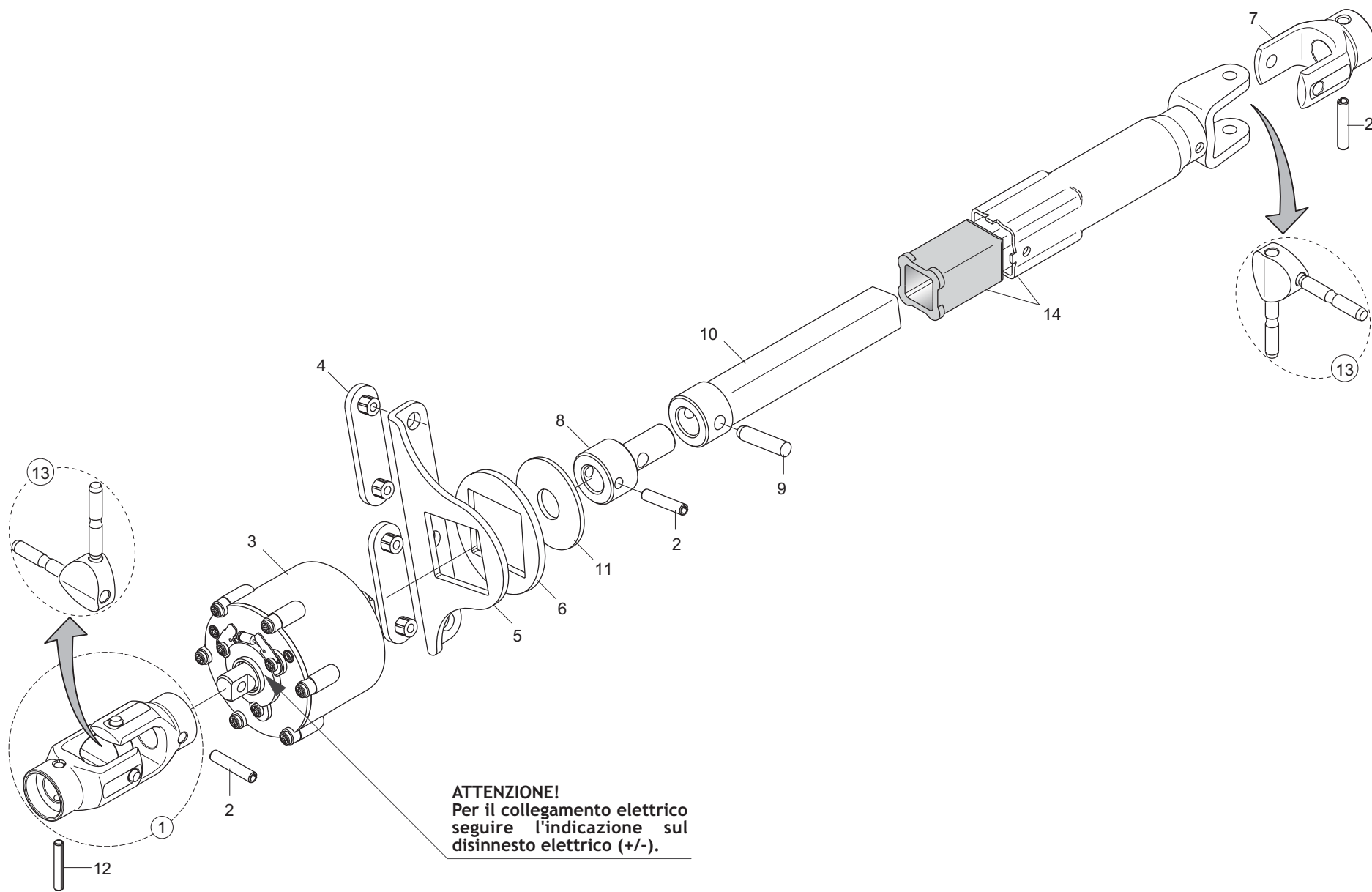
Pos.	Cod.	Descrizione	Description	Description	Benennung	Descripcion
1	GA5220650	SUPPORTO SPARTIRESIDUI	SPREAD-LEFTOVER SUPPORT			
2	GA5220660	BRACCIO DISCO APRI SOLCO	FURROWER DISC ARM			
3	GA5220130	DISCO STRIATO D.355	STRIPED DISC D.355	BRAS DISQUE OUVRE-TRACES	SCHEIBENARM SCHAR	BRAZO DISCO AB.SURC.
4	F01020254	VITE M16X2X55 U5737 10.9ZD >	SCR. M16X2X55 U5737 10.9ZD			
5	F01230059	DADO M12X1,75 D982 8ZN >	LOCK-NUT M12X1,75 D982 8ZN	ECR.AUTO-FREI.M12X1,75 D982 ZN	SICHERUNGSMUT.M12X1,75 D982 8ZN	TUER.DE SEGUR.M12X1,75 D982 ZN
6	F01030107	VITE M12X1,75X30 U5933 10.9ZD	SCR. M12X1,75X30 U5933 10.9ZD	VIS M12X1,75X30 5933 10.9 ZN	SCHR.M12X1,75X30 U5933 10.9 ZN	TORN.M12X1,75X30 5933 10.9 ZN
7	F01410100	ROS.M16 17X 30X 3 U6592 ZN >	WASHER M16 17X30X3 U6592 ZN	RONDELLE M16 17X30X3 U6592 ZN	SCHRAUBE M16 17X 30X3 U6592 ZN	ARANDELA M16 17X30X 3 U6592 ZN
8	F01230085	DADO M16X2 D982 10ZN	NUT M16X2 D982 10ZN	ECROU M16X2 D982 10ZN	MUTTER M16X2 D982 10ZN	TUERCA M16X2 D982 10ZN
9	F01410076	ROS.M12 13X 24X2,5 U6592 ZN >	WASHER 12 13X 24X2,5 U6592 ZN	RONDEL. M12 13X24X2,5 U6592 ZN	SCHEIBE M12 13X24X2,5 U6592 ZN	ARANDELA M12 13 X24X2,5 ZN
10	F01020152	VITE M12X1,75X40 U5737 8.8ZN>	SCR. M12X1,75X40 U5737 8.8ZN	VIS M12X1,75X40 U5737 8.8 ZN	SCHRAUBE M12X1,75X40U57378.8ZN	TORNIL.M12X1,75X40 U5737 8.8ZN
11	F06120239	TAPPO MOZZO SX DP	LEFT HUB PLUG DP	BOUCHON MOYEU DP A VISSER GCH	NABENPFROPFEN LI DP	TAPÓN CUBO IZQ. DP
12	F01210091	DADO M18X1,5 U5594 5.8BR >	NUT M18X1,5 U5594 5.8BR			
13	F04050011	CUSC.D20 D47 T15,25 30204	BEARING D20 D47 T15,25 30204	PALIER 30204	LAGER 30204	COJINETE 30204
14	F04050012	CUSC.D25 D52 T16,25 30205	BEARING D25 D52 T16,25 30205	ROULEMENT 30205	LAGER 30205	COJINETE 30205
15	F03010061	ANELLO T.A. 30X 52X 7 D3760NBR	OIL SEAL 30X52X7	PARE-HUILE 30X52X7	OELABDICHTUNG 30X52X7	PARA-ACEITE 30X52X7



TRASH WHEEL - SPARTIRESIDUI ROTATIVO

TAV. 320

Pos.	Cod.	Descrizione	Description	Description	Benennung	Description
1	G68008004	DISCO STELLARE	DISK			
2	G68008006	MOZZO CON CUSCINETTO	HUB WITH BEARING			
3	G68008015	TAPPO MOZZO	HUB PLUG			
4	G68008003	PROTEZIONE MOZZO	HUB PROTECTION			
5	G68008005	SUPPORTO DISCHI	DISKS SUPPORT			
6	G68008007	MANIGLIA	HANDLE			
7	G68008014	O-RING 1,78X44,17 (2175)	O-RING 1,78X44,17 (2175).			
8	F01100061	ING.M10X1 7663-A 9SMNPB28 ZN>	GREASE NIPPLE M10X1 7663-A ZN	GRAISSEUR M10X1 7663-A ZN	SCHMIERBUECHSE M10X1 7663-A ZN	ENGRASADOR M10X1 7663-A ZN
9	G68008008	SUPPORTO	SUPPORT			
10	G68008009	MOLLA	SPRING			
11	G68008010	CHIAVISTELLO	LATCH			
12	G68008011	PIATTO ATTACCO	HITCH PLATE			
13	GA5223430	MONT.STELLA SPARTIRES.D.305 DX	ASS.STAR D. RIGHT			
14	GA5223440	MONT.STELLA SPARTIRES.D.305 SX	ASS.STAR D.305 LEFT			
15	GA5223460	ASS.PERNO D12X56 C.ANTIROT.ZN	ASS.PIN D12X56 ANTIROT.ZN			
16	F02200452	SPINA SCATTO D.4,4 B 80 ZN	SNAP PIN D4.4 B 80 ZN	FICHE A DETENTE D4.4 B 80 ZN	EINRASTSTIFT D4.4 B 80 ZN	CLAVIJA DE MUELLE D4,4 B 80 ZN
17	F04010439	CUSC. S-370 DWP D16 D73 B22.7	BEARI.S-370 DWP D16 D73 B22.7			
18	GSP000282	DISCO SPARTI RESIDUI 12IN	DISC 12IN			
19	F01480033	ROS.G 8,1X 12,7X 2 D7980 ZN	GROVER WASHER D8,1X12,7D7980ZN	ROND.ELASTIQ D8,1X12,7 D7980ZN	FEDERRINGE D8,1X12,7 D7980 ZN	ARAND.ELICOI.D8,1X12,7 D7980ZN
20	F01020440	VITE M8X1,25X25 U5739 8.8ZN	SCR. M8X1,25X25 U5739 8.8ZN	VIS M8X1,25X25 U5739 8.8 ZN	SCHRAUBE M8X1,25X25U5739 8.8ZN	TORNIL.M8X1,25X25 U5739 8.8 ZN
21	GA5223340	VITE TE M16X60 FRESATA ZN	BOLT M16X60 ZN			
22	F01220266	DADO M16X2 D980 8ZN	NUT M16X2 D980 8ZN	ECROU M16X 2 D980 8 ZN	MUTTER M16X 2 D980 8 ZN	TUERCA M16X 2 D980 8 ZN
23	GSP000285	TAPPO STELLA SPARTIRESIDUI	TAP STAR			
24	G20980081	BOCCOLA 25X12X16,25	BUSHING 25X12X16-25	BOITE 25X12X16-25	B CHSE 25X12X16-25	CASQUILLO 25X12X16-25
25	F02200229	COPIGLIA 5X 45 U1336 ZN	SPLIT PIN 5X 45 U1336 ZN	GOUPILLE 5X 45 U1336 ZN	SPANNSTIFT 5X 45 U1336 ZN	PASADOR 5X 45 U1336 ZN
26	G65337005	MOLLA TRAZ.CAMBIO SV	TRACTION COUPLING SPRING- GEAR	RESSORT TRACT.BOITE DE VITESSE	ZUGFEDER GETRIEBE SV	MUELLE TRAC. CAMBIO SV
27	F02200226	COPIGLIA 5X 25 U1336 ZN	SPLIT PIN 5 X25 1336 GALVAN.	GOUPILLE 5 X25 1336 ZN	SPLINT 5 X25 1336 ZN	PASADOR 5 X25 1336 ZN
28	GSP000284	ASS.SUPPORTO DISCHI MOBILE	ASS.SUPPORT DISCS MOBILE			
29	GSP000283	ASS.SUPPORTO DISCHI FISSO	ASS.SUPPORT DISCS FIXED			



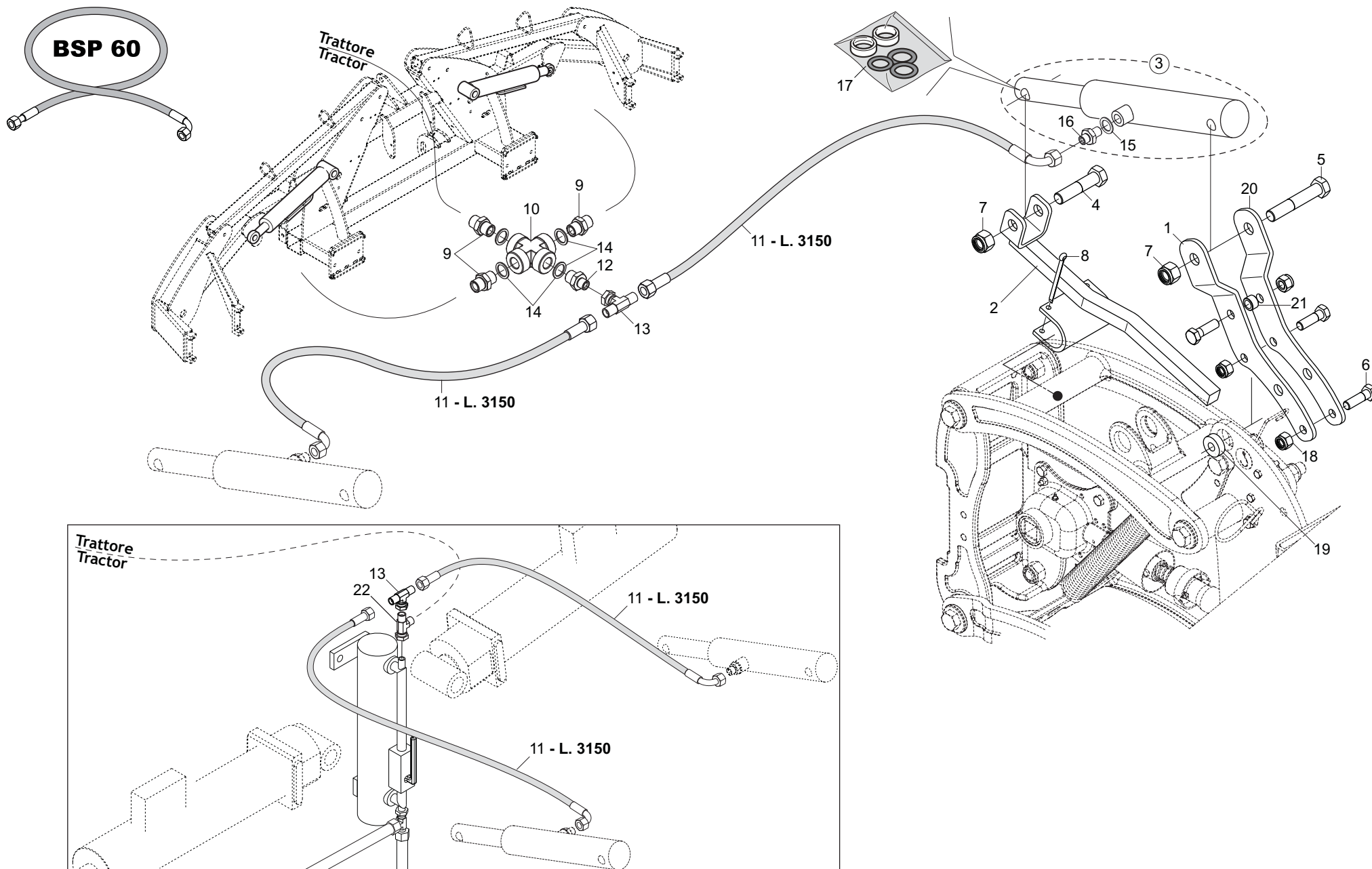
ESCLUSIONE ELETTRICA FILE DI SEMINA

TAV. 172

Pos.	Cod.	Descrizione	Description	Description	Benennung	Descripcion
1	GA5220510	CROCIERA CARDANICA	CARDAN SPIDER			
2	F02100114	SPINA E.P. 6X 30 U6873 C70 BR	ELASTIC PIN 6X30	GOUJON ELASTIQUE 6X30	SPANNHUELSE 6X30	ESPINA ELASTICA 6X30
3	G16033703	DISINNESTO ELETTRICO SZ	ELECTRICAL DISCONNECTION SZ			
4	G19003472	PATTINO DI SCORRIMENTO	SLIDING SIDE BLOCK	PATIN DE GLISSEMENT		
5	GA5220521	LAMIERA FERMO ROTAZIONE ZN	LOCK ROTATION			
6	G16033740	DISTANZIALE DISINNESTO ELET.ZN	UNCOUPLING ELECTRIC SPACER	ENTRETOISE DEBRAYAGE +LECT.	DISTANZST_CK AUSKUPPLUNG EL.	DISTANCIADOR DESCONEXIN EL.
7	G19204080	FORCELLA	FORK			
8	GA5220490	PERNO ZN	PIN ZN			
9	G66248057	SPINA DI SICUREZZA SP	SAFETY PIN SP	BROCHE PLASTIC SECURITE CARDAN	SICHERHEITSTIFT SP	CLAVIJA DE SEGURIDAD SP
10	GA5220480	INNESTO	CLUTCH			
11	G18701970	RONDELLA 16X48X2,5	WASHER 16X48X2,5	RONDELLE 16X48X2,5	UNTERLEGSSCHEIBE 16X48X2,5	ARANDELA 16X48X2,5
12	F02100086	SPINA E.P. 5X 30 U6873 C70 ZN	PIN EL. 5 X30 DIN 1481 GALVAN.	FICHE EL. 5 X30 DIN 1481 ZN	SPANNSTIFT 5 X30 DIN 1481 ZN	CLAVIJA EL.5 X30 DIN 1481 ZN
13	G22270454	KIT CROCIERA 2 PEZZI	KIT SPIDER 2 ITEMS	CROSILLON COMPL CARDAN TRANSM	GELENKKREUZ KOMPL. SP/S	CRUCETA COMPL. SP/S
14	GA5220450	TUBO INNESTO CON FORCELLA	HOSE CONNECTION WITH FORK			

BSP 60

Trattore
Tractor

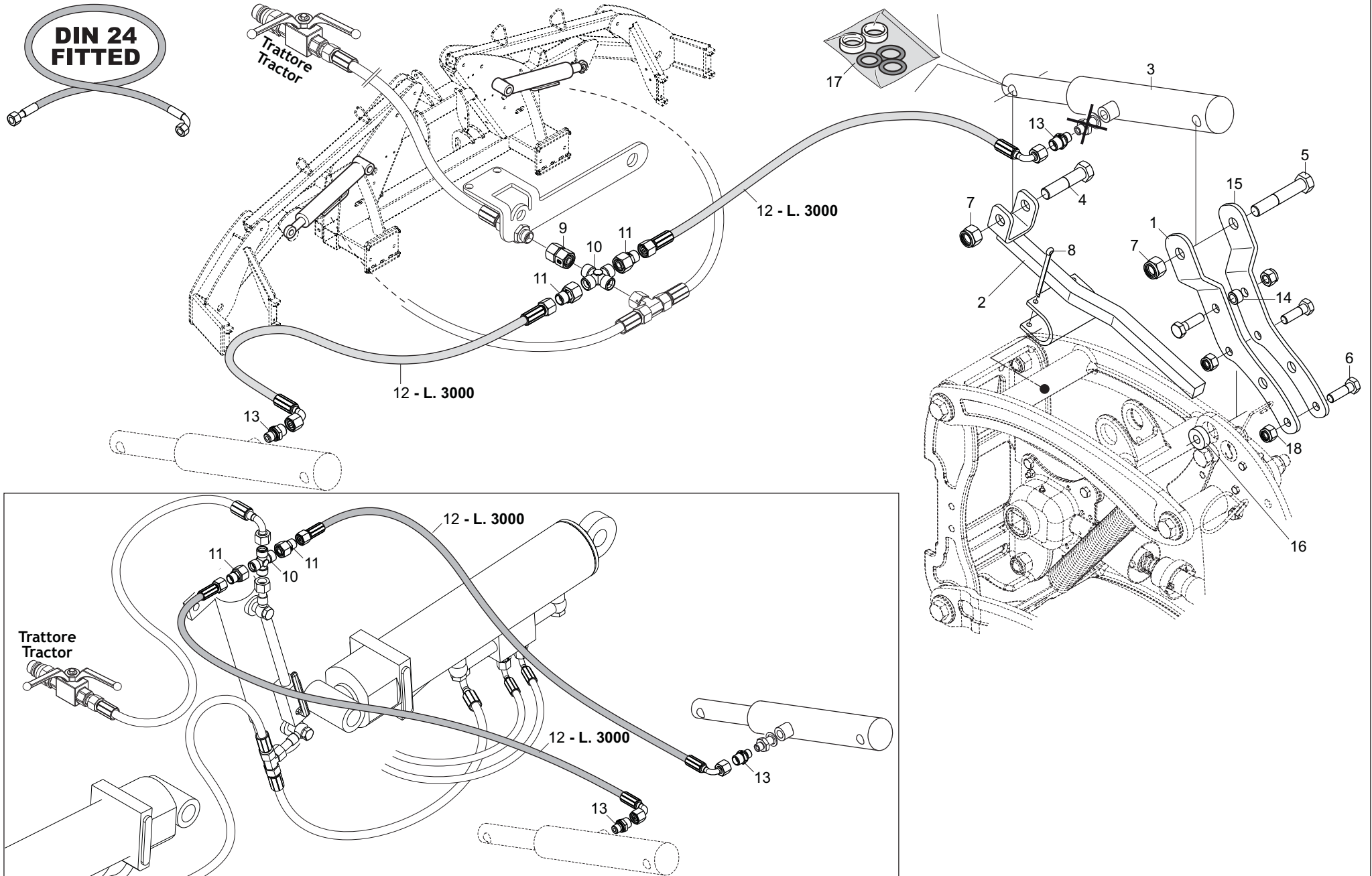


SOLLEVAMENTO OLEODINAMICO ELEMENTO SEMINATORE «BSP 60»
TAV. 181

Pos.	Cod.	Descrizione	Description	Description	Benennung	Descripcion
1	GA5220920	PIASTRA ANCORAGGIO SX	LEFT FIXING PLATE			
2	G15226630	SUPPORTO CILINDRO MOBILE	CYLINDER SUPPORT			
3	G14217360	MONT.CILINDRO SI-ST	ROWMARKER CYLINDER.D.30X40-155	CYLINDRE TRACEUR 30X40-155	ZYLINDER SPURREISSER.30X40-155	CILINDRO MARC.FILAS 35X40-155
4	F01020260	VITE M16X2X70 U5737 8.8ZN >	SCR. M16X2X70 U5737 8.8ZN	VIS M16X2X70 U5737 8.8 ZN	SCHRAUBE M16X2X70 U5737 8.8 ZN	TORNILLO M16X2X70 U5737 8.8 ZN
5	F01020264	VITE M16X2X90 U5737 8.8ZN >	SCR. M16X2X90 U5737 8.8ZN	VIS M16X2X90 5737 8.8 ZN	SCHRAUBE M16X2X90 5737 8.8 ZN	TORN. M16X2X90 5737 8.8 ZN
6	F01020152	VITE M12X1,75X40 U5737 8.8ZN->	SCR. M12X1,75X40 U5737 8.8ZN	VIS M12X1,75X40 U5737 8.8 ZN	SCHRAUBE M12X1,75X40U57378.8ZN	TORNIL.M12X1,75X40 U5737 8.8ZN
7	F01230085	DADO M16X2 D982 10ZN	NUT M16X2 D982 10ZN	ECROU M16X2 D982 10ZN	MUTTER M16X2 D982 10ZN	TUERCA M16X2 D982 10ZN
8	F02200248	COPIGLIA 6X 80 U1336 ZN	SPLIT PIN 6X 80 U1336 ZN			
9	F03150321	NIPPLO MM CIL-CIL 3/8-3/8 ZG >	NIPPLE MM CIL-CIL 3/8-3/8 ZN	NIPPLE MM CIL-CIL 3/8-3/8 ZN	NIPPLEZYL MM 3/8-3/8 ZN	NIPLE MM CIL-CIL 3/8-3/8 ZN
10	F03151202	RACCORDO A CROCE 3/8 FEM.	CROSS UNION 3/8" F.	RACCORD EN CROIX 3/8" F.	KREUZST_CK 3/8" F.	RACOR CRUCIFORME 3/8" H.
11	G15210950	TUBO 1/4 R2 C-F 1/4 L.3150	PIPE 1/4-R2 C-F 1/4 M.3150	TUBE 1/4-R2 C-F 1/4 M.3150	ROHR 1/4-R2 C-F 1/4 M.3150	TUBO 1/4-R2 C-F 1/4 M.3150
12	F03150310	NIPPLO MM CIL-CIL 3/8-1/4 ZN >	NIPPLE CYL.MALE3/8-1/4 ZN	NIPPLE MALE CYL.3/8-1/4 ZN	NIPPELZYL.3/8-1/4 ZN	NIPLE MACHO CIL.3/8-1/4 ZN
13	F03151216	RACCORDO -T- CENTR.M-FG-M 1/4	UNION T M-M-F 1/4' ZN	RACCORD T M-M-F 1/4' ZN	ANSCHLUSSTsCK TM-M-F 1/4' ZN	UNIN T M-M-F 1/4' ZN R
14	F03151401	RONDELLA BONDED SEAL 3/8" NBR	WASHER BONDED SEAL 3/8" NBR			
15	F03151414	RONDELLA BONDED SEAL 1/4" NBR	WASHER BONDED SEAL 1/4" NBR			
16	G16011690	MONT.NIPPLO 1/4 GRANO F.1,0	UPRIGHT 1/4" NIPPLE WITH GRUB	MONTANT NIPPLE 1/4 AVEC GRAIN	STZNDER NIPPEL 1/4 MIT STIFT 8	MONT.NIPLE 1/4 TORNIL.SIN CABE
17	F03100191	KIT GUARNIZ.CILINDRO 15413110	CYLINDER SEAL KIT 15413110	KIT GARNIT. CYLINDRE 15413110	KIT ZYLINDERDICHTUNG 15413110	KIT JUNTA CILINDRO 15413110
18	F01230059	DADO M12X1,75 D982 8ZN >	LOCK-NUT M12X1,75 D982 8ZN	ECR.AUTO-FREI.M12X1,75 D982 ZN	SICHERUNGSMUT.M12X1,75 D982 8ZN	TUER.DE SEGUR.M12X1,75 D982 ZN
19	GA5221030	BOCCOLA 12,15X30X10 ZN	BUSHING 12,15X30X10 ZN			
20	GA5221040	PIASTRA ANCORAGGIO DX	RIGHT FIXING PLATE			
21	G18801200	BOCCOLA 12,1X18X11	BUSHING 12,1X18X11			
22	F03151217	RACCORDO -T- LATER.M-M-FG 1/4	T M-FG-M LATER.CONNECTION PIPE	RACCORD T M-FG-M 1/4	ANSCHLUSST M-FG-M 1/4	UNION T M-HG-M 1/4

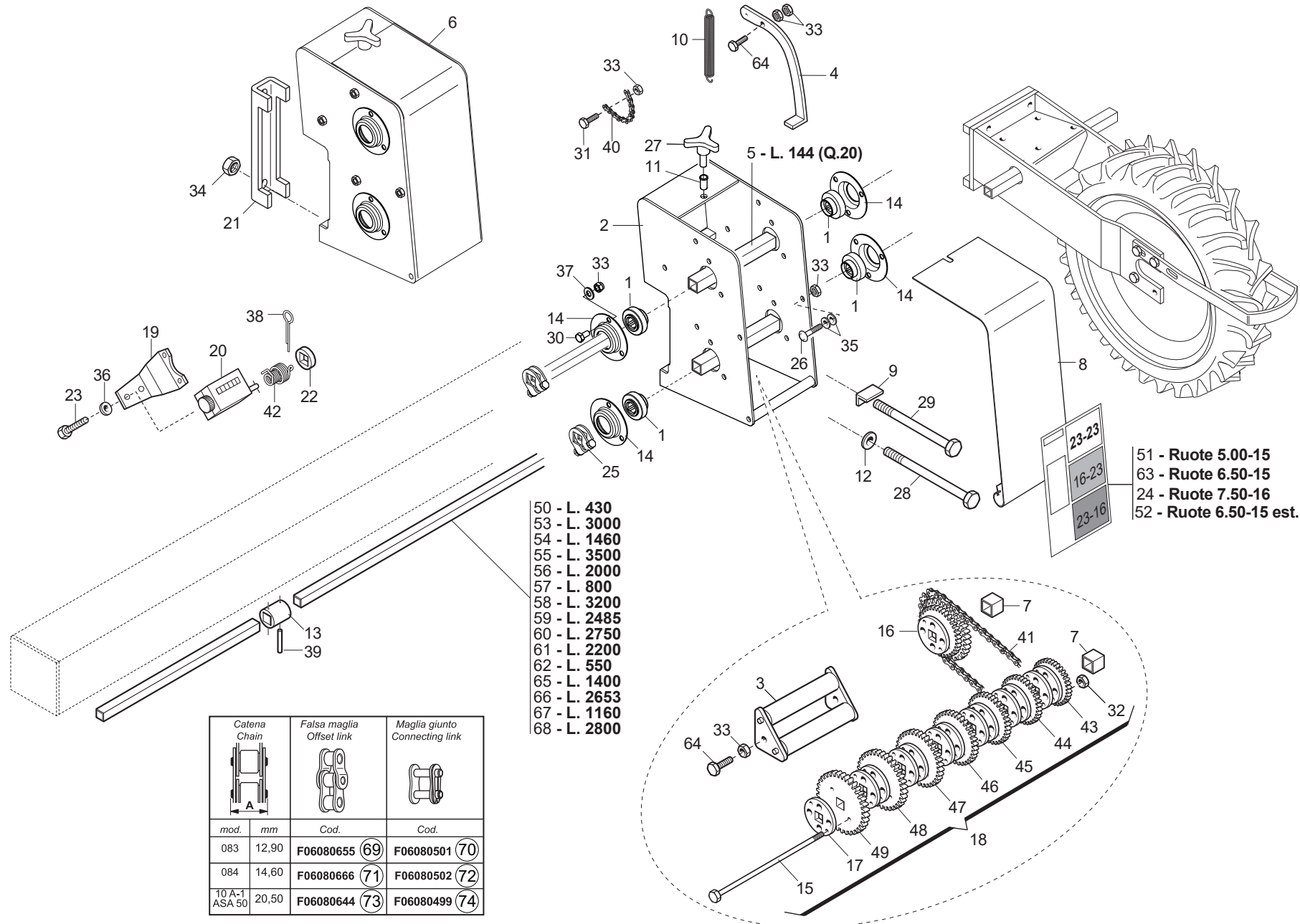
TAV. 182

**DIN 24
FITTED**



SOLLEVAMENTO OLEODINAMICO ELEMENTO SEMINATORE «DIN 24»
TAV. 182

Pos.	Cod.	Descrizione	Description	Description	Benennung	Descripcion
1	GA5220920	PIASTRA ANCORAGGIO SX	LEFT FIXING PLATE			
2	G15226630	SUPPORTO CILINDRO MOBILE	CYLINDER SUPPORT			
3	G14217360	MONT.CILINDRO SI-ST	ROWMARKER CYLINDER.D.30X40-155	CYLINDRE TRACEUR 30X40-155	ZYLINDER SPURREISSER.30X40-155	CILINDRO MARC.FILAS 35X40-155
4	F01020260	VITE M16X2X70 U5737 8.8ZN >	SCR. M16X2X70 U5737 8.8ZN	VIS M16X2X70 U5737 8.8 ZN	SCHRAUBE M16X2X70 U5737 8.8 ZN	TORNILLO M16X2X70 U5737 8.8 ZN
5	F01020264	VITE M16X2X90 U5737 8.8ZN >	SCR. M16X2X90 U5737 8.8ZN	VIS M16X2X90 5737 8.8 ZN	SCHRAUBE M16X2X90 5737 8.8 ZN	TORN. M16X2X90 5737 8.8 ZN
6	F01020152	VITE M12X1,75X40 U5737 8.8ZN>	SCR. M12X1,75X40 U5737 8.8ZN	VIS M12X1,75X40 U5737 8.8 ZN	SCHRAUBE M12X1,75X40U57378.8ZN	TORNIL.M12X1,75X40 U5737 8.8ZN
7	F01230085	DADO M16X2 D982 10ZN	NUT M16X2 D982 10ZN	ECROU M16X2 D982 10ZN	MUTTER M16X2 D982 10ZN	TUERCA M16X2 D982 10ZN
8	F02200248	COPIGLIA 6X 80 U1336 ZN	SPLIT PIN 6X 80 U1336 ZN			
9	F03080031	NIPPLO FL12 FL12 ZN	NIPPLE FL12 FL12			
10	F03080192	RACC. CROCE ML12 ZN	UNION CROSS ML12 ZN	LIEN TRAVERSER ML12 ZN	QUERVERBINDUNG ML12 ZN	CONEXIÓN CRUZ ML12 ZN
11	F03080096	NIPPLO FL12 ML10 ZN	NIPPLE FL12 ML10			
12	F03070167	TUBO 1/4 R17 FL10 CFL10 L3000	TUBE 1/4 R17 FL10 CFL10 L3000			
13	F03080082	NIPPLO M1/4 SEAL ML10 ZN	NIPPLE M1/4 SEAL ML10 ZN			
14	G18801200	BOCCOLA 12,1X18X11	BUSHING 12,1X18X11			
15	GA5221040	PIASTRA ANCORAGGIO DX	RIGHT FIXING PLATE			
16	GA5221030	BOCCOLA 12,15X30X10 ZN	BUSHING 12,15X30X10 ZN			
17	F03100191	KIT GUARNIZ.CILINDRO 15413110	CYLINDER SEAL KIT 15413110	KIT GARNIT. CYLINDRE 15413110	KIT ZYLINDERDICHTUNG 15413110	KIT JUNTA CILINDRO 15413110
18	F01230059	DADO M12X1,75 D982 8ZN >	LOCK-NUT M12X1,75 D982 8ZN	ECR.AUTO-FREI.M12X1,75 D982 ZN	SICHERUNGSMUT.M12X1,75 D982 8ZN	TUER.DE SEGUR.M12X1,75 D982 ZN



- 50 - L. 430
- 53 - L. 3000
- 54 - L. 1460
- 55 - L. 3500
- 56 - L. 2000
- 57 - L. 800
- 58 - L. 3200
- 59 - L. 2485
- 60 - L. 2750
- 61 - L. 2200
- 62 - L. 550
- 65 - L. 1400
- 66 - L. 2653
- 67 - L. 1160
- 68 - L. 2800

- 51 - Ruote 5.00-15
- 63 - Ruote 6.50-15
- 24 - Ruote 7.50-16
- 52 - Ruote 6.50-15 est.

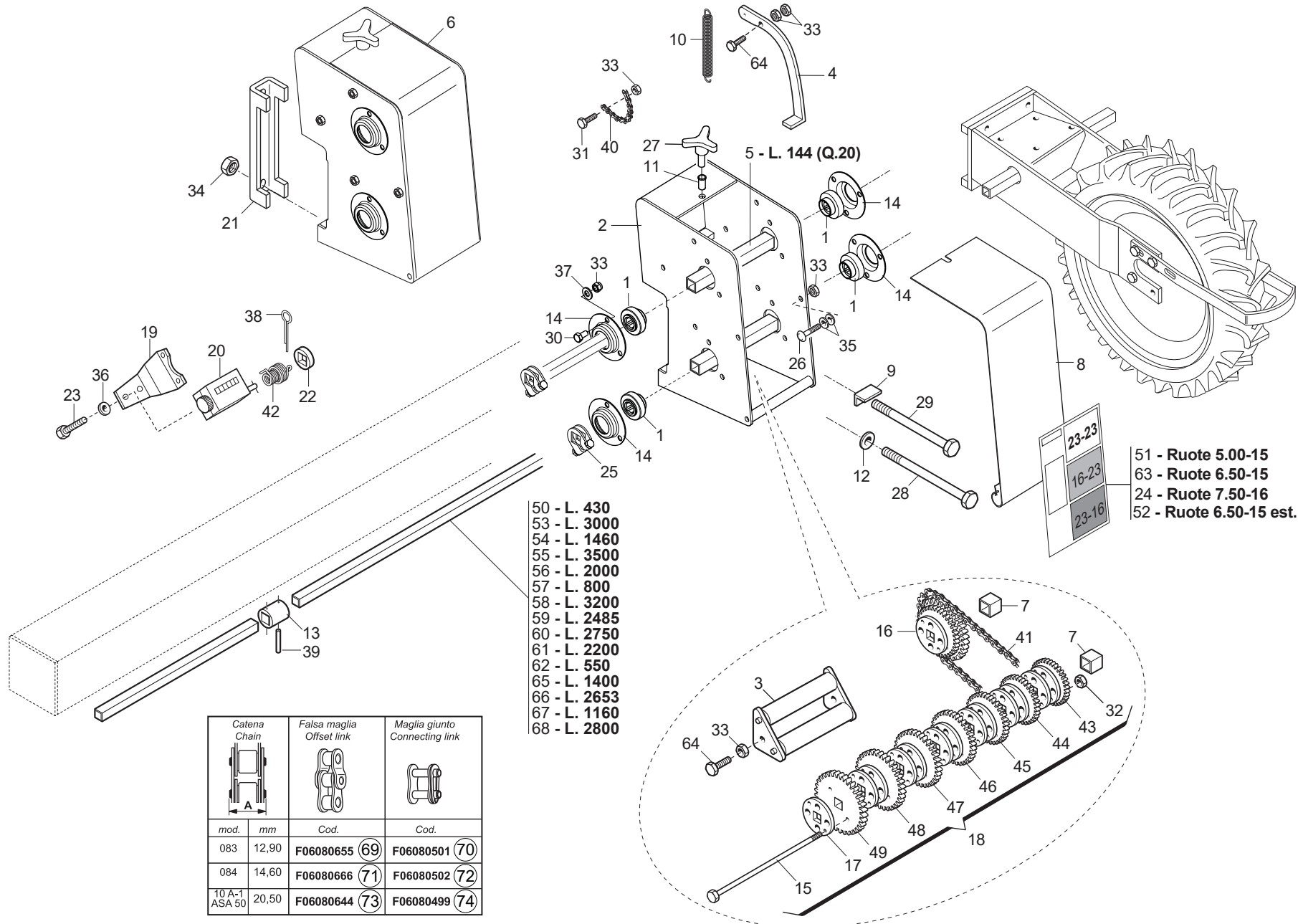
Catena Chain		Falsa maglia Offset link		Maglia giunto Connecting link	
mod.	mm	Cod.		Cod.	
083	12,90	F06080655	(69)	F06080501	(70)
084	14,60	F06080666	(71)	F06080502	(72)
10 A-1 ASA 50	20,50	F06080644	(73)	F06080499	(74)

CAMBIO

TAV. 192

Pos.	Cod.	Descrizione	Description	Description	Benennung	Descripcion
1	G14830390	CUSCINETTO FORO QUADRO	SQUARE-HOLED BEARING	ROULEMENT TROU CARRE	VIERKANTLAGER	COJINETE ORIFICIO CUADRADO
2	G15430292	SCATOLA CAMBIO Q.150	GEARBOX Q.150	BOITE DE VITESSE Q.150	GETRIEBEKASTEN Q.150	CAJA DE CAMBIO VELOCIDAD Q.150
3	G15430321	RULLO TENDICATENA	CHAIN STRETCHER ROLLER	ROULEAU TENDEUR DE CHAINE	KETTENSPANNROLLE	RODILLO TENSOR DE CADENA
4	G15430331	LEVA CAMBIO	GEAR LEVER	LEVIER BOITE DE VITESSE	GETRIEBEBEBEL	PALANCA DE CAMBIO
5	G15430340	ASSE INGRANAGGI L.144	GEAR SPINDLE L.144	AXE ENGRENAGES L.144	ACHSE ZAHNRZDER L.144	EJE ENGRANAJES L.144
6	G16630010	SCATOLA CAMBIO Q.150 COMPL.	GEARBOX 150	BOITE DE VITESSE 150	GETRIEBEKASTEN 150	CAJA DE CAMBIO DE VELOCIDAD 150
7	G15430501	DISTANZIALE INTERNO CAMBIO ZN	GEARBOX INNER SPACER	ENTRETOISE INT. BOITE VITESSE	INNERES DISTANZSTÜCK GETRIEBE	DISTANCIADOR INTERIOR CAMBIO
8	G15430711	COPERCHIO CAMBIO	GEAR COVER	COUVERCLE BOITE DE VITESSE	GETRIEBEDECKEL	TAPA CAMBIO
9	G15431020	FERMO VITE CAMBIO	GEAR BOLT STOP	ARRET VIS BOITE DE VITESSE	FESTSTELLVORRICH. GETRIEBESCHR	BLOQUEO TORNILLO
10	G18902970	MOLLA TRAZ.CAMBIO ZN SP	GALVAN. GEAR TRACT. SPRING SP	RESS. TRACT. BOITE VITESSE ZN	ZUGFEDER GETRIEBE ZN SP	MUELLE TRAC. CAMBIO ZN SP
11	F02250683	INSERTO FIL.M 8X17,5 ZN T.TOND	CYLINDRICAL NUT 8 TC 40	ECROU CYLINDRIQUE 8 TC 40	ZYLINDRISCHE MUTTER 8 TC 40	TUERCA CILINDRICA 8 TC 40
12	G20970142	RONDELLA 32X4X15,5	WASHER 32X4X15-5	RONDELLE 32X4X15-5	UNTERLEGSCHIEBE 32X4X15-5	ARANDELA 32X4X15-5
13	G22220085	SNODO	ARTICULATION	ARTICULATION	GELENK	ARTICULACION
14	G22230094	SUPPORTO CUSCINETTO	BEARING SUPPORT	SUPPORT PALIER	LAGERBÜCHSE	SOPORTE COJINETE
15	G19203260	VITE M5X115 ZN	BOLT M5X115 ZN	VIS M5X115 ZN	SCHRAUBE M5X115 ZN	TORNILLO M5X115 ZN
16	G22270152	ING.Z 16-23 RUOTA-CAMBIO SP	WHEEL- GEARBOX GEARS SP	ENGR. Z 16-23 ROUE BOITE VIT.	ZAHNRAD Z 16-23 GETRIEBERAD SP	ENGRAN. Z 16-23 RUEDA-CAMBIO
17	G22270162	RINFORZO INGR.ASSE DA 20 SP	AXLE GEAR REINFORCEMENT 20 SP	RENFORC. ENGREN. AXE DE 20 SP	VERSTÄRKUNG ACHSZAHNRAD 20 SP	REFUERZO ENGRAN. EJE DE 20 SP
18	G22270163	BLOCCO CAMBIO ASSE DA 20 SP	20 CM SPINDLE GEARBOX SP	ENSEMBLE BOITE DE VITESSE	GETRIEBEBLOCK ACHSE 20 SP	BLOQUE CAMBIO EJE DE 20 SP
19	G22270217	SUPP.CONTAETT. CAMB.35 SP LM	HECTARE COUNTER GEAR SUPPORT 3	SUPPORT COMPT. D'HECT. B. VIT.	HALT. GETRIEBE HEKTARZÄHLER 35	SOPORTE CONTADOR HECT. CAMB.35
20	G22270218	CONTAETTARI TEN. STAG. SP LM	HECTARE COUNTER SEAL SP LM	COMPT. D'HECT. ETANCHE SP LM	HEKTARZÄHLER DICHT SP LM	CUENTA HECTAREAS ESTANCO
21	G15110091	SCONTRIO A U SP.8 2F15 165	STRIKER	BRIDE 150 MM	ANSCHLAG	ELEMENTO DE EMPALME
22	G66248218	RONDELLA DISTAN.SPANDI	MAN. SPR. SPACER WASHER	RONDELLE ENTRETOISE EP. ENGRAI	ABSTANDSCHEIBE DsNGERSTREUER	ARANDELA DISTAN.ABONAD.
23	F01040025	VITE M4X0,7X10 U5931 8.8ZN	SCR. M4X0,7X10 U5931* 8.8ZN	VIS 4 X10 5931 8.G ZN	SCHRAUBE 4 X10 5931 8.G ZN	TORNILLO 4 X10 5931 8.G ZN
24	G19701452	DECAL.CAMBIO RUOTA 7,50-16	LABEL WHEEL GEAR 7,50-16			
25	G22505085	FERMO ASSE IN LAMIERA	PLATE AXLE STOP	ARRET AXE EN TOLE	FESTSTELLVORRICHTUNG BLECHACHS	BLOQUEO EJE DE CHAPA
26	F01060040	VITE M8X1,25X20 U5731 8.8ZN	SCR. M8X1,25X20 U5732 4.6ZG	VIS M8X1,25X20 U5732 4.6 ZN	SCHRA. M8X1,25X20 U5732 4.6 ZN	TORN. M8X1,25X20 U5732 4.6 ZN
27	F06220018	VOLANTINO 3LOBI D.65-M8X15	3-LOBE HANDWHEEL D.65-M8X15			
28	F01020225	VITE M14X2X160 U5737 8.8BR	SCR. M14X2X160 U5737 8.8BR	VIS M 14 X160 5737 8.G	SCHRAUBE M 14 X160 5737 8.G	TORNILLO M 14 X160 5737 8.G
29	F01020233	VITE M14X2X200 U5737 8.8BR >	SCR. M14X2X200 U5737 8.8BR	VIS M14X2X 200 U5737 8.8 ZB	SCHRAUBE M14X 2X200 U5737 8.8	TORNILLO M14X2X200 5737 8.8 ZB
30	F01020432	VITE M8X1,25X16 U5739 8.8ZN >	SCR. M8X1,25X16 U5739 8.8ZN	VIS M8 X1,25X16 U5739 8.8 ZN	SCHRAUBE M8X1,25X16U5739 8.8ZN	TORNILLO M8X1,25X16U5739 8.8ZN
31	F01020449	VITE M8X1,25X35 U5739 8.8ZN >	SCR. M8X1,25X35 U5739 8.8ZN	VIS M8X1,25X35 U5739 8.8ZN	SCHRA. M8X1,25X35 U5739 8.8ZN	TORN. M8X1,25X35 U5739 8.8ZN
32	F01200220	DADO M5X0,8 U5588 CL8 ZN >	NUT M5X0,8 U5588 6.8ZN	ECROU 5 UNI 5588 6.8 ZN	MUTTER 5 UNI 5588 6.8 ZN	TUERCA 5,UNI 5588 6.8 ZN
33	F01200244	DADO M8X1,25 U5588 CL8 ZN >	NUT M8X1,25 U5588 6.8ZN	ECROU M8 X1,25 U5588 6.8 ZN	MUTTER M8 X1,25 U5588 6.8 ZN	TUERCA M8 X1,25 U5588 6.8 ZN
34	F01200306	DADO M14X2 U5588 CL8 ZN >	NUT M14X2 U5588 6.8ZN	ECROU M14X2	MUTTER M14X2	DADO M14X2
35	F01410051	ROS.M8 8,4X 17X1,6 U6592 ZN >	WASHER M8 8,4X17X1,6 U6592 ZN	RONDELLE M8 8,4X17X1,6 U6592ZN	SCHEIBE M8 8,4X17X1,6 U6592 ZN	ARANDELA M8 8,4X17X1,6 U6592ZN
36	F01410011	ROS.M4 4,3X 9X0,8 U6592 ZN	PLANE WASHER 4,5X 9 6592	RONDELLE 4,5X 9 6592	SCHEIBE 4,5X 9 6592	ARANDELA 4,5X 9 6592
37	F01430059	ROS.M8 8,4X 15X0,8 U8842J ZN >	WASHER M8 8,4X15X0,8 U8842J ZN	ROND. M8 8,4X 15X0,8 U8842J ZN	SCHEIBE M8 8,4X15X0,8 U8842JZN	ARAND. M8 8,4X15X0,8 U8842J ZN
38	F02200229	COPIGLIA 5X 45 U1336 ZN	SPLIT PIN 5X 45 U1336 ZN	GOUPILLE 5X 45 U1336 ZN	SPANNSTIFT 5X 45 U1336 ZN	PASADOR 5X 45 U1336 ZN
39	F02100086	SPINA E.P. 5X 30 U6873 C70 ZN	PIN EL. 5 X30 DIN 1481 GALVAN.	FICHE EL. 5 X30 DIN 1481 ZN	SPANNSTIFT 5 X30 DIN 1481 ZN	CLAVIJA EL.5 X30 DIN 1481 ZN
40	F06080008	CATENA 1/2 ISO 083 16 MAGLIE	CHAIN 1/2 ISO 083 16 LINKS	TRONÇON CHA+NE 1/2-3/16 16 MAI	KET.ABSCHN.1/2-3/16 16 GLIEDER	TRAMO CAD.1/2-3/16 16 ESLABONE
41	F06080230	CATENA 5/8 ASA 50 L 46 MAGLIE	CHAIN 5/8 ASA 50 L 46 LINKS	CHAINE 5/8 ASA 50 L 46 MAILLE	KETTE 5/8 ASA 50 L 46 GLIEDER	CADENA 5/8 ASA 50 L 46 ESLABO
42	G65336098	MOLLA CONTAETTARI CAMB.35 SP	HECT. COUNT. GEAR SPRING 35 SP	RESS. COMPTEUR D'HECTARES CH	FEDER HEKTARZÄHLER GETRIEBE.35	MUELLE CONTADOR DE HECTAREAS C
43	G66248162	INGRANAGGIO Z-17 SP	GEAR Z-17 SP	ENGRENAGE Z-17 SP	ZAHNRAD Z-17 SP	ENGRANAJE Z-17 SP
44	G66248163	INGRANAGGIO Z-18 SP	GEAR Z-18 SP	ENGRENAGE Z-18 SP	ZAHNRAD Z-18 SP	ENGRANAJE Z-18 SP
45	G66248164	INGRANAGGIO Z-19 SP	GEAR Z-19 SP	ENGRENAGE Z-19 SP	ZAHNRAD Z-19 SP	ENGRANAJE Z-19 SP
46	G66248165	INGRANAGGIO Z-20 SP	GEAR Z-20 SP	ENGRENAGE Z-20 SP	ZAHNRAD Z-20 SP	ENGRANAJE Z-20 SP
47	G66248166	INGRANAGGIO Z-21 SP	GEAR Z-21 SP	ENGRENAGE Z-21 SP	ZAHNRAD Z-21 SP	ENGRANAJE Z-21 SP
48	G66248167	INGRANAGGIO Z-22 SP	GEAR Z-22 SP	ENGRENAGE Z-22 SP	ZAHNRAD Z-22 SP	ENGRANAJE Z-22 SP
49	G66248168	INGRANAGGIO Z-23 SP	GEAR Z-23 SP	ENGRENAGE Z-23 SP	ZAHNRAD Z-23 SP	ENGRANAJE Z-23 SP
50	G22270127	ASSE RUOTA CAMBIO 2FL.500 SP	WHEEL AXLE - GEARBOX 2-ROW L.	AXE ROUE BOITE DE VITESSE	GEBTRIEBERADACHSE 2R.L.500 SP	EJE RUEDA CAMBIO 2 FILAS. L.50
51	G19701403	DECAL.CAMBIO RUOTA 5,00-15	DECAL.WHEEL 5,00-15			
52	G19703162	DECAL.CAMBIO RUOTA 6,50-15 EST	LABEL WHEEL GEAR 6,50-15 EXT.			
53	G13831520	ASSE TRASMISSIONE L.3000	TRANSMISSION AXLE L.3000	AXE TRANSMISSION L.3000	sBERTRAGUNGSACHSE L.3000	EJE TRANSMISIN L 3000 A
54	G20860090	ASSE TRASMISSIONE L.1460	AXLE- LEFT 5-R.60 L.1460	AXE GCH. 5 RANGEES 60 L. 1460	ACHSE LI 5R.F.60 L.1460	EJE IQZ. 5 FILA. 60 L.1460
55	G22220250	ASSE TRASMISSIONE L.3500	AXLE LEFT 6-ROW L.3500	AXE GCH. 6 RANGEES L. 3500	ACHSE LINKS 6 REIHEN L.3500	EJE IQZ. 6 FILAS L.3500

TAV. 192



- 50 - L. 430
- 53 - L. 3000
- 54 - L. 1460
- 55 - L. 3500
- 56 - L. 2000
- 57 - L. 800
- 58 - L. 3200
- 59 - L. 2485
- 60 - L. 2750
- 61 - L. 2200
- 62 - L. 550
- 65 - L. 1400
- 66 - L. 2653
- 67 - L. 1160
- 68 - L. 2800

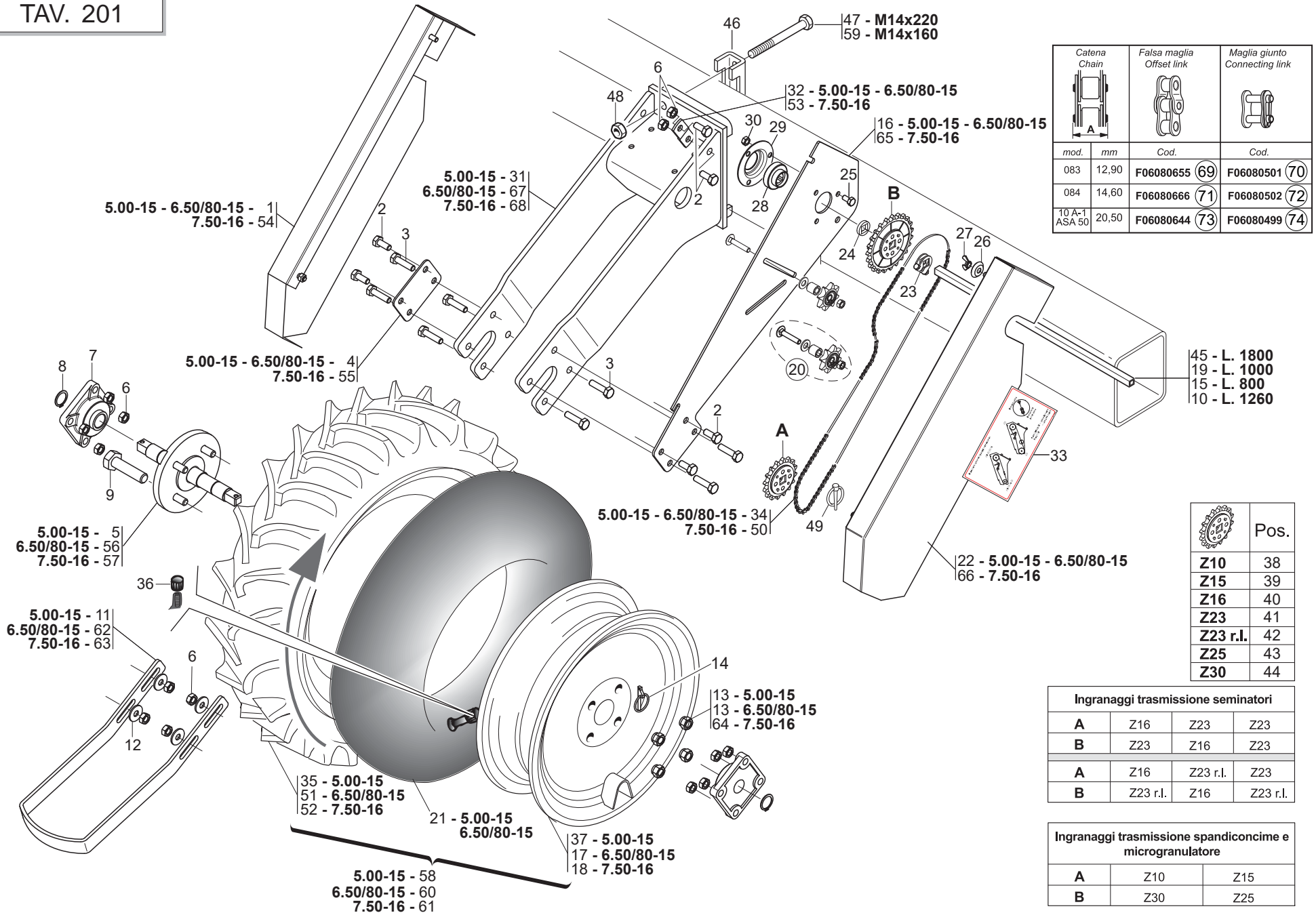
- 51 - Ruote 5.00-15
- 63 - Ruote 6.50-15
- 24 - Ruote 7.50-16
- 52 - Ruote 6.50-15 est.

Catena Chain		Falsa maglia Offset link		Maglia giunto Connecting link	
mod.	mm	Cod.		Cod.	
083	12,90	F06080655	(69)	F06080501	(70)
084	14,60	F06080666	(71)	F06080502	(72)
10 A-1 ASA 50	20,50	F06080644	(73)	F06080499	(74)


CAMBIO

TAV. 192

Pos.	Cod.	Descrizione	Description	Description	Benennung	Descripcion
56	G22230141	ASSE SEMINAT.6F.CM.80 L.2000	AXLE-6-ROW SEEDER MACH.L.2000	AXE SEMEUR 6 RANGEES CM. 80 L.	ACHSE SZAELEMENT 6 R.CM.80 L.2	EJE SEMBR. 6 FILAS. CM.80 L.20
57	G22230142	ASSE 4 FILE L.800	4-ROW SPINDLE L.800	AXE 4 RANGEES L. 800	ACHSE 4 REIHEN B. 800	EJE 4 FILAS L.800
58	G22250031	ASSE TRASM.SEMINAT.L.3200 SV	AXLE- SEEDING MACH. GEARBOX L.	AXE ENTRAINEMENT SEMEUR L.3200	ACHSE SZELEMENTANTRIEB .L.3200	EJE TRANS.SEMBR. L.3200 SV
59	G13732200	ASSE TRASMISSIONE L.2485	TRANSMISSION AXLE L2485	AXE TRANSMISSION L.2485	sBERTRAGUNGSACHSE L.2485	EJE TRANSMISIN L 2485 A
60	G22250275	ASSE TRASM.SEMINAT.L.2750 SV	AXLE- SEEDING MACH. GEARBOX L.	AXE ENTRAINEMENT SEMEUR L. 275	ACHSE SZELEMENTANTRIEB L.2750	EJE TRANS.SEMBR. L.2750 SV
61	G22250276	ASSE TRASM.SEMINAT.L.2200 SV	AXLE- SEEDING MACH. GEARBOX L.	AXE ENTRAINEMENT SEMEUR L. 220	ACHSE SZELEMENT-ANTRIEB.L.2200	EJE TRANS.SEMBR. L.2200 SV
62	G22280071	ASSE RUOTA-CAMBIO L.550 ID	GEARBOX WHEEL AXLE L. 550 ID	AXE ROUE BOITE DE VITESSE	RADACHSE-GETRIEBE L.550 ID	EJE RUEDA-CAMBIO L.550 ID
63	G19701414	DECAL.CAMBIO RUOTA 6,50-15/R26	DECAL.WHEEL 6,50-15/R26			
64	F01020445	VITE M8X1,25X30 U5739 8.8ZN >	SCR. M8X1,25X30 U5739 8.8ZN	VIS M 8X1,25X30 U5739 8.8 ZN	SCHRAU, M8X1,25X30 U5739 8.8ZN	TORN. M8X1,25X30 U5739 8.8 ZN
65	G11120400	ASSE TRASM.L.1400	TRANS. AXLE L.1400			
66	G14230710	ASSE TRASM.L.2653	TRANSMISION BAR L 2653			
67	G20860032	ASSE RUOTA CAMBIO L.1160	WHEEL AXLE - GEARBOX L.1160	AXE ROUE BOITE DE VITESSE	GEBTRIEBERADACHSE L 1160	EJE RUEDA CAMBIO L.1160
68	G15273750	ASSE TRASM.L.2800	TRANSMISSION SHAFT L. 2800	AXE TRANSMISSION L.2800	ANTRIEBSACHSE L.2800	EJE TRANSM.L.2800
69	F06080655	FALSA MAGLIA CAT.1/2 ISO 083	DUMMY CHAIN LINK 1/2 ISO 083	FAUSSE MAILLE CHAINE 1/2 ISO 0	FALSCHES GLIED 1/2 ISO 083	ESLABN FICTICIO CAD. 1/2 ISO O
70	F06080501	GIUNZIONE CATENA 1/2 ISO 083	CHAIN JOINT 1/2 ISO 083	JONCTION CHAINE 1/2 ISO 083	KETTENVERBINDUNG 1/2 ISO 083	UNIN CADENA 1/2 ISO 083 J
71	F06080666	FALSA MAGLIA CAT.1/2 ISO 084-1	CHAIN EYE CAT. 1/2 ISO 084-1			
72	F06080502	GIUNZIONE CATENA 1/2 ISO 084-1	CHAIN JUNCTION 1/2 ISO 084-1			
73	F06080644	FALSA MAGLIA CAT.5/8 ASA 50LUB	DUMMY CHAIN LINK 5/8 ASA 50LUB	FAUSSE MAILLE CHAINE ASA 50LUB	FALSCHES GLIED 5/8 ASA 50LUB	ESLAB N FICTICIO CAD.5/8 ASA50
74	F06080499	GIUNZIONE CATENA 5/8 ASA 50LUB	CHAIN JOINT 5/8 ASA 50LUB	JONCTIONS CHAINE 5/8 ASA 50LUB	KETTENVERBINDUNG 5/8 ASA 50LUB	UNIONES CADENA 5/8 ASA 50LUB



Catena Chain		Falsa maglia Offset link		Maglia giunto Connecting link	
mod.	mm	Cod.		Cod.	
083	12,90	F06080655	(69)	F06080501	(70)
084	14,60	F06080666	(71)	F06080502	(72)
10 A-1 ASA 50	20,50	F06080644	(73)	F06080499	(74)

	Pos.
Z10	38
Z15	39
Z16	40
Z23	41
Z23 r.l.	42
Z25	43
Z30	44

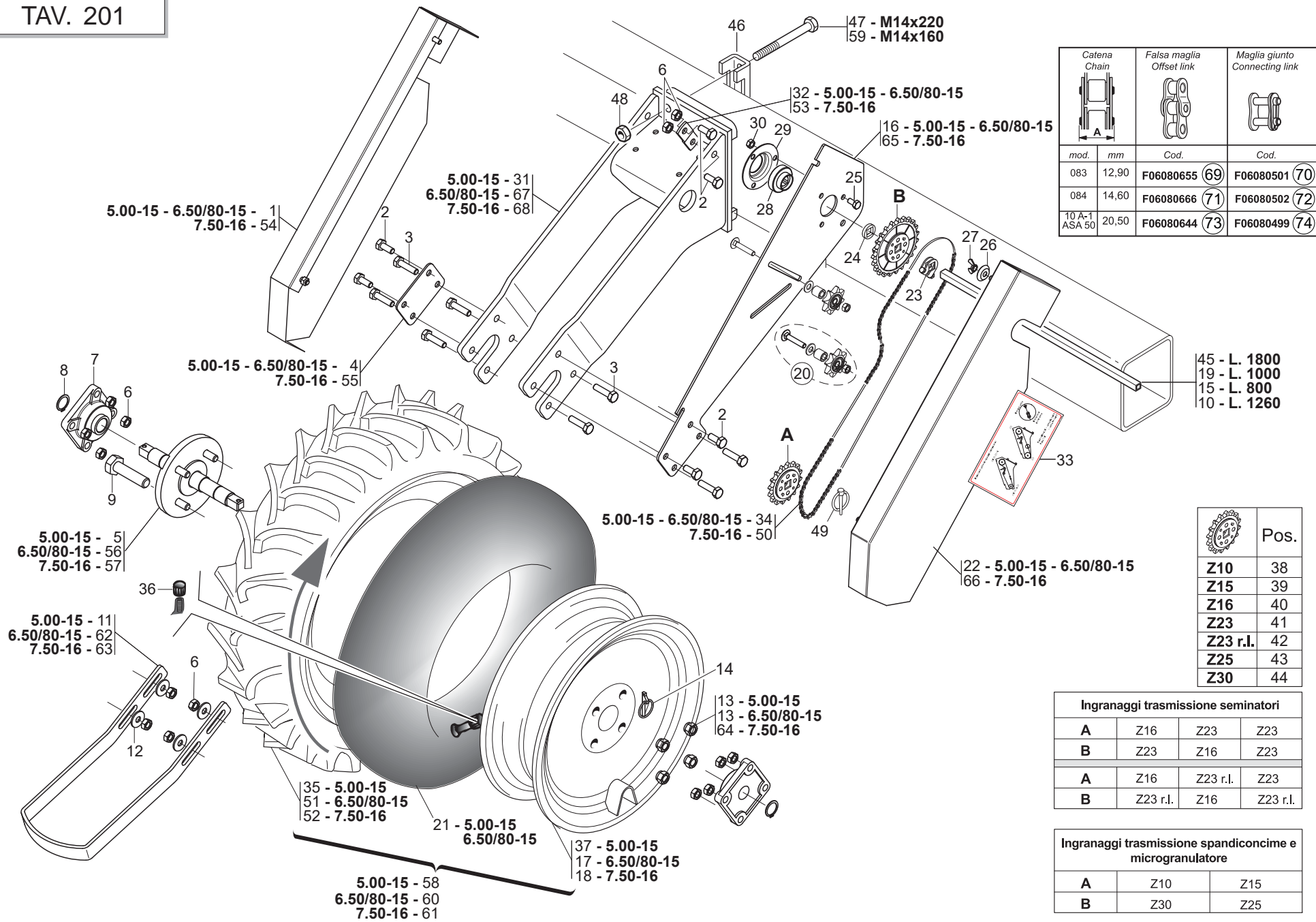
Ingranaggi trasmissione seminatori			
A	Z16	Z23	Z23
B	Z23	Z16	Z23
A	Z16	Z23 r.l.	Z23
B	Z23 r.l.	Z16	Z23 r.l.

Ingranaggi trasmissione spandiconcime e microgranulatore		
A	Z10	Z15
B	Z30	Z25

RUOTE DI TRASMISSIONE


TAV. 201

Pos.	Cod.	Descrizione	Description	Description	Benennung	Descripcion
1	G16630361	CARTER SX	LEFT PROTECTION			
2	F01020472	VITE M10X1,5X25 U5739 8.8ZN >	SCR. M10X1,5X25 U5739 8.8ZN	VIS M10X1,5X25 U5739 8.8 ZN	SCHRAUBE M10X1,5X25 U5739 8.8	TORNILLO 10X25 U5739 8.8 ZN
3	F01020483	VITE M10X1,5X40 U5739 10.9ZD	SCR. M10X1,5X40 U5739 10.9ZD	VIS M10X1,5X40 U5739 10.9 ZD	SCHRA.M10X1,5X40 U5739 10.9 ZD	TORN. M10X1,5X40 U5739 10.9 ZD
4	G16630380	SCONTRIO 100X 70-3 4F11 70X40	STRIKER PLATE 100X70-3 4F	BUTEE 100X70-3 4F	ANSCHLAG 100X70-3 4F	ELEMENTO DE EMPALME 100X70-3 4F
5	G22270280	ASSE RUOTA TRASM.NORMALE SP/S	NORMAL DRIVE WHEEL AXLE	AXE ROUE ENTRAINEMENT 5.00-15	RADACHSE NORMALER ANTRIEB SP/S	EJE RUEDA TRANS. NORMAL SP/S
6	F01200270	DADO M10X1,5 U5588 CL8 ZN >	NUT M10X1,5 U5588 6.8ZN	ECROU M10X 1,5 U5588 6.8 ZN	MUTTER M10X 1,5 U5588 6.8 ZN	TUERCA M10X 1,5 U5588 6.8 ZN
7	F04100137	SUPPORTO FY 25 TF >	SUPPORT FY 25 TF			
8	F02050101	ANELLO E. DE 25X 1,2 U7435 C7>	SEEGER RING E. 25X1,2 7435 C70	SEEGER E. 25X 1,2 U7435 C70	SEEGERING E. 25X 1,2 U7435 C70	ANILLO E. 25X 1,2 U7435 C70
9	F01010365	VITE M18X1,5X50 U5740 8.8ZN	SCR. M18X1,5X50 U5740 8.8ZN	VIS M18X1,5X50 U5740 8.8 ZN	SCHRAUBE 18X1,5X50 U5740 8.8ZN	TORNI. M18X1,5X50 U5740 8.8ZN
10	G22270049	ASSE 4F.85-6F.50 L.1260	ASSE 4F.85-6F.50 L.1260	4-ROW SPINDLE - 85-6-ROW-50 L.	ACHSE 4 REIHEN 85-6 REIH. 50	EJE 4 FILAS. 85-6 FILAS. 50 L.
11	G15430090	RASCHIATERRA	SOIL SCRAPER	RACLEUR	ERDSCHABER	RASCADOR TIERRA
12	F01420060	ROS.M10 10,5X 30X2,5 U6593 ZN	GALV.WASHER 10,5X30X2,5 U6593	RONDELLE 10,5X30	SCHIEBE 10,5X30	ARANDELA 10,5X30
13	F01250040	DADO COLON. 12X1.5 ZN	COLUMN NUT M12X1.5 STUD BOLT	ECROU M12X1. 5 COLONNE	SCHRAUBBOLZENMUTTER M12X1.5	TUERCA 12X1.5 COLUMNA
14	F02200452	SPINA SCATTO D.4,4 B/80 ZN >	SNAP PIN D4.4 B/80 ZN	FICHE A DETENTE D4.4 B/80 ZN	EINRASTSTIFT D4.4 B/80 ZN	CLAVIJA DE MUELLE D4,4 B/80 ZN
15	G22230142	ASSE 4 FILE L.800	4-ROW SPINDLE L.800	AXE 4 RANGEES L. 800	ACHSE 4 REIHEN B. 800	EJE 4 FILAS L.800
16	G16630311	SUPPORTO TRASMISSIONE SP540	TRASM.SUPPORT SP541			
17	F06120207	CERCHIO 5J 15 H2 PV RAL 9001	RIM 5J 15 H2 PV RAL 9001			
18	F06120208	CERCHIO 7.50-16 PV TU	RING 7.50-16 PV TU	JANTE 7.50-16 PV TU	REIFEN 7.50-16 PV TU	LLANTA 7.50-16 PV TU
19	G22230138	ASSE CAMBIO 4F.80-6F.45 L.1000	GEAR SPINDLE 4-ROW 80- 6-ROW.4	AXE BOITE DE VITESSE 4 RA	GETRIEBEACHSE 4 R. 80-6 R.45 L	EJE CAMBIO 4 FILAS. 80-6 FILAS
20	G16630810	KIT INGR.Z8 5/8"X3/8" CUSC. >	GEARS KIT Z8 5/8"X3/8"			KIT ENGRAN. Z8 5/8"X3/8" CUSC.
21	F06120134	CAMERA X R5.00-15 E 6.5/80-15	INNER TUBE R5.00-15 6.5/80-15	CHAMBRE R5.00-15 6.5/80-15	KAMMER R5.00-15 6.5/80-15	CAMARA R5.00-15 6.5/80-15
22	G16630351	CARTER DX	RIGHT CARTER			
23	G22505085	FERMO ASSE IN LAMIERA	PLATE AXLE STOP	ARRET AXE EN TOLE	FESTSTELLVORRICHTUNG BLECHACHS	BLOQUEO EJE DE CHAPA
24	G66248218	RONDELLA DISTAN.SPANDI	MAN. SPR. SPACER WASHER	RONDELLE ENTRETOISE EP. ENGRAI	ABSTANDSCHEIBE DsNGERSTREUER	ARANDELA DISTAN.ABONAD.
25	F01020432	VITE M8X1,25X16 U5739 8.8ZN >	SCR. M8X1,25X16 U5739 8.8ZN	VIS M8 X1,25X16 U5739 8.8 ZN	SCHRAUBE M8X1,25X16U5739 8.8ZN	TORNILLO M8X1,25X16U5739 8.8ZN
26	G22220083	RONDELLA AD IMBOCCO	LEAD-IN WASHER	RONDELLE EMBOUTIE	TRICHTERSCHEIBE	ARANDELA DE MUESCA
27	F01240024	DADO M8X1,25 U5448 5.8ZN	NUT M8X1,25 U5448 5.8ZN	ECROU 8 UNI 5448 5.8 ZN	MUTTER 8 UNI 5448 5.8 ZN	TUERCA 8 UNI 5448 5.8 ZN
28	G14830390	CUSCINETTO FORO QUADRO	SQUARE-HOLED BEARING	ROULEMENT TROU CARRE	VIERKANTLAGER	COJINETE ORIFICIO CUADRADO
29	G22230094	SUPPORTO CUSCINETTO	BEARING SUPPORT	SUPPORT PALIER	LAGERBSCHSE	SOPORTE COJINETE
30	F01220022	DADO M8X1,25 D980 8ZN	NUT M8X1,25 D980 8ZN	ECROU M8X 1,25 D980 8 ZN	MUTTER M8X 1,25 D980 8 ZN	TUERCA M8X 1,25 D980 8 ZN
31	G16630290	SUPPORTO RUOTA 5,00-15	WHEEL SUPPORT 5,00-15	SUPPORT ROUE 5,00-15	RADLAGER 5,00-15	SOPORTE RUEDA 5,00-15
32	G16630320	ATTACCO AL SUPPORTO RUOTA ZN	SUPP. WHEEL COUPLING			
33	G19704690	DECAL.DISP.CATENE/INGR.R.POST.	DECAL.DEV.CHAIN/INGR.R.POST.			
34	F06080168	CATENA 5/8 ASA 50 L 86 MAGLIE	CHAIN 5/8 ASA 50 L 86 LINKS	CHAINE 5/8 ASA 50 L 86 MAILLE	KETTE 5/8 ASA 50 L 86 GLIEDER	CADENA 5/8 ASA 50 L 86 ESLABO
35	F06120170	COPERTURA 5.00-15 IM 110 6PR	TYRE 500-15 IM110 4PR	COUVERTURE 500-15 IM110 4PR	MANTEL 500-15 IM110 4PR	CUBIERTA 500-15 IM110 4PR
36	F05050025	CAPPELOTTO PROTEZ. X VALV.PVC	PROTECTION CAP PVC X VALVA	CAPUCHON PROTECTION PVC X VALVA	SCHUTZKAPPE PVC X VENTIL	TAPA PROTECTION PVC X VALVA
37	F06120206	CERCHIO 3.00 D 15 PV RAL 9001	RIM 3.00 D 15 PV RAL 9002			
38	G22220113	INGRANAGGIO Z-10 FERRO	GEAR Z-10 IRON	ENGRENAGE Z-10 FER	ZAHNRAD Z-10 EISEN	ENGRANAJE Z-10 HIERRO
39	G16630390	PIGNONE Z-15 ZN.	PINION Z-15 ZN	PIGNON Z-15 ZN	RITZE Z-15 ZN	PINION Z-15 ZN
40	G16630400	PIGNONE Z-16 ZN.	PINION Z-16 ZN.	PIGNON Z-16 ZN.	RITZE Z-16 ZN.	PINION Z-16 ZN.
41	G16630410	PIGNONE Z-23 ZN.	PINION Z-23 ZN.	PIGNON Z-23 ZN.	RITZE Z-23 ZN.	PINION Z-23 ZN.
42	G16631120	INGRANAGGIO R.LIB. Z-23 CSK30	FREE WHEEL GEAR Z-23 CSK30	ENGRENAGE Z23 ROUE LIBRE CSK30	ZAHNRAD FREILAUF Z-23 CSK30	ENGRANAJE R.LIBRE Z-23 CSK30
43	G16630420	PIGNONE Z-25 ZN.	PINION Z-25 ZN.	PIGNON Z-25 ZN.	RITZE Z-25 ZN.	PINION Z-25 ZN.
44	G16630430	PIGNONE Z-30 ZN.	PINION Z-30 ZN.	PIGNON Z-30 ZN.	RITZE Z-30 ZN.	PINION Z-30 ZN.
45	G20870028	ASSE SERB.LATO TRAS.6F.L.1800	AXLE- GEARBOX SIDE- 6-ROW L.18	AXE RESERVOIR COTE ENTRAINEMEN	ACHSE BEHZLTER ANTRIEBSS. 6F.L	EJE DEPS. LADO TRANS. 6 FILA A
46	G15110091	SCONTRIO A U SP.8 2F15 165	STRIKER	BRIDE 150 MM	ANSCHLAG	ELEMENTO DE EMPALME
47	F01020236	VITE M14X2X220 U5737 8.8BR >	SCR. M14X2X220 U5737 8.8BR	VIS M14X2X220 U5737 8.8 BR	SCHRAUBE M14X2X220 U5737 8.8	TORNILLO M14X2X220 U5737 8.8
48	F01200306	DADO M14X2 U5588 CL8 ZN >	NUT M14X2 U5588 6.8ZN	ECROU M14X2	MUTTER M14X2	DADO M14X2
49	F02200452	SPINA SCATTO D.4,4 B/80 ZN >	SNAP PIN D4.4 B/80 ZN	FICHE A DETENTE D4.4 B/80 ZN	EINRASTSTIFT D4.4 B/80 ZN	CLAVIJA DE MUELLE D4,4 B/80 ZN
50	F06080245	CATENA 5/8 ASA 50 L 94 MAGLIE	CHAIN 5/8 ASA 50 L 94 LINKS	CHAINE 5/8 ASA 50 L 94 MAILLE	KETTE 5/8 ASA 50 L 94 GLIEDER	CADENA 5/8 ASA 50 L 94 ESLABO
51	F06120180	COPERTURA 6.5/80-15 IM 110 6PR	TYRE 6.5/80-15 IM 110 6PR			
52	F06120400	COPERTURA 7.50-16 IM110 8PR TU	TYRE 7.50-16 IM110 8PR TU			
53	G15231330	ATTACCO AL SUPPORTO RUOTA ZN	SUPP. WHEEL COUPLING	FIXATION SUPPORT ROUET	KUPPLUNG HALT. KL. RAD	CONEXIN SOP. RUEDECILLA
54	G15231321	CARTER SX 7.50	CARTER LEFT 7.50			
55	G22270284	ATTACCO RASCHIATERRA SP/S	SOIL SCRAPER COUPLING SP/S	FIXATION RACLEUR SP/S	KUPPLUNG ERDABSCHABER SP/S	CONEXIN RASPADOR SP/S O



Catena Chain		Falsa maglia Offset link		Maglia giunto Connecting link	
mod.	mm	Cod.		Cod.	
083	12,90	F06080655	(69)	F06080501	(70)
084	14,60	F06080666	(71)	F06080502	(72)
10 A-1 ASA 50	20,50	F06080644	(73)	F06080499	(74)

- 45 - L. 1800
- 19 - L. 1000
- 15 - L. 800
- 10 - L. 1260

	Pos.
Z10	38
Z15	39
Z16	40
Z23	41
Z23 r.l.	42
Z25	43
Z30	44

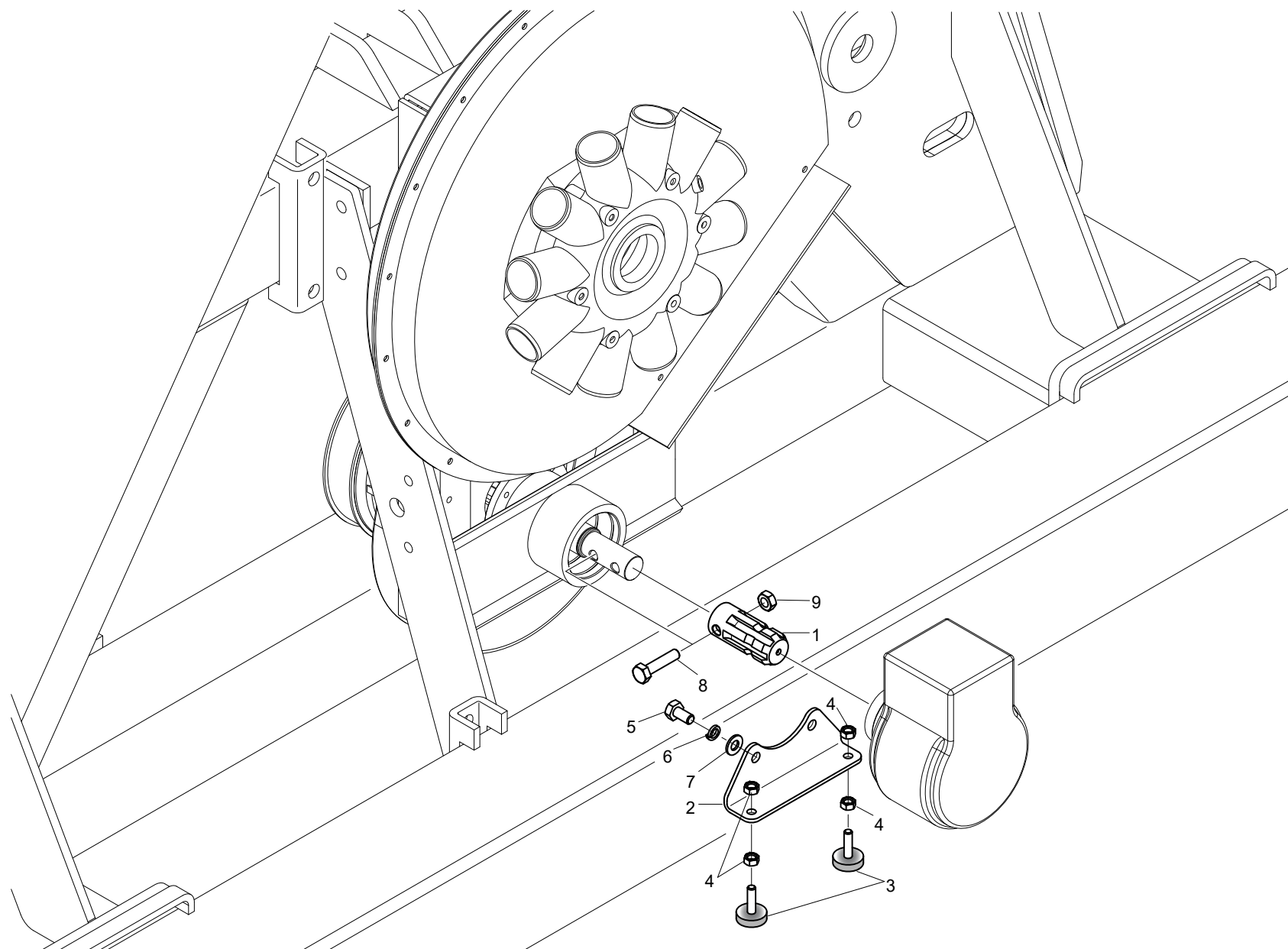
Ingranaggi trasmissione seminatori			
A	Z16	Z23	Z23
B	Z23	Z16	Z23
A	Z16	Z23 r.l.	Z23
B	Z23 r.l.	Z16	Z23 r.l.

Ingranaggi trasmissione spandiconcime e microgranulatore		
A	Z10	Z15
B	Z30	Z25

RUOTE DI TRASMISSIONE

TAV. 201

Pos.	Cod.	Descrizione	Description	Description	Benennung	Descripcion
56	G22270281	ASSE RUOTA TRASM.MAGG. SP/S	INCREASED DRIVE WHEEL AXLE	AXE ROUE ENTRAINEMENT 6.50-15	RADACHSE sBERBEM. ANTRIEB SP/S	EJE RUEDA TRANS. SOBREDIMENS.
57	G15231162	ASSE RUOTA 7,50X16	ASS. AXIS WHEEL 7,50X16			
58	F06120113	RUOTA COMPL.5.00-15 6PR DX	COMPL. WHEEL 5.00-15 6PR RH.	ROUE COMPL. 5.00-15 6PR DRT.	RAD KOMPL.5.00-15 6PR RE	RUEDA COMPL.5.00-15 6PR DER.
59	F01020225	VITE M14X2X160 U5737 8.8BR	SCR. M14X2X160 U5737 8.8BR	VIS M 14 X160 5737 8.G	SCHRAUBE M 14 X160 5737 8.G	TORNILLO M 14 X160 5737 8.G
60	F06120116	RUOTA 6.50/80-15 COMPL.	COMPLETE WHEEL 6.50/80-15			
61	F06120069	RUOTA 7.50-16 AG 10	WHEEL 7.50-16 AG10	ROUE 7.50-16 AG10	RAD 7.50-16 AG10	RUEDA 7.50-16 AG10
62	G15430660	RASCHIATERRA MAGGIORATO SP 530	INCREASED SOIL-SCRAPER SP 530	RACLEUR MAJOR. SP 530	sBERGROSSER ERDSCHABER SP 530	RASCADOR TIERRA OBREDIMENS. SP
63	G15231171	RASCHIATERRA RUOTA 7,50X16	WHEEL SOIL SCRAPER 7,50X16	RACLEUR ROUE 7,50X16	ERDSCHABER RAD 7,50X16	RASCADOR TIERRA RUEDA 7,50X16
64	F01250052	DADO COLON. 18X1,5 ZN >	COLUMN NUT M18X1,5 ZN	ECROU M18X1,5 COLONNE ZN	MUTTER COLON. M18X1,5 ZN	TUERCA M18X1,5 COLUMNA ZN
65	G15231421	SUPPORTO TRASMISSIONE R.7.5-16	TRANSMSUPPORT 7,50X16	SUPPORT ENTRAINEMENT 7,50X16	HALTERUNG GETRIEBE 7,50X16	SOPORTE TRANSMISIN 7,50X16
66	G15231301	CARTER DX 7.50	RIGHT CARTER 7.50			
67	G16630300	SUPPORTO RUOTA 6,50/80-15	WHEEL SUPPORT 6,50/80-15	SUPPORT ROUE 6,50/80-15	RADLAGER 6,50/80-15	SOPORTE RUEDA 6,50/80-15
68	G15231141	SUPPORTO RUOTA 7.50	WHEEL SUPPORT 7.50	SUPPORT ROUE 7.50	RADLAGER 7.50	SOPORTE RUEDA 7.50
69	F06080655	FALSA MAGLIA CAT.1/2 ISO 083	DUMMY CHAIN LINK 1/2 ISO 083	FAUSSE MAILLE CHAINE 1/2 ISO 0	FALSCHES GLIED 1/2 ISO 083	ESLABN FICTICIO CAD. 1/2 ISO O
70	F06080501	GIUNZIONE CATENA 1/2 ISO 083	CHAIN JOINT 1/2 ISO 083	JONCTION CHAINE 1/2 ISO 083	KETTENVERBINDUNG 1/2 ISO 083	UNIN CADENA 1/2 ISO 083 J
71	F06080666	FALSA MAGLIA CAT.1/2 ISO 084-1	CHAIN EYE CAT. 1/2 ISO 084-1			
72	F06080502	GIUNZIONE CATENA 1/2 ISO 084-1	CHAIN JUNCTION 1/2 ISO 084-1			
73	F06080644	FALSA MAGLIA CAT.5/8 ASA 50LUB	DUMMY CHAIN LINK 5/8 ASA 50LUB	FAUSSE MAILLE CHAINE ASA 50LUB	FALSCHES GLIED 5/8 ASA 50LUB	ESLAB N FICTICIO CAD.5/8 ASA50
74	F06080499	GIUNZIONE CATENA 5/8 ASA 50LUB	CHAIN JOINT 5/8 ASA 50LUB	JONCTIONS CHAINE 5/8 ASA 50LUB	KETTENVERBINDUNG 5/8 ASA 50LUB	UNIONES CADENA 5/8 ASA 50LUB

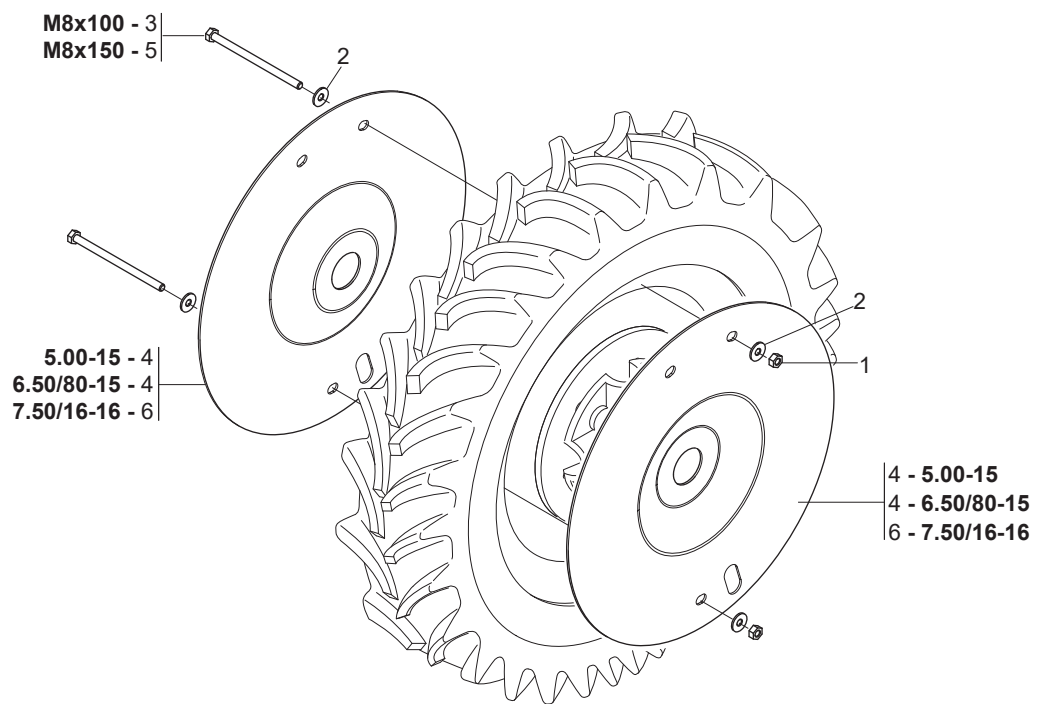


PRESA DI POTENZA POSTERIORE

TAV. 210

Pos.	Cod.	Descrizione	Description	Description	Benennung	Descripcion
1	G14218970	PROLUNGA PRESA DI FORZA POST.	PTO EXTENSION POST.			
2	G14218960	SUPPORTO MOLTIPLICATORE	OVERGEAR SUPPORT	SUPPORT MULTIPLICATEUR	HALTERUNG_BERSETZER	SOPORTE MULTIPLICADOR
3	G16242560	PARACOLPI 30X8 M8X30	BUFFER 30X8 M8X30	PARE-CHOCS 30X8 M8X30	STOSSDZMPFER 30X8 M8X30	PARAGOLPES 30X8 M8X30
4	F01200244	DADO M8X1,25 U5588 CL8 ZN >	NUT M8X1,25 U5588 6.8ZN	ECROU M8 X1,25 U5588 6.8 ZN	MUTTER M8 X1,25 U5588 6.8 ZN	TUERCA M8 X1,25 U5588 6.8 ZN
5	F01020470	VITE M10X1,5X20 U5739 8.8ZN	SCR. M10X1,5X20 U5739 8.8ZN	VIS M10X1,5X20 U5739 8.8 ZN	SCHRAUBE M10X1,5X20 U5739 ZN	TORNILLO M10X1,5X20 U5739 8.8ZN
6	F01480220	RONDELLA D10 UNI 1751 ZN	WASHER D10 UNI 1751 ZN	RONDELLE D10 UNI 1751 ZN	UNTERLEGSCHEIBE D10 UNI 1751 Z	ARANDELA D10 UNI 1751 ZN
7	F01410064	ROS.M10 10,5X 20X 2 U6592 ZN >	WASHER M10 10,5X20X2 U6592 ZN	RONDEL. M10 10,5X20X2 U6592 ZN	SCHEIBE M10 10,5X20X2 U6592 ZN	ARANDEL.M10 10,5X20X2 U6592 ZN
8	F01020112	VITE M10X1,5X45 U5737 8.8ZN >	SCR. M10X1,5X45 U5737 8.8ZN	VIS M 10X45	SCHRAUBE M 10X45	TORNILLO M 10X45
9	F01220033	DADO M10X1,5 D980 8ZN	NUT M10X1,5 D980 8ZN	ECROU M10X1,5 D980 8ZN	MUTTER M10X1,5 D980 8ZN	TUERCA M10X1,5 D980 8ZN

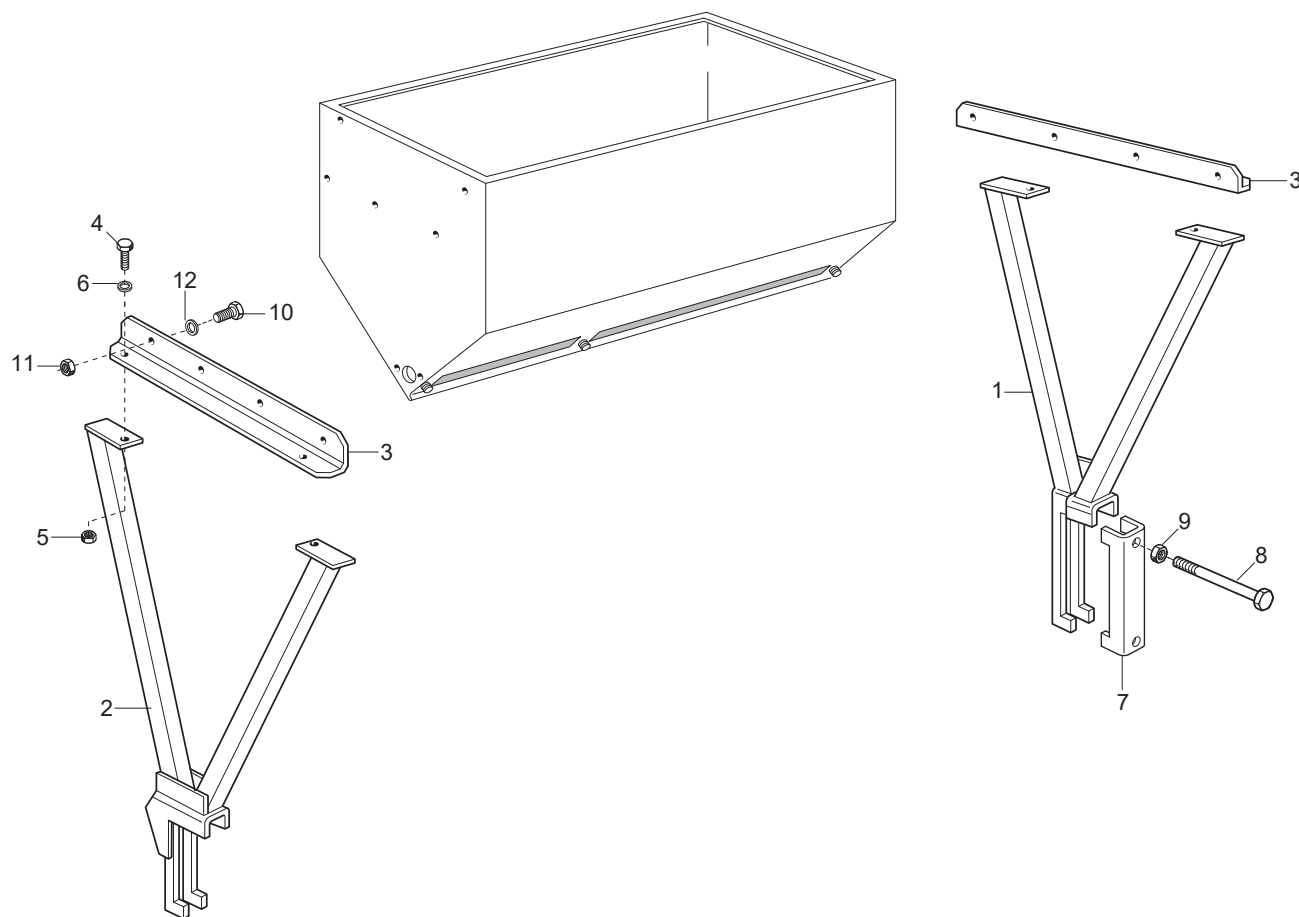
5.00-15 / 6.50/80-15 / 7.50/16-16



KIT RUOTE PER TERRENI SASSOSI - FLANGIATURA RUOTE

TAV. 220

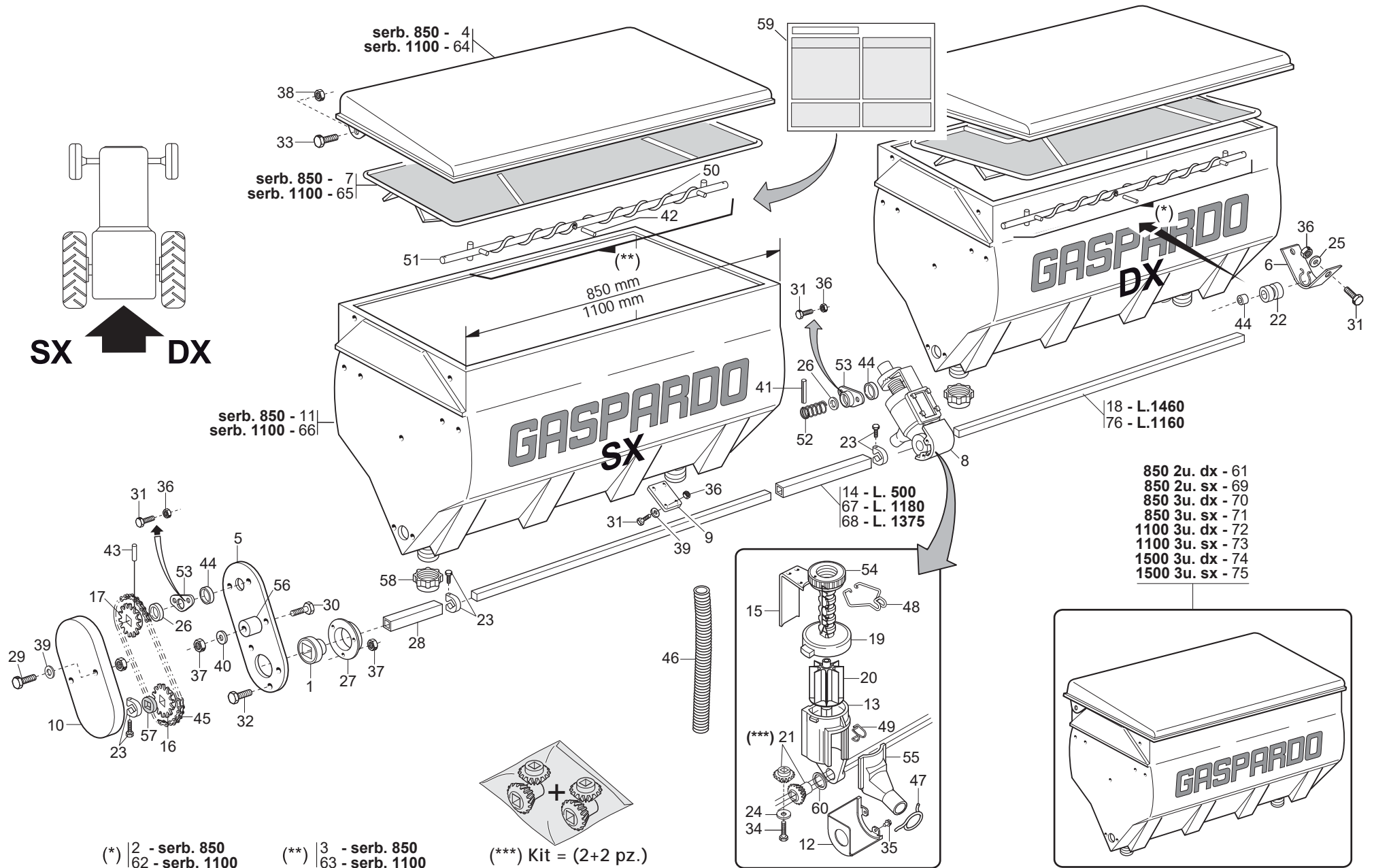
Pos.	Cod.	Descrizione	Description	Description	Benennung	Descripcion
1	F01220022	DADO M8X1,25 D980 8ZN	NUT M8X1,25 D980 8ZN	ECROU M8X 1,25 D980 8 ZN	MUTTER M8X 1,25 D980 8 ZN	TUERCA M8X 1,25 D980 8 ZN
2	F01420048	ROS.M8 8,4X 24X 2 U6593 ZN	WASHER M8 8,4X 24X2 U6593 ZN	RONDELLE M8 8,4X24X 2 U6593 ZN	SCHEIBEN M8 8,4X24X 2 U6593 ZN	ARANDELA M8 8,4X 24X2 U6593 ZN
3	F01020090	VITE M8X1,25X100 U5737 8.8ZN	SCR. M8X1,25X100 U5737 8.8ZN	VIS M8X1,25X100 U5737 8.8ZN	SCRAU. M8X1,25X100 U5737 8.8ZN	TORN. M8X1,25X100 U5737 8.8ZN
4	G14830221	DISCO PROTEZIONE SASSI	DISK PROTECTIONS SASSI			
5	F01020097	VITE M8X1,25X150 U5737 8.8ZN	SCR. M8X1,25X150 U5737 8.8ZN	VIS 8 X150 5737 8.G ZN	SCHRAUBE 8 X150 5737 8.G ZN	TORNILLO 8 X150 5737 8.G ZN
6	G15231910	DISCO PROTEZIONE SASSI R7.50	STONE GUARD DISK R7.50			



SUPPORTI SERBATOI SPANDICONCIME

TAV. 230

Pos.	Cod.	Descrizione	Description	Description	Benennung	Descripcion
1	G14276051	SUPPORTO SPANDICONCIME DX	FERTILIZER SPREADER SUPPORT R.	SUPPORT +PANDEUR D'ENGRAIS DRO	HALTERUNG D_NGERSTREUER RE	SOPORTE ABONADORA DCHA
2	G14276061	SUPPORTO SPANDICONCIME SX	FERTILIZER SPREADER SUPPORT L.	SUPPORT +PANDEUR D'ENGRAIS GAU	HALTERUNG D_NGERSTREUER LI	SOPORTE ABONADORA IZQDA
3	G14276071	SUPPORTO SPANDICONCIME	FERTILIZER SPREADER SUPPORT	SUPPORT +PANDEUR D'ENGRAIS	HALTERUNG D_NGERSTREUER	SOPORTE ABONADORA
4	F01020472	VITE M10X1,5X25 U5739 8.8ZN >	SCR. M10X1,5X25 U5739 8.8ZN	VIS M10X1,5X25 U5739 8.8 ZN	SCHRAUBE M10X1,5X25 U5739 8.8	TORNILLO 10X25 U5739 8.8 ZN
5	F01200270	DADO M10X1,5 U5588 CL8 ZN >	NUT M10X1,5 U5588 6.8ZN	ECROU M10X 1,5 U5588 6.8 ZN	MUTTER M10X 1,5 U5588 6.8 ZN	TUERCA M10X 1,5 U5588 6.8 ZN
6	F01420060	ROS.M10 10,5X 30X2,5 U6593 ZN	GALV.WASHER 10,5X30X2,5 U6593	RONDELLE 10,5X30	SCHEIBE 10,5X30	ARANDELA 10,5X30
7	G15110091	SCONTRO A U SP.8 2F15 165	STRIKER	BRIDE 150 MM	ANSCHLAG	ELEMENTO DE EMPALME
8	F01020225	VITE M14X2X160 U5737 8.8BR	SCR. M14X2X160 U5737 8.8BR	VIS M 14 X160 5737 8.G	SCHRAUBE M 14 X160 5737 8.G	TORNILLO M 14 X160 5737 8.G
9	F01200306	DADO M14X2 U5588 CL8 ZN >	NUT M14X2 U5588 6.8ZN	ECROU M14X2	MUTTER M14X2	DADO M14X2
10	F01020465	VITE M10X1,5X35 U5739 A2IX	SCR. M10X1,5X35 U5739 A2IX	VIS M10X1,5X35 U5739 A2IX	SCHRA.M10X1,5X35 U5739 A2IX	TOR.M10X1,5X35 U5739 A2IX
11	F01200271	DADO M10X1,5 U5588 A2IX	NUT M10X1,5 U5588 A2IX	ECROU 10 5588 6.8 INOX	MUTTER 10 5588 6.8 INOX	TUERCA 10 5588 6.8 INOX
12	F01420059	ROS.M10 10,5X 30X2,5 U6593 IX	WASHER 11X30X2,5 6593 A2	RONDELLE 11X30X2,5 6593 A2	UNTERLEGSCHIEBE 11X30X2,5 6593	ARANDELA 11X30X2,5 6593 A2

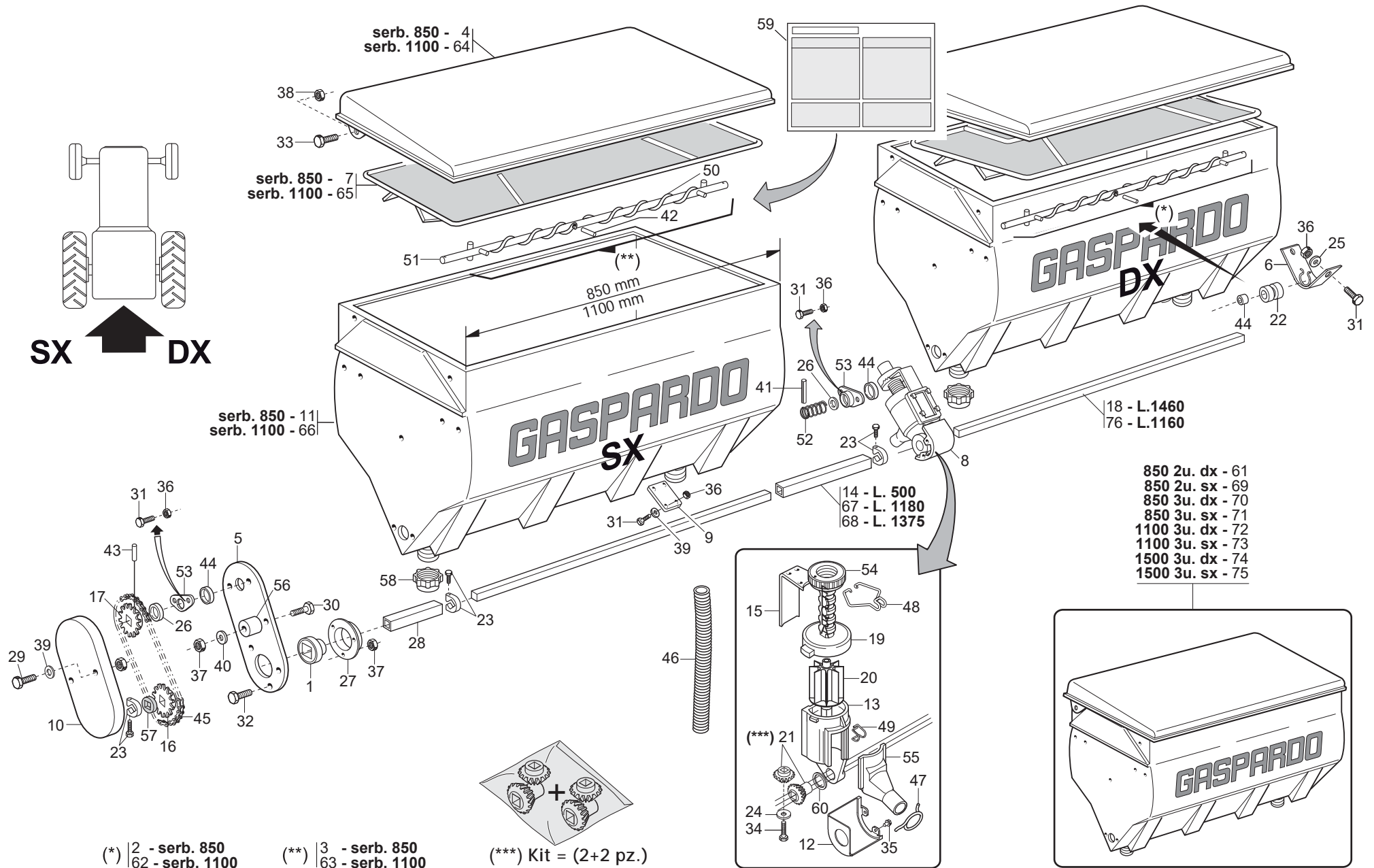


SERBATOI SPANDICONCIME

TAV. 240

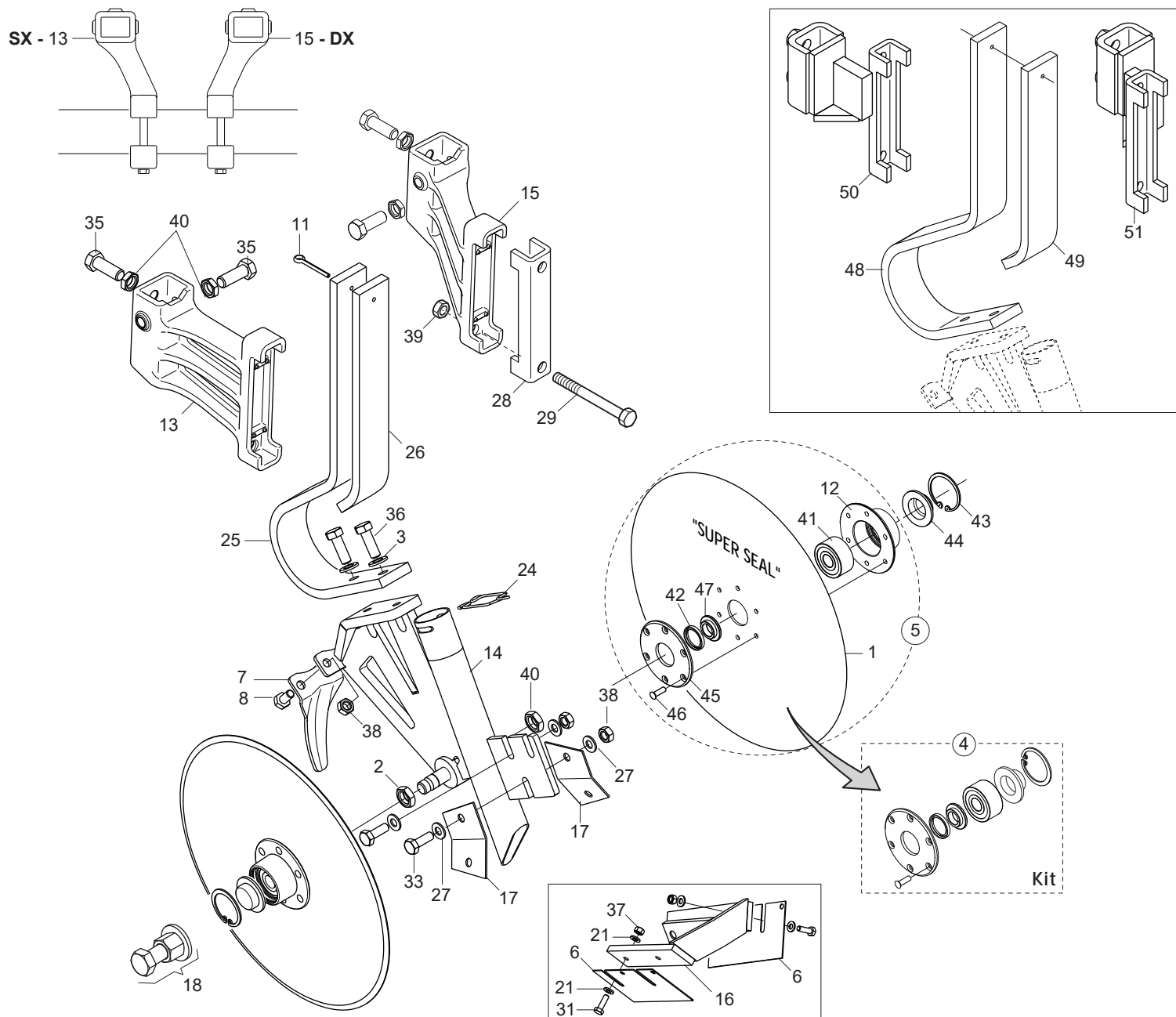
Pos.	Cod.	Descrizione	Description	Description	Benennung	Descripcion
1	G14830390	CUSCINETTO FORO QUADRO	SQUARE-HOLED BEARING	ROULEMENT TROU CARRE	VIERKANTLAGER	COJINETE ORIFICIO CUADRADO
2	G20860121	ASSE AGITAT.DX SERB.850 COMPL.	STIRRER SPINDLE- RIGHT 850 TAN	AXE AGITATEUR DRT. RESERVOIR 8	SAMENMISCHERACHSE RE BEH.850	EJE AGITAD. DER. DEPS.850 COMA
3	G20860122	ASSE AGITAT.SX SERB.850 COMPL.	STIRRER SPINDLE- LEFT 850 TANK	AXE AGITATEUR GCH. RESERVOIR 8	SAMENMISCHERACHSE LI BEH.850	EJE AGITAD. IZQ. DEPS. 850 COA
4	G15470580	COPERCHIO SERBATOIO 850	TANK TOP 850	COUVERCLE RESERVOIR 650	BEHZLTERDECKEL 850	TAPA DEPSITO 850 A
5	G15471930	PROTEZIONE	GUARD	PROTECTION	SCHUTZ	PROTECCIN P
6	G15471990	SUPPORTO COCLEA	SCREW SUPPORT	SUPPORT VIS ALIMENTATION	HALTERUNG SCHNECKE	SOPORTE CCLEA S
7	G15472760	GRIGLIA SERBATOIO PLASTICA 850	PLASTIC TANK GRID 850	GRILLE RESERVOIR PLASTIQUE 850	BEHZLTERGITTER PLAST.850	REJILLA DEPSITO PLAST.850 G
8	G15472770	DISTRIB.PER SPANDI.PLA.8 PALE	COMPL.PLAS.FERTIL.DISTR.8RIBS	MINIMAX COMPL.8C PLA	KOMPL.DOSIER.PLA.DÜNGERSTR.8S	DISTR.COMP.ABONO PLAST.8AL.
9	G15472780	TAPPO SPANDI PLASTICA	PLASTIC FERT. SPREADER PLUG	BOUCHON EPAND. PLASTIQUE	PLASTIKPFROPFEN DsNGERSTR.	TAPN ABONADORA PLæSTICO D
10	G19002710	PROTEZ.RINIVIO SPANDICONCIME	FERTILIZER TRANSM. PROTECTION	PROTECTION RENVOI FERTILISEUR	SCHUTZ VORGELEGE DUNGERSTREUER	PROTECCION TRANSMISION ABONADO
11	G19004470	SERBATOIO CONCIME 850	FERTILIZER HOPPER 850	TR+MIE ENGRAIS 850	D_NGERTANK 850	DEPÉSITO ABONO 850
12	G19002850	PROTEZIONE PIGNONE	PINION GUARD	PROTECTION PIGNON	RITZELSCHUTZ	PROTECCIN PIGNON PR
13	G19002920	CORPO DISTRIBUTORE SPANDI PLA.	PLA. F.SPREADER DISTRIB.CASING	CORPS DISTRIBUTEUR EPAND.	VERTEILUNGSKTRPRER STREUER PLA.	CUERPO DIST. ABONADORA PLæS.
14	G20860012	MANICOTTO DI UNIONE L.500	JOINT SLEEVE L.500	MANCHON DE RACCORD L. 500	VERBINDUNGSMUFFE L.500	MANGUITO DE UNIN L.500 M
15	G20860052	REGOLATORE APERTURA	OPENING REGULATOR	REGULATEUR OUVERTURE	TFFNUNGSEINSTELLER	REGULADOR ABERTURA
16	G20860086	INGRANAGGIO 1/2 Z-12 F.Q.	GEAR 1/2 Z-12 F.Q.	ENGRENAGE 1/2 Z-12 TROUS CARRE	ZAHNRAD 1/2 Z-12 F.Q.	ENGRANAJE 1/2 Z-12 F.Q.
17	G20860088	INGRANAGGIO 1/2 Z-12 F.T.	GEAR 1/2 Z-12 F.T.	ENGRENAGE 1/2 Z-12 TROUS ROND	ZAHNRAD 1/2 Z-12 F.T.	ENGRANAJE 1/2 Z-12 F.T.
18	G20860090	ASSE TRASMISSIONE L.1460	AXLE- LEFT 5-R.60 L.1460	AXE GCH. 5 RANGEES 60 L. 1460	ACHSE LI 5R.F.60 L.1460	EJE IZQ. 5 FILA. 60 L.1460
19	G20860093	VITE DI REGOL.	ADJUSTMENT BOLT	VIS DE REGLAGE	EINSTELLSCHRAUBE.	TORNILLO DE REGULACIN S
20	G20860106	DOSATORE SPANDI 8 PALE COMPL.	FERT.METERING DEVICE ASS.8 GRO	ROTOR DOSEUR 8C FERTIL COMPL.	DOSIERER DUNGER.KOMPL. 8 SEKT	DOSIFICADOR ABONO COMP.8 SECT
21	G20860126	KIT INGR DISTR CONCIME (2+2)	KIT-MAN. DISTR. GEARS (2+2)	COUPLE CON DISTR ENGRAIS (2+2)	KIT ZAHNRZDER DsNGERSTREUER	SET ENGRANAJES DISTRIB. ABONO
22	G19005040	BOCCOLA ASSE AGITATORE SPANDI	FERT. SPREADER AXLE BUSH	DOUILLE AXE +PANDEUR	ACHSENBUCHSE STREUER	MANGUITO -RBOL ABONADORA
23	G22505085	FERMO ASSE IN LAMIERA	PLATE AXLE STOP	ARRET AXE EN TOLE	FESTSTELLVORRICHTUNG BLECHACHS	BLOQUEO EJE DE CHAPA
24	G20970097	RONDELLA 32X3X4,5	WASHER 32X3X4-5	RONDELLE 32X3X4-5	UNTERLEGSCHIEBE 32X3X4-5	ARANDELA 32X3X4-5
25	G20970125	RONDELLA 28X2,5X6,5	WASHER 28X2-5X6-5	RONDELLE 28X2-5X6-5	UNTERLEGSCHIEBE 28X2-5X6-5	ARANDELA 28X2-5X6-5
26	G22220073	RONDELLA 28X0,3X16,5	WASHER 28X0-3X16-5	RONDELLE 28X0-3X16-5	UNTERLEGSCHIEBE 28X0-3X16-5	ARANDELA 28X0-3X16-5
27	G22230094	SUPPORTO CUSCINETTO	BEARING SUPPORT	SUPPORT PALIER	LAGERBSCHSE	SOPORTE COJINETE
28	G22250287	MANICOTTO DISTANZIALE SV	SPACER SLEEVE SV	MANCHON ENTRETOISE SV	ABSTANDSMUFFE SV	MANGUITO DISTANCIADOR SV
29	F01020043	VITE M6X1X60 U5737 8.8ZN	SCR. M6X1X60 U5737 8.8ZN	VIS M6X1X60 U5737 8.8 ZN	SCHRAUBE M6X1X60 U5737 8.8 ZN	TORNILLO M6X1X60 U5737 8.8 ZN
30	F01020068	VITE M8X1,25X40 U5737 8.8ZN >	SCR. M8X1,25X40 U5737 8.8ZN	VIS M 8X1,25X40 U5737 8.8 ZN	SCHRA. M8X1,25X40 U5737 8.8 ZN	TORNIL.M8X1,25X40 U5737 8.8 ZN
31	F01020403	VITE M6X1X16 U5739 8.8ZN	SCR. M6X1X16 U5739 8.8ZN	VIS M6X1X16 U5739 8.8 ZN	SCHRAUBE M6X1X16 U5739 8.8 ZN	TORNILLO M6X1X16 U5739 8.8 ZN
32	F01020432	VITE M8X1,25X16 U5739 8.8ZN >	SCR. M8X1,25X16 U5739 8.8ZN	VIS M8 X1,25X16 U5739 8.8 ZN	SCHRAUBE M8X1,25X16U5739 8.8ZN	TORNILLO M8X1,25X16U5739 8.8ZN
33	F01020472	VITE M10X1,5X25 U5739 8.8ZN >	SCR. M10X1,5X25 U5739 8.8ZN	VIS M10X1,5X25 U5739 8.8 ZN	SCHRAUBE M10X1,5X25 U5739 8.8	TORNILLO 10X25 U5739 8.8 ZN
34	F01070075	VITE A4,2X1,41X38 U6954 4.8NI	SCR. H4,2X1,41X38 U6954 4.8NI	VIS 4-2X38 DIN 7981	SCHRAUBE 4-2X38 DIN 7981	TORNILLO 4-2X38 DIN 7981
35	F01070011	VITE A4,2X1,41X9,5 U6950 4.8NI	SCR. H4,2X1,41X9,5 U6950 4.8NI	VIS AUTOTAR. 4-2X9-5 T. E. COU	SELBSTSCHNEID. SCHRAUBE 4-2X9-	TORNILLO AUTORROSC. 4-2X9-5
36	F01200232	DADO M6X1 U5588 CL8 ZN >	NUT M6X1 U5588 6.8ZN	ECROU 6 UNI 5588 6.8 ZN	MUTTER 6 UNI 5588 6.8 ZN	TUERCA 6 UNI 5588 6.8 ZN
37	F01200244	DADO M8X1,25 U5588 CL8 ZN >	NUT M8X1,25 U5588 6.8ZN	ECROU M8 X1,25 U5588 6.8 ZN	MUTTER M8 X1,25 U5588 6.8 ZN	TUERCA M8 X1,25 U5588 6.8 ZN
38	F01220033	DADO M10X1,5 D980 8ZN	NUT M10X1,5 D980 8ZN	ECROU M10X1,5 D980 8ZN	MUTTER M10X1,5 D980 8ZN	TUERCA M10X1,5 D980 8ZN
39	F01410037	ROS.M6 6,4X12,5X1,6 U6592 ZN>	WASHER M6 6,4X12,5X1,6 U6592ZN	RONDEL.M6 6,4X12,5X1,6 U6592ZN	SCHEIB.M6 6,4X12,5X1,6 U6592ZN	ARAND.M6 6,4X12,5X1,6 U6592 ZN
40	F01410051	ROS.M8 8,4X 17X1,6 U6592 ZN >	WASHER M8 8,4X17X1,6 U6592 ZN	RONDELLE M8 8,4X17X1,6 U6592ZN	SCHEIBE M8 8,4X17X1,6 U6592 ZN	ARANDELA M8 8,4X17X1,6 U6592ZN
41	F02100079	SPINA E.P. 5X 20 U6873 C70 BR	PIN EL. 5X 20 U6873 C70 BR			
42	F02100089	SPINA E.P. 5X 36 U6873 C70 BR	PIN EL. 5X 36 U6873 C70 BR	FICHE EL. 5X 36 U6873 C70 BR	STIFT EL. 5X 36 U6873 C70 BR	CLAVIJA EL. 5X 36 U6873 C70 BR
43	F02100114	SPINA E.P. 6X 30 U6873 C70 BR	ELASTIC PIN 6X30	GOUJON ELASTIQUE 6X30	SPANNHUELSE 6X30	ESPINA ELASTICA 6X30
44	F03011081	GUARNIZIONI LABBRO DE100	LIP GASKET D100			
45	F06080196	CATENA 1/2 ISO 083 32 MAGLIE	CUT-DOWN CHAIN .1/2 ISO 083 32	TRONCON CHAINE 1/2 ISO 083 32	KETTENLNZNGE 1/2 ISO 083 32 GL	TRECHO CADENA 1/2 ISO 083 32
46	F03100500	TUBO EOLO 35 PU	TUBE EOLO 35 PU	TUBE EOLO 35 PU		TUBO EOLO
47	G65336025	MOLLA SPEC.ZN STRINGIT.ASP.SP	SPEC SPRING ZN FAN . PIPE CLAM	RESSORT SPEC. ZN SERRE-TUBE AS	SPEZIALFEDER ZN RORHSCHELLE AB	MUELLE ESPEC. ZN APRIETA TUBOS
48	G65336055	MOLLA SPEC.REGOL.SPAND. SP	SPEC SPRING MAN. SPR. ADJUSTM.	RESSORT SPEC. REGL. EP. ENTRA	SPEZIALFEDER STREUERINSTELLUN	MUELLE ESPEC. REGUL. ABONADORA
49	G65336062	MOLLA SPEC.SCIV.DISTR.SPAND.SP	SPEC SPRING - MAN. SPR. DISTR.	RESS. SPEC. LANCOIR DISTR. EP.	SPEZ.FEDER RUTSCHE SZAPP. STRE	MUELLE ESPEC.PLANO INCL.DISTR.
50	G65336064	MOLLA SPEC.COCLEA DX SPAND.HL	SPEC. WORM SCREW SPRING RIGHT	RESSORT SPEC. VIS DRT. EP. ENG	SPEZ.FEDER RE SCHNECKE STREUER	MUELLE ESPEC. TORN.S/F DER. AB
51	G65336065	MOLLA SPEC.COCLEA SX SPAND.HL	SPEC. WORM SCREW SPRING LEFT M	RESSORT SPEC. VIS GCH. EP. ENG	SPEZ.FEDER LI SCHNECKE STREUER	MUELLE ESPEC. TORN.S/F IZQ. AB
52	G65338043	MOLLA COMP.ZN SERB. M80	ZN TANK COMP.SPRING M80	RESSORT COMPL. ZN RESERVOIR M8	DRUCKFEDER ZN BEHZLTER M80	AB MUELLE COMP.ZN DEPS. M80 A
53	G66248121	BOCCOLA CON FLANGIA M80	BUSHING W/ FLANGE M80	SUPPORT AVEC BRIDE M80	BsCHSE MIT FLANSCH M80	CASQUILLO CON BRIDA M80
54	G66248125	GHIERA REGOLAZIONE M80	ADJUSTMENT KNURLED NUT M80	BAGUE REGLAGE M80	EINSTELLMUTTER M80	CONTRATUERCA REGULACIN M80 G
55	G66248178	SCIVOLO DISTR.SPAND. SP	CHUTE- MANURE-SPREADER DISTRIB	LANCOIR DISTRIBUTION EP. ENGR.	DsNGERSTREUER RUTSCHE SP	PLANO INCLINADO DISTR. ABON. S

TAV. 240



SERBATOI SPANDICONCIME
TAV. 240

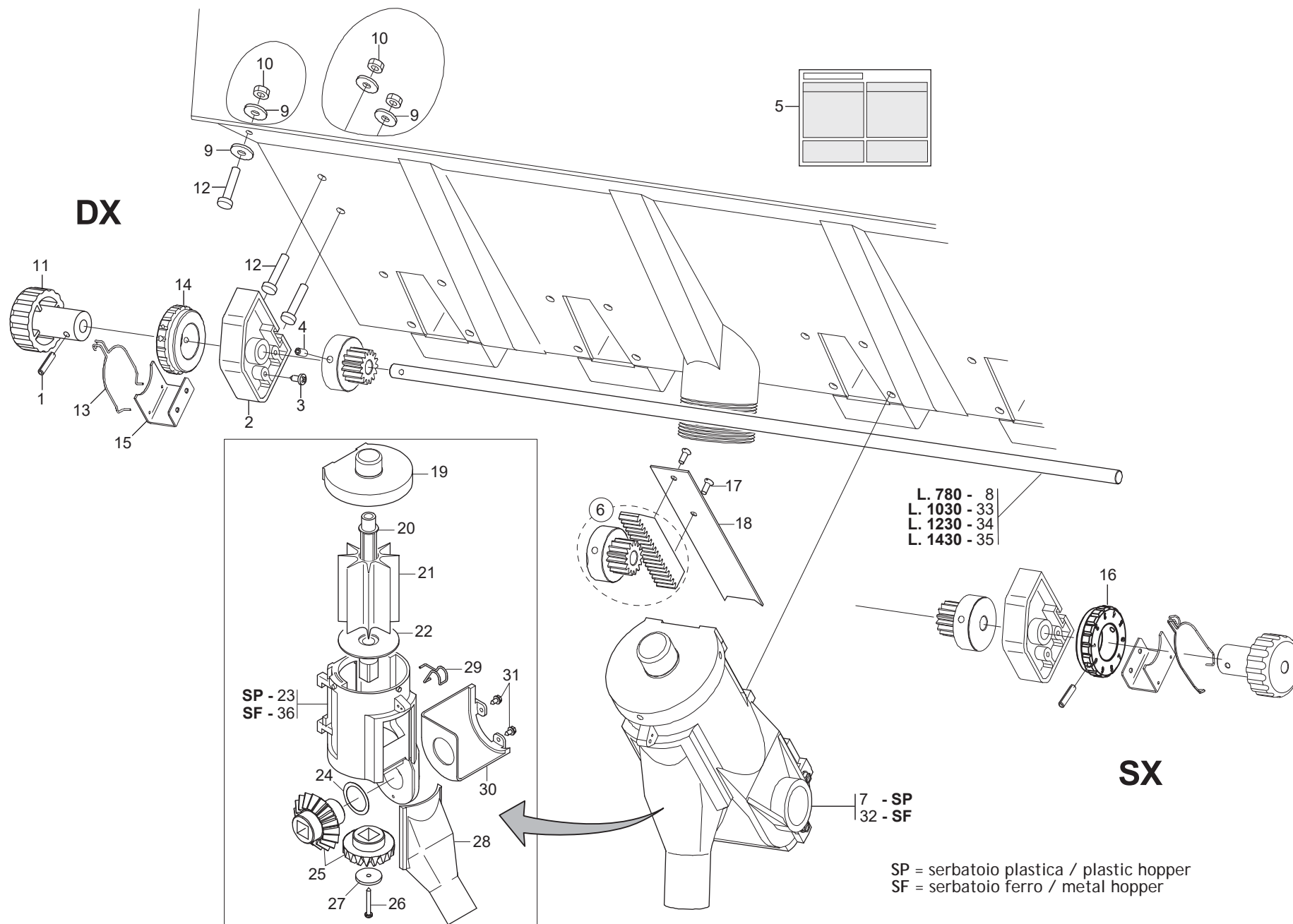
Pos.	Cod.	Descrizione	Description	Description	Benennung	Descripcion
56	G66248207	TENDICATENA SPAND. SP-520	CHAIN TENSIONER	TENDEUR DE CHAINE EPAND. ENGR.	KETTENSPELLER SP-520	SENSOR DE CADENA ABON. SP-520
57	G66248218	RONDELLA DISTAN.SPANDI	MAN. SPR. SPACER WASHER	RONDELLE ENTRETOISE EP. ENGRAI	ABSTANDSCHEIBE SP-520	ARANDELA DISTAN.ABONAD.
58	F03150757	TAPPO FILETT.SERBAT.PLASTICA	SCREWED PLUG FOR PLASTIC TANK			
59	G19700822	DECAL.TABELLA CONCIME SP540	DECAL.FERTILIZER TABLE SP540			
60	G18701500	RONDELLA 29,5 X38 X0,3 IX	WASHER 29,5 X 38 X 0,3	RONDELLE 29,5 X38 X0,3	UNTERLEGSCHLEIBE 29,5X38X0,3	ARANDELA 29,5 X38 X0,3
61	G15472790	SERBATOIO 850 PLA.2U DX	PLAS.FERT.TANK 850 2 OUT. RH	RESERV 850 PLA 2S COMPL DRT	BEHZLTER 850 PLAST. RE 2 AUSG.	DEPSITO 850 PLA.2 SAL. DER. B
62	G15271540	ASSE AGITATORE DX 1100	STIRRER SPINDLE-RIGHT 1100 TAN	AXE AGITATEUR DRT.RESERV.1100	SAMENMISCHERACHSE RE BEH.1100	EJE AGITAD.DER.DEPS.1100 COM A
63	G15271550	ASSE AGITATORE SX 1100	STIRRER SPINDLE- LEFT 1100	AXE AGITATEUR GCH. 1100	SAMENMISCHERACHSE LINKER 1100	EJE AGITAD. IZQ. 1100
64	G15471920	COPERCHIO SERBATOIO L.1100	TANK COVER L.1100	COUVERCLE RESERVOIR L.1100	BEHZLTERDECKEL L.1100	TAPA DEPS.L.1100 A
65	G15473130	GRIGLIA SERBATOIO 1100 PLAST.	PLASTIC TANK GRID 1100	GRILLE RESERVOIR PLAST.1100	BEHZLTERGITTER PLAST.1100	REJILLA DEPSITO PLAST.1100 G
66	G19003060	SERBATOIO 1100 PLASTICA	PLASTIC TANK 1100	RESERVOIR 1100 PLASTIQUE	PLASTIKBEHZLTER 1100	DEPSITO 1100 PLÆSTICA B
67	G20910045	MANICOTTO UNIONE L.1180	JOINT SLEEVE L.1180	MANCHON RACCORD L. 1180	VERBINDUNGSMUFFE L.1180	MANGUITO DE UNIN L.1180 M
68	G20910044	MANICOTTO UNIONE L.1375	JOINT SLEEVE L.1375	MANCHON RACCORD L. 1375	VERBINDUNGSMUFFE L.1375	MANGUITO DE UNIN L.1375 M
69	G15472800	SERBATOIO 850 PLA.2U SX	PLAS.FERT.TANK 850 2 OUT. L	RESERV 850 PLA 2S COMPL GCH	BEHZLTER 850 PLAST. LI 2 AUSG.	DEPSITO 850 PLA.2 SAL. IZQ. B
70	G15472810	SERBATOIO 850 PLA.3U DX	PLAS.FERT.TANK 850 3 OUT. RH	RESERV 850 PLA 3S COMPL DRT	BEHZLTER 850 PLAST. RE 3 AUSG.	DEPSITO 850 PLA.3 SAL. DER. B
71	G15472820	SERBATOIO 850 PLA.3U SX	PLAS.FERT.TANK 850 3 OUT. LH	RESERV 850 PLA 3S COMPL GCH	BEHZLTER 850 PLAST. LI 3 AUSG.	DEPSITO 850 PLA.3 SAL. IZQ. B
72	G15272680	SERBATOIO 1100 3U.DX PLA.COMP.	TANK ASSY.1100 RIGHT 3U	RESERV 1100 PLA 3S COMPL DRT	KOMPL. BEHZLTER 1100 RE 3AUSG	DEPS. COMPL.1100 DER. 3 SAL. B
73	G15272720	SERBATOIO 1100 3U.SX PLA.COMP.	TANK ASSY. 1100 LEFT 3U	RESERV 1100 PLA 3S COMPL GCH	KOMPL. BEHZLTER 1100 LI 3AUSG	DEPS. COMPL.1100 IZQ. 3 SAL. B
74	G15471430	SERBATOIO 1500 3U DX	TANK ASSY.1500 LEFT 3U	RESERV 1500 FER 3S COMPL DRT	KOMPL. BEHZLTER 500 LI 3U	DEPS. COMPL.500 IZQ. 3 SAL. B
75	G15471440	SERBATOIO 1500 3U SX	TANK ASSY.1500 LEFT 3U	RESERV 1500 FER 3S COMPL DRT	KOMPL. BEHZLTER 1500 LI 3U	DEPS. COMPL.1500 IZQ. 3 SAL. B
76	G20860032	ASSE RUOTA CAMBIO L.1160	WHEEL AXLE - GEARBOX L.1160	AXE ROUE BOITE DE VITESSE	GEBTRIEBERADACHSE L 1160	EJE RUEDA CAMBIO L.1160



ELEMENTI DI CONCIMAZIONE

TAV. 252

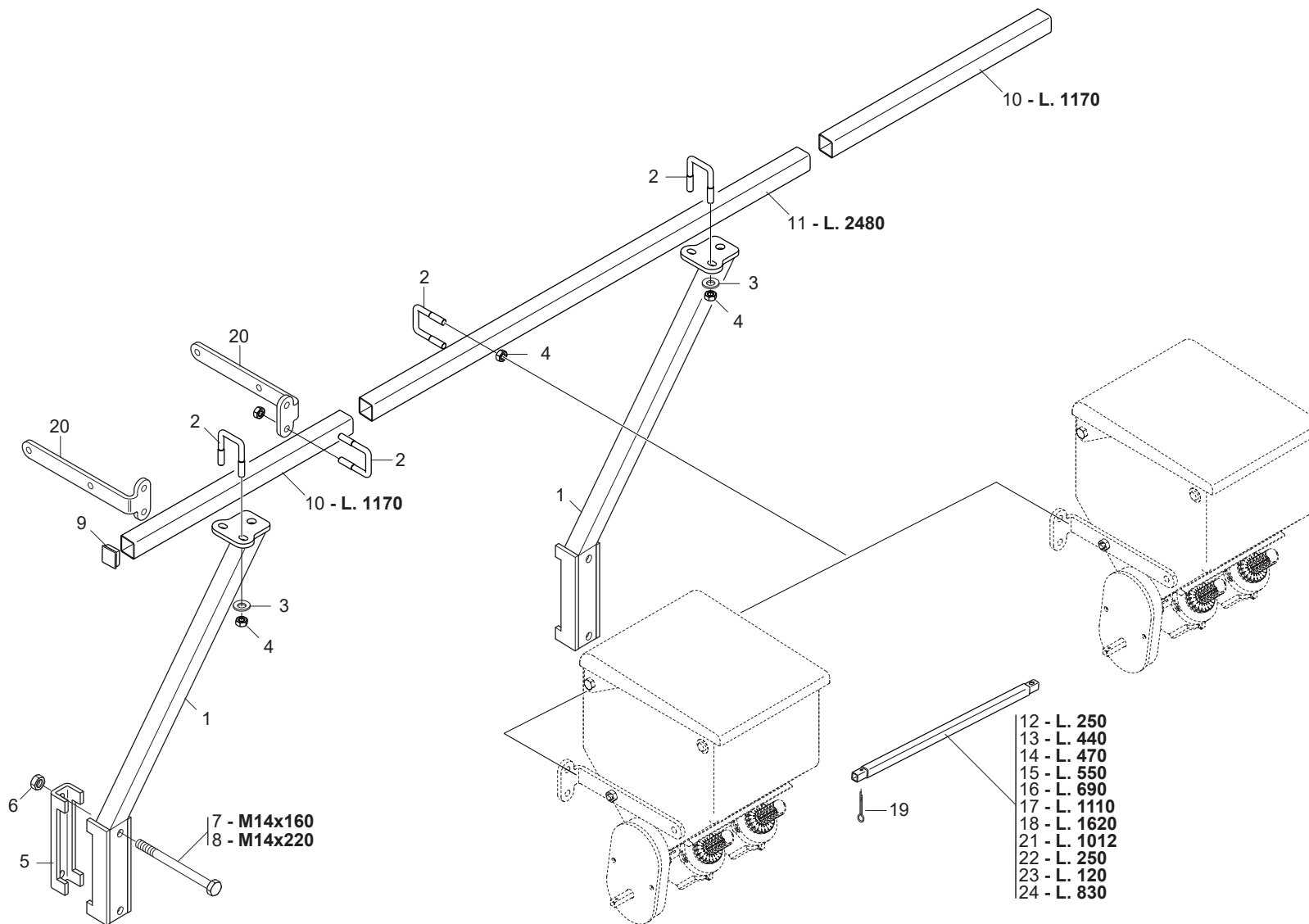
Pos.	Cod.	Descrizione	Description	Description	Benennung	Description
1	G13825091	DISCO ASSOLCATORE D.373	FURROW OPENER DISK D.373	DISQUE SOC D. 373 6 T.D.6	SCHEIBE SZSCHARENREISSER D.373	DISCO SURCADOR D.373
2	G15220540	DADO M16X1,5 SX ZN	NUT M16X1-5 LEFT	ECROU M16X1-5 GCH	MUTTER M16X1-5 LI	TUERCA M16X1-5 IZQ
3	F01410076	ROS.M12 13X 24X2,5 U6592 ZN >	WASHER 12 13X 24X2,5 U6592 ZN	RONDEL. M12 13X24X2,5 U6592 ZN	SCHEIBE M12 13X24X2,5 U6592 ZN	ARANDELA M12 13 X24X2,5 ZN
4	G15226600	KIT X DISCO SUPER SEAL	SUPER-SEAL DISC KIT			KIT PARA DISCO SUPER SEAL
5	G15225500	DISCO ASSOLC.PROTETTO COMPL. >	FULLY PROTECTED DISC COULTER	DISQUE DU SOC PROT+G+ COMPLET		DISCO SURGADOR COMPLETO
6	G15422231	RASCHIATERRA DISCO	SCRAPER DISK			
7	G15225861	PROTEZIONE DISCHI	DISC PROTECTION			
8	F01020470	VITE M10X1,5X20 U5739 8.8ZN	SCR. M10X1,5X20 U5739 8.8ZN	VIS M10X1,5X20 U5739 8.8 ZN	SCHRAUBE M10X1,5X20 U5739 ZN	TORNILLO M10X1,5X20 U5739 8.8ZN
9	G19203920	SUPP.MOLLA QUADRA DOPPIA POS.	SQUARE SPRING SUPPORT			
10	G16670600	FALCIONE ELEM.CONCIMAZ.QUADRA	SQUARE SPRING FERT COULTER	SOC +LEM. FERTILIS. RESSORT CA	S-SCHAR ELEM.D_NGUNG QUADR.FED	BOTA ELEM.ABONAD.MUELLE CUADRA
11	F02200229	COPIGLIA 5X 45 U1336 ZN	SPLIT PIN 5X 45 U1336 ZN	GOUPILLE 5X 45 U1336 ZN	SPANNSTIFT 5X 45 U1336 ZN	PASADOR 5X 45 U1336 ZN
12	G15223651	SUPPORTO CUSCINETTO DISCO	DISC BEARING SUPPORT	SUPPORT PALIER DISQUE	SCHEIBENLAGERBsCHSE	SOPORTE COJINETE DISCO
13	G19204131	SUPP.SX MOLLA PIATTA	LEFT PLATE SPRING SUPPORT			
14	G15472111	SUPPORTO DISCHI CONCIMAZIONE	FERT.DISCS SUPPORT			
15	G19204121	SUPP.DX MOLLA PIATTA	RIGHT PLATE SPRING SUPPORT			
16	G15472290	SUPPORTO RASCHIAT.DISCHI CONC.	FERTIL DISCS SOIL SCRAPER SUPP	SUPP. RACLEUR DISQUES FUMAGE	HALTER. ERDSCHABER DsNGUNGSSCH	SOPORTE RASCADOR DISCOS ABONO
17	G15472301	RASCHIATERRA INTERNO	INTERNAL SCRAPER SOIL			
18	G15225240	ESTRATTORE DISCHI ELEMENTO MT	SEED PLATE EXTRACTOR ELEM. MT	EXTRACTEUR DISQUE ELEMENT MT	SCHEIBENAUSZIEHER ELEMENT MT	EXTRACTOR DISCOS ELEMENTO MT
19	G18902770	MOLLA CONCIMAZIONE 20X20 DX	SPRING 20X20 FERTILIZER RIGHT	RESSORT FUMAGE 20X20 DRT	FEDER DsNGUNG 20X20 RE	MUELLE ABONO 20X20 DER
20	G18902780	MOLLA CONCIMAZIONE 20X20 SX	SPRING 20X20 FERTILIZER LEFT	RESSORT FUMAGE 20X20 GCH	FEDER DsNGUNG 20X20 LI	MUELLE ABONO 20X20 IZQ
21	F01420036	ROS.M6 6,4X 18X1,5 U6593 ZN	WASHER M6 6,4X 18X1,5 U6593 ZN	RONDELLE M6 6,4X18X1,5 U6593ZN	SCHEIBEN M6 6,4X18X1,5U6593 ZN	ARANDELA M6 6,4X18X1,5U6593ZN
22	G18903200	FERMO SPIRALE	SPIRAL STOP	ARRET SPIRALE	FESTSTELLVORRICHTUNG SPIRALE	BLOQUEO ESPIRAL
24	G18903911	MOLLA FERMO TUBO D.35 ZN	PIPE LOCK SPRING D.35	RESSORT ARR-T TUBE D.35	ROHRSPERRFEDER D.35	MUELLE TOPE TUBO D. 35
25	G18903451	MOLLA DI CONCIMAZIONE	FERTILIZER SPRING			
26	G18903460	MOLLA RINFORZO CONCIMAZIONE	FERT. REINFOR. SPRING	RESSORT RENFORT FUMAGE	VERST.FEDER DsNGER.	MUELLE REF. ABONO
27	F01410064	ROS.M10 10,5X 20X 2 U6592 ZN >	WASHER M10 10,5X20X2 U6592 ZN	RONDEL. M10 10,5X20X2 U6592 ZN	SCHEIBE M10 10,5X20X2 U6592 ZN	ARANDEL.M10 10,5X20X2 U6592 ZN
28	G15110091	SCONTRO A U SP.8 2F15 165	STRIKER	BRIDE 150 MM	ANSCHLAG	ELEMENTO DE EMPALME
29	F01020236	VITE M14X2X220 U5737 8.8BR >	SCR. M14X2X220 U5737 8.8BR	VIS M14X2X220 U5737 8.8 BR	SCHRAUBE M14X2X220 U5737 8.8	TORNILLO M14X2X220 U5737 8.8
30	F01020156	VITE M12X1,75X50 U5737 8.8ZN->	SCR. M12X1,75X50 U5737 8.8ZN	VIS M12X1,75X50 U5737 8.8 ZN	SCHR. M12X1,75X50 U5737 8.8 ZN	TORN. M12X1,75X50 U5737 8.8 ZN
31	F01020403	VITE M6X1X16 U5739 8.8ZN	SCR. M6X1X16 U5739 8.8ZN	VIS M6X1X16 U5739 8.8 ZN	SCHRAUBE M6X1X16 U5739 8.8 ZN	TORNILLO M6X1X16 U5739 8.8 ZN
32	F01220048	DADO M12X1,75 D980 8ZN	NUT M12X1,75 D980 8ZN	ECROU M12X1,75 D980 8 ZN	SCHEIBE M12X1,75 D980 8 ZN	TUERCA M12X1,75 D980 8 ZN
33	F01020476	VITE M10X1,5X30 U5739 8.8ZN >	SCR. M10X1,5X30 U5739 8.8ZN	VIS M10X1,5X30 U5739 8.8 ZN	SCHRAUBE M10X1,5X30U5739 8.8ZN	TORNIL.M10X1,5X30 U5739 8.8 ZN
34	F01020506	VITE M12X1,75X20 U5739 8.8ZN->	SCR. M12X1,75X20 U5739 8.8ZN	VIS M 12X20	SCHRAUBE M 12X20	TORNILLO M 12X20
35	F01020571	VITE M16X2X50 U5739 8.8ZN	SCR. M16X2X50 U5739 8.8ZN	VIS M16X2X50 U5739 8.8 ZN	SCHRAUBE M16 X2X50 U5739 8.8ZN	TORNIL.M16 X2X50 U5739 8.8 ZN
36	F01020512	VITE M12X1,75X35 U5739 8.8ZN	SCR. M12X1,75X35 U5739 8.8ZN	VIS M12X1,75X35 5739 8.8 ZN	SCHR. M12X1,75X35 5739 8.8 ZN	TORN. M12X1,75X35 5739 8.8 ZN
37	F01200232	DADO M6X1 U5588 CL8 ZN >	NUT M6X1 U5588 6.8ZN	ECROU 6 UNI 5588 6.8 ZN	MUTTER 6 UNI 5588 6.8 ZN	TUERCA 6 UNI 5588 6.8 ZN
38	F01200270	DADO M10X1,5 U5588 CL8 ZN >	NUT M10X1,5 U5588 6.8ZN	ECROU M10X 1,5 U5588 6.8 ZN	MUTTER M10X 1,5 U5588 6.8 ZN	TUERCA M10X 1,5 U5588 6.8 ZN
39	F01200306	DADO M14X2 U5588 CL8 ZN >	NUT M14X2 U5588 6.8ZN	ECROU M14X2	MUTTER M14X2	DADO M14X2
40	F01200442	DADO M16X1,5 U5589 CL8 ZN >	NUT M16X1,5 R. U5589 6.8ZN	ECROU 16X1-5 UNI 5589 6.8 ZN	MUTTER 16X1-5 UNI 5589 6.8 ZN	TUERCA 16X1-5 UNI 5589 6.8 ZN
41	F04010084	CUSC.D17D47 B22,2 3303 LLU/DDU	BEARING 3303 2RS	PALIER 3303 2RS	LAGER 3303 2RS	COJINETE 3303 2RS
42	F03011075	AN. TENUTA B1OF 24X32X4	SEALING RING 24X32X4	BAGUE D'ETANCHEITE 24X32X4	DICHTUNGSRING 24X32X4	ANILLO AISLADOR 24X32X4
43	F02050370	ANELLO E. DI 47X1,75 U7437 C70	SEEGER RING 47X 1,75 U7437 C70	SEEGER E. 47X 1,75 U7437 C70	SEEGERING E. 47X1,75 U7437 C70	ANILLO E. 47X 1,75 U7437 C70
44	G66248248	TAPPO IN PLASTICA	PLASTIC PLUG	BOUCHON EN PLASTIQUE	PLASTIKPFROPFEN	TAPN DE PLÆSTICO D
45	G15225480	FLANGIA INT.DISCO PROTETTO ZN	INNER DISK FLANGE	BRIDE INT. DISQUE	INNENFLANSCH SCHEIBE	BRIDA INTERIOR DISCO
46	F02250521	RIBATTINO TSC 6 X19,8 A/2	RIVET TSC 6X19,8 A/2 BY PIECE	PAQUET RIVETS TSC 6X 19,8 A/2	PACKUNG NIETEN TSC 6X19,8 A/2	PAQU.REMACHES TSC 6X 19,8 A/2
47	G15225490	BOCCOLA PARAP.DISCO PROTETTO	DISC DUST SEAL BUSH D.34	BOITE PARAP.DISCO PROTETTO	BUCHSE PARAP.DISCO PROTETTO	MANGUITO PARAP.DISCO PROTETTO
48	G18904690	MOLLA CONCIMAZIONE ARRETRATA	FERT.ER SPRING REARWARD			
49	G18904680	MOLLA RINF.CONCIMAZ.ARRETRATA	REINFORCED SPRING FERTILIZER			
50	G14240030	SUPPORTO SX MOLLA PIATTAARRET	LEFT SPRING RIBBON SUPPORT			
51	G14240020	SUPPORTO DX MOLLA PIATTAARRET	RIGHT SPRING RIBBON SUPPORT			



SPEEDY SET

TAV. 261

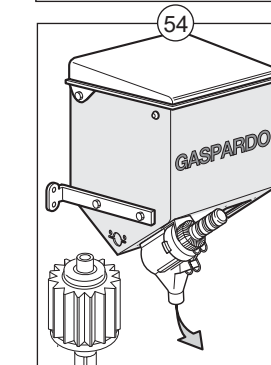
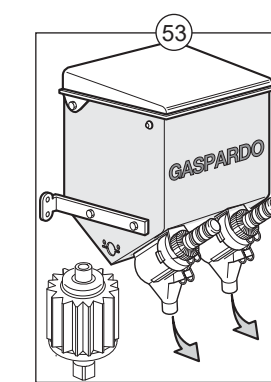
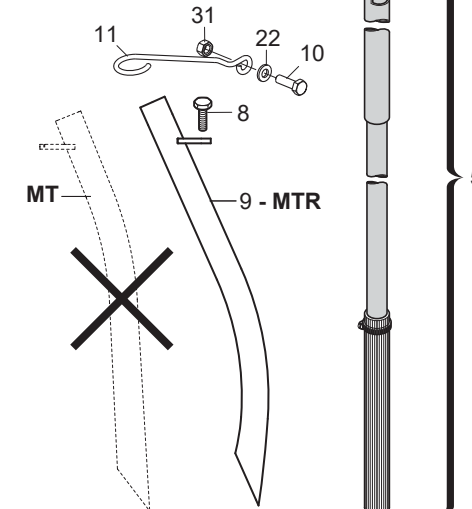
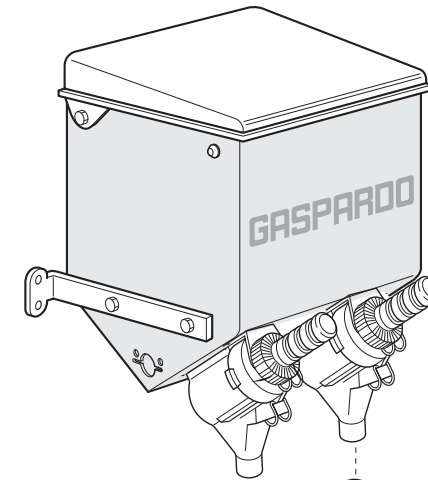
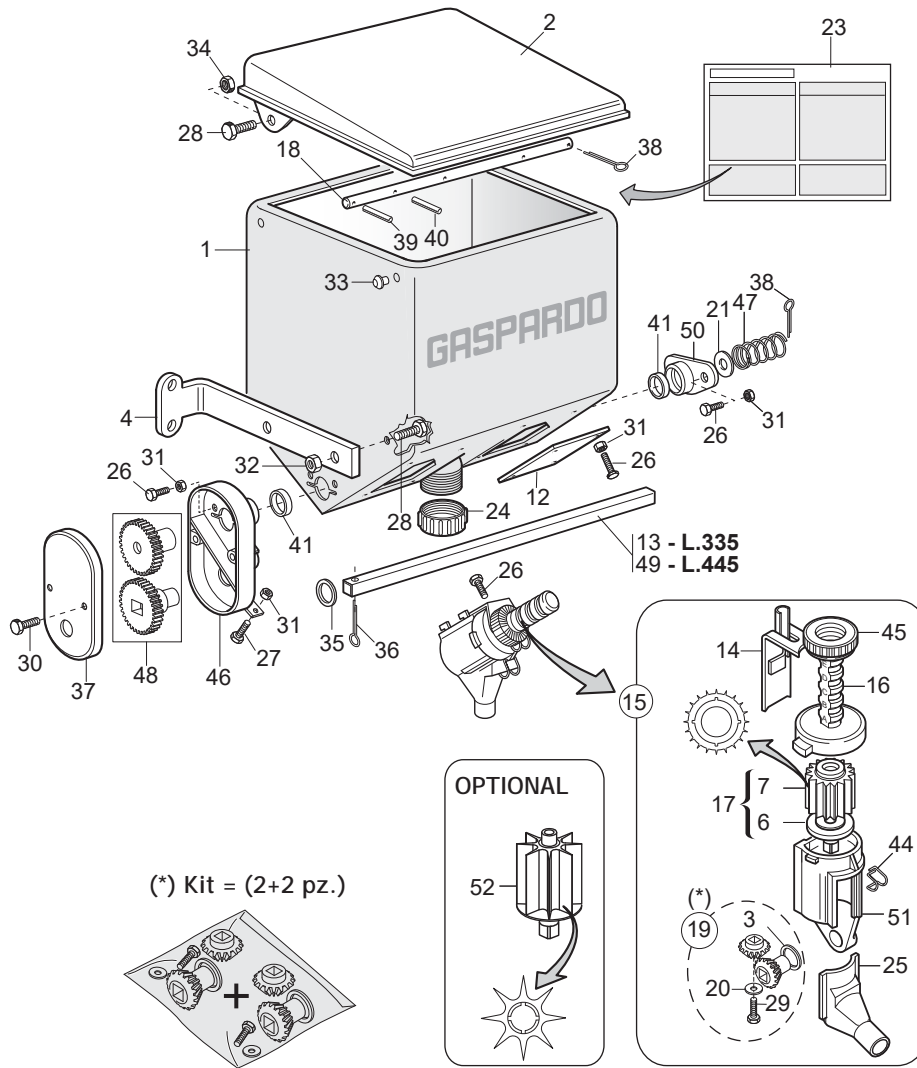
Pos.	Cod.	Descrizione	Description	Description	Benennung	Descripcion
1	F02100066	SPINA E.P. 4X 36 U6873 C70 BR	PIN EL. 4X 36 U6873 C70 BR			
2	G19003660	SUPPORTO	SUPPORT	SUPPORT	HALTERUNG	SOPORTE
3	F01070061	VITE A3,9X1,34X9,5 U6954 4.8NI	SCR. H3,9X1,34X9,5 U6954 4.8NI	VIS 3,9X 9,5 DIN 7981	SCHRAUBE 3,9X 9,5 DIN 7981	TORNILLO 3,9X 9,5 DIN 7981
4	F01050083	VITE M5X0,8X12 U5927 A2IX	SCR. M5X0,8X12 U5927 A2IX	GOUJON 5X12 UNI 5927	STIFT 5X12 UNI 5927	TORNILLO SIN CABEZA 5X12 5927
5	G19702952	DECAL.TAB.DISTRIB.SPEEDY-SET	LABEL TAB.DISTR.SPEEDY SET			
6	G16675490	KIT PIGNONE CREMAGLIERA	KIT PINION RACK			
7	G16670040	DISTR.COMPL.8PALE SPEEDY SET P	COMPL.PLA.SPEEDY SET DISTR.8R	MINIMAX COMPL 8C PLA SPEEDYSET	KOMPL.DOSIER.SPEEDY SET PLA.8S	DISTR.COMP.SPEEDY SET PLA.8AL.
8	G16670321	TONDO D.10X 780 3F4	ROUND BAR D.10X780 3F4			
9	F01420038	ROS.M6 6,4X18X1,5 U6593 IX	WASHER M6 6,4X18X1,5 U6593 IX	RONDELLE M6 6,4X18X1,5U6593 IX	SCHEIBE M6 6,4X18X1,5 U6593 IX	ARANDELA M6 6,4X18X1,5 6593IX
10	F01200233	DADO M6X1 U5588 A2IX >	NUT M6X1 U5588 A2IX	ECROU M 6X 1 U5588 I	MUTTER M 6X 1 U5588	TUERCA M 6X 1 U5588
11	G19003670	MANOPOLA SPEEDY SET	SPEEDY HANDLE SET	POIGN+E SPEEDY SET	GRIFF SPEEDY SET	EMPUJADURA SPEEDY SET
12	F01020419	VITE M 6X1 X 16 U5739 A2IX >	SCR. M6X1X16 U5739 A2IX	VIS M6 X1 X 16 U5739 8.8 IX	SCHRAUBE M6 X1 X 16 U5739 8.	TORNIL. M6 X1 X 16 U5739 8.8
13	G65336055	MOLLA SPEC.REGOL.SPAND. SP	SPEC SPRING MAN. SPR. ADJUSTM.	RESSORT SPEC. REGL. EP. ENTRA	SPEZIALFEDER STREUEREINSTELLUN	MUELLE ESPEC. REGUL. ABONADORA
14	G19003720	GHIERA REGOLAZIONE SX	LEFT ADJUSTMENT KNURLED NUT	MANCHON DE REGLAGE GCH	EINSTELLMUTTER LINKS	ROSCA REGULACION IZQUIERDA
15	G16670310	SUPPORTO MOLLA REGOLATORE	ADJ.SPRING SUPPORT			
16	G19003710	GHIERA REGOLAZIONE DX	RIGHT ADJUSTMENT KNURLED	BAGUE REGLAGE DROITE	EINSTELLMUTTER RE	CONTRATUERCA REGULACIN DER.
17	F01080032	VITE M4X0,7X10 U7688 A2IX	SCR. M4X0,7X10 U7688 A2IX	VIS M4X 0,7X10 U7688 A2 IX	SCHRAUBE M4X 0,7X10 7688 A2 IX	TORNILLO M4X0.7X10 U7688 A2 IX
18	G16670100	REGOLATORE APERTURA	OPENING REGULATOR	REGULATEUR OUVERTURE	TFFNUNGSEINSTELLER	REGULADOR ABERTURA
19	G19003700	COPERCHIO SPEEDY SET	COVER SPEEDY SET	COUVERCLE SPEEDY SET	DECKEL SPEEDY SET	TAPA SPEEDY SET
20	G66248173	ASSE DISTR.SPAND. SP	MANURE SPREADER DISTR. SPINDLE	AXE DISTRIBUTEUR EP.ENGRAIS SP	ACHSE SZAPPARAT STREUER SP	EJE DISTR. ABON. SP
21	G66248172	DOSATORE DISTR.SPAND. SP	MAN.SPR. SEED METERING DEVICE	DOSEUR DISTRIBUTEUR EP. ENGRAI	DOSIERER DsNGERSTREUER. SP	DOSIFICADOR DISTR.ABON. SP
22	G66248211	PERNO RONDELLA FUSA SPAND. SP	MAN. SPR. CAST WASHER PIN. SP	PIVOT RONDELLE MOULEE EP. ENGR	ZAPFEN LOSE UNTERLEGSSCHEIBE ST	PERNO ARANDELA FUNDIDA ABONAD
23	G19002920	CORPO DISTRIBUTORE SPANDI PLA.	PLA. F.SPREADER DISTRIB.CASING	CORPS DISTRIBUTEUR EPAND.	VERTEILUNGSKTRPER STREUER PLA.	CUERPO DIST. ABONADORA PLæS.
24	G18701500	RONDELLA 29,5 X38 X0,3 IX	WASHER 29,5 X 38 X 0,3	RONDELLE 29,5 X38 X0,3	UNTERLEGSSCHEIBE 29,5X38X0,3	ARANDELA 29,5 X38 X0,3
25	G20860126	KIT INGR DISTR CONCIME (2+2)	KIT- MAN. DISTR. GEARS (2+2)	COUPLE CON DISTR ENGRAIS (2+2)	KIT ZAHNRZDER DsNGERSTREUER	SET ENGRANAJES DISTRIB. ABONO
26	F01070075	VITE A4,2X1,41X38 U6954 4.8NI	SCR. H4,2X1,41X38 U6954 4.8NI	VIS 4-2X38 DIN 7981	SCHRAUBE 4-2X38 DIN 7981	TORNILLO 4-2X38 DIN 7981
27	G20970097	RONDELLA 32X3X4,5	WASHER 32X3X4-5	RONDELLE 32X3X4-5	UNTERLEGSSCHEIBE 32X3X4-5	ARANDELA 32X3X4-5
28	G66248178	SCIVOLO DISTR.SPAND. SP	CHUTE- MANURE-SPREADER DISTRIB	LANCOIR DISTRIBUTION EP. ENGR.	DsNGERSTREUER RUTSCHE SP	PLANO INCLINADO DISTR. ABON. S
29	G65336062	MOLLA SPEC.SCIV.DISTR.SPAND.SP	SPEC SPRING - MAN. SPR. DISTR.	RESS. SPEC. LANCOIR DISTR. EP.	SPEZ.FEDER RUTSCHE SZAPP. STRE	MUELLE ESPEC.PLANO INCL.DISTR.
30	G19002850	PROTEZIONE PIGNONE	PINION GUARD	PROTECTION PIGNON	RITZELSCHUTZ	PROTECCIN PIGN PR
31	F01070011	VITE A4,2X1,41X9,5 U6950 4.8NI	SCR. H4,2X1,41X9,5 U6950 4.8NI	VIS AUTOTAR. 4-2X9-5 T. E. COU	SELBSTSCHNEID. SCHRAUBE 4-2X9-	TORNILLO AUTORROSC. 4-2X9-5
32	G13722330	DISTR.COMPL.8PALE SPEEDY SET F	COMPL.SPEEDY 8-BLADE DISTR. SE	DISTR.COMPL.8PALETTES SPEEDY S	SAATGUTAUS.8SCH.KOMPL.SPEEDY S	DISTR.COMPL.8PALETAS SPEEDY SE
33	G16670330	TONDO D.10X1030	ROUND D.10X1030			
34	G16670340	TONDO D.10X1230	D.10X1230 ROUND	ROND D.10X1230	RUNDEISEN D.10X1230	BARRA REDONDA D. 10X1230
35	G16670350	TONDO D.10X1430	D.10X1430 ROUND	ROND D.10X1430	RUNDEISEN D.10X1430	BARRA REDONDA D. 10X1430
36	G66248176	CORPO DISTR.SPAND. SP	MANURE SPREADER DISTR. CASING	CORPS DISTRIB. EP. ENGRAIS SP	VERTEILUNGSKTRPER STREUER SP	CUERPO DISTR. ABON. SP



SUPPORTI ED ASSI TRASMISSIONE MICROGRANULATORE

TAV. 350

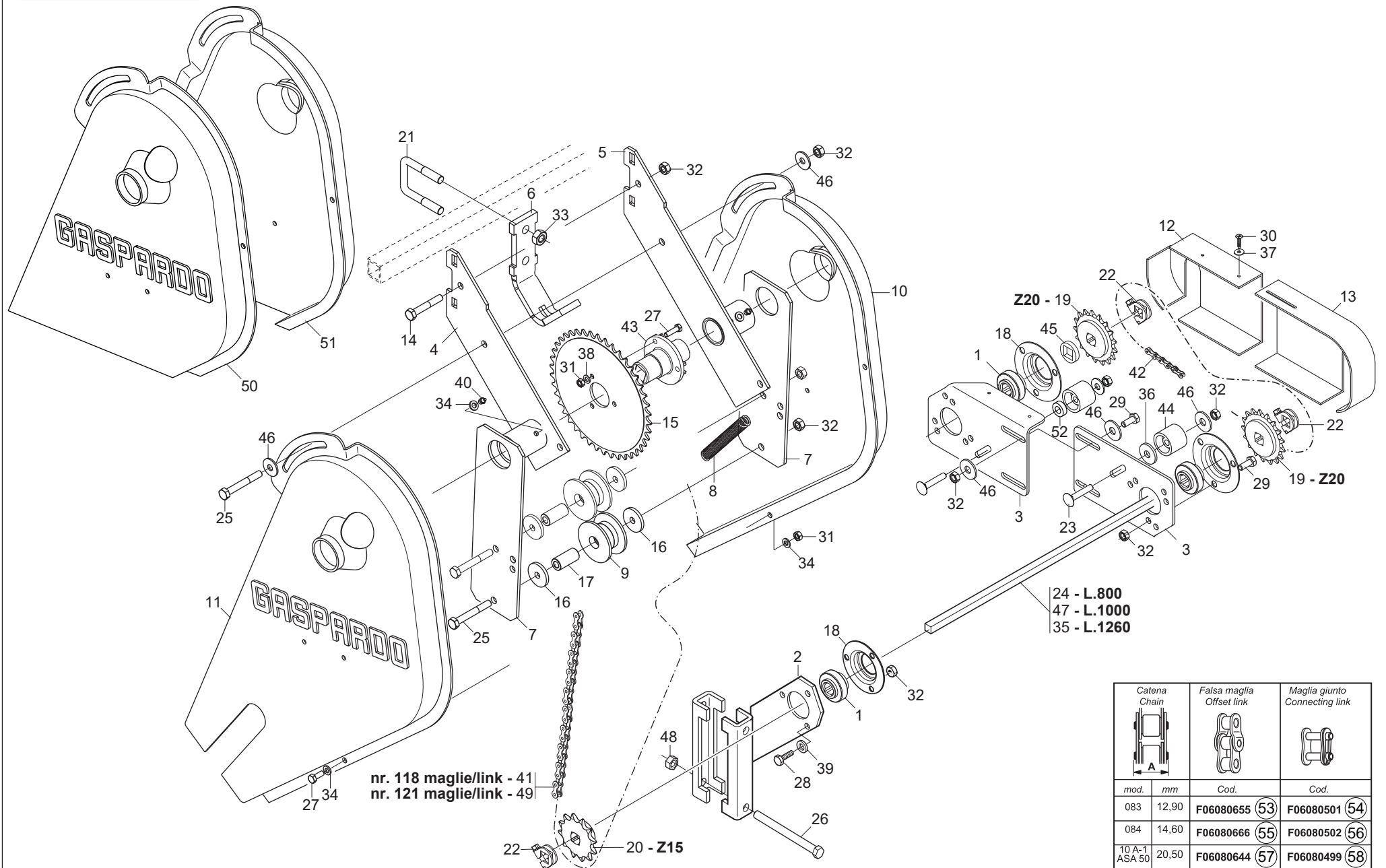
Pos.	Cod.	Descrizione	Description	Description	Benennung	Descripcion
1	G14276122	SUPPORTO MICRO S.SPANDI	MICRO SUPPORT	SUPPORT MICRO	MIKRO HALTERUNG	SOPORTE MICRO
2	F20110706	CAV.Q.B=35 M=10X1,5 L=60	U BOLT Q.B=35 M=10X1,5 L=60	CAVALIER SUPPORT DISQUE SV	VERBINDUNG SCHEIBENHALTERUNG S	PERNO EN U SOP. DISCO SV
3	G18701140	RONDELLA 11 X35 X5 ZN	WASHER 11 X 35 X 5	RONDELLE 11 X35 X5	UNTERLEGSSCHEIBE 11 X35 X5	ARANDELA 11 X35 X5
4	F01200270	DADO M10X1,5 U5588 CL8 ZN >	NUT M10X1,5 U5588 6.8ZN	ECROU M10X 1,5 U5588 6.8 ZN	MUTTER M10X 1,5 U5588 6.8 ZN	TUERCA M10X 1,5 U5588 6.8 ZN
5	G15110091	SCONTRO A U SP.8 2F15 165	STRIKER	BRIDE 150 MM	ANSCHLAG	ELEMENTO DE EMPALME
6	F01200306	DADO M14X2 U5588 CL8 ZN >	NUT M14X2 U5588 6.8ZN	ECROU M14X2	MUTTER M14X2	DADO M14X2
7	F01020225	VITE M14X2X160 U5737 8.8BR	SCR. M14X2X160 U5737 8.8BR	VIS M 14 X160 5737 8.G	SCHRAUBE M 14 X160 5737 8.G	TORNILLO M 14 X160 5737 8.G
8	F01020236	VITE M14X2X220 U5737 8.8BR >	SCR. M14X2X220 U5737 8.8BR	VIS M14X2X220 U5737 8.8 BR	SCHRAUBE M14X2X220 U5737 8.8	TORNILLO M14X2X220 U5737 8.8
9	F20120346	PUNTALE Q 35 ALETT.POLIT.NERO	SQ.TIP 35 BLACK			
10	G15475300	TUBO SUPPORTO MICRO L.1170	MICRO SUPPORT PIPE L.1170	TUBE SUPPORT MICRO L1170	ROHR HALTERUNG MIKRO L.1170	TUBO SOPORTE MICRO L1170
11	G15475130	TUBO SUPPORTO SERBATOIO L.2480	TANK SUPPORT PIPE L.2480	TUBE SUPPORT RESERVOIR L2460	ROHR HALTERUNG BEHZLTER L.2480	TUBO SOPORTE DEPSITO L 2480 T
12	G20890205	MANICOTTO UNIONE MICRO L.250	MICRO JOINT SLEEVE L.250	MANCHON RACCORD MICRO L. 250	VERBINDUNGSMUFFE MIKRO L.250	MANGUITO DE UNIN MICRO L.250 M
13	G20890201	MANICOTTO UNIONE MICRO L.440	MICRO JOINT SLEEVE L.440	MANCHON RACCORD MICRO L. 440	VERBINDUNGSMUFFE MIKRO L.440	MANGUITO DE UNIN MICRO L.440 M
14	G20890111	MANIC.UNIONE RINV.MICRO L.470	MICRO TRANSM.JOINT SLEEVE L.47	MANCHON RACCORD TRANSMISSION M	VERBINDUNGSMUFFE VORGELEGE MIK	MANGUITO EMPALME TRANSM. MICRO
15	G20890130	MANICOTTO UNIONE MICRO L.550	MICRO JOINT SLEEVE	MANCHON RACCORD MICRO L. 550	VERBINDUNGSMUFFE MIKRO L 550	MANGUITO DE UNIN MICRO L.550 M
16	G20890202	MANICOTTO UNIONE MICRO L.690	MICRO JOINT SLEEVE L.690	MANCHON RACCORD MICRO L. 690	VERBINDUNGSMUFFE MIKRO L.690	MANGUITO DE UNIN MICRO L.690 M
17	G20890112	MANICOTTO UNIONE MICRO L.1110	MICRO JOINT SLEEVE L.1110	MANCHON RACCORD MICRO L. 1110	VERBINDUNGSMUFFE MIKRO L.1110	MANGUITO DE UNIN MICRO L.1110M
18	G20890203	MANICOTTO UNIONE MICRO L.1620	MICRO JOINT SLEEVE L.1620	MANCHON RACCORD MICRO L. 1620	VERBINDUNGSMUFFE MIKRO L.1620	MANGUITO DE UNIN MICRO L.1620M
19	F02200162	COPIGLIA 3X 20 U1336 ZN	SPLIT PIN 3 X20 1336 GALVAN.	GOUPILLE 3 X20 1336 ZN	SPLINT 3 X20 1336 ZN	PASADOR 3 X20 1336 ZN
20	G15475271	SUPPORTO MICRO	MICRO SUPPORT	SUPPORT MICROGRANULATEUR	HALTERUNG MICRO	SOPORTE MICRO
21	G20890191	MANICOTTO DX 6F.MAIS L.1012	CORN 6R. RIGHT SLEEVE L.1012	MANCHON DRT. 6 RANGEES MAIS L.	MUFFE RE 6R.MAIS L.1012	MANGUITO DER. 6 FILAS. MAZ L.M
22	G20890205	MANICOTTO UNIONE MICRO L.250	MICRO JOINT SLEEVE L.250	MANCHON RACCORD MICRO L. 250	VERBINDUNGSMUFFE MIKRO L.250	MANGUITO DE UNIN MICRO L.250 M
23	G11430930	MANICOTTO MICRO CENTR.L.120	SLEEVE MICRO CENTR.L.120			
24	G11430940	MANICOTTO MICRO L.830	MICRO SLEEVE L.830	MANCHON MICRO L.830	MUFFE MIKRO L.830	MANGUITO MICRO L.830



MICROGRANULATORE

TAV. 272

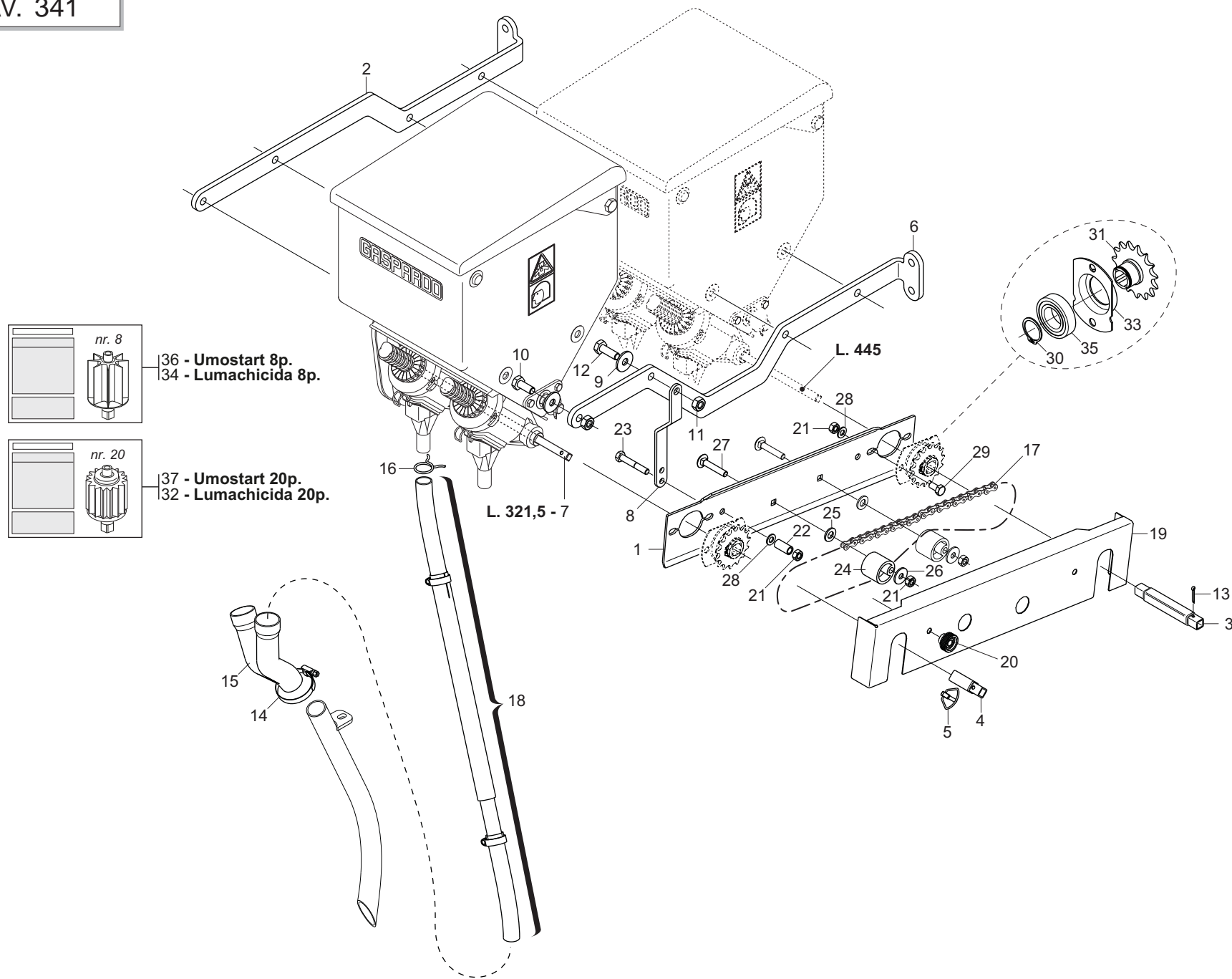
Pos.	Cod.	Descrizione	Description	Description	Benennung	Description
1	G19002932	SERBATOIO MICRO 250 PLA.	PLASTIC TANK MICRO 250	RESERVOIR MICRO 250 PLASTIQUE	MIKROGRANULATBEHZLTER PLAST.	DEPITO MICRO 250 PLAST.
2	G15475231	COPERCHIO MICRO 250 PLA.	PLASTIC COVER MICRO 250	COUVERCLE MICRO 250 PLASTIQUE	MIKRO DECKEL 250 PLAST.	TAPA MICRO 250 PLAST.
3	G20970100	RONDELLA 30X0,5X22 ACC.	WASHER 30X0-5X22 ACC.	RONDELLE 30X0-5X22 ACIER	UNTERLEGSSCHEIBE 30X0-5X22 ACC.	ARANDELA 30X0-5X22 ACC.
4	G15475271	SUPPORTO MICRO	MICRO SUPPORT	SUPPORT MICROGRANULATEUR	HALTERUNG MICRO	SOPORTE MICRO
5	G11425091	TUBO DISCESA MICRO MT-MTE COMP	PIPE MICRO DESCENT MT-MTE	TUBE DESCENTE MICRO COMPL MT-M	SENKROHR MIKRO KOMPL. MT-MTE	TUBO DESCENSO MICRO COMPL. MT-
6	G19001802	RONDELLA-ALBERO MICRO	WASHER-SHAFT MICRO			
7	G66248189	DOSATORE M80	SEED METERING DEVICE M80	DOSEUR M80	DOSIERER M80	DOSIFICADOR M80
8	F01020436	VITE M8X1,25X20 U5739 8.8ZN >	SCR. M8X1,25X20 U5739 8.8ZN	VIS M8X1,25X 20 U5739 8.8 ZN	SCHRAUBE M8X1,25X20U5739 8.8ZN	TORN. M8X1,25X20 U5739 8.8 ZN
9	G17772000	ASS.TUBO MICROGRANULATORE	ASSY MICROGR. TUBE			
10	F01020404	VITE M6X1X20 U5739 8.8ZN	SCREW M6X1X20 U5739 8.8ZN	VIS M6X1X20 U5739 8.8ZN	SCHRAUBE M6X1X20 U5739 8.8ZN	TORNILLO M6X1X20 U5739 8.8ZN
11	G18904880	MOLLA GUIDA TUBO DISC.MICRO ZN	PIPE-MICR.DESCENT GUIDE SPRING			
12	G20890079	PIASTRA DI CHIUSURA	CLOSURE PLATE	PLAQUE DE FERMETURE	ABSCHLUSSPLATTE	PLACA DE CIERRE
13	G17175050	ASSE MICRO L.335	AXLE MICRO L.335			
14	G20890089	REGOLATORE DI APERTURA	OPENING REGULATOR	REGULATEUR D'OUVERTURE	TFFNUNGSEINSTELLER	REGULADOR DE ABERTURA
15	G20890135	DISTRIB.NYLON COMPL.E SCIVOLO	DISTRIB. NYLON ASSY. AND CHUTE	MINIMAX COMPL.20C MICRO	SZAPPARAT NYLON KOMPL. UND RUT	DISTRIB.NYLON COMPL.Y PLANO IN
16	G20890151	VITE-SCALA GRADUATA	GRADUATED SCALE BOLT	VIS-ECHELLE GRADUEE	SCHRAUBE - GRADSKALA	TORNILLO - ESCALA GRADUADA
17	G20890158	DOSATORE MICRO COMPL.	ROTOR DIST. MICRO 20 GROOVES	ROTOR DOSEUR 20C MICRO COMPL.	DOSIERER MIKRO KOMPL. 20 SEKT	DOSIFICADOR MICRO COMPL.20 SEC
18	G20890194	ASSE AGITATORE SERB.MICRO 250	STIRRER SPINDLE- MICRO TANK 25	AXE AGITATEUR RESERVOIR MICRO	SAMENMISCHERACHSE BEH.MIKRO 25	EJE AGITADOR DEPS. MICRO 250 A
19	G20890211	KIT INGRANAGGI DISTRIB.MICRO	DISTRIBUTION GEAR KIT MICRO			KIT ENGRANAJES DISTRIB.MICRO
20	F01420011	ROS.M4 4,3X 16X 1 U6593 ZN	FLAT WASHER 4-3X 16X1-5 6593 G	ROND.PLATE 4-3X 16X1-5 6593 ZN	SCHEIBE 4-3X 16X1-5 6593 ZN	ARAND. PLANA 4-3X 16X1-5 6593
21	G22220073	RONDELLA 28X0,3X16,5	WASHER 28X0-3X16-5	RONDELLE 28X0-3X16-5	UNTERLEGSSCHEIBE 28X0-3X16-5	ARANDELA 28X0-3X16-5
22	F01420036	ROS.M6 6,4X 18X1,5 U6593 ZN	WASHER M6 6,4X 18X1,5 U6593 ZN	RONDELLE M6 6,4X18X1,5 U6593ZN	SCHEIBEN M6 6,4X18X1,5U6593 ZN	ARANDELA M6 6,4X18X1,5U6593ZN
23	G19700832	DECAL.TABELLA MICRO SP540	LABEL TAB.MICRO SP540			
24	G16675090	TAPPO PLASTICA MICRO C/OR	PLASTIC PLUG MICRO C/OR			
25	G66248154	SCIVOLO DISTR. M80	CHUTE- DISTRIB. M80	ENTONNOIR DOSEUR MINIMAX MICRO	SAAPPARAT RUTSCHE M80	PLANO INCLINADO DISTR. M80
26	F01020397	VITE M6X1X10 U5739 8.8ZN	SCR. M6X1X10 U5739 8.8ZN	VIS 6X10 5739 8.G ZN	SCHRAUBE 6X10 5739 8.G ZN	TORNILLO 6X10 5739 8.G ZN
27	F01020403	VITE M6X1X16 U5739 8.8ZN	SCR. M6X1X16 U5739 8.8ZN	VIS M6X1X16 U5739 8.8 ZN	SCHRAUBE M6X1X16 U5739 8.8 ZN	TORNILLO M6X1X16 U5739 8.8 ZN
28	F01020472	VITE M10X1,5X25 U5739 8.8ZN >	SCR. M10X1,5X25 U5739 8.8ZN	VIS M10X1,5X25 U5739 8.8 ZN	SCHRAUBE M10X1,5X25 U5739 8.8	TORNILLO 10X25 U5739 8.8 ZN
29	F01070061	VITE A3,9X1,34X9,5 U6954 4.8NI	SCR. H3,9X1,34X9,5 U6954 4.8NI	VIS 3,9X 9,5 DIN 7981	SCHRAUBE 3,9X 9,5 DIN 7981	TORNILLO 3,9X 9,5 DIN 7981
30	F01070121	VITE A3,9X1,34X9,5 U6955 4.8NI	SCR. H3,9X1,34X9,5 U6955 4.8NI	VIS 3-9X 9-5 DIN 7982	SCHRAUBE 3-9X 9-5 DIN 7982	TORNILLO 3-9X 9-5 DIN 7982
31	F01200232	DADO M6X1 U5588 CL8 ZN >	NUT M6X1 U5588 6.8ZN	ECROU 6 UNI 5588 6.8 ZN	MUTTER 6 UNI 5588 6.8 ZN	TUERCA 6 UNI 5588 6.8 ZN
32	F01200270	DADO M10X1,5 U5588 CL8 ZN >	NUT M10X1,5 U5588 6.8ZN	ECROU M10X 1,5 U5588 6.8 ZN	MUTTER M10X 1,5 U5588 6.8 ZN	TUERCA M10X 1,5 U5588 6.8 ZN
33	G66248223	TAPPO SUPP.SPAND.D.11	PLUG MAN. SPR. SUPP. D.11	BOUCHON SUPPORT EP. ENGRAIS D.	HALTERUNGSPFROPFEN DsNGERSTR.	TAPN SOPORTE ABON.D.11 D
34	F01220033	DADO M10X1,5 D980 8ZN	NUT M10X1,5 D980 8ZN	ECROU M10X1,5 D980 8ZN	MUTTER M10X1,5 D980 8ZN	TUERCA M10X1,5 D980 8ZN
35	F01410088	ROS.M14 15X 28X2,5 U6592 ZN >	WAS.M14 15X 28X2,5 U6592 ZB	RON.M14 15X 28X2,5 U6592 ZB	SCH.M14 15X 28X2,5 U6592 ZB	ARA.M14 15X 28X2,5 U6592 ZB
36	F02200161	COPIGLIA 3X 15 U1336 ZN	SPLIT PIN 3 X15 1336 GALVAN.	GOUPILLE 3 X15 1336 ZN	SPLINT 3 X15 1336 ZN	PASADOR 3 X15 1336 ZN
37	G66248138	COPERCHIO SUPP.TRASM. M80	TRANSMISSION SUPP. COVER M80	COUVERCLE SUPPORT ENTRAINEM.	DECKEL ANTRIEBSHALTERUNGS M80	TAPA SOP. TRANSM. M80
38	F02200194	COPIGLIA 4X 25 U1336 ZN	SPLIT PIN 4 X25 1336 GALVAN.	GOUPILLE 4 X25 1336 ZN	SPLINT 4 X25 1336 ZN	PASADOR 4 X25 1336 ZN
39	F02100083	SPINA E.P. 5X 24 U6873 C70 BR	PIN EL. 5 X24 DIN 1481	FICHE EL. 5 X24 DIN 1481	SPANNSTIFT 5 X24 DIN 1481	CLAVIJA EL.5 X24 DIN 1481
40	F02100089	SPINA E.P. 5X 36 U6873 C70 BR	PIN EL. 5X 36 U6873 C70 BR	FICHE EL. 5X 36 U6873 C70 BR	STIFT EL. 5X 36 U6873 C70 BR	CLAVIJA EL. 5X 36 U6873 C70 BR
41	F03011081	GUARNIZIONI LABBRO DE100	LIP GASKET D100			
42	F02300017	FASCETTA STRING. 20/32 H.9	CLAMP 20/32 H.9	GAINE 20/32 H.9	KLEMME 20/32 H.9	ABRAZADERA 20/32 H.9
43	G65336041	MOLLA SPEC.ZN STRINGITUBO M80	SPEC.SPRING ZN . PIPE CLAMP M8	RESSORT SPEC. ZN SERRE-TUBE M8	SPEZIALFEDER ZN ROHRSCHELLE M8	MUELLE ESPEC. ZN APLASTA TUBOS
44	G65336046	MOLLA SPEC.ZN SCIVOLO M80	SPEC SPRING ZN CHUTE M80	RESSORT SPEC. ZN LANCOIR M80	SPEZIALFEDER ZN RUTSCHE M80	MUELLE ESPEC. ZN PLANO INCLINA
45	G66248125	GHIERA REGOLAZIONE M80	ADJUSTMENT KNURLED NUT M80	BAGUE REGLAGE M80	EINSTELLMUTTER M80	CONTRATUERCA REGULACIN M80 G
46	G66248126	SUPP.TRASMISSIONE M80	TRANSM.SUPPORT M80	SUPPORT ENTRAINEMENT M80	ANTRIEBSHALTERUNG M80	SOPORTE TRANSMISIN M80 S
47	G65338043	MOLLA COMP.ZN SERB. M80	ZN TANK COMP.SPRING M80	RESSORT COMPL. ZN RESERVOIR M8	DRUCKFEDER ZN BEHZLTER M80	MUELLE COMP.ZN DEPS. M80 A
48	G11475210	KIT RUOTE DENTATE Z24	KIT GEAR WHEELS Z24			
49	G20890081	ASSE DISTRIB.MICRO L.445	MICRO DISTR. SPINDLE- L. 445	AXE DISTRIBUTEUR MICRO L. 445	MIKRO STREUERACHSE L 445	EJE DISTRIB.MICRO L.445
50	G66248121	BOCCOLA CON FLANGIA M80	BUSHING W/ FLANGE M80	SUPPORT AVEC BRIDE M80	BsCHSE MIT FLANSCH M80	CASQUILLO CON BRIDA M80
51	G66248123	CORPO DISTRIBUZIONE M80	DISTRIBUTION CASING M80	CORPS DISTRIBUTION M80	VERTEILUNGSKTRPER	CUERPO DISTRIBUCIN M80 C
52	G22250240	DOSATORE 8 PALE COMPL. SV	DISTRIBUTOR MICRO COMPL.			DOSIFICADOR COMPL. SV
53	G15476270	SERBATOIO MICRO 16L 2U COMPL	MICRO TANK 16L 2OUTL.PLA			
54	G15476280	SERBATOIO MICRO 16L 1U COMPL	MICRO TANK 16L 1OUTL.PLA	RESERVOIR MICRO PLA 1U COMPL.	BEH-LTER MIKROGRANULAT PLASTIK	DEPOSITO MICRO PLA 1U COMPL.



TRASMISSIONE SPANDICONCIME E MICROGRANULATORE

TAV. 283

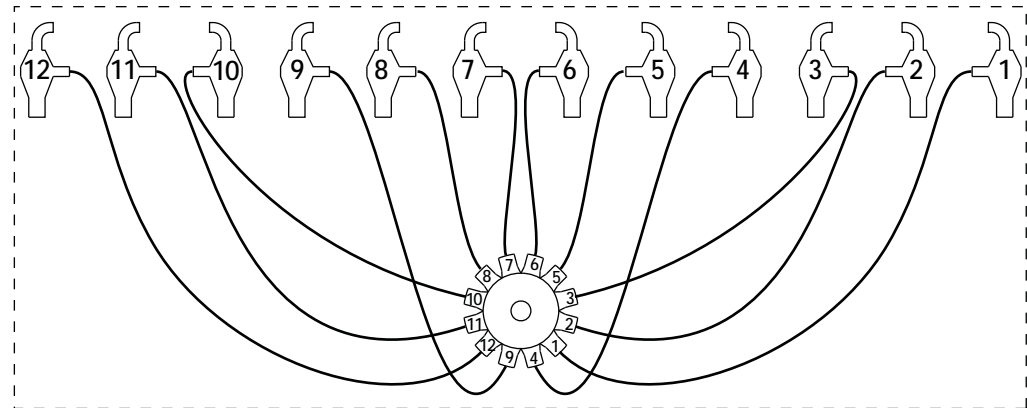
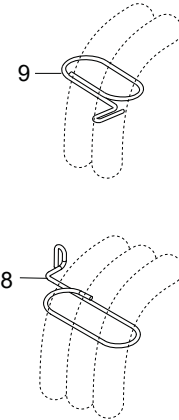
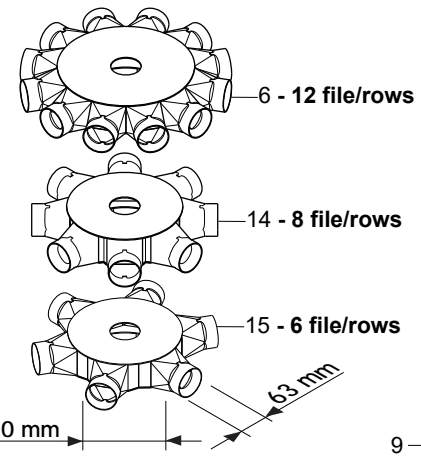
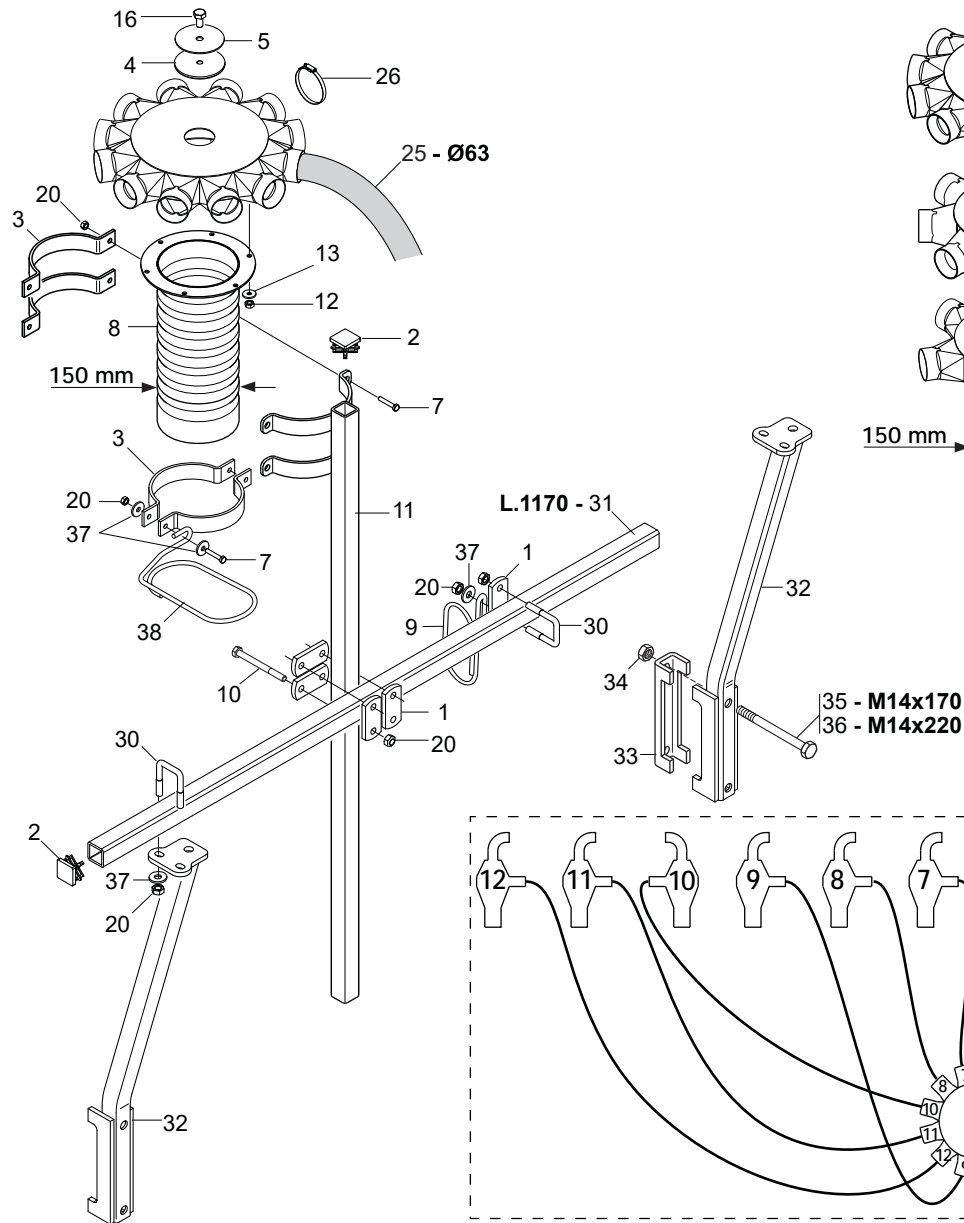
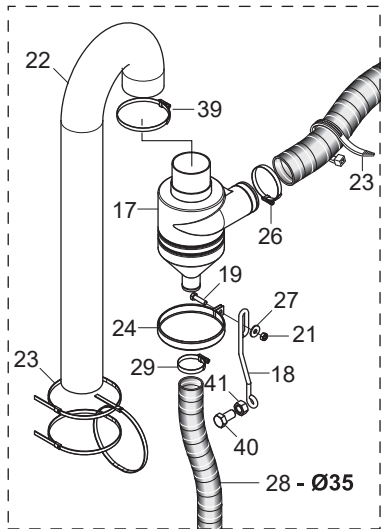
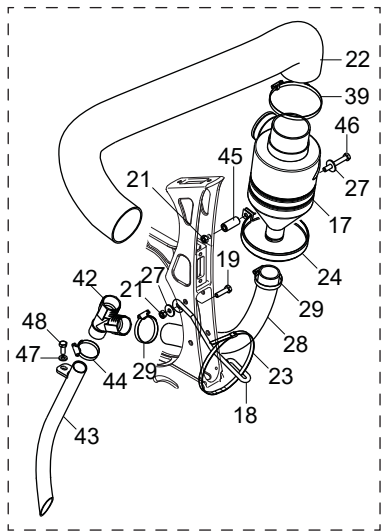
Pos.	Cod.	Descrizione	Description	Description	Benennung	Descripcion
1	G14830390	CUSCINETTO FORO QUADRO	SQUARE-HOLED BEARING	ROULEMENT TROU CARRE	VIERKANTLAGER	COJINETE ORIFICIO CUADRADO
2	G15470381	SUPPORTO RINVIO TUBO 150	TRANSM. SUPPORT FOR PIPE 150	SUPPORT RENVOI POUR TUBE 150	HALTERUNG VORGELEGE ROHR 150	SOPORTE TRANSMISION TUBO 150
3	G15470851	FIANCO SUPP.TRASM.SPANDI	SPREADER TRANSM. SIDE SUPPORT	COTE SUPPORT TRANSM. EPAND.	SEITEN HALTER. ANTRIEB DUNGERS	COSTADO SOPORTE TRANSM. ABONAD
4	G15476880	RIBADITURA SUPP.TRASM.SX	LH TRANSMISSION SUPPORT			
5	G15476890	RIBADITURA SUPP.TRASM.DX	RH TRANSMISSION SUPPORT			
6	G15476390	SCONTRIO CENTRALE	CENTRAL PLATE			
7	G15475311	SUPPORTO RULLINI TENDIC. MICRO	MICRO CHAIN STRETCHER ROLLERS			
8	G18902960	MOLLA TRAZ.TRASM.RUOTA ZN	TRANSMISSION TENSIONER SPRING	RESSORT TRACT. ENTRAIN. ROUE Z	ZUGFEDER RADANTRIEB ZN	MUELLE TRAC. TRANSM.RUEDA ZN
9	G19000091	ROCCETTO 2 META'	CHAIN TENSIONER	TENDEUR DE CHAINE 2 MOITIE	KLEINRAD SPANNER SA	CARRETE TENSOR SA
10	G19002810	CARTER RINVIO MICRO DX	RIGHT MICRO TRANSM. CASE	CARTER TRANSM. MICRO DRT	VORGELEGEGEHZUSE MIKRO RE	CæRTER TRANSMISIN MICRO DER C
11	G19002820	CARTER RINVIO MICRO SX	LEFT MICRO TRANSM. CASE	CARTER TRANSM. MICRO GCH	VORGELEGEGEHZUSE MIKRO LI	CæRTER TRANSMISIN MICRO IZQ C
12	G19002830	CARTER TRASMISSIONE SUPERIORE	TOP TRANSMISSION CASE	CARTER ENTRAINEMENT SUPERIEUR	OBERS ANTRIEBSGEHZUSE	CæRTER TRANSMISIN SUPERIOR C
13	G19002880	CARTER INFERIORE TRASM.SPAND.	BOTTOM SPREADER TRANSM. CASE	CARTER INFERIEUR TRANSM EPAND.	UNTER. ANTRIEBSGEHZUSE DsNG.GE	CæRTER INFER. TRANSMISIN ABONC
14	F01020072	VITE M8X1,25X50 U5737 8.8ZN >	SCR. M8X1,25X50 U5737 8.8ZN	VIS M8X1,25X50 U5737 8.8 ZN	SCHR. M8X1,25X50 U5737 8.8 ZN	TORN. M8X1,25X50 U5737 8.8 ZN
15	G20890128	CORONA Z-42 SP	RING GEAR Z-42 SP	COURONNE Z-42 SP	KRANZ Z-42 SP	CORONA Z-42 SP
16	G20970032	RONDELLA 32X4X8,5	WASHER 32X4X8-5	RONDELLE 32X4X8-5	UNTERLEGSSCHEIBE 32X4X8-5	ARANDELA 32X4X8-5
17	G20980086	BOCCOLA DIST.D.8,5X16X31	BUSHING SPAC.. D.8-5X16X31	BOITE ENTRETOISE D. 8-5X16X31	VERTEILERBsCHSE D.8-5X16X31	CASQUILLO DIST. D.8-5X16X31
18	G22230094	SUPPORTO CUSCINETTO	BEARING SUPPORT	SUPPORT PALIER	LAGERBsCHSE	SOPORTE COJINETE
19	G22250007	INGR.CON MOZZO 1/2 Z-20 SV	GEARS- W/ HUB 1/2 Z-20 SV	ENGRENAGE 1/2 Z-20	ZAHNRAD MIT NABE 1/2 Z-20 SV	ENGRAN.CON PERNO 1/2 Z-20 SV
20	G22250028	PIGNONE Z-15 SV	Z-15 PINION SV	PIGNON Z-15 SV	RITZEL Z-15 SV	PI¼N Z-15 SV
21	F20110706	CAV.Q.B=35 M=10X1,5 L=60	U BOLT Q.B=35 M=10X1,5 L=60	CAVALIER SUPPORT DISQUE SV	VERBINDUNG SCHEIBENHALTERUNG S	PERNO EN U SOP. DISCO SV
22	G22505085	FERMO ASSE IN LAMIERA	PLATE AXLE STOP	ARRET AXE EN TOLE	FESTSTELLVORRICHTUNG BLECHACHS	BLOQUEO EJE DE CHAPA
23	F01060048	VITE M8X1,25X50 U5731 8.8ZN	SCR. M8X1,25X50 U5732 4.6ZN	VIS 8 X50 5732 4.6 ZN	SCHRAUBE 8 X50 5732 4.6 ZN	TORNILLO 8x50 5732 4 6 ZN
24	G22230142	ASSE 4 FILE L.800	4-ROW SPINDLE L.800	AXE 4 RANGEES L. 800	ACHSE 4 REIHEN B. 800	EJE 4 FILAS L.800
25	F01020077	VITE M8X1,25X60 U5737 8.8ZN >	SCR. M8X1,25X60 U5737 8.8ZN	VIS M8X1,25X60 U5737 8.8 ZN	SCHRAU. M8X1,25X60 U5737 8.8ZN	TORN. M8X1,25X60 U5737 8.8 ZN
26	F01020236	VITE M14X2X220 U5737 8.8BR >	SCR. M14X2X220 U5737 8.8BR	VIS M14X2X220 U5737 8.8 BR	SCHRAUBE M14X2X220 U5737 8.8	TORNILLO M14X2X220 U5737 8.8
27	F01020403	VITE M6X1X16 U5739 8.8ZN	SCR. M6X1X16 U5739 8.8ZN	VIS M6X1X16 U5739 8.8 ZN	SCHRAUBE M6X1X16 U5739 8.8 ZN	TORNILLO M6X1X16 U5739 8.8 ZN
28	F01020432	VITE M8X1,25X16 U5739 8.8ZN >	SCR. M8X1,25X16 U5739 8.8ZN	VIS M8 X1,25X16 U5739 8.8 ZN	SCHRAUBE M8X1,25X16U5739 8.8ZN	TORNILLO M8X1,25X16U5739 8.8ZN
29	F01020436	VITE M8X1,25X20 U5739 8.8ZN >	SCR. M8X1,25X20 U5739 8.8ZN	VIS M8X1,25X 20 U5739 8.8 ZN	SCHRAUBE M8X1,25X20U5739 8.8ZN	TORN. M8X1,25X20 U5739 8.8 ZN
30	F01070078	VITE A4,2X1,41X13 U6950 4.8ZN	SCR. H4,2X1,41X13 U6950 4.8ZN	VIS AUTOTARADEUSE.4-2X13 TE	SELBSTSCHNEID. SCHRAUBE 4-2X13	TORNILLO AUTOR.4-2X13 TE
31	F01200232	DADO M6X1 U5588 CL8 ZN >	NUT M6X1 U5588 6.8ZN	ECROU 6 UNI 5588 6.8 ZN	MUTTER 6 UNI 5588 6.8 ZN	TUERCA 6 UNI 5588 6.8 ZN
32	F01200244	DADO M8X1,25 U5588 CL8 ZN >	NUT M8X1,25 U5588 6.8ZN	ECROU M8 X1,25 U5588 6.8 ZN	MUTTER M8 X1,25 U5588 6.8 ZN	TUERCA M8 X1,25 U5588 6.8 ZN
33	F01200270	DADO M10X1,5 U5588 CL8 ZN >	NUT M10X1,5 U5588 6.8ZN	ECROU M10X 1,5 U5588 6.8 ZN	MUTTER M10X 1,5 U5588 6.8 ZN	TUERCA M10X 1,5 U5588 6.8 ZN
34	F01410037	ROS.M6 6,4X12,5X1,6 U6592 ZN>	WASHER M6 6,4X12,5X1,6 U6592ZN	RONDEL.M6 6,4X12,5X1,6 U6592ZN	SCHIEB.M6 6,4X12,5X1,6 U6592ZN	ARAND.M6 6,4X12,5X1,6 U6592 ZN
35	G22270049	ASSE 4F.85-6F.50 L.1260	4-ROW SPINDLE - 85-6-ROW-50 L.	AXE 4 RANGEES 85-6 RANGEES 50	ACHSE 4 REIHEN 85-6 REIH. 50	EJE 4 FILAS. 85-6 FILAS. 50 L.
36	G18701140	RONDELLA 11 X35 X5 ZN	WASHER 11 X 35 X 5	RONDELLE 11 X35 X5	UNTERLEGSSCHEIBE 11 X35 X5	ARANDELA 11 X35 X5
37	F01420011	ROS.M4 4,3X 16X 1 U6593 ZN	FLAT WASHER 4-3X 16X1-5 6593 ZN	ROND.PLATE 4-3X 16X1-5 6593 ZN	SCHEIBE 4-3X 16X1-5 6593 ZN	ARAND. PLANA 4-3X 16X1-5 6593
38	F01430047	ROS.M6 6,4X 11X0,7 U8842J ZN	WASHER D6 DIN 6798 D.INT.GALV.	RONDELLE D6 DIN 6798 D. INT. Z	UNT. SCHEIBE D6 DIN 6798 D. IN	ARANDELA D6 DIN 6798 D.INT.ZN
39	F01430059	ROS.M8 8,4X 15X0,8 U8842J ZN >	WASHER M8 8,4X15X0,8 U8842J ZN	ROND. M8 8,4X 15X0,8 U8842J ZN	SCHEIBE M8 8,4X15X0,8 U8842JZN	ARAND. M8 8,4X15X0,8 U8842J ZN
40	F01100011	ING.M 6X1 7663-A 9SMNPB28 ZN >	GREASE NIPPLE M6X1 7663-A ZN	GRAISS. A BILLE M6X1 7663-A ZN	SCHMIERBUEDCHE M6X1 7663-AZN	ENGRAS. DE ESFE. M6X1 7663-AZN
41	F06080061	SP.CAT.1/2-3/16 118M.ISO 083-1	CHAIN 1/2-3/16 118M.ISO 083-1	CHAINE 1/2-3/16 118M.ISO 083-1	KETTE 1/2-3/16 118M.ISO 083-1	CADENA 1/2-3/16 118M.ISO 083-1
42	F06080029	CATENA 1/2 ISO 083 61 MAGLIE	CHAIN 1/2 ISO 083 61 LINKS	CHAINE 1/2 ISO 083 61 MAILLES	KETTE 1/2 ISO 083 61 GLIEDER	CADENA 1/2 ISO 083 61 ESLABNEL
43	G66248152	MOZZO TRASM.MICRO M80	HUB - TRANSM. MICRO M80	MOYEU ENTRAINEMENT MICRO M80	ANTRIEBSNABE MIKRO M80	CUBO TRANSM. MICRO M80
44	G66248207	TENDICATENA SPAND. SP-520	CHAIN TENSIONER	TENDEUR DE CHAINE EPAND. ENGR.	KETTENSPANNER DsNGERSTR. SP-52	ENSOR DE CADENA ABON. SP-520
45	G66248218	RONDELLA DISTAN.SPANDI	MAN. SPR. SPACER WASHER	RONDELLE ENTRETOISE EP. ENGRAI	ABSTANDSCHEIBE DsNGERSTREUER	ARANDELA DISTAN.ABONAD.
46	F01420048	ROS.M8 8,4X 24X 2 U6593 ZN	WASHER M8 8,4X 24X2 U6593 ZN	RONDELLE M8 8,4X24X 2 U6593 ZN	SCHEIBEN M8 8,4X24X 2 U6593 ZN	ARANDELA M8 8,4X 24X2 U6593 ZN
47	G22230138	ASSE CAMBIO 4F.80-6F.45 L.1000	GEAR SPINDLE 4-ROW 80- 6-ROW.4	AXE BOITE DE VITESSE 4 RA	GETRIEBEACHSE 4 R. 80-6 R.45 L	EJE CAMBIO 4 FILAS. 80-6 FILAS
48	F01200306	DADO M14X2 U5588 CL8 ZN >	NUT M14X2 U5588 6.8ZN	ECROU M14X2	MUTTER M14X2	DADO M14X2
49	F06080063	CATENA 1/2 ISO 083 121 MAGLIE	CHAIN 1/2ISO 083 121 LINKS	CHAINE 1/2ISO 083 121 MAILLES	KETTE 1/2 ISO 083 121 GLIEDER	CADENA 1/2ISO 083 121 ESLABNEL
50	G15231890	CARTER MICRO SX	CARTER MICRO LEFT			
51	G15476900	CARTER MICRO DX 45-50	CARTER MICRO RIGHT 45-50			
52	G18801680	BOCCOLA 11 X25 X7,5 ZN	BUSHING 11X25X7,5 GALVA	BOITE 11X25X7,5 ZN	BsCHSE 11X25X7,5 ZN	CASQUILLO 11X25X7,5 ZN
53	F06080655	FALSA MAGLIA CAT.1/2 ISO 083	DUMMY CHAIN LINK 1/2 ISO 083	FAUSSE MAILLE CHAINE 1/2 ISO 0	FALSCHES GLIED 1/2 ISO 083	ESLABN FICTICIO CAD. 1/2 ISO O
54	F06080501	GIUNZIONE CATENA 1/2 ISO 083	CHAIN JOINT 1/2 ISO 083	JONCTION CHAINE 1/2 ISO 083	KETTENVERBINDUNG 1/2 ISO 083	UNIN CADENA 1/2 ISO 083 J
55	F06080666	FALSA MAGLIA CAT.1/2 ISO 084-1	CHAIN EYE CAT. 1/2 ISO 084-1			
56	F06080502	GIUNZIONE CATENA 1/2 ISO 084-1	CHAIN JUNCTION 1/2 ISO 084-1			
57	F06080644	FALSA MAGLIA CAT.5/8 ASA 50LUB	DUMMY CHAIN LINK 5/8 ASA 50LUB	FAUSSE MAILLE CHAINE ASA 50LUB	FALSCHES GLIED 5/8 ASA 50LUB	ESLAB N FICTICIO CAD.5/8 ASA50
58	F06080499	GIUNZIONE CATENA 5/8 ASA 50LUB	CHAIN JOINT 5/8 ASA 50LUB	JONCTIONS CHAINE 5/8 ASA 50LUB	KETTENVERBINDUNG 5/8 ASA 50LUB	UNIONES CADENA 5/8 ASA 50LUB



APPLICAZIONE DOPPIO MICROGRANULATORE

TAV. 341

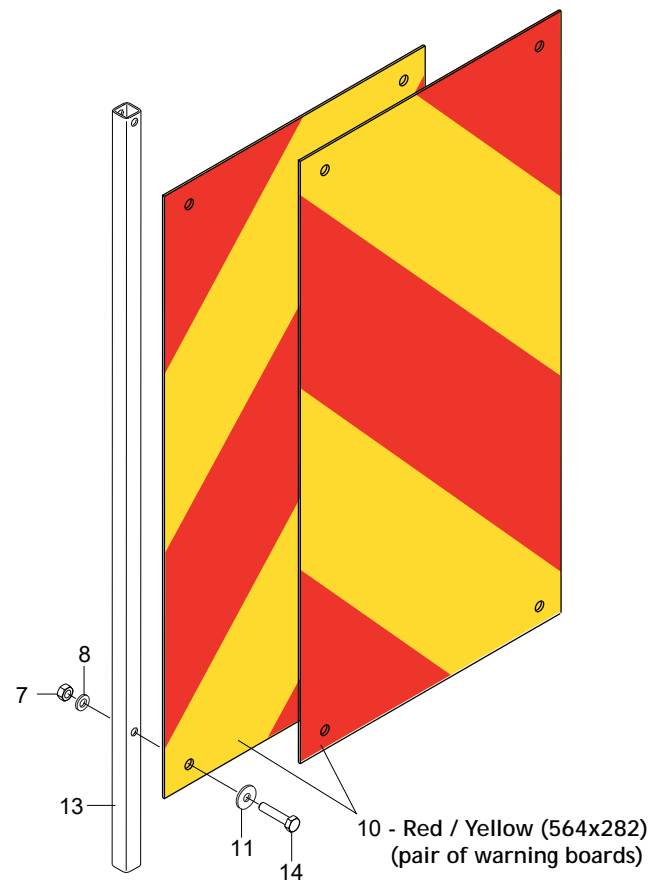
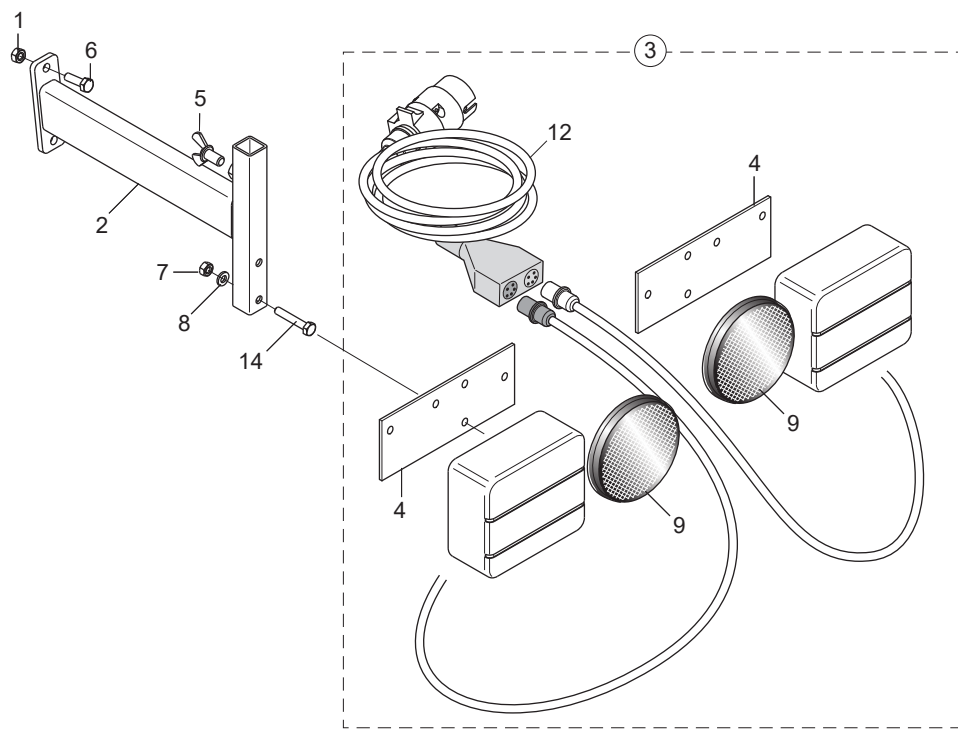
Pos.	Cod.	Descrizione	Description	Description	Benennung	Descripcion
1	G14276400	SUPP.RINVIO TRASM.ANT-POST	INTERMEDIATE TRASMISSION SUPP.			
2	G14276420	SUPPORTO DOPPIO MICRO SX	LEFT SUPPORT DOUBLE MICRO			
3	G11430930	MANICOTTO MICRO CENTR.L.120	SLEEVE MICRO CENTR.L.120			
4	G14276440	MANICOTTO MICRO LATER.L.55	MICRO SLEEVE L.55			
5	F02200452	SPINA SCATTO D.4,4 B/80 ZN >	SNAP PIN D4.4 B/80 ZN	FICHE A DETENTE D4.4 B/80 ZN	EINRASTSTIFT D4.4 B/80 ZN	CLAVIJA DE MUELLE D4,4 B/80 ZN
6	G14276460	SUPPORTO DOPPIO MICRO DX	RIGHT SUPPORT DOUBLE MICRO			
7	G14276470	ASSE TRASM.DISTR.	DISTRIBUTOR TRANSMISSION AXLE			
8	G14276430	ATTACCO TRASM.DOPPIO MICRO ZN	FIXING TRASM.DOUBLE MICRO			
9	F01420060	ROS.M10 10,5X 30X2,5 U6593 ZN	GALV.WASHER 10,5X30X2,5 U6593	RONDELLE 10,5X30	SCHEIBE 10,5X30	ARANDELA 10,5X30
10	F01020472	VITE M10X1,5X25 U5739 8.8ZN >	SCR. M10X1,5X25 U5739 8.8ZN	VIS M10X1,5X25 U5739 8.8 ZN	SCHRAUBE M10X1,5X25 U5739 8.8	TORNILLO 10X25 U5739 8.8 ZN
11	F01200270	DADO M10X1,5 U5588 CL8 ZN >	NUT M10X1,5 U5588 6.8ZN	ECROU M10X 1,5 U5588 6.8 ZN	MUTTER M10X 1,5 U5588 6.8 ZN	TUERCA M10X 1,5 U5588 6.8 ZN
12	F01020476	VITE M10X1,5X30 U5739 8.8ZN >	SCR. M10X1,5X30 U5739 8.8ZN	VIS M10X1,5X30 U5739 8.8 ZN	SCHRAUBE M10X1,5X30U5739 8.8ZN	TORNIL.M10X1,5X30 U5739 8.8 ZN
13	F02200162	COPIGLIA 3X 20 U1336 ZN	SPLIT PIN 3 X20 1336 GALVAN.	GOUPIILLE 3 X20 1336 ZN	SPLINT 3 X20 1336 ZN	PASADOR 3 X20 1336 ZN
14	F02300020	FASCETTA STRING. 32/50 H.9	HOSE CLAMP 32/50 H.9			
15	G15273150	RACCORDO FINALE	ENDING CONNECTION PIPE	RACCORD FINAL	ENDANSCHLUSS	UNION FINAL
16	G65336041	MOLLA SPEC.ZN STRINGITUBO M80	SPEC.SPRING ZN . PIPE CLAMP M8	RESSORT SPEC. ZN SERRE-TUBE M8	SPEZIALFEDER ZN ROHRSCHELLE M8	MUELLE ESPEC. ZN APLASTA TUBOS
17	F06080043	CATENA 1/2 ISO 083 80 MAGLIE	CHAIN 1/2 ISO 083 80 SHACKLE			
18	G14276490	TUBO DISCESA MICRO POST.	DESCENT TUBE MICRO REAR			
19	G14276450	CARTER TRASM.ANT-POST	FRONT-REAR TRANSMISSION CASING			
20	F06220037	VOLANTINO ZIGR.D.26-M8 FEM	KNURLED HANDWHEEL D.26-M8			FOLLETO ZIGR.D.26-M8
21	F01200244	DADO M8X1,25 U5588 CL8 ZN >	NUT M8X1,25 U5588 6.8ZN	ECROU M8 X1,25 U5588 6.8 ZN	MUTTER M8 X1,25 U5588 6.8 ZN	TUERCA M8 X1,25 U5588 6.8 ZN
22	G18801720	BOCCOLA 8,1X12X24,5 ZN	BUSHING 8,1X12X24,5 ZN			
23	F01020072	VITE M8X1,25X50 U5737 8.8ZN >	SCR. M8X1,25X50 U5737 8.8ZN	VIS M8X1,25X50 U5737 8.8 ZN	SCHR. M8X1,25X50 U5737 8.8 ZN	TORN. M8X1,25X50 U5737 8.8 ZN
24	G66248207	TENDICATENA SPAND. SP-520	CHAIN TENSIONER	TENDEUR DE CHAINE EPAND. ENGR.	KETTENSPELLER DsNGERSTR. SP-52	SENSOR DE CADENA ABON. SP-520
25	F01410064	ROS.M10 10,5X 20X 2 U6592 ZN >	WASHER M10 10,5X20X2 U6592 ZN	RONDEL. M10 10,5X20X2 U6592 ZN	SCHEIBE M10 10,5X20X2 U6592 ZN	ARANDEL.M10 10,5X20X2 U6592 ZN
26	F01420048	ROS.M8 8,4X 24X 2 U6593 ZN	WASHER M8 8,4X 24X2 U6593 ZN	RONDELLE M8 8,4X24X 2 U6593 ZN	SCHEIBEN M8 8,4X24X 2 U6593 ZN	ARANDELA M8 8,4X 24X2 U6593 ZN
27	F01060047	VITE M8X1,25X45 U5731 8.8ZN	SCR. M8X1,25X45 U5732 4.6ZN	VIS 8X45 5732 4.6 ZN	SCHRAUBE 8X45 5732 4.6 ZN	TORNILLO 8X45 5732 4.6 ZN
28	F01410051	ROS.M8 8,4X 17X1,6 U6592 ZN >	WASHER M8 8,4X17X1,6 U6592 ZN	RONDELLE M8 8,4X17X1,6 U6592ZN	SCHEIBE M8 8,4X17X1,6 U6592 ZN	ARANDELA M8 8,4X17X1,6 U6592ZN
29	F01020432	VITE M8X1,25X16 U5739 8.8ZN >	SCR. M8X1,25X16 U5739 8.8ZN	VIS M8 X1,25X16 U5739 8.8 ZN	SCHRAUBE M8X1,25X16U5739 8.8ZN	TORNILLO M8X1,25X16U5739 8.8ZN
30	F02050101	ANELLO E. DE 25X 1,2 U7435 C7>	SEEGER RING E. 25X1,2 7435 C70	SEEGER E. 25X 1,2 U7435 C70	SEEGERING E. 25X 1,2 U7435 C70	ANILLO E. 25X 1,2 U7435 C70
31	G15835470	PIGNONE ISO 08B-1 1/2-3/16 Z15	ISO 08B-1 Z=15 PINION SQR16,4			
32	G19705000	DECAL.TAB.DISTRIB.LUMACHIC.20P	DISTRIBUTOR CHART 20P	TABLEAU DISTRIBUTEUR 20P	TABELLE SZAPPARAT 20P	TABLA DISTRIBUDOR 20P
33	G15725030	SUPPORTO CUSCINETTO	BEARING SUPPORT	SUPPORT PALIER	LAGERHALTERUNG	SOPORTE COJINETE
34	G19704990	DECAL.TAB.DISTRIB.LUMACHIC.8P.	DISTRIBUTOR CHART 8P	TABLEAU DISTRIBUTEUR 8P	TABELLE SZAPPARAT 8P	TABLA DISTRIBUDOR 8P
35	F04010135	CUSC.D25 D47 B12 6005 2RS EX	BEARING D25 D47 B12 6005 2RS			
36	G19704971	DECAL.TAB.DISTRIB.UMOSTART 8P.	LAB.TAB.DISTRIB.UMOSTART 8P.			
37	G19704980	DECAL.TAB.DISTRIB.UMOSTART 20P	UMOSTART DISTRIBUTOR CHART 20P	TABLEAU DISTRIBUTEUR UMOSTART	TABELLE SZAPPARAT UMOSTART 20P	TABLA DISTRIBUDOR UMOSTART 20P



DISTRIBUZIONE CONCIME CON PA

TAV. 361

Pos.	Cod.	Descrizione	Description	Description	Benennung	Descripcion
1	G15475260	SCONTRO SP	STRIKER PLATE SP	BUTEE SP	ANSCHLAG STREUER	ELEMENTO DE EMPALME SP
2	F20120346	PUNTALE Q 35 ALETT.POLIT.NERO	SQ.TIP 35 BLACK			
3	G16124400	FASCETTA TUBO D.150	STRAP PIPE D.150 ZN	COLLIER SERRAGE TUBE D.150 ZN	ROHRSCHELLE D.150 ZN	ABRAZADERA TUBO D.150 ZN
4	G16021530	CONO DEVIATORE	CONICAL DEVIATOR	CONE DEVIATEUR	KLOTZ UMLEITHEBEL	CONO DESVIADOR
5	G16021560	TAPPO	CLOSURE TAP	BOUCHON DE FERMETURE	ABSCHLUSSPFROPFEN	TAPN DE CIERRE
6	G17321441	ASS.DISTR. INOX 12U 30° D.63	ASS.DISTR INOX 12U 30° D.63			
7	F01020479	VITE M10X1,5X35 U5739 8.8ZN	SCR. M10X1,5X35 U5739 8.8ZN	VIS M10X1,5X35 U5739 8.8 ZN	SCHR. M10X1,5X35 U5739 8.8 ZN	TORN. M10X1,5X35 U5739 8.8 ZN
8	G17321681	ASS.TUBO MISC. CORTO D150	SHORT MIXER TUBE D150			
9	G18903852	MOLLA GUIDA 2 TUBI D71 ZN	SPRING GUIDE 2 TUBES D71			
10	F01020133	VITE M10X1,5X100 U5737 8.8ZN	SCR. M10X1,5X100 U5737 8.8ZN	VIS M10X1,5 X100 U5737 8.8ZN	SCHRAU.M10X1,5X100 U5737 8.8ZN	TORNI. M10X1,5X100 U5737 8.8ZN
11	G16021401	ASS.SUPPORTO TUBO MISCELATORE	ASS.SUPP.MIXER TUBE			
12	F01230024	DADO M6X1 D982 A2IX >	NUT M6X1 D982 A2IX	ECROU AUTOB.NOR.10	SELBSTSP. MUTTER NOR. 10	TUERCA AUTOB. NOR. 10
13	F01410034	ROS.M6 6,4X12,5X1,6 U6592 IX>	WASHER M6 6,4X12,5X1,6 U6592			
14	G17321621	ASS.DISTR. INOX 8U 45° D.63	ASS.DISTR INOX 8U 45° D.63			
15	G17321391	ASS.DISTR. INOX 6U 60° D.63	ASS.DISTR INOX 6U 60° D.63			
16	F01020468	VITE M10X1,5X16 U5739 8.8ZN	SCR. M10X1,5X16 U5739 8.8ZN	RONDELLE M10X1,5 X 16	DUEBEL M10X1,5 X 16	TORNILLO M10X1,5 X 16
17	G19007011	VASO ESPANS.D.63 SCARICO VERT.	CYCLONE D63 VERTICAL EXHAUST			
18	G18903960	MOLLA SUPPORTO VASO ESPANSORE	EXPANSION TANK SUPPORT SPRING	RESSORT SUPPORT VASE D/AE EXPANS	FEDERHALTERUNG EXPANSIONSGEF-S	MUELLE SOPORTE VASO EXPANSION
19	F01020445	VITE M8X1,25X30 U5739 8.8ZN >	SCR. M8X1,25X30 U5739 8.8ZN	VIS M 8X1,25X30 U5739 8.8 ZN	SCHRAU. M8X1,25X30 U5739 8.8ZN	TORN. M8X1,25X30 U5739 8.8 ZN
20	F01200270	DADO M10X1,5 U5588 CL8 ZN >	NUT M10X1,5 U5588 6.8ZN	ECROU M10X 1,5 U5588 6.8 ZN	MUTTER M10X 1,5 U5588 6.8 ZN	TUERCA M10X 1,5 U5588 6.8 ZN
21	F01200244	DADO M8X1,25 U5588 CL8 ZN >	NUT M8X1,25 U5588 6.8ZN	ECROU M8 X1,25 U5588 6.8 ZN	MUTTER M8 X1,25 U5588 6.8 ZN	TUERCA M8 X1,25 U5588 6.8 ZN
22	F03100367	TUBO VULCANO PU R 76	FLEXIBLE PVC PIPE R 76	TUBE FLEXIBLE PVC R 76	76 SCHLAUCH PVC	TUBO FLEXIBLE PVC R 76
23	F05150060	FASCETTA POLYA. 9X380 NERA >	POLYAMIDE FASTENING STRAPS 9X3	COLLIER POLYAMIDE 9X350 31919	SCHELLE POLYAMIDE 9X350 31919	ABRAZADERA POLIAMIDA 9X350 319
24	G17321481	FASCETTA VASO ESPANSIONE D130	EXPANSION CHAMBER CLAMP D130			
25	F03100431	TUBO EOLO 63 PU	PIPE EOLO 63 PU			
26	F02300022	FASCETTA STRING. 50/70 H.9	HOSE CLAMP 50/70 H.9			
27	F01420048	ROS.M8 8,4X 24X 2 U6593 ZN	WASHER M8 8,4X 24X2 U6593 ZN	RONDELLE M8 8,4X24X 2 U6593 ZN	SCHEIBEN M8 8,4X24X 2 U6593 ZN	ARANDELA M8 8,4X 24X2 U6593 ZN
28	F03100500	TUBO EOLO 35 PU	TUBE EOLO 35 PU			
29	F02300020	FASCETTA STRING. 32/50 H.9	HOSE CLAMP 32/50 H.9			
30	F20110706	CAV.Q.B=35 M=10X1,5 L=60	U BOLT Q.B=35 M=10X1,5 L=60	CAVALIER SUPPORT DISQUE SV	VERBINDUNG SCHEIBENHALTERUNG S	PERNO EN U SOP. DISCO SV
31	G15475300	TUBO SUPPORTO MICRO L.1170	MICRO SUPPORT PIPE L.1170	TUBE SUPPORT MICRO L1170	ROHR HALTERUNG MIKRO L.1170	TUBO SOPORTE MICRO L1170
32	G15475411	SUPP.BARRA MICRO M.S.SPAN.	M.S. FERTILISER SPREADER MICRO	SUPPORT BARRE MICRO M.S. EPAND	MIKRO SPINDELHALTERUNG M.S. Ds	SOPORTE BARRA MICRO M.S. ABONA
33	G15110091	SCONTRO A U SP.8 2F15 165	STRIKER	BRIDE 150 MM	ANSCHLAG	ELEMENTO DE EMPALME
34	F01200306	DADO M14X2 U5588 CL8 ZN >	NUT M14X2 U5588 6.8ZN	ECROU M14X2	MUTTER M14X2	DADO M14X2
35	F01020227	VITE M14X2X170 U5737 8.8BR	SCR. M14X2X170 U5737 8.8BR	VIS M14X 2X170 U5737 8.8BR	SCHRAU. M14X 2X170 U5737 8.8BR	TORNI. M14X 2X170 U5737 8.8 BR
36	F01020236	VITE M14X2X220 U5737 8.8BR >	SCR. M14X2X220 U5737 8.8BR	VIS M14X2X220 U5737 8.8 BR	SCHRAUBE M14X2X220 U5737 8.8	TORNILLO M14X2X220 U5737 8.8
37	F01410064	ROS.M10 10,5X 20X 2 U6592 ZN >	WASHER M10 10,5X20X2 U6592 ZN	RONDEL. M10 10,5X20X2 U6592 ZN	SCHEIBE M10 10,5X20X2 U6592 ZN	ARANDEL.M10 10,5X20X2 U6592 ZN
38	G18904590	MOLLA GUIDA 3 TUBI D71 ZN	GUIDE SPRING 3 PIPE D71 ZN			
39	F02300023	FASCETTA STRING. 80/100 H.8	PIPE CLAMP 80/100 H.8	COLLIER DE SERRAGE 77/95	ROHRSCHELLE 80/100 H.8	ABRAZADERA P. MANGUERA 80/100
40	F01020562	VITE M16X2X30 U5739 8.8ZN	SCR. M16X2X30 U5739 8.8ZN	VIS M16X2X30 U5739 8.8 ZN	SCHRAUBE M16X2X30 U5739 8.8 ZN	TORNILLO M16X2X30 U5739 8.8 ZN
41	F01200324	DADO M16X2 U5588 8.8ZN	NUT M16X2 U5588 8.8ZN	ECROU M16X2 U5588 8.8ZN	MUTTER M16X2 U5588 8.8ZN	TUERCA M16X2 U5588 8.8ZN
42	G19007600	RACCORDO Y D32 45° CONC.PNEUM.	UNION Y D32 45c PNEUM.FERTIL.			
43	G14277150	TUBO MICROGRANULATORE CORTO	SHORT MICROGRANULATOR PIPE			
44	F02300018	FASCETTA STRING. 25/40 H.8	CLAMP 25/40 H.8	GAINE 25/40 H.8	KLEMME 25/40 H.8	BRAZADERA 25/40 H.8
45	G20980011	BOCCOLA 36X8,5X16	BUSHING 36X8,5X16	BOITE 36X8,5X16	BsCHSE 36X8,5X16	CASQUILLO 36X8,5X16
46	F01020077	VITE M8X1,25X60 U5737 8.8ZN >	SCR. M8X1,25X60 U5737 8.8ZN	VIS M8X1,25X60 U5737 8.8 ZN	SCHRAU. M8X1,25X60 U5737 8.8ZN	TORN. M8X1,25X60 U5737 8.8 ZN
47	F01410051	ROS.M8 8,4X 17X1,6 U6592 ZN >	WASHER M8 8,4X17X1,6 U6592 ZN	RONDELLE M8 8,4X17X1,6 U6592ZN	SCHEIBE M8 8,4X17X1,6 U6592 ZN	ARANDELA M8 8,4X17X1,6 U6592ZN
48	F01020436	VITE M8X1,25X20 U5739 8.8ZN >	SCR. M8X1,25X20 U5739 8.8ZN	VIS M8X1,25X 20 U5739 8.8 ZN	SCHRAUBE M8X1,25X20U5739 8.8ZN	TORN. M8X1,25X20 U5739 8.8 ZN

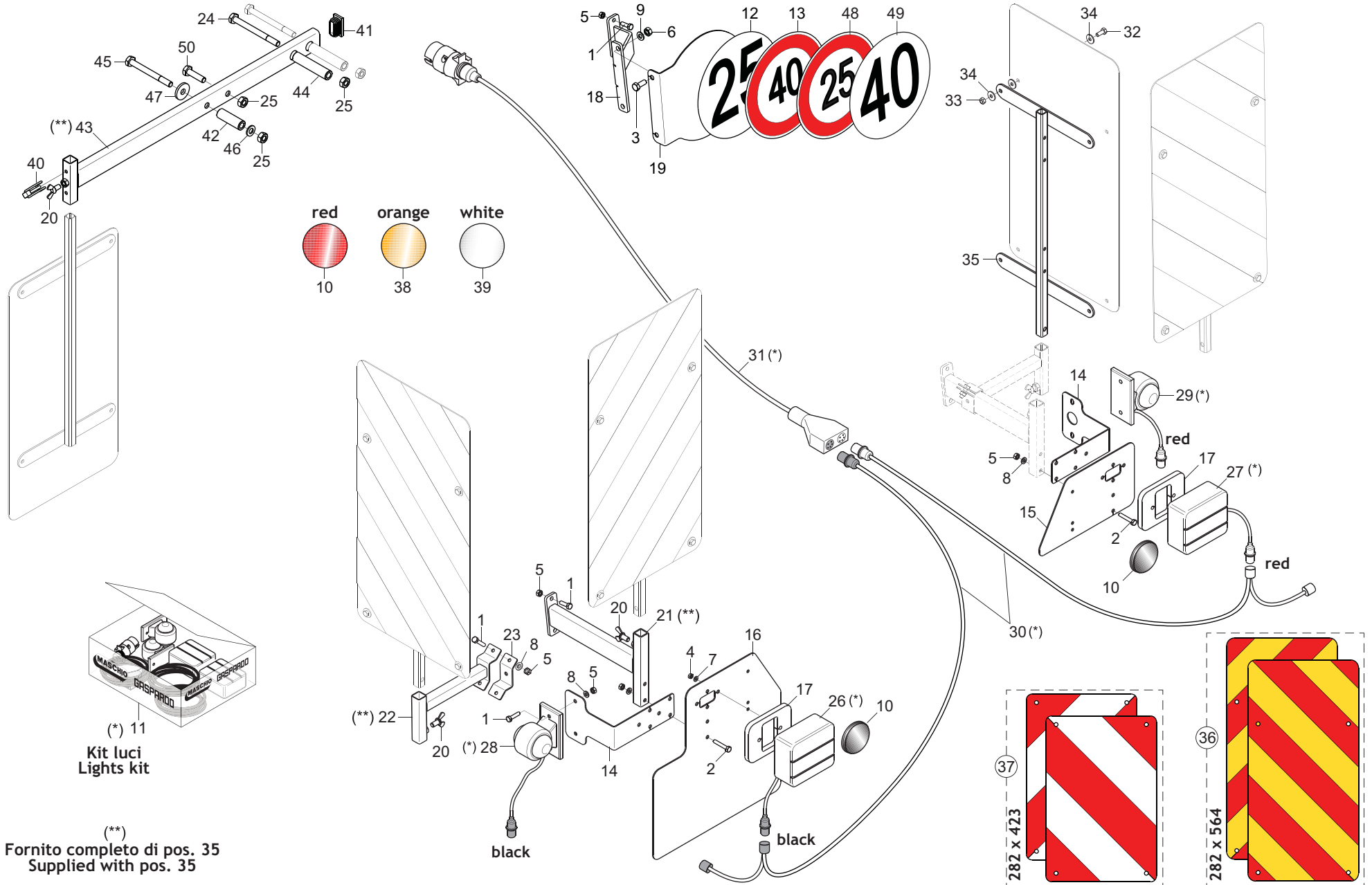


KIT LUCI E TABELLE DI INGOMBRO

TAV. 291

Pos.	Cod.	Descrizione	Description	Description	Benennung	Descripcion
1	F01200232	DADO M6X1 U5588 CL8 ZN >	NUT M6X1 U5588 6.8ZN	ECROU 6 UNI 5588 6.8 ZN	MUTTER 6 UNI 5588 6.8 ZN	TUERCA 6 UNI 5588 6.8 ZN
2	G15211762	SUPPORTO LUCI POST.	REAR LIGHT SUPPORT			
3	G13616620	KIT LUCI PER MACCHINE PORTATE	KIT LIGHTS FREIGHTED MACHINE			
4	G13616570	PIASTRA SUPP.LUCI	LIGHTS PLATE SUPPORT			
5	F01090215	VITE M8X1,25X15 U5449 5.8ZN	SCR. M8X1,25X15 U5449 5.8ZN	VIS M8X1,25X15 U5449 5.8ZN	SCHRAU. M8X1,25X15 U5449 5.8ZN	TORN. M8X1,25X15 U5449 5.8ZN
6	F01020403	VITE M6X1X16 U5739 8.8ZN	SCR. M6X1X16 U5739 8.8ZN	VIS M6X1X16 U5739 8.8 ZN	SCHRAUBE M6X1X16 U5739 8.8 ZN	TORNILLO M6X1X16 U5739 8.8 ZN
7	F01220011	DADO M6X1 D980 8ZN >	NUT M6X1 D980 8ZN	ECROU M6X1 D980 8 ZN	MUTTER M6X1 D980 8 ZN	TUERCA M6X1 D980 8 ZN
8	F01410037	ROS.M6 6,4X12,5X1,6 U6592 ZN>	WASHER M6 6,4X12,5X1,6 U6592ZN	RONDEL.M6 6,4X12,5X1,6 U6592ZN	SCHEIB.M6 6,4X12,5X1,6 U6592ZN	ARAND.M6 6,4X12,5X1,6 U6592 ZN
9	F05010221	CATARIFRANGENTE TONDO D.80 >	ROUND REFLECTOR D.80			
10	F05010357	N.2 PANNELLI CARICHI SPORGENTI	N.2 JUTTING LOAD PANELS	N.2 PANNEAUX CHARGES SAILLANT	N.2 TAFELN VORSPRINGENDE LADUN	2 PANELES CARGADOS SALIENTES
11	F01420036	ROS.M6 6,4X 18X1,5 U6593 ZN	WASHER M6 6,4X 18X1,5 U6593 ZN	RONDELLE M6 6,4X18X1,5 U6593ZN	SCHEIBEN M6 6,4X18X1,5U6593 ZN	ARANDELA M6 6,4X18X1,5U6593ZN
12	F05010080	CABLAGGIO PER KIT LUCI	LIGHT WIRING HARNESS	CABLAGE KIT PHARES	VERKABELUNG LAMPENKIT	CABLEADO JUEGO LUCES
13	G15412650	TUBO Q. 16X1,5X 643 2F6,5 ZN	GALVAN. SQUARE 16X1,5X643	TUBE CARRE 16X1,5X643 ZN	ROHR Q. 16X1,5X643 ZN	TUBO CUADRADO 16X1,5X643 ZN
14	F01020408	VITE M6X1X30 U5739 8.8ZN	SCR. M6X1X30 U5739 8.8ZN	VIS M 6X1X30	SCHRAUBE M 6X1X30	TORNILLO M 6X1X30

TAV. 292

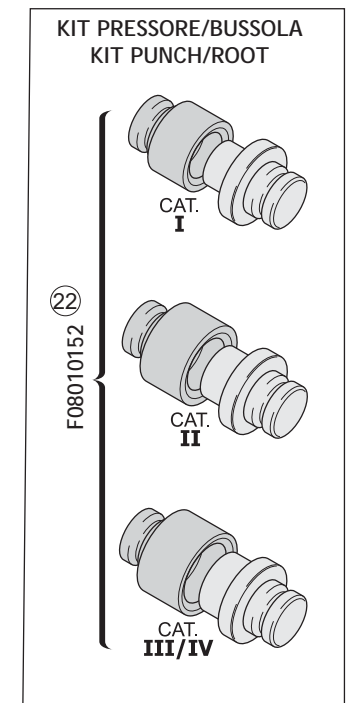
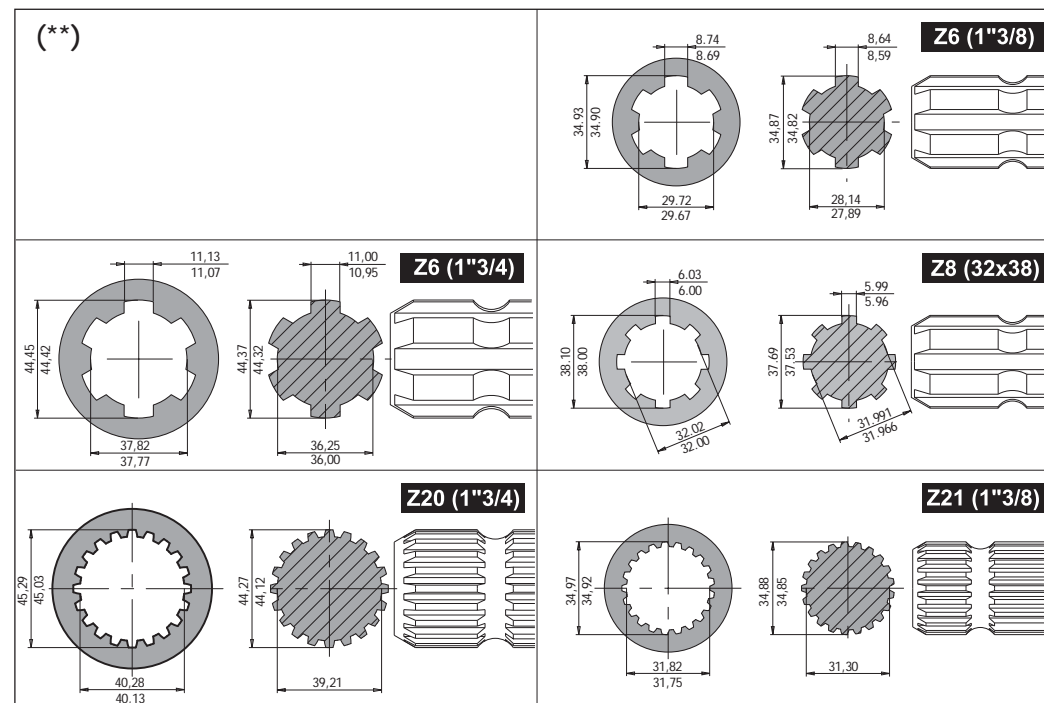
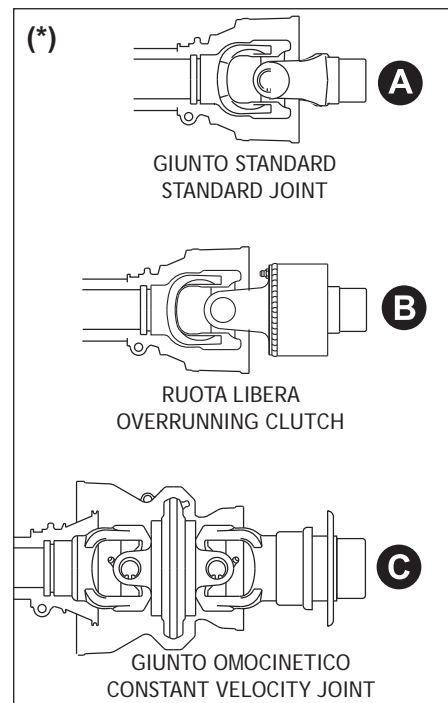


(**) Fornito completo di pos. 35
Supplied with pos. 35

KIT LUCI E TABELLE DI INGOMBRO (OM.)
TAV. 292

Pos.	Cod.	Descrizione	Description	Description	Benennung	Descripcion
1	F01020404	VITE M6X1X20 U5739 8.8ZN	SCREW M6X1X20 U5739 8.8ZN	VIS M6X1X20 U5739 8.8ZN	SCHRAUBE M6X1X20 U5739 8.8ZN	TORNILLO M6X1X20 U5739 8.8ZN
2	F01020411	VITE M6X1X35 U5739 8.8ZN	SCR. M6X1X35 U5739 8.8ZN	VIS M6X1X35 U5739 8.8ZN	SCHRAUBE M6X1X35 U5739 8.8ZN	TORNILLO M6X1X35 U5739 8.8ZN
3	F01020436	VITE M8X1,25X20 U5739 8.8ZN >	SCR. M8X1,25X20 U5739 8.8ZN	VIS M8X1,25X 20 U5739 8.8 ZN	SCHRAUBE M8X1,25X20U5739 8.8ZN	TORN. M8X1,25X20 U5739 8.8 ZN
4	F01200220	DADO M5X0,8 U5588 CL8 ZN >	NUT M5X0,8 U5588 6.8ZN	ECROU 5 UNI 5588 6.8 ZN	MUTTER 5 UNI 5588 6.8 ZN	TUERCA 5 UNI 5588 6.8 ZN
5	F01200232	DADO M6X1 U5588 CL8 ZN >	NUT M6X1 U5588 6.8ZN	ECROU 6 UNI 5588 6.8 ZN	MUTTER 6 UNI 5588 6.8 ZN	TUERCA 6 UNI 5588 6.8 ZN
6	F01200244	DADO M8X1,25 U5588 CL8 ZN >	NUT M8X1,25 U5588 6.8ZN	ECROU M8 X1,25 U5588 6.8 ZN	MUTTER M8 X1,25 U5588 6.8 ZN	TUERCA M8 X1,25 U5588 6.8 ZN
7	F01410023	ROS.M5 5,3X 10X 1 U6592 ZN	WASHER M5 5,3X 10X 1 U6592			
8	F01410037	ROS.M6 6,4X12,5X1,6 U6592 ZN>	WASHER M6 6,4X12,5X1,6 U6592ZN	RONDEL.M6 6,4X12,5X1,6 U6592ZN	SCHEIB.M6 6,4X12,5X1,6 U6592ZN	ARAND.M6 6,4X12,5X1,6 U6592 ZN
9	F01410051	ROS.M8 8,4X 17X1,6 U6592 ZN >	WASHER M8 8,4X17X1,6 U6592 ZN	RONDELLE M8 8,4X17X1,6 U6592ZN	SCHEIBE M8 8,4X17X1,6 U6592 ZN	ARANDELA M8 8,4X17X1,6 U6592ZN
10	F05010820	CATARIFR.TONDO D60 ROSSO >	ROUND REFLECTOR D.60 RED			
11	F05010833	KIT LUCI POST.STRAD.ECCEZ. >	KIT REAR ROAD LIGHTS M.EXCEP.			
12	F20030258	ETICH. LIMITE VELOCITA' 25 >	SPEED LIMIT 25 LABEL	ETIQ. LIMITATION VITESSE 25	LABEL GRENZDREHZAHL 25	ETIQ. LIMITE VELOCIDAD 25
13	F20030261	ETICH. LIMITE VELOCITA' 40 >	SPEED LIMIT 40 LABEL			
14	G17715130	SUPPORTO LAT.CATADIOTRI	REFLECTOR LATERAL SUPPORT			
15	GA5210020	PORTA LUCE	BACK LIGHT SUPPORT			
16	GA5210030	PORTA TARGA	NUMBERPLATE SUPPORT			
17	GA5210040	SUPPORTO LUCE	SUPPORT LIGHT			
18	GA5210060	SUPPORTO	SUPPORT			
19	GA5210070	SUPP.LIMITE VELOCITÀ	SPEED LIMIT SUPPORT			
20	F01090215	VITE M8X1,25X15 U5449 5.8ZN	SCR. M8X1,25X15 U5449 5.8ZN	VIS M8X1,25X15 U5449 5.8ZN	SCHRAU. M8X1,25X15 U5449 5.8ZN	TORN. M8X1,25X15 U5449 5.8ZN
21	G15211762	SUPPORTO LUCI POST.	REAR LIGHT SUPPORT			
22	G16611601	SUPPORTO TABELLE LATERALI	SIDE SUPPORT TABLE			
23	G16611610	ATTACCO SUPP.LATERALE	SIDE SUPPORT			
24	F01020135	VITE M10X1,5X110 U5737 8.8ZN >	SCR. M10X1,5X110 U5737 8.8ZN	VIS M 10X110	SCHRAUBE M 10X110	TORNILLO M 10X110
25	F01200270	DADO M10X1,5 U5588 CL8 ZN >	NUT M10X1,5 U5588 6.8ZN	ECROU M10X 1,5 U5588 6.8 ZN	MUTTER M10X 1,5 U5588 6.8 ZN	TUERCA M10X 1,5 U5588 6.8 ZN
26	G67201083	FANALE LUCE-FRENO-FRECCIA SX	LIGHT SX			
27	G67201082	FANALE LUCE-FRENO-FRECCIA DX	STOP TABLE RIGHT			
28	F05010346	LUCE INGOMBRO ANTERIORE SX	FRONT LEFT LIGHT			
29	F05010345	LUCE INGOMBRO ANTERIORE DX	FRONT LIGHT DX			
30	F05200027	CABLAGGIO ALI LUCI STRADALI	LATERAL STREET LIGHTS CABLE			
31	F05200026	CABLAGGIO PRINCIPALE	MAIN CABLE			
32	F01020403	VITE M6X1X16 U5739 8.8ZN	SCR. M6X1X16 U5739 8.8ZN	VIS M6X1X16 U5739 8.8 ZN	SCHRAUBE M6X1X16 U5739 8.8 ZN	TORNILLO M6X1X16 U5739 8.8 ZN
33	F01220011	DADO M6X1 D980 8ZN >	NUT M6X1 D980 8ZN	ECROU M6X1 D980 8 ZN	MUTTER M6X1 D980 8 ZN	TUERCA M6X1 D980 8 ZN
34	F01420036	ROS.M6 6,4X 18X1,5 U6593 ZN	WASHER M6 6,4X 18X1,5 U6593 ZN	RONDELLE M6 6,4X18X1,5 U6593ZN	SCHEIBEN M6 6,4X18X1,5U6593 ZN	ARANDELA M6 6,4X18X1,5U6593ZN
35	G16612071	TELAIO SUPP.TABELLE STRAD.	FRAME SUPPORT TABLE			
36	F05010816	TABELLE (2)CAR.SPORGENTI IT	WARNING BOARDS (2) IT			
37	F05010817	TABELLE (2)CAR.SPORGENTI FR-D>	WARNING BOARDS (2) FR-DE	TABLEAUX (2)AVERTISSEM. FR-DE	BRETT (2) WARNUNG FR-DE	TABLAS (2)CAR.ADVERT. FR-DE
38	F05010819	CATARIFR.TONDO D60 GIALLO >	ROUND REFLECTOR D.60 YELLOW	JAUNE RÉFLECTEUR ROUND	RUNDFREFLEKTOR GELB D60	REFLECTOR REDONDO AMARILLO
39	F05010818	CATARIFR.TONDO D60 BIANCO >	ROUND REFLECTOR D.60 WHITE			
40	F02200595	SPINA SICUR.D. 5X30 ZN	PIN X GEAR	GOUJON	BOLZEN	ESPINA
41	F05100215	TAPPO PLT X TUBO 40X20 SP.3	PLUG PIPE 40X20 TK.3			
42	G18802140	BOCCOLA 10,25X18 X55 ZN	BUSHING 10,25X18 X55 GALVA			
43	GA5810032	SUPPORTO MANTA	MANTA SUPPORT			
44	GA5911830	BOCCOLA 10,25X18X83 ZN	BUSHING 10,25X18X83			
45	F01020133	VITE M10X1,5X100 U5737 8.8ZN	SCR. M10X1,5X100 U5737 8.8ZN	VIS M10X1,5 X100 U5737 8.8ZN	SCHRAU.M10X1,5X100 U5737 8.8ZN	TORNI. M10X1,5X100 U5737 8.8ZN
46	F01410062	ROS.M10 10,5X 18X 2 U6592 ZN >	WASHER M10 10,5X 18X 2 U6592	RONDELLE M10 10,5X18X2 ZN	DICHTUNGSRING M10 10,5X18X2 ZN	RONDANA M10 10,5X18X2 ZN
47	G20970012	RONDELLA 32X4X11	WASHER 32X4X11	RONDELLE 32X4X11	UNTERLEGSCHIEBE 32X4X11	ARANDELA 32X4X11
48	F20030428	ETICH. LIMITE VELOC.25 ITALIA	ITALY SPEED LIMIT 25 LABEL			
49	F20030429	ETICH. LIMITE VELOC.40 FRANCIA	FRANCE SPEED LIMIT 40 LABEL			
50	F01020483	VITE M10X1,5X40 U5739 10.9ZD	SCR. M10X1,5X40 U5739 10.9ZD	VIS M10X1,5X40 U5739 10.9 ZD	SCHRA.M10X1,5X40 U5739 10.9 ZD	TORN. M10X1,5X40 U5739 10.9 ZD

Codice - Code	Descrizione - Description	Lunghezze Lengths		Classe - Size (A x B)	Tipo - Type (*)		Forcelle - Yokes (**)					Forcelle - Yokes Z6 (1"3/8)
		min.	max.		Z6 (1"3/8)	Z6 (1"3/4)	Z8 (32x38)	Z20 (1"3/4)	Z21 (1"3/8)			
① F08011711	CARD.B1 Z6-Z6 L700	700	960	B1 (22 x 54)	A	A	G58161015 (11)	F08011772 (13)	F08011742 (15)	F08011758 (18)	F08011767 (20)	G58161015 (11)
② F08011713	CARD.B1 Z8-Z6 L700	700	960	B1 (22 x 54)	A	A	G58161015 (11)	F08011772 (13)	F08011742 (15)	F08011758 (18)	F08011767 (20)	G58161015 (11)
③ F08011714	CARD.B1 Z20-Z6 L700	760	1020	B1 (22 x 54)	A	A	G58161015 (11)	F08011772 (13)	F08011742 (15)	F08011758 (18)	F08011767 (20)	G58161015 (11)
④ F08011715	CARD.B1 Z8-Z6 L900 R.LIB	915	1190	B1 (22 x 54)	A	B	G58161015 (11)	F08011772 (13)	F08011742 (15)	F08011758 (18)	F08011767 (20)	—
⑤ F08011716	CARD.B1 Z6-Z6 L900 R.LIB	915	1190	B1 (22 x 54)	A	B	G58161015 (11)	F08011772 (13)	F08011742 (15)	F08011758 (18)	F08011767 (20)	—
⑥ F08011719	CARD.B2 Z6-Z6 L900	900	1300	B2 (23,8 x 61,3)	A	A	—	—	—	—	—	—
⑦ F08011720	CARD.B3 Z8-Z6 L1300	1300	1775	B3 (27 x 74,6)	A	A	G58161016 (14)	—	F08011743 (16)	—	—	G58161016 (14)
⑧ F08011757	CARD.B1 Z20-Z6 L900 R.L	975	1250	B1 (22 x 54)	A	B	G58161015 (11)	F08011772 (13)	F08011742 (15)	F08011758 (18)	F08011767 (20)	—
⑨ F08011764	CARD.R4 Z20-Z6 L1381 OM-RL	1381		R4 (22 x 86)	C	B	F08011768 (12)	—	F08011766 (17)	F08011774 (19)	F08011773 (21)	—
⑩ F08011783	CARD.R4 Z6-Z6 L1565 OM-RL	1565		R4 (22 x 86)	C	B	F08011768 (12)	—	F08011766 (17)	F08011774 (19)	F08011773 (21)	—
⑩ F08011930	CARD.B3 Z6-Z6 L1200	1200	1700	B3 (27 x 70)	A	A	—	G58161016 (14)	F08011743 (16)	—	—	—



CARDANI

TAV. 302

Pos.	Cod.	Descrizione	Description	Description	Benennung	Descripcion
1	F08011711	CARD.B1 Z6-Z6 L700	PTO SHAFT B1 Z6-Z6 L700			
2	F08011713	CARD.B1 Z8-Z6 L700	PTO SHAFT B1 Z8-Z6 L700			
3	F08011714	CARD.B1 Z20-Z6 L700	PTO SHAFT B1 Z20-Z6 L700			
4	F08011715	CARD.B1 Z8-Z6 L900 R.LIB	CARD.B1 Z8-Z6 L900 FREE W.			
5	F08011716	CARD.B1 Z6-Z6 L900 R.LIB	UNIV.JOINT B1 Z6-Z6 L900 R.LIB	CARD.B1 Z6-Z6 L900 R.LIB	KARDAN CE T100710 112 R12	CARDAN CE T100710 112 R12
6	F08011719	CARD.B2 Z6-Z6 L900	UNIVERSAL JOINT 102 071 N T07	CARD. 102 071 N T07 T07 1 CAT	KARDAN 102 071 N T07 T07 1CAT	CARDæN 102 071 N T07 T07 1CAT
7	F08011720	CARD.B3 Z8-Z6 L1300	UNIV.JOINT B3 Z8-Z6 L1300			
8	F08011757	CARD.B1 Z20-Z6 L900 R.L >	UNIVERSAL JOINTB1 Z20-Z6 L900			
9	F08011764	CARDANO OM 3/4Z20-RL Z6 L1381	CARD.R4 Z20-Z6 L1381 OM-RL			
10	F08011930	CARD.B3 Z6-Z6 L1200	PTO SHAFT B3 Z6-Z6 L1200			
11	G58161015	FORCELLA CARD.1'3/8 Z6 B1	CARD. FORK 1'3/8 Z6 B1			
12	F08011768	FORCELLA CARD.1 3/8 Z6 R4	FORK 1 3/8 Z6 R4			
13	F08011772	FORCELLA CARD.1"3/4 Z6 B1	YOKE 1" 3/4 Z6 B1			
14	G58161016	FORCELLA CARD.1'3/8 Z6 B3	CARD.FORK 1'3/8 Z6 B3			
15	F08011742	FORCELLA CARD.32X38 Z8 B1 >	YOKE CARD.32X38 Z8 B1	FOURCHETTE CARDAN Z8 B1	GABEL KARDAN Z8 B1	HORQUILLA CARDAN Z8 B1
16	F08011743	FORCELLA CARD.32X38 Z8 B3 >	YOKE CARD.32X38 Z8 B3			
17	F08011766	FORCELLA CARD.32X38 Z8 R4	FORK 32X38 Z8 R4			
18	F08011758	FORCELLA CARD.1"3/4 Z20 B1	CARD.FORK 1"3/4 Z20 B1			
19	F08011774	FORCELLA CARD.1 3/4 Z20 R4	CARD. FORK 1 3/4 Z20 R4			
20	F08011767	FORCELLA CARD.1 3/8 Z21 B1	CARD.FORK 1 3/8 Z21 B1			
21	F08011773	FORCELLA CARD.1 3/8 Z21 R4	FORK 1 3/8 Z21 R4			
22	F08010152	KIT PRESSORE BUSSOLA CAT I-IV>	TOOLS FOR PTO YOKE CAT I-IV			
23	F08011783	CARD.R4 Z6-Z6 L1565 OM-RL	UNIV. PTO SHAFT R4 Z6-Z6 L1210			

**USATE SEMPRE RICAMBI ORIGINALI
ALWAYS USE ORIGINAL SPARE PARTS
IMMER DIE ORIGINAL-ERSATZTEILE VERWENDEN
EMPLOYEZ TOUJOURS LES PIECES DE RECHANGE ORIGINALES
UTILIZAR SIEMPRE REPUESTOS ORIGINALES**

GASPARDO

Servizio Assistenza Tecnica - After Sales Service: +39 0434 695557

Servizio Ricambi - Spare Parts Service: +39 0434 695496

DEALER:



MASCHIO GASPARDO SpA
Registered office & Production plant
Via Marcello, 73 - 35011 Campodarsego (Padova) - Italy
Tel. +39 049 9289810
Fax +39 049 9289900
info@maschio.com
www.maschionet.com

MASCHIO GASPARDO SpA
Production plant
Via Mussons, 7 - 33075
Morsano al Tagliamento (PN) - Italy
Tel. +39 0434 695410
Fax +39 0434 695425
info@gaspardo.it

MASCHIO DEUTSCHLAND GMBH
Äußere Nürnberger Straße 5
D-91177 Thalmässing - Deutschland
Tel. +49 (0) 9173 79000
Fax +49 (0) 9173 790079
dialog@maschio.de
www.maschionet.de

MASCHIO FRANCE Sarl
Rue Denis Papin ZA
F - 45240 La Ferté Saint Aubin
France
Tel. +33 (0) 2.38.64.12.12
Fax +33 (0) 2.38.64.66.79
info@maschio.fr

000 МАСКИО-ГАСПАРДО РУССИЯ
Улица Пушкина, 117 Б
404130 Волжский
Волгоградская область
Тел. +7 8443 203100
факс. +7 8443 203101
info@maschio.ru

MASCHIO-GASPARDO ROMANIA S.R.L.
Strada Înfrâirii, 155 - F.N.
315100 Chisineu-Cris (Arad) - România
Tel. +40 257 307030
Fax +40 257 307040
info@maschio.ro

MASCHIO-GASPARDO NORTH AMERICA Inc
112 3rd Avenue East
Dewitt, IA 52742 - USA
Ph. +1 563 659 6400
Fax +1 563 659 6405
info@maschio.us

**MASCHIO-GASPARDO IBERICA
MASCHIO-GASPARDO POLAND
MASCHIO-GASPARDO UCRAINA
GASPARDO-MASCHIO TURCHIA
MASCHIO-GASPARDO CINA**