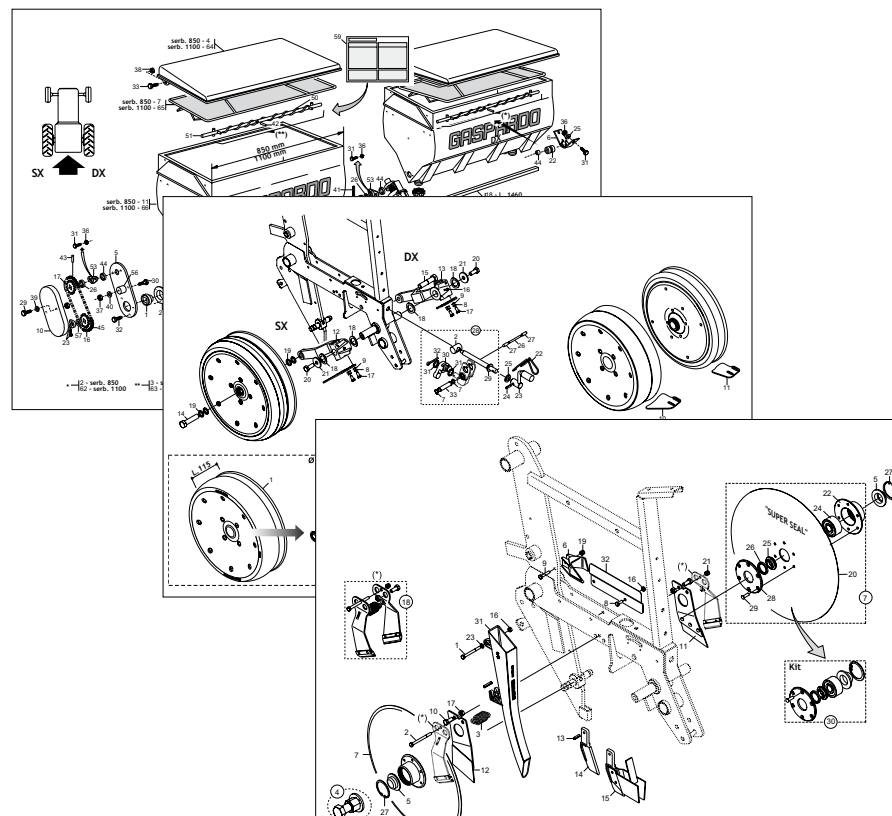


# GASPARDO

## MASCHIO GASPARDO S.p.A.



# MT

**Cod: G19531560 2019-09**

- \*) Valido per Paesi UE
- \*) Valid for EU member countries
- \*) Gilt für EU-Mitgliedsländer
- \*) Valable dans le Pays UE
- \*) Válido para Países UE
- \*) Valabil pentru țările UE

- IT** PARTI DI RICAMBIO
- EN** SPARE PARTS
- DE** ERSATZTEILE
- FR** PIÈCES DÉTACHÉES
- ES** PIEZAS DE REPUESTO

## PARTI DI RICAMBIO

Le ordinazioni delle parti di ricambio vanno fatte presso i nostri concessionari di zona e devono essere sempre corredate dalle seguenti indicazioni:

- **Tipo, modello e numero di matricola dell'attrezzatura.** Tali dati sono stampigliati nell'apposita targhetta di cui è dotata ogni attrezzatura.

- **Numero di codice della parte richiesta** rilevabile dal catalogo ricambi.

- **Descrizione del particolare e quantità richiesta.**

- **Numero della tavola.**

- **Mezzo di trasporto.** Nel caso questa voce non sia specificata, la Ditta Costruttrice, pur dedicando a questo servizio una particolare cura, non risponde di eventuali ritardi di spedizione dovuti a cause di forza maggiore.

Le spese di trasporto si intendono sempre a carico del destinatario. La merce viaggia a rischio e pericolo del committente anche se venduta franco destino.

**NOTA:** Il termine **(Dx) Destro** o **(Sx) Sinistro** della macchina o di parti di essa, è inteso guardando la macchina dalla parte posteriore. Le eccezioni saranno indicate.

## SPARE PARTS

Orders must be transmitted through our area dealers and should always include the following indications:

- **Type, model and serial number of the machine.** These data are punched on the data plate with which every implement is equipped.

- **Code number of the required spare part.** This will be found in the spare parts catalogue.

- **Description of the part and required quantity.**

- **Table number.**

- **Means of dispatch.** If this item is not indicated, the Manufacturer, while dedicating particular care to this service, shall not be held responsible for delays in delivery caused by cases of force majeure.

Transport expenses shall always be at the consignee's charge. The goods travel at the purchaser's risk and peril even when sold ex destination.

**NOTE:** The symbols **(Dx) right** and **(Sx) left**, concerning the machine or single parts of it, are referred, as in the figure, to a rear view of them. Exceptions will be indicated.

## ERSATZTEILE

Die Bestellungen müssen bei unseren Gebietshändlern aufgegeben werden. Bei der Bestellung sind stets die folgenden Angaben zu machen:

- **Typ, Modell und Serien-Nummer des Geräts.** Diese Daten stehen auf dem Typenschild, mit dem jedes Gerät versehen ist.

- **Artikel Nr. der erforderlichen Ersatzteile.** Diese stehen im Ersatzteil-Katalog.

- **Beschreibung des Ersatzteils und die erforderliche Stückzahl.**

- **Tafelnummer.**

- **Versandmittel.** Wenn dieser Punkt nicht spezifiziert wird, haftet die Herstellerfirma nicht für etwaigen Lieferverzug aufgrund höherer Gewalt, auch wenn er diesen Service besonders aufmerksam abwickelt. Die Frachtkosten gehen dagegen immer zu Lasten des Empfängers. Die Ware reist auf Gefahr und Risiko des Auftraggebers, auch wenn frei Haus Verkauft vereinbart worden ist.

**N.B.:** Die Merkzeichen **(Dx) rechts** und **(Sx) links** betreffen eine rückwärtige Aussicht der Maschine oder Teile von ihr (siehe Bild). Ausnahmen werden gezeit.

## PIECES DÉTACHÉES

Les ordres doivent être effectués auprès de nos concessionnaires de zone en précisant les indications suivantes:

- **Type, modèle et numéro de série de la machine.** Ces données sont gravées sur la plaque d'identification de chaque outil.

- **Numéro de code de la pièce détachée** indiqué sur le catalogue des pièces détachées.

- **Description de la pièce et quantité requise.**

- **Numéro de plan.**

- **Moyen d'expédition.** Si cette rubrique n'est pas indiquée, le Constructeur, bien que soucieux de ce service, ne répond pas des retards d'expédition pour des causes de force majeure.

Les frais de transport sont toujours à la charge du destinataire. La marchandise voyage aux risques et périls de l'acheteur même si vendue franco de port.

**N.B.:** Les références **(Dx) droit** et **(Sx) gauche** de la machine ou des parties de la même, est entendue, comme de la figure, en regardant la machine de derriere dans le sens de marche.

## RESPUESTOS

Los pedidos han de efectuarse en nuestros consesionarios de zona y deben incluir siempre las siguientes indicaciones:

- **Tipo, modelo y número de matricula del equipo.** Dichos datos están impresos en la relativa placa presente en el equipo.

- **Número de código de la parte requerida** presente en el catálogo respuestas.

- **Descripción de la pieza y cantidad requerida.**

- **Numero de ilustración.**

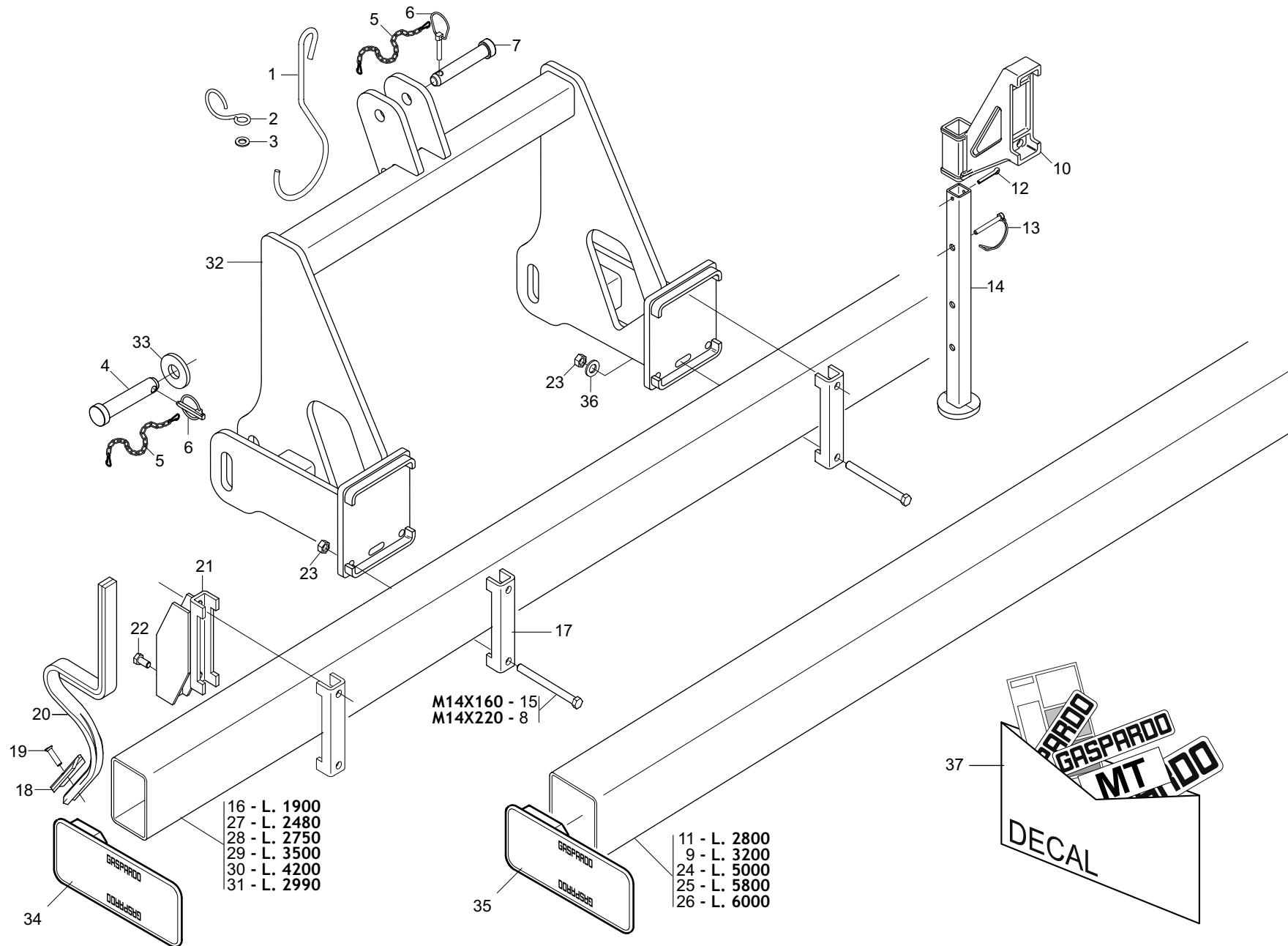
- **Medio de transporte.** En caso que este ítem no esté especificado, el Fabricante, aún prestando la debidas consideraciones para este aspecto, no responde por eventuales retardos de env'o debidos a causas de fuerza mayor.

Los gastos de transporte se consideran siempre a cargo del destinatario. La mercadería viaja bajo riesgo y peligro del comprador, incluso cuando se vende franco destino.

**N.B.:** La referencia **(Dx) derecha** o **(Sx) izquierda** de la máquina o de sus componentes, se entiende, como en la figura, mirando la máquina por la parte trasera. Se indicarán las excepciones.

<b>Nr. Tav.</b>	<b>Descrizione</b>	<b>Description</b>	<b>Pag.</b>
TAV. 010	Telaio e attacco 3 punti .....	Toolbar and tree point hitch .....	4
TAV. 020	Segnafile (2÷7 file) .....	Row marker (2÷7 rows) .....	6
TAV. 030	Segnafile (8÷12 file) .....	Row marker (8÷12 rows) .....	8
TAV. 470	Segnafile (wrm / crm) .....	Row marker (wrm / crm) .....	10
TAV. 041	Impianto oleodinamico segnafile .....	Hydraulic row marker system .....	12
TAV. 050	Depressore .....	Air pump .....	14
TAV. 060	Scatola di rinvio elemento .....	Transfer case element .....	16
TAV. 070	Distributore semi .....	Seed distributor .....	18
TAV. 081	Dischi di semina .....	Seed plates .....	20
TAV. 090	Telaio elemento .....	Unit toolbar .....	22
TAV. 100	Dischi assolcatori elemento .....	Coulters disc .....	24
TAV. 111	Ruote di profondità .....	Depth wheels .....	26
TAV. 121	Ruote di compressione .....	Compression wheels .....	28
TAV. 130	Coprisemi anteriori e posteriori per ruote a "V" .....	Front and rear seed covering for "V" wheels .....	30
TAV. 140	Ruota si compressione Farmflex Ø 370 .....	Farmflex press wheel Ø 370 .....	32
TAV. 150	Coltro a disco striato .....	Corrugated disc coulter .....	34
TAV. 160	Spartiresidui rotativo .....	Trash wheel .....	36
TAV. 170	Esclusione elettrica file di semina .....	Electric row shut off .....	38
TAV. 180	Cambio .....	Gearbox .....	40
TAV. 190	Ruote di trasmissione .....	Drive wheels .....	44
TAV. 200	Ruote di trasmissione anteriori .....	Front drive wheels .....	48
TAV. 211	Scaletta ruote portanti .....	Ladder .....	52
TAV. 220	Ruote regolabili «5.00-15» .....	Adjustable drive wheels «5.00-15» .....	54
TAV. 230	Ruote regolabili «6.50-15» .....	Adjustable drive wheels «6.50-15» .....	56
TAV. 240	Rincalzatore .....	Ridging body .....	58
TAV. 250	Presa di potenza posteriore .....	Rear pto shaft .....	60
TAV. 260	Kit ruote per terreni sassosi - flangiatura ruote .....	Wheels for stony ground kit - fringing for wheels .....	62
TAV. 270	Supporti serbatoi spandiconcime ferro .....	Supports for metal fertilizer distributor .....	64
TAV. 280	Serbatoi spandiconcime ferro .....	Metal fertilizer distributor .....	66
TAV. 290	Supporti serbatoi spandiconcime plastica .....	Support for plastic fertilizer distributor .....	70
TAV. 300	Serbatoi spandiconcime plastica .....	Plastic fertilizer distributor .....	72
TAV. 310	Supporti serbatoio spandiconcime "BB" .....	Supports for "BB" fertilizer distributor .....	76
TAV. 320	Serbatoio spandiconcime unico "BB" .....	"BB" fertilizer distributor .....	78
TAV. 480	Supporti serbatoio spandiconcime "BBS" .....	Supports for "BB" fertilizer distributor .....	82
TAV. 490	Serbatoio spandiconcime unico "BBS 1200 litri" .....	"BBS 1200 liters" fertilizer distributor .....	84
TAV. 450	Supporti serbatoio spandiconcime "BBX" .....	Supports for "BBX" fertilizer distributor .....	86
TAV. 460	Serbatoio spandiconcime "BBX" .....	'BBX' fertilizer distributor .....	88
TAV. 330	Elementi di concimazione .....	Fertilizer unit .....	90
TAV. 341	Speedy set .....	Speedy set .....	92
TAV. 351	Concimazione pneumatica .....	Pneumatic fertilizer .....	94
TAV. 360	Supporti microgranulatore .....	Supports for microgranulator .....	96
TAV. 371	Microgranulatore (16 litri) .....	Microgranulator (16 liters) .....	98
TAV. 381	Microgranulatore (30 litri) .....	Microgranulator (30 liters) .....	100
TAV. 391	Trasmissione spandiconcime e microgranulatore .....	Fertilizer distributor drive and microgranulator .....	102
TAV. 401	Applicazione doppio microgranulatore .....	Double microgranulator application .....	104
TAV. 410	Applicazione doppio spandiconcime .....	Double fertilizer distributor application .....	106
TAV. 420	Trasmissione per applicazione doppio spandiconcime .....	Transmission to the double fertilizer distributor application .....	108
TAV. 431	Kit luci e tabelle di ingombro stradale .....	Lighting kit and warning boards .....	110
TAV. 500	Kit luci e tabelle di ingombro stradale .....	Lighting kit and warning boards .....	112
TAV. 441	Cardano .....	Cardan shaft .....	114

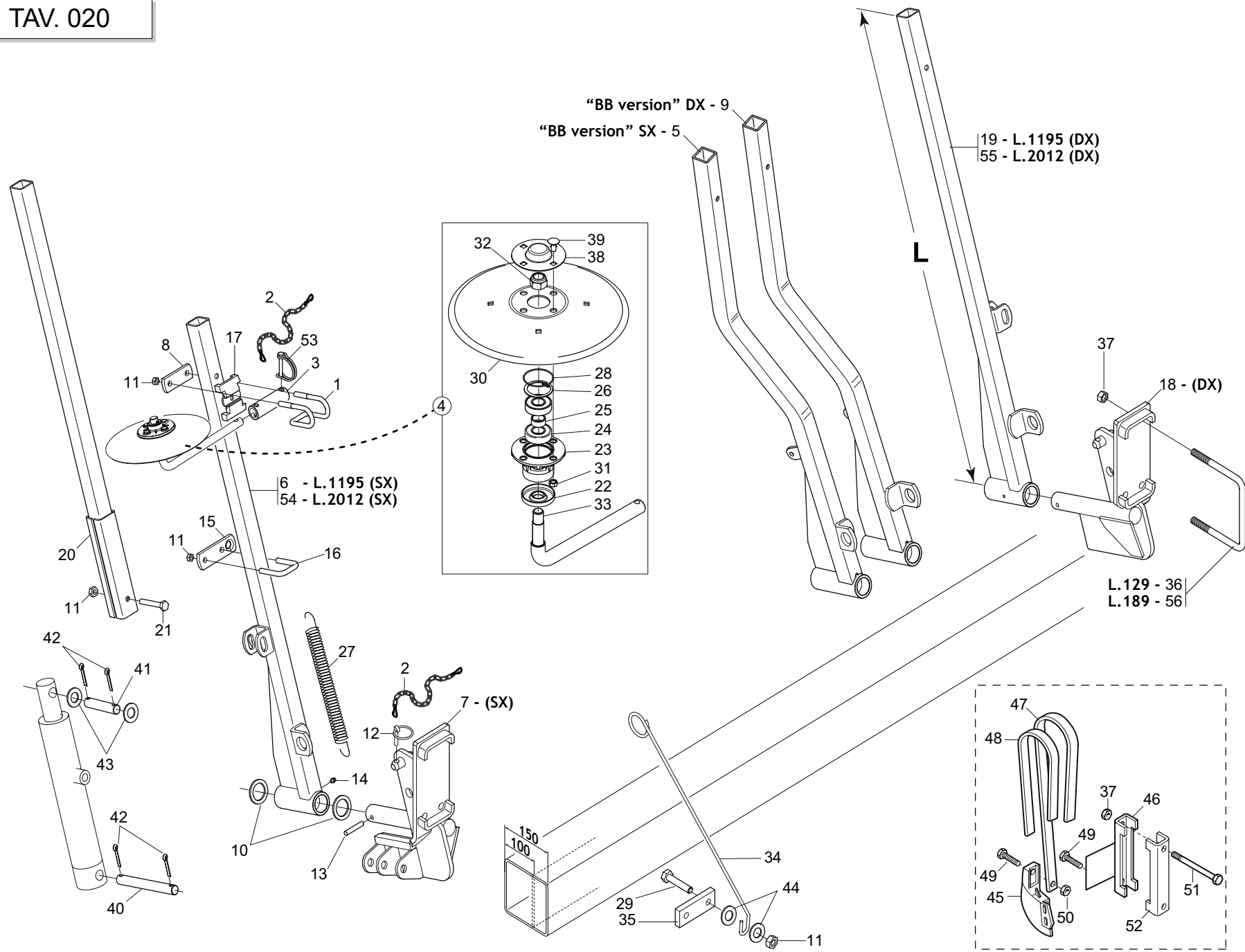
TAV. 010



## TELAIO E ATTACCO 3 PUNTI TOOLBAR AND TREE POINT HITCH

TAV. 010

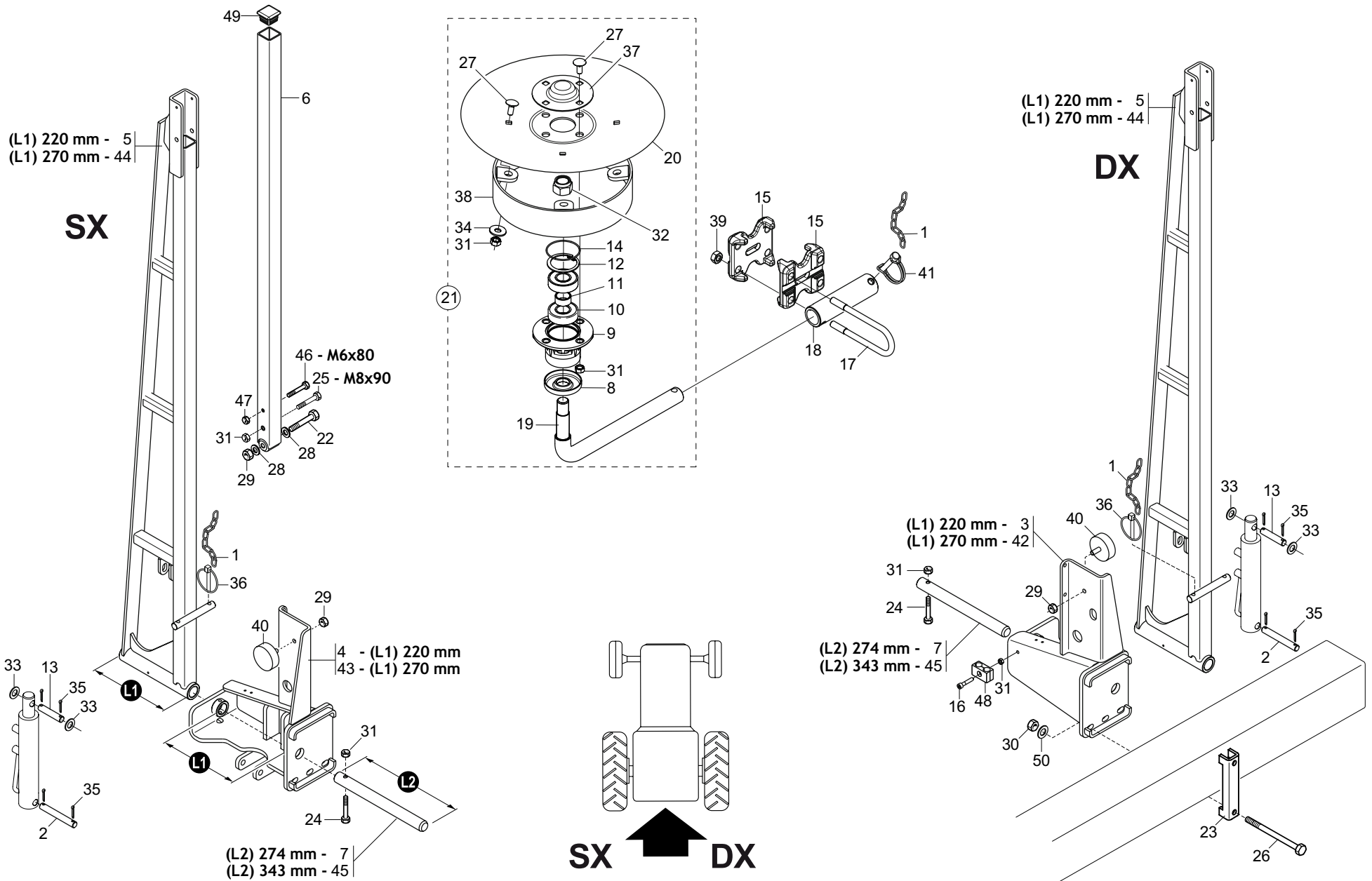
Pos.	Cod.	Descrizione	Description	Description	Benennung	Description
1	F20120400R	GANCIO SOSTEGNO CARDANO	SHAFT HOOK SUPPORT	SUPPORT CARDAN	GELENKWELLE - HACKEN	SOPORTE CARDAN
2	G65336004R	MOLLA SPEC.ZN AGG.SEMINAT. SP	SPEC SPRING- ZN ADD. SEEDER SP	RESSORT SPEC. ZN ATTELAGE SEME	SPEZIALFEDER ZN SZELEM. KUPPL.	MUELLE ESPEC. ZN CONEX. SEMBRA
3	F01410088R	ROS.M14 15X 28X2,5 U6592 ZN	WAS.M14 15X 28X2,5 U6592 ZB	RON.M14 15X 28X2,5 U6592 ZB	SCH.M14 15X 28X2,5 U6592 ZB	ARA.M14 15X 28X2,5 U6592 ZB
4	F20100136R	PERNO D28 L109 C43 TEST.D60 Z	BOLT D28 L109 C43 ZN	BOULON D28 L109 C43 ZN	BOLTZEN D28 L109 C43 ZN	PERNO D28 L109 C43 ZN
5	G13812311R	CATENELLA CON MOSCHETTONE	CHAIN WITH SPRING CATCH	CHAINETTE AVEC MOUSQUETON	KETTE MIT KARABINERHAKEN	CADENA CON GANCHO
6	F02200507R	SPINA A SCATTO D 9 B 83	SNAP PIN D9 B 83 ZN	FICHE A DETENTE D9 B 83 ZN	EINRASTSTIFT D9 B 83 ZN	CLAVIJA DE MUELLE D9 B 83 ZN
7	F20100133R	PERNO D25 L122 C43 TEST.D60 ZN	PIN D25 L122 C43 ZN	BOULON D25 L122 C43 ZN	BOLZEN D25 L122 C43 ZN	PERNO D25 L122 C43 ZN
8	F01020236R	VITE M14X2X220 U5737 8.8BR	SCR. M14X2X220 U5737 8.8BR	VIS M14X2X220 U5737 8.8 BR	SCHRAUBE M14X2X220 U5737 8.8	TORNILLO M14X2X220 U5737 8.8
9	G22505032R	TUBO TELAIO L=3200	FRAME PIPE L=3200	TUBE BATI L=3200	ROHR RAHMEN L=3200	TUBO BASTIDOR L=3200
10	G19204860R	SUPPORTO PUNTELLO SP-MT	SHORE SUPPORT SP-MT			
11	G22505031R	TUBO TELAIO L=2800	FRAME PIPE L=2800	TUBE BATI L=2800	ROHR RAHMEN L=2800	TUBO BASTIDOR L=2800
12	F02200246R	COPIGLIA 6X 45 U1336 ZN	PIN 6 X45 U1336 ZN	GOUPILLE 6 X45 U1336 ZN	SPLINT 6 X45 U1336 ZN	CLAVIJA 6 X45 U1336 ZN
13	F02200584R	SPINA SICUR.D.12X70 ZN	PIN D12 L70 ZN	FICHE D12 L70 ZN	STIFT D12 L70 ZN	CLAVIJA D12 L70 ZN
14	G15112691R	PUNTELLO ST250	PROP ST250			
15	F01020225R	VITE M14X2X160 U5737 8.8BR	SCR. M14X2X160 U5737 8.8BR	VIS M 14 X160 5737 8.G	SCHRAUBE M 14 X160 5737 8.G	TORNILLO M 14 X160 5737 8.G
16	G16610040R	TUBO RET.150X100X1900	RECTANGULAR PIPE 150X100X1900	TUBE RECTANGULAIRE 150X100X190	RECHTECK.ROHR150X100X1900	TUBO RECT.150X100X1900
17	G15110091R	SCONTRO A U	CONTRA U	BRIDE 150 MM	ANSCHLAG	ELEMENTO DE EMPALME
18	F20120017R	VOMERO REVERSIBIL.F37 40X5X135	SWIVEL PLOUGH-SHARE F37 40X5X1	SOC REVERS. F37 40X5X135	UMKEHRBARE SCHAR F37 40X5X135	REJAS REVERS. F37 40X5X135
19	G67002011R	BULLONE TESTE OVALE M10X35	OVAL HEAD BOLT M10X35	BOULON TETE AVALE M10X35	SCHRAUBE OVAL KOPF. M10X35	PERNO CABEZA OVALADO M10X35
20	G22270462R	MOLLA ROMPIRACCIA VERNICIATA	PAINTED TRACE BR. SPRING	RESSORT BRISEUR DE TRACES VERN	FEDER SPURMESSER LACKIERT	MUELLE ROMPEHUELLE BARNIZADA
21	G15471612R	SUPPORTO ROMPIRACCIA Q.150	ROW-BREAKER SUPPORT SQ.150	SUPPORT EFFACEUR DE TRACES 150	HALTERUNG SPURAUFREISSER 150	SOPORTE BORRAHUELLAS 150
22	F01020510R	VITE M12X1,75X30 U5739 8.8ZN	SCR. M12X1,75X30 U5739 8.8ZN	VIS M12X1,75X30 U5739 8.8ZN	SCHRAU.M12X1,75X30 U5739 8.8ZN	TORNILLO M12X1,75X30 U5739
23	F01200306R	DADO M14X2 U5588 CL8 ZN	NUT M14X2 U5588 6.8ZN	ECROU M14X2	MUTTER M14X2	DADO M14X2
24	G15210690R	TUBO TELAIO FISSO 150X5000	FIXED FRAME PIPE 150X5000	PIPE BATI FIXE 150X5000	ROHR FIXER RAHMEN 150X5000	TUBO BASTIDOR FIJO 150X5000
25	G22505035R	TUBO TELAIO L=5800	FRAME TUBE L=5801			
26	G15210740R	TUBO TELAIO FISSO 150X6000	FIXED FRAME PIPE 150X6000	TUBE BATI FIXE 150X6000	ROHR FIXER RAHMEN 150X6000	TUBO BASTIDOR FIJO 150X6000
27	G16610050R	TUBO R.150X100X2480	RECTANGULAR PIPE 150X100X2480	TUBE RECT.150X100X6X2480	R. ROHR150X100X6X2480	TUBO RECT.150X100X6X2480
28	G16610080R	TUBO R.150X100X 6X2750	RECTANGULAR PIPE 150X100X6X275	TUBE RECT.150X100X6X2750	R. ROHR150X100X6X2750	TUBO RECT.150X100X6X2750
29	G16610060R	TUBO R.150X100X3500	RECTANGULAR PIPE 150X100X3500	TUBE RECT.150X100X3500	R. ROHR150X100X3500	TUBO RECT.150X100X3500
30	G16610070R	TUBO R.150X100X4200	RECTANGULAR PIPE 150X100X4200	TUBE RECT.150X100X4200	R. ROHR150X100X4200	TUBO RECT.150X100X4200
31	G15211250R	TUBO R.150X100X 6X2990	RECTANGULAR PIPE 150X100X2990	TUBE RECT.150X100X6X2990	R. ROHR150X100X6X2990	TUBO RECT.150X100X6X2990
32	G16610463R	TERZO PUNTO 2 CATEGORIA	3RD POINT 2 CAT.			
33	G20970120R	RONDELLA 70X8X28,5	WASHER 70X8X28-5	RONDELLE 70X8X28-5	UNTERLEGSSCHEIBE 70X8X28-5	ARANDELA 70X8X28-5
34	G16610110R	TAPPO TELAIO 150X100 COMPL.	COMPL. FRAME PLUG 150X100 B319	BOUCHON CH-SSIS 150X100 COMPL.	PFRÖPFEN RAHMEN 150X100 KOMPL.	TAP N BASTIDOR 150X100 COMPL.
35	G15213660R	MONT.TAPPO TELAIO 150X150	ASS.PLUG-FRAME 150X150			
36	G20970142R	RONDELLA 32X4X15,5	WASHER 32X4X15-5	RONDELLE 32X4X15-5	UNTERLEGSSCHEIBE 32X4X15-5	ARANDELA 32X4X15-5
37	G89900511R	KIT DECALCOMANIE SP-MT	DECAL KIT SP	KIT DECALCOMANIE SP	KIT ABZIEHB. SP	SET CALCOMAN AS SP



**SEGNAFILE (2÷7 FILE)  
ROW MARKER (2÷7 ROWS)**

**TAV. 020**

Pos.	Cod.	Descrizione	Description	Description	Benennung	Description
1	G16610230R	CAVALLOTTO MANICOTTO DISCO	U BOLT FOR DISC SLEEVE	ETRIER MANCHON DISQUE	_BERBR_CKUNG MUFFE SCHEIBE	ABRAZADERA MANGUITO DE DISCO
2	G13812311R	CATENELLA CON MOSCHETTONE	CHAIN WITH SPRING CATCH	CHAINETTE AVEC MOUSQUETON	KETTE MIT KARABINERHAKEN	CADENA CON GANCHO
3	G17111290R	MANICOTTO DISCO	DISC SLEEVE U BOLT	MANCHON DISQUE	SCHEIBENMUFFE	MANGUITO DISCO
4	G16610200R	DISCO D.320 COMPL	DISC D.320 COMPL			
5	G15211911R	BRACCIO SEGNAFILE SX	ROW MARKER ARM LEFT			
6	G15412691R	BRACCIO SEGNAFILE SX	ROW MARKER ARM LEFT	BRAS PLIANT GCH.	KLAPPBARER ARM LI.	BRAZO PLEGABLE IQZ.
7	G16611490R	ASS.SUPP.SEGNAFILE SX	LEFT ROWMARKER SUPPORT			
8	G23440198R	SCONTRO ATTACCO BRACCIO HL 2	STRIKER PLATE ARM ATTACH. HL 2	BUTEE FIXATION BRAS HL 2	ARMKUPPLUNGSANSCHLAG HL 2	ELEMENTO DE EMPALME CONEXI N B
9	G15211931R	BRACCIO SEGNAFILE DX	ROW MARKER ARM RIGHT			
10	G18701600R	RONDELLA 35,5 X50 X3 ZN	WASHER 35.5 X 50 X 3- GALVANIZ	RONDELLE 35-5 X50 X3 ZN	UNTERLEGSSCHEIBE 35-5 X50 X3	ARANDELA 35-5 X50 X3 ZN
11	F01200270R	DADO M10X1,5 U5588 CL8 ZN	NUT M10X1,5 U5588 6.8ZN	ECROU M10X 1,5 U5588 6.8 ZN	MUTTER M10X 1,5 U5588 6.8 ZN	TUERCA M10X1,5 U5588 CL8 ZN
12	F02200507R	SPINA A SCATTO D 9 B 83	SNAP PIN D9 B 83 ZN	FICHE A DETENTE D9 B 83 ZN	EINRASTSTIFT D9 B 83 ZN	CLAVIJA DE MUELLE D9 B 83 ZN
13	F02100146R	SPINA E.P. 8X 55 U6873 C70 BR	PIN EL. .8 X55 DIN 1481	FICHE EL.8 X55 DIN 1481	SPANNSTIFT 8 X55 DIN 1481	CLAVIJA EL.8 X55 DIN 1481
14	F01100011R	ING.M 6X1 7663-A 9SMNPB28 ZN	GREASE NIPPLE M6X1 7663-A ZN	GRAISS. A BILLE M6X1 7663A ZN	SCHMIERBUECHE M6X1 7663-A ZN	ENG.M 6X1 7663-A 9SMNPB28 ZN
15	G15412810R	ATTACCO FUNE SEGNAFILE	ROW MARKER ROPE LINKAGE	FIXATION CABLE TRACEUR	SEILKUPPLUNG SPURANZEIGER	CONEXI N CABLE MARCADOR DE FIL
16	F20110705R	CAV.Q.B=40 M=10X1,5 L=62	U BOLT Q.B=40 M=10X1,5 L=62	CAVALIER ZN	BSGELBOLZEN ZN	PERNO EN U ZN
17	G19203740R	ELEMENTO FISSAGGIO GAMBO ZN.	GALVAN. SHANK FASTENING ELEMEN	ELEMENT FIXATION TIGES ZN	BEFESTIGUNGSELEMENT SCHZCHTE Z	ELEMENTO SUJECIN V STAGOS ZN
18	G16611500R	SUPPORTO SEGNAFILE DX	RIGHT ROWMARKER SUPPORT			
19	G15412861R	BRACCIO SEGNAFILE DX	RH FOLDING ARM	BRAS PLIANT DRT.	KLAPPBARER ARM RE.	BRAZO PLEGABLE DER.
20	G15412780R	PROLUNGA BRACCIO SEGNAFILE	ROWMARKER EXTENSION	RALLONGE TRACEUR SOL.	VERLNGERUNG SPURREISSER	PROLONG. MARC. DE FILAS
21	F01020122R	VITE M10X1,5X70 U5737 8.8ZN	SCR. M10X1,5X70 U5737 8.8ZN	VIS M10X1,5X70 U5737 8.8 ZN	SCHRA.M10X1,5X70 U5737 8.8 ZN	TORN. M10X1,5X70 U5737 8.8 ZN
22	G16610431R	FONDELLO ZN	BOTTOM GALV.ED			
23	G16610160R	SUPP.CUSCINETTI DISCO SEGN.ZN.	GALVAN. ROWMARKER DISK BEARING	SUPPORT ROULEMENTS DISQUE TRAC	SCHEIBENLAGERHALTERUNG	SOPORTE COJINETE DE DISCO MARC
24	F04010156R	CUSC. D20 D47 B14 6204 2RSH	BEARING D20 D47 B14 6204 2RSH	ROULEMENTD20 D47 B14		
25	G18801270R	BOCCOLA 21 X25 X12 ZN B.	BUSHING 21 X25 X12 ZN			
26	F02050370R	ANELLO E. DI 47X1,75 U7437 C70	SEEGER RING 47X 1,75 U7437 C70	SEEGER E. 47X 1,75 U7437 C70	SEEGERING E. 47X1,75 U7437 C70	ANILLO E. 47X 1,75 U7437 C70
27	G65337004R	MOLLA TRAZ.SOLLEV. FU	TRACTION SPRING LIFT. FU	RESSORT TRACT. LEVAGE FU	ZUGFEDER HEBUNG FU	MUELLE TRAC. LEVDEL. FU
28	F03010576R	ANELLO OR 50,52X1,78 NBR	GASKET OR 50,52X1,78 NBR	BAGUE OR 50,52X1,78 NBR	RING OR 50,52X1,78 NBR	ANILLO OR 50,52X1,78 NBR
29	F01020476R	VITE M10X1,5X30 U5739 8.8ZN	SCR. M10X1,5X30 U5739 8.8ZN	VIS M10X1,5X30 U5739 8.8 ZN	SCHRAUBE M10X1,5X30U5739 8.8ZN	TORNILLO M10X1,5X30 U5739 8.8
30	G16610170R	DISCO SEGNAFILE D.320	ROW MARKER DISK D.320	DISQUE TRACEUR D320	SPURREISSERSCHEIBE D. 320	DISCO MARCADOR DE FILAS O 320
31	F01200244R	DADO M8X1,25 U5588 CL8 ZN	NUT M8X1,25 U5588 6.8ZN	ECROU M8 X1,25 U5588 6.8 ZN	MUTTER M8 X1,25 U5588 6.8 ZN	TUERCA M8X1,25 U5588 CL8 ZN
32	F01230098R	DADO M18X2,5 D982 8 ZN	NUT M18X2,5 D982 8 ZN	ECROU M18X 2,5 D982 8 ZN	MUTTER M18X 2,5 D982 8 ZN	TUERCA M18X 2,5 D982 8 ZN
33	G16610180R	PERNO REGGIDISCO SEGNAF.	ROWMARKER DISCHOLDER PIN			
34	G18902260R	GUIDACORDA ZN MT	ROPE GUIDE ZN			
35	G15470810R	SUPPORTO GUIDACORDA SP	ROPE GUIDE SUPPORT SP	SUPPORT GUIDE-CORDE SP	HALTERUNG SEILFSHRUNG SP	SOPORTE GUIACUERDA SP
36	F20110780R	CAV.R.B=150H=100M=14X2 L=129	U BOLT R.B=150 H100 M14X2 L129	CAVALIER M14X165-128	VERBINDUNG M14X165-128	PERNO EN U M14X165-128
37	F01200306R	DADO M14X2 U5588 CL8 ZN	NUT M14X2 U5588 6.8ZN	ECROU M14X2	MUTTER M14X2	DADO M14X2
38	G16610190R	CHIUSURA CUSCINETTO ZN	END BEARING ZN			
39	F01060040R	VITE M8X1,25X20 U5731 8.8ZN	SCR. M8X1,25X20 U5732 4.6ZG	VIS M8X1,25X20 U5732 4.6 ZN	SCHRA. M8X1,25X20 U5732 4.6 ZN	TORN. M8X1,25X20 U5732 4.6 ZN
40	G15413020R	SPINA 15X120 ZN	GALVANIZED PIN 15X120	GOUPILLE 15X120 ZN	STIFT 15X120 ZN	CLAVIJA 15X120 ZN
41	G15413010R	SPINA 15X62 ZN	PIN 15X62 ZN	GOUPILLE 15X62 ZN	BOLZENSTIFT 15X62 ZN	PASADOR 15X62 ZN
42	F02200194R	COPIGLIA 4X 25 U1336 ZN	SPLIT PIN 4 X25 1336 GALVAN.	GOUPILLE 4 X25 1336 ZN	SPLINT 4 X25 1336 ZN	PASADOR 4 X25 1336 ZN
43	G20970142R	RONDELLA 32X4X15,5	WASHER 32X4X15-5	RONDELLE 32X4X15-5	UNTERLEGSSCHEIBE 32X4X15-5	ARANDELA 32X4X15-5
44	F01410100R	ROS.M16 17X 30X 3 U6592 ZN	WASHER M16 17X30X3 U6592 ZN	RONDELLE M16 17X30X3 ZN	SCHRAUBE M16 17X 30X3 U6592 ZN	ARAND.M16 17X 30X 3 U6592 ZN
45	G13811261R	FALCIONE SEGNAFILE INT.	INNER ROWM. CUTTER	HACHOIR TRACEUR INT.	SZSCHAR SPURREISSER INNEN	GUADA ADORA MARCADOR DE HILE
46	G15470232R	SUPPORTO MOLLA PIATTA 150	FLAT SPRING SUPPORT 150	SUPPORT RESSORT PLAT 150	HALTERUNG FLACHFEDER 150	SOPORTE MUELLE PLANO 150
47	G18901092R	GAMBO CONCIMAZ.MOLLA PIATTA SP	FLAT SPRING MANURING LEG SP	TIGE FUMAGE RESSORT PLAT SP	SCHAFT DSNUNG FLACHE FEDER SP	V STAGO ABONO MUELLE CHATO SP
48	G18902861R	RINF.MOLLA PIATTA CONCIM.SP	MANUR.PLATE SPRING REINFORCE.S	RENF. RESSORT PLAT FUMAGE SP	VERSTZRKUNG FLACHFEDER DSNUNG	REFUERZO MUELLE ABONO SP
49	F01020512R	VITE M12X1,75X35 U5739 8.8ZN	SCR. M12X1,75X35 U5739 8.8ZN	VIS M12X1,75X35 5739 8.8 ZN	SCHR. M12X1,75X35 5739 8.8 ZN	TORNILLO M12X1,75X35 U5739 8
50	F01200293R	DADO M12X1,75 U5588 CL8 ZN	NUT M12X1,75 U5588 6S ZN	ECROU M12X1,75 U5588 6S ZN	MUTTER M12X1,75 U5588 6S ZN	TUERCA M12X1,75 U5588 CL8 ZN
51	F01020236R	VITE M14X2X220 U5737 8.8BR	SCR. M14X2X220 U5737 8.8BR	VIS M14X2X220 U5737 8.8 BR	SCHRAUBE M14X2X220 U5737 8.8	TORNILLO M14X2X220 U5737 8.8
52	G15110091R	SCONTRO A U	CONTRA U	BRIDE 150 MM	ANSCHLAG	ELEMENTO DE EMPALME
53	F02100312R	SPINA DI SICUREZZA D.8X45 ZN	SAFETY PIN D.8X45 ZN	FICHE EL.DE SECURITE D.8X45 ZN	SCHERSTIFT D.8X45 ZN	CLAVIJA DE SEGURIDAD D 8X45 ZN
54	G16611451R	BRACCIO SGNAFILE SX	ROW MARKER ARM LEFT			
55	G16611461R	BRACCIO SEGNAFILE DX	ROW MARKER ARM RIGHT			
56	F20110785R	CAV.Q.B=150 M=14X2 L=189	U BOLT Q.B=150 M=14X2 L=189	CAVALIER 150	VERBINDUNG 150	PERNO EN U 150



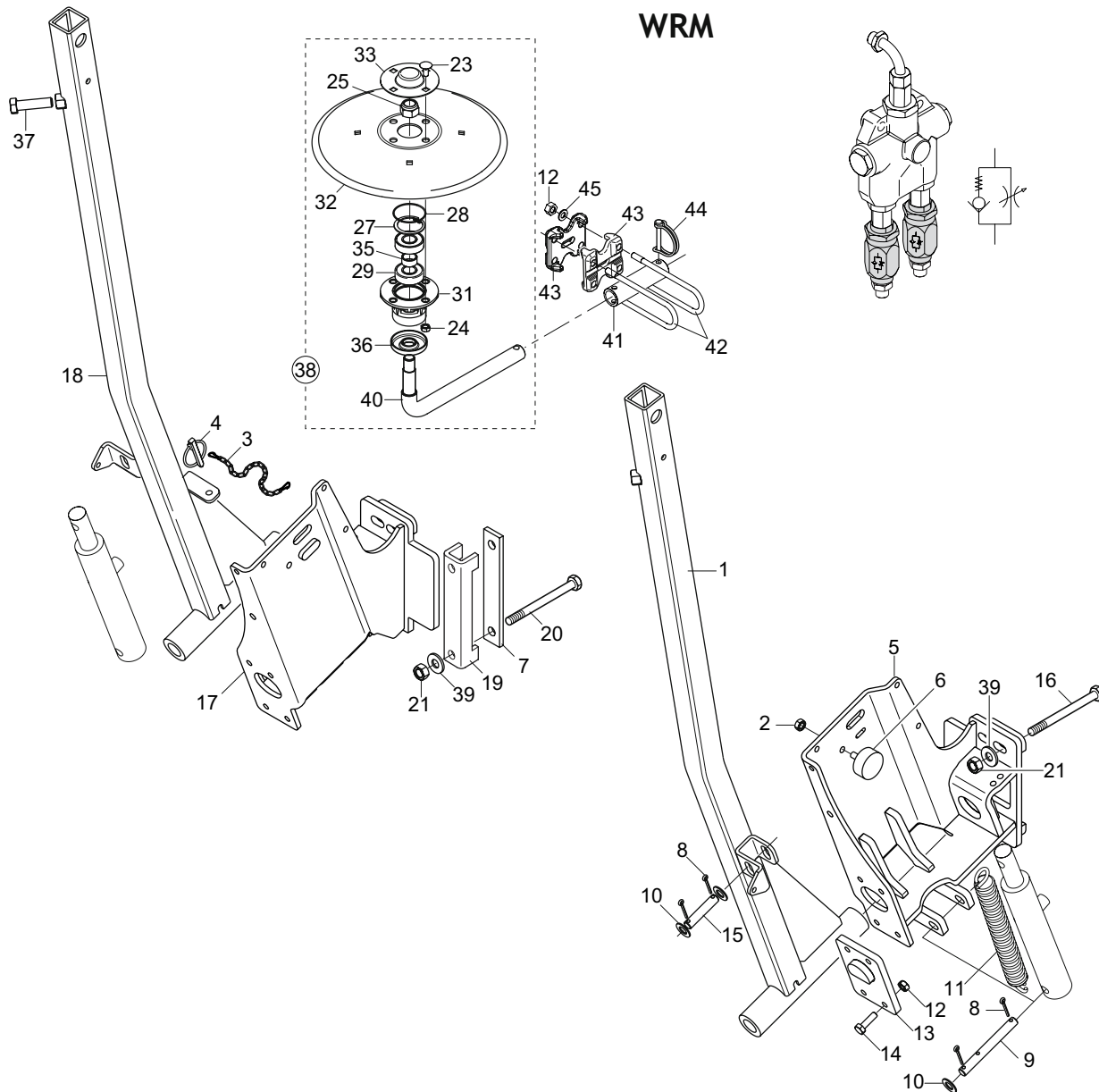


**SEGNAFILE (8÷12 FILE)  
ROW MARKER (8÷12 ROWS)**

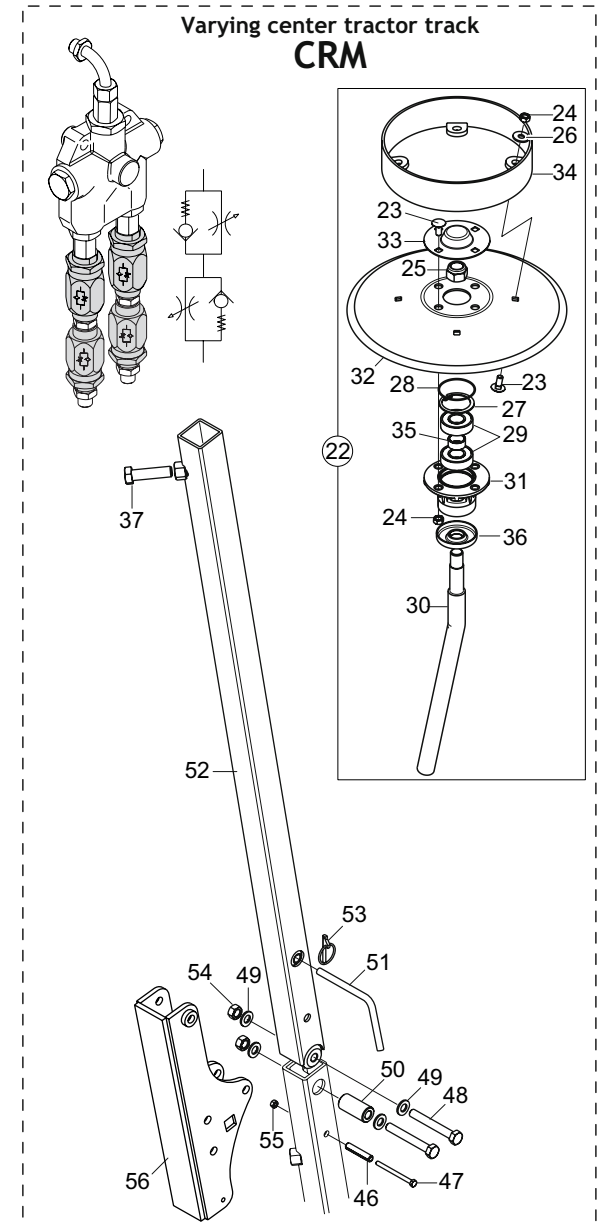
**TAV. 030**

Pos.	Cod.	Descrizione	Description	Description	Benennung	Description
1	G13812311R	CATENELLA CON MOSCHETTONE	CHAIN WITH SPRING CATCH	CHAINETTE AVEC MOUSQUETON	KETTE MIT KARABINERHAKEN	CADENA CON GANCHO
2	G15413020R	SPINA 15X120 ZN	GALVANIZED PIN 15X120	GOUVILLE 15X120 ZN	STIFT 15X120 ZN	CLAVIJA 15X120 ZN
3	G15411381R	SUPPORTO BRACCIO DX	RIGHT ARM SUPPORT	RACLEUR GCH BAGUE	HALTERUNG ARM RE	SOPORTE BRAZO DER
4	G15411391R	SUPPORTO BRACCIO SX	LEFT ARM SUPPORT	SUPPORT BRAS GCH	HALTERUNG ARM LI	SOPORTE BRAZO IZQ
5	G15411471R	BRACCIO SEGNAFILE FRANCIA	FRENCH ROWMARKER ARM	BRAS TRACEUR	SPURREISSERARM	BRAZO MARCADOR DE FILAS
6	G16072220R	BRACCIO SEGNAFILE	ROW MARKER ARM			
7	G14215830R	ASSE SEGNAFILE ZN	GALVAN. ROWMAKER AXLE	AXE BRAS TRACEUR ZN	REISSERASCHE	EJE MARCADOR DE FILAS
8	G16610431R	FONDELLO ZN	BOTTOM GALV.ED			
9	G16610160R	SUPP.CUSCINETTI DISCO SEGN.ZN.	GALVAN. ROWMARKER DISK BEARING	SUPPORT ROULEMENTS DISQUE TRAC	SCHEIBENLAGERHALTERUNG	SOPORTE COJINETE DE DISCO MARC
10	F04010156R	CUSC. D20 D47 B14 6204 2RSH	BEARING D20 D47 B14 6204 2RSH	ROULEMENTD20 D47 B14		
11	G18801270R	BOCCOLA 21 X25 X12 ZN B.	BUSHING 21 X25 X12 ZN			
12	F02050370R	ANELLO E. DI 47X1,75 U7437 C70	SEEGER RING 47X 1,75 U7437 C70	SEEGER E. 47X 1,75 U7437 C70	SEEGERING E. 47X1,75 U7437 C70	ANILLO E. 47X 1,75 U7437 C70
13	G15413010R	SPINA 15X62 ZN	PIN 15X62 ZN	GOUVILLE 15X62 ZN	BOLZENSTIFT 15X62 ZN	PASADOR 15X62 ZN
14	F03010576R	ANELLO OR 50,52X1,78 NBR	GASKET OR 50,52X1,78 NBR	BAGUE OR 50,52X1,78 NBR	RING OR 50,52X1,78 NBR	ANILLO OR 50,52X1,78 NBR
15	G19204230R	SUPPORTO MANICOTTO TQ.50	SLEEVE SUPPORT TQ.50			
16	F01040101R	VITE M8X1,25X40 U5931 8.8ZN	SCR. M8X1,25X40 U5931 8.8ZN	VIS M8X1,25X40 U5931 8.8 ZN	SCHRAUBE M8X1,25X40 U5931 8.8	TORNILLO M8X1,25X40 U5931 8.8
17	F20110860R	CAV.T.M10X 1,5X 30 46X128,5ZN	U BOLT T.M10X1,5X30 46X L128,5	CAVALIER M10X46 ZN	VERBINDUNG M10X46 ZN	PERNO EN U M10X46 ZN
18	G17111290R	MANICOTTO DISCO	DISC SLEEVE U BOLT	MANCHON DISQUE	SCHEIBENMUFFE	MANGUITO DISCO
19	G16610180R	PERNO REGGIDISCO SEGNAF.	ROWMARKER DISCHOLDER PIN			
20	G16610170R	DISCO SEGNAFILE D.320	ROW MARKER DISK D.320	DISQUE TRACEUR D320	SPURREISSERSCHEIBE D. 320	DISCO MARCARDOR DE FILAS O 320
21	G16610222R	MONT.DISCO D.320 LIM.	ROWMARKER DISC D.320 ASSEMBLY			
22	F01020168R	VITE M12X1,75X90 U5737 8.8ZN	SCR. M12X1,75X90 U5737 8.8ZN	VIS M12X1,75X90 U5737 8.8 ZN	SCHRAB.M12X1,75X90 5737 8.8 ZN	TORNIL.M12X1,75X90 5737 8.8 ZN
23	G15110091R	SCONTRO A U	CONTRA U	BRIDE 150 MM	ANSCHLAG	ELEMENTO DE EMPALME
24	F01020077R	VITE M8X1,25X60 U5737 8.8ZN	SCR. M8X1,25X60 U5737 8.8ZN	VIS M8X1,25X60 U5737 8.8 ZN	SCHRAU. M8X1,25X60 U5737 8.8ZN	TORN. M8X1,25X60 U5737 8.8 ZN
25	F01020088R	VITE M8X1,25X90 U5737 8.8ZN	SCREW M8X1,25X90 U5737 8.8ZN	VIS M8X1,25X90 U5737 8.8 ZN	SCHR. M8X1,25X90 U5737 8.8 ZN	TORN. M8X1,25X90 U5737 8.8 ZN
26	F01020236R	VITE M14X2X220 U5737 8.8BR	SCR. M14X2X220 U5737 8.8BR	VIS M14X2X220 U5737 8.8 BR	SCHRAUBE M14X2X220 U5737 8.8	TORNILLO M14X2X220 U5737 8.8
27	F01060040R	VITE M8X1,25X20 U5731 8.8ZN	SCR. M8X1,25X20 U5732 4.6ZG	VIS M8X1,25X20 U5732 4.6 ZN	SCHRA. M8X1,25X20 U5732 4.6 ZN	TORN. M8X1,25X20 U5732 4.6 ZN
28	F01410076R	ROS.M12 13X 24X2,5 U6592 ZN	WASHER 12 13X 24X2,5 U6592 ZN	RONDEL. M12 13X24X2,5 U6592 ZN	SCHEIBE M12 13X24X2,5 U6592 ZN	ARAND.M12 13X 24X2,5 U6592 ZN
29	F01200293R	DADO M12X1,75 U5588 CL8 ZN	NUT M12X1,75 U5588 6S ZN	ECROU M12X1,75 U5588 6S ZN	MUTTER M12X1,75 U5588 6S ZN	TUERCA M12X1,75 U5588 CL8 ZN
30	F01200306R	DADO M14X2 U5588 CL8 ZN	NUT M14X2 U5588 6.8ZN	ECROU M14X2	MUTTER M14X2	DADO M14X2
31	F01200244R	DADO M8X1,25 U5588 CL8 ZN	NUT M8X1,25 U5588 6.8ZN	ECROU M8 X1,25 U5588 6.8 ZN	MUTTER M8 X1,25 U5588 6.8 ZN	TUERCA M8X1,25 U5588 CL8 ZN
32	F01230098R	DADO M18X2,5 D982 8 ZN	NUT M18X2,5 D982 8 ZN	ECROU M18X 2,5 D982 8 ZN	MUTTER M18X 2,5 D982 8 ZN	TUERCA M18X 2,5 D982 8 ZN
33	G20970111R	RONDELLA 29,8X2X16,5	WASHER 29,8X2X16,5	RONDELLE 29,8X2X16,5	UNTERLEGSCHEIBE 29,8X2X16,5	ARANDELA 29,8X2X16,5
34	F01420048R	ROS.M8 8,4X 24X 2 U6593 ZN	WASHER M8 8,4X 24X2 U6593 ZN	RONDELLE M8 8,4X24X 2 U6593 ZN	SCHEIBEN M8 8,4X24X 2 U6593 ZN	ARAND.M8 8,4X 24X 2 U6593 ZN
35	F02200227R	COPIGLIA 5 X30 1336 ZN	PIN 5X 30 U1336 ZN			
36	F02200507R	SPINA A SCATTO D 9 B 83	SNAP PIN D9 B 83 ZN	FICHE A DETENTE D9 B 83 ZN	EINRASTSTIFT D9 B 83 ZN	CLAVIJA DE MUELLE D9 B 83 ZN
37	G16610190R	CHIUSURA CUSCINETTO ZN	END BEARING ZN			
38	G16610210R	ASS.LIMITATORE PROFONDITA	LIMITER DEPTH COUPLYNG	GR. ASS. LIMITEUR DE PROFONDEU	TIEFENBEGRENZERKOMPLEX	CONJ. LIMITADOR DE PROFUNDIDAD
39	F01200270R	DADO M10X1,5 U5588 CL8 ZN	NUT M10X1,5 U5588 6.8ZN	ECROU M10X 1,5 U5588 6.8 ZN	MUTTER M10X 1,5 U5588 6.8 ZN	TUERCA M10X1,5 U5588 CL8 ZN
40	F05150459R	PARACOLPI CIL. 75X25 SH71	CYLINDER GUARD 75X25 M12 SH71	TAMPON CIL. 75X25 M12	PUFFER CIL. 75X25 M12	PARACHOQ. CIL. 75X25 M12
41	F02100312R	SPINA DI SICUREZZA D.8X45 ZN	SAFETY PIN D.8X45 ZN	FICHE EL.DE SECURITE D.8X45 ZN	SCHERSTIFT D.8X45 ZN	CLAVIJA DE SEGURIDAD D 8X45 ZN
42	G16611090R	SUPPORTO BRACCIO SEGN.RINF.DX	ARM SUPP.REINF.ROWMA.RIGHT			
43	G16611100R	SUPPORTO BRACCIO SEGN.RINF.SX	ARM SUPP.REINF.ROWMA.LEFT			
44	G16611150R	BRACCIO SEGNAFILE RINF.	REINF.ROWMARKER ARM			
45	G16611250R	PERNO D.32X343	PIN D.32X343			
46	F01020050R	VITE M6X1X80 U5737 8.8ZN	SCR. M6X1X80 U5737 8.8ZN	VIS 6 X80 5737 8.G ZN	SCHRAUBE 6 X80 5737 8.G ZN	TORNILLO 6 X80 5737 8.G ZN
47	F01220011R	DADO M6X1 D980 8ZN	NUT M6X1 D980 8ZN	ECROU M6X1 D980 8 ZN	MUTTER M6X1 D980 8 ZN	TUERCA M6X1 D980 8 ZN
48	F03150996R	COPPIA COLLARI X TUBO D.18	DOUBLE TUBE SUPPORT D.19			
49	F20120349R	PUNTALE Q.50 ALETT.POLIT.NERO	CAP	BOUCHON	DECKEL	CORCHO
50	G20970142R	RONDELLA 32X4X15,5	WASHER 32X4X15-5	RONDELLE 32X4X15-5	UNTERLEGSCHEIBE 32X4X15-5	ARANDELA 32X4X15-5

WRM



Varying center tractor track  
CRM

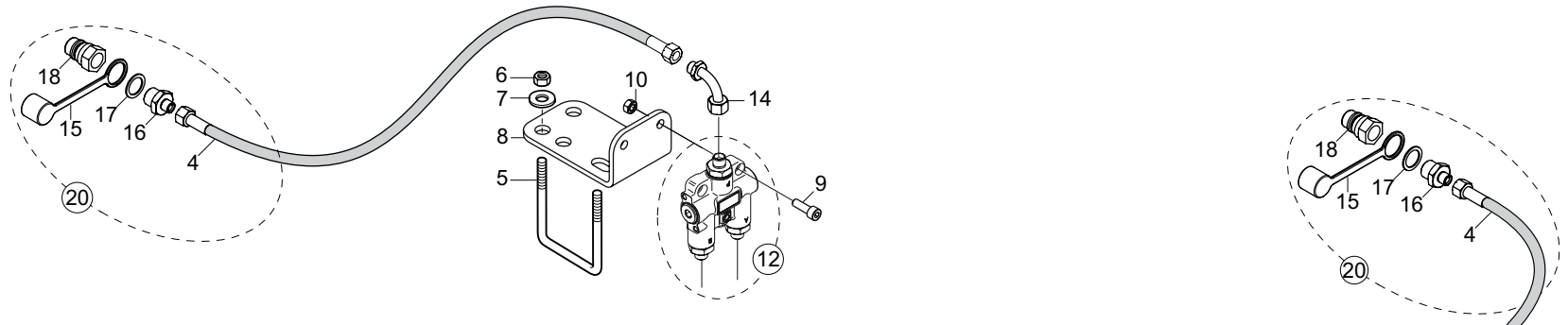


**SEGNAFILE (WRM / CRM)  
ROW MARKER (WRM / CRM)**

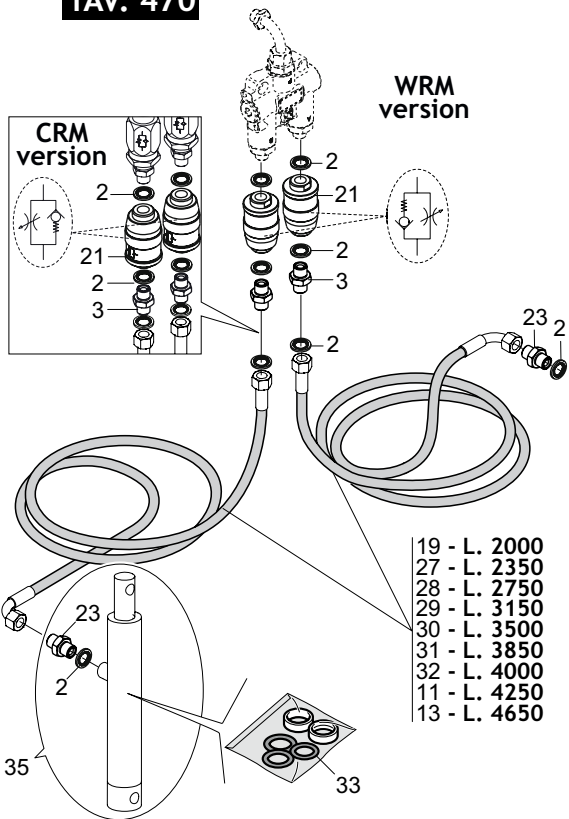
**TAV. 470**

Pos.	Cod.	Descrizione	Description	Description	Benennung	Descripcion
1	G15212750R	BRACCIO SEGNAFILE SX	ROW MARKER ARM LEFT			
2	F01230048R	DADO M10X1,5 D982 8ZN	NUT M10X1,5 D982 8ZN	ECR.AUTO-FREIN.M10X1,5 D982 ZN	SICHERUNGSMUTT.M10X1,5 D982 ZN	TUERCA SEGURID.M10X1,5 D982 ZN
3	G13812311R	CATENELLA CON MOSCHETTONE	CHAIN WITH SPRING CATCH	CHAINETTE AVEC MOUSQUETON	KETTE MIT KARABINERHAKEN	CADENA CON GANCHO
4	F02200507R	SPINA A SCATTO D 9 B 83	SNAP PIN D9 B 83 ZN	FICHE A DETENTE D9 B 83 ZN	EINRASTSTIFT D9 B 83 ZN	CLAVIJA DE MUELLE D9 B 83 ZN
5	G15213750R	SUPPORTO SEGNAFILE SX	LEFT ROWMARKER SUPPORT			
6	F05150460R	PARACOLPI CIL.D50X21 M10X26,5	RUBBER BUFFER- CYLINDR.D50X21	PARE-CHOCS CYL. D50X21	PUFFER ZYL.50X21	PARAGOLPES CIL.D50X21
7	G22505037R	SCONTRIO PIASTRA ATTACCO MT	STRIKER PLATE ATT. MT	BUTEE PLAQUE FIXATION MT	KUPPLUNGSPLETTEN-ANSCHLAG MT	ELEMENTO DE EMPALME PLACA CONE
8	F02200194R	COPIGLIA 4X 25 U1336 ZN	SPLIT PIN 4 X25 1336 GALVAN.	GOUPILLE 4 X25 1336 ZN	SPLINT 4 X25 1336 ZN	PASADOR 4 X25 1336 ZN
9	G15413020R	SPINA 15X120 ZN	GALVANIZED PIN 15X120	GOUPILLE 15X120 ZN	STIFT 15X120 ZN	CLAVIJA 15X120 ZN
10	G20970111R	RONDELLA 29,8X2X16,5	WASHER 29,8X2X16,5	RONDELLE 29,8X2X16,5	UNTERLEGSSCHEIBE 29,8X2X16,5	ARANDELA 29,8X2X16,5
11	G65337004R	MOLLA TRAZ.SOLLEV. FU	TRACTION SPRING LIFT. FU	RESSORT TRACT. LEVAGE FU	ZUGFEDER HEBUNG FU	MUELLE TRAC. LEVDEL. FU
12	F01200270R	DADO M10X1,5 U5588 CL8 ZN	NUT M10X1,5 U5588 6.8ZN	ECROU M10X 1,5 U5588 6.8 ZN	MUTTER M10X 1,5 U5588 6.8 ZN	TUERCA M10X1,5 U5588 CL8 ZN
13	G15212791R	PIASTRA POSTERIORE	REAR PLATE			
14	F01020479R	VITE M10X1,5X35 U5739 8.8ZN	SCR. M10X1,5X35 U5739 8.8ZN	VIS M10X1,5X35 U5739 8.8 ZN	SCHR. M10X1,5X35 U5739 8.8 ZN	TORNILLO M10X1,5X35 U5739 8
15	G15413010R	SPINA 15X62 ZN	PIN 15X62 ZN	GOUPILLE 15X62 ZN	BOLZENSTIFT 15X62 ZN	PASADOR 15X62 ZN
16	F01020233R	VITE M14X2X200 U5737 8.8BR	SCR. M14X2X200 U5737 8.8BR	VIS M14X2X 200 U5737 8.8 ZB	SCHRAUBE M14X 2X200 U5737 8.8	TORNILLO M14X2X200 5737 8.8 ZB
17	G15213740R	SUPPORTO SEGNAFILE DX	RIGHT ROWMARKER SUPPORT			
18	G15212760R	ASS.BRACCIO SEGNAFILE DX	ROW MARKER ARM RIGHT			
19	G15110091R	SCONTRIO A U	CONTRA U	BRIDE 150 MM	ANSCHLAG	ELEMENTO DE EMPALME
20	F01020236R	VITE M14X2X220 U5737 8.8BR	SCR. M14X2X220 U5737 8.8BR	VIS M14X2X220 U5737 8.8 BR	SCHRAUBE M14X2X220 U5737 8.8	TORNILLO M14X2X220 U5737 8.8
21	F01200306R	DADO M14X2 U5588 CL8 ZN	NUT M14X2 U5588 6.8ZN	ECROU M14X2	MUTTER M14X2	DADO M14X2
22	G15112921R	DISCO D.320 LIM.COMPL.ST-MTE	SIDE SHIELD DISK D320 COMP. ST			
23	F01060040R	VITE M8X1,25X20 U5731 8.8ZN	SCR. M8X1,25X20 U5732 4.6 ZN	VIS M8X1,25X20 U5732 4.6 ZN	SCHRA. M8X1,25X20 U5732 4.6 ZN	TORN. M8X1,25X20 U5732 4.6 ZN
24	F01200244R	DADO M8X1,25 U5588 CL8 ZN	NUT M8X1,25 U5588 6.8ZN	ECROU M8 X1,25 U5588 6.8 ZN	MUTTER M8 X1,25 U5588 6.8 ZN	TUERCA M8X1,25 U5588 CL8 ZN
25	F01230098R	DADO M18X2,5 D982 8 ZN	NUT M18X2,5 D982 8 ZN	ECROU M18X 2,5 D982 8 ZN	MUTTER M18X 2,5 D982 8 ZN	TUERCA M18X 2,5 D982 8 ZN
26	F01420048R	ROS.M8 8,4X 24X 2 U6593 ZN	WASHER M8 8,4X 24X2 U6593 ZN	RONDELLE M8 8,4X24X 2 U6593 ZN	SCHEIBEN M8 8,4X24X 2 U6593 ZN	ARAND.M8 8,4X 24X 2 U6593 ZN
27	F02050370R	ANELLO E. DI 47X1,75 U7437 C70	SEEGER RING 47X 1,75 U7437 C70	SEEGER E. 47X 1,75 U7437 C70	SEEGERING E. 47X1,75 U7437 C70	ANILLO E. 47X 1,75 U7437 C70
28	F03010576R	ANELLO OR 50,52X1,78 NBR	GASKET OR 50,52X1,78 NBR	BAGUE OR 50,52X1,78 NBR	RING OR 50,52X1,78 NBR	ANILLO OR 50,52X1,78 NBR
29	F04010156R	CUSC. D20 D47 B14 6204 2RSH	BEARING D20 D47 B14 6204 2RSH	ROULEMENTD20 D47 B14		
30	G15111311R	PERNO SEGNAFILE	ROWMARKER PIN			
31	G16610160R	SUPP.CUSCINETTI DISCO SEGN.ZN.	GALVAN. ROWMARKER DISK BEARING	SUPPORT ROULEMENTS DISQUE TRAC	SCHEIBENLAGERHALTERUNG	SOPORTE COJINETE DE DISCO MARC
32	G16610170R	DISCO SEGNAFILE D.320	ROW MARKER DISK D.320	DISQUE TRACEUR D320	SPURREISSERSCHEIBE D. 320	DISCO MARCARDOR DE FILAS O 320
33	G16610190R	CHIUSURA CUSCINETTO ZN	END BEARING ZN			
34	G16610210R	ASS.LIMITATORE PROFONDITA	LIMITER DEPTH COUPLYNG	GR. ASS. LIMITEUR DE PROFONDEU	TIEFENBEGRENZERKOMPLEX	CONJ. LIMITADOR DE PROFUNDIDAD
35	G18801270R	BOCCOLA 21 X25 X12 ZN B.	BUSHING 21 X25 X12 ZN			
36	G16610431R	FONDELLO ZN	BOTTOM GALV.ED			
37	F01020252R	VITE M16X2X50 U5737 8.8ZN	SCR. M16X2X50 U5737 8.8 ZN	VIS M16X2X50 U5737 8.8 ZN	SCHRAUBE M16X2X50 U5737 8.8 ZN	TORNILLO M16X2X50 U5737 8.8Z
38	G17111481R	DISCO D.320 COMPL.MAGICA	DISK D.320 COMPLETE MAGICA			
39	G20970142R	RONDELLA 32X4X15,5	WASHER 32X4X15-5	RONDELLE 32X4X15-5	UNTERLEGSSCHEIBE 32X4X15-5	ARANDELA 32X4X15-5
40	G17111490R	PERNO REGGIDISCO SEGN.MAGICA	ROWMARKER DISCHOLDER PIN			
41	G17111290R	MANICOTTO DISCO	DISC SLEEVE U BOLT	MANCHON DISQUE	SCHEIBENMUFFE	MANGUITO DISCO
42	F20110860R	CAV.T.M10X 1,5X 30 46X128,5ZN	U BOLT T.M10X1,5X30 46X L128,5	CAVALIER M10X46 ZN	VERBINDUNG M10X46 ZN	PERNO EN U M10X46 ZN
43	G19204230R	SUPPORTO MANICOTTO TQ.50	SLEEVE SUPPORT TQ.50			
44	F02100312R	SPINA DI SICUREZZA D.8X45 ZN	SAFETY PIN D.8X45 ZN	FICHE EL.DE SECURITE D.8X45 ZN	SCHERSTIFT D.8X45 ZN	CLAVIJA DE SEGURIDAD D 8X45 ZN
45	F01410064R	ROS.M10 10,5X 20X 2 U6592 ZN	WASHER M10 10,5X20X2 U6592 ZN	RONDEL. M10 10,5X20X2 U6592 ZN	SCHEIBE M10 10,5X20X2 U6592 ZN	ARAND.M10 10,5X 20X 2 U6592 ZN
46	F02100164R	SPINA E.P. 10X 50 U6873 C70 BR	PIN EL. 10X50 DIN 1481 *	GOUPILLE EL.10 X50 DIN 1481	SPANNSTIFT 10X50 DIN 1481	CLAVIJA EL.10 X50 DIN 1481
47	F01020048R	VITE M6X1X75 U5737 8.8ZN	SCR. M6X1X75 U5737 8.8ZN	VIS M6X1X75 U5737 8.8ZN	SCHRAU. M6X 1X 75 U5737 8.8 ZN	TORNI. M6X1X75 U5737 8.8ZN
48	F01020168R	VITE M12X1,75X90 U5737 8.8ZN	SCR. M12X1,75X90 U5737 8.8ZN	VIS M12X1,75X90 U5737 8.8 ZN	SCHRAB.M12X1,75X90 5737 8.8 ZN	TORNIL.M12X1,75X90 5737 8.8 ZN
49	F01420084R	ROS.M14 14,5X 36X 3 U6593 ZN	GALVANIZED WASHER 14 X36 X3	RONDELLE 14 X36 X3 ZN	UNTERLEGSSCHEIBE 14 X36 X3 ZN	ARANDELA 14 X36 X3 ZN
50	G18803070R	BOCCOLA 12,5X25X52 ZN	BUSHING 25X12,5X52 GALVA	BOITE 25X12,5X52 ZN	BSCHE 25X12,5X52 ZN	CASQUILLO 25X12,5X52 ZN
51	G14212010R	CHIAVISTELLO PUNTELLO PIEGH.ZN	PROP LATCH ZN			
52	G15212811R	TUBO ESTERNO	OUTER TUBE			
53	F02200594R	SPINA SICUR.D. 5X32 A SCATT.ZN	SAFETY PIN D. 5X32 A SCATT.ZN			
54	F01220048R	DADO M12X1,75 D980 8ZN	NUT M12X1,75 D980 8ZN	ECROU M12X1,75 D980 8 ZN	SCHEIBE M12X1,75 D980 8 ZN	TUERCA M12X1,75 D980 8 ZN
55	F01220011R	DADO M6X1 D980 8ZN	NUT M6X1 D980 8ZN	ECROU M6X1 D980 8 ZN	MUTTER M6X1 D980 8 ZN	TUERCA M6X1 D980 8 ZN
56	G16311781R	SUPPORTO ROTAZ.TUBO SEGNAFILE	ROTATION SUPP.TUBE ROWMARKER			

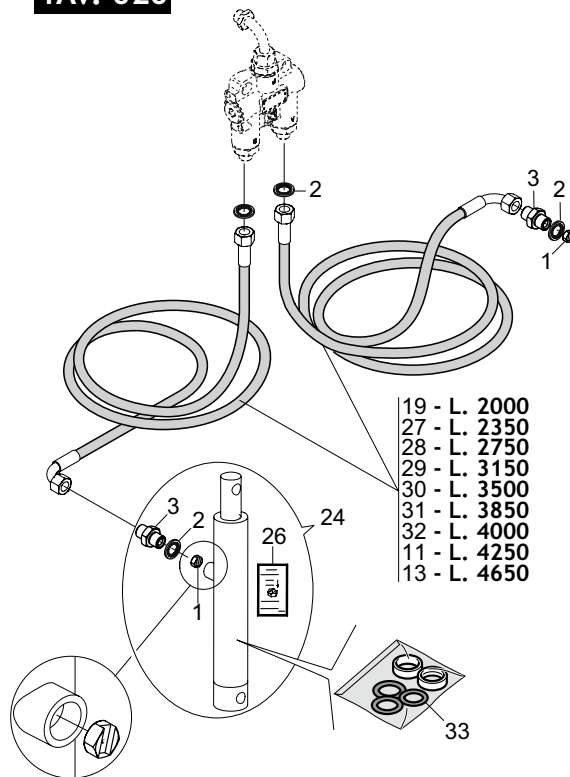
TAV. 041



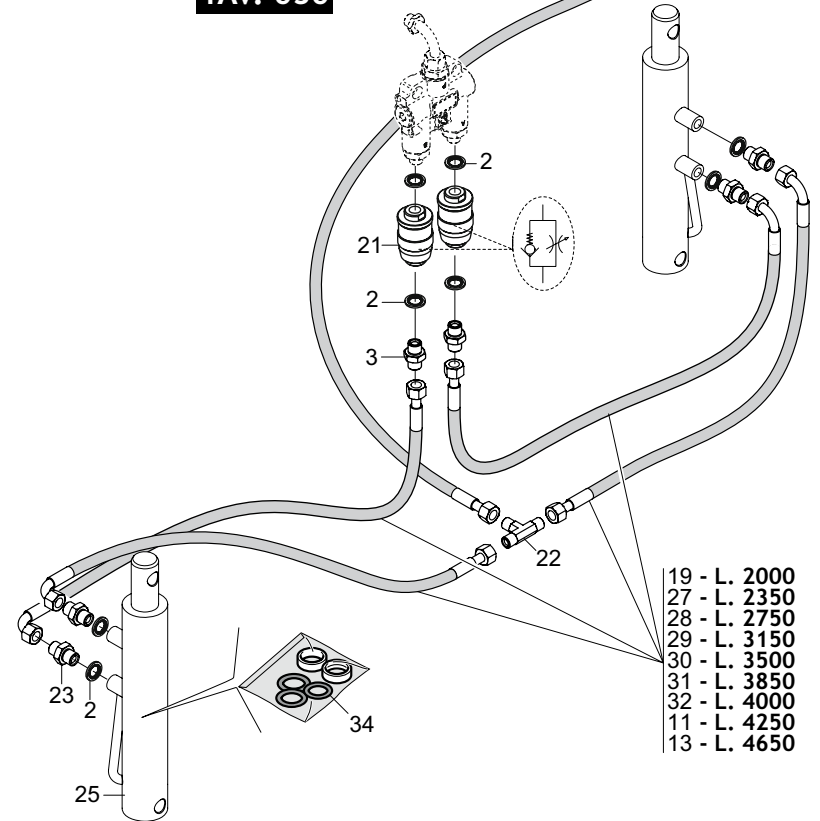
TAV. 470



TAV. 020



TAV. 030

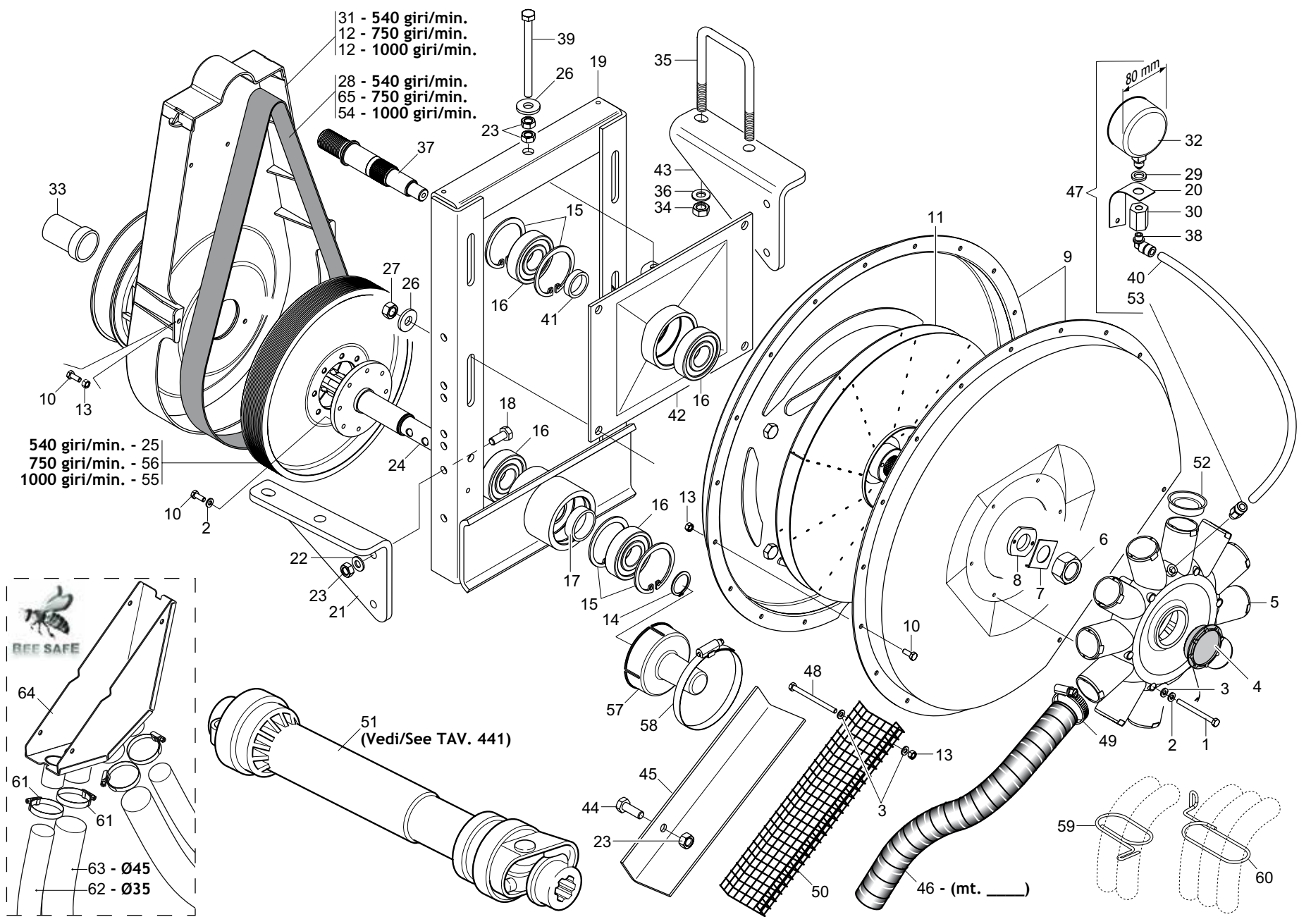


**IMPIANTO OLEODINAMICO SEGNAFILE  
HYDRAULIC ROW MARKER SYSTEM**

**TAV. 041**

Pos.	Cod.	Descrizione	Description	Description	Benennung	Description
1	G15413050R	STROZZATORE A PASTIGLIA D.0,8	PAD VENTURI D.0,8	ETRANGLEUR D.0.8	DROSSEL D.0,8	ESTRANGULADOR D.0,8
2	F03151414R	RONDELLA BONDED SEAL 1 4 NBR	WASHER BONDED SEAL 1 4 NBR			
3	F03150266R	NIPPLO MM CIL-CIL 1 4-1 4 ZN	NIPPLE CYL.MALE 1 4 GALV.	NIPPLE MALE CYL. 1 4 ZN	NIPPELZYL.1 4 ZN	NIPLE MACHO CIL.1 4 ZN
4	G22270463R	TUB.TR.1 4R2 F-F 1 4 L1500 LM	TUBE TR.1 4R2 F-F1 4 L1500 LM	TUB.TR.1 4R2 F-F 1 4 L1500 LM	ROHR1 4R2 F-F 1 4 L1500 LM	TUB.TR.1 4R2 F-F 1 4 L1500 LM
5	F20110770R	CAV.Q.B=80 M=14X2 L=119	U BOLT Q.B=80 M=14X2 L=119	BRIDE U M14X2X50 96X119 ZN	ANSCHLANG U M14X2X50 96X119 ZN	EL.DE EMPALME M14X2X50 96X119
6	F01200306R	DADO M14X2 U5588 CL8 ZN	NUT M14X2 U5588 6.8ZN	ECROU M14X2	MUTTER M14X2	DADO M14X2
7	G20970142R	RONDELLA 32X4X15,5	WASHER 32X4X15-5	RONDELLE 32X4X15-5	UNTERLEGSCHEIBE 32X4X15-5	ARANDELA 32X4X15-5
8	G15412351R	SUPPORTO VALVOLA	VALVE SUPPORT			
9	F01040501R	VITE M8X1,25X25 D7984 8.8ZN	SCREW M8X1,25X25 D7984 8.8ZN	VIS M8X1,25X25 D7984 8.8ZN	SCHRAU. M8X1,25X25 D7984 8.8ZN	TORN. M8X1,25X25 D7984 8.8ZN
10	F01200244R	DADO M8X1,25 U5588 CL8 ZN	NUT M8X1,25 U5588 6.8ZN	ECROU M8 X1,25 U5588 6.8 ZN	MUTTER M8 X1,25 U5588 6.8 ZN	TUERCA M8X1,25 U5588 CL8 ZN
11	G15413070R	TUBO 1 4R2 CF1 4- F1 4 4250	PIPE 1 4R2 CF1 4-F1 4 4250	TUBE 1 4R2 CF1 4-F1 4 4250	SCHLAUCH 1 4R2 CF1 4-F1 4 4250	TUBO 1 4R2 CF1 4-F1 4 4250
12	G16611051R	MONT.VALVOLA SEGNAFILE BP	ROWMARKER VALVE ASSY.			
13	G15413080R	TUBO 1 4 C-F L.4650	TUBE 1 4 C-F L.4650	TUBE 1 4 C-F L.4650	ROHR 1 4 C-F L.4650	TUBO 1 4 C-F L.4650
14	F03150859R	CURVA 90 F.GIREV.1 4 - M.1 4	ELBOW 90 F.SLEWING 1 4 -M.1 4	COUDE 90 F.TOURN.1 4 - M.1 4	KNIESTSCK 90 F.DREHB.1 4 - M.	CURVA 90 F.GIRAT.1 4 - M.1 4
15	F05150325R	CAPPUC.F X INN.M RAP.1 2 ROSS	COVER CONNECT F 1 2 RED	COUVERCLE CONNEXION F 1 2 ROSE	DECKEL W 1 2 SCHNELLKUPP. ROT	PAC PROTECCION F 1 2 ROJO
16	F03150211R	NIPPLO MM CIL-CIL 1 2-1 4 ZN	NIPLE MM CIL-CIL 1 4-1 2 ZN	NIPLE MM 1 4-1 2 ZN	NIPLE GG 1 4-1 2 ZN	NIPLE MM 1 4-1 2 ZN
17	F03151370R	RONDELLA BONDED SEAL 1 2 NBR	WASHER BONDED SEAL 1 2 NBR			
18	F03150935R	INNESTO RAP.MASCH.1 2 A VALV.	QUICK CONNECT MALE CONE 1 2	CONNEXION RAPIDE MALE CONE 1 2	SCHNELLKUPP.GEWINDE KONISC 1 2	ACOPLAMIENT.RAP.MACHO CONO 1 2
19	G23440517R	TUBO 1 4R2 C-F 1 4 L2000 HL ID	PIPE 1 4R2 C-F 1 4 L2000 HL ID	TUBE 1 4R2 C-F 1 4 L2000 HL ID	ROHR 1 4R2 C-F 1 4 L2000 HL ID	TUBO 1 4R2 C-F 1 4 L2000 HL ID
20	G13811211R	TUBO X COLLEG. AL TRATTORE	PIPE FOR CONNECTION TO TRACTOR	TUBE POUR CONN. AU TRACTEUR	ROHR F. KUPPLUNG AM SCHLEPPER	TUBO P CONEXI N AL TRACTOR
21	F03151226R	REGOL.DI FLUSSO VRF 1 4 GAS	1 4 GAS VALVE VRF	SOUPAPE REG DEBIT VRF 1 4 GAZ	VENITL VRF 1 4 GAS	V LVULA VRF 1 4 GAS
22	F03151219R	RACCORDO -T- MASCHIO 1 4 ZN	MALE T-UNION 1 4 ZN	CONNECTION A T	T VERBINDUNG	JUNTURA A T
23	G16011690R	MONT.NIPPLO 1 4 GRANO F.1,0	UPRIGHT 1 4 NIPPLE WITH GRUB	MONTANT NIPPLE 1 4 AVEC GRAIN	STZNDER NIPPEL 1 4 MIT STIFT 8	MONT.NIPLE 1 4 TORNIL.SIN CABE
24	G15413110R	CILINDRO SEGNAFILE SP COMPL.	ROW MARKER CYLINDER SP	CYLINDRE TRACEUR SP	SYLINDER REIHENANREISSER SP	CILINDRO MARCADOR DE FILAS
25	G16610140R	CILINDRO DE 30X40 -155	CYLINDER D.E.30-40 155	CYLINDRE D.E. 30-40 155	ZYLINDER D.E.30-40 155	CILINDRO D.E. 30-40 155
26	G19702710R	DECAL.POSIZIONE STROZZATORE	VENTURI POSITION STICKER	DECALCOM POSITION TAQUET	ABZIEHBILD POSIZION DROSSELSTE	CALCOMAN-A. POSICI N ESTRANGUL
27	G22505140R	TUBO 1 4R2 C-F 1 4 L.2350 LM	TUBE 1 4R1 C-F 1 4 L.2350 LM	TUBE 1 4R2 C-F 1 4 L.2350 LM	ROHR 1 4R2 C-F 1 4 L.2350 LM	TUBO 1 4R2 C-F 1 4 L.2350 LM
28	G15210554R	TUBO 1 4R2 F1 4-CF1 4 2850	TUBE 1 4R2 F1 4-CF1 4 2850			
29	G15210950R	TUBO 1 4 R2 C-F 1 4 L.3150	PIPE 1 4-R2 C-F 1 4 M.3150	TUBE 1 4-R2 C-F 1 4 M.3150	ROHR 1 4-R2 C-F 1 4 M.3150	TUBO 1 4-R2 C-F 1 4 M.3150
30	G15210561R	TUBO 1 4R2 CF1 4- F1 4 3500	PIPE 1 4R2 CF1 4- F1 4 3500	TUBE 1 4R2 CF1 4- F1 4 3500	ROHR 1 4R2 CF1 4- F1 4 3500	TUBO 1 4R2 CF1 4- F1 4 3500
31	G15413060R	TUBO 1 4R2 CF1 4- F1 4 3850	TUBE 1 4R2 CF1 4-F1 4 3850	TUYAU 1 4R2 CF1 4-F1 4 3850	SCHLAUCH 1 4R2 CF1 4-F1 4 3850	TUBO 1 4R2 CF1 4-F1 4 3850
32	G16012650R	TUBO R2 1 4 C-F L.4000	PIPE 1 4 R2 C-F 1 4 L.4000	TUBE 1 4 R2 C-F 1 4 L. 4000	ROHR 1 4 R2 C-F 1 4 L.4000	TUBO 1 4 R2 C-F 1 4 L.4000
33	F03100191R	KIT GUARNIZ.CILINDRO 15413110	CYLINDER SEAL KIT 15413110	KIT GARNIT. CYLINDRE 15413110	KIT ZYLINDERDICHTUNG 15413110	KIT JUNTA CILINDRO 15413110
34	F03100609R	KIT GUARNIZ.CILINDRO G16610140	CYL.GASKET KIT G16610140			
35	G14217360R	CILINDRO SEGNAF.30X40-155	ROWMARKER CYLINDER.D.30X40-155	CYLINDRE TRACEUR 30X40-155	ZYLINDER SPURREISSER.30X40-155	CILINDRO MARC.FILAS 35X40-155

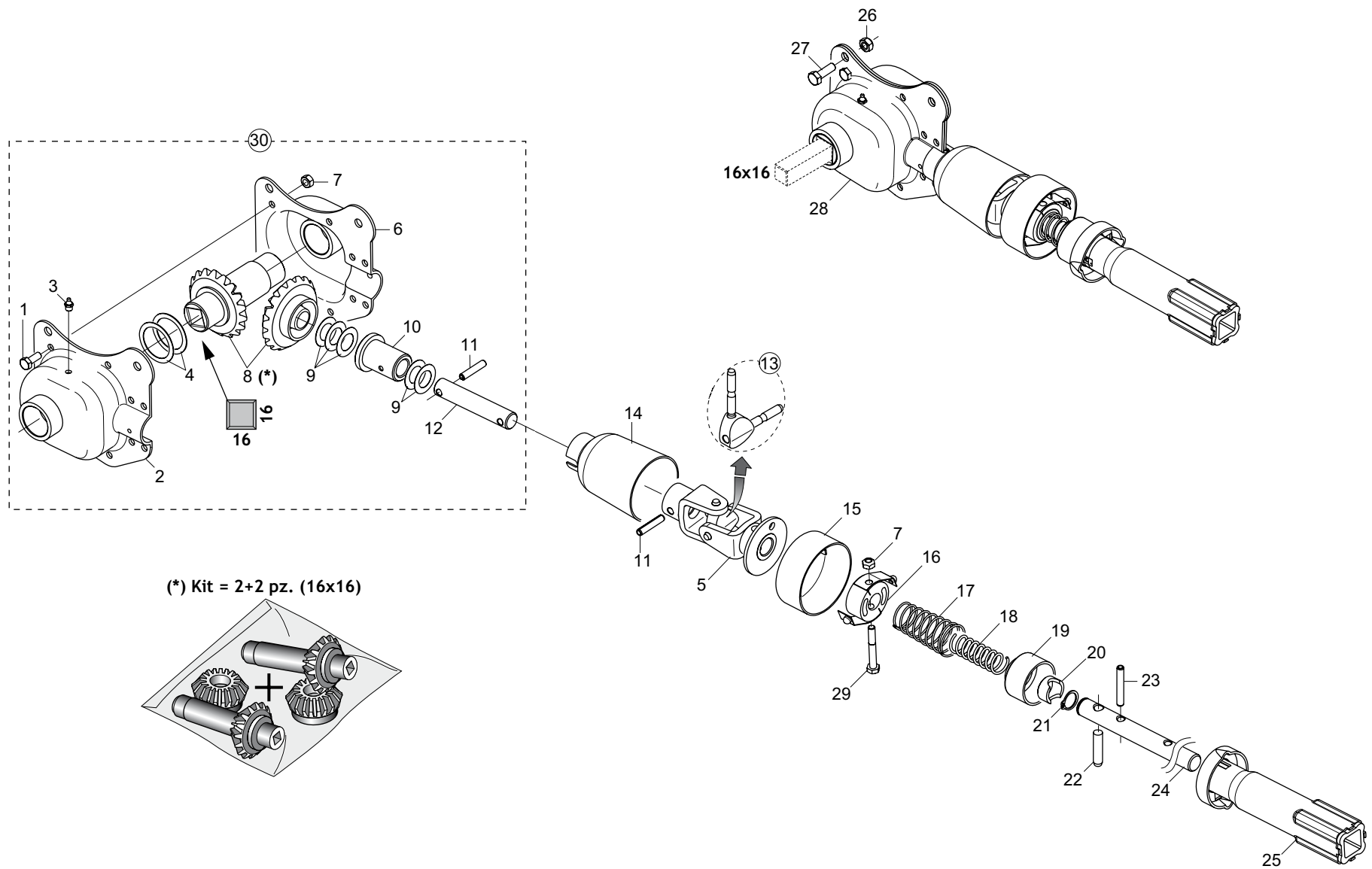
TAV. 050



## DEPRESSORE AIR PUMP

TAV. 050

Pos.	Cod.	Descrizione	Description	Description	Benennung	Descripcion
1	F01020047R	VITE M6X1X70 U5737 8.8ZN	SCR. M6X1X70 U5737 8.8ZN	VIS 6 X70 5737 8.G ZN	SCHRAUBE 6 X70 5737 8.G ZN	TORNILLO 6 X70 5737 8.G ZN
2	F01430047R	ROS.M6 6.4X 11X0,7 U8842J ZN	WASHER D6 DIN 6798 D.INT.GALV.	RONDELLE D6 DIN 6798 D. INT. Z	UNT. SCHEIBE D6 DIN 6798 D. IN	ARANDELA D6 DIN 6798 D.INT.ZN
3	F01420036R	ROS.M6 6.4X 18X1,5 U6593 ZN	WASHER M6 6.4X 18X1,5 U6593 ZN	RONDELLE M6 6.4X18X1,5 U6593ZN	SCHEIBEN M6 6.4X18X1,5U6593 ZN	ARANDELA M6 6,4X18X1,5U6593ZN
4	F03150722R	TAPPO 700 M52X2	M52 X 2 PLUG 700	BOUCHON M52 X 2	PFROPFEN M52 X 2	TAP N M52 X 2
5	G19004480R	CONVOGLIATORE 12 USCITE	CONVEYOR 12 OUTLETS	CONVOYEUR 12 SORTIES	TRICHTER MIT 12 AUSG-NGEN	TRANSPORTADOR 12 SALIDAS
6	F01230143R	DADO M24X2 D982 8ZN	NUT M24X2 D982 8ZN	ECROU M24X2 D982 8 ZN	MUTTER M24X2 D982 8 ZN	TUERCA M24X2 D982 8 ZN
7	G13912060R	PIASTRINA DI TENUTA	STOP PLATE	PLAQUETTE DE TENUE	DICHTPLZTTCHEN	PLACA DE RETENCI N
8	G13912050R	RONDELLA DI FERMO	STOP WASHER	RONDELLE DE BLOCAGE	FESTSTELLSCHEIBE	ARANDELLA DE BLOQUEO
9	G22230335R	INVOLUCRI DEPRESSORE	VACUUM PUMP CASINGS	ENVELOPPES DEPRESSEUR	HSLEN VAKUUMPUMPE	CAJAS BOMBA VAC O
10	F01020403R	VITE M6X1X16 U5739 8.8ZN	SCR. M6X1X16 U5739 8.8ZN	VIS M6X1X16 U5739 8.8 ZN	SCHRAUBE M6X1X16 U5739 8.8 ZN	TORNILLO M6X1X16 U5739 8.8 ZN
11	G22230015R	GIRANTE	ROTOR			
12	G15450500R	PROTEZIONE CINGHIA 1000 GIRI	BELT GUARD 1000 RPM	PROTECTION COURROIE 1000 TOURS	RIEMENSCHUTZ 1000 UMDR.	PROTECCI N CORREA 1000 REV.
13	F01220011R	DADO M6X1 D980 8ZN	NUT M6X1 D980 8ZN	ECROU M6X1 D980 8 ZN	MUTTER M6X1 D980 8 ZN	TUERCA M6X1 D980 8 ZN
14	F02050112R	ANELLO E.DE 30X 1,5 U7435 ZN	SEEGER RING 30X 1,5 U7435 C70	SEEGER E. 30 X 1,5 U7435 C70	SEEGERING E. 30X 1,5 U7435 C70	ANILLO E. 30 X 1,5 U7435 C70
15	F02050403R	ANELLO E. DI 72X 2,5 U7437 C7	SEEGER RING E.72X2,5 U7437 C70	SEEGER E. 72X 2,5 U7437 C70	SEEGERING E. 72X 2,5 U7437 C70	ANILLO E. DI 72X 2,5 U7437 C7
16	F04010215R	CUSC.D30 D72 B19 6306 2RSC3 EX	BEARING D30 D72 B19 6306 2RSC3	ROULEMENT	LAGER 6306 2RS C3	COJINETE 6306 2RS C3
17	G22230010R	DISTANZIALE CUSCINETTI	BEARING SPACER	ENTRETOISE PALIERS	DISTANZSTSCCK LAGER	DISTANCIADOR COJINETES
18	F01020476R	VITE M10X1,5X30 U5739 8.8ZN	SCR. M10X1,5X30 U5739 8.8ZN	VIS M10X1,5X30 U5739 8.8 ZN	SCHRAUBE M10X1,5X30U5739 8.8ZN	TORNILLO M10X1,5X30 U5739 8.8
19	G15850200R	INCASTELLATURA DEPRESSORE	DIFFUSION AIR PUMP FRAME	B-TI POMPE A D PRESSION	GESTELL VAKUUMPUMPE	ARMAZ N BOMBA VAC-O
20	G22270134R	SUPPORTO VACUOMETRO SP	VACUUM METER SUPPORT SP	SUPPORT VACUOMETRE SP	HALTERUNG VAKUUMMETER SP	SOPORTE VACU METRO SP
21	G15450061R	SUPPORTO SX	LEFT SUPPORT			
22	F01430023R	ROS.M10 10,5X 18X0,9 U8842J Z	WASHER D10 DIN 6798 D.INT.ZN	RONDELLE D10 DIN 6798 D. INT.	UNT. SCHEIBE D10 DIN 6798 D.IN	ARANDELA D10 DIN 6798 D.INT.ZN
23	F01200270R	DADO M10X1,5 U5588 CL8 ZN	NUT M10X1,5 U5588 6.8ZN	ECROU M10X1,5 U5588 6.8 ZN	MUTTER M10X1,5 U5588 6.8 ZN	TUERCA M10X1,5 U5588 CL8 ZN
24	G22270369R	P.DI P.CON CODOLO	POWER TAKE-OFF- W SPIGOT	PRISE DE FORCE AVEC CONE	KRAFTABTRIEB MIT ENDSTSCCK	TOMA DE FUERZA CON MANGO
25	G22230012R	PULEGGIA MOTRICE 540 GIRI	DRIVING PULLEY 540	POULIE MOTRICE 540T	ANTRIEBSSCHEIBE 540	POLEA MOTRIZ 540
26	G20970035R	RONDELLA 32X4X13	WASHER 32X4X13	RONDELLE 32X4X13	UNTERLEGSCHIEBE 32X4X13	ARANDELA 32X4X13
27	F01200293R	DADO M12X1,75 U5588 CL8 ZN	NUT M12X1,75 U5588 6S ZN	ECROU M12X1,75 U5588 6S ZN	MUTTER M12X1,75 U5588 6S ZN	TUERCA M12X1,75 U5588 CL8 ZN
28	F06010160R	CINGHIA POLY V 1287 J-16 GOLE	BELT POLY V 1287 J-16 CU GAT	COURROIE POLY V	BELT POLY J-16 1287 V GOLE	BANDA POLY V 1287 J-16 GOLE
29	F05150479R	ROND.APPOGGIO MANOMETRI SV	PRESSURE GAUGE REST WASHER	ROND. LOGEMENT MANOMETRES SV	STSTZSCHEIBE MANOMETER SV	ARAND. SOPORTE MANOMETROS SV
30	G22250274R	COLLEGAMENTO MANOMETRI SP-SV	PRESSURE GAUGE CONNECT. SP-SV	RACCORD MANOMETRES SP-SV	VERBINDUNG MANOMETER SP-SV	CONEXI N MAN METROS SP-SV
31	G15450342R	PROTEZ.CINGHIA DEPRES.COMPLETO	DEPRES. COMPL.PROTECTION BELT		DEPRES. COMPL.PROTECTION BELT	
32	F03151288R	VACUOM.0-100 MBAR C.SM.INC.D8	VACUUM METER 0-100 MBAR C.SMOR	VACUOM.0-100 MBARS A SUPPO	VAKUUMMETER 0-100 MBAR M. DZMP	VACUM. 0-100 MBAR C.ATEN.INC.V
33	M38100146R	MANICOTTO PROTEZIONE PDF 1 3 8	P.T.O. PROTECTION	MANCHON DE PROTECTION P.T.O.	ZAPFWELLENSCHUTZ P.T.O.	MANGUITO PROTECCION P.T.O.
34	F01200306R	DADO M14X2 U5588 CL8 ZN	NUT M14X2 U5588 6.8ZN	ECROU M14X2	MUTTER M14X2	DADO M14X2
35	F20110770R	CAV.Q.B=80 M=14X2 L=119	U BOLT Q.B=80 M=14X2 L=119	BRIDE U M14X2X50 96X119 ZN	ANSCHLANG U M14X2X50 96X119 ZN	EL.DE EMPALME M14X2X50 96X119
36	G20970142R	RONDELLA 32X4X15,5	WASHER 32X4X15-5	RONDELLE 32X4X15-5	UNTERLEGSCHIEBE 32X4X15-5	ARANDELA 32X4X15-5
37	G15450390R	PULEGGIA CONDOTTA D.28	DRIVEN PULLEY D.28	POULIE ENTRAINEE D. 28	GETRIEBENE SCHEIBE D.28	POLEA CONDUCIDA D.28
38	F13010027R	RACC.SUPERAPIDO 90 1 8G-8	90 UNION STRAIGHT 1 8G-8			
39	G15450270R	VITE 10X130 8.8 FIL.60 ZN	GALVANIZ. BOLT 10X130 8.8 FIL	VIS 10X130 8.8 FIL.60 ZN	SCHRAUBE 10X130 8.8 GEW.60 ZN	TORNILLO 10X130 8.8 FIL.60 ZN
40	F13070005R	TUBO POLIURETANO 8-6 NERO	POLIURETHAN PIPE 8-6 BLACK			
41	G22230014R	DISTANZIALE	SPACER	ENTRETOISE	DISTANZSTSCCK	DISTANCIADOR
42	G15450091R	SUPPORTO PULEGGIA CONDOTTA	DRIVEN PULLEY SUPPORT	SUPPORT POULIE ENTRAINEE	HALTERUNG GETRIEBENE RIEMENSCH	SOPORTE POLEA CONDUCIDA
43	G15450051R	SUPPORTO DX	RIGHT SUPPORT			
44	F01020472R	VITE M10X1,5X25 U5739 8.8ZN	SCR. M10X1,5X25 U5739 8.8ZN	VIS M10X1,5X25 U5739 8.8 ZN	SCHRAUBE M10X1,5X25 U5739 8.8	TORNILLO M10X1,5X25 U5739 8.8
45	G15450280R	PROTEZIONE DEPRESSORE	VACUUM PUMP PROTECTION	PROTECTION DEPRESSEUR	SCHUTZ VAKUUMPUMPE	PROTECCI N BOMBA DE VAC O
46	F03100506R	TUBO EOLO PU D.45	TUBE EOLO PU D.45	TUBE EOLO PU D.45		
47	G22270093R	VACUOMETRO COMPL. SP LM	VACUUM METER ASSY. SP LM	VACUOMETRE COMPL. SP LM	KOMPL. VAKUUMMETER SP LM	VACU METRO COMPL. SP LM
48	F01020050R	VITE M6X1X80 U5737 8.8ZN	SCR. M6X1X80 U5737 8.8ZN	VIS 6 X80 5737 8.G ZN	SCHRAUBE 6 X80 5737 8.G ZN	TORNILLO 6 X80 5737 8.G ZN
49	F05150058R	FASCETTA POLYA. 7,8X550 NERA	POLYAM.CLAMP 7,8X550 BLACK	COLLIER DE SERRAGE 7,8X550NOIR	ROHRSCHELLE 7,8X550 SCHWARZ	ABRAZADERA APRET. 7,8X550 NEGR
50	G10150291R	GRIGLIA PROTEZIONE ZN	AIR PUMP PROTECT. GRID	GRILLE DE PROTECT.DISP. DEPRES	SCHUTZGITTER VAKUUMPUMPE	REJILLA DE PROTECCI N BOMBA VA
51	F08011711R	CARD. S10 0700F 112 112 1CAT	PTO SHAFT B1 Z6-Z6 L700			
52	F05050020R	TAPPO SALVAFILETTO D.39	THREAD PROTECTION CAP D.39	BOUCHON PROTEGE-FILET D. 39	GEWINDESCHUTZPFROPFEN D.39	TAPON GUARDARROSCA D.39
53	F13010028R	RACC.SUPERAPIDO DRITTO 1 8G-8	SUPERAP.RIGHT JUNCTION 1 8G-8			
54	F06010171R	CINGHIA POLY V 1051 J-16 GOLE	POLY-V BELT 1051 J-16 GROOVES			
55	G15450310R	PULEG.MOTR.1000 GIRI CINGHIA	DRIV.PULLEY 1000 REVS BELT	POULIE MOTRICE 1000T	ANTRIEBSSCHEIBE 1000 UMDREHUNG	POLEA MOTRIZ 1000 REVOLUCIONES
56	G15250100R	PULEGGIA MOTRICE 750 GIRI	DRIVE PULLEY 750			
57	G19005570R	CUFFIA PROTEZIONE PTO	PROTECTION CAP PTO			
58	F02300025R	FASCETTA STRING. 90 110 H.12	HOSE CLAMP 90 110 H.12			
59	G18903852R	MOLLA GUIDA 2 TUBI D71 ZN	SPRING GUIDE 2 TUBES D71			
60	G18904590R	MOLLA GUIDA 3 TUBI D71 ZN	GUIDE SPRING 3 PIPE D71 ZN			
61	F02300020R	FASCETTA STRING. 32 50 H.9	HOSE CLAMP 32 50 H.9			
62	F03100500R	TUBO EOLO 35 PU	TUBE EOLO 35 PU	TUBE EOLO 35 PU		TUBO EOLO
63	F03100506R	TUBO EOLO PU D.45	TUBE EOLO PU D.45	TUBE EOLO PU D.45		
64	G15276370R	CONVOGLIATORE SOFF.2 2U 35-45	CONVEYOR BLOWER 2 2 OUT 35-45			
65	F06010165R	CINGHIA POLY V. 1092 J-16 GOLE	BELT POLY V. 1092 J-16 GOLE			

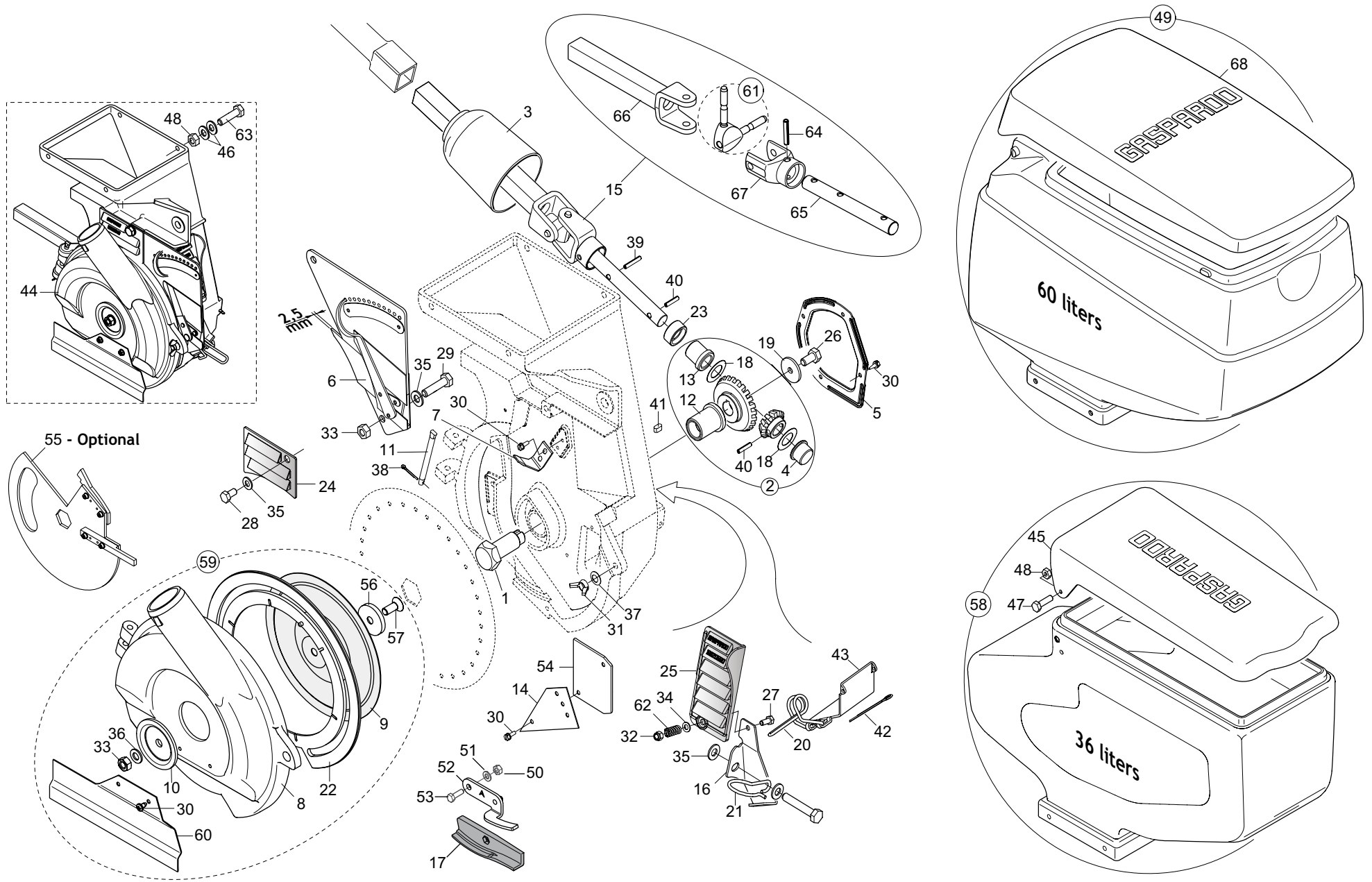




**SCATOLA DI RINVIO ELEMENTO  
TRANSFER CASE ELEMENT**

**TAV. 060**


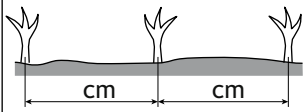
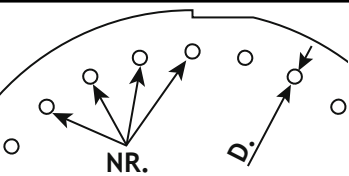
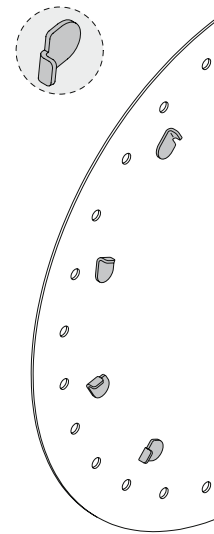
Pos.	Cod.	Descrizione	Description	Description	Benennung	Descripcion
1	F01020403R	VITE M6X1X16 U5739 8.8ZN	SCR. M6X1X16 U5739 8.8ZN	VIS M6X1X16 U5739 8.8 ZN	SCHRAUBE M6X1X16 U5739 8.8 ZN	TORNILLO M6X1X16 U5739 8.8 ZN
2	G22220103R	CONCHIGLIA SX	LEFT SHELL			
3	F01100011R	ING.M 6X1 7663-A 9SMNPB28 ZN	GREASE NIPPLE M6X1 7663-A ZN	GRAISS. A BILLE M6X1 7663A ZN	SCHMIERBUECHE M6X1 7663-A ZN	ENG.M 6X1 7663-A 9SMNPB28 ZN
4	G18700510R	RONDELLA 32 X40 X0,6 ZN	GROWER 32 X 40 X 0,6 ZN			
5	G22270453R	SNODO AVVISATORE SP S	SIGNALLER ARTICULATION SP S	ARTICULATION SIGNALISATION SP	HUPGELENK SP S	ARTICULACI N AVISADOR SP S
6	G22220102R	CONCHIGLIA DX	RIGHT SHELL	COQUILLE DRT.	SCHALE RECHTS	MOLDE DER.
7	F01220011R	DADO M6X1 D980 8ZN	NUT M6X1 D980 8ZN	ECROU M6X1 D980 8 ZN	MUTTER M6X1 D980 8 ZN	TUERCA M6X1 D980 8 ZN
8	G22270389R	KIT INGR.SCATOLA DI RINVIO 2	KIT INTERM.TRANSM.GEAR BOX 2 2	COUPLE CON RENV ANGLE 2 2	2 2 ZAHNRZDER VORGELEGEZEHUSE	2 2 ENGRANAJES CAJA DE LA TRAN
9	G22220073R	RONDELLA 28X0,3X16,5	WASHER 28X0-3X16-5	RONDELLE 28X0-3X16-5	UNTERLEGESCHEIBE 28X0-3X16-5	ARANDELA 28X0-3X16-5
10	G66349001R	BOCCOLA	BUSHING	BOITE	B_CHSE	CASQUILLO
11	F02100114R	SPINA E.P. 6X 30 U6873 C70 BR	ELASTIC PIN 6X30	GOUJON ELASTIQUE 6X30	SPANNHUELSE 6X30	ESPINA ELASTICA 6X30
12	G22270452R	ALBERO SCATOLA RINVIO SP S	INTERMEDIATE BOX SHAFT	ARBRE TRANSMISSION SP S	WELLE VORGELEGEZEHUSE SP S	RBOL CAJA DE TRANSMISI N SP S
13	G22270454R	CROCIERA COMPL. SP S	KIT SPIDER 2 ITEMS	CROSILLON COMPL CARDAN TRANSM	GELENKKREUZ KOMPL. SP S	CRUCETA COMPL. SP S
14	G19002840R	COPRICARDANO SUPERIORE	TOP CARDAN JOINT COVER	COUVRE-CARDAN SUPERIEUR	OBERE KARDANABDECKUNG	CUBRECARD N SUPERIOR
15	G10122030R	AVV.ACUSTICO ZN	ACOUSTIC BELL ZN			
16	G22220155R	ELEM.TENUTA MOLLE COMP.	SPRING SEAL ELEMENT ASSY.	ELEMENT D ETANCHEITE RESSORTS	DICHTUNGSELEMENT FEDERN KOMP.	ELEM. RESISTENCIA MUELLES COMP
17	G65338039R	MOLLA COMP.ZN INNESTO SP	ZN COUPLING COMP. SPRING SP	RESSORT COMPL. ZN ACCOUPLEM.	DRUCKFEDER ZN KUPPLUNG SP	MUELLE COMP.ZN ACOPLAMIENTO SP
18	G65338018R	MOLLA COMP.ZN SCATOLA RINV.SP	TRANSM. BOX COMP. SPRING . SP	RESSORT COMPL. ZN TRANSMISSION	DRUCKFEDER ZN VORGELEGEZEHUSE	MUELLE COMP.ZN CAJA TRANSFER..
19	G66248102R	ANELLO SICUREZZA SP	SAFETY RING	BAGUE SECURITE SP	SICHERHEITSRING SP	ANILLO DE SEGURIDAD SP
20	G22220105R	BOCCOLA DI SPINTA	THRUST BUSHING	BOITE DE POUSSEE	SCHUBBSCHSE	CASQUILLO DE APRIETE
21	F02050045R	ANELLO E. DE 16X 1 U7435 C70	SEEGER RING 16X 1 U7435 C70	BAGUE SEEGER 16 X 1 U7435 C70	SEEGERING 16 X 1 U7435 C70	ANILLO 16X 1 U7435 C70
22	G66248057R	SPINA DI SICUREZZA SP	SAFETY PIN SP	BROCHE PLASTIC SECURITE CARDAN	SICHERHEITSSTIFT SP	CLAVIJA DE SEGURIDAD SP
23	F02100121R	SPINA E.P. 6X 40 U6873 C70 BR	ELASTIC PIN 6X40	GOUJON ELASTIQUE 6X40	SPANNHUELSE 6X40	PASADOR 6X40
24	G15220691R	ASSE AVVISATORE MT	SIGNALLING AXIS MT	AXE AVERTISSEUR MT	ACHSE SIGNALHUPE MT	EJE INDICADOR MT
25	G15220681R	INNESTO RINVIO MT	TRANSMISSION COUPLING MT	ACCOUPEMENT TRANSMISSION MT	KUPPLUNG VORGELEGE MT	CONEXI N TRANSFERENCIA MT
26	F01220022R	DADO M8X1,25 D980 8ZN	NUT M8X1,25 D980 8ZN	ECROU M8X 1,25 D980 8 ZN	MUTTER M8X 1,25 D980 8 ZN	TUERCA M8X 1,25 D980 8 ZN
27	F01020440R	VITE M8X1,25X25 U5739 8.8ZN	SCR. M8X1,25X25 U5739 8.8ZN	VIS M8X1,25X25 U5739 8.8 ZN	SCHRAUBE M8X1,25X25U5739 8.8ZN	TORNILLO M8X1,25X25 U5739 8.8
28	G15226460R	MONT.SCATOLA RINVIO Q.16 EL.MT	BOX TRANS. SQ.16EL.MT			
29	F01020041R	VITE M6X1X45 U5737 8.8ZN	SCR. M6X1X45 U5737 8.8ZN	VIS 6 X45 5737 8.G ZN	SCHRAUBE 6 X45 5737 8.G ZN	TORNILLO 6 X45 5737 8.G ZN
30	G16033200R	MONT.SCATOLA RINVIO PE	TRANSFER CASE	BOITE RENVOI	VORGELEGEZEHUSE	CAJA DE DISTRIBUCIN



## DISTRIBUTORE SEMI SEED DISTRIBUTOR

TAV. 070

Pos.	Cod.	Descrizione	Description	Description	Benennung	Descripcion
1	G22230046R	ASSE TRASMISSIONE DISCO	DISC GEAR AXLE	AXE ENTRAINEMENT DISQUE	ACHSE SCHEIBENANTRIEB	EJE TRANSMISI N DISCO
2	G22270390R	KIT COPPIA CONICA DISTRIB.SEMI	KIT- SEED DISTR. CONICAL PAIR	COUPLE CON DISTR GRAINES 2 2	KIT KEGELTRIEB SAMEN SZAPPARAT	SET PAR CONICO DISTRIB. SEMILL
3	G66248094R	COPRICARDANO SP	UNIVERSAL JOINT COVER SP	COUVRE-CARDAN SP	KARDANABDECKUNG SP	CUBRECARD N SP
4	G66349008R	BOCCOLA	BUSHING	BOITRE	BSCHE	CASQUILLO
5	G22230035R	COPERCHIO SCATOLA INGRAN.	GEARWHEEL BOX COVER	COUVERCLE BOITE ENGRENAGE	DECKEL ZAHNRZDERGEHZUSE	TAPA CAJA ENGRAN.
6	G22230040R	SELETTORE MOBILE COMPLETO	MOBILE SELECTOR ASSY.	SELECTEUR MOBILE COMPL.	KOMPL. BEWEGLICHER WZHLER	SELECTOR M VIL COMPLETO
7	G22230041R	SELETTORE FISSO	SELECTOR FIXED	SELECTEUR FIXE	FESTER WZHLER	SELECTOR FIJO
8	G15421260R	COPERCHIO CORPO DISTRIB.SP530	DISTRIB. CASING COVER SP530	COUVERCLE CORPS DISTRIBUTEUR S	DECKEL SZAPPARATKTRPER SP530	TAPA CUERPO DISTRIB. SP530
9	G22230037R	TENUTA GUARNIZIONE	SEAL	BLOQUAGE GARNITURE	DICHTUNG	JUNTA ESTANCA
10	G16620470R	TAPPO CENTRALE H=7,5	CENTRAL PLUG H=7.5	BOUCHON CENTRAL H=7,5	ZENTRALER PFROPFEN H=7,5	TAP N CENTRAL H=7,5
11	G22230039R	PERNO COPERCHIO	COVER PIN	PIVOT COUVERCLE	DECKELZAPFEN	PERNO TAPA
12	G66349002R	BOCCOLA SINT.BASSOFONDO	BUSHING- SINTERED	BOITE FRITTEE	SYNTH. B CHSE	CASQUILLO SINT.
13	G22270071R	BOCCOLA COLL. SINTER.20X24	20X24 SINTERED COLLARED BUSH	BOITE COLLIER FRITTEE 20X24	ANSCHLUSSBUECHSE SINTER.20X24	CASQUILLO CONEX. SINTER.20X24
14	G22270204R	PIASTRA ANTI TRABOCC.SEMI SP	SEED ANTI-OVERFLOW PLATE SP	PLAQUE ANTI-DEBORD.T GRAINES S	SAMENSBERLAUFPLATTE SP	PLACA ANTI DESBORDAMIENTO SEMI
15	G15225131R	ASSE PORTA PIGNONE MT	AXLE FOR PINION MT			
16	G15421151R	FERMO MOLLA FALCIONE	CUTTER SPRING STOP	ARRET RESSORT HACHOIR	FESTSTELLVOR. FEDER FUTTERSCHN	BLOQUEO MUELLE GUADA ADORA
17	G19006960R	ESPULSORE SEME MAIS	SEED EJECTOR FOR CORN			
18	G22220073R	RONDELLA 28X0,3X16,5	WASHER 28X0-3X16-5	RONDELLE 28X0-3X16-5	UNTERLEGSSCHEIBE 28X0-3X16-5	ARANDELA 28X0-3X16-5
19	F01420037R	ROS.M6 6,4X 24X1,5 U6593 ZN	WASHER M6 6,4X24X1,5 U6593 ZN			
20	G18902951R	MOLLA SPEC.ZN SCARICO	SPEC SPRING ZN DISCHARGE	RESSORT TRAPPE VIDANGE	SPEZIALFEDER ZN ENTLADUNG	MUELLE ESPEC. ZN DESCARGA
21	G18903180R	MOLLA CONVOGLIATORE MICRO	MICRO CONVEYOR SPRING	RESSORT CONVOYEUR MICRO	FEDER MIKRO FTRDERER	MUELLE CONDUCTOR MICRO
22	G19002620R	GUARNIZIONE COP.DISTRIB.SP530	DISTRIBUTION COVER AIR SEAL MT	JOINT ETANCH PORTE SP530-MT	DICHTUNG SZAPPARATDECKEL SP530	JUNTA TAPA DISTRIB.SP530
23	G66248219R	ANELLO PARAPOLVERE SP-520	DUST COVER RING	BAGUE PARE-POUSSIERE SP-520	STAUBSCHUTZRING SP-520	ANILLO GUARDAPOLVO SP-520
24	G16620540R	PORTA DI PROTEZIONE	SAFETY HATCH	PORTE DE PROTECTION	PORTE DE FFNUNG	PUERTA DE PROTECCION N
25	G16620530R	PORTA DI CONTROLLO	INSPECTION DOOR	PORTE CONTROLE	KONTROLLTSR	PUERTA DE CONTROL
26	F01020403R	VITE M6X1X16 U5739 8.8ZN	SCR. M6X1X16 U5739 8.8ZN	VIS M6X1X16 U5739 8.8 ZN	SCHRAUBE M6X1X16 U5739 8.8 ZN	TORNILLO M6X1X16 U5739 8.8 ZN
27	F01020382R	VITE M5X0,8X25 U5739 8.8ZN	SCR. M5X0,8X25 U5739 8.8ZN	VIS 5 X25 5739 8.G ZN	SCHRAUBE 5 X25 5739 8.G ZN	TORNILLO 5 X25 5739 8.G ZN
28	F01020432R	VITE M8X1,25X16 U5739 8.8ZN	SCR. M8X1,25X16 U5739 8.8ZN	VIS M8 X1,25X16 U5739 8.8 ZN	SCHRAUBE M8X1,25X16U5739 8.8ZN	TORNILLO M8X1,25X16 U5739 8.8
29	F01020451R	VITE M8X1,25X45 U5739 8.8ZN	SCR. M8X1,25X45 U5739 8.8ZN	VIS M8X1,25X45 U5739 8.8ZN	SCHRA.M8X1,25X45 U5739 8.8ZN	TORN. M8X1,25X45 U5739 8.8ZN
30	F01070011R	VITE A4,2X1,41X9,5 U6950 4.8NI	SCR. H4,2X1,41X9,5 U6950 4.8NI	VIS AUTOTAR. 4-2X9-5 T. E. COU	SELBSTSCHNEID. SCHRAUBE 4-2X9-5	TORNILLO AUTOROSCO. 4-2X9-5
31	F01240024R	DADO M8X1,25 U5448 5.8ZN	NUT M8X1,25 U5448 5.8ZN	ECROU 8 UNI 5448 5.8 ZN	MUTTER 8 UNI 5448 5.8 ZN	TUERCA 8 UNI 5448 5.8 ZN
32	F01230019R	DADO M5X0,8 D982 8ZN	NUT M5X0,8 D982 8ZN	ECROU AUTOB.NOR.5 ZN	SELBSTSP. MUTTER NOR.5 ZN	TUERCA AUTOB. NOR. 5 ZN
33	F01200244R	DADO M8X1,25 U5588 CL8 ZN	NUT M8X1,25 U5588 6.8ZN	ECROU M8 X1,25 U5588 6.8 ZN	MUTTER M8 X1,25 U5588 6.8 ZN	TUERCA M8X1,25 U5588 CL8 ZN
34	F01410023R	RONDELLA D5 UNI 6592 ZN	WASHER M5 5,3X 10X 1 U6592			
35	F01410051R	ROS.M8 8,4X 17X1,6 U6592 ZN	WASHER M8 8,4X17X1,6 U6592 ZN	RONDELLE M8 8,4X17X1,6 ZN	SCHEIBE M8 8,4X17X1,6 U6592 ZN	ARAND.M8 8,4X 17X1,6 U6592 ZN
36	F01430059R	ROS.M8 8,4X 15X0,8 U8842J ZN	WASHER M8 8,4X15X0,8 U8842J ZN	ROND. M8 8,4X 15X0,8 U8842J ZN	SCHEIBE M8 8,4X15X0,8 U8842JZN	ARAND. M8 8,4X15X0,8 U8842J ZN
37	F01460115R	ROS.OND. 8,4X 15X0,5 BR D137A	WASHER D8 DIN 137 A	RONDELLE D8 DIN 137 A	UNTERLEGSSCHEIBE D8 DIN 137 A	ARANDELA D8 DIN 137 A
38	F02200137R	COPIGLIA 2X 15 U1336 IX	SPLIT PIN 2 X15 1336 GALVAN.	GOUPILE 2 X15 1336 ZN	SPLINT 2 X15 1336 ZN	PASADOR 2 X15 1336 ZN
39	F02100079R	SPINA E.P. 5X20 U6873 C70 BR	PIN EL. 5X20 U6873 C70 BR	PIN EL. 5 X24 DIN 1481	SPANNSTIFT 5 X24 DIN 1481	CLAVIJA EL.P. 5X20 30 U6873 C
40	F02100083R	SPINA E.P. 5X 24 U6873 C70 BR	PIN EL. 5 X24 DIN 1481			CLAVIJA EL.5 X24 DIN 1481
41	F02150012R	LINGUETTA 05X5X10 UNI6604	PARALLEL KEY 5X 5X 10 U6604A			
42	F02200200R	COPIGLIA 4X 70 U1336 ZN	SPLIT PIN 4 X70 1336 GALVAN.	GOUPILE 4 X70 1336 ZN	SPLINT 4 X70 1336 ZN	PASADOR 4 X70 1336 ZN
43	G15421870R	PORTA DI SCARICO DISTRIBUTORE	DISTRIBUTOR DISCHARGE DOOR	PORTE DE DECHARGEMENT DISTRIB,	ENTLADUNGSTSR SZAPPARAT	PUERTA DESCARGA DISTRIBUIDOR
44	G15225141R	MONT. CORPO DISTRIBUZIONE MT	DISTRIBUTION BODY ASSEMBLY MT			
45	G19002750R	COPERCHIO SERBATOIO SEME 530	SEED TANK COVER 530	COUVERCLE RES GRAINES 530-MT	SAMENBEHZLTERDECKEL 530	TAPA DEP SITO SEMILLA 530
46	F01420036R	ROS.M6 6,4X 18X1,5 U6593 ZN	WASHER M6 6,4X 18X1,5 U6593 ZN	RONDELLE M6 6,4X18X1,5 U6593ZN	SCHEIBEN M6 6,4X18X1,5U6593 ZN	ARANDELA M6 6,4X18X1,5U6593ZN
47	F01020403R	VITE M6X1X16 U5739 8.8ZN	SCR. M6X1X16 U5739 8.8ZN	VIS M6X1X16 U5739 8.8 ZN	SCHRAUBE M6X1X16 U5739 8.8 ZN	TORNILLO M6X1X16 U5739 8.8 ZN
48	F01220011R	DADO M6X1 D980 8ZN	NUT M6X1 D980 8ZN	ECROU M6X1 D980 8 ZN	MUTTER M6X1 D980 8 ZN	TUERCA M6X1 D980 8 ZN
49	G15226240R	MONT.SERB.SEME 60 LITRI	SEED TANK 60LT.			
50	F01200220R	DADO M5X0,8 U5588 CL8 ZN	NUT M5X0,8 U5588 6.8ZN	ECROU 5 UNI 5588 6.8 ZN	MUTTER 5 UNI 5588 6.8 ZN	TUERCA M5X0,8 U5588 CL8 ZN
51	F01430035R	ROS.M5 5,3X 10X0,6 U8842J ZN	WASHER D5 DIN 6798 D.INT.ZN	RONDELLE D5 DIN 6798 D. INT. Z	UNT. SCHEIBE D5 DIN 6798 D. IN	ARANDELA D5 DIN 6798 D.INT.ZN
52	G16620010R	ESPULSORE SEMI BIETOLA	SUGAR BEET EJECTOR	EXPULSEUR BETTES	AUSWERFER R BEN	EXPULSOR REMOLACHA
53	F01020381R	VITE M5X0,8X20 U5739 A2IX	SCR. M5X0,8X20 U5739 A2IX	VIS 5X20 5739	SCHRAUBE 5X20 5739	TORNILLO 5X20 5739
54	G22270133R	PIASTRA ANTI TRABOCC.SEMI MIN	MINUTE SEED PLATE SP	PLAQUETTE GRAINES PETITES SP	PLZTTCHEN KLEINE SAMEN SP	PLAQUETA SEMILLAS PEQUE AS SP
55	G16620360R	DIMA SELETTORE FISSO	POSITION PLATE FOR FIXED SELEC	GABARIT POSITION SELECTEUR FIX	EINSTELLEHRE F R FIXEN ABSTREI	PLACA PARA LA POSICI N SELECTO
56	G18701890R	RONDELLA SVAS 8,5X35 X5 ZN	FLARED WASHER D.8,5 ZN.	RONDELLE D.8,5 VAS E ZN.	F-CHERSCHEIBE D.8,5 ZN.	ARANDELA 8,5 ABOCINADA ZN.
57	F01030055R	VITE M8X1,25X20 U5933 10.9ZD	SCR. M8X1,25X20 U5933 10.9ZD	VIS M 8X20	SCHRAUBEN M 8X20	TORNILLO M 8X20
58	G15224471R	SERBATOIO SEME COMPLETO MT	SEED TANK ASSY. MT	RESERVOIR GRAINES COMPL PLA MT	SAMENBEHZLTER KOMPLETT MT	DEP SITO SEMILLAS COMPLETO MT
59	G15201081R	COPERCHIO CORPO MT COMPL.	BODY COVER MT	COUVERCLE CORPS MT	DECKEL KTRPER MT	TAPA CUERPO MT
60	G15223571R	PROTEZIONE SX	LEFT GUARD	PROTECTION GCH	SCHUTZ LI	PROTECCI N IZQ
61	G22270454R	CROCIERA COMPL. SP S	KIT SPIDER 2 ITEMS	CROSSILLON COMPL CARDAN TRANSM	GELENKKREUZ KOMPL. SP S	CRUCETA COMPL. SP S
62	G18904240R	MOLLA L=17 D.FILO=1.3 SP=7	SPRING L=17 D.1.3	RESSORT	FEDER	MUELLE
63	F01020404R	VITE M6X1X20 U5739 8.8ZN	SCREW M6X1X20 U5739 8.8ZN	VIS M6X1X20 U5739 8.8ZN	SCHRAUBE M6X1X20 U5739 8.8ZN	TORNILLO M6X1X20 U5739 8.8ZN
64	F02100086R	SPINA E.P. 5X 30 U6873 C70 ZN	PIN EL. 5 X30 DIN 1481 GALVAN.	FICHE EL. 5 X30 DIN 1481 ZN	SPANNSTIFT 5 X30 DIN 1481 ZN	CLAVIJA EL.P. 5X 30 U6873 C70
65	G22270069R	ASSE PORTA PIGNONE	PINION BEARING SPINDLE	AXE PORTE-PIGNON	RITZELTRZGERACHSE	EJE PORTA-PI N
66	G10220790R	TUBO CARDANO 20 L. 135	CARDAN TUBE Q.20 L.135			
67	G19204060R	FORCELLA	FORK			
68	G19005480R	COPERCHIO SERBAT.SEME 60 LITRI	COVER SEED HOPPER 60 LITRE			

							Code	Pos.
			min.	max.	NR.	D (mm)		
	Mais	Corn	8	32	26	4,5	G10121410	1
	Mais seme grosso, fagiolo	Large corn seed, bean	8	32	26	5,0	G10123710	2
	Mais seme grosso	Corn large seed	8	32	26	5,5	G10121390	3
	Girasole	Sunflower	8	32	26	2,5	G10123560	4
	Cotone	Cotton	8	32	26	3,5	G10121440	5
	Bietola, Sorgo	Sugarbeet, Sorghum	6	23	36	2,1	G10121420	6
	Cetriolo [*]	Cucumber [*]	6	23	36	1,5	G10121520	7
	Fagiolino, Cotone	Green bean, Cotton	6	23	36	3,5	G10121430	8
	Pisello	Peas	6	23	36	4,5	G10121630	9
	Fagiolo Borlotto	Bean	6	23	36	5,5	G10121570	10
	Soia (consigliato per interfila 45-50 cm)	Soya (recommended for 45-50 cm inter-row)	4	16	52	4,25	G10123430	11
	Insalata [*]	Green salad [*]	3	11,5	72	0,8	G10121510	12
	Pomodoro, Finocchio, Colza [*]	Tomato, Fennel, Rape [*]	3	11,5	72	1,1	G10121450	13
	Sorgo, Coriandolo	Sorghum, Coriander	3	11,5	72	2,1	G10121470	14
	Cotone (consigliato per interfila 70-75)	Cotton (recommended for 70-75 cm inter-row)	3	11,5	72	3,5	G10121500	15
	Soia (consigliato per interfila 70-75)	Soya (recommended for 70 - 75 cm inter-row)	3	11,5	72	4,25	G10124020	16

[\*] Si consiglia di sostituire il coperchio del distributore semi con il coperchio per semi minuti. We recommend the substitution of the seed distributor cover with the small seed cover.

Per particolari esigenze, fare specifica richiesta. For special requirements make a specific order.

I valori della tabella sono puramente indicativi. La scelta definitiva dei dischi di semina è a totale discrezione dell'utente. Non si accettano reclami per semine eseguite con dischi non idonei.

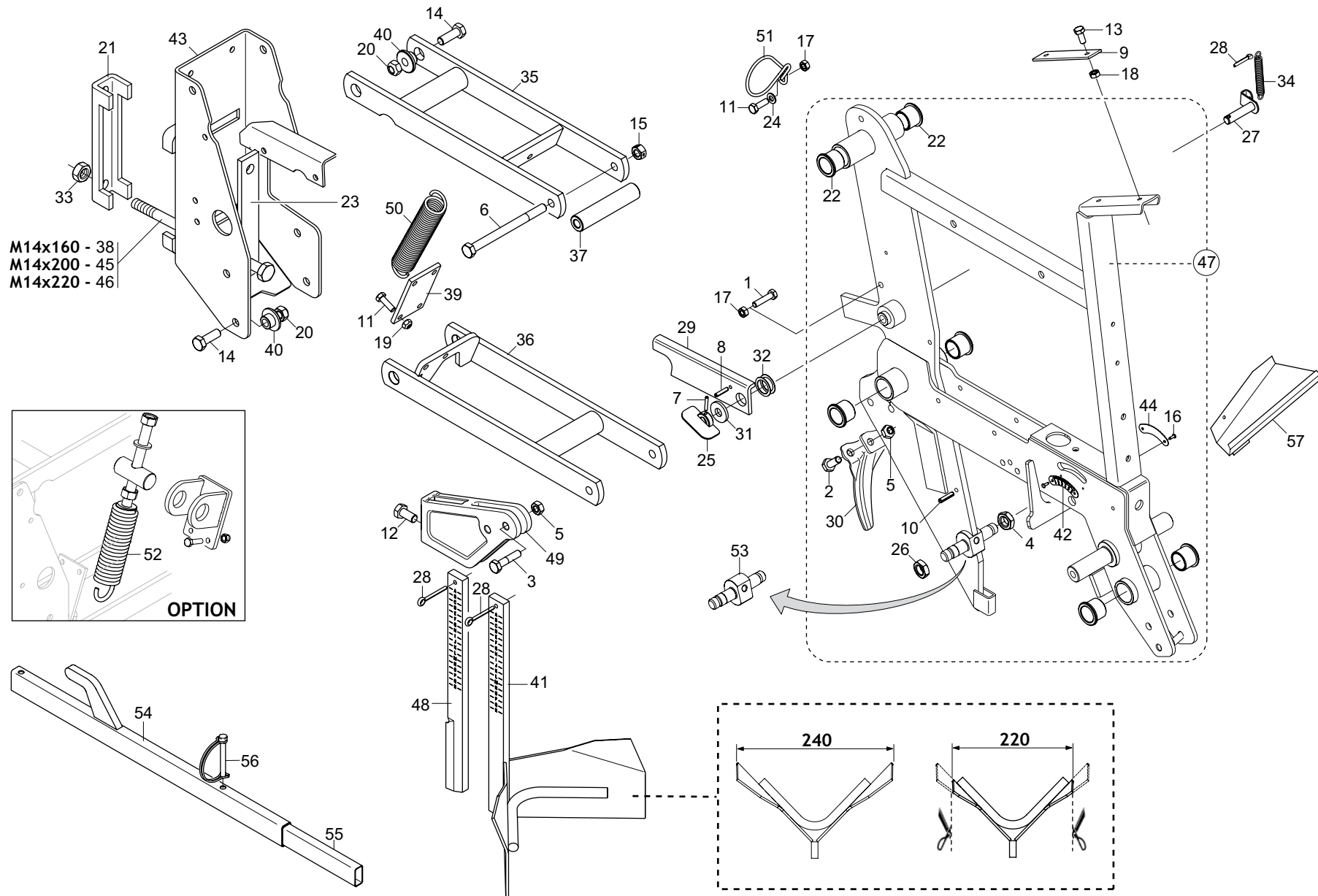
The values shown on the table are approximate. The definite choice of seed plates is completely up to the user. Complaints for imprecise sowing due to utilization of improper seed plates will not be accepted.

**DISCHI DI SEMINA  
SEED PLATES**

TAV. 081

Pos.	Cod.	Descrizione	Description	Description	Benennung	Descripcion
1	G10121410R	DISCO 26F D.4,5 SP-MT	DISC 26 H. D.4,5 SP-MT	DISC 26F D4,5 GALVANISE		
2	G10123710R	DISCO 26F D.5,0 SP-MT	DISC 26 HOLES D.5-0 SP LM			
3	G10121390R	DISCO 26F D.5,5 SP-MT	DISC 26 H. D.5-5 CORN SP LM	DISC 26F D.5,5 GALVANISE		
4	G10123560R	DISCO 26F D.2,5 SP-MT	DISC 26 H. D. 2,5	DISC 26F D.2,5 GALVANISE		
5	G10121440R	DISCO 26F D.3,5 SP-MT	DISC 26 HOLES D 3-5 SP LM	DISC 26F D3,5 GALVANISE		
6	G10121420R	DISCO 36F D.2,1 SP-MT	DISC 36 H. D.2,1 SP-MT	DISC 36F D.2,1 GALVANISE		
7	G10121520R	DISCO 36F D.1,5 SP-MT	DISC 36 HOLES D.1-5 SP LM			
8	G10121430R	DISCO 36F D.3,5 SP-MT	DISC 36 HOLES D.3-5 SP LM			
9	G10121630R	DISCO 36F D.4,5 SP-MT	DISC 36 HOLES D.4-5 SP LM	DISC 36F D.4,5 GALVANISE		
10	G10123760R	DISCO ACC. 36 FORI D.5,5 PARR	STEEL DISC 36 HOLES D5,5 P.ARR	DISQUE ACC.36 TROUS D5,5 PARR	SCHEIBE ZUB.36 LTCHER D5,50	DISCO AC.36 ORIFICIOS D 5,5
11	G10123430R	DISCO 52F D.4,25 SP-MT	DISC 52 HOLES D.4-25 SP LM	DISC 52F D.4,25 GALVANISE		
12	G10121510R	DISCO 72F D.0,8 SP-MT	DISC 72 HOLES D.0-8 SP LM			
13	G10121450R	DISCO 72F D.1,1 SP-MT	DISC 72 HOLES D.1-1 SP LM	DISC 72F D1,1 GALVANISE		
14	G10121470R	DISCO 72F D.2,1 SP-MT	DISC 72 HOLES D.2-1 SP LM	DISC 72F D2,1 GALVANISE		
15	G10121500R	DISCO 72F D.3,5 SP-MT	DISC 72 H. D. 3,5	DISC 72F D.3,5 GALVANISE		
16	G10124020R	DISCO 72 FORI D.4,25 SP LM	DISC 72 HOLES D.4-25 SP LM	DISQUE 72 TROUS D. 4-25 SP LM	SCHEIBE 72 LTCHER D.4-25 SP	DISCO 72 ORIFICIOS D.4-5 SP LM

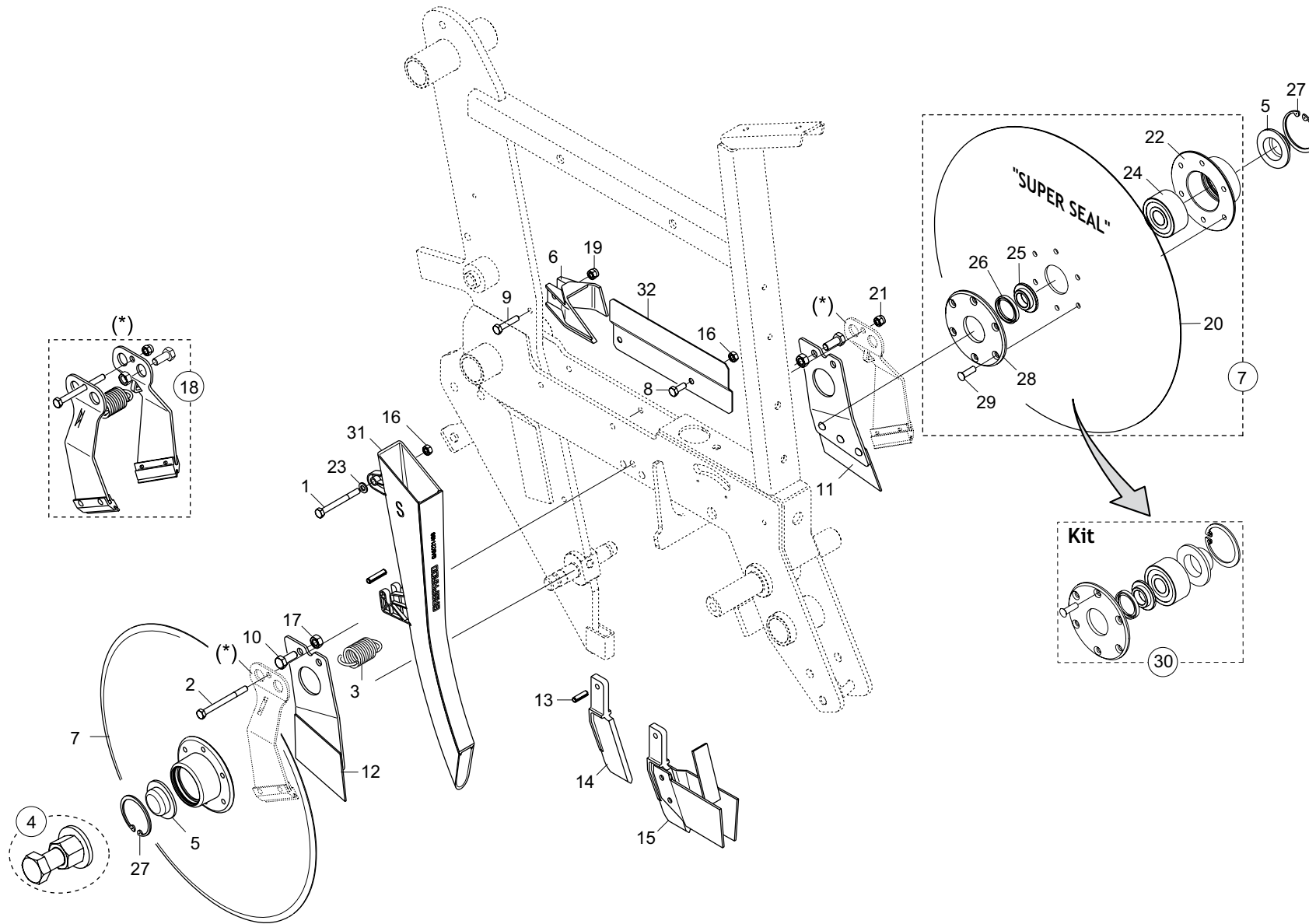
TAV. 090



## TELAIO ELEMENTO UNIT TOOLBAR

TAV. 090

Pos.	Cod.	Descrizione	Description	Description	Benennung	Descripcion
1	F01020449R	VITE M8X1,25X35 U5739 8.8ZN	SCR. M8X1,25X35 U5739 8.8ZN	VIS M8X1,25X35 U5739 8.8ZN	SCHRA. M8X1,25X35 U5739 8.8ZN	TORN. M8X1,25X35 U5739 8.8ZN
2	F01020472R	VITE M10X1,5X25 U5739 8.8ZN	SCR. M10X1,5X25 U5739 8.8ZN	VIS M10X1,5X25 U5739 8.8 ZN	SCHRAUBE M10X1,5X25 U5739 8.8	TORNILLO M10X1,5X25 U5739 8.8
3	F01020112R	VITE M10X1,5X45 U5737 8.8ZN	SCR. M10X1,5X45 U5737 8.8ZN	VIS M 10X45	SCHRAUBE M 10X45	TORNILLO M 10X45
4	F01200442R	DADO M16X1,5 U5589 CL8 ZN	NUT M16X1,5 R. U5589 6.8ZN	ECROU 16X1-5 UNI 5589 6.8 ZN	MUTTER 16X1-5 UNI 5589 6.8 ZN	TUERCA 16X1-5 UNI 5589 6.8 ZN
5	F01220033R	DADO M10X1,5 D980 8ZN	NUT M10X1,5 D980 8ZN	ECROU M10X1,5 D980 8ZN	MUTTER M10X1,5 D980 8ZN	TUERCA M10X1,5 D980 8
6	F01020179R	VITE M12X1,75X150 U5737 8.8ZN	SCR. M12X1,75X150 U5737 8.8ZN	VIS M12X1,75X150 5737 8.8 ZN	SCHRA.M12X1,75X150 5737 8.8 ZN	TORN. M12X1,75X150 5737 8.8 ZN
7	F02100062R	SPINA E.P. 4X 24 U6873 C70 BR	PIN EL. 4 X24 DIN 1481	FICHE EL. 4 X24 DIN 1481	SPANNSTIFT 4 X24 DIN 1481	CLAVIJA EL.4 X24 DIN 1481
8	F02100083R	SPINA E.P. 5X 24 U6873 C70 BR	PIN EL. 5 X24 DIN 1481	FICHE EL. 5 X24 DIN 1481	SPANNSTIFT 5 X24 DIN 1481	CLAVIJA EL.5 X24 DIN 1481
9	G22505102R	SCONTRO RINFORZO SERBATOIO	STRIKER PLATE TANK REINFORCEME	BUTEE REINFORCEMENT RESERVOIR	BEHZLTER VERSTZRKUNANSCHLAG	ELEM.EMPALME REFUERZO DEP SITO
10	F02100111R	SPINA E.P. 6X 24 U6873 A2 IX	PIN EL. 6 X24 U6873 A2 IX			
11	F01020440R	VITE M8X1,25X25 U5739 8.8ZN	SCR. M8X1,25X25 U5739 8.8ZN	VIS M8X1,25X25 U5739 8.8 ZN	SCHRAUBE M8X1,25X25U5739 8.8ZN	TORNILLO M8X1,25X25 U5739 8.8
12	F01020508R	VITE M12X1,75X25 U5739 8.8ZN	SCR. M12X1,75X25 U5739 8.8ZN	VIS M12X1,75X25 U5739 8.8 ZN	SCHRAUBE M12X1,75X25U5739.8ZN	TORNILLO M12X1,75X25 U5739
13	F01020404R	VITE M6X1X20 U5739 8.8ZN	SCREW M6X1X20 U5739 8.8ZN	VIS M6X1X20 U5739 8.8ZN	SCHRAUBE M6X1X20 U5739 8.8ZN	TORNILLO M6X1X20 U5739 8.8ZN
14	F01020512R	VITE M12X1,75X35 U5739 8.8ZN	SCR. M12X1,75X35 U5739 8.8ZN	VIS M12X1,75X35 5739 8.8 ZN	SCHR. M12X1,75X35 5739 8.8 ZN	TORNILLO M12X1,75X35 U5739 8
15	F01200078R	DADO M12X1,75 AUTOF. U5588 ZB	NUT M12X1,75 AUTOF. U5588			
16	F02250066R	RIVETTO STR. 3 X 9 U9200A AL	POP RIVET 3X9 ALUMINIUM	RIVET 3 X 9 ALL	REISSNIETE 3 X 9 ALU	REMACHE DESGAR. 3 X 9 AL
17	F01200244R	DADO M8X1,25 U5588 CL8 ZN	NUT M8X1,25 U5588 6.8ZN	ECROU M8 X1,25 U5588 6.8 ZN	MUTTER M8 X1,25 U5588 6.8 ZN	TUERCA M8X1,25 U5588 CL8 ZN
18	F01220011R	DADO M6X1 D980 8ZN	NUT M6X1 D980 8ZN	ECROU M6X1 D980 8 ZN	MUTTER M6X1 D980 8 ZN	TUERCA M6X1 D980 8 ZN
19	F01220022R	DADO M8X1,25 D980 8ZN	NUT M8X1,25 D980 8ZN	ECROU M8X 1,25 D980 8 ZN	MUTTER M8X 1,25 D980 8 ZN	TUERCA M8X 1,25 D980 8 ZN
20	F01220048R	DADO M12X1,75 D980 8ZN	NUT M12X1,75 D980 8ZN	ECROU M12X1,75 D980 8 ZN	SCHEIBE M12X1,75 D980 8 ZN	TUERCA M12X1,75 D980 8 ZN
21	G15110091R	SCONTRA A U	CONTRA U	BRIDE 150 MM	ANSCHLAG	ELEMENTO DE EMPALME
22	G66349003R	BOCCOLA SINT.	BUSHING- SINTERED	BOITE FRITTEE	SYNTH. BUECHSE	CASQUILLO SINT.
23	G22505037R	SCONTRO PIASTRA ATTACCO MT	STRIKER PLATE ATT. MT	BUTEE PLAQUE FIXATION MT	KUPPLUNGSPATTEN-ANSCHLAG MT	ELEMENTO DE EMPALME PLACA CONE
24	F01410051R	ROS.M8 8,4X 17X1,6 U6592 ZN	WASHER M8 8,4X17X1,6 U6592 ZN	RONDELLE M8 8,4X17X1,6 ZN	SCHIEBE M8 8,4X17X1,6 U6592 ZN	ARAND.M8 8,4X 17X1,6 U6592 ZN
25	G22505048R	FERMO LEVA	LEVER STOP	ARRET LEVIER	FESTSTELLVORRICHTUNG HEBEL	BLOQUEO PALANCA
26	G15220540R	DADO M16X1,5 SX	NUT M16X1,5 LEFT	ECROU M16X1-5 GCH	MUTTER M16X1-5 LI	TUERCA M16X1-5 IZQ
27	G22505109R	FERMO MOLLA AGGANCIO	SPRING STOP LINKAGE	ARRET RESSORT ATTELAGE	FESTSTELLVORR. FEDER VERBINDUN	BLOQUEO MUELLE ENGANCHE
28	F02200226R	COPIGLIA 5X 25 U1336 ZN	SPLIT PIN 5 X25 1336 GALVAN.	GOUPILLE 5 X25 1336 ZN	SPLINT 5 X25 1336 ZN	PASADOR 5 X25 1336 ZN
29	G22505110R	LEVA AGGANCIO ELEMENTO	ELEMENT COUPLING LEVER	LEVIER ATTELAGE ELEMENT	KUPPLUNGSHABEL ELEMENT	PALANCA ENGANCHE ELEMENTO
30	G15225861R	PROTEZIONE DISCHI	DISC PROTECTION			
31	G20970035R	RONDELLA 32X4X13	WASHER 32X4X13	RONDELLE 32X4X13	UNTERLEGSCHIEBE 32X4X13	ARANDELA 32X4X13
32	G20970100R	RONDELLA 30X0,5X22 ACC.	WASHER 30X0-5X22 ACC.	RONDELLE 30X0-5X22 ACIER	UNTERLEGSCHIEBE 30X0-5X22 ACC.	ARANDELA 30X0-5X22 ACC.
33	F01200306R	DADO M14X2 U5588 CL8 ZN	NUT M14X2 U5588 6.8ZN	ECROU M14X2	MUTTER M14X2	DADO M14X2
34	G65337007R	MOLLA TRAZ.ATT.3 PUNTI 12 F SP	TRACTION COUPLING SPRING 3 POI	RESSORT TRACT. ATTELAGE 3 POIN	ZUGFEDER 3 PUNKTE KUPPLUNG 12	MUELLE TRAC. CONEX. 3 PUNTOS 1
35	G15223060R	ASS.PARALLELO SUPERIORE	UPPER PARALLEL	PARALL. SUP.	PARALLELOGRAMM OBEN	PARALELO SUPERIOR
36	G15223071R	PARALLELO INFERIORE	LOWER PARALLEL	PARALL. INF.	PARALLELOGRAMM UNTEN	PARALELO INFERIOR
37	G22505108R	MOZZO BRACCI PARALLELOGRAMMA	PARALLELOGRAM ARM HUB	MOYEU BRAS PARALLELOGRAMME	NABE PARALLELOGRAMM ARME	CUBO BRAZOS PARALELOGRAMA
38	F01020225R	VITE M14X2X160 U5737 8.8BR	SCR. M14X2X160 U5737 8.8BR	VIS M 14 X160 5737 8.G	SCHRAUBE M 14 X160 5737 8.G	TORNILLO M 14 X160 5737 8.G
39	G15224410R	ATTACCO MOLLA	SPRING CONNECTION	FIXATION RESSORT	FEDERANSCHLUSS	ENGANCHE MUELLE
40	G15224630R	BOCCOLA SINT.12,25X20 L.15 PAR	BUSHING SINT.12,25X20 L.15 PAR	BOITE BRAS	BSCHE ARM	CASQUILLO BRAZO
41	G15224901R	SPIANATERRA LARGH.240 MM	SOIL LEVELLER WIDTH 240 MM			
42	G19705280R	TARGHETTA REG.SX RUOTE PROFOND	PLATE	PLAQUET	PLATTE	PLACA
43	G15225150R	PIASTRA ATTACCO SEMINATORE	COUPLING PLATE	PLAQUE DE RACCORD	KUPPLUNGSPLATTE	PLACA DE CONEXIN
44	G19705290R	TARGHETTA REG.DX RUOTE PROFOND	PLATE	PLAQUET	PLATTE	PLACA
45	F01020233R	VITE M14X2X200 U5737 8.8BR	SCR. M14X2X200 U5737 8.8BR	VIS M14X2X 200 U5737 8.8 ZB	SCHRAUBE M14X 2X200 U5737 8.8	TORNILLO M14X2X200 5737 8.8 ZB
46	F01020236R	VITE M14X2X220 U5737 8.8BR	SCR. M14X2X220 U5737 8.8BR	VIS M14X2X220 U5737 8.8 BR	SCHRAUBE M14X2X220 U5737 8.8	TORNILLO M14X2X220 U5737 8.8
47	G15225851R	CORPO CENTRALE MT	CENTRAL CASING MT	CORPS CENTR. MT	MITTELKTRPER MT	CUERPO CENTRAL MT
48	G15420842R	TAGLIENTE	EDGE	COUTRE CHASSE-MOTTE	SCHNEIDE	FILO DE CORTE
49	G19204000R	SUPP.SPIANATERRA CORTO	SUPPORT SHORT SOIL BRAKER			
50	GR0107863R	MOLLA SUPPLEMENTARE ELEM.MT	ADDITIONAL SPRING ELEMENT. MT			
51	G18903140R	MOLLA GUIDATUBO	PIPE GUIDE SUPPORT	RESSORT GUIDE-TUBE	FEDER ROHRFSHRUNG	MUELLE GU A TUBOS
52	G15226270R	MOLLA COMPL.	COMPL. SPRING	RESSORT COMPLETE		
53	G15223140R	ASSE DISCHI	DISC SPINDLE	AXES DISQUES	SCHIEBENACHSE	EJE DISCOS
54	G15225380R	LEVA SOLLEVAMENTO ELEMENTO	LIFTING LEVER	LEVIER DE LEVAGE	HEBELHUB	PALANCA LEVANTAMIENTO
55	G15225370R	TUBO R.35X15X1,5X750 FORATO	TUBE R.35X15X1,5X750	TUBE R.35X15X1,5X750	ROHR R.35X15X1,5X750	TUBO R.35X15X1,5X750
56	F02200562R	SPINA SICUR.D. 8X70 ZN	SNAP PIN D.8X 70 ZN	FICHE EL. D.8X70 ZN	SCHERSTIFT D.8X 70 ZN	CLAVIJA D.8X 70 ZN
57	G15224500R	SCIVOLO SCARICO SEMI	SEED DISCHARGE CHUTE	LANCOIR DECHARGE GRAINES	RUETTER SAMENENTLADUNG	PLANO INCLINADO DESCARGA SEMIL

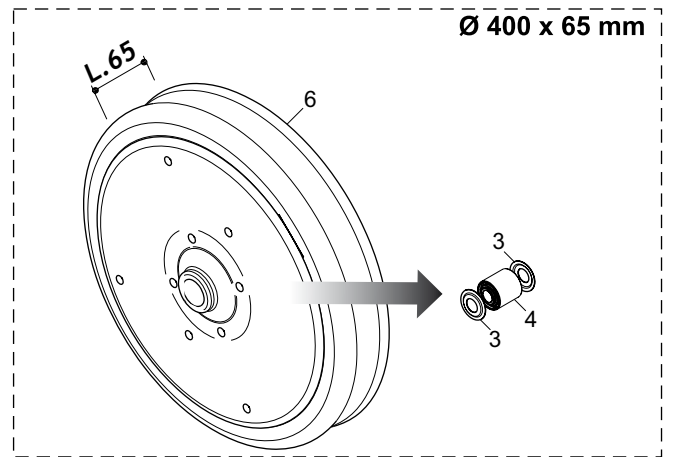
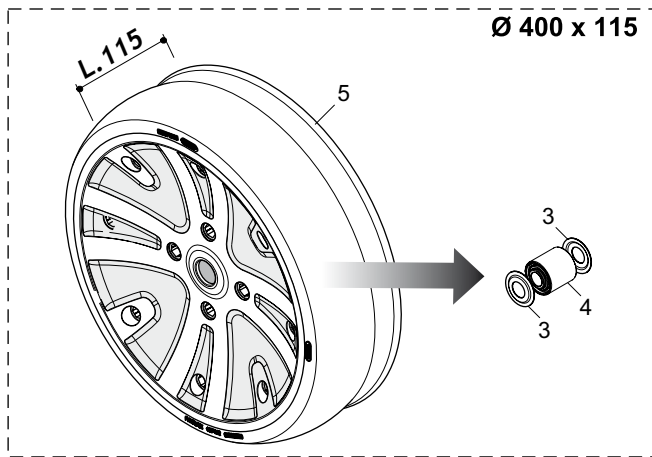
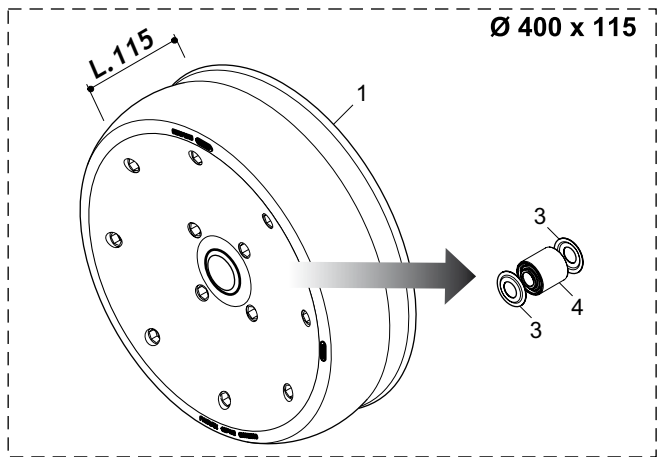
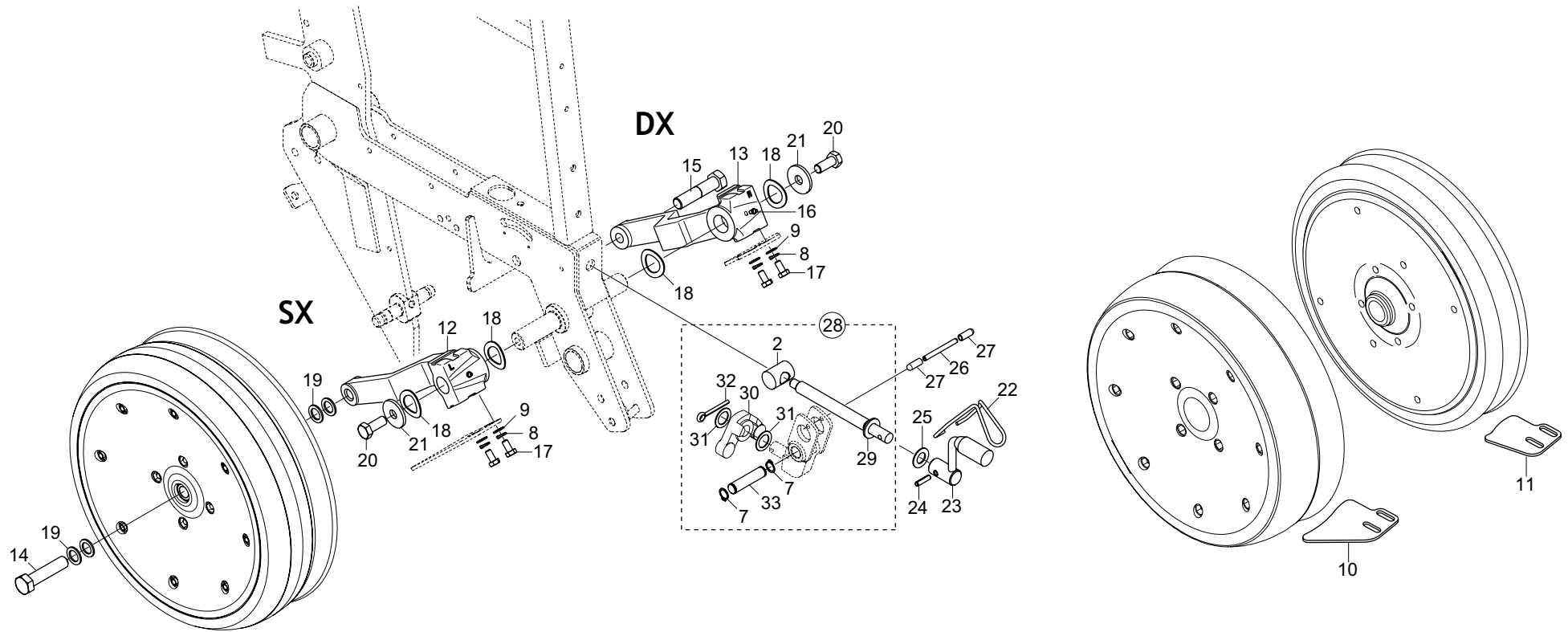




## DISCHI ASSOLCATORI ELEMENTO COULTERS DISC

TAV. 100

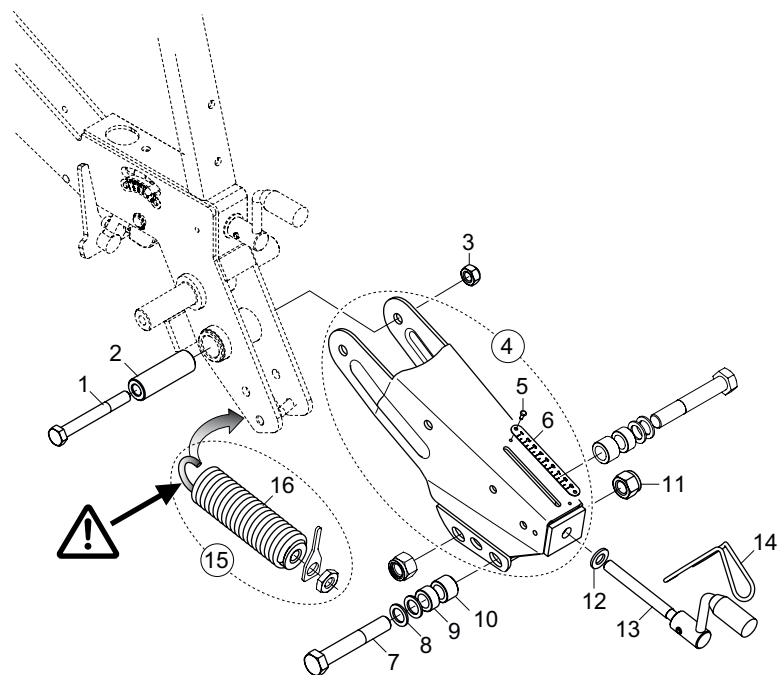
Pos.	Cod.	Descrizione	Description	Description	Benennung	Description
1	F01020043R	VITE M6X1X60 U5737 8.8ZN	SCR. M6X1X60 U5737 8.8ZN	VIS M6X1X60 U5737 8.8 ZN	SCHRAUBE M6X1X60 U5737 8.8 ZN	TORNILLO M6X1X60 U5737 8.8 ZN
2	F01020047R	VITE M6X1X70 U5737 8.8ZN	SCR. M6X1X70 U5737 8.8ZN	VIS 6 X70 5737 8.G ZN	SCHRAUBE 6 X70 5737 8.G ZN	TORNILLO 6 X70 5737 8.G ZN
3	G18904540R	MOLLA TRAZIONE ZN	SPRING TENSION ZN			
4	G15225240R	ESTRATTORE DISCHI ELEMENTO MT	SEED PLATE EXTRACTOR ELEM. MT	EXTRACTEUR DISQUE ELEMENT MT	SCEIBENAUSZIEHER ELEMENT MT	EXTRACTOR DISCOS ELEMENTO MT
5	G66248248R	TAPPO IN PLASTICA	PLASTIC PLUG	BOUCHON EN PLASTIQUE	PLASTIKPFROPFEN	TAP N DE PL STICO
6	G19002700R	PROTEZIONE FOTOCPELLULA	PHOTOCCELL PROTECTION	PROTECT CAPT PHOTOC SP3-MT-MG	SCHUTZ PHOTOZELLE	PROTECCI N FOTOC LULA
7	G15225500R	DISCO ASSOLC.PROTETTO COMPL.	FULLY PROTECTED DISC COULTER	DISQUE DU SOC PROT G COMPLET		DISCO SURGADOR COMPLETO
8	F01020403R	VITE M6X1X16 U5739 8.8ZN	SCR. M6X1X16 U5739 8.8ZN	VIS M6X1X16 U5739 8.8 ZN	SCHRAUBE M6X1X16 U5739 8.8 ZN	TORNILLO M6X1X16 U5739 8.8 ZN
9	F01020408R	VITE M6X1X30 U5739 8.8ZN	SCR. M6X1X30 U5739 8.8ZN	VIS M 6X1X30	SCHRAUBE M 6X1X30	TORNILLO M6X1X30 U5739 8
10	F01020436R	VITE M8X1,25X20 U5739 8.8ZN	SCR. M8X1,25X20 U5739 8.8ZN	VIS M8X1,25X 20 U5739 8.8 ZN	SCHRAUBE M8X1,25X20U5739 8.8ZN	TORNILLO M8X1,25X20 U5739 8.8
11	G15226340R	RASCHIATERRA INT.DX	SCRAPER INSIDE RIGHT	RACLEUR DE TERRE INT. DRT		
12	G15226360R	RASCHIATERRA INT.SX	SCRAPER INSIDE LEFT	RACLEUR DE TERRE INT. GCH		
13	F02100111R	SPINA E.P. 6X 24 U6873 A2 IX	PIN EL. 6 X24 U6873 A2 IX			
14	G19203121R	TAGLIENTE INTERNO DISCHI MT	INNER DISC CUTTING EDGE MT	TRANCHANT INT RIEUR DISQUES MT	INNERE SCHNEIDE SCHEIBEN MT	FILO INTERNO DISCOS MT
15	G15225970R	FALCIONE CORTO INT.DISCHI COMP	DISCS INNER COULTER COMP.			
16	F01200232R	DADO M6X1 U5588 CL8 ZN	NUT M6X1 U5588 6.8ZN	ECROU 6 UNI 5588 6.8 ZN	MUTTER 6 UNI 5588 6.8 ZN	TUERCA M6X1 U5588 CL8 ZN
17	F01200244R	DADO M8X1,25 U5588 CL8 ZN	NUT M8X1,25 U5588 6.8ZN	ECROU M8 X1,25 U5588 6.8 ZN	MUTTER M8 X1,25 U5588 6.8 ZN	TUERCA M8X1,25 U5588 CL8 ZN
18	G15226590R	KIT RASCHIATERRA VIDIA	KIT SCRAPERS VIDIA	KIT GRATTE TERRE TIPE VIDIA		KIT RASCATIERRA WIDIA
19	F01220022R	DADO M8X1,25 D980 8ZN	NUT M8X1,25 D980 8ZN	ECROU M8X 1,25 D980 8 ZN	MUTTER M8X 1,25 D980 8 ZN	TUERCA M8X 1,25 D980 8 ZN
20	G13825091R	DISCO ASSOLCATORE D.373	FURROW OPENER DISK D.373	DISQUE SOC D. 373 6 T.D.6	SCHEIBE SZSCHARENREISSER D.373	DISCO SURCADOR D.373
21	F01230022R	DADO M6X1 D982 8ZN	NUT M6X1 D982 8ZN	ECROU AUTO-FREIN.M6X1 D982 8ZN	SICHERUNGSMUT. M6X1 D982 8 ZN	TUERCA DE SEGU.M6X1 D982 8 ZN
22	G15223651R	SUPPORTO CUSCINETTO DISCO	DISC BEARING SUPPORT	SUPPORT PALIER DISQUE	SCHEIBENLAGERBSCHSE	SOPORTE COJINETE DISCO
23	F01410037R	ROS.M6 6,4X12,5X1,6 U6592 ZN	WASHER M6 6,4X12,5X1,6 U6592ZN	RONDEL.M6 6,4X12,5X1,6 U6592ZN	SCHEIB.M6 6,4X12,5X1,6 U6592ZN	ARAND.M6 6,4X12,5X1,6 U6592 ZN
24	F04010084R	CUSC.D17D47 B22,2 3303 LLU DDU	BEARING 3303 2RS	ROULEMENT	LAGER 3303 2RS	COJINETE 3303 2RS
25	G15225490R	BOCCOLA PARAP.DISCO PROTETTO	DISC DUST SEAL BUSH D.34	BOITE PARAP.DISCO PROTETTO	BUCHSE PARAP.DISCO PROTETTO	MANGUITO PARAP.DISCO PROTETTO
26	F03011075R	AN. TENUTA B1OF 24X32X4	SEALING RING 24X32X4	BAGUE D ETANCHEITE 24X32X4	DICHTUNGSRING 24X32X4	ANILLO AISLADOR 24X32X4
27	F02050370R	ANELLO E. DI 47X1,75 U7437 C70	SEEGER RING 47X 1,75 U7437 C70	SEEGER E. 47X 1,75 U7437 C70	SEEGERING E. 47X1,75 U7437 C70	ANILLO E. 47X 1,75 U7437 C70
28	G15225480R	FLANGIA INT.DISCO PROTETTO ZN	INNER DISK FLANGE	BRIDE INT. DISQUE	INNENFLANSCH SCHEIBE	BRIDA INTERIOR DISCO
29	F02250521R	RIBATTINO TSC 6 X19,8 A 2	RIVET TSC 6X19,8 A 2 BY PIECE	PAQUET RIVETS TSC 6X 19,8 A 2	PACKUNG NIETEN TSC 6X19,8 A 2	PAQU.REMACHES TSC 6X 19,8 A 2
30	G15226600R	KIT X DISCO SUPER SEAL	SUPER-SEAL DISC KIT	KIT X DISC SUPER SEAL		KIT PARA DISCO SUPER SEAL
31	GA5221490R	CONVOGLIATORE SEME MT	SEED CONVEYOR MT			
32	G15223561R	PROTEZIONE DX	RIGHT GUARD	PROTECTION DRT	SCHUTZ RE	PROTECCI N DER



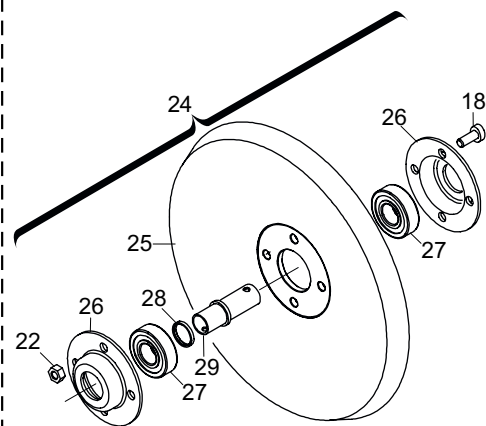
## RUOTE DI PROFONDITÀ DEPTH WHEELS

TAV. 111

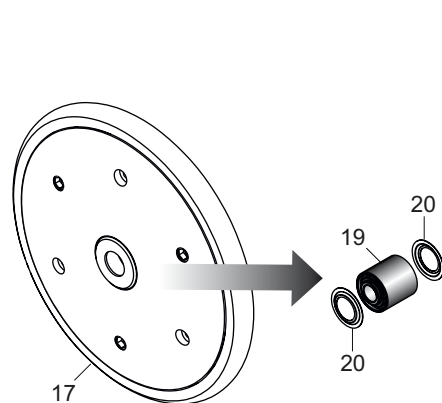
Pos.	Cod.	Descrizione	Description	Description	Benennung	Description
1	F06120406R	RUOTA PROF.TAMB.MTR L115 M	DEPTH GAUGE WHEEL SM.CR.OFFS M			RUEDA CONTRO PROFUNDIDAD MTR L
2	G22230063R	ELEMENTO ARTICOLATO	ARTICULATED ELEMENT	ELEMENT ARTICULE	GELENKELEMENT	ELEMENTO ARTICULADO
3	F01440086R	ROS. 23X40X0,5 D988 ST2K60 BR	WASHER 23X40X0,5 D988 ST2K60 B			
4	F04100150R	CUSC.D16 D40 B39 WPS	BEARING D16 D40 B39 WPS	ROULEMENT D16 D40 B39		COJINETE D16 D40 B39 WPS
5	F06120449R	RUOTA PROF.TAMB.MTR L115 I	DEPTH WHEEL MTR L115			
6	F06120410R	RUOTA PROF.TAMB.MTR L65 M	DEPTH GAUGE WHEEL SM.CR.MT L65			
7	F02050604R	ANELLO E. DE 14X 1 U7435 C70	STOP RING 14 UNI 7435-75	BAGUE ARR.14 UNI 7435-75	RING 14 UNI 7435-75	ANILLO PARADA 14 UNI 7435-75
8	F01480213R	RONDELLA D8 UNI 1751 ZN	WASHER D8 UNI 1751 ZN	RONDELLE D8 UNI 1751 ZN	UNTERLEGSSCHEIBE D8 UNI 1751 ZN	ARANDELA D8 UNI 1751 ZN
9	F01410051R	ROS.M8 8,4X 17X1,6 U6592 ZN	WASHER M8 8,4X17X1,6 U6592 ZN	RONDELLE M8 8,4X17X1,6 ZN	SCHEIBE M8 8,4X17X1,6 U6592 ZN	ARAND.M8 8,4X 17X1,6 U6592 ZN
10	G15223863R	RASCHIATERRA MT L115	SOIL SCRAPER MT L115			RASCADOR MT L115
11	G15225013R	RASCHIATERRA L65	SOILSCRAPER L65			
12	G15226730R	BRACCIO RUOTA PROFONDITA SX	L.DEPTH WHEEL ARM			
13	G15221212R	BRACCIO RUOTA PROFONDITA DX	R.DEPTH WHEEL ARM			
14	GA5220780R	VITE M16X2X 70 SX U5737 8.8 ZN	SCREW M16X2X70LEFT U5737 8.8ZN			
15	F01020260R	VITE M16X2X70 U5737 8.8ZN	SCR. M16X2X70 U5737 8.8ZN	VIS M16X2X70 U5737 8.8 ZN	SCHRAUBE M16X2X70 U5737 8.8 ZN	TORNILLO M16X2X70 U5737 8.8 ZN
16	F01100011R	ING.M 6X1 7663-A 9SMNPB28 ZN	GREASE NIPPLE M6X1 7663-A ZN	GRAISS. A BILLE M6X1 7663A ZN	SCHMIERBUECHE M6X1 7663-A ZN	ENG.M 6X1 7663-A 9SMNPB28 ZN
17	F01020432R	VITE M8X1,25X16 U5739 8.8ZN	SCR. M8X1,25X16 U5739 8.8ZN	VIS M8 X1,25X16 U5739 8.8 ZN	SCHRAUBE M8X1,25X16U5739 8.8ZN	TORNILLO M8X1,25X16 U5739 8.8
18	G18701880R	RONDELLA DI SPINTA	IMPULSE WASHER	RONDELLE	UNTERLEGSSCHEIBE	ARANDELA
19	G20970025R	RONDELLA 25,2X2X16,5	WASHER 25-2X2X16-5	RONDELLE 25-2X2X16-5	UNTERLEGSSCHEIBE 25-2X2X16-5	ARANDELA 25-2X2X16-5
20	F01020510R	VITE M12X1,75X30 U5739 8.8ZN	SCR. M12X1,75X30 U5739 8.8ZN	VIS M12X1,75X30 U5739 8.8ZN	SCHRAU.M12X1,75X30 U5739 8.8ZN	TORNILLO M12X1,75X30 U5739
21	G20970035R	RONDELLA 32X4X13	WASHER 32X4X13	RONDELLE 32X4X13	UNTERLEGSSCHEIBE 32X4X13	ARANDELA 32X4X13
22	G18903741R	MOLLA FERMO MANIGL.MAGICA 2004	HANDLE STOP SPRING MAGICA 2004	RESSORT ARRET POIG.MAGICA 2004	FEDER GRIFFSPERRE MAGICA 2004	MUELLE BLOQUEO MAN. MAGICA 04
23	G22270235R	MANIGLIA REGOLAZIONE B4	ADJUSTMENT HANDLE B4	POIGNEE REGLAGE B4	EINSTELLGRIFF B4	MANIJA REGULACI N B4
24	F02100111R	SPINA E.P. 6X 24 U6873 A2 IX	PIN EL. 6 X24 U6873 A2 IX			
25	G20970149R	RONDELLA D.15X28X1,5	WASHER D.15X28X1-5	RONDELLE D. 15X28X1-5	UNTERLEGSSCHEIBE D.15X28X1-5	ARANDELA D.15X28X1-5
26	F02100126R	SPINA E.P. 6X60 U6873 C70 BR	PIN E.D. 6X60 U6873 C70 BR	FICHE E.D. 6X60 U6873 C70 BR	BOLTZEN E.D. 6X60 U6873 C70 BR	CLAVIJA E.D. 6X60 U6873 C70 BR
27	F05100193R	CAPPUCCIO 5,95X19,05 GIALLO	CAP	BOUCHON	DECKEL	CORCHO
28	GA5220700R	BILANCIERE COMPL MT	ROCKER ARM MT COMPL			
29	G22505058R	VITE DI REGOLAZIONE POSTERIORE	REAR ADJUSTMENT BOLT	VIS DE REGLAGE ARRIERE	HINTERE EINSTELLSCHRAUBE	TORNILLO DE REGULACI N TRASERO
30	G19203130R	BILANCIERE PRFONDITA	DEPTH EQUALISER	BALANCIER PROFONDEUR	KIPPHEBEL TIEFE	BALANC N PROFUNDIDAD
31	G18701820R	RONDELLA 16,5 X25 X1,0 ZN	WASHER 16,5X25X1,0 ZN			
32	F02200226R	COPIGLIA 5X 25 U1336 ZN	SPLIT PIN 5 X25 1336 GALVAN.	GOUPILLE 5 X25 1336 ZN	SPLINT 5 X25 1336 ZN	PASADOR 5 X25 1336 ZN
33	G15220810R	SPINA 14 X56 ZN	PIN 14 X56 ZN			



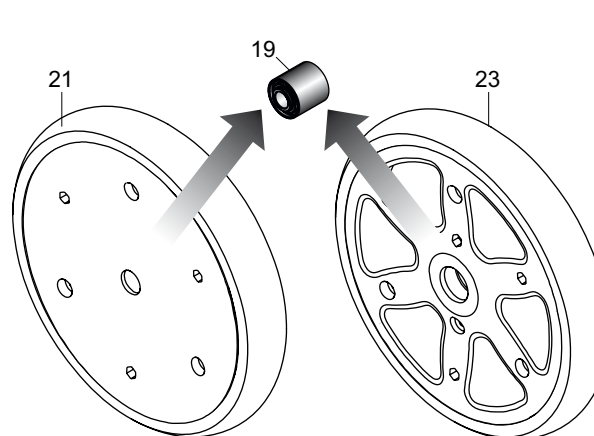
CAST IRON PRESS WHEEL



1" «V» SHAPED RUBBER PRESS WHEEL



2" «V» SHAPED RUBBER PRESS WHEEL

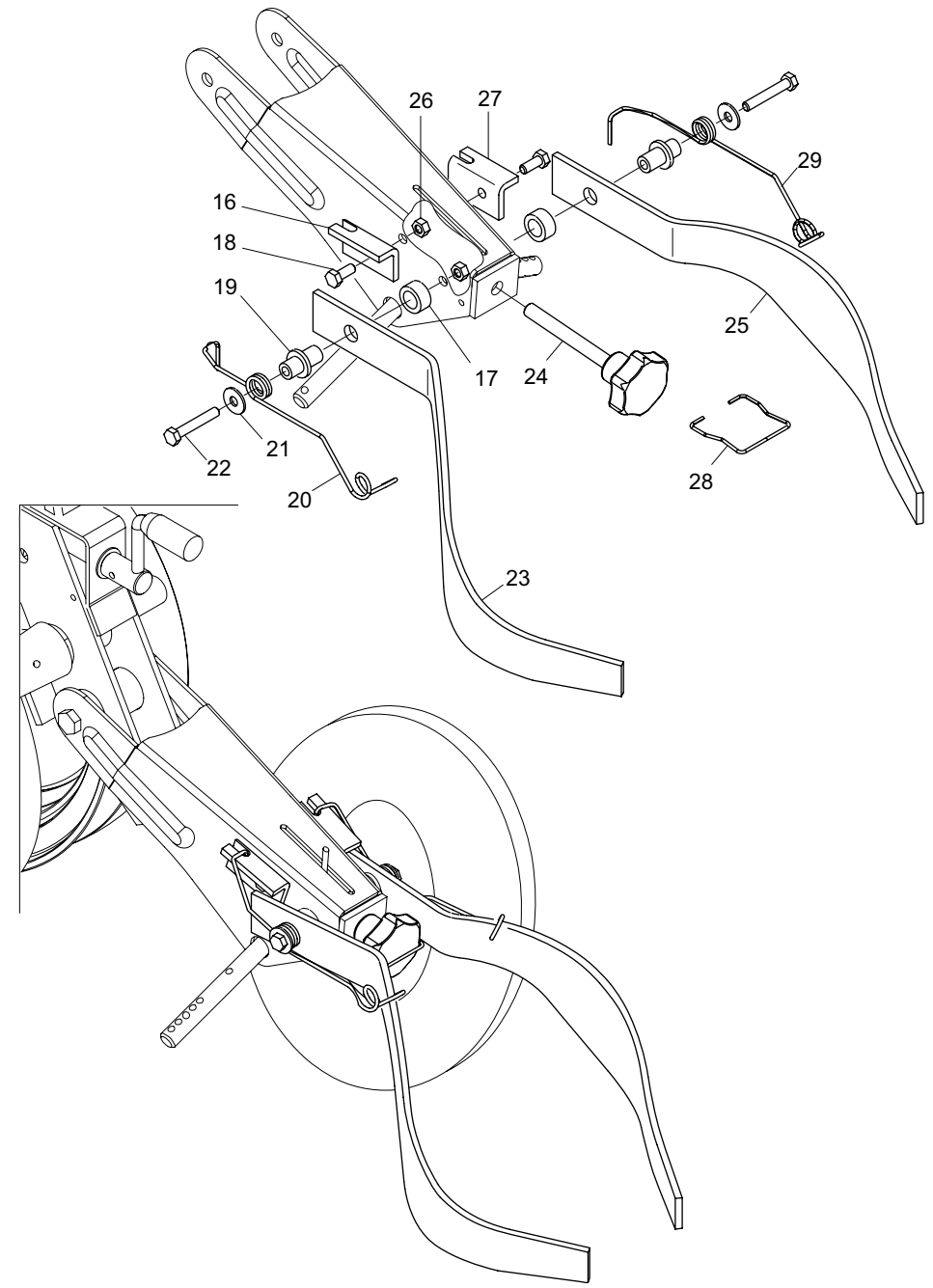
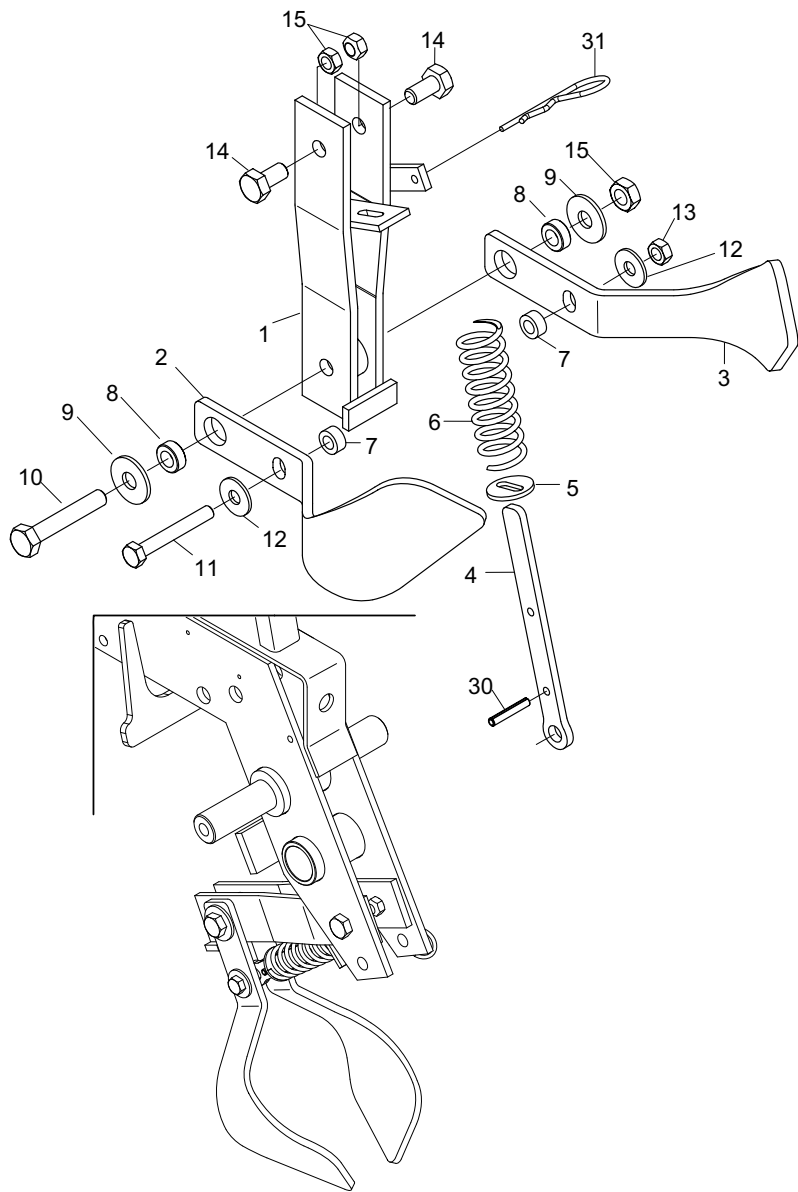


## RUOTE DI COMPRESSIONE COMPRESSION WHEELS

TAV. 121

Pos.	Cod.	Descrizione	Description	Description	Benennung	Description
1	F01020170R	VITE M12X1,75X100 U5737 8.8ZN	SCR. M12X1,75X100 U5737 8.8ZN	VIS M12X1,75X100 5737 8.8 ZN	SCHRA.M12X1,75X100 5737 8.8 ZN	TORN. M12X1,75X100 5737 8.8 ZN
2	G22505059R	MOZZO POSTERIORE	REAR HUB	MOYEU ARRIERE	HINTERNABE	CUBO TRASERO
3	F01220048R	DADO M12X1,75 D980 8ZN	NUT M12X1,75 D980 8ZN	ECROU M12X1,75 D980 8 ZN	SCHEIBE M12X1,75 D980 8 ZN	TUERCA M12X1,75 D980 8 ZN
4	G15226940R	SUPPORTO RUOTE COMPRESSIONE	COMPRESSION WHEELS SUPPORT			
5	F02250066R	RIVETTO STR. 3 X 9 U9200AAL	POP RIVET 3X9 ALUMINIUM	RIVET 3 X 9 ALL	REISSNIETE 3 X 9 ALU	REMACHE DESGAR. 3 X 9 AL
6	G19703480R	TARGHETTA REG.RUOTE COMPRESS.	PLATE	PLAQUET	PLATTE	PLACA
7	F01020285R	VITE M16X2X100 U5737 8.8ZN	SCR. M16X2X100 U5737 8.8ZN	VIS M16X2X100 U5737 8.8 ZN	SCHR.M16X2X100 U5737 8.8 ZN	TORN.M16X2X100 U5737 8.8 ZN
8	G20970025R	RONDELLA 25,2X2X16,5	WASHER 25-2X2X16-5	RONDELLE 25-2X2X16-5	UNTERLEGSCHSHEIBE 25-2X2X16-5	ARANDELA 25-2X2X16-5
9	G20980081R	BOCCOLA 25X12X16,25	BUSHING 25X12X16-25	BOITE 25X12X16-25	BSCHSE 25X12X16-25	CASQUILLO 25X12X16-25
10	G18800140R	BOCCOLA 16,5 X25 X16,5 ZN	BUSHING 16,5 X25 X16,5 ZN			
11	F01230085R	DADO M16X2 D982 10ZN	NUT M16X2 D982 10ZN	ECROU M16X2 D982 10ZN	MUTTER M16X2 D982 10ZN	TUERCA M16X2 D982 10ZN
12	F01410076R	ROS.M12 13X 24X2,5 U6592 ZN	WASHER 12 13X 24X2,5 U6592 ZN	RONDEL. M12 13X24X2,5 U6592 ZN	SCHEIBE M12 13X24X2,5 U6592 ZN	ARAND.M12 13X 24X2,5 U6592 ZN
13	G15220960R	MANIGLIA REGOLAZIONE	ADJUSTMENT HANDLE	POIGNEE REGLAGE	EINSTELLGRIFF	MANIJA REGULACION
14	G18903741R	MOLLA FERMO MANIGL.MAGICA 2004	HANDLE STOP SPRING MAGICA 2004	RESSORT ARRET POIG.MAGICA 2004	FEDER GRIFFSPERRE MAGICA 2004	MUELLE BLOQUEO MAN. MAGICA 04
15	G15226280R	INDICATORE REGOLAZIONE COMPLNH	COMPLETE DEPTH INDICATOR NH			
16	G15226270R	MOLLA COMPL.	COMPL. SPRING	RESSORT COMPLETE		
17	F06120412R	RUOTA GOMMA 1 X12 WPS C	RUBB.WHEEL1 X12 BEARINGK098			RUEDA GOMA 1 X12 WPS
18	F01040091R	VITE M8X1,25X20 U5931 8.8ZN	SCREW M8X1,25X20 U5931 8.8ZN	VIS M8X1,25X20 U5931 8.8ZN	SCHRAU. M8X1,25X20 U5931 8.8ZN	TORN. M8X1,25X20 U5931 8.8ZN
19	F04100150R	CUSC.D16 D40 B39 WPS	BEARING D16 D40 B39 WPS	ROULEMENT D16 D40 B39		COJINETE D16 D40 B39 WPS
20	F01440086R	ROS. 23X40X0,5 D988 ST2K60 BR	WASHER 23X40X0,5 D988 ST2K60 B			
21	F06120474R	RUOTA GOMMA 2 X13 WPS C	RUBBER WHEEL 2 X13 WPS			
22	F01220022R	DADO M8X1,25 D980 8ZN	NUT M8X1,25 D980 8ZN	ECROU M8X 1,25 D980 8 ZN	MUTTER M8X 1,25 D980 8 ZN	TUERCA M8X 1,25 D980 8 ZN
23	F06120408R	RUOTA GOMMA 2 X13 WPS R	RUBBER WHEEL 2 X13 WPS	ROUE 2 X13 WPS R		RUEDA GOMA 2 X13 WPS
24	G15224790R	RUOTA GHISA POST.COMPL.	COMPL. REAR CAST IRON WHEEL	ROUE FONTE ARRI RE COMPL TE	HINTERES GUSSEISENRAD KOMPL.	RUEDA FUNDICI N TRAS.COMPL.
25	G15224800R	RUOTA POSTERIORE GS	REAR WHEEL	ROUE ARRIERE	HINTERRAD	RUEDA TRASERO
26	G16242190R	SUPPORTO CUSCINETTO	BEARING SUPPORT	SUPPORT PALIER	LAGERBSCHSE	SOPORTE COJINETE
27	F04010156R	CUSC. D20 D47 B14 6204 2RSH	BEARING D20 D47 B14 6204 2RSH	ROULEMENTD20 D47 B14		
28	G15224810R	BOCCOLA 20,5X25X3	BUSHING 20,5X25X3	DOUILLE 20,5X25X3	BUCHSE 20,5X25X3	MANGUITO 20,5X25X3
29	G15423850R	BOCCOLA RUOTA FERRO	STEEL WHEEL BUSHING	DOUILLE ROUE FER	B CHSE EISENRAD	BUJE RUEDA DE HIERRO

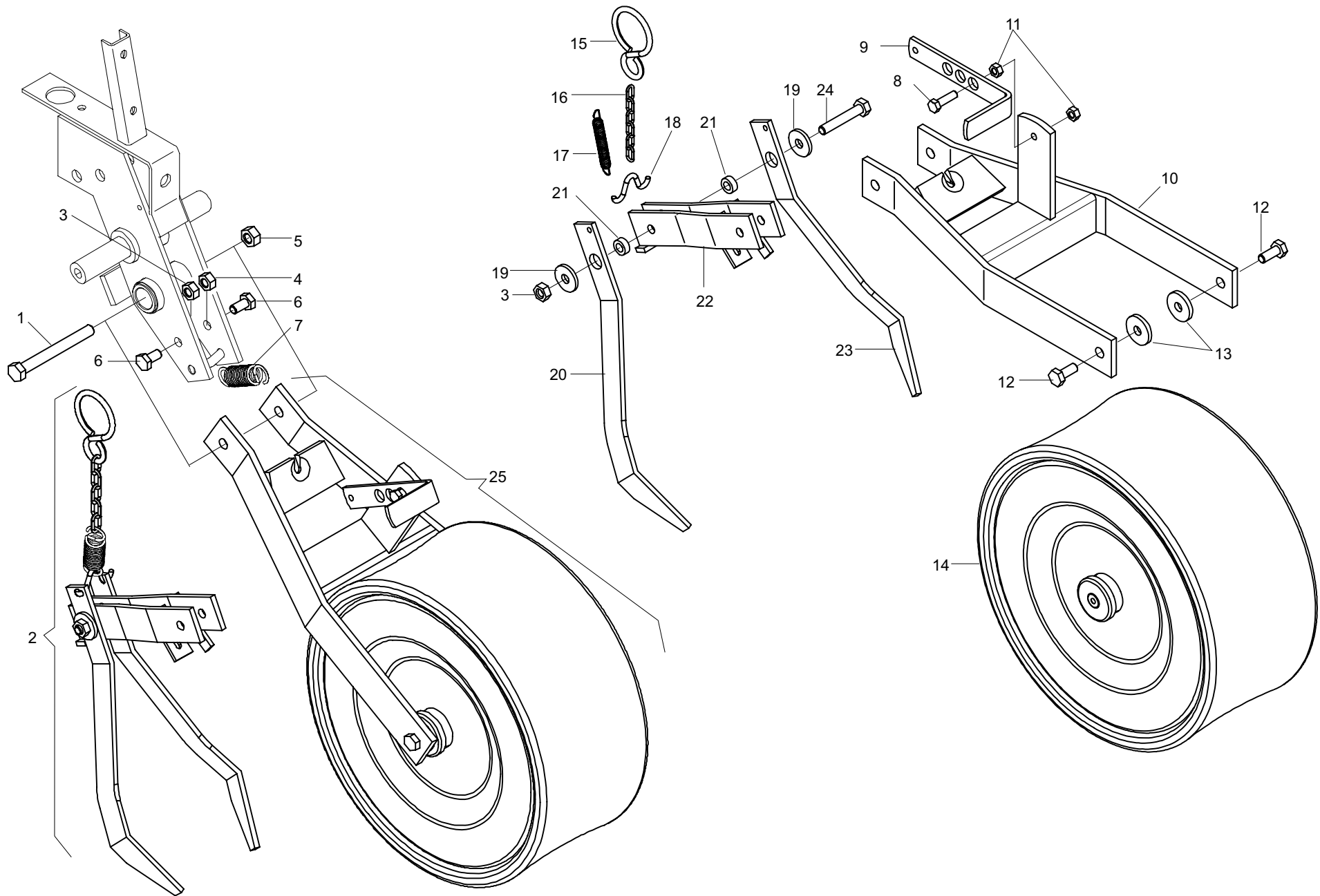
TAV. 130



**COPRISEMI ANTERIORI E POSTERIORI PER RUOTE A "V"  
FRONT AND REAR SEED COVERING FOR "V" WHEELS**

**TAV. 130**

Pos.	Cod.	Descrizione	Description	Description	Benennung	Description
1	G15224182R	SUPPORTO COPRISEME	SEED COVER SUPPORT	SUPPORT COUVRE-GRAINES	SAMENABDECKERHALTERUNG	SOPORTE CUBRESEMILLAS
2	G15224461R	COPRISEME SX	LEFT SEED COVER	COUVRE-GRAINES GCH.	SAMENABDECKER LINKS	CUBRESEMILLA IZQ.
3	G15224451R	COPRISEME DX	RIGHT SEED COVER	COUVRE-GRAINES DRT.	SAMENABDECKER RECHTS	CUBRESEMILLA DER.
4	G15224431R	SCORRIMOLLA	GUIDE SPRING			
5	G15224440R	RONDELLA 6X28X2,5 ASOLATA	SLOT WASHER 6X28X2,5	RONDELLE A BOUTON.6X28X2,5	TSENSCHEIBE 6X28X2,5	ARANDELA DE OJETE 6X28X2,5
6	G18904220R	MOLLA COPRISEME	SEED COVERING TINE	RESSORT COUVRE-GRAINES	SAMENABDECKFEDER	MUELLE CUBRESEMILLAS
7	G20980050R	BOCCOLA 15X7X8,5 ZN	BUSHING 15X7X8-5 ZN	BOITE 15X7X8-5 ZN	BSCHSE 15X7X8-5 ZN	CASQUILLO 15X7X8-5 ZN
8	G20980022R	BOCCOLA 18X10,25X7	BUSHING 18X10-25X7	BOITE 18X10-25X7	BSCHSE 18X10-25X7	CASQUILLO 18X10-25X7
9	F01420060R	ROS.M10 10,5X 30X2,5 U6593 ZG	GALV.WASHER 10,5X30X2,5 U6593	RONDELLE 10,5X30	SCHEIBE 10,5X30	ARAND.M10 10,5X 30X2,5 U6593
10	F01020118R	VITE M10X1,5X60 U5737 8.8ZN	SCR. M10X1,5X60 U5737 8.8ZN	VIS 10X60 5737 8.G ZN	SCHRAUBE 10X60 5737 8.G ZN	TORNILLO 10X60 5737 8.G ZN
11	F01020077R	VITE M8X1,25X60 U5737 8.8ZN	SCR. M8X1,25X60 U5737 8.8ZN	VIS M8X1,25X60 U5737 8.8 ZN	SCHRAU. M8X1,25X60 U5737 8.8ZN	TORN. M8X1,25X60 U5737 8.8 ZN
12	F01410051R	ROS.M8 8,4X 17X1,6 U6592 ZN	WASHER M8 8,4X17X1,6 U6592 ZN	RONDELLE M8 8,4X17X1,6 ZN	SCHEIBE M8 8,4X17X1,6 U6592 ZN	ARAND.M8 8,4X 17X1,6 U6592 ZN
13	F01230034R	DADO M8X1,25 D982 8ZN	NUT M8X1,25 D982 8ZN	ECROU M8X 1,25 ZN	MUTTER M8X 1,25 D982 8 ZN	TUERCA M8X1,25 D982 8
14	F01020470R	VITE M10X1,5X20 U5739 8.8ZN	SCR. M10X1,5X20 U5739 8.8ZN	VIS M10X1,5X20 U5739 8.8 ZN	SCHRAUBE M10X1,5X20 U5739 ZN	TORNILLO M10X1,5X20 U5739 8
15	F01220033R	DADO M10X1,5 D980 8ZN	NUT M10X1,5 D980 8ZN	ECROU M10X1,5 D980 8ZN	MUTTER M10X1,5 D980 8ZN	TUERCA M10X1,5 D980 8
16	G15223920R	FERMO MOLLA SX	LEFT SPRING STOP	ARRET RESSORT GCH.	FESTSTELLVORRICHTUNG FEDER LI.	BLOQUEO MUELLE IZQ.
17	G20980081R	BOCCOLA 25X12X16,25	BUSHING 25X12X16-25	BOITE 25X12X16-25	BSCHSE 25X12X16-25	CASQUILLO 25X12X16-25
18	F01020436R	VITE M8X1,25X20 U5739 8.8ZN	SCR. M8X1,25X20 U5739 8.8ZN	VIS M8X1,25X 20 U5739 8.8 ZN	SCHRAUBE M8X1,25X20U5739 8.8ZN	TORNILLO M8X1,25X20 U5739 8.8
19	G15223900R	PERNO AGGANCIO MOLLA	SPRING HOOK PIN	PIVOT FIXATION RESSORT	ZAPFEN FEDERKUPPLUNG	PERNO ENGANCHE MUELLE
20	G18902920R	MOLLA COPRISEME SX SP	LEFT SEED COVER SPRING SP	RESSORT COUVRE-GRAINE GCH SP	FEDER SAMENABDECKER LI SP	MUELLE CUBRESEMILLAS IZQ SP
21	F01420048R	ROS.M8 8,4X 24X 2 U6593 ZN	WASHER M8 8,4X 24X2 U6593 ZN	RONDELLE M8 8,4X24X 2 U6593 ZN	SCHEIBEN M8 8,4X24X 2 U6593 ZN	ARAND.M8 8,4X 24X 2 U6593 ZN
22	F01020072R	VITE M8X1,25X50 U5737 8.8ZN	SCR. M8X1,25X50 U5737 8.8ZN	VIS M8X1,25X50 U5737 8.8 ZN	SCHR. M8X1,25X50 U5737 8.8 ZN	TORN. M8X1,25X50 U5737 8.8 ZN
23	G22220059R	COPRISEME SINISTRO	LEFT SEED COVER	COUVRE-GRAINES GCH.	SAMENABDECKER LINKS	CUBRESEMILLA IZQUIERDO
24	F06220012R	VOLANTINO 4 LOBI M12X100	HANDWHEEL M12X100	VOLANT M12X100	HANDRAD M12X100	VOLANTE M12X100
25	G22220060R	COPRISEME DESTRO	RIGHT SEED COVER	COUVRE-GRAINES DRT.	SAMENABDECKER RECHTS	CUBRESEMILLA DERECHO
26	F01220022R	DADO M8X1,25 D980 8ZN	NUT M8X1,25 D980 8ZN	ECROU M8X 1,25 D980 8 ZN	MUTTER M8X 1,25 D980 8 ZN	TUERCA M8X 1,25 D980 8 ZN
27	G15223910R	FERMO MOLLA DX	RIGHT SPRING STOP	ARRET RESSORT DRT.	FESTSTELLVORRICHTUNG FEDER RE.	BLOQUEO MUELLE DER.
28	G18902660R	MOLLA SPEC.ZN FERMO SV MINI	SPEC. GALV. SPRING STOP SV MINI	RESSORT SPEC. ZN ARRET SV MINI	SPEZ.FEDER ZN FESTSTELL-VOR. S	MUELLE ESPEC.ZN BLOQUEO SV MIN
29	G18902910R	MOLLA COPRISEME DX SP	RIGHT SEED COVER SPRING SP	RESSORT COUVRE-GRAINE DRT SP	FEDER SAMENABDECKER RE SP	MUELLE CUBRESEMILLAS DER SP
30	F02100086R	SPINA E.P. 5X 30 U6873 C70 ZN	PIN EL. 5 X30 DIN 1481 GALVAN.	FICHE EL. 5 X30 DIN 1481 ZN	SPANNSTIFT 5 X30 DIN 1481 ZN	CLAVIJA EL.P. 5X 30 U6873 C70
31	F02200363R	COPIGLIA R 3X 62 ZN	SPRING SPLIT PIN 3X 62 ZN	GOUPILLE R 3X62	SPLINT R 3X62	PASADOR R 3X 62

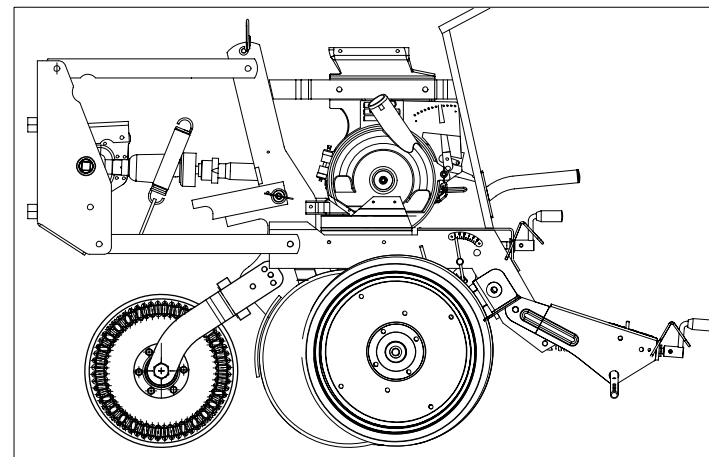
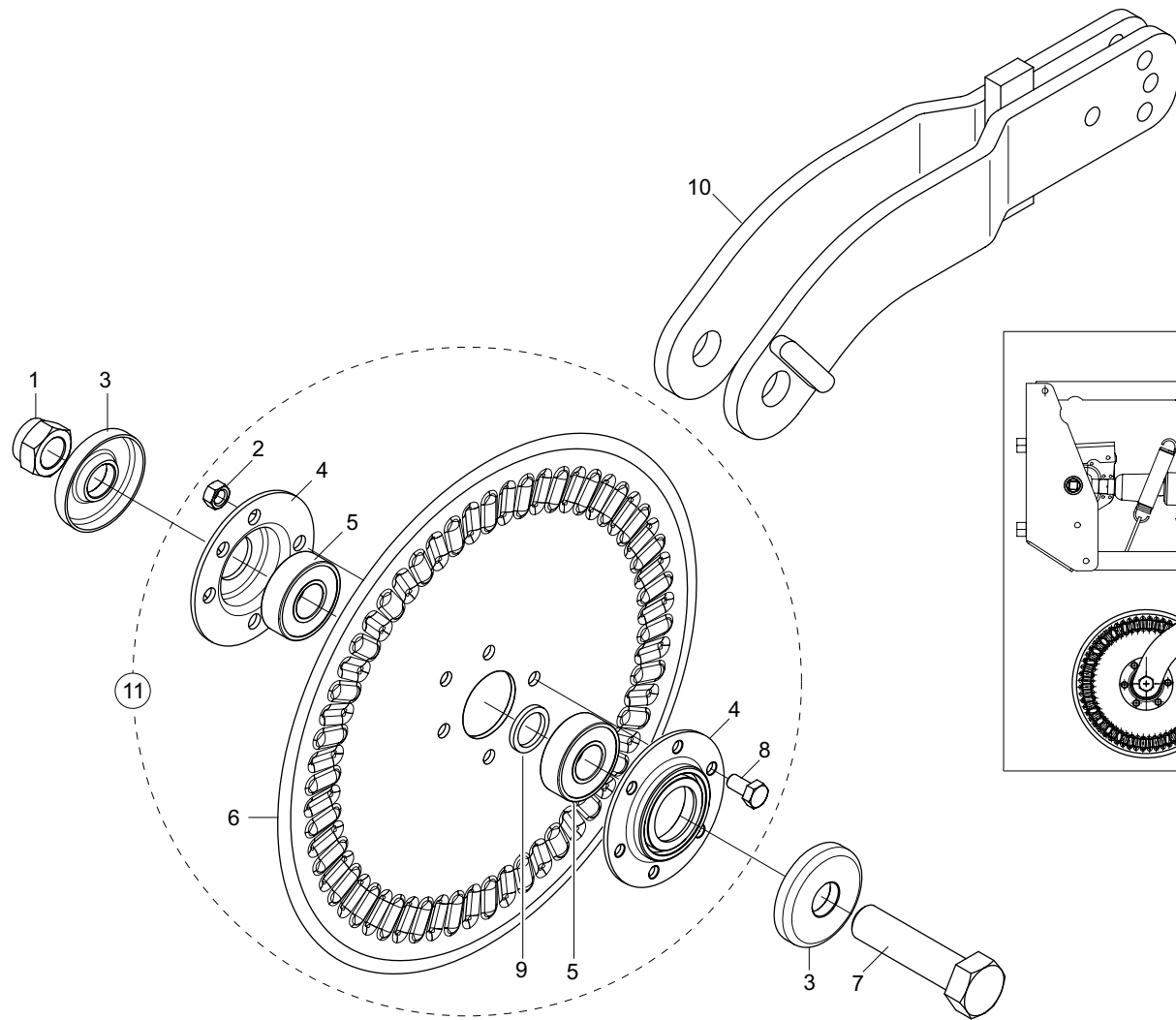




**RUOTA SI COMPRESSIONE FARMFLEX Ø 370  
FARMFLEX PRESS WHEEL Ø 370**

**TAV. 140**

Pos.	Cod.	Descrizione	Description	Description	Benennung	Descripcion
1	F01020172R	VITE M12X1,75X110 U5737 8.8ZN	SCR. M12X1,75X110 U5737 8.8ZN	VIS M12X1,75X110 U5737 8.8ZN	SCHRA.M12X1,75X110 U5737 8.8ZN	TORN.M12X1,75X110 U5737 8.8ZN
2	G15224290R	MONT.SUPPORTO COPRISEME	SEED COVERING WHEEL SUPPORT PO	MONT.SUPPORT RECOUVRE-GRAINES	MONT.ZUSTREIFERHALTERUNG	MONT.SOPORTE CUBRESEMILLA
3	F01200270R	DADO M10X1,5 U5588 CL8 ZN	NUT M10X1,5 U5588 6.8ZN	ECROU M10X 1,5 U5588 6.8 ZN	MUTTER M10X 1,5 U5588 6.8 ZN	TUERCA M10X1,5 U5588 CL8 ZN
4	F01220033R	DADO M10X1,5 D980 8ZN	NUT M10X1,5 D980 8ZN	ECROU M10X1,5 D980 8ZN	MUTTER M10X1,5 D980 8ZN	TUERCA M10X1,5 D980 8
5	F01220048R	DADO M12X1,75 D980 8ZN	NUT M12X1,75 D980 8ZN	ECROU M12X1,75 D980 8 ZN	SCHEIBE M12X1,75 D980 8 ZN	TUERCA M12X1,75 D980 8 ZN
6	F01020470R	VITE M10X1,5X20 U5739 8.8ZN	SCR. M10X1,5X20 U5739 8.8ZN	VIS M10X1,5X20 U5739 8.8 ZN	SCHRAUBE M10X1,5X20 U5739 ZN	TORNILLO M10X1,5X20 U5739 8
7	G18902670R	MOLLA TRAZ.ZN PRESS.SV-MINI	GALV. PRESS. SV-MINI TRACT.SPR	RESSORT TRACT.ZN PRESS.SV-MINI	ZUGFEDER ZN DRUCK SV - MINI	MUELLE TRACC.ZN PRES.SV-MINI
8	F01020445R	VITE M8X1,25X30 U5739 8.8ZN	SCR. M8X1,25X30 U5739 8.8ZN	VIS M 8X1,25X30 U5739 8.8 ZN	SCHRAU, M8X1,25X30 U5739 8.8ZN	TORNILLO M8X1,25X30 U5739 8.8
9	G15224240R	STAFFA REGOLAZ.MOLLA	SPRING ADJUSTMENT BRACKET	BRIDE REGLAGE RESSORT	BSGEL FEDEREINSTELLUNG	ESTRIBO REGULAC.MUELLE
10	G15224230R	SUPPORTO RUOTA FARMFLEX	WHEEL SUPPORT FARMFLEX	SUPPORT ROUE FARMFLEX	RADHALTERUNG FARMFLEX	SOPORTE RUEDA FARMFLEX
11	F01200244R	DADO M8X1,25 U5588 CL8 ZN	NUT M8X1,25 U5588 6.8ZN	ECROU M8 X1,25 U5588 6.8 ZN	MUTTER M8 X1,25 U5588 6.8 ZN	TUERCA M8X1,25 U5588 CL8 ZN
12	F01020472R	VITE M10X1,5X25 U5739 8.8ZN	SCR. M10X1,5X25 U5739 8.8ZN	VIS M10X1,5X25 U5739 8.8 ZN	SCHRAUBE M10X1,5X25 U5739 8.8	TORNILLO M10X1,5X25 U5739 8.8
13	G18701140R	RONDELLA 11 X35 X5	WASHER 11 X 35 X 5	RONDELLE 11 X35 X5	UNTERLEGSCHEIBE 11 X35 X5	ARANDELA 11 X35 X5
14	G14821590R	RUOTA FARMFLEX 370X165 PROF.A	FARMFLEX WHEEL 370X165 DEPTH.A	ROUE FARMFLEX 370X165 PROF.A	RAD FARMFLEX 370X165PROF.A	RUEDA FARMFLEX
15	G65336004R	MOLLA SPEC.ZN AGG.SEMINAT. SP	SPEC SPRING- ZN ADD. SEEDER SP	RESSORT SPEC. ZN ATTELAGE SEME	SPEZIALFEDER ZN SZELEM. KUPPL.	MUELLE ESPEC. ZN CONEX. SEMBRA
16	G15224260R	CATENA L.122	CHAIN L.122	CHAINE L.122	KETTE L.122	CADENA L.122
17	G65337005R	MOLLA TRAZ.CAMBIO SV	TRACTION COUPLING SPRING- GEAR	RESSORT TRACT.BOITE DE VITESSE	ZUGFEDER GETRIEBE SV	MUELLE TRAC. CAMBIO SV
18	G15224250R	FERMO MOLLA	SPRING STOP	ARRET RESSORT	FESTSTELLVORRICHTUNG FEDER	BLOQUEO MUELLE
19	G20970012R	RONDELLA 32X4X11	WASHER 32X4X11	RONDELLE 32X4X11	UNTERLEGSCHEIBE 32X4X11	ARANDELA 32X4X11
20	G15224280R	COPRISEME SX	LEFT CORN SEED COVER	COUVRE-GRAINES GCH.	SAMENABDECKER LINKS	CUBRESEMILLA IZQUIERDO
21	G20980022R	BOCCOLA 18X10,25X7	BUSHING 18X10-25X7	BOITE 18X10-25X7	BSCHSE 18X10-25X7	CASQUILLO 18X10-25X7
22	G15224180R	SUPPORTO COPRISEME	SEED COVER SUPPORT	SUPPORT COUVRE-GRAINES	SAMENABDECKERHALTERUNG	SOPORTE CUBRESEMILLAS
23	G15224270R	COPRISEME DX	RIGHT SEED COVER	COUVRE-GRAINES DRT.	SAMENABDECKER RECHTS	CUBRESEMILLA DERECHO
24	F01020118R	VITE M10X1,5X60 U5737 8.8ZN	SCR. M10X1,5X60 U5737 8.8ZN	VIS 10X60 5737 8.G ZN	SCHRAUBE 10X60 5737 8.G ZN	TORNILLO 10X60 5737 8.G ZN
25	G15224300R	RUOTA FARMFLEX COMPL	FARMFLEX WHEEL ASS.BLY			

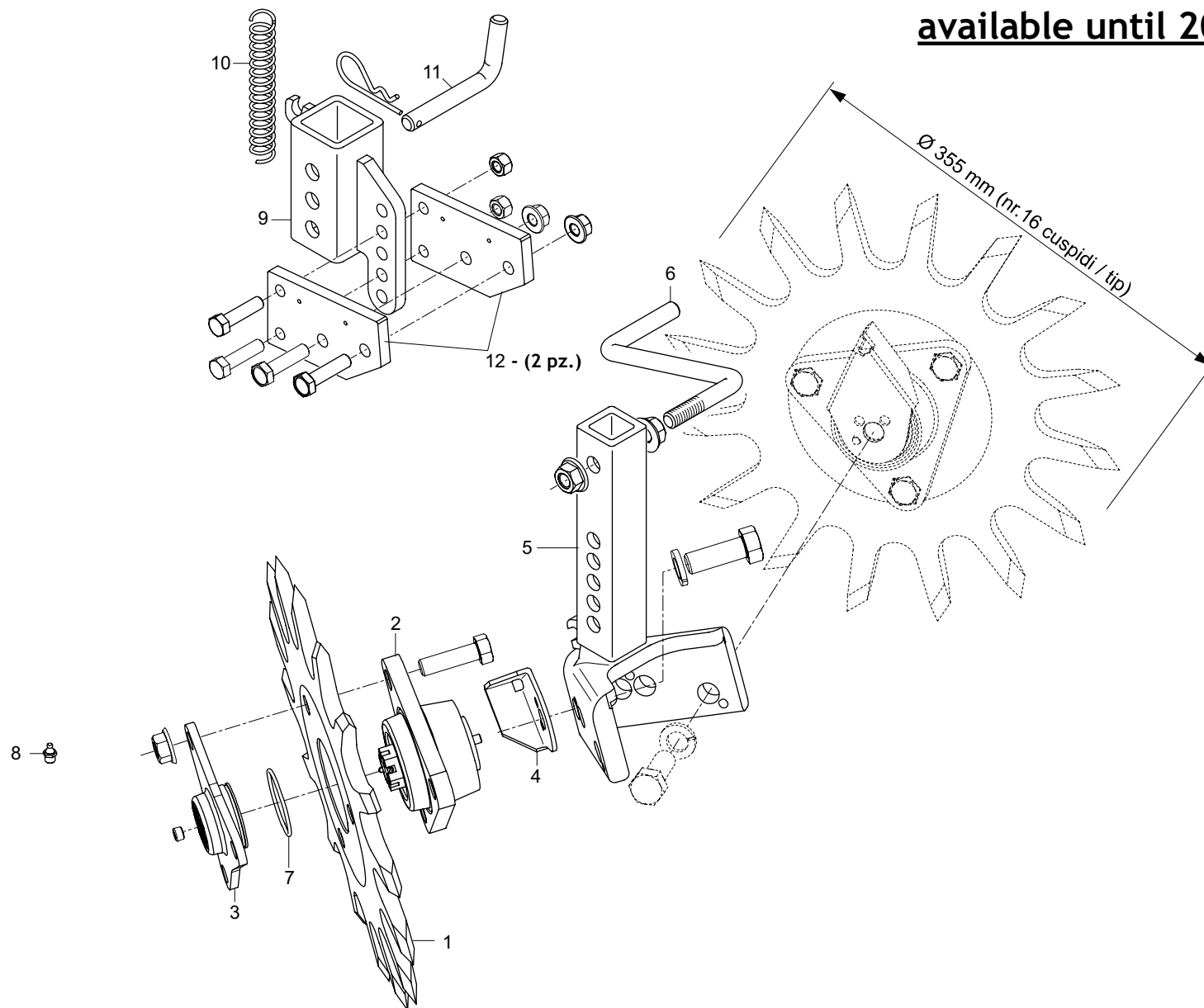


**COLTRO A DISCO STRIATO  
CORRUGATED DISC COULTER**

**TAV. 150**

Pos.	Cod.	Descrizione	Description	Description	Benennung	Descripcion
1	F01230131R	DADO M20X 2,5 D982 6S ZN	NUT M20X2,5 D982 6ZN	ECROU M20X,5 D982 6ZN	MUTTER M20X2,5 D982 6ZN	TUERCA M20X2,5 D982 6ZN
2	F01220022R	DADO M8X1,25 D980 8ZN	NUT M8X1,25 D980 8ZN	ECROU M8X 1,25 D980 8 ZN	MUTTER M8X 1,25 D980 8 ZN	TUERCA M8X 1,25 D980 8 ZN
3	G16610431R	FONDELLO ZN	BOTTOM GALV.ED			
4	G15226210R	FLANGIA SUPP.CUSCINETTO	BEARING SUPP. FLANGE	BRIDE SUPPORT PALIER	FLANSCH LAGERHALTERUNG	BRIDA SOPORTE COJINETE
5	F04010156R	CUSC. D20 D47 B14 6204 2RSH	BEARING D20 D47 B14 6204 2RSH	ROULEMENTD20 D47 B14		
6	G15226041R	DISCO STRIATO D.320	DISC D.320	DISQUE D.320	SCHEIBE D.320	DISCO D.320
7	F01020325R	VITE M20X2,5X90 U5737 10.9ZD	SCR. M20X2,5X90 U5737 10.9ZD	VIS M20X 2,5X 90 U5737 10.9 ZD	SCH.M20X 2,5X 90 U5737 10.9 ZD	TOR.M20X 2,5X 90 U5737 10.9 ZD
8	F01020436R	VITE M8X1,25X20 U5739 8.8ZN	SCR. M8X1,25X20 U5739 8.8ZN	VIS M8X1,25X 20 U5739 8.8 ZN	SCHRAUBE M8X1,25X20U5739 8.8ZN	TORNILLO M8X1,25X20 U5739 8.8
9	G20970100R	RONDELLA 30X0,5X22 ACC.	WASHER 30X0-5X22 ACC.	RONDELLE 30X0-5X22 ACIER	UNTERLEGSCHIEBE 30X0-5X22 ACC.	ARANDELA 30X0-5X22 ACC.
10	G15226012R	SUPPORTO DISCO STRIATO	DISC SUPPORT			
11	G15226220R	KIT COLTRO DISCO STRIATO 1F.	DISC COULTER KIT	KIT COUTRE DISQUE	KOLTERSCHIEBEKIT	KIT CUCHILLA DE ARADO DISCO

available until 2017

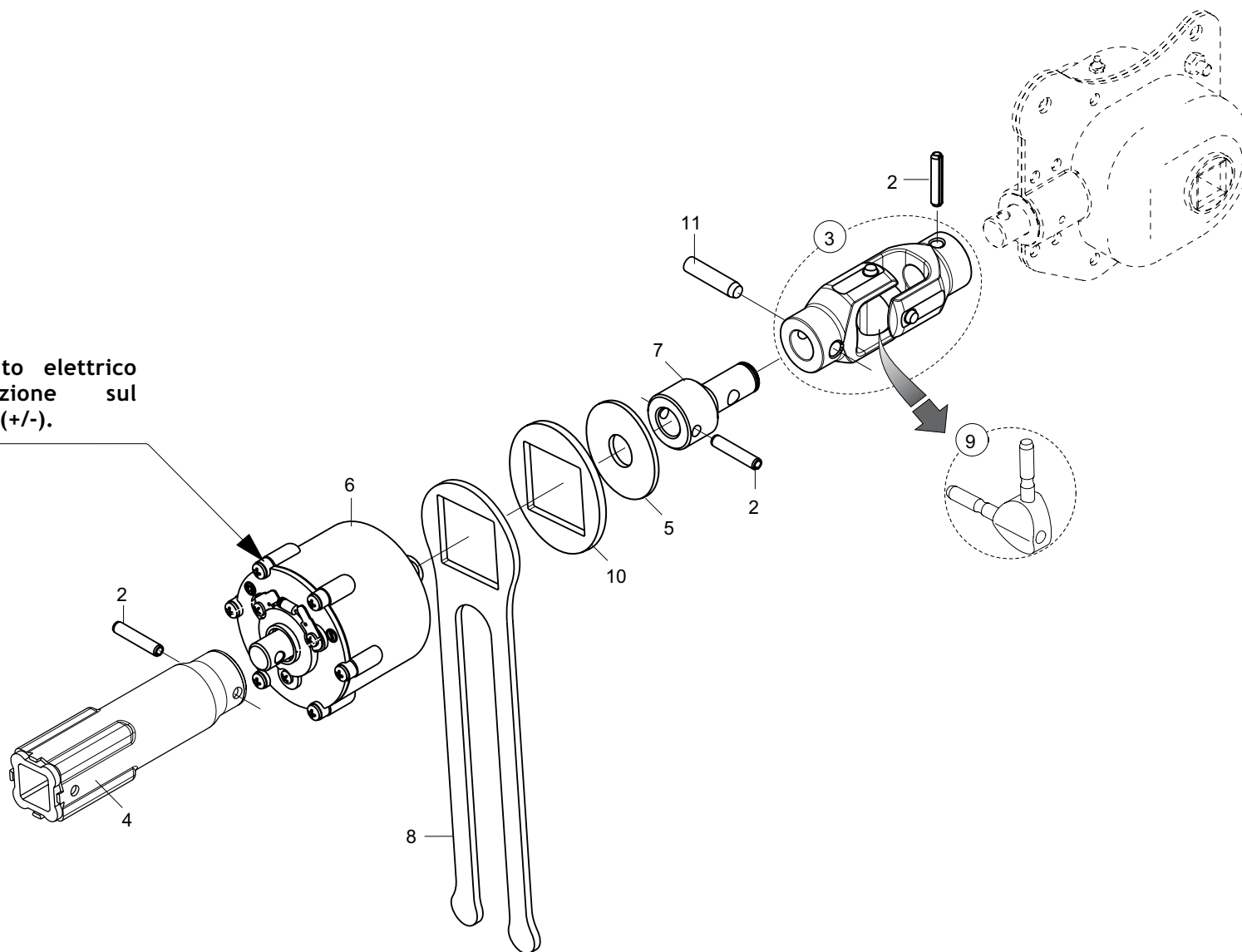


**SPARTIRESIDUI ROTATIVO  
TRASH WHEEL**

TAV. 160

Pos.	Cod.	Descrizione	Description	Description	Benennung	Descripcion
1	G68008004R	DISCO STELLARE	DISK			
2	G68008006R	MOZZO CON CUSCINETTO	HUB WITH BEARING			
3	G68008015R	TAPPO MOZZO	HUB PLUG			
4	G68008003R	PROTEZIONE MOZZO	HUB PROTECTION			
5	G68008005R	SUPPORTO DISCHI	DISKS SUPPORT			
6	G68008007R	MANIGLIA	HANDLE			
7	G68008014R	O-RING 1,78X44,17 2175	O-RING 1,78X44,17 2175 .			
8	F01100061R	ING.M10X1 7663-A 9SMNPB28 ZN	GREASE NIPPLE M10X1 7663-A ZN	GRAISSEUR M10X1 7663-A ZN	SCHMIERBUECHSE M10X1 7663-A ZN	ENGRASADOR M10X1 7663-A ZN
9	G68008008R	SUPPORTO	SUPPORT			
10	G68008009R	MOLLA	SPRING			
11	G68008010R	CHIAVISTELLO	LATCH			
12	G68008011R	PIATTO ATTACCO	HITCH PLATE			

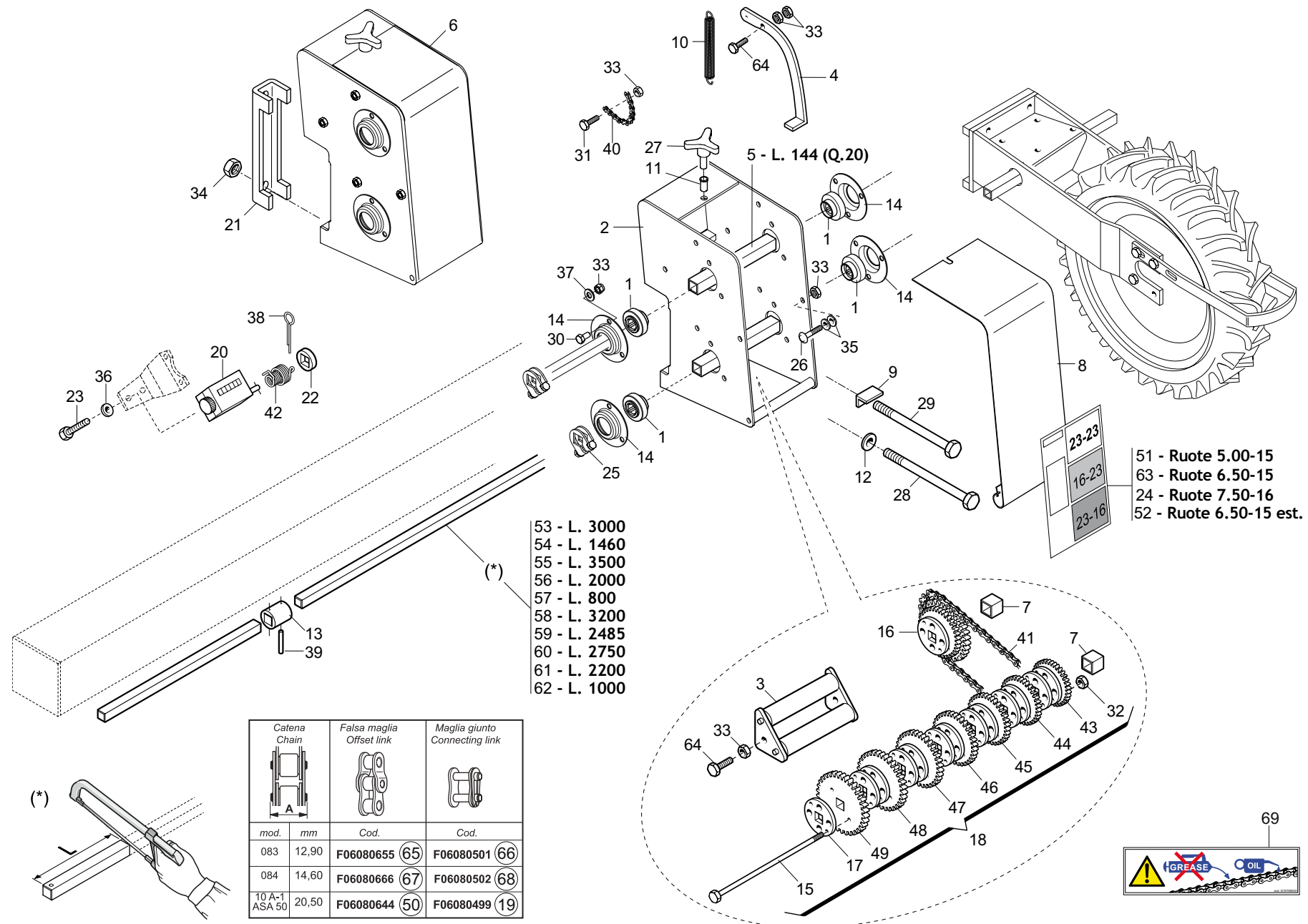
**ATTENZIONE!**  
Per il collegamento elettrico  
seguire l'indicazione sul  
disinnesto elettrico (+/-).



**ESCLUSIONE ELETTRICA FILE DI SEMINA  
ELECTRIC ROW SHUT OFF**

**TAV. 170**

Pos.	Cod.	Descrizione	Description	Description	Benennung	Descripcion
2	F02100114R	SPINA E.P. 6X 30 U6873 C70 BR	ELASTIC PIN 6X30	GOUJON ELASTIQUE 6X30	SPANNHUELSE 6X30	ESPINA ELASTICA 6X30
3	G15423980R	FORCELLE SNODO ESCL.ELET.COMPL	COMPLET FORK ELECTRIC SWITCH O			
4	G15225323R	INNESTO ESCL.ELETTR.MT	ELETTR.EXCL.CLUTCH MT			
5	G18701970R	RONDELLA 16X48X2,5	WASHER 16X48X2,5	RONDELLE 16X48X2,5	UNTERLEGSCHIEBE 16X48X2,5	ARANDELA 16X48X2,5
6	G16033703R	DISINNESTO ELETTRICO SZ	ELECTRICAL DISCONNECTION SZ			
7	G16033730R	ADATTATORE CROCIERA	SPIDER ADAPTOR	ADAPTATEUR CROISIERE	PASSST_CK GELENKKREUZ	ADAPTADOR CRUCETA
8	G16033750R	FERMO DISINNESTO ELETTRICO ZN	UNCOUPLING ELECTRIC STOP	ARRET DEBRAYAGE LECT.	FESTSTELL. AUSKUPPLUNG EL.	BLOQUEO DESCONEXIN EL.
9	G22270454R	CROCIERA COMPL. SP S	KIT SPIDER 2 ITEMS	CROSILLON COMPL CARDAN TRANSM	GELENKKREUZ KOMPL. SP S	CRUCETA COMPL. SP S
10	G16033740R	DISTANZIALE DISINNESTO ELET.ZN	UNCOUPLING ELECTRIC SPACER	ENTRETOISE DEBRAYAGE LECT.	DISTANZST_CK AUSKUPPLUNG EL.	DISTANCIADOR DESCONEXIN EL.
11	G66248057R	SPINA DI SICUREZZA SP	SAFETY PIN SP	BROCHE PLASTIC SECURITE CARDAN	SICHERHEITSTIFT SP	CLAVIJA DE SEGURIDAD SP



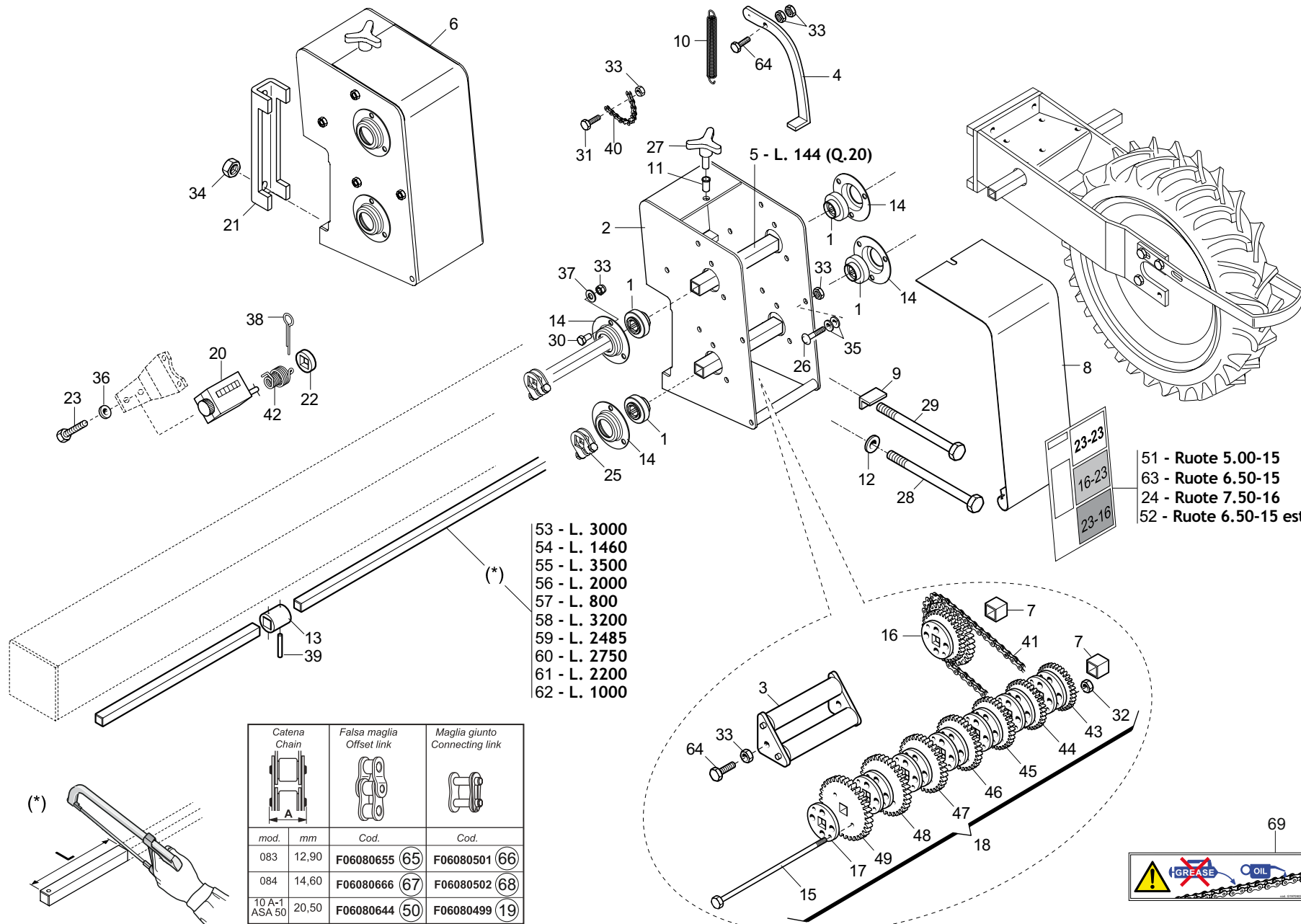


# CAMBIO GEARBOX

TAV. 180

Pos.	Cod.	Descrizione	Description	Description	Benennung	Description
1	G14830390R	CUSCINETTO FORO QUADRO	SQUARE-HOLED BEARING	ROULEMENT TROU CARRE	VIERKANTLAGER	COJINETE ORIFICIO CUADRADO
2	G16630840R	SCATOLA CAMBIO Q.150	SQ.150 GEARBOX SP			
3	G15430321R	RULLO TENDICATENA	CHAIN STRETCHER ROLLER	ROULEAU TENDEUR DE CHAINE	KETTENSPIANNROLLE	RODILLO TENSOR DE CADENA
4	G15430331R	LEVA CAMBIO	GEAR LEVER	LEVIER BOITE DE VITESSE	GETRIEBEBEBEL	PALANCA DE CAMBIO
5	G15430340R	ASSE INGRANAGGI L.144	GEAR SPINDLE L.144	AXE ENGRENAGES L144	ACHSE ZAHNRZDER L.144	EJE ENGRANAJES L.144
6	G16630010R	SCATOLA CAMBIO Q.150 COMPL.	GEARBOX 150	BOITE DE VITESSE 150	GETRIEBEKASTEN 150	CAJA DE CAMBIO DE VELOCIDAD 15
7	G15430501R	DISTANZIALE INTERNO CAMBIO ZN	GEARBOX INNER SPACER	ENTRETOISE INT. BOITE VITESSE	INNERES DISTANZSTSCCK GETRIEBE	DISTANCIADOR INTERIOR CAMBIO
8	G15430711R	COPERCHIO CAMBIO	GEAR COVER	COUVERCLE BOITE DE VITESSE	GETRIEBEBECKEL	TAPA CAMBIO
9	G15431020R	FERMO VITE CAMBIO	GEAR BOLT STOP	ARRET VIS BOITE DE VITESSE	FESTSTELLVORRICH. GETRIEBESCHR	BLOQUEO TORNILLO
10	G18902970R	MOLLA TRAZ. CAMBIO ZN SP	GALVAN. GEAR TRACT. SPRING SP	RESS. TRACT. BOITE VITESSE ZN	ZUGFEDER GETRIEBE ZN SP	MUELLE TRAC. CAMBIO ZN SP
11	F02250683R	INSERTO FIL.M 8X17,5 ZN T.TOND	CYLINDRICAL NUT 8 TC 40	ECROU CYLINDRIQUE 8 TC 40	ZYLINDRISCHE MUTTER 8 TC 40	TUERCA CILINDRICA 8 TC 40
12	G20970142R	RONDELLA 32X4X15,5	WASHER 32X4X15-5	RONDELLE 32X4X15-5	UNTERLEGSCHEIBE 32X4X15-5	ARANDELA 32X4X15-5
13	G22220085R	SNODO	ARTICULATION	ARTICULATION	GELENK	ARTICULACION
14	G22230094R	SUPPORTO CUSCINETTO	BEARING SUPPORT	SUPPORT DE ROULEMENT	LAGERBSCHSE	SOPORTE COJINETE
15	G19203260R	VITE M5X115 ZN	BOLT M5X115 ZN	VIS M5X115 ZN	SCHRAUBE M5X115 ZN	TORNILLO M5X115 ZN
16	G22270152R	ING.Z 16-23 RUOTA-CAMBIO SP	WHEEL- GEARBOX GEARS SP	ENGR. Z 16-23 ROUE BOITE VIT.	ZAHNRAD Z 16-23 GETRIEBERAD SP	ENGRAN. Z 16-23 RUEDA-CAMBIO
17	G22270162R	RINFORZO INGR.ASSE DA 20 SP	AXLE GEAR REINFORCEMENT 20 SP	RENFORC. ENGREN. AXE DE 20 SP	VERSTZRKUNG ACHSZAHNRAD 20 SP	REFUERZO ENGRAN. EJE DE 20 SP
18	G22270163R	BLOCCO CAMBIO ASSE DA 20 SP	20 CM SPINDLE GEARBOX SP	ENSEMBLE BOITE DE VITESSE	GETRIEBEBLOCK ACHSE 20 SP	BLOQUE CAMBIO EJE DE 20 SP
19	F06080499R	GIUNZIONE CATENA 5 8 ASA 50LUB	CHAIN JOINT 5 8 ASA 50LUB	JONCTIONS CHAINE 5 8 ASA 50LUB	KETTENVERBINDUNG 5 8 ASA 50LUB	UNIONES CADENA 5 8 ASA 50LUB
20	G22270218R	CONTAETTARI TEN. STAG. SP LM	HECTARE COUNTER SEAL SP LM	COMPT. D HECT. ETANCHE SP LM	HEKTARZZHLER DICHT SP LM	CUENTA HECTAREAS ESTANCO
21	G15110091R	SCONTRO A U	CONTRA U	BRIDE 150 MM	ANSCHLAG	ELEMENTO DE EMPALME
22	G66248218R	RONDELLA DISTAN.SPAND.	MAN. SPR. SPACER WASHER	RONDELLE ENTRETOISE EP. ENGRAI	ABSTANDSCHEIBE DSNGERSTREUER	ARANDELA DISTAN.ABONAD.
23	F01040025R	VITE M4X0,7X10 U5931 8.8ZN	SCR. M4X0,7X10 U5931* 8.8ZN	VIS 4 X10 5931 8.G ZN	SCHRAUBE 4 X10 5931 8.G ZN	TORNILLO 4 X10 5931 8.G ZN
24	G19701452R	DECAL.CAMBIO RUOTA 7,50-16	LABEL WHEEL GEAR 7,50-16			
25	G22505085R	FERMO ASSE IN LAMIERA	PLATE AXLE STOP	ARRET AXE EN TOLE	FESTSTELLVORRICHTUNG BLECHACHS	BLOQUEO EJE DE CHAPA
26	F01060040R	VITE M8X1,25X20 U5731 8.8ZN	SCR. M8X1,25X20 U5732 4.6ZG	VIS M8X1,25X20 U5732 4.6 ZN	SCHRA. M8X1,25X20 U5732 4.6 ZN	TORN. M8X1,25X20 U5732 4.6 ZN
27	F06220018R	VOLANTINO 3LOBI D.65-M8X15	3-LOBE HANDWHEEL D.65-M8X15			
28	F01020225R	VITE M14X2X160 U5737 8.8BR	SCR. M14X2X160 U5737 8.8BR	VIS M 14 X160 5737 8.G	SCHRAUBE M 14 X160 5737 8.G	TORNILLO M 14 X160 5737 8.G
29	F01020233R	VITE M14X2X200 U5737 8.8BR	SCR. M14X2X200 U5737 8.8BR	VIS M14X2X 200 U5737 8.8 ZB	SCHRAUBE M14X 2X200 U5737 8.8	TORNILLO M14X2X200 5737 8.8 ZB
30	F01020432R	VITE M8X1,25X16 U5739 8.8ZN	SCR. M8X1,25X16 U5739 8.8ZN	VIS M8 X1,25X16 U5739 8.8 ZN	SCHRAUBE M8X1,25X16U5739 8.8ZN	TORNILLO M8X1,25X16 U5739 8.8
31	F01020449R	VITE M8X1,25X35 U5739 8.8ZN	SCR. M8X1,25X35 U5739 8.8ZN	VIS M8X1,25X35 U5739 8.8ZN	SCHRA. M8X1,25X35 U5739 8.8ZN	TORN. M8X1,25X35 U5739 8.8ZN
32	F01200220R	DADO M5X0,8 U5588 CL8 ZN	NUT M5X0,8 U5588 6.8ZN	ECROU 5 UNI 5588 6.8 ZN	MUTTER 5 UNI 5588 6.8 ZN	TUERCA M5X0,8 U5588 CL8 ZN
33	F01200244R	DADO M8X1,25 U5588 CL8 ZN	NUT M8X1,25 U5588 6.8ZN	ECROU M8 X1,25 U5588 6.8 ZN	MUTTER M8 X1,25 U5588 6.8 ZN	TUERCA M8X1,25 U5588 CL8 ZN
34	F01200306R	DADO M14X2 U5588 CL8 ZN	NUT M14X2 U5588 6.8ZN	ECROU M14X2	MUTTER M14X2	DADO M14X2
35	F01410051R	ROS.M8 8,4X 17X1,6 U6592 ZN	WASHER M8 8,4X17X1,6 U6592 ZN	RONDELLE M8 8,4X17X1,6 ZN	SCHEIBE M8 8,4X17X1,6 U6592 ZN	ARAND.M8 8,4X 17X1,6 U6592 ZN
36	F01410011R	ROS.M4 4,3X 9X0,8 U6592 ZN	PLANE WASHER 4,5X 9 6592	RONDELLE 4,5X 9 6592	SCHEIBE 4,5X 9 6592	ARANDELA 4,5X 9 6592
37	F01430059R	ROS.M8 8,4X 15X0,8 U8842J ZN	WASHER M8 8,4X15X0,8 U8842J ZN	ROND. M8 8,4X 15X0,8 U8842J ZN	SCHEIBE M8 8,4X15X0,8 U8842JZN	ARAND. M8 8,4X15X0,8 U8842J ZN
38	F02200229R	COPIGLIA 5X 45 U1336 ZN	SPLIT PIN 5X 45 U1336 ZN	GOUPILLE 5X 45 U1336 ZN	SPANNSTIFT 5X 45 U1336 ZN	PASADOR 5X 45 U1336 ZN
39	F02100086R	SPINA E.P. 5X 30 U6873 C70 ZN	PIN EL. 5 X30 DIN 1481 GALVAN.	FICHE EL. 5 X30 DIN 1481 ZN	SPANNSTIFT 5 X30 DIN 1481 ZN	CLAVIJA EL.P. 5X 30 U6873 C70
40	F06080008R	CATENA 1 2 ISO 083 16 MAGLIE	CHAIN 1 2 ISO 083 16 LINKS	TRON ON CHA NE 1 2-3 16 16 MAI	KET.ABSCHN.1 2-3 16 16 GLIEDER	TRAMO CAD.1 2-3 16 16 ESLABONE
41	F06080230R	CATENA 5 8 ASA 50 L 46 MAGLIE	CHAIN 5 8 ASA 50 L 46 LINKS	CHAINE 5 8 ASA 50 L 46 MAILLE	KETTE 5 8 ASA 50 L 46 GLIEDER	CADENA 5 8 ASA 50 L 46 ESLABO
42	G65336098R	MOLLA CONTAETTARI CAMB.35 SP	HECT. COUNT. GEAR SPRING 35 SP	RESS. COMPTEUR D HECTARES CH	FEDER HEKTARZZHLER GETRIEBE.35	MUELLE CONTADOR DE HECTAREAS C
43	G66248162R	INGRANAGGIO Z-17 SP	GEAR Z-17 SP	ENGRENAGE Z-17 SP	ZAHNRAD Z-17 SP	ENGRANAJE Z-17 SP
44	G66248163R	INGRANAGGIO Z-18 SP	GEAR Z-18 SP	ENGRENAGE Z-18 SP	ZAHNRAD Z-18 SP	ENGRANAJE Z-18 SP
45	G66248164R	INGRANAGGIO Z-19 SP	GEAR Z-19 SP	ENGRENAGE Z-19 SP	ZAHNRAD Z-19 SP	ENGRANAJE Z-19 SP
46	G66248165R	INGRANAGGIO Z-20 SP	GEAR Z-20 SP	ENGRENAGE Z-20 SP	ZAHNRAD Z-20 SP	ENGRANAJE Z-20 SP
47	G66248166R	INGRANAGGIO Z-21 SP	GEAR Z-21 SP	ENGRENAGE Z-21 SP	ZAHNRAD Z-21 SP	ENGRANAJE Z-21 SP
48	G66248167R	INGRANAGGIO Z-22 SP	GEAR Z-22 SP	ENGRENAGE Z-22 SP	ZAHNRAD Z-22 SP	ENGRANAJE Z-22 SP
49	G66248168R	INGRANAGGIO Z-23 SP	GEAR Z-23 SP	ENGRENAGE Z-23 SP	ZAHNRAD Z-23 SP	ENGRANAJE Z-23 SP
50	F06080644R	FALSA MAGLIA CAT.5 8 ASA 50LUB		FAUSSE MAILLE CHAINE ASA 50LUB	FALSCHES GLIED 5 8 ASA 50LUB	ESLAB N FICTICIO CAD.5 8 ASA50
51	G19701403R	DECAL.CAMBIO RUOTA 5,00-15	DECAL.WHEEL 5,00-15			
52	G19703162R	DECAL.CAMBIO RUOTA 6,50-15 EST	LABEL WHEEL GEAR 6,50-15 EXT.			
53	G13831520R	ASSE TRASMISSIONE L.3000	TRANSMISSION AXLE L.3000	AXE TRANSMISSION L3000	SBERTRAGUNGSACHSE L.3000	EJE TRANSMISI N L 3000
54	G20860090R	ASSE SX 5F.60 L.1460	AXLE- LEFT 5-F.60 L.1460	AXE GCH. 5 RANGEES 60 L. 1460	ACHSE LI 5R.F.60 L.1460	EJE IZQ. 5 FILA. 60 L.1460
55	G22220250R	ASSE SX 6 FILE L.3500	AXLE LEFT 6-ROW L.3500	AXE GCH. 6 RANGEES L. 3500	ACHSE LINKS 6 REIHEN L.3500	EJE IZQ. 6 FILAS L.3500

# TAV. 180

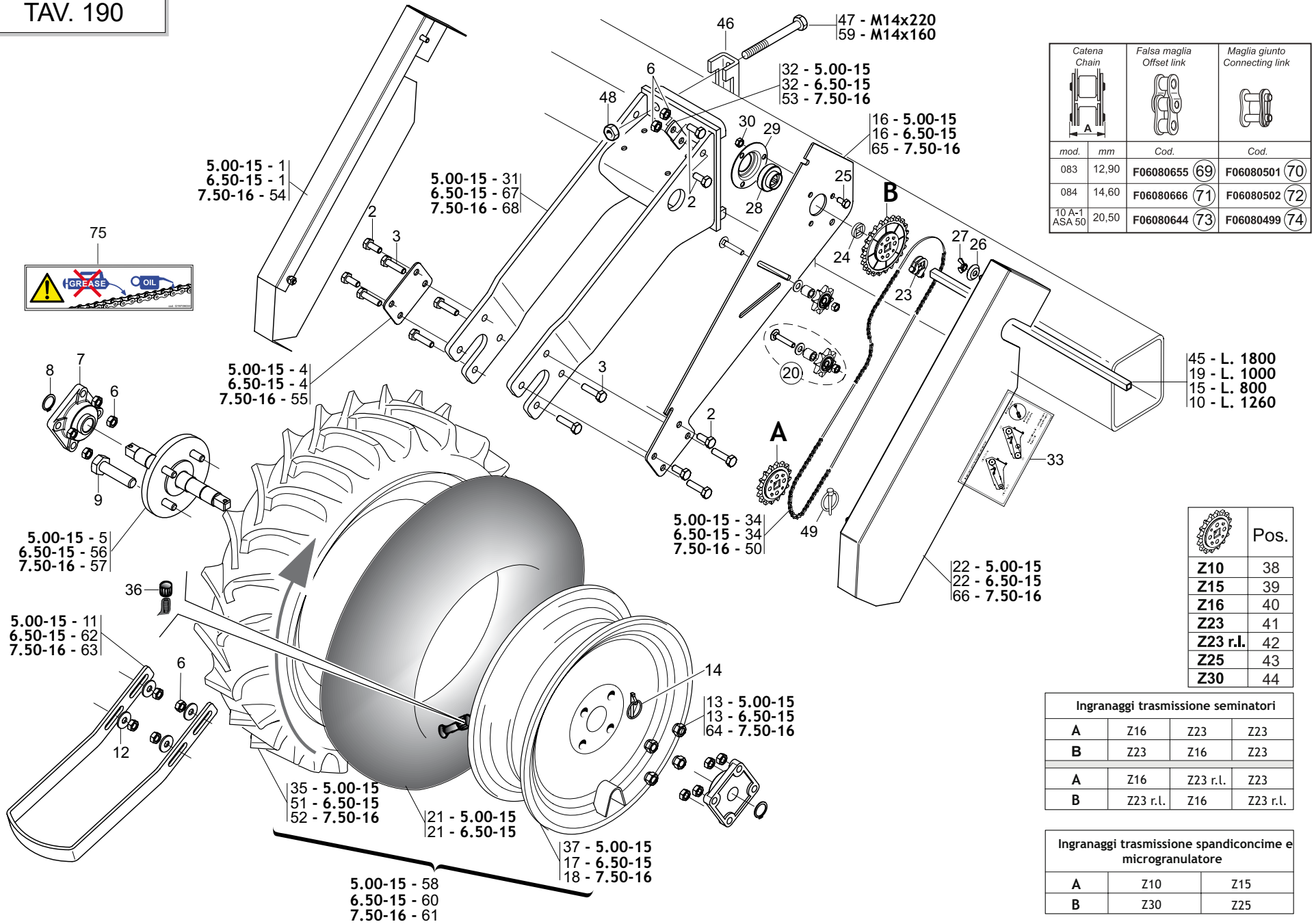


## CAMBIO GEARBOX

TAV. 180

Pos.	Cod.	Descrizione	Description	Description	Benennung	Descripcion
56	G22230141R	ASSE SEMINAT.6F.CM.80 L.2000	AXLE-6-ROW SEEDER MACH.L.2000	AXE SEMEUR 6 RANGEES CM. 80 L.	ACHSE SZAELEMENT 6 R.CM.80 L.2	EJE SEMBR. 6 FILAS. CM.80 L.20
57	G22230142R	ASSE 4 FILE L.800	4-ROW SPINDLE L.800	AXE 4 RANGEES L. 800	ACHSE 4 REIHEN B. 800	EJE 4 FILAS L.800
58	G22250031R	ASSE TRASM.SEMINAT.L.3200 SV	AXLE- SEEDING MACH. GEARBOX L.	AXE ENTRAINEMENT SEMEUR L.3200	ACHSE SZELEMENTANTRIEB .L.3200	EJE TRANS.SEMBR. L.3200 SV
59	G13732200R	ASSE TRASMISSIONE L.2485	TRANSMISSION AXLE L2485	AXE TRANSMISSION L.2485	SBERTRAGUNGSACHSE L.2485	EJE TRANSMISI N L 2485
60	G22250275R	ASSE TRASM.SEMINAT.L.2750 SV	AXLE- SEEDING MACH. GEARBOX L.	AXE ENTRAINEMENT SEMEUR L. 275	ACHSE SZELEMENTANTRIEB L.2750	EJE TRANS.SEMBR. L.2750 SV
61	G22250276R	ASSE TRASM.SEMINAT.L.2200 SV	AXLE- SEEDING MACH. GEARBOX L.	AXE ENTRAINEMENT SEMEUR L. 220	ACHSE SZELEMENT-ANTRIEB.L.2200	EJE TRANS.SEMBR. L.2200 SV
62	G22230138R	ASSE CAMBIO 4F.80-6F.45 L.1000	GEAR SPINDLE 4-ROW 80- 6-ROW.4	AXE BOITE DE VITESSE 4 RA	GETRIEBEACHSE 4 R. 80-6 R.45 L	EJE CAMBIO 4 FILAS. 80-6 FILAS
63	G19701414R	DECAL.CAMBIO RUOTA 6,50-15 R26	DECAL.WHEEL 6,50-15 R26			
64	F01020445R	VITE M8X1,25X30 U5739 8.8ZN	SCR. M8X1,25X30 U5739 8.8ZN	VIS M 8X1,25X30 U5739 8.8 ZN	SCHRAU, M8X1,25X30 U5739 8.8ZN	TORNILLO M8X1,25X30 U5739 8.8
65	F06080655R	FALSA MAGLIA CAT.1 2 ISO 083	FALSE CHAIN LINK 1 2 ISO 083	FAUSSE MAILLE CHAINE 1 2 ISO 0	FALSCHES GLIED 1 2 ISO 083	ESLAB N FICTICIO CAD. 1 2 ISO
66	F06080501R	GIUNZIONE CATENA 1 2 ISO 083	CHAIN JOINT 1 2 ISO 083	JONCTION CHAINE 1 2 ISO 083	KETTENVERBINDUNG 1 2 ISO 083	UNI N CADENA 1 2 ISO 083
67	F06080666R	FALSA MAGLIA CAT.1 2 ISO 084-1				
68	F06080502R	GIUNZIONE CATENA 1 2 ISO 084-1	CHAIN JUNCTION 1 2 ISO 084-1			
69	G19709030R	DECAL.OLIO CATENE	LABEL OIL CHAIN			

# TAV. 190



Catena Chain		Falsa maglia Offset link		Maglia giunto Connecting link	
mod.	mm	Cod.		Cod.	
083	12,90	F06080655 (69)		F06080501 (70)	
084	14,60	F06080666 (71)		F06080502 (72)	
10 A-1 ASA 50	20,50	F06080644 (73)		F06080499 (74)	

45 - L. 1800
19 - L. 1000
15 - L. 800
10 - L. 1260

	Pos.
Z10	38
Z15	39
Z16	40
Z23	41
Z23 r.l.	42
Z25	43
Z30	44

Ingranaggi trasmissione seminatori			
A	Z16	Z23	Z23
B	Z23	Z16	Z23
A	Z16	Z23 r.l.	Z23
B	Z23 r.l.	Z16	Z23 r.l.

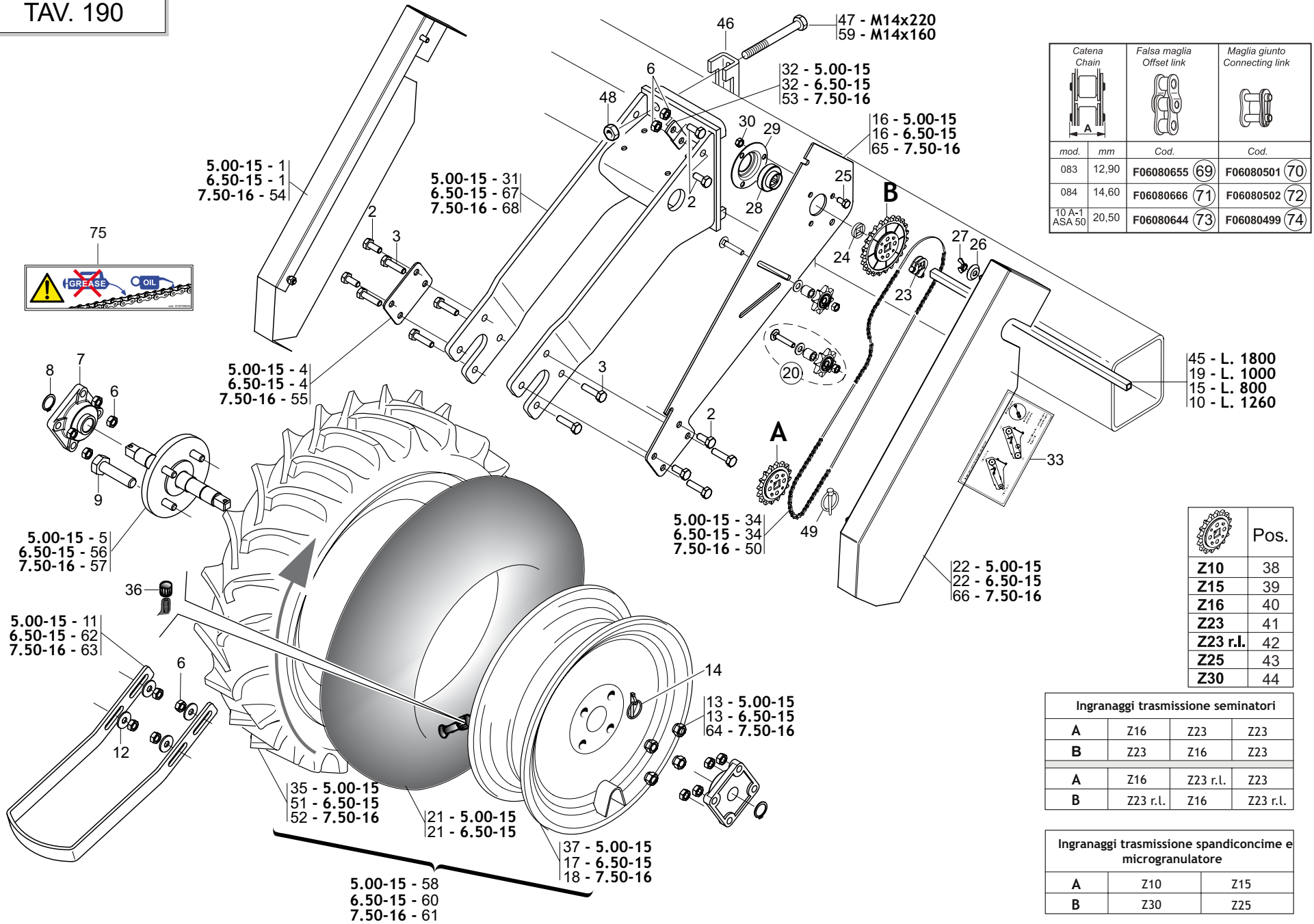
Ingranaggi trasmissione spandiconcime e microgranulatore		
A	Z10	Z15
B	Z30	Z25

## RUOTE DI TRASMISSIONE DRIVE WHEELS

TAV. 190

Pos.	Cod.	Descrizione	Description	Description	Benennung	Description
1	G16630361R	CARTER SX	LEFT PROTECTION			
2	F01020472R	VITE M10X1,5X25 U5739 8.8ZN	SCR. M10X1,5X25 U5739 8.8ZN	VIS M10X1,5X25 U5739 8.8 ZN	SCHRAUBE M10X1,5X25 U5739 8.8	TORNILLO M10X1,5X25 U5739 8.8
3	F01020483R	VITE M10X1,5X40 U5739 10.9ZD	SCR. M10X1,5X40 U5739 10.9ZD	VIS M10X1,5X40 U5739 10.9 ZD	SCHRA.M10X1,5X40 U5739 10.9 ZD	TORN. M10X1,5X40 U5739 10.9 ZD
4	G16630380R	SCONTRIO 100X70-3 4F11 70X40	STRIKER PLATE 100X70-3 4F	BUTEE 100X70-3 4F	ANSCHLAG 100X70-3 4F	ELEMENTO DE EMPALME 100X70-3 4
5	G22270280R	ASSE RUOTA TRASM.NORMALE SP S	NORMAL DRIVE WHEEL AXLE	AXE ROUE ENTRAINEMENT 5.00-15	RADACHSE NORMALER ANTRIEB SP S	EJE RUEDA TRANS. NORMAL SP S
6	F01200270R	DADO M10X1,5 U5588 CL8 ZN	NUT M10X1,5 U5588 6.8ZN	ECROU M10X 1,5 U5588 6.8 ZN	MUTTER M10X 1,5 U5588 6.8 ZN	TUERCA M10X1,5 U5588 CL8 ZN
7	F04100137R	SUPPORTO FY 25 TF	SUPPORT FY 25 TF			
8	F02050101R	ANELLO E. DE 25X 1,2 U7435 C7	SEEGER RING E. 25X1,2 7435 C70	SEEGER E. 25X 1,2 U7435 C70	SEEGERING E. 25X 1,2 U7435 C70	ANILLO E. DE 25X 1,2 U7435 C7
9	F01010365R	VITE M18X1,5X50 U5740 8.8ZN	SCR. M18X1,5X50 U5740 8.8ZN	VIS M18X1,5X50 U5740 8.8 ZN	SCHRAUBE 18X1,5X50 U5740 8.8ZN	TORNI. M18X1,5X50 U5740 8.8ZN
10	G22270049R	ASSE 4F.85-6F.50 L.1260	ASSE 4F.85-6F.50 L.1260	4-ROW SPINDLE - 85-6-ROW-50 L.	ACHSE 4 REIHEN 85-6 REIH. 50	EJE 4 FILAS. 85-6 FILAS. 50 L.
11	G15430090R	RASCHIATERRA	SOIL SCRAPER	RACLEUR	ERDSCHABER	RASCADOR TIERRA
12	F01420060R	ROS.M10 10,5X 30X2,5 U6593 ZG	GALV.WASHER 10,5X30X2,5 U6593	RONDELLE 10,5X30	SCHEIBE 10,5X30	ARAND.M10 10,5X 30X2,5 U6593
13	F01250040R	DADO COLON. 12X1.5 ZN	COLUMN NUT M12X1.5 STUD BOLT	ECROU M12X1. 5 COLONNE	SCHRAUBBOLZENMUTTER M12X1.5	TUERCA 12X1.5 COLUMNNA
14	F02200452R	SPINA SCATTO D.4.4 B 80 ZN	SNAP PIN D4.4 B 80 ZN	FICHE A DETENTE D4.4 B 80 ZN	EINRASTSTIFT D4.4 B 80 ZN	CLAVIJA DE MUELLE D4,4 B 80 ZN
15	G22230142R	ASSE 4 FILE L.800	4-ROW SPINDLE L.800	AXE 4 RANGEES L. 800	ACHSE 4 REIHEN B. 800	EJE 4 FILAS L.800
16	G16630311R	SUPPORTO TRASMISSIONE SP540	TRASM.SUPPORT SP541	PLATINE SUPPORT TRANSMISSION		
17	F06120207R	CERCHIO 5J 15 H2 PV RAL 9001	RIM 5J 15 H2 PV RAL 9001			
18	F06120208R	CERCHIO 7.50-16 PV TU	RING 7.50-16 PV TU	JANTE 7.50-16 PV TU	REIFEN 7.50-16 PV TU	LLANTA 7.50-16 PV TU
19	G22230138R	ASSE CAMBIO 4F.80-6F.45 L.1000	GEAR SPINDLE 4-ROW 80- 6-ROW.4	AXE BOITE DE VITESSE 4 RA	GETRIEBEACHSE 4 R. 80-6 R.45 L	EJE CAMBIO 4 FILAS. 80-6 FILAS
20	G16630810R	KIT INGR.Z8 5 8 X3 8 CUSC.	GEARS KIT Z8 5 8 X3 8	KIT INGR.ZINGR.Z8 5 8 X3 8		KIT ENGRAN. Z8 5 8 X3 8 CUSC.
21	F06120134R	CAMERA X R5.00-15 E 6.5 80-15	INNER TUBE R5.00-15 6.5 80-15	CHAMBRE R5.00-15 6.5 80-15	KAMMER R5.00-15 6.5 80-15	CAMARA R5.00-15 6.5 80-15
22	G16630351R	CARTER DX	RIGHT CARTER			
23	G22505085R	FERMO ASSE IN LAMIERA	PLATE AXLE STOP	ARRET AXE EN TOLE	FESTSTELLVORRICHTUNG BLECHACHS	BLOQUEO EJE DE CHAPA
24	G66248218R	RONDELLA DISTAN.SPAND.	MAN. SPR. SPACER WASHER	RONDELLE ENTRETOISE EP. ENGRAI	ABSTANDSCHEIBE DSNGERSTREUER	ARANDELA DISTAN.ABONAD.
25	F01020432R	VITE M8X1,25X16 U5739 8.8ZN	SCR. M8X1,25X16 U5739 8.8ZN	VIS M8 X1,25X16 U5739 8.8 ZN	SCHRAUBE M8X1,25X16U5739 8.8ZN	TORNILLO M8X1,25X16 U5739 8.8
26	G22220083R	RONDELLA AD IMBOCCO	LEAD-IN WASHER	RONDELLE EMBOUTIE	TRICHTERSCHEIBE	ARANDELA DE MUESCA
27	F01240024R	DADO M8X1,25 U5448 5.8ZN	NUT M8X1,25 U5448 5.8ZN	ECROU 8 UNI 5448 5.8 ZN	MUTTER 8 UNI 5448 5.8 ZN	TUERCA 8 UNI 5448 5.8 ZN
28	G14830390R	CUSCINETTO FORO QUADRO	SQUARE-HOLED BEARING	ROULEMENT TROU CARRE	VIERKANTLAGER	COJINETE ORIFICIO CUADRADO
29	G22230009R	SUPPORTO CUSCINETTO	BEARING SUPPORT	SUPPORT DE ROULEMENT	LAGERBSCHSE	SOPORTE COJINETE
30	F01220022R	DADO M8X1,25 D980 8ZN	NUT M8X1,25 D980 8ZN	ECROU M8X 1,25 D980 8 ZN	MUTTER M8X 1,25 D980 8 ZN	TUERCA M8X 1,25 D980 8 ZN
31	G16630290R	SUPPORTO RUOTA 5,00-15	WHEEL SUPPORT 5,00-15	SUPPORT ROUE 5,00-15	RADLAGER 5,00-15	SOPORTE RUEDA 5,00-15
32	G16630320R	ATTACCO AL SUPPORTO RUOTA ZN	SUPP. WHEEL COUPLING			
33	G19704690R	DECAL.DISP.CATENE INGR.R.POST.	DECAL.DEV.CHAIN INGR.R.POST.			
34	F06080168R	CATENA 5 8 ISO 10B 86 MAGLIE	CHAIN 5 8 ASA 50 L 86 LINKS	CHAINE 5 8 ASA 50 L 86 MAILLE	KETTE 5 8 ASA 50 L 86 GLIEDER	CADENA 5 8 ASA 50 L 86 ESLABO
35	F06120170R	COPERTURA 5.00-15 IM 110 6PR	TYRE 500-15 IM110 4PR	COUVERTURE 500-15 IM110 4PR	MANTEL 500-15 IM110 4PR	CUBIERTA 500-15 IM110 4PR
36	F05050025R	CAPPELOTTO PROTEZ. X VALV.PVC	PROTECTION CAP PVC X VALVA	CAPUCHON PROTECION PVC X VALVA	SCHUTZKAPPE PVC X VENTIL	TAPA PROTECION PVC X VALVA
37	F06120206R	CERCHIO 3.00 D 15 PV RAL 9001	RIM 3.00 D 15 PV RAL 9002			
38	G22220113R	INGRANAGGIO Z-10 FERRO	GEAR Z-10 IRON	ENGRENAGE Z-10 FER	ZAHNRAD Z-10 EISEN	ENGRANAJE Z-10 HIERRO
39	G16630390R	PIGNONE Z-15 ZN	PINION Z-15 ZN	PIGNON Z-15 ZN	RITZE Z-15 ZN	PINION Z-15 ZN
40	G16630400R	PIGNONE Z-16 ZN.	PINION Z-16 ZN.	PIGNON Z-16 ZN.	RITZE Z-16 ZN.	PINION Z-16 ZN.
41	G16630410R	PIGNONE Z-23 ZN.	PINION Z-23 ZN.	PIGNON Z-23 ZN.	RITZE Z-23 ZN.	PINION Z-23 ZN.
42	G16631120R	INGRANAGGIO R.LIB. Z-23 CSK30	FREE WHEEL GEAR Z-23 CSK30	ENGRENAGE Z23 ROUE LIBRE CSK30	ZAHNRAD FREILAUF Z-23 CSK30	ENGRANAJE R.LIBRE Z-23 CSK30
43	G16630420R	PIGNONE Z-25 ZN.	PINION Z-25 ZN.	PIGNON Z-25 ZN.	RITZE Z-25 ZN.	PINION Z-25 ZN.
44	G16630430R	PIGNONE Z-30 ZN.	PINION Z-30 ZN.	PIGNON Z-30 ZN.	RITZE Z-30 ZN.	PINION Z-30 ZN.
45	G20870028R	ASSE SERB.LATO TRAS.6F.L.1800	AXLE- GEARBOX SIDE- 6-ROW L.18	AXE RESERVOIR COTE ENTRAINEMEN	ACHSE BEHZLTER ANTRIEBSS. 6F.L	EJE DEP S. LADO TRANS. 6 FILA
46	G15110091R	SCONTRIO A U	CONTRA U	BRIDE 150 MM	ANSCHLAG	ELEMENTO DE EMPALME
47	F01020236R	VITE M14X2X220 U5737 8.8BR	SCR. M14X2X220 U5737 8.8BR	VIS M14X2X220 U5737 8.8 BR	SCHRAUBE M14X2X220 U5737 8.8	TORNILLO M14X2X220 U5737 8.8
48	F01200306R	DADO M14X2 U5588 CL8 ZN	NUT M14X2 U5588 6.8ZN	ECROU M14X2	MUTTER M14X2	DADO M14X2
49	F02200452R	SPINA SCATTO D.4.4 B 80 ZN	SNAP PIN D4.4 B 80 ZN	FICHE A DETENTE D4.4 B 80 ZN	EINRASTSTIFT D4.4 B 80 ZN	CLAVIJA DE MUELLE D4,4 B 80 ZN
50	F06080245R	CATENA 5 8 ISO 10B 94 MAGLIE	CHAIN 5 8 ASA 50 L 94 LINKS	CHAINE 5 8 ASA 50 L 94 MAILLE	KETTE 5 8 ASA 50 L 94 GLIEDER	CADENA 5 8 ASA 50 L 94 ESLABO
51	F06120180R	COPERTURA 6.5-15 IM 110 6PR	TYRE 6.5-15 IM 110 6PR			
52	F06120400R	COPERTURA 7.50-16 IM110 8PR TU	TYRE 7.50-16 IM110 8PR TU			
53	G15231330R	ATTACCO AL SUPPORTO RUOTA	SUPP. WHEEL COUPLING	FIXATION SUPPORT ROUET	KUPPLUNG HALT. KL. RAD	CONEXIN SOP. RUEDECILLA
54	G15231321R	CARTER SX 7.50	CARTER LEFT 7.50			
55	G22270284R	ATTACCO RASCHIATERRA SP S	SOIL SCRAPER COUPLING SP S	FIXATION RACLEUR SP S	KUPPLUNG ERDABSCHABER SP S	CONEXI N RASPADOR SP S

# TAV. 190



Catena Chain		Falsa maglia Offset link		Maglia giunto Connecting link	
mod.	mm	Cod.		Cod.	
083	12,90	F06080655 (69)		F06080501 (70)	
084	14,60	F06080666 (71)		F06080502 (72)	
10 A-1 ASA 50	20,50	F06080644 (73)		F06080499 (74)	

- 45 - L. 1800
- 19 - L. 1000
- 15 - L. 800
- 10 - L. 1260

	Pos.
Z10	38
Z15	39
Z16	40
Z23	41
Z23 r.l.	42
Z25	43
Z30	44

Ingranaggi trasmissione seminatori			
A	Z16	Z23	Z23
B	Z23	Z16	Z23
A	Z16	Z23 r.l.	Z23
B	Z23 r.l.	Z16	Z23 r.l.


Ingranaggi trasmissione spandiconcime e microgranulatore		
A	Z10	Z15
B	Z30	Z25

## RUOTE DI TRASMISSIONE DRIVE WHEELS

TAV. 190

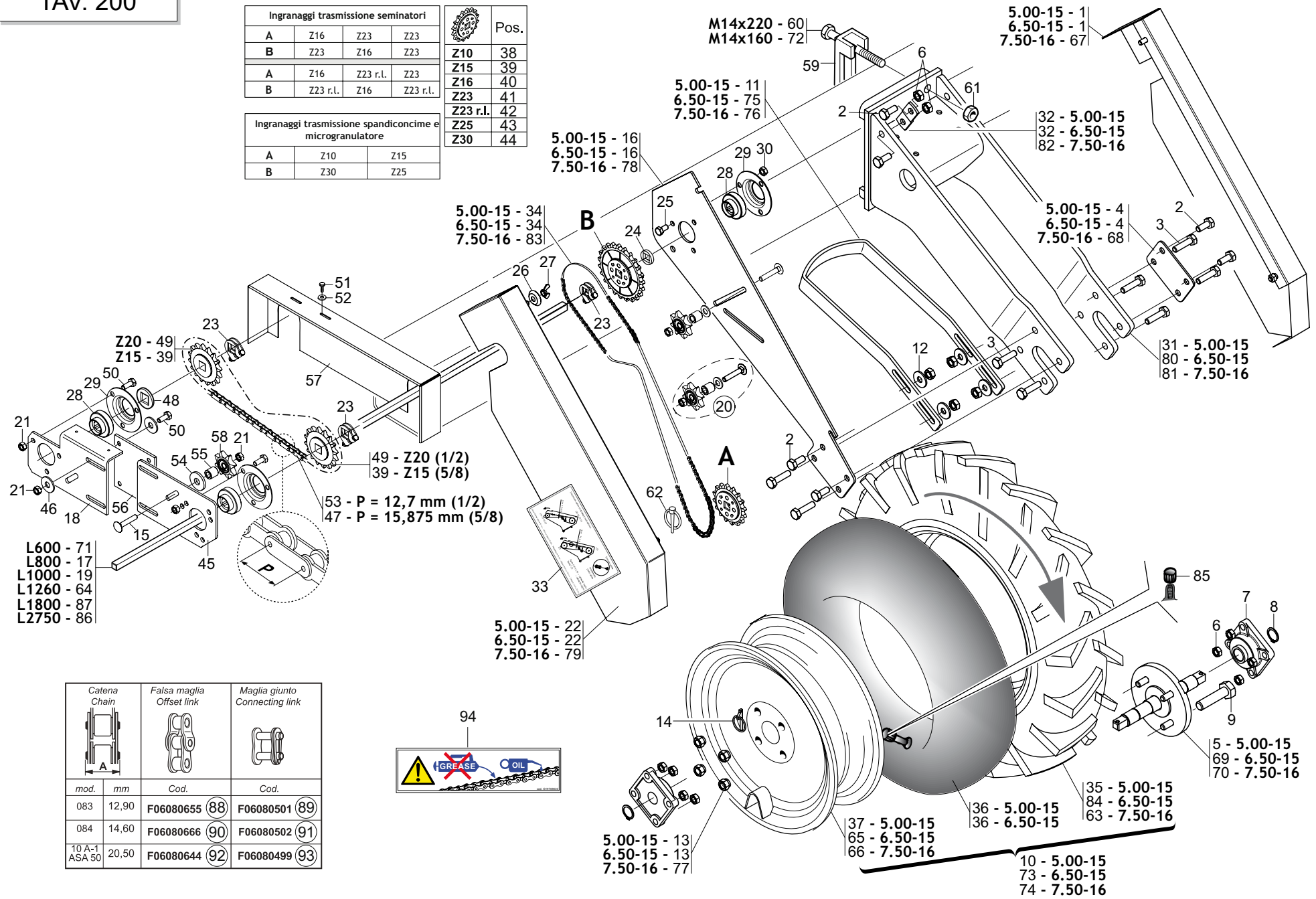
Pos.	Cod.	Descrizione	Description	Description	Benennung	Descripcion
56	G22270281R	ASSE RUOTA TRASM.MAGG. SP S	INCREASED DRIVE WHEEL AXLE	AXE ROUE ENTRAINEMENT 6.50-15	RADACHSE SBERBEM. ANTRIEB SP S	EJE RUEDA TRANS. SOBREDIMENS.
57	G15231162R	ASSE RUOTA 7,50X16	ASS. AXIS WHEEL 7,50X16			
58	F06120113R	RUOTA COMPL.5.00-15 6PR DX	COMPL. WHEEL 5.00-15 6PR RH.	ROUE COMPL. 5.00-15 6PR DRT.	RAD KOMPL.5.00-15 6PR RE	RUEDA COMPL.5.00-15 6PR DER.
59	F01020225R	VITE M14X2X160 U5737 8.8BR	SCR. M14X2X160 U5737 8.8BR	VIS M 14 X160 5737 8.G	SCHRAUBE M 14 X160 5737 8.G	TORNILLO M 14 X160 5737 8.G
60	F06120116R	RUOTA GOMMATA LARGA DX COMPL.	UPLEFT- WIDE RUBBERED WHEEL			
61	F06120069R	RUOTA 7.50-16 AG 10	WHEEL 7.50-16 AG10	ROUE 7.50-16 AG10	RAD 7.50-16 AG10	RUEDA 7.50-16 AG10
62	G15430660R	RASCHIATERRA MAGGIORATO SP 530	INCREASED SOIL-SCRAPER SP 530	RACLEUR MAJOR. SP 530	SBERGROSSER ERDSCHABER SP 530	RASCADOR TIERRA OBREDIMENS. SP
63	G15231171R	RASCHIATERRA RUOTA 7,50X16	WHEEL SOIL SCRAPER 7,50X16	RACLEUR ROUE 7,50X16	ERDSCHABER RAD 7,50X16	RASCADOR TIERRA RUEDA 7,50X16
64	F01250052R	DADO COLON. 18X1,5 ZN	COLUMN NUT M18X1,5 ZN	ECROU M18X1,5 COLONNE ZN	MUTTER COLON. M18X1,5 ZN	TUERCA M18X1,5 COLUMNA ZN
65	G15231421R	SUPPORTO TRASMISSIONE R.7.5-16	TRANSMSUPPORT 7,50X16	SUPPORT ENTRAINEMENT 7,50X16	HALTERUNG GETRIEBE 7,50X16	SOPORTE TRANSMISIN 7,50X16
66	G15231301R	CARTER DX 7.50	RIGHT CARTER 7.50			
67	G16630300R	SUPPORTO RUOTA 6,50-15	WHEEL SUPPORT 6,50-15	SUPPORT ROUE 6,50-15	RADLAGER 6,50-15	SOPORTE RUEDA 6,50-15
68	G15231141R	SUPPORTO RUOTA 7.50	WHEEL SUPPORT 7.50	SUPPORT ROUE 7.50	RADLAGER 7.50	SOPORTE RUEDA 7.50
69	F06080655R	FALSA MAGLIA CAT.1 2 ISO 083	FALSE CHAIN LINK 1 2 ISO 083	FAUSSE MAILLE CHAINE 1 2 ISO 0	FALSCHES GLIED 1 2 ISO 083	ESLAB N FICTICIO CAD. 1 2 ISO
70	F06080501R	GIUNZIONE CATENA 1 2 ISO 083	CHAIN JOINT 1 2 ISO 083	JONCTION CHAINE 1 2 ISO 083	KETTENVERBINDUNG 1 2 ISO 083	UNI N CADENA 1 2 ISO 083
71	F06080666R	FALSA MAGLIA CAT.1 2 ISO 084-1				
72	F06080502R	GIUNZIONE CATENA 1 2 ISO 084-1	CHAIN JUNCTION 1 2 ISO 084-1			
73	F06080644R	FALSA MAGLIA CAT.5 8 ASA 50LUB		FAUSSE MAILLE CHAINE ASA 50LUB	FALSCHES GLIED 5 8 ASA 50LUB	ESLAB N FICTICIO CAD.5 8 ASA50
74	F06080499R	GIUNZIONE CATENA 5 8 ASA 50LUB	CHAIN JOINT 5 8 ASA 50LUB	JONCTIONS CHAINE 5 8 ASA 50LUB	KETTENVERBINDUNG 5 8 ASA 50LUB	UNIONES CADENA 5 8 ASA 50LUB
75	G19709030R	DECAL.OLIO CATENE	LABEL OIL CHAIN			

# TAV. 200

Ingranaggi trasmissione seminatori					Pos.
A	Z16	Z23	Z23		
B	Z23	Z16	Z23	Z15	39
A	Z16	Z23 r.l.	Z23	Z16	40
B	Z23 r.l.	Z16	Z23 r.l.	Z23	41
				Z23 r.l.	42
				Z25	43
				Z30	44




  

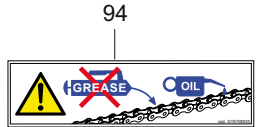
Ingranaggi trasmissione spandiconcime e microgranulatore		
A	Z10	Z15
B	Z30	Z25



- L600 - 71
- L800 - 17
- L1000 - 19
- L1260 - 64
- L1800 - 87
- L2750 - 86

49 - Z20 (1/2)  
39 - Z15 (5/8)  
53 - P = 12,7 mm (1/2)  
47 - P = 15,875 mm (5/8)

Catena Chain		Falsa maglia Offset link		Maglia giunto Connecting link	
					
mod.	mm	Cod.		Cod.	
083	12,90	F06080655 (88)		F06080501 (89)	
084	14,60	F06080666 (90)		F06080502 (91)	
10 A-1 ASA 50	20,50	F06080644 (92)		F06080499 (93)	






## RUOTE DI TRASMISSIONE ANTERIORI FRONT DRIVE WHEELS

TAV. 200

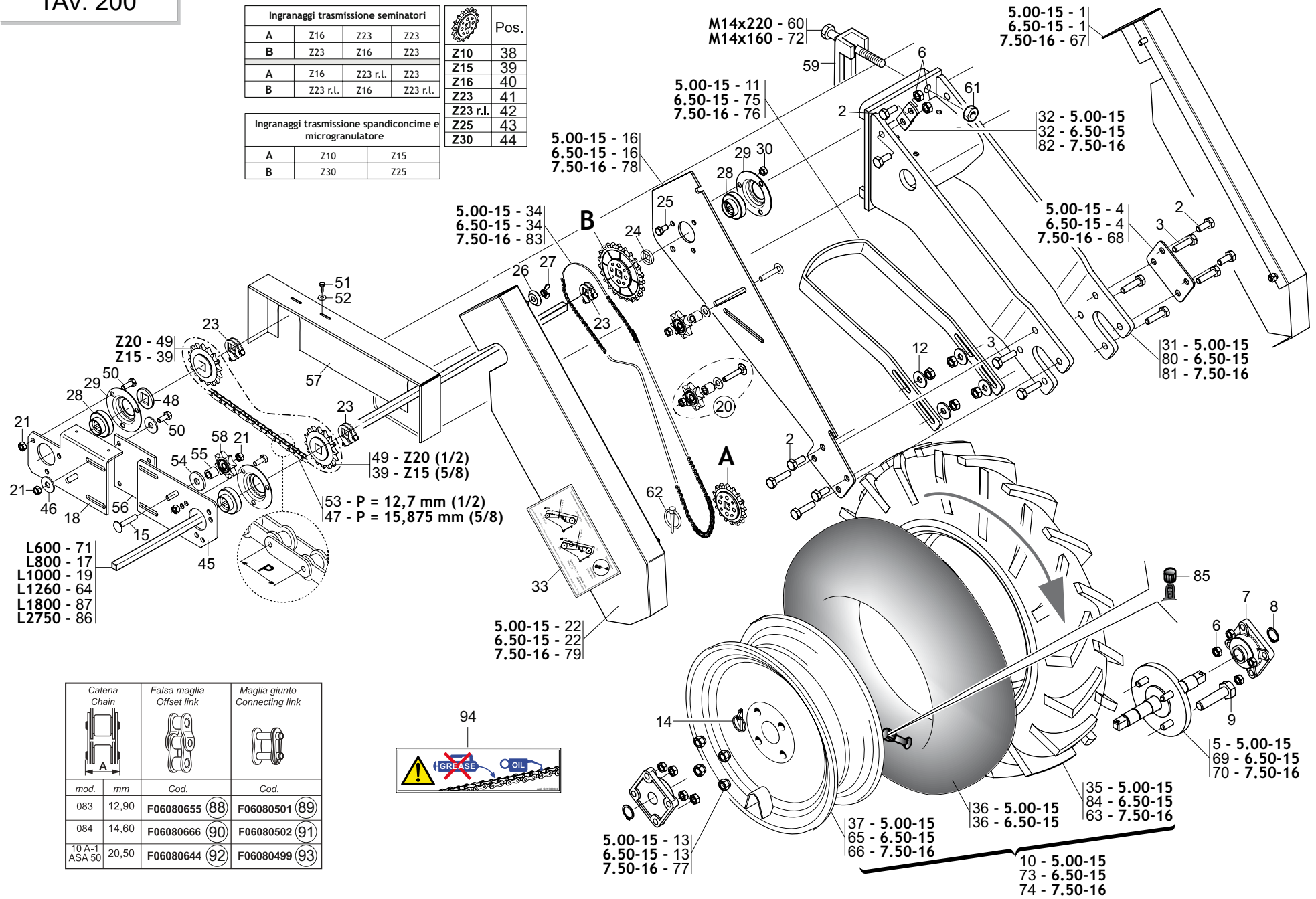
Pos.	Cod.	Descrizione	Description	Description	Benennung	Description
1	G16630361R	CARTER SX	LEFT PROTECTION			
2	F01020472R	VITE M10X1,5X25 U5739 8.8ZN	SCR. M10X1,5X25 U5739 8.8ZN	VIS M10X1,5X25 U5739 8.8 ZN	SCHRAUBE M10X1,5X25 U5739 8.8	TORNILLO M10X1,5X25 U5739 8.8
3	F01020483R	VITE M10X1,5X40 U5739 10.9ZD	SCR. M10X1,5X40 U5739 10.9ZD	VIS M10X1,5X40 U5739 10.9 ZD	SCHRA.M10X1,5X40 U5739 10.9 ZD	TORN. M10X1,5X40 U5739 10.9 ZD
4	G16630380R	SCONTRIO 100X70-3 4F11 70X40	STRIKER PLATE 100X70-3 4F	BUTEE 100X70-3 4F	ANSCHLAG 100X70-3 4F	ELEMENTO DE EMPALME 100X70-3 4
5	G22270280R	ASSE RUOTA TRASM.NORMALE SP S	NORMAL DRIVE WHEEL AXLE	AXE ROUE ENTRAINEMENT 5.00-15	RADACHSE NORMALER ANTRIEB SP S	EJE RUEDA TRANS. NORMAL SP S
6	F01200270R	DADO M10X1,5 U5588 CL8 ZN	NUT M10X1,5 U5588 6.8ZN	ECROU M10X 1,5 U5588 6.8 ZN	MUTTER M10X 1,5 U5588 6.8 ZN	TUERCA M10X1,5 U5588 CL8 ZN
7	F04100137R	SUPPORTO FY 25 TF	SUPPORT FY 25 TF			
8	F02050101R	ANELLO E. DE 25X 1,2 U7435 C7	SEEGER RING E. 25X1,2 7435 C70	SEEGER E. 25X 1,2 U7435 C70	SEEGERING E. 25X 1,2 U7435 C70	ANILLO E. DE 25X 1,2 U7435 C7
9	F01010365R	VITE M18X1,5X50 U5740 8.8ZN	SCR. M18X1,5X50 U5740 8.8ZN	VIS M18X1,5X50 U5740 8.8 ZN	SCHRAUBE 18X1,5X50 U5740 8.8ZN	TORNI. M18X1,5X50 U5740 8.8ZN
10	F06120113R	RUOTA COMPL.5.00-15 6PR DX	COMPL. WHEEL 5.00-15 6PR RH.	COMPL. WHEEL 5.00-15 6PR DRT.	RAD KOMPL.5.00-15 6PR RE	RUEDA COMPL.5.00-15 6PR DER.
11	G15430090R	RASCHIATERRA	SOIL SCRAPER	RACLEUR	ERDSCHABER	RASCADOR TIERRA
12	F01420060R	ROS.M10 10,5X 30X2,5 U6593 ZG	GALV.WASHER 10,5X30X2,5 U6593	RONDELLE 10,5X30	SCHEIBE 10,5X30	ARAND.M10 10,5X 30X2,5 U6593
13	F01250040R	DADO COLON. 12X1.5 ZN	COLUMN NUT M12X1.5 STUD BOLT	ECROU M12X1.5 5 COLONNE	SCHRAUBBOLZENMUTTER M12X1.5	TUERCA 12X1.5 COLUMNNA
14	F02200452R	SPINA SCATTO D.4.4 B 80 ZN	SNAP PIN D4.4 B 80 ZN	FICHE A DETENTE D4.4 B 80 ZN	EINRASTSTIFT D4.4 B 80 ZN	CLAVIJA DE MUELLE D4.4 B 80 ZN
15	F01060047R	VITE M8X1,25X45 U5731 8.8ZN	SCR. M8X1,25X45 U5732 4.6ZN	VIS 8X45 5732 4.6 ZN	SCHRAUBE 8X45 5732 4.6 ZN	TORNILLO 8X45 5732 4.6 ZN
16	G16630311R	SUPPORTO TRASMISSIONE SP540	TRASM.SUPPORT SP541	PLATINE SUPPORT TRANSMISSION		
17	G22230142R	ASSE 4 FILE L.800	4-ROW SPINDLE L.800	AXE 4 RANGEES L. 800	ACHSE 4 REIHEN B. 800	EJE 4 FILAS L.800
18	G17170150R	FIANCO SUPPORTO TRASM.SPAND.	SPREADER TRANSM. SIDE SUPPORT			
19	G22230138R	ASSE CAMBIO 4F.80-6F.45 L.1000	GEAR SPINDLE 4-ROW 80- 6-ROW.4	AXE BOITE DE VITESSE 4 RA	GETRIEBEACHSE 4 R. 80-6 R.45 L	EJE CAMBIO 4 FILAS. 80-6 FILAS
20	G16630810R	KIT INGR.Z8 5 8 X3 8 CUSC.	GEARS KIT Z8 5 8 X3 8	KIT INGR.ZINGR.Z8 5 8 X3 8		KIT ENGRAN. Z8 5 8 X3 8 CUSC.
21	F01200244R	DADO M8X1,25 U5588 CL8 ZN	NUT M8X1,25 U5588 6.8ZN	ECROU M8 X1,25 U5588 6.8 ZN	MUTTER M8 X1,25 U5588 6.8 ZN	TUERCA M8X1,25 U5588 CL8 ZN
22	G16630351R	CARTER DX	RIGHT CARTER			
23	G22505085R	FERMO ASSE IN LAMIERA	PLATE AXLE STOP	ARRET AXE EN TOLE	FESTSTELLVORRICHTUNG BLECHACHS	BLOQUEO EJE DE CHAPA
24	G66248218R	RONDELLA DISTAN.SPAND.	MAN. SPR. SPACER WASHER	RONDELLE ENTRETOISE EP. ENGRAI	ABSTANDSCHEIBE DSNGERSTREUER	ARANDELA DISTAN.ABONAD.
25	F01020432R	VITE M8X1,25X16 U5739 8.8ZN	SCR. M8X1,25X16 U5739 8.8ZN	VIS M8 X1,25X16 U5739 8.8 ZN	SCHRAUBE M8X1,25X16U5739 8.8ZN	TORNILLO M8X1,25X16 U5739 8.8
26	G22220083R	RONDELLA AD IMBOCCO	LEAD-IN WASHER	RONDELLE EMBOUTIE	TRICHTERSCHEIBE	ARANDELA DE MUESCA
27	F01240024R	DADO M8X1,25 U5448 5.8ZN	NUT M8X1,25 U5448 5.8ZN	ECROU 8 UNI 5448 5.8 ZN	MUTTER 8 UNI 5448 5.8 ZN	TUERCA 8 UNI 5448 5.8 ZN
28	G14830390R	CUSCINETTO FORO QUADRO	SQUARE-HOLED BEARING	ROULEMENT TROU CARRE	VIERKANTLAGER	COJINETE ORIFICIO CUADRADO
29	G22230094R	SUPPORTO CUSCINETTO	BEARING SUPPORT	SUPPORT DE ROULEMENT	LAGERBSCHSE	SOPORTE COJINETE
30	F01220022R	DADO M8X1,25 D980 8ZN	NUT M8X1,25 D980 8ZN	ECROU M8X 1,25 D980 8 ZN	MUTTER M8X 1,25 D980 8 ZN	TUERCA M8X 1,25 D980 8 ZN
31	G16630290R	SUPPORTO RUOTA 5.00-15	WHEEL SUPPORT 5.00-15	SUPPORT ROUE 5.00-15	RADLAGER 5.00-15	SOPORTE RUEDA 5.00-15
32	G16630320R	ATTACCO AL SUPPORTO RUOTA ZN	SUPP. WHEEL COUPLING			
33	G19704701R	DECAL.CATENE INGR.RUOTE ANT.	STICKER	DECALCOMANIE	ABZIEHBILDER	CALCOMANIAS
34	F06080168R	CATENA 5 8 ISO 10B 86 MAGLIE	CHAIN 5 8 ASA 50 L 86 LINKS	CHAINE 5 8 ASA 50 L 86 MAILLE	KETTE 5 8 ASA 50 L 86 GLIEDER	CADENA 5 8 ASA 50 L 86 ESLABO
35	F06120170R	COPERTURA 5.00-15 IM 110 6PR	TYRE 500-15 IM110 4PR	COUVERTURE 500-15 IM110 4PR	MANTEL 500-15 IM110 4PR	CUBIERTA 500-15 IM110 4PR
36	F06120134R	CAMERA X R5.00-15 E 6.5 80-15	INNER TUBE R5.00-15 6.5 80-15	CHAMBRE R5.00-15 6.5 80-15	KAMMER R5.00-15 6.5 80-15	CAMARA R5.00-15 6.5 80-15
37	F06120206R	CERCHIO 3.00 D 15 PV RAL 9001	RIM 3.00 D 15 PV RAL 9002			
38	G22220113R	INGRANAGGIO Z-10 FERRO	GEAR Z-10 IRON	ENGRENAGE Z-10 FER	ZAHNRAD Z-10 EISEN	ENGRANAJE Z-10 HIERRO
39	G16630390R	PIGNONE Z-15 ZN	PINION Z-15 ZN	PIGNON Z-15 ZN	RITZE Z-15 ZN	PINION Z-15 ZN
40	G16630400R	PIGNONE Z-16 ZN.	PINION Z-16 ZN.	PIGNON Z-16 ZN.	RITZE Z-16 ZN.	PINION Z-16 ZN.
41	G16630410R	PIGNONE Z-23 ZN.	PINION Z-23 ZN.	PIGNON Z-23 ZN.	RITZE Z-23 ZN.	PINION Z-23 ZN.
42	G16631120R	INGRANAGGIO R.LIB. Z-23 CSK30	FREE WHEEL GEAR Z-23 CSK30	ENGRENAGE Z23 ROUE LIBRE CSK30	ZAHNRAD FREILAUF Z-23 CSK30	ENGRANAJE R.LIBRE Z-23 CSK30
43	G16630420R	PIGNONE Z-25 ZN.	PINION Z-25 ZN.	PIGNON Z-25 ZN.	RITZE Z-25 ZN.	PINION Z-25 ZN.
44	G16630430R	PIGNONE Z-30 ZN.	PINION Z-30 ZN.	PIGNON Z-30 ZN.	RITZE Z-30 ZN.	PINION Z-30 ZN.
45	G15470851R	FIANCO SUPP.TRASM.SPANDI	SPREADER TRANSM. SIDE SUPPORT	COTE SUPPORT TRANSM. EPAND.	SEITEN HALTER. ANTRIEB DUNGERS	COSTADO SOPORTE TRANSM. ABONAD
46	F01420048R	ROS.M8 8,4X 24X 2 U6593 ZN	WASHER M8 8,4X 24X2 U6593 ZN	RONDELLE M8 8,4X24X 2 U6593 ZN	SCHEIBEN M8 8,4X24X 2 U6593 ZN	ARAND.M8 8,4X 24X 2 U6593 ZN
47	F06080232R	CATENA 5 8 ISO 10B 58 MAGLIE	CHAIN 5 8 ASA 50 L 58 LINKS	CHAINE 5 8 ASA 50 L 58 MAILLE	KETTE 5 8 ASA 50 L 58 GLIEDER	CADENA 5 8 ASA 50 L 58 ESLABO
48	G18701650R	RONDELLA FORO QUADRO ZN	WASHER 16,5X30X2,5 SQ.HOLE GAL	RONDELLE 16,5X30X2,5 ZN	UNTERLEGSCHEIBE 16,5X30X2,5 ZN	ARANDELA 16,5X30X2,5 ZN
49	G22250007R	INGR.CON MOZZO 1 2 Z-20 SV	GEARS- W HUB 1 2 Z-20 SV	ENGRENAGE 1 2 Z-20	ZAHNRAD MIT NABE 1 2 Z-20 SV	ENGRAN.CON PERNO 1 2 Z-20 SV
50	F01020436R	VITE M8X1,25X20 U5739 8.8ZN	SCR. M8X1,25X20 U5739 8.8ZN	VIS M8X1,25X 20 U5739 8.8 ZN	SCHRAUBE M8X1,25X20U5739 8.8ZN	TORNILLO M8X1,25X20 U5739 8.8
51	F01070074R	VITE A4,2X1,41X25 U6954 4.8NI	SCR. H4,2X1,41X25 U6954 4.8NI	VIS 4-2X25 DIN 7981	SCHRAUBE 4-2X25 DIN 7981	TORNILLO 4-2X25 DIN 7981
52	F01420011R	ROS.M4 4,3X 16X 1 U6593 ZN	FLAT WASHER 4-3X 16X1-5 6593 G	ROND.PLATE 4-3X 16X1-5 6593 ZN	SCHEIBE 4-3X 16X1-5 6593 ZN	ARAND. PLANA 4-3X 16X1-5 6593
53	F06080038R	CATENA 1 2 ISO 083 74 MAGLIE	CHAIN 1 2 ISO 083 74 LINKS	CHAINE 1 2 ISO 083 74 MAILLES	KETTE 1 2 ISO 083 94 GLIEDER	CADENA 1 2 ISO 083 74 ESLAB NE
54	G20970012R	RONDELLA 32X4X11	WASHER 32X4X11	RONDELLE 32X4X11	UNTERLEGSCHEIBE 32X4X11	ARANDELA 32X4X11
55	G18801520R	BOCCOLA 8,25 X15 X14	BUSHING 8,25X15X14	BOITE 8,25X15X14	BSCHE 8,25X15X14	CASQUILLO 8,25X15X14

# TAV. 200

Ingranaggi trasmissione seminatori					Pos.
A	Z16	Z23	Z23		
B	Z23	Z16	Z23	Z15	39
A	Z16	Z23 r.l.	Z23	Z16	40
B	Z23 r.l.	Z16	Z23 r.l.	Z23	41
				Z23 r.l.	42
				Z25	43
				Z30	44

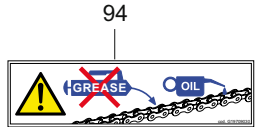
  

Ingranaggi trasmissione spandiconcime e microgranulatore		
A	Z10	Z15
B	Z30	Z25



- L600 - 71
- L800 - 17
- L1000 - 19
- L1260 - 64
- L1800 - 87
- L2750 - 86

Catena Chain		Falsa maglia Offset link		Maglia giunto Connecting link	
mod.	mm	Cod.	Cod.	Cod.	Cod.
083	12,90	F06080655	(88)	F06080501	(89)
084	14,60	F06080666	(90)	F06080502	(91)
10 A-1 ASA 50	20,50	F06080644	(92)	F06080499	(93)



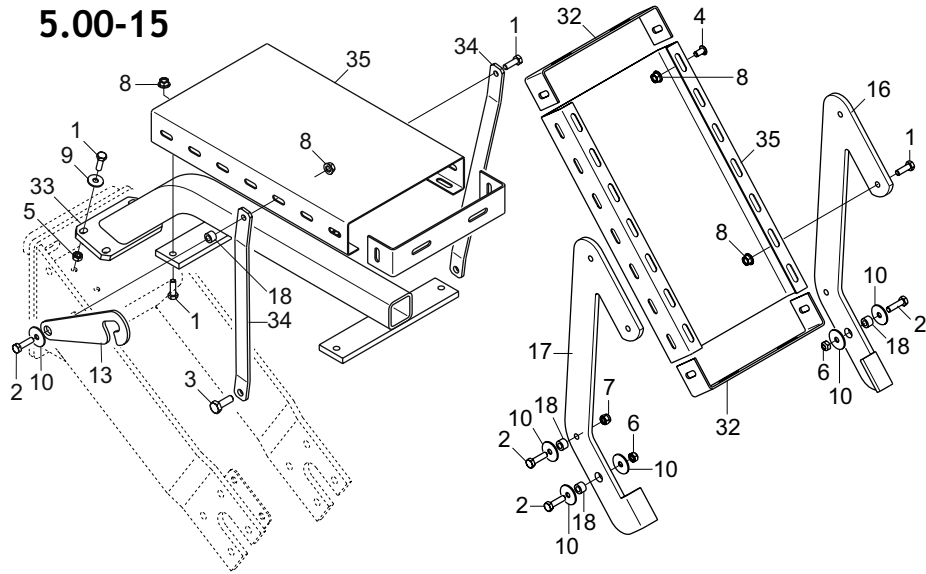
## RUOTE DI TRASMISSIONE ANTERIORI FRONT DRIVE WHEELS

TAV. 200

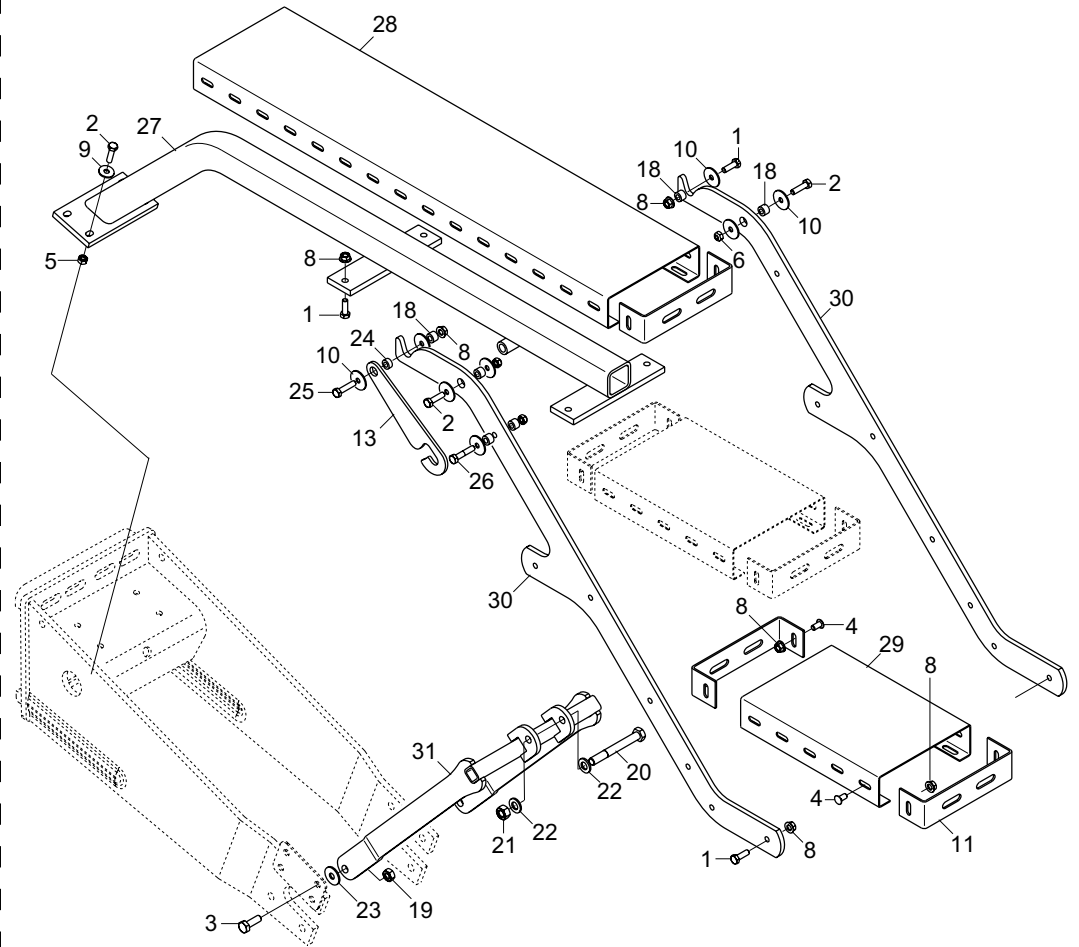
Pos.	Cod.	Descrizione	Description	Description	Benennung	Descripcion
56	G15272470R	PIASTRA PROLUNGA TRASM.SPAND.	TRANSMISSION EXTENSION PLATE	PLAQUE RALL. TRANSMISSION	VERL.PLATTE GETRIEBE	PLACA PROL. TRANSMISI N
57	G15473080R	CARTER RINVIO DA ANTA POST.	INTERMEDIATE CASE	CARTER TRANSMISSION	VORGELEGEGEHZUSE	C RTER TRANSMISIN C
58	G16630790R	INGR.Z8 5 8X3 8 TENDICAT.COMPL	GEAR Z8 5 8X3 8 CHAIN			
59	G15110091R	SCONTRO A U	CONTRA U	BRIDE 150 MM	ANSCHLAG	ELEMENTO DE EMPALME
60	F01020236R	VITE M14X2X220 U5737 8.8BR	SCR. M14X2X220 U5737 8.8BR	VIS M14X2X220 U5737 8.8 BR	SCHRAUBE M14X2X220 U5737 8.8	TORNILLO M14X2X220 U5737 8.8
61	F01200306R	DADO M14X2 U5588 CL8 ZN	NUT M14X2 U5588 6.8ZN	ECROU M14X2	MUTTER M14X2	DADO M14X2
62	F02200452R	SPINA SCATTO D.4,4 B 80 ZN	SNAP PIN D4.4 B 80 ZN	FICHE A DETENTE D4.4 B 80 ZN	EINRASTSTIFT D4.4 B 80 ZN	CLAVIJA DE MUELLE D4,4 B 80 ZN
63	F06120400R	COPERTURA 7.50-16 IM110 8PR TU	TYRE 7.50-16 IM110 8PR TU			
64	G22270049R	ASSE 4F.85-6F.50 L.1260	4-ROW SPINDLE - 85-6-ROW-50 L.	AXE 4 RANGEES 85-6 RANGEES 50	ACHSE 4 REIHEN 85-6 REIH. 50	EJE 4 FILAS. 85-6 FILAS. 50 L.
65	F06120207R	CERCHIO 5J 15 H2 PV RAL 9001	RIM 5J 15 H2 PV RAL 9001			
66	F06120208R	CERCHIO 7.50-16 PV TU	RING 7.50-16 PV TU	JANTE 7.50-16 PV TU	REIFEN 7.50-16 PV TU	LLANTA 7.50-16 PV TU
67	G15231321R	CARTER SX 7.50	CARTER LEFT 7.50			
68	G15231440R	SUPP.RASCHIATERRA R.7,50 ANT.	SCRAPER SUPPORT 7,50 FRONT	SUPP. RACLE 7,50 AVANT	ERDSCHABERHALTERUNG 7,50	SOPORTE RASCADOR 7,50 ANT.
69	G22270281R	ASSE RUOTA TRASM.MAGG. SP S	INCREASED DRIVE WHEEL AXLE	AXE ROUE ENTRAINEMENT 6.50-15	RADACHSE SBERBEM. ANTRIEB SP S	EJE RUEDA TRANS. SOBREDIMENS.
70	G15231162R	ASSE RUOTA 7,50X16	ASS. AXIS WHEEL 7,50X16			
71	G10920410R	ASSE TRASM.L.600	TRANSM.AXLE L.600	AXIS TRANSMISSION L. 600		
72	F01020225R	VITE M14X2X160 U5737 8.8BR	SCR. M14X2X160 U5737 8.8BR	VIS M 14 X160 5737 8.G	SCHRAUBE M 14 X160 5737 8.G	TORNILLO M 14 X160 5737 8.G
73	F06120116R	RUOTA GOMMATA LARGA DX COMPL.	UPLEFT- WIDE RUBBERED WHEEL			
74	F06120069R	RUOTA 7.50-16 AG 10	WHEEL 7.50-16 AG10	ROUE 7.50-16 AG10	RAD 7.50-16 AG10	RUEDA 7.50-16 AG10
75	G15430660R	RASCHIATERRA MAGGIORATO SP 530	INCREASED SOIL-SCRAPER SP 530	RACLEUR MAJOR. SP 530	SBERGROSSER ERDSCHABER SP 530	RASCADOR TIERRA OBREDIMENS. SP
76	G15231430R	RASCHIATERRA RUOTA 7,5 ANT.	FRONT SOIL-SCRAPER WHEEL 7,5	RACLEUR ROUE AVANT 7,5	ERDSCHABER VORDERRAD 7,5	RASCADOR DE TIERRA RUEDA DEL.
77	F01250052R	DADO COLON. 18X1,5 ZN	COLUMN NUT M18X1,5 ZN	ECROU M18X1,5 COLONNE ZN	MUTTER COLON. M18X1,5 ZN	TUERCA M18X1,5 COLUMNA ZN
78	G15231421R	SUPPORTO TRASMISSIONE R.7.5-16	TRANSMSUPPORT 7,50X16	SUPPORT ENTRAINEMENT 7,50X16	HALTERUNG GETRIEBE 7,50X16	SOPORTE TRANSMISIN 7,50X16
79	G15231301R	CARTER DX 7.50	RIGHT CARTER 7.50			
80	G16630300R	SUPPORTO RUOTA 6,50-15	WHEEL SUPPORT 6,50-15	SUPPORT ROUE 6,50-15	RADLAGER 6,50-15	SOPORTE RUEDA 6,50-15
81	G15231141R	SUPPORTO RUOTA 7.50	WHEEL SUPPORT 7.50	SUPPORT ROUE 7.50	RADLAGER 7.50	SOPORTE RUEDA 7.50
82	G15231330R	ATTACCO AL SUPPORTO RUOTA	SUPP. WHEEL COUPLING	FIXATION SUPPORT ROUET	KUPPLUNG HALT. KL. RAD	CONEXIN SOP. RUEDECILLA
83	F06080245R	CATENA 5 8 ISO 10B 94 MAGLIE	CHAIN 5 8 ASA 50 L 94 LINKS	CHAINE 5 8 ASA 50 L 94 MAILLE	KETTE 5 8 ASA 50 L 94 GLIEDER	CADENA 5 8 ASA 50 L 94 ESLABO
84	F06120180R	COPERTURA 6.5-15 IM 110 6PR	TYRE 6.5-15 IM 110 6PR			
85	F05050025R	CAPPELOTTO PROTEZ. X VALV.PVC	PROTECTION CAP PVC X VALVA	CAPUCHON PROTECION PVC X VALVA	SCHUTZKAPPE PVC X VENTIL	TAPA PROTECION PVC X VALVA
86	G22250275R	ASSE TRASM.SEMINAT.L.2750 SV	AXLE- SEEDING MACH. GEARBOX L.	AXE ENTRAINEMENT SEMEUR L. 275	ACHSE SZELEMENTANTRIEB L.2750	EJE TRANS.SEMBR. L.2750 SV
87	G20870028R	ASSE SERB.LATO TRAS.6F.L.1800	AXLE- GEARBOX SIDE- 6-ROW L.18	AXE RESERVOIR COTE ENTRAINEMEN	ACHSE BEHZLTER ANTRIEBSS. 6F.L	EJE DEP S. LADO TRANS. 6 FILA
88	F06080655R	FALSA MAGLIA CAT.1 2 ISO 083	FALSE CHAIN LINK 1 2 ISO 083	FAUSSE MAILLE CHAINE 1 2 ISO 0	FALSCHES GLIED 1 2 ISO 083	ESLAB N FICTICIO CAD. 1 2 ISO
89	F06080501R	GIUNZIONE CATENA 1 2 ISO 083	CHAIN JOINT 1 2 ISO 083	JONCTION CHAINE 1 2 ISO 083	KETTENVERBINDUNG 1 2 ISO 083	UNI N CADENA 1 2 ISO 083
90	F06080666R	FALSA MAGLIA CAT.1 2 ISO 084-1				
91	F06080502R	GIUNZIONE CATENA 1 2 ISO 084-1	CHAIN JUNCTION 1 2 ISO 084-1			
92	F06080644R	FALSA MAGLIA CAT.5 8 ASA 50LUB		FAUSSE MAILLE CHAINE ASA 50LUB	FALSCHES GLIED 5 8 ASA 50LUB	ESLAB N FICTICIO CAD.5 8 ASA50
93	F06080499R	GIUNZIONE CATENA 5 8 ASA 50LUB	CHAIN JOINT 5 8 ASA 50LUB	JONCTIONS CHAINE 5 8 ASA 50LUB	KETTENVERBINDUNG 5 8 ASA 50LUB	UNIONES CADENA 5 8 ASA 50LUB
94	G19709030R	DECAL.OLIO CATENE	LABEL OIL CHAIN			

TAV. 211

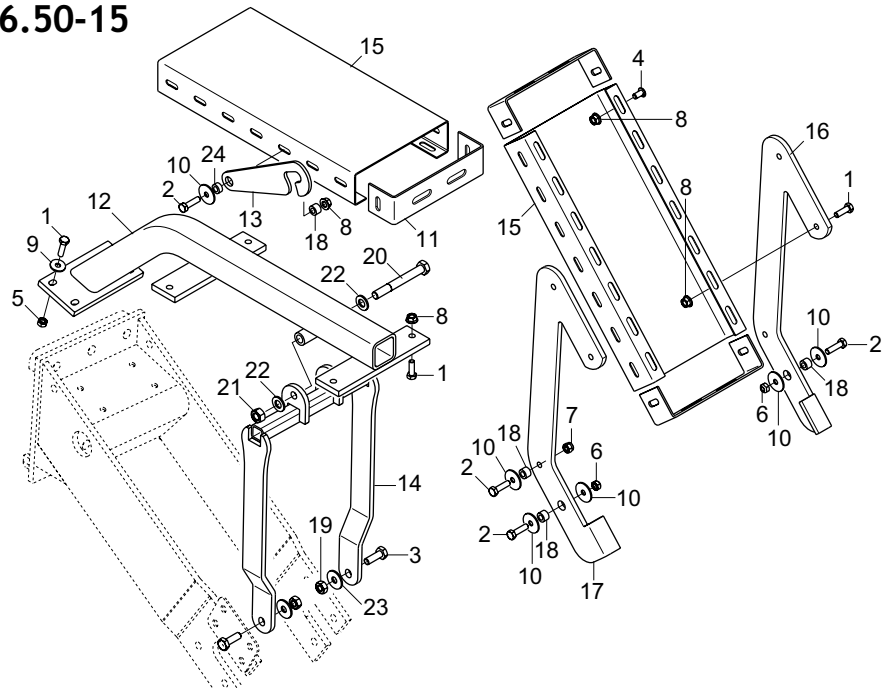
5.00-15



7.50-16



6.50-15

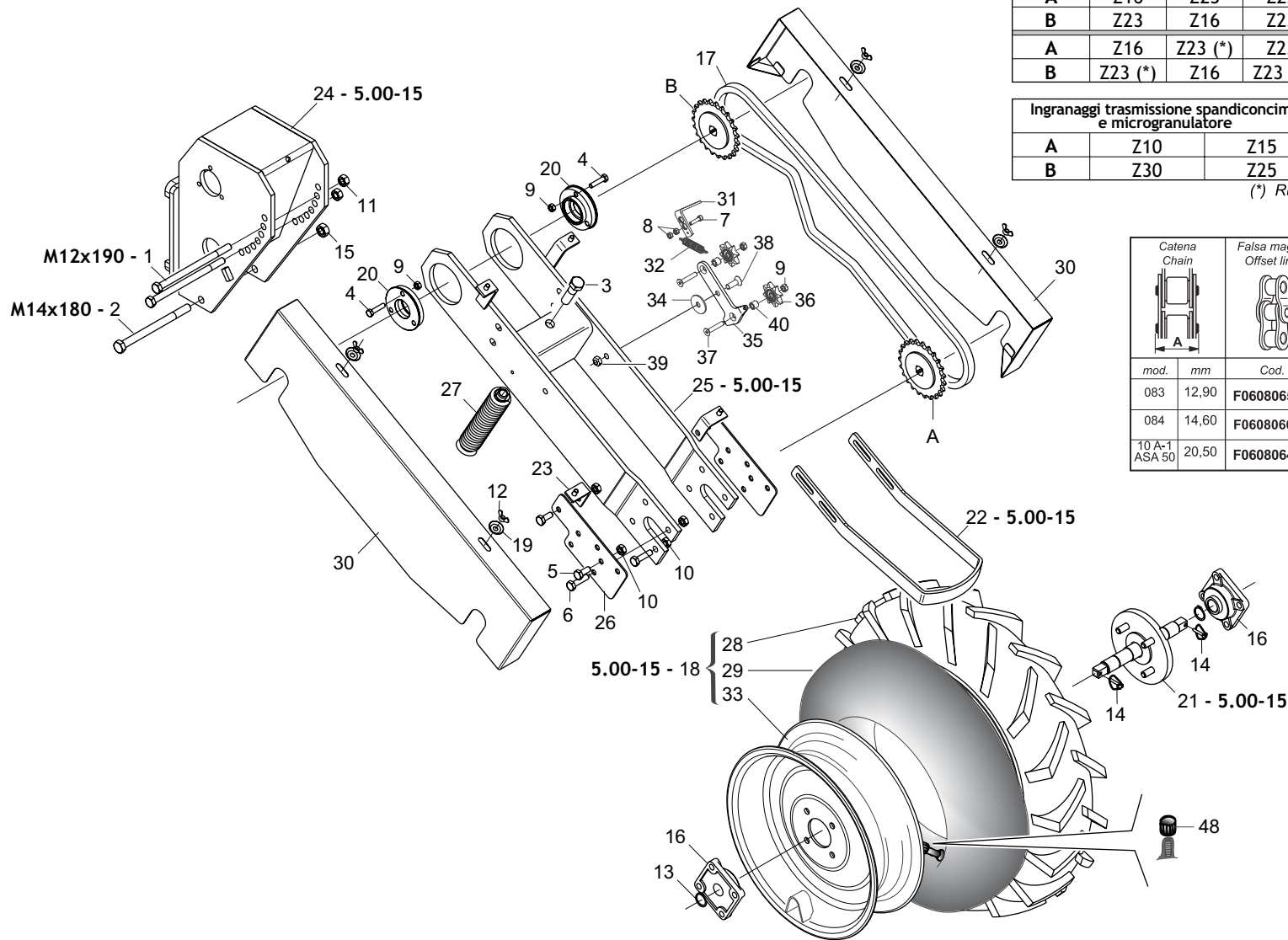


## SCALETTA RUOTE PORTANTI LADDER

TAV. 211

Pos.	Cod.	Descrizione	Description	Description	Benennung	Descripcion
1	F01020440R	VITE M8X1,25X25 U5739 8.8ZN	SCR. M8X1,25X25 U5739 8.8ZN	VIS M8X1,25X25 U5739 8.8 ZN	SCHRAUBE M8X1,25X25U5739 8.8ZN	TORNILLO M8X1,25X25 U5739 8.8
2	F01020445R	VITE M8X1,25X30 U5739 8.8ZN	SCR. M8X1,25X30 U5739 8.8ZN	VIS M 8X1,25X30 U5739 8.8 ZN	SCHRAU. M8X1,25X30 U5739 8.8ZN	TORNILLO M8X1,25X30 U5739 8.8
3	F01020476R	VITE M10X1,5X30 U5739 8.8ZN	SCR. M10X1,5X30 U5739 8.8ZN	VIS M10X1,5X30 U5739 8.8 ZN	SCHRAUBE M10X1,5X30U5739 8.8ZN	TORNILLO M10X1,5X30 U5739 8.8
4	F01030495R	VITE TTCN 90 M8X16 ZN	TTCN 90 BOLT M8X16 GALVANIZED	VIS TTCN 90 M8X16 ZN	SCHRAUBE TTCN 90 M8X16 ZN	TORNILLO TTCN 90 M8X16 ZN
5	F01200244R	DADO M8X1,25 U5588 CL8 ZN	NUT M8X1,25 U5588 6.8ZN	ECROU M8 X1,25 U5588 6.8 ZN	MUTTER M8 X1,25 U5588 6.8 ZN	TUERCA M8X1,25 U5588 CL8 ZN
6	F01220022R	DADO M8X1,25 D980 8ZN	NUT M8X1,25 D980 8ZN	ECROU M8X 1,25 D980 8 ZN	MUTTER M8X 1,25 D980 8 ZN	TUERCA M8X 1,25 D980 8 ZN
7	F01230034R	DADO M8X1,25 D982 8ZN	NUT M8X1,25 D982 8ZN	ECROU M8X 1,25 ZN	MUTTER M8X 1,25 D982 8 ZN	TUERCA M8X1,25 D982 8
8	F01260043R	DADO M8 D6923 8.8ZN	NUT M8 D6923 8.8ZN	ECROU BRIDE .M8 DIN 6923 8.8 Z	GEFLANSCHTE MUTTER M8 DIN6923	TUERCA BRIDA M8 DIN 6923 8.8 Z
9	F01420048R	ROS.M8 8,4X 24X 2 U6593 ZN	WASHER M8 8,4X 24X2 U6593 ZN	RONDELLE M8 8,4X24X 2 U6593 ZN	SCHEIBEN M8 8,4X24X 2 U6593 ZN	ARAND.M8 8,4X 24X 2 U6593 ZN
10	F01420049R	ROS.M8 8,4X 32X 2 U6593 ZN	WASHER M8 8,4X32X2 U6593 ZN	RONDELLA M8 8,4X32X2 U6593 ZN	SCHEIBE M8 8,4X32X2 U6593 ZN	ARAND.M8 8,4X 32X 2 U6593 ZN
11	G15276640R	TERMINALE PEDANA 200 ZN	GALVANIZED PLATFORM END			
12	G15276690R	SUPPORTO PEDANA R.5.0 6.5	PLATFORM SUPPORT R.5.0 6.5			
13	G15171900R	FERMO SCALETTA R5-R6 ZN	LADDER STOP W5-W6 GALV.			
14	G15276701R	SUPPORTO POST.SCALETTA R.5 6.5	REAR STAIRS SUPPORT W.5 6.5			
15	G15276680R	PEDANA 200 X 420 X 58 SP2 ZN	PLATFORM 200X420X58 SP2			
16	G16013500R	SUPPORTO DX PEDANA	RH FOOTPLATE SUPPORT	SUPPORT DRT. MARCHEPIED	RE TRITTBRETTALTERUNG	SOPORTE DER. PLATAFORMA
17	G16013510R	SUPPORTO SX PEDANA	LH FOOTPLATE SUPPORT	SUPPORT GCH.MARCHEPIED	TRITTBRETTALTERUNG LI	SOPORTE IZQ. PLATAFORMA
18	G18801580R	BOCCOLA 8,5 X15 X10	BUSH 8.5 X15 X10	DOUILLE 8,5 X15 X10	BUCHSE 8,5 X15 X10	MANGUITO 8,5 X15 X10
19	F01200270R	DADO M10X1,5 U5588 CL8 ZN	NUT M10X1,5 U5588 6.8ZN	ECROU M10X 1,5 U5588 6.8 ZN	MUTTER M10X 1,5 U5588 6.8 ZN	TUERCA M10X1,5 U5588 CL8 ZN
20	F01020170R	VITE M12X1,75X100 U5737 8.8ZN	SCR. M12X1,75X100 U5737 8.8ZN	VIS M12X1,75X100 5737 8.8 ZN	SCHRA.M12X1,75X100 5737 8.8 ZN	TORN. M12X1,75X100 5737 8.8 ZN
21	F01200293R	DADO M12X1,75 U5588 CL8 ZN	NUT M12X1,75 U5588 6S ZN	ECROU M12X1,75 U5588 6S ZN	MUTTER M12X1,75 U5588 6S ZN	TUERCA M12X1,75 U5588 CL8 ZN
22	F01410076R	ROS.M12 13X 24X2,5 U6592 ZN	WASHER 12 13X 24X2,5 U6592 ZN	RONDEL. M12 13X24X2,5 U6592 ZN	SCHEIBE M12 13X24X2,5 U6592 ZN	ARAND.M12 13X 24X2,5 U6592 ZN
23	F01420060R	ROS.M10 10,5X 30X2,5 U6593 ZG	GALV.WASHER 10,5X30X2,5 U6593	RONDELLE 10,5X30	SCHEIBE 10,5X30	ARAND.M10 10,5X 30X2,5 U6593
24	G20980050R	BOCCOLA 15X7X8,5 ZN	BUSHING 15X7X8-5 ZN	BOITE 15X7X8-5 ZN	BSCHESE 15X7X8-5 ZN	CASQUILLO 15X7X8-5 ZN
25	F01020449R	VITE M8X1,25X35 U5739 8.8ZN	SCR. M8X1,25X35 U5739 8.8ZN	VIS M8X1,25X35 U5739 8.8ZN	SCHRA. M8X1,25X35 U5739 8.8ZN	TORN. M8X1,25X35 U5739 8.8ZN
26	F01020068R	VITE M8X1,25X40 U5737 8.8ZN	SCR. M8X1,25X40 U5737 8.8ZN	VIS M 8X1,25X40 U5737 8.8 ZN	SCHRA. M8X1,25X40 U5737 8.8 ZN	TORNILLO M8X1,25X40 U5737 8.8
27	G15276610R	SUPPORTO PEDANA RUOTA 7.50	PLATFORM SUPPORT			
28	G15276630R	PEDANA 200 X 900 X 58 SP2 ZN	PLATFORM 200X900X58 SP2			
29	G15276650R	PEDANA 200 X 300 X 58 SP2 ZN	PLATFORM 200X300X58 SP2			
30	G15171782R	FIANCO SUPPORTO PEDANE	PLATFORM SUPPORT			
31	G15276560R	SUPPORTO POST.SCALETTA R7,50	REAR STAIRS SUPPORT R7,50			
32	G07000379R	TERMINALE PEDANA ZN	GALVANIZED PLATFORM END	PIECE TERMINALE MARCHEPIED ZN	LAUFSTEGABSCHLUSS ZN	TERMINAL PLATAFORMA ZN
33	G15171840R	SUPPORTO SCALETTA R.5 6,5	STEP LADDER SUPPORT W.5 6,5	SUPPORT ECHELLE R.5 6,5	STUFENHALTERUNG R.5 6,5	SOPORTE ESCALERILLA R.5 6,5
34	G15211540R	SUPPORTO SX SCALETTA	LEFT RAMP SUPPORT	SUPPORT GCH	HALTERUNG LI	SOPORTE IZQ
35	G15312290R	GRADINO	STEP	MARCHE	STUFE	ESCAL N

# 5.00-15



Ingranaggi trasmissione seminatori				Z	Pos.
A	Z16	Z23	Z23		
B	Z23	Z16	Z23		
A	Z16	Z23 (*)	Z23	Z15	42
B	Z23 (*)	Z16	Z23 (*)	Z16	43
				Z23	44
				Z23 (*)	45
Ingranaggi trasmissione spandiconcime e microgranulatore				Z25	46
A	Z10	Z15		Z30	47
B	Z30	Z25			

(\*) Ruota libera - Free wheel

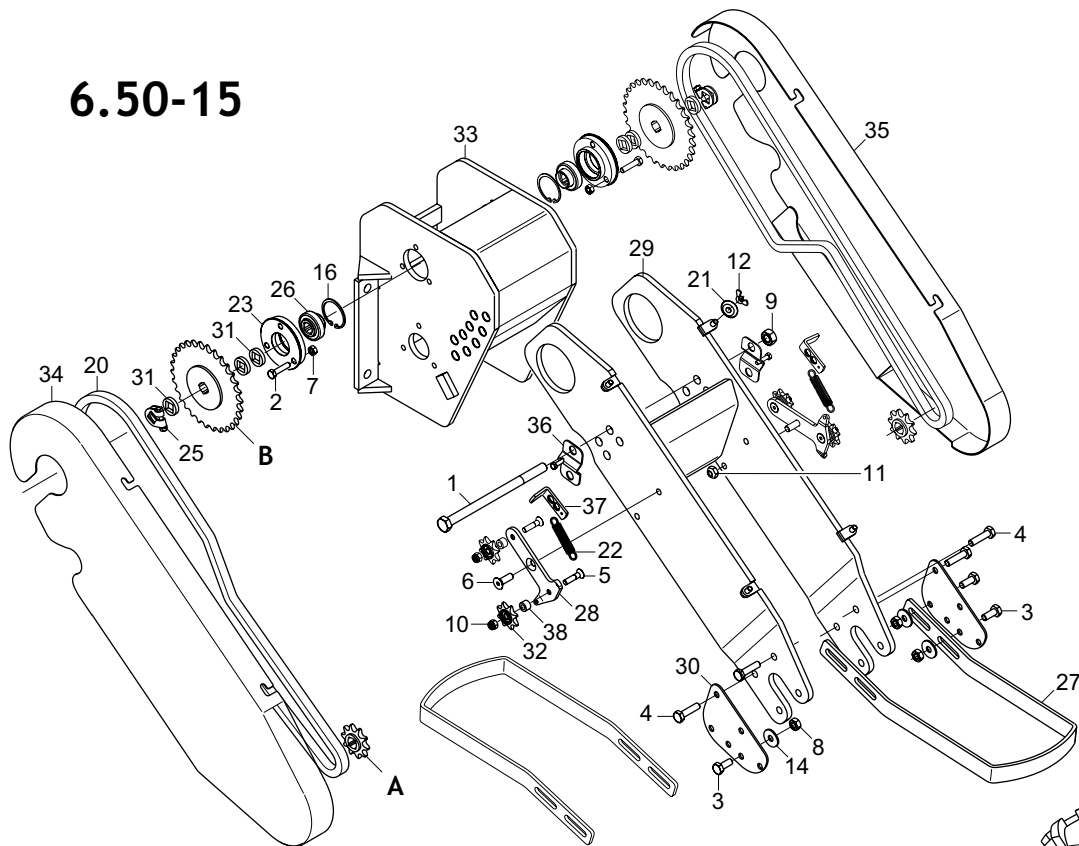
Catena Chain		Falsa maglia Offset link	Maglia giunto Connecting link
mod.	mm	Cod.	Cod.
083	12,90	F06080655 (49)	F06080501 (50)
084	14,60	F06080666 (51)	F06080502 (52)
10 A-1 ASA 50	20,50	F06080644 (53)	F06080499 (54)

**RUOTE REGOLABILI «5.00-15»  
ADJUSTABLE DRIVE WHEELS «5.00-15»**

**TAV. 220**

Pos.	Cod.	Descrizione	Description	Description	Benennung	Descripcion
1	F01020187R	VITE M12X1,75X190 U5737 8.8ZN	SCR. M12X1,75X190 U5737 8.8ZN	VIS M12X1,75X190 U5737 8.8ZN	SCHRA.M12X1,75X190 U5737 8.8ZN	TORN. M12X1,75X190 U5737 8.8ZN
2	F01020229R	VITE M14X2X180 U5737 8.8BR	SCR. M14X2X180 U5737 8.8BR	VIS 14X180 5737 8.G	SCHRAUBE 14X180 5737 8.G	TORNILLO 14X180 5737 8.G
3	F01020256R	VITE M16X2X60 U5737 8.8ZN	SCR. M16X2X60 U5737 8.8ZN	VIS M16X 2X60 U5737 8.8 ZN	SCHRAUBE M16X2X60 U5737 8.8 ZN	TORNILLO M16X2X60 U5737 8.8Z
4	F01020449R	VITE M8X1,25X35 U5739 8.8ZN	SCR. M8X1,25X35 U5739 8.8ZN	VIS M8X1,25X35 U5739 8.8ZN	SCHRA. M8X1,25X35 U5739 8.8ZN	TORN. M8X1,25X35 U5739 8.8ZN
5	F01020472R	VITE M10X1,5X25 U5739 8.8ZN	SCR. M10X1,5X25 U5739 8.8ZN	VIS M10X1,5X25 U5739 8.8 ZN	SCHRAUBE M10X1,5X25 U5739 8.8	TORNILLO M10X1,5X25 U5739 8.8
6	F01020483R	VITE M10X1,5X40 U5739 10.9ZD	SCR. M10X1,5X40 U5739 10.9ZD	VIS M10X1,5X40 U5739 10.9 ZD	SCHRA.M10X1,5X40 U5739 10.9 ZD	TORN. M10X1,5X40 U5739 10.9 ZD
7	F01040052R	VITE M 6X1X25 U5931 8.8 BR	VITE M 6X1X25 U5931 8.8 BR			
8	F01200232R	DADO M6X1 U5588 CL8 ZN	NUT M6X1 U5588 6.8ZN	ECROU 6 UNI 5588 6.8 ZN	MUTTER 6 UNI 5588 6.8 ZN	TUERCA M6X1 U5588 CL8 ZN
9	F01200244R	DADO M8X1,25 U5588 CL8 ZN	NUT M8X1,25 U5588 6.8ZN	ECROU M8 X1,25 U5588 6.8 ZN	MUTTER M8 X1,25 U5588 6.8 ZN	TUERCA M8X1,25 U5588 CL8 ZN
10	F01200270R	DADO M10X1,5 U5588 CL8 ZN	NUT M10X1,5 U5588 6.8ZN	ECROU M10X 1,5 U5588 6.8 ZN	MUTTER M10X 1,5 U5588 6.8 ZN	TUERCA M10X1,5 U5588 CL8 ZN
11	F01200293R	DADO M12X1,75 U5588 CL8 ZN	NUT M12X1,75 U5588 6S ZN	ECROU M12X1,75 U5588 6S ZN	MUTTER M12X1,75 U5588 6S ZN	TUERCA M12X1,75 U5588 CL8 ZN
12	F1240024R	DADO M8X1,25 U5448 5.8ZN	NUT M8X1,25 U5448 5.8ZN	ECROU 8 UNI 5448 5.8 ZN	MUTTER 8 UNI 5448 5.8 ZN	TUERCA 8 UNI 5448 5.8 ZN
13	F02050101R	ANELLO E. DE 25X 1,2 U7435 C7	SEEGER RING E. 25X1,2 7435 C70	SEEGER E. 25X 1,2 U7435 C70	SEEGERING E. 25X 1,2 U7435 C70	ANILLO E. DE 25X 1,2 U7435 C7
14	F02200452R	SPINA SCATTO D.4.4 B 80 ZN	SNAP PIN D4.4 B 80 ZN	FICHE A DETENTE D4.4 B 80 ZN	EINRASTSTIFT D4.4 B 80 ZN	CLAVIJA DE MUELLE D4.4 B 80 ZN
15	F01200306R	DADO M14X2 U5588 CL8 ZN	NUT M14X2 U5588 6.8ZN	ECROU M14X2	MUTTER M14X2	DADO M14X2
16	F04100137R	SUPPORTO FY 25 TF	SUPPORT FY 25 TF			
17	F06080170R	CATENA 5 8 ASA 50 L 98 MAGLIE	CHAIN 5 8 ASA 50 L 98 LINKS	CHAINE 5 8 ASA 50 L 98 MAILLE	KETTE 5 8 ASA 50 L 98 GLIEDER	CADENA 5 8 ASA 50 L 98 ESLABO
18	F06120113R	RUOTA COMPL.5.00-15 6PR DX	COMPL. WHEEL 5.00-15 6PR RH.	ROUE COMPL. 5.00-15 6PR DRT.	RAD KOMPL.5.00-15 6PR RE	RUEDA COMPL.5.00-15 6PR DER.
19	G22220083R	RONDELLA AD IMBOCCO	LEAD-IN WASHER	RONDELLE EMBOUTIE	TRICHTERSCHEIBE	ARANDELA DE MUESCA
20	G22310011R	FLANGIA CAMBIO DP	GEARBOX FLANGE DP	BRIDE BOITE DE VITESSE DP	FLANSCH GETRIEBE DP	BRIDA CAMBIO DP
21	G22270280R	ASSE RUOTA TRASM.NORMALE SP S	NORMAL DRIVE WHEEL AXLE	AXE ROUE ENTRAINEMENT 5.00-15	RADACHSE NORMALER ANTRIEB SP S	EJE RUEDA TRASN. NORMAL SP S
22	G15430090R	RASCHIATERRA	SOIL SCRAPER	RACLEUR	ERDSCHABER	RASCADOR TIERRA
23	G15430110R	SUPPORTO CARTER	CASE SUPPORT	SUPPORT CARTER	HALTERUNG GEHZUSE	SOPORTE C RTER
24	G15430751R	ATTACCO RUOTE REGOLABILI	ADJUSTABLE WHEELS COVER	FIXATION ROUES REGLABLES	REGULIERBARE RADKUPPLUNG	CONEXI N RUEDAS REGULABLES
25	G15430780R	SUPPORTO RUOTA REGOLABILE	ADJUSTABLE WHEEL SUPPORT	SUPPORT ROUE REGLABLE	REGULIARBARES RADLAGER	SOPORTE RUEDA REGULABLE
26	G15430930R	SUPPORTO RASCHIATERRA	SOIL SCRAPER SUPPORT	SUPPORT RACLEUR	HALTERUNG ERDSCHABER	SOPORTE RASCADOR TIERRA
27	G15431180R	MOLLA RUOTE REGOLABILI	ADJUSTABLE WHEEL SPRING	RESSORT ROUES REGLABLES	FEDER EINSTELLB. RZDER	MUELLE RUOTAS REGULABLES
28	F06120170R	COPERTURA 5.00-15 IM 110 6PR	TYRE 500-15 IM110 4PR	COUVERTURE 500-15 IM110 4PR	MANTEL 500-15 IM110 4PR	CUBIERTA 500-15 IM110 4PR
29	F06120134R	CAMERA X R5.00-15 E 6.5 80-15	INNER TUBE R5.00-15 6.5 80-15	CHAMBRE R5.00-15 6.5 80-15	KAMMER R5.00-15 6.5 80-15	CAMARA R5.00-15 6.5 80-15
30	G16630770R	CARTER RUOTE REGOLAB.	ADJUSTABLE WHEEL CASE			
31	G17130140R	LEVA CAMBIO	GEAR LEVER	LEVIER BOITE DE VITESSE	GETRIEBE HEBEL	PALANCA DE CAMBIO
32	G18902970R	MOLLA TRAZ.CAMBIO ZN SP	GALVAN. GEAR TRACT. SPRING SP	RESS. TRACT. BOITE VITESSE ZN	ZUGFEDER GETRIEBE ZN SP	MUELLE TRAC. CAMBIO ZN SP
33	F06120206R	CERCHIO 3.00 D 15 PV RAL 9001	RIM 3.00 D 15 PV RAL 9002			
34	F01420061R	ROS.M10 10,5X 40X2,5 U6593 ZN	WASHER 11X40X2,5 6593 ZN	RONDELLE 11X40X2,5 6593 ZN	UNTERLEGSCHIEBE 11X40X2,5 6593	ARANDELA 11X40X2,5 6593 ZN
35	G15830460R	TENDICATENA SEM. R ZN	SEEDER CHAIN TIGHTENER R	TENDEUR DE CHAINE SEMEUR R	KETTENSANNER SZELEMENT R	SENSOR DE CADENA SEMBRADOR R
36	G16630790R	INGR.Z8 5 8X3 8 TENDICAT.COMPL	GEAR Z8 5 8X3 8 CHAIN			
37	F01030060R	VITE M8X1,25X35 U5933 10.9ZD	SCREW M8X1,25X35 U5933 10.9ZD	VIS M8X1,25X35 U5933 10.9ZD	SCHRA.M8X1,25X35 U5933 10.9ZD	TORNILLO M8X1,25X35 U5933 10.9
38	F01030096R	VITE M10X1,5X30 U5933 10.9ZN	SCR. M10X1,5X30 U5933 10.9ZN			
39	F01220033R	DADO M10X1,5 D980 8ZN	NUT M10X1,5 D980 8ZN	ECROU M10X1,5 D980 8ZN	MUTTER M10X1,5 D980 8ZN	TORN. M10X1,5X30 U5933 10.9 ZN
40	G18801580R	BOCCOLA 8,5 X15 X10	BUSH 8.5 X15 X10	DOUILLE 8,5 X15 X10	BUCHSE 8,5 X15 X10	MANGUITO 8,5 X15 X10
41	G22220113R	INGRANAGGIO Z-10 FERRO	GEAR Z-10 IRON	ENGRENAGE Z-10 FER	ZAHNRAD Z-10 EISEN	ENGRANAJE Z-10 HIERRO
42	G16630390R	PIGNONE Z-15 ZN	PINION Z-15 ZN	PIGNON Z-15 ZN	RITZE Z-15 ZN	PINION Z-15 ZN
43	G16630400R	PIGNONE Z-16 ZN.	PINION Z-16 ZN.	PINION Z-16 ZN.	RITZE Z-16 ZN.	PINION Z-16 ZN.
44	G16630410R	PIGNONE Z-23 ZN.	PINION Z-23 ZN.	PINION Z-23 ZN.	RITZE Z-23 ZN.	PINION Z-23 ZN.
45	G16631120R	INGRANAGGIO R.LIB. Z-23 CSK30	FREE WHEEL GEAR Z-23 CSK30	ENGRENAGE Z23 ROUE LIBRE CSK30	ZAHNRAD FREILAUF Z-23 CSK30	ENGRANAJE R.LIBRE Z-23 CSK30
46	G16630420R	PIGNONE Z-25 ZN.	PINION Z-25 ZN.	PIGNON Z-25 ZN.	RITZE Z-25 ZN.	PINION Z-25 ZN.
47	G16630430R	PIGNONE Z-30 ZN.	PINION Z-30 ZN.	PIGNON Z-30 ZN.	RITZE Z-30 ZN.	PINION Z-30 ZN.
48	F05050025R	CAPPELOTTO PROTEZ. X VALV.PVC	PROTECTION CAP PVC X VALVA	CAPUCHON PROTECION PVC X VALVA	SCHUTZKAPPE PVC X VENTIL	TAPA PROTECION PVC X VALVA
49	F06080655R	FALSA MAGLIA CAT.1 2 ISO 083	FALSE CHAIN LINK 1 2 ISO 083	FAUSSE MAILLE CHAINE 1 2 ISO 0	FALSCHES GLIED 1 2 ISO 083	ESLAB N FICTICIO CAD. 1 2 ISO
50	F06080501R	GIUNZIONE CATENA 1 2 ISO 083	CHAIN JOINT 1 2 ISO 083	JONCTION CHAINE 1 2 ISO 083	KETTENVERBINDUNG 1 2 ISO 083	UNI N CADENA 1 2 ISO 083
51	F06080666R	FALSA MAGLIA CAT.1 2 ISO 084-1				
52	F06080502R	GIUNZIONE CATENA 1 2 ISO 084-1	CHAIN JUNCTION 1 2 ISO 084-1			
53	F06080644R	FALSA MAGLIA CAT.5 8 ASA 50LUB		FAUSSE MAILLE CHAINE ASA 50LUB	FALSCHES GLIED 5 8 ASA 50LUB	ESLAB N FICTICIO CAD.5 8 ASA50
54	F06080499R	GIUNZIONE CATENA 5 8 ASA 50LUB	CHAIN JOINT 5 8 ASA 50LUB	JONCTIONS CHAINE 5 8 ASA 50LUB	KETTENVERBINDUNG 5 8 ASA 50LUB	UNIONES CADENA 5 8 ASA 50LUB

6.50-15



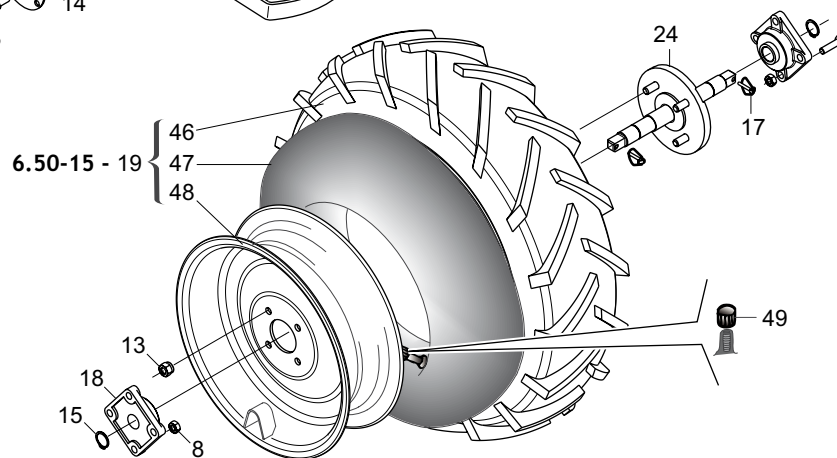
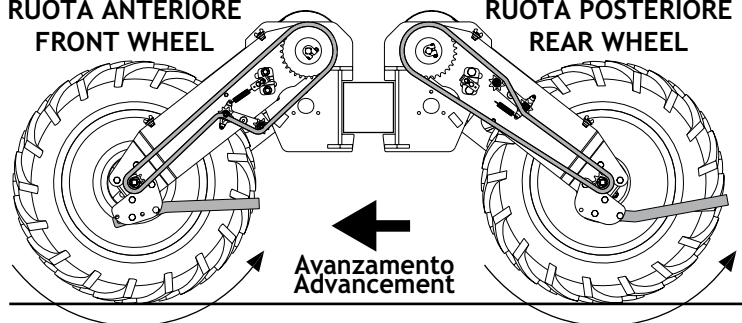
Ingranaggi trasmissione seminatori				Z	Pos.
A	Z16	Z23	Z23		
B	Z23	Z16	Z23	Z10	39
A	Z16	Z23 (*)	Z23	Z15	40
B	Z23 (*)	Z16	Z23 (*)	Z16	41
				Z23	42
Ingranaggi trasmissione spandiconcime e microgranulatore				Z23 (*)	43
A	Z10		Z15	Z25	44
B	Z30		Z25	Z30	45

(\*) Ruota libera - Free wheel

Catena Chain		Falsa maglia Offset link	Maglia giunto Connecting link
mod.	mm	Cod.	Cod.
083	12,90	F06080655 (50)	F06080501 (51)
084	14,60	F06080666 (52)	F06080502 (53)
10 A-1 ASA 50	20,50	F06080644 (54)	F06080499 (55)

RUOTA ANTERIORE  
FRONT WHEEL

RUOTA POSTERIORE  
REAR WHEEL

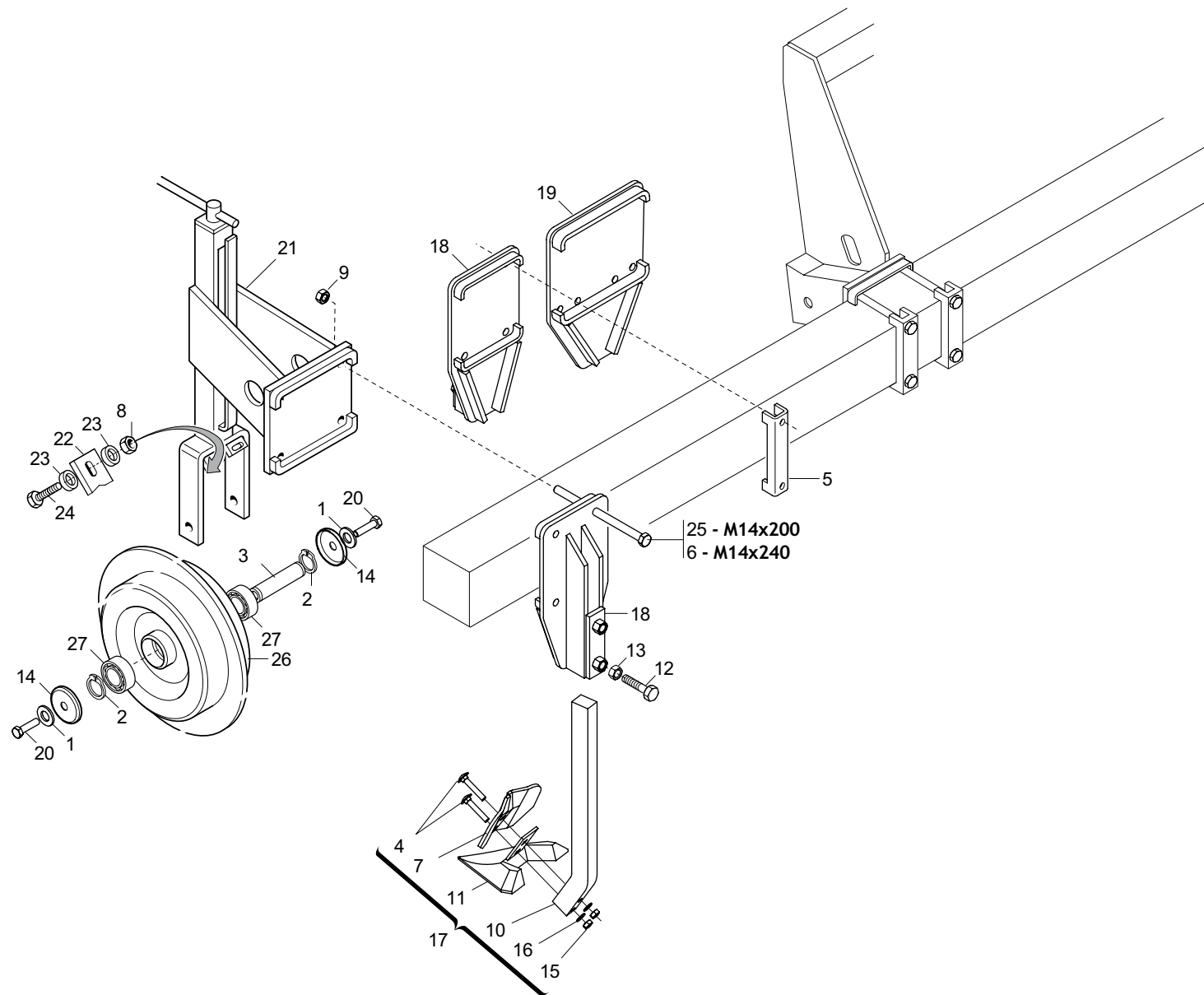




**RUOTE REGOLABILI «6.50-15»  
ADJUSTABLE DRIVE WHEELS «6.50-15»**

**TAV. 230**

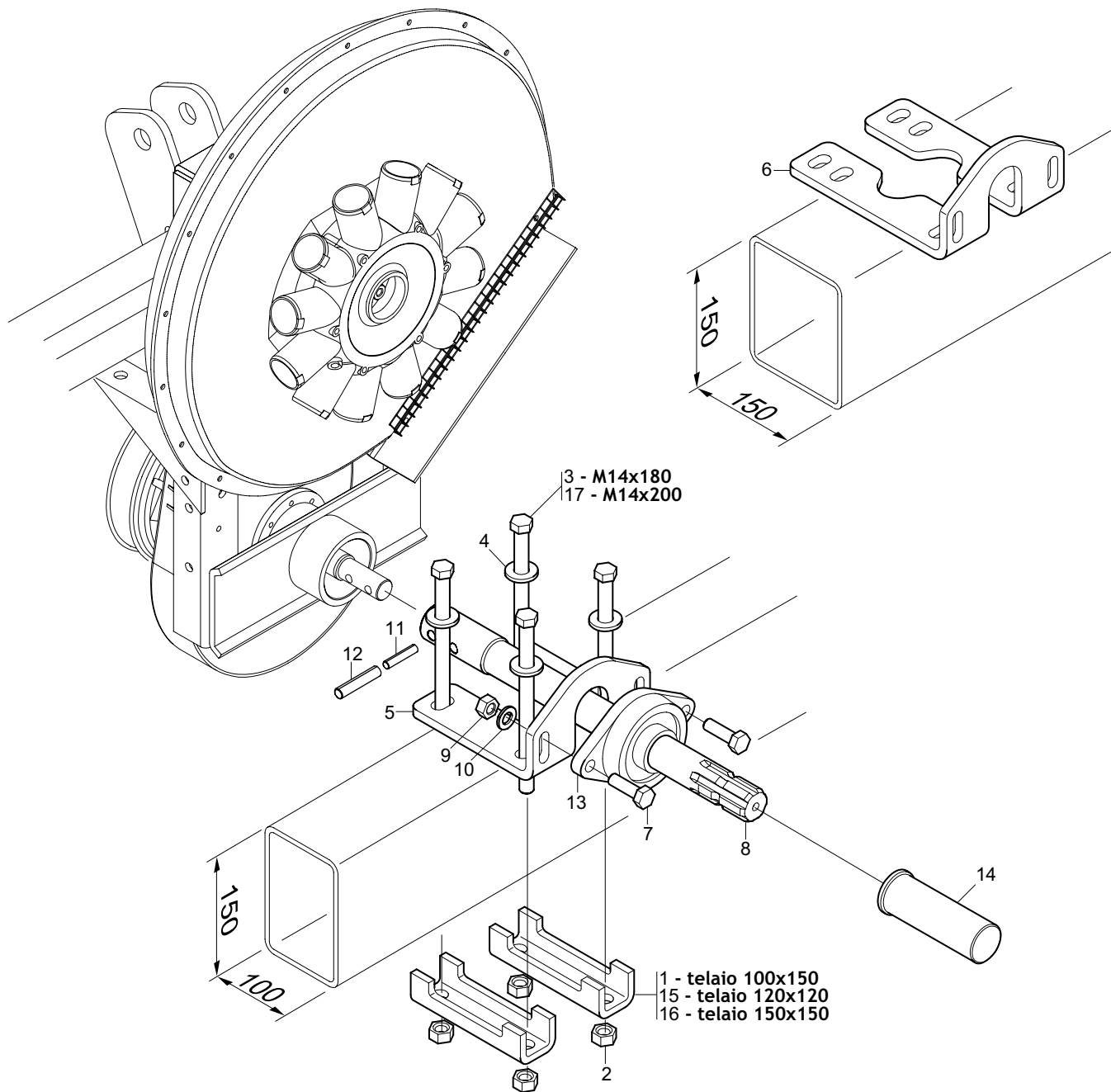
Pos.	Cod.	Descrizione	Description	Description	Benennung	Descripcion
1	F01020236R	VITE M14X2X220 U5737 8.8BR	SCR. M14X2X220 U5737 8.8BR	VIS M14X2X220 U5737 8.8 BR	SCHRAUBE M14X2X220 U5737 8.8	TORNILLO M14X2X220 U5737 8.8
2	F01020449R	VITE M8X1,25X35 U5739 8.8ZN	SCR. M8X1,25X35 U5739 8.8ZN	VIS M8X1,25X35 U5739 8.8ZN	SCHRA. M8X1,25X35 U5739 8.8ZN	TORN. M8X1,25X35 U5739 8.8ZN
3	F01020472R	VITE M10X1,5X25 U5739 8.8ZN	SCR. M10X1,5X25 U5739 8.8ZN	VIS M10X1,5X25 U5739 8.8 ZN	SCHRAUBE M10X1,5X25 U5739 8.8	TORNILLO M10X1,5X25 U5739 8.8
4	F01020483R	VITE M10X1,5X40 U5739 10.9ZD	SCR. M10X1,5X40 U5739 10.9ZD	VIS M10X1,5X40 U5739 10.9 ZD	SCHRA.M10X1,5X40 U5739 10.9 ZD	TORN. M10X1,5X40 U5739 10.9 ZD
5	F01030060R	VITE M8X1,25X35 U5933 10.9ZD	SCREW M8X1,25X35 U5933 10.9ZD	VIS M8X1,25X35 U5933 10.9ZD	SCHRA.M8X1,25X35 U5933 10.9ZD	TORNILLO M8X1,25X35 U5933 10.9
6	F01030096R	VITE M10X1,5X30 U5933 10.9ZN	SCR. M10X1,5X30 U5933 10.9ZN			TORN. M10X1,5X30 U5933 10.9 ZN
7	F01200244R	DADO M8X1,25 U5588 CL8 ZN	NUT M8X1,25 U5588 6.8ZN	ECROU M8 X1,25 U5588 6.8 ZN	MUTTER M8 X1,25 U5588 6.8 ZN	TUERCA M8X1,25 U5588 CL8 ZN
8	F01200270R	DADO M10X1,5 U5588 CL8 ZN	NUT M10X1,5 U5588 6.8ZN	ECROU M10X 1,5 U5588 6.8 ZN	MUTTER M10X 1,5 U5588 6.8 ZN	TUERCA M10X1,5 U5588 CL8 ZN
9	F01200306R	DADO M14X2 U5588 CL8 ZN	NUT M14X2 U5588 6.8ZN	ECROU M14X2	MUTTER M14X2	DADO M14X2
10	F01230034R	DADO M8X1,25 D982 8ZN	NUT M8X1,25 D982 8ZN	ECROU M8X 1,25 ZN	MUTTER M8X 1,25 D982 8 ZN	TUERCA M8X1,25 D982 8
11	F01220033R	DADO M10X1,5 D980 8ZN	NUT M10X1,5 D980 8ZN	ECROU M10X1,5 D980 8ZN	MUTTER M10X1,5 D980 8ZN	TUERCA M10X1,5 D980 8
12	F01240024R	DADO M8X1,25 U5448 5.8ZN	NUT M8X1,25 U5448 5.8ZN	ECROU 8 UNI 5448 5.8 ZN	MUTTER 8 UNI 5448 5.8 ZN	TUERCA 8 UNI 5448 5.8 ZN
13	F01250040R	DADO COLON. 12X1.5 ZN	COLUMN NUT M12X1.5 STUD BOLT	ECROU M12X1. 5 COLONNE	SCHRAUBBOLZENMUTTER M12X1.5	TUERCA 12X1.5 COLUMNA
14	F01420060R	ROS.M10 10,5X 30X2,5 U6593 ZG	GALV.WASHER 10,5X30X2,5 U6593	RONDELLE 10,5X30	SCHEIBE 10,5X30	ARAND.M10 10,5X 30X2,5 U6593
15	F02050101R	ANELLO E. DE 25X 1,2 U7435 C7	SEEGER RING E. 25X1,2 7435 C70	SEEGER E. 25X 1,2 U7435 C70	SEEGERING E. 25X 1,2 U7435 C70	ANILLO E. DE 25X 1,2 U7435 C7
16	F02050370R	ANELLO E. DI 47X1,75 U7437 C70	SEEGER RING 47X 1,75 U7437 C70	SEEGER E. 47X 1,75 U7437 C70	SEEGERING E. 47X1,75 U7437 C70	ANILLO E. 47X 1,75 U7437 C70
17	F02200452R	SPINA SCATTO D.4,4 B 80 ZN	SNAP PIN D4.4 B 80 ZN	SNAP PIN D4.4 B 80 ZN	FICHE A DETENTE D4.4 B 80 ZN	CLAVIJA DE MUELLE D4,4 B 80 ZN
18	F04100137R	SUPPORTO FY 25 TF	SUPPORT FY 25 TF			
19	F06120116R	RUOTA GOMMATA LARGA DX COMPL.	UPLEFT- WIDE RUBBERED WHEEL			
20	F06080176R	CATENA 5 8 ISO 10B 102 MAGLIE	CHAIN 5 8 ASA 50 L 102 LINKS	CHAINE 5 8 ASA 50 L 102 MAILLE	KETTE 5 8 ASA 50 L 102 GLIEDER	CADENA 5 8 ASA 50 L 102 ESLABO
21	G22220083R	RONDELLA AD IMBOCCO	LEAD-IN WASHER	RONDELLE EMBOUTIE	TRICHTERSCHEIBE	ARANDELA DE MUESCA
22	G18902970R	MOLLA TRAZ.CAMBIO ZN SP	GALVAN. GEAR TRACT. SPRING SP	RESS. TRACT. BOITE VITESSE ZN	ZUGFEDER GETRIEBE ZN SP	MUELLE TRAC. CAMBIO ZN SP
23	G22310011R	FLANGIA CAMBIO DP	GEARBOX FLANGE DP	BRIDE BOITE DE VITESSE DP	FLANSCH GETRIEBE DP	BRIDA CAMBIO DP
24	G22270281R	ASSE RUOTA TRASM.MAGG. SP S	INCREASED DRIVE WHEEL AXLE	AXE ROUE ENTRAINEMENT 6.50-15	RADACHSE SBERBEM. ANTRIEB SP S	EJE RUEDA TRANS. SOBREDIMENS.
25	G22505085R	FERMO ASSE IN LAMIERA	PLATE AXLE STOP	ARRET AXE EN TOLE	FESTSTELLVORRICHTUNG BLECHACHS	BLOQUEO EJE DE CHAPA
26	G14830390R	CUSCINETTO FORO QUADRO	SQUARE-HOLED BEARING	ROULEMENT TROU CARRE	VIERKANTLAGER	COJINETE ORIFICIO CUADRADO
27	G15430660R	RASCHIATERRA MAGGIORATO SP 530	INCREASED SOIL-SCRAPER SP 530	RACLEUR MAJOR. SP 530	SBERGROSSER ERDSCHABER SP 530	RASCADOR TIERRA OBREDIMENS. SP
28	G15830460R	TENDICATENA SEM. R ZN	SEEDER CHAIN TIGHTENER R	TENDEUR DE CHAINE SEMEUR R	KETTENSPELLER SZELEMENT R	SENSOR DE CADENA SEMBRADOR R
29	G16630960R	SUPPORTO RUOTA REGOLABILE 6.50	ADJUSTABLE WHEEL SUPPORT 6,50			
30	G16630910R	SUPPORTO RASCHIATERRA RR	SOIL SCRAPER SUPPORT			
31	G66248218R	RONDELLA DISTAN.SPAND.	MAN. SPR. SPACER WASHER	RONDELLE ENTRETOISE EP. ENGRAI	ABSTANDSCHEIBE DSNGERSTREUER	ARANDELA DISTAN.ABONAD.
32	G16630790R	INGR.Z8 5 8X3 8 TENDICAT.COMPL	GEAR Z8 5 8X3 8 CHAIN			
33	G16631050R	SCATOLA RUOTA REG.6,5	ADJUSTABLE WHEEL BOX			
34	G16631010R	CARTER RUOTE REG. 6,50 SX	ADJUSTABLE WHEEL CASE 6,50 LH			
35	G16631020R	CARTER RUOTE REG. 6,50 DX	ADJUSTABLE WHEEL CASE 6,50 RH			
36	G16631100R	FERMO TENDICATENA	CHAIN-STRETCHER STOP			
37	G17130140R	LEVA CAMBIO	GEAR LEVER	LEVIER BOITE DE VITESSE	GETRIEBE HEBEL	PALANCA DE CAMBIO
38	G18801580R	BOCCOLA 8,5 X15 X10	BUSH 8.5 X15 X10	DOUILLE 8,5 X15 X10	BUCHSE 8,5 X15 X10	MANGUITO 8,5 X15 X10
39	G22220113R	INGRANAGGIO Z-10 FERRO	GEAR Z-10 IRON	ENGRENAGE Z-10 FER	ZAHNRAD Z-10 EISEN	ENGRANAJE Z-10 HIERRO
40	G16630390R	PIGNONE Z-15 ZN	PINION Z-15 ZN	PIGNON Z-15 ZN	RITZE Z-15 ZN	PINION Z-15 ZN
41	G16630400R	PIGNONE Z-16 ZN.	PINION Z-16 ZN.	PIGNON Z-16 ZN.	RITZE Z-16 ZN.	PINION Z-16 ZN.
42	G16630410R	PIGNONE Z-23 ZN.	PINION Z-23 ZN.	PIGNON Z-23 ZN.	RITZE Z-23 ZN.	PINION Z-23 ZN.
43	G16631120R	INGRANAGGIO R.LIB. Z-23 CSK30	FREE WHEEL GEAR Z-23 CSK30	ENGRENAGE Z23 ROUE LIBRE CSK30	ZAHNRAD FREILAUF Z-23 CSK30	ENGRANAJE R.LIBRE Z-23 CSK30
44	G16630420R	PIGNONE Z-25 ZN.	PINION Z-25 ZN.	PIGNON Z-25 ZN.	RITZE Z-25 ZN.	PINION Z-25 ZN.
45	G16630430R	PIGNONE Z-30 ZN.	PINION Z-30 ZN.	PIGNON Z-30 ZN.	RITZE Z-30 ZN.	PINION Z-30 ZN.
46	F06120180R	COPERTURA 6.5-15 IM 110 6PR	TYRE 6.5-15 IM 110 6PR			
47	F06120134R	CAMERA X R5.00-15 E 6.5 80-15	INNER TUBE R5.00-15 6.5 80-15	CHAMBRE R5.00-15 6.5 80-15	KAMMER R5.00-15 6.5 80-15	CAMARA R5.00-15 6.5 80-15
48	F06120207R	CERCHIO 5J 15 H2 PV RAL 9001	RIM 5J 15 H2 PV RAL 9001			
49	F05050025R	CAPPELOTTO PROTEZ. X VALV.PVC	PROTECTION CAP PVC X VALVA	CAPUCHON PROTECION PVC X VALVA	SCHUTZKAPPE PVC X VENTIL	TAPA PROTECION PVC X VALVA
50	F06080655R	FALSA MAGLIA CAT.1 2 ISO 083	FALSE CHAIN LINK 1 2 ISO 083	FAUSSE MAILLE CHAINE 1 2 ISO 0	FALSCHES GLIED 1 2 ISO 083	ESLAB N FICTICIO CAD. 1 2 ISO
51	F06080501R	GIUNZIONE CATENA 1 2 ISO 083	CHAIN JOINT 1 2 ISO 083	JONCTION CHAINE 1 2 ISO 083	KETTENVERBINDUNG 1 2 ISO 083	UNI N CADENA 1 2 ISO 083
52	F06080666R	FALSA MAGLIA CAT.1 2 ISO 084-1				
53	F06080502R	GIUNZIONE CATENA 1 2 ISO 084-1	CHAIN JUNCTION 1 2 ISO 084-1			
54	F06080644R	FALSA MAGLIA CAT.5 8 ASA 50LUB		FAUSSE MAILLE CHAINE ASA 50LUB	FALSCHES GLIED 5 8 ASA 50LUB	ESLAB N FICTICIO CAD.5 8 ASA50
55	F06080499R	GIUNZIONE CATENA 5 8 ASA 50LUB	CHAIN JOINT 5 8 ASA 50LUB	JONCTIONS CHAINE 5 8 ASA 50LUB	KETTENVERBINDUNG 5 8 ASA 50LUB	UNIONES CADENA 5 8 ASA 50LUB



## RINCALZATORE RIDGING BODY

TAV. 240

Pos.	Cod.	Descrizione	Description	Description	Benennung	Description
1	F01410076R	ROS.M12 13X 24X2,5 U6592 ZN	WASHER 12 13X 24X2,5 U6592 ZN	RONDEL. M12 13X24X2,5 U6592 ZN	SCHEIBE M12 13X24X2,5 U6592 ZN	ARAND.M12 13X 24X2,5 U6592 ZN
2	F02050101R	ANELLO E. DE 25X 1,2 U7435 C7	SEEGER RING E. 25X1,2 7435 C70	SEEGER E. 25X 1,2 U7435 C70	SEEGERING E. 25X 1,2 U7435 C70	ANILLO E. DE 25X 1,2 U7435 C7
3	G23430059R	PERNO RUOTA	WHEEL PIN	PIVOT ROUE	RADZAPFEN	PERNO RUEDA
4	F01060091R	VITE M10X1,5X70 U5731 8.8ZN	SCREW M10X1,5X70 U5731 8.8 GAL			
5	G15110091R	SCONTRO A U	CONTRA U	BRIDE 150 MM	ANSCHLAG	ELEMENTO DE EMPALME
6	F01020238R	VITE M14X2X240 U5737 8.8BR	SCR. M14X2X240 U5737 8.8BR	VIS M 14 X240 5737 8.G	SCHRAUBE M 14 X240 5737 8.G	TORNILLO M 14 X240 5737 8.G
7	G23440084R	VOMERE SUPPLEMENTARE HL LM	PLOUGH-SHARE- SUPPLEM. HL LM	SOC SUPPLEMENTAIRE HL LM	ZUSSTZLICHE SCHAR HL LM	REJA SUPLEMENTARIA HL LM
8	F01200244R	DADO M8X1,25 U5588 CL8 ZN	NUT M8X1,25 U5588 6.8ZN	ECROU M8 X1,25 U5588 6.8 ZN	MUTTER M8 X1,25 U5588 6.8 ZN	TUERCA M8X1,25 U5588 CL8 ZN
9	F01200306R	DADO M14X2 U5588 CL8 ZN	NUT M14X2 U5588 6.8ZN	ECROU M14X2	MUTTER M14X2	DADO M14X2
10	G23440087R	GAMBO ZAPPA POST. HL	SHANK - REAR HOE HL	TIGE HOUE ARRIERE HL	SCHAFT HINT. MESSER HL	V STAGO AZADA TRAS. HL
11	G23420051R	ZAPPA POSTERIORE DA 215 LM	HOE- REAR- 215 LM	HOUE ARRIERE DE 215 LM	MESSER HINTEN 215 LM	AZADA TRASERA DE 215 LM
12	F01020571R	VITE M16X2X50 U5739 8.8ZN	SCR. M16X2X50 U5739 8.8ZN	VIS M16X2X50 U5739 8.8 ZN	SCHRAUBE M16 X2X50 U5739 8.8ZN	TORNILLO M16X2X50 U5739 8
13	F01200444R	DADO M16X2 U5589 CL8 ZN 6SZN	NUT M16X2 U5589 6SZN	ECROU M16X2	MUTTER M16X2	TUERCA M16X2 U5589 CL8 ZN 6S
14	G18705130R	ROND.FOND.12,5 X62 X1,5X11	BOTTOM WASHER 12.5 X 62 X 1.5	ROND. FOND. 12-5 X62 X1-5X11	BODENSCHLEIBE 12-5 X62 X1-5X11	ARANDELA 12-5 X62 X1-5X11
15	F01200269R	DADO M10X1,5 U5588 CL8 BR6.8BR	NUT M10X1,5 U5588 6.8BR	ECROU 10 UNI 5588 6.8	MUTTER 10 UNI 5588 6.8	TUERCA 10 UNI 5588 6.8
16	F01430023R	ROS.M10 10,5X 18X0,9 U8842J Z	WASHER D10 DIN 6798 D.INT.ZN	RONDELLE D10 DIN 6798 D. INT.	UNT. SCHEIBE D10 DIN 6798 D.IN	ARANDELA D10 DIN 6798 D.INT.ZN
17	G16630720R	RINCALZATORE ECON. COMPL	RIDGER ECON. COMPLETE			
18	G15430842R	SUPPORTO RINCALZATORE LAT.	LATERAL RIDGER SUPPORT			
19	G15431001R	SUPPORTO RINCALZ.CENTRALE	CENTRAL RIDGER SUPPORT			
20	F01020528R	VITE M12X1,75X40 U5739 10.9ZN	BOLT M12X1,75X40 U5739 10.9ZN	VIS M12X1,75X40 U5739 10.9 ZN	SCHR.M12X1,75X40 U5739 10.9 ZN	TORN.M12X1,75X40 U5739 10.9 ZN
21	G15430891R	SUPPORTO RUOTA DI PROFONDITA	FROF. WHEEL SUPPORT	SUPPORT ROUE FROF.	HALTERUNG TIEFEN RAD	SOPORTE RUEDA FROF
22	G23440074R	RASCHIATERRA RUOTA STERZ. HL	STEERING WHEEL SOIL-SCRAPER HL	RACLEUR ROUE BRAQUANTE HL	ERDSCHABER LENKRAD HL	RASCADOR TIERRA RUEDA ORIENTAB
23	F01410051R	ROS.M8 8,4X 17X1,6 U6592 ZN	WASHER M8 8,4X17X1,6 U6592 ZN	RONDELLE M8 8,4X17X1,6 ZN	SCHEIBE M8 8,4X17X1,6 U6592 ZN	ARAND.M8 8,4X 17X1,6 U6592 ZN
24	F01020436R	VITE M8X1,25X20 U5739 8.8ZN	SCR. M8X1,25X20 U5739 8.8ZN	VIS M8X1,25X 20 U5739 8.8 ZN	SCHRAUBE M8X1,25X20U5739 8.8ZN	TORNILLO M8X1,25X20 U5739 8.8
25	F01020233R	VITE M14X2X200 U5737 8.8BR	SCR. M14X2X200 U5737 8.8BR	VIS M14X2X 200 U5737 8.8 ZB	SCHRAUBE M14X 2X200 U5737 8.8	TORNILLO M14X2X200 5737 8.8 ZB
26	G13610620R	RUOTA COMPLETA 320X100 CRESTA	WHEEL ASS.BLY 320X100 CREST			
27	F04010170R	CUSC.D25 D52 B15 6205 2RS EX	BEARING D25 D52 B15 6205 2RS	ROULEMENT 6205 2RS	LAGER 6205 2RS	COJIN.D25 D52 B15 6205 2RS EX

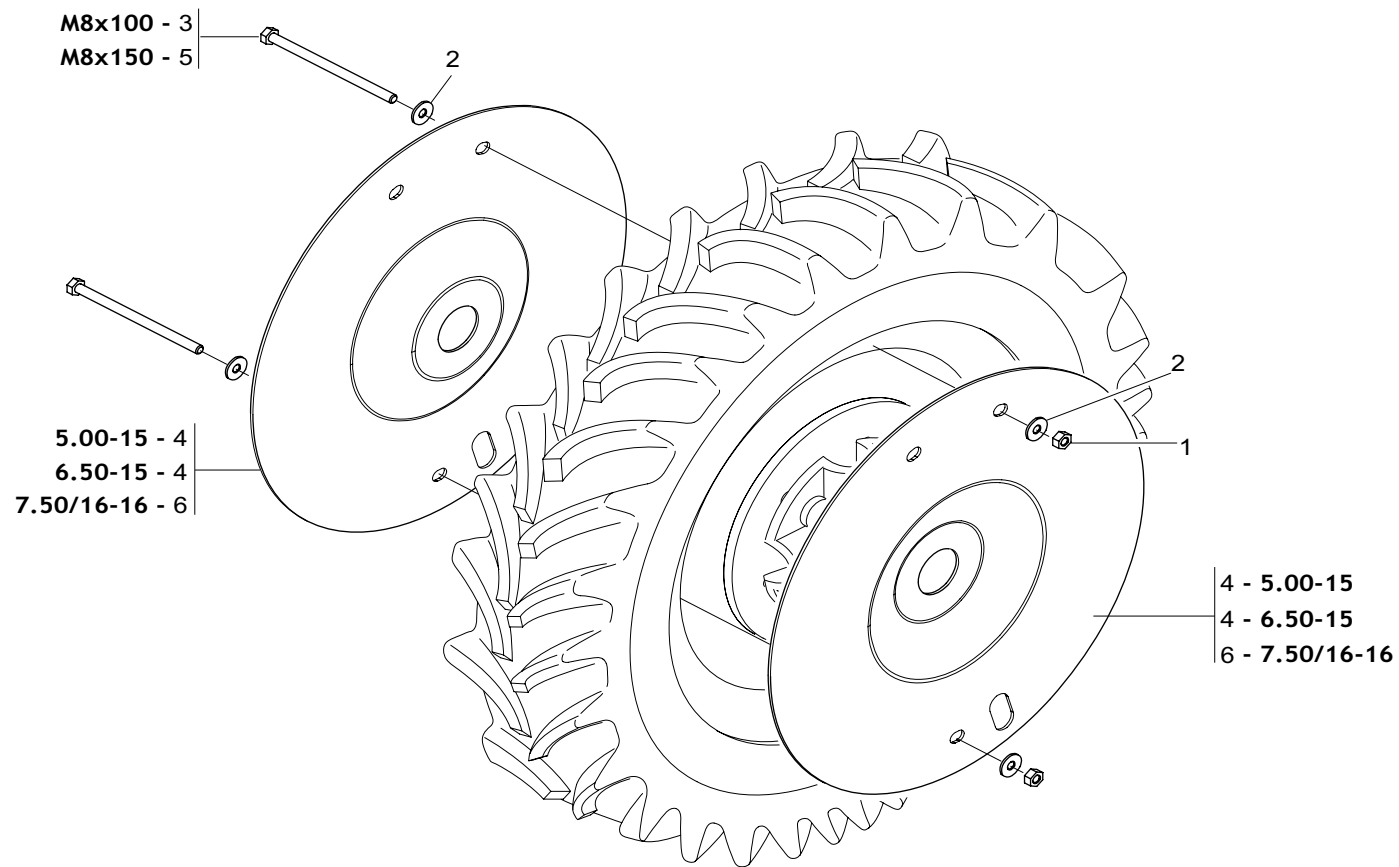


**PRESA DI POTENZA POSTERIORE  
REAR PTO SHAFT**

**TAV. 250**

Pos.	Cod.	Descrizione	Description	Description	Benennung	Descripcion
1	G13710561R	SCONTRO A U SP.10 2F16,5 118	U-SHAPED PLAT.SP.10 2F16,5 118			
2	F01200306R	DADO M14X2 U5588 CL8 ZN	NUT M14X2 U5588 6.8ZN	ECROU M14X2	MUTTER M14X2	DADO M14X2
3	F01020229R	VITE M14X2X180 U5737 8.8BR	SCR. M14X2X180 U5737 8.8BR	VIS 14X180 5737 8.G	SCHRAUBE 14X180 5737 8.G	TORNILLO 14X180 5737 8.G
4	F01410088R	ROS.M14 15X 28X2,5 U6592 ZN	WAS.M14 15X 28X2,5 U6592 ZB	RON.M14 15X 28X2,5 U6592 ZB	SCH.M14 15X 28X2,5 U6592 ZB	ARA.M14 15X 28X2,5 U6592 ZB
5	G14850040R	SUPPORTO PDP POST. T.100	PDP REAR SUPPORT T.100	SUPPORT ARRIERE PDP T.100	HINT. HALTERUNG PDP T.100	SOPORTE TRASERO TDP T.100
6	G14850050R	SUPPORTO PRESA DI POTENZA	PTO SUPPORT	SUPPORT PRISE DE FORCE	ZAPFWELLENHALTERUNG	SOPORTE TOMA DE FUERZA
7	F01020528R	VITE M12X1,75X40 U5739 10.9ZN	BOLT M12X1,75X40 U5739 10.9ZN	VIS M12X1,75X40 U5739 10.9 ZN	SCHR.M12X1,75X40 U5739 10.9 ZN	TORN.M12X1,75X40 U5739 10.9 ZN
8	G14850030R	PRESA DI POTENZA POSTERIORE	REAR POWER TAKE-OFF	PRISE DE FORCE ARRI RE	HINTERE LEISTUNGSABNAHME	TOMA DE FUERZA TRASERA
9	F01220048R	DADO M12X1,75 D980 8ZN	NUT M12X1,75 D980 8ZN	ECROU M12X1,75 D980 8 ZN	SCHEIBE M12X1,75 D980 8 ZN	TUERCA M12X1,75 D980 8 ZN
10	F01410076R	ROS.M12 13X 24X2,5 U6592 ZN	WASHER 12 13X 24X2,5 U6592 ZN	RONDEL. M12 13X24X2,5 U6592 ZN	SCHEIBE M12 13X24X2,5 U6592 ZN	ARAND.M12 13X 24X2,5 U6592 ZN
11	F02100121R	SPINA E.P. 6X 40 U6873 C70 BR	ELASTIC PIN 6X40	GOUJON ELASTIQUE 6X40	SPANNHUELSE 6X40	PASADOR 6X40
12	F02100161R	SPINA E.P. 10X 40 U6873 C70 B	PIN EL. 10 X40 DIN 1481	FICHE EL. 10 X40 DIN 1481	SPANNSTIFT 10X40 DIN 1481	CLAVIJA EL.10 X40 DIN 1481
13	F04100139R	SUPPORTO FY TB35 TF	SUPPORT FY TB35 TF	SUPPORT FY TB35 TF	HALTERUNG FY TP35 TF	SOPORTE FY TB35 TF
14	M38100146R	MANICOTTO PROTEZIONE PDF 1 3 8	P.T.O. PROTECTION	MANCHON DE PROTECTION P.T.O.	ZAPFWELLENSCHUTZ P.T.O.	MANGUITO PROTECCION P.T.O.
15	G14255000R	SCONTRO 120	STRIKER 120	BUTEE 120	ANSCHLAG 120	ELEM. DE EMPALME 120
16	G15110091R	SCONTRO A U	CONTRA U	BRIDE 150 MM	ANSCHLAG	ELEMENTO DE EMPALME
17	F01020233R	VITE M14X2X200 U5737 8.8BR	SCR. M14X2X200 U5737 8.8BR	VIS M14X2X 200 U5737 8.8 ZB	SCHRAUBE M14X 2X200 U5737 8.8	TORNILLO M14X2X200 5737 8.8 ZB

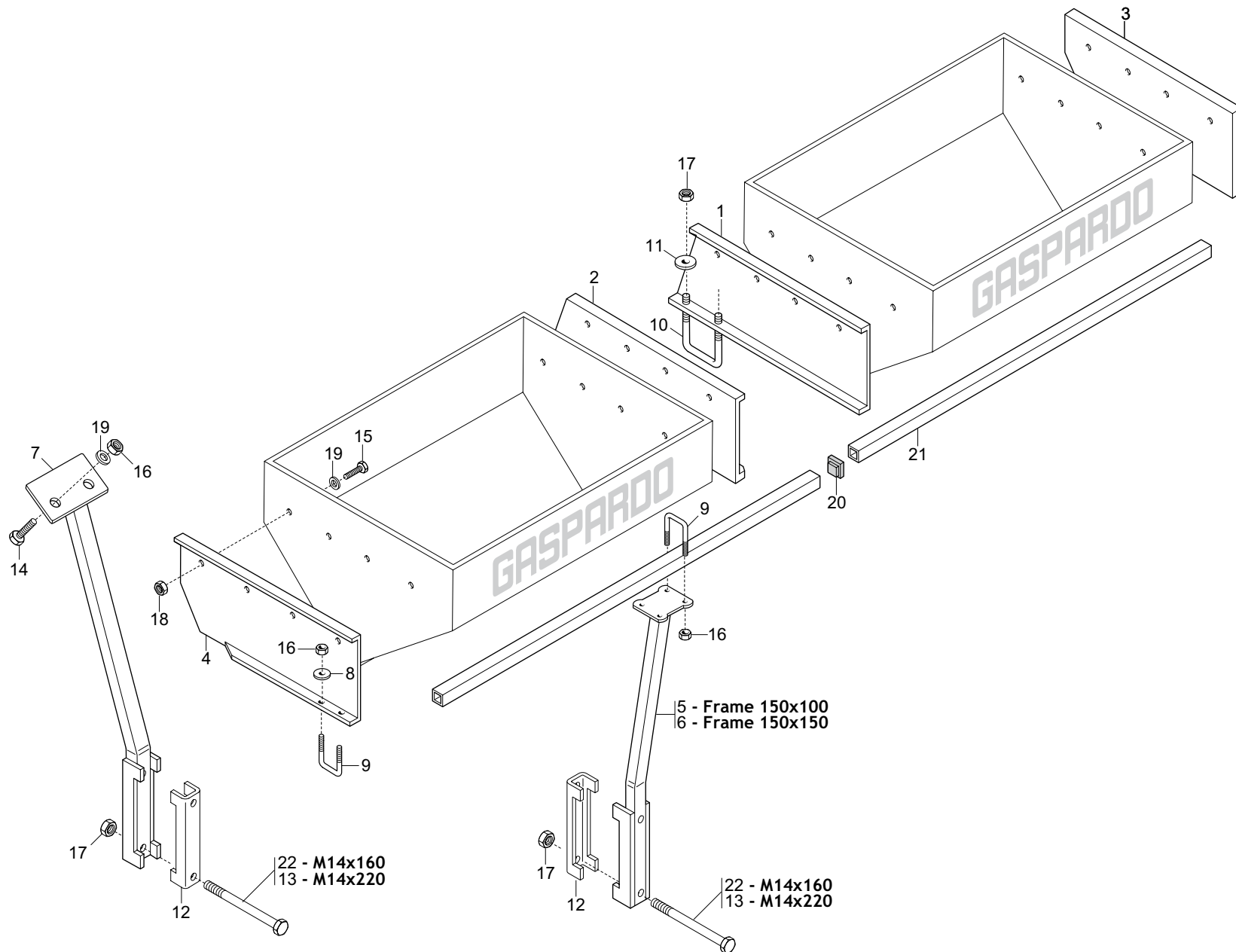
# 5.00-15 / 6.50-15 / 7.50/16-16



**KIT RUOTE PER TERRENI SASSOSI - FLANGIATURA RUOTE  
WHEELS FOR STONY GROUND KIT - FRINGING FOR WHEELS**

TAV. 260

Pos.	Cod.	Descrizione	Description	Description	Benennung	Descripcion
1	F01220022R	DADO M8X1,25 D980 8ZN	NUT M8X1,25 D980 8ZN	ECROU M8X 1,25 D980 8 ZN	MUTTER M8X 1,25 D980 8 ZN	TUERCA M8X 1,25 D980 8 ZN
2	F01420048R	ROS.M8 8,4X 24X 2 U6593 ZN	WASHER M8 8,4X 24X2 U6593 ZN	RONDELLE M8 8,4X24X 2 U6593 ZN	SCHEIBEN M8 8,4X24X 2 U6593 ZN	ARAND.M8 8,4X 24X 2 U6593 ZN
3	F01020090R	VITE M8X1,25X100 U5737 8.8ZN	SCR. M8X1,25X100 U5737 8.8ZN	VIS M8X1,25X100 U5737 8.8ZN	SCRAU. M8X1,25X100 U5737 8.8ZN	TORN. M8X1,25X100 U5737 8.8ZN
4	G14830221R	DISCO PROTEZIONE SASSI	DISK PROTECTIONS SASSI			
5	F01020097R	VITE M8X1,25X150 U5737 8.8ZN	SCR. M8X1,25X150 U5737 8.8ZN	VIS 8 X150 5737 8.G ZN	SCHRAUBE 8 X150 5737 8.G ZN	TORNILLO 8 X150 5737 8.G ZN
6	G15231910R	DISCO PROTEZIONE SASSI R7.50	STONE GUARD DISK R7.50			



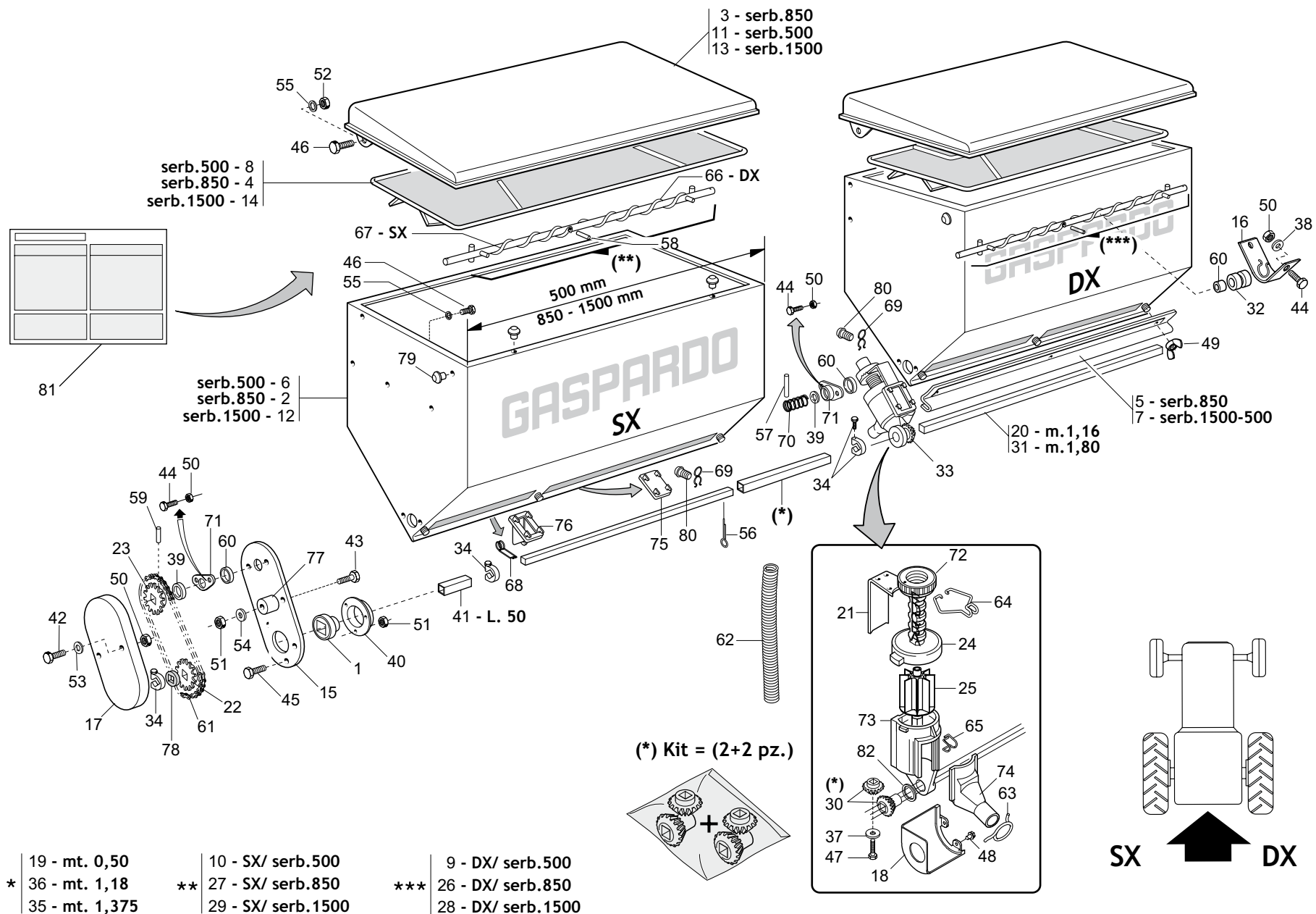


**SUPPORTI SERBATOI SPANDICONCIME FERRO  
SUPPORTS FOR METAL FERTILIZER DISTRIBUTOR**

TAV. 270

Pos.	Cod.	Descrizione	Description	Description	Benennung	Descripcion
1	G15470632R	SUPP.SPANDI CENTR.DX	CENTRAL RIGHT FERT.ER SUPPORT			
2	G15470642R	SUPP.SPANDI CENTR.SX	CENTRAL LEFT FERT.ZER SUPP.			
3	G15171381R	SUPP.SPANDI EST.DX	RIGHT EXT.AL FERT.ZER SUPPORT			
4	G15171391R	SUPP.SPANDI EST.SX	LEFT EXT.AL FERT.ER SUPPORT			
5	G16670011R	SUPPORTO SPANDI	SPREADER SUPPORT	SUPPORT PANDEUR	HALTERUNG SPANDI	SOPORTE ABONADORA
6	G15472901R	SUPPORTO SPANDI Q.150	FERT.SPREADER SUPPORT SQ.150	SUPPORT PANDEUR CARR 150	HALTERUNG SPANDI Q.150	SOPORTE ABONADORA Q.150
7	G15473051R	SUPPORTO SERBATOIO ANT.	FRONT HOPPER SUPPORT	SUPPORT TR MIE AVANT	HALTERUNG VORDERER BEH-LTER	SOPORTE DEP SITO ANT.
8	G18701140R	RONDELLA 11 X35 X5	WASHER 11 X 35 X 5	RONDELLE 11 X35 X5	UNTERLEGSSCHEIBE 11 X35 X5	ARANDELA 11 X35 X5
9	F20110706R	CAV.Q.B=35 M=10X1,5 L=60	U BOLT Q.B=35 M=10X1,5 L=60	CAVALIER SUPPORT DISQUE SV	VERBINDUNG SCHEIBENHALTERUNG S	PERNO EN U SOP. DISCO SV
10	F20110770R	CAV.Q.B=80 M=14X2 L=119	U BOLT Q.B=80 M=14X2 L=119	BRIDE U M14X2X50 96X119 ZN	ANSCHLANG U M14X2X50 96X119 ZN	EL.DE EMPALME M14X2X50 96X119
11	G20970142R	RONDELLA 32X4X15,5	WASHER 32X4X15-5	RONDELLE 32X4X15-5	UNTERLEGSSCHEIBE 32X4X15-5	ARANDELA 32X4X15-5
12	G15110091R	SCONTRIO A U	CONTRA U	BRIDE 150 MM	ANSCHLAG	ELEMENTO DE EMPALME
13	F01020238R	VITE M14X2X240 U5737 8.8BR	SCR. M14X2X240 U5737 8.8BR	VIS M 14 X240 5737 8.G	SCHRAUBE M 14 X240 5737 8.G	TORNILLO M 14 X240 5737 8.G
14	F01020463R	VITE M10X1,5X25 U5739 A2IX	SCR. M10X1,5X25 U5739 A2IX	VIS 10X25 5739 INOX A2	SCHRAUBE 10X25 5739 INOX A2	TORNILLO 10X25 5739 INOX A2
15	F01020465R	VITE M10X1,5X35 U5739 A2IX	SCR. M10X1,5X35 U5739 A2IX	VIS M10X1,5X35 U5739 A2IX	SCHRA.M10X1,5X35 U5739 A2IX	TOR.M10X1,5X35 U5739 A2IX
16	F01200271R	DADO M10X1,5 U5588 A2IX	NUT M10X1,5 U5588 A2IX	ECROU 10 5588 6.8 INOX	MUTTER 10 5588 6.8 INOX	TUERCA 10 5588 6.8 INOX
17	F01200306R	DADO M14X2 U5588 CL8 ZN	NUT M14X2 U5588 6.8ZN	ECROU M14X2	MUTTER M14X2	DADO M14X2
18	F01200271R	DADO M10X1,5 U5588 A2IX	NUT M10X1,5 U5588 A2IX	ECROU 10 5588 6.8 INOX	MUTTER 10 5588 6.8 INOX	TUERCA 10 5588 6.8 INOX
19	F01420059R	ROS.M10 10,5X 30X2,5 U6593 IX	WASHER 11X30X2,5 6593 A2	RONDELLE 11X30X2,5 6593 A2	UNTERLEGSSCHEIBE 11X30X2,5 6593	ARANDELA 11X30X2,5 6593 A2
20	F20120346R	PUNTALE Q 35 ALETT.POLIT.NERO	SQ.TIP 35 BLACK			
21	G15472970R	TUBO Q. 35X 4X1200	SQUARE PIPE 35 X4 X1200	TUBE CARRE 35 X4 X1200	VIERKANTROHR 35 X4 X1200	TUBO CUADRADO 35 X4 X1200
22	F01020225R	VITE M14X2X160 U5737 8.8BR	SCR. M14X2X160 U5737 8.8BR	VIS M 14 X160 5737 8.G	SCHRAUBE M 14 X160 5737 8.G	TORNILLO M 14 X160 5737 8.G

TAV. 280

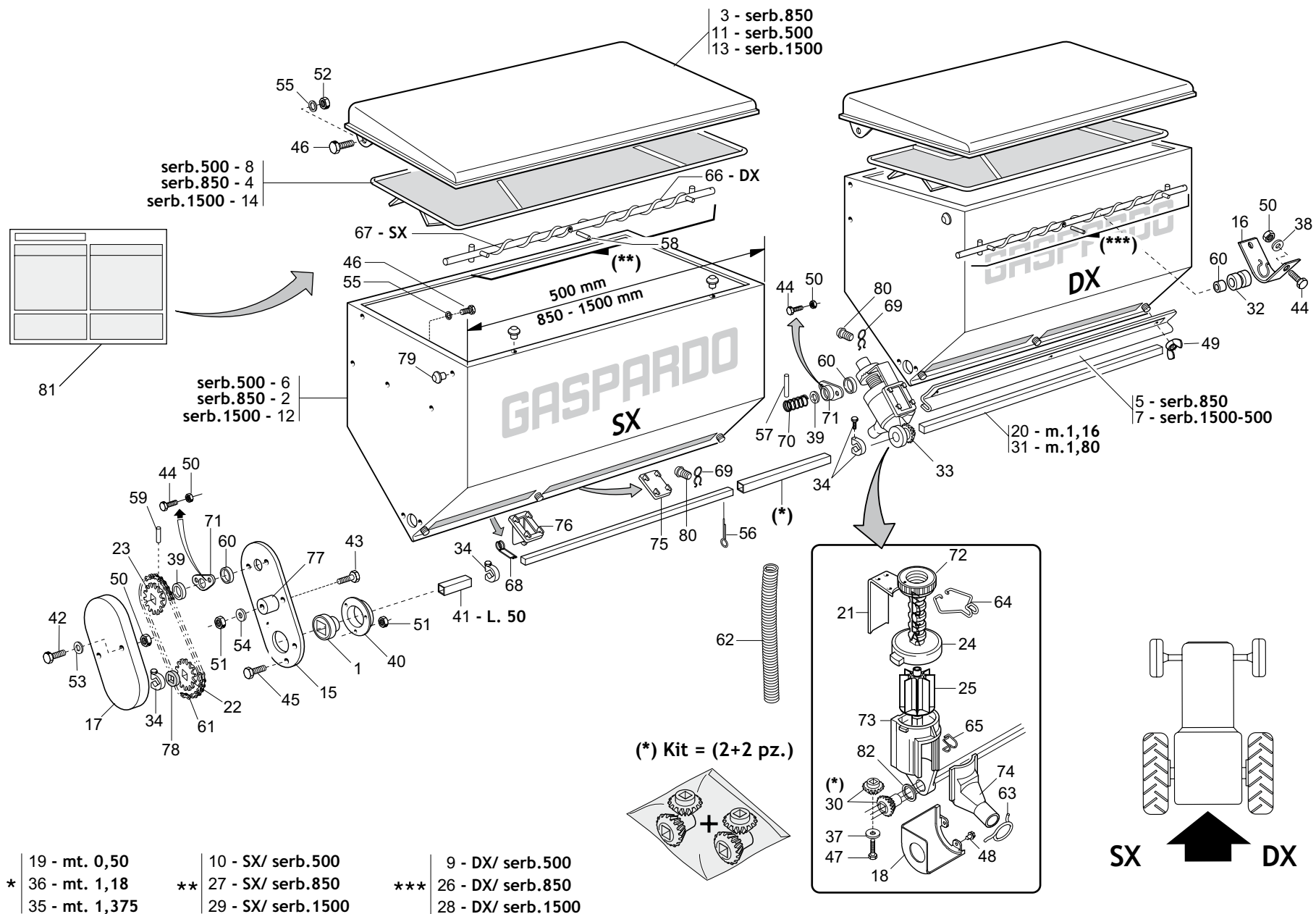


## SERBATOI SPANDICONCIME FERRO METAL FERTILIZER DISTRIBUTOR

TAV. 280

Pos.	Cod.	Descrizione	Description	Description	Benennung	Description
1	G14830390R	CUSCINETTO FORO QUADRO	SQUARE-HOLED BEARING	ROULEMENT TROU CARRE	VIERKANTLAGER	COJINETE ORIFICIO CUADRADO
2	G15470500R	SERBATOIO CONCIME 850	FERTILIZER TANK 850	RESERVOIR ENGRAIS 850	DSNGERBEHZLTER 850	DEP SITO ABONO 850
3	G15470580R	COPERCHIO SERBATOIO 850	TANK TOP 850	COUVERCLE RESERVOIR 650	BEHZLTERDECKEL 850	TAPA DEP SITO 850
4	G15470700R	GRIGLIA 850	GRID 850	GRILLE 850	GITTER 850	REJILLA 850
5	G15470780R	PORTA DI PULIZIA SERB.850	CLEANING DOOR TANK 850	PORTE DE NETTOYAGE RESERVOIR 8	REINIGUNGSTR BEHZLTER 850	PUERTA DE LIMPIEZA DEP S. 850
6	G15471010R	SERBATOIO CONCIME 500	FERTILIZER TANK 500	RESERVOIR ENGRAIS 500	DSNGERBEHZLTER 500	DEP SITO ABONO 500
7	G15471040R	PORTA DI PULIZIA	CLEANING DOOR	PORTE DE NETTOYAGE	REINIGUNGSTR	PUERTA LIMPIEZA
8	G15471090R	GRIGLIA 500	GRID 500	GRILLE 500	GITTER 500	REJILLA 500
9	G15471120R	ASSE AGITAT.DX SERBATOIO 500	RIGHT TANK STIRRER SPINDLE 500	AXE AGIT. DRT RESERVOIR 500	ACHSE SAMENMISCHER RE BEHZLTER	EJE AGITADOR DER DEP SITO 500
10	G15471130R	ASSE AGITAT. SX SERBATOIO 500	LEFT TANK STIRRER SPINDLE 500	AXE AGIT. GCH RESERVOIR 500	ACHSE SAMENMISCHER LI BEHZLTER	EJE AGITADOR IQZ DEP SITO 500
11	G15471140R	COPERCHIO SERBATOIO 500	TANK COVER 500	COUVERCLE RESERVOIR 500	BEHZLTERDECKEL 500	TAPA DEP SITO 500
12	G15471280R	SERBATOIO CONCIME 1500	SPREADER TANK 1500			
13	G15471320R	COPERCHIO SERBATOIO 1500	TANK COVER 1500			
14	G15471390R	GRIGLIA 1500	GRID 1500	GRILLE 1500	GITTER 1500	REJILLA 1500
15	G15471930R	PROTEZIONE	GUARD	PROTECTION	SCHUTZ	PROTECCI N
16	G15471990R	SUPPORTO COCLEA	SCREW SUPPORT	SUPPORT VIS ALIMENTATION	HALTERUNG SCHNECKE	SOPORTE C CLEA
17	G19002710R	PROTEZ.RINVOI SPANDICONCIME	FERTILIZER TRANSM. PROTECTION	PROTECTION RENVOI FERTILISEUR	SCHUTZ VORGELEGE DUNGERSTREUER	PROTECCION TRANSMISION ABONADO
18	G19002850R	PROTEZIONE PIGNONE	PINION GUARD	PROTECTION PIGNON	RITZELSCHUTZ	PROTECCI N PI N
19	G20860012R	MANICOTTO DI UNIONE L.500	JOINT SLEEVE L.500	MANCHON DE RACCORD L. 500	VERBINDUNGSMUFFE L.500	MANGUITO DE UNI N L.500
20	G20860032R	ASSE RUOTA CAMBIO L.1160	WHEEL AXLE - GEARBOX L.1160	AXE ROUE BOITE DE VITESSE	GEBTRIEBERADACHSE L 1160	EJE RUEDA CAMBIO L.1160
21	G20860052R	REGOLATORE APERTURA	OPENING REGULATOR	REGULATEUR OUVERTURE	TFFNUNGEINSTELLER	REGULADOR ABERTURA
22	G20860086R	INGRANAGGIO 1 2 Z-12 F.Q.	GEAR 1 2 Z-12 F.Q.	ENGRENAGE 1 2 Z-12 TROUS CARRE	ZAHNRAD 1 2 Z-12 F.Q.	ENGRANAJE 1 2 Z-12 F.Q.
23	G20860088R	INGRANAGGIO 1 2 Z-12 F.T.	GEAR 1 2 Z-12 F.T.	ENGRENAGE 1 2 Z-12 TROUS ROUNDS	ZAHNRAD 1 2 Z-12 F.T.	ENGRANAJE 1 2 Z-12 F.T.
24	G20860093R	VITE DI REGOL.	ADJUSTMENT BOLT	VIS DE REGLAGE	EINSTELLSCHRAUBE.	TORNILLO DE REGULACI N
25	G20860106R	DOSATORE SPANDI 8 PALE COMPL.	FERT.METERING DEVICE ASS.8 GRO	ROTOR DOSEUR 8C FERTIL COMPL.	DOSIERER DUNGER.KOMPL. 8 SEKT	DOSIFICADOR ABONO COMP.8 SECT
26	G20860121R	ASSE AGITAT.DX SERB.850 COMPL.	STIRRER SPINDLE- RIGHT 850 TAN	AXE AGITATEUR DRT. RESERVOIR 8	SAMENMISCHERACHSE RE BEH.850	EJE AGITAD. DER. DEP S.850 COM
27	G20860122R	ASSE AGITAT.SX SERB.850 COMPL.	STIRRER SPINDLE- LEFT 850 TANK	AXE AGITATEUR GCH. RESERVOIR 8	SAMENMISCHERACHSE LI BEH.850	EJE AGITAD. IQZ. DEP S. 850 CO
28	G20860123R	AGIT.DX SERB. 1500 3-4 USC.COMP	RIGHT 1500 TANK STIRRER- 3-4 O	AGITATEUR DRT. RESERVOIR 1500	SAMENMI. RE BEH.1500 3-4AUSG.	AGIT. DER. DEP S. 1500 3-4 SAL
29	G20860124R	AGIT.SX SERB.1500 3-4 USC.COMP	LEFT 1500 TANK STIRRER- 3-4 OU	AGITATEUR GCH. RESERVOIR 1500	SAMENMI. LI BEH.1500 3-4 AUSG.	AGIT. IQZ. DEP S. 1500 3-4 SAL
30	G20860126R	KIT INGRANAGGI DISTRIB.CONCIME	KIT- MAN. DISTR. GEARS 2 2	COUPLE CON DISTR ENGRAIS 2 2	KIT ZAHNRZDER DSNGERSTREUER	SET ENGRANAJES DISTRIB. ABONO
31	G20870028R	ASSE SERB.LATO TRAS.6F.L.1800	AXLE- GEARBOX SIDE- 6-ROW L.18	AXE RESERVOIR COTE ENTRAINEMEN	ACHSE BEHZLTER ANTRIEBSS. 6F.L	EJE DEP S. LADO TRANS. 6 FILA
32	G19005040R	BOCCOLA ASSE SPANDI	FERT. SPREADER AXLE BUSH	DOUILLE AXE PANDEUR	ACHSENBUCHSE STREUER	MANGUITO -RBOL ABONADORA
33	G20880044R	DISTR.COMPL.8PALE SPANDI FE	COMPL.IRON FERTIL.DISTR.8 RIBS	MINIMAX COMPL 8C FER	KOMPL.DOSIER.MET.D NGERSTR.8S	DISTR.COMP.ABONO HIER.8ALETAS
34	G22505085R	FERMO ASSE IN LAMIERA	PLATE AXLE STOP	ARRET AXE EN TOLE	FESTSTELLVORRICHTUNG BLECHACHS	BLOQUEO EJE DE CHAPA
35	G20910044R	MANICOTTO UNIONE L.1375	JOINT SLEEVE L.1375	MANCHON RACCORD L. 1375	VERBINDUNGSMUFFE L.1375	MANGUITO DE UNI N L.1375
36	G20910045R	MANICOTTO UNIONE L.1180	JOINT SLEEVE L.1180	MANCHON RACCORD L. 1180	VERBINDUNGSMUFFE L.1180	MANGUITO DE UNI N L.1180
37	G20970097R	RONDELLA 32X3X4,5	WASHER 32X3X4-5	RONDELLE 32X3X4-5	UNTERLEGSSCHEIBE 32X3X4-5	ARANDELA 32X3X4-5
38	G20970125R	RONDELLA 28X2,5X6,5	WASHER 28X2-5X6-5	RONDELLE 28X2-5X6-5	UNTERLEGSSCHEIBE 28X2-5X6-5	ARANDELA 28X2-5X6-5
39	G22220073R	RONDELLA 28X0,3X16,5	WASHER 28X0,3X16-5	RONDELLE 28X0-3X16-5	UNTERLEGSSCHEIBE 28X0-3X16-5	ARANDELA 28X0-3X16-5
40	G22230094R	SUPPORTO CUSCINETTO	BEARING SUPPORT	SUPPORT DE ROULEMENT	LAGERBSCHSE	SOPORTE COJINETE
41	G22250287R	MANICOTTO DISTANZIALE SV	SPACER SLEEVE SV	MANCHON ENTRETOISE SV	ABSTANDSMUFFE SV	MANGUITO DISTANCIADOR SV
42	F01020043R	VITE M6X1X60 U5737 8.8ZN	SCR. M6X1X60 U5737 8.8ZN	VIS M6X1X60 U5737 8.8 ZN	SCHRAUBE M6X1X60 U5737 8.8 ZN	TORNILLO M6X1X60 U5737 8.8 ZN
43	F01020068R	VITE M8X1,25X40 U5737 8.8ZN	SCR. M8X1,25X40 U5737 8.8ZN	VIS M 8X1,25X40 U5737 8.8 ZN	SCHRA. M8X1,25X40 U5737 8.8 ZN	TORNILLO M8X1,25X40 U5737 8.8
44	F01020419R	VITE M 6X1 X 16 U5739 A2IX	SCR. M6X1X16 U5739 A2IX	VIS M6 X1 X 16 U5739 8.8 IX	SCHRAUBE M6 X1 X 16 U5739 8.	TORNIL. M6 X1 X 16 U5739 8.8
45	F01020432R	VITE M8X1,25X16 U5739 8.8ZN	SCR. M8X1,25X16 U5739 8.8ZN	VIS M8 X1,25X16 U5739 8.8 ZN	SCHRAUBE M8X1,25X16U5739 8.8ZN	TORNILLO M8X1,25X16 U5739 8.8
46	F01020463R	VITE M10X1,5X25 U5739 A2IX	SCR. M10X1,5X25 U5739 A2IX	VIS 10X25 5739 INOX A2	SCHRAUBE 10X25 5739 INOX A2	TORNILLO 10X25 5739 INOX A2
47	F01070075R	VITE A4,2X1,41X38 U6954 4.8NI	SCR. H4,2X1,41X38 U6954 4.8NI	VIS 4-2X38 DIN 7981	SCHRAUBE 4-2X38 DIN 7981	TORNILLO 4-2X38 DIN 7981
48	F01070011R	VITE A4,2X1,41X9,5 U6950 4.8NI	SCR. H4,2X1,41X9,5 U6950 4.8NI	VIS AUTOTAR. 4-2X9-5 T. E. COU	SELBSTSCHNEID. SCHRAUBE 4-2X9-	TORNILLO AUTORROSC. 4-2X9-5
49	F01240013R	DADO M6X1 U5448 A2 GE	NUT M6X1 U5448 A2 GE			
50	F01200233R	DADO M6X1 U5588 A2IX	NUT M6X1 U5588 A2IX	ECROU M 6X 1 U5588 I	MUTTER M 6X 1 U5588	TUERCA M 6X 1 U5588
51	F01200244R	DADO M8X1,25 U5588 CL8 ZN	NUT M8X1,25 U5588 6.8ZN	ECROU M8 X1,25 U5588 6.8 ZN	MUTTER M8 X1,25 U5588 6.8 ZN	TUERCA M8X1,25 U5588 CL8 ZN
52	F01200271R	DADO M10X1,5 U5588 A2IX	NUT M10X1,5 U5588 A2IX	ECROU 10 5588 6.8 INOX	MUTTER 10 5588 6.8 INOX	TUERCA 10 5588 6.8 INOX
53	F01410037R	ROS.M6 6,4X12,5X1,6 U6592 ZN	WASHER M6 6,4X12,5X1,6 U6592ZN	RONDEL.M6 6,4X12,5X1,6 U6592ZN	SCHEIB.M6 6,4X12,5X1,6 U6592ZN	ARAND.M6 6,4X12,5X1,6 U6592 ZN
54	F01410051R	ROS.M8 8,4X 17X1,6 U6592 ZN	WASHER M8 8,4X17X1,6 U6592 ZN	RONDELLE M8 8,4X17X1,6 ZN	SCHEIBE M8 8,4X17X1,6 U6592 ZN	ARAND.M8 8,4X 17X1,6 U6592 ZN
55	F01420059R	ROS.M10 10,5X 30X2,5 U6593 IX	WASHER 11X30X2,5 6593 A2	RONDELLE 11X30X2,5 6593 A2	UNTERLEGSSCHEIBE 11X30X2,5 6593	ARANDELA 11X30X2,5 6593 A2

TAV. 280



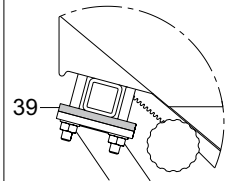
**SERBATOI SPANDICONCIME FERRO  
METAL FERTILIZER DISTRIBUTOR**

**TAV. 280**

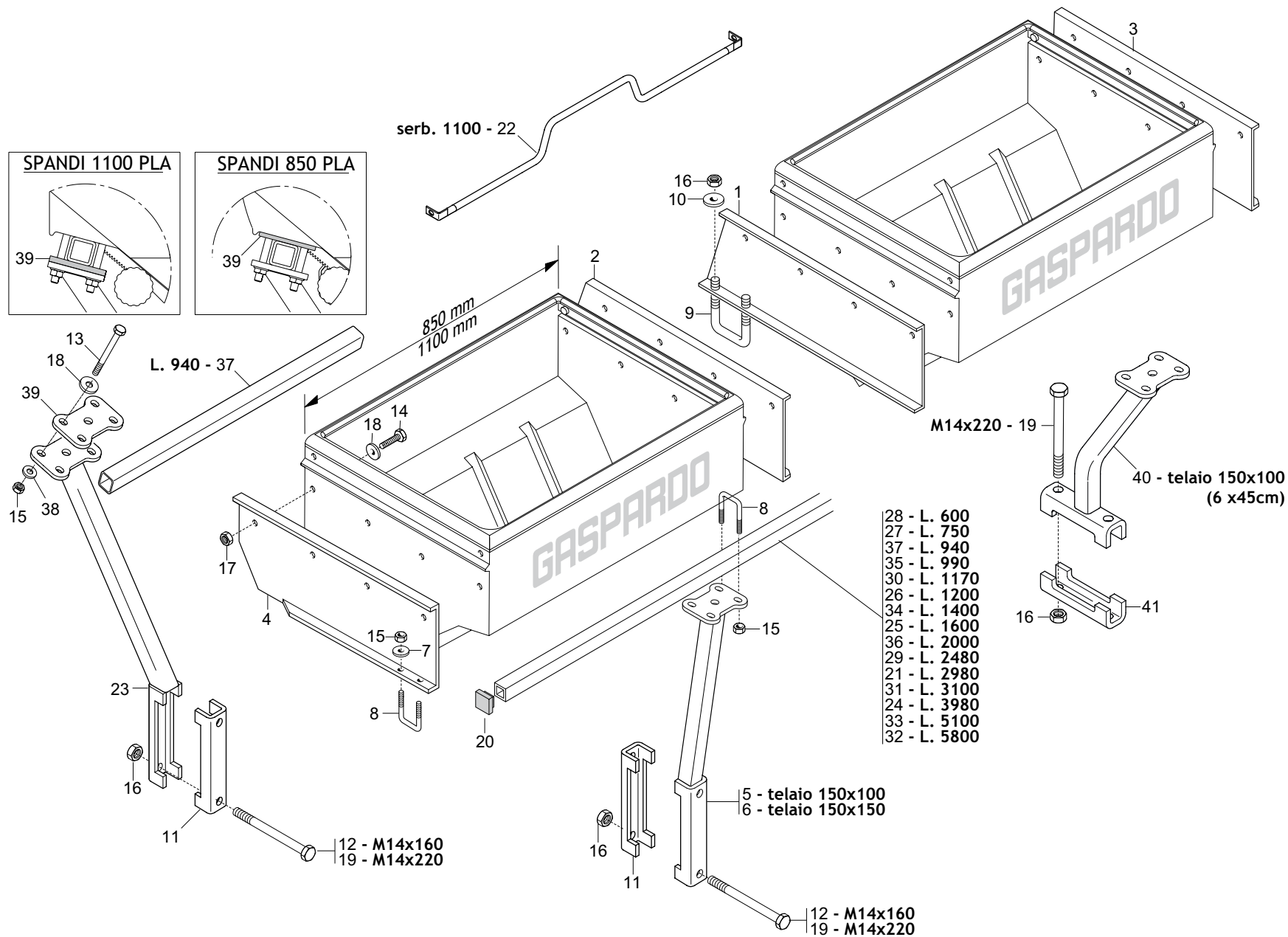
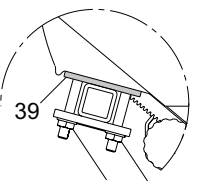
Pos.	Cod.	Descrizione	Description	Description	Benennung	Description
56	F02200227R	COPIGLIA 5 X30 1336 ZN	PIN 5X 30 U1336 ZN			
57	F02100079R	SPINA E.P. 5X20 U6873 C70 BR	PIN EL. 5X20 U6873 C70 BR			CLAVIJA EL.P. 5X20 30 U6873 C
58	F02100314R	SPINA EL.5 X36 DIN 1481 INOX	PIN EL.5 X36 DIN 1481 INOX			
59	F02100114R	SPINA E.P. 6X 30 U6873 C70 BR	ELASTIC PIN 6X30	GOUJON ELASTIQUE 6X30	SPANNHUELSE 6X30	ESPINA ELASTICA 6X30
60	F03011081R	GUARNIZIONI LABBRO DE100	LIP GASKET D100			
61	F06080196R	CATENA 1 2 ISO 083 32 MAGLIE	CUT-DOWN CHAIN .1 2 ISO 083 32	TRONCON CHAINE 1 2 ISO 083 32	KETTENZNGE 1 2 ISO 083 32 GL	TRECHO CADENA 1 2 ISO 083 32
62	F03100500R	TUBO EOLO 35 PU	TUBE EOLO 35 PU	TUBE EOLO 35 PU		TUBO EOLO
63	G65336025R	MOLLA SPEC.ZN STRINGIT.ASP.SP	SPEC SPRING ZN FAN . PIPE CLAM	RESSORT SPEC. ZN SERRE-TUBE AS	SPEZIALFEDER ZN RORHSCHELLE AB	MUELLE ESPEC. ZN APRIETA TUBOS
64	G65336055R	MOLLA SPEC.REGOL.SPAND. SP	SPEC SPRING MAN. SPR. ADJUSTM.	RESSORT SPEC. REGL. EP. ENTRA	SPEZIALFEDER STREUEREINTELLUN	MUELLE ESPEC. REGUL. ABONADORA
65	G65336062R	MOLLA SPEC.SCIV.DISTR.SPAND.SP	SPEC SPRING - MAN. SPR. DISTR.	RESS. SPEC. LANCOIR DISTR. EP.	SPEZ.FEDER RUTSCHE SZAPP. STRE	MUELLE ESPEC.PLANO INCL.DISTR.
66	G65336064R	MOLLA SPEC.COCLEA DX SPAND.HL	SPEC. WORM SCREW SPRING RIGHT	RESSORT SPEC. VIS DRT. EP. ENG	SPEZ.FEDER RE SCHNECKE STREUER	MUELLE ESPEC. TORN.S F DER. AB
67	G65336065R	MOLLA SPEC.COCLEA SX SPAND.HL	SPEC. WORM SCREW SPRING LEFT M	RESSORT SPEC. VIS GCH. EP. ENG	SPEZ.FEDER LI SCHNECKE STREUER	MUELLE ESPEC. TORN.S F IZQ. AB
68	G65336080R	MOLLA SPEC.SCARICO SPAND.T.M.	SPEC. SPRING SPREDER RELIEF			
69	G65336089R	MOLLA SPEC.TENUTA FERMO SPAND.	SPEC.SPRING- BLOCK. MAN. SPR.	RESSORT SPEC. D ETANCHEITE ARR	SPEZIALFEDER DICHTUNG STREUER	MUELLE ESPEC. RETENC. BLOQ
70	G65338043R	MOLLA COMP.ZN SERB. M80	ZN TANK COMP.SPRING M80	RESSORT COMPL. ZN RESERVOIR M8	DRUCKFEDER ZN BEHZLTER M80	MUELLE COMP.ZN DEP S. M80
71	G66248121R	BOCCOLA CON FLANGIA M80	BUSHING W FLANGE M80	SUPPORT AVEC BRIDE M80	BSCHE MIT FLANSCH M80	CASQUILLO CON BRIDA M80
72	G66248125R	GHIERA REGOLAZIONE M80	ADJUSTMENT KNURLED NUT M80	BAGUE REGLAGE M80	EINTELLMUTTER M80	CONTRATUERCA REGULACI N M80
73	G66248176R	CORPO DISTR.SPAND. SP	MANURE SPREADER DISTR. CASING	CORPS DISTRIB. EP. ENGRAIS SP	VERTEILUNGSKTRPER STREUER SP	CUERPO DISTR. ABON. SP
74	G66248178R	SCIVOLO DISTR.SPAND. SP	CHUTE- MANURE-SPREADER DISTRIB	LANCOIR DISTRIBUTION EP. ENGR.	DSNGERSTREUER RUTSCHE SP	PLANO INCLINADO DISTR. ABON. S
75	G66248184R	CHIUSURA USCITA SERB.SPAND.SP	OUTLET CLOSURE- MAN.SPREAD. TA	FERMETURE SORTIE RESERVOIR FER	VERSCHLUSS AUSTRITT DSNGERSTR.	CIERRE SALIDA DEP S. ABON. SP
76	G66248187R	SCARICO SERB.SPAND.TIPO MICRO	MICRO TYPE MAN.SPR.TANK DISCH.	TRAPPE DE VIDANGE TYPE MICRO	BEHZLTERENTLADUNG STREUER TYP	DESCARGA DEP S. ABON.TIPO MICR
77	G66248207R	TENDICATENA SPAND. SP-520	CHAIN TENSIONER	TENDEUR DE CHAINE EPAND. ENGR.	KETTENSPANNER DSNGERSTR. SP-52	SENSOR DE CADENA ABON. SP-520
78	G66248218R	RONDELLA DISTAN.SPAND.	MAN. SPR. SPACER WASHER	RONDELLE ENTRETOISE EP. ENGRAI	ABSTANDSCHEIBE DSNGERSTREUER	ARANDELA DISTAN.ABONAD.
79	G66248223R	TAPPO SUPP.SPAND.D.11	PLUG MAN. SPR. SUPP. D.11	BOUCHON SUPPORT EP. ENGRAIS D.	HALTERUNGSPFROPFEN DSNGERSTR.	TAP N SOPORTE ABON.D.11
80	G66248224R	FERMO DISTRIBUTORE SPAND.	FERT. SPR. DISTRIB. STOP	ARRET DISTRIBUTEUR EP. ENGRAIS	FESTSTELLVORRICHTUNG SZAPP. ST	BLOQUEO DISTRIBUIDOR ABON.
81	G19700822R	DECAL. TABELLA CONCIME SP540	DECAL.FELTILIZER TABLE SP540			
82	G18701500R	RONDELLA 29,5 X38 X0,3	WASHER 29,5 X 38 X 0,3	RONDELLE 29,5 X38 X0,3	UNTERLEGSCHIEBE 29,5X38X0,3	ARANDELA 29,5 X38 X0,3

TAV. 290

SPANDI 1100 PLA



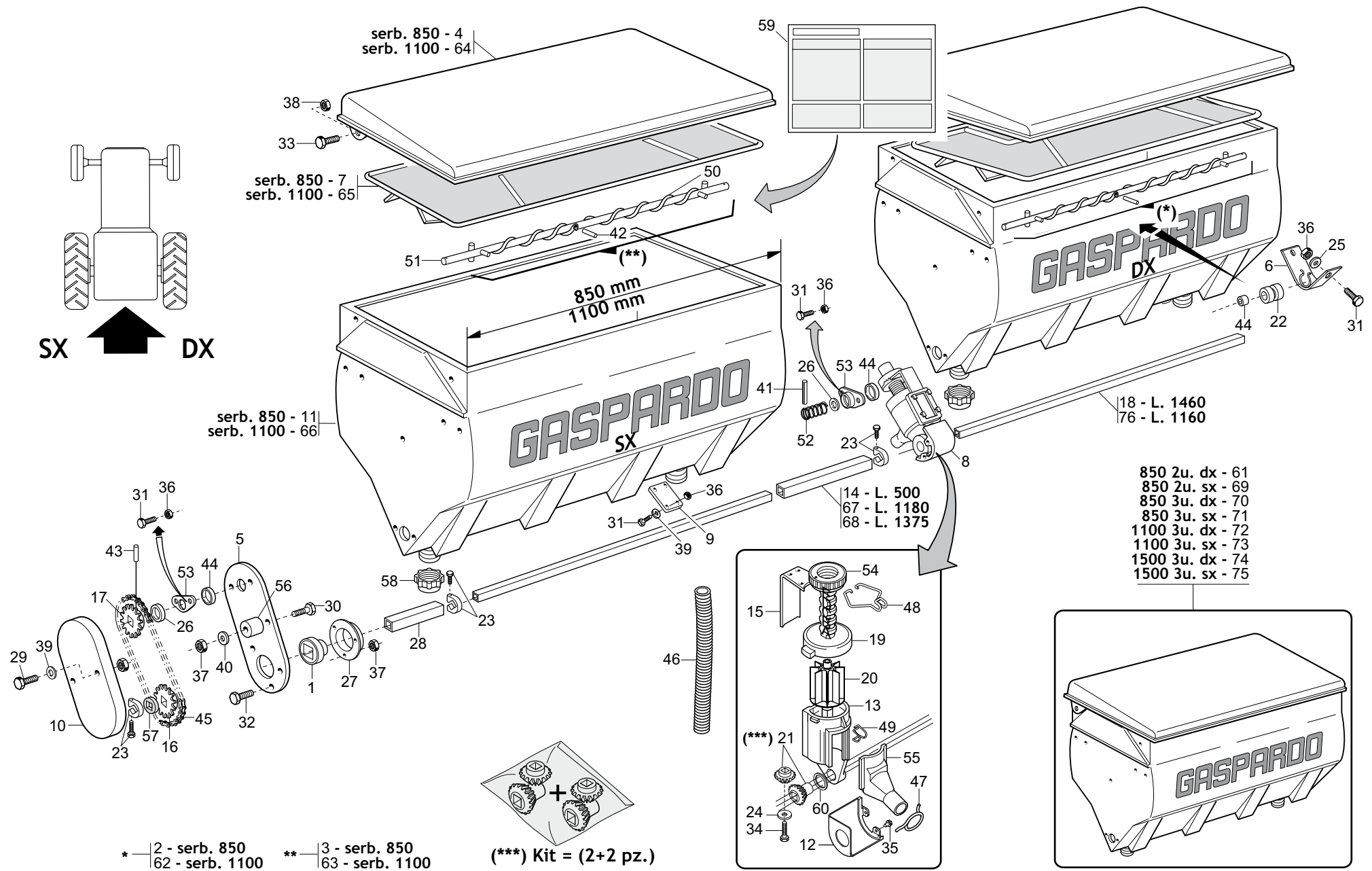
SPANDI 850 PLA



**SUPPORTI SERBATOI SPANDICONCIME PLASTICA  
SUPPORT FOR PLASTIC FERTILIZER DISTRIBUTOR**

TAV. 290

Pos.	Cod.	Descrizione	Description	Description	Benennung	Descripcion
1	G15470632R	SUPP.SPANDI CENTR.DX	CENTRAL RIGHT FERT.ER SUPPORT			
2	G15470642R	SUPP.SPANDI CENTR.SX	CENTRAL LEFT FERT.ZER SUPP.			
3	G15171381R	SUPP.SPANDI EST.DX	RIGHT EXT.AL FERT.ZER SUPPORT			
4	G15171391R	SUPP.SPANDI EST.SX	LEFT EXT.AL FERT.ER SUPPORT			
5	G16670011R	SUPPORTO SPANDI	SPREADER SUPPORT	SUPPORT PANDEUR	HALTERUNG SPANDI	SOPORTE ABONADORA
6	G15472901R	SUPPORTO SPANDI Q.150	FERT.SPREADER SUPPORT SQ.150	SUPPORT PANDEUR CARR 150	HALTERUNG SPANDI Q.150	SOPORTE ABONADORA Q.150
7	G18701140R	RONDELLA 11 X35 X5	WASHER 11 X 35 X 5	RONDELLE 11 X35 X5	UNTERLEGSCHEIBE 11 X35 X5	ARANDELA 11 X35 X5
8	F20110706R	CAV.Q.B=35 M=10X1,5 L=60	U BOLT Q.B=35 M=10X1,5 L=60	CAVALIER SUPPORT DISQUE SV	VERBINDUNG SCHEIBENHALTERUNG S	PERNO EN U SOP. DISCO SV
9	F20110770R	CAV.Q.B=80 M=14X2 L=119	U BOLT Q.B=80 M=14X2 L=119	BRIDE U M14X2X50 96X119 ZN	ANSCHLANG U M14X2X50 96X119 ZN	EL.DE EMPALME M14X2X50 96X119
10	G20970142R	RONDELLA 32X4X15,5	WASHER 32X4X15-5	RONDELLE 32X4X15-5	UNTERLEGSCHEIBE 32X4X15-5	ARANDELA 32X4X15-5
11	G15110091R	SCONTRO A U	CONTRA U	BRIDE 150 MM	ANSCHLAG	ELEMENTO DE EMPALME
12	F01020225R	VITE M14X2X160 U5737 8.8BR	SCR. M14X2X160 U5737 8.8BR	VIS M 14 X160 5737 8.G	SCHRAUBE M 14 X160 5737 8.G	TORNILLO M 14 X160 5737 8.G
13	F01020144R	VITE M10X1,5X75 U5737 A2IX	SCR. M10X1,5X75 U5737 A2IX	VIS M10X 1,5X 75 U5737 8.8 IX	SCHRAUBE M10X 1,5X 75 U5737 8.	TORNIL. M10X 1,5X 75 U5737 8.8
14	F01020465R	VITE M10X1,5X35 U5739 A2IX	SCR. M10X1,5X35 U5739 A2IX	VIS M10X1,5X35 U5739 A2IX	SCHRA.M10X1,5X35 U5739 A2IX	TOR.M10X1,5X35 U5739 A2IX
15	F01200271R	DADO M10X1,5 U5588 A2IX	NUT M10X1,5 U5588 A2IX	ECROU 10 5588 6.8 INOX	MUTTER 10 5588 6.8 INOX	TUERCA 10 5588 6.8 INOX
16	F01200306R	DADO M14X2 U5588 CL8 ZN	NUT M14X2 U5588 6.8ZN	ECROU M14X2	MUTTER M14X2	DADO M14X2
17	F01200271R	DADO M10X1,5 U5588 A2IX	NUT M10X1,5 U5588 A2IX	ECROU 10 5588 6.8 INOX	MUTTER 10 5588 6.8 INOX	TUERCA 10 5588 6.8 INOX
18	F01420059R	ROS.M10 10,5X 30X2,5 U6593 IX	WASHER 11X30X2,5 6593 A2	RONDELLE 11X30X2,5 6593 A2	UNTERLEGSCHEIBE 11X30X2,5 6593	ARANDELA 11X30X2,5 6593 A2
19	F01020236R	VITE M14X2X220 U5737 8.8BR	SCR. M14X2X220 U5737 8.8BR	VIS M14X2X220 U5737 8.8 BR	SCHRAUBE M14X2X220 U5737 8.8	TORNILLO M14X2X220 U5737 8.8
20	F20120346R	PUNTALE Q 35 ALETT.POLIT.NERO	SQ.TIP 35 BLACK			
21	G07000028R	TUBO Q.35 X4 X2980	TUBE Q.35 X 35 X 3 X 2980	TUBE CARRE 35 X 35 X 3 X 2980	VIERKANTROHR 35 X 35 X 3 X 298	TUBO CUADRADO 35 X 35 X 3 X 29
22	G15272961R	RINFORZO SPANDICONCIME 1100	FERTILIZER 1100 REINFORCEMENT	RENFORT EPANDEUR D ENGRAIS 110	VERSTZRKUNG DSNGERSTREUER 1100	REFUERZO ABONADORA 1100
23	G15275790R	ASS.SUPPORTO ANT.SPANDI PLA	FRONTAL FERT.DISTR.SUPPORT			
24	G07000370R	TUBO Q. 35X 3X3980	SQUARE PIPE 35X35X4X3980	TUBE CARRE 35X35X4X3980	VIERKANTROHR 35X35X4X3980	TUBO CUADRADO 35X35X4X3980
25	G07000375R	TUBO Q. 35X 3X1600 1F8	SQUARE PIPE 35X35X4X1600 1H8	TUBE CARRE 35X35X4X1600	VIERKANTROHR 35X35X4X1600	TUBO CUADRADO 35X35X4X1600
26	G15472970R	TUBO Q. 35X 4X1200	SQUARE PIPE 35 X4 X1200	TUBE CARRE 35 X4 X1200	VIERKANTROHR 35 X4 X1200	TUBO CUADRADO 35 X4 X1200
27	G15472980R	TUBO Q.35 X4 X750	SQUARE PIPE 35 X4 X750	TUBE CARRE 35 X4 X750	VIERKANTROHR 35 X4 X750	TUBO CUADRADO 35 X4 X750
28	G15472990R	TUBO Q. 35X 4X 600	SQUARE PIPE 35 X4 X600	TUBE CARRE 35 X4 X600	VIERKANTROHR 35 X4 X600	TUBO CUADRADO 35 X4 X600
29	G15475130R	TUBO SUPPORTO SERBATOIO L.2480	TANK SUPPORT PIPE L.2480	TUBE SUPPORT RESERVOIR L2460	ROHR HALTERUNG BEHZLTER L.2480	TUBO SOPORTE DEP SITO L 2480
30	G15475300R	TUBO SUPPORTO MICRO L.1170	MICRO SUPPORT PIPE L.1170	TUBE SUPPORT MICRO L1170	ROHR HALTERUNG MIKRO L.1170	TUBO SOPORTE MICRO L1170
31	G15475390R	TUBO SUPPORTO MICRO L.3100	MICRO SUPPORT PIPE L.3100	TUBE SUPPORT MICRO L3100	ROHR HALTERUNG MIKRO L.3100	TUBO SOPORTE MICRO L.3100
32	G15475400R	TUBO SUPPORTO MICRO L.5800	MICRO SUPPORT PIPE L.3800	TUBE SUPPORT MICRO L5800	ROHR HALTERUNG MIKRO L.5800	TUBO SOPORTE MICRO L.5800
33	G15475540R	TUBO SUPPORTO MICRO L.5100	MICRO SUPPORT PIPE L.5100	TUBE SUPPORT MICRO L5100	ROHR HALTERUNG MIKRO L.5100	TUBO SOPORTE MICRO L 51000
34	G20890207R	BARRA DIFFUSORI DISERBO L.1400	WEEDKILLER SPREADER BAR L.1400	BARRE DIFFUSEURS DESHERBAGE L.	DIFFUSORENSTANGE UNKRAUTVERT.	BARRA DIFUSORES HERBICIDA L.1
35	G22220141R	BRACCIO SCORREVOLE 4 FILE	SLIDING ARM- 4-ROW	BRAS GLISSANT 4 RANGEES	GLEITARM 4 REIHEN	BRAZO CORREDIZO 4 FILAS
36	G22270115R	BRACC.SCORR.6F.100 L.2000 SP	SLIDING ARM 6-R. 100 L.2000 SP	BRAS GLISS. 6 RANG. 100 L. 200	GLEITARM 6R.100 L.2000 SP	BRAZO CORRED. 6 FILAS. 100 L.2
37	G15171650R	TUBO Q. 35X 4X 940 1F6,5	TUBE Q. 35X 4X 940 1HOLE 6,5			
38	F01410064R	ROS.M10 10,5X 20X 2 U6592 ZN	WASHER M10 10,5X20X2 U6592 ZN	RONDEL. M10 10,5X20X2 U6592 ZN	SCHEIBE M10 10,5X20X2 U6592 ZN	ARAND.M10 10,5X 20X 2 U6592 ZN
39	G14276330R	SUPPORTO TUBO	TUBE SUPPORT			
40	GA5270010R	SUPPORTO SPANDI T100	FERTILIZER SUPPORT T100			
41	G13710561R	SCONTRO A U SP.10 2F16,5 118	U-SHAPED PLAT.SP.10 2F16,5 118			

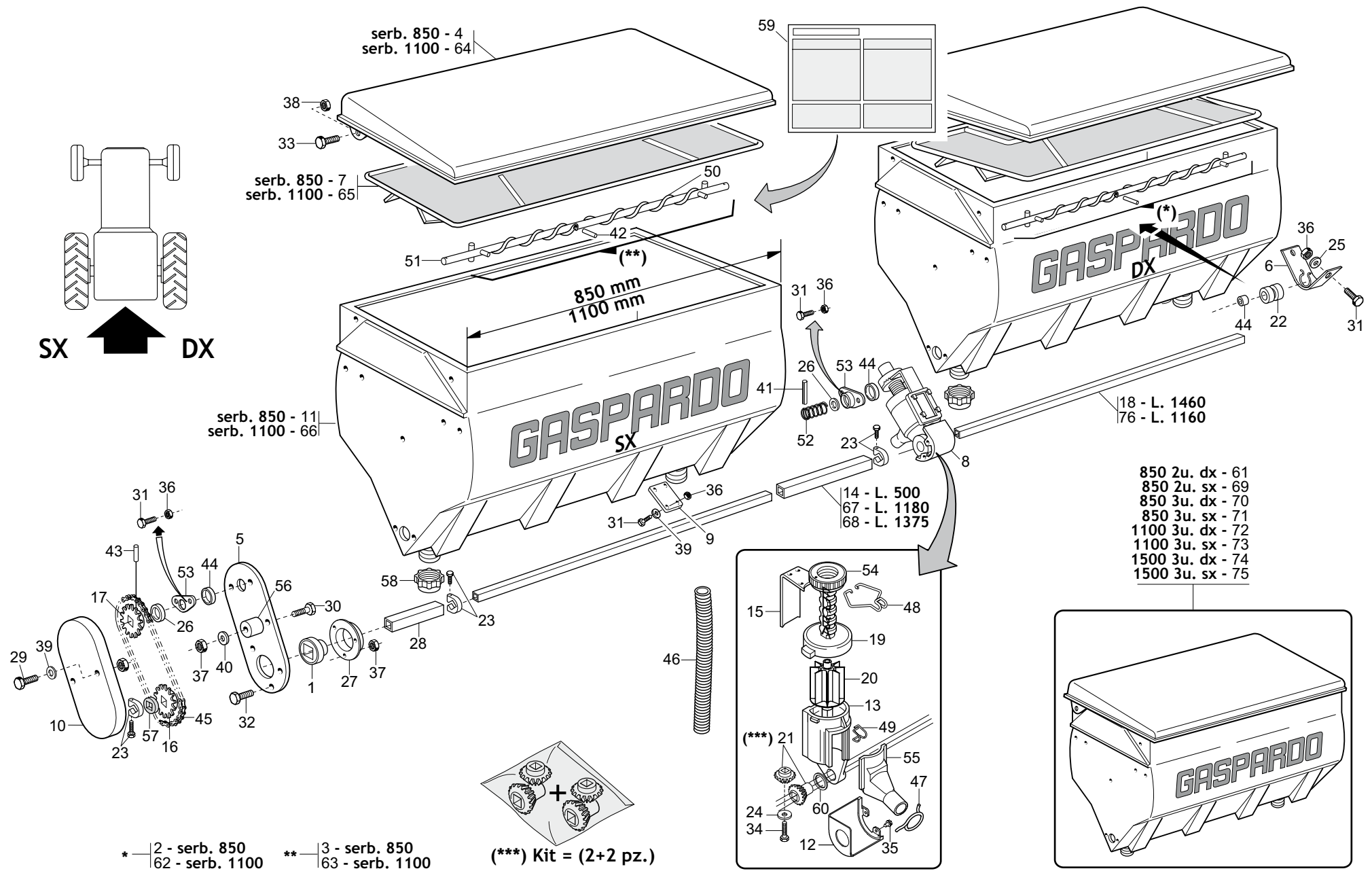




## SERBATOI SPANDICONCIME PLASTICA PLASTIC FERTILIZER DISTRIBUTOR

TAV. 300

Pos.	Cod.	Descrizione	Description	Description	Benennung	Description
1	G14830390R	CUSCINETTO FORO QUADRO	SQUARE-HOLED BEARING	ROULEMENT TROU CARRE	VIERKANTLAGER	COJINETE ORIFICIO CUADRADO
2	G20860121R	ASSE AGITAT.DX SERB.850 COMPL.	STIRRER SPINDLE- RIGHT 850 TAN	AXE AGITATEUR DRT. RESERVOIR 8	SAMENMISCHERACHSE RE. BEH.850	EJE AGITAD. DER. DEP S.850 COM
3	G20860122R	ASSE AGITAT.SX SERB.850 COMPL.	STIRRER SPINDLE- LEFT 850 TANK	AXE AGITATEUR GCH. RESERVOIR 8	SAMENMISCHERACHSE LI. BEH.850	EJE AGITAD. IZQ. DEP S. 850 CO
4	G15470580R	COPERCHIO SERBATOIO 850	TANK TOP 850	COUVERCLE RESERVOIR 650	BEHZLTERDECKEL 850	TAPA DEP SITO 850
5	G15471930R	PROTEZIONE	GUARD	PROTECTION	SCHUTZ	PROTECCI N
6	G15471990R	SUPPORTO COCLEA	SUPPORT SUPPORT	SUPPORT VIS ALIMENTATION	HALTERUNG SCHNECKE	SOPORTE C CLEA
7	G15472760R	GRIGLIA SERBATOIO PLASTICA 850	PLASTIC TANK GRID 850	GRILLE RESERVOIR PLASTIQUE 850	BEHZLTERGITTER PLAST.850	REJILLA DEP SITO PLAST.850
8	G15472770R	DISTR.COMPL.8PALE SPANDI PL	COMPL.PLAS.FERTIL.DISTR.8RIBS	MINIMAX COMPL 8C PLA	KOMPL.DOSIER.PLA.D NGERSTR.8S	DISTR.COMP.ABONO PLAST. 8AL.
9	G15472780R	TAPPO SPANDI PLASTICA	PLASTIC FERT. SPREADER PLUG	BOUCHON EPAND. PLASTIQUE	PLASTIKPFROPFEN DSNGERSTR.	TAP N ABONADORA PL STICO
10	G19002710R	PROTEZ.RINVIO SPANDICONCIME	FERTILIZER TRANSM. PROTECTION	PROTECTION RENVOI FERTILISEUR	SCHUTZ VORGELEGE DUNGERSTREUER	PROTECCION TRANSMISION ABONADO
11	G19004470R	SERBATOIO CONCIME 850	FERTILIZER HOPPER 850	TR MIE ENGRAIS 850	D_NGERTANK 850	DEP SITO ABONO 850
12	G19002850R	PROTEZIONE PIGNONE	PINION GUARD	PROTECTION PIGNON	RITZELSCHUTZ	PROTECCI N PI N
13	G19002920R	CORPO DISTRIBUTORE SPANDI PLA.	PLA. F.SPREADER DISTRIB.CASING	CORPS DISTRIBUTEUR EPAND.	VERTEILUNGSKTRPER STREUER PLA.	CUERPO DIST. ABONADORA PL S.
14	G20860012R	MANICOTTO DI UNIONE L.500	JOINT SLEEVE L.500	MANCHON DE RACCORD L. 500	VERBINDUNGSMUFFE L.500	MANGUITO DE UNI N L.500
15	G20860052R	REGOLATORE APERTURA	OPENING REGULATOR	REGULATEUR OUVERTURE	TFFNUNGSEINSTELLER	REGULADOR ABERTURA
16	G20860086R	INGRANAGGIO 1 2 Z-12 F.Q.	GEAR 1 2 Z-12 F.Q.	ENGRENAGE 1 2 Z-12 TROUS CARRE	ZAHNRAD 1 2 Z-12 F.Q.	ENGRANAJE 1 2 Z-12 F.Q.
17	G20860088R	INGRANAGGIO 1 2 Z-12 F.T.	GEAR 1 2 Z-12 F.T.	ENGRENAGE 1 2 Z-12 TROUS ROND	ZAHNRAD 1 2 Z-12 F.T.	ENGRANAJE 1 2 Z-12 F.T.
18	G20860090R	ASSE SX 5F.60 L.1460	AXLE- LEFT 5-R.60 L.1460	AXE GCH. 5 RANGEES 60 L. 1460	ACHSE LI 5R.F.60 L.1460	EJE IZQ. 5 FILA. 60 L.1460
19	G20860093R	VITE DI REGOL.	ADJUSTMENT BOLT	VIS DE REGLAGE	EINSTELLSCHRAUBE.	TORNILLO DE REGULACI N
20	G20860106R	DOSATORE SPANDI 8 PALE COMPL.	FERT.METERING DEVICE ASS.8 GRO	ROTOR DOSEUR 8C FERTIL COMPL.	DOSIERER DUNGER.KOMPL. 8 SEKT	DOSIFICADOR ABONO COMP.8 SECT
21	G20860126R	KIT INGRANAGGI DISTRIB.CONCIME	KIT- MAN. DISTR. GEARS 2 2	COUPLE CON DISTR ENGRAIS 2 2	KIT ZAHNRZDER DSNGERSTREUER	SET ENGRANAJES DISTRIB. ABONO
22	G19005040R	BOCCOLA ASSE SPANDI	FERT. SPREADER AXLE BUSH	DOUILLE AXE PANDEUR	ACHSENBUCHSE STREUER	MANGUITO -RBOL ABONADORA
23	G22505085R	FERMO ASSE IN LAMIERA	PLATE AXLE STOP	ARRET AXE EN TOLE	FESTSTELLVORRICHTUNG BLECHACHS	BLOQUEO EJE DE CHAPA
24	G20970097R	RONDELLA 32X3X4,5	WASHER 32X3X4-5	RONDELLE 32X3X4-5	UNTERLEGSSCHEIBE 32X3X4-5	ARANDELA 32X3X4-5
25	G20970125R	RONDELLA 28X2,5X6,5	WASHER 28X2-5X6-5	RONDELLE 28X2-5X6-5	UNTERLEGSSCHEIBE 28X2-5X6-5	ARANDELA 28X2-5X6-5
26	G22220073R	RONDELLA 28X0,3X16,5	WASHER 28X0-3X16-5	RONDELLE 28X0-3X16-5	UNTERLEGSSCHEIBE 28X0-3X16-5	ARANDELA 28X0-3X16-5
27	G22230094R	SUPPORTO CUSCINETTO	BEARING SUPPORT	SUPPORT DE ROULEMENT	LAGERSBSCHSE	SOPORTE COJINETE
28	G22250287R	MANICOTTO DISTANZIALE SV	SPACER SLEEVE SV	MANCHON ENTRETOISE SV	ABSTANDSMUFFE SV	MANGUITO DISTANCIADOR SV
29	F01020043R	VITE M6X1X60 U5737 8.8ZN	SCR. M6X1X60 U5737 8.8ZN	VIS M6X1X60 U5737 8.8 ZN	SCHRAUBE M6X1X60 U5737 8.8 ZN	TORNILLO M6X1X60 U5737 8.8 ZN
30	F01020068R	VITE M8X1,25X40 U5737 8.8ZN	SCR. M8X1,25X40 U5737 8.8ZN	VIS M 8X1,25X40 U5737 8.8 ZN	SCHRA. M8X1,25X40 U5737 8.8 ZN	TORNILLO M8X1,25X40 U5737 8.8
31	F01020403R	VITE M6X1X16 U5739 8.8ZN	SCR. M6X1X16 U5739 8.8ZN	VIS M6X1X16 U5739 8.8 ZN	SCHRAUBE M6X1X16 U5739 8.8 ZN	TORNILLO M6X1X16 U5739 8.8 ZN
32	F01020432R	VITE M8X1,25X16 U5739 8.8ZN	SCR. M8X1,25X16 U5739 8.8ZN	VIS M8 X1,25X16 U5739 8.8 ZN	SCHRAUBE M8X1,25X16U5739 8.8ZN	TORNILLO M8X1,25X16 U5739 8.8
33	F01020472R	VITE M10X1,5X25 U5739 8.8ZN	SCR. M10X1,5X25 U5739 8.8ZN	VIS M10X1,5X25 U5739 8.8 ZN	SCHRAUBE M10X1,5X25 U5739 8.8	TORNILLO M10X1,5X25 U5739 8.8
34	F01070075R	VITE A4,2X1,41X38 U6954 4.8NI	SCR. H4,2X1,41X38 U6954 4.8NI	VIS 4-2X38 DIN 7981	SCHRAUBE 4-2X38 DIN 7981	TORNILLO 4-2X38 DIN 7981
35	F01070011R	VITE A4,2X1,41X9,5 U6950 4.8NI	SCR. H4,2X1,41X9,5 U6950 4.8NI	VIS AUTOTAR. 4-2X9-5 T. E. COU	SELBSTSCHNEID. SCHRAUBE 4-2X9-	TORNILLO AUTORROSC. 4-2X9-5
36	F01200232R	DADO M6X1 U5588 CL8 ZN	NUT M6X1 U5588 6.8ZN	ECROU 6 UNI 5588 6.8 ZN	MUTTER 6 UNI 5588 6.8 ZN	TUERCA M6X1 U5588 CL8 ZN
37	F01200244R	DADO M8X1,25 U5588 CL8 ZN	NUT M8X1,25 U5588 6.8ZN	ECROU M8 X1,25 U5588 6.8 ZN	MUTTER M8 X1,25 U5588 6.8 ZN	TUERCA M8X1,25 U5588 CL8 ZN
38	F01220033R	DADO M10X1,5 D980 8ZN	NUT M10X1,5 D980 8ZN	ECROU M10X1,5 D980 8ZN	MUTTER M10X1,5 D980 8ZN	TUERCA M10X1,5 D980 8
39	F01410037R	ROS.M6 6,4X12,5X1,6 U6592 ZN	WASHER M6 6,4X12,5X1,6 U6592ZN	RONDEL.M6 6,4X12,5X1,6 U6592ZN	SCHEIB.M6 6,4X12,5X1,6 U6592ZN	ARAND.M6 6,4X12,5X1,6 U6592 ZN
40	F01410051R	ROS.M8 8,4X 17X1,6 U6592 ZN	WASHER M8 8,4X17X1,6 U6592 ZN	RONDELLE M8 8,4X17X1,6 ZN	SCHEIBE M8 8,4X17X1,6 U6592 ZN	ARAND.M8 8,4X 17X1,6 U6592 ZN
41	F02100079R	SPINA E.P. 5X20 U6873 C70 BR	PIN EL. 5X20 U6873 C70 BR	PIN EL. 5X20 U6873 C70 BR		CLAVIJA EL.P. 5X20 30 U6873 C
42	F02100314R	SPINA EL.5 X36 DIN 1481 INOX	PIN EL.5 X36 DIN 1481 INOX			
43	F02100114R	SPINA E.P. 6X 30 U6873 C70 BR	ELASTIC PIN 6X30	GOUJON ELASTIQUE 6X30	SPANNHUELSE 6X30	ESPINA ELASTICA 6X30
44	F03011081R	GUARNIZIONI LABBRO DE100	LIP GASKET D100			
45	F06080196R	CATENA 1 2 ISO 083 32 MAGLIE	CUT-DOWN CHAIN .1 2 ISO 083 32	TRONCON CHAINE 1 2 ISO 083 32	KETTENZNGE 1 2 ISO 083 32 GL	TRECHO CADENA 1 2 ISO 083 32
46	F03100500R	TUBO EOLO 35 PU	TUBE EOLO 35 PU	TUBE EOLO 35 PU		TUBO EOLO
47	G65336025R	MOLLA SPEC.ZN STRINGIT.ASP.SP	SPEC SPRING ZN FAN . PIPE CLAM	RESSORT SPEC. ZN SERRE-TUBE AS	SPEZIALFEDER ZN RORRSCHELLE AB	MUELLE ESPEC. ZN APRIETA TUBOS
48	G65336055R	MOLLA SPEC.REGOL.SPAND. SP	SPEC SPRING MAN. SPR. ADJUSTM.	RESSORT SPEC. REGL. EP. ENTRA	SPEZIALFEDER STREUERESTELLUN	MUELLE ESPEC. REGUL. ABONADORA
49	G65336062R	MOLLA SPEC.SCIV.DISTR.SPAND.SP	SPEC SPRING - MAN. SPR. DISTR.	RESS. SPEC. LANCOIR DISTR. EP.	SPEZ.FEDER RUTSCHE SZAPP. STRE	MUELLE ESPEC. PLANO INCL.DISTR.
50	G65336064R	MOLLA SPEC.COCLEA DX SPAND.HL	SPEC. WORM SCREW SPRING RIGHT	RESSORT SPEC. VIS DRT. EP. ENG	SPEZ.FEDER RE SCHNECKE STREUER	MUELLE ESPEC. TORN.S F DER. AB
51	G65336065R	MOLLA SPEC.COCLEA SX SPAND.HL	SPEC. WORM SCREW SPRING LEFT M	RESSORT SPEC. VIS GCH. EP. ENG	SPEZ.FEDER LI SCHNECKE STREUER	MUELLE ESPEC. TORN.S F IZQ. AB
52	G65338043R	MOLLA COMP.ZN SERB. M80	ZN TANK COMP.SPRING M80	RESSORT COMPL. ZN RESERVOIR M8	DRUCKFEDER ZN BEHZLTER M80	MUELLE COMP.ZN DEP S. M80
53	G66248121R	BOCCOLA CON FLANGIA M80	BUSHING W FLANGE M80	SUPPORT AVEC BRIDE M80	BSCHSE MIT FLANSCH M80	CASQUILLO CON BRIDA M80
54	G66248125R	GHIERA REGOLAZIONE M80	ADJUSTMENT KNURLED NUT M80	BAGUE REGLAGE M80	EINSTELLMUTTER M80	CONTRATUERCA REGULACI N M80
55	G66248178R	SCIVOLO DISTR.SPAND. SP	CHUTE- MANURE-SPREADER DISTRIB	LANCOIR DISTRIBUTION EP. ENGR.	DSNGERSTREUER RUTSCHE SP	PLANO INCLINADO DISTR. ABON. S

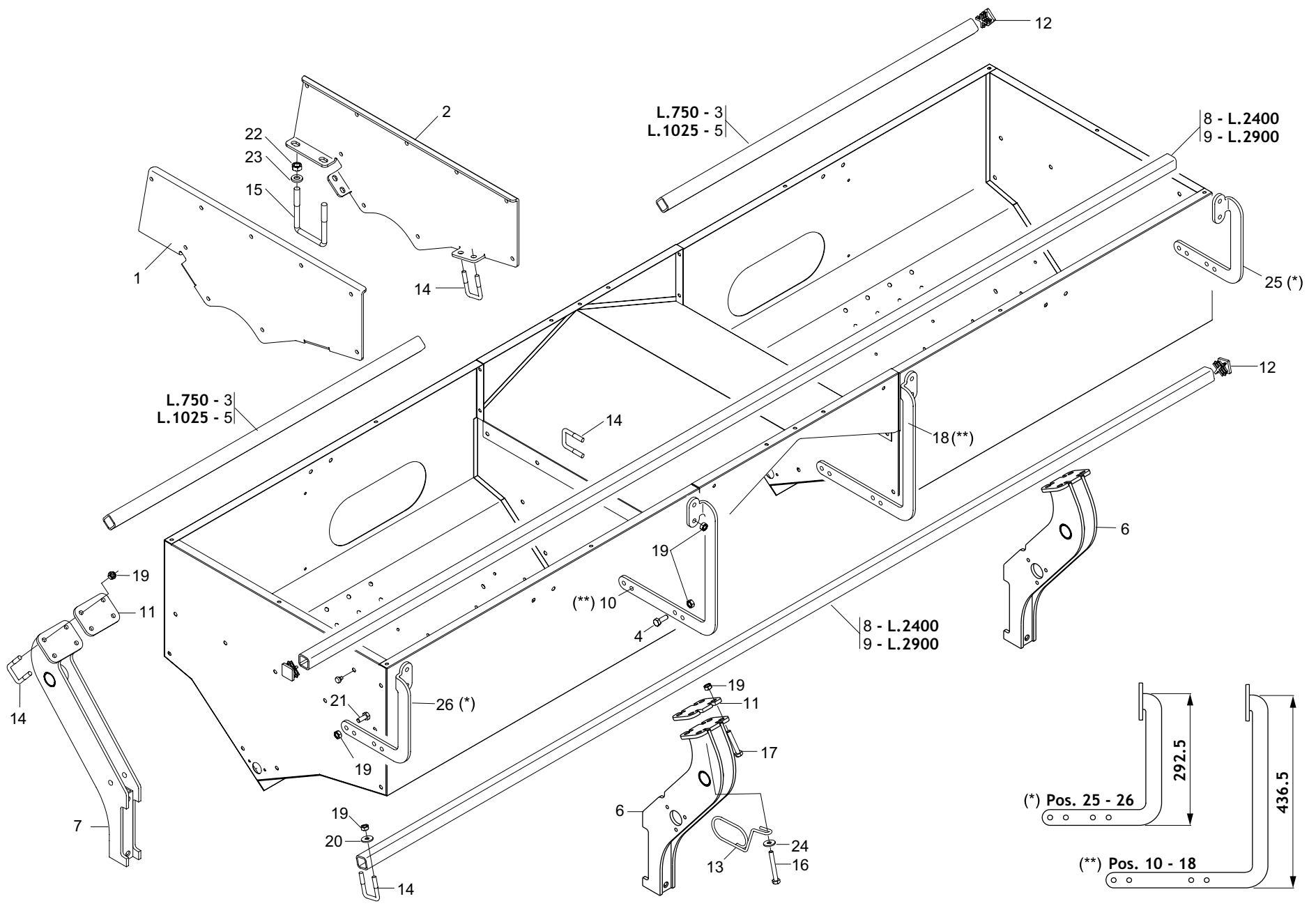


**SERBATOI SPANDICONCIME PLASTICA  
PLASTIC FERTILIZER DISTRIBUTOR**

**TAV. 300**

Pos.	Cod.	Descrizione	Description	Description	Benennung	Description
56	G66248207R	TENDICATENA SPAND. SP-520	CHAIN TENSIONER	TENDEUR DE CHAINE EPAND. ENGR.	KETTENSPELLER DSNGERSTR. SP-52	SENSOR DE CADENA ABON. SP-520
57	G66248218R	RONDELLA DISTAN.SPAND.	MAN. SPR. SPACER WASHER	RONDELLE ENTRETOISE EP. ENGRAI	ABSTANDSCHEIBE DSNGERSTREUER	ARANDELA DISTAN.ABONAD.
58	F03150757R	TAPPO FILETT.SERBAT.PLASTICA	SCREWED PLUG FOR PLASTIC TANK			
59	G19700822R	DECAL.TABELLA CONCIME SP540	DECAL.FERTILIZER TABLE SP540			
60	G18701500R	RONDELLA 29,5 X38 X0,3	WASHER 29,5 X 38 X 0,3	RONDELLE 29,5 X38 X0,3	UNTERLEGSCHEIBE 29,5X38X0,3	ARANDELA 29,5 X38 X0,3
61	G15472790R	SERBATOIO 850 PLA.2U DX	PLAS.FERT.TANK 850 2 OUT. RH	RESERV 850 PLA 2S COMPL DRT	BEHZLTER 850 PLAST. RE 2 AUSG.	DEP SITO 850 PLA.2 SAL. DER.
62	G15271540R	ASSE AGITATORE DX 1100	STIRRER SPINDLE-RIGHT 1100 TAN	AXE AGITATEUR DRT.RESERV.1100	SAMENMISCHERACHSE RE BEH.1100	EJE AGITAD.DER.DEP S.1100 COM
63	G15271550R	ASSE AGITATORE SX 1100	STIRRER SPINDLE- LEFT 1100	AXE AGITATEUR GCH. 1100	SAMENMISCHERACHSE LINKER 1100	EJE AGITAD. IZQ. 1100
64	G15471920R	COPERCHIO SERBATOIO L.1100	TANK COVER L.1100	COUVERCLE RESERVOIR L.1100	BEHZLTERDECKEL L.1100	TAPA DEP S.L.1100
65	G15473130R	GRIGLIA SERBATOIO 1100 PLAST.	PLASTIC TANK GRID 1100	GRILLE RESERVOIR PLAST.1100	BEHZLTERGITTER PLAST.1100	REJILLA DEP SITO PLAST.1100
66	G19003060R	SERBATOIO 1100 PLASTICA	PLASTIC TANK 1100	RESERVOIR 1100 PLASTIQUE	PLASTIKBEHZLTER 1100	DEP SITO 1100 PL STICA
67	G20910045R	MANICOTTO UNIONE L.1180	JOINT SLEEVE L.1180	MANCHON RACCORD L. 1180	VERBINDUNGSMUFFE L.1180	MANGUITO DE UNI N L.1180
68	G20910044R	MANICOTTO UNIONE L.1375	JOINT SLEEVE L.1375	MANCHON RACCORD L. 1375	VERBINDUNGSMUFFE L.1375	MANGUITO DE UNI N L.1375
69	G15472800R	SERBATOIO 850 PLA.2U SX	PLAS.FERT.TANK 850 2 OUT. L	RESERV 850 PLA 2S COMPL GCH	BEHZLTER 850 PLAST. LI 2 AUSG.	DEP SITO 850 PLA.2 SAL. IZQ.
70	G15472810R	SERBATOIO 850 PLA.3U DX	PLAS.FERT.TANK 850 3 OUT. RH	RESERV 850 PLA 3S COMPL DRT	BEHZLTER 850 PLAST. RE 3 AUSG.	DEP SITO 850 PLA.3 SAL. DER.
71	G15472820R	SERBATOIO 850 PLA.3U SX	PLAS.FERT.TANK 850 3 OUT. LH	RESERV 850 PLA 3S COMPL GCH	BEHZLTER 850 PLAST. LI 3 AUSG.	DEP SITO 850 PLA.3 SAL. IZQ.
72	G15272680R	SERBATOIO 1100 3U.DX PLA.COMP.	TANK ASSY.1100 RIGHT 3U	RESERV 1100 PLA 3S COMPL DRT	KOMPL. BEHZLTER 1100 RE 3AUSG	DEP S. COMPL.1100 DER. 3 SAL.
73	G15272720R	SERBATOIO 1100 3U.SX PLA.COMP.	TANK ASSY. 1100 LEFT 3U	RESERV 1100 PLA 3S COMPL GCH	KOMPL. BEHZLTER 1100 LI 3AUSG	DEP S. COMPL.1100 IZQ. 3 SAL.
74	G15471430R	SERBATOIO 1500 3U DX	TANK ASSY.1500 LEFT 3U	RESERV 1500 FER 3S COMPL DRT	KOMPL. BEHZLTER 500 LI 3U	DEP S. COMPL.500 IZQ. 3 SAL.
75	G15471440R	SERBATOIO 1500 3U SX	TANK ASSY.1500 LEFT 3U	RESERV 1500 FER 3S COMPL DRT	KOMPL. BEHZLTER 1500 LI 3U	DEP S. COMPL.1500 IZQ. 3 SAL.
76	G20860032R	ASSE RUOTA CAMBIO L.1160	WHEEL AXLE - GEARBOX L.1160	AXE ROUE BOITE DE VITESSE	GEBTRIEBERADACHSE L 1160	EJE RUEDA CAMBIO L.1160

TAV. 310



**SUPPORTI SERBATOIO SPANDICONCIME "BB"  
SUPPORTS FOR "BB" FERTILIZER DISTRIBUTOR**

TAV. 310

Pos.	Cod.	Descrizione	Description	Description	Benennung	Description
1	G15273322R	FIANCO SUPP.INTERNO SX.	L.INTERNAL SUPPORT SIDE			
2	G15273332R	FIANCO SUPP.INTERNO DX.	R.INTERNAL SUPPORT SIDE			
3	G15472980R	TUBO Q.35 X4 X750	SQUARE PIPE 35 X4 X750	TUBE CARRE 35 X4 X750	VIERKANTROHR 35 X4 X750	TUBO CUADRADO 35 X4 X750
4	F01020464R	VITE M10X1,5X30 U5739 A2IX	SCR. M10X1,5X30 U5739 A2IX	VIS M10X1,5 X 30 U5739 A2IX	SCHRA. M10X 1,5X 30 U5739 A2IX	TORNIL. M10X1,5X30 U5739 A2IX
5	G15273491R	TUBO Q. 35X 4X1025	SQ.PIPE 35X 4X1025			
6	G15273444R	SUPPORTO POSTERIORE	REAR SUPPORT			
7	G15273472R	SUPPORTO FRONTALE	FRONT SUPPORT			
8	G07000655R	TUBO Q. 35X 4X2400	SQUARE PIPE 35X35X4X2400	TUBE CARRE 35X35X4X2400	VIERKANTROHR 35X35X4X2400	TUBO CUADRADO 35X35X4X2400
9	G07000656R	TUBO Q. 35X 4X2900	SQUARE PIPE 35X35X4X2900	TUBE CARRE 35X35X4X2900	VIERKANTROHR 35X35X4X2900	TUBO CUADRADO 35X35X4X2900
10	G15275880R	SUPPORTO L.SX TUBO MICRO 60L	S.LEFT SUPPORT TUBE MICRO 60L			
11	G15274520R	PIASTRA D APPOGGIO MTE300	SUPPORT PLATE MTE300			
12	F20120346R	PUNTALE Q 35 ALETT.POLIT.NERO	SQ.TIP 35 BLACK			
13	G18904050R	MOLLA GUIDA 2 TUBI DEPRESS.	TUBE GUIDE SPRING	RESSORT GUIDE-TUBES	EDER ROHRF_HRUNG	MUELLE GUA TUBOS
14	F20110706R	CAV.Q.B=35 M=10X1,5 L=60	U BOLT Q.B=35 M=10X1,5 L=60	CAVALIER SUPPORT DISQUE SV	VERBINDUNG SCHEIBENHALTERUNG S	PERNO EN U SOP. DISCO SV
15	F20110770R	CAV.Q.B=80 M=14X2 L=119	U BOLT Q.B=80 M=14X2 L=119	BRIDE U M14X2X50 96X119 ZN	ANSCHLANG U M14X2X50 96X119 ZN	EL.DE EMPALME M14X2X50 96X119
16	F01020144R	VITE M10X1,5X75 U5737 A2IX	SCR. M10X1,5X75 U5737 A2IX	VIS M10X 1,5X 75 U5737 8.8 IX	SCHRAUBE M10X 1,5X 75 U5737 8.	TORNIL. M10X 1,5X 75 U5737 8.8
17	F01020143R	VITE M10X1,5X65 U5737 A2IX	SCR. M10X1,5X65 U5737 A2IX	VIS M10X 1,5X 65 U5737 8.8 IX	SCHRAUBE M10X 1,5X 65 U5737 8.	TORNIL. M10X 1,5X 65 U5737 8.8
18	G15275870R	SUPPORTO L.DX TUBO MICRO 60L	S.RIGHT SUPPORT TUBE MICRO 60L			
19	F01200271R	DADO M10X1,5 U5588 A2IX	NUT M10X1,5 U5588 A2IX	ECROU 10 5588 6.8 INOX	MUTTER 10 5588 6.8 INOX	TUERCA 10 5588 6.8 INOX
20	F01420059R	ROS.M10 10,5X 30X2,5 U6593 IX	WASHER 11X30X2,5 6593 A2	RONDELLE 11X30X2,5 6593 A2	UNTERLEGSSCHEIBE 11X30X2,5 6593	ARANDELA 11X30X2,5 6593 A2
21	F01020463R	VITE M10X1,5X25 U5739 A2IX	SCR. M10X1,5X25 U5739 A2IX	VIS 10X25 5739 INOX A2	SCHRAUBE 10X25 5739 INOX A2	TORNILLO 10X25 5739 INOX A2
22	F01200306R	DADO M14X2 U5588 CL8 ZN	NUT M14X2 U5588 6.8ZN	ECROU M14X2	MUTTER M14X2	DADO M14X2
23	G20970142R	RONDELLA 32X4X15,5	WASHER 32X4X15-5	RONDELLE 32X4X15-5	UNTERLEGSSCHEIBE 32X4X15-5	ARANDELA 32X4X15-5
24	F01420060R	ROS.M10 10,5X 30X2,5 U6593 ZG	GALV.WASHER 10,5X30X2,5 U6593	RONDELLE 10,5X30	SCHEIBE 10,5X30	ARAND.M10 10,5X 30X2,5 U6593
25	G15275850R	SUPPORTO SX TUBO MICRO 60L	LEFT SUPPORT TUBE MICRO 60L			
26	G15275860R	SUPPORTO DX TUBO MICRO 60L	RIGHT SUPPORT TUBE MICRO 60L			

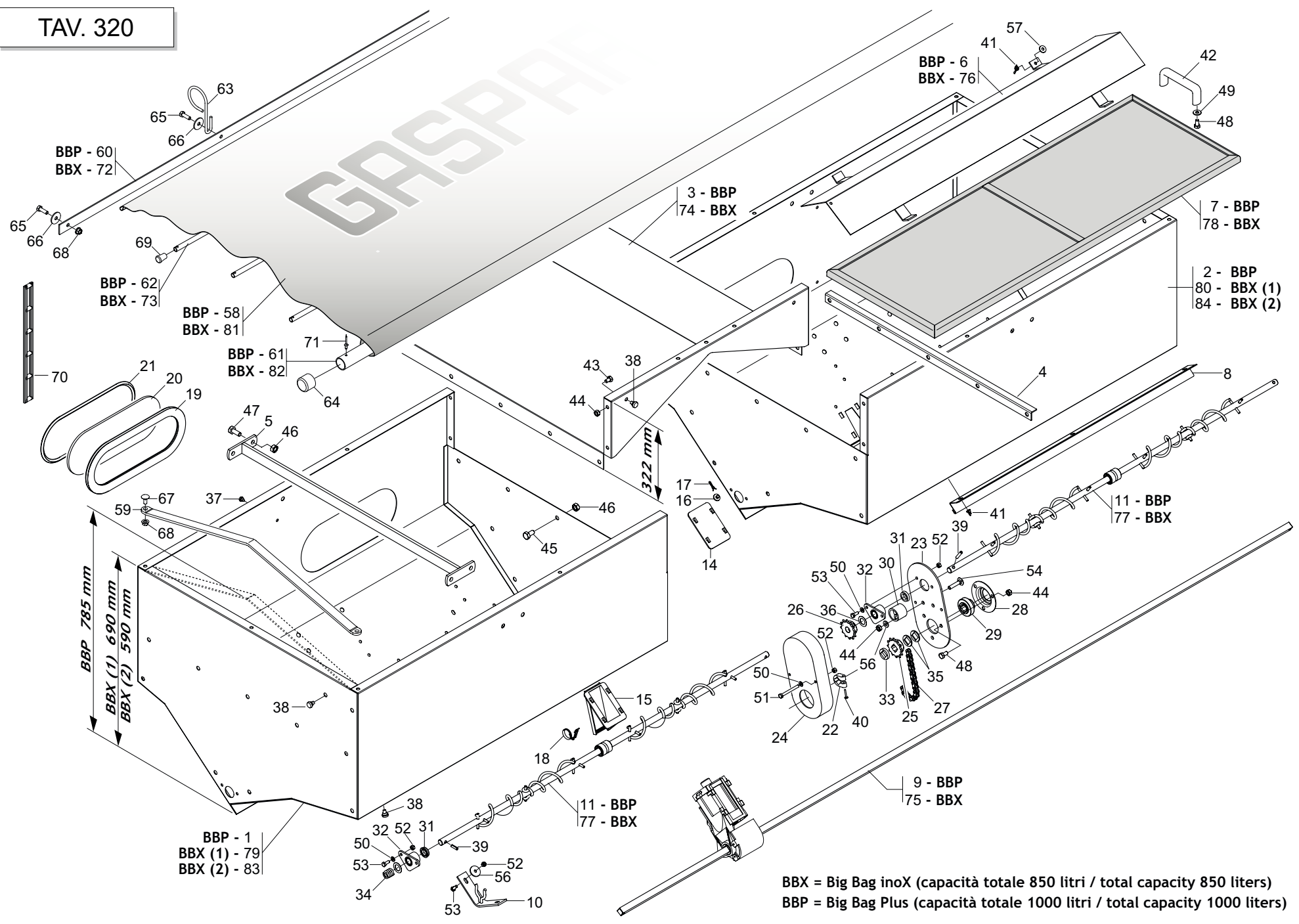


**SERBATOIO SPANDICONCIME UNICO "BB"  
"BB" FERTILIZER DISTRIBUTOR**

**TAV. 320**

Pos.	Cod.	Descrizione	Description	Description	Benennung	Description
1	G15273233R	ASS.SERBATOIO SX. MTE300	ASS.L. TANK MTE300			
2	G15273283R	ASS.SERBATOIO DX. MTE300	ASS.R. TANK MTE300			
3	G15273311R	ASS.LAMIERA CENTRALE MTE300	CENTRAL SHEET ASSEMBLY MTE300			
4	G15273540R	LAMIERA APPOGGIO GRIGLIA	GRID SUPPORT BRACKET	TRIER SUPPORT GRILLE	GITTERHALTB_GEL	ESTRIBO SOPORTE REJILLA
5	G15273560R	TIRANTE INTERNO	INNER TIE ROD			
6	G15273581R	TEGOLO MTE300	BENT TILE MTE300			
7	G15273840R	GRIGLIA SERBATOIO MTE300	TANK GRID. MTE300	GRILLE RESERVOIR MTE300	BEHZLTERGITTER MTE300	REJILLA DEPS. MTE300
8	G15273622R	PORTA PULIZIA MTE300 5F.	CLEANING DOOR MTE300 5H.			
9	G15273750R	ASSE TRASM.L.2800	TRANSMISSION SHAFT L. 2800	AXE TRANSMISSION L.2800	ANTRIEBSACHSE L.2800	EJE TRANSM.L.2800
10	G15273700R	SUPPORTO COCLEA	BOLT SUPPORT	SUPPORT VIS ALIMENTATION	HALTERUNG SCHNECKE	SOPORTE C CLEA
11	G15273610R	ASSE AGITAT.SERBAT.UNICO COMPL	STIRRER SPINDLE BB300 TANK	AXE AGITATEUR RESERVOIR BB300	SAMENMISCHERACHSE BEH. BB300	EJE AGITAD. DEPS. BB300
14	G66248184R	CHIUSURA USCITA SERB.SPAND.SP	OUTLET CLOSURE- MAN.SPREAD. TA	FERMETURE SORTIE RESERVOIR FER	VERSCHLUSS AUSTRITT DSNGERSTR.	CIERRE SALIDA DEP S. ABON. SP
15	G66248187R	SCARICO SERB.SPAND.TIPO MICRO	MICRO TYPE MAN.SPR.TANK DISCH.	TRAPPE DE VIDANGE TYPE MICRO	BEHZLTERENTLADUNG STREUER TYP	DESCARGA DEP S. ABON.TIPO MICR
16	G66248224R	FERMO DISTRIBUTORE SPAND.	FERT. SPR. DISTRIB. STOP	ARRET DISTRIBUTEUR EP. ENGRAIS	FESTSTELLVORRICHTUNG SZAPP. ST	BLOQUEO DISTRIBUIDOR ABON.
17	G65336089R	MOLLA SPEC.TENUTA FERMO SPAND.	SPEC.SPRING- BLOCK. MAN. SPR.	RESSORT SPEC. D ETANCHEITE ARR	SPEZIALFEDER DICHTUNG STREUER	MUELLE ESPEC. RETENC. BLOQ
18	G65336080R	MOLLA SPEC.SCARICO SPAND.T.M.	SPEC. SPRING SPREDER RELIEF			
19	F03011155R	GUARNIZIONE VETRO TRAMOGGIA	GLASS SEAL	GARNITURE VERRE	GLASDICHTUNG	JUNTA VIDRIO
20	G16021080R	FINESTRA CONTR.LIVELLO SEMI	SEED LEVEL CHECKING WINDOW	FENETRE CONTROLE NIV. GRAINES	KONTROLLFENSTER SAMENSTAND	VENTANA CONTROL NIVEL SEMILLAS
21	G68005092R	TENDITORE GUARNIZIONE	TURNBUCKLE GASKET	TENDEUR GARNITURE	DICHTUNGSSPANNER	ENSOR JUNTA
22	G22505085R	FERMO ASSE IN LAMIERA	PLATE AXLE STOP	ARRET AXE EN TOLE	FESTSTELLVORRICHTUNG BLECHACHS	BLOQUEO EJE DE CHAPA
23	G15471930R	PROTEZIONE	GUARD	PROTECTION	SCHUTZ	PROTECCI N
24	G17170270R	PROTEZIONE RINVIO SERBATOIO	INTERNAL TRANSMISS. TANK PROTE	PROTECTION RENVOI TREMIE	VORGELEGESCHUTZ BEH-LTER	PROTECCION ENVIO DEPOSITO
25	G20860086R	INGRANAGGIO 1 2 Z-12 F.Q.	GEAR 1 2 Z-12 F.Q.	ENGRENAGE 1 2 Z-12 TROUS CARRE	ZAHNRAD 1 2 Z-12 F.Q.	ENGRANAJE 1 2 Z-12 F.Q.
26	G20860088R	INGRANAGGIO 1 2 Z-12 F.T.	GEAR 1 2 Z-12 F.T.	ENGRENAGE 1 2 Z-12 TROUS RONDS	ZAHNRAD 1 2 Z-12 F.T.	ENGRANAJE 1 2 Z-12 F.T.
27	F06080196R	CATENA 1 2 ISO 083 32 MAGLIE	CUT-DOWN CHAIN. 1 2 ISO 083 32	TRONCON CHAINE 1 2 ISO 083 32	KETTENLNZNGE 1 2 ISO 083 32 GL	TRECHO CADENA 1 2 ISO 083 32
28	G22230094R	SUPPORTO CUSCINETTO	BEARING SUPPORT	SUPPORT DE ROULEMENT	LAGERBSCHSE	SOPORTE COJINETE
29	G14830390R	CUSCINETTO FORO QUADRO	SQUARE-HOLED BEARING	ROULEMENT TROU CARRE	VIERKANTLAGER	COJINETE ORIFICIO CUADRADO
30	G66248207R	TENDICATENA SPAND. SP-520	CHAIN TENSIONER	TENDEUR DE CHAINE EPAND. ENGR.	KETTENSANNER DSNGERSTR. SP-52	ENSOR DE CADENA ABON. SP-520
31	F03011081R	GUARNIZIONI LABBRO DE100	LIP GASKET D100			
32	G66248121R	BOCCOLA CON FLANGIA M80	BUSHING W FLANGE M80	SUPPORT AVEC BRIDE M80	BSCHSE MIT FLANSCH M80	CASQUILLO CON BRIDA M80
33	G66248218R	RONDELLA DISTAN.SPAND.	MAN. SPR. SPACER WASHER	RONDELLE ENTRETOISE EP. ENGRAI	ABSTANDSCHEIBE DSNGERSTREUER	ARANDELA DISTAN.ABONAD.
34	G65338043R	MOLLA COMP.ZN SERB. M80	ZN TANK COMP.SPRING M80	RESSORT COMPL. ZN RESERVOIR M8	DRUCKFEDER ZN BEHZLTER M80	MUELLE COMP.ZN DEP S. M80
35	G18701650R	RONDELLA FORO QUADRO ZN	WASHER 16,5X30X2,5 SQ.HOLE GAL	RONDELLE 16,5X30X2,5 ZN	UNTERLEGSSCHEIBE 16,5X30X2,5 ZN	ARANDELA 16,5X30X2,5 ZN
36	G22220073R	RONDELLA 28X0,3X16,5	WASHER 28X0-3X16-5	RONDELLE 28X0-3X16-5	UNTERLEGSSCHEIBE 28X0-3X16-5	ARANDELA 28X0-3X16-5
37	G19003160R	TAPPO PER FORO D.7	PLUG FOR D.7 HOLE	BOUCHON POUR TROU D.7	PFROPFEN FSR LOCH D.7	TAP N PARA AGUJERO D.7
38	G66248223R	TAPPO SUPP.SPAND.D.11	PLUG MAN. SPR. SUPP. D.11	BOUCHON SUPPORT EP. ENGRAIS D.	HALTERUNGSPFROPFEN DSNGERSTR.	TAP N SOPORTE ABON.D.11
39	F02100113R	SPINA E.P. 6X 30 U6873 C70 ZN	PIN EL. 6X30 DIN 1481 ZN *	GOUPILLE EL.6 X30 DIN1481ZN*	SPANNSTIFT 6 X30 DIN 1481 ZN	CLAVIJA EL.6 X30 DIN 1481 ZN
40	F01070074R	VITE A4,2X1,41X25 U6954 4.8NI	SCR. H4,2X1,41X25 U6954 4.8NI	VIS 4-2X25 DIN 7981	SCHRAUBE 4-2X25 DIN 7981	TORNILLO 4-2X25 DIN 7981
41	F01240013R	DADO M6X1 U5448 A2 GE	NUT M6X1 U5448 A2 GE			
42	F05150112R	MANIGLIA INTERAS. 117 FORO 8MM	HANDLE	POIGNEE	HANDGRIFF	MANILLA
43	F01020426R	VITE M 8X1,25X 12 U5739 A2IX	SCR. M8X1,25X12 U5739 A2IX	VIS M8 X1,25X 12 U5739 8.8 IX	SCHRAUBE M8 X1,25X 12 U5739 8.	TORNIL. M8 X1,25X 12 U5739 8.8
44	F01200245R	DADO M8X1,25 U5588 A2IX	NUT M8X1,25 U5588 A2IX	ECROU M 8X1,25 U5588 A2 IX	MUTTER M 8X1,25 U5588 A2 IX	TUERCA M 8X1,25 U5588 A2 IX
45	F01020461R	VITE M10X1,5X20 U5739 8.8GE	SCRUE M10X1,5X20 U5739 8.8GE			
46	F01200271R	DADO M10X1,5 U5588 A2IX	NUT M10X1,5 U5588 A2IX	ECROU 10 5588 6.8 INOX	MUTTER 10 5588 6.8 INOX	TUERCA 10 5588 6.8 INOX
47	F01020463R	VITE M10X1,5X25 U5739 A2IX	SCR. M10X1,5X25 U5739 A2IX	VIS 10X25 5739 INOX A2	SCHRAUBE 10X25 5739 INOX A2	TORNILLO 10X25 5739 INOX A2
48	F01020434R	VITE M8X1,25X16 U5739 A2IX	SCR. M8X1,25X16 U5739 A2IX	VIS M8X1,25X16 U5739 A2IX	SCHRAUBE M8X1,25X16 U5739 A2IX	TORNIL. M8X1,25X16 U5739 A2IX
49	G20970140R	RONDELLA 20X2X8,5	WASHER 20X2X8,5	RONDELLE 20X2X8,5	UNTERLEGSSCHEIBE 20X2X8,5	ARANDELA 20X2X8,5
50	F01410034R	ROS.M6 6,4X12,5X1,6 U6592 IX	WASHER M6 6,4X12,5X1,6 U6592			
51	F01020043R	VITE M6X1X60 U5737 8.8ZN	SCR. M6X1X60 U5737 8.8ZN	VIS M6X1X60 U5737 8.8 ZN	SCHRAUBE M6X1X60 U5737 8.8 ZN	TORNILLO M6X1X60 U5737 8.8 ZN
52	F01200233R	DADO M6X1 U5588 A2IX	NUT M6X1 U5588 A2IX	ECROU M 6X 1 U5588 I	MUTTER M 6X 1 U5588	TUERCA M 6X 1 U5588
53	F01020419R	VITE M 6X1 X 16 U5739 A2IX	SCR. M6X1X16 U5739 A2IX	VIS M6 X1 X 16 U5739 8.8 IX	SCHRAUBE M6 X1 X 16 U5739 8.	TORNIL. M6 X1 X 16 U5739 8.8
54	F01020068R	VITE M8X1,25X40 U5737 8.8ZN	SCR. M8X1,25X40 U5737 8.8ZN	VIS M 8X1,25X40 U5737 8.8 ZN	SCHRA. M8X1,25X40 U5737 8.8 ZN	TORNILLO M8X1,25X40 U5737 8.8
56	G20970125R	RONDELLA 28X2,5X6-5	WASHER 28X2-5X6-5	RONDELLE 28X2-5X6-5	UNTERLEGSSCHEIBE 28X2-5X6-5	ARANDELA 28X2-5X6-5
57	F01420039R	ROSSET.M6 6,4X24X1,5 U6593 IX	WASHER M6 6,4X24X1,5 U6593 IX	RONDELL.M6 6,4X24X1,5 U6593 IX	SCHIBE M6 6,4X24X1,5 U6593 IX	ARANDEL.M6 6,4X24X1,5 U6593 IX
58	G15273771R	TELO COPRISERBATOIO MTE300	HOPPER COVER-SHEET MTE300	TOILE COUVRE-TREMIE MTE300	TRICHTERABDECKTUCH MTE300	ONA PROTEC. TOLVA MTE300

TAV. 320



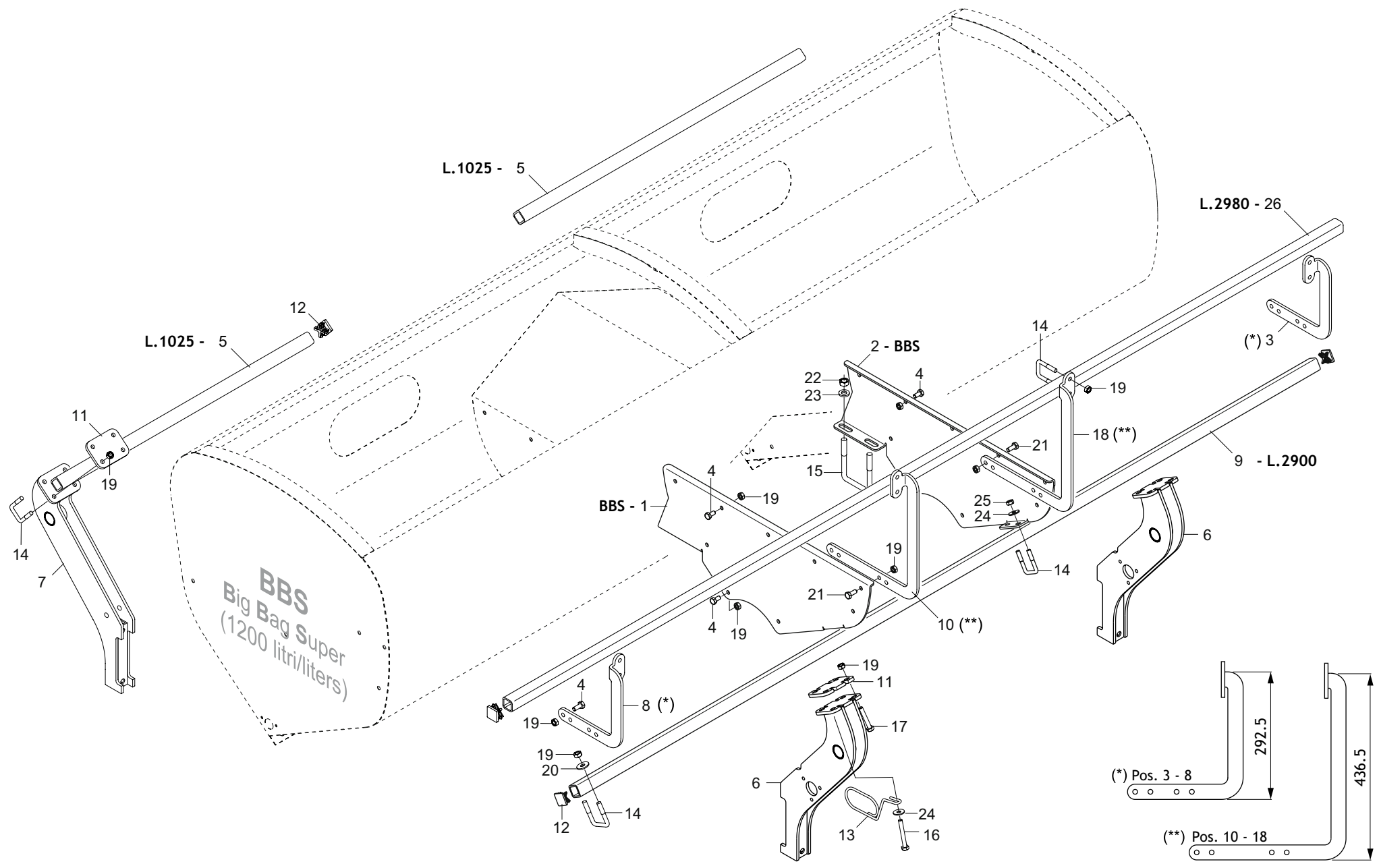
BBX = Big Bag inoX (capacità totale 850 litri / total capacity 850 liters)  
BBP = Big Bag Plus (capacità totale 1000 litri / total capacity 1000 liters)



**SERBATOIO SPANDICONCIME UNICO "BB"  
"BB" FERTILIZER DISTRIBUTOR**

**TAV. 320**

Pos.	Cod.	Descrizione	Description	Description	Benennung	Description
59	G15273632R	SUPPORTO TELO COPRISERBATOIO	SUPP.TANKCOVER SHEET			
60	G15273680R	ASTA FISSAGGIO TELO	FIXING ROD	TIGE DE FIXATION	BEFESTIGUNGSTANGE	VARILLA DE FIJACIN
61	G15273660R	TUBO TELO COPRISERBATOIO	HOPPER COVER-SHEET TUBE	TUBE TOILE COUVRE-TREMIE	ROHR TRICHTERABDECKTUCH	TUBO ONA PROTEC. TOLVA
62	G15273670R	TUBO RINFORZO TELO	REINFORCEMENT ROD	TIGE DE RENFORCEMENT	VERSTZRKUNGSSTANGE	VARILLA DE REFUERZO
63	G18902270R	GUIDATUBO ZN TEL	TUBE GUIDE ZN TEL	GUIDER TUBE TEL ZN	FUHREN ROHR TEL ZN	GUIAR TUBO TEL ZN
64	G66248098R	TAPPO CONVOGLIATORE DEPR. SP	AIR PUMP CONVEYOR PLUG SP	BOUCHON CONVOYEUR TURBINE SP	VAKUUM FTRDERPFROPFEN SP	TAP N CONDUCTOR DEPR. SP
65	F01020457R	VITE M8X1,25X20 U5739 A2IX	SCR. M8X1,25X20 U5739 A2IX	VIS M8X1,25X20 U5739 A2IX	SCHRAUBE M8X1,25X20 U5739 A2IX	TORNILLO M8X1,25X20 U5739 A2IX
66	F01420049R	ROS.M8 8,4X 32X 2 U6593 ZN	WASHER M8 8,4X32X2 U6593 ZN	RONDELLA M8 8,4X32X2 U6593 ZN	SCHEIBE M8 8,4X32X2 U6593 ZN	ARAND.M8 8,4X 32X 2 U6593 ZN
67	F01060040R	VITE M8X1,25X20 U5731 8.8ZN	SCR. M8X1,25X20 U5732 4.6ZG	VIS M8X1,25X20 U5732 4.6 ZN	SCHRA. M8X1,25X20 U5732 4.6 ZN	TORN. M8X1,25X20 U5732 4.6 ZN
68	F01260043R	DADO M8 D6923 8.8ZN	NUT M8 D6923 8.8ZN	ECROU BRIDE .M8 DIN 6923 8.8 Z	GEFLANSCHTE MUTTER M8 DIN6923	TUERCA BRIDA M8 DIN 6923 8.8 Z
69	F05150472R	PUNTALE PVC D.10	PVC TIP D.20			
70	F06080487R	CATENA AGGANCIO TELO IN GOMMA	RUBBER FRAME CONNECTION CHAIN	CHA NE ACCROCHAGE TOILE EN CAO	KETTE BEFESTIGUNG GUMMITUCH	CADENA ENGANCHE LONA DE CAUCHO
71	F02250123R	RIVETTO STR. 4,8X 9 U9200A AL	PULL RIVET 4,8X 9 U9200A ALL	RIVET A RUPTURE 4,8X 9 U9200A	REISSNIETE 4,8X 9 U9200A ALL	REMACHE DESGAR. 4,8X 9 U9200A
72	G15274090R	ASTA FISSAGGIO TELO	FIXING ROD	TIGE DE FIXATION	BEFESTIGUNGSTANGE	VARILLA DE FIJACIN
73	G13722250R	TUBO RINFORZO TELO COPRISEME	REINFORCEMENT TUBE	TUBE DE RENFORCEMENT	VERSTZRKUNGROHR	TUBO DE REFUERZO
74	G15274681R	LAMIERA CENTRALE INOX	CENTRAL SHEET INOX			
75	G13732200R	ASSE TRASMISSIONE L.2485	TRANSMISSION AXLE L2485	AXE TRANSMISSION L.2485	SBERTRAGUNGSACHSE L.2485	EJE TRANSMISI N L 2485
76	G15274061R	TEGOLO 250	BENT TILE 250			
77	G15274080R	ASSE AGITAT.S.UNICO 250 COMPL	STIRRER SPINDLE BB250 TANK	AXE AGITATEUR RESERVOIR BB250	SAMENMISCHERACHSE BEH. BB250	EJE AGITAD. DEPS. BB250
78	G15274150R	GRIGLIA SERBATOIO	TANK GRID.	GRILLE RESERVOIR	BEHZLTERGITTER	REJILLA DEPS.
79	G15274693R	SERBATOIO SX 250 INOX	TANK LEFT 250 STAINLESS			
80	G15274703R	SERBATOIO DX 250 INOX	RIGHT TANK 250 INOX			
81	G15274120R	TELO COPRISERBATOIO BB	HOPPER COVER-SHEET BB	TOILE COUVRE-TREMIE BB	TRICHTERABDECKTUCH BB	ONA PROTEC. TOLVA BB
82	G15274100R	TUBO TELO COPRISERBATOIO	HOPPER COVER-SHEET TUBE	TUBE TOILE COUVRE-TREMIE	ROHR TRICHTERABDECKTUCH	TUBO ONA PROTEC. TOLVA
83	G15274692R	ASS.SERBATOIO SX 250 INOX	ASS.L. TANK 250 INOX			
84	G15274702R	ASS.SERBATOIO DX 250 INOX	ASS.R. TANK 250 INOX			



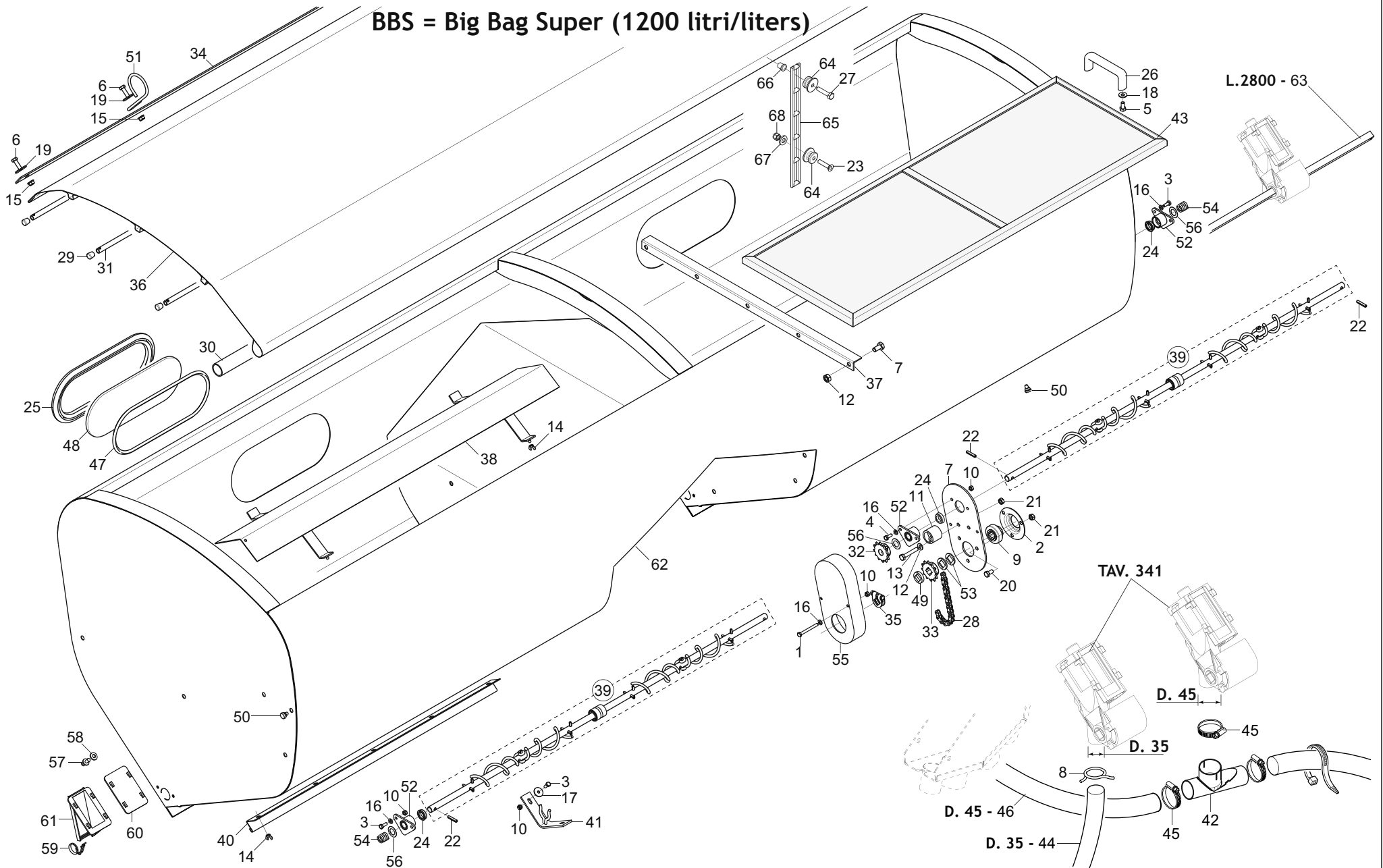
**SUPPORTI SERBATOIO SPANDICONCIME "BBS 1200 LITRI"  
SUPPORTS FOR "BBS 1200 LITERS" FERTILIZER DISTRIBUTOR**

TAV. 480

Pos.	Cod.	Descrizione	Description	Description	Benennung	Descripcion
1	G15274270R	FIANCO SUPP.INT.SX BB1200L	L.INTERNAL SUPP.SIDE BB1200L			
2	G15274260R	FIANCO SUPP.INT.DX BB1200L	R.INTERNAL SUPP.SIDE BB1200L			
3	G15275850R	SUPPORTO SX TUBO MICRO 60L	LEFT SUPPORT TUBE MICRO 60L			
4	F01020461R	VITE M10X1,5X20 U5739 8.8GE	SCREW M10X1,5X20 U5739 8.8GE			
5	G15273491R	TUBO Q. 35X 4X1025	SQ.PIPE 35X 4X1025			
6	G15273444R	SUPPORTO POSTERIORE	REAR SUPPORT			
7	G15273472R	SUPPORTO FRONTALE	FRONT SUPPORT			
8	G15275860R	SUPPORTO DX TUBO MICRO 60L	RIGHT SUPPORT TUBE MICRO 60L			
9	G07000656R	TUBO Q. 35X 4X2900	SQUARE PIPE 35X35X4X2900	TUBE CARRE 35X35X4X2900	VIERKANTROHR 35X35X4X2900	TUBO CUADRADO 35X35X4X2900
10	G15275880R	SUPPORTO L.SX TUBO MICRO 60L	S.LEFT SUPPORT TUBE MICRO 60L			
11	G15274520R	PIASTRA D APPOGGIO MTE300	SUPPORT PLATE MTE300			
12	F20120346R	PUNTALE Q 35 ALETT.POLIT.NERO	SQ.TIP 35 BLACK			
13	G18904050R	MOLLA GUIDA 2 TUBI DEPRESS.	TUBE GUIDE SPRING	RESSORT GUIDE-TUBES	EDER ROHRF_HRUNG	MUELLE GUA TUBOS
14	F20110706R	CAV.Q.B=35 M=10X1,5 L=60	U BOLT Q.B=35 M=10X1,5 L=60	CAVALIER SUPPORT DISQUE SV	VERBINDUNG SCHEIBENHALTERUNG S	PERNO EN U SOP. DISCO SV
15	F20110770R	CAV.Q.B=80 M=14X2 L=119	U BOLT Q.B=80 M=14X2 L=119	BRIDE U M14X2X50 96X119 ZN	ANSCHLANG U M14X2X50 96X119 ZN	EL.DE EMPALME M14X2X50 96X119
16	F01020144R	VITE M10X1,5X75 U5737 A2IX	SCR. M10X1,5X75 U5737 A2IX	VIS M10X 1,5X 75 U5737 8.8 IX	SCHRAUBE M10X 1,5X 75 U5737 8.	TORNIL. M10X 1,5X 75 U5737 8.8
17	F01020143R	VITE M10X1,5X65 U5737 A2IX	SCR. M10X1,5X65 U5737 A2IX	VIS M10X 1,5X 65 U5737 8.8 IX	SCHRAUBE M10X 1,5X 65 U5737 8.	TORNIL. M10X 1,5X 65 U5737 8.8
18	G15275870R	SUPPORTO L.DX TUBO MICRO 60L	S.RIGHT SUPPORT TUBE MICRO 60L			
19	F01200271R	DADO M10X1,5 U5588 A2IX	NUT M10X1,5 U5588 A2IX	ECROU 10 5588 6.8 INOX	MUTTER 10 5588 6.8 INOX	TUERCA 10 5588 6.8 INOX
20	F01420059R	ROS.M10 10,5X 30X2,5 U6593 IX	WASHER 11X30X2,5 6593 A2	RONDELLE 11X30X2,5 6593 A2	UNTERLEGSSCHEIBE 11X30X2,5 6593	ARANDELA 11X30X2,5 6593 A2
21	F01020463R	VITE M10X1,5X25 U5739 A2IX	SCR. M10X1,5X25 U5739 A2IX	VIS 10X25 5739 INOX A2	SCHRAUBE 10X25 5739 INOX A2	TORNILLO 10X25 5739 INOX A2
22	F01200306R	DADO M14X2 U5588 CL8 ZN	NUT M14X2 U5588 6.8ZN	ECROU M14X2	MUTTER M14X2	DADO M14X2
23	G20970142R	RONDELLA 32X4X15,5	WASHER 32X4X15-5	RONDELLE 32X4X15-5	UNTERLEGSSCHEIBE 32X4X15-5	ARANDELA 32X4X15-5
24	F01420060R	ROS.M10 10,5X 30X2,5 U6593 ZG	GALV.WASHER 10,5X30X2,5 U6593	RONDELLE 10,5X30	SCHEIBE 10,5X30	ARAND.M10 10,5X 30X2,5 U6593
25	F01200270R	DADO M10X1,5 U5588 CL8 ZN	NUT M10X1,5 U5588 6.8ZN	ECROU M10X 1,5 U5588 6.8 ZN	MUTTER M10X 1,5 U5588 6.8 ZN	TUERCA M10X1,5 U5588 CL8 ZN
26	G07000028R	TUBO Q.35 X4 X2980	SQUARE PIPE 35 X 35 X 3 X 2980	TUBE CARRE 35 X 35 X 3 X 2980	VIERKANTROHR 35 X 35 X 3 X 298	TUBO CUADRADO 35 X 35 X 3 X 29

TAV. 490

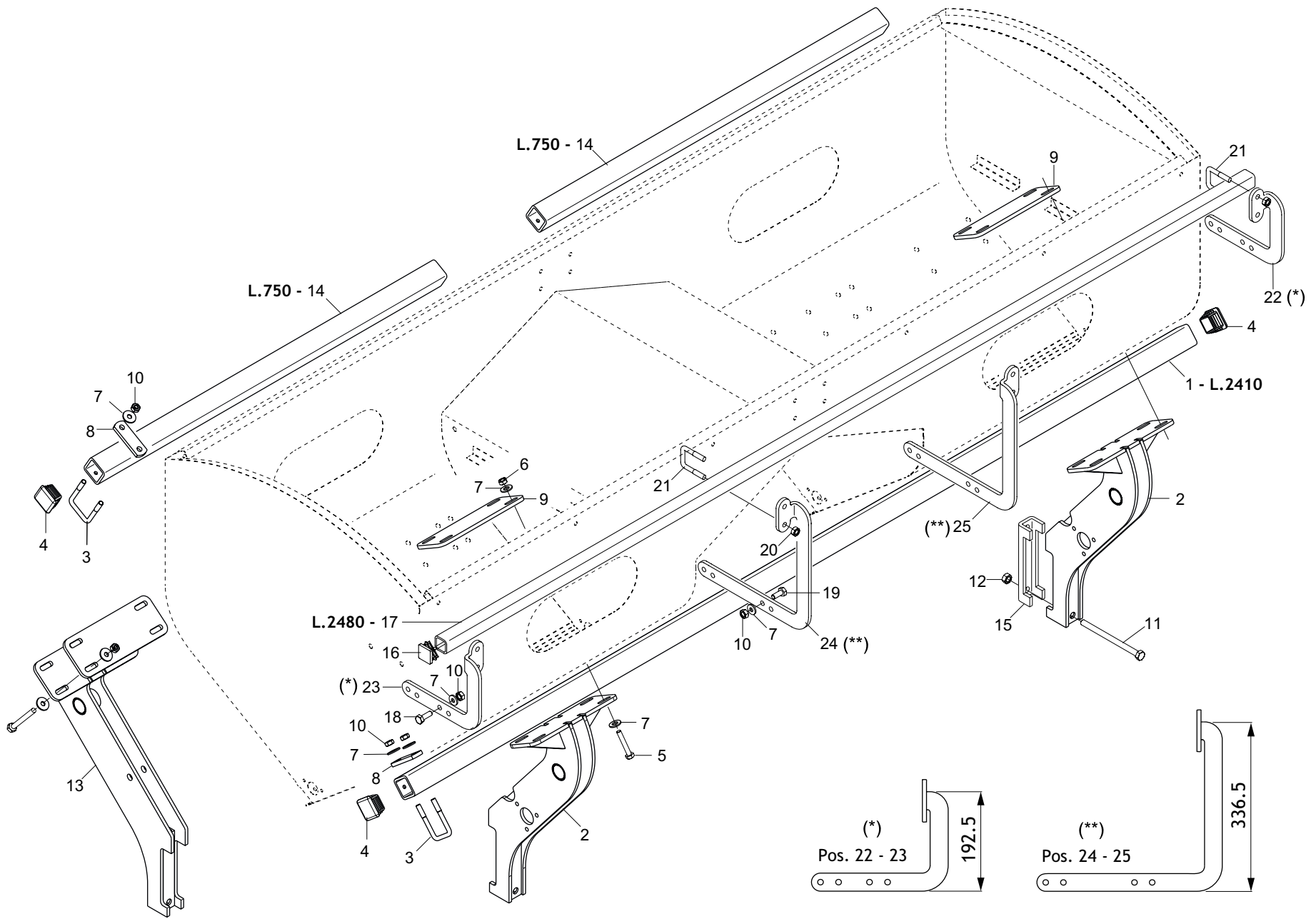
BBS = Big Bag Super (1200 litri/liters)



# SERBATOIO SPANDICONCIME UNICO "BBS 1200 LITRI" "BBS 1200 LITERS" FERTILIZER DISTRIBUTOR

TAV. 490

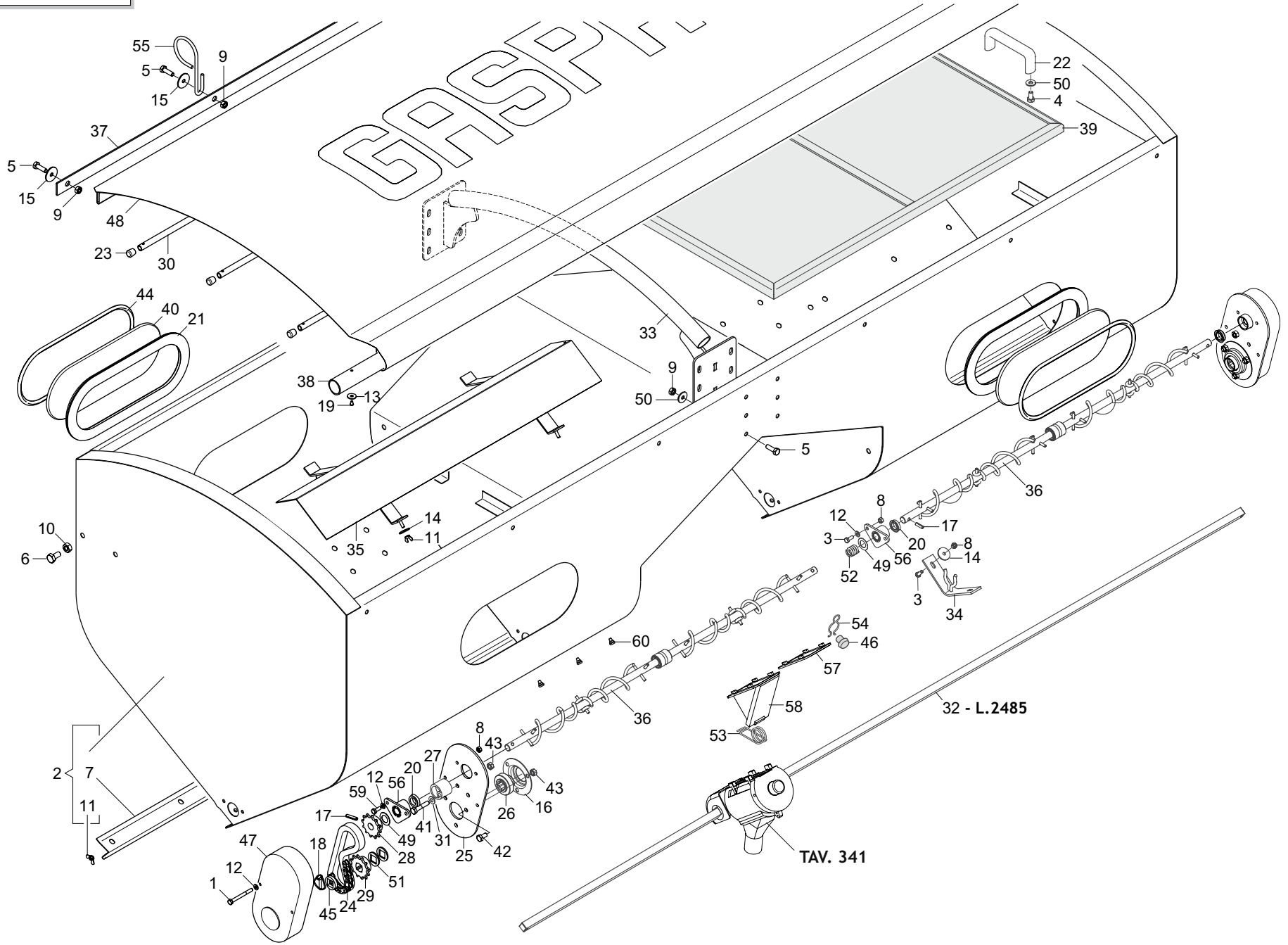
Pos.	Cod.	Descrizione	Description	Description	Benennung	Descripcion
1	F01020043R	VITE M6X1X60 U5737 8.8ZN	SCR. M6X1X60 U5737 8.8ZN	VIS M6X1X60 U5737 8.8 ZN	SCHRAUBE M6X1X60 U5737 8.8 ZN	TORNILLO M6X1X60 U5737 8.8 ZN
2	G22230094R	SUPPORTO CUSCINETTO	BEARING SUPPORT	SUPPORT DE ROULEMENT	LAGERBSCHSE	SOPORTE COJINETE
3	F01020419R	VITE M 6X1 X 16 U5739 A2IX	SCR. M6X1X16 U5739 A2IX	VIS M6 X1 X 16 U5739 8.8 IX	SCHRAUBE M6 X1 X 16 U5739 8.8	TORNIL. M6 X1 X 16 U5739 8.8
4	F01020420R	VITE M6X1X20 U5739 A2IX	SCR. M6X1X20 U5739 A2IX	VIS M6 X1 X 20 U5739 8.8 IX	SCHRAUBE M6X1X20 U5739 A2 IX	TORNIL. M6 X1 X 20 U5739 8.8
5	F01020426R	VITE M 8X1,25X 12 U5739 A2IX	SCR. M8X1,25X12 U5739 A2IX	VIS M8 X1,25X 12 U5739 8.8 IX	SCHRAUBE M8 X1,25X 12 U5739 8.	TORNIL. M8 X1,25X 12 U5739 8.8
6	F01020443R	VITE M8X1,25X25 U5739 A2IX	SCR. M8X1,25X25 U5739 A2IX	VIS M8X1,25X25 U5739 A2 IX	SCHRAUBE M8X1,25X25 5739 A2 IX	TORNILLO M8X1,25X25 5739 A2 IX
7	G15471930R	PROTEZIONE	GUARD	PROTECTION	SCHUTZ	PROTECCI N
8	G65336025R	MOLLA SPEC.ZN STRINGIT.ASP.SP	SPEC SPRING ZN FAN . PIPE CLAM	RESSORT SPEC. ZN SERRE-TUBE AS	SPEZIALFEDER ZN RORHSCHELLE AB	MUELLE ESPEC. ZN APIRIETA TUBOS
9	G14830390R	CUSCINETTO FORO QUADRO	SQUARE-HOLED BEARING	ROULEMENT TROU CARRE	VIERKANTLAGER	COJINETE ORIFICIO CUADRADO
10	F01200233R	DADO M6X1 U5588 A2IX	NUT M6X1 U5588 A2IX	ECROU M 6X 1 U5588	MUTTER M 6X 1 U5588	TUERCA M 6X 1 U5588
11	G66248207R	TENDICATENA SPAND. SP-520	CHAIN TENSIONER	TENDEUR DE CHAINE EPAND. ENGR.	KETTENSPELLER DSNGERSTR. SP-52	ENSOR DE CADENA ABON. SP-520
12	F01410051R	ROS.M8 8,4X 17X1,6 U6592 ZN	WASHER M8 8,4X17X1,6 U6592 ZN	RONDELLE M8 8,4X17X1,6 ZN	SCHEIBE M8 8,4X17X1,6 U6592 ZN	ARAND.M8 8,4X 17X1,6 U6592 ZN
13	F01020068R	VITE M8X1,25X40 U5737 8.8ZN	SCR. M8X1,25X40 U5737 8.8ZN	VIS M 8X1,25X40 U5737 8.8 ZN	SCHRA. M8X1,25X40 U5737 8.8 ZN	TORNILLO M8X1,25X40 U5737 8.8
14	F01240013R	DADO M6X1 U5448 A2 GE	NUT M6X1 U5448 A2 GE	NUT M8	MUTTER M8	TUERCA M8
15	F01260032R	DADO M8 D6923 A2IX	NUT M8 D6923 A2IX	ECROU FLANG. M8 D6923 A2 IX	MUTTER FLANG. M8 D6923 A2 IX	TUERCA FLANG. M8 D6923 A2 IX
16	F01410034R	ROS.M6 6,4X12,5X1,6 U6592 IX	WASHER M6 6,4X12,5X1,6 U6592 IX	RONDELL.M6 6,4X24X1,5 U6593 IX	SCHEIBE M6 6,4X24X1,5 U6593 IX	ARANDEL.M6 6,4X24X1,5 U6593 IX
17	F01420039R	ROSSET.M6 6,4X24X1,5 U6593 IX	WASHER M6 6,4X24X1,5 U6593 IX	RONDELLE M8 8,4X24X2 U6593 IX	SCHEIBE M8 8,4X24X2 U6593 IX	ARANDELA M8 8,4X24X2 U6593 IX
18	F01420047R	ROS.M8 8,4X 24X 2 U6593 IX	WASHER M8 8,4X24X2 U6593 IX	RONDELLA M8 8,4X32X2 U6593 ZN	SCHEIBE M8 8,4X32X2 U6593 ZN	ARAND.M8 8,4X 32X 2 U6593 ZN
19	F01420049R	ROS.M8 8,4X 32X 2 U6593 ZN	WASHER M8 8,4X32X2 U6593 ZN	SCR. M8X1,25X16 U5739 8.8ZN	SCHRAUBE M8X1,25X16U5739 8.8ZN	TORNILLO M8X1,25X16 U5739 8.8
20	F01020432R	VITE M8X1,25X16 U5739 8.8ZN	DADO M8X1,25 U5588 CL8 ZN	NUT M8X1,25 U5588 6.8ZN	MUTTER M8 X1,25 U5588 6.8 ZN	TUERCA M8X1,25 U5588 CL8 ZN
21	F01200244R	DADO M8X1,25 U5588 CL8 ZN	SPINA E.P. 6X 30 U6873 C70 BR	ELASTIC PIN 6X30	GOUJON ELASTIQUE 6X30	ESPINA ELASTICA 6X30
22	F02100114R	VITE M6X1X25 U5933 A2IX	SCR. M6X1X25 U5933 A2IX	VIS 6X25 5933	SCHRAUBE 6X25 5933	TORNILLO 6X25 5933
23	F01030039R	GUARNIZIONI LABBRO DE100	LIP GASKET D100	GARNITURE VERRE	GLASDICHTUNG	JUNTA VIDRIO
24	F03011081R	GUARNIZIONE VETRO TRAMOGGIA	MANIGLIA INTERAS. 117 FORO 8MM	HANDLE	HANDGRIFF	MANILLA
25	F03011155R	GUARNIZIONE VETRO TRAMOGGIA	CATENA 1 2 ISO 083 32 MAGLIE	CUT-DOWN CHAIN .1 2 ISO 083 32	KETTENZNGE 1 2 ISO 083 32 GL	TRECHO CADENA 1 2 ISO 083 32
26	F05150112R	MANIGLIA INTERAS. 117 FORO 8MM	PUNTALE PVC D.10	PVC TIP D.20		
27	F01020410R	VITE M 6X1 X 30 U5739 A2IX	TUBO 2. 33,7X1,4X2880 2F9,5	PIPE D. 33,7X1,4X2880 2H9,5		
28	F06080196R	CATENA 1 2 ISO 083 32 MAGLIE	TUBO RINFORZO TELO	REINFORCEMENT ROD	TIGE DE RENFORCEMENT	VARILLA DE REFUERZO
29	F05150472R	PUNTALE PVC D.10	INGRANAGGIO 1 2 Z-12 F.T.	GEAR 1 2 Z-12 F.T.	ENGRENAGE 1 2 Z-12 TROUS ROUNDS	ZAHNRAD 1 2 Z-12 F.T.
30	G15274390R	TUBO 2. 33,7X1,4X2880 2F9,5	INGRANAGGIO 1 2 Z-12 F.Q.	GEAR 1 2 Z-12 F.Q.	ENGRENAGE 1 2 Z-12 TROUS CARRE	ZAHNRAD 1 2 Z-12 F.Q.
31	G15273670R	TUBO RINFORZO TELO	ASTA FISSAGGIO TELO	FIXING ROD	TIGE DE FIXATION	BEFESTIGUNGSTANGE
32	G20860088R	INGRANAGGIO 1 2 Z-12 F.T.	FERMO ASSE IN LAMIERA	PLATE AXLE STOP	ARRET AXE EN TOLE	FESTSTELLVORRICHTUNG BLECHACHS
33	G20860086R	INGRANAGGIO 1 2 Z-12 F.Q.	TELO COPRISERBATOIO BB1200L	TANKCOVER SHEET BB1200L		BLOQUEO EJE DE CHAPA
34	G15273680R	ASTA FISSAGGIO TELO	LAMIERA APPOGGIO GRIGLIA	SHEET METAL SUPPORT GRID		
35	G22505085R	FERMO ASSE IN LAMIERA	TEGOLO MTE300	BENT TILE MTE300		
36	G15274370R	TELO COPRISERBATOIO BB1200L	ASSE AGITAT.SERBAT.UNICO COMPL	STIRRER SPINDLE BB300 TANK	AXE AGITATEUR RESERVOIR BB300	SAMENMISCHERACHSE BEH. BB300
37	G15273541R	LAMIERA APPOGGIO GRIGLIA	PORTA PULIZIA MTE300 5F.	CLEANING DOOR MTE300 5H.	SUPPORT VIS ALIMENTATION	HALTERUNG SCHNECKE
38	G15273581R	TEGOLO MTE300	SUPPORTO COCLEA	BOLT SUPPORT		SOPORTE C CLEA
39	G15273610R	ASSE AGITAT.SERBAT.UNICO COMPL	VENTURI D42	VENTURI D42.		
40	G15273622R	PORTA PULIZIA MTE300 5F.	GRIGLIA SERBATOIO MTE300	TANK GRID. MTE300	GRILLE RESERVOIR MTE300	BEHZLTERGITTER MTE300
41	G15273700R	SUPPORTO COCLEA	TUBO EOLO 35 PU	TUBE EOLO 35 PU	TUBE EOLO 35 PU	REJILLA DEPS. MTE300
42	G14276810R	VENTURI D42	FASCETTA STRING. 32 50 H.9	HOSE CLAMP 32 50 H.9		TUBO EOLO
43	G15273840R	GRIGLIA SERBATOIO MTE300	TUBO EOLO PU D.45	TUBE EOLO PU D.45		
44	F03100500R	TUBO EOLO 35 PU	TURNBUCKLE GASKET	TENDEUR GARNITURE	DICHTUNGSSPANNER	TENSOR JUNTA
45	F02300020R	FASCETTA STRING. 32 50 H.9	SEED LEVEL CHECKING WINDOW	FENETRE CONTROLE NIV. GRAINES	KONTROLLFENSTER SAMENSTAND	VENTANA CONTROL NIVEL SEMILLAS
46	F03100506R	TUBO EOLO PU D.45	MAN. SPR. SPACER WASHER	RONDELLE ENTRETOISE EP. ENGRAI	ABSTANDSCHEIBE DSNGERSTREUER	ARANDELA DISTAN. ABONAD.
47	G68005092R	TENDITORE GUARNIZIONE	PLUG MAN. SPR. SUPP. D.11	BOUCHON SUPPORT EP. ENGRAIS D.	HALTERUNGSPFROPFEN DSNGERSTR.	TAP N SOPORTE ABON.D.11
48	G16021080R	FINESTRA CONTR.LIVELLO SEMI	GUIDATUBO ZN TEL	GUIDER TUBE TEL ZN	FUHRER ROHR TEL ZN	GUIAR TUBO TEL ZN
49	G66248218R	RONDELLA DISTAN.SPAND.	BOCCOLA CON FLANGIA M80	BUSHING W FLANGE M80	BSCHE MIT FLANSCH M80	CASQUILLO CON BRIDA M80
50	G66248223R	TAPPO SUPP.SPAND.D.11	RONDELLA FORO QUADRO ZN	WASHER 16,5X30X2,5 SQ.HOLE GAL	RONDELLE 16,5X30X2,5 ZN	ARANDELA 16,5X30X2,5 ZN
51	G18902270R	GUIDATUBO ZN TEL	MOLLA COMP.ZN SERB. M80	ZN TANK COMP.SP.RING M80	RESSORT COMPL. ZN RESERVOIR M8	MUELLE COMP.ZN DEP S. M80
52	G66248121R	BOCCOLA CON FLANGIA M80	PROTEZIONE RINVIO SERBATOIO	INTERNAL TRANSMISS. TANK PROTE	PROTECTION RENVOI TREMIE	PROTECCION ENVIO DEPOSITO
53	G18701650R	RONDELLA FORO QUADRO ZN	RONDELLA 28X0,3X16,5	WASHER 28X0-3X16-5	RONDELLE 28X0-3X16-5	ARANDELA 28X0-3X16-5
54	G65338043R	MOLLA COMP.ZN SERB. M80	RIVETTO PLAST. A VITE D7X3-9	PLASTIC RIVET SCREW D7X3-9		
55	G17170270R	PROTEZIONE RINVIO SERBATOIO	RONDELLA NYLON 18X7,5X2	WASHER 18X7,5X2		
56	G22220073R	RONDELLA 28X0,3X16,5	MOLLA SPEC.SCARICO SPAND.T.M.	SPEC. SPRING SPREDER RELIEF		
57	F02250032R	RIVETTO PLAST. A VITE D7X3-9	CHIUSURA USCITA SERB.SPAND.SP	OUTLET CLOSURE- MAN.SPREAD. TA	FERMETURE SORTIE RESERVOIR FER	VERSCHLUSS AUSTRITT DSNGERSTR.
58	F05150478R	RONDELLA NYLON 18X7,5X2	SCARICO SERB.SPAND.TIPO MICRO	MICRO TYPE MAN.SPR.TANK DISCH.	TRAPPE DE VIDANGE TYPE MICRO	BEHZLTERENTLADUNG STREUER TYP
59	G65336080R	MOLLA SPEC.SCARICO SPAND.T.M.	SERBATOIO BBP 1200L	FERTILIZER BBP 1200L		CIERRE SALIDA DEP S. ABON. SP
60	G66248184R	CHIUSURA USCITA SERB.SPAND.SP	ASSE TRASM.L.2800	TRANSMISSION SHAFT L. 2800	AXE TRANSMISSION L.2800	DESCARGA DEP S. ABON.TIPO MICR
61	G66248187R	SCARICO SERB.SPAND.TIPO MICRO	GANCIO A FUNGO NERO	FIXING PIVOT	ANTRIEBSACHSE L.2800	EJE TRANSM.L.2800
62	G15274340R	SERBATOIO BBP 1200L	CATENA AGGANCIAMENTO TELO IN GOMMA	RUBBER FRAME CONNECTION CHAIN	CHA NE ACCROCHAGE TOILE EN CAO	KETTE BEFESTIGUNG GUMMITUCH
63	G15273750R	ASSE TRASM.L.2800	INSERTO FIL.M 6X14 ZN T.TONDA	THREADED ZINCKED INSERT M6X14	JOINT FILETE M6X14 ZN	CADENA ENGANCHE LONA DE CAUCHO
64	G17772490R	GANCIO A FUNGO NERO	ROS.M6 6,4X18X1,5 U6593 IX	WASHER M6 6,4X18X1,5 U6593 IX	RONDELLE M6 6,4X18X1,5U6593 IX	YUGO MUESCADO M6X14 ZN
65	F06080487R	CATENA AGGANCIAMENTO TELO IN GOMMA	DADO M6X1 D982 A2IX	NUT M6X1 D982 A2IX	ECROU AUTOB.NOR.10	ARANDELA M6 6,4X18X1,5 U6593 IX
66	F02250681R	INSERTO FIL.M 6X14 ZN T.TONDA				TUERCA AUTOB. NOR. 10
67	F01420038R	ROS.M6 6,4X18X1,5 U6593 IX				
68	F01230024R	DADO M6X1 D982 A2IX				



**SUPPORTI SERBATOIO SPANDICONCIME "BBX"  
SUPPORTS FOR "BBX" FERTILIZER DISTRIBUTOR**

**TAV. 450**

Pos.	Cod.	Descrizione	Description	Description	Benennung	Descripcion
1	G17171160R	TUBO Q. 50X 5X2410 2F8	TUBE Q. 50X 5X2410			
2	G15276520R	SUPPORTO POST.BBX MT-MARTA250	REAR BBX SUPPORT			
3	F20110714R	CAV.Q.B50 M10X1,5 L72 IX	U BOLT Q.B=50 M=10X1,5 L=72	CAVLAIERE B=50 M=10X1,5 L=72	VERBINDUNG B=50 M=10X1,5 L=72	PERNO EN U B=50 M=10X1,5 L=72
4	F20120349R	PUNTALE Q.50 ALETT.POLIT.NERO	CAP	BOUCHON	DECKEL	CORCHO
5	F01020145R	VITE M10X1,5X90 U5737 A2IX	SCR. M10X1,5X90 U5737 A2IX	VIS M10X1.5X 90 U5737 A2 IX	SCHRAUBE M10X1.5X90 5737 A2 IX	TORNILLO M10X1.5X90 5737 A2 IX
6	F01230047R	DADO M10X1,5 D982 A2IX	NUT M10X1,5 D982 A2IX	ECROU M10X 1,5 D982 A2 IX	MUTTER M10X 1,5 D982 A2 IX	TUERCA M10X 1,5 D982 A2 IX
7	F01420059R	ROS.M10 10,5X 30X2,5 U6593 IX	WASHER 11X30X2,5 6593 A2	RONDELLE 11X30X2,5 6593 A2	UNTERLEGSCHIEBE 11X30X2,5 6593	ARANDELA 11X30X2,5 6593 A2
8	G20890017R	SCONTRO	STRIKER PLATE	BUTEE	ANSCHLAG	ELEMENTO DE EMPALME
9	G17171151R	PIASTRA	PLATE			
10	F01200271R	DADO M10X1,5 U5588 A2IX	NUT M10X1,5 U5588 A2IX	ECROU 10 5588 6.8 INOX	MUTTER 10 5588 6.8 INOX	TUERCA 10 5588 6.8 INOX
11	F01020236R	VITE M14X2X220 U5737 8.8BR	SCR. M14X2X220 U5737 8.8BR	VIS M14X2X220 U5737 8.8 BR	SCHRAUBE M14X2X220 U5737 8.8	TORNILLO M14X2X220 U5737 8.8
12	F01200306R	DADO M14X2 U5588 CL8 ZN	NUT M14X2 U5588 6.8ZN	ECROU M14X2	MUTTER M14X2	DADO M14X2
13	G15276490R	SUPPORTO ANTERIORE BBX MT	FRONT BBX SUPPORT			
14	G16110911R	TUBO Q. 50X 5X 750	SQUARE PIPE 50X5X 750			
15	G15110091R	SCONTRO A U	CONTRA U	BRIDE 150 MM	ANSCHLAG	ELEMENTO DE EMPALME
16	F20120346R	PUNTALE Q 35 ALETT.POLIT.NERO	SQ.TIP 35 BLACK			
17	G15475130R	TUBO SUPPORTO SERBATOIO L.2480	TANK SUPPORT PIPE L.2480	TUBE SUPPORT RESERVOIR L2460	ROHR HALTERUNG BEHZLTER L.2480	TUBO SOPORTE DEP SITO L 2480
18	F01020463R	VITE M10X1,5X25 U5739 A2IX	SCR. M10X1,5X25 U5739 A2IX	VIS 10X25 5739 INOX A2	SCHRAUBE 10X25 5739 INOX A2	TORNILLO 10X25 5739 INOX A2
19	F01020464R	VITE M10X1,5X30 U5739 A2IX	SCR. M10X1,5X30 U5739 A2IX	VIS M10X1,5 X 30 U5739 A2IX	SCHRA. M10X 1,5X 30 U5739 A2IX	TORNIL. M10X1,5X30 U5739 A2IX
20	F01200270R	DADO M10X1,5 U5588 CL8 ZN	NUT M10X1,5 U5588 6.8ZN	ECROU M10X 1,5 U5588 6.8 ZN	MUTTER M10X 1,5 U5588 6.8 ZN	TUERCA M10X1,5 U5588 CL8 ZN
21	F20110706R	CAV.Q.B=35 M=10X1,5 L=60	U BOLT Q.B=35 M=10X1,5 L=60	CAVALIER SUPPORT DISQUE SV	VERBINDUNG SCHEIBENHALTERUNG S	PERNO EN U SOP. DISCO SV
22	G15273711R	SUPPORTO SX TUBO MICRO	LEFT SUPPORT TUBE MICRO			
23	G15273721R	SUPPORTO DX TUBO MICRO	RIGHT SUPPORT TUBE MICRO			
24	G15273731R	SUPPORTO LUNGO SX TUBO MICRO	LEFT SUPPORT TUBE MICRO LONG			
25	G15273741R	SUPPORTO LUNGO DX TUBO MICRO	RIGHT SUPPORT TUBE MICRO LONG			

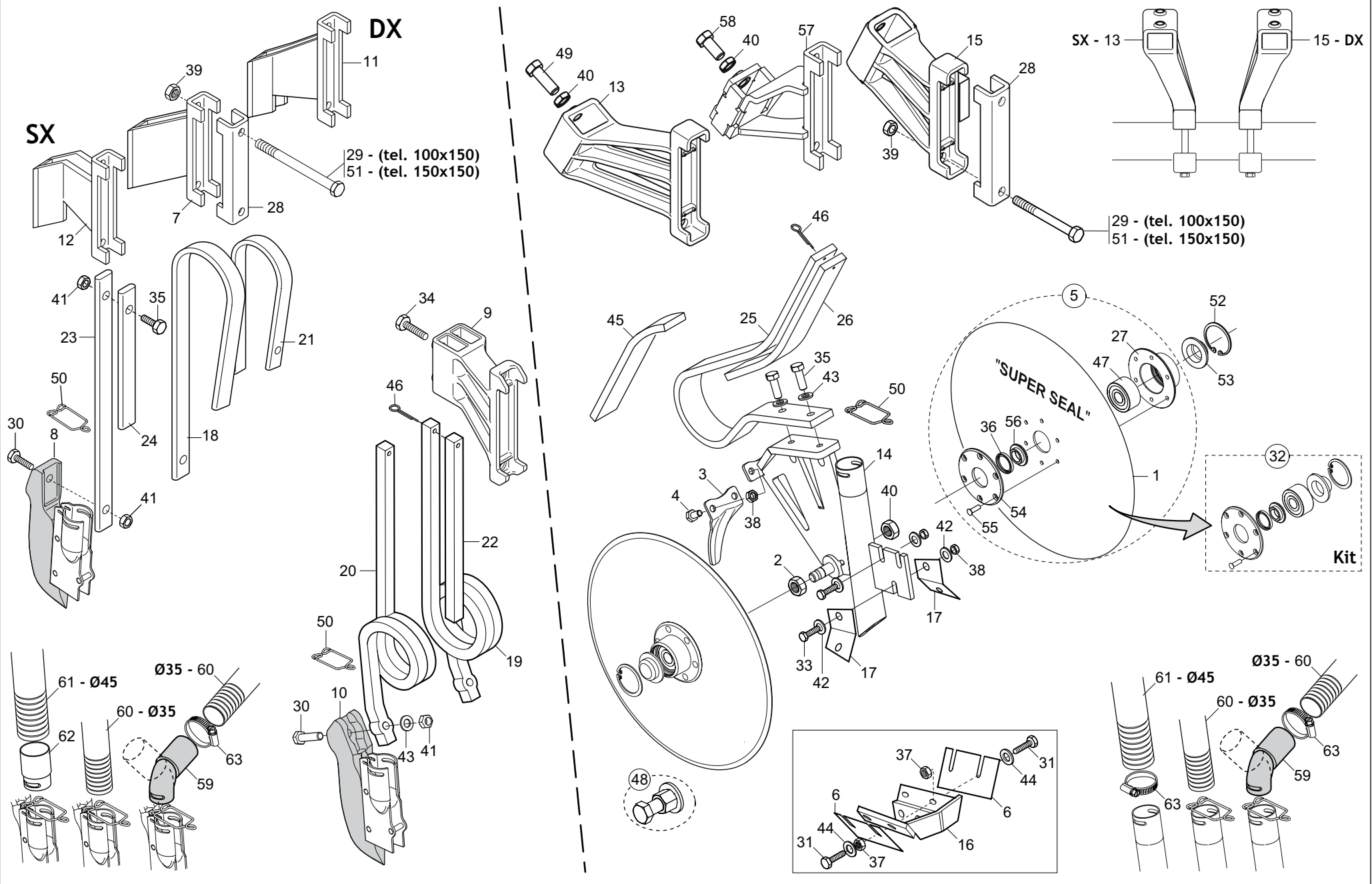




**SERBATOIO SPANDICONCIME "BBX"  
"BBX" FERTILIZER DISTRIBUTOR**

**TAV. 460**

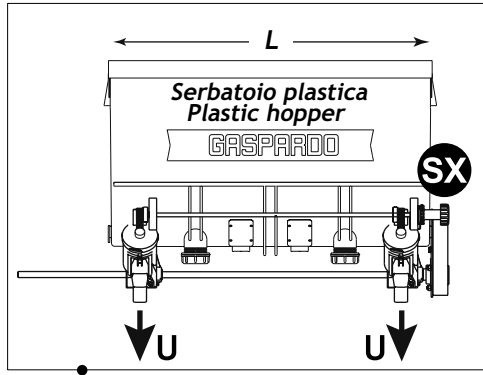
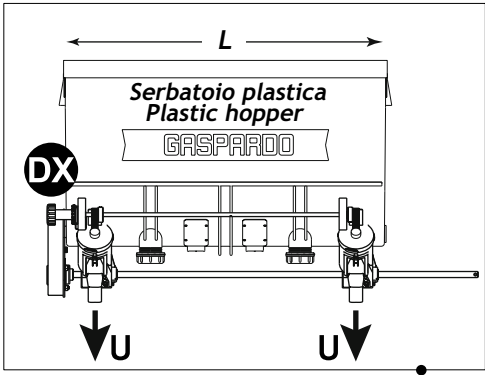
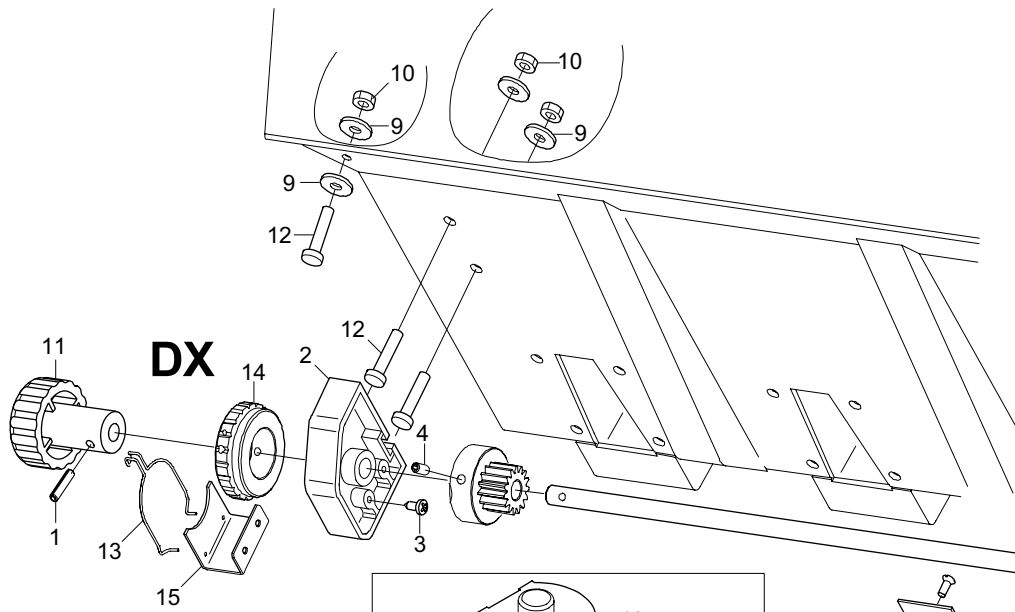
Pos.	Cod.	Descrizione	Description	Description	Benennung	Description
1	F01020043R	VITE M6X1X60 U5737 8.8ZN	SCR. M6X1X60 U5737 8.8ZN	VIS M6X1X60 U5737 8.8 ZN	SCHRAUBE M6X1X60 U5737 8.8 ZN	TORNILLO M6X1X60 U5737 8.8 ZN
2	G17177760R	MONT.SERBATOIO BBX UNICO	MONT.TANK BBX UNICO			
3	F01020419R	VITE M 6X1 X 16 U5739 A2IX	SCR. M6X1X16 U5739 A2IX	VIS M6 X1 X 16 U5739 8.8 IX	SCHRAUBE M6 X1 X 16 U5739 8.	TORNIL. M6 X1 X 16 U5739 8.8
4	F01020426R	VITE M 8X1,25X 12 U5739 A2IX	SCR. M8X1,25X12 U5739 A2IX	VIS M8 X1,25X 12 U5739 8.8 IX	SCHRAUBE M8 X1,25X 12 U5739 8.	TORNIL. M8 X1,25X 12 U5739 8.8
5	F01020443R	VITE M8X1,25X25 U5739 A2IX	SCR. M8X1,25X25 U5739 A2IX	VIS M8X1,25X25 U5739 A2 IX	SCHRAUBE M8X1,25X25 5739 A2 IX	TORNILLO M8X1,25X25 5739 A2 IX
6	F01020461R	VITE M10X1,5X20 U5739 8.8GE	SCREW M10X1,5X20 U5739 8.8GE			
7	G17177080R	PORTA DI PULIZIA BBX	CLEANING DOOR BBX			
8	F01200233R	DADO M6X1 U5588 A2IX	NUT M6X1 U5588 A2IX	ECROU M 6X 1 U5588 I	MUTTER M 6X 1 U5588	TUERCA M 6X 1 U5588
9	F01200245R	DADO M8X1,25 U5588 A2IX	NUT M8X1,25 U5588 A2IX	ECROU M 8X1,25 U5588 A2 IX	MUTTER M 8X1,25 U5588 A2 IX	TUERCA M 8X1,25 U5588 A2 IX
10	F01200271R	DADO M10X1,5 U5588 A2IX	NUT M10X1,5 U5588 A2IX	ECROU 10 5588 6.8 INOX	MUTTER 10 5588 6.8 INOX	TUERCA 10 5588 6.8 INOX
11	F01240013R	DADO M6X1 U5448 A2 GE	NUT M6X1 U5448 A2 GE			
12	F01410034R	ROS.M6 6,4X12,5X1,6 U6592 IX	WASHER M6 6,4X12,5X1,6 U6592			
13	F01420038R	ROS.M6 6,4X18X1,5 U6593 IX	WASHER M6 6,4X18X1,5 U6593 IX	RONDELLE M6 6,4X18X1,5 U6593 IX	SCHEIBE M6 6,4X18X1,5 U6593 IX	ARANDELA M6 6,4X18X1,5 6593IX
14	F01420039R	ROSSET.M6 6,4X24X1,5 U6593 IX	WASHER M6 6,4X24X1,5 U6593 IX	RONDELL.M6 6,4X24X1,5 U6593 IX	SCHEIBE M6 6,4X24X1,5 U6593 IX	ARANDEL.M6 6,4X24X1,5 U6593 IX
15	F01420049R	ROS.M8 8,4X 32X 2 U6593 ZN	WASHER M8 8,4X32X2 U6593 ZN	RONDELLA M8 8,4X32X2 U6593 ZN	SCHEIBE M8 8,4X32X2 U6593 ZN	ARAND.M8 8,4X 32X 2 U6593 ZN
16	G22230094R	SUPPORTO CUSCINETTO	BEARING SUPPORT			
17	F02100114R	SPINA E.P. 6X 30 U6873 C70 BR	ELASTIC PIN 6X30	GOUJON ELASTIQUE 6X30	SPANNHUELSE 6X30	ESPIÑA ELÁSTICA 6X30
18	F02200452R	SPINA SCATTO D.4.4 B 80 ZN	SNAP PIN D4.4 B 80 ZN	FICHE A DETENTE D4.4 B 80 ZN	EINRASTSTIFT D4.4 B 80 ZN	CLAVIJA DE MUELLE D4.4 B 80 ZN
19	F02250123R	RIVETTO STR. 4,8X 9 U9200A AL	PULL RIVET 4,8X 9 U9200A ALL	RIVET A RUPTURE 4,8X 9 U9200A	REISSNIETE 4,8X 9 U9200A ALL	REMACHE DESGAR. 4,8X 9 U9200A
20	F03011081R	GUARNIZIONI LABBRO DE100	LIP GASKET D100			
21	F03011155R	GUARNIZIONE VETRO TRAMOGGIA	GLASS SEAL	GARNITURE VERRE	GLASDICHTUNG	JUNTA VIDRIO
22	F05150112R	MANIGLIA INTERAS. 117 FORO 8MM	HANDLE	POIGNEE	HANDGRIFF	MANILLA
23	F05150472R	PUNTALE PVC D.10	PVC TIP D.20			
24	F06080196R	CATENA 1 2 ISO 083 32 MAGLIE	CUT-DOWN CHAIN .1 2 ISO 083 32	TRONCON CHAINE 1 2 ISO 083 32	KETTENLNZGE 1 2 ISO 083 32 GL	TRECHO CADENA 1 2 ISO 083 32
25	G15471930R	PROTEZIONE	GUARD	PROTECTION	SCHUTZ	PROTECCI N
26	G14830390R	CUSCINETTO FORO QUADRO	SQUARE-HOLED BEARING	ROULEMENT TROU CARRE	VIERKANTLAGER	COJINETE ORIFICIO CUADRADO
27	G66248207R	TENDICATENA SPAND. SP-520	CHAIN TENSIONER	TENDEUR DE CHAINE EPAND. ENGR.	KETTENSANNER DSNGERSTR. SP-52	SENSOR DE CADENA ABON. SP-520
28	G20860088R	INGRANAGGIO 1 2 Z-12 F.T.	GEAR 1 2 Z-12 F.T.	ENGRENAGE 1 2 Z-12 TROUS ROUNDS	ZAHNRAD 1 2 Z-12 F.T.	ENGRANAJE 1 2 Z-12 F.T.
29	G20860086R	INGRANAGGIO 1 2 Z-12 F.Q.	GEAR 1 2 Z-12 F.Q.	ENGRENAGE 1 2 Z-12 TROUS CARRE	ZAHNRAD 1 2 Z-12 F.Q.	ENGRANAJE 1 2 Z-12 F.Q.
30	G13722250R	TUBO RINFORZO TELO COPRISEME	REINFORCEMENT TUBE	TUBE DE RENFORCEMENT	VERSTZRKUNGROHR	TUBO DE REFUERZO
31	F01410051R	ROS.M8 8,4X 17X1,6 U6592 ZN	WASHER M8 8,4X17X1,6 U6592 ZN	RONDELLE M8 8,4X17X1,6 ZN	SCHEIBE M8 8,4X17X1,6 U6592 ZN	ARAND.M8 8,4X 17X1,6 U6592 ZN
32	G13732200R	ASSE TRASMISSIONE L.2485	TRANSMISSION AXLE L2485	AXE TRANSMISSION L.2485	SBERTRAGUNGSACHSE L.2485	EJE TRANSMISI N L 2485
33	G15227200R	CENTINA BBX	COVERING SUPPORT			
34	G15273700R	SUPPORTO COCLEA	BOLT SUPPORT	SUPPORT VIS ALIMENTATION	HALTERUNG SCHNECKE	SOPORTE C CLEA
35	G17177950R	TEGOLO BBX	BENT TILE BBX			
36	G15274080R	ASSE AGITAT.S.UNICO 250 COMPL	STIRRER SPINDLE BB250 TANK	AXE AGITATEUR RESERVOIR BB250	SAMENMISCHERACHSE BEH. BB250	EJE AGITAD. DEPS. BB250
37	G15274090R	ASTA FISSAGGIO TELO	FIXING ROD	TIGE DE FIXATION	BEFESTIGUNGSTANGE	VARILLA DE FIJACIN
38	G15274100R	TUBO TELO COPRISERBATOIO	HOPPER COVER-SHEET TUBE	TUBE TOILE COUVRE-TREMIE	ROHR TRICHTERABDECKTUCH	TUBO ONA PROTEC. TOLVA
39	G15274150R	GRIGLIA SERBATOIO	TANK GRID.	GRILLE RESERVOIR	BEHZLTERGITTER	REJILLA DEPS.
40	G16021080R	FINESTRA CONTR.LIVELLO SEMI	SEED LEVEL CHECKING WINDOW	FENETRE CONTROLE NIV. GRAINES	KONTROLLFENSTER SAMENSTAND	VENTANA CONTROL NIVEL SEMILLAS
41	F01020068R	VITE M8X1,25X40 U5737 8.8ZN	SCR. M8X1,25X40 U5737 8.8ZN	VIS M 8X1,25X40 U5737 8.8 ZN	SCHRA. M8X1,25X40 U5737 8.8 ZN	TORNILLO M8X1,25X40 U5737 8.8
42	F01020432R	VITE M8X1,25X16 U5739 8.8ZN	SCR. M8X1,25X16 U5739 8.8ZN	VIS M8 X1,25X16 U5739 8.8 ZN	SCHRAUBE M8X1,25X16U5739 8.8ZN	TORNILLO M8X1,25X16 U5739 8.8
43	F01200244R	DADO M8X1,25 U5588 CL8 ZN	NUT M8X1,25 U5588 6.8ZN	ECROU M8 X1,25 U5588 6.8 ZN	MUTTER M8 X1,25 U5588 6.8 ZN	TUERCA M8X1,25 U5588 CL8 ZN
44	G68005092R	TENDITORE GUARNIZIONE	TURNBUCKLE GASKET	TENDEUR GARNITURE	DICHTUNGSSPANNER	SENSOR JUNTA
45	G66248218R	RONDELLA DISTAN.SPAND.	MAN. SPR. SPACER WASHER	RONDELLE ENTRETOISE EP. ENGRAI	ABSTANDSCHEIBE DSNGERSTREUER	ARANDELA DISTAN.ABONAD.
46	G66248224R	FERMO DISTRIBUTORE SPAND.	FERT. SPR. DISTRIB. STOP	ARRET DISTRIBUTEUR EP. ENGRAIS	FESTSTELLVORRICHTUNG SZAPP. ST	BLOQUEO DISTRIBUIDOR ABON.
47	G19002710R	PROTEZ.RINVI SPANDICONCIME	FERTILIZER TRANSM. PROTECTION	PROTECTION RENVOI FERTILISEUR	SCHUTZ VORGELEGE DUNGERSTREUER	PROTECCION TRANSMISION ABONADO
48	G17176530R	TELO DI COPERTURA BBX MONICA	COVER SHEET BBX MONICA			
49	G22220073R	RONDELLA 28X0,3X16,5	WASHER 28X0-3X16-5	RONDELLE 28X0-3X16-5	UNTERLEGSCHHEIBE 28X0-3X16-5	ARANDELA 28X0-3X16-5
50	F01420047R	ROS.M8 8,4X 24X 2 U6593 IX	WASHER M8 8,4X24X2 U6593 IX	RONDELLE M8 8,4X24X2 U6593 IX	SCHEIBE M8 8,4X24X2 U6593 IX	ARANDELA M8 8,4X24X2 U6593 IX
51	G18701650R	RONDELLA FORO QUADRO ZN	WASHER 16,5X30X2,5 SQ.HOLE GAL	RONDELLE 16,5X30X2,5 ZN	UNTERLEGSCHHEIBE 16,5X30X2,5 ZN	ARANDELA 16,5X30X2,5 ZN
52	G65338043R	MOLLA COMP.ZN SERB. M80	ZN TANK COMP.SPRING M80	RESSORT COMPL. ZN RESERVOIR M8	DRUCKFEDER ZN BEHZLTER M80	MUELLE COMP.ZN DEP S. M80
53	G65336080R	MOLLA SPEC.SCARICO SPAND.T.M.	SPEC. SPRING SPREDER RELIEF	RESSORT SPEC. D ETANCHEITE ARR	SPEZIALFEDER DICHTUNG STREUER	MUELLE ESPEC. RETENC. BLOQ
54	G65336089R	MOLLA SPEC.TENUTA FERMO SPAND.	SPEC.SPRING- BLOCK. MAN. SPR.	GUIDER TUBE TEL ZN	FUHRER ROHR TEL ZN	GUIAR TUBO TEL ZN
55	G18902270R	GUIDATUBO ZN TEL	TUBE GUIDE ZN TEL	SUPPORT AVEC BRIDE M80	BSCHE MIT FLANSCH M80	CASQUILLO CON BRIDA M80
56	G66248121R	BOCCOLA CON FLANGIA M80	BUSHING W FLANGE M80	FERMETURE SORTIE RESERVOIR FER	VERSCHLUSS AUSTRITT DSNGERSTR.	CIERRE SALIDA DEP S. ABON. SP
57	G66248184R	CHIUSURA USCITA SERB.SPAND.SP	OUTLET CLOSURE- MAN.SPREAD. TA	TRAPPE DE VIDANGE TYPE MICRO	BEHZLTERENTLADUNG STREUER TYP	DESCARGA DEP S. ABON.TIPO MICR
58	G66248187R	SCARICO SERB.SPAND.TIPO MICRO	MICRO TYPE MAN.SPR.TANK DISCH.	VIS M6 X1 X 20 U5739 8.8 IX	SCHRAUBE M6X1X20 U5739 A2 IX	TORNIL. M6 X1 X 20 U5739 8.8
59	F01020420R	VITE M6X1X20 U5739 A2IX	SCR. M6X1X20 U5739 A2IX	BOUCHON SUPPORT EP. ENGRAIS D.	HALTERUNGSPFROPFEN DSNGERSTR.	TAP N SOPORTE ABON.D.11
60	G66248223R	TAPPO SUPP.SPAND.D.11	PLUG MAN. SPR. SUPP. D.11			



## ELEMENTI DI CONCIMAZIONE FERTILIZER UNIT

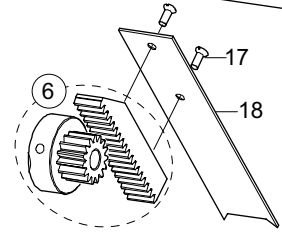
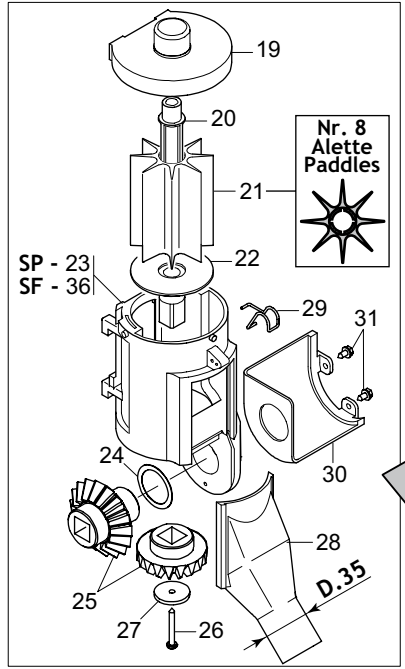
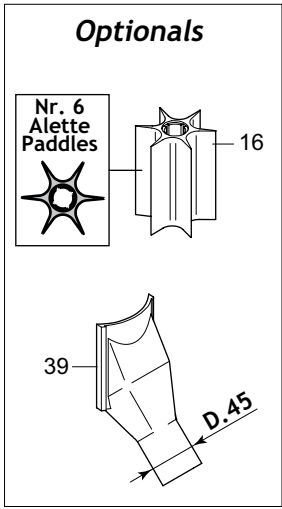
TAV. 330

Pos.	Cod.	Descrizione	Description	Description	Benennung	Description
1	G13825091R	DISCO ASSOLCATORE D.373	FURROW OPENER DISK D.373	DISQUE SOC D. 373 6 T.D.6	SCHEIBE SZSCHARENREISSER D.373	DISCO SURCADOR D.373
2	G15220540R	DADO M16X1,5 SX	NUT M16X1-5 LEFT	ECROU M16X1-5 GCH	MUTTER M16X1-5 LI	TUERCA M16X1-5 IZQ
3	G15225861R	PROTEZIONE DISCHI	DISC PROTECTION			
4	F01020470R	VITE M10X1,5X20 U5739 8.8ZN	SCR. M10X1,5X20 U5739 8.8ZN	VIS M10X1,5X20 U5739 8.8 ZN	SCHRAUBE M10X1,5X20 U5739 ZN	TORNILLO M10X1,5X20 U5739 8
5	G15225500R	DISCO ASSOLC.PROTETTO COMPL.	FULLY PROTECTED DISC COULTER	DISQUE DU SOC PROT G COMPLET		DISCO SURGADOR COMPLETO
6	G15422231R	RASCHIATERRA DISCO	SCRAPER DISK			
7	G15470232R	SUPPORTO MOLLA PIATTA 150	FLAT SPRING SUPPORT 150	SUPPORT RESSORT PLAT 150	HALTERUNG FLACHFEDER 150	SOPORTE MUELLE PLANO 150
8	G16670610R	FALCIONE ELEM.CONCIMAZ.PIATTA	FLAT FERT.ELEMENT MOWER	SOC POUR . FERTILIS. PLAT		BOTA ELEM.ABONAD.MUELLE PLANO A
9	G19203920R	SUPP.MOLLA QUADRA DOPPIA POS.	SQUARE SPRING SUPPORT			
10	G16670600R	FALCIONE ELEM.CONCIMAZ.QUADRA	SQUARE SPRING FERT COULTER	SOC LEM. FERTILIS. RESSORT CA	S-SCHAR ELEM.D. NGUNG QUADR.FED	BOTA ELEM.ABONAD.MUELLE CUADRA
11	G15471661R	SUPPORTO MOLLA PIATTA DX 150	FLAT SPRING SUPPORT R.T 150	SUPPORT RESSORT PLAT DROIT 150	HALTERUNG FLACHFEDER RE 150	SOPORTE MUELLE PLANO DCHO 150
12	G15471671R	SUPPORTO MOLLA PIATTA SX 150	FLAT SPRING SUPPORT L.T 150	SUPPORT RESSORT PLAT GAUCHE 15	HALTERUNG FLACHFEDER LI 150	SOPORTE MUELLE PLANO IZQDO 150
13	G19204110R	SUPP.SX MOLLA DISCHI	LEFT DISCS SPRING SUPPORT			
14	G16670272R	SUPPORTO DISCHI CONCIMAZIONE	FERTILIZAT.DISCS SUPPORT			
15	G19204100R	SUPP.DX MOLLA DISCHI	RIGHT DISCS SPRING SUPPORT			
16	G15472290R	SUPPORTO RASCHIAT.DISCHI CONC.	FERTIL DISCS SOIL SCRAPER SUPP	SUPP. RACLEUR DISQUES FUMAGE	HALTER. ERDSCHABER DSNUNGSSCH	SOPORTE RASCADOR DISCOS ABONO
17	G15472301R	RASCHIATERRA INTERNO	INTERNAL SCRAPER SOIL			
18	G18901092R	GAMBO CONCIMAZ.MOLLA PIATTA SP	FLAT SPRING MANURING LEG SP	TIGE FUMAGE RESSORT PLAT SP	SCHAFT DSNUNG FLACHE FEDER SP	V STAGO ABONO MUELLE CHATO SP
19	G18902770R	MOLLA CONCIMAZIONE 20X20 DX	SPRING 20X20 FERTILIZER RIGHT	RESSORT FUMAGE 20X20 DRT	FEDER DSNUNG 20X20 RE	MUELLE ABONO 20X20 DER
20	G18902780R	MOLLA CONCIMAZIONE 20X20 SX	SPRING 20X20 FERTILIZER LEFT	RESSORT FUMAGE 20X20 GCH	FEDER DSNUNG 20X20 LI	MUELLE ABONO 20X20 IZQ
21	G18902861R	RINF.MOLLA PIATTA CONCIM.SP	MANUR.PLATE SPRING REINFORCE.S	MANUR.RESSORT PLAT FUMAGE SP	VERSTZRKUNG FLACHFEDER DSNUNG	REFUERZO MUELLE ABONO SP
22	G18903200R	FERMO SPIRALE	SPIRAL STOP	ARRET SPIRALE	FESTSTELLVORRICHTUNG SPIRALE	BLOQUEO ESPIRAL
23	G18903210R	MOLLA CONCIM.FILE DISPARI	ODD NUMBER ROW MANUR.SPRING	RESS. FUMAGE RANGEES IMPAIRES	FEDER DSNUNG UNGERADE REIHEN	MUELLE ABONO FILAS IMPARES
24	G18903220R	RINF.MOLLA CONCIM.FILE DISP.	ODD NUM. ROW MANUR.SPRING REIN	RENF. RESS. FUMAGE RANGEES IMP	VERST. FEDER DSNG. UNGERADE RE	REFUERZO MUELLE ABONO FILAS IM
25	G18903821R	MOLLA CONCIMAZIONE	FERTILIZER SPRING			
26	G18903901R	RINFORZO MOLLA CONCIMAZIONE	FERTILIZER SPRING SUPPORT			
27	G15223651R	SUPPORTO CUSCINETTO DISCO	DISC BEARING SUPPORT	SUPPORT PALIER DISQUE	SCHEIBENLAGERBSCHSE	SOPORTE COJINETE DISCO
28	G15110091R	SCONTRO A U	CONTRA U	BRIDE 150 MM	ANSCHLAG	ELEMENTO DE EMPALME
29	F01020225R	VITE M14X2X160 U5737 8.8BR	SCR. M14X2X160 U5737 8.8BR	VIS M 14 X160 5737 8.G	SCHRAUBE M 14 X160 5737 8.G	TORNILLO M 14 X160 5737 8.G
30	F01020156R	VITE M12X1,75X50 U5737 8.8ZN	SCR. M12X1,75X50 U5737 8.8ZN	VIS M12X1,75X50 U5737 8.8 ZN	SCHR. M12X1,75X50 U5737 8.8 ZN	TORN. M12X1,75X50 U5737 8.8 ZN
31	F01020403R	VITE M6X1X16 U5739 8.8ZN	SCR. M6X1X16 U5739 8.8ZN	VIS M6X1X16 U5739 8.8 ZN	SCHRAUBE M6X1X16 U5739 8.8 ZN	TORNILLO M6X1X16 U5739 8.8 ZN
32	G15226600R	KIT X DISCO SUPER SEAL	SUPER-SEAL DISC KIT	KIT X DISC SUPER SEAL		KIT PARA DISCO SUPER SEAL
33	F01020476R	VITE M10X1,5X30 U5739 8.8ZN	SCR. M10X1,5X30 U5739 8.8ZN	VIS M10X1,5X30 U5739 8.8 ZN	SCHRAUBE M10X1,5X30U5739 8.8ZN	TORNILLO M10X1,5X30 U5739 8.8
34	F01020508R	VITE M12X1,75X25 U5739 8.8ZN	SCR. M12X1,75X25 U5739 8.8ZN	VIS M12X1,75X25 U5739 8.8 ZN	SCHRAUBE M12X1,75X25U5739.8ZN	TORNILLO M12X1,75X25 U5739
35	F01020512R	VITE M12X1,75X35 U5739 8.8ZN	SCR. M12X1,75X35 U5739 8.8ZN	VIS M12X1,75X35 U5739 8.8 ZN	SCHR. M12X1,75X35 5739 8.8 ZN	TORNILLO M12X1,75X35 U5739 8
36	F03011075R	AN. TENUTA B1OF 24X32X4	SEALING RING 24X32X4	BAGUE D ETANCHEITE 24X32X4	DICHTUNGSRING 24X32X4	ANILLO AISLADOR 24X32X4
37	F01200232R	DADO M6X1 U5588 CL8 ZN	NUT M6X1 U5588 6.8ZN	ECROU 6 UNI 5588 6.8 ZN	MUTTER 6 UNI 5588 6.8 ZN	TUERCA M6X1 U5588 CL8 ZN
38	F01200270R	DADO M10X1,5 U5588 CL8 ZN	NUT M10X1,5 U5588 6.8ZN	ECROU M10X 1,5 U5588 6.8 ZN	MUTTER M10X 1,5 U5588 6.8 ZN	TUERCA M10X1,5 U5588 CL8 ZN
39	F01200306R	DADO M14X2 U5588 CL8 ZN	NUT M14X2 U5588 6.8ZN	ECROU M14X2	MUTTER M14X2	DADO M14X2
40	F01200442R	DADO M16X1,5 U5589 CL8 ZN	NUT M16X1,5 R. U5589 6.8ZN	ECROU 16X1-5 UNI 5589 6.8 ZN	MUTTER 16X1-5 UNI 5589 6.8 ZN	TUERCA 16X1-5 UNI 5589 6.8 ZN
41	F01220048R	DADO M12X1,75 D980 8ZN	NUT M12X1,75 D980 8ZN	ECROU M12X1,75 D980 8 ZN	SCHEIBE M12X1,75 D980 8 ZN	TUERCA M12X1,75 D980 8 ZN
42	F01410064R	ROS.M10 10,5X 20X 2 U6592 ZN	WASHER M10 10,5X20X2 U6592 ZN	RONDEL. M10 10,5X20X2 U6592 ZN	SCHEIBE M10 10,5X20X2 U6592 ZN	ARAND.M10 10,5X 20X 2 U6592 ZN
43	F01410076R	ROS.M12 13X 24X2,5 U6592 ZN	WASHER M12 13X 24X2,5 U6592 ZN	RONDEL. M12 13X24X2,5 U6592 ZN	SCHEIBE M12 13X24X2,5 U6592 ZN	ARAND.M12 13X 24X2,5 U6592 ZN
44	F01420036R	ROS.M6 6,4X 18X1,5 U6593 ZN	WASHER M6 6,4X 18X1,5 U6593 ZN	RONDELLE M6 6,4X18X1,5 U6593ZN	SCHEIBEN M6 6,4X18X1,5U6593 ZN	ARANDELA M6 6,4X18X1,5U6593ZN
45	G16670630R	SPESORE MOLLA DISCHI CONCIM.	FERTILIZER DISC SPRING SPACER	CALE	ZWISCHENLEGS SCHEIBE	ESPACIADOR
46	F02200229R	COPIGLIA 5X 45 U1336 ZN	SPLIT PIN 5X 45 U1336 ZN	GOUPILE 5X 45 U1336 ZN	SPANNSTIFT 5X 45 U1336 ZN	PASADOR 5X 45 U1336 ZN
47	F04010084R	CUSC.D17D47 B22,2 3303 LLU DDU	BEARING 3303 2RS	ROULEMENT	LAGER 3303 2RS	COJINETE 3303 2RS
48	G15225240R	ESTRATTORE DISCHI ELEMENTO MT	SEED PLATE EXTRACTOR ELEM. MT	EXTRACTEUR DISQUE ELEMENT MT	SCHEIBENAUSZIEHER ELEMENT MT	EXTRACTOR DISCOS ELEMENTO MT
49	F01020568R	VITE M16X2X45 U5739 8.8ZN	SCR. M16X2X45 U5739 8.8ZN	VIS M 16X 2X45 U5739 8.8 ZG	SCHRAUBE M 16X 2X45 U5739 8.8	TORNILLO M16X2X45 U5739 8.8Z
50	G18903911R	MOLLA FERMO TUBO D.35 ZN	PIPE LOCK SPRING D.35	RESSORT ARR-T TUBE D.35	ROHRSPERRFEDER D.35	MUELLE TOPE TUBO D. 35
51	F01020236R	VITE M14X2X220 U5737 8.8BR	SCR. M14X2X220 U5737 8.8BR	VIS M14X2X220 U5737 8.8 BR	SCHRAUBE M14X2X220 U5737 8.8	TORNILLO M14X2X220 U5737 8.8
52	F02050370R	ANELLO E. DI 47X1,75 U7437 C70	SEEGER RING 47X 1,75 U7437 C70	SEEGER E. 47X 1,75 U7437 C70	SEEGERING E. 47X1,75 U7437 C70	ANILLO E. 47X 1,75 U7437 C70
53	G66248248R	TAPPO IN PLASTICA	PLASTIC PLUG	BOUCHON EN PLASTIQUE	PLASTIKPFROPFEN	TAP N DE PL STICO
54	G15225480R	FLANGIA INT.DISCO PROTETTO ZN	INNER DISK FLANGE	BRIDE INT. DISQUE	INNENFLANSCH SCHEIBE	BRIDA INTERIOR DISCO
55	F02250521R	RIBATTINO TSC 6 X19,8 A 2	RIVET TSC 6X19,8 A 2 BY PIECE	PAQUET RIVETS TSC 6X 19,8 A 2	PACKUNG NIETEN TSC 6X19,8 A 2	PAQU.REMACHES TSC 6X 19,8 A 2
56	G15225490R	BOCCOLA PARAP.DISCO PROTETTO	DISC DUST SEAL BUSH D.34	BOITE PARAP.DISCO PROTETTO	BUCHSE PARAP.DISCO PROTETTO	MANGUITO PARAP.DISCO PROTETTO
57	G16670940R	SUPPORTO DISCO CONCIMAZ.CENTR.	CENTRAL FERT.DISCS SUPPORT			
58	F01020562R	VITE M16X2X30 U5739 8.8ZN	SCR. M16X2X30 U5739 8.8ZN	VIS M16X2X30 U5739 8.8 ZN	SCHRAUBE M16X2X30 U5739 8.8 ZN	TORNILLO M16X2X30 U5739 8.8ZN
59	F15473060R	TUBO DISCESA CONCIME	FERTILISER DOWN TUBE	COUDE DESCENTE ENGRAIS	DSNGERSENKROHR	TUBO DESCENSO ABONO
60	F03100500R	TUBO EOLO 35 PU	TUBE EOLO 35 PU	TUBE EOLO 35 PU		TUBO EOLO
61	F03100506R	TUBO EOLO PU D.45	TUBE EOLO PU D.45	TUBE EOLO PU D.45		
62	G15276481R	ASS.RIDUZIONE X MOLLA CONCIM.	ASS.REDUCT.FOR SPRING FERTIL.			
63	F02300020R	FASCETTA STRING. 32 50 H.9	HOSE CLAMP 32 50 H.9			

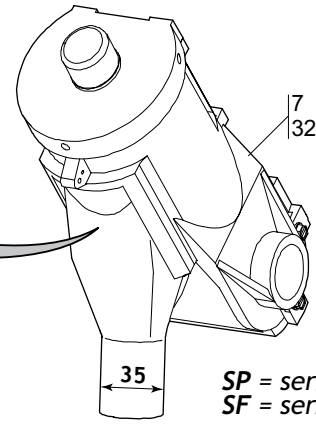


(completo/complete) 2U, L.850 - 40  
 (completo/complete) 4U, L.1100 - 42

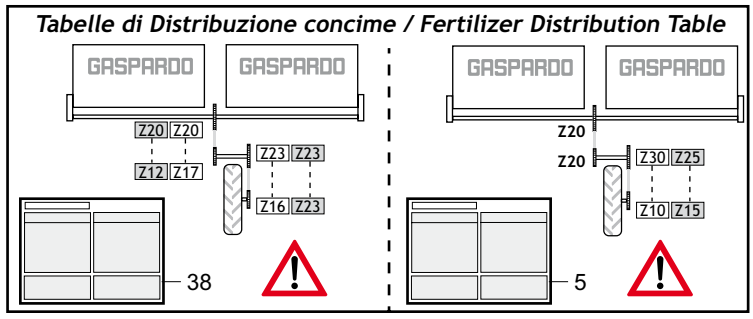
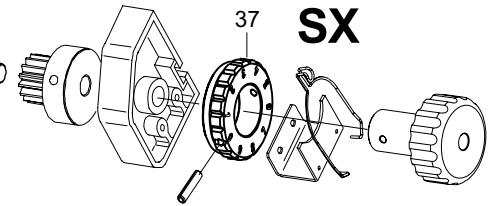
41 - L.850, 2U (completo/complete)  
 43 - L.1100, 4U (completo/complete)



L. 780 - 8  
 L. 1030 - 33  
 L. 1230 - 34  
 L. 1430 - 35



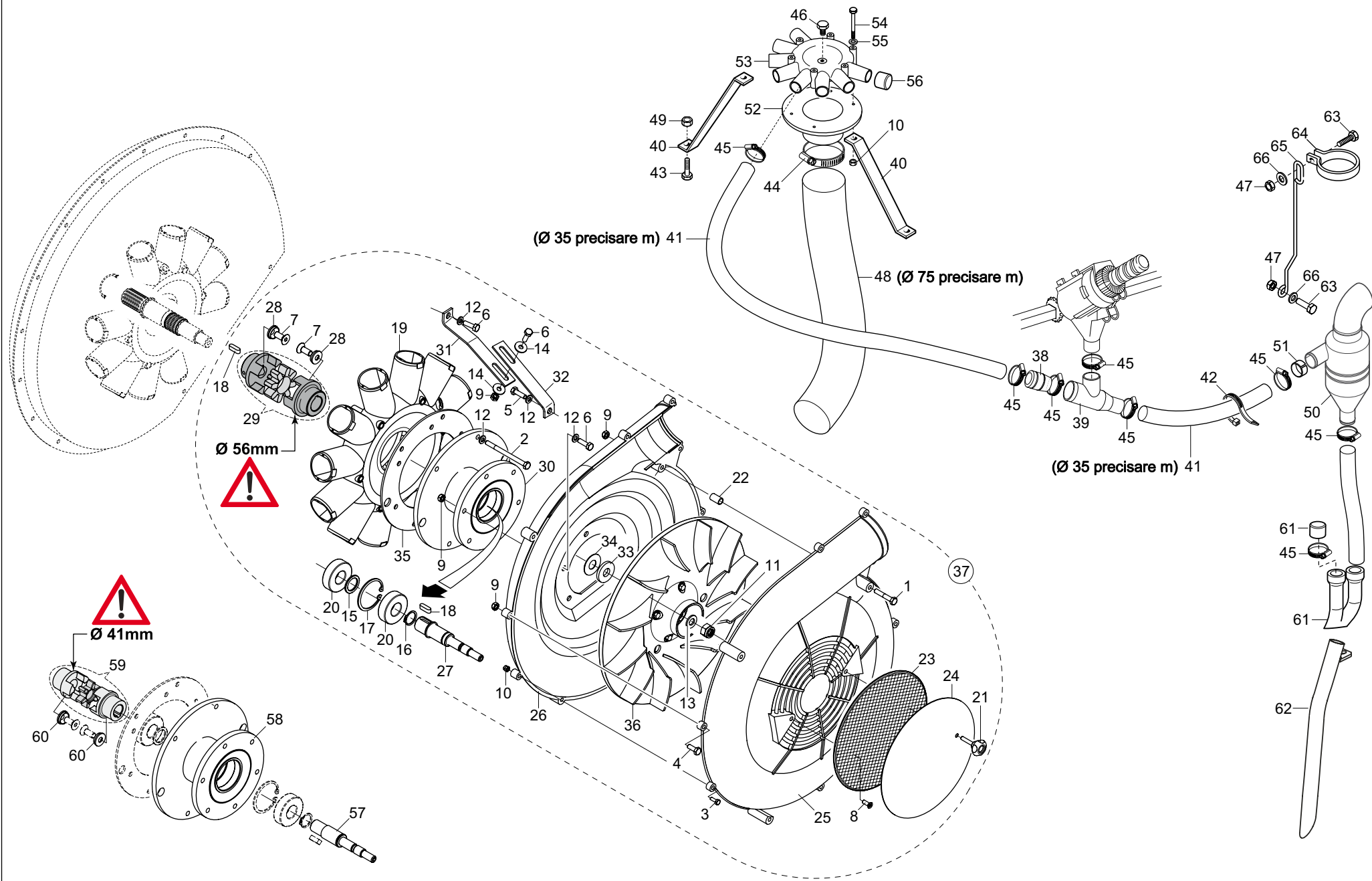
SP = serbatoio plastica / plastic hopper  
 SF = serbatoio ferro / metal hopper



**SPEEDY SET  
SPEEDY SET**

**TAV. 341**

Pos.	Cod.	Descrizione	Description	Description	Benennung	Descripcion
1	F02100066R	SPINA EL.4 X36 DIN 1481	PIN EL. 4X 36 U6873 C70 BR			CLAVIJA EL.4 X36 DIN 1481
2	G19003660R	SUPPORTO	SUPPORT	SUPPORT	HALTERUNG	SOPORTE
3	F01070061R	VITE A3,9X1,34X9,5 U6954 4.8NI	SCR. H3,9X1,34X9,5 U6954 4.8NI	VIS 3,9X 9,5 DIN 7981	SCHRAUBE 3,9X 9,5 DIN 7981	TORNILLO 3,9X 9,5 DIN 7981
4	F01050083R	VITE M5X0,8X12 U5927 A2IX	SCR. M5X0,8X12 U5927 A2IX	GOUJON 5X12 UNI 5927	STIFT 5X12 UNI 5927	TORNILLO SIN CABEZA 5X12 5927
5	G19702952R	DECAL.TAB.DISTRIB.SPEEDY-SET	LABEL TAB.DISTR.SPEEDY SET			
6	G16675490R	KIT PIGNONE CREMAGLIERA	KIT PINION RACK			
7	G16670040R	DISTR.COMPL.8PALE SPEEDY SET P	COMPL.PLA.SPEEDY SET DISTR.8R	MINIMAX COMPL 8C PLA SPEEDYSET	KOMPL.DOSIER.SPEEDY SET PLA.8S	DISTR.COMP.SPEEDY SET PLA.8AL.
8	G16670321R	TONDO D.10X 780 3F4	ROUND BAR D.10X780 3F4			
9	F01420038R	ROS.M6 6,4X18X1,5 U6593 IX	WASHER M6 6,4X18X1,5 U6593 IX	RONDELLE M6 6,4X18X1,5U6593 IX	SCHEIBE M6 6,4X18X1,5 U6593 IX	ARANDELA M6 6,4X18X1,5 6593IX
10	F01200233R	DADO M6X1 U5588 A2IX	NUT M6X1 U5588 A2IX	ECROU M 6X 1 U5588 I	MUTTER M 6X 1 U5588	TUERCA M 6X 1 U5588
11	G19003670R	MANOPOLA SPEEDY SET	SPEEDY HANDLE SET	POIGN E SPEEDY SET	GRIFF SPEEDY SET	EMPU ADURA SPEEDY SET
12	F01020419R	VITE M 6X1 X 16 U5739 A2IX	SCR. M6X1X16 U5739 A2IX	VIS M6 X1 X 16 U5739 8.8 IX	SCHRAUBE M6 X1 X 16 U5739 8.	TORNIL. M6 X1 X 16 U5739 8.8
13	G65336055R	MOLLA SPEC.REGOL.SPAND. SP	SPEC SPRING MAN. SPR. ADJUSTM.	RESSORT SPEC. REGL. EP. ENTRA	SPEZIALFEDER STREUERESTELLUN	MUELLE ESPEC. REGUL. ABONADORA
14	G19003720R	GHIERA REGOLAZIONE SX	LEFT ADJUSTMENT KNURLED NUT	MANCHON DE REGLAGE GCH	EINSTELLMUTTER LINKS	ROSCA REGULACION IZQUIERDA
15	G16670310R	SUPPORTO MOLLA REGOLATORE	ADJ.SPRING SUPPORT			
16	G19003610R	DOSATORE 6 PALE	DISTRIBUTOR ROTOR 6 GROOVES	ROTOR DOSEUR 6 FERTI	DOSIERER KOMPL.6 ZELLEN	DOSIFICADOR COMPL.6 SECTOR
17	F01080032R	VITE M4X0,7X10 U7688 A2IX	SCR. M4X0,7X10 U7688 A2IX	VIS M4X 0,7X10 U7688 A2 IX	SCHRAUBE M4X 0,7X10 7688 A2 IX	TORNILLO M4X0.7X10 U7688 A2 IX
18	G16670100R	REGOLATORE APERTURA	OPENING REGULATOR	REGULATEUR OUVERTURE	TFFNUNGSEINSTELLER	REGULADOR ABERTURA
19	G19003700R	COPERCHIO SPEEDY SET	COVER SPEEDY SET	COUVERCLE SPEEDY SET	DECKEL SPEEDY SET	TAPA SPEEDY SET
20	G66248173R	ASSE DISTR.SPAND. SP	MANURE SPREADER DISTR. SPINDLE	AXE DISTRIBUTEUR EP.ENGRAIS SP	ACHSE SZAPPARAT STREUER SP	EJE DISTR. ABON. SP
21	G66248172R	DOSATORE DISTR.SPAND. SP	MAN.SPR. SEED METERING DEVICE	DOSEUR DISTRIBUTEUR EP. ENGRAI	DOSIERER DSNGERSTREUER. SP	DOSIFICADOR DISTR.ABON. SP
22	G66248211R	PERNO RONDELLA FUSA SPAND. SP	MAN. SPR. CAST WASHER PIN. SP	PIVOT RONDELLE MOULEE EP. ENGR	ZAPFEN LOSE UNTERLEGSCHIEBE ST	PERNO ARANDELA FUNDIDA ABONAD
23	G19002920R	CORPO DISTRIBUTORE SPANDI PLA.	PLA. F.SPREADER DISTRIB.CASING	CORPS DISTRIBUTEUR EPAND.	VERTEILUNGSKTRPER STREUER PLA.	CUERPO DIST. ABONADORA PL S.
24	G18701500R	RONDELLA 29,5 X38 X0,3	WASHER 29,5 X 38 X 0,3	RONDELLE 29,5 X38 X0,3	UNTERLEGSCHIEBE 29,5X38X0,3	ARANDELA 29,5 X38 X0,3
25	G20860126R	KIT INGRANAGGI DISTRIB.CONCIME	KIT- MAN. DISTR. GEARS 2 2	COUPLE CON DISTR ENGRAIS 2 2	KIT ZAHNRZDER DSNGERSTREUER	SET ENGRANAJES DISTRIB. ABONO
26	F01070075R	VITE A4,2X1,41X38 U6954 4.8NI	SCR. H4,2X1,41X38 U6954 4.8NI	VIS 4-2X38 DIN 7981	SCHRAUBE 4-2X38 DIN 7981	TORNILLO 4-2X38 DIN 7981
27	G20970097R	RONDELLA 32X3X4,5	WASHER 32X3X4-5	RONDELLE 32X3X4-5	UNTERLEGSCHIEBE 32X3X4-5	ARANDELA 32X3X4-5
28	G66248178R	SCIVOLO DISTR.SPAND. SP	CHUTE- MANURE-SPREADER DISTRIB	LANCOIR DISTRIBUTION EP. ENGR.	DSNGERSTREUER RUTSCHE SP	PLANO INCLINADO DISTR. ABON. S
29	G65336062R	MOLLA SPEC.SCIV.DISTR.SPAND.SP	SPEC SPRING - MAN. SPR. DISTR.	RESS. SPEC. LANCOIR DISTR. EP.	SPEZ.FEDER RUTSCHE SZAPP. STRE	MUELLE ESPEC.PLANO INCL.DISTR.
30	G19002850R	PROTEZIONE PIGNONE	PINION GUARD	PROTECTION PIGNON	RITZELSCHUTZ	PROTECCI N PI N
31	F01070011R	VITE A4,2X1,41X9,5 U6950 4.8NI	SCR. H4,2X1,41X9,5 U6950 4.8NI	VIS AUTOTAR. 4-2X9-5 T. E. COU	SELBSTSCHNEID. SCHRAUBE 4-2X9-	TORNILLO AUTORROSC. 4-2X9-5
32	G13722330R	DISTR.COMPL.8PALE SPEEDY SET F	COMPL.SPEEDY 8-BLADE DISTR. SE	DISTR.COMPL.8PALETTES SPEEDY S	SAATGUTAUS.8SCH.KOMPL.SPEEDY S	DISTR.COMPL.8PALETAS SPEEDY SE
33	G16670330R	TONDO D.10X1030	ROUND D.10X1030			
34	G16670340R	TONDO D.10X1230	D.10X1230 ROUND	ROND D.10X1230	RUNDEISEN D.10X1230	BARRA REDONDA D. 10X1230
35	G16670350R	TONDO D.10X1430	D.10X1430 ROUND	ROND D.10X1430	RUNDEISEN D.10X1430	BARRA REDONDA D. 10X1430
36	G66248176R	CORPO DISTR.SPAND. SP	MANURE SPREADER DISTR. CASING	CORPS DISTRIB. EP. ENGRAIS SP	VERTEILUNGSKTRPER STREUER SP	CUERPO DISTR. ABON. SP
37	G19003710R	GHIERA REGOLAZIONE DX	RIGHT ADJUSTMENT KNURLED	BAGUE REGLAGE DROITE	EINSTELLMUTTER RE	CONTRATUERCA REGULACIN DER.
38	G19703262R	DECAL.TABELLA SPANDI S.SET ST	LABEL TAB.FERTILIZER S.SET ST			
39	G19003620R	SCIVOLO D.45	CHUTE D.45	LANCOIR D.45	RUTSCHE D.45	PLANO INCLINADO D.45
40	G15477210R	MONT.SPANDI 850 2U DX REG.C.	FERT.850 2O RH CENTR.REG.			
41	G15477220R	MONT.SPANDI 850 2U SX REG.C.	FERT.850 2O LT CENTR.REG.			
42	G15474900R	MONT.SPA.1100 E DX 4U RO 1460	ASS.SPAN.1100 E RH 4U RO 1460			
43	G15474890R	MONT.SPA.1100 E SX 4U RA 1600	ASS.SPA.1100 E LEFT 4U RA 1600			

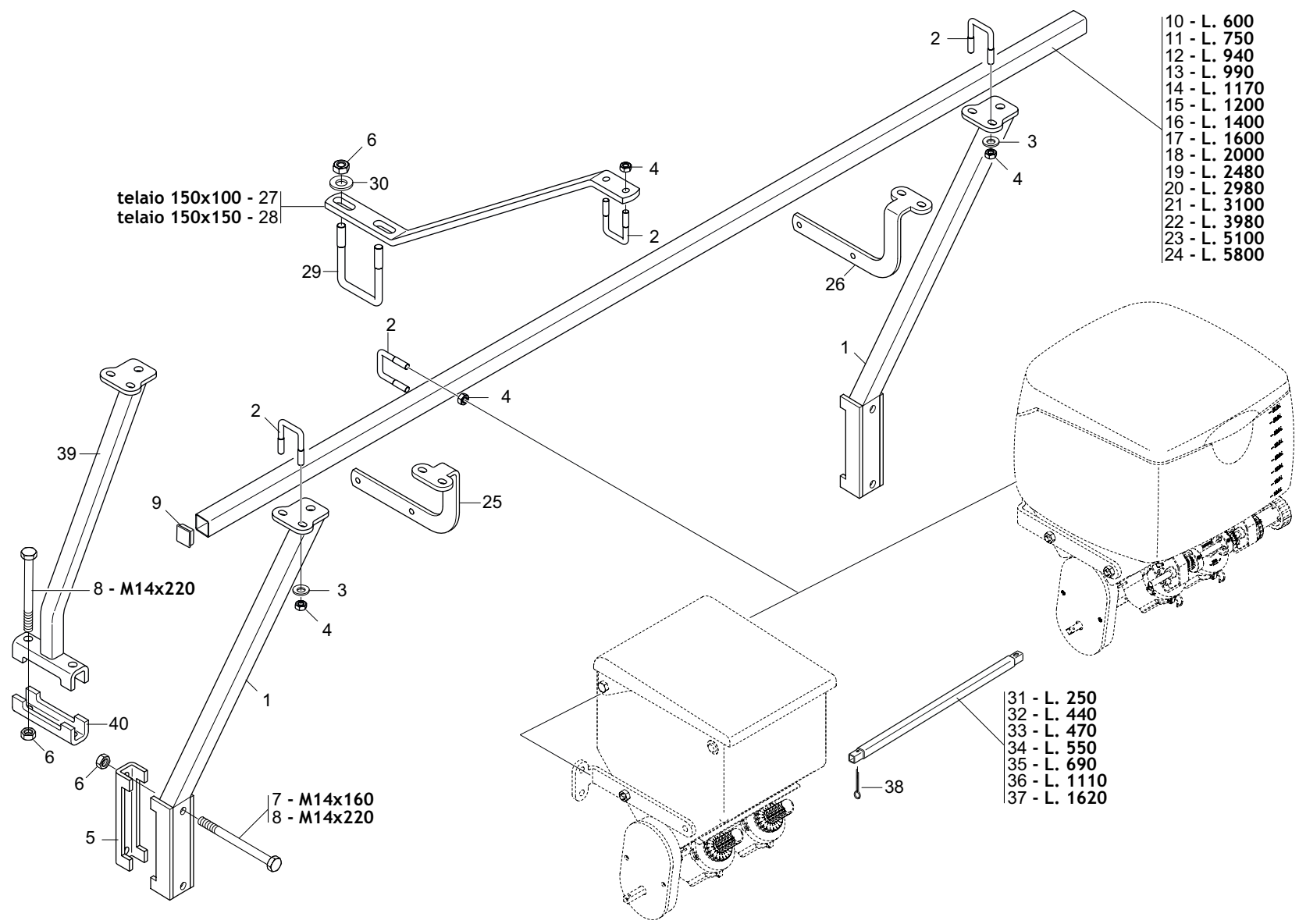


**CONCIMAZIONE PNEUMATICA  
PNEUMATIC FERTILIZER**

**TAV. 351**

Pos.	Cod.	Descrizione	Description	Description	Benennung	Descripcion
1	F01020039R	VITE M6X1X35 U5737 8.8ZN	SCR. M6X1X35 U5737 8.8ZN	VIS 6 X35 5737 8.G ZN	SCHRAUBE 6 X35 5737 8.G ZN	TORNILLO 6 X35 5737 8.G ZN
2	F01020050R	VITE M6X1X80 U5737 8.8ZN	SCR. M6X1X80 U5737 8.8ZN	VIS 6 X80 5737 8.G ZN	SCHRAUBE 6 X80 5737 8.G ZN	TORNILLO 6 X80 5737 8.G ZN
3	F01020362R	VITE M4X0,7X12 U5739 8.8ZN	SCR. M4X0,7X12 U5739 8.8ZN	VIS 4X12 5739 8.G ZN	SCHRAUBE 4X12 5739 8.G ZN	TORNILLO 4X12 5739 8.G ZN
4	F01020398R	VITE M6X1X12 U5739 8.8ZN	SCR. M6X1X12 U5739 8.8ZN	VIS M6X 1X12 U5739 8.8 ZN	SCHRAUBE M6X 1X12 U5739 8.8 ZN	TORNILLO M6X 1X12 U5739 8.8 ZN
5	F01020403R	VITE M6X1X16 U5739 8.8ZN	SCR. M6X1X16 U5739 8.8ZN	VIS M6X1X16 U5739 8.8 ZN	SCHRAUBE M6X1X16 U5739 8.8 ZN	TORNILLO M6X1X16 U5739 8.8 ZN
6	F01020404R	VITE M6X1X20 U5739 8.8ZN	SCREW M6X1X20 U5739 8.8ZN	VIS M6X1X20 U5739 8.8ZN	SCHRAUBE M6X1X20 U5739 8.8ZN	TORNILLO M6X1X20 U5739 8.8ZN
7	F01030055R	VITE M8X1,25X20 U5933 10.9ZD	SCR. M8X1,25X20 U5933 10.9ZD	VIS M 8X20	SCHRAUBE M 8X20	TORNILLO M 8X20
8	F01080044R	VITE M5X0,8X14 U7688 4.8ZN	SCR. M5X0,8X14 U7688 4.8ZN	VIS 5 X14 7688 ZN	SCHRAUBE 5 X14 7688 ZN	TORNILLO 5 X14 7688 ZN
9	F01220011R	DADO M6X1 D980 8ZN	NUT M6X1 D980 8ZN	ECROU M6X1 D980 8 ZN	MUTTER M6X1 D980 8 ZN	TUERCA M6X1 D980 8 ZN
10	F01230016R	DADO M4X0,7 D982 8ZN	NUT M4X0,7 D982 8ZN	ECROU AUTOB.NOR. 4 ZN	SELBSTSP. MUTTER NOR. 4 ZN	TUERCA AUTOB. NOR. 4 ZN
11	F01230048R	DADO M10X1,5 D982 8ZN	NUT M10X1,5 D982 8ZN	ECR.AUTO-FREIN.M10X1,5 D982 ZN	SICHERUNGSMUTT.M10X1,5 D982 ZN	TUERCA SEGURID.M10X1,5 D982 ZN
12	F01410037R	ROS.M6 6,4X12,5X1,6 U6592 ZN	WASHER M6 6,4X12,5X1,6 U6592ZN	RONDEL.M6 6,4X12,5X1,6 U6592ZN	SCHHEIB.M6 6,4X12,5X1,6 U6592ZN	ARAND.M6 6,4X12,5X1,6 U6592 ZN
13	F01410064R	ROS.M10 10,5X20X2 U6592 ZN	WASHER M10 10,5X20X2 U6592 ZN	RONDEL. M10 10,5X20X2 U6592 ZN	SCHHEIBE M10 10,5X20X2 U6592 ZN	ARAND.M10 10,5X 20X 2 U6592 ZN
14	F01420036R	ROS.M6 6,4X 18X1,5 U6593 ZN	WASHER M6 6,4X 18X1,5 U6593 ZN	RONDELLE M6 6,4X18X1,5 U6593ZN	SCHHEIBEN M6 6,4X18X1,5U6593 ZN	ARANDELA M6 6,4X18X1,5U6593ZN
15	F01440012R	ROS. 20X28X 2 D988 IX	WASHER 20X28X2 DIN 988	RONDELLE 20X28X2 DIN 988	UNTERLEGSCHHEIBE 20X28X2 DIN 98	ARANDELA 20X28X2 DIN 988
16	F02050078R	ANELLO E. DE 20X 1,2 U7435 C7	SEEGER RING E. 20X1,2 7435 C70	SEEGER 20X 1,2 U7435 C70	SEEGER E. 20X 1,2 U7435 C70	
17	F02050370R	ANELLO E. DI 47X1,75 U7437 C70	SEEGER RING 47X 1,75 U7437 C70	SEEGER E. 47X 1,75 U7437 C70	SEEGERING E. 47X1,75 U7437 C70	ANILLO E. 47X 1,75 U7437 C70
18	F02150036R	LINGUETTA 6X 6X 20 U6604A	PARALLEL KEY 6X 6X 20 U6604A	LANGUETTE 06X6X20 UNI6604	FEDERKEIL 06X6X20 UNI6604	LENGSETA 06X6X20 UNI6604
19	G15476360R	CONVOGLIATORE 12U CONC.PNEUM.	CONVEYOR 12OUTLETS PNEUM.FERT.			
20	F04010165R	CUSC.D20 D47 B14 6204,2RSC3	BEARING D20 D47 B14 6204,2RSC3	PALIER 6204 2RS	LAGER 6204 2RS	COJINETE 6204 2RS
21	F06220034R	VOLANTINO M5 X 25 VPA 25	HANDWHEEL M5 X 25 VPA 25	VOLANT M5 X 25 VPA 25	HANDRAD M5 X 25 VPA 25	VOLANTE M5 X 25 VPA 25
22	G23440562R	DISTANZ.GUSCI SOFFIANTE HL ID	BLOWER SHELL SPACER HL ID	ENTRETROISE COQUES SOUFFLANTE H	DISTANZSTSCCK SCHALEN GELBZSE H	DISTANC. CASCARAS SOPPLAD. HL I
23	G23440563R	GRIGLIA DI PROTEZIONE HL ID	PROTECT. GRID HL ID	GRILLE DE PROTECTION HL ID	SCHUTZGITTER HL ID	REJILLA DE PROTECCI N HL ID
24	G23440564R	COPERCHIO CHIUSURA SOFF. HL ID	BLOWER CLOSING COVER . HL ID	COUVERCLE FERMETURE SOUFFL. HL	ABSCHLUSSDECKEL GEBL. HL ID	TAPA CIERRE SOPL. HL ID
25	G13912460R	COPRIVENTOLA LATO SCHIENALE	BACK FAN PROTECTION	PROTECTION ROTOR DOSSIER	RUECKENLAUFRADSCHUTZ	PROTECCI N VENTILADOR RESPALDO
26	G13912470R	COPRIVENTOLA LATO MOTORE	MOTOR FAN PROTECTION	PROTECTION ROTOR MOTEUR	MOTORLAUFRADSCHUTZ	PROTECCI N VENTILADOR MOTOR
27	G15450402R	PUL.CONDOTTA CONCIM.PNEUM.	DRIVEN PULLEY PNEUM.SEEDER			
28	G15355500R	RONDELLA AUTOCENTRANTE ZN	SELF-CENTERING WASHER ZN	RONDELLE AUTOCENTREE ZN	SELBSTZENTR.UNTERLEGSCH. ZN	ARANDELA AUTOCENTRADORA ZN
29	G15476340R	GIUNTO ELAS.LAVOR.D.18-22 L66	ELASTIC COUPLING D.18-22 L66			
30	G15450433R	FLANGIA	FLANGE			
31	G15470411R	RINF.ANTERIORE	FRONT REINFORCEMENT			
32	G15470421R	RINF.POSTERIORE	REAR REINFORCEMENT			
33	G20970035R	RONDELLA 32X4X13	WASHER 32X4X13	RONDELLE 32X4X13	UNTERLEGSCHHEIBE 32X4X13	ARANDELA 32X4X13
34	G18701660R	RONDELLA 14,2 X33 X0,3	WASHER 33X 0-3X14-2	RONDELLE 33X 0-3X14-2	UNTERLEGSCHHEIBE 14-2 X33 X0-3	ARANDELA 33X 0-3X14-2
35	G19004340R	DISTANZIALE CONCIM.PNEUMATICA	PNEUM.FERT. SPACER			
36	G67320001R	VENTOLA PLASTICA DISCO L80M8	PLASTIC FAN- DISK L80M8	ROTOR PLASTIQUE DISQUE L80M8	SCHHEIBE PLASTIKRAD L80M8	VENTILADOR PL STICO DISCO L80M
37	G15473771R	SOFFIANTE CONC.PNEUM.RINF.	REINFORCED FERTILIZ.AIR BLOWER			
38	G13912101R	UGELLO CONCIMAZIONE PNEUMATICA	NOZZLE PNEUMATIC FERTILIZATION			
39	G13912131R	RACCORDO CONCIMAZ.PNEUMATICA	UNION PNEUMATIC FERTILIZATION	RACCORD FUMAGE PNEUMATIQUE	ANSCHLUSS PNEUMATISCHE DSNGUNG	UNIN DE ABONO NEUMAT.
40	G15471471R	SUPPORTO CONVOGLIATORE	CONVEYOR SUPPORT	SUPPORT CONVOYEUR	HALTERUNG FTRDERER	SOPORTE TRANSPORTADOR
41	F03100500R	TUBO EOLO 35 PU	TUBE EOLO 35 PU	TUBE EOLO 35 PU	TUBO EOLO	TUBO EOLO
42	F05150060R	FASCETTA POLYA. 9,0X380 NERA	POLYAMIDE FASTENING STRAPS 9X3	COLLIER POLYAMIDE 9X350 31919	SCHELLE POLYAMID 9X350 31919	ABRAZADERA POLIAMIDA 9X350 319
43	F01020472R	VITE M10X1,5X25 U5739 8.8ZN	SCR. M10X1,5X25 U5739 8.8ZN	VIS M10X1,5X25 U5739 8.8 ZN	SCHRAUBE M10X1,5X25 U5739 8.8	TORNILLO M10X1,5X25 U5739 8.8
44	F02300023R	FASCETTA STRING. 80 100 H.8	PIPE CLAMP 80 100 H.8	COLLIER DE SERRAGE 77 95	ROHRSCHELLE 80 100 H.8	ABRAZADERA P. MANGUERA 80 100
45	F02300020R	FASCETTA STRING. 32 50 H.9	HOSE CLAMP 32 50 H.9			
46	F03150664R	TAPPO MASCHIO 1 8 ESAGONO	1 8 MALE HEXAGON. PLUG	BOUCHON MALE 1 8 HEXAGONAL	GEWINDEPFROPFEN 1 8 SECHSKANT	TAP N MACHO 1 8 HEX GONO
47	F01200244R	DADO M8X1,25 U5588 CL8 ZN	NUT M8X1,25 U5588 6.8ZN	ECROU M8 X1,25 U5588 6.8 ZN	MUTTER M8 X1,25 U5588 6.8 ZN	TUERCA M8X1,25 U5588 CL8 ZN
48	F03100367R	TUBO VULCANO PU R 76	FLEXIBLE PVC PIPE R 76	TUBE FLEXIBLE PVC R 76	76 SCHLAUCH PVC	TUBO FLEXIBLE PVC R 76
49	F01200270R	DADO M10X1,5 U5588 CL8 ZN	NUT M10X1,5 U5588 6.8ZN	ECROU M10X 1,5 U5588 6.8 ZN	MUTTER M10X 1,5 U5588 6.8 ZN	TUERCA M10X1,5 U5588 CL8 ZN
50	G13912512R	VASO ESPANSORE D.35-50	D.35-50 EXPANSION TANK	VASE EXPANSION D.35-50	EXPANSIONSGEFZSS D.35-50	DEPOSITO DE EXPANSIN D.35-50
51	G16670670R	DISTANZIALE D.48,1X1,5 L=25	SPACER D.48,1X1,5 L=25			
52	G23440551R	FLANGIA CONVOGLIATORE HL ID	CONVEYOR FLANGE HL ID	BRIDE CONVOYEUR HL ID	FLANSCH FTRDERER HL ID	BRIDA CONDUCTOR HL ID
53	G23440553R	CONVOGLIATORE D.35 HL ID	CONVEYOR- D.35 HL ID	CONVOYEUR D. 35 HL ID	FTRDERER D.35 HL ID	CONDUCTOR D.35 HL ID
54	F01020047R	VITE M6X1X70 U5737 8.8ZN	SCR. M6X1X70 U5737 8.8ZN	VIS 6 X70 5737 8.G ZN	SCHRAUBE 6 X70 5737 8.G ZN	TORNILLO 6 X70 5737 8.G ZN
55	F01430047R	ROS.M6 6,4X 11X0,7 U8842J ZN	WASHER D6 DIN 6798 D.INT.GALV.	RONDELLE D6 DIN 6798 D. INT. Z	UNT. SCHHEIBE D6 DIN 6798 D. IN	ARANDELA D6 DIN 6798 D.INT.ZN
56	G66248098R	TAPPO CONVOGLIATORE DEPR. SP	AIR PUMP CONVEYOR PLUG SP	BOUCHON CONVOYEUR TURBINE SP	VAKUUM FTRDERPFROPFEN SP	TAP N CONDUCTOR DEPR. SP
57	G15450401R	PUL.CONDOTTA CONCIM.PNEUM.	DRIVEN PULLEY PNEUM.SEEDER			
58	G15450432R	FLANGIA	FLANGE			
59	G15450420R	GIUNTO ELASTICO LAVORATO	LOCK COUPLING	JOINT DE BLOCAGE	SPERRKUPPLUNG	JUNTA DE BLOQUEO
60	G15450410R	RONDELLA X GIUNTO ELASTICO	LOCK WASHER	RONDELLE DE BLOCAGE	SPERRSCHHEIBE	ARANDELA DE BLOQUEO
61	G15273150R	RACCORDO FINALE	ENDING CONNECTION PIPE	RACCORD FINAL	ENDANSCHLUSS	UNION FINAL
62	G15273020R	TUBO DISCESA MICRO D.28X2	MICRO DOWN TUBE D.28X2			
63	F01020445R	VITE M8X1,25X30 U5739 8.8ZN	SCR. M8X1,25X30 U5739 8.8ZN	VIS M 8X1,25X30 U5739 8.8 ZN	SCHRAU, M8X1,25X30 U5739 8.8ZN	TORNILLO M8X1,25X30 U5739 8.8
64	G13912350R	FASCETTA VASO ESPANSIONE	EXPANSION CHAMBER CLAMP	COLLIER VASE EXPANSION	SCHELLE EXPANSIONSGEFZSS	ABRAZADERA DEP SITO DE EXPANSI
65	G18903961R	MOLLA SUPPORTO VASO ESPANSORE	EXPANSION TANK SUPPORT SPRING			
66	F01420048R	ROS.M8 8,4X 24X 2 U6593 ZN	WASHER M8 8,4X 24X2 U6593 ZN	RONDELLE M8 8,4X24X 2 U6593 ZN	SCHHEIBEN M8 8,4X24X 2 U6593 ZN	ARAND.M8 8,4X 24X 2 U6593 ZN

TAV. 360



telaio 150x100 - 27  
telaio 150x150 - 28

8 - M14x220

7 - M14x160  
8 - M14x220

- 10 - L. 600
- 11 - L. 750
- 12 - L. 940
- 13 - L. 990
- 14 - L. 1170
- 15 - L. 1200
- 16 - L. 1400
- 17 - L. 1600
- 18 - L. 2000
- 19 - L. 2480
- 20 - L. 2980
- 21 - L. 3100
- 22 - L. 3980
- 23 - L. 5100
- 24 - L. 5800

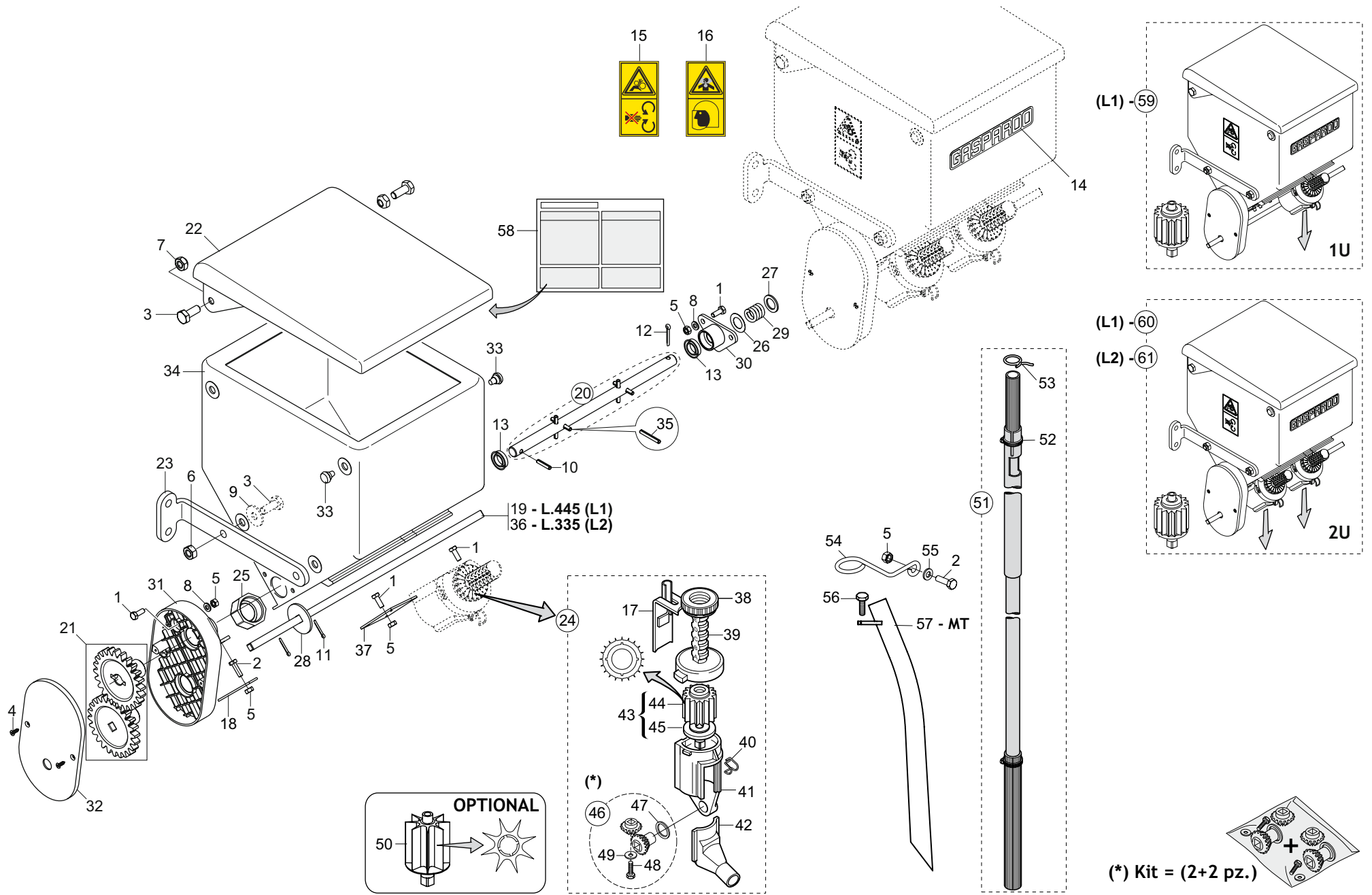
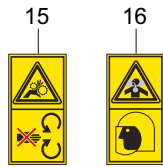
- 31 - L. 250
- 32 - L. 440
- 33 - L. 470
- 34 - L. 550
- 35 - L. 690
- 36 - L. 1110
- 37 - L. 1620



## SUPPORTI MICROGRANULATORE SUPPORTS FOR MICROGRANULATOR

TAV. 360

Pos.	Cod.	Descrizione	Description	Description	Benennung	Description
1	G15272901R	SUPPORTO BARRA MICRO MT	MT MICRO BAR SUPPORT	SUPPORT BARRE MICROGRAN. MT	STANGENHALTERUNG MICRO MT	SOPORTE BARRA MICRO MT
2	F20110706R	CAV.Q.B=35 M=10X1,5 L=60	U BOLT Q.B=35 M=10X1,5 L=60	CAVALIER SUPPORT DISQUE SV	VERBINDUNG SCHEIBENHALTERUNG S	PERNO EN U SOP. DISCO SV
3	G18701140R	RONDELLA 11 X35 X5	WASHER 11 X 35 X 5	RONDELLE 11 X35 X5	UNTERLEGSCHEIBE 11 X35 X5	ARANDELA 11 X35 X5
4	F01200270R	DADO M10X1,5 U5588 CL8 ZN	NUT M10X1,5 U5588 6.8ZN	ECROU M10X 1,5 U5588 6.8 ZN	MUTTER M10X 1,5 U5588 6.8 ZN	TUERCA M10X1,5 U5588 CL8 ZN
5	G15110091R	SCONTRIO A U	CONTRA U	BRIDE 150 MM	ANSCHLAG	ELEMENTO DE EMPALME
6	F01200306R	DADO M14X2 U5588 CL8 ZN	NUT M14X2 U5588 6.8ZN	ECROU M14X2	MUTTER M14X2	DADO M14X2
7	F01020225R	VITE M14X2X160 U5737 8.8BR	SCR. M14X2X160 U5737 8.8BR	VIS M 14 X160 5737 8.G	SCHRAUBE M 14 X160 5737 8.G	TORNILLO M 14 X160 5737 8.G
8	F01020236R	VITE M14X2X220 U5737 8.8BR	SCR. M14X2X220 U5737 8.8BR	VIS M14X2X220 U5737 8.8 BR	SCHRAUBE M14X2X220 U5737 8.8	TORNILLO M14X2X220 U5737 8.8
9	F20120346R	PUNTALE Q 35 ALETT.POLIT.NERO	SQ.TIP 35 BLACK			
10	G15472990R	TUBO Q. 35X 4X 600	SQUARE PIPE 35 X4 X600	TUBE CARRE 35 X4 X600	VIERKANTROHR 35 X4 X600	TUBO CUADRADO 35 X4 X600
11	G15472980R	TUBO Q.35 X4 X750	SQUARE PIPE 35 X4 X750	TUBE CARRE 35 X4 X750	VIERKANTROHR 35 X4 X750	TUBO CUADRADO 35 X4 X750
12	G15171650R	TUBO Q. 35X 4X 940 1F6,5	TUBE Q. 35X 4X 940 1HOLE 6,5			
13	G22220141R	BRACCIO SCORREVOLE 4 FILE	SLIDING ARM- 4-ROW	BRAS GLISSANT 4 RANGEES	GLEITARM 4 REIHEN	BRAZO CORREDIZO 4 FILAS
14	G15475300R	TUBO SUPPORTO MICRO L.1170	MICRO SUPPORT PIPE L.1170	TUBE SUPPORT MICRO L1170	ROHR HALTERUNG MIKRO L.1170	TUBO SOPORTE MICRO L1170
15	G15472970R	TUBO Q. 35X 4X1200	SQUARE PIPE 35 X4 X1200	TUBE CARRE 35 X4 X1200	VIERKANTROHR 35 X4 X1200	TUBO CUADRADO 35 X4 X1200
16	G20890207R	BARRA DIFFUSORI DISERBO L.1400	WEEDKILLER SPREADER BAR L.1400	BARRE DIFFUSEURS DESHERBAGE L.	DIFFUSORENSTANGE UNKRAUTVERT.	BARRA DIFUSORES HERBICIDA L.1
17	G07000375R	TUBO Q. 35X 3X1600 1F8	SQUARE PIPE 35X35X4X1600 1H8	TUBE CARRE 35X35X4X1600	VIERKANTROHR 35X35X4X1600	TUBO CUADRADO 35X35X4X1600
18	G22270115R	BRACC.SCORR.6F.100 L.2000 SP	SLIDING ARM 6-R. 100 L.2000 SP	BRAS GLISS. 6 RANG. 100 L. 200	GLEITARM 6R.100 L.2000 SP	BRAZO CORRED. 6 FILAS. 100 L.2
19	G15475130R	TUBO SUPPORTO SERBATOIO L.2480	TANK SUPPORT PIPE L.2480	TUBE SUPPORT RESERVOIR L2460	ROHR HALTERUNG BEHZLTER L.2480	TUBO SOPORTE DEP SITO L 2480
20	G07000028R	TUBO Q.35 X4 X2980	SQUARE PIPE 35 X 35 X 3 X 2980	TUBE CARRE 35 X 35 X 3 X 2980	VIERKANTROHR 35 X 35 X 3 X 298	TUBO CUADRADO 35 X 35 X 3 X 299
21	G15475390R	TUBO SUPPORTO MICRO L.3100	MICRO SUPPORT PIPE L.3100	TUBE SUPPORT MICRO L3100	ROHR HALTERUNG MIKRO L.3100	TUBO SOPORTE MICRO L.3100
22	G07000370R	TUBO Q. 35X 3X3980	SQUARE PIPE 35X35X4X3980	TUBE CARRE 35X35X4X3980	VIERKANTROHR 35X35X4X3980	TUBO CUADRADO 35X35X4X3980
23	G15475540R	TUBO SUPPORTO MICRO L.5100	MICRO SUPPORT PIPE L.5100	TUBE SUPPORT MICRO L5100	ROHR HALTERUNG MIKRO L.5100	TUBO SOPORTE MICRO L 51000
24	G15475400R	TUBO SUPPORTO MICRO L.5800	MICRO SUPPORT PIPE L.3800	TUBE SUPPORT MICRO L5800	ROHR HALTERUNG MIKRO L.5800	TUBO SOPORTE MICRO L.5800
25	G15272421R	SUPPORTO TUBO MICRO SX	LEFT MICRO PIPE SUPPORT	SUPPORT TUBE MICRO GCH.	HALTERUNG MIKROROHR LI	SOPORTE TUBO MICRO IZQ.
26	G15272411R	SUPPORTO TUBO MICRO DX	RIGHT MICRO PIPE SUPPORT	SUPPORT TUBE MICRO DRT.	HALTERUNG MIKROROHR RE	SOPORTE TUBO MICRO DER.
27	G15273171R	TIRANTE BARRA MICRO TEL150X100	TIE ROD BAR MICRO TEL150X100			
28	G15273161R	TIRANTE BARRA MICRO MT T.150	TIE ROD BAR MICRO MT T.150			
29	F20110770R	CAV.Q.B=80 M=14X2 L=119	U BOLT Q.B=80 M=14X2 L=119	BRIDE U M14X2X50 96X119 ZN	ANSCHLANG U M14X2X50 96X119 ZN	EL.DE EMPALME M14X2X50 96X119
30	G20970142R	RONDELLA 32X4X15,5	WASHER 32X4X15-5	RONDELLE 32X4X15-5	UNTERLEGSCHEIBE 32X4X15-5	ARANDELA 32X4X15-5
31	G20890205R	MANICOTTO UNIONE MICRO L.250	MICRO JOINT SLEEVE L.250	MANCHON RACCORD MICRO L. 250	VERBINDUNGSMUFFE MIKRO L.250	MANGUITO DE UNI N MICRO L.250
32	G20890201R	MANICOTTO UNIONE MICRO L.440	MICRO JOINT SLEEVE L.440	MANCHON RACCORD MICRO L. 440	VERBINDUNGSMUFFE MIKRO L.440	MANGUITO DE UNI N MICRO L.440
33	G20890111R	MANIC.UNIONE RINV.MICRO L.470	MICRO TRANSM.JOINT SLEEVE L.47	MANCHON RACCORD TRANSMISSION M	VERBINDUNGSMUFFE VORGELEGE MIK	MANGUITO EMPALME TRANSM. MICRO
34	G20890130R	MANICOTTO UNIONE MICRO L.550	MICRO JOINT SLEEVE	MANCHON RACCORD MICRO L. 550	VERBINDUNGSMUFFE MIKRO L 550	MANGUITO DE UNI N MICRO L.550
35	G20890202R	MANICOTTO UNIONE MICRO L.690	MICRO JOINT SLEEVE L.690	MANCHON RACCORD MICRO L. 690	VERBINDUNGSMUFFE MIKRO L.690	MANGUITO DE UNI N MICRO L.690
36	G20890112R	MANICOTTO UNIONE MICRO L.1110	MICRO JOINT SLEEVE L.1110	MANCHON RACCORD MICRO L. 1110	VERBINDUNGSMUFFE MIKRO L1110	MANGUITO DE UNI N MICRO L.1110
37	G20890203R	MANICOTTO UNIONE MICRO L.1620	MICRO JOINT SLEEVE L.1620	MANCHON RACCORD MICRO L. 1620	VERBINDUNGSMUFFE MIKRO L.1620	MANGUITO DE UNI N MICRO L.1620
38	F02200162R	COPIGLIA 3X 20 U1336 ZN	SPLIT PIN 3 X20 1336 GALVAN.	GOUPIILLE 3 X20 1336 ZN	SPLINT 3 X20 1336 ZN	PASADOR 3 X20 1336 ZN
39	GA5270030R	SUPPORTO MICRO T100	SUPPORT MICRO T100			
40	G13710561R	SCONTRIO A U SP.10 2F16,5 118	U-SHAPED PLAT.SP.10 2F16,5 118			

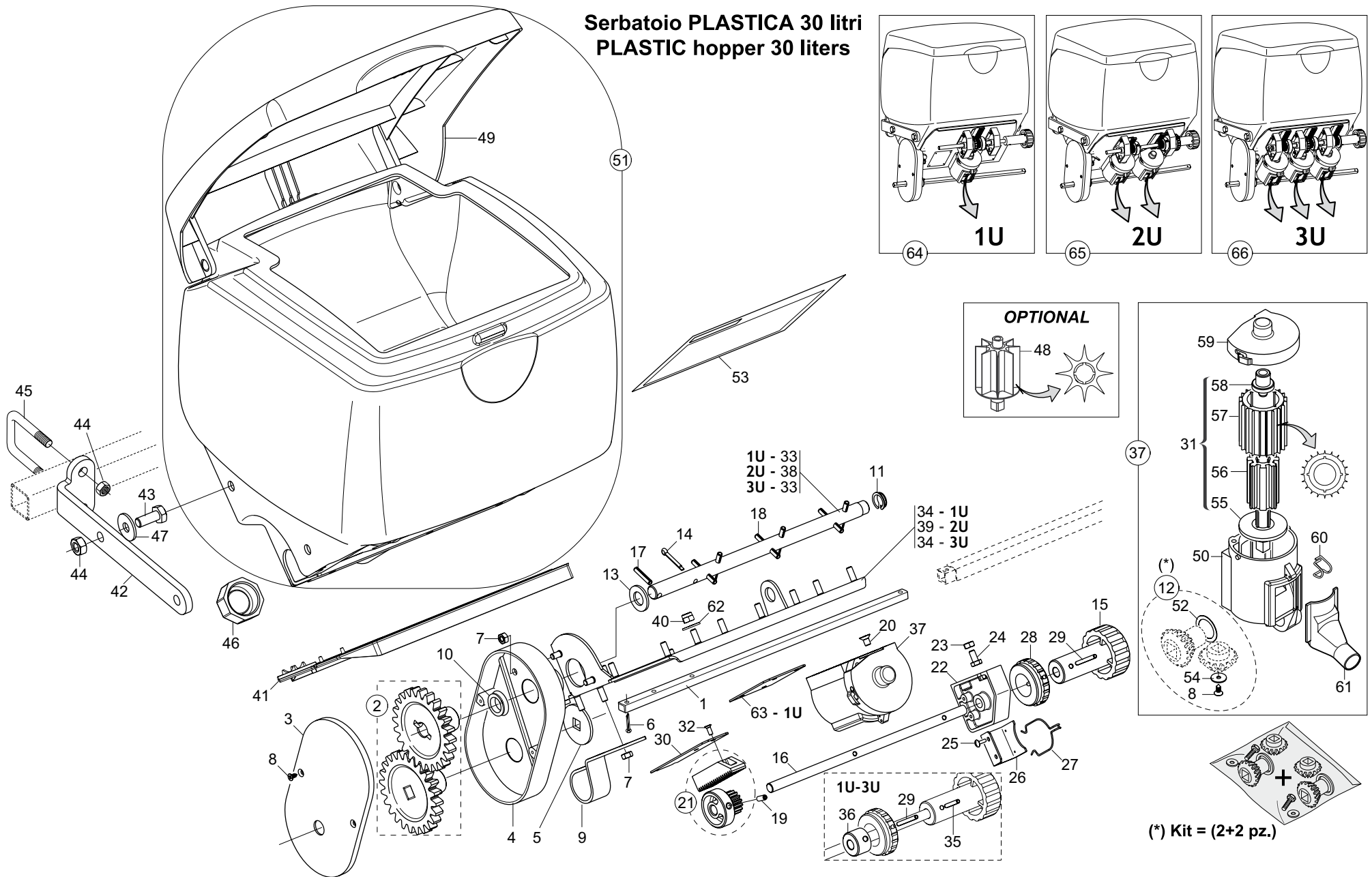


**MICROGRANULATORE (16 LITRI)  
MICROGRANULATOR (16 LITERS)**

**TAV. 371**

Pos.	Cod.	Descrizione	Description	Description	Benennung	Descripcion
1	F01020403R	VITE M6X1X16 U5739 8.8ZN	SCR. M6X1X16 U5739 8.8ZN	VIS M6X1X16 U5739 8.8 ZN	SCHRAUBE M6X1X16 U5739 8.8 ZN	TORNILLO M6X1X16 U5739 8.8 ZN
2	F01020404R	VITE M6X1X20 U5739 8.8ZN	SCREW M6X1X20 U5739 8.8ZN	VIS M6X1X20 U5739 8.8ZN	SCHRAUBE M6X1X20 U5739 8.8ZN	TORNILLO M6X1X20 U5739 8.8ZN
3	F01020472R	VITE M10X1,5X25 U5739 8.8ZN	SCR. M10X1,5X25 U5739 8.8ZN	VIS M10X1,5X25 U5739 8.8 ZN	SCHRAUBE M10X1,5X25 U5739 8.8	TORNILLO M10X1,5X25 U5739 8.8
4	F01070122R	VITE A3,9X1,34X13 U6955 4.8NI	SCR. H3,9X1,34X13 U6955 4.8NI	VIS M3,9X1,34X13 U6955 4.8NI	SCHRA.M3,9X1,34X13 U6955 4.8NI	TORN.M3,9X1,34X13 U6955 4.8NI
5	F01200232R	DADO M6X1 U5588 CL8 ZN	NUT M6X1 U5588 6.8ZN	ECROU 6 UNI 5588 6.8 ZN	MUTTER 6 UNI 5588 6.8 ZN	TUERCA M6X1 U5588 6.8 ZN
6	F01200270R	DADO M10X1,5 U5588 CL8 ZN	NUT M10X1,5 U5588 6.8ZN	ECROU M10X 1,5 U5588 6.8 ZN	MUTTER M10X 1,5 U5588 6.8 ZN	TUERCA M10X1,5 U5588 CL8 ZN
7	F01220033R	DADO M10X1,5 D980 8ZN	NUT M10X1,5 D980 8ZN	ECROU M10X1,5 D980 8ZN	MUTTER M10X1,5 D980 8ZN	TUERCA M10X1,5 D980 8
8	F01410037R	ROS.M6 6,4X12,5X1,6 U6592 ZN	WASHER M6 6,4X12,5X1,6 U6592ZN	RONDEL.M6 6,4X12,5X1,6 U6592ZN	SCHEIB.M6 6,4X12,5X1,6 U6592ZN	ARAND.M6 6,4X12,5X1,6 U6592 ZN
9	F01420060R	ROS.M10 10,5X 30X2,5 U6593 ZG	GALV.WASHER 10,5X30X2,5 U6593	RONDELLE 10,5X30	SCHEIBE 10,5X30	ARAND.M10 10,5X 30X2,5 U6593
10	F02100083R	SPINA E.P. 5X 24 U6873 C70 BR	PIN EL. 5 X24 DIN 1481	FICHE EL. 5 X24 DIN 1481	SPANNSTIFT 5 X24 DIN 1481	CLAVIJA EL.5 X24 DIN 1481
11	F02200162R	COPIGLIA 3X 20 U1336 ZN	SPLIT PIN 3 X20 1336 GALVAN.	GOUPILLE 3 X20 1336 ZN	SPLINT 3 X20 1336 ZN	PASADOR 3 X20 1336 ZN
12	F02200194R	COPIGLIA 4X 25 U1336 ZN	SPLIT PIN 4 X25 1336 GALVAN.	GOUPILLE 4 X25 1336 ZN	SPLINT 4 X25 1336 ZN	PASADOR 4 X25 1336 ZN
13	F03011081R	GUARNIZIONI LABBRO DE100	LIP GASKET D100			
14	F20010211R	ETICH.IDENT.GASPARDO 160X 30	LABEL GASPARDO 160X 30			
15	F20030042R	ETICH.ORGANI IN MOVIMENTO	DECAL.MOVING UNITS			
16	F20030043R	ETICH.PERICOLO AVVELENAMENTO	LABEL POISONING DANGER			
17	G20890089R	REGOLATORE DI APERTURA	OPENING REGULATOR	REGULATEUR D OUVERTURE	TFFNUNGSEINSTELLER	REGULADOR DE ABERTURA
18	G20890078R	PIASTRA DI COLLEGAMENTO	CONNECTION PLATE	PLAQUE DE RACCORD	VERBINDUNGSPLATTE	PLACA DE CONEXI N
19	G20890081R	ASSE DISTRIB.MICRO L.445	MICRO DISTR. MICRO L.445	AXE DISTRIBUITEUR MICRO L. 445	MIKRO STREUERACHSE L.445	EJE DISTRIB.MICRO L.445
20	G20890194R	ASSE AGITATORE SERB.MICRO 250	STIRRER SPINDLE- MICRO TANK 25	AXE AGITATEUR RESERVOIR MICRO	SAMENMISCHERACHSE BEH.MIKRO 25	EJE AGITADOR DEP S. MICRO 250
21	G11475210R	KIT RUOTE DENTATE Z24	KIT GEAR WHEELS Z24			
22	G15475231R	COPERCHIO MICRO 250 PLA.	PLASTIC COVER MICRO 250	COUVERCLE MICRO 250 PLASTIQUE	MIKRO DECKEL 250 PLAST.	TAPA MICRO 250 PLAST.
23	G15475271R	SUPPORTO MICRO	MICRO SUPPORT	SUPPORT MICROGRANULATEUR	HALTERUNG MICRO	SOPORTE MICRO
24	G20890135R	DISTRIB.NYLON COMPL.E SCIVOLO	DISTRIB. NYLON ASSY. AND CHUTE	MINIMAX COMPL 20C MICRO	SZAPPARAT NYLON KOMPL. UND RUT	DISTRIB.NYLON COMPL.Y PLANO IN
25	G16675090R	TAPPO PLASTICA MICRO C OR	PLASTIC PLUG MICRO C OR			
26	G22220073R	RONDELLA 28X0,3X16,5	WASHER 28X0-3X16-5	RONDELLE 28X0-3X16-5	UNTERLEGSCHEIBE 28X0-3X16-5	ARANDELA 28X0-3X16-5
27	G20970025R	RONDELLA 25,2X2X16,5	WASHER 25-2X2X16-5	RONDELLE 25-2X2X16-5	UNTERLEGSCHEIBE 25-2X2X16-5	ARANDELA 25-2X2X16-5
28	G18705310R	RONDELLA 10,2 X44 X3 QU.ZN	WASHER 10,2X44X3 SQ.HOLE GALV.			
29	G65338043R	MOLLA COMP.ZN SERB. M80	ZN TANK COMP.SPRING M80	RESSORT COMPL. ZN RESERVOIR M8	DRUCKFEDER ZN BEHZLTER M80	MUELLE COMP.ZN DEP S. M80
30	G66248121R	BOCCOLA CON FLANGIA M80	BUSHING W FLANGE M80	SUPPORT AVEC BRIDE M80	BSCHE MIT FLANSCH M80	CASQUILLO CON BRIDA M80
31	G19001262R	SUPPORTO TRASMISSIONE RINF.	REINFORCED TRANSMISS.SUPPORT			
32	G66248138R	COPERCHIO SUPP.TRASM. M80	TRANSMISSION SUPP. COVER M80	COUVERCLE SUPPORT ENTRAINEM.	DECKEL ANTRIEBSHALTERUNGS M80	TAPA SOP. TRANSM. M80
33	G66248223R	TAPPO SUPP.SPAND.D.11	PLUG MAN. SPR. SUPP. D.11	BOUCHON SUPPORT EP. ENGRAIS D.	HALTERUNGSPFROPFEN DSNGERSTR.	TAP N SOPORTE ABON.D.11
34	G19002932R	SERBATOIO MICRO 250 PLA.	PLASTIC TANK MICRO 250	RESERVOIR MICRO 250 PLASTIQUE	MIKROGRANULATBEHZLTER PLAST.	DEPSITO MICRO 250 PLAST.
35	F02100314R	SPINA EL.5 X36 DIN 1481 INOX	PIN EL.5 X36 DIN 1481 INOX			
36	G17175050R	ASSE MICRO L.335	AXLE MICRO L.335			
37	G20890079R	PIASTRA DI CHIUSURA	CLOSURE PLATE	PLAQUE DE FERMETURE	ABSCHLUSSPLATTE	PLACA DE CIERRE
38	G66248125R	GHIERA REGOLAZIONE M80	ADJUSTMENT KNURLED NUT M80	BAGUE REGLAGE M80	EINSTELLMUTTER M80	CONTRATUERCA REGULACI N M80
39	G20890151R	VITE-SCALA GRADUATA	GRADUATED SCALE BOLT	VIS-ECHELLE GRADUEE	SCHRAUBE - GRADSKALA	TORNILLO - ESCALA GRADUADA
40	G65336046R	MOLLA SPEC.ZN SCIVOLO M80	SPEC SPRING ZN CHUTE M80	RESSORT SPEC. ZN LANCOIR M80	SPEZIALFEDER ZN RUTSCHE M80	MUELLE ESPEC. ZN PLANO INCLINA
41	G66248123R	CORPO DISTRIBUZIONE M80	DISTRIBUTION CASING M80	CORPS DISTRIBUTION M80	VERTEILUNGSKTRPER	CUERPO DISTRIBUCI N M80
42	G66248154R	SCIVOLO DISTR. M80	CHUTE- DISTRIB. M80	ENTONNOIR DOSEUR MINIMAX MICRO	SAAPPARAT RUTSCHE M80	PLANO INCLINADO DISTR. M80
43	G20890158R	DOSATORE MICRO COMPL.	ROTOR DIST. MICRO 20 GROOVES	ROTOR DOSEUR 20C MICRO COMPL.	DOSIERER MIKRO KOMPL. 20 SEKT	DOSIFICADOR MICRO COMPL.20 SEC
44	G66248189R	DOSATORE M80	SEED METERING DEVICE M80	DOSEUR M80	DOSIERER M80	DOSIFICADOR M80
45	G19001802R	RONDELLA-ALBERO MICRO	WASHER-SHAFT MICRO			
46	G20890211R	KIT INGRANAGGI DISTRIB.MICRO	DISTRIBUTION GEAR KIT MICRO	KIT ENGRENAGE DE DISTRIBUTION		KIT ENGRANAJES DISTRIB.MICRO
47	G20970100R	RONDELLA 30X0,5X22 ACC.	WASHER 30X0-5X22 ACC.	RONDELLE 30X0-5X22 ACIER	UNTERLEGSCHEIBE 30X0-5X22 ACC.	ARANDELA 30X0-5X22 ACC.
48	F01070061R	VITE A3,9X1,34X9,5 U6954 4.8NI	SCR. H3,9X1,34X9,5 U6954 4.8NI	VIS 3,9X 9,5 DIN 7981	SCHRAUBE 3,9X 9,5 DIN 7981	TORNILLO 3,9X 9,5 DIN 7981
49	F01420011R	ROS.M4 4,3X 16X 1 U6593 ZN	FLAT WASHER 4-3X 16X1-5 6593 G	ROND.PLATE 4-3X 16X1-5 6593 ZN	SCHEIBE 4-3X 16X1-5 6593 ZN	ARAND. PLANA 4-3X 16X1-5 6593
50	G22250240R	DOSATORE COMPL. SV	DISTRIBUTOR MICRO COMPL.	ROTOR DOSEUR 8C MICRO SV	DOSIFICADOR COMPL. SV	TUBO DESCENSO MICRO COMPL. MT-
51	G11425091R	TUBO DISCESA MICRO MT-MTE COMPL	PIPE MICRO DESCENT MT-MTE	TUBE DESCENTE MICRO COMPL MT-M	SENKROHR MIKRO KOMPL. MT-MTE	DOSIFICADOR MICRO COMPL. MT-
52	F02300017R	FASCETTA STRING. 20 32 H.9	CLAMP 20 32 H.9	GAINÉ 20 32 H.9	KLEMME 20 32 H.9	ABRAZADERA 20 32 H.9
53	G65336041R	MOLLA SPEC.ZN STRINGITUBO M80	SPEC.SPRING ZN . PIPE CLAMP M8	RESSORT SPEC. ZN SERRE-TUBE M8	SPEZIALFEDER ZN ROHRSCHELLE M8	MUELLE ESPEC. ZN APLASTA TUBOS
54	G18904290R	MOLLA GUIDA TUBO DISC.MICRO ZN	MICRO GUIDE SPRING	RESSORT GUIDE MICRO	FSHRUNGSFEDER MIKRO	MUELLE GUID.MICRO
55	F01420036R	ROS.M6 6,4X 18X1,5 U6593 ZN	WASHER M6 6,4X 18X1,5 U6593 ZN	RONDELLE M6 6,4X18X1,5 U6593ZN	SCHEIBEN M6 6,4X18X1,5U6593 ZN	ARANDELA M6 6,4X18X1,5U6593ZN
56	F01020436R	VITE M8X1,25X20 U5739 8.8ZN	SCR. M8X1,25X20 U5739 8.8ZN	VIS M8X1,25X 20 U5739 8.8 ZN	SCHRAUBE M8X1,25X20U5739 8.8ZN	TORNILLO M8X1,25X20 U5739 8.8
57	G15273020R	TUBO DISCESA MICRO D.28X2	MICRO DOWN TUBE D.28X2			
58	G19700832R	DECAL.TABELLA MICRO SP540	LABEL TAB.MICRO SP540			
59	G15476280R	SERBATOIO MICRO PLA 1U COMPL	MICRO TANK 16L 1OUTL.PLA	RESERVOIR MICRO PLA 1U COMPL.	BEH-LTER MIKROGRANULAT PLASTIK	DEPOSITO MICRO PLA 1U COMPL.
60	G15476270R	SERBATOIO MICRO 250 2 U.PLA	MICRO TANK 16L 2OUTL.PLA			
61	G17170400R	SERBATOIO MICRO 250 2U PLA	RESERVOIR MICRO 250 2U COMPL.			

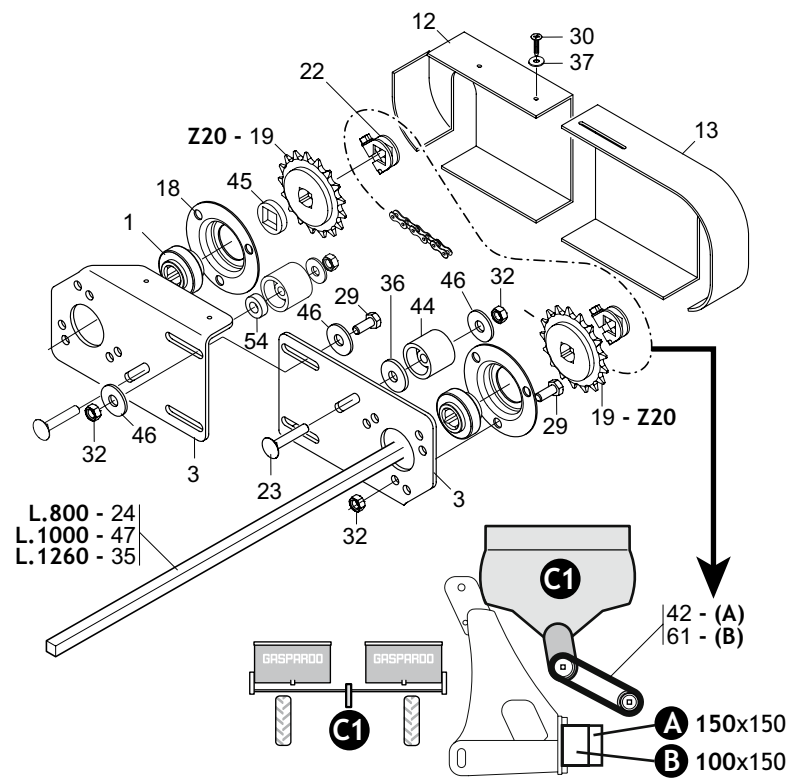
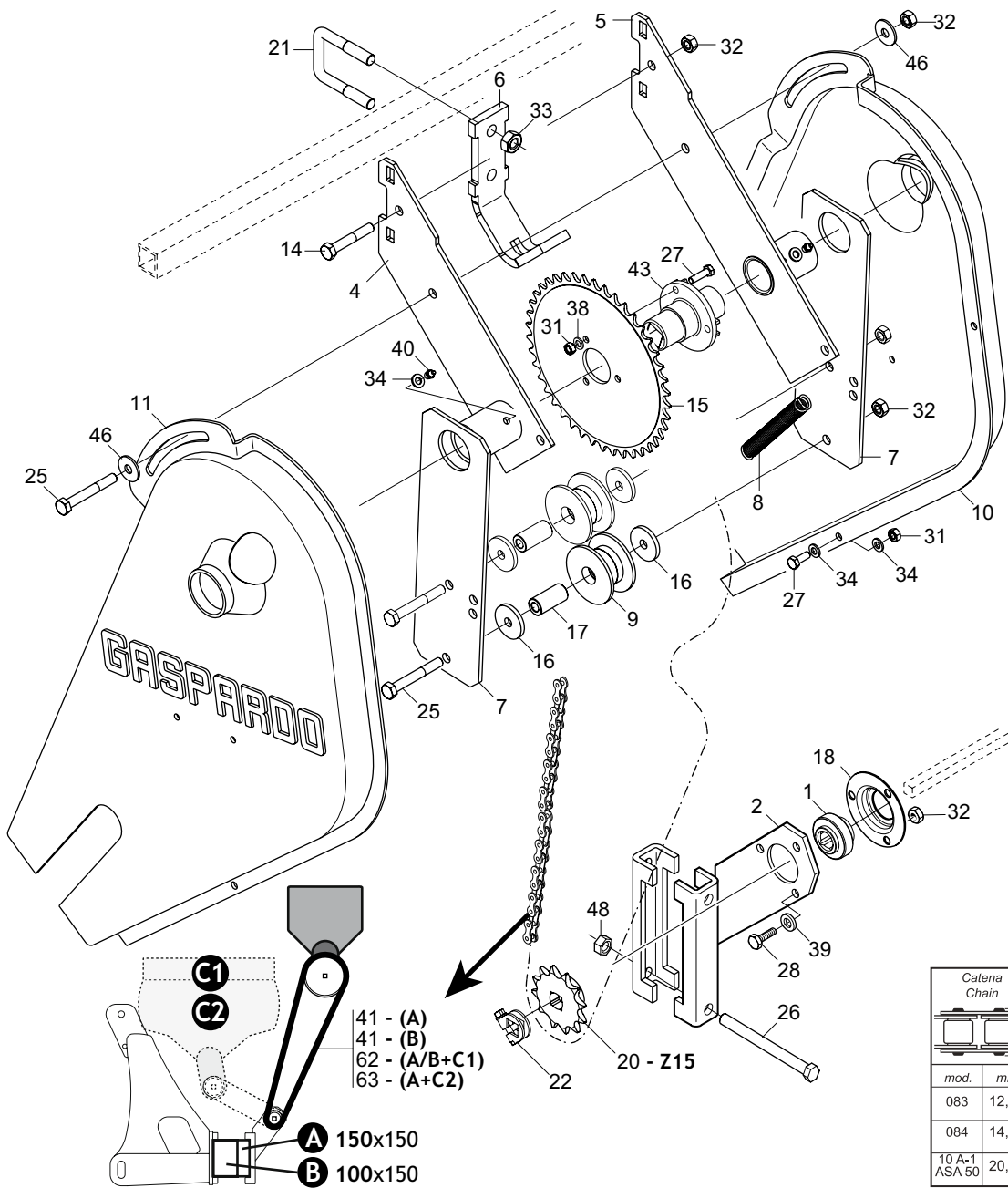
Serbatoio PLASTICA 30 litri  
 PLASTIC hopper 30 liters



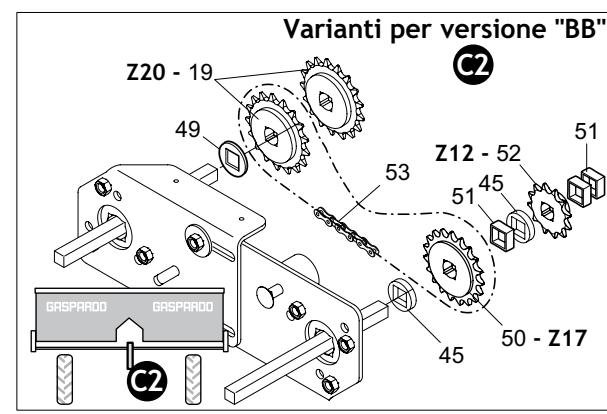
**MICROGRANULATORE (30 LITRI)  
MICROGRANULATOR (30 LITERS)**

**TAV. 381**

Pos.	Cod.	Descrizione	Description	Description	Benennung	Descripcion
1	G17631310R	ASSE TRASM.DISTR.	DISTR. TRANSMISSION AXLE			
2	G11475210R	KIT RUOTE DENTATE Z24	KIT GEAR WHEELS Z24			
3	G66248138R	COPERCHIO SUPP.TRASM. M80	TRANSMISSION SUPP. COVER M80	COUVERCLE SUPPORT ENTRAINEM.	DECKEL ANTRIEBSHALTERUNGS M80	TAPA SOP. TRANSM. M80
4	G19001262R	SUPPORTO TRASMISSIONE RINF.	REINFORCED TRANSMISS.SUPPORT			
5	G18705310R	RONDELLA 10,2 X44 X3 QU.ZN	WASHER 10,2X44X3 SQ.HOLE GALV.			
6	F02200162R	COPIGLIA 3X 20 U1336 ZN	SPLIT PIN 3 X20 1336 GALVAN.	GOUPILLE 3 X20 1336 ZN	SPLINT 3 X20 1336 ZN	PASADOR 3 X20 1336 ZN
7	F01200232R	DADO M6X1 U5588 CL8 ZN	NUT M6X1 U5588 6.8ZN	ECROU 6 UNI 5588 6.8 ZN	MUTTER 6 UNI 5588 6.8 ZN	TUERCA M6X1 U5588 CL8 ZN
8	F01070122R	VITE A3,9X1,34X13 U6955 4.8NI	SCR. H3,9X1,34X13 U6955 4.8NI	VIS M3,9X1,34X13 U6955 4.8NI	SCHRA.M3,9X1,34X13 U6955 4.8NI	TORN.M3,9X1,34X13 U6955 4.8NI
9	G11435240R	SUPPORTO ASSE CARTER	CARTER AXLE SUPPORT			
10	F03011081R	GUARNIZIONI LABBRO DE100	LIP GASKET D100			
11	F04150042R	BOCCOLA CLIP IGUS MCM-14-03	BUSH CLIP IGUS MCM-14-03			
12	G20890211R	KIT INGRANAGGI DISTRIB.MICRO	DISTRIBUTION GEAR KIT MICRO	KIT ENGRENAGE DE DISTRIBUTION		KIT ENGRANAJES DISTRIB.MICRO
13	F01410088R	ROS.M14 15X 28X2,5 U6592 ZN	WAS.M14 15X 28X2,5 U6592 ZB	RON.M14 15X 28X2,5 U6592 ZB	SCH.M14 15X 28X2,5 U6592 ZB	ARA.M14 15X 28X2,5 U6592 ZB
14	F02200194R	COPIGLIA 4X 25 U1336 ZN	SPLIT PIN 4 X25 1336 GALVAN.	GOUPILLE 4 X25 1336 ZN	SPLINT 4 X25 1336 ZN	PASADOR 4 X25 1336 ZN
15	G19003670R	MANOPOLA SPEEDY SET	SPEEDY HANDLE SET	POIGN E SPEEDY SET	GRIFF X SPEEDY SET	EMPU ADURA SPEEDY SET
16	F17772900R	ALBERO REGOLAZIONE SPEEDY SET	ADJUSTING AXLE SPEEDY SET			
17	F02100083R	SPINA E.P. 5X 24 U6873 C70 BR	NUT M6X1 U5588 6.8ZN	FICHE EL. 5 X24 DIN 1481	SPANNSTIFT 5 X24 DIN 1481	CLAVIJA EL.5 X24 DIN 1481
18	F02100314R	SPINA EL.5 X36 DIN 1481 INOX	PIN EL.5 X36 DIN 1481 INOX			
19	F01050083R	VITE M5X0,8X12 U5927 A2IX	SCR. M5X0,8X12 U5927 A2IX	GOUJON 5X12 UNI 5927	STIFT 5X12 UNI 5927	TORNILLO SIN CABEZA 5X12 5927
20	F01030041R	VITE M6X1X10 U5933 10.9ZD	SCREW M6X1X10 U5933 10.9ZD	VIS M6X1X10 U5933 10.9ZD	SCHRAU. M6X1X10 U5933 10.9ZD	TORNILLO M6X1X10 U5933 10.9ZD
21	G16675490R	KIT PIGNONE CREMAGLIERA	KIT PINION RACK			
22	G19003660R	SUPPORTO	SUPPORT		HALTERUNG	SOPORTE
23	F01200233R	DADO M6X1 U5588 A2IX	NUT M6X1 U5588 A2IX	ECROU M 6X 1 U5588 I	MUTTER M 6X 1 U5588	TUERCA M 6X 1 U5588
24	F01020417R	VITE M6X1X12 U5739 A2IX	SCR. M6X1X12 U5739 A2IX	VIS M6 X1 X12 U5739 A2 IX	SCHRAUBE M6X1X12 U5739 A2 IX	TORNILLO M6X1 X12 U5739 A2 IX
25	F01070061R	VITE A3,9X1,34X9,5 U6954 4.8NI	SCR. H3,9X1,34X9,5 U6954 4.8NI	VIS 3,9X 9,5 DIN 7981	SCHRAUBE 3,9X 9,5 DIN 7981	TORNILLO 3,9X 9,5 DIN 7981
26	G16670310R	SUPPORTO MOLLA REGOLATORE	ADJ.SPRING SUPPORT			
27	G65336055R	MOLLA SPEC.REGOL.SPAND. SP	SPEC SPRING MAN. SPR. ADJUSTM.	RESSORT SPEC. REGL. EP. ENTRA	SPEZIALFEDER STREUEREINSTELLUN	MUELLE ESPEC. REGUL. ABONADORA
28	G19003720R	GHIERA REGOLAZIONE SX	LEFT ADJUSTMENT KNURLED NUT	MANCHON DE REGLAGE GCH	EINSTELLMUTTER LINKS	ROSCA REGULACION IZQUIERDA
29	F02100066R	SPINA EL.4 X36 DIN 1481	PIN EL. 4X 36 U6873 C70 BR			CLAVIJA EL.4 X36 DIN 1481
30	G17772140R	REGOLAT.APERT.MIC SPEED.SET IX	MICRO FERT.SPEEDY SET THROTTLE			
31	G20890158R	DOSATORE MICRO COMPL.	ROTOR DIST. MICRO 20 GROOVES	ROTOR DOSEUR 20C MICRO COMPL.	DOSIERER MIKRO KOMPL. 20 SEKT	DOSIFICADOR MICRO COMPL.20 SEC
32	F01080032R	VITE M4X0,7X10 U7688 A2IX	SCR. M4X0,7X10 U7688 A2IX	VIS M4X 0,7X10 U7688 A2 IX	SCHRAUBE M4X 0,7X10 7688 A2 IX	TORNILLO M4X0.7X10 U7688 A2 IX
33	G15276111R	ASSE AGITATORE SERB.30L 3U	3-SLOT AGITATOR			
34	G15276120R	PIASTRA DOSATORI 3U	MICRO DISTR.PLATE 3U			
35	F02100062R	SPINA E.P. 4X 24 U6873 C70 BR	PIN EL. 4 X24 DIN 1481	FICHE EL. 4 X24 DIN 1481	SPANNSTIFT 4 X24 DIN 1481	CLAVIJA EL.4 X24 DIN 1481
36	G17772550R	BOCCOLA 10,4 X25 X16 FORO 5 ZN	BUSHING D10,4X25X16 HOLE 5 ZN			
37	G11400060R	DISTRIBUTORE MICRO SPEEDY SET	DISTRIBUTOR MICRO SPEEDY SET			
38	G15276161R	ASSE AGITATORE SERB.30L 2U	SHAKER AXLE TANK 30L 2U			
39	G15276130R	PIASTRA DOSATORI 2U	MICRO DISTR.PLATE 2U			
40	F01230024R	DADO M6X1 D982 A2IX	NUT M6X1 D982 A2IX	ECROU AUTOB.NOR.10	SELBSTSP. MUTTER NOR. 10	TUERCA AUTOB. NOR. 10
41	G19006620R	GUARNIZIONE PIASTRA MICRO	GASKET PLATE MICRO			
42	G15475271R	SUPPORTO MICRO	MICRO SUPPORT	SUPPORT MICROGRANULATEUR	HALTERUNG MICRO	SOPORTE MICRO
43	F01020472R	VITE M10X1,5X25 U5739 8.8ZN	SCR. M10X1,5X25 U5739 8.8ZN	VIS M10X1,5X25 U5739 8.8 ZN	SCHRAUBE M10X1,5X25 U5739 8.8	TORNILLO M10X1,5X25 U5739 8.8
44	F01200270R	DADO M10X1,5 U5588 CL8 ZN	NUT M10X1,5 U5588 6.8ZN	ECROU M10X 1,5 U5588 6.8 ZN	MUTTER M10X 1,5 U5588 6.8 ZN	TUERCA M10X1,5 U5588 CL8 ZN
45	F20110706R	CAV.Q.B=35 M=10X1,5 L=60	U BOLT Q.B=35 M=10X1,5 L=60	CAVALIER SUPPORT DISQUE SV	VERBINDUNG SCHEIBENHALTERUNG S	PERNO EN U SOP. DISCO SV
46	G16675090R	TAPPO PLASTICA MICRO C OR	PLASTIC PLUG MICRO C OR			
47	F01420060R	ROS.M10 10,5X 30X2,5 U6593 ZG	GALV.WASHER 10,5X30X2,5 U6593	RONDELLE 10,5X30	SCHEIBE 10,5X30	ARAND.M10 10,5X 30X2,5 U6593
48	G22250240R	DOSATORE COMPL. SV	DISTRIBUTOR MICRO COMPL.	ROTOR DOSEUR 8C MICRO SV		DOSIFICADOR COMPL. SV
49	G19006413R	COPERCHIO SERB.MICRO DELTA	TANK COVER MICRO DELTA			
50	G66248123R	CORPO DISTRIBUZIONE M80	DISTRIBUTION CASING M80	CORPS DISTRIBUTION M80	VERTEILUNGSKTRPER	CUERPO DISTRIBUCI N M80
51	G19006600R	SERBATOIO MICRO 30L	TANK MICRO 30L			
52	G20970100R	RONDELLA 30X0,5X22 ACC.	WASHER 30X0-5X22 ACC.	RONDELLE 30X0-5X22 ACIER	UNTERLEGSCHIEBE 30X0-5X22 ACC.	ARANDELA 30X0-5X22 ACC.
53	G19707710R	TABELLA MICRO SPEEDY SET	TABLE MICRO SPEEDY SET			
54	F01420011R	ROS.M4 4,3X 16X 1 U6593 ZN	FLAT WASHER 4-3X 16X1-5 6593 G	ROND.PLATE 4-3X 16X1-5 6593 ZN	SCHEIBE 4-3X 16X1-5 6593 ZN	ARAND. PLANA 4-3X 16X1-5 6593
55	G19001802R	RONDELLA-ALBERO MICRO	WASHER-SHAFT MICRO			
56	G66248188R	ANIMA DOSATORE M80	INSERTED ROLLER SEED METERING	AME DOSEUR M80	DOSIERERKERN M80	MACHO DOSIFICADOR M80
57	G66248189R	DOSATORE M80	SEED METERING DEVICE M80	DOSEUR M80	DOSIERER M80	DOSIFICADOR M80
58	G66248191R	PERNO ASSE UNIVERSALE M80	PIN UNIVERSAL AXLE M80	PIVOT AXE UNIVERSEL M80	ZAPFEN UNIVERSALACHSE M80	PERNO EJE UNIVERSAL M80
59	G19006390R	COPERCHIO DISTR. MICRO SPEEDY S	DISTR.TOR COVER MICRO SPEEDY S			
60	G65336046R	MOLLA SPEC.ZN SCIVOLO M80	SPEC SPRING ZN CHUTE M80	RESSORT SPEC. ZN LANCOIR M80	SPEZIALFEDER ZN RUTSCHE M80	MUELLE ESPEC. ZN PLANO INCLINA
61	G66248154R	SCIVOLO DISTR. M80	CHUTE- DISTRIB. M80	ENTONNOIR DOSEUR MINIMAX MICRO	SAAPPARAT RUTSCHE M80	PLANO INCLINADO DISTR. M80
62	F01420038R	ROS.M6 6,4X18X1,5 U6593 IX	WASHER M6 6,4X18X1,5 U6593 IX	RONDELLE M6 6,4X18X1,5U6593 IX	SCHEIBE M6 6,4X18X1,5 U6593 IX	ARANDELA M6 6,4X18X1,5 6593IX
63	G20890079R	PIASTRA DI CHIUSURA	CLOSURE PLATE	PLAQUE DE FERMETURE	ABSCHLUSSPLATTE	PLACA DE CIERRE
64	G15276810R	SERBATOIO MICRO 30L 1U COMPL	COMPL.MICRO TANK 30L 1E			
65	G15276141R	SERBATOIO MICRO 30L 2U COMPL	TANK MICRO 30L 2 OUT COMPL.	RESERVOIR MICRO 30L 2U COMPL		
66	G15276151R	SERBATOIO MICRO 30L 3U COMPL	TANK MICRO 30L 3 OUT COMPL.			



L.800 - 24  
L.1000 - 47  
L.1260 - 35



Varianti per versione "BB"

Catena Chain		Falsa maglia Offset link	Maglia giunto Connecting link
mod.	mm	Cod.	Cod.
083	12,90	F06080655 (55)	F06080501 (56)
084	14,60	F06080666 (57)	F06080502 (58)
10 A-1 ASA 50	20,50	F06080644 (59)	F06080499 (60)

# TRASMISSIONE SPANDICONCIME E MICROGRANULATORE FERTILIZER DISTRIBUTOR DRIVE AND MICROGRANULATOR

TAV. 391

Pos.	Cod.	Descrizione	Description	Description	Benennung	Descripcion
1	G14830390R	CUSCINETTO FORO QUADRO	SQUARE-HOLED BEARING	ROULEMENT TROU CARRE	VIERKANTLAGER	COJINETE ORIFICIO CUADRADO
2	G15470381R	SUPPORTO RINVIO TUBO 150	TRANSM. SUPPORT FOR PIPE 150	SUPPORT RENVOI POUR TUBE 150	HALTERUNG VORGELEGE ROHR 150	SOPORTE TRANSMISION TUBO 150
3	G15470851R	FIANCO SUPP.TRASM.SPANDI	SPREADER TRANSM. SIDE SUPPORT	COTE SUPPORT TRANSM. EPAND.	SEITEN HALTER. ANTRIEB DUNGERS	COSTADO SOPORTE TRANSM. ABONAD
4	G15476880R	RIBADITURA SUPP.TRASM.SX	LH TRANSMISSION SUPPORT			
5	G15476890R	RIBADITURA SUPP.TRASM.DX	RH TRANSMISSION SUPPORT			
6	G15476390R	SCONTRO CENTRALE	CENTRAL PLATE			
7	G15475311R	SUPPORTO RULLINI TENDIC. MICRO	MICRO CHAIN STRETCHER ROLLERS			
8	G18902960R	MOLLA TRAZ. TRANSM.RUOTA ZN	TRANSMISSION TENSIONER SPRING	RESSORT TRACT. ENTRAIN. ROUE Z	ZUGFEDER RADANTRIEB ZN	MUELLE TRAC. TRANSM.RUEDA ZN
9	G19000091R	ROCCETTO 2 META	CHAIN TENSIONER	TENDEUR DE CHAINE 2 MOITIE	KLEINRAD SPANNER SA	CARRETE TENSOR SA
10	G19002810R	CARTER RINVIO MICRO DX	RIGHT MICRO TRANSM. CASE	CARTER TRANSM. MICRO DRT	VORGELEGEGEHZUSE MIKRO RE	C RTER TRANSMISI N MICRO DER
11	G19002820R	CARTER RINVIO MICRO SX	LEFT MICRO TRANSM. CASE	CARTER TRANSM. MICRO GCH	VORGELEGEGEHZUSE MIKRO LI	C RTER TRANSMISI N MICRO IZQ
12	G19002830R	CARTER TRASMISSIONE SUPERIORE	TOP TRANSMISSION CASE	CARTER ENTRAINEMENT SUPERIEUR	OBERES ANTRIEBSGEHZUSE	C RTER TRANSMISI N SUPERIOR
13	G19002880R	CARTER INFERIORE TRANSM.SPAND.	BOTTOM SPREADER TRANSM. CASE	CARTER INFERIEUR TRANSM EPAND.	UNTER. ANTRIEBSGEHZUSE DSNQ.GE	C RTER INFER. TRANSMISI N ABON
14	F01020072R	VITE M8X1,25X50 U5737 8.8ZN	SCR. M8X1,25X50 U5737 8.8ZN	VIS M8X1,25X50 U5737 8.8 ZN	SCHR. M8X1,25X50 U5737 8.8 ZN	TORN. M8X1,25X50 U5737 8.8 ZN
15	G20890128R	CORONA Z-42 SP	RING GEAR Z-42 SP	COURONNE Z-42 SP	KRANZ Z-42 SP	CORONA Z-42 SP
16	G20970032R	RONDELLA 32X4X8,5	WASHER 32X4X8-5	RONDELLE 32X4X8-5	UNTERLEGSCHEIBE 32X4X8-5	ARANDELA 32X4X8-5
17	G20980086R	BOCCOLA DIST.D.8,5X16X31	BUSHING SPAC. D.8-5X16X31	BOITE ENTRETOISE D. 8-5X16X31	VERTEILERBSCHSE D.8-5X16X31	CASQUILLO DIST. D.8-5X16X31
18	G22230094R	SUPPORTO CUSCINETTO	BEARING SUPPORT	SUPPORT DE ROULEMENT	LAGERBSCHSE	SOPORTE COJINETE
19	G22250007R	INGR.CON MOZZO 1 2 Z-20 SV	GEARS- W HUB 1 2 Z-20 SV	ENGRENAGE 1 2 Z-20	ZAHNRAD MIT NABE 1 2 Z-20 SV	ENGRAN.CON PERNO 1 2 Z-20 SV
20	G22250028R	PIGNONE Z-15 SV	Z-15 PINION SV	PIGNON Z-15 SV	RITZEL Z-15 SV	PI N Z-15 SV
21	F20110706R	CAV.Q.B=35 M=10X1,5 L=60	U BOLT Q.B=35 M=10X1,5 L=60	CAVALIER SUPPORT DISQUE SV	VERBINDUNG SCHEIBENHALTERUNG S	PERNO EN U SOP. DISCO SV
22	G22505085R	FERMO ASSE IN LAMIERA	PLATE AXLE STOP	ARRET AXE EN TOLE	FESTSTELLVORRICHTUNG BLECHACHS	BLOQUEO EJE DE CHAPA
23	F01060048R	VITE M8X1,25X50 U5731 8.8ZN	SCR. M8X1,25X50 U5732 4.6ZN	VIS 8 X50 5732 4.6 ZN	SCHRAUBE 8 X50 5732 4.6 ZN	TORNILLO 8X50 5732 4.6 ZN
24	G22230142R	ASSE 4 FILE L.800	4-ROW SPINDLE L.800	AXE 4 RANGEES L. 800	ACHSE 4 REIHEN B. 800	EJE 4 FILAS L.800
25	F01020077R	VITE M8X1,25X60 U5737 8.8ZN	SCR. M8X1,25X60 U5737 8.8ZN	VIS M8X1,25X60 U5737 8.8 ZN	SCHRAU. M8X1,25X60 U5737 8.8ZN	TORN. M8X1,25X60 U5737 8.8 ZN
26	F01020236R	VITE M14X2X220 U5737 8.8BR	SCR. M14X2X220 U5737 8.8BR	VIS M14X2X220 U5737 8.8 BR	SCHRAUBE M14X2X220 U5737 8.8	TORNILLO M14X2X220 U5737 8.8
27	F01020403R	VITE M6X1X16 U5739 8.8ZN	SCR. M6X1X16 U5739 8.8ZN	VIS M6X1X16 U5739 8.8 ZN	SCHRAUBE M6X1X16 U5739 8.8 ZN	TORNILLO M6X1X16 U5739 8.8 ZN
28	F01020432R	VITE M8X1,25X16 U5739 8.8ZN	SCR. M8X1,25X16 U5739 8.8ZN	VIS M8 X1,25X16 U5739 8.8 ZN	SCHRAUBE M8X1,25X16U5739 8.8ZN	TORNILLO M8X1,25X16 U5739 8.8
29	F01020436R	VITE M8X1,25X20 U5739 8.8ZN	SCR. M8X1,25X20 U5739 8.8ZN	VIS M8X1,25X 20 U5739 8.8 ZN	SCHRAUBE M8X1,25X20U5739 8.8ZN	TORNILLO M8X1,25X20 U5739 8.8
30	F01070078R	VITE A4,2X1,41X13 U6950 4.8ZN	SCR. H4,2X1,41X13 U6950 4.8ZN	VIS AUTOTARADEUSE 4-2X13 TE	SELBSTSCHNEID. SCHRAUBE 4-2X13	TORNILLO AUTOR.4-2X13 TE
31	F01200232R	DADO M6X1 U5588 CL8 ZN	NUT M6X1 U5588 6.8ZN	ECROU 6 UNI 5588 6.8 ZN	MUTTER 6 UNI 5588 6.8 ZN	TUERCA M6X1 U5588 CL8 ZN
32	F01200244R	DADO M8X1,25 U5588 CL8 ZN	NUT M8X1,25 U5588 6.8ZN	ECROU M8 X1,25 U5588 6.8 ZN	MUTTER M8 X1,25 U5588 6.8 ZN	TUERCA M8X1,25 U5588 CL8 ZN
33	F01200270R	DADO M10X1,5 U5588 CL8 ZN	NUT M10X1,5 U5588 6.8ZN	ECROU M10X 1,5 U5588 6.8 ZN	MUTTER M10X 1,5 U5588 6.8 ZN	TUERCA M10X1,5 U5588 CL8 ZN
34	F01410037R	ROS.M6 6,4X12,5X1,6 U6592 ZN	WASHER M6 6,4X12,5X1,6 U6592ZN	RONDEL.M6 6,4X12,5X1,6 U6592ZN	SCHIEB.M6 6,4X12,5X1,6 U6592ZN	ARAND.M6 6,4X12,5X1,6 U6592 ZN
35	G22270049R	ASSE 4F.85-6F.50 L.1260	4-ROW SPINDLE - 85-6-ROW-50 L.	AXE 4 RANGEES 85-6 REI.H. 50	ACHSE 4 REIHEN 85-6 REIH. 50	EJE 4 FILAS. 85-6 FILAS. 50 L.
36	G18701140R	RONDELLA 11 X35 X5	WASHER 11 X 35 X 5	RONDELLE 11 X35 X5	UNTERLEGSCHEIBE 11 X35 X5	ARANDELA 11 X35 X5
37	F01420011R	ROS.M4 4,3X 16X 1 U6593 ZN	FLAT WASHER 4-3X 16X1-5 6593 G	ROND.PLATE 4-3X 16X1-5 6593 ZN	SCHEIBE 4-3X 16X1-5 6593 ZN	ARAND. PLANA 4-3X 16X1-5 6593
38	F01430047R	ROS.M6 6,4X 11X0,7 U8842J ZN	WASHER D6 DIN 6798 D.INT.GALV.	RONDELLE D6 DIN 6798 D. INT. Z	UNT. SCHEIBE D6 DIN 6798 D. IN	ARANDELA D6 DIN 6798 D.INT.ZN
39	F01430059R	ROS.M8 8,4X 15X0,8 U8842J ZN	WASHER M8 8,4X15X0,8 U8842J ZN	ROND. M8 8,4X 15X0,8 U8842J ZN	SCHEIBE M8 8,4X15X0,8 U8842JZN	ARAND. M8 8,4X15X0,8 U8842J ZN
40	F01100011R	ING.M 6X1 7663-A 9SMNPB28 ZN	GREASE NIPPLE M6X1 7663-A ZN	GRAISS. A BILLE M6X1 7663A ZN	SCHMIERBUUECHE M6X1 7663-A ZN	ENG.M 6X1 7663-A 9SMNPB28 ZN
41	F06080070R	CATENA 1 2 ISO 083 129 MAGLIE	CHAIN SECTION 1 2-3 16 129 ME	TRON ON CHA NE 1 2-3 16 129 MA	KET.ABSCHN. 1 2-3 16 129 GLIEDE	TRAMO CAD. 1 2-3 16 129 ESLABON
42	F06080030R	CATENA 1 2 ISO 083 62 MAGLIE	CUT-DOWN CHAIN .1 2 ISO 083 62	TR. CH.1 2 ISO 083 62 MAILLES	KETTENLNZNGE 1 2 ISO 083 62 GL	TRECHO CADENA 1 2 ISO 083 62 E
43	G66248152R	MOZZO TRASM.MICRO M80	HUB - TRANSM. MICRO M80	MOYEU ENTRAINEMENT MICRO M80	ANTRIEBSNABE MIKRO M80	CUBO TRANSM. MICRO M80
44	G66248207R	TENDICATENA SPAND. SP-520	CHAIN TENSIONER	TENDEUR DE CHAINE EPAND. ENGR.	KETTENSANNER DSNGERSTR. SP-52	SENSOR DE CADENA ABON. SP-520
45	G66248218R	RONDELLA DISTAN.SPAND.	MAN. SPR. SPACER WASHER	RONDELLE ENTRETOISE EP. ENGRAI	ABSTANDSCHEIBE DSNGERSTREUER	ARANDELA DISTAN.ABONAD.
46	F01420048R	ROS.M8 8,4X 24X 2 U6593 ZN	WASHER M8 8,4X 24X2 U6593 ZN	RONDELLE M8 8,4X24X 2 U6593 ZN	SCHEIBEN M8 8,4X24X 2 U6593 ZN	ARAND.M8 8,4X 24X 2 U6593 ZN
47	G22230138R	ASSE CAMBIO 4F.80-6F.45 L.1000	GEAR SPINDLE 4-ROW 80- 6-ROW.4	AXE BOITE DE VITESSE 4 RA	GETRIEBEACHSE 4 R. 80-6 R.45 L	EJE CAMBIO 4 FILAS. 80-6 FILAS
48	F01200306R	DADO M14X2 U5588 CL8 ZN	NUT M14X2 U5588 6.8ZN	ECROU M14X2	MUTTER M14X2	DADO M14X2
49	F18701620R	RONDELLA 16,5 X35 X3 QU.ZN	WASHER 16,5X35X3 SQ.HOLE GALV.	RONDELLE 16-5 X35 X3 QU.ZN	UNTERLEGSCHEIBE 16-5 X35 X3 Q	ARANDELA 16-5 X35 X3 QU.ZN
50	G22250044R	CORONA CAMBIO Z-17 SV	GEARBOX RING GEAR Z-17 SV	COURONNE BOITE DE VITESSE	GETRIEBEKRANZ Z-17 SV	CORONA CAMBIO Z-17 SV
51	G15231410R	DISTANZIALE INTERNO ZN	INNER SPACER	ENTRETOISE INT.	INNERES DISTANZST_CK	DISTANCIADOR INTERIOR
52	G20860086R	INGRANAGGIO 1 2 Z-12 F.Q.	GEAR 1 2 Z-12 F.Q.	ENGRENAGE 1 2 Z-12 TROUS CARRE	ZAHNRAD 1 2 Z-12 F.Q.	ENGRANAJE 1 2 Z-12 F.Q.
53	F06080197R	CATENA 1 2 ISO 083 58 MAGLIE	CHAIN 1 2 ISO 083 58 LINKS	CHAINE 1 2 ISO 083 58 MAILLES	KETTE 1 2 ISO 083 58 GLIEDER	CADENA 1 2 ISO 083 58 ESLAB NE
54	F18801680R	BOCCOLA 11 X25 X7,5 ZN	BUSHING 11X25X7,5 GALVA	BOITE 11X25X7,5 ZN	BSCHSE 11X25X7,5 ZN	CASQUILLO 11X25X7,5 ZN
55	F06080655R	FALSA MAGLIA CAT.1 2 ISO 083	FALSE CHAIN LINK 1 2 ISO 083	FAUSSE MAILLE CHAINE 1 2 ISO 0	FALSCHES GLIED 1 2 ISO 083	ESLAB N FICTICIO CAD. 1 2 ISO
56	F06080501R	GIUNZIONE CATENA 1 2 ISO 083	CHAIN JOINT 1 2 ISO 083	JONCTION CHAINE 1 2 ISO 083	KETTENVERBINDUNG 1 2 ISO 083	UNI N CADENA 1 2 ISO 083
57	F06080666R	FALSA MAGLIA CAT.1 2 ISO 084-1				
58	F06080502R	GIUNZIONE CATENA 1 2 ISO 084-1	CHAIN JUNCTION 1 2 ISO 084-1			
59	F06080644R	FALSA MAGLIA CAT.5 8 ASA 50LUB		FAUSSE MAILLE CHAINE ASA 50LUB	FALSCHES GLIED 5 8 ASA 50LUB	ESLAB N FICTICIO CAD.5 8 ASA50
60	F06080499R	GIUNZIONE CATENA 5 8 ASA 50LUB	CHAIN JOINT 5 8 ASA 50LUB	JONCTIONS CHAINE 5 8 ASA 50LUB	KETTENVERBINDUNG 5 8 ASA 50LUB	UNIONES CADENA 5 8 ASA 50LUB
61	F06080025R	CATENA 1 2 ISO 083 56 MAGLIE	CHAIN 1 2-3 16 56 LINKS.	CHAINE 1 2-3 16 56 MAILLES	KETTE 1 2-3 16 56 GLIEDER	CADENA 1 2-3 16 56 ESLABNE
62	F06080071R	CATENA 1 2 ISO 083 132 MAGLIE	CHAIN 1 2 ISO 083 132 LINKS			
63	F06080090R	SP.CAT.1 2-3 16 154M ISO 083-1	CHAIN 1 2-3 16 154M ISO 083-1			

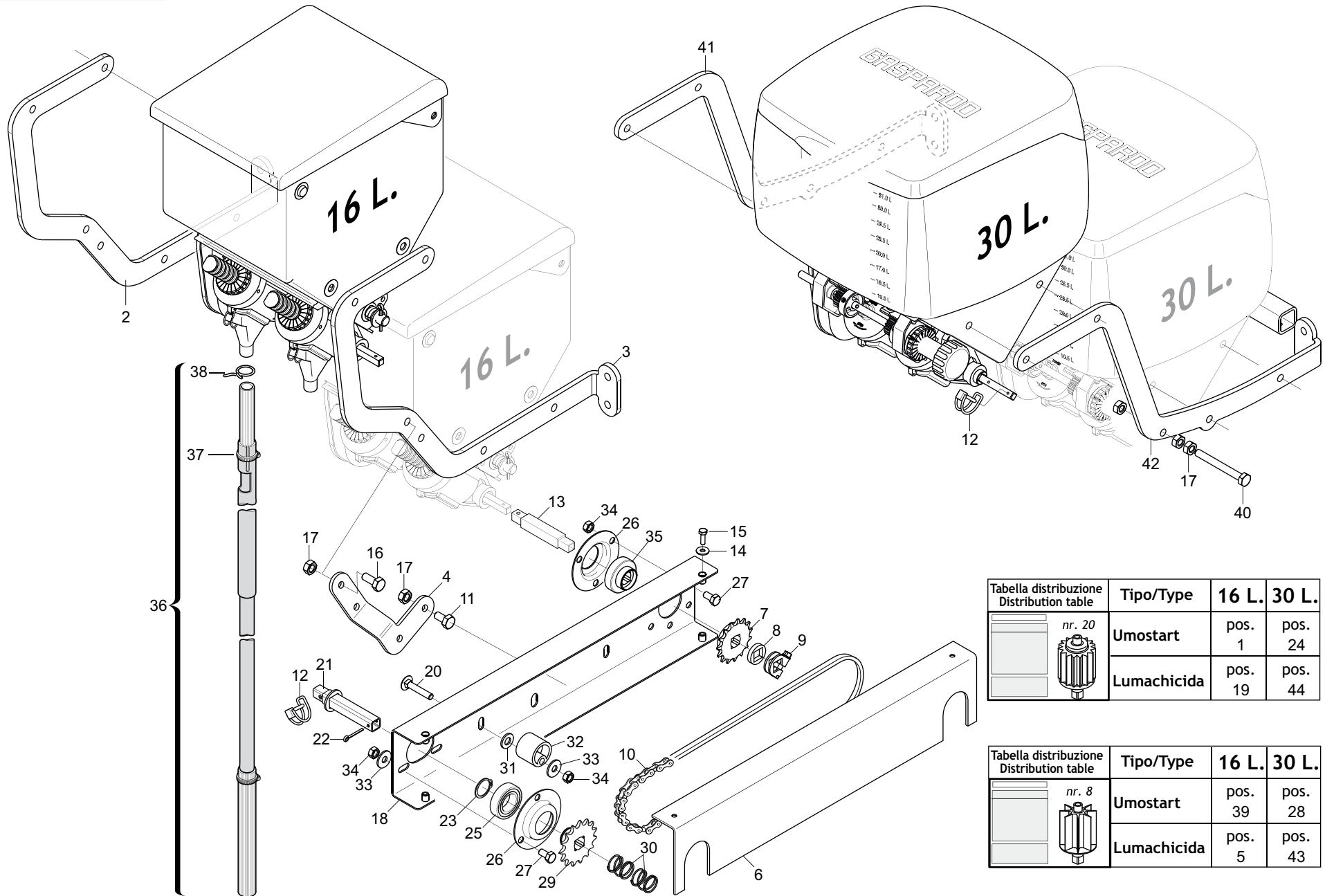




Tabella distribuzione Distribution table	Tipo/Type	16 L.	30 L.
 nr. 20	Umohart	pos. 1	pos. 24
	Lumachicida	pos. 19	pos. 44

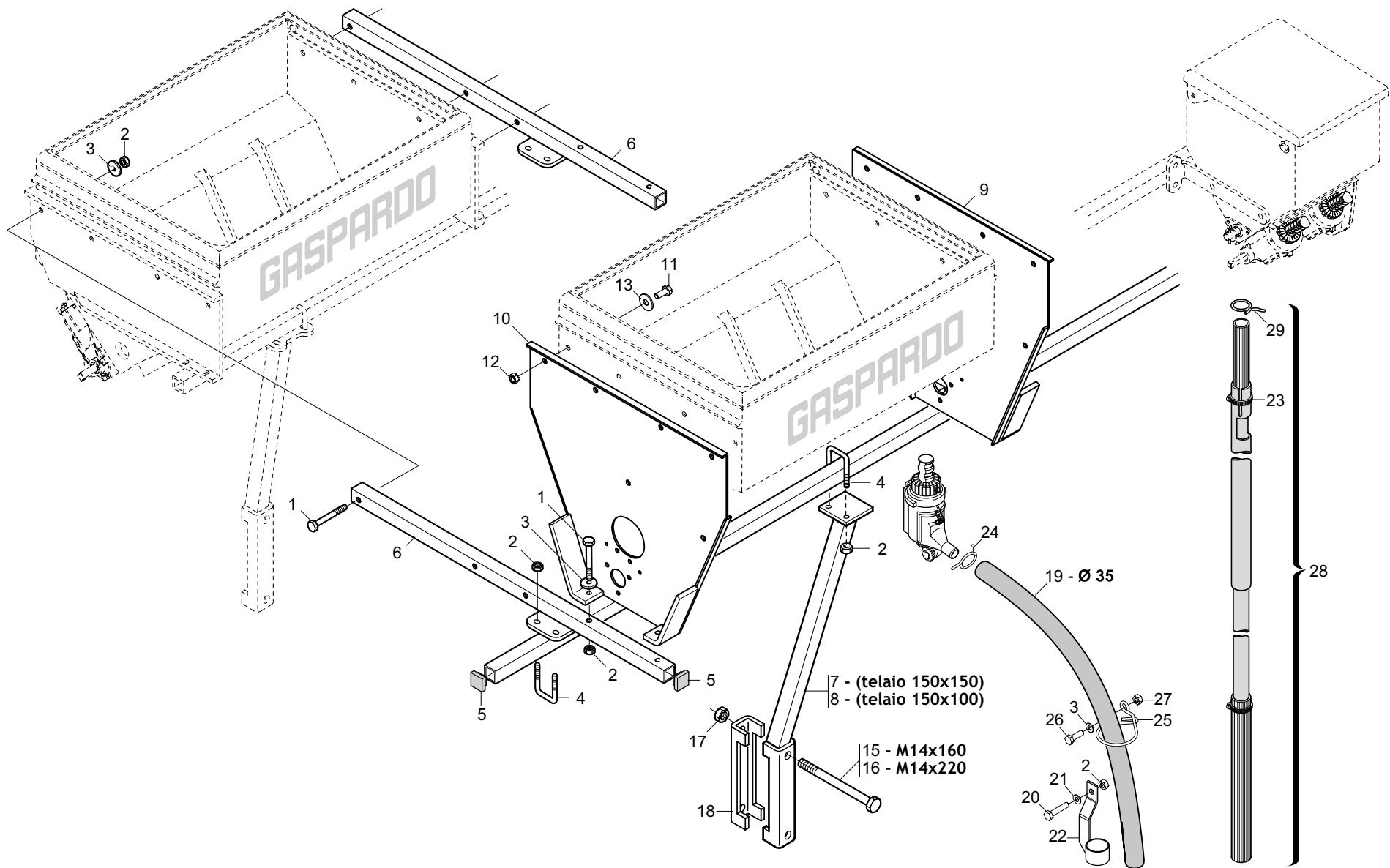
Tabella distribuzione Distribution table	Tipo/Type	16 L.	30 L.
 nr. 8	Umohart	pos. 39	pos. 28
	Lumachicida	pos. 5	pos. 43



**APPLICAZIONE DOPPIO MICROGRANULATORE  
DOUBLE MICROGRANULATOR APPLICATION**

**TAV. 401**

Pos.	Cod.	Descrizione	Description	Description	Benennung	Description
1	G19704980R	DECAL.TAB.DISTRIB.UMOSTART 20P	UMOSTART DISTRIBUTOR CHART 20P	TABLEAU DISTRIBUTEUR UMOSTART	TABELLE SZAPPARAT UMOSTART 20P	TABLA DISTRIBUDOR UMOSTART 20P
2	G15275130R	SUPPORTO LUMACHICIDA SX	L.SUPPORT DOUBLE TANK MICRO			
3	G15275120R	SUPPORTO LUMACHICIDA DX	R.SUPPORT DOUBLE TANK MICRO			
4	G15275140R	SUPPORTO TRASM.LUMACHICIDA	TRASM.SUPPORT DOUBLE TANKMICRO			
5	G19704990R	DECAL.TAB.DISTRIB.LUMACHIC.8P.	DISTRIBUTOR CHART 8P	TABLEAU DISTRIBUTEUR 8P	TABELLE SZAPPARAT 8P	TABLA DISTRIBUDOR 8P
6	G15273051R	CARTER SUPPORTO CATENA	SUPPORT CHAIN CASING	CARTER SUPPORT CHAINE	KETTENHALTERUNGSGEHZUSE	CARTER SOPORTE CADENA
7	G22250028R	PIGNONE Z-15 SV	Z-15 PINION SV	PIGNON Z-15 SV	RITZEL Z-15 SV	PI N Z-15 SV
8	G66248218R	RONDELLA DISTAN.SPAND.	MAN. SPR. SPACER WASHER	RONDELLE ENTRETOISE EP. ENGRAI	ABSTANDSCHEIBE DSNGERSTREUER	ARANDELA DISTAN.ABONAD.
9	G22505085R	FERMO ASSE IN LAMIERA	PLATE AXLE STOP	ARRET AXE EN TOLE	FESTSTELLVORRICHTUNG BLECHACHS	BLOQUEO EJE DE CHAPA
10	F06080047R	CATENA 1 2 ISO 083 88 MAGLIE	CUT-DOWN CHAIN 1 2 ISO 083 88	TR. CH. ISO 083 88 MAILLES	KETTENZNGE 1 2 ISO 083 88 GL	CADENA 1 2 ISO 083 88 ESLABONE
11	F01020470R	VITE M10X1,5X20 U5739 8.8ZN	SCR. M10X1,5X20 U5739 8.8ZN	VIS M10X1,5X20 U5739 8.8 ZN	SCHRAUBE M10X1,5X20 U5739 ZN	TORNILLO M10X1,5X20 U5739 8
12	F02200595R	SPINA SICUR.D. 5X30 ZN	PIN X GEAR	GOUJON	BOLZEN	ESPINA
13	G11430930R	MANICOTTO MICRO CENTR.L.120	SLEEVE MICRO CENTR.L.120			
14	F01410037R	ROS.M6 6,4X12,5X1,6 U6592 ZN	WASHER M6 6,4X12,5X1,6 U6592ZN	RONDEL.M6 6,4X12,5X1,6 U6592ZN	SCHEIB.M6 6,4X12,5X1,6 U6592ZN	ARAND.M6 6,4X12,5X1,6 U6592 ZN
15	F01020403R	VITE M6X1X16 U5739 8.8ZN	SCR. M6X1X16 U5739 8.8ZN	VIS M6X1X16 U5739 8.8 ZN	SCHRAUBE M6X1X16 U5739 8.8 ZN	TORNILLO M6X1X16 U5739 8.8 ZN
16	F01020472R	VITE M10X1,5X25 U5739 8.8ZN	SCR. M10X1,5X25 U5739 8.8ZN	VIS M10X1,5X25 U5739 8.8 ZN	SCHRAUBE M10X1,5X25 U5739 8.8	TORNILLO M10X1,5X25 U5739 8.8
17	F01200270R	DADO M10X1,5 U5588 CL8 ZN	NUT M10X1,5 U5588 6.8ZN	ECROU M10X 1,5 U5588 6.8 ZN	MUTTER M10X 1,5 U5588 6.8 ZN	TUERCA M10X1,5 U5588 CL8 ZN
18	G15273042R	SUPPORTO CATENA	CHAIN SUPPORT			
19	G19705000R	DECAL.TAB.DISTRIB.LUMACHIC.20P	DISTRIBUTOR CHART 20P	TABLEAU DISTRIBUTEUR 20P	TABELLE SZAPPARAT 20P	TABLA DISTRIBUDOR 20P
20	F01060047R	VITE M8X1,25X45 U5731 8.8ZN	SCR. M8X1,25X45 U5732 4.6ZN	VIS 8X45 5732 4.6 ZN	SCHRAUBE 8X45 5732 4.6 ZN	TORNILLO 8X45 5732 4.6 ZN
21	G15274641R	MANICOTTO DISGIUNTORE	UNCOUPLING SLEEVE			
22	F02200164R	COPIGLIA 3X 30 U1336 ZN	SPLIT PIN 3X 30 U1336 ZN			PASADOR 3X 30 U1336 ZN
23	F02050101R	ANELLO E. DE 25X 1,2 U7435 C7	SEEGER RING E. 25X1,2 7435 C70	SEEGER E. 25X 1,2 U7435 C70	SEEGERING E. 25X 1,2 U7435 C70	ANILLO E. DE 25X 1,2 U7435 C7
24	G19708500R	DECAL.DISTR.UMOSTART 20P 30L	DISTRIBUTOR CHART 20P 30L			
25	F04010135R	CUSC.D25 D47 B12 6005 2RS EX	BEARING D25 D47 B12 6005 2RS			
26	G22230094R	SUPPORTO CUSCINETTO	BEARING SUPPORT	SUPPORT DE ROULEMENT	LAGERBSCHSE	SOPORTE COJINETE
27	F01020432R	VITE M8X1,25X16 U5739 8.8ZN	SCR. M8X1,25X16 U5739 8.8ZN	VIS M8 X1,25X16 U5739 8.8 ZN	SCHRAUBE M8X1,25X16U5739 8.8ZN	TORNILLO M8X1,25X16 U5739 8.8
28	G19708470R	DECAL.DISTR.UMOSTART 8P 30L	DISTRIBUTOR CHART 8P 30L			
29	G15835470R	PIGNONE ISO 08B-1 1 2-3 16 Z15	ISO 08B-1 Z=15 PINION SQR16,4			
30	G65338022R	MOLLA COMP.ZN CHIAVISTELLO FR	ZN LATCH COMP. SPRING FR	RESSORT COMPL. ZN VERROU FR	DRUCKFEDER ZN RIEGEL FR	MUELLE COMP.ZN PESTILLO FR
31	F01410064R	ROS.M10 10,5X 20X 2 U6592 ZN	WASHER M10 10,5X20X2 U6592 ZN	RONDEL. M10 10,5X20X2 U6592 ZN	SCHEIBE M10 10,5X20X2 U6592 ZN	ARAND.M10 10,5X 20X 2 U6592 ZN
32	G66248207R	TENDICATENA SPAND. SP-520	CHAIN TENSIONER	TENDEUR DE CHAINE EPAND. ENGR.	KETTENSANNER DSNGERSTR. SP-52	SENSOR DE CADENA ABON. SP-520
33	F01420048R	ROS.M8 8,4X 24X 2 U6593 ZN	WASHER M8 8,4X 24X2 U6593 ZN	RONDELLE M8 8,4X24X 2 U6593 ZN	SCHEIBEN M8 8,4X24X 2 U6593 ZN	ARAND.M8 8,4X 24X 2 U6593 ZN
34	F01200244R	DADO M8X1,25 U5588 CL8 ZN	NUT M8X1,25 U5588 6.8ZN	ECROU M8 X1,25 U5588 6.8 ZN	MUTTER M8 X1,25 U5588 6.8 ZN	TUERCA M8X1,25 U5588 CL8 ZN
35	G14830390R	CUSCINETTO FORO QUADRO	SQUARE-HOLED BEARING	ROULEMENT TROU CARRE	VIERKANTLAGER	COJINETE ORIFICIO CUADRADO
36	G11425111R	TUBO DISCESA LUMACHICIDA COMPL	PIPE DESCENT	TUBE DESCENTE COMPL.	SENKROHR KOMPL.	TUBO DESCENSO COMPL.
37	F02300016R	FASCETTA STRING. 16 27 H.8	CLAMP 16 27 H.8			
38	G65336041R	MOLLA SPEC.ZN STRINGITUBO M80	SPEC.SPRING ZN . PIPE CLAMP M8	RESSORT SPEC. ZN SERRE-TUBE M8	SPEZIALFEDER ZN ROHRSCHELLE M8	MUELLE ESPEC. ZN APLASTA TUBOS
39	G19704970R	DECAL.TAB.DISTRIB.UMOSTART 8P.	UMOSTART DISTRIBUTOR CHART 8P	TABLEAU DISTRIBUTEUR UMOSTART	TABELLE SZAPPARAT UMOSTART 8P	TABLA DISTRIBUDOR UMOSTART 8P
40	F01020492R	VITE M10X1,5X90 U5739 8.8ZN	SCR. M10X1,5X90 U5739 8.8ZN	VIS M10X1,5X90 U5739 8.8ZN	SCHRAU. M10X1,5X90 U5739 8.8ZN	TORN. M10X1,5X90 U5739 8.8ZN
41	G17175940R	SUPPORTO LUMACHICIDA DX	RH SUPPORT DOUBLE TANK MICRO			
42	G17175950R	SUPPORTO LUMACHICIDA SX	LH SUPPORT DOUBLE TANK MICRO			
43	G19708450R	DECAL.DISTR.LUMACHICIDA 8P 30L	DISTRIBUTOR CHART 8P 30L			
44	G19708460R	DECAL.DISTR.LUMACHICIDA 20P30L	DISTRIBUTOR CHART 20P 30L			

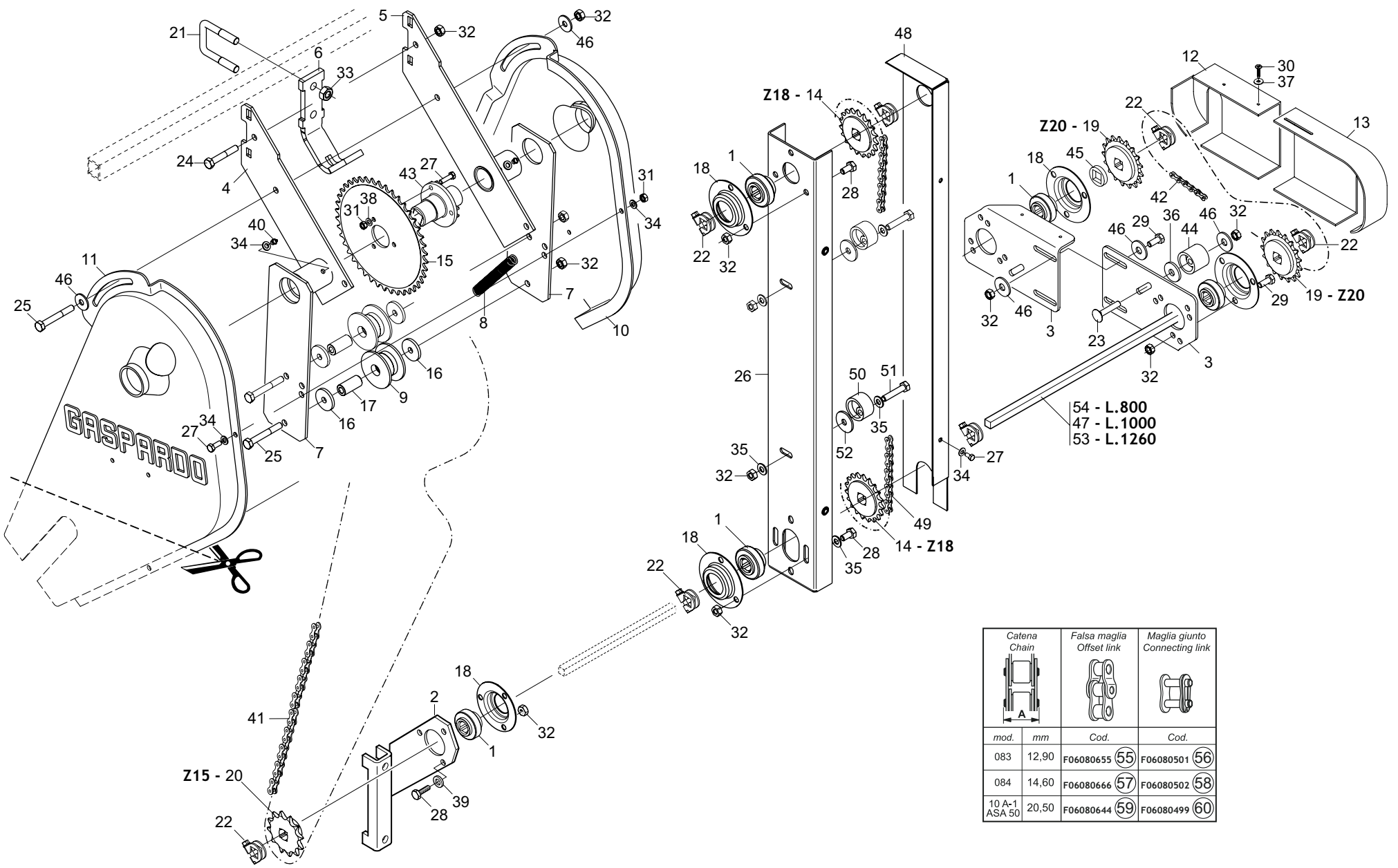


**APPLICAZIONE DOPPIO SPANDICONCIME  
DOUBLE FERTILIZER DISTRIBUTOR APPLICATION**

**TAV. 410**

Pos.	Cod.	Descrizione	Description	Description	Benennung	Descripcion
1	F01020128R	VITE M10X1,5X80 U5737 8.8ZN	SCR. M10X1,5X80 U5737 8.8ZN	VIS M10X1,5X80 U5737 8.8 ZN	SCHRAU. M10X1,5X80 U5737 8.8ZN	TORNIL.M10X1,5X80 U5737 8.8 ZN
2	F01200270R	DADO M10X1,5 U5588 CL8 ZN	NUT M10X1,5 U5588 6.8ZN	ECROU M10X 1,5 U5588 6.8 ZN	MUTTER M10X 1,5 U5588 6.8 ZN	TUERCA M10X1,5 U5588 CL8 ZN
3	F01420060R	ROS.M10 10,5X 30X2,5 U6593 ZG	GALV.WASHER 10,5X30X2,5 U6593	RONDELLE 10,5X30	SCHEIBE 10,5X30	ARAND.M10 10,5X 30X2,5 U6593
4	F20110715R	CAV.Q.B=50 M=10X1,5 L=80	UBOLTSTRIKER Q.B=50M10X1,5L=80	BUTEE M10X 1,5X 30 61X 80 ZB	ANSCHLAG M10X 1,5X 30 61X 80	EL. DE EMPALME M10X 1,5X 30
5	F20120349R	PUNTALE Q.50 ALETT.POLIT.NERO	CAP	BOUCHON	DECKEL	CORCHO
6	G15471560R	TUBO SUPP.LAT.DEXON	TUBE SUPPORT LAT.DEXON			
7	G15272990R	SUPPORTO DEXON	SUPPORT DEXON			
8	G16670250R	SUPPORTO DEXON	SUPPORT DEXON			
9	G15471510R	FIANCO DX DEXON	RIGHT SIDE DEXON			
10	G15471520R	FIANCO SX DEXON	LEFT SIDE DEXON			
11	F01020463R	VITE M10X1,5X25 U5739 A2IX	SCR. M10X1,5X25 U5739 A2IX	VIS 10X25 5739 INOX A2	SCHRAUBE 10X25 5739 INOX A2	TORNILLO 10X25 5739 INOX A2
12	F01200271R	DADO M10X1,5 U5588 A2IX	NUT M10X1,5 U5588 A2IX	ECROU 10 5588 6.8 INOX	MUTTER 10 5588 6.8 INOX	TUERCA 10 5588 6.8 INOX
13	F01420059R	ROS.M10 10,5X 30X2,5 U6593 IX	WASHER 11X30X2,5 6593 A2	RONDELLE 11X30X2,5 6593 A2	UNTERLEGSCHIEBE 11X30X2,5 6593	ARANDELA 11X30X2,5 6593 A2
15	F01020225R	VITE M14X2X160 U5737 8.8BR	SCR. M14X2X160 U5737 8.8BR	VIS M 14 X160 5737 8.G	SCHRAUBE M 14 X160 5737 8.G	TORNILLO M 14 X160 5737 8.G
16	F01020236R	VITE M14X2X220 U5737 8.8BR	SCR. M14X2X220 U5737 8.8BR	VIS M14X2X220 U5737 8.8 BR	SCHRAUBE M14X2X220 U5737 8.8	TORNILLO M14X2X220 U5737 8.8
17	F01200306R	DADO M14X2 U5588 CL8 ZN	NUT M14X2 U5588 6.8ZN	ECROU M14X2	MUTTER M14X2	DADO M14X2
18	G15110091R	SCONTRO A U	CONTRA U	BRIDE 150 MM	ANSCHLAG	ELEMENTO DE EMPALME
19	F03100500R	TUBO EOLO 35 PU	TUBE EOLO 35 PU	TUBE EOLO 35 PU		TUBO EOLO
20	F01020122R	VITE M10X1,5X70 U5737 8.8ZN	SCR. M10X1,5X70 U5737 8.8ZN	VIS M10X1,5X70 U5737 8.8 ZN	SCHRA.M10X1,5X70 U5737 8.8 ZN	TORN. M10X1,5X70 U5737 8.8 ZN
21	F01410064R	ROS.M10 10,5X 20X 2 U6592 ZN	WASHER M10 10,5X20X2 U6592 ZN	RONDEL. M10 10,5X20X2 U6592 ZN	SCHEIBE M10 10,5X20X2 U6592 ZN	ARAND.M10 10,5X 20X 2 U6592 ZN
22	G15472960R	SUPPORTO DISCESA TUBO DEXON	SUPPORT DELIVERY TUBE DEXON			
23	G65336041R	MOLLA SPEC.ZN STRINGITUBO M80	SPEC.SPRING ZN . PIPE CLAMP M8	RESSORT SPEC. ZN SERRE-TUBE M8	SPEZIALFEDER ZN ROHRSCHELLE M8	MUELLE ESPEC. ZN APLASTA TUBOS
24	G65336025R	MOLLA SPEC.ZN STRINGIT.ASP.SP	SPEC SPRING ZN FAN . PIPE CLAM	RESSORT SPEC. ZN SERRE-TUBE AS	SPEZIALFEDER ZN RORHSCHELLE AB	MUELLE ESPEC. ZN APRIETA TUBOS
25	G18903140R	MOLLA GUIDATUBO	PIPE GUIDE SUPPORT	RESSORT GUIDE-TUBE	FEDER ROHRFSHRUNG	MUELLE GU A TUBOS
26	F01020472R	VITE M10X1,5X25 U5739 8.8ZN	SCR. M10X1,5X25 U5739 8.8ZN	VIS M10X1,5X25 U5739 8.8 ZN	SCHRAUBE M10X1,5X25 U5739 8.8	TORNILLO M10X1,5X25 U5739 8.8
27	F01230048R	DADO M10X1,5 D982 8ZN	NUT M10X1,5 D982 8ZN	ECR.AUTO-FREIN.M10X1,5 D982 ZN	SICHERUNGSMUTT.M10X1,5 D982 ZN	TUERCA SEGURID.M10X1,5 D982 ZN
28	G22270329R	TUBO COMPL.DISCESA MICRO SP S	PIPE SET DESCENT OF MICRO SP S	TUBE COMPL. DESCENTE MICRO SP	SENKROHR KOMPL. MIKRO SP S	TUBO COMPL.DESCENSO MICRO SP S
29	G18903191R	MOLLA SPEC.ZN DISCESA MICRO	SPEC.SPRING ZN MICRO GUIDE	RESSORT SPEC. ZN GUIDE MICRO	SPEZIALFEDER ZN F_HR.MIKRO	MUELLE ESPEC. ZN GUA MICRO

TAV. 420

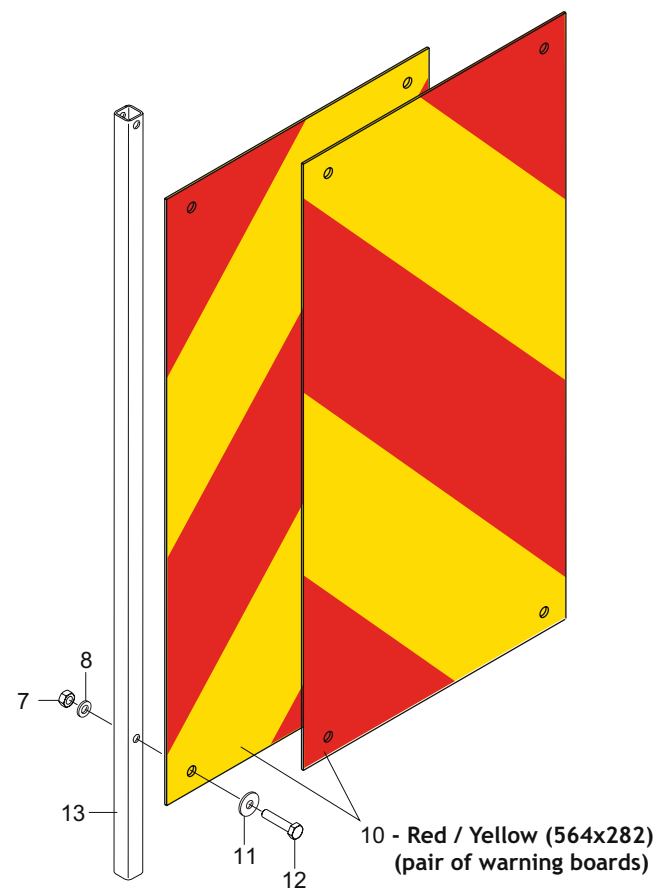
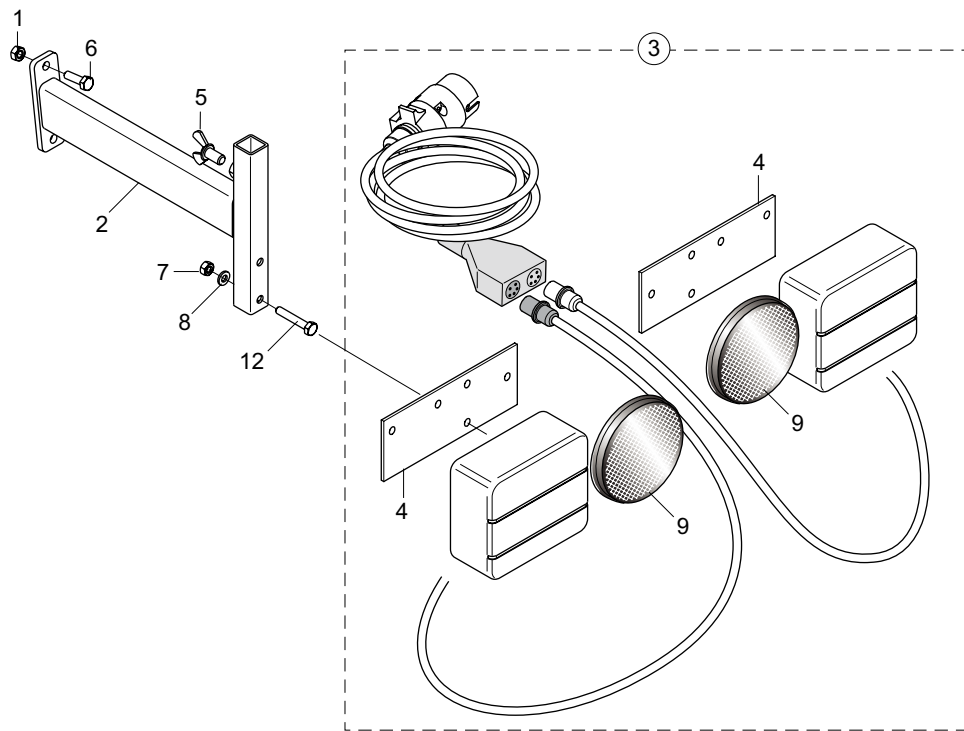


Catena Chain		Falsa maglia Offset link	Maglia giunto Connecting link
mod.	mm	Cod.	Cod.
083	12,90	F06080655 <b>(55)</b>	F06080501 <b>(56)</b>
084	14,60	F06080666 <b>(57)</b>	F06080502 <b>(58)</b>
10 A-1 ASA 50	20,50	F06080644 <b>(59)</b>	F06080499 <b>(60)</b>

**TRASMISSIONE PER APPLICAZIONE DOPPIO SPANDICONCIME**  
**TRANSMISSION TO THE DOUBLE FERTILIZER DISTRIBUTOR APPLICATION**

**TAV. 420**

Pos.	Cod.	Descrizione	Description	Description	Benennung	Description
1	G14830390R	CUSCINETTO FORO QUADRO	SQUARE-HOLED BEARING	ROULEMENT TROU CARRE	VIERKANTLAGER	COJINETE ORIFICIO CUADRADO
2	G15470381R	SUPPORTO RINVIO TUBO 150	TRANSM. SUPPORT FOR PIPE 150	SUPPORT RENVOI POUR TUBE 150	HALTERUNG VORGELEGE ROHR 150	SOPORTE TRANSMISION TUBO 150
3	G15470851R	FIANCO SUPP.TRASM.SPANDI	SPREADER TRANSM. SIDE SUPPORT	COTE SUPPORT TRANSM. EPAND.	SEITEN HALTER. ANTRIEB DUNGERS	COSTADO SOPORTE TRANSM. ABONAD
4	G15476880R	RIBADITURA SUPP.TRASM.SX	LH TRANSMISSION SUPPORT			
5	G15476890R	RIBADITURA SUPP.TRASM.DX	RH TRANSMISSION SUPPORT			
6	G15476390R	SCONTRIO CENTRALE	CENTRAL PLATE			
7	G15475311R	SUPPORTO RULLINI TENDIC. MICRO	MICRO CHAIN STRETCHER ROLLERS			
8	G18902960R	MOLLA TRAZ. TRASM.RUOTA ZN	TRANSMISSION TENSIONER SPRING	RESSORT TRACT. ENTRAIN. ROUE Z	ZUGFEDER RADANTRIEB ZN	MUELLE TRAC. TRANSM.RUEDA ZN
9	G19000091R	ROCCHETTO 2 META	CHAIN TENSIONER	TENDEUR DE CHAINE 2 MOITIE	KLEINRAD SPANNER SA	CARRETE TENSOR SA
10	G19002810R	CARTER RINVIO MICRO DX	RIGHT MICRO TRANSM. CASE	CARTER TRANSM. MICRO DRT	VORGELEGEGEHUSE MIKRO RE	C RTER TRANSMISI N MICRO DER
11	G19002820R	CARTER RINVIO MICRO SX	LEFT MICRO TRANSM. CASE	CARTER TRANSM. MICRO GCH	VORGELEGEGEHUSE MIKRO LI	C RTER TRANSMISI N MICRO IQZ
12	G19002830R	CARTER TRASMISSIONE SUPERIORE	TOP TRANSMISSION CASE	CARTER ENTRAINEMENT SUPERIEUR	OBERES ANTRIEBSGEHUSE	C RTER TRANSMISI N SUPERIOR
13	G19002880R	CARTER INFERIORE TRANSM.SPAND.	BOTTOM SPREADER TRANSM. CASE	CARTER INFERIEUR TRANSM EPAND.	UNTER. ANTRIEBSGEHUSE DSNG.GE	C RTER INFER. TRANSMISI N ABON
14	G15131060R	PIGNONE Z18 Q.16,4 ZN	PINION Z18 Q.16,4 ZN	PIGNON Z18 Q.16,4 ZN	RITZE Z18 Q.16,4 ZN	PINION Z18 Q.16,4 ZN
15	G20890128R	CORONA Z-42 SP	RING GEAR Z-42 SP	COURONNE Z-42 SP	KRANZ Z-42 SP	CORONA Z-42 SP
16	G20970032R	RONDELLA 32X4X8,5	WASHER 32X4X8-5	RONDELLE 32X4X8-5	UNTERLEGSSCHEIBE 32X4X8-5	ARANDELA 32X4X8-5
17	G20980086R	BOCCOLA DIST.D.8,5X16X31	BUSHING SPAC. D.8-5X16X31	BOITE ENTRETOISE D. 8-5X16X31	VERTEILERBSCHSE D.8-5X16X31	CASQUILLO DIST. D.8-5X16X31
18	G22230094R	SUPPORTO CUSCINETTO	BEARING SUPPORT	SUPPORT DE ROULEMENT	LAGERBSCHSE	SOPORTE COJINETE
19	G22250007R	INGR.CON MOZZO 1 2 Z-20 SV	GEARS- W HUB 1 2 Z-20 SV	ENGRENAGE 1 2 Z-20	ZAHNRAD MIT NABE 1 2 Z-20 SV	ENGRAN.CON PERNO 1 2 Z-20 SV
20	G22250028R	PIGNONE Z-15 SV	Z-15 PINION SV	PIGNON Z-15 SV	RITZEL Z-15 SV	PI N Z-15 SV
21	F20110706R	CAV.Q.B=35 M=10X1,5 L=60	U BOLT Q.B=35 M=10X1,5 L=60	CAVALIER SUPPORT DISQUE SV	VERBINDUNG SCHEIBENHALTERUNG S	PERNO EN U SOP. DISCO SV
22	G22505085R	FERMO ASSE IN LAMIERA	PLATE AXLE STOP	ARRET AXE EN TOLE	FESTSTELLVORRICHTUNG BLECHACHS	BLOQUEO EJE DE CHAPA
23	F01060047R	VITE M8X1,25X45 U5731 8.8ZN	SCR. M8X1,25X45 U5732 4.6ZN	VIS 8X45 5732 4.6 ZN	SCHRAUBE 8X45 5732 4.6 ZN	TORNILLO 8X45 5732 4.6 ZN
24	F01020072R	VITE M8X1,25X50 U5737 8.8ZN	SCR. M8X1,25X50 U5737 8.8ZN	VIS M8X1,25X50 U5737 8.8 ZN	SCHR. M8X1,25X50 U5737 8.8 ZN	TORN. M8X1,25X50 U5737 8.8 ZN
25	F01020077R	VITE M8X1,25X60 U5737 8.8ZN	SCR. M8X1,25X60 U5737 8.8ZN	VIS M8X1,25X60 U5737 8.8 ZN	SCHRAU. M8X1,25X60 U5737 8.8ZN	TORN. M8X1,25X60 U5737 8.8 ZN
26	G16670280R	TRASM.DEXON	TRANSMISSION DEXON			
27	F01020403R	VITE M6X1X16 U5739 8.8ZN	SCR. M6X1X16 U5739 8.8ZN	VIS M6X1X16 U5739 8.8 ZN	SCHRAUBE M6X1X16 U5739 8.8 ZN	TORNILLO M6X1X16 U5739 8.8 ZN
28	F01020432R	VITE M8X1,25X16 U5739 8.8ZN	SCR. M8X1,25X16 U5739 8.8ZN	VIS M8 X1,25X16 U5739 8.8 ZN	SCHRAUBE M8X1,25X16U5739 8.8ZN	TORNILLO M8X1,25X16 U5739 8.8
29	F01020436R	VITE M8X1,25X20 U5739 8.8ZN	SCR. M8X1,25X20 U5739 8.8ZN	VIS M8X1,25X 20 U5739 8.8 ZN	SCHRAUBE M8X1,25X20U5739 8.8ZN	TORNILLO M8X1,25X20 U5739 8.8
30	F01070074R	VITE A4,2X1,41X25 U6954 4.8NI	SCR. H4,2X1,41X25 U6954 4.8NI	VIS 4-2X25 DIN 7981	SCHRAUBE 4-2X25 DIN 7981	TORNILLO 4-2X25 DIN 7981
31	F01200232R	DADO M6X1 U5588 CL8 ZN	NUT M6X1 U5588 6.8ZN	ECROU 6 UNI 5588 6.8 ZN	MUTTER 6 UNI 5588 6.8 ZN	TUERCA M6X1 U5588 CL8 ZN
32	F01200244R	DADO M8X1,25 U5588 CL8 ZN	NUT M8X1,25 U5588 6.8ZN	ECROU M8 X1,25 U5588 6.8 ZN	MUTTER M8 X1,25 U5588 6.8 ZN	TUERCA M8X1,25 U5588 CL8 ZN
33	F01200270R	DADO M10X1,5 U5588 CL8 ZN	NUT M10X1,5 U5588 6.8ZN	ECROU M10X 1,5 U5588 6.8 ZN	MUTTER M10X 1,5 U5588 6.8 ZN	TUERCA M10X1,5 U5588 CL8 ZN
34	F01410037R	ROS.M6 6,4X12,5X1,6 U6592 ZN	WASHER M6 6,4X12,5X1,6 U6592ZN	RONDEL. M6 6,4X12,5X1,6 U6592ZN	SCHEIB. M6 6,4X12,5X1,6 U6592ZN	ARAND. M6 6,4X12,5X1,6 U6592 ZN
35	F01410051R	ROS.M8 8,4X 17X1,6 U6592 ZN	WASHER M8 8,4X17X1,6 U6592 ZN	RONDELLE M8 8,4X17X1,6 ZN	SCHEIBE M8 8,4X17X1,6 U6592 ZN	ARAND.M8 8,4X 17X1,6 U6592 ZN
36	F01410064R	ROS.M10 10,5X 20X 2 U6592 ZN	WASHER M10 10,5X20X2 U6592 ZN	RONDEL. M10 10,5X20X2 U6592 ZN	SCHEIBE M10 10,5X20X2 U6592 ZN	ARAND.M10 10,5X 20X 2 U6592 ZN
37	F01420011R	ROS.M4 4,3X 16X 1 U6593 ZN	FLAT WASHER 4-3X 16X1-5 6593 G	ROND.PLATE 4-3X 16X1-5 6593 ZN	SCHEIBE 4-3X 16X1-5 6593 ZN	ARAND. PLANA 4-3X 16X1-5 6593
38	F01430047R	ROS.M6 6,4X 11X0,7 U8842J ZN	WASHER D6 DIN 6798 D.INT.GALV.	RONDELLE D6 DIN 6798 D. INT. Z	UNT. SCHEIBE D6 DIN 6798 D. IN	ARANDELA D6 DIN 6798 D.INT.ZN
39	F01430059R	ROS.M8 8,4X 15X0,8 U8842J ZN	WASHER M8 8,4X15X0,8 U8842J ZN	ROND. M8 8,4X 15X0,8 U8842J ZN	SCHEIBE M8 8,4X15X0,8 U8842JZN	ARAND. M8 8,4X15X0,8 U8842J ZN
40	F01100011R	ING.M 6X1 7663-A 9SMNPB28 ZN	GREASE NIPPLE M6X1 7663-A ZN	GRAISS. A BILLE M6X1 7663A ZN	SCHMIERBUECHE M6X1 7663-A ZN	ENG.M 6X1 7663-A 9SMNPB28 ZN
41	F06080083R	CATENA 1 2 ISO 083 219 MAGLIE	CHAIN 1 2 ISO 083 219 LINKS			
42	F06080025R	CATENA 1 2 ISO 083 56 MAGLIE	CHAIN 1 2-3 16 56 LINKS.	CHAINE 1 2-3 16 56 MAILLES	KETTE 1 2-3 16 56 GLIEDER	CADENA 1 2-3 16 56 ESLABNE
43	G66248152R	MOZZO TRASM.MICRO M80	HUB - TRANSM. MICRO M80	MOYEU ENTRAINEMENT MICRO M80	ANTRIEBSNABE MIKRO M80	CUBO TRANSM. MICRO M80
44	G66248207R	TENDICATENA SPAND. SP-520	CHAIN TENSIONER	TENDEUR DE CHAINE EPAND. ENGR.	KETTENSPELLER DSNGERSTR. SP-52	ENSOR DE CADENA ABON. SP-520
45	G66248218R	RONDELLA DISTAN.SPAND.	MAN. SPR. SPACER WASHER	RONDELLE ENTRETOISE EP. ENGRAI	ABSTANDSCHEIBE DSNGERSTREUER	ARANDELA DISTAN.ABONAD.
46	F01420048R	ROS.M8 8,4X 24X 2 U6593 ZN	WASHER M8 8,4X 24X2 U6593 ZN	RONDELLE M8 8,4X24X 2 U6593 ZN	SCHEIBEN M8 8,4X24X 2 U6593 ZN	ARAND.M8 8,4X 24X 2 U6593 ZN
47	G22230138R	ASSE CAMBIO 4F.80-6F.45 L.1000	GEAR SPINDLE 4-ROW 80- 6-ROW.4	AXE BOITE DE VITESSE 4 RA	GETRIEBEACHSE 4 R. 80-6 R.45 L	EJE CAMBIO 4 FILAS. 80-6 FILAS
48	G16670290R	CARTER TRASMISSIONE DEXON	TRANSMISSION CASE DEXON			
49	F06080066R	CATENA 1 2 ISO 083 124 MAGLIE	CHAIN 1 2 ISO 083 124 LINKS	TR. CH. ISO 083 124 MAILLE	KETTENLNZNGE 1 2 ISO 083 124 G	TRECHO CADENA 1 2 ISO 083 124
50	G16212250R	TENDICATENA	BELT TIGHTENER	TENDEUR DE CHA NE	KETTENSPELLER	TENSOR CADENA
51	F01020451R	VITE M8X1,25X45 U5739 8.8ZN	SCR. M8X1,25X45 U5739 8.8ZN	VIS M8X1,25X45 U5739 8.8ZN	SCHRA.M8X1,25X45 U5739 8.8ZN	TORN. M8X1,25X45 U5739 8.8ZN
52	F01420049R	ROS.M8 8,4X 32X 2 U6593 ZN	WASHER M8 8,4X32X2 U6593 ZN	RONDELLA M8 8,4X32X2 U6593 ZN	SCHEIBE M8 8,4X32X2 U6593 ZN	ARAND.M8 8,4X 32X 2 U6593 ZN
53	G22270049R	ASSE 4F.85-6F.50 L.1260	4-ROW SPINDLE - 85-6-ROW-50 L.	AXE 4 RANGEES 85-6 RANGEES 50	ACHSE 4 REIHEN 85-6 REIH. 50	EJE 4 FILAS. 85-6 FILAS. 50 L.
54	G22230142R	ASSE 4 FILE L.800	4-ROW SPINDLE L.800	AXE 4 RANGEES L. 800	ACHSE 4 REIHEN B. 800	EJE 4 FILAS L.800
55	F06080655R	FALSA MAGLIA CAT.1 2 ISO 083	FALSE CHAIN LINK 1 2 ISO 083	FAUSSE MAILLE CHAINE 1 2 ISO 0	FALSCHES GLIED 1 2 ISO 083	ESLAB N FICTICIO CAD. 1 2 ISO
56	F06080501R	GIUNZIONE CATENA 1 2 ISO 083	CHAIN JOINT 1 2 ISO 083	JONCTION CHAINE 1 2 ISO 083	KETTENVERBINDUNG 1 2 ISO 083	UNI N CADENA 1 2 ISO 083
57	F06080666R	FALSA MAGLIA CAT.1 2 ISO 084-1				
58	F06080502R	GIUNZIONE CATENA 1 2 ISO 084-1	CHAIN JUNCTION 1 2 ISO 084-1			
59	F06080644R	FALSA MAGLIA CAT.5 8 ASA 50LUB		FAUSSE MAILLE CHAINE ASA 50LUB	FALSCHES GLIED 5 8 ASA 50LUB	ESLAB N FICTICIO CAD.5 8 ASA50
60	F06080499R	GIUNZIONE CATENA 5 8 ASA 50LUB	CHAIN JOINT 5 8 ASA 50LUB	JONCTIONS CHAINE 5 8 ASA 50LUB	KETTENVERBINDUNG 5 8 ASA 50LUB	UNIONES CADENA 5 8 ASA 50LUB

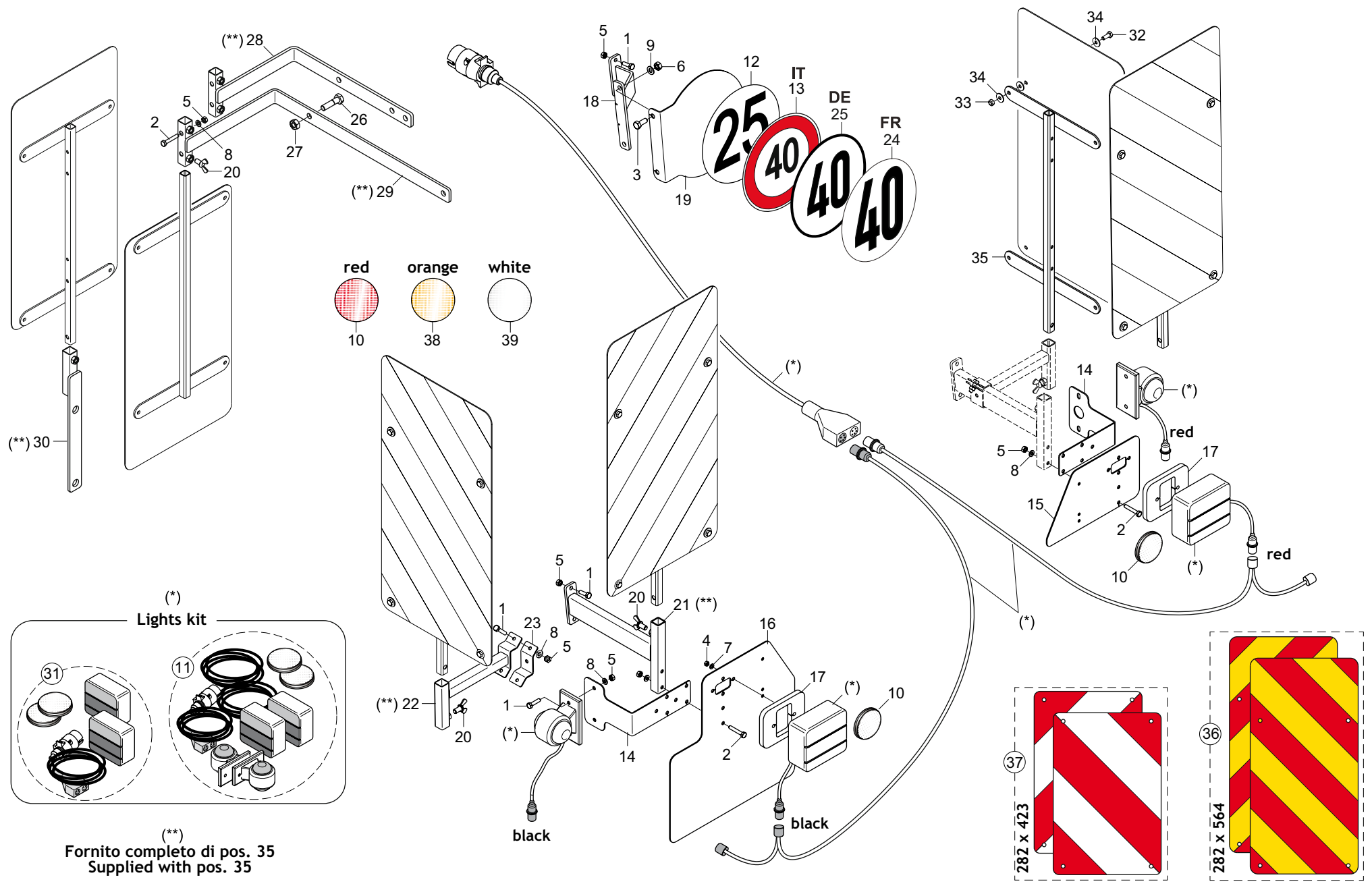


**KIT LUCI E TABELLE DI INGOMBRO STRADALE  
LIGHTING KIT AND WARNING BOARDS**

**TAV. 431**

Pos.	Cod.	Descrizione	Description	Description	Benennung	Descripcion
1	F01200232R	DADO M6X1 U5588 CL8 ZN	NUT M6X1 U5588 6.8ZN	ECROU 6 UNI 5588 6.8 ZN	MUTTER 6 UNI 5588 6.8 ZN	TUERCA M6X1 U5588 CL8 ZN
2	G15211762R	SUPPORTO LUCI POST.	REAR LIGHT SUPPORT			
3	G13616620R	KIT LUCI PER MACCHINE PORTATE	KIT LIGHTS FREIGHTED MACHINE			
4	G13616570R	PIASTRA SUPPORTO LUCI	LIGHTS PLATE SUPPORT			
5	F01090215R	VITE M8X1,25X15 U5449 5.8ZN	SCR. M8X1,25X15 U5449 5.8ZN	VIS M8X1,25X15 U5449 5.8ZN	SCHRAU. M8X1,25X15 U5449 5.8ZN	TORN. M8X1,25X15 U5449 5.8ZN
6	F01020403R	VITE M6X1X16 U5739 8.8ZN	SCR. M6X1X16 U5739 8.8ZN	VIS M6X1X16 U5739 8.8 ZN	SCHRAUBE M6X1X16 U5739 8.8 ZN	TORNILLO M6X1X16 U5739 8.8 ZN
7	F01220011R	DADO M6X1 D980 8ZN	NUT M6X1 D980 8ZN	ECROU M6X1 D980 8 ZN	MUTTER M6X1 D980 8 ZN	TUERCA M6X1 D980 8 ZN
8	F01410037R	ROS.M6 6,4X12,5X1,6 U6592 ZN	WASHER M6 6,4X12,5X1,6 U6592ZN	RONDEL.M6 6,4X12,5X1,6 U6592ZN	SCHEIB.M6 6,4X12,5X1,6 U6592ZN	ARAND.M6 6,4X12,5X1,6 U6592 ZN
9	F05010221R	CATARIFRANGENTE TONDO D.80	ROUND REFLECTOR D.80			
10	F05010357R	N.2 PANNELLI CARICHI SPORGENTI	N.2 JUTTING LOAD PANELS	N.2 PANNEAUX CHARGES SAILLANT	N.2 TAFELN VORSRINGENDE LADUN	2 PANELES CARGADOS SALIENTES
11	F01420036R	ROS.M6 6,4X 18X1,5 U6593 ZN	WASHER M6 6,4X 18X1,5 U6593 ZN	RONDELLE M6 6,4X18X1,5 U6593ZN	SCHEIBEN M6 6,4X18X1,5U6593 ZN	ARANDELA M6 6,4X18X1,5U6593ZN
12	F01020408R	VITE M6X1X30 U5739 8.8ZN	SCR. M6X1X30 U5739 8.8ZN	VIS M 6X1X30	SCHRAUBE M 6X1X30	TORNILLO M6X1X30 U5739 8
13	G15412651R	TUBO Q. 15X2 X 643 4F6,5 ZN	SQ.PIPE 15X2 X 643 4H6,5 GAL.			

TAV. 500



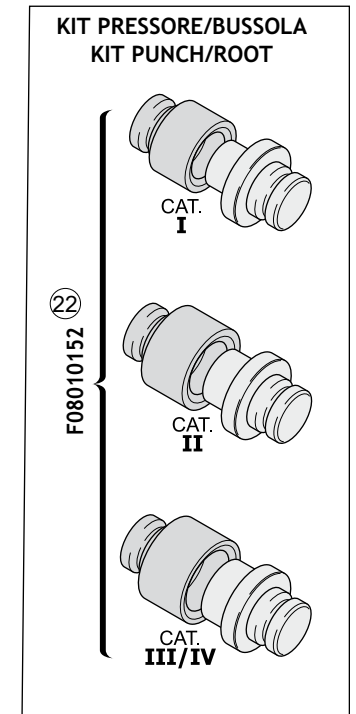
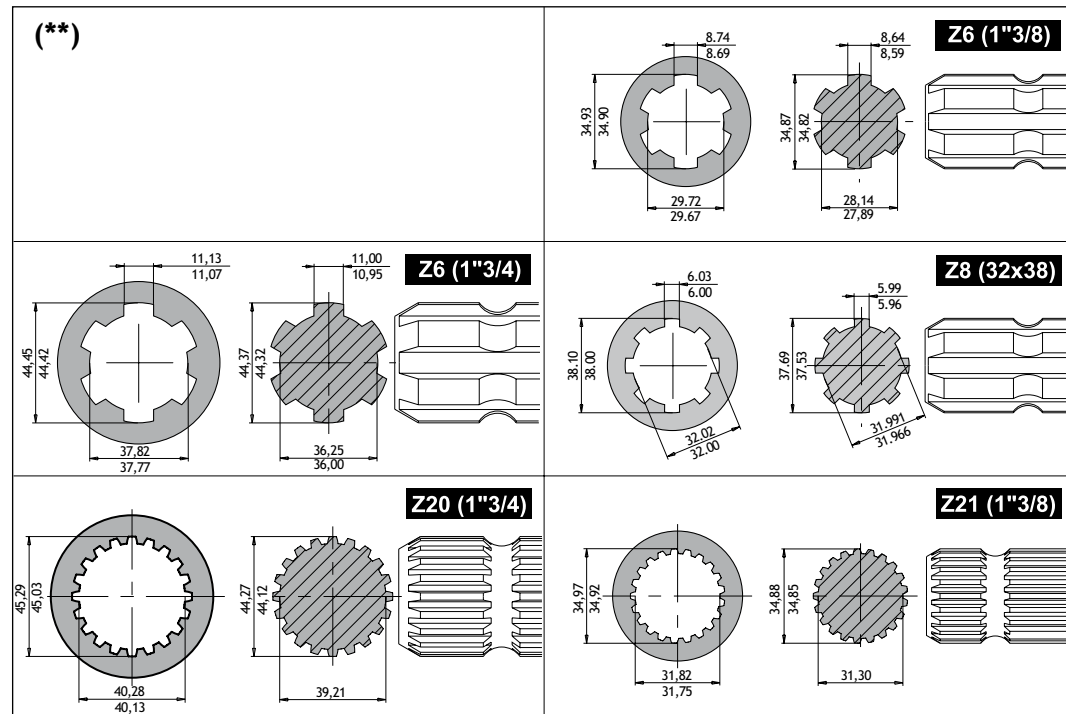
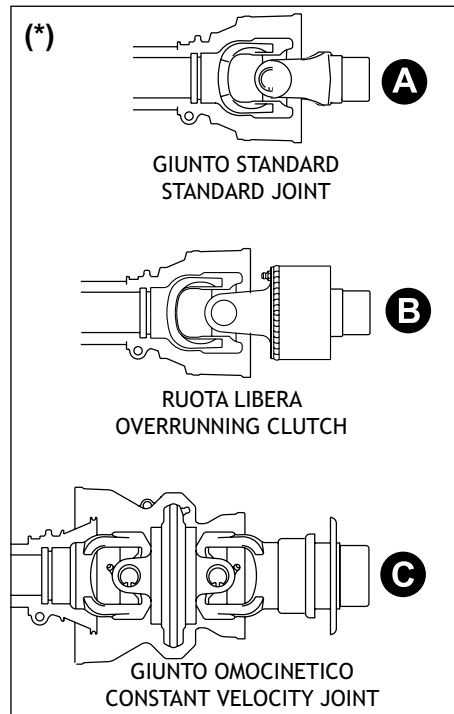


## KIT LUCI E TABELLE DI INGOMBRO STRADALE LIGHTING KIT AND WARNING BOARDS

TAV. 500

Pos.	Cod.	Descrizione	Description	Description	Benennung	Description
1	F01020404R	VITE M6X1X20 U5739 8.8ZN	SCREW M6X1X20 U5739 8.8ZN	VIS M6X1X20 U5739 8.8ZN	SCHRAUBE M6X1X20 U5739 8.8ZN	TORNILLO M6X1X20 U5739 8.8ZN
2	F01020411R	VITE M6X1X35 U5739 8.8ZN	SCR. M6X1X35 U5739 8.8ZN	VIS M6X1X35 U5739 8.8ZN	SCHRAUBE M6X1X35 U5739 8.8ZN	TORNILLO M6X1X35 U5739 8.8ZN
3	F01020436R	VITE M8X1,25X20 U5739 8.8ZN	SCR. M8X1,25X20 U5739 8.8ZN	VIS M8X1,25X 20 U5739 8.8 ZN	SCHRAUBE M8X1,25X20U5739 8.8ZN	TORNILLO M8X1,25X20 U5739 8.8
4	F01200220R	DADO M5X0,8 U5588 CL8 ZN	NUT M5X0,8 U5588 6.8ZN	ECROU 5 UNI 5588 6.8 ZN	MUTTER 5 UNI 5588 6.8 ZN	TUERCA M5X0,8 U5588 CL8 ZN
5	F01200232R	DADO M6X1 U5588 CL8 ZN	NUT M6X1 U5588 6.8ZN	ECROU 6 UNI 5588 6.8 ZN	MUTTER 6 UNI 5588 6.8 ZN	TUERCA M6X1 U5588 CL8 ZN
6	F01200244R	DADO M8X1,25 U5588 CL8 ZN	NUT M8X1,25 U5588 6.8ZN	ECROU M8 X1,25 U5588 6.8 ZN	MUTTER M8 X1,25 U5588 6.8 ZN	TUERCA M8X1,25 U5588 CL8 ZN
7	F01410023R	RONDELLA D5 UNI 6592 ZN	WASHER M5 5,3X 10X 1 U6592			
8	F01410037R	ROS.M6 6,4X12,5X1,6 U6592 ZN	WASHER M6 6,4X12,5X1,6 U6592ZN	RONDEL.M6 6,4X12,5X1,6 U6592ZN	SCHEIB.M6 6,4X12,5X1,6 U6592ZN	ARAND.M6 6,4X12,5X1,6 U6592 ZN
9	F01410051R	ROS.M8 8,4X 17X1,6 U6592 ZN	WASHER M8 8,4X17X1,6 U6592 ZN	RONDELLE M8 8,4X17X1,6 ZN	SCHEIBE M8 8,4X17X1,6 U6592 ZN	ARAND.M8 8,4X 17X1,6 U6592 ZN
10	F05010820R	CATARIFR.TONDO D60 ROSSO	ROUND REFLECTOR D.60 RED			
11	F05010833R	KIT LUCI POST.STRAD.ECCEZ.	KIT REAR ROAD LIGHTS M.EXCEP.			
12	F20030258R	ETICH. LIMITE VELOCITA 25	SPEED LIMIT 25 LABEL	ETIQ. LIMITATION VITESSE 25	LABEL GRENZDREHZAH 25	ETIQ. LIMITE VELOCIDAD 25
13	F20030261R	ETICH. LIMITE VELOCITA 40	SPEED LIMIT 40 LABEL			ETIQ. L MITE VELOCIDAD 40
14	G17715130R	SUPPORTO LAT.CATADIOTRI	REFLECTOR LATERAL SUPPORT			
15	GA5210020R	PORTA LUCE	BACK LIGHT SUPPORT			
16	GA5210030R	PORTA TARGA	NUMBERPLATE SUPPORT			
17	GA5210040R	SUPPORTO LUCE	SUPPORT LIGHT			
18	GA5210060R	SUPPORTO	SUPPORT			
19	GA5210070R	SUPP.LIMITE VELOCIT	SPEED LIMIT SUPPORT			
20	F01090215R	VITE M8X1,25X15 U5449 5.8ZN	SCR. M8X1,25X15 U5449 5.8ZN	VIS M8X1,25X15 U5449 5.8ZN	SCHRAU. M8X1,25X15 U5449 5.8ZN	TORN. M8X1,25X15 U5449 5.8ZN
21	G15211762R	SUPPORTO LUCI POST.	REAR LIGHT SUPPORT			
22	G16611601R	SUPPORTO TABELLE LATERALI	SIDE SUPPORT TABLE			
23	G16611610R	ATTACCO SUPP.LATERALE	SIDE SUPPORT			
24	F20030429R	ETICH. LIMITE VELOC.40 FRANCIA	FRANCE SPEED LIMIT 40 LABEL			
25	F20030444R	ETICH. LIMITE VELOC.40 GERMAN	GERMANY SPEED LIMIT 40 LABEL			
26	F01020110R	VITE M10X1,5X40 U5737 8.8ZN	SCR. M10X1,5X40 U5737 8.8ZN	VIS M 10X40	SCHRAUBE M 10X40	TORNILLO M 10X40
27	F01200270R	DADO M10X1,5 U5588 CL8 ZN	NUT M10X1,5 U5588 6.8ZN	ECROU M10X 1,5 U5588 6.8 ZN	MUTTER M10X 1,5 U5588 6.8 ZN	TUERCA M10X1,5 U5588 CL8 ZN
28	G16611821R	SUPPORTO TABELLE ANT.MT	FRONT TABLE SUPPORT MT			
29	G16612011R	SUPPORTO TAB.STRAD.ANT.MT	FRONT TABLE SUPPORT MT			
30	G16611731R	SUPPORTO TAB.STRAD.MT	TABLE SUPPORT MT			
31	F05010822R	KIT FANALI DX-SX CON CAVO	KIT REAR ROAD LIGHTS MOUNTED			
32	F01020403R	VITE M6X1X16 U5739 8.8ZN	SCR. M6X1X16 U5739 8.8ZN	VIS M6X1X16 U5739 8.8 ZN	SCHRAUBE M6X1X16 U5739 8.8 ZN	TORNILLO M6X1X16 U5739 8.8 ZN
33	F01220011R	DADO M6X1 D980 8ZN	NUT M6X1 D980 8ZN	ECROU M6X1 D980 8 ZN	MUTTER M6X1 D980 8 ZN	TUERCA M6X1 D980 8 ZN
34	F01420036R	ROS.M6 6,4X 18X1,5 U6593 ZN	WASHER M6 6,4X 18X1,5 U6593 ZN	RONDELLE M6 6,4X18X1,5 U6593ZN	SCHEIBEN M6 6,4X18X1,5U6593 ZN	ARANDELA M6 6,4X18X1,5U6593ZN
35	G16612071R	TELAIO SUPP.TABELLE STRAD.	FRAME SUPPORT TABLE			
36	F05010816R	TABELLE 2 CAR.SPORGENTI IT	WARNING BOARDS 2 IT			
37	F05010817R	TABELLE 2 CAR.SPORGENTI FR-D	WARNING BOARDS 2 FR-DE	TABLEAUX 2 AVERTISSEM. FR-DE	BRETT 2 WARNUNG FR-DE	TABLAS 2 CAR.ADVERT. FR-DE
38	F05010819R	CATARIFR.TONDO D60 GIALLO	ROUND REFLECTOR D.60 YELLOW	JAUNE R FLECTEUR ROUND	RUNDREFLEKTOR GELB D60	REFLECTOR REDONDO AMARILLO
39	F05010818R	CATARIFR.TONDO D60 BIANCO	ROUND REFLECTOR D.60 WHITE			

Codice - Code	Descrizione - Description	Lunghezze Lengths		Classe - Size (A x B)	Tipo - Type (*)		Forcelle - Yokes (**)					Forcelle - Yokes Z6 (1"3/8)
		min.	max.		Z6 (1"3/8)	Z6 (1"3/4)	Z8 (32x38)	Z20 (1"3/4)	Z21 (1"3/8)			
① F08011711	CARD.B1 Z6-Z6 L700	700	960	B1 (22 x 54)	A	A	G58161015 (11)	F08011772 (13)	F08011742 (15)	F08011758 (18)	F08011767 (20)	G58161015 (11)
② F08011713	CARD.B1 Z8-Z6 L700	700	960	B1 (22 x 54)	A	A	G58161015 (11)	F08011772 (13)	F08011742 (15)	F08011758 (18)	F08011767 (20)	G58161015 (11)
③ F08011714	CARD.B1 Z20-Z6 L700	760	1020	B1 (22 x 54)	A	A	G58161015 (11)	F08011772 (13)	F08011742 (15)	F08011758 (18)	F08011767 (20)	G58161015 (11)
④ F08011715	CARD.B1 Z8-Z6 L900 R.LIB	915	1190	B1 (22 x 54)	A	B	G58161015 (11)	F08011772 (13)	F08011742 (15)	F08011758 (18)	F08011767 (20)	—
⑤ F08011716	CARD.B1 Z6-Z6 L900 R.LIB	915	1190	B1 (22 x 54)	A	B	G58161015 (11)	F08011772 (13)	F08011742 (15)	F08011758 (18)	F08011767 (20)	—
⑥ F08011719	CARD.B2 Z6-Z6 L900	900	1300	B2 (23,8 x 61,3)	A	A	—	—	—	—	—	—
⑦ F08011720	CARD.B3 Z8-Z6 L1300	1300	1775	B3 (27 x 74,6)	A	A	G58161016 (14)	—	F08011743 (16)	—	—	G58161016 (14)
⑧ F08011757	CARD.B1 Z20-Z6 L900 R.L	975	1250	B1 (22 x 54)	A	B	G58161015 (11)	F08011772 (13)	F08011742 (15)	F08011758 (18)	F08011767 (20)	—
⑨ F08011764	CARD.R4 Z20-Z6 L1381 OM-RL	1381		R4 (22 x 86)	C	B	F08011768 (12)	—	F08011766 (17)	F08011774 (19)	F08011773 (21)	—
⑩ F08011783	CARD.R4 Z6-Z6 L1565 OM-RL	1565		R4 (22 x 86)	C	B	F08011768 (12)	—	F08011766 (17)	F08011774 (19)	F08011773 (21)	—
⑩ F08011930	CARD.B3 Z6-Z6 L1200	1200	1700	B3 (27 x 70)	A	A	—	G58161016 (14)	F08011743 (16)	—	—	—



## CARDANO CARDAN SHAFT

TAV. 441

Pos.	Cod.	Descrizione	Description	Description	Benennung	Descripcion
1	F08011711R	CARD. S10 0700F 112 112 1CAT	PTO SHAFT B1 Z6-Z6 L700			
2	F08011713R	CARD.B1 Z8-Z6 L700	PTO SHAFT B1 Z8-Z6 L700			
3	F08011714R	CARD.B1 Z20-Z6 L700	PTO SHAFT B1 Z20-Z6 L700			
4	F08011715R	CARD.B1 Z8-Z6 L900 R.LIB	CARD.B1 Z8-Z6 L900 FREE W.			
5	F08011716R	CARD.B1 Z6-Z6 L900 R.LIB	UNIV.JOINT B1 Z6-Z6 L900 R.LIB	CARD.B1 Z6-Z6 L900 R.LIB	KARDAN CE T100710 112 R12	CARDAN CE T100710 112 R12
6	F08011719R	CARD.B2 Z6-Z6 L900	UNIVERSAL JOINT 102 071 N T07	CARD. 102 071 N T07 T07 1 CAT	KARDAN 102 071 N T07 T07 1CAT	CARD N 102 071 N T07 T07 1CAT
7	F08011720R	CARD.B3 Z8-Z6 L1300	UNIV.JOINT B3 Z8-Z6 L1300			
8	F08011757R	CARD.B1 Z20-Z6 L900 R.L	UNIVERSAL JOINTB1 Z20-Z6 L900			
9	F08011764R	CARDANO OM 3 4Z20-RL Z6 L1381	CARD.R4 Z20-Z6 L1381 OM-RL			
10	F08011930R	CARD.B3 Z6-Z6 L1200	PTO SHAFT B3 Z6-Z6 L1200			
11	G58161015R	FORCELLA CARD.1 3 8 Z6 B1	CARD. FORK 1 3 8 Z6 B1			
12	F08011768R	FORCELLA CARD.1 3 8 Z6 R4	FORK 1 3 8 Z6 R4			
13	F08011772R	FORCELLA CARD.1 3 4 Z6 B1	YOKE 1 3 4 Z6 B1			
14	G58161016R	FORCELLA CARD.1 3 8 Z6 B3	CARD.FORK 1 3 8 Z6 B3			
15	F08011742R	FORCELLA CARD.32X38 Z8 B1	YOKE CARD.32X38 Z8 B1	FOURCHETTE CARDAN Z8 B1	GABEL KARDAN Z8 B1	HORQUILLA CARDAN Z8 B1
16	F08011743R	FORCELLA CARD.32X38 Z8 B3	YOKE CARD.32X38 Z8 B3			
17	F08011766R	FORCELLA CARD.32X38 Z8 R4	FORK 32X38 Z8 R4			
18	F08011758R	FORCELLA CARD.1 3 4 Z20 B1	CARD.FORK 1 3 4 Z20 B1			
19	F08011774R	FORCELLA CARD.1 3 4 Z20 R4	CARD. FORK 1 3 4 Z20 R4			
20	F08011767R	FORCELLA CARD.1 3 8 Z21 B1	CARD.FORK 1 3 8 Z21 B1			
21	F08011773R	FORCELLA CARD.1 3 8 Z21 R4	FORK 1 3 8 Z21 R4			
22	F08010152R	KIT PRESSORE BUSSOLA CAT I-IV	TOOLS FOR PTO YOKE CAT I-IV			
23	F08011783R	CARD.R4 Z6-Z6 L1565 OM-RL	UNIV. PTO SHAFT R4 Z6-Z6 L1210			

**USATE SEMPRE RICAMBI ORIGINALI  
ALWAYS USE ORIGINAL SPARE PARTS  
IMMER DIE ORIGINAL-ERSATZTEILE VERWENDEN  
EMPLOYEZ TOUJOURS LES PIECES DE RECHANGE ORIGINALES  
UTILIZAR SIEMPRE REPUESTOS ORIGINALES**

# **GASPARDO**

**Servizio Assistenza Tecnica - After Sales Service**

**Servizio Ricambi - Spare Parts Service**



**maschio.com**

DEALER:



**MASCHIO GASPARDO SpA**

**Registered office & Production plant**  
Via Marcello, 73 - 35011 Campodarsego (Padova) - Italy  
Tel. +39 049 9289810  
Fax +39 049 9289900  
info@maschio.com  
www.maschionet.com

**MASCHIO GASPARDO SpA  
Production plant**

Via Mussons, 7 - 33075 Morsano al Tagliamento (PN) - Italy  
Tel. +39 0434 695410  
Fax +39 0434 695425  
info@gaspardo.it

**MASCHIO DEUTSCHLAND GMBH**

Äußere Nürnberger Straße 5  
D - 91177 Thalmässing - Deutschland  
Tel. +49 (0) 9173 79000  
Fax +49 (0) 9173 790079  
dialog@maschio.de  
www.maschio.de

**MASCHIO-GASPARDO North America**

112 3rd Avenue East  
Dewitt, IA 52742 - USA  
Ph. +1 563 659 6400  
Fax +1 563 659 6405  
info@maschio.us

**MASCHIO FRANCE Sarl**

Rue Denis Papin ZA  
F - 45240 La Ferté St. Aubin  
France  
Tel. +33 (0) 2.38.64.12.12  
Fax +33 (0) 2.38.64.66.79  
info@maschio.fr

**MASCHIO-GASPARDO ROMANIA S.R.L.**

Strada Înfrâții, F.N.  
315100 Chisineu-Cris (Arad) -România  
Tel. +40 257 307030  
Fax +40 257 307040  
info@maschio.ro

**000 MASCHIO-GASPARDO РУССИЯ**

Улица Пушкина, 117 Б  
404130 Волжский  
Волгоградская область  
Тел. +7 8443 203100  
факс. +7 8443 203101  
info@maschio.ru

**MASCHIO-GASPARDO IBERICA  
MASCHIO-GASPARDO POLAND  
MASCHIO-GASPARDO UCRAINA  
GASPARDO-MASCHIO TURCHIA  
MASCHIO-GASPARDO CINA  
MASCHIO-GASPARDO INDIA**