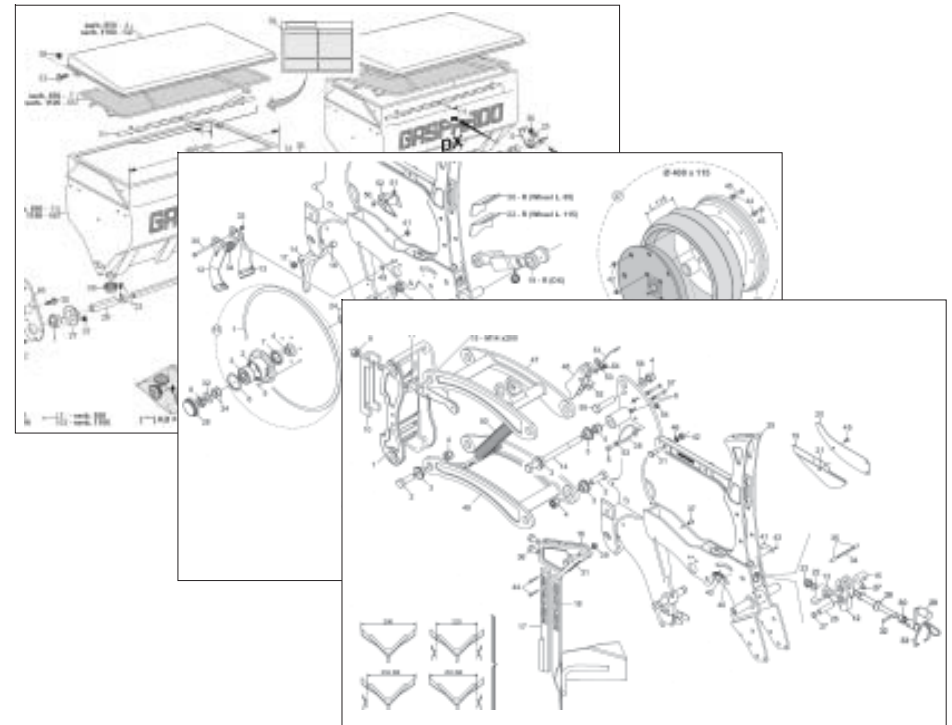


GASPARDO

MASCHIO GASPARDO S.p.A.



MTR

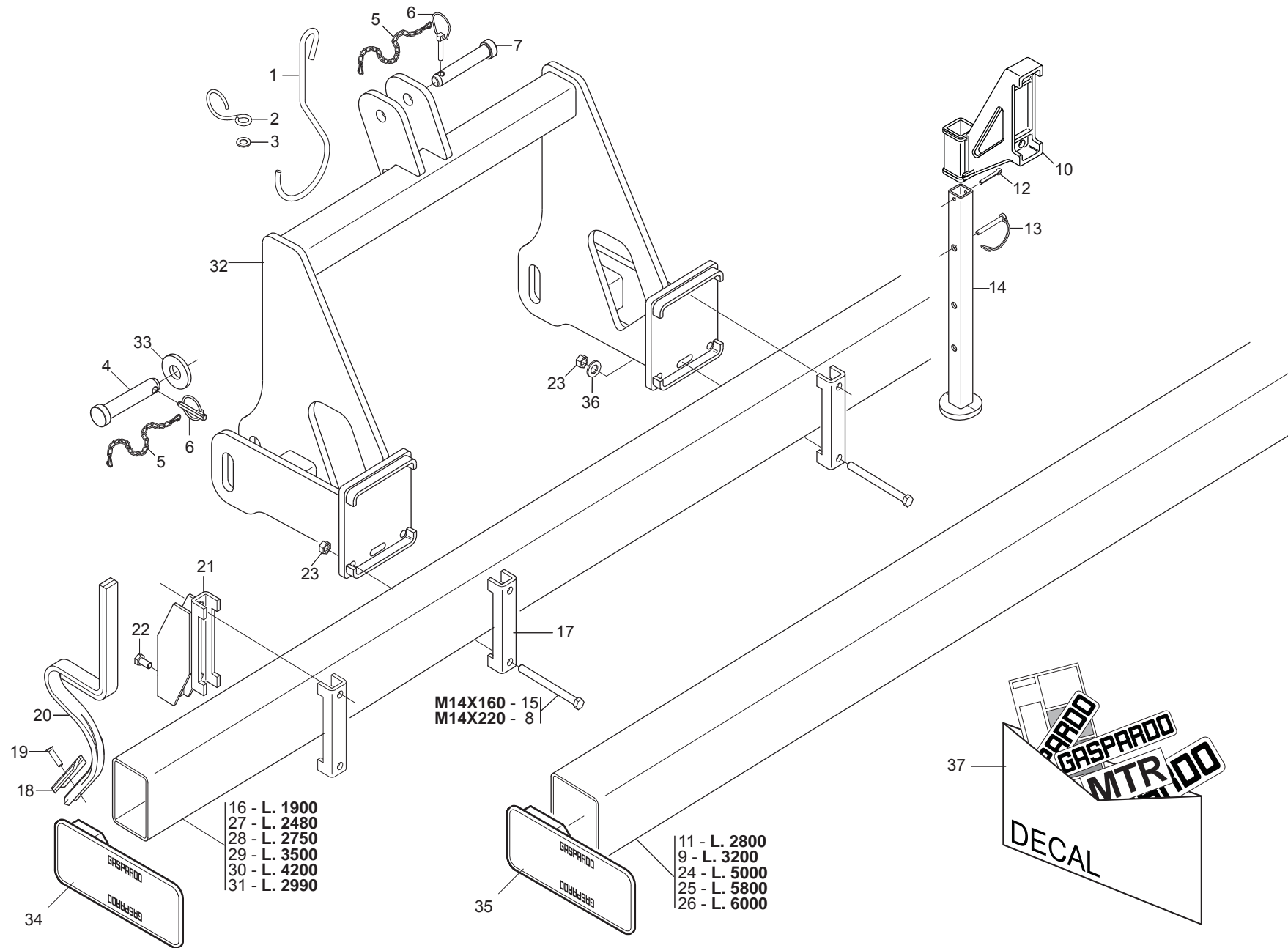
Cod: G19531053 2014-10

- *) Valido per Paesi UE
- *) Valid for EU member countries
- *) Valable dans les Pays UE
- *) Gilt für EU-Mitgliedsländer
- *) Válido para Países UE

- IT** PARTI DI RICAMBIO
- EN** SPARE PARTS
- DE** ERSATZTEILE
- FR** PIÈCES DÉTACHÉES
- ES** PIEZAS DE REPUESTO

ITALIANO	ENGLISH	DEUTSCH	FRANÇAIS	ESPAÑOL
PARTI DI RICAMBIO	SPARE PARTS	ERSATZTEILE	PIECES DÉTACHÉES	RESPUESTOS
<p>Le ordinazioni delle parti di ricambio vanno fatte presso i nostri concessionari di zona e devono essere sempre corredate dalle seguenti indicazioni:</p> <ul style="list-style-type: none"> - Tipo, modello e numero di matricola dell'attrezzatura. Tali dati sono stampigliati nell'apposita targhetta di cui è dotata ogni attrezzatura. - Numero di codice della parte richiesta rilevabile dal catalogo ricambi. - Descrizione del particolare e quantità richiesta. - Numero della tavola. - Mezzo di trasporto. Nel caso questa voce non sia specificata, la Ditta Costruttrice, pur dedicando a questo servizio una particolare cura, non risponde di eventuali ritardi di spedizione dovuti a cause di forza maggiore. Le spese di trasporto si intendono sempre a carico del destinatario. La merce viaggia a rischio e pericolo del committente anche se venduta franco destino. <p>NOTA: Il termine (Dx) Destro o (Sx) Sinistro della macchina o di parti di essa, è inteso guardando la macchina dalla parte posteriore. Le eccezioni saranno indicate.</p>	<p><i>Orders must be transmitted through our area dealers and should always include the following indications:</i></p> <ul style="list-style-type: none"> - Type, model and serial number of the machine. <i>These data are punched on the data plate with which every implement is equipped.</i> - Code number of the required spare part. <i>This will be found in the spare parts catalogue.</i> - Description of the part and required quantity. - Table number. - Means of dispatch. <i>If this item is not indicated, the Manufacturer, while dedicating particular care to this service, shall not be held responsible for delays in delivery caused by cases of force majeure. Transport expenses shall always be at the consignee's charge. The goods travel at the purchaser's risk and peril even when sold ex destination.</i> <p>NOTE: <i>The symbols (Dx) right and (Sx) left, concerning the machine or single parts of it, are referred, as in the figure, to a rear view of them. Exceptions will be indicated.</i></p>	<p>Die Bestellungen müssen bei unseren Gebietshändlern aufgegeben werden. Bei der Bestellung sind stets die folgenden Angaben zu machen:</p> <ul style="list-style-type: none"> - Typ, Modell und Serien-Nummer des Geräts. Diese Daten stehen auf dem Typenschild, mit dem jedes Gerät versehen ist. - Artikel Nr. der erforderlichen Ersatzteile. Diese stehen im Ersatzteil-Katalog. - Beschreibung des Ersatzteils und die erforderliche Stückzahl. - Tafelnummer. - Versandmittel. Wenn dieser Punkt nicht spezifiziert wird, haftet die Herstellerfirma nicht für etwaigen Lieferverzug aufgrund höherer Gewalt, auch wenn er diesen Service besonders aufmerksam abwickelt. Die Frachtkosten gehen dagegen immer zu Lasten des Empfängers. Die Ware reist auf Gefahr und Risiko des Auftraggebers, auch wenn frei Haus Verkauft vereinbart worden ist. <p>N.B.: Die Merkzeichen (Dx) rechts und (Sx) links betreffen eine rückwärtige Aussicht der Maschine oder Teile von ihr (siehe Bild). Ausnahmen werden gezeigt.</p>	<p><i>Les ordres doivent être effectués auprès de nos concessionnaires de zone en précisant les indications suivantes:</i></p> <ul style="list-style-type: none"> - Type, modèle et numéro de série de la machine. <i>Ces données sont gravées sur la plaque d'identification de chaque outil.</i> - Numéro de code de la pièce détachée indiqué sur le catalogue des pièces détachées. - Description de la pièce et quantité requise. - Numéro de plan. - Moyen d'expédition. <i>Si cette rubrique n'est pas indiquée, le Constructeur, bien que soucieux de ce service, ne répond pas des retards d'expédition pour des causes de force majeure. Les frais de transport sont toujours à la charge du destinataire. La marchandise voyage aux risques et périls de l'acheteur même si vendue franco de port.</i> <p>N.B.: <i>Les références (Dx) droit et (Sx) gauche de la machine ou des parties de la même, est entendue, comme de la figure, en regardant la machine de derriere dans le sens de marche.</i></p>	<p>Los pedidos han de efectuarse en nuestros concesionarios de zona y deben incluir siempre las siguientes indicaciones:</p> <ul style="list-style-type: none"> - Tipo, modelo y número de matrícula del equipo. Dichos datos están impresos en la relativa placa presente en el equipo. - Número de código de la parte requerida presente en el catálogo respuestas. - Descripción de la pieza y cantidad requerida. - Numero de ilustración. - Medio de transporte. En caso que este ítem no esté especificado, el Fabricante, aún prestando la debidas consideraciones para este aspecto, no responde por eventuales retardos de env'o debidos a causas de fuerza mayor. Los gastos de transporte se consideran siempre a cargo del destinatario. La mercadería viaja bajo riesgo y peligro del comprador, incluso cuando se vende franco destino. <p>N.B.: La refencia (Dx) derecha o (Sx) izquierda de la máquina o de sus componentes, se entiende, como en la figura, mirando la máquina por la parte trasera. Se indicarán las excepciones.</p>

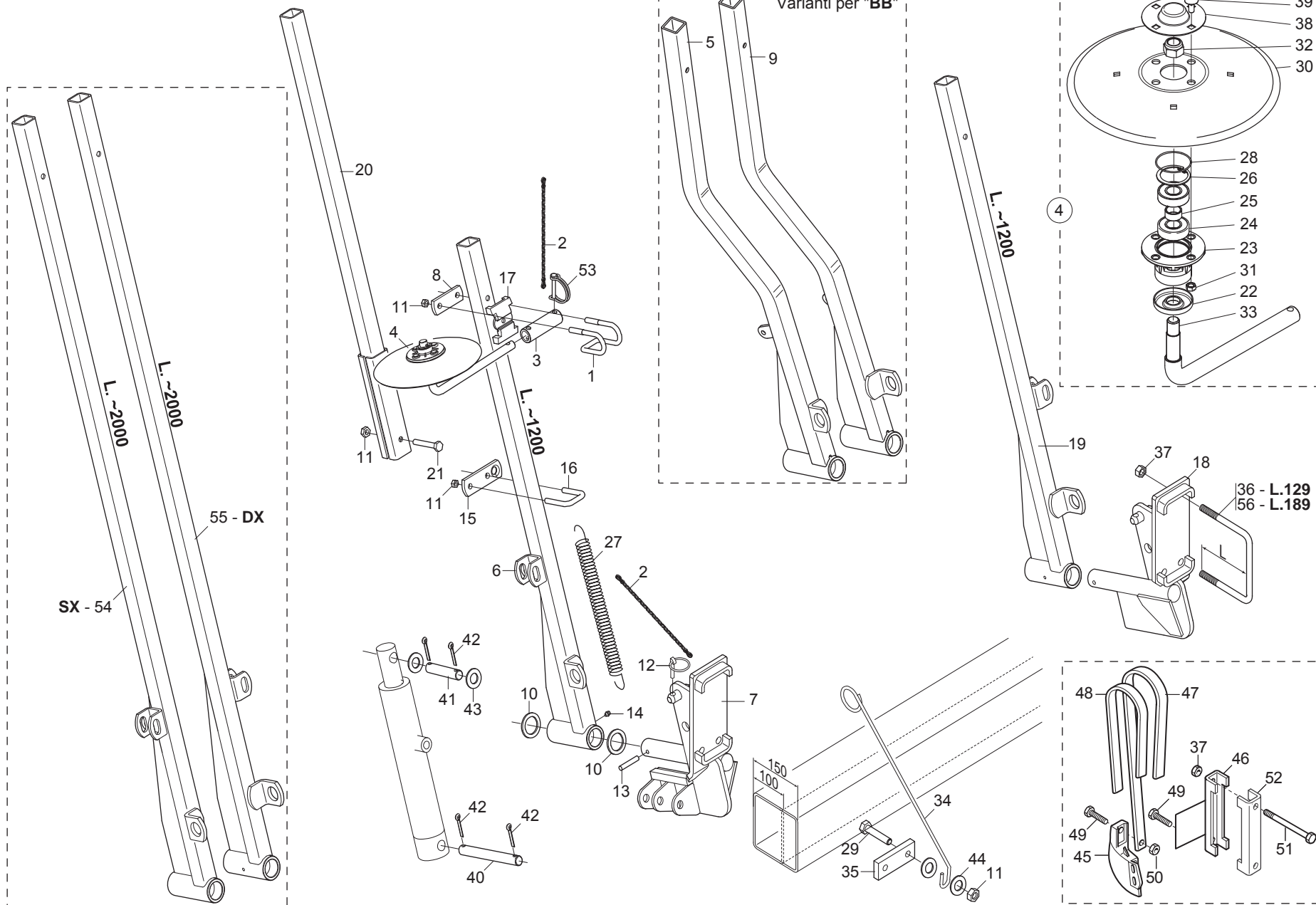
N° Tavola	Descrizione	Pagina
TAV. 011	Telaio e attacco 3 punti	4
TAV. 022	Segnafile «2÷7 file»	6
TAV. 033	Segnafile «8÷12 file»	8
TAV. 042	Segnafile «WRM / CRM»	10
TAV. 410	Impianto idraulico segnafile	12
TAV. 052	Depressore	14
TAV. 061	Scatola di rinvio elemento	16
TAV. 071	Distributore semi	18
TAV. 080	Dischi di semina	20
TAV. 093	Telaio elemento	22
TAV. 102	Ruote di profondità	26
TAV. 113	Ruote di compressione	28
TAV. 121	Coprisemi anteriori	30
TAV. 132	Ruotino premiseme inox	32
TAV. 141	Coltro a disco striato	34
TAV. 370	Trash wheel - Spartiresidui rotativo	36
TAV. 151	Esclusione elettrica file di semina	38
TAV. 161	Cambio	40
TAV. 171	Ruote di trasmissione	42
TAV. 181	Ruote di trasmissione anteriore	46
TAV. 192	Scaletta ruote portanti	50
TAV. 203	Ruote regolabili «5.00-15»	52
TAV. 420	Ruote regolabili «6.50/80-15»	54
TAV. 380	Rincalzatori	56
TAV. 210	Presa di potenza posteriore	58
TAV. 220	Kit ruote per terreni sassosi - Flangiatura ruote	60
TAV. 230	Supporti serbatoi spandiconcime ferro	62
TAV. 240	Serbatoi spandiconcime ferro	64
TAV. 251	Supporti serbatoi spandiconcime plastica	68
TAV. 261	Serbatoi spandiconcime plastica	70
TAV. 272	Supporti serbatoio spandiconcime unico	74
TAV. 281	Serbatoio spandiconcime unico	76
TAV. 430	Supporti serbatoio spandiconcime unico «BBX 250»	80
TAV. 440	Serbatoio spandiconcime unico «BBX 250»	82
TAV. 291	Elementi di concimazione	84
TAV. 300	Speedy set	86
TAV. 311	Concimazione pneumatica	88
TAV. 450	Supporti microgranulatore	90
TAV. 321	Microgranulatore «16 Litri»	92
TAV. 391	Microgranulatore «30 Litri»	94
TAV. 332	Trasmissione spandiconcime e microgranulatore	96
TAV. 342	Applicazione doppio microgranulatore	98
TAV. 351	Accessori	100
TAV. 361	Cardani	102



TELAIO E ATTACCO 3 PUNTI

TAV. 011

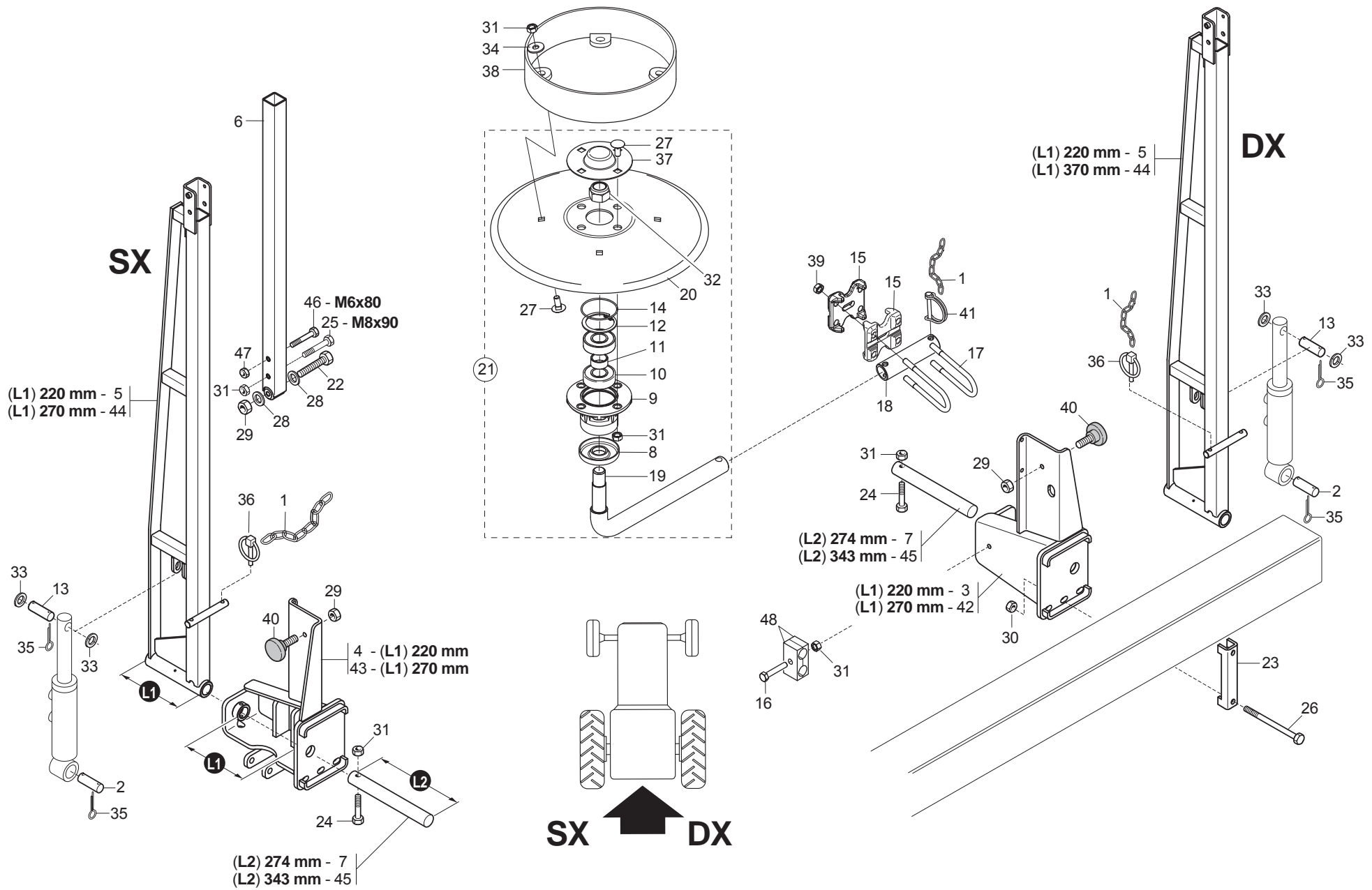
Pos.	Cod.	Descrizione	Description	Description	Benennung	Description
1	F20120400	GANCIO SOSTEGNO CARDANO	SHAFT HOOK SUPPORT	SUPPORT CARDAN	GELENKWELLE - HACKEN	SOPORTE CARDAN
2	G65336004	MOLLA SPEC.ZN AGG.SEMINAT. SP	SPEC SPRING- ZN ADD. SEEDER SP	RESSORT SPEC. ZN ATTELAGE SEME	SPEZIALFEDER ZN SZELEM. KUPPL.	MUELLE ESPEC. ZN CONEX. SEMBRA
3	F01410088	ROS.M14 15X 28X2,5 U6592 ZN	WAS.M14 15X 28X2,5 U6592 ZB	RON.M14 15X 28X2,5 U6592 ZB	SCH.M14 15X 28X2,5 U6592 ZB	ARA.M14 15X 28X2,5 U6592 ZB
4	F20100136	PERNO D28 L109 C43 ZN	BOLT D28 L109 C43 ZN	BOULON D28 L109 C43 ZN	BOLTZEN D28 L109 C43 ZN	PERNO D28 L109 C43 ZN
5	G13812311	CATENELLA CON MOSCHETTONE ZN	CHAIN WITH SPRING CATCH	CHAINETTE AVEC MOUSQUETON	KETTE MIT KARABINERHAKEN	CADENA CON GANCHO
6	F02200507	SPINA A SCATTO D 9 B/83	SNAP PIN D9 B/83 ZN	FICHE A DETENTE D9 B/83 ZN	EINRASTSTIFT D9 B/83 ZN	CLAVIJA DE MUELLE D9 B/83 ZN
7	F20100133	PERNO D25 L122 C43 ZN	PIN D25 L122 C43 ZN	BOULON D25 L122 C43 ZN	BOLZEN D25 L122 C43 ZN	PERNO D25 L122 C43 ZN
8	F01020236	VITE M14X2X220 U5737 8.8BR	SCR. M14X2X220 U5737 8.8BR	VIS M14X2X220 U5737 8.8 BR	SCHRAUBE M14X2X220 U5737 8.8	TORNILLO M14X2X220 U5737 8.8
9	G22505032	TUBO TELAI0 L=3200	FRAME PIPE L=3200	TUBE BATI L=3200	ROHR RAHMEN L=3200	TUBO BASTIDOR L=3200
10	G15112711	SUPPORTO PUNTELLO	PROP SUPPORT	SUPPORT ETRESILLON	STsTZLAGER	STsTZLAGER
11	G22505031	TUBO TELAI0 L=2800	FRAME PIPE L=2800	TUBE BATI L=2800	ROHR RAHMEN L=2800	TUBO BASTIDOR L=2800
12	F02200246	COPIGLIA 6X 45 U1336 ZN	PIN 6 X45 U1336 ZN	GOUPILLE 6 X45 U1336 ZN	SPLINT 6 X45 U1336 ZN	CLAVIJA 6 X45 U1336 ZN
13	F02200584	SPINA SICUR. D. 12X70 ZN	PIN D12 L70 ZN	FICHE D12 L70 ZN	STIFT D12 L70 ZN	CLAVIJA D12 L70 ZN
14	G15112691	PUNTELLO ST250	PROP ST250			
15	F01020225	VITE M14X2X160 U5737 8.8BR	SCR. M14X2X160 U5737 8.8BR	VIS M 14 X160 5737 8.G	SCHRAUBE M 14 X160 5737 8.G	TORNILLO M 14 X160 5737 8.G
16	G16610040	TUBO RET.150X100X1900	RECTANGULAR PIPE 150X100X1900	TUBE RECTANGULAIRE 150X100X190	RECHTECK.ROHR150X100X1900	TUBO RECT.150X100X1900
17	G15110091	SCONTRO A U SP.8 2F15 165	STRIKER	BRIDE 150 MM	ANSCHLAG	ELEMENTO DE EMPALME
18	F20120017	VOMERO REVERSIBIL.F37 40X5X135	SWIVEL PLOUGH-SHARE F37 40X5X1	SOC REVERS. F37 40X5X135	UMKEHRBARE SCHAR F37 40X5X135	REJAS REVERS. F37 40X5X135
19	G67002011	BULLONE TESTA OVALE M10X35	OVAL HEAD BOLT M10X35	BOULON TETE.AVALE M10X35	SCHRAUBE OVAL KOPF. M10X35	PERNO CABEZA OVALADO M10X35
20	G22270462	MOLLA ROMPIRACCIA VERNICIATA	PAINTED TRACE BR. SPRING	RESSORT BRISEUR DE TRACES VERN	FEDER SPURMESSER LACKIERT	MUELLE ROMPEHUELLA BARNIZADA
21	G15471612	SUPPORTO ROMPIRACCIA Q.150	ROW-BREAKER SUPPORT 150	SUPPORT EFFACEUR DE TRACES 150	HALTERUNG SPURAUFREISSER 150	SOPORTE BORRAHUELLAS 150
22	F01020510	VITE M12X1,75X30 U5739 8.8ZN	SCR. M12X1,75X30 U5739 8.8ZN	VIS M12X1,75X30 U5739 8.8ZN	SCHRAU.M12X1,75X30 U5739 8.8ZN	TORN. M12X1,75X30 U5739 8.8ZN
23	F01200306	DADO M14X2 U5588 6.8ZN	NUT M14X2 U5588 6.8ZN	ECROU M14X2	MUTTER M14X2	DADO M14X2
24	G15210690	TUBO TELAI0 FISSO 150X5000	FIXED FRAME PIPE 150X5000	PIPE BATI FIXE 150X5000	ROHR FIXER RAHMEN 150X5000	TUBO BASTIDOR FIJO 150X5000
25	G22505035	TUBO TELAI0 L=5800	FRAME TUBE L=5800			
26	G15210740	TUBO TELAI0 FISSO 150X6000	FIXED FRAME PIPE 150X6000	TUBE BATI FIXE 150X6000	ROHR FIXER RAHMEN 150X6000	TUBO BASTIDOR FIJO 150X6000
27	G16610050	TUBO R.150X100X2480	RECTANGULAR PIPE 150X100X2480	TUBE RECT.150X100X6X2480	R. ROHR150X100X6X2480	TUBO RECT.150X100X6X2480
28	G16610080	TUBO R.150X100X 6X2750	RECTANGULAR PIPE 150X100X6X275	TUBE RECT.150X100X6X2750	R. ROHR150X100X6X2750	TUBO RECT.150X100X6X2750
29	G16610060	TUBO R.150X100X3500	RECTANGULAR PIPE 150X100X3500	TUBE RECT.150X100X3500	R. ROHR150X100X3500	TUBO RECT.150X100X3500
30	G16610070	TUBO R.150X100X4200	RECTANGULAR PIPE 150X100X4200	TUBE RECT.150X100X4200	R. ROHR150X100X4200	TUBO RECT.150X100X4200
31	G15211250	TUBO R.150X100X 6X2990	RECTANGULAR PIPE 150X100X2990	TUBE RECT.150X100X6X2990	R. ROHR150X100X6X2990	TUBO RECT.150X100X6X2990
32	G16610462	ASS.TERZO PUNTO 2 CATEGORIA	ASS.3RD POINT 2° CAT.			
33	G20970120	RONDELLA 70X8X28,5	WASHER 70X8X28-5	RONDELLE 70X8X28-5	UNTERLEGSCHIEBE 70X8X28-5	ARANDELA 70X8X28-5
34	G16610110	TAPPO TELAI0 150X100 COMPL.	COMPL. FRAME PLUG 150X100 B319	BOUCHON CH-SSIS 150X100 COMPL.	PFROPFEN RAHMEN 150X100 KOMPL.	TAPÉN BASTIDOR 150X100 COMPL.
35	G19003000	TAPPO PER TELAI0 150	CAP FOR FRAME 150	BOUCHON POUR BATI 150	PFROPFEN FOR RAHMEN 150	TAPON PARA BASTIDOR 150
36	G20970142	RONDELLA 32X4X15,5	WASHER 32X4X15-5	RONDELLE 32X4X15-5	UNTERLEGSCHIEBE 32X4X15-5	ARANDELA 32X4X15-5
37	G89900511	KIT DECALCOMANIE SP-MT	DECAL KIT SP	KIT DECALCOMANIE SP	KIT ABZIEHB. SP	SET CALCOMANAS SP



SEGNAFILE «2÷7 file»

TAV. 022

Pos.	Cod.	Descrizione	Description	Description	Benennung	Descripcion
1	G16610230	CAVALLOTTO MANICOTTO DISCO	U BOLT FOR DISC SLEEVE	ETRIER MANCHON DISQUE	_BERBR_CKUNG MUFFE SCHEIBE	ABRAZADERA MANGUITO DE DISCO
2	G13812311	CATENELLA CON MOSCHETTONE ZN	CHAIN WITH SPRING CATCH	CHAINETTE AVEC MOUSQUETON	KETTE MIT KARABINERHAKEN	CADENA CON GANCHO
3	G17111290	MANICOTTO DISCO ZN	DISC SLEEVE U BOLT	MANCHON DISQUE	SCHEIBENMUFFE	MANGUITO DISCO
4	G16610200	DISCO D.320 COMPL	DISC D.320 COMPL			
5	G15211911	BRACCIO SEGNAFILE SX	ROW MARKER ARM LEFT			
6	G15412691	BRACCIO SEGNAFILE SX	ROW MARKER ARM LEFT	BRAS PLIANT GCH.	KLAPPBARER ARM LI.	BRAZO PLEGABLE IZQ.
7	G16611490	SUPPORTO SEGNAFILE SX	LEFT ROWMARKER SUPPORT			
8	G23440198	SCONTRIO ATTACCO BRACCIO HL/2	STRIKER PLATE ARM ATTACH. HL/2	BUTEE FIXATION BRAS HL/2	ARMKUPPLUNGSANSCHLAG HL/2	ELEMENTO DE EMPALME CONEXIN BC
9	G15211931	BRACCIO SEGNAFILE DX	ROW MARKER ARM RIGHT			
10	G18701600	RONDELLA 35,5 X50 X3 ZN	WASHER 35.5 X 50 X 3- GALVANIZ	RONDELLE 35-5 X50 X3 ZN	UNTERLEGSSCHEIBE 35-5 X50 X3	ARANDELA 35-5 X50 X3 ZN
11	F01200270	DADO M10X1,5 U5588 6.8ZN	NUT M10X1,5 U5588 6.8ZN	ECROU M10X 1,5 U5588 6.8 ZN	MUTTER M10X 1,5 U5588 6.8 ZN	TUERCA M10X 1,5 U5588 6.8 ZN
12	F02200507	SPINA A SCATTO D 9 B/83	SNAP PIN D9 B/83 ZN	FICHE A DETENTE D9 B/83 ZN	EINRASTSTIFT D9 B/83 ZN	CLAVIJA DE MUELLE D9 B/83 ZN
13	F02100146	SPINA E.P. 8X 55 U6873 C70 BR	PIN EL. 8 X55 DIN 1481	FICHE EL.8 X55 DIN 1481	SPANNSTIFT 8 X55 DIN 1481	CLAVIJA EL.8 X55 DIN 1481
14	F01100011	ING.M 6X1 7663-A 9SMNPB28 ZN	GREASE NIPPLE M6X1 7663-A ZN	GRAISS. A BILLE M6X1 7663A ZN	SCHMIERBUECHE M6X1 7663-A ZN	ENGRAS. DE ESFE. M6X1 7663-AZN
15	G15412810	ATTACCO FUNE SEGNAFILE	ROW MARKER ROPE LINKAGE	FIXATION CABLE TRACEUR	SEILKUPPLUNG SPURANZEIGER	CONEXIÓN CABLE MARCADOR DE FIL
16	F20110705	CAV.Q.B=40 M=10X1,5 L=62	U BOLT Q.B=40 M=10X1,5 L=62	CAVALIER ZN	BSGELBOLZEN ZN	PERNO EN U ZN
17	G19203740	ELEMENTO FISSAGGIO GAMBO ZN.	GALVAN. SHANK FASTENING ELEMEN	ELEMENT FIXATION TIGES ZN	BEFESTIGUNGSELEMENT SCHZCHTE Z	ELEMENTO SUJECIN VµSTAGOS ZN
18	G16611500	SUPPORTO SEGNAFILE DX	RIGHT ROWMARKER SUPPORT			
19	G15412861	BRACCIO SEGNAFILE DX	RH FOLDING ARM	BRAS PLIANT DRT.	KLAPPBARER ARM RE.	BRAZO PLEGABLE DER.
20	G15412780	PROLUNGA BRACCIO SEGNAFILE	ROWMARKER EXTENSION	RALLONGE TRACEUR SOL.	VERLZNGERUNG SPURREISSER	PROLONG. MARC. DE FILAS
21	F01020122	VITE M10X1,5X70 U5737 8.8ZN	SCR. M10X1,5X70 U5737 8.8ZN	VIS M10X1,5X70 U5737 8.8 ZN	SCHRA.M10X1,5X70 U5737 8.8 ZN	TORN. M10X1,5X70 U5737 8.8 ZN
22	G16610431	FONDELLO ZN	BOTTOM GALV.ED			
23	G16610160	SUPP.CUSCINETTI DISCO SEGN.ZN.	GALVAN. ROWMARKER DISK BEARING	SUPPORT ROULEMENTS DISQUE TRAC	SCHEIBENLAGERHALTERUNG	SOPORTE COJINETE DE DISCO MARC
24	F04010156	CUSC.d20 D47 B14 6204 2RSH	BEARING d20 D47 B14 6204 2RSH			
25	G18801270	BOCCOLA 21 X25 X12 ZN B.	BUSHING 21 X25 X12 ZN			
26	F02050370	ANELLO E. DI 47X1,75 U7437 C70	SEEGER RING 47X 1,75 U7437 C70	SEEGER E. 47X 1,75 U7437 C70	SEEGERING E. 47X1,75 U7437 C70	ANILLO E. 47X 1,75 U7437 C70
27	G65337004	MOLLA TRAZ.SOLLEV. FU	TRACTION SPRING LIFT. FU	RESSORT TRACT. LEVAGE FU	ZUGFEDER HEBUNG FU	MUELLE TRAC. LEVDEL. FU
28	F03010576	ANELLO OR 50,52X1,78 NBR	GASKET OR 50,52X1,78 NBR	BAGUE OR 50,52X1,78 NBR	RING OR 50,52X1,78 NBR	ANILLO OR 50,52X1,78 NBR
29	F01020476	VITE M10X1,5X30 U5739 8.8ZN	SCR. M10X1,5X30 U5739 8.8ZN	VIS M10X1,5X30 U5739 8.8 ZN	SCHRAUBE M10X1,5X30U5739 8.8ZN	TORNIL.M10X1,5X30 U5739 8.8 ZN
30	G16610170	DISCO SEGNAFILE D.320	ROW MARKER DISK D.320	DISQUE TRACEUR D320	SPURREISSERSCHEIBE D. 320	DISCO MARCARDOR DE FILAS O 320
31	F01200244	DADO M8X1,25 U5588 6.8ZN	NUT M8X1,25 U5588 6.8ZN	ECROU M8 X1,25 U5588 6.8 ZN	MUTTER M8 X1,25 U5588 6.8 ZN	TUERCA M8 X1,25 U5588 6.8 ZN
32	F01230098	DADO M18X2,5 D982 8ZN	NUT M18X2,5 D982 8ZN	ECROU M18X 2,5 D982 8 ZN	MUTTER M18X 2,5 D982 8 ZN	TUERCA M18X 2,5 D982 8 ZN
33	G16610180	PERNO REGGIDISCO SEGNAF.	ROWMARKER DISCHOLDER PIN			
34	G18902260	GUIDACORDA ZN MT	ROPE GUIDE ZN			
35	G15470810	SUPPORTO GUIDACORDA SP	ROPE GUIDE SUPPORT SP	SUPPORT GUIDE-CORDE SP	HALTERUNG SEILFsHRUNG SP	SOPORTE GUIACUERDA SP
36	F20110780	CAV.R.B=150H=100M=14X2 L=129	U BOLT R.B=150 H100 M14X2 L129	CAVALIER M14X165-128	VERBINDUNG M14X165-128	PERNO EN U M14X165-128
37	F01200306	DADO M14X2 U5588 6.8ZN	NUT M14X2 U5588 6.8ZN	ECROU M14X2	MUTTER M14X2	DADO M14X2
38	G16610190	CHIUSURA CUSCINETTO ZN	END BEARING ZN			
39	F01060040	VITE M8X1,25X20 U5732 4.6ZG	SCR. M8X1,25X20 U5732 4.6ZG	VIS M8X1,25X20 U5732 4.6 ZN	SCHRA. M8X1,25X20 U5732 4.6 ZN	TORN. M8X1,25X20 U5732 4.6 ZN
40	G15413020	SPINA 15X120 ZN	GALVANIZED PIN 15X120	GOUPILLE 15X120 ZN	STIFT 15X120 ZN	CLAVIJA 15X120 ZN
41	G15413010	SPINA 15X62 ZN	PIN 15X62 ZN	GOUPILLE 15X62 ZN	BOLZENSTIFT 15X62 ZN	PASADOR 15X62 ZN
42	F02200194	COPIGLIA 4X 25 U1336 ZN	SPLIT PIN 4 X25 1336 GALVAN.	GOUPILLE 4 X25 1336 ZN	SPLINT 4 X25 1336 ZN	PASADOR 4 X25 1336 ZN
43	G20970142	RONDELLA 32X4X15,5	WASHER 32X4X15-5	RONDELLE 32X4X15-5	UNTERLEGSSCHEIBE 32X4X15-5	ARANDELA 32X4X15-5
44	F01410100	ROS.M16 17X 30X 3 U6592 ZN	WASHER M16 17X30X3 U6592 ZN	RONDELLE M16 17X30X3 U6592 ZN	SCHRAUBE M16 17X 30X3 U6592 ZN	ARANDELA M16 17X30X 3 U6592 ZN
45	G13811261	FALCIONE SEGNAFILE INT.	INNER ROWM. CUTTER	HACHOIR TRACEUR INT.	SZSCHAR SPURREISSER INNEN	GUADA✶ADORA MARCADOR DE HILE
46	G15470232	SUPPORTO MOLLA PIATTA 150	FLAT SPRING SUPPORT 150	SUPPORT RESSORT PLAT 150	HALTERUNG FLACHFEDER 150	SOPORTE MUELLE PLANO 150
47	G18901092	GAMBO CONCIMAZ.MOLLA PIATTA SP	FLAT SPRING MANURING LEG SP	TIGE FUMAGE RESSORT PLAT SP	SCHAFT DsNGUNG FLACHE FEDER SP	VæSTAGO ABONO MUELLE CHATO SP
48	G18902861	RINF.MOLLA PIATTA CONCIM.SP	MANUR.PLAT SPRING REINFORCE.S	RENF. RESSORT PLAT FUMAGE SP	VERSTZRKUNG FLACHFEDER DsNGUNG	REFUERZO MUELLE ABONO SP
49	F01020512	VITE M12X1,75X35 U5739 8.8ZN	SCR. M12X1,75X35 U5739 8.8ZN	VIS M12X1,75X35 5739 8.8 ZN	SCHR. M12X1,75X35 5739 8.8 ZN	TORN. M12X1,75X35 5739 8.8 ZN
50	F01200293	DADO M12X1,75 U5588 6.8ZN	NUT M12X1,75 U5588 6.8ZN	ECROU M12X1,75 U5588 6.8 ZN	MUTTER M12X1,75 U5588 6.8 ZN	TUERCA M12X1,75 U5588 6.8 ZN
51	F01020236	VITE M14X2X220 U5737 8.8BR	SCR. M14X2X220 U5737 8.8BR	VIS M14X2X220 U5737 8.8 BR	SCHRAUBE M14X2X220 U5737 8.8	TORNILLO M14X2X220 U5737 8.8
52	G15110091	SCONTRIO A U SP.8 2F15 165	STRIKER	BRIDE 150 MM	ANSCHLAG	ELEMENTO DE EMPALME
53	F02100312	SPINA DI SICUREZZA D.8X45 ZN	SAFETY PIN D.8X45 ZN	FICHE EL.DE SECURITE D.8X45 ZN	SCHERSTIFT D.8X45 ZN	CLAVIJA DE SEGURIDAD D 8X45 ZN
54	G16611451	BRACCIO SEGNAFILE SX	ROW MARKER ARM LEFT			
55	G16611461	BRACCIO SEGNAFILE DX	ROW MARKER ARM RIGHT			
56	F20110785	CAV.Q.B=150 M=14X2 L=189	U BOLT Q.B=150 M=14X2 L=189	CAVALIER 150	VERBINDUNG 150	PERNO EN U 150

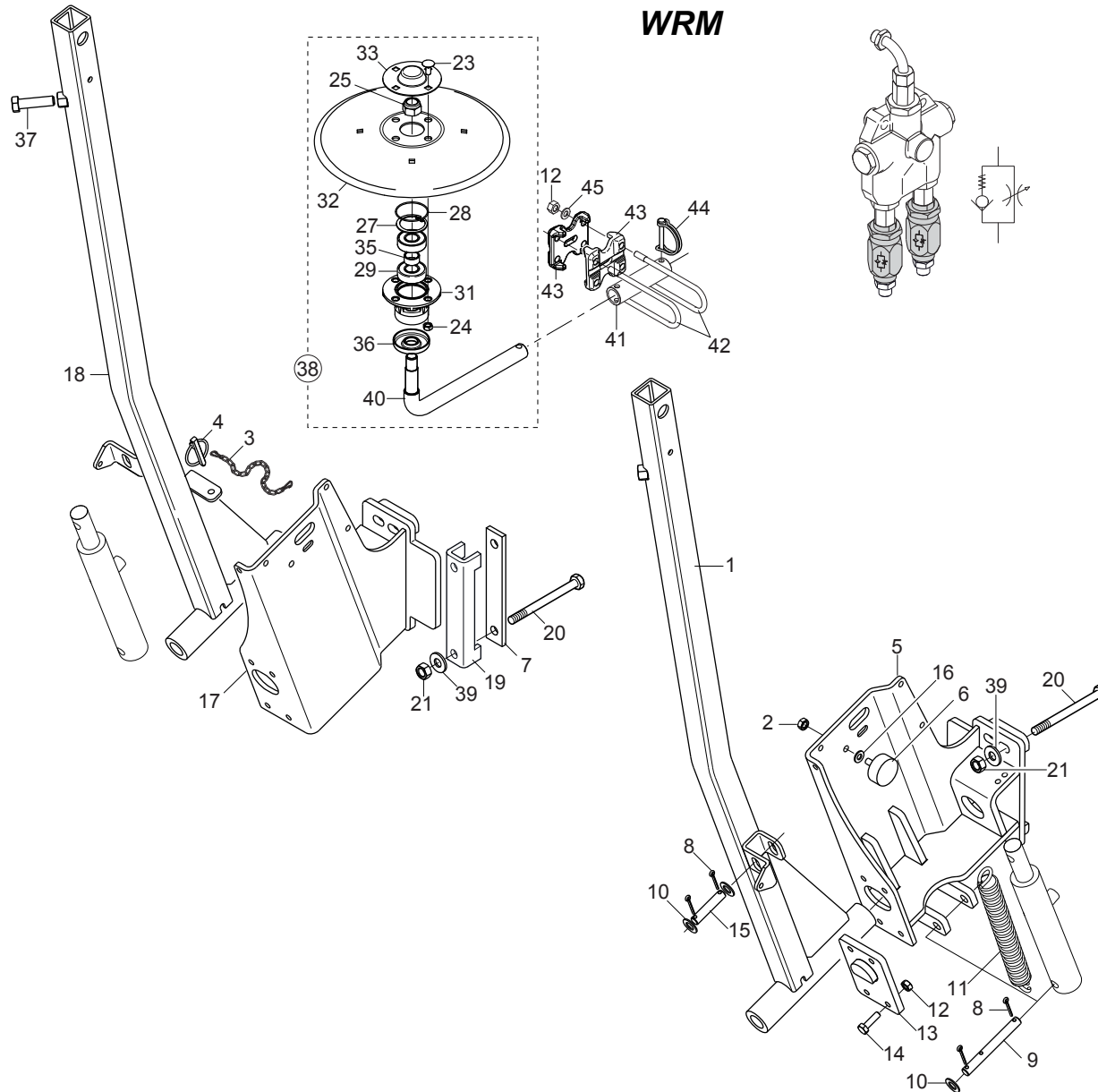


SEGNAFILE «8÷12 file»

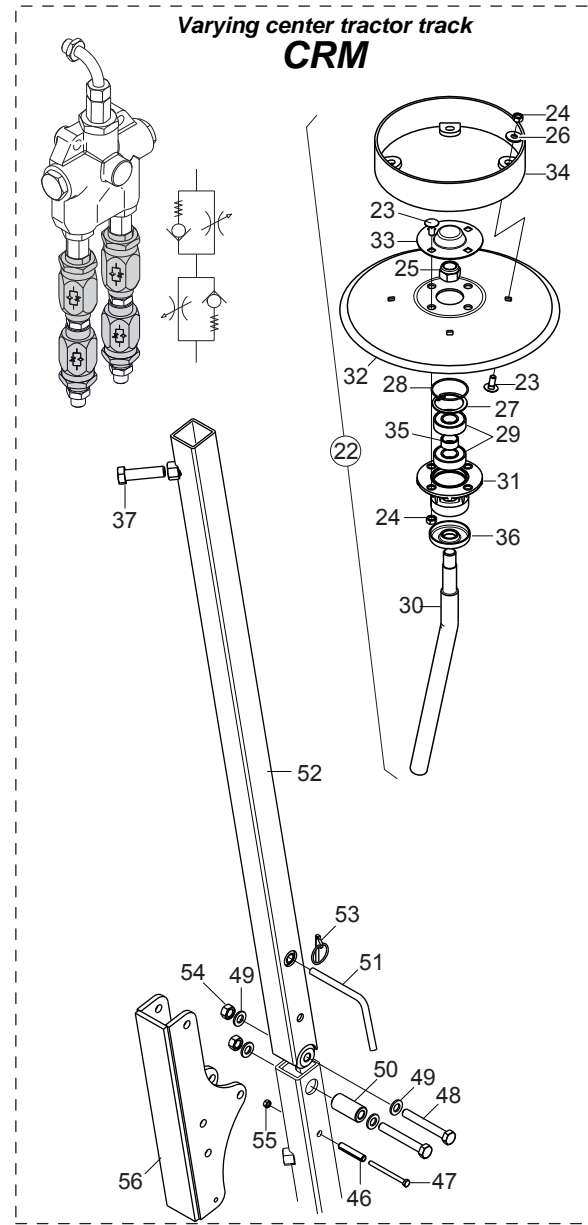
TAV. 033

Pos.	Cod.	Descrizione	Description	Description	Benennung	Descripcion
1	G13812311	CATENELLA CON MOSCHETTONE ZN	CHAIN WITH SPRING CATCH	CHAINETTE AVEC MOUSQUETON	KETTE MIT KARABINERHAKEN	CADENA CON GANCHO
2	G15413020	SPINA 15X120 ZN	GALVANIZED PIN 15X120	GOUPILLE 15X120 ZN	STIFT 15X120 ZN	CLAVIJA 15X120 ZN
3	G15411381	SUPPORTO BRACCIO DX	RIGHT ARM SUPPORT	RACLEUR GCH BAGUE	HALTERUNG ARM RE	SOPORTE BRAZO DER
4	G15411391	SUPPORTO BRACCIO SX	LEFT ARM SUPPORT	SUPPORT BRAS GCH	HALTERUNG ARM LI	SOPORTE BRAZO IZQ
5	G15411471	BRACCIO SEGNAFILE FRANCIA	FRENCH ROWMARKER ARM	BRAS TRACEUR	SPURREISSERARM	BRAZO MARCADOR DE FILAS
6	G16072221	BRACCIO SEGNAFILE	ROW MARKER ARM			
7	G14215830	ASSE SEGNAFILE	GALVAN. ROWMAKER AXLE	AXE BRAS TRACEUR ZN	REISSERASCHE	EJE MARCADOR DE FILAS
8	G16610431	FONDELLO ZN	BOTTOM GALV.ED			
9	G16610160	SUPP.CUSCINETTI DISCO SEGN.ZN.	GALVAN. ROWMARKER DISK BEARING	SUPPORT ROULEMENTS DISQUE TRAC	SCHEIBENLAGERHALTERUNG	SOPORTE COJINETE DE DISCO MARC
10	F04010156	CUSC.d20 D47 B14 6204 2RSH	BEARING d20 D47 B14 6204 2RSH			
11	G18801270	BOCCOLA 21 X25 X12 ZN B.	BUSHING 21 X25 X12 ZN			
12	F02050370	ANELLO E. DI 47X1,75 U7437 C70	SEEGER RING 47X 1,75 U7437 C70	SEEGER E. 47X 1,75 U7437 C70	SEEGERING E. 47X1,75 U7437 C70	ANILLO E. 47X 1,75 U7437 C70
13	G15413010	SPINA 15X62 ZN	PIN 15X62 ZN	GOUPILLE 15X62 ZN	BOLZENSTIFT 15X62 ZN	PASADOR 15X62 ZN
14	F03010576	ANELLO OR 50,52X1,78 NBR	GASKET OR 50,52X1,78 NBR	BAGUE OR 50,52X1,78 NBR	RING OR 50,52X1,78 NBR	ANILLO OR 50,52X1,78 NBR
15	G19204230	SUPPORTO MANICOTTO TQ.50	SLEEVE SUPPORT TQ.50			
16	F01040101	VITE M8X1,25X40 U5931 8.8ZN	SCR. M8X1,25X40 U5931 8.8ZN	VIS M8X1,25X40 U5931 8.8 ZN	SCHRAUBE M8X1,25X40 U5931 8.8	TORNILLO M8X1,25X40 U5931 8.8
17	F20110860	CAV.T.M10X 1,5X 30 46X128,5ZN	U BOLT T.M10X1,5X30 46X L128,5	CAVALIER M10X46 ZN	VERBINDUNG M10X46 ZN	PERNO EN U M10X46 ZN
18	G17111290	MANICOTTO DISCO ZN	DISC SLEEVE U BOLT	MANCHON DISQUE	SCHEIBENMUFFE	MANGUITO DISCO
19	G16610180	PERNO REGGIDISCO SEGNAF.	ROWMARKER DISCHOLDER PIN			
20	G16610170	DISCO SEGNAFILE D.320	ROW MARKER DISK D.320	DISQUE TRACEUR D320	SPURREISSERSCHEIBE D. 320	DISCO MARCADOR DE FILAS O 320
21	G16610222	MONT.DISCO D.320 LIM.	ROWMARKET DISC D.320 ASSEMBLY			
22	F01020168	VITE M12X1,75X90 U5737 8.8ZN	SCR. M12X1,75X90 U5737 8.8ZN	VIS M12X1,75X90 U5737 8.8 ZN	SCHRAUB.M12X1,75X90 5737 8.8 ZN	TORNIL.M12X1,75X90 5737 8.8 ZN
23	G15110091	SCONTRO A U SP.8 2F15 165	STRIKER	BRIDE 150 MM	ANSCHLAG	ELEMENTO DE EMPALME
24	F01020077	VITE M8X1,25X60 U5737 8.8ZN	SCR. M8X1,25X60 U5737 8.8ZN	VIS M8X1,25X60 U5737 8.8 ZN	SCHRAU. M8X1,25X60 U5737 8.8ZN	TORN. M8X1,25X60 U5737 8.8 ZN
25	F01020088	VITE M8X1,25X90 U5737 8.8ZN	SCR. M8X1,25X90 U5737 8.8ZN	VIS M8X1,25X90 U5737 8.8 ZN	SCHR.M8X1,25X90 U5737 8.8 ZN	TORN. M8X1,25X90 U5737 8.8 ZN
26	F01020236	VITE M14X2X220 U5737 8.8BR	SCR. M14X2X220 U5737 8.8BR	VIS M14X2X220 U5737 8.8 BR	SCHRAUBE M14X2X220 U5737 8.8	TORNILLO M14X2X220 U5737 8.8
27	F01060040	VITE M8X1,25X20 U5732 4.6ZG	SCR. M8X1,25X20 U5732 4.6ZG	VIS M8X1,25X20 U5732 4.6 ZN	SCHRA. M8X1,25X20 U5732 4.6 ZN	TORN. M8X1,25X20 U5732 4.6 ZN
28	F01410076	ROS.M12 13X 24X2,5 U6592 ZN	WASHER 12 13X 24X2,5 U6592 ZN	RONDEL. M12 13X24X2,5 U6592 ZN	SCHIBE M12 13X24X2,5 U6592 ZN	ARANDELA M12 13 X24X2,5 ZN
29	F01200293	DADO M12X1,75 U5588 6.8ZN	NUT M12X1,75 U5588 6.8ZN	ECROU M12X1,75 U5588 6.8 ZN	MUTTER M12X1,75 U5588 6.8 ZN	TUERCA M12X1,75 U5588 6.8 ZN
30	F01200306	DADO M14X2 U5588 6.8ZN	NUT M14X2 U5588 6.8ZN	ECROU M14X2	MUTTER M14X2	DADO M14X2
31	F01200244	DADO M8X1,25 U5588 6.8ZN	NUT M8X1,25 U5588 6.8ZN	ECROU M8 X1,25 U5588 6.8 ZN	MUTTER M8 X1,25 U5588 6.8 ZN	TUERCA M8 X1,25 U5588 6.8 ZN
32	F01230098	DADO M18X2,5 D982 8ZN	NUT M18X2,5 D982 8ZN	ECROU M18X 2,5 D982 8 ZN	MUTTER M18X 2,5 D982 8 ZN	TUERCA M18X 2,5 D982 8 ZN
33	F01410088	ROS.M14 15X 28X2,5 U6592 ZN	WAS.M14 15X 28X2,5 U6592 ZB	RON.M14 15X 28X2,5 U6592 ZB	SCH.M14 15X 28X2,5 U6592 ZB	ARA.M14 15X 28X2,5 U6592 ZB
34	F01420048	ROS.M8 8,4X 24X 2 U6593 ZN	WASHER M8 8,4X 24X2 U6593 ZN	RONDELLE M8 8,4X24X 2 U6593 ZN	SCHIBEN M8 8,4X24X 2 U6593 ZN	ARANDELA M8 8,4X 24X2 U6593 ZN
35	F02200227	COPIGLIA 5X 30 U1336 ZN	PIN 5X 30 U1336 ZN			
36	F02200507	SPINA A SCATTO D 9 B/83	SNAP PIN D9 B/83 ZN	FICHE A DETENTE D9 B/83 ZN	EINRASTSTIFT D9 B/83 ZN	CLAVIJA DE MUELLE D9 B/83 ZN
37	G16610190	CHIUSURA CUSCINETTO ZN	END BEARING ZN			
38	G16610210	AS.LIMITATORE PROFONDITA'	LIMITER DEPTH COUPLYNG	GR. ASS. LIMITEUR DE PROFONDEU	TIEFENBEGRENZERKOMPLEX	CONJ. LIMITADOR DE PROFUNDIDAD
39	F01200270	DADO M10X1,5 U5588 6.8ZN	NUT M10X1,5 U5588 6.8ZN	ECROU M10X 1,5 U5588 6.8 ZN	MUTTER M10X 1,5 U5588 6.8 ZN	TUERCA M10X 1,5 U5588 6.8 ZN
40	F05150459	PARACOLPI CIL.75X25 M12 SH70	CYLINDER GUARD 75X25 M12 SH71	TAMPON CIL. 75X25 M12	PUFFER CIL. 75X25 M12	PARACHOQ. CIL. 75X25 M12
41	F02100312	SPINA DI SICUREZZA D.8X45 ZN	SAFETY PIN D.8X45 ZN	FICHE EL.DE SECURITE D.8X45 ZN	SCHERSTIFT D.8X45 ZN	CLAVIJA DE SEGURIDAD D 8X45 ZN
42	G16611090	SUPPORTO BRACCIO SEGN.RINF.DX	ARM SUPP.REINF.ROWMA.RIGHT			
43	G16611100	SUPPORTO BRACCIO SEGN.RINF.SX	ARM SUPP.REINF.ROWMA.LEFT			
44	G16611150	BRACCIO SEGNAFILE RINF.	REINF. ROWMARKER ARM			
45	G16611250	PERNO D.32X343	PIN D.32X343			
46	F01020050	VITE M6X1X80 U5737 8.8ZN	SCR. M6X1X80 U5737 8.8ZN	VIS 6 X80 5737 8.G ZN	SCHRAUBE 6 X80 5737 8.G ZN	TORNILLO 6 X80 5737 8.G ZN
47	F01220011	DADO M6X1 D980 8ZN	NUT M6X1 D980 8ZN	ECROU M6X1 D980 8 ZN	MUTTER M6X1 D980 8 ZN	TUERCA M6X1 D980 8 ZN
48	F03150996	COPPIA COLLARI X TUBO D.18	DOUBLE TUBE SUPPORT D.19			

WRM



**Varying center tractor track
CRM**

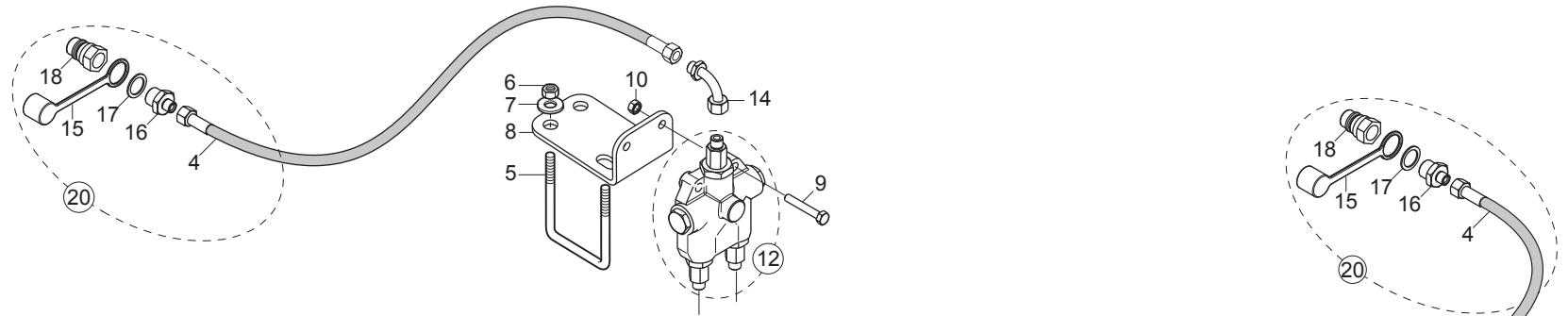


SEGNAFILE «WRM / CRM»

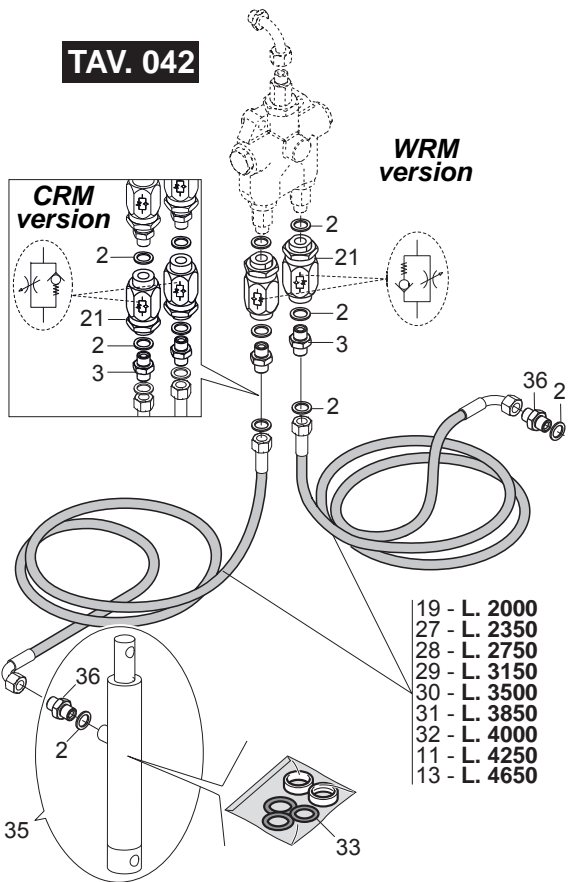
TAV. 042

Pos.	Cod.	Descrizione	Description	Description	Benennung	Descripcion
1	G15212750	BRACCIO SEGNAFILE SX	ROW MARKER ARM LEFT			
2	F01230048	DADO M10X1,5 D982 8ZN	NUT M10X1,5 D982 8ZN	ECR.AUTO-FREIN.M10X1,5 D982 ZN	SICHERUNGSMUTT.M10X1,5 D982 ZN	TUERCA SEGURID.M10X1,5 D982 ZN
3	G13812311	CATENELLA CON MOSCHETTONE ZN	CHAIN WITH SPRING CATCH	CHAINETTE AVEC MOUSQUETON	KETTE MIT KARABINERHAKEN	CADENA CON GANCHO
4	F02200507	SPINA A SCATTO D 9 B/83	SNAP PIN D9 B/83 ZN	FICHE A DETENTE D9 B/83 ZN	EINRASTSTIFT D9 B/83 ZN	CLAVIJA DE MUELLE D9 B/83 ZN
5	G15212671	SUPPORTO SEGNAFILE SX	L.ROWMARKER SUPPORT			
6	F05150460	PARACOLPI CIL.D50X21 M10X26,5	RUBBER BUFFER- CYLINDR.D50X21	PARE-CHOC CYL. D50X21	PUFFER ZYL.50X21	PARAGOLPES CIL.D50X21
7	G22505037	SCONTRIO PIASTRAATTACCO MT	STRIKER PLATE ATT. MT	BUTEE PLAQUE FIXATION MT	KUPPLUNGSPATTEN-ANSCHLAG MT	ELEMENTO DE EMPALME PLACA CONE
8	F02200194	COPIGLIA 4X 25 U1336 ZN	SPLIT PIN 4 X25 1336 GALVAN.	GOUPILLE 4 X25 1336 ZN	SPLINT 4 X25 1336 ZN	PASADOR 4 X25 1336 ZN
9	G15413020	SPINA 15X120 ZN	GALVANIZED PIN 15X120	GOUPILLE 15X120 ZN	STIFT 15X120 ZN	CLAVIJA 15X120 ZN
10	F01410100	ROS.M16 17X 30X 3 U6592 ZN	WASHER M16 17X30X3 U6592 ZN	RONDELLE M16 17X30X3 U6592 ZN	SCHRAUBE M16 17X 30X3 U6592 ZN	ARANDELA M16 17X30X 3 U6592 ZN
11	G65337004	MOLLA TRAZ.SOLLEV. FU	TRACTION SPRING LIFT. FU	RESSORT TRACT. LEVAGE FU	ZUGFEDER HEBUNG FU	MUELLE TRAC. LEVDEL. FU
12	F01200270	DADO M10X1,5 U5588 6.8ZN	NUT M10X1,5 U5588 6.8ZN	ECROU M10X 1,5 U5588 6.8 ZN	MUTTER M10X 1,5 U5588 6.8 ZN	TUERCA M10X 1,5 U5588 6.8 ZN
13	G15212790	PIASTRA POSTERIORE	REAR PLATE			
14	F01020479	VITE M10X1,5X35 U5739 8.8ZN	SCR. M10X1,5X35 U5739 8.8ZN	VIS M10X1,5X35 U5739 8.8 ZN	SCHR. M10X1,5X35 U5739 8.8 ZN	TORN. M10X1,5X35 U5739 8.8 ZN
15	G15413010	SPINA 15X62 ZN	PIN 15X62 ZN	GOUPILLE 15X62 ZN	BOLZENSTIFT 15X62 ZN	PASADOR 15X62 ZN
16	F01420060	ROS.M10 10,5X 30X2,5 U6593 ZN	WASHER 10,5X30	RONDELLE 10,5X30	SCHEIBE 10,5X30	ARANDELA 10,5X30
17	G15212701	SUPPORTO SEGNAFILE DX	R.ROWMARKER SUPPORT			
18	G15212760	BRACCIO SEGNAFILE DX	ROW MARKER ARM RIGHT			
19	G15110091	SCONTRIO A U SP.8 2F15 165	STRIKER	BRIDE 150 MM	ANSCHLAG	ELEMENTO DE EMPALME
20	F01020236	VITE M14X2X220 U5737 8.8BR	SCR. M14X2X220 U5737 8.8BR	VIS M14X2X220 U5737 8.8 BR	SCHRAUBE M14X2X220 U5737 8.8	TORNILLO M14X2X220 U5737 8.8
21	F01200306	DADO M14X2 U5588 6.8ZN	NUT M14X2 U5588 6.8ZN	ECROU M14X2	MUTTER M14X2	DADO M14X2
22	G15112921	DISCO D.320 LIM.COMPL.ST-MTE	SIDE SHIELD DISK D320 COMP. ST			
23	F01060040	VITE M8X1,25X20 U5732 4.6ZG	SCR. M8X1,25X20 U5732 4.6ZG	VIS M8X1,25X20 U5732 4.6 ZN	SCHRA. M8X1,25X20 U5732 4.6 ZN	TORN. M8X1,25X20 U5732 4.6 ZN
24	F01200244	DADO M8X1,25 U5588 6.8ZN	NUT M8X1,25 U5588 6.8ZN	ECROU M8 X1,25 U5588 6.8 ZN	MUTTER M8 X1,25 U5588 6.8 ZN	TUERCA M8 X1,25 U5588 6.8 ZN
25	F01230098	DADO M18X2,5 D982 8ZN	NUT M18X2,5 D982 8ZN	ECROU M18X 2,5 D982 8 ZN	MUTTER M18X 2,5 D982 8 ZN	TUERCA M18X 2,5 D982 8 ZN
26	F01420048	ROS.M8 8,4X 24X 2 U6593 ZN	WASHER M8 8,4X 24X2 U6593 ZN	RONDELLE M8 8,4X24X 2 U6593 ZN	SCHEIBEN M8 8,4X24X 2 U6593 ZN	ARANDELA M8 8,4X 24X2 U6593 ZN
27	F02050370	ANELLO E. DI 47X1,75 U7437 C70	SEEGER RING 47X 1,75 U7437 C70	SEEGER E. 47X 1,75 U7437 C70	SEEGERING E. 47X1,75 U7437 C70	ANILLO E. 47X 1,75 U7437 C70
28	F03010576	ANELLO OR 50,52X1,78 NBR	GASKET OR 50,52X1,78 NBR	BAGUE OR 50,52X1,78 NBR	RING OR 50,52X1,78 NBR	ANILLO OR 50,52X1,78 NBR
29	F04010156	CUSC.d20 D47 B14 6204 2RSH	BEARING d20 D47 B14 6204 2RSH			
30	G15111311	PERNO SEGNAFILE	ROWMARKER PIN			
31	G16610160	SUPP.CUSCINETTI DISCO SEGN.ZN.	GALVAN. ROWMARKER DISK BEARING	SUPPORT ROULEMENTS DISQUE TRAC	SCHEIBENLAGERHALTERUNG	SOPORTE COJINETE DE DISCO MARC
32	G16610170	DISCO SEGNAFILE D.320	ROW MARKER DISK D.320	DISQUE TRACEUR D320	SPURREISSERSCHEIBE D. 320	DISCO MARCARDOR DE FILAS O 320
33	G16610190	CHIUSURA CUSCINETTO ZN	END BEARING ZN			
34	G16610210	AS.LIMITATORE PROFONDITA'	LIMITER DEPTH COUPLYNG	GR. ASS. LIMITEUR DE PROFONDEU	TIEFENBEGRENZERKOMPLEX	CONJ. LIMITADOR DE PROFUNDIDAD
35	G18801270	BOCCOLA 21 X25 X12 ZN B.	BUSHING 21 X25 X12 ZN			
36	G16610431	FONDELLO ZN	BOTTOM GALV.ED			
37	F01020576	VITE M16X2X65 U5739 8.8ZN	SCR. M16X2X65 U5739 8.8ZN	VIS M16X2X65 U5739 8.8 ZN	SCHRAUBE M16X2X65 U5739 8.8 ZN	TORNILLO M16X2X65 U5739 8.8 ZN
38	G17111481	DISCO D.320 COMPL.MAGICA	DISK D.320 COMPLETE MAGICA			
39	G20970142	RONDELLA 32X4X15,5	WASHER 32X4X15-5	RONDELLE 32X4X15-5	UNTERLEGSCHIEBE 32X4X15-5	ARANDELA 32X4X15-5
40	G17111490	PERNO REGGIDISCO SEGN.MAGICA	ROWMARKER DISCHOLDER PIN			
41	G17111290	MANICOTTO DISCO ZN	DISC SLEEVE U BOLT	MANCHON DISQUE	SCHEIBENMUFFE	MANGUITO DISCO
42	F20110865	CAV.T.M10X 1,5X 30 46X168,5ZN	U BOLT.T.M10X1,5X30 46X168,5	ETRIER EN U M10 ZN	U-BOLZEN M10 ZN	PERNO EN U M10 ZN
43	G19204230	SUPPORTO MANICOTTO TQ.50	SLEEVE SUPPORT TQ.50			
44	F02100312	SPINA DI SICUREZZA D.8X45 ZN	SAFETY PIN D.8X45 ZN	FICHE EL.DE SECURITE D.8X45 ZN	SCHERSTIFT D.8X45 ZN	CLAVIJA DE SEGURIDAD D 8X45 ZN
45	F01410064	ROS.M10 10,5X 30X 2 U6592 ZN	WASHER M10 10,5X20X2 U6592 ZN	RONDEL. M10 10,5X20X2 U6592 ZN	SCHEIBE M10 10,5X20X2 U6592 ZN	ARANDEL.M10 10,5X20X2 U6592 ZN
46	F02100164	SPINA E.P. 10X 50 U6873 C70 BR	PIN EL. 10X50 DIN 1481 *	GOUPILLE EL.10 X50 DIN 1481	SPANNSTIFT 10X50 DIN 1481	CLAVIJA EL.10 X50 DIN 1481
47	F01020048	VITE M6X1X75 U5737 8.8ZN	SCR. M6X1X75 U5737 8.8ZN	VIS M6X1X75 U5737 8.8ZN	SCHRAU. M6X 1X 75 U5737 8.8 ZN	TORNIL. M6X1X75 U5737 8.8ZN
48	F01020168	VITE M12X1,75X90 U5737 8.8ZN	SCR. M12X1,75X90 U5737 8.8ZN	VIS M12X1,75X90 U5737 8.8 ZN	SCHRAB.M12X1,75X90 5737 8.8 ZN	TORNIL.M12X1,75X90 5737 8.8 ZN
49	F01420084	ROS.M14 14,5X 30X 3 U6593 ZN	GALVANIZED WASHER 14 X36 X3	RONDELLE 14 X36 X3 ZN	UNTERLEGSCHIEBE 14 X36 X3 ZN	ARANDELA 14 X36 X3 ZN
50	G18803070	BOCCOLA 12,5X25X52 ZN	BUSHING 25X12,5X52 GALVA	BOITE 25X12,5X52 ZN	BsCHSE 25X12,5X52 ZN	CASQUILLO 25X12,5X52 ZN
51	G14212010	CHIAVISTELLO PUNTELLO PIEGH.ZN	PROP LATCH ZN			
52	G15212811	TUBO ESTERNO	OUTER TUBE			
53	F02200452	SPINA SCATTO D.4,4 B/80 ZN	SNAP PIN D4.4 B/80 ZN	FICHE A DETENTE D4.4 B/80 ZN	EINRASTSTIFT D4.4 B/80 ZN	CLAVIJA DE MUELLE D4,4 B/80 ZN
54	F01220048	DADO M12X1,75 D980 8ZN	NUT M12X1,75 D980 8ZN	ECROU M12X1,75 D980 8 ZN	SCHEIBE M12X1,75 D980 8 ZN	TUERCA M12X1,75 D980 8 ZN
55	F01220011	DADO M6X1 D980 8ZN	NUT M6X1 D980 8ZN	ECROU M6X1 D980 8 ZN	MUTTER M6X1 D980 8 ZN	TUERCA M6X1 D980 8 ZN
56	G16311780N	SUPPORTO ROTAZ.TUBO SEGNAFILE	ROWMARKER TUBE ROTAT.SUPP.			

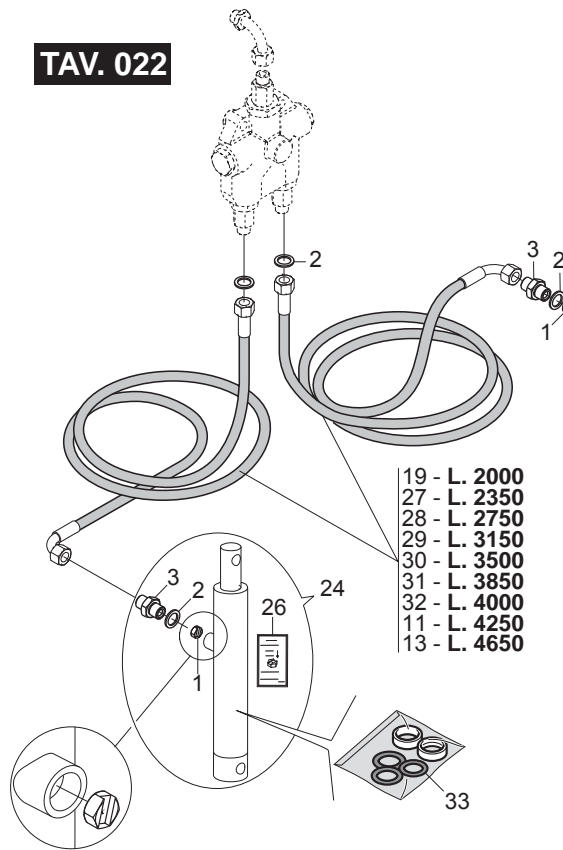
TAV. 410



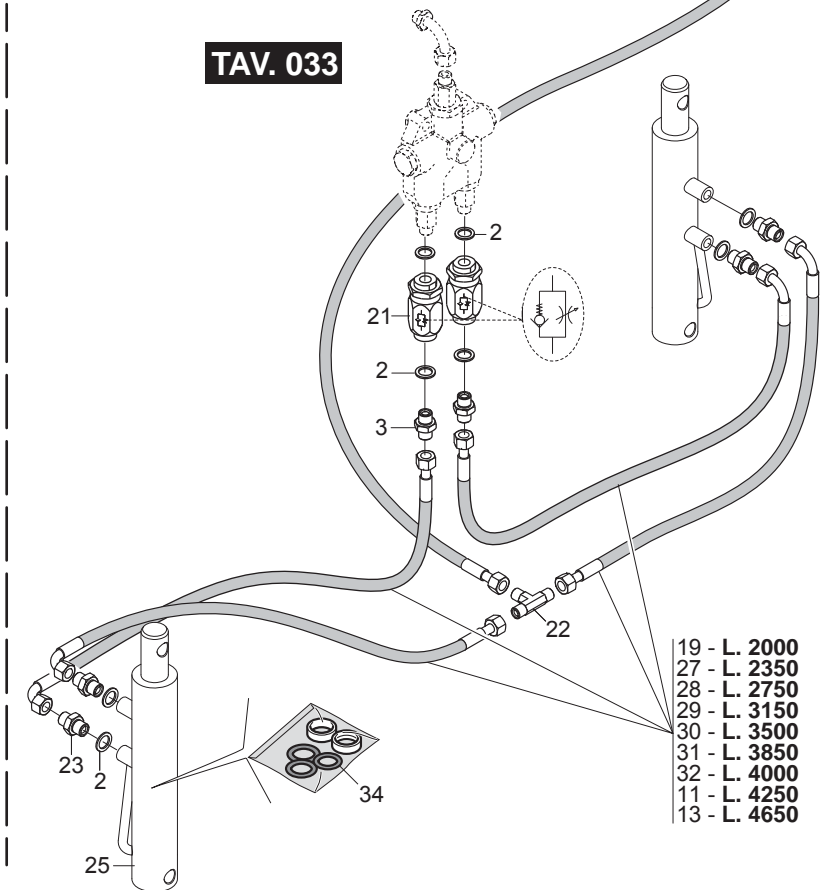
TAV. 042



TAV. 022



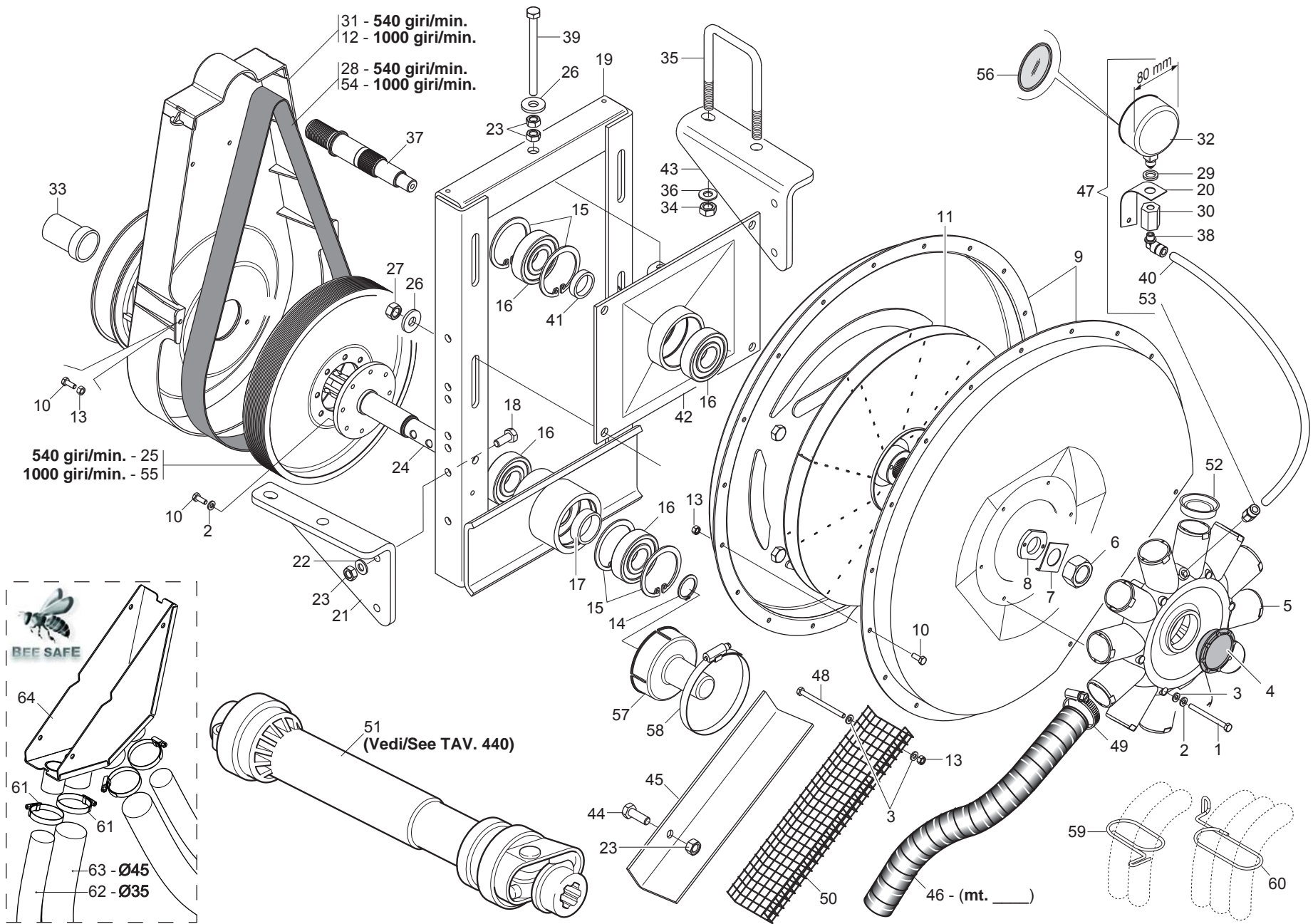
TAV. 033



IMPIANTO SEGNAFILE

TAV. 410

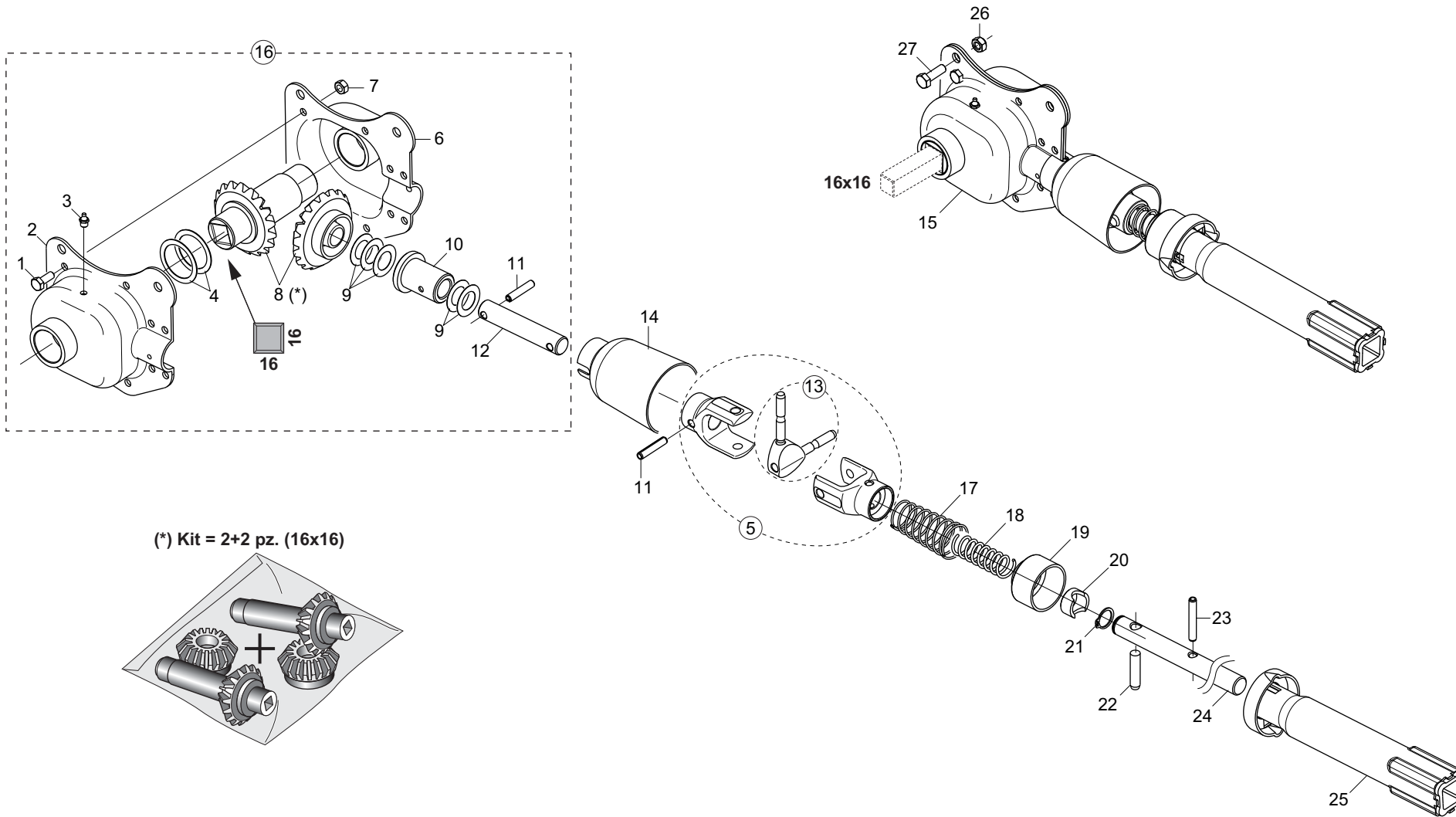
Pos.	Cod.	Descrizione	Description	Description	Benennung	Description
1	G15413050	STROZZATORE A PASTIGLIA D.0,8	PAD VENTURI D.0,8	ETRANGLEUR D.0,8	DROSSEL D.0,8	ESTRANGULADOR D.0,8
2	F01500012	RONDELLA IN RAME 1/4"	COPPER WASHER 13X19X1,5-1/4"	RONDELLE 13X19X1,5-1/4"	SCHIEBE 13X19X1,5-1/4"	ARANDELA 13X19X1,5-1/4"
3	F03150266	NIPPLO MM CIL-CIL 1/4-1/4 ZN	NIPPLE GALV.CYL.MALE 1/4 ZN	NIPPLE MALE CYL. 1/4 ZN	NIPPELZYL. 1/4 ZN	NIPLE MACHO CIL. 1/4 ZN
4	G22270463	TUB.TR.1/4R2 F-F 1/4 L1500 LM	TUBE TR.1/4R2 F-F1/4 L1500 LM	TUB.TR.1/4R2 F-F 1/4 L1500 LM	ROHR1/4R2 F-F 1/4 L1500 LM	TUB.TR.1/4R2 F-F 1/4 L1500 LM
5	F20110770	CAV.Q.B=80 M=14X2 L=119	U BOLT Q.B=80 M=14X2 L=119	BRIDE U M14X2X50 96X119 ZN	ANSCHLANG U M14X2X50 96X119 ZN	EL.DE EMPALME M14X2X50 96X119
6	F01200306	DADO M14X2 U5588 6.8ZN	NUT M14X2 U5588 6.8ZN	ECROU M14X2 U5588 6.8ZN	MUTTER M14X2	DADO M14X2
7	G20970142	RONDELLA 32X4X15,5	WASHER 32X4X15-5	RONDELLE 32X4X15-5	UNTERLEGSCHIEBE 32X4X15-5	ARANDELA 32X4X15-5
8	G15412351	SUPPORTO VALVOLA	VALVE SUPPORT			
9	F01020068	VITE M8X1,25X40 U5737 8.8ZN	SCR. M8X1,25X40 U5737 8.8ZN	VIS M 8X1,25X40 U5737 8.8 ZN	SCHRA. M8X1,25X40 U5737 8.8 ZN	TORNIL.M8X1,25X40 U5737 8.8 ZN
10	F01200244	DADO M8X1,25 U5588 6.8ZN	NUT M8X1,25 U5588 6.8ZN	ECROU M8 X1,25 U5588 6.8 ZN	MUTTER M8 X1,25 U5588 6.8 ZN	TUERCA M8 X1,25 U5588 6.8 ZN
11	G15413070	TUBO 1/4R2 CF1/4- F1/4 4250	PIPE 1/4R2 CF1/4-F1/4 4250	TUBE 1/4R2 CF1/4-F1/4 4250	SCHLAUCH 1/4R2 CF1/4-F1/4 4250	TUBO 1/4R2 CF1/4-F1/4 4250
12	G16611050	MONT.VALVOLA SEGNAFILE CN	ROWMARKER VALVE ASSY.	SOUPAPE TRACEUR COMPL.	KOMPL. SPURREISSEVENTIL	V-LVULA MARC. DE FILAS COMPL
13	G15413080	TUBO 1/4 C-F L.4650	TUBE 1/4 C-F L.4650	TUBE 1/4 C-F L.4650	ROHR 1/4 C-F L.4650	TUBO 1/4 C-F L.4650
14	F03150859	CURVA 90° F.GIREV.1/4 - M.1/4	ELBOW 90° F. SWIVEL 1/4 -M.1/4	COUDE 90° F.TOURN.1/4 - M.1/4	KNIESTsCK 90° F.DREHB.1/4 - M.	CURVA 90 F.GIRAT.1/4 - M.1/4
15	F05150325	CAPPUC.F X INN.M RAP.1/2 ROSSO	COVER CONNECT F 1/2 RED	COUVERCLE CONNEXION F 1/2 ROSE	DECKEL W 1/2 SCHNELLKUPP. ROT	PAC PROTECCION F 1/2 ROJO
16	F03150211	NIPPLO MM CIL-CIL 1/2-1/4 ZN	NIPLE MM CIL-CIL 1/4-1/2 ZN	NIPLE MM 1/4-1/2 ZN	NIPLE GG 1/4-1/2 ZN	NIPLE MM 1/4-1/2 ZN
17	F03151237	ROS. 21 X27X1,5 RAME -1/2"	COPPER WASHER 21X27X1,5 1/2	RONDELLE CUIVRE 21X27X1,5 1/2	SCHIEBE KUPFER 21X27X1,5 1/2	ARANDELA COBRE 21X27X1,5 1/2
18	F03150935	INNESTO RAP.MASCH.1/2 A VALV.	QUICK CONNECT MALE CONE 1/2	CONNEXION RAPIDE MALE CONE 1/2	SCHNELLKUPP.GEWINDE KONISC 1/2	ACOPLAMIEN.RAP.MACHO CONO 1/2
19	G23440517	TUBO 1/4R2 C-F 1/4 L2000 HL/ID	PIPE 1/4R2 C-F 1/4 L2000 HL/ID	TUBE 1/4R2 C-F 1/4 L2000 HL/ID	ROHR 1/4R2 C-F 1/4 L2000 HL/ID	TUBO 1/4R2 C-F 1/4 L2000 HL/ID
20	G13811211	TUBO X COLLEG.AL TRATTORE	PIPE FOR CONNECTION TO TRACTOR	TUBE POUR CONN. AU TRACTEUR	ROHR F. KUPPLUNG AM SCHLEPPER	TUBO P/CONEXIN AL TRACTOR T
21	F03151226	REGOL.DI FLUSSO VRF 1/4' GAS	1/4' GAS VALVE VRF	SOUPAPE REG DEBIT VRF 1/4" GAZ	VENITL VRF 1/4' GAS	VæLVULA VRF 1/4' GAS
22	F03151219	RACCORDO -T- MASCHIO 1/4 ZN	MALE T-UNION 1/4 ZN	CONNECTION A T	T VERBINDUNG	JUNTURA A T
23	G16011690	MONT.NIPPLO 1/4 GRANO F.1,0	UPRIGHT 1/4" NIPPLE WITH GRUB	MONTANT NIPPLE 1/4 AVEC GRAIN	STZNDER NIPPEL 1/4 MIT STIFT 8	MONT.NIPLE 1/4 TORNIL.SIN CABE
24	G15413110	CILINDRO SEGNAFILE SP COMPL.	ROW MARKER CYLINDER SP	CYLINDRE TRACEUR SP	SYLINDER REIHENANREISSER SP	CILINDRO MARCADOR DE FILAS
25	G16610140	CILINDRO DE 30X40 -155	CYLINDER D.E.30-40/155	CYLINDRE D.E. 30-40/155	ZYLINDER D.E.30-40/155	CILINDRO D.E. 30-40/155
26	G19702710	DECAL.POSIZIONE STROZZATORE	VENTURI POSITION STICKER	DECALCOM POSITION TAQUET	ABZIEHBILD POSIZION DROSSELSTE	CALCOMAN-A. POSICIÉN ESTRANGUL
27	G22505140	TUBO 1/4R2 C-F 1/4 L.2350 LM	TUBE 1/4R1 C-F 1/4 L.2350 LM	TUBE 1/4R2 C-F 1/4 L.2350 LM	ROHR 1/4R2 C-F 1/4 L.2350 LM	TUBO 1/4R2 C-F 1/4 L.2350 LM
28	G15210554	TUBO 1/4R2 F1/4-CF1/4 2850	TUBE 1/4R2 F1/4-CF1/4 2850			
29	G15210950	TUBO 1/4 R2 C-F 1/4 L.3150	PIPE 1/4-R2 C-F 1/4 M.3150	TUBE 1/4-R2 C-F 1/4 M.3150	ROHR 1/4-R2 C-F 1/4 M.3150	TUBO 1/4-R2 C-F 1/4 M.3150
30	G15210561	TUBO 1/4R2 CF1/4- F1/4 3500	PIPE 1/4R2 CF1/4- F1/4 3500	TUBE 1/4R2 CF1/4- F1/4 3500	ROHR 1/4R2 CF1/4- F1/4 3500	TUBO 1/4R2 CF1/4- F1/4 3500
31	G15413060	TUBO 1/4R2 CF1/4- F1/4 3850	TUBE 1/4R2 CF1/4-F1/4 3850	TUYAU 1/4R2 CF1/4-F1/4 3850	SCHLAUCH 1/4R2 CF1/4-F1/4 3850	TUBO 1/4R2 CF1/4-F1/4 3850
32	G16012650	TUBO R2 1/4 C-F L.4000	PIPE 1/4 R2 C-F 1/4 L.4000	TUBE 1/4 R2 C-F 1/4 L. 4000	ROHR 1/4 R2 C-F 1/4 L 4000	TUBO 1/4 R2 C-F 1/4 L.4000
33	F03100191	KIT GUARNIZ.CILINDRO 15413110	CYLINDER SEAL KIT 15413110	KIT GARNIT. CYLINDRE 15413110	KIT ZYLINDERDICHTUNG 15413110	KIT JUNTA CILINDRO 15413110
34	F03100609	KIT GUARNIZ.CILINDRO G16610140	CYL.GASKET KIT G16610140			
35	G14217360	MONT.CILINDRO SI-ST	ROWMARKER CYLINDER.D.30X40-155	CYLINDRE TRACEUR 30X40-155	ZYLINDER SPURREISSER.30X40-155	CILINDRO MARC.FILAS 35X40-155
36	G16011690	MONT.NIPPLO 1/4 GRANO F.1,0	UPRIGHT 1/4" NIPPLE WITH GRUB	MONTANT NIPPLE 1/4 AVEC GRAIN	STZNDER NIPPEL 1/4 MIT STIFT 8	MONT.NIPLE 1/4 TORNIL.SIN CABE



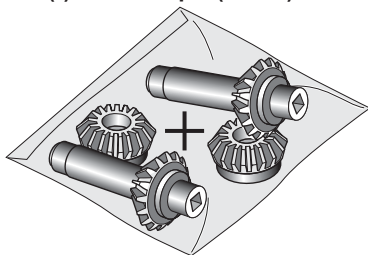
DEPRESSORE

TAV. 052

Pos.	Cod.	Descrizione	Description	Description	Benennung	Descripcion
1	F01020047	VITE M6X1X70 U5737 8.8ZN	SCR. M6X1X70 U5737 8.8ZN	VIS 6 X70 5737 8.G ZN	SCHRAUBE 6 X70 5737 8.G ZN	TORNILLO 6 X70 5737 8.G ZN
2	F01430047	ROS.M6 6,4X 11X0,7 U8842J ZN	WASHER D6 DIN 6798 D.INT.GALV.	RONDELLE D6 DIN 6798 D. INT. Z	UNT. SCHEIBE D6 DIN 6798 D. IN	ARANDELA D6 DIN 6798 D.INT.ZN
3	F01420036	ROS.M6 6,4X 18X 2 U6593 ZN	WASHER M6 6,4X 18X2 U6593 ZN	RONDELLE M6 6,4X18X2 U6593ZN	SCHEIBEN M6 6,4X18X 2 U6593 ZN	ARANDELA M6 6,4X18X2 U6593 ZN
4	F03150722	TAPPO 700 M52X2	M52 X 2 PLUG 700	BOUCHON M52 X 2	PFROPFEN M52 X 2	TAPN M52 X 2
5	G19004480	CONVOGLIATORE 12 USCITE	CONVEYOR 12 OUTLETS	CONVOYEUR 12 SORTIES	TRICHTER MIT 12 AUSG-NGEN	TRANSPORTADOR 12 SALIDAS
6	F01230143	DADO M24X2 D982 8ZN	NUT M24X2 D982 8ZN	ECROU M24X2 D982 8 ZN	MUTTER M24X2 D982 8 ZN	TUERCA M24X2 D982 8 ZN
7	G13912060	PIASTRINA DI TENUTA	STOP PLATE	PLAQUETTE DE TENUE	DICHTPLZTTCHEN	PLACA DE RETENCIN P
8	G13912050	RONDELLA DI FERMO	STOP WASHER	RONDELLE DE BLOCAGE	FESTSTELLSCHEIBE	ARANDELLA DE BLOQUEO
9	G22230335	INVOLUCRI DEPRESSORE	VACUUM PUMP CASINGS	ENVELOPPES DEPRESSEUR	sLLEN VAKUUMPUMPE	AJAS BOMBA VACO CA
10	F01020403	VITE M6X1X16 U5739 8.8ZN	SCR. M6X1X16 U5739 8.8ZN	VIS M6X1X16 U5739 8.8 ZN	SCHRAUBE M6X1X16 U5739 8.8 ZN	TORNILLO M6X1X16 U5739 8.8 ZN
11	G22230015	GIRANTE	ROTOR			
12	G15450500	PROTEZIONE CINGHIA 1000 GIRI	BELT GUARD 1000 RPM	PROTECTION COURROIE 1000 TOURS	RIEMENSCHUTZ 1000 UMDR.	PROTECCIN CORREA 1000 REV. P
13	F01220011	DADO M6X1 D980 8ZN	NUT M6X1 D980 8ZN	ECROU M6X1 D980 8 ZN	MUTTER M6X1 D980 8 ZN	TUERCA M6X1 D980 8 ZN
14	F02050112	ANELLO E. DE 30X 1,5 U7435 C70	SEEGER RING 30X 1,5 U7435 C70	SEEGER E. 30 X 1,5 U7435 C70	SEEGERING E. 30X 1,5 U7435 C70	ANILLO E. 30 X 1,5 U7435 C70
15	F02050403	ANELLO E. DI 72X 2,5 U7437 C70	SEEGER RING E.72X2,5 U7437 C70	SEEGER E. 72X 2,5 U7437 C70	SEEGERING E. 72X 2,5 U7437 C70	ANILLO E. 72X 2,5 U7437 C70
16	F04010215	CUSC.D30 D72 B19 6306 2RSC3 EX	BEARING D30 D72 B19 6306 2RSC3	PALIER 6306 2RS C3	LAGER 6306 2RS C3	COJINETE 6306 2RS C3
17	G22230010	DISTANZIALE CUSCINETTI	BEARING SPACER	ENTRETOISE PALIERS	DISTANZSTsCK LAGER	DISTANCIADOR COJINETES
18	F01020476	VITE M10X1,5X30 U5739 8.8ZN	SCR. M10X1,5X30 U5739 8.8ZN	VIS M10X1,5X30 U5739 8.8 ZN	SCHRAUBE M10X1,5X30 U5739 8.8ZN	TORNIL.M10X1,5X30 U5739 8.8 ZN
19	G15850200	INCASTELLATURA DEPRESSORE	DIFFUSION AIR PUMP FRAME	B-TI POMPE A D+PRESSION	GESTELL VAKUUMPUMPE	ARMAZÉN BOMBA VAC-O
20	G22270134	SUPPORTO VACUOMETRO SP	VACUUM METER SUPPORT SP	SUPPORT VACUOMETRE SP	HALTERUNG VAKUUMMETER SP	SOPORTE VACUMETRO SP S
21	G15450061	SUPPORTO SX	LEFT SUPPORT			
22	F01430023	ROS.M10 10,5X 18X0,9 U8842J ZN	WASHER D10 DIN 6798 D.INT.ZN	RONDELLE D10 DIN 6798 D. INT.	UNT. SCHEIBE D10 DIN 6798 D.IN	ARANDELA D10 DIN 6798 D.INT.ZN
23	F01200270	DADO M10X1,5 U5588 6.8ZN	NUT M10X1,5 U5588 6.8ZN	ECROU M10X 1,5 U5588 6.8 ZN	MUTTER M10X 1,5 U5588 6.8 ZN	TUERCA M10X 1,5 U5588 6.8 ZN
24	G22270369	P.DI P.CON CODOLO	POWER TAKE-OFF- W/ SPIGOT	PRISE DE FORCE AVEC CONE	KRAFTABTRIEB MIT ENDSTsCK	TOMA DE FUERZA CON MANGO
25	G22230012	PULEGGIA MOTRICE	DRIVING PULLEY 540	POULIE MOTRICE 540T	ANTRIEBSSCHEIBE 540	POLEA MOTRIZ 540
26	G20970035	RONDELLA 32X4X13	WASHER 32X4X13	RONDELLE 32X4X13	UNTERLEGSscheibe 32X4X13	ARANDELA 32X4X13
27	F01200293	DADO M12X1,75 U5588 6.8ZN	NUT M12X1,75 U5588 6.8ZN	ECROU M12X1,75 U5588 6.8 ZN	MUTTER M12X1,75 U5588 6.8 ZN	TUERCA M12X1,75 U5588 6.8 ZN
28	F06010160	CINGHIA POLY V 1287 J-16 GOLE	BELT POLY V 1287 J-16 CU GAT	COURROIE POLY V 1287 J-16 GOR		BANDA POLY V 1287 J-16 GOLE
29	F05150479	ROND.APPOGGIO MANOMETRI SV	PRESSURE GAUGE REST WASHER	ROND. LOGEMENT MANOMETRES SV	STsTZSCHEIBE MANOMETER SV	ARAND. SOPORTE MANOMETROS SV
30	G22250274	COLLEGAMENTO MANOMETRI SP-SV	PRESSURE GAUGE CONNECT. SP-SV	RACCORD MANOMETRES SP-SV	VERBINDUNG MANOMETER SP-SV	CONEXIN MANMETROS SP-SV LE
31	G15450342	PROTEZ.CINGHIA DEPRES.COMPLETO	DEPRES. COMPL.PROTECTION BELT	VACUUM METER 0-100 MBAR C. SMOR	VAKUUMMETER 0-100 MBAR M. DZMP	VACUM. 0-100 MBAR C.ATEN.INC.V
32	F03151288	VACUOM.0-100 MBAR C.SM.INC.D80	VACUUM METER 0-100 MBAR C. SMOR			
33	G19002131	PROTEZIONE P.D.P.	PDP GUARD			
34	F01200306	DADO M14X2 U5588 6.8ZN	NUT M14X2 U5588 6.8ZN	ECROU M14X2 U5588 6.8ZN	MUTTER M14X2	DADO M14X2
35	F20110770	CAV.Q.B=80 M=14X2 L=119	U BOLT Q.B=80 M=14X2 L=119	BRIDE U M14X2X50 96X119 ZN	ANSCHLANG U M14X2X50 96X119 ZN	EL.DE EMPALME M14X2X50 96X119
36	G20970142	RONDELLA 32X4X15,5	WASHER 32X4X15-5	RONDELLE 32X4X15-5	UNTERLEGSscheibe 32X4X15-5	ARANDELA 32X4X15-5
37	G15450390	PULEGGIA CONDOTTA	DRIVEN PULLEY D.28	POULIE ENTRAINEE D. 28	GETRIEBENE SCHEIBE D.28	POLEA CONDUCIDA D.28
38	F03151200	RACCORDO 90° C5 1/8" 6/8	UNION 90° C5 1/8" 6/8	RACCORD 90° C5 1/8" 6/8	ANSCHLUSSsTCK 90° C5 1/8" 6/8	UNION 90° C5 1/8" 6/8
39	G15450270	VITE 10X130 8.8 FIL.60 ZN	GALVANIZ. BOLT 10X130 8.8 FIL	VIS 10X130 8.8 FIL.60 ZN	SCHRAUBE 10X130 8.8 GEW.60 ZN	TORNILLO 10X130 8.8 FIL.60 ZN
40	F13070005	TUBO POLIURETANO 8-6 NERO	POLIURETHAN PIPE 8-6 BLACK			
41	G22230014	DISTANZIALE	SPACER	ENTRETOISE	DISTANZSTsCK	DISTANCIADOR
42	G15450091	SUPPORTO PULEGGIA CONDOTTA	DRIVEN PULLEY SUPPORT	SUPPORT POULIE ENTRAINEE	HALTERUNG GETRIEBENE RIEMENSCH	SOPORTE POLEA CONDUCIDA
43	G15450051	SUPPORTO DX	RIGHT SUPPORT			
44	F01020472	VITE M10X1,5X25 U5739 8.8ZN	SCR. M10X1,5X25 U5739 8.8ZN	VIS M10X1,5X25 U5739 8.8 ZN	SCHRAUBE M10X1,5X25 U5739 8.8	TORNILLO 10X25 U5739 8.8 ZN
45	G15450280	PROTEZIONE DEPRESSORE	VACUUM PUMP PROTECTION	PROTECTION DEPRESSEUR	SCHUTZ VAKUUMPUMPE	PROTECCIN BOMBA DE VACO PR
46	F03100506	TUBO EOLO PU D.45	TUBE EOLO PU D.45	TUBE EOLO PU D.45		
47	G22270093	VACUOMETRO COMPL. SP LM	VACUUM METER ASSY. SP LM	VACUOMETRE COMPL. SP LM	KOMPL. VAKUUMMETER SPLM	VACUMETRO COMPL. SP LM V
48	F01020050	VITE M6X1X80 U5737 8.8ZN	SCR. M6X1X80 U5737 8.8ZN	VIS 6 X80 5737 8.G ZN	SCHRAUBE 6 X80 5737 8.G ZN	TORNILLO 6 X80 5737 8.G ZN
49	F05150058	FASCETTA POLYA. 7,8X550 NERA	POLYAM.CLAMP 7,8X550 BLACK	COLLIER DE SERRAGE 7,8X550NOIR	ROHRSCHELLE 7,8X550 SCHWARZ	ABRAZADERA APRET. 7,8X550 NEGR
50	G10150291	GRIGLIA PROTEZIONE ZN	AIR PUMP PROTECT. GRID	GRILLE DE PROTECT.DISP. DEPRES	SCHUTZGITTER VAKUUMPUMPE	REJILLA DE PROTECCIN BOMBA VAG
51	F08011711	CARD.B1 Z6-Z6 L700	PTO SHAFT B1 Z6-Z6 L700			
52	F05050020	TAPPO SALVAFILETTO D.39	CONVEYOR PLUG D.39	BOUCHON PROTEGE-FILET D. 39	GEWINDESCHUTZPFROPFEN D.39	TAPN GUARDARROSCA D.39 D
53	F13010028	RACC.SUPERAPIDO DRITTO 1/8G-8	SUPERAP.RIGHT JUNCTION 1/8G-8			
54	F06010161	CINGHIA POLY V 1016 J-16 GOLE	BELT- POLY V 1016 J-16 GOLE	COURROIE POLY-V 1016 J-16 GORG	RIEMEN POLY-V 1016 J-16 RILLEN	CORREA POLY-V 1016 J-16 GARGA
55	G15450310	PULEGGIA MOTRICE 1000 GIRI	DRIVING PULLEY 1000 REVS	POULIE MOTRICE 1000T	ANTRIEBSSCHEIBE 1000 UMDREHUNG	POLEA MOTRIZ 1000 REVOLUCIONES
56	F03151356	VETRO VACUOM.0-100 MBAR D80	VACUOM. GLASS 0-100 MBAR D80			
57	G19005570	CUFFIA PROTEZIONE PTO	PROTECTION CAP PTO			
58	F02300025	FASCETTA STRING. 90/110 H.12	HOSE CLAMP 90/110 H.12			
59	G18903850	MOLLA SPEC.ZN GUIDA 2 TUBI DEP	GUIDE SPRING 2 PIPE DEPRESS.			
60	G18903860	MOLLA GUIDA 3 TUBI ZN	GUIDE SPRING 3 PIPE ZN			
61	F02300020	FASCETTA STRING. 32/50 H.9	HOSE CLAMP 32/50 H.9			
62	F03100500	TUBO EOLO 35 PU	TUBE EOLO 35 PU	TUBE EOLO 35 PU		TUBO EOLO
63	F03100506	TUBO EOLO PU D.45	TUBE EOLO PU D.45	TUBE EOLO PU D.45		
64	G15276370	CONVOGLIATORE SOFF.2+2U 35-45	CONVEYOR BLOWER 2+2 OUT 35-45			



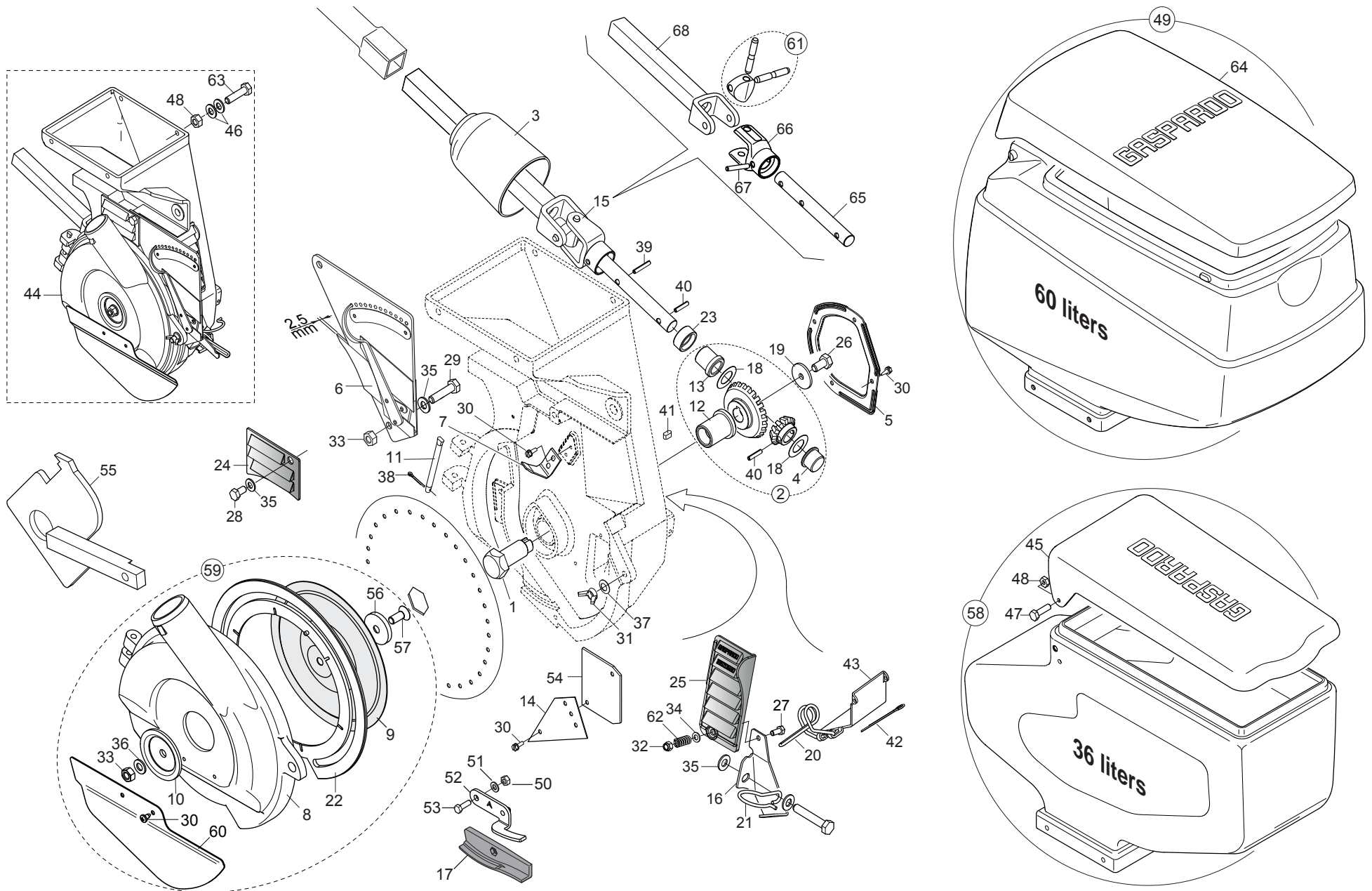
(*) Kit = 2+2 pz. (16x16)



SCATOLA DI RINVIO ELEMENTO

TAV. 061

Pos.	Cod.	Descrizione	Description	Description	Benennung	Descripcion
1	F01020403	VITE M6X1X16 U5739 8.8ZN	SCR. M6X1X16 U5739 8.8ZN	VIS M6X1X16 U5739 8.8 ZN	SCHRAUBE M6X1X16 U5739 8.8 ZN	TORNILLO M6X1X16 U5739 8.8 ZN
2	G22220103	CONCHIGLIA SX	LEFT SHELL			
3	F01100011	ING.M 6X1 7663-A 9SMNPB28 ZN	GREASE NIPPLE M6X1 7663-A ZN	GRAISS. A BILLE M6X1 7663A ZN	SCHMIERBUECHE M6X1 7663-A ZN	ENGRAS. DE ESFE. M6X1 7663-AZN
4	G18700510	RONDELLA 31 X40 X0,6 ZN	GROWER 32 X 40 X 0,6 ZN			
5	G15423980	FORCELLE SNODO ESCL.ELET.COMPL	COMPLET FORK ELECTRIC SWITCH O			
6	G22220102	CONCHIGLIA DX	RIGHT SHELL	COQUILLE DRT.	SCHALE RECHTS	MOLDE DER.
7	F01220011	DADO M6X1 D980 8ZN	NUT M6X1 D980 8ZN	ECROU M6X1 D980 8 ZN	MUTTER M6X1 D980 8 ZN	TUERCA M6X1 D980 8 ZN
8	G22270389	2+2 INGR.SCATOLA DI RINVIO >	2+2 INTERM. TRANSM. GEAR BOX	COUPLE CON RENV ANGLE (2+2)	2+2 ZAHNRZDER VORGELEGEGEHZUSE	2+2 ENGRANAJES CAJA DE LA TRAN
9	G18700220	RONDELLA 16,5 X28 X0,3 ACC.	WASHER 16X 28X 0,3 STEEL			
10	G66349001	BOCCOLA	BUSHING	BOITE	B_CHSE	CASQUILLO
11	F02100113	SPINA E.P. 6X 30 U6873 C70 ZN	PIN EL. 6X30 DIN 1481 ZN *	GOUPILLE EL.6 X30 DIN1481ZN*	SPANNSTIFT 6 X30 DIN 1481 ZN	CLAVIJA EL.6 X30 DIN 1481 ZN
12	G22270452	ALBERO SCATOLA RINVIO SP/S	INTERMEDIATE BOX SHAFT	ARBRE TRANSMISSION SP/S	WELLE VORGELEGEGEHZUSE SP/S	æRBOL CAJA DE TRANSMISIN SP/SA
13	G22270454	CROCIERA COMPL. SP/S	SPIDER SP/S	CROSILLON COMPL CARDAN TRANSM	GELENKKREUZ KOMPL. SP/S	CRUCETA COMPL. SP/S
14	G19002840	COPRICARDANO SUPERIORE	TOP CARDAN JOINT COVER	COUVRE-CARDAN SUPERIEUR	OBERE KARDANABDECKUNG	CUBRECARDæN SUPERIOR
15	GA5220190	SCATOLA RINVIO Q16 EL.MTR	DROP BOX Q16 EL.MTR			
16	G16033200	MONT.SCATOLA RINVIO Q.16 PLA >	TRANSFER CASE	BOITE RENVOI	VORGELEGEGEHZUSE	CAJA DE DISTRIBUCIN
17	G65338039	MOLLA COMP.ZN INNESTO SP	ZN COUPLING COMP. SPRING SP	RESSORT COMPL. ZN ACCOUPLEM.	DRUCKFEDER ZN KUPPLUNG SP	MUELLE COMP.ZN ACOPLAMIENTO SP
18	G65338018	MOLLA COMP.ZN SCATOLA RINV.SP	TRANSM. BOX COMP. SPRING . SP	RESSORT COMPL. ZN TRANSMISSION	DRUCKFEDER ZN VORGELEGEGEHZUSE	MUELLE COMP.ZN CAJA TRANSFER..
19	G66248102	ANELLO SICUREZZA SP	SAFETY RING	BAGUE SECURITE SP	SICHERHEITSRING SP	ANILLO DE SEGURIDAD SP
20	G22220105	BOCCOLA DI SPINTA	THRUST BUSHING	BOITE DE POUSSEE	SCHUBBSCHSE	CASQUILLO DE APRIETE
21	F02050045	ANELLO E. DE 16X 1 U7435 C70	SEEGER RING 16X 1 U7435 C70	BAGUE SEEGER 16 X 1 U7435 C70	SEEGERING 16 X 1 U7435 C70	ANILLO 16X 1 U7435 C70
22	G66248057	SPINA DI SICUREZZA SP	SAFETY PIN SP	BROCHE PLASTIC SECURITE CARDAN	SICHERHEITSTIFT SP	CLAVIJA DE SEGURIDAD SP
23	F02100121	SPINA E.P. 6X 40 U6873 C70 BR	ELASTIC PIN 6X40	GOUJON ELASTIQUE 6X40	SPANNHUELSE 6X40	PASADOR 6X40
24	G17722540	PERNO ZN.	PIN ZN.			
25	G17723020	ASS.INNESTO REGINA	ASSY CLUTCH REGINA			
26	F01220022	DADO M8X1,25 D980 8ZN	NUT M8X1,25 D980 8ZN	ECROU M8X 1,25 D980 8 ZN	MUTTER M8X 1,25 D980 8 ZN	TUERCA M8X 1,25 D980 8 ZN
27	F01020440	VITE M8X1,25X25 U5739 8.8ZN	SCR. M8X1,25X25 U5739 8.8ZN	VIS M8X1,25X25 U5739 8.8 ZN	SCHRAUBE M8X1,25X25U5739 8.8ZN	TORNIL.M8X1,25X25 U5739 8.8 ZN



DISTRIBUTORE SEMI

TAV. 071

Pos.	Cod.	Descrizione	Description	Description	Benennung	Descripcion
1	G22230046	ASSE TRASMISSIONE DISCO	DISC GEAR AXLE	AXE ENTRAINEMENT DISQUE	ACHSE SCHEIBENANTRIEB	EJE TRANSMISIN DISCO A
2	G22270390	KIT COPPIA CONICA DISTRIB.SEMI	KIT- SEED DISTR. CONICAL PAIR	COUPLE CON DISTR GRAINES (2+2)	KIT KEGELTRIEB SAMEN SZAPPARAT	SET PAR CONICO DISTRIB. SEMILL
3	G66248094	COPRICARDANO SP	UNIVERSAL JOINT COVER SP	COUVRE-CARDAN SP	KARDANABDECKUNG SP	CUBRECARDAN SP
4	G66349008	BOCCOLA	BUSHING	BOITE	BsCHSE	CASQUILLO
5	G22230035	COPERCHIO SCATOLA INGRAN.	GEARWHEEL BOX COVER	COUVERCLE BOITE ENGRENAGE	DECKEL ZAHNRZDGERGEHUSE	TAPA CAJA ENGRAN.
6	G22230040	SELETTORE MOBILE COMPLETO	MOBILE SELECTOR ASSY.	SELECTEUR MOBILE COMPL.	KOMPL. BEWEGLICHER WZHLER	SELECTOR MVIL COMPLETO S
7	G22230041	SELETTORE FISSO	SELECTOR FIXED	SELECTEUR FIXE	FESTER WZHLER	SELECTOR FIJO
8	G15223701	COPERCHIO CORPO MT	BODY COVER MT	COUVERCLE CORPS MT	DECKEL KTRPER MT	TAPACUERPO MT
9	G22230037	TENUTA GUARNIZIONE	SEAL	BLOQUAGE GARNITURE	DICHTUNG	JUNTA ESTANCA
10	G16620470	TAPPO CENTRALE H=7,5	CENTRAL PLUG H=7.5	BOUCHON CENTRAL H=7,5	ZENTRALER PFROPFEN H=7,5	TAPEN CENTRAL H=7,5
11	G22230039	PERNO COPERCHIO	COVER PIN	PIVOT COUVERCLE	DECKELZAPFEN	PERNO TAPA
12	G66349002	BOCCOLA SINT.BASSOFONDO	BUSHING- SINTERED	BOITE FRITTEE	SYNTH. B. CHSE	CASQUILLO SINT.
13	G22270071	BOCCOLA COLL. SINTER.20X24	20X24 SINTERED COLLARED BUSH	BOITE COLLIER FRITTEE 20X24	ANSCHLUSSBUECHSE SINTER.20X24	CASQUILLO CONEX. SINTER.20X24
14	G22270204	PIASTRA ANTI TRABOCC.SEMI SP	SEED ANTI-OVERFLOW PLATE SP	PLAQUE ANTI-DEBORD.T GRAINES S	SAMENsBERLAUFPLATTE SP	PLACA ANTI DESBORDAMIENTO SEMI
15	G17722581	ASSE PORTA PIGNONE L.165 COMPL	COMPL.PINION HOLDER SPINDLE			
16	G17722990	FERMO MOLLA ZN (DA G15421151)	SPRING LOCK ZN (DA G15421151)			
17	G19006960	ESPULSORE SEME MAIS	SEED EJECTOR FOR CORN			
18	G18700220	RONDELLA 16,5 X28 X0,3 ACC.	WASHER 16X 28X 0,3 STEEL			
19	F01420037	ROS.M6 6,4X 24X 2 U6593 ZN	WASHER M6 6,4X24X2 U6593 ZN			
20	G18902951	MOLLA SPEC.ZN SCARICO	SPEC SPRING ZN DISCHARGE	RESSORT TRAPPE VIDANGE	SPEZIALFEDER ZN ENTLADUNG	MUELLE ESPEC. ZN DESCARGA
21	G18903180	MOLLA CONVOGLIATORE MICRO	MICRO CONVEYOR SPRING	RESSORT CONVOYEUR MICRO	FEDER MIKRO FTRDERER	MUELLE CONDUCTOR MICRO
22	G19002620	GUARNIZIONE COP.DISTR.SP530-MT	DISTRIBUTION COVER AIR SEAL MT	JOINT ETANCH PORTE SP530-MT	DICHTUNG SZAPPARATDECKEL SP530	JUNTA TAPA DISTRIB.SP530
23	G66248219	ANELLO PARAPOLVERE SP-520	DUST COVER RING	BAGUE PARE-POUSSIERE SP-520	STAUBSCHUTZRING SP-520	ANILLO GUARDAPOLVO SP-520
24	G16620540	PORTA DI PROTEZIONE	SAFETY HATCH	PORTE DE PROTECTION	SCHUTZIFFNUNG	PUERTA DE PROTECCIEN
25	G16620530	PORTA DI CONTROLLO	INSPECTION DOOR	PORTE CONTROLE	KONTROLLTSr	PUERTA DE CONTROL
26	F01020403	VITE M6X1X16 U5739 8.8ZN	SCR. M6X1X16 U5739 8.8ZN	VIS M6X1X16 U5739 8.8 ZN	SCHRAUBE M6X1X16 U5739 8.8 ZN	TORNILLO M6X1X16 U5739 8.8 ZN
27	F01020382	VITE M5X0,8X25 U5739 8.8ZN	SCR. M5X0,8X25 U5739 8.8ZN	VIS 5 X25 5739 8.G ZN	SCHRAUBE 5 X25 5739 8.G ZN	TORNILLO 5 X25 5739 8.G ZN
28	F01020432	VITE M8X1,25X16 U5739 8.8ZN	SCR. M8X1,25X16 U5739 8.8ZN	VIS M8 X1,25X16 U5739 8.8 ZN	SCHRAUBE M8X1,25X16U5739 8.8ZN	TORNILLO M8X1,25X16U5739 8.8ZN
29	F01020451	VITE M8X1,25X45 U5739 8.8ZN	SCR. M8X1,25X45 U5739 8.8ZN	VIS M8X1,25X45 U5739 8.8ZN	SCHRA.M8X1,25X45 U5739 8.8ZN	TORN. M8X1,25X45 U5739 8.8ZN
30	F01070011	VITE A4,2X1,41X9,5 U6950 4.8NI	SCR. H4,2X1,41X9,5 U6950 4.8NI	VIS AUTOTAR. 4-2X9-5 T. E. COU	SELBSTSCHNEID. SCHRAUBE 4-2X9-	TORNILLO AUTOPROSC. 4-2X9-5
31	F01240024	DADO M8X1,25 U5448 5.8ZN	NUT M8X1,25 U5448 5.8ZN	ECROU 8 UNI 5448 5.8 ZN	MUTTER 8 UNI 5448 5.8 ZN	TUERCA 8 UNI 5448 5.8 ZN
32	F01230019	DADO M5X0,8 D982 8ZN	NUT M5X0,8 D982 8ZN	ECROU AUTOB.NOR.5 ZN	SELBSTSP. MUTTER NOR.5 ZN	TUERCA AUTOB. NOR. 5 ZN
33	F01200244	DADO M8X1,25 U5588 6.8ZN	NUT M8X1,25 U5588 6.8ZN	ECROU M8 X1,25 U5588 6.8 ZN	MUTTER M8 X1,25 U5588 6.8 ZN	TUERCA M8 X1,25 U5588 6.8 ZN
34	F01410023	ROS.M5 5,3X 10X 1 U6592 ZN	WASHER M5 5,3X 10X 1 U6592			
35	F01410051	ROS.M8 8,4X 17X1,6 U6592 ZN	WASHER M8 8,4X17X1,6 U6592 ZN	RONDELLE M8 8,4X17X1,6 U6592ZN	SCHEIBE M8 8,4X17X1,6 U6592 ZN	ARANDELA M8 8,4X17X1,6 U6592ZN
36	F01430059	ROS.M8 8,4X 15X0,8 U8842J ZN	WASHER M8 8,4X15X0,8 U8842J ZN	ROND. M8 8,4X 15X0,8 U8842JZN	SCHEIBE M8 8,4X15X0,8 U8842JZN	ARAND. M8 8,4X15X0,8 U8842J ZN
37	F01460115	ROS.OND. 8,4X 15X0,5 BR D137A	WASHER D8 DIN 137/A	RONDELLE D8 DIN 137/A	UNTERLEGSSCHEIBE D8 DIN 137/A	ARANDELA D8 DIN 137/A
38	F02200137	COPIGLIA 2X 15 U1336 IX	SPLIT PIN 2 X15 1336 GALVAN.	GOUVILLE 2 X15 1336 ZN	SPLINT 2 X15 1336 ZN	PASADOR 2 X15 1336 ZN
39	F02100079	SPINA E.P. 5X 20 U6873 C70 BR	PIN EL. 5X 20 U6873 C70 BR			
40	F02100083	SPINA E.P. 5X 24 U6873 C70 BR	PIN EL. 5 X24 DIN 1481	FICHE EL. 5 X24 DIN 1481	SPANNSTIFT 5 X24 DIN 1481	CLAVIJA EL.5 X24 DIN 1481
41	F02150012	LINGUETTA 5X 5X 10 U6604A	PARALLEL KEY 5X 5X 10 U6604A			
42	F02200200	COPIGLIA 4X 70 U1336 ZN	SPLIT PIN 4 X70 1336 GALVAN.	GOUVILLE 4 X70 1336 ZN	SPLINT 4 X70 1336 ZN	PASADOR 4 X70 1336 ZN
43	G15421870	PORTA DI SCARICO DISTRIBUTORE	DISTRIBUTOR DISCHARGE DOOR	PORTE DE DECHARGEMENT DISTRIB.	ENTLADUNGSTsr SZAPPARAT	PUERTA DESCARGA DISTRIBUIDOR
44	GA5220361	MONT.CORPO DISTRIBUZIONE MTR	DISTRIB.BODY MTR COMPL.			
45	G19002750	COPERCHIO SERBATOIO SEME 530	SEED TANK COVER 530	COUVERCLE RES GRAINES 530-MT	SAMENBEHZLTERDECKEL 530	TAPA DEPOSITO SEMILLA 530 A
46	F01420036	ROS.M6 6,4X 18X 2 U6593 ZN	WASHER M6 6,4X 18X2 U6593 ZN	RONDELLE M6 6,4X18X2 2 U6593ZN	SCHEIBE M6 6,4X18X2 2 U6593 ZN	ARANDELA M6 6,4X18X2 U6593 ZN
47	F01020403	VITE M6X1X16 U5739 8.8ZN	SCR. M6X1X16 U5739 8.8ZN	VIS M6X1X16 U5739 8.8 ZN	SCHRAUBE M6X1X16 U5739 8.8 ZN	TORNILLO M6X1X16 U5739 8.8 ZN
48	F01220011	DADO M6X1 D980 8ZN	NUT M6X1 D980 8ZN	ECROU M6X1 D980 8 ZN	MUTTER M6X1 D980 8 ZN	TUERCA M6X1 D980 8 ZN
49	G15226240	MONT.SERB.SEME 60 LITRI	TANKASSEMBLY SEED 60LT			
50	F01200220	DADO M5X0,8 U5588 6.8ZN	NUT M5X0,8 U5588 6.8ZN	ECROU 5 UNI 5588 6.8 ZN	MUTTER 5 UNI 5588 6.8 ZN	TUERCA 5 UNI 5588 6.8 ZN
51	F01430035	ROS.M5 5,3X 10X0,6 U8842J ZN	WASHER D5 DIN 6798 D.INT.ZN	RONDELLE D5 DIN 6798 D. INT. Z	UNT. SCHEIBE D5 DIN 6798 D. IN	ARANDELA D5 DIN 6798 D.INT.ZN
52	G16620010	ESPULSORE SEMI BIETOLA	SUGAR BEET EJECTOR	EXPULSEUR BETTES	AUSWERFER RUBEN	EXPULSOR REMOLACHA
53	F01020381	VITE M5X0,8X20 U5739 A2IX	SCR. M5X0,8X20 U5739 A2IX	VIS 5X20 5739	SCHRAUBE 5X20 5739	TORNILLO 5X20 5739
54	G22270133	PIASTRINA ANTI TRABOC.SEMI MIN	MINUTE SEED PLATE SP	PLAQUETTE GRAINES PETITES SP	PLZTTCHEN KLEINE SAMEN SP	PLAQUETA SEMILLAS PEQUE%AS SP
55	G16620360	DIMA SELETTORE FISSO	POSITION PLATE FOR FIXED SELEC	GABARIT POSITION SELECTEUR FIX	EINSTELLEHRE F R FIXEN ABSTREI	PLACA PARA LA POSICIEN SELECTO
56	G18701890	RONDELLA D.8,5 VASATA ZN.	FLARED WASHER D.8.5 ZN.	RONDELLE D.8,5 +VAS+E ZN.	F-CHERSCHLEIBE D.8,5 ZN.	ARANDELA D.8,5 ABCINADINA ZN.
57	F01030055	VITE M8X1,25X20 U5933 10.9ZD	SCR. M8X1,25X20 U5933 10.9ZD	VIS M 8X20	SCHRAUBE M 8X20	TORNILLO M 8X20
58	G15224471	SERBATOIO SEME COMPLETO MT	SEED TANK ASSY. MT	RESERVOIR GRAINES COMPL PLA MT	SAMENBEHZLTER KOMPLETT MT	DEPOSITO SEMILLAS COMPLETO MT B
59	G17722791	MONT.COPERCHIO DISTRIB.REGINA	ASSEMBLY DISTRIB. COVER REGINA			
60	G17722622	PROTEZIONE SX	LEFT GUARD			
61	G22270454	CROCIERA COMPL. SP/S	SPIDER SP/S	CROSILLON COMPL CARDAN TRANSM	GELENKKREUZ KOMPL. SP/S	CRUCETA COMPL. SP/S
62	G18904240	MOLLA APERTURA PORTA CONTROLLO	SPRING	RESSORT	FEDER	MUELLE
63	F01020404	VITE M6X1X20 U5739 8.8ZN	SCREW M6X1X20 U5739 8.8ZN	VIS M6X1X20 U5739 8.8ZN	SCHRAUBE M6X1X20 U5739 8.8ZN	TORNILLO M6X1X20 U5739 8.8ZN
64	G19005480	COPERCHIO SERBAT.SEME 60 LITRI	COVER SEED HOPPER 60 LITRE			
65	G22270069	ASSE PORTA PIGNONE	PINION BEARING SPINDLE	AXE PORTE-PIGNON	RITZELTRZGERACHSE	EJE PORTA-PIGNON A
66	G19204060	FORCELLA	FORK			
67	F02100086	SPINA E.P. 5X 30 U6873 C70 ZN	PIN EL. 5 X30 DIN 1481 ZN	FICHE EL. 5 X30 DIN 1481 ZN	SPANNSTIFT 5 X30 DIN 1481 ZN	CLAVIJA EL.5 X30 DIN 1481 ZN
68	G15221221	TUBO CARDANO 20 L. 165	CARDAN TUBE 20 L.165			

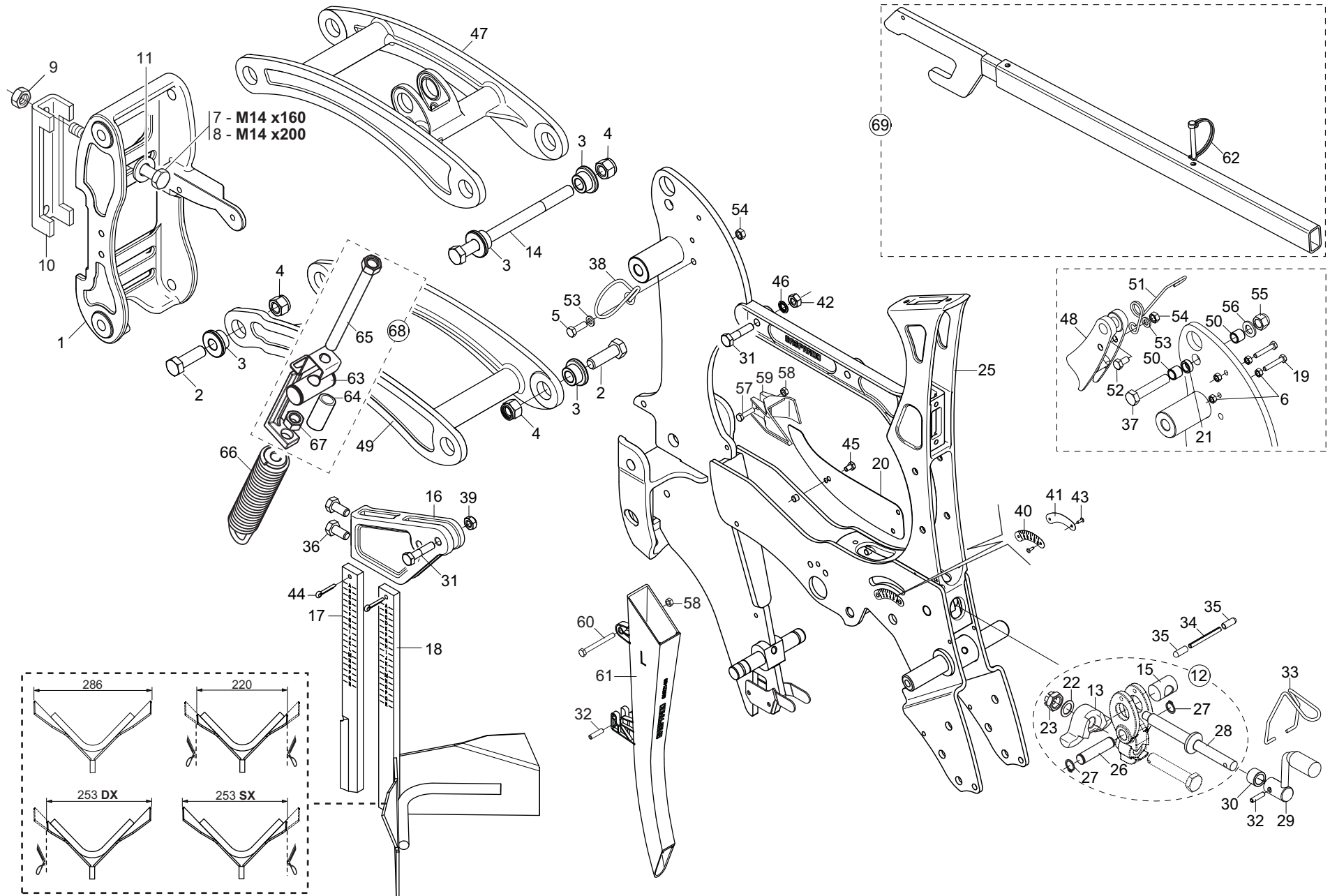
TAV. 080

Codice Code Code Kodex Codigo	Nr e ø fori Nr and ø holes Nr et ø trous Nr und ø löcher Nr y ø agujeros	Coltura	Seeds	Cultures	Samen	Semillas	Distanza semina Seeding dist. Dist. de semis Saatabstandes Dist. siembra	Codice Code Code Kodex Codigo	Nr e ø fori Nr and ø holes Nr et ø trous Nr und ø löcher Nr y ø agujeros	Coltura	Seeds	Cultures	Samen	Semillas	Distanza semina Seeding dist. Dist. de semis Saatabstandes Dist. siembra		
22230298	20	0,8 (1)					↓ min.10,4 cm. max. 41,7 cm.	22230290	36	2,5	Pomodoro conf. ø 3,5+4,5 mm Ginseng	Tomato pilled ø 3,5-4,5 mm Ginseng	Tomate enrobè ø 3,5+4,5 mm Ginseng	Tomate pilliert ø 3,5-4,5 mm Ginseng	Tomate conf. ø 3,5+4,5 mm Ginseng	max. 23,2 cm.	
22230319	20	1 (1)	Cavolo broccolo	Broccoli	Chou-Broccoli	Brokkoli		Bróculi	22230197	36	3,5	Fagiolino Piselli Soia	Beans (Little) Peas Soyabeans	Haricot (Petit) Pois Soja	Grüne Bohnen Erbsen Soja	Judias verdes Arveja Soja	↑ min. 4 cm. max. 16 cm.
22230327	20	1,1 (1)	Cavolo verza	Cabbage,Savoy	Chou de Milan	Wirsing		Col de Milán	22230199	36	4,5	Fagiolo Piselli Favino	Beans Peas -	Haricot Pois -	Bohnen Erbsen -	Poroto Arveja -	
22230320	20	1,5							22230295	36	5,5	Fagiolo	Beans	Haricot	Bohnen	Poroto	
22230294	20	2,1	Zucchini Melone Anguria Cardo	Squash Melon Watermelon -	Courgette Melon Pastèque -	Kürbis Melone Wassermelone -		Calabacín Melón Sandía -	10123760R	36	5,5 (2)	Fagiolo	Beans	Haricot	Bohnen	Poroto	
22230203	20	2,5	Girasole	Sunflower	Tournesol	Sonnenblumen		Girasol	22230304	36	7						
22230192	20	3,5	Cotone Mais (Piccolo)	Cotton Corn (Little)	- Mais (Petit)	Baumwohl Mais (Klein)		- Maiz (Pequeño)	22230321	52	1,5						
22230048	20	4,5	Mais	Corn	Mais	Mais		Maiz	22230328	52	2,1	Barbabetola	Beets	Betteraves	Rüben	Remolacha	
22230047	20	5,5	Mais (Grosso) Ceci Fagiolo borlotto e cannellino Arachidi	Corn (Big) Pulses Beans Peanut	Mais (Gros) - Haricot -	Mais (Grosse) - Bohnen -		Maiz (Grueso) - Poroto -	22230299	52	2,5						
22230205	20	7	Arachidi Lupino	Peanut -	- -	- -		- -	22230316	52	3,5	Fagiolino	Beans (Little)	Haricot (Petit)	Grüne Bohnen	Judias verdes	
10124030R	26	1 (1)					↑ min. 8 cm. max. 32,1 cm.	22230288	52	4,25	Soia	Soyabeans	Soja	Soja	Soja		
22230253	26	1,5						22230194	72	0,5 (1)	Endivia Lattuga	Endive Lettuce	Chicorée Laitue	Winterendivien Kopfsalat	Escarola Lechuga		
22230296	26	2,1	Zucchini Melone Anguria Cardo	Squash Melon Watermelon -	Courgette Melon Pastèque -	Kürbis Melone Wassermelone -		Calabacín Melón Sandía -	22230195	72	0,8 (1)	Endivia Lattuga Rapa Senape Finocchio Anice	Endive Lettuce Turnip Mustard Fennel -	Chicorée Laitue Navet Moutarde Fenouil -	Winterendivien Kopfsalat Speiserüben Senft Fenchel -	Escarola Lechuga Nabo - Hinojo -	
22230289	26	2,5	Girasole	Sunflower	Tournesol	Sonnenblumen		Girasol	22230193	72	1,1 (1)	Pomodoro Rapa Finocchio Colza Panico	Tomato Turnip Fennel Canola -	Tomate Navet Fenouil Colza -	Tomate Speiserüben Fenchel Raps -	Tomate Nabo Hinojo Colza -	
22230249	26	3,5	Cotone Mais (Piccolo)	Cotton Corn (Little)	- Mais (Petit)	Baumwohl Mais (Klein)		- Maiz (Pequeño)	22230257	72	1,5	Spinacio Ravanello Asparagio Pomodoro conf. ø 2,5+3,5 mm	Spinach Radish Asparagus Tomato pilled ø 2,5+3,5 mm	Epinard Radis Asperge Tomate enrobè ø 2,5+3,5 mm	Spinat Radies Spargel Tomate pilliert ø 2,5+3,5 mm	Espinaca Rabanito Espárrago Tomate conf. ø 2,5+3,5 mm	
22230050	26	4,5	Mais	Corn	Mais	Mais		Maiz	22230213	72	2,1	Bieta a coste Saggina	Swiss Chard -	Poirée -	Mangold -	Acelga -	
22230303	26	5							10124040R	72	2,5						
22230049	26	5,5	Mais (Grosso) Ceci Fagiolo borlotto e cannellino Arachidi	Corn (Big) - Beans -	Mais (Gros) - Haricot -	Mais (Grosse) - Bohnen -		Maiz (Grueso) - Poroto -	22230198	72	3,5	Fagiolino Soia	Beans (Little) Soyabeans	Haricot (Petit) Soja	Grüne Bohnen Soja	Judias verdes Soja	
22230317	36	1,1 (1)	Pomodoro	Tomato	Tomate	Tomate		Tomate	10124020R	72	4,25	Soia	Soyabeans	Soja	Soja		
22230196	36	1,5	Lenticchia Cetriolo Pomodoro conf. ø 2,5+3,5 mm	- Cucumber Tomato pilled ø 2,5+3,5 mm	Concombre Tomate enrobè ø 2,5+3,5 mm	Gurke Tomate pilliert ø 2,5+3,5 mm		Pepino Tomate conf. ø 2,5+3,5 mm	22230256	72	4,5						
22230051	36	2,1	Barbabetola Zucchini Melone Anguria Cardo Sorgo Sesamo	Beets Squash Melon Watermelon - Sorghum -	Betteraves Courgette Melon Pastèque - Sorgo -	Rüben Kürbis Melone Wassermelone - Hirse -	Remolacha Calabacín Melón Sandía - Sorgo -								↑		

DISCHI DI SEMINA

TAV. 080

Pos.	Cod.	Descrizione	Description	Description	Benennung	Descripcion
1	G10123970	DISCO 104F D.2,0 SP-MT	DISK 104 HOLES D.2,00 SP	DISQUE 104 TROUS D.2,00 SP	SCHEIBE 104 LTCHER D.2,00 SP	DISCO 104 ORIFICIOS D.2,00 SP
2	G10124010	DISCO 60F D.4,5 SP-MT	DISK 60 HOLES D.4-5 SP LM	DISQUE 60 TROUS D. 4-5 SP LM	SCHEIBE 60 LTCHER D.4-5 SP LM	DISCO 60 ORIFICIOS D.4-5 SP LM
3	G10124020	DISCO 72F D.4,25 SP-MT	DISK 72 HOLES D.4-25 SP LM	DISQUE 72 TROUS D. 4-25 SP LM	SCHEIBE 72 LTCHER D.4-25 SP	DISCO 72 ORIFICIOS D.4-5 SP LM
4	G10124030	DISCO 26F D.1,0 SP-MT	STEEL DISK 26 HOLES D 1.0 SP	DISQUE ACC. 26 TROUS D 1-0 SP	SCHEIBE ZUB. 26 LTCHER D 1-0 S	DISCO AC. 26 ORIFICIOS D 1-0 S
5	G10124040	DISCO 72F D.2,5 SP-MT	DISK ST. 72 H. D 2,5	DISQUE ACIER 72 TROUS D 2,5	STAHLSCHEIBE 72 L. D 2,5	DISCO ACERO 72 ORIF. D 2,5
6	G10124050	DISCO 104F D.1,1 SP-MT	STEEL DISC 104 HOLES D 1.1 SP	DISQUE ACIER 104 TROUS D 1,1	STAHLSCHEIBE 104 BOHR. D 1,1	DISCO ACC.104 AGUJEROS D 1,1
7	G10124060	DISCO 26F D.4,0 SP-MT	DISC 26 F. D.4	DISQUE 26 TROUS D.4	SCHEIBE 26 B. D.4	DISCO 26 AGUJEROS D 1,4
8	G10124070	DISCO 36F D.1,7 SP-MT	DISK 36 HOLES D.1.7 SP LM	DISQUE 36 TROUS D.1,7 SP LM	SCHEIBE 36 LTCHER D.1,7 SP LM	DISCO 36 ORIFICIOS D.1,7 SP LM
9	G10124090	DISCO 6F D.4,5 SP-MT	DISK 6 HOLES D.4,5	DISQUE 6 TROUS D. 4,5	SCHEIBE 6 LTCHER D.4,5	DISCO 6 ORIFICIOS D.4,5
10	G10124100	DISCO 6F D.3,0 SP-MT	DISK 6 HOLES D.3,0	DISQUE 6 TROUS D. 3,0	SCHEIBE 6 LTCHER D.3,0	DISCO 6 ORIFICIOS D.3,0
11	G22230047	DISCO 20F D.5,5 SP-MT	DISK 20 H. D.5-5 CORN SP LM	DISQUE 20 TROUS D. 5-5 MAIS SP	SCHEIBE 20 L. D.5-5 MAIS SP LM	DISCO 20 ORIF. D.5-5 MAZ SP LD
12	G22230048	DISCO 20F D.4,5 SP-MT	DISK 20 H. D.4-5 SUNF..SP LM	DISQUE 20 TROUS D. 4-5 TOURN.	SCHEIBE 20 L. D.4-5 SONNENBLU.	DISCO 20 ORIF. D.4-5 GIRA.SP L
13	G22230049	DISCO 26F D.5,5 SP-MT	DISK 26 H. D.5-5 CORN SP LM	DISQUE 26 TROUS D. 5-5 MAIS SP	SCHEIBE 26 L. D.5-5 MAIS SP LM	DISCO 26 ORIF. D.5-5 MAZ SP LD
14	G22230050	DISCO 26F D.4,5 SP-MT	DISK 26 H. D.4-5 CORN SP LM	DISQUE 26 TROUS D. 4-5 MAIS	SCHEIBE 26 L. D.4-5 MAIS	DISCO 26 ORIF. D.4-5 MAIZ SP L
15	G22230051	DISCO 36F D.2,1 SP-MT	DISK 36 H. D.2-1 BEET.SP LM	DISQUE 36 TROUS D. 2-1 BETTES	SCHEIBE 36 L.R. D.2-1 RsBEN SP	DISCO 36 ORIF. D.2-1 REMOLACHA
16	G22230192	DISCO 20F D.3,5 SP-MT	DISK 20 HOLES D.3-5 SP LM	DISQUE 20 TROUS D. 3-5 SP LM	SCHEIBE 20 LTCHER D.3-5 SP LM	DISCO 20 ORIFICIOS D.3-5 SP LM
17	G22230193	DISCO 72F D.1,1 SP-MT	DISK 72 HOLES D.1-1 SP LM	DISQUE 72 TROUS D. 1-1 SP LM	SCHEIBE 72 LTCHER D.1-1 SP LM	DISCO 72 ORIFICIOS D.1-1 SP LM
18	G22230194	DISCO 72F D.0,5 SP-MT	DISK 72 HOLES D.0-5 SP LM	DISQUE 72 TROUS D. 0-5 SP LM	SCHEIBE 72 LTCHER D.0-5 SP LM	DISCO 72 ORIFICIOS D.0-5 SP LM
19	G22230195	DISCO 72F D.0,8 SP-MT	DISK 72 HOLES D.0-8 SP LM	DISQUE 72 TROUS D. 0-8 SP LM	SCHEIBE 72 LTCHER D.0-8 SP LM	DISCO 72 ORIFICIOS D.0-8 SP LM
20	G22230196	DISCO 36F D.1,5 SP-MT	DISK 36 HOLES D.1-5 SP LM	DISQUE 36 TROUS D. 1-5 SP LM	SCHEIBE 36 LTCHER D.1-5 SP LM	DISCO 36 ORIFICIOS D.1-5 SP LM
21	G22230197	DISCO 36F D.3,5 SP-MT	DISK 36 HOLES D.3-5 SP LM	DISQUE 36 TROUS D. 3-5 SP LM	SCHEIBE 36 LTCHER D.3-5 SP LM	DISCO 36 ORIFICIOS D.3-5 SP LM
22	G22230198	DISCO 72F D.3,5 SP-MT	DISK 72 HOLES D.3-5 SP LM	DISQUE 72 TROUS D. 3-5 SP LM	SCHEIBE 72 LTCHER D.3-5 SP LM	DISCO 72 ORIFICIOS D.3-5 SP LM
23	G22230199	DISCO 36F D.4,5 SP-MT	DISK 36 HOLES D.4-5 SP LM	DISQUE 36 TROUS D. 4-5 SP LM	SCHEIBE 36 LTCHER D.4-5 SP LM	DISCO 36 ORIFICIOS D.4-5 SP LM
24	G22230203	DISCO 20F D.2,5 SP-MT	DISK 20 HOLES D.2-5 SP LM	DISQUE 20 TROUS D. 2-5 SP LM	SCHEIBE 20 LÖCHER D.2-5 SP LM	DISCO 20 ORIF. D.2-5 SP LM
25	G22230205	DISCO 20F D.7,0 SP-MT	DISK 20 H. D.7-0 PEAN..SP LM	DISQUE 20 TROUS D. 7-0 ARACHID	SCHEIBE 20 L. D.7-0 ERDNUSS SP	DISCO 20 ORIF. D.7-0 CACAH. SP
26	G22230213	DISCO 72F D.2,1 SP-MT	DISK 72 HOLES D.2-1 SP LM	DISQUE 72 TROUS D. 2-1 SP LM	SCHEIBE 72 LTCHER D.2-1 SP LM	DISCO 72 ORIFICIOS D.2-1 SP LM
27	G22230216	DISCO 144F D.1,1 SP-MT	DISK 144 HOLES D.1-1 SP LM	DISQUE 144 TROUS D. 1-1 SP LM	SCHEIBE 144 LTCHER D.1-1 SP LM	DISCO 144 ORIFICIOS D.1-1 SP L
28	G22230217	DISCO 36F D.5,5 SP-MT	DISK 36 HOLES D.5-5 SP LM	DISQUE 36 TROUS D. 5-5 SP LM	SCHEIBE 36 LTCHER D.5-5 SP LM	DISCO 36 ORIFICIOS D.5-5 SP LM
29	G22230249	DISCO 26F D.3,5 SP-MT	DISK 26 HOLES D 3-5 SP LM	DISQUE 26 TROUS D 3-5 SP LM	SCHEIBE 26 LTCHER D 3-5 SP LM	DISCO 26 ORIFICIOS D 3-5 SP LM
30	G22230250	DISCO 144F D.2,1 SP-MT	DISK 144 HOLES D.2-1 SP LM	DISQUE 144 TROUS D. 2-1 SP LM	SCHEIBE 144 LTCHER D.2-1 SP LM	DISCO 144 ORIFICIOS D.2-1 SP L
31	G22230253	DISCO 26F D.1,5 SP-MT	DISK 26 HOLES D.1-5 SP LM	DISQUE 26 TROUS D. 1-5 SP LM	SCHEIBE 26 LTCHER D.1-5 SP LM	DISCO 26 ORIFICIOS D.1-5 SP LM
32	G22230256	DISCO 72F D.4,5 SP-MT	DISK 72 HOLES D.4-5 SP LM	DISQUE 72 TROUS D. 4-5 SP LM	SCHEIBE 72 LTCHER D.4-5 SP LM	DISCO 72 ORIFICIOS D.4-5 SP LM
33	G22230257	DISCO 72F D.1,5 SP-MT	DISK 72 HOLES D.1-5 SP LM	DISQUE 72 TROUS D. 1-5 SP LM	SCHEIBE 72 LTCHER D.1-5 SP LM	DISCO 72 ORIFICIOS D.1-5 SP LM
34	G22230287	DISCO 144F D.1,5 SP-MT	DISK 144 HOLES D.1-5 SP LM	DISQUE 144 TROUS D. 1-5 SP LM	SCHEIBE 144 LTCHER D.1-5 SP LM	DISCO 144 ORIFICIOS D.1-5 SP L
35	G22230288	DISCO 52F D.4,25 SP-MT	DISK 52 HOLES D.4-25 SP LM	DISQUE 52 TROUS D. 4-25 SP LM	SCHEIBE 52 LTCHER D.4-25 SP LM	DISCO 52 ORIFICIOS D.4-25 SP L
36	G22230289	DISCO 26F D.2,5 SP-MT	DISK 26 HOLES D.2-5 SP LM	DISQUE 26 TROUS D. 2-5 SP LM	SCHEIBE 26 LTCHER D.2-5 SP LM	DISCO 26 ORIFICIOS D.2-5 SP LM
37	G22230290	DISCO 36F D.2,5 SP-MT	DISK 36 HOLES D.2-5 SP LM	DISQUE 36 TROUS D. 2-5 SP LM	SCHEIBE 36 LTCHER D.2-5 SP LM	DISCO 36 ORIFICIOS D.2-5 SP LM
38	G22230294	DISCO 20F D.2,1 SP-MT	DISK 20 HOLES D.2-1 SP LM	DISQUE 20 TROUS D. 2-1 SP LM	SCHEIBE 20 LTCHER D.2-1 SP LM	DISCO 20 ORIFICIOS D.2-1 SP LM
39	G22230296	DISCO 26F D.2,1 SP-MT	DISK 26 HOLES D.2-1 SP LM	DISQUE 26 TROUS D. 2-1 SP LM	SCHEIBE 26 LÖCHER D.2-1 SP LM	DISCO 26 ORIFICIOS D.2-1 SP LM
40	G22230297	DISCO 144F D.0,8 SP-MT	DISK 144 HOLES D.0-8 SP LM	DISQUE 144 TROUS D. 0-8 SP LM	SCHEIBE 144 LTCHER D.0-8 SP LM	DISCO 144 ORIFICIOS D.0-8 SP L
41	G22230298	DISCO 20F D.0,8 SP-MT	DISK 20 HOLES D.0-8 SP LM	DISQUE 20 TROUS D. 0-8 SP LM	SCHEIBE 20 LTCHER D.0-8 SP LM	DISCO 20 ORIFICIOS D.0-8 SP LM
42	G22230299	DISCO 52F D.2,5 SP-MT	DISK 52 HOLES D.2-5 SP LM	DISQUE 52 TROUS D. 2-5 SP LM	SCHEIBE 52 LTCHER D.2-5 SP LM	DISCO 52 ORIFICIOS D.2-5 SP LM
43	G22230300	DISCO POST.10G-3F D.2,1 SP-MT	DISK POST.10G-3F-D2-1 SP LM	DISQUE ARRIERE 10G. 3 TROUS D2	HINTERSCHEIBE 10G-3L-D2-1 SP L	DISCO TRAS.10G. 3 ORIF. D2-1 S
44	G22230301	DISCO 144F D.0,5 SP-MT	DISK 144 HOLES D.0-5 SP LM	DISQUE 144 TROUS D. 0-5 SP LM	SCHEIBE 144 LTCHER D.0-5 SP LM	DISCO 144 ORIFICIOS D.0-5 SP L
45	G22230303	DISCO 26F D.5,0 SP-MT	DISK 26 HOLES D.5-0 SP LM	DISQUE 26 TROUS D. 5-0 SP LM	SCHEIBE 26 LTCHER D.5-0 SP LM	DISCO 26 ORIFICIOS D.5-0 SP LM
46	G22230304	DISCO 36F D.7,0 SP-MT	DISK 36 HOLES D.7 LM	DISQUE 36 TROUS D. 7 LM	SCHEIBE 36 LTCHER D.7 LM	DISCO 36 ORIFICIOS D.7 LM
47	G22230306	DISCO 12F D.2,1 SP-MT	DISK 12 HOLES D.2-1 SP LM	DISQUE 12 TROUS D. 2-1 SP LM	SCHEIBE 12 LTCHER D.2-1 SP LM	DISCO 12 ORIFICIOS D.2-1 SP LM
48	G22230316	DISCO 52F D.3,5 SP-MT	DISC 52 HOLES D.3-5 SP LM	DISQUE 52 TROUS D. 3-5 SP LM	SCHEIBE 52 LTCHER D.3-5 SP LM	DISCO 52 ORIFICIOS D.3-5 SP LM
49	G22230317	DISCO 36F D.1,1 SP-MT	DISK 36 HOLES D.1-1 SP LM	DISQUE 36 TROUS D. 1-1 SP LM	SCHEIBE 36 LTCHER D.1-1 SP LM	DISCO 36 ORIFICIOS D.1-1 SP LM
50	G22230318	DISCO 10F D.1,5 SP-MT	DISK 10 HOLES D.1-5 SP LM	DISQUE 10 TROUS D. 1-5 SP LM	SCHEIBE 10 LTCHER D.1-5 SP LM	DISCO 10 ORIFICIOS D.1-5 SP LM
51	G22230319	DISCO 20F D.1,0 SP-MT	DISK 20 HOLES D.1-0 SP LM	DISQUE 20 TROUS D. 1-0 SP LM	SCHEIBE 20 LTCHER D.1-0 SP LM	DISCO 20 ORIFICIOS D.1-0 SP LM
52	G22230320	DISCO 20F D.1,5 SP-MT	DISK 20 HOLES D.1-5 SP LM	DISQUE 20 TROUS D. 1-5 SP LM	SCHEIBE 20 LTCHER D.1-5 SP LM	DISCO 20 ORIFICIOS D.1-5 SP LM
53	G22230321	DISCO 52F D.1,5 SP-MT	DISK 52 HOLES D.1-5 SP LM	DISQUE 52 TROUS D. 1-5 SP LM	SCHEIBE 52 LTCHER D.1-5 SP LM	DISCO 52 ORIFICIOS D.1-5 SP LM
54	G22230325	DISCO 160F D.1,5 SP-MT	DISK 160 HOLES D.1-5 SP LM	DISQUE 160 TROUS D. 1-5 SP LM	SCHEIBE 160 LTCHER D.1-5 SP LM	DISCO 160 ORIFICIOS D.1-5 SP L
55	G22230326	DISCO 180F D.1,5 SP-MT	DISK 180 HOLES D.1-5 SP LM	DISQUE 180 TROUS D. 1-5 SP LM	SCHEIBE 180 LTCHER D.1-5 SP LM	DISCO 180 ORIFICIOS D.1-5 SP L
56	G22230327	DISCO 20F D.1,1 SP-MT	DISK 20 HOLES D.1-1 SP LM	DISQUE 20 TROUS D. 1-1 SP LM	SCHEIBE 20 LTCHER D.1-1 SP LM	DISCO 20 ORIFICIOS D.1-1 SP LM
57	G22230328	DISCO 52F D.2,1 SP-MT	DISK 2 HOLES D.2-1 SP LM	DISQUE 52 TROUS D. 2-1 SP LM	SCHEIBE 52 LTCHER D.2-1 SP LM	DISCO 52 ORIFICIOS D.2-1 SP LM
58	G22230332	DISCO 13F D.3,5 SP-MT	DISK 13 HOLES D.3.5 SP LM	DISQUE 13 TROUS D.3-5 SP LM	SCHEIBE 13 LTCHER D.3-5 SP LM	DISCO 13 ORIFICIOS D.3-5 SP

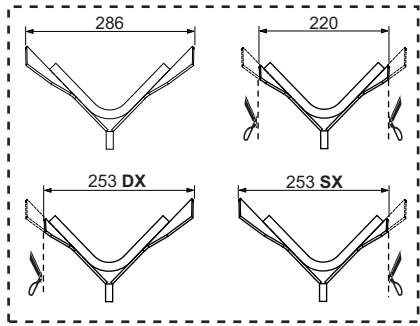
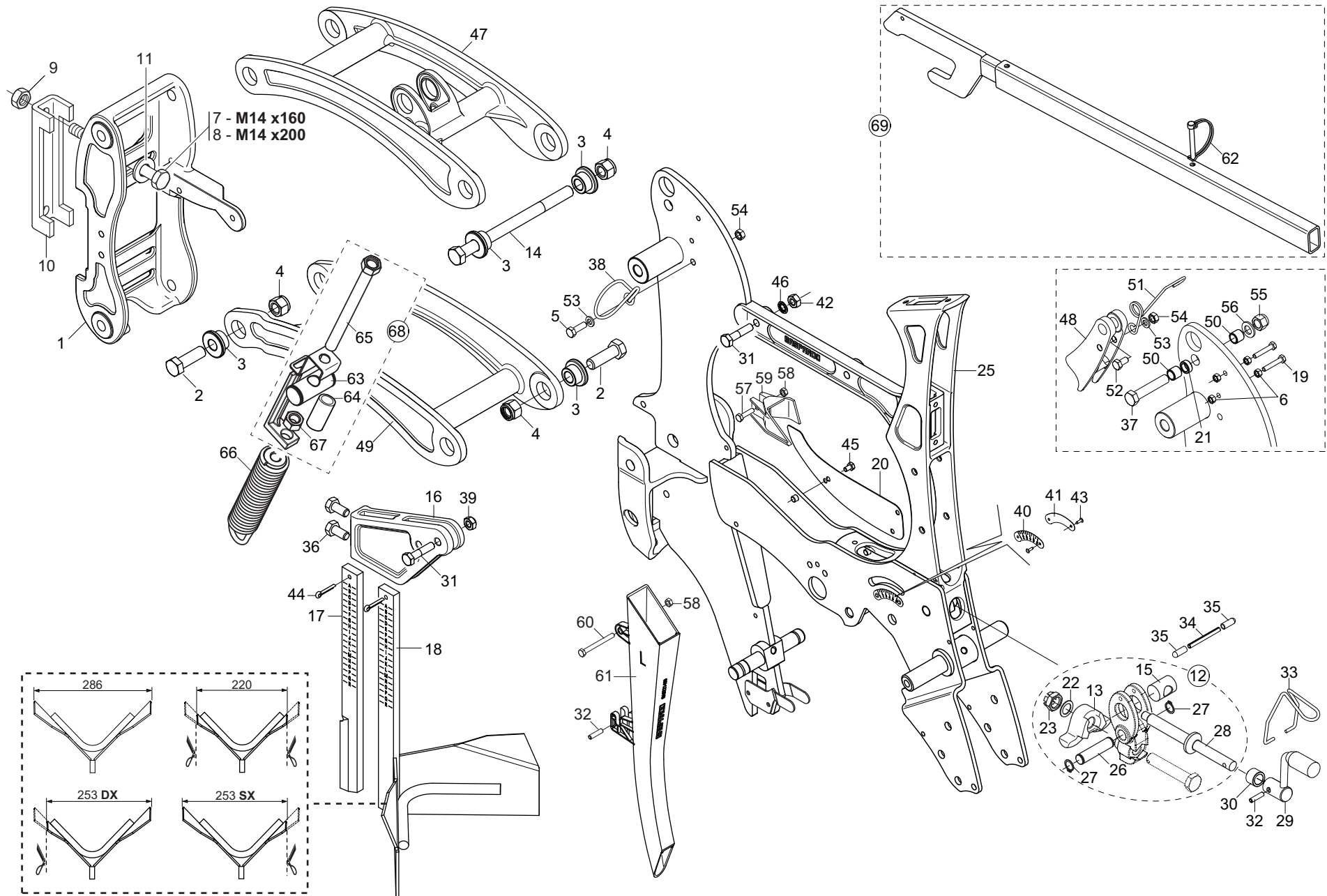


TELAIO ELEMENTO

TAV. 093

Pos.	Cod.	Descrizione	Description	Description	Benennung	Descripcion
1	GA5220112	PIASTRA FRONTALE	FRONT PLATE			
2	F01020254	VITE M16X2X55 U5737 10.9ZD	SCR. M16X2X55 U5737 10.9ZD			
3	G17722000	BOCCOLA SINTERIZZ.16,25X28X13	SINTERED BUSHING			
4	F01230085	DADO M16X2 D982 8ZN	NUT M16X2 D982 8ZN	ECROU M16X2 D982 8ZN	MUTTER M16X2 D982 8ZN	TUERCA M16X2 D982 8ZN
5	F01020440	VITE M8X1,25X25 U5739 8.8ZN	SCR. M8X1,25X25 U5739 8.8ZN	VIS M8X1,25X25 U5739 8.8 ZN	SCHRAUBE M8X1,25X25U5739 8.8ZN	TORNIL.M8X1,25X25 U5739 8.8 ZN
6	F01200232	DADO M6X1 U5588 6.8ZN	NUT M6X1 U5588 6.8ZN	ECROU 6 UNI 5588 6.8 ZN	MUTTER 6 UNI 5588 6.8 ZN	TUERCA 6 UNI 5588 6.8 ZN
7	F01020225	VITE M14X2X160 U5737 8.8BR	SCR. M14X2X160 U5737 8.8BR	VIS M 14 X160 5737 8.G	SCHRAUBE M 14 X160 5737 8.G	TORNILLO M 14 X160 5737 8.G
8	F01020233	VITE M14X2X200 U5737 8.8BR	SCR. M14X2X200 U5737 8.8BR	VIS M14X2X 200 U5737 8.8 ZB	SCHRAUBE M14X 2X200 U5737 8.8	TORNILLO M14X2X200 5737 8.8 ZB
9	F01200306	DADO M14X2 U5588 6.8ZN	NUT M14X2 U5588 6.8ZN	ECROU M14X2	MUTTER M14X2	DADO M14X2
10	G15110091	SCONTRIO A U SP.8 2F15 165	STRIKER	BRIDE 150 MM	ANSCHLAG	ELEMENTO DE EMPALME
11	G20970142	RONDELLA 32X4X15,5	WASHER 32X4X15-5	RONDELLE 32X4X15-5	UNTERLEGSCHIEBE 32X4X15-5	ARANDELA 32X4X15-5
12	G17740010	BILANCIERE REGINA COMPL	REGINA ROCKER ARM MOUNTED ASSY			
13	G17720291	BILANCIERE	ROCKER ARM			
14	F01020286	VITE M16X2X220 U5737 10.9ZD	SCR. M16X2X220 U5737 10.9ZD	VIS M16X 2X220 U5737 10.9 ZD	SCHRAU.M16X 2X220 U5737 10.9ZD	TORNIL.M16X 2X220 U5737 10.9 ZD
15	G22230063	ELEMENTO ARTICOLATO	ARTICULATED ELEMENT	ELEMENT ARTICULE	GELENKELEMENT	ELEMENTO ARTICULADO
16	G19204000	SUPP.SPIANATERRA CORTO	SUPPORT SHORT SOIL BRAKER			
17	G15420842	TAGLIENTE	EDGE	COUTRE CHASSE-MOTTE	SCHNEIDE	FILO DE CORTE
18	G15224901	SPIANATERRA LARGH.240 MM	SOIL LEVELLER WIDTH 240 MM			
19	F01020416	VITE M6X1X55 U5739 8.8ZN	SCR. M6X1X55 U5739 8.8ZN	VIS 6 X55 5739 8.G ZN	SCHRAUBE 6 X55 5739 8.G ZN	TORNILLO 6X55 5739 8.G ZN
20	G17722713	PIATTO DX	RIGHT PLATE			
21	G20980082	BOCCOLA 18X7X12,25	BUSHING 18X7X12-25			
22	G18701820	RONDELLA 16,5 X25 X1,0 ZN	WASHER 16,5X25X1,0 ZN			
23	F01210035	DADO M16X2 U5594 5.8ZN	NUT M16X2 U5594 5.8ZN			
24	F02200164	COPIGLIA 3X 30 U1336 ZN	SPLIT PIN 3X 30 U1336 ZN			
25	GA5220012	CORPO CENTRALE MTR	MAINFRAME MTR ASSEMBLY			
26	G17722800	PERNO 15 X 63 ZN	PIN 15 X 63 ZN			
27	F02050034	ANELLO E. DE 15X 1 U7435 C70	ELASTIC RING DE 15X 1	BAGUE ELASTIQUE DE 15X 1	RING DE 15X 1	ANILLO DE 15X 1
28	G17722510	ASS.VITE TENSIONAMENTO ZN	ADJUSTING SCREW ASSY ZN			
29	G22270235	MANIGLIA REGOLAZIONE B4	ADJUSTMENT HANDLE B4	POIGNEE REGLAGE B4	EINSTELLGRIFF B4	MANIJA REGULACIN B4 M
30	G18803230	BOCCOLA 15 X22 X16 ZN	BUSHING 15 X22 X16 GALVA	BOITE 15 X22 X16 ZN	BsCHSE 15 X22 X16 ZN	CASQUILLO 15 X22 X16 ZN
31	F01020112	VITE M10X1,5X45 U5737 8.8ZN	SCR. M10X1,5X45 U5737 8.8ZN	VIS M 10X45	SCHRAUBE M 10X45	TORNILLO M 10X45
32	F02100111	SPINA E.P. 6X 24 U6873 A2 IX	PIN EL. 6 X24 U6873 A2 IX			
33	G18903741	MOLLA FERMO MANIGL.MAGICA>2004	HANDLE STOP SPRING MAGICA 2004	RESSORT ARRET POIG.MAGICA 2004	FEDER GRIFFSPERRE MAGICA 2004	MUELLE BLOQUEO MAN. MAGICA 04
34	F02100126	SPINA E.P. 6X 60 U6873 C70 BR	PIN E.D. 6X60 U6873 C70 BR	FICHE E.D. 6X60 U6873 C70 BR	BOLTZEN E.D. 6X60 U6873 C70 BR	CLAVIJA E.D. 6X60 U6873 C70 BR
35	F05100193	CAPPUCCIO 5,95X19,05 GIALLO	CAP	BOUCHON	DECKEL	CORCHO
36	F01020508	VITE M12X1,75X25 U5739 8.8ZN	SCR. M12X1,75X25 U5739 8.8ZN	VIS M12X1,75X25 U5739 8.8 ZN	SCHRAUBE M12X1,75X25U5739.8ZN	TORNIL.M12X1,75X25 U5739 8.8ZN
37	F01020521	VITE M12X1,75X65 U5739 8.8ZN	SCR. M12X1,75X65 U5739 8.8ZN	VIS M12X1,75X65 U5739 8.8ZN	SCHRAU.M12X1,75X65 U5739 8.8ZN	TORN.M12X1,75X65 U5739 8.8ZN
38	G18903140	MOLLA GUIDATUBO	PIPE GUIDE SUPPORT	RESSORT GUIDE-TUBE	FEDER ROHRFSHRUNG	MUELLE GUA TUBOS A
39	F01220033	DADO M10X1,5 D980 8ZN	NUT M10X1,5 D980 8ZN	ECROU M10X1,5 D980 8ZN	MUTTER M10X1,5 D980 8ZN	TUERCA M10X1,5 D980 8ZN
40	G19705280	TARGHETTA REG.SX RUOTE PROFOND	PLATE	PLAQUET	PLATTE	PLACA
41	G19705290	TARGHETTA REG.DX RUOTE PROFOND	PLATE	PLAQUET	PLATTE	PLACA
42	F01200270	DADO M10X1,5 U5588 6.8ZN	NUT M10X1,5 U5588 6.8ZN	ECROU M10X 1,5 U5588 6.8 ZN	MUTTER M10X 1,5 U5588 6.8 ZN	TUERCA M10X 1,5 U5588 6.8 ZN
43	F02250066	RIVETTO STR. 3X 9 U9200A AL	POP RIVET 3X9 ALUMINIUM	RIVET 3 X 9 ALL	REISSNIETE 3 X 9 ALU	REMACHE DESGAR. 3 X 9 AL
44	F02200226	COPIGLIA 5X 25 U1336 ZN	SPLIT PIN 5 X25 1336 GALVAN.	GOUPILLE 5 X25 1336 ZN	SPLINT 5 X25 1336 ZN	PASADOR 5 X25 1336 ZN
45	F01020397	VITE M6X1X10 U5739 8.8ZN	SCR. M6X1X10 U5739 8.8ZN	VIS 6X10 5739 8.G ZN	SCHRAUBE 6X10 5739 8.G ZN	TORNILLO 6X10 5739 8.G ZN
46	F01430023	ROS.M10 10,5X 18X0,9 U8842J ZN	WASHER D10 DIN 6798 D.INT.ZN	RONDELLE D10 DIN 6798 D. INT.	UNT. SCHEIBE D10 DIN 6798 D.IN	ARANDELA D10 DIN 6798 D.INT.ZN
47	GA5220202	PARALLELO SUPERIORE	UPPER PARALLEL ARM			
48	GA5220260	BLOCCO AGGANCIO ELEMENTO	HOOK BLOCK			
49	GA5220153	PARALLELO INFERIORE MTR	LOWER PARALLEL ARM MTR			
50	G18801340	BOCCOLA 12,25X16 X14	BUSHING 12,25X16 X14	BOITE 12,25X16 X14	B_CHSE 12,25X16 X14	CASQUILLO 12,25X16 X14
51	G18903780	MOLLA TORSIONE GANCIO SUP.	UPPER HOOK TORSION SPRING			
52	F01020436	VITE M8X1,25X20 U5739 8.8ZN	SCR. M8X1,25X20 U5739 8.8ZN	VIS M8X1,25X 20 U5739 8.8 ZN	SCHRAUBE M8X1,25X20U5739 8.8ZN	TORN. M8X1,25X20 U5739 8.8 ZN
53	F01420048	ROS.M8 8,4X 24X 2 U6593 ZN	WASHER M8 8,4X 24X2 U6593 ZN	RONDELLE M8 8,4X24X 2 U6593 ZN	SCHIEBEN M8 8,4X24X 2 U6593 ZN	ARANDELA M8 8,4X 24X2 U6593 ZN
54	F01200244	DADO M8X1,25 U5588 6.8ZN	NUT M8X1,25 U5588 6.8ZN	ECROU M8 X1,25 U5588 6.8 ZN	MUTTER M8 X1,25 U5588 6.8 ZN	TUERCA M8 X1,25 U5588 6.8 ZN
55	F01230059	DADO M12X1,75 D982 8ZN	LOCK-NUT M12X1,75 D982 8ZN	ECR.AUTO-FREI.M12X1,75 D982 ZN	SICHERUNGSMUT.M12X1,75 D982 8ZN	TUER.DE SEGUR.M12X1,75 D982 ZN

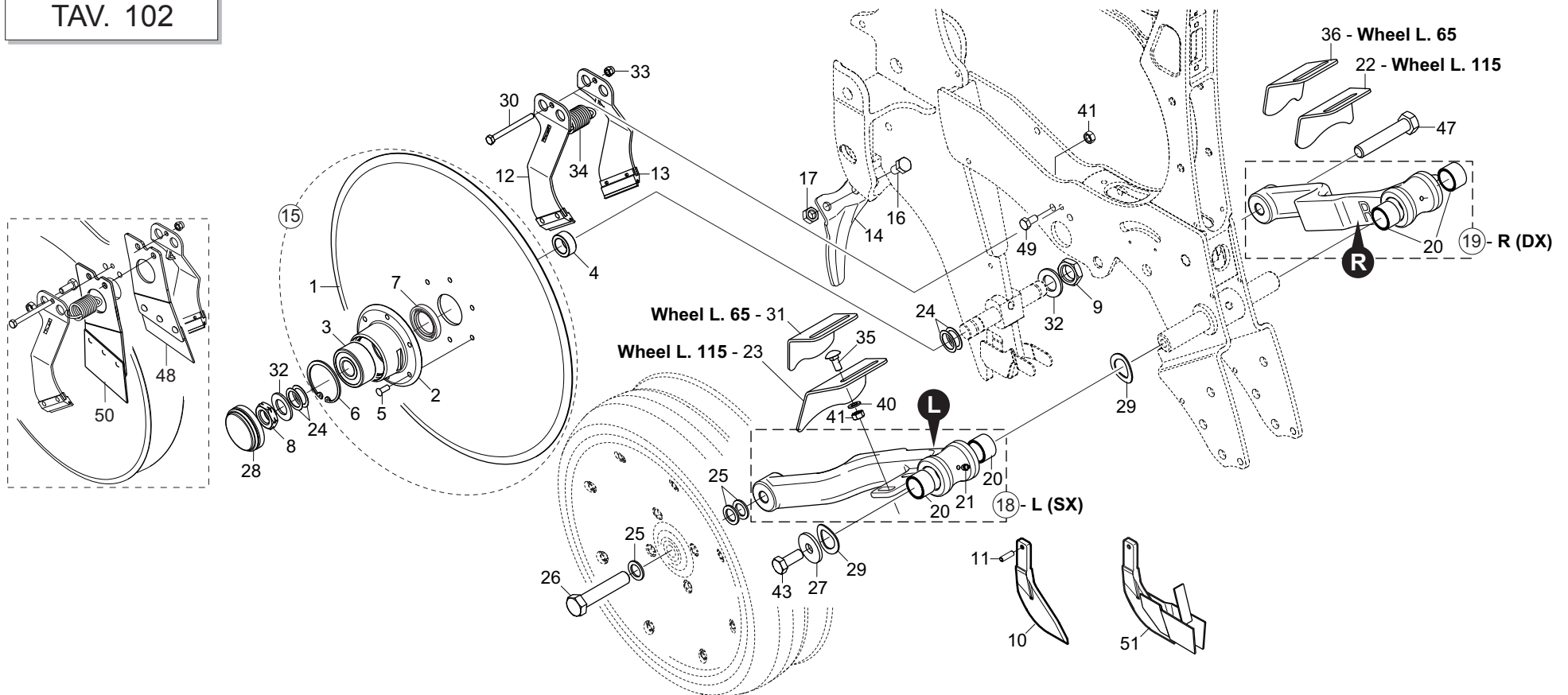
TAV. 93



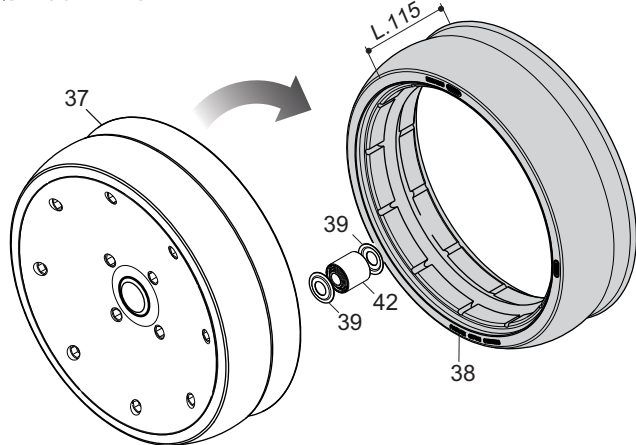
TELAIO ELEMENTO
TAV. 93

Pos.	Cod.	Descrizione	Description	Description	Benennung	Descripcion
56	F01410076	ROS.M12 13X 24X2,5 U6592 ZN	WASHER 12 13X 24X2,5 U6592 ZN	RONDEL. M12 13X24X2,5 U6592 ZN	SCHEIBE M12 13X24X2,5 U6592 ZN	ARANDELA M12 13 X24X2,5 ZN
57	F01020406	VITE M6X1X25 U5739 8.8ZN	SCR. M6X1X25 U5739 8.8ZN	VIS M6X25	SCHRAUBE M6X25	TORNILLO M 6X25
58	F01220011	DADO M6X1 D980 8ZN	NUT M6X1 D980 8ZN	ECROU M6X1 D980 8 ZN	MUTTER M6X1 D980 8 ZN	TUERCA M6X1 D980 8 ZN
59	G19002700	PROTEZIONE FOTOCPELLULA >	PHOTOCELL PROTECTION	PROTECT CAPT PHOTOC SP3-MT-MG>	SCHUTZ PHOTOZELLE	PROTECCIN FOTOCCLULA PR
60	F01020422	VITE M6X1X60 U5739 8.8ZN	SCR. M6X1X60 U5739 8.8ZN	VIS M6 X1 X 60 U5739 8.8	SCHRAUBE M6 X1 X 60 U5739 8.	TORNIL. M6 X1 X 60 U5739 8.8
61	GA5221460	CONVOGLIATORE SEME MTR	SEED CONVEYOR			
62	F02200562	SPINA SICUR. D. 8X70 ZN	SNAP PIN D.8X 70 ZN	FICHE EL. D.8X70 ZN	SCHERSTIFT D.8X 70 ZN	CLAVIJA D.8X 70 ZN
63	G15226550	SPINA ZN	PIN ZN			
64	G17940250	BOCCOLA ZN	BUSHING	BOITE	BsCHSE	CASQUILLO
65	G15226570	VITE REGOLAZIONE M16 X 225 ZN	ADJUSTING BOLT - GALVANIZED	VIS RÉGLAGE ZN	STELLSCHRAUBE ZN	TORNILLO REGULACIÓN ZN
66	GA5220820	MOLLA REGOLABILE MTR	ADJUSTABLE MTR SPRING			
67	F01200324	DADO M16X2 U5588 8.8ZN	NUT M16X2 U5588 8.8ZN	ECROU M16X2 U5588 8.8ZN	MUTTER M16X2 U5588 8.8ZN	TUERCA M16X2 U5588 8.8ZN
68	GA5221260	REGOLATORE MOLLA COMPL. MTR	ADJUSTABLE MTR SPRING ASS.BLY			
69	GA5221560	LEVA SOLLEV.ELEMENTO MTR	LIFTING LEVER ELEMENT MTR			

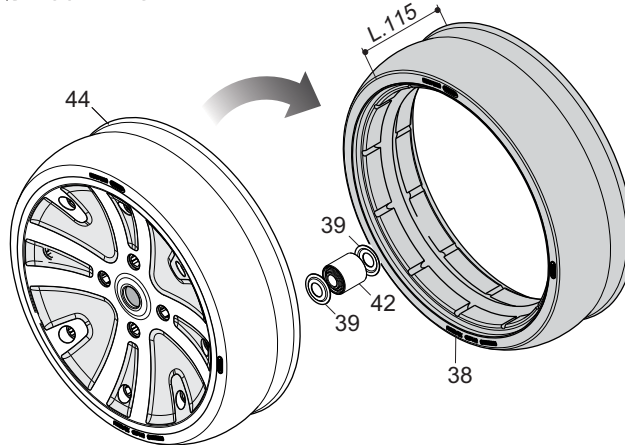
TAV. 102



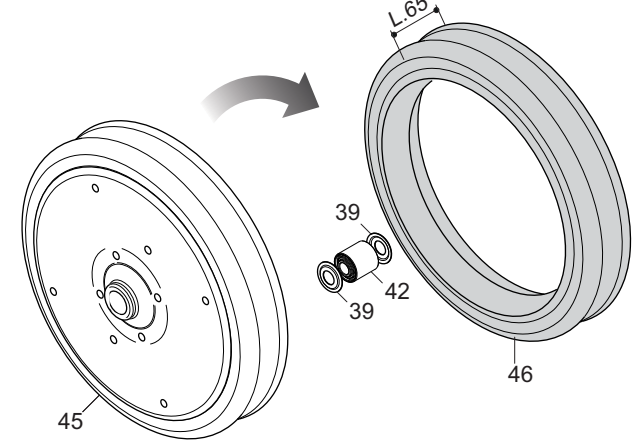
Ø 400 x 115



Ø 400 x 115



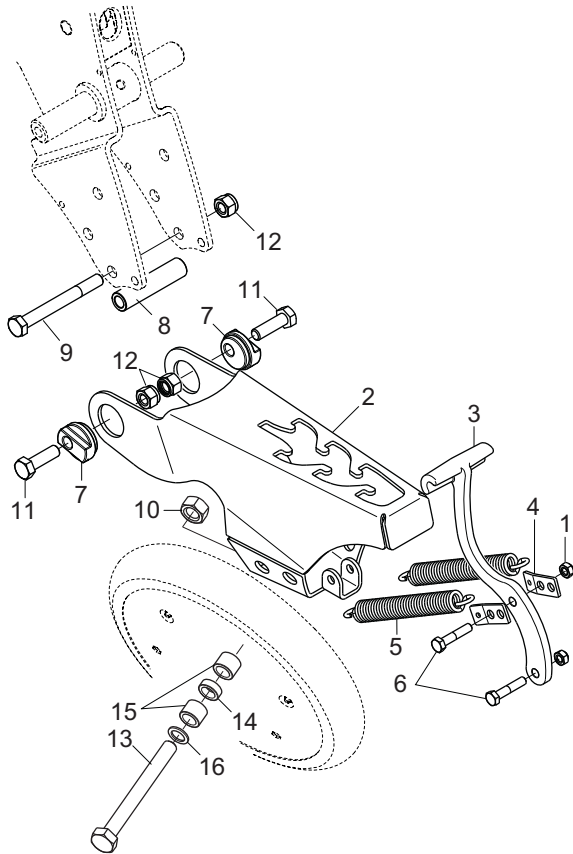
Ø 400 x 65 mm



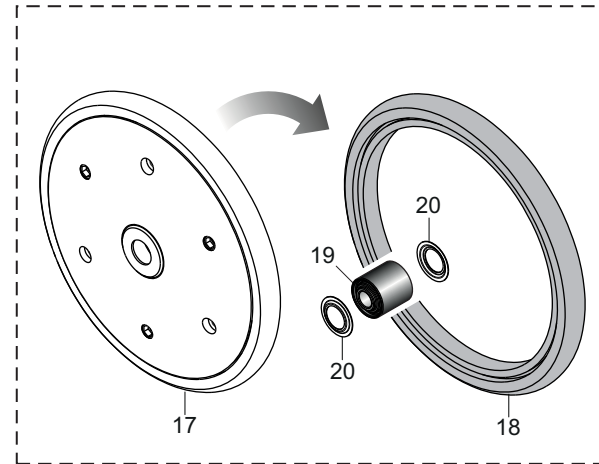
RUOTE DI PROFONDITA'

TAV. 102

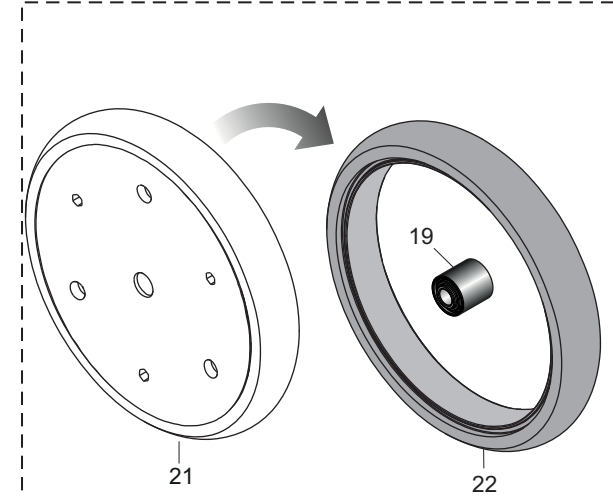
Pos.	Cod.	Descrizione	Description	Description	Benennung	Descripcion
1	G17722471	DISCO ASSOLCATORE D.420	DISC D.420			
2	G17722492	SUPPORTO CUSCINETTO DISCO ZN	BEARING DISK SUPPORT ZN			
3	F04010094	CUSC.d20 D52 B22,2 3304 LLU	BEAR.D20 D52 B22,2 3304 LLU			
4	G17722482	BOCCOLA 20 X30 X12,3	BUSHING D20X30X12,3			
5	F02250521	RIBATTINO TSC 6 X19,8 A/2	RIVET TSC 6X19,8 A/2 BY PIECE	BOITE	BsCHSE	CASQUILLO
6	F02050381	ANELLO E. DI 52X 2 U7437 C70	SEEGER RING E. 52X 2 U7437 C70	PAQUET RIVETS TSC 6X19,8 A/2	PACKUNG NIETEN TSC 6X19,8 A/2	PAQU.REMACHES TSC 6X19,8 A/2
7	F03011159	AN. TENUTA 30X47X7 AS	SEALING RING 30X47X7	SEEGER E. 52X 2 U7437 C70	SEEGERING E. 52X 2 U7437 C70	ANILLO 52X 2 U7437 C70
8	G17722811	DADO M20X 2,5 SINISTRO ZN.	NUTS M20X1,5 LEFT GALV.ED	BAGUE D'ETANCHEITE 30X47X7	DICHTUNGSRING 30X47X7	ANILLO AISLADOR 30X47X7
9	F01200468	DADO M20X2,5 U5589 6.8ZN	NUT M20X2,5 U5589 6.8ZN			
10	G19203943	TAGLIENTE INT.DISCHI	INTERNAL DISC COULTER	ECROU 20 5589 5.8 ZN *	MUTTER 20 5589 6.8 ZN *	TUERCA 20 5589 6.8 ZN
11	F02100106	SPINA E.P. 6X 20 U6873 C70 BR	EL. PIN E.P. 6X20 U6873 C70 BR	GOUJON E.P. 6X 20 U6873 C70BR	BOLZEN E.P. 6X 20 U6873 C70BR	ESPINA E.P. 6X 20 U6873 C70BR
12	GA5220050	ASS.RASCHIATERRA VIDIA SX	ASS.SOIL-SCRAPER VIDIA LEFT			
13	GA5220310	ASS.RASCHIATERRA VIDIA DX	ASS.SOIL-SCRAPER VIDIA RIGHT			
14	G15225861	PROTEZIONE DISCHI	DISC PROTECTION			
15	G17722612	MONT.DISCO ASSOLCATORE	RIDGING DISC ASSEMBLY			
16	F01020472	VITE M10X1,5X25 U5739 8.8ZN	SCR. M10X1,5X25 U5739 8.8ZN	VIS M10X1,5X25 U5739 8.8 ZN	SCHRAUBE M10X1,5X25 U5739 8.8	TORNILLO 10X25 U5739 8.8 ZN
17	F01220033	DADO M10X1,5 D980 8ZN	NUT M10X1,5 D980 8ZN	ECROU M10X1,5 D980 8ZN	MUTTER M10X1,5 D980 8ZN	TUERCA M10X1,5 D980 8ZN
18	GA5220270	BRACCIO RUOTA SX	LEFT ARM WHEEL			
19	GA5220250	BRACCIO RUOTA DX	RIGHT ARM WHEEL			
20	G17722830	BOCCOLA ELEM.REGINA SINTERIZ.	SINTER.BUSHING FOR REGINA EL.			
21	F01100011	ING.M 6X1 7663-A 95MNPB28 ZN	GREASE NIPPLE M6X1 7663-A ZN	GRAISS. A BILLE M6X1 7663A ZN	SCHMIERBUECHE M6X1 7663-A ZN	ENGRAS. DE ESFE. M6X1 7663-AZN
22	G17723000	RASCHIATERRA DX	RIGHT SOILSCRAPER			
23	G17723080	RASCHIATERRA SX	LEFT SOILSCRAPER			
24	G20970100	RONDELLA 30X0,5X22 ACC.	WASHER 30X0-5X22 ACC.	RONDELLE 30X0-5X22 ACIER	UNTERLEGSSCHEIBE 30X0-5X22 ACC.	ARANDELA 30X0-5X22 ACC.
25	G20970025	RONDELLA 25,2X2X16,5	WASHER 25-2X2X16-5	RONDELLE 25-2X2X16-5	UNTERLEGSSCHEIBE 25-2X2X16-5	ARANDELA 25-2X2X16-5
26	GA5220170	VITE M16X 2X80 SX U5737 8.8 ZN	SCREW M16X2X80LEFT U5737 8.8ZN			
27	G20970085	RONDELLA 40X4X13	WASHER 40X4X13	RONDELLE 40X4X13	UNTERLEGSSCHEIBE 40X4X13	ARANDELA 40X4X13
28	F05050022	TAPPO PROTEZIONE D.58 H.14	GUARD CAP D.58 H.14			
29	G18701880	RONDELLA DI SPINTA	IMPULSE WASHER	RONDELLE	UNTERLEGSSCHEIBE	ARANDELA
30	F01020047	VITE M6X1X70 U5737 8.8ZN	SCR. M6X1X70 U5737 8.8ZN	VIS 6 X70 5737 8.G ZN	SCHRAUBE 6 X70 5737 8.G ZN	TORNILLO 6 X70 5737 8.G ZN
31	GA5220960	RASCHIATERRA SX L.65	LEFT SOILSCRAPER L.65			
32	F01410124	ROS.M20 21X 37X 3 U6592 ZN	WASHER M20 21X 37X 3 U6592 ZN	RONDEL.M20 21X 37X 3 U6592 ZN	MUTTER M20 21X 37X 3 U6592 ZN	ARANDELA M20 21X37X3 U6592 ZN
33	F01230022	DADO M6X1 D982 8ZN	NUT M6X1 D982 8ZN	ECROU AUTO-FREIN.M6X1 D982 8ZN	SICHERUNGSMUT. M6X1 D982 8 ZN	TUERCA DE SEGU.M6X1 D982 8 ZN
34	G18904540	MOLLA TRAZIONE ZN	SPRING TENSION ZN			
35	F01060040	VITE M8X1,25X20 U5732 4.6ZG	SCR. M8X1,25X20 U5732 4.6ZG	VIS M8X1,25X20 U5732 4.6 ZN	SCHRA. M8X1,25X20 U5732 4.6 ZN	TORN. M8X1,25X20 U5732 4.6 ZN
36	GA5220970	RASCHIATERRA DX L.65	RIGHT SOILSCRAPER L.65			
37	F06120406	RUOTA PROF.TAMB.MTR L115 M	DEPTH GAUGE WHEEL SM.CR.OFFS M			
38	F06120188	COPERTURA RUOTA PROF.L115 M	WHEEL COVER PROF.L115 M			
39	F01440086	ROS. 23X40X0,5 D988 ST2K60 BR	WASHER 23X40X0,5 D988 ST2K60 B			
40	F01410051	ROS.M8 8,4X 17X1,6 U6592 ZN	WASHER M8 8,4X17X1,6 U6592 ZN	RONDELLE M8 8,4X17X1,6 U6592ZN	SCHEIBE M8 8,4X17X1,6 U6592 ZN	ARANDELA M8 8,4X17X1,6 U6592ZN
41	F01200244	DADO M8X1,25 U5588 6.8ZN	NUT M8X1,25 U5588 6.8ZN	ECROU M8 X1,25 U5588 6.8 ZN	MUTTER M8 X1,25 U5588 6.8 ZN	TUERCA M8 X1,25 U5588 6.8 ZN
42	F04100150	CUSC.D16 D40 B39 WPS	BEARING D16 D40 B39 WPS			
43	F01020510	VITE M12X1,75X30 U5739 8.8ZN	SCR. M12X1,75X30 U5739 8.8ZN	VIS M12X1,75X30 U5739 8.8ZN	SCHRAU.M12X1,75X30 U5739 8.8ZN	TORN. M12X1,75X30 U5739 8.8ZN
44	F06120449	RUOTA PROF.TAMB.MTR L115 I	DEPTH WHEEL MTR L115			
45	F06120410	RUOTA PROF.TAMB.MTR L65 M	DEPTH GAUGE WHEEL SM.CR.MT L65			
46	F06120189	COPERTURA RUOTA PROF.L65 M	TYRE FARMFLEX 400X65	COUVERTURE FARMFLEX 400X65	MANTEL FARMFLEX 400X65	CUBIERTA FARMFLEX 400X65
47	F01020262	VITE M16X2X80 U5737 8.8ZN	SCR. M16X2X80 U5737 8.8ZN	VIS M16X2X80 U5737 8.8 ZN	SCHRAUBE M16X2X80 U5737 8.8 ZN	TORNILLO M16X2X80 U5737 8.8 ZN
48	GA5221180	RASCHIATERRA INT.DX	RIGHT INNER SOILSCRAPER			
49	F01020436	VITE M8X1,25X20 U5739 8.8ZN	SCR. M8X1,25X20 U5739 8.8ZN	VIS M8X1,25X 20 U5739 8.8 ZN	SCHRAUBE M8X1,25X20U5739 8.8ZN	TORN. M8X1,25X20 U5739 8.8 ZN
50	GA5221160	RASCHIATERRA INT.SX	LEFT INNER SOILSCRAPER			
51	GA5221620	FALCIONE CORTO INT.MTR	SHORT CUTTER INT.MTR			



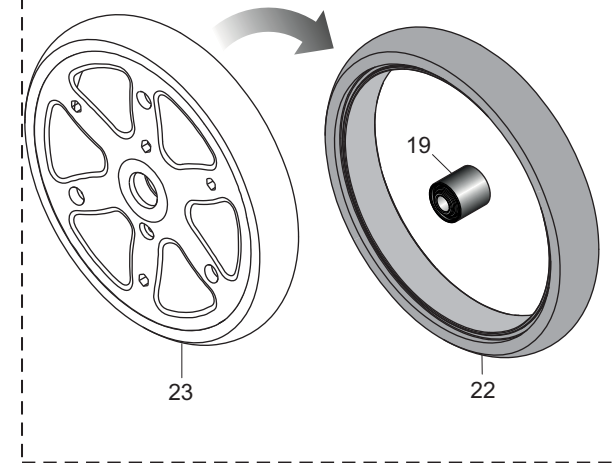
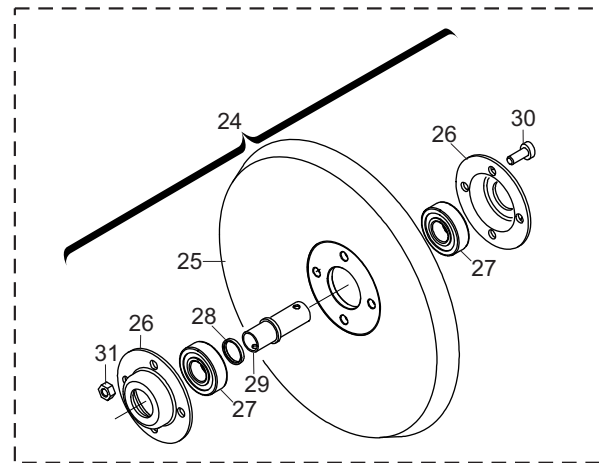
1" «V» SHAPED RUBBER PRESS WHEEL



2" «V» SHAPED RUBBER PRESS WHEEL



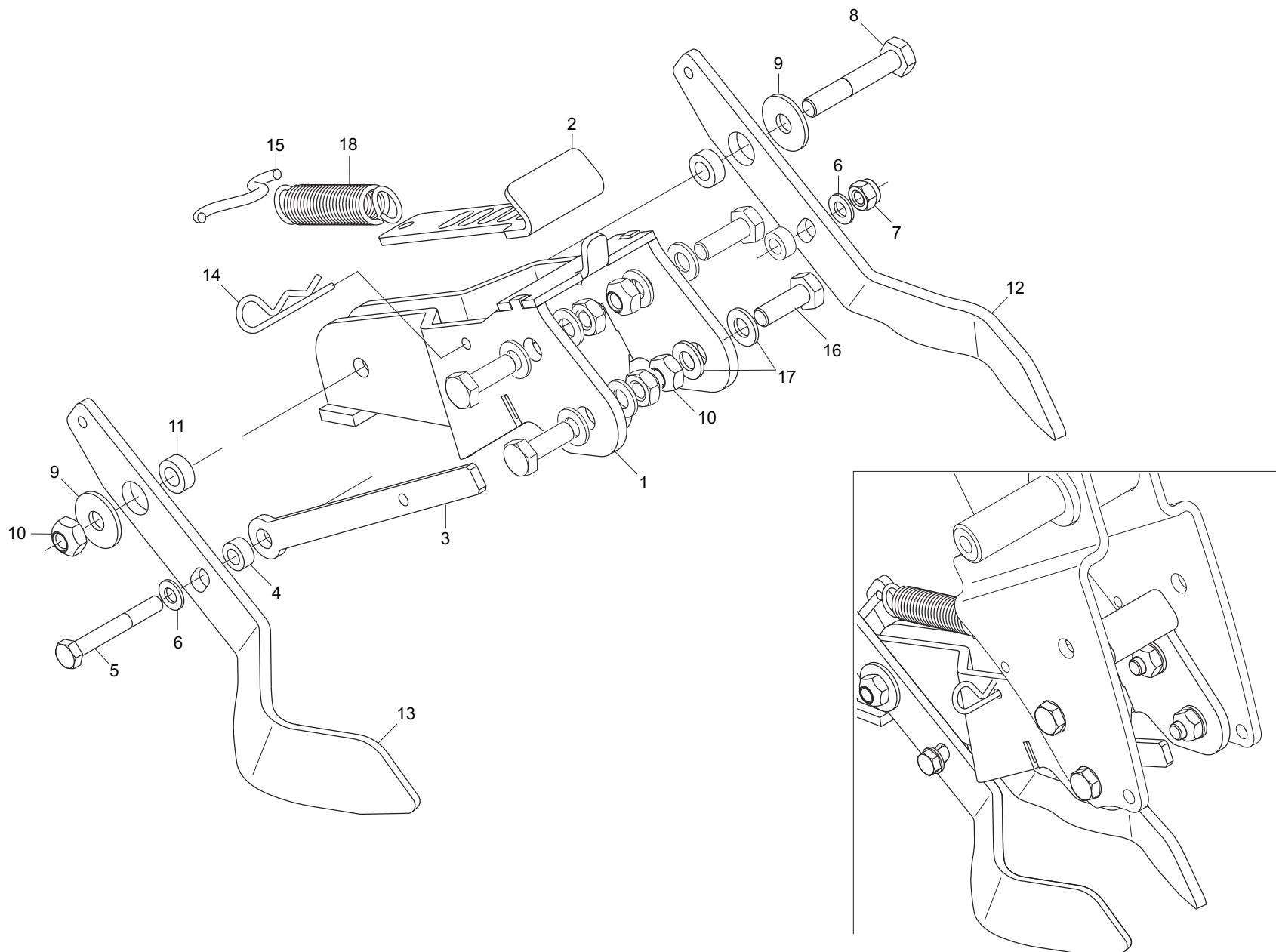
CAST IRON PRESS WHEEL



RUOTE DI COMPRESSIONE

TAV. 113

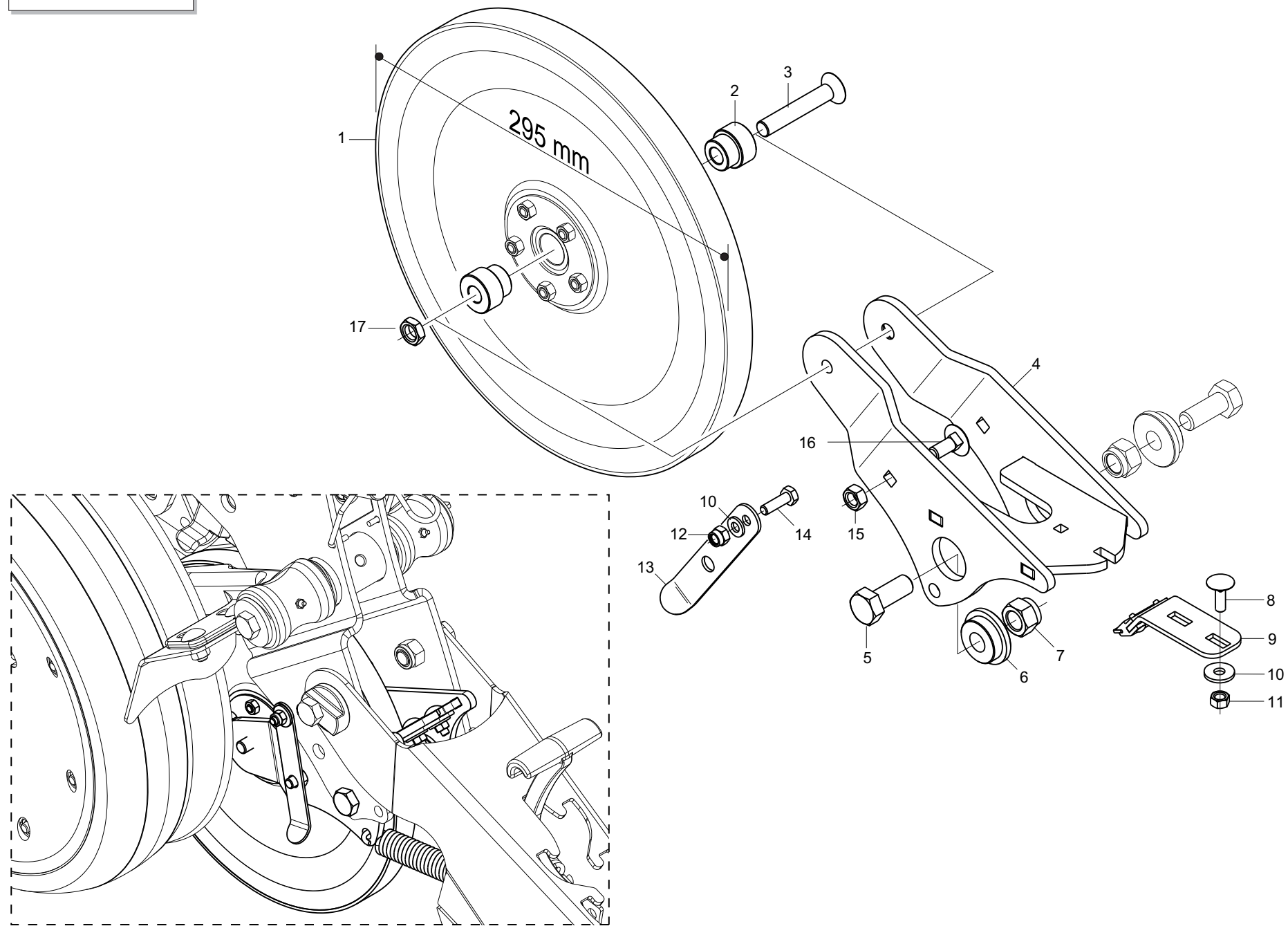
Pos.	Cod.	Descrizione	Description	Description	Benennung	Descripcion
1	F01220022	DADO M8X1,25 D980 8ZN	NUT M8X1,25 D980 8ZN	ECROU M8X 1,25 D980 8 ZN	MUTTER M8X 1,25 D980 8 ZN	TUERCA M8X 1,25 D980 8 ZN
2	GA5220401	CODINO	TAIL			
3	GA5220420	MANIGLIA CODINO	END HANDLE			
4	G17722340	ATTACCO MOLLA ZN.	SPRING CONNECTION ZN			
5	G18904560	MOLLA TRAZ.RUOTE COMPRESSIONE	TRACTION SPRING PRESS.WHEEL			
6	F01020068	VITE M8X1,25X40 U5737 8.8ZN	SCR. M8X1,25X40 U5737 8.8ZN	VIS M 8X1,25X40 U5737 8.8 ZN	SCHRA. M8X1,25X40 U5737 8.8 ZN	TORNIL.M8X1,25X40 U5737 8.8 ZN
7	GA5220411	BOCCOLA ECCENTRICA	BUSHING			
8	G18803081	BOCCOLA 12,25X20 X85 ZN	BUSHING D12,25X20X84 ZN			
9	F01020174	VITE M12X1,75X120 U5737 8.8ZN	SCR. M12X1,75X120 U5737 8.8ZN	VIS M12X1,75X120 U5737 8.8 ZN	SCHRAUBE M12X1,75X120 U5737 ZN	TORN.M12X1,75X120 U5737 8.8 ZN
10	F01230085	DADO M16X2 D982 8ZN	NUT M16X2 D982 8ZN	ECROU M16X2 D982 8ZN	MUTTER M16X2 D982 8ZN	TUERCA M16X2 D982 8ZN
11	F01020152	VITE M12X1,75X40 U5737 8.8ZN	SCR. M12X1,75X40 U5737 8.8ZN	VIS M12X1,75X40 U5737 8.8 ZN	SCHRAUBE M12X1,75X40U57378.8ZN	TORNIL.M12X1,75X40 U5737 8.8ZN
12	F01230059	DADO M12X1,75 D982 8ZN	LOCK-NUT M12X1,75 D982 8ZN	ECR.AUTO-FREI.M12X1,75 D982 ZN	SICHERUNG M12X1,75 D982 8ZN	TUER.DE SEGUR.M12X1,75 D982 ZN
13	F01020266	VITE M16X2X120 U5737 8.8ZN	SCR. M16X2X120 U5737 8.8ZN	VIS M16X2X120 U5737 8.8ZN	SCHRAU. M16X2X120 U5737 8.8ZN	TORNILLO M16X2X120 U5737 8.8ZN
14	G20980004	BOCCOLA 10X17,5X25	BUSHING 10X17.5X25	BOITE 10X17-5X25	BsCHSE 10X17-5X25	CASQUILLO 10X17-5X25
15	G20980014	BOCCOLA 16,5X16,5X25	BUSHING 16-5X16-5X25	BOITE 16-5X16-5X25	BsCHSE 16-5X16-5X25	CASQUILLO 16-5X16-5X25
16	G20970025	RONDELLA 25,2X2X16,5	WASHER 25-2X2X16-5	RONDELLE 25-2X2X16-5	UNTERLEGS SCHEIBE 25-2X2X16-5	ARANDELA 25-2X2X16-5
17	F06120412	RUOTA GOMMA 1"X12" WPS C	RUBB.WHEEL 1"X12" BEARINGK098			
18	F06120181	ANELLO GOMMA 1"X12" M	RUBBER RING 1X12"	COUVERT FARMF ROUE COMPR 1"X12	MANTEL FARMF.R.DRUCK .MT	CUBIERTA FARMF. R. COMPR. MT
19	F04100150	CUSC.D16 D40 B39 WPS	BEARING D16 D40 B39 WPS			
20	F01440086	ROS. 23X40X0,5 D988 ST2K60 BR	WASHER 23X40X0,5 D988 ST2K60 B			
21	F06120474	RUOTA GOMMA 2"X13" WPS C	RUBBER WHEEL 2"X13" WPS			
22	F06120165	COPERTURA 2' X 13'	COVER 2' X 13'			
23	F06120408	RUOTA GOMMA 2"X13" WPS R	RUBBER WHEEL 2"X13" WPS			
24	G15224790	RUOTA GHISA POST.COMPL.	COMPL. REAR CAST IRON WHEEL	ROUE FONTE ARRI+RE COMPL+TE	HINTERES GUSSEISEN RAD KOMPL.	RUEDA FUNDICIÉN TRAS.COMPL.
25	G15224800	RUOTA POSTERIORE GS	REAR WHEEL	ROUE ARRIERE	HINTERRAD	RUEDA TRASERO
26	G16242190	SUPPORTO CUSCINETTO	BEARING SUPPORT	SUPPORT PALIER	LAGERBsCHSE	SOPORTE COJINETE
27	F04010156	CUSC.d20 D47 B14 6204 2RSH	BEARING d20 D47 B14 6204 2RSH			
28	G15224810	BOCCOLA 20,5X25X3	BUSH 20.5X25X3	DOUILLE 20,5X25X3	BUCHSE 20,5X25X3	MANGUITO 20,5X25X3
29	G15423850	BOCCOLA RUOTA FERRO	STEEL WHEEL BUSH	DOUILLE ROUE FER	BÜCHSE EISENRAD	BUJE RUEDA DE HIERRO
30	F01040091	VITE M8X1,25X20 U5931 8.8ZN	SCREW M8X1,25X20 U5931 8.8ZN	VIS M8X1,25X20 U5931 8.8ZN	SCHRAU. M8X1,25X20 U5931 8.8ZN	TORN. M8X1,25X20 U5931 8.8ZN
31	F01220022	DADO M8X1,25 D980 8ZN	NUT M8X1,25 D980 8ZN	ECROU M8X 1,25 D980 8 ZN	MUTTER M8X 1,25 D980 8 ZN	TUERCA M8X 1,25 D980 8 ZN



COPRISEMI ANTERIORI PER RUOTE A "V"

TAV. 121

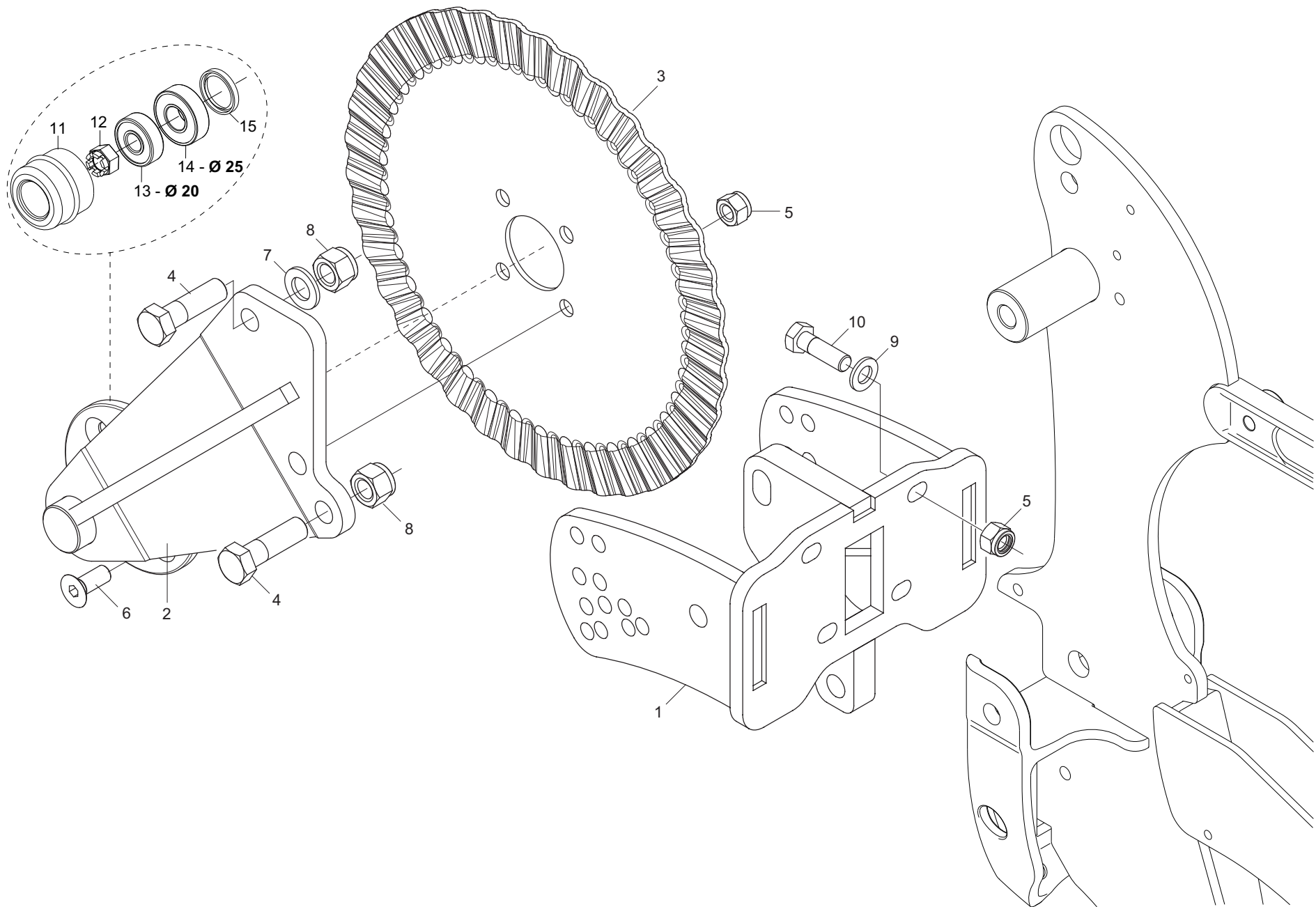
Pos.	Cod.	Descrizione	Description	Description	Benennung	Descripcion
1	GA5220880	SUPPORTO COPRISEME	SEEDCOVER SUPPORT			
2	GA5221000	PIATTO REGOLAZ.COMPRESSIONE	COMPR. ADJUST.ENT PLATE			
3	GA5220990	ASTA FERMO CENTRALE	ROD CENTRAL LOCKING			
4	G20980050	BOCCOLA 15X7X8,5 ZN	BUSHING 15X7X8-5 ZN	BOITE 15X7X8-5 ZN	BsCHSE 15X7X8-5 ZN	CASQUILLO 15X7X8-5 ZN
5	F01020077	VITE M8X1,25X60 U5737 8.8ZN	SCR. M8X1,25X60 U5737 8.8ZN	VIS M8X1,25X60 U5737 8.8 ZN	SCHRAU. M8X1,25X60 U5737 8.8ZN	TORN. M8X1,25X60 U5737 8.8 ZN
6	F01410051	ROS.M8 8,4X 17X1,6 U6592 ZN	WASHER M8 8,4X17X1,6 U6592 ZN	RONDELLE M8 8,4X17X1,6 U6592ZN	SCHEIBE M8 8,4X17X1,6 U6592 ZN	ARANDELA M8 8,4X17X1,6 U6592ZN
7	F01230034	DADO M8X1,25 D982 8	NUT M8X1,25 D982 8ZN	ECROU M8X 1,25 D982 8 ZN	MUTTER M8X 1,25 D982 8 ZN	TUERCA M8X 1,25 D982 8 ZN
8	F01020118	VITE M10X1,5X60 U5737 8.8ZN	SCR. M10X1,5X60 U5737 8.8ZN	VIS 10X60 5737 8.G ZN	SCHRAUBE 10X60 5737 8.G ZN	TORNILLO 10X60 5737 8.G ZN
9	F01420060	ROS.M10 10,5X 30X2,5 U6593 ZN	WASHER 10,5X30	RONDELLE 10,5X30	SCHEIBE 10,5X30	ARANDELA 10,5X30
10	F01220048	DADO M12X1,75 D980 8ZN	NUT M12X1,75 D980 8ZN	ECROU M12X1,75 D980 8 ZN	SCHEIBE M12X1,75 D980 8 ZN	TUERCA M12X1,75 D980 8 ZN
11	G20980022	BOCCOLA 18X10,25X7	BUSHING 18X10-25X7	BOITE 18X10-25X7	BsCHSE 18X10-25X7	CASQUILLO 18X10-25X7
12	GA5220890	COPRISEME SX	LEFT SEED COVER			
13	GA5220900	COPRISEME DX	RIGHT SEED COVER			
14	F02200363	COPIGLIA R 3X 62 ZN	SPRING SPLIT PIN 3X 62 ZN	GOUPILLE R 3X62	SPLINT R 3X62	CHAVETA R 3X62
15	G15224250	FERMO MOLLA	SPRING STOP	ARRET RESSORT	FESTSTELLVORRICHTUNG FEDER	BLOQUEO MUELLE
16	F01020512	VITE M12X1,75X35 U5739 8.8ZN	SCR. M12X1,75X35 U5739 8.8ZN	VIS M12X1,75X35 5739 8.8 ZN	SCHR. M12X1,75X35 5739 8.8 ZN	TORN. M12X1,75X35 5739 8.8 ZN
17	F01410076	ROS.M12 13X 24X2,5 U6592 ZN	WASHER 12 13X 24X2,5 U6592 ZN	RONDEL. M12 13X24X2,5 U6592 ZN	SCHEIBE M12 13X24X2,5 U6592 ZN	ARANDELA M12 13 X24X2,5 ZN
18	G65337005	MOLLA TRAZ.CAMBIO SV	TRACTION COUPLING SPRING- GEAR	RESSORT TRACT.BOITE DE VITESSE	ZUGFEDER GETRIEBE SV	MUELLE TRAC. CAMBIO SV



RUOTINO PREMISEME INOX

TAV. 132

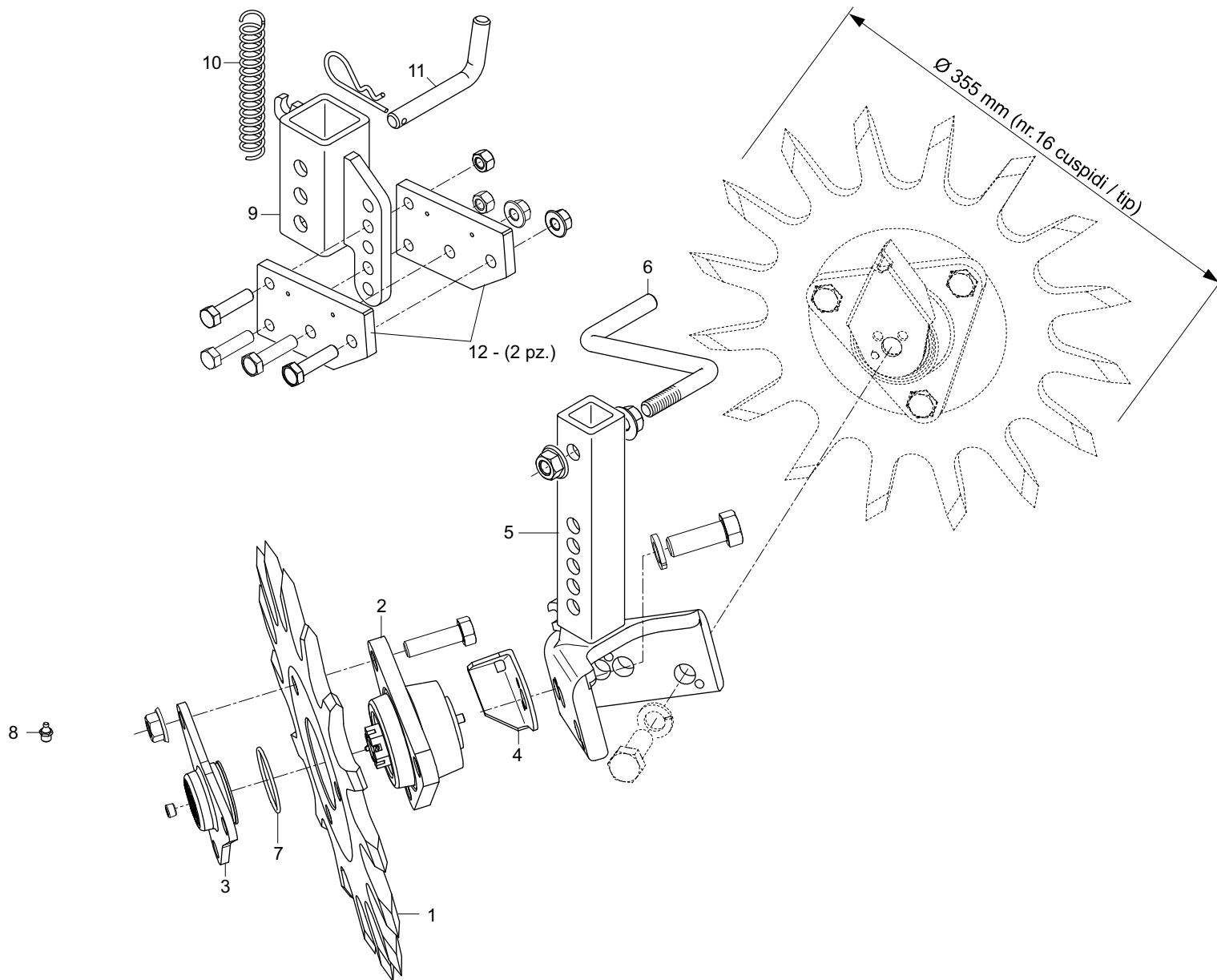
Pos.	Cod.	Descrizione	Description	Description	Benennung	Descripcion
1	G68150028	RUOTINO COMPLETO D.295 IX	WHEEL D.295 IX COMPLETE			
2	G17722940	BOCCOLA ZN	BUSCHING	BOITE	BsCHSE	CASQUILLO
3	F01030516	VITE M10X1,5X60 U5933 10.9ZD	SCR. M10X1,5X60 U5933 10.9ZD	VIS 10X60 5933 8.8 ZD	SCHRAUBE 10X60 5933 8.8 ZN	TORNILLO 10X60 5933 8.8 ZD
4	G17722600	SUPPORTO	SUPPORT			
5	F01020512	VITE M12X1,75X35 U5739 8.8ZN	SCR. M12X1,75X35 U5739 8.8ZN	VIS M12X1,75X35 5739 8.8 ZN	SCHR. M12X1,75X35 5739 8.8 ZN	TORN. M12X1,75X35 5739 8.8 ZN
6	G23440001	BOCCOLA PARALLELOGRAMMA	BUSHING- PARALLELOGRAM	BOITE PARALLELOGRAMME	BsCHSE PARALLELOGRAMM	CASQUILLO PARALELOGRAMA
7	F01230059	DADO M12X1,75 D982 8ZN	LOCK-NUT M12X1,75 D982 8ZN	ECR.AUTO-FREI.M12X1,75 D982 ZN	SICHERUNGSMUT.M12X1,75 D982 8ZN	TUER.DE SEGUR.M12X1,75 D982 ZN
8	F01060013	VITE M6X1X20 U5732 4.6ZN	SCR. M6X1X20 U5732 4.6ZN	VIS 6X20 5732 4.6 ZN	SCHRAUBE 6X20 5732 4.6 ZN	TORNILLO 6X20 5732 4.6 ZN
9	G17722950	RASCHIATERRA RUOTINI IX D300	WHEEL SOILSCRAPER IX D300			
10	F01420036	ROS.M6 6,4X 18X 2 U6593 ZN	WASHER M6 6,4X 18X2 U6593 ZN	RONDELLE M6 6,4X18X2 2 U6593ZN	SCHEIBEN M6 6,4X18X 2 U6593 ZN	ARANDELA M6 6,4X18X2 U6593 ZN
11	F01200232	DADO M6X1 U5588 6.8ZN	NUT M6X1 U5588 6.8ZN	ECROU 6 UNI 5588 6.8 ZN	MUTTER 6 UNI 5588 6.8 ZN	TUERCA 6 UNI 5588 6.8 ZN
12	F01230022	DADO M6X1 D982 8ZN	NUT M6X1 D982 8ZN	ECROU AUTO-FREIN.M6X1 D982 8ZN	SICHERUNGSMUT. M6X1 D982 8 ZN	TUERCA DE SEGU.M6X1 D982 8 ZN
13	G17722970	LAMA ESCLUSIONE RUOTINO ZN	WHEEL EXCLUSION BLADE			
14	F01020404	VITE M6X1X20 U5739 8.8ZN	SCREW M6X1X20 U5739 8.8ZN	VIS M6X1X20 U5739 8.8ZN	SCHRAUBE M6X1X20 U5739 8.8ZN	TORNILLO M6X1X20 U5739 8.8ZN
15	F01200244	DADO M8X1,25 U5588 6.8ZN	NUT M8X1,25 U5588 6.8ZN	ECROU M8 X1,25 U5588 6.8 ZN	MUTTER M8 X1,25 U5588 6.8 ZN	TUERCA M8 X1,25 U5588 6.8 ZN
16	F01060040	VITE M8X1,25X20 U5732 4.6ZG	SCR. M8X1,25X20 U5732 4.6ZG	VIS M8X1,25X20 U5732 4.6 ZN	SCHRA. M8X1,25X20 U5732 4.6 ZN	TORN. M8X1,25X20 U5732 4.6 ZN
17	F01200416	DADO M10X1,5 U5589 6SZN	NUT M10X1,5 U5589 6SZN	ECROU 10 UNI 5589 6.8 ZN	MUTTER 10 UNI 5589 6.8 ZN	TUERCA 10 UNI 5589 6.8 ZN



COLTRO A DISCO STRIATO

TAV. 141

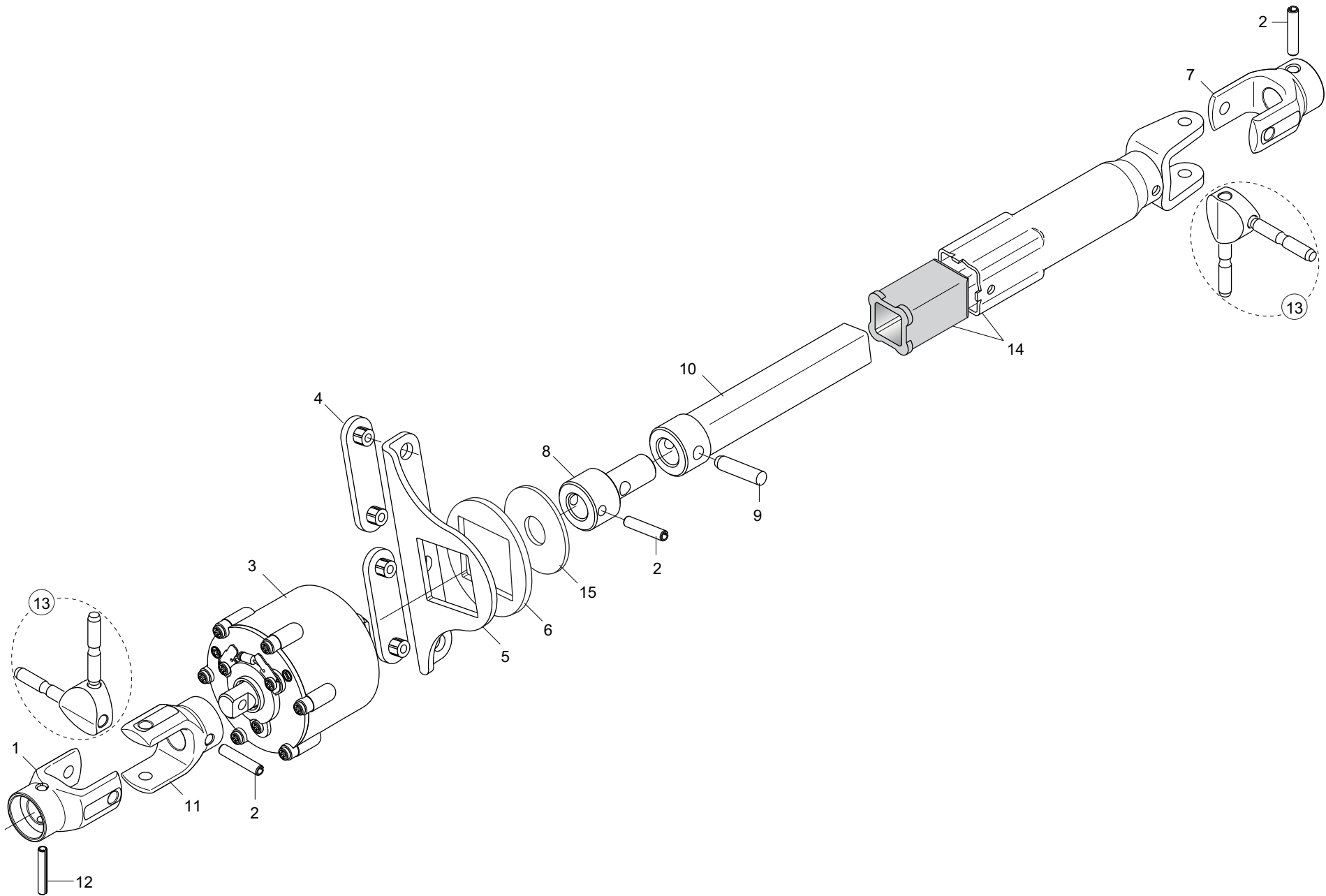
Pos.	Cod.	Descrizione	Description	Description	Benennung	Descripcion
1	GA5220650	SUPPORTO SPARTIRESIDUI	SPREAD-LEFTOVER SUPPORT			
2	GA5220660	BRACCIO DISCO APRI SOLCO	FURROWER DISC ARM			
3	GA5220130	DISCO STRIATO D.355	STRIPED DISC D.355	BRAS DISQUE OUVRE-TRACES	SCHEIBENARM SCHAR	BRAZO DISCO AB.SURC.
4	F01020254	VITE M16X2X55 U5737 10.9ZD	SCR. M16X2X55 U5737 10.9ZD			
5	F01230059	DADO M12X1,75 D982 8ZN	LOCK-NUT M12X1,75 D982 8ZN	ECR.AUTO-FREI.M12X1,75 D982 ZN	SICHERUNGSMUT.M12X1,75 D982 8ZN	TUER.DE SEGUR.M12X1,75 D982 ZN
6	F01030107	VITE M12X1,75X30 U5933 10.9ZD	SCR. M12X1,75X30 U5933 10.9ZD	VIS M12X1,75X30 5933 10.9 ZN	SCHR.M12X1,75X30 U5933 10.9 ZN	TORN.M12X1,75X30 5933 10.9 ZN
7	F01410100	ROS.M16 17X 30X 3 U6592 ZN	WASHER M16 17X30X3 U6592 ZN	RONDELLE M16 17X30X3 U6592 ZN	SCHRAUBE M16 17X 30X3 U6592 ZN	ARANDELA M16 17X30X 3 U6592 ZN
8	F01230085	DADO M16X2 D982 8ZN	NUT M16X2 D982 8ZN	ECROU M16X2 D982 8ZN	MUTTER M16X2 D982 8ZN	TUERCA M16X2 D982 8ZN
9	F01410076	ROS.M12 13X 24X2,5 U6592 ZN	WASHER 12 13X 24X2,5 U6592 ZN	RONDEL. M12 13X24X2,5 U6592 ZN	SCHEIBE M12 13X24X2,5 U6592 ZN	ARANDELA M12 13 X24X2,5 ZN
10	F01020152	VITE M12X1,75X40 U5737 8.8ZN	SCR. M12X1,75X40 U5737 8.8ZN	VIS M12X1,75X40 U5737 8.8 ZN	SCHRAUBE M12X1,75X40U57378.8ZN	TORNIL.M12X1,75X40 U5737 8.8ZN
11	F06120239	TAPPO MOZZO SX DP	LEFT HUB PLUG DP	BOUCHON MOYEU DP A VISSER GCH	NABENPFROPFEN LI DP	TAPÓN CUBO IZQ. DP
12	F01210091	DADO M18X1,5 U5594 5.8BR	NUT M18X1,5 U5594 5.8BR			
13	F04050011	CUSC.D20 D47 T15,25 30204	BEARING D20 D47 T15,25 30204	PALIER 30204	LAGER 30204	COJINETE 30204
14	F04050012	CUSC.D25 D52 T16,25 30205	BEARING D25 D52 T16,25 30205	ROULEMENT 30205	LAGER 30205	COJINETE 30205
15	F03010061	ANELLO T.A. 30X 52X 7 D3760NBR	OIL SEAL 30X52X7	PARE-HUILE 30X52X7	OELABDICHTUNG 30X52X7	PARA-ACEITE 30X52X7



TRASH WHEEL - SPARTIRESIDUI ROTATIVO

TAV. 370

Pos.	Cod.	Descrizione	Description	Description	Benennung	Descripcion
1	G68008004	DISCO STELLARE	DISK			
2	G68008006	MOZZO CON CUSCINETTO	HUB WITH BEARING			
3	G68008015	TAPPO MOZZO	HUB PLUG			
4	G68008003	PROTEZIONE MOZZO	HUB PROTECTION			
5	G68008005	SUPPORTO DISCHI	DISKS SUPPORT			
6	G68008007	MANIGLIA	HANDLE			
7	G68008014	O-RING 1,78X44,17 (2175)	O-RING 1,78X44,17 (2175)			
8	F01100061	ING.M10X1 7663-A 9SMNPB28 ZN	GREASE NIPPLE M10X1 7663-A ZN	GRAISSEUR M10X1 7663-A ZN	SCHMIERBUECHSE M10X1 7663-A ZN	ENGRASADOR M10X1 7663-A ZN
9	G68008008	SUPPORTO	SUPPORT			
10	G68008009	MOLLA	SPRING			
11	G68008010	CHIAVISTELLO	LATCH			
12	G68008011	PIATTO ATTACCO	HITCH PLATE			

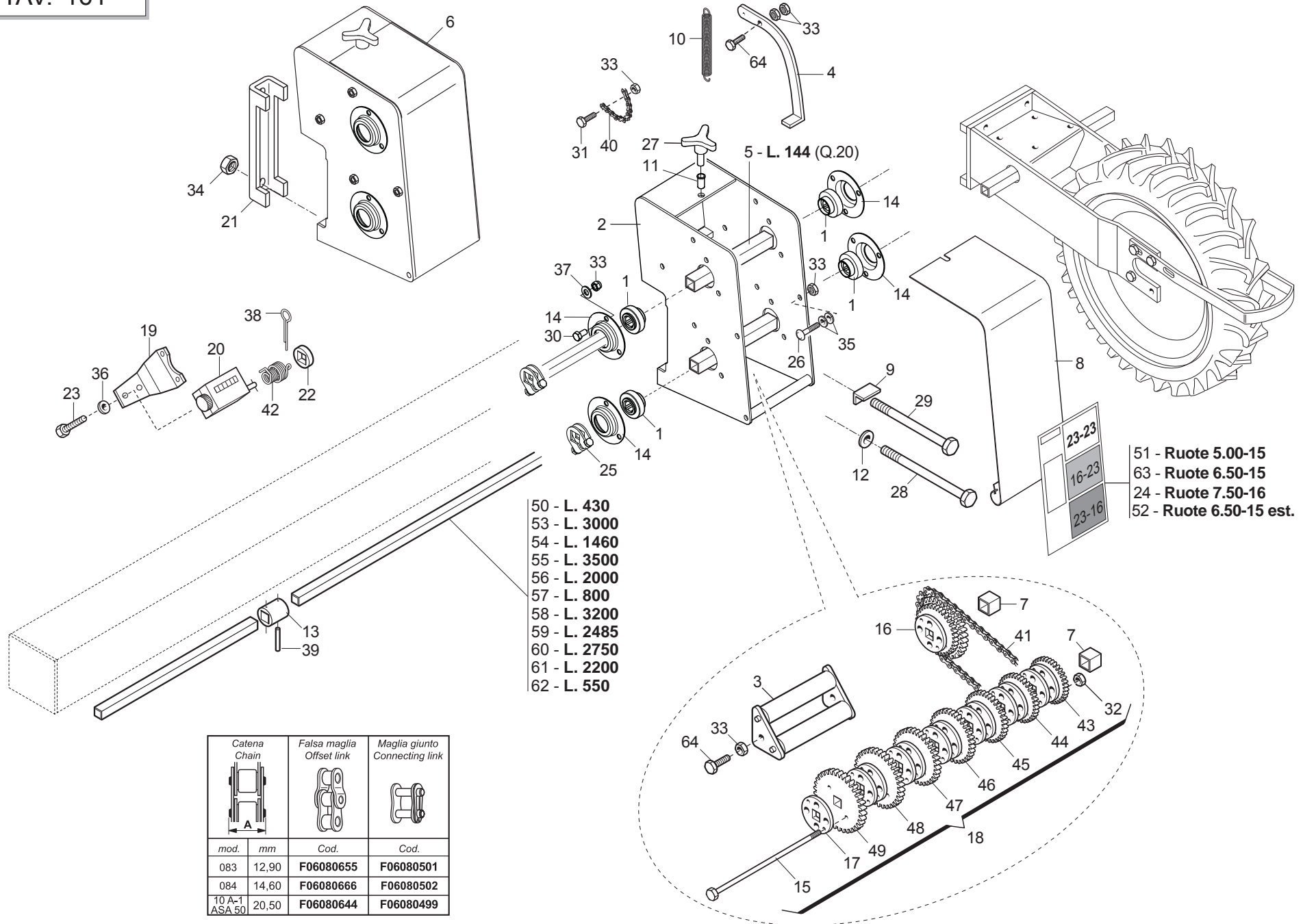


ESCLUSIONE ELETTRICA FILE DI SEMINA

TAV. 151

Pos.	Cod.	Descrizione	Description	Description	Benennung	Descripcion
1	G19204060	FORCELLA	FORK			
2	F02100113	SPINA E.P. 6X 30 U6873 C70 ZN	PIN EL. 6X30 DIN 1481 ZN *	GOUPILLE EL.6 X30 DIN1481ZN*	SPANNSTIFT 6 X30 DIN 1481 ZN	CLAVIJA EL.6 X30 DIN 1481 ZN
3	G16033703	DISINNESTO ELETTRICO MBN	ELECTRICAL DISCONNECTION MBN			
4	G19003472	PATTINO DI SCORRIMENTO	SLIDING SIDE BLOCK	PATIN DE GLISSEMENT		
5	GA5220521	LAMIERA FERMO ROTAZIONE ZN	LOCK ROTATION			
6	G16033740	DISTANZIALE DISINNESTO ELET.ZN	UNCOUPLING ELECTRIC SPACER	ENTRETOISE DEBRAYAGE +LECT.	DISTANZST_CK AUSKUPPLUNG EL.	DISTANCIADOR DESCONEXIN EL.
7	G19204080	FORCELLA	FORK			
8	GA5220490	PERNO ZN	PIN ZN			
9	G66248057	SPINA DI SICUREZZA SP	SAFETY PIN SP	BROCHE PLASTIC SECURITE CARDAN	SICHERHEITSTIFT SP	CLAVIJA DE SEGURIDAD SP
10	GA5220480	INNESTO	CLUTCH			
11	GA5220500	CROCIERA CARDANICA	CARDAN SPIDER			
12	F02100086	SPINA E.P. 5X 30 U6873 C70 ZN	PIN EL. 5 X30 DIN 1481 ZN	FICHE EL. 5 X30 DIN 1481 ZN	SPANNSTIFT 5 X30 DIN 1481 ZN	CLAVIJA EL.5 X30 DIN 1481 ZN
13	G22270454	CROCIERA COMPL. SP/S	SPIDER SP/S	CROSILLON COMPL CARDAN TRANSM	GELENKKREUZ KOMPL. SP/S	CRUCETA COMPL. SP/S
14	GA5220450	TUBO INNESTO CON FORCELLA	HOSE CONNECTION WITH FORK			
15	G18701970	RONDELLA 16X48X2,5	WASHER 16X48X2,5	RONDELLE 16X48X2,5	UNTERLEGSSCHEIBE 16X48X2,5	ARANDELA 16X48X2,5

TAV. 161



- 50 - L. 430
- 53 - L. 3000
- 54 - L. 1460
- 55 - L. 3500
- 56 - L. 2000
- 57 - L. 800
- 58 - L. 3200
- 59 - L. 2485
- 60 - L. 2750
- 61 - L. 2200
- 62 - L. 550

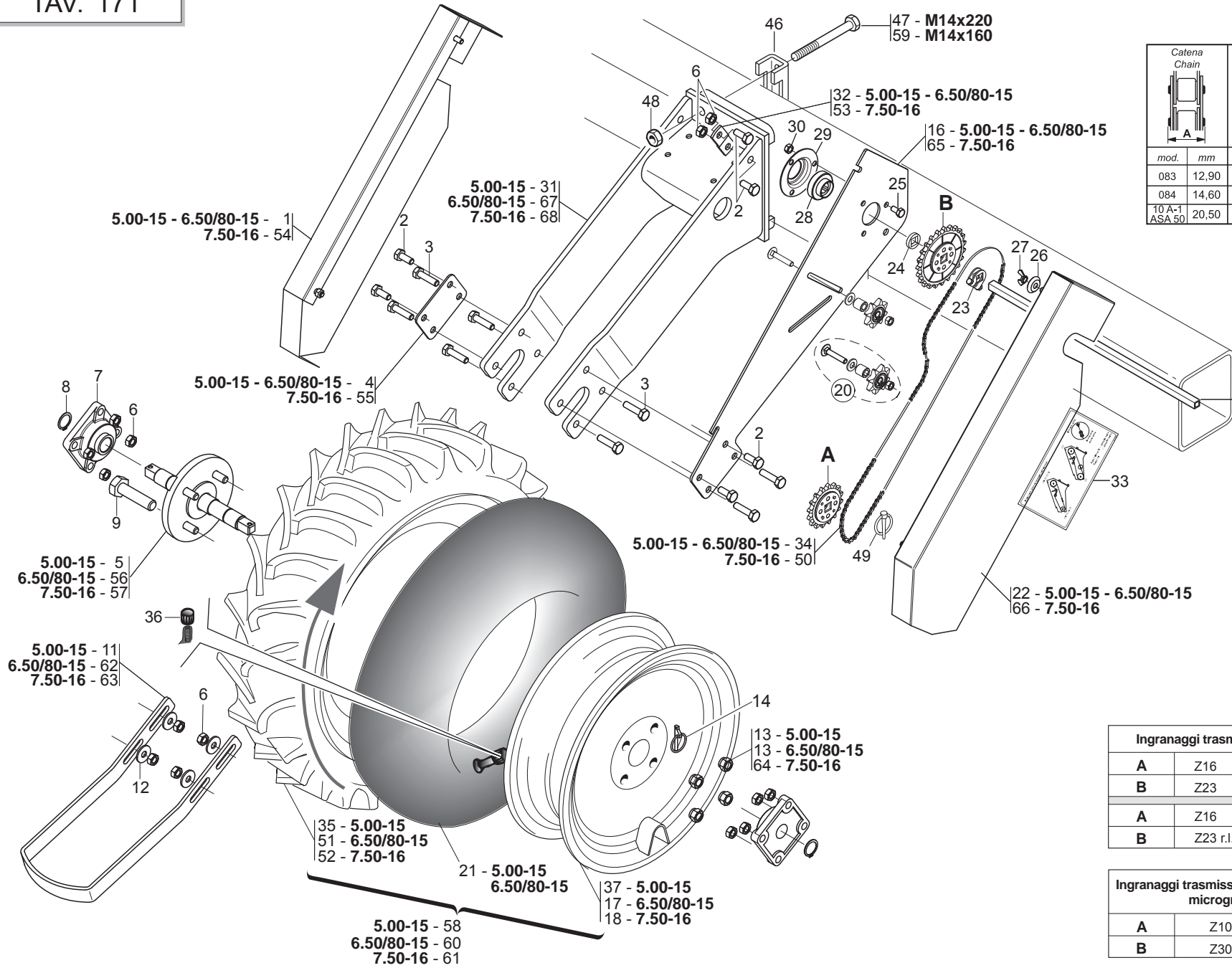
- 51 - Ruote 5.00-15
- 63 - Ruote 6.50-15
- 24 - Ruote 7.50-16
- 52 - Ruote 6.50-15 est.

Catena Chain		Falsa maglia Offset link	Maglia giunto Connecting link
mod.	mm	Cod.	Cod.
083	12,90	F06080655	F06080501
084	14,60	F06080666	F06080502
10 A-1 ASA 50	20,50	F06080644	F06080499


CAMBIO

TAV. 161

Pos.	Cod.	Descrizione	Description	Description	Benennung	Descripcion
1	G14830390	CUSCINETTO FORO QUADRO	SQUARE-HOLED BEARING	ROULEMENT TROU CARRE	VIERKANTLAGER	COJINETE ORIFICIO CUADRADO
2	G15430292	SCATOLA CAMBIO Q.150	GEARBOX Q.150	BOITE DE VITESSE Q.150	GETRIEBEKASTEN Q.150	CAJA DE CAMBIO VELOCIDAD Q.150
3	G15430321	RULLO TENDICATENA	CHAIN STRETCHER ROLLER	ROULEAU TENDEUR DE CHAINE	KETTENSANNRROLLE	RODILLO TENSOR DE CADENA
4	G15430331	LEVA CAMBIO	GEAR LEVER	LEVIER BOITE DE VITESSE	GETRIEBEBEBEL	PALANCA DE CAMBIO
5	G15430340	ASSE INGRANAGGI L.144	GEAR SPINDLE L.144	AXE ENGRENAGES L.144	ACHSE ZAHNRZDER L.144	EJE ENGRANAJES L.144
6	G16630010	SCATOLA CAMBIO Q.150 COMPL.	GEARBOX 150	BOITE DE VITESSE 150	GETRIEBEKASTEN 150	CAJA DE CAMBIO DE VELOCIDAD 150
7	G15430501	DISTANZIALE INTERNO CAMBIO ZN	GEARBOX INNER SPACER	ENTRETOISE INT. BOITE VITESSE	INNERES DISTANZSTsCK GETRIEBE	DISTANCIADOR INTERIOR CAMBIO
8	G15430711	COPERCHIO CAMBIO	GEAR COVER	COUVERCLE BOITE DE VITESSE	GETRIEBEDECKEL	TAPA CAMBIO
9	G15431020	FERMO VITE CAMBIO	GEAR BOLT STOP	ARRET VIS BOITE DE VITESSE	FESTSTELLVORRICH. GETRIEBESCHR	BLOQUEO TORNILLO
10	G18902970	MOLLA TRAZ. CAMBIO ZN SP	GALVAN. GEAR TRACT. SPRING SP	RESS. TRACT. BOITE VITESSE ZN	GETRIEBEBLOCK ACHSE 20 SP	BLOQUE TRAC. CAMBIO ZN SP
11	F02250683	INSERTO FIL.M 8X17,5 ZN T.TOND	CYLINDRICAL NUT 8 TC 40	ECROU CYLINDRIQUE 8 TC 40	ZYLINDRISCHE MUTTER 8 TC 40	TUERCA CILINDRICA 8 TC 40
12	G20970142	RONDELLA 32X4X15,5	WASHER 32X4X15-5	RONDELLE 32X4X15-5	UNTERLEGSCHSHEIBE 32X4X15-5	ARANDELA 32X4X15-5
13	G22220085	SNODO	ARTICULATION	ARTICULATION	GELENK	ARTICULACION
14	G22230094	SUPPORTO CUSCINETTO	BEARING SUPPORT	SUPPORT PALIER	LAGERBSCHSE	SOPORTE COJINETE
15	G19203260	VITE M5X115 ZN	BOLT M5X115 ZN	VIS M5X115 ZN	SCHRAUBE M5X115 ZN	TORNILLO M5X115 ZN
16	G22270152	ING.Z 16-23 RUOTA-CAMBIO SP	WHEEL- GEARBOX GEARS SP	ENGR. Z 16-23 ROUE BOITE VIT.	ZAHNRAD Z 16-23 GETRIEBERAD SP	ENGRAN. Z 16-23 RUEDA-CAMBIO
17	G22270162	RINFORZO INGR.ASSE DA 20 SP	AXLE GEAR REINFORCEMENT 20 SP	RENFORC. ENGREN. AXE DE 20 SP	VERSTZRKUNG ACHSZAHNRAD 20 SP	REFUERZO ENGRAN. EJE DE 20 SP
18	G22270163	BLOCCO CAMBIO ASSE DA 20 SP	20 CM SPINDLE GEARBOX SP	ENSEMBLE BOITE DE VITESSE	GETRIEBEBLOCK ACHSE 20 SP	BLOQUE CAMBIO EJE DE 20 SP
19	G22270217	SUPP.CONTAETT. CAMB.35 SP LM	HECTARE COUNTER GEAR SUPPORT 3	SUPPORT COMPT. D'HECT. B. VIT.	HALT. GETRIEBE HEKTARZZHLER 35	SOPORTE CONTADOR HECT. CAMB.35
20	G22270218	CONTAETTARI TEN. STAG. SP LM	HECTARE COUNTER SEAL SP LM	COMPT. D'HECT. ETANCHE SP LM	HEKTARZZHLER DICHT SP LM	CUENTA HECTAREAS ESTANCO
21	G15110091	SCONTRO A U SP.8 2F15 165	STRIKER	BRIDE 150 MM	ANSCHLAG	ELEMENTO DE EMPALME
22	G66248218	RONDELLA DISTAN.SPANDI	MAN. SPR. SPACER WASHER	RONDELLE ENTRETOISE EP. ENGRAI	ABSTANDSCHEIBE DsNGERSTREUER	ARANDELA DISTAN.ABONAD.
23	F01040025	VITE M4X0,7X10 U5931* 8.8ZN	SCR. M4X0,7X10 U5931* 8.8ZN	VIS 4 X10 5931 8.G ZN	SCHRAUBE 4 X10 5931 8.G ZN	TORNILLO 4 X10 5931 8.G ZN
24	G19701452	DECAL. CAMBIO RUOTA 7,50-16	LABEL WHEEL GEAR 7,50-16			
25	G22505085	FERMO ASSE IN LAMIERA	PLATE AXLE STOP	ARRET AXE EN TOLE	FESTSTELLVORRICHTUNG BLECHACHS	BLOQUEO EJE DE CHAPA
26	F01060040	VITE M8X1,25X20 U5732 4.6ZG	SCR. M8X1,25X20 U5732 4.6ZG	VIS M8X1,25X20 U5732 4.6 ZN	SCHRA. M8X1,25X20 U5732 4.6 ZN	TORN. M8X1,25X20 U5732 4.6 ZN
27	F06220018	VOLANTINO 3LOBI D.65-M8X15	3-LOBE HANDWHEEL D.65-M8X15			
28	F01020225	VITE M14X2X160 U5737 8.8BR	SCR. M14X2X160 U5737 8.8BR	VIS M 14 X160 5737 8.G	SCHRAUBE M 14 X160 5737 8.G	TORNILLO M 14 X160 5737 8.G
29	F01020233	VITE M14X2X200 U5737 8.8BR	SCR. M14X2X200 U5737 8.8BR	VIS M14X2X 200 U5737 8.8 ZB	SCHRAUBE M14X 2X200 U5737 8.8	TORNILLO M14X2X200 5737 8.8 ZB
30	F01020432	VITE M8X1,25X16 U5739 8.8ZN	SCR. M8X1,25X16 U5739 8.8ZN	VIS M8 X1,25X16 U5739 8.8 ZN	SCHRAUBE M8X1,25X16U5739 8.8ZN	TORNILLO M8X1,25X16U5739 8.8ZN
31	F01020449	VITE M8X1,25X35 U5739 8.8ZN	SCR. M8X1,25X35 U5739 8.8ZN	VIS M8X1,25X35 U5739 8.8ZN	SCHRA. M8X1,25X35 U5739 8.8ZN	TORN. M8X1,25X35 U5739 8.8ZN
32	F01200220	DADO M5X0,8 U5588 6.8ZN	NUT M5X0,8 U5588 6.8ZN	ECROU 5 UNI 5588 6.8 ZN	MUTTER 5 UNI 5588 6.8 ZN	TUERCA 5 UNI 5588 6.8 ZN
33	F01200244	DADO M8X1,25 U5588 6.8ZN	NUT M8X1,25 U5588 6.8ZN	ECROU M8 X1,25 U5588 6.8 ZN	MUTTER M8 X1,25 U5588 6.8 ZN	TUERCA M8 X1,25 U5588 6.8 ZN
34	F01200306	DADO M14X2 U5588 6.8ZN	NUT M14X2 U5588 6.8ZN	ECROU M14X2	MUTTER M14X2	DADO M14X2
35	F01410051	ROS.M8 8,4X 17X1,6 U6592 ZN	WASHER M8 8,4X17X1,6 U6592 ZN	RONDELLE M8 8,4X17X1,6 U6592ZN	SCHEIBE M8 8,4X17X1,6 U6592 ZN	ARANDELA M8 8,4X17X1,6 U6592ZN
36	F01410011	ROS.M4 4,3X 9X0,8 U6592 ZN	PLANE WASHER 4,5X 9 6592	RONDELLE 4,5X 9 6592	SCHEIBE 4,5X 9 6592	ARANDELA 4,5X 9 6592
37	F01430059	ROS.M8 8,4X 15X0,8 U8842J ZN	WASHER M8 8,4X15X0,8 U8842J ZN	ROND. M8 8,4X 15X0,8 U8842J ZN	SCHEIBE M8 8,4X15X0,8 U8842JZN	ARAND. M8 8,4X15X0,8 U8842J ZN
38	F02200229	COPIGLIA 5X 45 U1336 ZN	SPLIT PIN 5X 45 U1336 ZN	GOUPILET 5X 45 U1336 ZN	SPANNSTIFT 5X 45 U1336 ZN	PASADOR 5X 45 U1336 ZN
39	F02100086	SPINA E.P. 5X 30 U6873 C70 ZN	PIN EL. 5 X30 DIN 1481 ZN	FICHE EL. 5 X30 DIN 1481 ZN	SPANNSTIFT 5 X30 DIN 1481 ZN	CLAVIJA EL.5 X30 DIN 1481 ZN
40	F06080008	CATENA 1/2 ISO 083 16 MAGLIE	CHAIN 1/2 ISO 083 16 LINKS	TRONÁON CHA+NE 1/2-3/16 16 MAI	KET.ABSCHN.1/2-3/16 16 GLIEDER	TRAMO CAD.1/2-3/16 16 ESLABONE
41	F06080230	CATENA 5/8 ASA 50 L 46 MAGLIE	CHAIN 5/8 ASA 50 L 46 LINKS	CHAINE 5/8 ASA 50 L 46 MAILLE	KETTE 5/8 ASA 50 L 46 GLIEDER	CADENA 5/8 ASA 50 L 46 ESLABO
42	G65336098	MOLLA CONTAETTARI CAMB.35 SP	HECT. COUNT. GEAR SPRING 35 SP	RESS. COMPTEUR D'HECTARES CH	FEDER HEKTARZZHLER GETRIEBE.35	MUELLE CONTADOR DE HECTAREAS C
43	G66248162	INGRANAGGIO Z-17 SP	GEAR Z-17 SP	ENGRENAGE Z-17 SP	ZAHNRAD Z-17 SP	ENGRANAJE Z-17 SP
44	G66248163	INGRANAGGIO Z-18 SP	GEAR Z-18 SP	ENGRENAGE Z-18 SP	ZAHNRAD Z-18 SP	ENGRANAJE Z-18 SP
45	G66248164	INGRANAGGIO Z-19 SP	GEAR Z-19 SP	ENGRENAGE Z-19 SP	ZAHNRAD Z-19 SP	ENGRANAJE Z-19 SP
46	G66248165	INGRANAGGIO Z-20 SP	GEAR Z-20 SP	ENGRENAGE Z-20 SP	ZAHNRAD Z-20 SP	ENGRANAJE Z-20 SP
47	G66248166	INGRANAGGIO Z-21 SP	GEAR Z-21 SP	ENGRENAGE Z-21 SP	ZAHNRAD Z-21 SP	ENGRANAJE Z-21 SP
48	G66248167	INGRANAGGIO Z-22 SP	GEAR Z-22 SP	ENGRENAGE Z-22 SP	ZAHNRAD Z-22 SP	ENGRANAJE Z-22 SP
49	G66248168	INGRANAGGIO Z-23 SP	GEAR Z-23 SP	ENGRENAGE Z-23 SP	ZAHNRAD Z-23 SP	ENGRANAJE Z-23 SP
50	G22270127	ASSE RUOTA CAMBIO 2F.L.500 SP	WHEEL AXLE - GEARBOX 2-ROW L.	AXE ROUE BOITE DE VITESSE	GEBTRIEBERADACHSE 2R.L.500 SP	EJE RUEDA CAMBIO 2 FILAS. L.50
51	G19701403	DECAL. CAMBIO RUOTA 5,00-15	DECAL. WHEEL 5,00-15			
52	G19703162	DECAL. CAMBIO RUOTA 6,50-15 EST	LABEL WHELL GEAR 6,50-15 EXT			
53	G13831520	ASSE TRASMISSIONE L.3000	TRANSMISSION AXLE L.3000	AXE TRANSMISSION L3000	sBERTRAGUNGSACHSE L.3000	EJE TRANSMISIN L 3000 A
54	G20860090	ASSE SX 5F.60 L.1460	AXLE- LEFT 5-R.60 L.1460	AXE GCH. 5 RANGEES 60 L. 1460	ACHSE LI 5R.F.60 L.1460	EJE IZQ. 5 FILA. 60 L.1460
55	G22220250	ASSE SX 6 FILE L.3500	AXLE LEFT 6-ROW L.3500	AXE GCH. 6 RANGEES L. 3500	ACHSE LINKS 6 REIHEN L.3500	EJE IZQ. 6 FILAS L.3500
56	G22230141	ASSE SEMINAT.6F.CM.80 L.2000	AXLE 6-ROW SEEDER MACH.L.2000	AXE SEMEUR 6 RANGEES CM. 80 L.	ACHSE SZALEMENT 6 R.CM.80 L.2	EJE SEMBR. 6 FILAS. CM.80 L.20
57	G22230142	ASSE 4 FILE L.800	4-ROW SPINDLE L.800	AXE 4 RANGEES L. 800	ACHSE 4 REIHEN B. 800	EJE 4 FILAS L.800
58	G22250031	ASSE TRASM.SEMINAT.L.3200 SV	AXLE- SEEDING MACH. GEARBOX L.	AXE ENTRAINEMENT SEMEUR L.3200	ACHSE SZELEMENTANTRIEB L.3200	EJE TRANS.SEMBR. L.3200 SV
59	G13732200	ASSE TRASMISSIONE L.2485	TRANSMISSION AXLE L2485	AXE TRANSMISSION L.2485	sBERTRAGUNGSACHSE L.2485	EJE TRANSMISIN L 2485 A
60	G22250275	ASSE TRASM.SEMINAT.L.2750 SV	AXLE- SEEDING MACH. GEARBOX L.	AXE ENTRAINEMENT SEMEUR L. 275	ACHSE SZELEMENTANTRIEB L.2750	EJE TRANS.SEMBR. L.2750 SV
61	G22250276	ASSE TRASM.SEMINAT.L.2200 SV	AXLE- SEEDING MACH. GEARBOX L.	AXE ENTRAINEMENT SEMEUR L. 220	ACHSE SZELEMENT-ANTRIEB.L.2200	EJE TRANS.SEMBR. L.2200 SV
62	G22280071	ASSE RUOTA-CAMBIO L.550 ID	GEARBOX WHEEL AXLE L. 550 ID	AXE ROUE BOITE DE VITESSE	RADACHSE-GETRIEBE L.550 ID	EJE RUEDA-CAMBIO L.550 ID
63	G19701414	DECAL. CAMBIO RUOTA 6,50-15/R26	DECAL. WHEEL 6,50-15/R26			
64	F01020445	VITE M8X1,25X30 U5739 8.8ZN	SCR. M8X1,25X30 U5739 8.8ZN	VIS M 8X1,25X30 U5739 8.8 ZN	SCHRAU, M8X1,25X30 U5739 8.8ZN	TORN. M8X1,25X30 U5739 8.8 ZN



Catena Chain		Falsa maglia Offset link		Maglia giunto Connecting link	
mod.	mm	Cod.	Cod.	Cod.	Cod.
083	12,90	F06080655	F06080501		
084	14,60	F06080666	F06080502		
10 A-1 ASA 50	20,50	F06080644	F06080499		

	Pos.
Z10	38
Z15	39
Z16	40
Z23	41
Z23 r.l.	42
Z25	43
Z30	44

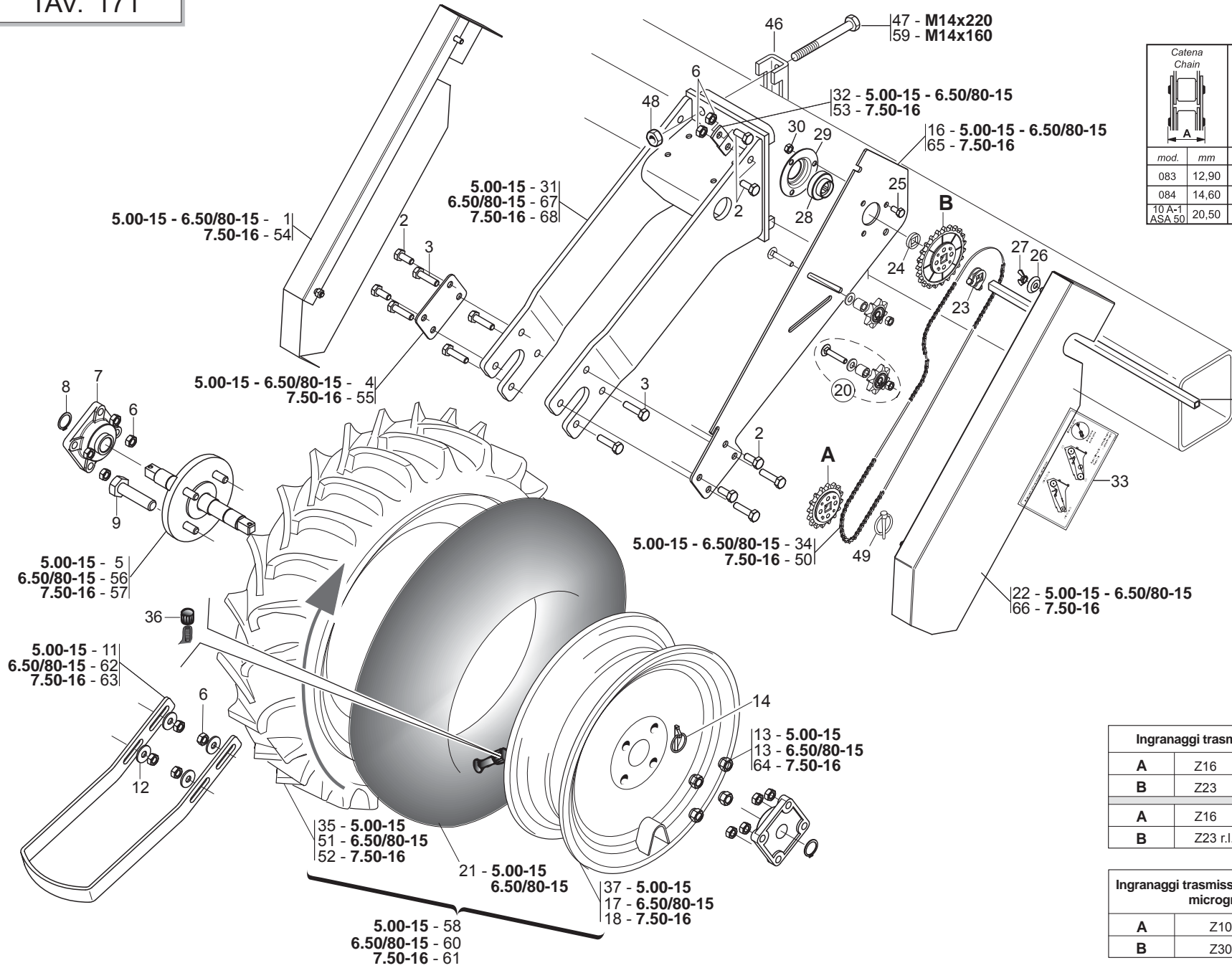
Ingranaggi trasmissione seminatori			
A	Z16	Z23	Z23
B	Z23	Z16	Z23
A	Z16	Z23 r.l.	Z23
B	Z23 r.l.	Z16	Z23 r.l.

Ingranaggi trasmissione spandiconcime e microgranulatore		
A	Z10	Z15
B	Z30	Z25

RUOTE DI TRASMISSIONE

TAV. 171

Pos.	Cod.	Descrizione	Description	Description	Benennung	Descripcion
1	G16630361	CARTER SX	LEFT PROTECTION			
2	F01020472	VITE M10X1,5X25 U5739 8.8ZN	SCR. M10X1,5X25 U5739 8.8ZN	VIS M10X1,5X25 U5739 8.8 ZN	SCHRAUBE M10X1,5X25 U5739 8.8	TORNILLO 10X25 U5739 8.8 ZN
3	F01020483	VITE M10X1,5X40 U5739 10.9ZD	SCR. M10X1,5X40 U5739 10.9ZD	VIS M10X1,5X40 U5739 10.9 ZD	SCHRA.M10X1,5X40 U5739 10.9 ZD	TORN. M10X1,5X40 U5739 10.9 ZD
4	G16630380	SCONTRO 100X 70-3 4F11 70X40	STRIKER PLATE 100X70-3 4F	BUTEE 100X70-3 4F	ANSCHLAG 100X70-3 4F	ELEMENTO DE EMPALME 100X70-3 4
5	G22270280	ASSE RUOTA TRASM.NORMALE SP/S	NORMAL DRIVE WHEEL AXLE	AXE ROUE ENTRAINEMENT 5.00-15	RADACHSE NORMALER ANTRIEB SP/S	EJE RUEDA TRANS. NORMAL SP/S
6	F01200270	DADO M10X1,5 U5588 6.8ZN	NUT M10X1,5 U5588 6.8ZN	ECROU M10X 1,5 U5588 6.8 ZN	MUTTER M10X 1,5 U5588 6.8 ZN	TUERCA M10X 1,5 U5588 6.8 ZN
7	F04100137	SUPPORTO FY 25 TF	SUPPORT FY 25 TF			
8	F02050101	ANELLO E. DE 25X 1,2 U7435 C70	SEEGER RING E. 25X1,2 7435 C70	SEEGER E. 25X 1,2 U7435 C70	SEEGERING E. 25X 1,2 U7435 C70	ANILLO E. 25X 1,2 U7435 C70
9	F01010365	VITE M18X1,5X50 U5740 8.8ZN	SCR. M18X1,5X50 U5740 8.8ZN	VIS M18X1,5X50 U5740 8.8 ZN	SCHRAUBE 18X1,5X50 U5740 8.8ZN	TORNI. M18X1,5X50 U5740 8.8ZN
10	G22270049	ASSE 4F.85-6F.50 L.1260	ASSE 4F.85-6F.50 L.1260	4-ROW SPINDLE - 85-6-ROW-50 L.	ACHSE 4 REIHEN 85-6 REIH. 50	EJE 4 FILAS. 85-6 FILAS. 50 L.
11	G15430090	RASCHIATERRA	SOIL SCRAPER	RACLEUR	ERDSCHABER	RASCADOR TIERRA
12	F01420060	ROS.M10 10,5X 30X2,5 U6593 ZN	WASHER 10,5X30	RONDELLE 10,5X30	SCHIBE 10,5X30	ARANDELA 10,5X30
13	F01250040	DADO COLON. 12X1.5 ZN	COLUMN NUT M12X1.5 STUD BOLT	ECROU M12X1. 5 COLONNE	SCHRAUBBOLZENMUTTER M12X1.5	TUERCA 12X1.5 COLUMNA
14	F02200452	SPINA SCATTO D.4,4 B/80 ZN	SNAP PIN D4.4 B/80 ZN	FICHE A DETENTE D4.4 B/80 ZN	EINRASTSTIFT D4.4 B/80 ZN	CLAVIJA DE MUELLE D4,4 B/80 ZN
15	G22230142	ASSE 4 FILE L.800	4-ROW SPINDLE L.800	AXE 4 RANGEES L. 800	ACHSE 4 REIHEN B. 800	EJE 4 FILAS L.800
16	G16630311	SUPPORTO TRASMISSIONE SP540	TRASM.SUPPORT SP541			
17	F06120207	CERCHIO 5J 15 H2 PV RAL 9001	RIM 5J 15 H2 PV RAL 9001			
18	F06120208	CERCHIO 7.50-16 PV TU	RING 7.50-16 PV TU	JANTE 7.50-16 PV TU	REIFEN 7.50-16 PV TU	LLANTA 7.50-16 PV TU
19	G22230138	ASSE CAMBIO 4F.80-6F.45 L.1000	GEAR SPINDLE 4-ROW 80- 6-ROW.4	AXE BOITE DE VITESSE 4 RA	GETRIEBEACHSE 4 R. 80-6 R.45 L	EJE CAMBIO 4 FILAS. 80-6 FILAS
20	G16630810	KIT INGR.Z8 5/8"X3/8" CUSC.	GEARS KIT Z8 5/8"X3/8"			
21	F06120134	CAMERA X R5.00-15 E 6.5/80-15	INNER TUBE R5.00-15 6.5/80-15	CHAMBRE R5.00-15 6.5/80-15	KAMMER R5.00-15 6.5/80-15	CAMARA R5.00-15 6.5/80-15
22	G16630351	CARTER DX	RIGHT CARTER			
23	G22505085	FERMO ASSE IN LAMIERA	PLATE AXLE STOP	ARRET AXE EN TOLE	FESTSTELLVORRICHTUNG BLECHACHS	BLOQUEO EJE DE CHAPA
24	G66248218	RONDELLA DISTAN.SPANDI	MAN. SPR. SPACER WASHER	RONDELLE ENTRETOISE EP. ENGRAI	ABSTANDSCHEIBE DsNGERSTREUER	ARANDELA DISTAN.ABONAD.
25	F01020432	VITE M8X1,25X16 U5739 8.8ZN	SCR. M8X1,25X16 U5739 8.8ZN	VIS M8 X1,25X16 U5739 8.8 ZN	SCHRAUBE M8X1,25X16U5739 8.8ZN	TORNILLO M8X1,25X16U5739 8.8ZN
26	G22220083	RONDELLA AD IMBOCCO	LEAD-IN WASHER	RONDELLE EMBOUTIE	TRICHTERSCHEIBE	ARANDELA DE MUESCA
27	F01240024	DADO M8X1,25 U5448 5.8ZN	NUT M8X1,25 U5448 5.8ZN	ECROU 8 UNI 5448 5.8 ZN	MUTTER 8 UNI 5448 5.8 ZN	TUERCA 8 UNI 5448 5.8 ZN
28	G14830390	CUSCINETTO FORO QUADRO	SQUARE-HOLED BEARING	ROULEMENT TROU CARRE	VIERKANTLAGER	COJINETE ORIFICIO CUADRADO
29	G22230094	SUPPORTO CUSCINETTO	BEARING SUPPORT	SUPPORT PALIER	LAGERBSCHSE	SOPORTE COJINETE
30	F01220022	DADO M8X1,25 D980 8ZN	NUT M8X1,25 D980 8ZN	ECROU M8X 1,25 D980 8 ZN	MUTTER M8X 1,25 D980 8 ZN	TUERCA M8X 1,25 D980 8 ZN
31	G16630290	SUPPORTO RUOTA 5,00-15	WHEEL SUPPORT 5,00-15	SUPPORT ROUE 5,00-15	RADLAGER 5,00-15	SOPORTE RUEDA 5,00-15
32	G16630320	ATTACCO AL SUPPORTO RUOTA ZN	CONEXIN SOP. RUEDECILLA			
33	G19704690	DECAL.DISP.CATENE/INGR.R.POST.	DECAL.DEV.CHAIN/INGR.R.POST.			
34	F06080168	CATENA 5/8 ASA 50 L 86 MAGLIE	CHAIN 5/8 ASA 50 L 86 LINKS	CHAINE 5/8 ASA 50 L 86 MAILLE	KETTE 5/8 ASA 50 L 86 GLIEDER	CADENA 5/8 ASA 50 L 86 ESLABO
35	F06120170	COPERTURA 5.00-15 IM 110 6PR	TYRE 500-15 IM110 4PR	COUVERTURE 500-15 IM110 4PR	MANTEL 500-15 IM110 4PR	CUBIERTA 500-15 IM110 4PR
36	F05050025	CAPPELLOTTO PROTEZ. X VALV.PVC	PROTECTION CAP PVC X VALVA	CAPUCHON PROTECION PVC X VALVA	SCHUTZKAPPE PVC X VENTIL	TAPAPROTECION PVC X VALVA
37	F06120206	CERCHIO 3.00 D 15 PV RAL 9001	RIM 3.00 D 15 PV RAL 9002			
38	G22220113	INGRANAGGIO Z-10 FERRO	GEAR Z-10 IRON	ENGRENAGE Z-10 FER	ZAHNRAD Z-10 EISEN	ENGRANAJE Z-10 HIERRO
39	G16630390	PIGNONE Z-15 ZN.	PINION Z-15 ZN	PIGNON Z-15 ZN	RITZE Z-15 ZN	PINION Z-15 ZN
40	G16630400	PIGNONE Z-16 ZN.	PINION Z-16 ZN.	PIGNON Z-16 ZN.	RITZE Z-16 ZN.	PINION Z-16 ZN.
41	G16630410	PIGNONE Z-23 ZN.	PINION Z-23 ZN.	PIGNON Z-23 ZN.	RITZE Z-23 ZN.	PINION Z-23 ZN.
42	G16631120	INGRANAGGIO R.LIB. Z-23 CSK30	FREE WHEEL GEAR Z-23 CSK30	ENGRENAGE Z23 ROUE LIBRE CSK30	ZAHNRAD FREILAUF Z-23 CSK30	ENGRANAJE R.LIBRE Z-23 CSK30
43	G16630420	PIGNONE Z-25 ZN.	PINION Z-25 ZN.	PIGNON Z-25 ZN.	RITZE Z-25 ZN.	PINION Z-25 ZN.
44	G16630430	PIGNONE Z-30 ZN.	PINION Z-30 ZN.	PIGNON Z-30 ZN.	RITZE Z-30 ZN.	PINION Z-30 ZN.
45	G20870028	ASSE SERB.LATO TRAS.6F.L.1800	AXLE- GEARBOX SIDE- 6-ROW L.18	AXE RESERVOIR COTE ENTRAINEMEN	ACHSE BEHZLTER ANTRIEBSS. 6F.L	EJE DEPS. LADO TRANS. 6 FILA A
46	G15110091	SCONTRO A U SP.8 2F15 165	STRIKER	BRIDE 150 MM	ANSCHLAG	ELEMENTO DE EMPALME
47	F01020236	VITE M14X2X220 U5737 8.8BR	SCR. M14X2X220 U5737 8.8BR	VIS M14X2X220 U5737 8.8 BR	SCHRAUBE M14X2X220 U5737 8.8	TORNILLO M14X2X220 U5737 8.8
48	F01200306	DADO M14X2 U5588 6.8ZN	NUT M14X2 U5588 6.8ZN	ECROU M14X2	MUTTER M14X2	DADO M14X2
49	F02200452	SPINA SCATTO D.4,4 B/80 ZN	SNAP PIN D4.4 B/80 ZN	FICHE A DETENTE D4.4 B/80 ZN	EINRASTSTIFT D4.4 B/80 ZN	CLAVIJA DE MUELLE D4,4 B/80 ZN
50	F06080245	CATENA 5/8 ASA 50 L 94 MAGLIE	CHAIN 5/8 ASA 50 L 94 LINKS	CHAINE 5/8 ASA 50 L 94 MAILLE	KETTE 5/8 ASA 50 L 94 GLIEDER	CADENA 5/8 ASA 50 L 94 ESLABO
51	F06120180	COPERTURA 6.5/80-15 IM 110 6PR	TYRE 6.5/80-15 IM 110 6PR			
52	F06120400	COPERTURA 7.50-16 IM110 8PR TU	TYRE 7.50-16 IM110 8PR TU			
53	G15231330	ATTACCO AL SUPPORTO RUOTA ZN	SUPP. WHEEL COUPLING	FIXATION SUPPORT ROUET	KUPPLUNG HALT. KL. RAD	CONEXIN SOP. RUEDECILLA
54	G15231321	CARTER SX 7.50	CARTER LEFT 7.50			
55	G22270284	ATTACCO RASCHIATERRA SP/S	SOIL SCRAPER COUPLING SP/S	FIXATION RACLEUR SP/S	KUPPLUNG ERDABSCHABER SP/S	CONEXIN RASPADOR SP/S O



Catena Chain		Falsa maglia Offset link		Maglia giunto Connecting link	
mod.	mm	Cod.	Cod.	Cod.	Cod.
083	12,90	F06080655	F06080501		
084	14,60	F06080666	F06080502		
10 A-1 ASA 50	20,50	F06080644	F06080499		

	Pos.
Z10	38
Z15	39
Z16	40
Z23	41
Z23 r.l.	42
Z25	43
Z30	44

Ingranaggi trasmissione seminatori			
A	Z16	Z23	Z23
B	Z23	Z16	Z23
A	Z16	Z23 r.l.	Z23
B	Z23 r.l.	Z16	Z23 r.l.

Ingranaggi trasmissione spandiconcime e microgranulatore		
A	Z10	Z15
B	Z30	Z25

RUOTE DI TRASMISSIONE

TAV. 171

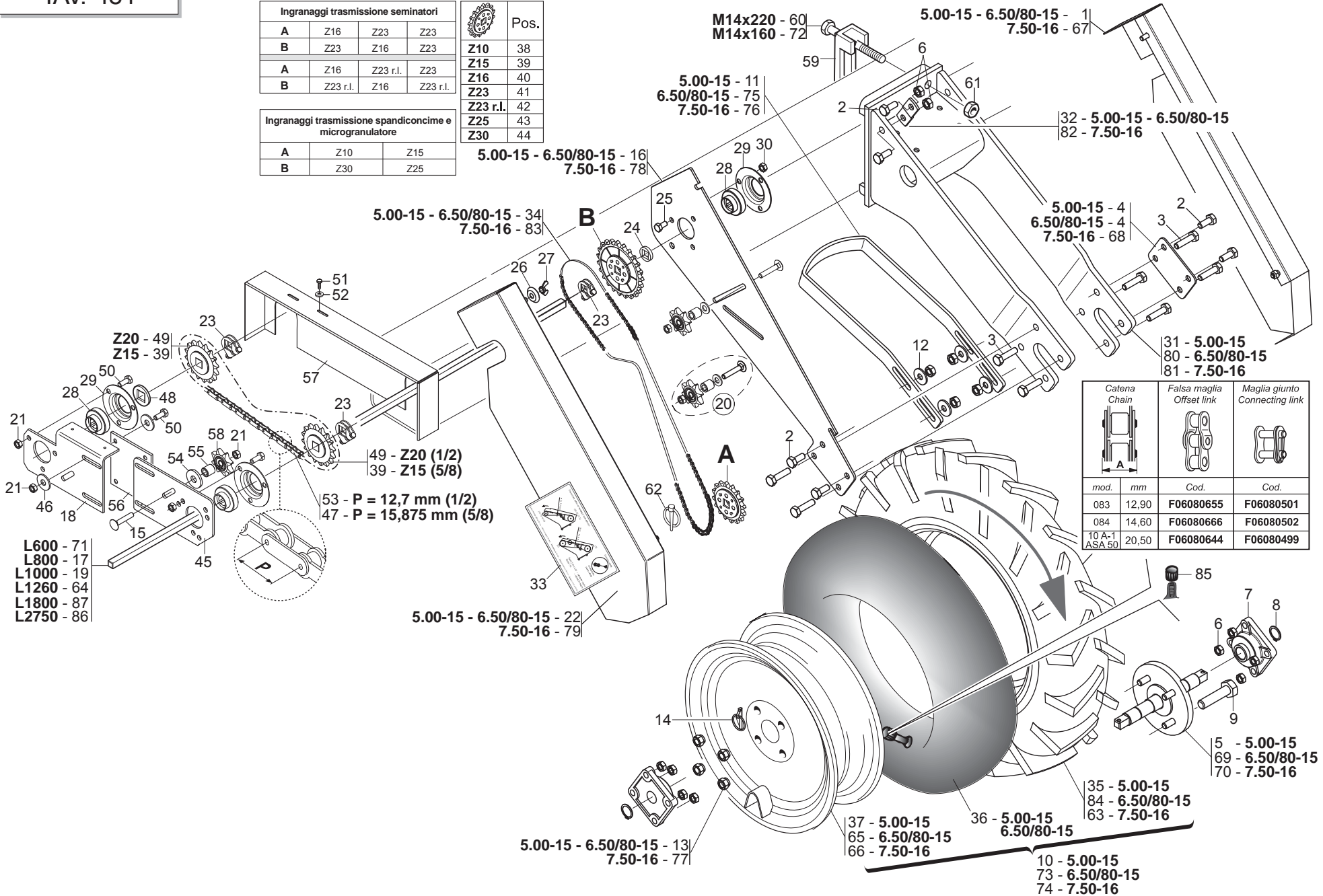
Pos.	Cod.	Descrizione	Description	Description	Benennung	Descripcion
56	G22270281	ASSE RUOTA TRASM.MAGG. SP/S	INCREASED DRIVE WHEEL AXLE	AXE ROUE ENTRAINEMENT 6.50-15	RADACHSE sBERBEM. ANTRIEB SP/S	EJE RUEDA TRANS. SOBREDIMENS.
57	G15231162	ASSE RUOTA 7,50X16	ASS. AXIS WHEEL 7,50X16			
58	F06120113	RUOTA COMPL.5.00-15 6PR DX	COMPL. WHEEL 5.00-15 6PR RH.	ROUE COMPL. 5.00-15 6PR DRT.	RAD KOMPL.5.00-15 6PR RE	RUEDA COMPL.5.00-15 6PR DER.
59	F01020225	VITE M14X2X160 U5737 8.8BR	SCR. M14X2X160 U5737 8.8BR	VIS M 14 X160 5737 8.G	SCHRAUBE M 14 X160 5737 8.G	TORNILLO M 14 X160 5737 8.G
60	F06120116	RUOTA 6.50/80-15 COMPL.	COMPLETE WHEEL 6.50/80-15			
61	F06120069	RUOTA 7.50-16 AG 10	WHEEL 7.50-16 AG10	ROUE 7.50-16 AG10	RAD 7.50-16 AG10	RUEDA 7.50-16 AG10
62	G15430660	RASCHIATERRA MAGGIORATO SP 530	INCREASED SOIL-SCRAPER SP 530	RACLEUR MAJOR. SP 530	sBERGROSSER ERDSCHABER SP 530	RASCADOR TIERRA OBREDIMENS. SP
63	G15231171	RASCHIATERRA RUOTA 7,50X16	WHEEL SOIL SCRAPER 7,50X16	RACLEUR ROUE 7,50X16	ERDSCHABER RAD 7,50X16	RASCADOR TIERRA RUEDA 7,50X16
64	F01250052	DADO COLON. 18X1,5 ZN	COLUMN NUT M18X1,5 ZN	ECROU M18X1,5 COLONNE ZN	MUTTER COLON. M18X1,5 ZN	TUERCA M18X1,5 COLUMNA ZN
65	G15231421	SUPPORTO TRASMISSIONE R.7.5-16	TRANSMSUPPORT 7,50X16	SUPPORT ENTRAINEMENT 7,50X16	HALTERUNG GETRIEBE 7,50X16	SOPORTE TRANSMISIN 7,50X16
66	G15231301	CARTER DX 7.50	RIGHT CARTER 7.50			
67	G16630300	SUPPORTO RUOTA 6,50/80-15	WHEEL SUPPORT 6,50/80-15	SUPPORT ROUE 6,50/80-15	RADLAGER 6,50/80-15	SOPORTE RUEDA 6,50/80-15
68	G15231141	SUPPORTO RUOTA 7.50	WHEEL SUPPORT 7.50	SUPPORT ROUE 7.50	RADLAGER 7.50	SOPORTE RUEDA 7.50

TAV. 181

Ingranaggi trasmissione seminatori			
A	Z16	Z23	Z23
B	Z23	Z16	Z23
A	Z16	Z23 r.l.	Z23
B	Z23 r.l.	Z16	Z23 r.l.

Ingranaggi trasmissione spandiconcime e microgranulatore			
A	Z10	Z15	
B	Z30	Z25	

Pos.
Z10
Z15
Z16
Z23
Z23 r.l.
Z25
Z30



Catena Chain	Falsa maglia Offset link	Maglia giunto Connecting link	
mod.	mm	Cod.	Cod.
083	12,90	F06080655	F06080501
084	14,60	F06080666	F06080502
10 A-1 ASA 50	20,50	F06080644	F06080499


RUOTE DI TRASMISSIONE ANTERIORI

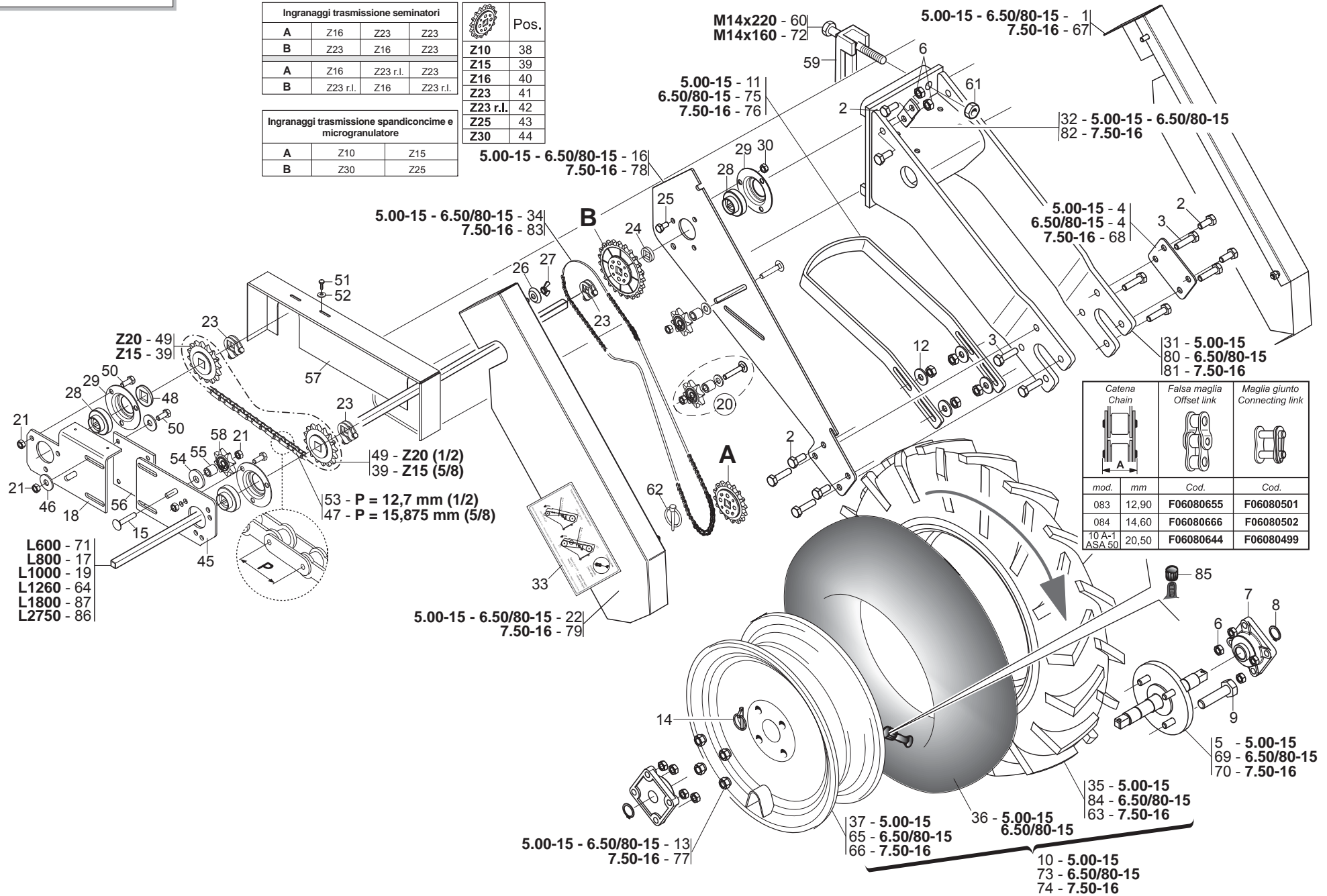
TAV. 181




Pos.	Cod.	Descrizione	Description	Description	Benennung	Descripcion
1	G16630361	CARTER SX	LEFT PROTECTION			
2	F01020472	VITE M10X1,5X25 U5739 8.8ZN	SCR. M10X1,5X25 U5739 8.8ZN	VIS M10X1,5X25 U5739 8.8 ZN	SCHRAUBE M10X1,5X25 U5739 8.8	TORNILLO 10X25 U5739 8.8 ZN
3	F01020483	VITE M10X1,5X40 U5739 10.9ZD	SCR. M10X1,5X40 U5739 10.9ZD	VIS M10X1,5X40 U5739 10.9 ZD	SCHRA.M10X1,5X40 U5739 10.9 ZD	TORN. M10X1,5X40 U5739 10.9 ZD
4	G16630380	SCONTRIO 100X 70-3 4F11 70X40	STRIKER PLATE 100X70-3 4F	BUTEE 100X70-3 4F	ANSCHLAG 100X70-3 4F	ELEMENTO DE EMPALME 100X70-3 4
5	G22270280	ASSE RUOTA TRASM.NORMALE SP/S	NORMAL DRIVE WHEEL AXLE	AXE ROUE ENTRAINEMENT 5.00-15	RADACHSE NORMALER ANTRIEB SP/S	EJE RUEDA TRANS. NORMAL SP/S
6	F01200270	DADO M10X1,5 U5588 6.8ZN	NUT M10X1,5 U5588 6.8ZN	ECROU M10X 1,5 U5588 6.8 ZN	MUTTER M10X 1,5 U5588 6.8 ZN	TUERCA M10X 1,5 U5588 6.8 ZN
7	F04100137	SUPPORTO FY 25 TF	SUPPORT FY 25 TF			
8	F02050101	ANELLO E. DE 25X 1,2 U7435 C70	SEEGER RING E. 25X1,2 7435 C70	SEEGER E. 25X 1,2 U7435 C70	SEEGERING E. 25X 1,2 U7435 C70	ANILLO E. 25X 1,2 U7435 C70
9	F01010365	VITE M18X1,5X50 U5740 8.8ZN	SCR. M18X1,5X50 U5740 8.8ZN	VIS M18X1,5X50 U5740 8.8 ZN	SCHRAUBE 18X1,5X50 U5740 8.8ZN	TORNI. M18X1,5X50 U5740 8.8ZN
10	F06120113	RUOTA COMPL.5.00-15 6PR DX	COMPL. WHEEL 5.00-15 6PR RH.	ROUE COMPL. 5.00-15 6PR DRT.	RAD KOMPL.5.00-15 6PR RE	RUEDA COMPL.5.00-15 6PR DER.
11	G15430090	RASCHIATERRA	SOIL SCRAPER	RACLEUR	ERDSCHABER	RASCADOR TIERRA
12	F01420060	ROS.M10 10,5X 30X2,5 U6593 ZN	WASHER 10,5X30	RONDELLE 10,5X30	SCHIBE 10,5X30	ARANDELA 10,5X30
13	F01250040	DADO COLON. 12X1.5 ZN	COLUMN NUT M12X1.5 STUD BOLT	ECROU M12X1. 5 COLONNE	SCHRAUBBOLZENMUTTER M12X1.5	TUERCA 12X1.5 COLUMNA
14	F02200452	SPINA SCATTO D.4,4 B/80 ZN	SNAP PIN D4.4 B/80 ZN	FICHE A DETENTE D4.4 B/80 ZN	EINRASTSTIFT D4.4 B/80 ZN	CLAVIJA DE MUELLE D4,4 B/80 ZN
15	F01060047	VITE M8X1,25X45 U5732 4.6ZN	SCR. M8X1,25X45 U5732 4.6ZN	VIS 8X45 5732 4.6 ZN	SCHRAUBE 8X45 5732 4.6 ZN	TORNILLO 8X45 5732 4.6 ZN
16	G16630311	SUPPORTO TRASMISSIONE SP540	TRASM.SUPPORT SP541			
17	G22230142	ASSE 4 FILE L.800	4-ROW SPINDLE L.800	AXE 4 RANGEES L. 800	ACHSE 4 REIHEN B. 800	EJE 4 FILAS L.800
18	G17170150	FIANCO SUPPORTO TRASM.SPAND.	SPREADER TRANSM. SIDE SUPPORT			
19	G22230138	ASSE CAMBIO 4F.80-6F.45 L.1000	GEAR SPINDLE 4-ROW 80- 6-ROW.4	AXE BOITE DE VITESSE 4 RA	GETRIEBEACHSE 4 R. 80-6 R.45 L	EJE CAMBIO 4 FILAS. 80-6 FILAS
20	G16630810	KIT INGR.Z8 5/8"X3/8" CUSC.	GEARS KIT Z8 5/8"X3/8"			
21	F01200244	DADO M8X1,25 U5588 6.8ZN	NUT M8X1,25 U5588 6.8ZN	ECROU M8 X1,25 U5588 6.8 ZN	MUTTER M8 X1,25 U5588 6.8 ZN	TUERCA M8 X1,25 U5588 6.8 ZN
22	G16630351	CARTER DX	RIGHT CARTER			
23	G22505085	FERMO ASSE IN LAMIERA	PLATE AXLE STOP	ARRET AXE EN TOLE	FESTSTELLVORRICHTUNG BLECHACHS	BLOQUEO EJE DE CHAPA
24	G66248218	RONDELLA DISTAN.SPANDI	MAN. SPR. SPACER WASHER	RONDELLE ENTRETOISE EP. ENGRAI	ABSTANDSCHEIBE DsNGERSTREUER	ARANDELA DISTAN.ABONAD.
25	F01020432	VITE M8X1,25X16 U5739 8.8ZN	SCR. M8X1,25X16 U5739 8.8ZN	VIS M8 X1,25X16 U5739 8.8 ZN	SCHRAUBE M8X1,25X16U5739 8.8ZN	TORNILLO M8X1,25X16U5739 8.8ZN
26	G22220083	RONDELLA AD IMBOCCO	LEAD-IN WASHER	RONDELLE EMBOUTIE	TRICHTERSCHEIBE	ARANDELA DE MUESCA
27	F01240024	DADO M8X1,25 U5448 5.8ZN	NUT M8X1,25 U5448 5.8ZN	ECROU 8 UNI 5448 5.8 ZN	MUTTER 8 UNI 5448 5.8 ZN	TUERCA 8 UNI 5448 5.8 ZN
28	G14830390	CUSCINETTO FORO QUADRO	SQUARE-HOLED BEARING	ROULEMENT TROU CARRE	VIERKANTLAGER	COJINETE ORIFICIO CUADRADO
29	G22230094	SUPPORTO CUSCINETTO	BEARING SUPPORT	SUPPORT PALIER	LAGERBSCHSE	SOPORTE COJINETE
30	F01220022	DADO M8X1,25 D980 8ZN	NUT M8X1,25 D980 8ZN	ECROU M8X 1,25 D980 8 ZN	MUTTER M8X 1,25 D980 8 ZN	TUERCA M8X 1,25 D980 8 ZN
31	G16630290	SUPPORTO RUOTA 5,00-15	WHEEL SUPPORT 5,00-15	SUPPORT ROUE 5,00-15	RADLAGER 5,00-15	SOPORTE RUEDA 5,00-15
32	G16630320	ATTACCO AL SUPPORTO RUOTA ZN	CONEXIN SOP. RUEDECILLA			
33	G19704701	DECAL.CATENE/INGR.RUOTE ANT.	STICKER	DECALCOMANIE	ABZIEHBILDER	CALCOMANIAS
34	F06080168	CATENA 5/8 ASA 50 L 86 MAGLIE	CHAIN 5/8 ASA 50 L 86 LINKS	CHAINE 5/8 ASA 50 L 86 MAILLE	KETTE 5/8 ASA 50 L 86 GLIEDER	CADENA 5/8 ASA 50 L 86 ESLABO
35	F06120170	COPERTURA 5.00-15 IM 110 6PR	TYRE 500-15 IM110 4PR	COUVERTURE 500-15 IM110 4PR	MANTEL 500-15 IM110 4PR	CUBIERTA 500-15 IM110 4PR
36	F06120134	CAMERA X R5.00-15 E 6.5/80-15	INNER TUBE R5.00-15 6.5/80-15	CHAMBRE R5.00-15 6.5/80-15	KAMMER R5.00-15 6.5/80-15	CAMARA R5.00-15 6.5/80-15
37	F06120206	CERCHIO 3.00 D 15 PV RAL 9001	RIM 3.00 D 15 PV RAL 9002			
38	G22220113	INGRANAGGIO Z-10 FERRO	GEAR Z-10 IRON	ENGRENAGE Z-10 FER	ZAHNRAD Z-10 EISEN	ENGRANAJE Z-10 HIERRO
39	G16630390	PIGNONE Z-15 ZN.	PINION Z-15 ZN.	PIGNON Z-15 ZN.	RITZE Z-15 ZN.	PINION Z-15 ZN.
40	G16630400	PIGNONE Z-16 ZN.	PINION Z-16 ZN.	PIGNON Z-16 ZN.	RITZE Z-16 ZN.	PINION Z-16 ZN.
41	G16630410	PIGNONE Z-23 ZN.	PINION Z-23 ZN.	PIGNON Z-23 ZN.	RITZE Z-23 ZN.	PINION Z-23 ZN.
42	G16631120	INGRANAGGIO R.LIB. Z-23 CSK30	FREE WHEEL GEAR Z-23 CSK30	ENGRENAGE Z23 ROUE LIBRE CSK30	ZAHNRAD FREILAUF Z-23 CSK30	ENGRANAJE R.LIBRE Z-23 CSK30
43	G16630420	PIGNONE Z-25 ZN.	PINION Z-25 ZN.	PIGNON Z-25 ZN.	RITZE Z-25 ZN.	PINION Z-25 ZN.
44	G16630430	PIGNONE Z-30 ZN.	PINION Z-30 ZN.	PIGNON Z-30 ZN.	RITZE Z-30 ZN.	PINION Z-30 ZN.
45	G15470851	FIANCO SUPP.TRASM.SPANDI	SPREADER TRANSM. SIDE SUPPORT	COTE SUPPORT TRANSM. EPAND.	SEITEN HALTER. ANTRIEB DUNGERS	COSTADO SOPORTE TRANSM. ABONAD
46	F01420048	ROS.M8 8,4X 24X 2 U6593 ZN	WASHER M8 8,4X 24X2 U6593 ZN	RONDELLE M8 8,4X24X 2 U6593 ZN	SCHIBEN M8 8,4X24X 2 U6593 ZN	ARANDELA M8 8,4X 24X2 U6593 ZN
47	F06080232	CATENA 5/8 ASA 50 L 58 MAGLIE	CHAIN 5/8 ASA 50 L 58 LINKS	CHAINE 5/8 ASA 50 L 58 MAILLE	KETTE 5/8 ASA 50 L 58 GLIEDER	CADENA 5/8 ASA 50 L 58 ESLABO
48	G18701650	RONDELLA FORO QUADRO ZN	WASHER 16,5X30X2,5 ZN	RONDELLE 16,5X30X2,5 ZN	UNTERLEGSCHIBE 16,5X30X2,5 ZN	ARANDELA 16,5X30X2,5 ZN
49	G22250007	INGR.CON MOZZO 1/2 Z-20 SV	GEARS- W/ HUB 1/2 Z-20 SV	ENGRENAGE 1/2 Z-20	ZAHNRAD MIT NABE 1/2 Z-20 SV	ENGRAN.CON PERNO 1/2 Z-20 SV
50	F01020436	VITE M8X1,25X20 U5739 8.8ZN	SCR. M8X1,25X20 U5739 8.8ZN	VIS M8X1,25X 20 U5739 8.8 ZN	SCHRAUBE M8X1,25X20U5739 8.8ZN	TORN. M8X1,25X20 U5739 8.8 ZN
51	F01070074	VITE A4,2X1,41X25 U6954 4.8NI	SCR. H4,2X1,41X25 U6954 4.8NI	VIS 4-2X25 DIN 7981	SCHRAUBE 4-2X25 DIN 7981	TORNILLO 4-2X25 DIN 7981
52	F01420011	ROS.M4 4,3X 16X 1 U6593 ZN	FLAT WASHER 4-3X 16X1-5 6593 G	ROND.PLATE 4-3X 16X1-5 6593 ZN	SCHIBE 4-3X 16X1-5 6593 ZN	ARAND. PLANA 4-3X 16X1-5 6593
53	F06080038	CATENA 1/2 ISO 083 74 MAGLIE	CHAIN 1/2 ISO 083 74 LINKS	CHAINE 1/2 ISO 083 74 MAILLES	KETTE 1/2 ISO 083 94 GLIEDER	CADENA 1/2 ISO 083 74 ESLABNEL
54	G20970012	RONDELLA 32X4X11	WASHER 32X4X11	RONDELLE 32X4X11	UNTERLEGSCHIBE 32X4X11	ARANDELA 32X4X11
55	G18801520	BOCCOLA 8,25 X15 X14	BUSHING 8,25X15X14	BOITE 8,25X15X14	BsCHSE 8,25X15X14	CASQUILLO 8,25X15X14

Ingranaggi trasmissione seminatori			
A	Z16	Z23	Z23
B	Z23	Z16	Z23
A	Z16	Z23 r.l.	Z23
B	Z23 r.l.	Z16	Z23 r.l.

Ingranaggi trasmissione spandiconcime e microgranulatore		
A	Z10	Z15
B	Z30	Z25

	Pos.
Z10	38
Z15	39
Z16	40
Z23	41
Z23 r.l.	42
Z25	43
Z30	44



Catena Chain	Falsa maglia Offset link	Maglia giunto Connecting link	
			
mod.	mm	Cod.	Cod.
083	12,90	F06080655	F06080501
084	14,60	F06080666	F06080502
10 A-1 ASA 50	20,50	F06080644	F06080499

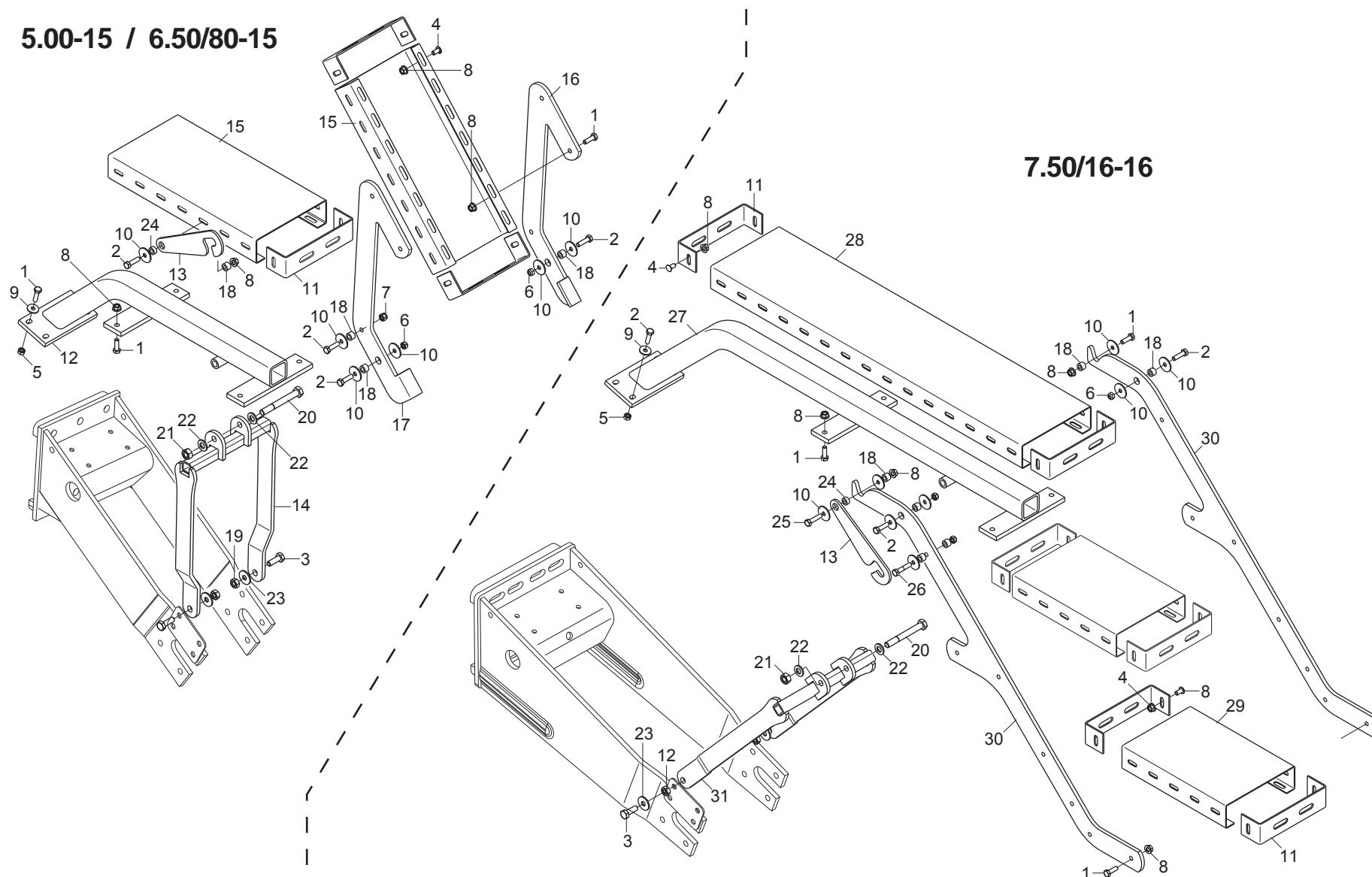
RUOTE DI TRASMISSIONE ANTERIORI

TAV. 181

Pos.	Cod.	Descrizione	Description	Description	Benennung	Descripcion
56	G15272470	PIASTRA PROLUNGA TRASM.SPAND.	TRANSMISSION EXTENSION PLATE	PLAQUE RALL. TRANSMISSION	VERL.PLATTE GETRIEBE	PLACA PROL. TRANSMISIEN
57	G15473080	CARTER RINVIO DA ANT.A POST.	INTERMEDIATE CASE	CARTER TRANSMISSION	VORGELEGEGEHZUSE	CµRTER TRANSMISIN C
58	G16630790	INGR.Z8 5/8X3/8 TENDICAT.COMPL	GEAR Z8 5/8X3/8 CHAIN			
59	G15110091	SCONTRO A U SP.8 2F15 165	STRIKER	BRIDE 150 MM	ANSCHLAG	ELEMENTO DE EMPALME
60	F01020236	VITE M14X2X220 U5737 8.8BR	SCR. M14X2X220 U5737 8.8BR	VIS M14X2X220 U5737 8.8 BR	SCHRAUBE M14X2X220 U5737 8.8	TORNILLO M14X2X220 U5737 8.8
61	F01200306	DADO M14X2 U5588 6.8ZN	NUT M14X2 U5588 6.8ZN	ECROU M14X2	MUTTER M14X2	DADO M14X2
62	F02200452	SPINA SCATTO D.4,4 B/80 ZN	SNAP PIN D4.4 B/80 ZN	FICHE A DETENTE D4.4 B/80 ZN	EINRASTSTIFT D4.4 B/80 ZN	CLAVIJA DE MUELLE D4,4 B/80 ZN
63	F06120400	COPERTURA 7.50-16 IM110 8PR TU	TYRE 7.50-16 IM110 8PR TU			
64	G22270049	ASSE 4F.85-6F.50 L.1260	4-ROW SPINDLE - 85-6-ROW-50 L.	AXE 4 RANGEES 85-6 RANGEES 50	ACHSE 4 REIHEN 85-6 REIH. 50	EJE 4 FILAS. 85-6 FILAS. 50 L.
65	F06120207	CERCHIO 5J 15 H2 PV RAL 9001	RIM 5J 15 H2 PV RAL 9001			
66	F06120208	CERCHIO 7.50-16 PV TU	RING 7.50-16 PV TU	JANTE 7.50-16 PV TU	REIFEN 7.50-16 PV TU	LLANTA 7.50-16 PV TU
67	G15231321	CARTER SX 7.50	CARTER LEFT 7.50			
68	G15231440	SUPP.RASCHIATERRA R.7,50 ANT.	SCRAPER SUPPORT 7,50 FRONT	SUPP. RACLE 7,50 AVANT	ERDSCHABERHALTERUNG 7,50	SOPORTE RASCADOR 7,50 ANT.
69	G22270281	ASSE RUOTA TRASM.MAGG. SP/S	INCREASED DRIVE WHEEL AXLE	AXE ROUE ENTRAINEMENT 6.50-15	RADACHSE sBERBEM. ANTRIEB SP/S	EJE RUEDA TRANS. SOBREDIMENS.
70	G15231162	ASSE RUOTA 7,50X16	ASS. AXIS WHEEL 7,50X16			
71	G10920410	ASSE TRASM.L.600	TRANS. AXLE L.600			
72	F01020225	VITE M14X2X160 U5737 8.8BR	SCR. M14X2X160 U5737 8.8BR	VIS M 14 X160 5737 8.G	SCHRAUBE M 14 X160 5737 8.G	TORNILLO M 14 X160 5737 8.G
73	F06120116	RUOTA 6,50/80-15 COMPL.	COMPLETE WHEEL 6.50/80-15			
74	F06120069	RUOTA 7.50-16 AG 10	WHEEL 7.50-16 AG10	ROUE 7.50-16 AG10	RAD 7.50-16 AG10	RUEDA 7.50-16 AG10
75	G15430660	RASCHIATERRA MAGGIORATO SP 530	INCREASED SOIL-SCRAPER SP 530	RACLEUR MAJOR. SP 530	sBERGROSSER ERDSCHABER SP 530	RASCADOR TIERRA OBREDIMENS. SP
76	G15231430	RASCHIATERRA RUOTA 7,5 ANT.	FRONT SOIL-SCRAPER WHEEL 7,5	RACLEUR ROUE AVANT 7,5	ERDSCHABER VORDERRAD 7,5	RASCADOR DE TIERRA RUEDA DEL.
77	F01250052	DADO COLON. 18X1,5 ZN	COLUMN NUT M18X1,5 ZN	ECROU M18X1,5 COLONNE ZN	MUTTER COLON. M18X1,5 ZN	TUERCA M18X1,5 COLUMNA ZN
78	G15231421	SUPPORTO TRASMISSIONE R.7.5-16	TRANSMSUPPORT 7,50X16	SUPPORT ENTRAINEMENT 7,50X16	HALTERUNG GETRIEBE 7,50X16	SOPORTE TRANSMISIN 7,50X16
79	G15231301	CARTER DX 7.50	RIGHT CARTER 7.50			
80	G16630300	SUPPORTO RUOTA 6,50/80-15	WHEEL SUPPORT 6,50/80-15	SUPPORT ROUE 6,50/80-15	RADLAGER 6,50/80-15	SOPORTE RUEDA 6,50/80-15
81	G15231141	SUPPORTO RUOTA 7.50	WHEEL SUPPORT 7.50	SUPPORT ROUE 7.50	RADLAGER 7.50	SOPORTE RUEDA 7.50
82	G15231330	ATTACCO AL SUPPORTO RUOTA ZN	SUPP. WHEEL COUPLING	FIXATION SUPPORT ROUET	KUPPLUNG HALT. KL. RAD	CONEXIN SOP. RUEDECILLA
83	F06080245	CATENA 5/8 ASA 50 L. 94 MAGLIE	CHAIN 5/8 ASA 50 L. 94 LINKS	CHaine 5/8 ASA 50 L. 94 MAILLE	KETTE 5/8 ASA 50 L. 94 GLIEDER	CADENA 5/8 ASA 50 L. 94 ESLABO
84	F06120180	COPERTURA 6.5/80-15 IM 110 6PR	TYRE 6.5/80-15 IM 110 6PR			
85	F05050025	CAPPELLOTTO PROTEZ. X VALV.PVC	PROTECTION CAP PVC X VALVA	CAPUCHON PROTECION PVC X VALVA	SCHUTZKAPPE PVC X VENTIL	TAPA PROTECION PVC X VALVA
86	G22250275	ASSE TRASM.SEMINAT.L.2750 SV	AXLE- SEEDING MACH. GEARBOX L.	AXE ENTRAINEMENT SEMEUR L. 275	ACHSE SZELEMENTANTRIEB L.2750	EJE TRANS.SEMBR. L.2750 SV
87	G20870028	ASSE SERB.LATO TRAS.6F.L.1800	AXLE- GEARBOX SIDE- 6-ROW L.18	AXE RESERVOIR COTE ENTRAINEMEN	ACHSE BEHZLTER ANTRIEBSS. 6F.L	EJE DEPS. LADO TRANS. 6 FILA A

5.00-15 / 6.50/80-15

7.50/16-16

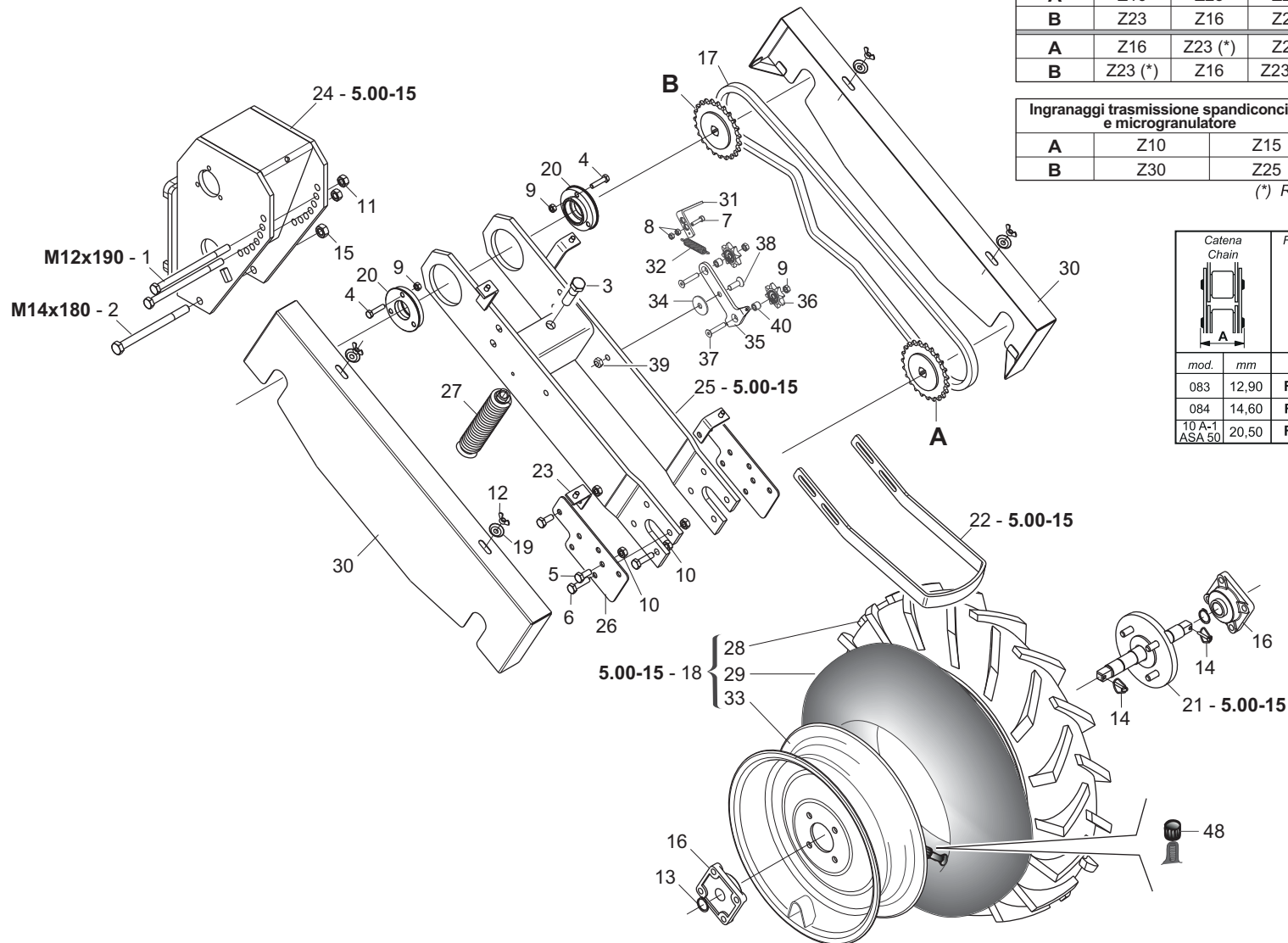


SCALETTA RUOTE PORTANTI

TAV. 192

Pos.	Cod.	Descrizione	Description	Description	Benennung	Descripcion
1	F01020440	VITE M8X1,25X25 U5739 8.8ZN	SCR. M8X1,25X25 U5739 8.8ZN	VIS M8X1,25X25 U5739 8.8 ZN	SCHRAUBE M8X1,25X25U5739 8.8ZN	TORNIL.M8X1,25X25 U5739 8.8 ZN
2	F01020445	VITE M8X1,25X30 U5739 8.8ZN	SCR. M8X1,25X30 U5739 8.8ZN	VIS M 8X1,25X30 U5739 8.8 ZN	SCHRAU, M8X1,25X30 U5739 8.8ZN	TORN. M8X1,25X30 U5739 8.8 ZN
3	F01020476	VITE M10X1,5X30 U5739 8.8ZN	SCR. M10X1,5X30 U5739 8.8ZN	VIS M10X1,5X30 U5739 8.8 ZN	SCHRAUBE M10X1,5X30U5739 8.8ZN	TORNIL.M10X1,5X30 U5739 8.8 ZN
4	F01030495	VITE TTCN 90' M8X16 ZN	TTCN 90' BOLT M8X16 GALVANIZED	VIS TTCN 90' M8X16 ZN	SCHRAUBE TTCN 90' M8X16 ZN	TORNILLO TTCN 90' M8x16 ZN
5	F01200244	DADO M8X1,25 U5588 6.8ZN	NUT M8X1,25 U5588 6.8ZN	ECROU M8 X1,25 U5588 6.8 ZN	MUTTER M8 X1,25 U5588 6.8 ZN	TUERCA M8 X1,25 U5588 6.8 ZN
6	F01220022	DADO M8X1,25 D980 8ZN	NUT M8X1,25 D980 8ZN	ECROU M8X 1,25 D980 8 ZN	MUTTER M8X 1,25 D980 8 ZN	TUERCA M8X 1,25 D980 8 ZN
7	F01230034	DADO M8X1,25 D982 8	NUT M8X1,25 D982 8ZN	ECROU M8X 1,25 D982 8 ZN	MUTTER M8X 1,25 D982 8 ZN	TUERCA M8X 1,25 D982 8 ZN
8	F01260043	DADO M8 D6923 8.8ZN	NUT M8 D6923 8.8ZN	ECROU BRIDE .M8 DIN 6923 8.8 Z	GEFLANSCHTE MUTTER M8 DIN6923	TUERCA BRIDA M8 DIN 6923 8.8 Z
9	F01420048	ROS.M8 8,4X 24X 2 U6593 ZN	WASHER M8 8,4X 24X2 U6593 ZN	RONDELLE M8 8,4X24X 2 U6593 ZN	SCHEIBEN M8 8,4X24X 2 U6593 ZN	ARANDELA M8 8,4X 24X2 U6593 ZN
10	F01420049	DADO M8X1,25 D980 8ZN	WASHER M8 8,4X32X2 U6593 ZN	RONDELLA M8 8,4X32X2 U6593 ZN	SCHEIBE M8 8,4X32X2 U6593 ZN	ARANDELA M8 8,4X32X2 U6593 ZN
11	G15276640	TERMINALE PEDANA 200 ZN	GALVANIZED PLATFORM END			
12	G15276690	SUPPORTO PEDANA R.5.0/6.5	PLATFORM SUPPORT R.5.0/6.5			
13	G15171900	FERMO SCALETTA R5-R6 ZN	LADDER STOP R5-R6 ZN			
14	G15276700	SUPPORTO POST.SCALETTAR.5/6.5	REAR STAIRS SUPPORT R.5/6.5			
15	G15276680	PEDANA 200 X 420 X 58 SP2 ZN	PLATFORM 200X420X58 SP2			
16	G16013500	SUPPORTO DX PEDANA	RH FOOTPLATE SUPPORT	SUPPORT DRT. MARCHEPIED	RE TRITTBRETTALTERUNG	SOPORTE DER. PLATAFORMA
17	G16013510	SUPPORTO SX PEDANA	LH FOOTPLATE SUPPORT	SUPPORT GCH.MARCHEPIED	TRITTBRETTALTERUNG LI	SOPORTE IZQ. PLATAFORMA
18	G18801580	BOCCOLA 8,5 X15 X10 ZN	BUSH 8.5 X15 X10	DOUILLE 8,5 X15 X10	BUCHSE 8,5 X15 X10	MANGUITO 8,5 X15 X10
19	F01200270	DADO M10X1,5 U5588 6.8ZN	NUT M10X1,5 U5588 6.8ZN	ECROU M10X 1,5 U5588 6.8 ZN	MUTTER M10X 1,5 U5588 6.8 ZN	TUERCA M10X 1,5 U5588 6.8 ZN
20	F01020170	VITE M12X1,75X100 U5737 8.8ZN	SCR. M12X1,75X100 U5737 8.8ZN	VIS M12X1,75X100 5737 8.8 ZN	SCHRA.M12X1,75X100 5737 8.8 ZN	TORN. M12X1,75X100 5737 8.8 ZN
21	F01200293	DADO M12X1,75 U5588 6.8ZN	NUT M12X1,75 U5588 6.8ZN	ECROU M12X1,75 U5588 6.8 ZN	MUTTER M12X1,75 U5588 6.8 ZN	TUERCA M12X1,75 U5588 6.8 ZN
22	F01410076	ROS.M12 13X 24X2,5 U6592 ZN	WASHER 12 13X 24X2,5 U6592 ZN	RONDEL. M12 13X24X2,5 U6592 ZN	SCHEIBE M12 13X24X2,5 U6592 ZN	ARANDELA M12 13 X24X2,5 ZN
23	F01420060	ROS.M10 10,5X 30X2,5 U6593 ZN	WASHER 10,5X30	RONDELLE 10,5X30	SCHEIBE 10,5X30	ARANDELA 10,5X30
24	G20980050	BOCCOLA 15X7X8,5 ZN	BUSHING 15X7X8-5 ZN	BOITE 15X7X8-5 ZN	BsCHSE 15X7X8-5 ZN	CASQUILLO 15X7X8-5 ZN
25	F01020449	VITE M8X1,25X35 U5739 8.8ZN	SCR. M8X1,25X35 U5739 8.8ZN	VIS M8X1,25X35 U5739 8.8ZN	SCHRA. M8X1,25X35 U5739 8.8ZN	TORN. M8X1,25X35 U5739 8.8ZN
26	F01020068	VITE M8X1,25X40 U5737 8.8ZN	SCR. M8X1,25X40 U5737 8.8ZN	VIS M 8X1,25X40 U5737 8.8 ZN	SCHRA. M8X1,25X40 U5737 8.8 ZN	TORNIL.M8X1,25X40 U5737 8.8 ZN
27	G15276610	SUPPORTO PEDANA RUOTA 7.50	PLATFORM SUPPORT			
28	G15276630	PEDANA 200 X 900 X 58 SP2 ZN	PLATFORM 200X900X58 SP2			
29	G15276650	PEDANA 200 X 300 X 58 SP2 ZN	PLATFORM 200X300X58 SP2			
30	G15171782	FIANCO SUPPORTO PEDANE	PLATFORM SUPPORT			
31	G15276560	SUPPORTO POST.SCALETTA R7,50	REAR STAIRS SUPPORT R7,50			

5.00-15



Ingranaggi trasmissione seminatori				Z	Pos.
A	Z16	Z23	Z23		
B	Z23	Z16	Z23		
A	Z16	Z23 (*)	Z23	Z15	42
B	Z23 (*)	Z16	Z23 (*)		
				Z23	44
Ingranaggi trasmissione spandiconcime e microgranulatore				Z25	46
A	Z10	Z15			
B	Z30	Z25		Z30	47

(*) Ruota libera - Free wheel

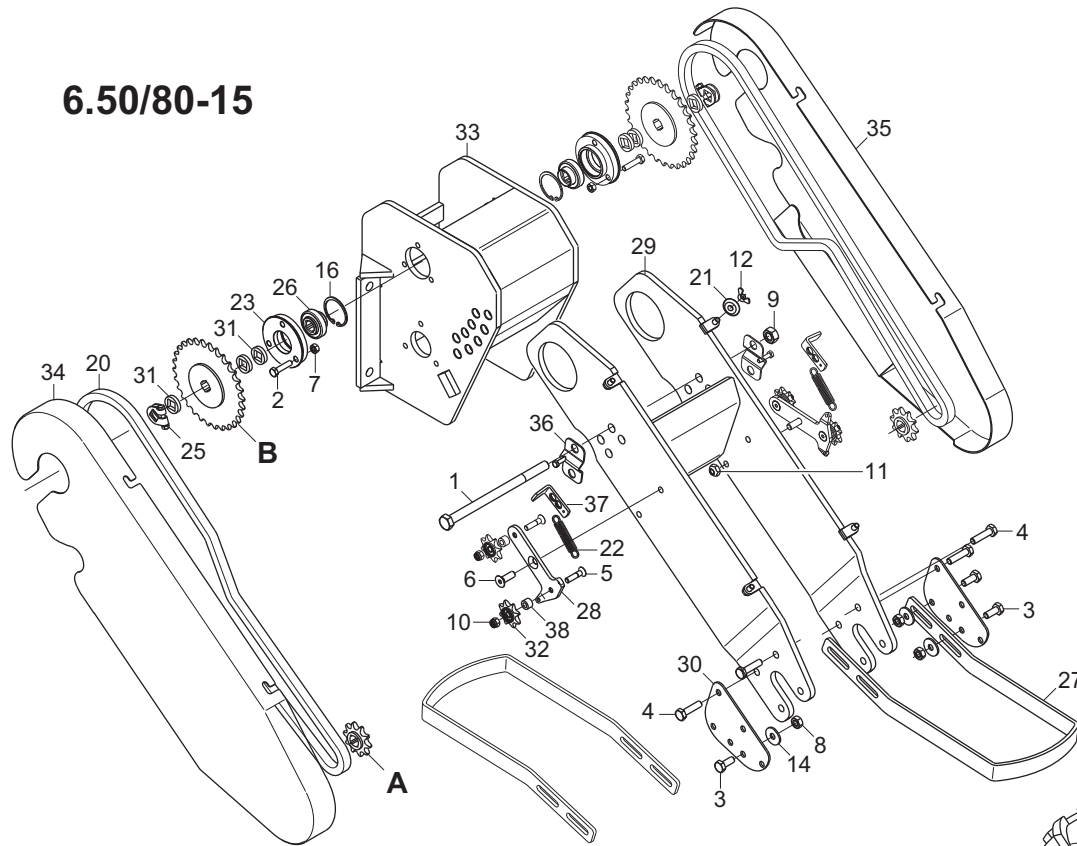
Catena Chain		Falsa maglia Offset link	Maglia giunto Connecting link
mod.	mm	Cod.	Cod.
083	12,90	F06080655	F06080501
084	14,60	F06080666	F06080502
10 A-1 ASA 50	20,50	F06080644	F06080499

RUOTE REGOLABILI «5.00-15»

TAV. 203

Pos.	Cod.	Descrizione	Description	Description	Benennung	Descripcion
1	F01020187	VITE M12X1,75X190 U5737 8.8ZN	SCR. M12X1,75X190 U5737 8.8ZN	VIS M12X1,75X190 U5737 8.8ZN	SCHRA.M12X1,75X190 U5737 8.8ZN	TORN. M12X1,75X190 U5737 8.8ZN
2	F01020229	VITE M14X2X180 U5737 8.8BR	SCR. M14X2X180 U5737 8.8BR	VIS 14X180 5737 8.G	SCHRAUBE 14X180 5737 8.G	TORNILLO 14X180 5737 8.G
3	F01020256	VITE M16X2X60 U5737 8.8ZN	SCR. M16X2X60 U5737 8.8ZN	VIS M16X 2X60 U5737 8.8 ZN	SCHRAUBE M16X2X60 U5737 8.8 ZN	TORNILLO M16X2X60 U5737 8.8 ZN
4	F01020449	VITE M8X1,25X35 U5739 8.8ZN	SCR. M8X1,25X35 U5739 8.8ZN	VIS M8X1,25X35 U5739 8.8ZN	SCHRA. M8X1,25X35 U5739 8.8ZN	TORN. M8X1,25X35 U5739 8.8ZN
5	F01020472	VITE M10X1,5X25 U5739 8.8ZN	SCR. M10X1,5X25 U5739 8.8ZN	VIS M10X1,5X25 U5739 8.8 ZN	SCHRAUBE M10X1,5X25 U5739 8.8	TORNILLO 10X25 U5739 8.8 ZN
6	F01020483	VITE M10X1,5X40 U5739 10.9ZD	SCR. M10X1,5X40 U5739 10.9ZD	VIS M10X1,5X40 U5739 10.9 ZD	SCHRA.M10X1,5X40 U5739 10.9 ZD	TORN. M10X1,5X40 U5739 10.9 ZD
7	F01040064	VITE M6X1X25 U5931 8.8ZN	SCREW M6X1X25 U5931 8.8ZN	VIS M6X1X25 U5931 8.8ZN	SCHRAUBE M6X1X25 U5931 8.8ZN	TORNILLO M6X1X25 U5931 8.8ZN
8	F01200232	DADO M6X1 U5588 6.8ZN	NUT M6X1 U5588 6.8ZN	ECROU 6 UNI 5588 6.8 ZN	MUTTER 6 UNI 5588 6.8 ZN	TUERCA 6 UNI 5588 6.8 ZN
9	F01200244	DADO M8X1,25 U5588 6.8ZN	NUT M8X1,25 U5588 6.8ZN	ECROU M8 X1,25 U5588 6.8 ZN	MUTTER M8 X1,25 U5588 6.8 ZN	TUERCA M8 X1,25 U5588 6.8 ZN
10	F01200270	DADO M10X1,5 U5588 6.8ZN	NUT M10X1,5 U5588 6.8ZN	ECROU M10X 1,5 U5588 6.8 ZN	MUTTER M10X 1,5 U5588 6.8 ZN	TUERCA M10X 1,5 U5588 6.8 ZN
11	F01200293	DADO M12X1,75 U5588 6.8ZN	NUT M12X1,75 U5588 6.8ZN	ECROU M12X1,75 U5588 6.8 ZN	MUTTER M12X1,75 U5588 6.8 ZN	TUERCA M12X1,75 U5588 6.8 ZN
12	F01240024	DADO M8X1,25 U5448 5.8ZN	NUT M8X1,25 U5448 5.8ZN	ECROU 8 UNI 5448 5.8 ZN	MUTTER 8 UNI 5448 5.8 ZN	TUERCA 8 UNI 5448 5.8 ZN
13	F02050101	ANELLO E. DE 25X 1,2 U7435 C70	SEEGER RING E. 25X1,2 7435 C70	SEEGER E. 25X 1,2 U7435 C70	SEEGERING E. 25X 1,2 U7435 C70	ANILLO E. 25X 1,2 U7435 C70
14	F02200452	SPINA SCATTO D.4,4 B/80 ZN	SNAP PIN D4.4 B/80 ZN	FICHE A DETENTE D4.4 B/80 ZN	EINRASTSTIFT D4.4 B/80 ZN	CLAVIJA DE MUELLE D4.4 B/80 ZN
15	F01200306	DADO M14X2 U5588 6.8ZN	NUT M14X2 U5588 6.8ZN	ECROU M14X2	MUTTER M14X2	DADO M14X2
16	F04100137	SUPPORTO FY 25 TF	SUPPORT FY 25 TF			
17	F06080170	CATENA 5/8 ASA 50 L. 98 MAGLIE	CHAIN 5/8 ASA 50 L. 98 LINKS	CHAINE 5/8 ASA 50 L. 98 MAILLE	KETTE 5/8 ASA 50 L. 98 GLIEDER	CADENA 5/8 ASA 50 L. 98 ESLABO
18	F06120113	RUOTA COMPL.5.00-15 6PR DX	COMPL. WHEEL 5.00-15 6PR RH.	ROUE COMPL. 5.00-15 6PR DRT.	RAD KOMPL.5.00-15 6PR RE	RUEDA COMPL.5.00-15 6PR DER.
19	G22220083	RONDELLA AD IMBOCCO	LEAD-IN WASHER	RONDELLE EMBOUTIE	TRICHTERSCHEIBE	ARANDELA DE MUESCA
20	G22310011	FLANGIA CAMBIO DP	GEARBOX FLANGE DP	BRIDE BOITE DE VITESSE DP	FLANSCH GETRIEBE DP	BRIDA CAMBIO DP
21	G22270280	ASSE RUOTA TRASM.NORMALE SP/S	NORMAL DRIVE WHEEL AXLE	AXE ROUE ENTRAINEMENT 5.00-15	RADACHSE NORMALER ANTRIEB SP/S	EJE RUEDA TRANS. NORMAL SP/S
22	G15430090	RASCHIATERRA	SOIL SCRAPER	RACLEUR	ERDSCHABER	RASCADOR TIERRA
23	G15430110	SUPPORTO CARTER	CASE SUPPORT	SUPPORT CARTER	HALTERUNG GEHZUSE	SOPORTE CæRTER
24	G15430751	ATTACCO RUOTE REGOLABILI	ADJUSTABLE WHEELS COVER	FIXATION ROUES REGLABLES	REGULIERBARE RADKUPPLUNG	CONEXIN RUEDAS REGULABLES O
25	G15430780	SUPPORTO RUOTA REGOLABILE	ADJUSTABLE WHEEL SUPPORT	SUPPORT ROUE REGLABLE	REGULIERBARES RADLAGER	SOPORTE RUEDA REGULABLE
26	G15430930	SUPPORTO RASCHIATERRA	SOIL SCRAPER SUPPORT	SUPPORT RACLEUR	HALTERUNG ERDSCHABER	SOPORTE RASCADOR TIERRA
27	G15431180	MOLLA RUOTE REGOLABILI	ADJUSTABLE WHEEL SPRING	RESSORT ROUES REGLABLES F	EDER EINSTELLB. RZDER M	UELLE RUOTAS REGULABLES A
28	F06120170	COPERTURA 5.00-15 IM 110 6PR	TYRE 500-15 IM110 4PR	COUVERTURE 500-15 IM110 4PR	MANTEL 500-15 IM110 4PR	CUBIERTA 500-15 IM110 4PR
29	F06120134	CAMERA X R5.00-15 E 6.5/80-15	INNER TUBE R5.00-15 6.5/80-15	CHAMBRE R5.00-15 6.5/80-15	KAMMER R5.00-15 6.5/80-15	CAMARA R5.00-15 6.5/80-15
30	G16630770	CARTER RUOTE REGOLAB.	ADJUSTABLE WHEEL CASE			
31	G17130140	LEVA CAMBIO ZN	GEAR LEVER	LEVIER BOITE DE VITESSE	GETRIEBE HEBEL	PALANCA DE CAMBIO
32	G18902970	MOLLA TRAZ.CAMBIO ZN SP	GALVAN. GEAR TRACT. SPRING SP	RESS. TRACT. BOITE VITESSE ZN	ZUGFEDER GETRIEBE ZN SP	MUELLE TRAC. CAMBIO ZN SP
33	F06120206	CERCHIO 3.00 D 15 PV RAL 9001	RIM 3.00 D 15 PV RAL 9002			
34	F01420061	ROS.M10 10,5X 40X2,5 U6593 ZN	WASHER 11X40X2.5 6593 ZN	RONDELLE 11X40X2,5 6593 ZN	UNTERLEGSCHIEBE 11X40X2,5 6593	ARANDELA 11X40X2,5 6593 ZN
35	G15830460	TENDICATENA SEM. R ZN	SEEDER CHAIN TIGHTENER R	TENDEUR DE CHAINE SEMEUR R	KETTENSPELLER SZELEMENT R	SENSOR DE CADENA SEMBRADOR R
36	G16630790	INGR.Z8 5/8X3/8 TENDICAT.COMPL	GEAR Z8 5/8X3/8 CHAIN			
37	F01030060	VITE M8X1,25X35 U5933 10.9ZD	SCREW M8X1,25X35 U5933 10.9ZD	VIS M8X1,25X35 U5933 10.9ZD	SCHRA.M8X1,25X35 U5933 10.9ZD	TORN. M8X1,25X35 U5933 10.9ZD
38	F01030096	VITE M10X1,5X30 U5933 10.9ZN	SCR. M10X1,5X30 U5933 10.9ZN			
39	F01220033	DADO M10X1,5 D980 8ZN	NUT M10X1,5 D980 8ZN	ECROU M10X1,5 D980 8ZN	MUTTER M10X1,5 D980 8ZN	TUERCA M10X1,5 D980 8ZN
40	G18801580	BOCCOLA 8,5 X15 X10 ZN	BUSH 8.5 X15 X10	DOUILLE 8,5 X15 X10	BUCHSE 8,5 X15 X10	MANGUITO 8,5 X15 X10
41	G22220113	INGRANAGGIO Z-10 FERRO	GEAR Z-10 IRON	ENGRENAGE Z-10 FER	ZAHNRAD Z-10 EISEN	ENGRANAJE Z-10 HIERRO
42	G16630390	PIGNONE Z-15 ZN.	PINION Z-15 ZN	PIGNON Z-15 ZN	RITZE Z-15 ZN	PINION Z-15 ZN
43	G16630400	PIGNONE Z-16 ZN.	PINION Z-16 ZN.	PINION Z-16 ZN.	RITZE Z-16 ZN.	PINION Z-16 ZN.
44	G16630410	PIGNONE Z-23 ZN.	PINION Z-23 ZN.	PINION Z-23 ZN.	RITZE Z-23 ZN.	PINION Z-23 ZN.
45	G16631120	INGRANAGGIO R.LIB. Z-23 CSK30	FREE WHEEL GEAR Z-23 CSK30	ENGRENAGE Z23 ROUE LIBRE CSK30	ZAHNRAD FREILAUF Z-23 CSK30	ENGRANAJE R.LIBRE Z-23 CSK30
46	G16630420	PIGNONE Z-25 ZN.	PINION Z-25 ZN.	PINION Z-25 ZN.	RITZE Z-25 ZN.	PINION Z-25 ZN.
47	G16630430	PIGNONE Z-30 ZN.	PINION Z-30 ZN.	PINION Z-30 ZN.	RITZE Z-30 ZN.	PINION Z-30 ZN.
48	F05050025	CAPPELOTTO PROTEZ. X VALV.PVC	PROTECTION CAP PVC X VALVA	CAPUCHON PROTECION PVC X VALVA	SCHUTZKAPPE PVC X VENTIL	TAPAPROTECION PVC X VALVA

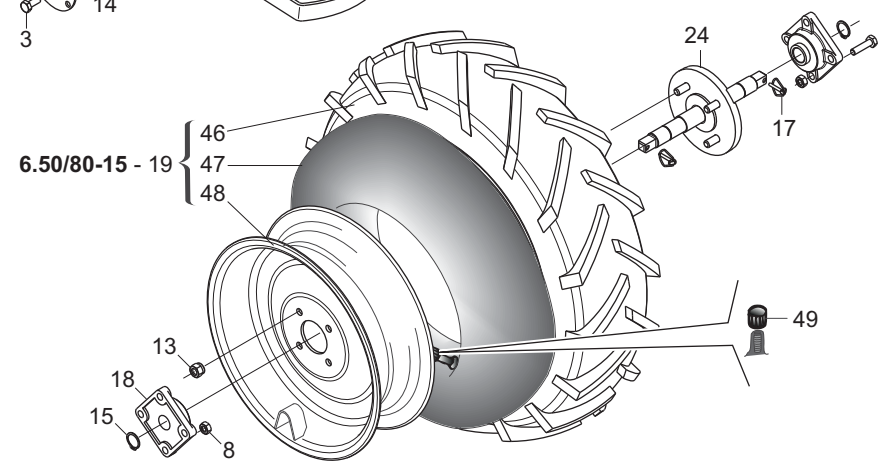
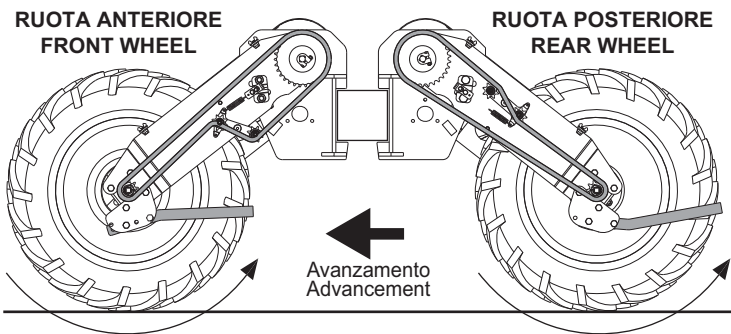
6.50/80-15



Ingranaggi trasmissione seminatori				Z	Pos.
A	Z16	Z23	Z23		
B	Z23	Z16	Z23		
A	Z16	Z23 (*)	Z23	Z15	40
B	Z23 (*)	Z16	Z23 (*)	Z16	41
				Z23	42
				Z23 (*)	43
Ingranaggi trasmissione spandiconcime e microgranulatore				Z25	44
A	Z10	Z15		Z30	45
B	Z30	Z25			

(*) Ruota libera - Free wheel

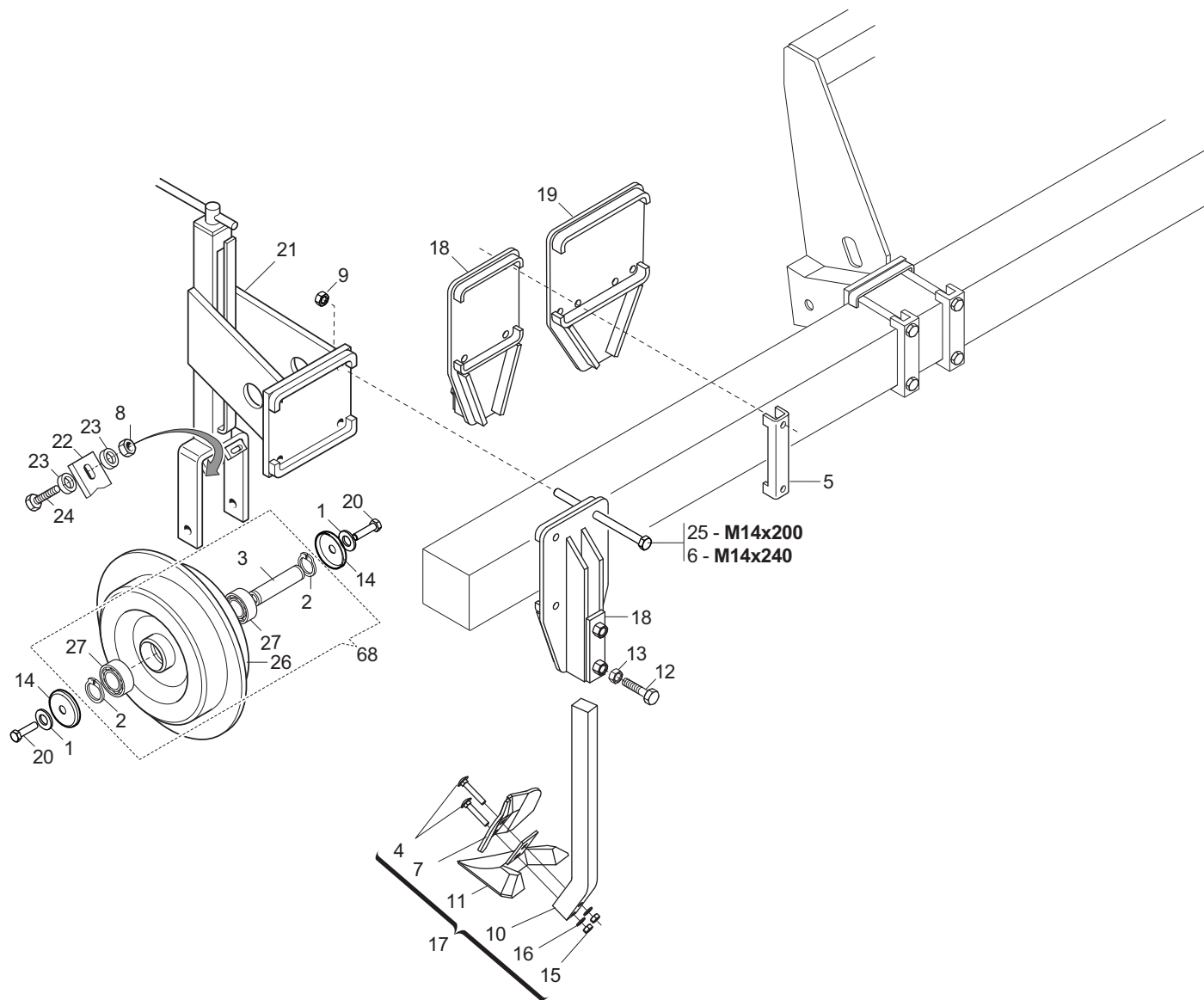
Catena Chain		Falsa maglia Offset link	Maglia giunto Connecting link
mod.	mm	Cod.	Cod.
083	12,90	F06080655	F06080501
084	14,60	F06080666	F06080502
10 A-1 ASA 50	20,50	F06080644	F06080499



RUOTE REGOLABILI «6.50/80-15»

TAV. 420

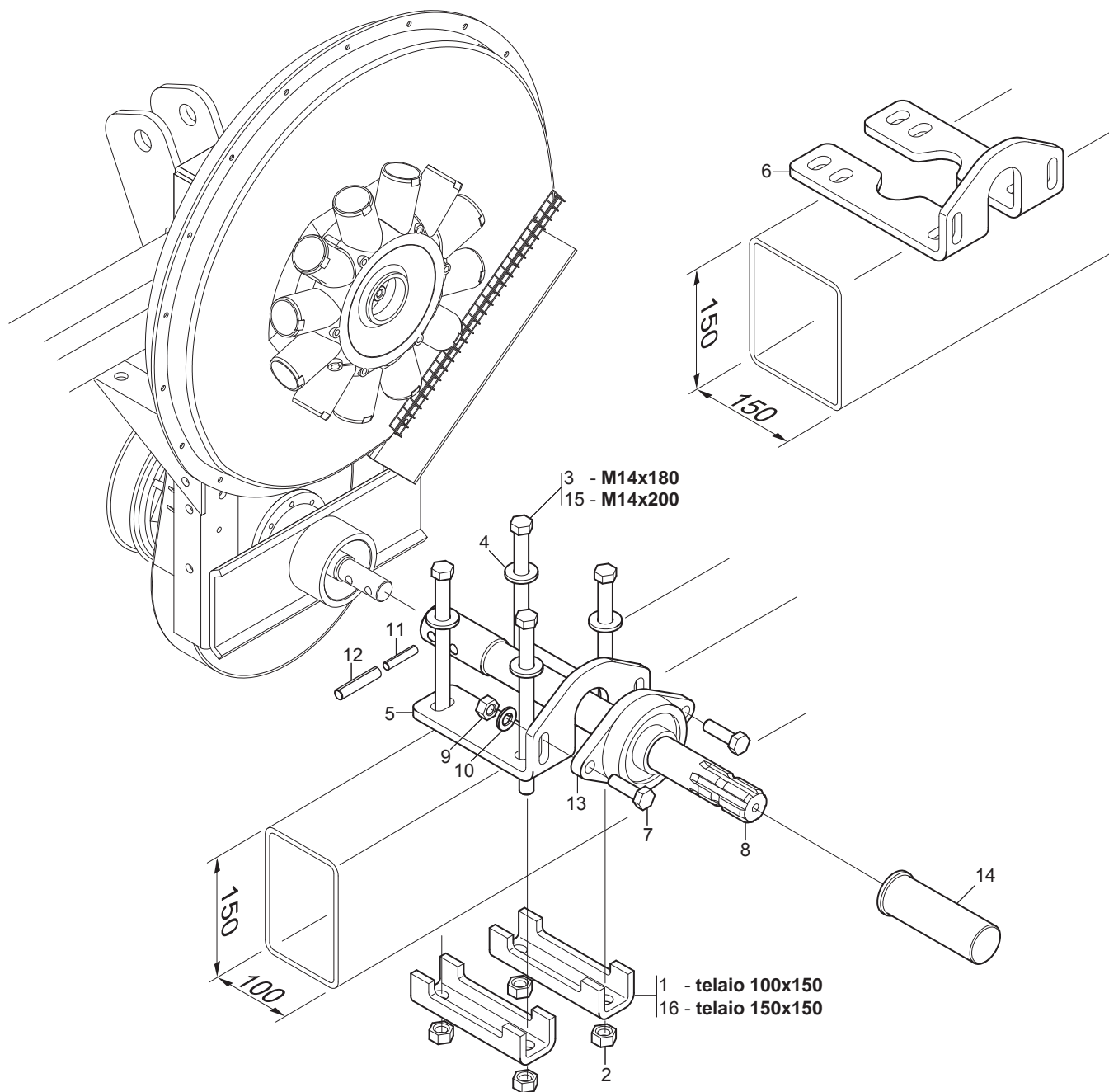
Pos.	Cod.	Descrizione	Description	Description	Benennung	Descripcion
1	F01020236	VITE M14X2X220 U5737 8.8BR	SCR. M14X2X220 U5737 8.8BR	VIS M14X2X220 U5737 8.8 BR	SCHRAUBE M14X2X220 U5737 8.8	TORNILLO M14X2X220 U5737 8.8
2	F01020449	VITE M8X1,25X35 U5739 8.8ZN	SCR. M8X1,25X35 U5739 8.8ZN	VIS M8X1,25X35 U5739 8.8ZN	SCHRA. M8X1,25X35 U5739 8.8ZN	TORN. M8X1,25X35 U5739 8.8ZN
3	F01020472	VITE M10X1,5X25 U5739 8.8ZN	SCR. M10X1,5X25 U5739 8.8ZN	VIS M10X1,5X25 U5739 8.8 ZN	SCHRAUBE M10X1,5X25 U5739 8.8	TORNILLO 10X25 U5739 8.8 ZN
4	F01020483	VITE M10X1,5X40 U5739 10.9ZD	SCR. M10X1,5X40 U5739 10.9ZD	VIS M10X1,5X40 U5739 10.9 ZD	SCHRA.M10X1,5X40 U5739 10.9 ZD	TORN. M10X1,5X40 U5739 10.9 ZD
5	F01030060	VITE M8X1,25X35 U5933 10.9ZD	SCREW M8X1,25X35 U5933 10.9ZD	VIS M8X1,25X35 U5933 10.9ZD	SCHRA.M8X1,25X35 U5933 10.9ZD	TORN. M8X1,25X35 U5933 10.9ZD
6	F01030096	VITE M10X1,5X30 U5933 10.9ZN	SCR. M10X1,5X30 U5933 10.9ZN			TORN. M10X1,5X30 U5933 10.9 ZN
7	F01200244	DADO M8X1,25 U5588 6.8ZN	NUT M8X1,25 U5588 6.8ZN	ECROU M8 X1,25 U5588 6.8 ZN	MUTTER M8 X1,25 U5588 6.8 ZN	TUERCA M8 X1,25 U5588 6.8 ZN
8	F01200270	DADO M10X1,5 U5588 6.8ZN	NUT M10X1,5 U5588 6.8ZN	ECROU M10X 1,5 U5588 6.8 ZN	MUTTER M10X 1,5 U5588 6.8 ZN	TUERCA M10X 1,5 U5588 6.8 ZN
9	F01200306	DADO M14X2 U5588 6.8ZN	NUT M14X2 U5588 6.8ZN	ECROU M14X2	MUTTER M14X2	DADO M14X2
10	F01230034	DADO M8X1,25 D982 8	NUT M8X1,25 D982 8ZN	ECROU M8X 1,25 D982 8 ZN	MUTTER M8X 1,25 D982 8 ZN	TUERCA M8X 1,25 D982 8 ZN
11	F01220033	DADO M10X1,5 D980 8ZN	NUT M10X1,5 D980 8ZN	ECROU M10X1,5 D980 8ZN	MUTTER M10X1,5 D980 8ZN	TUERCA M10X1,5 D980 8ZN
12	F01240024	DADO M8X1,25 U5448 5.8ZN	NUT M8X1,25 U5448 5.8ZN	ECROU 8 UNI 5448 5.8 ZN	MUTTER 8 UNI 5448 5.8 ZN	TUERCA 8 UNI 5448 5.8 ZN
13	F01250040	DADO COLON. 12X1.5 ZN	COLUMN NUT M12X1.5 STUD BOLT	ECROU M12X1. 5 COLONNE	SCHRAUBBOLZENMUTTER M12X1.5	TUERCA 12X1.5 COLUMNA
14	F01420060	ROS.M10 10,5X 30X2,5 U6593 ZN	WASHER 10,5X30	RONDELLE 10,5X30	SCHEIBE 10,5X30	ARANDELA 10,5X30
15	F02050101	ANELLO E. DE 25X 1,2 U7435 C70	SEEGER RING E. 25X1,2 7435 C70	SEEGER E. 25X 1,2 U7435 C70	SEEGERING E. 25X 1,2 U7435 C70	ANILLO E. 25X 1,2 U7435 C70
16	F02050370	ANELLO E. DI 47X1,75 U7437 C70	SEEGER RING 47X 1,75 U7437 C70	SEEGER E. 47X 1,75 U7437 C70	SEEGERING E. 47X1,75 U7437 C70	ANILLO E. 47X 1,75 U7437 C70
17	F02200452	SPINA SCATTO D.4,4 B/80 ZN	SNAP PIN D4.4 B/80 ZN	FICHE A DETENTE D4.4 B/80 ZN	EINRASTSTIFT D4.4 B/80 ZN	CLAVIJA DE MUELLE D4,4 B/80 ZN
18	F04100137	SUPPORTO FY 25 TF	SUPPORT FY 25 TF			
19	F06120116	RUOTA 6.50/80-15 COMPL.	COMPLETE WHEEL 6.50/80-15			
20	F06080176	CATENA 5/8 ASA 50 L 102 MAGLIE	CHAIN 5/8 ASA 50 L 102 LINKS	CHAINE 5/8 ASA 50 L 102 MAILLE	KETTE 5/8 ASA 50 L 102 GLIEDER	CADENA 5/8 ASA 50 L 102 ESLABO
21	G22220083	RONDELLA AD IMBOCCO	LEAD-IN WASHER	RONDELLE EMBOUTIE	TRICHTERSCHEIBE	ARANDELA DE MUESCA
22	G18902970	MOLLA TRAZ.CAMBIO ZN SP	GALVAN. GEAR TRACT. SPRING SP	RESS. TRACT. BOITE VITESSE ZN	ZUGFEDER GETRIEBE ZN SP	MUELLE TRAC. CAMBIO ZN SP
23	G22310011	FLANGIA CAMBIO DP	GEARBOX FLANGE DP	BRIDE BOITE DE VITESSE DP	FLANSCH GETRIEBE DP	BRIDA CAMBIO DP
24	G22270281	ASSE RUOTA TRASM.MAGG. SP/S	INCREASED DRIVE WHEEL AXLE	AXE ROUE ENTRAINEMENT 6.50-15	RADACHSE sBERBEM. ANTRIEB SP/S	EJE RUEDA TRANS. SOBREDIMENS.
25	G22505085	FERMO ASSE IN LAMIERA	PLATE AXLE STOP	ARRET AXE EN TOLE	FESTSTELLVORRICHTUNG BLECHACHS	BLOQUEO EJE DE CHAPA
26	G14830390	CUSCINETTO FORO QUADRO	SQUARE-HOLED BEARING	ROULEMENT TROU CARRE	VIERKANTLAGER	COJINETE ORIFICIO CUADRADO
27	G15430660	RASCHIATERRA MAGGIORATO SP 530	INCREASED SOIL-SCRAPER SP 530	RACLEUR MAJOR. SP 530	sBERGROSSER ERDSCHABER SP 530	RASCADOR TIERRA OBREDIMENS. SP
28	G15830460	TENDICATENA SEM. R ZN	SEEDER CHAIN TIGHTENER R	TENDEUR DE CHAINE SEMEUR R	KETTENSANNER SZELEMENT R	SENSOR DE CADENA SEMBRADOR R
29	G16630960	SUPPORTO RUOTA REGOLABILE 6.50	ADJUSTABLE WHEEL SUPPORT 6,50			
30	G16630910	SUPPORTO RASCHIATERRA RR	SOIL SCRAPER SUPPORT			
31	G66248218	RONDELLA DISTAN.SPANDI	MAN. SPR. SPACER WASHER	RONDELLE ENTRETOISE EP. ENGRAI	ABSTANDSCHEIBE DsNGERSTREUER	ARANDELA DISTAN.ABONAD.
32	G16630790	INGR.Z8 5/8X3/8 TENDICAT.COMPL	GEAR Z8 5/8X3/8 CHAIN			
33	G16631050	SCATOLA RUOTA REG.6,5	ADJUSTABLE WHEEL BOX			
34	G16631010	CARTER RUOTE REG. 6,50 SX	ADJUSTABLE WHEEL CASE 6,50 LH			
35	G16631020	CARTER RUOTE REG. 6,50 DX	ADJUSTABLE WHEEL CASE 6,50 RH			
36	G16631100	FERMO TENDICATENA	CHAIN-STRETCHER STOP			
37	G17130140	LEVA CAMBIO ZN	GEAR LEVER	LEVIER BOITE DE VITESSE	GETRIEBE HEBEL	PALANCA DE CAMBIO
38	G18801580	BOCCOLA 8,5 X15 X10 ZN	BUSH 8.5 X15 X10	DOUILLE 8,5 X15 X10	BUCHSE 8,5 X15 X10	MANGUITO 8,5 X15 X10
39	G22220113	INGRANAGGIO Z-10 FERRO	GEAR Z-10 IRON	ENGRENAGE Z-10 FER	ZAHNRAD Z-10 EISEN	ENGRANAJE Z-10 HIERRO
40	G16630390	PIGNONE Z-15 ZN.	PINION Z-15 ZN.	PIGNON Z-15 ZN	RITZE Z-15 ZN	PINION Z-15 ZN
41	G16630400	PIGNONE Z-16 ZN.	PINION Z-16 ZN.	PIGNON Z-16 ZN.	RITZE Z-16 ZN.	PINION Z-16 ZN.
42	G16630410	PIGNONE Z-23 ZN.	PINION Z-23 ZN.	PIGNON Z-23 ZN.	RITZE Z-23 ZN.	PINION Z-23 ZN.
43	G16631120	INGRANAGGIO R.LIB. Z-23 CSK30	FREE WHEEL GEAR Z-23 CSK30	ENGRENAGE Z23 ROUE LIBRE CSK30	ZAHNRAD FREILAUF Z-23 CSK30	ENGRANAJE R.LIBRE Z-23 CSK30
44	G16630420	PIGNONE Z-25 ZN.	PINION Z-25 ZN.	PIGNON Z-25 ZN.	RITZE Z-25 ZN.	PINION Z-25 ZN.
45	G16630430	PIGNONE Z-30 ZN.	PINION Z-30 ZN.	PIGNON Z-30 ZN.	RITZE Z-30 ZN.	PINION Z-30 ZN.
46	F06120180	COPERTURA 6.5/80-15 IM 110 6PR	TYRE 6.5/80-15 IM 110 6PR			
47	F06120134	CAMERA X R5.00-15 E 6.5/80-15	INNER TUBE R5.00-15 E 6.5/80-15	CHAMBRE R5.00-15 6.5/80-15	KAMMER R5.00-15 6.5/80-15	CAMARA R5.00-15 6.5/80-15
48	F06120207	CERCHIO 5J 15 H2 PV RAL 9001	RIM 5J 15 H2 PV RAL 9001			
49	F05050025	CAPPELOTTO PROTEZ. X VALV.PVC	PROTECTION CAP PVC X VALVA	CAPUCHON PROTECION PVC X VALVA	SCHUTZKAPPE PVC X VENTIL	TAPAPROTECION PVC X VALVA



RINCALZATORI

TAV. 380

Pos.	Cod.	Descrizione	Description	Description	Benennung	Descripcion
1	F01410076	ROS.M12 13X 24X2,5 U6592 ZN	WASHER 12 13X 24X2,5 U6592 ZN	RONDEL. M12 13X24X2,5 U6592 ZN	SCHEIBE M12 13X24X2,5 U6592 ZN	ARANDELA M12 13 X24X2,5 ZN
2	F02050101	ANELLO E. DE 25X 1,2 U7435 C70	SEEGER RING E. 25X1,2 7435 C70	SEEGER E. 25X 1,2 U7435 C70	SEEGERING E. 25X 1,2 U7435 C70	ANILLO E. 25X 1,2 U7435 C70
3	F20100503	PERNO RUOTA	WHEEL PIN	PIVOT ROUE	RADZAPFEN	PERNO RUEDA
4	F01060086	VITE M10X1,5X70 U5732 4.6ZN	SCR. M10X1,5X70 U5732 4.6ZN	VIS 10X70 5732 4.6 ZN	SCHRAUBE 10X70 5732 4.6 ZN	TORNILLO 10X70 5732 4.6 ZN
5	G15110091	SCONTRO A U SP.8 2F15 165	STRIKER	BRIDE 150 MM	ANSCHLAG	ELEMENTO DE EMPALME
6	F01020238	VITE M14X2X240 U5737 8.8BR	SCR. M14X2X240 U5737 8.8BR	VIS M 14 X240 5737 8.G	SCHRAUBE M 14 X240 5737 8.G	TORNILLO M 14 X240 5737 8.G
7	G23440084	VOMERE SUPPLEMENTARE HL LM	PLOUGH-SHARE- SUPPLEM. HL LM	SOC SUPPLEMENTAIRE HL LM	ZUSZTZLICHE SCHAR HL LM	REJA SUPLEMENTARIA HL LM
8	F01200244	DADO M8X1,25 U5588 6.8ZN	NUT M8X1,25 U5588 6.8ZN	ECROU M8 X1,25 U5588 6.8 ZN	MUTTER M8 X1,25 U5588 6.8 ZN	TUERCA M8 X1,25 U5588 6.8 ZN
9	F01200306	DADO M14X2 U5588 6.8ZN	NUT M14X2 U5588 6.8ZN	ECROU M14X2	MUTTER M14X2	DADO M14X2
10	G23440087	GAMBO ZAPPA POST. HL	SHANK - REAR HOE HL	TIGE HOUE ARRIERE HL	SCHAFT HINT. MESSER HL	VæSTAGO AZADA TRAS. HL
11	G23420051	ZAPPA POSTERIORE DA 215 LM	HOE- REAR- 215 LM	HOUE ARRIERE DE 215 LM	MESSER HINTEN 215 LM	AZADA TRASERA DE 215 LM
12	F01020253	VITE M16X2X50 U5737 8.8BR	SCR. M16X2X50 U5737 8.8BR	VIS M16X2X50	SCHRAUBE M16X2X50	TORNILLO M16X2X50
13	F01200444	DADO M16X2 U5589 6SZN	NUT M16X2 U5589 6SZN	ECROU M16X2	MUTTER M16X2	DADO M16X2
14	G18705130	ROND.FOND.12,5 X62 X1,5X11	BOTTOM WASHER 12.5 X 62 X 1.5	ROND. FOND. 12-5 X62 X1-5X11	BODENSCHIEBE 12-5 X62 X1-5X11	ARANDELA 12-5 X62 X1-5X11
15	F01200269	DADO M10X1,5 U5588 6.8BR	NUT M10X1,5 U5588 6.8BR	ECROU 10 UNI 5588 6.8	MUTTER 10 UNI 5588 6.8	TUERCA 10 UNI 5588 6.8
16	F01430023	ROS.M10 10,5X 18X0,9 U8842J ZN	WASHER D10 DIN 6798 D.INT.ZN	RONDELLE D10 DIN 6798 D. INT.	UNT. SCHEIBE D10 DIN 6798 D.IN	ARANDELA D10 DIN 6798 D.INT.ZN
17	G16630720	RINCALZATORE ECON. COMPL	RIDGER ECON. COMPLETE			
18	G15430842	SUPPORTO RINCALZATORE LAT.	LATERAL RIDGER SUPPORT			
19	G15431001	SUPPORTO RINCALZ.CENTRALE	CENTRAL RIDGER SUPPORT			
20	F01020528	VITE M12X1,75X40 U5739 10.9ZD	BOLT M12X1,75X40 U5739 10.9ZN	VIS M12X1,75X40 U5739 10.9 ZN	SCHR.M12X1,75X40 U5739 10.9 ZN	TORN.M12X1,75X40 U5739 10.9 ZN
21	G15430891	SUPPORTO RUOTA DI PROFONDITA'	FROF. WHEEL SUPPORT	SUPPORT ROUE FROF.	HALTERUNG TIEFEN RAD	SOPORTE RUEDA FROF
22	G23440074	RASCHIATERRA RUOTA STERZ. HL	STEERING WHEEL SOIL-SCRAPER HL	RACLEUR ROUE BRAQUANTE HL	ERDSCHABER LENKRAD HL	RASCADOR TIERRA RUEDA ORIENTAB
23	F01410051	ROS.M8 8,4X 17X1,6 U6592 ZN	WASHER M8 8,4X17X1,6 U6592 ZN	RONDELLE M8 8,4X17X1,6 U6592ZN	SCHEIBE M8 8,4X17X1,6 U6592 ZN	ARANDELA M8 8,4X17X1,6 U6592ZN
24	F01020436	VITE M8X1,25X20 U5739 8.8ZN	SCR. M8X1,25X20 U5739 8.8ZN	VIS M8X1,25X 20 U5739 8.8 ZN	SCHRAUBE M8X1,25X20U5739 8.8ZN	TORN. M8X1,25X20 U5739 8.8 ZN
25	F01020233	VITE M14X2X200 U5737 8.8BR	SCR. M14X2X200 U5737 8.8BR	VIS M14X2X 200 U5737 8.8 ZB	SCHRAUBE M14X 2X200 U5737 8.8	TORNILLO M14X2X200 5737 8.8 ZB
26	G13610620	RUOTA COMPLETA 320X100 CRESTA	WHEEL ASS.BLY 320X100 CREST			
27	F04010170	CUSC.D25 D52 B15 6205 2RS EX>	BEARING D25 D52 B15 6205 2RS	ROULEMENT 6205 2RS	LAGER 6205 2RS	COJINETE 6205 2RS

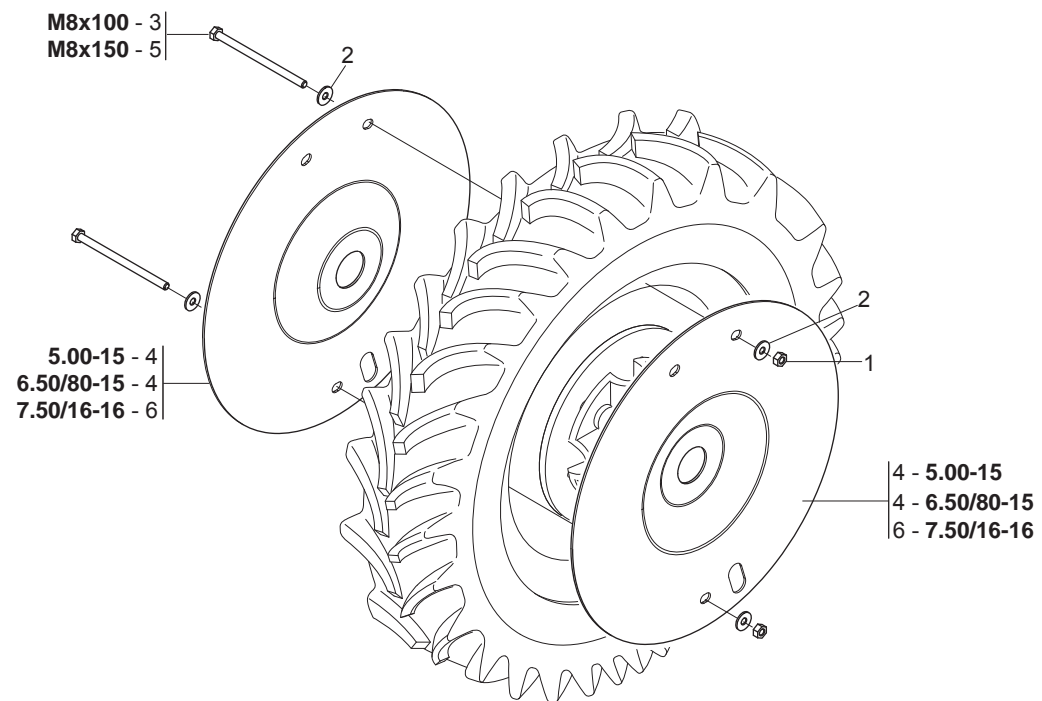


PRESA DI POTENZA POSTERIORE

TAV. 210

Pos.	Cod.	Descrizione	Description	Description	Benennung	Descripcion
1	G13710561	SCONTRO A U SP.10 2F16,5 118	BRACKET A U SP.10 2F16,5 118			
2	F01200306	DADO M14X2 U5588 6.8ZN	NUT M14X2 U5588 6.8ZN	ECROU M14X2	MUTTER M14X2	DADO M14X2
3	F01020229	VITE M14X2X180 U5737 8.8BR	SCR. M14X2X180 U5737 8.8BR	VIS 14X180 5737 8.G	SCHRAUBE 14X180 5737 8.G	TORNILLO 14X180 5737 8.G
4	F01410088	ROS.M14 15X 28X2,5 U6592 ZN	WAS.M14 15X 28X2,5 U6592 ZB	RON.M14 15X 28X2,5 U6592 ZB	SCH.M14 15X 28X2,5 U6592 ZB	ARA.M14 15X 28X2,5 U6592 ZB
5	G14850040	SUPPORTO PDP POST. T.100	PDP REAR SUPPORT T.100	SUPPORT ARRIERE PDP T.100	HINT. HALTERUNG PDP T.100	SOPORTE TRASERO TDP T.100
6	G14850050	SUPPORTO PRESA DI POTENZA	PTO SUPPORT	SUPPORT PRISE DE FORCE	ZAPFWELLENHALTERUNG	SOPORTE TOMA DE FUERZA
7	F01020528	VITE M12X1,75X40 U5739 10.9ZD	BOLT M12X1,75X40 U5739 10.9ZN	VIS M12X1,75X40 U5739 10.9 ZN	SCHR.M12X1,75X40 U5739 10.9 ZN	TORN.M12X1,75X40 U5739 10.9 ZN
8	G14850030	PRESA DI POTENZA POSTERIORE	REAR POWER TAKE-OFF	PRISE DE FORCE ARRI+RE	HINTERE LEISTUNGSABNAHME	TOMA DE FUERZA TRASERA
9	F01220048	DADO M12X1,75 D980 8ZN	NUT M12X1,75 D980 8ZN	ECROU M12X1,75 D980 8 ZN	SCHEIBE M12X1,75 D980 8 ZN	TUERCA M12X1,75 D980 8 ZN
10	F01410076	ROS.M12 13X 24X2,5 U6592 ZN	WASHER 12 13X 24X2,5 U6592 ZN	RONDEL. M12 13X24X2,5 U6592 ZN	SCHEIBE M12 13X24X2,5 U6592 ZN	ARANDELA M12 13 X24X2,5 ZN
11	F02100121	SPINA E.P. 6X 40 U6873 C70 BR	ELASTIC PIN 6X40	GOUJON ELASTIQUE 6X40	SPANNHUELSE 6X40	PASADOR 6X40
12	F02100161	SPINA E.P. 10X 40 U6873 C70 BR	PIN EL. 10 X40 DIN 1481	FICHE EL. 10 X40 DIN 1481	SPANNSTIFT 10X40 DIN 1481	CLAVIJA EL.10 X40 DIN 1481
13	F04100139	SUPPORTO FY TB35 TF	SUPPORT FY TB35 TF	SUPPORT FY TB35 TF	HALTERUNG FY TP35 TF	SOPORTE FY TB35 TF
14	G19002131	PROTEZIONE P.D.P.	PDP GUARD			
15	F01020233	VITE M14X2X200 U5737 8.8BR	SCR. M14X2X200 U5737 8.8BR	VIS M14X2X 200 U5737 8.8 ZB	SCHRAUBE M14X 2X200 U5737 8.8	TORNILLO M14X2X200 5737 8.8 ZB
16	G15110091	SCONTRO A U SP.8 2F15 165	STRIKER	BRIDE 150 MM	ANSCHLAG	ELEMENTO DE EMPALME

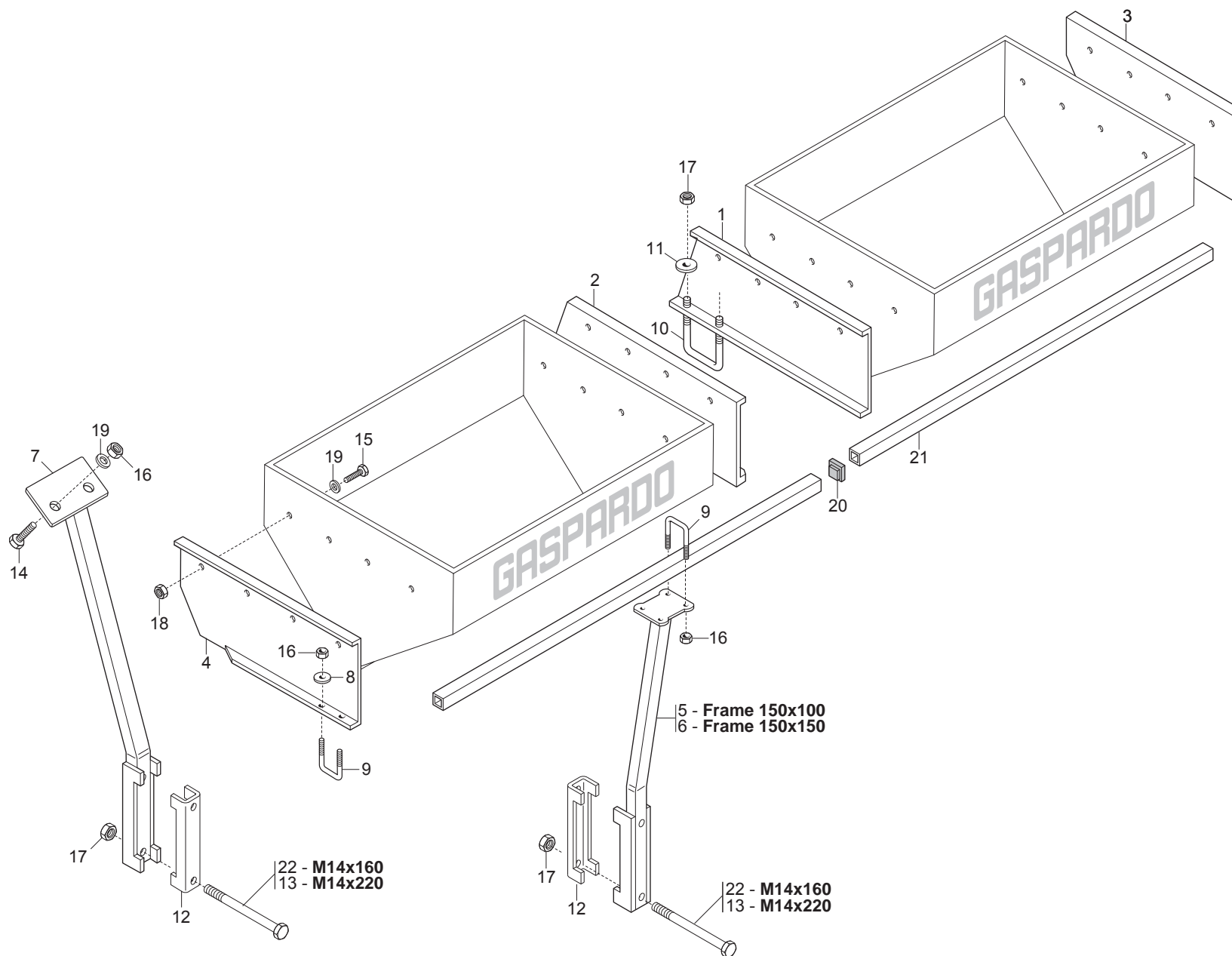
5.00-15 / 6.50/80-15 / 7.50/16-16



KIT RUOTE PER TERRENI SASSOSI - FLANGIATURA RUOTE

TAV. 220

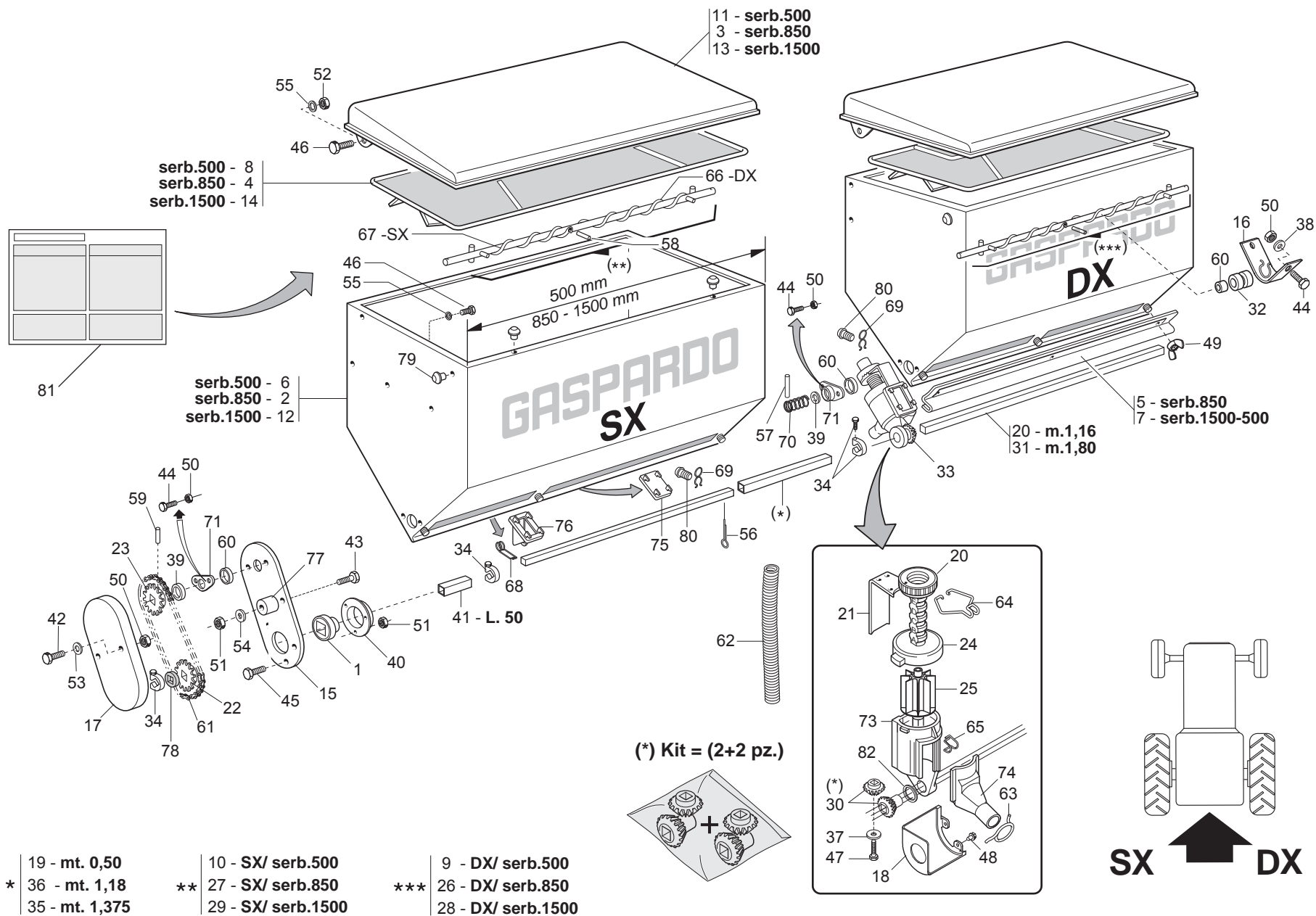
Pos.	Cod.	Descrizione	Description	Description	Benennung	Descripcion
1	F01220022	DADO M8X1,25 D980 8ZN	NUT M8X1,25 D980 8ZN	ECROU M8X 1,25 D980 8 ZN	MUTTER M8X 1,25 D980 8 ZN	TUERCA M8X 1,25 D980 8 ZN
2	F01420048	ROS.M8 8,4X 24X 2 U6593 ZN	WASHER M8 8,4X 24X2 U6593 ZN	RONDELLE M8 8,4X24X 2 U6593 ZN	SCHEIBEN M8 8,4X24X 2 U6593 ZN	ARANDELA M8 8,4X 24X2 U6593 ZN
3	F01020090	VITE M8X1,25X100 U5737 8.8ZN	SCR. M8X1,25X100 U5737 8.8ZN	VIS M8X1,25X100 U5737 8.8ZN	SCRAU. M8X1,25X100 U5737 8.8ZN	TORN. M8X1,25X100 U5737 8.8ZN
4	G14830221	DISCO PROTEZIONE SASSI	DISK PROTECTIONS SASSI			
5	F01020097	VITE M8X1,25X150 U5737 8.8ZN	SCR. M8X1,25X150 U5737 8.8ZN	VIS 8 X150 5737 8.G ZN	SCHRAUBE 8 X150 5737 8.G ZN	TORNILLO 8 X150 5737 8.G ZN
6	G15231910	DISCO PROTEZIONE SASSI R7.50	STONE GUARD DISK R7.50			



SUPPORTI SERBATOI SPANDICONCIME FERRO

TAV. 230

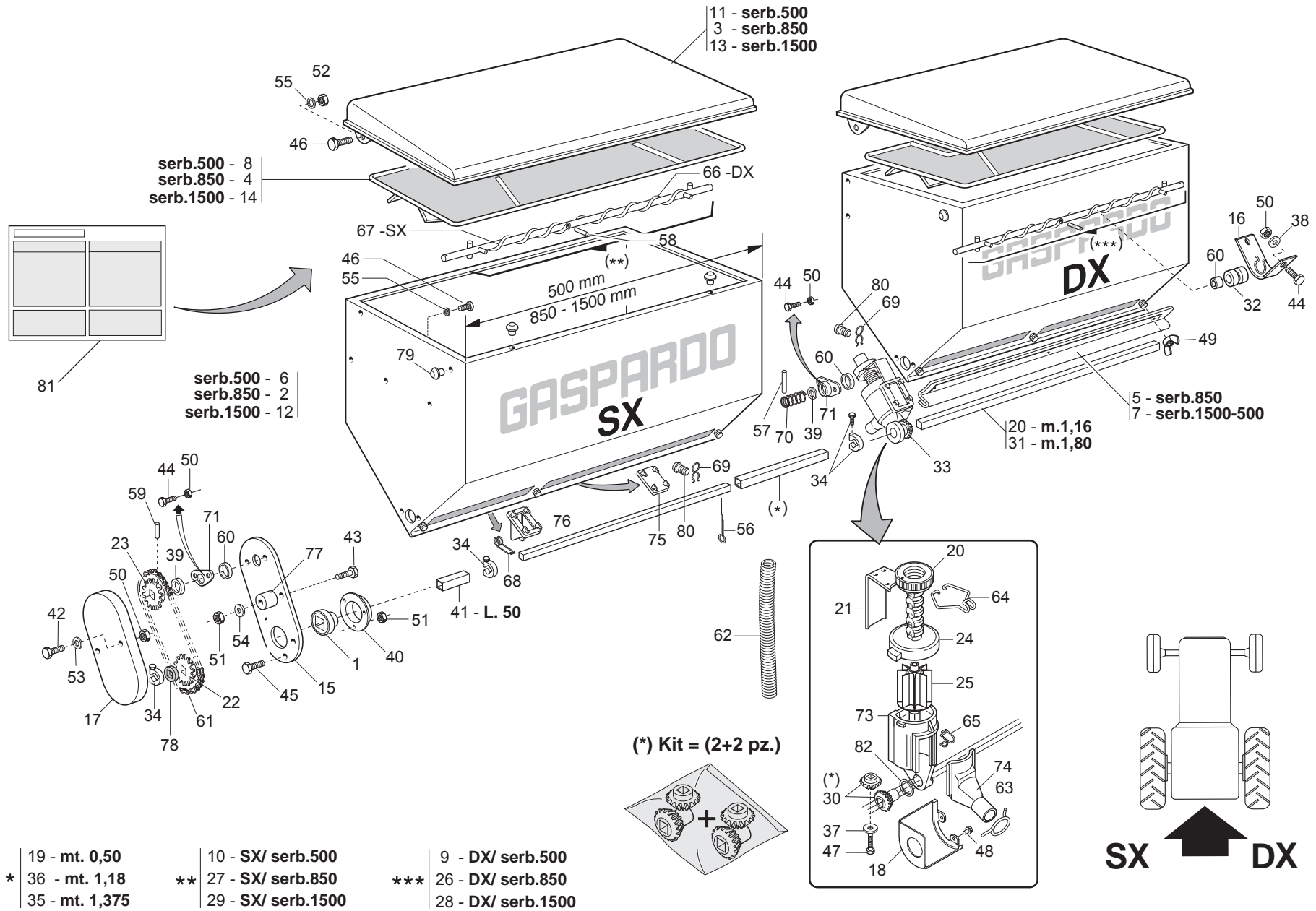
Pos.	Cod.	Descrizione	Description	Description	Benennung	Descripcion
1	G15470632	SUPP.SPANDI CENTR.DX	CENTRAL RIGHT FERT.ER SUPPORT			
2	G15470642	SUPP.SPANDI CENTR.SX	CENTRAL LEFT FERT.ZER SUPP.			
3	G15171381	SUPP.SPANDI EST.DX	RIGHT EXT.AL FERT.ZER SUPPORT			
4	G15171391	SUPP.SPANDI EST.SX	LEFT EXT.AL FERT.ER SUPPORT			
5	G16670011	SUPPORTO SPANDI	SPREADER SUPPORT	SUPPORT +PANDEUR	HALTERUNG SPANDI	SOPORTE ABONADORA
6	G15472901	SUPPORTO SPANDI Q.150	SQ. FERTILIZER SPREADER SUPPOR	SUPPORT +PANDEUR CARR+ 150	HALTERUNG SPANDI Q.150	SOPORTE ABONADORA Q.150
7	G15473051	SUPPORTO SERBATOIO ANT.	FRONT HOPPER SUPPORT	SUPPORT TR+MIE AVANT	HALTERUNG VORDERER BEH-LTER	SOPORTE DEPÓSITO ANT.
8	G18701140	RONDELLA 11 X35 X5 ZN	WASHER 11 X 35 X 5	RONDELLE 11 X35 X5	UNTERLEGSSCHEIBE 11 X35 X5	ARANDELA 11 X35 X5
9	F20110706	CAV.Q.B=35 M=10X1,5 L=60	U BOLT Q.B=35 M=10X1,5 L=60	CAVALIER SUPPORT DISQUE SV	VERBINDUNG SCHEIBENHALTERUNG S	PERNO EN U SOP. DISCO SV
10	F20110770	CAV.Q.B=80 M=14X2 L=119	U BOLT Q.B=80 M=14X2 L=119	BRIDE U M14X2X50 96X119 ZN	ANSCHLANG U M14X2X50 96X119 ZN	EL.DE EMPALME M14X2X50 96X119
11	G20970142	RONDELLA 32X4X15,5	WASHER 32X4X15-5	RONDELLE 32X4X15-5	UNTERLEGSSCHEIBE 32X4X15-5	ARANDELA 32X4X15-5
12	G15110091	SCONTRO A U SP.8 2F15 165	STRIKER	BRIDE 150 MM	ANSCHLAG	ELEMENTO DE EMPALME
13	F01020238	VITE M14X2X240 U5737 8.8BR	SCR. M14X2X240 U5737 8.8BR	VIS M 14 X240 5737 8.G	SCHRAUBE M 14 X240 5737 8.G	TORNILLO M 14 X240 5737 8.G
14	F01020463	VITE M10X1,5X25 U5739 A2IX	SCR. M10X1,5X25 U5739 A2IX	VIS 10X25 5739 INOX A2	SCHRAUBE 10X25 5739 INOX A2	TORNILLO 10X25 5739 INOX A2
15	F01020465	VITE M10X1,5X35 U5739 A2IX	SCR. M10X1,5X35 U5739 A2IX	VIS M10X1,5X35 U5739 A2IX	SCHRA.M10X1,5X35 U5739 A2IX	TOR.M10X1,5X35 U5739 A2IX
16	F01200271	DADO M10X1,5 U5588 A2IX	NUT M10X1,5 U5588 A2IX	ECROU 10 5588 6.8 INOX	MUTTER 10 5588 6.8 INOX	TUERCA 10 5588 6.8 INOX
17	F01200306	DADO M14X2 U5588 6.8ZN	NUT M14X2 U5588 6.8ZN	ECROU M14X2	MUTTER M14X2	DADO M14X2
18	F01200271	DADO M10X1,5 U5588 A2IX	NUT M10X1,5 U5588 A2IX	ECROU 10 5588 6.8 INOX	MUTTER 10 5588 6.8 INOX	TUERCA 10 5588 6.8 INOX
19	F01420059	ROS.M10 10,5X 30X2,5 U6593 IX	WASHER 11X30X2,5 6593 A2	RONDELLE 11X30X2,5 6593 A2	UNTERLEGSSCHEIBE 11X30X2,5 6593	ARANDELA 11X30X2,5 6593 A2
20	F20120346	PUNTALE Q 35 ALETT.POLIT.NERO	SQ.TIP 35 BLACK			
21	G15472970	TUBO Q. 35X 4X1200	SQUARE PIPE 35 X4 X1200	TUBE CARRE 35 X4 X1200	VIERKANTROHR 35 X4 X1200	TUBO CUADRADO 35 X4 X1200
22	F01020225	VITE M14X2X160 U5737 8.8BR	SCR. M14X2X160 U5737 8.8BR	VIS M 14 X160 5737 8.G	SCHRAUBE M 14 X160 5737 8.G	TORNILLO M 14 X160 5737 8.G



SERBATOI SPANDICONCIME FERRO

TAV. 240

Pos.	Cod.	Descrizione	Description	Description	Benennung	Descripcion
1	G14830390	CUSCINETTO FORO QUADRO	SQUARE-HOLED BEARING	ROULEMENT TROU CARRE	VIERKANTLAGER	COJINETE ORIFICIO CUADRADO
2	G15470500	SERBATOIO CONCIME 850	FERTILIZER TANK 850	RESERVOIR ENGRAIS 850	DsNGERBEHZLTER 850	DEPSITO ABONO 850 B
3	G15470580	COPERCHIO SERBATOIO 850	TANK TOP 850	COUVERCLE RESERVOIR 650	BEHZLTERDECKEL 850	TAPA DEPSITO 850 A
4	G15470700	GRIGLIA 850	GRID 850	GRILLE 850	GITTER 850	REJILLA 850
5	G15470780	PORTA DI PULIZIA SERB.850	TANK 850 CLEANING DOOR	PORTE DE NETTOYAGE RESERVOIR 8	REINIGUNGSTsR BEHZLTER 850	PUERTA DE LIMPIEZA DEPS. 850 P
6	G15471010	SERBATOIO CONCIME 500	FERTILIZER TANK 500	RESERVOIR ENGRAIS 500	DsNGERBEHZLTER 500	DEPSITO ABONO 500 B
7	G15471040	PORTA DI PULIZIA	CLEANING DOOR	PORTE DE NETTOYAGE	REINIGUNGSTsR	PUERTA LIMPIEZA
8	G15471090	GRIGLIA 500	GRID 500	GRILLE 500	GITTER 500	REJILLA 500
9	G15471120	ASSE AGITAT.DX SERBATOIO 500	RIGHT TANK STIRRER SPINDLE 500	AXE AGIT. DRT RESERVOIR 500	ACHSE SAMENMISCHER RE BEHZLTER	EJE AGITADOR DER DEPSITO 500 A
10	G15471130	ASSE AGITAT. SX SERBATOIO 500	LEFT TANK STIRRER SPINDLE 500	AXE AGIT. GCH RESERVOIR 500	ACHSE SAMENMISCHER LI BEHZLTER	EJE AGITADOR IZQ DEPSITO 500 A
11	G15471140	COPERCHIO SERBATOIO 500	TANK COVER 500	COUVERCLE RESERVOIR 500	BEHZLTERDECKEL 500	TAPA DEPSITO 500 A
12	G15471280	SERBATOIO CONCIME 1500	SPREADER TANK 1500			
13	G15471320	COPERCHIO SERBATOIO 1500	TANK COVER 1500			
14	G15471390	GRIGLIA 1500	GRID 1500	GRILLE 1500	GITTER 1500	REJILLA 1500
15	G15471930	PROTEZIONE	GUARD	PROTECTION	SCHUTZ	PROTECCIN P P
16	G15471990	SUPPORTO COCLEA	SCREW SUPPORT	SUPPORT VISALIMENTATION	HALTERUNG SCHNECKE	SOPORTE CCLEA S
17	G19002710	PROTEZ.RINIVIO SPANDICONCIME	FERTILIZER TRANSM. PROTECTION	PROTECTION RENVOI FERTILISEUR	SCHUTZ VORGELEGE DUNGERSTREUER	PROTECCION TRANSMISION ABONADO
18	G19002850	PROTEZIONE PIGNONE	PINION GUARD	PROTECTION PIGNON	RITZELSCHUTZ	PROTECCIN PIGNON PR
19	G20860012	MANICOTTO DI UNIONE L.500	JOINT SLEEVE L.500	MANCHON DE RACCORD L. 500	VERBINDUNGSMUFFE L.500	MANGUITO DE UNIN L.500 M
20	G20860032	ASSE RUOTA CAMBIO L.1160	WHEEL AXLE - GEARBOX L.1160	AXE ROUE BOITE DE VITESSE	GEBTRIEBERADACHSE L 1160	EJE RUEDA CAMBIO L.1160
21	G20860052	REGOLATORE APERTURA	OPENING REGULATOR	REGULATEUR OUVERTURE	REGULADOREINSTELLER	REGULADOR ABERTURA
22	G20860086	INGRANAGGIO 1/2 Z-12 F.Q.	GEAR 1/2 Z-12 F.Q.	ENGRENAGE 1/2 Z-12 TROUS CARRE	ZAHNRAD 1/2 Z-12 F.Q.	ENGRANAJE 1/2 Z-12 F.Q.
23	G20860088	INGRANAGGIO 1/2 Z-12 F.T.	GEAR 1/2 Z-12 F.T.	ENGRENAGE 1/2 Z-12 TROUS ROUNDS	ZAHNRAD 1/2 Z-12 F.T.	ENGRANAJE 1/2 Z-12 F.T.
24	G20860093	VITE DI REGOL.	ADJUSTMENT BOLT	VIS DE REGLAGE	EINSTELLSCHRAUBE.	TORNILLO DE REGULACIN S
25	G20860106	DOSATORE SPANDI 8 PALE COMPL.	FERT.METERING DEVICE ASS.8 GRO	ROTOR DOSEUR 8C FERTIL COMPL.	DOSIERER DUNGER.KOMPL. 8 SEKT	DOSIFICADOR ABONO COMP.8 SECT
26	G20860121	ASSE AGITAT.DX SERB.850 COMPL.	STIRRER SPINDLE- RIGHT 850 TAN	AXE AGITATEUR DRT. RESERVOIR 8	SAMENMISCHERACHSE RE BEH.850	EJE AGITAD. DER. DEPS.850 COMA
27	G20860122	ASSE AGITAT.SX SERB.850 COMPL.	STIRRER SPINDLE- LEFT 850 TANK	AXE AGITATEUR GCH. RESERVOIR 8	SAMENMISCHERACHSE LI BEH.850	EJE AGITAD. IZQ. DEPS. 850 COA
28	G20860123	AGIT.DX SERB.1500 3-4 USC.COMP	RIGHT 1500 TANK STIRRER- 3-4 O	AGITATEUR DRT. RESERVOIR 1500	SAMENMI. RE BEH.1500 3-4AUSG.	AGIT. DER. DEPS. 1500 3-4 SALA
29	G20860124	AGIT.SX SERB.1500 3-4 USC.COMP	LEFT 1500 TANK STIRRER- 3-4 OU	AGITATEUR GCH. RESERVOIR 1500	SAMENMI. LI BEH.1500 3-4 AUSG.	AGIT. DEPS. 1500 3-4 SALA
30	G20860126	KIT INGR DISTR CONCIME (2+2)	KIT- MAN. DISTR. GEARS (2+2)	COUPLE CON DISTR ENGRAIS (2+2)	KIT ZAHNRZDER DsNGERSTREUER	SET ENGRANAJES DISTRIB. ABONO
31	G20870028	ASSE SERB.LATO TRAS.6F.L.1800	AXLE- GEARBOX SIDE- 6-ROW L.18	AXE RESERVOIR COTE ENTRAINEMEN	ACHSE BEHZLTER ANTRIEBSS. 6F.L	EJE DEPS. LADO TRANS. 6 FILA A
32	G19005040	BOCCOLAASSE AGITATORE SPANDI	FERT. SPREADER AXLE BUSH	DOUILLE AXE +PANDEUR	ACHSENBUCHSE STREUER	MANGUITO -RBOL ABONADORA
33	G20880044	DISTR.COMPL.8PALE SPANDI FE	COMPL.IRON FERTIL.DISTR.8 RIBS	MINIMAX COMPL 8C FER	KOMPL.DOSIER.MET.DUNGERSTR.8S	DISTR.COMP.ABONO HIER.8ALETAS
34	G22505085	FERMO ASSE IN LAMIERA	PLATE AXLE STOP	ARRET AXE EN TOLE	FESTSTELLVORRICHTUNG BLECHACHS	BLOQUEO EJE DE CHAPA
35	G20910044	MANICOTTO UNIONE L.1375	JOINT SLEEVE L.1375	MANCHON RACCORD L. 1375	VERBINDUNGSMUFFE L.1375	MANGUITO DE UNIN L.1375 M
36	G20910045	MANICOTTO UNIONE L.1180	JOINT SLEEVE L.1180	MANCHON RACCORD L. 1180	VERBINDUNGSMUFFE L.1180	MANGUITO DE UNIN L.1180 M
37	G20970097	RONDELLA 32X3X4,5	WASHER 32X3X4-5	RONDELLE 32X3X4-5	UNTERLEGSCHIEBE 32X3X4-5	ARANDELA 32X3X4-5
38	G20970125	RONDELLA 28X2,5X6,5	WASHER 28X2-5X6-5	RONDELLE 28X2-5X6-5	UNTERLEGSCHIEBE 28X2-5X6-5	ARANDELA 28X2-5X6-5
39	G18700220	RONDELLA 16,5 X28 X0,3 ACC.	WASHER 16X 28X 0,3 STEEL			
40	G22230094	SUPPORTO CUSCINETTO	BEARING SUPPORT	SUPPORT PALIER	LAGERBsCHSE	SOPORTE COJINETE
41	G22250287	MANICOTTO DISTANZIALE SV	SPACER SLEEVE SV	MANCHON ENTRETOISE SV	ABSTANDSMUFFE SV	MANGUITO DISTANCIADOR SV
42	F01020043	VITE M6X1X60 U5737 8.8ZN	SCR. M6X1X60 U5737 8.8ZN	VIS M6X1X60 U5737 8.8 ZN	SCHRAUBE M6X1X60 U5737 8.8 ZN	TORNILLO M6X1X60 U5737 8.8 ZN
43	F01020068	VITE M8X1,25X40 U5737 8.8ZN	SCR. M8X1,25X40 U5737 8.8ZN	VIS M 8X1,25X40 U5737 8.8 ZN	SCHRA. M8X1,25X40 U5737 8.8 ZN	TORNIL.M8X1,25X40 U5737 8.8 ZN
44	F01020419	VITE M 6X1 X 16 U5739 A2IX	SCR. M6X1X16 U5739 A2IX	VIS M6 X1 X 16 U5739 8.8 IX	SCHRAUBE M6 X1 X 16 U5739 8.	TORNIL. M6 X1 X 16 U5739 8.8
45	F01020432	VITE M8X1,25X16 U5739 8.8ZN	SCR. M8X1,25X16 U5739 8.8ZN	VIS M8 X1,25X16 U5739 8.8 ZN	SCHRAUBE M8X1,25X16U5739 8.8ZN	TORNILLO M8X1,25X16U5739 8.8ZN
46	F01020463	VITE M10X1,5X25 U5739 A2IX	SCR. M10X1,5X25 U5739 A2IX	VIS 10X25 5739 INOX A2	SCHRAUBE 10X25 5739 INOX A2	TORNILLO 10X25 5739 INOX A2
47	F01070075	VITE A4,2X1,41X38 U6954 4.8NI	SCR. H4,2X1,41X38 U6954 4.8NI	VIS 4-2X38 DIN 7981	SCHRAUBE 4-2X38 DIN 7981	TORNILLO 4-2X38 DIN 7981
48	F01070011	VITE A4,2X1,41X9,5 U6950 4.8NI	SCR. H4,2X1,41X9,5 U6950 4.8NI	VIS AUTOTAR. 4-2X9-5 T. E. COU	SELBSTSCHNEID. SCHRAUBE 4-2X9-	TORNILLO AUTORROSC. 4-2X9-5
49	F01240012	DADO M6X1 U5448 5.8ZN	NUT M6X1 U5448 5.8ZN	ECROU 6 UNI 5448 5.8 ZN	MUTTER 6 UNI 5448 5.8 ZN	TUERCA 6 UNI 5448 5.8 ZN
50	F01200233	DADO M6X1 U5588 A2IX	NUT M6X1 U5588 A2IX	ECROU M 6X 1 U5588 I	MUTTER M 6X 1 U5588	TUERCA M 6X 1 U5588
51	F01200244	DADO M8X1,25 U5588 6.8ZN	NUT M8X1,25 U5588 6.8ZN	ECROU M8 X1,25 U5588 6.8 ZN	MUTTER M8 X1,25 U5588 6.8 ZN	TUERCA M8 X1,25 U5588 6.8 ZN
52	F01200271	DADO M10X1,5 U5588 A2IX	NUT M10X1,5 U5588 A2IX	ECROU 10 5588 6.8 INOX	MUTTER 10 5588 6.8 INOX	TUERCA 10 5588 6.8 INOX
53	F01410037	ROS.M6 6,4X12,5X1,6 U6592 ZN	WASHER M6 6,4X12,5X1,6 U6592ZN	RONDEL.M6 6,4X12,5X1,6 U6592ZN	SCHIEB.M6 6,4X12,5X1,6 U6592ZN	ARAND.M6 6,4X12,5X1,6 U6592 ZN
54	F01410051	ROS.M8 8,4X 17X1,6 U6592 ZN	WASHER M8 8,4X17X1,6 U6592 ZN	RONDELLE M8 8,4X17X1,6 U6592ZN	SCHIEBE M8 8,4X17X1,6 U6592 ZN	ARANDELA M8 8,4X17X1,6 U6592ZN
55	F01420059	ROS.M10 10,5X 30X2,5 U6593 IX	WASHER 11X30X2,5 6593 A2	RONDELLE 11X30X2,5 6593 A2	UNTERLEGSCHIEBE 11X30X2,5 6593	ARANDELA 11X30X2,5 6593 A2

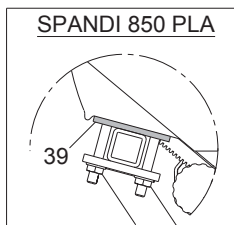
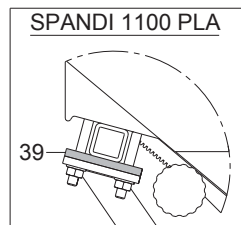


SERBATOI SPANDICONCIME FERRO

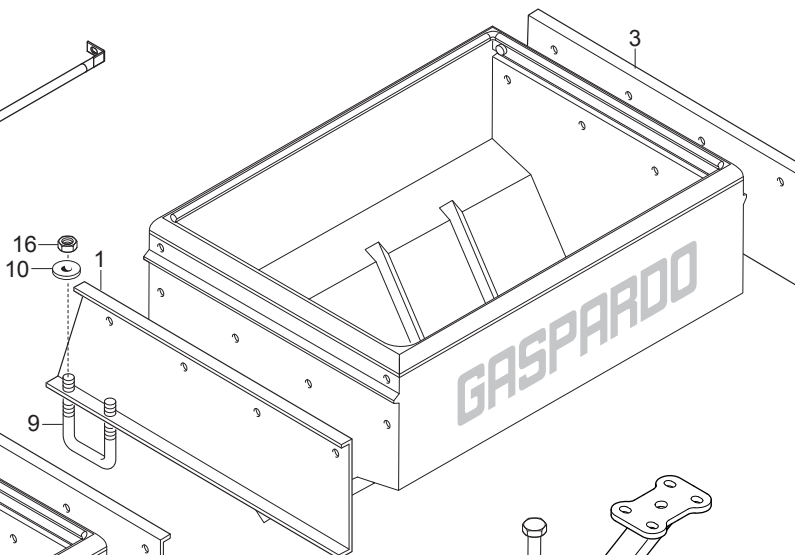
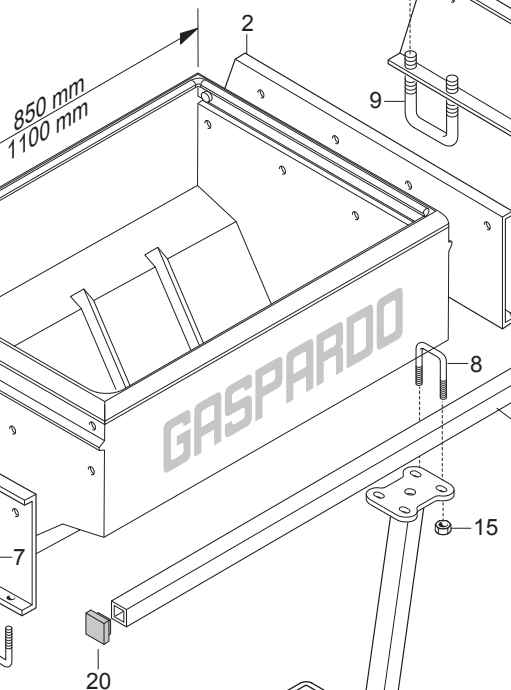
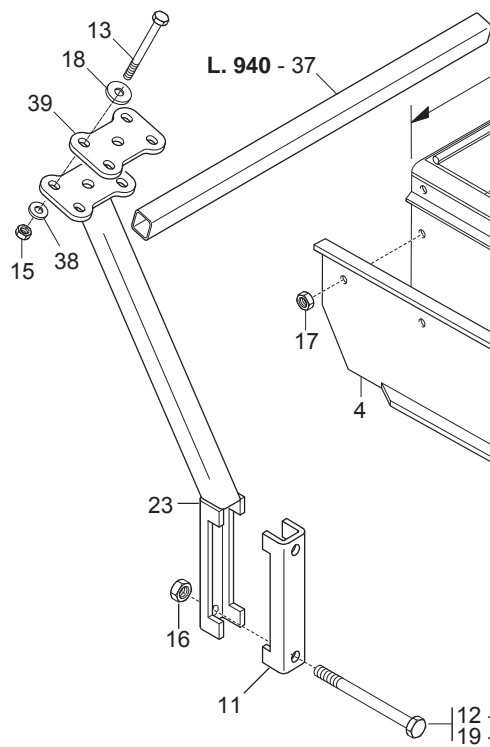
TAV. 240

Pos.	Cod.	Descrizione	Description	Description	Benennung	Descripcion
56	F02200227	COPIGLIA 5X 30 U1336 ZN	PIN 5X 30 U1336 ZN			
57	F02100079	SPINA E.P. 5X 20 U6873 C70 BR	PIN EL. 5X 20 U6873 C70 BR			
58	F02100314	SPINA EL.5 X36 DIN 1481 INOX	PIN EL.5 X36 DIN 1481 INOX			
59	F02100113	SPINA E.P. 6X 30 U6873 C70 ZN	PIN EL. 6X30 DIN 1481 ZN *	GOUPILLE EL.6 X30 DIN1481ZN*	SPANNSTIFT 6 X30 DIN 1481 ZN	CLAVIJA EL.6 X30 DIN 1481 ZN
60	F03011081	GUARNIZIONI LABBRO DE100	LIP GASKET D100			
61	F06080196	CATENA 1/2 ISO 083 32 MAGLIE	CUT-DOWN CHAIN .1/2 ISO 083 32	TRONCON CHAINE 1/2 ISO 083 32	KETTENZNGE 1/2 ISO 083 32 GL	TRECHO CADENA 1/2 ISO 083 32
62	F03100500	TUBO EOLO 35 PU	TUBE EOLO 35 PU	TUBE EOLO 35 PU		TUBO EOLO
63	G65336025	MOLLA SPEC.ZN STRINGIT.ASP.SP	SPEC SPRING ZN FAN . PIPE CLAM	RESSORT SPEC. ZN SERRE-TUBE AS	SPEZIALFEDER ZN RORHSCHELLE AB	MUELLE ESPEC. ZN APRIETA TUBOS
64	G65336055	MOLLA SPEC.REGOL.SPAND. SP	SPEC SPRING MAN. SPR. ADJUSTM.	RESSORT SPEC. REGL. EP. ENTRA	SPEZIALFEDER STREUEREINSTELLUN	MUELLE ESPEC. REGUL. ABONADORA
65	G65336062	MOLLA SPEC.SCIV.DISTR.SPAND.SP	SPEC SPRING - MAN. SPR. DISTR.	RESS. SPEC. LANCOIR DISTR. EP.	SPEZ.FEDER RUTSCHE SZAPP. STRE	MUELLE ESPEC.PLANO INCL.DISTR.
66	G65336064	MOLLA SPEC.COCLEA DX SPAND.HL	SPEC. WORM SCREW SPRING RIGHT	RESSORT SPEC. VIS DRT. EP. ENG	SPEZ.FEDER RE SCHNECKE STREUER	MUELLE ESPEC. TORN.S/F DER. AB
67	G65336065	MOLLA SPEC.COCLEA SX SPAND.HL	SPEC. WORM SCREW SPRING LEFT M	RESSORT SPEC. VIS GCH. EP. ENG	SPEZ.FEDER LI SCHNECKE STREUER	MUELLE ESPEC. TORN.S/F IZQ. AB
68	G65336080	MOLLA SPEC.SCARICO SPAND.T.M.	SPEC. SPRING SPREDER RELIEF			
69	G65336089	MOLLA SPEC.TENUTA FERMO SPAND.	SPEC.SPRING- BLOCK. MAN. SPR.	RESSORT SPEC. D'ETANCHEITE ARR	SPEZIALFEDER DICHTUNG STREUER	MUELLE ESPEC. RETENC. BLOQ
70	G65338043	MOLLA COMP.ZN SERB. M80	ZN TANK COMP.SPRING M80	RESSORT COMPL. ZN RESERVOIR M8	DRUCKFEDER ZN BEHZLTER M80	MUELLE COMP.ZN DEPS. M80 A
71	G66248121	BOCCOLA CON FLANGIA M80	BUSHING W/ FLANGE M80	SUPPORT AVEC BRIDE M80	BsCHSE MIT FLANSCH M80	CASQUILLO CON BRIDA M80
72	G66248125	GHIERA REGOLAZIONE M80	ADJUSTMENT KNURLED NUT M80	BAGUE REGLAGE M80	EINSTELLMUTTER M80	CONTRATUERCA REGULACIN M80 G
73	G66248176	CORPO DISTR.SPAND. SP	MANURE SPREADER DISTR. CASING	CORPS DISTRIB. EP. ENGRAIS SP	VERTEILUNGSKTRPER STREUER SP	CUERPO DISTR. ABON. SP
74	G66248178	SCIVOLO DISTR.SPAND. SP	CHUTE- MANURE-SPREADER DISTRIB	LANCOIR DISTRIBUTION EP. ENGR.	DsNGERSTREUER RUTSCHE SP	PLANO INCLINADO DISTR. ABON. S
75	G66248184	CHIUSURA USCITA SERB.SPAND.SP	OUTLET CLOSURE- MAN.SPREAD. TA	FERMETURE SORTIE RESERVOIR FER	VERSCHLUSS AUSTRITT DsNGERSTR.	CIERRE SALIDA DEPS. ABON. SP I
76	G66248187	SCARICO SERB.SPAND.TIPO MICRO	MICRO TYPE MAN.SPR.TANK DISCH.	TRAPPE DE VIDANGE TYPE MICRO	BEHZLTERENTLADUNG STREUER TYP	DESCARGA DEPS. ABON.TIPO MICRD
77	G66248207	TENDICATENA SPAND. SP-520	CHAIN TENSIONER	TENDEUR DE CHAINE EPAND. ENGR.	KETTENSPANNER DsNGERSTR. SP-52	SENSOR DE CADENA ABON. SP-520
78	G66248218	RONDELLA DISTAN.SPANDI	MAN. SPR. SPACER WASHER	RONDELLE ENTRETOISE EP. ENGRAI	ABSTANDSCHEIBE DsNGERSTREUER	ARANDELA DISTAN.ABONAD.
79	G66248223	TAPPO SUPP.SPAND.D.11	PLUG MAN. SPR. SUPP. D.11	BOUCHON SUPPORT EP. ENGRAIS D.	HALTERUNGSPFROPFEN DsNGERSTR.	TAPN SOPORTE ABON.D.11 D
80	G66248224	FERMO DISTRIBUTORE SPAND.	FERT. SPR. DISTRIB. STOP	ARRET DISTRIBUTEUR EP. ENGRAIS	FESTSTELLVORRICHTUNG SZAPP. ST	BLOQUEO DISTRIBUIDOR ABON.
81	G19700822	DECAL.TABELLA CONCIME SP540	DECAL.FERTILIZER TABLE SP540			
82	G18701500	RONDELLA 29,5 X38 X0,3 IX	WASHER 29,5 X 38 X 0,3	RONDELLE 29,5 X38 X0,3	UNTERLEGSCHIEBE 29,5X38X0,3	ARANDELA 29,5 X38 X0,3

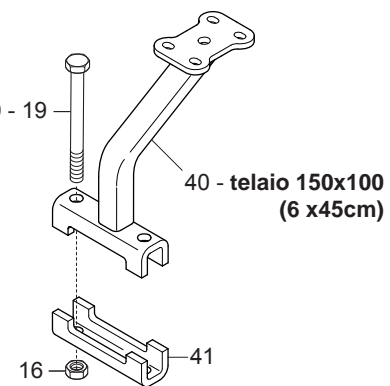
TAV. 251



serb. 1100 - 22



M14x220 - 19



- 28 - L. 600
- 27 - L. 750
- 37 - L. 940
- 35 - L. 990
- 30 - L. 1170
- 26 - L. 1200
- 34 - L. 1400
- 25 - L. 1600
- 36 - L. 2000
- 29 - L. 2480
- 21 - L. 2980
- 31 - L. 3100
- 24 - L. 3980
- 33 - L. 5100
- 32 - L. 5800

- 12 - M14x160
- 19 - M14x220

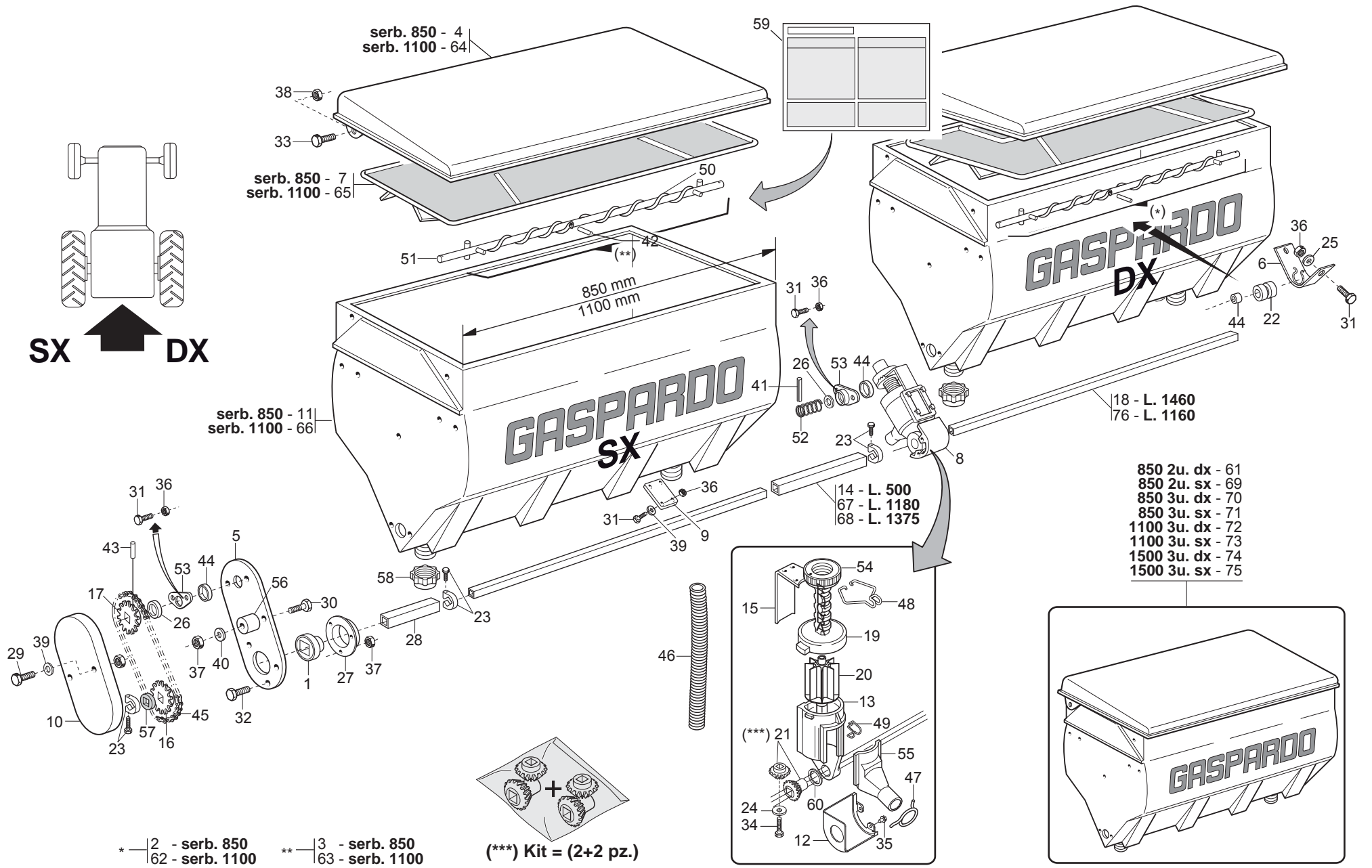
- 5 - telaio 150x100
- 6 - telaio 150x150

- 12 - M14x160
- 19 - M14x220

SUPPORTI SERBATOI SPANDICONCIME PLASTICA

TAV. 251

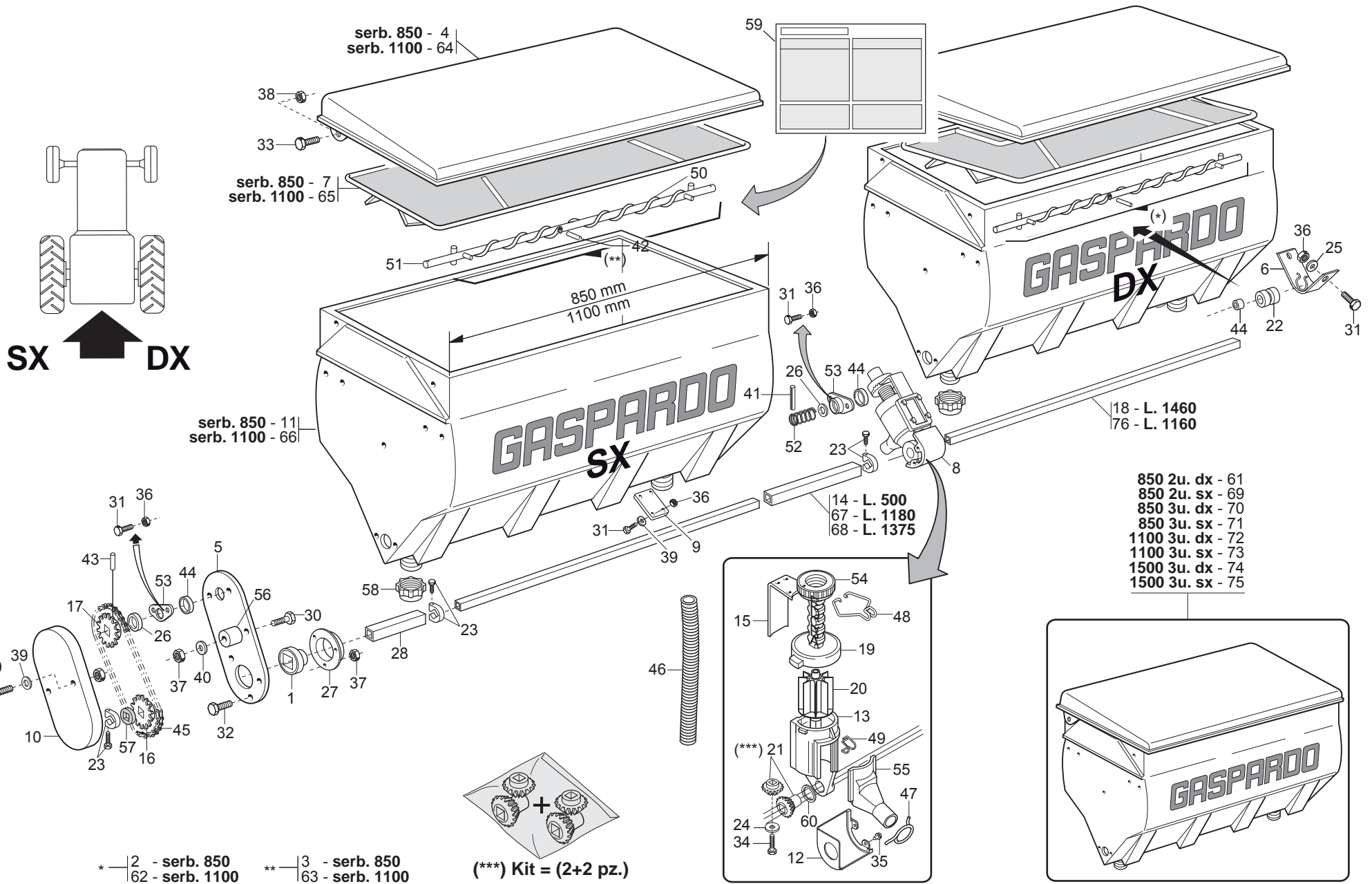
Pos.	Cod.	Descrizione	Description	Description	Benennung	Descripcion
1	G15470632	SUPP.SPANDI CENTR.DX	CENTRAL RIGHT FERT.ER SUPPORT			
2	G15470642	SUPP.SPANDI CENTR.SX	CENTRAL LEFT FERT.ZER SUPP.			
3	G15171381	SUPP.SPANDI EST.DX	RIGHT EXT.AL FERT.ZER SUPPORT			
4	G15171391	SUPP.SPANDI EST.SX	LEFT EXT.AL FERT.ER SUPPORT			
5	G16670011	SUPPORTO SPANDI	SPREADER SUPPORT	SUPPORT +PANDEUR	HALTERUNG SPANDI	SOPORTE ABONADORA
6	G15472901	SUPPORTO SPANDI Q.150	SQ. FERTILIZER SPREADER SUPPOR	SUPPORT +PANDEUR CARR+ 150	HALTERUNG SPANDI Q.150	SOPORTE ABONADORA Q.150
7	G18701140	RONDELLA 11 X35 X5 ZN	WASHER 11 X 35 X 5	RONDELLE 11 X35 X5	UNTERLEGSSCHEIBE 11 X35 X5	ARANDELA 11 X35 X5
8	F20110706	CAV.Q.B=35 M=10X1,5 L=60	U BOLT Q.B=35 M=10X1,5 L=60	CAVALIER SUPPORT DISQUE SV	VERBINDUNG SCHEIBENHALTERUNG S	PERNO EN U SOP. DISCO SV
9	F20110770	CAV.Q.B=80 M=14X2 L=119	U BOLT Q.B=80 M=14X2 L=119	BRIDE U M14X2X50 96X119 ZN	ANSCHLANG U M14X2X50 96X119 ZN	EL.DE EMPALME M14X2X50 96X119
10	G20970142	RONDELLA 32X4X15,5	WASHER 32X4X15-5	RONDELLE 32X4X15-5	UNTERLEGSSCHEIBE 32X4X15-5	ARANDELA 32X4X15-5
11	G15110091	SCONTRO A U SP.8 2F15 165	STRIKER	BRIDE 150 MM	ANSCHLAG	ELEMENTO DE EMPALME
12	F01020225	VITE M14X2X160 U5737 8.8BR	SCR. M14X2X160 U5737 8.8BR	VIS M 14 X160 5737 8.G	SCHRAUBE M 14 X160 5737 8.G	TORNILLO M 14 X160 5737 8.G
13	F01020144	VITE M10X1,5X75 U5737 A2IX	SCR. M10X1,5X75 U5737 A2IX	VIS M10X 1,5X 75 U5737 8.8 IX	SCHRAUBE M10X 1,5X 75 U5737 8.	TORNIL. M10X 1,5X 75 U5737 8.8
14	F01020465	VITE M10X1,5X35 U5739 A2IX	SCR. M10X1,5X35 U5739 A2IX	VIS M10X1,5X35 U5739 A2IX	SCHRA.M10X1,5X35 U5739 A2IX	TOR.M10X1,5X35 U5739 A2IX
15	F01200271	DADO M10X1,5 U5588 A2IX	NUT M10X1,5 U5588 A2IX	ECROU 10 5588 6.8 INOX	MUTTER 10 5588 6.8 INOX	TUERCA 10 5588 6.8 INOX
16	F01200306	DADO M14X2 U5588 6.8ZN	NUT M14X2 U5588 6.8ZN	ECROU M14X2	MUTTER M14X2	DADO M14X2
17	F01200271	DADO M10X1,5 U5588 A2IX	NUT M10X1,5 U5588 A2IX	ECROU 10 5588 6.8 INOX	MUTTER 10 5588 6.8 INOX	TUERCA 10 5588 6.8 INOX
18	F01420059	ROS.M10 10,5X 30X2,5 U6593 IX	WASHER 11X30X2,5 6593 A2	RONDELLE 11X30X2,5 6593 A2	UNTERLEGSSCHEIBE 11X30X2,5 6593	ARANDELA 11X30X2,5 6593 A2
19	F01020236	VITE M14X2X220 U5737 8.8BR	SCR. M14X2X220 U5737 8.8BR	VIS M14X2X220 U5737 8.8 BR	SCHRAUBE M14X2X220 U5737 8.8	TORNILLO M14X2X220 U5737 8.8
20	F20120346	PUNTALE Q 35 ALETT.POLIT.NERO	SQ.TIP 35 BLACK			
21	G07000028	TUBO Q. 35X 4X2980	SQUARE PIPE 35 X 35 X 3 X 2980	TUBE CARRE 35 X 35 X 3 X 2980	VIERKANTROHR 35 X 35 X 3 X 298	TUBO CUADRADO 35 X 35 X 3 X 29
22	G15272961	RINFORZO SPANDICONCIME 1100	FERTILIZER 1100 REINFORCEMENT	RENFORT EPANDEUR D'ENGRAIS 110	VERSTZRKUNG DsNGERSTREUER 1100	REFUERZO ABONADORA 1100
23	G15275790	ASS.SUPPORTO ANT.SPANDI PLA	FRONTAL FERT.DISTR.SUPPORT			
24	G07000370	TUBO Q. 35X 3X3980	SQUARE PIPE 35X35X4X3980	TUBE CARRE 35X35X4X3980	VIERKANTROHR 35X35X4X3980	TUBO CUADRADO 35X35X4X3980
25	G07000375	TUBO Q. 35X 3X1600	SQUARE PIPE 35X35X4X1600	TUBE CARRE 35X35X4X1600	VIERKANTROHR 35X35X4X1600	TUBO CUADRADO 35X35X4X1600
26	G15472970	TUBO Q. 35X 4X1200	SQUARE PIPE 35 X4 X1200	TUBE CARRE 35 X4 X1200	VIERKANTROHR 35 X4 X1200	TUBO CUADRADO 35 X4 X1200
27	G15472980	TUBO Q. 35X 4X 750	SQUARE PIPE 35 X4 X750	TUBE CARRE 35 X4 X750	VIERKANTROHR 35 X4 X750	TUBO CUADRADO 35 X4 X750
28	G15472990	TUBO Q. 35X 4X 600	SQUARE PIPE 35 X4 X600	TUBE CARRE 35 X4 X600	VIERKANTROHR 35 X4 X600	TUBO CUADRADO 35 X4 X600
29	G15475130	TUBO SUPPORTO SERBATOIO L.2480	TANK SUPPORT PIPE L.2480	TUBE SUPPORT RESERVOIR L2460	ROHR HALTERUNG BEHZLTER L.2480	TUBO SOPORTE DEPSITO L 2480 T
30	G15475300	TUBO SUPPORTO MICRO L.1170	MICRO SUPPORT PIPE L.1170	TUBE SUPPORT MICRO L1170	ROHR HALTERUNG MIKRO L.1170	TUBO SOPORTE MICRO L.1170
31	G15475390	TUBO SUPPORTO MICRO L.3100	MICRO SUPPORT PIPE L.3100	TUBE SUPPORT MICRO L3100	ROHR HALTERUNG MIKRO L.3100	TUBO SOPORTE MICRO L.3100
32	G15475400	TUBO SUPPORTO MICRO L.5800	MICRO SUPPORT PIPE L.3800	TUBE SUPPORT MICRO L5800	ROHR HALTERUNG MIKRO L.5800	TUBO SOPORTE MICRO L.5800
33	G15475540	TUBO SUPPORTO MICRO L.5100	MICRO SUPPORT PIPE L.5100	TUBE SUPPORT MICRO L5100	ROHR HALTERUNG MIKRO L.5100	TUBO SOPORTE MICRO L 51000
34	G20890207	BARRA DIFFUSORI DISERBO L.1400	WEEDKILLER SPREADER BAR L.1400	BARRE DIFFUSEURS DESHERBAGE L.	DIFFUSORENSTANGE UNKRAUTVERT.	BARRA DIFUSORES HERBICIDA L.1
35	G22220141	BRACCIO SCORREVOLE 4 FILE	SLIDING ARM- 4-ROW	BRAS GLISSANT 4 RANGEES	GLEITARM 4 REIHEN	BRAZO CORREDIZO 4 FILAS
36	G22270115	BRACC.SCORR.6F.100 L.2000 SP	SLIDING ARM 6-R. 100 L.2000 SP	BRAS GLISS. 6 RANG. 100 L. 200	GLEITARM 6R.100 L.2000 SP	BRAZO CORRED. 6 FILAS. 100 L.2
37	G15171650	TUBO Q. 35X 4X 940	TUBE Q. 35X 4X 940			
38	F01410064	ROS.M10 10,5X 20X 2 U6592 ZN	WASHER M10 10,5X20X2 U6592 ZN	RONDEL. M10 10,5X20X2 U6592 ZN	SCHEIBE M10 10,5X20X2 U6592 ZN	ARANDEL.M10 10,5X20X2 U6592 ZN
39	G14276330	SUPPORTO TUBO	TUBE SUPPORT			
40	GA5270010	SUPPORTO SPANDI T100	FERTILIZER SUPPORT T100			
41	G13710561	SCONTRO A U SP.10 2F16,5 118	BRACKET A U SP.10 2F16,5 118			



SERBATOI SPANDICONCIME PLASTICA

TAV. 261

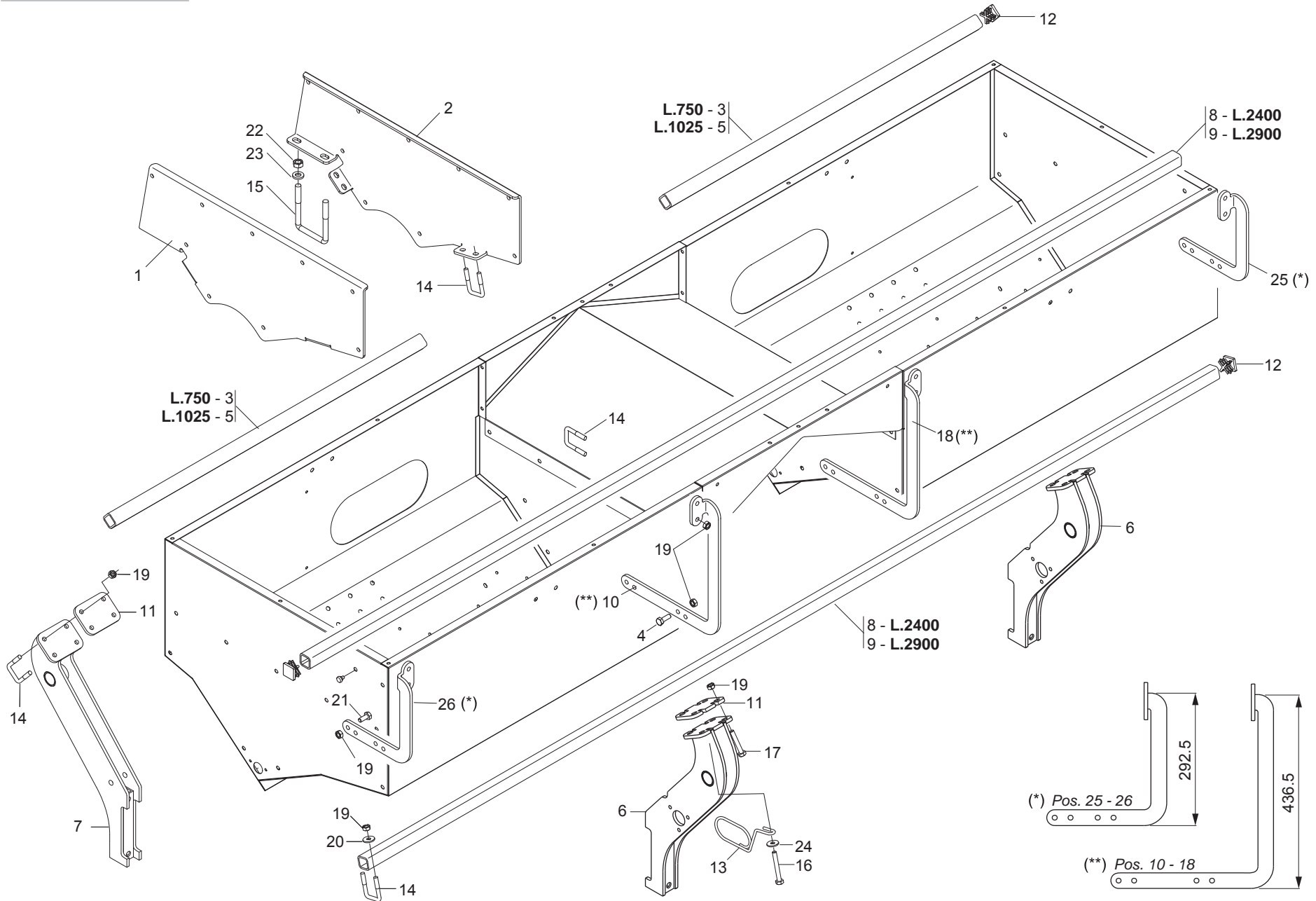
Pos.	Cod.	Descrizione	Description	Description	Benennung	Descripcion
1	G14830390	CUSCINETTO FORO QUADRO	SQUARE-HOLED BEARING	ROULEMENT TROU CARRE	VIERKANTLAGER	COJINETE ORIFICIO CUADRADO
2	G20860121	ASSE AGITAT.DX SERB.850 COMPL.	STIRRER SPINDLE- RIGHT 850 TAN	AXE AGITATEUR DRT. RESERVOIR 8	SAMENMISCHERACHSE RE BEH.850	EJE AGITAD. DER. DEPS.850 COMA
3	G20860122	ASSE AGITAT.SX SERB.850 COMPL.	STIRRER SPINDLE- LEFT 850 TANK	AXE AGITATEUR GCH. RESERVOIR 8	SAMENMISCHERACHSE LI BEH.850	EJE AGITAD. IZQ. DEPS. 850 COA
4	G15470580	COPERCHIO SERBATOIO 850	TANK TOP 850	COUVERCLE RESERVOIR 650	BEHZLTERDECKEL 850	TAPA DEPOSITO 850 A
5	G15471930	PROTEZIONE	GUARD	PROTECTION	SCHUTZ	PROTECCIN P
6	G15471990	SUPPORTO COCLEA	SCREW SUPPORT	SUPPORT VIS ALIMENTATION	HALTERUNG SCHNECKE	SOPORTE CCLEA S
7	G15472760	GRIGLIA SERBATOIO PLASTICA 850	PLASTIC TANK GRID 850	GRILLE RESERVOIR PLASTIQUE 850	BEHZLTERGITTER PLAST.850	REJILLA DEPOSITO PLAST.850 G
8	G15472770	DISTRIB.PER SPANDI.PLA.8 PALE	COMPL.PLAS.FERTIL.DISTR.8RIBS	MINIMAX COMPL 8C PLA	KOMPL.DOSIER.PLA.DÜNGERSTR.8S	DISTR.COMP.ABONO PLAST. 8AL.
9	G15472780	TAPPO SPANDI PLASTICA	PLASTIC FERT. SPREADER PLUG	BOUCHON EPAND. PLASTIQUE	PLASTIKPFROPFEN DsNGERSTR.	TAPN ABONADORA PLÆSTICO D
10	G19002710	PROTEZ.RINVIO SPANDICONCIME	FERTILIZER TRANSM. PROTECTION	PROTECTION RENVOI FERTILISEUR	SCHUTZ VORGELEGE DUNGERSTREUER	PROTECCIN TRANSMISION ABONADO
11	G19004470	SERBATOIO CONCIME 850	FERTILIZER HOPPER 850	TR+MIE ENGRAIS 850	D_NGERTANK 850	DEPESITO ABONO 850
12	G19002850	PROTEZIONE PIGNONE	PINION GUARD	PROTECTION PIGNON	RITZELSCHUTZ	PROTECCIN PIGNON PR
13	G19002920	CORPO DISTRIBUTORE SPANDI PLA.	PLA. F.SPREADER DISTRIB.CASING	CORPS DISTRIBUTEUR EPAND.	VERTEILUNGSKTRPRER STREUER PLA.	CUERPO DIST. ABONADORA PLÆS.
14	G20860012	MANICOTTO DI UNIONE L.500	JOINT SLEEVE L.500	MANCHON DE RACCORD L. 500	VERBINDUNGSMUFFE L.500	MANGUITO DE UNIN L.500 M
15	G20860052	REGOLATORE APERTURA	OPENING REGULATOR	REGULATEUR OUVERTURE	TFFNUNGSEINSTELLER	REGULADOR ABERTURA
16	G20860086	INGRANAGGIO 1/2 Z-12 F.Q.	GEAR 1/2 Z-12 F.Q.	ENGRENAGE 1/2 Z-12 TROUS CARRE	ZAHNRAD 1/2 Z-12 F.Q.	ENGRANAJE 1/2 Z-12 F.Q.
17	G20860088	INGRANAGGIO 1/2 Z-12 F.T.	GEAR 1/2 Z-12 F.T.	ENGRENAGE 1/2 Z-12 TROUS ROUNDS	ZAHNRAD 1/2 Z-12 F.T.	ENGRANAJE 1/2 Z-12 F.T.
18	G20860090	ASSE SX 5F.60 L.1460	AXLE- LEFT 5-R.60 L.1460	AXE GCH. 5 RANGEES 60 L. 1460	ACHSE LI 5R.F.60 L.1460	EJE IZQ. 5 FILA. 60 L.1460
19	G20860093	VITE DI REGOL.	ADJUSTMENT BOLT	VIS DE REGLAGE	EINSTELLSCHRAUBE.	TORNILLO DE REGULACIN S
20	G20860106	DOSATORE SPANDI 8 PALE COMPL.	FERT.METERING DEVICE ASS.8 GRO	ROTOR DOSEUR 8C FERTIL COMPL.	DOSIERER DUNGER.KOMPL. 8 SEKT	DOSIFICADOR ABONO COMP.8 SECT
21	G20860126	KIT INGR DISTR CONCIME (2+2)	KIT- MAN. DISTR. GEARS (2+2)	COUPLE CON DISTR ENGRAIS (2+2)	KIT ZAHNRZDER DsNGERSTREUER	SET ENGRANAJES DISTRIB. ABONO
22	G19005040	BOCCOLAASSE AGITATORE SPANDI	FERT. SPREADER AXLE BUSH	DOUILLE AXE +PANDEUR	ACHSENBUCHSE STREUER	MANGUITO -RBOL ABONADORA
23	G22505085	FERMO ASSE IN LAMIERA	PLATE AXLE STOP	ARRET AXE EN TOLE	FESTSTELLVORRICHTUNG BLECHACHS	BLOQUEO EJE DE CHAPA
24	G20970097	RONDELLA 32X3X4,5	WASHER 32X3X4-5	RONDELLE 32X3X4-5	UNTERLEGSCHIEBE 32X3X4-5	ARANDELA 32X3X4-5
25	G20970125	RONDELLA 28X2,5X6,5	WASHER 28X2-5X6-5	RONDELLE 28X2-5X6-5	UNTERLEGSCHIEBE 28X2-5X6-5	ARANDELA 28X2-5X6-5
26	G18700220	RONDELLA 16,5 X28 X0,3 ACC.	WASHER 16X 28X 0,3 STEEL			
27	G22230094	SUPPORTO CUSCINETTO	BEARING SUPPORT	SUPPORT PALIER	LAGERBSCHSE	SOPORTE COJINETE
28	G22250287	MANICOTTO DISTANZIALE SV	SPACER SLEEVE SV	MANCHON ENTRETOISE SV	ABSTANDSMUFFE SV	MANGUITO DISTANCIADOR SV
29	F01020043	VITE M6X1X60 U5737 8.8ZN	SCR. M6X1X60 U5737 8.8ZN	VIS M6X1X60 U5737 8.8 ZN	SCHRAUBE M6X1X60 U5737 8.8 ZN	TORNILLO M6X1X60 U5737 8.8 ZN
30	F01020068	VITE M8X1,25X40 U5737 8.8ZN	SCR. M8X1,25X40 U5737 8.8ZN	VIS M 8X1,25X40 U5737 8.8 ZN	SCHRA. M8X1,25X40 U5737 8.8 ZN	TORNIL. M8X1,25X40 U5737 8.8 ZN
31	F01020403	VITE M6X1X16 U5739 8.8ZN	SCR. M6X1X16 U5739 8.8ZN	VIS M6X1X16 U5739 8.8 ZN	SCHRAUBE M6X1X16 U5739 8.8 ZN	TORNILLO M6X1X16 U5739 8.8 ZN
32	F01020432	VITE M8X1,25X16 U5739 8.8ZN	SCR. M8X1,25X16 U5739 8.8ZN	VIS M8 X1,25X16 U5739 8.8 ZN	SCHRAUBE M8X1,25X16U5739 8.8ZN	TORNILLO M8X1,25X16U5739 8.8ZN
33	F01020472	VITE M10X1,5X25 U5739 8.8ZN	SCR. M10X1,5X25 U5739 8.8ZN	VIS M10X1,5X25 U5739 8.8 ZN	SCHRAUBE M10X1,5X25 U5739 8.8	TORNILLO 10X25 U5739 8.8 ZN
34	F01070075	VITE A4,2X1,41X38 U6954 4.8NI	SCR. H4,2X1,41X38 U6954 4.8NI	VIS 4-2X38 DIN 7981	SCHRAUBE 4-2X38 DIN 7981	TORNILLO 4-2X38 DIN 7981
35	F01070011	VITE A4,2X1,41X9,5 U6950 4.8NI	SCR. H4,2X1,41X9,5 U6950 4.8NI	VIS AUTOTAR. 4-2X9-5 T. E. COU	SELBSTSCHNEID. SCHRAUBE 4-2X9-	TORNILLO AUTORROSC. 4-2X9-5
36	F01200232	DADO M6X1 U5588 6.8ZN	NUT M6X1 U5588 6.8ZN	ECROU 6 UNI 5588 6.8 ZN	MUTTER 6 UNI 5588 6.8 ZN	TUERCA 6 UNI 5588 6.8 ZN
37	F01200244	DADO M8X1,25 U5588 6.8ZN	NUT M8X1,25 U5588 6.8ZN	ECROU M8 X1,25 U5588 6.8 ZN	MUTTER M8 X1,25 U5588 6.8 ZN	TUERCA M8 X1,25 U5588 6.8 ZN
38	F01220033	DADO M10X1,5 D980 8ZN	NUT M10X1,5 D980 8ZN	ECROU M10X1,5 D980 8ZN	MUTTER M10X1,5 D980 8ZN	TUERCA M10X1,5 D980 8ZN
39	F01410037	ROS.M6 6,4X12,5X1,6 U6592 ZN	WASHER M6 6,4X12,5X1,6 U6592ZN	RONDEL.M6 6,4X12,5X1,6 U6592ZN	SCHEIB.M6 6,4X12,5X1,6 U6592ZN	ARAND.M6 6,4X12,5X1,6 U6592 ZN
40	F01410051	ROS.M8 8,4X 17X1,6 U6592 ZN	WASHER M8 8,4X17X1,6 U6592 ZN	RONDELLE M8 8,4X17X1,6 U6592ZN	SCHEIBE M8 8,4X17X1,6 U6592 ZN	ARANDELA M8 8,4X17X1,6 U6592ZN
41	F02100079	SPINA E.P. 5X 20 U6873 C70 BR	PIN EL. 5X 20 U6873 C70 BR			
42	F02100314	SPINA EL.5 X36 DIN 1481 INOX	PIN EL.5 X36 DIN 1481 INOX			
43	F02100113	SPINA E.P. 6X 30 U6873 C70 ZN	PIN EL. 6X30 DIN 1481 ZN *	GOUPILLE EL.6 X30 DIN1481ZN*	SPANNSTIFT 6 X30 DIN 1481 ZN	CLAVIJA EL.6 X30 DIN 1481 ZN
44	F03011081	GUARNIZIONI LABBRO DE100	LIP GASKET D100			
45	F06080196	CATENA 1/2 ISO 083 32 MAGLIE	CUT-DOWN CHAIN .1/2 ISO 083 32	TRONCON CHAINE 1/2 ISO 083 32	KETTENLNZGE 1/2 ISO 083 32 GL	TRECHO CADENA 1/2 ISO 083 32
46	F03100500	TUBO EOLO 35 PU	TUBE EOLO 35 PU	TUBE EOLO 35 PU		TUBO EOLO
47	G65336025	MOLLA SPEC.ZN STRINGIT.ASP.SP	SPEC SPRING ZN FAN . PIPE CLAM	RESSORT SPEC. ZN SERRE-TUBE AS	SPEZIALFEDER ZN RORHSCHELLE AB	MUELLE ESPEC. ZN APRIETA TUBOS
48	G65336055	MOLLA SPEC.REGOL.SPAND. SP	SPEC SPRING MAN. SPR. ADJUSTM.	RESSORT SPEC. REGL. EP. ENTRA	SPEZIALFEDER STREUERINSTELLUN	MUELLE ESPEC. REGUL. ABONADORA
49	G65336062	MOLLA SPEC.SCIV.DISTR.SPAND.SP	SPEC SPRING - MAN. SPR. DISTR.	RESS. SPEC. LANCOIR DISTR. EP.	SPEZ.FEDER RUTSCHE SZAPP. STRE	MUELLE ESPEC.PLANO INCL.DISTR.
50	G65336064	MOLLA SPEC.COCLEA DX SPAND.HL	SPEC. WORM SCREW SPRING RIGHT	RESSORT SPEC. VIS DRT. EP. ENG	SPEZ.FEDER RE SCHNECKE STREUER	MUELLE ESPEC. TORN.S/F DER. AB
51	G65336065	MOLLA SPEC.COCLEA SX SPAND.HL	SPEC. WORM SCREW SPRING LEFT M	RESSORT SPEC. VIS GCH. EP. ENG	SPEZ.FEDER LI SCHNECKE STREUER	MUELLE ESPEC. TORN.S/F IZQ. AB
52	G65338043	MOLLA COMP.ZN SERB. M80	ZN TANK COMP.SPRING M80	RESSORT COMPL. ZN RESERVOIR M8	DRUCKFEDER ZN BEHZLTER M80	AB MUELLE COMP.ZN DEPS. M80 A
53	G66248121	BOCCOLA CON FLANGIA M80	BUSHING W/ FLANGE M80	SUPPORT AVEC BRIDE M80	BsCHSE MIT FLANSCH M80	CASQUILLO CON BRIDA M80
54	G66248125	GHIERA REGOLAZIONE M80	ADJUSTMENT KNURLED NUT M80	BAGUE REGLAGE M80	EINSTELLMUTTER M80	CONTRATUERCA REGULACIN M80 G
55	G66248178	SCIVOLO DISTR.SPAND. SP	CHUTE- MANURE-SPREADER DISTRIB	LANCOIR DISTRIBUTION EP. ENGR.	DsNGERSTREUER RUTSCHE SP	PLANO INCLINADO DISTR. ABON. S



SERBATOI SPANDICONCIME PLASTICA

TAV. 261

Pos.	Cod.	Descrizione	Description	Description	Benennung	Descrpcion
56	G66248207	TENDICATENA SPAND. SP-520	CHAIN TENSIONER	TENDEUR DE CHAINE EPAND. ENGR.	KETTENSPELLER DsNGERSTR. SP-52	SENSOR DE CADENA ABON. SP-520
57	G66248218	RONDELLA DISTAN.SPANDI	MAN. SPR. SPACER WASHER	RONDELLE ENTRETOISE EP. ENGRAI	ABSTANDSCHEIBE DsNGERSTREUER	ARANDELA DISTAN.ABONAD.
58	F03150757	TAPPO FILETT.SERBAT.PLASTICA	SCREWED PLUG FOR PLASTIC TANK			
59	G19700822	DECAL.TABELLA CONCIME SP540	DECAL.FERTILIZER TABLE SP540			
60	G18701500	RONDELLA 29,5 X38 X0,3 IX	WASHER 29,5 X 38 X 0,3	RONDELLE 29,5 X38 X0,3	UNTERLEGSCHIEBE 29,5X38X0,3	ARANDELA 29,5 X38 X0,3
61	G15472790	SERBATOIO 850 PLA.2U DX	PLAS.FERT.TANK 850 2 OUT. RH	RESERV 850 PLA 2S COMPL DRT	BEHZLTER 850 PLAST. RE 2 AUSG.	DEPSITO 850 PLA.2 SAL. DER. B
62	G15271540	ASSE AGITATORE DX 1100	STIRRER SPINDLE-RIGHT 1100 TAN	AXE AGITATEUR DRT.RESERV.1100	SAMENMISCHERACHSE RE BEH.1100	EJE AGITAD.DER.DEPS.1100 COM A
63	G15271550	ASSE AGITATORE SX 1100	STIRRER SPINDLE- LEFT 1100	AXE AGITATEUR GCH. 1100	SAMENMISCHERACHSE LINKER 1100	EJE AGITAD. IZQ. 1100
64	G15471920	COPERCHIO SERBATOIO L.1100	TANK COVER L.1100	COUVERCLE RESERVOIR L.1100	BEHZLTERDECKEL L.1100	TAPA DEPS.L.1100 A
65	G15473130	GRIGLIA SERBATOIO 1100 PLAST.	PLASTIC TANK GRID 1100	GRILLE RESERVOIR PLAST.1100	BEHZLTERGITTER PLAST.1100	REJILLA DEPSITO PLAST.1100 G
66	G19003060	SERBATOIO 1100 PLASTICA	PLASTIC TANK 1100	RESERVOIR 1100 PLASTIQUE	PLASTIKBEHZLTER 1100	DEPSITO 1100 PLÆSTICA B
67	G20910045	MANICOTTO UNIONE L.1180	JOINT SLEEVE L.1180	MANCHON RACCORD L. 1180	VERBINDUNGSMUFFE L.1180	MANGUITO DE UNIN L.1180 M
68	G20910044	MANICOTTO UNIONE L.1375	JOINT SLEEVE L.1375	MANCHON RACCORD L. 1375	VERBINDUNGSMUFFE L.1375	MANGUITO DE UNIN L.1375 M
69	G15472800	SERBATOIO 850 PLA.2U SX	PLAS.FERT.TANK 850 2 OUT. L	RESERV 850 PLA 2S COMPL GCH	BEHZLTER 850 PLAST. LI 2 AUSG.	DEPSITO 850 PLA.2 SAL. IZQ. B
70	G15472810	SERBATOIO 850 PLA.3U DX	PLAS.FERT.TANK 850 3 OUT. RH	RESERV 850 PLA 3S COMPL DRT	BEHZLTER 850 PLAST. RE 3 AUSG.	DEPSITO 850 PLA.3 SAL. DER. B
71	G15472820	SERBATOIO 850 PLA.3U SX	PLAS.FERT.TANK 850 3 OUT. LH	RESERV 850 PLA 3S COMPL GCH	BEHZLTER 850 PLAST. LI 3 AUSG.	DEPSITO 850 PLA.3 SAL. IZQ. B
72	G15272680	SERBATOIO 1100 3U.DX PLA.COMP.	TANK ASSY.1100 RIGHT 3U	RESERV 1100 PLA 3S COMPL DRT	KOMPL. BEHZLTER 1100 RE 3AUSG	DEPS. COMPL.1100 DER. 3 SAL. B
73	G15272720	SERBATOIO 1100 3U.SX PLA.COMP.	TANK ASSY. 1100 LEFT 3U	RESERV 1100 PLA 3S COMPL GCH	KOMPL. BEHZLTER 1100 LI 3AUSG	DEPS. COMPL.1100 IZQ. 3 SAL. B
74	G15471430	SERBATOIO 1500 3U DX	TANK ASSY.1500 LEFT 3U	RESERV 1500 FER 3S COMPL DRT	KOMPL. BEHZLTER 500 LI 3U	DEPS. COMPL.500 IZQ. 3 SAL. B
75	G15471440	SERBATOIO 1500 3U SX	TANK ASSY.1500 LEFT 3U	RESERV 1500 FER 3S COMPL DRT	KOMPL. BEHZLTER 1500 LI 3U	DEPS. COMPL.1500 IZQ. 3 SAL. B
76	G20860032	ASSE RUOTA CAMBIO L.1160	WHEEL AXLE - GEARBOX L.1160	AXE ROUE BOITE DE VITESSE	GEBTRIEBERADACHSE L 1160	EJE RUEDA CAMBIO L.1160

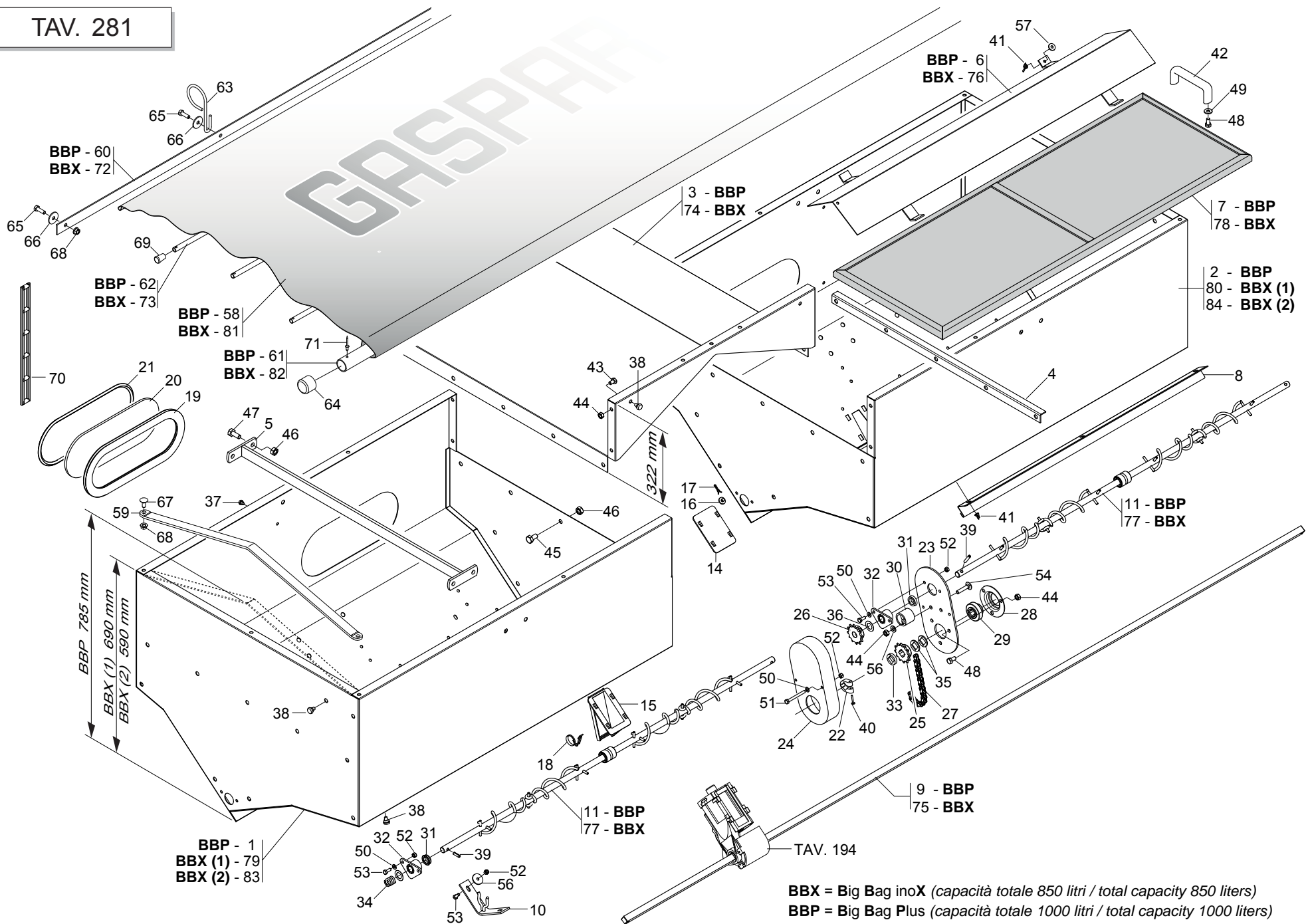


SUPPORTI SERBATOIO SPANDICONCIME UNICO

TAV. 272

Pos.	Cod.	Descrizione	Description	Description	Benennung	Descripcion
1	G15273322	FIANCO SUPP.INTERNO SX.	L.INTERNAL SUPPORT SIDE			
2	G15273332	FIANCO SUPP.INTERNO DX.	R.INTERNAL SUPPORT SIDE			
3	G15472980	TUBO Q. 35X 4X 750	SQUARE PIPE 35 X4 X750	TUBE CARRE 35 X4 X750	VIERKANTROHR 35 X4 X750	TUBO CUADRADO 35 X4 X750
4	F01020464	VITE M10X1,5X30 U5739 A2IX	SCR. M10X1,5X30 U5739 A2IX	VIS M10X1,5 X 30 U5739 A2IX	SCHRA. M10X 1,5X 30 U5739 A2IX	TORNIL. M10X1,5X30 U5739 A2IX
5	G15273491	TUBO Q. 35X 4X1025	TUBE Q. 35X 4X1025			
6	G15273444	ASS.SUPP.POSTERIORE	ASS.SUPP.REAR			
7	G15273472	SUPPORTO FRONTALE	FRONT SUPPORT			
8	G07000655	TUBO Q. 35X 4X2400	SQUARE PIPE 35X35X4X2400	TUBE CARRE 35X35X4X2400	VIERKANTROHR 35X35X4X2400	TUBO CUADRADO 35X35X4X2400
9	G07000656	TUBO Q. 35X 4X2900	SQUARE PIPE 35X35X4X2900	TUBE CARRE 35X35X4X2900	VIERKANTROHR 35X35X4X2900	TUBO CUADRADO 35X35X4X2900
10	G15275880	SUPPORTO L.SX TUBO MICRO 60L	S.LEFT SUPPORT TUBE MICRO 60L			
11	G15274520	PIASTRA D'APPOGGIO MTE300	SUPPORT PLATE MTE300			
12	F20120346	PUNTALE Q 35 ALETT.POLIT.NERO	SQ.TIP 35 BLACK			
13	G18904050	MOLLA GUIDA 2 TUBI DEPRESS. ZN	TUBE GUIDE SPRING	RESSORT GUIDE-TUBES	EDER ROHRF_HRUNG	MUELLE GUA TUBOS
14	F20110706	CAV.Q.B=35 M=10X1,5 L=60	U BOLT Q.B=35 M=10X1,5 L=60	CAVALIER SUPPORT DISQUE SV	VERBINDUNG SCHEIBENHALTERUNG S	PERNO EN U SOP. DISCO SV
15	F20110770	CAV.Q.B=80 M=14X2 L=119	U BOLT Q.B=80 M=14X2 L=119	BRIDE U M14X2X50 96X119 ZN	ANSCHLANG U M14X2X50 96X119 ZN	EL.DE EMPALME M14X2X50 96X119
16	F01020144	VITE M10X1,5X75 U5737 A2IX	SCR. M10X1,5X75 U5737 A2IX	VIS M10X 1,5X 75 U5737 8.8 IX	SCHRAUBE M10X 1,5X 75 U5737 8.	TORNIL. M10X 1,5X 75 U5737 8.8
17	F01020143	VITE M10X1,5X65 U5737 A2IX	SCR. M10X1,5X65 U5737 A2IX	VIS M10X 1,5X 65 U5737 8.8 IX	SCHRAUBE M10X 1,5X 65 U5737 8.	TORNIL. M10X 1,5X 65 U5737 8.8
18	G15275870	SUPPORTO L.DX TUBO MICRO 60L	S.RIGHT SUPPORT TUBE MICRO 60L			
19	F01200271	DADO M10X1,5 U5588 A2IX	NUT M10X1,5 U5588 A2IX	ECROU 10 5588 6.8 INOX	MUTTER 10 5588 6.8 INOX	TUERCA 10 5588 6.8 INOX
20	F01420059	ROS.M10 10,5X 30X2,5 U6593 IX	WASHER 11X30X2,5 6593 A2	RONDELLE 11X30X2,5 6593 A2	UNTERLEGSSCHEIBE 11X30X2,5 6593	ARANDELA 11X30X2,5 6593 A2
21	F01020463	VITE M10X1,5X25 U5739 A2IX	SCR. M10X1,5X25 U5739 A2IX	VIS 10X25 5739 INOX A2	SCHRAUBE 10X25 5739 INOX A2	TORNILLO 10X25 5739 INOX A2
22	F01200306	DADO M14X2 U5588 6.8ZN	NUT M14X2 U5588 6.8ZN	ECROU M14X2	MUTTER M14X2	DADO M14X2
23	G20970142	RONDELLA 32X4X15,5	WASHER 32X4X15-5	RONDELLE 32X4X15-5	UNTERLEGSSCHEIBE 32X4X15-5	ARANDELA 32X4X15-5
24	F01420060	ROS.M10 10,5X 30X2,5 U6593 ZN	WASHER 10,5X30	RONDELLE 10,5X30	SCHEIBE 10,5X30	ARANDELA 10,5X30
25	G15275850	SUPPORTO SX TUBO MICRO 60L	LEFT SUPPORT TUBE MICRO 60L			
26	G15275860	SUPPORTO DX TUBO MICRO 60L	RIGHT SUPPORT TUBE MICRO 60L			

TAV. 281



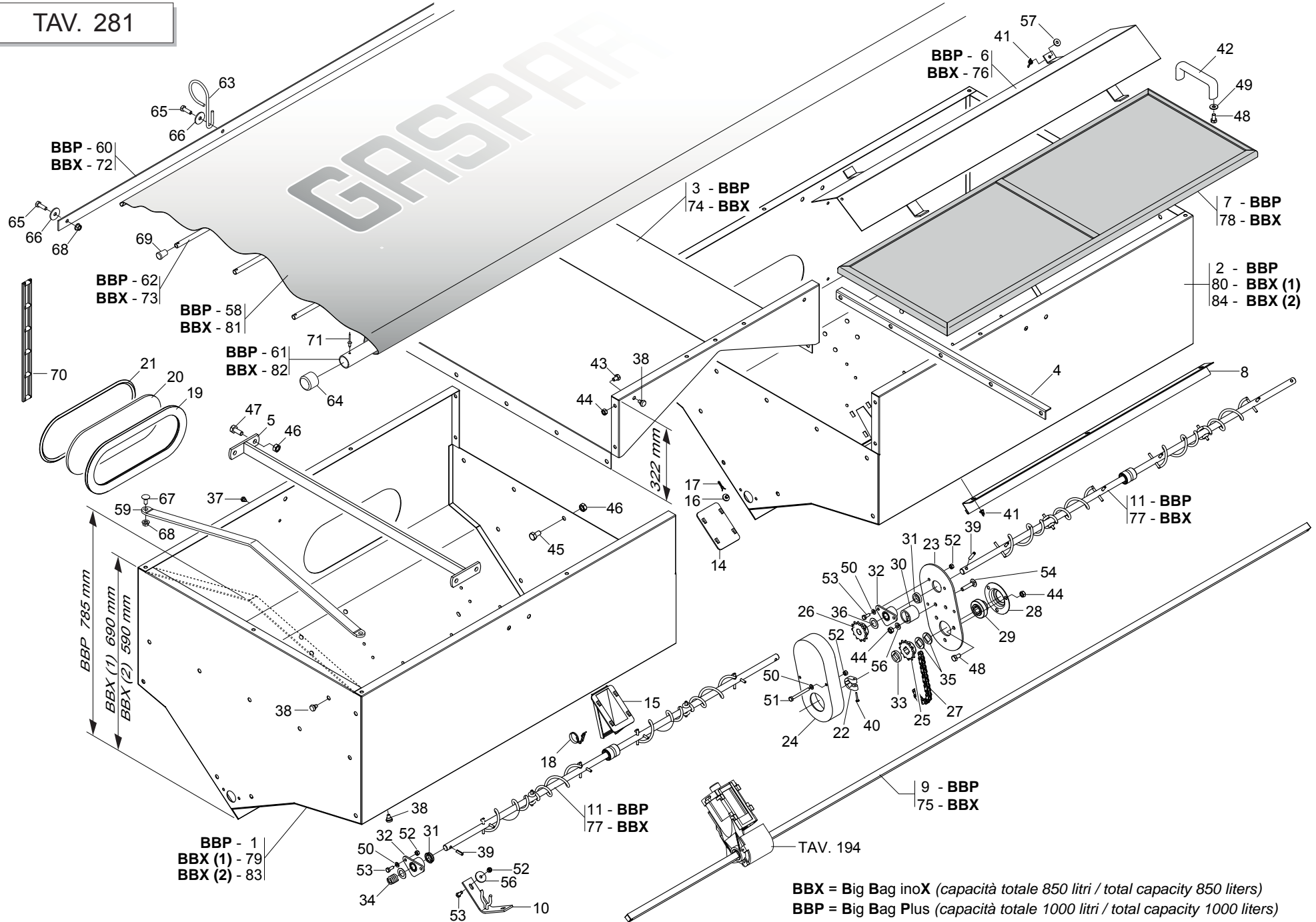
BBP - 1
BBX (1) - 79
BBX (2) - 83

BBX = Big Bag inoX (capacità totale 850 litri / total capacity 850 liters)
BBP = Big Bag Plus (capacità totale 1000 litri / total capacity 1000 liters)

SERBATOIO SPANDICONCIME UNICO

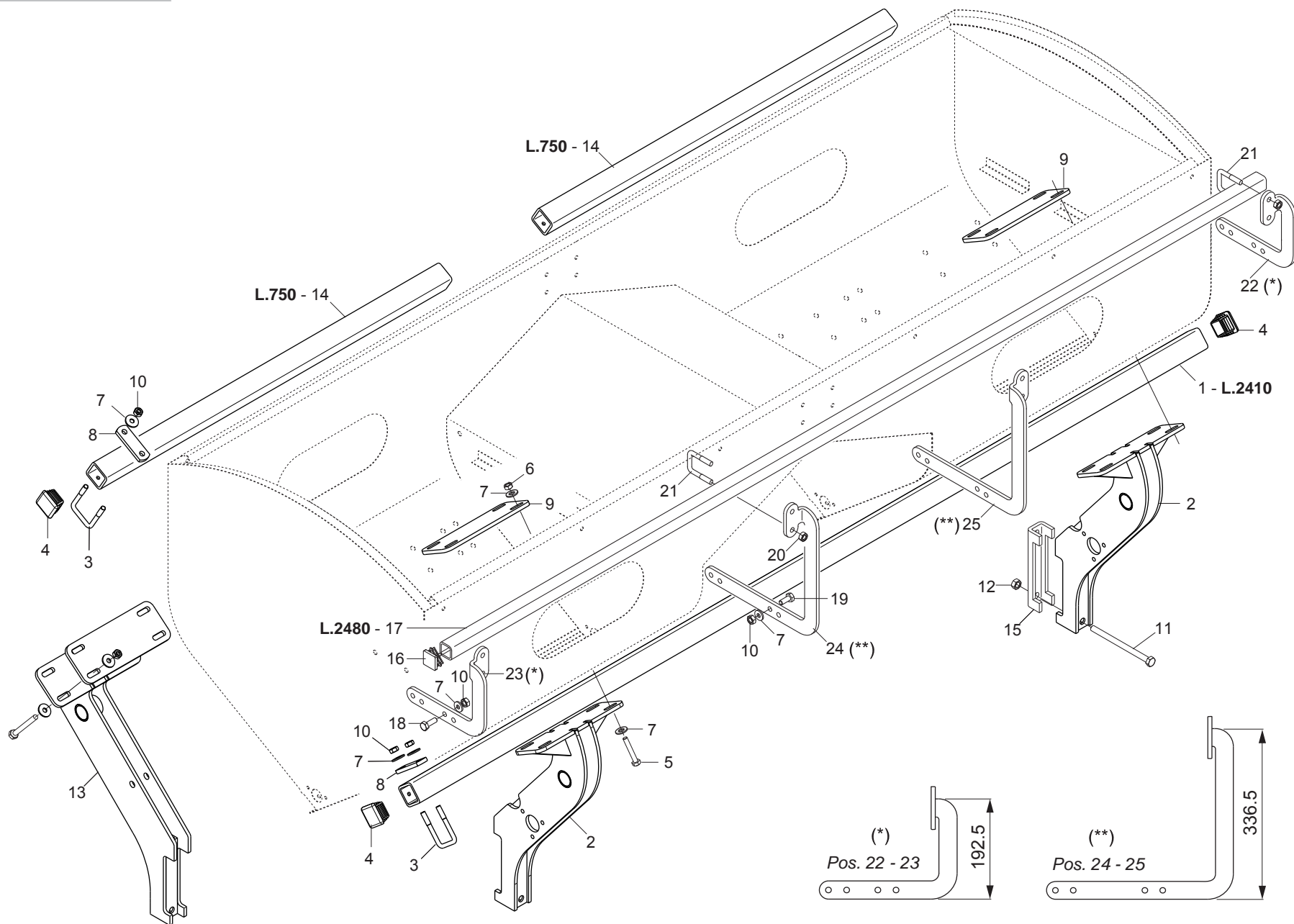
TAV. 281

Pos.	Cod.	Descrizione	Description	Description	Benennung	Descrpcion
1	G15273233	ASS.SERBATOIO SX. MTE300	ASS.L. TANK MTE300			
2	G15273283	ASS.SERBATOIO DX. MTE300	ASS.R. TANK MTE300			
3	G15273311	ASS.LAMIERA CENTRALE MTE300	CENTRAL SHEET ASSEMBLY MTE300			
4	G15273540	LAMIERA APPOGGIO GRIGLIA	GRID SUPPORT BRACKET	+TRIER SUPPORT GRILLE	GITTERHALT_GEL	ESTRIBO SOPORTE REJILLA
5	G15273560	TIRANTE INTERNO	INNER TIE ROD			
6	G15273581	TEGOLO MTE300	BENT TILE MTE300			
7	G15273840	GRIGLIA SERBATOIO MTE300	TANK GRID. MTE300	GRILLE RESERVOIR MTE300	BEHZLTERGITTER MTE300	REJILLA DEPS. MTE300
8	G15273621	PORTA PULIZIA	CLEANING DOOR	PORTE DE NETTOYAGE	REINIGUNGST_R	PUERTA LIMPIEZA
9	G15273750	ASSE TRASM.L.2800	TRANSMISSION SHAFT L. 2800	AXE TRANSMISSION L.2800	ANTRIEBSACHSE L.2800	EJE TRANSM.L.2800
10	G15273700	SUPPORTO COCLEA	BOLT SUPPORT	SUPPORT VIS ALIMENTATION	HALTERUNG SCHNECKE	SOPORTE CÉCLEA
11	G15273610	ASSE AGITAT.SERBAT.UNICO COMPL	STIRRER SPINDLE BB300 TANK	AXE AGITATEUR RESERVOIR BB300	SAMENMISCHERACHSE BEH. BB300	EJE AGITAD. DEPS. BB300
12	G19003660	SUPPORTO	SUPPORT	SUPPORT	HALTERUNG	SOPORTE
13	G16670180	INGRANAGGIO Z.15-DISTANZ.COMPL	COMPLETE GEAR Z.15-SPACER	ENGRENAGE Z.15 ENTRET. COMPL.	ZAHNRAD Z.15-KOMPL. DISTANZST	ENGRANAJE Z.15-DISTANC.COMPL
14	G66248184	CHIUSURA USCITA SERB.SPAND.SP	OUTLET CLOSURE- MAN.SPREAD. TA	FERMETURE SORTIE RESERVOIR FER	VERSCHLUSS AUSTRITT DsNGERSTR.	CIERRE SALIDA DEPS. ABON. SP I
15	G66248187	SCARICO SERB.SPAND.TIPO MICRO	MICRO TYPE MAN.SPR.TANK DISCH.	TRAPPE DE VIDANGE TYPE MICRO	BEHZLTERENTLADUNG STREUER TYP	DESCARGA DEPS. ABON.TIPO MICRD
16	G66248224	FERMO DISTRIBUTORE SPAND.	FERT. SPR. DISTRIB. STOP	ARRET DISTRIBUTEUR EP. ENGRAIS	FESTSTELLVORRICHTUNG SZAPP. ST	BLOQUEO DISTRIBUIDOR ABON.
17	G65336089	MOLLA SPEC.TENUTA FERMO SPAND.	SPEC.SPRING- BLOCK. MAN. SPR.	RESSORT SPEC. D'ETANCHEITE ARR	SPEZIALFEDER DICHTUNG STREUER	MUELLE ESPEC. RETENC. BLOQ
18	G65336080	MOLLA SPEC.SCARICO SPAND.T.M.	SPEC. SPRING SPREDER RELIEF			
19	F03011155	GUARNIZIONE VETRO TRAMOGGIA	GLASS SEAL	GARNITURE VERRE	GLASDICHTUNG	JUNTA VIDRIO
20	G16021080	FINESTRA CONTR.LIVELLO SEMI	SEED LEVEL CHECKING WINDOW	FENETRE CONTROLE NIV. GRAINES	KONTROLLFENSTER SAMENSTAND	VENTANA CONTROL NIVEL SEMILLAS
21	G68005092	TENDITORE GUARNIZIONE	TURNBUCKLE GASKET	TENDEUR GARNITURE	DICHTUNGSSPANNER	TENSOR JUNTA
22	G22505085	FERMO ASSE IN LAMIERA	PLATE AXLE STOP	ARRET AXE EN TOLE	FESTSTELLVORRICHTUNG BLECHACHS	BLOQUEO EJE DE CHAPA
23	G15471930	PROTEZIONE	GUARD	PROTECTION	SCHUTZ	PROTECCIN P
24	G17170270	PROTEZIONE RINVIO SERBATOIO	INTERNAL TRANSMISS. TANK PROTE	PROTECTION RENVOI TREMIE	VORGELEGESCHUTZ BEH-LTER	PROTECCION ENVIO DEPOSITO
25	G20860086	INGRANAGGIO 1/2 Z-12 F.Q.	GEAR 1/2 Z-12 F.Q.	ENGRENAGE 1/2 Z-12 TROUS CARRE	ZAHNRAD 1/2 Z-12 F.Q.	ENGRANAJE 1/2 Z-12 F.Q.
26	G20860088	INGRANAGGIO 1/2 Z-12 F.T.	GEAR 1/2 Z-12 F.T.	ENGRENAGE 1/2 Z-12 TROUS RONDS	ZAHNRAD 1/2 Z-12 F.T.	ENGRANAJE 1/2 Z-12 F.T.
27	F06080196	CATENA 1/2 ISO 083 32 MAGLIE	CUT-DOWN CHAIN .1/2 ISO 083 32	TRONCON CHAINE 1/2 ISO 083 32	KETTENZLNGE 1/2 ISO 083 32 GL	TRECHO CADENA 1/2 ISO 083 32
28	G22230094	SUPPORTO CUSCINETTO	BEARING SUPPORT	SUPPORT PALIER	LAGERBSCHSE	SOPORTE COJINETE
29	G14830390	CUSCINETTO FORO QUADRO	SQUARE-HOLED BEARING	ROULEMENT TROU CARRE	VIERKANTLAGER	COJINETE ORIFICIO CUADRADO
30	G66248207	TENDICATENA SPAND. SP-520	CHAIN TENSIONER	TENDEUR DE CHAINE EPAND. ENGR.	KETTENSANNER DsNGERSTR. SP-52	TENSOR DE CADENA ABON. SP-520
31	F03011081	GUARNIZIONI LABBRO DE100	LIP GASKET D100			
32	G66248121	BOCCOLA CON FLANGIA M80	BUSHING W/ FLANGE M80	SUPPORT AVEC BRIDE M80	BsCHSE MIT FLANSCH M80	CASQUILLO CON BRIDA M80
33	G66248218	RONDELLA DISTAN.SPANDI	MAN. SPR. SPACER WASHER	RONDELLE ENTRETOISE EP. ENGRAI	ABSTANDSCHEIBE DsNGERSTREUER	ARANDELA DISTAN.ABONAD.
34	G65338043	MOLLA COMP.ZN SERB. M80	ZN TANK COMP.SPRING M80	RESSORT COMPL. ZN RESERVOIR M8	DRUCKFEDER ZN BEHZLTER M80	MUELLE COMP.ZN DEPS. M80 A
35	G18701650	RONDELLA FORO QUADRO ZN	WASHER 16,5X30X2,5 ZN	RONDELLE 16,5X30X2,5 ZN	UNTERLEGSCHSEIBE 16,5X30X2,5 ZN	ARANDELA 16,5X30X2,5 ZN
36	G18700220	RONDELLA 16,5 X28 X0,3 ACC.	WASHER 16X 28X 0,3 STEEL			
37	G19003160	TAPPO PER FORO D.7	PLUG FOR D.7 HOLE	BOUCHON POUR TROU D.7 P	FROPFEN Fsr LOCH D.7 T	APN PARA AGUJERO D.7 DO
38	G66248223	TAPPO SUPP.SPAND.D.11	PLUG MAN. SPR. SUPP. D.11	BOUCHON SUPPORT EP. ENGRAIS D.	HALTERUNGSPFROPFEN DsNGERSTR.	TAPN SOPORTE ABON.D.11 D
39	F02100113	SPINA E.P. 6X 30 U6873 C70 ZN	PIN EL. 6X30 DIN 1481 ZN *	GOUPILLE EL.6 X30 DIN1481ZN*	SPANNSTIFT 6 X30 DIN 1481 ZN	CLAVIJA EL.6 X30 DIN 1481 ZN
40	F01070074	VITE A4,2X1,41X25 U6954 4.8NI	SCR. H4,2X1,41X25 U6954 4.8NI	VIS 4-2X25 DIN 7981	SCHRAUBE 4-2X25 DIN 7981	TORNILLO 4-2X25 DIN 7981
41	F01240012	DADO M6X1 U5448 5.8ZN	NUT M6X1 U5448 5.8ZN	ECROU 6 UNI 5448 5.8 ZN	MUTTER 6 UNI 5448 5.8 ZN	TUERCA 6 UNI 5448 5.8 ZN
42	F05150112	MANIGLIA INTERAS. 117 FORO 8MM	HANDLE	POIGNEE	HANDGRIFF	MANILLA
43	F01020426	VITE M 8X1,25X 12 U5739 A2IX	SCR. M8X1,25X12 U5739 A2IX	VIS M8 X1,25X 12 U5739 8.8 IX	SCHRAUBE M8 X1,25X 12 U5739 8.	TORNIL. M8 X1,25X 12 U5739 8.8
44	F01200245	DADO M8X1,25 U5588 A2IX	NUT M8X1,25 U5588 A2IX	ECROU M 8X1,25 U5588 A2 IX	MUTTER M 8X1,25 U5588 A2 IX	TUERCA M 8X1,25 U5588 A2 IX
45	F01020462	VITE M10X1,5X20 U5739 A2IX	BOLT M10X1,5 X20 U5739 A2IX	VIS M10X1,5 X 20 U5739 A2IX	SCHRAUBE M10X1,5 X 20 U5739 8.	TORNIL. M10X1,5 X 20 U5739 8.8
46	F01200271	DADO M10X1,5 U5588 A2IX	NUT M10X1,5 U5588 A2IX	ECROU 10 5588 6.8 INOX	MUTTER 10 5588 6.8 INOX	TUERCA 10 5588 6.8 INOX
47	F01020463	VITE M10X1,5X25 U5739 A2IX	SCR. M10X1,5X25 U5739 A2IX	VIS 10X25 5739 INOX A2	SCHRAUBE 10X25 5739 INOX A2	TORNILLO 10X25 5739 INOX A2
48	F01020434	VITE M8X1,25X16 U5739 A2IX	SCR. M8X1,25X16 U5739 A2IX	VIS M8X1,25X16 U5739 A2IX	SCHRAUBE M8X1,25X16 U5739 A2IX	TORNIL. M8X1,25X16 U5739 A2IX
49	G20970140	RONDELLA 20X2X8,5	WASHER 20X2X8,5	RONDELLE 20X2X8,5	UNTERLEGSCHSEIBE 20X2X8,5	ARANDELA 20X2X8,5
50	F01410034	ROS.M6 6,4X12,5X1,6 U6592 IX	WASHER M6 6,4X12,5X1,6 U6592			
51	F01020043	VITE M6X1X60 U5737 8.8ZN	SCR. M6X1X60 U5737 8.8ZN	VIS M6X1X60 U5737 8.8 ZN	SCHRAUBE M6X1X60 U5737 8.8 ZN	TORNILLO M6X1X60 U5737 8.8 ZN
52	F01200233	DADO M6X1 U5588 A2IX	NUT M6X1 U5588 A2IX	ECROU M 6X 1 U5588 I	MUTTER M 6X 1 U5588	TUERCA M 6X 1 U5588
53	F01020419	VITE M 6X1 X 16 U5739 A2IX	SCR. M6X1X16 U5739 A2IX	VIS M6 X1 X 16 U5739 8.8 IX	SCHRAUBE M6 X1 X 16 U5739 8.	TORNIL. M6 X1 X 16 U5739 8.8
54	F01020068	VITE M8X1,25X40 U5737 8.8ZN	SCR. M8X1,25X40 U5737 8.8ZN	VIS M 8X1,25X40 U5737 8.8 ZN	SCHRA. M8X1,25X40 U5737 8.8 ZN	TORNIL.M8X1,25X40 U5737 8.8 ZN
55	F01020398	VITE M6X1X12 U5739 8.8ZN	SCR. M6X1X12 U5739 8.8ZN	VIS M6X 1X12 U5739 8.8 ZN	SCHRAUBE M6X 1X12 U5739 8.8 ZN	TORNILLO M6X 1X12 U5739 8.8 ZN



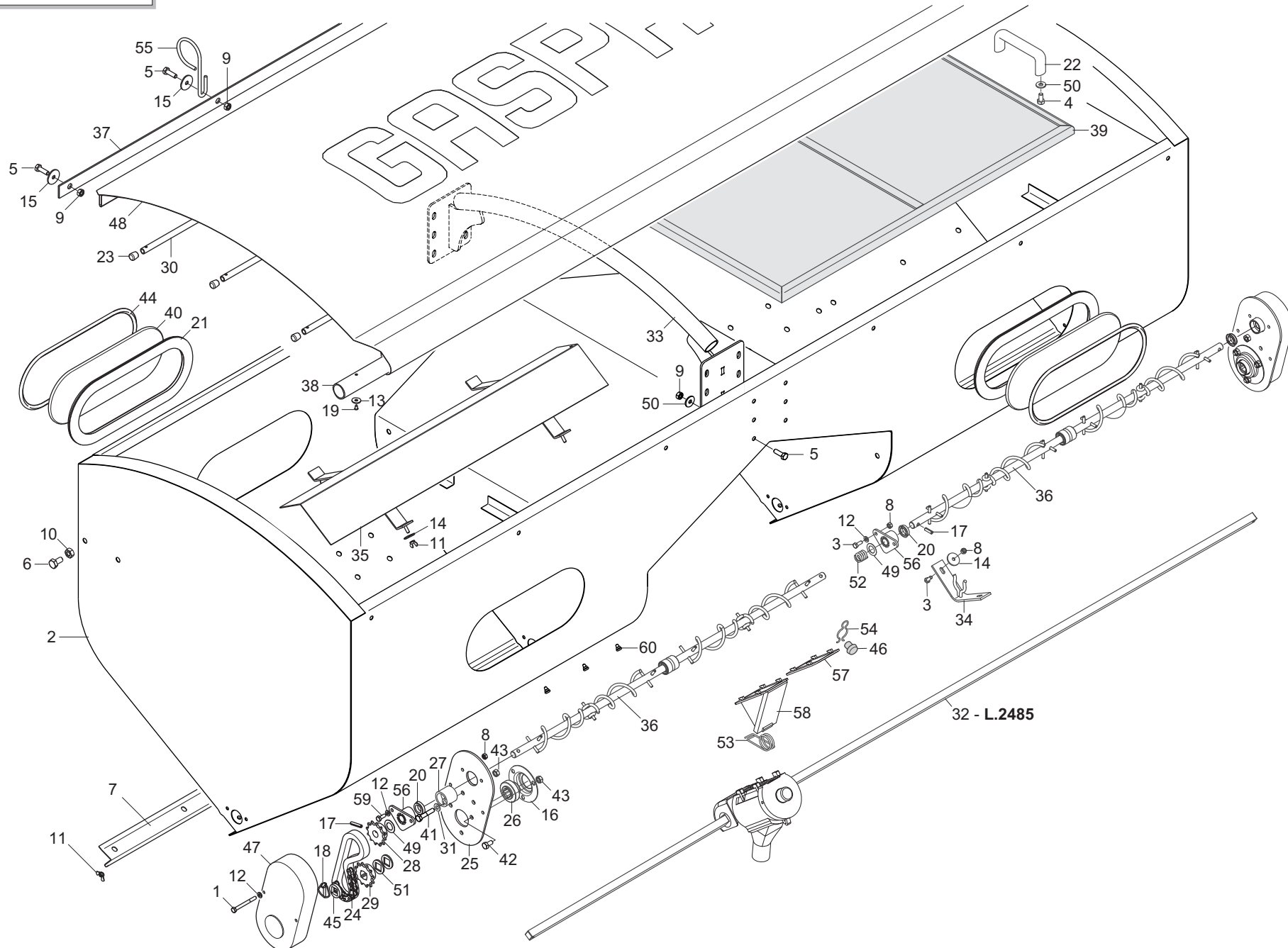
SERBATOIO SPANDICONCIME UNICO
TAV. 281

Pos.	Cod.	Descrizione	Description	Description	Benennung	Descripcion
56	G20970125	RONDELLA 28X2,5X6,5	WASHER 28X2-5X6-5	RONDELLE 28X2-5X6-5	UNTERLEGSCHLEIBE 28X2-5X6-5	ARANDELA 28X2-5X6-5
57	F01420039	ROS.M6 6,4X 24X 2 U6593 IX	WASHER M6 6,4X24X2 U6593 IX	RONDELLE M6 6,4X24X2 U6593 IX	SCHLEIBE M6 6,4X24X2 U6593 IX	ARANDELA M6 6,4X24X2 U6593 IX
58	G15273771	TELO COPRISERBATOIO MTE300	HOPPER COVER-SHEET MTE300	TOILE COUVRE-TREMIE MTE300	TRICHTERABDECKTUCH MTE300	ONA PROTEC. TOLVA MTE300
59	G15273632	SUPPORTO TELO COPRISERBATOIO	SUPP.TANKCOVER SHEET			
60	G15273680	ASTA FISSAGGIO TELO	FIXING ROD	TIGE DE FIXATION	BEFESTIGUNGSTANGE	VARILLA DE FIJACIN
61	G15273660	TUBO TELO COPRISERBATOIO	HOPPER COVER-SHEET TUBE	TUBE TOILE COUVRE-TREMIE	ROHR TRICHTERABDECKTUCH	TUBO ONA PROTEC. TOLVA
62	G15273670	TUBO RINFORZO TELO	REINFORCEMENT ROD	TIGE DE RENFORCEMENT	VERSTZRKUNGSSTANGE	VARILLA DE REFUERZO
63	G18902270	GUIDATUBO ZN TEL	TUBE GUIDE ZN TEL	GUIDER TUBE TEL ZN	FUHREN ROHR TEL ZN	GUIAR TUBO TEL ZN
64	G66248098	TAPPO CONVOGLIATORE DEPR. SP	AIR PUMP CONVEYOR PLUG SP	BOUCHON CONVOYEUR TURBINE SP	VAKUUM FTRDERPFROPFEN SP	TAPN CONDUCTOR DEPR. SP D
65	F01020457	VITE M8X1,25X20 U5739 A2IX	SCR. M8X1,25X20 U5739 A2IX	VIS M8X1,25X20 U5739 A2IX	SCHRAUBE M8X1,25X20 U5739 A2IX	TORNILLO M8X1,25X20 U5739 A2IX
66	F01420049	ROS.M8 8,4X 32X 2 U6593 ZN	WASHER M8 8,4X32X2 U6593 ZN	RONDELLA M8 8,4X32X2 U6593 ZN	SCHLEIBE M8 8,4X32X2 U6593 ZN	ARANDELA M8 8,4X32X2 U6593 ZN
67	F01060040	VITE M8X1,25X20 U5732 4.6ZG	SCR. M8X1,25X20 U5732 4.6ZG	VIS M8X1,25X20 U5732 4.6 ZN	SCHRA. M8X1,25X20 U5732 4.6 ZN	TORN. M8X1,25X20 U5732 4.6 ZN
68	F01260043	DADO M8 D6923 8.8ZN	NUT M8 D6923 8.8ZN	ECROU BRIDE .M8 DIN 6923 8.8 Z	GEFLANSCHTE MUTTER M8 DIN6923	TUERCA BRIDA M8 DIN 6923 8.8 Z
69	F05150472	PUNTALE A CAMPANA PVC NERO D10	BELL PUSH ROD PVC D10 BLACK			
70	F06080487	CATENA AGGANCIO TELO IN GOMMA	RUBBER FRAME CONNECTION CHAIN	CHA+NE ACCROCHAGE TOILE EN CAO	KETTE BEFESTIGUNG GUMMITUCH	CADENA ENGANCHE LONA DE CAUCHO
71	F02250123	RIVETTO STR. 4,8X 9 U9200A AL	PULL RIVET 4,8X 9 U9200A ALL	RIVET A RUPTURE 4,8X 9 U9200A	REISSNIETE 4,8X 9 U9200A ALL	REMACHE DESGAR. 4,8X 9 U9200A
72	G15274090	ASTA FISSAGGIO TELO	FIXING ROD	TIGE DE FIXATION	BEFESTIGUNGSTANGE	VARILLA DE FIJACIN
73	G13722250	TUBO RINFORZO TELO TRAMOGGIA	REINFORCEMENT TUBE	TUBE DE RENFORCEMENT	VERSTZRKUNGSROHR	TUBO DE REFUERZO
74	G15274681	LAMIERA CENTRALE INOX	CENTRAL SHEET INOX			
75	G13732200	ASSE TRASMISSIONE L.2485	TRANSMISSION AXLE L2485	AXE TRANSMISSION L.2485	sBERTRAGUNGSACHSE L.2485	EJE TRANSMISIN L 2485 A
76	G15274061	TEGOLO 250	BENT TILE 250			
77	G15274080	ASSE AGITAT.S.UNICO 250 COMPL	STIRRER SPINDLE BB250 TANK	AXE AGITATEUR RESERVOIR BB250	SAMENMISCHERACHSE BEH. BB250	EJE AGITAD. DEPS. BB250
78	G15274150	GRIGLIA SERBATOIO	TANK GRID.	GRILLE RESERVOIR	BEHZLTERGITTER	REJILLA DEPS.
79	G15274693	SERBATOIO SX 250 INOX	TANK LEFT 250 STAINLESS			
80	G15274703	SERBATOIO DX 250 INOX	RIGHT TANK 250 INOX			
81	G15274120	TELO COPRISERBATOIO BB	HOPPER COVER-SHEET BB	TOILE COUVRE-TREMIE BB	TRICHTERABDECKTUCH BB	ONA PROTEC. TOLVA BB
82	G15274100	TUBO TELO COPRISERBATOIO	HOPPER COVER-SHEET TUBE	TUBE TOILE COUVRE-TREMIE	ROHR TRICHTERABDECKTUCH	TUBO ONA PROTEC. TOLVA
83	G15274692	ASS.SERBATOIO SX 250 INOX	ASS.L. TANK 250 INOX			
84	G15274702	ASS.SERBATOIO DX 250 INOX	ASS.R. TANK 250 INOX			



SERBATOIO SPANDICONCIME UNICO «BBX 250»
TAV. 430

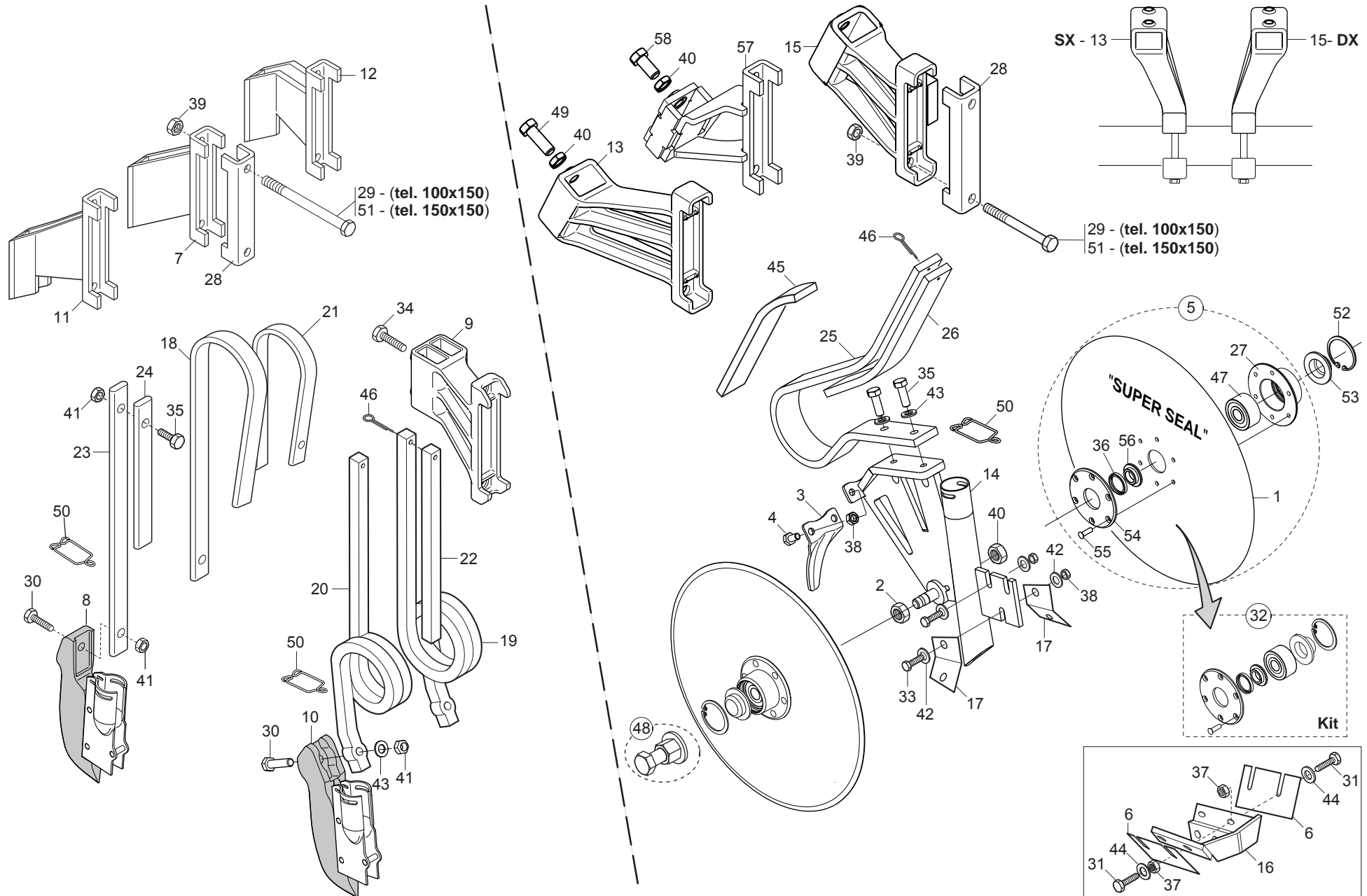
Pos.	Cod.	Descrizione	Description	Description	Benennung	Descrpcion
1	G17171160	TUBO Q. 50X 5X2410 2F8	TUBE Q. 50X 5X2410			
2	G15276520	SUPPORTO POST.BBX MT-MARTA250	REAR BBX SUPPORT			
3	F20110714	CAV.Q.B50 M10X1,5 L72 IX	U BOLT Q.B=50 M=10X1,5 L=72	CAVLAIERE B=50 M=10X1,5 L=72	VERBINDUNG B=50 M=10X1,5 L=72	PERNO EN U B=50 M=10X1,5 L=72
4	F20120349	PUNTALE Q.50 ALETT.POLIT.NERO	CAP	BOUCHON	DECKEL	CORCHO
5	F01020145	VITE M10X1,5X90 U5737 A2IX	SCR. M10X1,5X90 U5737 A2IX	VIS M10X1.5X 90 U5737 A2 IX	SCHRAUBE M10X1.5X90 5737 A2 IX	TORNILLO M10X1.5X90 5737 A2 IX
6	F01230047	DADO M10X1,5 D982 A2IX	NUT M10X1,5 D982 A2IX	ECROU M10X 1,5 D982 A2 IX	MUTTER M10X 1,5 D982 A2 IX	TUERCA M10X 1,5 D982 A2 IX
7	F01420059	ROS.M10 10,5X 30X2,5 U6593 IX	WASHER 11X30X2,5 6593 A2	RONDELLE 11X30X2,5 6593 A2	UNTERLEGSSCHEIBE 11X30X2,5 6593	ARANDELA 11X30X2,5 6593 A2
8	G20890017	SCONTRO	STRIKER PLATE	BUTEE	ANSCHLAG	ELEMENTO DE EMPALME
9	G17171151	PIASTRA	PLATE			
10	F01200271	DADO M10X1,5 U5588 A2IX	NUT M10X1,5 U5588 A2IX	ECROU 10 5588 6.8 INOX	MUTTER 10 5588 6.8 INOX	TUERCA 10 5588 6.8 INOX
11	F01020236	VITE M14X2X220 U5737 8.8BR	SCR. M14X2X220 U5737 8.8BR	VIS M14X2X220 U5737 8.8 BR	SCHRAUBE M14X2X220 U5737 8.8	TORNILLO M14X2X220 U5737 8.8
12	F01200306	DADO M14X2 U5588 6.8ZN	NUT M14X2 U5588 6.8ZN	ECROU M14X2	MUTTER M14X2	DADO M14X2
13	G15276490	SUPPORTO ANTERIORE BBX MT	FRONT BBX SUPPORT			
14	G16110911	TUBO Q. 50X 5X 750	SQUARE PIPE 50X5X 750			
15	G15110091	SCONTRO A U SP.8 2F15 165	STRIKER	BRIDE 150 MM	ANSCHLAG	ELEMENTO DE EMPALME
16	F20120346	PUNTALE Q 35 ALETT.POLIT.NERO	SQ.TIP 35 BLACK			
17	G15475130	TUBO SUPPORTO SERBATOIO L.2480	TANK SUPPORT PIPE L.2480	TUBE SUPPORT RESERVOIR L2460	ROHR HALTERUNG BEHZLTER L.2480	TUBO SOPORTE DEPSITO L 2480 T
18	F01020463	VITE M10X1,5X25 U5739 A2IX	SCR. M10X1,5X25 U5739 A2IX	VIS 10X25 5739 INOX A2	SCHRAUBE 10X25 5739 INOX A2	TORNILLO 10X25 5739 INOX A2
19	F01020464	VITE M10X1,5X30 U5739 A2IX	SCR. M10X1,5X30 U5739 A2IX	VIS M10X1,5 X 30 U5739 A2IX	SCHRA. M10X 1,5X 30 U5739 A2IX	TORNIL. M10X1,5X30 U5739 A2IX
20	F01200270	DADO M10X1,5 U5588 6.8ZN	NUT M10X1,5 U5588 6.8ZN	ECROU M10X 1,5 U5588 6.8 ZN	MUTTER M10X 1,5 U5588 6.8 ZN	TUERCA M10X 1,5 U5588 6.8 ZN
21	F20110706	CAV.Q.B=35 M=10X1,5 L=60	U BOLT Q.B=35 M=10X1,5 L=60	CAVALIER SUPPORT DISQUE SV	VERBINDUNG SCHEIBENHALTERUNG S	PERNO EN U SOP. DISCO SV
22	G15273711	SUPPORTO SX TUBO MICRO	LEFT SUPPORT TUBE MICRO			
23	G15273721	SUPPORTO DX TUBO MICRO	RIGHT SUPPORT TUBE MICRO			
24	G15273731	SUPPORTO LUNGO SX TUBO MICRO	LEFT SUPPORT TUBE MICRO LONG			
25	G15273741	SUPPORTO LUNGO DX TUBO MICRO	RIGHT SUPPORT TUBE MICRO LONG			



SERBATOIO SPANDICONCIME UNICO «BBX 250»

TAV. 440

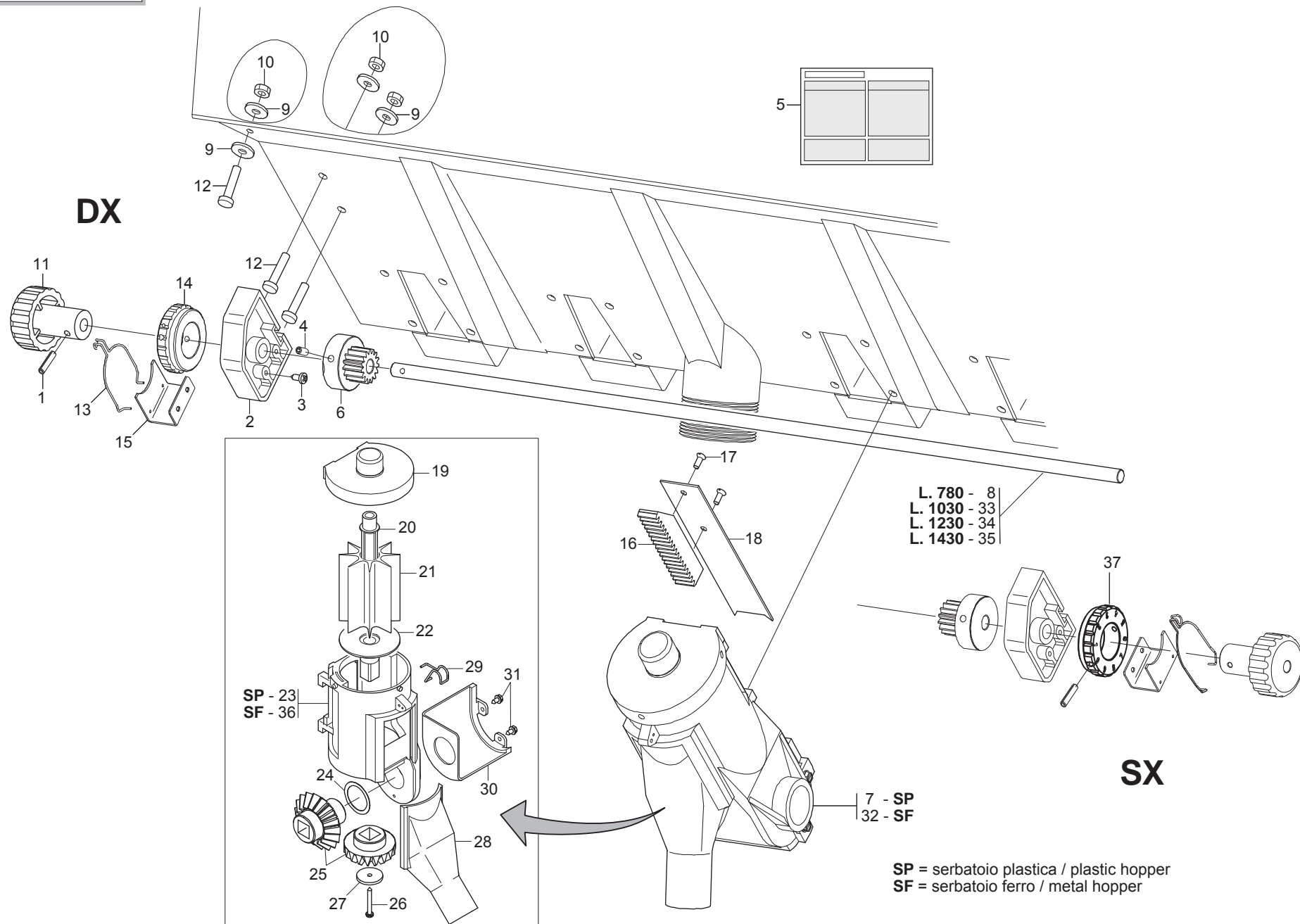
Pos.	Cod.	Descrizione	Description	Description	Benennung	Descripcion
1	F01020043	VITE M6X1X60 U5737 8.8ZN	SCR. M6X1X60 U5737 8.8ZN	VIS M6X1X60 U5737 8.8 ZN	SCHRAUBE M6X1X60 U5737 8.8 ZN	TORNILLO M6X1X60 U5737 8.8 ZN
2	G17177670	SERBATOIO BBX UNICO	TANK BBX			
3	F01020419	VITE M 6X1 X 16 U5739 A2IX	SCR. M6X1X16 U5739 A2IX	VIS M6 X1 X 16 U5739 8.8 IX	SCHRAUBE M6 X1 X 16 U5739 8.	TORNIL. M6 X1 X 16 U5739 8.8
4	F01020426	VITE M 8X1,25X 12 U5739 A2IX	SCR. M8X1,25X12 U5739 A2IX	VIS M8 X1,25X 12 U5739 8.8 IX	SCHRAUBE M8 X1,25X 12 U5739 8.8	TORNIL. M8 X1,25X 12 U5739 8.8
5	F01020443	VITE M8X1,25X25 U5739 A2IX	SCR. M8X1,25X25 U5739 A2IX	VIS M8X1,25X25 U5739 A2 IX	SCHRAUBE M8X1,25X25 5739 A2 IX	TORNILLO M8X1,25X25 5739 A2 IX
6	F01020462	VITE M10X1,5X20 U5739 A2IX	BOLT M10X1,5 X20 U5739 A2IX	VIS M10X1,5 X 20 U5739 A2IX	SCHRAUBE M10X1,5 X 20 U5739 8.	TORNIL. M10X1,5 X 20 U5739 8.8
7	G17177080	PORTA DI PULIZIA BBX	CLEANING DOOR BBX			
8	F01200233	DADO M6X1 U5588 A2IX	NUT M6X1 U5588 A2IX	ECROU M 6X 1 U5588 I	MUTTER M 6X 1 U5588	TUERCA M 6X 1 U5588
9	F01200245	DADO M8X1,25 U5588 A2IX	NUT M8X1,25 U5588 A2IX	ECROU M 8X1,25 U5588 A2 IX	MUTTER M 8X1,25 U5588 A2 IX	TUERCA M 8X1,25 U5588 A2 IX
10	F01200271	DADO M10X1,5 U5588 A2IX	NUT M10X1,5 U5588 A2IX	ECROU 10 5588 6.8 INOX	MUTTER 10 5588 6.8 INOX	TUERCA 10 5588 6.8 INOX
11	F01240012	DADO M6X1 U5448 5.8ZN	NUT M6X1 U5448 5.8ZN	ECROU 6 UNI 5448 5.8 ZN	MUTTER 6 UNI 5448 5.8 ZN	TUERCA 6 UNI 5448 5.8 ZN
12	F01410034	ROS.M6 6,4X12,5X1,6 U6592 IX	WASHER M6 6,4X12,5X1,6 U6592			
13	F01420038	ROS. M6 6,4X18X2 U6593 IX	WASHER M6 6,4X18X2 U6593 IX	RONDELLE M6 6,4X18X2 U6593 IX	SCHEIBE M6 6,4X18X2 U6593 IX	ARANDELA M6 6,4X18X2 U6593 IX
14	F01420039	ROS.M6 6,4X 24X 2 U6593 IX	WASHER M6 6,4X24X2 U6593 IX	RONDELLE M6 6,4X24X2 U6593 IX	SCHEIBE M6 6,4X24X2 U6593 IX	ARANDELA M6 6,4X24X2 U6593 IX
15	F01420049	ROS.M8 8,4X 32X 2 U6593 ZN	WASHER M8 8,4X32X2 U6593 ZN	RONDELLA M8 8,4X32X2 U6593 ZN	SCHEIBE M8 8,4X32X2 U6593 ZN	ARANDELA M8 8,4X32X2 U6593 ZN
16	G22230094	SUPPORTO CUSCINETTO	BEARING SUPPORT	SUPPORT PALIER	LAGERBschSE	SOPORTE COJINETE
17	F02100113	SPINA E.P. 6X 30 U6873 C70 ZN	PIN EL. 6X30 DIN 1481 ZN *	GOUPILLE EL.6 X30 DIN1481ZN*	SPANNSTIFT 6 X30 DIN 1481 ZN	CLAVIJA EL.6 X30 DIN 1481 ZN
18	F02200452	SPINA SCATTO D.4.4 B/80 ZN	SNAP PIN D4.4 B/80 ZN	FICHE A DETENTE D4.4 B/80 ZN	EINRASTSTIFT D4.4 B/80 ZN	CLAVIJA DE MUELLE D4,4 B/80 ZN
19	F02250123	RIVETTO STR. 4,8X 9 U9200A AL	PULL RIVET 4,8X 9 U9200A ALL	RIVET A RUPTURE 4,8X 9 U9200A	REISSNIETE 4,8X 9 U9200A ALL	REMACHE DESGAR. 4,8X 9 U9200A
20	F03011081	GUARNIZIONI LABBRO DE100	LIP GASKET D100			
21	F03011155	GUARNIZIONE VETRO TRAMOGGIA	GLASS SEAL	GARNITURE VERRE	GLASDICHTUNG	JUNTA VIDRIO
22	F05150112	MANIGLIA INTERAS. 117 FORO 8MM	HANDLE	POIGNEE	HANDGRIF	MANILLA
23	F05150472	PUNTALE A CAMPANA PVC NERO D10	BELL. PUSH ROD PVC D10 BLACK			
24	F06080196	CATENA 1/2 ISO 083 32 MAGLIE	CUT-DOWN CHAIN .1/2 ISO 083 32	TRONCON CHAINE 1/2 ISO 083 32	KETTENZNGE 1/2 ISO 083 32 GL	TRECHO CADENA 1/2 ISO 083 32
25	G15471930	PROTEZIONE	GUARD	PROTECTION	SCHUTZ	PROTECCIN P
26	G14830390	CUSCINETTO FORO QUADRO	SQUARE-HOLED BEARING	ROULEMENT TROU CARRE	VIERKANTLAGER	COJINETE ORIFICIO CUADRADO
27	G66248207	TENDICATENA SPAND. SP-520	CHAIN TENSIONER	TENDEUR DE CHAINE EPAND. ENGR.	KETTENSPELLER DsNGERSTR. SP-52	TENSOR DE CADENA ABON. SP-520
28	G20860088	INGRANAGGIO 1/2 Z-12 F.T.	GEAR 1/2 Z-12 F.T.	ENGRENAGE 1/2 Z-12 TROUS ROUNDS	ZAHNRAD 1/2 Z-12 F.T.	ENGRANAJE 1/2 Z-12 F.T.
29	G20860086	INGRANAGGIO 1/2 Z-12 F.Q.	GEAR 1/2 Z-12 F.Q.	ENGRENAGE 1/2 Z-12 TROUS CARRE	ZAHNRAD 1/2 Z-12 F.Q.	ENGRANAJE 1/2 Z-12 F.Q.
30	G13722250	TUBO RINFORZO TELO TRAMOGGIA	REINFORCEMENT TUBE	TUBE DE RENFORCEMENT	VERSTZRKUNGROHR	TUBO DE REFUERZO
31	F01410051	ROS.M8 8,4X 17X1,6 U6592 ZN	WASHER M8 8,4X17X1,6 U6592 ZN	RONDELLE M8 8,4X17X1,6 U6592ZN	SCHEIBE M8 8,4X17X1,6 U6592 ZN	ARANDELA M8 8,4X17X1,6 U6592ZN
32	G13732200	ASSE TRASMISSIONE L.2485	TRANSMISSION AXLE L2485	AXE TRANSMISSION L.2485	sBERTRAGUNGSACHSE L.2485	EJE TRANSMISIN L 2485 A
33	G15227200	CENTINA BBX	COVERING SUPPORT			
34	G15273700	SUPPORTO COCLEA	BOLT SUPPORT	SUPPORT VIS ALIMENTATION	HALTERUNG SCHNECKE	SOPORTE CÈCLEA
35	G17177950	TEGOLO BBX	BENT TILE BBX			
36	G15274080	ASSE AGITAT.S. UNICO 250 COMPL	STIRRER SPINDLE BB250 TANK	AXE AGITATEUR RESERVOIR BB250	SAMENMISCHERACHSE BEH. BB250	EJE AGITAD. DEPS. BB250
37	G15274090	ASTA FISSAGGIO TELO	FIXING ROD	TIGE DE FIXATION	BEFESTIGUNGSTANGE	VARILLA DE FIJACIN
38	G15274100	TUBO TELO COPRISERBATOIO	HOPPER COVER-SHEET TUBE	TUBE TOILE COUVRE-TREMIE	ROHR TRICHTERABDECKTUCH	TUBO ONA PROTEC. TOLVA
39	G15274150	GRIGLIA SERBATOIO	TANK GRID.	GRILLE RESERVOIR	BEHZLTERGITTER	REJILLA DEPS.
40	G16021080	FINESTRA CONTR.LIVELLO SEMI	SEED LEVEL CHECKING WINDOW	FENETRE CONTROLE NIV. GRAINES	KONTROLLFENSTER SAMENSTAND	VENTANA CONTROL NIVEL SEMILLAS
41	F01020068	VITE M8X1,25X40 U5737 8.8ZN	SCR. M8X1,25X40 U5737 8.8ZN	VIS M 8X1,25X40 U5737 8.8 ZN	SCHRA. M8X1,25X40 U5737 8.8 ZN	TORNIL.M8X1,25X40 U5737 8.8 ZN
42	F01020432	VITE M8X1,25X16 U5739 8.8ZN	SCR. M8X1,25X16 U5739 8.8ZN	VIS M8 X1,25X16 U5739 8.8 ZN	SCHRAUBE M8X1,25X16U5739 8.8ZN	TORNILLO M8X1,25X16U5739 8.8ZN
43	F01200244	DADO M8X1,25 U5588 6.8ZN	NUT M8X1,25 U5588 6.8ZN	ECROU M8 X1,25 U5588 6.8 ZN	MUTTER M8 X1,25 U5588 6.8 ZN	TUERCA M8 X1,25 U5588 6.8 ZN
44	G68005092	TENDITORE GUARNIZIONE	TURNBUCKLE GASKET	TENDEUR GARNITURE	DICHTUNGSSPELLER	SENSOR JUNTA
45	G66248218	RONDELLA DISTAN.SPANDI	MAN. SPR. SPACER WASHER	RONDELLE ENTRETOISE EP. ENGRAI	ABSTANDSCHEIBE DsNGERSTREUER	ARANDELA DISTAN.ABONAD.
46	G66248224	FERMO DISTRIBUTORE SPAND.	FERT. SPR. DISTRIB. STOP	ARRET DISTRIBUTEUR EP. ENGRAIS	FESTSTELLVORRICHTUNG SZAPP. ST	BLOQUEO DISTRIBUIDOR ABON.
47	G19002710	PROTEZ.RINVIO SPANDICONCIME	FERTILIZER TRANSM. PROTECTION	PROTECTION RENVOI FERTILISEUR	SCHUTZ VORGELEGE DUNGERSTREUER	PROTECCION TRANSMISION ABONADO
48	G17176530	TELO DI COPERTURA BBX MONICA	COVER SHEET BBX MONICA			
49	G18700220	RONDELLA 16,5 X28 X0,3 ACC.	WASHER 16X 28X 0,3 STEEL			
50	F01420047	ROS.M8 8,4X 24X 2 U6593 IX	WASHER M8 8,4X24X2 U6593 IX	RONDELLE M8 8,4X24X2 U6593 IX	SCHEIBE M8 8,4X24X2 U6593 IX	ARANDELA M8 8,4X24X2 U6593 IX
51	G18701650	RONDELLA FORO QUADRO ZN	WASHER 16,5X30X2,5 ZN	RONDELLE 16,5X30X2,5 ZN	UNTERLEGSCHHEIBE 16,5X30X2,5 ZN	ARANDELA 16,5X30X2,5 ZN
52	G65338043	MOLLA COMP.ZN SERB. M80	ZN TANK COMP.SPRING M80	RESSORT COMPL. ZN RESERVOIR M8	DRUCKFEDER ZN BEHZLTER M80	MUELLE COMP.ZN DEPS. M80 A
53	G65336080	MOLLA SPEC. SCARICA SPAND.T.M.	SPEC. SPRING SPREDER RELIEF	RESSORT SPEC. D'ETANCHEITE ARR	SPEZIALFEDER DICHTUNG STREUER	MUELLE ESPEC. RETENC. BLOQ
54	G65336089	MOLLA SPEC. TENUTA FERMO SPAND.	SPEC. SPRING-C. BLOCK. MAN. SPR.	GUIDER TUBE TEL ZN	FUHREN ROHR TEL ZN	GUIAR TUBO TEL ZN
55	G18902270	GUIDATUBO ZN TEL	TUBE GUIDE ZN TEL	SUPPORT AVEC BRIDE M80	BschSE MIT FLANSCH M80	CASQUILLO CON BRIDA M80
56	G66248121	BOCCOLA CON FLANGIA M80	BUSHING W/ FLANGE M80	FERMETURE SORTIE RESERVOIR FER	VERSCHLUSS AUSTRITT DsNGERSTR.	CIERRE SALIDA DEPS. ABON. SP I
57	G66248184	CHIUSURA USCITA SERB.SPAND.SP	OUTLET CLOSURE- MAN.SPREAD. TA	TRAPPE DE VIDANGE TYPE MICRO	BEHZLTERENTLADUNG STREUER TYP	DESCARGA DEPS. ABON.TIPO MICRD
58	G66248187	SCARICO SERB.SPAND.TIPO MICRO	MICRO TYPE MAN.SPR.TANK DISCH.	VIS M6 X1 X 20 U5739 8.8 IX	SCHRAUBE M6X1X20 U5739 A2 IX	TORNIL. M6 X1 X 20 U5739 8.8
59	F01020420	VITE M6X1X20 U5739 A2IX	SCR. M6X1X20 U5739 A2IX	BOUCHON SUPPORT EP. ENGRAIS D.	HALTERUNGSPFROPFEN DsNGERSTR.	TAPN SOPORTE ABON.D.11 D
60	G66248223	TAPPO SUPP.SPAND.D.11	PLUG MAN. SPR. SUPP. D.11			



ELEMENTI DI CONCIMAZIONE

TAV. 291

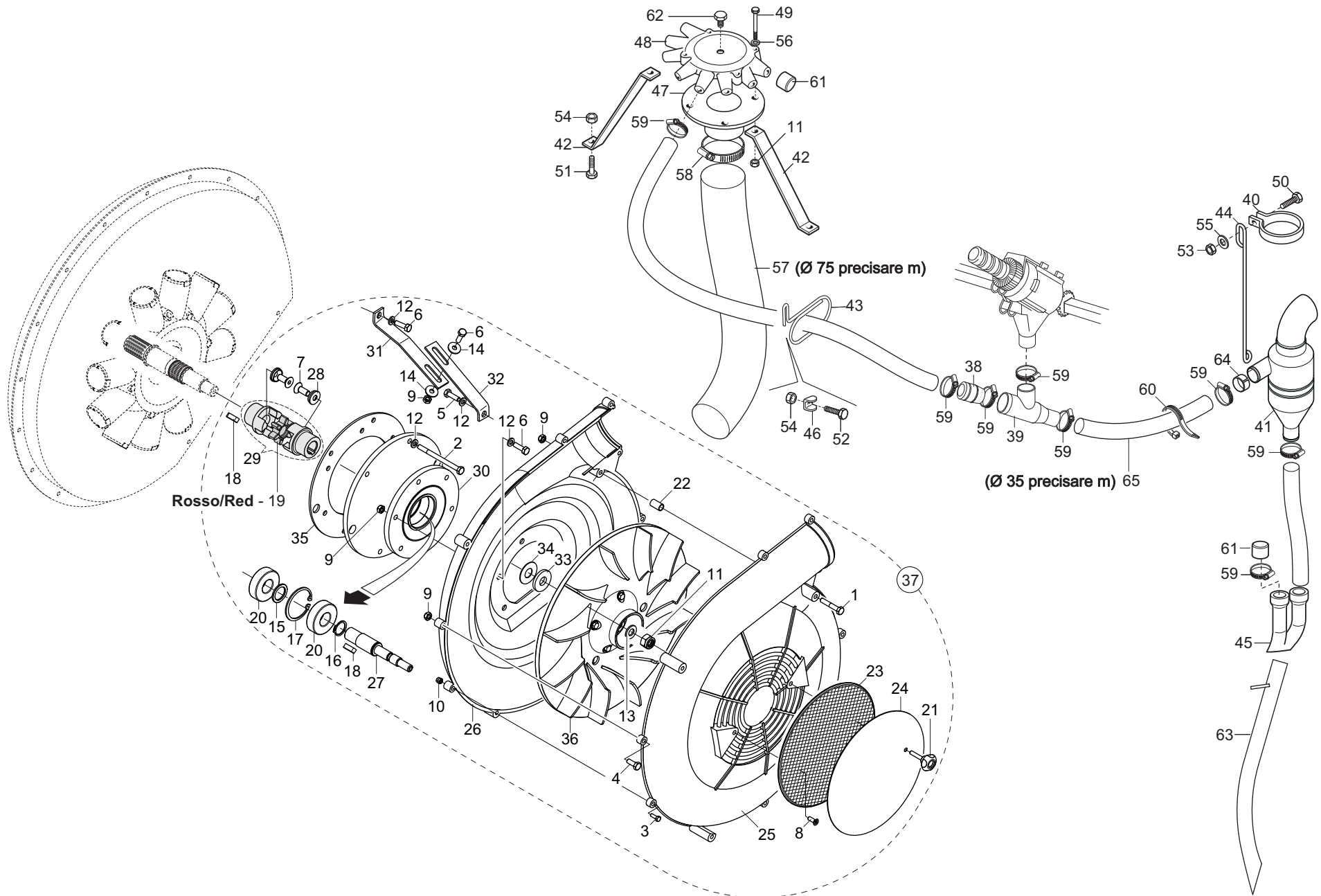
Pos.	Cod.	Descrizione	Description	Description	Benennung	Descrpcion
1	G13825091	DISCO ASSOLCATORE D.373	FURROW OPENER DISK D.373	DISQUE SOC D. 373 6 T.D.6	SCHEIBE SZSCHARENREISSER D.373	DISCO SURCADOR D.373
2	G15220540	DADO M16X1,5 SX ZN	NUT M16X1-5 LEFT	ECROU M16X1-5 GCH	MUTTER M16X1-5 LI	TUERCA M16X1-5 IZQ
3	G15225861	PROTEZIONE DISCHI	DISC PROTECTION			
4	F01020470	VITE M10X1,5X20 U5739 8.8ZN	SCR. M10X1,5X20 U5739 8.8ZN	VIS M10X1,5X20 U5739 8.8 ZN	SCHRAUBE M10X1,5X20 U5739 ZN	TORNILLO M10X1,5X20 U5739 8.8ZN
5	G15225500	DISCO ASSOLC.PROTETTO COMPL.	FULLY PROTECTED DISC COULTER	DISQUE DU SOC PROT+G+ COMPLET		
6	G15422231	RASCHIATERRA DISCO	SCRAPER DISK			
7	G15470232	SUPPORTO MOLLA PIATTA 150	FLAT SPRING SUPPORT 150	SUPPORT RESSORT PLAT 150	HALTERUNG FLACHFEDER 150	SOPORTE MUELLE PLANO 150
8	G16670610	FALCIONE ELEM.CONCIMAZ.PIATTA	FLAT FERT.ELEMENT MOWER			
9	G19203920	SUPP.MOLLA QUADRA DOPPIA POS.	SUPP.MOLLA QUADRA DOPPIA POS.			
10	G16670600	FALCIONE ELEM.CONCIMAZ.QUADRA	SQUARE SPRING FERT COULTER	SOC +LEM. FERTILIS. RESSORT CA	S-SCHAR ELEM.D. NGUNG QUADR.FED	BOTA ELEM.ABONAD.MUELLE CUADRA
11	G15471661	SUPPORTO MOLLA PIATTA DX 150	FLAT SPRING SUPPORT R.T 150	SUPPORT RESSORT PLAT DROIT 150	HALTERUNG FLACHFEDER RE 150	SOPORTE MUELLE PLANO DCHO 150
12	G15471671	SUPPORTO MOLLA PIATTA SX 150	FLAT SPRING SUPPORT L.T 150	SUPPORT RESSORT PLAT GAUCHE 150	HALTERUNG FLACHFEDER LI 150	SOPORTE MUELLE PLANO IZQDO 150
13	G19204110	SUPP.SX MOLLA DISCHI	LEFT SUPPORT DISC SPRING			
14	G16670271	SUPPORTO DISCHI CONCIMAZ.	DISC SUPPORT FERTILIZER			
15	G19204100	SUPP.DX MOLLA DISCHI	RIGHT DISCS SPRING SUPPORT			
16	G15472290	SUPPORTO RASCHIAT.DISCHI CONC.	FERTIL DISCS SOIL SCRAPER SUPP	SUPP. RACLEUR DISQUES FUMAGE	HALTER. ERDSCHABER DsNGUNGSSCH	SOPORTE RASCADOR DISCOS ABONO
17	G15472301	RASCHIATERRA INTERNO	INTERNAL SCRAPER SOIL			
18	G18901092	GAMBO CONCIMAZ.MOLLA PIATTA SP	FLAT SPRING MANURING LEG SP	TIGE FUMAGE RESSORT PLAT SP	SCHAFT DsNGUNG FLACHE FEDER SP	VæSTAGO ABONO MUELLE CHATO SP
19	G18902770	MOLLA CONCIMAZIONE 20X20 DX	SPRING 20X20 FERTILIZER RIGHT	RESSORT FUMAGE 20X20 DRT	FEDER DsNGUNG 20X20 RE	MUELLE ABONO 20X20 DER
20	G18902780	MOLLA CONCIMAZIONE 20X20 SX	SPRING 20X20 FERTILIZER LEFT	RESSORT FUMAGE 20X20 GCH	FEDER DsNGUNG 20X20 LI	MUELLE ABONO 20X20 IZQ
21	G18902861	RINF.MOLLA PIATTA CONCIM.SP	MANUR.PLATE SPRING REINFORCE.S	RENF. RESSORT PLAT FUMAGE SP	VERSTZRRUNG FLACHFEDER DsNGUNG	REFUERZO MUELLE ABONO SP
22	G18903200	FERMO SPIRALE	SPIRAL STOP	ARRET SPIRALE	FESTSTELLVORRICHTUNG SPIRALE	BLOQUEO ESPIRAL
23	G18903210	MOLLA CONCIM.FILE DISPARI	ODD NUMBER ROW MANUR.SPRING	RESS. FUMAGE RANGEES IMPAIRES	FEDER DsNGUNG UNGERADE REIHEN	MUELLE ABONO FILAS IMPARES
24	G18903220	RINF.MOLLA CONCIM.FILE DISP.	ODD NUM. ROW MANUR.SPRING REIN	RENF. RESS. FUMAGE RANGEES IMP	VERST. FEDER DsNG. UNGERADE RE	REFUERZO MUELLE ABONO FILAS IM
25	G18903821	MOLLA CONCIMAZIONE	FERTILIZER SPRING			
26	G18903901	RINFORZO MOLLA CONCIMAZIONE	FERTILIZER SPRING SUPPORT			
27	G15223651	SUPPORTO CUSCINETTO DISCO	DISC BEARING SUPPORT	SUPPORT PALIER DISQUE	SCHEIBENLAGERBsCHSE	SOPORTE COJINETE DISCO
28	G15110091	SCONTRO A U SP.8 2F15 165	STRIKER	BRIDE 150 MM	ANSCHLAG	ELEMENTO DE EMPALME
29	F01020225	VITE M14X2X160 U5737 8.8BR	SCR. M14X2X160 U5737 8.8BR	VIS M 14 X160 5737 8.G	SCHRAUBE M 14 X160 5737 8.G	TORNILLO M 14 X160 5737 8.G
30	F01020156	VITE M12X1,75X50 U5737 8.8ZN	SCR. M12X1,75X50 U5737 8.8ZN	VIS M12X1,75X50 U5737 8.8 ZN	SCHR. M12X1,75X50 U5737 8.8 ZN	TORN. M12X1,75X50 U5737 8.8 ZN
31	F01020403	VITE M6X1X16 U5739 8.8ZN	SCR. M6X1X16 U5739 8.8ZN	VIS M6X1X16 U5739 8.8 ZN	SCHRAUBE M6X1X16 U5739 8.8 ZN	TORNILLO M6X1X16 U5739 8.8 ZN
32	G15226600	KIT X DISCO SUPER SEAL	SUPER-SEAL DISC KIT			
33	F01020476	VITE M10X1,5X30 U5739 8.8ZN	SCR. M10X1,5X30 U5739 8.8ZN	VIS M10X1,5X30 U5739 8.8 ZN	SCHRAUBE M10X1,5X30U5739 8.8ZN	TORNIL.M10X1,5X30 U5739 8.8 ZN
34	F01020508	VITE M12X1,75X25 U5739 8.8ZN	SCR. M12X1,75X25 U5739 8.8ZN	VIS M12X1,75X25 U5739 8.8 ZN	SCHRAUBE M12X1,75X25U5739.8ZN	TORNIL.M12X1,75X25 U5739 8.8ZN
35	F01020512	VITE M12X1,75X35 U5739 8.8ZN	SCR. M12X1,75X35 U5739 8.8ZN	VIS M12X1,75X35 5739 8.8 ZN	SCHR. M12X1,75X35 5739 8.8 ZN	TORN. M12X1,75X35 5739 8.8 ZN
36	F03011075	AN. TENUTAB1OF 24X32X4	SEALING RING 24X32X4	BAGUE D'ETANCHEITE 24X32X4	DICHTUNGSRING 24X32X4	ANILLO AISLADOR 24X32X4
37	F01200232	DADO M6X1 U5588 6.8ZN	NUT M6X1 U5588 6.8ZN	ECROU 6 UNI 5588 6.8 ZN	MUTTER 6 UNI 5588 6.8 ZN	TUERCA 6 UNI 5588 6.8 ZN
38	F01200270	DADO M10X1,5 U5588 6.8ZN	NUT M10X1,5 U5588 6.8ZN	ECROU M10X 1,5 U5588 6.8 ZN	MUTTER M10X 1,5 U5588 6.8 ZN	TUERCA M10X 1,5 U5588 6.8 ZN
39	F01200306	DADO M14X2 U5588 6.8ZN	NUT M14X2 U5588 6.8ZN	ECROU M14X2	MUTTER M14X2	DADO M14X2
40	F01200442	DADO M16X1,5 U5589 6.8ZN	NUT M16X1,5 R. U5589 6.8ZN	ECROU 16X1-5 UNI 5589 6.8 ZN	MUTTER 16X1-5 UNI 5589 6.8 ZN	TUERCA 16X1-5 UNI 5589 6.8 ZN
41	F01220048	DADO M12X1,75 D980 8ZN	NUT M12X1,75 D980 8ZN	ECROU M12X1,75 D980 8 ZN	SCHEIBE M12X1,75 D980 8 ZN	TUERCA M12X1,75 D980 8 ZN
42	F01410064	ROS.M10 10,5X 20X 2 U6592 ZN	WASHER M10 10,5X20X2 U6592 ZN	RONDEL. M10 10,5X20X2 U6592 ZN	SCHEIBE M10 10,5X20X2 U6592 ZN	ARANDEL.M10 10,5X20X2 U6592 ZN
43	F01410076	ROS.M12 13X 24X2,5 U6592 ZN	WASHER 12 13X 24X2,5 U6592 ZN	RONDEL. M12 13X24X2,5 U6592 ZN	SCHEIBE M12 13X24X2,5 U6592 ZN	ARANDELA M12 13 X24X2,5 ZN
44	F01420036	ROS.M6 6,4X 18X 2 U6593 ZN	WASHER M6 6,4X 18X2 U6593 ZN	RONDELLE M6 6,4X18X2 2 U6593ZN	SCHEIBEN M6 6,4X18X 2 U6593 ZN	ARANDELA M6 6,4X18X2 U6593 ZN
45	G16670630	SPESSORE MOLLA DISCHI CONCIM.	SHIMS	CALE	ZWISCHENLEGSCHHEIBE	ESPACIADOR
46	F02200229	COPIGLIA 5X 45 U1336 ZN	SPLIT PIN 5X 45 U1336 ZN	GOUPILLE 5X 45 U1336 ZN	SPANNSTIFT 5X 45 U1336 ZN	PASADOR 5X 45 U1336 ZN
47	F04010084	CUSC.D17D47 B22.2 3303 LLU/DDU	BEARING 3303 2RS	PALIER 3303 2RS	LAGER 3303 2RS	COJINETE 3303 2RS
48	G15225240	ESTRATTORE DISCHI ELEMENTO MT	SEED PLATE EXTRACTOR ELEM. MT	EXTRACTEUR DISQUE ELEMENT MT	SCHEIBENAUSZIEHER ELEMENT MT	EXTRACTOR DISCOS ELEMENTO MT
49	F01020568	VITE M16X2X45 U5739 8.8ZN	SCR. M16X2X45 U5739 8.8ZN	VIS M 16X 2X45 U5739 8.8 ZG	SCHRAUBE M 16X 2X45 U5739 8.8	TORNILLO M16X 2X45 U5739 8.8
50	G18903911	MOLLA FERMO TUBO D.35 ZN	PIPE LOCK SPRING D.35	RESSORT ARR-T TUBE D.35	ROHRSPERRFEDER D.35	MUELLE TOPE TUBO D. 35
51	F01020236	VITE M14X2X220 U5737 8.8BR	SCR. M14X2X220 U5737 8.8BR	VIS M14X2X220 U5737 8.8 BR	SCHRAUBE M14X2X220 U5737 8.8	TORNILLO M14X2X220 U5737 8.8
52	F02050370	ANELLO E. DI 47X1,75 U7437 C70	SEEGER RING 47X 1,75 U7437 C70	SEEGER E. 47X 1,75 U7437 C70	SEEGERING E. 47X1,75 U7437 C70	ANILLO E. 47X 1,75 U7437 C70
53	G66248248	TAPPO IN PLASTICA	PLASTIC PLUG	BOUCHON EN PLASTIQUE	PLASTIKPFROPFEN	TAPN DE PLÆSTICO D
54	G15225480	FLANGIA INT.DISCO PROTETTO ZN	INNER DISK FLANGE	BRIDE INT. DISQUE	INNENFLANSCH SCHEIBE	BRIDA INTERIOR DISCO
55	F02250521	RIBATTINO TSC 6 X19,8 A/2	RIVET TSC 6X19,8 A/2 BY PIECE	PAQUET RIVETS TSC 6X 19,8 A/2	PACKUNG NIETEN TSC 6X19,8 A/2	PAQU.REMACHES TSC 6X 19,8 A/2
56	G15225490	BOCCOLA PARAP.DISCO PROTETTO	DISC DUST SEAL BUSH D.34	BOITE PARAP.DISCO PROTETTO	BUCHSE PARAP.DISCO PROTETTO	MANGUITO PARAP.DISCO PROTETTO
57	G16670940	SUPPORTO DISCO CONCIMAZ.CENTR.	CENTRAL FERT.DISC SUPPORT			
58	F01020562	VITE M16X2X30 U5739 8.8ZN	SCR. M16X2X30 U5739 8.8ZN	VIS M16X2X30 U5739 8.8 ZN	SCHRAUBE M16X2X30 U5739 8.8 ZN	TORNILLO M16X2X30 U5739 8.8 ZN



SPEEDY SET

TAV. 300

Pos.	Cod.	Descrizione	Description	Description	Benennung	Descripcion
1	F02100066	SPINA E.P. 4X 36 U6873 C70 BR	PIN EL. 4X 36 U6873 C70 BR			
2	G19003660	SUPPORTO	SUPPORT	SUPPORT	HALTERUNG	SOPORTE
3	F01070061	VITE A3,9X1,34X9,5 U6954 4.8NI	SCR. H3,9X1,34X9,5 U6954 4.8NI	VIS 3,9X 9,5 DIN 7981	SCHRAUBE 3,9X 9,5 DIN 7981	TORNILLO 3,9X 9,5 DIN 7981
4	F01050083	VITE M5X0,8X12 U5927 A2IX	SCR. M5X0,8X12 U5927 A2IX	GOUJON 5X12 UNI 5927	STIFT 5X12 UNI 5927	TORNILLO SIN CABEZA 5X12 5927
5	G19702952	DECAL.TAB.DISTRIB.SPEEDY-SET	LABEL TAB.DISTR.SPEEDY SET			
6	G19003680	INGRANAGGIO Z.15	GEAR Z 15	ENGRENAGE Z 15	ZAHNRAD Z 15	ENGRANAJE Z 15
7	G16670040	DISTR.COMPL.8PALE SPEEDY SET P	COMPL.PLA.SPEEDY SET DISTR.8R	MINIMAX COMPL 8C PLA SPEEDYSET	KOMPL.DOSIER.SPEEDY SET PLA.8S	DISTR.COMP.SPEEDY SET PLA.8AL.
8	G16670320	TONDO D.10X780	D.10X780 ROUND	ROND D.10X780	RUNDEISEN D.10X780	BARRA REDONDA D. 10X780
9	F01420038	ROS. M6 6,4X18X2 U6593 IX	WASHER M6 6,4X18X2 U6593 IX	RONDELLE M6 6,4X18X2 U6593 IX	SCHEIBE M6 6,4X18X2 U6593 IX	ARANDELA M6 6,4X18X2 U6593 IX
10	F01200233	DADO M6X1 U5588 A2IX	NUT M6X1 U5588 A2IX	ECROU M 6X 1 U5588 I	MUTTER M 6X 1 U5588	TUERCA M 6X 1 U5588
11	G19003670	MANOPOLA SPEEDY SET	SPEEDY HANDLE SET	POIGN+E SPEEDY SET	GRIFF SPEEDY SET	EMPUJADURA SPEEDY SET
12	F01020419	VITE M 6X1 X 16 U5739 A2IX	SCR. M6X1X16 U5739 A2IX	VIS M6 X1 X 16 U5739 8.8 IX	SCHRAUBE M6 X1 X 16 U5739 8.	TORNIL. M6 X1 X 16 U5739 8.8
13	G65336055	MOLLA SPEC.REGOL.SPAND. SP	SPEC SPRING MAN. SPR. ADJUSTM.	RESSORT SPEC. REGL. EP. ENTRA	SPEZIALFEDER STREUEREinstellUN	MUELLE ESPEC. REGUL. ABONADORA
14	G19003720	GHIERA REGOLAZIONE SX	LEFT ADJUSTMENT KNURLED NUT	MANCHON DE REGLAGE GCH	EINSTELLMUTTER LINKS	ROSCA REGULACION IZQUIERDA
15	G16670310	SUPPORTO MOLLA REGOLATORE	ADJ.SPRING SUPPORT			
16	G19003690	CREMAGLIERA	RACK	CREMAILLIERE	ZAHNSTANGE	CREMALLERA
17	F01080032	VITE M4X0,7X10 U7688 A2IX	SCR. M4X0,7X10 U7688 A2IX	VIS M4X 0,7X10 U7688 A2 IX	SCHRAUBE M4X 0,7X10 7688 A2 IX	TORNILLO M4X0.7X10 U7688 A2 IX
18	G16670100	REGOLATORE APERTURA	OPENING REGULATOR	REGULATEUR OUVERTURE	TFFNUNGSEINSTELLER	REGULADOR ABERTURA
19	G19003700	COPERCHIO SPEEDY SET	COVER SPEEDY SET	COUVERCLE SPEEDY SET	DECKEL SPEEDY SET	TAPA SPEEDY SET
20	G66248173	ASSE DISTR.SPAND. SP	MANURE SPREADER DISTR. SPINDLE	AXE DISTRIBUTEUR EP.ENGRAIS SP	ACHSE SZAPPARAT STREUER SP	EJE DISTR. ABON. SP
21	G66248172	DOSATORE DISTR.SPAND. SP	MAN.SPR. SEED METERING DEVICE	DOSEUR DISTRIBUTEUR EP. ENGRAI	DOSIERER DsNGERSTREUER. SP	DOSIFICADOR DISTR.ABON. SP
22	G66248211	PERNO RONDELLA FUSA SPAND. SP	MAN. SPR. CAST WASHER PIN. SP	PIVOT RONDELLE MOULEE EP. ENGR	ZAPPEN LOSE UNTERLEGSCHIEBE ST	PERNO ARANDELA FUNDIDA ABONAD
23	G19002920	CORPO DISTRIBUTORE SPANDI PLA.	PLA. F.SPREADER DISTRIB.CASING	CORPS DISTRIBUTEUR EPAND.	VERTEILUNGSKTRPER STREUER PLA.	CUERPO DIST. ABONADORA PLæS.
24	G18701500	RONDELLA 29,5 X38 X0,3 IX	WASHER 29,5 X 38 X 0,3	RONDELLE 29,5 X38 X0,3	UNTERLEGSCHIEBE 29,5X38X0,3	ARANDELA 29,5 X38 X0,3
25	G20860126	KIT INGR DISTR CONCIME (2+2)	KIT- MAN. DISTR. GEARS (2+2)	COUPLE CON DISTR ENGRAIS (2+2)	KIT ZAHNRZDER DsNGERSTREUER	SET ENGRANAJES DISTRIB. ABONO
26	F01070075	VITE A4,2X1,41X38 U6954 4.8NI	SCR. H4,2X1,41X38 U6954 4.8NI	VIS 4-2X38 DIN 7981	SCHRAUBE 4-2X38 DIN 7981	TORNILLO 4-2X38 DIN 7981
27	G20970097	RONDELLA 32X3X4,5	WASHER 32X3X4-5	RONDELLE 32X3X4-5	UNTERLEGSCHIEBE 32X3X4-5	ARANDELA 32X3X4-5
28	G66248178	SCIVOLO DISTR.SPAND. SP	CHUTE- MANURE-SPREADER DISTRIB	LANCOIR DISTRIBUTION EP. ENGR.	DsNGERSTREUER RUTSCHE SP	PLANO INCLINADO DISTR. ABON. S
29	G65336062	MOLLA SPEC.SCIV.DISTR.SPAND.SP	SPEC SPRING - MAN. SPR. DISTR.	RESS. SPEC. LANCOIR DISTR. EP.	SPEZ.FEDER RUTSCHE SZAPP. STRE	MUELLE ESPEC.PLANO INCL.DISTR.
30	G19002850	PROTEZIONE PIGNONE	PINION GUARD	PROTECTION PIGNON	RITZELSCHUTZ	PROTECCIN PIGN PR
31	F01070011	VITE A4,2X1,41X9,5 U6950 4.8NI	SCR. H4,2X1,41X9,5 U6950 4.8NI	VIS AUTOTAR. 4-2X9-5 T. E. COU	SELBSTSCHNEID. SCHRAUBE 4-2X9-	TORNILLO AUTORROSC. 4-2X9-5
32	G13722330	DISTR.COMPL.8PALE SPEEDY SET F	COMPL.SPEEDY 8-BLADE DISTR. SE	DISTR.COMPL.8PALETTES SPEEDY S	SAATGUTAUS.8SCH.KOMPL.SPEEDY S	DISTR.COMPL.8PALETAS SPEEDY SE
33	G16670330	TONDO D.10X1030	ROUND D.10X1030			
34	G16670340	TONDO D.10X1230	D.10X1230 ROUND	ROND D.10X1230	RUNDEISEN D.10X1230	BARRA REDONDA D. 10X1230
35	G16670350	TONDO D.10X1430	D.10X1430 ROUND	ROND D.10X1430	RUNDEISEN D.10X1430	BARRA REDONDA D. 10X1430
36	G66248176	CORPO DISTR.SPAND. SP	MANURE SPREADER DISTR. CASING	CORPS DISTRIB. EP. ENGRAIS SP	VERTEILUNGSKTRPER STREUER SP	CUERPO DISTR. ABON. SP
37	G19003710	GHIERA REGOLAZIONE DX	RIGHT ADJUSTMENT KNURLED	BAGUE REGLAGE DROITE	EINSTELLMUTTER RE	CONTRATUERCA REGULACIN DER.

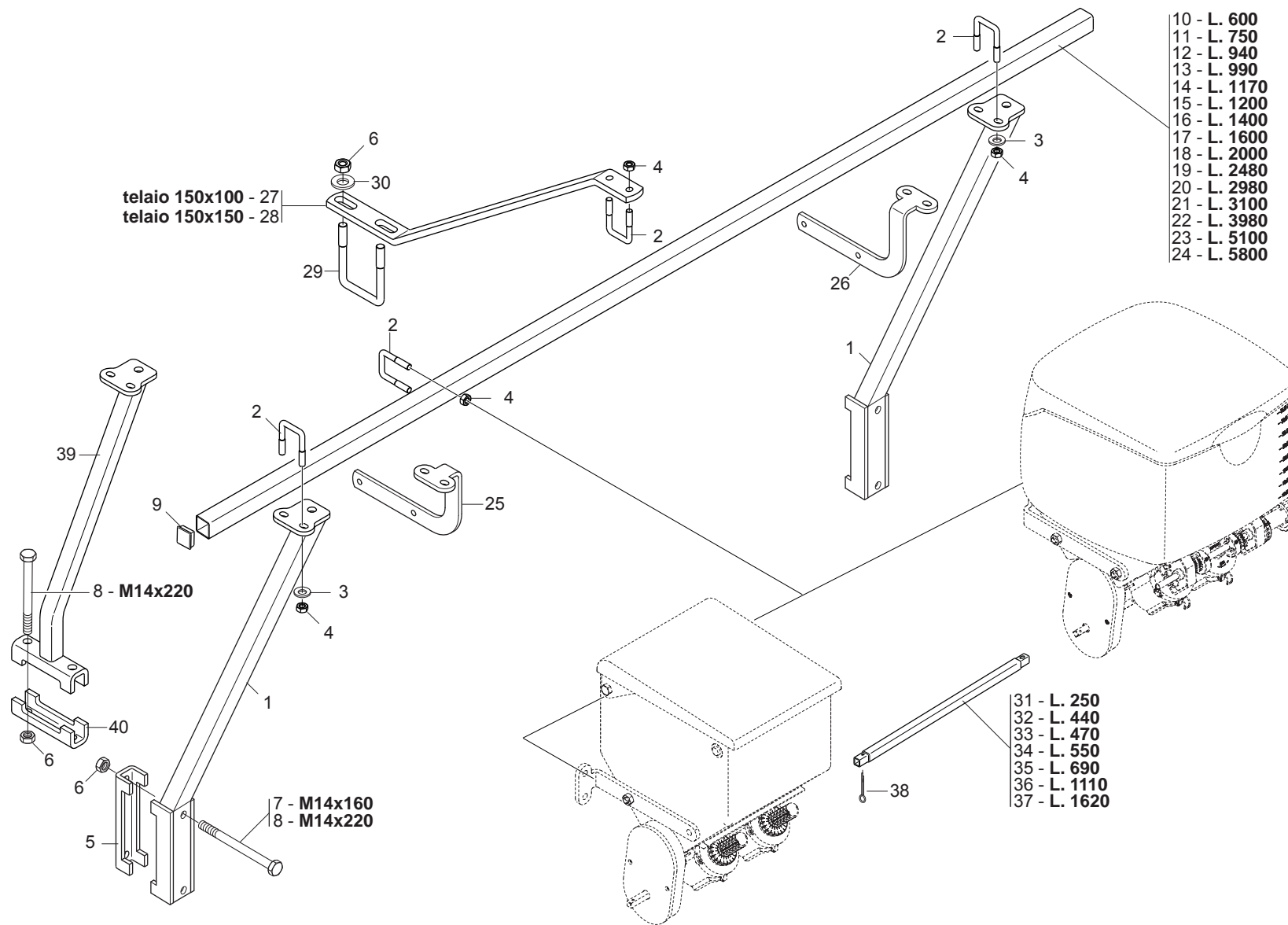


CONCIMAZIONE PNEUMATICA

TAV. 311

Pos.	Cod.	Descrizione	Description	Description	Benennung	Descripcion
1	F01020039	VITE M6X1X35 U5737 8.8ZN	SCR. M6X1X35 U5737 8.8ZN	VIS 6 X35 5737 8.G ZN	SCHRAUBE 6 X35 5737 8.G ZN	TORNILLO 6 X35 5737 8.G ZN
2	F01020050	VITE M6X1X80 U5737 8.8ZN	SCR. M6X1X80 U5737 8.8ZN	VIS 6 X80 5737 8.G ZN	SCHRAUBE 6 X80 5737 8.G ZN	TORNILLO 6 X80 5737 8.G ZN
3	F01020362	VITE M4X0,7X12 U5739 8.8ZN	SCR. M4X0,7X12 U5739 8.8ZN	VIS 4X12 5739 8.G ZN	SCHRAUBE 4X12 5739 8.G ZN	TORNILLO 4X12 5739 8.G ZN
4	F01020398	VITE M6X1X12 U5739 8.8ZN	SCR. M6X1X12 U5739 8.8ZN	VIS M6X 1X12 U5739 8.8 ZN	SCHRAUBE M6X 1X12 U5739 8.8 ZN	TORNILLO M6X 1X12 U5739 8.8 ZN
5	F01020403	VITE M6X1X16 U5739 8.8ZN	SCR. M6X1X16 U5739 8.8ZN	VIS M6X1X16 U5739 8.8 ZN	SCHRAUBE M6X1X16 U5739 8.8 ZN	TORNILLO M6X1X16 U5739 8.8 ZN
6	F01020404	VITE M6X1X20 U5739 8.8ZN	SCREW M6X1X20 U5739 8.8ZN	VIS M6X1X20 U5739 8.8ZN	SCHRAUBE M6X1X20 U5739 8.8ZN	TORNILLO M6X1X20 U5739 8.8ZN
7	F01030055	VITE M8X1,25X20 U5933 10.9ZD	SCR. M8X1,25X20 U5933 10.9ZD	VIS M 8X20	SCHRAUBE M 8X20	TORNILLO M 8X20
8	F01080044	VITE M5X0,8X14 U7688 4.8ZN	SCR. M5X0,8X14 U7688 4.8ZN	VIS 5 X14 7688 ZN	SCHRAUBE 5 X14 7688 ZN	TORNILLO 5 X14 7688 ZN
9	F01220011	DADO M6X1 D980 8ZN	NUT M6X1 D980 8ZN	ECROU M6X1 D980 8 ZN	MUTTER M6X1 D980 8 ZN	TUERCA M6X1 D980 8 ZN
10	F01230016	DADO M4X0,7 D982 8ZN	NUT M4X0,7 D982 8ZN	ECROU AUTOB.NOR.4 ZN	SELBSTSP. MUTTER NOR. 4 ZN	TUERCA AUTOB. NOR. 4 ZN
11	F01230048	DADO M10X1,5 D982 8ZN	NUT M10X1,5 D982 8ZN	ECR.AUTO-FREIN.M10X1,5 D982 ZN	SICHERUNGSMUTT.M10X1,5 D982 ZN	TUERCA SEGURID.M10X1,5 D982 ZN
12	F01410037	ROS.M6 6,4X12,5X1,6 U6592 ZN	WASHER M6 6,4X12,5X1,6 U6592ZN	RONDEL.M6 6,4X12,5X1,6 U6592ZN	SCHIEB.M6 6,4X12,5X1,6 U6592ZN	ARAND.M6 6,4X12,5X1,6 U6592 ZN
13	F01410064	ROS.M10 10,5X 20X 2 U6592 ZN	WASHER M10 10,5X20X2 U6592 ZN	RONDEL. M10 10,5X20X2 U6592 ZN	SCHIEBE M10 10,5X20X2 U6592 ZN	ARANDEL.M10 10,5X20X2 U6592 ZN
14	F01420036	ROS.M6 6,4X 18X 2 U6593 ZN	WASHER M6 6,4X 18X2 U6593 ZN	RONDELLE M6 6,4X18X2 2 U6593ZN	SCHIEBEN M6 6,4X18X 2 U6593 ZN	ARANDELA M6 6,4X18X2 U6593 ZN
15	F01440012	ROS. 20X28X 2 D988 IX	WASHER 20X28X2 DIN 988	RONDELLE 20X28X2 DIN 988	UNTERLEGSCHIEBE 20X28X2 DIN 98	ARANDELA 20X28X2 DIN 988
16	F02050078	ANELLO E. DE 20X 1,2 U7435 C70	SEEGER RING E. 20X1,2 7435 C70	SEEGER 20X 1,2 U7435 C70	SEEGER E. 20X 1,2 U7435 C70	ANILLO E. 20X 1,2 U7435 C70
17	F02050370	ANELLO E. DI 47X1,75 U7437 C70	SEEGER RING 47X 1,75 U7437 C70	SEEGER E. 47X 1,75 U7437 C70	SEEGERING E. 47X1,75 U7437 C70	ANILLO E. 47X 1,75 U7437 C70
18	F02150036	LINGUETTA 6X 6X 20 U6604A	PARALLEL KEY 6X 6X 20 U6604A	LANGUETTE 06X6X20 UNI6604	FEDERKEIL 06X6X20 UNI6604	LENGSETA 06X6X20 UNI6604
19	G58162014	ELEM.ELAS.ROTEX 19 95/98 SHORE	ELASTIC ELEMENT OF JOINT 24.24	ELEM. ELASTIQUE DU JOINT 24.24	ELAST. KUPPLUNGSELEM. 24.24	ELEM.ELÁSTICO DEL ACOPLAMIENTO
20	F04010165	CUSC.D20 D47 B14 6204.2RSC3	BEARING D20 D47 B14 6204 2RSC3	PALIER 6204 2RS	LAGER 6204 2RS	COJINETE 6204 2RS
21	F06220034	VOLANTINO M5 X 25 VPA/25	HANDWHEEL M5 X 25 VPA/25	VOLANT M5 X 25 VPA/25	HANDRAD M5 X 25 VPA/25	VOLANTE M5 X 25 VPA/25
22	G23440562	DISTANZ.GUSCI SOFFIANTE HL/ID	BLOWER SHELL SPACER HL/ID	ENTRETOISE COQUES SOUFFLANTE H	DISTANZSTÜCK SCHALEN GELBZSE H	DISTANC. CASCARAS SOPLAD. HL/I
23	G23440563	GRIGLIA DI PROTEZIONE HL/ID	PROTECT. GRID HL/ID	GRILLE DE PROTECTION HL/ID	SCHUTZGITTER HL/ID	REJILLA DE PROTECCIN HL/ID G
24	G23440564	COPERCHIO CHIUSURA SOFF. HL/ID	BLOWER CLOSING COVER . HL/ID	COUVERCLE FERMETURE SOUFFL. HL	ABSCHLUSSECKEL GEBL. HL/ID	TAPA CIERRE SOPL. HL/ID
25	G13912460	COPRIVENTOLALATO SCHIENALE	BACK FAN PROTECTION	PROTECTION ROTOR DOSSIER	RUECKENLAUFRADSCHUTZ	PROTECCIN VENTILADOR RESPALDOP
26	G13912470	COPRIVENTOLALATO MOTORE	MOTOR FAN PROTECTION	PROTECTION ROTOR MOTEUR	MOTORLAUFRADSCHUTZ	PROTECCIN VENTILADOR MOTOR P
27	G15450401	PUL.CONDOTTA CONCIM.PNEUM.	DRIVEN PULLEY PNEUM.SEEDER			
28	G15450410	RONDELLA X GIUNTO ELASTICO	LOCK WASHER	RONDELLE DE BLOCAGE	SPERRSCHEIBE	ARANDELA DE BLOQUEO
29	G15450420	GIUNTO ELAS.ROTEX19 95/98SHORE	LOCK COUPLING	JOINT DE BLOCAGE	SPERRKUPPLUNG	JUNTA DE BLOQUEO
30	G15450432	FLANGIA	FLANGE			
31	G15470411	RINF.ANTERIORE	FRONT REINFORCEMENT			
32	G15470421	RINF.POSTERIORE	REAR REINFORCEMENT			
33	G20970035	RONDELLA 32X4X13	WASHER 32X4X13	RONDELLE 32X4X13	UNTERLEGSCHIEBE 32X4X13	ARANDELA 32X4X13
34	G18701660	RONDELLA 14,2 X33 X1	WASHER 33X 0-3X14-2	RONDELLE 33X 0-3X14-2	UNTERLEGSCHIEBE 14-2 X33 X0-3	ARANDELA 33X 0-3X14-2
35	G19004340	DISTANZIALE CONCIM.PNEUMATICA	PNEUM.FERT. SPACER			
36	G67320001	VENTOLA PLASTICA DISCO L80M8	PLASTIC FAN- DISK L80M8	ROTOR PLASTIQUE DISQUE L80M8	SCHEIBE PLASTIKRAD L80M8	VENTILADOR PLÆSTICO DISCO L80M
37	G15473770	SOFFIANTE CONC.PNEUM.COMPL.	COMPL. FERTILIZER PNEUMATIC BL	SOUFFLEUR ENGRAIS PNEUMATIQUE	PNEUMATISCHES GEBLZSE KOMPL.	SOPLADOR ABONO NEUM-TICO COMPL
38	G13912101	UGELLO CONCIMAZIONE PNEUMATICA	NOZZLE PNEUMATIC FERTILIZATION			
39	G13912131	RACCORDO CONCIMAZ.PNEUMATICA	UNION PNEUMATIC FERTILIZATION	RACCORD FUMAGE PNEUMATIQUE	ANSCHLUSS PNEUMATISCHE DsNGUNG	UNIN DE ABONO NEUMAT.
40	G13912350	FASCETTA VASO ESPANSIONE	EXPANSION CHAMBER CLAMP	COLLIER VASE EXPANSION	SHELLE EXPANSIONSGEFZSS	ABRAZADERA DEPOSITO DE EXPANSIC
41	G13912512	VASO ESPANSORE D.35-50	D.35-50 EXPANSION TANK	VASE EXPANSION D.35-50	EXPANSIONSGEFZSS D.35-50	DEPOSITO DE EXPANSION D.35-50
42	G15471471	SUPPORTO CONVOGLIATORE	CONVEYOR SUPPORT	SUPPORT CONVOYEUR	HALTERUNG FTRDERER	SOPORTE TRANSPORTADOR
43	G18901960	GUIDATUBI PER 3 TUBI	PIPE GUIDE FOR 3 PIPES	GUIDE-TUBES POUR 3 TUBES	ROHRFSHRUNG FsR 3 ROHRE	GUA TUBOS PARA 3 TUBOS G
44	G18902650	MOLLA SUPP.VASO ESPANSIONE	EXPANSION TANK SUPPORT SPRING	RESSORT SUPP. VAS EXPANSION	OB. FEDER EXPANSIONSGEFZSS	MUELLE SOP. DEPOSITO DE EXPANSA
45	G15273150	RACCORDO FINALE	ENDING CONNECTION PIPE	RACCORD FINAL	ENDANSCHLUSS	UNION FINAL
46	G22230264	RONDELLA TUBI DEPR.	AIR PUMP PIPE WASHER	RONDELLE TUBES DISPOSITIF DE D	UNTERLEGSCHIEBE VAKUUMPUMPENRO	ARANDELA TUBOS BOMBA VACO. S
47	G23440551	FLANGIA CONVOGLIATORE HL/ID	CONVEYOR FLANGE HL/ID	BRIDE CONVOYEUR HL/ID	FLANSCH FTRDERER HL/ID	BRIDA CONDUCTOR HL/ID
48	G23440553	CONVOGLIATORE D.35 HL/ID	CONVEYOR- D.35 HL/ID	CONVOYEUR D. 35 HL/ID	FTRDERER D.35 HL/ID	CONDUCTOR D.35 HL/ID
49	F01020047	VITE M6X1X70 U5737 8.8ZN	SCR. M6X1X70 U5737 8.8ZN	VIS 6 X70 5737 8.G ZN	SCHRAUBE 6 X70 5737 8.G ZN	TORNILLO 6 X70 5737 8.G ZN
50	F01020445	VITE M8X1,25X30 U5739 8.8ZN	SCR. M8X1,25X30 U5739 8.8ZN	VIS M 8X1,25X30 U5739 8.8 ZN	SCHRAU. M8X1,25X30 U5739 8.8ZN	TORN. M8X1,25X30 U5739 8.8 ZN
51	F01020472	VITE M10X1,5X25 U5739 8.8ZN	SCR. M10X1,5X25 U5739 8.8ZN	VIS M10X1,5X25 U5739 8.8 ZN	SCHRAUBE M10X1,5X25 U5739 8.8 ZN	TORNILLO 10X25 U5739 8.8 ZN
52	F01020476	VITE M10X1,5X30 U5739 8.8ZN	SCR. M10X1,5X30 U5739 8.8ZN	VIS M10X1,5X30 U5739 8.8 ZN	SCHRAUBE M10X1,5X30U5739 8.8ZN	TORNIL.M10X1,5X30 U5739 8.8 ZN
53	F01200244	DADO M8X1,25 U5588 6.8ZN	NUT M8X1,25 U5588 6.8ZN	ECROU M8 X1,25 U5588 6.8 ZN	MUTTER M8 X1,25 U5588 6.8 ZN	TUERCA M8 X1,25 U5588 6.8 ZN
54	F01200270	DADO M10X1,5 U5588 6.8ZN	NUT M10X1,5 U5588 6.8ZN	ECROU M10X 1,5 U5588 6.8 ZN	MUTTER M10X 1,5 U5588 6.8 ZN	TUERCA M10X 1,5 U5588 6.8 ZN
55	F01420048	ROS.M8 8,4X 24X 2 U6593 ZN	WASHER M8 8,4X 24X2 U6593 ZN	RONDELLE M8 8,4X24X 2 U6593 ZN	SCHIEBEN M8 8,4X24X 2 U6593 ZN	ARANDELA M8 8,4X 24X2 U6593 ZN
56	F01430047	ROS.M6 6,4X 11X0,7 U8842J ZN	WASHER D6 DIN 6798 D.INT.GALV.	RONDELLE D6 DIN 6798 D. INT. Z	UNT. SCHEIBE D6 DIN 6798 D. IN	ARANDELA D6 DIN 6798 D.INT.ZN
57	F03100367	TUBO VULCANO PU R 76	FLEXIBLE PVC PIPE R 76	TUBE FLEXIBLE PVC R 76	76 SCHLAUCH PVC	TUBO FLEXIBLE PVC R 76
58	F02300023	FASCETTA STRING. 80/100 H.8	PIPE CLAMP 80/100 H.8	COLLIER DE SERRAGE 77/95	ROHRSCHELLE 80/100 H.8	ABRAZADERA P. MANGUERA 80/100
59	F02300020	FASCETTA STRING. 32/50 H.9	HOSE CLAMP 32/50 H.9			
60	F05150060	FASCETTA POLYA. 9X380 NERA	POLYAMIDE FASTENING STRAPS 9X3	COLLIER POLYAMIDE 9X350 31919	SHELLE POLYAMID 9X350 31919	ABRAZADERA POLIAMIDA 9X350 319
61	G66248098	TAPPO CONVOGLIATORE DEPR. SP	AIR PUMP CONVEYOR PLUG SP	BOUCHON CONVOYEUR TURBINE SP	VAKUUM FTRDERPFROPFEN SP	TAPN CONDUCTOR DEPR. SP D
62	F03150664	TAPPO MASCHIO 1/8 ESAGONO	1/8 MALE HEXAGON. PLUG	BOUCHON MALE 1/8 HEXAGONAL	GEWINDEPFROPFEN 1/8 SECHSKANT	TAPN MACHO 1/8 HEXÆGONO D
63	G17772000	ASS.TUBO MICROGRANULATORE	ASSY MICROGR. TUBE			
64	G16670670	DISTANZIALE D.48,1X1,5 L=25	SPACER D.48,1X1,5 L=25			
65	F03100500	TUBO EOLO 35 PU	TUBE EOLO 35 PU	TUBE EOLO 35 PU		TUBO EOLO

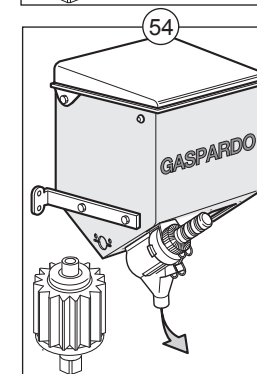
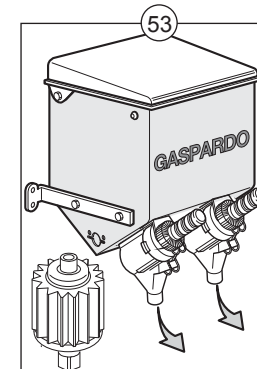
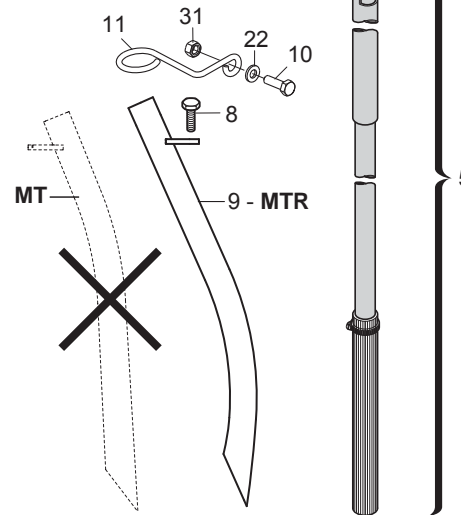
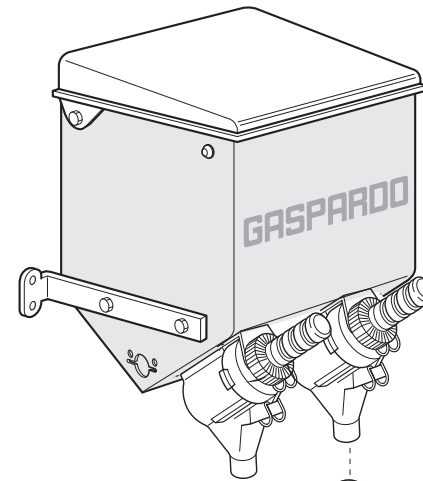
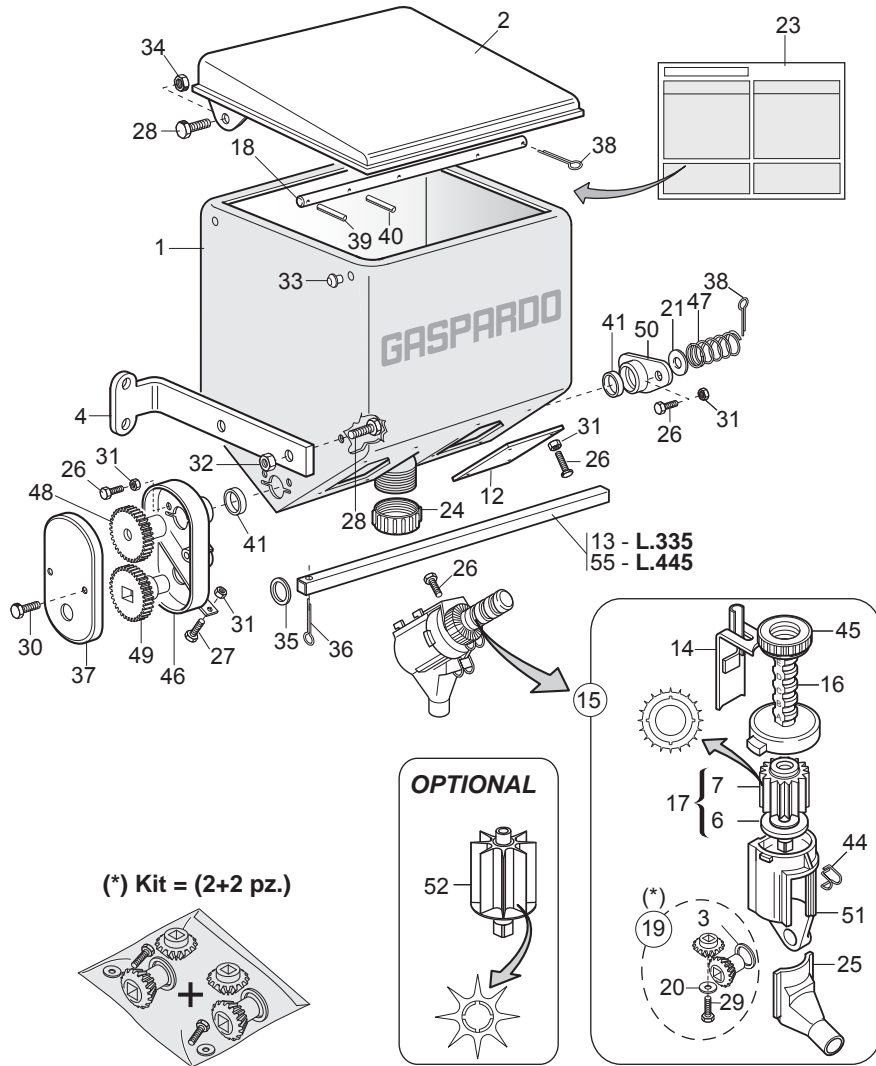
TAV. 450



SUPPORTI MICROGRANULATORE

TAV. 450

Pos.	Cod.	Descrizione	Description	Description	Benennung	Descripcion
1	G15272901	SUPPORTO BARRA MICRO MT	MT MICRO BAR SUPPORT	SUPPORT BARRE MICROGRAN. MT	STANGENHALTERUNG MICRO MT	SOPORTE BARRA MICRO MT
2	F20110706	CAV.Q.B=35 M=10X1,5 L=60	U BOLT Q.B=35 M=10X1,5 L=60	CAVALIER SUPPORT DISQUE SV	VERBINDUNG SCHEIBENHALTERUNG S	PERNO EN U SOP. DISCO SV
3	G18701140	RONDELLA 11 X35 X5 ZN	WASHER 11 X 35 X 5	RONDELLE 11 X35 X5	UNTERLEGSSCHEIBE 11 X35 X5	ARANDELA 11 X35 X5
4	F01200270	DADO M10X1,5 U5588 6.8ZN	NUT M10X1,5 U5588 6.8ZN	ECROU M10X 1,5 U5588 6.8 ZN	MUTTER M10X 1,5 U5588 6.8 ZN	TUERCA M10X 1,5 U5588 6.8 ZN
5	G15110091	SCONTRO A U SP.8 2F15 165	STRIKER	BRIDE 150 MM	ANSCHLAG	ELEMENTO DE EMPALME
6	F01200306	DADO M14X2 U5588 6.8ZN	NUT M14X2 U5588 6.8ZN	ECROU M14X2	MUTTER M14X2	DADO M14X2
7	F01020225	VITE M14X2X160 U5737 8.8BR	SCR. M14X2X160 U5737 8.8BR	VIS M 14 X160 5737 8.G	SCHRAUBE M 14 X160 5737 8.G	TORNILLO M 14 X160 5737 8.G
8	F01020236	VITE M14X2X220 U5737 8.8BR	SCR. M14X2X220 U5737 8.8BR	VIS M14X2X220 U5737 8.8 BR	SCHRAUBE M14X2X220 U5737 8.8	TORNILLO M14X2X220 U5737 8.8
9	F20120346	PUNTALE Q 35 ALETT.POLIT.NERO	SQ.TIP 35 BLACK			
10	G15472990	TUBO Q. 35X 4X 600	SQUARE PIPE 35 X4 X600	TUBE CARRE 35 X4 X600	VIERKANTROHR 35 X4 X600	TUBO CUADRADO 35 X4 X600
11	G15472980	TUBO Q. 35X 4X 750	SQUARE PIPE 35 X4 X750	TUBE CARRE 35 X4 X750	VIERKANTROHR 35 X4 X750	TUBO CUADRADO 35 X4 X750
12	G15171650	TUBO Q. 35X 4X 940	TUBE Q. 35X 4X 940			
13	G22220141	BRACCIO SCORREVOLE 4 FILE	SLIDING ARM- 4-ROW	BRAS GLISSANT 4 RANGEES	GLEITARM 4 REIHEN	BRAZO CORREDIZO 4 FILAS
14	G15475300	TUBO SUPPORTO MICRO L.1170	MICRO SUPPORT PIPE L.1170	TUBE SUPPORT MICRO L1170	ROHR HALTERUNG MIKRO L.1170	TUBO SOPORTE MICRO L1170
15	G15472970	TUBO Q. 35X 4X1200	SQUARE PIPE 35 X4 X1200	TUBE CARRE 35 X4 X1200	VIERKANTROHR 35 X4 X1200	TUBO CUADRADO 35 X4 X1200
16	G20890207	BARRA DIFFUSORI DISERBO L.1400	WEEDKILLER SPREADER BAR L.1400	BARRE DIFFUSEURS DESHERBAGE L.	DIFFUSORENSTANGE UNKRAUTVERT.	BARRA DIFUSORES HERBICIDA L.1400
17	G07000375	TUBO Q. 35X 3X1600	SQUARE PIPE 35X35X4X1600	TUBE CARRE 35X35X4X1600	VIERKANTROHR 35X35X4X1600	TUBO CUADRADO 35X35X4X1600
18	G22270115	BRACC.SCORR.6F.100 L.2000 SP	SLIDING ARM 6-R. 100 L.2000 SP	BRAS GLISS. 6 RANG. 100 L. 200	GLEITARM 6R.100 L.2000 SP	BRAZO CORRED. 6 FILAS. 100 L.2
19	G15475130	TUBO SUPPORTO SERBATOIO L.2480	TANK SUPPORT PIPE L.2480	TUBE SUPPORT RESERVOIR L2460	ROHR HALTERUNG BEHZLTER L.2480	TUBO SOPORTE DEPSITO L.2480 T
20	G07000028	TUBO Q. 35X 4X2980	SQUARE PIPE 35 X 35 X 3 X 2980	TUBE CARRE 35 X 35 X 3 X 2980	VIERKANTROHR 35 X 35 X 3 X 298	TUBO CUADRADO 35 X 35 X 3 X 29
21	G15475390	TUBO SUPPORTO MICRO L.3100	MICRO SUPPORT PIPE L.3100	TUBE SUPPORT MICRO L3100	ROHR HALTERUNG MIKRO L.3100	TUBO SOPORTE MICRO L.3100
22	G07000370	TUBO Q. 35X 3X3980	SQUARE PIPE 35X35X4X3980	TUBE CARRE 35X35X4X3980	VIERKANTROHR 35X35X4X3980	TUBO CUADRADO 35X35X4X3980
23	G15475540	TUBO SUPPORTO MICRO L.5100	MICRO SUPPORT PIPE L.5100	TUBE SUPPORT MICRO L5100	ROHR HALTERUNG MIKRO L.5100	TUBO SOPORTE MICRO L.51000
24	G15475400	TUBO SUPPORTO MICRO L.5800	MICRO SUPPORT PIPE L.3800	TUBE SUPPORT MICRO L5800	ROHR HALTERUNG MIKRO L.5800	TUBO SOPORTE MICRO L.5800
25	G15272421	SUPPORTO TUBO MICRO SX	LEFT MICRO PIPE SUPPORT	SUPPORT TUBE MICRO GCH.	HALTERUNG MIKROROHR LI	SOPORTE TUBO MICRO IZQ.
26	G15272411	SUPPORTO TUBO MICRO DX	RIGHT MICRO PIPE SUPPORT	SUPPORT TUBE MICRO DRT.	HALTERUNG MIKROROHR RE	SOPORTE TUBO MICRO DER.
27	G15273171	TIRANTE BARRA MICRO TEL150X100	TIE ROD BAR MICRO TEL150X100			
28	G15273161	TIRANTE BARRA MICRO MT T.150	TIE ROD BAR MICRO MT T.150			
29	F20110770	CAV.Q.B=80 M=14X2 L=119	U BOLT Q.B=80 M=14X2 L=119	BRIDE U M14X2X50 96X119 ZN	ANSCHLANG U M14X2X50 96X119 ZN	EL.DE EMPALME M14X2X50 96X119
30	G20970142	RONDELLA 32X4X15,5	WASHER 32X4X15-5	RONDELLE 32X4X15-5	UNTERLEGSSCHEIBE 32X4X15-5	ARANDELA 32X4X15-5
31	G20890205	MANICOTTO UNIONE MICRO L.250	MICRO JOINT SLEEVE L.250	MANCHON RACCORD MICRO L. 250	VERBINDUNGSMUFFE MIKRO L.250	MANGUITO DE UNIN MICRO L.250 M
32	G20890201	MANICOTTO UNIONE MICRO L.440	MICRO JOINT SLEEVE L.440	MANCHON RACCORD MICRO L. 440	VERBINDUNGSMUFFE MIKRO L.440	MANGUITO DE UNIN MICRO L.440 M
33	G20890111	MANIC.UNIONE RINV.MICRO L.470	MICRO TRANSM.JOINT SLEEVE L.47	MANCHON RACCORD TRANSMISSION M	VERBINDUNGSMUFFE VORGELEGE MIK	MANGUITO EMPALME TRANSM. MICRO
34	G20890130	MANICOTTO UNIONE MICRO L.550	MICRO JOINT SLEEVE	MANCHON RACCORD MICRO L. 550	VERBINDUNGSMUFFE MIKRO L.550	MANGUITO DE UNIN MICRO L.550 M
35	G20890202	MANICOTTO UNIONE MICRO L.690	MICRO JOINT SLEEVE L.690	MANCHON RACCORD MICRO L. 690	VERBINDUNGSMUFFE MIKRO L.690	MANGUITO DE UNIN MICRO L.690 M
36	G20890112	MANICOTTO UNIONE MICRO L.1110	MICRO JOINT SLEEVE L.1110	MANCHON RACCORD MICRO L. 1110	VERBINDUNGSMUFFE MIKRO L.1110	MANGUITO DE UNIN MICRO L.1110M
37	G20890203	MANICOTTO UNIONE MICRO L.1620	MICRO JOINT SLEEVE L.1620	MANCHON RACCORD MICRO L. 1620	VERBINDUNGSMUFFE MIKRO L.1620	MANGUITO DE UNIN MICRO L.1620M
38	F02200162	COPIGLIA 3X 20 U1336 ZN	SPLIT PIN 3 X20 1336 GALVAN.	GOUPIILLE 3 X20 1336 ZN	SPLINT 3 X20 1336 ZN	PASADOR 3 X20 1336 ZN
39	GA5270030	SUPPORTO MICRO T100	SUPPORT MICRO T100			
40	G13710561	SCONTRO A U SP.10 2F16,5 118	BRACKET A U SP.10 2F16,5 118			

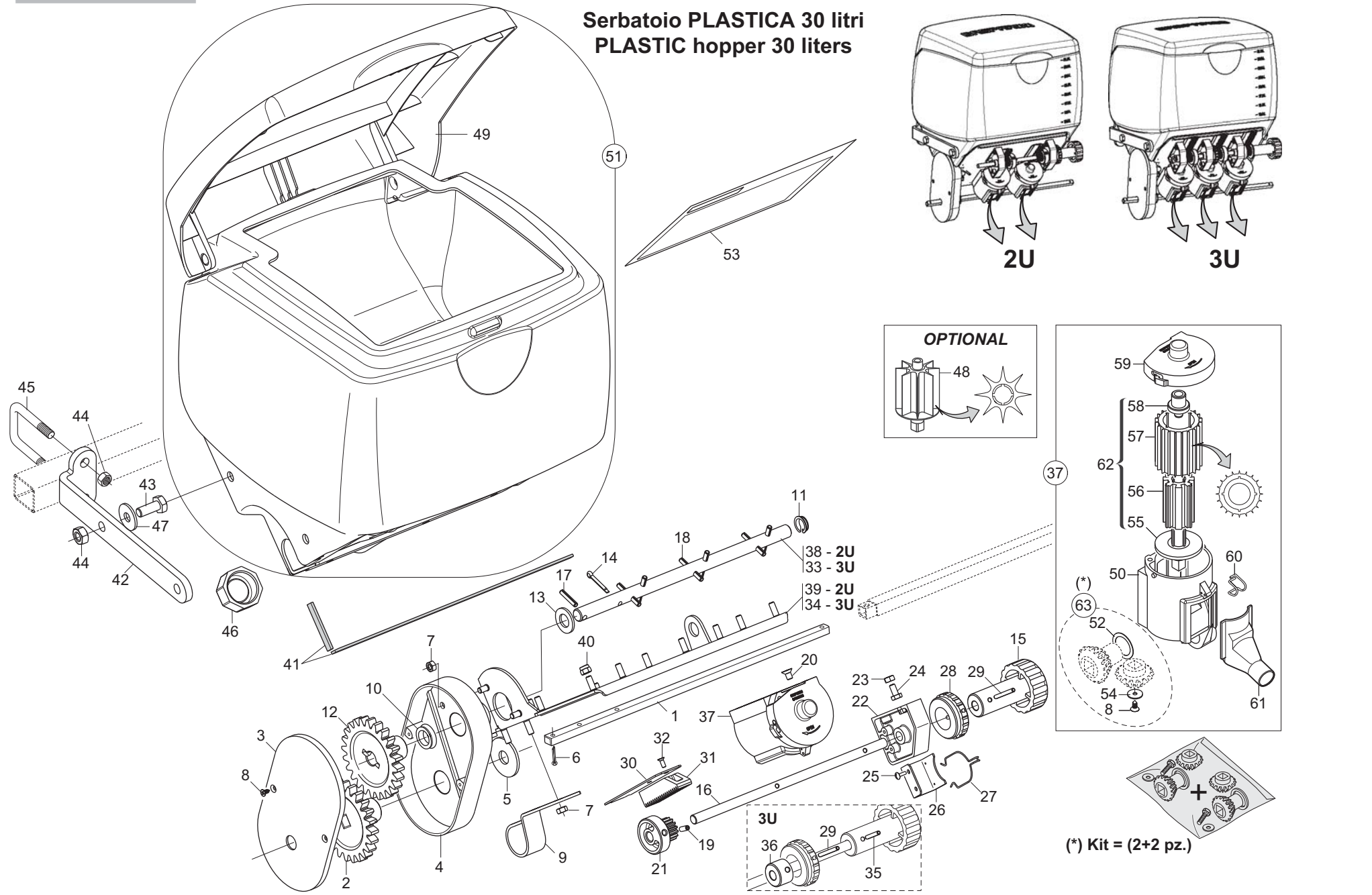


MICROGRANULATORE «16 Litri»

TAV. 321

Pos.	Cod.	Descrizione	Description	Description	Benennung	Descripcion
1	G19002932	SERBATOIO MICRO 250 PLA.	PLASTIC TANK MICRO 250	RESERVOIR MICRO 250 PLASTIQUE	MIKROGRANULATBEHZLTER PLAST.	DEPSITO MICRO 250 PLAST.
2	G15475231	COPERCHIO MICRO 250 PLA.	PLASTIC COVER MICRO 250	COUVERCLE MICRO 250 PLASTIQUE	MIKRO DECKEL 250 PLAST.	TAPA MICRO 250 PLAST.
3	G20970100	RONDELLA 30X0,5X22 ACC.	WASHER 30X0-5X22 ACC.	RONDELLE 30X0-5X22 ACIER	UNTERLEGSSCHEIBE 30X0-5X22 ACC.	ARANDELA 30X0-5X22 ACC.
4	G15475271	SUPPORTO MICRO	MICRO SUPPORT	SUPPORT MICROGRANULATEUR	HALTERUNG MICRO	SOPORTE MICRO
5	G11425091	TUBO DISCESA MICRO MT-MTE COMP	PIPE MICRO DESCENT MT-MTE	TUBE DESCENTE MICRO COMPL MT-M	SENKROHR MIKRO KOMPL. MT-MTE	TUBO DESCENSO MICRO COMPL. MT-
6	G19001802	RONDELLA-ALBERO MICRO	WASHER-SHAFT MICRO			
7	G66248189	DOSATORE M80	SEED METERING DEVICE M80	DOSEUR M80	DOSIERER M80	DOSIFICADOR M80
8	F01020436	VITE M8X1,25X20 U5739 8.8ZN	SCR. M8X1,25X20 U5739 8.8ZN	VIS M8X1,25X 20 U5739 8.8 ZN	SCHRAUBE M8X1,25X20U5739 8.8ZN	TORN. M8X1,25X20 U5739 8.8 ZN
9	G17772000	ASS.TUBO MICROGRANULATORE	ASSY MICROGR. TUBE			
10	F01020404	VITE M6X1X20 U5739 8.8ZN	SCREW M6X1X20 U5739 8.8ZN	VIS M6X1X20 U5739 8.8ZN	SCHRAUBE M6X1X20 U5739 8.8ZN	TORNILLO M6X1X20 U5739 8.8ZN
11	G18904290	MOLLA GUIDA TUBO DISC.MICRO ZN	MICRO GUIDE SPRING	RESSORT GUIDE MICRO	FsHRUNGSFEDER MIKRO	MUELLE GUID.MICRO
12	G20890079	PIASTRA DI CHIUSURA	CLOSURE PLATE	PLAQUE DE FERMETURE	ABSCHLUSSPLATTE	PLACA DE CIERRE
13	G17175050	ASSE MICRO L.335	AXLE MICRO L.335			
14	G20890089	REGOLATORE DI APERTURA	OPENING REGULATOR	REGULATEUR D'OUVERTURE	TFFNUNGSEINSTELLER	REGULADOR DE ABERTURA
15	G20890135	DISTRIB.NYLON COMPL.E SCIVOLO	DISTRIB. NYLON ASSY. AND CHUTE	MINIMAX COMPL 20C MICRO	SZAPPARAT NYLON KOMPL. UND RUT	DISTRIB.NYLON COMPL.Y PLANO IN
16	G20890151	VITE-SCALA GRADUATA	GRADUATED SCALE BOLT	VIS-ECHELLE GRADUEE	SCHRAUBE - GRADSKALA	TORNILLO - ESCALA GRADUADA
17	G20890158	DOSATORE MICRO COMPL.	ROTOR DIST. MICRO 20 GROOVES	ROTOR DOSEUR 20C MICRO COMPL.	DOSIERER MIKRO KOMPL. 20 SEKT	DOSIFICADOR MICRO COMPL.20 SEC
18	G20890194	ASSE AGITATORE SERB.MICRO 250	STIRRER SPINDLE- MICRO TANK 25	AXE AGITATEUR RESERVOIR MICRO	SAMENMISCHERACHSE BEH.MIKRO 25	EJE AGITADOR DEPS. MICRO 250 A
19	G20890211	KIT INGRANAGGI DISTRIB.MICRO	DISTRIBUTION GEAR KIT MICRO			KIT ENGRANAJES DISTRIB.MICRO
20	F01420011	ROS.M4 4,3X 16X 1 U6593 ZN	FLAT WASHER 4-3X 16X1-5 6593 G	ROND.PLATE 4-3X 16X1-5 6593 ZN	SCHEIBE 4-3X 16X1-5 6593 ZN	ARAND. PLANA 4-3X 16X1-5 6593
21	G18700220	RONDELLA 16,5 X28 X0,3 ACC.	WASHER 16X 28X 0,3 STEEL			
22	F01420036	ROS.M6 6,4X 18X 2 U6593 ZN	WASHER M6 6,4X 18X2 U6593 ZN	RONDELLE M6 6,4X18X2 2 U6593ZN	SCHEIBEN M6 6,4X18X 2 U6593 ZN	ARANDELA M6 6,4X18X2 U6593 ZN
23	G19700832	DECAL.TABELLA MICRO SP540	LABEL TAB. MICRO SP540			
24	G16675090	TAPPO PLASTICA MICRO C/OR	PLASTIC PLUG MICRO C/OR			
25	G66248154	SCIVOLO DISTR. M80	CHUTE- DISTRIB. M80	ENTONNOIR DOSEUR- MINIMAX MICRO	SAAPPARAT RUTSCHE M80	PLANO INCLINADO DISTR. M80
26	F01020397	VITE M6X1X10 U5739 8.8ZN	SCR. M6X1X10 U5739 8.8ZN	VIS 6X10 5739 8.G ZN	SCHRAUBE 6X10 5739 8.G ZN	TORNILLO 6X10 5739 8.G ZN
27	F01020403	VITE M6X1X16 U5739 8.8ZN	SCR. M6X1X16 U5739 8.8ZN	VIS M6X1X16 U5739 8.8 ZN	SCHRAUBE M6X1X16 U5739 8.8 ZN	TORNILLO M6X1X16 U5739 8.8 ZN
28	F01020472	VITE M10X1,5X25 U5739 8.8ZN	SCR. M10X1,5X25 U5739 8.8ZN	VIS M10X1,5X25 U5739 8.8 ZN	SCHRAUBE M10X1,5X25 U5739 8.8	TORNILLO 10X25 U5739 8.8 ZN
29	F01070061	VITE A3,9X1,34X9,5 U6954 4.8NI	SCR. H3,9X1,34X9,5 U6954 4.8NI	VIS 3,9X 9,5 DIN 7981	SCHRAUBE 3,9X 9,5 DIN 7981	TORNILLO 3,9X 9,5 DIN 7981
30	F01070121	VITE A3,9X1,34X9,5 U6955 4.8NI	SCR. H3,9X1,34X9,5 U6955 4.8NI	VIS 3-9X 9-5 DIN 7982	SCHRAUBE 3-9X 9-5 DIN 7982	TORNILLO 3-9X 9-5 DIN 7982
31	F01200232	DADO M6X1 U5588 6.8ZN	NUT M6X1 U5588 6.8ZN	ECROU 6 UNI 5588 6.8 ZN	MUTTER 6 UNI 5588 6.8 ZN	TUERCA 6 UNI 5588 6.8 ZN
32	F01200270	DADO M10X1,5 U5588 6.8ZN	NUT M10X1,5 U5588 6.8ZN	ECROU M10X 1,5 U5588 6.8 ZN	MUTTER M10X 1,5 U5588 6.8 ZN	TUERCA M10X 1,5 U5588 6.8 ZN
33	G66248223	TAPPO SUPP.SPAND.D.11	PLUG MAN. SPR. SUPP. D.11	BOUCHON SUPPORT EP. ENGRAIS D.	HALTERUNGSPFROPFEN DsNGERSTR.	TAPN SOPORTE ABON.D.11 D
34	F01220033	DADO M10X1,5 D980 8ZN	NUT M10X1,5 D980 8ZN	ECROU M10X1,5 D980 8ZN	MUTTER M10X1,5 D980 8ZN	TUERCA M10X1,5 D980 8ZN
35	F01410088	ROS.M14 15X 28X2,5 U6592 ZN	WAS.M14 15X 28X2,5 U6592 ZB	RON.M14 15X 28X2,5 U6592 ZB	SCH.M14 15X 28X2,5 U6592 ZB	ARA.M14 15X 28X2,5 U6592 ZB
36	F02200161	COPIGLIA 3X 15 U1336 ZN	SPLIT PIN 3 X15 1336 GALVAN.	GOUPILLE 3 X15 1336 ZN	SPLINT 3 X15 1336 ZN	PASADOR 3 X15 1336 ZN
37	G66248138	COPERCHIO SUPP.TRASM. M80	TRANSMISSION SUPP. COVER M80	COUVERCLE SUPPORT ENTRAINEM.	DECKEL ANTRIEBSHALTERUNGS M80	TAPA SOP. TRANSM. M80
38	F02200194	COPIGLIA 4X 25 U1336 ZN	SPLIT PIN 4 X25 1336 GALVAN.	GOUPILLE 4 X25 1336 ZN	SPLINT 4 X25 1336 ZN	PASADOR 4 X25 1336 ZN
39	F02100083	SPINA E.P. 5X 24 U6873 C70 BR	PIN EL. 5 X24 DIN 1481	FICHE EL. 5 X24 DIN 1481	SPANNSTIFT 5 X24 DIN 1481	CLAVIJA EL.5 X24 DIN 1481
40	F02100314	SPINA EL.5 X36 DIN 1481 INOX	PIN EL.5 X36 DIN 1481 INOX			
41	F03011081	GUARNIZIONI LABBRO DE100	LIP GASKET D100			
42	F02300017	FASCETTA STRING. 20/32 H.9	CLAMP 20/32 H.9	GAINE 20/32 H.9	KLEMME 20/32 H.9	ABRAZADERA 20/32 H.9
43	G65336041	MOLLA SPEC.ZN STRINGITUBO M80	SPEC.SPRING ZN , PIPE CLAMP M8	RESSORT SPEC. ZN SERRE-TUBE M8	SPEZIALFEDER ZN ROHRSCHELLE M8	MUELLE ESPEC. ZN APLASTA TUBOS
44	G65336046	MOLLA SPEC.ZN SCIVOLO M80	SPEC SPRING ZN CHUTE M80	RESSORT SPEC. ZN LANCOIR M80	SPEZIALFEDER ZN RUTSCHE M80	MUELLE ESPEC. ZN PLANO INCLINA
45	G66248125	GHIERA REGOLAZIONE M80	ADJUSTMENT KNURLED NUT M80	BAGUE REGLAGE M80	EINSTELLMUTTER M80	CONTRATUERCA REGULACIN M80 G
46	G66248126	SUPP.TRASMISSIONE M80	TRANSM.SUPPORT M80	SUPPORT ENTRAINEMENT M80	ANTRIEBSHALTERUNG M80	SOPORTE TRANSMISIN M80 S
47	G65338043	MOLLA COMP.ZN SERB. M80	ZN TANK COMP.SPRING M80	RESSORT COMPL. ZN RESERVOIR M8	DRUCKFEDER ZN BEHZLTER M80	MUELLE COMP.ZN DEPS. M80 A
48	G66248119	RUOTA DENTATA Z-24 M80	GEAR-WHEEL Z-24 M80	ROUE DENTEE Z-24 M80	ZAHNRAD Z-24 M80	RUEDA DENTADA Z-24 M80
49	G66248120	RUOTA DENT.FORO QUAD.Z-24 M80	GEAR-WHEEL- SQUARE HOLE- Z-24	ROUE DENTEE TROU CARRE Z-24 M8	RAD VERZAHNT VIERKANTLOCH.Z-24	RUEDA DENT.ORIFICIO CUAD.Z-24
50	G66248121	BOCCOLA CON FLANGIA M80	BUSHING W/ FLANGE M80	SUPPORT AVEC BRIDE M80	BsCHSE MIT FLANSCH M80	CASQUILLO CON BRIDA M80
51	G66248123	CORPO DISTRIBUZIONE M80	DISTRIBUTION CASING M80	CORPS DISTRIBUTION M80	VERTEILUNGSKTRPER	CUERPO DISTRIBUCIN M80 C
52	G22250240	DOSATORE 8 PALE COMPL. SV	DISTRIBUTOR MICRO COMPL.			DOSIFICADOR COMPL. SV
53	G15476270	SERBATOIO MICRO 250 2 U.PLA	PLASTIC TANK MICRO 250 2 OUTL.			
54	G15476280	SERBATOIO MICRO PLA 1U COMPL	COMPL. MICRO TANK PLA 1U	RESERVOIR MICRO PLA 1U COMPL.	BEH-LTER MIKROGRANULAT PLASTIK	DEPOSITO MICRO PLA 1U COMPL.
55	G20890081	ASSE DISTRIB.MICRO L.445	MICRO DISTR. SPINDLE- L. 445	AXE DISTRIBUTEUR MICRO L. 445	MIKRO STREUERACHSE L 445	EJE DISTRIB.MICRO L.445

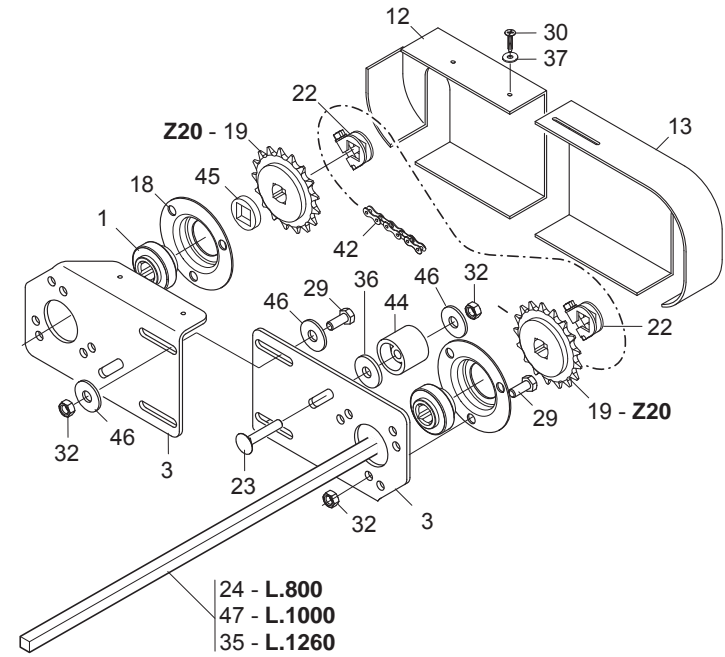
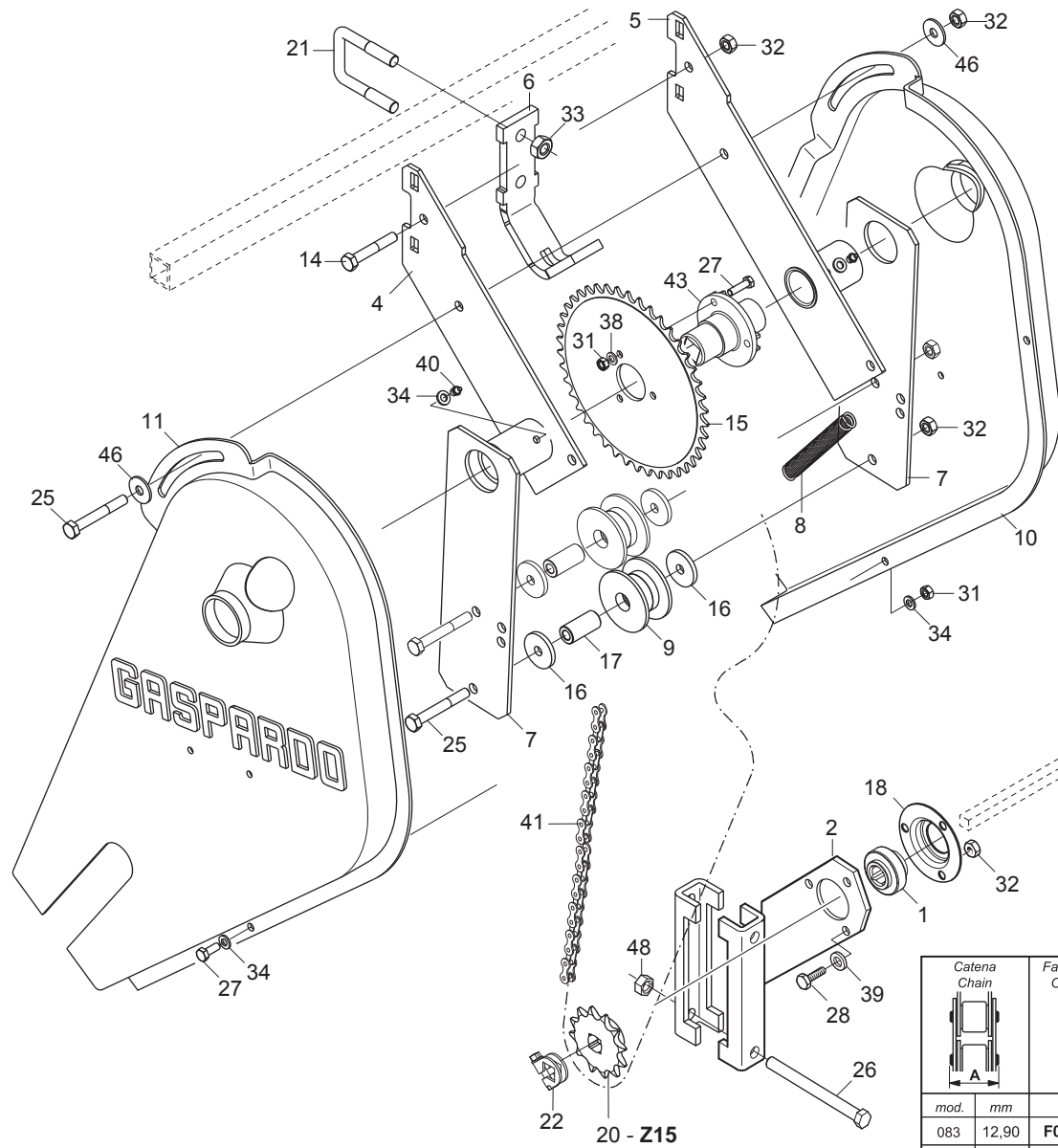
Serbatoio PLASTICA 30 litri
 PLASTIC hopper 30 liters



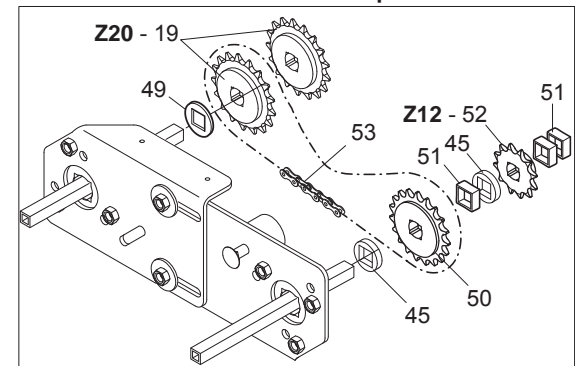
MICROGRANULATORE «30 Litri»

TAV. 391

Pos.	Cod.	Descrizione	Description	Description	Benennung	Descrpcion
1	G11420221	ASSE TRASM.DISTR.	DISTR. TRANSMISSION AXLE			
2	G66248120	RUOTA DENT.FORO QUAD.Z-24 M80	GEAR-WHEEL- SQUARE HOLE- Z-24	ROUE DENTEE TROU CARRE Z-24 M8	RAD VERZAHNT VIERKANTLOCH.Z-24	RUEDA DENT.ORIFICIO CUAD.Z-24
3	G66248138	COPERCHIO SUPP.TRASM. M80	TRANSMISSION SUPP. COVER M80	COUVERCLE SUPPORT ENTRAINEM.	DECKEL ANTRIEBSHALTERUNGS M80	TAPA SOP. TRANSM. M80
4	G66248126	SUPP.TRASMISSIONE M80	TRANS.M.SUPPORT M80	SUPPORT ENTRAINEMENT M80	ANTRIEBSHALTERUNG M80	SOPORTE TRANSMISIN M80 S
5	F01420084	ROS.M14 14,5X 36X 3 U6593 ZN	GALVANIZED WASHER 14 X36 X3	RONDELLE 14 X36 X3 ZN	UNTERLEGSSCHEIBE 14 X36 X3 ZN	ARANDELA 14 X36 X3 ZN
6	F02200162	COPIGLIA 3X 20 U1336 ZN	SPLIT PIN 3 X20 1336 GALVAN.	GOUPILLE 3 X20 1336 ZN	SPLINT 3 X20 1336 ZN	PASADOR 3 X20 1336 ZN
7	F01200232	DADO M6X1 U5588 6.8ZN	NUT M6X1 U5588 6.8ZN	ECROU 6 UNI 5588 6.8 ZN	MUTTER 6 UNI 5588 6.8 ZN	TUERCA 6 UNI 5588 6.8 ZN
8	F01070122	VITE A3,9X1,34X13 U6955 4.8NI	SCR. H3,9X1,34X13 U6955 4.8NI	VIS M3,9X1,34X13 U6955 4.8NI	SCHRA.M3,9X1,34X13 U6955 4.8NI	TORN.M3,9X1,34X13 U6955 4.8NI
9	G11435240	SUPPORTO ASSE CARTER	CARTER AXLE SUPPORT			
10	F03011081	GUARNIZIONI LABBRO DE100	LIP GASKET D100			
11	F04150042	BOCCOLA CLIP IGUS MCM-14-03	BUSH CLIP IGUS MCM-14-03			
12	G66248119	RUOTA DENTATA Z-24 M80	GEAR-WHEEL Z-24 M80	ROUE DENTEE Z-24 M80	ZAHNRAD Z-24 M80	RUEDA DENTADA Z-24 M80
13	F01410088	ROS.M14 15X 28X2,5 U6592 ZN	WAS.M14 15X 28X2,5 U6592 ZB	RON.M14 15X 28X2,5 U6592 ZB	SCH.M14 15X 28X2,5 U6592 ZB	ARA.M14 15X 28X2,5 U6592 ZB
14	F02200194	COPIGLIA 4X 25 U1336 ZN	SPLIT PIN 4 X25 1336 GALVAN.	GOUPILLE 4 X25 1336 ZN	SPLINT 4 X25 1336 ZN	PASADOR 4 X25 1336 ZN
15	G19003670	MANOPOLA SPEEDY SET	SPEEDY HANDLE SET	POIGN+E SPEEDY SET	GRIFF SPEEDY SET	EMPUDADURA SPEEDY SET
16	G17772900	ALBERO REGOLAZIONE SPEEDY SET	ADJUSTING AXLE SPEEDY SET			
17	F02100083	SPINA E.P. 5X 24 U6873 C70 BR	PIN EL. 5 X24 DIN 1481	FICHE EL. 5 X24 DIN 1481	SPANNSTIFT 5 X24 DIN 1481	CLAVIJA EL.5 X24 DIN 1481
18	F02100314	SPINA EL.5 X36 DIN 1481 INOX	PIN EL.5 X36 DIN 1481 INOX			
19	F01050083	VITE M5X0,8X12 U5927 A2IX	SCR. M5X0,8X12 U5927 A2IX	GOUJON 5X12 UNI 5927	STIFT 5X12 UNI 5927	TORNILLO SIN CABEZA 5X12 5927
20	F01030041	VITE M6X1X10 U5933 10.9ZD	SCREW M6X1X10 U5933 10.9ZD	VIS M6X1X10 U5933 10.9ZD	SCHRAU. M6X1X10 U5933 10.9ZD	TORNILLO M6X1X10 U5933 10.9ZD
21	G19003680	INGRANAGGIO Z.15	GEAR Z 15	ENGRENAGE Z 15	ZAHNRADE Z 15	ENGRANAJE Z 15
22	G19003660	SUPPORTO	SUPPORT	SUPPORT	HALTERUNG	SOPORTE
23	F01200233	DADO M6X1 U5588 A2IX	NUT M6X1 U5588 A2IX	ECROU M 6X 1 U5588 I	MUTTER M 6X 1 U5588	TUERCA M 6X 1 U5588
24	F01020417	VITE M6X1X12 U5739 A2IX	SCR. M6X1X12 U5739 A2IX	VIS M6 X1 X12 U5739 A2 IX	SCHRAUBE M6X1X12 U5739 A2 IX	TORNILLO M6X1 X12 U5739 A2 IX
25	F01080022	VITE M3X0,5X10 U7688 4.8ZN	SCR. M3X0,5X10 U7688 4.8ZN			
26	G16670310	SUPPORTO MOLLA REGOLATORE	ADJ.SPRING SUPPORT			
27	G65336055	MOLLA SPEC.REGOL.SPAND. SP	SPEC SPRING MAN. SPR. ADJUSTM.	RESSORT SPEC. REGL. EP. ENTRA	SPEZIALFEDER STREUEREINSTELLUN	MUELLE ESPEC. REGUL. ABONADORA
28	G19003720	GHIERA REGOLAZIONE SX	LEFT ADJUSTMENT KNURLED NUT	MANCHON DE REGLAGE GCH	EINSTELLMUTTER LINKS	ROSCA REGULACION IZQUIERDA
29	F02100066	SPINA E.P. 4X 36 U6873 C70 BR	PIN EL. 4X 36 U6873 C70 BR			
30	G17772140	REGOLATORE APERTURA MICRO	AIR REGULATOR			
31	G19003690	CREMAGLIERA	RACK	CREMAILLIERE	ZAHNSTANGE	CREMALLERA
32	F01080032	VITE M4X0,7X10 U7688 A2IX	SCR. M4X0,7X10 U7688 A2IX	VIS M4X 0,7X10 U7688 A2 IX	SCHRAUBE M4X 0,7X10 7688 A2 IX	TORNILLO M4X0.7X10 U7688 A2 IX
33	G15276110	ASSE AGITATORE SERB.30L 3U	STIRRER SPINDLE 30L 3U			
34	G15276120	PIASTRA DOSATORI 3U	MICRO DISTR.PLATE 3U			
35	F02100062	SPINA E.P. 4X 24 U6873 C70 BR	PIN EL. 4 X24 DIN 1481	FICHE EL. 4 X24 DIN 1481	SPANNSTIFT 4 X24 DIN 1481	CLAVIJA EL.4 X24 DIN 1481
36	G17772550	BOCCOLA 10,4 X25 X16 FORO 5 ZN	BUSHING D10,4X25X16 HOLE 5 ZN			
37	G11400060	DISTRIBUTORE MICRO SPEEDY SET	DISTRIBUTOR MICRO SPEEDY SET			
38	G15276160	ASSE AGITATORE SERB.30L 2U	STIRRER SPINDLE 30L 2U			
39	G15276130	PIASTRA DOSATORI 2U	MICRO DISTR.PLATE 2U			
40	F01230024	DADO M6X1 D982 A2IX	NUT M6X1 D982 A2IX	ECROU AUTOB.NOR.10	SELBSTSP. MUTTER NOR. 10	TUERCA AUTOB. NOR. 10
41	F07100132	MOUSSE ADESIVA MM 5X3	ADHESIVE MOUSSE MM 5X3			
42	G15475271	SUPPORTO MICRO	MICRO SUPPORT	SUPPORT MICROGRANULATEUR	HALTERUNG MICRO	SOPORTE MICRO
43	F01020472	VITE M10X1,5X25 U5739 8.8ZN	SCR. M10X1,5X25 U5739 8.8ZN	VIS M10X1,5X25 U5739 8.8 ZN	SCHRAUBE M10X1,5X25 U5739 8.8	TORNILLO 10X25 U5739 8.8 ZN
44	F01200270	DADO M10X1,5 U5588 6.8ZN	NUT M10X1,5 U5588 6.8ZN	ECROU M10X 1,5 U5588 6.8 ZN	MUTTER M10X 1,5 U5588 6.8 ZN	TUERCA M10X 1,5 U5588 6.8 ZN
45	F20110706	CAV.Q.B=35 M=10X1,5 L=60	U BOLT Q.B=35 M=10X1,5 L=60	CAVALIER SUPPORT DISQUE SV	VERBINDUNG SCHEIBENHALTERUNG S	PERNO EN U SOP. DISCO SV
46	G16675090	TAPPO PLASTICA MICRO C/OR	PLASTIC PLUG MICRO C/OR			
47	F01420060	ROS.M10 10,5X 30X2,5 U6593 ZN	WASHER 10,5X30	RONDELLE 10,5X30	SCHEIBE 10,5X30	ARANDELA 10,5X30
48	G22250240	DOSATORE 8 PALE COMPL. SV	DISTRIBUTOR MICRO COMPL.			DOSIFICADOR COMPL. SV
49	G19006413	COPERCHIO SERB.MICRO DELTA	TANK COVER MICRO DELTA			
50	G66248123	CORPO DISTRIBUZIONE M80	DISTRIBUTION CASING M80	CORPS DISTRIBUTION M80	VERTEILUNGSKTRPER	CUERPO DISTRIBUCIN M80 C
51	G19006600	SERBATOIO MICRO 30L	TANK MICRO 30L			
52	G20970100	RONDELLA 30X0,5X22 ACC.	WASHER 30X0-5X22 ACC.	RONDELLE 30X0-5X22 ACIER	UNTERLEGSSCHEIBE 30X0-5X22 ACC.	ARANDELA 30X0-5X22 ACC.
53	F19707710	TABELLA MICRO SPEEDY SET	TABLE MICRO SPEEDY SET			
54	F01420011	ROS.M4 4,3X 16X 1 U6593 ZN	FLAT WASHER 4-3X 16X1-5 6593 G	ROND.PLATE 4-3X 16X1-5 6593 ZN	SCHEIBE 4-3X 16X1-5 6593 ZN	ARAND. PLANA 4-3X 16X1-5 6593
55	G19001802	RONDELLA-ALBERO MICRO	WASHER-SHAFT MICRO			
56	G66248188	ANIMA DOSATORE M80	INSERTED ROLLER SEED METERING	AME DOSEUR M80	DOSIERERKERN M80	MACHO DOSIFICADOR M80
57	G66248189	DOSATORE M80	SEED METERING DEVICE M80	DOSEUR M80	DOSIERER M80	DOSIFICADOR M80
58	G66248191	PERNO ASSE UNIVERSALE M80	PIN UNIVERSAL AXLE M80	PIVOT AXE UNIVERSEL M80	ZAPFEN UNIVERSALACHSE M80	PERNO EJE UNIVERSAL M80
59	G19006390	COPERCHIO DISTR.MICRO SPEEDY S	DISTR.TOR COVER MICRO SPEEDY S			
60	G65336046	MOLLA SPEC.ZN SCIVOLO M80	SPEC SPRING ZN CHUTE M80	RESSORT SPEC. ZN LANCOIR M80	SPEZIALFEDER ZN RUTSCHE M80	MUELLE ESPEC. ZN PLANO INCLINA
61	G66248154	SCIVOLO DISTR. M80	CHUTE- DISTRIB. M80	ENTONNOIR DOSEUR MINIMAX MICRO	SAAPPARAT RUTSCHE M80	PLANO INCLINADO DISTR. M80
62	G20890158	DOSATORE MICRO COMPL.	ROTOR DIST. MICRO 20 GROOVES	ROTOR DOSEUR 20C MICRO COMPL.	DOSIERER MIKRO KOMPL. 20 SEKT	DOSIFICADOR MICRO COMPL.20 SEC
63	G20890211	KIT INGRANAGGI DISTRIB.MICRO	DISTRIBUTION GEAR KIT MICRO			KIT ENGRANAJES DISTRIB.MICRO



Varianti per versione "BB"



Catena Chain		Falsa maglia Offset link	Maglia giunto Connecting link
mod.	mm	Cod.	Cod.
083	12,90	F06080655	F06080501
084	14,60	F06080666	F06080502
10 A-1 ASA 50	20,50	F06080644	F06080499

TRASMISSIONE SPANDICONCIME E MICROGRANULATORE

TAV. 332

Pos.	Cod.	Descrizione	Description	Description	Benennung	Descripcion
1	G14830390	CUSCINETTO FORO QUADRO	SQUARE-HOLED BEARING	ROULEMENT TROU CARRE	VIERKANTLAGER	COJINETE ORIFICIO CUADRADO
2	G15470381	SUPPORTO RINVIO TUBO 150	TRANSM. SUPPORT FOR PIPE 150	SUPPORT RENVOI POUR TUBE 150	HALTERUNG VORGELEGE ROHR 150	SOPORTE TRANSMISION TUBO 150
3	G15470851	FIANCO SUPP.TRASM.SPANDI	SPREADER TRANSM. SIDE SUPPORT	COTE SUPPORT TRANSM. EPAND.	SEITEN HALTER. ANTRIEB DUNGERS	COSTADO SOPORTE TRANSM. ABONAD
4	G15476880	RIBADITURA SUPP.TRASM.SX	LH TRANSMISSION SUPPORT			
5	G15476890	RIBADITURA SUPP.TRASM.DX	RH TRANSMISSION SUPPORT			
6	G15476390	SCONTRO CENTRALE	CENTRAL PLATE			
7	G15475311	SUPPORTO RULLINI TENDIC. MICRO	MICRO CHAIN STRETCHER ROLLERS			
8	G18902960	MOLLA TRAZ. TRASM.RUOTA ZN	TRANSMISSION TENSIONER SPRING	RESSORT TRACT. ENTRAIN. ROUE Z	ZUGFEDER RADANTRIEB ZN	MUELLE TRAC. TRANSM.RUEDA ZN
9	G19000091	ROCCHETTO 2 META'	CHAIN TENSIONER	TENDEUR DE CHAINE 2 MOITIE	KLEINRAD SPANNER SA	CARRETE TENSOR SA
10	G19002810	CARTER RINVIO MICRO DX	RIGHT MICRO TRANSM. CASE	CARTER TRANSM. MICRO DRT	VORGELEGEGEHZUSE MIKRO RE	CæRTER TRANSMISIN MICRO DER C
11	G19002820	CARTER RINVIO MICRO SX	LEFT MICRO TRANSM. CASE	CARTER TRANSM. MICRO GCH	VORGELEGEGEHZUSE MIKRO LI	CæRTER TRANSMISIN MICRO IZQ C
12	G19002830	CARTER TRASMISSIONE SUPERIORE	TOP TRANSMISSION CASE	CARTER ENTRAINEMENT SUPERIEUR	OBERES ANTRIEBSGEHZUSE	CæRTER TRANSMISIN SUPERIOR C
13	G19002880	CARTER INFERIORE TRASM.SPAND.	BOTTOM SPREADER TRANSM. CASE	CARTER INFERIEUR TRANSM EPAND.	UNTER. ANTRIEBSGEHZUSE DsNG.GE	CæRTER INFER. TRANSMISIN ABONC
14	F01020072	VITE M8X1,25X50 U5737 8.8ZN	SCR. M8X1,25X50 U5737 8.8ZN	VIS M8X1,25X50 U5737 8.8 ZN	SCHR. M8X1,25X50 U5737 8.8 ZN	TORN. M8X1,25X50 U5737 8.8 ZN
15	G20890128	CORONA Z-42 SP	RING GEAR Z-42 SP	COURONNE Z-42 SP	KRANZ Z-42 SP	CORONA Z-42 SP
16	G18700320	RONDELLA 8,5 X32 X4 ZN	WASHER 8,5 X32 X4 GALV.ED			
17	G20980086	BOCCOLA.DIST.D.8,5X16X31	BUSHING SPAC.. D.8-5X16X31	BOITE ENTRETOISE D. 8-5X16X31	VERTEILERBsCHSE D.8-5X16X31	CASQUILLO.DIST.D.8-5X16X31
18	G22230094	SUPPORTO CUSCINETTO	BEARING SUPPORT	SUPPORT PALIER	LAGERBsCHSE	SOPORTE COJINETE
19	G22250007	INGR.CON MOZZO 1/2 Z-20 SV	GEARS- W/ HUB 1/2 Z-20 SV	ENGRENAGE 1/2 Z-20	ZAHNRAD MIT NABE 1/2 Z-20 SV	ENGRAN.CON PERNO 1/2 Z-20 SV
20	G22250028	PIGNONE Z-15 SV	Z-15 PINION SV	PIGNON Z-15 SV	RITZEL Z-15 SV	PI¼N Z-15 SV P
21	F20110706	CAV.Q.B=35 M=10X1,5 L=60	U BOLT Q.B=35 M=10X1,5 L=60	CAVALIER SUPPORT DISQUE SV	VERBINDUNG SCHEIBENHALTERUNG S	PERNO EN U SOP. DISCO SV
22	G22505085	FERMO ASSE IN LAMIERA	PLATE AXLE STOP	ARRET AXE EN TOLE	FESTSTELLVORRICHTUNG BLECHACHS	BLOQUEO EJE DE CHAPA
23	F01060047	VITE M8X1,25X45 U5732 4.6ZN	SCR. M8X1,25X45 U5732 4.6ZN	VIS 8X45 5732 4.6 ZN	SCHRAUBE 8X45 5732 4.6 ZN	TORNILLO 8X45 5732 4.6 ZN
24	G22230142	ASSE 4 FILE L.800	4-ROW SPINDLE L.800	AXE 4 RANGEES L. 800	ACHSE 4 REIHEN B. 800	EJE 4 FILAS L.800
25	F01020077	VITE M8X1,25X60 U5737 8.8ZN	SCR. M8X1,25X60 U5737 8.8ZN	VIS M8X1,25X60 U5737 8.8 ZN	SCHRAU. M8X1,25X60 U5737 8.8ZN	TORN. M8X1,25X60 U5737 8.8 ZN
26	F01020236	VITE M14X2X220 U5737 8.8BR	SCR. M14X2X220 U5737 8.8BR	VIS M14X2X220 U5737 8.8 BR	SCHRAUBE M14X2X220 U5737 8.8	TORNILLO M14X2X220 U5737 8.8
27	F01020403	VITE M6X1X16 U5739 8.8ZN	SCR. M6X1X16 U5739 8.8ZN	VIS M6X1X16 U5739 8.8 ZN	SCHRAUBE M6X1X16 U5739 8.8 ZN	TORNILLO M6X1X16 U5739 8.8 ZN
28	F01020432	VITE M8X1,25X16 U5739 8.8ZN	SCR. M8X1,25X16 U5739 8.8ZN	VIS M8 X1,25X16 U5739 8.8 ZN	SCHRAUBE M8X1,25X16U5739 8.8ZN	TORNILLO M8X1,25X16U5739 8.8ZN
29	F01020436	VITE M8X1,25X20 U5739 8.8ZN	SCR. M8X1,25X20 U5739 8.8ZN	VIS M8X1,25X 20 U5739 8.8 ZN	SCHRAUBE M8X1,25X20U5739 8.8ZN	TORN. M8X1,25X20 U5739 8.8 ZN
30	F01070074	VITE A4,2X1,41X25 U6954 4.8NI	SCR. H4,2X1,41X25 U6954 4.8NI	VIS 4-2X25 DIN 7981	SCHRAUBE 4-2X25 DIN 7981	TORNILLO 4-2X25 DIN 7981
31	F01200232	DADO M6X1 U5588 6.8ZN	NUT M6X1 U5588 6.8ZN	ECROU 6 UNI 5588 6.8 ZN	MUTTER 6 UNI 5588 6.8 ZN	TUERCA 6 UNI 5588 6.8 ZN
32	F01200244	DADO M8X1,25 U5588 6.8ZN	NUT M8X1,25 U5588 6.8ZN	ECROU M8 X1,25 U5588 6.8 ZN	MUTTER M8 X1,25 U5588 6.8 ZN	TUERCA M8 X1,25 U5588 6.8 ZN
33	F01200270	DADO M10X1,5 U5588 6.8ZN	NUT M10X1,5 U5588 6.8ZN	ECROU M10X 1,5 U5588 6.8 ZN	MUTTER M10X 1,5 U5588 6.8 ZN	TUERCA M10X 1,5 U5588 6.8 ZN
34	F01410037	ROS.M6 6,4X12,5X1,6 U6592 ZN	WASHER M6 6,4X12,5X1,6 U6592ZN	RONDEL.M6 6,4X12,5X1,6 U6592ZN	SCHEIB.M6 6,4X12,5X1,6 U6592ZN	ARAND.M6 6,4X12,5X1,6 U6592 ZN
35	G22270049	ASSE 4F.85-6F.50 L.1260	4-ROW SPINDLE - 85-6-ROW-50 L.	AXE 4 RANGEES 85-6 RANGEES 50	ACHSE 4 REIHEN 85-6 REIH. 50	EJE 4 FILAS. 85-6 FILAS. 50 L.
36	F01410064	ROS.M10 10,5X 20X 2 U6592 ZN	WASHER M10 10,5X20X2 U6592 ZN	RONDEL. M10 10,5X20X2 U6592 ZN	SCHEIBE M10 10,5X20X2 U6592 ZN	ARANDEL.M10 10,5X20X2 U6592 ZN
37	F01420011	ROS.M4 4,3X 16X 1 U6593 ZN	FLAT WASHER 4-3X 16X1-5 6593 G	ROND.PLATE 4-3X 16X1-5 6593 ZN	SCHEIBE 4-3X 16X1-5 6593 ZN	ARAND. PLANA 4-3X 16X1-5 6593
38	F01430047	ROS.M6 6,4X 11X0,7 U8842J ZN	WASHER D6 DIN 6798 D.INT.GALV.	RONDELLE D6 DIN 6798 D. INT. Z	UNT. SCHEIBE D6 DIN 6798 D. IN	ARANDELA D6 DIN 6798 D.INT.ZN
39	F01430059	ROS.M8 8,4X 15X0,8 U8842J ZN	WASHER M8 8,4X15X0,8 U8842J ZN	ROND. M8 8,4X 15X0,8 U8842J ZN	SCHEIBE M8 8,4X15X0,8 U8842JZN	ARAND. M8 8,4X15X0,8 U8842J ZN
40	F01100011	ING.M 6X1 7663-A 95MNPB28 ZN	GREASE NIPPLE M6X1 7663-A ZN	GRAISS. A BILLE M6X1 7663A ZN	SCHMIERBUECHE M6X1 7663-A ZN	ENGRAS. DE ESFE. M6X1 7663-AZN
41	F06080068	CATENA 1/2 ISO 083 126 MAGLIE	CUT-DOWN CHAIN 1/2 ISO 083 126	TRONCON CHAINE 1/2 ISO 083 126	KETTENZNGE ISO 083 126 GLIED	TRECHO CADENA 1/2 ISO 083 126
42	F06080029	CATENA 1/2 ISO 083 61 MAGLIE	CHAIN 1/2 ISO 083 61 LINKS	CHAINE 1/2 ISO 083 61 MAILLES	KETTE 1/2 ISO 083 61 GLIEDER	CADENA 1/2 ISO 083 61 ESLABNEL
43	G66248152	MOZZO TRASM.MICRO M80	HUB - TRANSM. MICRO M80	MOYEU ENTRAINEMENT MICRO M80	ANTRIEBSNABE MIKRO M80	CUBO TRANSM. MICRO M80
44	G66248207	TENDICATENA SPAND. SP-520	CHAIN TENSIONER	TENDEUR DE CHAINE EPAND. ENGR.	KETTENSANNER DsNGERSTR. SP-52	TENSOR DE CADENA ABON. SP-520
45	G66248218	RONDELLA DISTAN.SPANDI	MAN. SPR. SPACER WASHER	RONDELLE ENTRETOISE EP. ENGRAI	ABSTANDSCHEIBE DsNGERSTREUER	ARANDELA DISTAN.ABONAD.
46	F01420048	ROS.M8 8,4X 24X 2 U6593 ZN	WASHER M8 8,4X 24X2 U6593 ZN	RONDELLE M8 8,4X24X 2 U6593 ZN	SCHEIBEN M8 8,4X24X 2 U6593 ZN	ARANDELA M8 8,4X 24X2 U6593 ZN
47	G22230138	ASSE CAMBIO 4F.80-6F.45 L.1000	GEAR SPINDLE 4-ROW 80- 6-ROW.4	AXE BOITE DE VITESSE 4 RA	GETRIEBEACHSE 4 R. 80-6 R.45 L	EJE CAMBIO 4 FILAS. 80-6 FILAS
48	F01200306	DADO M14X2 U5588 6.8ZN	NUT M14X2 U5588 6.8ZN	ECROU M14X2	MUTTER M14X2	DADO M14X2
49	G18701620	RONDELLA 16,5 X35 X3 QU.ZN	WASHER 16,5 X 35 X 3- GALVAN.	RONDELLE 16-5 X35 X3 QU.ZN	UNTERLEGSSCHEIBE 16-5 X35 X3 Q	ARANDELA 16-5 X35 X3 QU.ZN
50	G22250044	CORONA CAMBIO Z-17 SV	GEARBOX RING GEAR Z-17 SV	COURONNE BOITE DE VITESSE	GETRIEBEKRANZ Z-17 SV	CORONA CAMBIO Z-17 SV
51	F15231410	DISTANZIALE INTERNO ZN	INNER SPACER	ENTRETOISE INT.	INNERES DISTANZST_CK	DISTANCIADOR INTERIOR
52	G20860086	INGRANAGGIO 1/2 Z-12 F.Q.	GEAR 1/2 Z-12 F.Q.	ENGRENAGE 1/2 Z-12 TROUS CARRE	ZAHNRAD 1/2 Z-12 F.Q.	ENGRANAJE 1/2 Z-12 F.Q.
53	F06080197	CATENA 1/2 ISO 083 58 MAGLIE	CHAIN 1/2 ISO 083 58 LINKS	CHAINE 1/2 ISO 083 58 MAILLES	KETTE 1/2 ISO 083 58 GLIEDER	CADENA 1/2 ISO 083 58 ESLABNEL

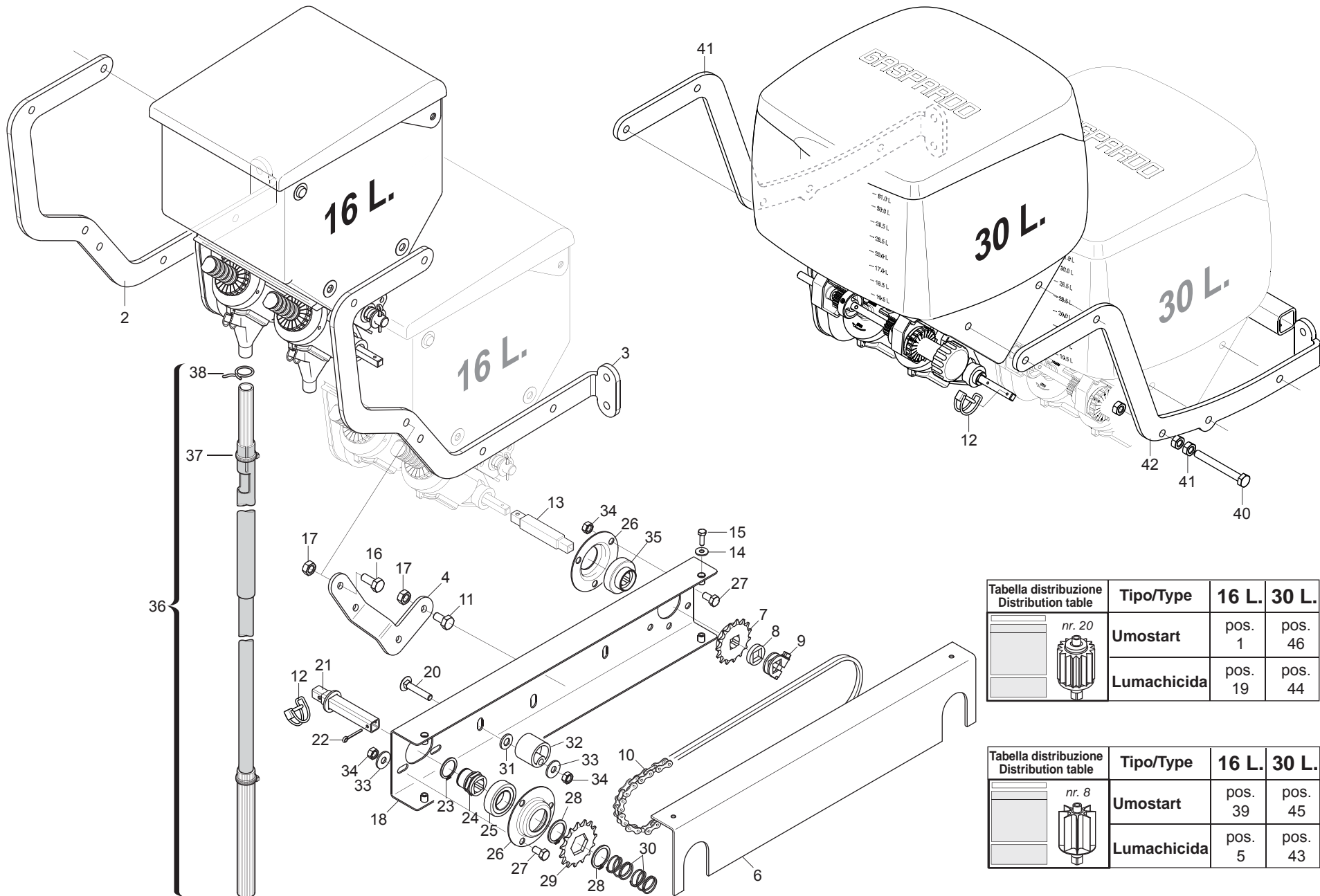




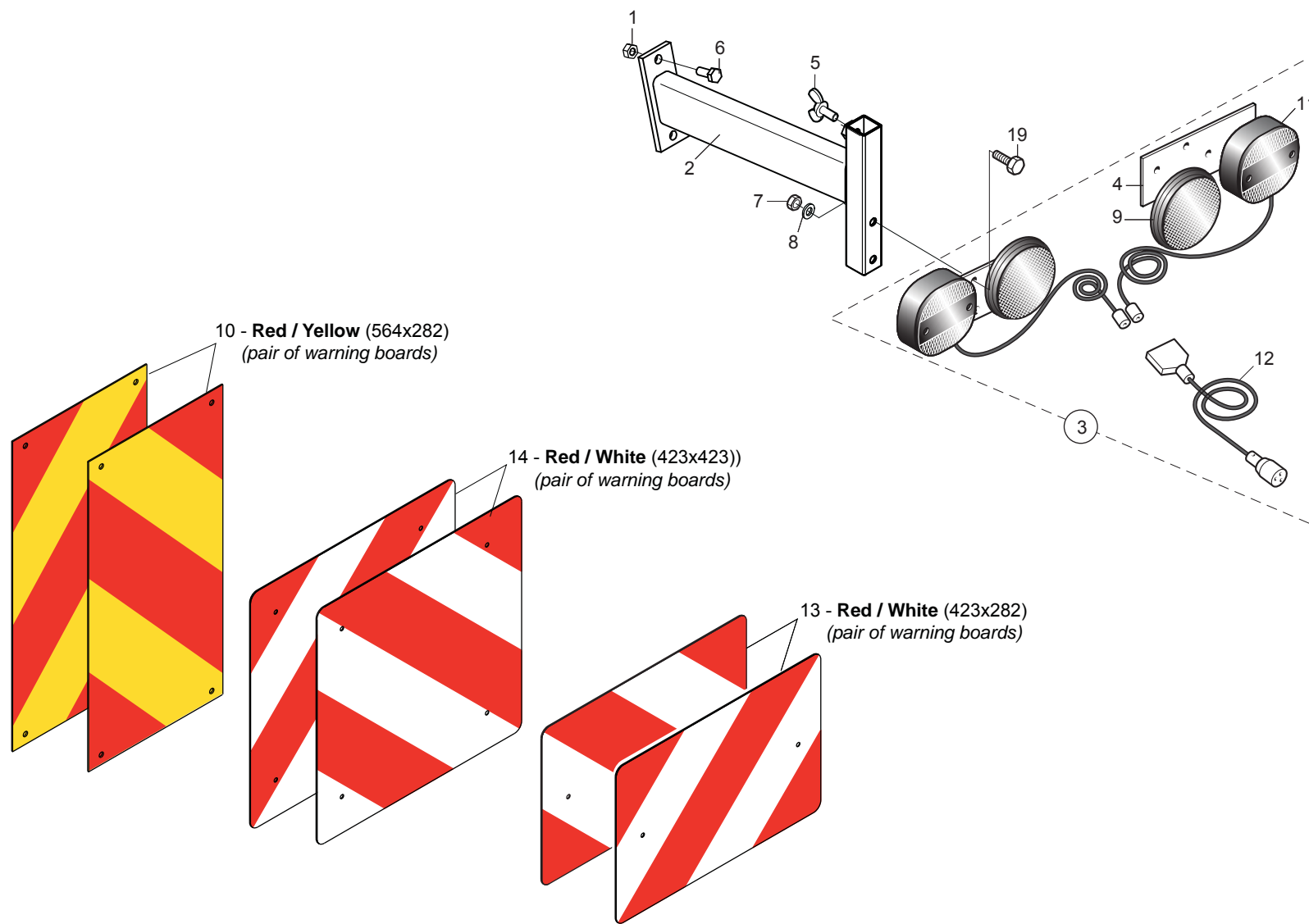
Tabella distribuzione Distribution table	Tipo/Type	16 L.	30 L.
 nr. 20	Umohart	pos. 1	pos. 46
	Lumachicida	pos. 19	pos. 44

Tabella distribuzione Distribution table	Tipo/Type	16 L.	30 L.
 nr. 8	Umohart	pos. 39	pos. 45
	Lumachicida	pos. 5	pos. 43

APPLICAZIONE DOPPIO MICROGRANULATORE

TAV. 342

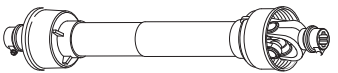
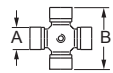
Pos.	Cod.	Descrizione	Description	Description	Benennung	Descrpcion
1	G19704980	DECAL.TAB.DISTRIB.UMOSTART 20P	UMOSTART DISTRIBUTOR CHART 20P	TABLEAU DISTRIBUTEUR UMOSTART	TABELLE SZAPPARAT UMOSTART 20P	TABLA DISTRIBUDOR UMOSTART 20P
2	G15275130	SUPPORTO LUMACHICIDA SX	L.SUPPORT DOUBLE TANK MICRO			
3	G15275120	SUPPORTO LUMACHICIDA DX	R.SUPPORT DOUBLE TANK MICRO			
4	G15275140	SUPPORTO TRASM.LUMACHICIDA	TRASM.SUPPORT DOUBLE TANKMICRO			
5	G19704990	DECAL.TAB.DISTRIB.LUMACHIC.8P.	DISTRIBUTOR CHART 8P	TABLEAU DISTRIBUTEUR 8P	TABELLE SZAPPARAT 8P	TABLA DISTRIBUDOR 8P
6	G15273051	CARTER SUPPORTO CATENA	SUPPORT CHAIN CASING	CARTER SUPPORT CHAINE	KETTENHALTERUNGSGEHZUSE	CARTER SOPORTE CADENA
7	G22250028	PIGNONE Z-15 SV	Z-15 PINION SV	PIGNON Z-15 SV	RITZEL Z-15 SV	PI $\frac{1}{2}$ N Z-15 SV P
8	G66248218	RONDELLA DISTAN.SPANDI	MAN. SPR. SPACER WASHER	RONDELLE ENTRETOISE EP. ENGRAI	ABSTANDSCHEIBE DsNGERSTREUER	ARANDELA DISTAN.ABONAD.
9	G22505085	FERMO ASSE IN LAMIERA	PLATE AXLE STOP	ARRET AXE EN TOLE	FESTSTELLVORRICHTUNG BLECHACHS	BLOQUEO EJE DE CHAPA
10	F06080047	CATENA 1/2 ISO 083 88 MAGLIE	CUT-DOWN CHAIN 1/2 ISO 083 88	TR. CH. © ISO 083 88 MAILLES	KETTENLNZNGE 1/2 ISO 083 88 GL	CADENA 1/2 ISO 083 88 ESLABONE
11	F01020470	VITE M10X1,5X20 U5739 8.8ZN	SCR. M10X1,5X20 U5739 8.8ZN	VIS M10X1,5X20 U5739 8.8 ZN	SCHRAUBE M10X1,5X20 U5739 ZN	TORNILLOM10X1,5X20 U5739 8.8ZN
12	F02200595	SPINA SICUR. D. 5X30 ZN	PIN X GEAR	GOUJON	BOLZEN	ESPINA
13	G11430930	MANICOTTO MICRO CENTR.L.120	SLEEVE MICRO CENTR.L.120			
14	F01410037	ROS.M6 6,4X12,5X1,6 U6592 ZN	WASHER M6 6,4X12,5X1,6 U6592ZN	RONDEL.M6 6,4X12,5X1,6 U6592ZN	SCHEIB.M6 6,4X12,5X1,6 U6592ZN	ARAND.M6 6,4X12,5X1,6 U6592 ZN
15	F01020403	VITE M6X1X16 U5739 8.8ZN	SCR. M6X1X16 U5739 8.8ZN	VIS M6X1X16 U5739 8.8 ZN	SCHRAUBE M6X1X16 U5739 8.8 ZN	TORNILLO M6X1X16 U5739 8.8 ZN
16	F01020472	VITE M10X1,5X25 U5739 8.8ZN	SCR. M10X1,5X25 U5739 8.8ZN	VIS M10X1,5X25 U5739 8.8 ZN	SCHRAUBE M10X1,5X25 U5739 8.8	TORNILLO 10X25 U5739 8.8 ZN
17	F01200270	DADO M10X1,5 U5588 6.8ZN	NUT M10X1,5 U5588 6.8ZN	ECROU M10X 1,5 U5588 6.8 ZN	MUTTER M10X 1,5 U5588 6.8 ZN	TUERCA M10X 1,5 U5588 6.8 ZN
18	G15273042	SUPPORTO CATENA	CHAIN SUPPORT			
19	G19705000	DECAL.TAB.DISTRIB.LUMACHIC.20P	DISTRIBUTOR CHART 20P	TABLEAU DISTRIBUTEUR 20P	TABELLE SZAPPARAT 20P	TABLA DISTRIBUDOR 20P
20	F01060047	VITE M8X1,25X45 U5732 4.6ZN	SCR. M8X1,25X45 U5732 4.6ZN	VIS 8X45 5732 4.6 ZN	SCHRAUBE 8X45 5732 4.6 ZN	TORNILLO 8X45 5732 4.6 ZN
21	G15274641	MANICOTTO DISGIUNTORE	UNCOUPLING SLEEVE			
22	F02200164	COPIGLIA 3X 30 U1336 ZN	SPLIT PIN 3X 30 U1336 ZN			
23	F02050101	ANELLO E. DE 25X 1,2 U7435 C70	SEEGER RING E. 25X1,2 7435 C70	SEEGER E. 25X 1,2 U7435 C70	SEEGERING E. 25X 1,2 U7435 C70	ANILLO E. 25X 1,2 U7435 C70
24	G22250441	MOZZO CORONA SEMINATORE SV/2	PLANTING UNIT CROWN HUB SV/2	MOYEU COURONNE SEMEUR SV/2	KRANZNABE SZELEMENT SV/2	CUBO CORONA SEMBRADOR SV/2
25	F04010134	CUSC.D25 D47 B12 6005 2Z	BEARING D25 D47 B12 6005 2Z	PALIER 6005 2Z	LAGER 6005 2Z	COJINETE 6005 2Z
26	G22230094	SUPPORTO CUSCINETTO	BEARING SUPPORT	SUPPORT PALIER	LAGERBsCHSE	SOPORTE COJINETE
27	F01020432	VITE M8X1,25X16 U5739 8.8ZN	SCR. M8X1,25X16 U5739 8.8ZN	VIS M8 X1,25X16 U5739 8.8 ZN	SCHRAUBE M8X1,25X16U5739 8.8ZN	TORNILLO M8X1,25X16U5739 8.8ZN
28	F02050615	ANELLO E. DE 28X 1,5 U7435 C70	STOP RING 28 UNI 7435-75	BAGUE DE SERRAGE 28 UNI 7435-7	DRAHTSPRENGRING 28 UNI 7435-75	ANILLO PARADA 28 UNI 7435-75
29	G22250190	CORONA ASSE SEMINAT.Z-15 SV	PLANTING UNIT AXLE Z-15 RING G	COURONNE AXE SEMEUR Z-15 SV	KRANZ SZELEMENTACHSE Z-15 SV	CORONA EJE SEMBR. Z-15 SV
30	G65338022	MOLLA COMP.ZN CHIAVISTELLO FR	ZN LATCH COMP. SPRING FR	RESSORT COMPL. ZN VERROU FR	DRUCKFEDER ZN RIEGEL FR	MUELLE COMP.ZN PESTILLO FR
31	F01410064	ROS.M10 10,5X 20X 2 U6592 ZN	WASHER M10 10,5X20X2 U6592 ZN	RONDEL. M10 10,5X20X2 U6592 ZN	SCHEIBE M10 10,5X20X2 U6592 ZN	ARANDEL.M10 10,5X20X2 U6592 ZN
32	G66248207	TENDICATENA SPAND. SP-520	CHAIN TENSIONER	TENDEUR DE CHAINE EPAND. ENGR.	KETTENSPELLER DsNGERSTR. SP-52	SENSOR DE CADENA ABON. SP-520
33	F01420048	ROS.M8 8,4X 24X 2 U6593 ZN	WASHER M8 8,4X 24X2 U6593 ZN	RONDELLE M8 8,4X24X 2 U6593 ZN	SCHEIBEN M8 8,4X24X 2 U6593 ZN	ARANDELA M8 8,4X 24X2 U6593 ZN
34	F01200244	DADO M8X1,25 U5588 6.8ZN	NUT M8X1,25 U5588 6.8ZN	ECROU M8 X1,25 U5588 6.8 ZN	MUTTER M8 X1,25 U5588 6.8 ZN	TUERCA M8 X1,25 U5588 6.8 ZN
35	G14830390	CUSCINETTO FORO QUADRO	SQUARE-HOLED BEARING	ROULEMENT TROU CARRE	VIERKANTLAGER	COJINETE ORIFICIO CUADRADO
36	G11425111	TUBO DISCESA LUMACHICIDA COMPL	PIPE DESCENT	TUBE DESCENTE COMPL.	SENKROHR KOMPL.	TUBO DESCENSO COMPL.
37	F02300016	FASCETTA STRING. 16/27 H.8	CLAMP 16/27 H.8			
38	G65336041	MOLLA SPEC.ZN STRINGITUBO M80	SPEC.SPRING ZN . PIPE CLAMP M8	RESSORT SPEC. ZN SERRE-TUBE M8	SPEZIALFEDER ZN ROHRSCHELLE M8	MUELLE ESPEC. ZN APLASTA TUBOS
39	G19704970	DECAL.TAB.DISTRIB.UMOSTART 8P.	UMOSTART DISTRIBUTOR CHART 8P	TABLEAU DISTRIBUTEUR UMOSTART	TABELLE SZAPPARAT UMOSTART 8P	TABLA DISTRIBUDOR UMOSTART 8P
40	F01020492	VITE M10X1,5X90 U5739 8.8ZN	SCR. M10X1,5X90 U5739 8.8ZN	VIS M10X1,5X90 U5739 8.8ZN	SCHRAU. M10X1,5X90 U5739 8.8ZN	TORN. M10X1,5X90 U5739 8.8ZN
41	G17175940	SUPPORTO LUMACHICIDA DX	RH SUPPORT DOUBLE TANK MICRO			
42	G17175950	SUPPORTO LUMACHICIDA SX	LH SUPPORT DOUBLE TANK MICRO			
43	G19708450	DECAL.DISTR.LUMACHICIDA 8P 30L	DISTRIBUTOR CHART 8P 30L			
44	G19708460	DECAL.DISTR.LUMACHICIDA 20P30L	DISTRIBUTOR CHART 20P 30L			
45	G19708470	DECAL.DISTR.UMOSTART 8P 30L	DISTRIBUTOR CHART 8P 30L			
46	G19708500	DECAL.DISTR.UMOSTART 20P 30L	DISTRIBUTOR CHART 20P 30L			

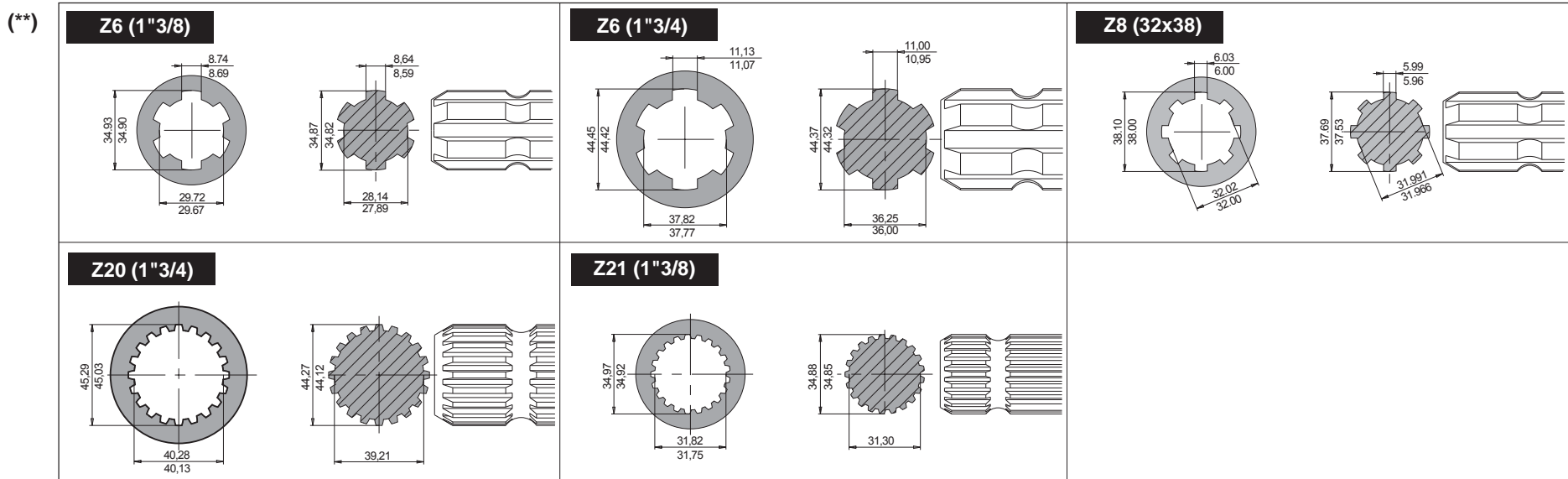
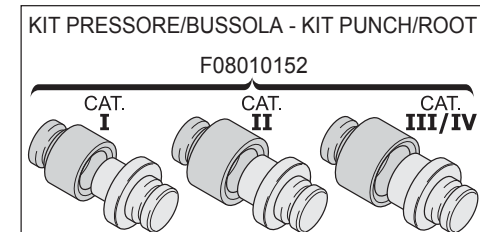
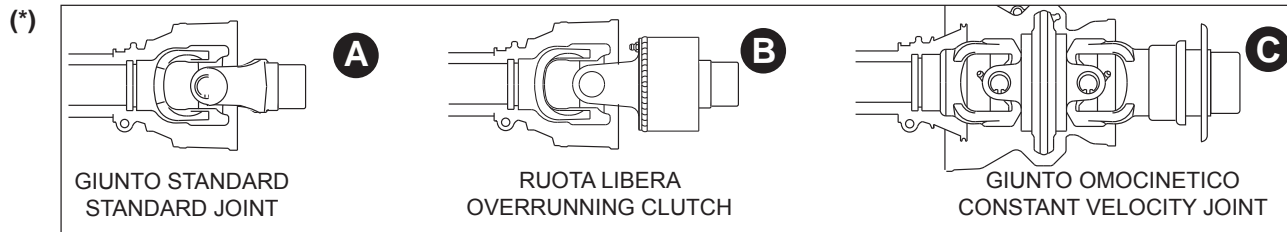


ACCESSORI

TAV. 351

Pos.	Cod.	Descrizione	Description	Description	Benennung	Descripcion
1	F01200232	DADO M6X1 U5588 6.8ZN	NUT M6X1 U5588 6.8ZN	ECROU 6 UNI 5588 6.8 ZN	MUTTER 6 UNI 5588 6.8 ZN	TUERCA 6 UNI 5588 6.8 ZN
2	G15211761	SUPPORTO LUCI POST.	REAR LIGHT SUPPORT			
3	G13616620	KIT LUCI PER MACCHINE PORTATE	KIT LIGHTS FREIGHTED MACHINE			
4	G13616570	PIASTRA SUPP.LUCI	LIGHTS PLATE SUPPORT			
5	F01090215	VITE M8X1,25X15 U5449 5.8ZN	SCR. M8X1,25X15 U5449 5.8ZN	VIS M8X1,25X15 U5449 5.8ZN	SCHRAU. M8X1,25X15 U5449 5.8ZN	TORN. M8X1,25X15 U5449 5.8ZN
6	F01020403	VITE M6X1X16 U5739 8.8ZN	SCR. M6X1X16 U5739 8.8ZN	VIS M6X1X16 U5739 8.8 ZN	SCHRAUBE M6X1X16 U5739 8.8 ZN	TORNILLO M6X1X16 U5739 8.8 ZN
7	F01220011	DADO M6X1 D980 8ZN	NUT M6X1 D980 8ZN	ECROU M6X1 D980 8 ZN	MUTTER M6X1 D980 8 ZN	TUERCA M6X1 D980 8 ZN
8	F01410037	ROS.M6 6,4X12,5X1,6 U6592 ZN	WASHER M6 6,4X12,5X1,6 U6592ZN	RONDEL.M6 6,4X12,5X1,6 U6592ZN	SCHEIB.M6 6,4X12,5X1,6 U6592ZN	ARAND.M6 6,4X12,5X1,6 U6592 ZN
9	F05010221	CATARIFRANGENTE TONDO D.80 >	ROUND REFLECTOR D.80			
10	F05010357	N.2 PANNELLI CARICHI SPORGENTI	N.2 JUTTING LOAD PANELS	N.2 PANNEAUX CHARGES SAILLANT	N.2 TAFELN VORSPRINGENDE LADUN	2 PANELES CARGADOS SALIENTES
11	F05010076	FANALE X KIT LUCI	LAMP KIT LIGHTS COMPL.	FEU KIT ECLAIRAGE COMPL.	LAMPEN KIT LICHT KOMPL.	FAROL SET LUCES COMPL.
12	F05010080	CABLAGGIO PER KIT LUCI	LIGHT WIRING HARNESS	CABLAGE KIT PHARES	VERKABELUNG LAMPENKIT	CABLEADO JUEGO LUCES
13	F05010591	PANNELLI CAR.SPORG.423X282	WARNING BOARD 423X282	PANNEAUX REFLECHISSANT 423X282	WARNTAFEL 423X282	ADVERTENCIA BORDO 423X282
14	F05010590	PANNELLI CAR.SPORG.423X423	REFLECT PANELS 423X423			

 Codice - Code Descrizione - Description		Lunghezze Lengths		Classe - Size (A x B) 	Tipo - Type (*)		Forcelle - Yokes (**)				
		min.	max.				Z6 (1"3/8)	Z6 (1"3/4)	Z8 (32x38)	Z20 (1"3/4)	Z21 (1"3/8)
F08011711	CARD.B1 Z6-Z6 L700	700	1100	B1 (22 x 54)	A	A	G58161015	F08011772	F08011742	F08011758	F08011767
F08011713	CARD.B1 Z8-Z6 L700	700	1100	B1 (22 x 54)	A	A	G58161015	F08011772	F08011742	F08011758	F08011767
F08011714	CARD.B1 Z20-Z6 L700	700	1100	B1 (22 x 54)	A	A	G58161015	F08011772	F08011742	F08011758	F08011767
F08011715	CARD.B1 Z8-Z6 L900 R.LIB	900	1400	B1 (22 x 54)	A	B	G58161015	F08011772	F08011742	F08011758	F08011767
F08011716	CARD.B1 Z6-Z6 L900 R.LIB	900	1400	B1 (22 x 54)	A	B	G58161015	F08011772	F08011742	F08011758	F08011767
F08011719	CARD.B2 Z6-Z6 L900	900	1400	B2 (23,8 x 61,3)	A	B	—	—	—	—	—
F08011720	CARD.B3 Z8-Z6 L1300	1300	2000	B3 (27 x 70)	A	A	—	G58161016	F08011743	—	—
F08011757	CARD.B1 Z20-Z6 L900 R.L	900	1400	B1 (22 x 54)	A	B	G58161015	F08011772	F08011742	F08011758	F08011767
F08011764	CARD.R4 Z20-Z6 L1210 OM-RL	1210		R4 (27 x 74,6)	A	C	F08011768	—	F08011766	F08011774	F08011773
F08011930	CARD.B3 Z6-Z6 L1200	1200	1700	B3 (27 x 70)	A	A	—	G58161016	F08011743	—	—



CARDANI

TAV. 361

Pos.	Cod.	Descrizione	Description	Description	Benennung	Descripcion
	F08010152	KIT PRESSORE BUSSOLA CAT I-IV>	TOOLS FOR PTO YOKE CAT I-IV			
	F08011711	CARD.B1 Z6-Z6 L700	PTO SHAFT B1 Z6-Z6 L700			
	F08011713	CARD.B1 Z8-Z6 L700	PTO SHAFT B1 Z8-Z6 L700			
	F08011714	CARD.B1 Z20-Z6 L700	PTO SHAFT B1 Z20-Z6 L700			
	F08011715	CARD.B1 Z8-Z6 L900 R.LIB	CARD.B1 Z8-Z6 L900 FREE W.			
	F08011716	CARD.B1 Z6-Z6 L900 R.LIB	CARD.B1 Z6-Z6 L900 R.LIB	CARD.B1 Z6-Z6 L900 R.LIB	KARDAN CE T100710 112 R12	CARDAN CE T100710 112 R12
	F08011719	CARD.B2 Z6-Z6 L900	UNIVERSAL JOINT 102 071 N T07	CARD. 102 071 N T07 T07 1 CAT	KARDAN 102 071 N T07 T07 1CAT	CARDæN 102 071 N T07 T07 1CAT
	F08011720	CARD.B3 Z8-Z6 L1300	UNIV.JOINT B3 Z8-Z6 L1300			
	F08011742	FORCELLA CARD.32X38 Z8 B1	YOKE CARD.32X38 Z8 B1	FOURCHETTE CARDAN Z8 B1	GABEL KARDAN Z8 B1	HORQUILLA CARDAN Z8 B1
	F08011743	FORCELLA CARD.32X38 Z8 B3	YOKE CARD.32X38 Z8 B3			
	F08011757	CARD.B1 Z20-Z6 L900 R.L >	UNIVERSAL JOINTB1 Z20-Z6 L900			
	F08011758	FORCELLA CARD.1"3/4 Z20 B1 >	CARD.FORK 1"3/4 Z20 B1 >			
	F08011764	CARDANO OM 3/4Z20-RL Z6 L1381	CARD.R4 Z20-Z6 L1381 OM-RL			
	F08011766	FORCELLA CARD.32X38 Z8 R4	FORK 32X38 Z8 R4			
	F08011767	FORCELLA CARD.1 3/8 Z21 B1 >	CARD.FORK 1 3/8 Z21 B1 >			
	F08011768	FORCELLA CARD.1 3/8 Z6 R4	FORK 1 3/8 Z6 R4			
	F08011772	FORCELLA CARD.1"3/4 Z6 B1 >	YOKE 1" 3/4 Z6 B1			
	F08011773	FORCELLA CARD.1 3/8 Z21 R4 >	FORK 1 3/8 Z21 R4			
	F08011774	FORCELLA CARD.1 3/4 Z20 R4	CARD. FORK 1 3/4 Z20 R4			
	F08011930	CARD.B3 Z6-Z6 L1200	PTO SHAFT B3 Z6-Z6 L1200			
	G58161015	FORCELLA CARD.1'3/8 Z6 B1	CARD. FORK 1'3/8 Z6 B1			
	G58161016	FORCELLA CARD.1'3/8 Z6 B3 >	CARD.FORK 1'3/8 Z6 B3 >			

**USATE SEMPRE RICAMBI ORIGINALI
ALWAYS USE ORIGINAL SPARE PARTS
IMMER DIE ORIGINAL-ERSATZTEILE VERWENDEN
EMPLOYEZ TOUJOURS LES PIECES DE RECHANGE ORIGINALES
UTILIZAR SIEMPRE REPUESTOS ORIGINALES**

GASPARDO

**Servizio Assistenza Tecnica - After Sales Service
Servizio Ricambi - Spare Parts Service
+39 0434 695410**

DEALER:



MASCHIO GASPARDO SpA
Registered office & Production plant
Via Marcello, 73 - 35011 Campodarsego (Padova) - Italy
Tel. +39 049 9289810
Fax +39 049 9289900
info@maschio.com
www.maschionet.com

MASCHIO GASPARDO SpA
Production plant
Via Mussons, 7 - 33075
Morsano al Tagliamento (PN) - Italy
Tel. +39 0434 695410
Fax +39 0434 695425
info@gaspardo.it

MASCHIO DEUTSCHLAND GMBH
Äußere Nürnberger Straße 5
D-91177 Thalmässing - Deutschland
Tel. +49 (0) 9173 79000
Fax +49 (0) 9173 790079
dialog@maschio.de
www.maschionet.de

MASCHIO FRANCE Sarl
Rue Denis Papin ZA
F - 45240 La Ferté Saint Aubin
France
Tel. +33 (0) 2.38.64.12.12
Fax +33 (0) 2.38.64.66.79
info@maschio.fr

000 МАСКИО-ГАСПАРДО РУССИЯ
Улица Пушкина, 117 Б
404130 Волжский
Волгоградская область
Тел. +7 8443 203100
факс. +7 8443 203101
info@maschio.ru

MASCHIO-GASPARDO ROMANIA S.R.L.
Strada Înfrâterii, 155 - F.N.
315100 Chisineu-Cris (Arad) - România
Tel. +40 257 307030
Fax +40 257 307040
info@maschio.r

MASCHIO-GASPARDO NORTH AMERICA Inc
112 3rd Avenue East
Dewitt, IA 52742 - USA
Ph. +1 563 659 6400
Fax +1 563 659 6405
info@maschio.us

**MASCHIO-GASPARDO IBERICA
MASCHIO-GASPARDO POLAND
MASCHIO-GASPARDO UCRAINA
GASPARDO-MASCHIO TURCHIA
MASCHIO-GASPARDO CINA**