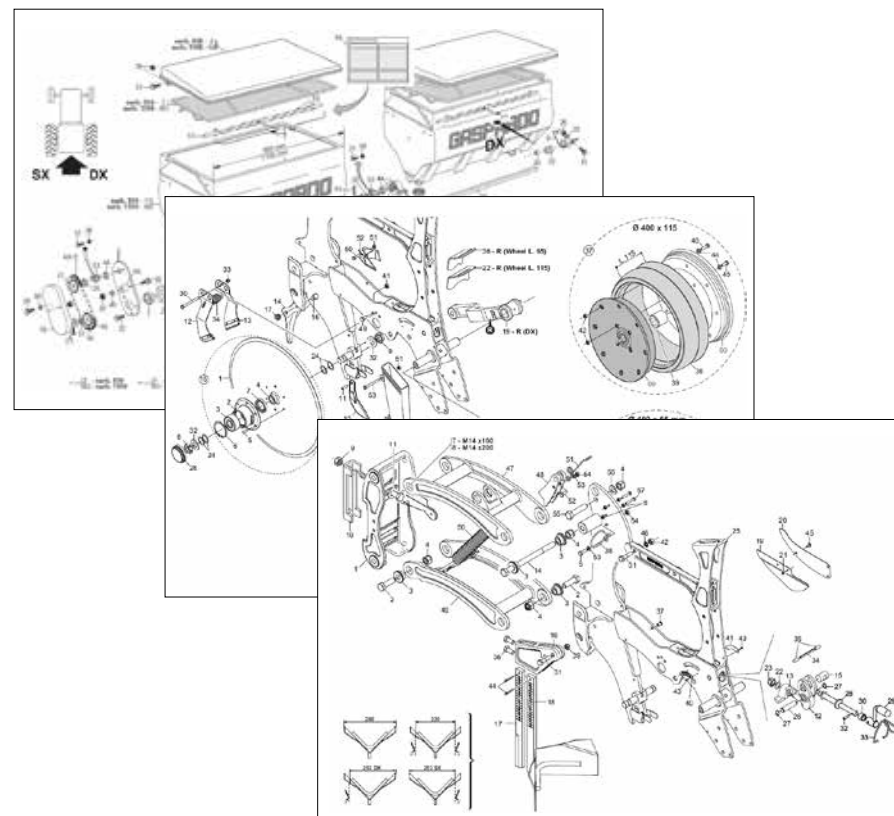


GASPARDO

MASCHIO GASPARDO S.p.A.



MTR

Cod: G19531770 2019-01

- *) Valido per Paesi UE
- *) Valid for EU member countries
- *) Gilt für EU-Mitgliedsländer
- *) Valable dans le Pays UE
- *) Válido para Países UE
- *) Valabil pentru țările UE

- IT** PARTI DI RICAMBIO
- EN** SPARE PARTS
- DE** ERSATZTEILE
- FR** PIECES DÉTACHÉES
- ES** PIEZAS DE REPUESTO

PARTI DI RICAMBIO

Le ordinazioni delle parti di ricambio vanno fatte presso i nostri concessionari di zona e devono essere sempre corredate dalle seguenti indicazioni:

- **Tipo, modello e numero di matricola dell'attrezzatura.** Tali dati sono stampigliati nell'apposita targhetta di cui è dotata ogni attrezzatura.

- **Numero di codice della parte richiesta** rilevabile dal catalogo ricambi.

- **Descrizione del particolare e quantità richiesta.**

- **Numero della tavola.**

- **Mezzo di trasporto.** Nel caso questa voce non sia specificata, la Ditta Costruttrice, pur dedicando a questo servizio una particolare cura, non risponde di eventuali ritardi di spedizione dovuti a cause di forza maggiore.

Le spese di trasporto si intendono sempre a carico del destinatario. La merce viaggia a rischio e pericolo del committente anche se venduta franco destino.

NOTA: Il termine **(Dx) Destro** o **(Sx) Sinistro** della macchina o di parti di essa, è inteso guardando la macchina dalla parte posteriore. Le eccezioni saranno indicate.

SPARE PARTS

Orders must be transmitted through our area dealers and should always include the following indications:

- **Type, model and serial number of the machine.** These data are punched on the data plate with which every implement is equipped.

- **Code number of the required spare part.** This will be found in the spare parts catalogue.

- **Description of the part and required quantity.**

- **Table number.**

- **Means of dispatch.** If this item is not indicated, the Manufacturer, while dedicating particular care to this service, shall not be held responsible for delays in delivery caused by cases of force majeure.

Transport expenses shall always be at the consignee's charge. The goods travel at the purchaser's risk and peril even when sold ex destination.

NOTE: The symbols **(Dx) right** and **(Sx) left**, concerning the machine or single parts of it, are referred, as in the figure, to a rear view of them. Exceptions will be indicated.

ERSATZTEILE

Die Bestellungen müssen bei unseren Gebietshändlern aufgegeben werden. Bei der Bestellung sind stets die folgenden Angaben zu machen:

- **Typ, Modell und Serien-Nummer des Geräts.** Diese Daten stehen auf dem Typenschild, mit dem jedes Gerät versehen ist.

- **Artikel Nr. der erforderlichen Ersatzteile.** Diese stehen im Ersatzteil-Katalog.

- **Beschreibung des Ersatzteils und die erforderliche Stückzahl.**

- **Tafelnummer.**

- **Versandmittel.** Wenn dieser Punkt nicht spezifiziert wird, haftet die Herstellerfirma nicht für etwaigen Lieferverzug aufgrund höherer Gewalt, auch wenn er diesen Service besonders aufmerksam abwickelt. Die Frachtkosten gehen dagegen immer zu Lasten des Empfängers. Die Ware reist auf Gefahr und Risiko des Auftraggebers, auch wenn frei Haus Verkauft vereinbart worden ist.

N.B.: Die Merkzeichen **(Dx) rechts** und **(Sx) links** betreffen eine rückwärtige Aussicht der Maschine oder Teile von ihr (siehe Bild). Ausnahmen werden gezeit.

PIECES DÉTACHÉES

Les ordres doivent être effectués auprès de nos concessionnaires de zone en précisant les indications suivantes:

- **Type, modèle et numéro de série de la machine.** Ces données sont gravées sur la plaque d'identification de chaque outil.

- **Numéro de code de la pièce détachée** indiqué sur le catalogue des pièces détachées.

- **Description de la pièce et quantité requise.**

- **Numéro de plan.**

- **Moyen d'expédition.** Si cette rubrique n'est pas indiquée, le Constructeur, bien que soucieux de ce service, ne répond pas des retards d'expédition pour des causes de force majeure.

Les frais de transport sont toujours à la charge du destinataire. La marchandise voyage aux risques et périls de l'acheteur même si vendue franco de port.

N.B.: Les références **(Dx) droit** et **(Sx) gauche** de la machine ou des parties de la même, est entendue, comme de la figure, en regardant la machine de derriere dans le sens de marche.

RESPUESTOS

Los pedidos han de efectuarse en nuestros consesionarios de zona y deben incluir siempre las siguientes indicaciones:

- **Tipo, modelo y número de matricula del equipo.** Dichos datos están impresos en la relativa placa presente en el equipo.

- **Número de código de la parte requerida** presente en el catálogo respuestas.

- **Descripción de la pieza y cantidad requerida.**

- **Numero de ilustración.**

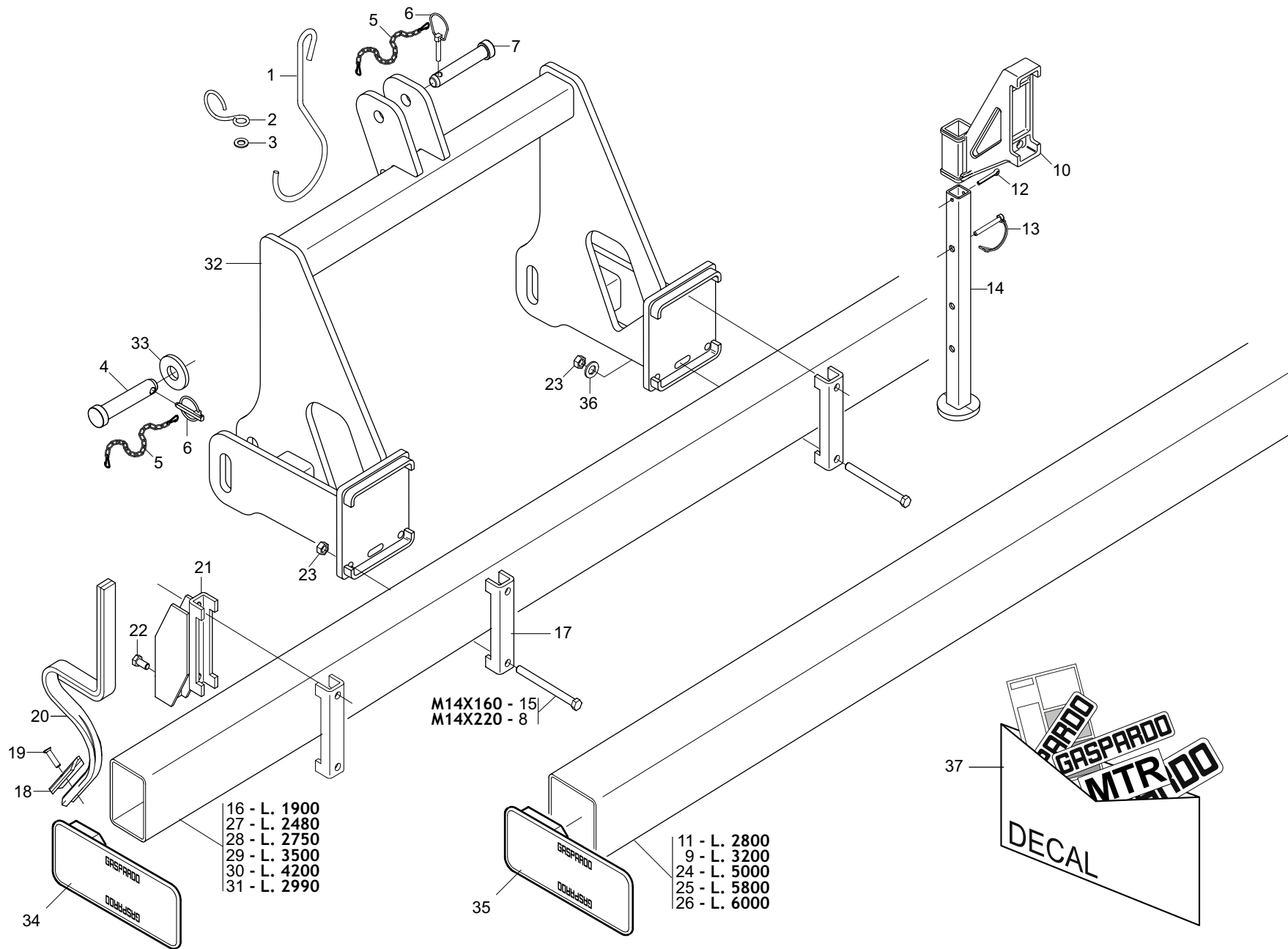
- **Medio de transporte.** En caso que este ítem no esté especificado, el Fabricante, aún prestando la debidas consideraciones para este aspecto, no responde por eventuales retardos de env'o debidos a causas de fuerza mayor.

Los gastos de transporte se consideran siempre a cargo del destinatario. La mercadería viaja bajo riesgo y peligro del comprador, incluso cuando se vende franco destino.

N.B.: La referencia **(Dx) derecha** o **(Sx) izquierda** de la máquina o de sus componentes, se entiende, como en la figura, mirando la máquina por la parte trasera. Se indicarán las excepciones.

| Nr. Tav. | Descrizione | Description | Pag. |
|-----------------|--|---|-------------|
| TAV. 010 | Telaio e attacco 3 punti | Toolbar and tree point hitch..... | 4 |
| TAV. 020 | Segnafile (2÷7 file) | Row marker (2÷7 rows)..... | 6 |
| TAV. 030 | Segnafile (8÷12 file) | Row marker (8÷12 rows)..... | 8 |
| TAV. 040 | Segnafile (wrm / crm)..... | Row marker (wrm / crm)..... | 10 |
| TAV. 050 | Impianto oleodinamico segnafile..... | Hydraulic row marker system..... | 12 |
| TAV. 060 | Depressore..... | Air pump..... | 14 |
| TAV. 070 | Scatola di rinvio elemento | Transfer case element..... | 16 |
| TAV. 080 | Distributore semi | Seed distributor..... | 18 |
| TAV. 090 | Varianti semi minuti | Small seed variant..... | 20 |
| TAV. 100 | Dischi di semina | Seed plates | 22 |
| TAV. 110 | Telaio elemento | Unit toolbar..... | 24 |
| TAV. 120 | Varianti telaio elemento..... | Unit toolbar variant..... | 28 |
| TAV. 131 | Ruote di profondità..... | Depth wheels | 30 |
| TAV. 140 | Ruote di compressione | Compression wheels..... | 32 |
| TAV. 150 | Coprisemi anteriori | Front seed covering | 34 |
| TAV. 160 | Ruotino premiseme inox | Steel seed press wheel..... | 36 |
| TAV. 171 | Coltro a disco striato | Corrugated disc coulter..... | 38 |
| TAV. 181 | Spartiresidui rotativo | Trash wheel..... | 40 |
| TAV. 190 | Esclusione elettrica file di semina | Electric row shut off..... | 42 |
| TAV. 201 | Cambio..... | Gearbox | 44 |
| TAV. 210 | Ruote di trasmissione..... | Drive wheels..... | 48 |
| TAV. 220 | Ruote di trasmissione anteriori..... | Front drive wheels..... | 52 |
| TAV. 231 | Scaletta ruote portanti..... | Ladder..... | 56 |
| TAV. 240 | Ruote regolabili | Adjustable drive wheels | 58 |
| TAV. 250 | Rincalzatore | Ridging body | 62 |
| TAV. 260 | Presa di potenza posteriore | Rear pto shaft..... | 64 |
| TAV. 270 | Kit ruote per terreni sassosi - flangiatura ruote | Wheels for stony ground kit - fringing for wheels | 66 |
| TAV. 280 | Supporti serbatoi spandiconcime ferro..... | Supports for metal fertilizer distributor | 68 |
| TAV. 290 | Serbatoi spandiconcime ferro | Metal fertilizer distributor | 70 |
| TAV. 300 | Supporti serbatoi spandiconcime plastica..... | Support for plastic fertilizer distributor..... | 74 |
| TAV. 310 | Serbatoi spandiconcime plastica..... | Plastic fertilizer distributor | 76 |
| TAV. 320 | Supporti serbatoio spandiconcime 'bb' | Supports for 'bb' fertilizer distributor..... | 80 |
| TAV. 330 | Serbatoio spandiconcime unico "bbs 1200 litri" | "BBS 1200 liters" fertilizer distributor..... | 82 |
| TAV. 340 | Supporti serbatoio spandiconcime 'bbx'..... | Supports for 'bbx' fertilizer distributor..... | 84 |
| TAV. 351 | Serbatoio spandiconcime 'bbx' | 'BBX' fertilizer distributor | 86 |
| TAV. 360 | Elementi di concimazione | Fertilizer unit..... | 88 |
| TAV. 370 | Speedy set..... | Speedy set..... | 90 |
| TAV. 480 | Esclusione elettrica distributori concime file esterne..... | External rows fertilizer shut-off..... | 92 |
| TAV. 380 | Concimazione pneumatica..... | Pneumatic fertilizer..... | 94 |
| TAV. 390 | Supporti microgranulatore..... | Supports for microgranulator..... | 96 |
| TAV. 400 | Microgranulatore (16 litri) | Microgranulator (16 liters) | 98 |
| TAV. 410 | Microgranulatore (30 litri) | Microgranulator (30 liters) | 100 |
| TAV. 420 | Trasmissione spandiconcime e microgranulatore..... | Fertilizer distributor drive and microgranulator..... | 102 |
| TAV. 431 | Trasmissione spandiconcime e microgranulatore (45-50 cm) | Fertilizer distributor drive and microgranulator (45-50 cm) | 104 |
| TAV. 440 | Applicazione doppio microgranulatore..... | Double microgranulator application..... | 106 |
| TAV. 451 | Kit luci e tabelle di ingombro stradale | Lighting kit and warning boards | 108 |
| TAV. 461 | Kit luci e tabelle di ingombro stradale | Lighting kit and warning boards | 110 |
| TAV. 470 | Cardano | Cardan shaft..... | 112 |

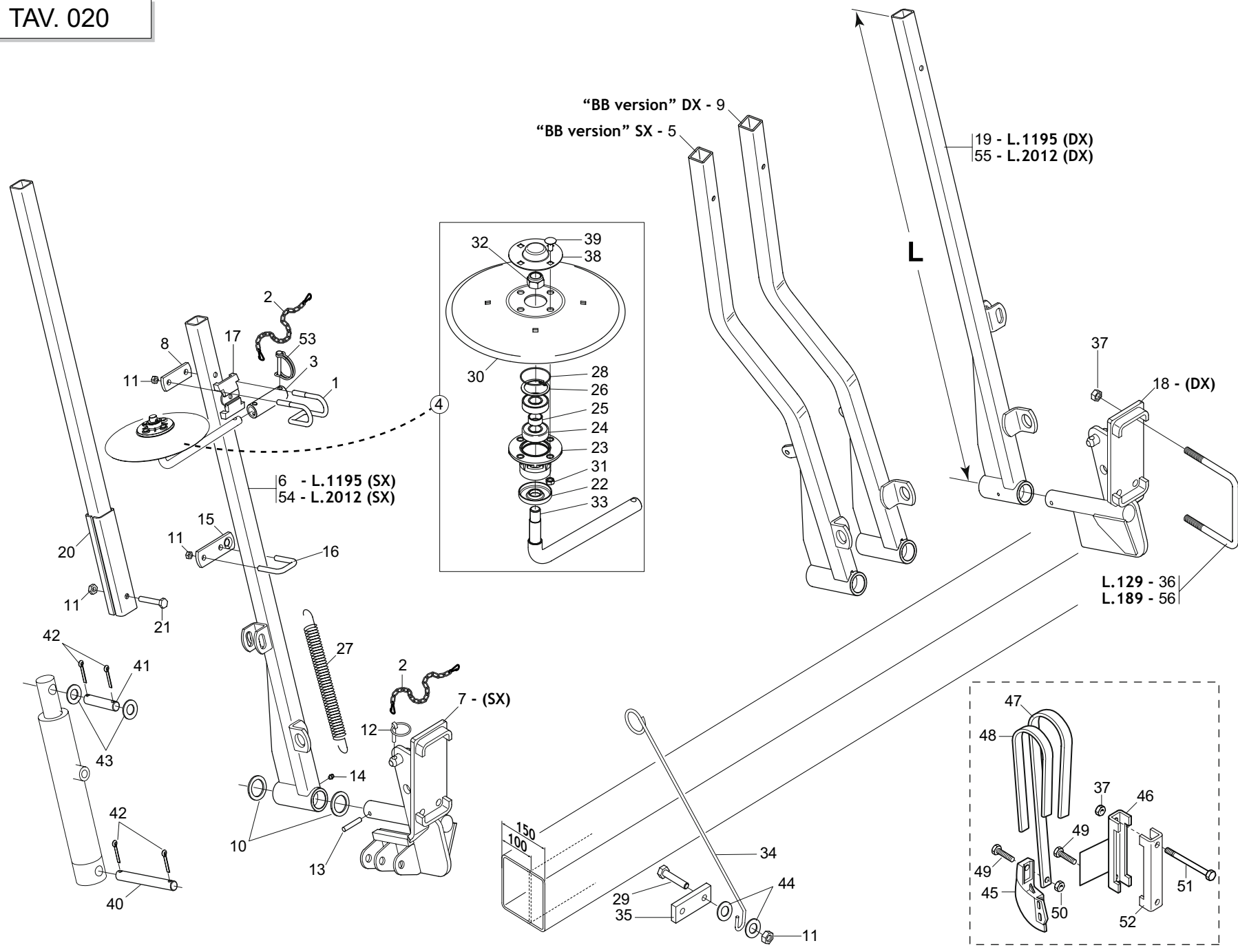
TAV. 010



TELAIO E ATTACCO 3 PUNTI TOOLBAR AND TREE POINT HITCH

TAV. 010

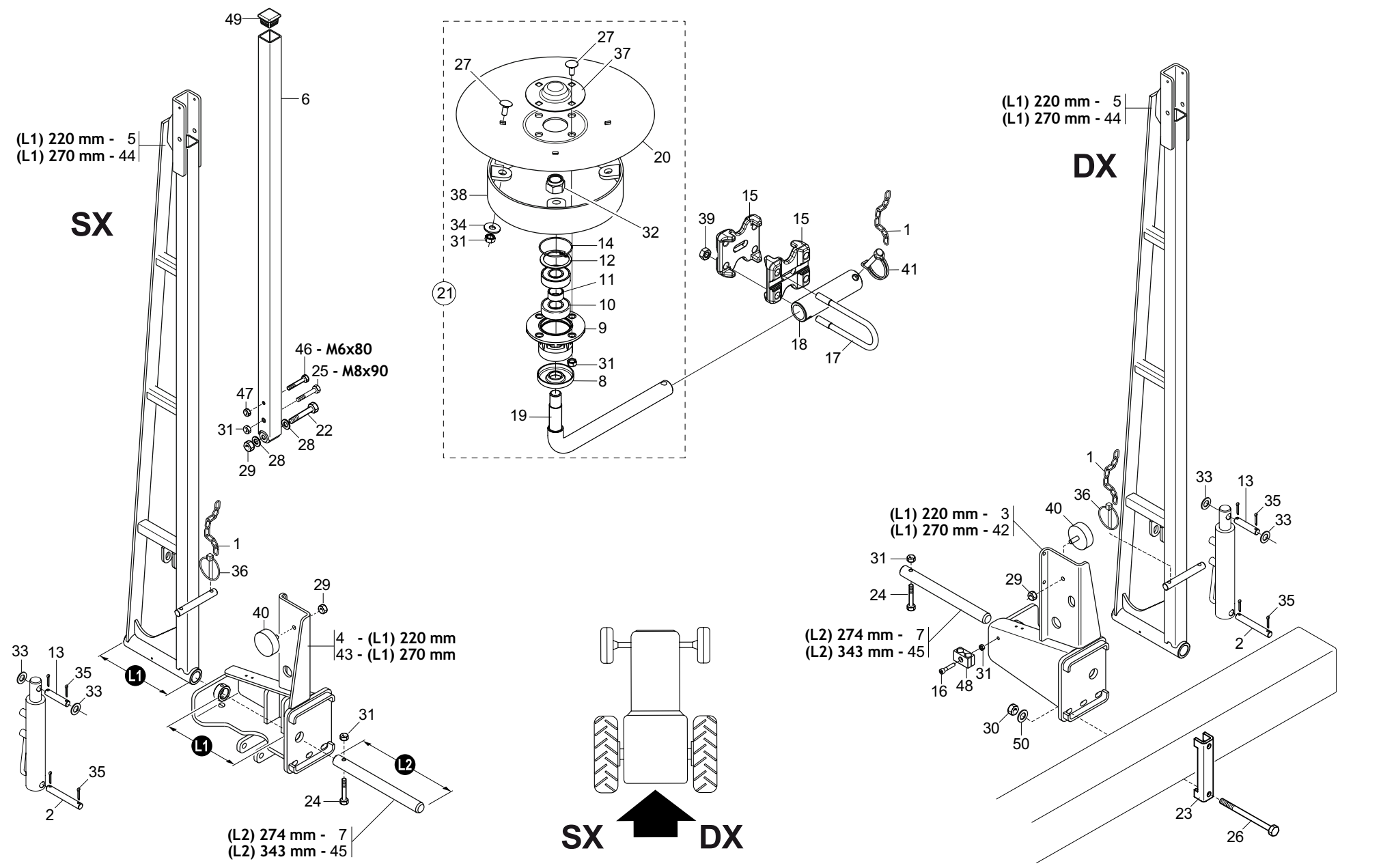
| Pos. | Cod. | Descrizione | Description | Description | Benennung | Description |
|------|------------|--------------------------------|--------------------------------|--------------------------------|--------------------------------|--------------------------------|
| 1 | F20120400R | GANCIO SOSTEGNO CARDANO | SHAFT HOOK SUPPORT | SUPPORT CARDAN | GELENKWELLE - HACKEN | SOPORTE CARDAN |
| 2 | G65336004R | MOLLA SPEC.ZN AGG.SEMINAT. SP | SPEC SPRING- ZN ADD. SEEDER SP | RESSORT SPEC. ZN ATTELAGE SEME | SPEZIALFEDER ZN SZELEM. KUPPL. | MUELLE ESPEC. ZN CONEX. SEMBRA |
| 3 | F01410088R | ROS.M14 15X 28X2,5 U6592 ZN | WAS.M14 15X 28X2,5 U6592 ZB | RON.M14 15X 28X2,5 U6592 ZB | SCH.M14 15X 28X2,5 U6592 ZB | ARA.M14 15X 28X2,5 U6592 ZB |
| 4 | F20100136R | PERNO D28 L109 C43 TEST.D60 Z | BOLT D28 L109 C43 ZN | BOULON D28 L109 C43 ZN | BOLTZEN D28 L109 C43 ZN | PERNO D28 L109 C43 ZN |
| 5 | G13812311R | CATENELLA CON MOSCHETTONE | CHAIN WITH SPRING CATCH | CHAINETTE AVEC MOUSQUETON | KETTE MIT KARABINERHAKEN | CADENA CON GANCHO |
| 6 | F02200507R | SPINA A SCATTO D 9 B 83 | SNAP PIN D9 B 83 ZN | FICHE A DETENTE D9 B 83 ZN | EINRASTSTIFT D9 B 83 ZN | CLAVIJA DE MUELLE D9 B 83 ZN |
| 7 | F20100133R | PERNO D25 L122 C43 TEST.D60 ZN | PIN D25 L122 C43 ZN | BOULON D25 L122 C43 ZN | BOLZEN D25 L122 C43 ZN | PERNO D25 L122 C43 ZN |
| 8 | F01020236R | VITE M14X2X220 U5737 8.8BR | SCR. M14X2X220 U5737 8.8BR | VIS M14X2X220 U5737 8.8 BR | SCHRAUBE M14X2X220 U5737 8.8 | TORNILLO M14X2X220 U5737 8.8 |
| 9 | G22505032R | TUBO TELAIO L=3200 | FRAME PIPE L=3200 | TUBE BATI L=3200 | ROHR RAHMEN L=3200 | TUBO BASTIDOR L=3200 |
| 10 | G19204860R | SUPPORTO PUNTELLO SP-MT | SHORE SUPPORT SP-MT | | | |
| 11 | G22505031R | TUBO TELAIO L=2800 | FRAME PIPE L=2800 | TUBE BATI L=2800 | ROHR RAHMEN L=2800 | TUBO BASTIDOR L=2800 |
| 12 | F02200246R | COPIGLIA 6X 45 U1336 ZN | PIN 6 X45 U1336 ZN | GOUPILLE 6 X45 U1336 ZN | SPLINT 6 X45 U1336 ZN | CLAVIJA 6 X45 U1336 ZN |
| 13 | F02200584R | SPINA SICUR.D.12X70 ZN | PIN D12 L70 ZN | FICHE D12 L70 ZN | STIFT D12 L70 ZN | CLAVIJA D12 L70 ZN |
| 14 | G15112691R | PUNTELLO ST250 | PROP ST250 | | | |
| 15 | F01020225R | VITE M14X2X160 U5737 8.8BR | SCR. M14X2X160 U5737 8.8BR | VIS M 14 X160 5737 8.G | SCHRAUBE M 14 X160 5737 8.G | TORNILLO M 14 X160 5737 8.G |
| 16 | G16610040R | TUBO RET.150X100X1900 | RECTANGULAR PIPE 150X100X1900 | TUBE RECTANGULAIRE 150X100X190 | RECHTECK.ROHR150X100X1900 | TUBO RECT.150X100X1900 |
| 17 | G15110091R | SCONTRO A U | CONTRA U | BRIDE 150 MM | ANSCHLAG | ELEMENTO DE EMPALME |
| 18 | F20120017R | VOMERO REVERSIBIL.F37 40X5X135 | SWIVEL PLOUGH-SHARE F37 40X5X1 | SOC REVERS. F37 40X5X135 | UMKEHRBARE SCHAR F37 40X5X135 | REJAS REVERS. F37 40X5X135 |
| 19 | G67002011R | BULLONE TESTE OVALE M10X35 | OVAL HEAD BOLT M10X35 | BOULON TETE AVALE M10X35 | SCHRAUBE OVAL KOPF. M10X35 | PERNO CABEZA OVALADO M10X35 |
| 20 | G22270462R | MOLLA ROMPIRACCIA VERNICIATA | PAINTED TRACE BR. SPRING | RESSORT BRISEUR DE TRACES VERN | FEDER SPURMESSER LACKIERT | MUELLE ROMPEHUELLE BARNIZADA |
| 21 | G15471612R | SUPPORTO ROMPIRACCIA Q.150 | ROW-BREAKER SUPPORT SQ.150 | SUPPORT EFFACEUR DE TRACES 150 | HALTERUNG SPURAUFREISSER 150 | SOPORTE BORRAHUELLAS 150 |
| 22 | F01020510R | VITE M12X1,75X30 U5739 8.8ZN | SCR. M12X1,75X30 U5739 8.8ZN | VIS M12X1,75X30 U5739 8.8ZN | SCHRAU.M12X1,75X30 U5739 8.8ZN | TORNILLO M12X1,75X30 U5739 |
| 23 | F01200306R | DADO M14X2 U5588 CL8 ZN | NUT M14X2 U5588 6.8ZN | ECROU M14X2 | MUTTER M14X2 | DADO M14X2 |
| 24 | G15210690R | TUBO TELAIO FISSO 150X5000 | FIXED FRAME PIPE 150X5000 | PIPE BATI FIXE 150X5000 | ROHR FIXER RAHMEN 150X5000 | TUBO BASTIDOR FIJO 150X5000 |
| 25 | G22505035R | TUBO TELAIO L=5800 | FRAME TUBE L=5801 | | | |
| 26 | G15210740R | TUBO TELAIO FISSO 150X6000 | FIXED FRAME PIPE 150X6000 | TUBE BATI FIXE 150X6000 | ROHR FIXER RAHMEN 150X6000 | TUBO BASTIDOR FIJO 150X6000 |
| 27 | G16610050R | TUBO R.150X100X2480 | RECTANGULAR PIPE 150X100X2480 | TUBE RECT.150X100X6X2480 | R. ROHR150X100X6X2480 | TUBO RECT.150X100X6X2480 |
| 28 | G16610080R | TUBO R.150X100X 6X2750 | RECTANGULAR PIPE 150X100X6X275 | TUBE RECT.150X100X6X2750 | R. ROHR150X100X6X2750 | TUBO RECT.150X100X6X2750 |
| 29 | G16610060R | TUBO R.150X100X3500 | RECTANGULAR PIPE 150X100X3500 | TUBE RECT.150X100X3500 | R. ROHR150X100X3500 | TUBO RECT.150X100X3500 |
| 30 | G16610070R | TUBO R.150X100X4200 | RECTANGULAR PIPE 150X100X4200 | TUBE RECT.150X100X4200 | R. ROHR150X100X4200 | TUBO RECT.150X100X4200 |
| 31 | G15211250R | TUBO R.150X100X 6X2990 | RECTANGULAR PIPE 150X100X2990 | TUBE RECT.150X100X6X2990 | R. ROHR150X100X6X2990 | TUBO RECT.150X100X6X2990 |
| 32 | G16610463R | ASS.TERZO PUNTO 2 CATEGORIA | 3RD POINT 2 CAT. | | | |
| 33 | G20970120R | RONDELLA 70X8X28,5 | WASHER 70X8X28-5 | RONDELLE 70X8X28-5 | UNTERLEGSCHEIBE 70X8X28-5 | ARANDELA 70X8X28-5 |
| 34 | G16610110R | TAPPO TELAIO 150X100 COMPL. | COMPL. FRAME PLUG 150X100 B319 | BOUCHON CH-SSIS 150X100 COMPL. | PFRÖPFEN RAHMEN 150X100 KOMPL. | TAP N BASTIDOR 150X100 COMPL. |
| 35 | G15213660R | MONT.TAPPO TELAIO 150X150 | ASS.PLUG-FRAME 150X150 | | | |
| 36 | G20970142R | RONDELLA 32X4X15,5 | WASHER 32X4X15-5 | RONDELLE 32X4X15-5 | UNTERLEGSCHEIBE 32X4X15-5 | ARANDELA 32X4X15-5 |
| 37 | G89900511R | KIT DECALCOMANIE SP-MT | DECAL KIT SP | KIT DECALCOMANIE SP | KIT ABZIEHB. SP | SET CALCOMAN AS SP |



**SEGNAFILE (2÷7 FILE)
ROW MARKER (2÷7 ROWS)**

TAV. 020

| Pos. | Cod. | Descrizione | Description | Description | Benennung | Description |
|------|------------|--------------------------------|---------------------------------|--------------------------------|---------------------------------|--------------------------------|
| 1 | G16610230R | CAVALLOTTO MANICOTTO DISCO | U BOLT FOR DISC SLEEVE | ETRIER MANCHON DISQUE | _BERBR_CKUNG MUFFE SCHEIBE | ABRAZADERA MANGUITO DE DISCO |
| 2 | G13812311R | CATENELLA CON MOSCHETTONE | CHAIN WITH SPRING CATCH | CHAINETTE AVEC MOUSQUETON | KETTE MIT KARABINERHAKEN | CADENA CON GANCHO |
| 3 | G17111290R | MANICOTTO DISCO | DISC SLEEVE U BOLT | MANCHON DISQUE | SCHEIBENMUFFE | MANGUITO DISCO |
| 4 | G16610200R | DISCO D.320 COMPL | DISC D.320 COMPL | | | |
| 5 | G15211911R | BRACCIO SEGNAFILE SX | ROW MARKER ARM LEFT | | | |
| 6 | G15412691R | BRACCIO SEGNAFILE SX | ROW MARKER ARM LEFT | BRAS PLIANT GCH. | KLAPPBARER ARM LI. | BRAZO PLEGABLE IZQ. |
| 7 | G16611490R | ASS.SUPP.SEGNAFILE SX | LEFT ROWMARKER SUPPORT | | | |
| 8 | G23440198R | SCONTRIO ATTACCO BRACCIO HL 2 | STRIKER PLATE ARM ATTACH. HL 2 | BUTEE FIXATION BRAS HL 2 | ARMKUPPLUNGSANSCHLAG HL 2 | ELEMENTO DE EMPALME CONEXI N B |
| 9 | G15211931R | BRACCIO SEGNAFILE DX | ROW MARKER ARM RIGHT | | | |
| 10 | G18701600R | RONDELLA 35,5 X50 X3 ZN | WASHER 35.5 X 50 X 3- GALVANIZ | RONDELLE 35-5 X50 X3 ZN | UNTERLEGSSCHEIBE 35-5 X50 X3 | ARANDELA 35-5 X50 X3 ZN |
| 11 | F01200270R | DADO M10X1,5 U5588 CL8 ZN | NUT M10X1,5 U5588 6.8ZN | ECROU M10X 1,5 U5588 6.8 ZN | MUTTER M10X 1,5 U5588 6.8 ZN | TUERCA M10X1,5 U5588 CL8 ZN |
| 12 | F02200507R | SPINA A SCATTO D 9 B 83 | SNAP PIN D9 B 83 ZN | FICHE A DETENTE D9 B 83 ZN | EINRASTSTIFT D9 B 83 ZN | CLAVIJA DE MUELLE D9 B 83 ZN |
| 13 | F02100146R | SPINA E.P. 8X 55 U6873 C70 BR | PIN EL. .8 X55 DIN 1481 | FICHE EL.8 X55 DIN 1481 | SPANNSTIFT 8 X55 DIN 1481 | CLAVIJA EL.8 X55 DIN 1481 |
| 14 | F01100011R | ING.M 6X1 7663-A 9SMNPB28 ZN | GREASE NIPPLE M6X1 7663-A ZN | GRAISS. A BILLE M6X1 7663A ZN | SCHMIERBUECHE M6X1 7663-A ZN | ENG.M 6X1 7663-A 9SMNPB28 ZN |
| 15 | G15412810R | ATTACCO FUNE SEGNAFILE | ROW MARKER ROPE LINKAGE | FIXATION CABLE TRACEUR | SEILKUPPLUNG SPURANZEIGER | CONEXI N CABLE MARCADOR DE FIL |
| 16 | F20110705R | CAV.Q.B=40 M=10X1,5 L=62 | U BOLT Q.B=40 M=10X1,5 L=62 | CAVALIER ZN | BSGELBOLZEN ZN | PERNO EN U ZN |
| 17 | G19203740R | ELEMENTO FISSAGGIO GAMBO ZN. | GALVAN. SHANK FASTENING ELEMEN | ELEMENT FIXATION TIGES ZN | BEFESTIGUNGSELEMENT SCHZCHTE Z | ELEMENTO SUJECIN V STAGOS ZN |
| 18 | G16611500R | SUPPORTO SEGNAFILE DX | RIGHT ROWMARKER SUPPORT | | | |
| 19 | G15412861R | BRACCIO SEGNAFILE DX | RH FOLDING ARM | BRAS PLIANT DRT. | KLAPPBARER ARM RE. | BRAZO PLEGABLE DER. |
| 20 | G15412780R | PROLUNGA BRACCIO SEGNAFILE | ROWMARKER EXTENSION | RALLONGE TRACEUR SOL. | VERLNGERUNG SPURREISSER | PROLONG. MARC. DE FILAS |
| 21 | F01020122R | VITE M10X1,5X70 U5737 8.8ZN | SCR. M10X1,5X70 U5737 8.8ZN | VIS M10X1,5X70 U5737 8.8 ZN | SCHRA.M10X1,5X70 U5737 8.8 ZN | TORN. M10X1,5X70 U5737 8.8 ZN |
| 22 | G16610431R | FONDELLO ZN | BOTTOM GALV.ED | | | |
| 23 | G16610160R | SUPP.CUSCINETTI DISCO SEGN.ZN. | GALVAN. ROWMARKER DISK BEARING | SUPPORT ROULEMENTS DISQUE TRAC | SCHEIBENLAGERHALTERUNG | SOPORTE COJINETE DE DISCO MARC |
| 24 | F04010156R | CUSC. D20 D47 B14 6204 2RSH | BEARING D20 D47 B14 6204 2RSH | ROULEMENTD20 D47 B14 | | |
| 25 | G18801270R | BOCCOLA 21 X25 X12 ZN B. | BUSHING 21 X25 X12 ZN | | | |
| 26 | F02050370R | ANELLO E. DI 47X1,75 U7437 C70 | SEEEGER RING 47X 1,75 U7437 C70 | SEEEGER E. 47X 1,75 U7437 C70 | SEEEGERING E. 47X1,75 U7437 C70 | ANILLO E. 47X 1,75 U7437 C70 |
| 27 | G65337004R | MOLLA TRAZ.SOLLEV. FU | TRACTION SPRING LIFT. FU | RESSORT TRACT. LEVAGE FU | ZUGFEDER HEBUNG FU | MUELLE TRAC. LEVDEL. FU |
| 28 | F03010576R | ANELLO OR 50,52X1,78 NBR | GASKET OR 50,52X1,78 NBR | BAGUE OR 50,52X1,78 NBR | RING OR 50,52X1,78 NBR | ANILLO OR 50,52X1,78 NBR |
| 29 | F01020476R | VITE M10X1,5X30 U5739 8.8ZN | SCR. M10X1,5X30 U5739 8.8ZN | VIS M10X1,5X30 U5739 8.8 ZN | SCHRAUBE M10X1,5X30U5739 8.8ZN | TORNILLO M10X1,5X30 U5739 8.8 |
| 30 | G16610170R | DISCO SEGNAFILE D.320 | ROW MARKER DISK D.320 | DISQUE TRACEUR D320 | SPURREISSERSSCHEIBE D. 320 | DISCO MARCARDOR DE FILAS O 320 |
| 31 | F01200244R | DADO M8X1,25 U5588 CL8 ZN | NUT M8X1,25 U5588 6.8ZN | ECROU M8 X1,25 U5588 6.8 ZN | MUTTER M8 X1,25 U5588 6.8 ZN | TUERCA M8X1,25 U5588 CL8 ZN |
| 32 | F01230098R | DADO M18X2,5 D982 8 ZN | NUT M18X2,5 D982 8 ZN | ECROU M18X 2,5 D982 8 ZN | MUTTER M18X 2,5 D982 8 ZN | TUERCA M18X 2,5 D982 8 ZN |
| 33 | G16610180R | PERNO REGGIDISCO SEGNAF. | ROWMARKER DISCHOLDER PIN | | | |
| 34 | G18902260R | GUIDACORDA ZN MT | ROPE GUIDE ZN | | | |
| 35 | G15470810R | SUPPORTO GUIDACORDA SP | ROPE GUIDE SUPPORT SP | SUPPORT GUIDE-CORDE SP | HALTERUNG SEILFSHRUNG SP | SOPORTE GUIACUERDA SP |
| 36 | F20110780R | CAV.R.B=150H=100M=14X2 L=129 | U BOLT R.B=150 H100 M14X2 L129 | CAVALIER M14X165-128 | VERBINDUNG M14X165-128 | PERNO EN U M14X165-128 |
| 37 | F01200306R | DADO M14X2 U5588 CL8 ZN | NUT M14X2 U5588 6.8ZN | ECROU M14X2 | MUTTER M14X2 | DADO M14X2 |
| 38 | G16610190R | CHIUSURA CUSCINETTO ZN | END BEARING ZN | | | |
| 39 | F01060040R | VITE M8X1,25X20 U5731 8.8ZN | SCR. M8X1,25X20 U5732 4.6ZG | VIS M8X1,25X20 U5732 4.6 ZN | SCHRA. M8X1,25X20 U5732 4.6 ZN | TORN. M8X1,25X20 U5732 4.6 ZN |
| 40 | G15413020R | SPINA 15X120 ZN | GALVANIZED PIN 15X120 | GOUPILLE 15X120 ZN | STIFT 15X120 ZN | CLAVIJA 15X120 ZN |
| 41 | G15413010R | SPINA 15X62 ZN | PIN 15X62 ZN | GOUPILLE 15X62 ZN | BOLZENSTIFT 15X62 ZN | PASADOR 15X62 ZN |
| 42 | F02200194R | COPIGLIA 4X 25 U1336 ZN | SPLIT PIN 4 X25 1336 GALVAN. | GOUPILLE 4 X25 1336 ZN | SPLINT 4 X25 1336 ZN | PASADOR 4 X25 1336 ZN |
| 43 | G20970142R | RONDELLA 32X4X15,5 | WASHER 32X4X15-5 | RONDELLE 32X4X15-5 | UNTERLEGSSCHEIBE 32X4X15-5 | ARANDELA 32X4X15-5 |
| 44 | F01410100R | ROS.M16 17X 30X 3 U6592 ZN | WASHER M16 17X30X3 U6592 ZN | RONDELLE M16 17X30X3 ZN | SCHRAUBE M16 17X 30X3 U6592 ZN | ARAND.M16 17X 30X 3 U6592 ZN |
| 45 | G13811261R | FALCIONE SEGNAFILE INT. | INNER ROWM. CUTTER | HACHOIR TRACEUR INT. | SZSCHAR SPURREISSER INNEN | GUADA ADORA MARCADOR DE HILE |
| 46 | G15470232R | SUPPORTO MOLLA PIATTA 150 | FLAT SPRING SUPPORT 150 | SUPPORT RESSORT PLAT 150 | HALTERUNG FLACHFEDER 150 | SOPORTE MUELLE PLANO 150 |
| 47 | G18901092R | GAMBO CONCIMAZ.MOLLA PIATTA SP | FLAT SPRING MANURING LEG SP | TIGE FUMAGE RESSORT PLAT SP | SCHAFT DSNUNG FLACHE FEDER SP | V STAGO ABONO MUELLE CHATO SP |
| 48 | G18902861R | RINF.MOLLA PIATTA CONCIM.SP | MANUR.PLATE SPRING REINFORCE.S | RENF. RESSORT PLAT FUMAGE SP | VERSTZRKUNG FLACHFEDER DSNUNG | REFUERZO MUELLE ABONO SP |
| 49 | F01020512R | VITE M12X1,75X35 U5739 8.8ZN | SCR. M12X1,75X35 U5739 8.8ZN | VIS M12X1,75X35 5739 8.8 ZN | SCHR. M12X1,75X35 5739 8.8 ZN | TORNILLO M12X1,75X35 U5739 8 |
| 50 | F01200293R | DADO M12X1,75 U5588 CL8 ZN | NUT M12X1,75 U5588 6S ZN | ECROU M12X1,75 U5588 6S ZN | MUTTER M12X1,75 U5588 6S ZN | TUERCA M12X1,75 U5588 CL8 ZN |
| 51 | F01020236R | VITE M14X2X220 U5737 8.8BR | SCR. M14X2X220 U5737 8.8BR | VIS M14X2X220 U5737 8.8 BR | SCHRAUBE M14X2X220 U5737 8.8 | TORNILLO M14X2X220 U5737 8.8 |
| 52 | G15110091R | SCONTRIO A U | CONTRA U | BRIDE 150 MM | ANSCHLAG | ELEMENTO DE EMPALME |
| 53 | F02100312R | SPINA DI SICUREZZA D.8X45 ZN | SAFETY PIN D.8X45 ZN | FICHE EL.DE SECURITE D.8X45 ZN | SCHERSTIFT D.8X45 ZN | CLAVIJA DE SEGURIDAD D 8X45 ZN |
| 54 | G16611451R | BRACCIO SGNAFILE SX | ROW MARKER ARM LEFT | | | |
| 55 | G16611461R | BRACCIO SEGNAFILE DX | ROW MARKER ARM RIGHT | | | |
| 56 | F20110785R | CAV.Q.B=150 M=14X2 L=189 | U BOLT Q.B=150 M=14X2 L=189 | CAVALIER 150 | VERBINDUNG 150 | PERNO EN U 150 |

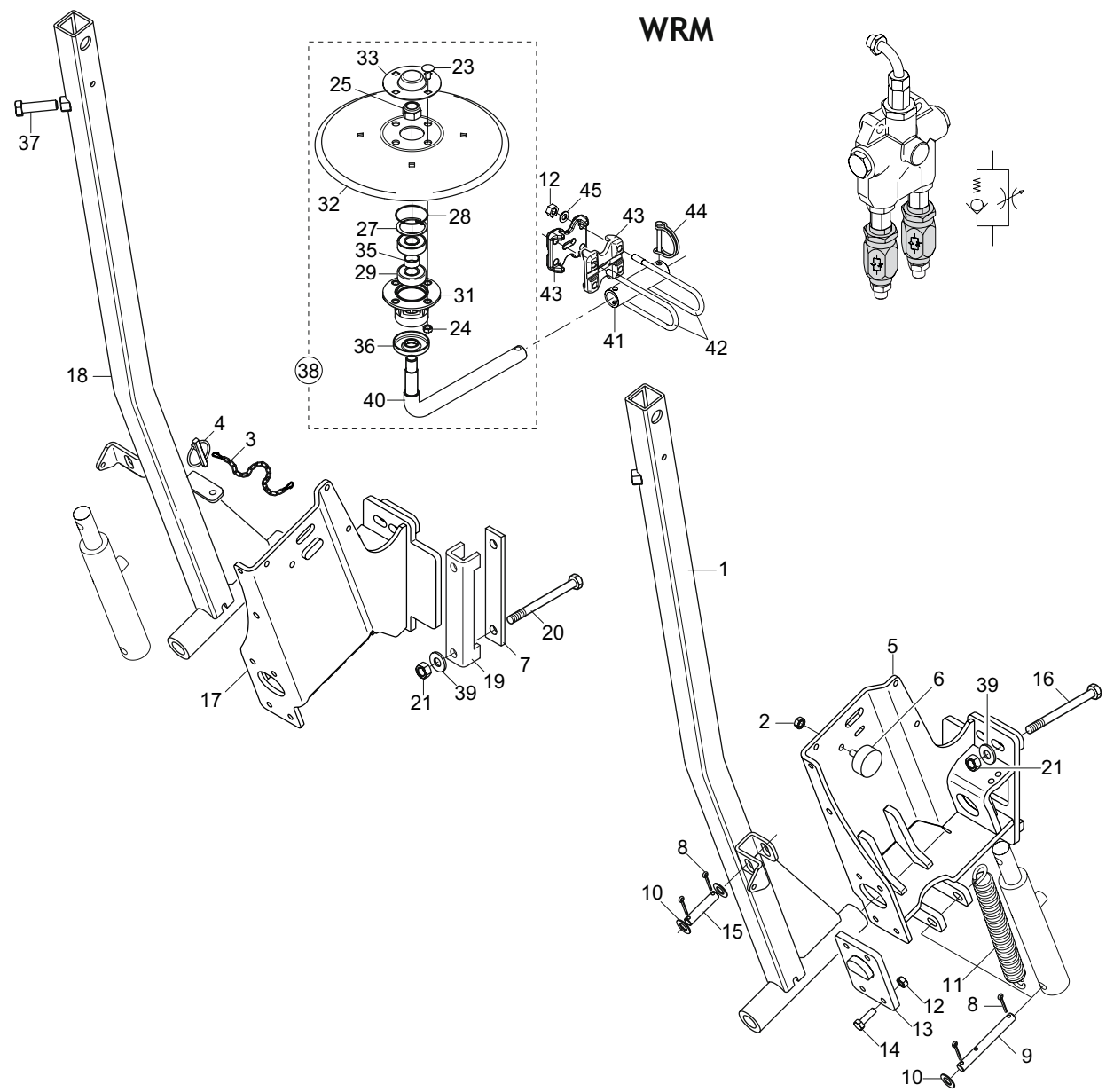


**SEGNAFILE (8÷12 FILE)
ROW MARKER (8÷12 ROWS)**

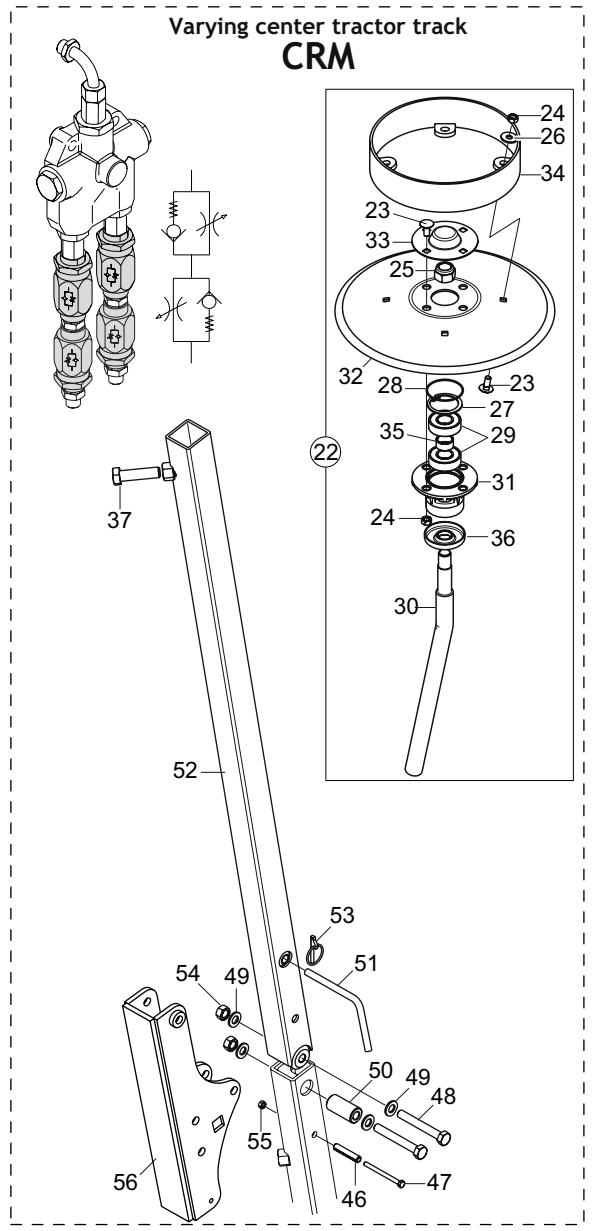
TAV. 030

| Pos. | Cod. | Descrizione | Description | Description | Benennung | Description |
|------|------------|--------------------------------|--------------------------------|--------------------------------|--------------------------------|--------------------------------|
| 1 | G13812311R | CATENELLA CON MOSCHETTONE | CHAIN WITH SPRING CATCH | CHAINETTE AVEC MOUSQUETON | KETTE MIT KARABINERHAKEN | CADENA CON GANCHO |
| 2 | G15413020R | SPINA 15X120 ZN | GALVANIZED PIN 15X120 | GOUVILLE 15X120 ZN | STIFT 15X120 ZN | CLAVIJA 15X120 ZN |
| 3 | G15411381R | SUPPORTO BRACCIO DX | RIGHT ARM SUPPORT | RACLEUR GCH BAGUE | HALTERUNG ARM RE | SOPORTE BRAZO DER |
| 4 | G15411391R | SUPPORTO BRACCIO SX | LEFT ARM SUPPORT | SUPPORT BRAS GCH | HALTERUNG ARM LI | SOPORTE BRAZO IZQ |
| 5 | G15411471R | BRACCIO SEGNAFILE FRANCIA | FRENCH ROWMARKER ARM | BRAS TRACEUR | SPURREISSERARM | BRAZO MARCADOR DE FILAS |
| 6 | G16072220R | BRACCIO SEGNAFILE | ROW MARKER ARM | | | |
| 7 | G14215830R | ASSE SEGNAFILE ZN | GALVAN. ROWMAKER AXLE | AXE BRAS TRACEUR ZN | REISSERASCHE | EJE MARCADOR DE FILAS |
| 8 | G16610431R | FONDELLO ZN | BOTTOM GALVED | | | |
| 9 | G16610160R | SUPP.CUSCINETTI DISCO SEGN.ZN. | GALVAN. ROWMARKER DISK BEARING | SUPPORT ROUEMENTS DISQUE TRAC | SCHEIBENLAGERHALTERUNG | SOPORTE COJINETE DE DISCO MARC |
| 10 | F04010156R | CUSC. D20 D47 B14 6204 2RSH | BEARING D20 D47 B14 6204 2RSH | ROUEMENTD20 D47 B14 | | |
| 11 | G18801270R | BOCCOLA 21 X25 X12 ZN B. | BUSHING 21 X25 X12 ZN | | | |
| 12 | F02050370R | ANELLO E. DI 47X1,75 U7437 C70 | SEEGER RING 47X 1,75 U7437 C70 | SEEGER E. 47X 1,75 U7437 C70 | SEEGERING E. 47X1,75 U7437 C70 | ANILLO E. 47X 1,75 U7437 C70 |
| 13 | G15413010R | SPINA 15X62 ZN | PIN 15X62 ZN | GOUVILLE 15X62 ZN | BOLZENSTIFT 15X62 ZN | PASADOR 15X62 ZN |
| 14 | F03010576R | ANELLO OR 50,52X1,78 NBR | GASKET OR 50,52X1,78 NBR | BAGUE OR 50,52X1,78 NBR | RING OR 50,52X1,78 NBR | ANILLO OR 50,52X1,78 NBR |
| 15 | G19204230R | SUPPORTO MANICOTTO TQ.50 | SLEEVE SUPPORT TQ.50 | | | |
| 16 | F01040101R | VITE M8X1,25X40 U5931 8.8ZN | SCR. M8X1,25X40 U5931 8.8ZN | VIS M8X1,25X40 U5931 8.8 ZN | SCHRAUBE M8X1,25X40 U5931 8.8 | TORNILLO M8X1,25X40 U5931 8.8 |
| 17 | F20110860R | CAV.T.M10X 1,5X 30 46X128,5ZN | U BOLT T.M10X1,5X30 46X L128,5 | CAVALIER M10X46 ZN | VERBINDUNG M10X46 ZN | PERNO EN U M10X46 ZN |
| 18 | G17111290R | MANICOTTO DISCO | DISC SLEEVE U BOLT | MANCHON DISQUE | SCHEIBENMUFFE | MANGUITO DISCO |
| 19 | G16610180R | PERNO REGGIDISCO SEGNAF. | ROWMARKER DISCHOLDER PIN | | | |
| 20 | G16610170R | DISCO SEGNAFILE D.320 | ROW MARKER DISK D.320 | DISQUE TRACEUR D320 | SPURREISSERSCHEIBE D. 320 | DISCO MARCARDOR DE FILAS O 320 |
| 21 | G16610222R | MONT.DISCO D.320 LIM. | ROWMARKER DISC D.320 ASSEMBLY | | | |
| 22 | F01020168R | VITE M12X1,75X90 U5737 8.8ZN | SCR. M12X1,75X90 U5737 8.8ZN | VIS M12X1,75X90 U5737 8.8 ZN | SCHRAB.M12X1,75X90 5737 8.8 ZN | TORNIL.M12X1,75X90 5737 8.8 ZN |
| 23 | G15110091R | SCONTRO A U | CONTRA U | BRIDE 150 MM | ANSCHLAG | ELEMENTO DE EMPALME |
| 24 | F01020077R | VITE M8X1,25X60 U5737 8.8ZN | SCR. M8X1,25X60 U5737 8.8ZN | VIS M8X1,25X60 U5737 8.8 ZN | SCHRAU. M8X1,25X60 U5737 8.8ZN | TORN. M8X1,25X60 U5737 8.8 ZN |
| 25 | F01020088R | VITE M8X1,25X90 U5737 8.8ZN | SCREW M8X1,25X90 U5737 8.8ZN | VIS M8X1,25X90 U5737 8.8 ZN | SCHR. M8X1,25X90 U5737 8.8 ZN | TORN. M8X1,25X90 U5737 8.8 ZN |
| 26 | F01020236R | VITE M14X2X220 U5737 8.8BR | SCR. M14X2X220 U5737 8.8BR | VIS M14X2X220 U5737 8.8 BR | SCHRAUBE M14X2X220 U5737 8.8 | TORNILLO M14X2X220 U5737 8.8 |
| 27 | F01060040R | VITE M8X1,25X20 U5731 8.8ZN | SCR. M8X1,25X20 U5732 4.6ZG | VIS M8X1,25X20 U5732 4.6 ZN | SCHRA. M8X1,25X20 U5732 4.6 ZN | TORN. M8X1,25X20 U5732 4.6 ZN |
| 28 | F01410076R | ROS.M12 13X 24X2,5 U6592 ZN | WASHER 12 13X 24X2,5 U6592 ZN | RONDEL. M12 13X24X2,5 U6592 ZN | SCHEIBE M12 13X24X2,5 U6592 ZN | ARAND.M12 13X 24X2,5 U6592 ZN |
| 29 | F01200293R | DADO M12X1,75 U5588 CL8 ZN | NUT M12X1,75 U5588 6S ZN | ECROU M12X1,75 U5588 6S ZN | MUTTER M12X1,75 U5588 6S ZN | TUERCA M12X1,75 U5588 CL8 ZN |
| 30 | F01200306R | DADO M14X2 U5588 CL8 ZN | NUT M14X2 U5588 6.8ZN | ECROU M14X2 | MUTTER M14X2 | DADO M14X2 |
| 31 | F01200244R | DADO M8X1,25 U5588 CL8 ZN | NUT M8X1,25 U5588 6.8ZN | ECROU M8 X1,25 U5588 6.8 ZN | MUTTER M8 X1,25 U5588 6.8 ZN | TUERCA M8X1,25 U5588 CL8 ZN |
| 32 | F01230098R | DADO M18X2,5 D982 8 ZN | NUT M18X2,5 D982 8 ZN | ECROU M18X 2,5 D982 8 ZN | MUTTER M18X 2,5 D982 8 ZN | TUERCA M18X 2,5 D982 8 ZN |
| 33 | G20970111R | RONDELLA 29,8X2X16,5 | WASHER 29,8X2X16,5 | RONDELLE 29,8X2X16,5 | UNTERLEGSCHEIBE 29,8X2X16,5 | ARANDELA 29,8X2X16,5 |
| 34 | F01420048R | ROS.M8 8,4X 24X 2 U6593 ZN | WASHER M8 8,4X 24X2 U6593 ZN | RONDELLE M8 8,4X24X 2 U6593 ZN | SCHEIBEN M8 8,4X24X 2 U6593 ZN | ARAND.M8 8,4X 24X 2 U6593 ZN |
| 35 | F02200227R | COPIGLIA 5 X30 1336 ZN | PIN 5X 30 U1336 ZN | | | |
| 36 | F02200507R | SPINA A SCATTO D 9 B 83 | SNAP PIN D9 B 83 ZN | FICHE A DETENTE D9 B 83 ZN | EINRASTSTIFT D9 B 83 ZN | CLAVIJA DE MUELLE D9 B 83 ZN |
| 37 | G16610190R | CHIUSURA CUSCINETTO ZN | END BEARING ZN | | | |
| 38 | G16610210R | ASS.LIMITATORE PROFONDITA | LIMITER DEPTH COUPLYNG | GR. ASS. LIMITEUR DE PROFONDEU | TIEFENBEGRENZERKOMPLEX | CONJ. LIMITADOR DE PROFUNDIDAD |
| 39 | F01200270R | DADO M10X1,5 U5588 CL8 ZN | NUT M10X1,5 U5588 6.8ZN | ECROU M10X 1,5 U5588 6.8 ZN | MUTTER M10X 1,5 U5588 6.8 ZN | TUERCA M10X1,5 U5588 CL8 ZN |
| 40 | F05150459R | PARACOLPI CIL. 75X25 SH71 | CYLINDER GUARD 75X25 M12 SH71 | TAMPON CIL. 75X25 M12 | PUFFER CIL. 75X25 M12 | PARACHOQ. CIL. 75X25 M12 |
| 41 | F02100312R | SPINA DI SICUREZZA D.8X45 ZN | SAFETY PIN D.8X45 ZN | FICHE EL.DE SECURITE D.8X45 ZN | SCHERSTIFT D.8X45 ZN | CLAVIJA DE SEGURIDAD D 8X45 ZN |
| 42 | G16611090R | SUPPORTO BRACCIO SEGN.RINF.DX | ARM SUPP.REINF.ROWMA.RIGHT | | | |
| 43 | G16611100R | SUPPORTO BRACCIO SEGN.RINF.SX | ARM SUPP.REINF.ROWMA.LEFT | | | |
| 44 | G16611150R | BRACCIO SEGNAFILE RINF. | REINF.ROWMARKER ARM | | | |
| 45 | G16611250R | PERNO D.32X343 | PIN D.32X343 | | | |
| 46 | F01020050R | VITE M6X1X80 U5737 8.8ZN | SCR. M6X1X80 U5737 8.8ZN | VIS 6 X80 5737 8.G ZN | SCHRAUBE 6 X80 5737 8.G ZN | TORNILLO 6 X80 5737 8.G ZN |
| 47 | F01220011R | DADO M6X1 D980 8ZN | NUT M6X1 D980 8ZN | ECROU M6X1 D980 8 ZN | MUTTER M6X1 D980 8 ZN | TUERCA M6X1 D980 8 ZN |
| 48 | F03150996R | COPPIA COLLARI X TUBO D.18 | DOUBLE TUBE SUPPORT D.19 | | | |
| 49 | F20120349R | PUNTALE Q.50 ALETT.POLIT.NERO | CAP | BOUCHON | DECKEL | CORCHO |
| 50 | G20970142R | RONDELLA 32X4X15,5 | WASHER 32X4X15-5 | RONDELLE 32X4X15-5 | UNTERLEGSCHEIBE 32X4X15-5 | ARANDELA 32X4X15-5 |

WRM



Varying center tractor track
CRM

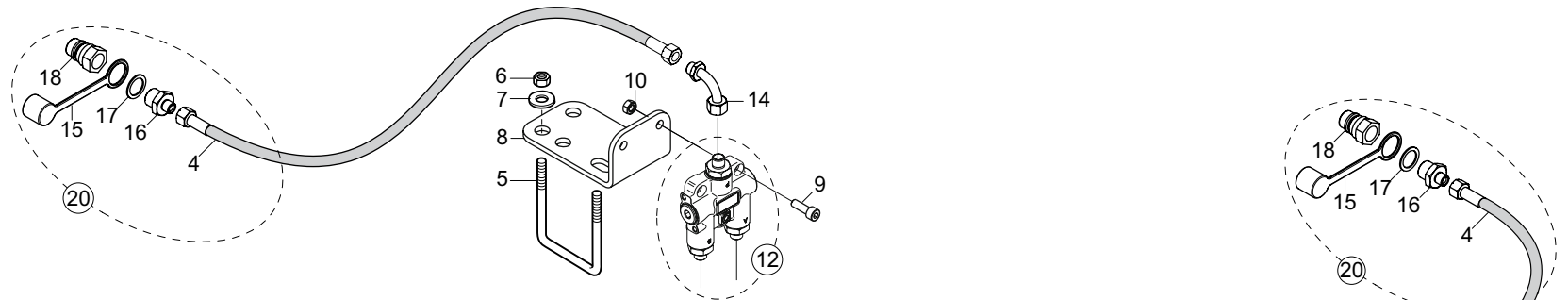


**SEGNAFI LE (WRM / CRM)
ROW MARKER (WRM / CRM)**

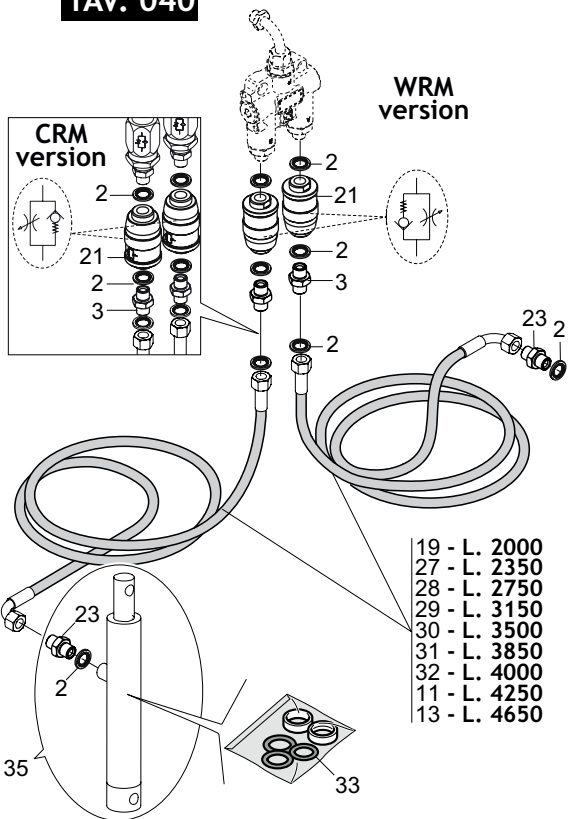
TAV. 040

| Pos. | Cod. | Descrizione | Description | Description | Benennung | Descripcion |
|------|------------|--------------------------------|--------------------------------|--------------------------------|--------------------------------|--------------------------------|
| 1 | G15212750R | BRACCIO SEGNAFILE SX | ROW MARKER ARM LEFT | | | |
| 2 | F01230048R | DADO M10X1,5 D982 8ZN | NUT M10X1,5 D982 8ZN | ECR.AUTO-FREIN.M10X1,5 D982 ZN | SICHERUNGSMUTT.M10X1,5 D982 ZN | TUERCA SEGURID.M10X1,5 D982 ZN |
| 3 | G13812311R | CATENELLA CON MOSCHETTONE | CHAIN WITH SPRING CATCH | CHAINETTE AVEC MOUSQUETON | KETTE MIT KARABINERHAKEN | CADENA CON GANCHO |
| 4 | F02200507R | SPINA A SCATTO D 9 B 83 | SNAP PIN D9 B 83 ZN | FICHE A DETENTE D9 B 83 ZN | EINRASTSTIFT D9 B 83 ZN | CLAVIJA DE MUELLE D9 B 83 ZN |
| 5 | G15213750R | SUPPORTO SEGNAFILE SX | LEFT ROWMARKER SUPPORT | | | |
| 6 | F05150460R | PARACOLPI CIL.D50X21 M10X26,5 | RUBBER BUFFER- CYLINDR.D50X21 | PARE-CHOCS CYL. D50X21 | PUFFER ZYL.50X21 | PARAGOLPES CIL.D50X21 |
| 7 | G22505037R | SCONTR O PIASTRA ATTACCO MT | STRIKER PLATE ATT. MT | BUTEE PLAQUE FIXATION MT | KUPPLUNGSPLETTEN-ANSCHLAG MT | ELEMENTO DE EMPALME PLACA CONE |
| 8 | F02200194R | COPIGLIA 4X 25 U1336 ZN | SPLIT PIN 4 X25 1336 GALVAN. | GOUPILLE 4 X25 1336 ZN | SPLINT 4 X25 1336 ZN | PASADOR 4 X25 1336 ZN |
| 9 | G15413020R | SPINA 15X120 ZN | GALVANIZED PIN 15X120 | GOUPILLE 15X120 ZN | STIFT 15X120 ZN | CLAVIJA 15X120 ZN |
| 10 | G20970111R | RONDELLA 29,8X2X16,5 | WASHER 29,8X2X16,5 | RONDELLE 29,8X2X16,5 | UNTERLEGSSCHEIBE 29,8X2X16,5 | ARANDELA 29,8X2X16,5 |
| 11 | G65337004R | MOLLA TRAZ.SOLLEV. FU | TRACTION SPRING LIFT. FU | RESSORT TRACT. LEVAGE FU | ZUGFEDER HEBUNG FU | MUELLE TRAC. LEVDEL. FU |
| 12 | F01200270R | DADO M10X1,5 U5588 CL8 ZN | NUT M10X1,5 U5588 6.8ZN | ECROU M10X 1,5 U5588 6.8 ZN | MUTTER M10X 1,5 U5588 6.8 ZN | TUERCA M10X1,5 U5588 CL8 ZN |
| 13 | G15212791R | PIASTRA POSTERIORE | REAR PLATE | | | |
| 14 | F01020479R | VITE M10X1,5X35 U5739 8.8ZN | SCR. M10X1,5X35 U5739 8.8ZN | VIS M10X1,5X35 U5739 8.8 ZN | SCHR. M10X1,5X35 U5739 8.8 ZN | TORNILLO M10X1,5X35 U5739 8 |
| 15 | G15413010R | SPINA 15X62 ZN | PIN 15X62 ZN | GOUPILLE 15X62 ZN | BOLZENSTIFT 15X62 ZN | PASADOR 15X62 ZN |
| 16 | F01020233R | VITE M14X2X200 U5737 8.8BR | SCR. M14X2X200 U5737 8.8BR | VIS M14X2X 200 U5737 8.8 ZB | SCHRAUBE M14X 2X200 U5737 8.8 | TORNILLO M14X2X200 5737 8.8 ZB |
| 17 | G15213740R | SUPPORTO SEGNAFILE DX | RIGHT ROWMARKER SUPPORT | | | |
| 18 | G15212760R | BRACCIO SEGNAFILE DX | ROW MARKER ARM RIGHT | | | |
| 19 | G15110091R | SCONTR O A U | CONTRA U | BRIDE 150 MM | ANSCHLAG | ELEMENTO DE EMPALME |
| 20 | F01020236R | VITE M14X2X220 U5737 8.8BR | SCR. M14X2X220 U5737 8.8BR | VIS M14X2X220 U5737 8.8 BR | SCHRAUBE M14X2X220 U5737 8.8 | TORNILLO M14X2X220 U5737 8.8 |
| 21 | F01200306R | DADO M14X2 U5588 CL8 ZN | NUT M14X2 U5588 6.8ZN | ECROU M14X2 | MUTTER M14X2 | DADO M14X2 |
| 22 | G15112921R | DISCO D.320 LIM.COMPL.ST-MTE | SIDE SHIELD DISK D320 COMP. ST | | | |
| 23 | F01060040R | VITE M8X1,25X20 U5731 8.8ZN | SCR. M8X1,25X20 U5732 4.6 ZN | VIS M8X1,25X20 U5732 4.6 ZN | SCHRA. M8X1,25X20 U5732 4.6 ZN | TORN. M8X1,25X20 U5732 4.6 ZN |
| 24 | F01200244R | DADO M8X1,25 U5588 CL8 ZN | NUT M8X1,25 U5588 6.8ZN | ECROU M8 X1,25 U5588 6.8 ZN | MUTTER M8 X1,25 U5588 6.8 ZN | TUERCA M8X1,25 U5588 CL8 ZN |
| 25 | F01230098R | DADO M18X2,5 D982 8 ZN | NUT M18X2,5 D982 8 ZN | ECROU M18X 2,5 D982 8 ZN | MUTTER M18X 2,5 D982 8 ZN | TUERCA M18X 2,5 D982 8 ZN |
| 26 | F01420048R | ROS.M8 8,4X 24X 2 U6593 ZN | WASHER M8 8,4X 24X2 U6593 ZN | RONDELLE M8 8,4X24X 2 U6593 ZN | SCHEIBEN M8 8,4X24X 2 U6593 ZN | ARAND.M8 8,4X 24X 2 U6593 ZN |
| 27 | F02050370R | ANELLO E. DI 47X1,75 U7437 C70 | SEEGER RING 47X 1,75 U7437 C70 | SEEGER E. 47X 1,75 U7437 C70 | SEEGERING E. 47X1,75 U7437 C70 | ANILLO E. 47X 1,75 U7437 C70 |
| 28 | F03010576R | ANELLO OR 50,52X1,78 NBR | GASKET OR 50,52X1,78 NBR | BAGUE OR 50,52X1,78 NBR | RING OR 50,52X1,78 NBR | ANILLO OR 50,52X1,78 NBR |
| 29 | F04010156R | CUSC. D20 D47 B14 6204 2RSH | BEARING D20 D47 B14 6204 2RSH | ROULEMENTD20 D47 B14 | | |
| 30 | G15111311R | PERNO SEGNAFILE | ROWMARKER PIN | | | |
| 31 | G16610160R | SUPP.CUSCINETTI DISCO SEGN.ZN. | GALVAN. ROWMARKER DISK BEARING | SUPPORT ROULEMENTS DISQUE TRAC | SCHEIBENLAGERHALTERUNG | SOPORTE COJINETE DE DISCO MARC |
| 32 | G16610170R | DISCO SEGNAFILE D.320 | ROW MARKER DISK D.320 | DISQUE TRACEUR D320 | SPURREISSERSCHEIBE D. 320 | DISCO MARCARDOR DE FILAS O 320 |
| 33 | G16610190R | CHIUSURA CUSCINETTO ZN | END BEARING ZN | | | |
| 34 | G16610210R | ASS.LIMITATORE PROFONDITA | LIMITER DEPTH COUPLYNG | GR. ASS. LIMITEUR DE PROFONDEU | TIEFENBEGRENZERKOMPLEX | CONJ. LIMITADOR DE PROFUNDIDAD |
| 35 | G18801270R | BOCCOLA 21 X25 X12 ZN B. | BUSHING 21 X25 X12 ZN | | | |
| 36 | G16610431R | FONDELLO ZN | BOTTOM GALV.ED | | | |
| 37 | F01020252R | VITE M16X2X50 U5737 8.8ZN | SCR. M16X2X50 U5737 8.8 ZN | VIS M16X2X50 U5737 8.8 ZN | SCHRAUBE M16X2X50 U5737 8.8 ZN | TORNILLO M16X2X50 U5737 8.8Z |
| 38 | G17111481R | DISCO D.320 COMPL.MAGICA | DISK D.320 COMPLETE MAGICA | | | |
| 39 | G20970142R | RONDELLA 32X4X15,5 | WASHER 32X4X15-5 | RONDELLE 32X4X15-5 | UNTERLEGSSCHEIBE 32X4X15-5 | ARANDELA 32X4X15-5 |
| 40 | G17111490R | PERNO REGGIDISCO SEGN.MAGICA | ROWMARKER DISCHOLDER PIN | | | |
| 41 | G17111290R | MANICOTTO DISCO | DISC SLEEVE U BOLT | MANCHON DISQUE | SCHEIBENMUFFE | MANGUITO DISCO |
| 42 | F20110860R | CAV.T.M10X 1,5X 30 46X128,5ZN | U BOLT T.M10X1,5X30 46X L128,5 | CAVALIER M10X46 ZN | VERBINDUNG M10X46 ZN | PERNO EN U M10X46 ZN |
| 43 | G19204230R | SUPPORTO MANICOTTO TQ.50 | SLEEVE SUPPORT TQ.50 | | | |
| 44 | F02100312R | SPINA DI SICUREZZA D.8X45 ZN | SAFETY PIN D.8X45 ZN | FICHE EL.DE SECURITE D.8X45 ZN | SCHERSTIFT D.8X45 ZN | CLAVIJA DE SEGURIDAD D 8X45 ZN |
| 45 | F01410064R | ROS.M10 10,5X 20X 2 U6592 ZN | WASHER M10 10,5X20X2 U6592 ZN | RONDEL. M10 10,5X20X2 U6592 ZN | SCHEIBE M10 10,5X20X2 U6592 ZN | ARAND.M10 10,5X 20X 2 U6592 ZN |
| 46 | F02100164R | SPINA E.P. 10X 50 U6873 C70 BR | PIN EL. 10X50 DIN 1481 * | GOUPILLE EL.10 X50 DIN 1481 | SPANNSTIFT 10X50 DIN 1481 | CLAVIJA EL.10 X50 DIN 1481 |
| 47 | F01020048R | VITE M6X1X75 U5737 8.8ZN | SCR. M6X1X75 U5737 8.8ZN | VIS M6X1X75 U5737 8.8ZN | SCHRAU. M6X 1X 75 U5737 8.8 ZN | TORNI. M6X1X75 U5737 8.8ZN |
| 48 | F01020168R | VITE M12X1,75X90 U5737 8.8ZN | SCR. M12X1,75X90 U5737 8.8ZN | VIS M12X1,75X90 U5737 8.8 ZN | SCHRAB.M12X1,75X90 5737 8.8 ZN | TORNIL.M12X1,75X90 5737 8.8 ZN |
| 49 | F01420084R | ROS.M14 14,5X 36X 3 U6593 ZN | GALVANIZED WASHER 14 X36 X3 | RONDELLE 14 X36 X3 ZN | UNTERLEGSSCHEIBE 14 X36 X3 ZN | ARANDELA 14 X36 X3 ZN |
| 50 | G18803070R | BOCCOLA 12,5X25X52 ZN | BUSHING 25X12,5X52 GALVA | BOITE 25X12,5X52 ZN | BSCHSE 25X12,5X52 ZN | CASQUILLO 25X12,5X52 ZN |
| 51 | G14212010R | CHIAVISTELLO PUNTELLO PIEGH.ZN | PROP LATCH ZN | | | |
| 52 | G15212811R | TUBO ESTERNO | OUTER TUBE | | | |
| 53 | F02200594R | SPINA SICUR.D. 5X32 A SCATT.ZN | SAFETY PIN D. 5X32 A SCATT.ZN | | | |
| 54 | F01220048R | DADO M12X1,75 D980 8ZN | NUT M12X1,75 D980 8ZN | ECROU M12X1,75 D980 8 ZN | SCHEIBE M12X1,75 D980 8 ZN | TUERCA M12X1,75 D980 8 ZN |
| 55 | F01220011R | DADO M6X1 D980 8ZN | NUT M6X1 D980 8ZN | ECROU M6X1 D980 8 ZN | MUTTER M6X1 D980 8 ZN | TUERCA M6X1 D980 8 ZN |
| 56 | G16311781R | SUPPORTO ROTAZ.TUBO SEGNAFILE | ROTATION SUPP.TUBE ROWMARKER | | | |

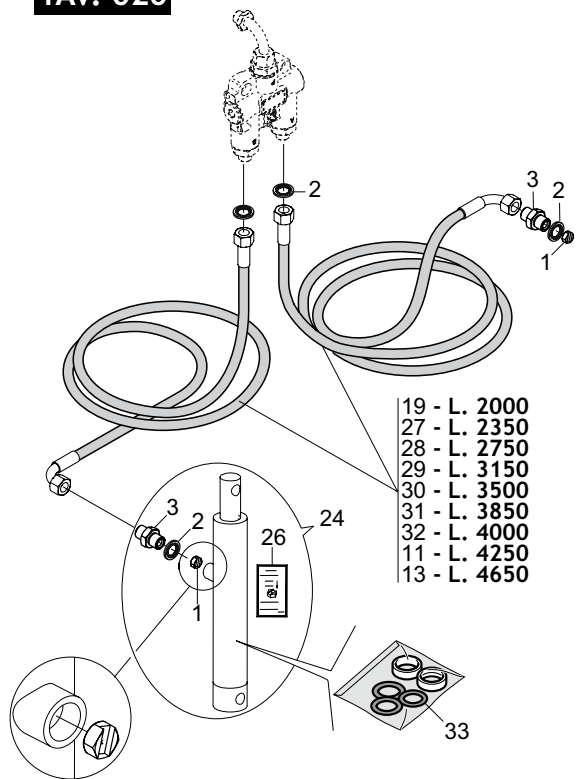
TAV. 050



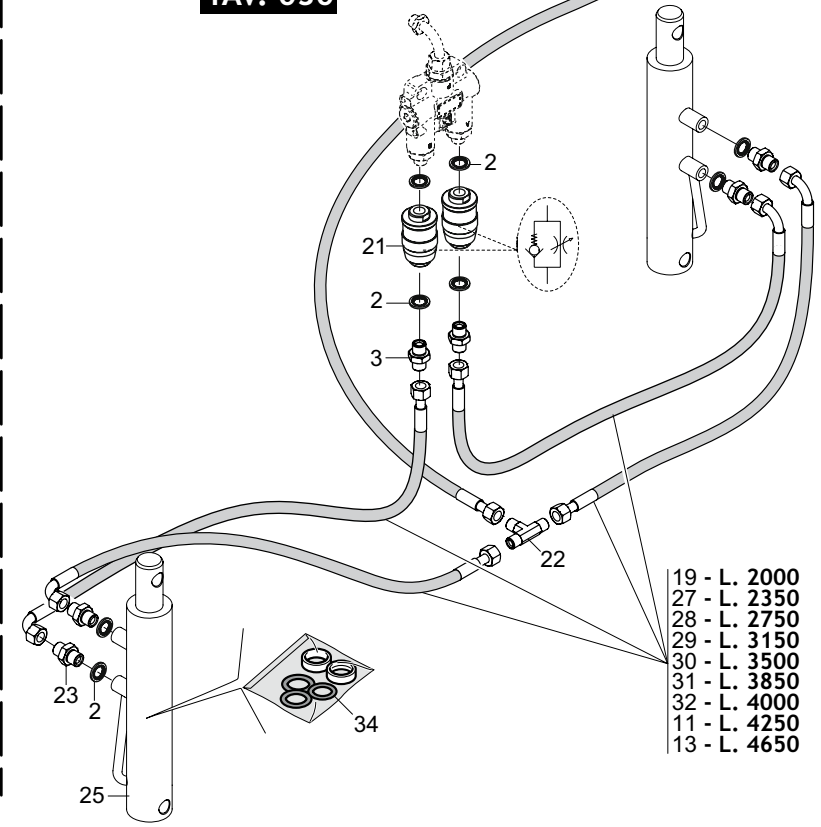
TAV. 040



TAV. 020



TAV. 030



- 19 - L. 2000
- 27 - L. 2350
- 28 - L. 2750
- 29 - L. 3150
- 30 - L. 3500
- 31 - L. 3850
- 32 - L. 4000
- 11 - L. 4250
- 13 - L. 4650

- 19 - L. 2000
- 27 - L. 2350
- 28 - L. 2750
- 29 - L. 3150
- 30 - L. 3500
- 31 - L. 3850
- 32 - L. 4000
- 11 - L. 4250
- 13 - L. 4650

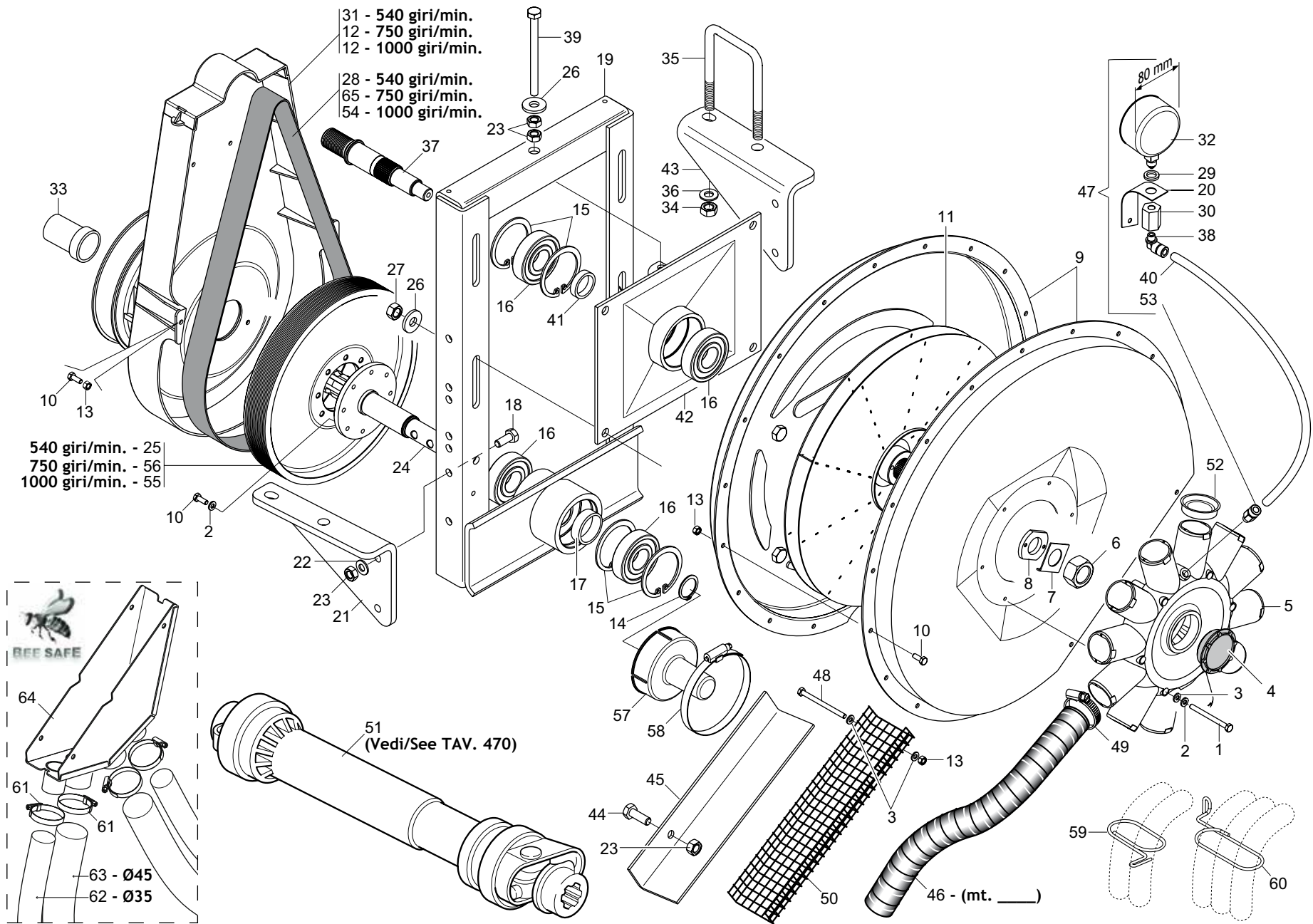
- 19 - L. 2000
- 27 - L. 2350
- 28 - L. 2750
- 29 - L. 3150
- 30 - L. 3500
- 31 - L. 3850
- 32 - L. 4000
- 11 - L. 4250
- 13 - L. 4650

**IMPIANTO OLEODINAMICO SEGNAFILE
HYDRAULIC ROW MARKER SYSTEM**

TAV. 050

| Pos. | Cod. | Descrizione | Description | Description | Benennung | Description |
|------|------------|--------------------------------|--------------------------------|--------------------------------|--------------------------------|--------------------------------|
| 1 | G15413050R | STROZZATORE A PASTIGLIA D.0,8 | PAD VENTURI D.0,8 | ETRANGLEUR D.0.8 | DROSSEL D.0,8 | ESTRANGULADOR D.0,8 |
| 2 | F03151414R | RONDELLA BONDED SEAL 1 4 NBR | WASHER BONDED SEAL 1 4 NBR | | | |
| 3 | F03150266R | NIPPLO MM CIL-CIL 1 4-1 4 ZN | NIPPLE CYL.MALE 1 4 GALV. | NIPPLE MALE CYL. 1 4 ZN | NIPPELZYL.1 4 ZN | NIPLE MACHO CIL.1 4 ZN |
| 4 | G22270463R | TUB.TR.1 4R2 F-F 1 4 L1500 LM | TUBE TR.1 4R2 F-F1 4 L1500 LM | TUB.TR.1 4R2 F-F 1 4 L1500 LM | ROHR1 4R2 F-F 1 4 L1500 LM | TUB.TR.1 4R2 F-F 1 4 L1500 LM |
| 5 | F20110770R | CAV.Q.B=80 M=14X2 L=119 | U BOLT Q.B=80 M=14X2 L=119 | BRIDE U M14X2X50 96X119 ZN | ANSCHLANG U M14X2X50 96X119 ZN | EL.DE EMPALME M14X2X50 96X119 |
| 6 | F01200306R | DADO M14X2 U5588 CL8 ZN | NUT M14X2 U5588 6.8ZN | ECROU M14X2 | MUTTER M14X2 | DADO M14X2 |
| 7 | G20970142R | RONDELLA 32X4X15,5 | WASHER 32X4X15-5 | RONDELLE 32X4X15-5 | UNTERLEGSCHEIBE 32X4X15-5 | ARANDELA 32X4X15-5 |
| 8 | G15412351R | SUPPORTO VALVOLA | VALVE SUPPORT | | | |
| 9 | F01040501R | VITE M8X1,25X25 D7984 8.8ZN | SCREW M8X1,25X25 D7984 8.8ZN | VIS M8X1,25X25 D7984 8.8ZN | SCHRAU. M8X1,25X25 D7984 8.8ZN | TORN. M8X1,25X25 D7984 8.8ZN |
| 10 | F01200244R | DADO M8X1,25 U5588 CL8 ZN | NUT M8X1,25 U5588 6.8ZN | ECROU M8 X1,25 U5588 6.8 ZN | MUTTER M8 X1,25 U5588 6.8 ZN | TUERCA M8X1,25 U5588 CL8 ZN |
| 11 | G15413070R | TUBO 1 4R2 CF1 4- F1 4 4250 | PIPE 1 4R2 CF1 4-F1 4 4250 | TUBE 1 4R2 CF1 4-F1 4 4250 | SCHLAUCH 1 4R2 CF1 4-F1 4 4250 | TUBO 1 4R2 CF1 4-F1 4 4250 |
| 12 | G16611051R | MONT.VALVOLA SEGNAFILE BP | ROWMARKER VALVE ASSY. | | | |
| 13 | G15413080R | TUBO 1 4 C-F L.4650 | TUBE 1 4 C-F L.4650 | TUBE 1 4 C-F L.4650 | ROHR 1 4 C-F L.4650 | TUBO 1 4 C-F L.4650 |
| 14 | F03150859R | CURVA 90 F.GIREV.1 4 - M.1 4 | ELBOW 90 F.SLEWING 1 4 -M.1 4 | COUDE 90 F.TOURN.1 4 - M.1 4 | KNIESTSCK 90 F.DREHB.1 4 - M. | CURVA 90 F.GIRAT.1 4 - M.1 4 |
| 15 | F05150325R | CAPPUC.F X INN.M RAP.1 2 ROSS | COVER CONNECT F 1 2 RED | COUVERCLE CONNEXION F 1 2 ROSE | DECKEL W 1 2 SCHNELLKUPP. ROT | PAC PROTECCION F 1 2 ROJO |
| 16 | F03150211R | NIPPLO MM CIL-CIL 1 2-1 4 ZN | NIPLE MM CIL-CIL 1 4-1 2 ZN | NIPLE MM 1 4-1 2 ZN | NIPLE GG 1 4-1 2 ZN | NIPLE MM 1 4-1 2 ZN |
| 17 | F03020200R | RONDELLA BONDED AUTOCENT 1 2 | WASHER BONDED AUTOC. 1 2 | | | |
| 18 | F03150935R | INNESTO RAP.MASCH.1 2 A VALV. | QUICK CONNECT MALE CONE 1 2 | CONNEXION RAPIDE MALE CONE 1 2 | SCHNELLKUPP.GEWINDE KONISC 1 2 | ACOPLAMIENT.RAP.MACHO CONO 1 2 |
| 19 | G23440517R | TUBO 1 4R2 C-F 1 4 L2000 HL ID | PIPE 1 4R2 C-F 1 4 L2000 HL ID | TUBE 1 4R2 C-F 1 4 L2000 HL ID | ROHR 1 4R2 C-F 1 4 L2000 HL ID | TUBO 1 4R2 C-F 1 4 L2000 HL ID |
| 20 | G13811211R | TUBO X COLLEG. AL TRATTORE | PIPE FOR CONNECTION TO TRACTOR | TUBE POUR CONN. AU TRACTEUR | ROHR F. KUPPLUNG AM SCHLEPPER | TUBO P CONEXI N AL TRACTOR |
| 21 | F03151226R | REGOL.DI FLUSSO VRF 1 4 GAS | 1 4 GAS VALVE VRF | SOUPAPE REG DEBIT VRF 1 4 GAZ | VENITL VRF 1 4 GAS | V LVULA VRF 1 4 GAS |
| 22 | F03151219R | RACCORDO -T- MASCHIO 1 4 ZN | MALE T-UNION 1 4 ZN | CONNECTION A T | T VERBINDUNG | JUNTURA A T |
| 23 | G16011690R | MONT.NIPPLO 1 4 GRANO F.1,0 | UPRIGHT 1 4 NIPPLE WITH GRUB | MONTANT NIPPLE 1 4 AVEC GRAIN | STZNDER NIPPEL 1 4 MIT STIFT 8 | MONT.NIPLE 1 4 TORNIL.SIN CABE |
| 24 | G15413110R | CILINDRO SEGNAFILE SP COMPL. | ROW MARKER CYLINDER SP | CYLINDRE TRACEUR SP | SYLINDER REIHENANREISSER SP | CILINDRO MARCADOR DE FILAS |
| 25 | G16610140R | CILINDRO DE 30X40 -155 | CYLINDER D.E.30-40 155 | CYLINDRE D.E. 30-40 155 | ZYLINDER D.E.30-40 155 | CILINDRO D.E. 30-40 155 |
| 26 | G19702710R | DECAL.POSIZIONE STROZZATORE | VENTURI POSITION STICKER | DECALCOM POSITION TAQUET | ABZIEHBILD POSIZION DROSSELSTE | CALCOMAN-A. POSICI N ESTRANGUL |
| 27 | G22505140R | TUBO 1 4R2 C-F 1 4 L.2350 LM | TUBE 1 4R1 C-F 1 4 L.2350 LM | TUBE 1 4R2 C-F 1 4 L.2350 LM | ROHR 1 4R2 C-F 1 4 L.2350 LM | TUBO 1 4R2 C-F 1 4 L.2350 LM |
| 28 | G15210554R | TUBO 1 4R2 F1 4-CF1 4 2850 | TUBE 1 4R2 F1 4-CF1 4 2850 | | | |
| 29 | G15210950R | TUBO 1 4 R2 C-F 1 4 L.3150 | PIPE 1 4-R2 C-F 1 4 M.3150 | TUBE 1 4-R2 C-F 1 4 M.3150 | ROHR 1 4-R2 C-F 1 4 M.3150 | TUBO 1 4-R2 C-F 1 4 M.3150 |
| 30 | G15210561R | TUBO 1 4R2 CF1 4- F1 4 3500 | PIPE 1 4R2 CF1 4- F1 4 3500 | TUBE 1 4R2 CF1 4- F1 4 3500 | ROHR 1 4R2 CF1 4- F1 4 3500 | TUBO 1 4R2 CF1 4- F1 4 3500 |
| 31 | G15413060R | TUBO 1 4R2 CF1 4- F1 4 3850 | TUBE 1 4R2 CF1 4-F1 4 3850 | TUYAU 1 4R2 CF1 4-F1 4 3850 | SCHLAUCH 1 4R2 CF1 4-F1 4 3850 | TUBO 1 4R2 CF1 4-F1 4 3850 |
| 32 | G16012650R | TUBO R2 1 4 C-F L.4000 | PIPE 1 4 R2 C-F 1 4 L.4000 | TUBE 1 4 R2 C-F 1 4 L. 4000 | ROHR 1 4 R2 C-F 1 4 L 4000 | TUBO 1 4 R2 C-F 1 4 L.4000 |
| 33 | F03100191R | KIT GUARNIZ.CILINDRO 15413110 | CYLINDER SEAL KIT 15413110 | KIT GARNIT. CYLINDRE 15413110 | KIT ZYLINDERDICHTUNG 15413110 | KIT JUNTA CILINDRO 15413110 |
| 34 | F03100609R | KIT GUARNIZ.CILINDRO G16610140 | CYL.GASKET KIT G16610140 | | | |
| 35 | G14217360R | CILINDRO SEGNAF.30X40-155 | ROWMARKER CYLINDER.D.30X40-155 | CYLINDRE TRACEUR 30X40-155 | ZYLINDER SPURREISSER.30X40-155 | CILINDRO MARC.FILAS 35X40-155 |

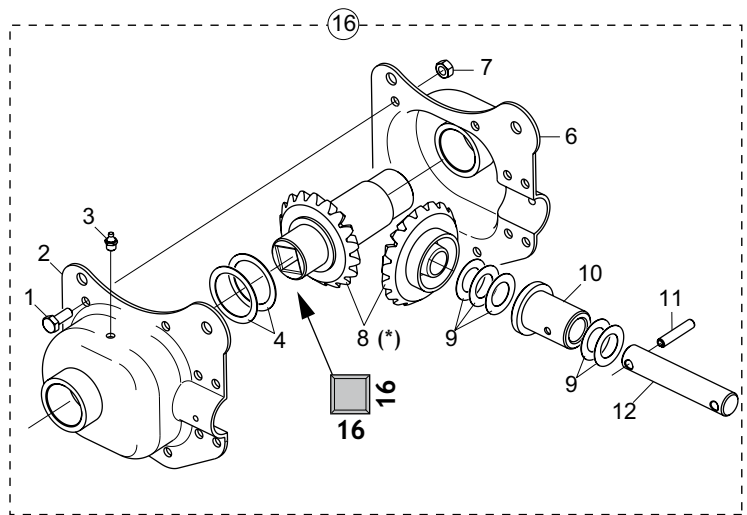
TAV. 060



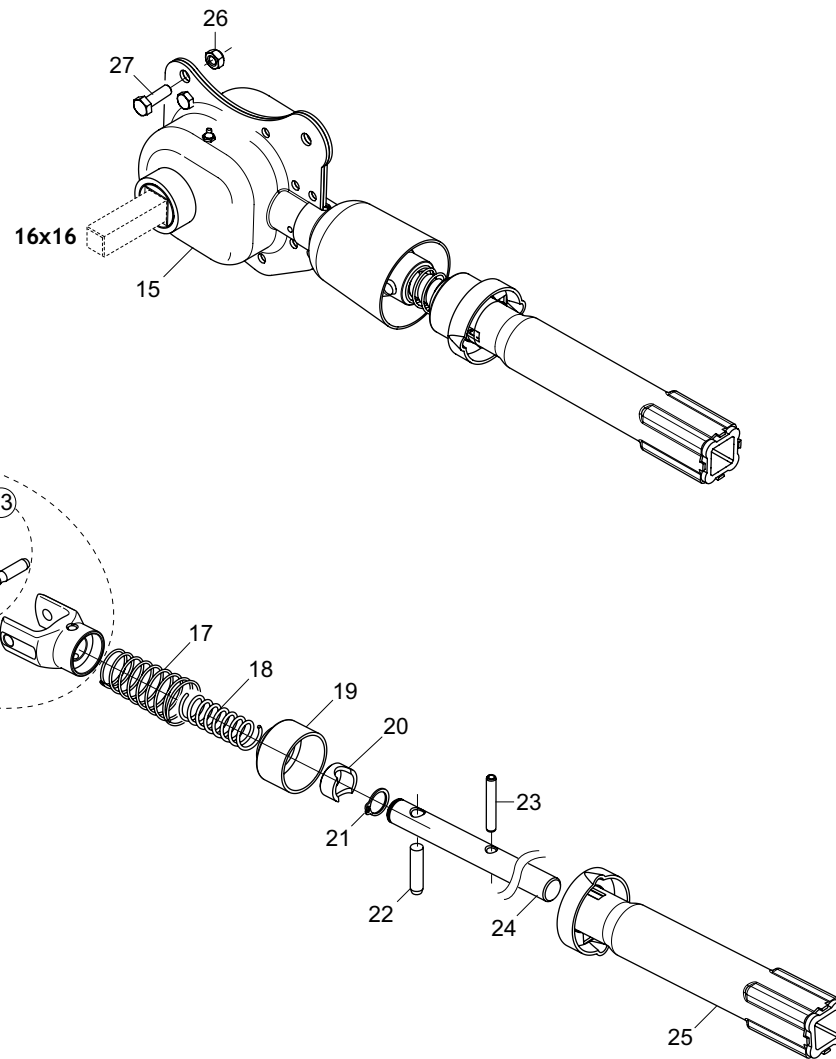
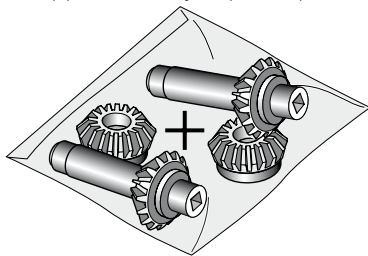
DEPRESSORE AIR PUMP

TAV. 060

| Pos. | Cod. | Descrizione | Description | Description | Benennung | Descripcion |
|------|------------|--------------------------------|--------------------------------|---------------------------------|--------------------------------|--------------------------------|
| 1 | F01020047R | VITE M6X1X70 U5737 8.8ZN | SCR. M6X1X70 U5737 8.8ZN | VIS 6 X70 5737 8.G ZN | SCHRAUBE 6 X70 5737 8.G ZN | TORNILLO 6 X70 5737 8.G ZN |
| 2 | F01430047R | ROS.M6 6,4X 11X0,7 U8842J ZN | WASHER D6 DIN 6798 D.INT.GALV. | RONDELLE D6 DIN 6798 D. INT. Z | UNT. SCHEIBE D6 DIN 6798 D. IN | ARANDELA D6 DIN 6798 D.INT.ZN |
| 3 | F01420036R | ROS.M6 6,4X 18X1,5 U6593 ZN | WASHER M6 6,4X 18X1,5 U6593 ZN | RONDELLE M6 6,4X18X1,5 U6593ZN | SCHEIBEN M6 6,4X18X1,5U6593 ZN | ARANDELA M6 6,4X18X1,5U6593ZN |
| 4 | F03150722R | TAPPO 700 M52X2 | M52 X 2 PLUG 700 | BOUCHON M52 X 2 | PFROPFEN M52 X 2 | TAP N M52 X 2 |
| 5 | G19004480R | CONVOGLIATORE 12 USCITE | CONVEYOR 12 OUTLETS | CONVOYEUR 12 SORTIES | TRICHTER MIT 12 AUSG-NGEN | TRANSPORTADOR 12 SALIDAS |
| 6 | F01230143R | DADO M24X2 D982 8ZN | NUT M24X2 D982 8ZN | ECROU M24X2 D982 8 ZN | MUTTER M24X2 D982 8 ZN | TUERCA M24X2 D982 8 ZN |
| 7 | G13912060R | PIASTRINA DI TENUTA | STOP PLATE | PLAQUETTE DE TENUE | DICHTPLZTTCHEN | PLACA DE RETENCI N |
| 8 | G13912050R | RONDELLA DI FERMO | STOP WASHER | RONDELLE DE BLOCAGE | FESTSTELLSCHEIBE | ARANDELLA DE BLOQUEO |
| 9 | G22230335R | INVOLUCRI DEPRESSORE | VACUUM PUMP CASINGS | ENVELOPPES DEPRESSEUR | HSLEN VAKUUMPUMPE | CAJAS BOMBA VAC O |
| 10 | F01020403R | VITE M6X1X16 U5739 8.8ZN | SCR. M6X1X16 U5739 8.8ZN | VIS M6X1X16 U5739 8.8 ZN | SCHRAUBE M6X1X16 U5739 8.8 ZN | TORNILLO M6X1X16 U5739 8.8 ZN |
| 11 | G22230015R | GIRANTE | ROTOR | | | |
| 12 | G15450500R | PROTEZIONE CINGHIA 1000 GIRI | BELT GUARD 1000 RPM | PROTECTION COURROIE 1000 TOURS | RIEMENSCHUTZ 1000 UMDR. | PROTECCI N CORREA 1000 REV. |
| 13 | F01220011R | DADO M6X1 D980 8ZN | NUT M6X1 D980 8ZN | ECROU M6X1 D980 8 ZN | MUTTER M6X1 D980 8 ZN | TUERCA M6X1 D980 8 ZN |
| 14 | F02050112R | ANELLO E.DE 30X 1,5 U7435 ZN | SEEGER RING 30X 1,5 U7435 C70 | SEEGER E. 30 X 1,5 U7435 C70 | SEEGERING E. 30X 1,5 U7435 C70 | ANILLO E. 30 X 1,5 U7435 C70 |
| 15 | F02050403R | ANELLO E. DI 72X 2,5 U7437 C7 | SEEGER RING E.72X2,5 U7437 C70 | SEEGER E. 72X 2,5 U7437 C70 | SEEGERING E. 72X 2,5 U7437 C70 | ANILLO E. DI 72X 2,5 U7437 C7 |
| 16 | F04010215R | CUSC.D30 D72 B19 6306 2RSC3 EX | BEARING D30 D72 B19 6306 2RSC3 | ROULEMENT | LAGER 6306 2RS C3 | COJINETE 6306 2RS C3 |
| 17 | G22230010R | DISTANZIALE CUSCINETTI | BEARING SPACER | ENTRETOISE PALIERS | DISTANZSTSCCK LAGER | DISTANCIADOR COJINETES |
| 18 | F01020476R | VITE M10X1,5X30 U5739 8.8ZN | SCR. M10X1,5X30 U5739 8.8ZN | VIS M10X1,5X30 U5739 8.8 ZN | SCHRAUBE M10X1,5X30U5739 8.8ZN | TORNILLO M10X1,5X30 U5739 8.8 |
| 19 | G15850200R | INCASTELLATURA DEPRESSORE | DIFFUSION AIR PUMP FRAME | B-TI POMPE A D PRESSION | GESTELL VAKUUMPUMPE | ARMAZ N BOMBA VAC-O |
| 20 | G22270134R | SUPPORTO VACUOMETRO SP | VACUUM METER SUPPORT SP | SUPPORT VACUOMETRE SP | HALTERUNG VAKUUMMETER SP | SOPORTE VACU METRO SP |
| 21 | G15450061R | SUPPORTO SX | LEFT SUPPORT | | | |
| 22 | F01430023R | ROS.M10 10,5X 18X0,9 U8842J Z | WASHER D10 DIN 6798 D.INT.ZN | RONDELLE D10 DIN 6798 D. INT. | UNT. SCHEIBE D10 DIN 6798 D.IN | ARANDELA D10 DIN 6798 D.INT.ZN |
| 23 | F01200270R | DADO M10X1,5 U5588 CL8 ZN | NUT M10X1,5 U5588 6.8ZN | ECROU M10X 1,5 U5588 6.8 ZN | MUTTER M10X 1,5 U5588 6.8 ZN | TUERCA M10X1,5 U5588 CL8 ZN |
| 24 | G10150101R | ASS.PRESA DI FORZA | POWER TAKE-OFF SHAFT | | | |
| 25 | G22230012R | PULEGGIA MOTRICE 540 GIRI | DRIVING PULLEY 540 | POULIE MOTRICE 540T | ANTRIEBSSCHEIBE 540 | POLEA MOTRIZ 540 |
| 26 | G20970035R | RONDELLA 32X4X13 | WASHER 32X4X13 | RONDELLE 32X4X13 | UNTERLEGSCHEIBE 32X4X13 | ARANDELA 32X4X13 |
| 27 | F01200293R | DADO M12X1,75 U5588 CL8 ZN | NUT M12X1,75 U5588 6S ZN | ECROU M12X1,75 U5588 6S ZN | MUTTER M12X1,75 U5588 6S ZN | TUERCA M12X1,75 U5588 CL8 ZN |
| 28 | F06010160R | CINGHIA POLY V 1287 J-16 GOLE | BELT POLY V 1287 J-16 CU GAT | COURROIE POLY V | BELT POLY J-16 1287 V GOLE | BANDA POLY V 1287 J-16 GOLE |
| 29 | F05150479R | ROND.APPOGGIO MANOMETRI SV | PRESSURE GAUGE REST WASHER | ROND. LOGEMENT MANOMETRES SV | STSTZSCHEIBE MANOMETER SV | ARAND. SOPORTE MANOMETROS SV |
| 30 | G22250274R | COLLEGAMENTO MANOMETRI SP-SV | PRESSURE GAUGE CONNECT. SP-SV | RACCORD MANOMETRES SP-SV | VERBINDUNG MANOMETER SP-SV | CONEXI N MAN METROS SP-SV |
| 31 | G15450342R | PROTEZ.CINGHIA DEPRES.COMPLETO | DEPRES. COMPL.PROTECTION BELT | | DEPRES. COMPL.PROTECTION BELT | |
| 32 | F03151288R | VACUOM.0-100 MBAR C.SM.INC.D8 | VACUUM METER 0-100 MBAR C.SMOR | VACUOM.0-100 MBARS A SUPPO | VAKUUMMETER 0-100 MBAR M. DZMP | VACUM. 0-100 MBAR C.ATEN.INC.V |
| 33 | M38100146R | MANICOTTO PROTEZIONE PDF 1 3 8 | P.T.O. PROTECTION | MANCHON DE PROTECTION P.T.O. | ZAPFWELLENSCHUTZ P.T.O. | MANGUITO PROTECCION P.T.O. |
| 34 | F01200306R | DADO M14X2 U5588 CL8 ZN | NUT M14X2 U5588 6.8ZN | ECROU M14X2 | MUTTER M14X2 | DADO M14X2 |
| 35 | F20110770R | CAV.Q.B=80 M=14X2 L=119 | U BOLT Q.B=80 M=14X2 L=119 | BRIDE U M14X2X50 96X119 ZN | ANSCHLANG U M14X2X50 96X119 ZN | EL.DE EMPALME M14X2X50 96X119 |
| 36 | G20970142R | RONDELLA 32X4X15,5 | WASHER 32X4X15-5 | RONDELLE 32X4X15-5 | UNTERLEGSCHEIBE 32X4X15-5 | ARANDELA 32X4X15-5 |
| 37 | G15450390R | PULEGGIA CONDOTTA D.28 | DRIVEN PULLEY D.28 | POULIE ENTRAINEE D. 28 | GETRIEBENE SCHEIBE D.28 | POLEA CONDUCIDA D.28 |
| 38 | F13010027R | RACC.SUPERAPIDO 90 1 8G-8 | 90 UNION STRAIGHT 1 8G-8 | | | |
| 39 | G15450270R | VITE 10X130 8.8 FIL.60 ZN | GALVANIZ. BOLT 10X130 8.8 FIL | VIS 10X130 8.8 FIL.60 ZN | SCHRAUBE 10X130 8.8 GEW.60 ZN | TORNILLO 10X130 8.8 FIL.60 ZN |
| 40 | F13070005R | TUBO POLIURETANO 8-6 NERO | POLIURETHAN PIPE 8-6 BLACK | | | |
| 41 | G22230014R | DISTANZIALE | SPACER | ENTRETOISE | DISTANZSTSCCK | DISTANCIADOR |
| 42 | G15450091R | SUPPORTO PULEGGIA CONDOTTA | DRIVEN PULLEY SUPPORT | SUPPORT POULIE ENTRAINEE | HALTERUNG GETRIEBENE RIEMENSCH | SOPORTE POLEA CONDUCIDA |
| 43 | G15450051R | SUPPORTO DX | RIGHT SUPPORT | | | |
| 44 | F01020472R | VITE M10X1,5X25 U5739 8.8ZN | SCR. M10X1,5X25 U5739 8.8ZN | VIS M10X1,5X25 U5739 8.8 ZN | SCHRAUBE M10X1,5X25 U5739 8.8 | TORNILLO M10X1,5X25 U5739 8.8 |
| 45 | G15450280R | PROTEZIONE DEPRESSORE | VACUUM PUMP PROTECTION | PROTECTION DEPRESSEUR | SCHUTZ VAKUUMPUMPE | PROTECCI N BOMBA DE VAC O |
| 46 | F03100506R | TUBO EOLO PU D.45 | TUBE EOLO PU D.45 | TUBE EOLO PU D.45 | | |
| 47 | G22270093R | VACUOMETRO COMPL. SP LM | VACUUM METER ASSY. SP LM | VACUOMETRE COMPL. SP LM | KOMPL. VAKUUMMETER SP LM | VACU METRO COMPL. SP LM |
| 48 | F01020050R | VITE M6X1X80 U5737 8.8ZN | SCR. M6X1X80 U5737 8.8ZN | VIS 6 X80 5737 8.G ZN | SCHRAUBE 6 X80 5737 8.G ZN | TORNILLO 6 X80 5737 8.G ZN |
| 49 | F05150058R | FASCETTA POLYA. 7,8X550 NERA | POLYAM.CLAMP 7,8X550 BLACK | COLLIER DE SERRAGE 7,8X550NOIR | ROHRSCHELLE 7,8X550 SCHWARZ | ABRAZADERA APRET. 7,8X550 NEGR |
| 50 | G10150291R | GRIGLIA PROTEZIONE ZN | AIR PUMP PROTECT. GRID | GRILLIE DE PROTECT.DISP. DEPRES | SCHUTZGITTER VAKUUMPUMPE | REJILLA DE PROTECCI N BOMBA VA |
| 51 | F08011711R | CARD. S10 0700F 112 112 1CAT | PTO SHAFT B1 Z6-Z6 L700 | | | |
| 52 | F05050020R | TAPPO SALVAFIETTO D.39 | CONVEYOR PLUG D.39 | BOUCHON PROTEGE-FILET D. 39 | GEWINDESCHUTZPFROPFEN D.39 | TAP N GUARDARROSCA D.39 |
| 53 | F13010028R | RACC.SUPERAPIDO DRITTO 1 8G-8 | SUPERAPRIGHT JUNCTION 1 8G-8 | | | |
| 54 | F06010171R | CINGHIA POLY V 1051 J-16 GOLE | POLY-V BELT 1051 J-16 GROOVES | | | |
| 55 | G15450310R | PULEG.MOTR.1000 GIRI CINGHIA | DRIV.PULLEY 1000 REVS BELT | POULIE MOTRICE 1000T | ANTRIEBSSCHEIBE 1000 UMDREHUNG | POLEA MOTRIZ 1000 REVOLUCIONES |
| 56 | G15250100R | PULEGGIA MOTRICE 750 GIRI | DRIVE PULLEY 750 | | | |
| 57 | G19005570R | CUFFIA PROTEZIONE PTO | PROTECTION CAP PTO | | | |
| 58 | F02300025R | FASCETTA STRING. 90 110 H.12 | HOSE CLAMP 90 110 H.12 | | | |
| 59 | G18903852R | MOLLA GUIDA 2 TUBI D71 ZN | SPRING GUIDE 2 TUBES D71 | | | |
| 60 | G18904590R | MOLLA GUIDA 3 TUBI D71 ZN | GUIDE SPRING 3 PIPE D71 ZN | | | |
| 61 | F02300020R | FASCETTA STRING. 32 50 H.9 | HOSE CLAMP 32 50 H.9 | | | |
| 62 | F03100500R | TUBO EOLO 35 PU | TUBE EOLO 35 PU | TUBE EOLO 35 PU | | TUBO EOLO |
| 63 | F03100506R | TUBO EOLO PU D.45 | TUBE EOLO PU D.45 | TUBE EOLO PU D.45 | | |
| 64 | G15276370R | CONVOGLIATORE SOFF.2 2U 35-45 | CONVEYOR BLOWER 2 2 OUT 35-45 | | | |
| 65 | F06010165R | CINGHIA POLY V. 1092 J-16 GOLE | BELT POLY V. 1092 J-16 GOLE | | | |



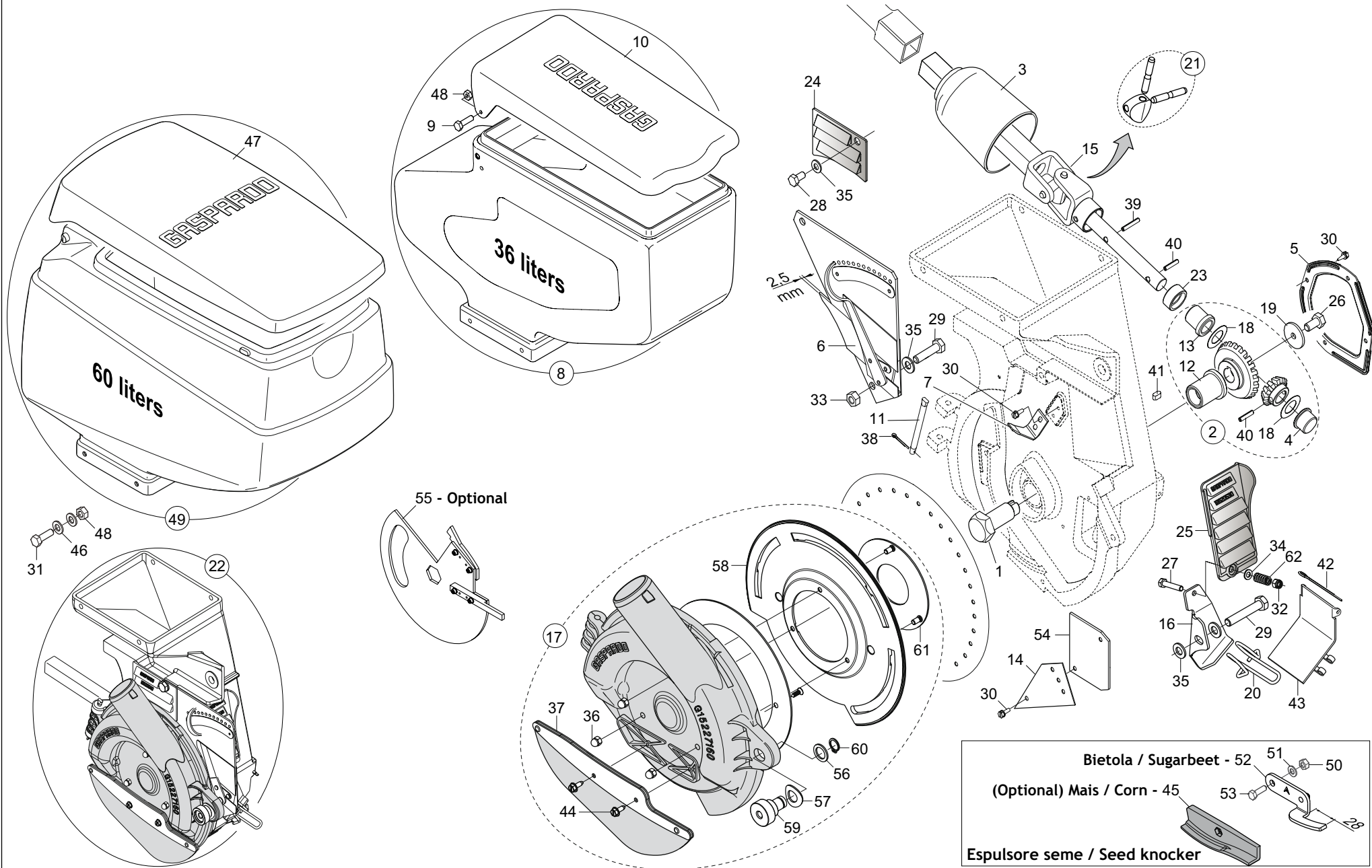
(*) Kit = 2+2 pz. (16x16)



SCATOLA DI RINVIO ELEMENTO TRANSFER CASE ELEMENT

TAV. 070

| Pos. | Cod. | Descrizione | Description | Description | Benennung | Descripcion |
|------|------------|--------------------------------|---------------------------------|--------------------------------|--------------------------------|--------------------------------|
| 1 | F01020403R | VITE M6X1X16 U5739 8.8ZN | SCR. M6X1X16 U5739 8.8ZN | VIS M6X1X16 U5739 8.8 ZN | SCHRAUBE M6X1X16 U5739 8.8 ZN | TORNILLO M6X1X16 U5739 8.8 ZN |
| 2 | G22220103R | CONCHIGLIA SX | LEFT SHELL | | | |
| 3 | F01100011R | ING.M 6X1 7663-A 9SMNPB28 ZN | GREASE NIPPLE M6X1 7663-A ZN | GRAISS. A BILLE M6X1 7663A ZN | SCHMIERBUECHE M6X1 7663-A ZN | ENG.M 6X1 7663-A 9SMNPB28 ZN |
| 4 | G18700510R | RONDELLA 32 X40 X0,6 ZN | GROWER 32 X 40 X 0,6 ZN | | | |
| 5 | G15423980R | FORCELLE SNODO ESCL.ELET.COMPL | COMPLETE FORK ELECTRIC SWITCH O | | | |
| 6 | G22220102R | CONCHIGLIA DX | RIGHT SHELL | COQUILLE DRT. | SCHALE RECHTS | MOLDE DER. |
| 7 | F01220011R | DADO M6X1 D980 8ZN | NUT M6X1 D980 8ZN | ECROU M6X1 D980 8 ZN | MUTTER M6X1 D980 8 ZN | TUERCA M6X1 D980 8 ZN |
| 8 | G22270389R | KIT INGR.SCATOLA DI RINVIO 2 | KIT INTERM.TRANSM.GEAR BOX 2 2 | COUPLE CON RENV ANGLE 2 2 | 2 2 ZAHNRZDER VORGELEGEGEHZUSE | 2 2 ENGRANAJES CAJA DE LA TRAN |
| 9 | G22220073R | RONDELLA 28X0,3X16,5 | WASHER 28X0-3X16-5 | RONDELLE 28X0-3X16-5 | UNTERLEGSCHSHEIBE 28X0-3X16-5 | ARANDELA 28X0-3X16-5 |
| 10 | G66349001R | BOCCOLA | BUSHING | BOITE | B_CHSE | CASQUILLO |
| 11 | F02100114R | SPINA E.P. 6X 30 U6873 C70 BR | ELASTIC PIN 6X30 | GOUJON ELASTIQUE 6X30 | SPANNHUELSE 6X30 | ESPINA ELASTICA 6X30 |
| 12 | G22270452R | ALBERO SCATOLA RINVIO SP S | INTERMEDIATE BOX SHAFT | ARBRE TRANSMISSION SP S | WELLE VORGELEGEGEHZUSE SP S | RBOL CAJA DE TRANSMISI N SP S |
| 13 | G22270454R | CROCIERA COMPL. SP S | KIT SPIDER 2 ITEMS | CROSILLON COMPL CARDAN TRANSM | GELENKKREUZ KOMPL. SP S | CRUCETA COMPL. SP S |
| 14 | G19002840R | COPRICARDANO SUPERIORE | TOP CARDAN JOINT COVER | COUVRE-CARDAN SUPERIEUR | OBERE KARDANABDECKUNG | CUBRECARD N SUPERIOR |
| 15 | GA5220190R | SCATOLA RINVIO Q16 EL.MTR | DROP BOX Q16 EL.MTR | | | |
| 16 | G16033200R | MONT.SCATOLA RINVIO PE | TRANSFER CASE | BOITE RENVOI | VORGELEGEGEHZUSE | CAJA DE DISTRIBUCIN |
| 17 | G65338039R | MOLLA COMP.ZN INNESTO SP | ZN COUPLING COMP. SPRING SP | RESSORT COMPL. ZN ACCOUPLEM. | DRUCKFEDER ZN KUPPLUNG SP | MUELLE COMP.ZN ACOPLAMIENTO SP |
| 18 | G65338018R | MOLLA COMP.ZN SCATOLA RINV.SP | TRANSM. BOX COMP. SPRING . SP | RESSORT COMPL. ZN TRANSMISSION | DRUCKFEDER ZN VORGELEGEGEHZUSE | MUELLE COMP.ZN CAJA TRANSFER.. |
| 19 | G66248102R | ANELLO SICUREZZA SP | SAFETY RING | BAGUE SECURITE SP | SICHERHEITSRING SP | ANILLO DE SEGURIDAD SP |
| 20 | G22220105R | BOCCOLA DI SPINTA | THRUST BUSHING | BOITE DE POUSSEE | SCHUBBSCHSE | CASQUILLO DE APRIETE |
| 21 | F02050045R | ANELLO E. DE 16X 1 U7435 C70 | SEEGER RING 16X 1 U7435 C70 | BAGUE SEEGER 16 X 1 U7435 C70 | SEEGERING 16 X 1 U7435 C70 | ANILLO 16X 1 U7435 C70 |
| 22 | G66248057R | SPINA DI SICUREZZA SP | SAFETY PIN SP | BROCHE PLASTIC SECURITE CARDAN | SICHERHEITSSTIFT SP | CLAVIJA DE SEGURIDAD SP |
| 23 | F02100121R | SPINA E.P. 6X 40 U6873 C70 BR | ELASTIC PIN 6X40 | GOUJON ELASTIQUE 6X40 | SPANNHUELSE 6X40 | PASADOR 6X40 |
| 24 | G17722540R | PERNO ZN. | PIN ZN. | | | |
| 25 | G17723020R | ASS.INNESTO REGINA | ASSY CLUTCH REGINA | | | |
| 26 | F01220022R | DADO M8X1,25 D980 8ZN | NUT M8X1,25 D980 8ZN | ECROU M8X 1,25 D980 8 ZN | MUTTER M8X 1,25 D980 8 ZN | TUERCA M8X 1,25 D980 8 ZN |
| 27 | F01020440R | VITE M8X1,25X25 U5739 8.8ZN | SCR. M8X1,25X25 U5739 8.8ZN | VIS M8X1,25X25 U5739 8.8 ZN | SCHRAUBE M8X1,25X25U5739 8.8ZN | TORNILLO M8X1,25X25 U5739 8.8 |



Bietola / Sugarbeet - 52
 (Optional) Mais / Corn - 45
 Espulsore seme / Seed knocker

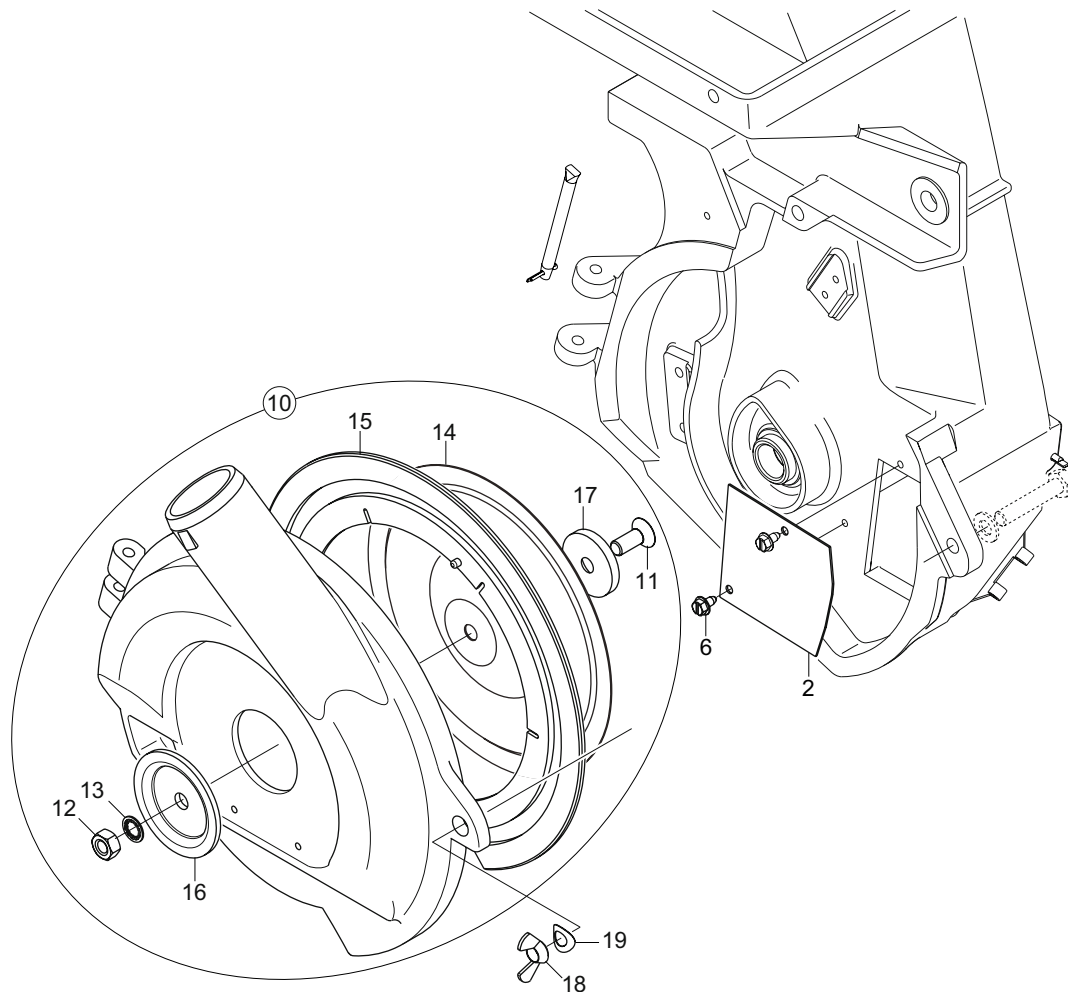
DISTRIBUTORE SEMI SEED DISTRIBUTOR

TAV. 080

| Pos. | Cod. | Descrizione | Description | Description | Benennung | Descripcion |
|------|-------------|---------------------------------|--------------------------------|--------------------------------|---------------------------------|--|
| 1 | G22230046R | ASSE TRASMISSIONE DISCO | DISC GEAR AXLE | AXE ENTRAINEMENT DISQUE | ACHSE SCHEIBENANTRIEB | EJE TRANSMISI N DISCO |
| 2 | G22270390R | KIT COPPIA CONICA DISTRIB.SEMI | KIT- SEED DISTR. CONICAL PAIR | COUPLE CON DISTR GRAINES 2 2 | KIT KEGELTRIEB SAMEN SZAPPARAT | SET PAR CONICO DISTRIB. SEMILL |
| 3 | G66248094R | COPRICARDANO SP | UNIVERSAL JOINT COVER SP | COUVRE-CARDAN SP | KARDANABDECKUNG SP | CUBRECARD N SP |
| 4 | G66349008R | BOCCOLA | BUSHING | BOITE | BSCHE | CASQUILLO |
| 5 | G22230035R | COPERCHIO SCATOLA INGRAN. | GEARWHEEL BOX COVER | COUVERCLE BOITE ENGRENAGE | DECKEL ZAHNRZDERGEHULSE | TAPA CAJA ENGRAN. |
| 6 | G22230040R | SELETTORE MOBILE COMPLETO | MOBILE SELECTOR ASSY. | SELECTEUR MOBILE COMPL. | KOMPL. BEWEGLICHER WZHLER | SELECTOR M VIL COMPLETO |
| 7 | G22230041R | SELETTORE FISSO | SELECTOR FIXED | SELECTEUR FIXE | FESTER WZHLER | SELECTOR FIJO |
| 8 | G15224471R | SERBATOIO SEME COMPLETO MT | SEED TANK ASSY. MT | RESERVOIR GRAINES COMPL PLA MT | SAMENBEHZLTER KOMPLETT MT | DEP SITO SEMILLAS COMPLETO MT |
| 9 | F01020403R | VITE M6X1X16 U5739 8.8ZN | SCR. M6X1X16 U5739 8.8ZN | VIS M6X1X16 U5739 8.8 ZN | SCHRAUBE M6X1X16 U5739 8.8 ZN | TORNILLO M6X1X16 U5739 8.8 ZN |
| 10 | G19002750R | COPERCHIO SERBATOIO SEME 530 | SEED TANK COVER 530 | COUVERCLE RES GRAINES 530-MT | SAMENBEHZLTERDECKEL 530 | TAPA DEP SITO SEMILLA 530 |
| 11 | G22230039R | PERNO COPERCHIO | COVER PIN | PIVOT COUVERCLE | DECKELZAPFEN | PERNO TAPA |
| 12 | G66349002R | BOCCOLA SINT.BASSOFONDO | BUSHING- SINTERED | BOITE FRITTEE | SYNTH. B CHSE | CASQUILLO SINT. |
| 13 | G22270071R | BOCCOLA COLL.SINTER.20X24 | 20X24 SINTERED COLLARED BUSH | BOITE COLLIER FRITTEE 20X24 | ANSCHLUSSBUECHSE SINTER.20X24 | CASQUILLO CONEX. SINTER.20X24 |
| 14 | G22270204R | PIASTRA ANTI TRABOCC.SEMI SP | SEED ANTI-OVERFLOW PLATE SP | PLAQUE ANTI-DEBORD.T GRAINES S | SAMENSBERLAUFPLATTE SP | PLACA ANTI DESBORDAMIENTO SEMI |
| 15 | G17722581R | ASSE PORTA PIGNONE L.165 COMPL | COMPL.PINION HOLDER SPINDLE | | | |
| 16 | G17722990R | FERMO MOLLA ZN DA G15421151 | SPRING LOCK ZN DA G15421151 | | | |
| 17 | GA5222440R | COPERCHIO DISTRIB.MTR PLA COMP | PLASTIC SEED COVER MTR COMPL. | | | |
| 18 | G22220073R | RONDELLA 28X0,3X16,5 | WASHER 28X0-3X16-5 | RONDELLE 28X0-3X16-5 | UNTERLEGSSCHEIBE 28X0-3X16-5 | ARANDELA 28X0-3X16-5 |
| 19 | F01420037R | ROS.M6 6,4X 24X1,5 U6593 ZN | WASHER M6 6,4X24X1,5 U6593 ZN | | | |
| 20 | G18902951R | MOLLA SPEC.ZN SCARICO | SPEC SPRING ZN DISCHARGE | RESSORT TRAPPE VIDANGE | SPEZIALFEDER ZN ENTLADUNG | MUELLE ESPEC. ZN DESCARGA |
| 21 | G22270454R | CROCIERA COMPL. SP S | KIT SPIDER 2 ITEMS | CROSILLON COMPL CARDAN TRANSM | GELENKKREUZ KOMPL. SP S | CRUCETA COMPL. SP S |
| 22 | GA5222680R | CORPO DISTRIB.MTR PLA COMPL. | DISTRIBUTOR MTR PLA COMPLETE | | | |
| 23 | G66248219R | ANELLO PARAPOLVERE SP-520 | DUST COVER RING | BAGUE PARE-POUSSIÈRE SP-520 | STAUBSCHUTZRING SP-520 | ANILLO GUARDAPOLVO SP-520 |
| 24 | G16620540R | PORTA DI PROTEZIONE | SAFETY HATCH | PORTE DE PROTECTION | SCHUTZ FFNUNG | PUERTA DE PROTECCI N |
| 25 | G16620530R | PORTA DI CONTROLLO | INSPECTION DOOR | PORTE CONTROLE | KONTROLLTÜR | PUERTA DE CONTROL |
| 26 | F01020403R | VITE M6X1X16 U5739 8.8ZN | SCR. M6X1X16 U5739 8.8ZN | VIS M6X1X16 U5739 8.8 ZN | SCHRAUBE M6X1X16 U5739 8.8 ZN | TORNILLO M6X1X16 U5739 8.8 ZN |
| 27 | F01020382R | VITE M5X0,8X25 U5739 8.8ZN | SCR. M5X0,8X25 U5739 8.8ZN | VIS 5 X25 5739 8.G ZN | SCHRAUBE 5 X25 5739 8.G ZN | TORNILLO 5 X25 5739 8.G ZN |
| 28 | F01020432R | VITE M8X1,25X16 U5739 8.8ZN | SCR. M8X1,25X16 U5739 8.8ZN | VIS M8 X1,25X16 U5739 8.8 ZN | SCHRAUBE M8X1,25X16U5739 8.8ZN | TORNILLO M8X1,25X16 U5739 8.8 |
| 29 | F01020451R | VITE M8X1,25X45 U5739 8.8ZN | SCR. M8X1,25X45 U5739 8.8ZN | VIS M8X1,25X45 U5739 8.8ZN | SCHRA.M8X1,25X45 U5739 8.8ZN | TORN. M8X1,25X45 U5739 8.8ZN |
| 30 | F01070011R | VITE A4,2X1,41X9,5 U6950 4.8NI | SCR. H4,2X1,41X9,5 U6950 4.8NI | VIS AUTOTAR. 4-2X9-5 T. E. COU | SELBSTSCHNEID. SCHRAUBE 4-2X9-5 | TORNILLO AUTORROSC. 4-2X9-5 |
| 31 | F01020404R | VITE M6X1X20 U5739 8.8ZN | SCREW M6X1X20 U5739 8.8ZN | VIS M6X1X20 U5739 8.8ZN | SCHRAUBE M6X1X20 U5739 8.8ZN | TORNILLO M6X1X20 U5739 8.8ZN |
| 32 | F01230019R | DADO M5X0,8 D982 8ZN | NUT M5X0,8 D982 8ZN | ECROU AUTOB.NOR.5 ZN | SELBSTSP. MUTTER NOR.5 ZN | TUERCA AUTOB. NOR. 5 ZN |
| 33 | F01200244R | DADO M8X1,25 U5588 CL8 ZN | NUT M8X1,25 U5588 6.8ZN | ECROU M8 X1,25 U5588 6.8 ZN | MUTTER M8 X1,25 U5588 6.8 ZN | TUERCA M8X1,25 U5588 CL8 ZN |
| 34 | F01410023R | RONDELLA D5 UNI 6592 ZN | WASHER M5 5,3X 10X 1 U6592 | | | |
| 35 | F01410051R | ROS.M8 8,4X 17X1,6 U6592 ZN | WASHER M8 8,4X17X1,6 U6592 ZN | RONDELLE M8 8,4X17X1,6 ZN | SCHEIBE M8 8,4X17X1,6 U6592 ZN | ARAND.M8 8,4X 17X1,6 U6592 ZN |
| 36 | F01260011R | DADO M5 U5721 5.8IX | NUT M5 U5721 5.8IX | | | |
| 37 | GA5222320R | PROTEZIONE MTR | PROTECTION MTR | | | |
| 38 | F02200137R | COPIGLIA 2X 15 U1336 IX | SPLIT PIN 2 X15 1336 GALVAN. | GOUPILLE 2 X15 1336 ZN | SPLINT 2 X15 1336 ZN | PASADOR 2 X15 1336 ZN |
| 39 | F02100079R | SPINA E.P. 5X20 U6873 C70 BR | PIN EL. 5X20 U6873 C70 BR | | | |
| 40 | F02100083R | SPINA E.P. 5X 24 U6873 C70 BR | PIN EL. 5 X24 DIN 1481 | FICHE EL. 5 X24 DIN 1481 | SPANNSTIFT 5 X24 DIN 1481 | CLAVIJA EL.P. 5X20 30 U6873 C CLAVIJA EL.5 X24 DIN 1481 |
| 41 | F02150012R | LINGUETTA 05X5X10 UNI6604 | PARALLEL KEY 5X 5X 10 U6604A | | | |
| 42 | F02200200R | COPIGLIA 4X 70 U1336 ZN | SPLIT PIN 4 X70 1336 GALVAN. | GOUPILLE 4 X70 1336 ZN | SPLINT 4 X70 1336 ZN | PASADOR 4 X70 1336 ZN |
| 43 | G15421870R | PORTA DI SCARICO DISTRIBUTORE | DISTRIBUTOR DISCHARGE DOOR | PORTE DE DECHARGEMENT DISTRIB. | ENTLADUNGSTSR SZAPPARAT | PUERTA DESCARGA DISTRIBUIDOR |
| 44 | F01070081R | VITE A4,2X1,41X13 U6950 A2IX | SCR. A4,2X1,41X13 U6950 A2IX | | | |
| 45 | G19006960R | ESPULSORE SEME MAIS | SEED EJECTOR FOR CORN | | | |
| 46 | F01420036R | ROS.M6 6,4X 18X1,5 U6593 ZN | WASHER M6 6,4X 18X1,5 U6593 ZN | RONDELLE M6 6,4X18X1,5 U6593ZN | SCHEIBEN M6 6,4X18X1,5U6593 ZN | ARANDELA M6 6,4X18X1,5U6593ZN |
| 47 | G19005480R | COPERCHIO SERBAT.SEME 60 LITRI | COVER SEED HOPPER 60 LITRE | | | |
| 48 | F01220011R | DADO M6X1 D980 8ZN | NUT M6X1 D980 8ZN | ECROU M6X1 D980 8 ZN | MUTTER M6X1 D980 8 ZN | TUERCA M6X1 D980 8 ZN |
| 49 | F152226240R | MONT.SERB.SEME 60 LITRI | SEED TANK 60LT | MONT.SERB.SEME 60 LIT. | | |
| 50 | F01200220R | DADO M5X0,8 U5588 CL8 ZN | NUT M5X0,8 U5588 6.8ZN | ECROU 5 UNI 5588 6.8 ZN | MUTTER 5 UNI 5588 6.8 ZN | TUERCA M5X0,8 U5588 CL8 ZN |
| 51 | F01430035R | ROS.M5 5,3X 10X0,6 U8842J ZN | WASHER D5 DIN 6798 D.INT.ZN | RONDELLE D5 DIN 6798 D. INT. Z | UNT. SCHEIBE D5 DIN 6798 D. IN | ARANDELA D5 DIN 6798 D.INT.ZN |
| 52 | G16620010R | ESPULSORE SEMI BIETOLA | SUGAR BEET EJECTOR | EXPULSEUR BETTES | AUSWERFER R BEN | EXPULSOR REMOLACHA |
| 53 | F01020381R | VITE M5X0,8X20 U5739 A2IX | SCR. M5X0,8X20 U5739 A2IX | VIS 5X20 5739 | SCHRAUBE 5X20 5739 | TORNILLO 5X20 5739 |
| 54 | G22270133R | PIASTRINA ANTI TRABOCC.SEMI MIN | MINUTE SEED PLATE SP | PLAQUETTE GRAINES PETITES SP | PLZTTCHEN KLEINE SAMEN SP | PLAQUETA SEMILLAS PEQUE AS SP |
| 55 | G16620360R | DIMA SELETTORE FISSO | POSITION PLATE FOR FIXED SELEC | GABARIT POSITION SELECTEUR FIX | EINSTELLEHRE F_R FIXEN ABSTREI | PLACA PARA LA POSICI N SELECTO |
| 56 | F01440095R | RONDELLA ALLUMINIO D12 | WASHER ALUMINIUM D12 | RONDELLE ALUMINIUM D12 | UNTERLEGSSCHEIBE ALUMINIUM D12 | ARANDELA ALUMINIO D12 |
| 57 | F01460129R | ROS.OND.13,0X 24X1,2 IX D137B | WASHER D13 DIN 137 B IX | | | |
| 58 | G19007240R | GUARNIZIONE COPERCHIO MT | SEED UNIT SEAL MT | | | |
| 59 | G16622070R | POMELLO COPERCHIO IX | SEED COVER KNOB IX | | | |
| 60 | B01700012R | ANEL. D ARR. ALB. 12-E UNI3653 | SEEGER RING | BAGUE SEEGER | SEEGERRING 12-E | ANIL. DE PARAD. RB. 12-E UNI3 |
| 61 | G16622050R | DISCO FISSAGGIO CENTRALE IX | CENTRAL FIX DISK IX | | | |
| 62 | G18904240R | MOLLA L=17 D.FILO=1.3 SP.=7 | SPRING L=17 D.1.3 | RESSORT | FEDER | MUELLE |

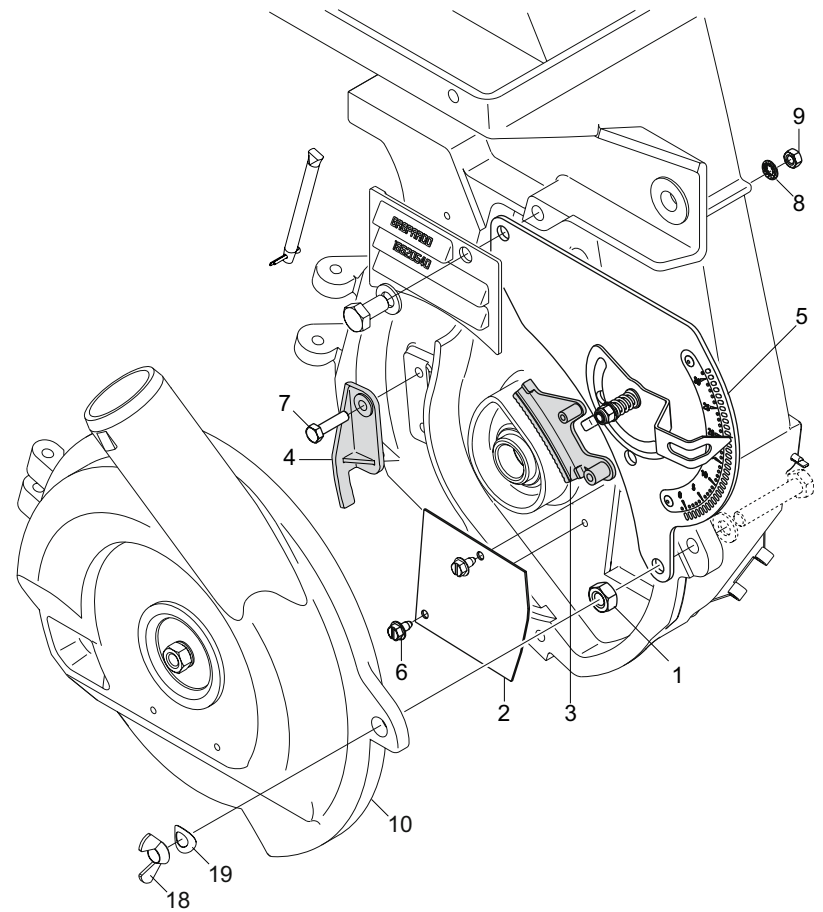
Varianti Semi Minuti
Variant Small Seeds

Vacuum COVER for small seeds



Special application

Peso di 1000 semi < 4,5 gr
1000 grains weight (tgw) < 4,5 gr


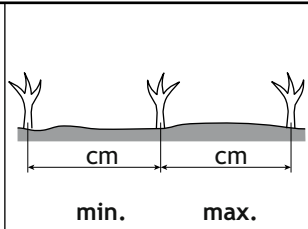
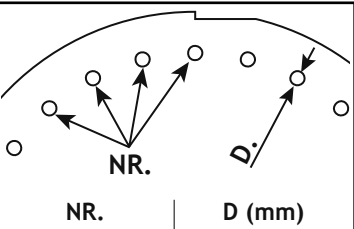
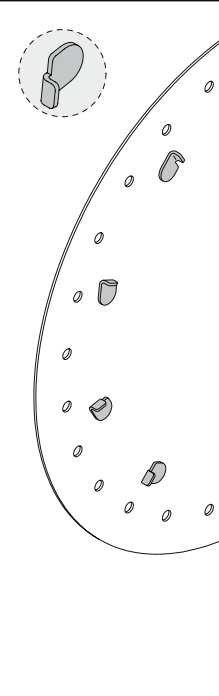
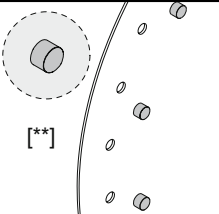


**VARIANTI SEMI MINUTI
SMALL SEED VARIANT**

TAV. 090

| Pos. | Cod. | Descrizione | Description | Description | Benennung | Descripcion |
|------|------------|--------------------------------|--------------------------------|--------------------------------|--------------------------------|--------------------------------|
| 1 | F01410051R | ROS.M8 8,4X 17X1,6 U6592 ZN | WASHER M8 8,4X17X1,6 U6592 ZN | RONDELLE M8 8,4X17X1,6 ZN | SCHEIBE M8 8,4X17X1,6 U6592 ZN | ARAND.M8 8,4X 17X1,6 U6592 ZN |
| 2 | G22270133R | PIASTRINA ANTI TRABOC.SEMI MIN | MINUTE SEED PLATE SP | PLAQUETTE GRAINES PETITES SP | PLZTTCHEN KLEINE SAMEN SP | PLAQUETA SEMILLAS PEQUE AS SP |
| 3 | G19005530R | PATTINO SELETTORE FS | SKATE SELECTOR | | | |
| 4 | G19004890R | ESPULSORE SEME DISTRIB.R1 | SEED EJECTOR DISTR. R1 | | | |
| 5 | G15829600R | GRUPPO SELETTORE COMPL | COMPLETE SELECTING GROUP | | | |
| 6 | F01070011R | VITE A4,2X1,41X9,5 U6950 4.8NI | SCR. H4,2X1,41X9,5 U6950 4.8NI | VIS AUTOTAR. 4-2X9-5 T. E. COU | SELBSTSCHNEID. SCHRAUBE 4-2X9- | TORNILLO AUTORROSC. 4-2X9-5 |
| 7 | F01020381R | VITE M5X0,8X20 U5739 A2IX | SCR. M5X0,8X20 U5739 A2IX | VIS 5X20 5739 | SCHRAUBE 5X20 5739 | TORNILLO 5X20 5739 |
| 8 | F01430035R | ROS.M5 5,3X 10X0,6 U8842J ZN | WASHER D5 DIN 6798 D.INT.ZN | RONDELLE D5 DIN 6798 D. INT. Z | UNT. SCHEIBE D5 DIN 6798 D. IN | ARANDELA D5 DIN 6798 D.INT.ZN |
| 9 | F01200220R | DADO M5X0,8 U5588 CL8 ZN | NUT M5X0,8 U5588 6.8ZN | ECROU 5 UNI 5588 6.8 ZN | MUTTER 5 UNI 5588 6.8 ZN | TUERCA M5X0,8 U5588 CL8 ZN |
| 10 | G15424070R | COPERCHIO SEMI MINUTI COMPL | COMPL. MINUTE SEED COVER | COUVERCLE GRAINES PETITES COMP | DECKEL KLEINSAMEN KOMPL. | TAPA SEMILLAS PEQUE AS COMPL |
| 11 | F01030055R | VITE M8X1,25X20 U5933 10.9ZD | SCR. M8X1,25X20 U5933 10.9ZD | VIS M 8X20 | SCHRAUBE M 8X20 | TORNILLO M 8X20 |
| 12 | F01200244R | DADO M8X1,25 U5588 CL8 ZN | NUT M8X1,25 U5588 6.8ZN | ECROU M8 X1,25 U5588 6.8 ZN | MUTTER M8 X1,25 U5588 6.8 ZN | TUERCA M8X1,25 U5588 CL8 ZN |
| 13 | F01430059R | ROS.M8 8,4X 15X0,8 U8842J ZN | WASHER M8 8,4X15X0,8 U8842J ZN | ROND. M8 8,4X 15X0,8 U8842J ZN | SCHEIBE M8 8,4X15X0,8 U8842JZN | ARAND. M8 8,4X15X0,8 U8842J ZN |
| 14 | G22230037R | TENUITA GUARNIZIONE | SEAL | BLOQUAGE GARNITURE | DICHTUNG | JUNTA ESTANCA |
| 15 | G19002620R | GUARNIZIONE COP.DISTRIB.SP530 | DISTRIBUTION COVER AIR SEAL MT | JOINT ETANCH PORTE SP530-MT | DICHTUNG SZAPPARATDECKEL SP530 | JUNTA TAPA DISTRIB.SP530 |
| 16 | G16620470R | TAPPO CENTRALE H=7,5 | CENTRAL PLUG H=7.5 | BOUCHON CENTRAL H=7,5 | ZENTRALER PFROPFEN H=7,5 | TAP N CENTRAL H=7,5 |
| 17 | G18701890R | RONDELLA SVAS. 8,5X35 X5 ZN | FLARED WASHER D.8.5 ZN. | RONDELLE D.8,5 VAS E ZN. | F-CHERSCHEIBE D.8,5 ZN. | ARANDELA 8,5 ABOCINADA ZN. |
| 18 | F01240024R | DADO M8X1,25 U5448 5.8ZN | NUT M8X1,25 U5448 5.8ZN | ECROU 8 UNI 5448 5.8 ZN | MUTTER 8 UNI 5448 5.8 ZN | TUERCA 8 UNI 5448 5.8 ZN |
| 19 | F01460115R | ROS.OND. 8,4X 15X0,5 BR D137A | WASHER D8 DIN 137 A | RONDELLE D8 DIN 137 A | UNTERLEGSCHIEBE D8 DIN 137 A | ARANDELA D8 DIN 137 A |

TAV. 100

|  | | |  | |  | | Code | Pos. |
|--|---|---|---|------|---|--------|-----------|------|
| | | | min. | max. | NR. | D (mm) | | |
|  | Mais | Corn | 8 | 32 | 26 | 4,5 | G10121410 | 1 |
| | Mais seme grosso, fagiolo | Large corn seed, bean | 8 | 32 | 26 | 5,0 | G10123710 | 2 |
| | Mais seme grosso | Corn large seed | 8 | 32 | 26 | 5,5 | G10121390 | 3 |
| | Girasole | Sunflower | 8 | 32 | 26 | 2,5 | G10123560 | 4 |
| | Cotone | Cotton | 8 | 32 | 26 | 3,5 | G10121440 | 5 |
| | Bietola, Sorgo | Sugarbeet, Sorghum | 6 | 23 | 36 | 2,1 | G10121420 | 6 |
| | Cetriolo [*] | Cucumber [*] | 6 | 23 | 36 | 1,5 | G10121520 | 7 |
| | Fagiolino, Cotone | Green bean, Cotton | 6 | 23 | 36 | 3,5 | G10121430 | 8 |
| | Pisello | Peas | 6 | 23 | 36 | 4,5 | G10121630 | 9 |
| | Fagiolo Borlotto | Bean | 6 | 23 | 36 | 5,5 | G10121570 | 10 |
| | Soia (consigliato per interfila 45-50 cm) | Soya (recommended for 45-50 cm inter-row) | 4 | 16 | 52 | 4,25 | G10123430 | 11 |
| | Insalata [*] | Green salad [*] | 3 | 11,5 | 72 | 0,8 | G10121510 | 12 |
| | Pomodoro, Finocchio, Colza [*] | Tomato, Fennel, Rape [*] | 3 | 11,5 | 72 | 1,1 | G10121450 | 13 |
| | Sorgo, Coriandolo | Sorghum, Coriander | 3 | 11,5 | 72 | 2,1 | G10121470 | 14 |
| | Cotone (consigliato per interfila 70-75) | Cotton (recommended for 70-75 cm inter-row) | 3 | 11,5 | 72 | 3,5 | G10121500 | 15 |
| | Soia (consigliato per interfila 70-75) | Soya (recommended for 70 - 75 cm inter-row) | 3 | 11,5 | 72 | 4,25 | G10124020 | 16 |
|  | Mais | Corn | 8 | 32 | 26 | 4,5 | G10124480 | 17 |
| | Mais seme grosso, fagiolo | Large corn seed, bean | 8 | 32 | 26 | 5,0 | G10124780 | 18 |
| | Girasole | Sunflower | 8 | 32 | 26 | 2,5 | G10124760 | 19 |
| | Cotone | Cotton | 4 | 16 | 52 | 3,5 | G10124770 | 20 |
| | Cotone (consigliato per interfila 70-75) | Cotton (recommended for 70-75 cm inter-row) | 3 | 11,5 | 72 | 3,5 | G10124790 | 21 |

[*] Si consiglia di sostituire il coperchio del distributore semi con il coperchio per semi minuti. We recommend the substitution of the seed distributor cover with the small seed cover.

[**] Versioni ISOTRONIC. ISOTRONIC version.

Per particolari esigenze, fare specifica richiesta. For special requirements make a specific order.

I valori della tabella sono puramente indicativi. La scelta definitiva dei dischi di semina è a totale discrezione dell'utente. Non si accettano reclami per semine eseguite con dischi non idonei.

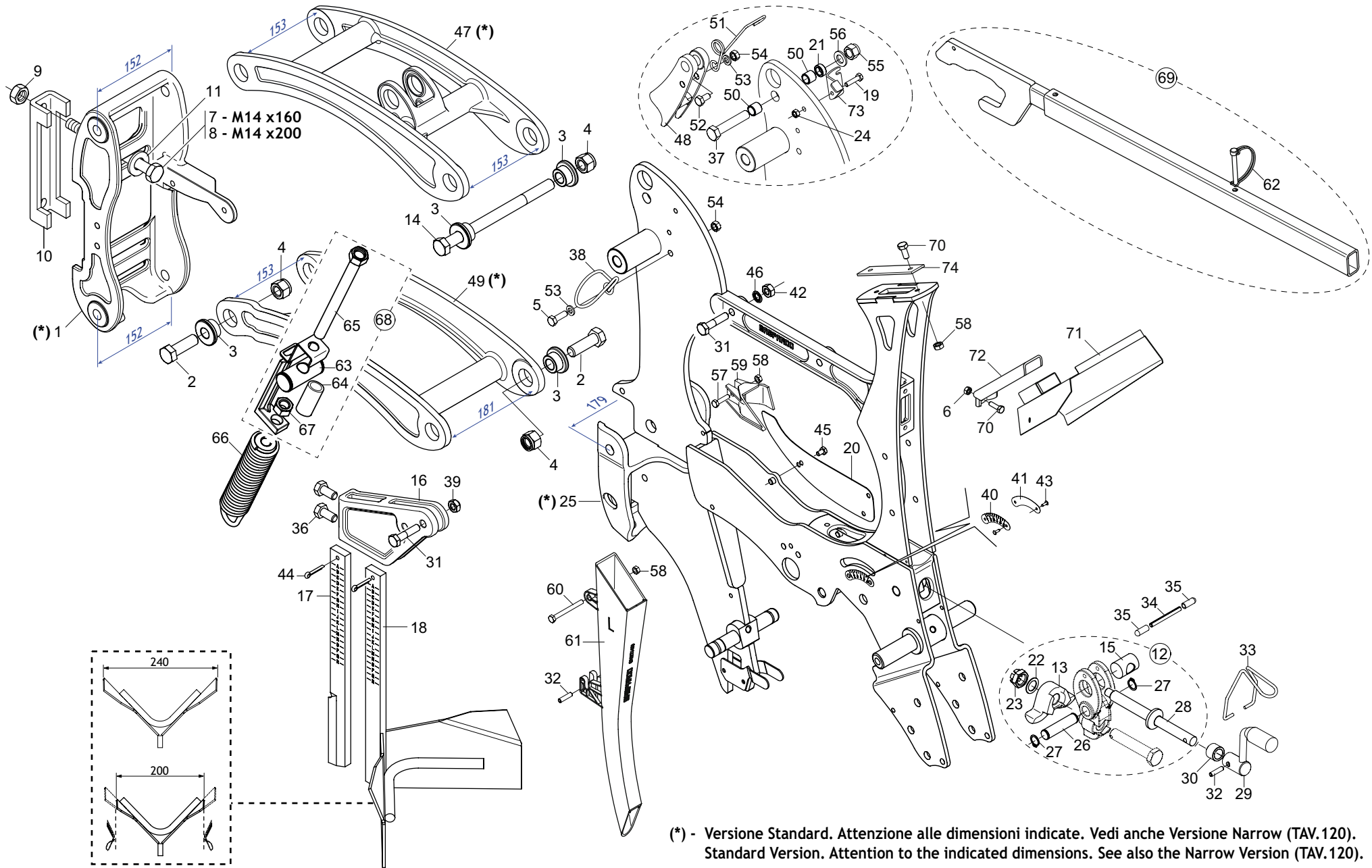
The values shown on the table are approximate. The definite choice of seed plates is completely up to the user. Complaints for imprecise sowing due to utilization of improper seed plates will not be accepted.

**DISCHI DI SEMINA
SEED PLATES**

TAV. 100

| Pos. | Cod. | Descrizione | Description | Description | Benennung | Descripcion |
|------|------------|-------------------------------|--------------------------------|-------------------------------|-----------------------------|--------------------------------|
| 1 | G10121410R | DISCO 26F D.4,5 SP-MT | DISC 26 H. D.4,5 SP-MT | DISC 26F D4,5 GALVANISE | | |
| 2 | G10123710R | DISCO 26F D.5,0 SP-MT | DISC 26 HOLES D.5-0 SP LM | | | |
| 3 | G10121390R | DISCO 26F D.5,5 SP-MT | DISC 26 H. D.5-5 CORN SP LM | DISC 26F D.5,5 GALVANISE | | |
| 4 | G10123560R | DISCO 26F D.2,5 SP-MT | DISC 26 H. D. 2,5 | DISC 26F D.2,5 GALVANISE | | |
| 5 | G10121440R | DISCO 26F D.3,5 SP-MT | DISC 26 HOLES D 3-5 SP LM | DISC 26F D3,5 GALVANISE | | |
| 6 | G10121420R | DISCO 36F D.2,1 SP-MT | DISC 36 H. D.2,1 SP-MT | DISC 36F D.2,1 GALVANISE | | |
| 7 | G10121520R | DISCO 36F D.1,5 SP-MT | DISC 36 HOLES D.1-5 SP LM | | | |
| 8 | G10121430R | DISCO 36F D.3,5 SP-MT | DISC 36 HOLES D.3-5 SP LM | | | |
| 9 | G10121630R | DISCO 36F D.4,5 SP-MT | DISC 36 HOLES D.4-5 SP LM | DISC 36F D.4,5 GALVANISE | | |
| 10 | G10123760R | DISCO ACC. 36 FORI D.5,5 PARR | STEEL DISC 36 HOLES D5,5 P.ARR | DISQUE ACC.36 TROUS D5,5 PARR | SCHEIBE ZUB.36 LTCHER D5,50 | DISCO AC.36 ORIFICIOS D 5,5 |
| 11 | G10123430R | DISCO 52F D.4,25 SP-MT | DISC 52 HOLES D.4-25 SP LM | DISC 52F D.4,25 GALVANISE | | |
| 12 | G10121510R | DISCO 72F D.0,8 SP-MT | DISC 72 HOLES D.0-8 SP LM | | | |
| 13 | G10121450R | DISCO 72F D.1,1 SP-MT | DISC 72 HOLES D.1-1 SP LM | DISC 72F D1,1 GALVANISE | | |
| 14 | G10121470R | DISCO 72F D.2,1 SP-MT | DISC 72 HOLES D.2-1 SP LM | DISC 72F D2,1 GALVANISE | | |
| 15 | G10121500R | DISCO 72F D.3,5 SP-MT | DISC 72 H. D. 3,5 | DISC 72F D.3,5 GALVANISE | | |
| 16 | G10124020R | DISCO 72 FORI D.4,25 SP LM | DISC 72 HOLES D.4-25 SP LM | DISQUE 72 TROUS D. 4-25 SP LM | SCHEIBE 72 LTCHER D.4-25 SP | DISCO 72 ORIFICIOS D.4-5 SP LM |
| 17 | G10124480R | DISCO 26F D.4,5 P.OTT.SP-MT | DISC 26RANKS D.4,5 P.OTT.SP-MT | | | |
| 18 | G10124780R | DISCO 26F D.5,0 P.OTT.SP-MT | SEED DISC 26 H. D. 5,0 P.BRASS | | | |
| 19 | G10124760R | DISCO 26F D.2,5 P.OTT.SP-MT | SEED DISC 26 H. D. 2,5 P.BRASS | | | |
| 20 | G10124770R | DISCO 52F D.3,5 P.OTT.SP-MT | SEED DISC 52 H. D. 3,5 P.BRASS | | | |
| 21 | G10124790R | DISCO 72F D.3,5 P.OTT.SP-MT | SEED DISC 72 H. D. 3,5 P.BRASS | | | |

TAV. 110

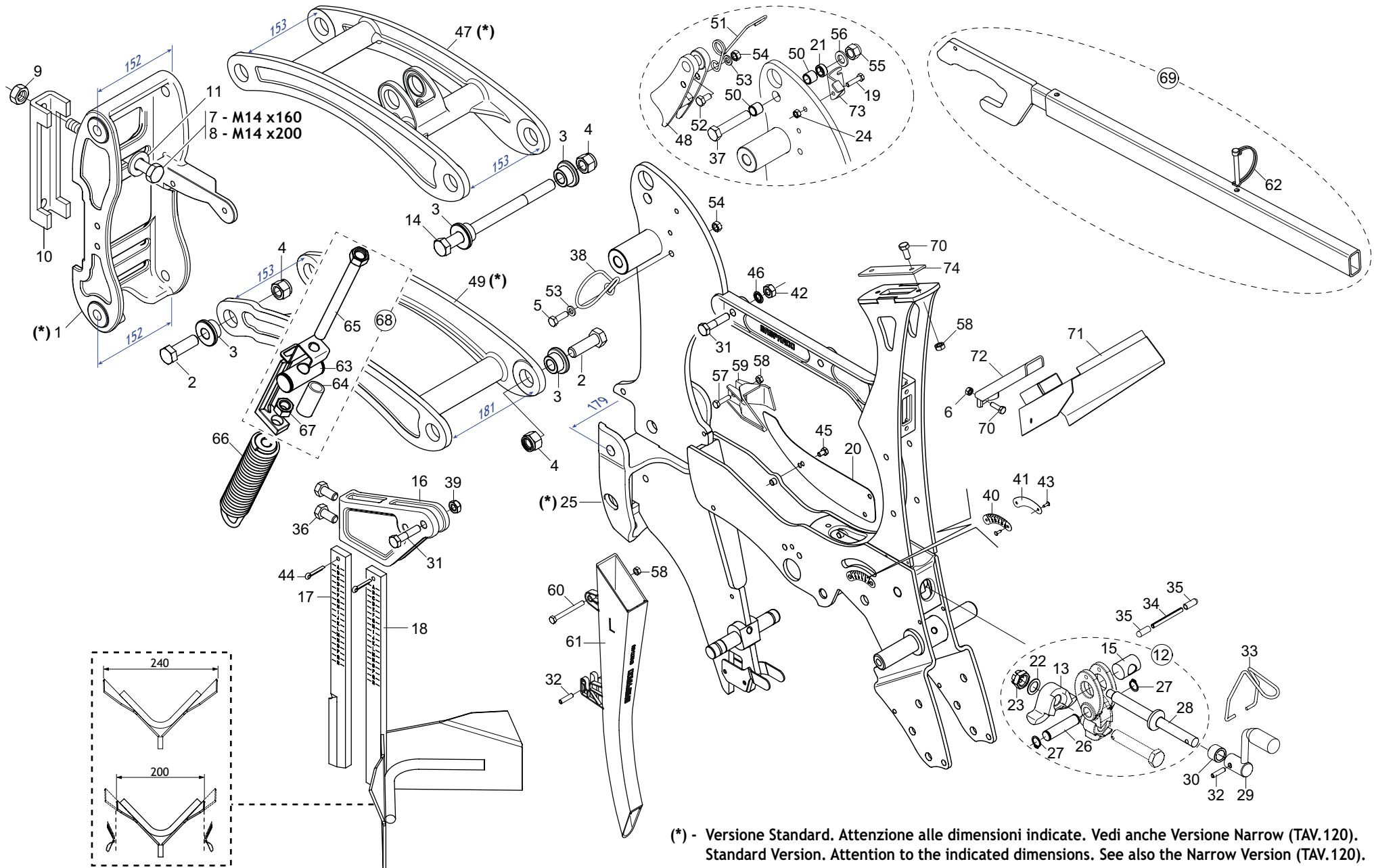


TELAIO ELEMENTO UNIT TOOLBAR

TAV. 110

| Pos. | Cod. | Descrizione | Description | Description | Benennung | Descripcion |
|------|------------|--------------------------------|--------------------------------|--------------------------------|---------------------------------|--------------------------------|
| 1 | GA5220112R | PIASTRA FRONTALE | FRONT PLATE | | | |
| 2 | F01020254R | VITE M16X2X55 U5737 10.9ZD | SCR. M16X2X55 U5737 10.9ZD | | | |
| 3 | G17722000R | BOCCOLA SINT.16,25X28 L.13 PAR | BUSHING SINT.16,25X28 L.13 PAR | | | |
| 4 | F01230085R | DADO M16X2 D982 10ZN | NUT M16X2 D982 10ZN | ECROU M16X2 D982 10ZN | MUTTER M16X2 D982 10ZN | TUERCA M16X2 D982 10ZN |
| 5 | F01020440R | VITE M8X1,25X25 U5739 8.8ZN | SCR. M8X1,25X25 U5739 8.8ZN | VIS M8X1,25X25 U5739 8.8 ZN | SCHRAUBE M8X1,25X25U5739 8.8ZN | TORNILLO M8X1,25X25 U5739 8.8 |
| 6 | F01200232R | DADO M6X1 U5588 CL8 ZN | NUT M6X1 U5588 6.8ZN | ECROU 6 UNI 5588 6.8 ZN | MUTTER 6 UNI 5588 6.8 ZN | TUERCA M6X1 U5588 CL8 ZN |
| 7 | F01020225R | VITE M14X2X160 U5737 8.8BR | SCR. M14X2X160 U5737 8.8BR | VIS M 14 X160 5737 8.G | SCHRAUBE M 14 X160 5737 8.G | TORNILLO M 14 X160 5737 8.G |
| 8 | F01020233R | VITE M14X2X200 U5737 8.8BR | SCR. M14X2X200 U5737 8.8BR | VIS M14X2X 200 U5737 8.8 ZB | SCHRAUBE M14X 2X200 U5737 8.8 | TORNILLO M14X2X200 5737 8.8 ZB |
| 9 | F01200306R | DADO M14X2 U5588 CL8 ZN | NUT M14X2 U5588 6.8ZN | ECROU M14X2 | MUTTER M14X2 | DADO M14X2 |
| 10 | G15110091R | SCONTRIO A U | CONTRA U | BRIDE 150 MM | ANSCHLAG | ELEMENTO DE EMPALME |
| 11 | G20970142R | RONDELLA 32X4X15,5 | WASHER 32X4X15-5 | RONDELLE 32X4X15-5 | UNTERLEGSSCHEIBE 32X4X15-5 | ARANDELA 32X4X15-5 |
| 12 | G17740010R | BILANCIERE REGINA COMPL | REGINA ROCKER ARM MOUNTED ASSY | | | |
| 13 | G17720291R | BILANCIERE | ROCKER ARM | | UITHOUDER | |
| 14 | F01020286R | VITE M16X2X220 U5737 10.9ZD | SCR. M16X2X220 U5737 10.9ZD | VIS M16X 2X220 U5737 10.9 ZD | SCHRAU.M16X 2X220 U5737 10.9ZD | TORNI.M16X 2X220 U5737 10.9 ZD |
| 15 | G22230063R | ELEMENTO ARTICOLATO | ARTICULATED ELEMENT | ELEMENT ARTICULE | GELENKELEMENT | ELEMENTO ARTICULADO |
| 16 | G19204000R | SUPP.SPIANATERRA CORTO | SUPPORT SHORT SOIL BRAKER | | | |
| 17 | G15420842R | TAGLIENTE | EDGE | COUTRE CHASSE-MOTTE | SCHNEIDE | FILO DE CORTE |
| 18 | G15224901R | SPIANATERRA LARGH.240 MM | SOIL LEVELLER WIDTH 240 MM | | | |
| 19 | F01020406R | VITE M6X1X25 U5739 8.8ZN | SCR. M6X1X25 U5739 8.8ZN | VIS M 6X25 | SCHRAUBE M 6X25 | TORNILLO M 6X25 |
| 20 | G17722713R | PIATTO DX | RIGHT PLATE | | | |
| 21 | G20980082R | BOCCOLA 18X7X12,25 | BUSHING 18X7X12-25 | | | |
| 22 | G18701820R | RONDELLA 16,5 X25 X1,0 ZN | WASHER 16,5X25X1,0 ZN | | | |
| 23 | F01210035R | DADO M16X2 U5594 5.8ZN | NUT M16X2 U5594 5.8ZN | | | |
| 24 | F01230022R | DADO M6X1 D982 8ZN | NUT M6X1 D982 8ZN | ECROU AUTO-FREIN.M6X1 D982 8ZN | SICHERUNGSMUT. M6X1 D982 8 ZN | TUERCA DE SEGU.M6X1 D982 8 ZN |
| 25 | GA5220014R | CORPO CENTRALE MTR | CENTRAL CASING MTR | | | |
| 26 | G17722800R | PERNO 15 X 63 ZN | PIN 15 X 63 ZN | | | |
| 27 | F02050034R | ANELLO E. DE 15X 1 U7435 C70 | ELASTIC RING DE 15X 1 | BAGUE ELASTIQUE DE 15X 1 | RING DE 15X 1 | ANILLO DE 15X 1 |
| 28 | G17722510R | ASS.VITE TENSIONAMENTO ZN | ADJUSTING SCREW ASSY ZN | | | |
| 29 | G22270235R | MANIGLIA REGOLAZIONE B4 | ADJUSTMENT HANDLE B4 | POIGNEE REGLAGE B4 | EINSTELLGRIFF B4 | MANIJA REGULACI N B4 |
| 30 | G18803230R | BOCCOLA 15 X22 X16 ZN | BUSHING 15 X22 X16 GALVA | BOITE 15 X22 X16 ZN | BSCHE 15 X22 X16 ZN | CASQUILLO 15 X22 X16 ZN |
| 31 | F01020112R | VITE M10X1,5X45 U5737 8.8ZN | SCR. M10X1,5X45 U5737 8.8ZN | VIS M 10X45 | SCHRAUBE M 10X45 | TORNILLO M 10X45 |
| 32 | F02100111R | SPINA E.P. 6X 24 U6873 A2 IX | PIN EL. 6 X24 U6873 A2 IX | | | |
| 33 | G18903741R | MOLLA FERMO MANIGL.MAGICA 2004 | HANDLE STOP SPRING MAGICA 2004 | RESSORT ARRET POIG.MAGICA 2004 | FEDER GRIFFSPERRE MAGICA 2004 | MUELLE BLOQUEO MAN. MAGICA 04 |
| 34 | F02100126R | SPINA E.P. 6X60 U6873 C70 BR | PIN E.D. 6X60 U6873 C70 BR | FICHE E.D. 6X60 U6873 C70 BR | BOLTZEN E.D. 6X60 U6873 C70 BR | CLAVIJA E.D. 6X60 U6873 C70 BR |
| 35 | F05100193R | CAPPUCCIO 5,95X19,05 GIALLO | CAP | BOUCHON | DECKEL | CORCHO |
| 36 | F01020508R | VITE M12X1,75X25 U5739 8.8ZN | SCR. M12X1,75X25 U5739 8.8ZN | VIS M12X1,75X25 U5739 8.8 ZN | SCHRAUBE M12X1,75X25U5739.8ZN | TORNILLO M12X1,75X25 U5739 |
| 37 | F01020521R | VITE M12X1,75X65 U5739 8.8ZN | SCR. M12X1,75X65 U5739 8.8ZN | VIS M12X1,75X65 U5739 8.8ZN | SCHRAU.M12X1,75X65 U5739 8.8ZN | TORNILLO M12X1,75X65 U5739 8 |
| 38 | G18903140R | MOLLA GUIDATUBO | PIPE GUIDE SUPPORT | RESSORT GUIDE-TUBE | FEDER ROHRFSHRUNG | MUELLE GU A TUBOS |
| 39 | F01220033R | DADO M10X1,5 D980 8ZN | NUT M10X1,5 D980 8ZN | ECROU M10X1,5 D980 8ZN | MUTTER M10X1,5 D980 8ZN | TUERCA M10X1,5 D980 8 |
| 40 | G19705280R | TARGHETTA REG.SX RUOTE PROFOND | PLATE | PLAQUET | PLATTE | PLACA |
| 41 | G19705290R | TARGHETTA REG.DX RUOTE PROFOND | PLATE | PLAQUET | PLATTE | PLACA |
| 42 | F01200270R | DADO M10X1,5 U5588 CL8 ZN | NUT M10X1,5 U5588 6.8ZN | ECROU M10X 1,5 U5588 6.8 ZN | MUTTER M10X 1,5 U5588 6.8 ZN | TUERCA M10X1,5 U5588 CL8 ZN |
| 43 | F02250066R | RIVETTO STR. 3 X 9 U9200A AL | POP RIVET 3X9 ALUMINIUM | RIVET 3 X 9 ALL | REISSNIETE 3 X 9 ALU | REMACHE DESGAR. 3 X 9 AL |
| 44 | F02200226R | COPIGLIA 5X 25 U1336 ZN | SPLIT PIN 5 X25 1336 GALVAN. | GOUPILLE 5 X25 1336 ZN | SPLINT 5 X25 1336 ZN | PASADOR 5 X25 1336 ZN |
| 45 | F01020397R | VITE M6X1X10 U5739 8.8ZN | SCR. M6X1X10 U5739 8.8ZN | VIS 6X10 5739 8.G ZN | SCHRAUBE 6X10 5739 8.G ZN | TORNILLO 6X10 5739 8.G ZN |
| 46 | F01430023R | ROS.M10 10,5X 18X0,9 U8842J Z | WASHER D10 DIN 6798 D.INT.ZN | RONDELLE D10 DIN 6798 D. INT. | UNT. SCHEIBE D10 DIN 6798 D.IN | ARANDELA D10 DIN 6798 D.INT.ZN |
| 47 | GA5220202R | PARALLELO SUPERIORE | UPPER PARALLEL ARM | | | |
| 48 | GA5220260R | BLOCCO AGGANCIO ELEMENTO | HOOK BLOCK | | | |
| 49 | GA5220153R | PARALLELO INFERIORE MTR | LOWER PARALLEL ARM MTR | | | |
| 50 | G18801340R | BOCCOLA 12,25X16 X14 | BUSHING 12,25X16 X14 | BOITE 12,25X16 X14 | B_CHSE 12,25X16 X14 | CASQUILLO 12,25X16 X14 |
| 51 | G18903780R | MOLLA TORSIONE GANCIO SUP. | UPPER HOOK TORSION SPRING | | | |
| 52 | F01020436R | VITE M8X1,25X20 U5739 8.8ZN | SCR. M8X1,25X20 U5739 8.8ZN | VIS M8X1,25X 20 U5739 8.8 ZN | SCHRAUBEN M8X1,25X20U5739 8.8ZN | TORNILLO M8X1,25X20 U5739 8.8 |
| 53 | F01420048R | ROS.M8 8,4X 24X 2 U6593 ZN | WASHER M8 8,4X 24X2 U6593 ZN | RONDELLE M8 8,4X24X 2 U6593 ZN | SCHEIBEN M8 8,4X24X 2 U6593 ZN | ARAND.M8 8,4X 24X 2 U6593 ZN |
| 54 | F01200244R | DADO M8X1,25 U5588 CL8 ZN | NUT M8X1,25 U5588 6.8ZN | ECROU M8 X1,25 U5588 6.8 ZN | MUTTER M8 X1,25 U5588 6.8 ZN | TUERCA M8X1,25 U5588 CL8 ZN |
| 55 | F01230059R | DADO M12X1,75 D982 8ZN | LOCK-NUT M12X1,75 D982 8ZN | ECR.AUTO-FREI.M12X1,75 ZN | SICHERUNGSMUT.M12X1,75 D982 8ZN | TUER.DE SEGUR.M12X1,75 D982 ZN |

TAV. 110

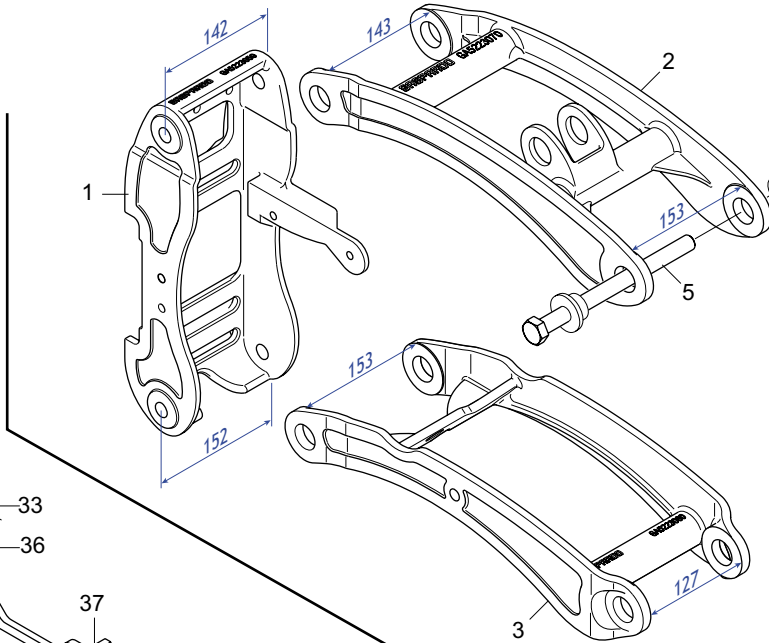


**TELAIO ELEMENTO
UNIT TOOLBAR**

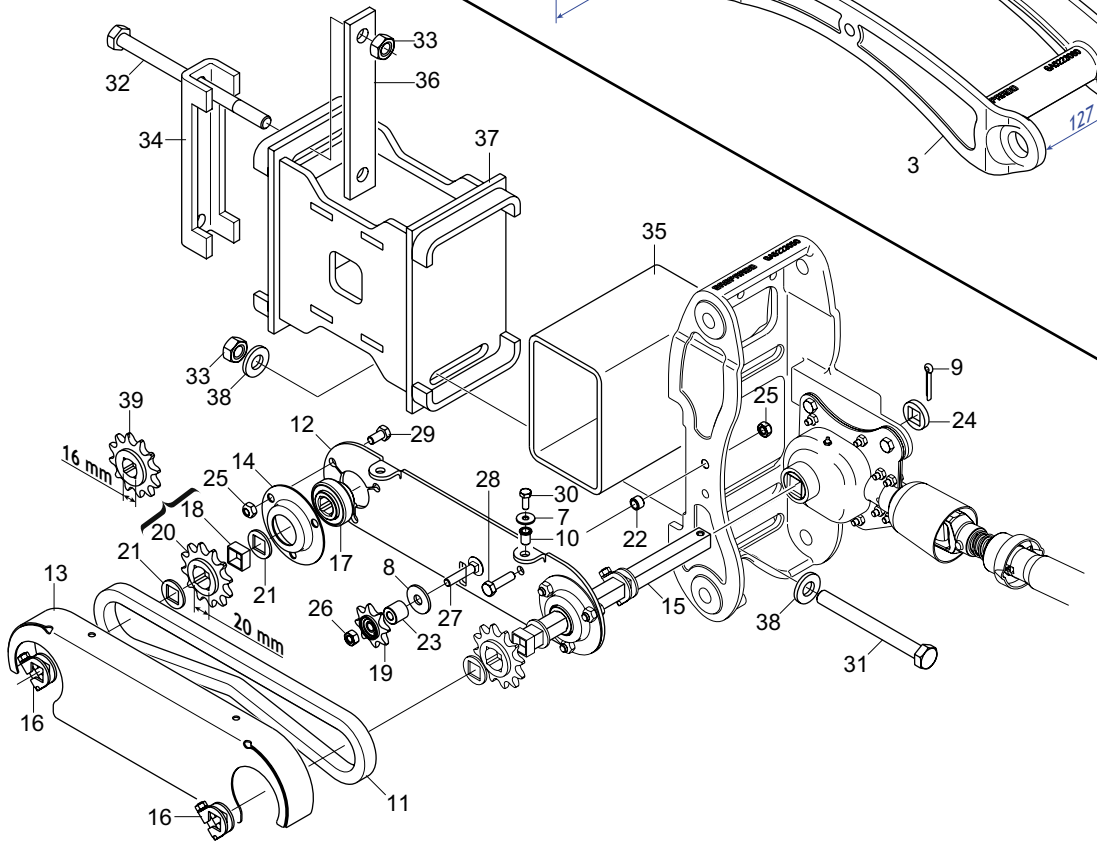
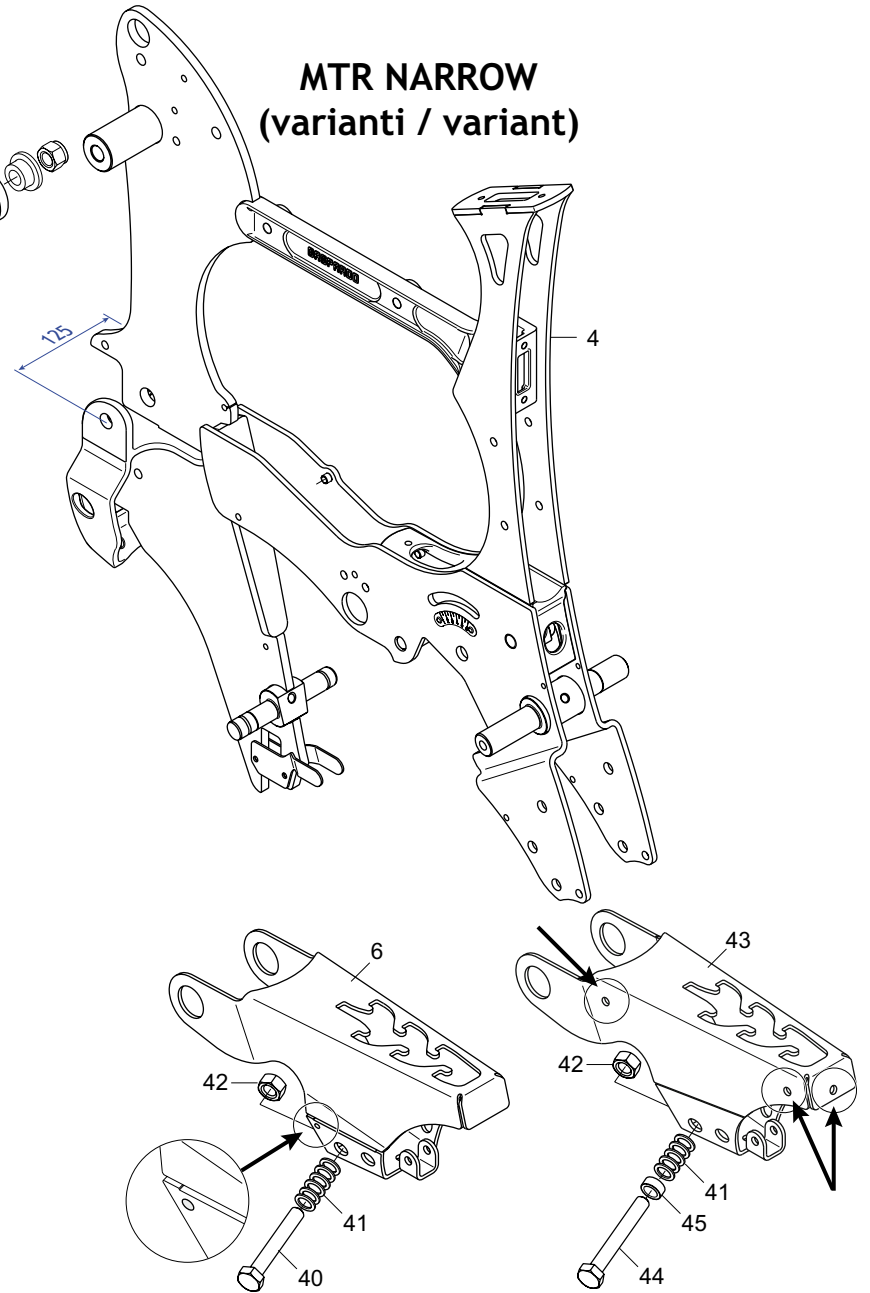
TAV. 110

| Pos. | Cod. | Descrizione | Description | Description | Benennung | Descripcion |
|------|------------|--------------------------------|--------------------------------|--------------------------------|--------------------------------|--------------------------------|
| 56 | F01410076R | ROS.M12 13X 24X2,5 U6592 ZN | WASHER 12 13X 24X2,5 U6592 ZN | RONDEL. M12 13X24X2,5 U6592 ZN | SCHEIBE M12 13X24X2,5 U6592 ZN | ARAND.M12 13X 24X2,5 U6592 ZN |
| 57 | F01020406R | VITE M6X1X25 U5739 8.8ZN | SCR. M6X1X25 U5739 8.8ZN | VIS M 6X25 | SCHRAUBE M 6X25 | TORNILLO M 6X25 |
| 58 | F01220011R | DADO M6X1 D980 8ZN | NUT M6X1 D980 8ZN | ECROU M6X1 D980 8 ZN | MUTTER M6X1 D980 8 ZN | TUERCA M6X1 D980 8 ZN |
| 59 | G19002700R | PROTEZIONE FOTOCPELLULA | PHOTOCELL PROTECTION | PROTECT CAPT PHOTOC SP3-MT-MG | SCHUTZ PHOTOZELLE | PROTECCI N FOTOC LULA |
| 60 | F01020422R | VITE M6X1X60 U5739 8.8ZN | SCR. M6X1X60 U5739 8.8ZN | VIS M6 X1 X 60 U5739 8.8 | SCHRAUBE M6 X1 X 60 U5739 8. | TORNIL. M6 X1 X 60 U5739 8.8 |
| 61 | GA5221460R | CONVOGLIATORE SEME MTR | SEED CONVEYOR | | | |
| 62 | F02200562R | SPINA SICUR.D. 8X70 ZN | SNAP PIN D.8X 70 ZN | FICHE EL. D.8X70 ZN | SCHERSTIFT D.8X 70 ZN | CLAVIJA D.8X 70 ZN |
| 63 | G15226550R | SPINA ZN | PIN ZN | | | |
| 64 | G17940250R | BOCCOLA | BUSHING | BOITE | BSCHE | CASQUILLO |
| 65 | G15226570R | VITE REGOLAZIONE M16 X 225 ZN | ADJUSTING BOLT - GALVANIZED | VIS R GLAGE ZN | STELLSCHRAUBE ZN | TORNILLO REGULACI N ZN |
| 66 | GA5220820R | MOLLA REGOLABILE MTR | ADJUSTABLE MTR SPRING | | | |
| 67 | F01200324R | DADO M16X2 U5588 8.8ZN | NUT M16X2 U5588 8.8ZN | ECROU M16X2 U5588 8.8ZN | MUTTER M16X2 U5588 8.8ZN | TUERCA M16X2 U5588 8.8ZN |
| 68 | GA5221260R | REGOLATORE MOLLA COMPL. MTR | ADJUSTABLE MTR SPRING ASS.BLY | | | |
| 69 | GA5221560R | LEVA SOLLEV.ELEMENTO MTR | LIFTING LEVER ELEMENT MTR | | | |
| 70 | F01020404R | VITE M6X1X20 U5739 8.8ZN | SCREW M6X1X20 U5739 8.8ZN | VIS M6X1X20 U5739 8.8ZN | SCHRAUBE M6X1X20 U5739 8.8ZN | TORNILLO M6X1X20 U5739 8.8ZN |
| 71 | G15224500R | SCIVOLO SCARICO SEMI | SEED DISCHARGE CHUTE | LANCOIR DECHARGE GRAINES | RUTSCHE SAMENENTLADUNG | PLANO INCLINADO DESCARGA SEMIL |
| 72 | GA5222910R | SUPPORTO SCIVOLO SEME MTR | SEED CHUTE SUPPORT MTR | | | |
| 73 | GA5224000R | FERMO MOLLA GANCIO ESCL.MTR ZN | BRAKE SPRING HOOK MTR ZN | | | |
| 74 | G22505102R | SCONTRO RINFORZO SERBATOIO | STRIKER PLATE TANK REINFORCEME | BUTEE RENFORCEMENT RESERVOIR | BEHZLTER VERSTZRKUNANSCHLAG | ELEM.EMPALME REFUERZO DEP SITO |

**MTR NARROW
TWIN version
(varianti / variant)**



**MTR NARROW
(varianti / variant)**

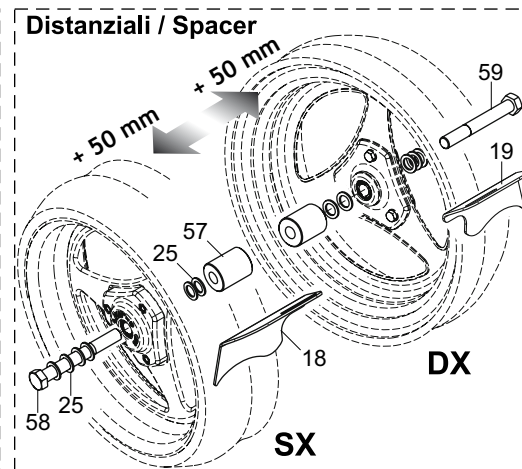
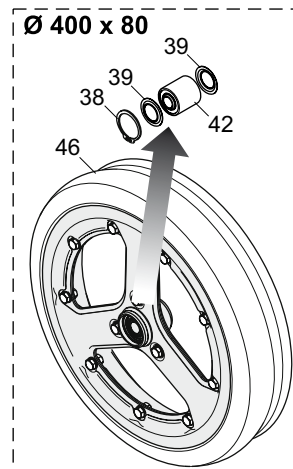
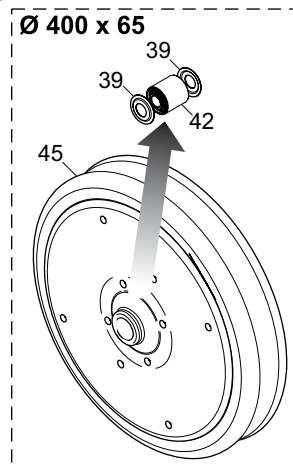
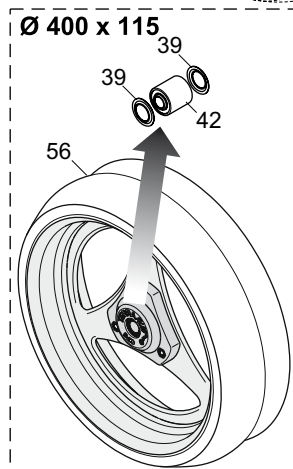
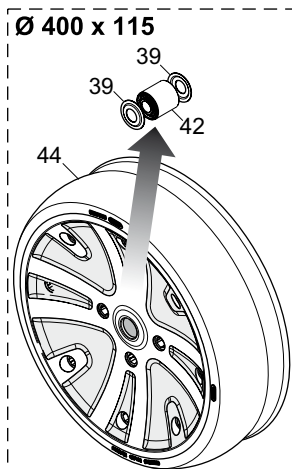
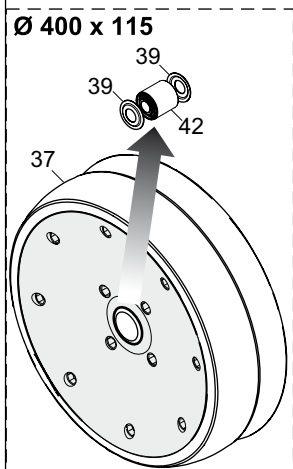
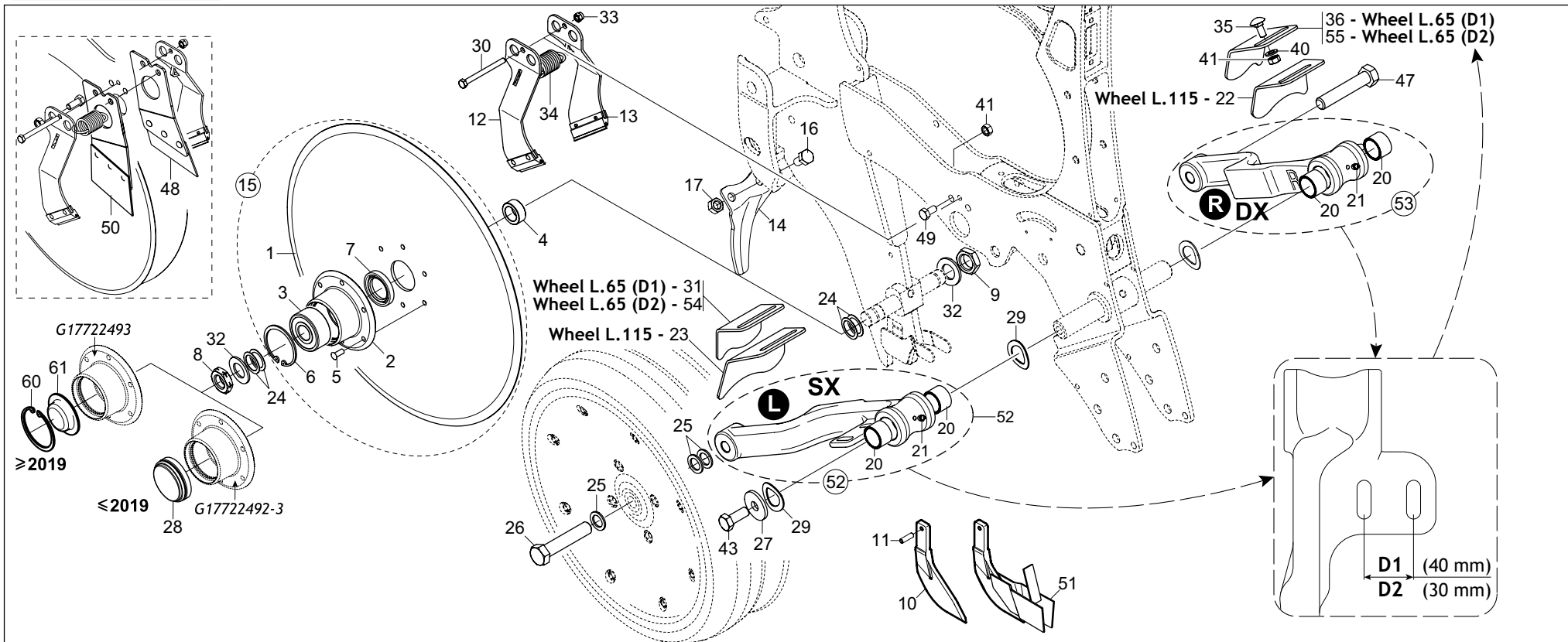


VARIANTI TELAIO ELEMENTO UNIT TOOLBAR VARIANT

TAV. 120

| Pos. | Cod. | Descrizione | Description | Description | Benennung | Description |
|------|------------|--------------------------------|--------------------------------|--------------------------------|---------------------------------|--------------------------------|
| 1 | GA5223050R | PIASTRA ATTACCO MTR NARROW | COUPLING PLATE MTR NARROW | | | |
| 2 | GA5223070R | PARALLELO SUP.MTR NARROW | MTR NARROW UPPER PARALLEL | | | |
| 3 | GA5223060R | PARALLELO INF.MTR NARROW | MTR NARROW LOWER PARALLEL | | | |
| 4 | GA5223091R | CORPO CENTRALE MTR NARROW | CENTRAL CASING MTR NARROW | | | |
| 5 | F01020293R | VITE M16X2X210 U5737 8.8ZN | SCR. M16X2X210 U5737 8.8ZN | | | |
| 6 | GA5223130R | SUPPORTO RUOTE COMPR.MTR NARR. | MTR NARROW REAR WHEEL SUPPORT | | | |
| 7 | F01420036R | ROS.M6 6,4X 18X1,5 U6593 ZN | WASHER M6 6,4X 18X1,5 U6593 ZN | RONDELLE M6 6,4X18X1,5 U6593ZN | SCHEIBEN M6 6,4X18X1,5U6593 ZN | ARANDELA M6 6,4X18X1,5U6593ZN |
| 8 | F01420060R | ROS.M10 10,5X 30X2,5 U6593 ZG | GALV.WASHER 10,5X30X2,5 U6593 | RONDELLE 10,5X30 | SCHEIBE 10,5X30 | ARAND.M10 10,5X 30X2,5 U6593 |
| 9 | F02200227R | COPIGLIA 5 X30 1336 ZN | PIN 5X 30 U1336 ZN | | | |
| 10 | F02250681R | INSERTO FIL.M 6X14 ZN T.TONDA | THREADED ZINCKED INSERT M6X14 | JOINT FILETE M6X14 ZN | GEWINDE BUGEL M6X14 ZN | YUGO MUESCADO M6ZX14 ZN |
| 11 | F06080716R | CATENA 5 8 ASA 50 L 50 MAGLIE | CHAIN 5 8 ASA 50 L 50 LINKS | CHAINE 5 8 ASA 50 L 50 MAILLE | KETTE 5 8 ASA 50 L 50 GLIEDER | CADENA 5 8 ASA 50 L 50 ESLABO |
| 12 | GA5223160R | SUPP.TRASM.SEMINATORE MTR TWIN | MTR TWIN UNIT SUPP.TRANSM. | | | |
| 13 | GA5223170R | CARTER TRASM.SEMINAT.MTR TWIN | CARTER TRANSM.PL.MTR TWIN | | | |
| 14 | G22230094R | SUPPORTO CUSCINETTO | BEARING SUPPORT | SUPPORT DE ROULEMENT | LAGERBSCHSE | SOPORTE COJINETE |
| 15 | G22270143R | ASSE SUP.CAMBIO L.250 SP | AXLE- UPPER- GEARBOX L.250 SP | AXE SUP. BOITE DE VITESSE | ACHSE OBEN GETRIEBE L.250 SP | EJE SUP.CAMBIO L.250 SP |
| 16 | G22505085R | FERMO ASSE IN LAMIERA | PLATE AXLE STOP | ARRET AXE EN TOLE | FESTSTELLVORRICHTUNG BLECHACHS | BLOQUEO EJE DE CHAPA |
| 17 | G14830390R | CUSCINETTO FORO QUADRO | SQUARE-HOLED BEARING | ROULEMENT TROU CARRE | VIERKANTLAGER | COJINETE ORIFICIO CUADRADO |
| 18 | G15231410R | DISTANZIALE INTERNO ZN | INNER SPACER | ENTRETOISE INT. | INNERES DISTANZST_CK | DISTANCIADOR INTERIOR |
| 19 | G16630790R | INGR.Z8 5 8X3 8 TENDICAT.COMPL | GEAR Z8 5 8X3 8 CHAIN | | | |
| 20 | G17733360R | PIGNONE Z12 5 8-3 8 Q.20,4 ZN | PINION Z12 5 8-3 8 SQ.20,4 ZN | | | |
| 21 | G18701650R | RONDELLA FORO QUADRO ZN | WASHER 16,5X30X2,5 SQ.HOLE GAL | RONDELLE 16,5X30X2,5 ZN | UNTERLEGSSCHEIBE 16,5X30X2,5 ZN | ARANDELA 16,5X30X2,5 ZN |
| 22 | G20980079R | BOCCOLA 8,25X12X8 ZN | BUSHING 8,25X12X8 | BOITE 8,25X12X8 | BSCHE 8,25X12X8 | CASQUILLO 8,25X12X8 |
| 23 | G18801450R | BOCCOLA 8,25 X18 X17 | BUSHING 8,25 X 18 X 17 | BOITE 8,25 X18 X17 | BSCHE 8,25 X18 X17 | CASQUILLO 8,25 X18 X17 |
| 24 | G66248218R | RONDELLA DISTAN.SPAND. | MAN. SPR. SPACER WASHER | RONDELLE ENTRETOISE EP. ENGRAI | ABSTANDSCHEIBE DSNGERSTREUER | ARANDELA DISTAN.ABONAD. |
| 25 | F01220022R | DADO M8X1,25 D980 8ZN | NUT M8X1,25 D980 8ZN | ECROU M8X 1,25 D980 8 ZN | MUTTER M8X 1,25 D980 8 ZN | TUERCA M8X 1,25 D980 8 ZN |
| 26 | F01200244R | DADO M8X1,25 U5588 CL8 ZN | NUT M8X1,25 U5588 6.8ZN | ECROU M8 X1,25 U5588 6.8 ZN | MUTTER M8 X1,25 U5588 6.8 ZN | TUERCA M8X1,25 U5588 CL8 ZN |
| 27 | F01060045R | VITE M8X1,25X40 U5731 8.8ZN | SCR. M8X1,25X40 U5732 4.6ZN | VIS 8X40 5732 4.6 ZN | SCHRAUBE 8X40 5732 4.6 ZN | TORNILLO 8X40 5732 4.6 ZN |
| 28 | F01020445R | VITE M8X1,25X30 U5739 8.8ZN | SCR. M8X1,25X30 U5739 8.8ZN | VIS M 8X1,25X30 U5739 8.8 ZN | SCHRAU. M8X1,25X30 U5739 8.8ZN | TORNILLO M8X1,25X30 U5739 8.8 |
| 29 | F01020432R | VITE M8X1,25X16 U5739 8.8ZN | SCR. M8X1,25X16 U5739 8.8ZN | VIS M8 X1,25X16 U5739 8.8 ZN | SCHRAUBE M8X1,25X16U5739 8.8ZN | TORNILLO M8X1,25X16 U5739 8.8 |
| 30 | F01020403R | VITE M6X1X16 U5739 8.8ZN | SCR. M6X1X16 U5739 8.8ZN | VIS M6X1X16 U5739 8.8 ZN | SCHRAUBE M6X1X16 U5739 8.8 ZN | TORNILLO M6X1X16 U5739 8.8 ZN |
| 31 | F01020221R | VITE M14X2X140 U5737 8.8BR | SCR. M14X2X140 U5737 8.8BR | VIS M 14 X140 5737 8.G | SCHRAUBE M 14 X140 5737 8.G | TORNILLO M 14 X140 5737 8.G |
| 32 | F01020233R | VITE M14X2X200 U5737 8.8BR | SCR. M14X2X200 U5737 8.8BR | VIS M14X2X 200 U5737 8.8 ZB | SCHRAUBE M14X 2X200 U5737 8.8 | TORNILLO M14X2X200 5737 8.8 ZB |
| 33 | F01200306R | DADO M14X2 U5588 CL8 ZN | NUT M14X2 U5588 6.8ZN | ECROU M14X2 | MUTTER M14X2 | DADO M14X2 |
| 34 | G15110091R | SCONTRO A U | CONTRA U | BRIDE 150 MM | ANSCHLAG | ELEMENTO DE EMPALME |
| 35 | G15213610R | TUBO R.150X100X 6X 170 | RECTANGULAR PIPE 150X100X6X170 | | | |
| 36 | G22505037R | SCONTRO PIASTRA ATTACCO MT | STRIKER PLATE ATT. MT | BUTEE PLAQUE FIXATION MT | KUPPLUNGSPATTEN-ANSCHLAG MT | ELEMENTO DE EMPALME PLACA CONE |
| 37 | G15227070R | DISTANZIALE SEMINATORE L.200 | SEEDING UNIT SPACER L.200 | | | |
| 38 | G20970142R | RONDELLA 32X4X15,5 | WASHER 32X4X15-5 | RONDELLE 32X4X15-5 | UNTERLEGSSCHEIBE 32X4X15-5 | ARANDELA 32X4X15-5 |
| 39 | GA5230620R | PIGNONE Z12 5 8-3 8 Q.16,4 ZN | PINION Z12 5 8-3 8 SQ.16,4 GAL | | | |
| 40 | F01020262R | VITE M16X2X80 U5737 8.8ZN | SCR. M16X2X80 U5737 8.8ZN | VIS M16X2X80 U5737 8.8 ZN | SCHRAUBE M16X2X80 U5737 8.8 ZN | TORNILLO M16X2X80 U5737 8.8 ZN |
| 41 | G20970025R | RONDELLA 25,2X2X16,5 | WASHER 25-2X2X16-5 | RONDELLE 25-2X2X16-5 | UNTERLEGSSCHEIBE 25-2X2X16-5 | ARANDELA 25-2X2X16-5 |
| 42 | F01230085R | DADO M16X2 D982 10ZN | NUT M16X2 D982 10ZN | ECROU M16X2 D982 10ZN | MUTTER M16X2 D982 10ZN | TUERCA M16X2 D982 10ZN |
| 43 | GA5224350R | SUPPORTO RUOTE V MTR NARROW | MTR NARROW V WHEELS SUPPORT | | | |
| 44 | F01020264R | VITE M16X2X90 U5737 8.8ZN | SCR. M16X2X90 U5737 8.8ZN | VIS M16X2X90 5737 8.8 ZN | SCHRAUBE M16X2X90 5737 8.8 ZN | TORNILLO M16X2X90 U5737 8.8Z |
| 45 | G20980081R | BOCCOLA 25X12X16,25 | BUSHING 25X12X16-25 | BOITE 25X12X16-25 | BSCHE 25X12X16-25 | CASQUILLO 25X12X16-25 |

TAV. 131

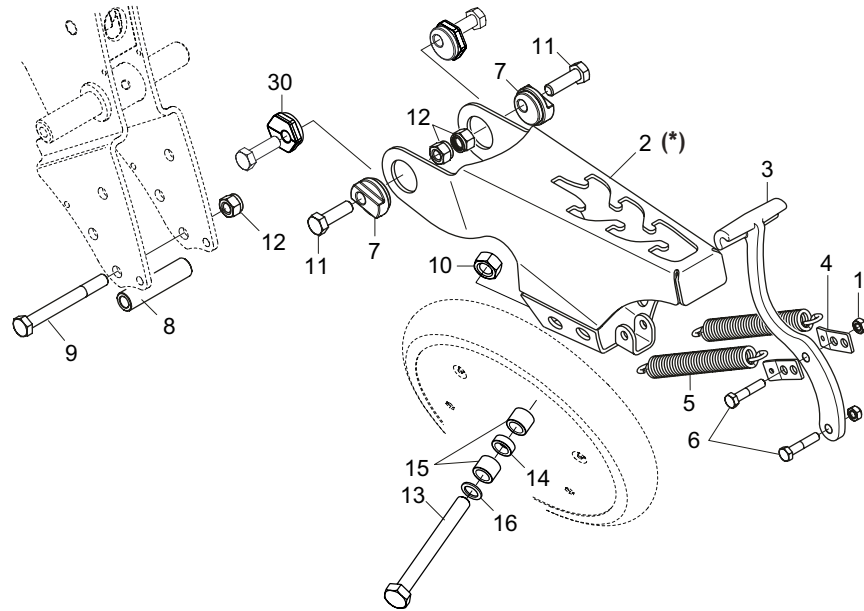


RUOTE DI PROFONDITÀ DEPTH WHEELS

TAV. 131

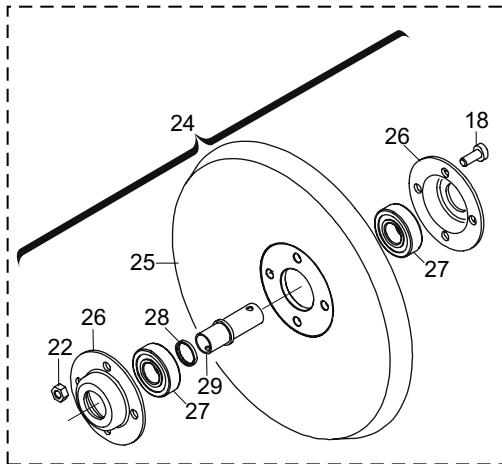
| Pos. | Cod. | Descrizione | Description | Description | Benennung | Descripcion |
|------|------------|--------------------------------|--------------------------------|--------------------------------|---------------------------------|--------------------------------|
| 1 | G17722471R | DISCO ASSOLCATORE D.420 | FURROW OPENER DISC D.420 | DISC D.420 | | DISCO SURGADOR D.420 |
| 2 | G17722493R | SUPP.CUSC.DISCO | BEARING SUPPORT DISC | | | |
| 3 | F04010094R | CUSC.D20 D52 B22,2 3304 LLU | BEAR.D20 D52 B22,2 3304 LLU | ROULEMENT D20 D52 B22,2 LLU | | |
| 4 | G17722482R | BOCCOLA 20 X30 X12,3 | BUSHING D20X30X12,3 | BOITE | BSCHE | CASQUILLO |
| 5 | F02250521R | RIBATTINO TSC 6 X19,8 A 2 | RIVET TSC 6X19,8 A 2 BY PIECE | PAQUET RIVETS TSC 6X 19,8 A 2 | PACKUNG NIETEN TSC 6X19,8 A 2 | PAQU.REMACHES TSC 6X 19,8 A 2 |
| 6 | F02050381R | ANELLO E. DI 52X 2 U7437 C70 | SEEGER RING E. 52X 2 U7437 C70 | SEEGER E. 52X 2 U7437 C70 | SEEGERING E. 52X 2 U7437 C70 | ANILLO 52X 2 U7437 C70 |
| 7 | F03011159R | AN. TENUTA 30X47X7 AS | SEALING RING 30X47X7 | BAGUE D ETANCHEITE 30X47X7 | DICHTUNGSRING 30X47X7 | ANILLO AISLADOR 30X47X7 |
| 8 | G17722811R | DADO M20X 2,5 SINISTRO ZN. | NUTS M20X2,5 LEFT GALV.ED | | | |
| 9 | F01200468R | DADO M20X2,5 U5589 CL8 ZN | NUT M20X2,5 U5589 6.8ZN | ECROU 20 5589 5.8 ZN * | MUTTER 20 5589 6.8 ZN * | TUERCA 20 5589 6.8 ZN |
| 10 | G19203943R | TAGLIENTE INT.DISCHI | INTERNAL DISC COULTER | COUTEUR INTERIEUR | | HILO DE CORTE INTERNO DISCOS |
| 11 | F02100106R | SPINA E.P. 6X 20 U6873 C70 BR | EL. PIN E.P. 6X20 U6873 C70 BR | GOUJON E.P. 6X 20 U6873 C70BR | BOLZEN E.P. 6X 20 U6873 C70BR | ESPIÑA E.P. 6X 20 U6873 C70BR |
| 12 | GA5220051R | ASS.RASCHIATERRA VIDIA SX | LEFT VIDIA SOIL SCRAPER ASS. | | | |
| 13 | GA5220311R | ASS.RASCHIATERRA VIDIA DX | RIGHT VIDIA SOIL SCRAPER ASS. | | | |
| 14 | G15225861R | PROTEZIONE DISCHI | DISC PROTECTION | | | |
| 15 | G17722612R | MONT.DISCO ASSOLCATORE | RIDGING DISC ASSEMBLY | DISC AVEC CRETE | | DISCO SURGADOR D.420 COMPLETO |
| 16 | F01020472R | VITE M10X1,5X25 U5739 8.8ZN | SCR. M10X1,5X25 U5739 8.8ZN | VIS M10X1,5X25 U5739 8.8 ZN | SCHRAUBE M10X1,5X25 U5739 8.8 | TORNILLO M10X1,5X25 U5739 8.8 |
| 17 | F01220033R | DADO M10X1,5 D980 8ZN | NUT M10X1,5 D980 8ZN | ECROU M10X1,5 D980 8ZN | MUTTER M10X1,5 D980 8ZN | TUERCA M10X1,5 D980 8 |
| 18 | GA5221700R | RASCHIATERRA SX R400X115 L50 | LEFT SCRAPER R400X115 L50 | | | |
| 19 | GA5221690R | RASCHIATERRA DX R400X115 L50 | RIGHT SCRAPER R400X115 L50 | | | |
| 20 | G17722830R | BOCCOLA ELEM.REGINA SINTERIZ. | SINTER.BUSHING FOR REGINA EL. | | | |
| 21 | F01100011R | ING.M 6X1 7663-A 9SMNPB28 ZN | GREASE NIPPLE M6X1 7663-A ZN | GRAISS. A BILLE M6X1 7663A ZN | SCHMIERBUECHE M6X1 7663-A ZN | ENG.M 6X1 7663-A 9SMNPB28 ZN |
| 22 | G17723000R | RASCHIATERRA DX | RIGHT SOILSCRAPER | | | |
| 23 | G17723080R | RASCHIATERRA SX | LEFT SOILSCRAPER | | | |
| 24 | G20970100R | RONDELLA 30X0,5X22 ACC. | WASHER 30X0-5X22 ACC. | RONDELLE 30X0-5X22 ACIER | UNTERLEGSSCHEIBE 30X0-5X22 ACC. | ARANDELA 30X0-5X22 ACC. |
| 25 | G20970025R | RONDELLA 25,2X2X16,5 | WASHER 25-2X2X16-5 | RONDELLE 25-2X2X16-5 | UNTERLEGSSCHEIBE 25-2X2X16-5 | ARANDELA 25-2X2X16-5 |
| 26 | GA5220170R | VITE M16X 2X80 SX U5737 8.8 ZN | SCREW M16X2X80LEFT U5737 8.8ZN | | | |
| 27 | G20970085R | RONDELLA 40X4X13 | WASHER 40X4X13 | RONDELLE 40X4X13 | UNTERLEGSSCHEIBE 40X4X13 | ARANDELA 40X4X13 |
| 28 | F05050022R | TAPPO PROTEZIONE D.58 H.14 ZN | GUARD CAP D.58 H.14 GALV. | | | |
| 29 | G18701880R | RONDELLA DI SPINTA | IMPULSE WASHER | RONDELLE | UNTERLEGSSCHEIBE | ARANDELA |
| 30 | F01020047R | VITE M6X1X70 U5737 8.8ZN | SCR. M6X1X70 U5737 8.8ZN | VIS 6 X70 5737 8.G ZN | SCHRAUBE 6 X70 5737 8.G ZN | TORNILLO 6 X70 5737 8.G ZN |
| 31 | GA5220960R | RASCHIATERRA SX L.65 | LEFT SOILSCRAPER L.65 | | | |
| 32 | F01410124R | ROS.M20 21X 37X 3 U6592 ZN | WASHER M20 21X 37X 3 U6592 ZN | RONDEL.M20 21X37X3 ZN | MUTTER M20 21X 37X 3 U6592 ZN | ARAND.M20 21X 37X 3 U6592 ZN |
| 33 | F01230022R | DADO M6X1 D982 8ZN | NUT M6X1 D982 8ZN | ECROU AUTO-FREIN.M6X1 D982 8ZN | SICHERUNGSMUT. M6X1 D982 8 ZN | TUERCA DE SEGU.M6X1 D982 8 ZN |
| 34 | G18904540R | MOLLA TRAZIONE ZN | SPRING TENSION ZN | | | |
| 35 | F01060040R | VITE M8X1,25X20 U5731 8.8ZN | SCR. M8X1,25X20 U5732 4.6ZG | VIS M8X1,25X20 U5732 4.6 ZN | SCHRA. M8X1,25X20 U5732 4.6 ZN | TORN. M8X1,25X20 U5732 4.6 ZN |
| 36 | GA5220970R | RASCHIATERRA DX L.65 | RIGHT SOILSCRAPER L.65 | | | |
| 37 | F06120406R | RUOTA PROF.TAMB.MTR L115 M | DEPTH GAUGE WHEEL SM.CR.OFFS M | | | RUEDA CONTRO PROFUNDIDAD MTR L |
| 38 | F02050168R | ANELLO E.DE 40X1,75 U7435 | SEEGER RING 40X1,75 U7435 | BAGUE SEEGER 40X1,75 U7435 | SEEGERRING 40X1,75 U7435 | ANIL.SEEGER 40X1,75 U7435 |
| 39 | F01440086R | ROS. 23X40X0,5 D988 ST2K60 BR | WASHER 23X40X0,5 D988 ST2K60 B | | | |
| 40 | F01410051R | ROS.M8 8,4X 17X1,6 U6592 ZN | WASHER M8 8,4X17X1,6 U6592 ZN | RONDELLE M8 8,4X17X1,6 ZN | SCHEIBE M8 8,4X17X1,6 U6592 ZN | ARAND.M8 8,4X 17X1,6 U6592 ZN |
| 41 | F01200244R | DADO M8X1,25 U5588 CL8 ZN | NUT M8X1,25 U5588 6.8ZN | ECROU M8 X1,25 U5588 6.8 ZN | MUTTER M8 X1,25 U5588 6.8 ZN | TUERCA M8X1,25 U5588 CL8 ZN |
| 42 | F04100150R | CUSC.D16 D40 B39 WPS | BEARING D16 D40 B39 WPS | ROULEMENT D16 D40 B39 | | COJINETE D16 D40 B39 WPS |
| 43 | F01020510R | VITE M12X1,75X30 U5739 8.8ZN | SCR. M12X1,75X30 U5739 8.8ZN | VIS M12X1,75X30 U5739 8.8ZN | SCHRAU.M12X1,75X30 U5739 8.8ZN | TORNILLO M12X1,75X30 U5739 |
| 44 | F06120449R | RUOTA PROF.TAMB.MTR L115 I | DEPTH WHEEL MTR L115 | | | |
| 45 | F06120410R | RUOTA PROF.TAMB.MTR L65 M | DEPTH GAUGE WHEEL SM.CR.MT L65 | | | |
| 46 | F06120326R | RUOTA PROF.TAMB.MTR 410X82 | WHEEL PROF.TAMB.MTR 410X82 | ROUE PROF. MTR 410X82 | | |
| 47 | F01020262R | VITE M16X2X80 U5737 8.8ZN | SCR. M16X2X80 U5737 8.8ZN | VIS M16X2X80 U5737 8.8 ZN | SCHRAUBE M16X2X80 U5737 8.8 ZN | TORNILLO M16X2X80 U5737 8.8 ZN |
| 48 | GA5221181R | RASCHIATERRA INT.DX MTR | SOIL SCRAPER INT.RIGHT MTR | | | |
| 49 | F01020436R | VITE M8X1,25X20 U5739 8.8ZN | SCR. M8X1,25X20 U5739 8.8ZN | VIS M8X1,25X 20 U5739 8.8 ZN | SCHRAUBE M8X1,25X20U5739 8.8ZN | TORNILLO M8X1,25X20 U5739 8.8 |
| 50 | GA5221161R | RASCHIATERRA INT.SX MTR | SOIL SCRAPER INT.LEFT MTR | | | |
| 51 | GA5221620R | FALCIONE CORTO INT.MTR | SHORT CUTTER INT.MTR | | | |
| 52 | GA5221511R | BRACCIO RUOTA PROF.TAM.SX COMP | LEFT ARM DEPTH WHEEL ASSEMBLY | | | |
| 53 | GA5221501R | BRACCIO RUOTA PROF.TAM.DX COMP | RIGHT ARM DEPTH WHEEL ASSEMBLY | | | |
| 54 | GA5223290R | RASCHIATERRA SX L65 | LEFT SCRAPER L65 | | | |
| 55 | GA5223280R | RASCHIATERRA DX L65 | RIGHT SCRAPER L65 | | | |
| 56 | F06120609R | RUOTA PROF.RAZZE MTR L115 O-L | DEPTH WHEEL 400X115 SPOKE O-PL | | | |
| 57 | GA5221680R | BOCCOLA 16,5 X40X 50 ZN | BUSHING 16,5 X40X 50 ZN | | | |
| 58 | GA5221670R | VIT.M16X 2X130 SX U5737 8.8 ZN | SCR.M16X 2X130 LEFT U5737 8.8 | | | |
| 59 | F01020268R | VITE M16X2X130 U5737 8.8ZN | SCR. M16X2X130 U5737 8.8ZN | VIS M16X2X130 U5737 8.8 ZN | SCHRA. M16X2X130 U5737 8.8 ZN | TORNILLO M16X2X130 U5737 8.8Z |
| 60 | F02050528R | ANELLO E. DI 58X 2 U7437 C70 | ELASTIC RING 58X2 C70 | | | |
| 61 | GA5224970R | TAPPO FLANGIA DISCHI MTR ZN | TAP FLANGE DISCS MTR ZN | | | |

TAV. 140

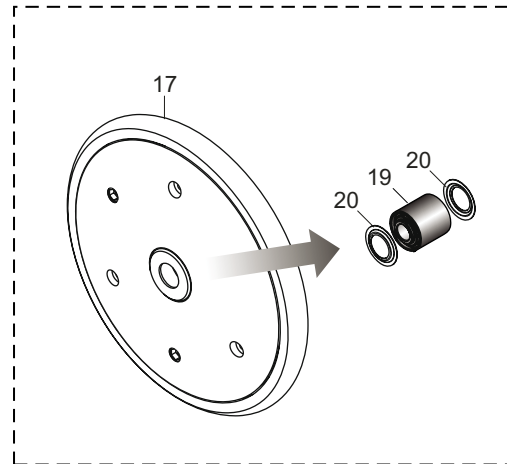


(*) - Versione Standard. Vedi anche Versione Narrow (TAV.120).
Standard Version. See also the Narrow Version (TAV.120).

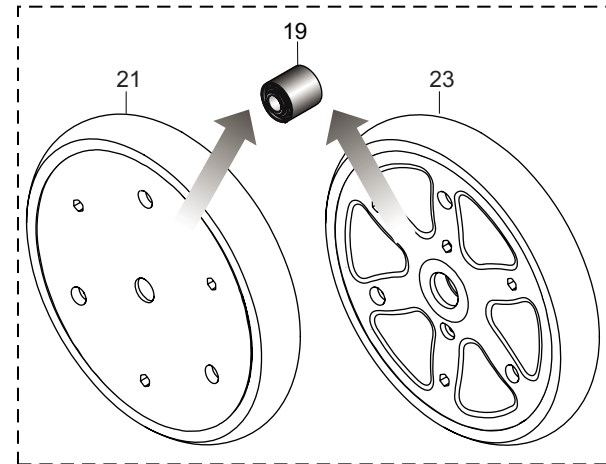
CAST IRON PRESS WHEEL



1" «V» SHAPED RUBBER PRESS WHEEL



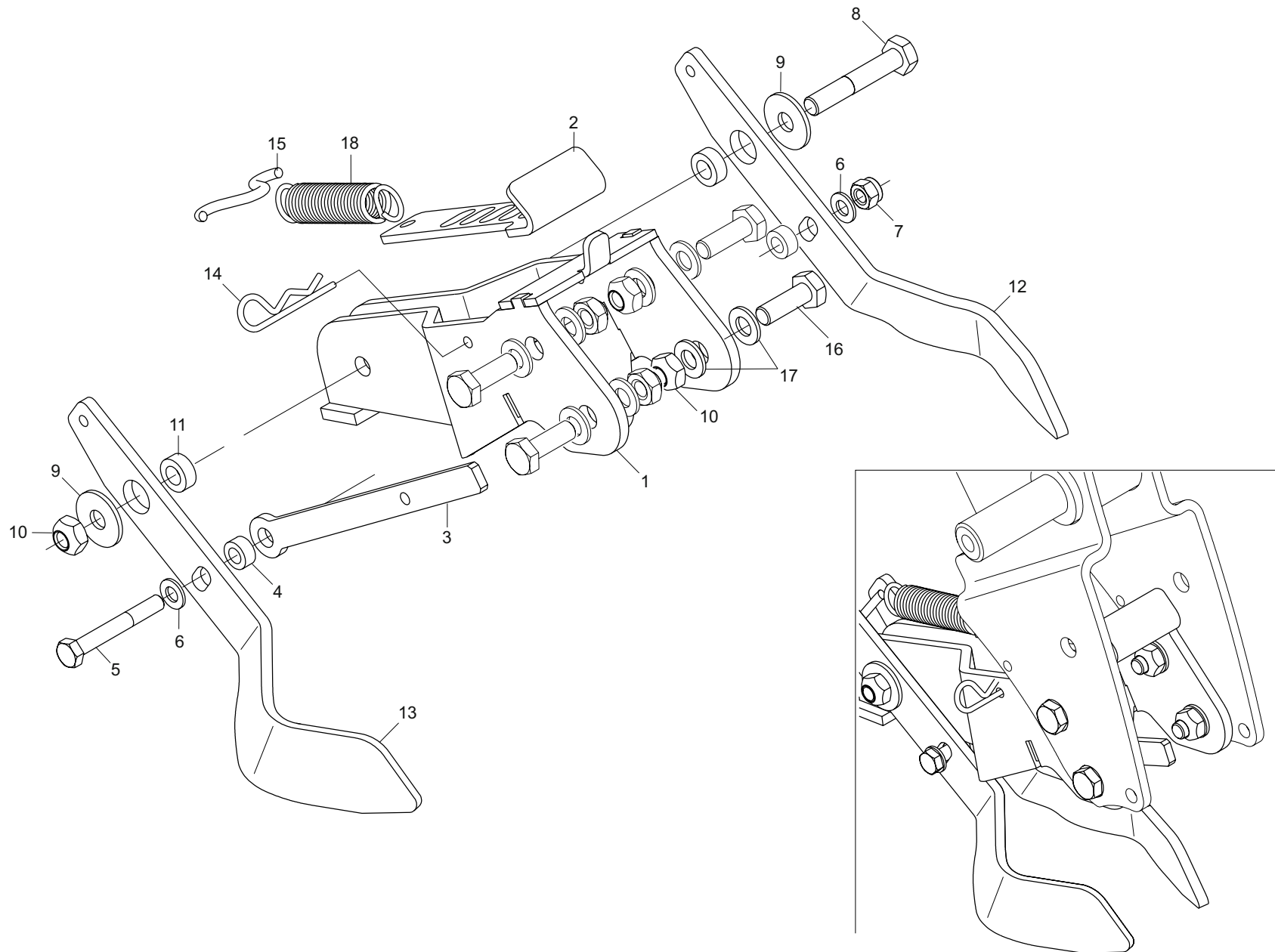
2" «V» SHAPED RUBBER PRESS WHEEL



RUOTE DI COMPRESSIONE COMPRESSION WHEELS

TAV. 140

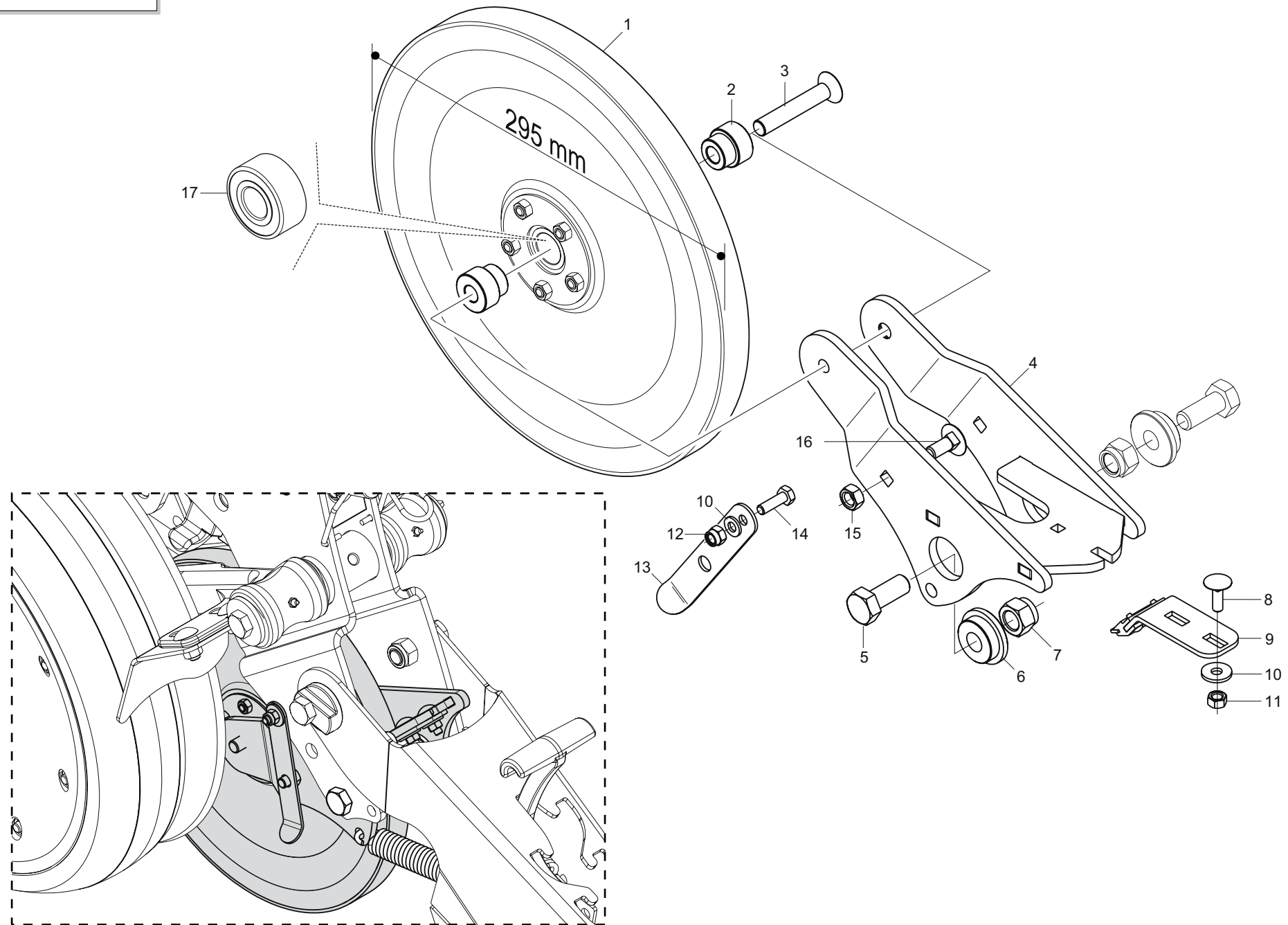
| Pos. | Cod. | Descrizione | Description | Description | Benennung | Descripcion |
|------|------------|-------------------------------|--------------------------------|-------------------------------|---------------------------------|--------------------------------|
| 1 | F01220022R | DADO M8X1,25 D980 8ZN | NUT M8X1,25 D980 8ZN | ECROU M8X 1,25 D980 8 ZN | MUTTER M8X 1,25 D980 8 ZN | TUERCA M8X 1,25 D980 8 ZN |
| 2 | GA5220401R | CODINO | TAIL | | | |
| 3 | GA5220420R | MANIGLIA CODINO | END HANDLE | | | |
| 4 | G17722340R | ATTACCO MOLLA ZN | SPRING CONNECTION ZN | | | |
| 5 | G18904560R | MOLLA TRAZ.RUOTE COMPRESSIONE | TRACTION SPRING PRESS.WHEEL | RESSORT TENDEUR POUR ROUE | | MUELLE TRACTION RUEDA COMPRESS |
| 6 | F01020068R | VITE M8X1,25X40 U5737 8.8ZN | SCR. M8X1,25X40 U5737 8.8ZN | VIS M 8X1,25X40 U5737 8.8 ZN | SCHRA. M8X1,25X40 U5737 8.8 ZN | TORNILLO M8X1,25X40 U5737 8.8 |
| 7 | GA5220411R | BOCCOLA SINT.ECCENTRICA MTR | ECCENTRIC BUSHING SINT.MTR | | | |
| 8 | G18803081R | BOCCOLA 12,25X20 X85 ZN | BUSHING D12,25X20X84 ZN | | | |
| 9 | F01020174R | VITE M12X1,75X120 U5737 8.8ZN | SCR. M12X1,75X120 U5737 8.8ZN | VIS M12X1,75X120 U5737 8.8 ZN | SCHRAUBE M12X1,75X120 U5737 ZN | TORN.M12X1,75X120 U5737 8.8 ZN |
| 10 | F01230085R | DADO M16X2 D982 10ZN | NUT M16X2 D982 10ZN | ECROU M16X2 D982 10ZN | MUTTER M16X2 D982 10ZN | TUERCA M16X2 D982 10ZN |
| 11 | F01020152R | VITE M12X1,75X40 U5737 8.8ZN | SCR. M12X1,75X40 U5737 8.8ZN | VIS M12X1,75X40 U5737 8.8 ZN | SCHRAUBE M12X1,75X40U57378.8ZN | TORNILLO M12X1,75X40 U5737 8. |
| 12 | F01230059R | DADO M12X1,75 D982 8ZN | LOCK-NUT M12X1,75 D982 8ZN | ECR.AUTO-FREI.M12X1,75 ZN | SICHERUNGSMUT.M12X1,75 D982 8ZN | TUER.DE SEGUR.M12X1,75 D982 ZN |
| 13 | F01020266R | VITE M16X2X120 U5737 8.8ZN | SCREW M16X2X120 U5737 8.8ZN | VIS M16X2X120 U5737 8.8ZN | SCHRAU. M16X2X120 U5737 8.8ZN | TORN. M16X2X120 U5737 8.8ZN |
| 14 | G20980004R | BOCCOLA 10X17,5X25 | BUSHING 10X17.5X25 | BOITE 10X17-5X25 | BSCHSE 10X17-5X25 | CASQUILLO 10X17-5X25 |
| 15 | G18800140R | BOCCOLA 16,5 X25 X16,5 ZN | BUSHING 16,5 X25 X16,5 ZN | | | |
| 16 | G20970025R | RONDELLA 25,2X2X16,5 | WASHER 25-2X2X16-5 | RONDELLE 25-2X2X16-5 | UNTERLEGSCHSHEIBE 25-2X2X16-5 | ARANDELA 25-2X2X16-5 |
| 17 | F06120412R | RUOTA GOMMA 1 X12 WPS C | RUBB.WHEEL1 X12 BEARINGK098 | | | RUEDA GOMA 1 X12 WPS |
| 18 | F01040091R | VITE M8X1,25X20 U5931 8.8ZN | SCREW M8X1,25X20 U5931 8.8ZN | VIS M8X1,25X20 U5931 8.8ZN | SCHRAU. M8X1,25X20 U5931 8.8ZN | TORN. M8X1,25X20 U5931 8.8ZN |
| 19 | F04100150R | CUSC.D16 D40 B39 WPS | BEARING D16 D40 B39 WPS | ROULEMENT D16 D40 B39 | | COJINETE D16 D40 B39 WPS |
| 20 | F01440086R | ROS. 23X40X0,5 D988 ST2K60 BR | WASHER 23X40X0,5 D988 ST2K60 B | | | |
| 21 | F06120474R | RUOTA GOMMA 2 X13 WPS C | RUBBER WHEEL 2 X13 WPS | | | |
| 22 | F01220022R | DADO M8X1,25 D980 8ZN | NUT M8X1,25 D980 8ZN | ECROU M8X 1,25 D980 8 ZN | MUTTER M8X 1,25 D980 8 ZN | TUERCA M8X 1,25 D980 8 ZN |
| 23 | F06120408R | RUOTA GOMMA 2 X13 WPS R | RUBBER WHEEL 2 X13 WPS | ROUE 2 X13 WPS R | | RUEDA GOMA 2 X13 WPS |
| 24 | G15224790R | RUOTA GHISA POST.COMPL. | COMPL. REAR CAST IRON WHEEL | ROUE FONTE ARRI RE COMPL TE | HINTERES GUSSEISENRAD KOMPL. | RUEDA FUNDICI N TRAS.COMPL. |
| 25 | G15224800R | RUOTA POSTERIORE GS | REAR WHEEL | ROUE ARRIERE | HINTERRAD | RUEDA TRASERO |
| 26 | G16242190R | SUPPORTO CUSCINETTO | BEARING SUPPORT | SUPPORT PALIER | LAGERBSCHSE | SOPORTE COJINETE |
| 27 | F04010156R | CUSC. D20 D47 B14 6204 2RSH | BEARING D20 D47 B14 6204 2RSH | ROULEMENTD20 D47 B14 | | |
| 28 | G15224810R | BOCCOLA 20,5X25X3 | BUSHING 20,5X25X3 | DOUILLE 20,5X25X3 | BUCHSE 20,5X25X3 | MANGUITO 20,5X25X3 |
| 29 | G15423850R | BOCCOLA RUOTA FERRO | STEEL WHEEL BUSHING | DOUILLE ROUE FER | B CHSE EISENRAD | BUJE RUEDA DE HIERRO |
| 30 | GA5220412R | BOCCOLA SINT.ECCENTR. H.5 MTR | BUSHING SINT.ECCENTRIC H.5 MTR | | | |



**COPRISEMI ANTERIORI
FRONT SEED COVERING**

TAV. 150

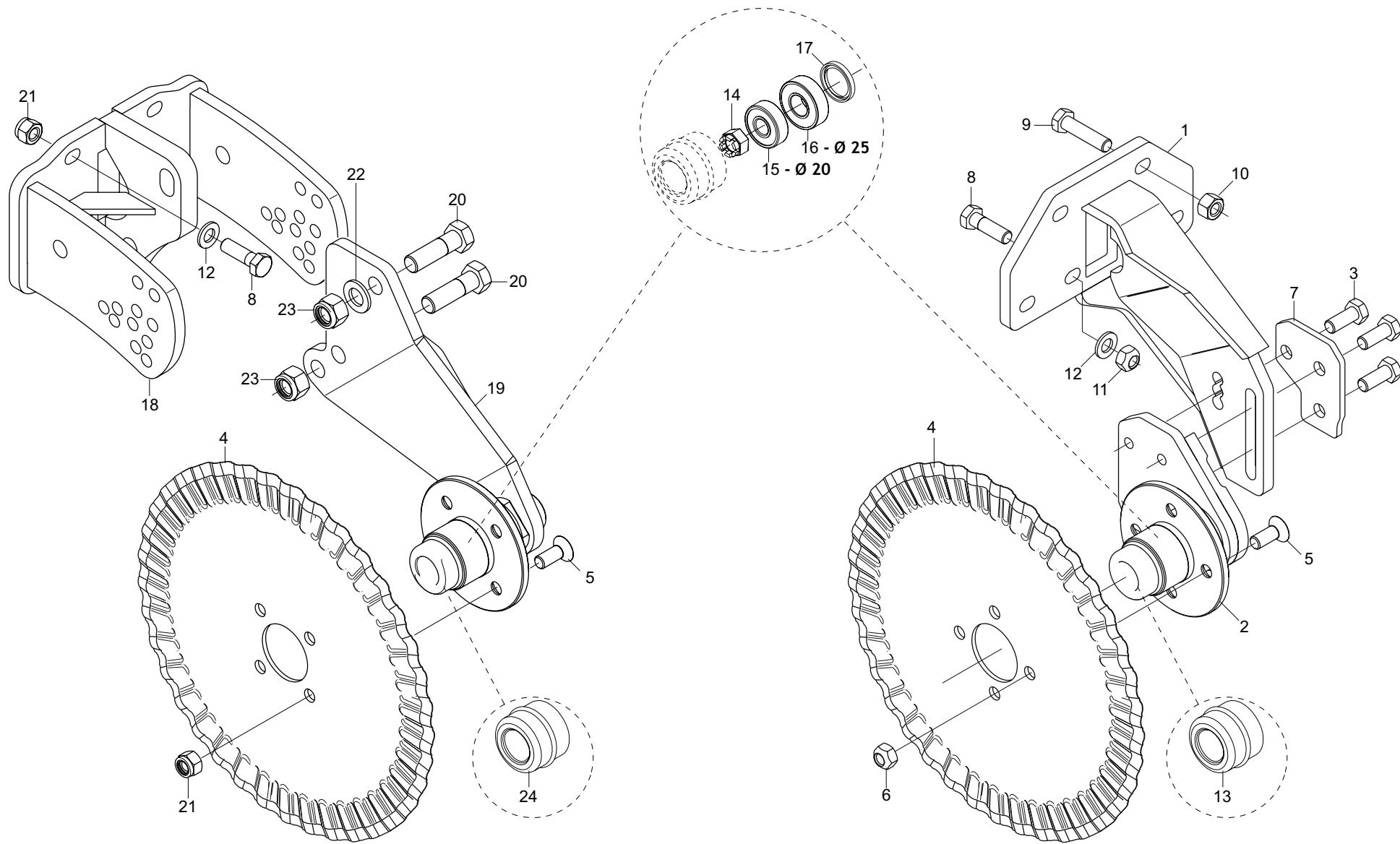
| Pos. | Cod. | Descrizione | Description | Description | Benennung | Descripcion |
|------|------------|-------------------------------|--------------------------------|--------------------------------|--------------------------------|-------------------------------|
| 1 | GA5220880R | SUPPORTO COPRISEME | SEEDCOVER SUPPORT | | | |
| 2 | GA5221000R | PIATTO REGOLAZ.COMPRESSIONE | COMPR. ADJUST.ENT PLATE | | | |
| 3 | GA5220990R | ASTA FERMO CENTRALE | ROD CENTRAL LOCKING | | | |
| 4 | G20980050R | BOCCOLA 15X7X8,5 ZN | BUSHING 15X7X8-5 ZN | BOITE 15X7X8-5 ZN | BSCHE 15X7X8-5 ZN | CASQUILLO 15X7X8-5 ZN |
| 5 | F01020077R | VITE M8X1,25X60 U5737 8.8ZN | SCR. M8X1,25X60 U5737 8.8ZN | VIS M8X1,25X60 U5737 8.8 ZN | SCHRAU. M8X1,25X60 U5737 8.8ZN | TORN. M8X1,25X60 U5737 8.8 ZN |
| 6 | F01410051R | ROS.M8 8,4X 17X1,6 U6592 ZN | WASHER M8 8,4X17X1,6 U6592 ZN | RONDELLE M8 8,4X17X1,6 ZN | SCHEIBE M8 8,4X17X1,6 U6592 ZN | ARAND.M8 8,4X 17X1,6 U6592 ZN |
| 7 | F01230034R | DADO M8X1,25 D982 8ZN | NUT M8X1,25 D982 8ZN | ECROU M8X 1,25 ZN | MUTTER M8X 1,25 D982 8 ZN | TUERCA M8X1,25 D982 8 |
| 8 | F01020118R | VITE M10X1,5X60 U5737 8.8ZN | SCR. M10X1,5X60 U5737 8.8ZN | VIS 10X60 5737 8.G ZN | SCHRAUBE 10X60 5737 8.G ZN | TORNILLO 10X60 5737 8.G ZN |
| 9 | F01420060R | ROS.M10 10,5X 30X2,5 U6593 ZG | GALV.WASHER 10,5X30X2,5 U6593 | RONDELLE 10,5X30 | SCHEIBE 10,5X30 | ARAND.M10 10,5X 30X2,5 U6593 |
| 10 | F01220048R | DADO M12X1,75 D980 8ZN | NUT M12X1,75 D980 8ZN | ECROU M12X1,75 D980 8 ZN | SCHEIBE M12X1,75 D980 8 ZN | TUERCA M12X1,75 D980 8 ZN |
| 11 | G20980022R | BOCCOLA 18X10,25X7 | BUSHING 18X10-25X7 | BOITE 18X10-25X7 | BSCHE 18X10-25X7 | CASQUILLO 18X10-25X7 |
| 12 | GA5220890R | COPRISEME SX | LEFT SEED COVER | | | CUBRESEMILLA IZQ |
| 13 | GA5220900R | COPRISEME DX | RIGHT SEED COVER | | | CUBRESEMILLA DER |
| 14 | F02200363R | COPIGLIA R 3X 62 ZN | SPRING SPLIT PIN 3X 62 ZN | GOUPILLE R 3X62 | SPLINT R 3X62 | PASADOR R 3X 62 |
| 15 | G15224250R | FERMO MOLLA | SPRING STOP | ARRET RESSORT | FESTSTELLVORRICHTUNG FEDER | BLOQUEO MUELLE |
| 16 | F01020512R | VITE M12X1,75X35 U5739 8.8ZN | SCR. M12X1,75X35 U5739 8.8ZN | VIS M12X1,75X35 5739 8.8 ZN | SCHR. M12X1,75X35 5739 8.8 ZN | TORNILLO M12X1,75X35 U5739 8 |
| 17 | F01410076R | ROS.M12 13X 24X2,5 U6592 ZN | WASHER 12 13X 24X2,5 U6592 ZN | RONDEL. M12 13X24X2,5 U6592 ZN | SCHEIBE M12 13X24X2,5 U6592 ZN | ARAND.M12 13X 24X2,5 U6592 ZN |
| 18 | G65337005R | MOLLA TRAZ.CAMBIO SV | TRACTION COUPLING SPRING- GEAR | RESSORT TRACT.BOITE DE VITESSE | ZUGFEDER GETRIEBE SV | MUELLE TRAC. CAMBIO SV |



**RUOTINO PREMISEME INOX
STEEL SEED PRESS WHEEL**

TAV. 160

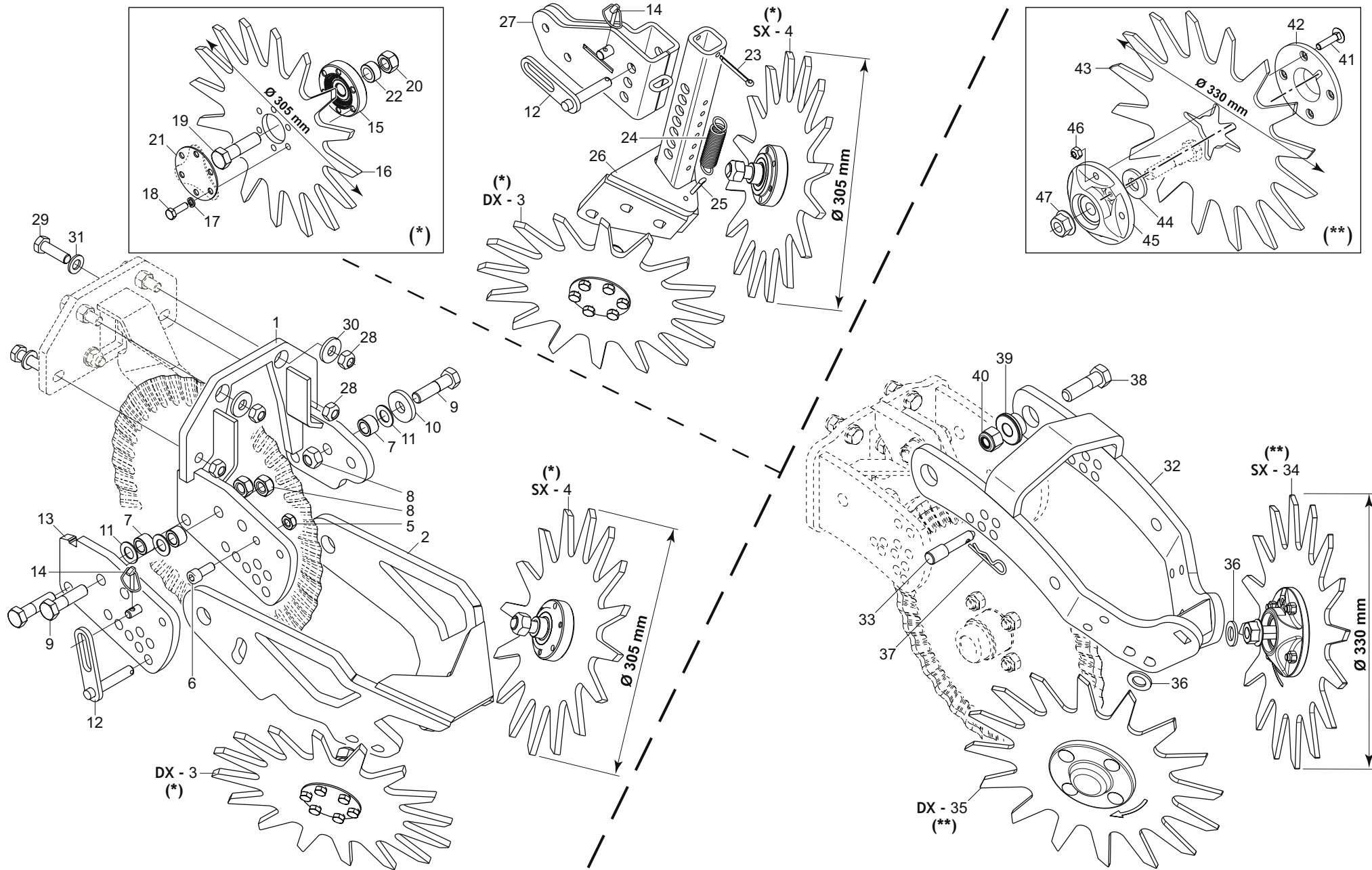
| Pos. | Cod. | Descrizione | Description | Description | Benennung | Descripcion |
|------|------------|------------------------------|--------------------------------|--------------------------------|---------------------------------|--------------------------------|
| 1 | G68150028R | RUOTINO COMPLETO D.295 IX | WHEEL D.295 IX COMPLETE | | | |
| 2 | G17722940R | BOCCOLA ZN | BUSCHING | BOITE | BSCHE | CASQUILLO |
| 3 | F01030516R | VITE M10X1,5X60 U5933 10.9ZD | SCR. M10X1,5X60 U5933 10.9ZD | VIS 10X60 5933 8.8 ZD | SCHRAUBE 10X60 5933 8.8 ZN | TORNILLO 10X60 5933 8.8 ZD |
| 4 | G17722601R | ASS.SUPPORTO | ASS.SUPPORT | | | |
| 5 | F01020512R | VITE M12X1,75X35 U5739 8.8ZN | SCR. M12X1,75X35 U5739 8.8ZN | VIS M12X1,75X35 5739 8.8 ZN | SCHR. M12X1,75X35 5739 8.8 ZN | TORNILLO M12X1,75X35 U5739 8 |
| 6 | G23440001R | BOCCOLA PARALLELOGRAMMA | BUSHING- PARALLELOGRAM | BOITE PARALLELOGRAMME | BSCHE PARALLELOGRAMM | CASQUILLO PARALELOGRAMA |
| 7 | F01230059R | DADO M12X1,75 D982 8ZN | LOCK-NUT M12X1,75 D982 8ZN | ECR.AUTO-FREI.M12X1,75 ZN | SICHERUNGSMUT.M12X1,75 D982 8ZN | TUER.DE SEGUR.M12X1,75 D982 ZN |
| 8 | F01060013R | VITE M6X1X20 U5731 8.8ZN | SCR. M6X1X20 U5732 4.6ZN | VIS 6X20 5732 4.6 ZN | SCHRAUBE 6X20 5732 4.6 ZN | TORNILLO 6X20 5732 4.6 ZN |
| 9 | G17722950R | RASCHIATERRA RUOTINI IX D300 | WHEEL SOILSCRAPER IX D300 | | | |
| 10 | F01420036R | ROS.M6 6,4X 18X1,5 U6593 ZN | WASHER M6 6,4X 18X1,5 U6593 ZN | RONDELLE M6 6,4X18X1,5 U6593ZN | SCHEIBEN M6 6,4X18X1,5U6593 ZN | ARANDELA M6 6,4X18X1,5U6593ZN |
| 11 | F01200232R | DADO M6X1 U5588 CL8 ZN | NUT M6X1 U5588 6.8ZN | ECROU 6 UNI 5588 6.8 ZN | MUTTER 6 UNI 5588 6.8 ZN | TUERCA M6X1 U5588 CL8 ZN |
| 12 | F01230022R | DADO M6X1 D982 8ZN | NUT M6X1 D982 8ZN | ECROU AUTO-FREIN.M6X1 D982 8ZN | SICHERUNGSMUT. M6X1 D982 8 ZN | TUERCA DE SEGU.M6X1 D982 8 ZN |
| 13 | G17722970R | LAMA ESCLUSIONE RUOTINO ZN | WHEEL EXCLUSION BLADE | | | |
| 14 | F01020404R | VITE M6X1X20 U5739 8.8ZN | SCREW M6X1X20 U5739 8.8ZN | VIS M6X1X20 U5739 8.8ZN | SCHRAUBE M6X1X20 U5739 8.8ZN | TORNILLO M6X1X20 U5739 8.8ZN |
| 15 | F01200244R | DADO M8X1,25 U5588 CL8 ZN | NUT M8X1,25 U5588 6.8ZN | ECROU M8 X1,25 U5588 6.8 ZN | MUTTER M8 X1,25 U5588 6.8 ZN | TUERCA M8X1,25 U5588 CL8 ZN |
| 16 | F01060041R | VITE M8X1,25X25 U5731 8.8ZN | SCR. M8X1,25X25 U5732 4.6ZN | VIS 8 X25 5732 4.6 ZN | SCHRAUBE 8 X25 5732 4.6 ZN | TORNILLO 8 X25 5732 4.6 ZN |
| 17 | F04010071R | CUSC.D20 D47 B20,6 3204 2RS | BEARING D20 D47 B20,6 3204 | | | |



**COLTRO A DISCO STRIATO
CORRUGATED DISC COULTER**

TAV. 171

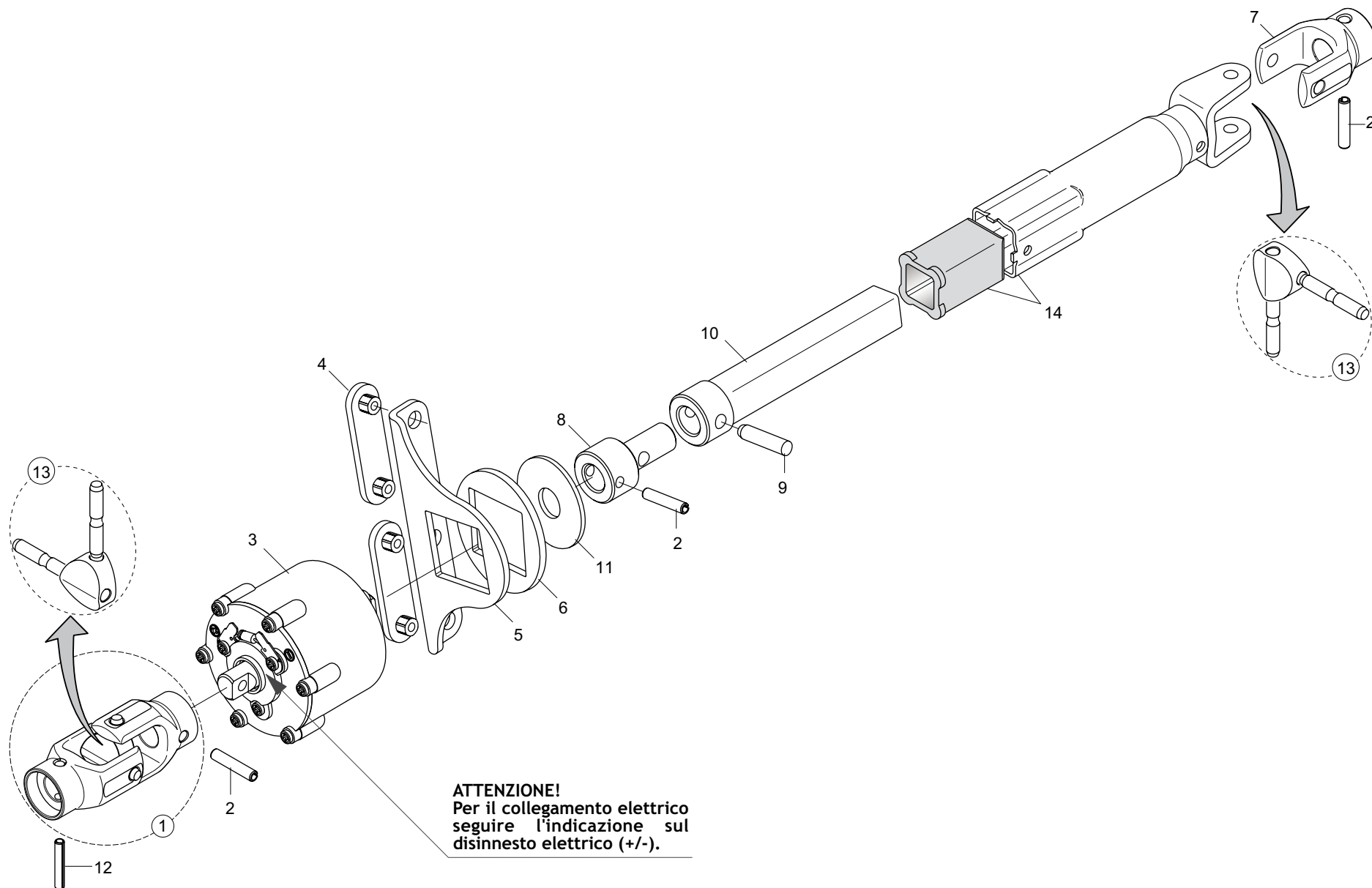
| Pos. | Cod. | Descrizione | Description | Description | Benennung | Descripcion |
|------|------------|--------------------------------|-------------------------------|--------------------------------|---------------------------------|--------------------------------|
| 1 | GSP000286R | ASS.SUPPORTO COLTRO FISSO | ASS.SUPPORT COULTER FIXED | | | |
| 2 | GSP000287R | ASS.MOZZETTO | ASS. HUB | | | |
| 3 | F01020510R | VITE M12X1,75X30 U5739 8.8ZN | SCR. M12X1,75X30 U5739 8.8ZN | VIS M12X1,75X30 U5739 8.8ZN | SCHRAU.M12X1,75X30 U5739 8.8ZN | TORNILLO M12X1,75X30 U5739 |
| 4 | GA5220130R | DISCO STRIATO D.355 | STRIPED DISC D.355 | | | |
| 5 | F01030107R | VITE M12X1,75X30 U5933 10.9ZD | SCR. M12X1,75X30 U5933 10.9ZD | VIS M12X1,75X30 5933 10.9 ZN | SCHR.M12X1,75X30 U5933 10.9 ZN | TORN.M12X1,75X30 5933 10.9 ZN |
| 6 | F01220048R | DADO M12X1,75 D980 8ZN | NUT M12X1,75 D980 8ZN | ECROU M12X1,75 D980 8 ZN | SCHEIBE M12X1,75 D980 8 ZN | TUERCA M12X1,75 D980 8 ZN |
| 7 | GSP000288R | LAMIERA CONTENIMENTO | SHEET METAL OF RESTRAINT | | | |
| 8 | F01020152R | VITE M12X1,75X40 U5737 8.8ZN | SCR. M12X1,75X40 U5737 8.8ZN | VIS M12X1,75X40 U5737 8.8 ZN | SCHRAUBE M12X1,75X40U57378.8ZN | TORNILLO M12X1,75X40 U5737 8. |
| 9 | F01020517R | VITE M12X1,75X50 U5739 8.8ZN | SCR. M12X1,75X50 U5739 8.8ZN | VIS M12X1,75X50 5739 8.8 ZN | SCHRA. M12X1,75X50 5739 8.8 ZN | TORNILLO M12X1,75X50 U5739 8 |
| 10 | F01200079R | DADO M12X1,75 U5587 CL8 GEE GE | NUT M12X1,75 U5587 6S GE | | | |
| 11 | F01220048R | DADO M12X1,75 D980 8ZN | NUT M12X1,75 D980 8ZN | ECROU M12X1,75 D980 8 ZN | SCHEIBE M12X1,75 D980 8 ZN | TUERCA M12X1,75 D980 8 ZN |
| 12 | F01410076R | ROS.M12 13X 24X2,5 U6592 ZN | WASHER 12 13X 24X2,5 U6592 ZN | RONDEL. M12 13X24X2,5 U6592 ZN | SCHEIBE M12 13X24X2,5 U6592 ZN | ARAND.M12 13X 24X2,5 U6592 ZN |
| 13 | F06120238R | TAPPO MOZZO DX DP | RIGHT HUB PLUG DP | BOUCHON MOYEU DP A VISSER DRT | NABENPFROPFEN RE DP | TAP N CUBO DER. DP |
| 14 | F01210091R | DADO M18X1,5 U5594 5.8BR | NUT M18X1,5 U5594 5.8BR | | | |
| 15 | F04050011R | CUSC.D20 D47 T15,25 30204 | BEARING D20 D47 T15,25 30204 | PALIER 30204 | LAGER 30204 | COJINETE 30204 |
| 16 | F04050012R | CUSC.D25 D52 T16,25 30205 | BEARING D25 D52 T16,25 30205 | ROULEMENT 30205 | LAGER 30205 | COJINETE 30205 |
| 17 | F03010061R | ANELLO T.A. 30X 52X 7 D3760NBR | OIL SEAL 30X52X7 | PARE-HUILE 30X52X7 | OELABDICHTUNG 30X52X7 | PARA-ACEITE 30X52X7 |
| 18 | GA5220650R | SUPPORTO SPARTIRESIDUI | SPREAD-LEFTOVER SUPPORT | | | |
| 19 | GA5220660R | BRACCIO DISCO APRI SOLCO | FURROWER DISC ARM | BRAS DISQUE OUVRE-TRACES | SCHEIBENARM SCHAR | BRAZO DISCO AB.SURC. |
| 20 | F01020254R | VITE M16X2X55 U5737 10.9ZD | SCR. M16X2X55 U5737 10.9ZD | | | |
| 21 | F01230059R | DADO M12X1,75 D982 8ZN | LOCK-NUT M12X1,75 D982 8ZN | ECR.AUTO-FREI.M12X1,75 ZN | SICHERUNGSMUT.M12X1,75 D982 8ZN | TUER.DE SEGUR.M12X1,75 D982 ZN |
| 22 | F01410100R | ROS.M16 17X 30X 3 U6592 ZN | WASHER M16 17X30X3 U6592 ZN | RONDELLE M16 17X30X3 ZN | SCHRAUBE M16 17X 30X3 U6592 ZN | ARAND.M16 17X 30X 3 U6592 ZN |
| 23 | F01230085R | DADO M16X2 D982 10ZN | NUT M16X2 D982 10ZN | ECROU M16X2 D982 10ZN | MUTTER M16X2 D982 10ZN | TUERCA M16X2 D982 10ZN |
| 24 | F06120239R | TAPPO MOZZO SX DP | LEFT HUB PLUG DP | BOUCHON MOYEU DP A VISSER GCH | NABENPFROPFEN LI DP | TAP N CUBO IZQ. DP |



SPARTIRESIDUI ROTATIVO TRASH WHEEL

TAV. 181

| Pos. | Cod. | Descrizione | Description | Description | Benennung | Description |
|------|------------|--------------------------------|--------------------------------|--------------------------------|--------------------------------|--------------------------------|
| 1 | GSP000290R | ASS.SUPPORTO FISSO TRASH WHEEL | ASS.SUPPORT FIXED TRASH WHEEL | | | |
| 2 | GSP000291R | ASS.SUPP.MOBILE TRASH WHEELS | ASS.MOBILE SUPPORT TRA.WHEELS | | | |
| 3 | GA5223430R | MONT.STELLA SPARTIRES.D.305 DX | ASS.STAR D. RIGHT | | | |
| 4 | GA5223440R | MONT.STELLA SPARTIRES.D.305 SX | ASS.STAR D.305 LEFT | | | |
| 5 | F01220033R | DADO M10X1,5 D980 8ZN | NUT M10X1,5 D980 8ZN | ECROU M10X1,5 D980 8ZN | MUTTER M10X1,5 D980 8ZN | TUERCA M10X1,5 D980 8 |
| 6 | F01040118R | VITE M10X1,5X25 U5931 8.8ZN | SCR. M10X1,5X25 U5931 8.8ZN | | | |
| 7 | G18800060R | BOCCOLA 14,5 X22 X14 | BUSHING D14,5X22X14 | | | |
| 8 | F01220255R | DADO M14X2 D980 8ZN | NUT M14X2 D980 8ZN | ECROU M14X2 D980 8 ZN | MUTTER M14X2 D980 8 ZN | TUERCA M14X2 D980 8 ZN |
| 9 | F01020201R | VITE M14X2X55 U5737 8.8ZN | SCR. M14X2X55 U5737 8.8ZN | VIS M 14X55 | SCHRAUBE M 14X55 | TORNILLO M 14X55 |
| 10 | G18700690R | RONDELLA 15 X40 X6 ZN | WASHER 15 X 40 X 6 ZN | RONDELLE 15 X40 X6 ZN | UNTERLEGSSCHEIBE 15 X40 X6 ZN | ARANDELA 15 X40 X6 ZN |
| 11 | G20970149R | RONDELLA D.15X28X1,5 | WASHER D.15X28X1-5 | RONDELLE D. 15X28X1-5 | UNTERLEGSSCHEIBE D.15X28X1-5 | ARANDELA D.15X28X1-5 |
| 12 | GA5223460R | ASS.PERNO D12X56 C.ANTIROT.ZN | ASS.PIN D12X56 ANTIROT.ZN | | | |
| 13 | GSP000289R | ASS.PIASTRA DX TRASH WHEELS | ASS.PLATE RIGHT TRASH WHEELS | | | |
| 14 | F02200452R | SPINA SCATTO D.4.4 B 80 ZN | SNAP PIN D4.4 B 80 ZN | FICHE A DETENTE D4.4 B 80 ZN | EINRASTSTIFT D4.4 B 80 ZN | CLAVIJA DE MUELLE D4,4 B 80 ZN |
| 15 | F04010439R | CUSC. S-370 DWP D16 D73 B22.7 | BEARI.S-370 DWP D16 D73 B22.7 | | | |
| 16 | GSP000282R | DISCO SPARTI RESIDUI 12IN | DISC 12IN | | | |
| 17 | F01480033R | ROS.G 8,1X 12,7X 2 D7980 ZN | GROVER WASHER D8,1X12,7D7980ZN | ROND.ELASTIQ D8,1X12,7 D7980ZN | FEDERRINGE D8,1X12,7 D7980 ZN | ARAND.ELICOI.D8,1X12,7 D7980ZN |
| 18 | F01020440R | VITE M8X1,25X25 U5739 8.8ZN | SCR. M8X1,25X25 U5739 8.8ZN | VIS M8X1,25X25 U5739 8.8 ZN | SCHRAUBE M8X1,25X25U5739 8.8ZN | TORNILLO M8X1,25X25 U5739 8.8 |
| 19 | GA5223340R | VITE TE M16X60 FRESATA ZN | BOLT M16X60 ZN | | | |
| 20 | F01220266R | DADO M16X2 D980 8ZN | NUT M16X2 D980 8ZN | ECROU M16X 2 D980 8 ZN | MUTTER M16X 2 D980 8 ZN | TUERCA M16X 2 D980 8 ZN |
| 21 | GSP000285R | TAPPO STELLA SPARTIRESIDUI | STAR CAP RESIDUAL DIVIDER | | | |
| 22 | G20980081R | BOCCOLA 25X12X16,25 | BUSHING 25X12X16-25 | BOITE 25X12X16-25 | BSCHSE 25X12X16-25 | CASQUILLO 25X12X16-25 |
| 23 | F02200229R | COPIGLIA 5X 45 U1336 ZN | SPLIT PIN 5X 45 U1336 ZN | GOUPILLE 5X 45 U1336 ZN | SPANNSTIFT 5X 45 U1336 ZN | PASADOR 5X 45 U1336 ZN |
| 24 | G65337005R | MOLLA TRAZ.CAMBIO SV | TRACTION COUPLING SPRING- GEAR | RESSORT TRACT.BOITE DE VITESSE | ZUGFEDER GETRIEBE SV | MUELLE TRAC. CAMBIO SV |
| 25 | F02200226R | COPIGLIA 5X 25 U1336 ZN | SPLIT PIN 5 X25 1336 GALVAN. | GOUPILLE 5 X25 1336 ZN | SPLINT 5 X25 1336 ZN | PASADOR 5 X25 1336 ZN |
| 26 | GSP000284R | ASS.SUPPORTO DISCHI MOBILE | ASS.SUPPORT DISCS MOBILE | | | |
| 27 | GSP000283R | ASS.SUPPORTO DISCHI FISSO | ASS.SUPPORT DISCS FIXED | | | |
| 28 | F01220048R | DADO M12X1,75 D980 8ZN | NUT M12X1,75 D980 8ZN | ECROU M12X1,75 D980 8 ZN | SCHEIBE M12X1,75 D980 8 ZN | TUERCA M12X1,75 D980 8 ZN |
| 29 | F01020528R | VITE M12X1,75X40 U5739 10.9ZN | BOLT M12X1,75X40 U5739 10.9ZN | VIS M12X1,75X40 U5739 10.9 ZN | SCHR.M12X1,75X40 U5739 10.9 ZN | TORN.M12X1,75X40 U5739 10.9 ZN |
| 30 | G20970035R | RONDELLA 32X4X13 | WASHER 32X4X13 | RONDELLE 32X4X13 | UNTERLEGSSCHEIBE 32X4X13 | ARANDELA 32X4X13 |
| 31 | F01410076R | ROS.M12 13X 24X2,5 U6592 ZN | WASHER 12 13X 24X2,5 U6592 ZN | RONDEL. M12 13X24X2,5 U6592 ZN | SCHEIBE M12 13X24X2,5 U6592 ZN | ARAND.M12 13X 24X2,5 U6592 ZN |
| 32 | GA5220640R | BRACCIO DISCHI SPARTIRESIDUI | DISCS ARM SPREADLEFTOVER | | | |
| 33 | G13642191R | PIOLO D.12X50 | DOWEL D.12X50 | ERGIT D.12X50 | SPROSSE D.12X50 | ESPIGA D.12X50 |
| 34 | G68008044R | RUOTA STELLARE SX SPARTIRESID. | TRASH WHEEL LEFT | | | |
| 35 | G68008049R | RUOTA STELLARE DX SPARTIRESID. | TRASH WHEEL RIGHT | | | |
| 36 | F01410100R | ROS.M16 17X 30X 3 U6592 ZN | WASHER M16 17X30X3 U6592 ZN | RONDELLE M16 17X30X3 ZN | SCHRAUBE M16 17X 30X3 U6592 ZN | ARAND.M16 17X 30X 3 U6592 ZN |
| 37 | F02200363R | COPIGLIA R 3X 62 ZN | SPRING SPLIT PIN 3X 62 ZN | GOUPILLE R 3X62 | SPLINT R 3X62 | PASADOR R 3X 62 |
| 38 | F01020254R | VITE M16X2X55 U5737 10.9ZD | SCR. M16X2X55 U5737 10.9ZD | | | |
| 39 | G17722000R | BOCCOLA SINT.16,25X28 L.13 PAR | BUSHING SINT.16,25X28 L.13 PAR | | | |
| 40 | F01230085R | DADO M16X2 D982 10ZN | NUT M16X2 D982 10ZN | ECROU M16X2 D982 10ZN | MUTTER M16X2 D982 10ZN | TUERCA M16X2 D982 10ZN |
| 41 | F01060045R | VITE M8X1,25X40 U5731 8.8ZN | SCR. M8X1,25X40 U5732 4.6ZN | VIS 8X40 5732 4.6 ZN | SCHRAUBE 8X40 5732 4.6 ZN | TORNILLO 8X40 5732 4.6 ZN |
| 42 | G68008045R | COPERCHIO MOZZO | HUB CAP CASTING, 4 BOLT, BLACK | | | |
| 43 | G17740210R | DISCO TRASH WHEEL | TRASH WHEEL DISK | | | |
| 44 | G68008048R | RONDELLA 1.50D X 21 321D | 1.50D X 21 321D 3 16TK MA B | | | |
| 45 | G68008046R | MOZZO DISCO TRASH WHEEL | HUB AND BEARING ASSY.,4 BOLT1 | | | |
| 46 | F01220022R | DADO M8X1,25 D980 8ZN | NUT M8X1,25 D980 8ZN | ECROU M8X 1,25 D980 8 ZN | MUTTER M8X 1,25 D980 8 ZN | TUERCA M8X 1,25 D980 8 ZN |
| 47 | G17773260R | DADO FLANG.DENTELL.5 8-11 | NUT FLANG.TOOTHED.5 8-11 | | | |



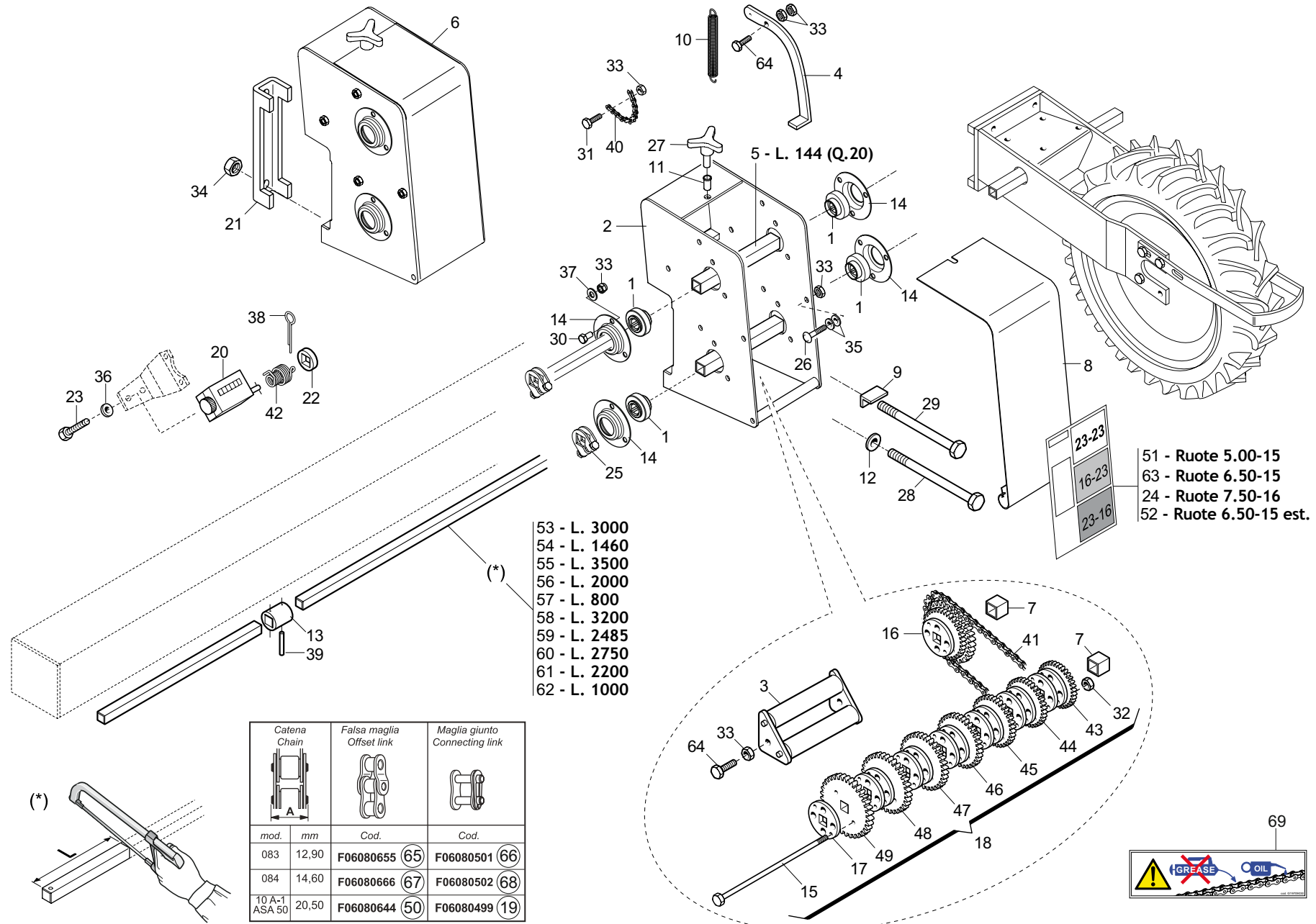
ATTENZIONE!
 Per il collegamento elettrico
 seguire l'indicazione sul
 disinnesto elettrico (+/-).

**ESCLUSIONE ELETTRICA FILE DI SEMINA
ELECTRIC ROW SHUT OFF**

TAV. 190

| Pos. | Cod. | Descrizione | Description | Description | Benennung | Descripcion |
|------|------------|--------------------------------|--------------------------------|--------------------------------|------------------------------|-------------------------------|
| 1 | GA5220510R | CROCIERA CARDANICA | CARDAN SPIDER | | | |
| 2 | F02100114R | SPINA E.P. 6X 30 U6873 C70 BR | ELASTIC PIN 6X30 | GOUJON ELASTIQUE 6X30 | SPANNHUELSE 6X30 | ESPINA ELASTICA 6X30 |
| 3 | G16033704R | DISINNESTO ELETTRICO T | ELECTRIC DISENGAGEMENT T | | | |
| 4 | G19003472R | PATTINO DI SCORRIMENTO | SLIDING SIDE BLOCK | PATIN DE GLISSEMENT | | |
| 5 | GA5220521R | LAMIERA FERMO ROTAZIONE ZN | LOCK ROTATION | | | |
| 6 | G16033740R | DISTANZIALE DISINNESTO ELET.ZN | UNCOUPLING ELECTRIC SPACER | ENTRETOISE DEBRAYAGE LECT. | DISTANZST_CK AUSKUPPLUNG EL. | DISTANCIADOR DESCONEXIN EL. |
| 7 | G19204080R | FORCELLA | FORK | | | |
| 8 | GA5220490R | PERNO ZN | PIN ZN | | | |
| 9 | G66248057R | SPINA DI SICUREZZA SP | SAFETY PIN SP | BROCHE PLASTIC SECURITE CARDAN | SICHERHEITSSTIFT SP | CLAVIJA DE SEGURIDAD SP |
| 10 | GA5220480R | INNESTO | CLUTCH | | | |
| 11 | G18701970R | RONDELLA 16X48X2,5 | WASHER 16X48X2,5 | RONDELLE 16X48X2,5 | UNTERLEGSSCHEIBE 16X48X2,5 | ARANDELA 16X48X2,5 |
| 12 | F02100086R | SPINA E.P. 5X 30 U6873 C70 ZN | PIN EL. 5 X30 DIN 1481 GALVAN. | FICHE EL. 5 X30 DIN 1481 ZN | SPANNSTIFT 5 X30 DIN 1481 ZN | CLAVIJA EL.P. 5X 30 U6873 C70 |
| 13 | G22270454R | CROCIERA COMPL. SP S | KIT SPIDER 2 ITEMS | CROSILLON COMPL CARDAN TRANSM | GELENKKREUZ KOMPL. SP S | CRUCETA COMPL. SP S |
| 14 | GA5220450R | TUBO INNESTO CON FORCELLA | HOSE CONNECTION WITH FORK | | | |

TAV. 201

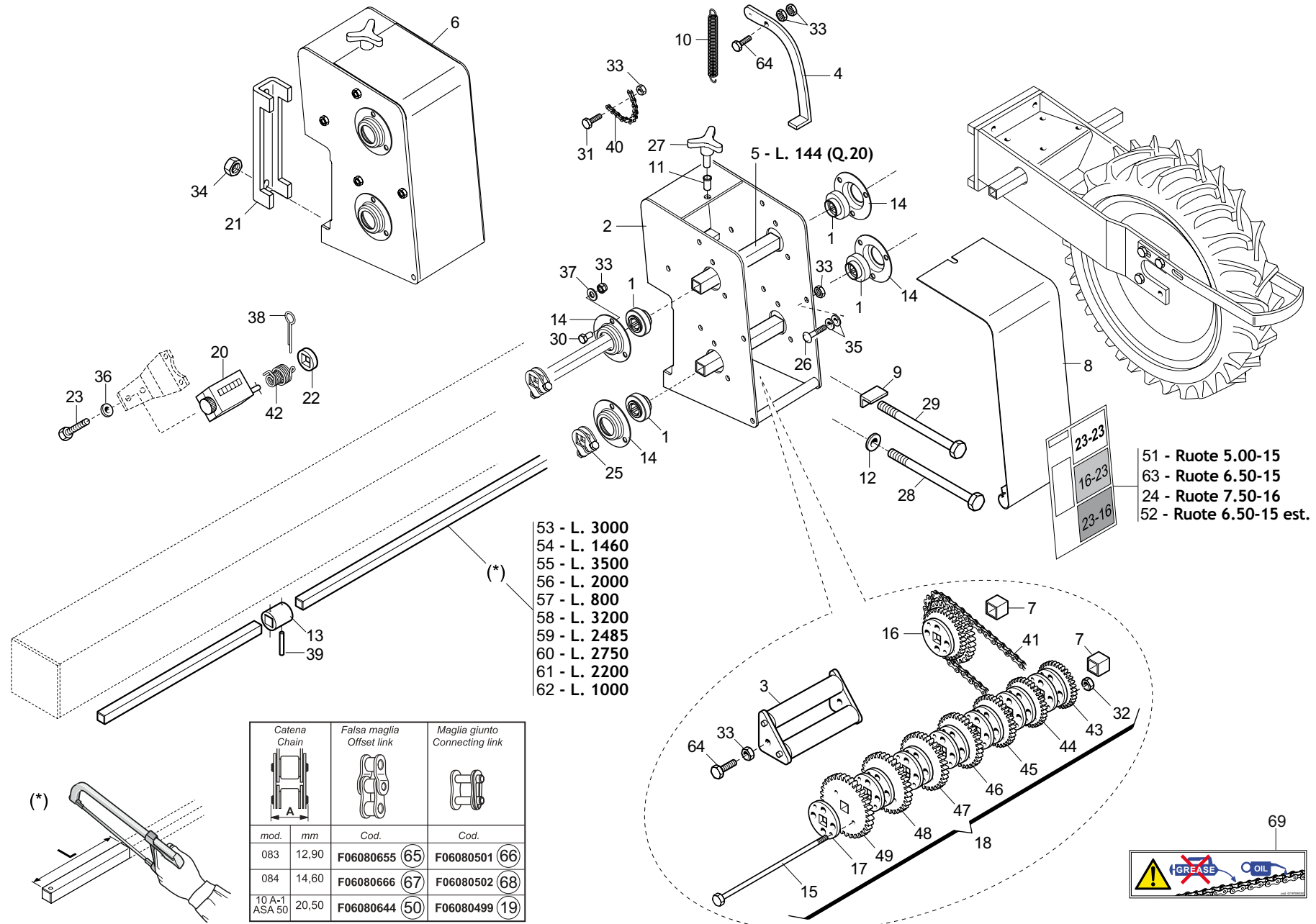


CAMBIO GEARBOX

TAV. 201

| Pos. | Cod. | Descrizione | Description | Description | Benennung | Descripcion |
|------|------------|--------------------------------|--------------------------------|--------------------------------|--------------------------------|---------------------------------|
| 1 | G14830390R | CUSCINETTO FORO QUADRO | SQUARE-HOLED BEARING | ROULEMENT TROU CARRE | VIERKANTLAGER | COJINETE ORIFICIO CUADRADO |
| 2 | G15430292R | SCATOLA CAMBIO Q.150 | GEARBOX Q.150 | BOITE DE VITESSE Q.150 | GETRIEBEKASTEN Q.150 | CAJA DE CAMBIO VELOCIDAD Q.150 |
| 3 | G15430321R | RULLO TENDICATENA | CHAIN STRETCHER ROLLER | ROULEAU TENDEUR DE CHAINE | KETTENSPANNROLLE | RODILLO TENSOR DE CADENA |
| 4 | G15430331R | LEVA CAMBIO | GEAR LEVER | LEVIER BOITE DE VITESSE | GETRIEBEBEBEL | PALANCA DE CAMBIO |
| 5 | G15430340R | ASSE INGRANAGGI L.144 | GEAR SPINDLE L.144 | AXE ENGRENAGES L144 | ACHSE ZAHNRZDER L.144 | EJE ENGRANAJES L.144 |
| 6 | G16630010R | SCATOLA CAMBIO Q.150 COMPL. | GEARBOX 150 | BOITE DE VITESSE 150 | GETRIEBEKASTEN 150 | CAJA DE CAMBIO DE VELOCIDAD 150 |
| 7 | G15430501R | DISTANZIALE INTERNO CAMBIO ZN | GEARBOX INNER SPACER | ENTRETOISE INT. BOITE VITESSE | INNERES DISTANZSTSCCK GETRIEBE | DISTANCIADOR INTERIOR CAMBIO |
| 8 | G15430711R | COPERCHIO CAMBIO | GEAR COVER | COUVERCLE BOITE DE VITESSE | GETRIEBEBECKEL | TAPA CAMBIO |
| 9 | G15431020R | FERMO VITE CAMBIO | GEAR BOLT STOP | ARRET VIS BOITE DE VITESSE | FESTSTELLVORRICH. GETRIEBESCHR | BLOQUEO TORNILLO |
| 10 | G18902970R | MOLLA TRAZ. CAMBIO ZN SP | GALVAN. GEAR TRACT. SPRING SP | RESS. TRACT. BOITE VITESSE ZN | ZUGFEDER GETRIEBE ZN SP | MUELLE TRAC. CAMBIO ZN SP |
| 11 | F02250683R | INSERTO FIL.M 8X17,5 ZN T.TOND | CYLINDRICAL NUT 8 TC 40 | ECROU CYLINDRIQUE 8 TC 40 | ZYLINDRISCHE MUTTER 8 TC 40 | TUERCA CILINDRICA 8 TC 40 |
| 12 | G20970142R | RONDELLA 32X4X15,5 | WASHER 32X4X15-5 | RONDELLE 32X4X15-5 | UNTERLEGSSCHEIBE 32X4X15-5 | ARANDELA 32X4X15-5 |
| 13 | G22220085R | SNODO | ARTICULATION | ARTICULATION | GELENK | ARTICULACION |
| 14 | G22230094R | SUPPORTO CUSCINETTO | BEARING SUPPORT | SUPPORT DE ROULEMENT | LAGERBSCHSE | SOPORTE COJINETE |
| 15 | G19203260R | VITE M5X115 ZN | BOLT M5X115 ZN | VIS M5X115 ZN | SCHRAUBE M5X115 ZN | TORNILLO M5X115 ZN |
| 16 | G22270152R | ING.Z 16-23 RUOTA-CAMBIO SP | WHEEL- GEARBOX GEARS SP | ENGR. Z 16-23 ROUE BOITE VIT. | ZAHNRAD Z 16-23 GETRIEBERAD SP | ENGRAN. Z 16-23 RUEDA-CAMBIO |
| 17 | G22270162R | RINFORZO INGR.ASSE DA 20 SP | AXLE GEAR REINFORCEMENT 20 SP | RENFORC. ENGREN. AXE DE 20 SP | VERSTZRKUNG ACHSZAHNRAD 20 SP | REFUERZO ENGRAN. EJE DE 20 SP |
| 18 | G22270163R | BLOCCO CAMBIO ASSE DA 20 SP | 20 CM SPINDLE GEARBOX SP | ENSEMBLE BOITE DE VITESSE | GETRIEBEBLOCK ACHSE 20 SP | BLOQUE CAMBIO EJE DE 20 SP |
| 19 | F06080499R | GIUNZIONE CATENA 5 8 ASA 50LUB | CHAIN JOINT 5 8 ASA 50LUB | JONCTIONS CHAINE 5 8 ASA 50LUB | KETTENVERBINDUNG 5 8 ASA 50LUB | UNIONES CADENA 5 8 ASA 50LUB |
| 20 | G22270218R | CONTAETTARI TEN. STAG. SP LM | HECTARE COUNTER SEAL SP LM | COMPT. D HECT. ETANCHE SP LM | HEKTARZZHLER DICHT SP LM | CUENTA HECTAREAS ESTANCO |
| 21 | G15110091R | SCONTRO A U | CONTRA U | BRIDE 150 MM | ANSCHLAG | ELEMENTO DE EMPALME |
| 22 | G66248218R | RONDELLA DISTAN.SPAND. | MAN. SPR. SPACER WASHER | RONDELLE ENTRETOISE EP. ENGRAI | ABSTANDSCHEIBE DSNGERSTREUER | ARANDELA DISTAN.ABONAD. |
| 23 | F01040025R | VITE M4X0,7X10 U5931 8.8ZN | SCR. M4X0,7X10 U5931* 8.8ZN | VIS 4 X10 5931 8.G ZN | SCHRAUBE 4 X10 5931 8.G ZN | TORNILLO 4 X10 5931 8.G ZN |
| 24 | G19701452R | DECAL.CAMBIO RUOTA 7,50-16 | LABEL WHEEL GEAR 7,50-16 | | | |
| 25 | G22505085R | FERMO ASSE IN LAMIERA | PLATE AXLE STOP | ARRET AXE EN TOLE | FESTSTELLVORRICHTUNG BLECHACHS | BLOQUEO EJE DE CHAPA |
| 26 | F01060040R | VITE M8X1,25X20 U5731 8.8ZN | SCR. M8X1,25X20 U5732 4.6ZG | VIS M8X1,25X20 U5732 4.6 ZN | SCHRA. M8X1,25X20 U5732 4.6 ZN | TORN. M8X1,25X20 U5732 4.6 ZN |
| 27 | F06220018R | VOLANTINO 3LOBI D.65-M8X15 | 3-LOBE HANDWHEEL D.65-M8X15 | | | |
| 28 | F01020225R | VITE M14X2X160 U5737 8.8BR | SCR. M14X2X160 U5737 8.8BR | VIS M 14 X160 5737 8.G | SCHRAUBE M 14 X160 5737 8.G | TORNILLO M 14 X160 5737 8.G |
| 29 | F01020233R | VITE M14X2X200 U5737 8.8BR | SCR. M14X2X200 U5737 8.8BR | VIS M14X2X 200 U5737 8.8 ZB | SCHRAUBE M14X 2X200 U5737 8.8 | TORNILLO M14X2X200 5737 8.8 ZB |
| 30 | F01020432R | VITE M8X1,25X16 U5739 8.8ZN | SCR. M8X1,25X16 U5739 8.8ZN | VIS M8 X1,25X16 U5739 8.8 ZN | SCHRAUBE M8X1,25X16U5739 8.8ZN | TORNILLO M8X1,25X16 U5739 8.8 |
| 31 | F01020449R | VITE M8X1,25X35 U5739 8.8ZN | SCR. M8X1,25X35 U5739 8.8ZN | VIS M8X1,25X35 U5739 8.8ZN | SCHRA. M8X1,25X35 U5739 8.8ZN | TORN. M8X1,25X35 U5739 8.8ZN |
| 32 | F01200220R | DADO M5X0,8 U5588 CL8 ZN | NUT M5X0,8 U5588 6.8ZN | ECROU 5 UNI 5588 6.8 ZN | MUTTER 5 UNI 5588 6.8 ZN | TUERCA M5X0,8 U5588 CL8 ZN |
| 33 | F01200244R | DADO M8X1,25 U5588 CL8 ZN | NUT M8X1,25 U5588 6.8ZN | ECROU M8 X1,25 U5588 6.8 ZN | MUTTER M8 X1,25 U5588 6.8 ZN | TUERCA M8X1,25 U5588 CL8 ZN |
| 34 | F01200306R | DADO M14X2 U5588 CL8 ZN | NUT M14X2 U5588 6.8ZN | ECROU M14X2 | MUTTER M14X2 | DADO M14X2 |
| 35 | F01410051R | ROS.M8 8,4X 17X1,6 U6592 ZN | WASHER M8 8,4X17X1,6 U6592 ZN | RONDELLE M8 8,4X17X1,6 ZN | SCHEIBE M8 8,4X17X1,6 U6592 ZN | ARAND.M8 8,4X 17X1,6 U6592 ZN |
| 36 | F01410011R | ROS.M4 4,3X 9X0,8 U6592 ZN | PLANE WASHER 4,5X 9 6592 | RONDELLE 4,5X 9 6592 | SCHEIBE 4,5X 9 6592 | ARANDELA 4,5X 9 6592 |
| 37 | F01430059R | ROS.M8 8,4X 15X0,8 U8842J ZN | WASHER M8 8,4X15X0,8 U8842J ZN | ROND. M8 8,4X 15X0,8 U8842J ZN | SCHEIBE M8 8,4X15X0,8 U8842JZN | ARAND. M8 8,4X15X0,8 U8842J ZN |
| 38 | F02200229R | COPIGLIA 5X 45 U1336 ZN | SPLIT PIN 5X 45 U1336 ZN | GOUPILLE 5X 45 U1336 ZN | SPANNSTIFT 5X 45 U1336 ZN | PASADOR 5X 45 U1336 ZN |
| 39 | F02100086R | SPINA E.P. 5X 30 U6873 C70 ZN | PIN EL. 5 X30 DIN 1481 GALVAN. | FICHE EL. 5 X30 DIN 1481 ZN | SPANNSTIFT 5 X30 DIN 1481 ZN | CLAVIJA EL.P. 5X 30 U6873 C70 |
| 40 | F06080008R | CATENA 1 2 ISO 083 16 MAGLIE | CHAIN 1 2 ISO 083 16 LINKS | TRON ON CHA NE 1 2-3 16 16 MAI | KET.ABSCHN.1 2-3 16 16 GLIEDER | TRAMO CAD.1 2-3 16 16 ESLABONE |
| 41 | F06080230R | CATENA 5 8 ASA 50 L 46 MAGLIE | CHAIN 5 8 ASA 50 L 46 LINKS | CHAINE 5 8 ASA 50 L 46 MAILLE | KETTE 5 8 ASA 50 L 46 GLIEDER | CADENA 5 8 ASA 50 L 46 ESLABO |
| 42 | G65336098R | MOLLA CONTAETTARI CAMB.35 SP | HECT. COUNT. GEAR SPRING 35 SP | RESS. COMPTEUR D HECTARES CH | FEDER HEKTARZZHLER GETRIEBE.35 | MUELLE CONTADOR DE HECTAREAS C |
| 43 | G66248162R | INGRANAGGIO Z-17 SP | GEAR Z-17 SP | ENGRENAGE Z-17 SP | ZAHNRAD Z-17 SP | ENGRANAJE Z-17 SP |
| 44 | G66248163R | INGRANAGGIO Z-18 SP | GEAR Z-18 SP | ENGRENAGE Z-18 SP | ZAHNRAD Z-18 SP | ENGRANAJE Z-18 SP |
| 45 | G66248164R | INGRANAGGIO Z-19 SP | GEAR Z-19 SP | ENGRENAGE Z-19 SP | ZAHNRAD Z-19 SP | ENGRANAJE Z-19 SP |
| 46 | G66248165R | INGRANAGGIO Z-20 SP | GEAR Z-20 SP | ENGRENAGE Z-20 SP | ZAHNRAD Z-20 SP | ENGRANAJE Z-20 SP |
| 47 | G66248166R | INGRANAGGIO Z-21 SP | GEAR Z-21 SP | ENGRENAGE Z-21 SP | ZAHNRAD Z-21 SP | ENGRANAJE Z-21 SP |
| 48 | G66248167R | INGRANAGGIO Z-22 SP | GEAR Z-22 SP | ENGRENAGE Z-22 SP | ZAHNRAD Z-22 SP | ENGRANAJE Z-22 SP |
| 49 | G66248168R | INGRANAGGIO Z-23 SP | GEAR Z-23 SP | ENGRENAGE Z-23 SP | ZAHNRAD Z-23 SP | ENGRANAJE Z-23 SP |
| 50 | F06080644R | FALSA MAGLIA CAT.5 8 ASA 50LUB | DUMMY CHAIN LINK 5 8 ASA 50LUB | FAUSSE MAILLE CHAINE ASA 50LUB | FALSCHES GLIED 5 8 ASA 50LUB | ESLAB N FICTICIO CAD.5 8 ASA50 |
| 51 | G19701403R | DECAL.CAMBIO RUOTA 5,00-15 | DECAL.WHEEL 5,00-15 | | | |
| 52 | G19703162R | DECAL.CAMBIO RUOTA 6,50-15 EST | LABEL WHEEL GEAR 6,50-15 EXT. | | | |
| 53 | G13831520R | ASSE TRASMISSIONE L.3000 | TRANSMISSION AXLE L.3000 | AXE TRANSMISSION L3000 | SBERTRAGUNGSACHSE L.3000 | EJE TRANSMISI N L 3000 |
| 54 | G20860090R | ASSE SX 5F.60 L.1460 | AXLE- LEFT 5-F.60 L.1460 | AXE GCH. 5 RANGEES 60 L. 1460 | ACHSE LI 5R.F.60 L.1460 | EJE IZQ. 5 FILA. 60 L.1460 |
| 55 | G22220250R | ASSE SX 6 FILE L.3500 | AXLE LEFT 6-ROW L.3500 | AXE GCH. 6 RANGEES L. 3500 | ACHSE LINKS 6 REIHEN L.3500 | EJE IZQ. 6 FILAS L.3500 |

TAV. 201

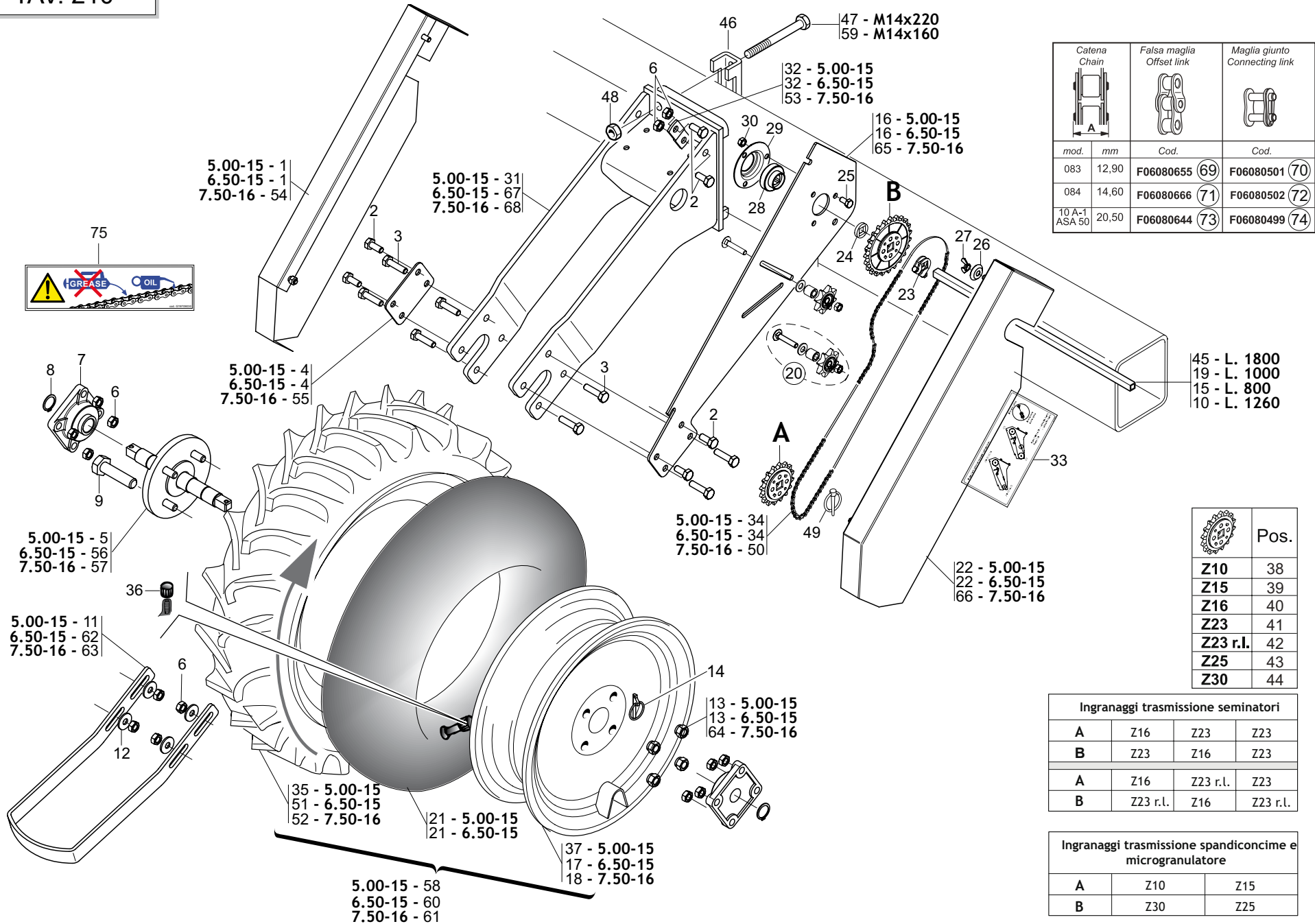


CAMBIO GEARBOX

TAV. 201

| Pos. | Cod. | Descrizione | Description | Description | Benennung | Descripcion |
|------|------------|--------------------------------|--------------------------------|--------------------------------|--------------------------------|--------------------------------|
| 56 | G22230141R | ASSE SEMINAT.6F.CM.80 L.2000 | AXLE-6-ROW SEEDER MACH.L.2000 | AXE SEMEUR 6 RANGEES CM. 80 L. | ACHSE SZAELEMENT 6 R.CM.80 L.2 | EJE SEMBR. 6 FILAS. CM.80 L.20 |
| 57 | G22230142R | ASSE 4 FILE L.800 | 4-ROW SPINDLE L.800 | AXE 4 RANGEES L. 800 | ACHSE 4 REIHEN B. 800 | EJE 4 FILAS L.800 |
| 58 | G22250031R | ASSE TRASM.SEMINAT.L.3200 SV | AXLE- SEEDING MACH. GEARBOX L. | AXE ENTRAINEMENT SEMEUR L.3200 | ACHSE SZELEMENTANTRIEB .L.3200 | EJE TRANS.SEMBR. L.3200 SV |
| 59 | G13732200R | ASSE TRASMISSIONE L.2485 | TRANSMISSION AXLE L2485 | AXE TRANSMISSION L.2485 | SBERTRAGUNGSACHSE L.2485 | EJE TRANSMISI N L 2485 |
| 60 | G22250275R | ASSE TRASM.SEMINAT.L.2750 SV | AXLE- SEEDING MACH. GEARBOX L. | AXE ENTRAINEMENT SEMEUR L. 275 | ACHSE SZELEMENTANTRIEB L.2750 | EJE TRANS.SEMBR. L.2750 SV |
| 61 | G22250276R | ASSE TRASM.SEMINAT.L.2200 SV | AXLE- SEEDING MACH. GEARBOX L. | AXE ENTRAINEMENT SEMEUR L. 220 | ACHSE SZELEMENT-ANTRIEB.L.2200 | EJE TRANS.SEMBR. L.2200 SV |
| 62 | G22230138R | ASSE CAMBIO 4F.80-6F.45 L.1000 | GEAR SPINDLE 4-ROW 80- 6-ROW.4 | AXE BOITE DE VITESSE 4 RA | GETRIEBEACHSE 4 R. 80-6 R.45 L | EJE CAMBIO 4 FILAS. 80-6 FILAS |
| 63 | G19701414R | DECAL.CAMBIO RUOTA 6,50-15 R26 | DECAL.WHEEL 6,50-15 R26 | | | |
| 64 | F01020445R | VITE M8X1,25X30 U5739 8.8ZN | SCR. M8X1,25X30 U5739 8.8ZN | VIS M 8X1,25X30 U5739 8.8 ZN | SCHRAU, M8X1,25X30 U5739 8.8ZN | TORNILLO M8X1,25X30 U5739 8.8 |
| 65 | F06080655R | FALSA MAGLIA CAT.1 2 ISO 083 | DUMMY CHAIN LINK 1 2 ISO 083 | FAUSSE MAILLE CHAINE 1 2 ISO 0 | FALSCHES GLIED 1 2 ISO 083 | ESLAB N FICTICIO CAD. 1 2 ISO |
| 66 | F06080501R | GIUNZIONE CATENA 1 2 ISO 083 | CHAIN JOINT 1 2 ISO 083 | JONCTION CHAINE 1 2 ISO 083 | KETTENVERBINDUNG 1 2 ISO 083 | UNI N CADENA 1 2 ISO 083 |
| 67 | F06080666R | FALSA MAGLIA CAT.1 2 ISO 084-1 | CHAIN EYE CAT. 1 2 ISO 084-1 | | | |
| 68 | F06080502R | GIUNZIONE CATENA 1 2 ISO 084-1 | CHAIN JUNCTION 1 2 ISO 084-1 | | | |
| 69 | G19709030R | DECAL.OLIO CATENE | LABEL OIL CHAIN | | | |

TAV. 210



| Catena Chain | Falsa maglia Offset link | Maglia giunto Connecting link |
|------------------|-----------------------------|----------------------------------|
| | | |
| mod. | mm | Cod. |
| 083 | 12,90 | F06080655 (69) |
| 084 | 14,60 | F06080666 (71) |
| 10 A-1 ASA 50 | 20,50 | F06080644 (73) |
| | | F06080501 (70) |
| | | F06080502 (72) |
| | | F06080499 (74) |

- 45 - L. 1800
- 19 - L. 1000
- 15 - L. 800
- 10 - L. 1260

| | Pos. |
|----------|------|
| Z10 | 38 |
| Z15 | 39 |
| Z16 | 40 |
| Z23 | 41 |
| Z23 r.l. | 42 |
| Z25 | 43 |
| Z30 | 44 |

| Ingranaggi trasmissione seminatori | | | |
|------------------------------------|----------|----------|----------|
| A | Z16 | Z23 | Z23 |
| B | Z23 | Z16 | Z23 |
| A | Z16 | Z23 r.l. | Z23 |
| B | Z23 r.l. | Z16 | Z23 r.l. |

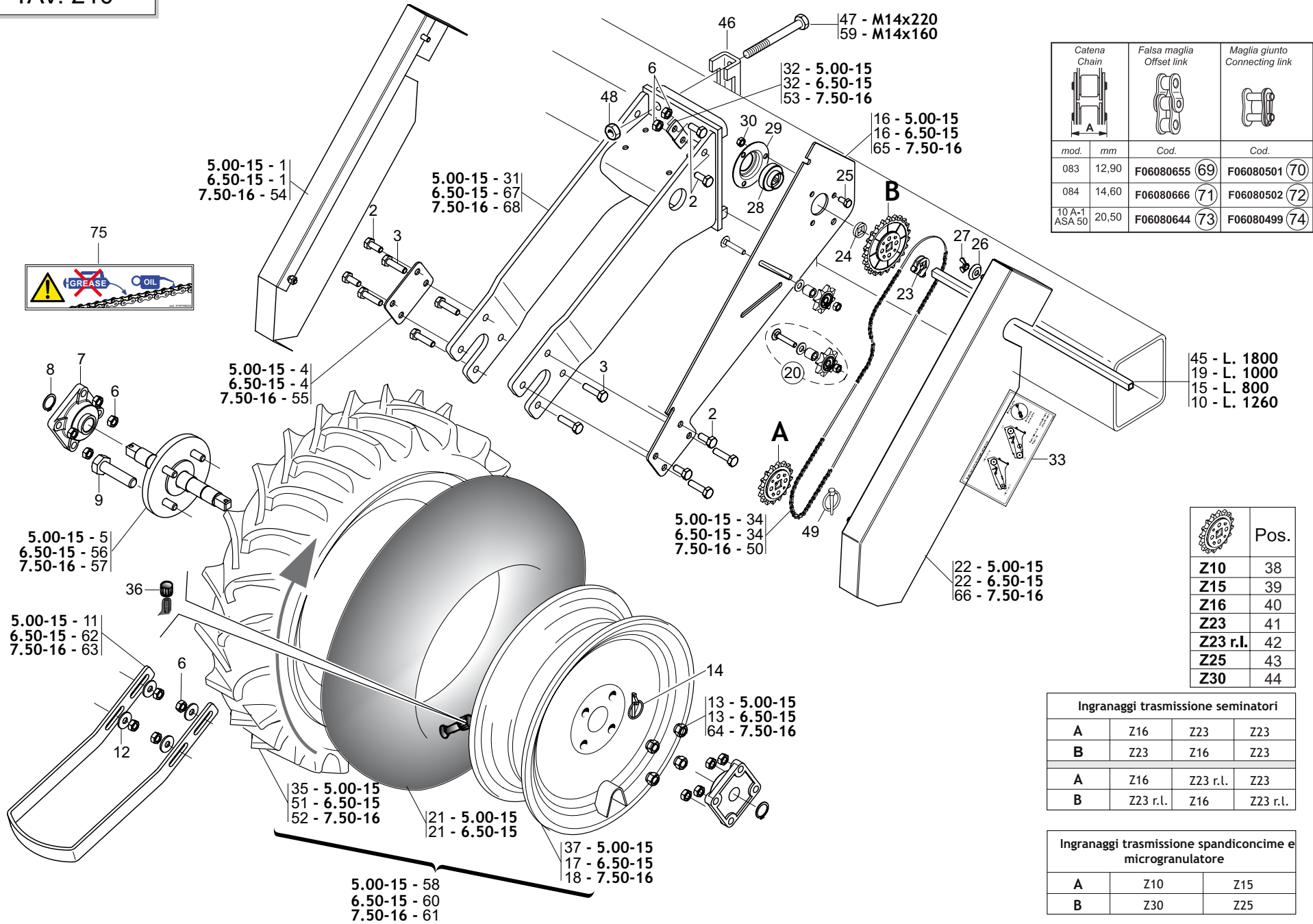
| Ingranaggi trasmissione spandiconcime e microgranulatore | | |
|--|-----|-----|
| A | Z10 | Z15 |
| B | Z30 | Z25 |

RUOTE DI TRASMISSIONE DRIVE WHEELS

TAV. 210

| Pos. | Cod. | Descrizione | Description | Description | Benennung | Description |
|------|------------|--------------------------------|--------------------------------|--------------------------------|--------------------------------|--------------------------------|
| 1 | G16630361R | CARTER SX | LEFT PROTECTION | | | |
| 2 | F01020472R | VITE M10X1,5X25 U5739 8.8ZN | SCR. M10X1,5X25 U5739 8.8ZN | VIS M10X1,5X25 U5739 8.8 ZN | SCHRAUBE M10X1,5X25 U5739 8.8 | TORNILLO M10X1,5X25 U5739 8.8 |
| 3 | F01020483R | VITE M10X1,5X40 U5739 10.9ZD | SCR. M10X1,5X40 U5739 10.9ZD | VIS M10X1,5X40 U5739 10.9 ZD | SCHRA.M10X1,5X40 U5739 10.9 ZD | TORN. M10X1,5X40 U5739 10.9 ZD |
| 4 | G16630380R | SCONTRIO 100X70-3 4F11 70X40 | STRIKER PLATE 100X70-3 4F | BUTEE 100X70-3 4F | ANSCHLAG 100X70-3 4F | ELEMENTO DE EMPALME 100X70-3 4 |
| 5 | G22270280R | ASSE RUOTA TRASM.NORMALE SP S | NORMAL DRIVE WHEEL AXLE | AXE ROUE ENTRAINEMENT 5.00-15 | RADACHSE NORMALER ANTRIEB SP S | EJE RUEDA TRANS. NORMAL SP S |
| 6 | F01200270R | DADO M10X1,5 U5588 CL8 ZN | NUT M10X1,5 U5588 6.8ZN | ECROU M10X 1,5 U5588 6.8 ZN | MUTTER M10X 1,5 U5588 6.8 ZN | TUERCA M10X1,5 U5588 CL8 ZN |
| 7 | F04100137R | SUPPORTO FY 25 TF | SUPPORT FY 25 TF | | | |
| 8 | F02050101R | ANELLO E. DE 25X 1,2 U7435 C7 | SEEGER RING E. 25X1,2 7435 C70 | SEEGER E. 25X 1,2 U7435 C70 | SEEGERING E. 25X 1,2 U7435 C70 | ANILLO E. DE 25X 1,2 U7435 C7 |
| 9 | F01010365R | VITE M18X1,5X50 U5740 8.8ZN | SCR. M18X1,5X50 U5740 8.8ZN | VIS M18X1,5X50 U5740 8.8 ZN | SCHRAUBE 18X1,5X50 U5740 8.8ZN | TORNI. M18X1,5X50 U5740 8.8ZN |
| 10 | G22270049R | ASSE 4F.85-6F.50 L.1260 | ASSE 4F.85-6F.50 L.1260 | 4-ROW SPINDLE - 85-6-ROW-50 L. | ACHSE 4 REIHEN 85-6 REIH. 50 | EJE 4 FILAS. 85-6 FILAS. 50 L. |
| 11 | G15430090R | RASCHIATERRA | SOIL SCRAPER | RACLEUR | ERDSCHABER | RASCADOR TIERRA |
| 12 | F01420060R | ROS.M10 10,5X 30X2,5 U6593 ZG | GALV.WASHER 10,5X30X2,5 U6593 | RONDELLE 10,5X30 | SCHEIBE 10,5X30 | ARAND.M10 10,5X 30X2,5 U6593 |
| 13 | F01250040R | DADO COLON. 12X1.5 ZN | COLUMN NUT M12X1.5 STUD BOLT | ECROU M12X1. 5 COLONNE | SCHRAUBBOLZENMUTTER M12X1.5 | TUERCA 12X1.5 COLUMNNA |
| 14 | F02200452R | SPINA SCATTO D.4.4 B 80 ZN | SNAP PIN D4.4 B 80 ZN | FICHE A DETENTE D4.4 B 80 ZN | EINRASTSTIFT D4.4 B 80 ZN | CLAVIJA DE MUELLE D4,4 B 80 ZN |
| 15 | G22230142R | ASSE 4 FILE L.800 | 4-ROW SPINDLE L.800 | AXE 4 RANGEES L. 800 | ACHSE 4 REIHEN B. 800 | EJE 4 FILAS L.800 |
| 16 | G16630311R | SUPPORTO TRASMISSIONE SP540 | TRASM.SUPPORT SP541 | PLATINE SUPPORT TRANSMISSION | | |
| 17 | F06120207R | CERCHIO 5J 15 H2 PV RAL 9001 | RIM 5J 15 H2 PV RAL 9001 | | | |
| 18 | F06120208R | CERCHIO 7.50-16 PV TU | RING 7.50-16 PV TU | JANTE 7.50-16 PV TU | REIFEN 7.50-16 PV TU | LLANTA 7.50-16 PV TU |
| 19 | G22230138R | ASSE CAMBIO 4F.80-6F.45 L.1000 | GEAR SPINDLE 4-ROW 80- 6-ROW.4 | AXE BOITE DE VITESSE 4 RA | GETRIEBEACHSE 4 R. 80-6 R.45 L | EJE CAMBIO 4 FILAS. 80-6 FILAS |
| 20 | G16630810R | KIT INGR.Z8 5 8 X3 8 CUSC. | GEARS KIT Z8 5 8 X3 8 | KIT INGR.ZINGR.Z8 5 8 X3 8 | | KIT ENGRAN. Z8 5 8 X3 8 CUSC. |
| 21 | F06120134R | CAMERA X R5.00-15 E 6.5 80-15 | INNER TUBE R5.00-15 6.5 80-15 | CHAMBRE R5.00-15 6.5 80-15 | KAMMER R5.00-15 6.5 80-15 | CAMARA R5.00-15 6.5 80-15 |
| 22 | G16630351R | CARTER DX | RIGHT CARTER | | | |
| 23 | G22505085R | FERMO ASSE IN LAMIERA | PLATE AXLE STOP | ARRET AXE EN TOLE | FESTSTELLVORRICHTUNG BLECHACHS | BLOQUEO EJE DE CHAPA |
| 24 | G66248218R | RONDELLA DISTAN.SPAND. | MAN. SPR. SPACER WASHER | RONDELLE ENTRETOISE EP. ENGRAI | ABSTANDSCHEIBE DSNGERSTREUER | ARANDELA DISTAN.ABONAD. |
| 25 | F01020432R | VITE M8X1,25X16 U5739 8.8ZN | SCR. M8X1,25X16 U5739 8.8ZN | VIS M8 X1,25X16 U5739 8.8 ZN | SCHRAUBE M8X1,25X16U5739 8.8ZN | TORNILLO M8X1,25X16 U5739 8.8 |
| 26 | G22220083R | RONDELLA AD IMBOCCO | LEAD-IN WASHER | RONDELLE EMBOUTIE | TRICHTERSCHEIBE | ARANDELA DE MUESCA |
| 27 | F01240024R | DADO M8X1,25 U5448 5.8ZN | NUT M8X1,25 U5448 5.8ZN | ECROU 8 UNI 5448 5.8 ZN | MUTTER 8 UNI 5448 5.8 ZN | TUERCA 8 UNI 5448 5.8 ZN |
| 28 | G14830390R | CUSCINETTO FORO QUADRO | SQUARE-HOLED BEARING | ROULEMENT TROU CARRE | VIERKANTLAGER | COJINETE ORIFICIO CUADRADO |
| 29 | G22230009R | SUPPORTO CUSCINETTO | BEARING SUPPORT | SUPPORT DE ROULEMENT | LAGERBSCHSE | SOPORTE COJINETE |
| 30 | F01220022R | DADO M8X1,25 D980 8ZN | NUT M8X1,25 D980 8ZN | ECROU M8X 1,25 D980 8 ZN | MUTTER M8X 1,25 D980 8 ZN | TUERCA M8X 1,25 D980 8 ZN |
| 31 | G16630290R | SUPPORTO RUOTA 5,00-15 | WHEEL SUPPORT 5,00-15 | SUPPORT ROUE 5,00-15 | RADLAGER 5,00-15 | SOPORTE RUEDA 5,00-15 |
| 32 | G16630320R | ATTACCO AL SUPPORTO RUOTA ZN | SUPP. WHEEL COUPLING | | | |
| 33 | G19704690R | DECAL.DISP.CATENE INGR.R.POST. | DECAL.DEV.CHAIN INGR.R.POST. | | | |
| 34 | F06080168R | CATENA 5 8 ISO 10B 86 MAGLIE | CHAIN 5 8 ASA 50 L 86 LINKS | CHAINE 5 8 ASA 50 L 86 MAILLE | KETTE 5 8 ASA 50 L 86 GLIEDER | CADENA 5 8 ASA 50 L 86 ESLABO |
| 35 | F06120170R | COPERTURA 5.00-15 IM 110 6PR | TYRE 500-15 IM110 4PR | COUVERTURE 500-15 IM110 4PR | MANTEL 500-15 IM110 4PR | CUBIERTA 500-15 IM110 4PR |
| 36 | F05050025R | CAPPELOTTO PROTEZ. X VALV.PVC | PROTECTION CAP PVC X VALVA | CAPUCHON PROTECION PVC X VALVA | SCHUTZKAPPE PVC X VENTIL | TAPA PROTECCION PVC X VALVA |
| 37 | F06120206R | CERCHIO 3.00 D 15 PV RAL 9001 | RIM 3.00 D 15 PV RAL 9002 | | | |
| 38 | G22220113R | INGRANAGGIO Z-10 FERRO | GEAR Z-10 IRON | ENGRENAGE Z-10 FER | ZAHNRAD Z-10 EISEN | ENGRANAJE Z-10 HIERRO |
| 39 | G16630390R | PIGNONE Z-15 ZN | PINION Z-15 ZN | PIGNON Z-15 ZN | RITZE Z-15 ZN | PINION Z-15 ZN |
| 40 | G16630400R | PIGNONE Z-16 ZN. | PINION Z-16 ZN. | PIGNON Z-16 ZN. | RITZE Z-16 ZN. | PINION Z-16 ZN. |
| 41 | G16630410R | PIGNONE Z-23 ZN. | PINION Z-23 ZN. | PIGNON Z-23 ZN. | RITZE Z-23 ZN. | PINION Z-23 ZN. |
| 42 | G16631120R | INGRANAGGIO R.LIB. Z-23 CSK30 | FREE WHEEL GEAR Z-23 CSK30 | ENGRENAGE Z23 ROUE LIBRE CSK30 | ZAHNRAD FREILAUF Z-23 CSK30 | ENGRANAJE R.LIBRE Z-23 CSK30 |
| 43 | G16630420R | PIGNONE Z-25 ZN. | PINION Z-25 ZN. | PIGNON Z-25 ZN. | RITZE Z-25 ZN. | PINION Z-25 ZN. |
| 44 | G16630430R | PIGNONE Z-30 ZN. | PINION Z-30 ZN. | PIGNON Z-30 ZN. | RITZE Z-30 ZN. | PINION Z-30 ZN. |
| 45 | G20870028R | ASSE SERB.LATO TRAS.6F.L.1800 | AXLE- GEARBOX SIDE- 6-ROW L.18 | AXE RESERVOIR COTE ENTRAINEMEN | ACHSE BEHZLTER ANTRIEBSS. 6F.L | EJE DEP S. LADO TRANS. 6 FILA |
| 46 | G15110091R | SCONTRIO A U | CONTRA U | BRIDE 150 MM | ANSCHLAG | ELEMENTO DE EMPALME |
| 47 | F01020236R | VITE M14X2X220 U5737 8.8BR | SCR. M14X2X220 U5737 8.8BR | VIS M14X2X220 U5737 8.8 BR | SCHRAUBE M14X2X220 U5737 8.8 | TORNILLO M14X2X220 U5737 8.8 |
| 48 | F01200306R | DADO M14X2 U5588 CL8 ZN | NUT M14X2 U5588 6.8ZN | ECROU M14X2 | MUTTER M14X2 | DADO M14X2 |
| 49 | F02200452R | SPINA SCATTO D.4.4 B 80 ZN | SNAP PIN D4.4 B 80 ZN | FICHE A DETENTE D4.4 B 80 ZN | EINRASTSTIFT D4.4 B 80 ZN | CLAVIJA DE MUELLE D4,4 B 80 ZN |
| 50 | F06080245R | CATENA 5 8 ISO 10B 94 MAGLIE | CHAIN 5 8 ASA 50 L 94 LINKS | CHAINE 5 8 ASA 50 L 94 MAILLE | KETTE 5 8 ASA 50 L 94 GLIEDER | CADENA 5 8 ASA 50 L 94 ESLABO |
| 51 | F06120180R | COPERTURA 6.5-15 IM 110 6PR | TYRE 6.5-15 IM 110 6PR | | | |
| 52 | F06120400R | COPERTURA 7.50-16 IM110 8PR TU | TYRE 7.50-16 IM110 8PR TU | | | |
| 53 | G15231330R | ATTACCO AL SUPPORTO RUOTA | SUPP. WHEEL COUPLING | FIXATION SUPPORT ROUET | KUPPLUNG HALT. KL. RAD | CONEXIN SOP. RUEDECILLA |
| 54 | G15231321R | CARTER SX 7.50 | CARTER LEFT 7.50 | | | |
| 55 | G22270284R | ATTACCO RASCHIATERRA SP S | SOIL SCRAPER COUPLING SP S | FIXATION RACLEUR SP S | KUPPLUNG ERDABSCHABER SP S | CONEXI N RASPADOR SP S |

TAV. 210



| Catena Chain | Falsa maglia Offset link | Maglia giunto Connecting link |
|------------------------|-----------------------------|----------------------------------|
| | | |
| mod. mm | Cod. | Cod. |
| 083 12,90 | F06080655 (69) | F06080501 (70) |
| 084 14,60 | F06080666 (71) | F06080502 (72) |
| 10 A-1 ASA 50 20,50 | F06080644 (73) | F06080499 (74) |

- 45 - L. 1800
- 19 - L. 1000
- 15 - L. 800
- 10 - L. 1260

| | Pos. |
|----------|------|
| Z10 | 38 |
| Z15 | 39 |
| Z16 | 40 |
| Z23 | 41 |
| Z23 r.l. | 42 |
| Z25 | 43 |
| Z30 | 44 |

| Ingranaggi trasmissione seminatori | | | |
|------------------------------------|----------|----------|----------|
| A | Z16 | Z23 | Z23 |
| B | Z23 | Z16 | Z23 |
| A | Z16 | Z23 r.l. | Z23 |
| B | Z23 r.l. | Z16 | Z23 r.l. |

| Ingranaggi trasmissione spandiconcime e microgranulatore | | |
|--|-----|-----|
| A | Z10 | Z15 |
| B | Z30 | Z25 |

RUOTE DI TRASMISSIONE DRIVE WHEELS

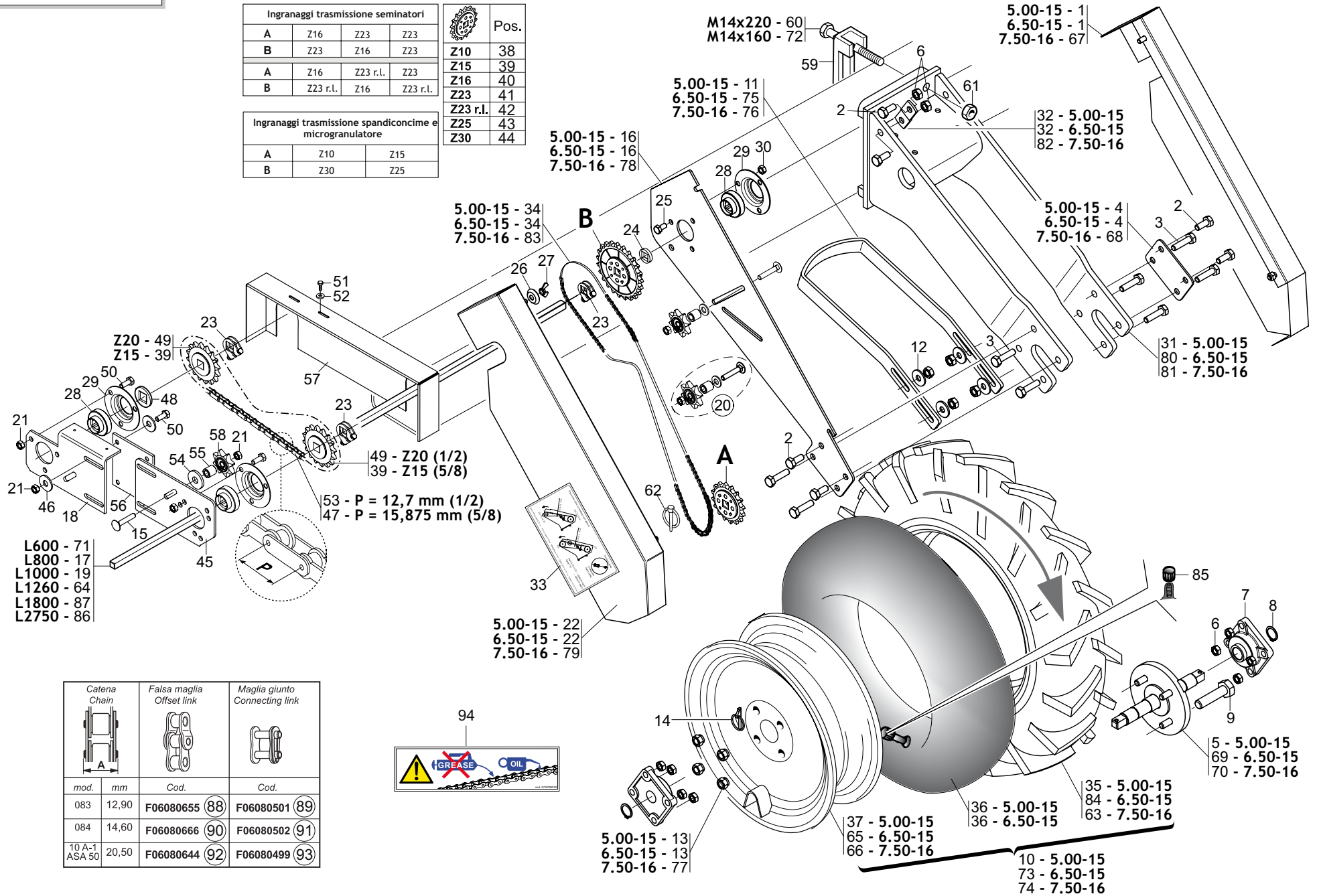
TAV. 210

| Pos. | Cod. | Descrizione | Description | Description | Benennung | Descripcion |
|------|------------|--------------------------------|--------------------------------|--------------------------------|--------------------------------|--------------------------------|
| 56 | G22270281R | ASSE RUOTA TRASM.MAGG. SP S | INCREASED DRIVE WHEEL AXLE | AXE ROUE ENTRAINEMENT 6.50-15 | RADACHSE SBERBEM. ANTRIEB SP S | EJE RUEDA TRANS. SOBREDIMENS. |
| 57 | G15231162R | ASSE RUOTA 7,50X16 | ASS. AXIS WHEEL 7,50X16 | | | |
| 58 | F06120113R | RUOTA COMPL.5.00-15 6PR DX | COMPL. WHEEL 5.00-15 6PR RH. | ROUE COMPL. 5.00-15 6PR DRT. | RAD KOMPL.5.00-15 6PR RE | RUEDA COMPL.5.00-15 6PR DER. |
| 59 | F01020225R | VITE M14X2X160 U5737 8.8BR | SCR. M14X2X160 U5737 8.8BR | VIS M 14 X160 5737 8.G | SCHRAUBE M 14 X160 5737 8.G | TORNILLO M 14 X160 5737 8.G |
| 60 | F06120116R | RUOTA GOMMATA LARGA DX COMPL. | UPLEFT- WIDE RUBBERED WHEEL | | | |
| 61 | F06120069R | RUOTA 7.50-16 AG 10 | WHEEL 7.50-16 AG10 | ROUE 7.50-16 AG10 | RAD 7.50-16 AG10 | RUEDA 7.50-16 AG10 |
| 62 | G15430660R | RASCHIATERRA MAGGIORATO SP 530 | INCREASED SOIL-SCRAPER SP 530 | RACLEUR MAJOR. SP 530 | SBERGROSSER ERDSCHABER SP 530 | RASCADOR TIERRA OBREDIMENS. SP |
| 63 | G15231171R | RASCHIATERRA RUOTA 7,50X16 | WHEEL SOIL SCRAPER 7,50X16 | RACLEUR ROUE 7,50X16 | ERDSCHABER RAD 7,50X16 | RASCADOR TIERRA RUEDA 7,50X16 |
| 64 | F01250052R | DADO COLON. 18X1,5 ZN | COLUMN NUT M18X1,5 ZN | ECROU M18X1,5 COLONNE ZN | MUTTER COLON. M18X1,5 ZN | TUERCA M18X1,5 COLUMNA ZN |
| 65 | G15231421R | SUPPORTO TRASMISSIONE R.7.5-16 | TRANSMSUPPORT 7,50X16 | SUPPORT ENTRAINEMENT 7,50X16 | HALTERUNG GETRIEBE 7,50X16 | SOPORTE TRANSMISIN 7,50X16 |
| 66 | G15231301R | CARTER DX 7.50 | RIGHT CARTER 7.50 | | | |
| 67 | G16630300R | SUPPORTO RUOTA 6,50-15 | WHEEL SUPPORT 6,50-15 | SUPPORT ROUE 6,50-15 | RADLAGER 6,50-15 | SOPORTE RUEDA 6,50-15 |
| 68 | G15231141R | SUPPORTO RUOTA 7.50 | WHEEL SUPPORT 7.50 | SUPPORT ROUE 7.50 | RADLAGER 7.50 | SOPORTE RUEDA 7.50 |
| 69 | F06080655R | FALSA MAGLIA CAT.1 2 ISO 083 | DUMMY CHAIN LINK 1 2 ISO 083 | FAUSSE MAILLE CHAINE 1 2 ISO 0 | FALSCHES GLIED 1 2 ISO 083 | ESLAB N FICTICIO CAD. 1 2 ISO |
| 70 | F06080501R | GIUNZIONE CATENA 1 2 ISO 083 | CHAIN JOINT 1 2 ISO 083 | JONCTION CHAINE 1 2 ISO 083 | KETTENVERBINDUNG 1 2 ISO 083 | UNI N CADENA 1 2 ISO 083 |
| 71 | F06080666R | FALSA MAGLIA CAT.1 2 ISO 084-1 | CHAIN EYE CAT. 1 2 ISO 084-1 | | | |
| 72 | F06080502R | GIUNZIONE CATENA 1 2 ISO 084-1 | CHAIN JUNCTION 1 2 ISO 084-1 | | | |
| 73 | F06080644R | FALSA MAGLIA CAT.5 8 ASA 50LUB | DUMMY CHAIN LINK 5 8 ASA 50LUB | FAUSSE MAILLE CHAINE ASA 50LUB | FALSCHES GLIED 5 8 ASA 50LUB | ESLAB N FICTICIO CAD.5 8 ASA50 |
| 74 | F06080499R | GIUNZIONE CATENA 5 8 ASA 50LUB | CHAIN JOINT 5 8 ASA 50LUB | JONCTIONS CHAINE 5 8 ASA 50LUB | KETTENVERBINDUNG 5 8 ASA 50LUB | UNIONES CADENA 5 8 ASA 50LUB |
| 75 | G19709030R | DECAL.OLIO CATENE | LABEL OIL CHAIN | | | |

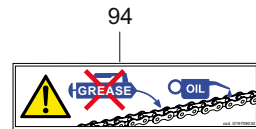
TAV. 220

| Ingranaggi trasmissione seminatori | | | | Pos. |
|------------------------------------|----------|----------|----------|-------------|
| A | Z16 | Z23 | Z23 | |
| B | Z23 | Z16 | Z23 | Z15 39 |
| A | Z16 | Z23 r.l. | Z23 | Z16 40 |
| B | Z23 r.l. | Z16 | Z23 r.l. | Z23 41 |
| | | | | Z23 r.l. 42 |
| | | | | Z25 43 |
| | | | | Z30 44 |

| Ingranaggi trasmissione spandiconcime e microgranulatore | | |
|--|-----|-----|
| A | Z10 | Z15 |
| B | Z30 | Z25 |



| Catena Chain | Falsa maglia Offset link | Maglia giunto Connecting link |
|------------------------|-----------------------------|----------------------------------|
| | | |
| mod. mm | Cod. | Cod. |
| 083 12,90 | F06080655 (88) | F06080501 (89) |
| 084 14,60 | F06080666 (90) | F06080502 (91) |
| 10 A-1 ASA 50 20,50 | F06080644 (92) | F06080499 (93) |



RUOTE DI TRASMISSIONE ANTERIORI FRONT DRIVE WHEELS

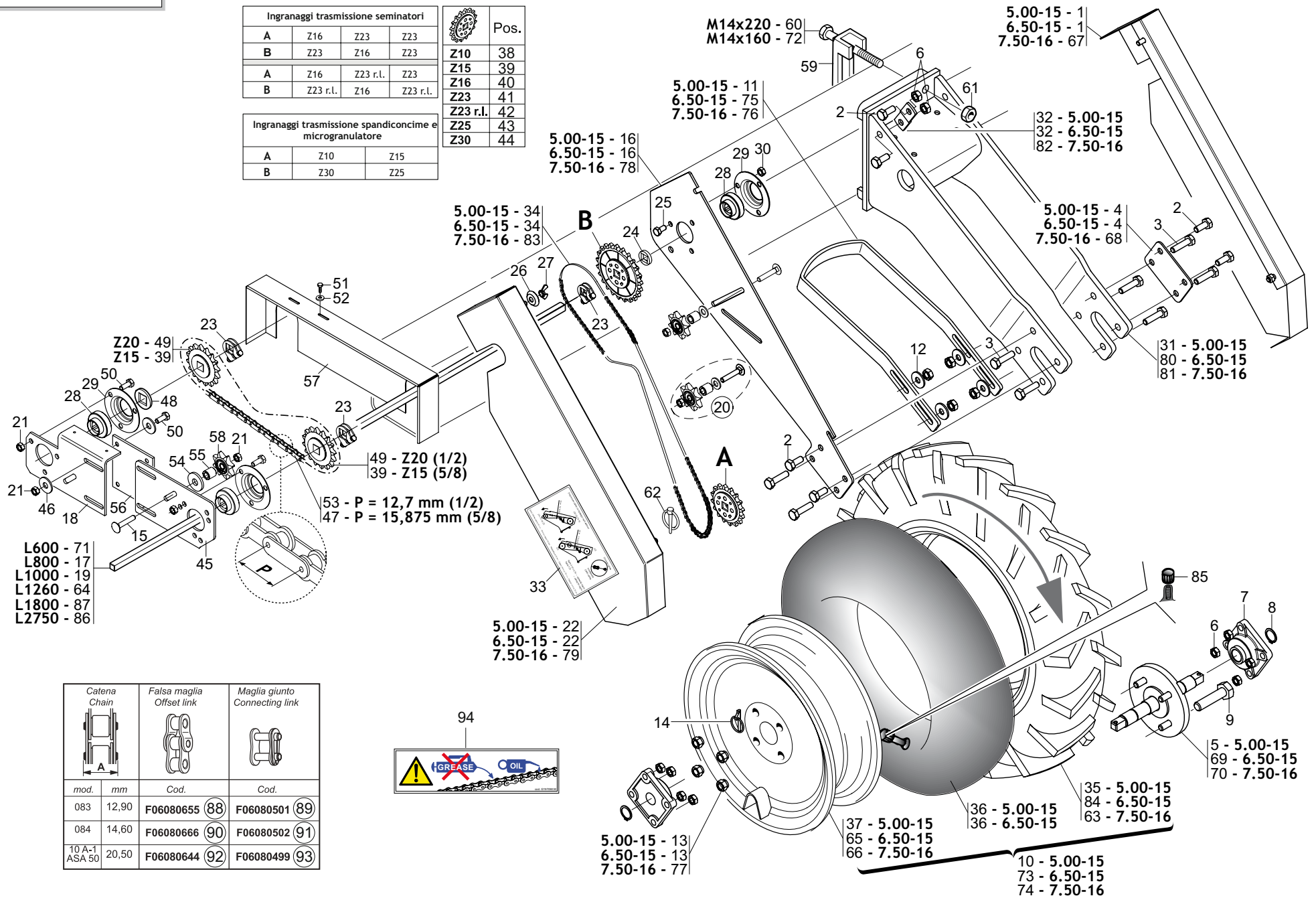
TAV. 220

| Pos. | Cod. | Descrizione | Description | Description | Benennung | Description |
|------|------------|--------------------------------|--------------------------------|--------------------------------|--------------------------------|--------------------------------|
| 1 | G16630361R | CARTER SX | LEFT PROTECTION | | | |
| 2 | F01020472R | VITE M10X1,5X25 U5739 8.8ZN | SCR. M10X1,5X25 U5739 8.8ZN | VIS M10X1,5X25 U5739 8.8 ZN | SCHRAUBE M10X1,5X25 U5739 8.8 | TORNILLO M10X1,5X25 U5739 8.8 |
| 3 | F01020483R | VITE M10X1,5X40 U5739 10.9ZD | SCR. M10X1,5X40 U5739 10.9ZD | VIS M10X1,5X40 U5739 10.9 ZD | SCHRA.M10X1,5X40 U5739 10.9 ZD | TORN. M10X1,5X40 U5739 10.9 ZD |
| 4 | G16630380R | SCONTRIO 100X70-3 4F11 70X40 | STRIKER PLATE 100X70-3 4F | BUTEE 100X70-3 4F | ANSCHLAG 100X70-3 4F | ELEMENTO DE EMPALME 100X70-3 4 |
| 5 | G22270280R | ASSE RUOTA TRASM.NORMALE SP S | NORMAL DRIVE WHEEL AXLE | AXE ROUE ENTRAINEMENT 5.00-15 | RADACHSE NORMALER ANTRIEB SP S | EJE RUEDA TRANS. NORMAL SP S |
| 6 | F01200270R | DADO M10X1,5 U5588 CL8 ZN | NUT M10X1,5 U5588 6.8ZN | ECROU M10X 1,5 U5588 6.8 ZN | MUTTER M10X 1,5 U5588 6.8 ZN | TUERCA M10X1,5 U5588 CL8 ZN |
| 7 | F04100137R | SUPPORTO FY 25 TF | SUPPORT FY 25 TF | | | |
| 8 | F02050101R | ANELLO E. DE 25X 1,2 U7435 C7 | SEEGER RING E. 25X1,2 7435 C70 | SEEGER E. 25X 1,2 U7435 C70 | SEEGERING E. 25X 1,2 U7435 C70 | ANILLO E. DE 25X 1,2 U7435 C7 |
| 9 | F01010365R | VITE M18X1,5X50 U5740 8.8ZN | SCR. M18X1,5X50 U5740 8.8ZN | VIS M18X1,5X50 U5740 8.8 ZN | SCHRAUBE 18X1,5X50 U5740 8.8ZN | TORNI. M18X1,5X50 U5740 8.8ZN |
| 10 | F06120113R | RUOTA COMPL.5.00-15 6PR DX | COMPL. WHEEL 5.00-15 6PR RH. | COMPL. WHEEL 5.00-15 6PR DRT. | RAD KOMPL.5.00-15 6PR RE | RUEDA COMPL.5.00-15 6PR DER. |
| 11 | G15430090R | RASCHIATERRA | SOIL SCRAPER | RACLEUR | ERDSCHABER | RASCADOR TIERRA |
| 12 | F01420060R | ROS.M10 10,5X 30X2,5 U6593 ZG | GALV.WASHER 10,5X30X2,5 U6593 | RONDELLE 10,5X30 | SCHEIBE 10,5X30 | ARAND.M10 10,5X 30X2,5 U6593 |
| 13 | F01250040R | DADO COLON. 12X1.5 ZN | COLUMN NUT M12X1.5 STUD BOLT | ECROU M12X1.5 5 COLONNE | SCHRAUBBOLZENMUTTER M12X1.5 | TUERCA 12X1.5 COLUMNNA |
| 14 | F02200452R | SPINA SCATTO D.4.4 B 80 ZN | SNAP PIN D4.4 B 80 ZN | FICHE A DETENTE D4.4 B 80 ZN | EINRASTSTIFT D4.4 B 80 ZN | CLAVIJA DE MUELLE D4.4 B 80 ZN |
| 15 | F01060047R | VITE M8X1,25X45 U5731 8.8ZN | SCR. M8X1,25X45 U5732 4.6ZN | VIS 8X45 5732 4.6 ZN | SCHRAUBE 8X45 5732 4.6 ZN | TORNILLO 8X45 5732 4.6 ZN |
| 16 | G16630311R | SUPPORTO TRASMISSIONE SP540 | TRASM.SUPPORT SP541 | PLATINE SUPPORT TRANSMISSION | | |
| 17 | G22230142R | ASSE 4 FILE L.800 | 4-ROW SPINDLE L.800 | AXE 4 RANGEES L. 800 | ACHSE 4 REIHEN B. 800 | EJE 4 FILAS L.800 |
| 18 | G17170150R | FIANCO SUPPORTO TRASM.SPAND. | SPREADER TRANSM. SIDE SUPPORT | | | |
| 19 | G22230138R | ASSE CAMBIO 4F.80-6F.45 L.1000 | GEAR SPINDLE 4-ROW 80- 6-ROW.4 | AXE BOITE DE VITESSE 4 RA | GETRIEBEACHSE 4 R. 80-6 R.45 L | EJE CAMBIO 4 FILAS. 80-6 FILAS |
| 20 | G16630810R | KIT INGR.Z8 5 8 X3 8 CUSC. | GEARS KIT Z8 5 8 X3 8 | KIT INGR.ZINGR.Z8 5 8 X3 8 | | KIT ENGRAN. Z8 5 8 X3 8 CUSC. |
| 21 | F01200244R | DADO M8X1,25 U5588 CL8 ZN | NUT M8X1,25 U5588 6.8ZN | ECROU M8 X1,25 U5588 6.8 ZN | MUTTER M8 X1,25 U5588 6.8 ZN | TUERCA M8X1,25 U5588 CL8 ZN |
| 22 | G16630351R | CARTER DX | RIGHT CARTER | | | |
| 23 | G22505085R | FERMO ASSE IN LAMIERA | PLATE AXLE STOP | ARRET AXE EN TOLE | FESTSTELLVORRICHTUNG BLECHACHS | BLOQUEO EJE DE CHAPA |
| 24 | G66248218R | RONDELLA DISTAN.SPAND. | MAN. SPR. SPACER WASHER | RONDELLE ENTRETOISE EP. ENGRAI | ABSTANDSCHEIBE DSNGERSTREUER | ARANDELA DISTAN.ABONAD. |
| 25 | F01020432R | VITE M8X1,25X16 U5739 8.8ZN | SCR. M8X1,25X16 U5739 8.8ZN | VIS M8 X1,25X16 U5739 8.8 ZN | SCHRAUBE M8X1,25X16U5739 8.8ZN | TORNILLO M8X1,25X16 U5739 8.8 |
| 26 | G22220083R | RONDELLA AD IMBOCCO | LEAD-IN WASHER | RONDELLE EMBOUTIE | TRICHTERSCHEIBE | ARANDELA DE MUESCA |
| 27 | F01240024R | DADO M8X1,25 U5448 5.8ZN | NUT M8X1,25 U5448 5.8ZN | ECROU 8 UNI 5448 5.8 ZN | MUTTER 8 UNI 5448 5.8 ZN | TUERCA 8 UNI 5448 5.8 ZN |
| 28 | G14830390R | CUSCINETTO FORO QUADRO | SQUARE-HOLED BEARING | ROULEMENT TROU CARRE | VIERKANTLAGER | COJINETE ORIFICIO CUADRADO |
| 29 | G22230094R | SUPPORTO CUSCINETTO | BEARING SUPPORT | SUPPORT DE ROULEMENT | LAGERBSCHSE | SOPORTE COJINETE |
| 30 | F01220022R | DADO M8X1,25 D980 8ZN | NUT M8X1,25 D980 8ZN | ECROU M8X 1,25 D980 8 ZN | MUTTER M8X 1,25 D980 8 ZN | TUERCA M8X 1,25 D980 8 ZN |
| 31 | G16630290R | SUPPORTO RUOTA 5,00-15 | WHEEL SUPPORT 5,00-15 | SUPPORT ROUE 5,00-15 | RADLAGER 5,00-15 | SOPORTE RUEDA 5,00-15 |
| 32 | G16630320R | ATTACCO AL SUPPORTO RUOTA ZN | SUPP. WHEEL COUPLING | | | |
| 33 | G19704701R | DECAL.CATENE INGR.RUOTE ANT. | STICKER | DECALCOMANIE | ABZIEHBILDER | CALCOMANIAS |
| 34 | F06080168R | CATENA 5 8 ISO 10B 86 MAGLIE | CHAIN 5 8 ASA 50 L 86 LINKS | CHAINE 5 8 ASA 50 L 86 MAILLE | KETTE 5 8 ASA 50 L 86 GLIEDER | CADENA 5 8 ASA 50 L 86 ESLABO |
| 35 | F06120170R | COPERTURA 5.00-15 IM 110 6PR | TYRE 500-15 IM110 4PR | COUVERTURE 500-15 IM110 4PR | MANTEL 500-15 IM110 4PR | CUBIERTA 500-15 IM110 4PR |
| 36 | F06120134R | CAMERA X R5.00-15 E 6.5 80-15 | INNER TUBE R5.00-15 6.5 80-15 | CHAMBRE R5.00-15 6.5 80-15 | KAMMER R5.00-15 6.5 80-15 | CAMARA R5.00-15 6.5 80-15 |
| 37 | F06120206R | CERCHIO 3.00 D 15 PV RAL 9001 | RIM 3.00 D 15 PV RAL 9002 | | | |
| 38 | G22220113R | INGRANAGGIO Z-10 FERRO | GEAR Z-10 IRON | ENGRENAGE Z-10 FER | ZAHNRAD Z-10 EISEN | ENGRANAJE Z-10 HIERRO |
| 39 | G16630390R | PIGNONE Z-15 ZN | PINION Z-15 ZN | PIGNON Z-15 ZN | RITZE Z-15 ZN | PINION Z-15 ZN |
| 40 | G16630400R | PIGNONE Z-16 ZN. | PINION Z-16 ZN. | PIGNON Z-16 ZN. | RITZE Z-16 ZN. | PINION Z-16 ZN. |
| 41 | G16630410R | PIGNONE Z-23 ZN. | PINION Z-23 ZN. | PIGNON Z-23 ZN. | RITZE Z-23 ZN. | PINION Z-23 ZN. |
| 42 | G16631120R | INGRANAGGIO R.LIB. Z-23 CSK30 | FREE WHEEL GEAR Z-23 CSK30 | ENGRENAGE Z23 ROUE LIBRE CSK30 | ZAHNRAD FREILAUF Z-23 CSK30 | ENGRANAJE R.LIBRE Z-23 CSK30 |
| 43 | G16630420R | PIGNONE Z-25 ZN. | PINION Z-25 ZN. | PIGNON Z-25 ZN. | RITZE Z-25 ZN. | PINION Z-25 ZN. |
| 44 | G16630430R | PIGNONE Z-30 ZN. | PINION Z-30 ZN. | PIGNON Z-30 ZN. | RITZE Z-30 ZN. | PINION Z-30 ZN. |
| 45 | G15470851R | FIANCO SUPP.TRASM.SPANDI | SPREADER TRANSM. SIDE SUPPORT | COTE SUPPORT TRANSM. EPAND. | SEITEN HALTER. ANTRIEB DUNGERS | COSTADO SOPORTE TRANSM. ABONAD |
| 46 | F01420048R | ROS.M8 8,4X 24X 2 U6593 ZN | WASHER M8 8,4X 24X2 U6593 ZN | RONDELLE M8 8,4X24X 2 U6593 ZN | SCHEIBEN M8 8,4X24X 2 U6593 ZN | ARAND.M8 8,4X 24X 2 U6593 ZN |
| 47 | F06080232R | CATENA 5 8 ISO 10B 58 MAGLIE | CHAIN 5 8 ASA 50 L 58 LINKS | CHAINE 5 8 ASA 50 L 58 MAILLE | KETTE 5 8 ASA 50 L 58 GLIEDER | CADENA 5 8 ASA 50 L 58 ESLABO |
| 48 | G18701650R | RONDELLA FORO QUADRO ZN | WASHER 16,5X30X2,5 SQ.HOLE GAL | RONDELLE 16,5X30X2,5 ZN | UNTERLEGSCHEIBE 16,5X30X2,5 ZN | ARANDELA 16,5X30X2,5 ZN |
| 49 | G22250007R | INGR.CON MOZZO 1 2 Z-20 SV | GEARS- W HUB 1 2 Z-20 SV | ENGRENAGE 1 2 Z-20 | ZAHNRAD MIT NABE 1 2 Z-20 SV | ENGRAN.CON PERNO 1 2 Z-20 SV |
| 50 | F01020436R | VITE M8X1,25X20 U5739 8.8ZN | SCR. M8X1,25X20 U5739 8.8ZN | VIS M8X1,25X 20 U5739 8.8 ZN | SCHRAUBE M8X1,25X20U5739 8.8ZN | TORNILLO M8X1,25X20 U5739 8.8 |
| 51 | F01070074R | VITE A4,2X1,41X25 U6954 4.8NI | SCR. H4,2X1,41X25 U6954 4.8NI | VIS 4-2X25 DIN 7981 | SCHRAUBE 4-2X25 DIN 7981 | TORNILLO 4-2X25 DIN 7981 |
| 52 | F01420011R | ROS.M4 4,3X 16X 1 U6593 ZN | FLAT WASHER 4-3X 16X1-5 6593 G | ROND.PLATE 4-3X 16X1-5 6593 ZN | SCHEIBE 4-3X 16X1-5 6593 ZN | ARAND. PLANA 4-3X 16X1-5 6593 |
| 53 | F06080038R | CATENA 1 2 ISO 083 74 MAGLIE | CHAIN 1 2 ISO 083 74 LINKS | CHAINE 1 2 ISO 083 74 MAILLES | KETTE 1 2 ISO 083 94 GLIEDER | CADENA 1 2 ISO 083 74 ESLAB NE |
| 54 | G20970012R | RONDELLA 32X4X11 | WASHER 32X4X11 | RONDELLE 32X4X11 | UNTERLEGSCHEIBE 32X4X11 | ARANDELA 32X4X11 |
| 55 | G18801520R | BOCCOLA 8,25 X15 X14 | BUSHING 8,25X15X14 | BOITE 8,25X15X14 | BSCHE 8,25X15X14 | CASQUILLO 8,25X15X14 |

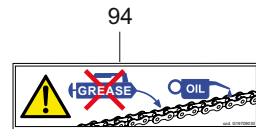
TAV. 220

| Ingranaggi trasmissione seminatori | | | | Pos. |
|------------------------------------|----------|----------|----------|-------------|
| A | Z16 | Z23 | Z23 | |
| B | Z23 | Z16 | Z23 | Z15 39 |
| A | Z16 | Z23 r.l. | Z23 | Z16 40 |
| B | Z23 r.l. | Z16 | Z23 r.l. | Z23 41 |
| | | | | Z23 r.l. 42 |
| | | | | Z25 43 |
| | | | | Z30 44 |

| Ingranaggi trasmissione spandiconcime e microgranulatore | | |
|--|-----|-----|
| A | Z10 | Z15 |
| B | Z30 | Z25 |



| Catena Chain | Falsa maglia Offset link | Maglia giunto Connecting link |
|------------------------|-----------------------------|----------------------------------|
| | | |
| mod. mm | Cod. | Cod. |
| 083 12,90 | F06080655 (88) | F06080501 (89) |
| 084 14,60 | F06080666 (90) | F06080502 (91) |
| 10 A-1 ASA 50 20,50 | F06080644 (92) | F06080499 (93) |

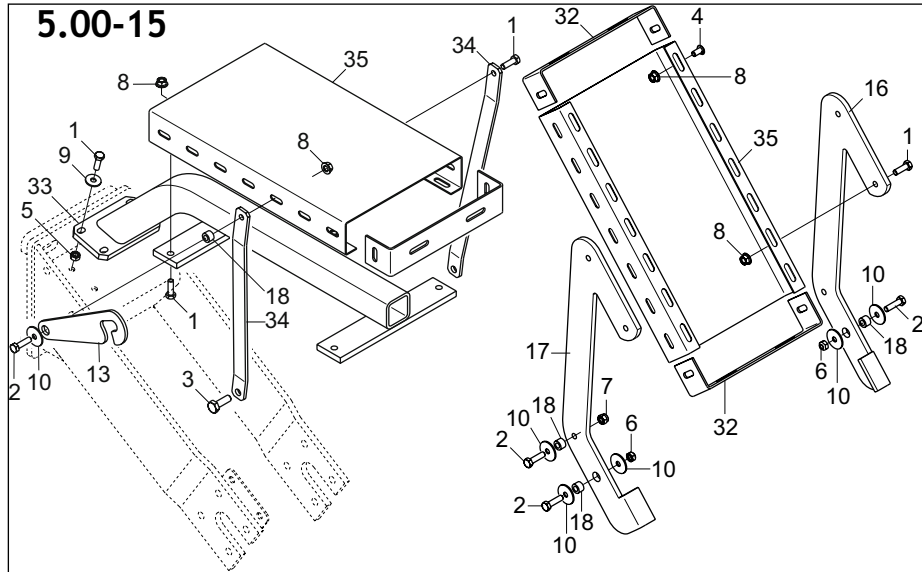


RUOTE DI TRASMISSIONE ANTERIORI FRONT DRIVE WHEELS

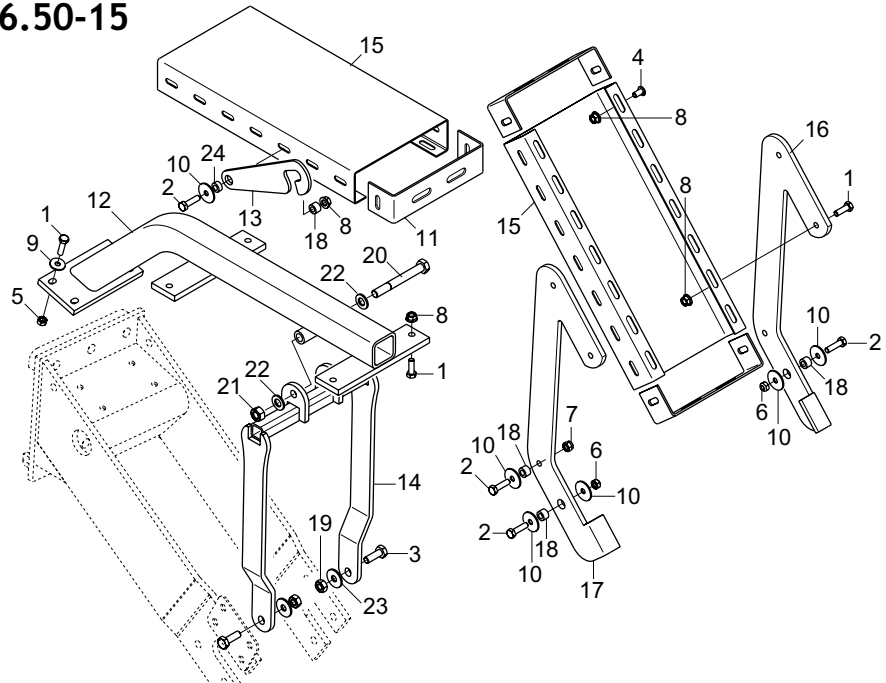
TAV. 220

| Pos. | Cod. | Descrizione | Description | Description | Benennung | Descripcion |
|------|------------|--------------------------------|--------------------------------|--------------------------------|--------------------------------|--------------------------------|
| 56 | G15272470R | PIASTRA PROLUNGA TRASM.SPAND. | TRANSMISSION EXTENSION PLATE | PLAQUE RALL. TRANSMISSION | VERL.PLATTE GETRIEBE | PLACA PROL. TRANSMISI N |
| 57 | G15473080R | CARTER RINVIO DA ANTA POST. | INTERMEDIATE CASE | CARTER TRANSMISSION | VORGELEGEGEHZUSE | C RTER TRANSMISIN C |
| 58 | G16630790R | INGR.Z8 5 8X3 8 TENDICAT.COMPL | GEAR Z8 5 8X3 8 CHAIN | | | |
| 59 | G15110091R | SCONTRO A U | CONTRA U | BRIDE 150 MM | ANSCHLAG | ELEMENTO DE EMPALME |
| 60 | F01020236R | VITE M14X2X220 U5737 8.8BR | SCR. M14X2X220 U5737 8.8BR | VIS M14X2X220 U5737 8.8 BR | SCHRAUBE M14X2X220 U5737 8.8 | TORNILLO M14X2X220 U5737 8.8 |
| 61 | F01200306R | DADO M14X2 U5588 CL8 ZN | NUT M14X2 U5588 6.8ZN | ECROU M14X2 | MUTTER M14X2 | DADO M14X2 |
| 62 | F02200452R | SPINA SCATTO D.4,4 B 80 ZN | SNAP PIN D4.4 B 80 ZN | FICHE A DETENTE D4.4 B 80 ZN | EINRASTSTIFT D4.4 B 80 ZN | CLAVIJA DE MUELLE D4,4 B 80 ZN |
| 63 | F06120400R | COPERTURA 7.50-16 IM110 8PR TU | TYRE 7.50-16 IM110 8PR TU | | | |
| 64 | G22270049R | ASSE 4F.85-6F.50 L.1260 | 4-ROW SPINDLE - 85-6-ROW-50 L. | AXE 4 RANGEES 85-6 RANGEES 50 | ACHSE 4 REIHEN 85-6 REIH. 50 | EJE 4 FILAS. 85-6 FILAS. 50 L. |
| 65 | F06120207R | CERCHIO 5J 15 H2 PV RAL 9001 | RIM 5J 15 H2 PV RAL 9001 | | | |
| 66 | F06120208R | CERCHIO 7.50-16 PV TU | RING 7.50-16 PV TU | JANTE 7.50-16 PV TU | REIFEN 7.50-16 PV TU | LLANTA 7.50-16 PV TU |
| 67 | G15231321R | CARTER SX 7.50 | CARTER LEFT 7.50 | | | |
| 68 | G15231440R | SUPP.RASCHIATERRA R.7,50 ANT. | SCRAPER SUPPORT 7,50 FRONT | SUPP. RACLE 7,50 AVANT | ERDSCHABERHALTERUNG 7,50 | SOPORTE RASCADOR 7,50 ANT. |
| 69 | G22270281R | ASSE RUOTA TRASM.MAGG. SP S | INCREASED DRIVE WHEEL AXLE | AXE ROUE ENTRAINEMENT 6.50-15 | RADACHSE SBERBEM. ANTRIEB SP S | EJE RUEDA TRANS. SOBREDIMENS. |
| 70 | G15231162R | ASSE RUOTA 7,50X16 | ASS. AXIS WHEEL 7,50X16 | | | |
| 71 | G10920410R | ASSE TRASM. L. 600 | TRANS. AXLE L.600 | AXIS TRANSMISSION L. 600 | | |
| 72 | F01020225R | VITE M14X2X160 U5737 8.8BR | SCR. M14X2X160 U5737 8.8BR | VIS M 14 X160 5737 8.G | SCHRAUBE M 14 X160 5737 8.G | TORNILLO M 14 X160 5737 8.G |
| 73 | F06120116R | RUOTA GOMMATA LARGA DX COMPL. | UPLEFT- WIDE RUBBERED WHEEL | | | |
| 74 | F06120069R | RUOTA 7.50-16 AG 10 | WHEEL 7.50-16 AG10 | ROUE 7.50-16 AG10 | RAD 7.50-16 AG10 | RUEDA 7.50-16 AG10 |
| 75 | G15430660R | RASCHIATERRA MAGGIORATO SP 530 | INCREASED SOIL-SCRAPER SP 530 | RACLEUR MAJOR. SP 530 | SBERGROSSER ERDSCHABER SP 530 | RASCADOR TIERRA OBREDIMENS. SP |
| 76 | G15231430R | RASCHIATERRA RUOTA 7,5 ANT. | FRONT SOIL-SCRAPER WHEEL 7,5 | RACLEUR ROUE AVANT 7,5 | ERDSCHABER VORDERRAD 7,5 | RASCADOR DE TIERRA RUEDA DEL. |
| 77 | F01250052R | DADO COLON. 18X1,5 ZN | COLUMN NUT M18X1,5 ZN | ECROU M18X1,5 COLONNE ZN | MUTTER COLON. M18X1,5 ZN | TUERCA M18X1,5 COLUMNA ZN |
| 78 | G15231421R | SUPPORTO TRASMISSIONE R.7.5-16 | TRANSMSUPPORT 7,50X16 | SUPPORT ENTRAINEMENT 7,50X16 | HALTERUNG GETRIEBE 7,50X16 | SOPORTE TRANSMISIN 7,50X16 |
| 79 | G15231301R | CARTER DX 7.50 | RIGHT CARTER 7.50 | | | |
| 80 | G16630300R | SUPPORTO RUOTA 6,50-15 | WHEEL SUPPORT 6,50-15 | SUPPORT ROUE 6,50-15 | RADLAGER 6,50-15 | SOPORTE RUEDA 6,50-15 |
| 81 | G15231141R | SUPPORTO RUOTA 7.50 | WHEEL SUPPORT 7.50 | SUPPORT ROUE 7.50 | RADLAGER 7.50 | SOPORTE RUEDA 7.50 |
| 82 | G15231330R | ATTACCO AL SUPPORTO RUOTA | SUPP. WHEEL COUPLING | FIXATION SUPPORT ROUET | KUPPLUNG HALT. KL. RAD | CONEXIN SOP. RUEDECILLA |
| 83 | F06080245R | CATENA 5 8 ISO 10B 94 MAGLIE | CHAIN 5 8 ASA 50 L 94 LINKS | CHAINE 5 8 ASA 50 L 94 MAILLE | KETTE 5 8 ASA 50 L 94 GLIEDER | CADENA 5 8 ASA 50 L 94 ESLABO |
| 84 | F06120180R | COPERTURA 6.5-15 IM 110 6PR | TYRE 6.5-15 IM 110 6PR | | | |
| 85 | F05050025R | CAPPELOTTO PROTEZ. X VALV.PVC | PROTECTION CAP PVC X VALVA | CAPUCHON PROTECION PVC X VALVA | SCHUTZKAPPE PVC X VENTIL | TAPA PROTECION PVC X VALVA |
| 86 | G22250275R | ASSE TRASM.SEMINAT.L.2750 SV | AXLE- SEEDING MACH. GEARBOX L. | AXE ENTRAINEMENT SEMEUR L. 275 | ACHSE SZELEMENTANTRIEB L.2750 | EJE TRANS.SEMBR. L.2750 SV |
| 87 | G20870028R | ASSE SERB.LATO TRAS.6F.L.1800 | AXLE- GEARBOX SIDE- 6-ROW L.18 | AXE RESERVOIR COTE ENTRAINEMEN | ACHSE BEHZLTER ANTRIEBSS. 6F.L | EJE DEP S. LADO TRANS. 6 FILA |
| 88 | F06080655R | FALSA MAGLIA CAT.1 2 ISO 083 | DUMMY CHAIN LINK 1 2 ISO 083 | FAUSSE MAILLE CHAINE 1 2 ISO 0 | FALSCHES GLIED 1 2 ISO 083 | ESLAB N FICTICIO CAD. 1 2 ISO |
| 89 | F06080501R | GIUNZIONE CATENA 1 2 ISO 083 | CHAIN JOINT 1 2 ISO 083 | JONCTION CHAINE 1 2 ISO 083 | KETTENVERBINDUNG 1 2 ISO 083 | UNI N CADENA 1 2 ISO 083 |
| 90 | F06080666R | FALSA MAGLIA CAT.1 2 ISO 084-1 | CHAIN EYE CAT. 1 2 ISO 084-1 | | | |
| 91 | F06080502R | GIUNZIONE CATENA 1 2 ISO 084-1 | CHAIN JUNCTION 1 2 ISO 084-1 | | | |
| 92 | F06080644R | FALSA MAGLIA CAT.5 8 ASA 50LUB | DUMMY CHAIN LINK 5 8 ASA 50LUB | FAUSSE MAILLE CHAINE ASA 50LUB | FALSCHES GLIED 5 8 ASA 50LUB | ESLAB N FICTICIO CAD.5 8 ASA50 |
| 93 | F06080499R | GIUNZIONE CATENA 5 8 ASA 50LUB | CHAIN JOINT 5 8 ASA 50LUB | JONCTIONS CHAINE 5 8 ASA 50LUB | KETTENVERBINDUNG 5 8 ASA 50LUB | UNIONES CADENA 5 8 ASA 50LUB |
| 94 | G19709030R | DECAL.OLIO CATENE | LABEL OIL CHAIN | | | |

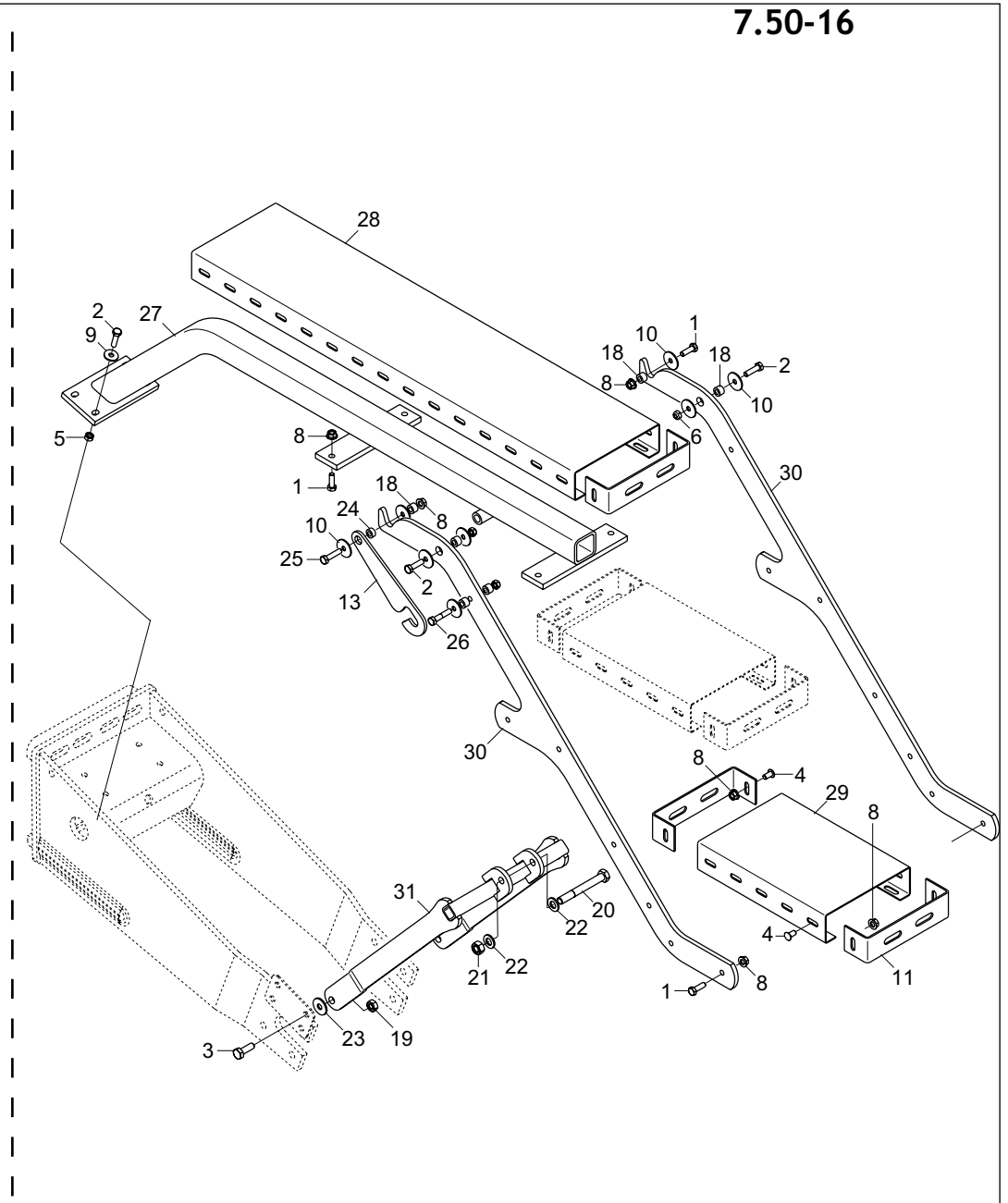
5.00-15



6.50-15



7.50-16

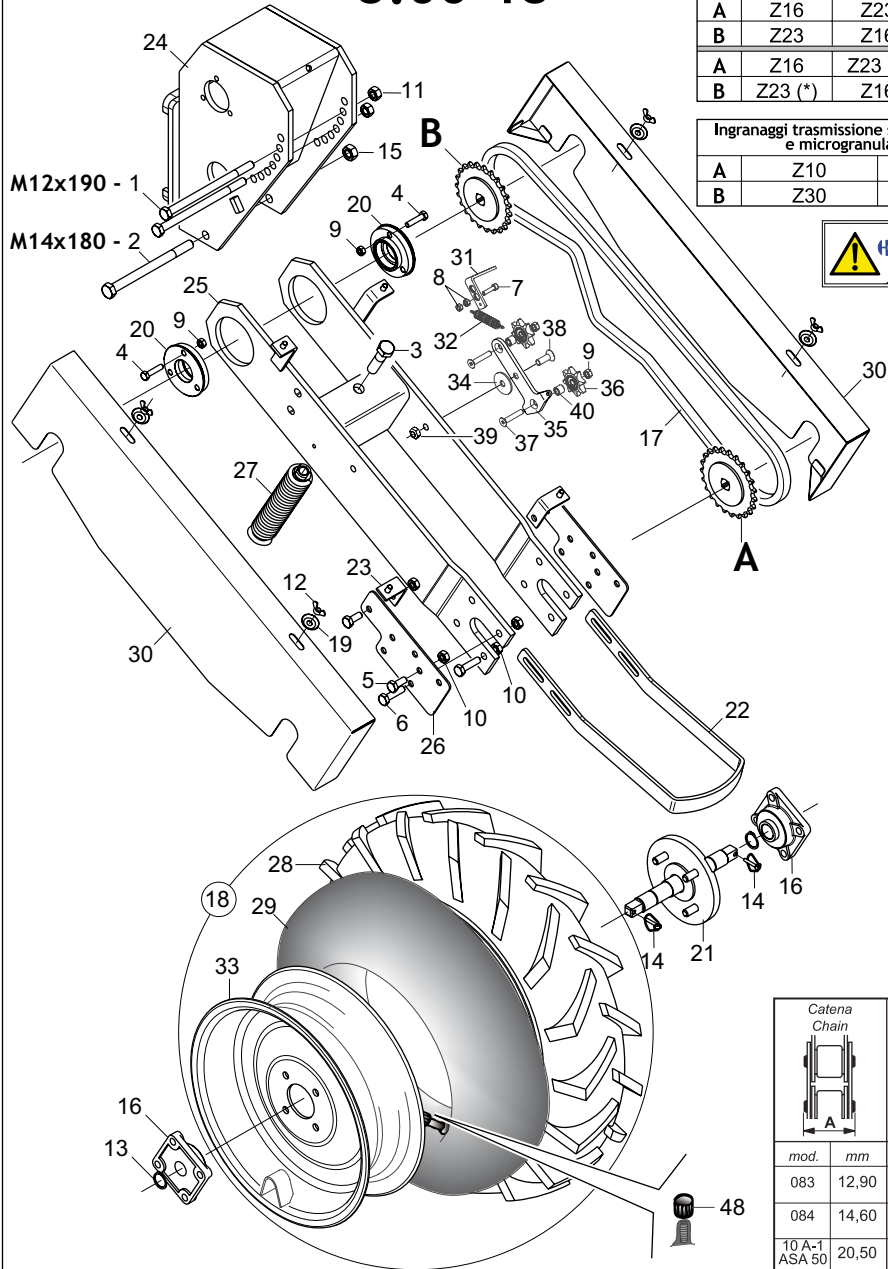


SCALETTA RUOTE PORTANTI LADDER

TAV. 231

| Pos. | Cod. | Descrizione | Description | Description | Benennung | Descripcion |
|------|------------|--------------------------------|-------------------------------|--------------------------------|--------------------------------|--------------------------------|
| 1 | F01020440R | VITE M8X1,25X25 U5739 8.8ZN | SCR. M8X1,25X25 U5739 8.8ZN | VIS M8X1,25X25 U5739 8.8 ZN | SCHRAUBE M8X1,25X25U5739 8.8ZN | TORNILLO M8X1,25X25 U5739 8.8 |
| 2 | F01020445R | VITE M8X1,25X30 U5739 8.8ZN | SCR. M8X1,25X30 U5739 8.8ZN | VIS M 8X1,25X30 U5739 8.8 ZN | SCHRAU. M8X1,25X30 U5739 8.8ZN | TORNILLO M8X1,25X30 U5739 8.8 |
| 3 | F01020476R | VITE M10X1,5X30 U5739 8.8ZN | SCR. M10X1,5X30 U5739 8.8ZN | VIS M10X1,5X30 U5739 8.8 ZN | SCHRAUBE M10X1,5X30U5739 8.8ZN | TORNILLO M10X1,5X30 U5739 8.8 |
| 4 | F01030495R | VITE TTCN 90 M8X16 ZN | TTCN 90 BOLT M8X16 GALVANIZED | VIS TTCN 90 M8X16 ZN | SCHRAUBE TTCN 90 M8X16 ZN | TORNILLO TTCN 90 M8X16 ZN |
| 5 | F01200244R | DADO M8X1,25 U5588 CL8 ZN | NUT M8X1,25 U5588 6.8ZN | ECROU M8 X1,25 U5588 6.8 ZN | MUTTER M8 X1,25 U5588 6.8 ZN | TUERCA M8X1,25 U5588 CL8 ZN |
| 6 | F01220022R | DADO M8X1,25 D980 8ZN | NUT M8X1,25 D980 8ZN | ECROU M8X 1,25 D980 8 ZN | MUTTER M8X 1,25 D980 8 ZN | TUERCA M8X 1,25 D980 8 ZN |
| 7 | F01230034R | DADO M8X1,25 D982 8ZN | NUT M8X1,25 D982 8ZN | ECROU M8X 1,25 ZN | MUTTER M8X 1,25 D982 8 ZN | TUERCA M8X1,25 D982 8 |
| 8 | F01260043R | DADO M8 D6923 8.8ZN | NUT M8 D6923 8.8ZN | ECROU BRIDE .M8 DIN 6923 8.8 Z | GEFLANSCHTE MUTTER M8 DIN6923 | TUERCA BRIDA M8 DIN 6923 8.8 Z |
| 9 | F01420048R | ROS.M8 8,4X 24X 2 U6593 ZN | WASHER M8 8,4X 24X2 U6593 ZN | RONDELLE M8 8,4X24X 2 U6593 ZN | SCHEIBEN M8 8,4X24X 2 U6593 ZN | ARAND.M8 8,4X 24X 2 U6593 ZN |
| 10 | F01420049R | ROS.M8 8,4X 32X 2 U6593 ZN | WASHER M8 8,4X32X2 U6593 ZN | RONDELLA M8 8,4X32X2 U6593 ZN | SCHEIBE M8 8,4X32X2 U6593 ZN | ARAND.M8 8,4X 32X 2 U6593 ZN |
| 11 | G15276640R | TERMINALE PEDANA 200 ZN | GALVANIZED PLATFORM END | | | |
| 12 | G15276690R | SUPPORTO PEDANA R.5.0 6.5 | PLATFORM SUPPORT R.5.0 6.5 | | | |
| 13 | G15171900R | FERMO SCALETTA R5-R6 ZN | LADDER STOP W5-W6 GALV. | | | |
| 14 | G15276701R | SUPPORTO POST.SCALETTA R.5 6.5 | REAR STAIRS SUPPORT R.5 6.5 | | | |
| 15 | G15276680R | PEDANA 200 X 420 X 58 SP2 ZN | PLATFORM 200X420X58 SP2 | | | |
| 16 | G16013500R | SUPPORTO DX PEDANA | RH FOOTPLATE SUPPORT | SUPPORT DRT. MARCHEPIED | RE TRITTBRETTHALTERUNG | SOPORTE DER. PLATAFORMA |
| 17 | G16013510R | SUPPORTO SX PEDANA | LH FOOTPLATE SUPPORT | SUPPORT GCH.MARCHEPIED | TRITTBRETTHALTERUNG LI | SOPORTE IZQ. PLATAFORMA |
| 18 | G18801580R | BOCCOLA 8,5 X15 X10 | BUSH 8.5 X15 X10 | DOUILLE 8,5 X15 X10 | BUCHSE 8,5 X15 X10 | MANGUITO 8,5 X15 X10 |
| 19 | F01200270R | DADO M10X1,5 U5588 CL8 ZN | NUT M10X1,5 U5588 6.8ZN | ECROU M10X 1,5 U5588 6.8 ZN | MUTTER M10X 1,5 U5588 6.8 ZN | TUERCA M10X1,5 U5588 CL8 ZN |
| 20 | F01020170R | VITE M12X1,75X100 U5737 8.8ZN | SCR. M12X1,75X100 U5737 8.8ZN | VIS M12X1,75X100 5737 8.8 ZN | SCHRA.M12X1,75X100 5737 8.8 ZN | TORN. M12X1,75X100 5737 8.8 ZN |
| 21 | F01200293R | DADO M12X1,75 U5588 CL8 ZN | NUT M12X1,75 U5588 6S ZN | ECROU M12X1,75 U5588 6S ZN | MUTTER M12X1,75 U5588 6S ZN | TUERCA M12X1,75 U5588 CL8 ZN |
| 22 | F01410076R | ROS.M12 13X 24X2,5 U6592 ZN | WASHER 12 13X 24X2,5 U6592 ZN | RONDEL. M12 13X24X2,5 U6592 ZN | SCHEIBE M12 13X24X2,5 U6592 ZN | ARAND.M12 13X 24X2,5 U6592 ZN |
| 23 | F01420060R | ROS.M10 10,5X 30X2,5 U6593 ZG | GALV.WASHER 10,5X30X2,5 U6593 | RONDELLE 10,5X30 | SCHEIBE 10,5X30 | ARAND.M10 10,5X 30X2,5 U6593 |
| 24 | G20980050R | BOCCOLA 15X7X8,5 ZN | BUSHING 15X7X8-5 ZN | BOITE 15X7X8-5 ZN | BSCHESE 15X7X8-5 ZN | CASQUILLO 15X7X8-5 ZN |
| 25 | F01020449R | VITE M8X1,25X35 U5739 8.8ZN | SCR. M8X1,25X35 U5739 8.8ZN | VIS M8X1,25X35 U5739 8.8ZN | SCHRA. M8X1,25X35 U5739 8.8ZN | TORN. M8X1,25X35 U5739 8.8ZN |
| 26 | F01020068R | VITE M8X1,25X40 U5737 8.8ZN | SCR. M8X1,25X40 U5737 8.8ZN | VIS M 8X1,25X40 U5737 8.8 ZN | SCHRA. M8X1,25X40 U5737 8.8 ZN | TORNILLO M8X1,25X40 U5737 8.8 |
| 27 | G15276610R | SUPPORTO PEDANA RUOTA 7.50 | PLATFORM SUPPORT | | | |
| 28 | G15276630R | PEDANA 200 X 900 X 58 SP2 ZN | PLATFORM 200X900X58 SP2 | | | |
| 29 | G15276650R | PEDANA 200 X 300 X 58 SP2 ZN | PLATFORM 200X300X58 SP2 | | | |
| 30 | G15171782R | FIANCO SUPPORTO PEDANE | PLATFORM SUPPORT | | | |
| 31 | G15276560R | SUPPORTO POST.SCALETTA R7,50 | REAR STAIRS SUPPORT R7,50 | | | |
| 32 | G07000379R | TERMINALE PEDANA ZN | GALVANIZED PLATFORM END | PIECE TERMINALE MARCHEPIED ZN | LAUFSTEGABSCHLUSS ZN | TERMINAL PLATAFORMA ZN |
| 33 | G15171840R | SUPPORTO SCALETTA R.5 6,5 | STEP LADDER SUPPORT W.5 6,5 | SUPPORT ECHELLE R.5 6,5 | STUFENHALTERUNG R.5 6,5 | SOPORTE ESCALERILLA R.5 6,5 |
| 34 | G15211540R | SUPPORTO SX SCALETTA | LEFT RAMP SUPPORT | SUPPORT GCH | HALTERUNG LI | SOPORTE IZQ |
| 35 | G15312290R | GRADINO | STEP | MARCHE | STUFE | ESCAL N |

5.00-15



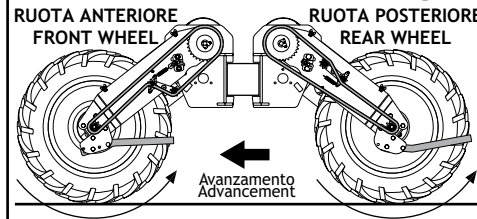
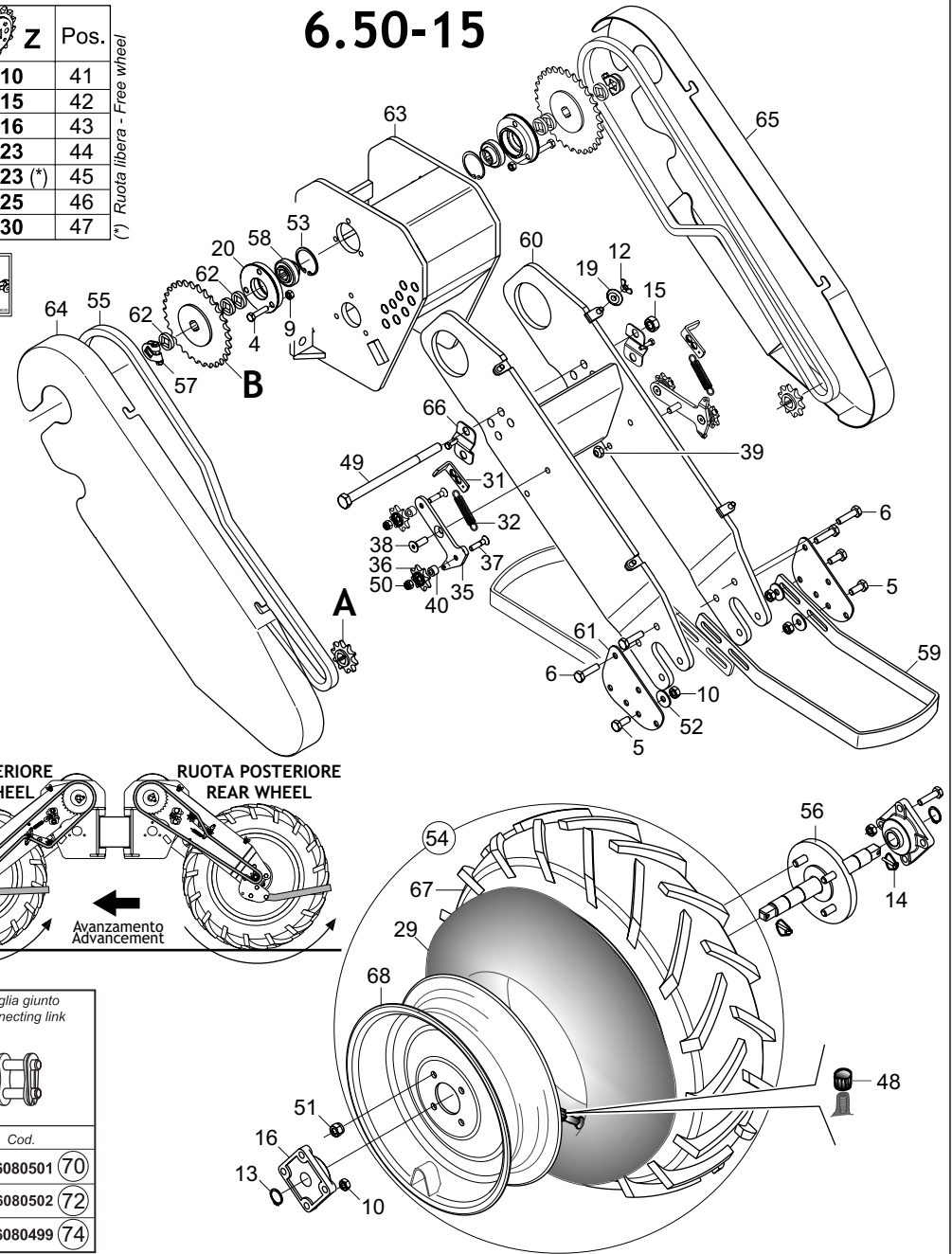
| Ingranaggi trasmissione seminatori | | | | Z | Pos. |
|--|---------|---------|---------|---------|------|
| A | Z16 | Z23 | Z23 | | |
| B | Z23 | Z16 | Z23 | Z15 | 42 |
| A | Z16 | Z23 (*) | Z23 | Z16 | 43 |
| B | Z23 (*) | Z16 | Z23 (*) | Z23 | 44 |
| Ingranaggi trasmissione spandiconcime e microgranulatore | | | | Z23 (*) | 45 |
| A | Z10 | Z15 | | Z25 | 46 |
| B | Z30 | Z25 | | Z30 | 47 |

(*) Ruota libera - Free wheel



75

6.50-15



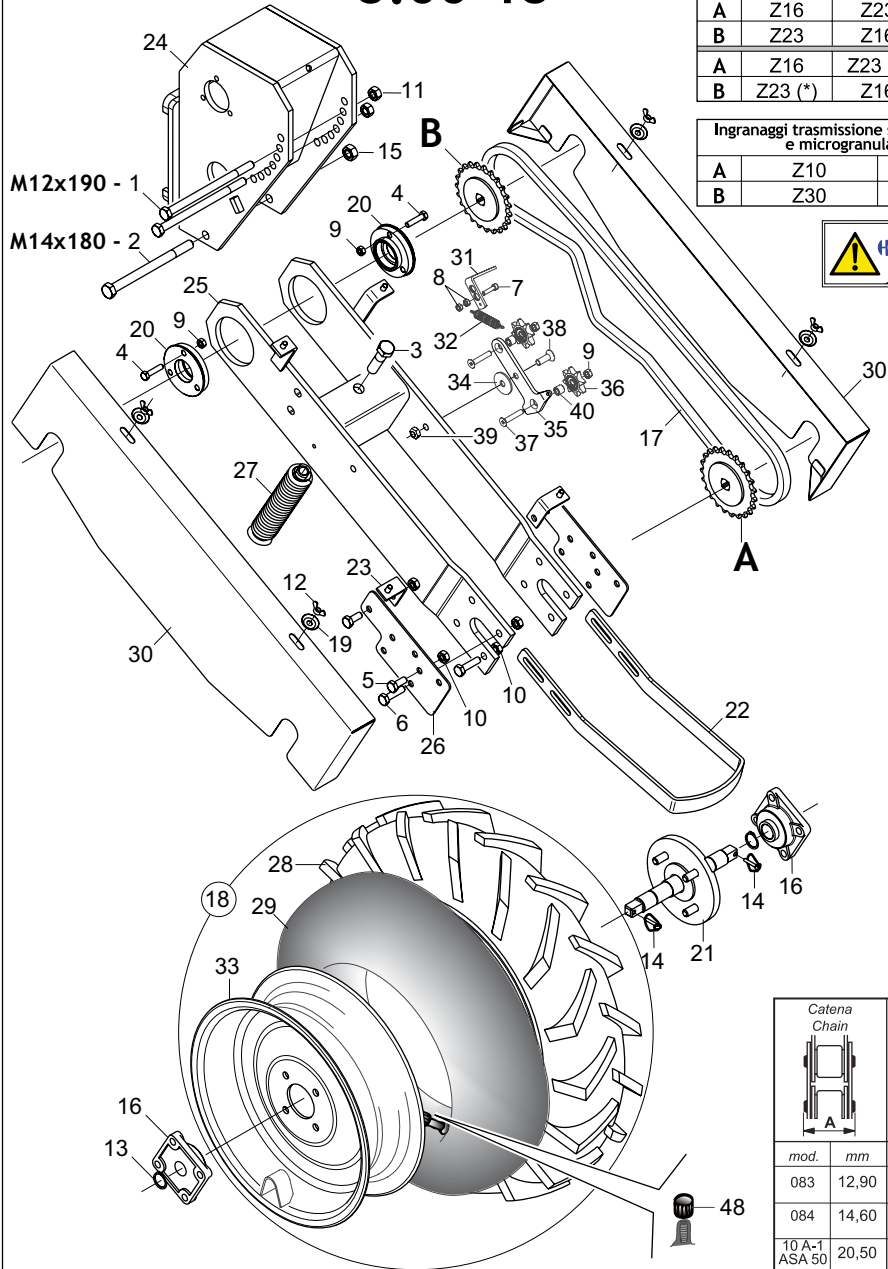
| Catena Chain | | Falsa maglia Offset link | Maglia giunto Connecting link |
|---------------|-------|--------------------------|-------------------------------|
| mod. | mm | Cod. | Cod. |
| 083 | 12,90 | F06080655 (69) | F06080501 (70) |
| 084 | 14,60 | F06080666 (71) | F06080502 (72) |
| 10 A-1 ASA 50 | 20,50 | F06080644 (73) | F06080499 (74) |

RUOTE REGOLABILI ADJUSTABLE DRIVE WHEELS

TAV. 240

| Pos. | Cod. | Descrizione | Description | Description | Benennung | Descripcion |
|------|------------|--------------------------------|--------------------------------|--------------------------------|--------------------------------|--------------------------------|
| 1 | F01020187R | VITE M12X1,75X190 U5737 8.8ZN | SCR. M12X1,75X190 U5737 8.8ZN | VIS M12X1,75X190 U5737 8.8ZN | SCHRA.M12X1,75X190 U5737 8.8ZN | TORN. M12X1,75X190 U5737 8.8ZN |
| 2 | F01020229R | VITE M14X2X180 U5737 8.8BR | SCR. M14X2X180 U5737 8.8BR | VIS 14X180 5737 8.G | SCHRAUBE 14X180 5737 8.G | TORNILLO 14X180 5737 8.G |
| 3 | F01020256R | VITE M16X2X60 U5737 8.8ZN | SCR. M16X2X60 U5737 8.8ZN | VIS M16X 2X60 U5737 8.8 ZN | SCHRAUBE M16X2X60 U5737 8.8 ZN | TORNILLO M16X2X60 U5737 8.8Z |
| 4 | F01020449R | VITE M8X1,25X35 U5739 8.8ZN | SCR. M8X1,25X35 U5739 8.8ZN | VIS M8X1,25X35 U5739 8.8ZN | SCHRA. M8X1,25X35 U5739 8.8ZN | TORN. M8X1,25X35 U5739 8.8ZN |
| 5 | F01020472R | VITE M10X1,5X25 U5739 8.8ZN | SCR. M10X1,5X25 U5739 8.8ZN | VIS M10X1,5X25 U5739 8.8 ZN | SCHRAUBE M10X1,5X25 U5739 8.8 | TORNILLO M10X1,5X25 U5739 8.8 |
| 6 | F01020483R | VITE M10X1,5X40 U5739 10.9ZD | SCR. M10X1,5X40 U5739 10.9ZD | VIS M10X1,5X40 U5739 10.9 ZD | SCHRA.M10X1,5X40 U5739 10.9 ZD | TORN. M10X1,5X40 U5739 10.9 ZD |
| 7 | F01040064R | VITE M6X1X25 U5931 8.8ZN | SCREW M6X1X25 U5931 8.8ZN | VIS M6X1X25 U5931 8.8ZN | SCHRAUBE M6X1X25 U5931 8.8ZN | TORNILLO M6X1X25 U5931 8.8ZN |
| 8 | F01200232R | DADO M6X1 U5588 CL8 ZN | NUT M6X1 U5588 6.8ZN | ECROU 6 UNI 5588 6.8 ZN | MUTTER 6 UNI 5588 6.8 ZN | TUERCA M6X1 U5588 CL8 ZN |
| 9 | F01200244R | DADO M8X1,25 U5588 CL8 ZN | NUT M8X1,25 U5588 6.8ZN | ECROU M8 X1,25 U5588 6.8 ZN | MUTTER M8 X1,25 U5588 6.8 ZN | TUERCA M8X1,25 U5588 CL8 ZN |
| 10 | F01200270R | DADO M10X1,5 U5588 CL8 ZN | NUT M10X1,5 U5588 6.8ZN | ECROU M10X 1,5 U5588 6.8 ZN | MUTTER M10X 1,5 U5588 6.8 ZN | TUERCA M10X1,5 U5588 CL8 ZN |
| 11 | F01200293R | DADO M12X1,75 U5588 CL8 ZN | NUT M12X1,75 U5588 6S ZN | ECROU M12X1,75 U5588 6S ZN | MUTTER M12X1,75 U5588 6S ZN | TUERCA M12X1,75 U5588 CL8 ZN |
| 12 | F01240024R | DADO M8X1,25 U5448 5.8ZN | NUT M8X1,25 U5448 5.8ZN | ECROU 8 UNI 5448 5.8 ZN | MUTTER 8 UNI 5448 5.8 ZN | TUERCA 8 UNI 5448 5.8 ZN |
| 13 | F02050101R | ANELLO E. DE 25X 1,2 U7435 C7 | SEEGER RING E. 25X1,2 7435 C70 | SEEGER E. 25X 1,2 U7435 C70 | SEEGERING E. 25X 1,2 U7435 C70 | ANILLO E. DE 25X 1,2 U7435 C7 |
| 14 | F02200452R | SPINA SCATTO D.4.4 B 80 ZN | SNAP PIN D4.4 B 80 ZN | FICHE A DETENTE D4.4 B 80 ZN | EINRASTSTIFT D4.4 B 80 ZN | CLAVIJA DE MUELLE D4.4 B 80 ZN |
| 15 | F01200306R | DADO M14X2 U5588 CL8 ZN | NUT M14X2 U5588 6.8ZN | ECROU M14X2 | MUTTER M14X2 | DADO M14X2 |
| 16 | F04100137R | SUPPORTO FY 25 TF | SUPPORT FY 25 TF | | | |
| 17 | F06080170R | CATENA 5 8 ASA 50 L 98 MAGLIE | CHAIN 5 8 ASA 50 L 98 LINKS | CHAINE 5 8 ASA 50 L 98 MAILLE | KETTE 5 8 ASA 50 L 98 GLIEDER | CADENA 5 8 ASA 50 L 98 ESLABO |
| 18 | F06120113R | RUOTA COMPL.5.00-15 6PR DX | COMPL. WHEEL 5.00-15 6PR RH. | ROUE COMPL. 5.00-15 6PR DRT. | RAD KOMPL.5.00-15 6PR RE | RUEDA COMPL.5.00-15 6PR DER. |
| 19 | G22220083R | RONDELLA AD IMBOCCO | LEAD-IN WASHER | RONDELLE EMBOUTIE | TRICHTERSCHEIBE | ARANDELA DE MUESCA |
| 20 | G22310011R | FLANGIA CAMBIO DP | GEARBOX FLANGE DP | BRIDE BOITE DE VITESSE DP | FLANSCH GETRIEBE DP | BRIDA CAMBIO DP |
| 21 | G22270280R | ASSE RUOTA TRASM.NORMALE SP S | NORMAL DRIVE WHEEL AXLE | AXE ROUE ENTRAINEMENT 5.00-15 | RADACHSE NORMALER ANTRIEB SP S | EJE RUEDA TRANS. NORMAL SP S |
| 22 | G15430090R | RASCHIATERRA | SOIL SCRAPER | RACLEUR | ERDSCHABER | RASCADOR TIERRA |
| 23 | G15430110R | SUPPORTO CARTER | CASE SUPPORT | SUPPORT CARTER | HALTERUNG GEHZUSE | SOPORTE C RTER |
| 24 | G15430751R | ATTACCO RUOTE REGOLABILI | ADJUSTABLE WHEELS COVER | FIXATION ROUES REGLABLES | REGULIERBARE RADKUPPLUNG | CONEXI N RUEDAS REGULABLES |
| 25 | G15430780R | SUPPORTO RUOTA REGOLABILE | ADJUSTABLE WHEEL SUPPORT | SUPPORT ROUE REGLABLE | REGULIARBARES RADLAGER | SOPORTE RUEDA REGULABLE |
| 26 | G15430930R | SUPPORTO RASCHIATERRA | SOIL SCRAPER SUPPORT | SUPPORT RACLEUR | HALTERUNG ERDSCHABER | SOPORTE RASCADOR TIERRA |
| 27 | G15431180R | MOLLA RUOTE REGOLABILI | ADJUSTABLE WHEEL SPRING | RESSORT ROUES REGLABLES | FEDER EINSTELLB. RZDER | MUELLE RUOTAS REGULABLES |
| 28 | F06120170R | COPERTURA 5.00-15 IM 110 6PR | TYRE 500-15 IM110 4PR | COUVERTURE 500-15 IM110 4PR | MANTEL 500-15 IM110 4PR | CUBIERTA 500-15 IM110 4PR |
| 29 | F06120134R | CAMERA X R5.00-15 E 6.5 80-15 | INNER TUBE R5.00-15 6.5 80-15 | CHAMBRE R5.00-15 6.5 80-15 | KAMMER R5.00-15 6.5 80-15 | CAMARA R5.00-15 6.5 80-15 |
| 30 | G16630770R | CARTER RUOTE REGOLAB. | ADJUSTABLE WHEEL CASE | | | |
| 31 | G17130140R | LEVA CAMBIO | GEAR LEVER | LEVIER BOITE DE VITESSE | GETRIEBE HEBEL | PALANCA DE CAMBIO |
| 32 | G18902970R | MOLLA TRAZ.CAMBIO ZN SP | GALVAN. GEAR TRACT. SPRING SP | RESS. TRACT. BOITE VITESSE ZN | ZUGFEDER GETRIEBE ZN SP | MUELLE TRAC. CAMBIO ZN SP |
| 33 | F06120206R | CERCHIO 3.00 D 15 PV RAL 9001 | RIM 3.00 D 15 PV RAL 9002 | | | |
| 34 | F01420061R | ROS.M10 10,5X 40X2,5 U6593 ZN | WASHER 11X40X2,5 6593 ZN | RONDELLE 11X40X2,5 6593 ZN | UNTERLEGSCHIEBE 11X40X2,5 6593 | ARANDELA 11X40X2,5 6593 ZN |
| 35 | G15830460R | TENDICATENA SEM. R ZN | SEEDER CHAIN TIGHTENER R | TENDEUR DE CHAINE SEMEUR R | KETTENSANNER SZELEMENT R | TENSOR DE CADENA SEMBRADOR R |
| 36 | G16630790R | INGR.Z8 5 8X3 8 TENDICAT.COMPL | GEAR Z8 5 8X3 8 CHAIN | | | |
| 37 | F01030060R | VITE M8X1,25X35 U5933 10.9ZD | SCREW M8X1,25X35 U5933 10.9ZD | VIS M8X1,25X35 U5933 10.9ZD | SCHRA.M8X1,25X35 U5933 10.9ZD | TORNILLO M8X1,25X35 U5933 10.9 |
| 38 | F01030096R | VITE M10X1,5X30 U5933 10.9ZN | SCR. M10X1,5X30 U5933 10.9ZN | | | |
| 39 | F01220033R | DADO M10X1,5 D980 8ZN | NUT M10X1,5 D980 8ZN | ECROU M10X1,5 D980 8ZN | MUTTER M10X1,5 D980 8ZN | TUERCA M10X1,5 D980 8 |
| 40 | G18801580R | BOCCOLA 8,5 X15 X10 | BUSH 8.5 X15 X10 | DOUILLE 8,5 X15 X10 | BUCHSE 8,5 X15 X10 | MANGUITO 8,5 X15 X10 |
| 41 | G22220113R | INGRANAGGIO Z-10 FERRO | GEAR Z-10 IRON | ENGRENAGE Z-10 FER | ZAHNRAD Z-10 EISEN | ENGRANAJE Z-10 HIERRO |
| 42 | G16630390R | PIGNONE Z-15 ZN | PINION Z-15 ZN | PIGNON Z-15 ZN | RITZE Z-15 ZN | PINION Z-15 ZN |
| 43 | G16630400R | PIGNONE Z-16 ZN. | PINION Z-16 ZN. | PINION Z-16 ZN. | RITZE Z-16 ZN. | PINION Z-16 ZN. |
| 44 | G16630410R | PIGNONE Z-23 ZN. | PINION Z-23 ZN. | PINION Z-23 ZN. | RITZE Z-23 ZN. | PINION Z-23 ZN. |
| 45 | G16631120R | INGRANAGGIO R.LIB. Z-23 CSK30 | FREE WHEEL GEAR Z-23 CSK30 | ENGRENAGE Z23 ROUE LIBRE CSK30 | ZAHNRAD FREILAUF Z-23 CSK30 | ENGRANAJE R.LIBRE Z-23 CSK30 |
| 46 | G16630420R | PIGNONE Z-25 ZN. | PINION Z-25 ZN. | PIGNON Z-25 ZN. | RITZE Z-25 ZN. | PINION Z-25 ZN. |
| 47 | G16630430R | PIGNONE Z-30 ZN. | PINION Z-30 ZN. | PIGNON Z-30 ZN. | RITZE Z-30 ZN. | PINION Z-30 ZN. |
| 48 | F05050025R | CAPPELOTTO PROTEZ. X VALV.PVC | PROTECTION CAP PVC X VALVA | CAPUCHON PROTECION PVC X VALVA | SCHUTZKAPPE PVC X VENTIL | TAPA PROTECION PVC X VALVA |
| 49 | F01020236R | VITE M14X2X220 U5737 8.8BR | SCR. M14X2X220 U5737 8.8BR | VIS M14X2X220 U5737 8.8 BR | SCHRAUBE M14X2X220 U5737 8.8 | TORNILLO M14X2X220 U5737 8.8 |
| 50 | F01230034R | DADO M8X1,25 D982 8ZN | NUT M8X1,25 D982 8ZN | ECROU M8X 1,25 ZN | MUTTER M8X 1,25 D982 8 ZN | TUERCA M8X1,25 D982 8 |
| 51 | F01250040R | DADO COLON. 12X1.5 ZN | COLUMN NUT M12X1.5 STUD BOLT | ECROU M12X1. 5 COLONNE | SCHRAUBBOLZENMUTTER M12X1.5 | TUERCA 12X1.5 COLUMNA |
| 52 | F01420060R | ROS.M10 10,5X 30X2,5 U6593 ZG | GALV.WASHER 10,5X30X2,5 U6593 | RONDELLE 10,5X30 | SCHIEBE 10,5X30 | ARAND.M10 10,5X 30X2,5 U6593 |
| 53 | F02050370R | ANELLO E. DI 47X1,75 U7437 C70 | SEEGER RING 47X 1,75 U7437 C70 | SEEGER E. 47X 1,75 U7437 C70 | SEEGERING E. 47X1,75 U7437 C70 | ANILLO E. 47X 1,75 U7437 C70 |
| 54 | F06120116R | RUOTA GOMMATA LARGA DX COMPL. | UPLEFT- WIDE RUBBERED WHEEL | | | |
| 55 | F06080176R | CATENA 5 8 ISO 10B 102 MAGLIE | CHAIN 5 8 ASA 50 L 102 LINKS | CHAINE 5 8 ASA 50 L 102 MAILLE | KETTE 5 8 ASA 50 L 102 GLIEDER | CADENA 5 8 ASA 50 L 102 ESLABO |

5.00-15

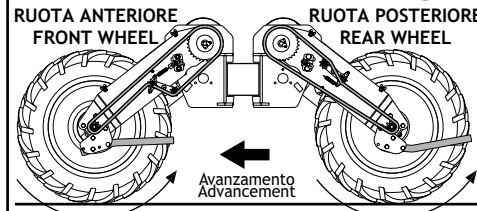
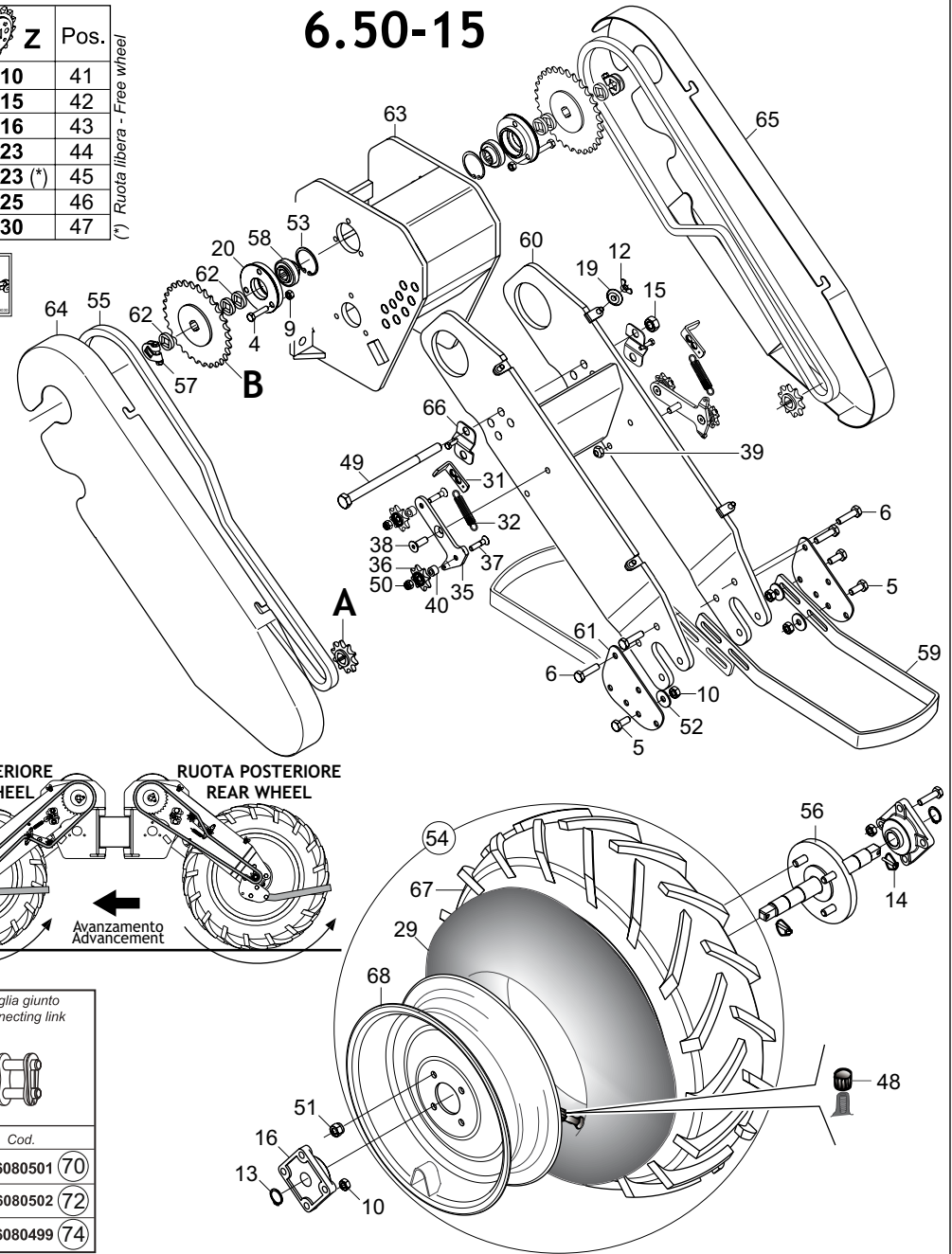


| Ingranaggi trasmissione seminatori | | | | Z | Pos. |
|--|---------|---------|---------|----------------|------|
| A | Z16 | Z23 | Z23 | | |
| B | Z23 | Z16 | Z23 | Z15 | 42 |
| A | Z16 | Z23 (*) | Z23 | Z16 | 43 |
| B | Z23 (*) | Z16 | Z23 (*) | Z23 | 44 |
| Ingranaggi trasmissione spandiconcime e microgranulatore | | | | Z23 (*) | 45 |
| A | Z10 | Z15 | | Z25 | 46 |
| B | Z30 | Z25 | | Z30 | 47 |

(*) Ruota libera - Free wheel



6.50-15

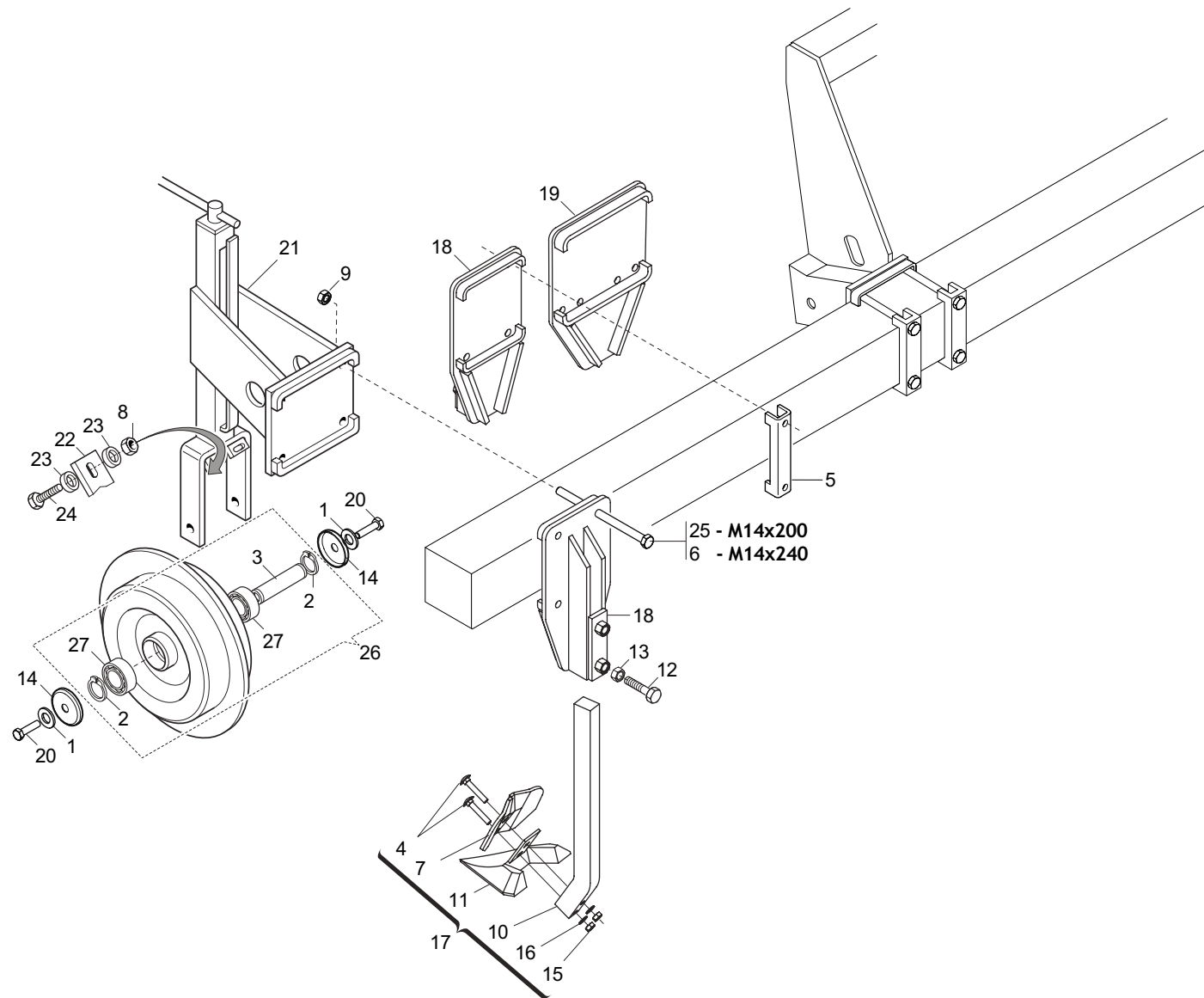


| Catena Chain | | Falsa maglia Offset link | Maglia giunto Connecting link |
|---------------|-------|--------------------------|-------------------------------|
| mod. | mm | Cod. | Cod. |
| 083 | 12,90 | F06080655 (69) | F06080501 (70) |
| 084 | 14,60 | F06080666 (71) | F06080502 (72) |
| 10 A-1 ASA 50 | 20,50 | F06080644 (73) | F06080499 (74) |

**RUOTE REGOLABILI
ADJUSTABLE DRIVE WHEELS**

TAV. 240

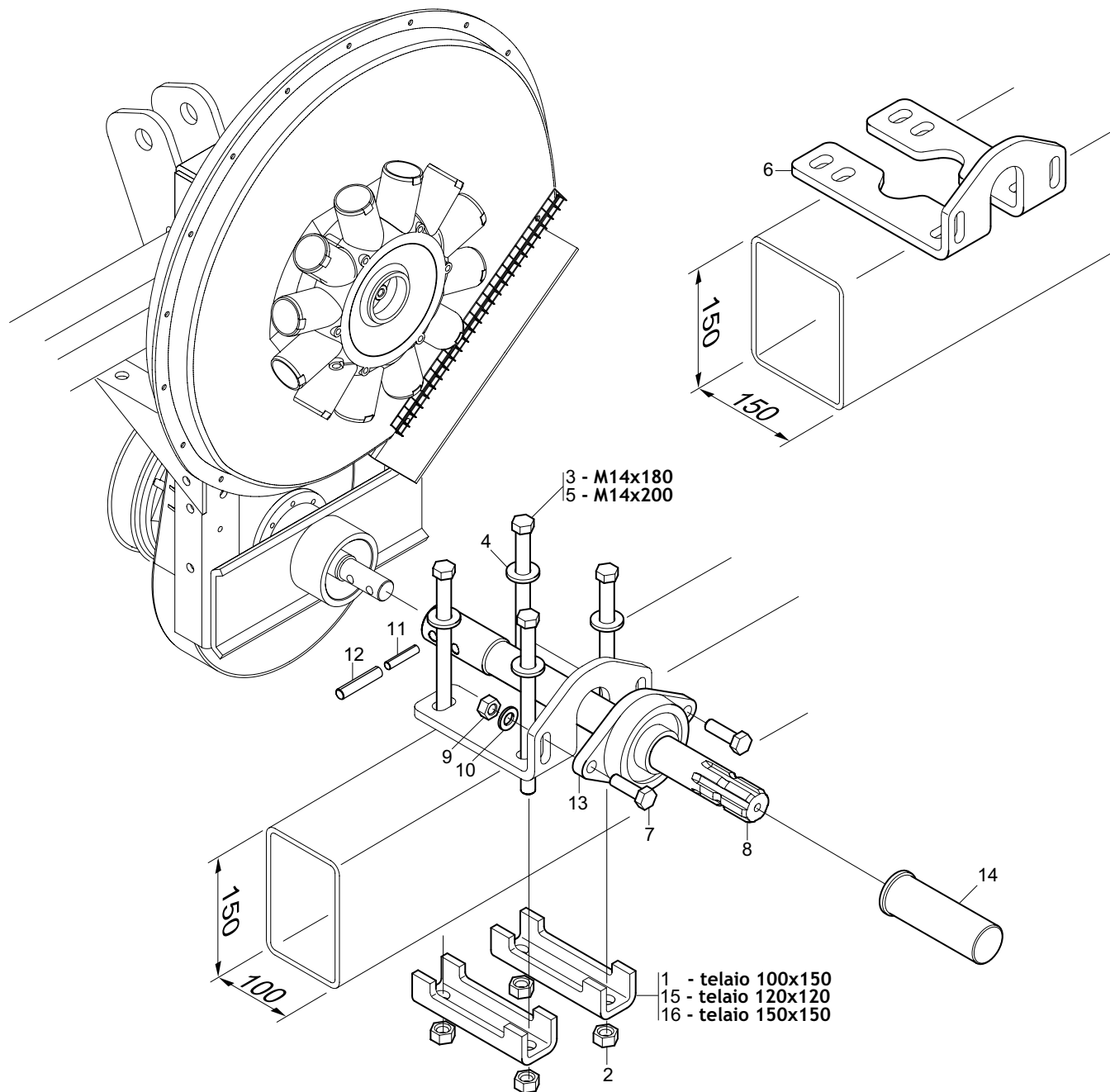
| Pos. | Cod. | Descrizione | Description | Description | Benennung | Descripcion |
|------|------------|--------------------------------|--------------------------------|--------------------------------|--------------------------------|--------------------------------|
| 56 | G22270281R | ASSE RUOTA TRASM.MAGG. SP S | INCREASED DRIVE WHEEL AXLE | AXE ROUE ENTRAINEMENT 6.50-15 | RADACHSE SBERBEM. ANTRIEB SP S | EJE RUEDA TRANS. SOBREDIMENS. |
| 57 | G22505085R | FERMO ASSE IN LAMIERA | PLATE AXLE STOP | ARRET AXE EN TOLE | FESTSTELLVORRICHTUNG BLECHACHS | BLOQUEO EJE DE CHAPA |
| 58 | G14830390R | CUSCINETTO FORO QUADRO | SQUARE-HOLED BEARING | ROULEMENT TROU CARRE | VIERKANTLAGER | COJINETE ORIFICIO CUADRADO |
| 59 | G15430660R | RASCHIATERRA MAGGIORATO SP 530 | INCREASED SOIL-SCRAPER SP 530 | RACLEUR MAJOR. SP 530 | SBERGROSSER ERDSCHABER SP 530 | RASCADOR TIERRA OBREDIMENS. SP |
| 60 | G16630960R | SUPPORTO RUOTA REGOLABILE 6.50 | ADJUSTABLE WHEEL SUPPORT 6,50 | | | |
| 61 | G16630910R | SUPPORTO RASCHIATERRA RR | SOIL SCRAPER SUPPORT | | | |
| 62 | G66248218R | RONDELLA DISTAN.SPAND. | MAN. SPR. SPACER WASHER | RONDELLE ENTRETOISE EP. ENGRAI | ABSTANDSCHEIBE DSNGERSTREUER | ARANDELA DISTAN.ABONAD. |
| 63 | G16631050R | SCATOLA RUOTA REG.6,5 | ADJUSTABLE WHEEL BOX | | | |
| 64 | G16631010R | CARTER RUOTE REG. 6,50 SX | ADJUSTABLE WHEEL CASE 6,50 LH | | | |
| 65 | G16631020R | CARTER RUOTE REG. 6,50 DX | ADJUSTABLE WHEEL CASE 6,50 RH | | | |
| 66 | G16631100R | FERMO TENDICATENA | CHAIN-STRETCHER STOP | | | |
| 67 | F06120180R | COPERTURA 6.5-15 IM 110 6PR | TYRE 6.5-15 IM 110 6PR | | | |
| 68 | F06120207R | CERCHIO 5J 15 H2 PV RAL 9001 | RIM 5J 15 H2 PV RAL 9001 | | | |
| 69 | F06080655R | FALSA MAGLIA CAT.1 2 ISO 083 | DUMMY CHAIN LINK 1 2 ISO 083 | FAUSSE MAILLE CHAINE 1 2 ISO 0 | FALSCHES GLIED 1 2 ISO 083 | ESLAB N FICTICIO CAD. 1 2 ISO |
| 70 | F06080501R | GIUNZIONE CATENA 1 2 ISO 083 | CHAIN JOINT 1 2 ISO 083 | JONCTION CHAINE 1 2 ISO 083 | KETTENVERBINDUNG 1 2 ISO 083 | UNI N CADENA 1 2 ISO 083 |
| 71 | F06080666R | FALSA MAGLIA CAT.1 2 ISO 084-1 | CHAIN EYE CAT. 1 2 ISO 084-1 | | | |
| 72 | F06080502R | GIUNZIONE CATENA 1 2 ISO 084-1 | CHAIN JUNCTION 1 2 ISO 084-1 | | | |
| 73 | F06080644R | FALSA MAGLIA CAT.5 8 ASA 50LUB | DUMMY CHAIN LINK 5 8 ASA 50LUB | FAUSSE MAILLE CHAINE ASA 50LUB | FALSCHES GLIED 5 8 ASA 50LUB | ESLAB N FICTICIO CAD.5 8 ASA50 |
| 74 | F06080499R | GIUNZIONE CATENA 5 8 ASA 50LUB | CHAIN JOINT 5 8 ASA 50LUB | JONCTIONS CHAINE 5 8 ASA 50LUB | KETTENVERBINDUNG 5 8 ASA 50LUB | UNIONES CADENA 5 8 ASA 50LUB |
| 75 | G19709030R | DECAL.OLIO CATENE | LABEL OIL CHAIN | | | |



RINCALZATORE RIDGING BODY

TAV. 250

| Pos. | Cod. | Descrizione | Description | Description | Benennung | Description |
|------|------------|--------------------------------|--------------------------------|--------------------------------|--------------------------------|--------------------------------|
| 1 | F01410076R | ROS.M12 13X 24X2,5 U6592 ZN | WASHER 12 13X 24X2,5 U6592 ZN | RONDEL. M12 13X24X2,5 U6592 ZN | SCHEIBE M12 13X24X2,5 U6592 ZN | ARAND.M12 13X 24X2,5 U6592 ZN |
| 2 | F02050101R | ANELLO E. DE 25X 1,2 U7435 C7 | SEEGER RING E. 25X1,2 7435 C70 | SEEGER E. 25X 1,2 U7435 C70 | SEEGERING E. 25X 1,2 U7435 C70 | ANILLO E. DE 25X 1,2 U7435 C7 |
| 3 | G23430059R | PERNO RUOTA | WHEEL PIN | PIVOT ROUE | RADZAPFEN | PERNO RUEDA |
| 4 | F01060091R | VITE M10X1,5X70 U5731 8.8ZN | SCREW M10X1,5X70 U5731 8.8 GAL | | | |
| 5 | G15110091R | SCONTRO A U | CONTRA U | BRIDE 150 MM | ANSCHLAG | ELEMENTO DE EMPALME |
| 6 | F01020238R | VITE M14X2X240 U5737 8.8BR | SCR. M14X2X240 U5737 8.8BR | VIS M 14 X240 5737 8.G | SCHRAUBE M 14 X240 5737 8.G | TORNILLO M 14 X240 5737 8.G |
| 7 | G23440084R | VOMERE SUPPLEMENTARE HL LM | PLOUGH-SHARE- SUPPLEM. HL LM | SOC SUPPLEMENTAIRE HL LM | ZUSSTZLICHE SCHAR HL LM | REJA SUPLEMENTARIA HL LM |
| 8 | F01200244R | DADO M8X1,25 U5588 CL8 ZN | NUT M8X1,25 U5588 6.8ZN | ECROU M8 X1,25 U5588 6.8 ZN | MUTTER M8 X1,25 U5588 6.8 ZN | TUERCA M8X1,25 U5588 CL8 ZN |
| 9 | F01200306R | DADO M14X2 U5588 CL8 ZN | NUT M14X2 U5588 6.8ZN | ECROU M14X2 | MUTTER M14X2 | DADO M14X2 |
| 10 | G23440087R | GAMBO ZAPPA POST. HL | SHANK - REAR HOE HL | TIGE HOUE ARRIERE HL | SCHAFT HINT. MESSER HL | V STAGO AZADA TRAS. HL |
| 11 | G23420051R | ZAPPA POSTERIORE DA 215 LM | HOE - REAR - 215 LM | HOUE ARRIERE DE 215 LM | MESSER HINTEN 215 LM | AZADA TRASERA DE 215 LM |
| 12 | F01020571R | VITE M16X2X50 U5739 8.8ZN | SCR. M16X2X50 U5739 8.8ZN | VIS M16X2X50 U5739 8.8 ZN | SCHRAUBE M16 X2X50 U5739 8.8ZN | TORNILLO M16X2X50 U5739 8 |
| 13 | F01200444R | DADO M16X2 U5589 CL8 ZN 6SZN | NUT M16X2 U5589 6SZN | ECROU M16X2 | MUTTER M16X2 | TUERCA M16X2 U5589 CL8 ZN 6S |
| 14 | G18705130R | ROND.FOND.12,5 X62 X1,5X11 | BOTTOM WASHER 12.5 X 62 X 1.5 | ROND. FOND. 12-5 X62 X1-5X11 | BODENSCHLEIBE 12-5 X62 X1-5X11 | ARANDELA 12-5 X62 X1-5X11 |
| 15 | F01200269R | DADO M10X1,5 U5588 CL8 BR6.8BR | NUT M10X1,5 U5588 6.8BR | ECROU 10 UNI 5588 6.8 | MUTTER 10 UNI 5588 6.8 | TUERCA 10 UNI 5588 6.8 |
| 16 | F01430023R | ROS.M10 10,5X 18X0,9 U8842J Z | WASHER D10 DIN 6798 D.INT.ZN | RONDELLE D10 DIN 6798 D. INT. | UNT. SCHEIBE D10 DIN 6798 D.IN | ARANDELA D10 DIN 6798 D.INT.ZN |
| 17 | G16630720R | RINCALZATORE ECON. COMPL | RIDGER ECON. COMPLETE | | | |
| 18 | G15430842R | SUPPORTO RINCALZATORE LAT. | LATERAL RIDGER SUPPORT | | | |
| 19 | G15431001R | SUPPORTO RINCALZ.CENTRALE | CENTRAL RIDGER SUPPORT | | | |
| 20 | F01020528R | VITE M12X1,75X40 U5739 10.9ZN | BOLT M12X1,75X40 U5739 10.9ZN | VIS M12X1,75X40 U5739 10.9 ZN | SCHR.M12X1,75X40 U5739 10.9 ZN | TORN.M12X1,75X40 U5739 10.9 ZN |
| 21 | G15430891R | SUPPORTO RUOTA DI PROFONDITA | FROF. WHEEL SUPPORT | SUPPORT ROUE FROF. | HALTERUNG TIEFEN RAD | SOPORTE RUEDA FROF |
| 22 | G23440074R | RASCHIATERRA RUOTA STERZ. HL | STEERING WHEEL SOIL-SCRAPER HL | RACLEUR ROUE BRAQUANTE HL | ERDSCHABER LENKRAD HL | RASCADOR TIERRA RUEDA ORIENTAB |
| 23 | F01410051R | ROS.M8 8,4X 17X1,6 U6592 ZN | WASHER M8 8,4X17X1,6 U6592 ZN | RONDELLE M8 8,4X17X1,6 ZN | SCHEIBE M8 8,4X17X1,6 U6592 ZN | ARAND.M8 8,4X 17X1,6 U6592 ZN |
| 24 | F01020436R | VITE M8X1,25X20 U5739 8.8ZN | SCR. M8X1,25X20 U5739 8.8ZN | VIS M8X1,25X 20 U5739 8.8 ZN | SCHRAUBE M8X1,25X20U5739 8.8ZN | TORNILLO M8X1,25X20 U5739 8.8 |
| 25 | F01020233R | VITE M14X2X200 U5737 8.8BR | SCR. M14X2X200 U5737 8.8BR | VIS M14X2X 200 U5737 8.8 ZB | SCHRAUBE M14X 2X200 U5737 8.8 | TORNILLO M14X2X200 5737 8.8 ZB |
| 26 | G13610620R | RUOTA COMPLETA 320X100 CRESTA | WHEEL ASS.BLY 320X100 CREST | | | |
| 27 | F04010170R | CUSC.D25 D52 B15 6205 2RS EX | BEARING D25 D52 B15 6205 2RS | ROULEMENT 6205 2RS | LAGER 6205 2RS | COJIN.D25 D52 B15 6205 2RS EX |

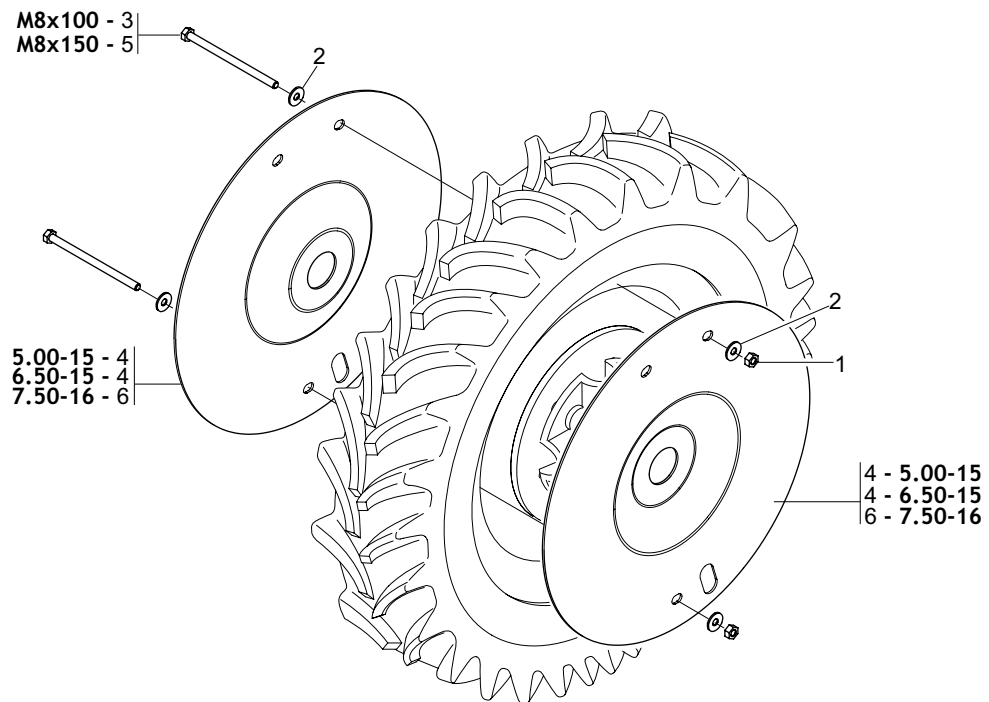


**PRESA DI POTENZA POSTERIORE
REAR PTO SHAFT**

TAV. 260

| Pos. | Cod. | Descrizione | Description | Description | Benennung | Descripcion |
|------|------------|--------------------------------|--------------------------------|--------------------------------|--------------------------------|--------------------------------|
| 1 | G13710561R | SCONTRO A U SP.10 2F16,5 118 | U-SHAPED PLAT.SP.10 2F16,5 118 | | | |
| 2 | F01200306R | DADO M14X2 U5588 CL8 ZN | NUT M14X2 U5588 6.8ZN | ECROU M14X2 | MUTTER M14X2 | DADO M14X2 |
| 3 | F01020229R | VITE M14X2X180 U5737 8.8BR | SCR. M14X2X180 U5737 8.8BR | VIS 14X180 5737 8.G | SCHRAUBE 14X180 5737 8.G | TORNILLO 14X180 5737 8.G |
| 4 | F01410088R | ROS.M14 15X 28X2,5 U6592 ZN | WAS.M14 15X 28X2,5 U6592 ZB | RON.M14 15X 28X2,5 U6592 ZB | SCH.M14 15X 28X2,5 U6592 ZB | ARA.M14 15X 28X2,5 U6592 ZB |
| 5 | F01020233R | VITE M14X2X200 U5737 8.8BR | SCR. M14X2X200 U5737 8.8BR | VIS M14X2X 200 U5737 8.8 ZB | SCHRAUBE M14X 2X200 U5737 8.8 | TORNILLO M14X2X200 5737 8.8 ZB |
| 6 | G14850050R | SUPPORTO PRESA DI POTENZA | PTO SUPPORT | SUPPORT PRISE DE FORCE | ZAPFWELLENHALTERUNG | SOPORTE TOMA DE FUERZA |
| 7 | F01020528R | VITE M12X1,75X40 U5739 10.9ZN | BOLT M12X1,75X40 U5739 10.9ZN | VIS M12X1,75X40 U5739 10.9 ZN | SCHR.M12X1,75X40 U5739 10.9 ZN | TORN.M12X1,75X40 U5739 10.9 ZN |
| 8 | G14850030R | PRESA DI POTENZA POSTERIORE | REAR POWER TAKE-OFF | PRISE DE FORCE ARRI RE | HINTERE LEISTUNGSABNAHME | TOMA DE FUERZA TRASERA |
| 9 | F01220048R | DADO M12X1,75 D980 8ZN | NUT M12X1,75 D980 8ZN | ECROU M12X1,75 D980 8 ZN | SCHEIBE M12X1,75 D980 8 ZN | TUERCA M12X1,75 D980 8 ZN |
| 10 | F01410076R | ROS.M12 13X 24X2,5 U6592 ZN | WASHER 12 13X 24X2,5 U6592 ZN | RONDEL. M12 13X24X2,5 U6592 ZN | SCHEIBE M12 13X24X2,5 U6592 ZN | ARAND.M12 13X 24X2,5 U6592 ZN |
| 11 | F02100121R | SPINA E.P. 6X 40 U6873 C70 BR | ELASTIC PIN 6X40 | GOUJON ELASTIQUE 6X40 | SPANNHUELSE 6X40 | PASADOR 6X40 |
| 12 | F02100161R | SPINA E.P. 10X 40 U6873 C70 B | PIN EL. 10 X40 DIN 1481 | FICHE EL. 10 X40 DIN 1481 | SPANNSTIFT 10X40 DIN 1481 | CLAVIJA EL.10 X40 DIN 1481 |
| 13 | F04100139R | SUPPORTO FY TB35 TF | SUPPORT FY TB35 TF | SUPPORT FY TB35 TF | HALTERUNG FY TP35 TF | SOPORTE FY TB35 TF |
| 14 | M38100146R | MANICOTTO PROTEZIONE PDF 1 3 8 | P.T.O. PROTECTION | MANCHON DE PROTECTION P.T.O. | ZAPFWELLENSCHUTZ P.T.O. | MANGUITO PROTECCION P.T.O. |
| 15 | G14255000R | SCONTRO 120 | STRIKER 120 | BUTEE 120 | ANSCHLAG 120 | ELEM. DE EMPALME 120 |
| 16 | G15110091R | SCONTRO A U | CONTRA U | BRIDE 150 MM | ANSCHLAG | ELEMENTO DE EMPALME |

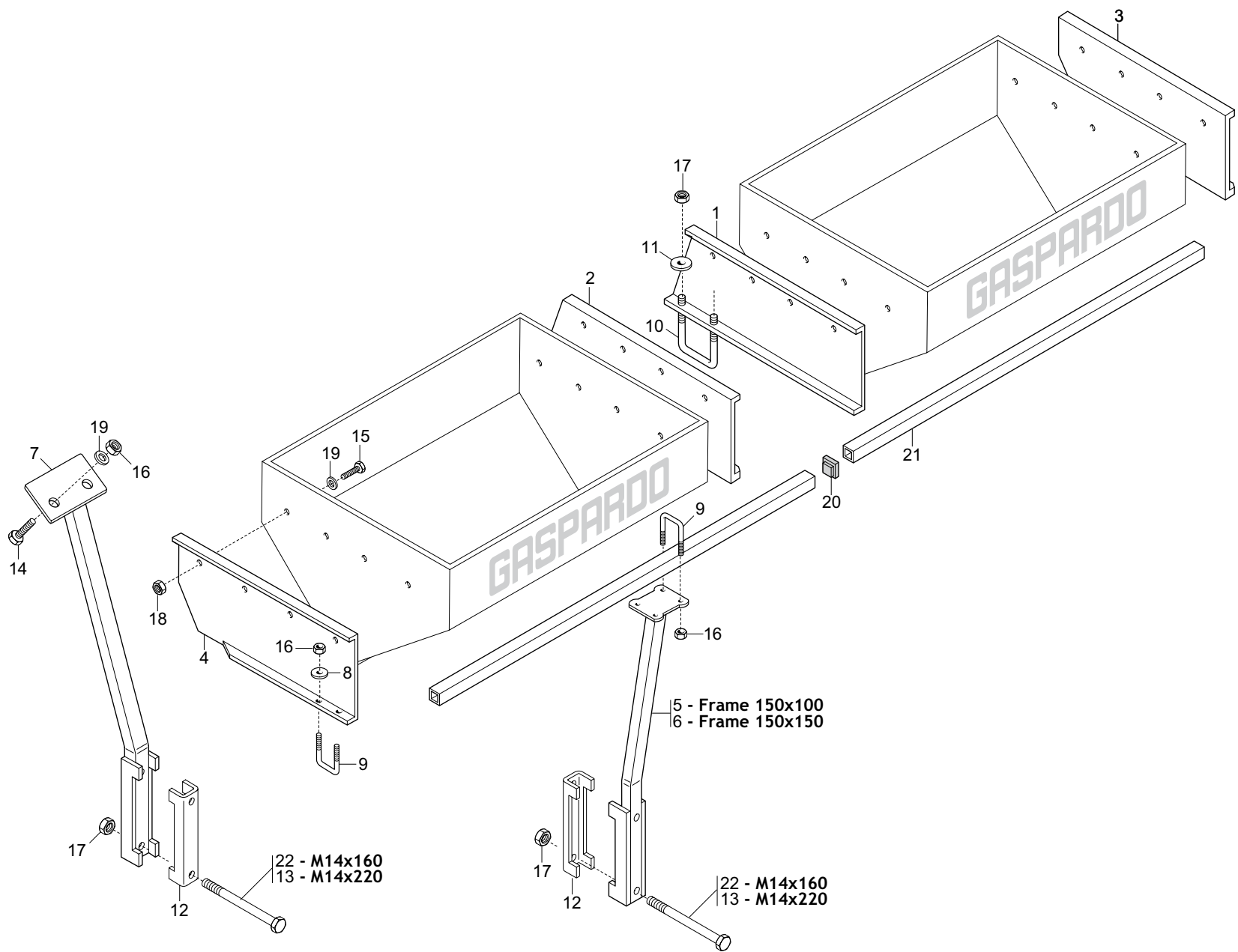
5.00-15 / 6.50-15 / 7.50-16



**KIT RUOTE PER TERRENI SASSOSI - FLANGIATURA RUOTE
WHEELS FOR STONY GROUND KIT - FRINGING FOR WHEELS**

TAV. 270

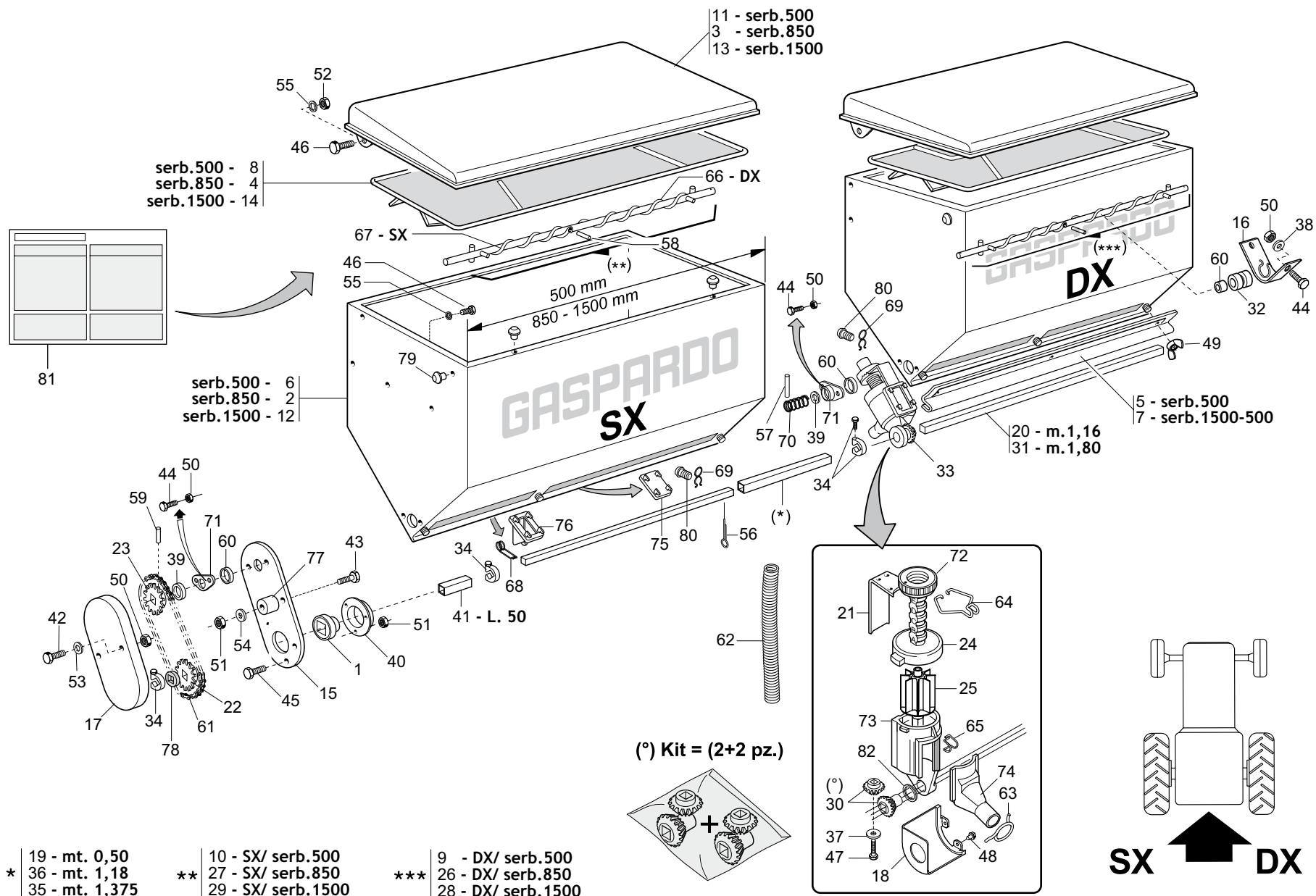
| Pos. | Cod. | Descrizione | Description | Description | Benennung | Descripcion |
|------|------------|------------------------------|------------------------------|--------------------------------|--------------------------------|-------------------------------|
| 1 | F01220022R | DADO M8X1,25 D980 8ZN | NUT M8X1,25 D980 8ZN | ECROU M8X 1,25 D980 8 ZN | MUTTER M8X 1,25 D980 8 ZN | TUERCA M8X 1,25 D980 8 ZN |
| 2 | F01420048R | ROS.M8 8,4X 24X 2 U6593 ZN | WASHER M8 8,4X 24X2 U6593 ZN | RONDELLE M8 8,4X24X 2 U6593 ZN | SCHEIBEN M8 8,4X24X 2 U6593 ZN | ARAND.M8 8,4X 24X 2 U6593 ZN |
| 3 | F01020090R | VITE M8X1,25X100 U5737 8.8ZN | SCR. M8X1,25X100 U5737 8.8ZN | VIS M8X1,25X100 U5737 8.8ZN | SCRAU. M8X1,25X100 U5737 8.8ZN | TORN. M8X1,25X100 U5737 8.8ZN |
| 4 | G14830221R | DISCO PROTEZIONE SASSI | DISK PROTECTIONS SASSI | | | |
| 5 | F01020097R | VITE M8X1,25X150 U5737 8.8ZN | SCR. M8X1,25X150 U5737 8.8ZN | VIS 8 X150 5737 8.G ZN | SCHRAUBE 8 X150 5737 8.G ZN | TORNILLO 8 X150 5737 8.G ZN |
| 6 | G15231910R | DISCO PROTEZIONE SASSI R7.50 | STONE GUARD DISK R7.50 | | | |



**SUPPORTI SERBATOI SPANDICONCIME FERRO
SUPPORTS FOR METAL FERTILIZER DISTRIBUTOR**

TAV. 280

| Pos. | Cod. | Descrizione | Description | Description | Benennung | Descripcion |
|------|------------|-------------------------------|-------------------------------|----------------------------|---------------------------------|-------------------------------|
| 1 | G15470632R | SUPP.SPANDI CENTR.DX | CENTRAL RIGHT FERT.ER SUPPORT | | | |
| 2 | G15470642R | SUPP.SPANDI CENTR.SX | CENTRAL LEFT FERT.ZER SUPP. | | | |
| 3 | G15171381R | SUPP.SPANDI EST.DX | RIGHT EXT.AL FERT.ZER SUPPORT | | | |
| 4 | G15171391R | SUPP.SPANDI EST.SX | LEFT EXT.AL FERT.ER SUPPORT | | | |
| 5 | G16670011R | SUPPORTO SPANDI | SPREADER SUPPORT | SUPPORT PANDEUR | HALTERUNG SPANDI | SOPORTE ABONADORA |
| 6 | G15472901R | SUPPORTO SPANDI Q.150 | FERT.SPREADER SUPPORT SQ.150 | SUPPORT PANDEUR CARR 150 | HALTERUNG SPANDI Q.150 | SOPORTE ABONADORA Q.150 |
| 7 | G15473051R | SUPPORTO SERBATOIO ANT. | FRONT HOPPER SUPPORT | SUPPORT TR MIE AVANT | HALTERUNG VORDERER BEH-LTER | SOPORTE DEP SITO ANT. |
| 8 | G18701140R | RONDELLA 11 X35 X5 | WASHER 11 X 35 X 5 | RONDELLE 11 X35 X5 | UNTERLEGSSCHEIBE 11 X35 X5 | ARANDELA 11 X35 X5 |
| 9 | F20110706R | CAV.Q.B=35 M=10X1,5 L=60 | U BOLT Q.B=35 M=10X1,5 L=60 | CAVALIER SUPPORT DISQUE SV | VERBINDUNG SCHEIBENHALTERUNG S | PERNO EN U SOP. DISCO SV |
| 10 | F20110770R | CAV.Q.B=80 M=14X2 L=119 | U BOLT Q.B=80 M=14X2 L=119 | BRIDE U M14X2X50 96X119 ZN | ANSCHLANG U M14X2X50 96X119 ZN | EL.DE EMPALME M14X2X50 96X119 |
| 11 | G20970142R | RONDELLA 32X4X15,5 | WASHER 32X4X15-5 | RONDELLE 32X4X15-5 | UNTERLEGSSCHEIBE 32X4X15-5 | ARANDELA 32X4X15-5 |
| 12 | G15110091R | SCONTRIO A U | CONTRA U | BRIDE 150 MM | ANSCHLAG | ELEMENTO DE EMPALME |
| 13 | F01020238R | VITE M14X2X240 U5737 8.8BR | SCR. M14X2X240 U5737 8.8BR | VIS M 14 X240 5737 8.G | SCHRAUBE M 14 X240 5737 8.G | TORNILLO M 14 X240 5737 8.G |
| 14 | F01020463R | VITE M10X1,5X25 U5739 A2IX | SCR. M10X1,5X25 U5739 A2IX | VIS 10X25 5739 INOX A2 | SCHRAUBE 10X25 5739 INOX A2 | TORNILLO 10X25 5739 INOX A2 |
| 15 | F01020465R | VITE M10X1,5X35 U5739 A2IX | SCR. M10X1,5X35 U5739 A2IX | VIS M10X1,5X35 U5739 A2IX | SCHRA.M10X1,5X35 U5739 A2IX | TOR.M10X1,5X35 U5739 A2IX |
| 16 | F01200271R | DADO M10X1,5 U5588 A2IX | NUT M10X1,5 U5588 A2IX | ECROU 10 5588 6.8 INOX | MUTTER 10 5588 6.8 INOX | TUERCA 10 5588 6.8 INOX |
| 17 | F01200306R | DADO M14X2 U5588 CL8 ZN | NUT M14X2 U5588 6.8ZN | ECROU M14X2 | MUTTER M14X2 | DADO M14X2 |
| 18 | F01200271R | DADO M10X1,5 U5588 A2IX | NUT M10X1,5 U5588 A2IX | ECROU 10 5588 6.8 INOX | MUTTER 10 5588 6.8 INOX | TUERCA 10 5588 6.8 INOX |
| 19 | F01420059R | ROS.M10 10,5X 30X2,5 U6593 IX | WASHER 11X30X2,5 6593 A2 | RONDELLE 11X30X2,5 6593 A2 | UNTERLEGSSCHEIBE 11X30X2,5 6593 | ARANDELA 11X30X2,5 6593 A2 |
| 20 | F20120346R | PUNTALE Q 35 ALETT.POLIT.NERO | SQ.TIP 35 BLACK | | | |
| 21 | G15472970R | TUBO Q. 35X 4X1200 | SQUARE PIPE 35 X4 X1200 | TUBE CARRE 35 X4 X1200 | VIERKANTROHR 35 X4 X1200 | TUBO CUADRADO 35 X4 X1200 |
| 22 | F01020225R | VITE M14X2X160 U5737 8.8BR | SCR. M14X2X160 U5737 8.8BR | VIS M 14 X160 5737 8.G | SCHRAUBE M 14 X160 5737 8.G | TORNILLO M 14 X160 5737 8.G |

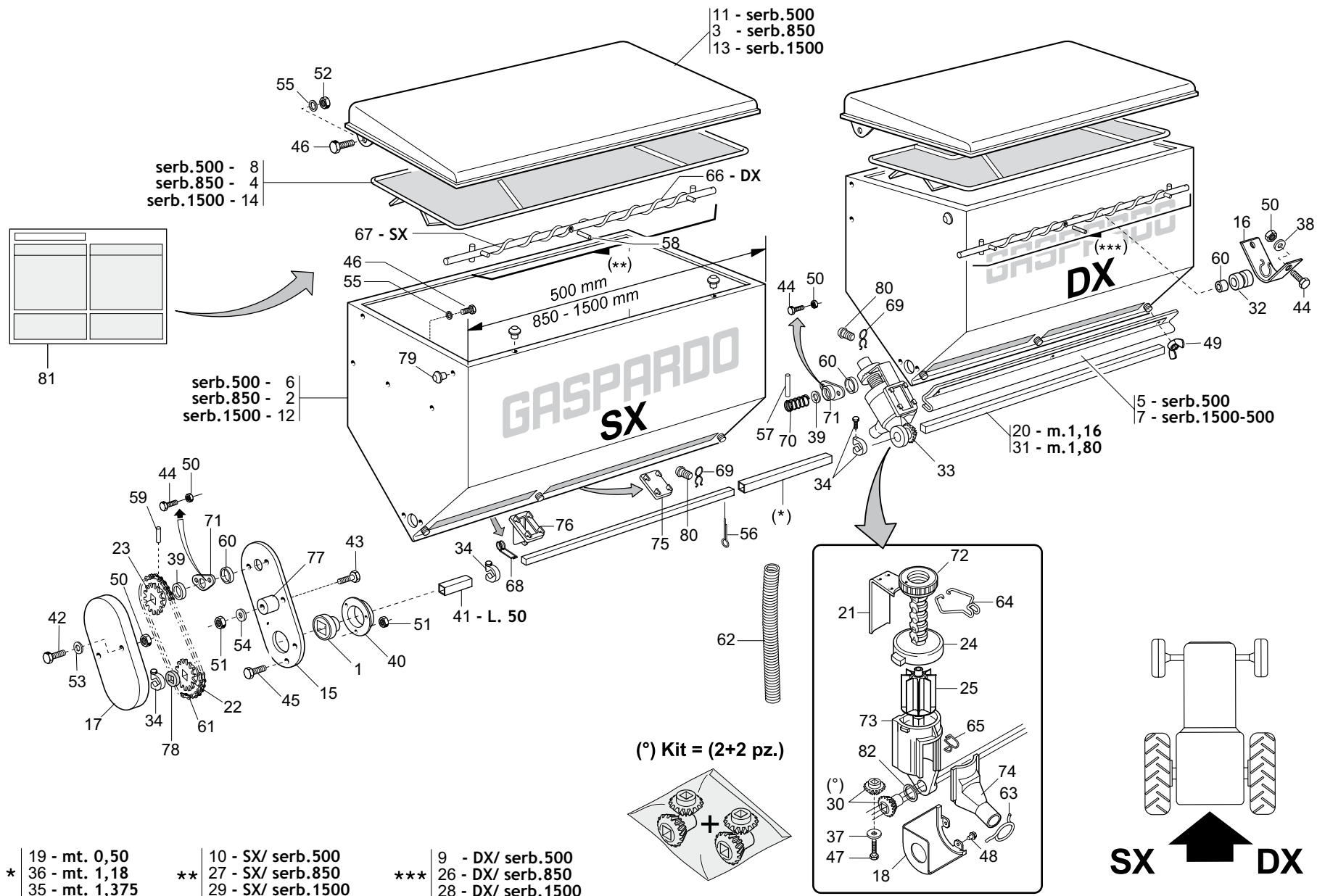


SERBATOI SPANDICONCIME FERRO METAL FERTILIZER DISTRIBUTOR

TAV. 290

| Pos. | Cod. | Descrizione | Description | Description | Benennung | Description |
|------|------------|---------------------------------|--------------------------------|---------------------------------|---------------------------------|---------------------------------|
| 1 | G14830390R | CUSCINETTO FORO QUADRO | SQUARE-HOLED BEARING | ROULEMENT TROU CARRE | VIERKANTLAGER | COJINETE ORIFICIO CUADRADO |
| 2 | G15470500R | SERBATOIO CONCIME 850 | FERTILIZER TANK 850 | RESERVOIR ENGRAIS 850 | DSNGERBEHULTER 850 | DEP SITO ABONO 850 |
| 3 | G15470580R | COPERCHIO SERBATOIO 850 | TANK TOP 850 | COUVERCLE RESERVOIR 650 | BEHZLTERDECKEL 850 | TAPA DEP SITO 850 |
| 4 | G15470700R | GRIGLIA 850 | GRID 850 | GRILLE 850 | GITTER 850 | REJILLA 850 |
| 5 | G15470780R | PORTA DI PULIZIA SERB.850 | CLEANING DOOR TANK 850 | PORTE DE NETTOYAGE RESERVOIR 8 | REINIGUNGSTR BEHZLTER 850 | PUERTA DE LIMPIEZA DEP S. 850 |
| 6 | G15471010R | SERBATOIO CONCIME 500 | FERTILIZER TANK 500 | RESERVOIR ENGRAIS 500 | DSNGERBEHULTER 500 | DEP SITO ABONO 500 |
| 7 | G15471040R | PORTA DI PULIZIA | CLEANING DOOR | PORTE DE NETTOYAGE | REINIGUNGSTR | PUERTA LIMPIEZA |
| 8 | G15471090R | GRIGLIA 500 | GRID 500 | GRILLE 500 | GITTER 500 | REJILLA 500 |
| 9 | G15471120R | ASSE AGITAT.DX SERBATOIO 500 | RIGHT TANK STIRRER SPINDLE 500 | AXE AGIT. DRT RESERVOIR 500 | ACHSE SAMENMISCHER RE BEHZLTER | EJE AGITADOR DER DEP SITO 500 |
| 10 | G15471130R | ASSE AGITAT. SX SERBATOIO 500 | LEFT TANK STIRRER SPINDLE 500 | AXE AGIT. GCH RESERVOIR 500 | ACHSE SAMENMISCHER LI BEHZLTER | EJE AGITADOR IQZ DEP SITO 500 |
| 11 | G15471140R | COPERCHIO SERBATOIO 500 | TANK COVER 500 | COUVERCLE RESERVOIR 500 | BEHZLTERDECKEL 500 | TAPA DEP SITO 500 |
| 12 | G15471280R | SERBATOIO CONCIME 1500 | SPREADER TANK 1500 | | | |
| 13 | G15471320R | COPERCHIO SERBATOIO 1500 | TANK COVER 1500 | | | |
| 14 | G15471390R | GRIGLIA 1500 | GRID 1500 | GRILLE 1500 | GITTER 1500 | REJILLA 1500 |
| 15 | G15471930R | PROTEZIONE | GUARD | PROTECTION | SCHUTZ | PROTECCI N |
| 16 | G15471990R | SUPPORTO COCLEA | SCREW SUPPORT | SUPPORT VIS ALIMENTATION | HALTERUNG SCHNECKE | SOPORTE C CLEA |
| 17 | G19002710R | PROTEZ.RINVOI SPANDICONCIME | FERTILIZER TRANSM. PROTECTION | PROTECTION RENVOI FERTILISEUR | SCHUTZ VORGELEGE DUNGERSTREUER | PROTECCION TRANSMISION ABONADO |
| 18 | G19002850R | PROTEZIONE PIGNONE | PINION GUARD | PROTECTION PIGNON | RITZELSCHUTZ | PROTECCI N PI N |
| 19 | G20860012R | MANICOTTO DI UNIONE L.500 | JOINT SLEEVE L.500 | MANCHON DE RACCORD L. 500 | VERBINDUNGSMUFFE L.500 | MANGUITO DE UNI N L.500 |
| 20 | G20860032R | ASSE RUOTA CAMBIO L.1160 | WHEEL AXLE - GEARBOX L.1160 | AXE ROUE BOITE DE VITESSE | GEBTRIEBERADACHSE L 1160 | EJE RUEDA CAMBIO L.1160 |
| 21 | G20860052R | REGOLATORE APERTURA | OPENING REGULATOR | REGULATEUR OUVERTURE | TFFNUNGEINSTELLER | REGULADOR ABERTURA |
| 22 | G20860086R | INGRANAGGIO 1 2 Z-12 F.Q. | GEAR 1 2 Z-12 F.Q. | ENGRENAGE 1 2 Z-12 TROUS CARRE | ZAHNRAD 1 2 Z-12 F.Q. | ENGRANAJE 1 2 Z-12 F.Q. |
| 23 | G20860088R | INGRANAGGIO 1 2 Z-12 F.T. | GEAR 1 2 Z-12 F.T. | ENGRENAGE 1 2 Z-12 TROUS ROND | ZAHNRAD 1 2 Z-12 F.T. | ENGRANAJE 1 2 Z-12 F.T. |
| 24 | G20860093R | VITE DI REGOL. | ADJUSTMENT BOLT | VIS DE REGLAGE | EINSTELLSCHRAUBE. | TORNILLO DE REGULACI N |
| 25 | G20860106R | DOSATORE SPANDI 8 PALE COMPL. | FERT.METERING DEVICE ASS.8 GRO | ROTOR DOSEUR 8C FERTIL COMPL. | DOSIERER DUNGER.KOMPL. 8 SEKT | DOSIFICADOR ABONO COMP.8 SECT |
| 26 | G20860121R | ASSE AGITAT.DX SERB.850 COMPL. | STIRRER SPINDLE- RIGHT 850 TAN | AXE AGITATEUR DRT. RESERVOIR 8 | SAMENMISCHERACHSE RE BEH.850 | EJE AGITAD. DER. DEP S.850 COM |
| 27 | G20860122R | ASSE AGITAT.SX SERB.850 COMPL. | STIRRER SPINDLE- LEFT 850 TANK | AXE AGITATEUR GCH. RESERVOIR 8 | SAMENMISCHERACHSE LI BEH.850 | EJE AGITAD. IQZ. DEP S. 850 CO |
| 28 | G20860123R | AGIT.DX SERB. 1500 3-4 USC.COMP | RIGHT 1500 TANK STIRRER- 3-4 O | AGITATEUR DRT. RESERVOIR 1500 | SAMENMI. RE BEH.1500 3-4AUSG. | AGIT. DER. DEP S. 1500 3-4 SAL |
| 29 | G20860124R | AGIT.SX SERB.1500 3-4 USC.COMP | LEFT 1500 TANK STIRRER- 3-4 OU | AGITATEUR GCH. RESERVOIR 1500 | SAMENMI. LI BEH.1500 3-4 AUSG. | AGIT. IQZ. DEP S. 1500 3-4 SAL |
| 30 | G20860126R | KIT INGRANAGGI DISTRIB.CONCIME | KIT- MAN. DISTR. GEARS 2 2 | COUPLE CON DISTR ENGRAIS 2 2 | KIT ZAHNRZDER DSNGERSTREUER | SET ENGRANAJES DISTRIB. ABONO |
| 31 | G20870028R | ASSE SERB.LATO TRAS.6F.L.1800 | AXLE- GEARBOX SIDE- 6-ROW L.18 | AXE RESERVOIR COTE ENTRAINEMEN | ACHSE BEHZLTER ANTRIEBSS. 6F.L | EJE DEP S. LADO TRANS. 6 FILA |
| 32 | G19005040R | BOCCOLA ASSE SPANDI | FERT. SPREADER AXLE BUSH | DOUILLE AXE PANDEUR | ACHSENBUCHSE STREUER | MANGUITO -RBOL ABONADORA |
| 33 | G20880044R | DISTR.COMPL.8PALE SPANDI FE | COMPL.IRON FERTIL.DISTR.8 RIBS | MINIMAX COMPL 8C FER | KOMPL.DOSIER.MET.D NGERSTR.8S | DISTR.COMP.ABONO HIER.8ALETAS |
| 34 | G22505085R | FERMO ASSE IN LAMIERA | PLATE AXLE STOP | ARRET AXE EN TOLE | FESTSTELLVORRICHTUNG BLECHACHS | BLOQUEO EJE DE CHAPA |
| 35 | G20910044R | MANICOTTO UNIONE L.1375 | JOINT SLEEVE L.1375 | MANCHON RACCORD L. 1375 | VERBINDUNGSMUFFE L.1375 | MANGUITO DE UNI N L.1375 |
| 36 | G20910045R | MANICOTTO UNIONE L.1180 | JOINT SLEEVE L.1180 | MANCHON RACCORD L. 1180 | VERBINDUNGSMUFFE L.1180 | MANGUITO DE UNI N L.1180 |
| 37 | G20970097R | RONDELLA 32X3X4,5 | WASHER 32X3X4-5 | RONDELLE 32X3X4-5 | UNTERLEGSSCHEIBE 32X3X4-5 | ARANDELA 32X3X4-5 |
| 38 | G20970125R | RONDELLA 28X2,5X6,5 | WASHER 28X2-5X6-5 | RONDELLE 28X2-5X6-5 | UNTERLEGSSCHEIBE 28X2-5X6-5 | ARANDELA 28X2-5X6-5 |
| 39 | G22220073R | RONDELLA 28X0,3X16,5 | WASHER 28X0,3X16-5 | RONDELLE 28X0-3X16-5 | UNTERLEGSSCHEIBE 28X0-3X16-5 | ARANDELA 28X0-3X16-5 |
| 40 | G22230094R | SUPPORTO CUSCINETTO | BEARING SUPPORT | SUPPORT DE ROULEMENT | LAGERBSCHSE | SOPORTE COJINETE |
| 41 | G22250287R | MANICOTTO DISTANZIALE SV | SPACER SLEEVE SV | MANCHON ENTRETOISE SV | ABSTANDSMUFFE SV | MANGUITO DISTANCIADOR SV |
| 42 | F01020043R | VITE M6X1X60 U5737 8.8ZN | SCR. M6X1X60 U5737 8.8ZN | VIS M6X1X60 U5737 8.8 ZN | SCHRAUBE M6X1X60 U5737 8.8 ZN | TORNILLO M6X1X60 U5737 8.8 ZN |
| 43 | F01020068R | VITE M8X1,25X40 U5737 8.8ZN | SCR. M8X1,25X40 U5737 8.8ZN | VIS M 8X1,25X40 U5737 8.8 ZN | SCHRA. M8X1,25X40 U5737 8.8 ZN | TORNILLO M8X1,25X40 U5737 8.8 |
| 44 | F01020419R | VITE M 6X1 X 16 U5739 A2IX | SCR. M6X1X16 U5739 A2IX | VIS M6 X1 X 16 U5739 8.8 IX | SCHRAUBE M6 X1 X 16 U5739 8. | TORNIL. M6 X1 X 16 U5739 8.8 |
| 45 | F01020432R | VITE M8X1,25X16 U5739 8.8ZN | SCR. M8X1,25X16 U5739 8.8ZN | VIS M8 X1,25X16 U5739 8.8 ZN | SCHRAUBE M8X1,25X16U5739 8.8ZN | TORNILLO M8X1,25X16 U5739 8.8 |
| 46 | F01020463R | VITE M10X1,5X25 U5739 A2IX | SCR. M10X1,5X25 U5739 A2IX | VIS 10X25 5739 INOX A2 | SCHRAUBE 10X25 5739 INOX A2 | TORNILLO 10X25 5739 INOX A2 |
| 47 | F01070075R | VITE A4,2X1,41X38 U6954 4.8NI | SCR. H4,2X1,41X38 U6954 4.8NI | VIS 4-2X38 DIN 7981 | SCHRAUBE 4-2X38 DIN 7981 | TORNILLO 4-2X38 DIN 7981 |
| 48 | F01070011R | VITE A4,2X1,41X9,5 U6950 4.8NI | SCR. H4,2X1,41X9,5 U6950 4.8NI | VIS AUTOTAR. 4-2X9-5 T. E. COU | SELBSTSCHNEID. SCHRAUBE 4-2X9- | TORNILLO AUTORROSC. 4-2X9-5 |
| 49 | F01240013R | DADO M6X1 U5448 A2 GE | NUT M6X1 U5448 A2 GE | | | |
| 50 | F01200233R | DADO M6X1 U5588 A2IX | NUT M6X1 U5588 A2IX | ECROU M 6X 1 U5588 I | MUTTER M 6X 1 U5588 | TUERCA M 6X 1 U5588 |
| 51 | F01200244R | DADO M8X1,25 U5588 CL8 ZN | NUT M8X1,25 U5588 6.8ZN | ECROU M8 X1,25 U5588 6.8 ZN | MUTTER M8 X1,25 U5588 6.8 ZN | TUERCA M8X1,25 U5588 CL8 ZN |
| 52 | F01200271R | DADO M10X1,5 U5588 A2IX | NUT M10X1,5 U5588 A2IX | ECROU 10 5588 6.8 INOX | MUTTER 10 5588 6.8 INOX | TUERCA 10 5588 6.8 INOX |
| 53 | F01410037R | ROS.M6 6,4X12,5X1,6 U6592 ZN | WASHER M6 6,4X12,5X1,6 U6592ZN | RONDEL. M6 6,4X12,5X1,6 U6592ZN | SCHEIB. M6 6,4X12,5X1,6 U6592ZN | ARAND. M6 6,4X12,5X1,6 U6592 ZN |
| 54 | F01410051R | ROS.M8 8,4X 17X1,6 U6592 ZN | WASHER M8 8,4X17X1,6 U6592 ZN | RONDELLE M8 8,4X17X1,6 ZN | SCHEIBE M8 8,4X17X1,6 U6592 ZN | ARAND. M8 8,4X 17X1,6 U6592 ZN |
| 55 | F01420059R | ROS.M10 10,5X 30X2,5 U6593 IX | WASHER 11X30X2,5 6593 A2 | RONDELLE 11X30X2,5 6593 A2 | UNTERLEGSSCHEIBE 11X30X2,5 6593 | ARANDELA 11X30X2,5 6593 A2 |

TAV. 290



* 19 - mt. 0,50
36 - mt. 1,18
35 - mt. 1,375

** 10 - SX/ serb.500
27 - SX/ serb.850
29 - SX/ serb.1500

*** 9 - DX/ serb.500
26 - DX/ serb.850
28 - DX/ serb.1500

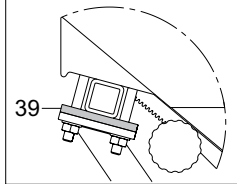
**SERBATOI SPANDICONCIME FERRO
METAL FERTILIZER DISTRIBUTOR**

TAV. 290

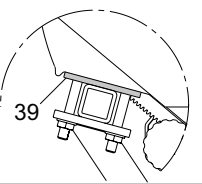
| Pos. | Cod. | Descrizione | Description | Description | Benennung | Description |
|------|------------|--------------------------------|--------------------------------|--------------------------------|---------------------------------|--------------------------------|
| 56 | F02200227R | COPIGLIA 5 X30 1336 ZN | PIN 5X 30 U1336 ZN | | | |
| 57 | F02100079R | SPINA E.P. 5X20 U6873 C70 BR | PIN EL. 5X20 U6873 C70 BR | | | CLAVIJA EL.P. 5X20 30 U6873 C |
| 58 | F02100314R | SPINA EL.5 X36 DIN 1481 INOX | PIN EL.5 X36 DIN 1481 INOX | | | |
| 59 | F02100114R | SPINA E.P. 6X 30 U6873 C70 BR | ELASTIC PIN 6X30 | GOUJON ELASTIQUE 6X30 | SPANNHUELSE 6X30 | ESPINA ELASTICA 6X30 |
| 60 | F03011081R | GUARNIZIONI LABBRO DE100 | LIP GASKET D100 | | | |
| 61 | F06080196R | CATENA 1 2 ISO 083 32 MAGLIE | CUT-DOWN CHAIN .1 2 ISO 083 32 | TRONCON CHAINE 1 2 ISO 083 32 | KETTENZNGE 1 2 ISO 083 32 GL | TRECHO CADENA 1 2 ISO 083 32 |
| 62 | F03100500R | TUBO EOLO 35 PU | TUBE EOLO 35 PU | TUBE EOLO 35 PU | | TUBO EOLO |
| 63 | G65336025R | MOLLA SPEC.ZN STRINGIT.ASP.SP | SPEC SPRING ZN FAN . PIPE CLAM | RESSORT SPEC. ZN SERRE-TUBE AS | SPEZIALFEDER ZN RORHSCHELLE AB | MUELLE ESPEC. ZN APRIETA TUBOS |
| 64 | G65336055R | MOLLA SPEC.REGOL.SPAND. SP | SPEC SPRING MAN. SPR. ADJUSTM. | RESSORT SPEC. REGL. EP. ENTRA | SPEZIALFEDER STREUEREREINTELLUN | MUELLE ESPEC. REGUL. ABONADORA |
| 65 | G65336062R | MOLLA SPEC.SCIV.DISTR.SPAND.SP | SPEC SPRING - MAN. SPR. DISTR. | RESS. SPEC. LANCOIR DISTR. EP. | SPEZ.FEDER RUTSCHE SZAPP. STRE | MUELLE ESPEC.PLANO INCL.DISTR. |
| 66 | G65336064R | MOLLA SPEC.COCLEA DX SPAND.HL | SPEC. WORM SCREW SPRING RIGHT | RESSORT SPEC. VIS DRT. EP. ENG | SPEZ.FEDER RE SCHNECKE STREUER | MUELLE ESPEC. TORN.S F DER. AB |
| 67 | G65336065R | MOLLA SPEC.COCLEA SX SPAND.HL | SPEC. WORM SCREW SPRING LEFT M | RESSORT SPEC. VIS GCH. EP. ENG | SPEZ.FEDER LI SCHNECKE STREUER | MUELLE ESPEC. TORN.S F IZQ. AB |
| 68 | G65336080R | MOLLA SPEC.SCARICO SPAND.T.M. | SPEC. SPRING SPREDER RELIEF | | | |
| 69 | G65336089R | MOLLA SPEC.TENUTA FERMO SPAND. | SPEC.SPRING- BLOCK. MAN. SPR. | RESSORT SPEC. D ETANCHEITE ARR | SPEZIALFEDER DICHTUNG STREUER | MUELLE ESPEC. RETENC. BLOQ |
| 70 | G65338043R | MOLLA COMP.ZN SERB. M80 | ZN TANK COMP.SPRING M80 | RESSORT COMPL. ZN RESERVOIR M8 | DRUCKFEDER ZN BEHZLTER M80 | MUELLE COMP.ZN DEP S. M80 |
| 71 | G66248121R | BOCCOLA CON FLANGIA M80 | BUSHING W FLANGE M80 | SUPPORT AVEC BRIDE M80 | BSCHE MIT FLANSCH M80 | CASQUILLO CON BRIDA M80 |
| 72 | G66248125R | GHIERA REGOLAZIONE M80 | ADJUSTMENT KNURLED NUT M80 | BAGUE REGLAGE M80 | EINTELLMUTTER M80 | CONTRATUERCA REGULACI N M80 |
| 73 | G66248176R | CORPO DISTR.SPAND. SP | MANURE SPREADER DISTR. CASING | CORPS DISTRIB. EP. ENGRAIS SP | VERTEILUNGSKTRPER STREUER SP | CUERPO DISTR. ABON. SP |
| 74 | G66248178R | SCIVOLO DISTR.SPAND. SP | CHUTE- MANURE-SPREADER DISTRIB | LANCOIR DISTRIBUTION EP. ENGR. | DSNGERSTREUER RUTSCHE SP | PLANO INCLINADO DISTR. ABON. S |
| 75 | G66248184R | CHIUSURA USCITA SERB.SPAND.SP | OUTLET CLOSURE- MAN.SPREAD. TA | FERMETURE SORTIE RESERVOIR FER | VERSCHLUSS AUSTRITT DSNGERSTR. | CIERRE SALIDA DEP S. ABON. SP |
| 76 | G66248187R | SCARICO SERB.SPAND.TIPO MICRO | MICRO TYPE MAN.SPR.TANK DISCH. | TRAPPE DE VIDANGE TYPE MICRO | BEHZLTERENTLADUNG STREUER TYP | DESCARGA DEP S. ABON.TIPO MICR |
| 77 | G66248207R | TENDICATENA SPAND. SP-520 | CHAIN TENSIONER | TENDEUR DE CHAINE EPAND. ENGR. | KETTENSANNER DSNGERSTR. SP-52 | SENSOR DE CADENA ABON. SP-520 |
| 78 | G66248218R | RONDELLA DISTAN.SPAND. | MAN. SPR. SPACER WASHER | RONDELLE ENTRETOISE EP. ENGRAI | ABSTANDSCHEIBE DSNGERSTREUER | ARANDELA DISTAN.ABONAD. |
| 79 | G66248223R | TAPPO SUPP.SPAND.D.11 | PLUG MAN. SPR. SUPP. D.11 | BOUCHON SUPPORT EP. ENGRAIS D. | HALTERUNGSPFROPFEN DSNGERSTR. | TAP N SOPORTE ABON.D.11 |
| 80 | G66248224R | FERMO DISTRIBUTORE SPAND. | FERT. SPR. DISTRIB. STOP | ARRET DISTRIBUTEUR EP. ENGRAIS | FESTSTELLVORRICHTUNG SZAPP. ST | BLOQUEO DISTRIBUIDOR ABON. |
| 81 | G19700822R | DECAL. TABELLA CONCIME SP540 | DECAL.FELTILIZER TABLE SP540 | | | |
| 82 | G18701500R | RONDELLA 29,5 X38 X0,3 | WASHER 29,5 X 38 X 0,3 | RONDELLE 29,5 X38 X0,3 | UNTERLEGSCHIEBE 29,5X38X0,3 | ARANDELA 29,5 X38 X0,3 |

TAV. 300

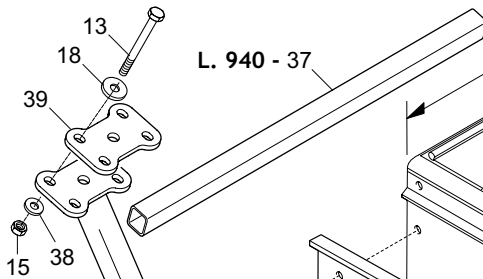
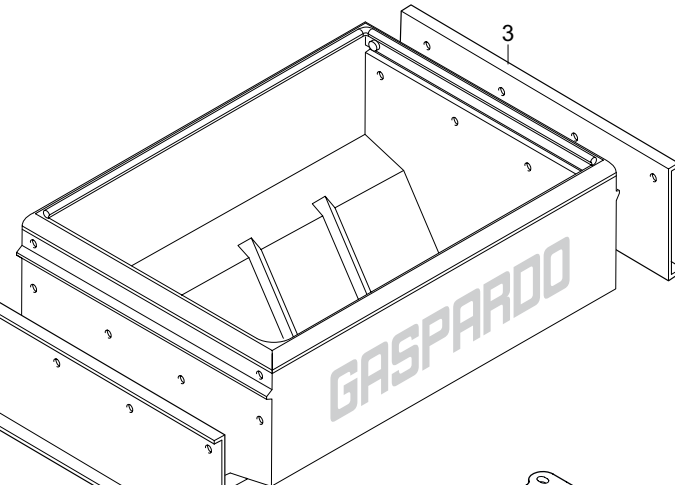
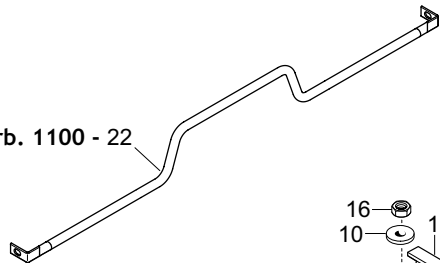
SPANDI 1100 PLA



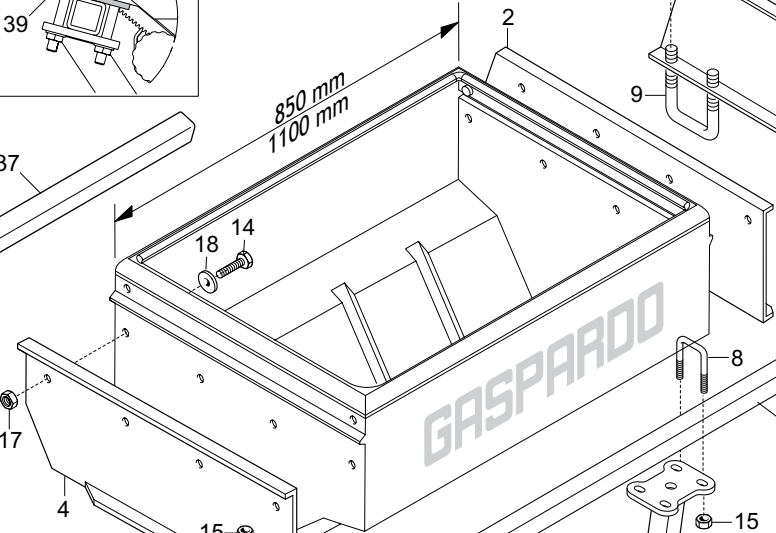
SPANDI 850 PLA



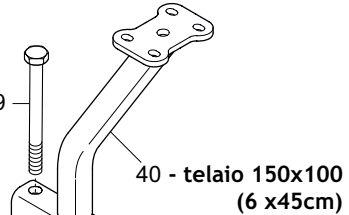
serb. 1100 - 22



L. 940 - 37

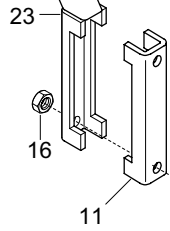


M14x220 - 19

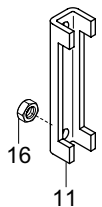


40 - telaio 150x100
(6 x45cm)

- 28 - L. 600
- 27 - L. 750
- 37 - L. 940
- 35 - L. 990
- 30 - L. 1170
- 26 - L. 1200
- 34 - L. 1400
- 25 - L. 1600
- 36 - L. 2000
- 29 - L. 2480
- 21 - L. 2980
- 31 - L. 3100
- 24 - L. 3980
- 33 - L. 5100
- 32 - L. 5800



12 - M14x160
19 - M14x220



5 - telaio 150x100
6 - telaio 150x150

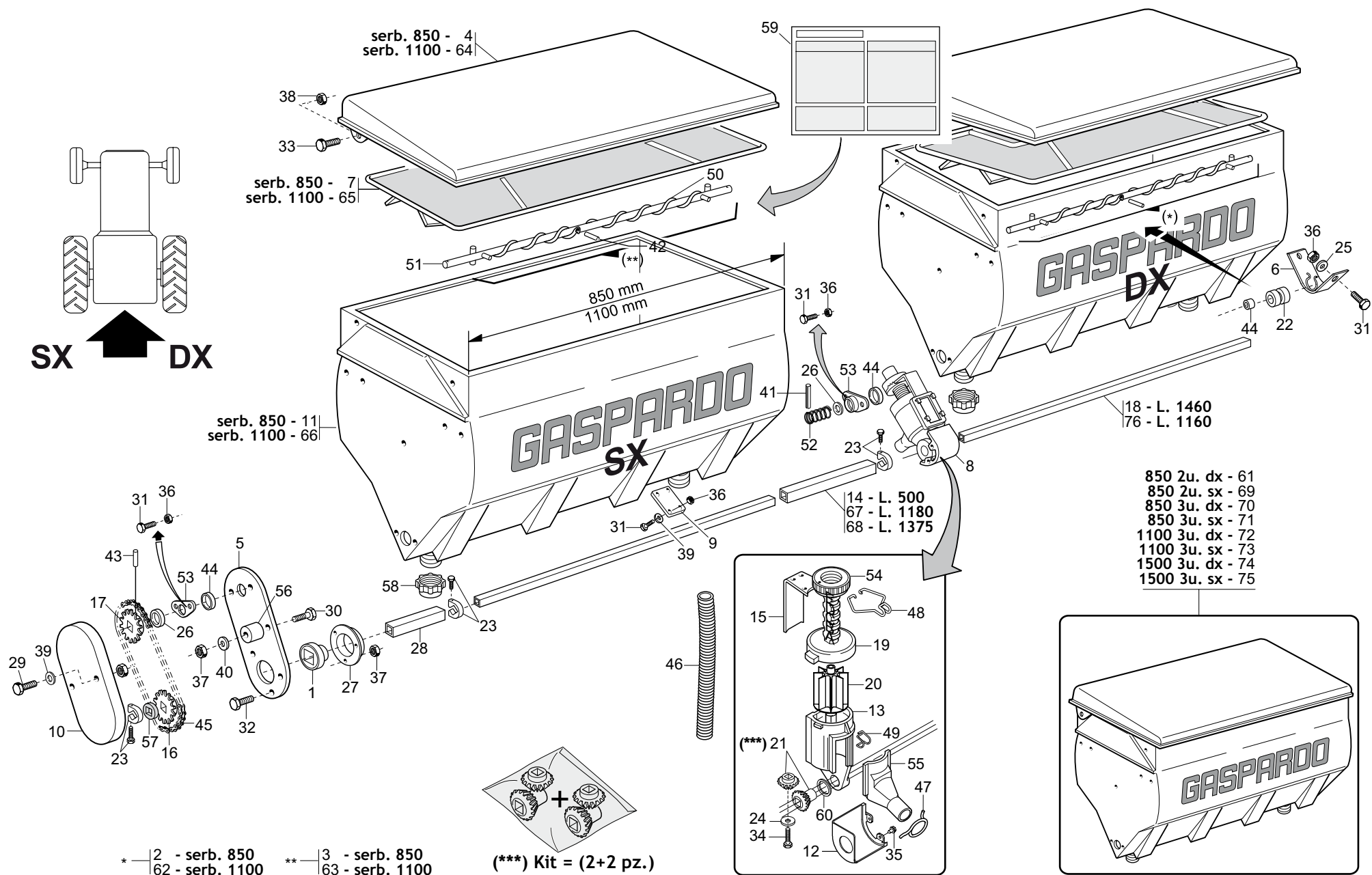
12 - M14x160
19 - M14x220

**SUPPORTI SERBATOI SPANDICONCIME PLASTICA
SUPPORT FOR PLASTIC FERTILIZER DISTRIBUTOR**

TAV. 300

| Pos. | Cod. | Descrizione | Description | Description | Benennung | Description |
|------|------------|--------------------------------|--------------------------------|--------------------------------|--------------------------------|--------------------------------|
| 1 | G15470632R | SUPP.SPANDI CENTR.DX | CENTRAL RIGHT FERT.ER SUPPORT | | | |
| 2 | G15470642R | SUPP.SPANDI CENTR.SX | CENTRAL LEFT FERT.ZER SUPP. | | | |
| 3 | G15171381R | SUPP.SPANDI EST.DX | RIGHT EXT.AL FERT.ZER SUPPORT | | | |
| 4 | G15171391R | SUPP.SPANDI EST.SX | LEFT EXT.AL FERT.ER SUPPORT | | | |
| 5 | G16670011R | SUPPORTO SPANDI | SPREADER SUPPORT | SUPPORT PANDEUR | HALTERUNG SPANDI | SOPORTE ABONADORA |
| 6 | G15472901R | SUPPORTO SPANDI Q.150 | FERT.SPREADER SUPPORT SQ.150 | SUPPORT PANDEUR CARR 150 | HALTERUNG SPANDI Q.150 | SOPORTE ABONADORA Q.150 |
| 7 | G18701140R | RONDELLA 11 X35 X5 | WASHER 11 X 35 X 5 | RONDELLE 11 X35 X5 | UNTERLEGSCHEIBE 11 X35 X5 | ARANDELA 11 X35 X5 |
| 8 | F20110706R | CAV.Q.B=35 M=10X1,5 L=60 | U BOLT Q.B=35 M=10X1,5 L=60 | CAVALIER SUPPORT DISQUE SV | VERBINDUNG SCHEIBENHALTERUNG S | PERNO EN U SOP. DISCO SV |
| 9 | F20110770R | CAV.Q.B=80 M=14X2 L=119 | U BOLT Q.B=80 M=14X2 L=119 | BRIDE U M14X2X50 96X119 ZN | ANSCHLANG U M14X2X50 96X119 ZN | EL.DE EMPALME M14X2X50 96X119 |
| 10 | G20970142R | RONDELLA 32X4X15,5 | WASHER 32X4X15-5 | RONDELLE 32X4X15-5 | UNTERLEGSCHEIBE 32X4X15-5 | ARANDELA 32X4X15-5 |
| 11 | G15110091R | SCONTRO A U | CONTRA U | BRIDE 150 MM | ANSCHLAG | ELEMENTO DE EMPALME |
| 12 | F01020225R | VITE M14X2X160 U5737 8.8BR | SCR. M14X2X160 U5737 8.8BR | VIS M 14 X160 5737 8.G | SCHRAUBE M 14 X160 5737 8.G | TORNILLO M 14 X160 5737 8.G |
| 13 | F01020144R | VITE M10X1,5X75 U5737 A2IX | SCR. M10X1,5X75 U5737 A2IX | VIS M10X 1,5X 75 U5737 8.8 IX | SCHRAUBE M10X 1,5X 75 U5737 8. | TORNIL. M10X 1,5X 75 U5737 8.8 |
| 14 | F01020465R | VITE M10X1,5X35 U5739 A2IX | SCR. M10X1,5X35 U5739 A2IX | VIS M10X1,5X35 U5739 A2IX | SCHRA.M10X1,5X35 U5739 A2IX | TOR.M10X1,5X35 U5739 A2IX |
| 15 | F01200271R | DADO M10X1,5 U5588 A2IX | NUT M10X1,5 U5588 A2IX | ECROU 10 5588 6.8 INOX | MUTTER 10 5588 6.8 INOX | TUERCA 10 5588 6.8 INOX |
| 16 | F01200306R | DADO M14X2 U5588 CL8 ZN | NUT M14X2 U5588 6.8ZN | ECROU M14X2 | MUTTER M14X2 | DADO M14X2 |
| 17 | F01200271R | DADO M10X1,5 U5588 A2IX | NUT M10X1,5 U5588 A2IX | ECROU 10 5588 6.8 INOX | MUTTER 10 5588 6.8 INOX | TUERCA 10 5588 6.8 INOX |
| 18 | F01420059R | ROS.M10 10,5X 30X2,5 U6593 IX | WASHER 11X30X2,5 6593 A2 | RONDELLE 11X30X2,5 6593 A2 | UNTERLEGSCHEIBE 11X30X2,5 6593 | ARANDELA 11X30X2,5 6593 A2 |
| 19 | F01020236R | VITE M14X2X220 U5737 8.8BR | SCR. M14X2X220 U5737 8.8BR | VIS M14X2X220 U5737 8.8 BR | SCHRAUBE M14X2X220 U5737 8.8 | TORNILLO M14X2X220 U5737 8.8 |
| 20 | F20120346R | PUNTALE Q 35 ALETT.POLIT.NERO | SQ.TIP 35 BLACK | | | |
| 21 | G07000028R | TUBO Q.35 X4 X2980 | TUBE CARRE 35 X 35 X 3 X 2980 | TUBE CARRE 35 X 35 X 3 X 2980 | VIERKANTROHR 35 X 35 X 3 X 298 | TUBO CUADRADO 35 X 35 X 3 X 29 |
| 22 | G15272961R | RINFORZO SPANDICONCIME 1100 | FERTILIZER 1100 REINFORCEMENT | RENFORT EPANDEUR D ENGRAIS 110 | VERSTZRKUNG DSNGERSTREUER 1100 | REFUERZO ABONADORA 1100 |
| 23 | G15275790R | ASS.SUPPORTO ANT.SPANDI PLA | FRONTAL FERT.DISTR.SUPPORT | | | |
| 24 | G07000370R | TUBO Q. 35X 3X3980 | SQUARE PIPE 35X35X4X3980 | TUBE CARRE 35X35X4X3980 | VIERKANTROHR 35X35X4X3980 | TUBO CUADRADO 35X35X4X3980 |
| 25 | G07000375R | TUBO Q. 35X 3X1600 | SQUARE PIPE 35X35X4X1600 | TUBE CARRE 35X35X4X1600 | VIERKANTROHR 35X35X4X1600 | TUBO CUADRADO 35X35X4X1600 |
| 26 | G15472970R | TUBO Q. 35X 4X1200 | SQUARE PIPE 35 X4 X1200 | TUBE CARRE 35 X4 X1200 | VIERKANTROHR 35 X4 X1200 | TUBO CUADRADO 35 X4 X1200 |
| 27 | G15472980R | TUBO Q.35 X4 X750 | SQUARE PIPE 35 X4 X750 | TUBE CARRE 35 X4 X750 | VIERKANTROHR 35 X4 X750 | TUBO CUADRADO 35 X4 X750 |
| 28 | G15472990R | TUBO Q. 35X 4X 600 | SQUARE PIPE 35 X4 X600 | TUBE CARRE 35 X4 X600 | VIERKANTROHR 35 X4 X600 | TUBO CUADRADO 35 X4 X600 |
| 29 | G15475130R | TUBO SUPPORTO SERBATOIO L.2480 | TANK SUPPORT PIPE L.2480 | TUBE SUPPORT RESERVOIR L2460 | ROHR HALTERUNG BEHZLTER L.2480 | TUBO SOPORTE DEP SITO L 2480 |
| 30 | G15475300R | TUBO SUPPORTO MICRO L.1170 | MICRO SUPPORT PIPE L.1170 | TUBE SUPPORT MICRO L1170 | ROHR HALTERUNG MIKRO L.1170 | TUBO SOPORTE MICRO L1170 |
| 31 | G15475390R | TUBO SUPPORTO MICRO L.3100 | MICRO SUPPORT PIPE L.3100 | TUBE SUPPORT MICRO L3100 | ROHR HALTERUNG MIKRO L.3100 | TUBO SOPORTE MICRO L.3100 |
| 32 | G15475400R | TUBO SUPPORTO MICRO L.5800 | MICRO SUPPORT PIPE L.3800 | TUBE SUPPORT MICRO L5800 | ROHR HALTERUNG MIKRO L.5800 | TUBO SOPORTE MICRO L.5800 |
| 33 | G15475540R | TUBO SUPPORTO MICRO L.5100 | MICRO SUPPORT PIPE L.5100 | TUBE SUPPORT MICRO L5100 | ROHR HALTERUNG MIKRO L.5100 | TUBO SOPORTE MICRO L 51000 |
| 34 | G20890207R | BARRA DIFFUSORI DISERBO L.1400 | WEEDKILLER SPREADER BAR L.1400 | BARRE DIFFUSEURS DESHERBAGE L. | DIFFUSORENSTANGE UNKRAUTVERT. | BARRA DIFUSORES HERBICIDA L.1 |
| 35 | G22220141R | BRACCIO SCORREVOLE 4 FILE | SLIDING ARM- 4-ROW | BRAS GLISSANT 4 RANGEES | GLEITARM 4 REIHEN | BRAZO CORREDIZO 4 FILAS |
| 36 | G22270115R | BRACC.SCORR.6F.100 L.2000 SP | SLIDING ARM 6-R. 100 L.2000 SP | BRAS GLISS. 6 RANG. 100 L. 200 | GLEITARM 6R.100 L.2000 SP | BRAZO CORRED. 6 FILAS. 100 L.2 |
| 37 | G15171650R | TUBO Q. 35X 4X 940 1F6,5 | TUBE Q. 35X 4X 940 1HOLE 6,5 | | | |
| 38 | F01410064R | ROS.M10 10,5X 20X 2 U6592 ZN | WASHER M10 10,5X20X2 U6592 ZN | RONDEL. M10 10,5X20X2 U6592 ZN | SCHEIBE M10 10,5X20X2 U6592 ZN | ARAND.M10 10,5X 20X 2 U6592 ZN |
| 39 | G14276330R | SUPPORTO TUBO | TUBE SUPPORT | | | |
| 40 | GA5270010R | SUPPORTO SPANDI T100 | FERTILIZER SUPPORT T100 | | | |
| 41 | G13710561R | SCONTRO A U SP.10 2F16,5 118 | U-SHAPED PLAT.SP.10 2F16,5 118 | | | |

TAV. 310

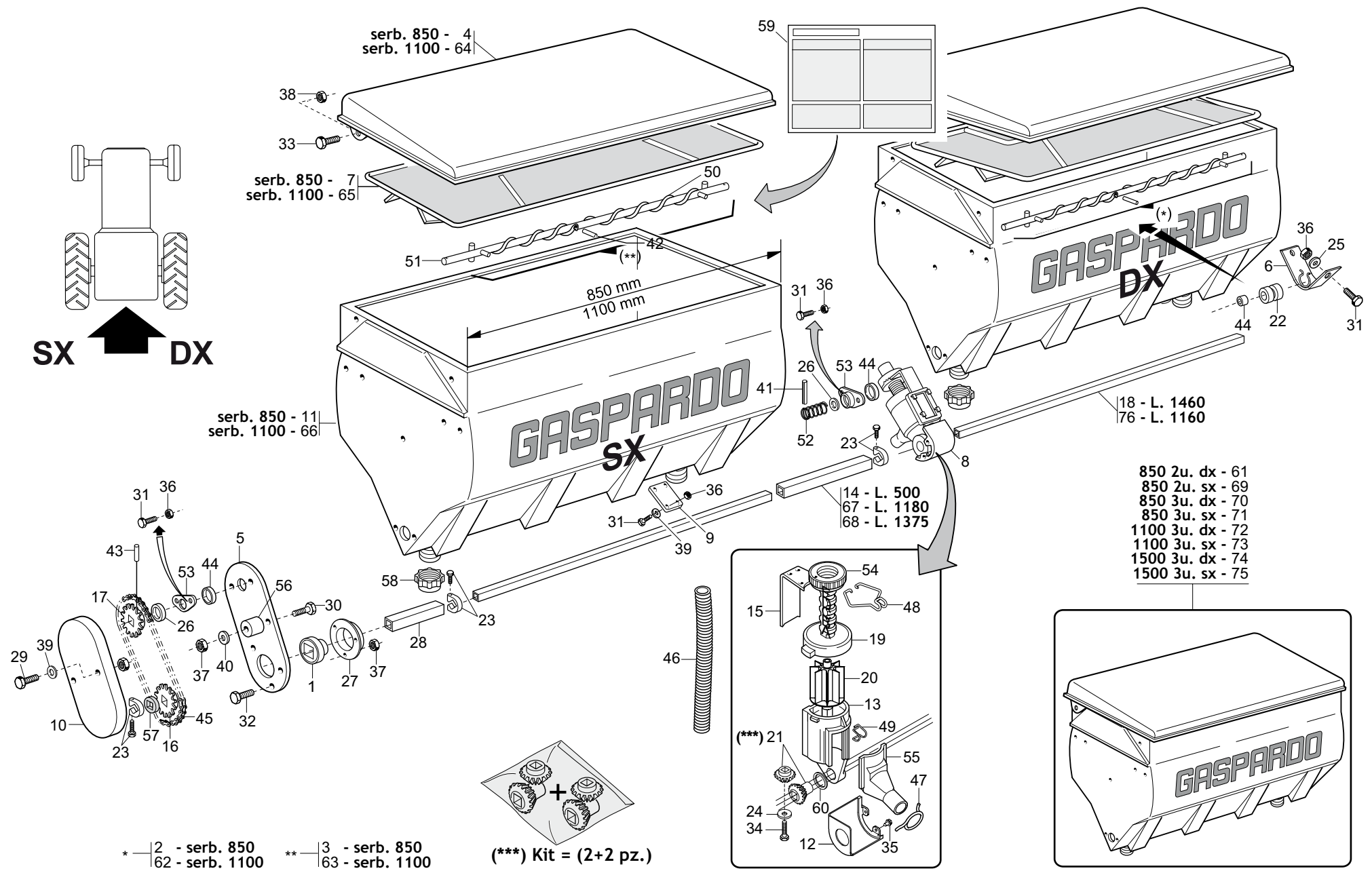


**SERBATOI SPANDICONCIME PLASTICA
PLASTIC FERTILIZER DISTRIBUTOR**

TAV. 310

| Pos. | Cod. | Descrizione | Description | Description | Benennung | Description |
|------|------------|--------------------------------|--------------------------------|--------------------------------|--------------------------------|---------------------------------|
| 1 | G14830390R | CUSCINETTO FORO QUADRO | SQUARE-HOLED BEARING | ROULEMENT TROU CARRE | VIERKANTLAGER | COJINETE ORIFICIO CUADRADO |
| 2 | G20860121R | ASSE AGITAT.DX SERB.850 COMPL. | STIRRER SPINDLE- RIGHT 850 TAN | AXE AGITATEUR DRT. RESERVOIR 8 | SAMENMISCHERACHSE RE. BEH.850 | EJE AGITAD. DER. DEP S.850 COM |
| 3 | G20860122R | ASSE AGITAT.SX SERB.850 COMPL. | STIRRER SPINDLE- LEFT 850 TANK | AXE AGITATEUR GCH. RESERVOIR 8 | SAMENMISCHERACHSE LI. BEH.850 | EJE AGITAD. IZQ. DEP S. 850 CO |
| 4 | G15470580R | COPERCHIO SERBATOIO 850 | TANK TOP 850 | COUVERCLE RESERVOIR 650 | BEHZLTERDECKEL 850 | TAPA DEP SITO 850 |
| 5 | G15471930R | PROTEZIONE | GUARD | PROTECTION | SCHUTZ | PROTECCI N |
| 6 | G15471990R | SUPPORTO COCLEA | SUPPORT SUPPORT | SUPPORT VIS ALIMENTATION | HALTERUNG SCHNECKE | SOPORTE C CLEA |
| 7 | G15472760R | GRIGLIA SERBATOIO PLASTICA 850 | PLASTIC TANK GRID 850 | GRILLE RESERVOIR PLASTIQUE 850 | BEHZLTERGITTER PLAST.850 | REJILLA DEP SITO PLAST.850 |
| 8 | G15472770R | DISTR.COMPL.8PALE SPANDI PL | COMPL.PLAS.FERTIL.DISTR.8RIBS | MINIMAX COMPL 8C PLA | KOMPL.DOSIER.PLA.D NGERSTR.8S | DISTR.COMP.ABONO PLAST. 8AL. |
| 9 | G15472780R | TAPPO SPANDI PLASTICA | PLASTIC FERT. SPREADER PLUG | BOUCHON EPAND. PLASTIQUE | PLASTIKPFROPFEN DSNGERSTR. | TAP N ABONADORA PL STICO |
| 10 | G19002710R | PROTEZ.RINVIO SPANDICONCIME | FERTILIZER TRANSM. PROTECTION | PROTECTION RENVOI FERTILISEUR | SCHUTZ VORGELEGE DUNGERSTREUER | PROTECCION TRANSMISION ABONADO |
| 11 | G19004470R | SERBATOIO CONCIME 850 | FERTILIZER HOPPER 850 | TR MIE ENGRAIS 850 | D_NGERTANK 850 | DEP SITO ABONO 850 |
| 12 | G19002850R | PROTEZIONE PIGNONE | PINION GUARD | PROTECTION PIGNON | RITZELSCHUTZ | PROTECCI N PI N |
| 13 | G19002920R | CORPO DISTRIBUTORE SPANDI PLA. | PLA. F.SPREADER DISTRIB.CASING | CORPS DISTRIBUTEUR EPAND. | VERTEILUNGSKTRPER STREUER PLA. | CUERPO DIST. ABONADORA PL S. |
| 14 | G20860012R | MANICOTTO DI UNIONE L.500 | JOINT SLEEVE L.500 | MANCHON DE RACCORD L. 500 | VERBINDUNGSMUFFE L.500 | MANGUITO DE UNI N L.500 |
| 15 | G20860052R | REGOLATORE APERTURA | OPENING REGULATOR | REGULATEUR OUVERTURE | TFFNUNGSEINSTELLER | REGULADOR ABERTURA |
| 16 | G20860086R | INGRANAGGIO 1 2 Z-12 F.Q. | GEAR 1 2 Z-12 F.Q. | ENGRENAGE 1 2 Z-12 TROUS CARRE | ZAHNRAD 1 2 Z-12 F.Q. | ENGRANAJE 1 2 Z-12 F.Q. |
| 17 | G20860088R | INGRANAGGIO 1 2 Z-12 F.T. | GEAR 1 2 Z-12 F.T. | ENGRENAGE 1 2 Z-12 TROUS ROND | ZAHNRAD 1 2 Z-12 F.T. | ENGRANAJE 1 2 Z-12 F.T. |
| 18 | G20860090R | ASSE SX 5F.60 L.1460 | AXLE- LEFT 5-R.60 L.1460 | AXE GCH. 5 RANGEES 60 L. 1460 | ACHSE LI 5R.F.60 L.1460 | EJE IZQ. 5 FILA. 60 L.1460 |
| 19 | G20860093R | VITE DI REGOL. | ADJUSTMENT BOLT | VIS DE REGLAGE | EINSTELLSCHRAUBE. | TORNILLO DE REGULACI N |
| 20 | G20860106R | DOSATORE SPANDI 8 PALE COMPL. | FERT.METERING DEVICE ASS.8 GRO | ROTOR DOSEUR 8C FERTIL COMPL. | DOSIERER DUNGER.KOMPL. 8 SEKT | DOSIFICADOR ABONO COMP.8 SECT |
| 21 | G20860126R | KIT INGRANAGGI DISTRIB.CONCIME | KIT- MAN. DISTR. GEARS 2 2 | COUPLE CON DISTR ENGRAIS 2 2 | KIT ZAHNRZDER DSNGERSTREUER | SET ENGRANAJES DISTRIB. ABONO |
| 22 | G19005040R | BOCCOLA ASSE SPANDI | FERT. SPREADER AXLE BUSH | DOUILLE AXE PANDEUR | ACHSENBUCHSE STREUER | MANGUITO -RBOL ABONADORA |
| 23 | G22505085R | FERMO ASSE IN LAMIERA | PLATE AXLE STOP | ARRET AXE EN TOLE | FESTSTELLVORRICHTUNG BLECHACHS | BLOQUEO EJE DE CHAPA |
| 24 | G20970097R | RONDELLA 32X3X4,5 | WASHER 32X3X4-5 | RONDELLE 32X3X4-5 | UNTERLEGSCHEIBE 32X3X4-5 | ARANDELA 32X3X4-5 |
| 25 | G20970125R | RONDELLA 28X2,5X6,5 | WASHER 28X2-5X6-5 | RONDELLE 28X2-5X6-5 | UNTERLEGSCHEIBE 28X2-5X6-5 | ARANDELA 28X2-5X6-5 |
| 26 | G22220073R | RONDELLA 28X0,3X16,5 | WASHER 28X0-3X16-5 | RONDELLE 28X0-3X16-5 | UNTERLEGSCHEIBE 28X0-3X16-5 | ARANDELA 28X0-3X16-5 |
| 27 | G22230094R | SUPPORTO CUSCINETTO | BEARING SUPPORT | SUPPORT DE ROULEMENT | LAGERSBSCHSE | SOPORTE COJINETE |
| 28 | G22250287R | MANICOTTO DISTANZIALE SV | SPACER SLEEVE SV | MANCHON ENTRETOISE SV | ABSTANDSMUFFE SV | MANGUITO DISTANCIADOR SV |
| 29 | F01020043R | VITE M6X1X60 U5737 8.8ZN | SCR. M6X1X60 U5737 8.8ZN | VIS M6X1X60 U5737 8.8 ZN | SCHRAUBE M6X1X60 U5737 8.8 ZN | TORNILLO M6X1X60 U5737 8.8 ZN |
| 30 | F01020068R | VITE M8X1,25X40 U5737 8.8ZN | SCR. M8X1,25X40 U5737 8.8ZN | VIS M 8X1,25X40 U5737 8.8 ZN | SCHRA. M8X1,25X40 U5737 8.8 ZN | TORNILLO M8X1,25X40 U5737 8.8 |
| 31 | F01020403R | VITE M6X1X16 U5739 8.8ZN | SCR. M6X1X16 U5739 8.8ZN | VIS M6X1X16 U5739 8.8 ZN | SCHRAUBE M6X1X16 U5739 8.8 ZN | TORNILLO M6X1X16 U5739 8.8 ZN |
| 32 | F01020432R | VITE M8X1,25X16 U5739 8.8ZN | SCR. M8X1,25X16 U5739 8.8ZN | VIS M8 X1,25X16 U5739 8.8 ZN | SCHRAUBE M8X1,25X16U5739 8.8ZN | TORNILLO M8X1,25X16 U5739 8.8 |
| 33 | F01020472R | VITE M10X1,5X25 U5739 8.8ZN | SCR. M10X1,5X25 U5739 8.8ZN | VIS M10X1,5X25 U5739 8.8 ZN | SCHRAUBE M10X1,5X25 U5739 8.8 | TORNILLO M10X1,5X25 U5739 8.8 |
| 34 | F01070075R | VITE A4,2X1,41X38 U6954 4.8NI | SCR. H4,2X1,41X38 U6954 4.8NI | VIS 4-2X38 DIN 7981 | SCHRAUBE 4-2X38 DIN 7981 | TORNILLO 4-2X38 DIN 7981 |
| 35 | F01070011R | VITE A4,2X1,41X9,5 U6950 4.8NI | SCR. H4,2X1,41X9,5 U6950 4.8NI | VIS AUTOTAR. 4-2X9-5 T. E. COU | SELBSTSCHNEID. SCHRAUBE 4-2X9- | TORNILLO AUTORROSC. 4-2X9-5 |
| 36 | F01200232R | DADO M6X1 U5588 CL8 ZN | NUT M6X1 U5588 6.8ZN | ECROU 6 UNI 5588 6.8 ZN | MUTTER 6 UNI 5588 6.8 ZN | TUERCA M6X1 U5588 CL8 ZN |
| 37 | F01200244R | DADO M8X1,25 U5588 CL8 ZN | NUT M8X1,25 U5588 6.8ZN | ECROU M8 X1,25 U5588 6.8 ZN | MUTTER M8 X1,25 U5588 6.8 ZN | TUERCA M8X1,25 U5588 CL8 ZN |
| 38 | F01220033R | DADO M10X1,5 D980 8ZN | NUT M10X1,5 D980 8ZN | ECROU M10X1,5 D980 8ZN | MUTTER M10X1,5 D980 8ZN | TUERCA M10X1,5 D980 8 |
| 39 | F01410037R | ROS.M6 6,4X12,5X1,6 U6592 ZN | WASHER M6 6,4X12,5X1,6 U6592ZN | RONDEL.M6 6,4X12,5X1,6 U6592ZN | SCHIEB.M6 6,4X12,5X1,6 U6592ZN | ARAND.M6 6,4X12,5X1,6 U6592 ZN |
| 40 | F01410051R | ROS.M8 8,4X 17X1,6 U6592 ZN | WASHER M8 8,4X17X1,6 U6592 ZN | RONDELLE M8 8,4X17X1,6 ZN | SCHIEBE M8 8,4X17X1,6 U6592 ZN | ARAND.M8 8,4X 17X1,6 U6592 ZN |
| 41 | F02100079R | SPINA E.P. 5X20 U6873 C70 BR | PIN EL. 5X20 U6873 C70 BR | | | CLAVIJA EL.P. 5X20 30 U6873 C |
| 42 | F02100314R | SPINA EL.5 X36 DIN 1481 INOX | PIN EL.5 X36 DIN 1481 INOX | | | |
| 43 | F02100114R | SPINA E.P. 6X 30 U6873 C70 BR | ELASTIC PIN 6X30 | GOUJON ELASTIQUE 6X30 | SPANNHUELSE 6X30 | ESPINA ELASTICA 6X30 |
| 44 | F03011081R | GUARNIZIONI LABBRO DE100 | LIP GASKET D100 | | | |
| 45 | F06080196R | CATENA 1 2 ISO 083 32 MAGLIE | CUT-DOWN CHAIN .1 2 ISO 083 32 | TRONCON CHAINE 1 2 ISO 083 32 | KETTENZNGE 1 2 ISO 083 32 GL | TRECHO CADENA 1 2 ISO 083 32 |
| 46 | F03100500R | TUBO EOLO 35 PU | TUBE EOLO 35 PU | TUBE EOLO 35 PU | | TUBO EOLO |
| 47 | G65336025R | MOLLA SPEC.ZN STRINGIT.ASP.SP | SPEC SPRING ZN FAN . PIPE CLAM | RESSORT SPEC. ZN SERRE-TUBE AS | SPEZIALFEDER ZN RORRSCHELLE AB | MUELLE ESPEC. ZN APRIETA TUBOS |
| 48 | G65336055R | MOLLA SPEC.REGOL.SPAND. SP | SPEC SPRING MAN. SPR. ADJUSTM. | RESSORT SPEC. REGL. EP. ENTRA | SPEZIALFEDER STREUERINSTELLUN | MUELLE ESPEC. REGUL. ABONADORA |
| 49 | G65336062R | MOLLA SPEC.SCIV.DISTR.SPAND.SP | SPEC SPRING - MAN. SPR. DISTR. | RESS. SPEC. LANCOIR DISTR. EP. | SPEZ.FEDER RUTSCHE SZAPP. STRE | MUELLE ESPEC.PLANO INCL.DISTR. |
| 50 | G65336064R | MOLLA SPEC.COCLEA DX SPAND.HL | SPEC. WORM SCREW SPRING RIGHT | RESSORT SPEC. VIS DRT. EP. ENG | SPEZ.FEDER RE SCHNECKE STREUER | MUELLE ESPEC. TORN.S F DER. AB |
| 51 | G65336065R | MOLLA SPEC.COCLEA SX SPAND.HL | SPEC. WORM SCREW SPRING LEFT M | RESSORT SPEC. VIS GCH. EP. ENG | SPEZ.FEDER LI SCHNECKE STREUER | MUELLE ESPEC. TORN.S F IZQ. AB |
| 52 | G65338043R | MOLLA COMP.ZN SERB. M80 | ZN TANK COMP.SPRING M80 | RESSORT COMPL. ZN RESERVOIR M8 | DRUCKFEDER ZN BEHZLTER M80 | MUELLE COMP.ZN DEP S. M80 |
| 53 | G66248121R | BOCCOLA CON FLANGIA M80 | BUSHING W FLANGE M80 | SUPPORT AVEC BRIDE M80 | BSCHSE MIT FLANSCH M80 | CASQUILLO CON BRIDA M80 |
| 54 | G66248125R | GHIERA REGOLAZIONE M80 | ADJUSTMENT KNURLED NUT M80 | BAGUE REGLAGE M80 | EINSTELLMUTTER M80 | CONTRATUERCA CON REGULACI N M80 |
| 55 | G66248178R | SCIVOLO DISTR.SPAND. SP | CHUTE- MANURE-SPREADER DISTRIB | LANCOIR DISTRIBUTION EP. ENGR. | DSNGERSTREUER RUTSCHE SP | PLANO INCLINADO DISTR. ABON. S |

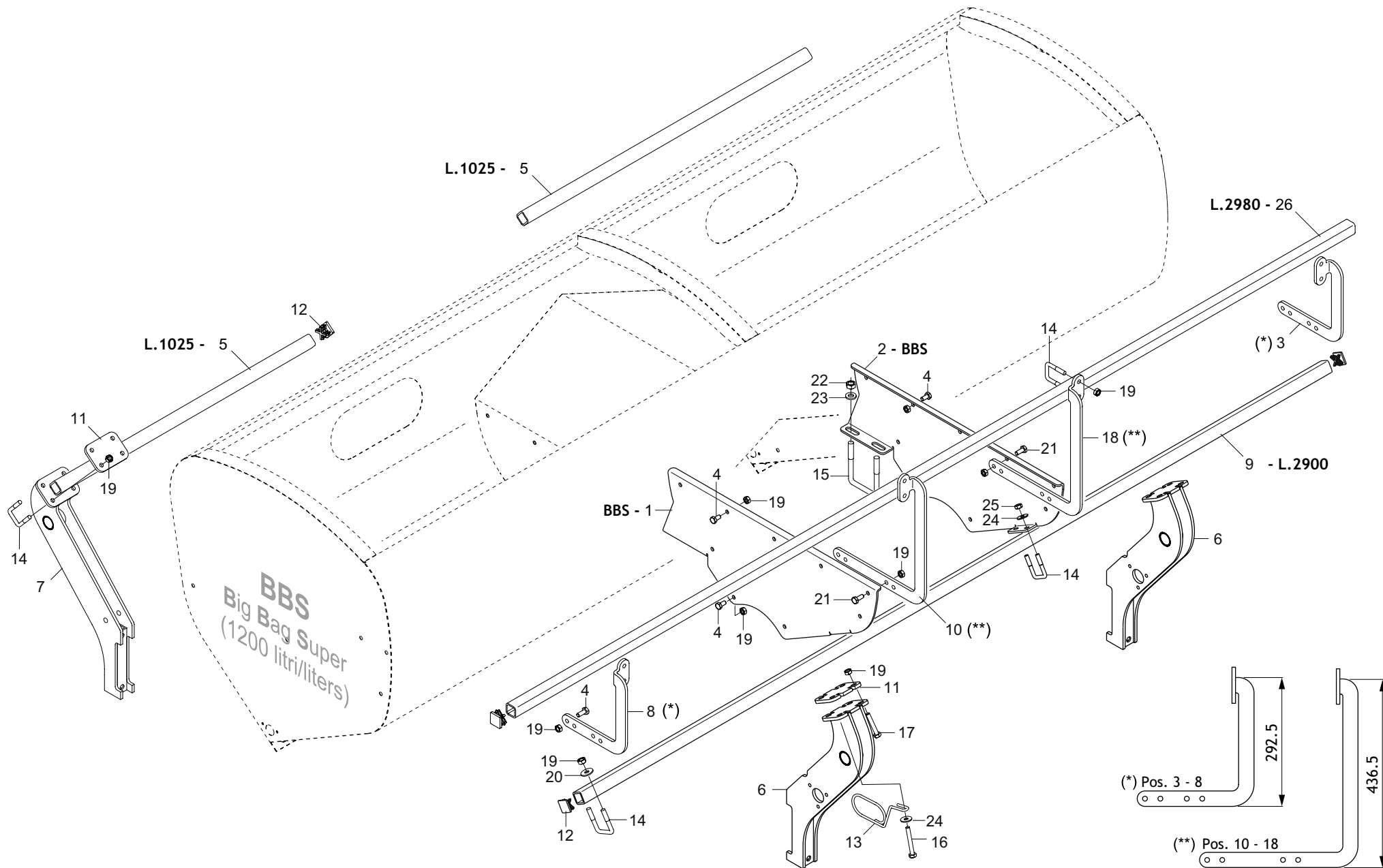
TAV. 310



**SERBATOI SPANDICONCIME PLASTICA
PLASTIC FERTILIZER DISTRIBUTOR**

TAV. 310

| Pos. | Cod. | Descrizione | Description | Description | Benennung | Description |
|------|------------|--------------------------------|--------------------------------|--------------------------------|--------------------------------|-------------------------------|
| 56 | G66248207R | TENDICATENA SPAND. SP-520 | CHAIN TENSIONER | TENDEUR DE CHAINE EPAND. ENGR. | KETTENSPELLER DSNGERSTR. SP-52 | SENSOR DE CADENA ABON. SP-520 |
| 57 | G66248218R | RONDELLA DISTAN.SPAND. | MAN. SPR. SPACER WASHER | RONDELLE ENTRETOISE EP. ENGRAI | ABSTANDSCHEIBE DSNGERSTREUER | ARANDELA DISTAN.ABONAD. |
| 58 | F03150757R | TAPPO FILETT.SERBAT.PLASTICA | SCREWED PLUG FOR PLASTIC TANK | | | |
| 59 | G19700822R | DECAL.TABELLA CONCIME SP540 | DECAL.FERTILIZER TABLE SP540 | | | |
| 60 | G18701500R | RONDELLA 29,5 X38 X0,3 | WASHER 29,5 X 38 X 0,3 | RONDELLE 29,5 X38 X0,3 | UNTERLEGSCHEIBE 29,5X38X0,3 | ARANDELA 29,5 X38 X0,3 |
| 61 | G15472790R | SERBATOIO 850 PLA.2U DX | PLAS.FERT.TANK 850 2 OUT. RH | RESERV 850 PLA 2S COMPL DRT | BEHZLTER 850 PLAST. RE 2 AUSG. | DEP SITO 850 PLA.2 SAL. DER. |
| 62 | G15271540R | ASSE AGITATORE DX 1100 | STIRRER SPINDLE-RIGHT 1100 TAN | AXE AGITATEUR DRT.RESERV.1100 | SAMENMISCHERACHSE RE BEH.1100 | EJE AGITAD.DER.DEP S.1100 COM |
| 63 | G15271550R | ASSE AGITATORE SX 1100 | STIRRER SPINDLE- LEFT 1100 | AXE AGITATEUR GCH. 1100 | SAMENMISCHERACHSE LINKER 1100 | EJE AGITAD. IZQ. 1100 |
| 64 | G15471920R | COPERCHIO SERBATOIO L.1100 | TANK COVER L.1100 | COUVERCLE RESERVOIR L.1100 | BEHZLTERDECKEL L.1100 | TAPA DEP S.L.1100 |
| 65 | G15473130R | GRIGLIA SERBATOIO 1100 PLAST. | PLASTIC TANK GRID 1100 | GRILLE RESERVOIR PLAST.1100 | BEHZLTERGITTER PLAST.1100 | REJILLA DEP SITO PLAST.1100 |
| 66 | G19003060R | SERBATOIO 1100 PLASTICA | PLASTIC TANK 1100 | RESERVOIR 1100 PLASTIQUE | PLASTIKBEHZLTER 1100 | DEP SITO 1100 PL STICA |
| 67 | G20910045R | MANICOTTO UNIONE L.1180 | JOINT SLEEVE L.1180 | MANCHON RACCORD L. 1180 | VERBINDUNGSMUFFE L.1180 | MANGUITO DE UNI N L.1180 |
| 68 | G20910044R | MANICOTTO UNIONE L.1375 | JOINT SLEEVE L.1375 | MANCHON RACCORD L. 1375 | VERBINDUNGSMUFFE L.1375 | MANGUITO DE UNI N L.1375 |
| 69 | G15472800R | SERBATOIO 850 PLA.2U SX | PLAS.FERT.TANK 850 2 OUT. L | RESERV 850 PLA 2S COMPL GCH | BEHZLTER 850 PLAST. LI 2 AUSG. | DEP SITO 850 PLA.2 SAL. IZQ. |
| 70 | G15472810R | SERBATOIO 850 PLA.3U DX | PLAS.FERT.TANK 850 3 OUT. RH | RESERV 850 PLA 3S COMPL DRT | BEHZLTER 850 PLAST. RE 3 AUSG. | DEP SITO 850 PLA.3 SAL. DER. |
| 71 | G15472820R | SERBATOIO 850 PLA.3U SX | PLAS.FERT.TANK 850 3 OUT. LH | RESERV 850 PLA 3S COMPL GCH | BEHZLTER 850 PLAST. LI 3 AUSG. | DEP SITO 850 PLA.3 SAL. IZQ. |
| 72 | G15272680R | SERBATOIO 1100 3U.DX PLA.COMP. | TANK ASSY.1100 RIGHT 3U | RESERV 1100 PLA 3S COMPL DRT | KOMPL. BEHZLTER 1100 RE 3AUSG | DEP S. COMPL.1100 DER. 3 SAL. |
| 73 | G15272720R | SERBATOIO 1100 3U.SX PLA.COMP. | TANK ASSY. 1100 LEFT 3U | RESERV 1100 PLA 3S COMPL GCH | KOMPL. BEHZLTER 1100 LI 3AUSG | DEP S. COMPL.1100 IZQ. 3 SAL. |
| 74 | G15471430R | SERBATOIO 1500 3U DX | TANK ASSY.1500 LEFT 3U | RESERV 1500 FER 3S COMPL DRT | KOMPL. BEHZLTER 500 LI 3U | DEP S. COMPL.500 IZQ. 3 SAL. |
| 75 | G15471440R | SERBATOIO 1500 3U SX | TANK ASSY.1500 LEFT 3U | RESERV 1500 FER 3S COMPL DRT | KOMPL. BEHZLTER 1500 LI 3U | DEP S. COMPL.1500 IZQ. 3 SAL. |
| 76 | G20860032R | ASSE RUOTA CAMBIO L.1160 | WHEEL AXLE - GEARBOX L.1160 | AXE ROUE BOITE DE VITESSE | GEBTRIEBERADACHSE L 1160 | EJE RUEDA CAMBIO L.1160 |

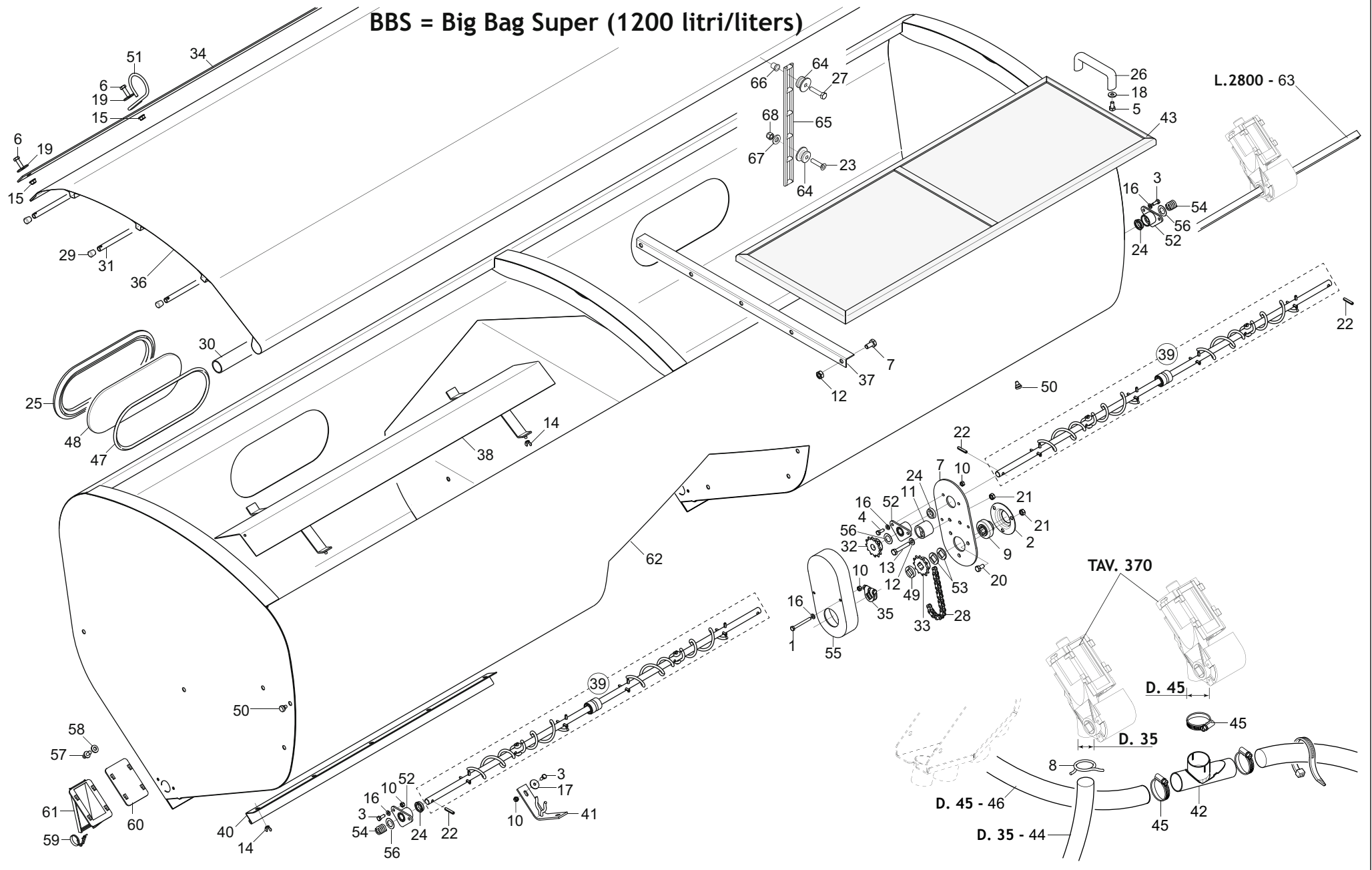


SUPPORTI SERBATOIO SPANDICONCIME 'BB'
SUPPORTS FOR 'BB' FERTILIZER DISTRIBUTOR

TAV. 320

| Pos. | Cod. | Descrizione | Description | Description | Benennung | Descripcion |
|------|------------|-------------------------------|--------------------------------|-------------------------------|---------------------------------|--------------------------------|
| 1 | G15274270R | FIANCO SUPP.INT.SX BB1200L | L.INTERNAL SUPP.SIDE BB1200L | | | |
| 2 | G15274260R | FIANCO SUPP.INT.DX BB1200L | R.INTERNAL SUPP.SIDE BB1200L | | | |
| 3 | G15275850R | SUPPORTO SX TUBO MICRO 60L | LEFT SUPPORT TUBE MICRO 60L | | | |
| 4 | F01020461R | VITE M10X1,5X20 U5739 8.8GE | SCREW M10X1,5X20 U5739 8.8GE | | | |
| 5 | G15273491R | TUBO Q. 35X 4X1025 | SQ.PIPE 35X 4X1025 | | | |
| 6 | G15273444R | SUPPORTO POSTERIORE | REAR SUPPORT | | | |
| 7 | G15273472R | SUPPORTO FRONTALE | FRONT SUPPORT | | | |
| 8 | G15275860R | SUPPORTO DX TUBO MICRO 60L | RIGHT SUPPORT TUBE MICRO 60L | | | |
| 9 | G07000656R | TUBO Q. 35X 4X2900 | SQUARE PIPE 35X35X4X2900 | TUBE CARRE 35X35X4X2900 | VIERKANTROHR 35X35X4X2900 | TUBO CUADRADO 35X35X4X2900 |
| 10 | G15275880R | SUPPORTO L.SX TUBO MICRO 60L | S.LEFT SUPPORT TUBE MICRO 60L | | | |
| 11 | G15274520R | PIASTRA D APPOGGIO MTE300 | SUPPORT PLATE MTE300 | | | |
| 12 | F20120346R | PUNTALE Q 35 ALETT.POLIT.NERO | SQ.TIP 35 BLACK | | | |
| 13 | G18904050R | MOLLA GUIDA 2 TUBI DEPRESS. | TUBE GUIDE SPRING | RESSORT GUIDE-TUBES | EDER ROHRF_HRUNG | MUELLE GUA TUBOS |
| 14 | F20110706R | CAV.Q.B=35 M=10X1,5 L=60 | U BOLT Q.B=35 M=10X1,5 L=60 | CAVALIER SUPPORT DISQUE SV | VERBINDUNG SCHEIBENHALTERUNG S | PERNO EN U SOP. DISCO SV |
| 15 | F20110770R | CAV.Q.B=80 M=14X2 L=119 | U BOLT Q.B=80 M=14X2 L=119 | BRIDE U M14X2X50 96X119 ZN | ANSCHLANG U M14X2X50 96X119 ZN | EL.DE EMPALME M14X2X50 96X119 |
| 16 | F01020144R | VITE M10X1,5X75 U5737 A2IX | SCR. M10X1,5X75 U5737 A2IX | VIS M10X 1,5X 75 U5737 8.8 IX | SCHRAUBE M10X 1,5X 75 U5737 8. | TORNIL. M10X 1,5X 75 U5737 8.8 |
| 17 | F01020143R | VITE M10X1,5X65 U5737 A2IX | SCR. M10X1,5X65 U5737 A2IX | VIS M10X 1,5X 65 U5737 8.8 IX | SCHRAUBE M10X 1,5X 65 U5737 8. | TORNIL. M10X 1,5X 65 U5737 8.8 |
| 18 | G15275870R | SUPPORTO L.DX TUBO MICRO 60L | S.RIGHT SUPPORT TUBE MICRO 60L | | | |
| 19 | F01200271R | DADO M10X1,5 U5588 A2IX | NUT M10X1,5 U5588 A2IX | ECROU 10 5588 6.8 INOX | MUTTER 10 5588 6.8 INOX | TUERCA 10 5588 6.8 INOX |
| 20 | F01420059R | ROS.M10 10,5X 30X2,5 U6593 IX | WASHER 11X30X2,5 6593 A2 | RONDELLE 11X30X2,5 6593 A2 | UNTERLEGSSCHEIBE 11X30X2,5 6593 | ARANDELA 11X30X2,5 6593 A2 |
| 21 | F01020463R | VITE M10X1,5X25 U5739 A2IX | SCR. M10X1,5X25 U5739 A2IX | VIS 10X25 5739 INOX A2 | SCHRAUBE 10X25 5739 INOX A2 | TORNILLO 10X25 5739 INOX A2 |
| 22 | F01200306R | DADO M14X2 U5588 CL8 ZN | NUT M14X2 U5588 6.8ZN | ECROU M14X2 | MUTTER M14X2 | DADO M14X2 |
| 23 | G20970142R | RONDELLA 32X4X15,5 | WASHER 32X4X15-5 | RONDELLE 32X4X15-5 | UNTERLEGSSCHEIBE 32X4X15-5 | ARANDELA 32X4X15-5 |
| 24 | F01420060R | ROS.M10 10,5X 30X2,5 U6593 ZG | GALV.WASHER 10,5X30X2,5 U6593 | RONDELLE 10,5X30 | SCHEIBE 10,5X30 | ARAND.M10 10,5X 30X2,5 U6593 |
| 25 | F01200270R | DADO M10X1,5 U5588 CL8 ZN | NUT M10X1,5 U5588 6.8ZN | ECROU M10X 1,5 U5588 6.8 ZN | MUTTER M10X 1,5 U5588 6.8 ZN | TUERCA M10X1,5 U5588 CL8 ZN |
| 26 | G07000028R | TUBO Q.35 X4 X2980 | SQUARE PIPE 35 X 35 X 3 X 2980 | TUBE CARRE 35 X 35 X 3 X 2980 | VIERKANTROHR 35 X 35 X 3 X 298 | TUBO CUADRADO 35 X 35 X 3 X 29 |

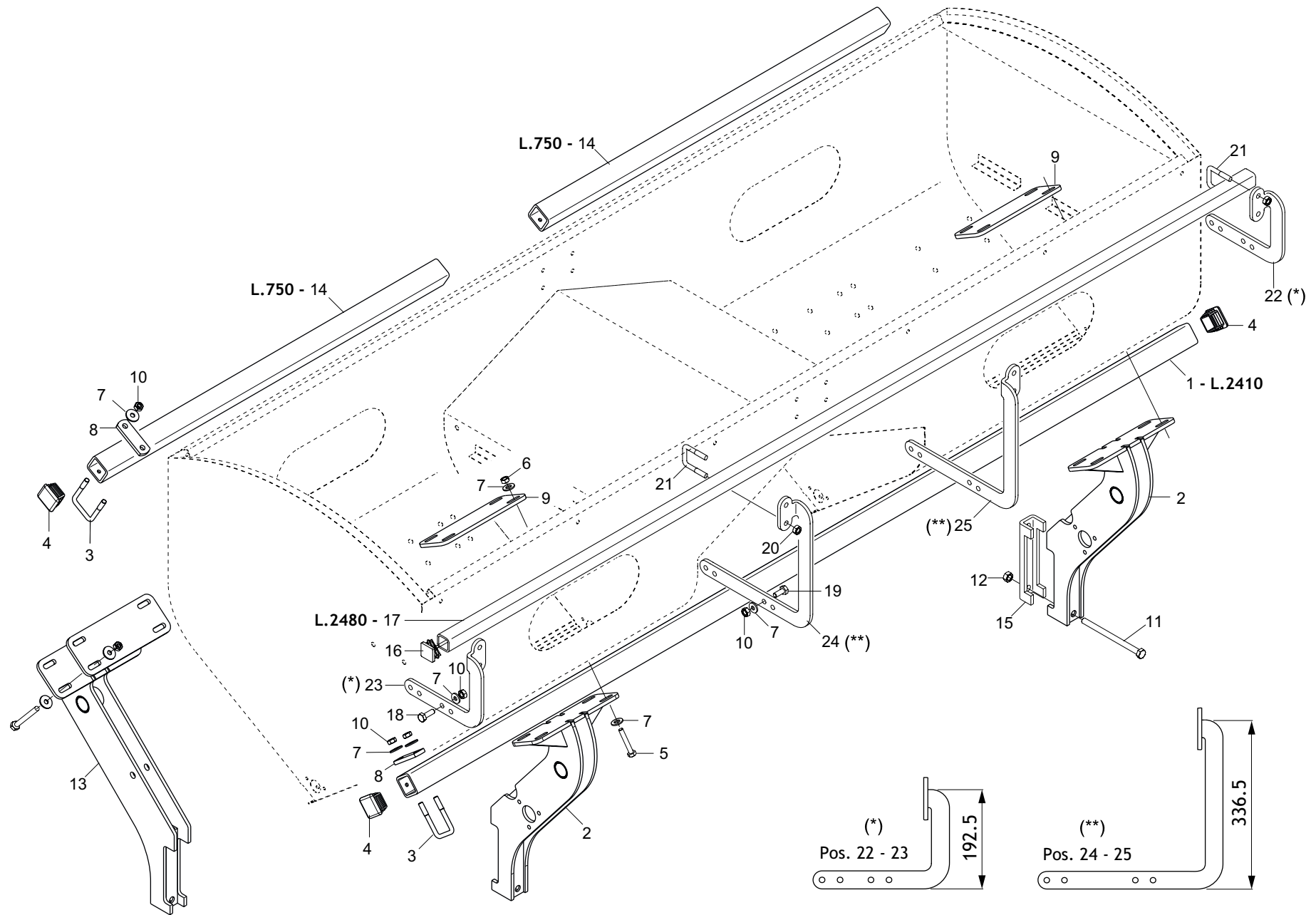
BBS = Big Bag Super (1200 litri/liters)



**SERBATOIO SPANDICONCIME UNICO "BBS 1200 LITRI"
"BBS 1200 LITERS" FERTILIZER DISTRIBUTOR**

TAV. 330

| Pos. | Cod. | Descrizione | Description | Description | Benennung | Descripcion |
|------|------------|--------------------------------|---------------------------------|---------------------------------|---------------------------------|---------------------------------|
| 1 | F01020043R | VITE M6X1X60 U5737 8.8ZN | SCR. M6X1X60 U5737 8.8ZN | VIS M6X1X60 U5737 8.8 ZN | SCHRAUBE M6X1X60 U5737 8.8 ZN | TORNILLO M6X1X60 U5737 8.8 ZN |
| 2 | G22230094R | SUPPORTO CUSCINETTO | BEARING SUPPORT | SUPPORT DE ROULEMENT | LAGERBSCHSE | SOPORTE COJINETE |
| 3 | F01020419R | VITE M 6X1 X 16 U5739 A2IX | SCR. M6X1X16 U5739 A2IX | VIS M6 X1 X 16 U5739 8.8 IX | SCHRAUBE M6 X1 X 16 U5739 8.8 | TORNIL. M6 X1 X 16 U5739 8.8 |
| 4 | F01020420R | VITE M6X1X20 U5739 A2IX | SCR. M6X1X20 U5739 A2IX | VIS M6 X1 X 20 U5739 8.8 IX | SCHRAUBE M6X1X20 U5739 A2 IX | TORNIL. M6 X1 X 20 U5739 8.8 |
| 5 | F01020426R | VITE M 8X1,25X 12 U5739 A2IX | SCR. M8X1,25X12 U5739 A2IX | VIS M8 X1,25X 12 U5739 8.8 IX | SCHRAUBE M8 X1,25X 12 U5739 8. | TORNIL. M8 X1,25X 12 U5739 8.8 |
| 6 | F01020443R | VITE M8X1,25X25 U5739 A2IX | SCR. M8X1,25X25 U5739 A2IX | VIS M8X1,25X25 U5739 A2 IX | SCHRAUBE M8X1,25X25 5739 A2 IX | TORNILLO M8X1,25X25 5739 A2 IX |
| 7 | G15471930R | PROTEZIONE | GUARD | PROTECTION | SCHUTZ | PROTECCI N |
| 8 | G65336025R | MOLLA SPEC.ZN STRINGIT.ASP.SP | SPEC SPRING ZN FAN . PIPE CLAM | RESSORT SPEC. ZN SERRE-TUBE AS | SPEZIALFEDER ZN RORHSCHELLE AB | MUELLE ESPEC. ZN APIRIETA TUBOS |
| 9 | G14830390R | CUSCINETTO FORO QUADRO | SQUARE-HOLED BEARING | ROULEMENT TROU CARRE | VIERKANTLAGER | COJINETE ORIFICIO CUADRADO |
| 10 | F01200233R | DADO M6X1 U5588 A2IX | NUT M6X1 U5588 A2IX | ECROU M 6X 1 U5588 | MUTTER M 6X 1 U5588 | TUERCA M 6X 1 U5588 |
| 11 | G66248207R | TENDICATENA SPAND. SP-520 | CHAIN TENSIONER | TENDEUR DE CHAINE EPAND. ENGR. | KETTENSPELLER DSNGERSTR. SP-52 | SENSOR DE CADENA ABON. SP-520 |
| 12 | F01410051R | ROS.M8 8,4X 17X1,6 U6592 ZN | WASHER M8 8,4X17X1,6 U6592 ZN | RONDELLE M8 8,4X17X1,6 ZN | SCHEIBE M8 8,4X17X1,6 U6592 ZN | ARANDE.M8 8,4X 17X1,6 U6592 ZN |
| 13 | F01020068R | VITE M8X1,25X40 U5737 8.8ZN | SCR. M8X1,25X40 U5737 8.8ZN | VIS M 8X1,25X40 U5737 8.8 ZN | SCHRA. M8X1,25X40 U5737 8.8 ZN | TORNILLO M8X1,25X40 U5737 8.8 |
| 14 | F01240013R | DADO M6X1 U5448 A2 GE | NUT M6X1 U5448 A2 GE | NUT M8 | MUTTER M8 | TUERCA M8 |
| 15 | F01260032R | DADO M8 D6923 A2IX | NUT M8 D6923 A2IX | ECROU FLANG. M8 D6923 A2 IX | MUTTER FLANG. M8 D6923 A2 IX | TUERCA FLANG. M8 D6923 A2 IX |
| 16 | F01410034R | ROS.M6 6,4X12,5X1,6 U6592 IX | WASHER M6 6,4X12,5X1,6 U6592 IX | RONDELL.M6 6,4X24X1,5 U6593 IX | SCHEIBE M6 6,4X24X1,5 U6593 IX | ARANDEL.M6 6,4X24X1,5 U6593 IX |
| 17 | F01420039R | ROSSET.M6 6,4X24X1,5 U6593 IX | WASHER M6 6,4X24X1,5 U6593 IX | RONDELLE M8 8,4X24X2 U6593 IX | SCHEIBE M8 8,4X24X2 U6593 IX | ARANDELA M8 8,4X24X2 U6593 IX |
| 18 | F01420047R | ROS.M8 8,4X 24X 2 U6593 IX | WASHER M8 8,4X24X2 U6593 IX | RONDELLA M8 8,4X32X2 U6593 ZN | SCHEIBE M8 8,4X32X2 U6593 ZN | ARANDELA M8 8,4X 32X 2 U6593 ZN |
| 19 | F01420049R | ROS.M8 8,4X 32X 2 U6593 ZN | WASHER M8 8,4X32X2 U6593 ZN | SCR. M8X1,25X16 U5739 8.8ZN | SCHRAUBE M8X1,25X16U5739 8.8ZN | TORNILLO M8X1,25X16 U5739 8.8 |
| 20 | F01020432R | VITE M8X1,25X16 U5739 8.8ZN | DADO M8X1,25 U5588 CL8 ZN | NUT M8X1,25 U5588 6.8ZN | MUTTER M8 X1,25 U5588 6.8 ZN | TUERCA M8X1,25 U5588 CL8 ZN |
| 21 | F01200244R | DADO M8X1,25 U5588 CL8 ZN | SPINA E.P. 6X 30 U6873 C70 BR | ELASTIC PIN 6X30 | GOUJON ELASTIQUE 6X30 | ESPINA ELASTICA 6X30 |
| 22 | F02100114R | VITE M6X1X25 U5933 A2IX | SCR. M6X1X25 U5933 A2IX | VIS 6X25 5933 | SCHRAUBE 6X25 5933 | TORNILLO 6X25 5933 |
| 23 | F01030039R | GUARNIZIONI LABBRO DE100 | LIP GASKET D100 | GARNITURE VERRE | GLASDICHTUNG | JUNTA VIDRIO |
| 24 | F03011081R | GUARNIZIONE VETRO TRAMOGGIA | GLASS SEAL | HANDLE | HANDGRIFF | MANILLA |
| 25 | F03011155R | MANIGLIA INTERAS. 117 FORO 8MM | SCR. M6X1X30 U5739 A2IX | TRONCON CHAINE 1 2 ISO 083 32 | KETTENZNGE 1 2 ISO 083 32 GL | TRECHO CADENA 1 2 ISO 083 32 |
| 26 | F05150112R | VITE M 6X1 X 30 U5739 A2IX | CUT-DOWN CHAIN .1 2 ISO 083 32 | PVC TIP D.20 | | |
| 27 | F01020410R | CATENA 1 2 ISO 083 32 MAGLIE | PUNTALE PVC D.10 | PIPE D. 33,7X1,4X2880 2H9,5 | | |
| 28 | F06080196R | TUBO RINFORZO TELO | REINFORCEMENT ROD | REINFORCEMENT ROD | TIGE DE RENFORCEMENT | VARILLA DE REFUERZO |
| 29 | F05150472R | INGRANAGGIO 1 2 Z-12 F.T. | GEAR 1 2 Z-12 F.T. | ENGRENAGE 1 2 Z-12 TROUS ROUNDS | ZAHNRAD 1 2 Z-12 F.T. | ENGRANAJE 1 2 Z-12 F.T. |
| 30 | G15273670R | INGRANAGGIO 1 2 Z-12 F.Q. | GEAR 1 2 Z-12 F.Q. | ENGRENAGE 1 2 Z-12 TROUS CARRE | ZAHNRAD 1 2 Z-12 F.Q. | ENGRANAJE 1 2 Z-12 F.Q. |
| 31 | G20860088R | ASTA FISSAGGIO TELO | FIXING ROD | TIGE DE FIXATION | BEFESTIGUNGSTANGE | VARILLA DE FIJACION |
| 32 | G20860086R | FERMO ASSE IN LAMIERA | PLATE AXLE STOP | ARRET AXE EN TOLE | FESTSTELLVORRICHTUNG BLECHACHS | BLOQUEO EJE DE CHAPA |
| 33 | G15273541R | TELO COPRISERBATOIO BB1200L | TANKCOVER SHEET BB1200L | | | |
| 34 | G15273581R | LAMIERA APPOGGIO GRIGLIA | SHEET METAL SUPPORT GRID | | | |
| 35 | G15273610R | TEGOLO MTE300 | BENT TILE MTE300 | AXE AGITATEUR RESERVOIR BB300 | SAMENMISCHERACHSE BEH. BB300 | EJE AGITAD. DEPS. BB300 |
| 36 | G15273622R | ASSE AGITAT.SERBAT.UNICO COMPL | STIRRER SPINDLE BB300 TANK | CLEANING DOOR MTE300 5H. | SUPPORT VIS ALIMENTATION | HALTERUNG SCHNECKE |
| 37 | G15273700R | PORTA PULIZIA MTE300 5F. | BOLT SUPPORT | SUPPORT VIS ALIMENTATION | HALTERUNG SCHNECKE | SOPORTE C CLEA |
| 38 | G14276810R | SUPPORTO COCLEA | BOLT SUPPORT | VENTURI D42. | | |
| 39 | G15273840R | VENTURI D42 | GRIGLIA SERBATOIO MTE300 | GRILLE RESERVOIR MTE300 | BEHZLTERGITTER MTE300 | REJILLA DEPS. MTE300 |
| 40 | F03100500R | TUBO EOLO 35 PU | TANK GRID. MTE300 | TUBE EOLO 35 PU | | |
| 41 | F02300020R | FASCETTA STRING. 32 50 H.9 | TUBE EOLO 35 PU | TUBE EOLO 35 PU | | |
| 42 | F03100506R | TUBO EOLO PU D.45 | HOSE CLAMP 32 50 H.9 | TUBE EOLO PU D.45 | | |
| 43 | G68005092R | TURNBUCKLE GASKET | TUBE EOLO PU D.45 | TURNBUCKLE GASKET | DICHTUNGSSPANNER | TENSOR JUNTA |
| 44 | F16021080R | TENDITORE GUARNIZIONE | SEED LEVEL CHECKING WINDOW | FENETRE GARNITURE | KONTROLLFENSTER SAMENSTAND | VENTANA CONTROL NIVEL SEMILLAS |
| 45 | G66248218R | FINESTRA CONTR.LIVELLO SEMI | MAN. SPR. SPACER WASHER | RONDELLE ENTRETOISE EP. ENGRAI | ABSTANDSCHEIBE DSNGERSTREUER | ARANDELA DISTAN.ABONAD. |
| 46 | G66248223R | RONDELLA DISTAN.SPAND. | PLUG MAN. SPR. SUPP. D.11 | BOUCHON SUPPORT EP. ENGRAIS D. | HALTERUNGSPFROPFEN DSNGERSTR. | TAP N SOPORTE ABON.D.11 |
| 47 | G18902270R | TAPPO SUPP.SPAND.D.11 | TUBE GUIDE ZN TEL | GUIDER TUBE TEL ZN | FUHREN ROHR TEL ZN | GUIAR TUBO TEL ZN |
| 48 | G66248121R | GUIDATUBO ZN TEL | BUSHING W FLANGE M80 | SUPPORT AVEC BRIDE M80 | BSCHE MIT FLANSCH M80 | CASQUILLO CON BRIDA M80 |
| 49 | G18701650R | BOCCOLA CON FLANGIA M80 | WASHER 16,5X30X2,5 SQ.HOLE GAL | RONDELLE 16,5X30X2,5 ZN | UNTERLEGSCHHEIBE 16,5X30X2,5 ZN | ARANDELA 16,5X30X2,5 ZN |
| 50 | G65338043R | RONDELLA FORO QUADRO ZN | ZN TANK COMP.SP.RING M80 | RESSORT COMPL. ZN RESERVOIR M8 | DRUCKFEDER ZN BEHZLTER M80 | MUELLE COMP.ZN DEP S. M80 |
| 51 | G65338043R | MOLLA COMP.ZN SERB. M80 | INTERNAL TRANSMISS. TANK PROTE | PROTECTION RENVOI TREMIE | VORGELEGESCHUTZ BEH-LTER | PROTECCION ENVIO DEPOSITO |
| 52 | G17170270R | PROTEZIONE RINVIO SERBATOIO | WASHER 28X0,3X16,5 | RONDELLE 28X0-3X16-5 | UNTERLEGSCHHEIBE 28X0-3X16-5 | ARANDELA 28X0-3X16-5 |
| 53 | G22220073R | RONDELLA 28X0,3X16,5 | WASHER 28X0,3X16,5 | | | |
| 54 | F02250032R | RIVETTO PLAST. A VITE D7X3-9 | PLASTIC RIVET SCREW D7X3-9 | | | |
| 55 | F05150478R | RONDELLA NYLON 18X7,5X2 | WASHER 18X7,5X2 | | | |
| 56 | G65336080R | MOLLA SPEC.SCARICO SPAND.T.M. | SPEC. SPRING SPREDER RELIEF | FERMETURE SORTIE RESERVOIR FER | VERSCHLUSS AUSTRITT DSNGERSTR. | CIERRE SALIDA DEP S. ABON. SP |
| 57 | G66248184R | CHIUSURA USCITA SERB.SPAND.SP | OUTLET CLOSURE- MAN.SPREAD. TA | TRAPPE DE VIDANGE TYPE MICRO | BEHZLTERENTLADUNG STREUER TYP | DESCARGA DEP S. ABON.TIPO MICR |
| 58 | G66248187R | SCARICO SERB.SPAND.TIPO MICRO | MICRO TYPE MAN.SPR.TANK DISCH. | | | |
| 59 | G15274340R | SERBATOIO BBP 1200L | FERTILIZER BBP 1200L | AXE TRANSMISSION L.2800 | ANTRIEBSACHSE L.2800 | EJE TRANSM.L.2800 |
| 60 | G15273750R | ASSE TRASM.L.2800 | TRANSMISSION SHAFT L. 2800 | | | |
| 61 | G17772490R | GANCIO A FUNGO NERO | FIXING PIVOT | CHA NE ACCROCHAGE TOILE EN CAO | KETTE BEFESTIGUNG GUMMITUCH | CADENA ENGANCHE LONA DE CAUCHO |
| 62 | F06080487R | CATENA AGGANCO TELO IN GOMMA | RUBBER FRAME CONNECTION CHAIN | JOINT FILETE M6X14 ZN | GEWINDE BUGEL M6X14 ZN | YUGO MUESCADO M6X14 ZN |
| 63 | F02250681R | INSERTO FIL.M 6X14 ZN T.TONDA | THREADED ZINCKED INSERT M6X14 | RONDELLE M6 6,4X18X1,5 U6593 IX | SCHEIBE M6 6,4X18X1,5 U6593 IX | ARANDELA M6 6,4X18X1,5 U6593 IX |
| 64 | F01420038R | ROS.M6 6,4X18X1,5 U6593 IX | WASHER M6 6,4X18X1,5 U6593 IX | ECROU AUTOB.NOR.10 | SELBSTSP. MUTTER NOR. 10 | TUERCA AUTOB. NOR. 10 |
| 65 | F01230024R | DADO M6X1 D982 A2IX | NUT M6X1 D982 A2IX | | | |

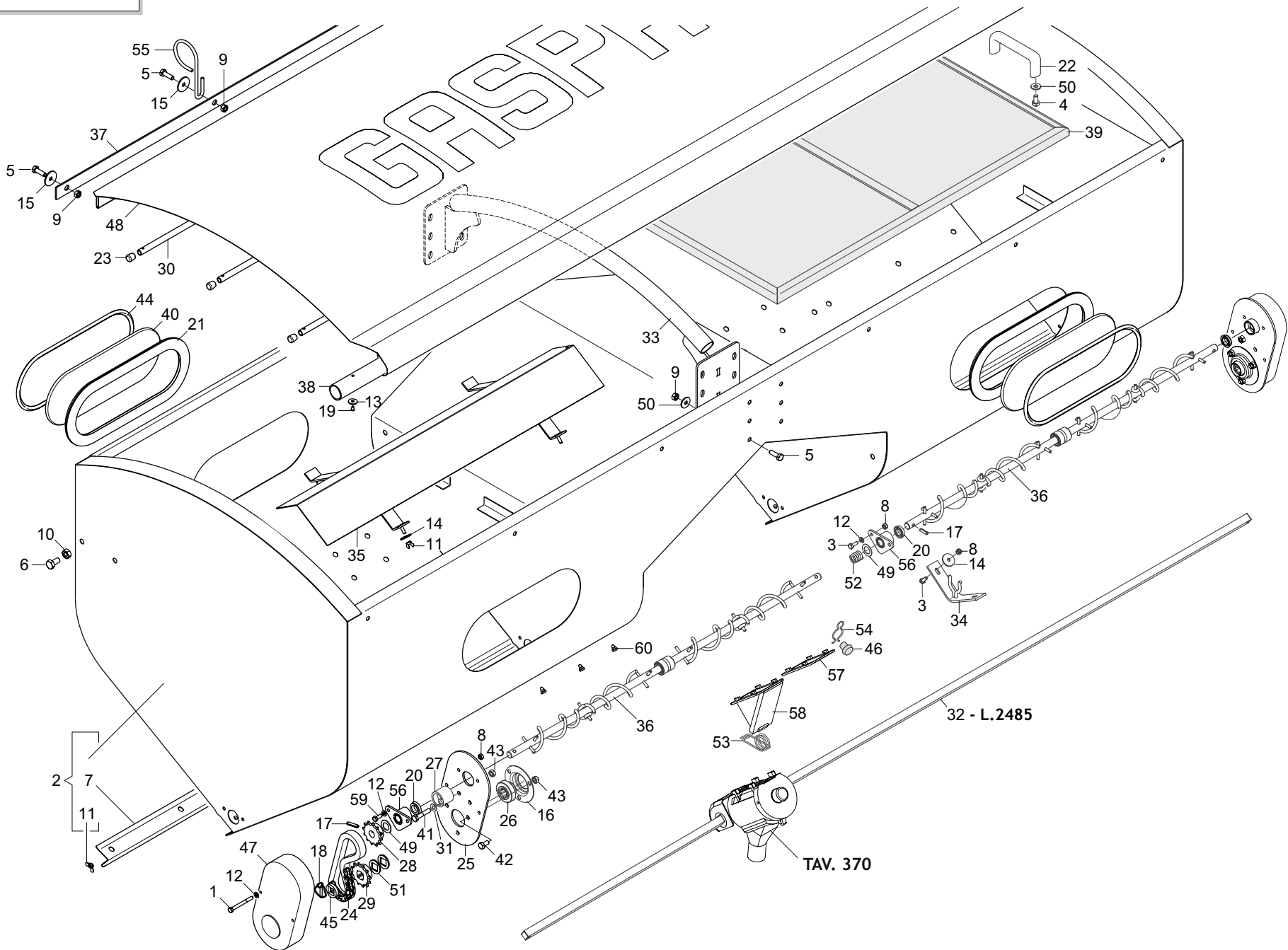


**SUPPORTI SERBATOIO SPANDICONCIME 'BBX'
SUPPORTS FOR 'BBX' FERTILIZER DISTRIBUTOR**

TAV. 340

| Pos. | Cod. | Descrizione | Description | Description | Benennung | Descripcion |
|------|------------|--------------------------------|-------------------------------|------------------------------|--------------------------------|--------------------------------|
| 1 | G17171160R | TUBO Q. 50X 5X2410 2F8 | TUBE Q. 50X 5X2410 | | | |
| 2 | G15276520R | SUPPORTO POST.BBX MT-MARTA250 | REAR BBX SUPPORT | | | |
| 3 | F20110714R | CAV.Q.B50 M10X1,5 L72 IX | U BOLT Q.B=50 M=10X1,5 L=72 | CAVLAIERE B=50 M=10X1,5 L=72 | VERBINDUNG B=50 M=10X1,5 L=72 | PERNO EN U B=50 M=10X1,5 L=72 |
| 4 | F20120349R | PUNTALE Q.50 ALETT.POLIT.NERO | CAP | BOUCHON | DECKEL | CORCHO |
| 5 | F01020145R | VITE M10X1,5X90 U5737 A2IX | SCR. M10X1,5X90 U5737 A2IX | VIS M10X1.5X 90 U5737 A2 IX | SCHRAUBE M10X1.5X90 5737 A2 IX | TORNILLO M10X1.5X90 5737 A2 IX |
| 6 | F01230047R | DADO M10X1,5 D982 A2IX | NUT M10X1,5 D982 A2IX | ECROU M10X 1,5 D982 A2 IX | MUTTER M10X 1,5 D982 A2 IX | TUERCA M10X 1,5 D982 A2 IX |
| 7 | F01420059R | ROS.M10 10,5X 30X2,5 U6593 IX | WASHER 11X30X2,5 6593 A2 | RONDELLE 11X30X2,5 6593 A2 | UNTERLEGSCHIEBE 11X30X2,5 6593 | ARANDELA 11X30X2,5 6593 A2 |
| 8 | G20890017R | SCONTRO | STRIKER PLATE | BUTEE | ANSCHLAG | ELEMENTO DE EMPALME |
| 9 | G17171151R | PIASTRA | PLATE | | | |
| 10 | F01200271R | DADO M10X1,5 U5588 A2IX | NUT M10X1,5 U5588 A2IX | ECROU 10 5588 6.8 INOX | MUTTER 10 5588 6.8 INOX | TUERCA 10 5588 6.8 INOX |
| 11 | F01020236R | VITE M14X2X220 U5737 8.8BR | SCR. M14X2X220 U5737 8.8BR | VIS M14X2X220 U5737 8.8 BR | SCHRAUBE M14X2X220 U5737 8.8 | TORNILLO M14X2X220 U5737 8.8 |
| 12 | F01200306R | DADO M14X2 U5588 CL8 ZN | NUT M14X2 U5588 6.8ZN | ECROU M14X2 | MUTTER M14X2 | DADO M14X2 |
| 13 | G15276490R | SUPPORTO ANTERIORE BBX MT | FRONT BBX SUPPORT | | | |
| 14 | G16110911R | TUBO Q. 50X 5X 750 | SQUARE PIPE 50X5X 750 | | | |
| 15 | G15110091R | SCONTRO A U | CONTRA U | BRIDE 150 MM | ANSCHLAG | ELEMENTO DE EMPALME |
| 16 | F20120346R | PUNTALE Q 35 ALETT.POLIT.NERO | SQ.TIP 35 BLACK | | | |
| 17 | G15475130R | TUBO SUPPORTO SERBATOIO L.2480 | TANK SUPPORT PIPE L.2480 | TUBE SUPPORT RESERVOIR L2460 | ROHR HALTERUNG BEHZLTER L.2480 | TUBO SOPORTE DEP SITO L 2480 |
| 18 | F01020463R | VITE M10X1,5X25 U5739 A2IX | SCR. M10X1,5X25 U5739 A2IX | VIS 10X25 5739 INOX A2 | SCHRAUBE 10X25 5739 INOX A2 | TORNILLO 10X25 5739 INOX A2 |
| 19 | F01020464R | VITE M10X1,5X30 U5739 A2IX | SCR. M10X1,5X30 U5739 A2IX | VIS M10X1,5 X 30 U5739 A2IX | SCHRA. M10X 1,5X 30 U5739 A2IX | TORNIL. M10X1,5X30 U5739 A2IX |
| 20 | F01200270R | DADO M10X1,5 U5588 CL8 ZN | NUT M10X1,5 U5588 6.8ZN | ECROU M10X 1,5 U5588 6.8 ZN | MUTTER M10X 1,5 U5588 6.8 ZN | TUERCA M10X1,5 U5588 CL8 ZN |
| 21 | F20110706R | CAV.Q.B=35 M=10X1,5 L=60 | U BOLT Q.B=35 M=10X1,5 L=60 | CAVALIER SUPPORT DISQUE SV | VERBINDUNG SCHEIBENHALTERUNG S | PERNO EN U SOP. DISCO SV |
| 22 | G15273711R | SUPPORTO SX TUBO MICRO | LEFT SUPPORT TUBE MICRO | | | |
| 23 | G15273721R | SUPPORTO DX TUBO MICRO | RIGHT SUPPORT TUBE MICRO | | | |
| 24 | G15273731R | SUPPORTO LUNGO SX TUBO MICRO | LEFT SUPPORT TUBE MICRO LONG | | | |
| 25 | G15273741R | SUPPORTO LUNGO DX TUBO MICRO | RIGHT SUPPORT TUBE MICRO LONG | | | |

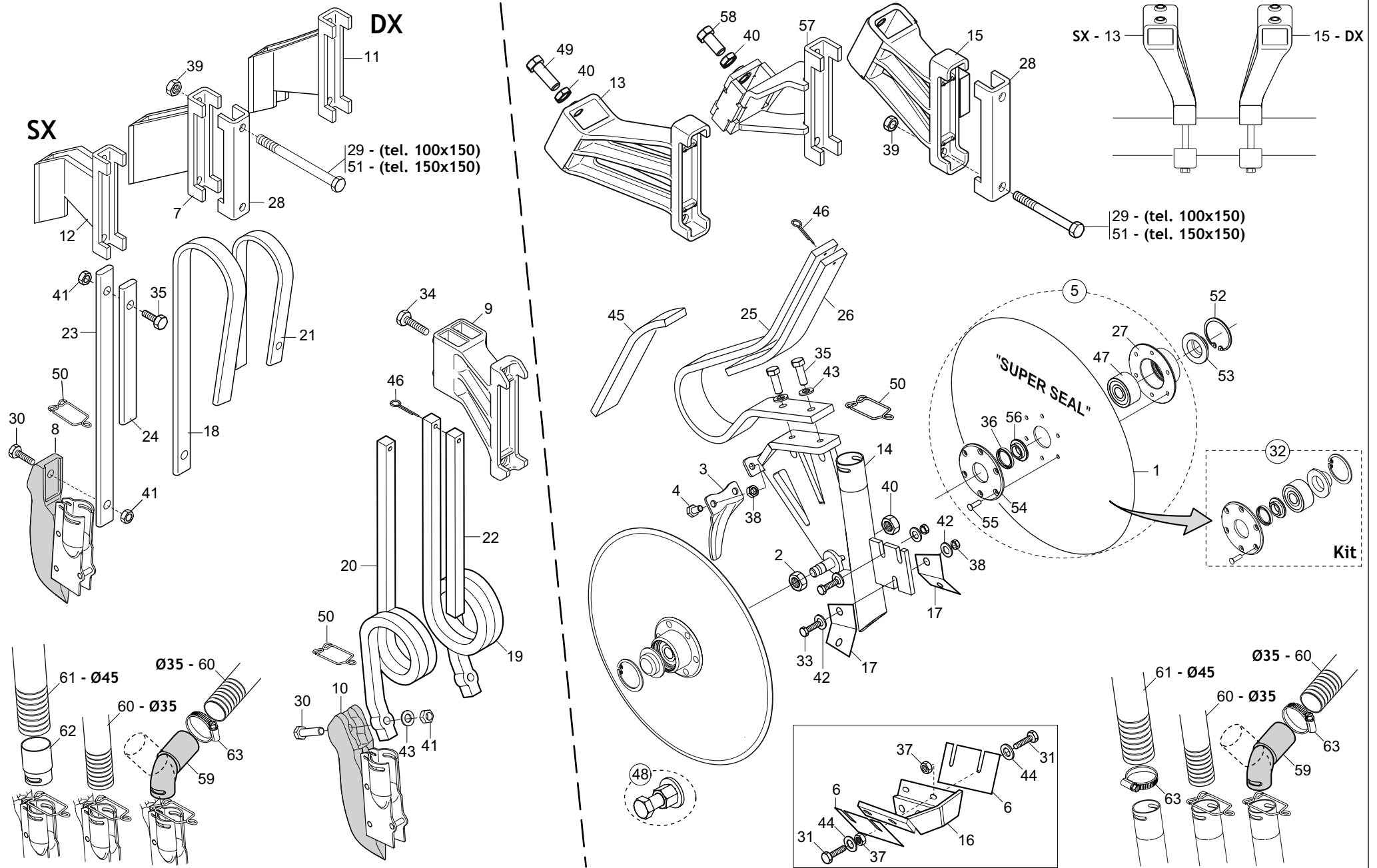
TAV. 351



**SERBATOIO SPANDICONCIME 'BBX'
'BBX' FERTILIZER DISTRIBUTOR**

TAV. 351

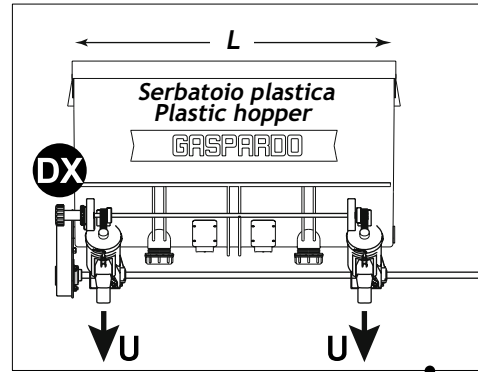
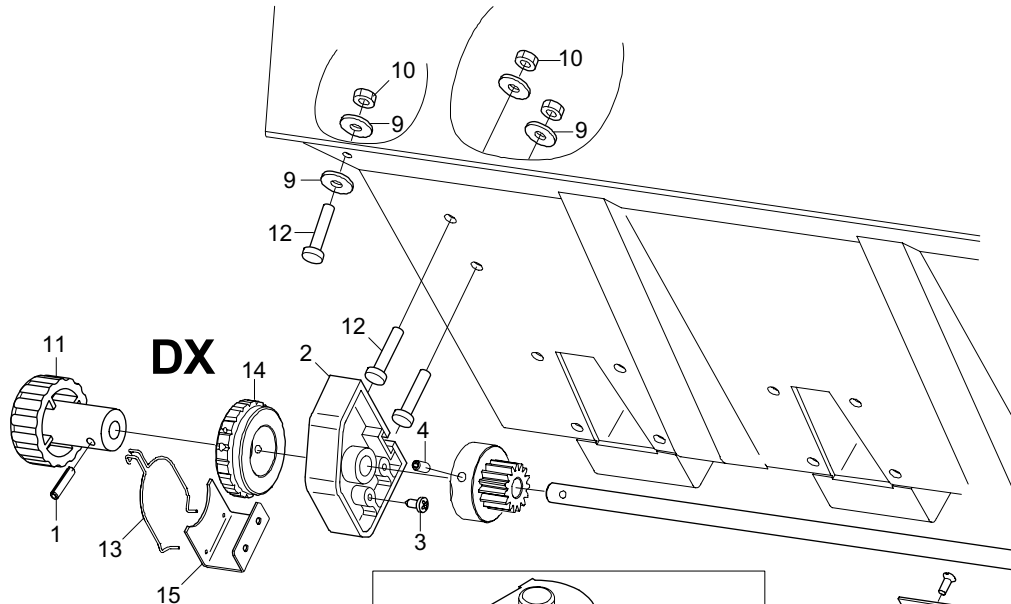
| Pos. | Cod. | Descrizione | Description | Description | Benennung | Description |
|------|------------|--------------------------------|--------------------------------|---------------------------------|---------------------------------|--------------------------------|
| 1 | F01020043R | VITE M6X1X60 U5737 8.8ZN | SCR. M6X1X60 U5737 8.8ZN | VIS M6X1X60 U5737 8.8 ZN | SCHRAUBE M6X1X60 U5737 8.8 ZN | TORNILLO M6X1X60 U5737 8.8 ZN |
| 2 | G17177760R | MONT.SERBATOIO BBX UNICO | MONT.TANK BBX UNICO | | | |
| 3 | F01020419R | VITE M 6X1 X 16 U5739 A2IX | SCR. M6X1X16 U5739 A2IX | VIS M6 X1 X 16 U5739 8.8 IX | SCHRAUBE M6 X1 X 16 U5739 8. | TORNIL. M6 X1 X 16 U5739 8.8 |
| 4 | F01020426R | VITE M 8X1,25X 12 U5739 A2IX | SCR. M8X1,25X12 U5739 A2IX | VIS M8 X1,25X 12 U5739 8.8 IX | SCHRAUBE M8 X1,25X 12 U5739 8. | TORNIL. M8 X1,25X 12 U5739 8.8 |
| 5 | F01020443R | VITE M8X1,25X25 U5739 A2IX | SCR. M8X1,25X25 U5739 A2IX | VIS M8X1,25X25 U5739 A2 IX | SCHRAUBE M8X1,25X25 5739 A2 IX | TORNILLO M8X1,25X25 5739 A2 IX |
| 6 | F01020461R | VITE M10X1,5X20 U5739 8.8GE | SCREW M10X1,5X20 U5739 8.8GE | | | |
| 7 | G17177080R | PORTA DI PULIZIA BBX | CLEANING DOOR BBX | | | |
| 8 | F01200233R | DADO M6X1 U5588 A2IX | NUT M6X1 U5588 A2IX | ECROU M 6X 1 U5588 I | MUTTER M 6X 1 U5588 | TUERCA M 6X 1 U5588 |
| 9 | F01200245R | DADO M8X1,25 U5588 A2IX | NUT M8X1,25 U5588 A2IX | ECROU M 8X1,25 U5588 A2 IX | MUTTER M 8X1,25 U5588 A2 IX | TUERCA M 8X1,25 U5588 A2 IX |
| 10 | F01200271R | DADO M10X1,5 U5588 A2IX | NUT M10X1,5 U5588 A2IX | ECROU 10 5588 6.8 INOX | MUTTER 10 5588 6.8 INOX | TUERCA 10 5588 6.8 INOX |
| 11 | F01240013R | DADO M6X1 U5448 A2 GE | NUT M6X1 U5448 A2 GE | | | |
| 12 | F01410034R | ROS.M6 6,4X12,5X1,6 U6592 IX | WASHER M6 6,4X12,5X1,6 U6592 | | | |
| 13 | F01420038R | ROS.M6 6,4X18X1,5 U6593 IX | WASHER M6 6,4X18X1,5 U6593 IX | RONDELLE M6 6,4X18X1,5 U6593 IX | SCHEIBE M6 6,4X18X1,5 U6593 IX | ARANDELA M6 6,4X18X1,5 6593IX |
| 14 | F01420039R | ROSSET.M6 6,4X24X1,5 U6593 IX | WASHER M6 6,4X24X1,5 U6593 IX | RONDELL.M6 6,4X24X1,5 U6593 IX | SCHEIBE M6 6,4X24X1,5 U6593 IX | ARANDEL.M6 6,4X24X1,5 U6593 IX |
| 15 | F01420049R | ROS.M8 8,4X 32X 2 U6593 ZN | WASHER M8 8,4X32X2 U6593 ZN | RONDELLA M8 8,4X32X2 U6593 ZN | SCHEIBE M8 8,4X32X2 U6593 ZN | ARAND.M8 8,4X 32X 2 U6593 ZN |
| 16 | G22230094R | SUPPORTO CUSCINETTO | BEARING SUPPORT | | | |
| 17 | F02100114R | SPINA E.P. 6X 30 U6873 C70 BR | ELASTIC PIN 6X30 | GOUJON ELASTIQUE 6X30 | SPANNHUELSE 6X30 | ESPIÑA ELÁSTICA 6X30 |
| 18 | F02200452R | SPINA SCATTO D.4.4 B 80 ZN | SNAP PIN D4.4 B 80 ZN | FICHE A DETENTE D4.4 B 80 ZN | EINRASTSTIFT D4.4 B 80 ZN | CLAVIJA DE MUELLE D4.4 B 80 ZN |
| 19 | F02250123R | RIVETTO STR. 4,8X 9 U9200A AL | PULL RIVET 4,8X 9 U9200A ALL | RIVET A RUPTURE 4,8X 9 U9200A | REISSNIETE 4,8X 9 U9200A ALL | REMACHE DESGAR. 4,8X 9 U9200A |
| 20 | F03011081R | GUARNIZIONI LABBRO DE100 | LIP GASKET D100 | | | |
| 21 | F03011155R | GUARNIZIONE VETRO TRAMOGGIA | GLASS SEAL | GARNITURE VERRE | GLASDICHTUNG | JUNTA VIDRIO |
| 22 | F05150112R | MANIGLIA INTERAS. 117 FORO 8MM | HANDLE | POIGNEE | HANDGRIFF | MANILLA |
| 23 | F05150472R | PUNTALE PVC D.10 | PVC TIP D.20 | | | |
| 24 | F06080196R | CATENA 1 2 ISO 083 32 MAGLIE | CUT-DOWN CHAIN .1 2 ISO 083 32 | TRONCON CHAINE 1 2 ISO 083 32 | KETTENLNZGE 1 2 ISO 083 32 GL | TRECHO CADENA 1 2 ISO 083 32 |
| 25 | G15471930R | PROTEZIONE | GUARD | PROTECTION | SCHUTZ | PROTECCI N |
| 26 | G14830390R | CUSCINETTO FORO QUADRO | SQUARE-HOLED BEARING | ROULEMENT TROU CARRE | VIERKANTLAGER | COJINETE ORIFICIO CUADRADO |
| 27 | G66248207R | TENDICATENA SPAND. SP-520 | CHAIN TENSIONER | TENDEUR DE CHAINE EPAND. ENGR. | KETTENSANNER DSNGERSTR. SP-52 | SENSOR DE CADENA ABON. SP-520 |
| 28 | G20860088R | INGRANAGGIO 1 2 Z-12 F.T. | GEAR 1 2 Z-12 F.T. | ENGRENAGE 1 2 Z-12 TROUS ROUNDS | ZAHNRAD 1 2 Z-12 F.T. | ENGRANAJE 1 2 Z-12 F.T. |
| 29 | G20860086R | INGRANAGGIO 1 2 Z-12 F.Q. | GEAR 1 2 Z-12 F.Q. | ENGRENAGE 1 2 Z-12 TROUS CARRE | ZAHNRAD 1 2 Z-12 F.Q. | ENGRANAJE 1 2 Z-12 F.Q. |
| 30 | G13722250R | TUBO RINFORZO TELO COPRISEME | REINFORCEMENT TUBE | TUBE DE RENFORCEMENT | VERSTZRKUNGROHR | TUBO DE REFUERZO |
| 31 | F01410051R | ROS.M8 8,4X 17X1,6 U6592 ZN | WASHER M8 8,4X17X1,6 U6592 ZN | RONDELLE M8 8,4X17X1,6 ZN | SCHEIBE M8 8,4X17X1,6 U6592 ZN | ARAND.M8 8,4X 17X1,6 U6592 ZN |
| 32 | G13732200R | ASSE TRASMISSIONE L.2485 | TRANSMISSION AXLE L2485 | AXE TRANSMISSION L.2485 | SBERTRAGUNGSACHSE L.2485 | EJE TRANSMISI N L 2485 |
| 33 | G15227200R | CENTINA BBX | COVERING SUPPORT | | | |
| 34 | G15273700R | SUPPORTO COCLEA | BOLT SUPPORT | SUPPORT VIS ALIMENTATION | HALTERUNG SCHNECKE | SOPORTE C CLEA |
| 35 | G17177950R | TEGOLO BBX | BENT TILE BBX | | | |
| 36 | G15274080R | ASSE AGITAT.S.UNICO 250 COMPL | STIRRER SPINDLE BB250 TANK | AXE AGITATEUR RESERVOIR BB250 | SAMENMISCHERACHSE BEH. BB250 | EJE AGITAD. DEPS. BB250 |
| 37 | G15274090R | ASTA FISSAGGIO TELO | FIXING ROD | TIGE DE FIXATION | BEFESTIGUNGSTANGE | VARILLA DE FIJACIN |
| 38 | G15274100R | TUBO TELO COPRISERBATOIO | HOPPER COVER-SHEET TUBE | TUBE TOILE COUVRE-TREMIE | ROHR TRICHTERABDECKTUCH | TUBO ONA PROTEC. TOLVA |
| 39 | G15274150R | GRIGLIA SERBATOIO | TANK GRID | GRILLE RESERVOIR | BEHZLTERGITTER | REJILLA DEPS. |
| 40 | G16021080R | FINESTRA CONTR.LIVELLO SEMI | SEED LEVEL CHECKING WINDOW | FENETRE CONTROLE NIV. GRAINES | KONTROLLFENSTER SAMENSTAND | VENTANA CONTROL NIVEL SEMILLAS |
| 41 | F01020068R | VITE M8X1,25X40 U5737 8.8ZN | SCR. M8X1,25X40 U5737 8.8ZN | VIS M 8X1,25X40 U5737 8.8 ZN | SCHRA. M8X1,25X40 U5737 8.8 ZN | TORNILLO M8X1,25X40 U5737 8.8 |
| 42 | F01020432R | VITE M8X1,25X16 U5739 8.8ZN | SCR. M8X1,25X16 U5739 8.8ZN | VIS M8 X1,25X16 U5739 8.8 ZN | SCHRAUBE M8X1,25X16U5739 8.8ZN | TORNILLO M8X1,25X16 U5739 8.8 |
| 43 | F01200244R | DADO M8X1,25 U5588 CL8 ZN | NUT M8X1,25 U5588 6.8ZN | ECROU M8 X1,25 U5588 6.8 ZN | MUTTER M8 X1,25 U5588 6.8 ZN | TUERCA M8X1,25 U5588 CL8 ZN |
| 44 | G68005092R | TENDITORE GUARNIZIONE | TURNBUCKLE GASKET | TENDEUR GARNITURE | DICHTUNGSSPANNER | SENSOR JUNTA |
| 45 | G66248218R | RONDELLA DISTAN.SPAND. | MAN. SPR. SPACER WASHER | RONDELLE ENTRETOISE EP. ENGRAI | ABSTANDSCHEIBE DSNGERSTREUER | ARANDELA DISTAN.ABONAD. |
| 46 | G66248224R | FERMO DISTRIBUTORE SPAND. | FERT. SPR. DISTRIB. STOP | ARRET DISTRIBUTEUR EP. ENGRAIS | FESTSTELLVORRICHTUNG SZAPP. ST | BLOQUEO DISTRIBUIDOR ABON. |
| 47 | G19002710R | PROTEZ.RINVI SPANDICONCIME | FERTILIZER TRANSM. PROTECTION | PROTECTION RENVOI FERTILISEUR | SCHUTZ VORGELEGE DUNGERSTREUER | PROTECCION TRANSMISION ABONADO |
| 48 | G17176530R | TELO DI COPERTURA BBX MONICA | COVER SHEET BBX MONICA | | | |
| 49 | G22220073R | RONDELLA 28X0,3X16,5 | WASHER 28X0-3X16-5 | RONDELLE 28X0-3X16-5 | UNTERLEGSCHHEIBE 28X0-3X16-5 | ARANDELA 28X0-3X16-5 |
| 50 | F01420047R | ROS.M8 8,4X 24X 2 U6593 IX | WASHER M8 8,4X24X2 U6593 IX | RONDELLE M8 8,4X24X2 U6593 IX | SCHEIBE M8 8,4X24X2 U6593 IX | ARANDELA M8 8,4X24X2 U6593 IX |
| 51 | G18701650R | RONDELLA FORO QUADRO ZN | WASHER 16,5X30X2,5 SQ.HOLE GAL | RONDELLE 16,5X30X2,5 ZN | UNTERLEGSCHHEIBE 16,5X30X2,5 ZN | ARANDELA 16,5X30X2,5 ZN |
| 52 | G65338043R | MOLLA COMP.ZN SERB. M80 | ZN TANK COMP.SPRING M80 | RESSORT COMPL. ZN RESERVOIR M8 | DRUCKFEDER ZN BEHZLTER M80 | MUELLE COMP.ZN DEP S. M80 |
| 53 | G65336080R | MOLLA SPEC.SCARICO SPAND.T.M. | SPEC. SPRING SPREDER RELIEF | RESSORT SPEC. D ETANCHEITE ARR | SPEZIALFEDER DICHTUNG STREUER | MUELLE ESPEC. RETENC. BLOQ |
| 54 | G65336089R | MOLLA SPEC.TENUTA FERMO SPAND. | SPEC.SPRING- BLOCK. MAN. SPR. | GUIDER TUBE TEL ZN | FUHRER ROHR TEL ZN | GUIAR TUBO TEL ZN |
| 55 | G18902270R | GUIDATUBO ZN TEL | TUBE GUIDE ZN TEL | SUPPORT AVEC BRIDE M80 | BSCHE MIT FLANSCH M80 | CASQUILLO CON BRIDA M80 |
| 56 | G66248121R | BOCCOLA CON FLANGIA M80 | BUSHING W FLANGE M80 | FERMETURE SORTIE RESERVOIR FER | VERSCHLUSS AUSTRITT DSNGERSTR. | CIERRE SALIDA DEP S. ABON. SP |
| 57 | G66248184R | CHIUSURA USCITA SERB.SPAND.SP | OUTLET CLOSURE- MAN.SPREAD. TA | TRAPPE DE VIDANGE TYPE MICRO | BEHZLTERENTLADUNG STREUER TYP | DESCARGA DEP S. ABON.TIPO MICR |
| 58 | G66248187R | SCARICO SERB.SPAND.TIPO MICRO | MICRO TYPE MAN.SPR.TANK DISCH. | VIS M6 X1 X 20 U5739 8.8 IX | SCHRAUBE M6X1X20 U5739 A2 IX | TORNIL. M6 X1 X 20 U5739 8.8 |
| 59 | F01020420R | VITE M6X1X20 U5739 A2IX | SCR. M6X1X20 U5739 A2IX | BOUCHON SUPPORT EP. ENGRAIS D. | HALTERUNGSPFROPFEN DSNGERSTR. | TAP N SOPORTE ABON.D.11 |
| 60 | G66248223R | TAPPO SUPP.SPAND.D.11 | PLUG MAN. SPR. SUPP. D.11 | | | |



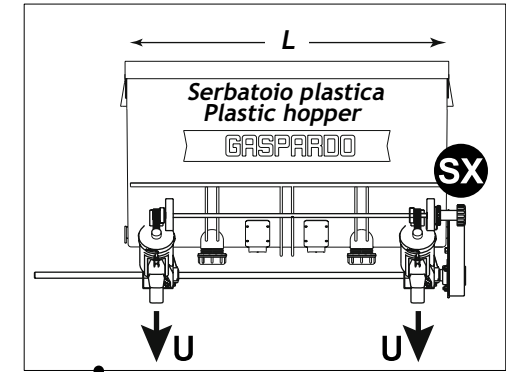
ELEMENTI DI CONCIMAZIONE FERTILIZER UNIT

TAV. 360

| Pos. | Cod. | Descrizione | Description | Description | Benennung | Description |
|------|-------------|--------------------------------|--------------------------------|--------------------------------|---------------------------------|---------------------------------|
| 1 | G13825091R | DISCO ASSOLCATORE D.373 | FURROW OPENER DISK D.373 | DISQUE SOC D. 373 6 T.D.6 | SCHEIBE SZSCHARENREISSER D.373 | DISCO SURCADOR D.373 |
| 2 | G15220540R | DADO M16X1,5 SX | NUT M16X1-5 LEFT | ECROU M16X1-5 GCH | MUTTER M16X1-5 LI | TUERCA M16X1-5 IZQ |
| 3 | G15225861R | PROTEZIONE DISCHI | DISC PROTECTION | | | |
| 4 | F01020470R | VITE M10X1,5X20 U5739 8.8ZN | SCR. M10X1,5X20 U5739 8.8ZN | VIS M10X1,5X20 U5739 8.8 ZN | SCHRAUBE M10X1,5X20 U5739 ZN | TORNILLO M10X1,5X20 U5739 8 |
| 5 | G15225500R | DISCO ASSOLC.PROTETTO COMPL. | FULLY PROTECTED DISC COULTER | DISQUE DU SOC PROT G COMPLET | | DISCO SURGADOR COMPLETO |
| 6 | G15422231R | RASCHIATERRA DISCO | SCRAPER DISK | | | |
| 7 | G15470232R | SUPPORTO MOLLA PIATTA 150 | FLAT SPRING SUPPORT 150 | SUPPORT RESSORT PLAT 150 | HALTERUNG FLACHFEDER 150 | SOPORTE MUELLE PLANO 150 |
| 8 | G16670610R | FALCIONE ELEM.CONCIMAZ.PIATTA | FLAT FERT.ELEMENT MOWER | SOC POUR . FERTILIS. PLAT | | BOTA ELEM.ABONAD.MUELLE PLANO A |
| 9 | G19203920R | SUPP.MOLLA QUADRA DOPPIA POS. | SQUARE SPRING SUPPORT | | | |
| 10 | G16670600R | FALCIONE ELEM.CONCIMAZ.QUADRA | SQUARE SPRING FERT COULTER | SOC LEM. FERTILIS. RESSORT CA | S-SCHAR ELEM.D. NGUNG QUADR.FED | BOTA ELEM.ABONAD.MUELLE CUADRA |
| 11 | G15471661R | SUPPORTO MOLLA PIATTA DX 150 | FLAT SPRING SUPPORT R.T 150 | SUPPORT RESSORT PLAT DROIT 150 | HALTERUNG FLACHFEDER RE 150 | SOPORTE MUELLE PLANO DCHO 150 |
| 12 | G15471671R | SUPPORTO MOLLA PIATTA SX 150 | FLAT SPRING SUPPORT L.T 150 | SUPPORT RESSORT PLAT GAUCHE 15 | HALTERUNG FLACHFEDER LI 150 | SOPORTE MUELLE PLANO IZQDO 150 |
| 13 | G19204110R | SUPP.SX MOLLA DISCHI | LEFT DISCS SPRING SUPPORT | | | |
| 14 | G16670272R | ASS.SUPPORTO DISCHI CONCIMAZ. | ASS.SUPPORT DISCS FERTILIZAT. | | | |
| 15 | G19204100R | SUPP.DX MOLLA DISCHI | RIGHT DISCS SPRING SUPPORT | | | |
| 16 | G15472290R | SUPPORTO RASCHIAT.DISCHI CONC. | FERTIL DISCS SOIL SCRAPER SUPP | SUPP. RACLEUR DISQUES FUMAGE | HALTER. ERDSCHABER DSNUNGSSCH | SOPORTE RASCADOR DISCOS ABONO |
| 17 | G15472301R | RASCHIATERRA INTERNO | INTERNAL SCRAPER SOIL | | | |
| 18 | G18901092R | GAMBO CONCIMAZ.MOLLA PIATTA SP | FLAT SPRING MANURING LEG SP | TIGE FUMAGE RESSORT PLAT SP | SCHAFT DSNUNG FLACHE FEDER SP | V STAGO ABONO MUELLE CHATO SP |
| 19 | G18902770R | MOLLA CONCIMAZIONE 20X20 DX | SPRING 20X20 FERTILIZER RIGHT | RESSORT FUMAGE 20X20 DRT | FEDER DSNUNG 20X20 RE | MUELLE ABONO 20X20 DER |
| 20 | G18902780R | MOLLA CONCIMAZIONE 20X20 SX | SPRING 20X20 FERTILIZER LEFT | RESSORT FUMAGE 20X20 GCH | FEDER DSNUNG 20X20 LI | MUELLE ABONO 20X20 IZQ |
| 21 | G18902861R | RINF.MOLLA PIATTA CONCIM.SP | MANUR.PLATE SPRING REINFORCE.S | RENF. RESSORT PLAT FUMAGE SP | VERSTZRKUNG FLACHFEDER DSNUNG | REFUERZO MUELLE ABONO SP |
| 22 | G18903200R | FERMO SPIRALE | SPIRAL STOP | ARRET SPIRALE | FESTSTELLVORRICHTUNG SPIRALE | BLOQUEO ESPIRAL |
| 23 | G18903210R | MOLLA CONCIM.FILE DISPARI | ODD NUMBER ROW MANUR.SPRING | RESS. FUMAGE RANGEES IMPAIRES | FEDER DSNUNG UNGERADE REIHEN | MUELLE ABONO FILAS IMPARES |
| 24 | G18903220R | RINF.MOLLA CONCIM.FILE DISP. | ODD NUM. ROW MANUR.SPRING REIN | RENF. RESS. FUMAGE RANGEES IMP | VERST. FEDER DSNG. UNGERADE RE | REFUERZO MUELLE ABONO FILAS IM |
| 25 | G18903821R | MOLLA CONCIMAZIONE | FERTILIZER SPRING | | | |
| 26 | G18903901R | RINFORZO MOLLA CONCIMAZIONE | FERTILIZER SPRING SUPPORT | | | |
| 27 | G15223651R | SUPPORTO CUSCINETTO DISCO | DISC BEARING SUPPORT | SUPPORT PALIER DISQUE | SCHEIBENLAGERBSCHSE | SOPORTE COJINETE DISCO |
| 28 | G15110091R | SCONTRO A U | CONTRA U | BRIDE 150 MM | ANSCHLAG | ELEMENTO DE EMPALME |
| 29 | F01020225R | VITE M14X2X160 U5737 8.8BR | SCR. M14X2X160 U5737 8.8BR | VIS M 14 X160 5737 8.G | SCHRAUBE M 14 X160 5737 8.G | TORNILLO M 14 X160 5737 8.G |
| 30 | F01020156R | VITE M12X1,75X50 U5737 8.8ZN | SCR. M12X1,75X50 U5737 8.8ZN | VIS M12X1,75X50 U5737 8.8 ZN | SCHR. M12X1,75X50 U5737 8.8 ZN | TORN. M12X1,75X50 U5737 8.8 ZN |
| 31 | F01020403R | VITE M6X1X16 U5739 8.8ZN | SCR. M6X1X16 U5739 8.8ZN | VIS M6X1X16 U5739 8.8 ZN | SCHRAUBE M6X1X16 U5739 8.8 ZN | TORNILLO M6X1X16 U5739 8.8 ZN |
| 32 | G15226600R | KIT X DISCO SUPER SEAL | SUPER-SEAL DISC KIT | KIT X DISC SUPER SEAL | | KIT PARA DISCO SUPER SEAL |
| 33 | F01020476R | VITE M10X1,5X30 U5739 8.8ZN | SCR. M10X1,5X30 U5739 8.8ZN | VIS M10X1,5X30 U5739 8.8 ZN | SCHRAUBE M10X1,5X30U5739 8.8ZN | TORNILLO M10X1,5X30 U5739 8.8 |
| 34 | F01020508R | VITE M12X1,75X25 U5739 8.8ZN | SCR. M12X1,75X25 U5739 8.8ZN | VIS M12X1,75X25 U5739 8.8 ZN | SCHRAUBE M12X1,75X25U5739.8ZN | TORNILLO M12X1,75X25 U5739 |
| 35 | F01020512R | VITE M12X1,75X35 U5739 8.8ZN | SCR. M12X1,75X35 U5739 8.8ZN | VIS M12X1,75X35 5739 8.8 ZN | SCHR. M12X1,75X35 5739 8.8 ZN | TORNILLO M12X1,75X35 U5739 8 |
| 36 | F03011075R | AN. TENUTA B1OF 24X32X4 | SEALING RING 24X32X4 | BAGUE D ETANCHEITE 24X32X4 | DICHTUNGSRING 24X32X4 | ANILLO AISLADOR 24X32X4 |
| 37 | F01200232R | DADO M6X1 U5588 CL8 ZN | NUT M6X1 U5588 6.8ZN | ECROU 6 UNI 5588 6.8 ZN | MUTTER 6 UNI 5588 6.8 ZN | TUERCA M6X1 U5588 CL8 ZN |
| 38 | F01200270R | DADO M10X1,5 U5588 CL8 ZN | NUT M10X1,5 U5588 6.8ZN | ECROU M10X 1,5 U5588 6.8 ZN | MUTTER M10X 1,5 U5588 6.8 ZN | TUERCA M10X1,5 U5588 CL8 ZN |
| 39 | F01200306R | DADO M14X2 U5588 CL8 ZN | NUT M14X2 U5588 6.8ZN | ECROU M14X2 | MUTTER M14X2 | DADO M14X2 |
| 40 | F01200442R | DADO M16X1,5 U5589 CL8 ZN | NUT M16X1,5 R. U5589 6.8ZN | ECROU 16X1-5 UNI 5589 6.8 ZN | MUTTER 16X1-5 UNI 5589 6.8 ZN | TUERCA 16X1-5 UNI 5589 6.8 ZN |
| 41 | F01220048R | DADO M12X1,75 D980 8ZN | NUT M12X1,75 D980 8ZN | ECROU M12X1,75 D980 8 ZN | SCHEIBE M12X1,75 D980 8 ZN | TUERCA M12X1,75 D980 8 ZN |
| 42 | F014100064R | ROS.M10 10,5X 20X 2 U6592 ZN | WASHER M10 10,5X20X2 U6592 ZN | RONDEL. M10 10,5X20X2 U6592 ZN | SCHEIBE M10 10,5X20X2 U6592 ZN | ARAND.M10 10,5X 20X 2 U6592 ZN |
| 43 | F01410076R | ROS.M12 13X 24X2,5 U6592 ZN | WASHER M12 13X 24X2,5 U6592 ZN | RONDEL. M12 13X24X2,5 U6592 ZN | SCHEIBE M12 13X24X2,5 U6592 ZN | ARAND.M12 13X 24X2,5 U6592 ZN |
| 44 | F01420036R | ROS.M6 6,4X 18X1,5 U6593 ZN | WASHER M6 6,4X 18X1,5 U6593 ZN | RONDELLE M6 6,4X18X1,5 U6593ZN | SCHEIBEN M6 6,4X18X1,5U6593 ZN | ARANDELA M6 6,4X18X1,5U6593ZN |
| 45 | G16670630R | SPESORE MOLLA DISCHI CONCIM. | FERTILIZER DISC SPRING SPACER | CALE | ZWISCHENLEGSCHSHEIBE | ESPACIADOR |
| 46 | F02200229R | COPIGLIA 5X 45 U1336 ZN | SPLIT PIN 5X 45 U1336 ZN | GOUPIILLE 5X 45 U1336 ZN | SPANNSTIFT 5X 45 U1336 ZN | PASADOR 5X 45 U1336 ZN |
| 47 | F04010084R | CUSC.D17D47 B22,2 3303 LLU DDU | BEARING 3303 2RS | ROULEMENT | LAGER 3303 2RS | COJINETE 3303 2RS |
| 48 | G15225240R | ESTRATTORE DISCHI ELEMENTO MT | SEED PLATE EXTRACTOR ELEM. MT | EXTRACTEUR DISQUE ELEMENT MT | SCHEIBENAUSZIEHER ELEMENT MT | EXTRACTOR DISCOS ELEMENTO MT |
| 49 | F01020568R | VITE M16X2X45 U5739 8.8ZN | SCR. M16X2X45 U5739 8.8ZN | VIS M 16X 2X45 U5739 8.8 ZG | SCHRAUBE M 16X 2X45 U5739 8.8 | TORNILLO M16X2X45 U5739 8.8Z |
| 50 | G18903911R | MOLLA FERMO TUBO D.35 ZN | PIPE LOCK SPRING D.35 | RESSORT ARR-T TUBE D.35 | ROHRSPERRFEDER D.35 | MUELLE TOPE TUBO D. 35 |
| 51 | F01020236R | VITE M14X2X220 U5737 8.8BR | SCR. M14X2X220 U5737 8.8BR | VIS M14X2X220 U5737 8.8 BR | SCHRAUBE M14X2X220 U5737 8.8 | TORNILLO M14X2X220 U5737 8.8 |
| 52 | F02050370R | ANELLO E. DI 47X1,75 U7437 C70 | SEEGER RING 47X 1,75 U7437 C70 | SEEGER E. 47X 1,75 U7437 C70 | SEEGERING E. 47X1,75 U7437 C70 | ANILLO E. 47X 1,75 U7437 C70 |
| 53 | G66248248R | TAPPO IN PLASTICA | PLASTIC PLUG | BOUCHON EN PLASTIQUE | PLASTIKPFROPFEN | TAP N DE PL STICO |
| 54 | G15225480R | FLANGIA INT.DISCO PROTETTO ZN | INNER DISK FLANGE | BRIDE INT. DISQUE | INNENFLANSCH SCHEIBE | BRIDA INTERIOR DISCO |
| 55 | F02250521R | RIBATTINO TSC 6 X19,8 A 2 | RIVET TSC 6X19,8 A 2 BY PIECE | PAQUET RIVETS TSC 6X 19,8 A 2 | PACKUNG NIETEN TSC 6X19,8 A 2 | PAQU.REMACHES TSC 6X 19,8 A 2 |
| 56 | G15225490R | BOCCOLA PARAP.DISCO PROTETTO | DISC DUST SEAL BUSH D.34 | BOITE PARAP.DISCO PROTETTO | BUCHSE PARAP.DISCO PROTETTO | MANGUITO PARAP.DISCO PROTETTO |
| 57 | G16670940R | SUPPORTO DISCO CONCIMAZ.CENTR. | CENTRAL FERT.DISC SUPPORT | | | |
| 58 | F01020562R | VITE M16X2X30 U5739 8.8ZN | SCR. M16X2X30 U5739 8.8ZN | VIS M16X2X30 U5739 8.8 ZN | SCHRAUBE M16X2X30 U5739 8.8 ZN | TORNILLO M16X2X30 U5739 8.8ZN |
| 59 | F15473060R | TUBO DISCESA CONCIME | FERTILISER DOWN TUBE | COUDE DESCENTE ENGRAIS | | TUBO DESCENSO ABONO |
| 60 | F03100500R | TUBO EOLO 35 PU | TUBE EOLO 35 PU | TUBE EOLO 35 PU | | TUBO EOLO |
| 61 | F03100506R | TUBO EOLO PU D.45 | TUBE EOLO PU D.45 | TUBE EOLO PU D.45 | | |
| 62 | G15276481R | ASS.RIDUZIONE X MOLLA CONCIM. | ASS.REDUCT.FOR SPRING FERTIL. | | | |
| 63 | F02300020R | FASCETTA STRING. 32 50 H.9 | HOSE CLAMP 32 50 H.9 | | | |

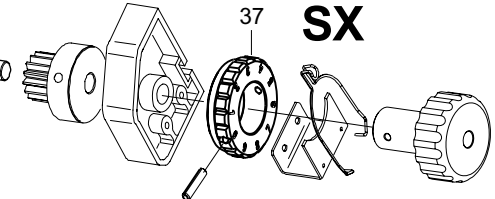


(completo/complete) 2U, L.850 - 40
 (completo/complete) 4U, L.1100 - 42

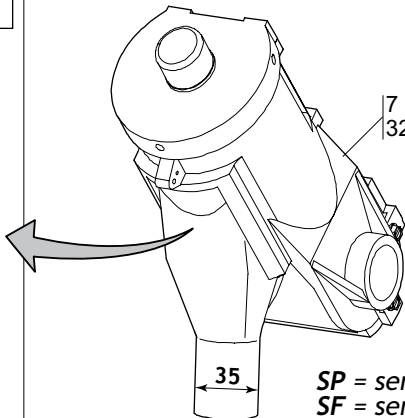
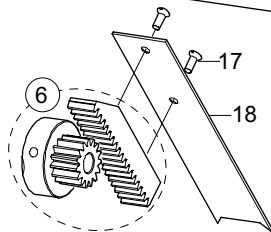
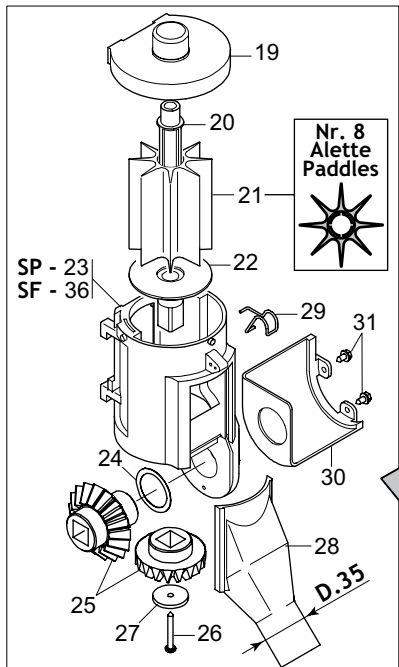
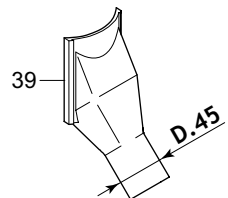
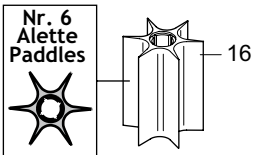


41 - L.850, 2U (completo/complete)
 43 - L.1100, 4U (completo/complete)

L. 780 - 8
 L. 1030 - 33
 L. 1230 - 34
 L. 1430 - 35

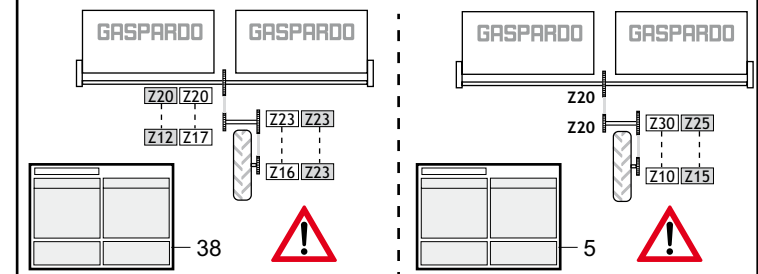


Optionals



SP = serbatoio plastica / plastic hopper
 SF = serbatoio ferro / metal hopper

Tabelle di Distribuzione concime / Fertilizer Distribution Table

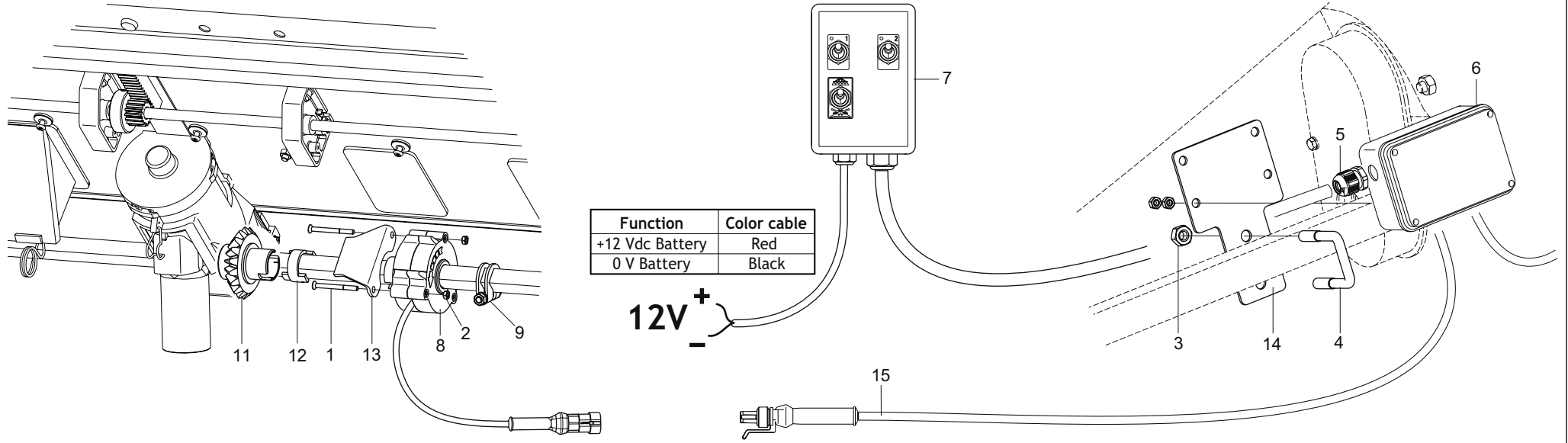


**SPEEDY SET
SPEEDY SET**

TAV. 370

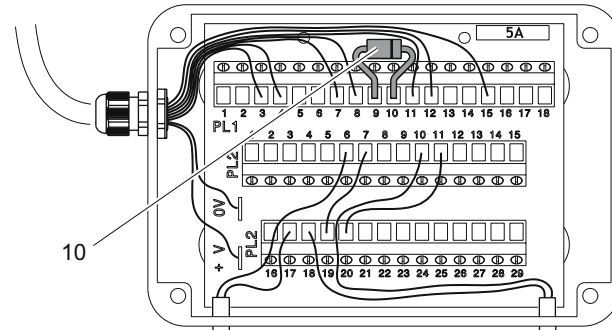
| Pos. | Cod. | Descrizione | Description | Description | Benennung | Descripcion |
|------|------------|--------------------------------|--------------------------------|--------------------------------|--------------------------------|--------------------------------|
| 1 | F02100066R | SPINA EL.4 X36 DIN 1481 | PIN EL. 4X 36 U6873 C70 BR | | | CLAVIJA EL.4 X36 DIN 1481 |
| 2 | G19003660R | SUPPORTO | SUPPORT | SUPPORT | HALTERUNG | SOPORTE |
| 3 | F01070061R | VITE A3,9X1,34X9,5 U6954 4.8NI | SCR. H3,9X1,34X9,5 U6954 4.8NI | VIS 3,9X 9,5 DIN 7981 | SCHRAUBE 3,9X 9,5 DIN 7981 | TORNILLO 3,9X 9,5 DIN 7981 |
| 4 | F01050083R | VITE M5X0,8X12 U5927 A2IX | SCR. M5X0,8X12 U5927 A2IX | GOUJON 5X12 UNI 5927 | STIFT 5X12 UNI 5927 | TORNILLO SIN CABEZA 5X12 5927 |
| 5 | G19702952R | DECAL.TAB.DISTRIB.SPEEDY-SET | LABEL TAB.DISTR.SPEEDY SET | | | |
| 6 | G16675490R | KIT PIGNONE CREMAGLIERA | KIT PINION RACK | | | |
| 7 | G16670040R | DISTR.COMPL.8PALE SPEEDY SET P | COMPL.PLA.SPEEDY SET DISTR.8R | MINIMAX COMPL 8C PLA SPEEDYSET | KOMPL.DOSIER.SPEEDY SET PLA.8S | DISTR.COMP.SPEEDY SET PLA.8AL. |
| 8 | G16670321R | TONDO D.10X 780 3F4 | ROUND BAR D.10X780 3F4 | | | |
| 9 | F01420038R | ROS.M6 6,4X18X1,5 U6593 IX | WASHER M6 6,4X18X1,5 U6593 IX | RONDELLE M6 6,4X18X1,5U6593 IX | SCHEIBE M6 6,4X18X1,5 U6593 IX | ARANDELA M6 6,4X18X1,5 6593IX |
| 10 | F01200233R | DADO M6X1 U5588 A2IX | NUT M6X1 U5588 A2IX | ECROU M 6X 1 U5588 I | MUTTER M 6X 1 U5588 | TUERCA M 6X 1 U5588 |
| 11 | G19003670R | MANOPOLA SPEEDY SET | SPEEDY HANDLE SET | POIGN E SPEEDY SET | GRIFF SPEEDY SET | EMPU ADURA SPEEDY SET |
| 12 | F01020419R | VITE M 6X1 X 16 U5739 A2IX | SCR. M6X1X16 U5739 A2IX | VIS M6 X1 X 16 U5739 8.8 IX | SCHRAUBE M6 X1 X 16 U5739 8. | TORNIL. M6 X1 X 16 U5739 8.8 |
| 13 | G65336055R | MOLLA SPEC.REGOL.SPAND. SP | SPEC SPRING MAN. SPR. ADJUSTM. | RESSORT SPEC. REGL. EP. ENTRA | SPEZIALFEDER STREUERESTELLUN | MUELLE ESPEC. REGUL. ABONADORA |
| 14 | G19003720R | GHIERA REGOLAZIONE SX | LEFT ADJUSTMENT KNURLED NUT | MANCHON DE REGLAGE GCH | EINSTELLMUTTER LINKS | ROSCA REGULACION IZQUIERDA |
| 15 | G16670310R | SUPPORTO MOLLA REGOLATORE | ADJ.SPRING SUPPORT | | | |
| 16 | G19003610R | DOSATORE 6 PALE | DISTRIBUTOR ROTOR 6 GROOVES | ROTOR DOSEUR 6 FERTI | DOSIERER KOMPL.6 ZELLEN | DOSIFICADOR COMPL.6 SECTOR |
| 17 | F01080032R | VITE M4X0,7X10 U7688 A2IX | SCR. M4X0,7X10 U7688 A2IX | VIS M4X 0,7X10 U7688 A2 IX | SCHRAUBE M4X 0,7X10 7688 A2 IX | TORNILLO M4X0.7X10 U7688 A2 IX |
| 18 | G16670100R | REGOLATORE APERTURA | OPENING REGULATOR | REGULATEUR OUVERTURE | TFFNUNGSEINSTELLER | REGULADOR ABERTURA |
| 19 | G19003700R | COPERCHIO SPEEDY SET | COVER SPEEDY SET | COUVERCLE SPEEDY SET | DECKEL SPEEDY SET | TAPA SPEEDY SET |
| 20 | G66248173R | ASSE DISTR.SPAND. SP | MANURE SPREADER DISTR. SPINDLE | AXE DISTRIBUTEUR EP.ENGRAIS SP | ACHSE SZAPPARAT STREUER SP | EJE DISTR. ABON. SP |
| 21 | G66248172R | DOSATORE DISTR.SPAND. SP | MAN.SPR. SEED METERING DEVICE | DOSEUR DISTRIBUTEUR EP. ENGRAI | DOSIERER DSNGERSTREUER. SP | DOSIFICADOR DISTR.ABON. SP |
| 22 | G66248211R | PERNO RONDELLA FUSA SPAND. SP | MAN. SPR. CAST WASHER PIN. SP | PIVOT RONDELLE MOULEE EP. ENGR | ZAPFEN LOSE UNTERLEGSCHIEBE ST | PERNO ARANDELA FUNDIDA ABONAD |
| 23 | G19002920R | CORPO DISTRIBUTORE SPANDI PLA. | PLA. F.SPREADER DISTRIB.CASING | CORPS DISTRIBUTEUR EPAND. | VERTEILUNGSKTRPER STREUER PLA. | CUERPO DIST. ABONADORA PL S. |
| 24 | G18701500R | RONDELLA 29,5 X38 X0,3 | WASHER 29,5 X 38 X 0,3 | RONDELLE 29,5 X38 X0,3 | UNTERLEGSCHIEBE 29,5X38X0,3 | ARANDELA 29,5 X38 X0,3 |
| 25 | G20860126R | KIT INGRANAGGI DISTRIB.CONCIME | KIT- MAN. DISTR. GEARS 2 2 | COUPLE CON DISTR ENGRAIS 2 2 | KIT ZAHNRZDER DSNGERSTREUER | SET ENGRANAJES DISTRIB. ABONO |
| 26 | F01070075R | VITE A4,2X1,41X38 U6954 4.8NI | SCR. H4,2X1,41X38 U6954 4.8NI | VIS 4-2X38 DIN 7981 | SCHRAUBE 4-2X38 DIN 7981 | TORNILLO 4-2X38 DIN 7981 |
| 27 | G20970097R | RONDELLA 32X3X4,5 | WASHER 32X3X4-5 | RONDELLE 32X3X4-5 | UNTERLEGSCHIEBE 32X3X4-5 | ARANDELA 32X3X4-5 |
| 28 | G66248178R | SCIVOLO DISTR.SPAND. SP | CHUTE- MANURE-SPREADER DISTRIB | LANCOIR DISTRIBUTION EP. ENGR. | DSNGERSTREUER RUTSCHE SP | PLANO INCLINADO DISTR. ABON. S |
| 29 | G65336062R | MOLLA SPEC.SCIV.DISTR.SPAND.SP | SPEC SPRING - MAN. SPR. DISTR. | RESS. SPEC. LANCOIR DISTR. EP. | SPEZ.FEDER RUTSCHE SZAPP. STRE | MUELLE ESPEC.PLANO INCL.DISTR. |
| 30 | G19002850R | PROTEZIONE PIGNONE | PINION GUARD | PROTECTION PIGNON | RITZELSCHUTZ | PROTECCI N PI N |
| 31 | F01070011R | VITE A4,2X1,41X9,5 U6950 4.8NI | SCR. H4,2X1,41X9,5 U6950 4.8NI | VIS AUTOTAR. 4-2X9-5 T. E. COU | SELBSTSCHNEID. SCHRAUBE 4-2X9- | TORNILLO AUTORROSC. 4-2X9-5 |
| 32 | G13722330R | DISTR.COMPL.8PALE SPEEDY SET F | COMPL.SPEEDY 8-BLADE DISTR. SE | DISTR.COMPL.8PALETTES SPEEDY S | SAATGUTAUS.8SCH.KOMPL.SPEEDY S | DISTR.COMPL.8PALETAS SPEEDY SE |
| 33 | G16670330R | TONDO D.10X1030 | ROUND D.10X1030 | | | |
| 34 | G16670340R | TONDO D.10X1230 | D.10X1230 ROUND | ROND D.10X1230 | RUNDEISEN D.10X1230 | BARRA REDONDA D. 10X1230 |
| 35 | G16670350R | TONDO D.10X1430 | D.10X1430 ROUND | ROND D.10X1430 | RUNDEISEN D.10X1430 | BARRA REDONDA D. 10X1430 |
| 36 | G66248176R | CORPO DISTR.SPAND. SP | MANURE SPREADER DISTR. CASING | CORPS DISTRIB. EP. ENGRAIS SP | VERTEILUNGSKTRPER STREUER SP | CUERPO DISTR. ABON. SP |
| 37 | G19003710R | GHIERA REGOLAZIONE DX | RIGHT ADJUSTMENT KNURLED | BAGUE REGLAGE DROITE | EINSTELLMUTTER RE | CONTRATUERCA REGULACIN DER. |
| 38 | G19703262R | DECAL.TABELLA SPANDI S.SET ST | LABEL TAB.FERTILIZER S.SET ST | | | |
| 39 | G19003620R | SCIVOLO D.45 | CHUTE D.45 | LANCOIR D.45 | RUTSCHE D.45 | PLANO INCLINADO D.45 |
| 40 | G15477210R | MONT.SPANDI 850 2U DX REG.C. | FERT.850 2O RH CENTR.REG. | | | |
| 41 | G15477220R | MONT.SPANDI 850 2U SX REG.C. | FERT.850 2O LT CENTR.REG. | | | |
| 42 | G15474900R | MONT.SPA.1100 E DX 4U RO 1460 | ASS.SPAN.1100 E RH 4U RO 1460 | | | |
| 43 | G15474890R | MONT.SPA.1100 E SX 4U RA 1600 | ASS.SPA.1100 E LEFT 4U RA 1600 | | | |

TAV. 480



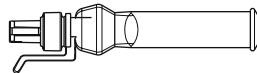
| Function | Color cable |
|-----------------|-------------|
| +12 Vdc Battery | Red |
| 0 V Battery | Black |

12V⁺
-



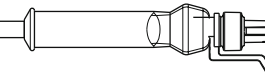
| PL 1 | Function | Color cable |
|--------|------------------------------|-------------|
| 3 | LEFT Motor +/- or Clutch 0V | White |
| 4 | LEFT Motor -/+ | Red |
| 7 | RIGHT Motor +/- or Clutch 0V | Green |
| 8 | RIGHT Motor -/+ | Yellow |
| 11 | LEFT Green Led | Purple |
| 12 | RIGHT Green Led | Grey |
| 13 | *not used* | Black |
| 15 | *not used* | Brown |
| Faston | Function | Color cable |
| 0V | GND | Blue |
| +V | +12Vdc | Pink |

LEFT CLUTCH



| LEFT CLUTCH | | | |
|-------------|----------|-------------|-----|
| PL 2 | Function | Color cable | PIN |
| 17 | + 12 Vdc | Brown | 1 |
| 6 | 0 V | Blue | 2 |

RIGHT CLUTCH



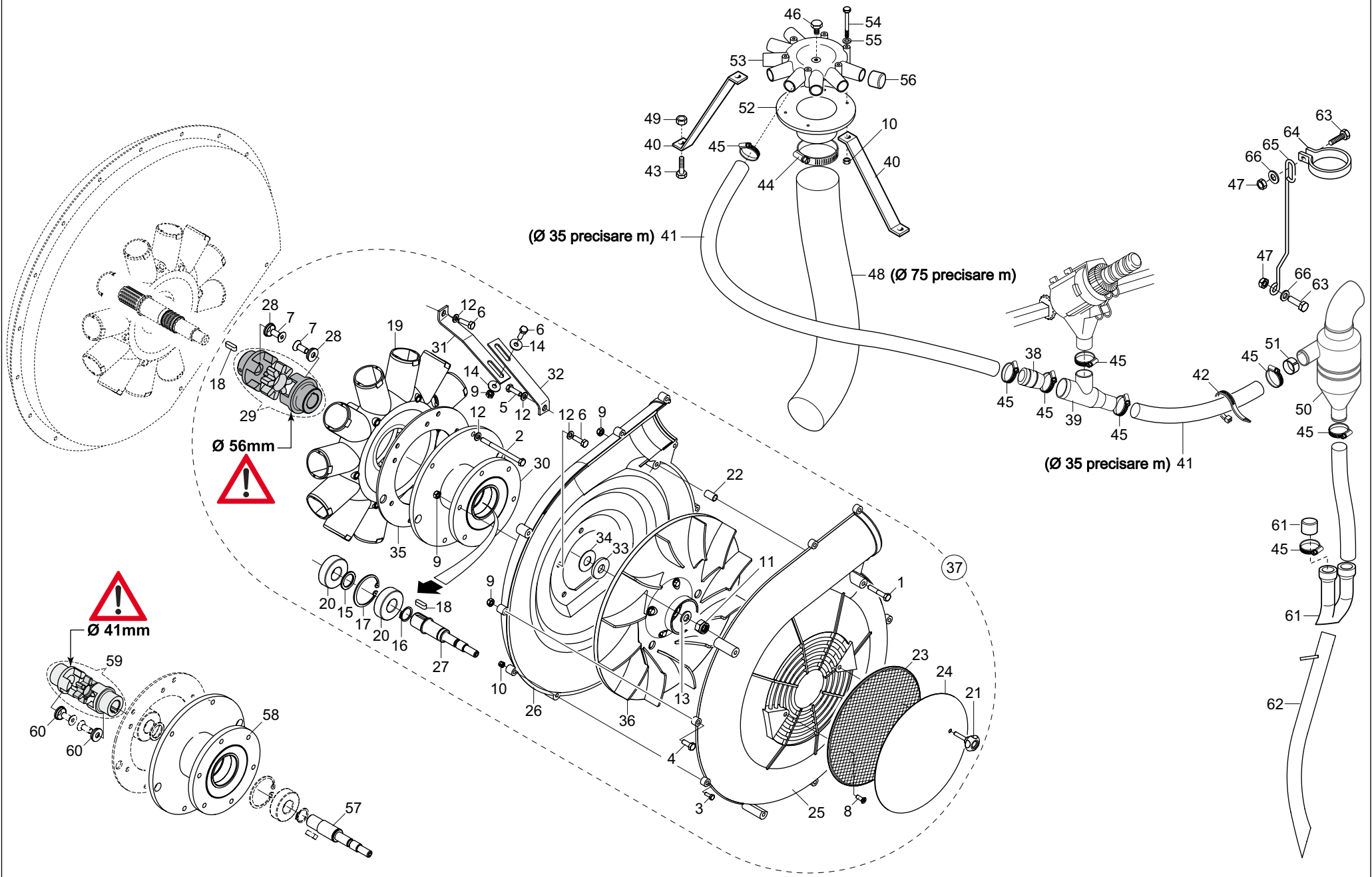
| PL 2 | Function | PL 2 |
|------|-----------------|------|
| 19 | LEFT Green Led | 7 |
| 20 | RIGHT Green Led | 11 |

| RIGHT CLUTCH | | | |
|--------------|----------|-------------|-----|
| PL 2 | Function | Color cable | PIN |
| 18 | + 12 Vdc | Brown | 1 |
| 10 | 0 V | Blue | 2 |

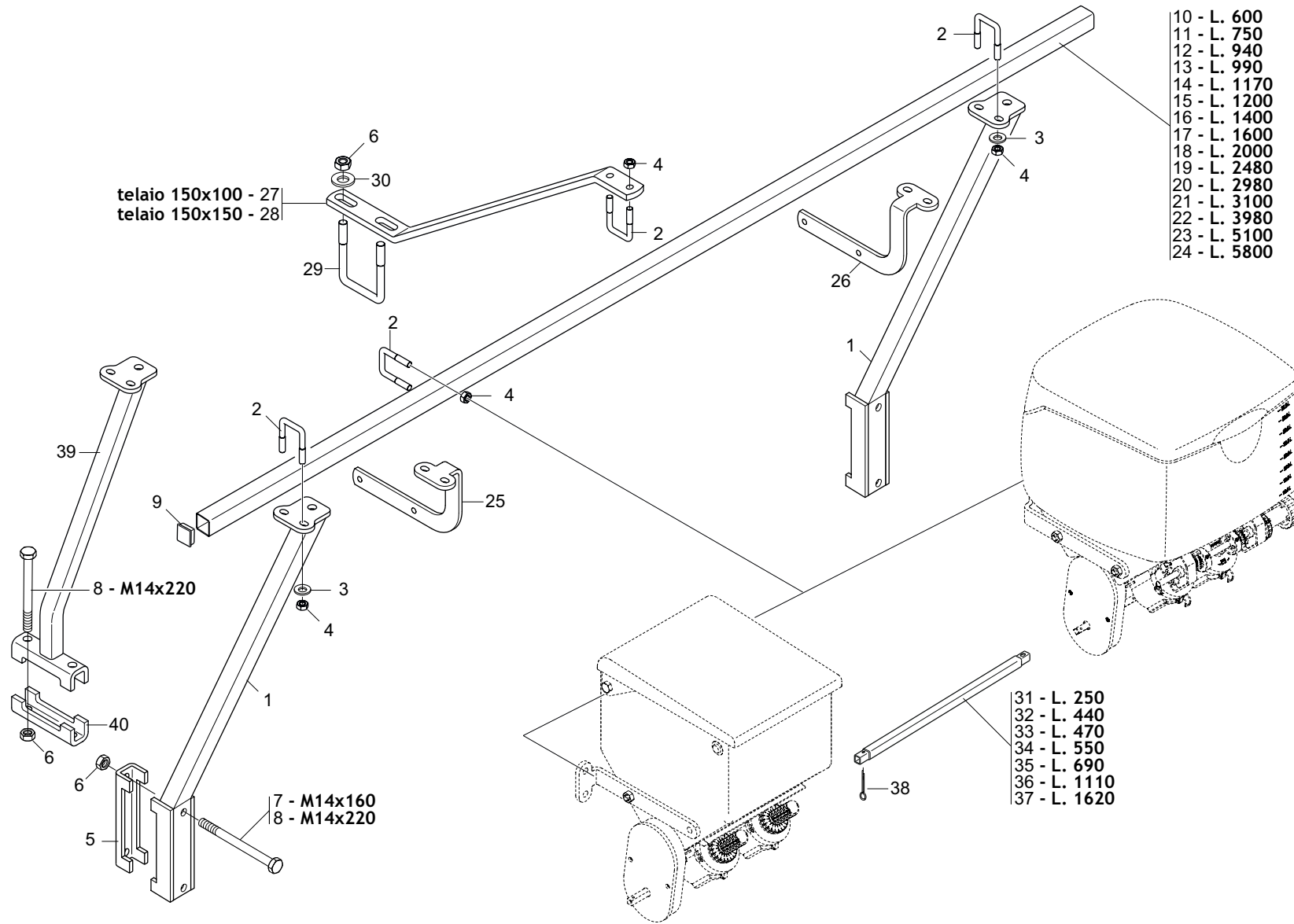
**ESCLUSIONE ELETTRICA DISTRIBUTORI CONCIME FILE ESTERNE
EXTERNAL ROWS FERTILIZER SHUT-OFF**

TAV. 480

| Pos. | Cod. | Descrizione | Description | Description | Benennung | Descripcion |
|------|------------|--------------------------------|--------------------------------|-----------------------------|--------------------------------|-----------------------------|
| 1 | F01030523R | VIT.M 4X 0,7X 45 U5933 10.9 ZD | SCREW M4X0,7X45 10,9 ZD | | | |
| 2 | F01200209R | DADO M4X0,7 U5588 CL8 ZN 6.8ZN | NUT M4X0,7 U5588 6.8ZN | ECROU 4 UNI 5588 6.8 ZN | MUTTER 4 UNI 5588 6.8 ZN | TUERCA 4 UNI 5588 6.8 ZN |
| 3 | F01200270R | DADO M10X1,5 U5588 CL8 ZN | NUT M10X1,5 U5588 6.8ZN | ECROU M10X 1,5 U5588 6.8 ZN | MUTTER M10X 1,5 U5588 6.8 ZN | TUERCA M10X1,5 U5588 CL8 ZN |
| 4 | F20110706R | CAV.Q.B=35 M=10X1,5 L=60 | U BOLT Q.B=35 M=10X1,5 L=60 | CAVALIER SUPPORT DISQUE SV | VERBINDUNG SCHEIBENHALTERUNG S | PERNO EN U SOP. DISCO SV |
| 5 | F05010458R | PRESSACAVO PG11 CON GHIERA | CABLE PRESS PG11-RING NUT | | | |
| 6 | F05010490R | SCATOLA DI DERIVAZIONE RDS | JUNCTION BOX RDS | | | |
| 7 | F05010595R | COMAN.PARZIALIZZATORI GENERALE | SHUTTER COMMAND MAIN | | | |
| 8 | F05200967R | DISINNESTO EL.ALBERO Q.16 C C | Q 16 SHAFT DISCONNECTOR W C | | | |
| 9 | G22505085R | FERMO ASSE IN LAMIERA | PLATE AXLE STOP | ARRET AXE EN TOLE | FESTSTELLVORRICHTUNG BLECHACHS | BLOQUEO EJE DE CHAPA |
| 10 | G16033650R | DIODO 3A 400V 1N5404 | DIODE 3A 400V 1N5404 | | | |
| 11 | GA5270400R | INGRAN.Z18 CONICO CON MOZZ.D24 | GEAR Z18 CONIC WITH HUB D24 | | | |
| 12 | GA5270410R | TUBO D. 30X2,9X 24 ESCL.EL.IX | PIPE D.30X2,9X24 ELEC.SHUT OFF | | | |
| 13 | GA5270420R | STAFFA ANTIR.DISINN.ELT.Q16 ZN | ANTIROT.BRACKET ELT.CLUTCH ZN | | | |
| 14 | GA5270430R | SUPP.SCATOLA DERIVAZIONE RDS | SUPPORT BOX RDS | | | |
| 15 | G19900070R | CAVO COLL.ESCL.SX-SCATOLA DER | LEFT TRAMLINE CABLE EXTENSION | | LEFT TRAMLINE CABLE EXTENSION | |



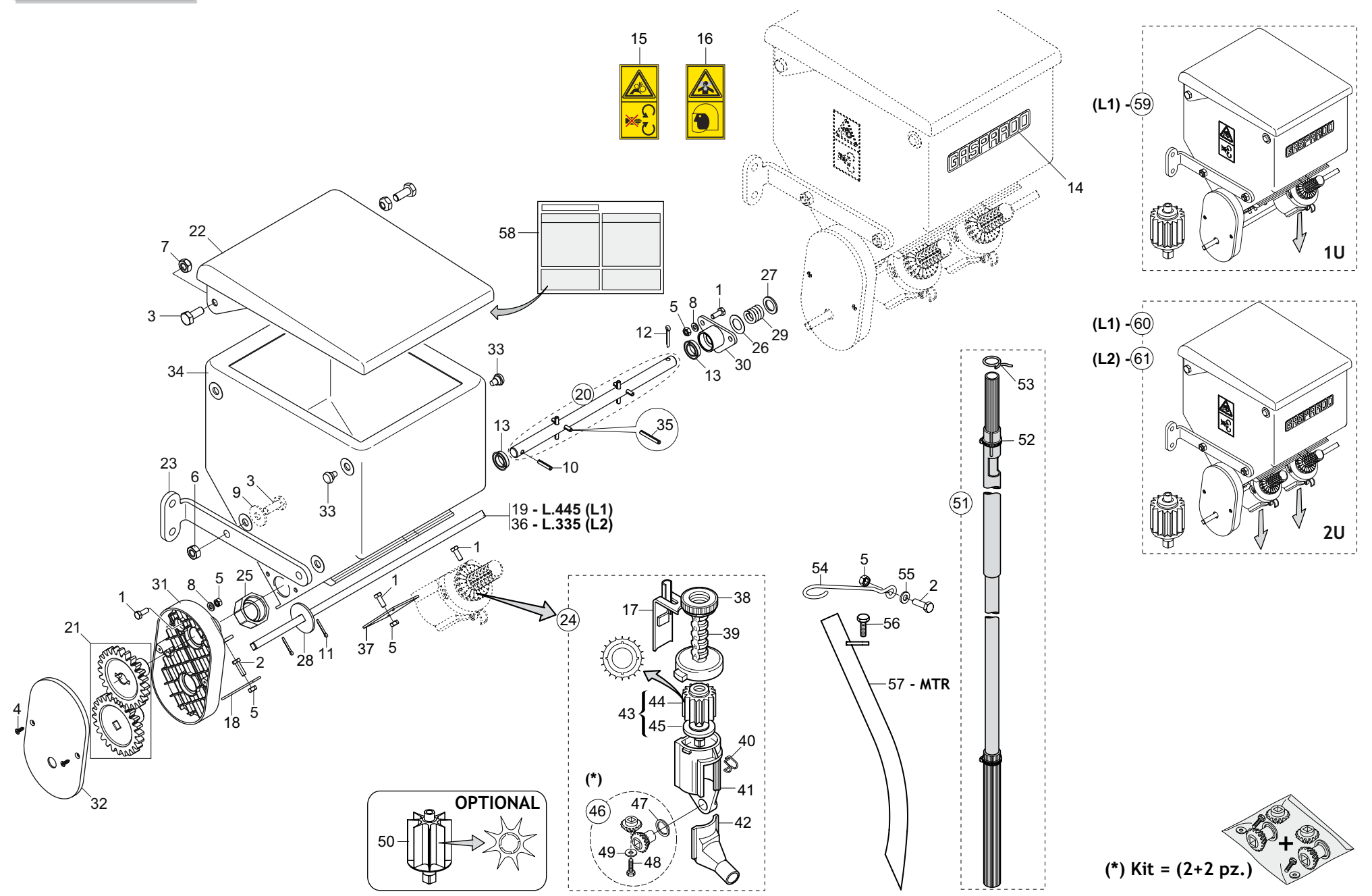
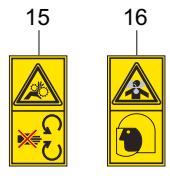
TAV. 390



SUPPORTI MICROGRANULATORE SUPPORTS FOR MICROGRANULATOR

TAV. 390

| Pos. | Cod. | Descrizione | Description | Description | Benennung | Description |
|------|------------|--------------------------------|--------------------------------|--------------------------------|--------------------------------|---------------------------------|
| 1 | G15272901R | SUPPORTO BARRA MICRO MT | MT MICRO BAR SUPPORT | SUPPORT BARRE MICROGRAN. MT | STANGENHALTERUNG MICRO MT | SOPORTE BARRA MICRO MT |
| 2 | F20110706R | CAV.Q.B=35 M=10X1,5 L=60 | U BOLT Q.B=35 M=10X1,5 L=60 | CAVALIER SUPPORT DISQUE SV | VERBINDUNG SCHEIBENHALTERUNG S | PERNO EN U SOP. DISCO SV |
| 3 | G18701140R | RONDELLA 11 X35 X5 | WASHER 11 X 35 X 5 | RONDELLE 11 X35 X5 | UNTERLEGSSCHEIBE 11 X35 X5 | ARANDELA 11 X35 X5 |
| 4 | F01200270R | DADO M10X1,5 U5588 CL8 ZN | NUT M10X1,5 U5588 6.8ZN | ECROU M10X 1,5 U5588 6.8 ZN | MUTTER M10X 1,5 U5588 6.8 ZN | TUERCA M10X1,5 U5588 CL8 ZN |
| 5 | G15110091R | SCONTRIO A U | CONTRA U | BRIDE 150 MM | ANSCHLAG | ELEMENTO DE EMPALME |
| 6 | F01200306R | DADO M14X2 U5588 CL8 ZN | NUT M14X2 U5588 6.8ZN | ECROU M14X2 | MUTTER M14X2 | DADO M14X2 |
| 7 | F01020225R | VITE M14X2X160 U5737 8.8BR | SCR. M14X2X160 U5737 8.8BR | VIS M 14 X160 5737 8.G | SCHRAUBE M 14 X160 5737 8.G | TORNILLO M 14 X160 5737 8.G |
| 8 | F01020236R | VITE M14X2X220 U5737 8.8BR | SCR. M14X2X220 U5737 8.8BR | VIS M14X2X220 U5737 8.8 BR | SCHRAUBE M14X2X220 U5737 8.8 | TORNILLO M14X2X220 U5737 8.8 |
| 9 | F20120346R | PUNTALE Q 35 ALETT.POLIT.NERO | SQ.TIP 35 BLACK | | | |
| 10 | G15472990R | TUBO Q. 35X 4X 600 | SQUARE PIPE 35 X4 X600 | TUBE CARRE 35 X4 X600 | VIERKANTROHR 35 X4 X600 | TUBO CUADRADO 35 X4 X600 |
| 11 | G15472980R | TUBO Q.35 X4 X750 | SQUARE PIPE 35 X4 X750 | TUBE CARRE 35 X4 X750 | VIERKANTROHR 35 X4 X750 | TUBO CUADRADO 35 X4 X750 |
| 12 | G15171650R | TUBO Q. 35X 4X 940 1F6,5 | TUBE Q. 35X 4X 940 1HOLE 6,5 | | | |
| 13 | G22220141R | BRACCIO SCORREVOLE 4 FILE | SLIDING ARM- 4-ROW | BRAS GLISSANT 4 RANGEES | GLEITARM 4 REIHEN | BRAZO CORREDIZO 4 FILAS |
| 14 | G15475300R | TUBO SUPPORTO MICRO L.1170 | MICRO SUPPORT PIPE L.1170 | TUBE SUPPORT MICRO L1170 | ROHR HALTERUNG MIKRO L.1170 | TUBO SOPORTE MICRO L1170 |
| 15 | G15472970R | TUBO Q. 35X 4X1200 | SQUARE PIPE 35 X4 X1200 | TUBE CARRE 35 X4 X1200 | VIERKANTROHR 35 X4 X1200 | TUBO CUADRADO 35 X4 X1200 |
| 16 | G20890207R | BARRA DIFFUSORI DISERBO L.1400 | WEEDKILLER SPREADER BAR L.1400 | BARRE DIFFUSEURS DESHERBAGE L. | DIFFUSORENSTANGE UNKRAUTVERT. | BARRA DIFUSORES HERBICIDA L.1 |
| 17 | G07000375R | TUBO Q. 35X 3X1600 | SQUARE PIPE 35X35X4X1600 | TUBE CARRE 35X35X4X1600 | VIERKANTROHR 35X35X4X1600 | TUBO CUADRADO 35X35X4X1600 |
| 18 | G22270115R | BRACC.SCORR.6F.100 L.2000 SP | SLIDING ARM 6-R. 100 L.2000 SP | BRAS GLISS. 6 RANG. 100 L. 200 | GLEITARM 6R.100 L.2000 SP | BRAZO CORRED. 6 FILAS. 100 L.2 |
| 19 | G15475130R | TUBO SUPPORTO SERBATOIO L.2480 | TANK SUPPORT PIPE L.2480 | TUBE SUPPORT RESERVOIR L2460 | ROHR HALTERUNG BEHZLTER L.2480 | TUBO SOPORTE DEP SITO L 2480 |
| 20 | G07000028R | TUBO Q.35 X4 X2980 | SQUARE PIPE 35 X 35 X 3 X 2980 | TUBE CARRE 35 X 35 X 3 X 2980 | VIERKANTROHR 35 X 35 X 3 X 298 | TUBO CUADRADO 35 X 35 X 3 X 299 |
| 21 | G15475390R | TUBO SUPPORTO MICRO L.3100 | MICRO SUPPORT PIPE L.3100 | TUBE SUPPORT MICRO L3100 | ROHR HALTERUNG MIKRO L.3100 | TUBO SOPORTE MICRO L.3100 |
| 22 | G07000370R | TUBO Q. 35X 3X3980 | SQUARE PIPE 35X35X4X3980 | TUBE CARRE 35X35X4X3980 | VIERKANTROHR 35X35X4X3980 | TUBO CUADRADO 35X35X4X3980 |
| 23 | G15475540R | TUBO SUPPORTO MICRO L.5100 | MICRO SUPPORT PIPE L.5100 | TUBE SUPPORT MICRO L5100 | ROHR HALTERUNG MIKRO L.5100 | TUBO SOPORTE MICRO L 51000 |
| 24 | G15475400R | TUBO SUPPORTO MICRO L.5800 | MICRO SUPPORT PIPE L.3800 | TUBE SUPPORT MICRO L5800 | ROHR HALTERUNG MIKRO L.5800 | TUBO SOPORTE MICRO L.5800 |
| 25 | G15272421R | SUPPORTO TUBO MICRO SX | LEFT MICRO PIPE SUPPORT | SUPPORT TUBE MICRO GCH. | HALTERUNG MIKROROHR LI | SOPORTE TUBO MICRO IZQ. |
| 26 | G15272411R | SUPPORTO TUBO MICRO DX | RIGHT MICRO PIPE SUPPORT | SUPPORT TUBE MICRO DRT. | HALTERUNG MIKROROHR RE | SOPORTE TUBO MICRO DER. |
| 27 | G15273171R | TIRANTE BARRA MICRO TEL150X100 | TIE ROD BAR MICRO TEL150X100 | | | |
| 28 | G15273161R | TIRANTE BARRA MICRO MT T.150 | TIE ROD BAR MICRO MT T.150 | | | |
| 29 | F20110770R | CAV.Q.B=80 M=14X2 L=119 | U BOLT Q.B=80 M=14X2 L=119 | BRIDE U M14X2X50 96X119 ZN | ANSCHLANG U M14X2X50 96X119 ZN | EL.DE EMPALME M14X2X50 96X119 |
| 30 | G20970142R | RONDELLA 32X4X15,5 | WASHER 32X4X15-5 | RONDELLE 32X4X15-5 | UNTERLEGSSCHEIBE 32X4X15-5 | ARANDELA 32X4X15-5 |
| 31 | G20890205R | MANICOTTO UNIONE MICRO L.250 | MICRO JOINT SLEEVE L.250 | MANCHON RACCORD MICRO L. 250 | VERBINDUNGSMUFFE MIKRO L.250 | MANGUITO DE UNI N MICRO L.250 |
| 32 | G20890201R | MANICOTTO UNIONE MICRO L.440 | MICRO JOINT SLEEVE L.440 | MANCHON RACCORD MICRO L. 440 | VERBINDUNGSMUFFE MIKRO L.440 | MANGUITO DE UNI N MICRO L.440 |
| 33 | G20890111R | MANIC.UNIONE RINV.MICRO L.470 | MICRO TRANSM.JOINT SLEEVE L.47 | MANCHON RACCORD TRANSMISSION M | VERBINDUNGSMUFFE VORGELEGE MIK | MANGUITO EMPALME TRANSM. MICRO |
| 34 | G20890130R | MANICOTTO UNIONE MICRO L.550 | MICRO JOINT SLEEVE | MANCHON RACCORD MICRO L. 550 | VERBINDUNGSMUFFE MIKRO L 550 | MANGUITO DE UNI N MICRO L.550 |
| 35 | G20890202R | MANICOTTO UNIONE MICRO L.690 | MICRO JOINT SLEEVE L.690 | MANCHON RACCORD MICRO L. 690 | VERBINDUNGSMUFFE MIKRO L.690 | MANGUITO DE UNI N MICRO L.690 |
| 36 | G20890112R | MANICOTTO UNIONE MICRO L.1110 | MICRO JOINT SLEEVE L.1110 | MANCHON RACCORD MICRO L. 1110 | VERBINDUNGSMUFFE MIKRO L1110 | MANGUITO DE UNI N MICRO L.1110 |
| 37 | G20890203R | MANICOTTO UNIONE MICRO L.1620 | MICRO JOINT SLEEVE L.1620 | MANCHON RACCORD MICRO L. 1620 | VERBINDUNGSMUFFE MIKRO L.1620 | MANGUITO DE UNI N MICRO L.1620 |
| 38 | F02200162R | COPIGLIA 3X 20 U1336 ZN | SPLIT PIN 3 X20 1336 GALVAN. | GOUPIILLE 3 X20 1336 ZN | SPLINT 3 X20 1336 ZN | PASADOR 3 X20 1336 ZN |
| 39 | GA5270030R | SUPPORTO MICRO T100 | SUPPORT MICRO T100 | | | |
| 40 | G13710561R | SCONTRIO A U SP.10 2F16,5 118 | U-SHAPED PLAT.SP.10 2F16,5 118 | | | |



(L1) - 59

(L1) - 60

(L2) - 61

1U

2U

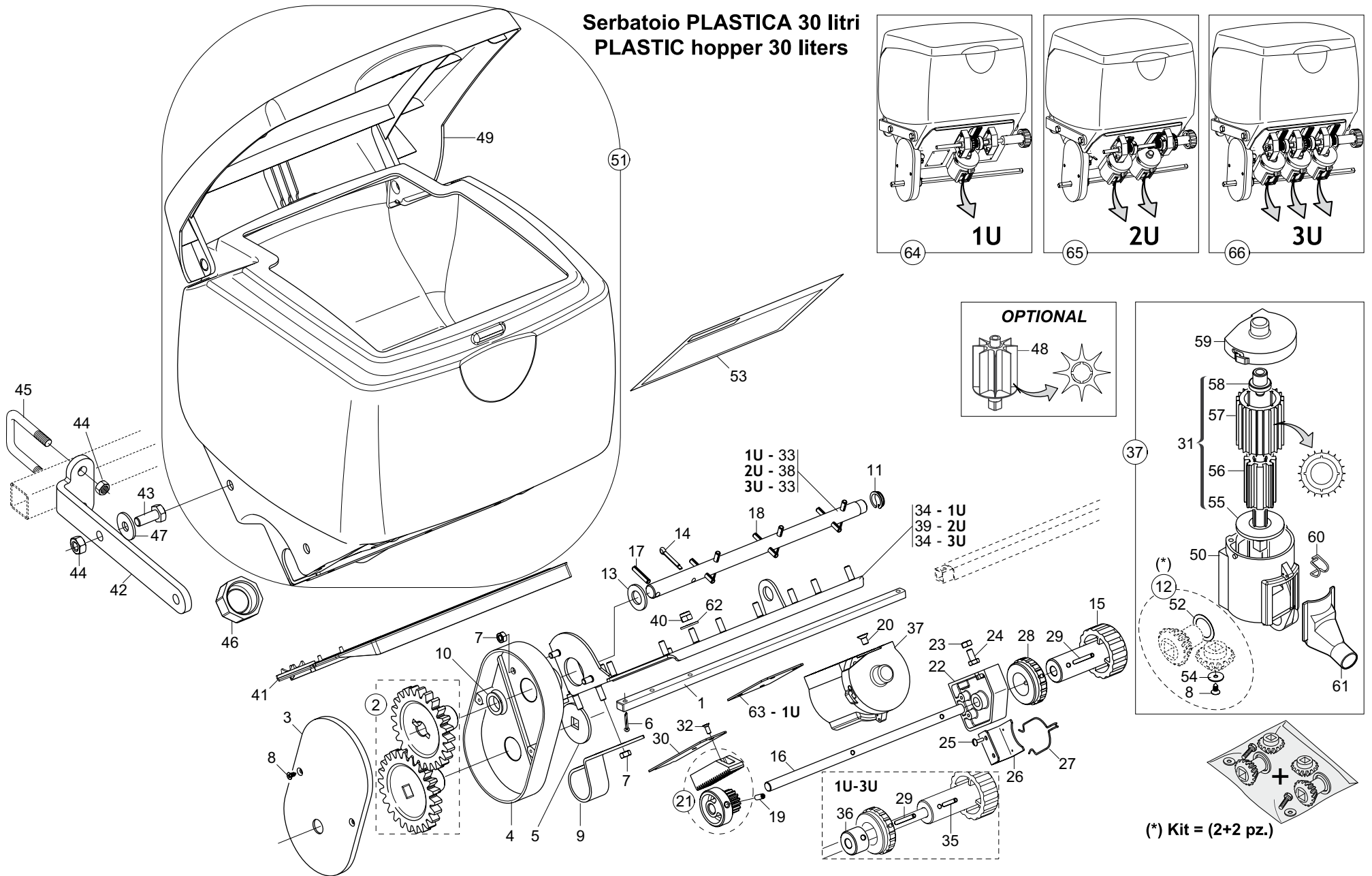
(*) Kit = (2+2 pz.)

**MICROGRANULATORE (16 LITRI)
MICROGRANULATOR (16 LITERS)**

TAV. 400

| Pos. | Cod. | Descrizione | Description | Description | Benennung | Descripcion |
|------|------------|---------------------------------|--------------------------------|--------------------------------|--------------------------------|--------------------------------|
| 1 | F01020403R | VITE M6X1X16 U5739 8.8ZN | SCR. M6X1X16 U5739 8.8ZN | VIS M6X1X16 U5739 8.8 ZN | SCHRAUBE M6X1X16 U5739 8.8 ZN | TORNILLO M6X1X16 U5739 8.8 ZN |
| 2 | F01020404R | VITE M6X1X20 U5739 8.8ZN | SCREW M6X1X20 U5739 8.8ZN | VIS M6X1X20 U5739 8.8ZN | SCHRAUBE M6X1X20 U5739 8.8ZN | TORNILLO M6X1X20 U5739 8.8ZN |
| 3 | F01020472R | VITE M10X1,5X25 U5739 8.8ZN | SCR. M10X1,5X25 U5739 8.8ZN | VIS M10X1,5X25 U5739 8.8 ZN | SCHRAUBE M10X1,5X25 U5739 8.8 | TORNILLO M10X1,5X25 U5739 8.8 |
| 4 | F01070122R | VITE A3,9X1,34X13 U6955 4.8NI | SCR. H3,9X1,34X13 U6955 4.8NI | VIS M3,9X1,34X13 U6955 4.8NI | SCHRA.M3,9X1,34X13 U6955 4.8NI | TORN.M3,9X1,34X13 U6955 4.8NI |
| 5 | F01200232R | DADO M6X1 U5588 CL8 ZN | NUT M6X1 U5588 6.8ZN | ECROU 6 UNI 5588 6.8 ZN | MUTTER 6 UNI 5588 6.8 ZN | TUERCA M6X1 U5588 CL8 ZN |
| 6 | F01200270R | DADO M10X1,5 U5588 CL8 ZN | NUT M10X1,5 U5588 6.8ZN | ECROU M10X 1,5 U5588 6.8 ZN | MUTTER M10X 1,5 U5588 6.8 ZN | TUERCA M10X1,5 U5588 CL8 ZN |
| 7 | F01220033R | DADO M10X1,5 D980 8ZN | NUT M10X1,5 D980 8ZN | ECROU M10X1,5 D980 8ZN | MUTTER M10X1,5 D980 8ZN | TUERCA M10X1,5 D980 8 |
| 8 | F01410037R | ROS.M6 6,4X12,5X1,6 U6592 ZN | WASHER M6 6,4X12,5X1,6 U6592ZN | RONDEL.M6 6,4X12,5X1,6 U6592ZN | SCHEIB.M6 6,4X12,5X1,6 U6592ZN | ARAND.M6 6,4X12,5X1,6 U6592 ZN |
| 9 | F01420060R | ROS.M10 10,5X 30X2,5 U6593 ZG | GALV.WASHER 10,5X30X2,5 U6593 | RONDELLE 10,5X30 | SCHEIBE 10,5X30 | ARAND.M10 10,5X 30X2,5 U6593 |
| 10 | F02100083R | SPINA E.P. 5X 24 U6873 C70 BR | PIN EL. 5 X24 DIN 1481 | FICHE EL. 5 X24 DIN 1481 | SPANNSTIFT 5 X24 DIN 1481 | CLAVIJA EL.5 X24 DIN 1481 |
| 11 | F02200162R | COPIGLIA 3X 20 U1336 ZN | SPLIT PIN 3 X20 1336 GALVAN. | GOUPILLE 3 X20 1336 ZN | SPLINT 3 X20 1336 ZN | PASADOR 3 X20 1336 ZN |
| 12 | F02200194R | COPIGLIA 4X 25 U1336 ZN | SPLIT PIN 4 X25 1336 GALVAN. | GOUPILLE 4 X25 1336 ZN | SPLINT 4 X25 1336 ZN | PASADOR 4 X25 1336 ZN |
| 13 | F03011081R | GUARNIZIONI LABBRO DE100 | LIP GASKET D100 | | | |
| 14 | F20010211R | ETICH.IDENT.GASPARDO 160X 30 | LABEL GASPARDO 160X 30 | | | |
| 15 | F20030042R | ETICH.ORGANI IN MOVIMENTO | DECAL.MOVING UNITS | | | |
| 16 | F20030043R | ETICH.PERICOLO AVVELENAMENTO | LABEL POISONING DANGER | | | |
| 17 | G20890089R | REGOLATORE DI APERTURA | OPENING REGULATOR | REGULATEUR D OUVERTURE | TFFNUNGSEINSTELLER | REGULADOR DE ABERTURA |
| 18 | G20890078R | PIASTRA DI COLLEGAMENTO | CONNECTION PLATE | PLAQUE DE RACCORD | VERBINDUNGSPLATTE | PLACA DE CONEXI N |
| 19 | G20890081R | ASSE DISTRIB.MICRO L.445 | MICRO DISTR. MICRO L.445 | AXE DISTRIBUTEUR MICRO L. 445 | MIKRO STREUERACHSE L.445 | EJE DISTRIB.MICRO L.445 |
| 20 | G20890194R | ASSE AGITATORE SERB.MICRO 250 | STIRRER SPINDLE- MICRO TANK 25 | AXE AGITATEUR RESERVOIR MICRO | SAMENMISCHERACHSE BEH.MIKRO 25 | EJE AGITADOR DEP S. MICRO 250 |
| 21 | G11475210R | KIT RUOTE DENTATE Z24 | KIT GEAR WHEELS Z24 | | | |
| 22 | G15475231R | COPERCHIO MICRO 250 PLA. | PLASTIC COVER MICRO 250 | COUVERCLE MICRO 250 PLASTIQUE | MIKRO DECKEL 250 PLAST. | TAPA MICRO 250 PLAST. |
| 23 | G15475271R | SUPPORTO MICRO | MICRO SUPPORT | SUPPORT MICROGRANULATEUR | HALTERUNG MICRO | SOPORTE MICRO |
| 24 | G20890135R | DISTRIB.NYLON COMPL.E SCIVOLO | DISTRIB. NYLON ASSY. AND CHUTE | MINIMAX COMPL 20C MICRO | SZAPPARAT NYLON KOMPL. UND RUT | DISTRIB.NYLON COMPL.Y PLANO IN |
| 25 | G16675090R | TAPPO PLASTICA MICRO C OR | PLASTIC PLUG MICRO C OR | | | |
| 26 | G22220073R | RONDELLA 28X0,3X16,5 | WASHER 28X0-3X16-5 | RONDELLE 28X0-3X16-5 | UNTERLEGSCHEIBE 28X0-3X16-5 | ARANDELA 28X0-3X16-5 |
| 27 | G20970025R | RONDELLA 25,2X2X16,5 | WASHER 25-2X2X16-5 | RONDELLE 25-2X2X16-5 | UNTERLEGSCHEIBE 25-2X2X16-5 | ARANDELA 25-2X2X16-5 |
| 28 | G18705310R | RONDELLA 10,2 X44 X3 QU.ZN | WASHER 10,2X44X3 SQ.HOLE GALV. | | | |
| 29 | G65338043R | MOLLA COMP.ZN SERB. M80 | ZN TANK COMP.SPRING M80 | RESSORT COMPL. ZN RESERVOIR M8 | DRUCKFEDER ZN BEHZLTER M80 | MUELLE COMP.ZN DEP S. M80 |
| 30 | G66248121R | BOCCOLA CON FLANGIA M80 | BUSHING W FLANGE M80 | SUPPORT AVEC BRIDE M80 | BSCHE MIT FLANSCH M80 | CASQUILLO CON BRIDA M80 |
| 31 | G19001262R | SUPPORTO TRASMISSIONE RINF. | REINFORCED TRANSMISS.SUPPORT | | | |
| 32 | G66248138R | COPERCHIO SUPP.TRASM. M80 | TRANSMISSION SUPP. COVER M80 | COUVERCLE SUPPORT ENTRAINEM. | DECKEL ANTRIEBSHALTERUNGS M80 | TAPA SOP. TRANSM. M80 |
| 33 | G66248223R | TAPPO SUPP.SPAND.D.11 | PLUG MAN. SPR. SUPP. D.11 | BOUCHON SUPPORT EP. ENGRAIS D. | HALTERUNGSPFROPFEN DSNGERSTR. | TAP N SOPORTE ABON.D.11 |
| 34 | G19002932R | SERBATOIO MICRO 250 PLA. | PLASTIC TANK MICRO 250 | RESERVOIR MICRO 250 PLASTIQUE | MIKROGRANULATBEHZLTER PLAST. | DEPSITO MICRO 250 PLAST. |
| 35 | F02100314R | SPINA EL.5 X36 DIN 1481 INOX | PIN EL.5 X36 DIN 1481 INOX | | | |
| 36 | G17175050R | ASSE MICRO L.335 | AXLE MICRO L.335 | | | |
| 37 | G20890079R | PIASTRA DI CHIUSURA | CLOSURE PLATE | PLAQUE DE FERMETURE | ABSCHLUSSPLATTE | PLACA DE CIERRE |
| 38 | G66248125R | GHIERA REGOLAZIONE M80 | ADJUSTMENT KNURLED NUT M80 | BAGUE REGLAGE M80 | EINSTELLMUTTER M80 | CONTRATUERCA REGULACI N M80 |
| 39 | G20890151R | VITE-SCALA GRADUATA | GRADUATED SCALE BOLT | VIS-ECHELLE GRADUEE | SCHRAUBE - GRADSKALA | TORNILLO - ESCALA GRADUADA |
| 40 | G65336046R | MOLLA SPEC.ZN SCIVOLO M80 | SPEC SPRING ZN CHUTE M80 | RESSORT SPEC. ZN LANCOIR M80 | SPEZIALFEDER ZN RUTSCHE M80 | MUELLE ESPEC. ZN PLANO INCLINA |
| 41 | G66248123R | CORPO DISTRIBUZIONE M80 | DISTRIBUTION CASING M80 | CORPS DISTRIBUTION M80 | VERTEILUNGSKTRPER | CUERPO DISTRIBUCI N M80 |
| 42 | G66248154R | SCIVOLO DISTR. M80 | CHUTE- DISTRIB. M80 | ENTONNOIR DOSEUR MINIMAX MICRO | SAAPPARAT RUTSCHE M80 | PLANO INCLINADO DISTR. M80 |
| 43 | G20890158R | DOSATORE MICRO COMPL. | ROTOR DIST. MICRO 20 GROOVES | ROTOR DOSEUR 20C MICRO COMPL. | DOSIERER MIKRO KOMPL. 20 SEKT | DOSIFICADOR MICRO COMPL.20 SEC |
| 44 | G66248189R | DOSATORE M80 | SEED METERING DEVICE M80 | DOSEUR M80 | DOSIERER M80 | DOSIFICADOR M80 |
| 45 | G19001802R | RONDELLA-ALBERO MICRO | WASHER-SHAFT MICRO | | | |
| 46 | G20890211R | KIT INGRANAGGI DISTRIB.MICRO | DISTRIBUTION GEAR KIT MICRO | KIT ENGRENAGE DE DISTRIBUTION | | KIT ENGRANAJES DISTRIB.MICRO |
| 47 | G20970100R | RONDELLA 30X0,5X22 ACC. | WASHER 30X0-5X22 ACC. | RONDELLE 30X0-5X22 ACIER | UNTERLEGSCHEIBE 30X0-5X22 ACC. | ARANDELA 30X0-5X22 ACC. |
| 48 | F01070061R | VITE A3,9X1,34X9,5 U6954 4.8NI | SCR. H3,9X1,34X9,5 U6954 4.8NI | VIS 3,9X 9,5 DIN 7981 | SCHRAUBE 3,9X 9,5 DIN 7981 | TORNILLO 3,9X 9,5 DIN 7981 |
| 49 | F01420011R | ROS.M4 4,3X 16X 1 U6593 ZN | FLAT WASHER 4-3X 16X1-5 6593 G | ROND.PLATE 4-3X 16X1-5 6593 ZN | SCHEIBE 4-3X 16X1-5 6593 ZN | ARAND. PLANA 4-3X 16X1-5 6593 |
| 50 | G22250240R | DOSATORE COMPL. SV | DISTRIBUTOR MICRO COMPL. | ROTOR DOSEUR 8C MICRO SV | | DOSIFICADOR COMPL. SV |
| 51 | G11425091R | TUBO DISCESA MICRO MT-MTE COMPL | PIPE MICRO DESCENT MT-MTE | TUBE DESCENTE MICRO COMPL MT-M | SENKROHR MIKRO KOMPL. MT-MTE | TUBO DESCENSO MICRO COMPL. MT- |
| 52 | F02300017R | FASCETTA STRING. 20 32 H.9 | CLAMP 20 32 H.9 | GAINÉ 20 32 H.9 | KLEMME 20 32 H.9 | ABRAZADERA 20 32 H.9 |
| 53 | G65336041R | MOLLA SPEC.ZN STRINGITUBO M80 | SPEC.SPRING ZN . PIPE CLAMP M8 | RESSORT SPEC. ZN SERRE-TUBE M8 | SPEZIALFEDER ZN ROHRSCHELLE M8 | MUELLE ESPEC. ZN APLASTA TUBOS |
| 54 | G18904880R | MOLLA GUIDA TUBO DISC.MICRO ZN | PIPE-MICR.DESCENT GUIDE SPRING | | | |
| 55 | F01420036R | ROS.M6 6,4X 18X1,5 U6593 ZN | WASHER M6 6,4X 18X1,5 U6593 ZN | RONDELLE M6 6,4X18X1,5 U6593ZN | SCHEIBEN M6 6,4X18X1,5U6593 ZN | ARANDELA M6 6,4X18X1,5U6593ZN |
| 56 | F01020436R | VITE M8X1,25X20 U5739 8.8ZN | SCR. M8X1,25X20 U5739 8.8ZN | VIS M8X1,25X 20 U5739 8.8 ZN | SCHRAUBE M8X1,25X20U5739 8.8ZN | TORNILLO M8X1,25X20 U5739 8.8 |
| 57 | G17772000R | ASS.TUBO MICROGRANULATORE | ASSY MICROGR. TUBE | | | |
| 58 | G19700832R | DECAL.TABELLA MICRO SP540 | LABEL TAB.MICRO SP540 | | | |
| 59 | G15476280R | SERBATOIO MICRO PLA 1U COMPL | MICRO TANK 16L 1OUTL.PLA | RESERVOIR MICRO PLA 1U COMPL. | BEH-LTER MIKROGRANULAT PLASTIK | DEPOSITO MICRO PLA 1U COMPL. |
| 60 | G15476270R | SERBATOIO MICRO 250 2 U.PLA | MICRO TANK 16L 2OUTL.PLA | | | |
| 61 | G17170400R | SERBATOIO MICRO 250 2U PLA | RESERVOIR MICRO 250 2U COMPL. | | | |

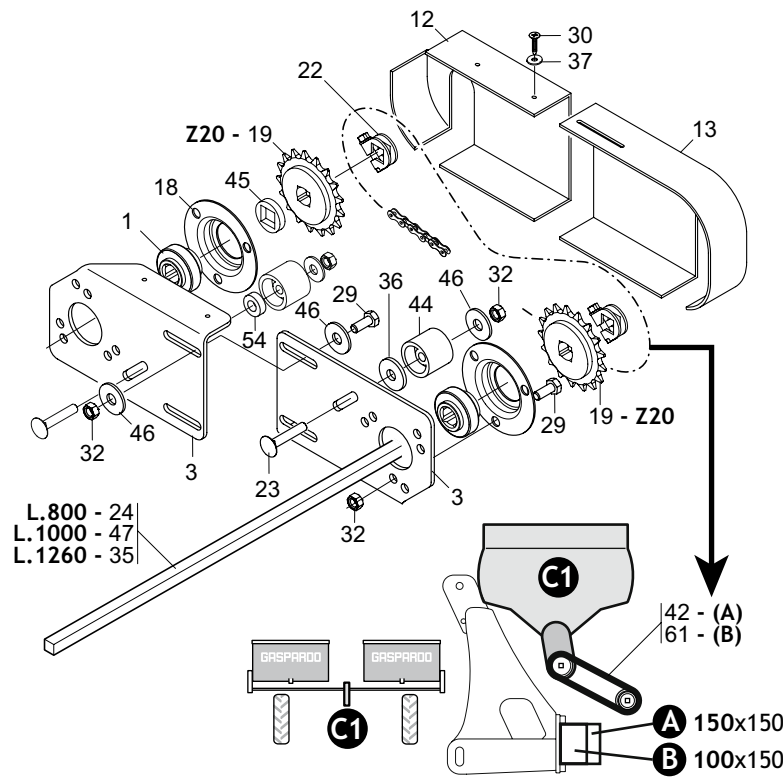
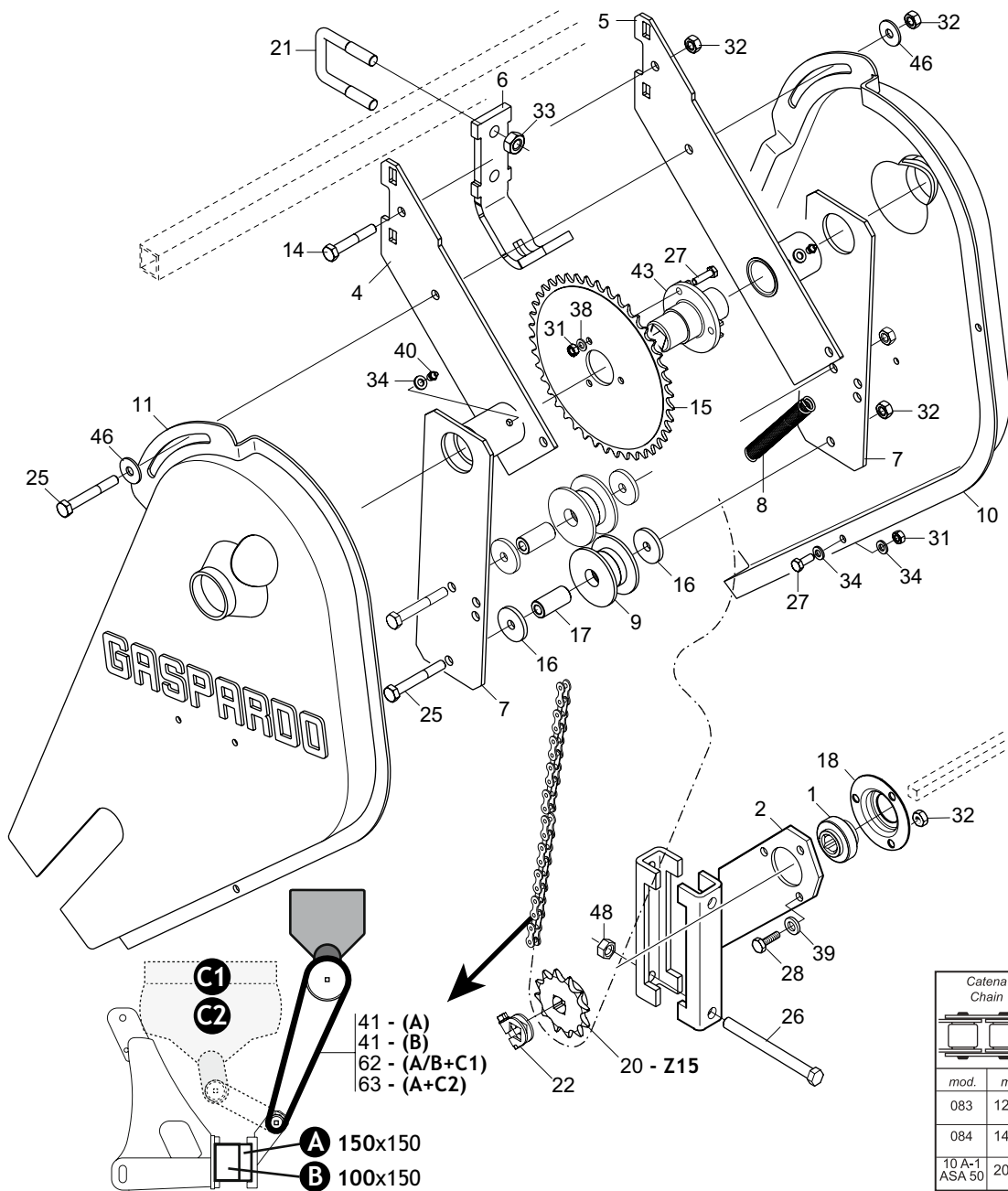
Serbatoio PLASTICA 30 litri
 PLASTIC hopper 30 liters



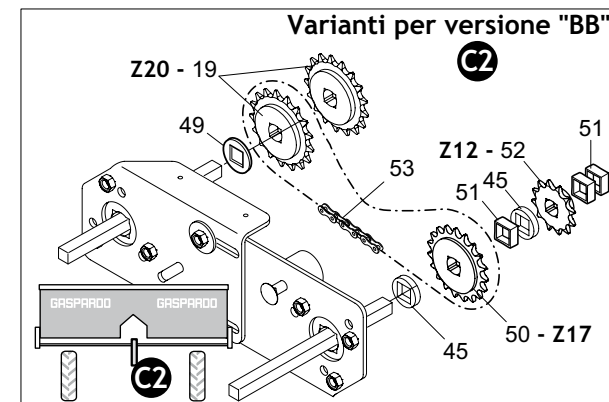
**MICROGRANULATORE (30 LITRI)
MICROGRANULATOR (30 LITERS)**

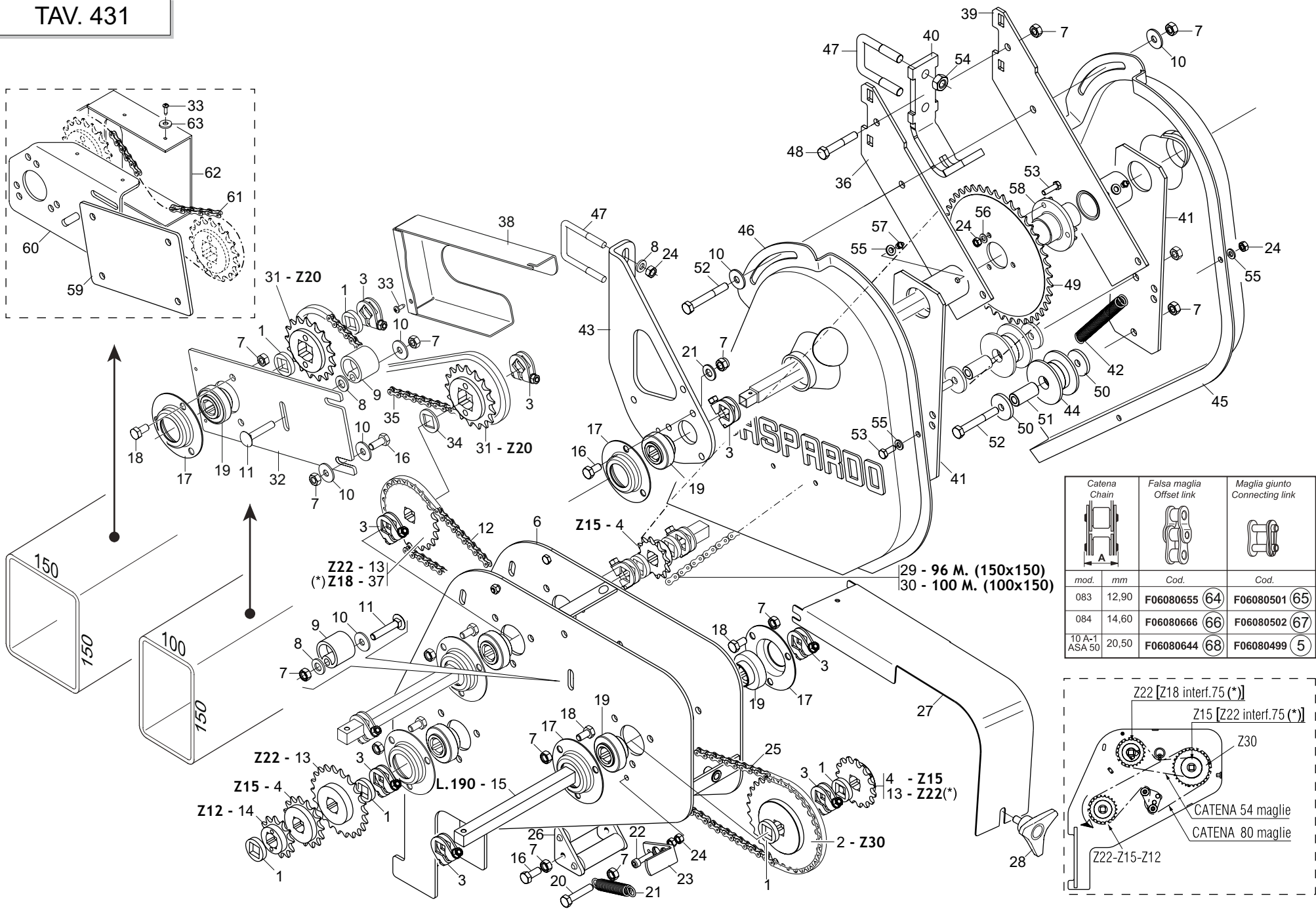
TAV. 410

| Pos. | Cod. | Descrizione | Description | Description | Benennung | Descripcion |
|------|------------|--------------------------------|--------------------------------|--------------------------------|--------------------------------|--------------------------------|
| 1 | G17631310R | ASSE TRASM.DISTR. | DISTR. TRANSMISSION AXLE | | | |
| 2 | G11475210R | KIT RUOTE DENTATE Z24 | KIT GEAR WHEELS Z24 | | | |
| 3 | G66248138R | COPERCHIO SUPP.TRASM. M80 | TRANSMISSION SUPP. COVER M80 | COUVERCLE SUPPORT ENTRAINEM. | DECKEL ANTRIEBSHALTERUNGS M80 | TAPA SOP. TRANSM. M80 |
| 4 | G19001262R | SUPPORTO TRASMISSIONE RINF. | REINFORCED TRANSMISS.SUPPORT | | | |
| 5 | G18705310R | RONDELLA 10,2 X44 X3 QU.ZN | WASHER 10,2X44X3 SQ.HOLE GALV. | | | |
| 6 | F02200162R | COPIGLIA 3X 20 U1336 ZN | SPLIT PIN 3 X20 1336 GALVAN. | GOUPILLE 3 X20 1336 ZN | SPLINT 3 X20 1336 ZN | PASADOR 3 X20 1336 ZN |
| 7 | F01200232R | DADO M6X1 U5588 CL8 ZN | NUT M6X1 U5588 6.8ZN | ECROU 6 UNI 5588 6.8 ZN | MUTTER 6 UNI 5588 6.8 ZN | TUERCA M6X1 U5588 CL8 ZN |
| 8 | F01070122R | VITE A3,9X1,34X13 U6955 4.8NI | SCR. H3,9X1,34X13 U6955 4.8NI | VIS M3,9X1,34X13 U6955 4.8NI | SCHRA.M3,9X1,34X13 U6955 4.8NI | TORN.M3,9X1,34X13 U6955 4.8NI |
| 9 | G11435240R | SUPPORTO ASSE CARTER | CARTER AXLE SUPPORT | | | |
| 10 | F03011081R | GUARNIZIONI LABBRO DE100 | LIP GASKET D100 | | | |
| 11 | F04150042R | BOCCOLA CLIP IGUS MCM-14-03 | BUSH CLIP IGUS MCM-14-03 | | | |
| 12 | G20890211R | KIT INGRANAGGI DISTRIB.MICRO | DISTRIBUTION GEAR KIT MICRO | KIT ENGRENAGE DE DISTRIBUTION | | KIT ENGRANAJES DISTRIB.MICRO |
| 13 | F01410088R | ROS.M14 15X 28X2,5 U6592 ZN | WAS.M14 15X 28X2,5 U6592 ZB | RON.M14 15X 28X2,5 U6592 ZB | SCH.M14 15X 28X2,5 U6592 ZB | ARA.M14 15X 28X2,5 U6592 ZB |
| 14 | F02200194R | COPIGLIA 4X 25 U1336 ZN | SPLIT PIN 4 X25 1336 GALVAN. | GOUPILLE 4 X25 1336 ZN | SPLINT 4 X25 1336 ZN | PASADOR 4 X25 1336 ZN |
| 15 | G19003670R | MANOPOLA SPEEDY SET | SPEEDY HANDLE SET | POIGN E SPEEDY SET | GRIFF XPEEY SET | EMPU ADURA SPEEDY SET |
| 16 | F17772900R | ALBERO REGOLAZIONE SPEEDY SET | ADJUSTING AXLE SPEEDY SET | | | |
| 17 | F02100083R | SPINA E.P. 5X 24 U6873 C70 BR | PIN EL. 5 X24 DIN 1481 | FICHE EL. 5 X24 DIN 1481 | SPANNSTIFT 5 X24 DIN 1481 | CLAVIJA EL.5 X24 DIN 1481 |
| 18 | F02100314R | SPINA EL.5 X36 DIN 1481 INOX | PIN EL.5 X36 DIN 1481 INOX | | | |
| 19 | F01050083R | VITE M5X0,8X12 U5927 A2IX | SCR. M5X0,8X12 U5927 A2IX | GOUJON 5X12 UNI 5927 | STIFT 5X12 UNI 5927 | TORNILLO SIN CABEZA 5X12 5927 |
| 20 | F01030041R | VITE M6X1X10 U5933 10.9ZD | SCREW M6X1X10 U5933 10.9ZD | VIS M6X1X10 U5933 10.9ZD | SCHRAU. M6X1X10 U5933 10.9ZD | TORNILLO M6X1X10 U5933 10.9ZD |
| 21 | G16675490R | KIT PIGNONE CREMAGLIERA | KIT PINION RACK | | | |
| 22 | G19003660R | SUPPORTO | SUPPORT | | HALTERUNG | SOPORTE |
| 23 | F01200233R | DADO M6X1 U5588 A2IX | NUT M6X1 U5588 A2IX | ECROU M 6X 1 U5588 I | MUTTER M 6X 1 U5588 | TUERCA M 6X 1 U5588 |
| 24 | F01020417R | VITE M6X1X12 U5739 A2IX | SCR. M6X1X12 U5739 A2IX | VIS M6 X1 X12 U5739 A2 IX | SCHRAUBE M6X1X12 U5739 A2 IX | TORNILLO M6X1 X12 U5739 A2 IX |
| 25 | F01070061R | VITE A3,9X1,34X9,5 U6954 4.8NI | SCR. H3,9X1,34X9,5 U6954 4.8NI | VIS 3,9X 9,5 DIN 7981 | SCHRAUBE 3,9X 9,5 DIN 7981 | TORNILLO 3,9X 9,5 DIN 7981 |
| 26 | G16670310R | SUPPORTO MOLLA REGOLATORE | ADJ.SPRING SUPPORT | | | |
| 27 | G65336055R | MOLLA SPEC.REGOL.SPAND. SP | SPEC SPRING MAN. SPR. ADJUSTM. | RESSORT SPEC. REGL. EP. ENTRA | SPEZIALFEDER STREUEREINTELLUN | MUELLE ESPEC. REGUL. ABONADORA |
| 28 | G19003720R | GHIERA REGOLAZIONE SX | LEFT ADJUSTMENT KNURLED NUT | MANCHON DE REGLAGE GCH | EINTELLMUTTER LINKS | ROSCA REGULACION IZQUIERDA |
| 29 | F02100066R | SPINA EL.4 X36 DIN 1481 | PIN EL. 4X 36 U6873 C70 BR | | | CLAVIJA EL.4 X36 DIN 1481 |
| 30 | G17772140R | REGOLATORE APERTURA MICRO | AIR REGULATOR | | | |
| 31 | G20890158R | DOSATORE MICRO COMPL. | ROTOR DIST. MICRO 20 GROOVES | ROTOR DOSEUR 20C MICRO COMPL. | DOSIERER MIKRO KOMPL. 20 SEKT | DOSIFICADOR MICRO COMPL.20 SEC |
| 32 | F01080032R | VITE M4X0,7X10 U7688 A2IX | SCR. M4X0,7X10 U7688 A2IX | VIS M4X 0,7X10 U7688 A2 IX | SCHRAUBE M4X 0,7X10 7688 A2 IX | TORNILLO M4X0.7X10 U7688 A2 IX |
| 33 | G15276111R | ASSE AGITATORE SERB.30L 3U | 3-SLOT AGITATOR | | | |
| 34 | G15276120R | PIASTRA DOSATORI 3U | MICRO DISTR.PLATE 3U | | | |
| 35 | F02100062R | SPINA E.P. 4X 24 U6873 C70 BR | PIN EL. 4 X24 DIN 1481 | FICHE EL. 4 X24 DIN 1481 | SPANNSTIFT 4 X24 DIN 1481 | CLAVIJA EL.4 X24 DIN 1481 |
| 36 | G17772550R | BOCCOLA 10,4 X25 X16 FORO 5 ZN | BUSHING D10,4X25X16 HOLE 5 ZN | | | |
| 37 | G11400060R | DISTRIBUTORE MICRO SPEEDY SET | DISTRIBUTOR MICRO SPEEDY SET | | | |
| 38 | G15276161R | ASSE AGITATORE SERB.30L 2U | SHAKER AXLE TANK 30L 2U | | | |
| 39 | G15276130R | PIASTRA DOSATORI 2U | MICRO DISTR.PLATE 2U | | | |
| 40 | F01230024R | DADO M6X1 D982 A2IX | NUT M6X1 D982 A2IX | ECROU AUTOB.NOR.10 | SELBSTSP. MUTTER NOR. 10 | TUERCA AUTOB. NOR. 10 |
| 41 | G19006620R | GUARNIZIONE PIASTRA MICRO | GASKET PLATE MICRO | | | |
| 42 | G15475271R | SUPPORTO MICRO | MICRO SUPPORT | SUPPORT MICROGRANULATEUR | HALTERUNG MICRO | SOPORTE MICRO |
| 43 | F01020472R | VITE M10X1,5X25 U5739 8.8ZN | SCR. M10X1,5X25 U5739 8.8ZN | VIS M10X1,5X25 U5739 8.8 ZN | SCHRAUBE M10X1,5X25 U5739 8.8 | TORNILLO M10X1,5X25 U5739 8.8 |
| 44 | F01200270R | DADO M10X1,5 U5588 CL8 ZN | NUT M10X1,5 U5588 6.8ZN | ECROU M10X 1,5 U5588 6.8 ZN | MUTTER M10X 1,5 U5588 6.8 ZN | TUERCA M10X1,5 U5588 CL8 ZN |
| 45 | F20110706R | CAV.Q.B=35 M=10X1,5 L=60 | U BOLT Q.B=35 M=10X1,5 L=60 | CAVALIER SUPPORT DISQUE SV | VERBINDUNG SCHEIBENHALTERUNG S | PERNO EN U SOP. DISCO SV |
| 46 | G16675090R | TAPPO PLASTICA MICRO C OR | PLASTIC PLUG MICRO C OR | | | |
| 47 | F01420060R | ROS.M10 10,5X 30X2,5 U6593 ZG | GALV.WASHER 10,5X30X2,5 U6593 | RONDELLE 10,5X30 | SCHEIBE 10,5X30 | ARAND.M10 10,5X 30X2,5 U6593 |
| 48 | G22250240R | DOSATORE COMPL. SV | DISTRIBUTOR MICRO COMPL. | ROTOR DOSEUR 8C MICRO SV | | DOSIFICADOR COMPL. SV |
| 49 | G19006413R | COPERCHIO SERB.MICRO DELTA | TANK COVER MICRO DELTA | | | |
| 50 | G66248123R | CORPO DISTRIBUZIONE M80 | DISTRIBUTION CASING M80 | CORPS DISTRIBUTION M80 | VERTEILUNGSKTRPER | CUERPO DISTRIBUCI N M80 |
| 51 | G19006600R | SERBATOIO MICRO 30L | TANK MICRO 30L | | | |
| 52 | G20970100R | RONDELLA 30X0,5X22 ACC. | WASHER 30X0-5X22 ACC. | RONDELLE 30X0-5X22 ACIER | UNTERLEGSCHIEBE 30X0-5X22 ACC. | ARANDELA 30X0-5X22 ACC. |
| 53 | G19707710R | TABELLA MICRO SPEEDY SET | TABLE MICRO SPEEDY SET | | | |
| 54 | F01420011R | ROS.M4 4,3X 16X 1 U6593 ZN | FLAT WASHER 4-3X 16X1-5 6593 G | ROND.PLATE 4-3X 16X1-5 6593 ZN | SCHEIBE 4-3X 16X1-5 6593 ZN | ARAND. PLANA 4-3X 16X1-5 6593 |
| 55 | G19001802R | RONDELLA-ALBERO MICRO | WASHER-SHAFT MICRO | | | |
| 56 | G66248188R | ANIMA DOSATORE M80 | INSERTED ROLLER SEED METERING | AME DOSEUR M80 | DOSIERERKERN M80 | MACHO DOSIFICADOR M80 |
| 57 | G66248189R | DOSATORE M80 | SEED METERING DEVICE M80 | DOSEUR M80 | DOSIERER M80 | DOSIFICADOR M80 |
| 58 | G66248191R | PERNO ASSE UNIVERSALE M80 | PIN UNIVERSAL AXLE M80 | PIVOT AXE UNIVERSEL M80 | ZAPFEN UNIVERSALACHSE M80 | PERNO EJE UNIVERSAL M80 |
| 59 | G19006390R | COPERCHIO DISTR.MICRO SPEEDY S | DISTR.TOR COVER MICRO SPEEDY S | | | |
| 60 | G65336046R | MOLLA SPEC.ZN SCIVOLO M80 | SPEC SPRING ZN CHUTE M80 | RESSORT SPEC. ZN LANCOIR M80 | SPEZIALFEDER ZN RUTSCHE M80 | MUELLE ESPEC. ZN PLANO INCLINA |
| 61 | G66248154R | SCIVOLO DISTR. M80 | CHUTE- DISTRIB. M80 | ENTONNOIR DOSEUR MINIMAX MICRO | SAAPPARAT RUTSCHE M80 | PLANO INCLINADO DISTR. M80 |
| 62 | F01420038R | ROS.M6 6,4X18X1,5 U6593 IX | WASHER M6 6,4X18X1,5 U6593 IX | RONDELLE M6 6,4X18X1,5U6593 IX | SCHEIBE M6 6,4X18X1,5 U6593 IX | ARANDELA M6 6,4X18X1,5 6593IX |
| 63 | G20890079R | PIASTRA DI CHIUSURA | CLOSURE PLATE | PLAQUE DE FERMETURE | ABSCHLUSSPLATTE | PLACA DE CIERRE |
| 64 | G15276810R | SERBATOIO MICRO 30L 1U COMPL | COMPL.MICRO TANK 30L 1E | | | |
| 65 | G15276141R | SERBATOIO MICRO 30L 2U COMPL | TANK MICRO 30L 2 OUT COMPL. | RESERVOIR MICRO 30L 2U COMPL | | |
| 66 | G15276151R | SERBATOIO MICRO 30L 3U COMPL | TANK MICRO 30L 3 OUT COMPL. | | | |

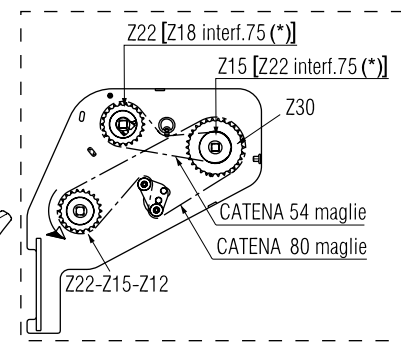


| Catena Chain | | Falsa maglia Offset link | Maglia giunto Connecting link |
|------------------|-------|-----------------------------|----------------------------------|
| mod. | mm | Cod. | Cod. |
| 083 | 12,90 | F06080655 (55) | F06080501 (56) |
| 084 | 14,60 | F06080666 (57) | F06080502 (58) |
| 10 A-1 ASA 50 | 20,50 | F06080644 (59) | F06080499 (60) |





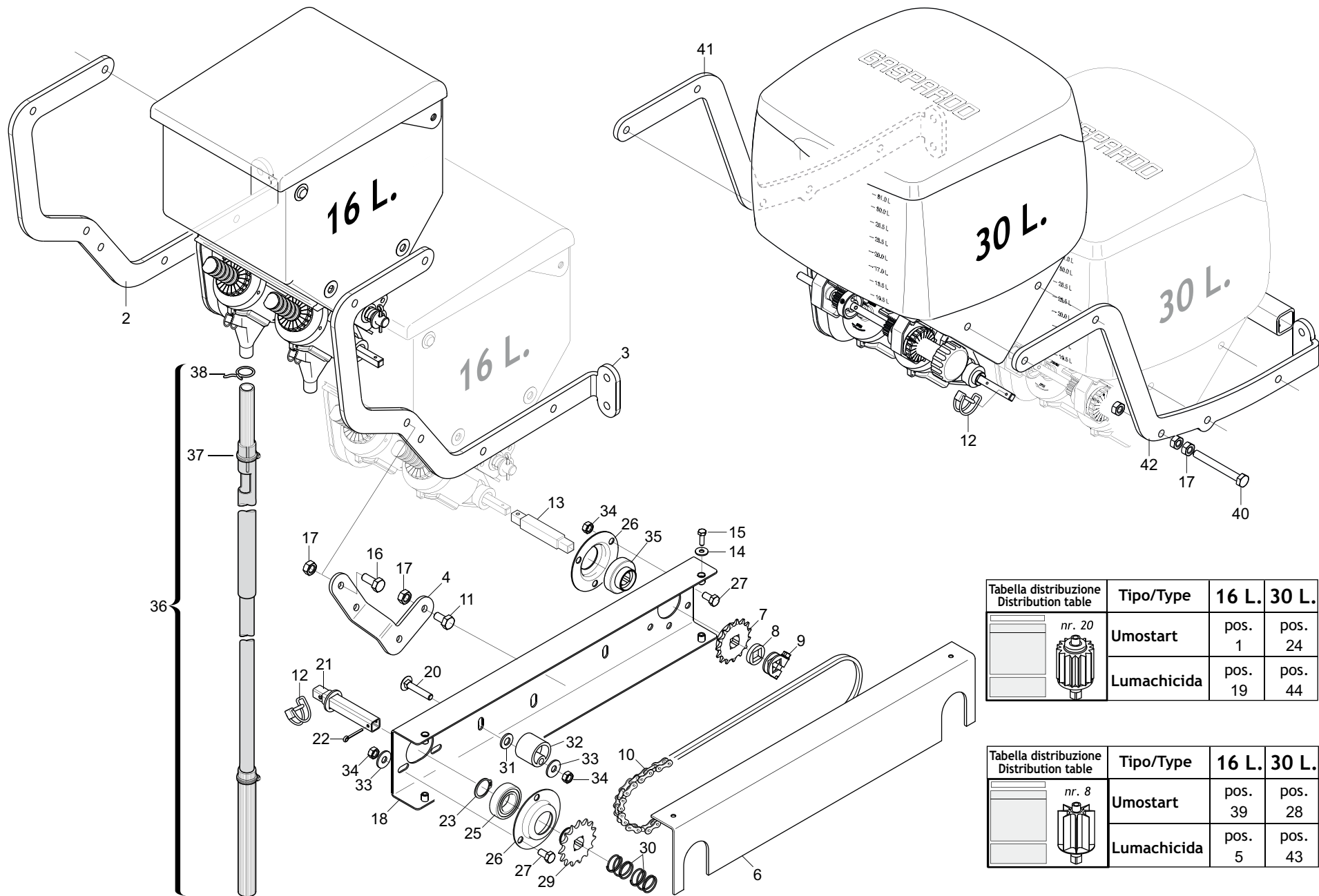
| Catena Chain | | Falsa maglia Offset link | Maglia giunto Connecting link |
|------------------|-------|-----------------------------|----------------------------------|
| | | | |
| mod. | mm | Cod. | Cod. |
| 083 | 12,90 | F06080655 (64) | F06080501 (65) |
| 084 | 14,60 | F06080666 (66) | F06080502 (67) |
| 10 A-1 ASA 50 | 20,50 | F06080644 (68) | F06080499 (5) |





**TRASMISSIONE SPANDICONCIME E MICROGRANULATORE (45-50 cm)
FERTILIZER DISTRIBUTOR DRIVE AND MICROGRANULATOR (45-50 cm)**

TAV. 431

| Pos. | Cod. | Descrizione | Description | Description | Benennung | Description |
|------|------------|--------------------------------|--------------------------------|--------------------------------|--------------------------------|--------------------------------|
| 1 | G66248218R | RONDELLA DISTAN.SPAND. | MAN. SPR. SPACER WASHER | RONDELLE ENTRETOISE EP. ENGRAI | ABSTANDSCHEIBE DSNGERSTREUER | ARANDELA DISTAN.ABONAD. |
| 2 | G15231800R | PIGNONE Z30 1 2-3 16 Q.16,4 ZN | PINION Z30 1 2-3 16 Q.16,4 ZN | | | |
| 3 | G22505085R | FERMO ASSE IN LAMIERA | PLATE AXLE STOP | ARRET AXE EN TOLE | FESTSTELLVORRICHTUNG BLECHACHS | BLOQUEO EJE DE CHAPA |
| 4 | G22250028R | PIGNONE Z-15 SV | Z-15 PINION SV | PIGNON Z-15 SV | RITZEL Z-15 SV | PI N Z-15 SV |
| 5 | F06080499R | GIUNZIONE CATENA 5 8 ASA 50LUB | CHAIN JOINT 5 8 ASA 50LUB | JONCTIONS CHAINE 5 8 ASA 50LUB | KETTENVERBINDUNG 5 8 ASA 50LUB | UNIONES CADENA 5 8 ASA 50LUB |
| 6 | G15231850R | SCATOLA RINVIO | TRANSMISSION BOX | | | |
| 7 | F01200244R | DADO M8X1,25 U5588 CL8 ZN | NUT M8X1,25 U5588 6.8ZN | ECROU M8 X1,25 U5588 6.8 ZN | MUTTER M8 X1,25 U5588 6.8 ZN | TUERCA M8X1,25 U5588 CL8 ZN |
| 8 | F01410064R | ROS.M10 10,5X 20X 2 U6592 ZN | WASHER M10 10,5X20X2 U6592 ZN | RONDEL. M10 10,5X20X2 U6592 ZN | SCHIEBE M10 10,5X20X2 U6592 ZN | ARAND.M10 10,5X 20X 2 U6592 ZN |
| 9 | G66248207R | TENDICATENA SPAND. SP-520 | CHAIN TENSIONER | TENDEUR DE CHAINE EPAND. ENGR. | KETTENSANNER DSNGERSTR. SP-52 | TENSOR DE CADENA ABON. SP-520 |
| 10 | F01420048R | ROS.M8 8,4X 24X 2 U6593 ZN | WASHER M8 8,4X 24X2 U6593 ZN | RONDELLE M8 8,4X24X 2 U6593 ZN | SCHIEBEN M8 8,4X24X 2 U6593 ZN | ARAND.M8 8,4X 24X 2 U6593 ZN |
| 11 | F01060047R | VITE M8X1,25X45 U5731 8.8ZN | SCR. M8X1,25X45 U5732 4.6ZN | VIS 8X45 5732 4.6 ZN | SCHRAUBE 8X45 5732 4.6 ZN | TORNILLO 8X45 5732 4.6 ZN |
| 12 | F06080023R | CATENA 1 2 ISO 083 54 MAGLIE | CUT-DOWN CHAIN .1 2 ISO 083 54 | TR. CH..1 2 ISO 083 54 MAILLE | KETTENLNZGE 1 2 ISO 083 54 GL | TRECHO CADENA 1 2 ISO 083 54 E |
| 13 | G20910018R | INGRANAGGIO Z-22 | GEAR Z-22 | ENGRENAGE Z-22 | ZAHNRAD Z-22 | ENGRANAJE Z-22 |
| 14 | G16032560R | PIGNONE Z12 Q.16,4 | PINION Z12 Q.16,4 | PIGNON Z12 Q.16,4 | RITZE Z12 Q.16,4 | PINION Z12 Q.16,4 |
| 15 | G10538170R | ASSE TRASM.L.193 | TRANSMISSION AXLE L193 | AXE TRANSMISSION L.193 | ANTRIEBSACHSE L.193 | EJE TRANSMISIN L.193 |
| 16 | F01020436R | VITE M8X1,25X20 U5739 8.8ZN | SCR. M8X1,25X20 U5739 8.8ZN | VIS M8X1,25X 20 U5739 8.8 ZN | SCHRAUBE M8X1,25X20U5739 8.8ZN | TORNILLO M8X1,25X20 U5739 8.8 |
| 17 | G22230094R | SUPPORTO CUSCINETTO | BEARING SUPPORT | SUPPORT DE ROULEMENT | LAGERBSCHSE | SOPORTE COJINETE |
| 18 | F01020432R | VITE M8X1,25X16 U5739 8.8ZN | SCR. M8X1,25X16 U5739 8.8ZN | VIS M8 X1,25X16 U5739 8.8 ZN | SCHRAUBE M8X1,25X16U5739 8.8ZN | TORNILLO M8X1,25X16 U5739 8.8 |
| 19 | G14830390R | CUSCINETTO FORO QUADRO | SQUARE-HOLED BEARING | ROULEMENT TROU CARRE | VIERKANTLAGER | COJINETE ORIFICIO CUADRADO |
| 20 | F01020450R | VITE M8X1,25X40 U5739 8.8ZN | SCR. M8X1,25X40 U5739 8.8ZN | VIS M8X1,25X40 U5739 8.8ZN | SCHRA. M8X1,25X40 U5739 8.8ZN | TORNILLO M8X1,25X40 U5739 8.8 |
| 21 | G18902970R | MOLLA TRAZ.CAMBIO ZN SP | GALVAN. GEAR TRACT. SPRING SP | RESS. TRACT. BOITE VITESSE ZN | ZUGFEDER GETRIEBE ZN SP | MUELLE TRAC. CAMBIO ZN SP |
| 22 | F01040064R | VITE M6X1X25 U5931 8.8ZN | SCREW M6X1X25 U5931 8.8ZN | VIS M6X1X25 U5931 8.8ZN | SCHRAUBE M6X1X25 U5931 8.8ZN | TORNILLO M6X1X25 U5931 8.8ZN |
| 23 | G17130140R | LEVA CAMBIO | GEAR LEVER | LEVIER BOITE DE VITESSE | GETRIEBE HEBEL | PALANCA DE CAMBIO |
| 24 | F01200232R | DADO M6X1 U5588 CL8 ZN | NUT M6X1 U5588 6.8ZN | ECROU 6 UNI 5588 6.8 ZN | MUTTER 6 UNI 5588 6.8 ZN | TUERCA M6X1 U5588 CL8 ZN |
| 25 | F06080043R | CATENA 1 2 ISO 083 80 MAGLIE | CHAIN 1 2 ISO 083 80 SHACKLE | CHAINE 1 2-3 16 100M.DIN8187 | KETTENLNZGE 1 2 ISO 083 96 GL | TRECHO CADENA 1 2 ISO 083 96 E |
| 26 | G15231570R | RULLO TENDICATENA STRETTO | CHAIN TIGHTENER NARROW ROLLER | ROULEAU TENDEUR ETROITE DE CHA | ROLLE ENGES KETTENSANNER | RODILLO TENSOR DE LA CADENAAN |
| 27 | G15231860R | CARTER SUPERIORE | UPPER CARTER | | | |
| 28 | F06220018R | VOLANTINO 3 LOBI D.65-M8X15 | 3-LOBE HANDWHEEL D.65-M8X15 | TR. CH...1 2 ISO 083 96 MAILL | KETTENLNZGE 1 2 ISO 083 96 GL | TRECHO CADENA 1 2 ISO 083 96 E |
| 29 | F06080050R | CATENA 1 2 ISO 083 96 MAGLIE | CHAIN 1 2 ISO 083 96 LINKS | CHAINE 1 2-3 16 100M.DIN8187 | KETTE 1 2-3 16 100 G.DIN8187 | CAD.1 2-3 16 100 ESLAB .DIN818 |
| 30 | F06080108R | CATENA 1 2 ISO 084 100 MAGLIE | CHAIN 1 2-3 16 100 LINKS DIN81 | ENGRENAGE 1 2 Z-20 | ZAHNRAD MIT NABE 1 2 Z-20 SV | ENGRANCON PERNO 1 2 Z-20 SV |
| 31 | G22250007R | INGR.CON MOZZO 1 2 Z-20 SV | GEARS- W HUB 1 2 Z-20 SV | | | |
| 32 | GA5270350R | SUPPORTO TRASM.SPANDI MTR 6F45 | TRANSM.SUPP.FERT.MTR 6R45 | VIS AUTOTARADEUSE 4-2X13 TE | SELBSTSCHNEID. SCHRAUBE 4-2X13 | TORNILLO AUTOR.4-2X13 TE |
| 33 | F01070078R | VITE A4.2X1,41X13 U6950 4.8ZN | SCR. H4.2X1,41X13 U6950 4.8ZN | RONDELLE 16,5X30X2,5 ZN | UNTERLEGSCHIEBE 16,5X30X2,5 ZN | ARANDELA 16,5X30X2,5 ZN |
| 34 | G18701650R | RONDELLA FORO QUADRO ZN | WASHER 16,5X30X2,5 SQ.HOLE GAL | | | |
| 35 | F06080137R | CATENA 1 2 ISO 084 66 MAGLIE | CHAIN 1 2 ISO 083 66 LINKS | | | |
| 36 | G15476880R | RIBADITURA SUPP.TRASM.SX | LH TRANSMISSION SUPPORT | | | |
| 37 | G15131060R | PIGNONE Z18 Q.16,4 ZN | PINION Z18 Q.16,4 ZN | PIGNON Z18 Q.16,4 ZN | RITZE Z18 Q.16,4 ZN | PINION Z18 Q.16,4 ZN |
| 38 | GA5270360R | CARTER TRASM.SPANDI MTR 6F45 | CARTER TRASM.FERT.MTR 6R45 | | | |
| 39 | G15476890R | RIBADITURA SUPP.TRASM.DX | RH TRANSMISSION SUPPORT | | | |
| 40 | G15476390R | SCONTRIO CENTRALE | CENTRAL PLATE | | | |
| 41 | G15475311R | SUPPORTO RULLINI TENDIC. MICRO | MICRO CHAIN STRETCHER ROLLERS | | | |
| 42 | G18902960R | MOLLA TRAZ.TRASM.RUOTA ZN | TRANSMISSION TENSIONER SPRING | RESSORT TRACT. ENTRAIN. ROUE Z | ZUGFEDER RADANTRIEB ZN | MUELLE TRAC. TRANSM.RUEDA ZN |
| 43 | G15175071R | SUPPORTO ASSI TRASM.MICRO | MICRO TRANSMISSION AXLE SUPPOR | | | |
| 44 | G19000091R | ROCCHETTO 2 META | CHAIN TENSIONER | TENDEUR DE CHAINE 2 MOITIE | KLEINRAD SPANNER SA | CARRETE TENSOR SA |
| 45 | G19002810R | CARTER RINVIO MICRO DX | RIGHT MICRO TRANSM. CASE | CARTER TRANSM. MICRO DRT | VORGELEGEGEHUSE MIKRO RE | C RTER TRANSMISI N MICRO DER |
| 46 | G15231890R | CARTER MICRO SX | CARTER MICRO LEFT | | | |
| 47 | F20110706R | CAV.Q.B=35 M=10X1,5 L=60 | U BOLT Q.B=35 M=10X1,5 L=60 | | | |
| 48 | F01020072R | VITE M8X1,25X50 U5737 8.8ZN | SCR. M8X1,25X50 U5737 8.8ZN | CARTER SUPPORT DISQUE SV | VERBINDUNG SCHEIBENHALTERUNG S | PERNO EN U SOP. DISCO SV |
| 49 | G20890128R | CORONA Z-42 SP | RING GEAR Z-42 SP | SCR. M8X1,25X50 U5737 8.8 ZN | SCHR. M8X1,25X50 U5737 8.8 ZN | TORN. M8X1,25X50 U5737 8.8 ZN |
| 50 | G20970032R | RONDELLA 32X4X8,5 | WASHER 32X4X8-5 | COURONNE Z-42 SP | KRANZ Z-42 SP | CORONA Z-42 SP |
| 51 | G20980086R | BOCCOLA DIST.D.8,5X16X31 | BUSHING SPAC. D.8-5X16X31 | RONDELLE 32X4X8-5 | UNTERLEGSCHIEBE 32X4X8-5 | ARANDELA 32X4X8-5 |
| 52 | F01020077R | VITE M8X1,25X60 U5737 8.8ZN | SCR. M8X1,25X60 U5737 8.8ZN | BOITE ENTRETOISE D. 8-5X16X31 | VERTEILERBSCHSE D.8-5X16X31 | CASQUILLO DIST. D.8-5X16X31 |
| 53 | F01020403R | VITE M6X1X16 U5739 8.8ZN | SCR. M6X1X16 U5739 8.8ZN | VIS M8X1,25X60 U5737 8.8 ZN | SCHRAU. M8X1,25X60 U5737 8.8ZN | TORN. M8X1,25X60 U5737 8.8 ZN |
| 54 | F01200270R | DADO M10X1,5 U5588 CL8 ZN | SCR. M10X1,5 U5588 6.8ZN | VIS M6X1X16 U5739 8.8 ZN | SCHRAUBE M6X1X16 U5739 8.8 ZN | TORNILLO M6X1X16 U5739 8.8 ZN |
| 55 | F01410037R | ROS.M6 6,4X12,5X1,6 U6592 ZN | NUT M10X1,5 U5588 6.8ZN | ECROU M10X 1,5 U5588 6.8 ZN | MUTTER M10X 1,5 U5588 6.8 ZN | TUERCA M10X1,5 U5588 CL8 ZN |
| 56 | F01430047R | ROS.M6 6,4X 11X0,7 U8842J ZN | WASHER M6 6,4X12,5X1,6 U6592ZN | RONDEL.M6 6,4X12,5X1,6 U6592ZN | SCHIEB.M6 6,4X12,5X1,6 U6592ZN | ARAND.M6 6,4X12,5X1,6 U6592 ZN |
| 57 | F01100011R | ING.M 6X1 7663-A 9SMNPB28 ZN | WASHER D6 DIN 6798 D.INT.GALV. | RONDELLE D6 DIN 6798 D. INT. Z | UNT. SCHEIBE D6 DIN 6798 D. IN | ARANDELA D6 DIN 6798 D.INT.ZN |
| 58 | G66248152R | MOZZO TRASM.MICRO M80 | GREASE NIPPLE M6X1 7663-A ZN | GRAISS. A BILLE M6X1 7663-A ZN | SCHMIERBUECHE M6X1 7663-A ZN | ENG.M 6X1 7663-A 9SMNPB28 ZN |
| 59 | G15231830R | PIASTRA PRONGLA TRASM.SPANDI | HUB - TRANSM. MICRO M80 | MOYEU ENTRAINEMENT MICRO M80 | ANTRIEBSNABE MIKRO M80 | CUBO TRANSM. MICRO M80 |
| 60 | G15470851R | FIANCO SUPP.TRASM.SPANDI | FERTILIZER DIST. TRANSM. PLATE | | | |
| 61 | F06080039R | CATENA 1 2 ISO 083 76 MAGLIE | SPREADER TRANSM. SIDE SUPPORT | COTE SUPPORT TRANSM. EPAND. | SEITEN HALTER. ANTRIEB DUNGERS | COSTADO SOPORTE TRANSM. ABONAD |
| 62 | G19002830R | CARTER TRANSMISSION SUPERIORE | TOP TRANSMISSION CASE | | | |
| 63 | F01420011R | ROS.M4 4,3X 16X 1 U6593 ZN | FLAT WASHER 4-3X 16X1-5 6593 G | CARTER ENTRAINEMENT SUPERIEUR | OBERES ANTRIEBSGEHUSE | C RTER TRANSMISI N SUPERIOR |
| 64 | F06080655R | FALSA MAGLIA CAT.1 2 ISO 083 | DUMMY CHAIN LINK 1 2 ISO 083 | ROND.PLATE 4-3X 16X1-5 6593 ZN | SCHEIBE 4-3X 16X1-5 6593 ZN | ARAND. PLANA 4-3X 16X1-5 6593 |
| 65 | F06080501R | GIUNZIONE CATENA 1 2 ISO 083 | CHAIN JOINT 1 2 ISO 083 | FAUSSE MAILLE CHAINE 1 2 ISO 0 | FALSCHES GLIED 1 2 ISO 083 | ESLAB N FICTICIO CAD. 1 2 ISO |
| 66 | F06080666R | FALSA MAGLIA CAT.1 2 ISO 084-1 | CHAIN JOINT 1 2 ISO 083 | JONCTION CHAINE 1 2 ISO 083 | KETTENVERBINDUNG 1 2 ISO 083 | UNI N CADENA 1 2 ISO 083 |
| 67 | F06080502R | GIUNZIONE CATENA 1 2 ISO 084-1 | CHAIN EYE JACT. 1 2 ISO 084-1 | | | |
| 68 | F06080644R | FALSA MAGLIA CAT.5 8 ASA 50LUB | DUMMY CHAIN LINK 5 8 ASA 50LUB | FAUSSE MAILLE CHAINE ASA 50LUB | FALSCHES GLIED 5 8 ASA 50LUB | ESLAB N FICTICIO CAD.5 8 ASA50 |



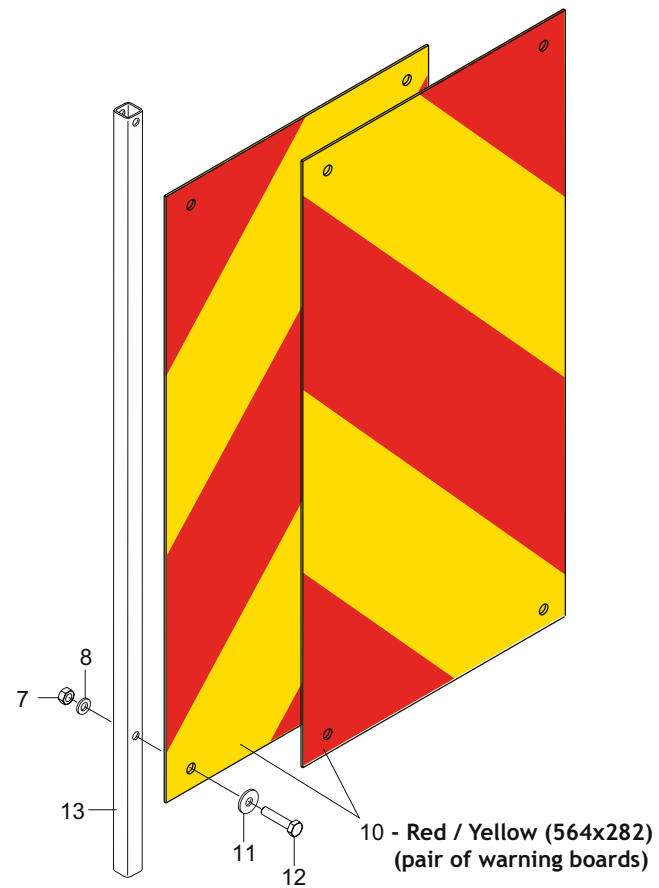
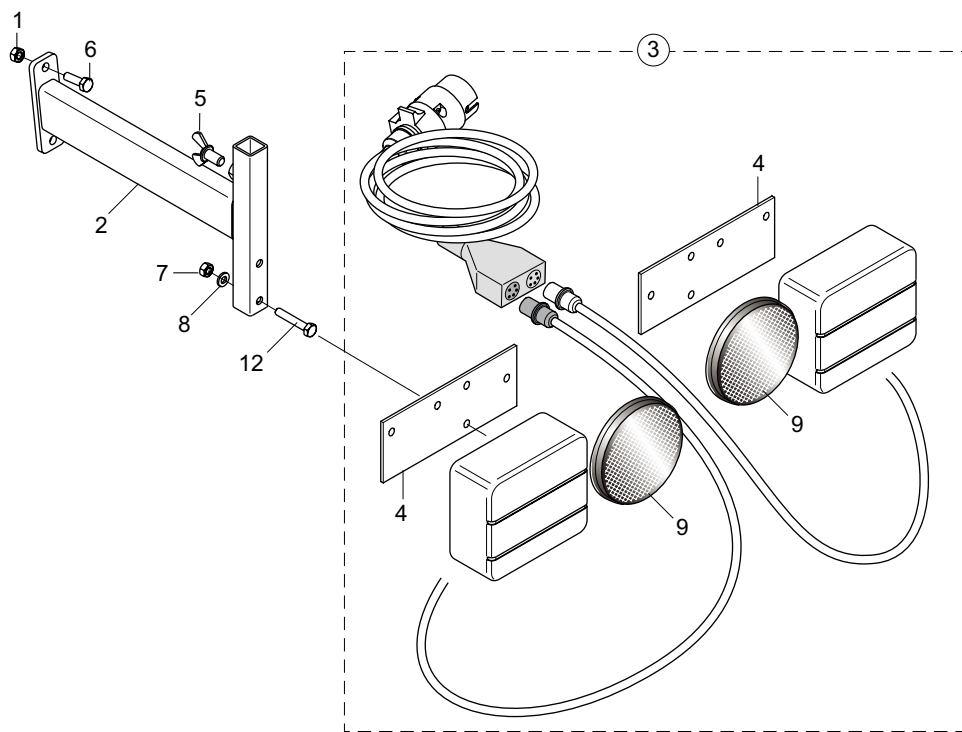
| Tabella distribuzione Distribution table | Tipo/Type | 16 L. | 30 L. |
|---|-------------|---------|---------|
|  nr. 20 | Umopstart | pos. 1 | pos. 24 |
| | Lumachicida | pos. 19 | pos. 44 |

| Tabella distribuzione Distribution table | Tipo/Type | 16 L. | 30 L. |
|--|-------------|---------|---------|
|  nr. 8 | Umopstart | pos. 39 | pos. 28 |
| | Lumachicida | pos. 5 | pos. 43 |

**APPLICAZIONE DOPPIO MICROGRANULATORE
DOUBLE MICROGRANULATOR APPLICATION**

TAV. 440

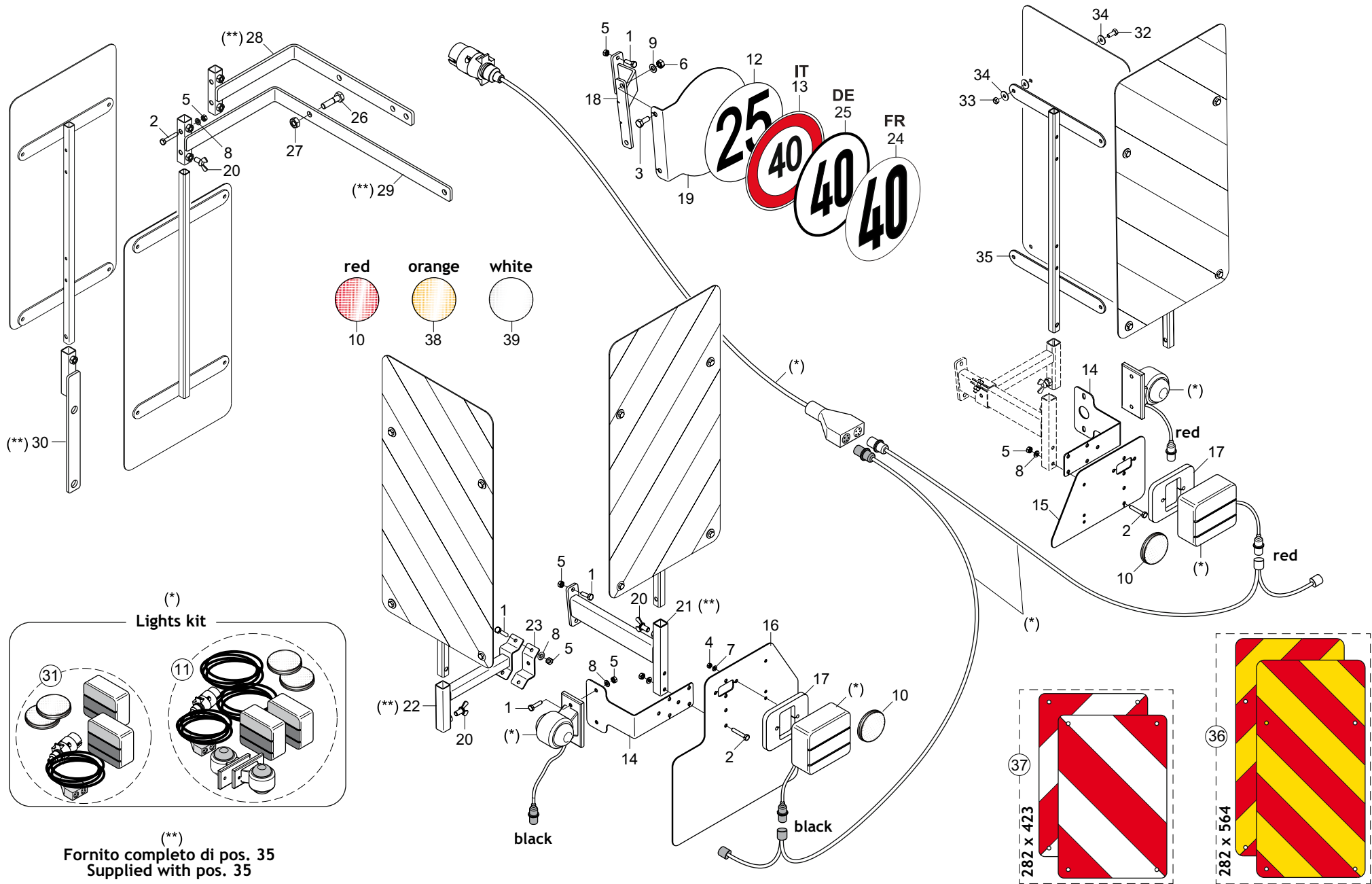
| Pos. | Cod. | Descrizione | Description | Description | Benennung | Description |
|------|------------|--------------------------------|--------------------------------|--------------------------------|--------------------------------|--------------------------------|
| 1 | G19704980R | DECAL.TAB.DISTRIB.UMOSTART 20P | UMOSTART DISTRIBUTOR CHART 20P | TABLEAU DISTRIBUTEUR UMOSTART | TABELLE SZAPPARAT UMOSTART 20P | TABLA DISTRIBUDOR UMOSTART 20P |
| 2 | G15275130R | SUPPORTO LUMACHICIDA SX | L.SUPPORT DOUBLE TANK MICRO | | | |
| 3 | G15275120R | SUPPORTO LUMACHICIDA DX | R.SUPPORT DOUBLE TANK MICRO | | | |
| 4 | G15275140R | SUPPORTO TRASM.LUMACHICIDA | TRASM.SUPPORT DOUBLE TANKMICRO | | | |
| 5 | G19704990R | DECAL.TAB.DISTRIB.LUMACHIC.8P. | DISTRIBUTOR CHART 8P | TABLEAU DISTRIBUTEUR 8P | TABELLE SZAPPARAT 8P | TABLA DISTRIBUDOR 8P |
| 6 | G15273051R | CARTER SUPPORTO CATENA | SUPPORT CHAIN CASING | CARTER SUPPORT CHAINE | KETTENHALTERUNGSGEHZUSE | CARTER SOPORTE CADENA |
| 7 | G22250028R | PIGNONE Z-15 SV | Z-15 PINION SV | PIGNON Z-15 SV | RITZEL Z-15 SV | PI N Z-15 SV |
| 8 | G66248218R | RONDELLA DISTAN.SPAND. | MAN. SPR. SPACER WASHER | RONDELLE ENTRETOISE EP. ENGRAI | ABSTANDSCHEIBE DSNGERSTREUER | ARANDELA DISTAN.ABONAD. |
| 9 | G22505085R | FERMO ASSE IN LAMIERA | PLATE AXLE STOP | ARRET AXE EN TOLE | FESTSTELLVORRICHTUNG BLECHACHS | BLOQUEO EJE DE CHAPA |
| 10 | F06080047R | CATENA 1 2 ISO 083 88 MAGLIE | CUT-DOWN CHAIN 1 2 ISO 083 88 | TR. CH. ISO 083 88 MAILLES | KETTENZNGE 1 2 ISO 083 88 GL | CADENA 1 2 ISO 083 88 ESLABONE |
| 11 | F01020470R | VITE M10X1,5X20 U5739 8.8ZN | SCR. M10X1,5X20 U5739 8.8ZN | VIS M10X1,5X20 U5739 8.8 ZN | SCHRAUBE M10X1,5X20 U5739 ZN | TORNILLO M10X1,5X20 U5739 8 |
| 12 | F02200595R | SPINA SICUR.D. 5X30 ZN | PIN X GEAR | GOUJON | BOLZEN | ESPINA |
| 13 | G11430930R | MANICOTTO MICRO CENTR.L.120 | SLEEVE MICRO CENTR.L.120 | | | |
| 14 | F01410037R | ROS.M6 6,4X12,5X1,6 U6592 ZN | WASHER M6 6,4X12,5X1,6 U6592ZN | RONDEL.M6 6,4X12,5X1,6 U6592ZN | SCHEIB.M6 6,4X12,5X1,6 U6592ZN | ARAND.M6 6,4X12,5X1,6 U6592 ZN |
| 15 | F01020403R | VITE M6X1X16 U5739 8.8ZN | SCR. M6X1X16 U5739 8.8ZN | VIS M6X1X16 U5739 8.8 ZN | SCHRAUBE M6X1X16 U5739 8.8 ZN | TORNILLO M6X1X16 U5739 8.8 ZN |
| 16 | F01020472R | VITE M10X1,5X25 U5739 8.8ZN | SCR. M10X1,5X25 U5739 8.8ZN | VIS M10X1,5X25 U5739 8.8 ZN | SCHRAUBE M10X1,5X25 U5739 8.8 | TORNILLO M10X1,5X25 U5739 8.8 |
| 17 | F01200270R | DADO M10X1,5 U5588 CL8 ZN | NUT M10X1,5 U5588 6.8ZN | ECROU M10X 1,5 U5588 6.8 ZN | MUTTER M10X 1,5 U5588 6.8 ZN | TUERCA M10X1,5 U5588 CL8 ZN |
| 18 | G15273042R | SUPPORTO CATENA | CHAIN SUPPORT | | | |
| 19 | G19705000R | DECAL.TAB.DISTRIB.LUMACHIC.20P | DISTRIBUTOR CHART 20P | TABLEAU DISTRIBUTEUR 20P | TABELLE SZAPPARAT 20P | TABLA DISTRIBUDOR 20P |
| 20 | F01060047R | VITE M8X1,25X45 U5731 8.8ZN | SCR. M8X1,25X45 U5732 4.6ZN | VIS 8X45 5732 4.6 ZN | SCHRAUBE 8X45 5732 4.6 ZN | TORNILLO 8X45 5732 4.6 ZN |
| 21 | G15274641R | MANICOTTO DISGIUNTORE | UNCOUPLING SLEEVE | | | |
| 22 | F02200164R | COPIGLIA 3X 30 U1336 ZN | SPLIT PIN 3X 30 U1336 ZN | | | PASADOR 3X 30 U1336 ZN |
| 23 | F02050101R | ANELLO E. DE 25X 1,2 U7435 C7 | SEEGER RING E. 25X1,2 7435 C70 | SEEGER E. 25X 1,2 U7435 C70 | SEEGERING E. 25X 1,2 U7435 C70 | ANILLO E. DE 25X 1,2 U7435 C7 |
| 24 | G19708500R | DECAL.DISTR.UMOSTART 20P 30L | DISTRIBUTOR CHART 20P 30L | | | |
| 25 | F04010135R | CUSC.D25 D47 B12 6005 2RS EX | BEARING D25 D47 B12 6005 2RS | | | |
| 26 | G22230094R | SUPPORTO CUSCINETTO | BEARING SUPPORT | SUPPORT DE ROULEMENT | LAGERBSCHSE | SOPORTE COJINETE |
| 27 | F01020432R | VITE M8X1,25X16 U5739 8.8ZN | SCR. M8X1,25X16 U5739 8.8ZN | VIS M8 X1,25X16 U5739 8.8 ZN | SCHRAUBE M8X1,25X16U5739 8.8ZN | TORNILLO M8X1,25X16 U5739 8.8 |
| 28 | G19708470R | DECAL.DISTR.UMOSTART 8P 30L | DISTRIBUTOR CHART 8P 30L | | | |
| 29 | G15835470R | PIGNONE ISO 08B-1 1 2-3 16 Z15 | ISO 08B-1 Z=15 PINION SQR16,4 | | | |
| 30 | G65338022R | MOLLA COMP.ZN CHIAVISTELLO FR | ZN LATCH COMP. SPRING FR | RESSORT COMPL. ZN VERROU FR | DRUCKFEDER ZN RIEGEL FR | MUELLE COMP.ZN PESTILLO FR |
| 31 | F01410064R | ROS.M10 10,5X 20X 2 U6592 ZN | WASHER M10 10,5X20X2 U6592 ZN | RONDEL. M10 10,5X20X2 U6592 ZN | SCHEIBE M10 10,5X20X2 U6592 ZN | ARAND.M10 10,5X 20X 2 U6592 ZN |
| 32 | G66248207R | TENDICATENA SPAND. SP-520 | CHAIN TENSIONER | TENDEUR DE CHAINE EPAND. ENGR. | KETTENSANNER DSNGERSTR. SP-52 | SENSOR DE CADENA ABON. SP-520 |
| 33 | F01420048R | ROS.M8 8,4X 24X 2 U6593 ZN | WASHER M8 8,4X 24X2 U6593 ZN | RONDELLE M8 8,4X24X 2 U6593 ZN | SCHEIBEN M8 8,4X24X 2 U6593 ZN | ARAND.M8 8,4X 24X 2 U6593 ZN |
| 34 | F01200244R | DADO M8X1,25 U5588 CL8 ZN | NUT M8X1,25 U5588 6.8ZN | ECROU M8 X1,25 U5588 6.8 ZN | MUTTER M8 X1,25 U5588 6.8 ZN | TUERCA M8X1,25 U5588 CL8 ZN |
| 35 | G14830390R | CUSCINETTO FORO QUADRO | SQUARE-HOLED BEARING | ROULEMENT TROU CARRE | VIERKANTLAGER | COJINETE ORIFICIO CUADRADO |
| 36 | G11425111R | TUBO DISCESA LUMACHICIDA COMPL | PIPE DESCENT | TUBE DESCENTE COMPL. | SENKROHR KOMPL. | TUBO DESCENSO COMPL. |
| 37 | F02300016R | FASCETTA STRING. 16 27 H.8 | CLAMP 16 27 H.8 | | | |
| 38 | G65336041R | MOLLA SPEC.ZN STRINGITUBO M80 | SPEC.SPRING ZN . PIPE CLAMP M8 | RESSORT SPEC. ZN SERRE-TUBE M8 | SPEZIALFEDER ZN ROHRSCHELLE M8 | MUELLE ESPEC. ZN APLASTA TUBOS |
| 39 | G19704970R | DECAL.TAB.DISTRIB.UMOSTART 8P. | UMOSTART DISTRIBUTOR CHART 8P | TABLEAU DISTRIBUTEUR UMOSTART | TABELLE SZAPPARAT UMOSTART 8P | TABLA DISTRIBUDOR UMOSTART 8P |
| 40 | F01020492R | VITE M10X1,5X90 U5739 8.8ZN | SCR. M10X1,5X90 U5739 8.8ZN | VIS M10X1,5X90 U5739 8.8ZN | SCHRAU. M10X1,5X90 U5739 8.8ZN | TORN. M10X1,5X90 U5739 8.8ZN |
| 41 | G17175940R | SUPPORTO LUMACHICIDA DX | RH SUPPORT DOUBLE TANK MICRO | | | |
| 42 | G17175950R | SUPPORTO LUMACHICIDA SX | LH SUPPORT DOUBLE TANK MICRO | | | |
| 43 | G19708450R | DECAL.DISTR.LUMACHICIDA 8P 30L | DISTRIBUTOR CHART 8P 30L | | | |
| 44 | G19708460R | DECAL.DISTR.LUMACHICIDA 20P30L | DISTRIBUTOR CHART 20P 30L | | | |



**KIT LUCI E TABELLE DI INGOMBRO STRADALE
LIGHTING KIT AND WARNING BOARDS**

TAV. 451

| Pos. | Cod. | Descrizione | Description | Description | Benennung | Descripcion |
|------|------------|--------------------------------|--------------------------------|--------------------------------|--------------------------------|--------------------------------|
| 1 | F01200232R | DADO M6X1 U5588 CL8 ZN | NUT M6X1 U5588 6.8ZN | ECROU 6 UNI 5588 6.8 ZN | MUTTER 6 UNI 5588 6.8 ZN | TUERCA M6X1 U5588 CL8 ZN |
| 2 | G15211762R | SUPPORTO LUCI POST. | REAR LIGHT SUPPORT | | | |
| 3 | G13616620R | KIT LUCI PER MACCHINE PORTATE | KIT LIGHTS FREIGHTED MACHINE | | | |
| 4 | G13616570R | PIASTRA SUPPORTO LUCI | LIGHTS PLATE SUPPORT | | | |
| 5 | F01090215R | VITE M8X1,25X15 U5449 5.8ZN | SCR. M8X1,25X15 U5449 5.8ZN | VIS M8X1,25X15 U5449 5.8ZN | SCHRAU. M8X1,25X15 U5449 5.8ZN | TORN. M8X1,25X15 U5449 5.8ZN |
| 6 | F01020403R | VITE M6X1X16 U5739 8.8ZN | SCR. M6X1X16 U5739 8.8ZN | VIS M6X1X16 U5739 8.8 ZN | SCHRAUBE M6X1X16 U5739 8.8 ZN | TORNILLO M6X1X16 U5739 8.8 ZN |
| 7 | F01220011R | DADO M6X1 D980 8ZN | NUT M6X1 D980 8ZN | ECROU M6X1 D980 8 ZN | MUTTER M6X1 D980 8 ZN | TUERCA M6X1 D980 8 ZN |
| 8 | F01410037R | ROS.M6 6,4X12,5X1,6 U6592 ZN | WASHER M6 6,4X12,5X1,6 U6592ZN | RONDEL.M6 6,4X12,5X1,6 U6592ZN | SCHEIB.M6 6,4X12,5X1,6 U6592ZN | ARAND.M6 6,4X12,5X1,6 U6592 ZN |
| 9 | F05010221R | CATARIFRANGENTE TONDO D.80 | ROUND REFLECTOR D.80 | | | |
| 10 | F05010357R | N.2 PANNELLI CARICHI SPORGENTI | N.2 JUTTING LOAD PANELS | N.2 PANNEAUX CHARGES SAILLANT | N.2 TAFELN VORSRINGENDE LADUN | 2 PANELES CARGADOS SALIENTES |
| 11 | F01420036R | ROS.M6 6,4X 18X1,5 U6593 ZN | WASHER M6 6,4X 18X1,5 U6593 ZN | RONDELLE M6 6,4X18X1,5 U6593ZN | SCHEIBEN M6 6,4X18X1,5U6593 ZN | ARANDELA M6 6,4X18X1,5U6593ZN |
| 12 | F01020408R | VITE M6X1X30 U5739 8.8ZN | SCR. M6X1X30 U5739 8.8ZN | VIS M 6X1X30 | SCHRAUBE M 6X1X30 | TORNILLO M6X1X30 U5739 8 |
| 13 | G15412651R | TUBO Q. 15X2 X 643 4F6,5 ZN | SQ.PIPE 15X2 X 643 4H6,5 GAL. | | | |



KIT LUCI E TABELLE DI INGOMBRO STRADALE LIGHTING KIT AND WARNING BOARDS

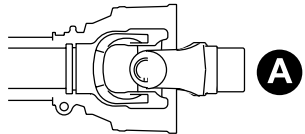
TAV. 461

| Pos. | Cod. | Descrizione | Description | Description | Benennung | Description |
|------|------------|--------------------------------|--------------------------------|--------------------------------|--------------------------------|--------------------------------|
| 1 | F01020404R | VITE M6X1X20 U5739 8.8ZN | SCREW M6X1X20 U5739 8.8ZN | VIS M6X1X20 U5739 8.8ZN | SCHRAUBE M6X1X20 U5739 8.8ZN | TORNILLO M6X1X20 U5739 8.8ZN |
| 2 | F01020411R | VITE M6X1X35 U5739 8.8ZN | SCR. M6X1X35 U5739 8.8ZN | VIS M6X1X35 U5739 8.8ZN | SCHRAUBE M6X1X35 U5739 8.8ZN | TORNILLO M6X1X35 U5739 8.8ZN |
| 3 | F01020436R | VITE M8X1,25X20 U5739 8.8ZN | SCR. M8X1,25X20 U5739 8.8ZN | VIS M8X1,25X 20 U5739 8.8 ZN | SCHRAUBE M8X1,25X20U5739 8.8ZN | TORNILLO M8X1,25X20 U5739 8.8 |
| 4 | F01200220R | DADO M5X0,8 U5588 CL8 ZN | NUT M5X0,8 U5588 6.8ZN | ECROU 5 UNI 5588 6.8 ZN | MUTTER 5 UNI 5588 6.8 ZN | TUERCA M5X0,8 U5588 CL8 ZN |
| 5 | F01200232R | DADO M6X1 U5588 CL8 ZN | NUT M6X1 U5588 6.8ZN | ECROU 6 UNI 5588 6.8 ZN | MUTTER 6 UNI 5588 6.8 ZN | TUERCA M6X1 U5588 CL8 ZN |
| 6 | F01200244R | DADO M8X1,25 U5588 CL8 ZN | NUT M8X1,25 U5588 6.8ZN | ECROU M8 X1,25 U5588 6.8 ZN | MUTTER M8 X1,25 U5588 6.8 ZN | TUERCA M8X1,25 U5588 CL8 ZN |
| 7 | F01410023R | RONDELLA D5 UNI 6592 ZN | WASHER M5 5,3X 10X 1 U6592 | | | |
| 8 | F01410037R | ROS.M6 6,4X12,5X1,6 U6592 ZN | WASHER M6 6,4X12,5X1,6 U6592ZN | RONDEL.M6 6,4X12,5X1,6 U6592ZN | SCHEIB.M6 6,4X12,5X1,6 U6592ZN | ARAND.M6 6,4X12,5X1,6 U6592 ZN |
| 9 | F01410051R | ROS.M8 8,4X 17X1,6 U6592 ZN | WASHER M8 8,4X17X1,6 U6592 ZN | RONDELLE M8 8,4X17X1,6 ZN | SCHEIBE M8 8,4X17X1,6 U6592 ZN | ARAND.M8 8,4X 17X1,6 U6592 ZN |
| 10 | F05010820R | CATARIFR.TONDO D60 ROSSO | ROUND REFLECTOR D.60 RED | | | |
| 11 | F05010833R | KIT LUCI POST.STRAD.ECCEZ. | KIT REAR ROAD LIGHTS M.EXCEP. | | | |
| 12 | F20030258R | ETICH. LIMITE VELOCITA 25 | SPEED LIMIT 25 LABEL | ETIQ. LIMITATION VITESSE 25 | LABEL GRENZDREHZAHL 25 | ETIQ. LIMITE VELOCIDAD 25 |
| 13 | F20030261R | ETICH. LIMITE VELOCITA 40 | SPEED LIMIT 40 LABEL | | | ETIQ. L MITE VELOCIDAD 40 |
| 14 | G17715130R | SUPPORTO LAT.CATADIOTRI | REFLECTOR LATERAL SUPPORT | | | |
| 15 | GA5210020R | PORTA LUCE | BACK LIGHT SUPPORT | | | |
| 16 | GA5210030R | PORTA TARGA | NUMBERPLATE SUPPORT | | | |
| 17 | GA5210040R | SUPPORTO LUCE | SUPPORT LIGHT | | | |
| 18 | GA5210060R | SUPPORTO | SUPPORT | | | |
| 19 | GA5210070R | SUPP.LIMITE VELOCIT | SPEED LIMIT SUPPORT | | | |
| 20 | F01090215R | VITE M8X1,25X15 U5449 5.8ZN | SCR. M8X1,25X15 U5449 5.8ZN | VIS M8X1,25X15 U5449 5.8ZN | SCHRAU. M8X1,25X15 U5449 5.8ZN | TORN. M8X1,25X15 U5449 5.8ZN |
| 21 | G15211762R | SUPPORTO LUCI POST. | REAR LIGHT SUPPORT | | | |
| 22 | G16611601R | SUPPORTO TABELLE LATERALI | SIDE SUPPORT TABLE | | | |
| 23 | G16611610R | ATTACCO SUPP.LATERALE | SIDE SUPPORT | | | |
| 24 | F20030429R | ETICH. LIMITE VELOC.40 FRANCIA | FRANCE SPEED LIMIT 40 LABEL | | | |
| 25 | F20030444R | ETICH. LIMITE VELOC.40 GERMAN | GERMANY SPEED LIMIT 40 LABEL | | | |
| 26 | F01020110R | VITE M10X1,5X40 U5737 8.8ZN | SCR. M10X1,5X40 U5737 8.8ZN | VIS M 10X40 | SCHRAUBE M 10X40 | TORNILLO M 10X40 |
| 27 | F01200270R | DADO M10X1,5 U5588 CL8 ZN | NUT M10X1,5 U5588 6.8ZN | ECROU M10X 1,5 U5588 6.8 ZN | MUTTER M10X 1,5 U5588 6.8 ZN | TUERCA M10X1,5 U5588 CL8 ZN |
| 28 | G16611821R | SUPPORTO TABELLE ANT.MT | FRONT TABLE SUPPORT MT | | | |
| 29 | G16612011R | SUPPORTO TAB.STRAD.ANT.MT | FRONT TABLE SUPPORT MT | | | |
| 30 | G16611731R | SUPPORTO TAB.STRAD.MT | TABLE SUPPORT MT | | | |
| 31 | F05010822R | KIT FANALI DX-SX CON CAVO | KIT REAR ROAD LIGHTS MOUNTED | | | |
| 32 | F01020403R | VITE M6X1X16 U5739 8.8ZN | SCR. M6X1X16 U5739 8.8ZN | VIS M6X1X16 U5739 8.8 ZN | SCHRAUBE M6X1X16 U5739 8.8 ZN | TORNILLO M6X1X16 U5739 8.8 ZN |
| 33 | F01220011R | DADO M6X1 D980 8ZN | NUT M6X1 D980 8ZN | ECROU M6X1 D980 8 ZN | MUTTER M6X1 D980 8 ZN | TUERCA M6X1 D980 8 ZN |
| 34 | F01420036R | ROS.M6 6,4X 18X1,5 U6593 ZN | WASHER M6 6,4X 18X1,5 U6593 ZN | RONDELLE M6 6,4X18X1,5 U6593ZN | SCHEIBEN M6 6,4X18X1,5U6593 ZN | ARANDELA M6 6,4X18X1,5U6593ZN |
| 35 | G16612071R | TELAIO SUPP.TABELLE STRAD. | FRAME SUPPORT TABLE | | | |
| 36 | F05010816R | TABELLE 2 CAR.SPORGENTI IT | WARNING BOARDS 2 IT | | | |
| 37 | F05010817R | TABELLE 2 CAR.SPORGENTI FR-D | WARNING BOARDS 2 FR-DE | TABLEAUX 2 AVERTISSEM. FR-DE | BRETT 2 WARNUNG FR-DE | TABLAS 2 CAR.ADVERT. FR-DE |
| 38 | F05010819R | CATARIFR.TONDO D60 GIALLO | ROUND REFLECTOR D.60 YELLOW | JAUNE R FLECTEUR ROUND | RUNDREFLEKTOR GELB D60 | REFLECTOR REDONDO AMARILLO |
| 39 | F05010818R | CATARIFR.TONDO D60 BIANCO | ROUND REFLECTOR D.60 WHITE | | | |

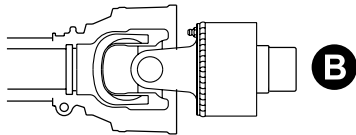
TAV. 470

| Codice - Code | Descrizione - Description | Lunghezze Lengths | | Classe - Size (A x B) | Tipo - Type (*) | | Forcelle - Yokes (**) | | | | | |
|---------------|----------------------------|-------------------|------|-----------------------|-----------------|------------|-----------------------|----------------|----------------|----------------|----------------|----------------|
| | | min. | max. | | Z6 (1"3/8) | Z6 (1"3/4) | Z8 (32x38) | Z20 (1"3/4) | Z21 (1"3/8) | Z6 (1"3/8) | | |
| ① F08011711 | CARD.B1 Z6-Z6 L700 | 700 | 960 | B1 (22 x 54) | A | A | G58161015 (11) | F08011772 (13) | F08011742 (15) | F08011758 (18) | F08011767 (20) | G58161015 (11) |
| ② F08011713 | CARD.B1 Z8-Z6 L700 | 700 | 960 | B1 (22 x 54) | A | A | G58161015 (11) | F08011772 (13) | F08011742 (15) | F08011758 (18) | F08011767 (20) | G58161015 (11) |
| ③ F08011714 | CARD.B1 Z20-Z6 L700 | 760 | 1020 | B1 (22 x 54) | A | A | G58161015 (11) | F08011772 (13) | F08011742 (15) | F08011758 (18) | F08011767 (20) | G58161015 (11) |
| ④ F08011715 | CARD.B1 Z8-Z6 L900 R.LIB | 915 | 1190 | B1 (22 x 54) | A | B | G58161015 (11) | F08011772 (13) | F08011742 (15) | F08011758 (18) | F08011767 (20) | — |
| ⑤ F08011716 | CARD.B1 Z6-Z6 L900 R.LIB | 915 | 1190 | B1 (22 x 54) | A | B | G58161015 (11) | F08011772 (13) | F08011742 (15) | F08011758 (18) | F08011767 (20) | — |
| ⑥ F08011719 | CARD.B2 Z6-Z6 L900 | 900 | 1300 | B2 (23,8 x 61,3) | A | A | — | — | — | — | — | — |
| ⑦ F08011720 | CARD.B3 Z8-Z6 L1300 | 1300 | 1775 | B3 (27 x 74,6) | A | A | G58161016 (14) | — | F08011743 (16) | — | — | G58161016 (14) |
| ⑧ F08011757 | CARD.B1 Z20-Z6 L900 R.L | 975 | 1250 | B1 (22 x 54) | A | B | G58161015 (11) | F08011772 (13) | F08011742 (15) | F08011758 (18) | F08011767 (20) | — |
| ⑨ F08011764 | CARD.R4 Z20-Z6 L1381 OM-RL | 1381 | | R4 (22 x 86) | C | B | F08011768 (12) | — | F08011766 (17) | F08011774 (19) | F08011773 (21) | — |
| ⑩ F08011783 | CARD.R4 Z6-Z6 L1565 OM-RL | 1565 | | R4 (22 x 86) | C | B | F08011768 (12) | — | F08011766 (17) | F08011774 (19) | F08011773 (21) | — |
| ⑩ F08011930 | CARD.B3 Z6-Z6 L1200 | 1200 | 1700 | B3 (27 x 70) | A | A | — | G58161016 (14) | F08011743 (16) | — | — | — |

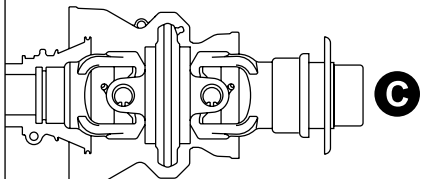
(*)



GIUNTO STANDARD
STANDARD JOINT

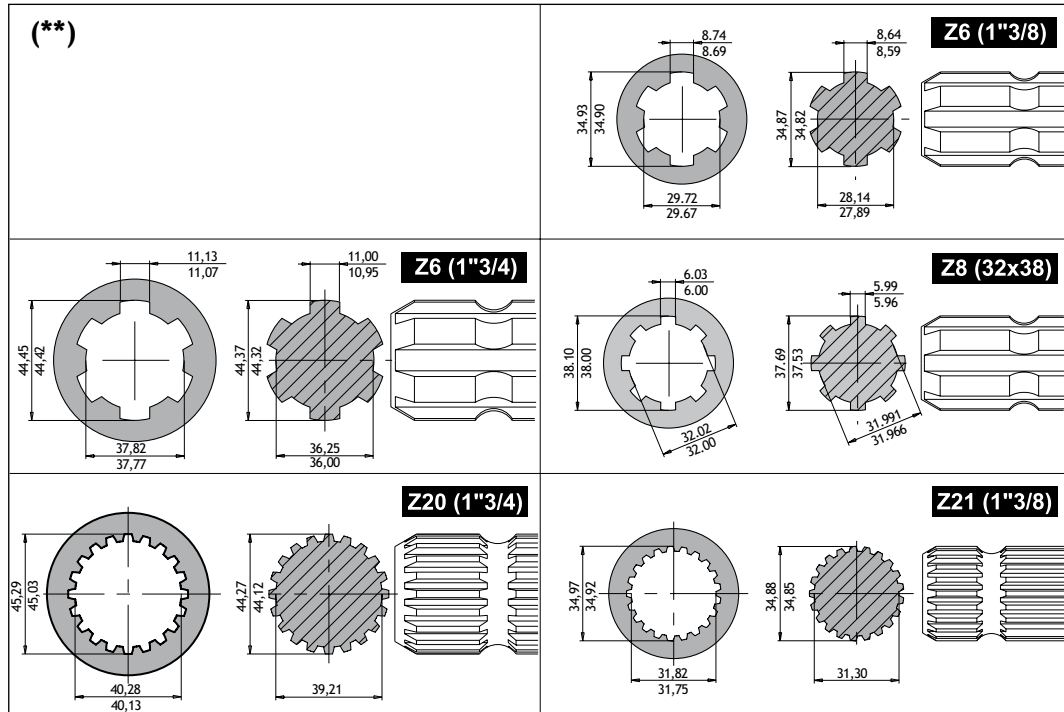


RUOTA LIBERA
OVERRUNNING CLUTCH

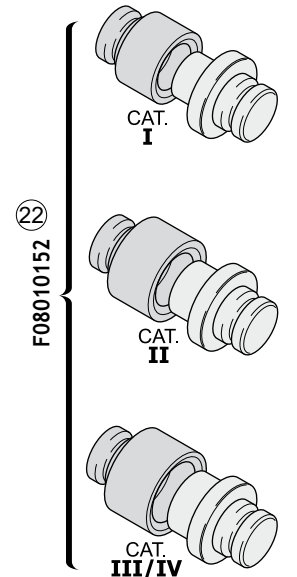


GIUNTO OMOCINETICO
CONSTANT VELOCITY JOINT

(**)



KIT PRESSORE/BUSSOLA
KIT PUNCH/ROOT



CARDANO CARDAN SHAFT

TAV. 470

| Pos. | Cod. | Descrizione | Description | Description | Benennung | Descripcion |
|------|------------|-------------------------------|--------------------------------|-------------------------------|-------------------------------|-------------------------------|
| 1 | F08011711R | CARD. S10 0700F 112 112 1CAT | PTO SHAFT B1 Z6-Z6 L700 | | | |
| 2 | F08011713R | CARD.B1 Z8-Z6 L700 | PTO SHAFT B1 Z8-Z6 L700 | | | |
| 3 | F08011714R | CARD.B1 Z20-Z6 L700 | PTO SHAFT B1 Z20-Z6 L700 | | | |
| 4 | F08011715R | CARD.B1 Z8-Z6 L900 R.LIB | CARD.B1 Z8-Z6 L900 FREE W. | | | |
| 5 | F08011716R | CARD.B1 Z6-Z6 L900 R.LIB | UNIV.JOINT B1 Z6-Z6 L900 R.LIB | CARD.B1 Z6-Z6 L900 R.LIB | KARDAN CE T100710 112 R12 | CARDAN CE T100710 112 R12 |
| 6 | F08011719R | CARD.B2 Z6-Z6 L900 | UNIVERSAL JOINT 102 071 N T07 | CARD. 102 071 N T07 T07 1 CAT | KARDAN 102 071 N T07 T07 1CAT | CARD N 102 071 N T07 T07 1CAT |
| 7 | F08011720R | CARD.B3 Z8-Z6 L1300 | UNIV.JOINT B3 Z8-Z6 L1300 | | | |
| 8 | F08011757R | CARD.B1 Z20-Z6 L900 R.L | UNIVERSAL JOINTB1 Z20-Z6 L900 | | | |
| 9 | F08011764R | CARDANO OM 3 4Z20-RL Z6 L1381 | CARD.R4 Z20-Z6 L1381 OM-RL | | | |
| 10 | F08011930R | CARD.B3 Z6-Z6 L1200 | PTO SHAFT B3 Z6-Z6 L1200 | | | |
| 11 | G58161015R | FORCELLA CARD.1 3 8 Z6 B1 | CARD. FORK 1 3 8 Z6 B1 | | | |
| 12 | F08011768R | FORCELLA CARD.1 3 8 Z6 R4 | FORK 1 3 8 Z6 R4 | | | |
| 13 | F08011772R | FORCELLA CARD.1 3 4 Z6 B1 | YOKE 1 3 4 Z6 B1 | | | |
| 14 | G58161016R | FORCELLA CARD.1 3 8 Z6 B3 | CARD.FORK 1 3 8 Z6 B3 | | | |
| 15 | F08011742R | FORCELLA CARD.32X38 Z8 B1 | YOKE CARD.32X38 Z8 B1 | FOURCHETTE CARDAN Z8 B1 | GABEL KARDAN Z8 B1 | HORQUILLA CARDAN Z8 B1 |
| 16 | F08011743R | FORCELLA CARD.32X38 Z8 B3 | YOKE CARD.32X38 Z8 B3 | | | |
| 17 | F08011766R | FORCELLA CARD.32X38 Z8 R4 | FORK 32X38 Z8 R4 | | | |
| 18 | F08011758R | FORCELLA CARD.1 3 4 Z20 B1 | CARD.FORK 1 3 4 Z20 B1 | | | |
| 19 | F08011774R | FORCELLA CARD.1 3 4 Z20 R4 | CARD. FORK 1 3 4 Z20 R4 | | | |
| 20 | F08011767R | FORCELLA CARD.1 3 8 Z21 B1 | CARD.FORK 1 3 8 Z21 B1 | | | |
| 21 | F08011773R | FORCELLA CARD.1 3 8 Z21 R4 | FORK 1 3 8 Z21 R4 | | | |
| 22 | F08010152R | KIT PRESSORE BUSSOLA CAT I-IV | TOOLS FOR PTO YOKE CAT I-IV | | | |
| 23 | F08011783R | CARD.R4 Z6-Z6 L1565 OM-RL | UNIV. PTO SHAFT R4 Z6-Z6 L1210 | | | |

USATE SEMPRE RICAMBI ORIGINALI
ALWAYS USE ORIGINAL SPARE PARTS
IMMER DIE ORIGINAL-ERSATZTEILE VERWENDEN
EMPLOYEZ TOUJOURS LES PIECES DE RECHANGE ORIGINALES
UTILIZAR SIEMPRE REPUESTOS ORIGINALES

GASPARDO

Servizio Assistenza Tecnica - After Sales Service

Servizio Ricambi - Spare Parts Service



maschio.com

DEALER:



MASCHIO GASPARDO SpA

Registered office & Production plant
Via Marcello, 73 - 35011 Campodarsego (Padova) - Italy
Tel. +39 049 9289810
Fax +39 049 9289900
info@maschio.com
www.maschionet.com

MASCHIO GASPARDO SpA
Production plant

Via Mussons, 7 - 33075 Morsano al Tagliamento (PN) - Italy
Tel. +39 0434 695410
Fax +39 0434 695425
info@gaspardo.it

MASCHIO DEUTSCHLAND GMBH

Äußere Nürnberger Straße 5
D - 91177 Thalmässing - Deutschland
Tel. +49 (0) 9173 79000
Fax +49 (0) 9173 790079
dialog@maschio.de
www.maschio.de

MASCHIO-GASPARDO North America

112 3rd Avenue East
Dewitt, IA 52742 - USA
Ph. +1 563 659 6400
Fax +1 563 659 6405
info@maschio.us

MASCHIO FRANCE Sarl

Rue Denis Papin ZA
F - 45240 La Ferté St. Aubin
France
Tel. +33 (0) 2.38.64.12.12
Fax +33 (0) 2.38.64.66.79
info@maschio.fr

MASCHIO-GASPARDO ROMANIA S.R.L.

Strada Înfrăţirii, F.N.
315100 Chisineu-Cris (Arad) -România
Tel. +40 257 307030
Fax +40 257 307040
info@maschio.ro

000 MASCHIO-GASPARDO РУССИЯ

Улица Пушкина, 117 Б
404130 Волжский
Волгоградская область
Тел. +7 8443 203100
факс. +7 8443 203101
info@maschio.ru

MASCHIO-GASPARDO IBERICA
MASCHIO-GASPARDO POLAND
MASCHIO-GASPARDO UCRAINA
GASPARDO-MASCHIO TURCHIA
MASCHIO-GASPARDO CINA
MASCHIO-GASPARDO INDIA