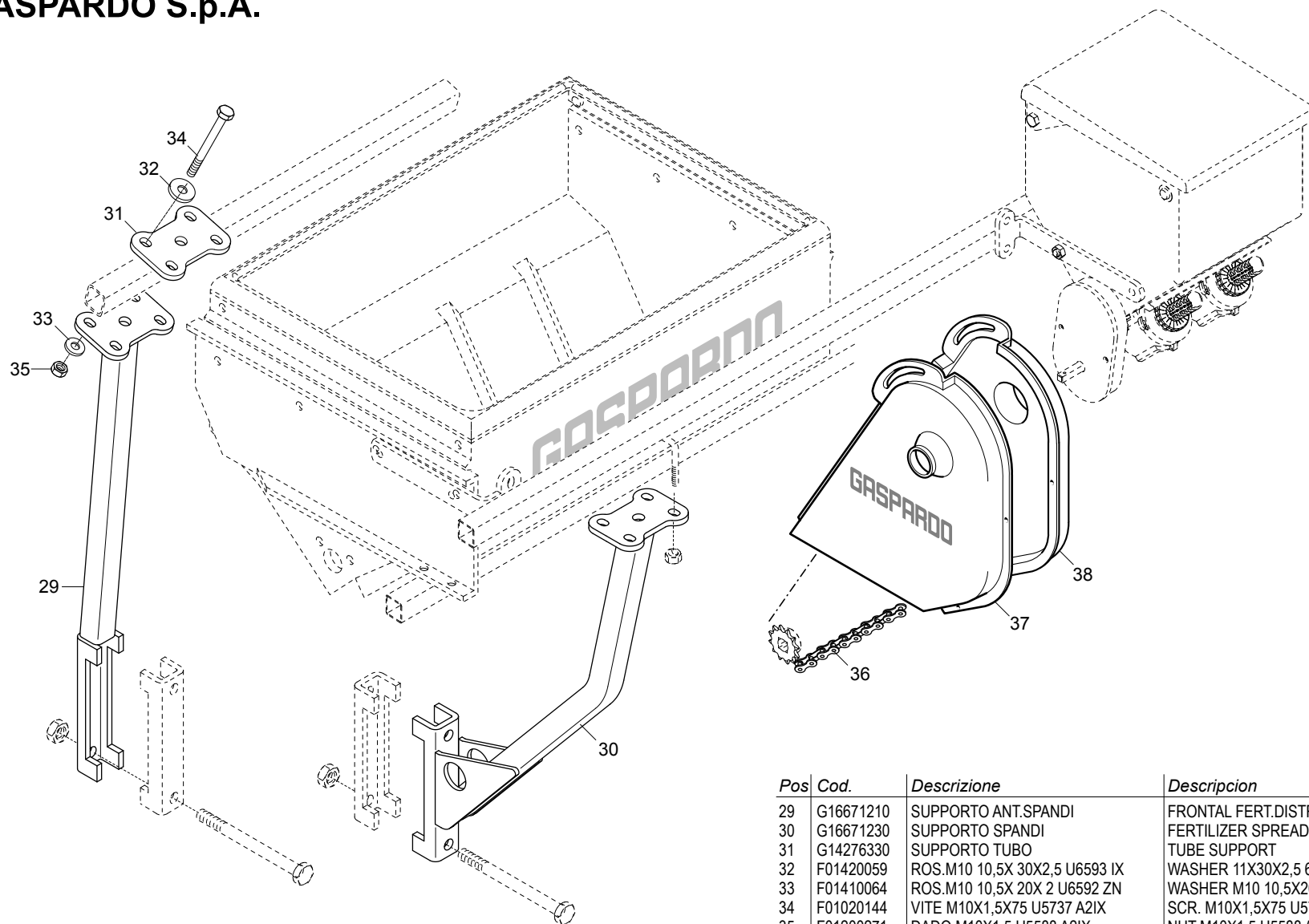


Pos	Cod.	Descrizione	Descripcion
1	F01020178	VITE M12X1,75X140 5737 8.8 BR	TORN. M12X1,75X140 5737 8.8 BR
2	F01020262	VITE M16X2X80 U5737 8.8 ZN	TORNILLO M16X2X80 U5737 8.8 ZN
3	F01220048	DADO M12X1,75 D980 8 ZN	TUERCA M12X1,75 D980 8 ZN
4	F01220266	DADO M16X 2 D980 8 ZN	TUERCA M16X 2 D980 8 ZN
5	F01410076	ROS.M12 13X 24X2,5 U6592 ZN	ARANDELA D12 U6592 ZN
6	F02200227	COPIGLIA 5X 30 U1336 ZN	PASADOR 5 X30 1336 ZN
7	G15226220	KIT COLTRO DISCO STRIATO 1F.	KIT CUCHILLA DE ARADO DISCO
8	G15317310	SPINA 20 X56 ZN	CLAVIJA
9	G16621390	ANELLO CAT.LUC.GENOVESE 8 ZN	ANILLO CADENA
10	G16621400	BRACCIO FISSO COLTRO	BRAZO
11	G16621450	FORCELLA COLTRO A DISCO	HORQUILLA
12	G17722000	BOCCOLA SINTERIZZATA 28X16.25	CASQUILLO SINT.
13	G18904360	MOLLA TENSIONAM.ELEM.LUNGO	MUELLE
14	F01200306	DADO M14X 2 U5588 6.8 ZN	DADO M14X2
15	G15110091	SCONTRO A U	ELEMENTO DE EMPALME
16	G20970011	RONDELLA 28X4X14,5	ARANDELA 28X4X14,5
17	F01020238	VITE M14X2X240 U5737 8.8 BR	TORNILLO M 14 X240 5737 8.8 G
18	F01020325	VITE M20X2,5X 90 U5737 10.9 ZD	TORN. M20X2,5X90 U5737 10.9 ZN
19	F01020436	VITE M 8X1,25X 20 U5739 8.8 ZN	TORN. M8X1,25X20 U5739 8.8 ZN
20	F01220022	DADO M 8X1,25 D980 8 ZN	TUERCA M8X 1,25 D980 8 ZN
21	F01230131	DADO M20X 2,5 D982 6 ZN	TUERCA M20X 2,5 D982 6 ZN
22	G20970100	RONDELLA 30X0,5X22 ACC.	ARANDELA 30X0-5X22 ACC.
23	F04010156	CUSC.d20 D47 B14 6204 2RSH	COJINETE
24	G15226041	DISCO STRIATO D.320	DISCO D.320
25	G15226210	FLANGIA SUPP.CUSCINETTO	BRIDA SOPORTE COJINETE
26	G16610430	FONDELLO ZN.	FONDO
27	G16670850	SUPPORTO MOLLA Q.150 POST.	SOPORTE MUELLE CUADRADO
28	G18904760	MOLLA CONCIMAZIONE	MUELLE ABONO
29	F01020229	VITE M14X2X180 U5737 8.8BR	TORNILLO 14X180 5737 8.G



Pos	Cod.	Descrizione	Descrpcion
29	G16671210	SUPPORTO ANT.SPANDI	FRONTAL FERT.DISTR.SUPPORT
30	G16671230	SUPPORTO SPANDI	FERTILIZER SPREADER SUPPOR
31	G14276330	SUPPORTO TUBO	TUBE SUPPORT
32	F01420059	ROS.M10 10,5X 30X2,5 U6593 IX	WASHER 11X30X2,5 6593 A2
33	F01410064	ROS.M10 10,5X 20X 2 U6592 ZN	WASHER M10 10,5X20X2 U6592 ZN
34	F01020144	VITE M10X1,5X75 U5737 A2IX	SCR. M10X1,5X75 U5737 A2IX
35	F01200271	DADO M10X1,5 U5588 A2IX	NUT M10X1,5 U5588 A2IX
36	F06080091	CATENA 1/2-3/16 149M.ISO 083-1	CUT-DOWN CHAIN 1/2-3/16 149M 083-1
37	G15231890	CARTER RINVIO MICRO SX	LEFT MICRO TRANSM. CASE
38	G19070020	CARTER RINVIO MICRO DX	RIGHT MICRO TRANSM. CASE