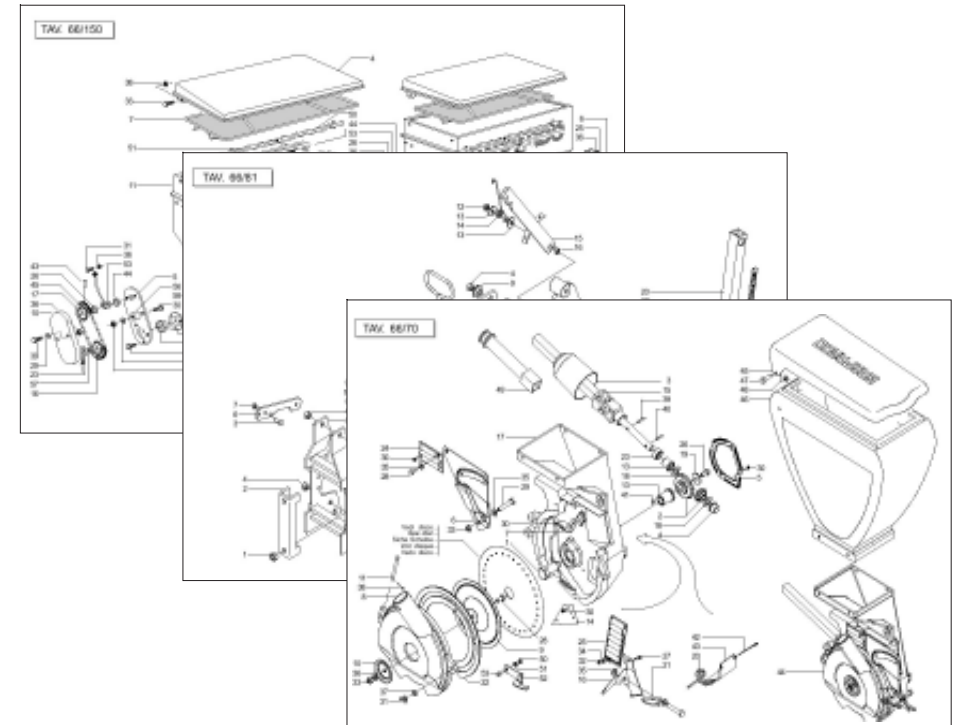


GASPARDO

MASCHIO GASPARDO S.p.A.



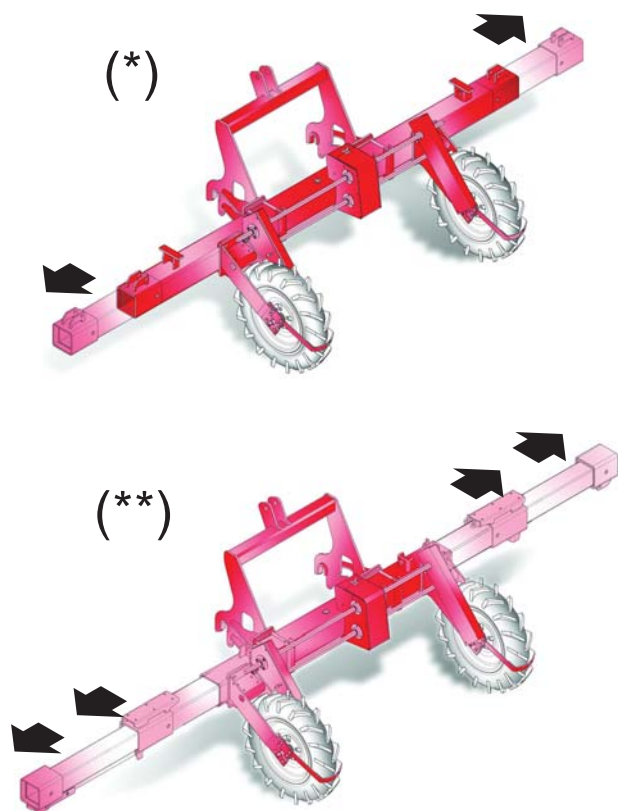
ST300

Cod: G19530277 2015-10

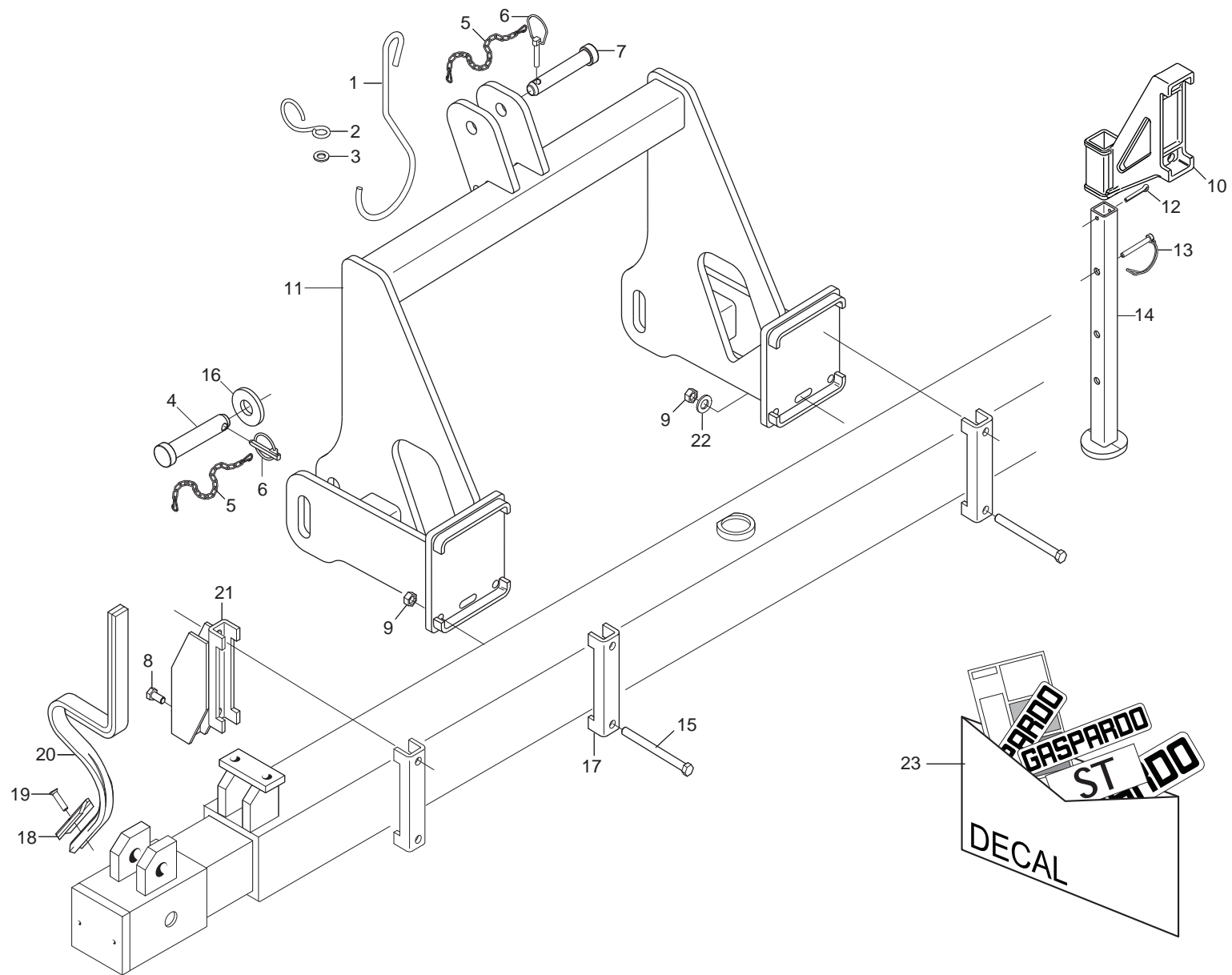
- *) Valido per Paesi UE
- *) Valid for EU member countries
- *) Valable dans les Pays UE
- *) Gilt für EU-Mitgliedsländer
- *) Válido para Países UE

- IT** PARTI DI RICAMBIO
- EN** SPARE PARTS
- DE** ERSATZTEILE
- FR** PIÈCES DÉTACHÉES
- ES** PIEZAS DE REPUESTO

| ITALIANO | ENGLISH | DEUTSCH | FRANÇAIS | ESPAÑOL |
|---|---|--|---|--|
| PARTI DI RICAMBIO | SPARE PARTS | ERSATZTEILE | PIECES DÉTACHÉES | RESPUESTOS |
| <p>Le ordinazioni delle parti di ricambio vanno fatte presso i nostri concessionari di zona e devono essere sempre corredate dalle seguenti indicazioni:</p> <ul style="list-style-type: none"> - Tipo, modello e numero di matricola dell'attrezzatura. Tali dati sono stampigliati nell'apposita targhetta di cui è dotata ogni attrezzatura. - Numero di codice della parte richiesta rilevabile dal catalogo ricambi. - Descrizione del particolare e quantità richiesta. - Numero della tavola. - Mezzo di trasporto. Nel caso questa voce non sia specificata, la Ditta Costruttrice, pur dedicando a questo servizio una particolare cura, non risponde di eventuali ritardi di spedizione dovuti a cause di forza maggiore. Le spese di trasporto si intendono sempre a carico del destinatario. La merce viaggia a rischio e pericolo del committente anche se venduta franco destino. <p>NOTA: Il termine (Dx) Destro o (Sx) Sinistro della macchina o di parti di essa, è inteso guardando la macchina dalla parte posteriore. Le eccezioni saranno indicate.</p> | <p><i>Orders must be transmitted through our area dealers and should always include the following indications:</i></p> <ul style="list-style-type: none"> - Type, model and serial number of the machine. <i>These data are punched on the data plate with which every implement is equipped.</i> - Code number of the required spare part. <i>This will be found in the spare parts catalogue.</i> - Description of the part and required quantity. - Table number. - Means of dispatch. <i>If this item is not indicated, the Manufacturer, while dedicating particular care to this service, shall not be held responsible for delays in delivery caused by cases of force majeure. Transport expenses shall always be at the consignee's charge. The goods travel at the purchaser's risk and peril even when sold ex destination.</i> <p>NOTE: <i>The symbols (Dx) right and (Sx) left, concerning the machine or single parts of it, are referred, as in the figure, to a rear view of them. Exceptions will be indicated.</i></p> | <p>Die Bestellungen müssen bei unseren Gebietshändlern aufgegeben werden. Bei der Bestellung sind stets die folgenden Angaben zu machen:</p> <ul style="list-style-type: none"> - Typ, Modell und Serien-Nummer des Geräts. Diese Daten stehen auf dem Typenschild, mit dem jedes Gerät versehen ist. - Artikel Nr. der erforderlichen Ersatzteile. Diese stehen im Ersatzteil-Katalog. - Beschreibung des Ersatzteils und die erforderliche Stückzahl. - Tafelnummer. - Versandmittel. Wenn dieser Punkt nicht spezifiziert wird, haftet die Herstellerfirma nicht für etwaigen Lieferverzug aufgrund höherer Gewalt, auch wenn er diesen Service besonders aufmerksam abwickelt. Die Frachtkosten gehen dagegen immer zu Lasten des Empfängers. Die Ware reist auf Gefahr und Risiko des Auftraggebers, auch wenn frei Haus Verkauft vereinbart worden ist. <p>N.B.: Die Merkzeichen (Dx) rechts und (Sx) links betreffen eine rückwärtige Aussicht der Maschine oder Teile von ihr (siehe Bild). Ausnahmen werden gezeigt.</p> | <p><i>Les ordres doivent être effectués auprès de nos concessionaires de zone en précisant les indications suivantes:</i></p> <ul style="list-style-type: none"> - Type, modèle et numéro de série de la machine. <i>Ces données sont gravées sur la plaque d'identification de chaque outil.</i> - Numéro de code de la pièce détachée indiqué sur le catalogue des pièces détachées. - Description de la pièce et quantité requise. - Numéro de plan. - Moyen d'expédition. <i>Si cette rubrique n'est pas indiquée, le Constructeur, bien que soucieux de ce service, ne répond pas des retards d'expédition pour des causes de force majeure. Les frais de transport sont toujours à la charge du destinataire. La marchandise voyage aux risques et périls de l'acheteur même si vendue franco de port.</i> <p>N.B.: <i>Les références (Dx) droit et (Sx) gauche de la machine ou des parties de la même, est entendue, comme de la figure, en regardant la machine de derriere dans le sens de marche.</i></p> | <p>Los pedidos han de efectuarse en nuestros concesionarios de zona y deben incluir siempre las siguientes indicaciones:</p> <ul style="list-style-type: none"> - Tipo, modelo y número de matrícula del equipo. Dichos datos están impresos en la relativa placa presente en el equipo. - Número de código de la parte requerida presente en el catálogo respuestos. - Descripción de la pieza y cantidad requerida. - Numero de ilustración. - Medio de transporte. En caso que este ítem no esté especificado, el Fabricante, aún prestando la debidas consideraciones para este aspecto, no responde por eventuales retardos de env'o debidos a causas de fuerza mayor. Los gastos de transporte se consideran siempre a cargo del destinatario. La mercadería viaja bajo riesgo y peligro del comprador, incluso cuando se vende franco destino. <p>N.B.: La refencia (Dx) derecha o (Sx) izquierda de la máquina o de sus componentes, se entiende, como en la figura, mirando la máquina por la parte trasera. Se indicarán las excepciones.</p> |



| N° Tavola | Descrizione | Pagina |
|------------------|---|---------------|
| TAV. 015 | Attacco 3 punti | 4 |
| TAV. 023 | Telaio ST300 (*) | 6 |
| TAV. 390 | Telaio ST250 (**) | 8 |
| TAV. 045 | Segnafile | 10 |
| TAV. 056 | Impianto oleodinamico segnafile | 12 |
| TAV. 065 | Depressore | 14 |
| TAV. 073 | Scatola di rinvio elemento | 16 |
| TAV. 087 | Distributore semi | 18 |
| TAV. 271 | Dischi di semina | 20 |
| TAV. 093 | Telaio elemeto | 22 |
| TAV. 106 | Elementi assolcatori | 24 |
| TAV. 116 | Ruote di compressione | 26 |
| TAV. 122 | Bilanciere | 28 |
| TAV. 285 | Esclusione elettrica file di semina | 30 |
| TAV. 136 | Cambio | 32 |
| TAV. 146 | Ruote di trasmissione | 36 |
| TAV. 322 | Scaletta ruote portanti | 40 |
| TAV. 252 | Presca di potenza posteriore | 42 |
| TAV. 293 | Kit ruote per terreni sassosi - Flangiatura ruote | 44 |
| TAV. 155 | Supporti serbatoi spandiconcime plastica | 46 |
| TAV. 173 | Serbatoi spandiconcime plastica | 48 |
| TAV. 304 | Supporti serbatoio spandiconcime unico | 52 |
| TAV. 315 | Serbatoio spandiconcime unico | 54 |
| TAV. 185 | Elementi di concimazione | 58 |
| TAV. 246 | Speedy set | 60 |
| TAV. 410 | Concimazione pneumatica in solco | 62 |
| TAV. 234 | Concimazione pneumatica file esterne | 64 |
| TAV. 420 | Supporti serbatoi microgranulatore | 66 |
| TAV. 197 | Microgranulatore «16 litri» | 68 |
| TAV. 401 | Microgranulatore «30 litri» | 70 |
| TAV. 215 | Trasmissione spandiconcime | 72 |
| TAV. 361 | Trasmissione microgranulatore (6 File x 70-75cm) | 74 |
| TAV. 371 | Trasmissione microgranulatore (7 File x 50-60cm) | 78 |
| TAV. 381 | Trasmissione microgranulatore (8 File x 45cm) | 80 |
| TAV. 332 | Applicazione doppio microgranulatore | 82 |
| TAV. 262 | Accessori | 84 |
| TAV. 343 | Cardani | 86 |



ATTACCO 3 PUNTI

TAV. 15

| Pos. | Cod. | Descrizione | Description | Description | Benennung | Descripcion |
|------|-----------|--------------------------------|--------------------------------|--------------------------------|--------------------------------|--------------------------------|
| 1 | F20120400 | GANCIO SOSTEGNO CARDANO | SHAFT HOOK SUPPORT | SUPPORT CARDAN | GELENKWELLE - HACKEN | SOPORTE CARDAN |
| 2 | G65336004 | MOLLA SPEC.ZN AGG.SEMINAT. SP | SPEC SPRING- ZN ADD. SEEDER SP | RESSORT SPEC. ZN ATTELAGE SEME | SPEZIALFEDER ZN SZELEM. KUPPL. | MUELLE ESPEC. ZN CONEX. SEMBRA |
| 3 | F01410088 | ROS.M14 15X 28X2,5 U6592 ZN | WAS.M14 15X 28X2,5 U6592 ZB | RON.M14 15X 28X2,5 U6592 ZB | SCH.M14 15X 28X2,5 U6592 ZB | ARA.M14 15X 28X2,5 U6592 ZB |
| 4 | F20100136 | PERNO D28 L109 C43 ZN | BOLT D28 L109 C43 ZN | BOULON D28 L109 C43 ZN | BOLTZEN D28 L109 C43 ZN | PERNO D28 L109 C43 ZN |
| 5 | G13812311 | CATENELLA CON MOSCHETTONE ZN | CHAIN WITH SPRING CATCH | CHAINETTE AVEC MOUSQUETON | KETTE MIT KARABINERHAKEN | CADENA CON GANCHO |
| 6 | F02200507 | SPINA A SCATTO D 9 B/83 | SNAP PIN D9 B/83 ZN | FICHE A DETENTE D9 B/83 ZN | EINRASTSTIFT D9 B/83 ZN | CLAVIJA DE MUELLE D9 B/83 ZN |
| 7 | F20100133 | PERNO D25 L122 C43 ZN | PIN D25 L122 C43 ZN | BOULON D25 L122 C43 ZN | BOLZEN D25 L122 C43 ZN | PERNO D25 L122 C43 ZN |
| 8 | F01020510 | VITE M12X1,75X30 U5739 8.8ZN | SCR. M12X1,75X30 U5739 8.8ZN | VIS M12X1,75X30 U5739 8.8ZN | SCHRAU.M12X1,75X30 U5739 8.8ZN | TORN. M12X1,75X30 U5739 8.8ZN |
| 9 | F01200306 | DADO M14X2 U5588 6.8ZN | NUT M14X2 U5588 6.8ZN | ECROU M14X2 | MUTTER M14X2 | DADO M14X2 |
| 10 | G15112711 | SUPPORTO PUNTELLO | PROP SUPPORT | SUPPORT ETRESILLON | STsTZLAGER | STsTZLAGER |
| 11 | G16610462 | ASS.TERZO PUNTO 2 CATEGORIA | ASS.3RD POINT 2° CAT. | | | |
| 12 | F02200246 | COPIGLIA 6X 45 U1336 ZN | PIN 6 X45 U1336 ZN | GOUPILLE 6 X45 U1336 ZN | SPLINT 6 X45 U1336 ZN | CLAVIJA 6 X45 U1336 ZN |
| 13 | F02200584 | SPINA SICUR. D. 12X70 ZN | PIN D12 L70 ZN | FICHE D12 L70 ZN | STIFT D12 L70 ZN | CLAVIJA D12 L70 ZN |
| 14 | G15112691 | PUNTELLO ST250 | PROP ST250 | | | |
| 15 | F01020236 | VITE M14X2X220 U5737 8.8BR | SCR. M14X2X220 U5737 8.8BR | VIS M14X2X220 U5737 8.8 BR | SCHRAUBE M14X2X220 U5737 8.8 | TORNILLO M14X2X220 U5737 8.8 |
| 16 | G20970120 | RONDELLA 70X8X28,5 | WASHER 70X8X28-5 | RONDELLE 70X8X28-5 | UNTERLEGSSCHEIBE 70X8X28-5 | ARANDELA 70X8X28-5 |
| 17 | G15110091 | SCONTRO A U SP.8 2F15 165 | STRIKER | BRIDE 150 MM | ANSCHLAG | ELEMENTO DE EMPALME |
| 18 | F20120017 | VOMERO REVERSIBIL.F37 40X5X135 | SWIVEL PLOUGH-SHARE F37 40X5X1 | SOC REVERS. F37 40X5X135 | UMKEHRBARE SCHAR F37 40X5X135 | REJAS REVERS. F37 40X5X135 |
| 19 | G67002011 | BULLONE TESTA OVALE M10X35 | OVAL HEAD BOLT M10X35 | BOULON TETE AVALE M10X35 | SCHRAUBE OVAL KOPF. M10X35 | PERNO CABEZA OVALADO M10X35 |
| 20 | G22270462 | MOLLA ROMPIRACCIA VERNICIATA | PAINTED TRACE BR. SPRING | RESSORT BRISEUR DE TRACES VERN | FEDER SPURMESSER LACKIERT | MUELLE ROMPEHUELLA BARNIZADA |
| 21 | G15471612 | SUPPORTO ROMPIRACCIA Q.150 | ROW-BREAKER SUPPORT 150 | SUPPORT EFFACEUR DE TRACES 150 | HALTERUNG SPURAUFREISSER 150 | SOPORTE BORRAHUELLAS 150 |
| 22 | G20970142 | RONDELLA 32X4X15,5 | WASHER 32X4X15-5 | RONDELLE 32X4X15-5 | UNTERLEGSSCHEIBE 32X4X15-5 | ARANDELA 32X4X15-5 |
| 23 | G89900510 | KIT DECALCOM.ST250-300-MTE | DECAL KIT ST250-300-MTE | KIT DECALCOM.ST250-300-MTE | KIT ABZIEHB. ST250-300-MTE | SET CALCOM.ST250-300-MTE |

TELAIO TELESCOPICO SEMPLICE

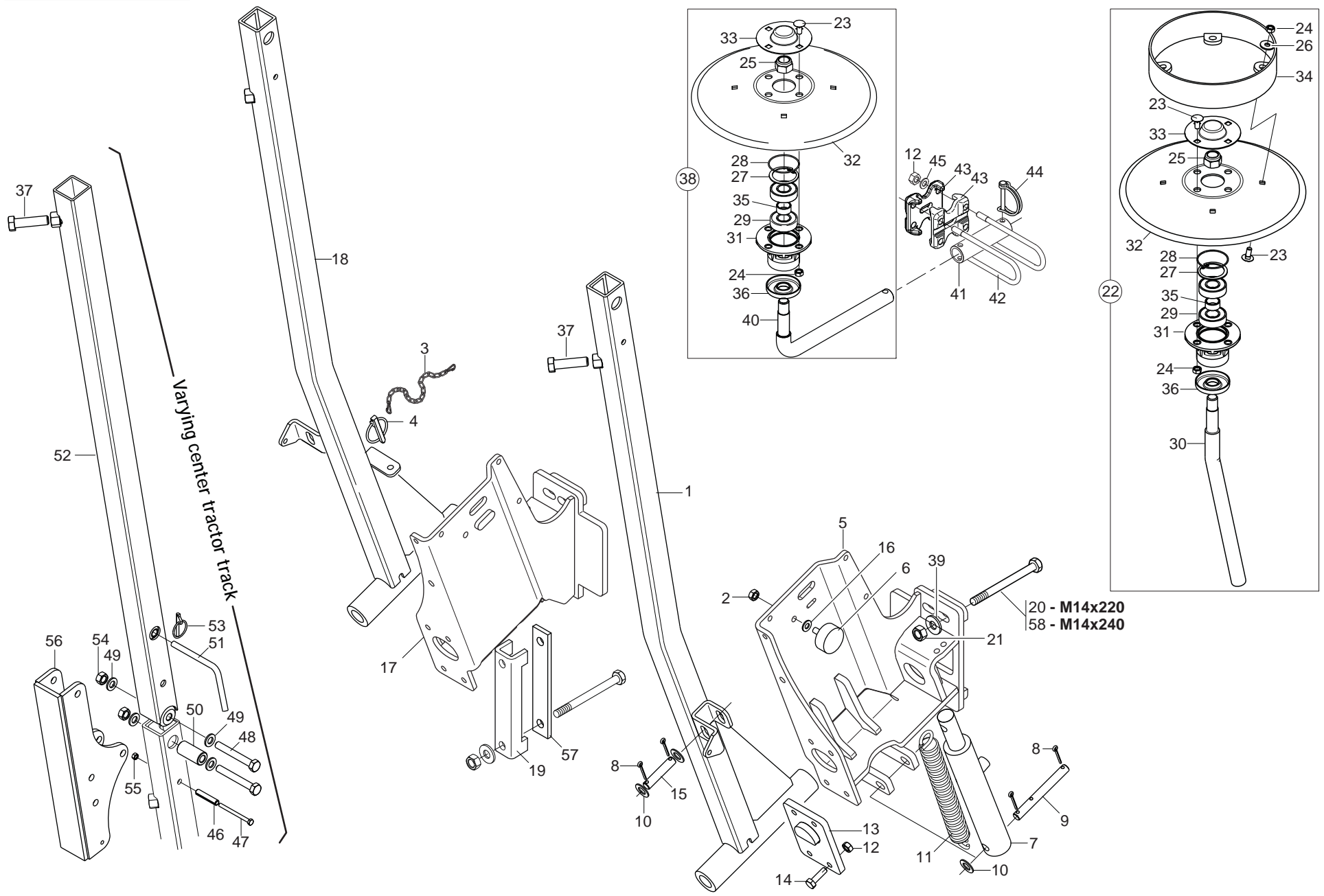
TAV. 23

| Pos. | Cod. | Descrizione | Description | Description | Benennung | Descripcion |
|------|-----------|--------------------------------|--------------------------------|--------------------------------|--------------------------------|-------------------------------|
| 1 | G15110991 | ASSE LATERALE PISTONI ZN | SIDE SPINDLE PISTONS ZN | AXEL LATERAL PISTON ZN | SEITENACHSE KOLBEN ZN | EJE LATERAL PISTONES ZN |
| 2 | G15112630 | CILINDRO | CYLINDER 30X50 -875 | CYLINDRE 30X50 -875 | ZYLINDER 30X50 -875 | CILINDRO 30X50 -875 |
| 3 | G15210802 | BRACCIO ESTERNO ST-MTE | ARM- EXTERNAL ST-MTE | BRAS EXT. ST-MTE | AUSSENARM ST-MTE | BRAZO EXTERIOR ST-MTE |
| 4 | G15210820 | TELAIO CENTRALE | FRAME CENTRAL | BATI CENTR. | MITTELRAHMEN | BASTIDOR CENTRAL |
| 5 | G15210831 | TUBO REGOLAZIONE TEDESC.300 | TELESCOPING REGULATION TUBE 30 | TUBE R+GLAGE T+LESC.300 | LEITUNG EINSTELLUNG TELESK.300 | TUBO REGULACIEN TEDESC.300 |
| 6 | G15210900 | DISTANZIALE CHIUSURA ST300 | SPACER CLOSING ST300 | ENTRETOISE FERMETURE ST300 | ENTRETOISE FERMETURE ST300 | DISTANCIADOR CIERRE ST300 |
| 7 | G15112650 | PROLUNGA PISTONE | PISTON EXTENSION | RALLONGE PISTON | VERLZNGERUNG KOLBEN | PROLONGACIN PISTN PR |
| 8 | G18701940 | RONDELLA 50 X90 X0,2 | WASHER 50 X90 X0,2 | RONDELLE 50 X90 X0,2 | UNTERLEGSSCHEIBE 50 X90 X0,2 | ARANDELA 50 X90 X0,2 |
| 9 | G18701770 | RONDELLA 50 X90 X0,5 | WASHER 50 X90 X0,5 | RONDELLE 50 X90 X0,5 | UNTERLEGSSCHEIBE 50 X90 X0,5 | ARANDELA 50 X90 X0,5 |
| 11 | G20980094 | BOCCOLA 18,25X25X18 | BUSHING 18,25X25X18 | BOITE 18,25X25X18 | BsCHSE 18,25X25X18 | CASQUILLO 18,25X25X18 |
| 12 | G22500022 | TUBO 1/4 R2 C-C MT.1,00 | PIPE 1/4 R1 C-C MT.1-00 | TUBE 1/4 R1 C-C M. 1-00 | ROHR 1/4 R1 C-C M 1-00 | TUBO 1/4 R1 C-C MT.1-00 |
| 13 | G15113000 | SUPPORTO TUBI IDRAULICI | PIPE SUPPORT | SUPPORT TUBES | ROHRHALTERUNG | SOPORTE TUBOS |
| 14 | G22500024 | TUBO 1/4 R2 C-F MT.0,60 | PIPE 1/4 R1 C-F MT.0-60 | TUBE 1/4 R1 C-F M. 0-60 | ROHR 1/4 R1 C-F M 0-60 | TUBO 1/4 R1 C-F MT.0-60 |
| 15 | G22500025 | PERNO CENTRALE CILINDRI | PIN- CYLINDER CENTRAL | PIVOT CENTR. CYLINDRES | MITTELZAPPEN ZYLINDER | PERNO CENTRAL CILINDROS |
| 16 | G22270463 | TUB.TR.1/4R2 F-F 1/4 L1500 LM | TUBE TR.1/4R2 F-F1/4 L1500 LM | TUB.TR.1/4R2 F-F 1/4 L1500 LM | ROHR1/4R2 F-F 1/4 L1500 LM | TUB.TR.1/4R2 F-F 1/4 L1500 LM |
| 17 | G19003560 | PIASTRA SCORR.D.110X3,5 SP.9,5 | SLIDING PLATE SP9,5 | PLAQUE GLISSEMENT SP.9,5 | GLEITPLATTE SP9,5 | PLACA DE DESPLAZAMIENTO SP9,5 |
| 18 | G15210210 | SPINA 18 X90 ZN | PIN 18 x90 ZN | PIN | | |
| 19 | G22505027 | SPINA | PIN | BROCHE | STIFT | CLAVIJA |
| 20 | G22505029 | BOCCOLA FORATA | PERFORATED BUSHING | BOITE PERCEE | GELOCHTE BsCHSE | CASQUILLO PERFORADA |
| 21 | G22505030 | BOCCOLA | BUSHING | BOITE | BsCHSE | CASQUILLO |
| 22 | F03151216 | RACCORDO -T- CENTR.M-FG-M 1/4 | UNION T M-M-F 1/4' ZN | RACCORD T M-M-F 1/4' ZN | ANSCHLUSSTsCK TM-M-F 1/4' ZN | UNIN T M-M-F 1/4' ZN R |
| 23 | G13811211 | TUBO X COLLEG. AL TRATTORE | PIPE FOR CONNECTION TO TRACTOR | TUBE POUR CONN. AU TRACTEUR | ROHR F. KUPPLUNG AM SCHLEPPER | TUBO P/CONEXIN AL TRACTOR T |
| 24 | F03150266 | NIPPLO MM CIL-CIL 1/4-1/4 ZN | NIPPLE GALV.CYL.MALE 1/4 ZN | NIPPLE MALE CYL. 1/4 ZN | NIPPELZYL.1/4 ZN | NIPLE MACHO CIL.1/4 ZN |
| 25 | F02200229 | COPIGLIA 5X 45 U1336 ZN | SPLIT PIN 5X 45 U1336 ZN | GOUVILLE 5X 45 U1336 ZN | SPANNSTIFT 5X 45 U1336 ZN | PASADOR 5X 45 U1336 ZN |
| 26 | F02200229 | COPIGLIA 5X 45 U1336 ZN | SPLIT PIN 5X 45 U1336 ZN | GOUVILLE 5X 45 U1336 ZN | SPANNSTIFT 5X 45 U1336 ZN | PASADOR 5X 45 U1336 ZN |
| 27 | F05150325 | CAPPUC.F X INN.M RAP.1/2 ROSSO | COVER CONNECT F 1/2 RED | COUVERCLE CONNEXION F 1/2 ROSE | DECKEL W 1/2 SCHNELLKUPP. ROT | PAC PROTECCION F 1/2 ROJO |
| 28 | F03150211 | NIPPLO MM CIL-CIL 1/2-1/4 ZN | NIPLE MM CIL-CIL 1/4-1/2 ZN | NIPLE MM 1/4-1/2 ZN | NIPLE GG 1/4-1/2 ZN | NIPLE MM 1/4-1/2 ZN |
| 29 | F03151194 | PROLUNGA CORTA 1/4 L.36 | SHORT EXTENSION 1/4 L.36 | RALLONGE COURTE 1/4 L.36 | KURZE VERLZNGERUNG 1/4 L.36 | PROLONG. CORTA 1/4 L.36 |
| 30 | F03100181 | KIT GUARNIZ.CILINDRO 15112630 | KIT O-RING CYLINDER 15112630 | KIT GARNIT. CYLINDRE 15112630 | KIT DICHT.OR ZYLINDER15112630 | SET JUNTA OR CILINDRO15112630 |
| 31 | G67004010 | SUPP.CON ROTULA CAT.1 D.22,1 | SUPP. WITH JOINT CHAIN 1 D.22. | SUPP.AVEC ROTULE CAT.1 D.22,1 | HALTERUNG MIT GELENK KETTE 1 | SOP. CON RÈTULA CAD.1 D.22,1 |
| 32 | G19003000 | TAPPO PER TELAI0 150 | CAP FOR FRAME 150 | BOUCHON POUR BATI 150 | PFROPFEN FOR RAHMEN 150 | TAPON PARA BASTIDOR 150 |
| 33 | F03150935 | INNESTO RAP.MASCH.1/2 A VALV. | QUICK CONNECT MALE CONE 1/2 | CONNEXION RAPIDE MALE CONE 1/2 | SCHNELLKUPP.GEWINDE KONISC 1/2 | ACOPLAMIEN.RAP.MACHO CONO 1/2 |
| 34 | F05010359 | PASSAPARETE 1/4M-1/4M | PASS WALL 1/4M -1/4M | | | |
| 35 | F03151370 | RONDELLA BONDED SEAL 1/2" NBR | WASHER BONDED SEAL 1/2" NBR | | | |
| 36 | F03151414 | RONDELLA BONDED SEAL 1/4" NBR | WASHER BONDED SEAL 1/4" NBR | | | |

TELAIO DOPPIO TELESCOPICO

TAV. 390

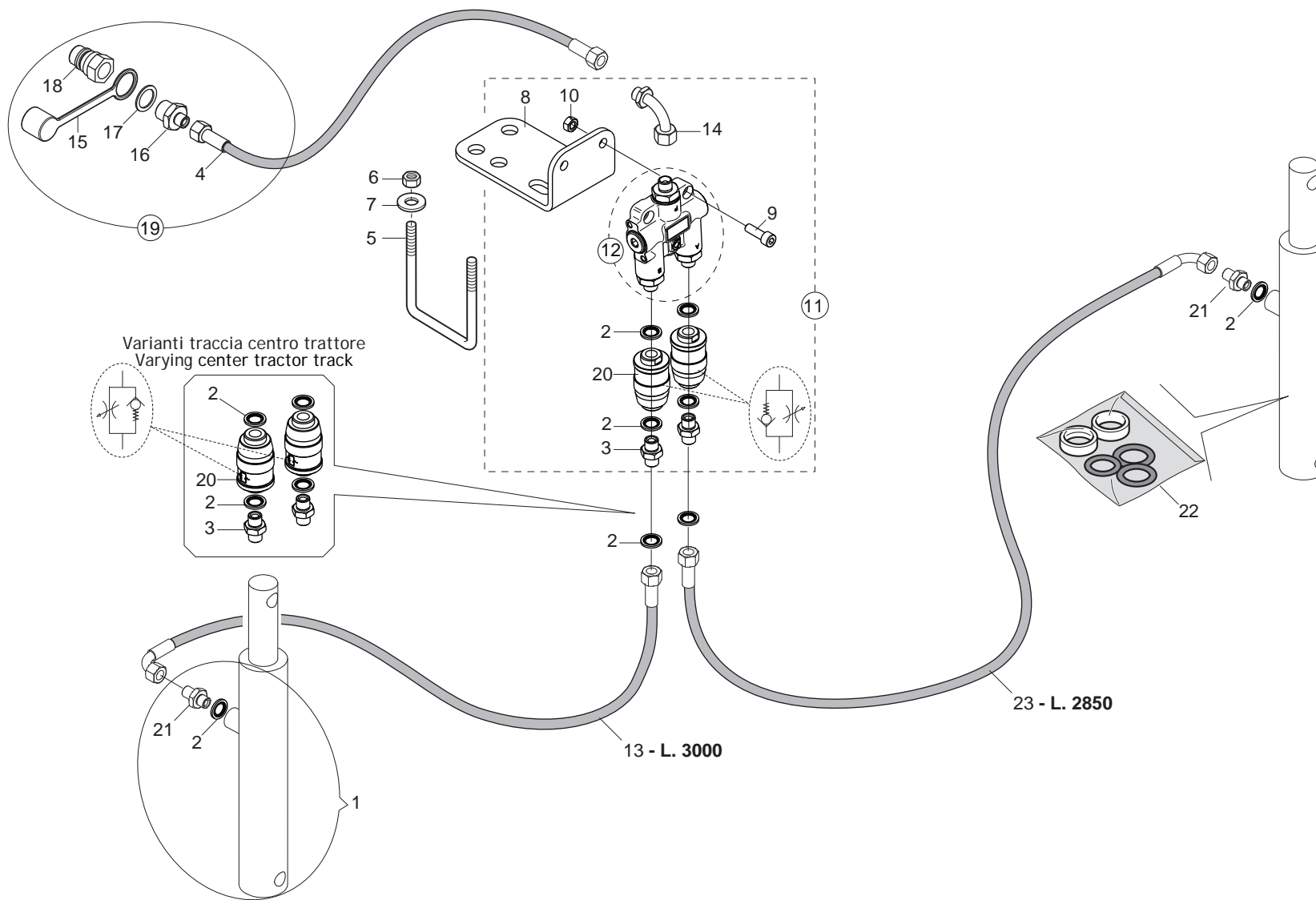
| Pos. | Cod. | Descrizione | Description | Description | Benennung | Descripcion |
|------|-----------|--------------------------------|--------------------------------|--------------------------------|---------------------------------|--------------------------------|
| 1 | G19003570 | PIASTRA SCORR.D.90X5,0 SP.11,0 | SLIDING PLATE SP.11 | PLAQUE GLISSEMENT SP.11 | GLEITPLATTE SP.11 | PLACA DE DESPLAZAMIENTO SP.11 |
| 2 | G15110211 | TELAIO CENTRALE ST250 | FRAME CENTRAL | BATI CENTRAL | MITTELRAHMEN | BASTIDOR CENTRAL |
| 3 | G15110292 | SECONDO TUBO TELESCOPICO DX | TELESCOPIC FRAME INT.RIGHT | BATI TELESCOPIQUE INT. DRT. | INNERER RECHTER TELESKOPRAHMEN | BASTIDOR TELESCOPICO INT.DER. |
| 4 | G15110302 | SECONDO TUBO TELESCOPICO SX | LEFT 2ND TELESCOPIC TUBE | DEUXIEME TUBE TELESCOPIQUE GCH | ZWEITER TELESKOPRAHMEN LINKS | SEGUNDO TUBO TELESCOPICO IZQ. |
| 5 | G15110352 | TERZO TUBO TELESCOPICO | THIRD TELESCOPIC TUBE | TROISIEME TUBE TELESCOPIQUE | DRITTES TELESKOPISCHES ROHR | TERCER TUBO TELESCOPICO |
| 6 | G15110991 | ASSE LATERALE PISTONI ZN | SIDE SPINDLE PISTONS ZN | AXEL LATERAL PISTON ZN | SEITENACHSE KOLBEN ZN | EJE LATERAL PISTONES ZN |
| 7 | G15112510 | REGOLAZIONE 2°TUBO | 2. TUBE REGULATION | REGLAGE 2. TUBE | EINSTELLUNG 2. ROHR | REGULACIN 2.TUBO R |
| 8 | G15112521 | REGOLAZIONE 3 TUBO | 3. TUBE REGULATION | | | |
| 9 | G19003560 | PIASTRA SCORR.D.110X3,5 SP.9,5 | SLIDING PLATE SP9,5 | PLAQUE GLISSEMENT SP.9,5 | GLEITPLATTE SP9,5 | PLACA DE DESPLAZAMIENTO SP9,5 |
| 10 | G19003590 | PIASTRA SCORR.D.90X3,0 SP.9,0 | SLIDING PLATE SP.9 | PLAQUE GLISSEMENT SP.9 | GLEITPLATTE SP.9 | PLACA DE DESPLAZAMIENTO SP.9 |
| 11 | F03151414 | RONDELLA BONDED SEAL 1/4" NBR | WASHER BONDED SEAL 1/4" NBR | | | |
| 12 | G15112630 | CILINDRO | CYLINDER 30X50 -875 | CYLINDRE 30X50 -875 | ZYLINDER 30X50 -875 | CILINDRO 30X50 -875 |
| 13 | F05010359 | PASSAPARETE 1/4M-1/4M | PASS WALL 1/4M -1/4M | | | |
| 14 | F03151370 | RONDELLA BONDED SEAL 1/2" NBR | WASHER BONDED SEAL 1/2" NBR | | | |
| 15 | G18701770 | RONDELLA 50 X90 X0,5 | WASHER 50 X90 X0,5 | RONDELLE 50 X90 X0,5 | UNTERLEGSSCHEIBE 50 X90 X0,5 | ARANDELA 50 X90 X0,5 |
| 16 | G19003000 | TAPPO PER TELAIO 150 | CAP FOR FRAME 150 | BOUCHON POUR BATI 150 | PFROPFEN FOR RAHMEN 150 | TAPON PARA BASTIDOR 150 |
| 17 | G20980094 | BOCCOLA 18,25X25X18 | BUSHING 18,25X25X18 | BOITE 18,25X25X18 | BsCHSE 18,25X25X18 | CASQUILLO 18,25X25X18 |
| 18 | G22500018 | BOCCOLA PERNO EST.CILINDRO | BUSHING CYLIND. OUTER PIN | BOITE PIVOT EXT. CYLINDRE | BsCHSE AUSSEN BOLZEN ZYLINDER | CASQUILLO ESPIGA EXT. CILINDRO |
| 19 | G22500019 | BOCCOLA FERMO PERNO EST.CIL. | CYLIND. OUTER PIN STOP BUSHING | BOITE ARRET PIVOT EXT. CYL. | ANSCHLAGBsCHSE AUSSEN BOLZ. ZYL | CASQUILLO BLOQUEO ESPIGA EXT.C |
| 20 | G22500022 | TUBO 1/4 R2 C-C MT.1,00 | PIPE 1/4 R1 C-C MT.1-00 | TUBE 1/4 R1 C-C M. 1-00 | ROHR 1/4 R1 C-C M 1-00 | TUBO 1/4 R1 C-C MT.1-00 |
| 21 | G15113000 | SUPPORTO TUBI IDRAULICI | PIPE SUPPORT | SUPPORT TUBES | ROHRHALTERUNG | SOPORTE TUBOS |
| 22 | G22500024 | TUBO 1/4 R2 C-F MT.0,60 | PIPE 1/4 R1 C-F MT.0-60 | TUBE 1/4 R1 C-F M. 0-60 | ROHR 1/4 R1 C-F M 0-60 | TUBO 1/4 R1 C-F MT.0-60 |
| 23 | G22500025 | PERNO CENTRALE CILINDRI | PIN- CYLINDER CENTRAL | PIVOT CENTR. CYLINDRES | MITTELZAPFEN ZYLINDER | PERNO CENTRAL CILINDROS |
| 24 | G22270463 | TUB.TR.1/4R2 F-F 1/4 L1500 LM | TUBE TR.1/4R2 F-F1/4 L1500 LM | TUB.TR.1/4R2 F-F 1/4 L1500 LM | ROHR1/4R2 F-F 1/4 L1500 LM | TUB.TR.1/4R2 F-F 1/4 L1500 LM |
| 25 | G18701940 | RONDELLA 50 X90 X0,2 | WASHER 50 X90 X0,2 | RONDELLE 50 X90 X0,2 | UNTERLEGSSCHEIBE 50 X90 X0,2 | ARANDELA 50 X90 X0,2 |
| 26 | G15210210 | SPINA 18 X90 ZN | PIN 18 x90 ZN | | | |
| 27 | G22505027 | SPINA | PIN | BROCHE | STIFT | CLAVIJA |
| 28 | F03151216 | RACCORDO -T- CENTR.M-FG-M 1/4 | UNION T M-M-F 1/4' ZN | RACCORD T M-M-F 1/4' ZN | ANSCHLUSSTsCK TM-M-F 1/4' ZN | UNIN T M-M-F 1/4' ZN R |
| 29 | F05150325 | CAPPUC.F X INN.M RAP.1/2 ROSSO | COVER CONNECT F 1/2 RED | COUVERCLE CONNEXION F 1/2 ROSE | DECKEL W 1/2 SCHNELLKUPP. ROT | PAC PROTECCION F 1/2 ROJO |
| 30 | G13811211 | TUBO X COLLEG.AL TRATTORE | PIPE FOR CONNECTION TO TRACTOR | TUBE POUR CONN. AU TRACTEUR | ROHR F. KUPPLUNG AM SCHLEPPER | TUBO P/CONEXIN AL TRACTOR T |
| 31 | F03151194 | PROLUNGA CORTA 1/4 L.36 | SHORT EXTENSION 1/4 L.36 | RALLONGE COURTE 1/4 L.36 | KURZE VERLZNGERUNG 1/4 L.36 | PROLONG. CORTA 1/4 L.36 |
| 32 | G67004010 | SUPP.CON ROTULA CAT.1 D.22,1 | SUPP. WITH JOINT CHAIN 1 D.22. | SUPP.AVEC ROTULE CAT.1 D.22,1 | HALTERUNG MIT GELENK KETTE 1 | SOP. CON RÈTULA CAD.1 D.22,1 |
| 33 | F02200227 | COPIGLIA 5X 30 U1336 ZN | PIN 5X 30 U1336 ZN | | | |
| 34 | F02200229 | COPIGLIA 5X 45 U1336 ZN | SPLIT PIN 5X 45 U1336 ZN | GOUPILLE 5X 45 U1336 ZN | SPANNSTIFT 5X 45 U1336 ZN | PASADOR 5X 45 U1336 ZN |
| 35 | F03150211 | NIPPLO MM CIL-CIL 1/2-1/4 ZN | NIPLE MM CIL-CIL 1/4-1/2 ZN | NIPLE MM 1/4-1/2 ZN | NIPLE GG 1/4-1/2 ZN | NIPLE MM 1/4-1/2 ZN |
| 36 | F03150935 | INNESTO RAP.MASCH.1/2 A VALV. | QUICK CONNECT MALE CONE 1/2 | CONNEXION RAPIDE MALE CONE 1/2 | SCHNELLKUPP.GEWINDE KONISC 1/2 | ACOPLAMIENT.RAP.MACHO CONO 1/2 |
| 37 | F03150266 | NIPPLO MM CIL-CIL 1/4-1/4 ZN | NIPPLE GALV.CYL.MALE 1/4 ZN | NIPPLE MALE CYL. 1/4 ZN | NIPPELZYL.1/4 ZN | NIPLE MACHO CIL.1/4 ZN |
| 38 | F03100181 | KIT GUARNIZ.CILINDRO 15112630 | KIT O-RING CYLINDER 15112630 | KIT GARNIT. CYLINDRE 15112630 | KIT DICHT.OR ZYLINDER15112630 | SET JUNTA OR CILINDRO15112630 |



SEGNAFILE

TAV. 45

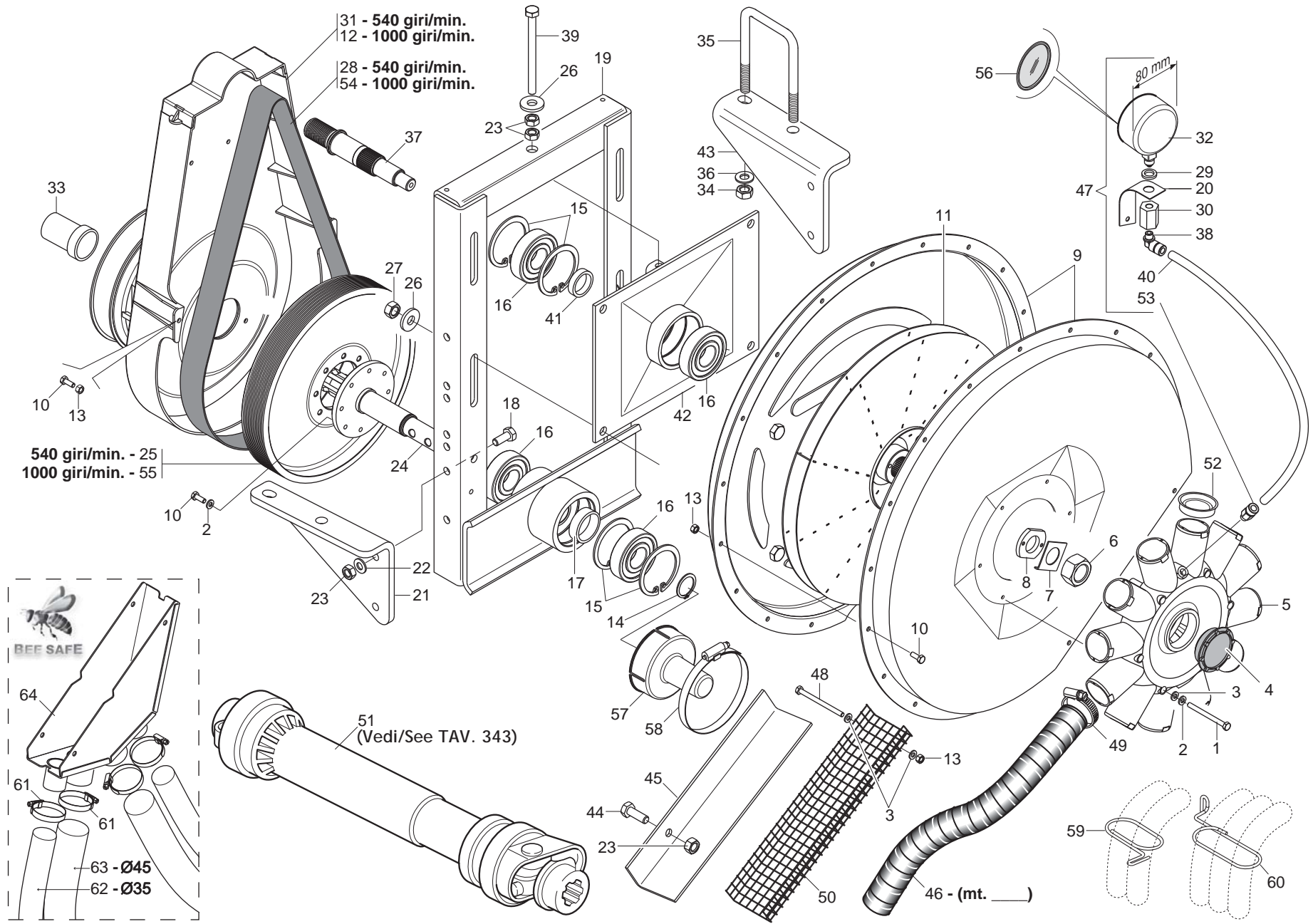
| Pos. | Cod. | Descrizione | Description | Description | Benennung | Descripcion |
|------|-----------|--------------------------------|--------------------------------|--------------------------------|--------------------------------|--------------------------------|
| 1 | G15212750 | BRACCIO SEGNAFILE SX | ROW MARKER ARM LEFT | | | |
| 2 | F01230048 | DADO M10X1,5 D982 8ZN > | NUT M10X1,5 D982 8ZN | ECR.AUTO-FREIN.M10X1,5 D982 ZN | SICHERUNGSMUTT.M10X1,5 D982 ZN | TUERCA SEGURID.M10X1,5 D982 ZN |
| 3 | G13812311 | CATENELLA CON MOSCHETTONE ZN | CHAIN WITH SPRING CATCH | CHAINETTE AVEC MOUSQUETON | KETTE MIT KARABINERHAKEN | CADENA CON GANCHO |
| 4 | F02200507 | SPINA A SCATTO D 9 B/83 | SNAP PIN D9 B/83 ZN | FICHE A DETENTE D9 B/83 ZN | EINRASTSTIFT D9 B/83 ZN | CLAVIJA DE MUELLE D9 B/83 ZN |
| 5 | G15213750 | SUPPORTO SEGNAFILE SX | LEFT ROWMARKER SUPPORT | | | |
| 6 | F05150460 | PARACOLPI CIL.D50X21 M10X26,5 | RUBBER BUFFER- CYLINDR.D50X21 | PARE-CHOCS CYL. D50X21 | PUFFER ZYL.50X21 | PARAGOLPES CIL.D50X21 |
| 7 | G14217360 | MONT.CILINDRO SI-ST | ROWMARKER CYLINDER.D.30X40-155 | CYLINDRE TRACEUR 30X40-155 | ZYLINDER SPURREISSER.30X40-155 | CILINDRO MARC.FILAS 35X40-155 |
| 8 | F02200194 | COPIGLIA 4X 25 U1336 ZN | SPLIT PIN 4 X25 1336 GALVAN. | GOUVILLE 4 X25 1336 ZN | SPLINT 4 X25 1336 ZN | PASADOR 4 X25 1336 ZN |
| 9 | G15413020 | SPINA 15X120 ZN | GALVANIZED PIN 15X120 | GOUVILLE 15X120 ZN | STIFT 15X120 ZN | CLAVIJA 15X120 ZN |
| 10 | G20970111 | RONDELLA 29,8X2X16,5 | WASHER 29,8X2X16,5 | RONDELLE 29,8X2X16,5 | UNTERLEGSSCHEIBE 29,8X2X16,5 | ARANDELA 29,8X2X16,5 |
| 11 | G65337004 | MOLLA TRAZ.SOLLEV. FU | TRACTION SPRING LIFT. FU | RESSORT TRACT. LEVAGE FU | ZUGFEDER HEBUNG FU | MUELLE TRAC. LEVDEL. FU |
| 12 | F01200270 | DADO M10X1,5 U5588 CL8 ZN > | NUT M10X1,5 U5588 6.8ZN | ECROU M10X1,5 U5588 6.8 ZN | MUTTER M10X1,5 U5588 6.8 ZN | TUERCA M10X1,5 U5588 6.8 ZN |
| 13 | G15212791 | PIASTRA POSTERIORE | REAR PLATE | | | |
| 14 | F01020479 | VITE M10X1,5X35 U5739 8.8ZN | SCR. M10X1,5X35 U5739 8.8ZN | VIS M10X1,5X35 U5739 8.8 ZN | SCHR. M10X1,5X35 U5739 8.8 ZN | TORN. M10X1,5X35 U5739 8.8 ZN |
| 15 | G15413010 | SPINA 15X62 ZN | PIN 15X62 ZN | GOUVILLE 15X62 ZN | BOLZENSTIFT 15X62 ZN | PASADOR 15X62 ZN |
| 16 | F01420060 | ROS.M10 10,5X 30X2,5 U6593 ZN | GALV.WASHER 10,5X30X2,5 U6593 | RONDELLE 10,5X30 | SCHEIBE 10,5X30 | ARANDELA 10,5X30 |
| 17 | G15213740 | SUPPORTO SEGNAFILE DX | RIGHT ROWMARKER SUPPORT | | | |
| 18 | G15212760 | BRACCIO SEGNAFILE DX | ROW MARKER ARM RIGHT | | | |
| 19 | G15110091 | SCONTRO A U SP.8 2F15 165 | STRIKER | BRIDE 150 MM | ANSCHLAG | ELEMENTO DE EMPALME |
| 20 | F01020236 | VITE M14X2X220 U5737 8.8BR > | SCR. M14X2X220 U5737 8.8BR | VIS M14X2X220 U5737 8.8 BR | SCHRAUBE M14X2X220 U5737 8.8 | TORNILLO M14X2X220 U5737 8.8 |
| 21 | F01200306 | DADO M14X2 U5588 CL8 ZN > | NUT M14X2 U5588 6.8ZN | ECROU M14X2 | MUTTER M14X2 | DADO M14X2 |
| 22 | G15112921 | DISCO D.320 LIM.COMPL.ST-MTE | SIDE SHIELD DISK D320 COMP. ST | | | |
| 23 | F01060040 | VITE M8X1,25X20 U5731 8.8ZN | SCR. M8X1,25X20 U5732 4.6ZG | VIS M8X1,25X20 U5732 4.6 ZN | SCHRA. M8X1,25X20 U5732 4.6 ZN | TORN. M8X1,25X20 U5732 4.6 ZN |
| 24 | F01200244 | DADO M8X1,25 U5588 CL8 ZN > | NUT M8X1,25 U5588 6.8ZN | ECROU M8 X1,25 U5588 6.8 ZN | MUTTER M8 X1,25 U5588 6.8 ZN | TUERCA M8 X1,25 U5588 6.8 ZN |
| 25 | F01230098 | DADO M18X2,5 D982 8ZN | NUT M18X2,5 D982 8 ZN | ECROU M18X 2,5 D982 8 ZN | MUTTER M18X 2,5 D982 8 ZN | TUERCA M18X 2,5 D982 8 ZN |
| 26 | F01420048 | ROS.M8 8,4X 24X 2 U6593 ZN | WASHER M8 8,4X 24X2 U6593 ZN | RONDELLE M8 8,4X24X 2 U6593 ZN | SCHEIBEN M8 8,4X24X 2 U6593 ZN | ARANDELA M8 8,4X 24X2 U6593 ZN |
| 27 | F02050370 | ANELLO E. DI 47X1,75 U7437 C70 | SEEGER RING 47X 1,75 U7437 C70 | SEEGER E. 47X 1,75 U7437 C70 | SEEGERING E. 47X1,75 U7437 C70 | ANILLO E. 47X 1,75 U7437 C70 |
| 28 | F03010576 | ANELLO OR 50,52X1,78 NBR | GASKET OR 50,52X1,78 NBR | BAGUE OR 50,52X1,78 NBR | RING OR 50,52X1,78 NBR | ANILLO OR 50,52X1,78 NBR |
| 29 | F04010156 | CUSC.d20 D47 B14 6204 2RSH | BEARING d20 D47 B14 6204 2RSH | | | |
| 30 | G15111311 | PERNO SEGNAFILE | ROWMARKER PIN | | | |
| 31 | G16610160 | SUPP.CUSCINETTI DISCO SEGN.ZN. | GALVAN. ROWMARKER DISK BEARING | SUPPORT ROULEMENTS DISQUE TRAC | SCHEIBENLAGERHALTERUNG | SOPORTE COJINETE DE DISCO MARC |
| 32 | G16610170 | DISCO SEGNAFILE D.320 | ROW MARKER DISK D.320 | DISQUE TRACEUR D320 | SPURREISSERSCHEIBE D. 320 | DISCO MARCARDOR DE FILAS O 320 |
| 33 | G16610190 | CHIUSURA CUSCINETTO ZN | END BEARING ZN | | | |
| 34 | G16610210 | ASS.LIMITATORE PROFONDITA' | LIMITER DEPTH COUPLYNG | GR. ASS. LIMITEUR DE PROFONDEU | TIEFENBEGRENZERKOMPLEX | CONJ. LIMITADOR DE PROFUNDIDAD |
| 35 | G18801270 | BOCCOLA 21 X25 X12 ZN B. | BUSHING 21 X25 X12 ZN | | | |
| 36 | G16610431 | FONDELLO ZN | BOTTOM GALV.ED | | | |
| 37 | F01020252 | VITE M16X2X50 U5737 8.8ZN > | SCR. M16X2X50 U5737 8.8 ZN | VIS M16X2X50 U5737 8.8 ZN | SCHRAUBE M16X2X50 U5737 8.8 ZN | TORNILLO M16X2X50 U5737 8.8 ZN |
| 38 | G17111481 | DISCO D.320 COMPL.MAGICA | DISK D.320 COMPLETE MAGICA | | | |
| 39 | G20970142 | RONDELLA 32X4X15,5 | WASHER 32X4X15-5 | RONDELLE 32X4X15-5 | UNTERLEGSSCHEIBE 32X4X15-5 | ARANDELA 32X4X15-5 |
| 40 | G17111490 | PERNO REGGIDISCO SEGN.MAGICA | ROWMARKER DISCHOLDER PIN | | | |
| 41 | G17111290 | MANICOTTO DISCO ZN | DISC SLEEVE U BOLT | MANCHON DISQUE | SCHEIBENMUFFE | MANGUITO DISCO |
| 42 | F20110860 | CAV.T.M10X 1,5X 30 46X128,5ZN | U BOLT.T.M10X1,5X30 46X L128,5 | CAVALIER M10X46 ZN | VERBINDUNG M10X46 ZN | PERNO EN U M10X46 ZN |
| 43 | G19204230 | SUPPORTO MANICOTTO TQ.50 | SLEEVE SUPPORT TQ.50 | | | |
| 44 | F02100312 | SPINA DI SICUREZZA D.8X45 ZN | SAFETY PIN D.8X45 ZN | FICHE EL.DE SECURITE D.8X45 ZN | SCHERSTIFT D.8X45 ZN | CLAVIJA DE SEGURIDAD D 8X45 ZN |
| 45 | F01410064 | ROS.M10 10,5X 20X 2 U6592 ZN > | WASHER M10 10,5X20X2 U6592 ZN | RONDEL. M10 10,5X20X2 U6592 ZN | SCHEIBE M10 10,5X20X2 U6592 ZN | ARANDEL.M10 10,5X20X2 U6592 ZN |
| 46 | F02100164 | SPINA E.P. 10X 50 U6873 C70 BR | PIN EL. 10X50 DIN 1481 * | GOUVILLE EL.10 X50 DIN 1481 | SPANNSTIFT 10X50 DIN 1481 | CLAVIJA EL.10 X50 DIN 1481 |
| 47 | F01020048 | VITE M6X1X75 U5737 8.8ZN | SCR. M6X1X75 U5737 8.8ZN | VIS M6X1X75 U5737 8.8ZN | SCHRAU. M6X 1X 75 U5737 8.8 ZN | TORNI. M6X1X75 U5737 8.8ZN |
| 48 | F01020168 | VITE M12X1,75X90 U5737 8.8ZN-> | SCR. M12X1,75X90 U5737 8.8ZN | VIS M12X1,75X90 U5737 8.8 ZN | SCHRAB.M12X1,75X90 5737 8.8 ZN | TORNIL.M12X1,75X90 5737 8.8 ZN |
| 49 | F01420084 | ROS.M14 14,5X 36X 3 U6593 ZN | GALVANIZED WASHER 14 X36 X3 | RONDELLE 14 X36 X3 ZN | UNTERLEGSSCHEIBE 14 X36 X3 ZN | ARANDELA 14 X36 X3 ZN |
| 50 | G18803070 | BOCCOLA 12,5X25X52 ZN | BUSHING 25X12,5X52 GALVA | BOITE 25X12,5X52 ZN | BsCHSE 25X12,5X52 ZN | CASQUILLO 25X12,5X52 ZN |
| 51 | G14212010 | CHIAVISTELLO PUNTELLO PIEGH.ZN | PROP LATCH ZN | | | |
| 52 | G15212811 | TUBO ESTERNO | OUTER TUBE | | | |
| 53 | F02200452 | SPINA SCATTO D.4,4 B/80 ZN > | SNAP PIN D4.4 B/80 ZN | FICHE A DETENTE D4.4 B/80 ZN | EINRASTSTIFT D4.4 B/80 ZN | CLAVIJA DE MUELLE D4,4 B/80 ZN |
| 54 | F01220048 | DADO M12X1,75 D980 8ZN | NUT M12X1,75 D980 8ZN | ECROU M12X1,75 D980 8 ZN | SCHEIBE M12X1,75 D980 8 ZN | TUERCA M12X1,75 D980 8 ZN |
| 55 | F01220011 | DADO M6X1 D980 8ZN > | NUT M6X1 D980 8ZN | ECROU M6X1 D980 8 ZN | MUTTER M6X1 D980 8 ZN | TUERCA M6X1 D980 8 ZN |
| 56 | G16311781 | SUPPORTO ROTAZ.TUBO SEGNAFILE | ROWMARKER TUBE ROTAT.SUPP. | | | |
| 57 | G22505037 | SCONTRO PIASTRAATTACCO MT | STRIKER PLATE ATT. MT | BUTEE PLAQUE FIXATION MT | KUPPLUNGSPLATTEN-ANSCHLAG MT | ELEMENTO DE EMPALME PLACA CONE |
| 58 | F01020238 | VITE M14X2X240 U5737 8.8BR | SCR. M14X2X240 U5737 8.8BR | VIS M 14 X240 5737 8.G | SCHRAUBE M 14 X240 5737 8.G | TORNILLO M 14 X240 5737 8.G |



IMPIANTO OLEODINAMICO SEGNAFILE

TAV. 56

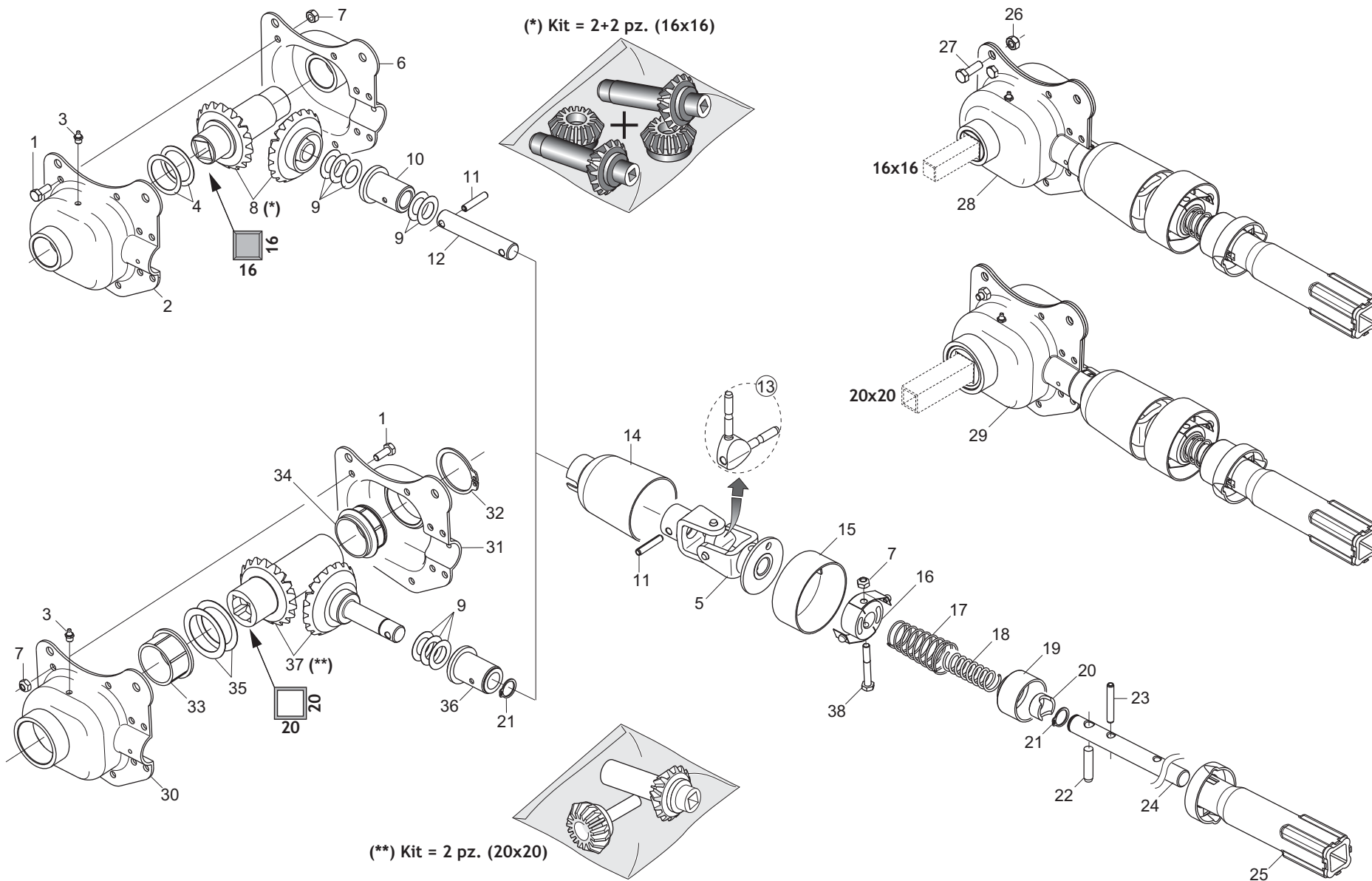
| Pos. | Cod. | Descrizione | Description | Description | Benennung | Descripcion |
|------|-----------|--------------------------------|--------------------------------|--------------------------------|--------------------------------|--------------------------------|
| 1 | G14217360 | MONT.CILINDRO SI-ST | ROWMARKER CYLINDER.D.30X40-155 | CYLINDRE TRACEUR 30X40-155 | ZYLINDER SPURREISSER.30X40-155 | CILINDRO MARC.FILAS 35X40-155 |
| 2 | F01500012 | RONDELLA IN RAME 1/4" | COPPER WASHER 13X19X1,5-1/4" | RONDELLE 13X19X1,5-1/4" | SCHEIBE 13X19X1,5-1/4" | ARANDELA 13X19X1,5-1/4" |
| 3 | F03150266 | NIPPLO MM CIL-CIL 1/4-1/4 ZN | NIPPLE GALV.CYL.MALE 1/4 ZN | NIPPLE MALE CYL. 1/4 ZN | NIPPELZYL.1/4 ZN | NIPLE MACHO CIL.1/4 ZN |
| 4 | G22270463 | TUB.TR.1/4R2 F-F 1/4 L1500 LM | TUBE TR.1/4R2 F-F1/4 L1500 LM | TUB.TR.1/4R2 F-F 1/4 L1500 LM | ROHR1/4R2 F-F 1/4 L1500 LM | TUB.TR.1/4R2 F-F 1/4 L1500 LM |
| 5 | F20110770 | CAV.Q.B=80 M=14X2 L=119 | U BOLT Q.B=80 M=14X2 L=119 | BRIDE U M14X2X50 96X119 ZN | ANSCHLANG U M14X2X50 96X119 ZN | EL.DE EMPALME M14X2X50 96X119 |
| 6 | F01200306 | DADO M14X2 U5588 6.8ZN | NUT M14X2 U5588 6.8ZN | ECROU M14X2 | MUTTER M14X2 | DADO M14X2 |
| 7 | G20970142 | RONDELLA 32X4X15,5 | WASHER 32X4X15-5 | RONDELLE 32X4X15-5 | UNTERLEGSCHIEBE 32X4X15-5 | ARANDELA 32X4X15-5 |
| 8 | G15412351 | SUPPORTO VALVOLA | VALVE SUPPORT | | | |
| 9 | F01020068 | VITE M8X1,25X40 U5737 8.8ZN | SCR. M8X1,25X40 U5737 8.8ZN | VIS M 8X1,25X40 U5737 8.8 ZN | SCHRA. M8X1,25X40 U5737 8.8 ZN | TORNIL.M8X1,25X40 U5737 8.8 ZN |
| 10 | F01200244 | DADO M8X1,25 U5588 6.8ZN | NUT M8X1,25 U5588 6.8ZN | ECROU M8 X1,25 U5588 6.8 ZN | MUTTER M8 X1,25 U5588 6.8 ZN | TUERCA M8 X1,25 U5588 6.8 ZN |
| 11 | G16013820 | VALVOLA SEGNAFILE COMPL | ROWMARKER VALVE ASSY. | SOUPAPE TRACEUR COMPL. | KOMPL. SPURREISSERVENTIL | V-LVULA MARC. DE FILAS COMPL |
| 12 | G16611051 | MONT.VALVOLA SEGNAFILE | ROWMARKER VALVE ASSY. | SOUPAPE TRACEUR COMPL. | KOMPL. SPURREISSERVENTIL | V-LVULA MARC. DE FILAS COMPL |
| 13 | G15210631 | TUBO 1/4R2 CF1/4- F1/4 3000 | PIPE 1/4R2 CF1/4- F1/4 3000 | TUBE 1/4R2 CF1/4- F1/4 3000 | ROHR 1/4R2 CF1/4- F1/4 3000 | TUBO 1/4R2 CF1/4- F1/4 3000 |
| 14 | F03150859 | CURVA 90°F.GIREV.1/4 - M.1/4 | ELBOW 90° F.SLEWING 1/4 -M.1/4 | COUDE 90° F.TOURN.1/4 - M.1/4 | KNIESTsCK 90 F.DREHB.1/4 - M. | CURVA 90 F.GIRAT.1/4 - M.1/4 |
| 15 | F05150325 | CAPPUC.F X INN.M RAP.1/2 ROSSO | COVER CONNECT F 1/2 RED | COUVERCLE CONNEXION F 1/2 ROSE | DECKEL W 1/2 SCHNELLKUPP. ROT | PAC PROTECCION F 1/2 ROJO |
| 16 | F03150211 | NIPPLO MM CIL-CIL 1/2-1/4 ZN | NIPLE MM CIL-CIL 1/4-1/2 ZN | NIPLE MM 1/4-1/2 ZN | NIPLE GG 1/4-1/2 ZN | NIPLE MM 1/4-1/2 ZN |
| 17 | F03151237 | ROS. 21 X27X1,5 RAME -1/2" | COPPER WASHER 21X27X1,5 1/2 | RONDELLE CUIVRE 21X27X1,5 1/2 | SCHEIBE KUPFER 21X27X1,5 1/2 | ARANDELA COBRE 21X27X1,5 1/2 |
| 18 | F03150935 | INNESTO RAP.MASCH.1/2 A VALV. | QUICK CONNECT MALE CONE 1/2 | CONNEXION RAPIDE MALE CONE 1/2 | SCHNELLKUPP.GEWINDE KONISC 1/2 | ACOPLAMIEN.RAP.MACHO CONO 1/2 |
| 19 | G13811211 | TUBO X COLLEG. AL TRATTORE | PIPE FOR CONNECTION TO TRACTOR | TUBE POUR CONN. AU TRACTEUR | ROHR F. KUPPLUNG AM SCHLEPPER | TUBO P/CONEXIN AL TRACTOR T |
| 20 | F03151226 | REGOL.DI FLUSSO VRF 1/4' GAS | 1/4' GAS VALVE VRF | SOUPAPE REG DEBIT VRF 1/4' GAZ | VENITL VRF 1/4' GAS | VæLVULA VRF 1/4' GAS |
| 21 | G16011690 | MONT.NIPPLO 1/4 GRANO F.1,0 | UPRIGHT 1/4" NIPPLE WITH GRUB | MONTANT NIPPLE 1/4 AVEC GRAIN | STZNDER NIPPEL 1/4 MIT STIFT 8 | MONT.NIPLE 1/4 TORNIL.SIN CABE |
| 22 | F03100191 | KIT GUARNIZ.CILINDRO 15413110 | CYLINDER SEAL KIT 15413110 | KIT GARNIT. CYLINDRE 15413110 | KIT ZYLINDERDICHTUNG 15413110 | KIT JUNTA CILINDRO 15413110 |
| 23 | G15210554 | TUBO 1/4R2 F1/4-CF1/4 2850 | TUBE 1/4R2 F1/4-CF1/4 2850 | | | |



DEPRESSORE

TAV. 65

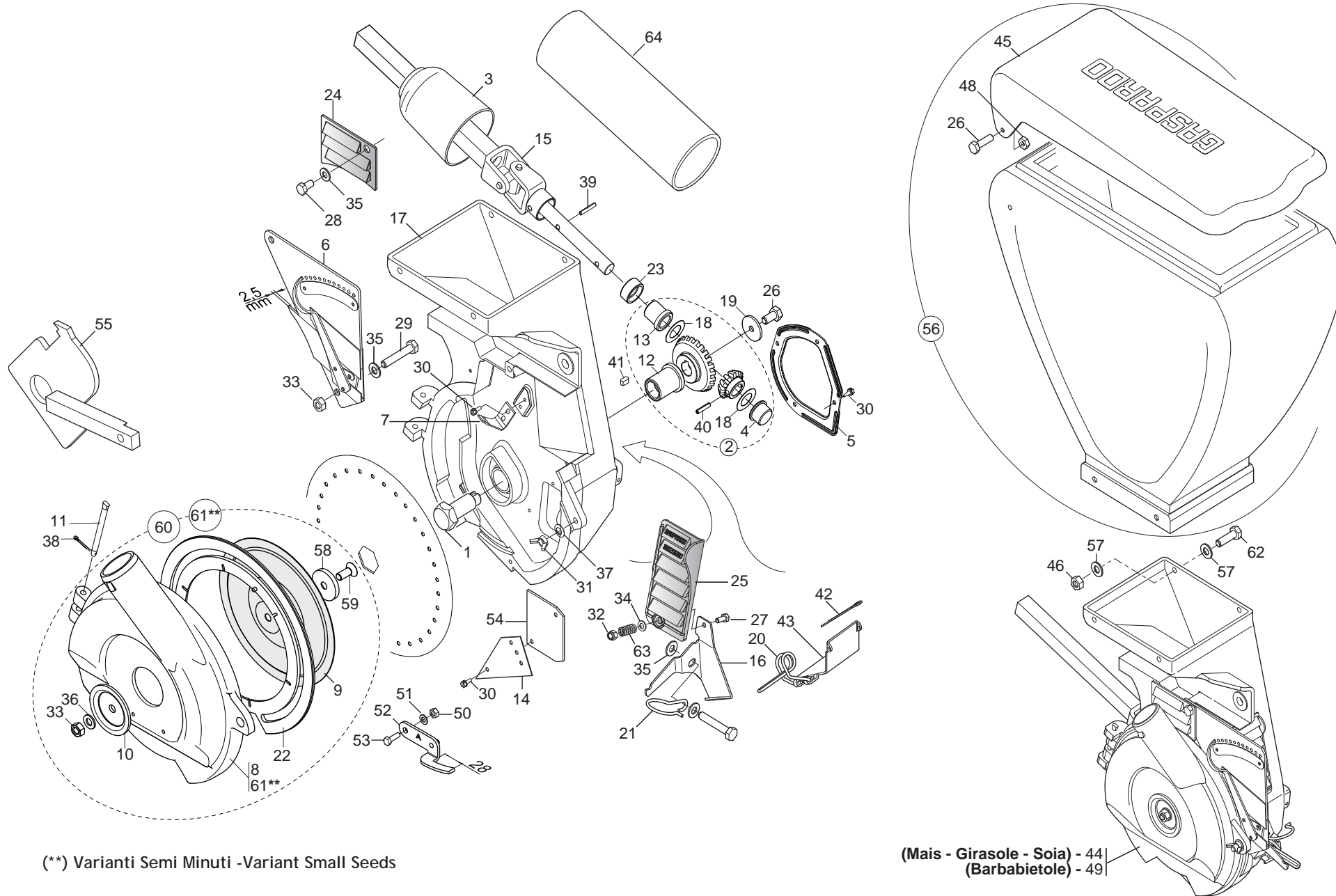
| Pos. | Cod. | Descrizione | Description | Description | Benennung | Descripcion |
|------|-----------|--------------------------------|--------------------------------|--------------------------------|---------------------------------|--------------------------------|
| 1 | F01020047 | VITE M6X1X70 U5737 8.8ZN | SCR. M6X1X70 U5737 8.8ZN | VIS 6 X70 5737 8.G ZN | SCHRAUBE 6 X70 5737 8.G ZN | TORNILLO 6 X70 5737 8.G ZN |
| 2 | F01430047 | ROS.M6 6,4X 11X0,7 U8842J ZN | WASHER D6 DIN 6798 D.INT.GALV. | RONDELLE D6 DIN 6798 D. INT. Z | UNT. SCHEIBE D6 DIN 6798 D. IN | ARANDELA D6 DIN 6798 D.INT.ZN |
| 3 | F01420036 | ROS.M6 6,4X 18X1,5 U6593 ZN | WASHER M6 6,4X 18X1,5 U6593 ZN | RONDELLE M6 6,4X18X1,5 U6593ZN | SCHREIBEN M6 6,4X18X1,5U6593 ZN | ARANDELA M6 6,4X18X1,5U6593ZN |
| 4 | F03150722 | TAPPO 700 M52X2 | M52 X 2 PLUG 700 | BOUCHON M52 X 2 | PFROPFEN M52 X 2 | TAPN M52 X 2 D |
| 5 | G19004480 | CONVOGLIATORE 12 USCITE | CONVEYOR 12 OUTLETS | CONVOYEUR 12 SORTIES | TRICHTER MIT 12 AUSG-NGEN | TRANSPORTADOR 12 SALIDAS |
| 6 | F01230143 | DADO M24X2 D982 8ZN | NUT M24X2 D982 8ZN | ECROU M24X2 D982 8 ZN | MUTTER M24X2 D982 8 ZN | TUERCA M24X2 D982 8 ZN |
| 7 | G13912060 | PIASTRINA DI TENUTA | STOP PLATE | PLAQUETTE DE TENUE | DICHTPLZTTCHEN | PLACA DE RETENCIN P |
| 8 | G13912050 | RONDELLA DI FERMO | STOP WASHER | RONDELLE DE BLOCAGE | FESTSTELLSCHIEBE | ARANDELLA DE BLOQUEO |
| 9 | G22230335 | INVOLUCRI DEPRESSORE | VACUUM PUMP CASINGS | ENVELOPPES DEPRESSEUR H | sLLEN VAKUUMPUMPE C | AJAS BOMBA VACO CA |
| 10 | F01020403 | VITE M6X1X16 U5739 8.8ZN | SCR. M6X1X16 U5739 8.8ZN | VIS M6X1X16 U5739 8.8 ZN | SCHRAUBE M6X1X16 U5739 8.8 ZN | TORNILLO M6X1X16 U5739 8.8 ZN |
| 11 | G22230015 | GIRANTE | ROTOR | | | |
| 12 | G15450500 | PROTEZIONE CINGHIA 1000 GIRI | BELT GUARD 1000 RPM | PROTECTION COURROIE 1000 TOURS | RIEMENSCHUTZ 1000 UMDR. | PROTECCIN CORREA 1000 REV. P |
| 13 | F01220011 | DADO M6X1 D980 8ZN | NUT M6X1 D980 8ZN | ECROU M6X1 D980 8 ZN | MUTTER M6X1 D980 8 ZN | TUERCA M6X1 D980 8 ZN |
| 14 | F02050112 | ANELLO E. DE 30X 1,5 U7435 C70 | SEEGER RING 30X 1,5 U7435 C70 | SEEGER E. 30 X 1,5 U7435 C70 | SEEGERING E. 30X 1,5 U7435 C70 | ANILLO E. 30 X 1,5 U7435 C70 |
| 15 | F02050403 | ANELLO E. DI 72X 2,5 U7437 C70 | SEEGER RING E.72X2,5 U7437 C70 | SEEGER E. 72X 2,5 U7437 C70 | SEEGERING E. 72X 2,5 U7437 C70 | ANILLO E. 72X 2,5 U7437 C70 |
| 16 | F04010215 | CUSC.D30 D72 B19 6306 2RSC3 EX | BEARING D30 D72 B19 6306 2RSC3 | PALIER 6306 2RS C3 | LAGER 6306 2RS C3 | COJINETE 6306 2RS C3 |
| 17 | G22230010 | DISTANZIALE CUSCINETTI | BEARING SPACER | ENTRETOISE PALIERS | DISTANZSTsCK LAGER | DISTANCIADOR COJINETES |
| 18 | F01020476 | VITE M10X1,5X30 U5739 8.8ZN | SCR. M10X1,5X30 U5739 8.8ZN | VIS M10X1,5X30 U5739 8.8 ZN | SCHRAUBE M10X1,5X30U5739 8.8ZN | TORNIL.M10X1,5X30 U5739 8.8 ZN |
| 19 | G15850200 | INCASTELLATURA DEPRESSORE | DIFFUSION AIR PUMP FRAME | B-TI POMPE A D+PRESSION | GESTELL VAKUUMPUMPE | ARMAZÉN BOMBA VAC-O |
| 20 | G22270134 | SUPPORTO VACUOMETRO SP | VACUUM METER SUPPORT SP | SUPPORT VACUOMETRE SP | HALTERUNG VAKUUMMETER SP | SOPORTE VACUMETRO SP S |
| 21 | G15450061 | SUPPORTO SX | LEFT SUPPORT | | | |
| 22 | F01430023 | ROS.M10 10,5X 18X0,9 U8842J ZN | WASHER D10 DIN 6798 D.INT.ZN | RONDELLE D10 DIN 6798 D. INT. | UNT. SCHEIBE D10 DIN 6798 D.IN | ARANDELA D10 DIN 6798 D.INT.ZN |
| 23 | F01200270 | DADO M10X1,5 U5588 6.8ZN | NUT M10X1,5 U5588 6.8ZN | NUT M10X1,5 U5588 6.8 ZN | MUTTER M10X 1,5 U5588 6.8 ZN | TUERCA M10X 1,5 U5588 6.8 ZN |
| 24 | G22270369 | P.DI P.CON CODOLO | POWER TAKE-OFF- W/ SPIGOT | PRISE DE FORCE AVEC CONE | KRAFTABTRIEB MIT ENDSTsCK | TOMA DE FUERZA CON MANGO |
| 25 | G22230012 | PULEGGIA MOTRICE | DRIVING PULLEY 540 | POULIE MOTRICE 540T | ANTRIEBSSCHIEBE 540 | POLEA MOTRIZ 540 |
| 26 | G20970035 | RONDELLA 32X4X13 | WASHER 32X4X13 | RONDELLE 32X4X13 | UNTERLEGSCHIEBE 32X4X13 | ARANDELA 32X4X13 |
| 27 | F01200293 | DADO M12X1,75 U5588 6.8ZN | NUT M12X1,75 U5588 6.8ZN | ECROU M12X1,75 U5588 6.8 ZN | MUTTER M12X1,75 U5588 6.8 ZN | TUERCA M12X1,75 U5588 6.8 ZN |
| 28 | F06010160 | CINGHIA POLY V 1287 J-16 GOLE | BELT POLY V 1287 J-16 CU GAT | COURROIE POLY V 1287 J-16 GOR | | BANDA POLY V 1287 J-16 GOLE |
| 29 | F05150479 | ROND.APPOGGIO MANOMETRI SV | PRESSURE GAUGE REST WASHER | ROND. LOGEMENT MANOMETRES SV | STsTZSCHIEBE MANOMETER SV | ARAND. SOPORTE MANOMETROS SV |
| 30 | G22250274 | COLLEGAMENTO MANOMETRI SP-SV | PRESSURE GAUGE CONNECT. SP-SV | RACCORD MANOMETRES SP-SV | VERBINDUNG MANOMETER SP-SV | CONEXIN MANMETROS SP-SV LE |
| 31 | G15450342 | PROTEZ.CINGHIA DEPRES.COMPLETO | DEPRES.COMPL.PROTECTION BELT | | | |
| 32 | F03151288 | VACUOM.0-100 MBAR C.SM.INC.D80 | VACUUM METER 0-100 MBAR C.SMOR | VACUOMETRE 0-100 MBARS A/SUPPO | VAKUUMMETER 0-100 MBAR M. DZMP | VACUM. 0-100 MBAR C.ATEN.INC.V |
| 33 | G19002131 | PROTEZIONE P.D.P. | PDP GUARD | | | |
| 34 | F01200306 | DADO M14X2 U5588 6.8ZN | NUT M14X2 U5588 6.8ZN | ECROU M14X2 | MUTTER M14X2 | DADO M14X2 |
| 35 | F20110770 | CAV.Q.B=80 M=14X2 L=119 | U BOLT Q.B=80 M=14X2 L=119 | BRIDE U M14X2X50 96X119 ZN | ANSCHLANG U M14X2X50 96X119 ZN | EL.DE EMPALME M14X2X50 96X119 |
| 36 | G20970142 | RONDELLA 32X4X15,5 | WASHER 32X4X15-5 | RONDELLE 32X4X15-5 | UNTERLEGSCHIEBE 32X4X15-5 | ARANDELA 32X4X15-5 |
| 37 | G15450390 | PULEGGIA CONDOTTA | DRIVEN PULLEY D.28 | POULIE ENTRAINEE D. 28 | GETRIEBENE SCHIEBE D.28 | POLEA CONDUCIDA D.28 |
| 38 | F03151200 | RACCORDO 90° C5 1/8" 6/8 | UNION 90° C5 1/8" 6/8 | RACCORD 90° C5 1/8" 6/8 | ANSCHLUSSTsCK 90° C5 1/8" 6/8 | UNION 90° C5 1/8" 6/8 |
| 39 | G15450270 | VITE 10X130 8.8 FIL.60 ZN | GALVANIZ. BOLT 10X130 8.8 FIL | VIS 10X130 8.8 FIL.60 ZN | SCHRAUBE 10X130 8.8 GEW.60 ZN | TORNILLO 10X130 8.8 FIL.60 ZN |
| 40 | F13070005 | TUBO POLIURETAN 8-6 NERO | POLIURETHAN PIPE 8-6 BLACK | | | |
| 41 | G22230014 | DISTANZIALE | SPACER | ENTRETOISE | DISTANZSTsCK | DISTANCIADOR |
| 42 | G15450091 | SUPPORTO PULEGGIA CONDOTTA | DRIVEN PULLEY SUPPORT | SUPPORT POULIE ENTRAINEE | HALTERUNG GETRIEBENE RIEMENSCH | SOPORTE POLEA CONDUCIDA |
| 43 | G15450051 | SUPPORTO DX | RIGHT SUPPORT | | | |
| 44 | F01020472 | VITE M10X1,5X25 U5739 8.8ZN | SCR. M10X1,5X25 U5739 8.8ZN | VIS M10X1,5X25 U5739 8.8 ZN | SCHRAUBE M10X1,5X25 U5739 8.8 | TORNILLO 10X25 U5739 8.8 ZN |
| 45 | G15450280 | PROTEZIONE DEPRESSORE | VACUUM PUMP PROTECTION | PROTECTION DEPRESSEUR | SCHUTZ VAKUUMPUMPE | PROTECCIN BOMBA DE VACO PR |
| 46 | F03100506 | TUBO EOLO PU D.45 | TUBE EOLO PU D.45 | TUBE EOLO PU D.45 | | |
| 47 | G22270093 | VACUOMETRO COMPL. SP LM | VACUUM METER ASSY. SP LM | VACUOMETRE COMPL. SP LM | KOMPL. VAKUUMMETER SP LM | VACUMETRO COMPL. SP LM V |
| 48 | F01020050 | VITE M6X1X80 U5737 8.8ZN | SCR. M6X1X80 U5737 8.8ZN | VIS 6 X80 5737 8.G ZN | SCHRAUBE 6 X80 5737 8.G ZN | TORNILLO 6 X80 5737 8.G ZN |
| 49 | F05150058 | FASCETTA POLYA. 7,8X550 NERA | POLYAM.CLAMP 7,8X550 BLACK | COLLIER DE SERRAGE 7,8X550NOIR | ROHRSCHELLE 7,8X550 SCHWARZ | ABRAZADERA APRET. 7,8X550 NEGR |
| 50 | G10150291 | GRIGLIA PROTEZIONE ZN | AIR PUMP PROTECT. GRID | GRILLE DE PROTECT.DISP. DEPRES | SCHUTZGITTER VAKUUMPUMPE | REJILLA DE PROTECCIN BOMBA VAG |
| 51 | F08011711 | CARD.B1 Z6-Z6 L700 | PTO SHAFT B1 Z6-Z6 L700 | | | |
| 52 | F05050020 | TAPPO SALVAFILETTO D.39 | CONVEYOR PLUG D.39 | BOUCHON PROTEGE-FILET D. 39 | GEWINDESCHUTZPFROPFEN D.39 | TAPN GUARDARROSCA D.39 D |
| 53 | F13010028 | RACC.SUPERAPIDO DRITTO 1/8G-8 | SUPERAP.RIGHT JUNCTION 1/8G-8 | | | |
| 54 | F06010161 | CINGHIA POLY V 1016 J-16 GOLE | BELT- POLY V 1016 J-16 GOLE | COURROIE POLY-V 1016 J-16 GORG | RIEMEN POLY-V 1016 J-16 RILLEN | CORREA POLY-V 1016 J-16 GARGA |
| 55 | G15450310 | PULEGGIA MOTRICE 1000 GIRI | DRIVING PULLEY 1000 REVS | POULIE MOTRICE 1000T | ANTRIEBSSCHIEBE 1000 UMDREHUNG | POLEA MOTRIZ 1000 REVOLUCIONES |
| 56 | F03151356 | VETRO VACUOM.0-100 MBAR D80 | VACUOM. GLASS 0-100 MBAR D80 | | | |
| 57 | G19005570 | CUFFIA PROTEZIONE PTO | PROTECTION CAP PTO | | | |
| 58 | F02300025 | FASCETTA STRING. 90/110 H.12 | HOSE CLAMP 90/110 H.12 | | | |
| 59 | G18903850 | MOLLA SPEC.ZN GUIDA 2 TUBI DEP | GUIDE SPRING 2 PIPE DEPRESS. | | | |
| 60 | G18903860 | MOLLA GUIDA 3 TUBI ZN | GUIDE SPRING 3 PIPE ZN | | | |
| 61 | F02300020 | FASCETTA STRING. 32/50 H.9 | HOSE CLAMP 32/50 H.9 | | | |
| 62 | F03100500 | TUBO EOLO 35 PU | TUBE EOLO 35 PU | TUBE EOLO 35 PU | | TUBO EOLO |
| 63 | F03100506 | TUBO EOLO PU D.45 | TUBE EOLO PU D.45 | TUBE EOLO PU D.45 | | |
| 64 | G15276370 | CONVOGLIATORE SOFF.2+2U 35-45 | CONVEYOR BLOWER 2+2 OUT 35-45 | | | |



SCATOLA DI RINVIO ELEMENTO

TAV. 73

| Pos. | Cod. | Descrizione | Description | Description | Benennung | Descripcion |
|------|-----------|--------------------------------|-------------------------------|--------------------------------|--------------------------------|--------------------------------|
| 1 | F01020403 | VITE M6X1X16 U5739 8.8ZN | SCR. M6X1X16 U5739 8.8ZN | VIS M6X1X16U5739 8.8 ZN | SCHRAUBE M6X1X16 U5739 8.8 ZN | TORNILLO M6X1X16 U5739 8.8 ZN |
| 2 | G22220103 | CONCHIGLIA SX | LEFT SHELL | | | |
| 3 | F01100011 | ING.M 6X1 7663-A 9SMNPB28 ZN | GREASE NIPPLE M6X1 7663-A ZN | GRAISS. A BILLE M6X1 7663A ZN | SCHMIERBUECHE M6X1 7663-A ZN | ENGRAS. DE ESFE. M6X1 7663-AZN |
| 4 | G18700510 | RONDELLA 31 X40 X0,6 ZN | GROWER 32 X 40 X 0,6 ZN | | | |
| 5 | G22270453 | SNODO AVVISATORE SP/S | SIGNALLER ARTICULATION SP/S | ARTICULATION SIGNALISATION SP/ | HUPGELENK SP/S | ARTICULACIN AVISADOR SP/S A |
| 6 | G22220102 | CONCHIGLIA DX | RIGHT SHELL | COQUILLE DRT. | SCHALE RECHTS | MOLDE DER. |
| 7 | F01220011 | DADO M6X1 D980 8ZN | NUT M6X1 D980 8ZN | ECROU M6X1 D980 8 ZN | MUTTER M6X1 D980 8 ZN | TUERCA M6X1 D980 8 ZN |
| 8 | G22270389 | 2+2 INGR.SCATOLA DI RINVIO > | 2+2 INTERM. TRANSM. GEAR BOX | COUPLE CON RENV ANGLE (2+2) | 2+2 ZAHNRZDER VORGELEGEGEHZUSE | 2+2 ENGRANAJES CAJA DE LA TRAN |
| 9 | G22220073 | RONDELLA 28X0,3X16,5 | WASHER 28X0-3X16-5 | RONDELLE 28X0-3X16-5 | UNTERLEGSSCHEIBE 28X0-3X16-5 | ARANDELA 28X0-3X16-5 |
| 10 | G66349001 | BOCCOLA | BUSHING | BOITE | B_CHSE | CASQUILLO |
| 11 | F02100113 | SPINA E.P. 6X 30 U6873 C70 ZN | PIN EL. 6X30 DIN 1481 ZN * | GOUPILLE EL.6 X30 DIN1481ZN* | SPANNSTIFT 6 X30 DIN 1481 ZN | CLAVIJA EL.6 X30 DIN 1481 ZN |
| 12 | G22270452 | ALBERO SCATOLA RINVIO SP/S | INTERMEDIATE BOX SHAFT | ARBRE TRANSMISSION SP/S | WELLE VORGELEGEGEHZUSE SP/S | æRBOL CAJA DE TRANSMISIN SP/SA |
| 13 | G22270454 | KIT CROCIERA 2 PEZZI | KIT SPIDER 2 ITEMS | CROSILLON COMPL CARDAN TRANSM | GELENKKREUZ KOMPL. SP/S | CRUCETA COMPL. SP/S |
| 14 | G19002840 | COPRICARDANO SUPERIORE | TOP CARDAN JOINT COVER | COUVRE-CARDAN SUPERIEUR | OBERE KARDANABDECKUNG | CUBRECARDæN SUPERIOR |
| 15 | G22220071 | AVVISATORE ACUSTICO | HOOTER | SIGNALISATION ACOUSTIQUE | HUPE | INDICADOR ACSTICO A |
| 16 | G22220155 | ELEM.TENUTAMOLLE COMP. | SPRING SEAL ELEMENT ASSY. | ELEMENT D'ETANCHEITE RESSORTS | DICHTUNGSELEMENT FEDERN KOMP. | ELEM. RESISTENCIA MUELLES COMP |
| 17 | G65338039 | MOLLA COMP.ZN INNESTO SP | ZN COUPLING COMP. SPRING SP | RESSORT COMPL. ZN ACCOUPLEM. | DRUCKFEDER ZN KUPPLUNG SP | MUELLE COMP.ZN ACOPLAMIENTO SP |
| 18 | G65338018 | MOLLA COMP.ZN SCATOLA RINV.SP | TRANSM. BOX COMP. SPRING . SP | RESSORT COMPL. ZN TRANSMISSION | DRUCKFEDER ZN VORGELEGEGEHZUSE | MUELLE COMP.ZN CAJA TRANSFER.. |
| 19 | G66248102 | ANELLO SICUREZZA SP | SAFETY RING | BAGUE SECURITE SP | SICHERHEITSRING SP | ANILLO DE SEGURIDAD SP |
| 20 | G22220105 | BOCCOLA DI SPINTA | THRUST BUSHING | BOITE DE POUSSEE | SCHUBBSCHSE | CASQUILLO DE APRIETE |
| 21 | F02050045 | ANELLO E. DE 16X 1 U7435 C70 | SEEGER RING 16X 1 U7435 C70 | BAGUE SEEGER 16 X 1 U7435 C70 | SEEGERING 16 X 1 U7435 C70 | ANILLO 16X 1 U7435 C70 |
| 22 | G66248057 | SPINA DI SICUREZZA SP | SAFETY PIN SP | BROCHE PLASTIC SECURITE CARDAN | SICHERHEITSSTIFT SP | CLAVIJA DE SEGURIDAD SP |
| 23 | F02100121 | SPINA E.P. 6X 40 U6873 C70 BR | ELASTIC PIN 6X40 | GOUJON ELASTIQUE 6X40 | SPANNHUELSE 6X40 | PASADOR 6X40 |
| 24 | G15421850 | ASSE AVVISATORE | WARNING SPINDLE | AXE AVERTISSEUR | ACHSE SIGNALHUPE | EJE INDICADOR |
| 25 | G15421830 | ASS.INNESTO RINVIO SP | COUPLING | ACCOUPLLEMENT | KUPPLUNG | ACOPLAMIENTO |
| 26 | F01220022 | DADO M8X1,25 D980 8ZN | NUT M8X1,25 D980 8ZN | ECROU M8X 1,25 D980 8 ZN | MUTTER M8X 1,25 D980 8 ZN | TUERCA M8X 1,25 D980 8 ZN |
| 27 | F01020440 | VITE M8X1,25X25 U5739 8.8ZN | SCR. M8X1,25X25 U5739 8.8ZN | VIS M8X1,25X25 U5739 8.8 ZN | SCHRAUBE M8X1,25X25U5739 8.8ZN | TORNIL.M8X1,25X25 U5739 8.8 ZN |
| 28 | G16621060 | MONT.SCATOLA RINVIO Q.16 EL.SP | ASSEMBLED GEAR BOX Q.16 SP | | | |
| 29 | G16620932 | SCATOLA RINVIO Q.20 EL.SP COMP | TRANS.BOX Q.20 EL.SP ASS.BLY | | | |
| 30 | G22505069 | CONCHIGLIA SX | LEFT SHELL | COQUILLE GCH. | SCHALE LINKS | MOLDE IZQ. |
| 31 | G16620880 | ASS.CONCHIGLIA DX | RIGHT SHELL ASS.BLY | | | |
| 32 | F02050179 | ANELLO E. DE 42X1,75 U7435 | COMPRESSION RING D.42 | ANNEAU RESSORT D.42 | RING D.42 | ANILLO D.42 |
| 33 | G19006590 | BOCCOLA INT.SCATOLA RINVIO | INT.BUSHING FOR TRANS.CASE | | | |
| 34 | G19006580 | BOCCOLA EST.SCATOLA RINVIO | EXT.BUSHING FOR TRANS.CASE | | | |
| 35 | G20970141 | RONDELLA 50X37X0,6 | WASHER 50X37X0-6 | RONDELLE 50X37X0-6 | UNTERLEGSSCHEIBE 50X37X0-6 | ARANDELA 50X37X0-6 |
| 36 | G17120550 | MONT.BOCC.SINTERIZ. 18X26L42 > | SINTER.BUSHING 18X26L42 ASSY | | | |
| 37 | G16621250 | KIT INGR.RINVIO ACC. Q.20(1+1) | GEARS Q.20(1+1) | | | KIT ENGRANAJES Q20 (1+1) |
| 38 | F01020041 | VITE M6X1X45 U5737 8.8ZN | SCR. M6X1X45 U5737 8.8ZN | VIS 6 X45 5737 8.G ZN | SCHRAUBE 6 X45 5737 8.G ZN | TORNILLO 6 X45 5737 8.G ZN |



(**) Varianti Semi Minuti -Variant Small Seeds

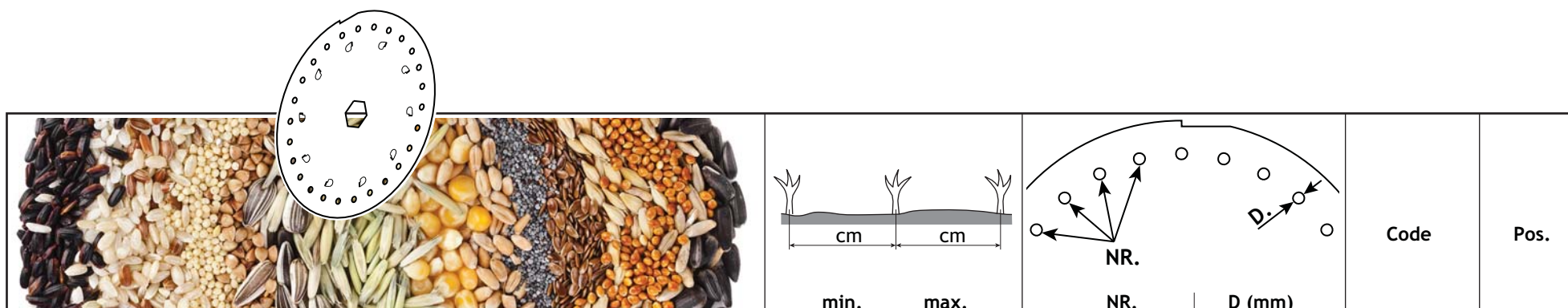
(Mais - Girasole - Soia) - 44
(Barbabietole) - 49

DISTRIBUTORE SEMI

TAV. 87

| Pos. | Cod. | Descrizione | Description | Description | Benennung | Descrpcion |
|------|-----------|--------------------------------|--------------------------------|--------------------------------|---------------------------------|--------------------------------|
| 1 | G22230046 | ASSE TRASMISSIONE DISCO | DISC GEAR AXLE | AXE ENTRAINEMENT DISQUE | ACHSE SCHEIBENANTRIEB | EJE TRANSMISIN DISCO A |
| 2 | G22270390 | KIT COPPIA CONICA DISTRIB.SEMI | KIT- SEED DISTR. CONICAL PAIR | COUPLE CON DISTR GRAINES (2+2) | KIT KEGELTRIEB SAMEN SZAPPARAT | SET PAR CONICO DISTRIB. SEMILL |
| 3 | G66248094 | COPRICARDANO SP | UNIVERSAL JOINT COVER SP | COUVRE-CARDAN SP | KARDANABDECKUNG SP | CUBRECARDAN SP |
| 4 | G66349008 | BOCCOLA | BUSHING | BOITE | BsCHSE | CASQUILLO |
| 5 | G22230035 | COPERCHIO SCATOLA INGRAN. | GEARWHEEL BOX COVER | COUVERCLE BOITE ENGRENAGE | DECKEL ZAHNRZDERGEHZUSE | TAPA CAJA ENGRAN. |
| 6 | G22230040 | SELETTORE MOBILE COMPLETO | MOBILE SELECTOR ASSY. | SELECTEUR MOBILE COMPL. | KOMPL. BEWEGLICHER WZHLER | SELECTOR MVIL COMPLETO S |
| 7 | G22230041 | SELETTORE FISSO | SELECTOR FIXED | SELECTEUR FIXE | FESTER WZHLER | SELECTOR FIJO |
| 8 | G22270205 | COPERCHIO MAGG.DISTRIB.SEME | INCREASED SEED DISTRIB. COVER | COUVERC. MAJOR.DISTRIB. GRAINE | sBERBEM. DECKEL SAMENSZAPPARAT | TAPA SOBREDIMENS. DISTRIB. SEM |
| 9 | G22230037 | TENUTA GUARNIZIONE | SEAL | BLOQUAGE GARNITURE | DICHTUNG | JUNTA ESTANCA |
| 10 | G16620470 | TAPPO CENTRALE H=7,5 | CENTRAL PLUG H=7.5 | BOUCHON CENTRAL H=7,5 | ZENTRALER PFROPFEN H=7,5 | TAPÉN CENTRAL H=7,5 |
| 11 | G22230039 | PERNO COPERCHIO | COVER PIN | PIVOT COUVERCLE | DECKELZAPFEN | PERNO TAPA |
| 12 | G66349002 | BOCCOLA SINT.BASSOFONDO | BUSHING- SINTERED | BOITE FRITTEE | SYNTH. B_CHSE | CASQUILLO SINT. |
| 13 | G22270071 | BOCCOLA COLL.SINTER.20X24 | 20X24 SINTERED COLLARED BUSH | BOITE COLLIER FRITTEE 20X24 | ANSCHLUSSBUCHSE SINTER.20X24 | CASQUILLO CONEX. SINTER.20X24 |
| 14 | G22270204 | PIASTRA ANTI TRABOCC.SEMI SP | SEED ANTI-OVERFLOW PLATE SP | PLAQUE ANTI-DEBORD.T GRAINES S | SAMENSBERLAUFPLATTE SP | PLACA ANTI DESBORDAMIENTO SEMI |
| 15 | G15421141 | ASSE PORTA PIGNONE COMPL. | COMPL. PINION HOLDER SPINDLE | AXE PORTE PIGNON COMPL. | RITZELTRZGERACHSE KOMPLETT | EJE PORTAPIGN COMPLETO A |
| 16 | G15421151 | FERMO MOLLA FALCIONE | CUTTER SPRING STOP | ARRET RESSORT HACHOIR | FESTSTELLVOR. FEDER FUTTERSCHN | BLOQUEO MUELLE GUADAADORA |
| 17 | G16620120 | CORPO DI DISTRIBUZIONE SP540 | DISTRIBUTION ASSEMBLY SP540 | CORPS DE DISTRIBUTION SP540 | STREUBEH-LTER SP540 | CUERPO DISTRIBUCIÉN SP540 |
| 18 | G22220073 | RONDELLA 28X0,3X16,5 | WASHER 28X0-3X16-5 | RONDELLE 28X0-3X16-5 | UNTERLEGSCHSHEIBE 28X0-3X16-5 | ARANDELA 28X0-3X16-5 |
| 19 | F01420037 | ROS.M6 6,4X 24X1,5 U6593 ZN | WASHER M6 6,4X24X1,5 U6593 ZN | | | |
| 20 | G18902951 | MOLLA SPEC.ZN SCARICO | SPEC SPRING ZN DISCHARGE | RESSORT TRAPPE VIDANGE | SPEZIALFEDER ZN ENTLADUNG | MUELLE ESPEC. ZN DESCARGA |
| 21 | G18903180 | MOLLA CONVOGLIATORE MICRO | MICRO CONVEYOR SPRING | RESSORT CONVOYEUR MICRO | FEDER MIKRO FTRDERER | MUELLE CONDUCTOR MICRO |
| 22 | G66248068 | GUARNIZIONE COPERCH.DISTR. SP | DISTRIBUTION COVER AIR SEAL SP | JOINT ETANCH PORTE SP520/540 | DICHTUNG SZAPPARATDECKEL SP | JUNTA TAPA DISTR. SP |
| 23 | G66248219 | ANELLO PARAPOLVERE SP-520 | DUST COVER RING | BAGUE PARE-POUSSIERE SP-520 | STAUBSCHUTZRING SP-520 | ANILLO GUARDAPOLVO SP-520 |
| 24 | G16620540 | PORTA DI PROTEZIONE | SAFETY HATCH | PORTE DE PROTECTION | SCHUTZFNUNG | PUERTA DE PROTECCIÉN |
| 25 | G16620530 | PORTA DI CONTROLLO | INSPECTION DOOR | PORTE CONTROLE | KONTROLLTSr | PUERTA DE CONTROL |
| 26 | F01020403 | VITE M6X1X16 U5739 8.8ZN | SCR. M6X1X16 U5739 8.8ZN | VIS M6X1X16U5739 8.8 ZN | SCHRAUBE M6X1X16 U5739 8.8 ZN | TORNILLO M6X1X16 U5739 8.8 ZN |
| 27 | F01020382 | VITE M5X0,8X25 U5739 8.8ZN | SCR. M5X0,8X25 U5739 8.8ZN | VIS 5 X25 5739 8.G ZN | SCHRAUBE 5 X25 5739 8.G ZN | TORNILLO 5 X25 5739 8.G ZN |
| 28 | F01020432 | VITE M8X1,25X16 U5739 8.8ZN | SCR. M8X1,25X16 U5739 8.8ZN | VIS M8 X1,25X16 U5739 8.8 ZN | SCHRAUBE M8X1,25X16U5739 8.8ZN | TORNILLO M8X1,25X16U5739 8.8ZN |
| 29 | F01020451 | VITE M8X1,25X45 U5739 8.8ZN | SCR. M8X1,25X45 U5739 8.8ZN | VIS M8X1,25X45 U5739 8.8ZN | SCHRA.M8X1,25X45U5739 8.8ZN | TORN. M8X1,25X45U5739 8.8ZN |
| 30 | F01070011 | VITE A4,2X1,41X9,5 U6950 4.8NI | SCR. H4,2X1,41X9,5 U6950 4.8NI | VIS AUTOTAR. 4-2X9-5 T. E. COU | SELBSTSCHNEID. SCHRAUBE 4-2X9-5 | TORNILLO AUTORROSC. 4-2X9-5 |
| 31 | F01240024 | DADO M8X1,25 U5448 5.8ZN | NUT M8X1,25 U5448 5.8ZN | ECROU 8 UNI 5448 5.8 ZN | MUTTER 8 UNI 5448 5.8 ZN | TUERCA 8 UNI 5448 5.8 ZN |
| 32 | F01230019 | DADO M5X0,8 D982 8ZN | NUT M5X0,8 D982 8ZN | ECROU AUTOB.NOR.5 ZN | SELBSTSP. MUTTER NOR.5 ZN | TUERCA AUTOB. NOR. 5 ZN |
| 33 | F01200244 | DADO M8X1,25 U5588 6.8ZN | NUT M8X1,25 U5588 6.8ZN | ECROU M8 X1,25 U5588 6.8 ZN | MUTTER M8 X1,25 U5588 6.8 ZN | TUERCA M8 X1,25 U5588 6.8 ZN |
| 34 | F01410023 | ROS.M5 5,3X 10X 1 U6592 ZN | WASHER M5 5,3X 10X 1 U6592 | | | |
| 35 | F01410051 | ROS.M8 8,4X 17X1,6 U6592 ZN | WASHER M8 8,4X17X1,6 U6592 ZN | RONDELLE M8 8,4X17X1,6 U6592ZN | SCHSIBE M8 8,4X17X1,6 U6592 ZN | ARANDELA M8 8,4X17X1,6 U6592ZN |
| 36 | F01430059 | ROS.M8 8,4X 15X0,8 U8842J ZN | WASHER M8 8,4X15X0,8 U8842J ZN | ROND. M8 8,4X 15X0,8 U8842J ZN | SCHSIBE M8 8,4X15X0,8 U8842JZN | ARAND. M8 8,4X15X0,8 U8842J ZN |
| 37 | F01460115 | ROS.OND. 8,4X 15X0,5 BR D137A | WASHER D8 DIN 137/A | RONDELLE D8 DIN 137/A | UNTERLEGSCHSHEIBE D8 DIN 137/A | ARANDELA D8 DIN 137/A |
| 38 | F02200137 | COPIGLIA 2X 15 U1336 IX | SPLIT PIN 2 X15 1336 GALVAN. | GOUPILE 2 X15 1336 ZN | SPLINT 2 X15 1336 ZN | PASADOR 2 X15 1336 ZN |
| 39 | F02100079 | SPINA E.P. 5X 20 U6873 C70 BR | PIN EL. 5X 20 U6873 C70 BR | FICHE EL. 5 X24 DIN 1481 | SPANNSTIFT 5 X24 DIN 1481 | CLAVIJA EL.5 X24 DIN 1481 |
| 40 | F02100083 | SPINA E.P. 5X 24 U6873 C70 BR | PIN EL. 5 X24 DIN 1481 | | | |
| 41 | F02150012 | LINGUETTA 5X 5X 10 U6604A | PARALLEL KEY 5X 5X 10 U6604A | | | |
| 42 | F02200200 | COPIGLIA 4X 70 U1336 ZN | SPLIT PIN 4 X70 1336 GALVAN. | GOUPILE 4 X70 1336 ZN | SPLINT 4 X70 1336 ZN | PASADOR 4 X70 1336 ZN |
| 43 | G15421870 | PORTA DI SCARICO DISTRIBUTORE | DISTRIBUTOR DISCHARGE DOOR | PORTE DE DECHARGEMENT DISTRIB. | ENTLADUNGSTSR SZAPPARAT | PUERTA DESCARGA DISTRIBUIDOR |
| 44 | G16620101 | CORPO DISTRIBUTORE COMPL.SP540 | COMPL.DISTRIBUTOR BODY SP540 | CORPS DISTRIBUTEUR COMPL.SP540 | STREUERKIRPER, KOMPL.SP540 | CUERPO DISTRIBUIDOR COMPL.SP54 |
| 45 | G19002750 | COPERCHIO SERBATOIO SEME 530 | SEED TANK COVER 530 | COUVERCLE RES GRAINES 530-MT | SAMENBEHZLTERDECKEL 530 | TAPA DEPSTO SEMILLA 530 A |
| 46 | F01220011 | DADO M6X1 D980 8ZN | NUT M6X1 D980 8ZN | ECROU M6X1 D980 8 ZN | MUTTER M6X1 D980 8 ZN | TUERCA M6X1 D980 8 ZN |
| 48 | F01200232 | DADO M6X1 U5588 6.8ZN | NUT M6X1 U5588 6.8ZN | ECROU 6 UNI 5588 6.8 ZN | MUTTER 6 UNI 5588 6.8 ZN | TUERCA 6 UNI 5588 6.8 ZN |
| 49 | G16620061 | CORPO DISTRIBUZIONE BIETOLE | BEEET DISTRIBUTION ASSEMBLY | CORPS DISTRIBUTION BETTERAVES | STREUBEH-LTER R_BEN | CUERPO DISTRIBUCIÉN REMOLACHAS |
| 50 | F01200220 | DADO M5X0,8 U5588 6.8ZN | NUT M5X0,8 U5588 6.8ZN | ECROU 5 UNI 5588 6.8 ZN | MUTTER 5 UNI 5588 6.8 ZN | TUERCA 5 UNI 5588 6.8 ZN |
| 51 | F01430035 | ROS.M5 5,3X 10X0,6 U8842J ZN | WASHER D5 DIN 6798 D.INT.ZN | RONDELLE D5 DIN 6798 D. INT. Z | UNT. SCHEIBE D5 DIN 6798 D. IN | ARANDELA D5 DIN 6798 D.INT.ZN |
| 52 | G16620010 | ESPULSORE SEMI BIETOLA | SUGAR BEET EJECTOR | EXPULSEUR BETTES | AUSWERFER RÜBEN | EXPULSOR REMOLACHA |
| 53 | F01020381 | VITE M5X0,8X20 U5739 A2IX | SCR. M5X0,8X20 U5739 A2IX | VIS 5X20 5739 | SCHRAUBE 5X20 5739 | TORNILLO 5X20 5739 |
| 54 | G22270133 | PIASTRINA ANTI TRABOC.SEMI MIN | MINUTE SEED PLATE SP | PLAQUETTE GRAINES PETITES SP | PLZTTCHEEN KLEINE SAMEN SP | PLAQUETA SEMILLAS PEQUEAS SP |
| 55 | G16620360 | DIMA SELETTORE FISSO | POSITION PLATE FOR FIXED SELEC | GABARIT POSITION SELECTEUR FIX | EINSTELLEHRE F_R FIXEN ABSTREI | PLACA PARA LA POSICIÉN SELECTO |
| 56 | G15422241 | SERBATOIO SEME COMPLETO SP | SEED TANK ASSY. | RESERVOIR GRAINES COMP PLA SP | SAMENBEHZLTER KOMPLETT | DEPSTO SEMILLAS COMPLETO B |
| 57 | F01420036 | ROS.M6 6,4X 18X1,5 U6593 ZN | WASHER M6 6,4X 18X1,5 U6593 ZN | RONDELLE M6 6,4X18X1,5 U6593ZN | SCHSIBE M6 6,4X18X1,5U6593 ZN | ARANDELA M6 6,4X18X1,5U6593ZN |
| 58 | G18701890 | RONDELLA SVAS. 8,5X35 X5 ZN | FLARED WASHER D.8.5 ZN | RONDELLE D.8,5 +VAS+E ZN. | F-CHERSCHSIBE D. 8,5 ZN. | ARANDELA Ì 8,5 ABOCINADA ZN. |
| 59 | F01030055 | VITE M8X1,25X20 U5933 10.9ZD | SCR. M8X1,25X20 U5933 10.9ZD | VIS M8X20 | SCHRAUBE M 8X20 | TORNILLO M 8X20 |
| 60 | G13822440 | COPERCHIO MAGGIOR.D45 COMPLETO | ASSY.INCREASED COVER | COUVERC. MAJOR.COMPL. | sBERBEM. DECKEL KOMPLETT | TAPA SOBREDIMENS. COMPLETO |
| 61 | G16620460 | MONT.COPERCHIO SEMI MINUTI | COMPL. MINUTE SEED COVER | COUVERCLE GRAINES PETITES COMP | DECKEL KLEINSAMEN KOMPL. | TAPA SEMILLAS PEQUEAS COMPL |
| 62 | F01020404 | VITE M6X1X20 U5739 8.8ZN | SCREW M6X1X20 U5739 8.8ZN | VIS M6X1X20 U5739 8.8ZN | SCHRAUBE M6X1X20 U5739 8.8ZN | TORNILLO M6X1X20 U5739 8.8ZN |
| 63 | G18904240 | MOLLA APERTURA PORTA CONTROLLO | SPRING | RESSORT | FEDER | MUELLE |
| 64 | G19005100 | TUBO D. 63X3 X 310 PE BLACK | TUBE D. 63X3 X 310 PE BLACK | | | |

TAV. 271



| | | min. max. | | NR. | D (mm) | Code | Pos. |
|---|---|-----------|------|-----|--------|-----------|------|
| Mais | Corn | 8 | 32 | 26 | 4,5 | G10121410 | 1 |
| Mais seme grosso, fagiolo | Large corn seed, bean | 8 | 32 | 26 | 5,0 | G10123710 | 2 |
| Mais seme grosso | Corn large seed | 8 | 32 | 26 | 5,5 | G10121390 | 3 |
| Girasole | Sunflower | 8 | 32 | 26 | 2,5 | G10123560 | 4 |
| Cotone | Cotton | 8 | 32 | 26 | 3,5 | G10121440 | 5 |
| Bietola, Sorgo | Sugarbeet, Sorghum | 6 | 23 | 36 | 2,1 | G10121420 | 6 |
| Cetriolo [*] | Cucumber [*] | 6 | 23 | 36 | 1,5 | G10121520 | 7 |
| Fagiolino, Cotone | Green bean, Cotton | 6 | 23 | 36 | 3,5 | G10121430 | 8 |
| Pisello | Peas | 6 | 23 | 36 | 4,5 | G10121630 | 9 |
| Fagiolo Borlotto | Bean | 6 | 23 | 36 | 5,5 | G10121570 | 10 |
| Soia (consigliato per interfila 45 - 50 cm) | Soya (recommended for 45 - 50 cm inter-row) | 4 | 16 | 52 | 4,25 | G10123430 | 11 |
| Insalata [*] | Green salad [*] | 3 | 11,5 | 72 | 0,8 | G10121510 | 12 |
| Pomodoro, Finocchio, Colza [*] | Tomato, Fennel, Rape [*] | 3 | 11,5 | 72 | 1,1 | G10121450 | 13 |
| Sorgo, Coriandolo | Sorghum, Coriander | 3 | 11,5 | 72 | 2,1 | G10121470 | 14 |
| Cotone (consigliato per interfila 70-75) | Cotton (recommended for 70-75 cm inter-row) | 3 | 11,5 | 72 | 3,5 | G10121500 | 15 |
| Soia (consigliato per interfila 70-75) | Soya (recommended for 70 - 75 cm inter-row) | 3 | 11,5 | 72 | 4,25 | G10124020 | 16 |

[*] Si consiglia di sostituire il coperchio del distributore semi con il coperchio per semi minuti. We recommend the substitution of the seed distributor cover with the small seed cover.

Per particolari esigenze, fare specifica richiesta. For special requirements make a specific order.

I valori della tabella sono puramente indicativi. La scelta definitiva dei dischi di semina è a totale discrezione dell'utente. Non si accettano reclami per semine eseguite con dischi non idonei.

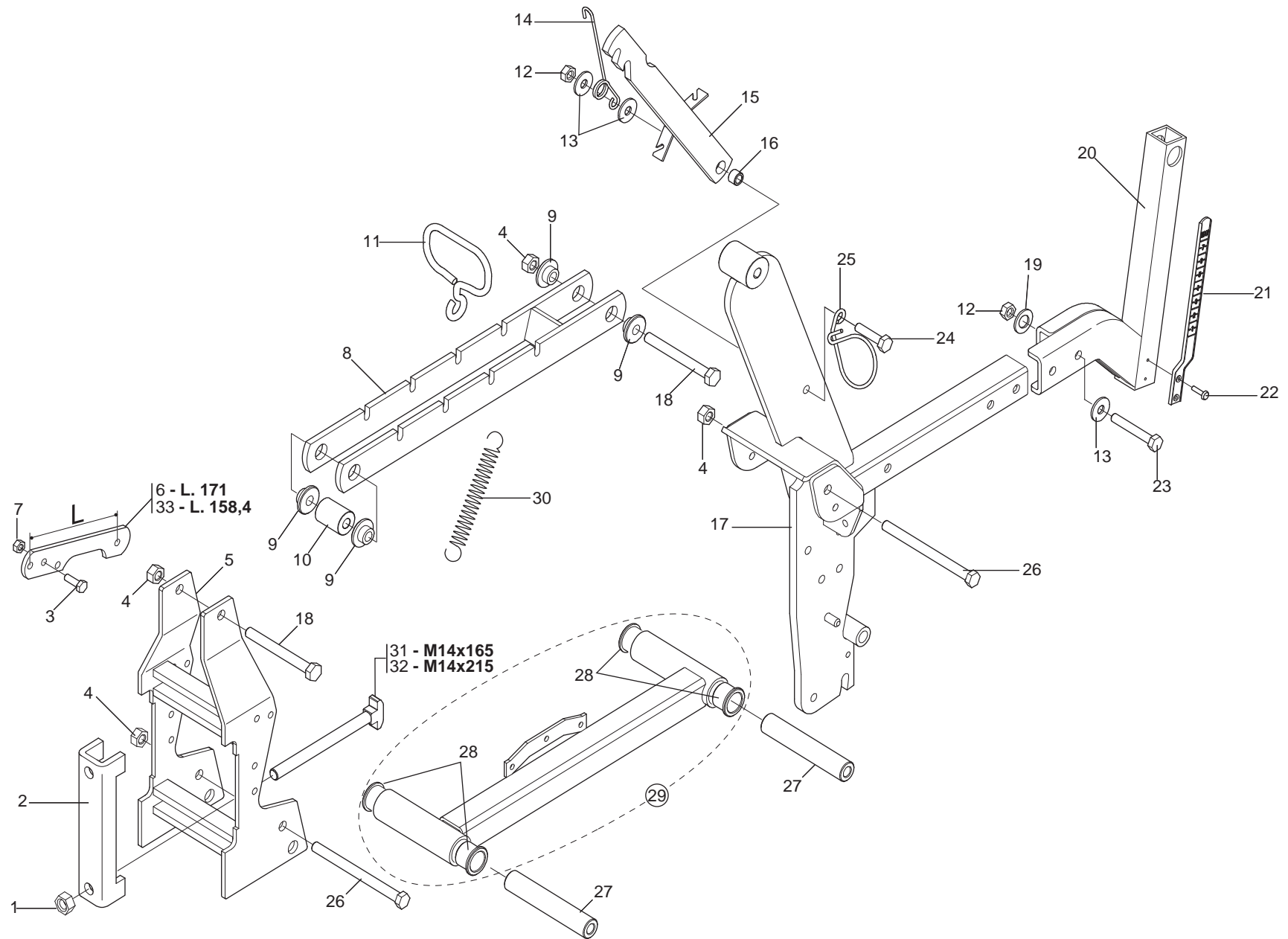
The values shown on the table are approximate. The definitive choice of seed plates is completely up to the user. Complaints for imprecise sowing due to utilization of improper seed plates will not be accepted.

DISCHI DI SEMINA

TAV. 271

| Pos. | Cod. | Descrizione | Description | Description | Benennung | Descripcion |
|------|-----------|-----------------------------|--------------------------------|--------------------------------|-----------------------------|--------------------------------|
| 1 | G10121410 | DISCO 26F D.4,5 SP-MT | DISC 26 H. D.4,5 SP-MT | | | |
| 2 | G10123710 | DISCO 26F D.5,0 SP-MT | DISC 26 HOLES D.5-0 SP LM | | | |
| 3 | G10121390 | DISCO 26F D.5,5 SP-MT | DISC 26 H. D.5-5 CORN SP LM | | | |
| 4 | G10123560 | DISCO 26F D.2,5 SP-MT | DISC 26 H. D. 2,5 | | | |
| 5 | G10121440 | DISCO 26F D.3,5 SP-MT | DISC 26 HOLES D 3-5 SP LM | | | |
| 6 | G10121420 | DISCO 36F D.2,1 SP-MT | DISC 36 H. D.2,1 SP-MT | | | |
| 7 | G10121520 | DISCO 36F D.1,5 SP-MT | DISC 36 HOLES D.1-5 SP LM | | | |
| 8 | G10121430 | DISCO 36F D.3,5 SP-MT | DISC 36 HOLES D.3-5 SP LM | | | |
| 9 | G10121630 | DISCO 36F D.4,5 SP-MT | DISC 36 HOLES D.4-5 SP LM | | | |
| 10 | G10123760 | DISCO 36F D.5,5 P.OTT.SP-MT | STEEL DISC 36 HOLES D5,5 P.ARR | DISQUE ACC.36 TROUS D5,5 P.ARR | SCHEIBE ZUB.36 LTCHER D5,50 | DISCO AC.36 ORIFICIOS D 5,5 |
| 11 | G10123430 | DISCO 52F D.4,25 SP-MT | DISC 52 HOLES D.4-25 SP LM | | | |
| 12 | G10121510 | DISCO 72F D.0,8 SP-MT | DISC 72 HOLES D.0-8 SP LM | | | |
| 13 | G10121450 | DISCO 72F D.1,1 SP-MT | DISC 72 HOLES D.1-1 SP LM | | | |
| 14 | G10121470 | DISCO 72F D.2,1 SP-MT | DISC 72 HOLES D.2-1 SP LM | | | |
| 15 | G10121500 | DISCO 72F D.3,5 SP-MT | DISC 72 H. D. 3,5 | | | |
| 16 | G10124020 | DISCO 72F D.4,25 SP-MT | DISC 72 HOLES D.4-25 SP LM | DISQUE 72 TROUS D. 4-25 SP LM | SCHEIBE 72 LTCHER D.4-25 SP | DISCO 72 ORIFICIOS D.4-5 SP LM |

TAV. 93

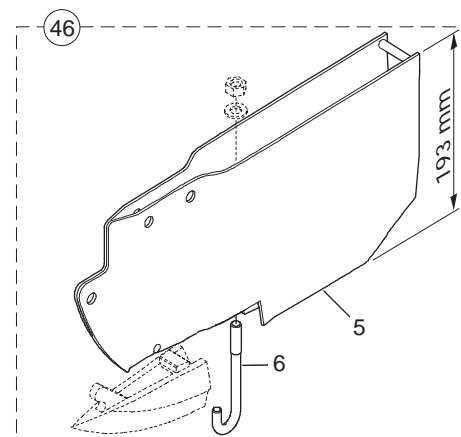
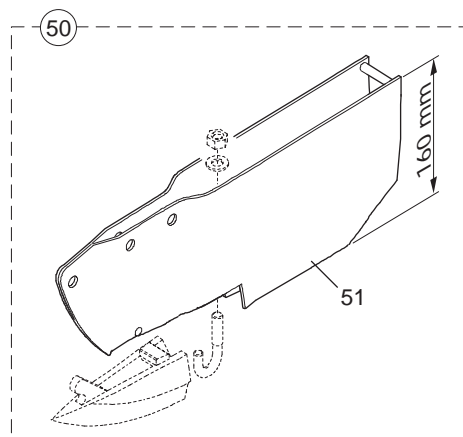
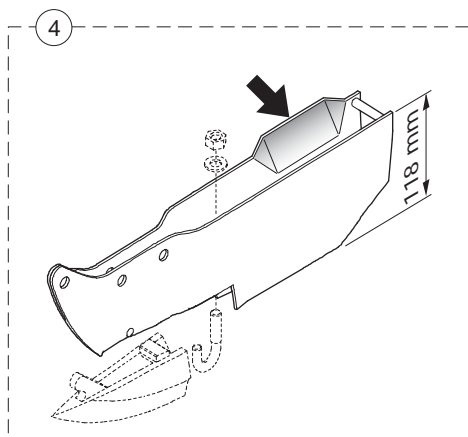
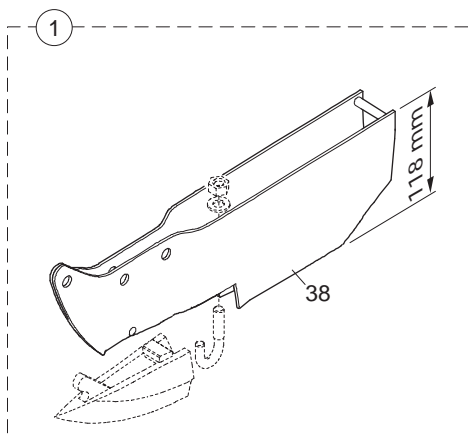
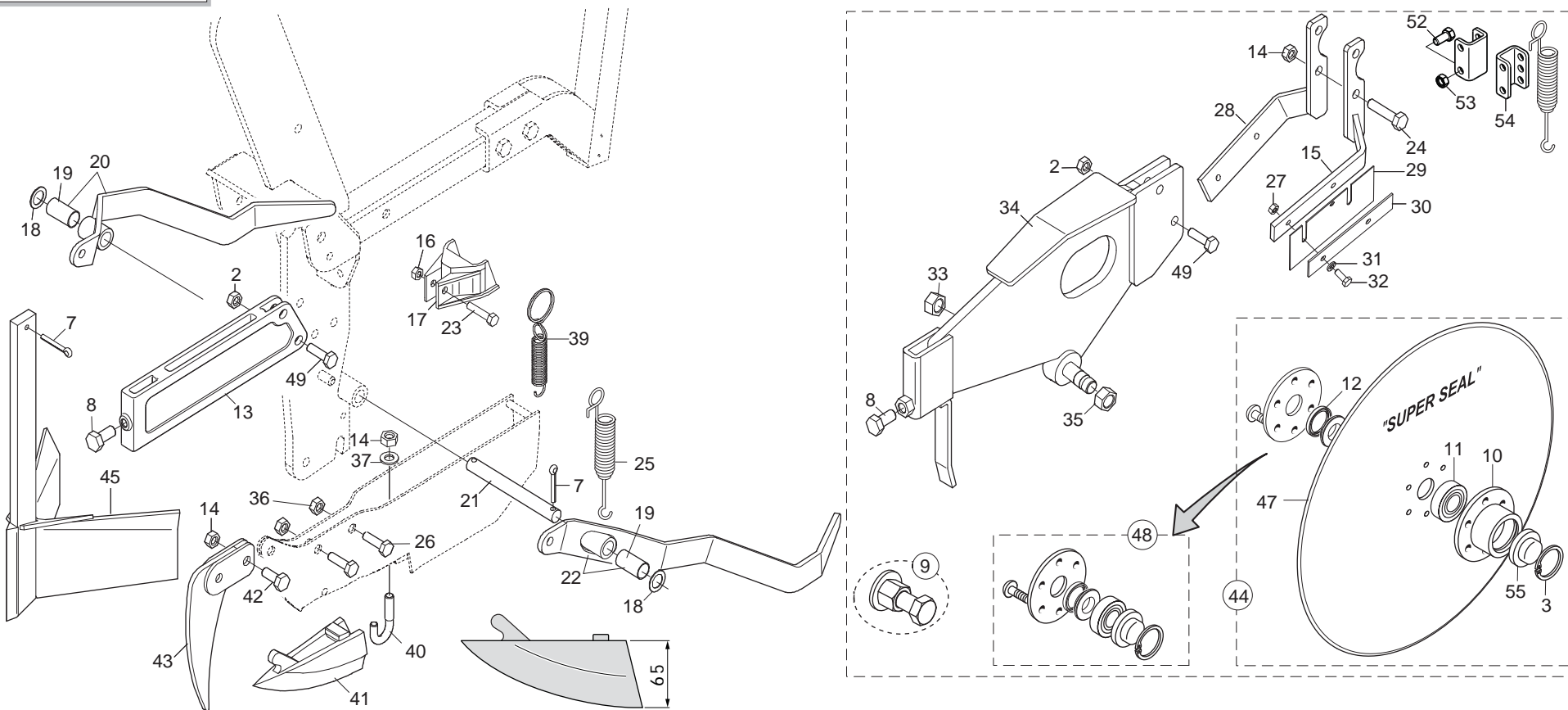


TELAIO ELEMENTO

TAV. 93

| Pos. | Cod. | Descrizione | Description | Description | Benennung | Descripcion |
|------|-----------|--------------------------------|--------------------------------|--------------------------------|--------------------------------|--------------------------------|
| 1 | F01200306 | DADO M14X2 U5588 6.8ZN | NUT M14X2 U5588 6.8ZN | ECROU M14X2 | MUTTER M14X2 | DADO M14X2 |
| 2 | G15110091 | SCONTRO A U SP.8 2F15 165 | STRIKER | BRIDE 150 MM | ANSCHLAG | ELEMENTO DE EMPALME |
| 3 | F01020440 | VITE M8X1,25X25 U5739 8.8ZN | SCR. M8X1,25X25 U5739 8.8ZN | VIS M8X1,25X25 U5739 8.8 ZN | SCHRAUBE M8X1,25X25U5739 8.8ZN | TORNIL.M8X1,25X25 U5739 8.8 ZN |
| 4 | F01220048 | DADO M12X1,75 D980 8ZN | NUT M12X1,75 D980 8ZN | ECROU M12X1,75 D980 8 ZN | SCHLEIBE M12X1,75 D980 8 ZN | TUERCA M12X1,75 D980 8 ZN |
| 5 | G15421111 | PIASTRAATTACCO 150 | COUPLING PLATE 150 | PLAQUE ATTELAGE 150 | KUPPLUNGSPLATTE 150 | PLACA CONEXIN 150 P |
| 6 | G16620130 | SUPPORTO SCATOLA RINVIO SP | GEARBOX SUPPORT | SUPPORT BOITE DE RENVOI | HALTERUNG VORGELEGEHEH-USE | SOPORTE CAJA TRANSMISI-N |
| 7 | F01220022 | DADO M8X1,25 D980 8ZN | NUT M8X1,25 D980 8ZN | ECROU M8X 1,25 D980 8 ZN | MUTTER M8X 1,25 D980 8 ZN | TUERCA M8X 1,25 D980 8 ZN |
| 8 | G15420102 | PARALLELO SUPERIORE | UPPER PARALLEL | PARALL. SUP. | PARALLELOGRAMM OBEN | PARALELO SUPERIOR |
| 9 | G15421232 | BOCCOLA BRACCIO PARALLELO SP.8 | ARM BUSHING PARALLEL SP.8 | BOITE BRAS PARALLELE SP.8 | BsCHSE ARM PARALLEL SP.8 | CASQUILLO BRAZO PARALELO SP.8 |
| 10 | G18802170 | BOCCOLA 12,25X30X40 ZN | BUSH 12,25X30X40 ZN | | | |
| 11 | G18903690 | ATTACCO MOLLA | SPRING COUPLING | FIXATION RESSORT | KUPPLUNG FEDER | CONEXIN MUELLE O |
| 12 | F01200270 | DADO M10X1,5 U5588 6.8ZN | NUT M10X1,5 U5588 6.8ZN | ECROU M10X 1,5 U5588 6.8 ZN | MUTTER M10X 1,5 U5588 6.8 ZN | TUERCA M10X 1,5 U5588 6.8 ZN |
| 13 | F01420060 | ROS.M10 10,5X 30X2,5 U6593 ZN | WASHER 10,5X30 | RONDELLE 10,5X30 | SCHLEIBE 10,5X30 | ARANDELA 10,5X30 |
| 14 | G18902880 | MOLLA FERMO PARALLELO SP | PARALLEL LOCK SPRING SP | | | |
| 15 | G16620160 | FERMO PARALLELO | EQUALIZER | | | |
| 16 | G18801610 | BOCCOLA 10,25X16 X11 ZN | BUSHING 10.25 X 16 X 11- GALVA | BOITE 10-25X16 X11 ZN | BsCHSE 10-25X16 X11 ZN | CASQUILLO 10-25X16 X11 ZN |
| 17 | G16620310 | CORPO CENTRALE SP540 | CENTRAL CASING SP540 | CORPS CENTRALE SP540 | MITTELKTRPER SP540 | CUERPO CENTRAL SP540 |
| 18 | F01020168 | VITE M12X1,75X90 U5737 8.8ZN | SCR. M12X1,75X90 U5737 8.8ZN | VIS M12X1,75X90 U5737 8.8 ZN | SCHRAB.M12X1,75X90 5737 8.8 ZN | TORNIL.M12X1,75X90 5737 8.8 ZN |
| 19 | F01430023 | ROS.M10 10,5X 18X0,9 U8842J ZN | WASHER D10 DIN 6798 D.INT.ZN | RONDELLE D10 DIN 6798 D. INT. | UNT. SCHEIBE D10 DIN 6798 D.IN | ARANDELA D10 DIN 6798 D.INT.ZN |
| 20 | G16620550 | SUPPORTO REGOLAZIONE | REGULATION SUPPORT | SUPPORT R+GLAGE | HALTERUNG EINSTELLUNG | SOPORTE REGULACIEN |
| 21 | G19003400 | ASTA INDICAZIONE PROFONDITA' | DEPTH INDICATING ROD | TIGE INDICATION PROFONDEUR | TIEFENANZEIGESTAB | VARILLA INDICACION PROFUNDIDAD |
| 22 | F02250077 | RIVETTO STR. 3 X14 U9200A AL | 3X14 ALUMINIUM PULL RIVET | RIVET A RUPTURE 3X14 ALUMINIUM | REISSNIETE3X14 ALL. | REMACHE DESGAR. 3X14 ALL. |
| 23 | F01020122 | VITE M10X1,5X70 U5737 8.8ZN | SCR. M10X1,5X70 U5737 8.8ZN | VIS M10X1,5X70 U5737 8.8 ZN | SCHRA.M10X1,5X70 U5737 8.8 ZN | TORN. M10X1,5X70 U5737 8.8 ZN |
| 24 | F01020112 | VITE M10X1,5X45 U5737 8.8ZN | SCR. M10X1,5X45 U5737 8.8ZN | VIS M 10X45 | SCHRAUBE M 10X45 | TORNILLO M 10X45 |
| 25 | G18903140 | MOLLA GUIDATUBO | PIPE GUIDE SUPPORT | RESSORT GUIDE-TUBE | FEDER ROHRFSHRUNG | MUELLE GUA TUBOS A |
| 26 | F01020183 | VITE M12X1,75X170 U5737 8.8ZN | SCR. M12X1,75X170 U5737 8.8ZN | VIS M12X1,75X170 U5737 8.8ZN | SCHRA.M12X1,75X170 U5737 8.8ZN | TORNI.M12X1,75X170 U5737 8.8ZN |
| 27 | G22230057 | MOZZO ANTERIORE | ANT. HUB | MOYEU AVANT | VORDERNABE | CUBO DELANTERO |
| 28 | G66349003 | BOCCOLA SINT. | BUSHING- SINTERED | BOITE FRITTEE | SYNTH. BUECHSE | CASQUILLO SINT. |
| 29 | G16620730 | MONT.BRACCIO INFER.ELEMENTO | COMPONENT LOWER AXLE | | | |
| 30 | G65337040 | MOLLA TRAZ.ELEMENTO MT600 | TRACTION SPRING MT600 | RESSORT TRACT. ELEMENT MT600 | ZUGFEDER ELEMENT MT600 | MUELLE TRACC. ELEMENTO MT600 |
| 31 | G16610010 | VITE A MARTELLO M14X165 | WINGED BOLT M14X165 | VIS A TETE MARTEAU M14X165 | ZWEIFLÜGEL- SCHRAUBEN M14X165 | TORNILLO DE MARIPOSA M14X165 |
| 32 | G16610020 | VITE A MARTELLO M14X215 | WINGED BOLT M14X215 | VIS A TETE MARTEAU M14X215 | ZWEIFLÜGEL- SCHRAUBEN M14X215 | TORNILLO DE MARIPOSA M14X215 |
| 33 | G15422091 | SUPPORTO SCATOLA RINVIO | GEARBOX SUPPORT | SUPPORT BOITE DE RENVOI | HALTERUNG VORGELEGEHEH-USE | SOPORTE CAJA TRANSMISIEN |

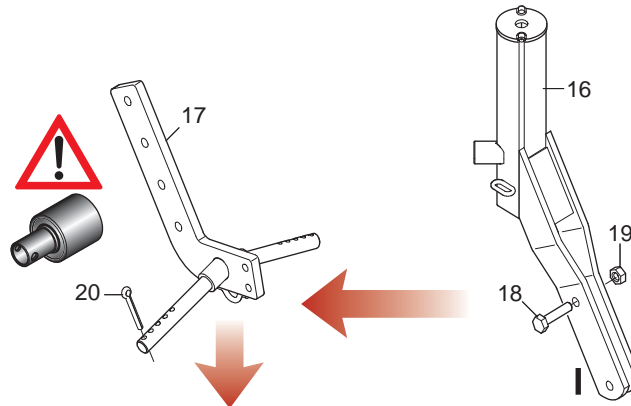
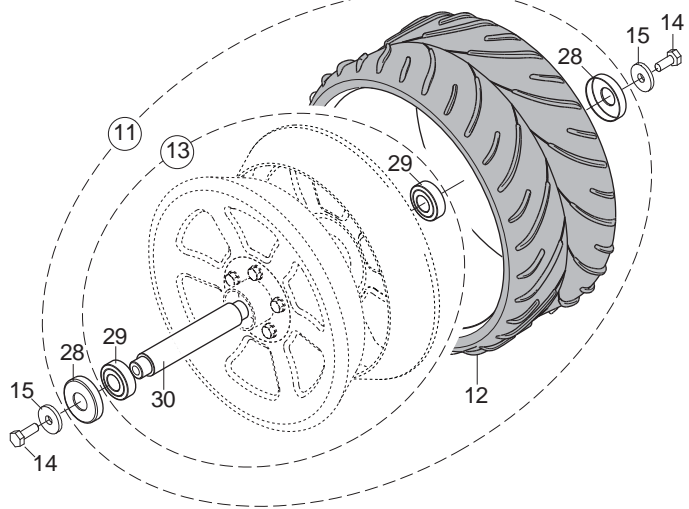
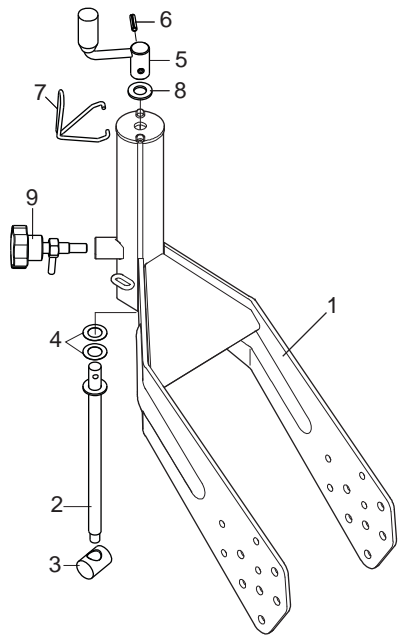
TAV. 106



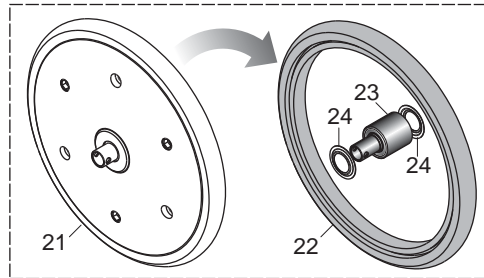
ELEMENTI ASSOLCATORI

TAV. 106

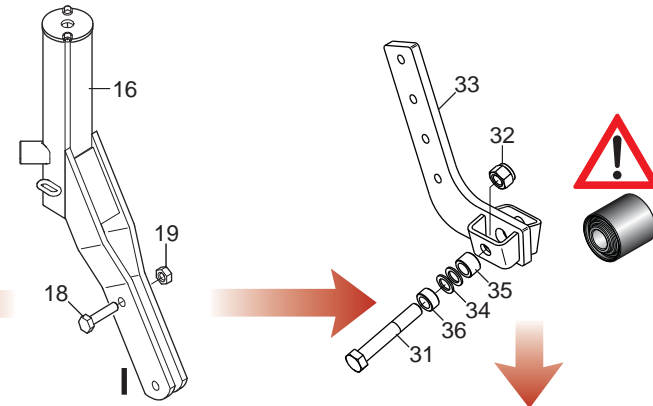
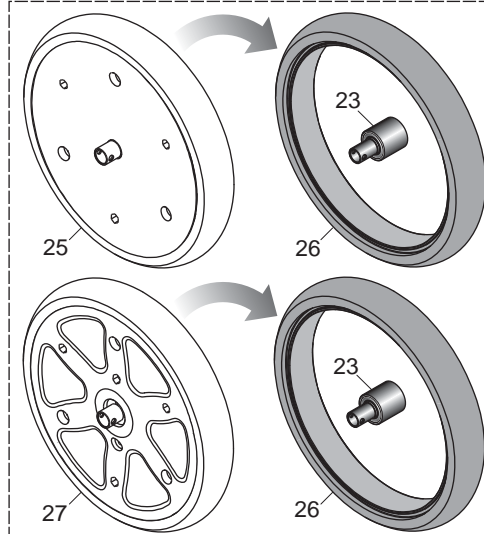
| Pos. | Cod. | Descrizione | Description | Description | Benennung | Descripcion |
|------|-----------|--------------------------------|--------------------------------|--------------------------------|--------------------------------|--------------------------------|
| 1 | G15420735 | MONT.FALCIONE MAIS SP99 | CORN CUTTER SP99 | | | FALCIONE MAIS SP99 |
| 2 | F01200416 | DADO M10X1,5 U5589 6SZN | NUT M10X1,5 U5589 6SZN | ECROU 10 UNI 5589 6.8 ZN | MUTTER 10 UNI 5589 6.8 ZN | TUERCA 10 UNI 5589 6.8 ZN |
| 3 | F03011075 | AN. TENUTA B1OF 24X32X4 | SEALING RING 24X32X4 | BAGUE D'ETANCHEITE 24X32X4 | DICHTUNGSRING 24X32X4 | ANILLO AISLADOR 24X32X4 |
| 4 | G16620260 | FALCIONE ARACHIDI COMPL.SP540 | COMPL. PEANUT COULTER SP540 | HACHOIR ARACHIDES COMPL.SP540 | S-SCHAR ERDN_SSE KOMPL.SP540 | BOTA CACAHUETES COMPL. SP540 |
| 5 | G16620181 | SUPPORTO FALCIONE SEMINA PROF. | CUTTER SUPPORT ASS. DEEP SEEDI | SUPPORT DE SOC SEMIS PROFOND | HALTERUNG SZSCHAR TIEFE AUSSA | CONJ. SOPORTE GUAD. SIEMBRA PR |
| 6 | G16620220 | GANCIO TAGLIENTE SEM.PROFONDA | HOOK - CUTTER DEEP SEEDING | CROCHET HACHOIR SEMIS PROFOND | HAKEN SZSCHAR TIEFE AUSSAAT | GANCHO FILO DE CORTE SIEMBRA P |
| 7 | F02200227 | COPIGLIA 5X 30 U1336 ZN | PIN 5X 30 U1336 ZN | | | |
| 8 | F01020510 | VITE M12X1,75X30 U5739 8.8ZN | SCR. M12X1,75X30 U5739 8.8ZN | VIS M12X1,75X30 U5739 8.8ZN | SCHRAU.M12X1,75X30 U5739 8.8ZN | TORN. M12X1,75X30 U5739 8.8ZN |
| 9 | G15225240 | ESTRATTORE DISCHI ELEMENTO MT | SEED PLATE EXTRACTOR ELEM. MT | EXTRACTEUR DISQUE ELEMENT MT | SCHEIBENAUSZIEHER ELEMENT MT | EXTRACTOR DISCOS ELEMENTO MT |
| 10 | G15223651 | SUPPORTO CUSCINETTO DISCO | DISC BEARING SUPPORT | SUPPORT PALIER DISQUE | SCHEIBENLAGERBsCHSE | SOPORTE COJINETE DISCO |
| 11 | F04010084 | CUSC.D17D47 B22.2 3303 LLU/DDU | BEARING 3303 2RS | PALIER 3303 2RS | LAGER 3303 2RS | COJINETE 3303 2RS |
| 12 | F03011075 | AN. TENUTA B1OF 24X32X4 | SEALING RING 24X32X4 | BAGUE D'ETANCHEITE 24X32X4 | DICHTUNGSRING 24X32X4 | ANILLO AISLADOR 24X32X4 |
| 13 | G19203990 | SUPP.SPARTIZOLLE | SOIL BREAKER SUPPORT | | | |
| 14 | F01200270 | DADO M10X1,5 U5588 6.8ZN | NUT M10X1,5 U5588 6.8ZN | ECROU M10X 1,5 U5588 6.8 ZN | MUTTER M10X 1,5 U5588 6.8 ZN | TUERCA M10X 1,5 U5588 6.8 ZN |
| 15 | G15422211 | SUPP.RASCHIATERRA DISCHI DX | RIGHT SOIL SCRAPER DISC SUPP. | SUPP.RACLE-BOUE DISQUES DRT | HALTER.ERDSCHABER SCHEIBEN REC | SOP.RASCADOR TIERRA DISCOS DER |
| 16 | F01230022 | DADO M6X1 D982 8ZN | NUT M6X1 D982 8ZN | ECROU AUTO-FREIN.M6X1 D982 8ZN | SICHERUNGSMUT. M6X1 D982 8 ZN | TUERCA DE SEGU.M6X1 D982 8 ZN |
| 17 | G19002701 | PROTEZIONE FOTOCELLULA > | PHOTOCELL PROTECTION | PROTECT CAPT PHOTOC SP4 > | SCHUTZ PHOTOZELLE | PROTECCIN FOTOCLLULA PR |
| 18 | G18701820 | RONDELLA 16,5 X25 X1,0 ZN | WASHER 16,5X25X1,0 ZN | | | |
| 19 | F04150024 | BOCCOLA PAP 15X17X25 | PAP BUSH 15X17X25 | BOITE PAP 15X17X25 | BsCHSE PAP 15X17X25 | CASQUILLO PAP 15X17X25 |
| 20 | G16620690 | COPRISEME MAIS DX | SEED COVER CORN RIGHT | | | CUBRESEMILLAS MAIS DER |
| 21 | G15421080 | ASSE COPRISEME ZN | SEED COVER AXLE | | | |
| 22 | G16620700 | COPRISEME MAIS SX | SEED COVER CORN LEFT | | | CUBRESEMILLAS MAIS IZQ |
| 23 | F01020408 | VITE M6X1X30 U5739 8.8ZN | SCR. M6X1X30 U5739 8.8ZN | VIS M6X1X30 | SCHRAUBE M 6X1X30 | TORNILLO M 6X1X30 |
| 24 | F01020110 | VITE M10X1,5X40 U5737 8.8ZN | SCR. M10X1,5X40 U5737 8.8ZN | VIS M 10X40 | SCHRAUBE M 10X40 | TORNILLO M 10X40 |
| 25 | G18903170 | MOLLA TRAZ.ZN RASCHIAT. SP530 | TRACTION SPRING ZN SCRAPER SP5 | RESSORT TRACT. ZN RACLEUR SP53 | ZUGFEDER ZN ABSCHABER SP530 | MUELLE TRAC. ZN RASCADOR SP530 |
| 26 | F01020476 | VITE M10X1,5X30 U5739 8.8ZN | SCR. M10X1,5X30 U5739 8.8ZN | VIS M10X1,5X30 U5739 8.8 ZN | SCHRAUBE M10X1,5X30U5739 8.8ZN | TORNIL.M10X1,5X30 U5739 8.8 ZN |
| 27 | F01200232 | DADO M6X1 U5588 6.8ZN | NUT M6X1 U5588 6.8ZN | ECROU 6 UNI 5588 6.8 ZN | MUTTER 6 UNI 5588 6.8 ZN | TUERCA 6 UNI 5588 6.8 ZN |
| 28 | G15422221 | SUPP.RASCHIATERRA DISCHI SX | LEFT SOIL SCRAPER DISC SUPP. | SUPP.RACLE-BOUE DISQUES GCH | HALTER.ERDSCHABER SCHEIBEN LIN | SOP.RASCADOR TIERRA DISCOS IZQ |
| 29 | G15422231 | RASCHIATERRA DISCO | SCRAPER DISK | | | |
| 30 | G15423400 | DISTANZIALE | SPACER | ENTRETOISE | DISTANZSTsCK | DISTANZSTsCK |
| 31 | F01420036 | ROS.M6 6,4X 18X1,5 U6593 ZN | WASHER M6 6,4X 18X1,5 U6593 ZN | RONDELLE M6 6,4X18X1,5 U6593ZN | SCHEIBEN M6 6,4X18X1,5U6593 ZN | ARANDELA M6 6,4X18X1,5U6593ZN |
| 32 | F01020403 | VITE M6X1X16 U5739 8.8ZN | SCR. M6X1X16 U5739 8.8ZN | VIS M6X1X16 U5739 8.8 ZN | SCHRAUBE M6X1X16 U5739 8.8 ZN | TORNILLO M6X1X16 U5739 8.8 ZN |
| 33 | F01200442 | DADO M16X1,5 U5589 6.8ZN | NUT M16X1,5 R. U5589 6.8ZN | ECROU 16X1-5 UNI 5589 6.8 ZN | MUTTER 16X1-5 UNI 5589 6.8 ZN | TUERCA 16X1-5 UNI 5589 6.8 ZN |
| 34 | G15422361 | SUPPORTO DISCHI | DISKS SUPPORT | SUPPORT DISQUES | SCHEIBENHALTERUNG | SOPORTES DISCOS |
| 35 | F15220540 | DADO M16X1,5 SX ZN | NUT M16X1,5 LEFT | ECROU M16X1-5 GCH | MUTTER M16X1-5 LI | TUERCA M16X1-5 IZQ |
| 36 | F01220033 | DADO M10X1,5 D980 8ZN | NUT M10X1,5 D980 8ZN | ECROU M10X1,5 D980 8ZN | MUTTER M10X1,5 D980 8ZN | TUERCA M10X1,5 D980 8ZN |
| 37 | F01430023 | ROS.M10 10,5X 18X0,9 U8842J ZN | WASHER D10 DIN 6798 D.INT.ZN | RONDELLE D10 DIN 6798 D. INT. | UNT. SCHEIBE D10 DIN 6798 D.IN | ARANDELA D10 DIN 6798 D.INT.ZN |
| 38 | G15420714 | ASS.SUPP.FALCIONE MAIS H118 | ASS.SUPP.CORN BLADE H118 | | | |
| 39 | G18902481 | MOLLA TRAZIONE AGG.FALCIONE | COULTER HOOK-UP TRACT. SPRING | RESSORT TRACTION FIX. SOC | ZUGFEDER KUPPL. SÄSCHAR | MUELLE TRACCIÓN CONEX. BOTA |
| 40 | G22270428 | GANCIO TAGLIENTE SP/S | HOOK - CUTTER SP/S | CROCHET HACHOIR SP/S | HAKEN SZSCHAR SP/S | GANCHO GUADA%ADORA SP/S |
| 41 | G22270397 | TAGLIENTE FALCIONE MAIS SP/S | CORN CUTTER EDGE SP/S | POINTE DE SOC MAIS SP520/540 | SCHARSCHNEIDE MAIS SP/S | FILO DE CORTE. GUADA%AD. MAIZ |
| 42 | F01020472 | VITE M10X1,5X25 U5739 8.8ZN | SCR. M10X1,5X25 U5739 8.8ZN | VIS M10X1,5X25 U5739 8.8 ZN | SCHRAUBE M10X1,5X25 U5739 8.8 | TORNILLO 10X25 U5739 8.8 ZN |
| 43 | G15423390 | PROLUNGA FALCIONE | COULTER EXTENSION | RALLONGE SOC | VERLÄNGERUNG SÄSCHAR | PROLONGACIÓN BOTA |
| 44 | G15225500 | DISCO ASSOLC.PROTETTO COMPL. | FULLY PROTECTED DISC COULTER | DISQUE DU SOC PROT+G+ COMPLET | | DISCO SURGADOR COMPLETO |
| 45 | G15420852 | ASS.SPIANATERRA | GROUND LEVELLER | CHASSE MOTTE SP540 | EINHEIT ERDEBNER | APLANADORA DE TIERRA |
| 46 | G16620231 | FALCIONE SEMINA PROFONDA | DEEP SEEDING COULTER | SOC SEMIS PROFOND | S-SCHAR TIEFE SAAT | BOTA SIEMBRA PROFUNDA |
| 47 | G13825091 | DISCO ASSOLCATORE D.373 | FURROW OPENER DISK D.373 | DISQUE SOC D. 373 6 T.D.6 | SCHEIBE SZSCHARENREISSER D.373 | DISCO SURCADOR D.373 |
| 48 | G15226600 | KIT X DISCO SUPER SEAL | SUPER-SEAL DISC KIT | | | KIT PARA DISCO SUPER SEAL |
| 49 | F01020479 | VITE M10X1,5X35 U5739 8.8ZN | SCR. M10X1,5X35 U5739 8.8ZN | VIS M10X1,5X35 U5739 8.8 ZN | SCHR. M10X1,5X35 U5739 8.8 ZN | TORN. M10X1,5X35 U5739 8.8 ZN |
| 50 | G16621030 | MONT.FALCIONE MAIS H160 | CORN BLADE H160 | | | |
| 51 | G16621000 | ASS.SUPP.FALCIONE MAIS H160 | ASS.SUPP.CORN BLADE H160 | | | |
| 52 | F01020436 | VITE M8X1,25X20 U5739 8.8ZN | SCR. M8X1,25X20 U5739 8.8ZN | VIS M8X1,25X 20 U5739 8.8 ZN | SCHRAUBE M8X1,25X20U5739 8.8ZN | TORN. M8X1,25X20 U5739 8.8 ZN |
| 53 | F01220022 | DADO M8X1,25 D980 8ZN | NUT M8X1,25 D980 8ZN | ECROU M8X 1,25 D980 8 ZN | MUTTER M8X 1,25 D980 8 ZN | TUERCA M8X 1,25 D980 8 ZN |
| 54 | G16621210 | STAFFA | BRACKET | | | |
| 55 | G66248248 | TAPPO IN PLASTICA | PLASTIC PLUG | BOUCHON EN PLASTIQUE | PLASTIKPFROPFEN | TAPN DE PLÆSTICO D |



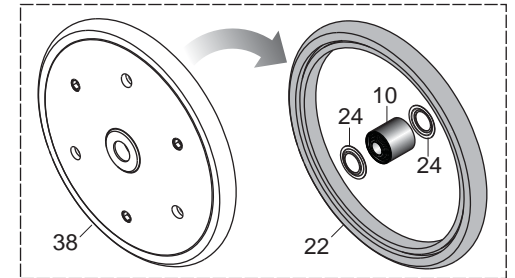
1" «V» SHAPED RUBBER PRESS WHEEL



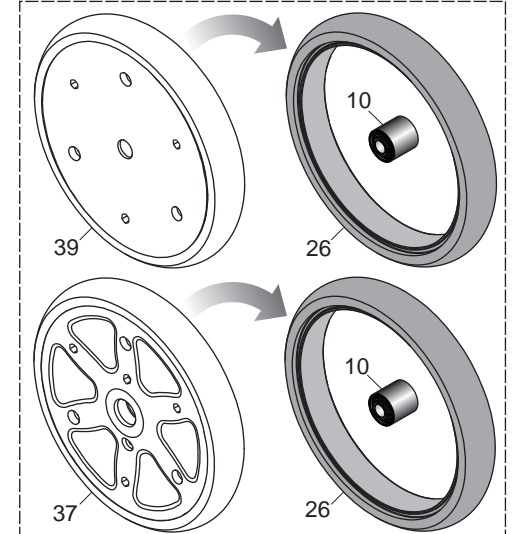
2" «V» SHAPED RUBBER PRESS WHEEL



1" «V» SHAPED RUBBER PRESS WHEEL



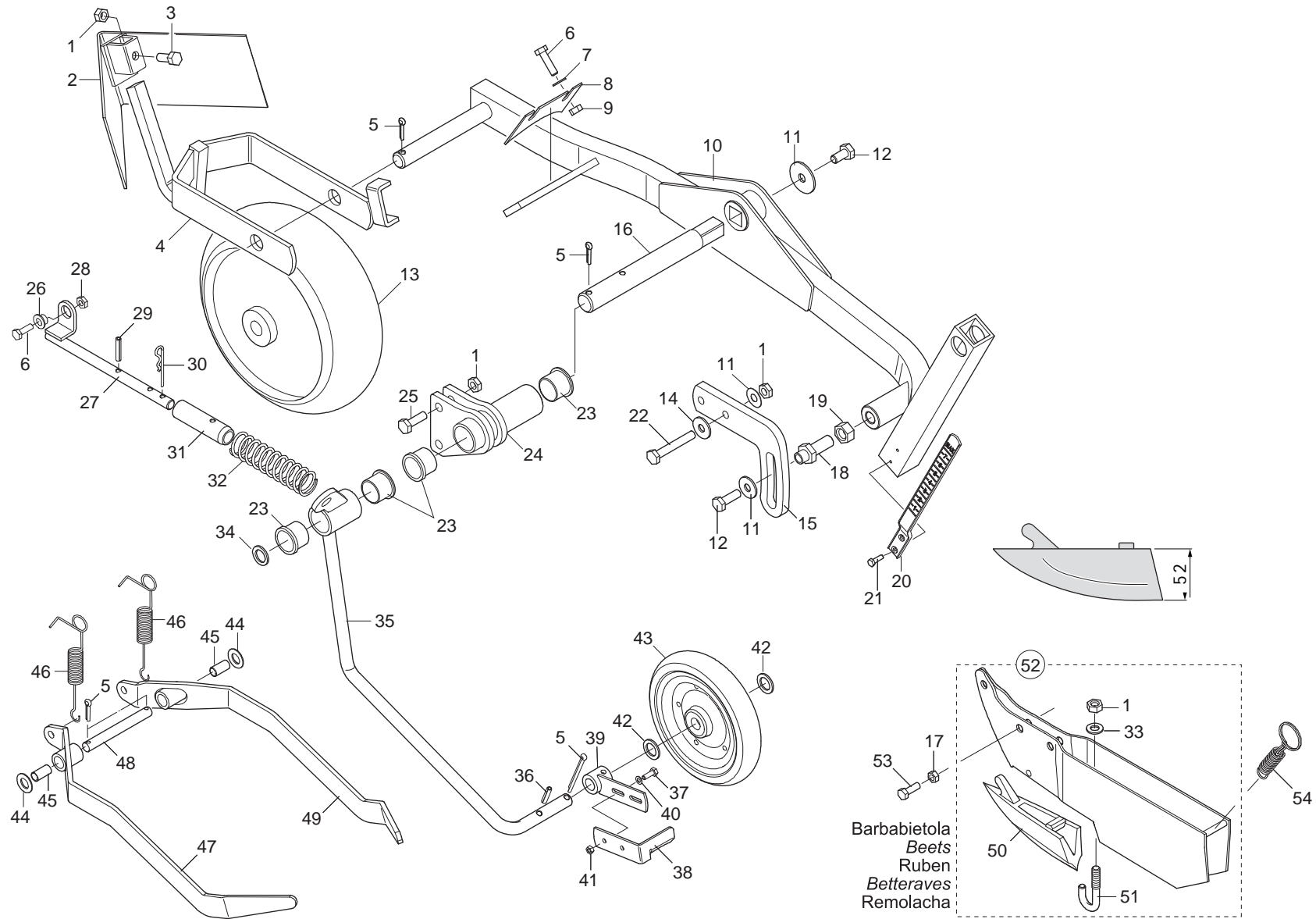
2" «V» SHAPED RUBBER PRESS WHEEL



RUOTE DI COMPRESSIONE

TAV. 116

| Pos. | Cod. | Descrizione | Description | Description | Benennung | Descripcion |
|------|-----------|--------------------------------|--------------------------------|--------------------------------|--------------------------------|--------------------------------|
| 1 | G16620430 | SUPPORTO RUOTE | WHEELS SUPPORT | | | |
| 2 | G22230062 | VITE DI REGOLAZIONE | ADJUSTMENT BOLT | VIS DE REGLAGE | EINSTELLSCHRAUBE | TORNILLO DE REGULACION S |
| 3 | G22230063 | ELEMENTO ARTICOLATO | ARTICULATED ELEMENT | ELEMENT ARTICULE | GELENKELEMENT | ELEMENTO ARTICULADO |
| 4 | G22220073 | RONDELLA 28X0,3X16,5 | WASHER 28X0-3X16-5 | RONDELLE 28X0-3X16-5 | UNTERLEGSSCHEIBE 28X0-3X16-5 | ARANDELA 28X0-3X16-5 |
| 5 | G22270235 | MANIGLIA REGOLAZIONE B4 | ADJUSTMENT HANDLE B4 | POIGNEE REGLAGE B4 | EINSTELLGRIFF B4 | MANIJA REGULACION B4 M |
| 6 | F02100111 | SPINA E.P. 6X 24 U6873 A2 IX | PIN EL. 6 X24 U6873 A2 IX | | | |
| 7 | G65336100 | MOLLA SPEC.FERMO MANIGLIA SP | SPEC SPRING HANDLE STOP SP | RESSORT SPEC. ARRET POIGNEE SP | SPEZIALFEDER GRIFFSPERRE SP | MUELLE ESPEC. BLOQUEO MANIJA S |
| 8 | F01410088 | ROS.M14 15X 28X2,5 U6592 ZN | WAS.M14 15X 28X2,5 U6592 ZB | RON.M14 15X 28X2,5 U6592 ZB | SCH.M14 15X 28X2,5 U6592 ZB | ARA.M14 15X 28X2,5 U6592 ZB |
| 9 | G16621830 | MONT.VOLANTINO RUOTA PROF.SP | DEPTH WHEEL HANDLE SP ASS.BLY | | | |
| 10 | F04100150 | CUSC.D16 D40 B39 WPS | BEARING D16 D40 B39 WPS | | | COJINETE D16 D40 B39 WPS |
| 11 | G14821590 | RUOTA FARMFLEX 370X165 PROF.A | FARMFLEX WHEEL 370X165 DEPTH.A | ROUE FARMFLEX 370X165 PROF.A | RAD FARMFLEX 370X165PROF.A | RUEDA FARMFLEX |
| 12 | F06120155 | COPERTURA FARMF.370X165 'A' | TYRE FARMF. 370X165 "A" | COUVERTURE FARM. 370X165 "A" | | |
| 13 | F06120022 | CERCHIO FARMF.370X165 COMPL. > | WHEEL RIM FARMF. 370X165 COMP. | | | |
| 14 | F01020476 | VITE M10X1,5X30 U5739 8.8ZN | SCR. M10X1,5X30 U5739 8.8ZN | VIS M10X1,5X30 U5739 8.8 ZN | SCHRAUBE M10X1,5X30U5739 8.8ZN | TORNIL.M10X1,5X30 U5739 8.8 ZN |
| 15 | G18701140 | RONDELLA 11 X35 X5 ZN | WASHER 11 X 35 X 5 | RONDELLE 11 X35 X5 | UNTERLEGSSCHEIBE 11 X35 X5 | ARANDELA 11 X35 X5 |
| 16 | G16620410 | SUPPORTO RUOTE A "V" | V WHEELS SUPPORT | | | |
| 17 | G15423841 | ASS.REGOLAZIONE RUOTE V | WHEEL ADJUSTMENT | | | |
| 18 | F01020483 | VITE M10X1,5X40 U5739 10.9ZD | SCR. M10X1,5X40 U5739 10.9ZD | VIS M10X1,5X40 U5739 10.9 ZD | SCHRA.M10X1,5X40 U5739 10.9 ZD | TORN. M10X1,5X40 U5739 10.9 ZD |
| 19 | F01200270 | DADO M10X1,5 U5588 6.8ZN | NUT M10X1,5 U5588 6.8ZN | ECROU M10X 1,5 U5588 6.8 ZN | MUTTER M10X 1,5 U5588 6.8 ZN | TUERCA M10X 1,5 U5588 6.8 ZN |
| 20 | F02200227 | COPIGLIA 5X 30 U1336 ZN | PIN 5X 30 U1336 ZN | | | |
| 21 | F06120475 | RUOTA GOMMA 1" X 12" WPL C | RUBBER WHEEL 1"X12" WPL | | | |
| 22 | F06120181 | ANELLO GOMMA 1"X12" M | RUBBER RING 1X12' | COUVERT FARMF ROUE COMPR 1"X12 | MANTEL FARMF.R.DRUCK .MT | CUBIERTA FARMF. R. COMPR. MT |
| 23 | F04100149 | CUSC.D16 D40 B39 WPL | BEARING D16 D40 B39 WPL | | | COJINETE D16 D40 B39 WPL |
| 24 | F01440086 | ROS. 23X40X0,5 D988 ST2K60 BR | WASHER 23X40X0,5 D988 ST2K60 B | | | |
| 25 | F06120440 | RUOTA GOMMA 2"X13" WPL C | RUBBER WHEEL 320X47 PLA WPL C | | | RUEDA GOMA 2"X13" WPL |
| 26 | F06120165 | COPERTURA 2' X 13' | COVER 2' X 13' | | | |
| 27 | F06120405 | RUOTA GOMMA 2"X13" WPL R | RUBBER WHEEL 320X47 PLA WPL | | | |
| 28 | G16621920 | ROND.FOND.20,5 X50,5X1,0X10 ZN | WASHER CASEBACK 20,5X50,5X1X10 | | | |
| 29 | F04010131 | CUSC.D20 D42 B12 6004-2RSH EX> | BEARING D20 D42 B12 6004-2RSH | ROULEMENT 6004 | LAGER 6004 | COJINETE 6004 |
| 30 | G16621950 | PERNO D25 L170 | AXLE D25 L170 | | | |
| 31 | F01020285 | VITE M16X2X100 U5737 8.8ZN | SCR. M16X2X100 U5737 8.8ZN | VIS M16X2X100 U5737 8.8 ZN | SCHR.M16X2X100 U5737 8.8 ZN | TORN.M16X2X100 U5737 8.8 ZN |
| 32 | F01230085 | DADO M16X2 D982 8ZN | NUT M16X2 D982 8ZN | ECROU M16X2 D982 8ZN | MUTTER M16X2 D982 8ZN | TUERCA M16X2 D982 8ZN |
| 33 | G16621680 | ASS.REG.RUOTE V WPS SP540 | WPS WHEEL ADJUSTMENT ASSEMBLY | | | |
| 34 | G20970025 | RONDELLA 25,2X2X16,5 | WASHER 25-2X2X16-5 | RONDELLE 25-2X2X16-5 | UNTERLEGSSCHEIBE 25-2X2X16-5 | ARANDELA 25-2X2X16-5 |
| 35 | G20980014 | BOCCOLA 16,5X16,5X25 | BUSHING 16-5X16-5X25 | BOITE 16-5X16-5X25 | BsCHSE 16-5X16-5X25 | CASQUILLO 16-5X16-5X25 |
| 36 | G20980081 | BOCCOLA 25X12X16,25 | BUSHING 25X12X16-25 | BOITE 25X12X16-25 | BsCHSE 25X12X16-25 | CASQUILLO 25X12X16-25 |
| 37 | F06120408 | RUOTA GOMMA 2"X13" WPS R | RUBBER WHEEL 2"X13" WPS | | | RUEDA GOMA 2"X13" WPS |
| 38 | F06120412 | RUOTA GOMMA 1"X12" WPS C | RUBB.WHEEL1"X12"BEARINGK098 | | | RUEDA GOMA 1"X12" WPS |
| 39 | F06120474 | RUOTA GOMMA 2"X13" WPS C | RUBBER WHEEL 2"X13" WPS | | | |

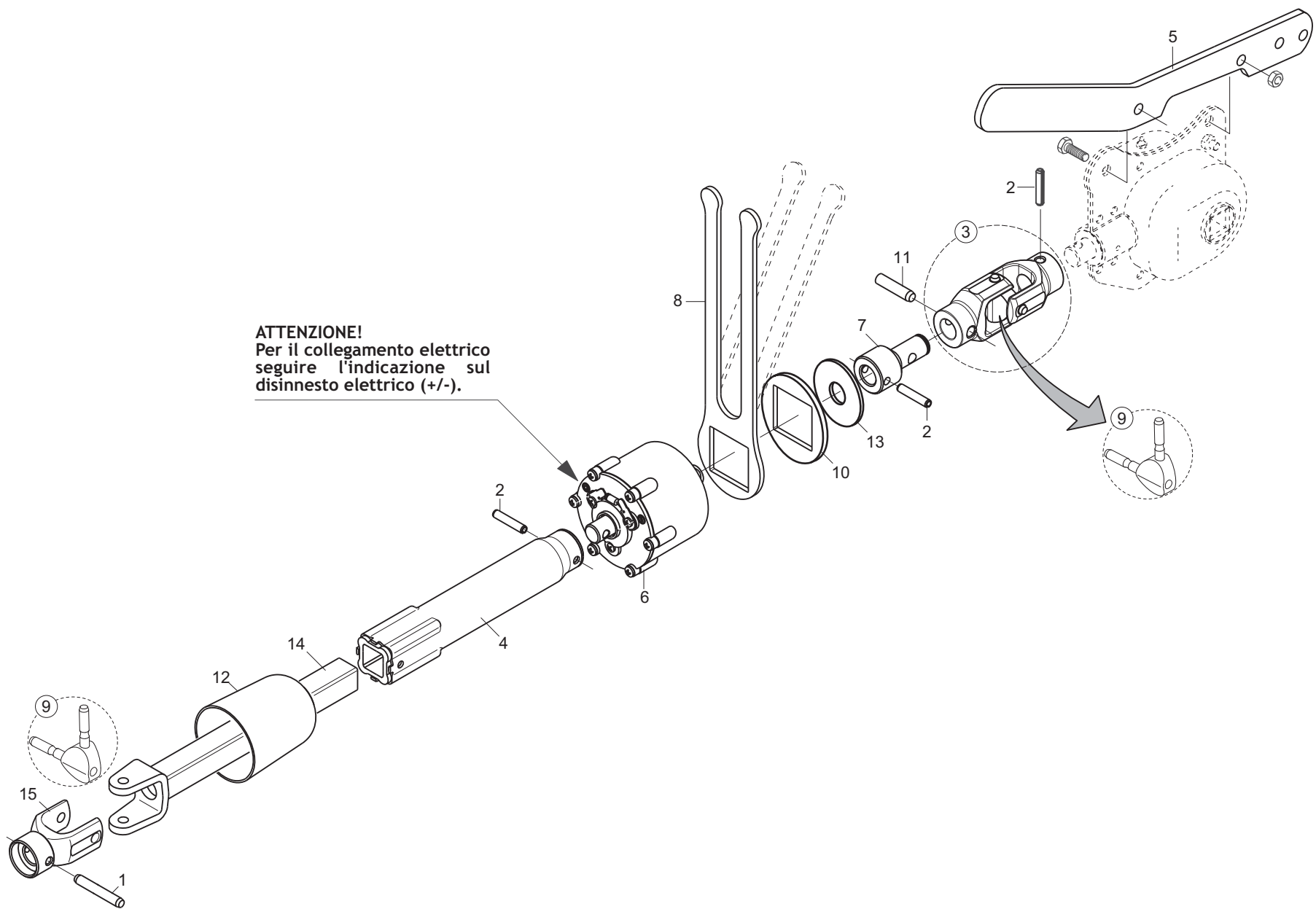


BILANCIERE

TAV. 122

| Pos. | Cod. | Descrizione | Description | Description | Benennung | Descripcion |
|------|-----------|--------------------------------|--------------------------------|--------------------------------|---------------------------------|--------------------------------|
| 1 | F01200270 | DADO M10X1,5 U5588 6.8ZN | NUT M10X1,5 U5588 6.8ZN | ECROU M10X 1,5 U5588 6.8 ZN | MUTTER M10X 1,5 U5588 6.8 ZN | TUERCA M10X 1,5 U5588 6.8 ZN |
| 2 | G22270241 | SPARTIZOLLE BILANCIERE B4 | CLOD BREAKER ROCKERS B4 | ECARTEUR DE MOTTES BALANCIER B | KIPPHEBEL KLOTENRZUMER B4 | DIVISOR DE TERRONES BALANCN BS |
| 3 | F01020472 | VITE M10X1,5X25 U5739 8.8ZN | SCR. M10X1,5X25 U5739 8.8ZN | VIS M10X1,5X25 U5739 8.8 ZN | SCHRAUBE M10X1,5X25 U5739 8.8 | TORNILLO 10X25 U5739 8.8 ZN |
| 4 | G15422672 | SUPPORTO RUOTA DI COMPRESSIONE | COMPRESS. WHEEL SUPPORT | SUPPORT ROUE DE COMPRESSION | HALTERUNG KOMPRESSIONSRAD | SOPORTE RUEDA DE COMPRESION |
| 5 | F02200246 | COPIGLIA 6X 45 U1336 ZN | PIN 6 X45 U1336 ZN | GOUVILLE 6 X45 U1336 ZN | SPLINT 6 X45 U1336 ZN | CLAVIJA 6 X45 U1336 ZN |
| 6 | F01020440 | VITE M8X1,25X25 U5739 8.8ZN | SCR. M8X1,25X25 U5739 8.8ZN | VIS M8X1,25X25 U5739 8.8 ZN | SCHRAUBE M8X1,25X25U5739 8.8ZN | TORNIL.M8X1,25X25 U5739 8.8 ZN |
| 7 | F01410051 | ROS.M8 8,4X 17X1,6 U6592 ZN | WASHER M8 8,4X17X1,6 U6592 ZN | RONDELLE M8 8,4X17X1,6 U6592ZN | SCHEIBE M8 8,4X17X1,6 U6592 ZN | ARANDELA M8 8,4X17X1,6 U6592ZN |
| 8 | G15420510 | RASCHIATERRA BILANCIERE | SOIL SCRAPER ROCKER | RACLEUR BALANCIER | ERDSCHABER KIPPHEBEL | RASCADOR TIERRA BALANCN R |
| 9 | F01200244 | DADO M8X1,25 U5588 6.8ZN | NUT M8X1,25 U5588 6.8ZN | ECROU M8 X1,25 U5588 6.8 ZN | MUTTER M8 X1,25 U5588 6.8 ZN | TUERCA M8 X1,25 U5588 6.8 ZN |
| 10 | G16620440 | BILANCIERE | ROCKER ARM | BALANCIER | KIPPHEBEL | KIPPHEBEL |
| 11 | G18701140 | RONDELLA 11 X35 X5 ZN | WASHER 11 X 35 X 5 | RONDELLE 11 X35 X5 | UNTERLEGSSCHEIBE 11 X35 X5 | ARANDELA 11 X35 X5 |
| 12 | F01020470 | VITE M10X1,5X20 U5739 8.8ZN | SCR. M10X1,5X20 U5739 8.8ZN | VIS M10X1,5X20 U5739 8.8 ZN | SCHRAUBE M10X1,5X20 U5739 8.8ZN | TORNILLOM10X1,5X20 U5739 8.8ZN |
| 13 | G15420490 | RUOTINO ANT.BILANC.D.280 | FRONT ROCKER WHEEL D.280 | ROUET ANT. BALANC. D 260 | KLEINES VORD. RAD KIPPHEBEL D. | RUDECILLA DEL. BALANCN D.280R |
| 14 | F01420060 | ROS.M10 10,5X 30X2,5 U6593 ZN | WASHER 10,5X30 | RONDELLE 10,5X30 | SCHEIBE 10,5X30 | ARANDELA 10,5X30 |
| 15 | G15423252 | PIASTRA DI REGOLAZIONE | REGULATION PLATE | | | |
| 16 | G15422572 | ASSE BILANCIERE | ROCKER SPINDLE | AXE BALANCIER | KIPPHEBELACHSE | EJE BALANC |
| 17 | F01220033 | DADO M10X1,5 D980 8ZN | NUT M10X1,5 D980 8ZN | ECROU M10X1,5 D980 8ZN | MUTTER M10X1,5 D980 8ZN | TUERCA M10X1,5 D980 8ZN |
| 18 | G15423521 | VITE REGOLAZIONE ZN | ADJUSTING BOLT - GALVANIZED | VIS RÉGLAGE ZN | STELLSCHRAUBE ZN | TORNILLO REGULACIÓN ZN |
| 19 | F01200432 | DADO M14X1,5 U5589 6SZN | NUT M14X1,5 U5589 6SZN | ECROU M14X1.5 | MUTTER M14X1.5 | DADO M14X1.5 |
| 20 | G19003400 | ASTA INDICAZIONE PROFONDITA' | DEPTH INDICATING ROD | TIGE INDICATION PROFONDEUR | TIEFENANZEIGESTAB | VARILLA INDICACIÓN PROFUNDIDAD |
| 21 | F02250077 | RIVETTO STR. 3 X14 U9200A AL | 3X14 ALUMINIUM PULL RIVET | RIVET A RUPTURE 3X14 ALUMINIUM | REISSNIET3X14 ALL. | REMACHE DESGAR. 3X14 ALL. |
| 22 | F01020122 | VITE M10X1,5X70 U5737 8.8ZN | SCR. M10X1,5X70 U5737 8.8ZN | VIS M10X1,5X70 U5737 8.8 ZN | SCHRA.M10X1,5X70 U5737 8.8 ZN | TORN. M10X1,5X70 U5737 8.8 ZN |
| 23 | G66349003 | BOCCOLA SINT. | BUSHING- SINTERED | BOITE FRITTEE | SYNTH. BUECHSE | CASQUILLO SINT. |
| 24 | G15423680 | SUPPORTO BILANCIERE SP540 | ROCKERS SUPPORT SP540 | SUPPORT BALANCIER SP540 | EINHEIT KIPPHEBEL SP540 | SOP. BALANC N SP540 |
| 25 | F01020110 | VITE M10X1,5X40 U5737 8.8ZN | SCR. M10X1,5X40 U5737 8.8ZN | VIS M 10X40 | SCHRAUBE M 10X40 | TORNILLO M 10X40 |
| 26 | G22250398 | BOCCOLA BRACCIO SUPERIORE SV/2 | UPPER ARM BUSHING SV/2 | BAGUE BRAS SUP. SV/2 | BsCHSE OBERARM SV/2 | CASQUILLO BRAZO SUPERIOR SV/2 |
| 27 | G15423810 | SUPPORTO MOLLA | SPRING SUPPORT | SUPPORT RESSORT | FEDERHALTERUNG | SOPORTE MUELLE |
| 28 | F01220022 | DADO M8X1,25 D980 8ZN | NUT M8X1,25 D980 8ZN | ECROU M8X 1,25 D980 8 ZN | MUTTER M8X 1,25 D980 8 ZN | TUERCA M8X 1,25 D980 8 ZN |
| 29 | F02100086 | SPINA E.P. 5X 30 U6873 C70 ZN | PIN EL. 5 X30 DIN 1481 ZN | FICHE EL. 5 X30 DIN 1481 ZN | SPANNSTIFT 5 X30 DIN 1481 ZN | CLAVIJA EL.5 X30 DIN 1481 ZN |
| 30 | F02200363 | COPIGLIA R 3X 62 ZN | SPRING SPLIT PIN 3X 62 ZN | GOUVILLE R 3X62 | SPLINT R 3X62 | CHAVETA R 3X62 |
| 31 | G15423820 | BOCCOLA NYLON SUPPORTO MOLLA | SPRING-SUPPORTING NYLON BUSH | DOUILLE NYLON SUPPORT RESSORT | NYLONBÜCHSE FEDERHALTERUNG | BUJE NYLON SOPORTE MUELLE |
| 32 | G18903670 | MOLLA COMPRESSIONE RUOTINO | COMPR. WHEEL SPRING | RESSORT COMPRESSION ROUET | FEDER DsNGUNG ROLLE | MUELLE COMPRESIN RUEDECILLA A |
| 33 | F01430023 | ROS.M10 10,5X 18X0,9 U8842J ZN | WASHER D10 DIN 6798 D.INT.ZN | RONDELLE D10 DIN 6798 D. INT. | UNT. SCHEIBE D10 DIN 6798 D.IN | ARANDELA D10 DIN 6798 D.INT.ZN |
| 34 | G18701590 | RONDELLA 25X35X2,5 ZN | WASHER 25 X35 X2,5 ZN | RONDELLE 25 X35 X2,5 ZN | SCHEIBE 25 X35 X2,5 ZN | ARANDELA 25 X35 X2,5 ZN |
| 35 | G15423780 | SUPPORTO RUOTINO | WHEEL SUPPORT | SUPPORT ROUET | HALTERUNG ROLLE | SOPORTE RUEDECILLA |
| 36 | F02100111 | SPINA E.P. 6X 24 U6873 A2 IX | PIN EL. 6 X24 U6873 A2 IX | | | |
| 37 | F01020378 | VITE M5X0,8X16 U5739 8.8ZN | SCR. M5X0,8X16 U5739 8.8ZN | VIS M5X0,8X16 U5739 8.8ZN | SCHRAUBE M5X0,8X16 U5739 8.8ZN | TORNILLO M5X0,8X16 U5739 8.8ZN |
| 38 | G15423271 | RASCHIATERRA | SOIL SCRAPER | RACLEUR | ERDSCHABER | RASCADOR TIERRA |
| 39 | G15421671 | SUPPORTO RASCHIATERRA | SOIL SCRAPER SUPPORT | SUPPORT RACLEUR | HALTERUNG ERDSCHABER | SOPORTE RASCADOR TIERRA |
| 40 | F01420023 | ROS.M5 5,3X 15X1,5 U6593 ZN | WASHER M5 5,3X 15X1,5 U6593 | | | |
| 41 | F01200220 | DADO M5X0,8 U5588 6.8ZN | NUT M5X0,8 U5588 6.8ZN | ECROU 5 UNI 5588 6.8 ZN | MUTTER 5 UNI 5588 6.8 ZN | TUERCA 5 UNI 5588 6.8 ZN |
| 42 | G20970025 | RONDELLA 25,2X2X16,5 | WASHER 25-2X2X16-5 | RONDELLE 25-2X2X16-5 | UNTERLEGSSCHEIBE 25-2X2X16-5 | ARANDELA 25-2X2X16-5 |
| 43 | F06120066 | RUOTINO FLEX 170 X 30 | WHEEL FLEX 170 X 30 | | | |
| 44 | G18701820 | RONDELLA 16,5 X25 X1,0 ZN | WASHER 16,5X25X1,0 ZN | | | |
| 45 | F04150024 | BOCCOLA PAP 15X17X25 | PAP BUSH 15X17X25 | BOITE PAP 15X17X25 | BsCHSE PAP 15X17X25 | CASQUILLO PAP 15X17X25 |
| 46 | G18903170 | MOLLA TRAZ.ZN RASCHIAT. SP530 | TRACTION SPRING ZN SCRAPER SP5 | RESSORT TRACT. ZN RACLEUR SP53 | ZUGFEDER ZN ABSCHABER SP530 | MUELLE TRAC. ZN RASCADOR SP530 |
| 47 | G16620720 | COPRISEME BIETOLE SX | COVERER BEETS SX | | | CUBRESEMILLA REMOLACHA IZQ |
| 48 | G15421080 | ASSE COPRISEME ZN | SEED COVER AXLE | | | |
| 49 | G16620710 | COPRISEME BIETOLE DX | RIGHT BEET SEED COVER | COUVRE-GRAINE DRT BETTES | SAMENABDECKER RE RsBEN | CUBRESEMILLAS DER REMOLACHAS |
| 50 | G22270226 | TAGLIENTE FALCIONE B4 SP/S | KNIFE COULTER SUGAR BEET SP | POINTE DE SOC BETT SP520/540 | SCHARSPITZE RUBE SP | PONTA SURCADOR REMOLACHA SP |
| 51 | G22270428 | GANCIO TAGLIENTE SP/S | HOOK - CUTTER SP/S | CROCHET HACHOIR SP/S | HAKEN SZSCHAR SP/S | GANCHO GUADA%ADORA SP/S |
| 52 | G15422474 | MONT.FALCIONE BIETOLE H118 | BEET BLADE H118 | | | |
| 53 | F01020479 | VITE M10X1,5X35 U5739 8.8ZN | SCR. M10X1,5X35 U5739 8.8ZN | VIS M10X1,5X35 U5739 8.8 ZN | SCHR. M10X1,5X35 U5739 8.8 ZN | TORN. M10X1,5X35 U5739 8.8 ZN |
| 54 | G18902481 | MOLLA TRAZIONE AGG.FALCIONE | COULTER HOOK-UP TRACT. SPRING | RESSORT TRACTION FIX. SOC | ZUGFEDER KUPPL. SÄSCHAR | MUELLE TRACCIÓN CONEX. BOTÁ |

ATTENZIONE!
 Per il collegamento elettrico
 seguire l'indicazione sul
 disinnesto elettrico (+/-).

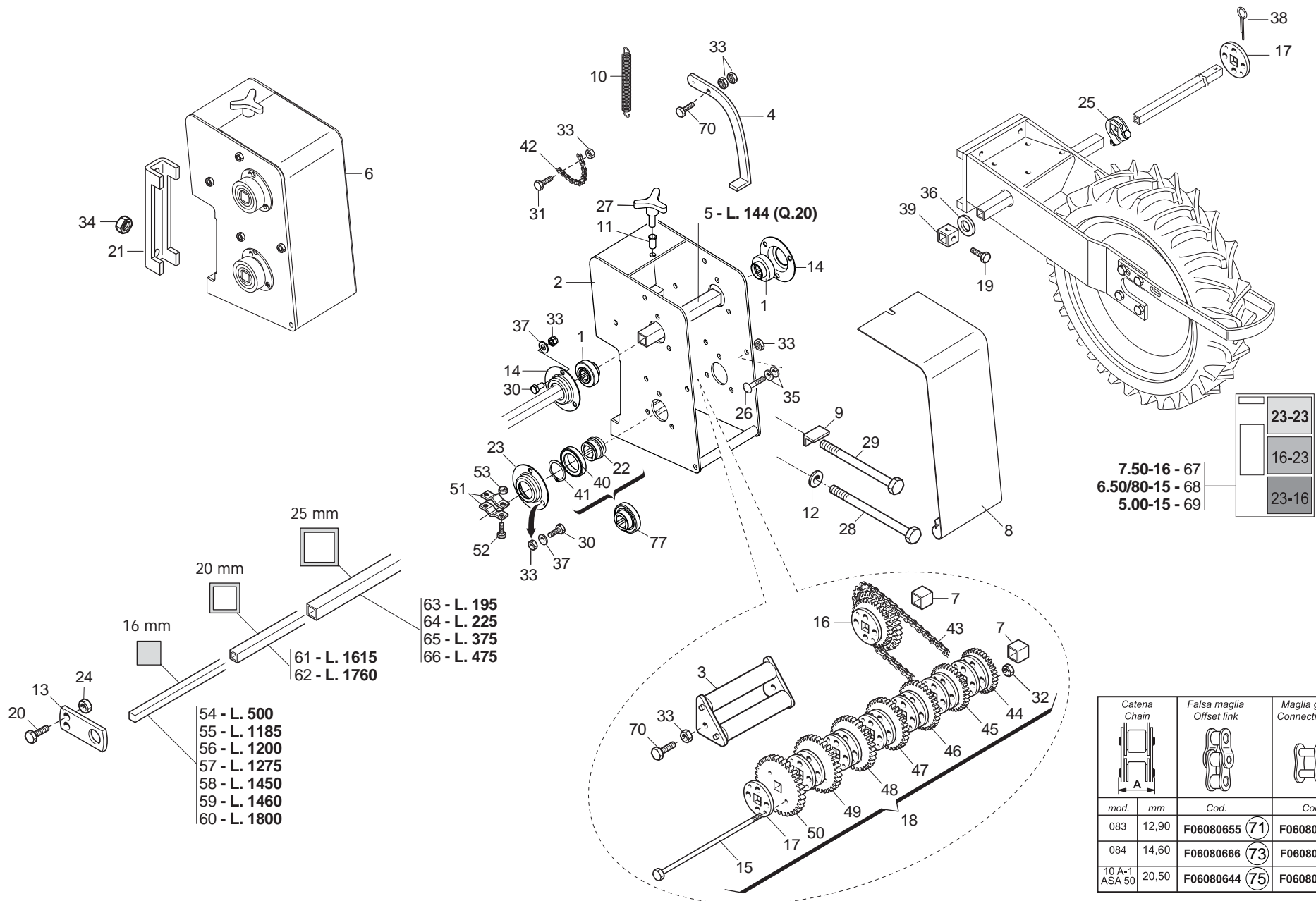


ESCLUSIONE ELETTRICA FILE DI SEMINA

TAV. 285

| Pos. | Cod. | Descrizione | Description | Description | Benennung | Descripcion |
|------|-----------|--------------------------------|--------------------------------|--------------------------------|-------------------------------|-------------------------------|
| 1 | F02100086 | SPINA E.P. 5X 30 U6873 C70 ZN | PIN EL. 5 X30 DIN 1481 ZN | FICHE EL. 5 X30 DIN 1481 ZN | SPANNSTIFT 5 X30 DIN 1481 ZN | CLAVIJA EL.5 X30 DIN 1481 ZN |
| 2 | F02100113 | SPINA E.P. 6X 30 U6873 C70 ZN | PIN EL. 6X30 DIN 1481 ZN * | GOUPILLE EL.6 X30 DIN1481ZN* | SPANNSTIFT 6 X30 DIN 1481 ZN | CLAVIJA EL.6 X30 DIN 1481 ZN |
| 3 | G15423980 | FORCELLE SNODO ESCL.ELET.COMPL | COMPLET FORK ELECTRIC SWITCH O | | | |
| 4 | G15424013 | ASS.INNESTO ESCL.ELETTR.SP | ASSY ELETTR.EXCL.CLUTCH SP | | | |
| 5 | G15424030 | PIASTRA FERMO ESCLUSIONE ELETT | ELECTRIC DISABLE STOP PLATE | PLAQUE BUT+E EXCLUSION +LECTRI | SPERRPLATTE ELEK.AUSSCHALTUNG | PLACA TOPE DESCONEXIËN EL+CT. |
| 6 | G16033703 | DISINNESTO ELETTRICO MBN | ELECTRICAL DISCONNECTION MBN | | | |
| 7 | G16033730 | ADATTATORE CROCIERA | SPIDER ADAPTOR | ADAPTATEUR CROISIERE | PASSST_CK GELENKKREUZ | ADAPTADOR CRUCETA |
| 8 | G16033750 | FERMO DISINNESTO ELETTRICO ZN | UNCOUPLING ELECTRIC STOP | ARRET DEBRAYAGE +LECT. | FESTSTELL. AUSKUPPLUNG EL. | BLOQUEO DESCONEXIN EL. |
| 9 | G22270454 | KIT CROCIERA 2 PEZZI | KIT SPIDER 2 ITEMS | CROSILLON COMPL CARDAN TRANSM | GELENKKREUZ KOMPL. SP/S | CRUCETA COMPL. SP/S |
| 10 | G16033740 | DISTANZIALE DISINNESTO ELET.ZN | UNCOUPLING ELECTRIC SPACER | ENTRETOISE DEBRAYAGE +LECT. | DISTANZST_CK AUSKUPPLUNG EL. | DISTANCIADOR DESCONEXIN EL. |
| 11 | G66248057 | SPINA DI SICUREZZA SP | SAFETY PIN SP | BROCHE PLASTIC SECURITE CARDAN | SICHERHEITSSTIFT SP | CLAVIJA DE SEGURIDAD SP |
| 12 | G66248094 | COPRICARDANO SP | UNIVERSAL JOINT COVER SP | COUVRE-CARDAN SP | KARDANABDECKUNG SP | CUBRECARDÆN SP |
| 13 | G18701970 | RONDELLA 16X48X2,5 | WASHER 16X48X2,5 | RONDELLE 16X48X2,5 | UNTERLEGSSCHEIBE 16X48X2,5 | ARANDELA 16X48X2,5 |
| 14 | G14821570 | TUBO CARDANO 20 L. 204 | CARDAN TUBE Q.20 L.204 | | | |
| 15 | G19204060 | FORCELLA | FORK | | | |

TAV. 136

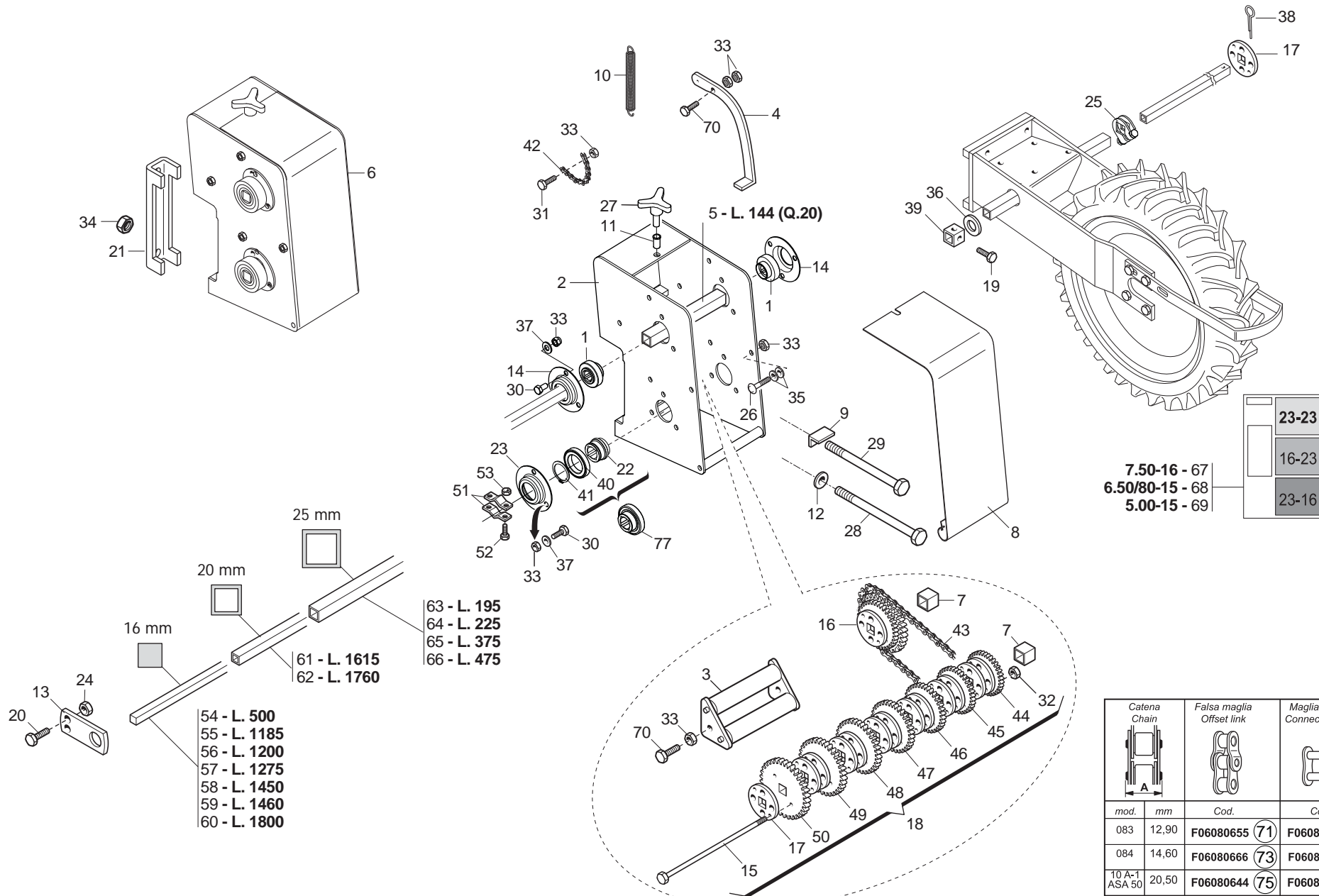


CAMBIO

TAV. 136

| Pos. | Cod. | Descrizione | Description | Description | Benennung | Descripcion |
|------|-----------|--------------------------------|--------------------------------|--------------------------------|---------------------------------|--------------------------------|
| 1 | G14830390 | CUSCINETTO FORO QUADRO | SQUARE-HOLED BEARING | ROULEMENT TROU CARRE | VIERKANTLAGER | COJINETE ORIFICIO CUADRADO |
| 2 | G15430292 | SCATOLA CAMBIO Q.150 | GEARBOX Q.150 | BOITE DE VITESSE Q.150 | GETRIEBEKASTEN Q.150 | CAJA DE CAMBIO VELOCIDAD Q.150 |
| 3 | G15430321 | RULLO TENDICATENA | CHAIN STRETCHER ROLLER | ROULEAU TENDEUR DE CHAINE | KETTENSPANNROLLE | RODILLO TENSOR DE CADENA |
| 4 | G15430331 | LEVA CAMBIO | GEAR LEVER | LEVIER BOITE DE VITESSE | GETRIEBEBEBEL | PALANCA DE CAMBIO |
| 5 | G15430340 | ASSE INGRANAGGI L.144 | GEAR SPINDLE L.144 | AXE ENGRENAGES L.144 | ACHSE ZAHNRZDER L.144 | EJE ENGRANAJES L.144 |
| 6 | G15430382 | SCATOLA CAMBIO COMPL.150 | GEAR BOX COMPL. 150 | BOITE DE VITESSE COMPL. 150 | GETRIEBE KOMPL. 150 | SCATOLA CAMBIO COMPL.150 |
| 7 | G15430501 | DISTANZIALE INTERNO CAMBIO ZN | GEARBOX INNER SPACER | ENTRETOISE INT. BOITE VITESSE | INNERES DISTANZSTÜCK GETRIEBE | DISTANCIADOR INTERIOR CAMBIO |
| 8 | G15430711 | COPERCHIO CAMBIO | GEAR COVER | COUVERCLE BOITE DE VITESSE | GETRIEBEDECKEL | TAPA CAMBIO |
| 9 | G15431020 | FERMO VITE CAMBIO | GEAR BOLT STOP | ARRET VIS BOITE DE VITESSE | FESTSTELLVORRICH. GETRIEBESCHR | BLOQUEO TORNILLO |
| 10 | G18902970 | MOLLA TRAZ.CAMBIO ZN SP | GALVAN. GEAR TRACT. SPRING SP | RESS. TRACT. BOITE VITESSE ZN | ZUGFEDER GETRIEBE ZN SP | MUELLE TRAC. CAMBIO ZN SP |
| 11 | F02250683 | INSERTO FIL.M 8X17,5 ZN T.TOND | CYLINDRICAL NUT 8 TC 40 | ECROU CYLINDRIQUE 8 TC 40 | ZYLINDRISCHE MUTTER 8 TC 40 | TUERCA CILINDRICA 8 TC 40 |
| 12 | G20970142 | RONDELLA 32X4X15,5 | WASHER 32X4X15-5 | RONDELLE 32X4X15-5 | UNTERLEGSCHLEIBE 32X4X15-5 | ARANDELA 32X4X15-5 |
| 13 | G15421520 | FERMO ASSI TRASMISSIONE | TRANSMISSION SHAFT STOP | BUT+E AXES TRANSMISSION | ACHSENSPERREN ANTRIEB | TOPE EJES TRANSMISIÉN |
| 14 | G22230094 | SUPPORTO CUSCINETTO | BEARING SUPPORT | SUPPORT PALIER | LAGERBÜCHSE | SOPORTE COJINETE |
| 15 | G19203260 | VITE M5X115 ZN | BOLT M5X115 ZN | VIS M5X115 ZN | SCHRAUBE M5X115 ZN | TORNILLO M5X115 ZN |
| 16 | G22270152 | ING.Z 16-23 RUOTA-CAMBIO SP | WHEEL- GEARBOX GEARS SP | ENGR. Z 16-23 ROUE BOITE VIT. | ZAHNRAD Z 16-23 GETRIEBERAD SP | ENGRAN. Z 16-23 RUEDA-CAMBIO |
| 17 | G22270162 | RINFORZO INGR.ASSE DA 20 SP | AXLE GEAR REINFORCEMENT 20 SP | RENFORC. ENGRN. AXE DE 20 SP | VERSTÄRKUNG ACHSZAHNRAD 20 SP | REFUERZO ENGRAN. EJE DE 20 SP |
| 18 | G22270163 | BLOCCO CAMBIO ASSE DA 20 SP | 20 CM SPINDLE GEARBOX SP | ENSEMBLE BOITE DE VITESSE | GETRIEBEBLOCK ACHSE 20 SP | BLOQUE CAMBIO EJE DE 20 SP |
| 19 | F01020403 | VITE M6X1X16 U5739 8.8ZN | SCR. M6X1X16 U5739 8.8ZN | VIS M6X1X16 U5739 8.8 ZN | SCHRAUBE M6X1X16 U5739 8.8 ZN | TORNILLO M6X1X16 U5739 8.8 ZN |
| 20 | F01020404 | VITE M6X1X20 U5739 8.8ZN | SCREW M6X1X20 U5739 8.8ZN | VIS M6X1X20 U5739 8.8ZN | SCHRAUBE M6X1X20 U5739 8.8ZN | TORNILLO M6X1X20 U5739 8.8ZN |
| 21 | G15110091 | SCONTRIO A U SP.8 2F15 165 | STRIKER | BRIDE 150 MM | ANSCHLAG | ELEMENTO DE EMPALME |
| 22 | G22500091 | BOCCOLA CUSCINETTO | BEARING BUSHING | BOITE PALIER | LAGERBÜCHSE | CASQUILLO COJINETE |
| 23 | G22500092 | SUPPORTO CUSCINETTO | BEARING SUPPORT | SUPPORT PALIER | LAGERBÜCHSE | SOPORTE COJINETE |
| 24 | F01220011 | DADO M6X1 D980 8ZN | NUT M6X1 D980 8ZN | ECROU M6X1 D980 8 ZN | MUTTER M6X1 D980 8 ZN | TUERCA M6X1 D980 8 ZN |
| 25 | G22505085 | FERMO ASSE IN LAMIERA | PLATE AXLE STOP | ARRET AXE EN TOLE | FESTSTELLVORRICHTUNG BLECHACHS | BLOQUEO EJE DE CHAPA |
| 26 | F01060040 | VITE M8X1,25X20 U5731 8.8ZN | SCR. M8X1,25X20 U5732 4.6ZG | VIS M8X1,25X20 U5732 4.6 ZN | SCHRA. M8X1,25X20 U5732 4.6 ZN | TORN. M8X1,25X20 U5732 4.6 ZN |
| 27 | F06220018 | VOLANTINO 3LOBI D.65-M8X15 | 3-LOBE HANDWHEEL D.65-M8X15 | | | |
| 28 | F01020225 | VITE M14X2X160 U5737 8.8BR | SCR. M14X2X160 U5737 8.8BR | VIS M 14 X160 5737 8.G | SCHRAUBE M 14 X160 5737 8.G | TORNILLO M 14 X160 5737 8.G |
| 29 | F01020233 | VITE M14X2X200 U5737 8.8BR | SCR. M14X2X200 U5737 8.8BR | VIS M14X2X 200 U5737 8.8 ZB | SCHRAUBE M14X 2X200 U5737 8.8 | TORNILLO M14X2X200 5737 8.8 ZB |
| 30 | F01020432 | VITE M8X1,25X16 U5739 8.8ZN | SCR. M8X1,25X16 U5739 8.8ZN | VIS M8 X1,25X16 U5739 8.8 ZN | SCHRAUBE M8X1,25X16U5739 8.8ZN | TORNILLO M8X1,25X16U5739 8.8ZN |
| 31 | F01020449 | VITE M8X1,25X35 U5739 8.8ZN | SCR. M8X1,25X35 U5739 8.8ZN | VIS M8X1,25X35 U5739 8.8ZN | SCHRA. M8X1,25X35 U5739 8.8ZN | TORN. M8X1,25X35 U5739 8.8ZN |
| 32 | F01200220 | DADO M5X0,8 U5588 6.8ZN | NUT M5X0,8 U5588 6.8ZN | ECROU 5 UNI 5588 6.8 ZN | MUTTER 5 UNI 5588 6.8 ZN | TUERCA 5,25X588 6.8 ZN |
| 33 | F01200244 | DADO M8X1,25 U5588 6.8ZN | NUT M8X1,25 U5588 6.8ZN | ECROU M8 X1,25 U5588 6.8 ZN | MUTTER M8 X1,25 U5588 6.8 ZN | TUERCA M8 X1,25 U5588 6.8 ZN |
| 34 | F01200306 | DADO M14X2 U5588 6.8ZN | NUT M14X2 U5588 6.8ZN | ECROU M14X2 | MUTTER M14X2 | DADO M14X2 |
| 35 | F01410051 | ROS.M8 8,4X 17X1,6 U6592 ZN | WASHER M8 8,4X17X1,6 U6592 ZN | RONDELLE M8 8,4X17X1,6 U6592ZN | SCHLEIBE M8 8,4X17X1,6 U6592 ZN | ARANDELA M8 8,4X17X1,6 U6592ZN |
| 36 | G22500085 | RONDELLA D.38X70XSP.5 PVC | WASHER D.38X70X5 PVC | RONDELLE D.38X70X5 PVC | UNTERLEGSCHLEIBE D.38X70X5 PVC | ARANDELA D.38X70X5 PVC |
| 37 | F01430059 | ROS.M8 8,4X 15X0,8 U8842J ZN | WASHER M8 8,4X15X0,8 U8842J ZN | ROND. M8 8,4X 15X0,8 U8842J ZN | SCHLEIBE M8 8,4X15X0,8 U8842JZN | ARAND. M8 8,4X15X0,8 U8842J ZN |
| 38 | F02200229 | COPIGLIA 5X 45 U1336 ZN | SPLIT PIN 5X 45 U1336 ZN | GOUPILLE 5X 45 U1336 ZN | SPANNSTIFT 5X 45 U1336 ZN | PASADOR 5X 45 U1336 ZN |
| 39 | G22500084 | FERMO ASSE CAVO DA 25 | SPINDLE STOP- 25 CABLE | ARRET AXE CREUX DE 25 | FESTSTELLVORR. ACHSE KABEL ZU | BLOQUEO EJE CABLE DE 25 |
| 40 | F04010311 | CUSC.d35 D55 B10 61907 LLU | BEARING d35 D55 B10 61907 L | | | |
| 41 | F02050146 | ANELLO E. DE 35X 1,5 U7435 C70 | ELASTIC RING DE 35X 1,5 U7435 | BAGUE ELASTIQUE DE 35X 1,5 | RING DE 35X 1,5 U7435 C70 | ANILLO DE 35X 1,5 U7435 C70 |
| 42 | F06080008 | CATENA 1/2 ISO 083 16 MAGLIE | CHAIN 1/2 ISO 083 16 LINKS | TRONÇON CHA+NE 1/2-3/16 16 MAI | KET.ABSCHN.1/2-3/16 16 GLIEDER | TRAMO CAD.1/2-3/16 16 ESLABONE |
| 43 | F06080230 | CATENA 5/8 ASA 50 L 46 MAGLIE | CHAIN 5/8 ASA 50 L 46 LINKS | CHAINE 5/8 ASA 50 L 46 MAILLE | KETTE 5/8 ASA 50 L 46 GLIEDER | CADENA 5/8 ASA 50 L 46 ESLABO |
| 44 | G66248162 | INGRANAGGIO Z-17 SP | GEAR Z-17 SP | ENGRENAGE Z-17 SP | ZAHNRAD Z-17 SP | ENGRANAJE Z-17 SP |
| 45 | G66248163 | INGRANAGGIO Z-18 SP | GEAR Z-18 SP | ENGRENAGE Z-18 SP | ZAHNRAD Z-18 SP | ENGRANAJE Z-18 SP |
| 46 | G66248164 | INGRANAGGIO Z-19 SP | GEAR Z-19 SP | ENGRENAGE Z-19 SP | ZAHNRAD Z-19 SP | ENGRANAJE Z-19 SP |
| 47 | G66248165 | INGRANAGGIO Z-20 SP | GEAR Z-20 SP | ENGRENAGE Z-20 SP | ZAHNRAD Z-20 SP | ENGRANAJE Z-20 SP |
| 48 | G66248166 | INGRANAGGIO Z-21 SP | GEAR Z-21 SP | ENGRENAGE Z-21 SP | ZAHNRAD Z-21 SP | ENGRANAJE Z-21 SP |
| 49 | G66248167 | INGRANAGGIO Z-22 SP | GEAR Z-22 SP | ENGRENAGE Z-22 SP | ZAHNRAD Z-22 SP | ENGRANAJE Z-22 SP |
| 50 | G66248168 | INGRANAGGIO Z-23 SP | GEAR Z-23 SP | ENGRENAGE Z-23 SP | ZAHNRAD Z-23 SP | ENGRANAJE Z-23 SP |
| 51 | G22500102 | FERMO ASSI | AXLE STOP | ARRET AXES | FESTSTELLVORRICHTUNG ACHSEN | BLOQUEO EJES |
| 52 | F01020380 | VITE M5X0,8X20 U5739 8.8ZN | SCR. M5X0,8X20 U5739 8.8ZN | VIS M5X0,8X20 U5739 8.8ZN | SCHRAUBE M5X0,8X20 U5739 8.8ZN | TORNILLO M5X0,8X20 U5739 8.8ZN |
| 53 | F01220200 | DADO M5X0,8 D980 8ZN | NUT M5X0,8 D980 8ZN | ECROU M5X 0,8 D980 8 ZN | MUTTER M5X 0,8 D980 8 ZN | TUERCA M5X 0,8 D980 8 ZN |
| 54 | G22270127 | ASSE RUOTA CAMBIO 2F.L.500 SP | WHEEL AXLE - GEARBOX 2-ROW L. | AXE ROUE BOITE DE VITESSE | GEBTRIEBERAGDACHSE 2R.L.500 SP | EJE RUEDA CAMBIO 2 FILAS. L.50 |
| 55 | G15120431 | ASSE TRASMISSIONE L.1185 | TRANSMISSION AXLE L.1185 | AXE TRANSMISSION L.1185 | sBERTRAGUNGSACHSE L.1185 | EJE TRANSMISIN L 1185 A |

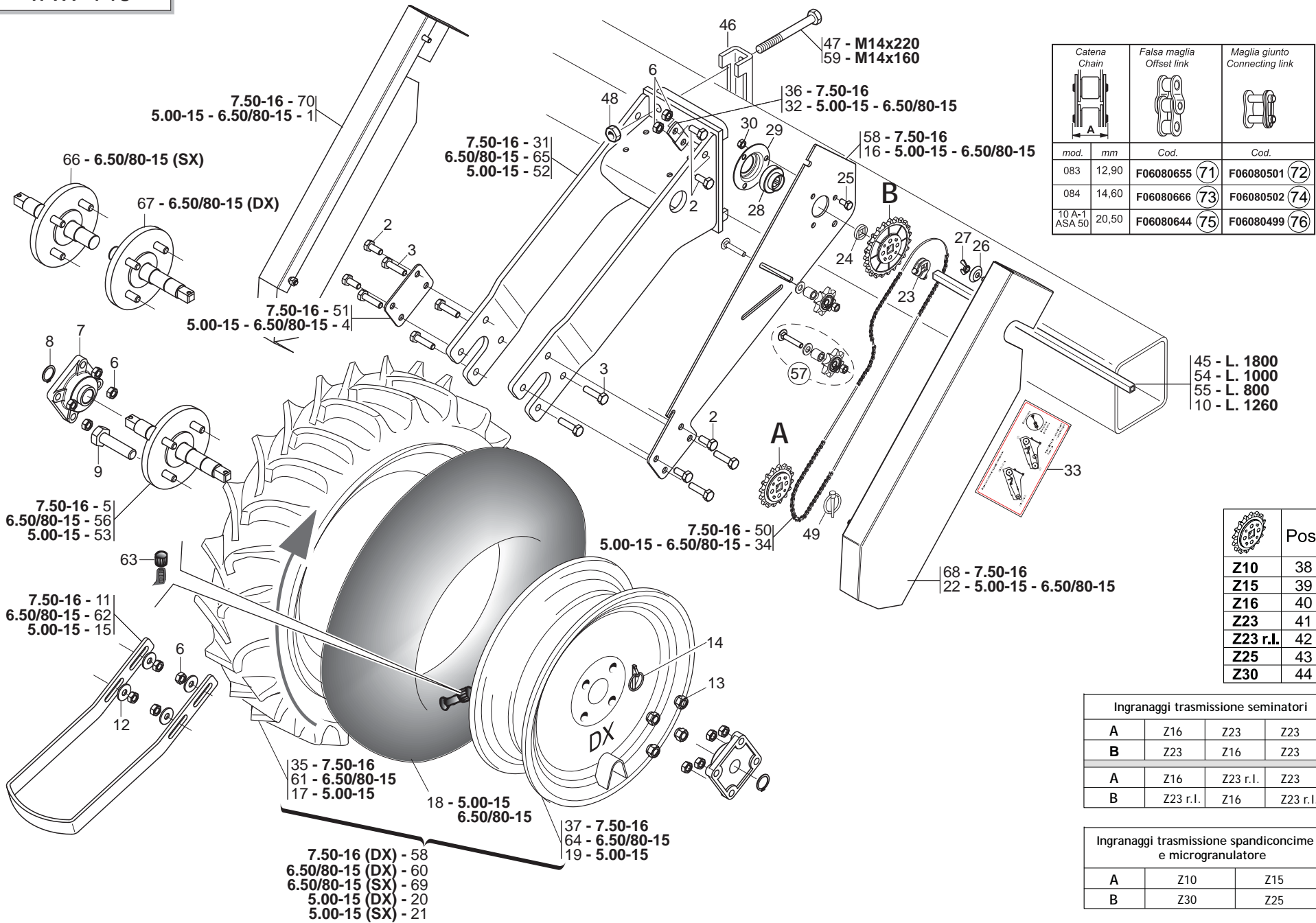
TAV. 136



CAMBIO
TAV. 136

| Pos. | Cod. | Descrizione | Description | Description | Benennung | Descripcion |
|------|-----------|--------------------------------|--------------------------------|--------------------------------|--------------------------------|--------------------------------|
| 56 | G22270049 | ASSE 4F.85-6F.50 L.1260 | 4-ROW SPINDLE - 85-6-ROW-50 L. | AXE 4 RANGEES 85-6 RANGEES 50 | ACHSE 4 REIHEN 85-6 REIH. 50 | EJE 4 FILAS. 85-6 FILAS. 50 L. |
| 57 | G22500105 | ASSE SX L=1275 | AXLE LEFT L=1275 | AXE GCH. L=1275 | ACHSE LINKS L=1275 | EJE IZQ. L=1275 |
| 58 | G15131070 | ASSE TR.SEMIN.L.1450 5 FORI | SEED.TRANS.AXLE L1450 5HOLES | | | |
| 59 | G20860090 | ASSE TRASMISSIONE L.1460 | AXLE- LEFT 5-R.60 L.1460 | AXE GCH. 5 RANGEES 60 L. 1460 | ACHSE LI 5R.F.60 L.1460 | EJE IZQ. 5 FILA. 60 L.1460 |
| 60 | G20870028 | ASSE SERB.LATO TRAS.6F.L.1800 | AXLE- GEARBOX SIDE- 6-ROW L.18 | AXE RESERVOIR COTE ENTRAINEMEN | ACHSE BEHZLTER ANTRIEBSS. 6F.L | EJE DEPS. LADO TRANS. 6 FILA A |
| 61 | G22500096 | TUBO ASSE L=1615 | PIPE AXLE L=1615 | TUBE AXE L=1615 | ROHR ACHSE L=1615 | TUBO EJE L=1615 |
| 62 | G15231970 | TUBO Q. 20X1,2X1760 INOX | SQ.TUBE 20X1,2X1760 INOX | | | |
| 63 | G22500103 | TUBO F.75 L=195 | PIPE F.75 L=195 | TUBE F. 75 L=195 | SCHLAUCH F.75 L=195 | TUBO F.75 L=195 |
| 64 | G22500098 | TUBO F.75 L=225 | PIPE F.75 L=225 | TUBE F. 75 L=225 | SCHLAUCH F.75 L=225 | TUBO F.75 L=225 |
| 65 | G22500086 | ASSE CAVO DA 25 | SPINDLE- 25 CABLE | AXE 25 X 375 | ACHSE KABEL ZU 25 | EJE CABLE DE 25 |
| 66 | G22500116 | TUBO L=475 | PIPE L=475 | TUBE L=475 | ROHR L=475 | TUBO L=475 |
| 67 | G19701452 | DECAL.CAMBIO RUOTA 7,50-16 | LABEL WHEEL GEAR 7,50-16 | | | |
| 68 | G19701414 | DECAL.CAMBIO RUOTA 6,50-15/R26 | DECAL.WHEEL 6,50-15/R26 | | | |
| 69 | G19701403 | DECAL.CAMBIO RUOTA 5,00-15 | DECAL.WHEEL 5,00-15 | | | |
| 70 | F01020445 | VITE M8X1,25X30 U5739 8.8ZN | SCR. M8X1,25X30 U5739 8.8ZN | VIS M 8X1,25X30 U5739 8.8 ZN | SCHRAU, M8X1,25X30 U5739 8.8ZN | TORN. M8X1,25X30 U5739 8.8 ZN |
| 71 | F06080655 | FALSA MAGLIA CAT.1/2 ISO 083 | DUMMY CHAIN LINK 1/2 ISO 083 | FAUSSE MAILLE CHAINE 1/2 ISO 0 | FALSCHES GLIED 1/2 ISO 083 | ESLABN FICTICIO CAD. 1/2 ISO O |
| 72 | F06080501 | GIUNZIONE CATENA 1/2 ISO 083 | CHAIN JOINT 1/2 ISO 083 | JONCTION CHAINE 1/2 ISO 083 | KETTENVERBINDUNG 1/2 ISO 083 | UNIN CADENA 1/2 ISO 083 J |
| 73 | F06080666 | FALSA MAGLIA CAT.1/2 ISO 084-1 | CHAIN EYE CAT. 1/2 ISO 084-1 | | | |
| 74 | F06080502 | GIUNZIONE CATENA 1/2 ISO 084-1 | CHAIN JUNCTION 1/2 ISO 084-1 | | | |
| 75 | F06080644 | FALSA MAGLIA CAT.5/8 ASA 50LUB | DUMMY CHAIN LINK 5/8 ASA 50LUB | FAUSSE MAILLE CHAINE ASA 50LUB | FALSCHES GLIED 5/8 ASA 50LUB | ESLAB N FICTICIO CAD.5/8 ASA50 |
| 76 | F06080499 | GIUNZIONE CATENA 5/8 ASA 50LUB | CHAIN JOINT 5/8 ASA 50LUB | JONCTIONS CHAINE 5/8 ASA 50LUB | KETTENVERBINDUNG 5/8 ASA 50LUB | UNIONES CADENA 5/8 ASA 50LUB |
| 77 | G16631040 | CUSC.D35-DE55 B10 61907 FQ20,5 | BEARING D35-55 B10 61907 20,5 | | | |

TAV. 146

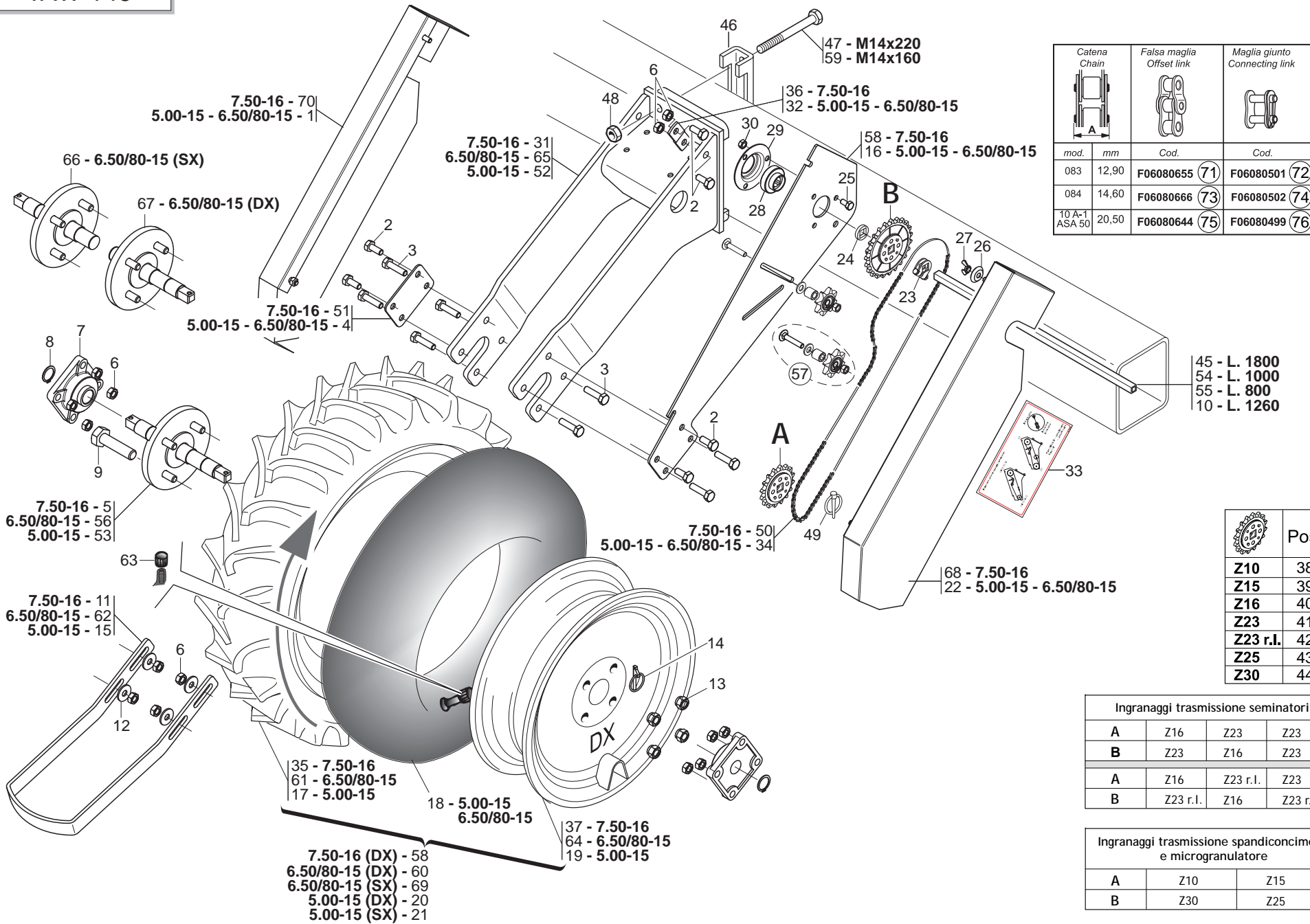


RUOTE DI TRASMISSIONE

TAV. 146

| Pos. | Cod. | Descrizione | Description | Description | Benennung | Descripcion |
|------|-----------|--------------------------------|--------------------------------|--------------------------------|--------------------------------|--------------------------------|
| 1 | G16630361 | CARTER SX | LEFT PROTECTION | | | |
| 2 | F01020472 | VITE M10X1,5X25 U5739 8.8ZN | SCR. M10X1,5X25 U5739 8.8ZN | VIS M10X1,5X25 U5739 8.8 ZN | SCHRAUBE M10X1,5X25 U5739 8.8 | TORNILLO 10X25 U5739 8.8 ZN |
| 3 | F01020483 | VITE M10X1,5X40 U5739 10.9ZD | SCR. M10X1,5X40 U5739 10.9ZD | VIS M10X1,5X40 U5739 10.9 ZD | SCHRA.M10X1,5X40 U5739 10.9 ZD | TORN. M10X1,5X40 U5739 10.9 ZD |
| 4 | G16630380 | SCONTRO 100X70-3 4F11 70X40 | STRIKER PLATE 100X70-3 4F | BUTEE 100X70-3 4F | ANSCHLAG 100X70-3 4F | ELEMENTO DE EMPALME 100X70-3 4 |
| 5 | G15231162 | ASSE RUOTA 7,50X16 | ASS. AXIS WHEEL 7,50X16 | | | |
| 6 | F01200270 | DADO M10X1,5 U5588 6.8ZN | NUT M10X1,5 U5588 6.8ZN | ECROU M10X 1,5 U5588 6.8 ZN | MUTTER M10X 1,5 U5588 6.8 ZN | TUERCA M10X 1,5 U5588 6.8 ZN |
| 7 | F04100137 | SUPPORTO FY 25 TF | SUPPORT FY 25 TF | | | |
| 8 | F02050101 | ANELLO E. DE 25X 1,2 U7435 C70 | SEEGER RING E. 25X1,2 7435 C70 | SEEGER E. 25X 1,2 U7435 C70 | SEEGERING E. 25X 1,2 U7435 C70 | ANILLO E. 25X 1,2 U7435 C70 |
| 9 | F01010365 | VITE M18X1,5X50 U5740 8.8ZN | SCR. M18X1,5X50 U5740 8.8ZN | VIS M18X1,5X50 U5740 8.8 ZN | SCHRAUBE 18X1,5X50 U5740 8.8ZN | TORNI. M18X1,5X50 U5740 8.8ZN |
| 10 | G22270049 | ASSE 4F.85-6F.50 L.1260 | 4-ROW SPINDLE - 85-6-ROW-50 L. | AXE 4 RANGEES 85-6 RANGEES 50 | ACHSE 4 REIHEN 85-6 REIH. 50 | EJE 4 FILAS. 85-6 FILAS. 50 L. |
| 11 | G15231171 | RASCHIATERRA RUOTA 7,50X16 | WHEEL SOIL SCRAPER 7,50X16 | RACLEUR ROUE 7,50X16 | ERDSCHABER RAD 7,50X16 | RASCADOR TIERRA RUEDA 7,50X16 |
| 12 | F01420060 | ROS.M10 10,5X 30X2,5 U6593 ZN | WASHER 10,5X30 | RONDELLE 10,5X30 | SCHIEBE 10,5X30 | ARANDELA 10,5X30 |
| 13 | F01250040 | DADO COLON. 12X1.5 ZN | COLUMN NUT M12X1.5 STUD BOLT | ECROU M12X1. 5 COLONNE | SCHRAUBBOLZENMUTTER M12X1.5 | TUERCA 12X1.5 COLUMNA |
| 14 | F02200452 | SPINA SCATTO D.4,4 B/80 ZN | SNAP PIN D4.4 B/80 ZN | FICHE A DETENTE D4.4 B/80 ZN | EINRASTSTIFT D4.4 B/80 ZN | CLAVIJA DE MUELLE D4,4 B/80 ZN |
| 15 | G15430090 | RASCHIATERRA | SOIL SCRAPER | RACLEUR | ERDSCHABER | RASCADOR TIERRA |
| 16 | G16630311 | SUPPORTO TRASMISSIONE SP540 | TRASM.SUPPORT SP541 | | | |
| 17 | F06120170 | COPERTURA 5.00-15 IM 110 6PR | TYRE 500-15 IM110 4PR | COUVERTURE 500-15 IM110 4PR | MANTEL 500-15 IM110 4PR | CUBIERTA 500-15 IM110 4PR |
| 18 | F06120134 | CAMERA X R5.00-15 E 6.5/80-15 | INNER TUBE R5.00-15 6.5/80-15 | CHAMBRE R5.00-15 6.5/80-15 | KAMMER R5.00-15 6.5/80-15 | CAMARA R5.00-15 6.5/80-15 |
| 19 | F06120206 | CERCHIO 3.00 D 15 PV RAL 9001 | RIM 3.00 D 15 PV RAL 9002 | | | |
| 20 | F06120113 | RUOTA COMPL.5.00-15 6PR DX | COMPL. WHEEL 5.00-15 6PR RH. | ROUE COMPL. 5.00-15 6PR DRT. | RAD KOMPL.5.00-15 6PR RE | RUEDA COMPL.5.00-15 6PR DER. |
| 21 | F06120114 | RUOTA COMPL.5.00-15 6PR PV-SX | COMPL. WHEEL 5.00-15 6PR PV-SX | ROUE COMPL. 5.00-15 6PR PV-SX | RAD KOMPL.5.00-15 6PR PV-SX | RUEDA COMPL.5.00-15 6PR PV-SX |
| 22 | G16630351 | CARTER DX | RIGHT CARTER | | | |
| 23 | G22505085 | FERMO ASSE IN LAMIERA | PLATE AXLE STOP | ARRET AXE EN TOLE | FESTSTELLVORRICHTUNG BLECHACHS | BLOQUEO EJE DE CHAPA |
| 24 | G66248218 | RONDELLA DISTAN.SPANDI | MAN. SPR. SPACER WASHER | RONDELLE ENTRETOISE EP. ENGRAI | ABSTANDSCHEIBE DsNGERSTREUER | ARANDELA DISTAN.ABONAD. |
| 25 | F01020432 | VITE M8X1,25X16 U5739 8.8ZN | SCR. M8X1,25X16 U5739 8.8ZN | VIS M8 X1,25X16 U5739 8.8 ZN | SCHRAUBE M8X1,25X16U5739 8.8ZN | TORNILLO M8X1,25X16U5739 8.8ZN |
| 26 | G22220083 | RONDELLA AD IMBOCCO | LEAD-IN WASHER | RONDELLE EMBOUTIE | TRICHTERSCHEIBE | ARANDELA DE MUESCA |
| 27 | F01240024 | DADO M8X1,25 U5448 5.8ZN | NUT M8X1,25 U5448 5.8ZN | ECROU 8 UNI 5448 5.8 ZN | MUTTER 8 UNI 5448 5.8 ZN | TUERCA 8 UNI 5448 5.8 ZN |
| 28 | G14830390 | CUSCINETTO FORO QUADRO | SQUARE-HOLED BEARING | ROULEMENT TROU CARRE | VIERKANTLAGER | COJINETE ORIFICIO CUADRADO |
| 29 | G22230094 | SUPPORTO CUSCINETTO | BEARING SUPPORT | SUPPORT PALIER | LAGERsCHSE | SOPORTE COJINETE |
| 30 | F01220022 | DADO M8X1,25 D980 8ZN | NUT M8X1,25 D980 8ZN | ECROU M8X 1,25 D980 8 ZN | MUTTER M8X 1,25 D980 8 ZN | TUERCA M8X 1,25 D980 8 ZN |
| 31 | G15231141 | SUPPORTO RUOTA 7.50 | WHEEL SUPPORT 7.50 | SUPPORT ROUE 7.50 | RADLAGER 7.50 | SOPORTE RUEDA 7.50 |
| 32 | G16630320 | ATTACCO AL SUPPORTO RUOTA ZN | SUPP. WHEEL COUPLING | | | |
| 33 | G19704690 | DECAL.DISP.CATENE/INGR.R.POST. | DECAL.DEV.CHAIN/INGR.R.POST. | | | |
| 34 | F06080168 | CATENA 5/8 ASA 50 L 86 MAGLIE | CHAIN 5/8 ASA 50 L 86 LINKS | CHAINE 5/8 ASA 50 L 86 MAILLE | KETTE 5/8 ASA 50 L 86 GLIEDER | CADENA 5/8 ASA 50 L 86 ESLABO |
| 35 | F06120400 | COPERTURA 7.50-16 IM110 8PR TU | TYRE 7.50-16 IM110 8PR TU | | | |
| 36 | G15231330 | ATTACCO AL SUPPORTO RUOTA ZN | SUPP. WHEEL COUPLING | FIXATION SUPPORT ROUET | KUPPLUNG HALT. KL. RAD | CONEXIN SOP. RUEDECILLA |
| 37 | F06120208 | CERCHIO 7.50-16 PV TU | RING 7.50-16 PV TU | JANTE 7.50-16 PV TU | REIFEN 7.50-16 PV TU | LLANTA 7.50-16 PV TU |
| 38 | G22220113 | INGRANAGGIO Z-10 FERRO | GEAR Z-10 IRON | ENGRENAGE Z-10 FER | ZAHNRAD Z-10 EISEN | ENGRANAJE Z-10 HIERRO |
| 39 | G16630390 | PIGNONE Z-15 ZN. | PINION Z-15 ZN. | PINION Z-15 ZN | RITZE Z-15 ZN | PINION Z-15 ZN. |
| 40 | G16630400 | PIGNONE Z-16 ZN. | PINION Z-16 ZN. | PIGNON Z-16 ZN. | RITZE Z-16 ZN. | PINION Z-16 ZN. |
| 41 | G16630410 | PIGNONE Z-23 ZN. | PINION Z-23 ZN. | PIGNON Z-23 ZN. | RITZE Z-23 ZN. | PINION Z-23 ZN. |
| 42 | G16630370 | INGRANAGGIO R.LIB. Z-23 CSK25 | FREE WHEEL GEAR Z-23 CSK25 | ENGRENAGE Z23 ROUE LIBRE CSK25 | ZAHNRAD FREILAUF Z-23 CSK25 | ENGRANAJE R.LIBRE Z-23 CSK25 |
| 43 | G16630420 | PIGNONE Z-25 ZN. | PINION Z-25 ZN. | PIGNON Z-25 ZN. | RITZE Z-25 ZN. | PINION Z-25 ZN. |
| 44 | G16630430 | PIGNONE Z-30 ZN. | PINION Z-30 ZN. | PIGNON Z-30 ZN. | RITZE Z-30 ZN. | PINION Z-30 ZN. |
| 45 | G20870028 | ASSE SERB.LATO TRAS.6F.L.1800 | AXLE- GEARBOX SIDE- 6-ROW L.18 | AXE RESERVOIR COTE ENTRAINEMEN | ACHSE BEHZLTER ANTRIEBSS. 6F.L | EJE DEPS. LADO TRANS. 6 FILA A |
| 46 | G15110091 | SCONTRO A U SP.8 2F15 165 | STRIKER | BRIDE 150 MM | ANSCHLAG | ELEMENTO DE EMPALME |
| 47 | F01020236 | VITE M14X2X220 U5737 8.8BR | SCR. M14X2X220 U5737 8.8BR | VIS M14X2X220 U5737 8.8 BR | SCHRAUBE M14X2X220 U5737 8.8 | TORNILLO M14X2X220 U5737 8.8 |
| 48 | F01200306 | DADO M14X2 U5588 6.8ZN | NUT M14X2 U5588 6.8ZN | ECROU M14X2 | MUTTER M14X2 | DADO M14X2 |
| 49 | F02200452 | SPINA SCATTO D.4,4 B/80 ZN | SNAP PIN D4.4 B/80 ZN | FICHE A DETENTE D4.4 B/80 ZN | EINRASTSTIFT D4.4 B/80 ZN | CLAVIJA DE MUELLE D4,4 B/80 ZN |
| 50 | F06080245 | CATENA 5/8 ASA 50 L 94 MAGLIE | CHAIN 5/8 ASA 50 L 94 LINKS | CHAINE 5/8 ASA 50 L 94 MAILLE | KETTE 5/8 ASA 50 L 94 GLIEDER | CADENA 5/8 ASA 50 L 94 ESLABO |
| 51 | G22270284 | ATTACCO RASCHIATERRA SP/S | SOIL SCRAPER COUPLING SP/S | FIXATION RACLEUR SP/S | KUPPLUNG ERDABSCHABER SP/S | CONEXIN RASPADOR SP/S |
| 52 | G16630290 | SUPPORTO RUOTA 5,00-15 | WHEEL SUPPORT 5,00-15 | SUPPORT ROUE 5,00-15 | RADLAGER 5,00-15 | SOPORTE RUEDA 5,00-15 |
| 53 | G22270280 | ASSE RUOTA TRASM.NORMALE SP/S | NORMAL DRIVE WHEEL AXLE | AXE ROUE ENTRAINEMENT 5.00-15 | RADACHSE NORMALER ANTRIEB SP/S | EJE RUEDA TRANS. NORMAL SP/S |
| 54 | G22230138 | ASSE CAMBIO 4F.80-6F.45 L.1000 | GEAR SPINDLE 4-ROW 80- 6-ROW.4 | AXE BOITE DE VITESSE 4 RA | GETRIEBEACHSE 4 R. 80-6 R.45 L | EJE CAMBIO 4 FILAS. 80-6 FILAS |
| 55 | G22230142 | ASSE 4 FILE L.800 | 4-ROW SPINDLE L.800 | AXE 4 RANGEES L. 800 | ACHSE 4 REIHEN B. 800 | EJE 4 FILAS L.800 |

TAV. 146



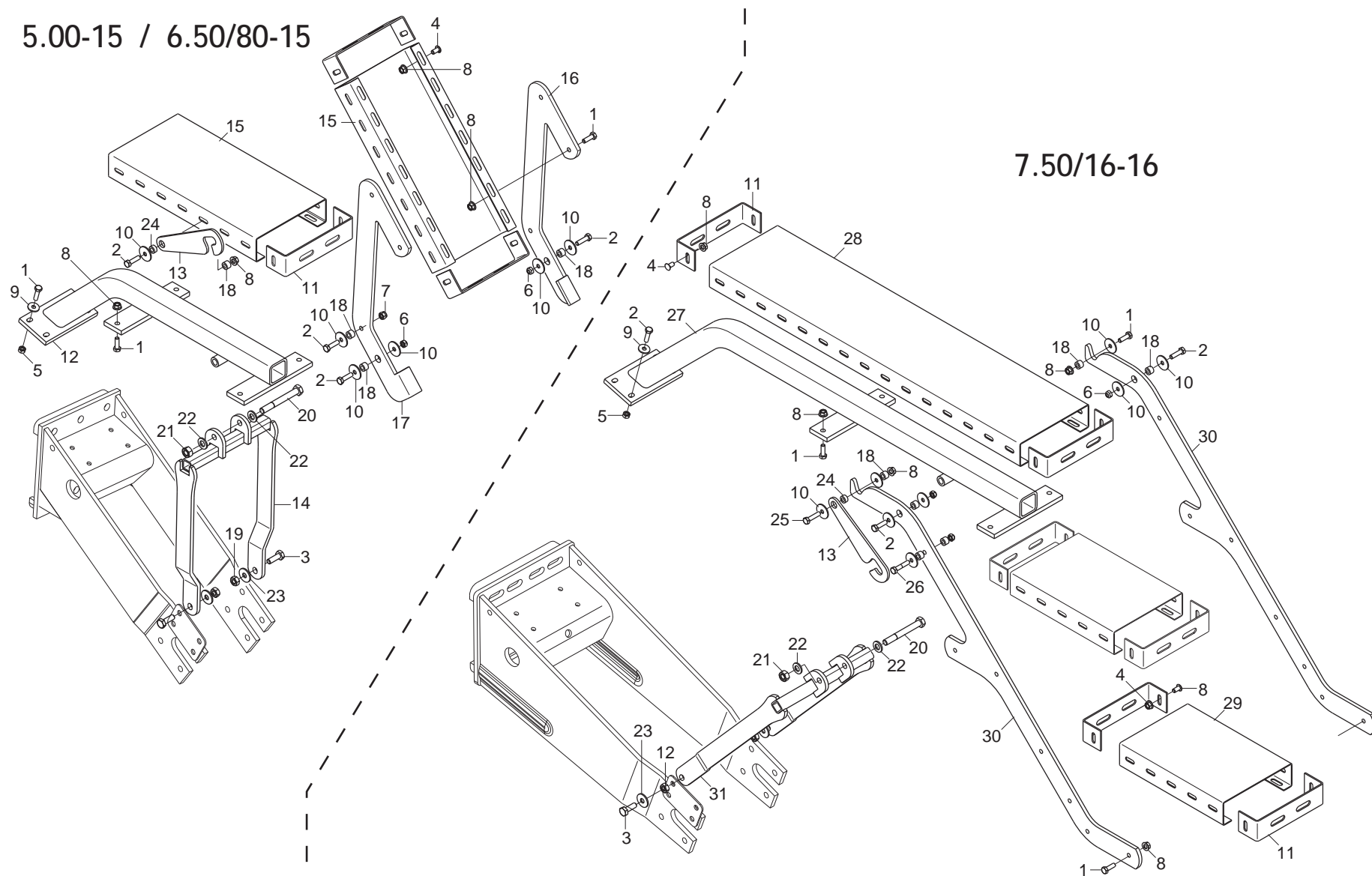
RUOTE DI TRASMISSIONE

TAV. 146

| Pos. | Cod. | Descrizione | Description | Description | Benennung | Descripcion |
|------|-----------|--------------------------------|--------------------------------|--------------------------------|--------------------------------|--------------------------------|
| 56 | G22270281 | ASSE RUOTA TRASM.MAGG. SP/S | INCREASED DRIVE WHEEL AXLE | AXE ROUE ENTRAINEMENT 6.50-15 | RADACHSE sBERBEM. ANTRIEB SP/S | EJE RUEDA TRANS. SOBREDIMENS. |
| 57 | G16630810 | KIT INGR.Z8 5/8"X3/8" CUSC. | GEARS KIT Z8 5/8"X3/8" | | | KIT ENGRAN. Z8 5/8"X3/8" CUSC. |
| 58 | G15231421 | SUPPORTO TRASMISSIONE R.7.5-16 | TRANSMSUPPORT 7,50X16 | SUPPORT ENTRAINEMENT 7,50X16 | HALTERUNG GETRIEBE 7,50X16 | SOPORTE TRANSMISIN 7,50X16 |
| 59 | F01020225 | VITE M14X2X160 U5737 8.8BR | SCR. M14X2X160 U5737 8.8BR | VIS M 14 X160 5737 8.G | SCHRAUBE M 14 X160 5737 8.G | TORNILLO M 14 X160 5737 8.G |
| 60 | F06120116 | RUOTA 6.50/80-15 COMPL. | COMPLETE WHEEL 6.50/80-15 | | | |
| 61 | F06120180 | COPERTURA 6.5/80-15 IM 110 6PR | TYRE 6.5/80-15 IM 110 6PR | | | |
| 62 | G15430660 | RASCHIATERRA MAGGIORATO SP 530 | INCREASED SOIL-SCRAPER SP 530 | RACLEUR MAJOR. SP 530 | sBERGROSSER ERDSCHABER SP 530 | RASCADOR TIERRA OBREDIMENS. SP |
| 63 | F05050025 | CAPPELOTTO PROTEZ. X VALV.PVC | PROTECTION CAP PVC X VALVA | CAPUCHON PROTECION PVC X VALVA | SCHUTZKAPPE PVC X VENTIL | TAPA PROTECION PVC X VALVA |
| 64 | F06120207 | CERCHIO 5J 15 H2 PV RAL 9001 | RIM 5J 15 H2 PV RAL 9001 | | | |
| 65 | G16630300 | SUPPORTO RUOTA 6,50/80-15 | WHEEL SUPPORT 6,50/80-15 | SUPPORT ROUE 6,50/80-15 | RADLAGER 6,50/80-15 | SOPORTE RUEDA 6,50/80-15 |
| 66 | G22500079 | ASSE RUOTA MAGG.SX | WHEEL AXLE- INCREASED LEFT | AXE ROUE MAJOR. GCH. | ACHSE sBERBEM. RAD LINKS | EJE RUEDA SOBREDIMENS. IZQ. |
| 67 | G22500078 | ASSE RUOTA MAGG.DX | WHEEL AXLE- INCREASED RIGHT | AXE ROUE MAJOR. DRT. | ACHSE sBERBEM. RAD RECHTS | EJE RUEDA SOBREDIMENS. DER. |
| 68 | G15231301 | CARTER DX 7.50 | RIGHT CARTER 7.50 | | | |
| 69 | F06120115 | RUOTA GOMMATALARGA SX COMPL. | UPRIGHT- WIDE RUBBERED WHEEL | MONT. ROUE CAOUTCHOUT. LARG. | STZNDER BREITES GUMMIRAD | MONT.RUEDA DE CAUCHO ANCHA |
| 70 | G15231321 | CARTER SX 7.50 | CARTER LEFT 7.50 | | | |
| 71 | F06080655 | FALSA MAGLIA CAT.1/2 ISO 083 | DUMMY CHAIN LINK 1/2 ISO 083 | FAUSSE MAILLE CHAINE 1/2 ISO 0 | FALSCHES GLIED 1/2 ISO 083 | ESLABN FICTICIO CAD. 1/2 ISO O |
| 72 | F06080501 | GIUNZIONE CATENA 1/2 ISO 083 | CHAIN JOINT 1/2 ISO 083 | JONCTION CHAINE 1/2 ISO 083 | KETTENVERBINDUNG 1/2 ISO 083 | UNIN CADENA 1/2 ISO 083 J |
| 73 | F06080666 | FALSA MAGLIA CAT.1/2 ISO 084-1 | CHAIN EYE CAT. 1/2 ISO 084-1 | | | |
| 74 | F06080502 | GIUNZIONE CATENA 1/2 ISO 084-1 | CHAIN JUNCTION 1/2 ISO 084-1 | | | |
| 75 | F06080644 | FALSA MAGLIA CAT.5/8 ASA 50LUB | DUMMY CHAIN LINK 5/8 ASA 50LUB | FAUSSE MAILLE CHAINE ASA 50LUB | FALSCHES GLIED 5/8 ASA 50LUB | ESLAB N FICTICIO CAD.5/8 ASA50 |
| 76 | F06080499 | GIUNZIONE CATENA 5/8 ASA 50LUB | CHAIN JOINT 5/8 ASA 50LUB | JONCTIONS CHAINE 5/8 ASA 50LUB | KETTENVERBINDUNG 5/8 ASA 50LUB | UNIONES CADENA 5/8 ASA 50LUB |

5.00-15 / 6.50/80-15

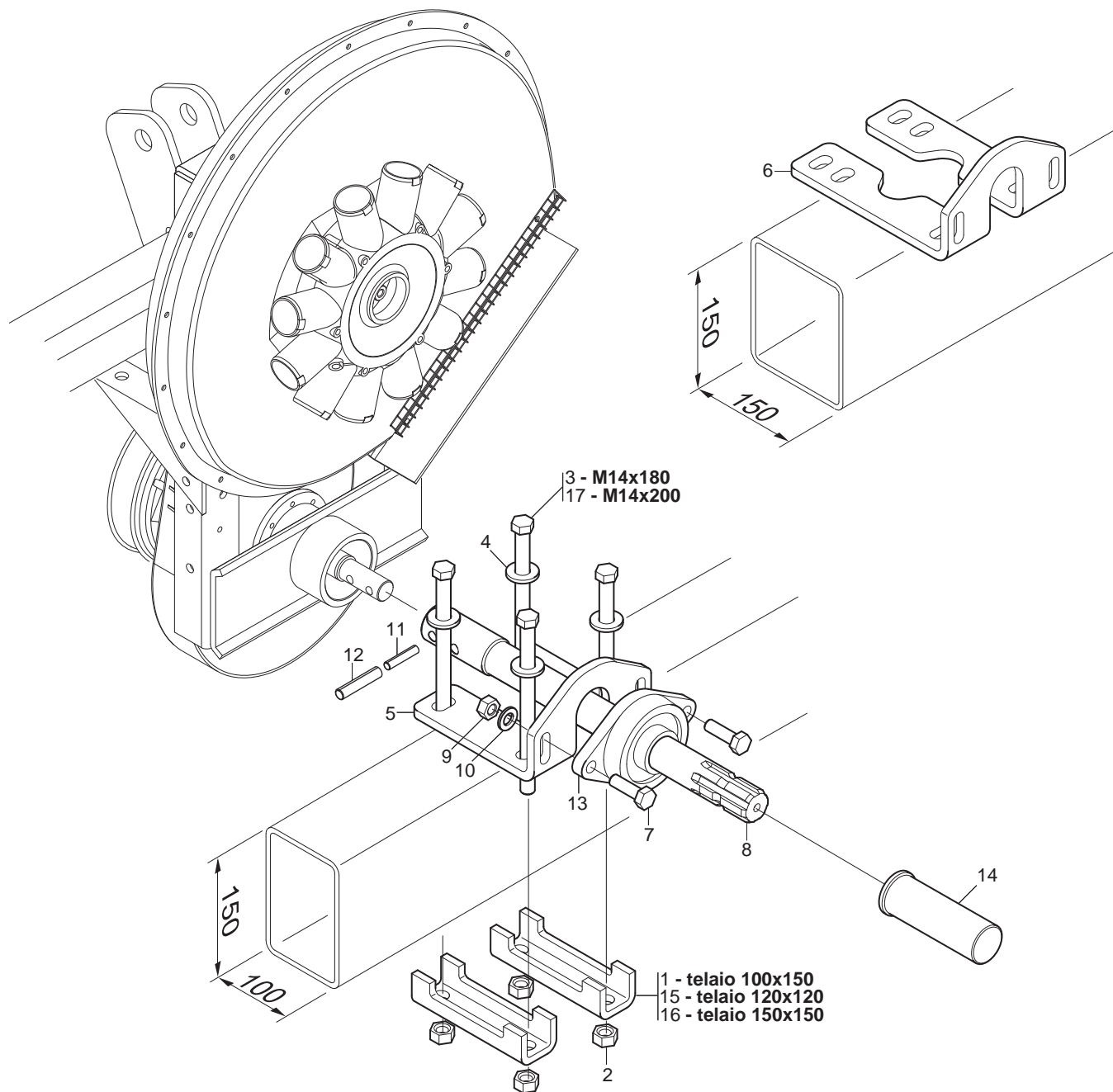
7.50/16-16



SCALETTA RUOTE PORTANTI

TAV. 322

| Pos. | Cod. | Descrizione | Description | Description | Benennung | Descrpcion |
|------|-----------|-------------------------------|--------------------------------|--------------------------------|--------------------------------|--------------------------------|
| 1 | F01020440 | VITE M8X1,25X25 U5739 8.8ZN | SCR. M8X1,25X25 U5739 8.8ZN | VIS M8X1,25X25 U5739 8.8 ZN | SCHRAUBE M8X1,25X25U5739 8.8ZN | TORNIL.M8X1,25X25 U5739 8.8 ZN |
| 2 | F01020445 | VITE M8X1,25X30 U5739 8.8ZN | SCR. M8X1,25X30 U5739 8.8ZN | VIS M 8X1,25X30 U5739 8.8 ZN | SCHRAU, M8X1,25X30 U5739 8.8ZN | TORN. M8X1,25X30 U5739 8.8 ZN |
| 3 | F01020476 | VITE M10X1,5X30 U5739 8.8ZN | SCR. M10X1,5X30 U5739 8.8ZN | VIS M10X1,5X30 U5739 8.8 ZN | SCHRAUBE M10X1,5X30U5739 8.8ZN | TORNIL.M10X1,5X30 U5739 8.8 ZN |
| 4 | F01030495 | VITE TTCN 90' M8X16 ZN | TTCN 90' BOLT M8X16 GALVANIZED | VIS TTCN 90' M8X16 ZN | SCHRAUBE TTCN 90' M8X16 ZN | TORNILLO TTCN 90' M8x16 ZN |
| 5 | F01200244 | DADO M8X1,25 U5588 6.8ZN | NUT M8X1,25 U5588 6.8ZN | ECROU M8 X1,25 U5588 6.8 ZN | MUTTER M8 X1,25 U5588 6.8 ZN | TUERCA M8 X1,25 U5588 6.8 ZN |
| 6 | F01220022 | DADO M8X1,25 D980 8ZN | NUT M8X1,25 D980 8ZN | ECROU M8X 1,25 D980 8 ZN | MUTTER M8X 1,25 D980 8 ZN | TUERCA M8X 1,25 D980 8 ZN |
| 7 | F01230034 | DADO M8X1,25 D982 8 | NUT M8X1,25 D982 8ZN | ECROU M8X 1,25 D982 8 ZN | MUTTER M8X 1,25 D982 8 ZN | TUERCA M8X 1,25 D982 8 ZN |
| 8 | F01260043 | DADO M8 D6923 8.8ZN | NUT M8 D6923 8.8ZN | ECROU BRIDE .M8 DIN 6923 8.8 Z | GEFLANSCHTE MUTTER M8 DIN6923 | TUERCA BRIDA M8 DIN 6923 8.8 Z |
| 9 | F01420048 | ROS.M8 8,4X 24X 2 U6593 ZN | WASHER M8 8,4X 24X2 U6593 ZN | RONDELLE M8 8,4X24X 2 U6593 ZN | SCHIEBEN M8 8,4X24X 2 U6593 ZN | ARANDELA M8 8,4X 24X2 U6593 ZN |
| 10 | F01420049 | ROS.M8 8,4X 32X 2 U6593 ZN | WASHER M8 8,4X32X2 U6593 ZN | RONDELLA M8 8,4X32X2 U6593 ZN | SCHIEBE M8 8,4X32X2 U6593 ZN | ARANDELA M8 8,4X32X2 U6593 ZN |
| 11 | G15276640 | TERMINALE PEDANA 200 ZN | GALVANIZED PLATFORM END | | | |
| 12 | G15276690 | SUPPORTO PEDANA R.5.0/6.5 | PLATFORM SUPPORT R.5.0/6.5 | | | |
| 13 | G15171900 | FERMO SCALETTA R5-R6 ZN | LADDER STOP R5-R6 ZN | | | |
| 14 | G15276700 | SUPPORTO POST.SCALETTAR.5/6.5 | REAR STAIRS SUPPORT R.5/6.5 | | | |
| 15 | G15276680 | PEDANA 200 X 420 X 58 SP2 ZN | PLATFORM 200X420X58 SP2 | | | |
| 16 | G16013500 | SUPPORTO DX PEDANA | RH FOOTPLATE SUPPORT | SUPPORT DRT. MARCHEPIED | RE TRITTBRETTHALTERUNG | SOPORTE DER. PLATAFORMA |
| 17 | G16013510 | SUPPORTO SX PEDANA | LH FOOTPLATE SUPPORT | SUPPORT GCH.MARCHEPIED | TRITTBRETTHALTERUNG LI | SOPORTE IZQ. PLATAFORMA |
| 18 | G18801580 | BOCCOLA 8,5 X15 X10 ZN | BUSH 8.5 X15 X10 | DOUILLE 8,5 X15 X10 | BUCHSE 8,5 X15 X10 | MANGUITO 8,5 X15 X10 |
| 19 | F01200270 | DADO M10X1,5 U5588 6.8ZN | NUT M10X1,5 U5588 6.8ZN | ECROU M10X 1,5 U5588 6.8 ZN | MUTTER M10X 1,5 U5588 6.8 ZN | TUERCA M10X 1,5 U5588 6.8 ZN |
| 20 | F01020170 | VITE M12X1,75X100 U5737 8.8ZN | SCR. M12X1,75X100 U5737 8.8ZN | VIS M12X1,75X100 5737 8.8 ZN | SCHRA.M12X1,75X100 5737 8.8 ZN | TORN. M12X1,75X100 5737 8.8 ZN |
| 21 | F01200293 | DADO M12X1,75 U5588 6.8ZN | NUT M12X1,75 U5588 6.8ZN | ECROU M12X1,75 U5588 6.8 ZN | MUTTER M12X1,75 U5588 6.8 ZN | TUERCA M12X1,75 U5588 6.8 ZN |
| 22 | F01410076 | ROS.M12 13X 24X2,5 U6592 ZN | WASHER 12 13X 24X2,5 U6592 ZN | RONDEL. M12 13X24X2,5 U6592 ZN | SCHEIBE M12 13X24X2,5 U6592 ZN | ARANDELA M12 13 X24X2,5 ZN |
| 23 | F01420060 | ROS.M10 10,5X 30X2,5 U6593 ZN | WASHER 10,5X30 | RONDELLE 10,5X30 | SCHEIBE 10,5X30 | ARANDELA 10,5X30 |
| 24 | G20980050 | BOCCOLA 15X7X8,5 ZN | BUSHING 15X7X8-5 ZN | BOITE 15X7X8-5 ZN | BsCHSE 15X7X8-5 ZN | CASQUILLO 15X7X8-5 ZN |
| 25 | F01020449 | VITE M8X1,25X35 U5739 8.8ZN | SCR. M8X1,25X35 U5739 8.8ZN | VIS M8X1,25X35 U5739 8.8ZN | SCHRA. M8X1,25X35 U5739 8.8ZN | TORN. M8X1,25X35 U5739 8.8ZN |
| 26 | F01020068 | VITE M8X1,25X40 U5737 8.8ZN | SCR. M8X1,25X40 U5737 8.8ZN | VIS M 8X1,25X40 U5737 8.8 ZN | SCHRA. M8X1,25X40 U5737 8.8 ZN | TORNIL.M8X1,25X40 U5737 8.8 ZN |
| 27 | G15276610 | SUPPORTO PEDANA RUOTA 7.50 | PLATFORM SUPPORT | | | |
| 28 | G15276630 | PEDANA 200 X 900 X 58 SP2 ZN | PLATFORM 200X900X58 SP2 | | | |
| 29 | G15276650 | PEDANA 200 X 300 X 58 SP2 ZN | PLATFORM 200X300X58 SP2 | | | |
| 30 | G15171782 | FIANCO SUPPORTO PEDANE | PLATFORM SUPPORT | | | |
| 31 | G15276560 | SUPPORTO POST.SCALETTA R7,50 | REAR STAIRS SUPPORT R7,50 | | | |

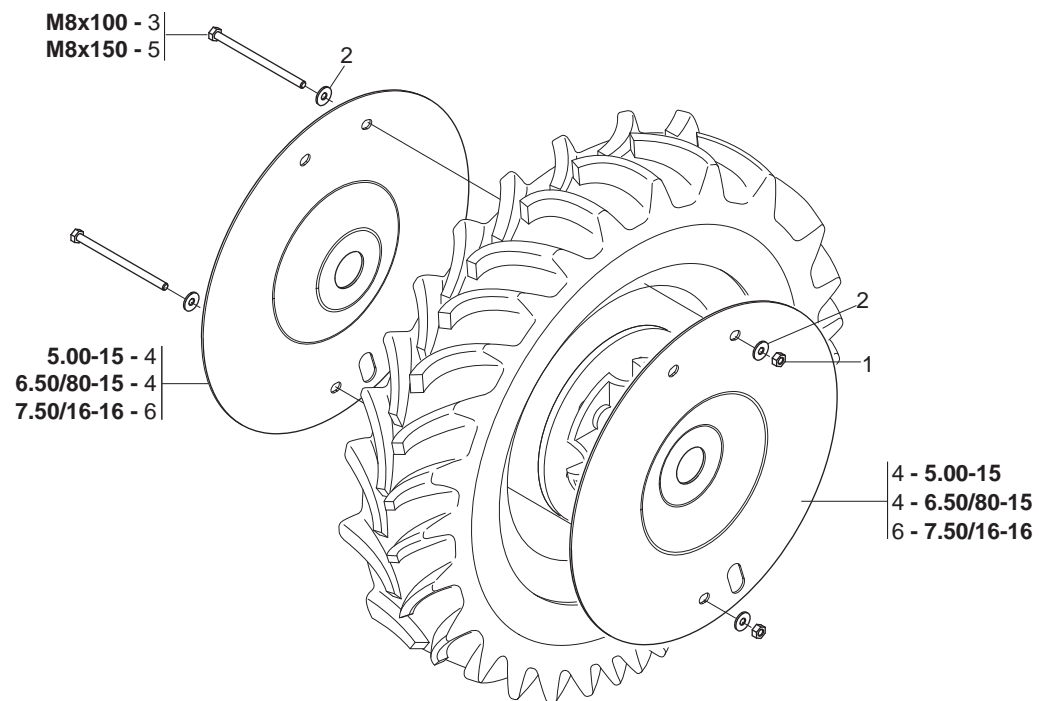


PRESA DI POTENZA POSTERIORE

TAV. 252

| Pos. | Cod. | Descrizione | Description | Description | Benennung | Descripcion |
|------|-----------|--------------------------------|--------------------------------|--------------------------------|--------------------------------|--------------------------------|
| 1 | G13710561 | SCONTRO A U SP.10 2F16,5 118 | U-SHAPED PLAT.SP.10 2F16,5 118 | | | |
| 2 | F01200306 | DADO M14X2 U5588 6.8ZN | NUT M14X2 U5588 6.8ZN | ECROU M14X2 | MUTTER M14X2 | DADO M14X2 |
| 3 | F01020229 | VITE M14X2X180 U5737 8.8BR | SCR. M14X2X180 U5737 8.8BR | VIS 14X180 5737 8.G | SCHRAUBE 14X180 5737 8.G | TORNILLO 14X180 5737 8.G |
| 4 | F01410088 | ROS.M14 15X 28X2,5 U6592 ZN | WAS.M14 15X 28X2,5 U6592 ZB | RON.M14 15X 28X2,5 U6592 ZB | SCH.M14 15X 28X2,5 U6592 ZB | ARA.M14 15X 28X2,5 U6592 ZB |
| 5 | G14850040 | SUPPORTO PDP POST. T.100 | PDP REAR SUPPORT T.100 | SUPPORT ARRIERE PDP T.100 | HINT. HALTERUNG PDP T.100 | SOPORTE TRASERO TDP T.100 |
| 6 | G14850050 | SUPPORTO PRESA DI POTENZA | PTO SUPPORT | SUPPORT PRISE DE FORCE | ZAPFWELLENHALTERUNG | SOPORTE TOMA DE FUERZA |
| 7 | F01020528 | VITE M12X1,75X40 U5739 10.9ZD | BOLT M12X1,75X40 U5739 10.9ZN | VIS M12X1,75X40 U5739 10.9 ZN | SCHR.M12X1,75X40 U5739 10.9 ZN | TORN.M12X1,75X40 U5739 10.9 ZN |
| 8 | G14850030 | PRESA DI POTENZA POSTERIORE | REAR POWER TAKE-OFF | PRISE DE FORCE ARRI+RE | HINTERE LEISTUNGSABNAHME | TOMA DE FUERZA TRASERA |
| 9 | F01220048 | DADO M12X1,75 D980 8ZN | NUT M12X1,75 D980 8ZN | ECROU M12X1,75 D980 8 ZN | SCHEIBE M12X1,75 D980 8 ZN | TUERCA M12X1,75 D980 8 ZN |
| 10 | F01410076 | ROS.M12 13X 24X2,5 U6592 ZN | WASHER 12 13X 24X2,5 U6592 ZN | RONDEL. M12 13X24X2,5 U6592 ZN | SCHEIBE M12 13X24X2,5 U6592 ZN | ARANDELA M12 13 X24X2,5 ZN |
| 11 | F02100121 | SPINA E.P. 6X 40 U6873 C70 BR | ELASTIC PIN 6X40 | GOUJON ELASTIQUE 6X40 | SPANNHUELSE 6X40 | PASADOR 6X40 |
| 12 | F02100161 | SPINA E.P. 10X 40 U6873 C70 BR | PIN EL. 10 X40 DIN 1481 | FICHE EL. 10 X40 DIN 1481 | SPANNSTIFT 10X40 DIN 1481 | CLAVIJA EL.10 X40 DIN 1481 |
| 13 | F04100139 | SUPPORTO FY TB35 TF | SUPPORT FY TB35 TF | SUPPORT FY TB35 TF | HALTERUNG FY TP35 TF | SOPORTE FY TB35 TF |
| 14 | G19002131 | PROTEZIONE P.D.P. | PDP GUARD | | | |
| 15 | G14255000 | SCONTRO 120X - | STRIKER 120 | BUTEE 120 | ANSCHLAG 120 | ELEM. DE EMPALME 120 |
| 16 | G15110091 | SCONTRO A U SP.8 2F15 165 | STRIKER | BRIDE 150 MM | ANSCHLAG | ELEMENTO DE EMPALME |
| 17 | F01020233 | VITE M14X2X200 U5737 8.8BR | SCR. M14X2X200 U5737 8.8BR | VIS M14X2X 200 U5737 8.8 ZB | SCHRAUBE M14X 2X200 U5737 8.8 | TORNILLO M14X2X200 5737 8.8 ZB |

5.00-15 / 6.50/80-15 / 7.50/16-16



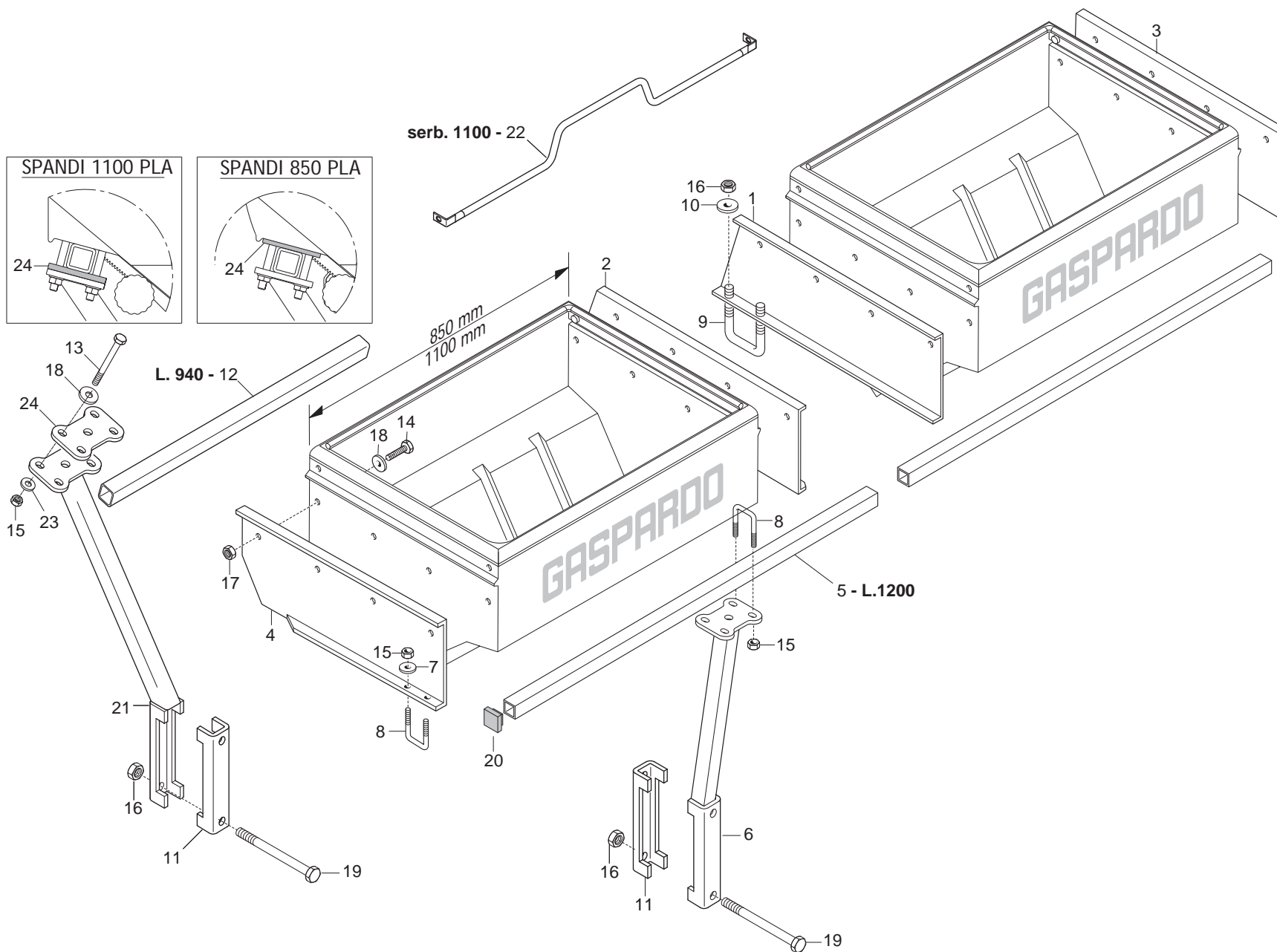
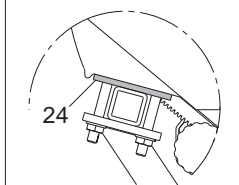
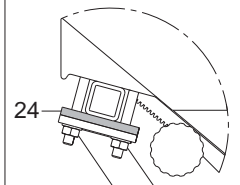
KIT RUOTE PER TERRENI SASSOSI - FLANGIATURA RUOTE

TAV. 293

| Pos. | Cod. | Descrizione | Description | Description | Benennung | Descripcion |
|------|-----------|------------------------------|------------------------------|--------------------------------|--------------------------------|--------------------------------|
| 1 | F01220022 | DADO M8X1,25 D980 8ZN | NUT M8X1,25 D980 8ZN | ECROU M8X 1,25 D980 8 ZN | MUTTER M8X 1,25 D980 8 ZN | TUERCA M8X 1,25 D980 8 ZN |
| 2 | F01420048 | ROS.M8 8,4X 24X 2 U6593 ZN | WASHER M8 8,4X 24X2 U6593 ZN | RONDELLE M8 8,4X24X 2 U6593 ZN | SCHEIBEN M8 8,4X24X 2 U6593 ZN | ARANDELA M8 8,4X 24X2 U6593 ZN |
| 3 | F01020090 | VITE M8X1,25X100 U5737 8.8ZN | SCR. M8X1,25X100 U5737 8.8ZN | VIS M8X1,25X100 U5737 8.8ZN | SCRAU. M8X1,25X100 U5737 8.8ZN | TORN. M8X1,25X100 U5737 8.8ZN |
| 4 | G14830221 | DISCO PROTEZIONE SASSI | DISK PROTECTIONS SASSI | | | |
| 5 | F01020097 | VITE M8X1,25X150 U5737 8.8ZN | SCR. M8X1,25X150 U5737 8.8ZN | VIS 8 X150 5737 8.G ZN | SCHRAUBE 8 X150 5737 8.G ZN | TORNILLO 8 X150 5737 8.G ZN |
| 6 | G15231910 | DISCO PROTEZIONE SASSI R7.50 | STONE GUARD DISK R7.50 | | | |

SPANDI 1100 PLA

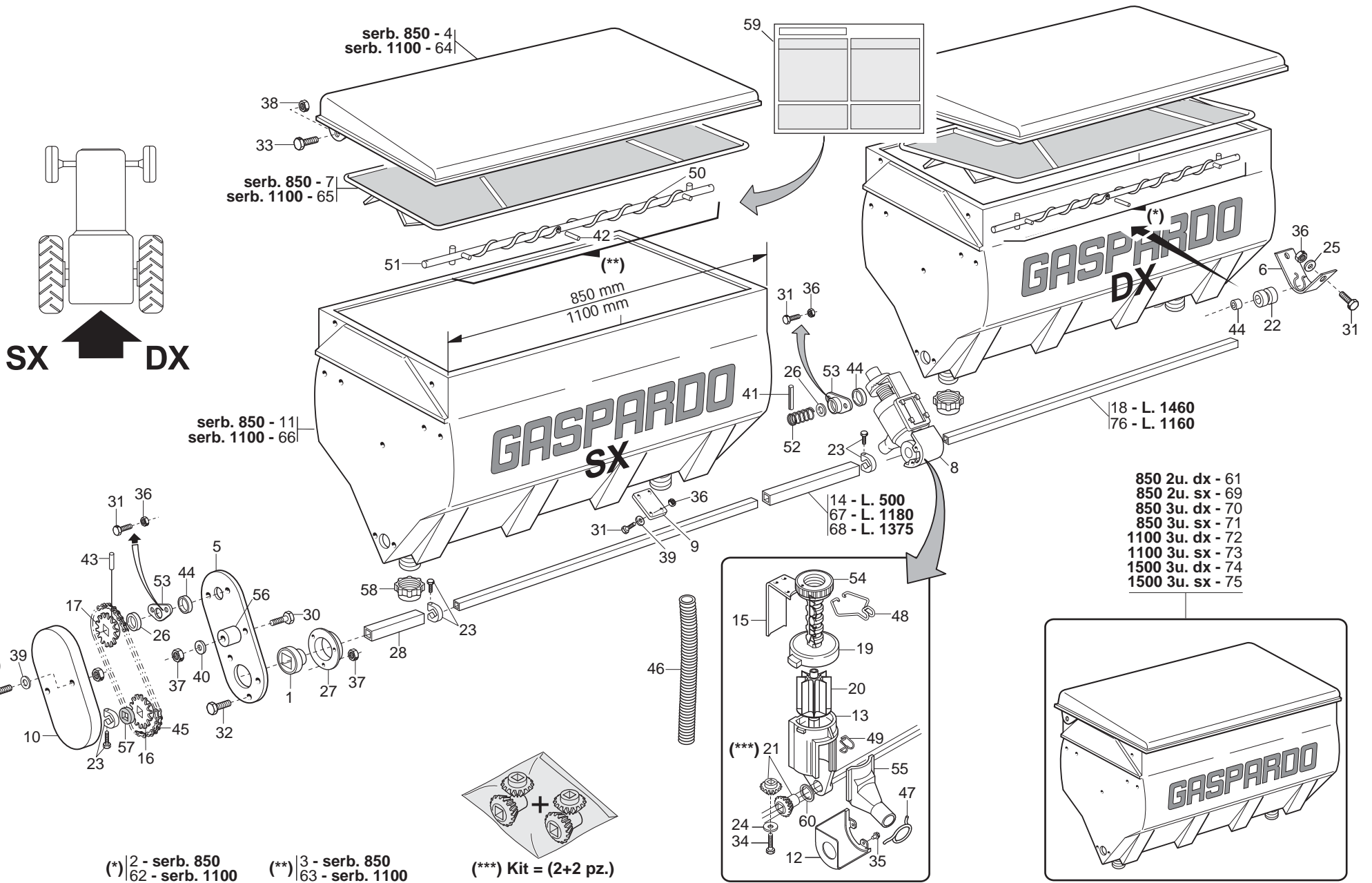
SPANDI 850 PLA



SUPPORTI SERBATOI SPANDICONCIME ST300

TAV. 155

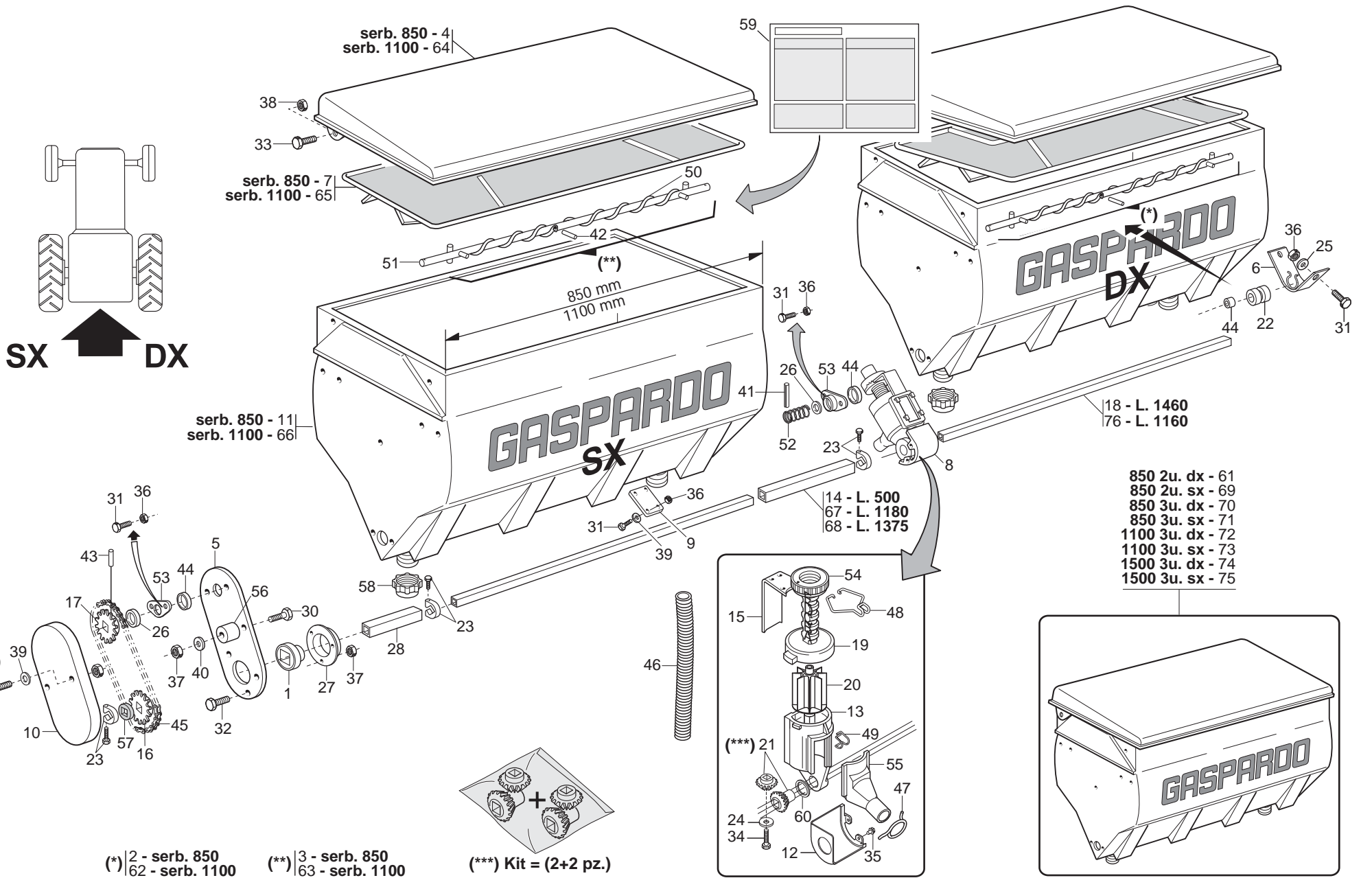
| Pos. | Cod. | Descrizione | Description | Description | Benennung | Descripcion |
|------|-----------|-------------------------------|---------------------------------|--------------------------------|--------------------------------|--------------------------------|
| 1 | G15470632 | SUPP.SPANDI CENTR.DX | CENTRAL RIGHT FERT.ER SUPPORT | | | |
| 2 | G15470642 | SUPP.SPANDI CENTR.SX | CENTRAL LEFT FERT.ZER SUPP. | | | |
| 3 | G15171381 | SUPP.SPANDI EST.DX | RIGHT EXT.AL FERT.ZER SUPPORT | | | |
| 4 | G15171391 | SUPP.SPANDI EST.SX | LEFT EXT.AL FERT.ER SUPPORT | | | |
| 5 | G15472970 | TUBO Q. 35X 4X1200 | SQUARE PIPE 35 X4 X1200 | TUBE CARRE 35 X4 X1200 | VIERKANTROHR 35 X4 X1200 | TUBO CUADRADO 35 X4 X1200 |
| 6 | G15472901 | SUPPORTO SPANDI Q.150 | SQ. FERTILIZER SPREADER SUPPORT | SUPPORT +PANDEUR CARR+ 150 | HALTERUNG SPANDI Q.150 | SOPORTE ABONADORA Q.150 |
| 7 | G18701140 | RONDELLA 11 X35 X5 ZN | WASHER 11 X 35 X 5 | RONDELLE 11 X35 X5 | UNTERLEGSCHIEBE 11 X35 X5 | ARANDELA 11 X35 X5 |
| 8 | F20110706 | CAV.Q.B=35 M=10X1,5 L=60 | U BOLT Q.B=35 M=10X1,5 L=60 | CAVALIER SUPPORT DISQUE SV | VERBINDUNG SCHEIBENHALTERUNG S | PERNO EN U SOP. DISCO SV |
| 9 | F20110770 | CAV.Q.B=80 M=14X2 L=119 | U BOLT Q.B=80 M=14X2 L=119 | BRIDE U M14X2X50 96X119 ZN | ANSCHLANG U M14X2X50 96X119 ZN | EL.DE EMPALME M14X2X50 96X119 |
| 10 | G20970142 | RONDELLA 32X4X15,5 | WASHER 32X4X15-5 | RONDELLE 32X4X15-5 | UNTERLEGSCHIEBE 32X4X15-5 | ARANDELA 32X4X15-5 |
| 11 | G15110091 | SCONTRO A U SP.8 2F15 165 | STRIKER | BRIDE 150 MM | ANSCHLAG | ELEMENTO DE EMPALME |
| 12 | G15171650 | TUBO Q. 35X 4X 940 1F6,5 | TUBE Q. 35X 4X 940 1HOLE 6,5 | | | |
| 13 | F01020463 | VITE M10X1,5X25 U5739 A2IX | SCR. M10X1,5X25 U5739 A2IX | VIS 10X25 5739 INOX A2 | SCHRAUBE 10X25 5739 INOX A2 | TORNILLO 10X25 5739 INOX A2 |
| 14 | F01020465 | VITE M10X1,5X35 U5739 A2IX | SCR. M10X1,5X35 U5739 A2IX | VIS M10X1,5X35 U5739 A2IX | SCHRA.M10X1,5X35 U5739 A2IX | TOR.M10X1,5X35 U5739 A2IX |
| 15 | F01200271 | DADO M10X1,5 U5588 A2IX | NUT M10X1,5 U5588 A2IX | ECROU 10 5588 6.8 INOX | MUTTER 10 5588 6.8 INOX | TUERCA 10 5588 6.8 INOX |
| 16 | F01200306 | DADO M14X2 U5588 6.8ZN | NUT M14X2 U5588 6.8ZN | ECROU M14X2 | MUTTER M14X2 | DADO M14X2 |
| 17 | F01200271 | DADO M10X1,5 U5588 A2IX | NUT M10X1,5 U5588 A2IX | ECROU 10 5588 6.8 INOX | MUTTER 10 5588 6.8 INOX | TUERCA 10 5588 6.8 INOX |
| 18 | F01420059 | ROS.M10 10,5X 30X2,5 U6593 IX | WASHER 11X30X2,5 6593 A2 | RONDELLE 11X30X2,5 6593 A2 | UNTERLEGSCHIEBE 11X30X2,5 6593 | ARANDELA 11X30X2,5 6593 A2 |
| 19 | F01020236 | VITE M14X2X220 U5737 8.8BR | SCR. M14X2X220 U5737 8.8BR | VIS M14X2X220 U5737 8.8 BR | SCHRAUBE M14X2X220 U5737 8.8 | TORNILLO M14X2X220 U5737 8.8 |
| 20 | F20120346 | PUNTALE Q 35 ALETT.POLIT.NERO | SQ.TIP 35 BLACK | | | |
| 21 | G15275790 | ASS.SUPPORTO ANT.SPANDI PLA | FRONTAL FERT.DISTR.SUPPORT | | | |
| 22 | G15272961 | RINFORZO SPANDICONCIME 1100 | FERTILIZER 1100 REINFORCEMENT | RENFORT EPANDEUR D'ENGRAIS 110 | VERSTZRKUNG DsNGERSTREUER 1100 | REFUERZO ABONADORA 1100 |
| 23 | F01410064 | ROS.M10 10,5X 20X 2 U6592 ZN | WASHER M10 10,5X20X2 U6592 ZN | RONDEL. M10 10,5X20X2 U6592 ZN | SCHEIBE M10 10,5X20X2 U6592 ZN | ARANDEL.M10 10,5X20X2 U6592 ZN |
| 24 | G14276330 | SUPPORTO TUBO | TUBE SUPPORT | | | |



SERBATOI SPANDICONCIME

TAV. 173

| Pos. | Cod. | Descrizione | Description | Description | Benennung | Descripcion |
|------|-----------|--------------------------------|--------------------------------|--------------------------------|---------------------------------|--------------------------------|
| 1 | G14830390 | CUSCINETTO FORO QUADRO | SQUARE-HOLED BEARING | ROULEMENT TROU CARRE | VIERKANTLAGER | COJINETE ORIFICIO CUADRADO |
| 2 | G20860121 | ASSE AGITAT.DX SERB.850 COMPL. | STIRRER SPINDLE- RIGHT 850 TAN | AXE AGITATEUR DRT. RESERVOIR 8 | SAMENMISCHERACHSE RE BEH.850 | EJE AGITAD. DER. DEPS.850 COMA |
| 3 | G20860122 | ASSE AGITAT.SX SERB.850 COMPL. | STIRRER SPINDLE- LEFT 850 TANK | AXE AGITATEUR GCH. RESERVOIR 8 | SAMENMISCHERACHSE LI BEH.850 | EJE AGITAD. IZQ. DEPS. 850 COA |
| 4 | G15470580 | COPERCHIO SERBATOIO 850 | TANK TOP 850 | COUVERCLE RESERVOIR 650 | BEHZLTERDECKEL 850 | TAPA DEPSITO 850 A |
| 5 | G15471930 | PROTEZIONE | GUARD | PROTECTION | SCHUTZ | PROTECCIN P |
| 6 | G15471990 | SUPPORTO COCLEA | SCREW SUPPORT | SUPPORT VIS ALIMENTATION | HALTERUNG SCHNECKE | SOPORTE CCLEA S |
| 7 | G15472760 | GRIGLIA SERBATOIO PLASTICA 850 | PLASTIC TANK GRID 850 | GRILLE RESERVOIR PLASTIQUE 850 | BEHZLTERGITTER PLAST.850 | REJILLA DEPSITO PLAST.850 G |
| 8 | G15472770 | DISTRIB.PER SPANDI.PLA.8 PALE | COMPL.PLAS.FERTIL.DISTR.8RIBS | MINIMAX COMPL.8C PLA | KOMPL.DOSIER.PLA.DÜNGERSTR.8S | DISTR.COMP.ABONO PLAST.8AL. |
| 9 | G15472780 | TAPPO SPANDI PLASTICA | PLASTIC FERT. SPREADER PLUG | BOUCHON EPAND. PLASTIQUE | PLASTIKPFROPFEN DsNGERSTR. | TAPN ABONADORA PLæSTICO D |
| 10 | G19002710 | PROTEZ.RINIVIO SPANDICONCIME | FERTILIZER TRANSM. PROTECTION | PROTECTION RENVOI FERTILISEUR | SCHUTZ VORGELEGE DUNGERSTREUER | PROTECCIN TRANSMISION ABONADO |
| 11 | G19004470 | SERBATOIO CONCIME 850 | FERTILIZER HOPPER 850 | TR+MIE ENGRAIS 850 | D_NGERTANK 850 | DEPÉSITO ABONO 850 |
| 12 | G19002850 | PROTEZIONE PIGNONE | PINION GUARD | PROTECTION PIGNON | RITZELSCHUTZ | PROTECCIN PIGNON PR |
| 13 | G19002920 | CORPO DISTRIBUTORE SPANDI PLA. | PLA. F.SPREADER DISTRIB.CASING | CORPS DISTRIBUTEUR EPAND. | VERTEILUNGSKTRPRER STREUER PLA. | CUERPO DIST. ABONADORA PLæS. |
| 14 | G20860012 | MANICOTTO DI UNIONE L.500 | JOINT SLEEVE L.500 | MANCHON DE RACCORD L. 500 | VERBINDUNGSMUFFE L.500 | MANGUITO DE UNIN L.500 M |
| 15 | G20860052 | REGOLATORE APERTURA | OPENING REGULATOR | REGULATEUR OUVERTURE | TFFNUNGSEINSTELLER | REGULADOR ABERTURA |
| 16 | G20860086 | INGRANAGGIO 1/2 Z-12 F.Q. | GEAR 1/2 Z-12 F.Q. | ENGRENAGE 1/2 Z-12 TROUS CARRE | ZAHNRAD 1/2 Z-12 F.Q. | ENGRANAJE 1/2 Z-12 F.Q. |
| 17 | G20860088 | INGRANAGGIO 1/2 Z-12 F.T. | GEAR 1/2 Z-12 F.T. | ENGRENAGE 1/2 Z-12 TROUS ROND | ZAHNRAD 1/2 Z-12 F.T. | ENGRANAJE 1/2 Z-12 F.T. |
| 18 | G20860090 | ASSE TRASMISSIONE L.1460 | AXLE- LEFT 5-R.60 L.1460 | AXE GCH. 5 RANGEES 60 L. 1460 | ACHSE LI 5R.F.60 L.1460 | EJE IZQ. 5 FILA. 60 L.1460 |
| 19 | G20860093 | VITE DI REGOL. | ADJUSTMENT BOLT | VIS DE REGLAGE | EINSTELLSCHRAUBE. | TORNILLO DE REGULACIN S |
| 20 | G20860106 | DOSATORE SPANDI 8 PALE COMPL. | FERT.METERING DEVICE ASS.8 GRO | ROTOR DOSEUR 8C FERTIL COMPL. | DOSIERER DUNGER.KOMPL. 8 SEKT | DOSIFICADOR ABONO COMP.8 SECT |
| 21 | G20860126 | KIT INGR DISTR CONCIME (2+2) | KIT-MAN. DISTR. GEARS (2+2) | COUPLE CON DISTR ENGRAIS (2+2) | KIT ZAHNRZDER DsNGERSTREUER | SET ENGRANAJES DISTRIB. ABONO |
| 22 | G19005040 | BOCCOLA ASSE AGITATORE SPANDI | FERT. SPREADER AXLE BUSH | DOUILLE AXE +PANDEUR | ACHSENBUCHSE STREUER | MANGUITO -RBOL ABONADORA |
| 23 | G22505085 | FERMO ASSE IN LAMIERA | PLATE AXLE STOP | ARRET AXE EN TOLE | FESTSTELLVORRICHTUNG BLECHACHS | BLOQUEO EJE DE CHAPA |
| 24 | G20970097 | RONDELLA 32X3X4,5 | WASHER 32X3X4-5 | RONDELLE 32X3X4-5 | UNTERLEGSCHIEBE 32X3X4-5 | ARANDELA 32X3X4-5 |
| 25 | G20970125 | RONDELLA 28X2,5X6,5 | WASHER 28X2,5X6-5 | RONDELLE 28X2-5X6-5 | UNTERLEGSCHIEBE 28X2-5X6-5 | ARANDELA 28X2-5X6-5 |
| 26 | G22220073 | RONDELLA 28X0,3X16,5 | WASHER 28X0-3X16-5 | RONDELLE 28X0-3X16-5 | UNTERLEGSCHIEBE 28X0-3X16-5 | ARANDELA 28X0-3X16-5 |
| 27 | G22230094 | SUPPORTO CUSCINETTO | BEARING SUPPORT | SUPPORT PALIER | LAGERBSCHSE | SOPORTE COJINETE |
| 28 | G22250287 | MANICOTTO DISTANZIALE SV | SPACER SLEEVE SV | MANCHON ENTRETOISE SV | ABSTANDSMUFFE SV | MANGUITO DISTANCIADOR SV |
| 29 | F01020043 | VITE M6X1X60 U5737 8.8ZN | SCR. M6X1X60 U5737 8.8ZN | VIS M6X1X60 U5737 8.8 ZN | SCHRAUBE M6X1X60 U5737 8.8 ZN | TORNILLO M6X1X60 U5737 8.8 ZN |
| 30 | F01020068 | VITE M8X1,25X40 U5737 8.8ZN | SCR. M8X1,25X40 U5737 8.8ZN | VIS M 8X1,25X40 U5737 8.8 ZN | SCHRA. M8X1,25X40 U5737 8.8 ZN | TORNIL.M8X1,25X40 U5737 8.8 ZN |
| 31 | F01020403 | VITE M6X1X16 U5739 8.8ZN | SCR. M6X1X16 U5739 8.8ZN | VIS M6X1X16 U5739 8.8 ZN | SCHRAUBE M6X1X16 U5739 8.8 ZN | TORNILLO M6X1X16 U5739 8.8 ZN |
| 32 | F01020432 | VITE M8X1,25X16 U5739 8.8ZN | SCR. M8X1,25X16 U5739 8.8ZN | VIS M8 X1,25X16 U5739 8.8 ZN | SCHRAUBE M8X1,25X16U5739 8.8ZN | TORNILLO M8X1,25X16U5739 8.8ZN |
| 33 | F01020472 | VITE M10X1,5X25 U5739 8.8ZN | SCR. M10X1,5X25 U5739 8.8ZN | VIS M10X1,5X25 U5739 8.8 ZN | SCHRAUBE M10X1,5X25 U5739 8.8 | TORNILLO 10X25 U5739 8.8 ZN |
| 34 | F01070075 | VITE A4,2X1,41X38 U6954 4.8NI | SCR. H4,2X1,41X38 U6954 4.8NI | VIS 4-2X38 DIN 7981 | SCHRAUBE 4-2X38 DIN 7981 | TORNILLO 4-2X38 DIN 7981 |
| 35 | F01070011 | VITE A4,2X1,41X9,5 U6950 4.8NI | SCR. H4,2X1,41X9,5 U6950 4.8NI | VIS AUTOTAR. 4-2X9-5 T. E. COU | SELBSTSCHNEID. SCHRAUBE 4-2X9- | TORNILLO AUTORROSC. 4-2X9-5 |
| 36 | F01200232 | DADO M6X1 U5588 6.8ZN | NUT M6X1 U5588 6.8ZN | ECROU 6 UNI 5588 6.8 ZN | MUTTER 6 UNI 5588 6.8 ZN | TUERCA 6 UNI 5588 6.8 ZN |
| 37 | F01200244 | DADO M8X1,25 U5588 6.8ZN | NUT M8X1,25 U5588 6.8ZN | ECROU M8 X1,25 U5588 6.8 ZN | MUTTER M8 X1,25 U5588 6.8 ZN | TUERCA M8 X1,25 U5588 6.8 ZN |
| 38 | F01220033 | DADO M10X1,5 D980 8ZN | NUT M10X1,5 D980 8ZN | ECROU M10X1,5 D980 8ZN | MUTTER M10X1,5 D980 8ZN | TUERCA M10X1,5 D980 8ZN |
| 39 | F01410037 | ROS.M6 6,4X12,5X1,6 U6592 ZN | WASHER M6 6,4X12,5X1,6 U6592ZN | RONDEL.M6 6,4X12,5X1,6 U6592ZN | SCHIEB.M6 6,4X12,5X1,6 U6592ZN | ARAND.M6 6,4X12,5X1,6 U6592 ZN |
| 40 | F01410051 | ROS.M8 8,4X 17X1,6 U6592 ZN | WASHER M8 8,4X17X1,6 U6592 ZN | RONDELLE M8 8,4X17X1,6 U6592ZN | SCHIEBE M8 8,4X17X1,6 U6592 ZN | ARANDELA M8 8,4X17X1,6 U6592ZN |
| 41 | F02100079 | SPINA E.P. 5X 20 U6873 C70 BR | PIN EL. 5X 20 U6873 C70 BR | | | |
| 42 | F02100314 | SPINA EL.5 X36 DIN 1481 INOX | PIN EL.5 X36 DIN 1481 INOX | | | |
| 43 | F02100113 | SPINA E.P. 6X 30 U6873 C70 ZN | PIN EL. 6X30 DIN 1481 ZN * | GOUPILLE EL.6 X30 DIN1481ZN* | SPANNSTIFT 6 X30 DIN 1481 ZN | CLAVIJA EL.6 X30 DIN 1481 ZN |
| 44 | F03011081 | GUARNIZIONI LABBRO DE100 | LIP GASKET D100 | | | |
| 45 | F06080196 | CATENA 1/2 ISO 083 32 MAGLIE | CUT-DOWN CHAIN .1/2 ISO 083 32 | TRONCON CHAINE 1/2 ISO 083 32 | KETTENLNZGE 1/2 ISO 083 32 GL | TRECHO CADENA 1/2 ISO 083 32 |
| 46 | F03100500 | TUBO EOLO 35 PU | TUBE EOLO 35 PU | TUBE EOLO 35 PU | | TUBO EOLO |
| 47 | G65336025 | MOLLA SPEC.ZN STRINGIT.ASP.SP | SPEC SPRING ZN FAN . PIPE CLAM | RESSORT SPEC. ZN SERRE-TUBE AS | SPEZIALFEDER ZN RORHSCHELLE AB | MUELLE ESPEC. ZN APRIETA TUBOS |
| 48 | G65336055 | MOLLA SPEC.REGOL.SPAND. SP | SPEC SPRING MAN. SPR. ADJUSTM. | RESSORT SPEC. REGL. EP. ENTRA | SPEZIALFEDER STREUERINSTELLUN | MUELLE ESPEC. REGUL. ABONADORA |
| 49 | G65336062 | MOLLA SPEC.SCIV.DISTR.SPAND.SP | SPEC SPRING - MAN. SPR. DISTR. | RESS. SPEC. LANCOIR DISTR. EP. | SPEZ.FEDER RUTSCHE SZAPP. STRE | MUELLE ESPEC.PLANO INCL.DISTR. |
| 50 | G65336064 | MOLLA SPEC.COCLEA DX SPAND.HL | SPEC. WORM SCREW SPRING RIGHT | RESSORT SPEC. VIS DRT. EP. ENG | SPEZ.FEDER RE SCHNECKE STREUER | MUELLE ESPEC. TORN.S/F DER. AB |
| 51 | G65336065 | MOLLA SPEC.COCLEA SX SPAND.HL | SPEC. WORM SCREW SPRING LEFT M | RESSORT SPEC. VIS GCH. EP. ENG | SPEZ.FEDER LI SCHNECKE STREUER | MUELLE ESPEC. TORN.S/F IZQ. AB |
| 52 | G65338043 | MOLLA COMP.ZN SERB. M80 | ZN TANK COMP.SPRING M80 | RESSORT COMPL. ZN RESERVOIR M8 | DRUCKFEDER ZN BEHZLTER M80 | MUELLE COMP.ZN DEPS. M80 A |
| 53 | G66248121 | BOCCOLA CON FLANGIA M80 | BUSHING W/ FLANGE M80 | SUPPORT AVEC BRIDE M80 | BsCHSE MIT FLANSCH M80 | CASQUILLO CON BRIDA M80 |
| 54 | G66248125 | GHIERA REGOLAZIONE M80 | ADJUSTMENT KNURLED NUT M80 | BAGUE REGLAGE M80 | EINSTELLMUTTER M80 | CONTRATUERCA REGULACIN M80 G |
| 55 | G66248178 | SCIVOLO DISTR.SPAND. SP | CHUTE- MANURE-SPREADER DISTRIB | LANCOIR DISTRIBUTION EP. ENGR. | DsNGERSTREUER RUTSCHE SP | PLANO INCLINADO DISTR. ABON. S |



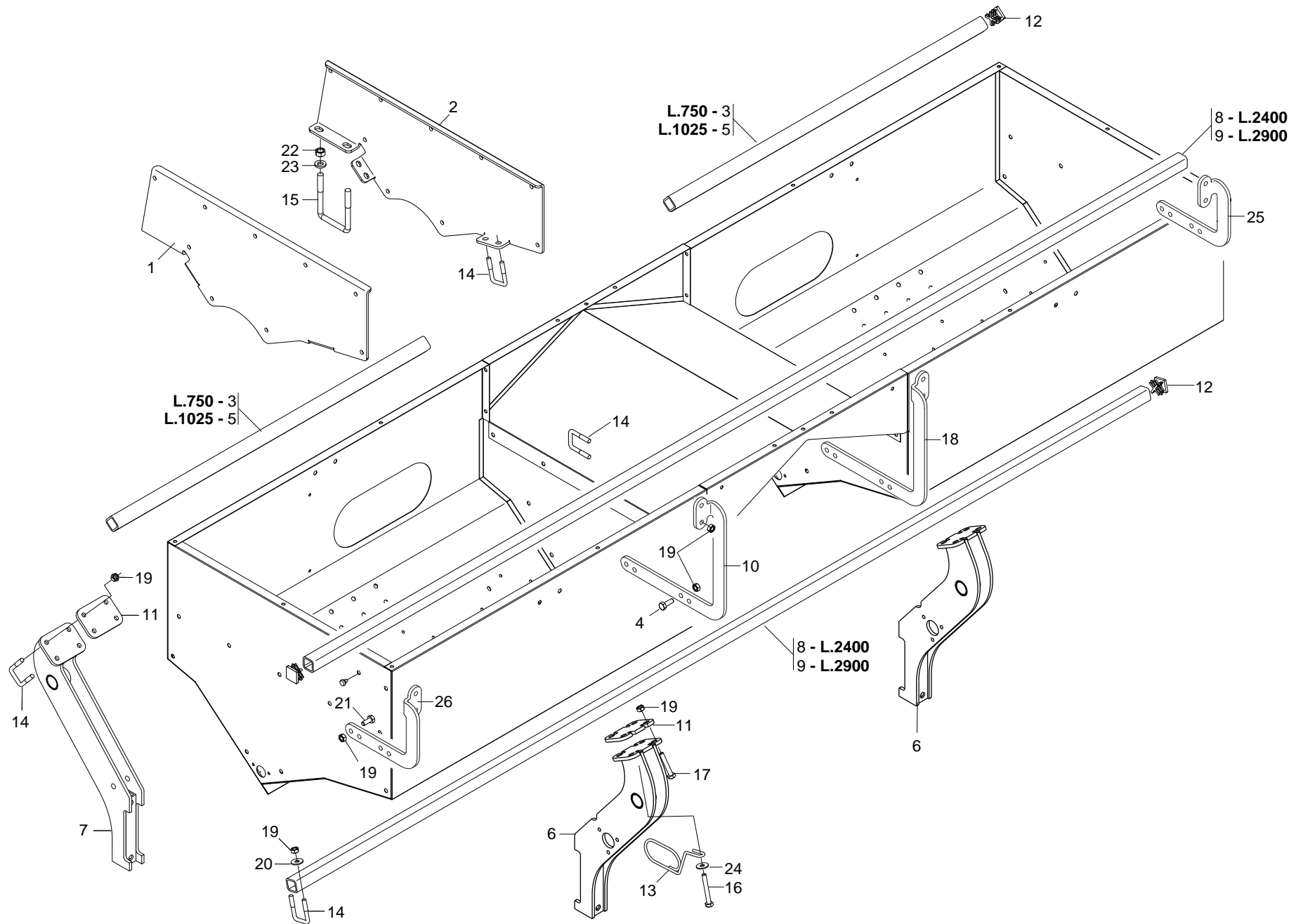
(*) 2 - serb. 850
62 - serb. 1100

(**) 3 - serb. 850
63 - serb. 1100

(***) Kit = (2+2 pz.)

SERBATOI SPANDICONCIME
TAV. 173

| Pos. | Cod. | Descrizione | Description | Description | Benennung | Descripcion |
|------|-----------|--------------------------------|--------------------------------|--------------------------------|--------------------------------|--------------------------------|
| 56 | G66248207 | TENDICATENA SPAND. SP-520 | CHAIN TENSIONER | TENDEUR DE CHAINE EPAND. ENGR. | KETTENSPELLER DsNGERSTR. SP-52 | SENSOR DE CADENA ABON. SP-520 |
| 57 | G66248218 | RONDELLA DISTAN.SPANDI | MAN. SPR. SPACER WASHER | RONDELLE ENTRETOISE EP. ENGRAI | ABSTANDSCHEIBE DsNGERSTREUER | ARANDELA DISTAN.ABONAD. |
| 58 | F03150757 | TAPPO FILETT.SERBAT.PLASTICA | SCREWED PLUG FOR PLASTIC TANK | | | |
| 59 | G19700822 | DECAL.TABELLA CONCIME SP540 | DECAL.FERTILIZER TABLE SP540 | | | |
| 60 | G18701500 | RONDELLA 29,5 X38 X0,3 IX | WASHER 29,5 X 38 X 0,3 | RONDELLE 29,5 X38 X0,3 | UNTERLEGSCHNEIBE 29,5X38X0,3 | ARANDELA 29,5 X38 X0,3 |
| 61 | G15472790 | SERBATOIO 850 PLA.2U DX | PLAS.FERT.TANK 850 2 OUT. RH | RESERV 850 PLA 2S COMPL DRT | BEHZLTER 850 PLAST. RE 2 AUSG. | DEPSITO 850 PLA.2 SAL. DER. B |
| 62 | G15271540 | ASSE AGITATORE DX 1100 | STIRRER SPINDLE-RIGHT 1100 TAN | AXE AGITATEUR DRT.RESERV.1100 | SAMENMISCHERACHSE RE BEH.1100 | EJE AGITAD.DER.DEPS.1100 COM A |
| 63 | G15271550 | ASSE AGITATORE SX 1100 | STIRRER SPINDLE- LEFT 1100 | AXE AGITATEUR GCH. 1100 | SAMENMISCHERACHSE LINKER 1100 | EJE AGITAD. IZQ. 1100 |
| 64 | G15471920 | COPERCHIO SERBATOIO L.1100 | TANK COVER L.1100 | COUVERCLE RESERVOIR L.1100 | BEHZLTERDECKEL L.1100 | TAPA DEPS.L.1100 A |
| 65 | G15473130 | GRIGLIA SERBATOIO 1100 PLAST. | PLASTIC TANK GRID 1100 | GRILLE RESERVOIR PLAST.1100 | BEHZLTERGITTER PLAST.1100 | REJILLA DEPSITO PLAST.1100 G |
| 66 | G19003060 | SERBATOIO 1100 PLASTICA | PLASTIC TANK 1100 | RESERVOIR 1100 PLASTIQUE | PLASTIKBEHZLTER 1100 | DEPSITO 1100 PLÆSTICA B |
| 67 | G20910045 | MANICOTTO UNIONE L.1180 | JOINT SLEEVE L.1180 | MANCHON RACCORD L. 1180 | VERBINDUNGSMUFFE L.1180 | MANGUITO DE UNIN L.1180 M |
| 68 | G20910044 | MANICOTTO UNIONE L.1375 | JOINT SLEEVE L.1375 | MANCHON RACCORD L. 1375 | VERBINDUNGSMUFFE L.1375 | MANGUITO DE UNIN L.1375 M |
| 69 | G15472800 | SERBATOIO 850 PLA.2U SX | PLAS.FERT.TANK 850 2 OUT. L | RESERV 850 PLA 2S COMPL GCH | BEHZLTER 850 PLAST. LI 2 AUSG. | DEPSITO 850 PLA.2 SAL. IZQ. B |
| 70 | G15472810 | SERBATOIO 850 PLA.3U DX | PLAS.FERT.TANK 850 3 OUT. RH | RESERV 850 PLA 3S COMPL DRT | BEHZLTER 850 PLAST. RE 3 AUSG. | DEPSITO 850 PLA.3 SAL. DER. B |
| 71 | G15472820 | SERBATOIO 850 PLA.3U SX | PLAS.FERT.TANK 850 3 OUT. LH | RESERV 850 PLA 3S COMPL GCH | BEHZLTER 850 PLAST. LI 3 AUSG. | DEPSITO 850 PLA.3 SAL. IZQ. B |
| 72 | G15272680 | SERBATOIO 1100 3U.DX PLA.COMP. | TANK ASSY.1100 RIGHT 3U | RESERV 1100 PLA 3S COMPL DRT | KOMPL. BEHZLTER 1100 RE 3AUSG | DEPS. COMPL.1100 DER. 3 SAL. B |
| 73 | G15272720 | SERBATOIO 1100 3U.SX PLA.COMP. | TANK ASSY. 1100 LEFT 3U | RESERV 1100 PLA 3S COMPL GCH | KOMPL. BEHZLTER 1100 LI 3AUSG | DEPS. COMPL.1100 IZQ. 3 SAL. B |
| 74 | G15471430 | SERBATOIO 1500 3U DX | TANK ASSY.1500 LEFT 3U | RESERV 1500 FER 3S COMPL DRT | KOMPL. BEHZLTER 500 LI 3U | DEPS. COMPL.500 IZQ. 3 SAL. B |
| 75 | G15471440 | SERBATOIO 1500 3U SX | TANK ASSY.1500 LEFT 3U | RESERV 1500 FER 3S COMPL DRT | KOMPL. BEHZLTER 1500 LI 3U | DEPS. COMPL.1500 IZQ. 3 SAL. B |
| 76 | G20860032 | ASSE RUOTA CAMBIO L.1160 | WHEEL AXLE - GEARBOX L.1160 | AXE ROUE BOITE DE VITESSE | GEBTRIEBERADACHSE L 1160 | EJE RUEDA CAMBIO L.1160 |

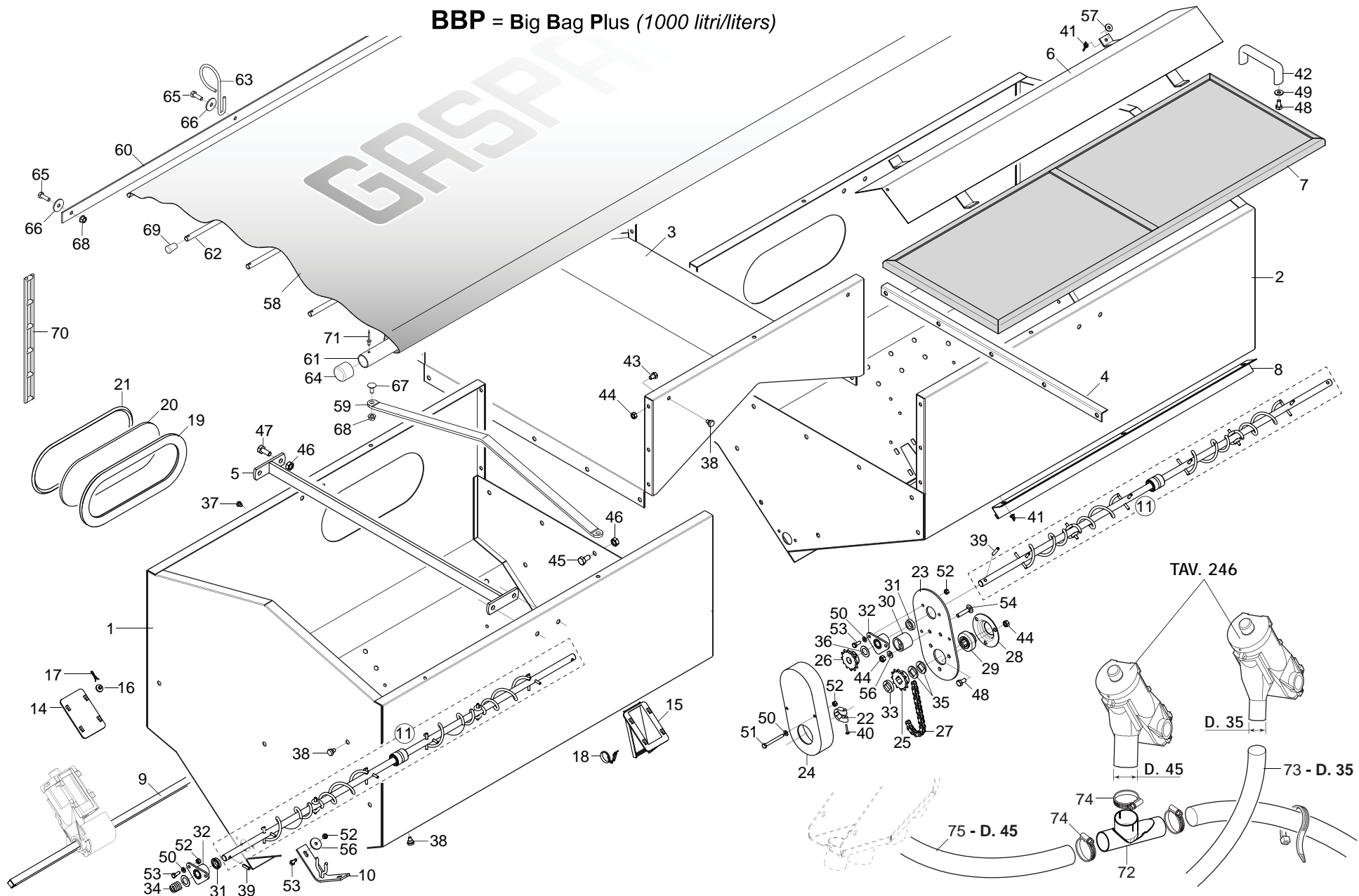


SUPPORTI SERBATOIO SPANDICONCIME UNICO

TAV. 304

| Pos. | Cod. | Descrizione | Description | Description | Benennung | Descripcion |
|------|-----------|--------------------------------|-------------------------------|-------------------------------|---------------------------------|--------------------------------|
| 1 | G15273322 | FIANCO SUPP.INTERNO SX. | L.INTERNAL SUPPORT SIDE | | | |
| 2 | G15273332 | FIANCO SUPP.INTERNO DX. | R.INTERNAL SUPPORT SIDE | | | |
| 3 | G15472980 | TUBO Q. 35X 4X 750 | SQUARE PIPE 35 X4 X750 | TUBE CARRE 35 X4 X750 | VIERKANTROHR 35 X4 X750 | TUBO CUADRADO 35 X4 X750 |
| 4 | F01020464 | VITE M10X1,5X30 U5739 A2IX | SCR. M10X1,5X30 U5739 A2IX | VIS M10X1,5 X 30 U5739 A2IX | SCHRA. M10X 1,5X 30 U5739 A2IX | TORNIL. M10X1,5X30 U5739 A2IX |
| 5 | G15273491 | TUBO Q. 35X 4X1025 | TUBE Q. 35X 4X1025 | | | |
| 6 | G15273444 | ASS.SUPP.POSTERIORE | ASS.SUPP.REAR | | | |
| 7 | G15273472 | SUPPORTO FRONTALE | FRONT SUPPORT | | | |
| 8 | G07000655 | TUBO Q. 35X 4X2400 | SQUARE PIPE 35X35X4X2400 | TUBE CARRE 35X35X4X2400 | VIERKANTROHR 35X35X4X2400 | TUBO CUADRADO 35X35X4X2400 |
| 9 | G07000656 | TUBO Q. 35X 4X2900 | SQUARE PIPE 35X35X4X2900 | TUBE CARRE 35X35X4X2900 | VIERKANTROHR 35X35X4X2900 | TUBO CUADRADO 35X35X4X2900 |
| 10 | G15273731 | SUPPORTO LUNGO SX TUBO MICRO | LEFT SUPPORT TUBE MICRO LONG | | | |
| 11 | G15274520 | PIASTRA D'APPOGGIO MTE300 | SUPPORT PLATE MTE300 | | | |
| 12 | F20120346 | PUNTALE Q 35 ALETT.POLIT.NERO | SQ.TIP 35 BLACK | | | |
| 13 | G18904050 | MOLLA GUIDA 2 TUBI DEPRESS. ZN | TUBE GUIDE SPRING | RESSORT GUIDE-TUBES | EDER ROHRF_HRUNG | MUELLE GUA TUBOS |
| 14 | F20110706 | CAV.Q.B=35 M=10X1,5 L=60 | U BOLT Q.B=35 M=10X1,5 L=60 | CAVALIER SUPPORT DISQUE SV | VERBINDUNG SCHEIBENHALTERUNG S | PERNO EN U SOP. DISCO SV |
| 15 | F20110770 | CAV.Q.B=80 M=14X2 L=119 | U BOLT Q.B=80 M=14X2 L=119 | BRIDE U M14X2X50 96X119 ZN | ANSCHLANG U M14X2X50 96X119 ZN | EL.DE EMPALME M14X2X50 96X119 |
| 16 | F01020144 | VITE M10X1,5X75 U5737 A2IX | SCR. M10X1,5X75 U5737 A2IX | VIS M10X 1,5X 75 U5737 8.8 IX | SCHRAUBE M10X 1,5X 75 U5737 8. | TORNIL. M10X 1,5X 75 U5737 8.8 |
| 17 | F01020143 | VITE M10X1,5X65 U5737 A2IX | SCR. M10X1,5X65 U5737 A2IX | VIS M10X 1,5X 65 U5737 8.8 IX | SCHRAUBE M10X 1,5X 65 U5737 8. | TORNIL. M10X 1,5X 65 U5737 8.8 |
| 18 | G15273741 | SUPPORTO LUNGO DX TUBO MICRO | RIGHT SUPPORT TUBE MICRO LONG | | | |
| 19 | F01200271 | DADO M10X1,5 U5588 A2IX | NUT M10X1,5 U5588 A2IX | ECROU 10 5588 6.8 INOX | MUTTER 10 5588 6.8 INOX | TUERCA 10 5588 6.8 INOX |
| 20 | F01420059 | ROS.M10 10,5X 30X2,5 U6593 IX | WASHER 11X30X2,5 6593 A2 | RONDELLE 11X30X2,5 6593 A2 | UNTERLEGSSCHEIBE 11X30X2,5 6593 | ARANDELA 11X30X2,5 6593 A2 |
| 21 | F01020463 | VITE M10X1,5X25 U5739 A2IX | SCR. M10X1,5X25 U5739 A2IX | VIS 10X25 5739 INOX A2 | SCHRAUBE 10X25 5739 INOX A2 | TORNILLO 10X25 5739 INOX A2 |
| 22 | F01200306 | DADO M14X2 U5588 6.8ZN | NUT M14X2 U5588 6.8ZN | ECROU M14X2 | MUTTER M14X2 | DADO M14X2 |
| 23 | G20970142 | RONDELLA 32X4X15,5 | WASHER 32X4X15-5 | RONDELLE 32X4X15-5 | UNTERLEGSSCHEIBE 32X4X15-5 | ARANDELA 32X4X15-5 |
| 24 | F01420060 | ROS.M10 10,5X 30X2,5 U6593 ZN | WASHER 10,5X30 | RONDELLE 10,5X30 | SCHEIBE 10,5X30 | ARANDELA 10,5X30 |
| 25 | G15273711 | SUPPORTO SX TUBO MICRO | LEFT SUPPORT TUBE MICRO | | | |
| 26 | G15273721 | SUPPORTO DX TUBO MICRO | RIGHT SUPPORT TUBE MICRO | | | |

BBP = Big Bag Plus (1000 litri/liters)



SERBATOIO SPANDICONCIME UNICO

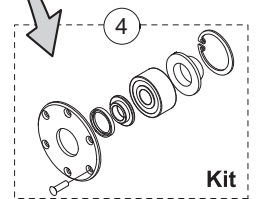
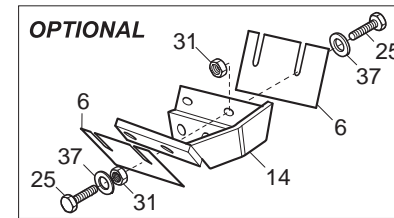
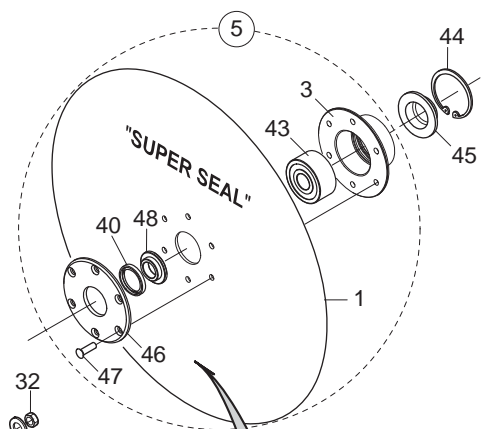
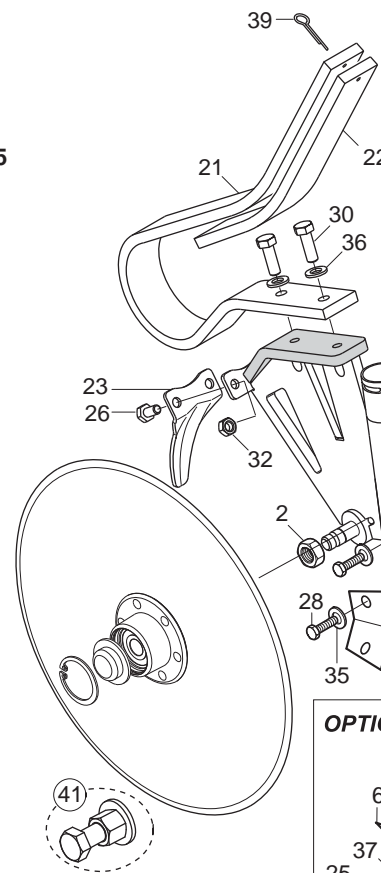
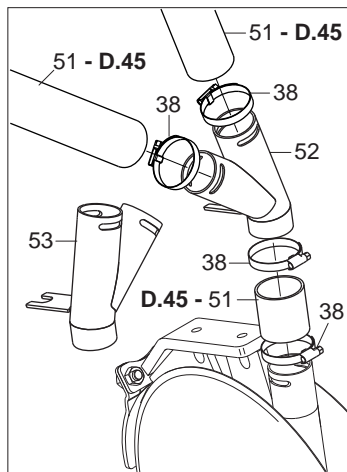
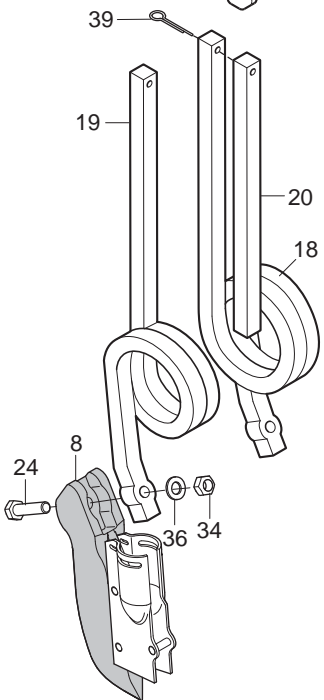
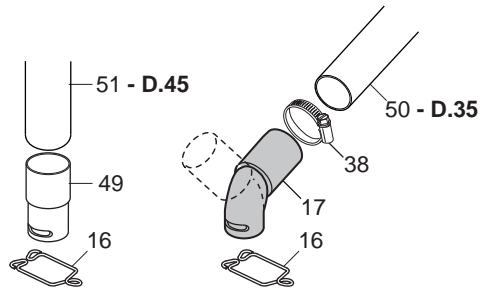
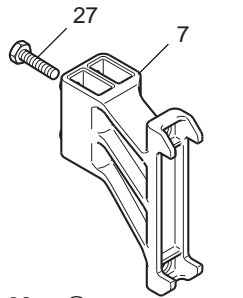
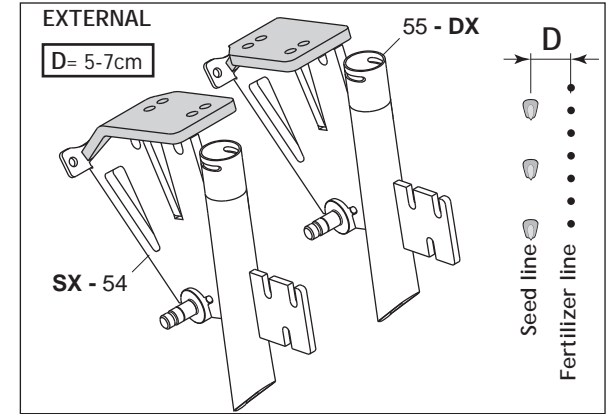
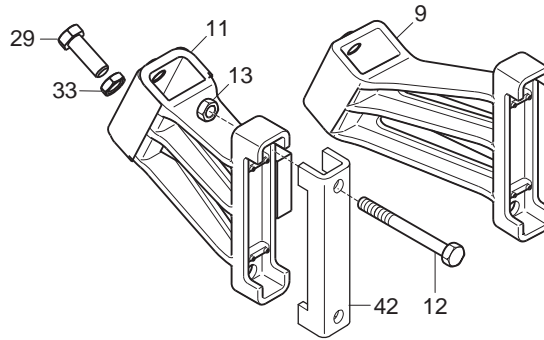
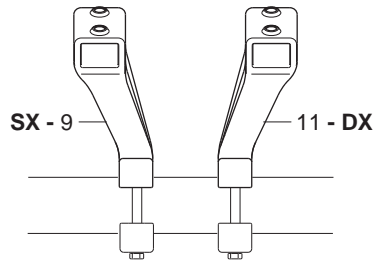
TAV. 315

| Pos. | Cod. | Descrizione | Description | Description | Benennung | Descripcion |
|------|-----------|--------------------------------|--------------------------------|---------------------------------|----------------------------------|--------------------------------|
| 1 | G15273233 | ASS.SERBATOIO SX. MTE300 | ASS.L. TANK MTE300 | | | |
| 2 | G15273283 | ASS.SERBATOIO DX. MTE300 | ASS.R. TANK MTE300 | | | |
| 3 | G15273311 | ASS.LAMIERA CENTRALE MTE300 | CENTRAL SHEET ASSEMBLY MTE300 | | | |
| 4 | G15273540 | LAMIERA APPOGGIO GRIGLIA | GRID SUPPORT BRACKET | +TRIER SUPPORT GRILLE | GITTERHALTB_GEL | ESTRIBO SOPORTE REJILLA |
| 5 | G15273560 | TIRANTE INTERNO | INNER TIE ROD | | | |
| 6 | G15273581 | TEGOLO MTE300 | BENT TILE MTE300 | | | |
| 7 | G15273840 | GRIGLIA SERBATOIO MTE300 | TANK GRID. MTE300 | GRILLE RESERVOIR MTE300 | BEHZLTERGITTER MTE300 | REJILLA DEPS. MTE300 |
| 8 | G15273621 | PORTA PULIZIA | CLEANING DOOR | PORTE DE NETTOYAGE | REINIGUNGST_R | PUERTA LIMPIEZA |
| 9 | G15273750 | ASSE TRASM.L.2800 | TRANSMISSION SHAFT L. 2800 | AXE TRANSMISSION L.2800 | ANTRIEBSACHSE L.2800 | EJE TRANSM.L.2800 |
| 10 | G15273700 | SUPPORTO COCLEA | BOLT SUPPORT | SUPPORT VIS ALIMENTATION | HALTERUNG SCHNECKE | SOPORTE CÉCLEA |
| 11 | G15273610 | ASSE AGITAT.SERBAT.UNICO COMPL | STIRRER SPINDLE BB300 TANK | AXE AGITATEUR RESERVOIR BB300 | SAMENMISCHERACHSE BEH. BB300 | EJE AGITAD. DEPS. BB300 |
| 14 | G66248184 | CHIUSURA USCITA SERB.SPAND.SP | OUTLET CLOSURE- MAN.SPREAD. TA | FERMETURE SORTIE RESERVOIR FER | VERSCHLUSS AUSTRITT DsNGERSTR. | CIERRE SALIDA DEPS. ABON. SP I |
| 15 | G66248187 | SCARICO SERB.SPAND.TIPO MICRO | MICRO TYPE MAN.SPR.TANK DISCH. | TRAPPE DE VIDANGE TYPE MICRO | BEHZLTERENTLADUNG STREUER TYP | DESCARGA DEPS. ABON.TIPO MICRD |
| 16 | G66248224 | FERMO DISTRIBUTORE SPAND. | FERT. SPR. DISTRIB. STOP | ARRET DISTRIBUTEUR EP. ENGRAIS | FESTSTELLVORRICHTUNG SZAPP. ST | BLOQUEO DISTRIBUIDOR ABON. |
| 17 | G65336089 | MOLLA SPEC.TENUTA FERMO SPAND. | SPEC.SPRING- BLOCK. MAN. SPR. | RESSORT SPEC. D'ETANCHEITE ARR | SPEZIALFEDER DICHTUNG STREUER | MUELLE ESPEC. RETENC. BLOQ |
| 18 | G65336080 | MOLLA SPEC.SCARICO SPAND.T.M. | SPEC. SPRING SPREDER RELIEF | | | |
| 19 | F03011155 | GUARNIZIONE VETRO TRAMOGGIA | GLASS SEAL | GARNITURE VERRE | GLASDICHTUNG | JUNTA VIDRIO |
| 20 | G16021080 | FINESTRA CONTR.LIVELLO SEMI | SEED LEVEL CHECKING WINDOW | FENETRE CONTROLE NIV. GRAINES | KONTROLLFENSTER SAMENSTAND | VENTANA CONTROL NIVEL SEMILLAS |
| 21 | G68005092 | TENDITORE GUARNIZIONE | TURNBUCKLE GASKET | TENDEUR GARNITURE | DICHTUNGSSPANNER | TENSOR JUNTA |
| 22 | G22505085 | FERMO ASSE IN LAMIERA | PLATE AXLE STOP | ARRET AXE EN TOLE | FESTSTELLVORRICHTUNG BLECHACHS | BLOQUEO EJE DE CHAPA |
| 23 | G15471930 | PROTEZIONE | GUARD | PROTECTION | SCHUTZ | PROTECCIN P |
| 24 | G17170270 | PROTEZIONE RINVIO SERBATOIO | INTERNAL TRANSMISS. TANK PROTE | PROTECTION RENVOI TREMIE | VORGELEGESCHUTZ BEH-LTER | PROTECCION ENVIO DEPOSITO |
| 25 | G20860086 | INGRANAGGIO 1/2 Z-12 F.Q. | GEAR 1/2 Z-12 F.Q. | ENGRENAGE 1/2 Z-12 TROUS CARRE | ZAHNRAD 1/2 Z-12 F.Q. | ENGRANAJE 1/2 Z-12 F.Q. |
| 26 | G20860088 | INGRANAGGIO 1/2 Z-12 F.T. | GEAR 1/2 Z-12 F.T. | ENGRENAGE 1/2 Z-12 TROUS RONDS | ZAHNRAD 1/2 Z-12 F.T. | ENGRANAJE 1/2 Z-12 F.T. |
| 27 | F06080196 | CATENA 1/2 ISO 083 32 MAGLIE | CUT-DOWN CHAIN. 1/2 ISO 083 32 | TRONCON CHAINE 1/2 ISO 083 32 | KETTENZLNGE 1/2 ISO 083 32 GL | TRECHO CADENA 1/2 ISO 083 32 |
| 28 | G22230094 | SUPPORTO CUSCINETTO | BEARING SUPPORT | SUPPORT PALIER | LAGERBsCHSE | SOPORTE COJINETE |
| 29 | G14830390 | CUSCINETTO FORO QUADRO | SQUARE-HOLED BEARING | ROULEMENT TROU CARRE | VIERKANTLAGER | COJINETE ORIFICIO CUADRADO |
| 30 | G66248207 | TENDICATENA SPAND. SP-520 | CHAIN TENSIONER | TENDEUR DE CHAINE EPAND. ENGR. | KETTENSANNER DsNGERSTR. SP-52 | TENSOR DE CADENA ABON. SP-520 |
| 31 | F03011081 | GUARNIZIONI LABBRO DE100 | LIP GASKET D100 | | | |
| 32 | G66248121 | BOCCOLA CON FLANGIA M80 | BUSHING W/ FLANGE M80 | SUPPORT AVEC BRIDE M80 | BsCHSE MIT FLANSCH M80 | CASQUILLO CON BRIDA M80 |
| 33 | G66248218 | RONDELLA DISTAN.SPANDI | MAN. SPR. SPACER WASHER | RONDELLE ENTRETOISE EP. ENGRAI | ABSTANDSCHEIBE DsNGERSTREUER | ARANDELA DISTAN.ABONAD. |
| 34 | G65338043 | MOLLA COMP.ZN SERB. M80 | ZN TANK COMP.SPRING M80 | RESSORT COMPL. ZN RESERVOIR M80 | DRUCKFEDER ZN BEHZLTER M80 | MUELLE COMP.ZN DEPS. M80 A |
| 35 | G18701650 | RONDELLA FORO QUADRO ZN | WASHER 16,5X30X2,5 ZN | RONDELLE 16,5X30X2,5 ZN | UNTERLEGSCHSHEIBE 16,5X30X2,5 ZN | ARANDELA 16,5X30X2,5 ZN |
| 36 | G22220073 | RONDELLA 28X0,3X16,5 | WASHER 28X0-3X16-5 | RONDELLE 28X0-3X16-5 | UNTERLEGSCHSHEIBE 28X0-3X16-5 | ARANDELA 28X0-3X16-5 |
| 37 | G19003160 | TAPPO PER FORO D.7 | PLUG FOR D.7 HOLE | BOUCHON POUR TROU D.7 P | FROPFEN Fsr LOCH D.7 T | APN PARA AGUJERO D.7 DO |
| 38 | G66248223 | TAPPO SUPP.SPAND.D.11 | PLUG MAN. SPR. SUPP. D.11 | BOUCHON SUPPORT EP. ENGRAIS D. | HALTERUNGSPFROPFEN DsNGERSTR. | TAPN SOPORTE ABON.D.11 D |
| 39 | F02100113 | SPINA E.P. 6X 30 U6873 C70 ZN | PIN EL. 6X30 DIN 1481 ZN * | GOUPILLE EL.6 X30 DIN1481ZN* | SPANNSTIFT 6 X30 DIN 1481 ZN | CLAVIJA EL.6 X30 DIN 1481 ZN |
| 40 | F01070074 | VITE A4,2X1,41X25 U6954 4.8NI | SCR. H4,2X1,41X25 U6954 4.8NI | VIS 4-2X25 DIN 7981 | SCHRAUBE 4-2X25 DIN 7981 | TORNILLO 4-2X25 DIN 7981 |
| 41 | F01240012 | DADO M6X1 U5448 5.8ZN | NUT M6X1 U5448 5.8ZN | ECROU 6 UNI 5448 5.8 ZN | MUTTER 6 UNI 5448 5.8 ZN | TUERCA 6 UNI 5448 5.8 ZN |
| 42 | F05150112 | MANIGLIA INTERAS. 117 FORO 8MM | HANDLE | POIGNEE | HANDGRIFF | MANILLA |
| 43 | F01020426 | VITE M 8X1,25X 12 U5739 A2IX | SCR. M8X1,25X12 U5739 A2IX | VIS M8 X1,25X 12 U5739 8.8 IX | SCHRAUBE M8 X1,25X 12 U5739 8. | TORNIL. M8 X1,25X 12 U5739 8.8 |
| 44 | F01200245 | DADO M8X1,25 U5588 A2IX | NUT M8X1,25 U5588 A2IX | ECROU M 8X1,25 U5588 A2 IX | MUTTER M 8X1,25 U5588 A2 IX | TUERCA M 8X1,25 U5588 A2 IX |
| 45 | F01020462 | VITE M10X1,5X20 U5739 A2IX | BOLT M10X1,5 X20 U5739 A2IX | VIS M10X1,5 X 20 U5739 A2IX | SCHRAUBE M10X1,5 X 20 U5739 8. | TORNIL. M10X1,5 X 20 U5739 8.8 |
| 46 | F01200271 | DADO M10X1,5 U5588 A2IX | NUT M10X1,5 U5588 A2IX | ECROU 10 5588 6.8 INOX | MUTTER 10 5588 6.8 INOX | TUERCA 10 5588 6.8 INOX |
| 47 | F01020463 | VITE M10X1,5X25 U5739 A2IX | SCR. M10X1,5X25 U5739 A2IX | VIS 10X25 5739 INOX A2 | SCHRAUBE 10X25 5739 INOX A2 | TORNILLO 10X25 5739 INOX A2 |
| 48 | F01020434 | VITE M8X1,25X16 U5739 A2IX | SCR. M8X1,25X16 U5739 A2IX | VIS M8X1,25X16 U5739 A2IX | SCHRAUBE M8X1,25X16 U5739 A2IX | TORNIL. M8X1,25X16 U5739 A2IX |
| 49 | G20970140 | RONDELLA 20X2X8,5 | WASHER 20X2X8,5 | RONDELLE 20X2X8,5 | UNTERLEGSCHSHEIBE 20X2X8,5 | ARANDELA 20X2X8,5 |
| 50 | F01410034 | ROS.M6 6,4X12,5X1,6 U6592 IX | WASHER M6 6,4X12,5X1,6 U6592 | | | |
| 51 | F01020043 | VITE M6X1X60 U5737 8.8ZN | SCR. M6X1X60 U5737 8.8ZN | VIS M6X1X60 U5737 8.8 ZN | SCHRAUBE M6X1X60 U5737 8.8 ZN | TORNILLO M6X1X60 U5737 8.8 ZN |
| 52 | F01200233 | DADO M6X1 U5588 A2IX | NUT M6X1 U5588 A2IX | ECROU M 6X 1 U5588 I | MUTTER M 6X 1 U5588 | TUERCA M 6X 1 U5588 |
| 53 | F01020419 | VITE M 6X1 X 16 U5739 A2IX | SCR. M6X1X16 U5739 A2IX | VIS M6 X1 X 16 U5739 8.8 IX | SCHRAUBE M6 X1 X 16 U5739 8. | TORNIL. M6 X1 X 16 U5739 8.8 |
| 54 | F01020068 | VITE M8X1,25X40 U5737 8.8ZN | SCR. M8X1,25X40 U5737 8.8ZN | VIS M 8X1,25X40 U5737 8.8 ZN | SCHRA. M8X1,25X40 U5737 8.8 ZN | TORNIL.M8X1,25X40 U5737 8.8 ZN |
| 56 | G20970125 | RONDELLA 28X2,5X6,5 | WASHER 28X2-5X6-5 | RONDELLE 28X2-5X6-5 | UNTERLEGSCHSHEIBE 28X2-5X6-5 | ARANDELA 28X2-5X6-5 |
| 57 | F01420039 | ROS.M6 6,4X 24X1,5 U6593 IX | WASHER M6 6,4X24X1,5 U6593 IX | RONDELL.M6 6,4X24X1,5 U6593 IX | SCHSHEIBE M6 6,4X24X1,5 U6593 IX | ARANDEL.M6 6,4X24X1,5 U6593 IX |
| 58 | G15273771 | TELO COPRISERBATOIO MTE300 | HOPPER COVER-SHEET MTE300 | TOILE COUVRE-TREMIE MTE300 | TRICHTERABDECKTUCH MTE300 | ONA PROTEC. TOLVAMTE300 |

SERBATOIO SPANDICONCIME UNICO

TAV. 315

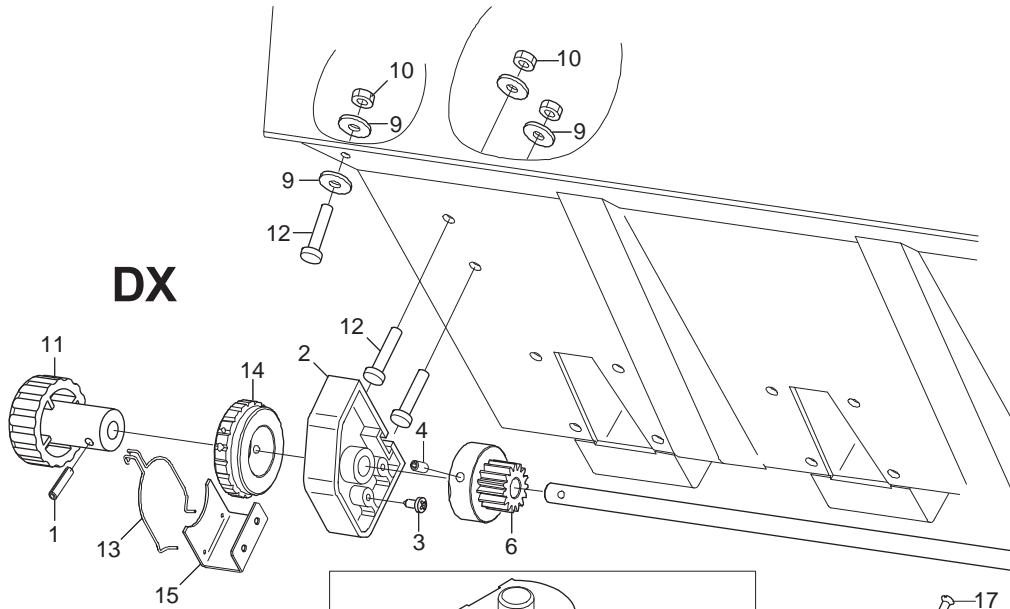
| Pos. | Cod. | Descrizione | Description | Description | Benennung | Descripcion |
|------|-----------|--------------------------------|-------------------------------|--------------------------------|--------------------------------|--------------------------------|
| 59 | G15273632 | SUPPORTO TELO COPRISERBATOIO | SUPP.TANKCOVER SHEET | | | |
| 60 | G15273680 | ASTA FISSAGGIO TELO | FIXING ROD | TIGE DE FIXATION | BEFESTIGUNGSTANGE | VARILLA DE FIJACIN |
| 61 | G15273660 | TUBO TELO COPRISERBATOIO | HOPPER COVER-SHEET TUBE | TUBE TOILE COUVRE-TREMIE | ROHR TRICHTERABDECKTUCH | TUBO ONA PROTEC. TOLVA |
| 62 | G15273670 | TUBO RINFORZO TELO | REINFORCEMENT ROD | TIGE DE RENFORCEMENT | VERSTZRKUNGSSTANGE | VARILLA DE REFUERZO |
| 63 | G18902270 | GUIDATUBO ZN TEL | TUBE GUIDE ZN TEL | GUIDER TUBE TEL ZN | FUHREN ROHR TEL ZN | GUIAR TUBO TEL ZN |
| 64 | G66248098 | TAPPO CONVOGLIATORE DEPR. SP | AIR PUMP CONVEYOR PLUG SP | BOUCHON CONVOYEUR TURBINE SP | VAKUUM FTRDERPFROPFEN SP | TAPN CONDUCTOR DEPR. SP D |
| 65 | F01020457 | VITE M8X1,25X20 U5739 A2IX | SCR. M8X1,25X20 U5739 A2IX | VIS M8X1,25X20 U5739 A2IX | SCHRAUBE M8X1,25X20 U5739 A2IX | TORNILLO M8X1,25X20 U5739 A2IX |
| 66 | F01420049 | ROS.M8 8,4X 32X 2 U6593 ZN | WASHER M8 8,4X32X2 U6593 ZN | RONDELLA M8 8,4X32X2 U6593 ZN | SCHIEBE M8 8,4X32X2 U6593 ZN | ARANDELA M8 8,4X32X2 U6593 ZN |
| 67 | F01060040 | VITE M8X1,25X20 U5731 8.8ZN | SCR. M8X1,25X20 U5732 4.6ZG | VIS M8X1,25X20 U5732 4.6 ZN | SCHRA. M8X1,25X20 U5732 4.6 ZN | TORN. M8X1,25X20 U5732 4.6 ZN |
| 68 | F01260043 | DADO M8 D6923 8.8ZN | NUT M8 D6923 8.8ZN | ECROU BRIDE .M8 DIN 6923 8.8 Z | GEFLANSCHTE MUTTER M8 DIN6923 | TUERCA BRIDA M8 DIN 6923 8.8 Z |
| 69 | F05150472 | PUNTALE A CAMPANA PVC NERO D10 | BELL PUSH ROD PVC D10 BLACK | | | |
| 70 | F06080487 | CATENA AGGANCIO TELO IN GOMMA | RUBBER FRAME CONNECTION CHAIN | CHA+NE ACCROCHAGE TOILE EN CAO | KETTE BEFESTIGUNG GUMMITUCH | CADENA ENGANCHE LONA DE CAUCHO |
| 71 | F02250123 | RIVETTO STR. 4,8X 9 U9200A AL | PULL RIVET 4,8X 9 U9200A ALL | RIVET A RUPTURE 4,8X 9 U9200A | REISSNIETE 4,8X 9 U9200A ALL | REMACHE DESGAR. 4,8X 9 U9200A |
| 72 | G14276810 | VENTURI D42 | VENTURI D42 | | | |
| 73 | F03100500 | TUBO EOLO 35 PU | TUBE EOLO 35 PU | TUBE EOLO 35 PU | | TUBO EOLO |
| 74 | F02300020 | FASCETTA STRING. 32/50 H.9 | HOSE CLAMP 32/50 H.9 | | | |
| 75 | F03100506 | TUBO EOLO PU D.45 | TUBE EOLO PU D.45 | TUBE EOLO PU D.45 | | |



ELEMENTI DI CONCIMAZIONE

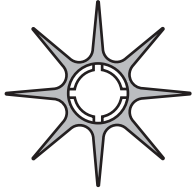
TAV. 185

| Pos. | Cod. | Descrizione | Description | Description | Benennung | Descripcion |
|------|-----------|--------------------------------|--------------------------------|--------------------------------|--------------------------------|---------------------------------|
| 1 | G13825091 | DISCO ASSOLCATORE D.373 | FURROW OPENER DISK D.373 | DISQUE SOC D. 373 6 T.D.6 | SCHEIBE SZSCHARENREISSER D.373 | DISCO SURCADOR D.373 |
| 2 | G15220540 | DADO M16X1,5 SX ZN | NUT M16X1-5 LEFT | ECROU M16X1-5 GCH | MUTTER M16X1-5 LI | TUERCA M16X1-5 IZQ |
| 3 | G15223651 | SUPPORTO CUSCINETTO DISCO | DISC BEARING SUPPORT | SUPPORT PALIER DISQUE | SCHEIBENLAGERBsCHSE | SOPORTE COJINETE DISCO |
| 4 | G15226600 | KIT X DISCO SUPER SEAL | SUPER-SEAL DISC KIT | | | KIT PARA DISCO SUPER SEAL |
| 5 | G15225500 | DISCO ASSOLC.PROTETTO COMPL. | FULLY PROTECTED DISC COULTER | DISQUE DU SOC PROT+G+ COMPLET | | DISCO SURGADOR COMPLETO |
| 6 | G15422231 | RASCHIATERRA DISCO | SCRAPER DISK | | | |
| 7 | G19203920 | SUPP.MOLLA QUADRA DOPPIA POS. | SQUARE SPRING SUPPORT | | | |
| 8 | G16670600 | FALCIONE ELEM.CONCIMAZ.QUADRA | SQUARE SPRING FERT COULTER | SOC +LEM. FERTILIS. RESSORT CA | S-SCHAR ELEM.D_NGUNG QUADR.FED | BOTA ELEM.ABONAD.MUELLE CUADRA |
| 9 | G19204110 | SUPP.SX MOLLA DISCHI | LEFT SUPPORT DISC SPRING | | | |
| 10 | G16670271 | SUPPORTO DISCHI CONCIMAZ. | DISC SUPPORT FERTILIZER | | | |
| 11 | G19204100 | SUPP.DX MOLLA DISCHI | RIGHT DISCS SPRING SUPPORT | | | |
| 12 | F01020236 | VITE M14X2X220 U5737 8.8BR | SCR. M14X2X220 U5737 8.8BR | VIS M14X2X220 U5737 8.8 BR | SCHRAUBE M14X2X220 U5737 8.8 | TORNILLO M14X2X220 U5737 8.8 |
| 13 | F01200306 | DADO M14X2 U5588 6.8ZN | NUT M14X2 U5588 6.8ZN | ECROU M14X2 | MUTTER M14X2 | DADO M14X2 |
| 14 | G15472290 | SUPPORTO RASCHIAT.DISCHI CONC. | FERTIL DISCS SOIL SCRAPER SUPP | SUPP. RACLEUR DISQUES FUMAGE | HALTER. ERDSCHABER DsNGUNGSSCH | SOPORTE RASCADOR DISCOS ABONO |
| 15 | G15472301 | RASCHIATERRA INTERNO | INTERNAL SCRAPER SOIL | | | |
| 16 | G18903911 | MOLLA FERMO TUBO D.35 ZN | PIPE LOCK SPRING D.35 | RESSORT ARR-T TUBE D.35 | ROHRSPERRFEDER D.35 | MUELLE TOPE TUBO D. 35 |
| 17 | G15473060 | TUBO DISCESA CONCIME | FERTILISER DOWN TUBE | COUDE DESCENTE ENGRAIS | DsNGERSENKROHR | TUBO DESCENSO ABONO |
| 18 | G18902770 | MOLLA CONCIMAZIONE 20X20 DX | SPRING 20X20 FERTILIZER RIGHT | RESSORT FUMAGE 20X20 DRT | FEDER DsNGUNG 20X20 RE | MUELLE ABONO 20X20 DER |
| 19 | G18902780 | MOLLA CONCIMAZIONE 20X20 SX | SPRING 20X20 FERTILIZER LEFT | RESSORT FUMAGE 20X20 GCH | FEDER DsNGUNG 20X20 LI | MUELLE ABONO 20X20 IZQ |
| 20 | G18903200 | FERMO SPIRALE | SPIRAL STOP | ARRET SPIRALE | FESTSTELLVORRICHTUNG SPIRALE | BLOQUEO ESPIRAL |
| 21 | G18903821 | MOLLA CONCIMAZIONE | FERTILIZER SPRING | | | |
| 22 | G18903901 | RINFORZO MOLLA CONCIMAZIONE | FERTILIZER SPRING SUPPORT | | | |
| 23 | G15225861 | PROTEZIONE DISCHI | DISC PROTECTION | | | |
| 24 | F01020156 | VITE M12X1,75X50 U5737 8.8ZN | SCR. M12X1,75X50 U5737 8.8ZN | VIS M12X1,75X50 U5737 8.8 ZN | SCHR. M12X1,75X50 U5737 8.8 ZN | TORN. M12X1,75X50 U5737 8.8 ZN |
| 25 | F01020403 | VITE M6X1X16 U5739 8.8ZN | SCR. M6X1X16 U5739 8.8ZN | VIS M6X1X16 U5739 8.8 ZN | SCHRAUBE M6X1X16 U5739 8.8 ZN | TORNILLO M6X1X16 U5739 8.8 ZN |
| 26 | F01020470 | VITE M10X1,5X20 U5739 8.8ZN | SCR. M10X1,5X20 U5739 8.8ZN | VIS M10X1,5X20 U5739 8.8 ZN | SCHRAUBE M10X1,5X20 U5739 ZN | TORNILLO M10X1,5X20 U5739 8.8ZN |
| 27 | F01020508 | VITE M12X1,75X25 U5739 8.8ZN | SCR. M12X1,75X25 U5739 8.8ZN | VIS M12X1,75X25 U5739 8.8 ZN | SCHRAUBE M12X1,75X25U5739.8ZN | TORNIL.M12X1,75X25 U5739 8.8ZN |
| 28 | F01020476 | VITE M10X1,5X30 U5739 8.8ZN | SCR. M10X1,5X30 U5739 8.8ZN | VIS M10X1,5X30 U5739 8.8 ZN | SCHRAUBE M10X1,5X30U5739 8.8ZN | TORNIL.M10X1,5X30 U5739 8.8 ZN |
| 29 | F01020568 | VITE M16X2X45 U5739 8.8ZN | SCR. M16X2X45 U5739 8.8ZN | VIS M 16X 2X45 U5739 8.8 ZG | SCHRAUBE M 16X 2X45 U5739 8.8 | TORNILLO M16X 2X45 U5739 8.8 |
| 30 | F01020528 | VITE M12X1,75X40 U5739 10.9ZN | BOLT M12X1,75X40 U5739 10.9ZN | VIS M12X1,75X40 U5739 10.9 ZN | SCHR.M12X1,75X40 U5739 10.9 ZN | TORN.M12X1,75X40 U5739 10.9 ZN |
| 31 | F01200232 | DADO M6X1 U5588 6.8ZN | NUT M6X1 U5588 6.8ZN | ECROU 6 UNI 5588 6.8 ZN | MUTTER 6 UNI 5588 6.8 ZN | TUERCA 6 UNI 5588 6.8 ZN |
| 32 | F01200270 | DADO M10X1,5 U5588 6.8ZN | NUT M10X1,5 U5588 6.8ZN | ECROU M10X 1,5 U5588 6.8 ZN | MUTTER M10X 1,5 U5588 6.8 ZN | TUERCA M10X 1,5 U5588 6.8 ZN |
| 33 | F01200442 | DADO M16X1,5 U5589 6.8ZN | NUT M16X1,5 R. U5589 6.8ZN | ECROU 16X1-5 UNI 5589 6.8 ZN | MUTTER 16X1-5 UNI 5589 6.8 ZN | TUERCA 16X1-5 UNI 5589 6.8 ZN |
| 34 | F01220048 | DADO M12X1,75 D980 8ZN | NUT M12X1,75 D980 8ZN | ECROU M12X1,75 D980 8 ZN | SCHEIBE M12X1,75 D980 8 ZN | TUERCA M12X1,75 D980 8 ZN |
| 35 | F01410064 | ROS.M10 10,5X 20X 2 U6592 ZN | WASHER M10 10,5X20X2 U6592 ZN | RONDEL. M10 10,5X20X2 U6592 ZN | SCHEIBE M10 10,5X20X2 U6592 ZN | ARANDEL.M10 10,5X20X2 U6592 ZN |
| 36 | F01410076 | ROS.M12 13X 24X2,5 U6592 ZN | WASHER 12 13X 24X2,5 U6592 ZN | RONDEL. M12 13X24X2,5 U6592 ZN | SCHEIBE M12 13X24X2,5 U6592 ZN | ARANDELA M12 13 X24X2,5 ZN |
| 37 | F01420036 | ROS.M6 6,4X 18X1,5 U6593 ZN | WASHER M6 6,4X 18X1,5 U6593 ZN | RONDELLE M6 6,4X18X1,5 U6593ZN | SCHEIBEN M6 6,4X18X1,5U6593 ZN | ARANDELA M6 6,4X18X1,5U6593ZN |
| 38 | F02300020 | FASCETTA STRING. 32/50 H.9 | HOSE CLAMP 32/50 H.9 | | | |
| 39 | F02200229 | COPIGLIA 5X 45 U1336 ZN | SPLIT PIN 5X 45 U1336 ZN | GOUPILLE 5X 45 U1336 ZN | SPANNSTIFT 5X 45 U1336 ZN | PASADOR 5X 45 U1336 ZN |
| 40 | F03011075 | AN. TENUTA B1OF 24X32X4 | SEALING RING 24X32X4 | BAGUE D'ETANCHEITE 24X32X4 | DICHTUNGSRING 24X32X4 | ANILLO AISLADOR 24X32X4 |
| 41 | G15225240 | ESTRATTORE DISCHI ELEMENTO MT | SEED PLATE EXTRACTOR ELEM. MT | EXTRACTEUR DISQUE ELEMENT MT | SCHEIBENAUSZIEHER ELEMENT MT | EXTRACTOR DISCOS ELEMENTO MT |
| 42 | G15110091 | SCONTRO A U SP.8 2F15 165 | STRIKER | BRIDE 150 MM | ANSCHLAG | ELEMENTO DE EMPALME |
| 43 | F04010084 | CUSC.D17D47 B22,2 3303 LLU/DDU | BEARING 3303 2RS | PALIER 3303 2RS | LAGER 3303 2RS | COJINETE 3303 2RS |
| 44 | F02050370 | ANELLO E. DI 47X1,75 U7437 C70 | SEEGER RING 47X 1,75 U7437 C70 | SEEGER E. 47X 1,75 U7437 C70 | SEEGERING E. 47X1,75 U7437 C70 | ANILLO E. 47X 1,75 U7437 C70 |
| 45 | G66248248 | TAPPO IN PLASTICA | PLASTIC PLUG | BOUCHON EN PLASTIQUE | PLASTIKPFROPFEN | TAPN DE PLÆSTICO D |
| 46 | G15225480 | FLANGIA INT.DISCO PROTETTO ZN | INNER DISK FLANGE | BRIDE INT. DISQUE | INNENFLANSCH SCHEIBE | BRIDA INTERIOR DISCO |
| 47 | F02250521 | RIBATTINO TSC 6 X19,8 A/2 | RIVET TSC 6X19,8 A/2 BY PIECE | PAQUET RIVETS TSC 6X 19,8 A/2 | PACKUNG NIETEN TSC 6X19,8 A/2 | PAQU.REMACHES TSC 6X 19,8 A/2 |
| 48 | G15225490 | BOCCOLA PARAP.DISCO PROTETTO | DISC DUST SEAL BUSH D.34 | BOITE PARAP.DISCO PROTETTO | BUCHSE PARAP.DISCO PROTETTO | MANGUITO PARAP.DISCO PROTETTO |
| 49 | G15276480 | RIDUZIONE X MOLLA CONCIMAZIONE | FERTILIZER SPRING REDUCTION | | | |
| 50 | F03100500 | TUBO EOLO 35 PU | TUBE EOLO 35 PU | TUBE EOLO 35 PU | | TUBO EOLO |
| 51 | F03100506 | TUBO EOLO PU D.45 | TUBE EOLO PU D.45 | TUBE EOLO PU D.45 | | |
| 52 | G16671150 | GIUNZIONE Y D45 DX | RIGHT JUNCTION Y D45 | | | |
| 53 | G16671180 | GIUNZIONE Y D45 SX | LEFT JUNCTION Y D45 | | | |
| 54 | G16671270 | SUPPORTO DISCHI CONC.LAT.SX | LEFT LAT.FERT.DISCS SUPPORT | | | |
| 55 | G16671260 | SUPPORTO DISCHI CONC.LAT.DX | RIGHT LAT.FERT.DISCS SUPPORT | | | |

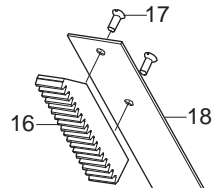
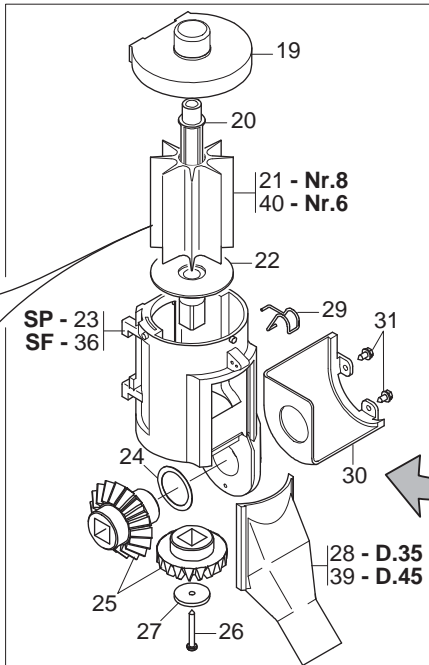
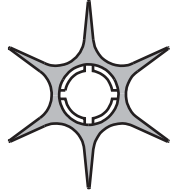


DX

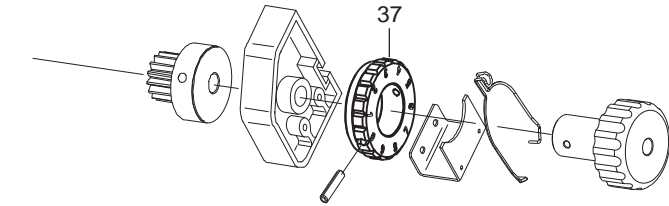
Nr. 8
Alette / Paddles



Nr. 6
Alette / Paddles



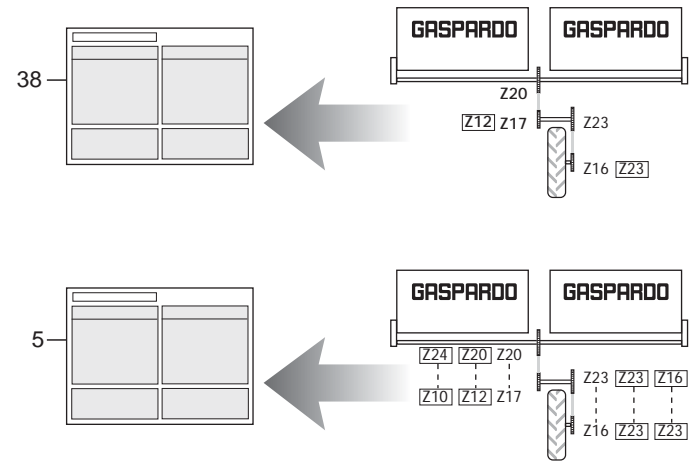
L. 780 - 8
L. 1030 - 33
L. 1230 - 34
L. 1430 - 35



SX

7 - SP (D. 35mm) - Nr.8
32 - SF (D. 35mm) - Nr.8
41 - SF (D. 45mm) - Nr.8
42 - SF (D. 45mm) - Nr.6

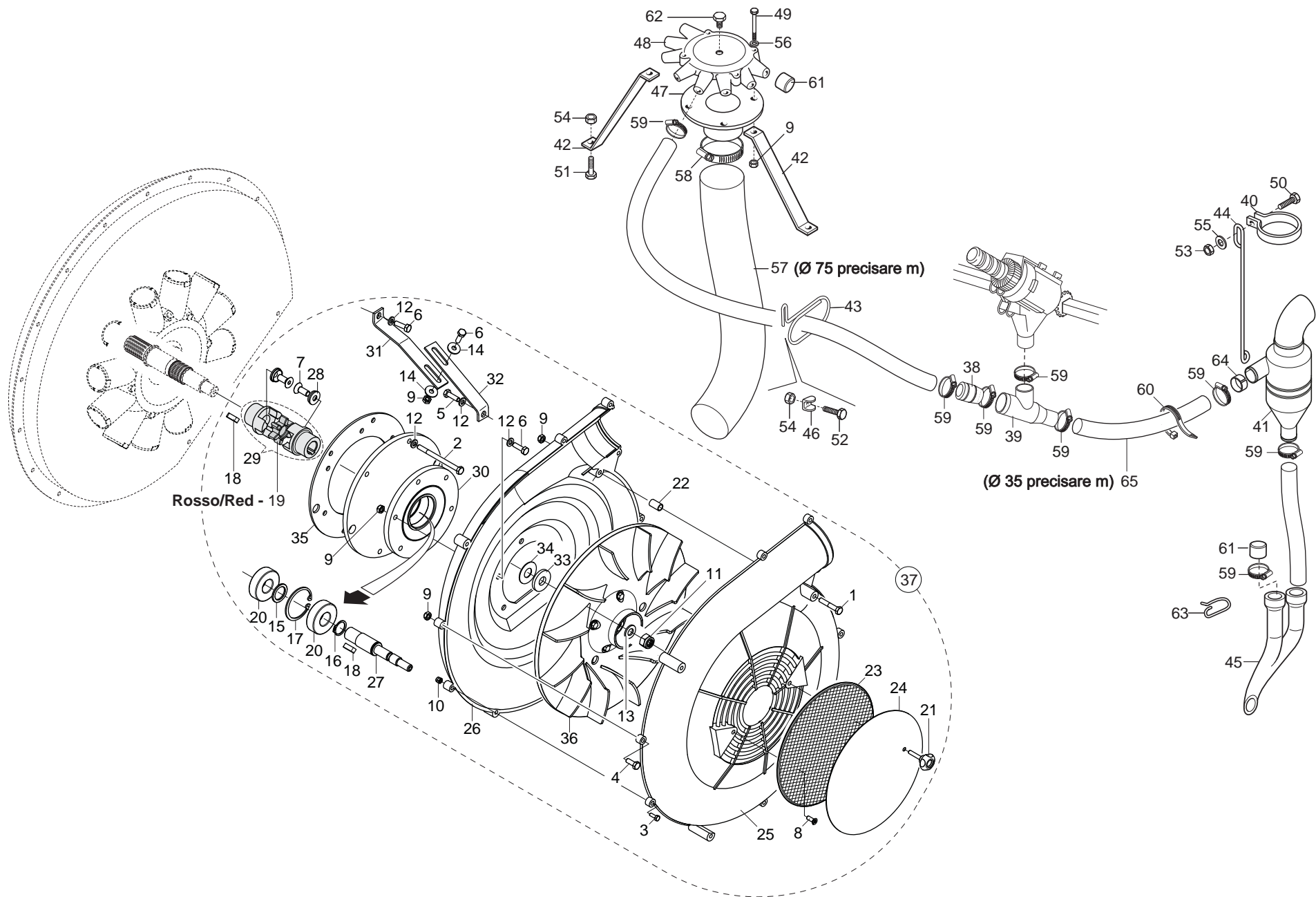
SP = serbatoio plastica / plastic hopper
SF = serbatoio ferro / metal hopper



SPEEDY SET

TAV. 246

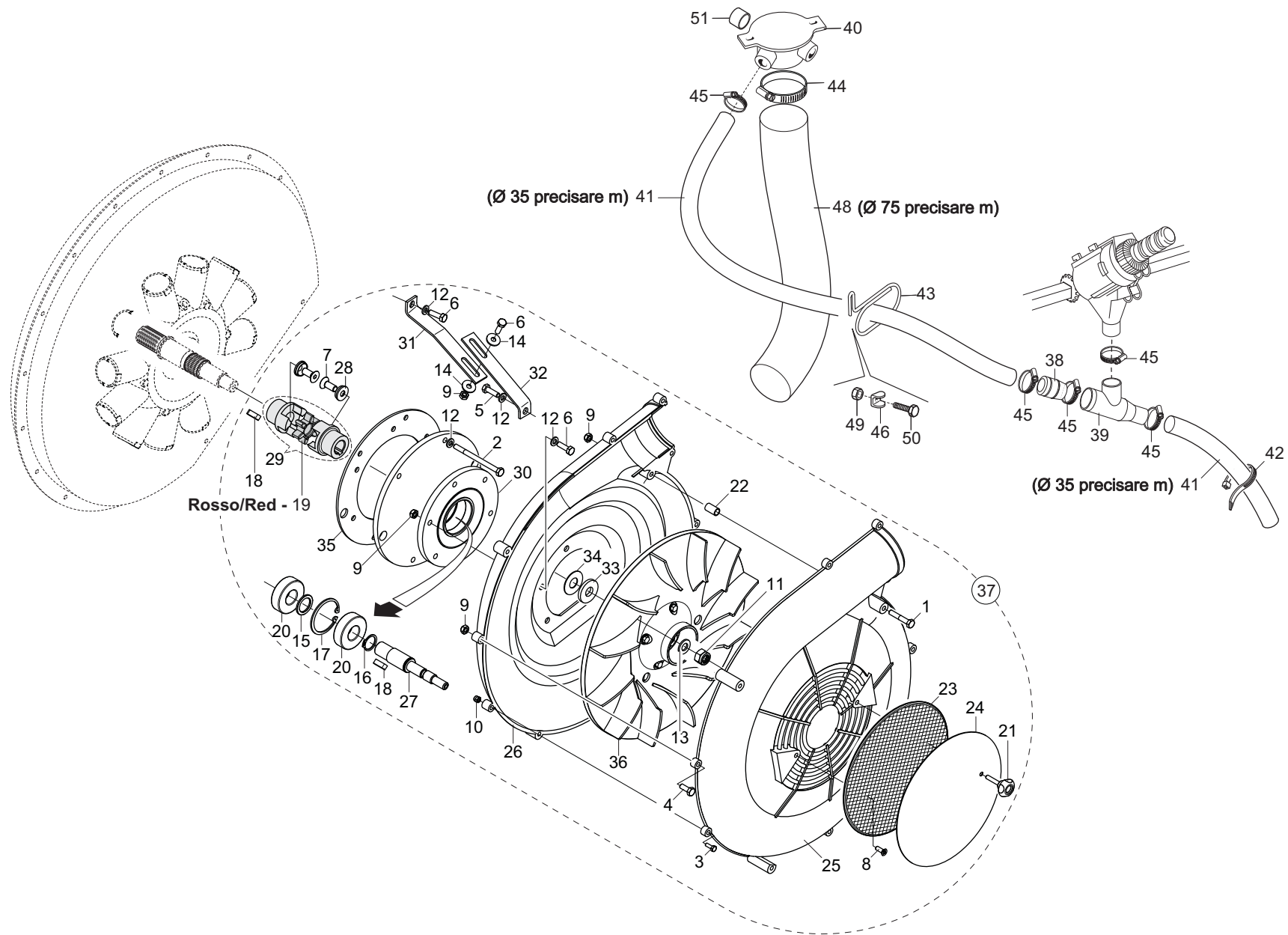
| Pos. | Cod. | Descrizione | Description | Description | Benennung | Descripcion |
|------|-----------|--------------------------------|--------------------------------|--------------------------------|--------------------------------|--------------------------------|
| 1 | F02100066 | SPINA E.P. 4X 36 U6873 C70 BR | PIN EL. 4X 36 U6873 C70 BR | | | |
| 2 | G19003660 | SUPPORTO | SUPPORT | SUPPORT | HALTERUNG | SOPORTE |
| 3 | F01070061 | VITE A3,9X1,34X9,5 U6954 4.8NI | SCR. H3,9X1,34X9,5 U6954 4.8NI | VIS 3,9X 9,5 DIN 7981 | SCHRAUBE 3,9X 9,5 DIN 7981 | TORNILLO 3,9X 9,5 DIN 7981 |
| 4 | F01050083 | VITE M5X0,8X12 U5927 A2IX | SCR. M5X0,8X12 U5927 A2IX | GOUJON 5X12 UNI 5927 | STIFT 5X12 UNI 5927 | TORNILLO SIN CABEZA 5X12 5927 |
| 5 | G19707170 | DECAL.TABELLA CONCIME R7 3RAPP | FERTILIZER DISTR.TABLE W7 3R | | | |
| 6 | G19003680 | INGRANAGGIO Z.15 | GEAR Z 15 | ENGRENAGE Z 15 | ZAHNRAD Z 15 | ENGRANAJE Z 15 |
| 7 | G16670040 | DISTR.COMPL.8PALE SPEEDY SET P | COMPL.PLA.SPEEDY SET DISTR.8R | MINIMAX COMPL 8C PLA SPEEDYSET | KOMPL.DOSIER.SPEEDY SET PLA.8S | DISTR.COMP.SPEEDY SET PLA.8AL. |
| 8 | G16670321 | TONDO D.10X 780 3F4 | ROUND BAR D.10X780 3F4 | | | |
| 9 | F01420038 | ROS.M6 6,4X18X1,5 U6593 IX | WASHER M6 6,4X18X1,5 U6593 IX | RONDELLE M6 6,4X18X1,5U6593 IX | SCHEIBE M6 6,4X18X1,5 U6593 IX | ARANDELA M6 6,4X18X1,5 6593IX |
| 10 | F01200233 | DADO M6X1 U5588 A2IX | NUT M6X1 U5588 A2IX | ECROU M 6X 1 U5588 I | MUTTER M 6X 1 U5588 | TUERCA M 6X 1 U5588 |
| 11 | G19003670 | MANOPOLA SPEEDY SET | SPEEDY HANDLE SET | POIGN+E SPEEDY SET | GRIFF SPEEDY SET | EMPUJADURA SPEEDY SET |
| 12 | F01020419 | VITE M 6X1 X 16 U5739 A2IX | SCR. M6X1X16 U5739 A2IX | VIS M6 X1 X 16 U5739 8.8 IX | SCHRAUBE M6 X1 X 16 U5739 8. | TORNIL. M6 X1 X 16 U5739 8.8 |
| 13 | G65336055 | MOLLA SPEC.REGOL.SPAND. SP | SPEC SPRING MAN. SPR. ADJUSTM. | RESSORT SPEC. REGL. EP. ENTRA | SPEZIALFEDER STREUEREinstellUN | MUELLE ESPEC. REGUL. ABONADORA |
| 14 | G19003720 | GHIERA REGOLAZIONE SX | LEFT ADJUSTMENT KNURLED NUT | MANCHON DE REGLAGE GCH | EINSTELLMUTTER LINKS | ROSCA REGULACION IZQUIERDA |
| 15 | G16670310 | SUPPORTO MOLLA REGOLATORE | ADJ.SPRING SUPPORT | | | |
| 16 | G19003690 | CREMAGLIERA | RACK | CREMAILLERE | ZAHNSTANGE | CREMALLERA |
| 17 | F01080032 | VITE M4X0,7X10 U7688 A2IX | SCR. M4X0,7X10 U7688 A2IX | VIS M4X 0,7X10 U7688 A2 IX | SCHRAUBE M4X 0,7X10 7688 A2 IX | TORNILLO M4X0.7X10 U7688 A2 IX |
| 18 | G16670100 | REGOLATORE APERTURA | OPENING REGULATOR | REGULATEUR OUVERTURE | TFFNUNGSEINSTELLER | REGULADOR ABERTURA |
| 19 | G19003700 | COPERCHIO SPEEDY SET | COVER SPEEDY SET | COUVERCLE SPEEDY SET | DECKEL SPEEDY SET | TAPA SPEEDY SET |
| 20 | G66248173 | ASSE DISTR.SPAND. SP | MANURE SPREADER DISTR. SPINDLE | AXE DISTRIBUTEUR EP.ENGRAIS SP | ACHSE SZAPPARAT STREUER SP | EJE DISTR. ABON. SP |
| 21 | G66248172 | DOSATORE DISTR.SPAND. SP | MAN.SPR. SEED METERING DEVICE | DOSEUR DISTRIBUTEUR EP. ENGRAI | DOSIERER DsNGERSTREUER. SP | DOSIFICADOR DISTR.ABON. SP |
| 22 | G66248211 | PERNO RONDELLA FUSA SPAND. SP | MAN. SPR. CAST WASHER PIN. SP | PIVOT RONDELLE MOULEE EP. ENGR | ZAPFEN LOSE UNTERLEGSCHIEBE ST | PERNO ARANDELA FUNDIDA ABONAD |
| 23 | G19002920 | CORPO DISTRIBUTORE SPANDI PLA. | PLA. F.SPREADER DISTRIB.CASING | CORPS DISTRIBUTEUR EPAND. | VERTEILUNGSKTRPER STREUER PLA. | CUERPO DIST. ABONADORA PLæS. |
| 24 | G18701500 | RONDELLA 29,5 X38 X0,3 IX | WASHER 29,5 X 38 X 0,3 | RONDELLE 29,5 X38 X0,3 | UNTERLEGSCHIEBE 29,5X38X0,3 | ARANDELA 29,5 X38 X0,3 |
| 25 | G20860126 | KIT INGR DISTR CONCIME (2+2) | KIT- MAN. DISTR. GEARS (2+2) | COUPLE CON DISTR ENGRAIS (2+2) | KIT ZAHNRZDER DsNGERSTREUER | SET ENGRANAJES DISTRIB. ABONO |
| 26 | F01070075 | VITE A4,2X1,41X38 U6954 4.8NI | SCR. H4,2X1,41X38 U6954 4.8NI | VIS 4-2X38 DIN 7981 | SCHRAUBE 4-2X38 DIN 7981 | TORNILLO 4-2X38 DIN 7981 |
| 27 | G20970097 | RONDELLA 32X3X4,5 | WASHER 32X3X4-5 | RONDELLE 32X3X4-5 | UNTERLEGSCHIEBE 32X3X4-5 | ARANDELA 32X3X4-5 |
| 28 | G66248178 | SCIVOLO DISTR.SPAND. SP | CHUTE- MANURE-SPREADER DISTRIB | LANCOIR DISTRIBUTION EP. ENGR. | DsNGERSTREUER RUTSCHE SP | PLANO INCLINADO DISTR. ABON. S |
| 29 | G65336062 | MOLLA SPEC.SCIV.DISTR.SPAND.SP | SPEC SPRING - MAN. SPR. DISTR. | RESS. SPEC. LANCOIR DISTR. EP. | SPEZ.FEDER RUTSCHE SZAPP. STRE | MUELLE ESPEC.PLANO INCL.DISTR. |
| 30 | G19002850 | PROTEZIONE PIGNONE | PINION GUARD | PROTECTION PIGNON | RITZELSCHUTZ | PROTECCIN PIGN PR |
| 31 | F01070011 | VITE A4,2X1,41X9,5 U6950 4.8NI | SCR. H4,2X1,41X9,5 U6950 4.8NI | VIS AUTOTAR. 4-2X9-5 T. E. COU | SELBSTSCHNEID. SCHRAUBE 4-2X9- | TORNILLO AUTORROSC. 4-2X9-5 |
| 32 | G13722330 | DISTR.COMPL.8PALE SPEEDY SET F | COMPL.SPEEDY 8-BLADE DISTR. SE | DISTR.COMPL.8PALETTES SPEEDY S | SAATGUTAUS.8SCH.KOMPL.SPEEDY S | DISTR.COMPL.8PALETAS SPEEDY SE |
| 33 | G16670330 | TONDO D.10X1030 | ROUND D.10X1030 | ROND D.10X1230 | RUNDEISEN D.10X1230 | BARRA REDONDA D. 10X1230 |
| 34 | G16670340 | TONDO D.10X1230 | D.10X1230 ROUND | ROND D.10X1430 | RUNDEISEN D.10X1430 | BARRA REDONDA D. 10X1430 |
| 35 | G16670350 | TONDO D.10X1430 | D.10X1430 ROUND | | | |
| 36 | G66248176 | CORPO DISTR.SPAND. SP | MANURE SPREADER DISTR. CASING | CORPS DISTRIB. EP. ENGRAIS SP | VERTEILUNGSKTRPER STREUER SP | CUERPO DISTR. ABON. SP |
| 37 | G19003710 | GHIERA REGOLAZIONE DX | RIGHT ADJUSTMENT KNURLED | BAGUE REGLAGE DROITE | EINSTELLMUTTER RE | CONTRATUERCA REGULACIN DER. |
| 38 | G19703261 | DECAL.DISTRIBUZIONE ST SPEEDY | LABEL DISTR. ST SPEEDY | | | |
| 39 | G19003620 | SCIVOLO D.45 | CHUTE D.45 | LANCOIR D.45 | RUTSCHE D.45 | PLANO INCLINADO D.45 |
| 40 | G19003610 | DOSATORE 6 PALE | DISTRIBUTOR ROTOR 6 GROOVES | ROTOR DOSEUR 6 FERTI | DOSIERER KOMPL.6 ZELLEN | DOSIFICADOR COMPL.6 SECTOR |
| 41 | G16675470 | DISTR.COMPL.8PALE D.45 SPEEDYS | COMPL.PLA.SPEEDY SET DISTR.8R | | | |
| 42 | G13722410 | DISTR.COMPL.6PALE SPEEDY SET F | COMPL.SPEEDY 6-BLADE DISTR. SE | DISTR.COMPL.6PALETTES SPEEDY S | SAATGUTAUS.6SCH.KOMPL.SPEEDY S | DISTR.COMPL.6PALETAS SPEEDY SE |



CONCIMAZIONE PNEUMATICA IN SOLCO

TAV. 410

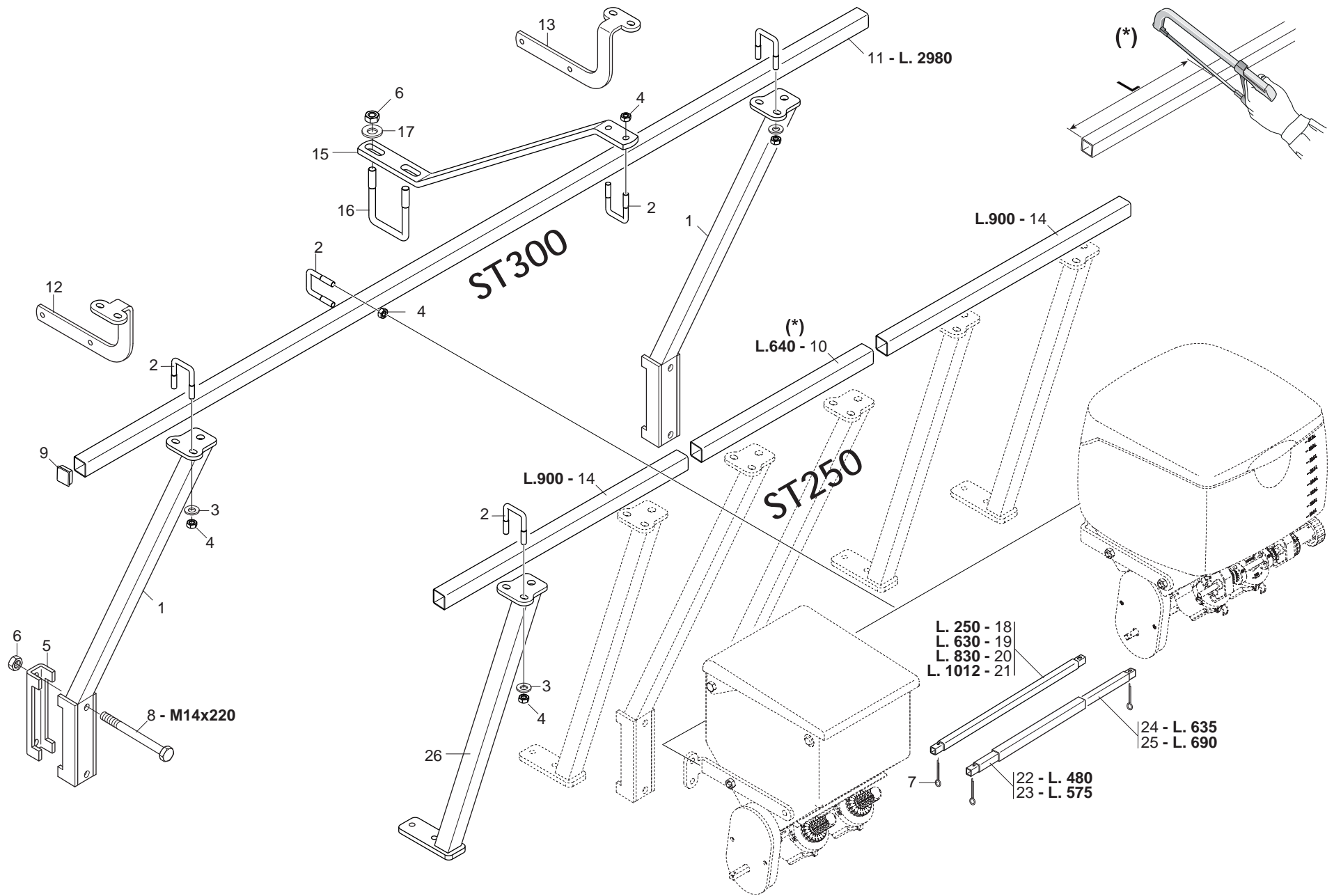
| Pos. | Cod. | Descrizione | Description | Description | Benennung | Descripcion |
|------|-----------|---------------------------------|--------------------------------|--------------------------------|---------------------------------|---------------------------------|
| 1 | F01020039 | VITE M6X1X35 U5737 8.8ZN | SCR. M6X1X35 U5737 8.8ZN | VIS 6 X35 5737 8.G ZN | SCHRAUBE 6 X35 5737 8.G ZN | TORNILLO 6 X35 5737 8.G ZN |
| 2 | F01020050 | VITE M6X1X80 U5737 8.8ZN | SCR. M6X1X80 U5737 8.8ZN | VIS 6 X80 5737 8.G ZN | SCHRAUBE 6 X80 5737 8.G ZN | TORNILLO 6 X80 5737 8.G ZN |
| 3 | F01020362 | VITE M4X0,7X12 U5739 8.8ZN | SCR. M4X0,7X12 U5739 8.8ZN | VIS 4X12 5739 8.G ZN | SCHRAUBE 4X12 5739 8.G ZN | TORNILLO 4X12 5739 8.G ZN |
| 4 | F01020398 | VITE M6X1X12 U5739 8.8ZN | SCR. M6X1X12 U5739 8.8ZN | VIS M6X 1X12 U5739 8.8 ZN | SCHRAUBE M6X 1X12 U5739 8.8 ZN | TORNILLO M6X 1X12 U5739 8.8 ZN |
| 5 | F01020403 | VITE M6X1X16 U5739 8.8ZN | SCR. M6X1X16 U5739 8.8ZN | VIS M6X1X16 U5739 8.8 ZN | SCHRAUBE M6X1X16 U5739 8.8 ZN | TORNILLO M6X1X16 U5739 8.8 ZN |
| 6 | F01020404 | VITE M6X1X20 U5739 8.8ZN | SCREW M6X1X20 U5739 8.8ZN | VIS M6X1X20 U5739 8.8ZN | SCHRAUBE M6X1X20 U5739 8.8ZN | TORNILLO M6X1X20 U5739 8.8ZN |
| 7 | F01030055 | VITE M8X1,25X20 U5933 10.9ZD | SCR. M8X1,25X20 U5933 10.9ZD | VIS M 8X20 | SCHRAUBE M 8X20 | TORNILLO M 8X20 |
| 8 | F01080044 | VITE M5X0,8X14 U7688 4.8ZN | SCR. M5X0,8X14 U7688 4.8ZN | VIS 5 X14 7688 ZN | SCHRAUBE 5 X14 7688 ZN | TORNILLO 5 X14 7688 ZN |
| 9 | F01220011 | DADO M6X1 D980 8ZN | NUT M6X1 D980 8ZN | ECROU M6X1 D980 8 ZN | MUTTER M6X1 D980 8 ZN | TUERCA M6X1 D980 8 ZN |
| 10 | F01230016 | DADO M4X0,7 D982 8ZN | NUT M4X0,7 D982 8ZN | ECROU AUTOB.NOR.4 ZN | SELBSTSP. MUTTER NOR. 4 ZN | TUERCA AUTOB. NOR. 4 ZN |
| 11 | F01230048 | DADO M10X1,5 D982 8ZN | NUT M10X1,5 D982 8ZN | ECR.AUTO-FREIN.M10X1,5 D982 ZN | SICHERUNGSMUTT.M10X1,5 D982 ZN | TUERCA SEGURID.M10X1,5 D982 ZN |
| 12 | F01410037 | ROS.M6 6,4X12,5X1,6 U6592 ZN | WASHER M6 6,4X12,5X1,6 U6592ZN | RONDEL.M6 6,4X12,5X1,6 U6592ZN | SCHEIB.M6 6,4X12,5X1,6 U6592ZN | ARAND.M6 6,4X12,5X1,6 U6592 ZN |
| 13 | F01410064 | ROS.M10 10,5X 20X 2 U6592 ZN | WASHER M10 10,5X20X2 U6592 ZN | RONDEL. M10 10,5X20X2 U6592 ZN | SCHEIBE M10 10,5X20X2 U6592 ZN | ARANDEL.M10 10,5X20X2 U6592 ZN |
| 14 | F01420036 | ROS.M6 6,4X 18X1,5 U6593 ZN | WASHER M6 6,4X 18X1,5 U6593 ZN | RONDELLE M6 6,4X18X1,5 U6593ZN | SCHEIBEN M6 6,4X18X1,5U6593ZN | ARANDELA M6 6,4X18X1,5U6593ZN |
| 15 | F01440012 | ROS. 20X28X 2 D988 IX | WASHER 20X28X2 DIN 988 | RONDELLE 20X28X2 DIN 988 | SCHTERLEGSCHIEBE 20X28X2 DIN 98 | ARANDELA 20X28X2 DIN 988 |
| 16 | F02050078 | ANELLO E. DI 20X 1,2 U7435 C70 | SEEGER RING E. 20X1,2 7435 C70 | SEEGER 20X 1,2 U7435 C70 | SEEGER E. 20X 1,2 U7435 C70 | ANILLO E. 20X 1,2 U7435 C70 |
| 17 | F02050370 | ANELLO E. DI 47X1,75 U7437 C70 | SEEGER RING 47X 1,75 U7437 C70 | SEEGER E. 47X 1,75 U7437 C70 | SEEGERING E. 47X1,75 U7437 C70 | ANILLO E. 47X 1,75 U7437 C70 |
| 18 | F02150036 | LINGUETTA 6X 6X 20 U6604A | PARALLEL KEY 6X 6X 20 U6604A | LANGUETTE 06X6X20 UNI6604 | FEDERKEIL 06X6X20 UNI6604 | LENGSETA 06X6X20 UNI6604 |
| 19 | G58162014 | ELEM.ELAS.ROTEX 19 95/98 SHORE | ELASTIC ELEMENT OF JOINT 24.24 | ELEM. ELASTIQUE DU JOINT 24.24 | ELAST. KUPPLUNGSELEM. 24.24 | ELEM.ELÁSTICO DEL ACOPLAMIENTO |
| 20 | F04010165 | CUSC.D20 D47 B14 6204.2RSC3 | BEARING D20 D47 B14 6204 2RSC3 | PALIER 6204 2RS | LAGER 6204 2RS | COJINETE 6204 2RS |
| 21 | F06220034 | VOLANTINO M5 X 25 VPA/25 | HANDWHEEL M5 X 25 VPA/25 | VOLANT M5 X 25 VPA/25 | HANDRAD M5 X 25 VPA/25 | VOLANTE M5 X 25 VPA/25 |
| 22 | G23440562 | DISTANZ.GUSCI SOFFIANTE HL/ID | BLOWER SHELL SPACER HL/ID | ENTRETOISE COQUES SOUFFLANTE H | DISTANZSTßCK SCHALEN GELBZSE H | DISTANC. CASCARAS SOPLAD. HL/ID |
| 23 | G23440563 | GRIGLIA DI PROTEZIONE HL/ID | PROTECT. GRID HL/ID | GRILLE DE PROTECTION HL/ID | SCHUTZGITTER HL/ID | REJILLA DE PROTECCIN HL/ID G |
| 24 | G23440564 | COPERCINTO CHIUSURA SOFF. HL/ID | BLOWER CLOSING COVER . HL/ID | COUVERCLE FERMETURE SOUFFL. HL | ABSCHLUSSDECKEL GEBL. HL/ID | TAPA CIERRE SOPL. HL/ID |
| 25 | G13912460 | COPRIVENTOLA LATO SCHIENALE | BACK FAN PROTECTION | PROTECTION ROTOR DOSSIER | RUECKENLAUFRADSCHUTZ | PROTECCIN VENTILADOR RESPALDOP |
| 26 | G13912470 | COPRIVENTOLA LATO MOTORE | MOTOR FAN PROTECTION | PROTECTION ROTOR MOTEUR | MOTORLAUFRADSCHUTZ | PROTECCIN VENTILADOR MOTOR P |
| 27 | G15450401 | PUL.CONDOTTA CONCIM.PNEUM. | DRIVEN PULLEY PNEUM.SEEDER | | | |
| 28 | G15450410 | RONDELLA X GIUNTO ELASTICO | LOCK WASHER | RONDELLE DE BLOCAGE | SPERRSCHEIBE | ARANDELA DE BLOQUEO |
| 29 | G15450420 | GIUNTO ELAS.ROTEX19 95/98SHORE | LOCK COUPLING | JOINT DE BLOCAGE | SPERRKUPPLUNG | JUNTA DE BLOQUEO |
| 30 | G15450432 | FLANGIA | FLANGE | | | |
| 31 | G15470411 | RINF.ANTERIORE | FRONT REINFORCEMENT | | | |
| 32 | G15470421 | RINF.POSTERIORE | REAR REINFORCEMENT | | | |
| 33 | G20970035 | RONDELLA 32X4X13 | WASHER 32X4X13 | RONDELLE 32X4X13 | UNTERLEGSCHIEBE 32X4X13 | ARANDELA 32X4X13 |
| 34 | G18701660 | RONDELLA 14,2 X33 X1 | WASHER 33X 0-3X14-2 | RONDELLE 33X 0-3X14-2 | UNTERLEGSCHIEBE 14-2 X33 X0-3 | ARANDELA 33X 0-3X14-2 |
| 35 | G19004340 | DISTANZIALE CONCIM.PNEUMATICA | PNEUM.FERT. SPACER | | | |
| 36 | G67320001 | VENTOLA PLASTICA DISCO L80M8 | PLASTIC FAN- DISK L80M8 | ROTOR PLASTIQUE DISQUE L80M8 | SCHEIBE PLASTIKRAD L80M8 | VENTILADOR PLÆSTICO DISCO L80M |
| 37 | G15473770 | SOFFIANTE CONC.PNEUM.COMPL. | COMPL. FERTILIZER PNEUMATIC BL | SOUFFLEUR ENGRAIS PNEUMATIQUE | PNEUMATISCHES GEBLZSE KOMPL. | SOPLADOR ABONO NEUM-TICO COMPL |
| 38 | G13912101 | UGELLO CONCIMAZIONE PNEUMATICA | NOZZLE PNEUMATIC FERTILIZATION | | | |
| 39 | G13912131 | RACCORDO CONCIMAZ.PNEUMATICA | UNION PNEUMATIC FERTILIZATION | RACCORD FUMAGE PNEUMATIQUE | ANSCHLUSS PNEUMATISCHE DsNGUNG | UNIN DE ABONO NEUMAT. |
| 40 | G13912350 | FASCETTA VASO ESPANSIONE | EXPANSION CHAMBER CLAMP | COLLIER VASE EXPANSION | SHELLE EXPANSIONSGEFZSS | ABRAZADERA DEPOSITO DE EXPANSIC |
| 41 | G13912512 | VASO ESPANSORE D.35-50 | D.35-50 EXPANSION TANK | VASE EXPANSION D.35-50 | EXPANSIONSGEFZSS D.35-50 | DEPOSITO DE EXPANSIN D.35-50 |
| 42 | G15471471 | SUPPORTO CONVOGLIATORE | CONVEYOR SUPPORT | SUPPORT CONVOYEUR | HALTERUNG FTRDERER | SOPORTE TRANSPORTADOR |
| 43 | G18901960 | GUIDATUBI PER 3 TUBI | PIPE GUIDE FOR 3 PIPES | GUIDE-TUBES POUR 3 TUBES | ROHRFSHRUNG Fsr 3 ROHRE | GUA TUBOS PARA 3 TUBOS |
| 44 | G18902650 | MOLLA SUPP.VASO ESPANSIONE | EXPANSION TANK SUPPORT SPRING | RESSORT SUPP. VAS EXPANSION | OB. FEDER EXPANSIONSGEFZSS | MUELLE SOP. DEPOSITO DE EXPANSA |
| 45 | G19002580 | RACCORDO FINALE CONCIMAZ.PNEUM | PNEUMAT. MAN. SPR. END UNION | RACCORD FINAL FUMAGE PNEUMAT. | ENDANSCHLUSS PNEUM. DsNGUNG | UNIN FINAL DE ABONAD. NEUMAT.R |
| 46 | G22230264 | RONDELLA TUBI DEPR. | AIR PUMP PIPE WASHER | RONDELLE TUBES DISPOSITIF DE D | UNTERLEGSCHIEBE VAKUUMPUMPENRO | ARANDELA TUBOS BOMBA VACO. S |
| 47 | G23440551 | FLANGIA CONVOGLIATORE HL/ID | CONVEYOR FLANGE HL/ID | BRIDE CONVOYEUR HL/ID | FLANSCH FTRDERER HL/ID | BRIDA CONDUCTOR HL/ID |
| 48 | G23440553 | CONVOGLIATORE D.35 HL/ID | CONVEYOR- D.35 HL/ID | CONVOYEUR D. 35 HL/ID | FTRDERER D.35 HL/ID | CONDUCTOR D.35 HL/ID |
| 49 | F01020047 | VITE M6X1X70 U5737 8.8ZN | SCR. M6X1X70 U5737 8.8ZN | VIS 6 X70 5737 8.G ZN | SCHRAUBE 6 X70 5737 8.G ZN | TORNILLO 6 X70 5737 8.G ZN |
| 50 | F01020445 | VITE M8X1,25X30 U5739 8.8ZN | SCR. M8X1,25X30 U5739 8.8ZN | VIS M 8X1,25X30 U5739 8.8 ZN | SCHRAU. M8X1,25X30 U5739 8.8ZN | TORN. M8X1,25X30 U5739 8.8 ZN |
| 51 | F01020472 | VITE M10X1,5X25 U5739 8.8ZN | SCR. M10X1,5X25 U5739 8.8ZN | VIS M10X1,5X25 U5739 8.8 ZN | SCHRAUBE M10X1,5X25 U5739 8.8 | TORNILLO 10X25 U5739 8.8 ZN |
| 52 | F01020476 | VITE M10X1,5X30 U5739 8.8ZN | SCR. M10X1,5X30 U5739 8.8ZN | VIS M10X1,5X30 U5739 8.8 ZN | SCHRAUBE M10X1,5X30U5739 8.8ZN | TORNIL.M10X1,5X30U5739 8.8 ZN |
| 53 | F01200244 | DADO M8X1,25 U5588 6.8ZN | NUT M8X1,25 U5588 6.8ZN | ECROU M8 X1,25 U5588 6.8 ZN | MUTTER M8 X1,25 U5588 6.8 ZN | TUERCA M8 X1,25 U5588 6.8 ZN |
| 54 | F01200270 | DADO M10X1,5 U5588 6.8ZN | NUT M10X1,5 U5588 6.8ZN | ECROU M10X 1,5 U5588 6.8 ZN | MUTTER M10X 1,5 U5588 6.8 ZN | TUERCA M10X 1,5 U5588 6.8 ZN |
| 55 | F01420048 | ROS.M8 8,4X 24X 2 U6593 ZN | WASHER M8 8,4X 24X2 U6593 ZN | RONDELLE M8 8,4X24X 2 U6593 ZN | SCHEIBEN M8 8,4X24X 2 U6593 ZN | ARANDELA M8 8,4X 24X2 U6593 ZN |
| 56 | F01430047 | ROS.M6 6,4X 11X0,7 U8842J ZN | WASHER D6 DIN 6798 D.INT.GALV. | RONDELLE D6 DIN 6798 D. INT. Z | UNT. SCHEIBE D6 DIN 6798 D. IN | ARANDELA D6 DIN 6798 D.INT.ZN |
| 57 | F03100367 | TUBO VULCANO PU R 76 | FLEXIBLE PVC PIPE R 76 | TUBE FLEXIBLE PVC R 76 | 76 SCHLAUCH PVC | TUBO FLEXIBLE PVC R 76 |
| 58 | F02300023 | FASCETTA STRING. 80/100 H.8 | PIPE CLAMP 80/100 H.8 | COLLIER DE SERRAGE 77/95 | ROHRSCHELLE 80/100 H.8 | ABRAZADERA P. MANGUERA 80/100 |
| 59 | F02300020 | FASCETTA STRING. 32/50 H.9 | HOSE CLAMP 32/50 H.9 | | | |
| 60 | F05150060 | FASCETTA POLYA. 9X380 NERA | POLYAMIDE FASTENING STRAPS 9X3 | COLLIER POLYAMIDE 9X350 31919 | SHELLE POLYAMID 9X350 31919 | ABRAZADERA POLIAMIDA 9X350 319 |
| 61 | G66248098 | TAPPO CONVOGLIATORE DEPR. SP | AIR PUMP CONVEYOR PLUG SP | BOUCHON CONVOYEUR TURBINE SP | VAKUUM FTRDRERPFROPFEN SP | TAPN CONDUCTOR DEPR. SP D |
| 62 | F03150664 | TAPPO MASCHIO 1/8 ESAGONO | 1/8 MALE HEXAGON. PLUG | BOUCHON MALE 1/8 HEXAGONAL | GEWINDFROPFEN 1/8 SECHSKANT | TAPN MACHO 1/8 HEXGONO D |
| 63 | G18903180 | MOLLA CONVOGLIATORE MICRO | MICRO CONVEYOR SPRING | RESSORT CONVOYEUR MICRO | FEDER MIKRO FTRDERER | MUELLE CONDUCTOR MICRO |
| 64 | G16670670 | DISTANZIALE D.48,1X1,5 L=25 | SPACER D.48,1X1,5 L=25 | | | |
| 65 | F03100500 | TUBO EOLO 35 PU | TUBE EOLO 35 PU | TUBE EOLO 35 PU | | TUBO EOLO |



CONCIMAZIONE PNEUMATICA FILE ESTERNE

TAV. 234

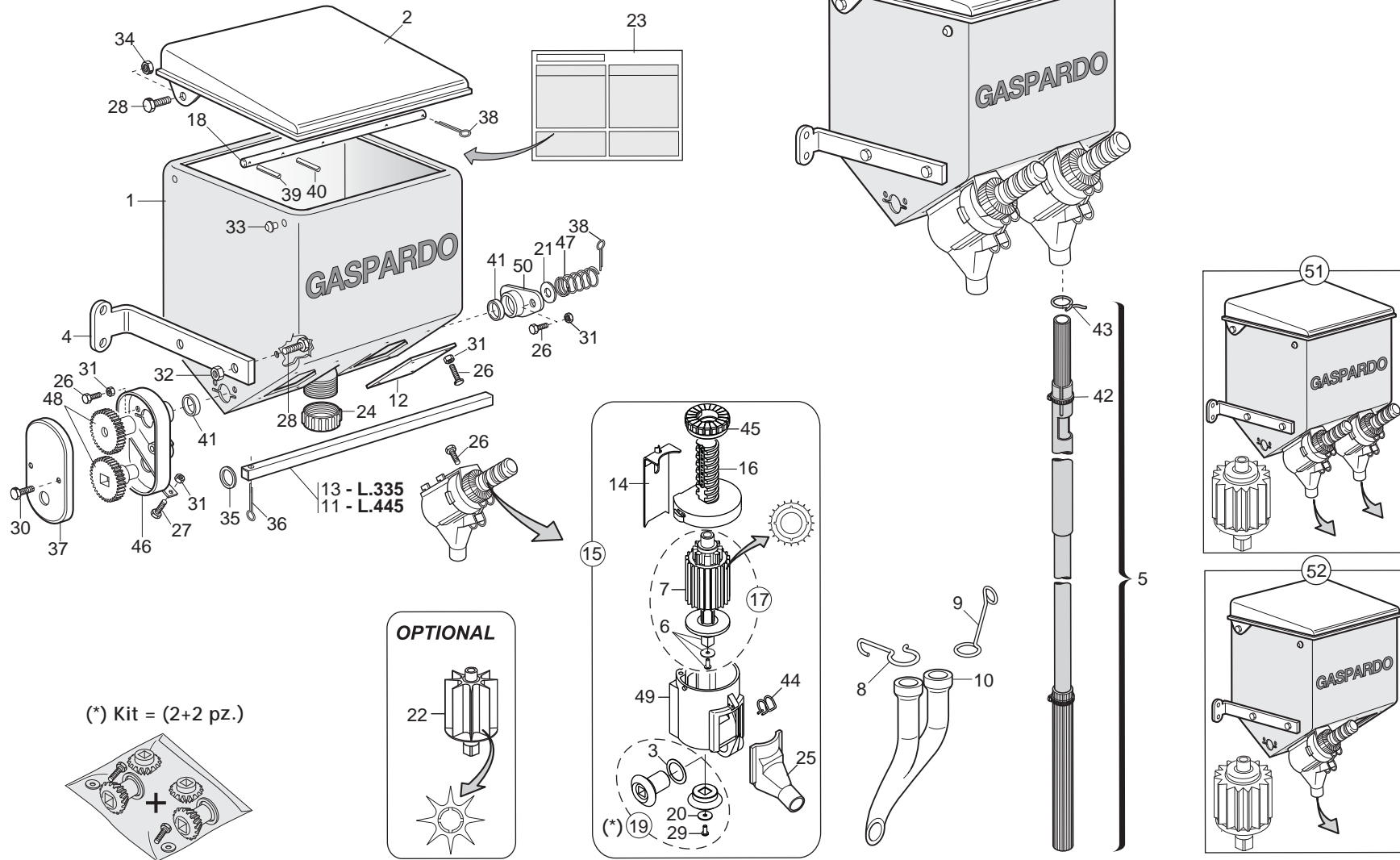
| Pos. | Cod. | Descrizione | Description | Description | Benennung | Descripcion |
|------|-----------|--------------------------------|--------------------------------|--------------------------------|--------------------------------|--------------------------------|
| 1 | F01020039 | VITE M6X1X35 U5737 8.8ZN | SCR. M6X1X35 U5737 8.8ZN | VIS 6 X35 5737 8.G ZN | SCHRAUBE 6 X35 5737 8.G ZN | TORNILLO 6 X35 5737 8.G ZN |
| 2 | F01020050 | VITE M6X1X80 U5737 8.8ZN | SCR. M6X1X80 U5737 8.8ZN | VIS 6 X80 5737 8.G ZN | SCHRAUBE 6 X80 5737 8.G ZN | TORNILLO 6 X80 5737 8.G ZN |
| 3 | F01020362 | VITE M4X0,7X12 U5739 8.8ZN | SCR. M4X0,7X12 U5739 8.8ZN | VIS 4X12 5739 8.G ZN | SCHRAUBE 4X12 5739 8.G ZN | TORNILLO 4X12 5739 8.G ZN |
| 4 | F01020398 | VITE M6X1X12 U5739 8.8ZN | SCR. M6X1X12 U5739 8.8ZN | VIS M6X 1X12 U5739 8.8 ZN | SCHRAUBE M6X 1X12 U5739 8.8 ZN | TORNILLO M6X 1X12 U5739 8.8 ZN |
| 5 | F01020403 | VITE M6X1X16 U5739 8.8ZN | SCR. M6X1X16 U5739 8.8ZN | VIS M6X1X16 U5739 8.8 ZN | SCHRAUBE M6X1X16 U5739 8.8 ZN | TORNILLO M6X1X16 U5739 8.8 ZN |
| 6 | F01020404 | VITE M6X1X20 U5739 8.8ZN | SCR. M6X1X20 U5739 8.8ZN | VIS M6X1X20 U5739 8.8ZN | SCHRAUBE M6X1X20 U5739 8.8ZN | TORNILLO M6X1X20 U5739 8.8ZN |
| 7 | F01030055 | VITE M8X1,25X20 U5933 10.9ZD | SCR. M8X1,25X20 U5933 10.9ZD | VIS M 8X20 | SCHRAUBE M 8X20 | TORNILLO M 8X20 |
| 8 | F01080044 | VITE M5X0,8X14 U7688 4.8ZN | SCR. M5X0,8X14 U7688 4.8ZN | VIS 5 X14 7688 ZN | SCHRAUBE 5 X14 7688 ZN | TORNILLO 5 X14 7688 ZN |
| 9 | F01220011 | DADO M6X1 D980 8ZN | NUT M6X1 D980 8ZN | ECROU M6X1 D980 8 ZN | MUTTER M6X1 D980 8 ZN | TUERCA M6X1 D980 8 ZN |
| 10 | F01230016 | DADO M4X0,7 D982 8ZN | NUT M4X0,7 D982 8ZN | ECROU AUTOB.NOR.4 ZN | SELBSTSP. MUTTER NOR. 4 ZN | TUERCA AUTOB. NOR. 4 ZN |
| 11 | F01230048 | DADO M10X1,5 D982 8ZN | NUT M10X1,5 D982 8ZN | ECR.AUTO-FREIN.M10X1,5 D982 ZN | SICHERUNGSMUTT.M10X1,5 D982 ZN | TUERCA SEGURID.M10X1,5 D982 ZN |
| 12 | F01410037 | ROS.M6 6,4X12,5X1,6 U6592 ZN | WASHER M6 6,4X12,5X1,6 U6592ZN | RONDEL.M6 6,4X12,5X1,6 U6592ZN | SCHIEB.M6 6,4X12,5X1,6 U6592ZN | ARAND.M6 6,4X12,5X1,6 U6592 ZN |
| 13 | F01410064 | ROS.M10 10,5X 20X 2 U6592 ZN | WASHER M10 10,5X20X2 U6592 ZN | RONDEL. M10 10,5X20X2 U6592 ZN | SCHIEBE M10 10,5X20X2 U6592 ZN | ARANDEL.M10 10,5X20X2 U6592 ZN |
| 14 | F01420036 | ROS.M6 6,4X 18X1,5 U6593 ZN | WASHER M6 6,4X 18X1,5 U6593 ZN | RONDELLE M6 6,4X18X1,5 U6593ZN | SCHIEBEN M6 6,4X18X1,5U6593 ZN | ARANDELA M6 6,4X18X1,5U6593ZN |
| 15 | F01440012 | ROS. 20X28X 2 D988 IX | WASHER 20X28X2 DIN 988 | RONDELLE 20X28X2 DIN 988 | UNTERLEGSCHIEBE 20X28X2 DIN 98 | ARANDELA 20X28X2 DIN 988 |
| 16 | F02050078 | ANELLO E. DE 20X 1,2 U7435 C70 | SEEGER RING E. 20X1,2 7435 C70 | SEEGER 20X 1,2 U7435 C70 | SEEGER E. 20X 1,2 U7435 C70 | ANILLO E. 47X 1,75 U7437 C70 |
| 17 | F02050370 | ANELLO E. DI 47X1,75 U7437 C70 | SEEGER RING 47X 1,75 U7437 C70 | SEEGER E. 47X 1,75 U7437 C70 | SEEGERING E. 47X1,75 U7437 C70 | ANILLO E. 47X 1,75 U7437 C70 |
| 18 | F02150036 | LINGUETTA 6X 6X 20 U6604A | PARALLEL KEY 6X 6X 20 U6604A | LANGUETTE 06X6X20 UNI6604 | FEDERKEIL 06X6X20 UNI6604 | LENGSETA 06X6X20 UNI6604 |
| 19 | G58162014 | ELEM.ELAS.ROTEX 19 95/98 SHORE | ELASTIC ELEMENT OF JOINT 24.24 | ELEM. ELASTIQUE DU JOINT 24.24 | ELAST. KUPPLUNGSELEM. 24.24 | ELEM.ELÁSTICO DEL ACOPLAMIENTO |
| 20 | F04010165 | CUSC.D20 D47 B14 6204,2RSC3 | BEARING D20 D47 B14 6204 2RSC3 | PALIER 6204 2RS | LAGER 6204 2RS | COJINETE 6204 2RS |
| 21 | F06220034 | VOLANTINO M5 X 25 VPA/25 | HANDWHEEL M5 X 25 VPA/25 | VOLANT M5 X 25 VPA/25 | HANDRAD M5 X 25 VPA/25 | VOLANTE M5 X 25 VPA/25 |
| 22 | G23440562 | DISTANZ.GUSCI SOFFIANTE HL/ID | BLOWER SHELL SPACER HL/ID | ENTRETOISE COQUES SOUFFLANTE H | DISTANZSTsCK SCHALEN GELBZSE H | DISTANC. CASCARAS SOPLAD. HL/I |
| 23 | G23440563 | GRIGLIA DI PROTEZIONE HL/ID | PROTECT. GRID HL/ID | GRILLE DE PROTECTION HL/ID | SCHUTZGITTER HL/ID | REJILLA DE PROTECCIN HL/ID G |
| 24 | G23440564 | COPERCHIO CHIUSURA SOFF. HL/ID | BLOWER CLOSING COVER . HL/ID | COUVERCLE FERMETURE SOUFFL. HL | ABSCHLUSSDECKEL GEBL. HL/ID | TAPA CIERRE SOPL. HL/ID |
| 25 | G13912460 | COPRIVENTOLA LATO SCHIENALE | BACK FAN PROTECTION | PROTECTION ROTOR DOSSIER | RUECKENLAUFRADSCHUTZ | PROTECCIN VENTILADOR RESPALDOP |
| 26 | G13912470 | COPRIVENTOLA LATO MOTORE | MOTOR FAN PROTECTION | PROTECTION ROTOR MOTEUR | MOTORLAUFRADSCHUTZ | PROTECCIN VENTILADOR MOTOR P |
| 27 | G15450401 | PUL.CONDOTTA CONCIM.PNEUM. | DRIVEN PULLEY PNEUM.SEEDEE | | | |
| 28 | G15450410 | RONDELLA X GIUNTO ELASTICO | LOCK WASHER | RONDELLE DE BLOCAGE | SPERRSCHEIBE | ARANDELA DE BLOQUEO |
| 29 | G15450420 | GIUNTO ELAS.ROTEX19 95/98SHORE | LOCK COUPLING | JOINT DE BLOCAGE | SPERRKUPPLUNG | JUNTA DE BLOQUEO |
| 30 | G15450432 | FLANGIA | FLANGE | | | |
| 31 | G15470411 | RINF.ANTERIORE | FRONT REINFORCEMENT | | | |
| 32 | G15470421 | RINF.POSTERIORE | REAR REINFORCEMENT | | | |
| 33 | G20970035 | RONDELLA 32X4X13 | WASHER 32X4X13 | RONDELLE 32X4X13 | UNTERLEGSCHIEBE 32X4X13 | ARANDELA 32X4X13 |
| 34 | G18701660 | RONDELLA 14,2 X33 X1 | WASHER 33X 0-3X14-2 | RONDELLE 33X 0-3X14-2 | UNTERLEGSCHIEBE 14-2 X33 X0-3 | ARANDELA 33X 0-3X14-2 |
| 35 | G19004340 | DISTANZIALE CONCIM.PNEUMATICA | PNEUM.FERT. SPACER | | | |
| 36 | G67320001 | VENTOLA PLASTICA DISCO L80M8 | PLASTIC FAN- DISK L80M8 | ROTOR PLASTIQUE DISQUE L80M8 | SCHIEBE PLASTIKRAD L80M8 | VENTILADOR PLÆSTICO DISCO L80M |
| 37 | G15473770 | SOFFIANTE CONC.PNEUM.COMPL. | COMPL. FERTILIZER PNEUMATIC BL | SOUFFLEUR ENGRAIS PNEUMATIQUE | PNEUMATISCHES GEBLZSE KOMPL. | SOPLADOR ABONO NEUM-TICO COMPL |
| 38 | G13912101 | UGELLO CONCIMAZIONE PNEUMATICA | NOZZLE PNEUMATIC FERTILIZATION | | | |
| 39 | G13912131 | RACCORDO CONCIMAZ.PNEUMATICA | UNION PNEUMATIC FERTILIZATION | RACCORD FUMAGE PNEUMATIQUE | ANSCHLUSS PNEUMATISCHE DsNGUNG | UNIN DE ABONO NEUMAT. |
| 40 | G15275810 | ASS.CONVOGLIATORE 4 U. | CONVEYOR 4 OUT.ASSEMBLY | | | |
| 41 | F03100500 | TUBO EOLO 35 PU | TUBE EOLO 35 PU | TUBE EOLO 35 PU | | TUBO EOLO |
| 42 | F05150060 | FASCETTA POLYA. 9X380 NERA | POLYAMIDE FASTENING STRAPS 9X3 | COLLIER POLYAMIDE 9X350 31919 | SCHELLE POLYAMID 9X350 31919 | ABRAZADERA POLIAMIDA 9X350 319 |
| 43 | G18901960 | GUIDATUBI PER 3 TUBI | PIPE GUIDE FOR 3 PIPES | GUIDE-TUBES POUR 3 TUBES | ROHRFsHRUNG FsR 3 ROHRE | GUA TUBOS PARA 3 TUBOS G |
| 44 | F02300023 | FASCETTA STRING. 80/100 H.8 | PIPE CLAMP 80/100 H.8 | COLLIER DE SERRAGE 77/95 | ROHRSCHELLE 80/100 H.8 | ABRAZADERA P. MANGUERA 80/100 |
| 45 | F02300020 | FASCETTA STRING. 32/50 H.9 | HOSE CLAMP 32/50 H.9 | | | |
| 46 | G22230264 | RONDELLA TUBI DEPR. | AIR PUMP PIPE WASHER | RONDELLE TUBES DISPOSITIF DE D | UNTERLEGSCHIEBE VAKUUMPUMPENRO | ARANDELA TUBOS BOMBA VACO. S |
| 47 | F03100367 | TUBO VULCANO PU R 76 | FLEXIBLE PVC PIPE R 76 | TUBE FLEXIBLE PVC R 76 | 76 SCHLAUCH PVC | TUBO FLEXIBLE PVC R 76 |
| 49 | F01200270 | DADO M10X1,5 U5588 6.8ZN | NUT M10X1,5 U5588 6.8ZN | ECROU M10X 1,5 U5588 6.8 ZN | MUTTER M10X 1,5 U5588 6.8 ZN | TUERCA M10X 1,5 U5588 6.8 ZN |
| 50 | F01020476 | VITE M10X1,5X30 U5739 8.8ZN | SCR. M10X1,5X30 U5739 8.8ZN | VIS M10X1,5X30 U5739 8.8 ZN | SCHRAUBE M10X1,5X30U5739 8.8ZN | TORNIL.M10X1,5X30 U5739 8.8 ZN |
| 51 | G66248098 | TAPPO CONVOGLIATORE DEPR. SP | AIR PUMP CONVEYOR PLUG SP | BOUCHON CONVOYEUR TURBINE SP | VAKUUM FTRDERPFROPFEN SP | TAPN CONDUCTOR DEPR. SP D |



SUPPORTI MICROGRANULATORE

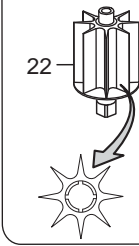
TAV. 420

| Pos. | Cod. | Descrizione | Description | Description | Benennung | Descripcion |
|------|-----------|-------------------------------|--------------------------------|--------------------------------|--------------------------------|--------------------------------|
| 1 | G15475411 | SUPP.BARRA MICRO M.S.SPAN. | M.S. FERTILISER SPREADER MICRO | SUPPORT BARRE MICRO M.S. EPAND | MIKRO SPINDELHALTERUNG M.S. Ds | SOPORTE BARRA MICRO M.S. ABONA |
| 2 | F20110706 | CAV.Q.B=35 M=10X1,5 L=60 | U BOLT Q.B=35 M=10X1,5 L=60 | CAVALIER SUPPORT DISQUE SV | VERBINDUNG SCHEIBENHALTERUNG S | PERNO EN U SOP. DISCO SV |
| 3 | G18701140 | RONDELLA 11 X35 X5 ZN | WASHER 11 X 35 X 5 | RONDELLE 11 X35 X5 | UNTERLEGSSCHEIBE 11 X35 X5 | ARANDELA 11 X35 X5 |
| 4 | F01200270 | DADO M10X1,5 U5588 6.8ZN | NUT M10X1,5 U5588 6.8ZN | ECROU M10X 1,5 U5588 6.8 ZN | MUTTER M10X 1,5 U5588 6.8 ZN | TUERCA M10X 1,5 U5588 6.8 ZN |
| 5 | G15110091 | SCONTRO A U SP.8 2F15 165 | STRIKER | BRIDE 150 MM | ANSCHLAG | ELEMENTO DE EMPALME |
| 6 | F01200306 | DADO M14X2 U5588 6.8ZN | NUT M14X2 U5588 6.8ZN | ECROU M14X2 | MUTTER M14X2 | DADO M14X2 |
| 7 | F02200162 | COPIGLIA 3X 20 U1336 ZN | SPLIT PIN 3 X20 1336 GALVAN. | GOUPILLE 3 X20 1336 ZN | SPLINT 3 X20 1336 ZN | PASADOR 3 X20 1336 ZN |
| 8 | F01020236 | VITE M14X2X220 U5737 8.8BR | SCR. M14X2X220 U5737 8.8BR | VIS M14X2X220 U5737 8.8 BR | SCHRAUBE M14X2X220 U5737 8.8 | TORNILLO M14X2X220 U5737 8.8 |
| 9 | F20120346 | PUNTALE Q 35 ALETT.POLIT.NERO | SQ.TIP 35 BLACK | | | |
| 10 | G13910250 | TUBO Q. 35X 4X 685 | TUBE Q. 35X 4X 685 | | | |
| 11 | G07000028 | TUBO Q. 35X 4X2980 | SQUARE PIPE 35 X 35 X 3 X 2980 | TUBE CARRE 35 X 35 X 3 X 2980 | VIERKANTROHR 35 X 35 X 3 X 298 | TUBO CUADRADO 35 X 35 X 3 X 29 |
| 12 | G15272421 | SUPPORTO TUBO MICRO SX | LEFT MICRO PIPE SUPPORT | SUPPORT TUBE MICRO GCH. | HALTERUNG MIKROROHR LI | SOPORTE TUBO MICRO IZQ. |
| 13 | G15272411 | SUPPORTO TUBO MICRO DX | RIGHT MICRO PIPE SUPPORT | SUPPORT TUBE MICRO DRT. | HALTERUNG MIKROROHR RE | SOPORTE TUBO MICRO DER. |
| 14 | G15175060 | TUBO Q. 35X 4X 900 | SQUARE PIPE 35X4X900 | TUBE CARRE 35X4X900 | VIERKANTROHR 35X4X900 | TUBO CUADRADO Q.35X4X900 |
| 15 | G15475382 | TIRANTE MICRO TEL.150 | TIE-ROD MICRO TEL.150 | | | |
| 16 | F20110770 | CAV.Q.B=80 M=14X2 L=119 | U BOLT Q.B=80 M=14X2 L=119 | BRIDE U M14X2X50 96X119 ZN | ANSCHLAG U M14X2X50 96X119 ZN | EL.DE EMPALME M14X2X50 96X119 |
| 17 | G20970142 | RONDELLA 32X4X15,5 | WASHER 32X4X15-5 | RONDELLE 32X4X15-5 | UNTERLEGSSCHEIBE 32X4X15-5 | ARANDELA 32X4X15-5 |
| 18 | G20890205 | MANICOTTO UNIONE MICRO L.250 | MICRO JOINT SLEEVE L.250 | MANCHON RACCORD MICRO L. 250 | VERBINDUNGSMUFFE MIKRO L.250 | MANGUITO DE UNIN MICRO L.250 M |
| 19 | G22505097 | MAICOTTO MICRO MT.0,63 | MICRO SLEEVE MT.0-63 | MANCHON MICRO M. 0-63 | MUFFE MIKRO M 0-63 | MANGUITO MICRO MT.0-63 |
| 20 | G11430940 | MANICOTTO MICRO L.830 | MICRO SLEEVE L.830 | MANCHON MICRO L.830 | MUFFE MIKRO L.830 | MANGUITO MICRO L.830 |
| 21 | G20890191 | MANICOTTO DX 6F.MAIS L.1012 | CORN 6R. RIGHT SLEEVE L.1012 | MANCHON DRT. 6 RANGEES MAIS L. | MUFFE RE 6R.MAIS L.1012 | MANGUITO DER. 6 FILAS. MAZ L.M |
| 22 | G22500150 | ASSE CAVO DA 20 MICRO MT.0,48 | SPINDLE - MICRO 20 CABLE MT.0. | AXE CABLE DE 20 MICRO M. 0-48 | KABELACHSE 20 MIKRO M 0-48 | EJE CABLE DE 20 MICRO MT.0-48 |
| 23 | G17175060 | ASS.ASSE ESTERNO L.575 | AXLE EXTERNAL L.575 | AXE EXT L.575 | ACHSE AUSSEN L.575 | EJE EXTERIOR L.575 |
| 24 | G14270420 | MANICOTTO MICRO LATER.L.635 | MICRO SLEEVE L.635 | MANCHON MICRO L.635 | MUFFE MIKRO L.635 | MANGUITO MICRO L.635 |
| 25 | G17175070 | MANICOTTO MICRO LATER.L.690 | SIDE SLEEVE MICRO L.690 | | | |
| 26 | G15175041 | SUPPORTO BARRA MICRO | MICRO BAR SUPPORT | SUPPORT BARRE MICRO | HALTERUNG STANGE MIKRO | SOPORTE BARRA MICRO |



(*) Kit = (2+2 pz.)

OPTIONAL

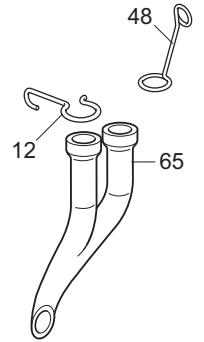
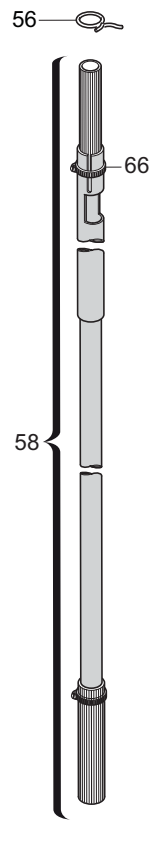
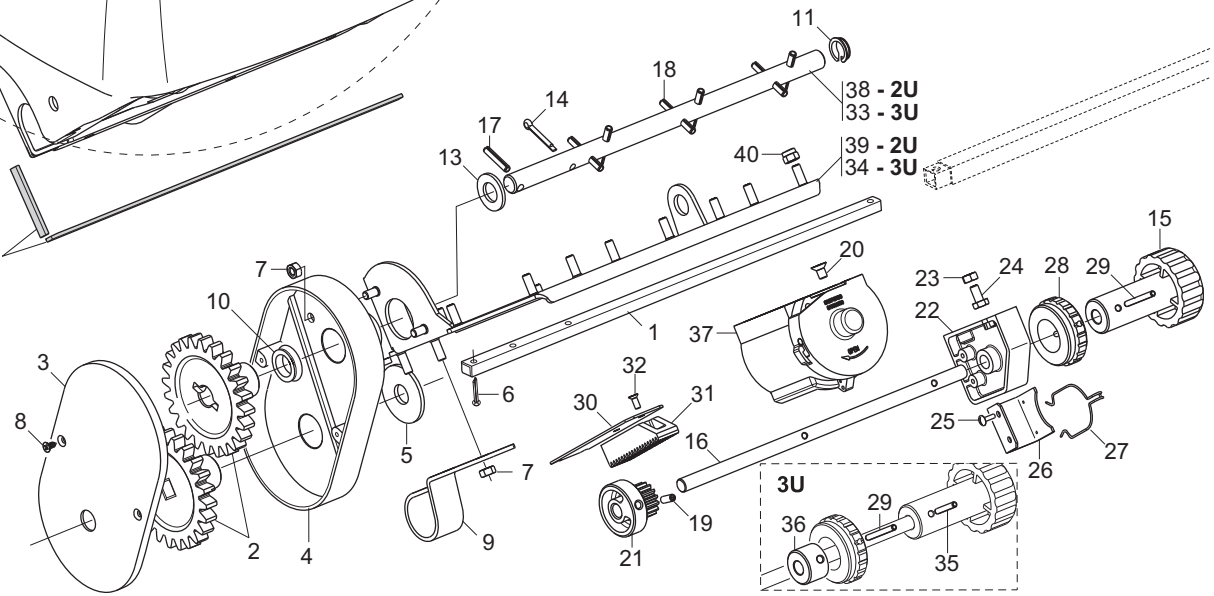
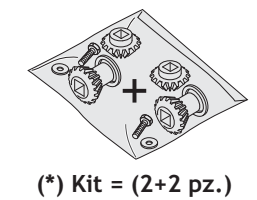
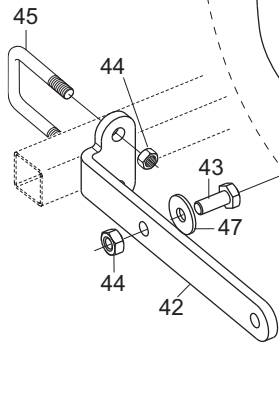
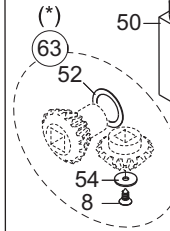
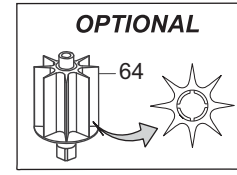
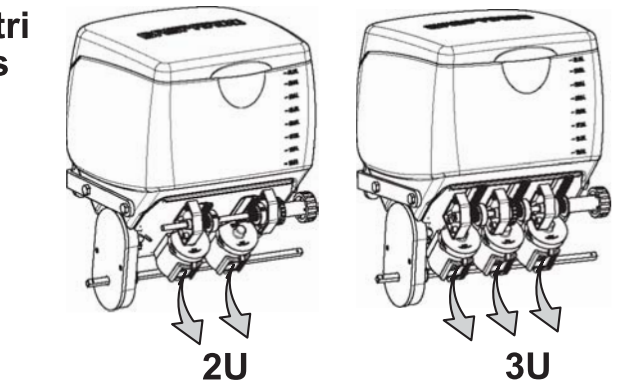
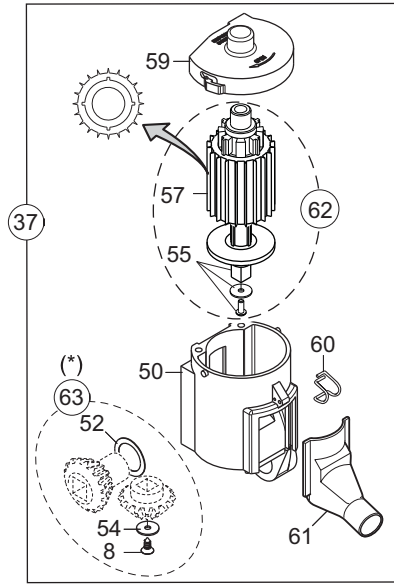
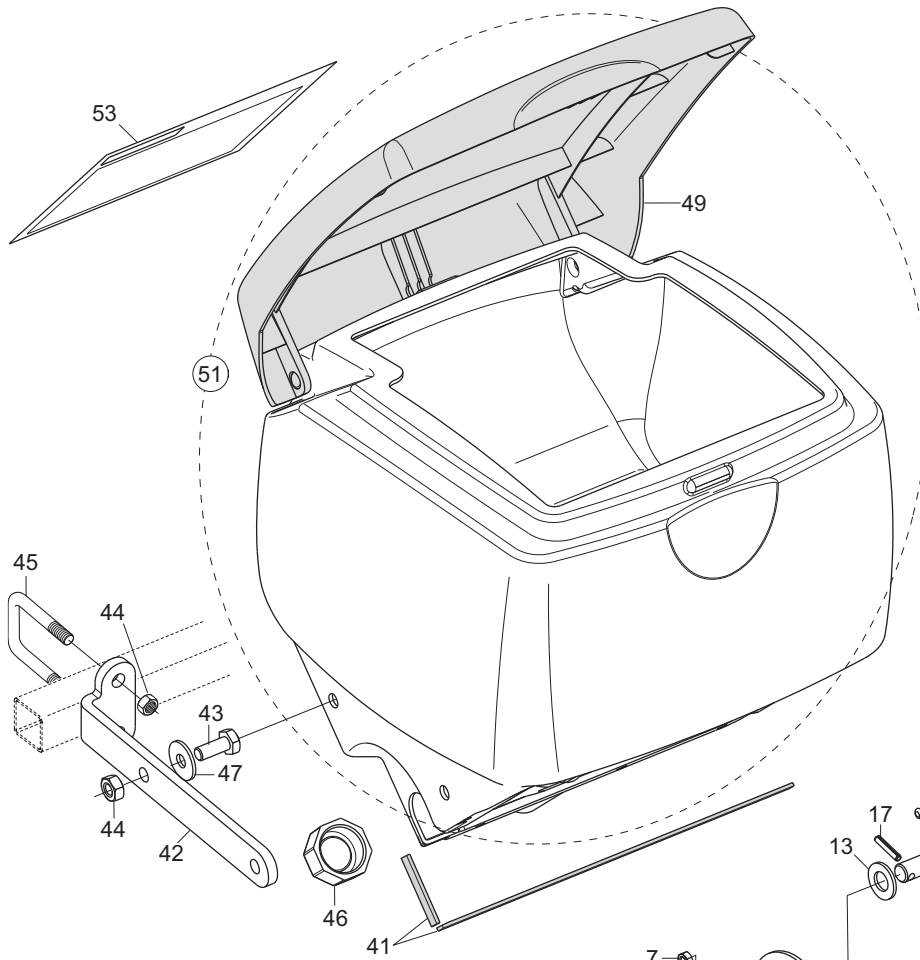


MICROGRANULATORE «16 Litri»

TAV. 197

| Pos. | Cod. | Descrizione | Description | Description | Benennung | Descripcion |
|------|-----------|--------------------------------|--------------------------------|--------------------------------|---------------------------------|--------------------------------|
| 1 | G19002932 | SERBATOIO MICRO 250 PLA. | PLASTIC TANK MICRO 250 | RESERVOIR MICRO 250 PLASTIQUE | MIKROGRANULATBEHZLTER PLAST. | DEPOSITO MICRO 250 PLAST. |
| 2 | G15475231 | COPERCHIO MICRO 250 PLA. | PLASTIC COVER MICRO 250 | COUVERCLE MICRO 250 PLASTIQUE | MIKRO DECKEL 250 PLAST. | TAPA MICRO 250 PLAST. |
| 3 | G20970100 | RONDELLA 30X0,5X22 ACC. | WASHER 30X0-5X22 ACC. | RONDELLE 30X0-5X22 ACIER | UNTERLEGSSCHEIBE 30X0-5X22 ACC. | ARANDELA 30X0-5X22 ACC. |
| 4 | G15475271 | SUPPORTO MICRO | MICRO SUPPORT | SUPPORT MICROGRANULATEUR | HALTERUNG MICRO | SOPORTE MICRO |
| 5 | G15475331 | TUBO DISCESA MICRO SP | SEED DELIVERY TUBE MICRO SP | | | |
| 6 | G19001802 | RONDELLA-ALBERO MICRO | WASHER-SHAFT MICRO | | | |
| 7 | G66248189 | DOSATORE M80 | SEED METERING DEVICE M80 | DOSEUR M80 | DOSIERER M80 | DOSIFICADOR M80 |
| 8 | G18903180 | MOLLA CONVOGLIATORE MICRO | MICRO CONVEYOR SPRING | RESSORT CONVOYEUR MICRO | FEDER MIKRO FTRDERER | MUELLE CONDUCTOR MICRO |
| 9 | G18903191 | MOLLA SPEC.ZN DISCESA MICRO | SPEC.SPRING ZN MICRO GUIDE | RESSORT SPEC. ZN GUIDE MICRO | SPEZIALFEDER ZN F_HR.MIKRO | MUELLE ESPEC. ZN GUA MICRO |
| 10 | G19002580 | RACCORDO FINALE CONCIMAZ.PNEUM | PNEUMAT. MAN. SPR. END UNION | RACCORD FINAL FUMAGE PNEUMAT. | ENDANSCHLUSS PNEUM. DsNGUNG | UNIN FINAL DE ABONAD. NEUMAT.R |
| 11 | G20890081 | ASSE DISTRIB.MICRO L.445 | MICRO DISTR. SPINDLE- L. 445 | AXE DISTRIBUTEUR MICRO L. 445 | MIKRO STREUERACHSE L 445 | EJE DISTRIB.MICRO L.445 |
| 12 | G20890079 | PIASTRA DI CHIUSURA | CLOSURE PLATE | PLAQUE DE FERMETURE | ABSCHLUSSPLATTE | PLACA DE CIERRE |
| 13 | G17175050 | ASSE MICRO L.335 | AXLE MICRO L.335 | | | |
| 14 | G20890089 | REGOLATORE DI APERTURA | OPENING REGULATOR | REGULATEUR D'OUVERTURE | TFFNUNGSEINSTELLER | REGULADOR DE ABERTURA |
| 15 | G20890135 | DISTRIB.NYLON COMPL.E SCIVOLO | DISTRIB. NYLON ASSY. AND CHUTE | MINIMAX COMPL 20C MICRO | SZAPPARAT NYLON KOMPL. UND RUT | DISTRIB.NYLON COMPL.Y PLANO IN |
| 16 | G20890151 | VITE-SCALA GRADUATA | GRADUATED SCALE BOLT | VIS-EHELLE GRADUEE | SCHRAUBE - GRADSKALA | TORNILLO - ESCALA GRADUADA |
| 17 | G20890158 | DOSATORE MICRO COMPL. | ROTOR DIST. MICRO 20 GROOVES | ROTOR DOSEUR 20C MICRO COMPL. | DOSIERER MIKRO KOMPL. 20 SEKT | DOSIFICADOR MICRO COMPL.20 SEC |
| 18 | G20890194 | ASSE AGITATORE SERB.MICRO 250 | STIRRER SPINDLE- MICRO TANK 25 | AXE AGITATEUR RESERVOIR MICRO | SAMENMISCHERACHSE BEH.MIKRO 25 | EJE AGITADOR DEPS. MICRO 250 A |
| 19 | G20890211 | KIT INGRANAGGI DISTRIB.MICRO | DISTRIBUTION GEAR KIT MICRO | | | KIT ENGRANAJES DISTRIB.MICRO |
| 20 | F01420011 | ROS.M4 4,3X 16X 1 U6593 ZN | FLAT WASHER 4-3X 16X1-5 6593 G | ROND.PLATE 4-3X 16X1-5 6593 ZN | SCHEIBE 4-3X 16X1-5 6593 ZN | ARAND. PLANA 4-3X 16X1-5 6593 |
| 21 | G22220073 | RONDELLA 28X0,3X16,5 | WASHER 28X0-3X16-5 | RONDELLE 28X0-3X16-5 | UNTERLEGSSCHEIBE 28X0-3X16-5 | ARANDELA 28X0-3X16-5 |
| 22 | G22250240 | DOSATORE 8 PALE COMPL. SV | DISTRIBUTOR MICRO COMPL. | | | DOSIFICADOR COMPL. SV |
| 23 | G19703301 | DECAL.TABELLA MICRO ST250-MTE | LAB.TAB.MICRO ST250-MTE | | | |
| 24 | G16675090 | TAPPO PLASTICA MICRO C/OR | PLASTIC PLUG MICRO C/OR | | | |
| 25 | G66248154 | SCIVOLO DISTR. M80 | CHUTE- DISTRIB. M80 | ENTONNOIR DOSEUR MINIMAX MICRO | SAAPPARAT RUTSCHE M80 | PLANO INCLINADO DISTR. M80 |
| 26 | F01020397 | VITE M6X1X10 U5739 8.8ZN | SCR. M6X1X10 U5739 8.8ZN | VIS 6X10 5739 8.G ZN | SCHRAUBE 6X10 5739 8.G ZN | TORNILLO 6X10 5739 8.G ZN |
| 27 | F01020403 | VITE M6X1X16 U5739 8.8ZN | SCR. M6X1X16 U5739 8.8ZN | VIS M6X1X16 U5739 8.8 ZN | SCHRAUBE M6X1X16 U5739 8.8 ZN | TORNILLO M6X1X16 U5739 8.8 ZN |
| 28 | F01020472 | VITE M10X1,5X25 U5739 8.8ZN | SCR. M10X1,5X25 U5739 8.8ZN | VIS M10X1,5X25 U5739 8.8 ZN | SCHRAUBE M10X1,5X25 U5739 8.8 | TORNILLO 10X25 U5739 8.8 ZN |
| 29 | F01070061 | VITE A3,9X1,34X9,5 U6954 4.8NI | SCR. H3,9X1,34X9,5 U6954 4.8NI | VIS 3,9X 9,5 DIN 7981 | SCHRAUBE 3,9X 9,5 DIN 7981 | TORNILLO 3,9X 9,5 DIN 7981 |
| 30 | F01070121 | VITE A3,9X1,34X9,5 U6955 4.8NI | SCR. H3,9X1,34X9,5 U6955 4.8NI | VIS 3-9X 9-5 DIN 7982 | SCHRAUBE 3-9X 9-5 DIN 7982 | TORNILLO 3-9X 9-5 DIN 7982 |
| 31 | F01200232 | DADO M6X1 U5588 6.8ZN | NUT M6X1 U5588 6.8ZN | ECROU 6 UNI 5588 6.8 ZN | MUTTER 6 UNI 5588 6.8 ZN | TUERCA 6 UNI 5588 6.8 ZN |
| 32 | F01200270 | DADO M10X1,5 U5588 6.8ZN | NUT M10X1,5 U5588 6.8ZN | ECROU M10X 1,5 U5588 6.8 ZN | MUTTER M10X 1,5 U5588 6.8 ZN | TUERCA M10X 1,5 U5588 6.8 ZN |
| 33 | G66248223 | TAPPO SUPP.SPAND.D.11 | PLUG MAN. SPR. SUPP. D.11 | BOUCHON SUPPORT EP. ENGRAIS D. | HALTERUNGSPFROPFEN DsNGERSTR. | TAPN SOPORTE ABON.D.11 D |
| 34 | F01220033 | DADO M10X1,5 D980 8ZN | NUT M10X1,5 D980 8ZN | ECROU M10X1,5 D980 8ZN | MUTTER M10X1,5 D980 8ZN | TUERCA M10X1,5 D980 8ZN |
| 35 | F01410088 | ROS.M14 15X 28X2,5 U6592 ZN | WAS.M14 15X 28X2,5 U6592 ZB | RON.M14 15X 28X2,5 U6592 ZB | SCH.M14 15X 28X2,5 U6592 ZB | ARA.M14 15X 28X2,5 U6592 ZB |
| 36 | F02200161 | COPIGLIA 3X 15 U1336 ZN | SPLIT PIN 3 X15 1336 GALVAN. | GOUPILLE 3 X15 1336 ZN | SPLINT 3 X15 1336 ZN | PASADOR 3 X15 1336 ZN |
| 37 | G66248138 | COPERCHIO SUPP.TRASM. M80 | TRANSMISSION SUPP. COVER M80 | COUVERCLE SUPPORT ENTRAINEM. | DECKEL ANTRIEBSHALTERUNGS M80 | TAPA SOP. TRANSM. M80 |
| 38 | F02200194 | COPIGLIA 4X 25 U1336 ZN | SPLIT PIN 4 X25 1336 GALVAN. | GOUPILLE 4 X25 1336 ZN | SPLINT 4 X25 1336 ZN | PASADOR 4 X25 1336 ZN |
| 39 | F02100083 | SPINA E.P. 5X 24 U6873 C70 BR | PIN EL. 5 X24 DIN 1481 | FICHE EL. 5 X24 DIN 1481 | SPANNSTIFT 5 X24 DIN 1481 | CLAVIJA EL.5 X24 DIN 1481 |
| 40 | F02100314 | SPINA EL.5 X36 DIN 1481 INOX | PIN EL.5 X36 DIN 1481 INOX | | | |
| 41 | F03011081 | GUARNIZIONI LABBRO DE100 | LIP GASKET D100 | | | |
| 42 | F02300017 | FASCETTA STRING. 20/32 H.9 | CLAMP 20/32 H.9 | GAINE 20/32 H.9 | KLEMME 20/32 H.9 | ABRAZADERA 20/32 H.9 |
| 43 | G65336041 | MOLLA SPEC.ZN STRINGITUBO M80 | SPEC.SPRING ZN . PIPE CLAMP M8 | RESSORT SPEC. ZN SERRE-TUBE M8 | SPEZIALFEDER ZN ROHRSCHELLE M8 | MUELLE ESPEC. ZN APLASTA TUBOS |
| 44 | G65336046 | MOLLA SPEC.ZN SCIVOLO M80 | SPEC SPRING ZN CHUTE M80 | RESSORT SPEC. ZN LANCOIR M80 | SPEZIALFEDER ZN RUTSCHE M80 | MUELLE ESPEC. ZN PLANO INCLINA |
| 45 | G66248125 | GHIERA REGOLAZIONE M80 | ADJUSTMENT KNURLED NUT M80 | BAGUE REGLAGE M80 | EINSTELLMUTTER M80 | CONTRATUERCA REGULACIN M80 G |
| 46 | G66248126 | SUPP.TRASMISSIONE M80 | TRANSM.SUPPORT M80 | SUPPORT ENTRAINEMENT M80 | ANTRIEBSHALTERUNG M80 | SOPORTE TRANSMISIN M80 S |
| 47 | G65338043 | MOLLA COMP.ZN SERB. M80 | ZN TANK COMP.SPRING M80 | RESSORT COMPL. ZN RESERVOIR M8 | DRUCKFEDER ZN BEHZLTER M80 | MUELLE COMP.ZN DEPS. M80 A |
| 48 | G11475210 | KIT RUOTE DENTATE Z24 | KIT GEAR WHEELS Z24 | | | |
| 49 | G66248123 | CORPO DISTRIBUZIONE M80 | DISTRIBUTION CASING M80 | CORPS DISTRIBUTION M80 | VERTEILUNGSKTRPER | CUERPO DISTRIBUCIN M80 C |
| 50 | G66248121 | BOCCOLA CON FLANGIA M80 | BUSHING W/ FLANGE M80 | SUPPORT AVEC BRIDE M80 | BsCHSE MIT FLANSCH M80 | CASQUILLO CON BRIDA M80 |
| 51 | G15476270 | SERBATOIO MICRO 250 2 U.PLA | PLASTIC TANK MICRO 250 2 OUTL. | | | |
| 52 | G15476280 | SERBATOIO MICRO PLA 1U COMPL | COMPL. MICRO TANK PLA 1U | RESERVOIR MICRO PLA 1U COMPL. | BEH-LTER MIKROGRANULAT PLASTIK | DEPOSITO MICRO PLA 1U COMPL. |

Serbatoio PLASTICA 30 litri
PLASTIC hopper 30 liters

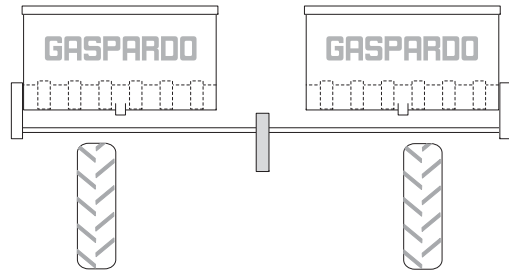


MICROGRANULATORE «30 Litri»

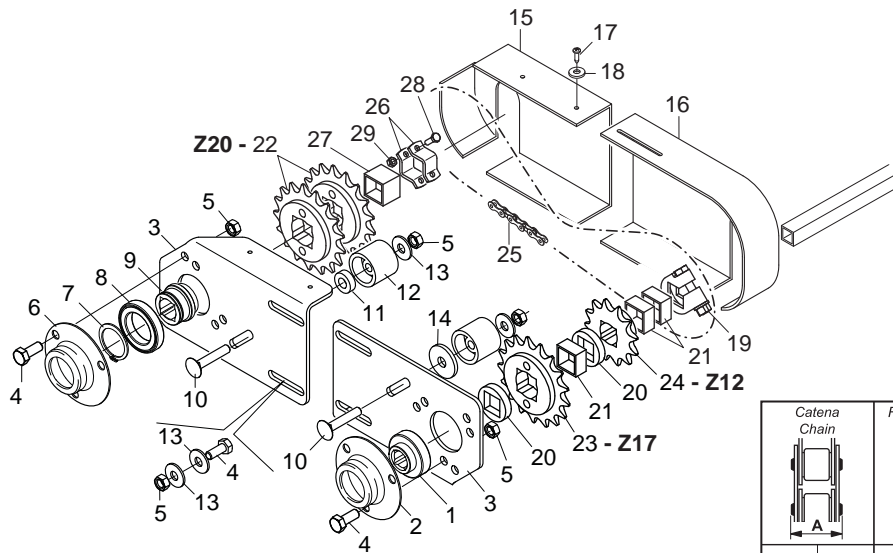
TAV. 401

| Pos. | Cod. | Descrizione | Description | Description | Benennung | Descripcion |
|------|-----------|--------------------------------|--------------------------------|--------------------------------|---------------------------------|--------------------------------|
| 1 | G11420221 | ASSE TRASM.DISTR. | DISTR. TRANSMISSION AXLE | | | |
| 2 | G11475210 | KIT RUOTE DENTATE Z24 | KIT GEAR WHEELS Z24 | | | |
| 3 | G66248138 | COPERCHIO SUPP.TRASM. M80 | TRANSMISSION SUPP. COVER M80 | COUVERCLE SUPPORT ENTRAINEM. | DECKEL ANTRIEBSHALTERUNGS M80 | TAPA SOP. TRANSM. M80 |
| 4 | G66248126 | SUPP.TRASMISSIONE M80 | TRANSM.SUPPORT M80 | SUPPORT ENTRAINEMENT M80 | ANTRIEBSHALTERUNG M80 | SOPORTE TRANSMISIN M80 S |
| 5 | F01420084 | ROS.M14 14,5X 36X 3 U6593 ZN | GALVANIZED WASHER 14 X36 X3 | RONDELLE 14 X36 X3 ZN | UNTERLEGSSCHEIBE 14 X36 X3 ZN | ARANDELA 14 X36 X3 ZN |
| 6 | F02200162 | COPIGLIA 3X 20 U1336 ZN | SPLIT PIN 3 X20 1336 GALVAN. | GOUPIILLE 3 X20 1336 ZN | SPLINT 3 X20 1336 ZN | PASADOR 3 X20 1336 ZN |
| 7 | F01200232 | DADO M6X1 U5588 6.8ZN | NUT M6X1 U5588 6.8ZN | ECROU 6 UNI 5588 6.8 ZN | MUTTER 6 UNI 5588 6.8 ZN | TUERCA 6 UNI 5588 6.8 ZN |
| 8 | F01070122 | VITE A3,9X1,34X13 U6955 4.8NI | SCR. H3,9X1,34X13 U6955 4.8NI | VIS M3,9X1,34X13 U6955 4.8NI | SCHRA.M3,9X1,34X13 U6955 4.8NI | TORN.M3,9X1,34X13 U6955 4.8NI |
| 9 | G11435240 | SUPPORTO ASSE CARTER | CARTER AXLE SUPPORT | | | |
| 10 | F03011081 | GUARNIZIONI LABBRO DE100 | LIP GASKET D100 | | | |
| 11 | F04150042 | BOCCOLA CLIP IGUS MCM-14-03 | BUSH CLIP IGUS MCM-14-03 | | | |
| 12 | G18903180 | MOLLA CONVOGLIATORE MICRO | MICRO CONVEYOR SPRING | RESSORT CONVOYEUR MICRO | FEDER MIKRO FTRDERER | MUELLE CONDUCTOR MICRO |
| 13 | F01410088 | ROS.M14 15X 28X2,5 U6592 ZN | WAS.M14 15X 28X2,5 U6592 ZB | RON.M14 15X 28X2,5 U6592 ZB | SCH.M14 15X 28X2,5 U6592 ZB | ARA.M14 15X 28X2,5 U6592 ZB |
| 14 | F02200194 | COPIGLIA 4X 25 U1336 ZN | SPLIT PIN 4 X25 1336 GALVAN. | GOUPIILLE 4 X25 1336 ZN | SPLINT 4 X25 1336 ZN | PASADOR 4 X25 1336 ZN |
| 15 | G19003670 | MANOPOLA SPEEDY SET | SPEEDY HANDLE SET | POIGN+E SPEEDY SET | GRIFF SPEEDY SET | EMPUJADURA SPEEDY SET |
| 16 | G17772900 | ALBERO REGOLAZIONE SPEEDY SET | ADJUSTING AXLE SPEEDY SET | | | |
| 17 | F02100083 | SPINA E.P. 5X 24 U6873 C70 BR | PIN EL. 5 X24 DIN 1481 | FICHE EL. 5 X24 DIN 1481 | SPANNSTIFT 5 X24 DIN 1481 | CLAVIJA EL.5 X24 DIN 1481 |
| 18 | F02100314 | SPINA EL.5 X36 DIN 1481 INOX | PIN EL.5 X36 DIN 1481 INOX | | | |
| 19 | F01050083 | VITE M5X0,8X12 U5927 A2IX | SCR. M5X0,8X12 U5927 A2IX | GOUJON 5X12 UNI 5927 | STIFT 5X12 UNI 5927 | TORNILLO SIN CABEZA 5X12 5927 |
| 20 | F01030041 | VITE M6X1X10 U5933 10.9ZD | SCREW M6X1X10 U5933 10.9ZD | VIS M6X1X10 U5933 10.9ZD | SCHRAU. M6X1X10 U5933 10.9ZD | TORNILLO M6X1X10 U5933 10.9ZD |
| 21 | G19003680 | INGRANAGGIO Z.15 | GEAR Z 15 | ENGRENAGE Z 15 | ZAHNRAD Z 15 | ENGRANAJE Z 15 |
| 22 | G19003660 | SUPPORTO | SUPPORT | SUPPORT | HALTERUNG | SOPORTE |
| 23 | F01200233 | DADO M6X1 U5588 A2IX | NUT M6X1 U5588 A2IX | ECROU M 6X 1 U5588 I | MUTTER M 6X 1 U5588 | TUERCA M 6X 1 U5588 |
| 24 | F01020417 | VITE M6X1X12 U5739 A2IX | SCR. M6X1X12 U5739 A2IX | VIS M6 X1 X12 U5739 A2 IX | SCHRAUBE M6X1X12 U5739 A2 IX | TORNILLO M6X1 X12 U5739 A2 IX |
| 25 | F01080022 | VITE M3X0,5X10 U7688 4.8ZN | SCR. M3X0,5X10 U7688 4.8ZN | | | |
| 26 | G16670310 | SUPPORTO MOLLA REGOLATORE | ADJ.SPRING SUPPORT | | | |
| 27 | G65336055 | MOLLA SPEC.REGOL.SPAND. SP | SPEC SPRING MAN. SPR. ADJUSTM. | RESSORT SPEC. REGL. EP. ENTRA | SPEZIALFEDER STREUEREINSTELLUN | MUELLE ESPEC. REGUL. ABONADORA |
| 28 | G19003720 | GHIERA REGOLAZIONE SX | LEFT ADJUSTMENT KNURLED NUT | MANCHON DE REGLAGE GCH | EINSTELLMUTTER LINKS | ROSCA REGULACION IZQUIERDA |
| 29 | F02100066 | SPINA E.P. 4X 36 U6873 C70 BR | PIN EL. 4X 36 U6873 C70 BR | | | |
| 30 | G17772140 | REGOLATORE APERTURA MICRO | AIR REGULATOR | | | |
| 31 | G19003690 | CREMAGLIERA | RACK | CREMAILLIERE | ZAHNSTANGE | CREMALLERA |
| 32 | F01080032 | VITE M4X0,7X10 U7688 A2IX | SCR. M4X0,7X10 U7688 A2IX | VIS M4X 0,7X10 U7688 A2 IX | SCHRAUBE M4X 0,7X10 7688 A2 IX | TORNILLO M4X0.7X10 U7688 A2 IX |
| 33 | G15276110 | ASSE AGITATORE SERB.30L 3U | STIRRER SPINDLE 30L 3U | | | |
| 34 | G15276120 | PIASTRA DOSATORI 3U | MICRO DISTR.PLATE 3U | | | |
| 35 | F02100062 | SPINA E.P. 4X 24 U6873 C70 BR | PIN EL. 4 X24 DIN 1481 | FICHE EL. 4 X24 DIN 1481 | SPANNSTIFT 4 X24 DIN 1481 | CLAVIJA EL.4 X24 DIN 1481 |
| 36 | G17772550 | BOCCOLA 10,4 X25 X16 FORO 5 ZN | BUSHING D10,4X25X16 HOLE 5 ZN | | | |
| 37 | G11400060 | DISTRIBUTORE MICRO SPEEDY SET | DISTRIBUTOR MICRO SPEEDY SET | | | |
| 38 | G15276160 | ASSE AGITATORE SERB.30L 2U | STIRRER SPINDLE 30L 2U | | | |
| 39 | G15276130 | PIASTRA DOSATORI 2U | MICRO DISTR.PLATE 2U | | | |
| 40 | F01230024 | DADO M6X1 D982 A2IX | NUT M6X1 D982 A2IX | ECROU AUTOB.NOR.10 | SELBSTSP. MUTTER NOR. 10 | TUERCA AUTOB. NOR. 10 |
| 41 | F07100132 | MOUSSE ADESIVA MM 5X3 | ADHESIVE MOUSSE MM 5X3 | | | |
| 42 | G15475271 | SUPPORTO MICRO | MICRO SUPPORT | SUPPORT MICROGRANULATEUR | HALTERUNG MICRO | SOPORTE MICRO |
| 43 | F01020472 | VITE M10X1,5X25 U5739 8.8ZN | SCR. M10X1,5X25 U5739 8.8ZN | VIS M10X1,5X25 U5739 8.8 ZN | SCHRAUBE M10X1,5X25 U5739 8.8 | TORNILLO 10X25 U5739 8.8 ZN |
| 44 | F01200270 | DADO M10X1,5 U5588 6.8ZN | NUT M10X1,5 U5588 6.8ZN | ECROU M10X 1,5 U5588 6.8 ZN | MUTTER M10X 1,5 U5588 6.8 ZN | TUERCA M10X 1,5 U5588 6.8 ZN |
| 45 | F20110706 | CAV.Q.B=35 M=10X1,5 L=60 | U BOLT Q.B=35 M=10X1,5 L=60 | CAVALIER SUPPORT DISQUE SV | VERBINDUNG SCHEIBENHALTERUNG S | PERNO EN U SOP. DISCO SV |
| 46 | G16675090 | TAPPO PLASTICA MICRO C/OR | PLASTIC PLUG MICRO C/OR | | | |
| 47 | F01420060 | ROS.M10 10,5X 30X2,5 U6593 ZN | WASHER 10,5X30 | RONDELLE 10,5X30 | SCHEIBE 10,5X30 | ARANDELA 10,5X30 |
| 48 | G18903191 | MOLLA SPEC.ZN DISCESA MICRO | SPEC.SPRING ZN MICRO GUIDE | RESSORT SPEC. ZN GUIDE MICRO | SPEZIALFEDER ZN F_HR.MIKRO | MUELLE ESPEC. ZN GUA MICRO |
| 49 | G19006413 | COPERCHIO SERB.MICRO DELTA | TANK COVER MICRO DELTA | | | |
| 50 | G66248123 | CORPO DISTRIBUZIONE M80 | DISTRIBUTION CASING M80 | CORPS DISTRIBUTION M80 | VERTEILUNGSKTRPER | CUERPO DISTRIBUCIN M80 C |
| 51 | G19006600 | SERBATOIO MICRO 30L | TANK MICRO 30L | | | |
| 52 | G20970100 | RONDELLA 30X0,5X22 ACC. | WASHER 30X0-5X22 ACC. | RONDELLE 30X0-5X22 ACIER | UNTERLEGSSCHEIBE 30X0-5X22 ACC. | ARANDELA 30X0-5X22 ACC. |
| 53 | G19708090 | DECAL.DISTRIB.MICRO 30L MTE | MICRO CHART STICKER | | | |
| 54 | F01420011 | ROS.M4 4,3X 16X 1 U6593 ZN | FLAT WASHER 4-3X 16X1-5 6593 G | ROND.PLATE 4-3X 16X1-5 6593 ZN | SCHEIBE 4-3X 16X1-5 6593 ZN | ARAND. PLANA 4-3X 16X1-5 6593 |
| 55 | G19001802 | RONDELLA-ALBERO MICRO | WASHER-SHAFT MICRO | | | |
| 56 | G65336041 | MOLLA SPEC.ZN STRINGITUBO M80 | SPEC.SPRING ZN . PIPE CLAMP M8 | RESSORT SPEC. ZN SERRE-TUBE M8 | SPEZIALFEDER ZN ROHRSCHELLE M8 | MUELLE ESPEC. ZN APLASTA TUBOS |
| 57 | G66248189 | DOSATORE M80 | SEED METERING DEVICE M80 | DOSEUR M80 | DOSIERER M80 | DOSIFICADOR M80 |
| 58 | G15475331 | TUBO DISCESA MICRO SP | SEED DELIVERY TUBE MICRO SP | | | |
| 59 | G19006390 | COPERCHIO DISTR.MICRO SPEEDY S | DISTR.TOR COVER MICRO SPEEDY S | | | |
| 60 | G65336046 | MOLLA SPEC.ZN SCIVOLO M80 | SPEC SPRING ZN CHUTE M80 | RESSORT SPEC. ZN LANCOIR M80 | SPEZIALFEDER ZN RUTSCHE M80 | MUELLE ESPEC. ZN PLANO INCLINA |
| 61 | G66248154 | SCIVOLO DISTR. M80 | CHUTE- DISTRIB. M80 | ENTONNOIR DOSEUR MINIMAX MICRO | SAAPPARAT RUTSCHE M80 | PLANO INCLINADO DISTR. M80 |
| 62 | G20890158 | DOSATORE MICRO COMPL. | ROTOR DIST. MICRO 20 GROOVES | ROTOR DOSEUR 20C MICRO COMPL. | DOSIERER MIKRO KOMPL. 20 SEKT | DOSIFICADOR MICRO COMPL.20 SEC |
| 63 | G20890211 | KIT INGRANAGGI DISTRIB.MICRO | DISTRIBUTION GEAR KIT MICRO | | | |
| 64 | G22250240 | DOSATORE 8 PALE COMPL. SV | DISTRIBUTOR MICRO COMPL. | | | |
| 65 | G19002580 | RACCORDO FINALE CONCIMAZ.PNEUM | PNEUMAT. MAN. SPR. END UNION | RACCORD FINAL FUMAGE PNEUMAT. | ENDANSCHLUSS PNEUM. DsNGUNG | UNIN FINAL DE ABONAD. NEUMAT.R |
| 66 | F02300017 | FASCETTA STRING. 20/32 H.9 | CLAMP 20/32 H.9 | GAINE 20/32 H.9 | KLEMME 20/32 H.9 | ABRAZADERA 20/32 H.9 |

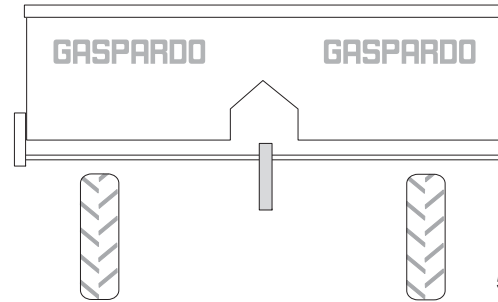
SPANDICONCIME PLASTICA
PLASTIC FERTILIZER



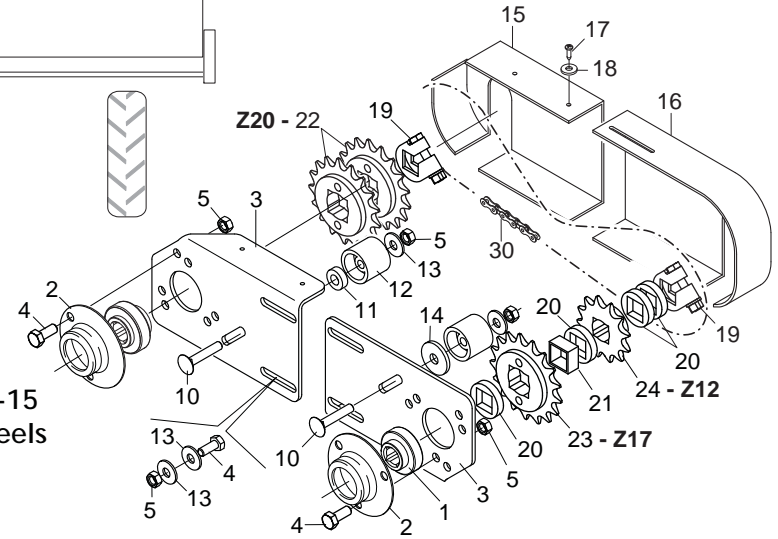
Ruote 6.50/80-15 e 7.50-16
6.50/80-15 and 7.50-16 Wheels



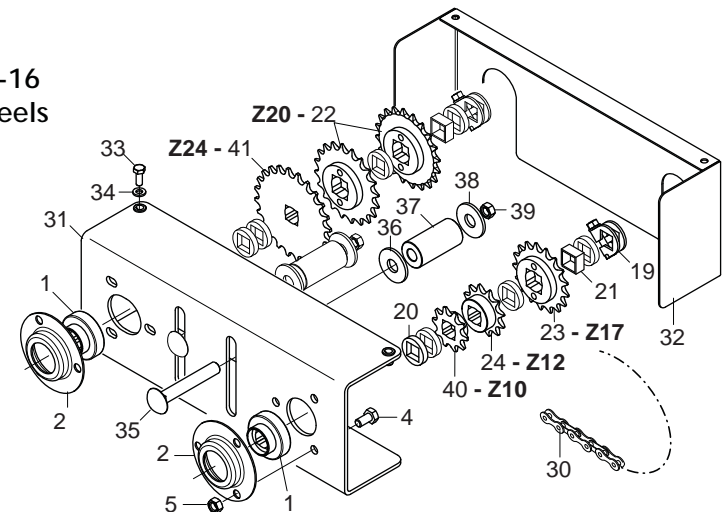
SPANDICONCIME BBP
BBP FERTILIZER



Ruote 6.50/80-15
6.50/80-15 Wheels



Ruote 7.50-16
7.50-16 Wheels



| Catena Chain | | Falsa maglia Offset link | Maglia giunto Connecting link |
|------------------|-------|--------------------------|-------------------------------|
| mod. | mm | Cod. | Cod. |
| 083 | 12,90 | F06080655 (42) | F06080501 (43) |
| 084 | 14,60 | F06080666 (44) | F06080502 (45) |
| 10 A-1 ASA 50 | 20,50 | F06080644 (46) | F06080499 (47) |

TRASMISSIONE SPANDICONCIME

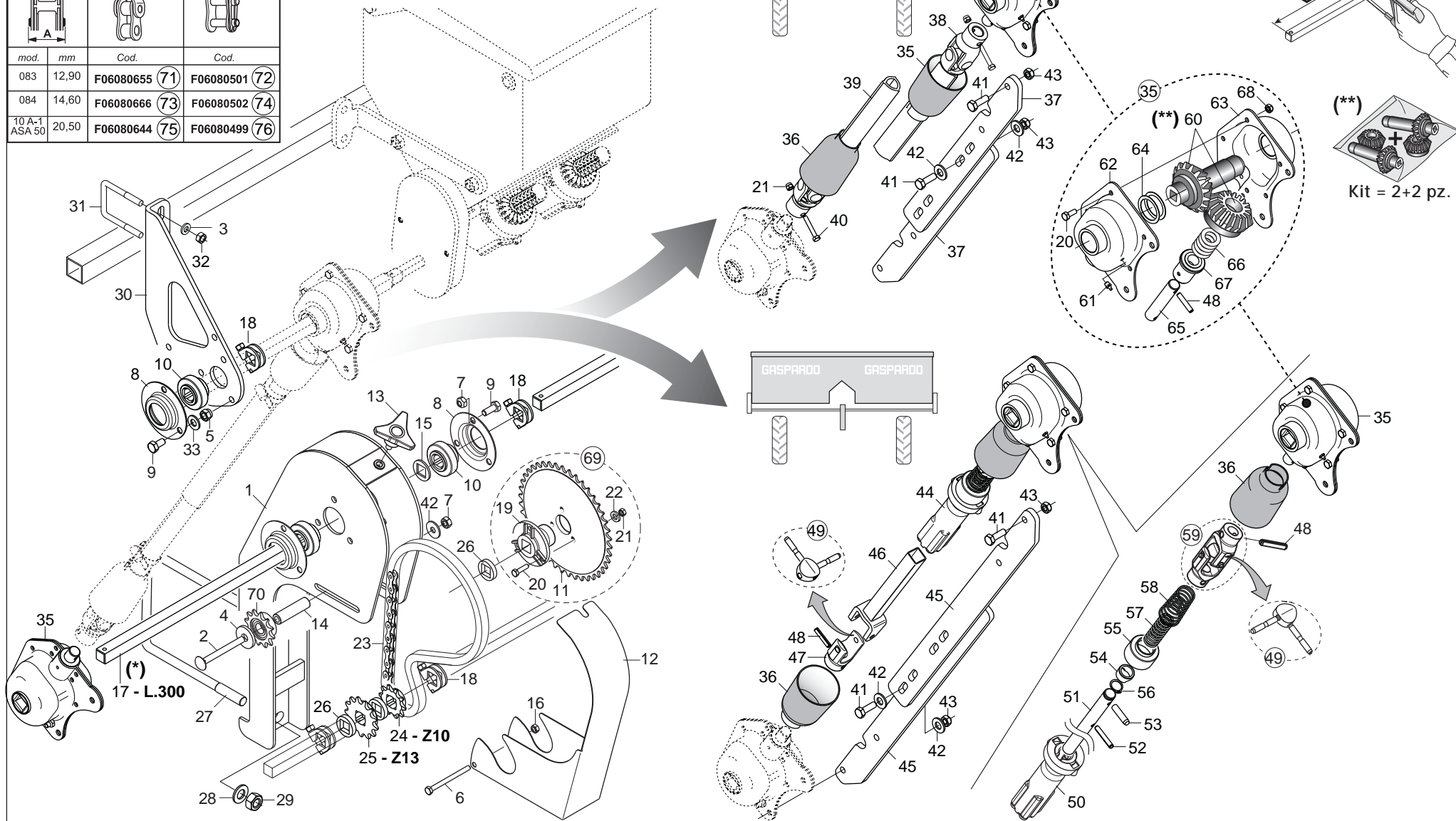
TAV. 215

| Pos. | Cod. | Descrizione | Description | Description | Benennung | Descripcion |
|------|-----------|--------------------------------|--------------------------------|--------------------------------|--------------------------------|--------------------------------|
| 1 | G14830390 | CUSCINETTO FORO QUADRO | SQUARE-HOLED BEARING | ROULEMENT TROU CARRE | VIERKANTLAGER | COJINETE ORIFICIO CUADRADO |
| 2 | G22230094 | SUPPORTO CUSCINETTO | BEARING SUPPORT | SUPPORT PALIER | LAGERBsCHSE | SOPORTE COJINETE |
| 3 | G15470851 | FIANCO SUPP.TRASM.SPANDI | SPREADER TRANSM. SIDE SUPPORT | COTE SUPPORT TRANSM. EPAND. | SEITEN HALTER. ANTRIEB DUNGERS | COSTADO SOPORTE TRANSM. ABONAD |
| 4 | F01020436 | VITE M8X1,25X20 U5739 8.8ZN | SCR. M8X1,25X20 U5739 8.8ZN | VIS M8X1,25X 20 U5739 8.8 ZN | SCHRAUBE M8X1,25X20U5739 8.8ZN | TORN. M8X1,25X20 U5739 8.8 ZN |
| 5 | F01200244 | DADO M8X1,25 U5588 6.8ZN | NUT M8X1,25 U5588 6.8ZN | ECROU M8 X1,25 U5588 6.8 ZN | MUTTER M8 X1,25 U5588 6.8 ZN | TUERCA M8 X1,25 U5588 6.8 ZN |
| 6 | G22500092 | SUPPORTO CUSCINETTO | BEARING SUPPORT | SUPPORT PALIER | LAGERBsCHSE | SOPORTE COJINETE |
| 7 | F02050146 | ANELLO E. DE 35X 1,5 U7435 C70 | ELASTIC RING DE 35X 1,5 U7435 | BAGUE ELASTIQUE DE 35X 1,5 | RING DE 35X 1,5 U7435 C70 | ANILLO DE 35X 1,5 U7435 C70 |
| 8 | F04010311 | CUSC.d35 D55 B10 61907 LLU | BEARING d35 D55 B10 61907 L | | | |
| 9 | G22500091 | BOCCOLA CUSCINETTO | BEARING BUSHING | BOITE PALIER | LAGERBsCHSE | CASQUILLO COJINETE |
| 10 | F01060048 | VITE M8X1,25X50 U5731 8.8ZN | SCR. M8X1,25X50 U5732 4.6ZN | VIS 8 X50 5732 4.6 ZN | SCHRAUBE 8 X50 5732 4.6 ZN | TORNILLO 8x50 5732 4 6 ZN |
| 11 | G18801680 | BOCCOLA 11 X25 X7,5 ZN | BUSHING 11X25X7,5 GALVA | BOITE 11X25X7,5 ZN | BsCHSE 11X25X7,5 ZN | CASQUILLO 11X25X7,5 ZN |
| 12 | G66248207 | TENDICATENA SPAND. SP-520 | CHAIN TENSIONER | TENDEUR DE CHAINE EPAND. ENGR. | KETTENSANNER DsNGERSTR. SP-52 | ENSOR DE CADENA ABON. SP-520 |
| 13 | F01420048 | ROS.M8 8,4X 24X 2 U6593 ZN | WASHER M8 8,4X 24X2 U6593 ZN | RONDELLE M8 8,4X24X 2 U6593 ZN | SCHEIBEN M8 8,4X24X 2 U6593 ZN | ARANDELA M8 8,4X 24X2 U6593 ZN |
| 14 | G18701140 | RONDELLA 11 X35 X5 ZN | WASHER 11 X 35 X 5 | RONDELLE 11 X35 X5 | UNTERLEGSSCHEIBE 11 X35 X5 | ARANDELA 11 X35 X5 |
| 15 | G19002830 | CARTER TRASMISSIONE SUPERIORE | TOP TRANSMISSION CASE | CARTER ENTRAINEMENT SUPERIEUR | OBERES ANTRIEBSGEHZUSE | CæRTER TRANSMISIN SUPERIOR C |
| 16 | G19002880 | CARTER INFERIORE TRASM.SPAND. | BOTTOM SPREADER TRANSM. CASE | CARTER INFERIEUR TRANSM EPAND. | UNTER. ANTRIEBSGEHZUSE DsNG.GE | CæRTER INFER. TRANSMISIN ABONC |
| 17 | F01070078 | VITE A4,2X1,41X13 U6950 4.8ZN | SCR. H4,2X1,41X13 U6950 4.8ZN | VIS AUTOTARADEUSE.4-2X13 TE | SELBSTSCHNEID. SCHRAUBE 4-2X13 | TORNILLO AUTOR.4-2X13 TE |
| 18 | F01420011 | ROS.M4 4,3X 16X 1 U6593 ZN | FLAT WASHER 4-3X 16X1-5 6593 G | ROND.PLATE 4-3X 16X1-5 6593 ZN | SCHEIBE 4-3X 16X1-5 6593 ZN | ARAND. PLANA 4-3X 16X1-5 6593 |
| 19 | G22505085 | FERMO ASSE IN LAMIERA | PLATE AXLE STOP | ARRET AXE EN TOLE | FESTSTELLVORRICHTUNG BLECHACHS | BLOQUEO EJE DE CHAPA |
| 20 | G66248218 | RONDELLA DISTAN.SPANDI | MAN. SPR. SPACER WASHER | RONDELLE ENTRETOISE EP. ENGRAI | ABSTANDSCHEIBE DsNGERSTREUER | ARANDELA DISTAN.ABONAD. |
| 21 | G15231410 | DISTANZIALE INTERNO ZN | INNER SPACER | ENTRETOISE INT. | INNERES DISTANZST_CK | DISTANCIADOR INTERIOR |
| 22 | G22250047 | CORONA CAMBIO Z-20 SV | GEARBOX RING GEAR Z-20 SV | COURONNE BOITE DE VITESSE | GETRIEBEKRANZ Z-20 SV | CORONA CAMBIO Z-20 SV |
| 23 | G22250044 | CORONA CAMBIO Z-17 SV | GEARBOX RING GEAR Z-17 SV | COURONNE BOITE DE VITESSE | GETRIEBEKRANZ Z-17 SV | CORONA CAMBIO Z-17 SV |
| 24 | G20860086 | INGRANAGGIO 1/2 Z-12 F.Q. | GEAR 1/2 Z-12 F.Q. | ENGRENAGE 1/2 Z-12 TROUS CARRE | ZAHNRAD 1/2 Z-12 F.Q. | ENGRANAJE 1/2 Z-12 F.Q. |
| 25 | F06080028 | CATENA 1/2 ISO 083 60 MAGLIE | CHAIN 1/2 ISO 083 60 LINKS | CHAINE 1/2 ISO 083 60 MAILLES | KETTE 1/2 ISO 083 60 GLIEDER | CADENA 1/2 ISO 083 60 ESLABNEL |
| 26 | G22500102 | FERMO ASSI | AXLE STOP | ARRET AXES | FESTSTELLVORRICHTUNG ACHSEN | BLOQUEO EJES |
| 27 | G15171860 | DISTANZIALE ZN | SPACER | ENTRETOISE | DISTANZST_CK | DISTANCIADOR |
| 28 | F01020404 | VITE M6X1X20 U5739 8.8ZN | SCREW M6X1X20 U5739 8.8ZN | VIS M6X1X20 U5739 8.8ZN | SCHRAUBE M6X1X20 U5739 8.8ZN | TORNILLO M6X1X20 U5739 8.8ZN |
| 29 | F01220011 | DADO M6X1 D980 8ZN | NUT M6X1 D980 8ZN | ECROU M6X1 D980 8 ZN | MUTTER M6X1 D980 8 ZN | TUERCA M6X1 D980 8 ZN |
| 30 | F06080197 | CATENA 1/2 ISO 083 58 MAGLIE | CHAIN 1/2 ISO 083 58 LINKS | CHAINE 1/2 ISO 083 58 MAILLES | KETTE 1/2 ISO 083 58 GLIEDER | CADENA 1/2 ISO 083 58 ESLABNEL |
| 31 | G15275840 | ASS.FIANCO SUPP.TRASMISSIONE | SIDE SUPP.TRANSMISSION ASSY | | | |
| 32 | G15275830 | CARTER | CARTER | | | |
| 33 | F01020403 | VITE M6X1X16 U5739 8.8ZN | SCR. M6X1X16 U5739 8.8ZN | VIS M6X1X16 U5739 8.8 ZN | SCHRAUBE M6X1X16 U5739 8.8 ZN | TORNILLO M6X1X16 U5739 8.8 ZN |
| 34 | F01410037 | ROS.M6 6,4X12,5X1,6 U6592 ZN | WASHER M6 6,4X12,5X1,6 U6592ZN | RONDEL.M6 6,4X12,5X1,6 U6592ZN | SCHEIB.M6 6,4X12,5X1,6 U6592ZN | ARAND.M6 6,4X12,5X1,6 U6592 ZN |
| 35 | F01060105 | VITE M12X1,75X80 U5732 8.8ZN | SCR. M12X1,75X80 U5732 8.8ZN | BOULON 12X80 5732 4.6 | SCHRAUBE 12X80 5732 4.6 | PERNO 12X80 5732 4.6 |
| 36 | G18700450 | RONDELLA 17 X45 X6 ZN | WASHER 17X45X6 GALV.ED | | | |
| 37 | G15231590 | RULLO TENDICATENA 12,5 X28X 56 | CHAINSTRETCH.ROLLER12,5X28X56 | | | |
| 38 | G20970085 | RONDELLA 40X4X13 | WASHER 40X4X13 | RONDELLE 40X4X13 | UNTERLEGSSCHEIBE 40X4X13 | ARANDELA 40X4X13 |
| 39 | F01200293 | DADO M12X1,75 U5588 6.8ZN | NUT M12X1,75 U5588 6.8ZN | ECROU M12X1,75 U5588 6.8 ZN | MUTTER M12X1,75 U5588 6.8 ZN | TUERCA M12X1,75 U5588 6.8 ZN |
| 40 | G22250006 | INGR.CON MOZZO 1/2 Z-10 SV | GEARS- W/ HUB 1/2 Z-10 SV | ENGRENAGE AVEC MOYEU 1/2 Z-10 | ZAHNRAD MIT NABE 1/2 Z-10 SV | ENGRAN.CON PERNO 1/2 Z-10 SV |
| 41 | G20900041 | PIGNONE Z24 1/2X3/16 Q.16,4 ZN | GEAR 1/2 Z-24 F.Q. HL | ENGRENAGE 1/2 Z-24 TROUS CARRE | ZAHNRAD 1/2 Z-24 F.Q. HL | ENGRANAJE 1/2 Z-24 F.Q. HL |
| 42 | F06080655 | FALSA MAGLIA CAT.1/2 ISO 083 | DUMMY CHAIN LINK 1/2 ISO 083 | FAUSSE MAILLE CHAINE 1/2 ISO 0 | FALSCHES GLIED 1/2 ISO 083 | ESLABN FICTICIO CAD. 1/2 ISO O |
| 43 | F06080501 | GIUNZIONE CATENA 1/2 ISO 083 | CHAIN JOINT 1/2 ISO 083 | JONCTION CHAINE 1/2 ISO 083 | KETTENVERBINDUNG 1/2 ISO 083 | UNIN CADENA 1/2 ISO 083 J |
| 44 | F06080666 | FALSA MAGLIA CAT.1/2 ISO 084-1 | CHAIN EYE CAT. 1/2 ISO 084-1 | | | |
| 45 | F06080502 | GIUNZIONE CATENA 1/2 ISO 084-1 | CHAIN JUNCTION 1/2 ISO 084-1 | | | |
| 46 | F06080644 | FALSA MAGLIA CAT.5/8 ASA 50LUB | DUMMY CHAIN LINK 5/8 ASA 50LUB | FAUSSE MAILLE CHAINE ASA 50LUB | FALSCHES GLIED 5/8 ASA 50LUB | ESLAB N FICTICIO CAD.5/8 ASA50 |
| 47 | F06080499 | GIUNZIONE CATENA 5/8 ASA 50LUB | CHAIN JOINT 5/8 ASA 50LUB | JONCTIONS CHAINE 5/8 ASA 50LUB | KETTENVERBINDUNG 5/8 ASA 50LUB | UNIONES CADENA 5/8 ASA 50LUB |

ST300

6 File/Rows X 70-75 cm

| Catena Chain | | Falsa maglia Offset link | | Maglia giunto Connecting link | |
|------------------|-------|-----------------------------|--|----------------------------------|--|
| mod. | mm | Cod. | | Cod. | |
| 083 | 12,90 | F06080655 (71) | | F06080501 (72) | |
| 084 | 14,60 | F06080666 (73) | | F06080502 (74) | |
| 10 A-1 ASA 50 | 20,50 | F06080644 (75) | | F06080499 (76) | |



TRASMISSIONE MICROGRANULATORE (ST300 6Fx70-75cm)

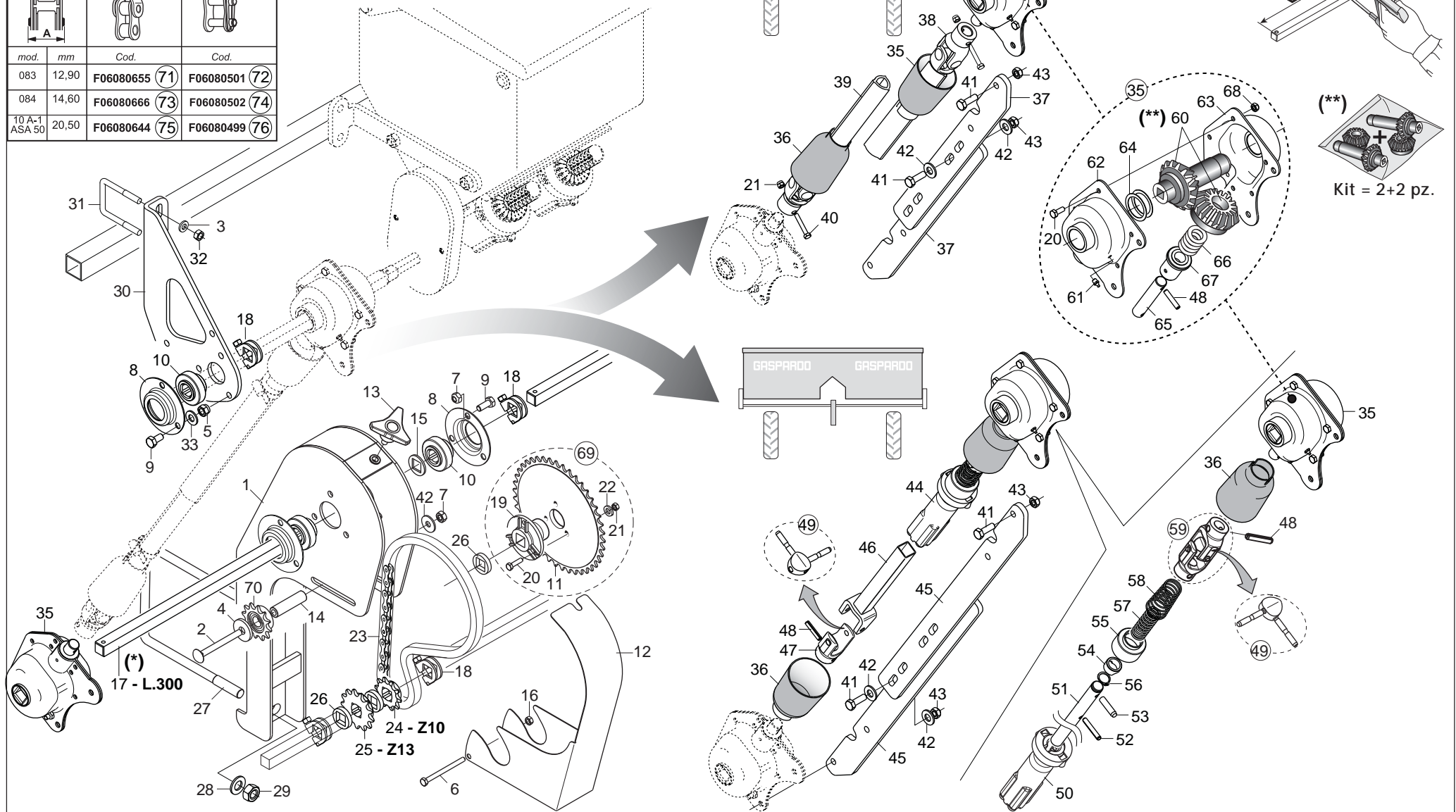
TAV. 361

| Pos. | Cod. | Descrizione | Description | Description | Benennung | Descripcion |
|------|-----------|--------------------------------|--------------------------------|--------------------------------|---------------------------------|--------------------------------|
| 1 | G15275960 | ASS.SCATOLA RINVIO MICRO | TRANSM.BOX MICRO | | | |
| 2 | F01060052 | VITE M8X1,25X80 U5731 8.8ZN | SCR. M8X1,25X80 U5732 4.6ZN | VIS 8 X80 5732 4.6 ZN | SCHRAUBE 8 X80 5732 4.6 ZN | TORNILLO 8x80 5732 4 6 ZN |
| 3 | F01410064 | ROS.M10 10,5X 20X 2 U6592 ZN | WASHER M10 10,5X20X2 U6592 ZN | RONDEL. M10 10,5X20X2 U6592 ZN | SCHLEIBE M10 10,5X20X2 U6592 ZN | ARANDEL.M10 10,5X20X2 U6592 ZN |
| 4 | G20970012 | RONDELLA 32X4X11 | WASHER 32X4X11 | RONDELLE 32X4X11 | UNTERLEGSCHLEIBE 32X4X11 | ARANDELA 32X4X11 |
| 5 | F01200244 | DADO M8X1,25 U5588 6.8ZN | NUT M8X1,25 U5588 6.8ZN | ECROU M8 X1,25 U5588 6.8 ZN | MUTTER M8 X1,25 U5588 6.8 ZN | TUERCA M8 X1,25 U5588 6.8 ZN |
| 6 | F01020050 | VITE M6X1X80 U5737 8.8ZN | SCR. M6X1X80 U5737 8.8ZN | VIS 6 X80 5737 8.G ZN | SCHRAUBE 6 X80 5737 8.G ZN | TORNILLO 6 X80 5737 8.G ZN |
| 7 | F01230034 | DADO M8X1,25 D982 8 | NUT M8X1,25 D982 8ZN | ECROU M8X 1,25 D982 8 ZN | MUTTER M8X 1,25 D982 8 ZN | TUERCA M8X 1,25 D982 8 ZN |
| 8 | G22230094 | SUPPORTO CUSCINETTO | BEARING SUPPORT | SUPPORT PALIER | LAGERBSCHSE | SOPORTE COJINETE |
| 9 | F01020436 | VITE M8X1,25X20 U5739 8.8ZN | SCR. M8X1,25X20 U5739 8.8ZN | VIS M8X1,25X 20 U5739 8.8 ZN | SCHRAUBE M8X1,25X20 U5739 8.8ZN | TORN. M8X1,25X20 U5739 8.8 ZN |
| 10 | G14830390 | CUSCINETTO FORO QUADRO | SQUARE-HOLED BEARING | ROULEMENT TROU CARRE | VIERKANTLAGER | COJINETE ORIFICIO CUADRADO |
| 11 | G20890128 | CORONA Z-42 SP | RING GEAR Z-42 SP | COURONNE Z-42 SP | KRANZ Z-42 SP | CORONA Z-42 SP |
| 12 | G15275970 | CARTER | CARTER | | | |
| 13 | F06220018 | VOLANTINO 3LOBI D.65-M8X15 | 3-LOBE HANDWHEEL D.65-M8X15 | | | |
| 14 | G18803680 | BOCCOLA 8,5 X15,0 X55,5 ZN | BUSHING 8,5 X15,0 X55,5 | | | |
| 15 | G18701650 | RONDELLA FORO QUADRO ZN | WASHER 16,5X30X2,5 ZN | RONDELLE 16,5X30X2,5 ZN | UNTERLEGSCHLEIBE 16,5X30X2,5 ZN | ARANDELA 16,5X30X2,5 ZN |
| 16 | F01230022 | DADO M6X1 D982 8ZN | NUT M6X1 D982 8ZN | ECROU AUTO-FREIN.M6X1 D982 8ZN | SICHERUNGSMUT. M6X1 D982 8 ZN | TUERCA DE SEGU.M6X1 D982 8 ZN |
| 17 | G22270127 | ASSE RUOTA CAMBIO 2F.L.500 SP | WHEEL AXLE - GEARBOX 2-ROW L. | AXE ROUE BOITE DE VITESSE | GEBTRIEBERADACHSE 2R.L.500 SP | EJE RUEDA CAMBIO 2 FILAS. L.50 |
| 18 | G22505085 | FERMO ASSE IN LAMIERA | PLATE AXLE STOP | ARRET AXE EN TOLE | FESTSTELLVORRICHTUNG BLECHACHS | BLOQUEO EJE DE CHAPA |
| 19 | G17175560 | MOZZO INGRANAGGIO ACCORCIATO | GEAR HUB SHORTER | | | |
| 20 | F01020403 | VITE M6X1X16 U5739 8.8ZN | SCR. M6X1X16 U5739 8.8ZN | VIS M6X1X16 U5739 8.8 ZN | SCHRAUBE M6X1X16 U5739 8.8 ZN | TORNILLO M6X1X16 U5739 8.8 ZN |
| 21 | F01200232 | DADO M6X1 U5588 6.8ZN | NUT M6X1 U5588 6.8ZN | ECROU 6 UNI 5588 6.8 ZN | MUTTER 6 UNI 5588 6.8 ZN | TUERCA 6 UNI 5588 6.8 ZN |
| 22 | F01430047 | ROS.M6 6,4X 11X0,7 U8842J ZN | WASHER D6 DIN 6798 D.INT.GALV. | RONDELLE D6 DIN 6798 D. INT. Z | UNT. SCHEIBE D6 DIN 6798 D. IN | ARANDELA D6 DIN 6798 D.INT.ZN |
| 23 | F06080028 | CATENA 1/2 ISO 083 60 MAGLIE | CHAIN 1/2 ISO 083 60 LINKS | CHAINE 1/2 ISO 083 60 MAILLES | KETTE 1/2 ISO 083 60 GLIEDER | CADENA 1/2 ISO 083 60 ESLABNEL |
| 24 | G22250006 | INGR.CON MOZZO 1/2 Z-10 SV | GEARS- W/ HUB 1/2 Z-10 SV | ENGRENAGE AVEC MOYEU 1/2 Z-10 | ZAHNRAD MIT NABE 1/2 Z-10 SV | ENGRAN.CON PERNO 1/2 Z-10 SV |
| 25 | G15131050 | PIGNONE Z13 | Z-13 PINION | PIGNON Z13 | RITZEL Z-13 | PIÑON Z13 |
| 26 | G66248218 | RONDELLA DISTAN.SPANDI | MAN. SPR. SPACER WASHER | RONDELLE ENTRETOISE EP. ENGRAI | ABSTANDSCHEIBE DSNGERSTREUER | ARANDELA DISTAN.ABONAD. |
| 27 | F01101785 | CAV.Q.B=150 M=14X2 L=189 | U BOLT Q.B=150 M=14X2 L=189 | CAVALIER 150 | VERBINDUNG 150 | PERNO EN U 150 |
| 28 | F01410088 | ROS.M14 15X 28X2,5 U6592 ZN | WAS.M14 15X 28X2,5 U6592 ZB | RON.M14 15X 28X2,5 U6592 ZB | SCH.M14 15X 28X2,5 U6592 ZB | ARA.M14 15X 28X2,5 U6592 ZB |
| 29 | F01200306 | DADO M14X2 U5588 6.8ZN | NUT M14X2 U5588 6.8ZN | ECROU M14X2 | MUTTER M14X2 | DADO M14X2 |
| 30 | G15175071 | SUPPORTO ASSI TRASM.MICRO | MICRO TRANSMISSION AXLE SUPPOR | | | |
| 31 | F20110706 | CAV.Q.B=35 M=10X1,5 L=60 | U BOLT Q.B=35 M=10X1,5 L=60 | CAVALIER SUPPORT DISQUE SV | VERBINDUNG SCHEIBENHALTERUNG S | PERNO EN U SOP. DISCO SV |
| 32 | F01200270 | DADO M10X1,5 U5588 6.8ZN | NUT M10X1,5 U5588 6.8ZN | ECROU M10X 1,5 U5588 6.8 ZN | MUTTER M10X 1,5 U5588 6.8 ZN | TUERCA M10X 1,5 U5588 6.8 ZN |
| 33 | F01410051 | ROS.M8 8,4X 17X1,6 U6592 ZN | WASHER M8 8,4X17X1,6 U6592 ZN | RONDELLE M8 8,4X17X1,6 U6592ZN | SCHLEIBE M8 8,4X17X1,6 U6592 ZN | ARANDELA M8 8,4X17X1,6 U6592ZN |
| 35 | G16033200 | MONT.SCATOLA RINVIO Q.16 PLA > | TRANSFER CASE | BOITE RENVOI | VORGELEGEGEHUSE | CAJA DE DISTRIBUCIN |
| 36 | G19002840 | COPRICARDANO SUPERIORE | TOP CARDAN JOINT COVER | COUVRE-CARDAN SUPERIEUR | OBERE KARDANABDECKUNG | CUBRECARDAN SUPERIOR |
| 37 | G17172041 | ASTA SCATOLE RINVIO | TRASM.BOX ROD | | | |
| 38 | G15276050 | ASS.TUBO TRASMISSIONE ESTERNO | TRANSMISSION PIPE EXTERNAL | | | |
| 39 | G15276040 | ASS.TUBO TRASMISSIONE INTERNO | TRANSMISSION PIPE INTERNAL | | | |
| 40 | F01020040 | VITE M6X1X40 U5737 8.8ZN | SCR. M6X1X40 U5737 8.8ZN | VIS M6X1X40 U5737 8.8ZN | SCHRAU. M6X1X40 U5737 8.8ZN | TORNI. M6X1X40 U5737 8.8ZN |
| 41 | F01020440 | VITE M8X1,25X25 U5739 8.8ZN | SCR. M8X1,25X25 U5739 8.8ZN | VIS M8X1,25X25 U5739 8.8 ZN | SCHRAUBE M8X1,25X25 U5739 8.8ZN | TORNIL.M8X1,25X25 U5739 8.8 ZN |
| 42 | F01420048 | ROS.M8 8,4X 24X 2 U6593 ZN | WASHER M8 8,4X 24X2 U6593 ZN | RONDELLE M8 8,4X24X 2 U6593 ZN | SCHLEIBEN M8 8,4X24X 2 U6593 ZN | ARANDELA M8 8,4X 24X2 U6593 ZN |
| 43 | F01220022 | DADO M8X1,25 D980 8ZN | NUT M8X1,25 D980 8ZN | ECROU M8X 1,25 D980 8 ZN | MUTTER M8X 1,25 D980 8 ZN | TUERCA M8X 1,25 D980 8 ZN |
| 44 | G17120531 | SCATOLA RINVIO Q.16 EL.MA COMP | TRANS. BOX Q.16 EL. MA ASS.BLY | | | |
| 45 | G15175230 | ASTA SCATOLE RINVIO MICRO CARD | CARDAN JOINT TRANSMIS. BOX ROD | | | |
| 46 | G15221221 | TUBO CARDANO 20 L. 165 | CARDAN TUBE 20 L.165 | | | |
| 47 | G19204080 | FORCELLA | FORK | | | |
| 48 | F02100113 | SPINA E.P. 6X 30 U6873 C70 ZN | PIN EL. 6X30 DIN 1481 ZN * | GOUPILLE EL.6 X30 DIN1481ZN* | SPANNSTIFT 6 X30 DIN 1481 ZN | CLAVIJA EL.6 X30 DIN 1481 ZN |
| 49 | G22270454 | KIT CROCIERA 2 PEZZI | KIT SPIDER 2 ITEMS | CROSILLON COMPL CARDAN TRANSM | GELENKKREUZ KOMPL. SP/S | CRUCETA COMPL. SP/S |
| 50 | G22505073 | MANICOTTO DI INNESTO MT | COUPLING SLEEVE MT | MANCHON D'ACCOUPLLEMENT MT | KUPPLUNGSMUFFE MT | MANGUITO DE ACOPLAMIENTO MT |
| 51 | G17120181 | PERNO D.16X240 CARDANO ZN > | PIN D.16X240 CARDAN ZN | | | |
| 52 | F02100121 | SPINA E.P. 6X 40 U6873 C70 BR | ELASTIC PIN 6X40 | GOUJON ELASTIQUE 6X40 | SPANNHUELSE 6X40 | PASADOR 6X40 |
| 53 | G66248057 | SPINA DI SICUREZZA SP | SAFETY PIN SP | BROCHE PLASTIC SECURITE CARDAN | SICHERHEITSSTIFT SP | CLAVIJA DE SEGURIDAD SP |
| 54 | G22220105 | BOCCOLA DI SPINTA | THRUST BUSHING | BOITE DE POUSSÉE | SCHUBBSCHSE | CASQUILLO DE APRIETE |
| 55 | G66248102 | ANELLO SICUREZZA SP | SAFETY RING | BAGUE SECURITE SP | SICHERHEITSRING SP | ANILLO DE SEGURIDAD SP |
| 56 | F02050045 | ANELLO E. DE 16X 1 U7435 C70 | SEEGER RING 16X 1 U7435 C70 | BAGUE SEEGER 16 X 1 U7435 C70 | SEEGERING 16 X 1 U7435 C70 | ANILLO 16X 1 U7435 C70 |

ST300

6 File/Rows X 70-75 cm

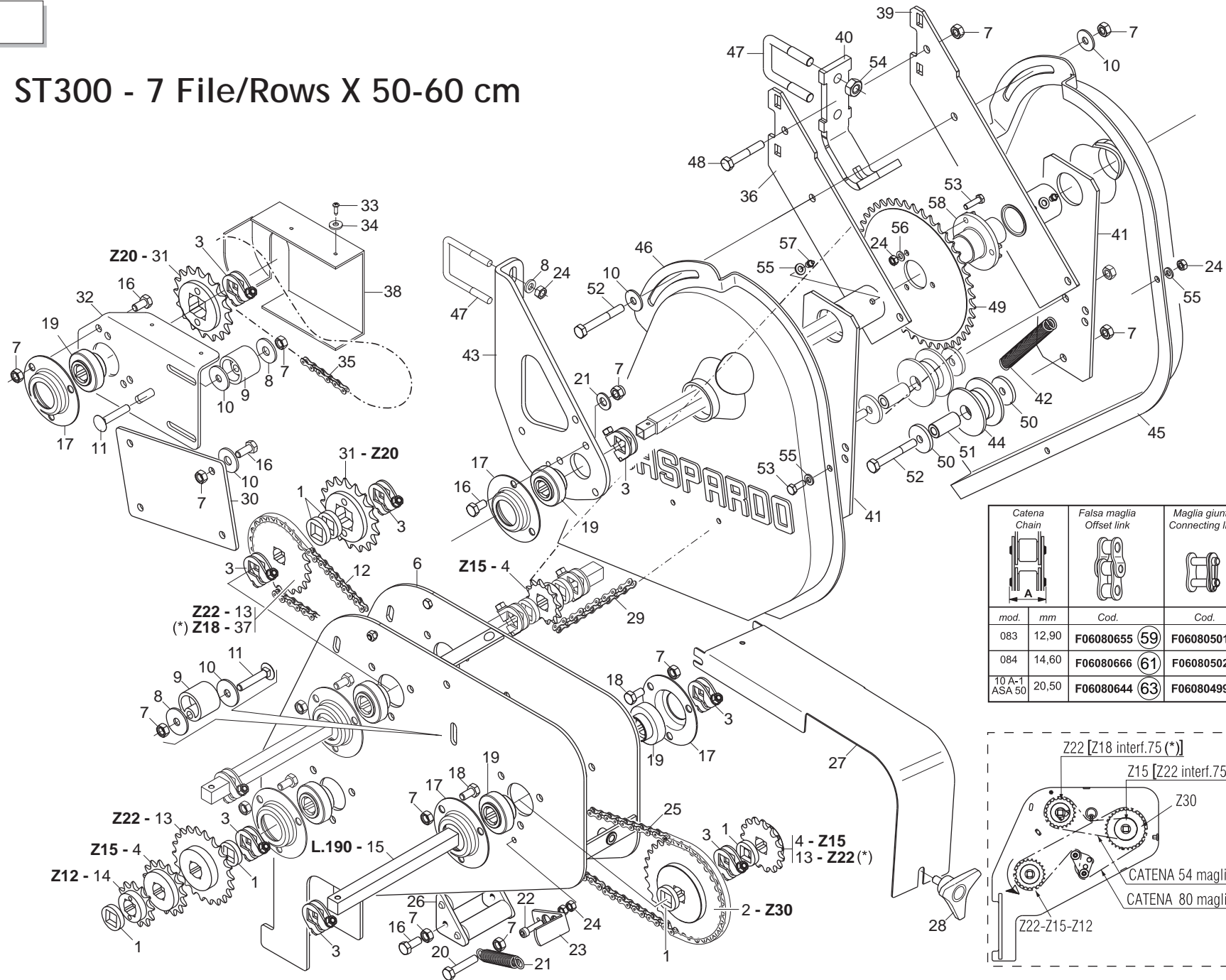
| Catena Chain | | Falsa maglia Offset link | | Maglia giunto Connecting link | |
|------------------|-------|-----------------------------|--|----------------------------------|--|
| mod. | mm | Cod. | | Cod. | |
| 083 | 12,90 | F06080655 (71) | | F06080501 (72) | |
| 084 | 14,60 | F06080666 (73) | | F06080502 (74) | |
| 10 A-1 ASA 50 | 20,50 | F06080644 (75) | | F06080499 (76) | |



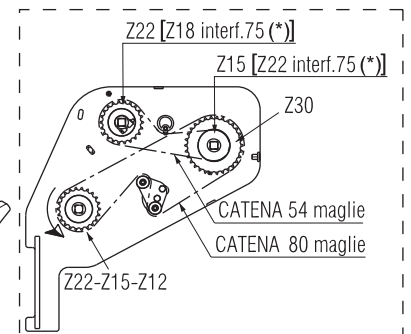
TRASMISSIONE MICROGRANULATORE (ST300 6Fx70-75cm)
TAV. 361

| Pos. | Cod. | Descrizione | Description | Description | Benennung | Descripcion |
|------|-----------|--------------------------------|--------------------------------|--------------------------------|--------------------------------|--------------------------------|
| 57 | G65338018 | MOLLA COMP.ZN SCATOLA RINV.SP | TRANSM. BOX COMP. SPRING . SP | RESSORT COMPL. ZN TRANSMISSION | DRUCKFEDER ZN VORGELEGEGEHZUSE | MUELLE COMP.ZN CAJA TRANSFER.. |
| 58 | G65338039 | MOLLA COMP.ZN INNESTO SP | ZN COUPLING COMP. SPRING SP | RESSORT COMPL. ZN ACCOUPLEM. | DRUCKFEDER ZN KUPPLUNG SP | MUELLE COMP.ZN ACOPLAMIENTO SP |
| 59 | G15423980 | FORCELLE SNODO ESCL.ELET.COMPL | COMPLET FORK ELECTRIC SWITCH O | | | |
| 60 | G22270389 | 2+2 INGR.SCATOLA DI RINVIO > | 2+2 INTERM. TRANSM. GEAR BOX | COUPLE CON RENV ANGLE (2+2) | 2+2 ZAHNRZDER VORGELEGEGEHZUSE | 2+2 ENGRANAJES CAJA DE LA TRAN |
| 61 | F01100011 | ING.M 6X1 7663-A 9SMNPB28 ZN | GREASE NIPPLE M6X1 7663-A ZN | GRAISS. A BILLE M6X1 7663A ZN | SCHMIERBUECHE M6X1 7663-A ZN | ENGRAS. DE ESFE. M6X1 7663-AZN |
| 62 | G22220103 | CONCHIGLIA SX | LEFT SHELL | | | |
| 63 | G22220102 | CONCHIGLIA DX | RIGHT SHELL | COQUILLE DRT. | SCHALE RECHTS | MOLDE DER. |
| 64 | G18700510 | RONDELLA 31 X40 X0,6 ZN | GROWER 32 X 40 X 0,6 ZN | | | |
| 65 | G22270452 | ALBERO SCATOLA RINVIO SP/S | INTERMEDIATE BOX SHAFT | ARBRE TRANSMISSION SP/S | WELLE VORGELEGEGEHZUSE SP/S | æRBOL CAJA DE TRANSMISIN SP/SA |
| 66 | G22220073 | RONDELLA 28X0,3X16,5 | WASHER 28X0-3X16-5 | RONDELLE 28X0-3X16-5 | UNTERLEGSCHIEBE 28X0-3X16-5 | ARANDELA 28X0-3X16-5 |
| 67 | G66349001 | BOCCOLA | BUSHING | BOITE | B_CHSE | CASQUILLO |
| 68 | F01220011 | DADO M6X1 D980 8ZN | NUT M6X1 D980 8ZN | ECROU M6X1 D980 8 ZN | MUTTER M6X1 D980 8 ZN | TUERCA M6X1 D980 8 ZN |
| 69 | G17175550 | CORONA Z-42 COMPL | RING GEAR Z-42 | | | |
| 70 | G16930550 | PIGNONE TENDICATENA CONC.COMPL | COMPL. FERTILIS. CHAIN EXTENDE | PIGNON TENDEUR DE CHAINE FERTI | RITZEL KETTENSANNER D_NGER KO | PIDON TIRA CADENA ABONO COMPL. |
| 71 | F06080655 | FALSA MAGLIA CAT.1/2 ISO 083 | DUMMY CHAIN LINK 1/2 ISO 083 | FAUSSE MAILLE CHAINE 1/2 ISO 0 | FALSCHES GLIED 1/2 ISO 083 | ESLABN FICTICIO CAD. 1/2 ISO O |
| 72 | F06080501 | GIUNZIONE CATENA 1/2 ISO 083 | CHAIN JOINT 1/2 ISO 083 | JONCTION CHAINE 1/2 ISO 083 | KETTENVERBINDUNG 1/2 ISO 083 | UNIN CADENA 1/2 ISO 083 J |
| 73 | F06080666 | FALSA MAGLIA CAT.1/2 ISO 084-1 | CHAIN EYE CAT. 1/2 ISO 084-1 | | | |
| 74 | F06080502 | GIUNZIONE CATENA 1/2 ISO 084-1 | CHAIN JUNCTION 1/2 ISO 084-1 | | | |
| 75 | F06080644 | FALSA MAGLIA CAT.5/8 ASA 50LUB | DUMMY CHAIN LINK 5/8 ASA 50LUB | FAUSSE MAILLE CHAINE ASA 50LUB | FALSCHES GLIED 5/8 ASA 50LUB | ESLAB N FICTICIO CAD.5/8 ASA50 |
| 76 | F06080499 | GIUNZIONE CATENA 5/8 ASA 50LUB | CHAIN JOINT 5/8 ASA 50LUB | JONCTIONS CHAINE 5/8 ASA 50LUB | KETTENVERBINDUNG 5/8 ASA 50LUB | UNIONES CADENA 5/8 ASA 50LUB |

ST300 - 7 File/Rows X 50-60 cm



| Catena Chain | | Falsa maglia Offset link | Maglia giunto Connecting link |
|------------------|-------|-----------------------------|----------------------------------|
| | | | |
| mod. | mm | Cod. | Cod. |
| 083 | 12,90 | F06080655 (59) | F06080501 (60) |
| 084 | 14,60 | F06080666 (61) | F06080502 (62) |
| 10 A-1 ASA 50 | 20,50 | F06080644 (63) | F06080499 (64) |

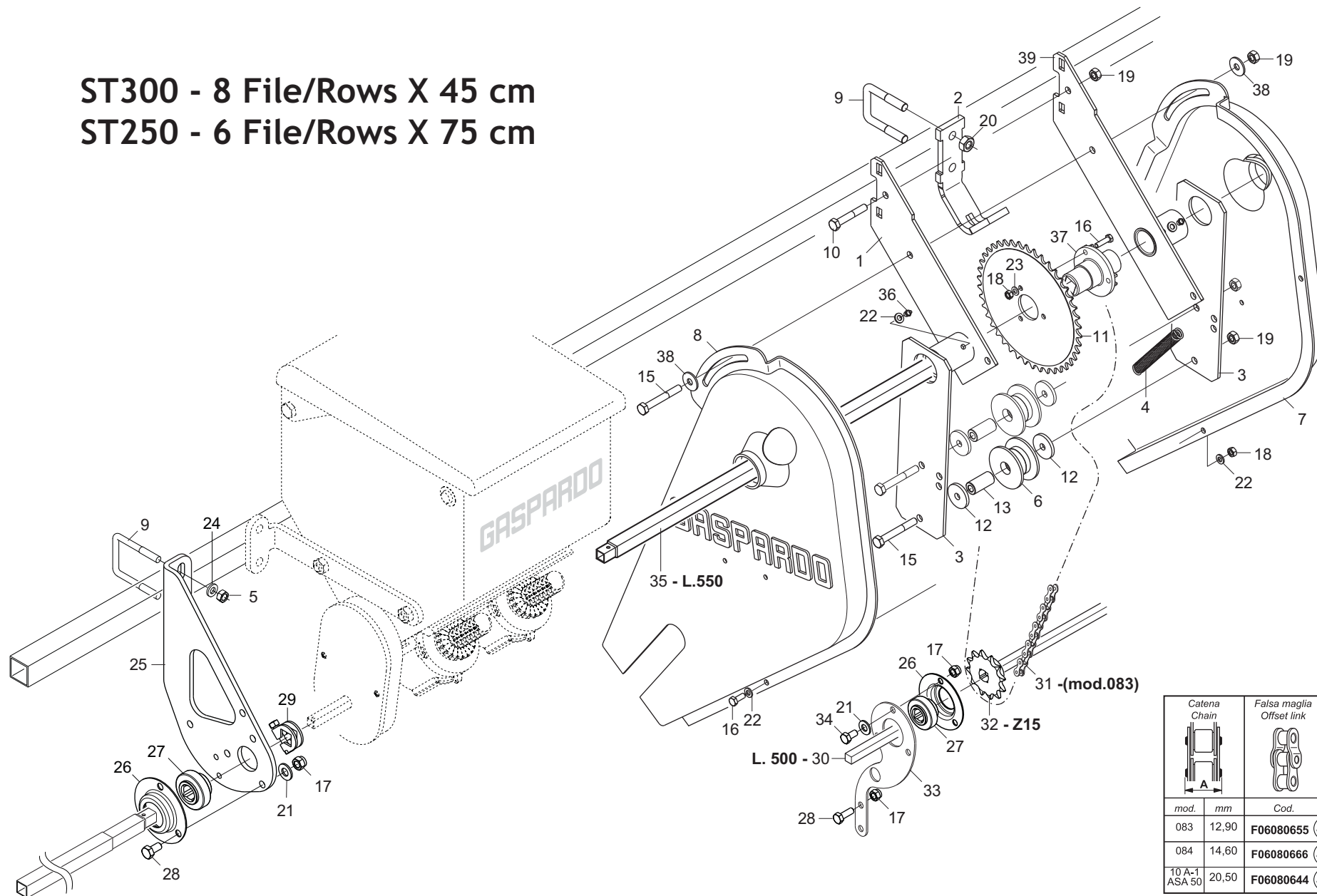


TRASMISSIONE MICROGRANULATORE (ST300 7Fx50-60cm)

TAV. 371

| Pos. | Cod. | Descrizione | Description | Description | Benennung | Descripcion |
|------|-----------|--------------------------------|--------------------------------|--------------------------------|--------------------------------|----------------------------------|
| 1 | G66248218 | RONDELLA DISTAN.SPANDI | MAN. SPR. SPACER WASHER | RONDELLE ENTRETOISE EP. ENGRAI | ABSTANDSCHEIBE DsNGERSTREUER | ARANDELA DISTAN.ABONAD. |
| 2 | G15231800 | PIGNONE Z30 1/2-3/16 Q.16,4 ZN | PINION Z30 1/2-3/16 Q.16,4 ZN | | | |
| 3 | G22505085 | FERMO ASSE IN LAMIERA | PLATE AXLE STOP | ARRET AXE EN TOLE | FESTSTELLVORRICHTUNG BLECHACHS | BLOQUEO EJE DE CHAPA |
| 4 | G22250028 | PIGNONE Z-15 SV | Z-15 PINION SV | PIGNON Z-15 SV | RITZEL Z-15 SV | PIÑN Z-15 SV P |
| 6 | G15231850 | SCATOLA RINVIO | TRANSMISSION BOX | | | |
| 7 | F01200244 | DADO M8X1,25 U5588 6.8ZN | NUT M8X1,25 U5588 6.8ZN | ECROU M8 X1,25 U5588 6.8 ZN | MUTTER M8 X1,25 U5588 6.8 ZN | TUERCA M8 X1,25 U5588 6.8 ZN |
| 8 | F01410064 | ROS.M10 10,5X 20X 2 U6592 ZN | WASHER M10 10,5X20X2 U6592 ZN | RONDEL. M10 10,5X20X2 U6592 ZN | SCHEIBE M10 10,5X20X2 U6592 ZN | ARANDEL.M10 10,5X20X2 U6592 ZN |
| 9 | G66248207 | TENDICATENA SPAND. SP-520 | CHAIN TENSIONER | TENDEUR DE CHAINE EPAND. ENGR. | KETTENSANNER DsNGERSTR. SP-52 | SENSOR DE CADENA ABON. SP-520 |
| 10 | F01420048 | ROS.M8 8,4X 24X 2 U6593 ZN | WASHER M8 8,4X 24X2 U6593 ZN | RONDELLE M8 8,4X24X 2 U6593 ZN | SCHEIBEN M8 8,4X24X 2 U6593 ZN | ARANDELA M8 8,4X 24X2 U6593 ZN |
| 11 | F01060047 | VITE M8X1,25X45 U5731 8.8ZN | SCR. M8X1,25X45 U5732 4.6ZN | VIS 8X45 5732 4.6 ZN | SCHRAUBE 8X45 5732 4.6 ZN | TORNILLO 8X45 5732 4.6 ZN |
| 12 | F06080023 | CATENA 1/2 ISO 083 54 MAGLIE | CUT-DOWN CHAIN .1/2 ISO 083 54 | TR. CH..1/2 ISO 083 54 MAILLE | KETTENZLNAGE 1/2 ISO 083 54 GL | TRECHO CADENA 1/2 ISO 083 54 E |
| 13 | G20910018 | INGRANAGGIO Z-22 | GEAR Z-22 | ENGRENAGE Z-22 | ZAHNRAD Z-22 | ENGRANAJE Z-22 |
| 14 | G16032560 | PIGNONE Z12 Q.16,4 | PINION Z12 Q.16,4 | PIGNON Z12 Q.16,4 | RITZE Z12 Q.16,4 | PINION Z12 Q.16,4 |
| 15 | G10538170 | ASSE TRASM.L.193 | TRANSMISSION AXLE L193 | AXE TRANSMISSION L.193 | ANTRIEBSACHSE L.193 | EJE TRANSMISIN L 193 |
| 16 | F01020436 | VITE M8X1,25X20 U5739 8.8ZN | SCR. M8X1,25X20 U5739 8.8ZN | VIS M8X1,25X 20 U5739 8.8 ZN | SCHRAUBE M8X1,25X20U5739 8.8ZN | TORN. M8X1,25X20 U5739 8.8 ZN |
| 17 | G22230094 | SUPPORTO CUSCINETTO | BEARING SUPPORT | SUPPORT PALIER | LAGERBsCHSE | SOPORTE COJINETE |
| 18 | F01020432 | VITE M8X1,25X16 U5739 8.8ZN | SCR. M8X1,25X16 U5739 8.8ZN | VIS M8 X1,25X16 U5739 8.8 ZN | SCHRAUBE M8X1,25X16U5739 8.8ZN | TORNILLO M8X1,25X16U5739 8.8ZN |
| 19 | G14830390 | CUSCINETTO FORO QUADRO | SQUARE-HOLED BEARING | ROULEMENT TROU CARRE | VIERKANTLAGER | COJINETE ORIFICIO CUADRADO |
| 20 | F01020450 | VITE M8X1,25X40 U5739 8.8ZN | SCR. M8X1,25X40 U5739 8.8ZN | VIS M8X1,25X40 U5739 8.8ZN | SCHRA. M8X1,25X40 U5739 8.8ZN | TORN. M8X1,25X40 U5739 8.8ZN |
| 21 | G18902970 | MOLLA TRAZ.CAMBIO ZN SP | GALVAN. GEAR TRACT. SPRING SP | RESS. TRACT. BOITE VITESSE ZN | ZUGFEDER GETRIEBE ZN SP | MUELLE TRAC. CAMBIO ZN SP |
| 22 | F01040064 | VITE M6X1X25 U5931 8.8ZN | SCREW M6X1X25 U5931 8.8ZN | VIS M6X1X25 U5931 8.8ZN | SCHRAUBE M6X1X25 U5931 8.8ZN | TORNILLO M6X1X25 U5931 8.8ZN |
| 23 | G17130140 | LEVA CAMBIO ZN | GEAR LEVER | LEVIER BOITE DE VITESSE | GETRIEBE HEBEL | PALANCA DE CAMBIO |
| 24 | F01200232 | DADO M6X1 U5588 6.8ZN | NUT M6X1 U5588 6.8ZN | ECROU 6 UNI 5588 6.8 ZN | MUTTER 6 UNI 5588 6.8 ZN | TUERCA 6 UNI 5588 6.8 ZN |
| 25 | F06080043 | CATENA 1/2 ISO 083 80 MAGLIE | CHAIN 1/2 ISO 083 80 SHACKLE | | | |
| 26 | G15231570 | RULLO TENDICATENA STRETTO | CHAIN TIGHTENER NARROW ROLLER | ROULEAU TENDEUR ETROITE DE CHA | ROLLE ENGES KETTENSANNER | RODILLO TENSOR DE LA CADENA AN |
| 27 | G15231860 | CARTER SUPERIORE | UPPER CARTER | | | |
| 28 | F06220018 | VOLANTINO 3LOBI D.65-M8X15 | 3-LOBE HANDWHEEL D.65-M8X15 | | | |
| 29 | F06080050 | CATENA 1/2 ISO 083 96 MAGLIE | CHAIN 1/2 ISO 083 96 LINKS | TR. CH...1/2 ISO 083 96 MAILL | KETTENZLNAGE 1/2 ISO 083 96 GL | TRECHO CADENA 1/2 ISO 083 96 E |
| 30 | G15231830 | PIASTRA PROLUNGA TRASM.SPANDI | FERTILIZER DIST. TRANSM. PLATE | | | |
| 31 | G22250007 | INGR.CON MOZZO 1/2 Z-20 SV | GEARS- W/ HUB 1/2 Z-20 SV | ENGRENAGE 1/2 Z-20 | ZAHNRAD MIT NABE 1/2 Z-20 SV | ENGRAN.CON PERNO 1/2 Z-20 SV |
| 32 | G15470851 | FIANCO SUPP.TRASM.SPANDI | SPREADER TRANSM. SIDE SUPPORT | COTE SUPPORT TRANSM. EPAND. | SEITEN HALTER. ANTRIEB DUNGERS | COSTADO SOPORTE TRANSM. ABONAD |
| 33 | F01070078 | VITE A4,2X1,41X13 U6950 4.8ZN | SCR. H4,2X1,41X13 U6950 4.8ZN | VIS AUTOTARADEUSE.4-2X13 TE | SELBSTSCHNEID. SCHRAUBE 4-2X13 | TORNILLO AUTOR.4-2X13 TE |
| 34 | F01420011 | ROS.M4 4,3X 16X 1 U6593 ZN | FLAT WASHER 4-3X 16X1-5 6593 G | ROND.PLATE 4-3X 16X1-5 6593 ZN | SCHEIBE 4-3X 16X1-5 6593 ZN | ARAND. PLANA 4-3X 16X1-5 6593 |
| 35 | F06080039 | CATENA 1/2 ISO 083 76 MAGLIE | CHAIN 1/2 ISO 083 76 SHACKLE | | | |
| 36 | G15476880 | RIBADITURA SUPP.TRASM.SX | LH TRANSMISSION SUPPORT | | | |
| 37 | G15131060 | PIGNONE Z18 Q.16,4 ZN | PINION Z18 Q.16,4 ZN | PIGNON Z18 Q.16,4 ZN | RITZE Z18 Q.16,4 ZN | PINION Z18 Q.16,4 ZN |
| 38 | G19002830 | CARTER TRASMISSIONE SUPERIORE | TOP TRANSMISSION CASE | CARTER ENTRAINEMENT SUPERIEUR | OBERES ANTRIEBSGEHUSE | CæRTER TRANSMISIN SUPERIOR C |
| 39 | G15476890 | RIBADITURA SUPP.TRASM.DX | RH TRANSMISSION SUPPORT | | | |
| 40 | G15476390 | SCONTRO CENTRALE | CENTRAL PLATE | | | |
| 41 | G15475311 | SUPPORTO RULLINI TENDIC. MICRO | MICRO CHAIN STRETCHER ROLLERS | | | |
| 42 | G18902960 | MOLLA TRAZ.TRASM.RUOTA ZN | TRANSMISSION TENSIONER SPRING | RESSORT TRACT. ENTRAIN. ROUE Z | ZUGFEDER RADANTRIEB ZN | MUELLE TRAC. TRANSM.RUEDA ZN |
| 43 | G15175071 | SUPPORTO ASSI TRASM.MICRO | MICRO TRANSMISSION AXLE SUPPOR | | | |
| 44 | G19000091 | ROCCHETTO 2 META' | CHAIN TENSIONER | TENDEUR DE CHAINE 2 MOITIE | KLEINRAD SPANNER SA | CARRETE TENSOR SA |
| 45 | G19002810 | CARTER RINVIO MICRO DX | RIGHT MICRO TRANSM. CASE | CARTER TRANSM. MICRO DRT | VORGELEGEGEHUSE MIKRO RE | CæRTER TRANSMISIN MICRO DER C |
| 46 | G19002820 | CARTER RINVIO MICRO SX | LEFT MICRO TRANSM. CASE | CARTER TRANSM. MICRO GCH | VORGELEGEGEHUSE MIKRO LI | CæRTER TRANSMISIN MICRO IZQ C |
| 47 | F20110706 | CAV.Q.B=35 M=10X1,5 L=60 | U BOLT Q.B=35 M=10X1,5 L=60 | CAVALIER SUPPORT DISQUE SV | VERBINDUNG SCHEIBENHALTERUNG S | PERNO EN U SOP. DISCO SV |
| 48 | F01020072 | VITE M8X1,25X50 U5737 8.8ZN | SCR. M8X1,25X50 U5737 8.8ZN | VIS M8X1,25X50 U5737 8.8 ZN | SCHR. M8X1,25X50 U5737 8.8 ZN | TORN. M8X1,25X50 U5737 8.8 ZN |
| 49 | G20890128 | CORONA Z-42 SP | RING GEAR Z-42 SP | COURONNE Z-42 SP | KRANZ Z-42 SP | CORONA Z-42 SP |
| 50 | G18700320 | RONDELLA 8,5 X32 X4 ZN | WASHER 8,5 X32 X4 GALV.ED | | | |
| 51 | G20980086 | BOCCOLA DIST.D.8,5X16X31 | BUSHING SPAC.. D.8-5X16X31 | BOITE ENTRETOISE D. 8-5X16X31 | VERTEILERBsCHSE D.8-5X16X31 | CASQUILLO DIST. D.8-5X16X31 |
| 52 | F01020077 | VITE M8X1,25X60 U5737 8.8ZN | SCR. M8X1,25X60 U5737 8.8ZN | VIS M8X1,25X60 U5737 8.8 ZN | SCHRAU. M8X1,25X60 U5737 8.8ZN | TORN. M8X1,25X60 U5737 8.8 ZN |
| 53 | F01020403 | VITE M6X1X16 U5739 8.8ZN | SCR. M6X1X16 U5739 8.8ZN | VIS M6X1X16 U5739 8.8 ZN | SCHRAUBE M6X1X16 U5739 8.8 ZN | TORNILLO M6X1X16 U5739 8.8 ZN |
| 54 | F01200270 | DADO M10X1,5 U5588 6.8ZN | NUT M10X1,5 U5588 6.8ZN | ECROU M10X 1,5 U5588 6.8 ZN | MUTTER M10X 1,5 U5588 6.8 ZN | TUERCA M10X 1,5 U5588 6.8 ZN |
| 55 | F01410037 | ROS.M6 6,4X12,5X1,6 U6592 ZN | WASHER M6 6,4X12,5X1,6 U6592ZN | RONDEL.M6 6,4X12,5X1,6 U6592ZN | SCHEIB.M6 6,4X12,5X1,6 U6592ZN | ARANDEL.M6 6,4X12,5X1,6 U6592 ZN |
| 56 | F01430047 | ROS.M6 6,4X 11X0,7 U8842J ZN | WASHER D6 DIN 6798 D.INT.GALV. | RONDELLE D6 DIN 6798 D. INT. Z | UNT. SCHEIBE D6 DIN 6798 D. IN | ARANDELA D6 DIN 6798 D.INT.ZN |
| 57 | F01100011 | ING.M 6X1 7663-A 9SMNPB28 ZN | GREASE NIPPLE M6X1 7663-A ZN | GRAISS. A BILLE M6X1 7663-A ZN | SCHMIERBUECHE M6X1 7663-A ZN | ENGRAS. DE ESFE. M6X1 7663-AZN |
| 58 | G66248152 | MOZZO TRASM.MICRO M80 | HUB - TRANSM. MICRO M80 | MOYEU ENTRAINEMENT MICRO M80 | ANTRIEBSNABE MIKRO M80 | CUBO TRANSM. MICRO M80 |

ST300 - 8 File/Rows X 45 cm
 ST250 - 6 File/Rows X 75 cm

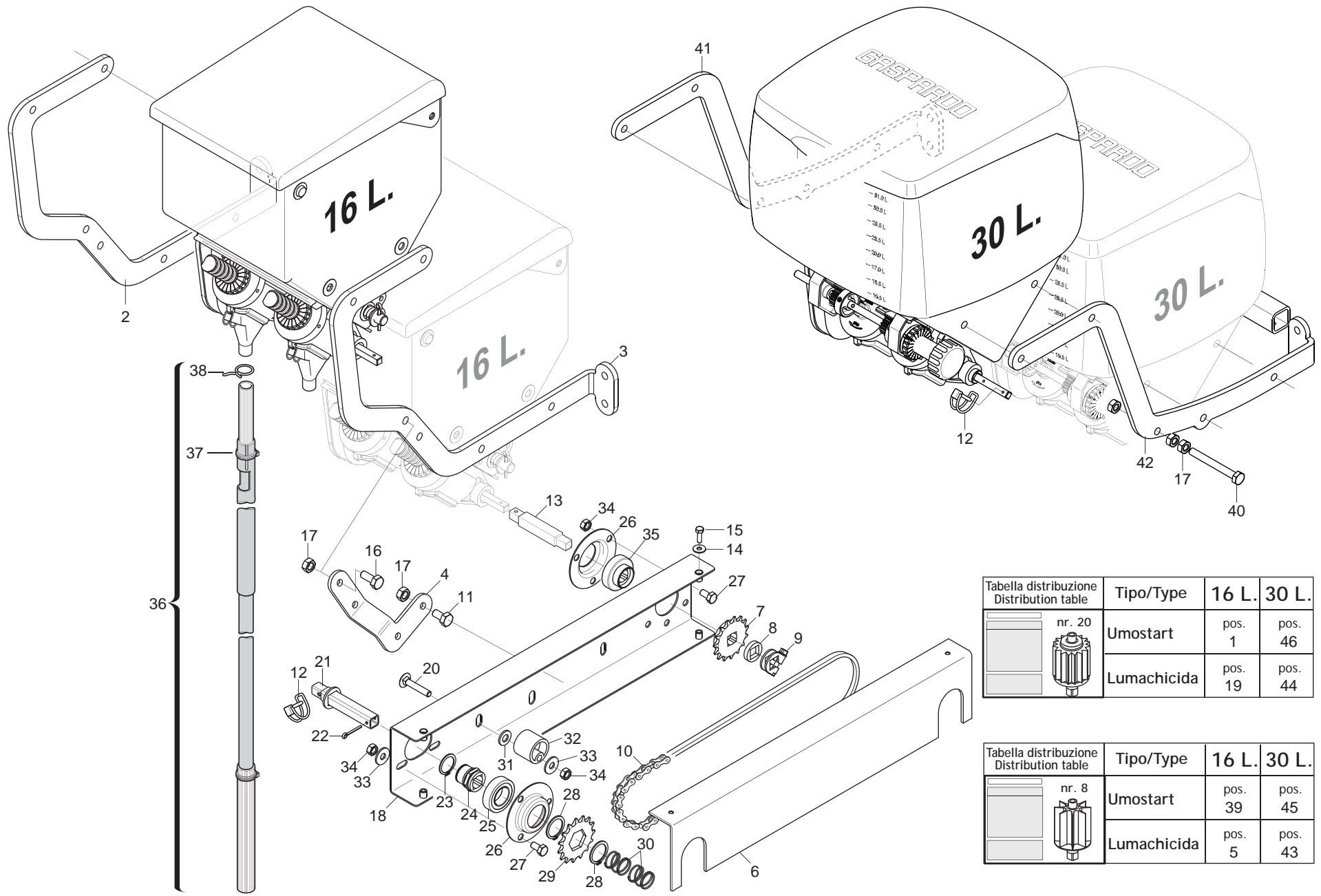



| Catena Chain | | Falsa maglia Offset link | Maglia giunto Connecting link |
|------------------|-------|-----------------------------|----------------------------------|
| | | | |
| mod. | mm | Cod. | Cod. |
| 083 | 12,90 | F06080655 (40) | F06080501 (41) |
| 084 | 14,60 | F06080666 (42) | F06080502 (43) |
| 10 A-1 ASA 50 | 20,50 | F06080644 (44) | F06080499 (45) |


TRASMISSIONE MICROGRANULATORE (ST300 8Fx45cm / ST250 6Fx75)

TAV. 381

| Pos. | Cod. | Descrizione | Description | Description | Benennung | Descrpcion |
|------|-----------|--------------------------------|--------------------------------|--------------------------------|--------------------------------|--------------------------------|
| 1 | G15476880 | RIBADITURA SUPP.TRASM.SX | LH TRANSMISSION SUPPORT | | | |
| 2 | G15476390 | SCONTRO CENTRALE | CENTRAL PLATE | | | |
| 3 | G15475311 | SUPPORTO RULLINI TENDIC. MICRO | MICRO CHAIN STRETCHER ROLLERS | | | |
| 4 | G18902960 | MOLLA TRAZ.TRASM.RUOTA ZN | TRANSMISSION TENSIONER SPRING | RESSORT TRACT. ENTRAIN. ROUE Z | ZUGFEDER RADANTRIEB ZN | MUELLE TRAC. TRANSM.RUEDA ZN |
| 5 | F01200232 | DADO M6X1 U5588 6.8ZN | NUT M6X1 U5588 6.8ZN | ECROU 6 UNI 5588 6.8 ZN | MUTTER 6 UNI 5588 6.8 ZN | TUERCA 6 UNI 5588 6.8 ZN |
| 6 | G19000091 | ROCCHETTO 2 META' | CHAIN TENSIONER | TENDEUR DE CHAINE 2 MOITIE | KLEINRAD SPANNER SA | CARRETE TENSOR SA |
| 7 | G19002810 | CARTER RINVIO MICRO DX | RIGHT MICRO TRANSM. CASE | CARTER TRANSM. MICRO DRT | VORGELEGEGEHZUSE MIKRO RE | CæRTER TRANSMISIN MICRO DER C |
| 8 | G19002820 | CARTER RINVIO MICRO SX | LEFT MICRO TRANSM. CASE | CARTER TRANSM. MICRO GCH | VORGELEGEGEHZUSE MIKRO LI | CæRTER TRANSMISIN MICRO IZQ C |
| 9 | F20110706 | CAV.Q.B=35 M=10X1,5 L=60 | U BOLT Q.B=35 M=10X1,5 L=60 | CAVALIER SUPPORT DISQUE SV | VERBINDUNG SCHEIBENHALTERUNG S | PERNO EN U SOP. DISCO SV |
| 10 | F01020072 | VITE M8X1,25X50 U5737 8.8ZN | SCR. M8X1,25X50 U5737 8.8ZN | VIS M8X1,25X50 U5737 8.8 ZN | SCHR. M8X1,25X50 U5737 8.8 ZN | TORN. M8X1,25X50 U5737 8.8 ZN |
| 11 | G20890128 | CORONA Z-42 SP | RING GEAR Z-42 SP | COURONNE Z-42 SP | KRANZ Z-42 SP | CORONA Z-42 SP |
| 12 | G18700320 | RONDELLA 8,5 X32 X4 ZN | WASHER 8,5 X32 X4 GALV.ED | | | |
| 13 | G20980086 | BOCCOLA DIST.D.8,5X16X31 | BUSHING SPAC.. D.8-5X16X31 | BOITE ENTRETOISE D. 8-5X16X31 | VERTEILERBschSE D.8-5X16X31 | CASQUILLO DIST. D.8-5X16X31 |
| 15 | F01020077 | VITE M8X1,25X60 U5737 8.8ZN | SCR. M8X1,25X60 U5737 8.8ZN | VIS M8X1,25X60 U5737 8.8 ZN | SCHRAU. M8X1,25X60 U5737 8.8ZN | TORN. M8X1,25X60 U5737 8.8 ZN |
| 16 | F01020403 | VITE M6X1X16 U5739 8.8ZN | SCR. M6X1X16 U5739 8.8ZN | VIS M6X1X16 U5739 8.8 ZN | SCHRAUBE M6X1X16 U5739 8.8 ZN | TORNILLO M6X1X16 U5739 8.8 ZN |
| 17 | F01200244 | DADO M8X1,25 U5588 6.8ZN | NUT M8X1,25 U5588 6.8ZN | ECROU M8 X1,25 U5588 6.8 ZN | MUTTER M8 X1,25 U5588 6.8 ZN | TUERCA M8 X1,25 U5588 6.8 ZN |
| 18 | F01200232 | DADO M6X1 U5588 6.8ZN | NUT M6X1 U5588 6.8ZN | ECROU 6 UNI 5588 6.8 ZN | MUTTER 6 UNI 5588 6.8 ZN | TUERCA 6 UNI 5588 6.8 ZN |
| 19 | F01200244 | DADO M8X1,25 U5588 6.8ZN | NUT M8X1,25 U5588 6.8ZN | ECROU M8 X1,25 U5588 6.8 ZN | MUTTER M8 X1,25 U5588 6.8 ZN | TUERCA M8 X1,25 U5588 6.8 ZN |
| 20 | F01200270 | DADO M10X1,5 U5588 6.8ZN | NUT M10X1,5 U5588 6.8ZN | ECROU M10X 1,5 U5588 6.8 ZN | MUTTER M10X 1,5 U5588 6.8 ZN | TUERCA M10X 1,5 U5588 6.8 ZN |
| 21 | F01410037 | ROS.M6 6,4X12,5X1,6 U6592 ZN | WASHER M6 6,4X12,5X1,6 U6592ZN | RONDEL.M6 6,4X12,5X1,6 U6592ZN | SCHEIB.M6 6,4X12,5X1,6 U6592ZN | ARAND.M6 6,4X12,5X1,6 U6592 ZN |
| 22 | F01410037 | ROS.M6 6,4X12,5X1,6 U6592 ZN | WASHER M6 6,4X12,5X1,6 U6592ZN | RONDEL.M6 6,4X12,5X1,6 U6592ZN | SCHEIB.M6 6,4X12,5X1,6 U6592ZN | ARAND.M6 6,4X12,5X1,6 U6592 ZN |
| 23 | F01430047 | ROS.M6 6,4X 11X0,7 U8842J ZN | WASHER D6 DIN 6798 D.INT.GALV. | RONDELLE D6 DIN 6798 D. INT. Z | UNT. SCHEIBE D6 DIN 6798 D. IN | ARANDELA D6 DIN 6798 D.INT.ZN |
| 24 | F01410064 | ROS.M10 10,5X 20X 2 U6592 ZN | WASHER M10 10,5X20X2 U6592 ZN | RONDEL. M10 10,5X20X2 U6592 ZN | SCHEIBE M10 10,5X20X2 U6592 ZN | ARANDEL.M10 10,5X20X2 U6592 ZN |
| 25 | G15175071 | SUPPORTO ASSI TRASM.MICRO | MICRO TRANSMISSION AXLE SUPPOR | | | |
| 26 | G22230094 | SUPPORTO CUSCINETTO | BEARING SUPPORT | SUPPORT PALIER | LAGERBsCHSE | SOPORTE COJINETE |
| 27 | G14830390 | CUSCINETTO FORO QUADRO | SQUARE-HOLED BEARING | ROULEMENT TROU CARRE | VIERKANTLAGER | COJINETE ORIFICIO CUADRADO |
| 28 | F01020436 | VITE M8X1,25X20 U5739 8.8ZN | SCR. M8X1,25X20 U5739 8.8ZN | VIS M8X1,25X 20 U5739 8.8 ZN | SCHRAUBE M8X1,25X20U5739 8.8ZN | TORN. M8X1,25X20 U5739 8.8 ZN |
| 29 | G22505085 | FERMO ASSE IN LAMIERA | PLATE AXLE STOP | ARRET AXE EN TOLE | FESTSTELLVORRICHTUNG BLECHACHS | BLOQUEO EJE DE CHAPA |
| 30 | G22270127 | ASSE RUOTA CAMBIO 2F.L.500 SP | WHEEL AXLE - GEARBOX 2-ROW L. | AXE ROUE BOITE DE VITESSE | GEBTRIEBERADACHSE 2R.L.500 SP | EJE RUEDA CAMBIO 2 FILAS. L.50 |
| 31 | F06080057 | CATENA 1/2 ISO 083 107 MAILIE | CHAIN ISO 083 107 LINKS | CHAINE ISO 083 107 MAILLES | KETTE ISO 083 107 GLIEDER | CADENA ISO 083 107 ESLABNE L |
| 32 | G22250028 | PIGNONE Z-15 SV | Z-15 PINION SV | PIGNON Z-15 SV | RITZEL Z-15 SV | PIñN Z-15 SV P |
| 33 | G15431070 | SUPP.TRASMISSIONE AGGIUNTIVA | ADDIT.TRANSMISSION SUPPORT | | | |
| 34 | F01020432 | VITE M8X1,25X16 U5739 8.8ZN | SCR. M8X1,25X16 U5739 8.8ZN | VIS M8 X1,25X16 U5739 8.8 ZN | SCHRAUBE M8X1,25X16U5739 8.8ZN | TORNILLO M8X1,25X16U5739 8.8ZN |
| 35 | G20890130 | MANICOTTO UNIONE MICRO L.550 | MICRO JOINT SLEEVE | MANCHON RACCORD MICRO L. 550 | VERBINDUNGSMUFFE MIKRO L.550 | MANGUITO DE UNIN MICRO L.550 M |
| 36 | F01100011 | ING.M 6X1 7663-A 9SMNPB28 ZN | GREASE NIPPLE M6X1 7663-A ZN | GRAISS. A BILLE M6X1 7663A ZN | SCHMIERBUÈCHE M6X1 7663-A ZN | ENGRAS. DE ESFE. M6X1 7663-AZN |
| 37 | G66248152 | MOZZO TRASM.MICRO M80 | HUB - TRANSM. MICRO M80 | MOYEU ENTRAINEMENT MICRO M80 | ANTRIEBSNABE MIKRO M80 | CUBO TRANSM. MICRO M80 |
| 38 | F01420048 | ROS.M8 8,4X 24X 2 U6593 ZN | WASHER M8 8,4X 24X2 U6593 ZN | RONDELLE M8 8,4X24X 2 U6593 ZN | SCHEIBEN M8 8,4X24X 2 U6593 ZN | ARANDELA M8 8,4X 24X2 U6593 ZN |
| 39 | G15476890 | RIBADITURA SUPP.TRASM.DX | RH TRANSMISSION SUPPORT | | | |



| Tabella distribuzione Distribution table | | Tipo/Type | 16 L. | 30 L. |
|---|-------------|------------|------------|-------|
|  nr. 20 | Umohart | pos. 1 | pos. 46 | |
| | Lumachicida | pos. 19 | pos. 44 | |

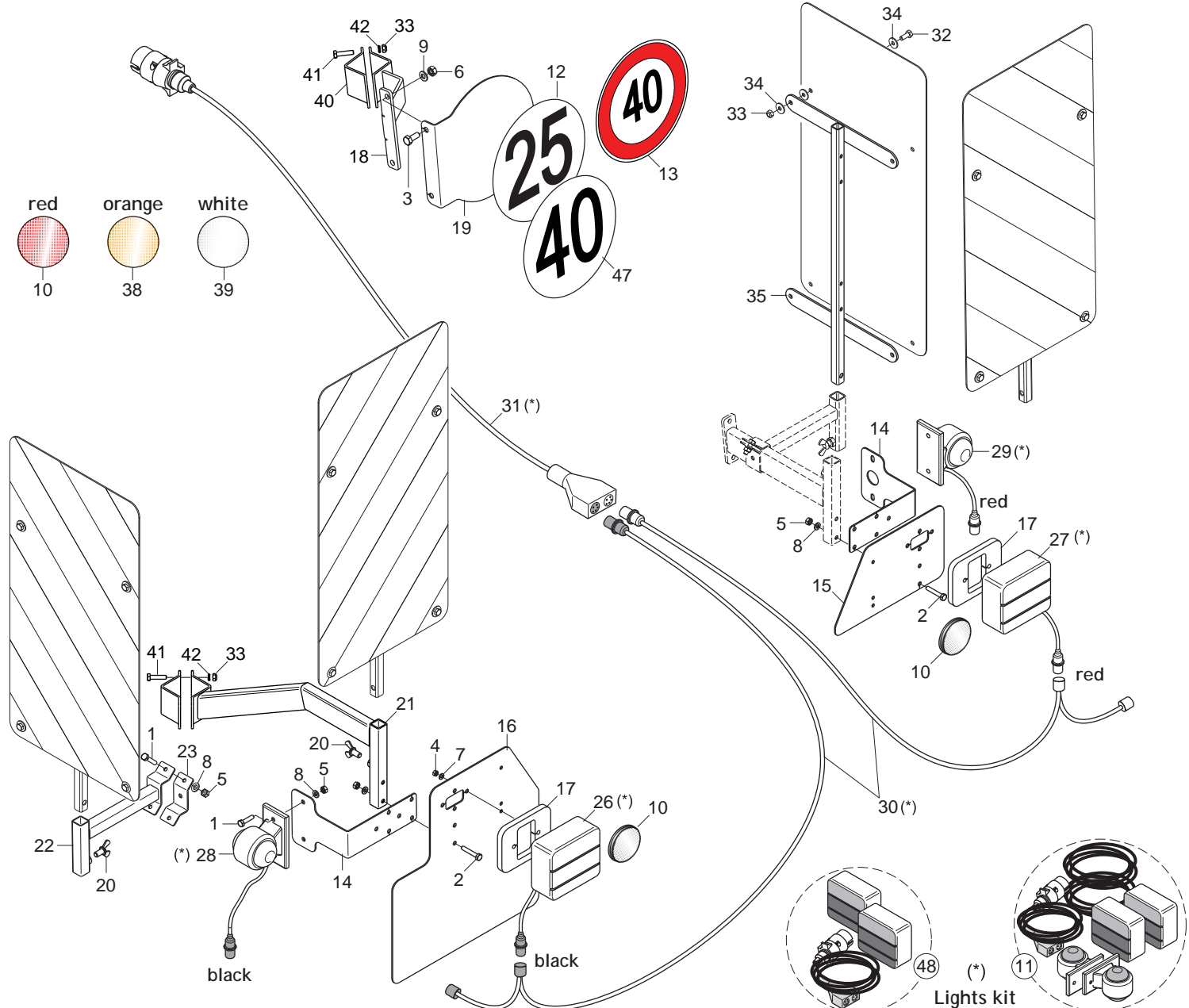
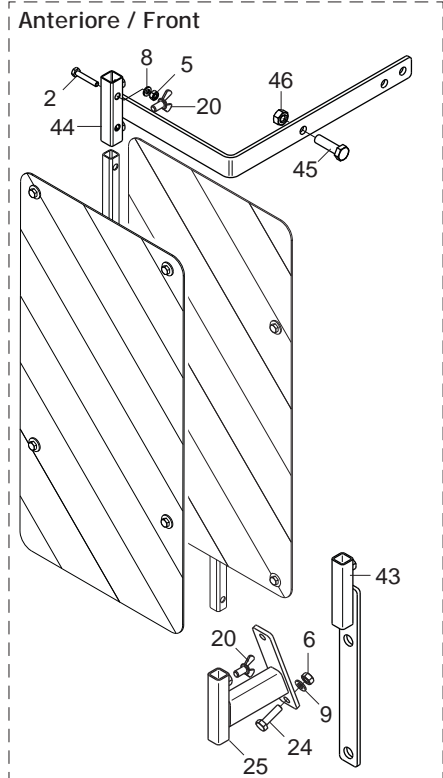
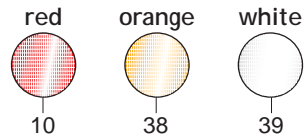
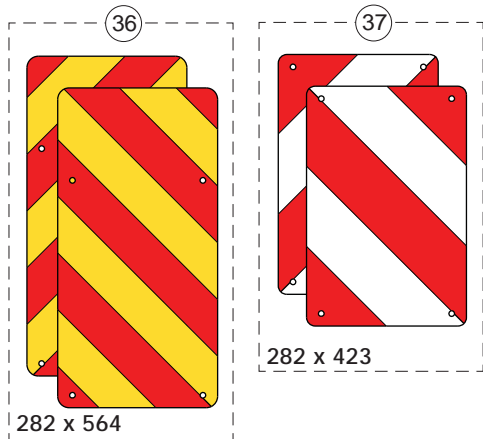
| Tabella distribuzione Distribution table | | Tipo/Type | 16 L. | 30 L. |
|--|-------------|------------|------------|-------|
|  nr. 8 | Umohart | pos. 39 | pos. 45 | |
| | Lumachicida | pos. 5 | pos. 43 | |

APPLICAZIONE DOPPIO MICROGRANULATORE

TAV. 332

| Pos. | Cod. | Descrizione | Description | Description | Benennung | Description |
|------|-----------|--------------------------------|--------------------------------|---------------------------------|---|--------------------------------|
| 1 | G19704980 | DECAL.TAB.DISTRIB.UMOSTART 20P | UMOSTART DISTRIBUTOR CHART 20P | TABLEAU DISTRIBUTEUR UMOSTART | TABELLE SZAPPARAT UMOSTART 20P | TABLA DISTRIBUDOR UMOSTART 20P |
| 2 | G15275130 | SUPPORTO LUMACHICIDA SX | L.SUPPORT DOUBLE TANK MICRO | | | |
| 3 | G15275120 | SUPPORTO LUMACHICIDA DX | R.SUPPORT DOUBLE TANK MICRO | | | |
| 4 | G15275140 | SUPPORTO TRASM.LUMACHICIDA | TRASM.SUPPORT DOUBLE TANKMICRO | | | |
| 5 | G19704990 | DECAL.TAB.DISTRIB.LUMACHIC.8P. | DISTRIBUTOR CHART 8P | TABLEAU DISTRIBUTEUR 8P | TABELLE SZAPPARAT 8P | TABLA DISTRIBUDOR 8P |
| 6 | G15273051 | CARTER SUPPORTO CATENA | SUPPORT CHAIN CASING | CARTER SUPPORT CHAÎNE | KETTENHALTERUNGSGEHZUSE | CARTER SOPORTE CADENA |
| 7 | G22250028 | PIGNONE Z-15 SV | Z-15 PINION SV | PIGNON Z-15 SV | RITZEL Z-15 SV | PI $\frac{3}{4}$ N Z-15 SV P |
| 8 | G66248218 | RONDELLA DISTAN.SPANDI | MAN. SPR. SPACER WASHER | RONDELLE ENTRETOISE EP. ENGRAI | ABSTANDSCHEIBE D _s NGERSTREUER | ARANDELA DISTAN.ABONAD. |
| 9 | G22505085 | FERMO ASSE IN LAMIERA | PLATE AXLE STOP | ARRET AXE EN TOLE | FESTSTELLVORRICHTUNG BLECHACHS | BLOQUEO EJE DE CHAPA |
| 10 | F06080047 | CATENA 1/2 ISO 083 88 MAGLIE | CUT-DOWN CHAIN 1/2 ISO 083 88 | TR. CH. © ISO 083 88 MAILLES | KETTENLZNGE 1/2 ISO 083 88 GL | CADENA 1/2 ISO 083 88 ESLABONE |
| 11 | F01020470 | VITE M10X1,5X20 U5739 8.8ZN | SCR. M10X1,5X20 U5739 8.8ZN | VIS M10X1,5X20 U5739 8.8 ZN | SCHRAUBE M10X1,5X20 U5739 ZN | TORNILLOM10X1,5X20 U5739 8.8ZN |
| 12 | F02200595 | SPINA SICUR. D. 5X30 ZN | PIN X GEAR | GOUJON | BOLZEN | ESPINA |
| 13 | G11430930 | MANICOTTO MICRO CENTR.L.120 | SLEEVE MICRO CENTR.L.120 | | | |
| 14 | F01410037 | ROS.M6 6,4X12,5X1,6 U6592 ZN | WASHER M6 6,4X12,5X1,6 U6592ZN | RONDEL.M6 6,4X12,5X1,6 U6592ZN | SCHEIB.M6 6,4X12,5X1,6 U6592ZN | ARAND.M6 6,4X12,5X1,6 U6592 ZN |
| 15 | F01020403 | VITE M6X1X16 U5739 8.8ZN | SCR. M6X1X16 U5739 8.8ZN | VIS M6X1X16 U5739 8.8 ZN | SCHRAUBE M6X1X16 U5739 8.8 ZN | TORNILLO M6X1X16 U5739 8.8 ZN |
| 16 | F01020472 | VITE M10X1,5X25 U5739 8.8ZN | SCR. M10X1,5X25 U5739 8.8ZN | VIS M10X1,5X25 U5739 8.8 ZN | SCHRAUBE M10X1,5X25 U5739 8.8 | TORNILLO 10X25 U5739 8.8 ZN |
| 17 | F01200270 | DADO M10X1,5 U5588 6.8ZN | NUT M10X1,5 U5588 6.8ZN | ECROU M10X 1,5 U5588 6.8 ZN | MUTTER M10X 1,5 U5588 6.8 ZN | TUERCA M10X 1,5 U5588 6.8 ZN |
| 18 | G15273042 | SUPPORTO CATENA | CHAIN SUPPORT | | | |
| 19 | G19705000 | DECAL.TAB.DISTRIB.LUMACHIC.20P | DISTRIBUTOR CHART 20P | TABLEAU DISTRIBUTEUR 20P | TABELLE SZAPPARAT 20P | TABLA DISTRIBUDOR 20P |
| 20 | F01060047 | VITE M8X1,25X45 U5731 8.8ZN | SCR. M8X1,25X45 U5732 4.6ZN | VIS 8X45 5732 4.6 ZN | SCHRAUBE 8X45 5732 4.6 ZN | TORNILLO 8X45 5732 4.6 ZN |
| 21 | G15274641 | MANICOTTO DISGIUNTORE | UNCOUPLING SLEEVE | | | |
| 22 | F02200164 | COPIGLIA 3X 30 U1336 ZN | SPLIT PIN 3X 30 U1336 ZN | | | |
| 23 | F02050101 | ANELLO E. DE 25X 1,2 U7435 C70 | SEEGER RING E. 25X1,2 7435 C70 | SEEGER E. 25X 1,2 U7435 C70 | SEEGERING E. 25X 1,2 U7435 C70 | ANILLO E. 25X 1,2 U7435 C70 |
| 24 | G22250441 | MOZZO CORONA SEMINATORE SV/2 | PLANTING UNIT CROWN HUB SV/2 | MOYEU COURONNE SEMEUR SV/2 | KRANZNABE SZELEMENT SV/2 | CUBO CORONA SEMBRADOR SV/2 |
| 25 | F04010134 | CUSC.D25 D47 B12 6005 2Z | BEARING D25 D47 B12 6005 2Z | PALIER 6005 2Z | LAGER 6005 2Z | COJINETE 6005 2Z |
| 26 | G22230094 | SUPPORTO CUSCINETTO | BEARING SUPPORT | SUPPORT PALIER | LAGERBsCHSE | SOPORTE COJINETE |
| 27 | F01020432 | VITE M8X1,25X16 U5739 8.8ZN | SCR. M8X1,25X16 U5739 8.8ZN | VIS M8 X1,25X16 U5739 8.8 ZN | SCHRAUBE M8X1,25X16U5739 8.8ZN | TORNILLO M8X1,25X16U5739 8.8ZN |
| 28 | F02050615 | ANELLO E. DE 28X 1,5 U7435 C70 | STOP RING 28 UNI 7435-75 | BAGUE DE SERRAGE 28 UNI 7435-75 | DRAHTSPRENGRING 28 UNI 7435-75 | ANILLO PARADA 28 UNI 7435-75 |
| 29 | G22250190 | CORONA ASSE SEMINAT.Z-15 SV | PLANTING UNIT AXLE Z-15 RING G | COURONNE AXE SEMEUR Z-15 SV | KRANZ SZELEMENTACHSE Z-15 SV | CORONA EJE SEMBR. Z-15 SV |
| 30 | G65338022 | MOLLA COMP.ZN CHIAVISTELLO FR | ZN LATCH COMP. SPRING FR | RESSORT COMPL. ZN VERROU FR | DRUCKFEDER ZN RIEGEL FR | MUELLE COMP.ZN PESTILLO FR |
| 31 | F01410064 | ROS.M10 10,5X 20X 2 U6592 ZN | WASHER M10 10,5X20X2 U6592 ZN | RONDEL. M10 10,5X20X2 U6592 ZN | SCHEIBE M10 10,5X20X2 U6592 ZN | ARANDEL.M10 10,5X20X2 U6592 ZN |
| 32 | G66248207 | TENDICATENA SPAND. SP-520 | CHAIN TENSIONER | TENDEUR DE CHAINE EPAND. ENGR. | KETTENSPANNER D _s NGERSTR. SP-52 | SENSOR DE CADENA ABON. SP-520 |
| 33 | F01420048 | ROS.M8 8,4X 24X 2 U6593 ZN | WASHER M8 8,4X 24X2 U6593 ZN | RONDELLE M8 8,4X24X 2 U6593 ZN | SCHEIBEN M8 8,4X24X 2 U6593 ZN | ARANDELA M8 8,4X 24X2 U6593 ZN |
| 34 | F01200244 | DADO M8X1,25 U5588 6.8ZN | NUT M8X1,25 U5588 6.8ZN | ECROU M8 X1,25 U5588 6.8 ZN | MUTTER M8 X1,25 U5588 6.8 ZN | TUERCA M8 X1,25 U5588 6.8 ZN |
| 35 | G14830390 | CUSCINETTO FORO QUADRO | SQUARE-HOLED BEARING | ROULEMENT TROU CARRE | VIERTKANTLAGER | COJINETE ORIFICIO CUADRADO |
| 36 | G11425111 | TUBO DISCESA LUMACHICIDA COMPL | PIPE DESCENT | TUBE DESCENTE COMPL. | SENKROHR KOMPL. | TUBO DESCENSO COMPL. |
| 37 | F02300016 | FASCETTA STRING. 16/27 H.8 | CLAMP 16/27 H.8 | | | |
| 38 | G65336041 | MOLLA SPEC.ZN STRINGITUBO M80 | SPEC.SPRING ZN . PIPE CLAMP M8 | RESSORT SPEC. ZN SERRE-TUBE M8 | SPEZIALFEDER ZN ROHRSCHELLE M8 | MUELLE ESPEC. ZN APLASTA TUBOS |
| 39 | G19704970 | DECAL.TAB.DISTRIB.UMOSTART 8P. | UMOSTART DISTRIBUTOR CHART 8P | TABLEAU DISTRIBUTEUR UMOSTART | TABELLE SZAPPARAT UMOSTART 8P | TABLA DISTRIBUDOR UMOSTART 8P |
| 40 | F01020492 | VITE M10X1,5X90 U5739 8.8ZN | SCR. M10X1,5X90 U5739 8.8ZN | VIS M10X1,5X90 U5739 8.8ZN | SCHRAU. M10X1,5X90 U5739 8.8ZN | TORN. M10X1,5X90 U5739 8.8ZN |
| 41 | G17175940 | SUPPORTO LUMACHICIDA DX | RH SUPPORT DOUBLE TANK MICRO | | | |
| 42 | G17175950 | SUPPORTO LUMACHICIDA SX | LH SUPPORT DOUBLE TANK MICRO | | | |
| 43 | G19708450 | DECAL.DISTR.LUMACHICIDA 8P 30L | DISTRIBUTOR CHART 8P 30L | | | |
| 44 | G19708460 | DECAL.DISTR.LUMACHICIDA 20P30L | DISTRIBUTOR CHART 20P 30L | | | |
| 45 | G19708470 | DECAL.DISTR.UMOSTART 8P 30L | DISTRIBUTOR CHART 8P 30L | | | |
| 46 | G19708500 | DECAL.DISTR.UMOSTART 20P 30L | DISTRIBUTOR CHART 20P 30L | | | |

TAV. 262



ACCESSORI

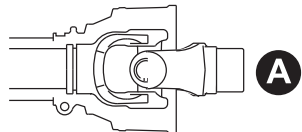
TAV. 262

| Pos. | Cod. | Descrizione | Description | Description | Benennung | Descripcion |
|------|-----------|--------------------------------|--------------------------------|--------------------------------|--------------------------------|--------------------------------|
| 1 | F01020404 | VITE M6X1X20 U5739 8.8ZN | SCREW M6X1X20 U5739 8.8ZN | VIS M6X1X20 U5739 8.8ZN | SCHRAUBE M6X1X20 U5739 8.8ZN | TORNILLO M6X1X20 U5739 8.8ZN |
| 2 | F01020411 | VITE M6X1X35 U5739 8.8ZN | SCR. M6X1X35 U5739 8.8ZN | VIS M6X1X35 U5739 8.8ZN | SCHRAUBE M6X1X35 U5739 8.8ZN | TORNILLO M6X1X35 U5739 8.8ZN |
| 3 | F01020436 | VITE M8X1,25X20 U5739 8.8ZN | SCR. M8X1,25X20 U5739 8.8ZN | VIS M8X1,25X 20 U5739 8.8 ZN | SCHRAUBE M8X1,25X20U5739 8.8ZN | TORN. M8X1,25X20 U5739 8.8 ZN |
| 4 | F01200220 | DADO M5X0,8 U5588 6.8ZN | NUT M5X0,8 U5588 6.8ZN | ECROU 5 UNI 5588 6.8 ZN | MUTTER 5 UNI 5588 6.8 ZN | TUERCA 5 UNI 5588 6.8 ZN |
| 5 | F01200232 | DADO M6X1 U5588 6.8ZN | NUT M6X1 U5588 6.8ZN | ECROU 6 UNI 5588 6.8 ZN | MUTTER 6 UNI 5588 6.8 ZN | TUERCA 6 UNI 5588 6.8 ZN |
| 6 | F01200244 | DADO M8X1,25 U5588 6.8ZN | NUT M8X1,25 U5588 6.8ZN | ECROU M8 X1,25 U5588 6.8 ZN | MUTTER M8 X1,25 U5588 6.8 ZN | TUERCA M8 X1,25 U5588 6.8 ZN |
| 7 | F01410023 | ROS.M5 5,3X 10X 1 U6592 ZN | WASHER M5 5,3X 10X 1 U6592 | | | |
| 8 | F01410037 | ROS.M6 6,4X12,5X1,6 U6592 ZN | WASHER M6 6,4X12,5X1,6 U6592ZN | RONDEL.M6 6,4X12,5X1,6 U6592ZN | SCHEIB.M6 6,4X12,5X1,6 U6592ZN | ARAND.M6 6,4X12,5X1,6 U6592 ZN |
| 9 | F01410051 | ROS.M8 8,4X 17X1,6 U6592 ZN | WASHER M8 8,4X17X1,6 U6592 ZN | RONDELLE M8 8,4X17X1,6 U6592ZN | SCHEIBE M8 8,4X17X1,6 U6592 ZN | ARANDELA M8 8,4X17X1,6 U6592ZN |
| 10 | F05010820 | CATARIFR.TONDO D60 ROSSO | ROUND REFLECTOR D.60 RED | | | |
| 11 | F05010833 | KIT LUCI POST.STRAD.ECCEZ. | KIT REAR ROAD LIGHTS M.EXCEP. | | | |
| 12 | F20030258 | ETICH. LIMITE VELOCITA' 25 | SPEED LIMIT 25 LABEL | ETIQ. LIMITATION VITESSE 25 | LABEL GRENZDREHZAH 25 | ETIQ. LIMITE VELOCIDAD 25 |
| 13 | F20030261 | ETICH. LIMITE VELOCITA' 40 | SPEED LIMIT 40 LABEL | | | |
| 14 | G17715130 | SUPPORTO LAT.CATADIOTRI | REFLECTOR LATERAL SUPPORT | | | |
| 15 | GA5210020 | PORTA LUCE | BACK LIGHT SUPPORT | | | |
| 16 | GA5210030 | PORTA TARGA | NUMBERPLATE SUPPORT | | | |
| 17 | GA5210040 | SUPPORTO LUCE | SUPPORT LIGHT | | | |
| 18 | G15413580 | SUPPORTO LIMITE VELOCITÀ | | | | |
| 19 | GA5210070 | SUPP.LIMITE VELOCITÀ | SPEED LIMIT SUPPORT | | | |
| 20 | F01090215 | VITE M8X1,25X15 U5449 5.8ZN | SCR. M8X1,25X15 U5449 5.8ZN | VIS M8X1,25X15 U5449 5.8ZN | SCHRAU. M8X1,25X15 U5449 5.8ZN | TORN. M8X1,25X15 U5449 5.8ZN |
| 21 | G15413570 | SUPPORTO LUCI POST. | LIGHTS KIT SUPPORT | | | |
| 22 | G16611600 | SUPPORTO TABELLE LATERALI | SIDE SUPPORT TABLE | | | |
| 23 | G16611610 | ATTACCO SUPP.LATERALE | SIDE SUPPORT | | | |
| 24 | F01020445 | VITE M8X1,25X30 U5739 8.8ZN | SCR. M8X1,25X30 U5739 8.8ZN | VIS M 8X1,25X30 U5739 8.8 ZN | SCHRAU, M8X1,25X30 U5739 8.8ZN | TORN. M8X1,25X30 U5739 8.8 ZN |
| 25 | G16611680 | SUPPORTO TABELLE ANT.MTE-MONIC | SUPP.HIGHWAY TAB.FRONT MTE-MON | | | |
| 26 | G67201083 | FANALE LUCE-FRENO-FRECCIA SX | LIGHT SX | | | |
| 27 | G67201082 | FANALE LUCE-FRENO-FRECCIA DX | STOP TABLE RIGHT | | | |
| 28 | F05010346 | LUCE INGOMBRO ANTERIORE SX | FRONT LEFT LIGHT | | | |
| 29 | F05010345 | LUCE INGOMBRO ANTERIORE DX | FRONT LIGHT DX | | | |
| 30 | F05200027 | CABLAGGIO ALI LUCI STRADALI | LATERAL STREET LIGHTS CABLE | | | |
| 31 | F05200026 | CABLAGGIO PRINCIPALE | MAIN CABLE | | | |
| 32 | F01020403 | VITE M6X1X16 U5739 8.8ZN | SCR. M6X1X16 U5739 8.8ZN | VIS M6X1X16 U5739 8.8 ZN | SCHRAUBE M6X1X16 U5739 8.8 ZN | TORNILLO M6X1X16 U5739 8.8 ZN |
| 33 | F01220011 | DADO M6X1 D980 8ZN | NUT M6X1 D980 8ZN | ECROU M6X1 D980 8 ZN | MUTTER M6X1 D980 8 ZN | TUERCA M6X1 D980 8 ZN |
| 34 | F01420036 | ROS.M6 6,4X 18X1,5 U6593 ZN | WASHER M6 6,4X 18X1,5 U6593 ZN | RONDELLE M6 6,4X18X1,5 U6593ZN | SCHEIBEN M6 6,4X18X1,5U6593 ZN | ARANDELA M6 6,4X18X1,5U6593ZN |
| 35 | G16612070 | TELAIO SUPP.TABELLE STRAD. | FRAME SUPPORT TABLE | | | |
| 36 | F05010816 | TABELLE (2)CAR.SPORGENTI IT | WARNING BOARDS (2) IT | | | |
| 37 | F05010817 | TABELLE (2)CAR.SPORGENTI FR-DE | WARNING BOARDS (2) FR-DE | TABLEAUX (2)AVERTISSEM. FR-DE | BRETT (2) WARNUNG FR-DE | TABLAS (2)CAR.ADVERT. FR-DE |
| 38 | F05010819 | CATARIFR.TONDO D60 GIALLO | ROUND REFLECTOR D.60 YELLOW | JAUNE RÉFLECTEUR ROUND | RUNDFREFLEKTOR GELB D60 | REFLECTOR REDONDO AMARILLO |
| 39 | F05010818 | CATARIFR.TONDO D60 BIANCO | ROUND REFLECTOR D.60 WHITE | | | |
| 40 | G15412630 | FORCELLA | FORK | FOURCHE | GABEL | HORQUILLA |
| 41 | F01020406 | VITE M6X1X25 U5739 8.8ZN | SCR. M6X1X25 U5739 8.8ZN | VIS M6X25 | SCHRAUBE M 6X25 | TORNILLO M 6X25 |
| 42 | F01430047 | ROS.M6 6,4X 11X0,7 U8842J ZN | WASHER D6 DIN 6798 D.INT.GALV. | RONDELLE D6 DIN 6798 D. INT. Z | UNT. SCHEIBE D6 DIN 6798 D. IN | ARANDELA D6 DIN 6798 D.INT.ZN |
| 43 | G16611731 | SUPP.TABELLE | | | | |
| 44 | G16611820 | SUPPORTO TABELLE ANT.MT | ANTERIOR TABLE SUPORT MT | | | |
| 45 | F01020110 | VITE M10X1,5X40 U5737 8.8ZN | SCR. M10X1,5X40 U5737 8.8ZN | VIS M 10X40 | SCHRAUBE M 10X40 | TORNILLO M 10X40 |
| 46 | F01200270 | DADO M10X1,5 U5588 6.8ZN | NUT M10X1,5 U5588 6.8ZN | ECROU M10X 1,5 U5588 6.8 ZN | MUTTER M10X 1,5 U5588 6.8 ZN | TUERCA M10X 1,5 U5588 6.8 ZN |
| 47 | F20030429 | ETICH. LIMITE VELOC.40 FRANCI | FRANCE SPEED LIMIT 40 LABEL | | | |
| 48 | F05010822 | KIT FANALI DX-SX CON CAVO | KIT REAR ROAD LIGHTS MOUNTED | | | |

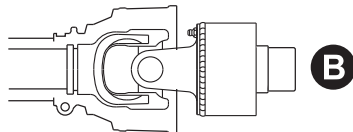
TAV. 343

| Codice - Code | Descrizione - Description | Lunghezze Lengths | | Classe - Size (A x B) | Tipo - Type (*) | | Forcella - Yokes (**) | | | | | Forcella - Yokes Z6 (1"3/8) |
|---------------|----------------------------|-------------------|------|-----------------------|-----------------|------------|-----------------------|----------------|----------------|----------------|----------------|-----------------------------|
| | | min. | max. | | Z6 (1"3/8) | Z6 (1"3/4) | Z8 (32x38) | Z20 (1"3/4) | Z21 (1"3/8) | | | |
| ① F08011711 | CARD.B1 Z6-Z6 L700 | 700 | 960 | B1 (22 x 54) | A | A | G58161015 (11) | F08011772 (13) | F08011742 (15) | F08011758 (18) | F08011767 (20) | G58161015 (11) |
| ② F08011713 | CARD.B1 Z8-Z6 L700 | 700 | 960 | B1 (22 x 54) | A | A | G58161015 (11) | F08011772 (13) | F08011742 (15) | F08011758 (18) | F08011767 (20) | G58161015 (11) |
| ③ F08011714 | CARD.B1 Z20-Z6 L700 | 760 | 1020 | B1 (22 x 54) | A | A | G58161015 (11) | F08011772 (13) | F08011742 (15) | F08011758 (18) | F08011767 (20) | G58161015 (11) |
| ④ F08011715 | CARD.B1 Z8-Z6 L900 R.LIB | 915 | 1190 | B1 (22 x 54) | A | B | G58161015 (11) | F08011772 (13) | F08011742 (15) | F08011758 (18) | F08011767 (20) | — |
| ⑤ F08011716 | CARD.B1 Z6-Z6 L900 R.LIB | 915 | 1190 | B1 (22 x 54) | A | B | G58161015 (11) | F08011772 (13) | F08011742 (15) | F08011758 (18) | F08011767 (20) | — |
| ⑥ F08011719 | CARD.B2 Z6-Z6 L900 | 900 | 1300 | B2 (23,8 x 61,3) | A | A | — | — | — | — | — | — |
| ⑦ F08011720 | CARD.B3 Z8-Z6 L1300 | 1300 | 1775 | B3 (27 x 74,6) | A | A | G58161016 (14) | — | F08011743 (16) | — | — | G58161016 (14) |
| ⑧ F08011757 | CARD.B1 Z20-Z6 L900 R.L | 975 | 1250 | B1 (22 x 54) | A | B | G58161015 (11) | F08011772 (13) | F08011742 (15) | F08011758 (18) | F08011767 (20) | — |
| ⑨ F08011764 | CARD.R4 Z20-Z6 L1381 OM-RL | 1381 | | R4 (22 x 86) | C | B | F08011768 (12) | — | F08011766 (17) | F08011774 (19) | F08011773 (21) | — |
| ⑩ F08011783 | CARD.R4 Z6-Z6 L1565 OM-RL | 1565 | | R4 (22 x 86) | C | B | F08011768 (12) | — | F08011766 (17) | F08011774 (19) | F08011773 (21) | — |
| ⑩ F08011930 | CARD.B3 Z6-Z6 L1200 | 1200 | 1700 | B3 (27 x 70) | A | A | — | G58161016 (14) | F08011743 (16) | — | — | — |

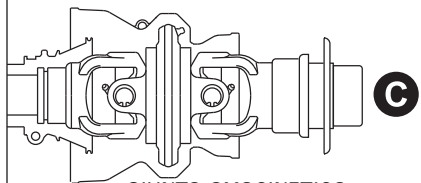
(*)



GIUNTO STANDARD
STANDARD JOINT

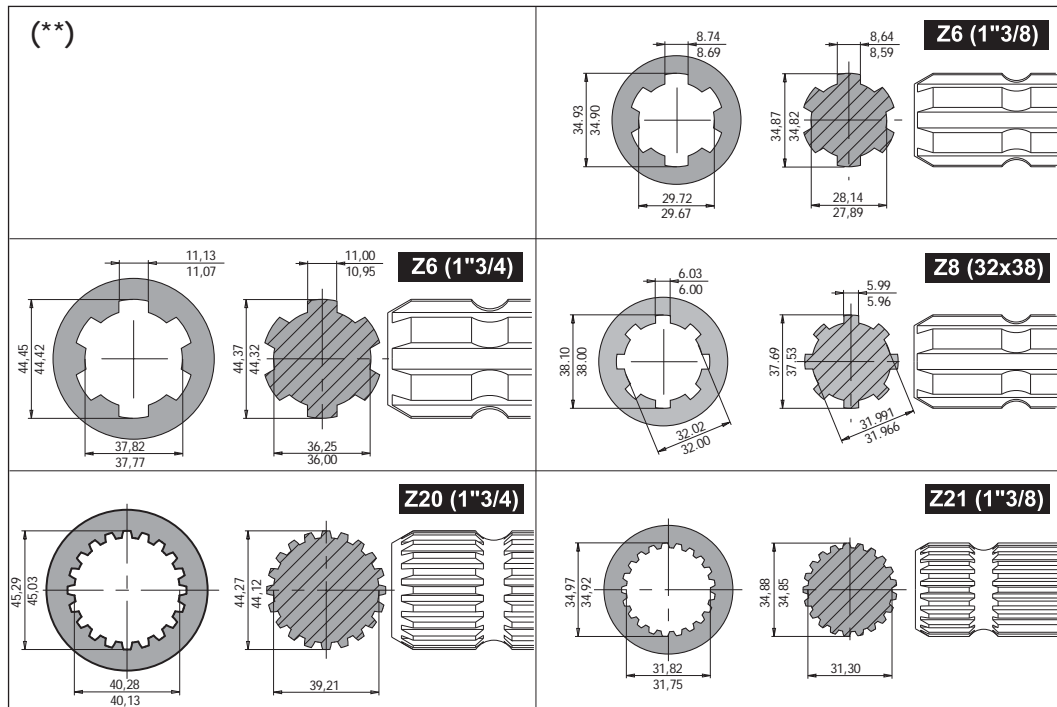


RUOTA LIBERA
OVERRUNNING CLUTCH

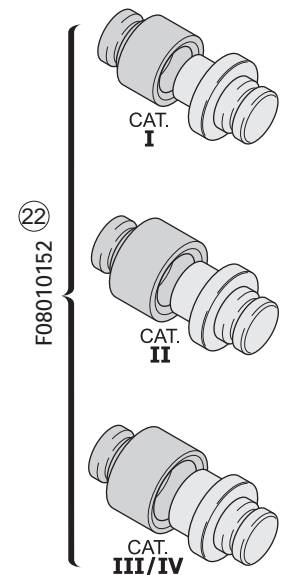


GIUNTO OMOCINETICO
CONSTANT VELOCITY JOINT

(**)



KIT PRESSORE/BUSSOLA KIT PUNCH/ROOT



CARDANI

TAV. 343

| Pos. | Cod. | Descrizione | Description | Description | Benennung | Descripcion |
|------|-----------|--------------------------------|--------------------------------|-------------------------------|-------------------------------|-------------------------------|
| 1 | F08011711 | CARD.B1 Z6-Z6 L700 | PTO SHAFT B1 Z6-Z6 L700 | | | |
| 2 | F08011713 | CARD.B1 Z8-Z6 L700 | PTO SHAFT B1 Z8-Z6 L700 | | | |
| 3 | F08011714 | CARD.B1 Z20-Z6 L700 | PTO SHAFT B1 Z20-Z6 L700 | | | |
| 4 | F08011715 | CARD.B1 Z8-Z6 L900 R.LIB | CARD.B1 Z8-Z6 L900 FREE W. | | | |
| 5 | F08011716 | CARD.B1 Z6-Z6 L900 R.LIB | CARD.B1 Z6-Z6 L900 R.LIB | CARD.B1 Z6-Z6 L900 R.LIB | KARDAN CE T100710 112 R12 | CARDAN CE T100710 112 R12 |
| 6 | F08011719 | CARD.B2 Z6-Z6 L900 | UNIVERSAL JOINT 102 071 N T07 | CARD. 102 071 N T07 T07 1 CAT | KARDAN 102 071 N T07 T07 1CAT | CARDæN 102 071 N T07 T07 1CAT |
| 7 | F08011720 | CARD.B3 Z8-Z6 L1300 | UNIV.JOINT B3 Z8-Z6 L1300 | | | |
| 8 | F08011757 | CARD.B1 Z20-Z6 L900 R.L > | UNIVERSAL JOINTB1 Z20-Z6 L900 | | | |
| 9 | F08011764 | CARDANO OM 3/4Z20-RL Z6 L1381 | CARD.R4 Z20-Z6 L1381 OM-RL | | | |
| 10 | F08011930 | CARD.B3 Z6-Z6 L1200 | PTO SHAFT B3 Z6-Z6 L1200 | | | |
| 11 | G58161015 | FORCELLA CARD.1'3/8 Z6 B1 | CARD. FORK 1'3/8 Z6 B1 | | | |
| 12 | F08011768 | FORCELLA CARD.1 3/8 Z6 R4 | FORK 1 3/8 Z6 R4 | | | |
| 13 | F08011772 | FORCELLA CARD.1"3/4 Z6 B1 > | YOKE 1" 3/4 Z6 B1 | | | |
| 14 | G58161016 | FORCELLA CARD.1'3/8 Z6 B3 > | CARD.FORK 1'3/8 Z6 B3 > | | | |
| 15 | F08011742 | FORCELLA CARD.32X38 Z8 B1 | YOKE CARD.32X38 Z8 B1 | FOURCHETTE CARDAN Z8 B1 | GABEL KARDAN Z8 B1 | HORQUILLA CARDAN Z8 B1 |
| 16 | F08011743 | FORCELLA CARD.32X38 Z8 B3 | YOKE CARD.32X38 Z8 B3 | | | |
| 17 | F08011766 | FORCELLA CARD.32X38 Z8 R4 | FORK 32X38 Z8 R4 | | | |
| 18 | F08011758 | FORCELLA CARD.1"3/4 Z20 B1 > | CARD.FORK 1"3/4 Z20 B1 > | | | |
| 19 | F08011774 | FORCELLA CARD.1 3/4 Z20 R4 | CARD. FORK 1 3/4 Z20 R4 | | | |
| 20 | F08011767 | FORCELLA CARD.1 3/8 Z21 B1 > | CARD.FORK 1 3/8 Z21 B1 > | | | |
| 21 | F08011773 | FORCELLA CARD.1 3/8 Z21 R4 > | FORK 1 3/8 Z21 R4 | | | |
| 22 | F08010152 | KIT PRESSORE BUSSOLA CAT I-IV> | TOOLS FOR PTO YOKE CAT I-IV | | | |
| 23 | F08011783 | CARD.R4 Z6-Z6 L1565 OM-RL | UNIV. PTO SHAFT R4 Z6-Z6 L1210 | | | |

**USATE SEMPRE RICAMBI ORIGINALI
ALWAYS USE ORIGINAL SPARE PARTS
IMMER DIE ORIGINAL-ERSATZTEILE VERWENDEN
EMPLOYEZ TOUJOURS LES PIECES DE RECHANGE ORIGINALES
UTILIZAR SIEMPRE REPUESTOS ORIGINALES**

GASPARDO

Servizio Assistenza Tecnica - After Sales Service: +39 0434 695557

Servizio Ricambi - Spare Parts Service: +39 0434 695496

DEALER:



MASCHIO GASPARDO SpA

Registered office & Production plant

Via Marcello, 73 - 35011 Campodarsego (Padova) - Italy
Tel. +39 049 9289810
Fax +39 049 9289900
info@maschio.com
www.maschionet.com

MASCHIO GASPARDO SpA

Production plant

Via Mussons, 7 - 33075
Morsano al Tagliamento (PN) - Italy
Tel. +39 0434 695410
Fax +39 0434 695425
info@gaspardo.it

MASCHIO DEUTSCHLAND GMBH

Äußere Nürnberger Straße 5
D - 91177 Thalmässing - Deutschland
Tel. +49 (0) 9173 79000
Fax +49 (0) 9173 790079
dialog@maschio.de
www.maschio.de

MASCHIO FRANCE Sarl

Rue Denis Papin ZA
F - 45240 La Ferté Saint Aubin
France
Tel. +33 (0) 2.38.64.12.12
Fax +33 (0) 2.38.64.66.79
info@maschio.fr

000 МАСКИО-ГАСПАРДО РУССИЯ

Улица Пушкина, 117 Б
404130 Волжский
Волгоградская область
Тел. +7 8443 203100
факс. +7 8443 203101
info@maschio.ru

MASCHIO-GASPARDO ROMANIA S.R.L.

Strada Înfrâtririi, F.N.
315100 Chisineu-Cris (Arad) -România
Tel. +40 257 307030
Fax +40 257 307040
info@maschio.ro

MASCHIO-GASPARDO North America

112 3rd Avenue East
Dewitt, IA 52742 - USA
Ph. +1 563 659 6400
Fax +1 563 659 6405
info@maschio.us

MASCHIO IBERICA S.L.

**MASCHIO-GASPARDO POLAND
MASCHIO-GASPARDO UCRAINA
GASPARDO-MASCHIO TURCHIA
MASCHIO-GASPARDO CINA
MASCHIO-GASPARDO INDIA
MASCHIO-GASPARDO KOREA**