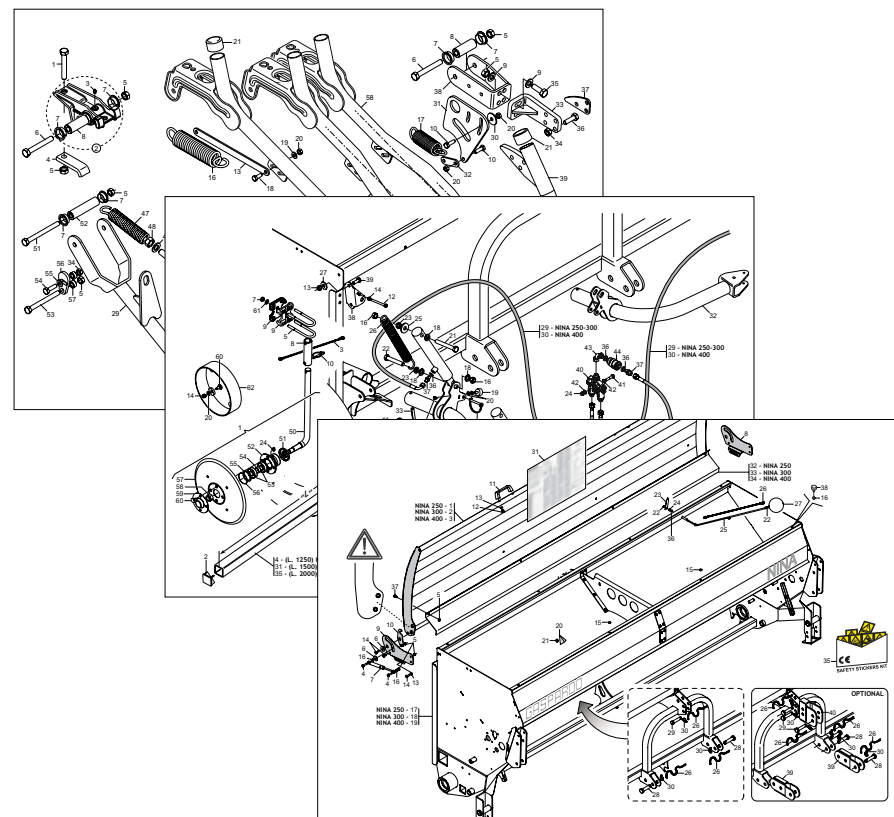


GASPARDO

MASCHIO GASPARDO S.p.A.



NINA

Cod: G19530857 2018-04

- *) Valido per Paesi UE
- *) Valid for EU member countries
- *) Gilt für EU-Mitgliedsländer
- *) Valable dans le Pays UE
- *) Válido para Países UE
- *) Valabil pentru țările UE

- IT** PARTI DI RICAMBIO
- EN** SPARE PARTS
- DE** ERSATZTEILE
- FR** PIÈCES DÉTACHÉES
- ES** PIEZAS DE REPUESTO

PARTI DI RICAMBIO

Le ordinazioni delle parti di ricambio vanno fatte presso i nostri concessionari di zona e devono essere sempre corredate dalle seguenti indicazioni:

- **Tipo, modello e numero di matricola dell'attrezzatura.** Tali dati sono stampigliati nell'apposita targhetta di cui è dotata ogni attrezzatura.

- **Numero di codice della parte richiesta** rilevabile dal catalogo ricambi.

- **Descrizione del particolare e quantità richiesta.**

- **Numero della tavola.**

- **Mezzo di trasporto.** Nel caso questa voce non sia specificata, la Ditta Costruttrice, pur dedicando a questo servizio una particolare cura, non risponde di eventuali ritardi di spedizione dovuti a cause di forza maggiore.

Le spese di trasporto si intendono sempre a carico del destinatario. La merce viaggia a rischio e pericolo del committente anche se venduta franco destino.

NOTA: Il termine **(Dx) Destro** o **(Sx) Sinistro** della macchina o di parti di essa, è inteso guardando la macchina dalla parte posteriore. Le eccezioni saranno indicate.

SPARE PARTS

Orders must be transmitted through our area dealers and should always include the following indications:

- **Type, model and serial number of the machine.** These data are punched on the data plate with which every implement is equipped.

- **Code number of the required spare part.** This will be found in the spare parts catalogue.

- **Description of the part and required quantity.**

- **Table number.**

- **Means of dispatch.** If this item is not indicated, the Manufacturer, while dedicating particular care to this service, shall not be held responsible for delays in delivery caused by cases of force majeure.

Transport expenses shall always be at the consignee's charge. The goods travel at the purchaser's risk and peril even when sold ex destination.

NOTE: The symbols **(Dx) right** and **(Sx) left**, concerning the machine or single parts of it, are referred, as in the figure, to a rear view of them. Exceptions will be indicated.

ERSATZTEILE

Die Bestellungen müssen bei unseren Gebietshändlern aufgegeben werden. Bei der Bestellung sind stets die folgenden Angaben zu machen:

- **Typ, Modell und Serien-Nummer des Geräts.** Diese Daten stehen auf dem Typenschild, mit dem jedes Gerät versehen ist.

- **Artikel Nr. der erforderlichen Ersatzteile.** Diese stehen im Ersatzteil-Katalog.

- **Beschreibung des Ersatzteils und die erforderliche Stückzahl.**

- **Tafelnummer.**

- **Versandmittel.** Wenn dieser Punkt nicht spezifiziert wird, haftet die Herstellerfirma nicht für etwaigen Lieferverzug aufgrund höherer Gewalt, auch wenn er diesen Service besonders aufmerksam abwickelt. Die Frachtkosten gehen dagegen immer zu Lasten des Empfängers. Die Ware reist auf Gefahr und Risiko des Auftraggebers, auch wenn frei Haus Verkauft vereinbart worden ist.

N.B.: Die Merkzeichen **(Dx) rechts** und **(Sx) links** betreffen eine rückwärtige Aussicht der Maschine oder Teile von ihr (siehe Bild). Ausnahmen werden gezeigt.

PIECES DÉTACHÉES

Les ordres doivent être effectués auprès de nos concessionnaires de zone en précisant les indications suivantes:

- **Type, modèle et numéro de série de la machine.** Ces données sont gravées sur la plaque d'identification de chaque outil.

- **Numéro de code de la pièce détachée** indiqué sur le catalogue des pièces détachées.

- **Description de la pièce et quantité requise.**

- **Numéro de plan.**

- **Moyen d'expédition.** Si cette rubrique n'est pas indiquée, le Constructeur, bien que soucieux de ce service, ne répond pas des retards d'expédition pour des causes de force majeure.

Les frais de transport sont toujours à la charge du destinataire. La marchandise voyage aux risques et périls de l'acheteur même si vendue franco de port.

N.B.: Les références **(Dx) droit** et **(Sx) gauche** de la machine ou des parties de la même, est entendue, comme de la figure, en regardant la machine de derriere dans le sens de marche.

RESPUESTOS

Los pedidos han de efectuarse en nuestros concesionarios de zona y deben incluir siempre las siguientes indicaciones:

- **Tipo, modelo y número de matricula del equipo.** Dichos datos están impresos en la relativa placa presente en el equipo.

- **Número de código de la parte requerida** presente en el catálogo respuestas.

- **Descripción de la pieza y cantidad requerida.**

- **Numero de ilustración.**

- **Medio de transporte.** En caso que este ítem no esté especificado, el Fabricante, aún prestando la debidas consideraciones para este aspecto, no responde por eventuales retardos de env'o debidos a causas de fuerza mayor.

Los gastos de transporte se consideran siempre a cargo del destinatario. La mercadería viaja bajo riesgo y peligro del comprador, incluso cuando se vende franco destino.

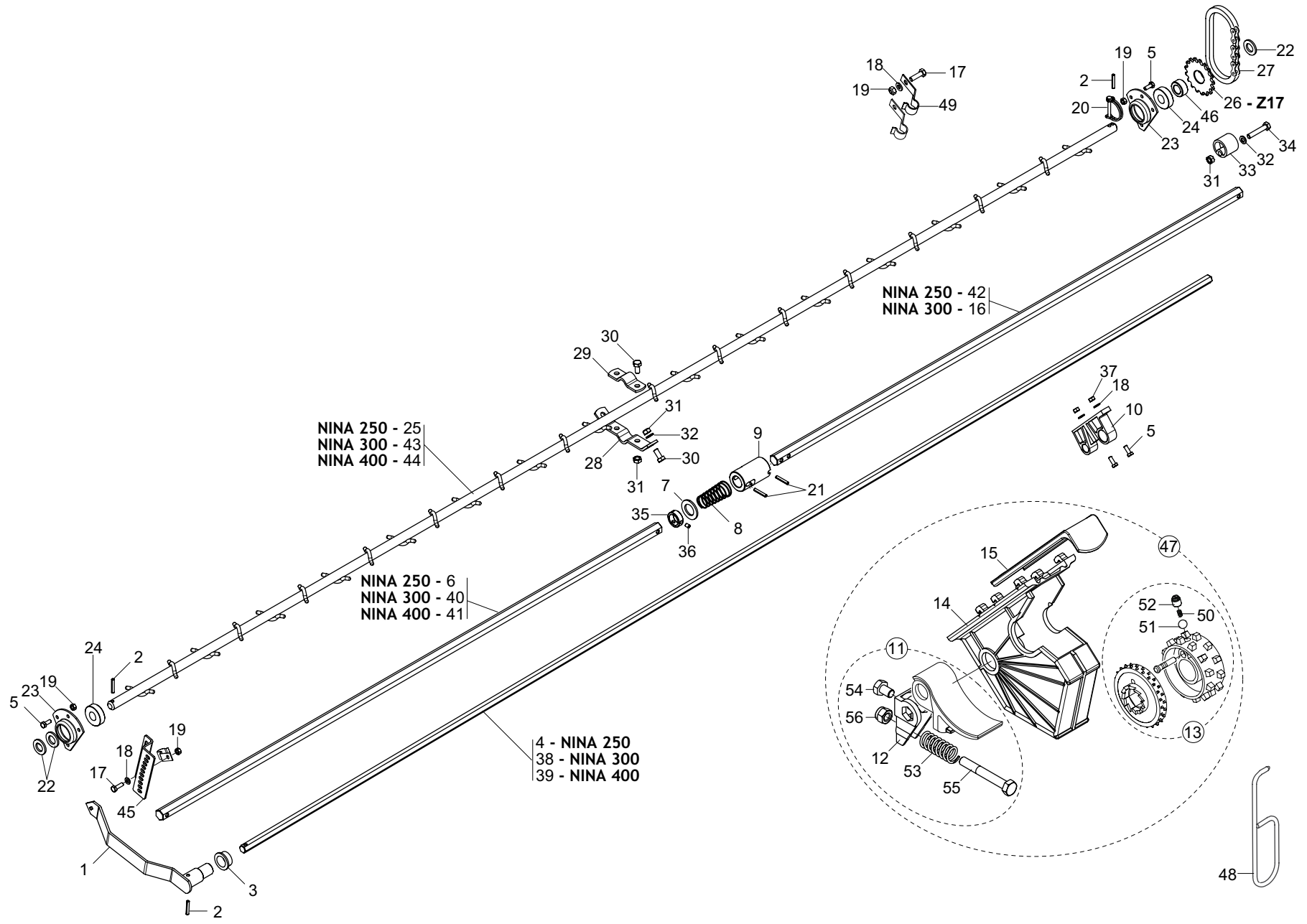
N.B.: La referencia **(Dx) derecha** o **(Sx) izquierda** de la máquina o de sus componentes, se entiende, como en la figura, mirando la máquina por la parte trasera. Se indicarán las excepciones.

Nr. Tav.	Descrizione	Description	Pag.
TAV. 014	Telaio e tramoggia.....	Chassis and hopper	4
TAV. 022	Distribuzione seme.....	Seed distribution	6
TAV. 034	Trasmissione - Cambio	Transmission - Gearbox	8
TAV. 042	Ruote.....	Wheels	10
TAV. 052	Trasmissione doppia	Dual drive	12
TAV. 060	Regolazione manuale pressione assolcatori.....	Manual coulter tensioner.....	14
TAV. 071	Regolazione oleodinamica pressione assolcatori	Hydraulic coulter tensioner.....	16
TAV. 083	Vaschette scarico semi	Seed-holder tanks	18
TAV. 094	Assolcatori a stivaletto	Shoe coulters	20
TAV. 106	Assolcatori a disco corex	Corex disc coulters.....	22
TAV. 205	Assolcatori a disco semplice	Single disc coulters	26
TAV. 230	Assolcatori a disco semplice "DV"	Single disc coulters "DV"	30
TAV. 114	Segnafile	Row marker	34
TAV. 122	Erpice copriseme posteriore a regolazione multipla	Seed covering harrow multi control.....	36
TAV. 213	Erpice copriseme posteriore	Seed covering harrow	38
TAV. 130	Pedana di ispezione e scaletta	Inspection footboard with ladder	40
TAV. 144	Separatori e rialzo tramoggia	Seed hopper separators and hopper extension	42
TAV. 152	Tramoggia semina erbai (≤ 2016).....	Grass seeds hopper (≤ 2016)	44
TAV. 153	Tramoggia semina erbai (≥ 2016).....	Grass seeds hopper (≥ 2016)	48
TAV. 161	Trasmissione tramoggia semina erbai	Grass seeds hopper transmission.....	52
TAV. 172	Tracciasentieri posteriore	Rear pre-emergence marker	54
TAV. 193	Kit luci e tabelle di ingombro stradale	Lighting kit and warning boards	56
TAV. 220	Kit luci e tabelle di ingombro stradale	Lighting kit and warning boards	58

**TELAIO E TRAMOGGIA
CHASSIS AND HOPPER**

TAV. 014

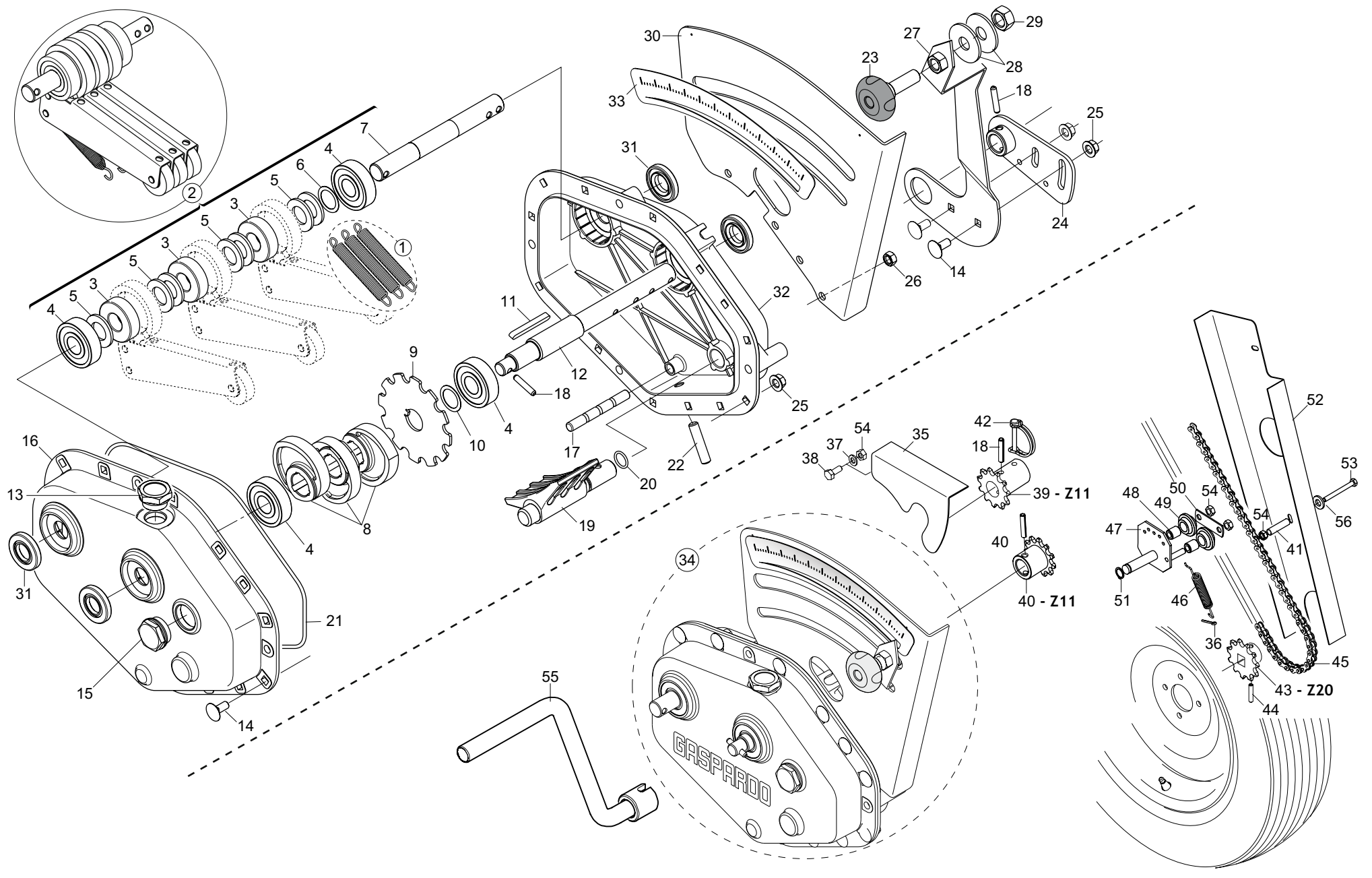
Pos.	Cod.	Descrizione	Description	Description	Benennung	Description
1	G16214732R	COPERCHIO 250	COVER SET 250			
2	G16214652R	COPERCHIO 300	COVER SET 300			
3	G16315221R	COPERCHIO TONDO 400	CIRCULAR COVER 400			
4	F01020445R	VITE M8X1,25X30 U5739 8.8ZN	SCR. M8X1,25X30 U5739 8.8ZN	VIS M 8X1,25X30 U5739 8.8 ZN	SCHRAU, M8X1,25X30 U5739 8.8ZN	TORNILLO M8X1,25X30 U5739 8.8
5	F01220022R	DADO M8X1,25 D980 8ZN	NUT M8X1,25 D980 8ZN	ECROU M8X 1,25 D980 8 ZN	MUTTER M8X 1,25 D980 8 ZN	TUERCA M8X 1,25 D980 8 ZN
6	F01420049R	ROS.M8 8,4X 32X 2 U6593 ZN	WASHER M8 8,4X32X2 U6593 ZN	RONDELLA M8 8,4X32X2 U6593 ZN	SCHEIBE M8 8,4X32X2 U6593 ZN	ARAND.M8 8,4X 32X 2 U6593 ZN
7	F02400027R	MOLLA A GAS 600 N	GAS SPRING 600N			
8	G16315440R	STAFFA ROTAZ.COPERCHIO DX ZN	ROTATION BRACKET COVER RIGHT			
9	G16315450R	STAFFA ROTAZ.COPERCHIO SX ZN	ROTATION BRACKET COVER LEFT			
10	G16214721R	STAFFA	BRACKET	ETRIER	B_GEL	ESTRIBO
11	F05150112R	MANIGLIA INTERAS. 117 FORO 8MM	HANDLE	POIGNEE	HANDGRIFF	MANILLA
12	F01020427R	VITE M 8X1,25X 12 U5739 8.8ZN	SCR. M8X1,25X12 U5739 8.8ZN	VIS M8X1,25X12 U5739 8.8ZN	SCHRA. M8X1,25X12 U5739 8.8ZN	TORN. M8X1,25X12 U5739 8.8ZN
13	F01410051R	ROS.M8 8,4X 17X1,6 U6592 ZN	WASHER M8 8,4X17X1,6 U6592 ZN	RONDELLE M8 8,4X17X1,6 ZN	SCHEIBE M8 8,4X17X1,6 U6592 ZN	ARAND.M8 8,4X 17X1,6 U6592 ZN
14	F01020436R	VITE M8X1,25X20 U5739 8.8ZN	SCR. M8X1,25X20 U5739 8.8ZN	VIS M8X1,25X 20 U5739 8.8 ZN	SCHRAUBE M8X1,25X20U5739 8.8ZN	TORNILLO M8X1,25X20 U5739 8.8
15	F05100145R	TAPPO PLASTCA D.9 X FORO 10	PLASTIC PLUG D.9 X HOLE 10			
16	F01200244R	DADO M8X1,25 U5588 CL8 ZN	NUT M8X1,25 U5588 6.8ZN	ECROU M8 X1,25 U5588 6.8 ZN	MUTTER M8 X1,25 U5588 6.8 ZN	TUERCA M8X1,25 U5588 CL8 ZN
17	G16214113R	TELAIO NINA 250	FRAME NINA 250			
18	G16213383R	TELAIO NINA 300	FRAME NINA 300			
19	G16214192R	TELAIO NINA 400	FRAME NINA 400			
20	G07000130R	ANGOLARE FLUIDITA SEMENTI	SEED CHUTE L BAR	CORNIERE FLUIDITE GRAINES	SAATGUT FLUIDITZTZWINKEL	ANGULAR FLUIDEZ SEMILLAS
21	F02050648R	ANELLO BENZING-QUICKLOCK BQ7	BENZING-QUICKLOCK BQ7 RING	BAGUE BENZING-QUICKLOCK BQ7	RING BENZING-QUICKLOCK BQ7	ANILLO BENZING-QUICKLOCK BQ7
22	F01220011R	DADO M6X1 D980 8ZN	NUT M6X1 D980 8ZN	ECROU M6X1 D980 8 ZN	MUTTER M6X1 D980 8 ZN	TUERCA M6X1 D980 8 ZN
23	G07000310R	INDICE LIVELLO POS. VERTICALE	VERTICAL POSITION LEVEL INDEX	INDEX DE NIVEAU POS. VERTICAL	STANDANZEIGER VERTIKALE POSITI	NDICE NIVEL POSICI N VERTICAL
24	F01200232R	DADO M6X1 U5588 CL8 ZN	NUT M6X1 U5588 6.8ZN	ECROU 6 UNI 5588 6.8 ZN	MUTTER 6 UNI 5588 6.8 ZN	TUERCA M6X1 U5588 CL8 ZN
25	G07000308R	ASTA LIVELLO SEMENTI	SEED LEVEL ROD	TIGE DE NIVEAU DES GRAINES	SAATGUTMESS-STAB	VARILLA DE NIVEL SEMILLAS
26	G13812311R	CATENELLA CON MOSCHETTONE	CHAIN WITH SPRING CATCH	CHAINETTE AVEC MOUSQUETON	KETTE MIT KARABINERHAKEN	CADENA CON GANCHO
27	G07000309R	GALLEGGIANTE	FLOAT	FLOTTEUR	SCHWIMMER	FLOTADOR
28	F20100135R	PERNO D28 L 93 C43 TEST.D60 ZN	PIN D28 L93 C43 GALV.ED			
29	F20100132R	PERNO D25 L 91 C43 TEST.D60 Z	PIN D25 L91 C43 ZN			
30	F02200507R	SPINA A SCATTO D 9 B 83	SNAP PIN D9 B 83 ZN	FICHE A DETENTE D9 B 83 ZN	EINRASTSTIFT D9 B 83 ZN	CLAVIJA DE MUELLE D9 B 83 ZN
31	G19707112R	TABELLA DI SEMINA NINA-DAMA	SEEDING TAB. NINA-DAMA			
32	G16214750R	LAM.RINFORZO COPERCHIO 2500	COVER REINFORCEMENT 2500	REINFORCEMENT COUVERTURE 2500	DECKEL VERST RKERUNG 2500	REFUERZO TAPA 2500
33	G16214680R	LAM.RINFORZO COPERCHIO 3000	COVER REINFORCEMENT 3000	REINFORCEMENT COUVERTURE 3000	DECKEL VERST RKERUNG 3000	REFUERZO TAPA 3000
34	G16315240R	LAMIERA RINF.COPERCHIO 400	REINF.COVER SHEET 400			
35	G89900500R	KIT DECALCOMANIE -CE-	DECAL KIT -CE-	KIT DECALCOMANIE -CE-	KIT ABZIEHB. -CE-	SET CALCOMAN AS -CE-
36	F01410037R	ROS.M6 6,4X12,5X1,6 U6592 ZN	WASHER M6 6,4X12,5X1,6 U6592ZN	RONDEL.M6 6,4X12,5X1,6 U6592ZN	SCHEIB.M6 6,4X12,5X1,6 U6592ZN	ARAND.M6 6,4X12,5X1,6 U6592 ZN
37	F01020432R	VITE M8X1,25X16 U5739 8.8ZN	SCR. M8X1,25X16 U5739 8.8ZN	VIS M8 X1,25X16 U5739 8.8 ZN	SCHRAUBE M8X1,25X16U5739 8.8ZN	TORNILLO M8X1,25X16 U5739 8.8
38	F05150456R	PARACOLPI 30X15 M8X25	BUFFER 30X15 M8X25	PARE-CHOCS 30X15 M8X25	STOSSDZMPFER 30X15 M8X25	PARAGOLPES 30X15 M8X25
39	G16214050R	PROLUNGA 1 -2 PUNTO	1 -2 POINT EXTENSION			
40	G16214060R	ESTENSIONE 3 PUNTO	3 POINT EXTENSION			



DISTRIBUZIONE SEME SEED DISTRIBUTION

TAV. 022

Pos.	Cod.	Descrizione	Description	Description	Benennung	Descripcion
1	G16221200R	ASS.LEVA REGOLAZIONE TASTATORI	FEELER ADJUSTMENT LEVER	LEVIER REGLAGE TATEURS	TASTERREGULIERHEBEL	PALANCA REGULACI N PALPADORES
2	F02100086R	SPINA E.P. 5X 30 U6873 C70 ZN	PIN EL. 5 X30 DIN 1481 GALVAN.	FICHE EL. 5 X30 DIN 1481 ZN	SPANNSTIFT 5 X30 DIN 1481 ZN	CLAVIJA EL.P. 5X 30 U6873 C70
3	F04100055R	CUSCIN.FLANG.MFM-2228-15	BEARING MFM-2228-15	ROULEMENT MFM-2228-15	LAGER MFM-2228-15	COJINETE MFM-2228-15
4	G16220510R	ASSE ESAG.14 X2050 ZN	HEX. SPINDLE 14X2050 GALVAN.	AXE HEXAGONAL 14X2050 ZN	SECHSK.ACHSE 14X2050 ZN	EJE HEXAGONAL 14X2050 ZN
5	F01020403R	VITE M6X1X16 U5739 8.8ZN	SCR. M6X1X16 U5739 8.8ZN	VIS M6X1X16 U5739 8.8 ZN	SCHRAUBE M6X1X16 U5739 8.8 ZN	TORNILLO M6X1X16 U5739 8.8 ZN
6	G16221440R	ASSE DISTRIB. L.1080 ZN	GALVAN.DISTRIBUT. AXIS L.1080	AXE DISTRIBUTEUR GCH.	LINKE STREUERACHSE	EJE DISTRIBUIDOR IZQ.
7	F01410135R	ROS.M22 23X 39X 3 U6592 ZN	WASHER M22 23X 39X 3 U6592 ZN	ROND. M22 23X 39X3 U6592 ZN	SCHEI. M22 23X 39X3 U6592 ZN	ARANDELLA M22 23X39X3 U6592 ZN
8	G65338039R	MOLLA COMP.ZN INNESTO SP	ZN COUPLING COMP. SPRING SP	RESSORT COMPL. ZN ACCOUPLEM.	DRUCKFEDER ZN KUPPLUNG SP	MUELLE COMP.ZN ACOPLAMIENTO SP
9	G16221330R	DISINNESTO ASSE DISTRIB. ZN	DISENGAG.DISTRIB.AXLE ZN			
10	G19003030R	SUPPORTO ALBERI	SHAFTS SUPPORT	SUPPORT ARBRES	WELLENLAGER	SOPORTE EJES
11	G16220610R	REGOLATORE	GOVERNOR	REGULATEUR	REGLER	REGULADOR
12	G66248254R	ATTACCO REGOLATORE MG	ADJUSTER COUPLING MG	FIXATION REGLAGE MG	KUPPLUNG EINSTELLER MG	CONEXI N REGULADOR MG
13	G16922610R	COPPIA RULL.DENTI GROSSI-FINI	BIG-SMALL ROLL DOSER COUPLE			
14	G19003014R	SCATOLETTA DISTRIBUZIONE	DISTRIBUTION BOX			
15	G19003023R	CURSORE REGOLAZ.APERTURA	APERTURE ADJUSTMENT SLIDER			
16	G16320460R	ASSE DISTRIBUZIONE DX	GALVAN.DISTRIBUT. AXIS L.1300	AXE DISTRIBUTEUR DRT.	RECHTE STREUERACHSE	EJE DISTRIBUIDOR DER.
17	F01020404R	VITE M6X1X20 U5739 8.8ZN	SCREW M6X1X20 U5739 8.8ZN	VIS M6X1X20 U5739 8.8ZN	SCHRAUBE M6X1X20 U5739 8.8ZN	TORNILLO M6X1X20 U5739 8.8ZN
18	F01410037R	ROS.M6 6,4X12,5X1,6 U6592 ZN	WASHER M6 6,4X12,5X1,6 U6592ZN	RONDEL.M6 6,4X12,5X1,6 U6592ZN	SCHEIB.M6 6,4X12,5X1,6 U6592ZN	ARAND.M6 6,4X12,5X1,6 U6592 ZN
19	F01220011R	DADO M6X1 D980 8ZN	NUT M6X1 D980 8ZN	ECROU M6X1 D980 8 ZN	MUTTER M6X1 D980 8 ZN	TUERCA M6X1 D980 8 ZN
20	F02200595R	SPINA SICUR.D. 5X30 ZN	PIN X GEAR	GOUJON	BOLZEN	ESPIÑA
21	F02100091R	SPINA E.P. 5X 45 U6873 C70 BR	PIN EL. .5 X45 DIN 1481	FICHE EL. 5 X45 DIN 1481	SPANNSTIFT 5 X45 DIN 1481	CLAVIJA EL.5 X45 DIN 1481
22	F01410100R	ROS.M16 17X 30X 3 U6592 ZN	WASHER M16 17X30X3 U6592 ZN	RONDELLE M16 17X30X3 ZN	SCHRAUBE M16 17X 30X3 U6592 ZN	ARAND.M16 17X 30X 3 U6592 ZN
23	G16220090R	SUPPORTO CUSCINETTO	GALV.BEARING SUPPORT	SUPPORT PALIER ZN	LAGERBSCHSE ZN	SOPORTE COJINETE ZN
24	F04010161R	CUSC.D17 D40 B12 6203 2RS EX	BEARING D17 D40 B12 6203 2RS	ROULEMENT 6203 2RS	LAGER 6203 2RS	COJINETE 6203 2RS SKF
25	G16220112R	ASS.ALBERO MESCOLO NINA 250	MIX SHAFT NINA250	ARBRE MELANGEUR NINA250	MISCHERWELLE NINA250	EJE MEZCLADOR NINA250
26	G16220100R	INGRANAGGIO Z-17	GEAR Z.17	ENGRENAGE Z.17	ZAHNRAD Z.17	ENGRANAJE Z.17
27	F06080135R	CATENA 1 2 ISO 084 28 MAGLIE	CHAIN 1 2 ISO 083 28 SHACKLE	CHAINE 1 2 ISO 083 28 MAILLES	KETTE 1 2 ISO 083 28 MASCHE	CADENA 1 2 ISO 083 28 ESLABON
28	G16221260R	SUPPORTO INF.ALBERO MESCOLO	UNDER SHAFT SUPPORT	SUPPORT INF. ARBRE	UNTERE HALTERUNG WELLE	SOPORTE INFERIOR EJE
29	G16220590R	SUPPORTO MESCOLO	MIXER SUPPORT	SUPPORT MELANGEUR	HALTERUNG MISCHER	SOPORTE MEZCLADOR
30	F01020436R	VITE M8X1,25X20 U5739 8.8ZN	SCR. M8X1,25X20 U5739 8.8ZN	VIS M8X1,25X 20 U5739 8.8 ZN	SCHRAUBE M8X1,25X20U5739 8.8ZN	TORNILLO M8X1,25X20 U5739 8.8
31	F01220022R	DADO M8X1,25 D980 8ZN	NUT M8X1,25 D980 8ZN	ECROU M8X 1,25 D980 8 ZN	MUTTER M8X 1,25 D980 8 ZN	TUERCA M8X 1,25 D980 8 ZN
32	F01410051R	ROS.M8 8,4X 17X1,6 U6592 ZN	WASHER M8 8,4X17X1,6 U6592 ZN	RONDELLE M8 8,4X17X1,6 ZN	SCHEIBE M8 8,4X17X1,6 U6592 ZN	ARAND.M8 8,4X 17X1,6 U6592 ZN
33	G66248207R	TENDICATENA SPAND. SP-520	CHAIN TENSIONER	TENDEUR DE CHAINE EPAND. ENGR.	KETTENSPELLER DSNGERSTR. SP-52	SENSOR DE CADENA ABON. SP-520
34	F01020070R	VITE M8X1,25X45 U5737 8.8ZN	SCR. M8X1,25X45 U5737 8.8ZN	VIS M 8X1,25X 45 U5737 8.8ZN	SCHRAU. M8X1,25X45 U5737 8.8ZN	TORN. M 8X1,25X 45 U5737 8.8ZN
35	G16221510R	FERMO	STOP	ARRET	FESTSTELLVORRICHTUNG	BLOQUEO
36	F01050085R	VITE M6X1X8 U5927	SCR. M6X1X8 U5927	VIS M6X1X8 U5927	SCHRAUBE M6X1X8 U5927	TORNILLO M6X1X8 U5927
37	F01200232R	DADO M6X1 U5588 CL8 ZN	NUT M6X1 U5588 6.8ZN	ECROU 6 UNI 5588 6.8 ZN	MUTTER 6 UNI 5588 6.8 ZN	TUERCA M6X1 U5588 CL8 ZN
38	G16220520R	ASSE ESAG.14 X2550 ZN	HEX. SPINDLE 14X2550 GALVAN.	AXE HEXAGONAL 14X2550 ZN	SECHSK.ACHSE 14X2550 ZN	EJE HEXAGONAL 14X2550 ZN
39	G16220530R	ASSE ESAGONALE 14X3550 ZN	HEX. SPINDLE 14X3550 GALVAN.	AXE HEXAGONAL 14X3550 ZN	SECHSK.ACHSE 14X3550 ZN	EJE HEXAGONAL 14X3550 ZN
40	G16320450R	ASSE DISTRIBUZIONE SX	GALVAN.DISTRIBUT. AXIS L.1213	AXE DISTRIBUTEUR GCH.	LINKE STREUERACHSE	EJE DISTRIBUIDOR IZQ.
41	G16220500R	ASSE ESAG.C40 19X3540	HEX. SPINDLE 19X3540	AXE HEXAGONAL 19X3540	SECHSK.ACHSE 19X3540	EJE HEXAGONAL 19X3540
42	G16221430R	ASSE DISTRIB. L.940 ZN	GALVAN.DISTRIBUTION AXIS L.940	AXE DISTRIBUTEUR DRT.	RECHTE STREUERACHSE	EJE DISTRIBUIDOR DER.
43	G16221521R	ASS.ALBERO MESCOLO NINA 300	MIX SHAFT NINA300	ARBRE MELANGEUR NINA300	MISCHERWELLE NINA300	EJE MEZCLADOR NINA300
44	G16220561R	ASS.ALBERO MESCOLO NINA 400	MIX SHAFT NINA400	ARBRE MELANGEUR NINA400	MISCHERWELLE NINA400	EJE MEZCLADOR NINA400
45	G16220250R	LEVA REGOLAZ.TASTATORI	FEELER ADJUSTING SQUARE *	LEVIER DE REGLAGE DES TATEURS	TASTERREGULIERWINKEL *	ESCUADRA DE REGULAC. DE PALPAD
46	G18801860R	BOCCOLA 17,25X30 X14	BUSHING D17,25X30X14			
47	G16220620R	DISTRIBUTORE COMPLETO	DISTRIBUTOR ASSY.	DISTRIBUTEUR COMPL.	KOMPLETTER SZAPPARAT	DISTRIBUIDOR COMPLETO
48	G07000074R	GANCIO X DISINNESTO RULLI ZN	GALVAN.ROLLER DISENGAGE. HOOK	CROCHET POUR DECONNECT. ROULEA	HAKEN FSR WALZENAUSKUPPLUNG ZN	GANCHO P. DESCONEXI N RODILLOS
49	G070002493R	GANCIO SUPPORTO MANIGLIA M ZN	GALVAN. HANDLE SUPPORT HOOK M	CROCHET SUPPORT POIGNEE M ZN	HAKEN GRIFFHALTERUNG M ZN	GANCHO SOPORTE MANIJA M ZN
50	G18902340R	MOLLA COMP.ZN RULLINI M	GALV. SPRING FOR ROLLER			
51	F04200011R	SFERA ACC.RB 4	STEEL BALLRB 40	BILLE ACIER RB 40	STAHLKUGEL RB40	BOLA ACERO RB 40
52	G19002420R	GRANO DI BLOCCO MOLLA MULT	SPRING STOP DOWEL MULT.			
53	G65338056R	MOLLA REGOLATORE MG	ADJUSTER SPRING MG	RESSORT REGULATEUR MG	EINSTELLFEDER MG	MUELLE REGULADOR MG
54	F01020427R	VITE M 8X1,25X 12 U5739 8.8ZN	SCR. M8X1,25X12 U5739 8.8ZN	VIS M8X1,25X12 U5739 8.8ZN	SCHRA. M8X1,25X12 U5739 8.8ZN	TORN. M8X1,25X12 U5739 8.8ZN
55	F01020077R	VITE M8X1,25X60 U5737 8.8ZN	SCR. M8X1,25X60 U5737 8.8ZN	VIS M8X1,25X60 U5737 8.8 ZN	SCHRAU. M8X1,25X60 U5737 8.8ZN	TORN. M8X1,25X60 U5737 8.8 ZN
56	F01230034R	DADO M8X1,25 D982 8ZN	NUT M8X1,25 D982 8ZN	ECROU M8X 1,25 ZN	MUTTER M8X 1,25 D982 8 ZN	TUERCA M8X1,25 D982 8

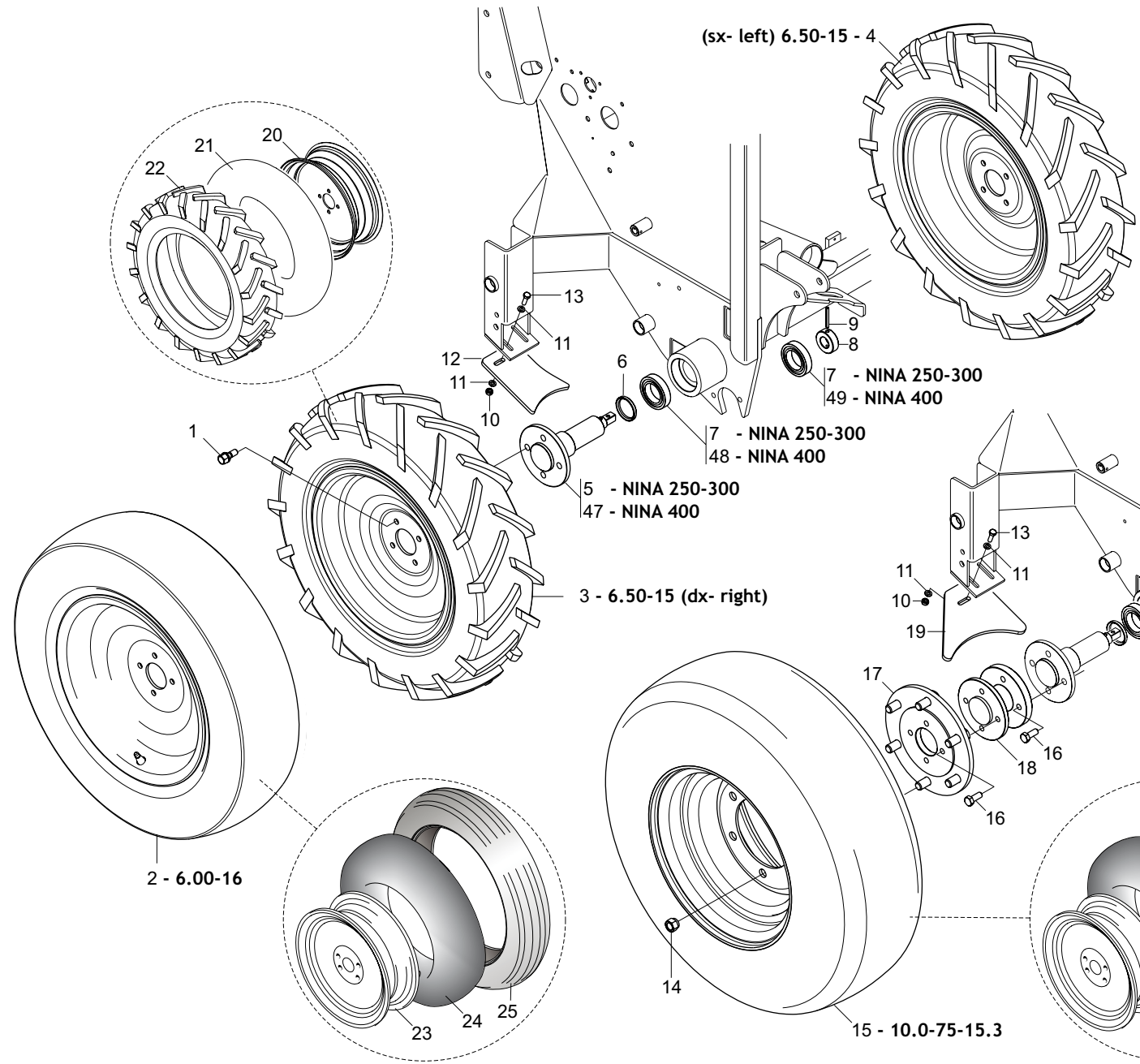
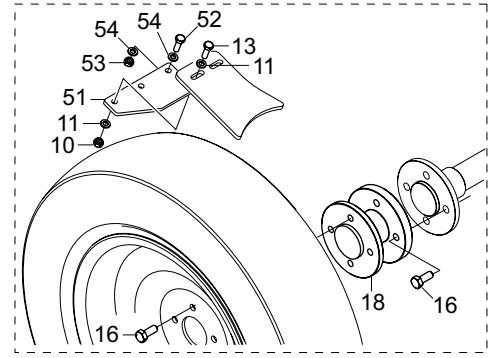


**TRASMISSIONE - CAMBIO
TRANSMISSION - GEARBOX**

TAV. 034

Pos.	Cod.	Descrizione	Description	Description	Benennung	Descripcion
1	F02400070R	KIT DI 3 MOLLE TRAZ.CAMBIO PL.	KIT OF 3 GEAR TRACT. SPRING			
2	G16930630R	GR.BIELLISMO CAMBIO PLA	GROUP GEAR CONNECTING ROD PLA			
3	F06120065R	RUOTA LIBERA KK20	FREE WHEEL	ROUE LIBRE	FREILAUF	RUEDA LIBRE
4	F04010207R	CUSC.D20 D52 B15 6304 Z	BEARING D20 D52 B15 6304 Z	ROULEMENT D20 D52 B15 6304	LAGER D20 D52 B15 6304 Z	COJINETE D20 D52 B15 6304 Z
5	F01410124R	ROS.M20 21X 37X 3 U6592 ZN	WASHER M20 21X 37X 3 U6592 ZN	RONDEL.M20 21X37X3 ZN	MUTTER M20 21X 37X 3 U6592 ZN	ARAND.M20 21X 37X 3 U6592 ZN
6	G20970100R	RONDELLA 30X0,5X22 ACC.	WASHER 30X0-5X22 ACC.	RONDELLE 30X0-5X22 ACIER	UNTERLEGSSCHEIBE 30X0-5X22 ACC.	ARANDELA 30X0-5X22 ACC.
7	G16230530R	ALBERO RUOTA LIBERA C.PLA BON.	FREE-WHEEL SHAFT	ARBRE ROUE LIBRE	LOSRADWELLE	LOSRADWELLE
8	G07000014R	CAMMA CAMBIO BAGNO OLIO	OIL BATH GEARBOX CAM	CAME BOITE DE VIT. BAIN HUILE	NOCKEN GETRIEBE TLBAD	LEVA CAMBIO BA O ACEITE
9	G16230520R	RUOTA FONICA	PHONIC WHEEL	ROUE PHONIQUE	TONRADES	RUEDA F NICA
10	F01440079R	ROND.RASAM.26,2X34,8X0,5 IX	WASHER D.26,2X34,8X0,5 IX	RONDELLE D.26,2X34,8X0,5 IX	UNTERLEGSSCHEIBE D.26,2X35X0,5	ARANDELA D.26,2X34,8X0,5 IX
11	F02150040R	LINGUETTA 6X 6X 55 U6604A	PARALLEL KEY 6X 6X 55 U6604A	LANGUETTE 06X6X55 UNI 6604 A	FEDERKEIL 06X6X55 UNI 6604 A	LENGSETA 06X6X55 UNI 6604 A
12	G16230540R	ALBERO CAMMES CAMBIO PLA	CAM SHAFT	ARBRE A CAMES	NOCKENWELLE	EJE DE LEVAS
13	F03150706R	TAPPO OLIO 3 4 MODELLO TC 6	OIL PLUG 3 4 MODEL TC 6			
14	F01060040R	VITE M8X1,25X20 U5731 8.8ZN	SCR. M8X1,25X20 U5732 4.6ZG	VIS M8X1,25X20 U5732 4.6 ZN	SCHRA. M8X1,25X20 U5732 4.6 ZN	TORN. M8X1,25X20 U5732 4.6 ZN
15	F03150736R	TAPPO LIVELLO M30X1,5 HFE 22	OIL LEVEL PLUG M30X1,5 HFE 22	BOUCHON NIV. M30X1-5 HFE 22	STANDSCHRAUBE M30X1-5 HFE 22	TAP N NIVEL M30X1-5 HFE 22
16	G19005720R	COPERCHIO CAMBIO	GEARBOX COVER	COUVERCLE BOITE DE VITESSE	WECHSELGETRIEBEBEDECKEL	TAPA CAMBIO
17	G16230550R	PERNO	PIN	GOUJON	STIFT	PERNO
18	F02100114R	SPINA E.P. 6X 30 U6873 C70 BR	ELASTIC PIN 6X30	GOUJON ELASTIQUE 6X30	SPANNHUELSE 6X30	ESPINA ELASTICA 6X30
19	G16230561R	REGOLATORE CAMBIO	GEAR REGULATOR			
20	F03010390R	ANELLO OR 15,08X2,26 NBR	O-RING 15,08X2,26 NBR	GARNITURE OR 15,08X2,26 NBR	DICHTUNG OR 15,08X2,26 NBR	JUNTA OR 15,08X2,26 NBR
21	F03010721R	ANEL. OR 247,24X3,53 NBR	RING OR 247,24X3,53 NBR			
22	F01050104R	VITE M10X1,5X45 U5927 14.9BR	SCR. M10X1,5X45 U5927 14.9BR	GOUJON 10X45 5927 14.9	STIFT 10X45 UNI 5927 14.9	TORNILLO SIN CABEZA 10X45 5927
23	F06220014R	VOLANTINO 8 LOBI M12X40 SX	8-LOBE HANDWHEEL M12X40 LEFT	VOLANT 8 LOBES M12X40 GCH	HANDRAD 8 BUCKEL M12X40 LINKS	VOLANTE 8 LOBI M12X40 IZQ
24	G16230590R	SUPPORTO LEVA REGOLAZIONE	ADJUSTMENT LEVER SUPPORT	LEVIER REGLAGE SUPPORT	EINSTELLHEBEL HALTERUNG	SOPORTE PALANCA REGULACION
25	F01260043R	DADO M8 D6923 8.8ZN	NUT M8 D6923 8.8ZN	ECROU BRIDE .M8 DIN 6923 8.8 Z	GEFLANSCHTE MUTTER M8 DIN6923	TUERCA BRIDA M8 DIN 6923 8.8 Z
26	F01200244R	DADO M8X1,25 U5588 CL8 ZN	NUT M8X1,25 U5588 6.8ZN	ECROU M8 X1,25 U5588 6.8 ZN	MUTTER M8 X1,25 U5588 6.8 ZN	TUERCA M8X1,25 U5588 CL8 ZN
27	G16230611R	LEVA REGOLAZIONE	ADJUSTMENT LEVER	LEVIER REGLAGE	EINSTELLHEBEL	PALANCA REGULACION
28	F01420084R	ROS.M14 14,5X 36X 3 U6593 ZN	GALVANIZED WASHER 14 X36 X3	RONDELLE 14 X36 X3 ZN	UNTERLEGSSCHEIBE 14 X36 X3 ZN	ARANDELA 14 X36 X3 ZN
29	G16230360R	DADO M12X1,75 SX AUTOB.	M12X1,75 LEFT SELF-LOCK NUT	ECROU M12X1,75 GCH AUTOBLOCANT	MUTTER M12X1,75 LINKS SELBSTSP	TUERCA M12X1,75 IZ. AUTO.
30	G16230572R	SUPPORTO REGOLAZIONE ZN	REGULATION SUPPORT ZN			
31	F03010257R	ANEL. T.AS 20X 42X 7 D3760NBR	RING T.AS 20X 42X 7 D3760NBR			
32	G19005710R	SCATOLA CAMBIO	GEARBOX	BOITE DE VITESSE	GETRIEBEKASTEN	CAJA DE CAMBIO VELOCIDAD
33	G19703421R	DECAL.REGOLAZ.CAMBIO PLA	LABEL GEAR BOX REGULAT. PLA			
34	G16230511R	SCATOLA CAMBIO	GEARBOX	BOITE DE VITESSE	WECHSELGETRIEBEGEHAEUSE	CAJA CAMBIO
35	G16230081R	CARTER	PROTECTION STIRRER	CARTER	GEHAEUSE	CARTER
36	F02200227R	COPIGLIA 5 X30 1336 ZN	PIN 5X 30 U1336 ZN			
37	F01410037R	ROS.M6 6,4X12,5X1,6 U6592 ZN	WASHER M6 6,4X12,5X1,6 U6592ZN	RONDEL.M6 6,4X12,5X1,6 U6592ZN	SCHEIB.M6 6,4X12,5X1,6 U6592ZN	ARAND.M6 6,4X12,5X1,6 U6592 ZN
38	F01020418R	VITE M6X1X14 U5739 A2IX	SCR. M6X1X14 U5739 A2IX	VIS 6X14 5739 INOX A2	SCHRAUBE 6X14 5739 INOX A2	TORNILLO 6X14 5739 INOX A2
39	G16230060R	PIGNONE Z.11 ZN	PINION Z 11	PIGNON Z 11	RITZEL Z 11	PI N Z 11
40	G16230040R	PIGNONE Z-11 ZN	GEAR Z.11 GALVANIZED	PIGNON Z 11 ZN	RITZEL Z 11 ZN	PI N Z 11 ZN
41	G16230640R	DISTANZIALE CARTER TRSM. ZN	TRANS.CARTER SPACER ZN			
42	F02200595R	SPINA SICUR.D. 5X30 ZN	PIN X GEAR	GOUJON	BOLZEN	ESPINA
43	G13930380R	PIGNONE Z20 1 2-3 16 D.16,4	PINION Z20 1 2-3 16 D.16,4			
44	F02100118R	SPINA E.P. 6X 36 U6873 C70 BR	PIN EL. 6X 36 U6873 C70 BR	GOUJON	BOLZEN	ESPINA
45	F06080223R	SP.CAT.1 2-3 16 108M.ISO 083-1	SP.CAT.1 2-3 16 108M.ISO 083-			
46	G18903280R	MOLLA TENDICATENA	TENSIONER SPRING	RESSORT TENDEUR DE CHAINE	FEDER KETTENSANNER	MUELLE TENSOR DE LA CADENA
47	G07000269R	ASS.TENDICATENA	CHAIN TIGHTENER	ESSIEU TENDEUR DE CHAINE	EINHEIT KETTENSANNER	TENSOR DE CADENA
48	G07000273R	BUSSOLA TENDICATENA	CHAIN TIGHTENER BUSH	DOUILLE TENDEUR DE CHAINE	BSCHE KETTENSANNER	CASQUILLO TENSOR DE CADENA
49	G07000134R	RULLO TENDICATENA	CHAIN TIGHTENER ROLLER	ROULEAU TENDEUR DE CHAINE	ROLLE KETTENSANNER	RODILLO TENSOR DE LA CADENA
50	G07000272R	PIASTRINA CHIUSURA TENDICATENA	CHAIN TIGHTENER CLOSING PLATE	PLAQUETTE FERM. TEND. DE CHAIN	KETTENSANNERSCHELISS-PLATTE	PLACA DE CIERRE TENSOR DE CADE
51	F02050604R	ANELLO E. DE 14X 1 U7435 C70	STOP RING 14 UNI 7435-75	BAGUE ARR.14 UNI 7435-75	RING 14 UNI 7435-75	ANILLO PARADA 14 UNI 7435-75
52	G16230480R	CARTER TRASMISSIONE	TRANSM.CARTER			
53	F01020083R	VITE M8X1,25X70 U5737 8.8ZN	SCR. M8X1,25X70 U5737 8.8ZN	VIS M 8X1,25X 70 U5737 8.8 ZN	SCHRA. M8X1,25X70 U5737 8.8ZN	TORN. M 8X1,25X 70 U5737 8.8ZN
54	F01220022R	DADO M8X1,25 D980 8ZN	NUT M8X1,25 D980 8ZN	ECROU M8X 1,25 D980 8 ZN	MUTTER M8X 1,25 D980 8 ZN	TUERCA M8X 1,25 D980 8 ZN
55	G07002489R	MANIGLIA CAMBIO M ZN	GEAR HANDLE M ZN	MANIVELLE ESSAI DEBIT REGLAGE	GETRIEBE SGRIF M ZN	MANIJA CAMBIO M ZN
56	F01410051R	ROS.M8 8,4X 17X1,6 U6592 ZN	WASHER M8 8,4X17X1,6 U6592 ZN	RONDELLE M8 8,4X17X1,6 ZN	SCHEIBE M8 8,4X17X1,6 U6592 ZN	ARAND.M8 8,4X 17X1,6 U6592 ZN

(sx- left) 6.50-15 - 4



NINA 250-300 - 39
 NINA 400 - 44
 NINA 250-300 - 41
 NINA 400 - 43

2 - 6.00-16

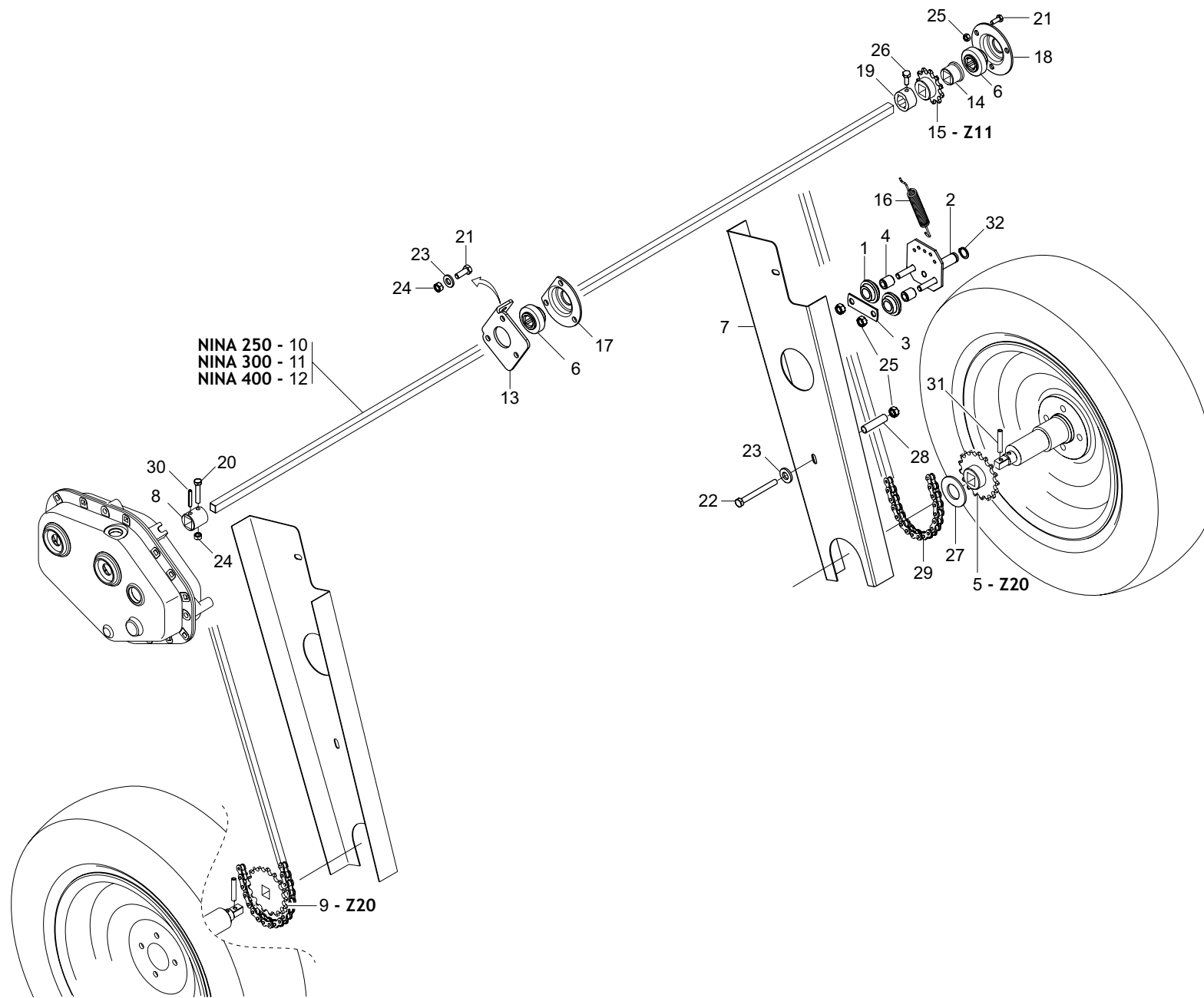
3 - 6.50-15 (dx- right)

15 - 10.0-75-15.3

RUOTE WHEELS

TAV. 042

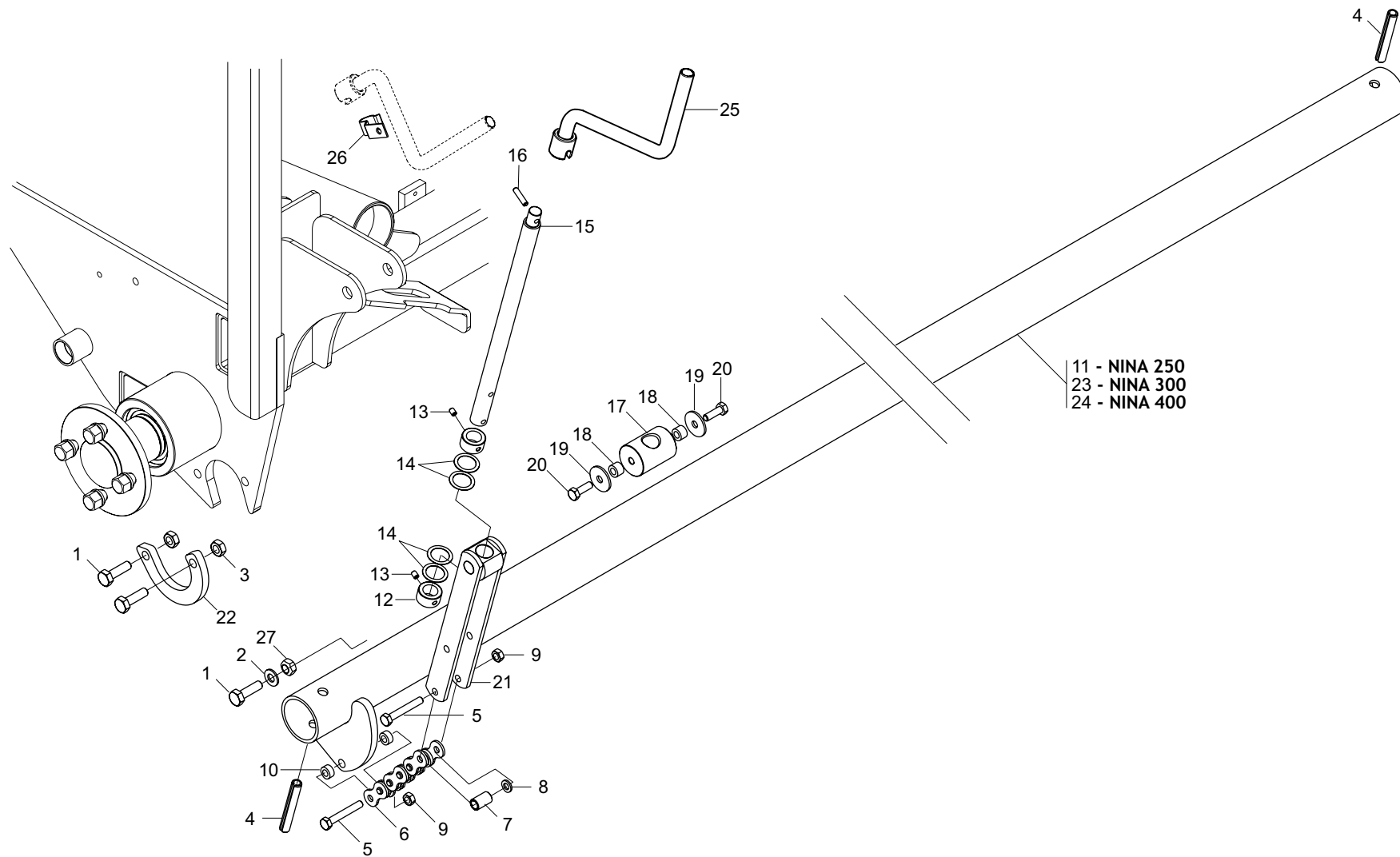
Pos.	Cod.	Descrizione	Description	Description	Benennung	Descripcion
1	F01250028R	DADO COLON.CON.60 M12X20 ZN	STUD BOLT M12X20 ZN	COLONNETTE M12X20 ZN	SCHRAUBBOLZEN M12X20 ZN	ESP-RRAGO M12X20 ZN
2	G16230230R	RUOTA 6.00-16 COMPL. FULDA	WHEEL 6.00-16 COMPL. FULDA			
3	F06120116R	RUOTA GOMMATA LARGA DX COMPL.	UPLEFT- WIDE RUBBERED WHEEL			
4	F06120115R	RUOTA GOMMATA LARGA SX COMPL.	UPRIGHT- WIDE RUBBERED WHEEL	MONT. ROUE CAOUTCHOUT. LARG.	STZNDER BREITES GUMMIRAD	MONT.RUEDA DE CAUCHO ANCHA
5	G16230101R	ASSE RUOTA D.45	WHEEL AXIS D.45	AXE ROUE D.45	RADACHSE D.45	EJE RUEDA D.45
6	G16230430R	DISTANZIALE DI BATTUTA ZN	GALVANIS. SPACER STOP	ECARTEUR DE BUTEE ZN	DISTANZST_CKANSCHLAG ZN	DISTANCIADOR DE TOPE ZN
7	F04010143R	CUSC.D45 D75 B16 6009 2RS1 EX	BEARING D45 D75 B16 6009 2RS1			
8	G16230440R	DISTANZIALE CUSCIN.-INGRANAG.	BEARING SPACER			
9	F02100124R	SPINA E.P. 6X 50 U6873 C70 BR	PIN EL. 6X50 U6873 C70 BR	GOUJON 6X50 U6873 C70 BR	STIFT 6X50 U6873 C70 BR	CLAVIJA EL.P. 6X 50 U6873 C70
10	F01200244R	DADO M8X1,25 U5588 CL8 ZN	NUT M8X1,25 U5588 6.8ZN	ECROU M8 X1,25 U5588 6.8 ZN	MUTTER M8 X1,25 U5588 6.8 ZN	TUERCA M8X1,25 U5588 CL8 ZN
11	F01410051R	ROS.M8 8,4X 17X1,6 U6592 ZN	WASHER M8 8,4X17X1,6 U6592 ZN	RONDELLE M8 8,4X17X1,6 ZN	SCHEIBE M8 8,4X17X1,6 U6592 ZN	ARAND.M8 8,4X 17X1,6 U6592 ZN
12	G16213451R	RASCHIATERRA R.6.00-16	SOILSCRAPER R.6.00-16			
13	F01020440R	VITE M8X1,25X25 U5739 8.8ZN	SCR. M8X1,25X25 U5739 8.8ZN	VIS M8X1,25X25 U5739 8.8 ZN	SCHRAUBE M8X1,25X25U5739 8.8ZN	TORNILLO M8X1,25X25 U5739 8.8
14	F01250052R	DADO COLON. 18X1,5 ZN	COLUMN NUT M18X1,5 ZN	ECROU M18X1,5 COLONNE ZN	MUTTER COLON. M18X1,5 ZN	TUERCA M18X1,5 COLUMNA ZN
15	F06120070R	RUOTA CP 10.0 75-15.3 AM 10 PR	WHEEL CP 10.0 75-15.3 AM 10 PR			
16	F01020510R	VITE M12X1,75X30 U5739 8.8ZN	SCR. M12X1,75X30 U5739 8.8ZN	VIS M12X1,75X30 U5739 8.8ZN	SCHRAU.M12X1,75X30 U5739 8.8ZN	TORNILLO M12X1,75X30 U5739
17	G16230450R	FLANGIA RUOTA 10.0-75 15	WHEEL FLANGE	BRIDE ROUE 10.0-75 15	FLANSCH RAD 10.0-75 15	BRIDA RUEDA 10.0-75 15
18	G16230320R	DISTANZIALE ASSE RUOTA	WHEEL AXLE SPACER			
19	G16214400R	RASCHIATERRA R.10.0 75-15	SOILSCRAPER R.10.0 75-15			
20	F06120206R	CERCHIO 3.00 D 15 PV RAL 9001	RIM 3.00 D 15 PV RAL 9001			
21	F06120134R	CAMERA X R5.00-15 E 6.5 80-15	INNER TUBE R5.00-15 E 6.5 80-15	CHAMBRE R5.00-15 6.5 80-15	KAMMER R5.00-15 6.5 80-15	CAMARA R5.00-15 6.5 80-15
22	F06120180R	COPERTURA 6.5-15 IM 110 6PR	TYRE 6.5-15 IM 110 6PR			
23	F06120040R	CERCHIO 4.00 E 16	RING 4.00 E	JANTE 4.00 E 16	REIFEN 4.00 E	LLANTA 4.00 E
24	F06120137R	CAMERA 31 A 16	INNER TUBE 31 A-16	CHAMBRE 31 A-16	KAMMER 31 A-16	CAMARA 31 A-16
25	F06120175R	COPERTURA 6.00-16 6 PR	TYRE 6.00-16 6 PR	COUVERTURE 6.00-16 6 PR	ABDECKUNG 6.00-16 6 PR	CUBIERTA 6.00-16 6 PR
26	F06120023R	CERCHIO 9.00 15.3 CANALE 6F	RING 9.00-15.3 CHANNEL 6F	JANTE 9.00-15.3 CANALE 6F	REIFEN 9.00-15.3 KANAL 6F	LLANTA 9.00-15.3 CANAL 6F
27	F06120132R	CAMERA 10.0 75-15.3 VG	CHAMBER 10.0 75-15.3 VG	CHAMBRE 10.0 75-15.3 VG	KAMMER 10.0 75-15.3 VG	CAMARA 10.0 75-15.3 VG
28	F06120156R	COPERTURA 10.0 75-15.3 AM 10PR	TYRE 10.0 75-15.3 PR10 AM	COUVERTURE 10 75-15.3 PR10 AM	MANTEL 10.0 75-15.3 PR10 AM	CUBIERTA 10.0 75-15.3 PR10 AM
29	G67002019R	ROMPIRACCCIA	TRACEBREAKER	BRIS. DE TRACES	SPURMESSER	ROMPEHUELLA
30	F01020528R	VITE M12X1,75X40 U5739 10.9ZN	BOLT M12X1,75X40 U5739 10.9ZN	VIS M12X1,75X40 U5739 10.9 ZN	SCHR.M12X1,75X40 U5739 10.9 ZN	TORN.M12X1,75X40 U5739 10.9 ZN
31	G67002020R	RINFORZO ROMPIRACCCIA	ROWBRAKER REINFORC.	RENFORT EFFACEUR DE TRACES	VERST-RKUNG SPURLOCKERERZINKEN	REFUERZO ROMPETRAZAS
32	F01200294R	DADO M12X1,75 U5588 CL8 BR	NUT M12X1,75 U5588 6.8BR	ECROU 10 UNI 5588 6.8	MUTTER 12 UNI 5588 6.8	TUERCA 10 UNI 5588 6.8
33	F01020512R	VITE M12X1,75X35 U5739 8.8ZN	SCR. M12X1,75X35 U5739 8.8ZN	VIS M12X1,75X35 5739 8.8 ZN	SCHR. M12X1,75X35 5739 8.8 ZN	TORNILLO M12X1,75X35 U5739 8
34	F01200421R	DADO M12X1,75 U5589 CL8 ZN6SZN	NUT M12X1,75 U5589 6SZN	ECROU M12	MUTTER M12	DADO M12
35	F01220033R	DADO M10X1,5 D980 8ZN	NUT M10X1,5 D980 8ZN	ECROU M10X1,5 D980 8ZN	MUTTER M10X1,5 D980 8ZN	TUERCA M10X1,5 D980 8
36	G19204220R	SUPPORTO ROMPIRACCCIA	WIPEMARK SUPPORT			
37	G16019090R	SCONTRO 90 X50 -10 2F11 62	STRIKER 90 X50 -10 2F11 62	BUTEE 90 X50 -10 2F11 62	ANSCHLAG 90 X50 -10 2F11 62	ELEMENTO DE EMPALME 90 X50 -10
38	F01020132R	VITE M10X1,5X90 U5737 10.9ZD	SCREW M10X1,5X90 U5737 10.9ZD	VIS M10X1,5X90 U5737 10.9ZD	SCHRAU.M10X1,5X90 U5737 10.9ZD	TORN. M10X1,5X90 U5737 10.9ZD
39	F01220255R	DADO M14X2 D980 8ZN	NUT M14X2 D980 8ZN	ECROU M14X2 D980 8ZN	MUTTER M14X2 D980 8 ZN	TUERCA M14X2 D980 8 ZN
40	G16214021R	SUPPORTO ROMPOTRACCCIA	ROW TRACK BRAKER SUPPORT			
41	F20110770R	CAV.Q.B=80 M=14X2 L=119	U BOLT Q.B=80 M=14X2 L=119	BRIDE U M14X2X50 96X119 ZN	ANSCHLANG U M14X2X50 96X119 ZN	EL.DE EMPALME M14X2X50 96X119
42	F01410076R	ROS.M12 13X 24X2,5 U6592 ZN	WASHER 12 13X 24X2,5 U6592 ZN	RONDEL. M12 13X24X2,5 U6592 ZN	SCHEIBE M12 13X24X2,5 U6592 ZN	ARAND.M12 13X 24X2,5 U6592 ZN
43	F20110800R	CAV.R.B=100 M=16X2 L=135	U BOLT R.B=100 M=16X2 L=135	ATTEL.B=100 M=16X2 L=135	VERBI.B=100 M=16X2 L=135	PERNO U B=100 M=16X2 L=135
44	F01220266R	DADO M16X2 D980 8ZN	NUT M16X2 D980 8ZN	ECROU M16X 2 D980 8 ZN	MUTTER M16X 2 D980 8 ZN	TUERCA M16X 2 D980 8 ZN
45	F20120013R	VOMERE REVERSIBILE 36X6X210	REVERSIBLE PLOWSHARE 36X6X210	SOC 36X6X210		PUNTAL REVERSIBLE 36X6X210
46	G67002011R	BULLONE TESTE OVALE M10X35	OVAL HEAD BOLT M10X35	BOULON TETE AVALE M10X35	SCHRAUBE OVAL KOPF. M10X35	PERNO CABEZA OVALADO M10X35
47	G16214640R	ASSE RUOTA	WHEEL AXIS	AXE ROUE	RADACHSE	EJE RUEDA
48	F04010186R	CUSC.D45 D85 B19 6209 2RS1	BEARING D45 D85 B19 6209 2RS1	ROULEMENT 6209 2RS1	LAGER 6209 2RS1	COJINETE 6209 2RS1
49	F04010175R	CUSC.D35 D72 B17 6207	BEARING D35 D72 B17 6207	ROULEMENT 6207	LAGER 6207	COJINETE 6207
50	F20110715R	CAV.Q.B=50 M=10X1,5 L=80	UBOLTSTRIKER Q.B=50M10X1,5L=80	BUTEE M10X 1,5X 30 61X 80 ZB	ANSCHLAG M10X 1,5X 30 61X 80	EL. DE EMPALME M10X 1,5X 30
51	G16212340R	PIASTRA DISTANZ.RASCHIATERRA	SPACER PLATE SOILSCRAPER			
52	F01020483R	VITE M10X1,5X40 U5739 10.9ZD	SCR. M10X1,5X40 U5739 10.9ZD	VIS M10X1,5X40 U5739 10.9 ZD	SCHRA.M10X1,5X40 U5739 10.9 ZD	TORN. M10X1,5X40 U5739 10.9 ZD
53	F01200270R	DADO M10X1,5 U5588 CL8 ZN	NUT M10X1,5 U5588 6.8ZN	ECROU M10X 1,5 U5588 6.8 ZN	MUTTER M10X 1,5 U5588 6.8 ZN	TUERCA M10X1,5 U5588 CL8 ZN
54	F01410064R	ROS.M10 10,5X 20X 2 U6592 ZN	WASHER M10 10,5X20X2 U6592 ZN	RONDEL. M10 10,5X20X2 U6592 ZN	SCHEIBE M10 10,5X20X2 U6592 ZN	ARAND.M10 10,5X 20X 2 U6592 ZN



TRASMISSIONE DOPPIA DUAL DRIVE

TAV. 052

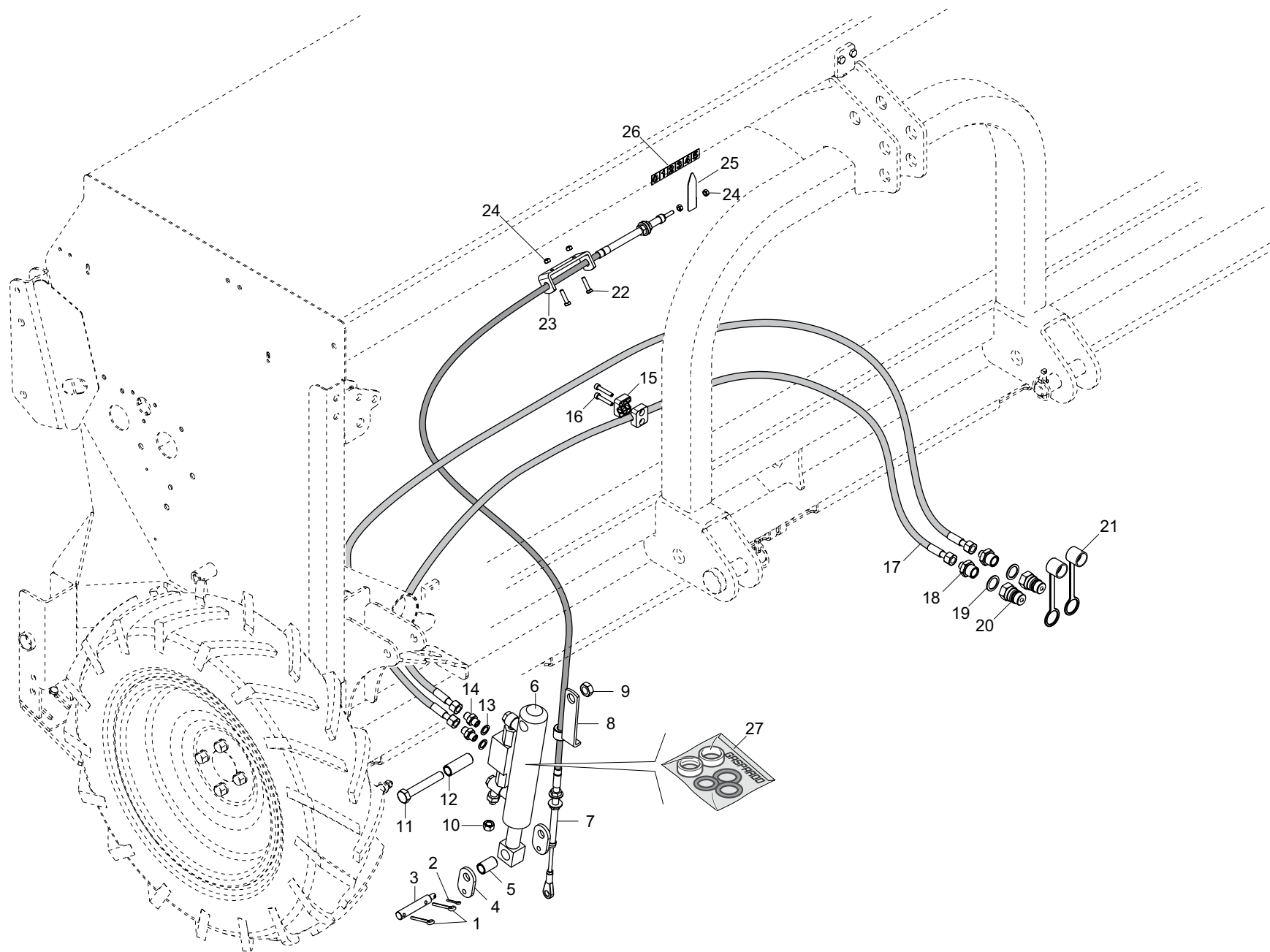
Pos.	Cod.	Descrizione	Description	Description	Benennung	Description
1	G07000134R	RULLO TENDICATENA	CHAIN TIGHTENER ROLLER	ROULEAU TENDEUR DE CHAINE	ROLLE KETTENSANNER	RODILLO TENSOR DE LA CADENA
2	G07000269R	ASS.TENDICATENA	CHAIN TIGHTENER	ESSIEU TENDEUR DE CHAINE	EINHEIT KETTENSANNER	TENSOR DE CADENA
3	G07000272R	PIASTRINA CHIUSURA TENDICATENA	CHAIN TIGHTENER CLOSING PLATE	PLAQUETTE FERM. TEND. DE CHAIN	KETTENSANNERSCHLISS-PLATTE	PLACA DE CIERRE TENSOR DE CADE
4	G07000273R	BUSSOLA TENDICATENA	CHAIN TIGHTENER BUSH	DOUILLE TENDEUR DE CHAINE	BSCHE KETTENSANNER	CASQUILLO TENSOR DE CADENA
5	G07002669R	INGRANAGGIO R.L. Z-20 DX	FREE WHEEL GEAR Z-20 RH	ENGRENAGE ROUE LIBRE Z-20 DRO.	ZAHNRAD FREILAUF Z-20 LINK	ENGRANAJE R.LIBRE Z-20 DER.
6	G14830390R	CUSCINETTO FORO QUADRO	SQUARE-HOLED BEARING	ROULEMENT TROU CARRE	VIERKANTLAGER	COJINETE ORIFICIO CUADRADO
7	G16230490R	CARTER TRASMISSIONE	TRASM. CARTER			
8	G16230050R	BOCCOLA ZN	BUSHING GALVAN	BOITE ZN	BSCHE ZN	CASQUILLO ZN
9	G07002547R	INGRANAGGIO R.L. Z.20 SX	FREE WHEEL GEAR Z-20 LEFT	ENGRENAGE ROUE LIBRE Z-20 GCH.	ZAHNRAD FREILAUF Z-20 LINCHER	ENGRANAJE R.LIBRE Z-20 IZQ.
10	G16230130R	ASSE TRASM.L.1980	TRANSMISSION AXLE L1980	AXE TRANSMISSION L.1980	ANTRIEBSACHSE L.1980	EJE TRANSMISIN L 1980
11	G13732200R	ASSE TRASMISSIONE L.2485	TRANSMISSION AXLE L2485	AXE TRANSMISSION L.2485	SBERTRAGUNGSACHSE L.2485	EJE TRANSMISI N L 2485
12	G16230150R	ASSE TRASM.L.3480	TRANSMISSION AXLE L3480	AXE TRANSMISSION L.3480	ANTRIEBSACHSE L.3480	EJE TRANSMISIN L 3480
13	G16230500R	SUPPORTO DOPPIA TRASMISSIONE	SUPPORT DOUBLE TRANSM.			
14	G16230170R	DISTANZIALE CUSCINETTO INGR.	GEAR ROLLER BEARING SPACER	ECARTEUR ROULEMENT ENGRENAGE	DISTANZST_CK LAGER R-DERPAAR	DISTANCIADOR COJINETE ENGR.
15	G16230180R	PIGNONE Z-11 ZN	PINION Z 11 GALVAN	PIGNON Z 11 ZN	RITZEL Z 11 ZN	PI N Z 11 ZN
16	G18903280R	MOLLA TENDICATENA	TENSIONER SPRING	RESSORT TENDEUR DE CHAINE	FEDER KETTENSANNER	MUELLE TENSOR DE LA CADENA
17	G22230086R	SUPPORTO CUSCINETTO TAGLIATO	CUT BEARING SUPPORT	SUPPORT PALIER COUPE	HALTERUNG LAGER MIT SCHNITT	SOPORTE COJINETE CORTADO
18	G22230094R	SUPPORTO CUSCINETTO	BEARING SUPPORT	SUPPORT DE ROULEMENT	LAGERBSCHSE	SOPORTE COJINETE
19	G22500142R	FERMO ASSI	AXLE STOP	ARRET AXES	FESTSTELLVORRICHTUNG ACHSEN	BLOQUEO EJES
20	F01020040R	VITE M6X1X40 U5737 8.8ZN	SCR. M6X1X40 U5737 8.8ZN	VIS M6X1X40 U5737 8.8ZN	SCHRAU. M6X1X40 U5737 8.8ZN	TORNILLO M6X1X40 U5737 8
21	F01020432R	VITE M8X1,25X16 U5739 8.8ZN	SCR. M8X1,25X16 U5739 8.8ZN	VIS M8 X1,25X16 U5739 8.8 ZN	SCHRAUBE M8X1,25X16U5739 8.8ZN	TORNILLO M8X1,25X16 U5739 8.8
22	F01020083R	VITE M8X1,25X70 U5737 8.8ZN	SCR. M8X1,25X70 U5737 8.8ZN	VIS M 8X1,25X 70 U5737 8.8 ZN	SCHRA. M8X1,25X70 U5737 8.8ZN	TORN. M 8X1,25X 70 U5737 8.8ZN
23	F01410051R	ROS.M8 8,4X 17X1,6 U6592 ZN	WASHER M8 8,4X17X1,6 U6592 ZN	RONDELLE M8 8,4X17X1,6 ZN	SCHIEBE M8 8,4X17X1,6 U6592 ZN	ARAND.M8 8,4X 17X1,6 U6592 ZN
24	F01220011R	DADO M6X1 D980 8ZN	NUT M6X1 D980 8ZN	ECROU M6X1 D980 8 ZN	MUTTER M6X1 D980 8 ZN	TUERCA M6X1 D980 8 ZN
25	F01220022R	DADO M8X1,25 D980 8ZN	NUT M8X1,25 D980 8ZN	ECROU M8X 1,25 D980 8 ZN	MUTTER M8X 1,25 D980 8 ZN	TUERCA M8X 1,25 D980 8 ZN
26	F01020397R	VITE M6X1X10 U5739 8.8ZN	SCR. M6X1X10 U5739 8.8ZN	VIS 6X10 5739 8.G ZN	SCHRAUBE 6X10 5739 8.G ZN	TORNILLO 6X10 5739 8.G ZN
27	F01410135R	ROS.M22 23X 39X 3 U6592 ZN	WASHER M22 23X 39X 3 U6592 ZN	ROND. M22 23X 39X3 U6592 ZN	SCHEI. M22 23X 39X3 U6592 ZN	ARANDELLA M22 23X39X3 U6592 ZN
28	G16230640R	DISTANZIALE CARTER TRSM. ZN	TRANS.CARTER SPACER ZN			
29	F06080223R	SP.CAT.1 2-3 16 108M.ISO 083-1	SP.CAT.1 2-3 16 108M.ISO 083-			
30	F02100114R	SPINA E.P. 6X 30 U6873 C70 BR	ELASTIC PIN 6X30	GOUJON ELASTIQUE 6X30	SPANNHUELSE 6X30	ESPINA ELASTICA 6X30
31	F02100118R	SPINA E.P. 6X 36 U6873 C70 BR	PIN EL. 6X 36 U6873 C70 BR	GOUJON	BOLZEN	ESPINA
32	F02050604R	ANELLO E. DE 14X 1 U7435 C70	STOP RING 14 UNI 7435-75	BAGUE ARR.14 UNI 7435-75	RING 14 UNI 7435-75	ANILLO PARADA 14 UNI 7435-75



**REGOLAZIONE MANUALE PRESSIONE ASSOLCATORI
MANUAL COULTER TENSIONER**

TAV. 060

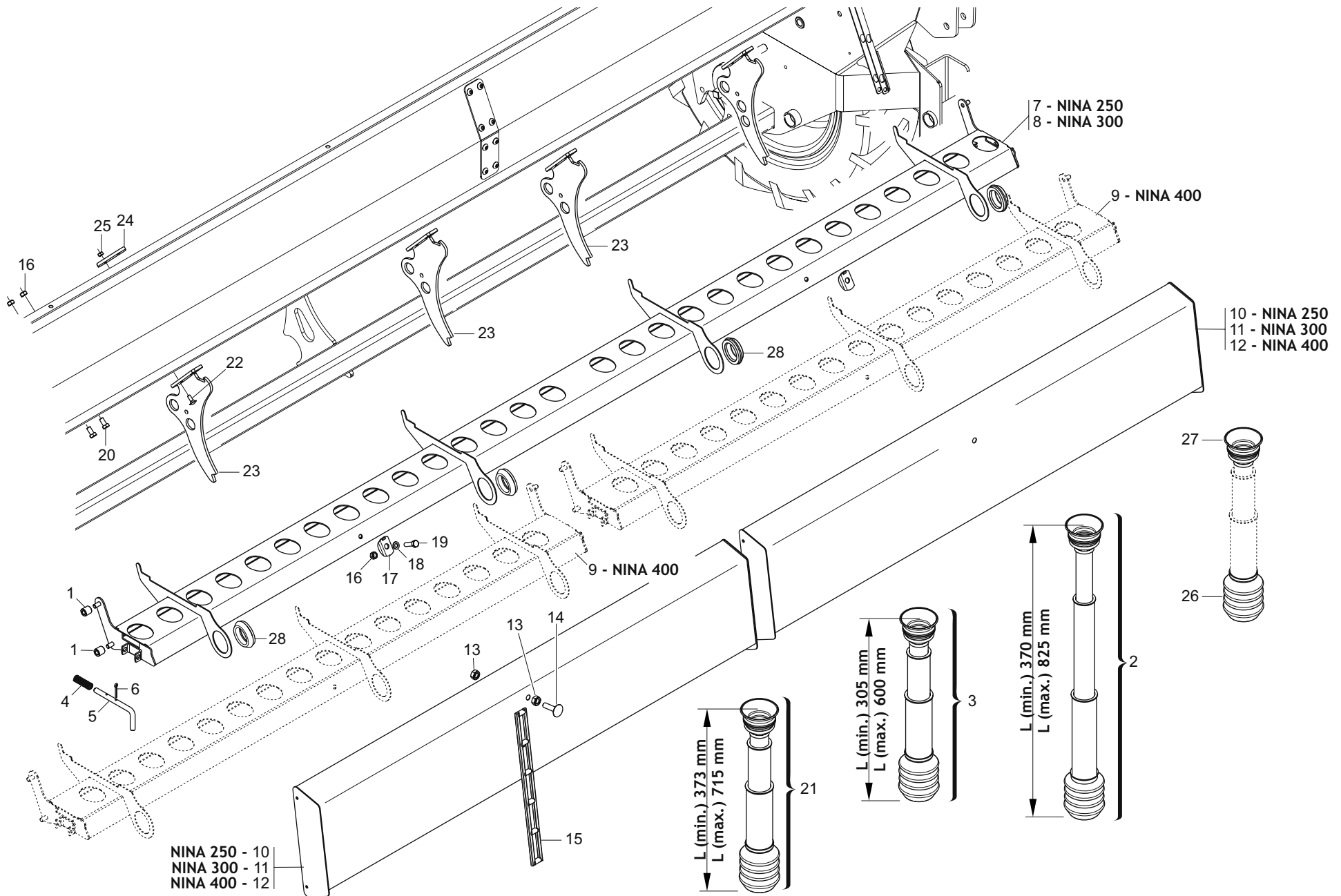
Pos.	Cod.	Descrizione	Description	Description	Benennung	Description
1	F01020479R	VITE M10X1,5X35 U5739 8.8ZN	SCR. M10X1,5X35 U5739 8.8ZN	VIS M10X1,5X35 U5739 8.8 ZN	SCHR. M10X1,5X35 U5739 8.8 ZN	TORNILLO M10X1,5X35 U5739 8
2	F01420060R	ROS.M10 10,5X 30X2,5 U6593 ZG	GALV.WASHER 10,5X30X2,5 U6593	RONDELLE 10,5X30	SCHIEBE 10,5X30	ARAND.M10 10,5X 30X2,5 U6593
3	F01220033R	DADO M10X1,5 D980 8ZN	NUT M10X1,5 D980 8ZN	ECROU M10X1,5 D980 8ZN	MUTTER M10X1,5 D980 8ZN	TUERCA M10X1,5 D980 8
4	F02100181R	SPINA E.P. 12X 80 U6873 C70 B	PIN EL. 12X 80 U6873 C70 BR	FICHE EL. 12X 80 U6873 C70 BR	SPANNSTIFT 12X 80 U6873 C70 BR	CLAVIJA EL.12X 80 U6873 C70 BR
5	F01020075R	VITE M8X1,25X55 U5737 8.8ZN	SCR. M8X1,25X55 U5737 8.8ZN	VIS M8X1,25X 55 U5737 8.8 ZN	SCHRAU. M8X1,25X55 U5737 8.8ZN	TORNIL. M8X1,25X55 U5737 8.8ZN
6	F06080191R	CATENA 1 ISO 16B 6 MAGLIE	CHAIN 1 ISO 16B 6 LINKS			
7	G18801480R	BOCCOLA 10,25X14 X23 ZN	BUSHING 10,25 X 14 X 23 GALVA	BOITE 10,25X14 X23 ZN	BSCHSE 10,25X14 X23 ZN	CASQUILLO 10,25X14 X23 ZN
8	F01410051R	ROS.M8 8,4X 17X1,6 U6592 ZN	WASHER M8 8,4X17X1,6 U6592 ZN	RONDELLE M8 8,4X17X1,6 ZN	SCHIEBE M8 8,4X17X1,6 U6592 ZN	ARAND.M8 8,4X 17X1,6 U6592 ZN
9	F01220022R	DADO M8X1,25 D980 8ZN	NUT M8X1,25 D980 8ZN	ECROU M8X 1,25 D980 8 ZN	MUTTER M8X 1,25 D980 8 ZN	TUERCA M8X 1,25 D980 8 ZN
10	G20980050R	BOCCOLA 15X7X8,5 ZN	BUSHING 15X7X8-5 ZN	BOITE 15X7X8-5 ZN	BSCHSE 15X7X8-5 ZN	CASQUILLO 15X7X8-5 ZN
11	G16214140R	TUBO TENSIONE MOLLE	SPRING PIPE	TUBE RESSORT	ROHR FEDER	TUBO MUELLE
12	G16912580R	BUSSOLA FILETTATA S-SC ZN	GALVANIS. THREADED BUSH	MANCHON FILETE S-SC ZN	GEWINDEB_CHSE S-SC ZN	CASQUILLO FILETEADO S-SC ZN
13	F01050085R	VITE M6X1X8 U5927	SCR. M6X1X8 U5927	VIS M6X1X8 U5927	SCHRAUBE M6X1X8 U5927	TORNILLO M6X1X8 U5927
14	G20970100R	RONDELLA 30X0,5X22 ACC.	WASHER 30X0-5X22 ACC.	RONDELLE 30X0-5X22 ACIER	UNTERLEGSCHEIBE 30X0-5X22 ACC.	ARANDELA 30X0-5X22 ACC.
15	G16018710R	VITE REGOLAZIONE TPN 20 ZN	ADJUSTING BOLT TPN 20 GALVAN	VIS R GLAGE TPN 20 ZN	STELLSCHRAUBE TPN 20ZN	TORNILLO REGULACI N TPN 20 ZN
16	F02100110R	SPINA E.P. 6X 26 U6873 C70 BR	PIN EL. 6 X26 DIN 1481	FICHE EL.6 X26 DIN 1481	SPANNSTIFT 6 X26 DIN 1481	CLAVIJA EL.6 X26 DIN 1481
17	G16340970R	BOCCOLA TIRAMOLLA SUP.ZN	BUSHING HIGH.TIGH.SPRING			
18	G18801580R	BOCCOLA 8,5 X15 X10	BUSH 8.5 X15 X10	DOUILLE 8,5 X15 X10	BUCHSE 8,5 X15 X10	MANGUITO 8,5 X15 X10
19	F01420048R	ROS.M8 8,4X 24X 2 U6593 ZN	WASHER M8 8,4X 24X2 U6593 ZN	RONDELLE M8 8,4X24X 2 U6593 ZN	SCHIEBEN M8 8,4X24X 2 U6593 ZN	ARAND.M8 8,4X 24X 2 U6593 ZN
20	F01020436R	VITE M8X1,25X20 U5739 8.8ZN	SCR. M8X1,25X20 U5739 8.8ZN	VIS M8X1,25X 20 U5739 8.8 ZN	SCHRAUBE M8X1,25X20U5739 8.8ZN	TORNILLO M8X1,25X20 U5739 8.8
21	G16313810R	FORCELLA TIRO MOLLE ZN	TIGHTENER SPRING FORK			
22	G16312530R	ANELLO CHIUSURA INFERIORE ZN	CLOSURE RING INFERIORE ZN			
23	G16213230R	TUBO TENSIONE MOLLE	SPRING PIPE	TUBE RESSORT	ROHR FEDER	TUBO MUELLE
24	G16214360R	TUBO TENSIONE MOLLA	SPRING PIPE	TUBE RESSORT	ROHR FEDER	TUBO MUELLE
25	G07002489R	MANIGLIA CAMBIO M ZN	GEAR HANDLE M ZN	MANIVELLE ESSAI DEBIT REGLAGE	GETRIEBE SGRIF M ZN	MANIJA CAMBIO M ZN
26	G07002493R	GANCIO SUPPORTO MANIGLIA M ZN	GALVAN. HANDLE SUPPORT HOOK M	CROCHET SUPPORT POIGNEE M ZN	HAKEN GRIFFHALTERUNG M ZN	GANCHO SOPORTE MANIJA M ZN
27	F01200270R	DADO M10X1,5 U5588 CL8 ZN	NUT M10X1,5 U5588 6.8ZN	ECROU M10X 1,5 U5588 6.8 ZN	MUTTER M10X 1,5 U5588 6.8 ZN	TUERCA M10X1,5 U5588 CL8 ZN



**REGOLAZIONE OLEODINAMICA PRESSIONE ASSOLCATORI
HYDRAULIC COULTER TENSIONER**

TAV. 071

Pos.	Cod.	Descrizione	Description	Description	Benennung	Description
1	F02200229R	COPIGLIA 5X 45 U1336 ZN	SPLIT PIN 5X 45 U1336 ZN	GOUPILLE 5X 45 U1336 ZN	SPANNSTIFT 5X 45 U1336 ZN	PASADOR 5X 45 U1336 ZN
2	F02200162R	COPIGLIA 3X 20 U1336 ZN	SPLIT PIN 3 X20 1336 GALVAN.	GOUPILLE 3 X20 1336 ZN	SPLINT 3 X20 1336 ZN	PASADOR 3 X20 1336 ZN
3	G16340980R	PERNO ATTACCO CILINDRO ZN	PIN	PIVOT	ZAPFEN	PERNO
4	G16313920R	PIATTO ATTACCO CATENA ZN	HITCH CHAIN PLATE			
5	G18802780R	BOCCOLA 15 X20 X32 ZN	BUSHING 15 X20 X32 ZN	BOITE 15 X20 X32 ZN	BUCHSE 15 X20 X32 ZN	CASQUILLO 15 X20 X32 ZN
6	G16910340R	CILINDRO SOLLEVAMENTO FALCIONI	LIFTING CYLINDER FOR CUTTER			
7	F06240012R	CAVO FLESSIBILE 3,5 M	FLEXIBLE CABLE L=3,5M	CABLE FLEXIBLE 3,5 M	FLEXIBLES KABEL 3,5 M	CABLE FLEXIBLE
8	G16018760R	FERMO CORDA	ROPE STOP	ARRET CORDE	SEILFESTSTELLVORRICHTUNG	BLOQUEO CUERDA
9	F01220255R	DADO M14X2 D980 8ZN	NUT M14X2 D980 8ZN	ECROU M14X2 D980 8 ZN	MUTTER M14X2 D980 8 ZN	TUERCA M14X2 D980 8 ZN
10	F03150678R	TAPPO FEMMINA DA 1 4 ZN	1 4 FEMALE ZG PLUG	BOUCHON FEMELLE DE 1 4 ZG	PFROPFEN 1 4 ZG	TAPN HEMBRA DE 1 4 ZG
11	F01020212R	VITE M14X2X90 U5737 8.8ZN	SCR. M14X2X90 U5737 8.8ZN	VIS M14X 2X 90 U5737 8.8 ZN	SCHARUBE M14X2X90 U5737 8.8 ZN	TORNILLO M14X2X90 U5737 8.8 ZN
12	G18802770R	BOCCOLA 15 X20 X55 ZN	BUSH 15 X20 X55 ZN			
13	F01500012R	RONDELLA IN RAME 1 4	COPPER WASHER 13X19X1,5-1 4	RONDELLE 13X19X1,5-1 4	SCHEIBE 13X19X1,5-1 4	ARANDELA 13X19X1,5-1 4
14	F03150266R	NIPPLO MM CIL-CIL 1 4-1 4 ZN	NIPPLE CYL.MALE 1 4 GALV.	NIPPLE MALE CYL. 1 4 ZN	NIPPELZYL.1 4 ZN	NIPLE MACHO CIL.1 4 ZN
15	F03151136R	COLLARE A1-12 S	COLLAR A1-12 S	COLLIER A1-12 S	BUNDRING A1-12 S	ARGOLLA A1-12 S
16	F01040066R	VITE M6X1X35 U5931 8.8ZN	SCREW M6X1X35 U5931 8.8ZN	VIS M6X1X35 U5931 8.8ZN	SCHRAUBE M6X1X35 U5931 8.8ZN	TORNILLO M6X1X35 U5931 8.8ZN
17	G14215341R	TUB 1 4R2 F-F 1 4 L.4000	PIPE 1 4R2 F-F 1 4 L.4000	TUBE 1 4R2 F-F 1 4 L.4000	ROHR 1 4R2 F-F 1 4 L.4000	TUBO 1 4R2 H-H 1 4 L.4000
18	F03150211R	NIPPLO MM CIL-CIL 1 2-1 4 ZN	NIPLE MM CIL-CIL 1 4-1 2 ZN	NIPLE MM 1 4-1 2 ZN	NIPLE GG 1 4-1 2 ZN	NIPLE MM 1 4-1 2 ZN
19	F03151237R	ROS. 21 X27X1,5 RAME -1 2	COPPER WASHER 21X27X1,5 1 2	RONDELLE CUIVRE 21X27X1,5 1 2	SCHEIBE KUPFER 21X27X1,5 1 2	ARANDELA COBRE 21X27X1,5 1 2
20	F03150935R	INNESTO RAP.MASCH.1 2 A VALV.	QUICK CONNECT MALE CONE 1 2	CONNEXION RAPIDE MALE CONE 1 2	SCHNELLKUPP.GEWINDE KONISC 1 2	ACOPLAMIENT.RAP.MACHO CONO 1 2
21	F05150325R	CAPPUC.F X INN.M RAP.1 2 ROSS	COVER CONNECT F 1 2 RED	COUVERCLE CONNEXION F 1 2 ROSE	DECKEL W 1 2 SCHNELLKUPP. ROT	PAC PROTECCION F 1 2 ROJO
22	F01020406R	VITE M6X1X25 U5739 8.8ZN	SCR. M6X1X25 U5739 8.8ZN	VIS M 6X25	SCHRAUBE M 6X25	TORNILLO M 6X25
23	G16018770R	ATTACCO CORDA SUPERIORE	UPPER ROPE COUPLING	FIXATION SUP. CORDE	OBERE KUPPLUNG	CONEXIN SUPERIOR CUERDA
24	F01220011R	DADO M6X1 D980 8ZN	NUT M6X1 D980 8ZN	ECROU M6X1 D980 8 ZN	MUTTER M6X1 D980 8 ZN	TUERCA M6X1 D980 8 ZN
25	G16018950R	INDICATORE ZN	INDICATOR	INDICATEUR	ANZEIGER	INDICADOR
26	G19705620R	DECAL.REGOLAZIONE 0-5	0-5 ADJUSTMENT STICKER	ETIQ. REGLAGE 0-5	AUFKLEBER EINSTELLUNG 0-5	ETIQ. REGULACI N 0-5
27	F03100199R	KIT GUARNIZ.CILINDRO 16910340	KIT O-RING CYLINDER 16910340			



VASCHETTE SCARICO SEMI SEED-HOLDER TANKS

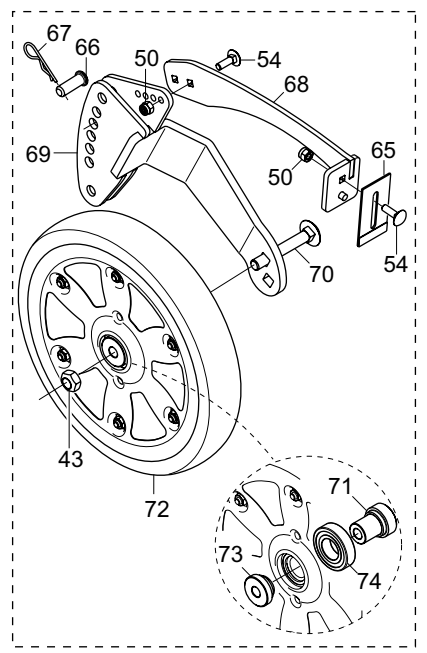
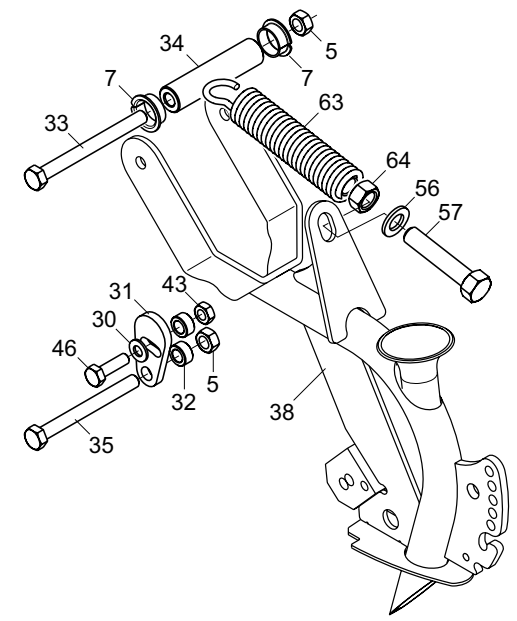
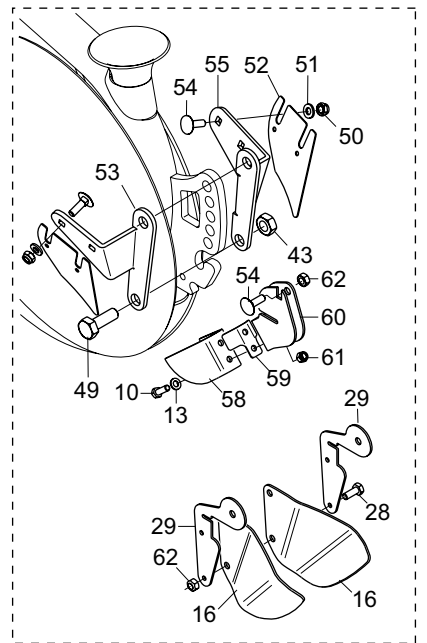
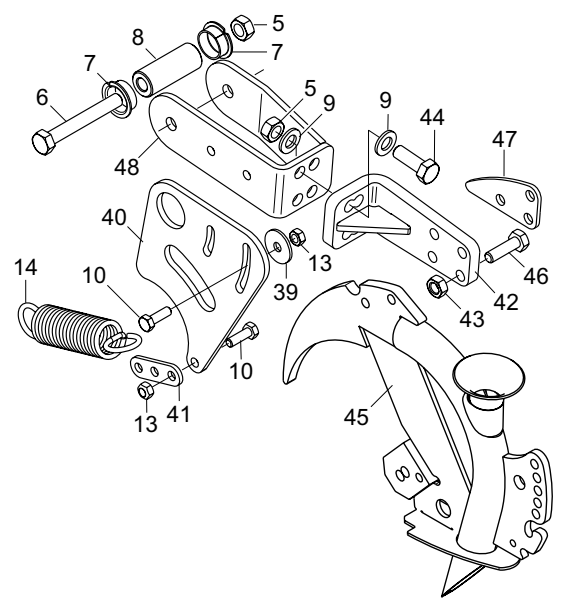
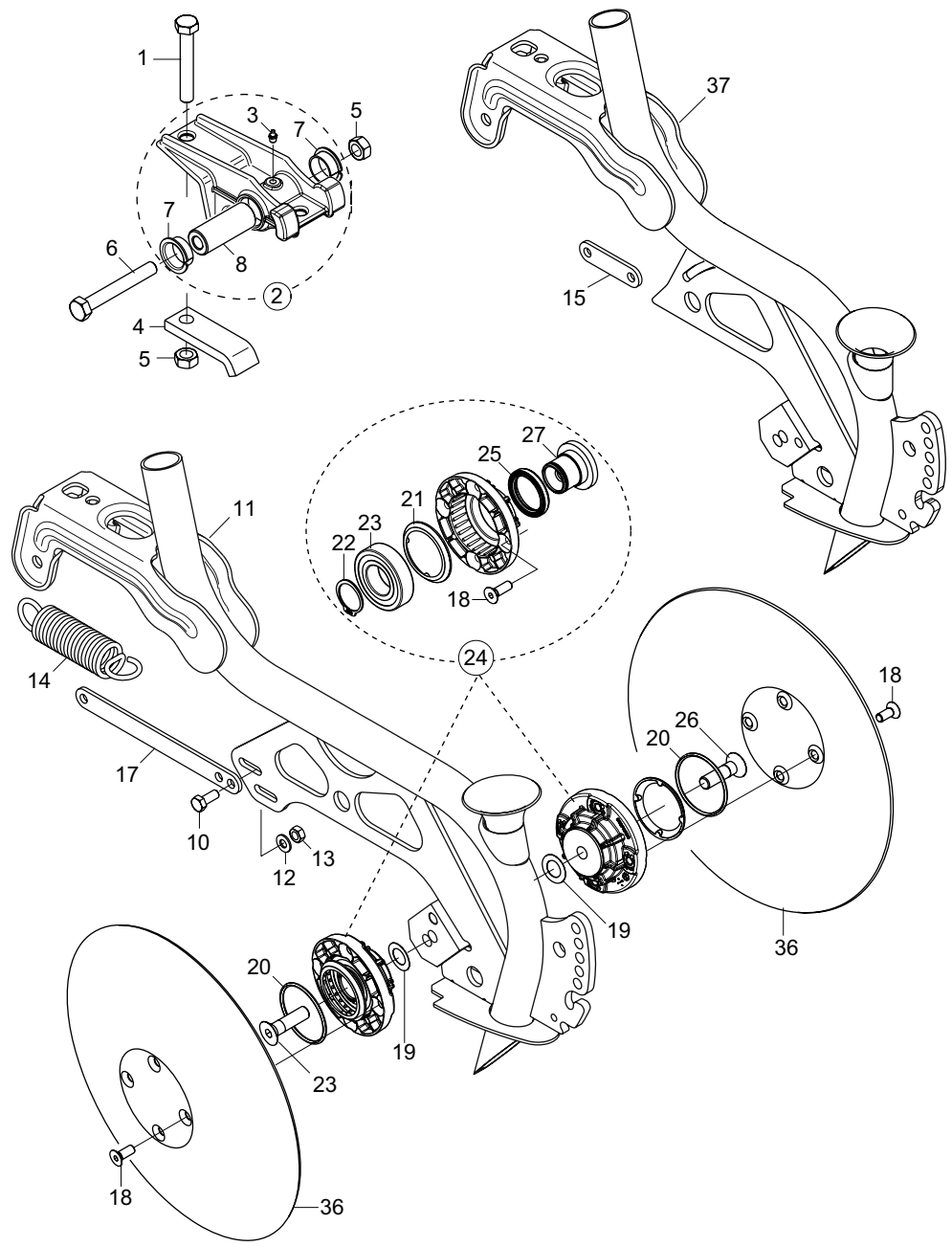
TAV. 083

Pos.	Cod.	Descrizione	Description	Description	Benennung	Descripcion
1	G18803050R	BOCCOLA 8,5X16X16 PL	BUSHING 8,5X16X16 PL			
2	G07002742R	TUBO TELESCOPICO LUNGO	TELESCOPIC PIPE LONG	TUBE TELESCOP COMPL LONG ARR	LANGES TELESKOPROHR	TUBO TELESC PICO LARGO
3	G07002751R	TUBO TELESCOPICO CORTO COMPL	COMPLETE TELESCOPIC PIPE SHORT	TUBE BATI COURT COMPL.	ROHR KURZER RAHMEN KOMPLETT	TUBO BASTIDOR CORTO COMPLETO
4	G18904060R	MOLLA CHIAVISTELLO BUSSOLIERA	MUELLE			
5	G16920140R	CHIAVISTELLO BLOCCO BUSSOLIERA	BOLT LOCK BUSHING			
6	F02200162R	COPIGLIA 3X 20 U1336 ZN	SPLIT PIN 3 X20 1336 GALVAN.	GOUPILLE 3 X20 1336 ZN	SPLINT 3 X20 1336 ZN	PASADOR 3 X20 1336 ZN
7	G16221402R	ASS.BUSSOLIERA 250	DL BUSH HOUSING SHAFT 250	ASS.PORTE-DOUILLES 250	MONTLOCHPLATTE 250	ENS. TRAVESA O PERFORADO 250
8	G16221282R	ASS.BUSSOLIERA 300	DL BUSH HOUSING SHAFT 300	ASS.PORTE-DOUILLES 300	MONTLOCHPLATTE 300	ENS. TRAVESA O PERFORADO 300
9	G16221501R	ASS.BUSSOLIERA 400	BUSHING HOUSE 400			
10	G16221420R	VASCHETTA PROVA SEMINA	HOPPER SOWING TEST	TREMIÉ ASSAIE ENSEM.	TRICHTER SAATPROBE	TOLVA PRUEBA SIEMBRA
11	G16221250R	VASCHETTA PROVA SEMINA	HOPPER SOWING TEST	TREMIÉ ASSAIE ENSEM.	TRICHTER SAATPROBE	TOLVA PRUEBA SIEMBRA
12	G16221480R	VASCHETTA PROVA SEMINA 400	HOPPER SOWING TEST 400			
13	F01200270R	DADO M10X1,5 U5588 CL8 ZN	NUT M10X1,5 U5588 6.8ZN	ECROU M10X 1,5 U5588 6.8 ZN	MUTTER M10X 1,5 U5588 6.8 ZN	TUERCA M10X1,5 U5588 CL8 ZN
14	F01060076R	VITE M10X1,5X40 U5731 8.8ZN	SCR. M10X1,5X40 U5731 8.8ZN	VIS M10X1,5X40 ZN	SCHRA. M10X1,5X40 U5731 8.8ZN	TORN. M10X1,5X40 U5731 8.8ZN
15	F06080487R	CATENA AGGANCIAMENTO TELO IN GOMMA	RUBBER FRAME CONNECTION CHAIN	CHA NE ACCROCHAGE TOILE EN CAO	KETTE BEFESTIGUNG GUMMITUCH	CADENA ENGANCHE LONA DE CAUCHO
16	F01220022R	DADO M8X1,25 D980 8ZN	NUT M8X1,25 D980 8ZN	ECROU M8X 1,25 D980 8 ZN	MUTTER M8X 1,25 D980 8 ZN	TUERCA M8X 1,25 D980 8 ZN
17	G16040130R	RONDELLA FERMO DENTE ZN	STOP WASHER	RONDELLE D ARRET	FESTSTELLSCHEIBE	ARANDELA DE BLOQUEO
18	F01410051R	ROS.M8 8,4X 17X1,6 U6592 ZN	WASHER M8 8,4X17X1,6 U6592 ZN	RONDELLE M8 8,4X17X1,6 ZN	SCHEIBE M8 8,4X17X1,6 U6592 ZN	ARAND.M8 8,4X 17X1,6 U6592 ZN
19	F01020440R	VITE M8X1,25X25 U5739 8.8ZN	SCR. M8X1,25X25 U5739 8.8ZN	VIS M8X1,25X25 U5739 8.8 ZN	SCHRAUBE M8X1,25X25U5739 8.8ZN	TORNILLO M8X1,25X25 U5739 8.8
20	F01020432R	VITE M8X1,25X16 U5739 8.8ZN	SCR. M8X1,25X16 U5739 8.8ZN	VIS M8 X1,25X16 U5739 8.8 ZN	SCHRAUBE M8X1,25X16U5739 8.8ZN	TORNILLO M8X1,25X16 U5739 8.8
21	G07002741R	TUBO TELESCOPICO CORTO	TELESCOPIC PIPE SHORT	TUBE TELESCOP COMPL COURT AVA	KURZES TELESKOPROHR	TUBO TELESC PICO CORTO
22	F01060015R	VITE M6X1X25 U5731 8.8ZN	SCR. M6X1X25 U5732 4.6ZN	VIS 6X25 5732 4.6 ZN	SCHRAUBE 6X25 5732 4.6 ZN	TORNILLO 6X25 5732 4.6 ZN
23	G16320673R	SUPPORTO	SUPPORT	SUPPORT	HALTERUNG	SOPORTE
24	G16313831R	RINFORZO	REINFORCEMENT	RENFORCE	VERSTARKUNG	REFUERZO
25	F01200232R	DADO M6X1 U5588 CL8 ZN	NUT M6X1 U5588 6.8ZN	ECROU 6 UNI 5588 6.8 ZN	MUTTER 6 UNI 5588 6.8 ZN	TUERCA M6X1 U5588 CL8 ZN
26	G07000126R	CUFFIA ATTACCO SCARPETTA	SLIDE LINKAGE HOUSING	PROTECTEUR FIXATION SABOT	FALTENBALG	ENVOLTURA CONEXI N GU A APOYO
27	G07000127R	CUFFIA SUP.TUBO TELESCOPICO	TELESCOPIC PIPE SUPP. HOUSING	PROTECTEUR SUP. TUBE TELESCOPI	OB. KASTEN TELESKOPROHR	ENVOLTURA SUP. TUBO TELESCOPIC
28	G16221580R	PROTEZIONE MANIGLIA	HANDLE PROTECTION			

ASSOLCATORI A STIVALETTO SHOE COULTERS

TAV. 094

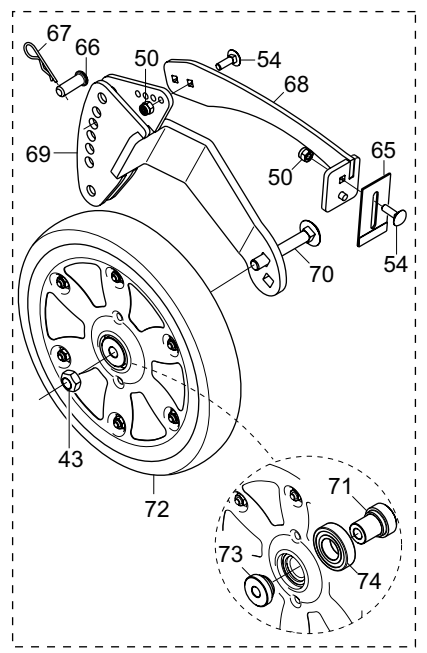
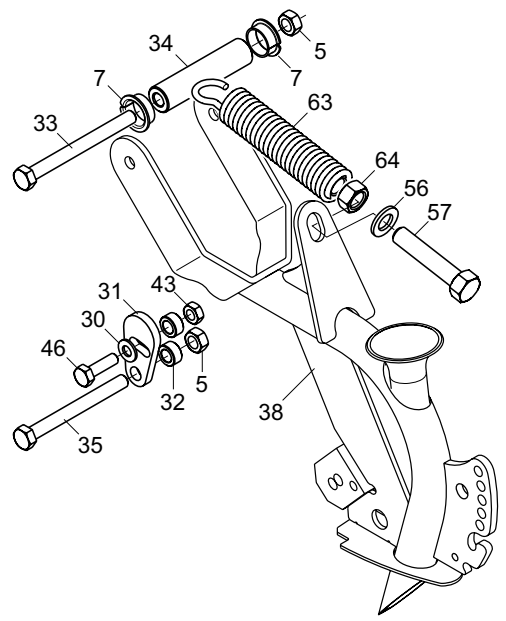
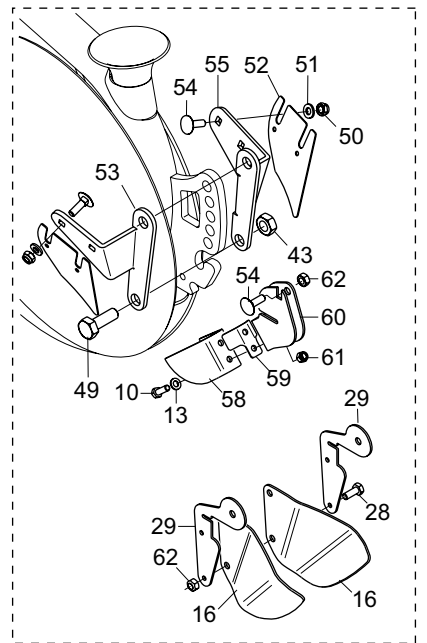
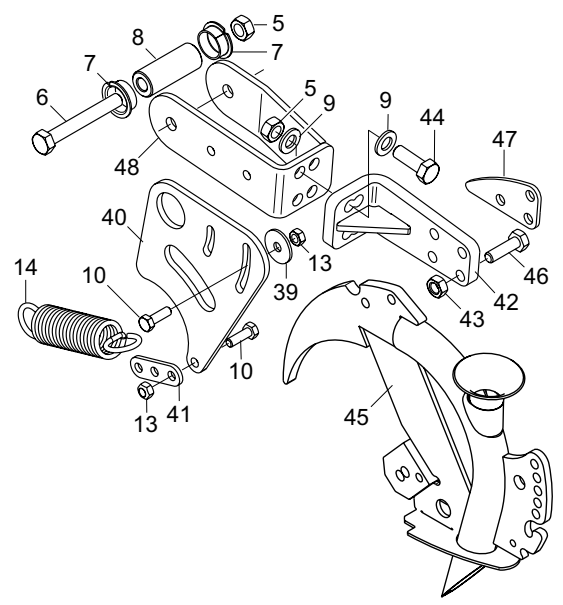
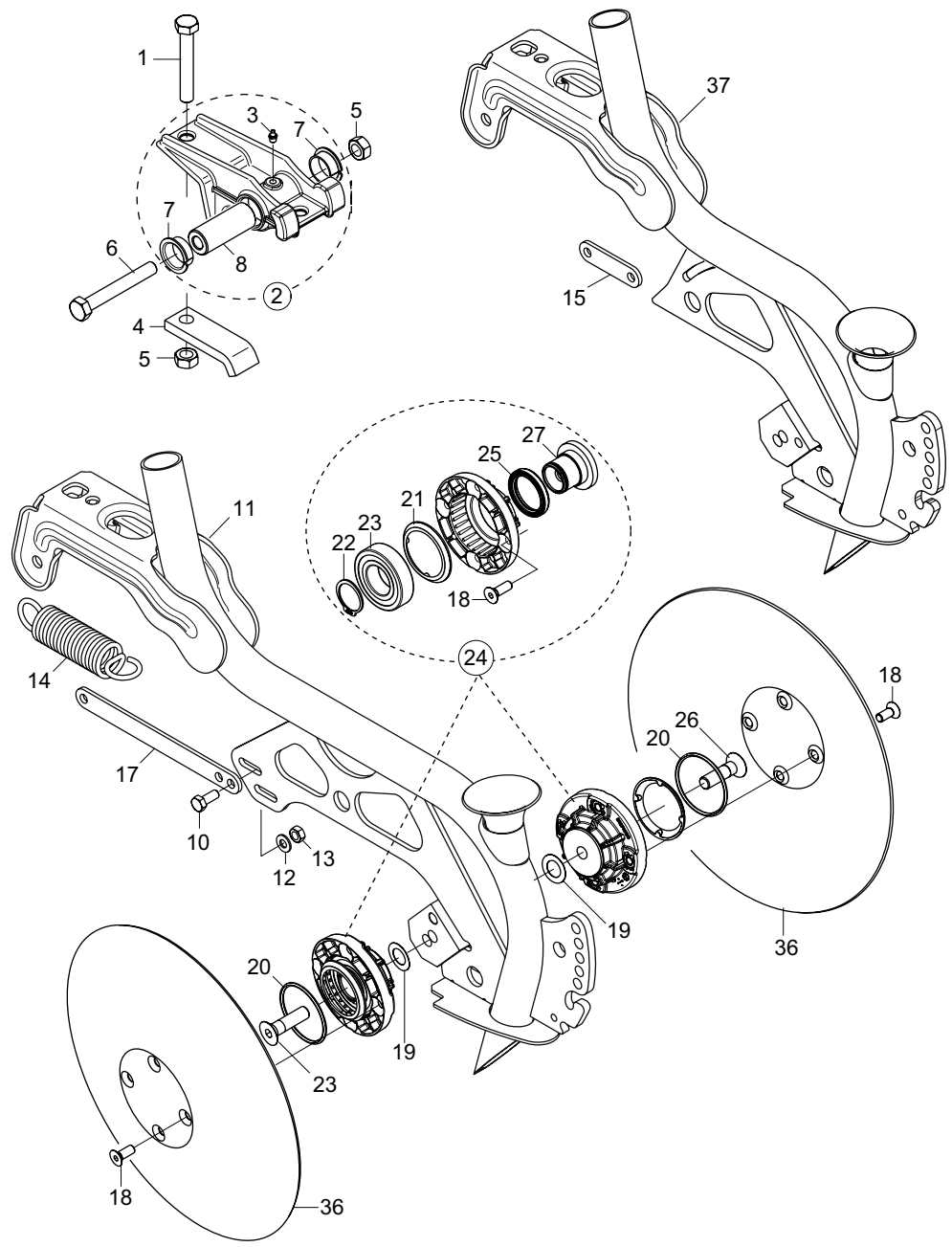
Pos.	Cod.	Descrizione	Description	Description	Benennung	Descripcion
1	F01020166R	VITE M12X1,75X80 U5737 8.8ZN	SCR. M12X1,75X80 U5737 8.8ZN	VIS M12X1,75X80 U5737 8.8ZN	SCHRA. M12X1,75X80 U5737 8.8ZN	TORN. M12X1,75X80 U5737 8.8ZN
2	G16248351R	MONT.SUPPORTO ASSOLCATORE	FURROW SUPPORT COMPL.			
3	F01100011R	ING.M 6X1 7663-A 9SMNPB28 ZN	GREASE NIPPLE M6X1 7663-A ZN	GRAISS. A BILLE M6X1 7663A ZN	SCHMIERBUECHE M6X1 7663-A ZN	ENG.M 6X1 7663-A 9SMNPB28 ZN
4	G16340810R	SCONTRIO DI FISSAGGIO	FIXING STRIKER PLATE	BUTEE DE FIXATION	BEFESTIGUNGSANSCHLAG	ELEM. DE EMPALME DE SUJECION
5	F01220048R	DADO M12X1,75 D980 8ZN	NUT M12X1,75 D980 8ZN	ECROU M12X1,75 D980 8 ZN	SCHIEBE M12X1,75 D980 8 ZN	TUERCA M12X1,75 D980 8 ZN
6	F01020168R	VITE M12X1,75X90 U5737 8.8ZN	SCR. M12X1,75X90 U5737 8.8ZN	VIS M12X1,75X90 U5737 8.8 ZN	SCHHRAB.M12X1,75X90 5737 8.8 ZN	TORNIL.M12X1,75X90 5737 8.8 ZN
7	F04150034R	CUSCINETTO FLANGIATO 25X28X16	BEARING FLANGED 25X28X16			
8	G18802740R	BOCCOLA 25X12X63,5	BUSHING 25X12X63,5	BOITE 25X12X63,5	BUCHSE 25X12X63,5	CASQUILLO 25X12X63,5
9	F01410076R	ROS.M12 13X 24X2,5 U6592 ZN	WASHER 12 13X 24X2,5 U6592 ZN	RONDEL. M12 13X24X2,5 U6592 ZN	SCHEIBE M12 13X24X2,5 U6592 ZN	ARAND.M12 13X 24X2,5 U6592 ZN
10	F01020440R	VITE M8X1,25X25 U5739 8.8ZN	SCR. M8X1,25X25 U5739 8.8ZN	VIS M8X1,25X25 U5739 8.8 ZN	SCHRAUBE M8X1,25X25U5739 8.8ZN	TORNILLO M8X1,25X25 U5739 8.8
11	G16244042R	TUBO LUNGO BASSO	LONG LOW PIPE			
12	G16042172R	TUBO CORTO BASSO	SHORT LOW TUBE			
13	G16042680R	TIRANTE L.303	TIE ROD L.303			
14	G16042500R	TIRANTE L.103	TIE-ROD L.103			
15	G16042510R	TIRANTE L.263	TIE-ROD L.263			
16	G18904360R	MOLLA TENSIONAM.ELEM.LUNGO	SPRING	RESSORT	FEDER	MUELLE
17	G18904350R	MOLLA TENSIONAM.ELEM.CORTO ZN	DRILL COULTER TENS. SPRING	RESSORT TENDEUR SOC	EDER SZSCHARSPANNUNG	UELLE TENSIN SURCADOR
18	F01020440R	VITE M8X1,25X25 U5739 8.8ZN	SCR. M8X1,25X25 U5739 8.8ZN	VIS M8X1,25X25 U5739 8.8 ZN	SCHRAUBE M8X1,25X25U5739 8.8ZN	TORNILLO M8X1,25X25 U5739 8.8
19	F01410051R	ROS.M8 8,4X 17X1,6 U6592 ZN	WASHER M8 8,4X17X1,6 U6592 ZN	RONDELLE M8 8,4X17X1,6 ZN	SCHEIBE M8 8,4X17X1,6 U6592 ZN	ARAND.M8 8,4X 17X1,6 U6592 ZN
20	F01220022R	DADO M8X1,25 D980 8ZN	NUT M8X1,25 D980 8ZN	ECROU M8X 1,25 D980 8 ZN	MUTTER M8X 1,25 D980 8 ZN	TUERCA M8X 1,25 D980 8 ZN
21	F05100195R	CAPPUCCIO 36,51X25,41 NERO	COVER 36,51X25,41 NERO			
22	G16243990R	SCARPETTA INTERCAMBIABILE	INTERCHANGE CUTTER	HACHOIR	SAASCHAR	HOJA DE CORTE
23	F01040600R	VITE M10X1,5X30 U9327 8.8ZN	SCR. M10X1,5X30 U9327 8.8ZN	VIS M10X 30 U9327 8.8 ZN	SCHRAUBE M10X 30 U9327 8.8 ZN	TORNILLO M10X 30 U9327 8.8 ZN
24	F01220011R	DADO M6X1 D980 8ZN	NUT M6X1 D980 8ZN	ECROU M6X1 D980 8 ZN	MUTTER M6X1 D980 8 ZN	TUERCA M6X1 D980 8 ZN
25	G07002218R	ANTI INTASAMENTO M	ANTI CLOGGING M	ANTI BOURRAGE SOC	VERSTOPFUNGSHEMMENDES ELEMENT	ANTI OBSTRUCCI N M
26	F01020040R	VITE M6X1X40 U5737 8.8ZN	SCR. M6X1X40 U5737 8.8ZN	VIS M6X1X40 U5737 8.8ZN	SCHRAU. M6X1X40 U5737 8.8ZN	TORNILLO M6X1X40 U5737 8
27	F01270010R	DADO M10X1,5 D557 17X8 ZN	NUT M10X1,5 D557 17X8 ZN	ECROU M10X1,5 D557 17X8 Z	MUTTER M10X1,5 D557 17X8	TUERCA M10X1,5 D557 17X8
28	G16243760R	FALCIONE SCARPETTA FS1	CUTTER	COUPEUR FS1	SAASCHAR	HOJA DE CORTE
29	G16248281R	TUBO SCARPETTE ESTERNO	SHOE TUBE EXTERNAL			
30	F01420048R	ROS.M8 8,4X 24X 2 U6593 ZN	WASHER M8 8,4X 24X2 U6593 ZN	RONDELLE M8 8,4X24X 2 U6593 ZN	SCHEIBEN M8 8,4X24X 2 U6593 ZN	ARAND.M8 8,4X 24X 2 U6593 ZN
31	G16248410R	FINE CORSA ELEMENTO INTERMEDIO	INT.ELEMENT FOR END OF STROKE			
32	G16340860R	PIATTO TIRO MOLLA CORTO ZN	PLATE SPRING TIGHTENER			
33	G16248380R	PIASTRA ASOLATA	SUPPORT WITH HOLES			
34	F01220033R	DADO M10X1,5 D980 8ZN	NUT M10X1,5 D980 8ZN	ECROU M10X1,5 D980 8ZN	MUTTER M10X1,5 D980 8ZN	TUERCA M10X1,5 D980 8
35	F01020512R	VITE M12X1,75X35 U5739 8.8ZN	SCR. M12X1,75X35 U5739 8.8ZN	VIS M12X1,75X35 5739 8.8 ZN	SCHR. M12X1,75X35 5739 8.8 ZN	TORNILLO M12X1,75X35 U5739 8
36	F01020484R	VITE M10X1,5X45 U5739 8.8ZN	SCR. M10X1,5X45 U5739 8.8 GAL	VIS 10X45 5739 8.G ZN	SCHRAUBE 10X45 5739 8.G ZN	TORNILLO 10X45 5739 8.G ZN
37	G16248480R	DISTANZIALE	SPACER			
38	G16248390R	SUPPORTO ELEMENTO	ELEMENT SUPPORT			
39	G16248501R	TUBO SCARPETTA INTERMEDIA	INTERMED. COULTER PIPE	TUBE SABOT INTERM DIAIRE	MITTLERE SCHUHLEITUNG.	TUBO BOTA INTERMED.
40	G16243770R	SCARPA SEMINA A FASCIA	BANDS CUTTER	HACHOIR BANDES	SZSCHAR BANDEL	GUA ADORA FAJA
41	F01020445R	VITE M8X1,25X30 U5739 8.8ZN	SCR. M8X1,25X30 U5739 8.8ZN	VIS M 8X1,25X30 U5739 8.8 ZN	SCHRAU. M8X1,25X30 U5739 8.8ZN	TORNILLO M8X1,25X30 U5739 8.8
42	F01420048R	ROS.M8 8,4X 24X 2 U6593 ZN	WASHER M8 8,4X 24X2 U6593 ZN	RONDELLE M8 8,4X24X 2 U6593 ZN	SCHEIBEN M8 8,4X24X 2 U6593 ZN	ARAND.M8 8,4X 24X 2 U6593 ZN
43	G16249010R	SUPPORTO SX PATTINO LIMITATORE	LEFT SUPPORT LIMITER SLIDING			
44	G16248980R	PATTINO LIMITATORE	LIMITER SLIDING			
45	G16249000R	SUPPORTO DX PATTINO LIMITATORE	RIGT SUPP.LIMITER SLIDING			
46	F01220022R	DADO M8X1,25 D980 8ZN	NUT M8X1,25 D980 8ZN	ECROU M8X 1,25 D980 8 ZN	MUTTER M8X 1,25 D980 8 ZN	TUERCA M8X 1,25 D980 8 ZN
47	G15226270R	MOLLA COMPL.	COMPL. SPRING	RESSORT COMPLETE		
48	F01200324R	DADO M16X2 U5588 8.8ZN	NUT M16X2 U5588 8.8ZN	ECROU M16X2 U5588 8.8ZN	MUTTER M16X2 U5588 8.8ZN	TUERCA M16X2 U5588 8.8ZN
49	F01410100R	ROS.M16 17X 30X 3 U6592 ZN	WASHER M16 17X30X3 U6592 ZN	RONDELLE M16 17X30X3 ZN	SCHRAUBE M16 17X 30X3 U6592 ZN	ARAND.M16 17X 30X 3 U6592 ZN
50	F01020579R	VITE M16X2X80 U5739 8.8ZN	SCREW M16X2X80 U5739 8.8 GALV.	VIS 16X80 5739 8.G ZN	SCHRAUBE 16X80 5739 8.G ZN	TORNILLO 16X80 5739 8.G ZN
51	F01020176R	VITE M12X1,75X130 U5737 8.8ZN	SCR. M12X1,75X130 U5737 8.8ZN	VIS M 12X130	SCHRAUBE M 12X130	TORNILLO M 12X130
52	G18803040R	BOCCOLA 12 X25 X105,5	BUSHING D12X25X105,5			
53	F01020174R	VITE M12X1,75X120 U5737 8.8ZN	SCR. M12X1,75X120 U5737 8.8ZN	VIS M12X1,75X120 U5737 8.8 ZN	SCHRAUBE M12X1,75X120 U5737 ZN	TORN.M12X1,75X120 U5737 8.8 ZN
54	F01020479R	VITE M10X1,5X35 U5739 8.8ZN	SCR. M10X1,5X35 U5739 8.8ZN	VIS M10X1,5X35 U5739 8.8 ZN	SCHR. M10X1,5X35 U5739 8.8 ZN	TORNILLO M10X1,5X35 U5739 8
55	F01410064R	ROS.M10 10,5X 20X 2 U6592 ZN	WASHER M10 10,5X20X2 U6592 ZN	RONDEL. M10 10,5X20X2 U6592 ZN	SCHEIBE M10 10,5X20X2 U6592 ZN	ARAND.M10 10,5X 20X 2 U6592 ZN
56	G16213480R	FERMO ELEMENTO ESTERNO ZN	OUTER ELEMENT LOCK GALV.			
57	G20980021R	BOCCOLA D.12,25X20X10	BUSHING D.12,25X20X10	BOITE D. 12-25X20X10	BSCHSE D.12-25X20X10	CASQUILLO D.12-25X20X10
58	G16248921R	ASS.TUBO PIEGATO DX	ASSY BEND TUBE RIGHT			
59	G16248951R	ASS.TUBO PIEGATO SX	LEFT DENDED PIPE SET			



**ASSOLCATORI A DISCO COREX
COREX DISC COULTERS**

TAV. 106

Pos.	Cod.	Descrizione	Description	Description	Benennung	Description
1	F01020166R	VITE M12X1,75X80 U5737 8.8ZN	SCR. M12X1,75X80 U5737 8.8ZN	VIS M12X1,75X80 U5737 8.8ZN	SCHRA. M12X1,75X80 U5737 8.8ZN	TORN. M12X1,75X80 U5737 8.8ZN
2	G16248351R	MONT.SUPPORTO ASSOLCATORE	FURROW SUPPORT COMPL.			
3	F01100011R	ING.M 6X1 7663-A 9SMNPB28 ZN	GREASE NIPPLE M6X1 7663-A ZN	GRAISS. A BILLE M6X1 7663A ZN	SCHMIERBUECHE M6X1 7663-A ZN	ENG.M 6X1 7663-A 9SMNPB28 ZN
4	G16340810R	SCONTRO DI FISSAGGIO	FIXING STRIKER PLATE	BUTEE DE FIXATION	BEFESTIGUNGSANSCHLAG	ELEM. DE EMPALME DE SUJECION
5	F01220048R	DADO M12X1,75 D980 8ZN	NUT M12X1,75 D980 8ZN	ECROU M12X1,75 D980 8 ZN	SCHEIBE M12X1,75 D980 8 ZN	TUERCA M12X1,75 D980 8 ZN
6	F01020168R	VITE M12X1,75X90 U5737 8.8ZN	SCR. M12X1,75X90 U5737 8.8ZN	VIS M12X1,75X90 U5737 8.8 ZN	SCHRAB.M12X1,75X90 5737 8.8 ZN	TORNIL.M12X1,75X90 5737 8.8 ZN
7	F04150034R	CUSCINETTO FLANGIATO 25X28X16	BEARING FLANGED 25X28X16			
8	G18802740R	BOCCOLA 25X12X63,5	BUSHING 25X12X63,5	BOITE 25X12X63,5	BUCHSE 25X12X63,5	CASQUILLO 25X12X63,5
9	F01410076R	ROS.M12 13X 24X2,5 U6592 ZN	WASHER 12 13X 24X2,5 U6592 ZN	RONDEL. M12 13X24X2,5 U6592 ZN	SCHEIBE M12 13X24X2,5 U6592 ZN	ARAND.M12 13X 24X2,5 U6592 ZN
10	F01020440R	VITE M8X1,25X25 U5739 8.8ZN	SCR. M8X1,25X25 U5739 8.8ZN	VIS M8X1,25X25 U5739 8.8 ZN	SCHRAB M8X1,25X25U5739 8.8ZN	TORNILLO M8X1,25X25 U5739 8.8
11	G16246385R	TUBO COREX LUNGO	LONG REINFORCED COREX TUBE SET			
12	F01410051R	ROS.M8 8,4X 17X1,6 U6592 ZN	WASHER M8 8,4X17X1,6 U6592 ZN	RONDELLE M8 8,4X17X1,6 ZN	SCHEIBE M8 8,4X17X1,6 U6592 ZN	ARAND.M8 8,4X 17X1,6 U6592 ZN
13	F01220022R	DADO M8X1,25 D980 8ZN	NUT M8X1,25 D980 8ZN	ECROU M8X 1,25 D980 8 ZN	MUTTER M8X 1,25 D980 8 ZN	TUERCA M8X 1,25 D980 8 ZN
14	G18904350R	MOLLA TENSIONAM.ELEM.CORTO ZN	DRILL COULTER TENS. SPRING	RESSORT TENDEUR SOC	EDER SZSCHARSPANNUNG	UELLE TENSIN SURCADOR
15	G16042500R	TIRANTE L.103	TIE-ROD L.103			
16	G16249030R	DEFLETTORE INTERNO	INTERNAL DEFLECTOR			
17	G16042510R	TIRANTE L.263	TIE-ROD L.263			
18	F01030055R	VITE M8X1,25X20 U5933 10.9ZD	SCR. M8X1,25X20 U5933 10.9ZD	VIS M 8X20	SCHRAUBE M 8X20	TORNILLO M 8X20
19	G22220073R	RONDELLA 28X0,3X16,5	WASHER 28X0-3X16-5	RONDELLE 28X0-3X16-5	UNTERLEGSSCHEIBE 28X0-3X16-5	ARANDELA 28X0-3X16-5
20	F03011144R	GUARNIZIONE OR 3 X 56	O-RING GASKET 3 X 56			
21	G16244181R	ANELLO DI SOSTEGNO ZAMA	RING	BAGUE	RING	ANILLO
22	F02050112R	ANELLO E.DE 30X 1,5 U7435 ZN	SEEGER RING 30X 1,5 U7435 C70	SEEGER E. 30 X 1,5 U7435 C70	SEEGERING E. 30X 1,5 U7435 C70	ANILLO E. 30 X 1,5 U7435 C70
23	F04010174R	CUSCINETTO 6206 2RS	BEARING D30 D62 B16 6206 2RS	PALIER 6206 2RS	LAGER 6206 2RS	COJINETE 6206 2RS
24	G16248850R	KIT MOZZO COREX	KIT COREX HUB	KIT TIPE COREX		KIT BUJE COREX
25	F03010074R	ANELLO T.A. 32X 47X 7 D3760NBR	RING T.A. 32X 47X 7 D3760NBR	BAGUE 32X 47X 7 D3760NBR	SCHUTZRING 32X 47X 7 D3760NBR	ANILLO T.A. 32X 47X 7 D3760NBR
26	F01030112R	VITE M12X1,75X45 U5933 10.9ZD	SCREW M12X1,75X45 U5933 10.9GA	VIS M12X1,75X45 U5933 10.9 ZD	SCHRAUBE M12X1,75X45 U5933 10.	TORNIL. M12X1,75X45 U5933 10.9
27	G16244050R	ASSE COREX ZN	AXLE COREX ZN	AXE COREX ZN	ACHSE COREX ZN	EJE COREX ZN
28	F01020403R	VITE M6X1X16 U5739 8.8ZN	SCR. M6X1X16 U5739 8.8ZN	VIS M6X1X16 U5739 8.8 ZN	SCHRAUBE M6X1X16 U5739 8.8 ZN	TORNILLO M6X1X16 U5739 8.8 ZN
29	G16249021R	SUPPORTO DEFLETTORE INTERNO	DEFLECTOR INTERNAL SUPPORT			
30	F01410064R	ROS.M10 10,5X 20X 2 U6592 ZN	WASHER M10 10,5X20X2 U6592 ZN	RONDEL. M10 10,5X20X2 U6592 ZN	SCHEIBE M10 10,5X20X2 U6592 ZN	ARAND.M10 10,5X 20X 2 U6592 ZN
31	G16213480R	FERMO ELEMENTO ESTERNO ZN	OUTER ELEMENT LOCK GALV.			
32	G20980021R	BOCCOLA D.12,25X20X10	BUSHING D.12,25X20X10	BOITE D. 12-25X20X10	BSCHE D.12-25X20X10	CASQUILLO D.12-25X20X10
33	F01020176R	VITE M12X1,75X130 U5737 8.8ZN	SCR. M12X1,75X130 U5737 8.8ZN	VIS M 12X130	SCHRAUBE M 12X130	TORNILLO M 12X130
34	G18803040R	BOCCOLA 12 X25 X105,5	BUSHING D12X25X105,5			
35	F01020174R	VITE M12X1,75X120 U5737 8.8ZN	SCR. M12X1,75X120 U5737 8.8ZN	VIS M12X1,75X120 U5737 8.8 ZN	SCHRAUBE M12X1,75X120 U5737 ZN	TORN.M12X1,75X120 U5737 8.8 ZN
36	G16043090R	DISCO COREX FE-B SP.2,5	DISC COREX FE-B SP.2,5	DISC COREX GALVANISE SP2,5		DISCO COREX FE-B SP.2,5
37	G16248435R	TUBO COREX CORTO RINFORZATO	SHORT REINFORCED COREX TUBE			
38	G16246223R	ASS.TUBO DISCO COREX ESTERNO	ASSY OUTER COREX DISK TUBE			
39	F01420048R	ROS.M8 8,4X 24X 2 U6593 ZN	WASHER M8 8,4X 24X2 U6593 ZN	RONDELLE M8 8,4X24X 2 U6593 ZN	SCHEIBEN M8 8,4X24X 2 U6593 ZN	ARAND.M8 8,4X 24X 2 U6593 ZN
40	G16248410R	FINE CORSA ELEMENTO INTERMEDIO	INT.ELEMENT FOR END OF STROKE			
41	G16340860R	PIATTO TIRO MOLLA CORTO ZN	PLATE SPRING TIGHTENER			
42	G16248380R	PIASTRA ASOLATA	SUPPORT WITH HOLES			
43	F01220033R	DADO M10X1,5 D980 8ZN	NUT M10X1,5 D980 8ZN	ECROU M10X1,5 D980 8ZN	MUTTER M10X1,5 D980 8ZN	TUERCA M10X1,5 D980 8
44	F01020512R	VITE M12X1,75X35 U5739 8.8ZN	SCR. M12X1,75X35 U5739 8.8ZN	VIS M12X1,75X35 5739 8.8 ZN	SCHR. M12X1,75X35 5739 8.8 ZN	TORNILLO M12X1,75X35 U5739 8
45	G16246314R	TUBO DISCO COREX INTERMEDIO	INTERMEDIATE COREX DISK TUBE			
46	F01020484R	VITE M10X1,5X45 U5739 8.8ZN	SCREW M10X1,5X45 U5739 8.8 GAL	VIS 10X45 5739 8.G ZN	SCHRAUBE 10X45 5739 8.G ZN	TORNILLO 10X45 5739 8.G ZN
47	G16248480R	DISTANZIALE	SPACER			
48	G16248390R	SUPPORTO ELEMENTO	ELEMENT SUPPORT			
49	F01020476R	VITE M10X1,5X30 U5739 8.8ZN	SCR. M10X1,5X30 U5739 8.8ZN	VIS M10X1,5X30 U5739 8.8 ZN	SCHRAUBE M10X1,5X30U5739 8.8ZN	TORNILLO M10X1,5X30 U5739 8.8
50	F01230022R	DADO M6X1 D982 8ZN	NUT M6X1 D982 8ZN	ECROU AUTO-FREIN.M6X1 D982 8ZN	SICHERUNGSMUT. M6X1 D982 8 ZN	TUERCA DE SEGU.M6X1 D982 8 ZN
51	F01410037R	ROS.M6 6,4X12,5X1,6 U6592 ZN	WASHER M6 6,4X12,5X1,6 U6592ZN	RONDEL.M6 6,4X12,5X1,6 U6592ZN	SCHEIB.M6 6,4X12,5X1,6 U6592ZN	ARAND.M6 6,4X12,5X1,6 U6592 ZN
52	G16248050R	RASCHIATERRA	SOILSCRAPER			
53	G16248060R	SUPPORTO RASCHIATERRA SX	LEFT SOILSCRAPER SUPPORT			
54	F01060013R	VITE M6X1X20 U5731 8.8ZN	SCR. M6X1X20 U5731 8.8ZN	VIS 6X20 5732 4.6 ZN	SCHRAUBE 6X20 5732 4.6 ZN	TORNILLO 6X20 5732 4.6 ZN
55	G16248070R	SUPPORTO RASCHIATERRA DX	SOILSCRAPER SUPPORT			

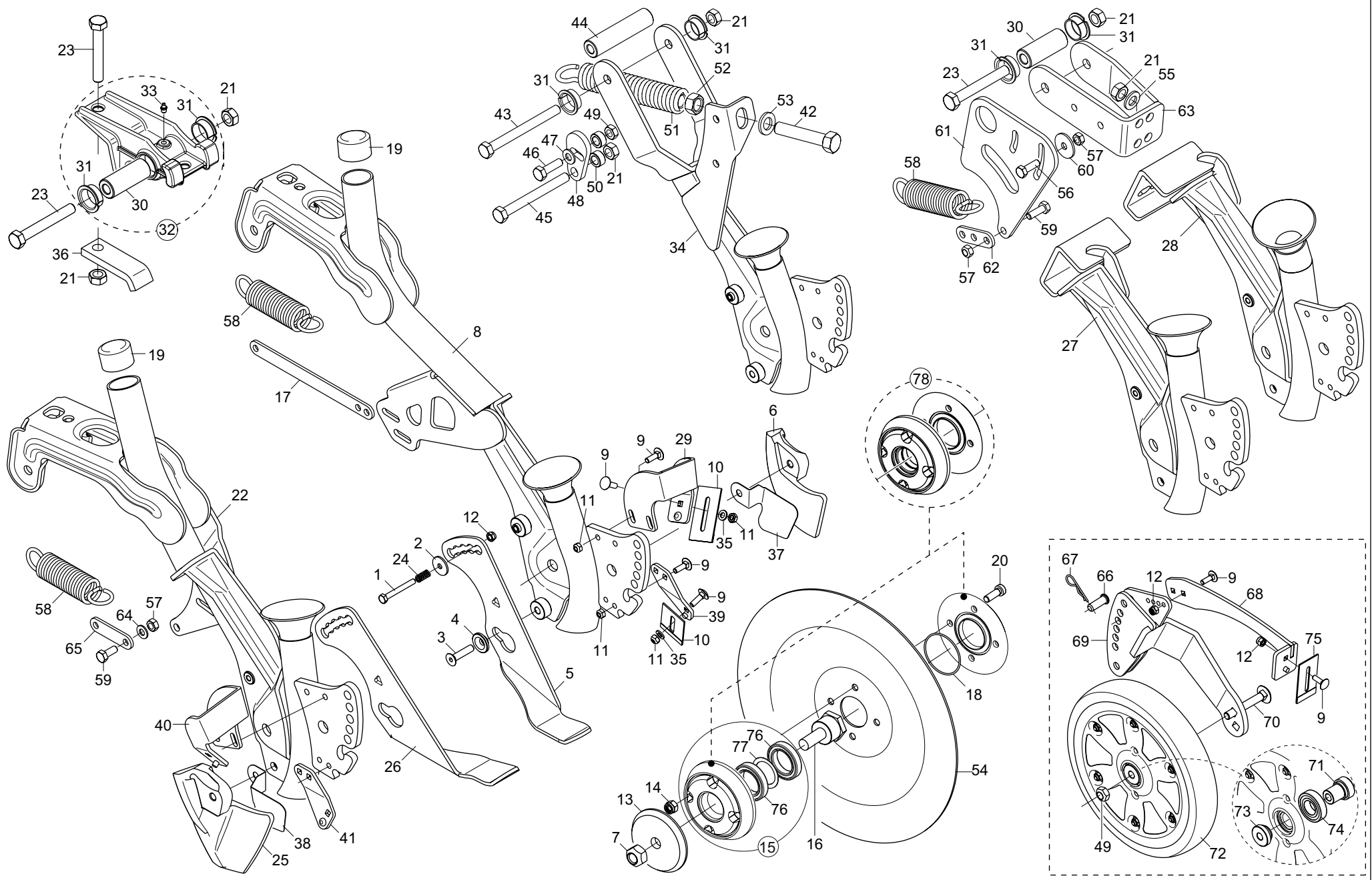


**ASSOLCATORI A DISCO COREX
COREX DISC COULTERS**

TAV. 106

Pos.	Cod.	Descrizione	Description	Description	Benennung	Descripcion
56	F01410100R	ROS.M16 17X 30X 3 U6592 ZN	WASHER M16 17X30X3 U6592 ZN	RONDELLE M16 17X30X3 ZN	SCHRAUBE M16 17X 30X3 U6592 ZN	ARAND.M16 17X 30X 3 U6592 ZN
57	F01020579R	VITE M16X2X80 U5739 8.8ZN	SCREW M16X2X80 U5739 8.8 GALV.	VIS 16X80 5739 8.G ZN	SCHRAUBE 16X80 5739 8.G ZN	TORNILLO 16X80 5739 8.G ZN
58	G16248860R	RASCHIATERRA	SOILSCRAPER			
59	G16248890R	DEFLETTORE RASCHIATERRA INT.	INNER BAFFLE SOILSCRAPER			
60	G16248870R	SUPPORTO RASCHIATERRA INT.	INNER SOILSCRAPER			
61	F01230019R	DADO M5X0,8 D982 8ZN	NUT M5X0,8 D982 8ZN	ECROU AUTOB.NOR.5 ZN	SELBSTSP. MUTTER NOR.5 ZN	TUERCA AUTOB. NOR. 5 ZN
62	F01220011R	DADO M6X1 D980 8ZN	NUT M6X1 D980 8ZN	ECROU M6X1 D980 8 ZN	MUTTER M6X1 D980 8 ZN	TUERCA M6X1 D980 8 ZN
63	G15226270R	MOLLA COMPL.	COMPL. SPRING	RESSORT COMPLETE		
64	F01200324R	DADO M16X2 U5588 8.8ZN	NUT M16X2 U5588 8.8ZN	ECROU M16X2 U5588 8.8ZN	MUTTER M16X2 U5588 8.8ZN	TUERCA M16X2 U5588 8.8ZN
65	G16043880R	RASCHIATERRA DS CON RIPOSTO ZN	SOILSCRAPER DS ZN	CROTTOIR DS AVEC REPORT		
66	G16045740R	PERNO D.10X32 ZN	GALVAN. PIN D.10X32		PIN D.10X32 ZN	
67	F02200342R	COPIGLIA R 2X 50 ZN	SPRING SPLIT PIN 2X50 GALV.	GOUPILLE R 2X50 ZN	SPLINT R 2X50 ZN	CHAVETA R 2X50 ZN
68	G16045500R	SUPPORTO RASCHIA RUOTINO250X42	SOIL SCRAPER SUPPORT			
69	G16043462R	SUPPORTO RUOTINO	WHEEL SUPPORT			
70	F01060091R	VITE M10X1,5X70 U5731 8.8ZN	SCREW M10X1,5X70 U5731 8.8 ZN			
71	G16043820R	BOCCOLA D10XD29-35 ZN	BUSHING D10XD29-35 ZN			
72	F06120409R	RUOTA GOMMA 250X42L PLA.2CUS.	RUBBER WHEEL 250X42L PLA.2BEAR			
73	G16043830R	BOCCOLA D10XD29-13 ZN	BUSHING D10XD29-13 ZN			
74	F04010131R	CUSC.D20 D42 B12 6004-2RSH EX	BEARING D20 D42 B12 6004-2RSH	ROULEMENT D20 B12	LAGER 6004	COJINETE 6004

TAV. 205

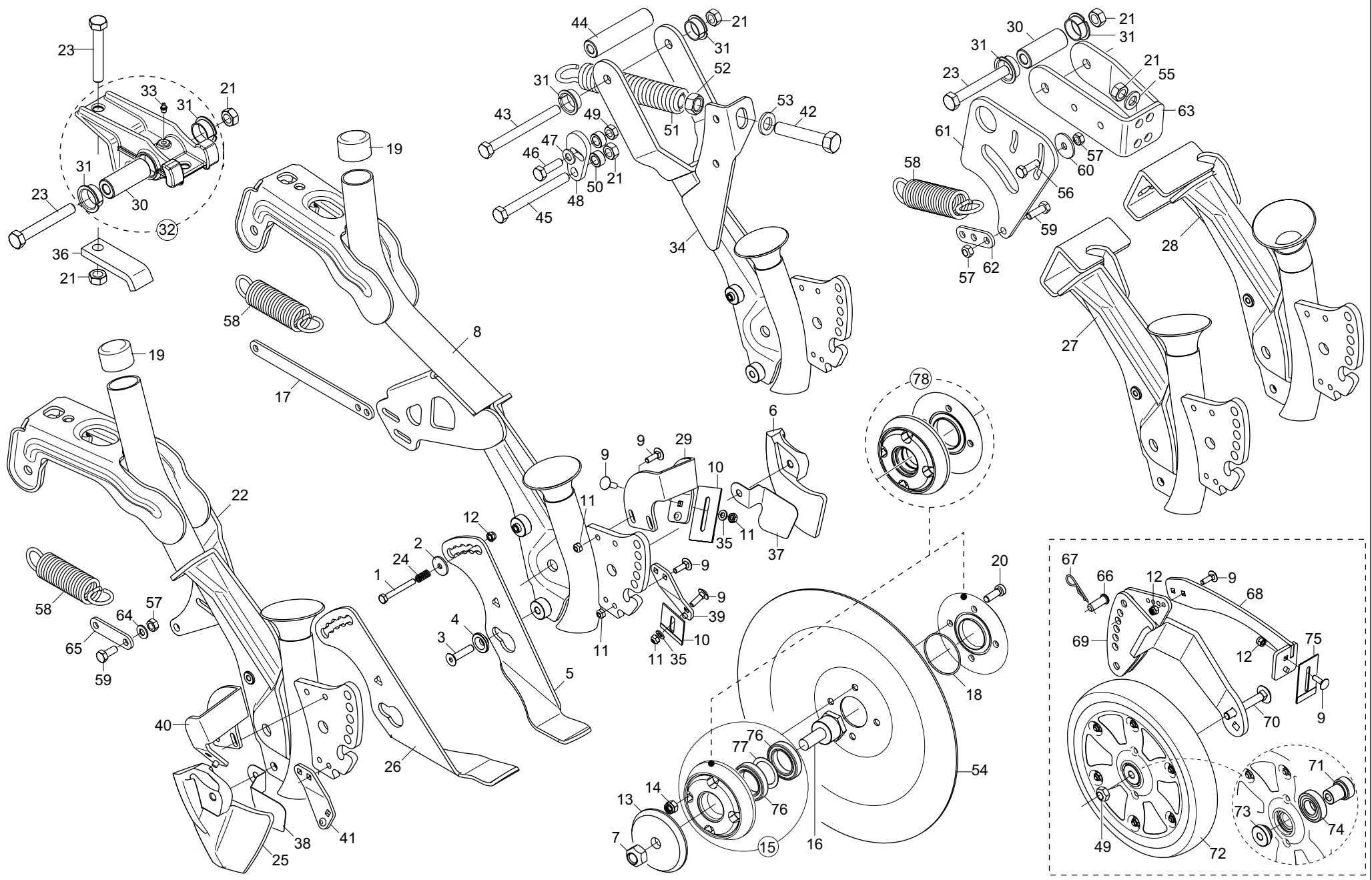


ASSOLCATORI A DISCO SEMPLICE SINGLE DISC COULTERS

TAV. 205

Pos.	Cod.	Descrizione	Description	Description	Benennung	Description
1	F01020042R	VITE M6X1X50 U5737 8.8ZN	SCR. M6X1X50 U5737 8.8ZN	VIS M6X1X50 U5737 8.8ZN	SCHRAU. M6X1X50 U5737 8.8ZN	TORN. M6X1X50 U5737 8.8ZN
2	F01420037R	ROS.M6 6,4X 24X1,5 U6593 ZN	WASHER M6 6,4X24X1,5 U6593 ZN			
3	F01030060R	VITE M8X1,25X35 U5933 10.9ZD	SCREW M8X1,25X35 U5933 10.9ZD	VIS M8X1,25X35 U5933 10.9ZD	SCHRA.M8X1,25X35 U5933 10.9ZD	TORNILLO M8X1,25X35 U5933 10.9
4	G15821110R	BOCCOLA SUPPORTO COPRISEME	SEED COVER SUPP. BUSHING	BOITE SUPPORT COUVRE-SEMENCE	BSCHSE SAMENABDECKERHALTER.	CASQUILLO SOPORTE CUBRESEMILLA
5	G16248622R	LIMITATORE DI PROFONDITA SX	LEFT DEPTH LIMITER			
6	G19203970R	FALCIONE DS SX	LEFT CUTTER	COUTEUR GX		BOTA DS IZQ
7	F01220255R	DADO M14X2 D980 8ZN	NUT M14X2 D980 8ZN	ECROU M14X2 D980 8 ZN	MUTTER M14X2 D980 8 ZN	TUERCA M14X2 D980 8 ZN
8	G16248634R	ASS.ELEM.DS LUNGO	REINFORCED & LONG DS ELEMENT			
9	F01060013R	VITE M6X1X20 U5731 8.8ZN	SCR. M6X1X20 U5732 4.6ZN	VIS 6X20 5732 4.6 ZN	SCHRAUBE 6X20 5732 4.6 ZN	TORNILLO 6X20 5732 4.6 ZN
10	G16043880R	RASCHIATERRA DS CON RIPORTO ZN	SOILSCRAPER DS ZN	CROTTOIR DS AVEC REPORT		
11	F01220011R	DADO M6X1 D980 8ZN	NUT M6X1 D980 8ZN	ECROU M6X1 D980 8 ZN	MUTTER M6X1 D980 8 ZN	TUERCA M6X1 D980 8 ZN
12	F01230022R	DADO M6X1 D982 8ZN	NUT M6X1 D982 8ZN	ECROU AUTO-FREIN.M6X1 D982 8ZN	SICHERUNGSMUT. M6X1 D982 8 ZN	TUERCA DE SEGU.M6X1 D982 8 ZN
13	G16040863R	PARAPOLVERE DI BLOCCAGGIO ZAMA	ZAMA LOCK DUST SEAL	PARE-POUSSI RE DE BLOCAGE ZAMA	FESTSTELL-STAUABDECKUNG ZAMA	GUARDAPOLVO DE BLOQUEO ZAMAK
14	F01230034R	DADO M8X1,25 D982 8ZN	NUT M8X1,25 D982 8ZN	ECROU M8X 1,25 ZN	MUTTER M8X 1,25 D982 8 ZN	TUERCA M8X1,25 D982 8
15	G16040921R	FLANGIA CON CUSCINETTI	FLANGE W BEARING	BRIDE AVEC ROULEMENTS	FLANSCH MIT LAGERN	BRIDA CON COJINETES
16	G16040820R	ASSE DISCO	DISC SPINDLE	AXE DISQUE	SCHLEIBENACHSE	EJE DISCO
17	G16042510R	TIRANTE L.263	TIE-ROD L.263			
18	F03010576R	ANELLO OR 50,52X1,78 NBR	GASKET OR 50,52X1,78 NBR	BAGUE OR 50,52X1,78 NBR	RING OR 50,52X1,78 NBR	ANILLO OR 50,52X1,78 NBR
19	F05100195R	CAPPUCCIO 36,51X25,41 NERO	COVER 36,51X25,41 NERO			
20	F01040501R	VITE M8X1,25X25 D7984 8.8ZN	SCREW M8X1,25X25 D7984 8.8ZN	VIS M8X1,25X25 D7984 8.8ZN	SCHRAU. M8X1,25X25 D7984 8.8ZN	TORN. M8X1,25X25 D7984 8.8ZN
21	F01220048R	DADO M12X1,75 D980 8ZN	NUT M12X1,75 D980 8ZN	ECROU M12X1,75 D980 8 ZN	SCHLEIBE M12X1,75 D980 8 ZN	TUERCA M12X1,75 D980 8 ZN
22	G16248684R	ASS.ELEM.DS CORTO	REINFORCED & SHORT DS ELEMENT			
23	F01020168R	VITE M12X1,75X90 U5737 8.8ZN	SCR. M12X1,75X90 U5737 8.8ZN	VIS M12X1,75X90 U5737 8.8 ZN	SCHRAUB.M12X1,75X90 5737 8.8 ZN	TORNIL.M12X1,75X90 5737 8.8 ZN
24	G18904240R	MOLLA L=17 D.FILO=1.3 SP.=7	SPRING L=17 D.1.3	RESSORT	FEDER	MUELLE
25	G19203980R	FALCIONE DS DX	RIGHT CUTTER	COUTEUR DX		BOTA DS DER
26	G16248782R	LIMITATORE DI PROFONDITA DX	RIGHT DEPTH LIMITER			
27	G16248563R	ELEMENTO DS INTERMEDIO SX	LEFT INTER. ELEMENT DS			
28	G16248803R	ELEMENTO DS INTERMEDIO DX	RIGHT INTER. ELEMENT DS			
29	G16249390R	SUPPORTO RASCHIATERRA SUP.DX	SOIL SCRAPER SUPPORT SUP.RIGHT			
30	G18802740R	BOCCOLA 25X12X63,5	BUSHING 25X12X63,5	BOITE 25X12X63,5	BUCHSE 25X12X63,5	CASQUILLO 25X12X63,5
31	F04150034R	CUSCINETTO FLANGIATO 25X28X16	BEARING FLANGED 25X28X16			
32	G16248351R	MONT.SUPPORTO ASSOLCATORE	FURROW SUPPORT COMPL.			
33	F01100011R	ING.M 6X1 7663-A 9SMNPB28 ZN	GREASE NIPPLE M6X1 7663-A ZN	GRAISS. A BILLE M6X1 7663A ZN	SCHMIERBUECHE M6X1 7663-A ZN	ENG.M 6X1 7663-A 9SMNPB28 ZN
34	G16248743R	ELEMENTO DS ESTERNO	EXTERNAL ELEMENT DS			
35	F01410037R	ROS.M6 6,4X12,5X1,6 U6592 ZN	WASHER M6 6,4X12,5X1,6 U6592ZN	RONDEL.M6 6,4X12,5X1,6 U6592ZN	SCHLEIB.M6 6,4X12,5X1,6 U6592ZN	ARAND.M6 6,4X12,5X1,6 U6592 ZN
36	G16340810R	SCONTRO DI FISSAGGIO	FIXING STRIKER PLATE	BUTEE DE FIXATION	BEFESTIGUNGSANSCHLAG	ELEM. DE EMPALME DE SUJECION
37	G16249040R	SUPPORTO LAMELLA DS DX IX	BLADE SUPPORT DS DX IX			
38	G16249050R	SUPPORTO LAMELLA DS SX IX	BLADE SUPPORT DS SX IX			
39	G16249130R	SUPPORTO INF.RASCHIAT.DX ZN	R.LOW SOILSCRAPER SUPPORT ZN			
40	G16249410R	SUPPORTO RASCHIATERRA SUP.SX	SOIL SCRAPER SUPPORT SUP.LEFT			
41	G16249140R	SUPPORTO INF.RASCHIAT.SX ZN	LOW.MUDSCRAPER SUPP.LEFT			
42	F01020579R	VITE M16X2X80 U5739 8.8ZN	SCREW M16X2X80 U5739 8.8 GALV.	VIS 16X80 5739 8.G ZN	SCHRAUBE 16X80 5739 8.G ZN	TORNILLO 16X80 5739 8.G ZN
43	F01020176R	VITE M12X1,75X130 U5737 8.8ZN	SCR. M12X1,75X130 U5737 8.8ZN	VIS M 12X130	SCHRAUBE M 12X130	TORNILLO M 12X130
44	G18803040R	BOCCOLA 12 X25 X105,5	BUSHING D12X25X105,5			
45	F01020174R	VITE M12X1,75X120 U5737 8.8ZN	SCR. M12X1,75X120 U5737 8.8ZN	VIS M12X1,75X120 U5737 8.8 ZN	SCHRAUBE M12X1,75X120 U5737 ZN	TORN.M12X1,75X120 U5737 8.8 ZN
46	F01020479R	VITE M10X1,5X35 U5739 8.8ZN	SCR. M10X1,5X35 U5739 8.8ZN	VIS M10X1,5X35 U5739 8.8 ZN	SCHR. M10X1,5X35 U5739 8.8 ZN	TORNILLO M10X1,5X35 U5739 8
47	F01410064R	ROS.M10 10,5X 20X 2 U6592 ZN	WASHER M10 10,5X20X2 U6592 ZN	RONDEL. M10 10,5X20X2 U6592 ZN	SCHLEIBE M10 10,5X20X2 U6592 ZN	ARAND.M10 10,5X 20X 2 U6592 ZN
48	G16213480R	FERMO ELEMENTO ESTERNO ZN	OUTER ELEMENT LOCK GALV.			
49	F01220033R	DADO M10X1,5 D980 8ZN	NUT M10X1,5 D980 8ZN	ECROU M10X1,5 D980 8ZN	MUTTER M10X1,5 D980 8ZN	TUERCA M10X1,5 D980 8
50	G20980021R	BOCCOLA D.12,25X20X10	BUSHING D.12,25X20X10	BOITE D. 12-25X20X10	BSCHSE D.12-25X20X10	CASQUILLO D.12-25X20X10
51	G15226270R	MOLLA COMPL.	COMPL. SPRING	RESSORT COMPLETE		
52	F01200324R	DADO M16X2 U5588 8.8ZN	NUT M16X2 U5588 8.8ZN	ECROU M16X2 U5588 8.8ZN	MUTTER M16X2 U5588 8.8ZN	TUERCA M16X2 U5588 8.8ZN
53	F01410100R	ROS.M16 17X 30X 3 U6592 ZN	WASHER M16 17X30X3 U6592 ZN	RONDELLE M16 17X30X3 ZN	SCHRAUBE M16 17X 30X3 U6592 ZN	ARAND.M16 17X 30X 3 U6592 ZN
54	G16043890R	DISCO ASSOLCATORE D.328 SP.2,5	DISC OPENER D.328 SP.2,5	DISC ASSOLCATORE D.328 SP.2,5		DISCO SURGADOR D.328 SP 2,5
55	F01410076R	ROS.M12 13X 24X2,5 U6592 ZN	WASHER 12 13X 24X2,5 U6592 ZN	RONDEL. M12 13X24X2,5 U6592 ZN	SCHLEIBE M12 13X24X2,5 U6592 ZN	ARAND.M12 13X 24X2,5 U6592 ZN

TAV. 205

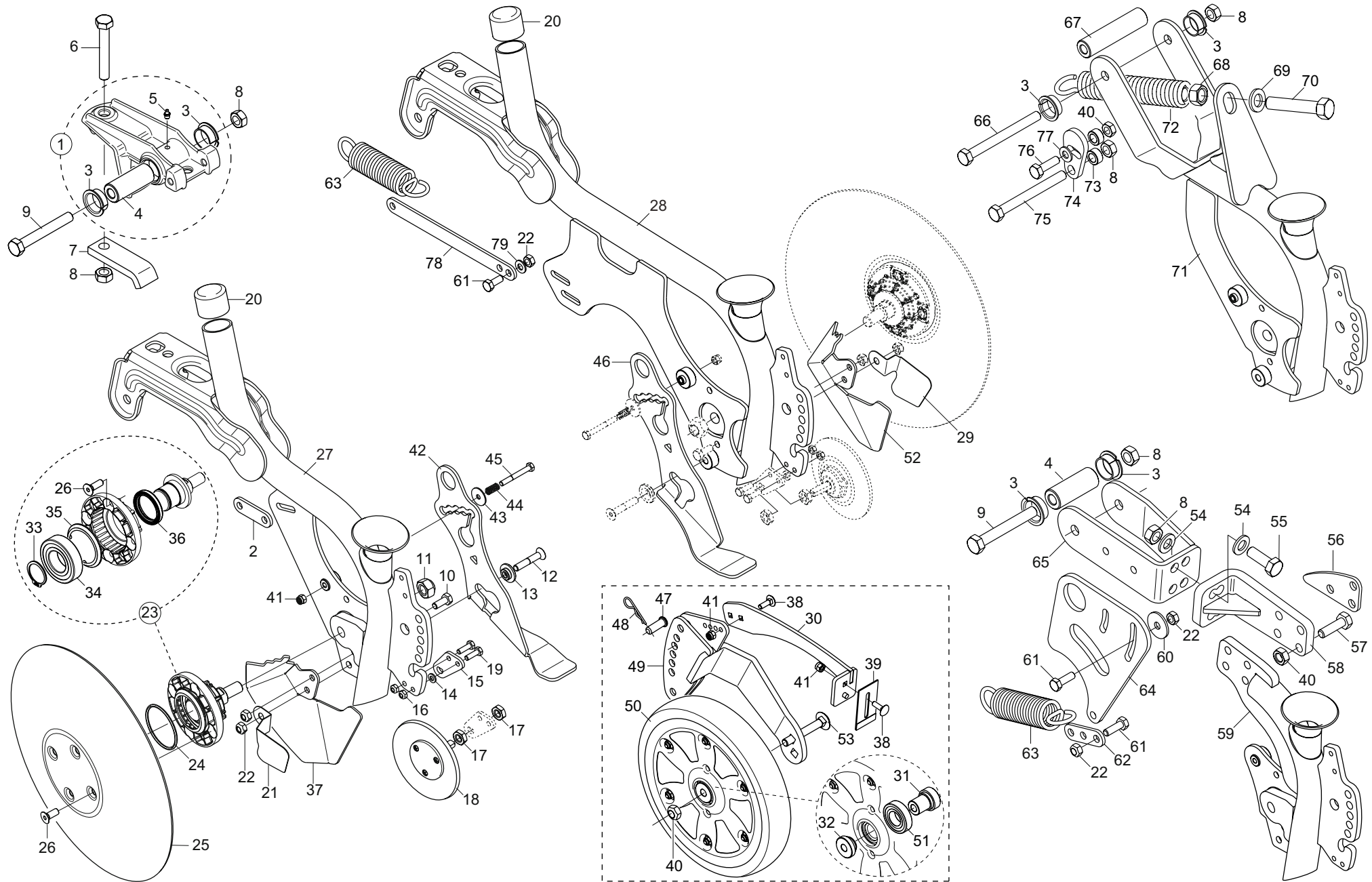


**ASSOLCATORI A DISCO SEMPLICE
SINGLE DISC COULTERS**

TAV. 205

Pos.	Cod.	Descrizione	Description	Description	Benennung	Descripcion
56	F01020440R	VITE M8X1,25X25 U5739 8.8ZN	SCR. M8X1,25X25 U5739 8.8ZN	VIS M8X1,25X25 U5739 8.8 ZN	SCHRAUBE M8X1,25X25U5739 8.8ZN	TORNILLO M8X1,25X25 U5739 8.8
57	F01220022R	DADO M8X1,25 D980 8ZN	NUT M8X1,25 D980 8ZN	ECROU M8X 1,25 D980 8 ZN	MUTTER M8X 1,25 D980 8 ZN	TUERCA M8X 1,25 D980 8 ZN
58	G18904350R	MOLLA TENSIONAM.ELEM.CORTO ZN	DRILL COULTER TENS. SPRING	RESSORT TENDEUR SOC	EDER SZSCHARSPANNUNG	UELLE TENSIN SURCADOR
59	F01020436R	VITE M8X1,25X20 U5739 8.8ZN	SCR. M8X1,25X20 U5739 8.8ZN	VIS M8X1,25X 20 U5739 8.8 ZN	SCHRAUBE M8X1,25X20U5739 8.8ZN	TORNILLO M8X1,25X20 U5739 8.8
60	F01420048R	ROS.M8 8,4X 24X 2 U6593 ZN	WASHER M8 8,4X 24X2 U6593 ZN	RONDELLE M8 8,4X24X 2 U6593 ZN	SCHLEIBEN M8 8,4X24X 2 U6593 ZN	ARAND.M8 8,4X 24X 2 U6593 ZN
61	G16248410R	FINE CORSA ELEMENTO INTERMEDIO	INT.ELEMENT FOR END OF STROKE			
62	G16340860R	PIATTO TIRO MOLLA CORTO ZN	PLATE SPRING TIGHTENER			
63	G16248390R	SUPPORTO ELEMENTO	ELEMENT SUPPORT			
64	F01410051R	ROS.M8 8,4X 17X1,6 U6592 ZN	WASHER M8 8,4X17X1,6 U6592 ZN	RONDELLE M8 8,4X17X1,6 ZN	SCHEIBE M8 8,4X17X1,6 U6592 ZN	ARAND.M8 8,4X 17X1,6 U6592 ZN
65	G16042500R	TIRANTE L.103	TIE-ROD L.103			
66	G16045740R	PERNO D.10X32 ZN	GALVAN. PIN D.10X32		PIN D.10X32 ZN	
67	F02200342R	COPIGLIA R 2X 50 ZN	SPRING SPLIT PIN 2X50 GALV.	GOUPILLE R 2X50 ZN	SPLINT R 2X50 ZN	CHAVETA R 2X50 ZN
68	G16045500R	SUPPORTO RASCHIA RUOTINO250X42	SOIL SCRAPER SUPPORT			
69	G16043462R	SUPPORTO RUOTINO	WHEEL SUPPORT			
70	F01060091R	VITE M10X1,5X70 U5731 8.8ZN	SCREW M10X1,5X70 U5731 8.8 GAL			
71	G16043820R	BOCCOLA D10XD29-35 ZN	BUSHING D10XD29-35 ZN			
72	F06120409R	RUOTA GOMMA 250X42L PLA.2CUS.	RUBBER WHEEL 250X42L PLA.2BEAR			
73	G16043830R	BOCCOLA D10XD29-13 ZN	BUSHING D10XD29-13 ZN			
74	F04010131R	CUSC.D20 D42 B12 6004-2RSH EX	BEARING D20 D42 B12 6004-2RSH	ROULEMENT D20 B12	LAGER 6004	COJINETE 6004
75	G16043880R	RASCHIATERRA DS CON RIPORTO ZN	SOILSCRAPER DS ZN	CROTTOIR DS AVEC REPORT		
76	F04010309R	CUSC.D30 D47 B9 61906 LLU	BEARING D30 D47 B9 61906 2RS	PALIER 61906-2RS	LAGER 61906-2RS	COJINETE 61906-2RS
77	F01440081R	ROS. 37X47X0,1 D988 ST2K60 BR	RAISING WASHER 37X47X0.1	RONDELLE D EPAISSEUR 37X47X0,1	AUSGLEICHSSCHEIBE 37X47X0,1	ARANDELA DE APOYO 37X47X0,1
78	G19003422R	KIT FLANGIA CUSC. DISCO EST.	KIT BEARING FLANGE OUTER DISC	BRIDE PORTE-ROULEMENTS	LAGERTR-GERFLANSCH	BRIDA PORTACOJINETES

TAV. 230

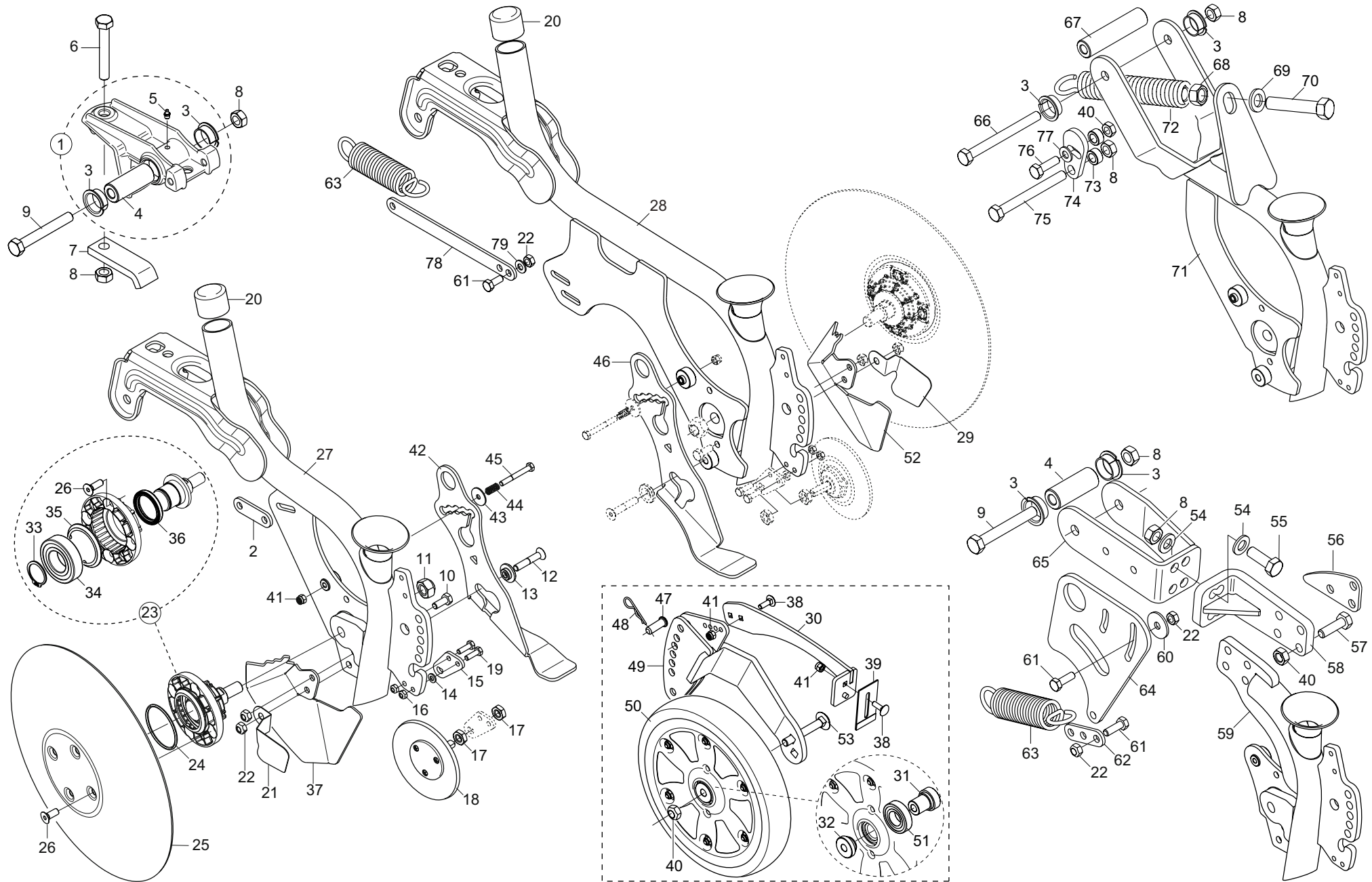


**ASSOLCATORI A DISCO SEMPLICE "DV"
SINGLE DISC COULTERS "DV"**

TAV. 230

Pos.	Cod.	Descrizione	Description	Description	Benennung	Descripcion
1	G16248351R	MONT.SUPPORTO ASSOLCATORE	FURROW SUPPORT COMPL.			
2	G16042500R	TIRANTE L.103	TIE-ROD L.103			
3	F04150034R	CUSCINETTO FLANGIATO 25X28X16	BEARING FLANGED 25X28X16			
4	G18802740R	BOCCOLA 25X12X63,5	BUSHING 25X12X63,5	BOITE 25X12X63,5	BUCHSE 25X12X63,5	CASQUILLO 25X12X63,5
5	F01100011R	ING.M 6X1 7663-A 9SMNPB28 ZN	GREASE NIPPLE M6X1 7663-A ZN	GRAISS. A BILLE M6X1 7663A ZN	SCHMIERBUECHE M6X1 7663-A ZN	ENG.M 6X1 7663-A 9SMNPB28 ZN
6	F01020166R	VITE M12X1,75X80 U5737 8.8ZN	SCR. M12X1,75X80 U5737 8.8ZN	VIS M12X1,75X80 U5737 8.8ZN	SCHRA. M12X1,75X80 U5737 8.8ZN	TORN. M12X1,75X80 U5737 8.8ZN
7	G16340810R	SCONTRO DI FISSAGGIO	FIXING STRIKER PLATE	BUTEE DE FIXATION	BEFESTIGUNGSANSCHLAG	ELEM. DE EMPALME DE SUJECION
8	F01220048R	DADO M12X1,75 D980 8ZN	NUT M12X1,75 D980 8ZN	ECROU M12X1,75 D980 8 ZN	SCHEIBE M12X1,75 D980 8 ZN	TUERCA M12X1,75 D980 8 ZN
9	F01020168R	VITE M12X1,75X90 U5737 8.8ZN	SCR. M12X1,75X90 U5737 8.8ZN	VIS M12X1,75X90 U5737 8.8 ZN	SCHHRAB.M12X1,75X90 5737 8.8 ZN	TORNIL.M12X1,75X90 5737 8.8 ZN
10	F01020436R	VITE M8X1,25X20 U5739 8.8ZN	SCR. M8X1,25X20 U5739 8.8ZN	VIS M8X1,25X 20 U5739 8.8 ZN	SCHRAUBE M8X1,25X20U5739 8.8ZN	TORNILLO M8X1,25X20 U5739 8.8
11	F01220255R	DADO M14X2 D980 8ZN	NUT M14X2 D980 8ZN	ECROU M14X2 D980 8 ZN	MUTTER M14X2 D980 8 ZN	TUERCA M14X2 D980 8 ZN
12	F01030061R	VITE M8X1,25X45 U5933 10.9ZD	SCR. M8X1,25X45 U5933 10.9ZD	VIS 8X45 5933 8.8 ZN	SCHRAUBE 8X45 5933 8.8 ZN	TORNILLO 8X45 5933 8.8 ZN
13	G15821110R	BOCCOLA SUPPORTO COPRISEME	SEED COVER SUPP. BUSHING	BOITE SUPPORT COUVRE-SEMENCE	BSCHSE SAMENABDECKERHALTER.	CASQUILLO SOPORTE CUBRESEMILLA
14	F01410037R	ROS.M6 6,4X12,5X1,6 U6592 ZN	WASHER M6 6,4X12,5X1,6 U6592ZN	RONDEL.M6 6,4X12,5X1,6 U6592ZN	SCHEIB.M6 6,4X12,5X1,6 U6592ZN	ARAND.M6 6,4X12,5X1,6 U6592 ZN
15	G16044540R	SUPP.RASCHIETTO ROTATIVO ZN	SCRAPER SUPPORT			
16	F01220011R	DADO M6X1 D980 8ZN	NUT M6X1 D980 8ZN	ECROU M6X1 D980 8 ZN	MUTTER M6X1 D980 8 ZN	TUERCA M6X1 D980 8 ZN
17	F01200416R	DADO M10X1,5 U5589 CL8 ZN 6SZN	NUT M10X1,5 U5589 6SZN	ECROU 10 UNI 5589 6.8 ZN	MUTTER 10 UNI 5589 6.8 ZN	TUERCA 10 UNI 5589 6.8 ZN
18	G16044280R	RASCHIETTO ROTATIVO COMPL	SCRAPER			
19	F01020404R	VITE M6X1X20 U5739 8.8ZN	SCREW M6X1X20 U5739 8.8ZN	VIS M6X1X20 U5739 8.8ZN	SCHRAUBE M6X1X20 U5739 8.8ZN	TORNILLO M6X1X20 U5739 8.8ZN
20	F05100195R	CAPPUCCIO 36,51X25,41 NERO	COVER 36,51X25,41 NERO			
21	G16249050R	SUPPORTO LAMELLA DS SX IX	BLADE SUPPORT DS SX IX			
22	F01220022R	DADO M8X1,25 D980 8ZN	NUT M8X1,25 D980 8ZN	ECROU M8X 1,25 D980 8 ZN	MUTTER M8X 1,25 D980 8 ZN	TUERCA M8X 1,25 D980 8 ZN
23	G16044571R	MOZZO DISCO COMPL	DISC HUB ASS.BLY			
24	F03011144R	GUARNIZIONE OR 3 X 56	O-RING GASKET 3 X 56			
25	G16044560R	DISCO ASSOLCAT.VX D.320	DISK OPENER VX D.320			
26	F01030055R	VITE M8X1,25X20 U5933 10.9ZD	SCR. M8X1,25X20 U5933 10.9ZD	VIS M 8X20	SCHRAUBE M 8X20	TORNILLO M 8X20
27	G16249510R	TUBO CORTO DISCO SEMPLICE	SHORT PIPE SIMPLE DISK			
28	G16249530R	TUBO LUNGO DISCO SEMPLICE	LONG PIPE SIMPLE DISK			
29	G16249040R	SUPPORTO LAMELLA DS DX IX	BLADE SUPPORT DS DX IX			
30	G16045500R	SUPPORTO RASCHIA RUOTINO250X42	SOIL SCRAPER SUPPORT			
31	G16043820R	BOCCOLA D10XD29-35 ZN	BUSHING D10XD29-35 ZN			
32	G16043830R	BOCCOLA D10XD29-13 ZN	BUSHING D10XD29-13 ZN			
33	F02050112R	ANELLO E.DE 30X 1,5 U7435 ZN	SEEGER RING 30X 1,5 U7435 C70	SEEGER E. 30 X 1,5 U7435 C70	SEEGERING E. 30X 1,5 U7435 C70	ANILLO E. 30 X 1,5 U7435 C70
34	F04010174R	CUSCINETTO 6206 2RS	BEARING D30 D62 B16 6206 2RS	PALIER 6206 2RS	LAGER 6206 2RS	COJINETE 6206 2RS
35	G16244181R	ANELLO DI SOSTEGNO ZAMA	RING	BAGUE	RING	ANILLO
36	F03010074R	ANELLO T.A. 32X 47X 7 D3760NBR	RING T.A. 32X 47X 7 D3760NBR	BAGUE 32X 47X 7 D3760NBR	SCHUTZRING 32X 47X 7 D3760NBR	ANILLO T.A. 32X 47X 7 D3760NBR
37	G16045760R	GUSCIO DISCO VORTEX ELEM.CORTO	VORTEX DISC SHELL SHORT ELEM.			
38	F01060013R	VITE M6X1X20 U5731 8.8ZN	SCR. M6X1X20 U5732 4.6ZN	VIS 6X20 5732 4.6 ZN	SCHRAUBE 6X20 5732 4.6 ZN	TORNILLO 6X20 5732 4.6 ZN
39	G16043880R	RASCHIATERRA DS CON RIPORTO ZN	SOILSCRAPER DS ZN	CROTTOIR DS AVEC REPORT		
40	F01220033R	DADO M10X1,5 D980 8ZN	NUT M10X1,5 D980 8ZN	ECROU M10X1,5 D980 8ZN	MUTTER M10X1,5 D980 8ZN	TUERCA M10X1,5 D980 8
41	F01230022R	DADO M6X1 D982 8ZN	NUT M6X1 D982 8ZN	ECROU AUTO-FREIN.M6X1 D982 8ZN	SICHERUNGSMUT. M6X1 D982 8 ZN	TUERCA DE SEGU.M6X1 D982 8 ZN
42	G16043852R	LIMITATORE DI PROF.DX	RIGHT DEPTH CONTROLLER			
43	F01420037R	ROS.M6 6,4X 24X1,5 U6593 ZN	WASHER M6 6,4X24X1,5 U6593 ZN			
44	G18904240R	MOLLA L=17 D.FILO=1.3 SP.=7	SPRING L=17 D.1.3	RESSORT	FEDER	MUELLE
45	F01020042R	VITE M6X1X50 U5737 8.8ZN	SCR. M6X1X50 U5737 8.8ZN	VIS M6X1X50 U5737 8.8ZN	SCHRAU. M6X1X50 U5737 8.8ZN	TORNI. M6X1X50 U5737 8.8ZN
46	G16043842R	LIMITATORE DI PROF.SX	LEFT DEPTH CONTROLLER			
47	G16045740R	PERNO D.10X32 ZN	GALVAN. PIN D.10X32		PIN D.10X32 ZN	
48	F02200342R	COPIGLIA R 2X 50 ZN	SPRING SPLIT PIN 2X50 GALV.	GOUPILLE R 2X50 ZN	SPLINT R 2X50 ZN	CHAVETA R 2X50 ZN
49	G16043462R	SUPPORTO RUOTINO	WHEEL SUPPORT			
50	F06120409R	RUOTA GOMMA 250X42L PLA.2CUS.	RUBBER WHEEL 250X42L PLA.2BEAR			
51	F04010131R	CUSC.D20 D42 B12 6004-2RSH EX	BEARING D20 D42 B12 6004-2RSH	ROULEMENT D20 B12	LAGER 6004	COJINETE 6004
52	G16045750R	GUSCIO DISCO VORTEX ELEM.LUNGO	VORTEX DISC SHELL LONG ELEMENT			
53	F01060091R	VITE M10X1,5X70 U5731 8.8ZN	SCREW M10X1,5X70 U5731 8.8 GAL			
54	F01410076R	ROS.M12 13X 24X2,5 U6592 ZN	WASHER 12 13X 24X2,5 U6592 ZN	RONDEL. M12 13X24X2,5 U6592 ZN	SCHEIBE M12 13X24X2,5 U6592 ZN	ARAND.M12 13X 24X2,5 U6592 ZN
55	F01020512R	VITE M12X1,75X35 U5739 8.8ZN	SCR. M12X1,75X35 U5739 8.8ZN	VIS M12X1,75X35 5739 8.8 ZN	SCHR. M12X1,75X35 5739 8.8 ZN	TORNILLO M12X1,75X35 U5739 8

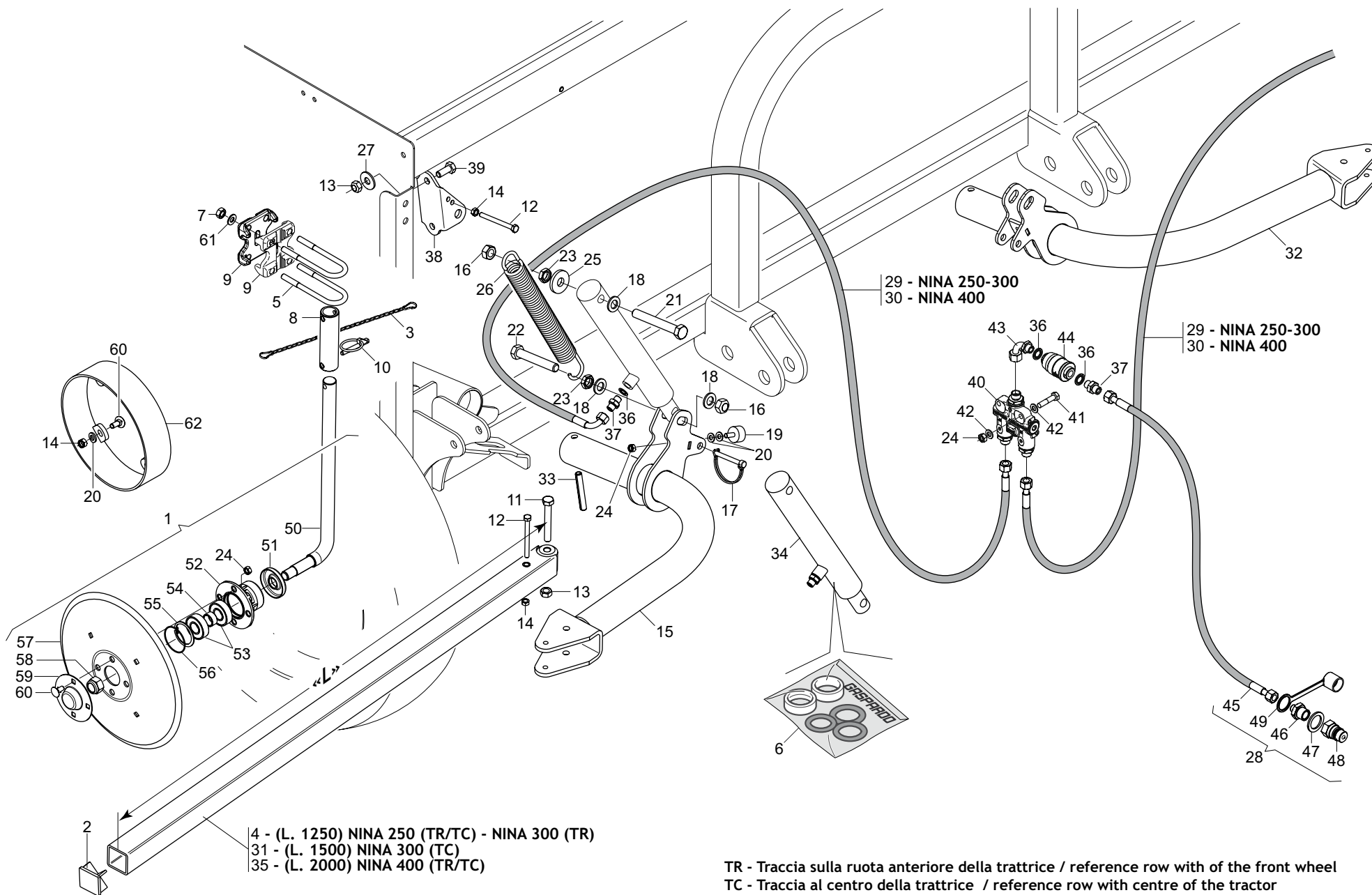
TAV. 230



**ASSOLCATORI A DISCO SEMPLICE "DV"
SINGLE DISC COULTERS "DV"**

TAV. 230

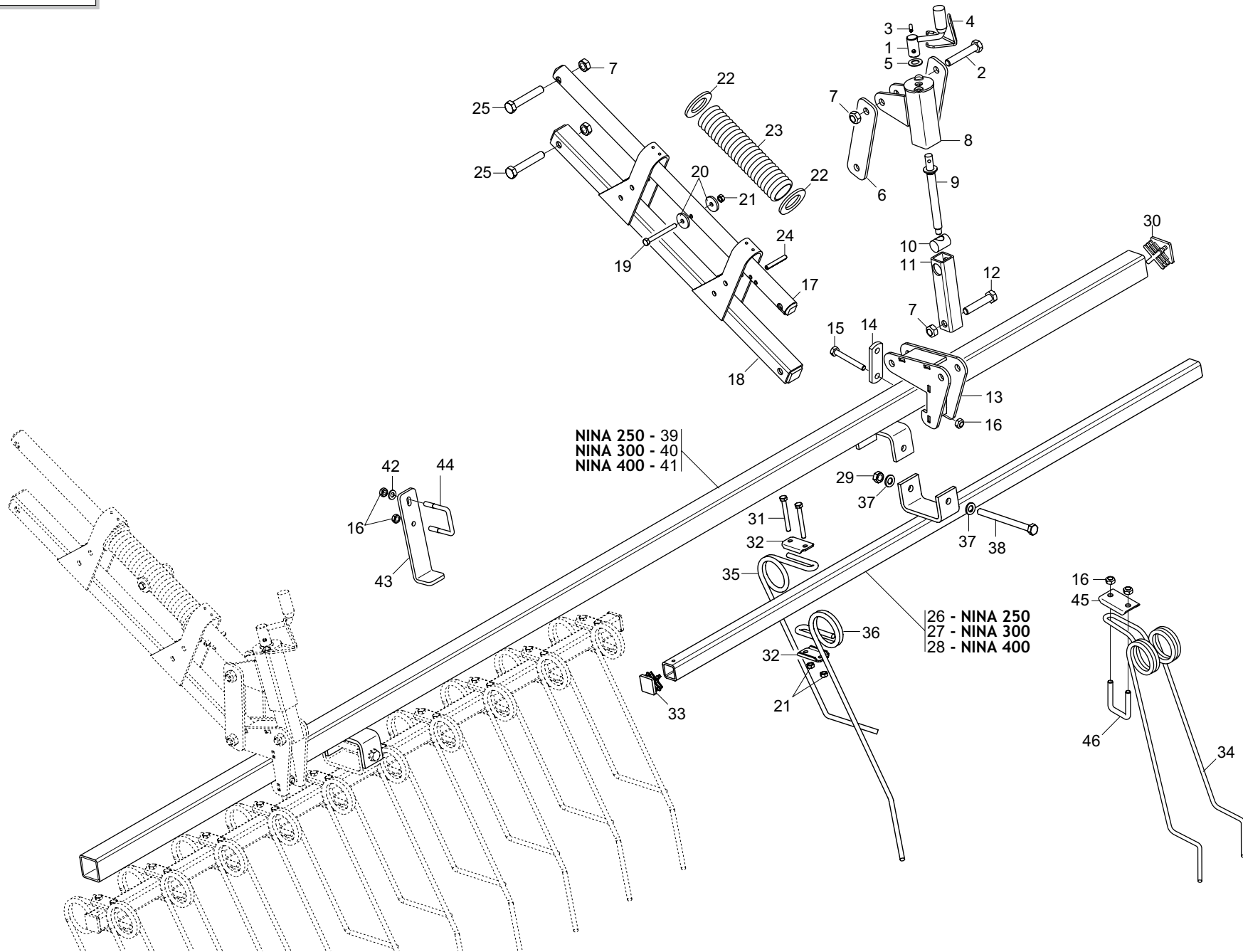
Pos.	Cod.	Descrizione	Description	Description	Benennung	Descripcion
56	G16248480R	DISTANZIALE	SPACER			
57	F01020484R	VITE M10X1,5X45 U5739 8.8ZN	SCREW M10X1,5X45 U5739 8.8 GAL	VIS 10X45 5739 8.G ZN	SCHRAUBE 10X45 5739 8.G ZN	TORNILLO 10X45 5739 8.G ZN
58	G16248380R	PIASTRA ASOLATA	SUPPORT WITH HOLES			
59	G16249590R	TUBO DISCO SEMPLICE INTERMEDIO	INTERMEDIATE PIPE SIMPLE DISK			
60	F01420048R	ROS.M8 8,4X 24X 2 U6593 ZN	WASHER M8 8,4X 24X2 U6593 ZN	RONDELLE M8 8,4X24X 2 U6593 ZN	SCHEIBEN M8 8,4X24X 2 U6593 ZN	ARAND.M8 8,4X 24X 2 U6593 ZN
61	F01020440R	VITE M8X1,25X25 U5739 8.8ZN	SCR. M8X1,25X25 U5739 8.8ZN	VIS M8X1,25X25 U5739 8.8 ZN	SCHRAUBE M8X1,25X25U5739 8.8ZN	TORNILLO M8X1,25X25 U5739 8.8
62	G16340860R	PIATTO TIRO MOLLA CORTO ZN	PLATE SPRING TIGHTENER			
63	G18904350R	MOLLA TENSIONAM.ELEM.CORTO ZN	DRILL COULTER TENS. SPRING	RESSORT TENDEUR SOC	EDER SZSCHARSPANNUNG	UELLE TENSIN SURCADOR
64	G16248410R	FINE CORSA ELEMENTO INTERMEDIO	INT.ELEMENT FOR END OF STROKE			
65	G16248390R	SUPPORTO ELEMENTO	ELEMENT SUPPORT			
66	F01020176R	VITE M12X1,75X130 U5737 8.8ZN	SCR. M12X1,75X130 U5737 8.8ZN	VIS M 12X130	SCHRAUBE M 12X130	TORNILLO M 12X130
67	G18803040R	BOCCOLA 12 X25 X105,5	BUSHING D12X25X105,5			
68	F01200324R	DADO M16X2 U5588 8.8ZN	NUT M16X2 U5588 8.8ZN	ECROU M16X2 U5588 8.8ZN	MUTTER M16X2 U5588 8.8ZN	TUERCA M16X2 U5588 8.8ZN
69	F01410100R	ROS.M16 17X 30X 3 U6592 ZN	WASHER M16 17X30X3 U6592 ZN	RONDELLE M16 17X30X3 ZN	SCHRAUBE M16 17X 30X3 U6592 ZN	ARAND.M16 17X 30X 3 U6592 ZN
70	F01020579R	VITE M16X2X80 U5739 8.8ZN	SCREW M16X2X80 U5739 8.8 GALV.	VIS 16X80 5739 8.G ZN	SCHRAUBE 16X80 5739 8.G ZN	TORNILLO 16X80 5739 8.G ZN
71	G16249540R	TUBO DISCO SEMPLICE ESTERNO	OUTER PIPE SIMPLE DISK			
72	G15226270R	MOLLA COMPL.	COMPL. SPRING	RESSORT COMPLETE		
73	G20980021R	BOCCOLA D.12,25X20X10	BUSHING D.12,25X20X10	BOITE D. 12-25X20X10	BSCHE D.12-25X20X10	CASQUILLO D.12-25X20X10
74	G16213480R	FERMO ELEMENTO ESTERNO ZN	OUTER ELEMENT LOCK GALV.			
75	F01020174R	VITE M12X1,75X120 U5737 8.8ZN	SCR. M12X1,75X120 U5737 8.8ZN	VIS M12X1,75X120 U5737 8.8 ZN	SCHRAUBE M12X1,75X120 U5737 ZN	TORN.M12X1,75X120 U5737 8.8 ZN
76	F01020479R	VITE M10X1,5X35 U5739 8.8ZN	SCR. M10X1,5X35 U5739 8.8ZN	VIS M10X1,5X35 U5739 8.8 ZN	SCHR. M10X1,5X35 U5739 8.8 ZN	TORNILLO M10X1,5X35 U5739 8
77	F01410064R	ROS.M10 10,5X 20X 2 U6592 ZN	WASHER M10 10,5X20X2 U6592 ZN	RONDEL. M10 10,5X20X2 U6592 ZN	SCHEIBE M10 10,5X20X2 U6592 ZN	ARAND.M10 10,5X 20X 2 U6592 ZN
78	G16042510R	TIRANTE L.263	TIE-ROD L.263			
79	F01410051R	ROS.M8 8,4X 17X1,6 U6592 ZN	WASHER M8 8,4X17X1,6 U6592 ZN	RONDELLE M8 8,4X17X1,6 ZN	SCHEIBE M8 8,4X17X1,6 U6592 ZN	ARAND.M8 8,4X 17X1,6 U6592 ZN



SEGNAFILE ROW MARKER

TAV. 114

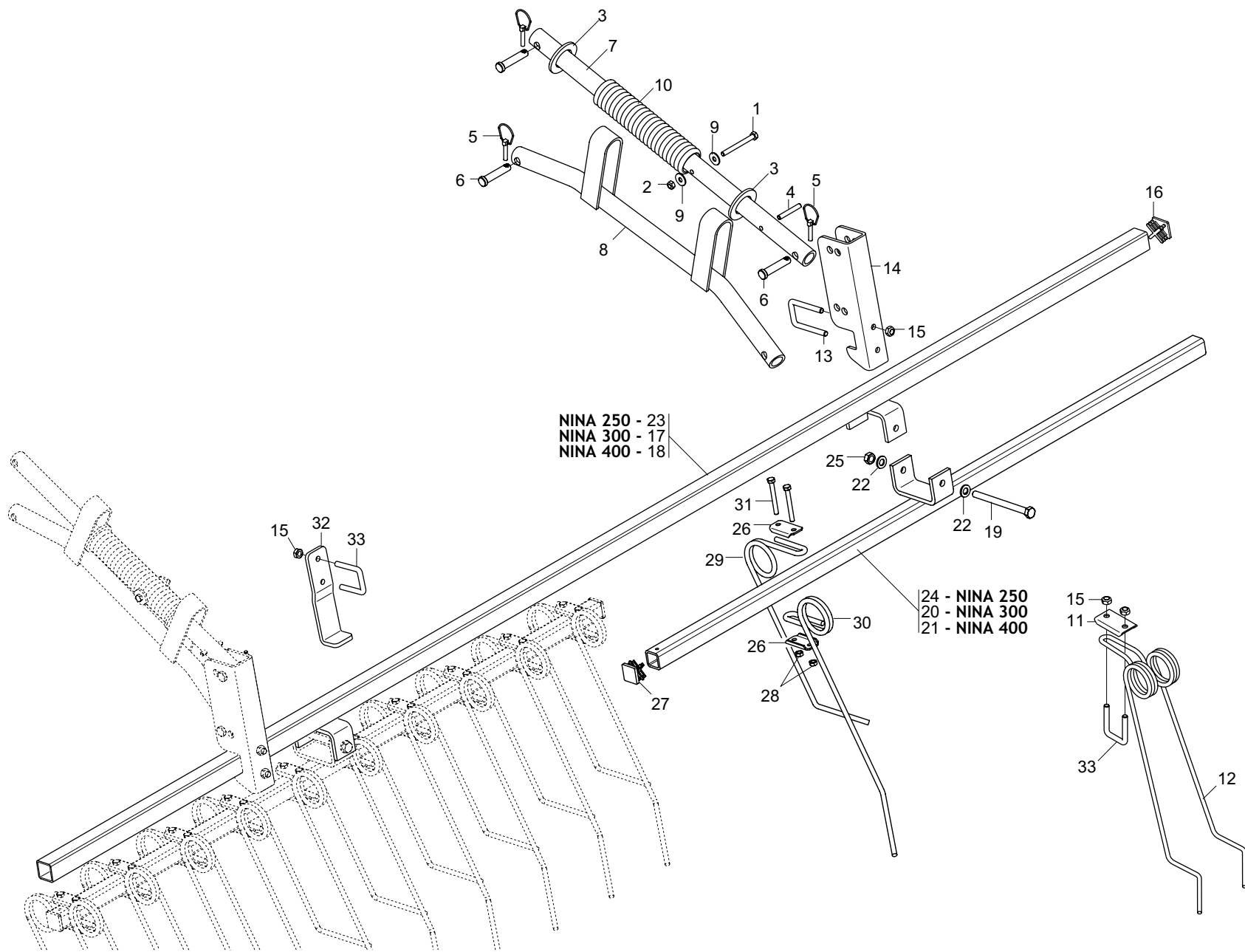
Pos.	Cod.	Descrizione	Description	Description	Benennung	Descripcion
1	G17111481R	DISCO D.320 COMPL.MAGICA	DISK D.320 COMPLETE MAGICA			
2	F20120349R	PUNTALE Q.50 ALETT.POLIT.NERO	CAP	BOUCHON	DECKEL	CORCHO
3	G13812311R	CATENELLA CON MOSCHETTONE	CHAIN WITH SPRING CATCH	CHAINETTE AVEC MOUSQUETON	KETTE MIT KARABINERHAKEN	CADENA CON GANCHO
4	G16913390R	BRACCIO SEGNAFILE 350	ROW MARKER ARM 350	BRAS TRACEUR 350	REIHENANREISSARM 350	BRAZO MARCADOR DE FILAS 350
5	F20110860R	CAV.T.M10X 1.5X 30 46X128,5ZN	U BOLT T.M10X1,5X30 46X L128,5	CAVALIER M10X46 ZN	VERBINDUNG M10X46 ZN	PERNO EN U M10X46 ZN
6	F03100191R	KIT GUARNIZ.CILINDRO 15413110	CYLINDER SEAL KIT 15413110	KIT GARNIT. CYLINDRE 15413110	KIT ZYLINDERDICHTUNG 15413110	KIT JUNTA CILINDRO 15413110
7	F01200270R	DADO M10X1,5 U5588 CL8 ZN	NUT M10X1,5 U5588 6.8ZN	ECROU M10X 1,5 U5588 6.8 ZN	MUTTER M10X 1,5 U5588 6.8 ZN	TUERCA M10X1,5 U5588 CL8 ZN
8	G17111290R	MANICOTTO DISCO	DISC SLEEVE U BOLT	MANCHON DISQUE	SCHIEBENMUFFE	MANGUITO DISCO
9	G19204230R	SUPPORTO MANICOTTO TQ.50	SLEEVE SUPPORT TQ.50			
10	F02200507R	SPINA A SCATTO D 9 B 83	SNAP PIN D9 B 83 ZN	FICHE A DETENTE D9 B 83 ZN	EINRASTSTIFT D9 B 83 ZN	CLAVIJA DE MUELLE D9 B 83 ZN
11	F01020168R	VITE M12X1,75X90 U5737 8.8ZN	SCR. M12X1,75X90 U5737 8.8ZN	VIS M12X1,75X90 U5737 8.8 ZN	SCHRAB.M12X1,75X90 5737 8.8 ZN	TORNIL.M12X1,75X90 5737 8.8 ZN
12	F01020088R	VITE M8X1,25X90 U5737 8.8ZN	SCREW M8X1,25X90 U5737 8.8ZN	VIS M8X1,25X90 U5737 8.8 ZN	SCHR. M8X1,25X90 U5737 8.8 ZN	TORN. M8X1,25X90 U5737 8.8 ZN
13	F01220048R	DADO M12X1,75 D980 8ZN	NUT M12X1,75 D980 8ZN	ECROU M12X1,75 D980 8 ZN	SCHIEBE M12X1,75 D980 8 ZN	TUERCA M12X1,75 D980 8 ZN
14	F01220022R	DADO M8X1,25 D980 8ZN	NUT M8X1,25 D980 8ZN	ECROU M8X 1,25 D980 8 ZN	MUTTER M8X 1,25 D980 8 ZN	TUERCA M8X 1,25 D980 8 ZN
15	G16213910R	BRACCIO SEGNAFILE DX	ROW MARKER ARM RIGHT			
16	F01220266R	DADO M16X2 D980 8ZN	NUT M16X2 D980 8ZN	ECROU M16X 2 D980 8 ZN	MUTTER M16X 2 D980 8 ZN	TUERCA M16X 2 D980 8 ZN
17	F02200562R	SPINA SICUR.D. 8X70 ZN	SNAP PIN D.8X 70 ZN	FICHE EL. D.8X70 ZN	SCHERSTIFT D.8X 70 ZN	CLAVIJA D.8X 70 ZN
18	F01410100R	ROS.M16 17X 30X 3 U6592 ZN	WASHER M16 17X30X3 U6592 ZN	RONDELLE M16 17X30X3 ZN	SCHRAUBE M16 17X 30X3 U6592 ZN	ARAND.M16 17X 30X 3 U6592 ZN
19	F05150456R	PARACOLPI 30X15 M8X25	BUFFER 30X15 M8X25	PARE-CHOC3 30X15 M8X25	STOSSDZMPFER 30X15 M8X25	PARAGOLPES 30X15 M8X25
20	F01410051R	ROS.M8 8.4X 17X1.6 U6592 ZN	WASHER M8 8,4X17X1.6 U6592 ZN	RONDELLE M8 8,4X17X1.6 ZN	SCHIEBE M8 8,4X17X1.6 U6592 ZN	ARAND.M8 8,4X 17X1,6 U6592 ZN
21	F01020266R	VITE M16X2X120 U5737 8.8ZN	SCREW M16X2X120 U5737 8.8ZN	VIS M16X2X120 U5737 8.8ZN	SCHRAU. M16X2X120 U5737 8.8ZN	TORN. M16X2X120 U5737 8.8ZN
22	F01020580R	VITE M16X2X100 U5739 8.8ZN	SCR. M16X2X100 U5739 8.8ZN	VIS M16X 2X100 8.8 U5739	SCHARUBE M16X 2X100 8.8 U5739	TORNILLO M16X 2X100 8.8 U5739
23	F01200444R	DADO M16X2 U5589 CL8 ZN 6SZN	NUT M16X2 U5589 6SZN	ECROU M16X2	MUTTER M16X2	TUERCA M16X2 U5589 CL8 ZN 6S
24	F01200244R	DADO M8X1,25 U5588 CL8 ZN	NUT M8X1,25 U5588 6.8ZN	ECROU M8 X1,25 U5588 6.8 ZN	MUTTER M8 X1,25 U5588 6.8 ZN	TUERCA M8X1,25 U5588 CL8 ZN
25	G18700450R	SAIBA 17X45X6 ZN	WASHER 17X45X6 GALV.ED			
26	G16214150R	MOLLA SEGNAFILE ZN	ROW-MARKER SPRING ZN			
27	F01410076R	ROS.M12 13X 24X2,5 U6592 ZN	WASHER 12 13X 24X2,5 U6592 ZN	RONDEL. M12 13X24X2,5 U6592 ZN	SCHIEBE M12 13X24X2,5 U6592 ZN	ARAND.M12 13X 24X2,5 U6592 ZN
28	G13811211R	TUBO X COLLEG. AL TRATTORE	PIPE FOR CONNECTION TO TRACTOR	TUBE POUR CONN. AU TRACTEUR	ROHR F. KUPPLUNG AM SCHLEPPER	TUBO P CONEXI N AL TRACTOR
29	G15210541R	TUBO 1 4R2 CF1 4- F1 4 2100	TUBE 1 4R2 CF1 4- F1 4 2100			
30	G15210554R	TUBO 1 4R2 F1 4-CF1 4 2850	TUBE 1 4R2 F1 4-CF1 4 2850			
31	G16072221R	BRACCIO SEGNAFILE	ROW MARKER ARM			
32	G16213800R	BRACCIO SEGNAFILE SX	ROW MARKER ARM LEFT			
33	F02100181R	SPINA E.P. 12X 80 U6873 C70 B	PIN EL. 12X 80 U6873 C70 BR	FICHE EL. 12X 80 U6873 C70 BR	SPANNSTIFT 12X 80 U6873 C70 BR	CLAVIJA EL.12X 80 U6873 C70 BR
34	G16214000R	CILINDRO SE 30X40 -220	CYLINDER SE 30X40 -220			
35	G16213991R	ASS.BRACCIO SEGNAFILE 400 TC	ASS.ROW MARKER ARM 400 TC			
36	F01500012R	RONDELLE IN RAME 1 4	COPPER WASHER 13X19X1,5-1 4	RONDELLE 13X19X1,5-1 4	SCHIEBE 13X19X1,5-1 4	ARANDELA 13X19X1,5-1 4
37	F03150266R	NIPPO MM CIL-CIL 1 4-1 4 ZN	NIPPLE CYL.MALE 1 4 GALV.	NIPPLE MALE CYL. 1 4 ZN	NIPPELZYL.1 4 ZN	NIPLE MACHO CIL.1 4 ZN
38	G16213941R	SUPPORTO SEGNAFILE	ROWMARKER SUPPORT			
39	F01020510R	VITE M12X1,75X30 U5739 8.8ZN	SCR. M12X1,75X30 U5739 8.8ZN	VIS M12X1,75X30 U5739 8.8ZN	SCHRAU.M12X1,75X30 U5739 8.8ZN	TORNILLO M12X1,75X30 U5739
40	G16611051R	MONT.VALVOLA SEGNAFILE BP	ROWMARKER VALVE ASSY.			
41	F01020068R	VITE M8X1,25X40 U5737 8.8ZN	SCR. M8X1,25X40 U5737 8.8ZN	VIS M 8X1,25X40 U5737 8.8 ZN	SCHRA. M8X1,25X40 U5737 8.8 ZN	TORNILLO M8X1,25X40 U5737 8.8
42	F01410051R	ROS.M8 8.4X 17X1,6 U6592 ZN	WASHER M8 8,4X17X1,6 U6592 ZN	RONDELLE M8 8,4X17X1,6 ZN	SCHIEBE M8 8,4X17X1,6 U6592 ZN	ARAND.M8 8,4X 17X1,6 U6592 ZN
43	F03150859R	CURVA 90 F.GIREV.1 4 - M.1 4	ELBOW 90 F.SLEWING 1 4 -M.1 4	COUDE 90 F.TOURN.1 4 - M.1 4	KNIESTCK 90 F.DREHB.1 4 - M.	CURVA 90 F.GIRAT.1 4 - M.1 4
44	F03151226R	REGOL.DI FLUSSO VRF 1 4 GAS	1 4 GAS VALVE VRF	SOUPAPE REG DEBIT VRF 1 4 GAZ	VENITL VRF 1 4 GAS	V LVULA VRF 1 4 GAS
45	G22270463R	TUB.TR.1 4R2 F-F 1 4 L1500 LM	TUBE TR.1 4R2 F-F 1 4 L1500 LM	TUB.TR.1 4R2 F-F 1 4 L1500 LM	ROHR 1 4R2 F-F 1 4 L1500 LM	TUB.TR.1 4R2 F-F 1 4 L1500 LM
46	F03150211R	NIPPO MM CIL-CIL 1 2-1 2 ZN	NIPLE MM CIL-CIL 1 4-1 2 ZN	NIPLE MM 1 4-1 2 ZN	NIPLE GG 1 4-1 2 ZN	NIPLE MM 1 4-1 2 ZN
47	F03151237R	ROS. X 21X71,5 RAME -1 2	COPPER WASHER 21X27X1,5 1 2	RONDELLE CUIVRE 21X27X1,5 1 2	SCHIEBE KUPFER 21X27X1,5 1 2	ARANDELA COBRE 21X27X1,5 1 2
48	F03150935R	INNESTO RAP.MASCH.1 2 A VALV.	QUICK CONNECT MALE CONE 1 2	CONNEXION RAPIDE MALE CONE 1 2	SCHNELLKUPP.GEWINDE KONISC 1 2	ACOPLAMIENT.RAP.MACHO CONO 1 2
49	F05150325R	CAPPUC.F X INN.M RAP.1 2 ROSS	COVER CONNECT F 1 2 RED	COUVERCLE CONNEXION F 1 2 ROSE	DECKEL W 1 2 SCHNELLKUPP. ROT	PAC PROTECCION F 1 2 ROJO
50	G17111490R	PERNO REGGIDISCO SEGN.MAGICA	ROWMARKER DISCHOLDER PIN			
51	G16610431R	FONDELLO ZN	BOTTOM GALV.ED			
52	G16610160R	SUPP.CUSCINETTI DISCO SEGN.ZN.	GALVAN. ROWMARKER DISK BEARING	SUPPORT ROULEMENTS DISQUE TRAC	SCHIEBENLAGERHALTERUNG	SOPORTE COJINETE DE DISCO MARC
53	F04010156R	CUSC. D20 D47 B14 6204 2RSH	BEARING D20 D47 B14 6204 2RSH	ROULEMENTD20 D47 B14		
54	G18801270R	BOCCOLA 21 X25 X12 ZN B.	BUSHING 21 X25 X12 ZN			
55	F02050370R	ANELLO E. DI 47X1,75 U7437 C70	SEEGER RING 47X 1,75 U7437 C70	SEEGER E. 47X 1,75 U7437 C70	SEEGERING E. 47X1,75 U7437 C70	ANILLO E. 47X 1,75 U7437 C70
56	F03010576R	ANELLO OR 50,52X1,78 NBR	GASKET OR 50,52X1,78 NBR	BAGUE OR 50,52X1,78 NBR	RING OR 50,52X1,78 NBR	ANILLO OR 50,52X1,78 NBR
57	G16610170R	DISCO SEGNAFILE D.320	ROW MARKER DISK D.320	DISQUE TRACEUR D320	SPURREISSERSCHIEBE D. 320	DISCO MARCADOR DE FILAS O 320
58	F01230098R	DADO M18X2,5 D982 8 ZN	NUT M18X2,5 D982 8 ZN	ECROU M18X 2,5 D982 8 ZN	MUTTER M18X 2,5 D982 8 ZN	TUERCA M18X 2,5 D982 8 ZN
59	G16610190R	CHIUSURA CUSCINETTO ZN	END BEARING ZN			
60	F01060040R	VITE M8X1,25X20 U5731 8.8ZN	SCR. M8X1,25X20 U5732 4.6ZG	VIS M8X1,25X20 U5732 4.6 ZN	SCHRA. M8X1,25X20 U5732 4.6 ZN	TORN. M8X1,25X20 U5732 4.6 ZN
61	F01410064R	RÓS.M10 10,5X 20X 2 U6592 ZN	WASHER M10 10,5X20X2 U6592 ZN	RONDEL. M10 10,5X20X2 U6592 ZN	SCHIEBE M10 10,5X20X2 U6592 ZN	ARAND.M10 10,5X 20X 2 U6592 ZN
62	G16610210R	ASS.LIMITATORE PROFONDITA	LIMITER DEPTH COUPLYNG	GR. ASS. LIMITEUR DE PROFONDEU	TIEFENBEGRENZERKOMPLEX	CONJ. LIMITADOR DE PROFUNDIDAD



**ERPICE COPRISEME POSTERIORE A REGOLAZIONE MULTIPLA
SEED COVERING HARROW MULTI CONTROL**

TAV. 122

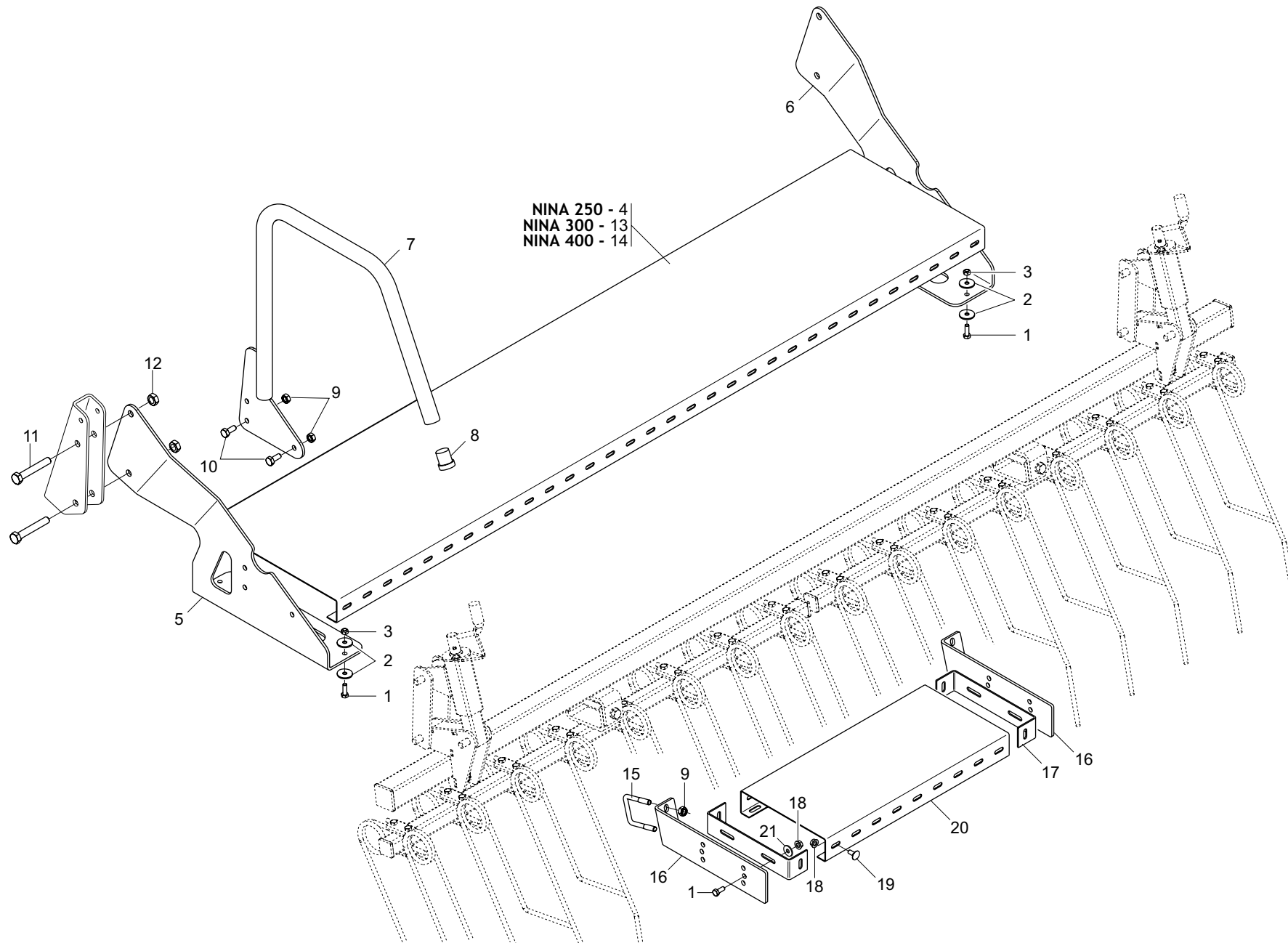
Pos.	Cod.	Descrizione	Description	Description	Benennung	Descripcion
1	G22270235R	MANIGLIA REGOLAZIONE B4	ADJUSTMENT HANDLE B4	POIGNEE REGLAGE B4	EINSTELLGRIFF B4	MANIJA REGULACI N B4
2	F01020210R	VITE M14X2X80 U5737 8.8ZN	BOLT M14X2X80 U5737 8.8ZN	VIS M14X2X80 ZN	SCHRA. M14X2X80 U5737 8.8ZN	TORN. M14X2X80 U5737 8.8ZN
3	F02100111R	SPINA E.P. 6X 24 U6873 A2 IX	PIN EL. 6 X24 U6873 A2 IX			
4	G65336100R	MOLLA SPEC.FERMO MANIGLIA SP	SPEC SPRING HANDLE STOP SP	RESSORT SPEC. ARRET POIGNEE SP	SPEZIALFEDER GRIFFSPERRE SP	MUELLE ESPEC. BLOQUEO MANIJA S
5	G20970149R	RONDELLA D.15X28X1,5	WASHER D.15X28X1-5	RONDELLE D. 15X28X1-5	UNTERLEGSSCHEIBE D.15X28X1-5	ARANDELA D.15X28X1-5
6	G16243470R	SCONTR0 200X50 -6 2F14 155	STRIKER 200X50 -6 2F14 155	BUTEE 200X50 -6 2F14 155	ANSCHLAG 200X50 -6 2F14 155	ELEMENTO DE EMPALME 200X50 -6
7	F01220255R	DADO M14X2 D980 8ZN	NUT M14X2 D980 8ZN	ECROU M14X2 D980 8 ZN	MUTTER M14X2 D980 8 ZN	TUERCA M14X2 D980 8 ZN
8	G16243580R	TUBO REGOLAZIONE	ADJUSTMENT TUBE	TUBE REGLAGE	ROHR EINSTELLUNG	TUBO REGULACION
9	G22505058R	VITE DI REGOLAZIONE POSTERIORE	REAR ADJUSTMENT BOLT	VIS DE REGLAGE ARRIERE	HINTERE EINSTELLSCHRAUBE	TORNILLO DE REGULACI N TRASERO
10	G22230063R	ELEMENTO ARTICOLATO	ARTICULATED ELEMENT	ELEMENT ARTICULE	GELENKELEMENT	ELEMENTO ARTICULADO
11	G16243530R	TUBO INTERNO DI REGOLAZIONE	INTERNAL PIPE	TUBE INT.	INNENROHR	TUBO INTERIOR
12	F01020207R	VITE M14X2X70 U5737 8.8ZN	SCR. M14X2X70 U5737 8.8ZN	VIS M14X2X70 ZN	SCHRAUBE M14X2X70 U5737 8.8 ZN	TORNILLO M14X2X70 U5737 8.8 ZN
13	G16243491R	SUPPORTO ERPICE	HARROW SUPPORT			
14	G20890017R	SCONTR0	STRIKER PLATE	BUTEE	ANSCHLAG	ELEMENTO DE EMPALME
15	F01020128R	VITE M10X1,5X80 U5737 8.8ZN	SCR. M10X1,5X80 U5737 8.8ZN	VIS M10X1,5X80 U5737 8.8 ZN	SCHRAU. M10X1,5X80 U5737 8.8ZN	TORNIL.M10X1,5X80 U5737 8.8 ZN
16	F01220033R	DADO M10X1,5 D980 8ZN	NUT M10X1,5 D980 8ZN	ECROU M10X1,5 D980 8ZN	MUTTER M10X1,5 D980 8ZN	TUERCA M10X1,5 D980 8
17	G16041760R	TUBO SUP.ERPICE	PIPE SUPPORT HARROW	TUBE SUPPORT	ALTERUNGSROHR	TUBO SOPORTE
18	G16243441R	TUBO INFERIORE ERPICE	LOWER HARROW TUBE			
19	F01020086R	VITE M8X1,25X80 U5737 8.8ZN	SCR. M8X1,25X80 U5737 8.8ZN	VIS M8X1X80	SCHRAUBE M8X1X80	TORNILLO M8X1X80
20	G20970032R	RONDELLA 32X4X8,5	WASHER 32X4X8-5	RONDELLE 32X4X8-5	UNTERLEGSSCHEIBE 32X4X8-5	ARANDELA 32X4X8-5
21	F01220022R	DADO M8X1,25 D980 8ZN	NUT M8X1,25 D980 8ZN	ECROU M8X 1,25 D980 8 ZN	MUTTER M8X 1,25 D980 8 ZN	TUERCA M8X 1,25 D980 8 ZN
22	F01420118R	ROS.M36 39X 66X 5 U6593 ZN	WASHER 39X66X5 6593 GALV.	RONDELLE 39X66X5 6593 ZN	SCHEIBE 39X66X5 6593 ZN	ARANDELA 39X66X5 6593 ZN
23	G18903560R	MOLLA COMPRESSIONE ERPICE ZN	SPRING	RESSORT COMPL.	DRUCKFEDER	MUELLE COMP.
24	F02100146R	SPINA E.P. 8X 55 U6873 C70 BR	PIN EL. .8 X55 DIN 1481	FICHE EL.8 X55 DIN 1481	SPANNSTIFT 8 X55 DIN 1481	CLAVIJA EL.8 X55 DIN 1481
25	F01020212R	VITE M14X2X90 U5737 8.8ZN	SCR. M14X2X90 U5737 8.8ZN	VIS M14X 2X 90 U5737 8.8 ZN	SCHARUBE M14X2X90 U5737 8.8 ZN	TORNILLO M14X2X90 U5737 8.8 ZN
26	G16240400R	TUBO INFERIORE ERPICE	LOWER HARROW TUBE	TUBE INFERIEUR HERSE	UNTERES ROHR EGGE	TUBO INFERIOR GRADA
27	G16240430R	TUBO INFERIORE ERPICE	LOWER HARROW TUBE	TUBE INFERIEUR HERSE	UNTERES ROHR EGGE	TUBO INFERIOR GRADA
28	G16240840R	TUBO INF.ERPICE M400	TUB INF.HARROW M400			
29	F01220048R	DADO M12X1,75 D980 8ZN	NUT M12X1,75 D980 8ZN	ECROU M12X1,75 D980 8 ZN	SCHEIBE M12X1,75 D980 8 ZN	TUERCA M12X1,75 D980 8 ZN
30	F20120349R	PUNTALE Q.50 ALETT.POLIT.NERO	CAP	BOUCHON	DECKEL	CORCHO
31	F01020083R	VITE M8X1,25X70 U5737 8.8ZN	SCR. M8X1,25X70 U5737 8.8ZN	VIS M 8X1,25X 70 U5737 8.8 ZN	SCHRA. M8X1,25X70 U5737 8.8ZN	TORN. M 8X1,25X 70 U5737 8.8ZN
32	G07000026R	PIASTR.DENTI A MOLLA ZN	GALVAN. SPRING TOOTHED PLATE	PLAQUE DENTS A RESSORT ZN	PLATTE FEDERZZHNE ZN	PLACA DIENTES DE MUELLE ZN
33	F20120346R	PUNTALE Q 35 ALETT.POLIT.NERO	SQ.TIP 35 BLACK			
34	G18904710R	MOLLA COPRISEME 2 PUNTE D.9	SEED COVER SPRING 2 TIPS D.9	RESS.COUVRE GRAIN 2 POIN.D.9		CUBRESEMILLAS 2 PUNTAS D.9
35	G18903640R	MOLLA CORTA COPRISEME D.9	SPEC. SPRING SHORT TOOTH D.9	DENT HERSE RECOUVR COURTE D.9	SPEZIALFEDER M. KURZ.ZAHN D.9	CUBRISEMILLA DIENTE CORTO D.9
36	G18903650R	MOLLA LUNGA COPRISEME D.9	SPEC. SPRING LONG TOOTH D.9	DENT HERSE RECOUVR LONGUE D.9	SPEZIALFEDER M. LANG.ZAHN D.9	CUBRISEMILLA DIENTE LARGO D.9
37	F01410076R	ROS.M12 13X 24X2,5 U6592 ZN	WASHER 12 13X 24X2,5 U6592 ZN	RONDEL. M12 13X24X2,5 U6592 ZN	SCHEIBE M12 13X24X2,5 U6592 ZN	ARAND.M12 13X 24X2,5 U6592 ZN
38	F01020179R	VITE M12X1,75X150 U5737 8.8ZN	SCR. M12X1,75X150 U5737 8.8ZN	VIS M12X1,75X150 5737 8.8 ZN	SCHRA.M12X1,75X150 5737 8.8 ZN	TORN. M12X1,75X150 5737 8.8 ZN
39	G16243680R	TUBO SUPPORTO ERPICE	HARROW SUPPORT TUBE	TUBE SUP.HERSE	ROHR EGGENHALTERUNG	TUBO SOP.GARDA
40	G16243560R	TUBO SUPPORTO ERPICE	HARROW SUPPORT TUBE	TUBE SUP.HERSE	ROHR EGGENHALTERUNG	TUBO SOP.GARDA
41	G16243710R	TUBO SUPPORTO ERPICE	HARROW SUPPORT TUBE	TUBE SUP.HERSE	ROHR EGGENHALTERUNG	TUBO SOP.GARDA
42	F01420060R	ROS.M10 10,5X 30X2,5 U6593 ZG	GALV.WASHER 10,5X30X2,5 U6593	RONDELLE 10,5X30	SCHEIBE 10,5X30	ARAND.M10 10,5X 30X2,5 U6593
43	G16073100R	GUIDA BRACCIO OSCILLANTE	ARM GUIDE OSCILLATING			
44	F20110715R	CAV.Q.B=50 M=10X1,5 L=80	UBOLTSTRIKER Q.B=50M10X1,5L=80	BUTEE M10X 1,5X 30 61X 80 ZB	ANSCHLAG M10X 1,5X 30 61X 80	EL. DE EMPALME M10X 1,5X 30
45	G16240780R	PIASTRINA MOLLA COPRISEME	PLATE SEED COVER SPRING	PLAQUETTE RESSORT COUVRE-GRAIN	PLZTTCHEN SAMENABDECKFEDER	PLAQUETA MUELLE CUBRESEMILLAS
46	F20110705R	CAV.Q.B=40 M=10X1,5 L=62	U BOLT Q.B=40 M=10X1,5 L=62	CAVALIER ZN	BSGELBOLZEN ZN	PERNO EN U ZN



**ERPICE COPRISEME POSTERIORE
SEED COVERING HARROW**

TAV. 213

Pos.	Cod.	Descrizione	Description	Description	Benennung	Descripcion
1	F01020086R	VITE M8X1,25X80 U5737 8.8ZN	SCR. M8X1,25X80 U5737 8.8ZN	VIS M8X1X80	SCHRAUBE M8X1X80	TORNILLO M8X1X80
2	F01220022R	DADO M8X1,25 D980 8ZN	NUT M8X1,25 D980 8ZN	ECROU M8X 1,25 D980 8 ZN	MUTTER M8X 1,25 D980 8 ZN	TUERCA M8X 1,25 D980 8 ZN
3	F01420118R	ROS.M36 39X 66X 5 U6593 ZN	WASHER 39X66X5 6593 GALV.	RONDELLE 39X66X5 6593 ZN	SCHEIBE 39X66X5 6593 ZN	ARANDELA 39X66X5 6593 ZN
4	F02100146R	SPINA E.P. 8X 55 U6873 C70 BR	PIN EL. 8 X55 DIN 1481	FICHE EL.8 X55 DIN 1481	SPANNSTIFT 8 X55 DIN 1481	CLAVIJA EL.8 X55 DIN 1481
5	F02200463R	SPINA SCATTO D5 B 81 ZN	SNAP PIN D5 B 81 ZN	FICHE A DETENTE D5 B 81 ZN	EINRASTSTIFT D5 B 81 ZN	CLAVIJA DE MUELLE D5 B 81 ZN
6	G07002569R	PERNO 14 X68 ZN	PIN	PIVOT	ZAPFEN	PERNO
7	G16041760R	TUBO SUP.ERPICE	PIPE SUPPORT HARROW	TUBE SUPPORT	ALTERUNGSROHR	TUBO SOPORTE
8	G16240310R	TUBO INFERIORE	LOWER TUBE	TUBE INFERIEUR	UNTERES ROHR	TUBO INFERIOR
9	G20970032R	RONDELLA 32X4X8,5	WASHER 32X4X8-5	RONDELLE 32X4X8-5	UNTERLEGSSCHEIBE 32X4X8-5	ARANDELA 32X4X8-5
10	G18903560R	MOLLA COMPRESSIONE ERPICE ZN	SPRING	RESSORT COMPL.	DRUCKFEDER	MUELLE COMP.
11	G16240780R	PIASTRINA MOLLA COPRISEME	PLATE SEED COVER SPRING	PLAQUETTE RESSORT COUVRE-GRAIN	PLZTTCHEN SAMENABDECKFEDER	PLAQUETA MUELLE CUBRESEMILLAS
12	G18904710R	MOLLA COPRISEME 2 PUNTE D.9	SEED COVER SPRING 2 TIPS D.9	RESS.COUVRE GRAIN 2 POIN.D.9		CUBRESEMILLAS 2 PUNTAS D.9
13	F20110710R	CAV.Q.B=40 M=10X1,5 L=85	U BOLT Q.B=40 M=10X1,5 L=85	CAVALIER M10X1,5X50 51X85 ZN	VERBINDUNG M10X1,5X50 51X85 ZN	PERNO EN U M10X1,5X50 51X85 ZN
14	G16240300R	SUPPORTO TUBO ERPICE	HARROW SUPPORT	SUPPORT HERSE	EGGENHALTERUNG	SOPORTE GRADA
15	F01220033R	DADO M10X1,5 D980 8ZN	NUT M10X1,5 D980 8ZN	ECROU M10X1,5 D980 8ZN	MUTTER M10X1,5 D980 8ZN	TUERCA M10X1,5 D980 8
16	F20120348R	PUNTALE Q.40 NERO	SQUARE TIP 40 BLACK			
17	G16240410R	TUBO SUPERIORE ERPICE	UPPER HARROW TUBE	TUBE SUPERIEUR HERSE	OBERES EGGENROHR	TUBO SUPERIOR GARDA
18	G16240850R	TUBO SUPPORTO ERPICE M400	HARROW SUPPORT TUBE 400	TUBE SUP.HERSE 400	ROHR EGGENHALTERUNG 400	TUBO SOP.GARDA 400
19	F01020179R	VITE M12X1,75X150 U5737 8.8ZN	SCR. M12X1,75X150 U5737 8.8ZN	VIS M12X1,75X150 5737 8.8 ZN	SCHRA.M12X1,75X150 5737 8.8 ZN	TORN. M12X1,75X150 5737 8.8 ZN
20	G16240430R	TUBO INFERIORE ERPICE	LOWER HARROW TUBE	TUBE INFERIEUR HERSE	UNTERES ROHR EGGE	TUBO INFERIOR GRADA
21	G16240840R	TUBO INF.ERPICE M400	TUB INF.HARROW M400			
22	F01410076R	ROS.M12 13X 24X2,5 U6592 ZN	WASHER 12 13X 24X2,5 U6592 ZN	RONDEL. M12 13X24X2,5 U6592 ZN	SCHEIBE M12 13X24X2,5 U6592 ZN	ARAND.M12 13X 24X2,5 U6592 ZN
23	G16240370R	TUBO ERPICE SUPERIORE 250	UPPER HARROW TUBE 250			
24	G16240400R	TUBO INFERIORE ERPICE	LOWER HARROW TUBE	TUBE INFERIEUR HERSE	UNTERES ROHR EGGE	TUBO INFERIOR GRADA
25	F01220048R	DADO M12X1,75 D980 8ZN	NUT M12X1,75 D980 8ZN	ECROU M12X1,75 D980 8 ZN	SCHEIBE M12X1,75 D980 8 ZN	TUERCA M12X1,75 D980 8 ZN
26	G07000026R	PIASTR.DENTI A MOLLA ZN	GALVAN. SPRING TOOTHED PLATE	PLAQUE DENTS A RESSORT ZN	PLATTE FEDERZZHNE ZN	PLACA DIENTES DE MUELLE ZN
27	F20120346R	PUNTALE Q 35 ALETT.POLIT.NERO	SQ.TIP 35 BLACK			
28	F01220022R	DADO M8X1,25 D980 8ZN	NUT M8X1,25 D980 8ZN	ECROU M8X 1,25 D980 8 ZN	MUTTER M8X 1,25 D980 8 ZN	TUERCA M8X 1,25 D980 8 ZN
29	G18903640R	MOLLA CORTA COPRISEME D.9	SPEC. SPRING SHORT TOOTH D.9	DENT HERSE RECOUVR COURTE D.9	SPEZIALFEDER M. KURZ.ZAHN D.9	CUBRISEMILLA DIENTE CORTO D.9
30	G18903650R	MOLLA LUNGA COPRISEME D.9	SPEC. SPRING LONG TOOTH D.9	DENT HERSE RECOUVR LONGUE D.9	SPEZIALFEDER M. LANG.ZAHN D.9	CUBRISEMILLA DIENTE LARGO D.9
31	F01020083R	VITE M8X1,25X70 U5737 8.8ZN	SCR. M8X1,25X70 U5737 8.8ZN	VIS M 8X1,25X 70 U5737 8.8 ZN	SCHRA. M8X1,25X70 U5737 8.8ZN	TORN. M 8X1,25X 70 U5737 8.8ZN
32	G16073090R	GUIDA BRACCIO OSCILL.COPRIS.	ARM GUIDE OSC.SEEDCOVER			
33	F20110705R	CAV.Q.B=40 M=10X1,5 L=62	U BOLT Q.B=40 M=10X1,5 L=62	CAVALIER ZN	BSGELBOLZEN ZN	PERNO EN U ZN

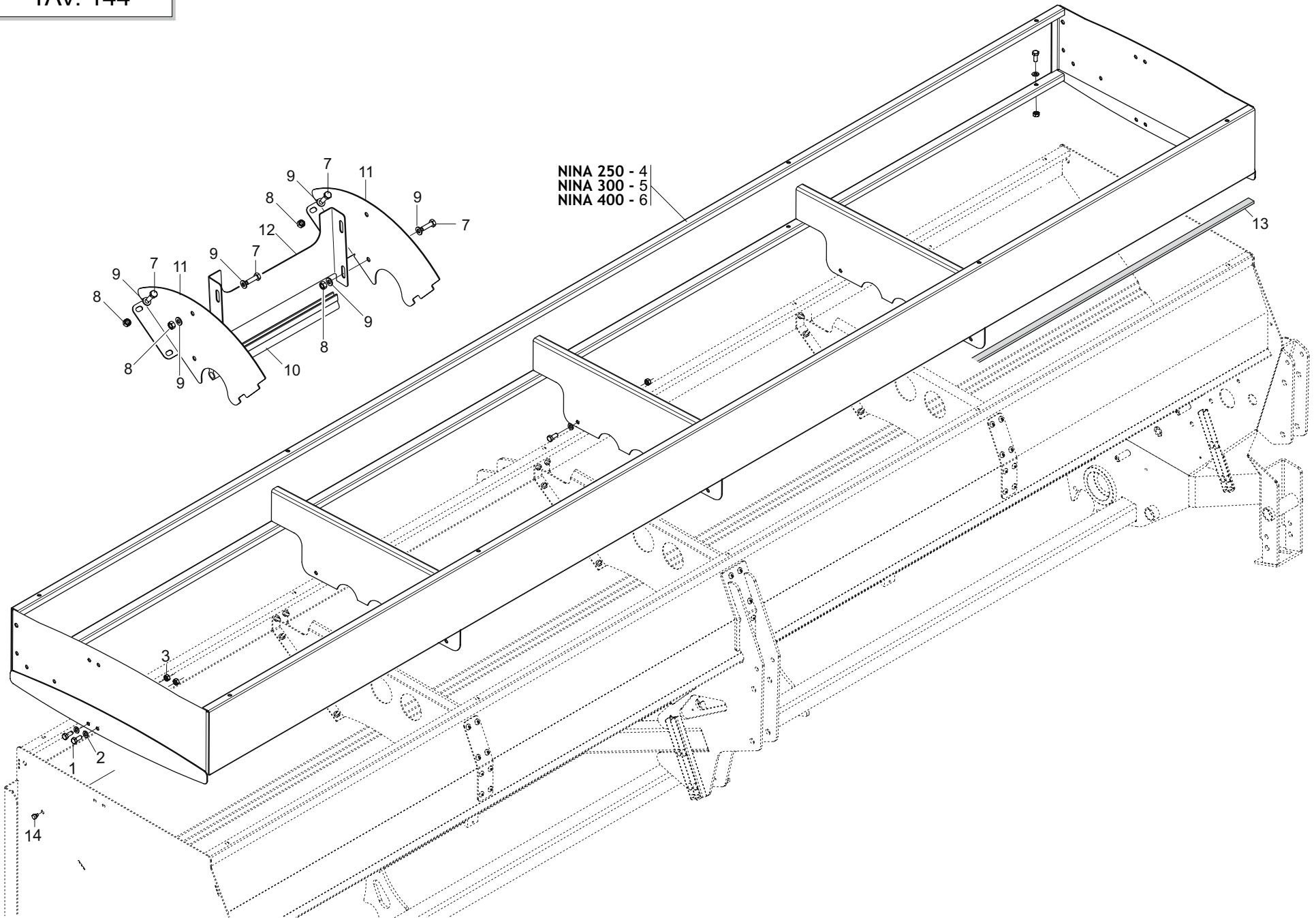


**PEDANA DI ISPEZIONE E SCALETTA
INSPECTION FOOTBOARD WITH LADDER**

TAV. 130

Pos.	Cod.	Descrizione	Description	Description	Benennung	Descripcion
1	F01020436R	VITE M8X1,25X20 U5739 8.8ZN	SCR. M8X1,25X20 U5739 8.8ZN	VIS M8X1,25X 20 U5739 8.8 ZN	SCHRAUBE M8X1,25X20U5739 8.8ZN	TORNILLO M8X1,25X20 U5739 8.8
2	F01410051R	ROS.M8 8,4X 17X1,6 U6592 ZN	WASHER M8 8,4X17X1,6 U6592 ZN	RONDELLE M8 8,4X17X1,6 ZN	SCHIBE M8 8,4X17X1,6 U6592 ZN	ARAND.M8 8,4X 17X1,6 U6592 ZN
3	F01220022R	DADO M8X1,25 D980 8ZN	NUT M8X1,25 D980 8ZN	ECROU M8X 1,25 D980 8 ZN	MUTTER M8X 1,25 D980 8 ZN	TUERCA M8X 1,25 D980 8 ZN
4	G16214160R	PEDANA 400 X 1920 X 58 SP.2 ZN	BOARD 400 X 1920 X 58 SP.2 ZN			
5	G16213720R	SUPPORTO PEDANA SX	LEFT BOARD SUPPORT			
6	G16213710R	SUPPORTO PEDANA DX	RIGHT BOARD SUPPORT			
7	G16213750R	CORRIMANO	HANDRAIL			
8	G67008050R	TERMINALE ROTONDO 28	ROUND END 28	PIECE TERMIN.RONDE 28	RUNDER ABSCHLUSS 28	TERMINAL REDONDO 28
9	F01220033R	DADO M10X1,5 D980 8ZN	NUT M10X1,5 D980 8ZN	ECROU M10X1,5 D980 8ZN	MUTTER M10X1,5 D980 8ZN	TUERCA M10X1,5 D980 8
10	F01020472R	VITE M10X1,5X25 U5739 8.8ZN	SCR. M10X1,5X25 U5739 8.8ZN	VIS M10X1,5X25 U5739 8.8 ZN	SCHRAUBE M10X1,5X25 U5739 8.8	TORNILLO M10X1,5X25 U5739 8.8
11	F01020210R	VITE M14X2X80 U5737 8.8ZN	BOLT M14X2X80 U5737 8.8ZN	VIS M14X2X80 ZN	SCHRA. M14X2X80 U5737 8.8ZN	TORN. M14X2X80 U5737 8.8ZN
12	F01220255R	DADO M14X2 D980 8ZN	NUT M14X2 D980 8ZN	ECROU M14X2 D980 8 ZN	MUTTER M14X2 D980 8 ZN	TUERCA M14X2 D980 8 ZN
13	G16310500R	PEDANA MC250	PLATAFORM MC250			
14	G16214390R	PEDANA 400 X 1620 X 58 SP2 ZN	BOARD 400 X 1620 X 58 SP2 ZN	MARCHE PIED 400X1620X58 SP2 ZN		
15	F20110715R	CAV.Q.B=50 M=10X1,5 L=80	UBOLTSTRIKER Q.B=50M10X1,5L=80	BUTEE M10X 1,5X 30 61X 80 ZB	ANSCHLAG M10X 1,5X 30 61X 80	EL. DE EMPALME M10X 1,5X 30
16	G16242471R	SUPPORTO SCALINO	STEP SUPPORT	SUPPORT MARCHE	STUFENHALTERUNG	SOPORTE ESCALON
17	G07000379R	TERMINALE PEDANA ZN	GALVANIZED PLATFORM END	PIECE TERMINALE MARCHEPIED ZN	LAUFSTEGABSCHLUSS ZN	TERMINAL PLATAFORMA ZN
18	F01260043R	DADO M8 D6923 8.8ZN	NUT M8 D6923 8.8ZN	ECROU BRIDE .M8 DIN 6923 8.8 Z	GEFLANSCHTE MUTTER M8 DIN6923	TUERCA BRIDA M8 DIN 6923 8.8 Z
19	F01030495R	VITE TTCN 90 M8X16 ZN	TTCN 90 BOLT M8X16 GALVANIZED	VIS TTCN 90 M8X16 ZN	SCHRAUBE TTCN 90 M8X16 ZN	TORNILLO TTCN 90 M8X16 ZN
20	G07000680R	PEDANA 540 ZN	GALVANIZED PLATFORM 540	MARCHEPIED 540 ZN	TRITTBRETT 540 ZN	PLATAFORMA 540 ZN
21	F01420048R	ROS.M8 8,4X 24X 2 U6593 ZN	WASHER M8 8,4X 24X2 U6593 ZN	RONDELLE M8 8,4X24X 2 U6593 ZN	SCHEIBEN M8 8,4X24X 2 U6593 ZN	ARAND.M8 8,4X 24X 2 U6593 ZN

NINA 250 - 4
NINA 300 - 5
NINA 400 - 6

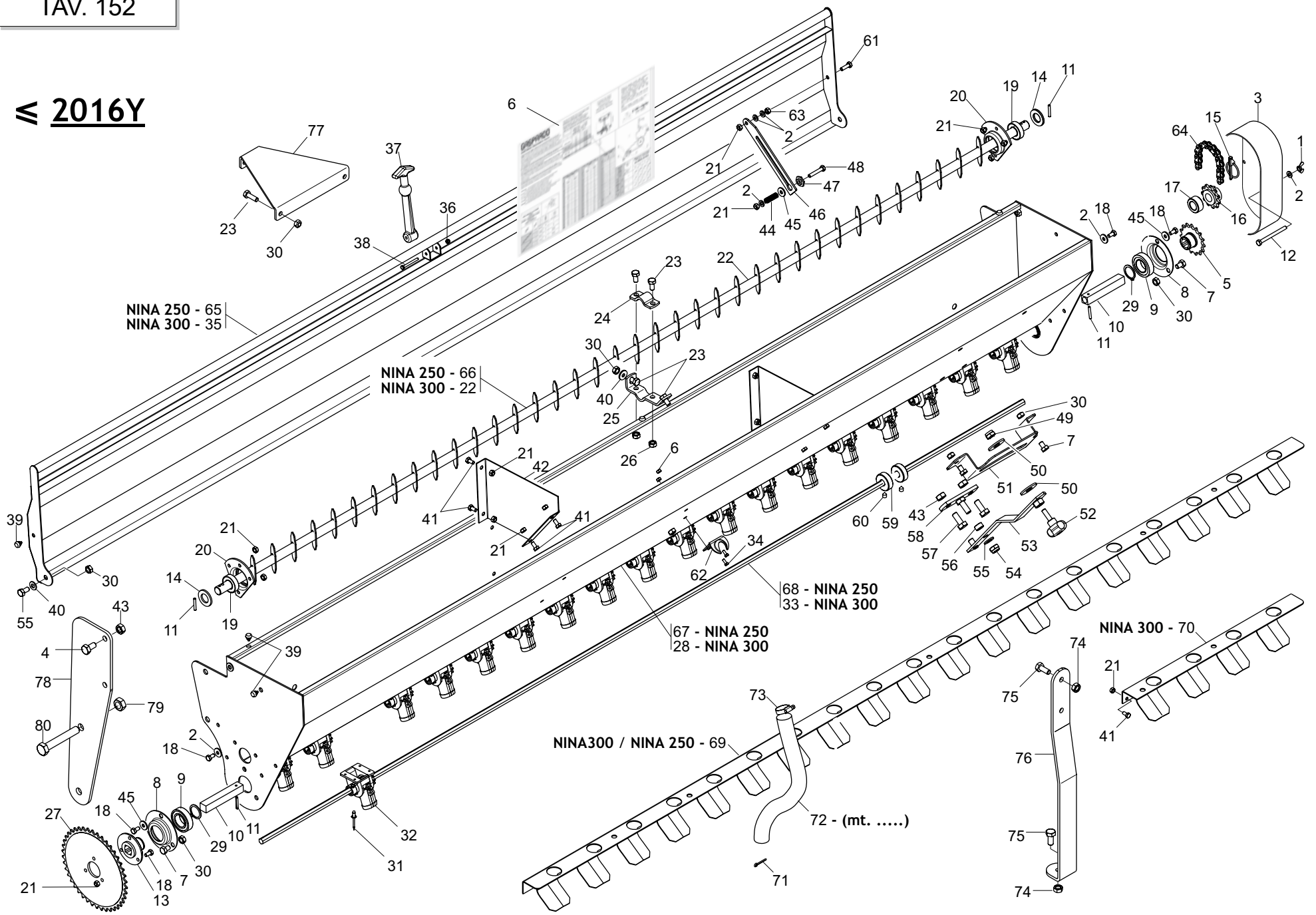


**SEPARATORI E RIALZO TRAMOGGIA
SEED HOPPER SEPARATORS AND HOPPER EXTENSION**

TAV. 144

Pos.	Cod.	Descrizione	Description	Description	Benennung	Descripcion
1	F01020436R	VITE M8X1,25X20 U5739 8.8ZN	SCR. M8X1,25X20 U5739 8.8ZN	VIS M8X1,25X 20 U5739 8.8 ZN	SCHRAUBE M8X1,25X20U5739 8.8ZN	TORNILLO M8X1,25X20 U5739 8.8
2	F01410051R	ROS.M8 8,4X 17X1,6 U6592 ZN	WASHER M8 8,4X17X1,6 U6592 ZN	RONDELLE M8 8,4X17X1,6 ZN	SCHEIBE M8 8,4X17X1,6 U6592 ZN	ARAND.M8 8,4X 17X1,6 U6592 ZN
3	F01200244R	DADO M8X1,25 U5588 CL8 ZN	NUT M8X1,25 U5588 6.8ZN	ECROU M8 X1,25 U5588 6.8 ZN	MUTTER M8 X1,25 U5588 6.8 ZN	TUERCA M8X1,25 U5588 CL8 ZN
4	G16214383R	ASS.RIALZO TRAMOGGIA 250	LIFT HOOPER ASSEMBLY	GR. HAUTEUR TREMIE	TRICHTERDECKEL	CONJ. REALCE DE LA TOLVA
5	G16211485R	RIALZO TRAMOGGIA 300	HOPPER EXTENSION 300			
6	G16214423R	RIALZO TRAMOGGIA 400	HOPPER EXTENSION 400			
7	F01020404R	VITE M6X1X20 U5739 8.8ZN	SCREW M6X1X20 U5739 8.8ZN	VIS M6X1X20 U5739 8.8ZN	SCHRAUBE M6X1X20 U5739 8.8ZN	TORNILLO M6X1X20 U5739 8.8ZN
8	F01200232R	DADO M6X1 U5588 CL8 ZN	NUT M6X1 U5588 6.8ZN	ECROU 6 UNI 5588 6.8 ZN	MUTTER 6 UNI 5588 6.8 ZN	TUERCA M6X1 U5588 CL8 ZN
9	F01410037R	ROS.M6 6,4X12,5X1,6 U6592 ZN	WASHER M6 6,4X12,5X1,6 U6592ZN	RONDEL.M6 6,4X12,5X1,6 U6592ZN	SCHEIB.M6 6,4X12,5X1,6 U6592ZN	ARAND.M6 6,4X12,5X1,6 U6592 ZN
10	F03011087R	GUARNIZIONE BATTUTA COPERCHIO	COVER RABBET GASKET	GARNITURE BUTEE COUVERCLE	DICHTUNG DECKELANSCHLAG	JUNTA DE TOPE TAPA
11	G16221450R	SEPARATORE	SEPARATOR	SEPARATEUR	ABSCHEIDER	SEPARADOR
12	G16221460R	SEPARATORE	SEPARATOR	SEPARATEUR	ABSCHEIDER	SEPARADOR
13	F07100132R	MOUSSE ADESIVA MM 5X3	ADHESIVE MOUSSE MM 5X3			
14	G66248223R	TAPPO SUPP.SPAND.D.11	PLUG MAN. SPR. SUPP. D.11	BOUCHON SUPPORT EP. ENGRAIS D.	HALTERUNGSPFROPFEN DSNGERSTR.	TAP N SOPORTE ABON.D.11

≅ **2016Y**

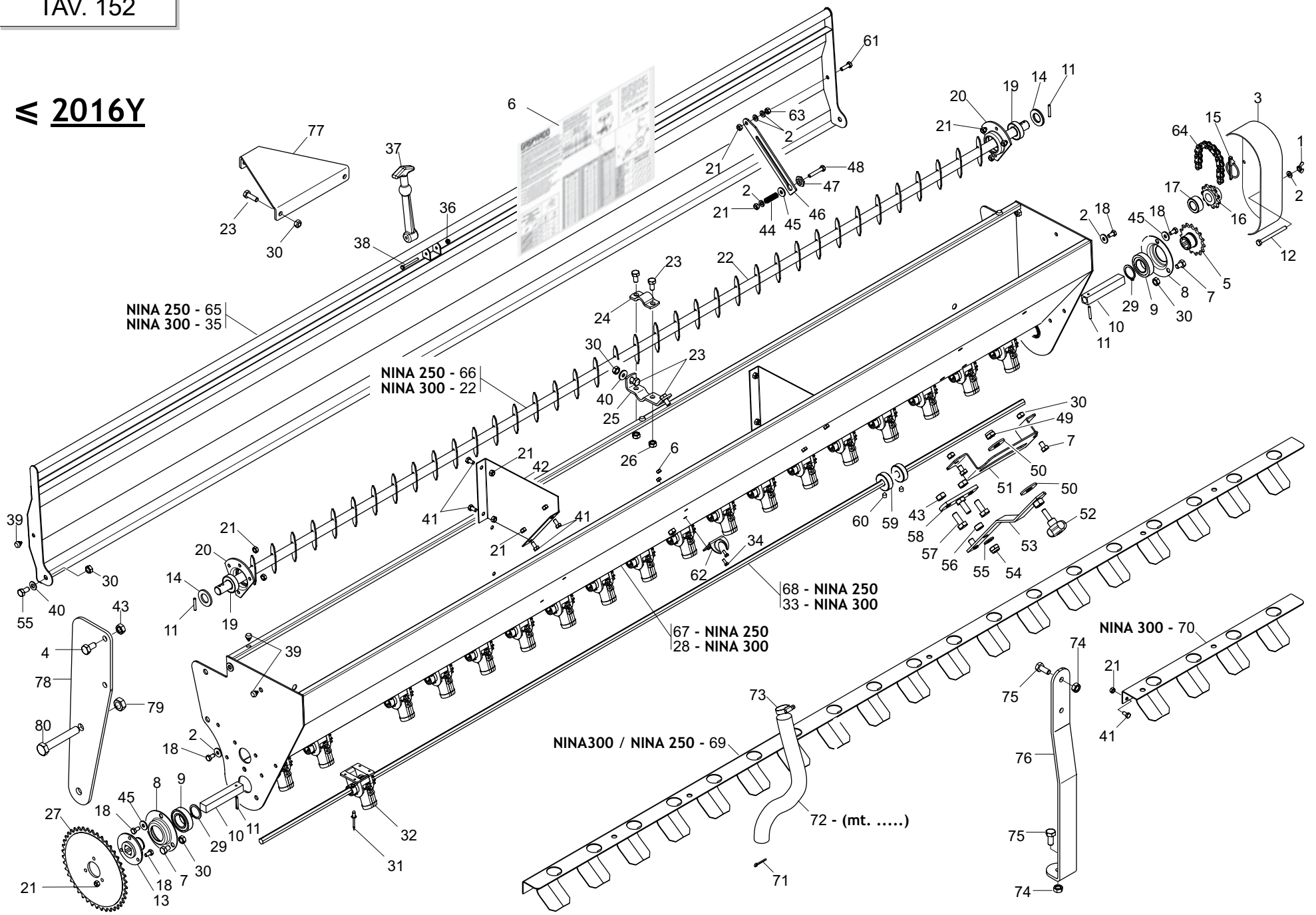


**TRAMOGGIA SEMINA ERBAI
GRASS SEEDS HOPPER**

TAV. 152

Pos.	Cod.	Descrizione	Description	Description	Benennung	Description
1	F01240013R	DADO M6X1 U5448 A2 GE	NUT M6X1 U5448 A2 GE			
2	F01410037R	ROS.M6 6,4X12,5X1,6 U6592 ZN	WASHER M6 6,4X12,5X1,6 U6592ZN	RONDEL.M6 6,4X12,5X1,6 U6592ZN	SCHEIB.M6 6,4X12,5X1,6 U6592ZN	ARAND.M6 6,4X12,5X1,6 U6592 ZN
3	G17520740R	CARTER	CASE	CARTER	GEHZUSE	C RTER
4	F01020472R	VITE M10X1,5X25 U5739 8.8ZN	SCR. M10X1,5X25 U5739 8.8ZN	VIS M10X1,5X25 U5739 8.8 ZN	SCHRAUBE M10X1,5X25 U5739 8.8	TORNILLO M10X1,5X25 U5739 8.8
5	G15835470R	PIGNONE ISO 08B-1 1 2-3 16 Z15	ISO 08B-1 Z=15 PINION SQR16,4			
6	G19706911R	TABELLA SEMINA TR.ERBAI S-SC	SEEDING TABLE TR.ERBAI S-SC			
7	F01020432R	VITE M8X1,25X16 U5739 8.8ZN	SCR. M8X1,25X16 U5739 8.8ZN	VIS M8 X1,25X16 U5739 8.8 ZN	SCHRAUBE M8X1,25X16U5739 8.8ZN	TORNILLO M8X1,25X16 U5739 8.8
8	G22230094R	SUPPORTO CUSCINETTO	BEARING SUPPORT	SUPPORT DE ROULEMENT	LAGERBSCHSE	SOPORTE COJINETE
9	F04010135R	CUSC.D25 D47 B12 6005 2RS EX	BEARING D25 D47 B12 6005 2RS			
10	G17530660R	ASSE TRASMISSIONE TRAMOGG.400	TRANSMISSION AXLE	AXE TRANSMISSION	_BERTRAGUNGSACHSE	EJE TRANSMISI N
11	F02100062R	SPINA E.P. 4X 24 U6873 C70 BR	PIN EL. 4 X24 DIN 1481	FICHE EL. 4 X24 DIN 1481	SPANNSTIFT 4 X24 DIN 1481	CLAVIJA EL.4 X24 DIN 1481
12	F01020047R	VITE M6X1X70 U5737 8.8ZN	SCR. M6X1X70 U5737 8.8ZN	VIS 6 X70 5737 8.G ZN	SCHRAUBE 6 X70 5737 8.G ZN	TORNILLO 6 X70 5737 8.G ZN
13	G17530030R	FLANGIA SUPPORTO INGRANAGGIO	FLANGE SUPPORT	BRIDE SUPPORT	LAGERFLANSCH	BRIDA DE SOPORTE
14	G15321901R	RONDELLA 17X25X2	WASHER 17X25X2	RONDELLE 17X25X2	UNTERLEGSCHEIBE 17X25X2	ARANDELA 17X25X2
15	F02100066R	SPINA EL.4 X36 DIN 1481	PIN EL. 4X 36 U6873 C70 BR			CLAVIJA EL.4 X36 DIN 1481
16	G17530100R	INGRAN. Z11 PER ALBERO MESCOLO	GEAR Z11 FOR MIX.SHAFT			
17	G18801860R	BOCCOLA 17,25X30 X14	BUSHING D17,25X30 X14			
18	F01020403R	VITE M6X1X16 U5739 8.8ZN	SCR. M6X1X16 U5739 8.8ZN	VIS M6X1X16 U5739 8.8 ZN	SCHRAUBE M6X1X16 U5739 8.8 ZN	TORNILLO M6X1X16 U5739 8.8 ZN
19	F04010161R	CUSC.D17 D40 B12 6203 2RS EX	BEARING D17 D40 B12 6203 2RS	ROULEMENT 6203 2RS	LAGER 6203 2RS	COJINETE 6203 2RS SKF
20	G16220090R	SUPPORTO CUSCINETTO	GALV.BEARING SUPPORT	SUPPORT PALIER ZN	LAGERBSCHSE ZN	SOPORTE COJINETE ZN
21	F01220011R	DADO M6X1 D980 8ZN	NUT M6X1 D980 8ZN	ECROU M6X1 D980 8 ZN	MUTTER M6X1 D980 8 ZN	TUERCA M6X1 D980 8 ZN
22	G17520181R	ALBERO MESCOLO TRAM. 300	HOPPER MIXER SHAFT 300	ARBRE MELANGE TREMIE 300	MISCHERWELLE TRICHTER 300	ARBOL MEZCLA TOLVA 300
23	F01020436R	VITE M8X1,25X20 U5739 8.8ZN	SCR. M8X1,25X20 U5739 8.8ZN	VIS M8X1,25X 20 U5739 8.8 ZN	SCHRAUBE M8X1,25X20U5739 8.8ZN	TORNILLO M8X1,25X20 U5739 8.8
24	G17520210R	SUPPORTO SUP.ALBERO MESCOLO	UPPER SHAFT SUPPORT	SUPPORT SUP. ARBRE	OB. HALTERUNG WELLE	SOPORTE SUP. EJE
25	G17520220R	SUPPORTO INF.ALBERO MESCOLO	UNDER SHAFT SUPPORT	SUPPORT INF. ARBRE	UNTERE HALTERUNG WELLE	SOPORTE INFERIOR EJE
26	F01200244R	DADO M8X1,25 U5588 CL8 ZN	NUT M8X1,25 U5588 6.8ZN	ECROU M8 X1,25 U5588 6.8 ZN	MUTTER M8 X1,25 U5588 6.8 ZN	TUERCA M8X1,25 U5588 CL8 ZN
27	G20890128R	CORONA Z-42 SP	RING GEAR Z-42 SP	COURONNE Z-42 SP	KRANZ Z-42 SP	CORONA Z-42 SP
28	G17520340R	SERBATOIO 300 23 USCITE	TANK 300	RESERVOIR 300	BEHZLTER 300	DEPOSITO 300
29	F02050101R	ANELLO E. DE 25X 1,2 U7435 C7	SEEGER RING E. 25X1,2 7435 C70	SEEGER E. 25X 1,2 U7435 C70	SEEGERING E. 25X 1,2 U7435 C70	ANILLO E. DE 25X 1,2 U7435 C7
30	F01220022R	DADO M8X1,25 D980 8ZN	NUT M8X1,25 D980 8ZN	ECROU M8X 1,25 D980 8 ZN	MUTTER M8X 1,25 D980 8 ZN	TUERCA M8X 1,25 D980 8 ZN
31	F02250066R	RIVETTO STR. 3 X 9 U9200AAL	POP RIVET 3X9 ALUMINIUM	RIVET 3 X 9 ALL	REISSNIETE 3 X 9 ALU	REMACHE DESGAR. 3 X 9 AL
32	G15326681R	DISTRIBUTORE COMPLETO ERBAI	DISTRIBUTOR COMPLETE ERBAI			
33	G17530051R	ALBERO DISTRIB. TRAMOGGIA 300ZN	DISTRIB. SHAFT 300	ARBRE DISTRIB. 300	WELLE SZAPPARAT 300	EJE DISTRIB. 300
34	F01020362R	VITE M4X0,7X12 U5739 8.8ZN	SCR. M4X0,7X12 U5739 8.8ZN	VIS 4X12 5739 8.G ZN	SCHRAUBE 4X12 5739 8.G ZN	TORNILLO 4X12 5739 8.G ZN
35	G17520070R	COPERCHIO TRAMOGGIA 300	HOPPER COVER 300	COUVERCLE TREMIE 300	TRICHTERDECKEL 300	TAPA DE LA TOLVA 300
36	F01230016R	DADO M4X0,7 D982 8ZN	NUT M4X0,7 D982 8ZN	ECROU AUTOB.NOR.4 ZN	SELBSTSP. MUTTER NOR. 4 ZN	TUERCA AUTOB. NOR. 4 ZN
37	F05150495R	TIRANTE IN GOMMA	RUBBER COUPLING TIE ROD	TRINGLE D ATTELAGE	KUPPLUNGSSPANNSTANGE	TIRANTE DE ENGANCHE
38	F01020012R	VITE M4X0,7X40 U5737 8.8ZN	SCR. M4X0,7X40 U5737 8.8ZN	VIS 4X40 5737 8.G ZN	SCHRAUBE 4X40 5737 8.G ZN	TORNILLO 4X40 5737 8.G ZN
39	G19003160R	TAPPO PER FORO D.7	PLUG FOR D.7 HOLE	BOUCHON POUR TROU D.7	PFROPFEN FSR LOCH D.7	TAP N PARA AGUJERO D.7
40	F01420048R	ROS.M8 8,4X 24X 2 U6593 ZN	WASHER M8 8,4X 24X2 U6593 ZN	RONDELLE M8 8,4X24X 2 U6593 ZN	SCHEIBEN M8 8,4X24X 2 U6593 ZN	ARAND.M8 8,4X 24X 2 U6593 ZN
41	F01020398R	VITE M6X1X12 U5739 8.8ZN	SCR. M6X1X12 U5739 8.8ZN	VIS M6X 1X12 U5739 8.8 ZN	SCHRAUBE M6X 1X12 U5739 8.8 ZN	TORNILLO M6X 1X12 U5739 8.8 ZN
42	G17520370R	SEPARATORO TRAMOGGIA	TANK SEPARATOR	SEPARATEUR RESERVOIR	ABSCHIEDER BEHZLTER	SEPARADOR DE DEPOSITO
43	F01200270R	DADO M10X1,5 U5588 CL8 ZN	NUT M10X1,5 U5588 6.8ZN	ECROU M10X 1,5 U5588 6.8 ZN	MUTTER M10X 1,5 U5588 6.8 ZN	TUERCA M10X1,5 U5588 CL8 ZN
44	G65338048R	MOLLA COMP.REGOL.FLUSS.M.ID.SV	FLOW REGUL. COMP. SPRING .M.I	RESSORT COMPL. REGL. FLUX M. I	DRUCKFEDER FLUSSEINSTELLUNG M.	MUELLE COMP. REGUL.FLUJO M.ID.
45	F01420036R	ROS.M6 6,4X 18X1,5 U6593 ZN	WASHER M6 6,4X 18X1,5 U6593 ZN	RONDELLE M6 6,4X18X1,5 U6593ZN	SCHEIBEN M6 6,4X18X1,5U6593 ZN	ARANDELA M6 6,4X18X1,5U6593ZN
46	G17520380R	ASTA SICUREZZA COPERCHIO	SAFETY ROD COVER	TIGE DE SECURITE COUVERCLE	SICHERHEITSTAB DECKEL	VARILLA DE SEGURIDAD TAPA
47	F17520390R	PERNO BLOCCO ASTA	ROD STOP PIN	PIVOT BLOCAGE TIGE	ZAPFEN STABLOCK	PERNO BLOQUEO VARILLA
48	F01020411R	VITE M6X1X35 U5739 8.8ZN	SCR. M6X1X35 U5739 8.8ZN	VIS M6X1X35 U5739 8.8ZN	SCHRAUBE M6X1X35 U5739 8.8ZN	TORNILLO M6X1X35 U5739 8.8ZN
49	G16230360R	DADO M12X1,75 SX AUTOB.	M12X1,75 LEFT SELF-LOCK NUT	ECROU M12X1,75 GCH AUTOBLOCANT	MUTTER M12X1,75 LINKS SELBSTSP	TUERCA M12X1,75 IZ. AUTO.
50	F01420084R	ROS.M14 14,5X 36X 3 U6593 ZN	GALVANIZED WASHER 14 X36 X3	RONDELLE 14 X36 X3 ZN	UNTERLEGSCHEIBE 14 X36 X3 ZN	ARANDELA 14 X36 X3 ZN
51	G17520260R	SUPPORTO INDICATORE	INDICATOR SUPPORT	SUPPORT INDICATEUR	ANZEIGERHALTERUNG	SOPORTE CORTANTE
52	F06220014R	VOLANTINO 8 LOBI M12X40 SX	8-LOBE HANDWHEEL M12X40 LEFT	VOLANT 8 LOBES M12X40 GCH	HANDRAD 8 BUCKEL M12X40 LINKS	VOLANTE 8 LOBI M12X40 IZQ
53	G17520250R	INDICE REGOLAZIONE	REGULATION INDEX	INDEX REGLAGE	ANZEIGER EINSTELLUNG	NDICE REGULACI N
54	F01230048R	DADO M10X1,5 D982 8ZN	NUT M10X1,5 D982 8ZN	ECR.AUTO-FREIN.M10X1,5 D982 ZN	SICHERUNGSMUTT.M10X1,5 D982 ZN	TUERCA SEGURID.M10X1,5 D982 ZN
55	F01020440R	VITE M8X1,25X25 U5739 8.8ZN	SCR. M8X1,25X25 U5739 8.8ZN	VIS M8X1,25X25 U5739 8.8 ZN	SCHRAUBE M8X1,25X25U5739 8.8ZN	TORNILLO M8X1,25X25 U5739 8.8

≅ **2016Y**

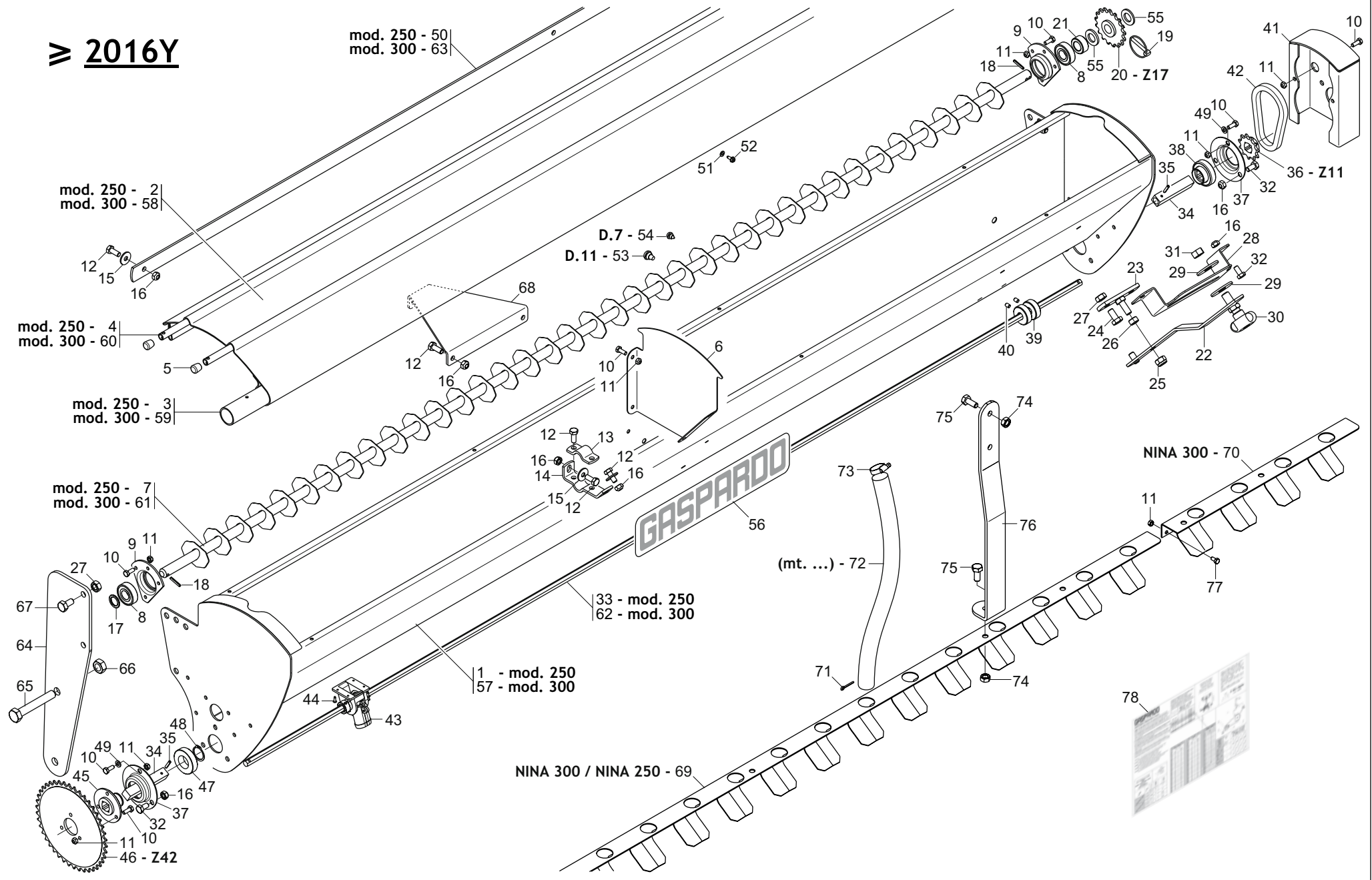


**TRAMOGGIA SEMINA ERBAI
GRASS SEEDS HOPPER**

TAV. 152

Pos.	Cod.	Descrizione	Description	Description	Benennung	Descripcion
56	G20980072R	BOCCOLA 10,25X16X8,5	BUSHING 10.25X16X8.5	BOITE 10-25X16X8-5	BSCHSE 10-25X16X8-5	CASQUILLO 10-25X16X8-5
57	F01020470R	VITE M10X1,5X20 U5739 8.8ZN	SCR. M10X1,5X20 U5739 8.8ZN	VIS M10X1,5X20 U5739 8.8 ZN	SCHRAUBE M10X1,5X20 U5739 ZN	TORNILLO M10X1,5X20 U5739 8
58	G17520290R	SUPPORTO INDICATORE	INDICATOR SUPPORT	SUPPORT INDICATEUR	ANZEIGERHALTERUNG	SOPORTE CORTANTE
59	G17520270R	BOCCOLA-MOVIM.11,5X35XH12 ZN	BUSHING	BOITE	B_CHSE	CASQUILLO
60	F01050085R	VITE M6X1X8 U5927	SCR. M6X1X8 U5927	VIS M6X1X8 U5927	SCHRAUBE M6X1X8 U5927	TORNILLO M6X1X8 U5927
61	F01020404R	VITE M6X1X20 U5739 8.8ZN	SCREW M6X1X20 U5739 8.8ZN	VIS M6X1X20 U5739 8.8ZN	SCHRAUBE M6X1X20 U5739 8.8ZN	TORNILLO M6X1X20 U5739 8.8ZN
62	F02250705R	OCCHIELLO AGGANCIO ART.360	HOOK EYE	OEILLET D ACCROCHAGE	KUPPLUNGSTSE	ARGOLLA DE ENGANCHE
63	F01200232R	DADO M6X1 U5588 CL8 ZN	NUT M6X1 U5588 6.8ZN	ECROU 6 UNI 5588 6.8 ZN	MUTTER 6 UNI 5588 6.8 ZN	TUERCA M6X1 U5588 CL8 ZN
64	F06080224R	CATENA 1 2 ISO 084 24 MAGLIE	CHAIN 1 2 ISO 084 24 LINKS			
65	G17520040R	COPERCHIO TRAMOGGIA 250	HOPPER COVER 250	COUVERCLE TREMIE 250	TRICHTERDECKEL 250	TAPA DE LA TOLVA 250
66	G17520161R	ALBERO MESCOLO TRAMOGGIA 250	HOPPER MIXER SHAFT 250	ARBRE MELANGE TREMIE 250	MISCHERWELLE TRICHTER 250	ARBOL MEZCLA TOLVA
67	G17520320R	SERBATOIO 250 19 USCITE	TANK 250	RESERVOIR 250	BEHZLTER 250	DEPSITO 250
68	G17530040R	ALBERO DISTRIB. TRAMOGGIA 250	DISTRIB. SHAFT 250	ARBRE DISTRIB. 250	WELLE SZAPPARAT 250	EJE DISTRIB. 250
69	G17510070R	SPARPAGLIATORE	DISPERSING UNIT	PARPILLEUR	VERSTREUER	ESPARCIDOR
70	G17510080R	PROLUNGA SPARPAGLIATORE	DISPERSING UNIT EXTENSION	RALLONGE PARPILLEUR	VERL-NGERUNG VERSTTREUER	PROLONGACI N ESPARCIDOR
71	F02200197R	COPIGLIA 4X 50 U1336 ZN	SPLIT PIN 4 X50 1336 GALVAN.	GOUPILLE 4 X50 1336 ZN	SPLINT 4 X50 1336 ZN	PASADOR 4 X50 1336 ZN
72	F03100319R	TUBO PVC ANTIG.NEU.TRA.25X33	CRYSTAL PIPE 25X32			
73	F02300018R	FASCETTA STRING. 25 40 H.8	CLAMP 25 40 H.8	GAINE 25 40 H.8	KLEMME 25 40 H.8	BRAZADERA 25 40 H.8
74	F01220033R	DADO M10X1,5 D980 8ZN	NUT M10X1,5 D980 8ZN	ECROU M10X1,5 D980 8ZN	MUTTER M10X1,5 D980 8ZN	TUERCA M10X1,5 D980 8
75	F01020476R	VITE M10X1,5X30 U5739 8.8ZN	SCR. M10X1,5X30 U5739 8.8ZN	VIS M10X1,5X30 U5739 8.8 ZN	SCHRAUBE M10X1,5X30U5739 8.8ZN	TORNILLO M10X1,5X30 U5739 8.8
76	G17521540R	SUPPORTO SPARPAGLIATORE	SPREADER SUPPORT			
77	G17510600R	SUPPORTO CENTR. TRAMOGGIA ERBAI	CENTRAL SUPPORT HOPPER ERBAI			
78	G17510610R	SUPPORTO LATER. TRAMOGGIA ERBAI	SIDE SUPPORT HOPPER ERBAI			
79	F01220255R	DADO M14X2 D980 8ZN	NUT M14X2 D980 8ZN	ECROU M14X2 D980 8 ZN	MUTTER M14X2 D980 8 ZN	TUERCA M14X2 D980 8 ZN
80	F01020212R	VITE M14X2X90 U5737 8.8ZN	SCR. M14X2X90 U5737 8.8ZN	VIS M14X 2X 90 U5737 8.8 ZN	SCHARUBE M14X2X90 U5737 8.8 ZN	TORNILLO M14X2X90 U5737 8.8 ZN

≧ 2016Y

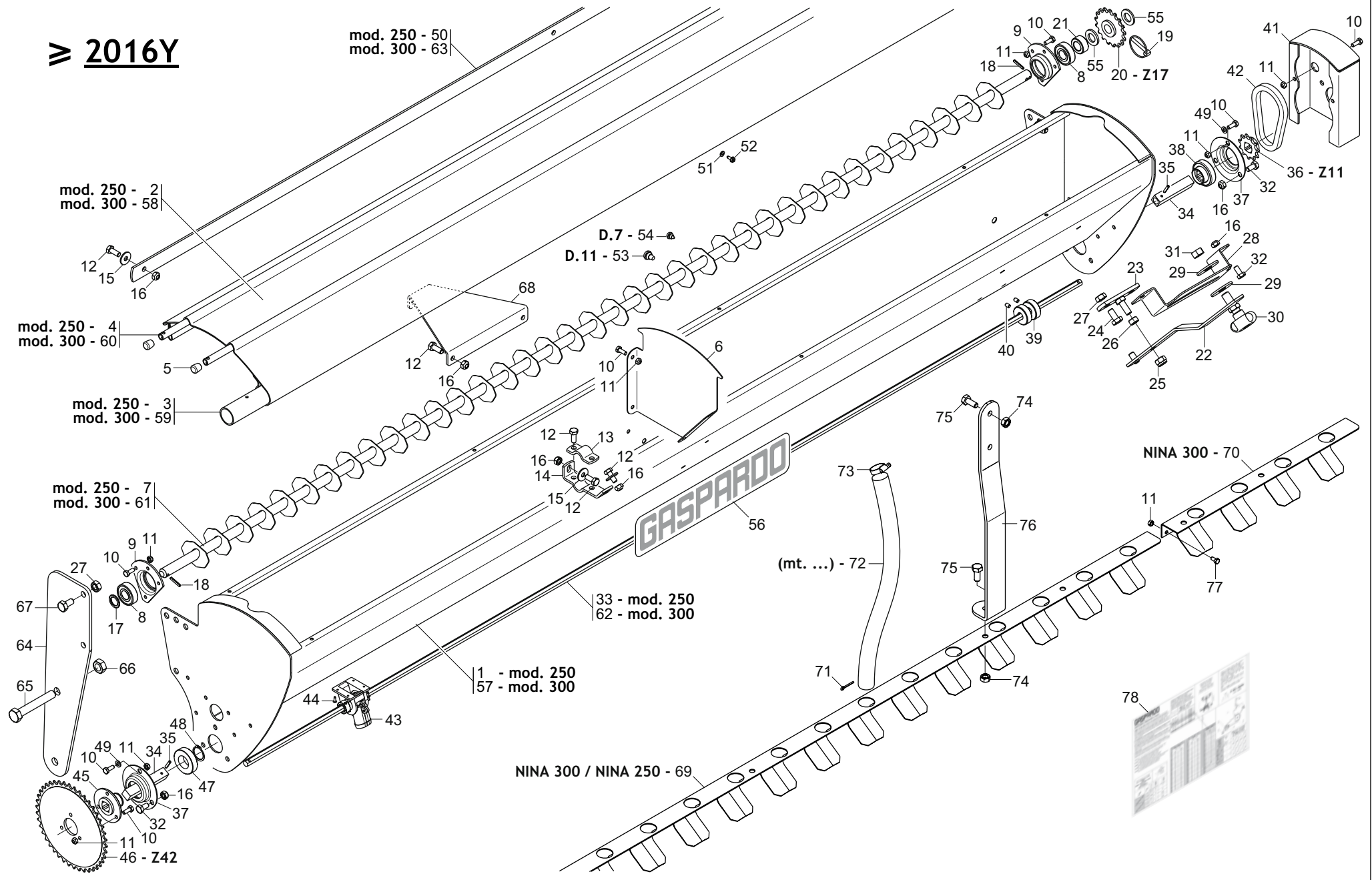


**TRAMOGGIA SEMINA ERBAI
GRASS SEEDS HOPPER**

TAV. 153

Pos.	Cod.	Descrizione	Description	Description	Benennung	Descripcion
1	G17520321R	SERBATOIO 250 19 USCITE	TANK 250			
2	G17522000R	TELO COPRITR.CASS.ERBAIO 250DP	COVER SHEET HOPPER GRASS 250P			
3	G15275330R	TUBO D. 33,7X2,3X2180 FORATO	PIPE D. 33,7X2,3X2180 W.HOLES	TUBE TOILE COUVRE-TREMIE	ROHR TRICHTERABDECKTUCH	TUBO ONA PROTEC. TOLVA
4	G15275320R	TUBO D. 12X1,5X2200 2F6	PIPE D. 12X1,5X2200 2H6			
5	F05150472R	PUNTALE PVC D.10	PVC TIP D.20			
6	GA5320720R	DIVISORE INT.TRAMOGGIA ERBAI	GRASS TANK DIVIDER			
7	G17520161R	ALBERO MESCOLO TRAMOGGIA 250	HOPPER MIXER SHAFT 250	ARBRE MELANGE TREMIE 250	MISCHERWELLE TRICHTER 250	ARBOL MEZCLA TOLVA
8	F04010161R	CUSC.D17 D40 B12 6203 2RS EX	BEARING D17 D40 B12 6203 2RS	ROULEMENT 6203 2RS	LAGER 6203 2RS	COJINETE 6203 2RS SKF
9	G16220090R	SUPPORTO CUSCINETTO	GALV.BEARING SUPPORT	SUPPORT PALIER ZN	LAGERBSCHSE ZN	SOPORTE COJINETE ZN
10	F01020403R	VITE M6X1X16 U5739 8.8ZN	SCR. M6X1X16 U5739 8.8ZN	VIS M6X1X16 U5739 8.8 ZN	SCHRAUBE M6X1X16 U5739 8.8 ZN	TORNILLO M6X1X16 U5739 8.8 ZN
11	F01220011R	DADO M6X1 D980 8ZN	NUT M6X1 D980 8ZN	ECROU M6X1 D980 8 ZN	MUTTER M6X1 D980 8 ZN	TUERCA M6X1 D980 8 ZN
12	F01020436R	VITE M8X1,25X20 U5739 8.8ZN	SCR. M8X1,25X20 U5739 8.8ZN	VIS M8X1,25X 20 U5739 8.8 ZN	SCHRAUBE M8X1,25X20U5739 8.8ZN	TORNILLO M8X1,25X20 U5739 8.8
13	G17520210R	SUPPORTO SUP.ALBERO MESCOLO	UPPER SHAFT SUPPORT	SUPPORT SUP. ARBRE	OB. HALTERUNG WELLE	SOPORTE SUP. EJE
14	G17520220R	SUPPORTO INF.ALBERO MESCOLO	UNDER SHAFT SUPPORT	SUPPORT INF. ARBRE	UNTERE HALTERUNG WELLE	SOPORTE INFERIOR EJE
15	F01420048R	ROS.M8 8,4X 24X 2 U6593 ZN	WASHER M8 8,4X 24X2 U6593 ZN	RONDELLE M8 8,4X24X 2 U6593 ZN	SCHLEIBEN M8 8,4X24X 2 U6593 ZN	ARAND.M8 8,4X 24X 2 U6593 ZN
16	F01220022R	DADO M8X1,25 D980 8ZN	NUT M8X1,25 D980 8ZN	ECROU M8X 1,25 D980 8 ZN	MUTTER M8X 1,25 D980 8 ZN	TUERCA M8X 1,25 D980 8 ZN
17	F15321901R	RONDELLA 17X25X2	WASHER 17X25X2	RONDELLE 17X25X2	UNTERLEGSCHLEIBE 17X25X2	ARANDELA 17X25X2
18	F02100062R	SPINA E.P. 4X 24 U6873 C70 BR	PIN EL. 4 X24 DIN 1481	FICHE EL. 4 X24 DIN 1481	SPANNSTIFT 4 X24 DIN 1481	CLAVIJA EL.4 X24 DIN 1481
19	F02200463R	SPINA SCATTO D5 B 81 ZN	SNAP PIN D5 B 81 ZN	FICHE A DETENTE D5 B 81 ZN	EINRASTSTIFT D5 B 81 ZN	CLAVIJA DE MUELLE D5 B 81 ZN
20	G16220100R	INGRANAGGIO Z-17	GEAR Z.17	ENGRENAGE Z.17	ZAHNRAD Z.17	ENGRANAJE Z.17
21	G18801860R	BOCCOLA 17,25X30 X14	BUSHING D17,25X30X14			
22	G17520250R	INDICE REGOLAZIONE	REGULATION INDEX	INDEX REGLAGE	ANZEIGER EINSTELLUNG	NDICE REGULACI N
23	G17520290R	SUPPORTO INDICATORE	INDICATOR SUPPORT	SUPPORT INDICATEUR	ANZEIGERHALTERUNG	SOPORTE CORTANTE
24	F01020470R	VITE M10X1,5X20 U5739 8.8ZN	SCR. M10X1,5X20 U5739 8.8ZN	VIS M10X1,5X20 U5739 8.8 ZN	SCHRAUBE M10X1,5X20 U5739 ZN	TORNILLO M10X1,5X20 U5739 8
25	F01230048R	DADO M10X1,5 D982 8ZN	NUT M10X1,5 D982 8ZN	ECR.AUTO-FREIN.M10X1,5 D982 ZN	SICHERUNGSMUTT.M10X1,5 D982 ZN	TUERCA SEGURID.M10X1,5 D982 ZN
26	G20980072R	BOCCOLA 10,25X16X8,5	BUSHING 10.25X16X8.5	BOITE 10-25X16X8-5	BSCHE 10-25X16X8-5	CASQUILLO 10-25X16X8-5
27	F01200270R	DADO M10X1,5 U5588 CL8 ZN	NUT M10X1,5 U5588 6.8ZN	ECROU M10X 1,5 U5588 6.8 ZN	MUTTER M10X 1,5 U5588 6.8 ZN	TUERCA M10X1,5 U5588 CL8 ZN
28	G17520260R	SUPPORTO INDICATORE	INDICATOR SUPPORT	SUPPORT INDICATEUR	ANZEIGERHALTERUNG	SOPORTE CORTANTE
29	F01420084R	ROS.M14 14,5X 36X 3 U6593 ZN	GALVANIZED WASHER 14 X36 X3	RONDELLE 14 X36 X3 ZN	UNTERLEGSCHLEIBE 14 X36 X3 ZN	ARANDELA 14 X36 X3 ZN
30	F06220014R	VOLANTINO 8 LOBI M12X40 SX	8-LOBE HANDWHEEL M12X40 LEFT	VOLANT 8 LOBES M12X40 GCH	HANDRAD 8 BUCKEL M12X40 LINKS	VOLANTE 8 LOBI M12X40 IZQ
31	G16230360R	DADO M12X1,75 SX AUTOB.	M12X1,75 LEFT SELF-LOCK NUT	ECROU M12X1,75 GCH AUTOBLOCANT	MUTTER M12X1,75 LINKS SELBSTSP	TUERCA M12X1,75 IZ. AUTO.
32	F01020432R	VITE M8X1,25X16 U5739 8.8ZN	SCR. M8X1,25X16 U5739 8.8ZN	VIS M8 X1,25X16 U5739 8.8 ZN	SCHRAUBE M8X1,25X16U5739 8.8ZN	TORNILLO M8X1,25X16 U5739 8.8
33	G17530040R	ALBERO DISTRIB.TRAMOGGIA 250	DISTRIB. SHAFT 250	ARBRE DISTRIB. 250	WELLE SZAPPARAT 250	EJE DISTRIB. 250
34	G17531300R	ASSE TRASM.PIGNONE MESCOLO ZN	MIXER PINION TRANSMISSION AXLE			
35	F02100061R	SPINA E.P. 4X 20 U6873 C70 BR	SPLIT PIN 4X20	GOUPILLE 4X20	GUMI STACHEL 4X20	CLAVIJA ELASTICA 4X20
36	G17330520R	PIGNONE Z11 1 2-3 16 Q.16,4 ZN	PINION Z11 1 2-3 16 Q.16,4			
37	G22230094R	SUPPORTO CUSCINETTO	BEARING SUPPORT	SUPPORT DE ROULEMENT	LAGERBSCHSE	SOPORTE COJINETE
38	G14830390R	CUSCINETTO FORO QUADRO	SQUARE-HOLED BEARING	ROULEMENT TROU CARRE	VIERKANTLAGER	COJINETE ORIFICIO CUADRADO
39	G17520270R	BOCCOLA-MOVIM.11,5X35XH12 ZN	BUSHING	BOITE	B_CHSE	CASQUILLO
40	F01050023R	VITE M6X1X8 U5923 8.8BR	SCR. M6X1X8 U5923 8.8BR			
41	G17531230R	CARTER TRASM.AGITATORE	MIXER TRASM. CASE			
42	F06080016R	CATENA 1 2 ISO 083 38 MAGLIE	CHAIN 1 2 ISO 083 38 LINKS	CHAINE 1 2 ISO 083 38 MAILLES	KETTE 1 2 ISO 083 38 MASCHHE	CADENA 1 2 ISO 083 38 ESLABON
43	G15326681R	DISTRIBUTORE COMPLETO ERBAI	DISTRIBUTOR COMPLETE ERBAI			
44	F02250066R	RIVETTO STR. 3 X 9 U9200A AL	POP RIVET 3X9 ALUMINIUM	RIVET 3 X 9 ALL	REISSNIETE 3 X 9 ALU	REMACHE DESGAR. 3 X 9 AL
45	G17530030R	FLANGIA SUPPORTO INGRANAGGIO	FLANGE SUPPORT	BRIDE SUPPORT	LAGERFLANSCH	BRIDA DE SOPORTE
46	G20890128R	CORONA Z-42 SP	RING GEAR Z-42 SP	COURONNE Z-42 SP	KRANZ Z-42 SP	CORONA Z-42 SP
47	F04010135R	CUSC.D25 D47 B12 6005 2RS EX	BEARING D25 D47 B12 6005 2RS			
48	F02050101R	ANELLO E. DE 25X 1,2 U7435 C7	SEEGER RING E. 25X1,2 7435 C70	SEEGER E. 25X 1,2 U7435 C70	SEEGERING E. 25X 1,2 U7435 C70	ANILLO E. DE 25X 1,2 U7435 C7
49	F01410037R	ROS.M6 6,4X12,5X1,6 U6592 ZN	WASHER M6 6,4X12,5X1,6 U6592ZN	RONDEL.M6 6,4X12,5X1,6 U6592ZN	SCHLEIB.M6 6,4X12,5X1,6 U6592ZN	ARAND.M6 6,4X12,5X1,6 U6592 ZN
50	G17522010R	LAMA FERMO COPRITR.ERBAI 250DP	HOPPER COVER 250DP LOCK BLADE			
51	F01410023R	RONDELLA D5 UNI 6592 ZN	WASHER M5 5,3X 10X 1 U6592			
52	F01070078R	VITE A4,2X1,41X13 U6950 4.8ZN	SCR. H4,2X1,41X13 U6950 4.8ZN	VIS AUTOTARADEUSE.4-2X13 TE	SELBSTSCHNEID. SCHRAUBE 4-2X13	TORNILLO AUTOR.4-2X13 TE
53	F19003160R	TAPPO PER FORO D.7	PLUG FOR D.7 HOLE	BOUCHON POUR TROU D.7	PFRPFEN FSR LOCH D.7	TAP N PARA AGUJERO D.7
54	G66248223R	TAPPO SUPP.SPAND.D.11	PLUG MAN. SPR. SUPP. D.11	BOUCHON SUPPORT EP. ENGRAIS D.	HALTERUNGSPFRPFEN DSNGERSTR.	TAP N SOPORTE ABON.D.11
55	F01410100R	ROS.M16 17X 30X 3 U6592 ZN	WASHER M16 17X30X3 U6592 ZN	RONDELLE M16 17X30X3 ZN	SCHRAUBE M16 17X 30X3 U6592 ZN	ARAND.M16 17X 30X 3 U6592 ZN

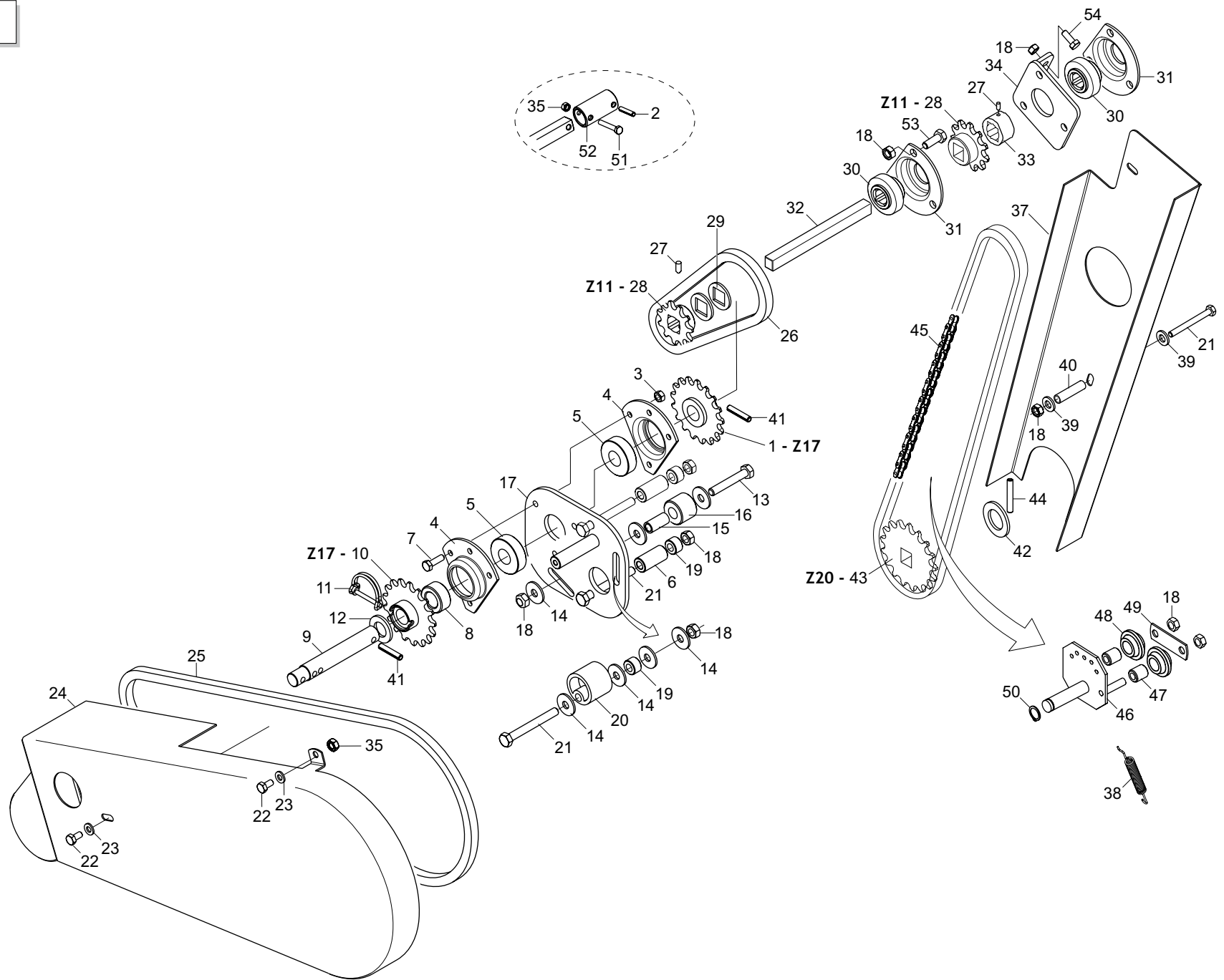
≧ 2016Y



**TRAMOGGIA SEMINA ERBAI
GRASS SEEDS HOPPER**

TAV. 153

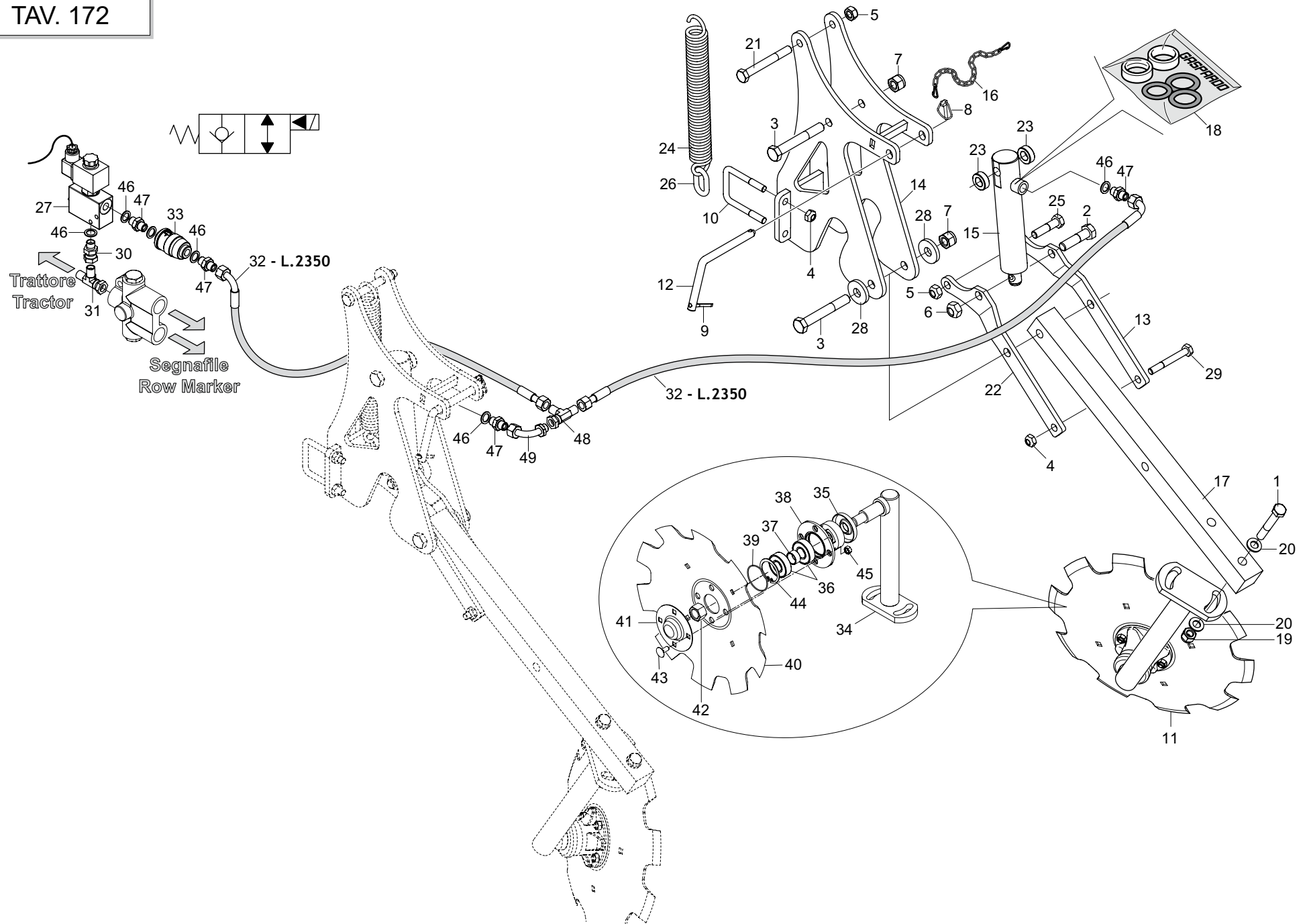
Pos.	Cod.	Descrizione	Description	Description	Benennung	Description
56	F20010214R	ETICH.IDENT.GASPARDO 481X 91	LABEL GASPARDO 481X 91			
57	GA5320710R	CASSETTA ERBAI TONDA 300	CIRCULAR HOPPER GRASS 300			
58	GA5320760R	TELO COPRITRAM.CASS.ERBAIO 300	HOPPERCOVER GRASS SHEET 300			
59	GA5320730R	TUBO D. 33,7X2,9X2680	PIPE D. 33,7X2,9X2680			
60	GA5320750R	TUBO RINF.TELO L.2680	REINFORCEMENT TUBE COVER L2680			
61	G17520181R	ALBERO MESCOLO TRAM. 300	HOPPER MIXER SHAFT 300	ARBRE MELANGE TREMIE 300	MISCHERWELLE TRICHTER 300	ARBOL MEZCLA TOLVA 300
62	G17530051R	ALBERO DISTRIB.TRAMOGGIA 300ZN	DISTRIB. SHAFT 300	ARBRE DISTRIB. 300	WELLE SZAPPARAT 300	EJE DISTRIB. 300
63	GA5320740R	FERMO COPRITRAM.ERBAI 300	GRASS HOPPER COVER STOP 300			
64	G17510610R	SUPPORTO LATER.TRAMOGGIA ERBAI	SIDE SUPPORT HOPPER ERBAI			
65	F01020212R	VITE M14X2X90 U5737 8.8ZN	SCR. M14X2X90 U5737 8.8ZN	VIS M14X 2X 90 U5737 8.8 ZN	SCHARUBE M14X2X90 U5737 8.8 ZN	TORNILLO M14X2X90 U5737 8.8 ZN
66	F01220255R	DADO M14X2 D980 8ZN	NUT M14X2 D980 8ZN	ECROU M14X2 D980 8 ZN	MUTTER M14X2 D980 8 ZN	TUERCA M14X2 D980 8 ZN
67	F01020472R	VITE M10X1,5X25 U5739 8.8ZN	SCR. M10X1,5X25 U5739 8.8ZN	VIS M10X1,5X25 U5739 8.8 ZN	SCHRAUBE M10X1,5X25 U5739 8.8	TORNILLO M10X1,5X25 U5739 8.8
68	G17510600R	SUPPORTO CENTR.TRAMOGGIA ERBAI	CENTRAL SUPPORT HOPPER ERBAI			
69	G17510070R	SPARPAGLIATORE	DISPERSING UNIT	PARPILLEUR	VERSTREUER	ESPARCIDOR
70	G17510080R	PROLUNGA SPARPAGLIATORE	DISPERSING UNIT EXTENSION	RALLONGE PARPILLEUR	VERL-NGERUNG VERSTTREUER	PROLONGACI N ESPARCIDOR
71	F02200197R	COPIGLIA 4X 50 U1336 ZN	SPLIT PIN 4 X50 1336 GALVAN.	GOUPILLE 4 X50 1336 ZN	SPLINT 4 X50 1336 ZN	PASADOR 4 X50 1336 ZN
72	F03100319R	TUBO PVC ANTIG.NEU.TRA.25X33	CRYSTAL PIPE 25X32			
73	F02300018R	FASCETTA STRING. 25 40 H.8	CLAMP 25 40 H.8	GAINE 25 40 H.8	KLEMME 25 40 H.8	BRAZADERA 25 40 H.8
74	F01220033R	DADO M10X1,5 D980 8ZN	NUT M10X1,5 D980 8ZN	ECROU M10X1,5 D980 8ZN	MUTTER M10X1,5 D980 8ZN	TUERCA M10X1,5 D980 8
75	F01020476R	VITE M10X1,5X30 U5739 8.8ZN	SCR. M10X1,5X30 U5739 8.8ZN	VIS M10X1,5X30 U5739 8.8 ZN	SCHRAUBE M10X1,5X30U5739 8.8ZN	TORNILLO M10X1,5X30 U5739 8.8
76	G17521540R	SUPPORTO SPARPAGLIATORE	SPREADER SUPPORT			
77	F01020398R	VITE M6X1X12 U5739 8.8ZN	SCR. M6X1X12 U5739 8.8ZN	VIS M6X 1X12 U5739 8.8 ZN	SCHRAUBE M6X 1X12 U5739 8.8 ZN	TORNILLO M6X 1X12 U5739 8.8 ZN
78	G19706911R	TABELLA SEMINA TR.ERBAI S-SC	SEEDING TABLE TR.ERBAI S-SC			



**TRASMISSIONE TRAMOGGIA SEMINA ERBAI
GRASS SEEDS HOPPER TRANSMISSION**

TAV. 161

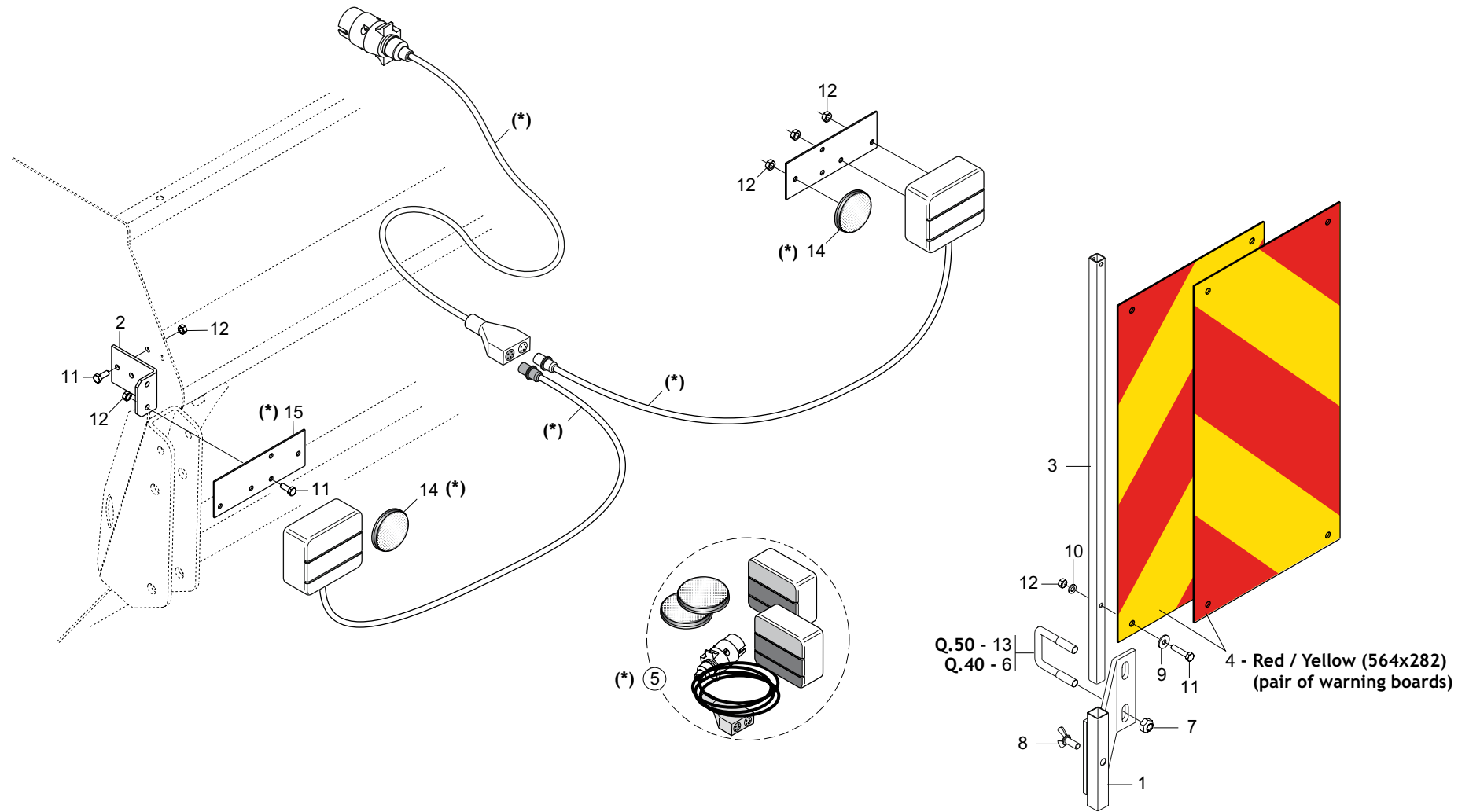
Pos.	Cod.	Descrizione	Description	Description	Benennung	Description
1	G17530080R	INGRANAGGIO Z17 CON FORO	GEAR Z17 WITH HOLE			
2	F02100114R	SPINA E.P. 6X 30 U6873 C70 BR	ELASTIC PIN 6X30	GOUJON ELASTIQUE 6X30	SPANNHUELSE 6X30	ESPINA ELASTICA 6X30
3	F01220011R	DADO M6X1 D980 8ZN	NUT M6X1 D980 8ZN	ECROU M6X1 D980 8 ZN	MUTTER M6X1 D980 8 ZN	TUERCA M6X1 D980 8 ZN
4	G16220090R	SUPPORTO CUSCINETTO	GALV.BEARING SUPPORT	SUPPORT PALIER ZN	LAGERBSCHSE ZN	SOPORTE COJINETE ZN
5	F04010161R	CUSC.D17 D40 B12 6203 2RS EX	BEARING D17 D40 B12 6203 2RS	ROULEMENT 6203 2RS	LAGER 6203 2RS	COJINETE 6203 2RS SKF
6	G20980086R	BOCCOLA DIST.D.8,5X16X31	BUSHING SPAC... D.8-5X16X31	BOITE ENTRETOISE D. 8-5X16X31	VERTEILERBSCHSE D.8-5X16X31	CASQUILLO DIST. D.8-5X16X31
7	F01020404R	VITE M6X1X20 U5739 8.8ZN	SCREW M6X1X20 U5739 8.8ZN	VIS M6X1X20 U5739 8.8ZN	SCHRAUBE M6X1X20 U5739 8.8ZN	TORNILLO M6X1X20 U5739 8.8ZN
8	G18801860R	BOCCOLA 17,25X30 X14	BUSHING D17,25X30X14			
9	G17530010R	PERNO PORTA INGRANAGGI	GEARHOLDER PIN			
10	G16220100R	INGRANAGGIO Z-17	GEAR Z.17	ENGRENAGE Z.17	ZAHNRAD Z.17	ENGRANAJE Z.17
11	F02200595R	SPINA SICUR.D. 5X30 ZN	PIN X GEAR	GOUJON	BOLZEN	ESPINA
12	F01410100R	ROS.M16 17X 30X 3 U6592 ZN	WASHER M16 17X30X3 U6592 ZN	RONDELLE M16 17X30X3 ZN	SCHRAUBE M16 17X 30X3 U6592 ZN	ARAND.M16 17X 30X 3 U6592 ZN
13	F01020072R	VITE M8X1,25X50 U5737 8.8ZN	SCR. M8X1,25X50 U5737 8.8ZN	VIS M8X1,25X50 U5737 8.8 ZN	SCHRA. M8X1,25X50 U5737 8.8 ZN	TORN. M8X1,25X50 U5737 8.8 ZN
14	F01420048R	ROS.M8 8,4X 24X 2 U6593 ZN	WASHER M8 8,4X 24X2 U6593 ZN	RONDELLE M8 8,4X24X 2 U6593 ZN	SCHEIBEN M8 8,4X24X 2 U6593 ZN	ARAND.M8 8,4X 24X 2 U6593 ZN
15	G18801720R	BOCCOLA 8,1X12X24,5 ZN	BUSHING 8,1X12X24,5 ZN			
16	G19003360R	RULLO TENDICATENA	CHAIN TIGHTENER ROLLER	ROULEAU TENDEUR DE CHAINE	ROLLE KETTENSANNER	RODILLO TENSOR DE LA CADENA
17	G17530960R	SUPPORTO RINVIO TRASMISSIONE	TRAMMISSION SUPP.			
18	F01220022R	DADO M8X1,25 D980 8ZN	NUT M8X1,25 D980 8ZN	ECROU M8X 1,25 D980 8 ZN	MUTTER M8X 1,25 D980 8 ZN	TUERCA M8X 1,25 D980 8 ZN
19	G18801580R	BOCCOLA 8,5 X15 X10	BUSH 8,5 X15 X10	DOUILLE 8,5 X15 X10	BUCHSE 8,5 X15 X10	MANGUITO 8,5 X15 X10
20	G66248207R	TENDICATENA SPAND. SP-520	CHAIN TENSIONER	TENDEUR DE CHAINE EPAND. ENGR.	KETTENSANNER DSNGERSTR. SP-52	TENSOR DE CADENA ABON. SP-520
21	F01020083R	VITE M8X1,25X70 U5737 8.8ZN	SCR. M8X1,25X70 U5737 8.8ZN	VIS M 8X1,25X70 U5737 8.8 ZN	SCHRA. M8X1,25X70 U5737 8.8ZN	TORN. M8X1,25X70 U5737 8.8ZN
22	F01020398R	VITE M6X1X12 U5739 8.8ZN	SCR. M6X1X12 U5739 8.8ZN	VIS M6X 1X12 U5739 8.8 ZN	SCHRAUBE M6X 1X12 U5739 8.8 ZN	TORNILLO M6X 1X12 U5739 8.8 ZN
23	F01410037R	ROS.M6 6,4X12,5X1,6 U6592 ZN	WASHER M6 6,4X12,5X1,6 U6592ZN	RONDEL. M6 6,4X12,5X1,6 U6592ZN	SCHEIB. M6 6,4X12,5X1,6 U6592ZN	ARAND. M6 6,4X12,5X1,6 U6592 ZN
24	G17520130R	CARTER PROTEZIONE	GUARD CARTER			
25	F06080048R	CATENA 1 2 ISO 083 92 MAGLIE	CHAIN 1 2 ISO 083 92 LINKS			
26	F06080016R	CATENA 1 2 ISO 083 38 MAGLIE	CHAIN 1 2 ISO 083 38 LINKS	CHAINE 1 2 ISO 083 38 MAILLES	KETTE 1 2 ISO 083 38 MASCHE	CADENA 1 2 ISO 083 38 ESLABON
27	F01050085R	VITE M6X1X8 U5927	SCR. M6X1X8 U5927	VIS M6X1X8 U5927	SCHRAUBE M6X1X8 U5927	TORNILLO M6X1X8 U5927
28	G17530070R	INGRANAGGIO Z11 FORO QUADRO	GEAR Z11 SQUARE HOLE	ENGRENAGE Z11 TROU CARR	ZAHNRAD Z11 QUADRATISCHE BOHRU	ENGRANAJE Z11 AGUJERO CUADRADO
29	G18701650R	RONDELLA FORO QUADRO ZN	WASHER 16,5X30X2,5 SQ.HOLE GAL	RONDELLE 16,5X30X2,5 ZN	UNTERLEGSCHIEBE 16,5X30X2,5 ZN	ARANDELA 16,5X30X2,5 ZN
30	G14830390R	CUSCINETTO FORO QUADRO	SQUARE-HOLED BEARING	ROULEMENT TROU CARRE	VIERKANTLAGER	COJINETE ORIFICIO CUADRADO
31	G22230086R	SUPPORTO CUSCINETTO TAGLIATO	CUT BEARING SUPPORT	SUPPORT PALIER COUPE	HALTERUNG LAGER MIT SCHNITT	SOPORTE COJINETE CORTADO
32	G17530020R	ASSE DI TRASMISSIONE	DRIVE AXLE	AXE DE TRANSMISSION	ANTRIEBSACHSE	-RBOL DE TRANSMISI N
33	G22500142R	FERMO ASSI	AXLE STOP	ARRET AXES	FESTSTELLVORRICHTUNG ACHSEN	BLOQUEO EJES
34	G16230500R	SUPPORTO DOPPIA TRASMISSIONE	SUPPORT DOUBLE TRANSM.			
35	F01220011R	DADO M6X1 D980 8ZN	NUT M6X1 D980 8ZN	ECROU M6X1 D980 8 ZN	MUTTER M6X1 D980 8 ZN	TUERCA M6X1 D980 8 ZN
37	G16230490R	CARTER TRASMISSIONE	TRASM. CARTER			
38	G18903280R	MOLLA TENDICATENA	TENSIONER SPRING	RESSORT TENDEUR DE CHAINE	FEDER KETTENSANNER	MUELLE TENSOR DE LA CADENA
39	F01410051R	ROS.M8 8,4X 17X1,6 U6592 ZN	WASHER M8 8,4X17X1,6 U6592 ZN	RONDELLE M8 8,4X17X1,6 ZN	SCHEIBE M8 8,4X17X1,6 U6592 ZN	ARAND.M8 8,4X 17X1,6 U6592 ZN
40	G16230640R	DISTANZIALE CARTER TRSM. ZN	TRANS.CARTER SPACER ZN			
41	F02100115R	SPINA E.P. 6X 30 U6873 C70 IX	PIN EL. 6X30 DIN 1481 S.STEEL*	GOUPILLE EL.6 X30 DIN 1481 IN	SPANNSTIFT 6 X30 DIN 1481 EDEL	CLAVIJA EL.6 X30 DIN 1481 INO
42	F01410135R	ROS.M22 23X 39X 3 U6592 ZN	WASHER M22 23X 39X 3 U6592 ZN	ROND. M22 23X 39X3 U6592 ZN	SCHEI. M22 23X 39X3 U6592 ZN	ARANDELLA M22 23X39X3 U6592 ZN
43	G07002669R	INGRANAGGIO R.L. Z-20 DX	FREE WHEEL GEAR Z-20 RH	ENGRENAGE ROUE LIBRE Z-20 DRO.	ZAHNRAD FREILAUF Z-20 LINK	ENGRANAJE R.LIBRE Z-20 DER.
44	F02100118R	SPINA E.P. 6X 36 U6873 C70 BR	PIN EL. 6X 36 U6873 C70 BR	GOUJON	BOLZEN	ESPINA
45	F06080223R	SP.CAT.1 2-3 16 108M.ISO 083-1	SP.CAT.1 2-3 16 108M.ISO 083-			
46	G07000269R	ASS.TENDICATENA	CHAIN TIGHTENER	ESSIEU TENDEUR DE CHAINE	EINHEIT KETTENSANNER	TENSOR DE CADENA
47	G07000273R	BUSSOLA TENDICATENA	CHAIN TIGHTENER BUSH	DOUILLE TENDEUR DE CHAINE	BSCHSE KETTENSANNER	CASQUILLO TENSOR DE CADENA
48	G07000134R	RULLO TENDICATENA	CHAIN TIGHTENER ROLLER	ROULEAU TENDEUR DE CHAINE	ROLLE KETTENSANNER	RODILLO TENSOR DE LA CADENA
49	G07000272R	PIASTRINA CHIUSURA TENDICATENA	CHAIN TIGHTENER CLOSING PLATE	PLAQUETTE FERM. TEND. DE CHAIN	KETTENSANNERSCHLIESS-PLATTE	PLACA DE CIERRE TENSOR DE CADE
50	F02050604R	ANELLO E. DE 14X 1 U7435 C70	STOP RING 14 UNI 7435-75	BAGUE ARR.14 UNI 7435-75	RING 14 UNI 7435-75	ANILLO PARADA 14 UNI 7435-75
51	F01020040R	VITE M6X1X40 U5737 8.8ZN	SCR. M6X1X40 U5737 8.8ZN	VIS M6X1X40 U5737 8.8ZN	SCHRAU. M6X1X40 U5737 8.8ZN	TORNILLO M6X1X40 U5737 8
52	G17530090R	DISTANZ. PER DOPPIA TRSMISS.	SPACER FOR TWIN-TRANS.			
53	F01020432R	VITE M8X1,25X16 U5739 8.8ZN	SCR. M8X1,25X16 U5739 8.8ZN	VIS M8 X1,25X16 U5739 8.8 ZN	SCHRAUBE M8X1,25X16U5739 8.8ZN	TORNILLO M8X1,25X16 U5739 8.8
54	F01020436R	VITE M8X1,25X20 U5739 8.8ZN	SCR. M8X1,25X20 U5739 8.8ZN	VIS M8X1,25X 20 U5739 8.8 ZN	SCHRAUBE M8X1,25X20U5739 8.8ZN	TORNILLO M8X1,25X20 U5739 8.8



TRACCIASIENTIERI POSTERIORE REAR PRE-EMERGENCE MARKER

TAV. 172

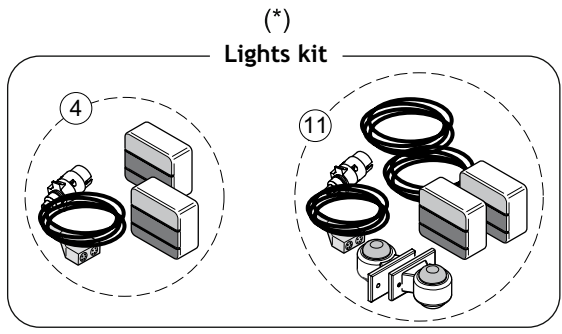
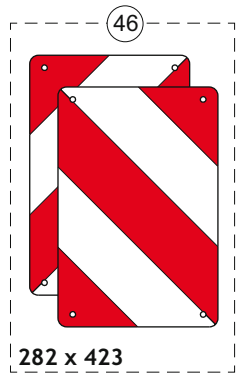
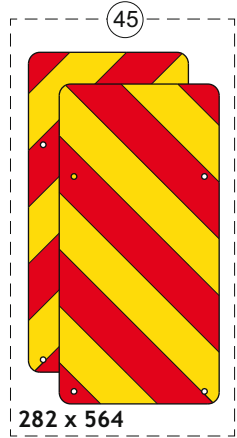
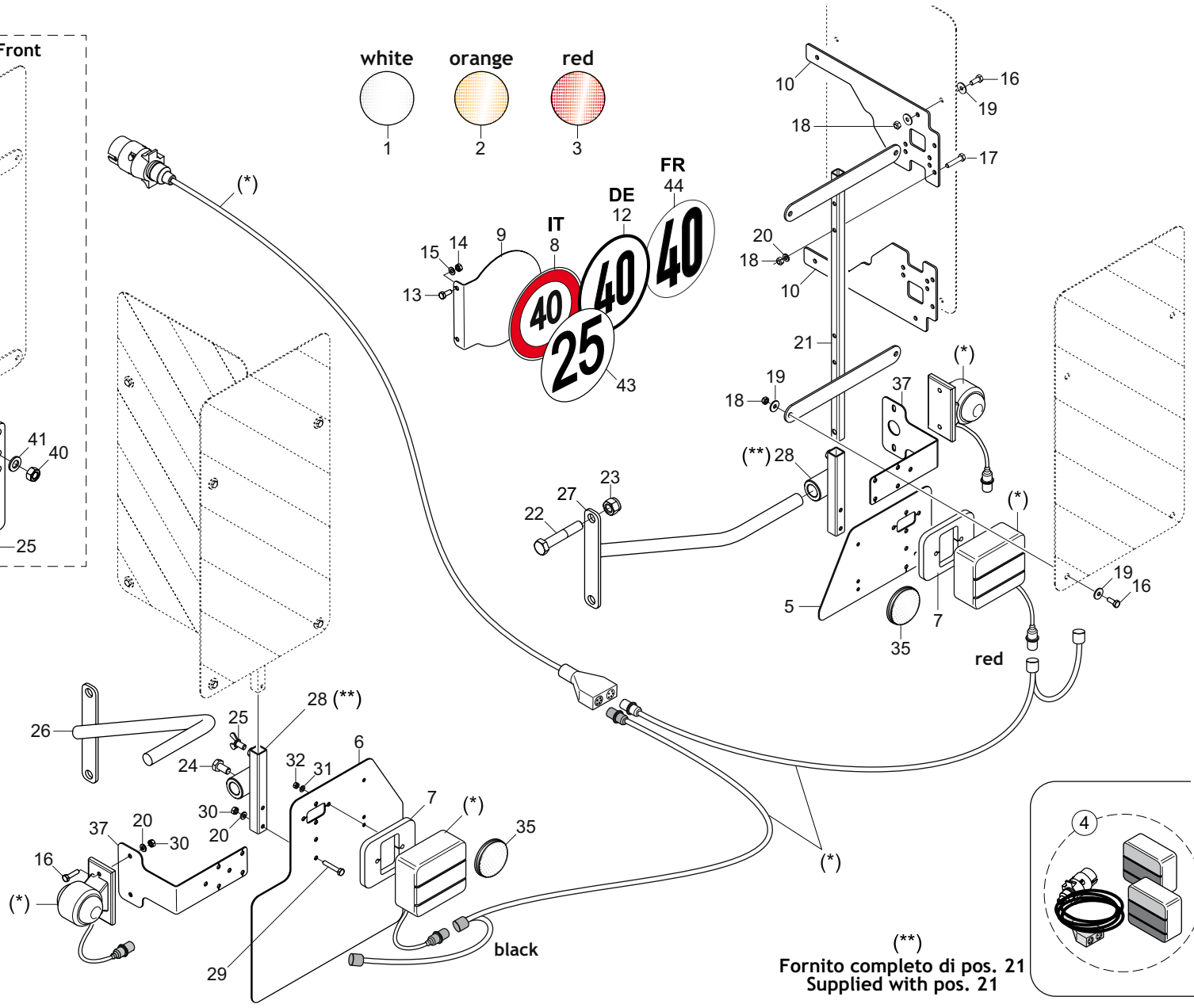
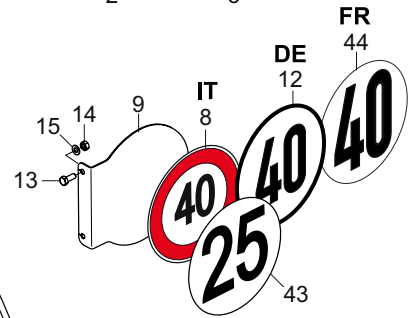
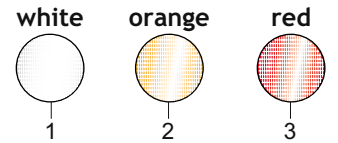
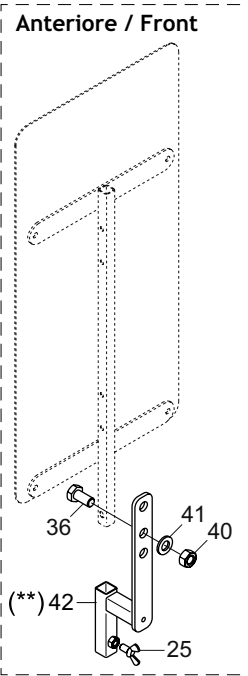
Pos.	Cod.	Descrizione	Description	Description	Benennung	Description
1	F01020166R	VITE M12X1,75X80 U5737 8.8ZN	SCR. M12X1,75X80 U5737 8.8ZN	VIS M12X1,75X80 U5737 8.8ZN	SCHRA. M12X1,75X80 U5737 8.8ZN	TORN. M12X1,75X80 U5737 8.8ZN
2	F01020201R	VITE M14X2X55 U5737 8.8ZN	SCR. M14X2X55 U5737 8.8ZN	VIS M 14X55	SCHRAUBE M 14X55	TORNILLO M 14X55
3	F01020214R	VITE M14X2X100 U5737 8.8ZN	SCREW M14X2X100 U5737 8.8ZN	VIS M14X2X100 U5737 8.8ZN	SCHRAU. M14X2X100 U5737 8.8ZN	TORN. M14X2X100 U5737 8.8ZN
4	F01220033R	DADO M10X1,5 D980 8ZN	NUT M10X1,5 D980 8ZN	ECROU M10X1,5 D980 8ZN	MUTTER M10X1,5 D980 8ZN	TUERCA M10X1,5 D980 8
5	F01220048R	DADO M12X1,75 D980 8ZN	NUT M12X1,75 D980 8ZN	ECROU M12X1,75 D980 8 ZN	SCHEIBE M12X1,75 D980 8 ZN	TUERCA M12X1,75 D980 8 ZN
6	F01220255R	DADO M14X2 D980 8ZN	NUT M14X2 D980 8ZN	ECROU M14X2 D980 8 ZN	MUTTER M14X2 D980 8 ZN	TUERCA M14X2 D980 8 ZN
7	F01230073R	DADO M14X2 D982 8ZN	SELF LOCK NUT M14X2 D982 8ZN	ECROU AUTOBL.M14X2 ZN	SELBSTSP.MUTT. M14X2 D982 8ZN	TUERCA AUTOBL. M14X2 D982 8ZN
8	F02200452R	SPINA SCATTO D.4.4 B 80 ZN	SNAP PIN D4.4 B 80 ZN	FICHE A DETENTE D4.4 B 80 ZN	EINRASTSTIFT D4.4 B 80 ZN	CLAVIJA DE MUELLE D4,4 B 80 ZN
9	F02200227R	COPIGLIA 5 X30 1336 ZN	PIN 5X 30 U1336 ZN			
10	F20110715R	CAV.Q.B=50 M=10X1,5 L=80	UBOLTSTRIKER Q.B=50M10X1,5L=80	BUTE M10X 1,5X 30 61X 80 ZB	ANSCHLAG M10X 1,5X 30 61X 80	EL. DE EMPALME M10X 1,5X 30
11	G15317292R	MONT.DISCO SEGNAFILE	COMPLETE ROW MARKER DISC	DISQUE TRACEUR COMPLET	REIHENANREISSERSCHEIBE KOMPLET	DISCO MARCADOR DE FILAS COMPL.
12	G14212010R	CHIAVISTELLO PUNTELLO PIEGH.ZN	PROP LATCH ZN			
13	G17942550R	LEVA SOLLEVAMENTO SX	LEFT LIFTING LEVER			
14	G17942520R	SUPPORTO TRACCIASIENTIERI	TRAIL TRACER SUPPORT			
15	G16910360R	CILINDRO SE 25X35-100	CYLINDER SE 25X35-100	CYLINDRE SE 25X35-100	ZYLINDER SE 25X35-100	CILINDRO SE 25X35-100
16	G13812311R	CATENELLA CON MOSCHETTONE	CHAIN WITH SPRING CATCH	CHAINETTE AVEC MOUSQUETON	KETTE MIT KARABINERHAKEN	CADENA CON GANCHO
17	G17942570R	QUADRO 40 X590 4F14,5	SQUARE SHAFT 40 X590 4F14,5			
18	F03100200R	KIT GUARNIZ.CILINDRO 16910360	CYLINDER GASKETS 16910360	JOINTS CYLINDRE 16910360	DICHTUNG ZYLINDER 16910360	PROTECCIONES CILINDRO 16910360
19	F01230059R	DADO M12X1,75 D982 8ZN	LOCK-NUT M12X1,75 D982 8ZN	ECR.AUTO-FREI.M12X1,75 ZN	SICHERUNGSMUT.M12X1,75 D982 8ZN	TUER.DE SEGUR.M12X1,75 D982 ZN
20	F01410076R	ROS.M12 13X 24X2,5 U6592 ZN	WASHER 12 13X 24X2,5 U6592 ZN	RONDEL. M12 13X24X2,5 U6592 ZN	SCHEIBE M12 13X24X2,5 U6592 ZN	ARAND.M12 13X 24X2,5 U6592 ZN
21	F01020170R	VITE M12X1,75X100 U5737 8.8ZN	SCR. M12X1,75X100 U5737 8.8ZN	VIS M12X1,75X100 5737 8.8 ZN	SCHRA.M12X1,75X100 5737 8.8 ZN	TORN. M12X1,75X100 5737 8.8 ZN
22	G17942560R	LEVA SOLLEVAMENTO DX	RIGHT LIFTING LEVER			
23	G18800940R	BOCCOLA 15,25X28 X10	BUSHING 15.25 X 28 X 10	BOITE 15-25X28 X10	BSCHSE 15-25X28 X10	CASQUILLO 15-25X28 X10
24	G65337004R	MOLLA TRAZ.SOLLEV. FU	TRACTION SPRING LIFT. FU	RESSORT TRACT. LEVAGE FU	ZUGFEDER HEBUNG FU	MUELLE TRAC. LEVDEL. FU
25	F01020156R	VITE M12X1,75X50 U5737 8.8ZN	SCR. M12X1,75X50 U5737 8.8ZN	VIS M12X1,75X50 U5737 8.8 ZN	SCHR. M12X1,75X50 U5737 8.8 ZN	TORN. M12X1,75X50 U5737 8.8 ZN
26	G16621390R	ANELLO CAT.LUC.GENOVESE 8 ZN	RING CHAIN GENOVESE 8			
27	G16070900R	VALVOLA CABLATA	ASSY WIRED VALVE			
28	G18700690R	RONDELLA 15 X40 X6 ZN	WASHER 15 X 40 X 6 ZN	RONDELLE 15 X40 X6 ZN	UNTERLEGSCHIEBE 15 X40 X6 ZN	ARANDELA 15 X40 X6 ZN
29	F01020128R	VITE M10X1,5X80 U5737 8.8ZN	SCR. M10X1,5X80 U5737 8.8ZN	VIS M10X1,5X80 U5737 8.8 ZN	SCHRAU. M10X1,5X80 U5737 8.8ZN	TORNIL.M10X1,5X80 U5737 8.8 ZN
30	F03020030R	NIPPLIO MF GIR BSP1 4-19X1 4-19	MALE FEMAL.NIPPLE1 4-19X1 4-19			
31	F03151217R	RACCORDO -T- LATER.M-M-FG 1 4	T M-FG-M LATER.CONNECTION PIPE	RACCORD T M-FG-M 1 4	ANSCHLUSST M-FG-M 1 4	UNION T M-HG-M 1 4
32	G22505140R	TUBO 1 4R2 C-F 1 4 L.2350 LM	TUBE 1 4R1 C-F 1 4 L.2350 LM	TUBE 1 4R2 C-F 1 4 L.2350 LM	ROHR 1 4R2 C-F 1 4 L.2350 LM	TUBO 1 4R2 C-F 1 4 L.2350 LM
33	F03151226R	REGOL.DI FLUSSO VRF 1 4 GAS	1 4 GAS VALVE VRF	SOUPAPE REG DEBIT VRF 1 4 GAZ	VENITL VRF 1 4 GAS	V LVULA VRF 1 4 GAS
34	G17714260R	SUPPORTO DISCO SEGNAFILE	ROWMARKER DISK SUPPORT			
35	G16610431R	FONDELLO ZN	BOTTOM GALV.ED			
36	F04010156R	CUSC. D20 D47 B14 6204 2RSH	BEARING D20 D47 B14 6204 2RSH	ROULEMENTD20 D47 B14		
37	G18801270R	BOCCOLA 21 X25 X12 ZN B.	BUSHING 21 X25 X12 ZN			
38	G16610160R	SUPP.CUSCINETTI DISCO SEGN.ZN.	GALVAN. ROWMARKER DISK BEARING	SUPPORT ROULEMENTS DISQUE TRAC	SCHEIBENLAGERHALTERUNG	SOPORTE COJINETE DE DISCO MARC
39	F03010576R	ANELLO OR 50,52X1,78 NBR	GASKET OR 50,52X1,78 NBR	BAGUE OR 50,52X1,78 NBR	RING OR 50,52X1,78 NBR	ANILLO OR 50,52X1,78 NBR
40	G16072590R	DISCO SEGNAFILE D.350	ROW-MARKER DISK D.350			
41	G16610190R	CHIUSURA CUSCINETTO ZN	END BEARING ZN			
42	F01230098R	DADO M18X2,5 D982 8 ZN	NUT M18X2,5 D982 8 ZN	ECROU M18X 2,5 D982 8 ZN	MUTTER M18X 2,5 D982 8 ZN	TUERCA M18X 2,5 D982 8 ZN
43	F01060040R	VITE M8X1,25X20 U5731 8.8ZN	SCR. M8X1,25X20 U5732 4.6ZG	VIS M8X1,25X20 U5732 4.6 ZN	SCHRA. M8X1,25X20 U5732 4.6 ZN	TORN. M8X1,25X20 U5732 4.6 ZN
44	F02050370R	ANELLO E. DI 47X1,75 U7437 C70	SEEGER RING 47X 1,75 U7437 C70	SEEGER E. 47X 1,75 U7437 C70	SEEGERING E. 47X1,75 U7437 C70	ANILLO E. 47X 1,75 U7437 C70
45	F01200244R	DADO M8X1,25 U5588 CL8 ZN	NUT M8X1,25 U5588 6.8ZN	ECROU M8 X1,25 U5588 6.8 ZN	MUTTER M8 X1,25 U5588 6.8 ZN	TUERCA M8X1,25 U5588 CL8 ZN
46	F01500012R	RONDELLA IN RAME 1 4	COPPER WASHER 13X19X1,5-1 4	RONDELLE 13X19X1,5-1 4	SCHEIBE 13X19X1,5-1 4	ARANDELA 13X19X1,5-1 4
47	F03150266R	NIPPLIO MM CIL-CIL 1 4-1 4 ZN	NIPPLE CYL.MALE 1 4 GALV.	NIPPLE MALE CYL. 1 4 ZN	NIPPELZYL.1 4 ZN	NIPLE MACHO CIL.1 4 ZN
48	F03151217R	RACCORDO -T- LATER.M-M-FG 1 4	T M-FG-M LATER.CONNECTION PIPE	RACCORD T M-FG-M 1 4	ANSCHLUSST M-FG-M 1 4	UNION T M-HG-M 1 4
49	F03150859R	CURVA 90 F.GIREV.1 4 - M.1 4	ELBOW 90 F.SLEWING 1 4 -M.1 4	COUDE 90 F.TOURN.1 4 - M.1 4	KNIESTSCK 90 F.DREHB.1 4 - M.	CURVA 90 F.GIRAT.1 4 - M.1 4



KIT LUCI E TABELLE DI INGOMBRO STRADALE LIGHTING KIT AND WARNING BOARDS

TAV. 193

Pos.	Cod.	Descrizione	Description	Description	Benennung	Descripcion
1	G16240750R	ATTACCO TABELLA	CHART FIXING	FIXATION TABLEAU	KUPPLUNG TABELLE	CONEXI N TABLA
2	G16211010R	SUPPORTO FANALI M	LIGHTS SUPPORT			
3	G15412650R	TUBO Q. 16X1,5X643 ZN	GALVAN. SQUARE 16X1,5X643	TUBE CARRE 16X1,5X643 ZN	ROHR Q. 16X1,5X643 ZN	TUBO CUADRADO 16X1,5X643 ZN
4	F05010357R	N.2 PANNELLI CARICHI SPORGENTI	N.2 JUTTING LOAD PANELS	N.2 PANNEAUX CHARGES SAILLANT	N.2 TAFELN VORSRINGENDE LADUN	2 PANELES CARGADOS SALIENTES
5	G13616620R	KIT LUCI PER MACCHINE PORTATE	KIT LIGHTS FREIGHTED MACHINE			
6	F20110705R	CAV.Q.B=40 M=10X1,5 L=62	U BOLT Q,B=40 M=10X1,5 L=62	CAVALIER ZN	BSGELBOLZEN ZN	PERNO EN U ZN
7	F01220033R	DADO M10X1,5 D980 8ZN	NUT M10X1,5 D980 8ZN	ECROU M10X1,5 D980 8ZN	MUTTER M10X1,5 D980 8ZN	TUERCA M10X1,5 D980 8
8	F01090216R	VITE M8X1,25X20 U5449 5.8ZN	SCR. M8X1,25X20 U5449 5.8ZN	VIS 8X20 UNI 5449 5.8 ZN	SCHRAUBE 8X20 UNI 5449 5.8 ZN	TORNILLO 8X20 UNI 5449 5.8 ZN
9	F01420036R	ROS.M6 6,4X 18X1,5 U6593 ZN	WASHER M6 6,4X 18X1,5 U6593 ZN	RONDELLE M6 6,4X18X1,5 U6593ZN	SCHEIBEN M6 6,4X18X1,5U6593 ZN	ARANDELA M6 6,4X18X1,5U6593ZN
10	F01410037R	ROS.M6 6,4X12,5X1,6 U6592 ZN	WASHER M6 6,4X12,5X1,6 U6592ZN	RONDEL.M6 6,4X12,5X1,6 U6592ZN	SCHEIB.M6 6,4X12,5X1,6 U6592ZN	ARAND.M6 6,4X12,5X1,6 U6592 ZN
11	F01020408R	VITE M6X1X30 U5739 8.8ZN	SCR. M6X1X30 U5739 8.8ZN	VIS M 6X1X30	SCHRAUBE M 6X1X30	TORNILLO M6X1X30 U5739 8
12	F01220011R	DADO M6X1 D980 8ZN	NUT M6X1 D980 8ZN	ECROU M6X1 D980 8 ZN	MUTTER M6X1 D980 8 ZN	TUERCA M6X1 D980 8 ZN
13	F20110715R	CAV.Q.B=50 M=10X1,5 L=80	UBOLTSTRIKER Q.B=50M10X1,5L=80	BUTEE M10X 1,5X 30 61X 80 ZB	ANSCHLAG M10X 1,5X 30 61X 80	EL. DE EMPALME M10X 1,5X 30
14	F05010221R	CATARIFRANGENTE TONDO D.80	ROUND REFLECTOR D.80			
15	G13616570R	PIASTRA SUPPORTO LUCI	LIGHTS PLATE SUPPORT			



(**) Fornito completo di pos. 21
Supplied with pos. 21

KIT LUCI E TABELLE DI INGOMBRO STRADALE LIGHTING KIT AND WARNING BOARDS

TAV. 220

Pos.	Cod.	Descrizione	Description	Description	Benennung	Descripcion
1	F05010818R	CATARIFR.TONDO D60 BIANCO	ROUND REFLECTOR D.60 WHITE			
2	F05010819R	CATARIFR.TONDO D60 GIALLO	ROUND REFLECTOR D.60 YELLOW	JAUNE R FLECTEUR ROUND	RUNDREFLEKTOR GELB D60	REFLECTOR REDONDO AMARILLO
3	F05010820R	CATARIFR.TONDO D60 ROSSO	ROUND REFLECTOR D.60 RED			
4	F05010822R	KIT FANALI DX-SX CON CAVO	KIT REAR ROAD LIGHTS MOUNTED			
5	GA5210020R	PORTA LUCE	BACK LIGHT SUPPORT			
6	GA5210030R	PORTA TARGA	NUMBERPLATE SUPPORT			
7	GA5210040R	SUPPORTO LUCE	SUPPORT LIGHT			
8	F20030261R	ETICH. LIMITE VELOCITA 40	SPEED LIMIT 40 LABEL			ETIQ. L MITE VELOCIDAD 40
9	GA5210070R	SUPP.LIMITE VELOCIT	SPEED LIMIT SUPPORT			
10	M04700558R	SUPPORTO TABELLA INGOMBRO	LIGHT-CHART SUPPORT			
11	F05010833R	KIT LUCI POST.STRAD.ECCEZ.	KIT REAR ROAD LIGHTS M.EXCEP.			
12	F20030444R	ETICH. LIMITE VELOC.40 GERMAN	GERMANY SPEED LIMIT 40 LABEL			
13	F01020436R	VITE M8X1,25X20 U5739 8.8ZN	SCR. M8X1,25X20 U5739 8.8ZN	VIS M8X1,25X20 U5739 8.8 ZN	SCHRAUBE M8X1,25X20U5739 8.8ZN	TORNILLO M8X1,25X20 U5739 8.8
14	F01200244R	DADO M8X1,25 U5588 CL8 ZN	NUT M8X1,25 U5588 6.8ZN	ECROU M8 X1,25 U5588 6.8 ZN	MUTTER M8 X1,25 U5588 6.8 ZN	TUERCA M8X1,25 U5588 CL8 ZN
15	F01410051R	ROS.M8 8,4X 17X1,6 U6592 ZN	WASHER M8 8,4X17X1,6 U6592 ZN	RONDELLE M8 8,4X17X1,6 ZN	SCHIEBE M8 8,4X17X1,6 U6592 ZN	ARAND.M8 8,4X 17X1,6 U6592 ZN
16	F01020404R	VITE M6X1X20 U5739 8.8ZN	SCREW M6X1X20 U5739 8.8ZN	VIS M6X1X20 U5739 8.8ZN	SCHRAUBE M6X1X20 U5739 8.8ZN	TORNILLO M6X1X20 U5739 8.8ZN
17	F01020408R	VITE M6X1X30 U5739 8.8ZN	SCR. M6X1X30 U5739 8.8ZN	VIS M 6X1X30	SCHRAUBE M 6X1X30	TORNILLO M6X1X30 U5739 8
18	F01220011R	DADO M6X1 D980 8ZN	NUT M6X1 D980 8ZN	ECROU M6X1 D980 8 ZN	MUTTER M6X1 D980 8 ZN	TUERCA M6X1 D980 8 ZN
19	F01420036R	ROS.M6 6,4X 18X1,5 U6593 ZN	WASHER M6 6,4X 18X1,5 U6593 ZN	RONDELLE M6 6,4X18X1,5 U6593ZN	SCHIEBEN M6 6,4X18X1,5U6593 ZN	ARANDELA M6 6,4X18X1,5U6593ZN
20	F01420037R	ROS.M6 6,4X 24X1,5 U6593 ZN	WASHER M6 6,4X24X1,5 U6593 ZN			
21	G16612071R	TELAIO SUPP.TABELLE STRAD.	FRAME SUPPORT TABLE			
22	F01020210R	VITE M14X2X80 U5737 8.8ZN	BOLT M14X2X80 U5737 8.8ZN	VIS M14X2X80 ZN	SCHRA. M14X2X80 U5737 8.8ZN	TORN. M14X2X80 U5737 8.8ZN
23	F01230073R	DADO M14X2 D982 8ZN	SELF LOCK NUT M14X2 D982 8ZN	ECROU AUTOBL.M14X2 ZN	SELBSTSP.MUTT. M14X2 D982 8ZN	TUERCA AUTOBL. M14X2 D982 8ZN
24	F01020470R	VITE M10X1,5X20 U5739 8.8ZN	SCR. M10X1,5X20 U5739 8.8ZN	VIS M10X1,5X20 U5739 8.8 ZN	SCHRAUBE M10X1,5X20 U5739 ZN	TORNILLO M10X1,5X20 U5739 8
25	F01090215R	VITE M8X1,25X15 U5449 5.8ZN	SCR. M8X1,25X15 U5449 5.8ZN	VIS M8X1,25X15 U5449 5.8ZN	SCHRAU. M8X1,25X15 U5449 5.8ZN	TORN. M8X1,25X15 U5449 5.8ZN
26	GB7912130R	SUPPORTO TAB.POST.SX NINA	REAR LEFT TABLE SUPPORT NINA			
27	GB7912140R	SUPPORTO TAB.POST.DX NINA	REAR RIGHT TABLE SUPPORT NINA			
28	GA6910070R	SUPPORTO TAB.STRAD. S.MARIA	TABLE SUPPORT S.MARIA			
29	F01020040R	VITE M6X1X40 U5737 8.8ZN	SCR. M6X1X40 U5737 8.8ZN	VIS M6X1X40 U5737 8.8ZN	SCHRAU. M6X1X40 U5737 8.8ZN	TORNILLO M6X1X40 U5737 8
30	F01200232R	DADO M6X1 U5588 CL8 ZN	NUT M6X1 U5588 6.8ZN	ECROU 6 UNI 5588 6.8 ZN	MUTTER 6 UNI 5588 6.8 ZN	TUERCA M6X1 U5588 CL8 ZN
31	F01410023R	RONDELLA D5 UNI 6592 ZN	WASHER M5 5,3X 10X 1 U6592			
32	F01200220R	DADO M5X0,8 U5588 CL8 ZN	NUT M5X0,8 U5588 6.8ZN	ECROU 5 UNI 5588 6.8 ZN	MUTTER 5 UNI 5588 6.8 ZN	TUERCA M5X0,8 U5588 CL8 ZN
35	F05010820R	CATARIFR.TONDO D60 ROSSO	ROUND REFLECTOR D.60 RED			
36	F01020508R	VITE M12X1,75X25 U5739 8.8ZN	SCR. M12X1,75X25 U5739 8.8ZN	VIS M12X1,75X25 U5739 8.8 ZN	SCHRAUBE M12X1,75X25U57398.8ZN	TORNILLO M12X1,75X25 U5739
37	G17715130R	SUPPORTO LAT.CATADIOTRI	REFLECTOR LATERAL SUPPORT			
40	F01200293R	DADO M12X1,75 U5588 CL8 ZN	NUT M12X1,75 U5588 6S ZN	ECROU M12X1,75 U5588 6S ZN	MUTTER M12X1,75 U5588 6S ZN	TUERCA M12X1,75 U5588 CL8 ZN
41	F01410076R	ROS.M12 13X 24X2,5 U6592 ZN	WASHER 12 13X 24X2,5 U6592 ZN	RONDEL. M12 13X24X2,5 U6592 ZN	SCHIEBE M12 13X24X2,5 U6592 ZN	ARAND.M12 13X 24X2,5 U6592 ZN
42	G16223270R	SUPPORTO TAB.STRAD.DAMA-NINA	TABLE SUPPORT DAMA-NINA			
43	F20030258R	ETICH. LIMITE VELOCITA 25	SPEED LIMIT 25 LABEL	ETIQ. LIMITATION VITESSE 25	LABEL GRENZDREHZAH 25	ETIQ. LIMITE VELOCIDAD 25
44	F20030429R	ETICH. LIMITE VELOC.40 FRANCIA	FRANCE SPEED LIMIT 40 LABEL			
45	F05010816R	TABELLE 2 CAR.SPORGENTI IT	WARNING BOARDS 2 IT			
46	F05010817R	TABELLE 2 CAR.SPORGENTI FR-D	WARNING BOARDS 2 FR-DE	TABLEAUX 2 AVERTISSEM. FR-DE	BRETT 2 WARNUNG FR-DE	TABLAS 2 CAR.ADVERT. FR-DE

USATE SEMPRE RICAMBI ORIGINALI
ALWAYS USE ORIGINAL SPARE PARTS
IMMER DIE ORIGINAL-ERSATZTEILE VERWENDEN
EMPLOYEZ TOUJOURS LES PIECES DE RECHANGE ORIGINALES
UTILIZAR SIEMPRE REPUESTOS ORIGINALES

GASPARDO

Servizio Assistenza Tecnica - After Sales Service

Servizio Ricambi - Spare Parts Service



maschio.com

DEALER:



MASCHIO GASPARDO SpA

Registered office & Production plant
Via Marcello, 73 - 35011 Campodarsego (Padova) - Italy
Tel. +39 049 9289810
Fax +39 049 9289900
info@maschio.com
www.maschionet.com

MASCHIO GASPARDO SpA
Production plant

Via Mussons, 7 - 33075 Morsano al Tagliamento (PN) - Italy
Tel. +39 0434 695410
Fax +39 0434 695425
info@gaspardo.it

MASCHIO DEUTSCHLAND GMBH

Äußere Nürnberger Straße 5
D - 91177 Thalmässing - Deutschland
Tel. +49 (0) 9173 79000
Fax +49 (0) 9173 790079
dialog@maschio.de
www.maschio.de

MASCHIO-GASPARDO North America

112 3rd Avenue East
Dewitt, IA 52742 - USA
Ph. +1 563 659 6400
Fax +1 563 659 6405
info@maschio.us

MASCHIO FRANCE Sarl

Rue Denis Papin ZA
F - 45240 La Ferté St. Aubin
France
Tel. +33 (0) 2.38.64.12.12
Fax +33 (0) 2.38.64.66.79
info@maschio.fr

MASCHIO-GASPARDO ROMANIA S.R.L.

Strada Înfrăţirii, F.N.
315100 Chisineu-Cris (Arad) -România
Tel. +40 257 307030
Fax +40 257 307040
info@maschio.ro

000 MASCHIO-ГАСПАРДО РУССИЯ

Улица Пушкина, 117 Б
404130 Волжский
Волгоградская область
Тел. +7 8443 203100
факс. +7 8443 203101
info@maschio.ru

MASCHIO-GASPARDO IBERICA
MASCHIO-GASPARDO POLAND
MASCHIO-GASPARDO UCRAINA
GASPARDO-MASCHIO TURCHIA
MASCHIO-GASPARDO CINA
MASCHIO-GASPARDO INDIA