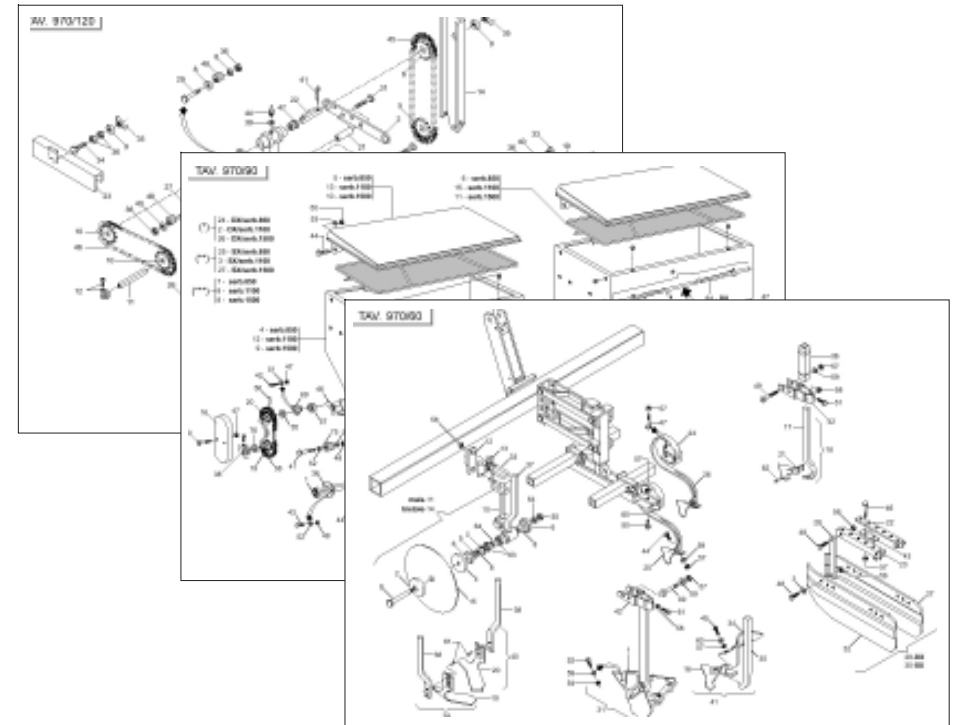


GASPARDO

MASCHIO GASPARDO S.p.A.



HL-HP

Cod: G19531081 2015-12

- *) Valido per Paesi UE
- *) Valid for EU member countries
- *) Valable dans les Pays UE
- *) Gilt für EU-Mitgliedsländer
- *) Válido para Países UE

- IT** PARTI DI RICAMBIO
- EN** SPARE PARTS
- DE** ERSATZTEILE
- FR** PIÈCES DÉTACHÉES
- ES** PIEZAS DE REPUESTO

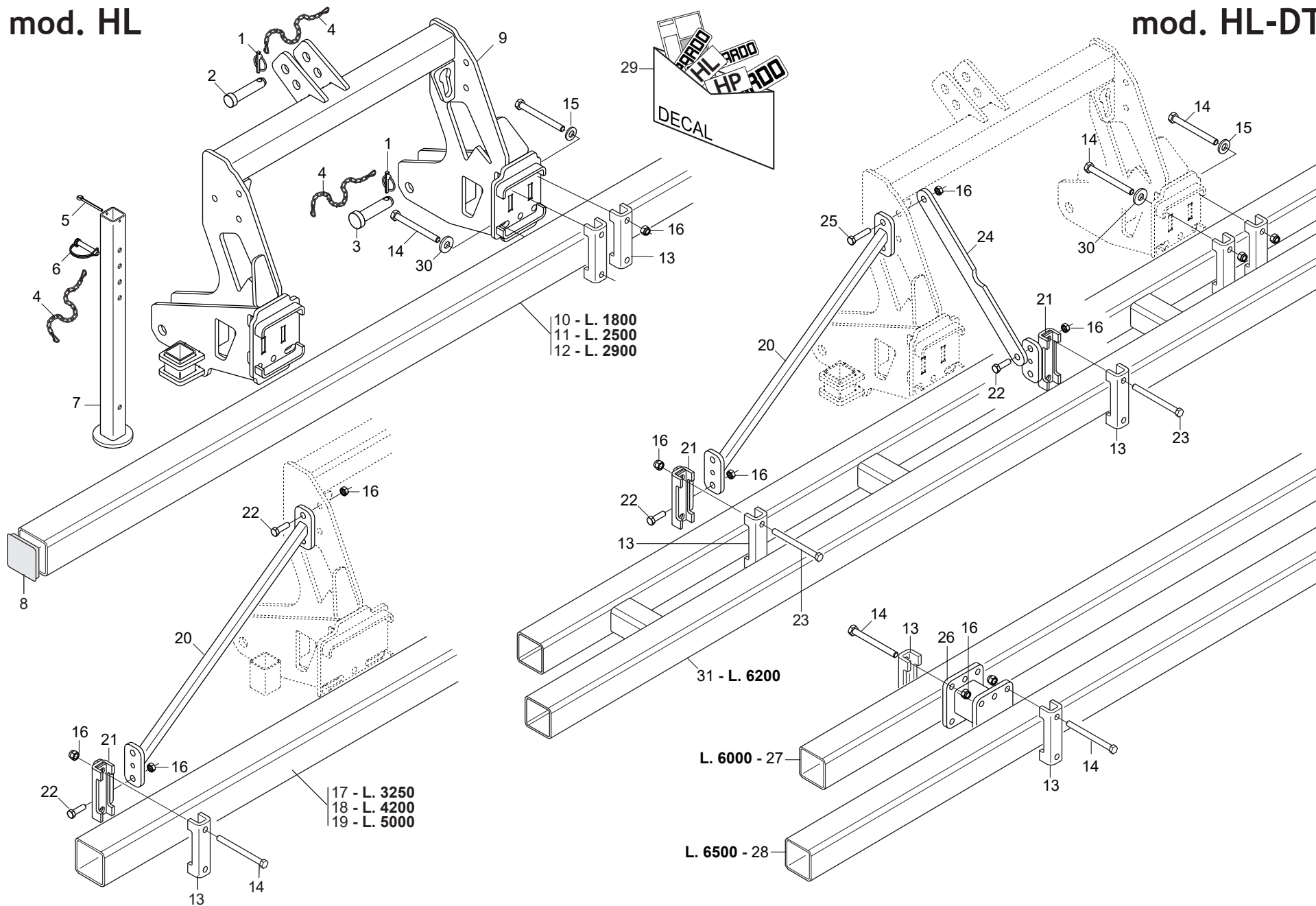
ITALIANO	ENGLISH	DEUTSCH	FRANÇAIS	ESPAÑOL
PARTI DI RICAMBIO	SPARE PARTS	ERSATZTEILE	PIECES DÉTACHÉES	RESPUESTOS
<p>Le ordinazioni delle parti di ricambio vanno fatte presso i nostri concessionari di zona e devono essere sempre corredate dalle seguenti indicazioni:</p> <ul style="list-style-type: none"> - Tipo, modello e numero di matricola dell'attrezzatura. Tali dati sono stampigliati nell'apposita targhetta di cui è dotata ogni attrezzatura. - Numero di codice della parte richiesta rilevabile dal catalogo ricambi. - Descrizione del particolare e quantità richiesta. - Numero della tavola. - Mezzo di trasporto. Nel caso questa voce non sia specificata, la Ditta Costruttrice, pur dedicando a questo servizio una particolare cura, non risponde di eventuali ritardi di spedizione dovuti a cause di forza maggiore. Le spese di trasporto si intendono sempre a carico del destinatario. La merce viaggia a rischio e pericolo del committente anche se venduta franco destino. <p>NOTA: Il termine (Dx) Destro o (Sx) Sinistro della macchina o di parti di essa, è inteso guardando la macchina dalla parte posteriore. Le eccezioni saranno indicate.</p>	<p><i>Orders must be transmitted through our area dealers and should always include the following indications:</i></p> <ul style="list-style-type: none"> - Type, model and serial number of the machine. <i>These data are punched on the data plate with which every implement is equipped.</i> - Code number of the required spare part. <i>This will be found in the spare parts catalogue.</i> - Description of the part and required quantity. - Table number. - Means of dispatch. <i>If this item is not indicated, the Manufacturer, while dedicating particular care to this service, shall not be held responsible for delays in delivery caused by cases of force majeure.</i> <i>Transport expenses shall always be at the consignee's charge. The goods travel at the purchaser's risk and peril even when sold ex destination.</i> <p>NOTE: <i>The symbols (Dx) right and (Sx) left, concerning the machine or single parts of it, are referred, as in the figure, to a rear view of them. Exceptions will be indicated.</i></p>	<p>Die Bestellungen müssen bei unseren Gebietshändlern aufgegeben werden. Bei der Bestellung sind stets die folgenden Angaben zu machen:</p> <ul style="list-style-type: none"> - Typ, Modell und Serien-Nummer des Geräts. Diese Daten stehen auf dem Typenschild, mit dem jedes Gerät versehen ist. - Artikel Nr. der erforderlichen Ersatzteile. Diese stehen im Ersatzteil-Katalog. - Beschreibung des Ersatzteils und die erforderliche Stückzahl. - Tafelnummer. - Versandmittel. Wenn dieser Punkt nicht spezifiziert wird, haftet die Herstellerfirma nicht für etwaigen Lieferverzug aufgrund höherer Gewalt, auch wenn er diesen Service besonders aufmerksam abwickelt. Die Frachtkosten gehen dagegen immer zu Lasten des Empfängers. Die Ware reist auf Gefahr und Risiko des Auftraggebers, auch wenn frei Haus Verkauft vereinbart worden ist. <p>N.B.: Die Merkzeichen (Dx) rechts und (Sx) links betreffen eine rückwärtige Aussicht der Maschine oder Teile von ihr (siehe Bild). Ausnahmen werden gezeigt.</p>	<p><i>Les ordres doivent être effectués auprès de nos concessionaires de zone en précisant les indications suivantes:</i></p> <ul style="list-style-type: none"> - Type, modèle et numéro de série de la machine. <i>Ces données sont gravées sur la plaque d'identification de chaque outil.</i> - Numéro de code de la pièce détachée indiqué sur le catalogue des pièces détachées. - Description de la pièce et quantité requise. - Numéro de plan. - Moyen d'expédition. <i>Si cette rubrique n'est pas indiquée, le Constructeur, bien que soucieux de ce service, ne répond pas des retards d'expédition pour des causes de force majeure.</i> <i>Les frais de transport sont toujours à la charge du destinataire. La marchandise voyage aux risques et périls de l'acheteur même si vendue franco de port.</i> <p>N.B.: <i>Les références (Dx) droit et (Sx) gauche de la machine ou des parties de la même, est entendue, comme de la figure, en regardant la machine de derriere dans le sens de marche.</i></p>	<p>Los pedidos han de efectuarse en nuestros concesionarios de zona y deben incluir siempre las siguientes indicaciones:</p> <ul style="list-style-type: none"> - Tipo, modelo y número de matrícula del equipo. Dichos datos están impresos en la relativa placa presente en el equipo. - Número de código de la parte requerida presente en el catálogo respuestas. - Descripción de la pieza y cantidad requerida. - Numero de ilustración. - Medio de transporte. En caso que este ítem no esté especificado, el Fabricante, aún prestando la debidas consideraciones para este aspecto, no responde por eventuales retardos de env'o debidos a causas de fuerza mayor. Los gastos de transporte se consideran siempre a cargo del destinatario. La mercadería viaja bajo riesgo y peligro del comprador, incluso cuando se vende franco destino. <p>N.B.: La refencia (Dx) derecha o (Sx) izquierda de la máquina o de sus componentes, se entiende, como en la figura, mirando la máquina por la parte trasera. Se indicarán las excepciones.</p>

N° Tavola	Descrizione	Pagina
TAV. 011	Telaio «HL» «HL-DT»	4
TAV. 021	Telaio «HP»	6
TAV. 031	Impianto oleodinamico telaio «HP»	8
TAV. 041	Ruote portanti «HL» «HP»	10
TAV. 180	Ruote portanti «HL-DT»	12
TAV. 050	Guida manuale	14
TAV. 060	Guida automatica	16
TAV. 073	Telaio elemento operatore	18
TAV. 200	Ruote in gomma	20
TAV. 081	Elementi operatori	22
TAV. 091	Protezioni piante	24
TAV. 100	Dischi direzionali	26
TAV. 110	Supporti serbatoi spandiconcime	28
TAV. 120	Serbatoi spandiconcime in metallo	30
TAV. 130	Serbatoi spandiconcime plastica	34
TAV. 140	Trasmissione spandiconcime	38
TAV. 152	Trasmissione cardanica spandiconcime	40
TAV. 190	Trasmissione elettrica spandiconcime	42
TAV. 210	Assolcatori concime	44
TAV. 220	Distribuzione concime con “Front Tank”	46
TAV. 161	Attacco frontale	48
TAV. 172	Accessori	50

TAV. 011

mod. HL

mod. HL-DT



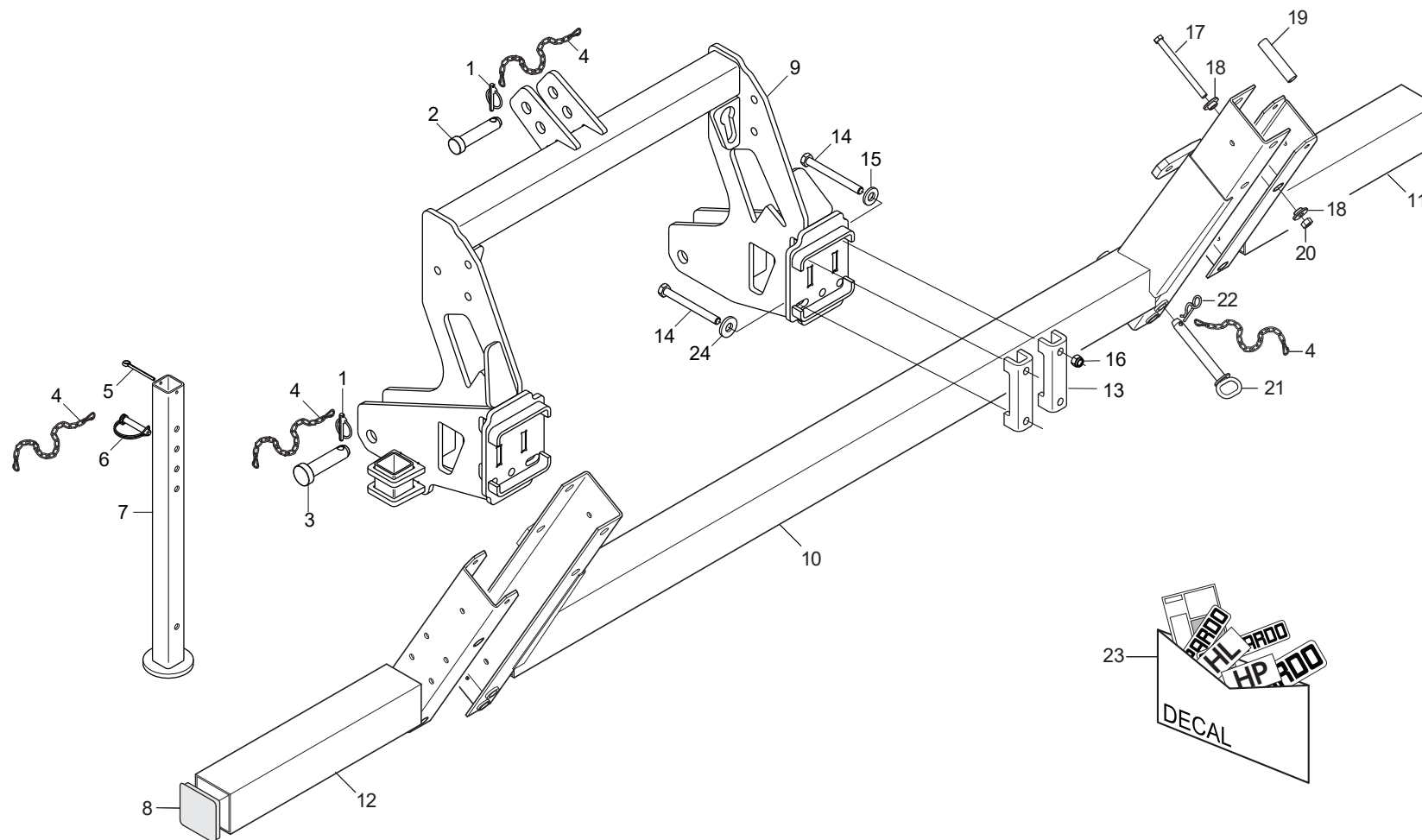
TELAIO «HL» «HL-DT»

TAV. 011

Pos.	Cod.	Descrizione	Description	Description	Benennung	Description
1	F02200507	SPINA A SCATTO D 9 B/83	SNAP PIN D9 B/83 ZN	FICHE A DETENTE D9 B/83 ZN	EINRASTSTIFT D9 B/83 ZN	CLAVIJA DE MUELLE D9 B/83 ZN
2	F20100132	PERNO D25 L 91 C43 TEST.D60 ZN	PIN D25 L91 C43 ZN			
3	F20100135	PERNO D28 L 93 C43 TEST.D60 ZN	PIN D28 L93 C43 GALV.ED			
4	G13812311	CATENELLA CON MOSCHETTONE ZN	CHAIN WITH SPRING CATCH	CHAINETTE AVEC MOUSQUETON	KETTE MIT KARABINERHAKEN	CADENA CON GANCHO
5	F02200247	COPIGLIA 6X 60 U1336 ZN	SPLIT PIN 6X 60 U1336 ZN			
6	F02200584	SPINA SICUR. D. 12X70 ZN	PIN D12 L70 ZN	FICHE D12 L70 ZN	STIFT D12 L70 ZN	CLAVIJA D12 L70 ZN
7	G13619620	ASS.PUNTELLO UNIFICATO	PROP STANDARD			
8	F03150772	TAPPO X TUBO 100X100 SP.5-6	PROTECTION PLUG 100 SP.5-6	BOUCHON DE PROTECTION 100 SP.5	SCHUTZPFROPFEN 100 SP.5-6	TAPN DE PROTECCIN 100 SP.5-6
9	G13619600	ASS.TERZO PUNTO UNIFICATO	ASS.3RD POINT			
10	G23440205	TELAIO L.1800 HL	FRAME L.1800 HL	BATI L. 1800 HL	RAHMEN L.1800 HL	BASTIDOR L.1800 HL
11	G23440520	TELAIO ANTERIORE HL/ID	FRAME FRONT HL/ID	BATI AVANT HL/ID	VORDERRAHMEN HL/ID	BASTIDOR DELANTERO HL/ID
12	G13610850	TUBO TELAIO FISSO L.2900 Q.100	FIXED PIPE FRAME L.2900 Q.100	TUBE BATI FIXE L.2900 Q.100	ROHR FIXER RAHMEN L.2900 Q.100	TUBO BASTIDOR FIJO L.2900 Q100
13	G13710561	SCONTRIO A U SP.10 2F16,5 118	U-SHAPED PLAT.SP.10 2F16,5 118			
14	F01020273	VITE M16X2X160 U5737 8.8BR	SCR. M16X2X160 U5737 8.8BR	VIS M16X 2X160 U5737 8.8	SCHR. M16X 2X160 U5737 8.8	TORN. M16X 2X160 U5737 8.8
15	F01410100	ROS.M16 17X 30X 3 U6592 ZN	WASHER M16 17X30X3 U6592 ZN	RONDELLE M16 17X30X3 U6592 ZN	SCHRAUBE M16 17X 30X3 U6592 ZN	ARANDELA M16 17X30X 3 U6592 ZN
16	F01220266	DADO M16X2 D980 8ZN	NUT M16X2 D980 8ZN	ECROU M16X 2 D980 8 ZN	MUTTER M16X 2 D980 8 ZN	TUERCA M16X 2 D980 8 ZN
17	G23440133	TELAIO L.3250 HL	FRAME L.3250 HL	BATI L. 3250 HL	RAHMEN L.3250 HL	BASTIDOR L.3250 HL
18	G13611230	TELAIO FISSO L.4200 Q.100	FIX FRAME L.4200 Q.100			
19	G13611260	TELAIO FISSO L.5000 Q.100	FIX FRAME L.5000 Q.100			
20	G13612560	ASS.TIRANTE LATERALE UNIFICATO	TIE ROD SIDE ASS.BLY STANDARD			
21	G13612570	ASS.SUPP.TIRANTI LAT.UNIFICATI	SUPP.TIE RODS ASS.BLY			
22	F01020568	VITE M16X2X45 U5739 8.8ZN	SCR. M16X2X45 U5739 8.8ZN	VIS M 16X 2X45 U5739 8.8 ZG	SCHRAUBE M 16X 2X45 U5739 8.8	TORNILLO M16X 2X45 U5739 8.8
23	F01020291	VITE M16X2X170 U5737 8.8BR	SCR. M16X 2X170 U5737 8.8 BR	VIS M16X 2X170 U5737 8.8 BR	SCHRAU. M16X 2X170 U5737 8.8BR	TORN. M16X 2X170 U5737 8.8 BR
24	G13619770	TIRANTE 3 PUNTO UNIFICATO	3RD POINT TIE ROD			
25	F01020256	VITE M16X2X60 U5737 8.8ZN	SCR. M16X2X60 U5737 8.8ZN	VIS M16X 2X60 U5737 8.8 ZN	SCHRAUBE M16X2X60 U5737 8.8 ZN	TORNILLO M16X2X60 U5737 8.8 ZN
26	G13612600	ASS.DISTANZIALE TELAI L.130	ASSY FRAME SPACER L.130			
27	G13612350	TUBO TELAIO FISSO L.6000 Q.100	FIXED FRAME PIPE L.6000 Q.100	TUBE BATI FIXE L.6000 Q.100	ROHR FIXER RAHMEN L.6000 Q.100	TUBO BASTIDOR FIJO L.6000 Q100
28	G13612140	TUBO TELAIO FISSO L.6500 Q.100	FIXED FRAME PIPE L.6500 Q.100	TUBE BATI FIXE L.6500 Q.100	ROHR FIXER RAHMEN L.6500 Q.100	TUBO BASTIDOR FIJO L.6500 Q100
29	G89900513	KIT DECALCOMANIE HL-HP-HI	LABELS KIT HL-HP-HI			
30	G18700450	RONDELLA 17 X45 X6 ZN	WASHER 17X45X6 GALV.ED			
31	GA3611370	TELAIO PORTANTE 6200 HL-DT	MAIN FRAME 6200 HL-DT			

TAV. 021

mod. HP

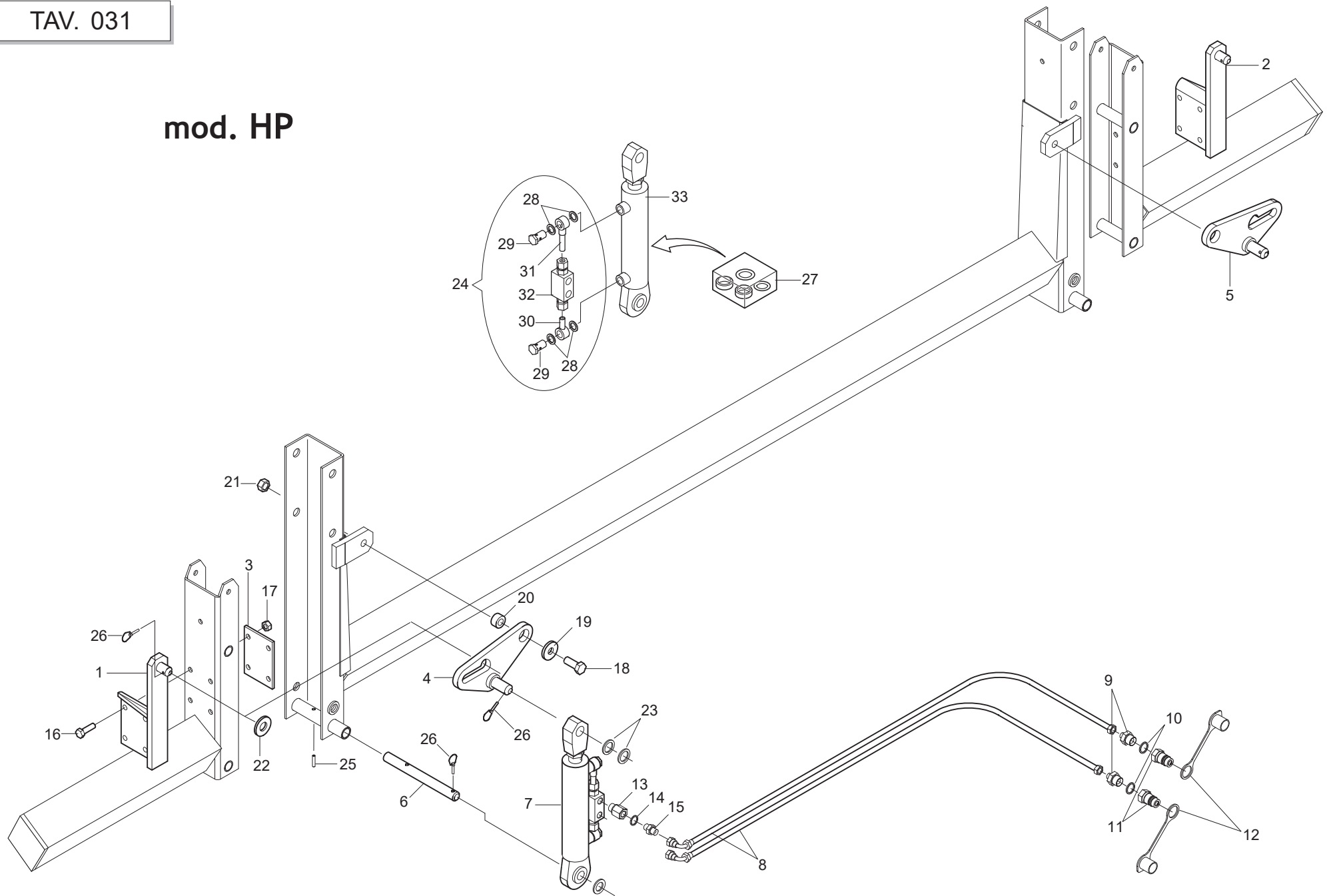


TELAIO «HP»

TAV. 021

Pos.	Cod.	Descrizione	Description	Description	Benennung	Descripcion
1	F02200507	SPINA A SCATTO D 9 B/83	SNAP PIN D9 B/83 ZN	FICHE A DETENTE D9 B/83 ZN	EINRASTSTIFT D9 B/83 ZN	CLAVIJA DE MUELLE D9 B/83 ZN
2	F20100132	PERNO D25 L 91 C43 TEST.D60 ZN	PIN D25 L91 C43 ZN			
3	F20100135	PERNO D28 L 93 C43 TEST.D60 ZN	PIN D28 L93 C43 GALV.ED			
4	G13812311	CATENELLA CON MOSCHETTONE ZN	CHAIN WITH SPRING CATCH	CHAINETTE AVEC MOUSQUETON	KETTE MIT KARABINERHAKEN	CADENA CON GANCHO
5	F02200247	COPIGLIA 6X 60 U1336 ZN	SPLIT PIN 6X 60 U1336 ZN			
6	F02200584	SPINA SICUR. D. 12X70 ZN	PIN D12 L70 ZN	FICHE D12 L70 ZN	STIFT D12 L70 ZN	CLAVIJA D12 L70 ZN
7	G13619620	ASS.PUNTELLO UNIFICATO	PROP STANDARD			
8	F03150772	TAPPO X TUBO 100X100 SP.5-6	PROTECTION PLUG 100 SP.5-6	BOUCHON DE PROTECTION 100 SP.5	SCHUTZPFROPFEN 100 SP.5-6	TAPN DE PROTECCIN 100 SP.5-6
9	G13619600	ASS.TERZO PUNTO UNIFICATO	ASS.3RD POINT			
10	G13612230	TELAIO CENTRALE HP	FRAME CENTRAL HL/2	BATI CENTR. HP	MITTELRAHMEN HP	BASTIDOR CENTRAL HP
11	G23440051	ARTIC.INCLINATA DX	RIGHT RIGHT SLOPED CONNECTION	ARTICULATION INCLINEE DRT.	GELENK SCHRZG RECHTS	ARTIC. INCLINADA DER.
12	G23440049	ARTIC.INCLINATA SX	LEFT SLOPED CONNECTION	ARTICULATION INCLINEE GCH.	GELENK SCHRZG LINKS	ARTIC.INCLINADA IZQ.
13	G13710561	SCONTRO A U SP.10 2F16,5 118	U-SHAPED PLAT.SP.10 2F16,5 118			
14	F01020273	VITE M16X2X160 U5737 8.8BR	SCR. M16X2X160 U5737 8.8BR	VIS M16X 2X160 U5737 8.8	SCHR. M16X 2X160 U5737 8.8	TORN. M16X 2X160 U5737 8.8
15	F01410100	ROS.M16 17X 30X 3 U6592 ZN	WASHER M16 17X30X3 U6592 ZN	RONDELLE M16 17X30X3 U6592 ZN	SCHRAUBE M16 17X 30X3 U6592 ZN	ARANDELA M16 17X30X 3 U6592 ZN
16	F01220266	DADO M16X2 D980 8ZN	NUT M16X2 D980 8ZN	ECROU M16X 2 D980 8 ZN	MUTTER M16X 2 D980 8 ZN	TUERCA M16X 2 D980 8 ZN
17	F01020179	VITE M12X1,75X150 U5737 8.8ZN	SCR. M12X1,75X150 U5737 8.8ZN	VIS M12X1,75X150 5737 8.8 ZN	SCHRA.M12X1,75X150 5737 8.8 ZN	TORN. M12X1,75X150 5737 8.8 ZN
18	G15421231	BOCCOLA BRACCIO SUPERIORE	UPPER ARM BUSHING	BOITE BRAS SUPERIEURE	OBERE ARMBsCHSE	CASQUILLO BRAZO SUPERIOR
19	G23440015	DIST.ARTIC.TELAIO	SPACER- FRAME ARTICUL.	ENTRETOISE ARTICUL. BATI	DISTANZSTsCK GELENK RAHMEN	DIST. ARTIC. BASTIDOR
20	F01220048	DADO M12X1,75 D980 8ZN	NUT M12X1,75 D980 8ZN	ECROU M12X1,75 D980 8 ZN	SCHEIBE M12X1,75 D980 8 ZN	TUERCA M12X1,75 D980 8 ZN
21	G14215360	SPINA DI SICUREZZA	PIN D20 L173,5	FICHE D20 L173,5	STIFT D20 L173,5	CLAVIJA D20 L173,5
22	G18903261	MOLLA FERMO SPIRONI ZN	GALVAN. COIL STOP SPRING	RESSORT ARRET SPIRES ZN	FEDER FESTSTELLVORR. FEDERHALT	MUELLE BLOQUEO VARILLA PORTAM
23	G89900513	KIT DECALCOMANIE HL-HP-HI	LABELS KIT HL-HP-HI			
24	G18700450	RONDELLA 17 X45 X6 ZN	WASHER 17X45X6 GALV.ED			

mod. HP

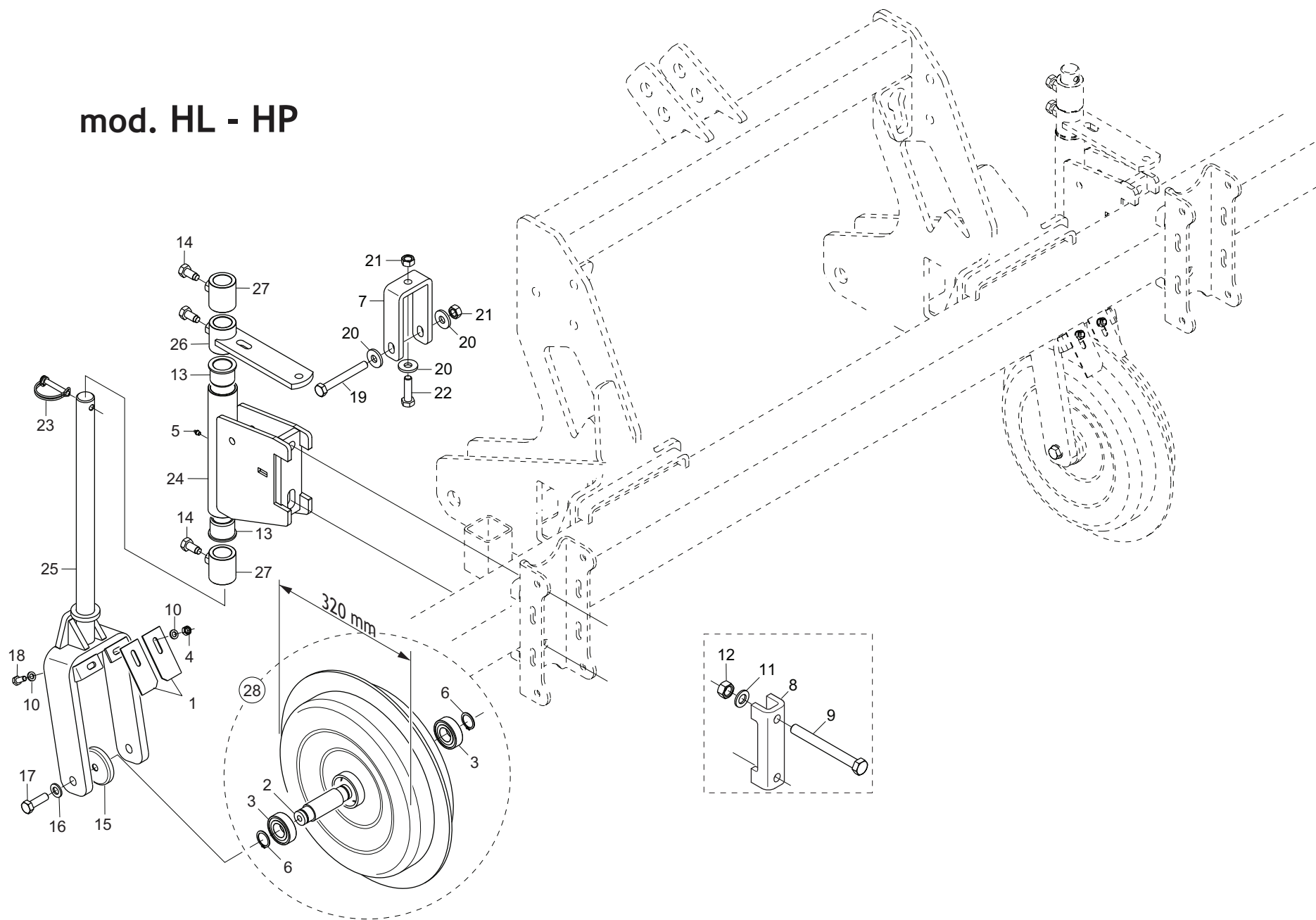


IMPIANTO OLEODINAMICO TELAIO «HP»

TAV. 031

Pos.	Cod.	Descrizione	Description	Description	Benennung	Descripcion
1	G13612050	ATTACCO CILINDRO BRACCIO SX	CYLINDER ATT. SX	RACCORD CYLINDRE SX	ZYLINDERKUPPLUNG SX	CONEXIN CILINDRO SX O
2	G13612040	ATTACCO CILINDRO BRACCIO DX	CYLINDER ATT. DX	RACCORD CYLINDRE DX	ZYLINDERKUPPLUNG DX	CONEXIN CILINDRO DX O
3	G13612060	PIASTRAATTACCO X HP	LINK PLATE HP			
4	G13612270	PIASTRA SCORR.DX	SLIDING PLATE RIGHT			
5	G13612280	PIASTRA SCORR.SX	SLIDING PLATE LEFT			
6	G13612240	PERNO ATTACCO CILINDRO	CYLINDER LINK PIN			
7	G13612190	CILINDRO CON VALVOLA DI BLOCCO	CYLINDER WITH STOP-VALVE	CYLINDRE AVEC VANNE DE BLOPAGE	ZYLINDER MIT BLOCKIERVENTIL	CILINDRO CON VALV. DE BLOQUEO
8	G15210554	TUBO 1/4R2 F1/4-CF1/4 2850	TUBE 1/4R2 F1/4-CF1/4 2850			
9	F03150211	NIPPLO MM CIL-CIL 1/2-1/4 ZN	NIPPLE MM CIL-CIL 1/4-1/2 ZN	NIPLE MM 1/4-1/2 ZN	NIPLE GG 1/4-1/2 ZN	NIPLE MM 1/4-1/2 ZN
10	F03151370	RONDELLA BONDED SEAL 1/2" NBR	WASHER BONDED SEAL 1/2" NBR			
11	F03150935	INNESTO RAP.MASCH.1/2 A VALV.	QUICK CONNECT MALE CONE 1/2	CONNEXION RAPIDE MALE CONE 1/2	SCHNELLKUPP.GEWINDE KONISC 1/2	ACOPLAMIENT.RAP.MACHO CONO 1/2
12	F05150325	CAPPUC.F X INN.M RAP.1/2 ROSSO	COVER CONNECT F 1/2 RED	COUVERCLE CONNEXION F 1/2 ROSE	DECKEL W 1/2 SCHNELLKUPP. ROT	PAC PROTECCION F 1/2 ROJO
13	F03150409	NIPPLO MF CIL-CIL 3/8-1/4 ZN	NIPPLE MF CIL-CIL 3/8-1/4 ZN			
14	F03151414	RONDELLA BONDED SEAL 1/4" NBR	WASHER BONDED SEAL 1/4" NBR			
15	G16011690	MONT.NIPPLO 1/4 GRANO F.1,0	UPRIGHT 1/4" NIPPLE WITH GRUB	MONTANT NIPPLE 1/4 AVEC GRAIN	STZNDER NIPPEL 1/4 MIT STIFT 8	MONT.NIPLE 1/4 TORNIL.SIN CABE
16	F01020528	VITE M12X1,75X40 U5739 10.9ZD	BOLT M12X1,75X40 U5739 10.9ZN	VIS M12X1,75X40 U5739 10.9 ZN	SCHR.M12X1,75X40 U5739 10.9 ZN	TORN.M12X1,75X40 U5739 10.9 ZN
17	F01220048	DADO M12X1,75 D980 8ZN	NUT M12X1,75 D980 8ZN	ECROU M12X1,75 D980 8 ZN	SCHNEIBE M12X1,75 D980 8 ZN	TUERCA M12X1,75 D980 8 ZN
18	F01020254	VITE M16X2X55 U5737 10.9ZD	SCR. M16X2X55 U5737 10.9ZD			
19	G18700450	RONDELLA 17 X45 X6 ZN	WASHER 17X45X6 GALV.ED			
20	G20980088	BOCCOLA 30X16X16,5	BUSHING 30X16X16-5	BOITE 30X16X16-5	BsCHSE 30X16X16-5	CASQUILLO 30X16X16-5
21	F01200324	DADO M16X2 U5588 8.8ZN	NUT M16X2 U5588 8.8ZN	ECROU M16X2 U5588 8.8ZN	MUTTER M16X2 U5588 8.8ZN	TUERCA M16X2 U5588 8.8ZN
22	G20970016	RONDELLA 48X5X22,5	WASHER 48X5X22-5	RONDELLE 48X5X22-5	UNTERLEGSCHNEIBE 48X5X22-5	ARANDELA 48X5X22-5
23	G18701590	RONDELLA 25X35X2,5 ZN	WASHER 25 X35 X2,5 ZN	RONDELLE 25 X35 X2,5 ZN	SCHNEIBE 25 X35 X2,5 ZN	ARANDELA 25 X35 X2,5 ZN
24	F03150589	KIT VALVOLA DI BLOCCO 3/8 DE	PIL. BLOCK VALVE VBPDE38EC	SOUPAPE BLOC GUIDEE VBPDE38EC	GEST. SPERRVENTIL VBPDE38EC	VæLVULA BLOQUE PIL.VBPDE38EC
25	F02100113	SPINA E.P. 6X 30 U6873 C70 ZN	PIN EL. 6X30 DIN 1481 ZN *	GOUPILLE EL.6 X30 DIN1481ZN*	SPANNSTIFT 6 X30 DIN 1481 ZN	CLAVIJA EL.6 X30 DIN 1481 ZN
26	F02200463	SPINA SCATTO D. 5 B/81 ZN	SNAP PIN D5 B/81 ZN	FICHE A DETENTE D5 B/81 ZN	EINRASTSTIFT D5 B/81 ZN	CLAVIJA DE MUELLE D5 B/81 ZN
27	F03100181	KIT GUARNIZ.CILINDRO 15112630	KIT O-RING CYLINDER 15112630	KIT GARNIT. CYLINDRE 15112630	KIT DICHT.OR ZYLINDER15112630	SET JUNTA OR CILINDRO15112630
28	F03151401	RONDELLA BONDED SEAL 3/8" NBR	WASHER BONDED SEAL 3/8" NBR			
29	F03151223	RACCORDO VITE CAVA 3/8" L=39MM	UNION BOLT 3/8	VIS 3/8	SCHRAUBE 3/8	TORNILLO CAVA 3/8
30	F03150823	ADATT. OCCHIO 3/8 L.40	EYE ADAPTER 3/8 L.40	RACCORD OEIL 3/8 L.40	TSENVERBINDUNGSST_CK 3/8 L.40	UNIN OJO 3/8 L.40
31	F03150824	ADATT. OCCHIO 3/8 L.220	EYE UNION 3/8 L.200	RACCORD OEIL 3/8 L.200	TSENVERBINDUNGSSTsCK 3/8 L.200	UNIN OJO 3/8 L.200
32	F03150499	VALVOLA DI BLOCCO	BLOCK VALVE	VALVE BLOQUER	VENTIL SCHLOSS	VALVULA BLOQUEAR
33	G13612130	CILINDRO 50 X 30 X 170	CYLINDER D.50 X 30 X 170	CYLINDRE D.50 X 30 X 170	ZYLINDER D.50 X 30 X 170	CILINDRO D.50 X 30 X 170

mod. HL - HP

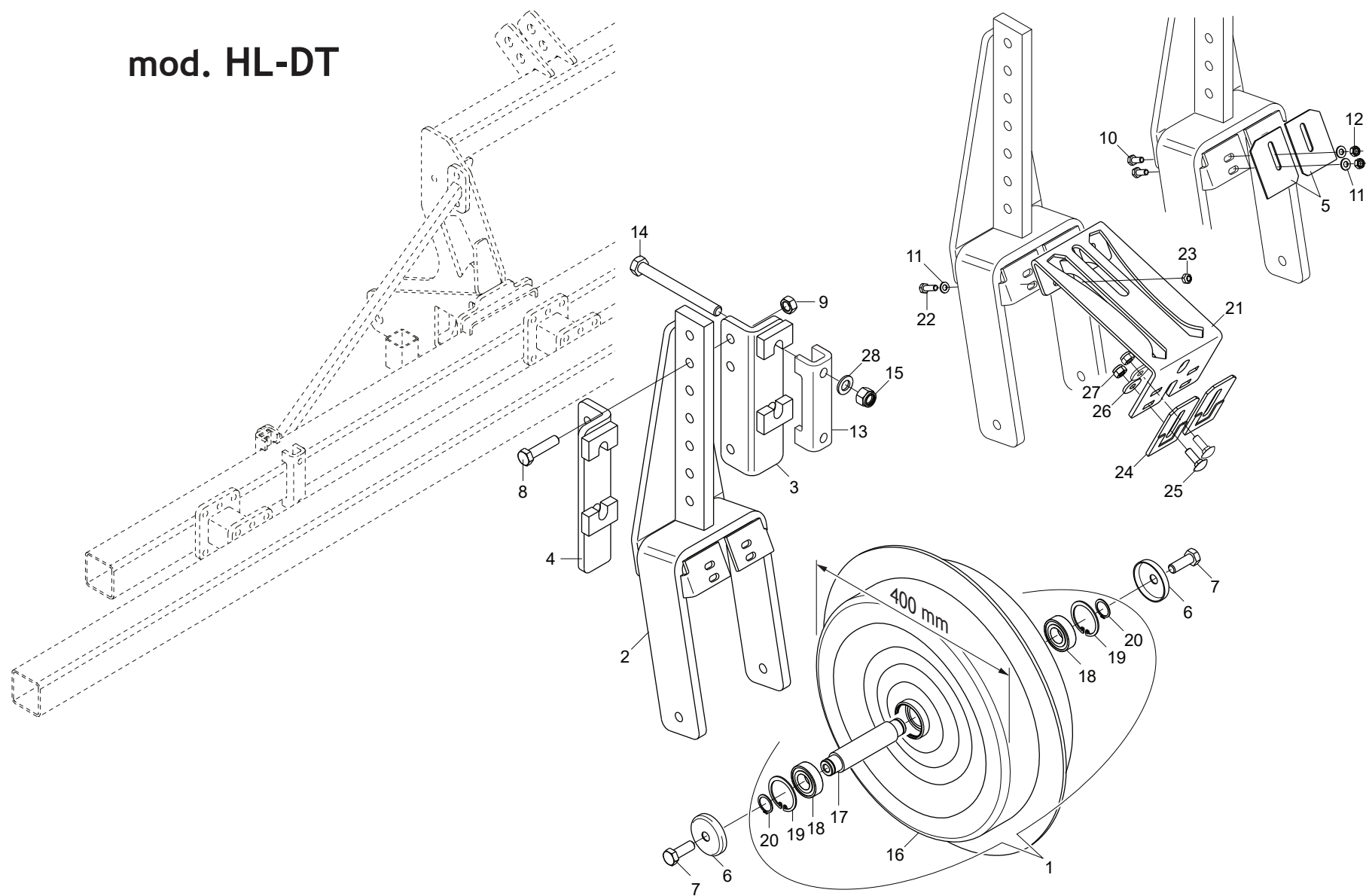


RUOTE PORTANTI «HL» «HP»

TAV. 041

Pos.	Cod.	Descrizione	Description	Description	Benennung	Descripcion
1	G23440074	RASCHIATERRA RUOTA STERZ. HL	STEERING WHEEL SOIL-SCRAPER HL	RACLEUR ROUE BRAQUANTE HL	ERDSCHABER LENKRAD HL	RASCADOR TIERRA RUEDA ORIENTAB
2	F20100503	PERNO RUOTA	WHEEL PIN	PIVOT ROUE	RADZAPFEN	PERNO RUEDA
3	F04010170	CUSC.D25 D52 B15 6205 2RS EX>	BEARING D25 D52 B15 6205 2RS	ROULEMENT 6205 2RS	LAGER 6205 2RS	COJINETE 6205 2RS
4	F01200243	DADO M8X1,25 U5588 6.8BR	NUT M8X1,25 U5588 6.8BR	ECROU 8 UNI 5588 6.8	MUTTER 8 UNI 5588 6.8	TUERCA 8 UNI 5588 6.8
5	F01100011	ING.M 6X1 7663-A 9SMNPB28 ZN	GREASE NIPPLE M6X1 7663-A ZN	GRAISS. A BILLE M6X1 7663A ZN	SCHMIERBUECHE M6X1 7663-A ZN	ENGRAS. DE ESFE. M6X1 7663-AZN
6	F02050101	ANELLO E. DE 25X 1,2 U7435 C70	SEEGER RING E. 25X1,2 7435 C70	SEEGER E. 25X 1,2 U7435 C70	SEEGERING E. 25X 1,2 U7435 C70	ANILLO E. 25X 1,2 U7435 C70
7	G13613690	PIASTRA FERMO RUOTE	LOCK WHEEL PLATE			
8	G13710561	SCONTRO A U SP.10 2F16,5 118	U-SHAPED PLAT.SP.10 2F16,5 118			
9	F01020271	VITE M16X2X150 U5737 8.8BR	SCR. M16X2X150 U5737 8.8BR	VIS M16X2X150 U5737 8.8BR	SCHR. M16X2X150 U5737 8.8 BR	TORN. M16X2X150 U5737 8.8BR
10	F01410051	ROS.M8 8,4X 17X1,6 U6592 ZN	WASHER M8 8,4X17X1,6 U6592 ZN	RONDELLE M8 8,4X17X1,6 U6592ZN	SCHEIBE M8 8,4X17X1,6 U6592 ZN	ARANDELA M8 8,4X17X1,6 U6592ZN
11	F01410100	ROS.M16 17X 30X 3 U6592 ZN	WASHER M16 17X30X3 U6592 ZN	RONDELLE M16 17X30X3 U6592 ZN	SCHRAUBE M16 17X 30X3 U6592 ZN	ARANDELA M16 17X30X 3 U6592 ZN
12	F01220266	DADO M16X2 D980 8ZN	NUT M16X2 D980 8ZN	ECROU M16X 2 D980 8 ZN	MUTTER M16X 2 D980 8 ZN	TUERCA M16X 2 D980 8 ZN
13	F04150011	BOCCOLA AUTOL.40,5X30X5X33	SELF-LOCKING BUSHING 40-5X30X5	BOITE AUTOL. 40-5X30X5X33	BUCHSE SELBST. 40-5X30X5X33	CASQUILLO AUTOL.40-5X30X5X33
14	G23440242	VITE SPEC.M12X30 HL/2	BOLT SPEC.M12X30 HL/2	VIS SPEC. M12X30 HL/2	SPEZ. SCHRAUBE M12X30 HL/2	TORNILLO ESPEC. M12X30 HL/2
15	G18705130	ROND.FOND.12,5 X62 X1,5X11	BOTTOM WASHER 12.5 X 62 X 1.5	ROND. FOND. 12-5 X62 X1-5X11	BODENSCHIEBE 12-5 X62 X1-5X11	ARANDELA 12-5 X62 X1-5X11
16	F01410076	ROS.M12 13X 24X2,5 U6592 ZN	WASHER 12 13X 24X2,5 U6592 ZN	RONDEL. M12 13X24X2,5 U6592 ZN	SCHEIBE M12 13X24X2,5 U6592 ZN	ARANDELA M12 13 X24X2,5 ZN
17	F01020528	VITE M12X1,75X40 U5739 10.9ZD	BOLT M12X1,75X40 U5739 10.9ZN	VIS M12X1,75X40 U5739 10.9 ZN	SCHR.M12X1,75X40 U5739 10.9 ZN	TORN.M12X1,75X40 U5739 10.9 ZN
18	F01020436	VITE M8X1,25X20 U5739 8.8ZN	SCR. M8X1,25X20 U5739 8.8ZN	VIS M8X1,25X 20 U5739 8.8 ZN	SCHRAUBE M8X1,25X20U5739 8.8ZN	TORN. M8X1,25X20 U5739 8.8 ZN
19	F01020170	VITE M12X1,75X100 U5737 8.8ZN	SCR. M12X1,75X100 U5737 8.8ZN	VIS M12X1,75X100 5737 8.8 ZN	SCHRA.M12X1,75X100 5737 8.8 ZN	TORN. M12X1,75X100 5737 8.8 ZN
20	G20970035	RONDELLA 32X4X13	WASHER 32X4X13	RONDELLE 32X4X13	UNTERLEGSCHIEBE 32X4X13	ARANDELA 32X4X13
21	F01230059	DADO M12X1,75 D982 8ZN	LOCK-NUT M12X1,75 D982 8ZN	ECR.AUTO-FREI.M12X1,75 D982 ZN	SICHERUNGSMUT.M12X1,75 D982 8ZN	TUER.DE SEGUR.M12X1,75 D982 ZN
22	F01020154	VITE M12X1,75X45 U5737 8.8ZN	SCR. M12X1,75X45 U5737 8.8ZN	VIS M12X1,75X 45 U5737 8.8 ZN	SCHR.M12X1,75X 45 U5737 8.8 ZN	TORN.M12X1,75X 45 U5737 8.8 ZN
23	F02200562	SPINA SICUR. D. 8X70 ZN	SNAP PIN D.8X 70 ZN	FICHE EL. D.8X70 ZN	SCHERSTIFT D.8X 70 ZN	CLAVIJA D.8X 70 ZN
24	G13619920	SUPPORTO RUOTA LUNGO	WHEEL SUPPORT LONG			
25	G13613920	ASS.FORCELLA RUOTA	WHEEL FORK ASS.BLY			
26	G13619940	BOCCOLA GUIDA LUNGO	GUIDE BUSHING LONG			
27	G13614020	ASS.BOCCOLA FERMO	BUSHING STOP	BOITE ARRET	FESTSTELLBSCHSE ZN	CASQUILLO BLOQUEO
28	G13610620	RUOTA COMPLETA 320X100 CRESTA	WHEEL ASS.BLY 320X100 CREST			

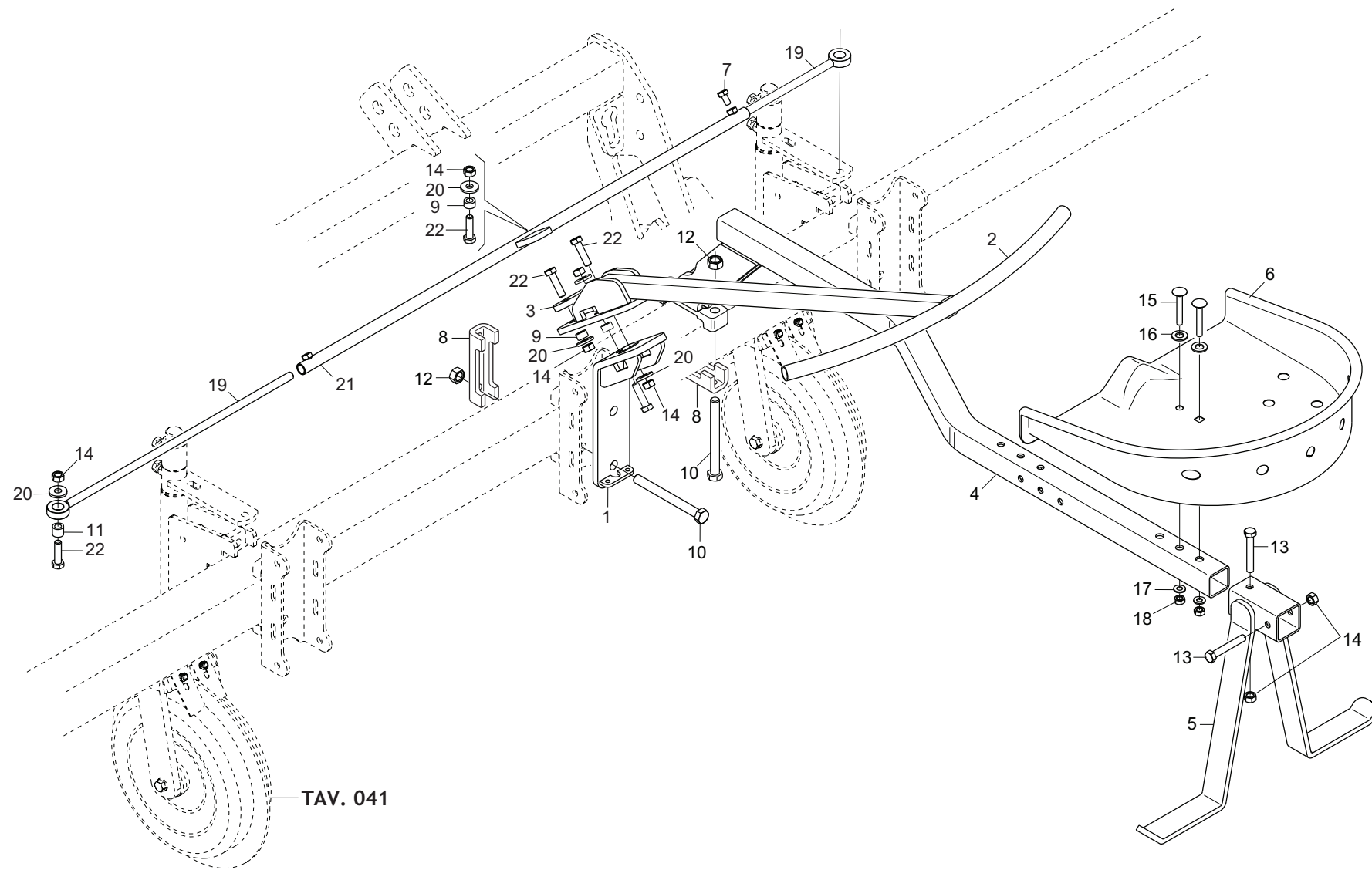
mod. HL-DT



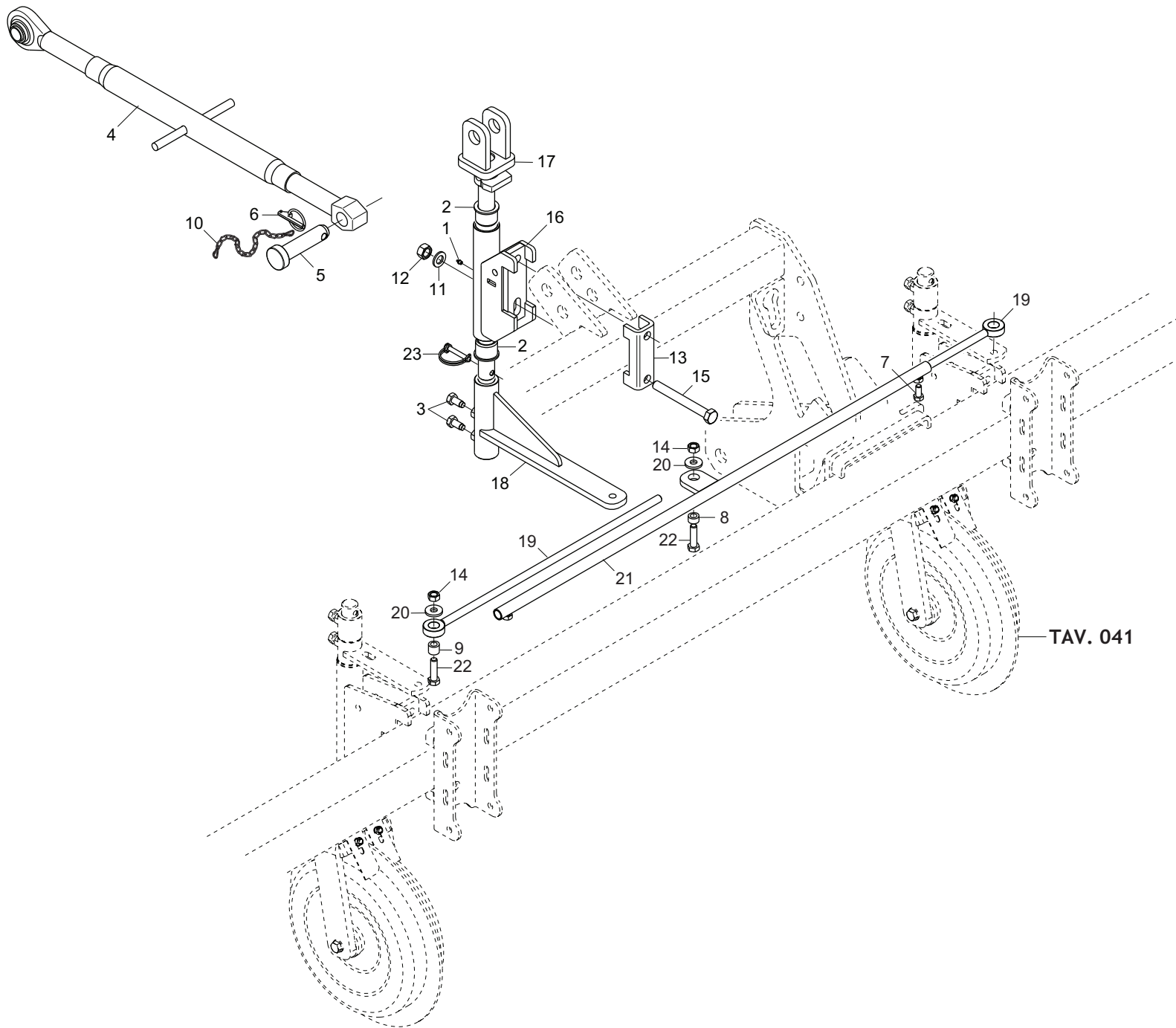
RUOTE PORTANTI «HL-DT»

TAV. 180

Pos.	Cod.	Descrizione	Description	Description	Benennung	Descripcion
1	G13618910	RUOTA PORTANTE HS COMPL	COMPL.MAIN WHEEL HS			
2	G13618680	SUPPORTO RUOTE PORTANTI HS	BEARING WHEELS SUPPORT HS			
3	G13618700	ATTACCO RUOTE PORT.DX HS	HITCH WHEEL RIGHT HS			
4	G13618720	ATTACCO RUOTE PORT.SX HS	HITCH WHEEL LEFT HS			
5	G13615840	RASCHIATERRA RUOTE PORTANTI	SOIL SCRAPER BEARING WHEELS	RACLEUR ROUES PORTANTES	ERDSCHABER TRAGERZDER	RASCADOR DE TIERRA RUEDAS PORT
6	G20970520	ROND.FOND.D.15 RUOTE P.RANGH.	SIDE DELIV. RAKE WHEEL D.15 BO	ROND. FOND. D. 15 ROUES ARRIER	TIEFE SCHEIBE D.15 RZDER P.RAN	ARAND. DE FOND.D.15 RUEDAS TRA
7	F01020198	VITE M14X2X45 U5737 8.8ZN	SCR. M14X2X45 U5737 8.8ZN	VIS 14X45 5737 8.G ZN *	SCHRAUBE 14X45 5737 8.G ZN *	TORNILLO 14X45 5737 8.G ZN *
8	F01020203	VITE M14X2X60 U5737 8.8ZN	SCR. M14X2X60 U5737 8.8ZN	VIS M 14X60	SCHRAUBE M 14X60	TORNILLO M 14X60
9	F01200306	DADO M14X2 U5588 6.8ZN	NUT M14X2 U5588 6.8ZN	ECROU M14X2	MUTTER M14X2	DADO M14X2
10	F01020436	VITE M8X1,25X20 U5739 8.8ZN	SCR. M8X1,25X20 U5739 8.8ZN	VIS M8X1,25X 20 U5739 8.8 ZN	SCHRAUBE M8X1,25X20U5739 8.8ZN	TORN. M8X1,25X20 U5739 8.8 ZN
11	F01410051	ROS.M8 8,4X 17X1,6 U6592 ZN	WASHER M8 8,4X17X1,6 U6592 ZN	RONDELLE M8 8,4X17X1,6 U6592ZN	SCHEIBE M8 8,4X17X1,6 U6592 ZN	ARANDELA M8 8,4X17X1,6 U6592ZN
12	F01200244	DADO M8X1,25 U5588 6.8ZN	NUT M8X1,25 U5588 6.8ZN	ECROU M8 X1,25 U5588 6.8 ZN	MUTTER M8 X1,25 U5588 6.8 ZN	TUERCA M8 X1,25 U5588 6.8 ZN
13	G13710561	SCONTRO A U SP.10 2F16,5 118	U-SHAPED PLAT.SP.10 2F16,5 118			
14	F01020273	VITE M16X2X160 U5737 8.8BR	SCR. M16X2X160 U5737 8.8BR	VIS M16X 2X160 U5737 8.8	SCHR. M16X 2X160 U5737 8.8	TORN. M16X 2X160 U5737 8.8
15	F01230085	DADO M16X2 D982 8ZN	NUT M16X2 D982 8ZN	ECROU M16X2 D982 8ZN	MUTTER M16X2 D982 8ZN	TUERCA M16X2 D982 8ZN
16	G13615750	RUOTA PORTANTE	MAIN WHEEL	ROUE PORTANTA		
17	G13618900	ASSE RUOTE PORTANTI	CARRYING WHEEL AXLE			
18	F04010170	CUSC.D25 D52 B15 6205 2RS EX>	BEARING D25 D52 B15 6205 2RS	ROULEMENT 6205 2RS	LAGER 6205 2RS	COJINETE 6205 2RS
19	F02050381	ANELLO E. DI 52X 2 U7437 C70	SEEGER RING E. 52X 2 U7437 C70	SEEGER E. 52X 2 U7437 C70	SEEGERING E. 52X 2 U7437 C70	ANILLO 52X 2 U7437 C70
20	F02050101	ANELLO E. DE 25X 1,2 U7435 C70	SEEGER RING E. 25X1,2 7435 C70	SEEGER E. 25X 1,2 U7435 C70	SEEGERING E. 25X 1,2 U7435 C70	ANILLO E. 25X 1,2 U7435 C70
21	GA3614790	SUPPORTO RASCHIAT.ARRETRATO	SOIL SCRAPER SUPPORT			
22	F01020440	VITE M8X1,25X25 U5739 8.8ZN	SCR. M8X1,25X25 U5739 8.8ZN	VIS M8X1,25X25 U5739 8.8 ZN	SCHRAUBE M8X1,25X25U5739 8.8ZN	TORNILLO M8X1,25X25 U5739 8.8
23	F01220022	DADO M8X1,25 D980 8ZN	NUT M8X1,25 D980 8ZN	ECROU M8X 1,25 D980 8 ZN	MUTTER M8X 1,25 D980 8 ZN	TUERCA M8X 1,25 D980 8 ZN
24	M43400883	PIASTRINA RASCHIATERRA PER CPK	SCRAPER PLATE CPK	PLAQUE RACLEUR CPK	PL TTCHEN ERDSCHABER CPK	PLAQUETA RASCADOR CPK
25	F01060069	VITE M10X1,5X30 U5731 8.8ZN	SCR. M10X1,5X30 U5732 4.6ZN	BOULON 10X30 5732 4.6	SCHRAUBE 10X30 5732 4.6	TORNILLO M10X1,5X30 U5731 8.8
26	G20970012	RONDELLA 32X4X11	WASHER 32X4X11	RONDELLE 32X4X11	UNTERLEGSSCHEIBE 32X4X11	ARANDELA 32X4X11
27	F01230048	DADO M10X1,5 D982 8ZN	NUT M10X1,5 D982 8ZN	ECR.AUTO-FREIN.M10X1,5 D982 ZN	SICHERUNGSMUTT.M10X1,5 D982 ZN	TUERCA SEGURID.M10X1,5 D982 ZN
28	F01410100	ROS.M16 17X 30X 3 U6592 ZN	WASHER M16 17X30X3 U6592 ZN	RONDELLE M16 17X30X3 ZN	SCHRAUBE M16 17X 30X3 U6592 ZN	ARAND.M16 17X 30X 3 U6592 ZN



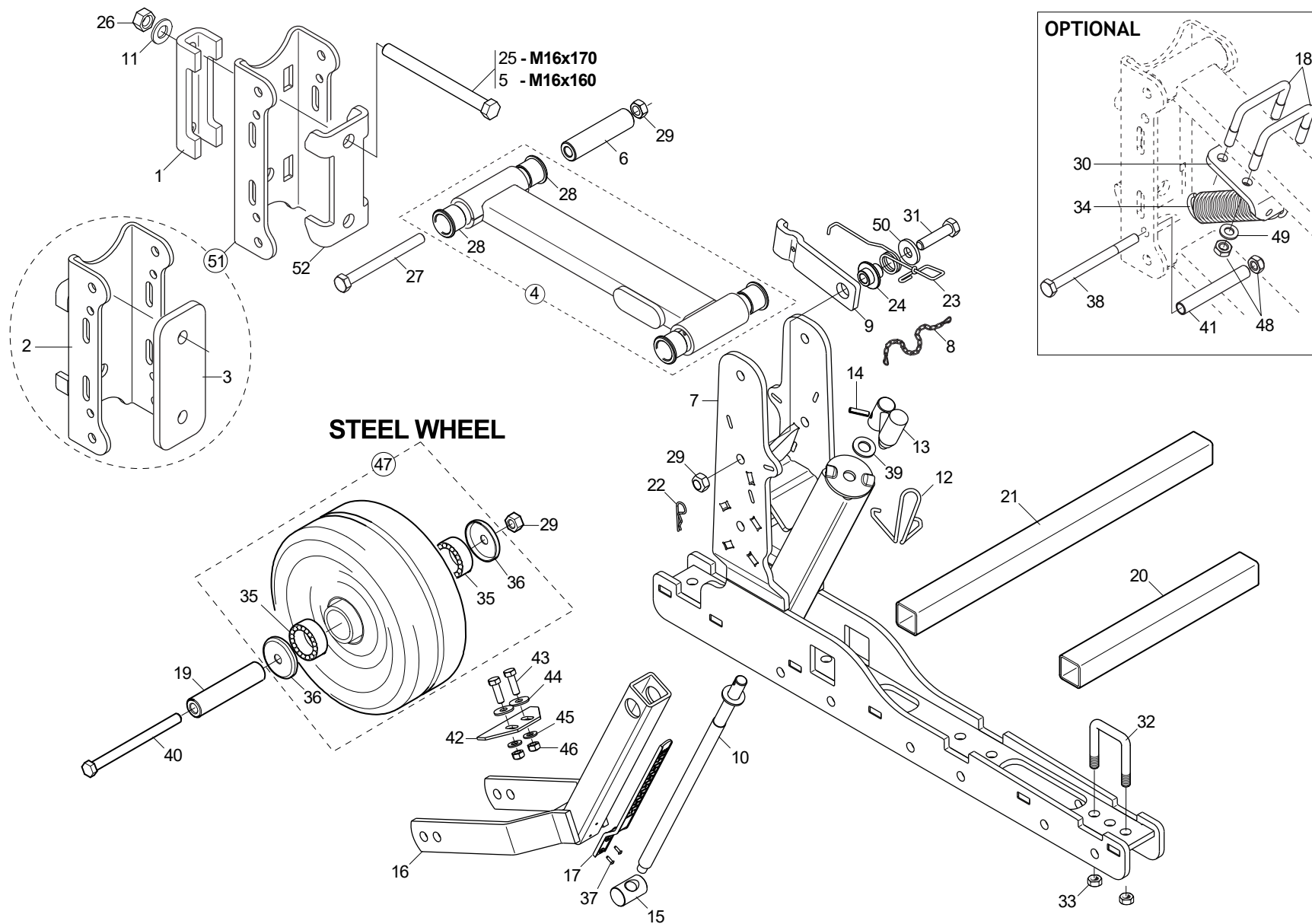
Pos.	Cod.	Descrizione	Description	Description	Benennung	Descripcion
1	G13613630	ASS.SUPP.STERZO	ASS.SUPP.STEERING			
2	G13613700	ASS.STERZO	ASS.STEERING			
3	G13613800	PIASTRA GUIDA STERZO	STEERING GUIDE PLATE			
4	G13613730	ASS.SUPP.TUBO SEDILE	TUBE SEAT SUPPORT			
5	G13613780	ASS.PEDALIERA	FOOTBOARD ASS.BLY			
6	G21050006	SEDILE *	SEAT	SIEGE	SITZ	ASIENTO
7	F01020470	VITE M10X1,5X20 U5739 8.8ZN	SCR. M10X1,5X20 U5739 8.8ZN	VIS M10X1,5X20 U5739 8.8 ZN	SCHRAUBE M10X1,5X20 U5739 ZN	TORNILLO M10X1,5X20 U5739 8.8ZN
8	G13710561	SCONTRO A U SP.10 2F16,5 118	U-SHAPED PLAT.SP.10 2F16,5 118			
9	G18801170	BOCCOLA 12,25X20X11 AVP	BUSHING 12,25X20X11 AVP			
10	F01020273	VITE M16X2X160 U5737 8.8BR	SCR. M16X2X160 U5737 8.8BR	VIS M16X 2X160 U5737 8.8	SCHR. M16X 2X160 U5737 8.8	TORN. M16X 2X160 U5737 8.8
11	G20980097	BOCCOLA 12X20X17	BUSHING 12X20X17	BOITE 12X20X17	BsCHSE 12X20X17	CASQUILLO 12X20X17
12	F01220266	DADO M16X2 D980 8ZN	NUT M16X2 D980 8ZN	ECROU M16X 2 D980 8 ZN	MUTTER M16X 2 D980 8 ZN	TUERCA M16X 2 D980 8 ZN
13	F01020166	VITE M12X1,75X80 U5737 8.8ZN	SCR. M12X1,75X80 U5737 8.8ZN	VIS M12X1,75X80 U5737 8.8ZN	SCHRA. M12X1,75X80 U5737 8.8ZN	TORN. M12X1,75X80 U5737 8.8ZN
14	F01220048	DADO M12X1,75 D980 8ZN	NUT M12X1,75 D980 8ZN	ECROU M12X1,75 D980 8 ZN	SCH. M12X1,75 D980 8 ZN	TUERCA M12X1,75 D980 8 ZN
15	F01060086	VITE M10X1,5X70 U5731 8.8ZN	SCR. M10X1,5X70 U5732 4.6ZN	VIS 10X70 5732 4.6 ZN	SCHRAUBE 10X70 5732 4.6 ZN	TORNILLO 10X70 5732 4.6 ZN
16	F01410088	ROS.M14 15X 28X2,5 U6592 ZN	WAS.M14 15X 28X2,5 U6592 ZB	RON.M14 15X 28X2,5 U6592 ZB	SCH.M14 15X 28X2,5 U6592 ZB	ARA.M14 15X 28X2,5 U6592 ZB
17	F01410064	ROS.M10 10,5X 20X 2 U6592 ZN	WASHER M10 10,5X20X2 U6592 ZN	RONDEL. M10 10,5X20X2 U6592 ZN	SCH. M10 10,5X20X2 U6592 ZN	ARANDEL.M10 10,5X20X2 U6592 ZN
18	F01220033	DADO M10X1,5 D980 8ZN	NUT M10X1,5 D980 8ZN	ECROU M10X1,5 D980 8ZN	MUTTER M10X1,5 D980 8ZN	TUERCA M10X1,5 D980 8ZN
19	G13614080	ASS.TIRANTE GUIDA	ASSEMBLY STEERING ROD			
20	G20970035	RONDELLA 32X4X13	WASHER 32X4X13	RONDELLE 32X4X13	UNTERLEGSCH. 32X4X13	ARANDELA 32X4X13
21	G13614060	ASS.TUBO GUIDA	ASSY GUIDE TUBE			
22	F01020154	VITE M12X1,75X45 U5737 8.8ZN	SCR. M12X1,75X45 U5737 8.8ZN	VIS M12X1,75X 45 U5737 8.8 ZN	SCHR.M12X1,75X 45 U5737 8.8 ZN	TORN.M12X1,75X 45 U5737 8.8 ZN



GUIDA AUTOMATICA

TAV. 060

Pos.	Cod.	Descrizione	Description	Description	Benennung	Descripcion
1	F01100011	ING.M 6X1 7663-A 9SMNPB28 ZN	GREASE NIPPLE M6X1 7663-A ZN	GRAISS. A BILLE M6X1 7663A ZN	SCHMIERBUECHE M6X1 7663-A ZN	ENGRAS. DE ESFE. M6X1 7663-AZN
2	F04150011	BOCCOLA AUTOL.40,5X30X5X33	SELF-LOCKING BUSHING 40-5X30X5	BOITE AUTOL. 40-5X30X5X33	BUCHSE SELBST. 40-5X30X5X33	CASQUILLO AUTOL.40-5X30X5X33
3	G23440242	VITE SPEC.M12X30 HL/2	BOLT SPEC.M12X30 HL/2	VIS SPEC. M12X30 HL/2	SPEZ. SCHRAUBE M12X30 HL/2	TORNILLO ESPEC. M12X30 HL/2
4	F02450026	MART*M.L.= 890 L= 625 D=25,4ZN>	MEC.ADJ.L=890 L=625 D=25,4ZN>			
5	F20100135	PERNO D28 L 93 C43 TEST.D60 ZN	PIN D28 L93 C43 GALV.ED			
6	F02200507	SPINA A SCATTO D 9 B/83	SNAP PIN D9 B/83 ZN	FICHE A DETENTE D9 B/83 ZN	EINRASTSTIFT D9 B/83 ZN	CLAVIJA DE MUELLE D9 B/83 ZN
7	F01020470	VITE M10X1,5X20 U5739 8.8ZN	SCR. M10X1,5X20 U5739 8.8ZN	VIS M10X1,5X20 U5739 8.8 ZN	SCHRAUBE M10X1,5X20 U5739 ZN	TORNILLOM10X1,5X20 U5739 8.8ZN
8	G18801170	BOCCOLA 12,25X20X11 AVP	BUSHING 12,25X20X11 AVP			
9	G20980097	BOCCOLA 12X20X17	BUSHING 12X20X17	BOITE 12X20X17	BsCHSE 12X20X17	CASQUILLO 12X20X17
10	G13812311	CATENELLA CON MOSCHETTONE ZN	CHAIN WITH SPRING CATCH	CHAINETTE AVEC MOUSQUETON	KETTE MIT KARABINERHAKEN	CADENA CON GANCHO
11	F01410100	ROS.M16 17X 30X 3 U6592 ZN	WASHER M16 17X30X3 U6592 ZN	RONDELLE M16 17X30X3 U6592 ZN	SCHRAUBE M16 17X 30X3 U6592 ZN	ARANDELA M16 17X30X 3 U6592 ZN
12	F01220266	DADO M16X2 D980 8ZN	NUT M16X2 D980 8ZN	ECROU M16X 2 D980 8 ZN	MUTTER M16X 2 D980 8 ZN	TUERCA M16X 2 D980 8 ZN
13	G36200241	SCONTRO U Q.80	FLANGE 'U' 80	BRIDE 'U' 80	ANSCHLAG 'U' 80	ELEMENTO DE EMPALME 'U' 80
14	F01220048	DADO M12X1,75 D980 8ZN	NUT M12X1,75 D980 8ZN	ECROU M12X1,75 D980 8 ZN	SCHEIBE M12X1,75 D980 8 ZN	TUERCA M12X1,75 D980 8 ZN
15	F01020269	VITE M16X2X140 U5737 8.8ZN	SCR. M16X2X140 U5737 8.8ZN	VIS M16X2X140 U5737 8.8ZN	SCHRA. M16X2X140 U5737 8.8ZN	TORN. M16X2X140 U5737 8.8ZN
16	G13613850	ASS.SUPP.RUOTA	ASS.SUPP.WHEEL			
17	G13613960	ASS.3°PUNTO STERZANTE	ASS.3°STEERING POINT			
18	G13614000	ASS.TUBO GUIDA CENTRALE	ASSY CENTRAL GUIDE TUBE			
19	G13614080	ASS.TIRANTE GUIDA	ASSEMBLY STEERING ROD			
20	G20970035	RONDELLA 32X4X13	WASHER 32X4X13	RONDELLE 32X4X13	UNTERLEGSCHIEBE 32X4X13	ARANDELA 32X4X13
21	G13614060	ASS.TUBO GUIDA	ASSY GUIDE TUBE			
22	F01020154	VITE M12X1,75X45 U5737 8.8ZN	SCR. M12X1,75X45 U5737 8.8ZN	VIS M12X1,75X 45 U5737 8.8 ZN	SCHR.M12X1,75X 45 U5737 8.8 ZN	TORN.M12X1,75X 45 U5737 8.8 ZN
23	F02200562	SPINA SICUR. D. 8X70 ZN	SNAP PIN D.8X 70 ZN	FICHE EL. D.8X70 ZN	SCHERSTIFT D.8X 70 ZN	CLAVIJA D.8X 70 ZN

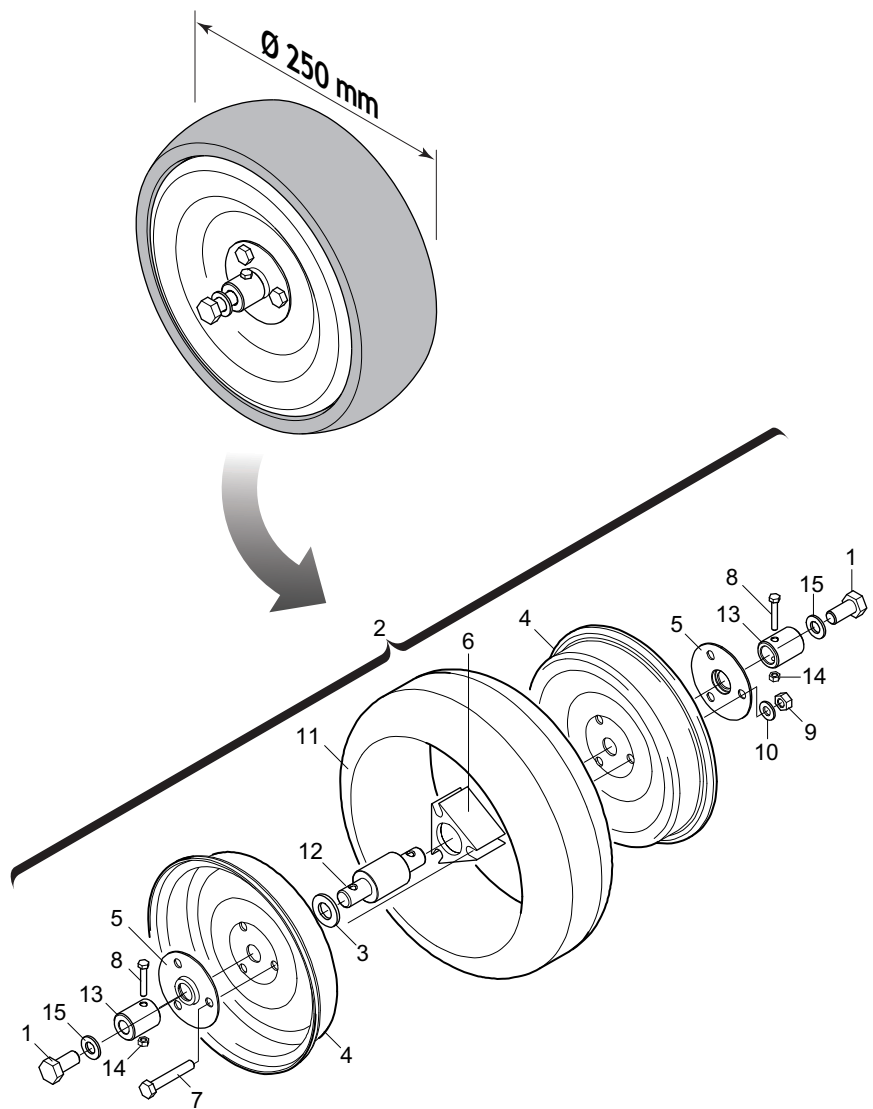


TELAIO ELEMENTO OPERATORE

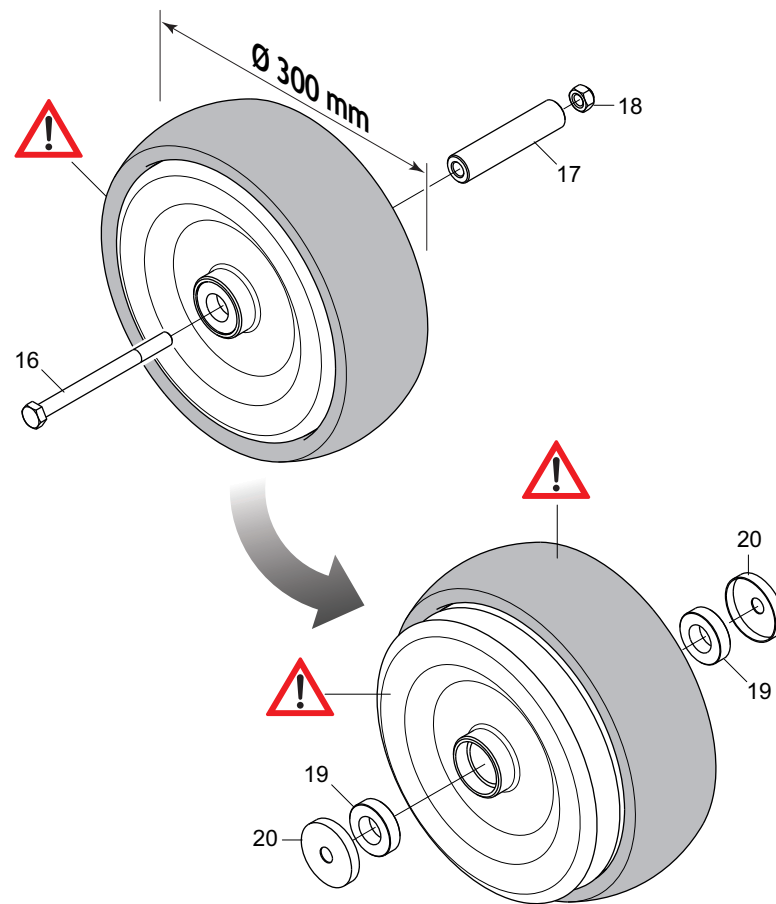
TAV. 073

Pos.	Cod.	Descrizione	Description	Description	Benennung	Description
1	G13710561	SCONTRO A U SP.10 2F16,5 118	U-SHAPED PLAT.SP.10 2F16,5 118			
2	G13644211	PIASTRA DI ATTACCO	LINK PLATE			
3	GA3640940	RINFORZO PIASTRA ATTACCO 2015	LINK PLATE REINFORCEMENT 2015			
4	G13649040	PARALLELO UNIF.C/BOCCOLA	STAND.PARALLELE C/BUSHING			
5	F01020273	VITE M16X2X160 U5737 8.8BR	SCR. M16X2X160 U5737 8.8BR	VIS M16X 2X160 U5737 8.8	SCHR. M16X 2X160 U5737 8.8	TORN. M16X 2X160 U5737 8.8
6	G13643630	BOCCOLA PARALLELO	PANEL BUSHING	BOITE PARALLELE		
7	G13644560	CORPO CENTRALE UNIF.	CENTRAL CASING	CORPS CENTRALE	MITTELKTRPER	CUERPO CENTRAL
8	G13812311	CATENELLA CON MOSCHETTONE ZN	CHAIN WITH SPRING CATCH	CHAINETTE AVEC MOUSQUETON	KETTE MIT KARABINERHAKEN	CADENA CON GANCHO
9	G13644050	LEVA BLOCCO PARALLELO ZN.	LOCK PARALLELE LEVER			
10	G23440194	VITE REGOLAZIONE HL/2	ADJUSTMENT BOLT HL/2.	VIS REGLAGE HL/2	EINSTELLSCHRAUBE HL/2	TORNILLO REGULACIN HL/2 S
11	F01410100	ROS.M16 17X 30X 3 U6592 ZN	WASHER M16 17X30X3 U6592 ZN	RONDELLE M16 17X30X3 U6592 ZN	SCHRAUBE M16 17X 30X3 U6592 ZN	ARANDELA M16 17X30X 3 U6592 ZN
12	G65336100	MOLLA SPEC.FERMO MANIGLIA SP	SPEC SPRING HANDLE STOP SP	RESSORT SPEC. ARRET POIGNEE SP	SPEZIALFEDER GRIFFSPERRE SP	MUELLE ESPEC. BLOQUEO MANIJA S
13	G22270235	MANIGLIA REGOLAZIONE B4	ADJUSTMENT HANDLE B4	POIGNEE REGLAGE B4	EINSTELLGRIFF B4	MANIJA REGULACIN B4 M
14	F02100111	SPINA E.P. 6X 24 U6873 A2 IX	PIN EL. 6 X24 U6873 A2 IX			
15	G23440193	BLOCCETTO VITE REGOLAZ. HL/2	ADJUSTMENT BOLT BLOCK HL/2	CALE VIS REGLAGE HL/2	BLOCK EINSTELLSCHRAUBE HL/2	BLOQUE TORNILLO REGUL. HL/2
16	G13643751	SUPPORTO RUOTA DOPPIO FORO	WHEEL SUPPORT 2HOLES			
17	G19003400	ASTA INDICAZIONE PROFONDITA'	DEPTH INDICATING ROD	TIGE INDICATION PROFONDEUR	TIEFENANZEIGESTAB	VARILLA INDICACIÓN PROFUNDIDAD
18	F20110741	CAV.Q.M10X 1,5X 25 71X 53 ZN	PERNO EN U M 10X71			
19	G13641770	BOCCOLA 12,40X25 X112	BUSHING 12,4X25X112	BOITE 12,4X25X112	BUCHSE 12,4X25X112	MANGUITO 12,4X25X112
20	G13640171	TUBO Q. 40X 4X 350	SQUARE PIPE 40X4X350	TUBE CARRE 40X4X350	VIERKANTROHR 40X4X350	TUBO CUADRADO 40X4X350
21	G13640161	TUBO Q. 40X 4X 580	SQUARE PIPE 40X4X580	TUBE CARRE 40X4X580	VIERKANTROHR 40X4X580	TUBO CUADRADO 40X4X580
22	F02200342	COPIGLIA R 2X 50 ZN	SPRING SPLIT PIN 2X50 GALV.	GOUPILLE R 2X50 ZN	SPLINT R 2X50 ZN	CHAVETA R 2X50 ZN
23	G18904430	MOLLA LEVA DI BLOCCO ZN	LEVER SPRING TO LOCK			
24	G13644040	BOCCOLA FULCRO LEVA ZN	BUSHING LEVER COUPLING ZN			
25	F01020291	VITE M16X2X170 U5737 8.8BR	SCR. M16X 2X170 U5737 8.8 BR	VIS M16X 2X170 U5737 8.8 BR	SCHRAU. M16X 2X170 U5737 8.8BR	TORN. M16X 2X170 U5737 8.8 BR
26	F01230085	DADO M16X2 D982 10ZN	NUT M16X2 D982 8ZN	ECROU M16X2 D982 8ZN	MUTTER M16X2 D982 8ZN	TUERCA M16X2 D982 8ZN
27	F01020191	VITE M12X1,75X130 U5737 10.9ZD	SCR. M12X1,75X130 U5737 10.9ZD			
28	G66349003	BOCCOLA SINT.	BUSHING- SINTERED	BOITE FRITTEE	SYNTH. BUECHSE	CASQUILLO SINT.
29	F01220048	DADO M12X1,75 D980 8ZN	NUT M12X1,75 D980 8ZN	ECROU M12X1,75 D980 8 ZN	SCHIEBE M12X1,75 D980 8 ZN	TUERCA M12X1,75 D980 8 ZN
30	G13644630	PIASTRAATTACCO MOLLA ZN	SPRING COUPLING PLATE	PLAQUE ATTACHE RESSORT	KUPPLUNGSPLETTE FEDER	PLACA CONEXION MUELLE
31	F01020156	VITE M12X1,75X50 U5737 8.8ZN	SCR. M12X1,75X50 U5737 8.8ZN	VIS M12X1,75X50 U5737 8.8 ZN	SCHR. M12X1,75X50 U5737 8.8 ZN	TORN. M12X1,75X50 U5737 8.8 ZN
32	F20110739	CAV.Q.B=35 M=12X1,75L=66	U BOLT Q.B=35 M=12X1,75 L=66			
33	F01230059	DADO M12X1,75 D982 8ZN	LOCK-NUT M12X1,75 D982 8ZN	ECR.AUTO-FREI.M12X1,75 D982 ZN	SICHERUNGSMUT.M12X1,75 D982 8ZN	TUER.DE SEGUR.M12X1,75 D982 ZN
34	G65337040	MOLLA TRAZ.ELEMENTO MT600	TRACTION SPRING MT600	RESSORT TRACT. ELEMENT MT600	ZUGFEDER ELEMENT MT600	MUELLE TRACC. ELEMENTO MT600
35	F04010134	CUSC.D25 D47 B12 6005 2Z	BEARING D25 D47 B12 6005 2Z	PALIER 6005 2Z	LAGER 6005 2Z	COJINETE 6005 2Z
36	G67007092	CALOTTA PARAPOLVERE	CAP	CALOTTE	KUPPE	CASQUETE
37	F02250077	RIVETTO STR. 3 X14 U9200A AL	3X14 ALUMINIUM PULL RIVET	RIVET A RUPTURE 3X14 ALUMINIUM	REISSNIETE3X14 ALL.	REMACHE DESGAR. 3X14 ALL.
38	F01020138	VITE M10X1,5X130 U5737 8.8ZN	SCR. M10X1,5X130 U5737 8.8ZN	VIS M10X1,5 X130 U5737 8.8ZN	SCHRAU.M10X1,5X130 U5737 8.8ZN	TORNI. M10X1,5X130 U5737 8.8ZN
39	F01410088	ROS.M14 15X 28X2,5 U6592 ZN	WAS.M14 15X 28X2,5 U6592 ZB	RON.M14 15X 28X2,5 U6592 ZB	SCH.M14 15X 28X2,5 U6592 ZB	ARA.M14 15X 28X2,5 U6592 ZB
40	F01020180	VITE M12X1,75X150 U5737 8.8BR	SCR. M12X1,75X150 U5737 8.8BR	VIS 12X150 5737 8.G	SCHRAUBE 12X150 5737 8.G	TORNILLO 12X150 5737 8.G
41	G13644640	BOCCOLA 11 X14 X99,5 ZN	BUSHING 11X14X99,5	BOITE 11X14X99,5	BsCHSE 11X14X99,5	CASQUILLO 11X14X99,5
42	G13643760	RASCHIATERRA	SOIL SCRAPER	RACLEUR		
43	F01020440	VITE M8X1,25X25 U5739 8.8ZN	SCR. M8X1,25X25 U5739 8.8ZN	VIS M8X1,25X25 U5739 8.8 ZN	SCHRAUBE M8X1,25X25U5739 8.8ZN	TORNIL.M8X1,25X25 U5739 8.8 ZN
44	F01420048	ROS.M8 8,4X 24X 2 U6593 ZN	WASHER M8 8,4X 24X2 U6593 ZN	RONDELLE M8 8,4X24X 2 U6593 ZN	SCHIEBEN M8 8,4X24X 2 U6593 ZN	ARANDELA M8 8,4X 24X2 U6593 ZN
45	F01410051	ROS.M8 8,4X 17X1,6 U6592 ZN	WASHER M8 8,4X17X1,6 U6592 ZN	RONDELLE M8 8,4X17X1,6 U6592ZN	SCHIEBE M8 8,4X17X1,6 U6592 ZN	ARANDELA M8 8,4X17X1,6 U6592ZN
46	F01220022	DADO M8X1,25 D980 8ZN	NUT M8X1,25 D980 8ZN	ECROU M8X 1,25 D980 8 ZN	MUTTER M8X 1,25 D980 8 ZN	TUERCA M8X 1,25 D980 8 ZN
47	G13643510	RUOTA DI PROF.250X100 CON CUS.	DEPTH WHEEL	ROUE PROFONDEUR	TIEFENRAD	RUEDA DE PROFUNDIDAD
48	F01220033	DADO M10X1,5 D980 8ZN	NUT M10X1,5 D980 8ZN	ECROU M10X1,5 D980 8ZN	MUTTER M10X1,5 D980 8ZN	TUERCA M10X1,5 D980 8ZN
49	F01410064	ROS.M10 10,5X 20X 2 U6592 ZN	WASHER M10 10,5X20X2 U6592 ZN	RONDEL. M10 10,5X20X2 U6592 ZN	SCHIEBE M10 10,5X20X2 U6592 ZN	ARANDEL.M10 10,5X20X2 U6592 ZN
50	G20970035	RONDELLA 32X4X13	WASHER 32X4X13	RONDELLE 32X4X13	UNTERLEGSCHIEBE 32X4X13	ARANDELA 32X4X13
51	G13643791	PIASTRA DI ATTACCO UNIF.	COUPLING PLATE	PLAQUE DE RACCORD	KUPPLUNGSPLETTE	PLACA DE CONEXION
52	G13644620	PIASTRA BLOCCO UNIF.	LOCK PLATE STANDARD			

**RUBBER WHEEL
Ø 250 mm**



**RUBBER WHEEL
Ø 300 mm**

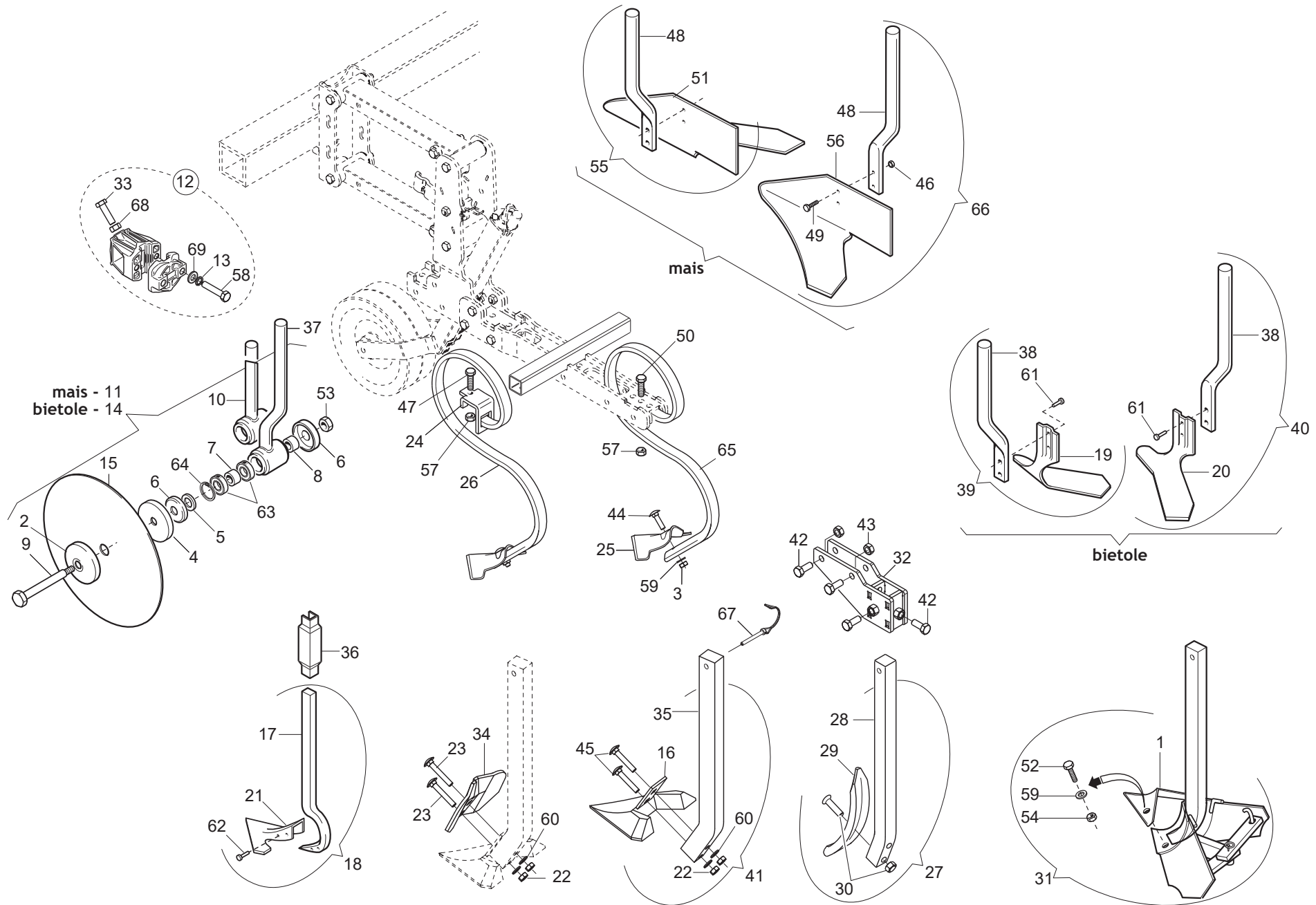


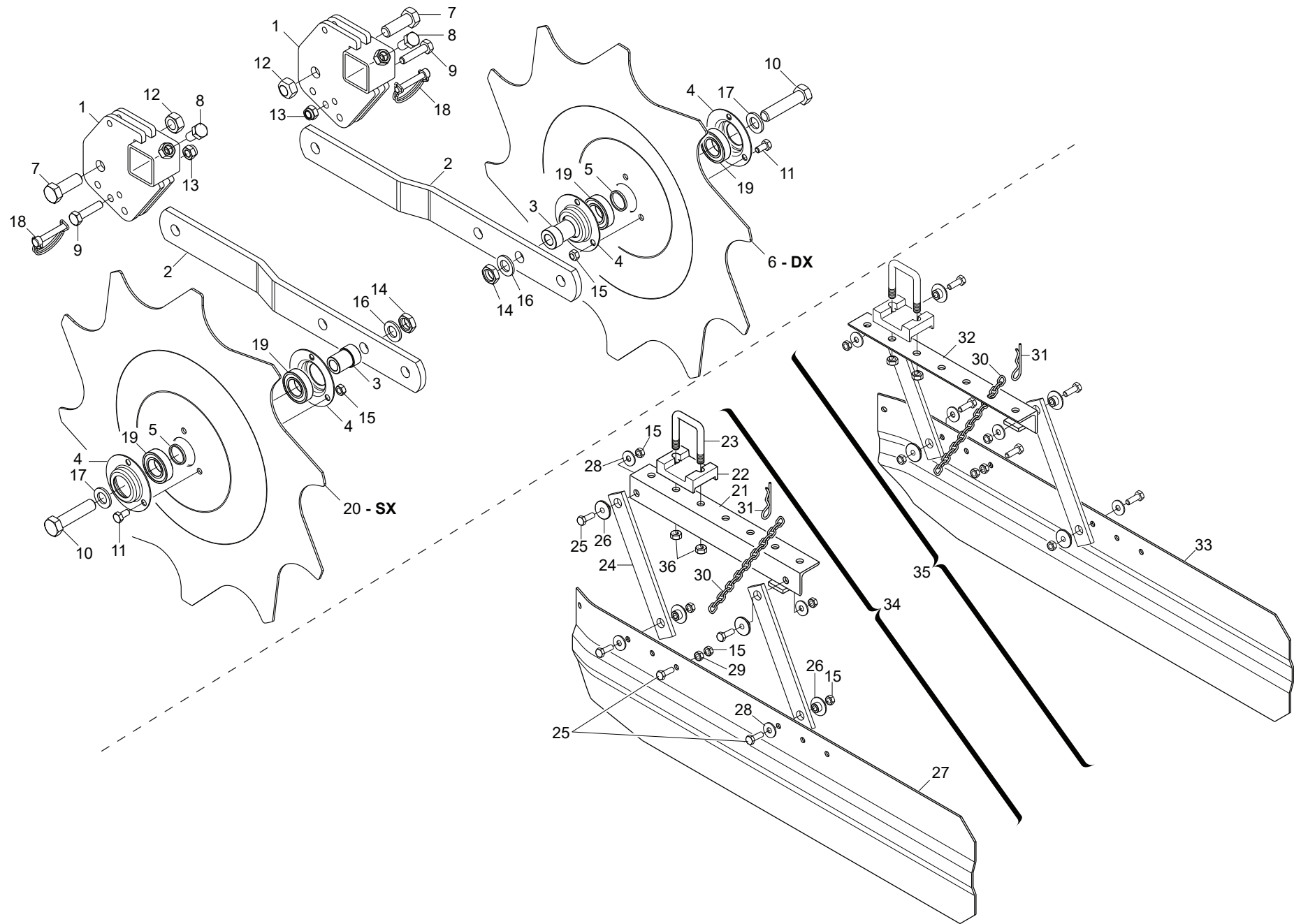
Sostituito da Ruota Completa Ø 250 mm (cod. G13643260)
Replaced by Ø 250 mm Assembly Wheel (cod. G13643260)
Заменено на колесо в сборе Ø 250 мм (код. G13643260)

RUOTE IN GOMMA

TAV. 200

Pos.	Cod.	Descrizione	Description	Description	Benennung	Descripcion
1	F01020506	VITE M12X1,75X20 U5739 8.8ZN	SCR. M12X1,75X20 U5739 8.8ZN	VIS M 12X20	SCHRAUBE M 12X20	TORNILLO M 12X20
2	G13643260	RUOTA FARMF. D.FORCELLA COMPL	WHEEL COMPLETE WITH FORK			
3	G22270079	PARAPOLVERE D.25	DUST COVER D.25	PARE-POUSSIÈRE D. 25	STAUBDECKEL D.25	GUARDAPOLVO D.25
4	G23440108	CERCHIO RUOTA FARMFLEX HL	WHEEL RIM FARMFLEX HL	CERCLE ROUE FARMFLEX HL	RADREIFEN FARMFLEX HL	LLANTA RUEDA FARMFLEX HL
5	G23440109	TAPPO APERTO RUOTA HL	WHEEL OPEN PLUG HL	BOUCHON OUVERT ROUE HL	OFFENER RADPFROPFEN HL	TAPN ABIERTO RUEDA HL D
6	G22270082	DISTANZIALE ALL.RUOTA	ALUMINIUM WHEEL SPACER	ENTRETOISE ALL. ROUE	DISTANZSTsCK RAD	DISTANCIADOR ALOJAMIENTO RUEDA
7	F01020072	VITE M8X1,25X50 U5737 8.8ZN	SCR. M8X1,25X50 U5737 8.8ZN	VIS M8X1,25X50 U5737 8.8 ZN	SCHR. M8X1,25X50 U5737 8.8 ZN	TORN. M8X1,25X50 U5737 8.8 ZN
8	F01020383	VITE M5X0,8X30 U5739 8.8ZN	SCR. M5X0,8X30 U5739 8.8ZN	VIS M5X0,8X30 U5739 8.8ZN	SCHRAUBE M5X0,8X30 U5739 8.8ZN	TORNILLO M5X0,8X30 U5739 8.8ZN
9	F01200244	DADO M8X1,25 U5588 6.8ZN	NUT M8X1,25 U5588 6.8ZN	ECROU M8 X1,25 U5588 6.8 ZN	MUTTER M8 X1,25 U5588 6.8 ZN	TUERCA M8 X1,25 U5588 6.8 ZN
10	F01430059	ROS.M8 8,4X 15X0,8 U8842J ZN	WASHER M8 8,4X15X0,8 U8842J ZN	ROND. M8 8,4X 15X0,8 U8842J ZN	SCHEIBE M8 8,4X15X0,8 U8842JZN	ARAND. M8 8,4X15X0,8 U8842J ZN
11	F06120190	COPERTURA FARMFLEX 4"X10,5 HL	TYRE FARMFLEX 4"X10-5 HL	COUVERTURE FARMFLEX 4"X10-5 H	MANTEL FARMFLEX 4"X10-5 HL	CUBIERTA FARMFLEX 4"X10-5 HL
12	G13643240	CUSCINETTO RUOTA FARMFLEX	BEARING FOR FARMFLEX WHEEL			COJINETE RUEDA FARMFLEX
13	G13643230	MANICOTTO RUOTA FARMFLEX ZN	FARMFLEX WHEEL SLEEVE ZN			
14	F01220200	DADO M5X0,8 D980 8ZN	NUT M5X0,8 D980 8ZN	ECROU M5X 0,8 D980 8 ZN	MUTTER M5X 0,8 D980 8 ZN	TUERCA M5X 0,8 D980 8 ZN
15	F01430071	ROS.M12 13X20,5X 1 U8842J ZN	WASHER D12 DIN 6798 D.INT.ZN	RONDELLE D12 DIN 6798 D. INT.	UNT. SCHEIBE D12 DIN 6798 D.IN	ARANDELA D12 DIN 6798 D.INT.ZN
16	F01020180	VITE M12X1,75X150 U5737 8.8BR	SCR. M12X1,75X150 U5737 8.8BR	VIS 12X150 5737 8.G	SCHRAUBE 12X150 5737 8.G	TORNILLO 12X150 5737 8.G
17	G13641770	BOCCOLA 12,40X25 X112	BUSHING 12,4X25X112	BOITE 12,4X25X112	BUCHSE 12,4X25X112	MANGUITO 12,4X25X112
18	F01220048	DADO M12X1,75 D980 8ZN	NUT M12X1,75 D980 8ZN	ECROU M12X1,75 D980 8 ZN	SCHEIBE M12X1,75 D980 8 ZN	TUERCA M12X1,75 D980 8 ZN
19	F04010134	CUSC.D25 D47 B12 6005 2Z	BEARING D25 D47 B12 6005 2Z	PALIER 6005 2Z	LAGER 6005 2Z	COJINETE 6005 2Z
20	G67007092	CALOTTA PARAPOLVERE	CAP	CALOTTE	KUPPE	CASQUETE

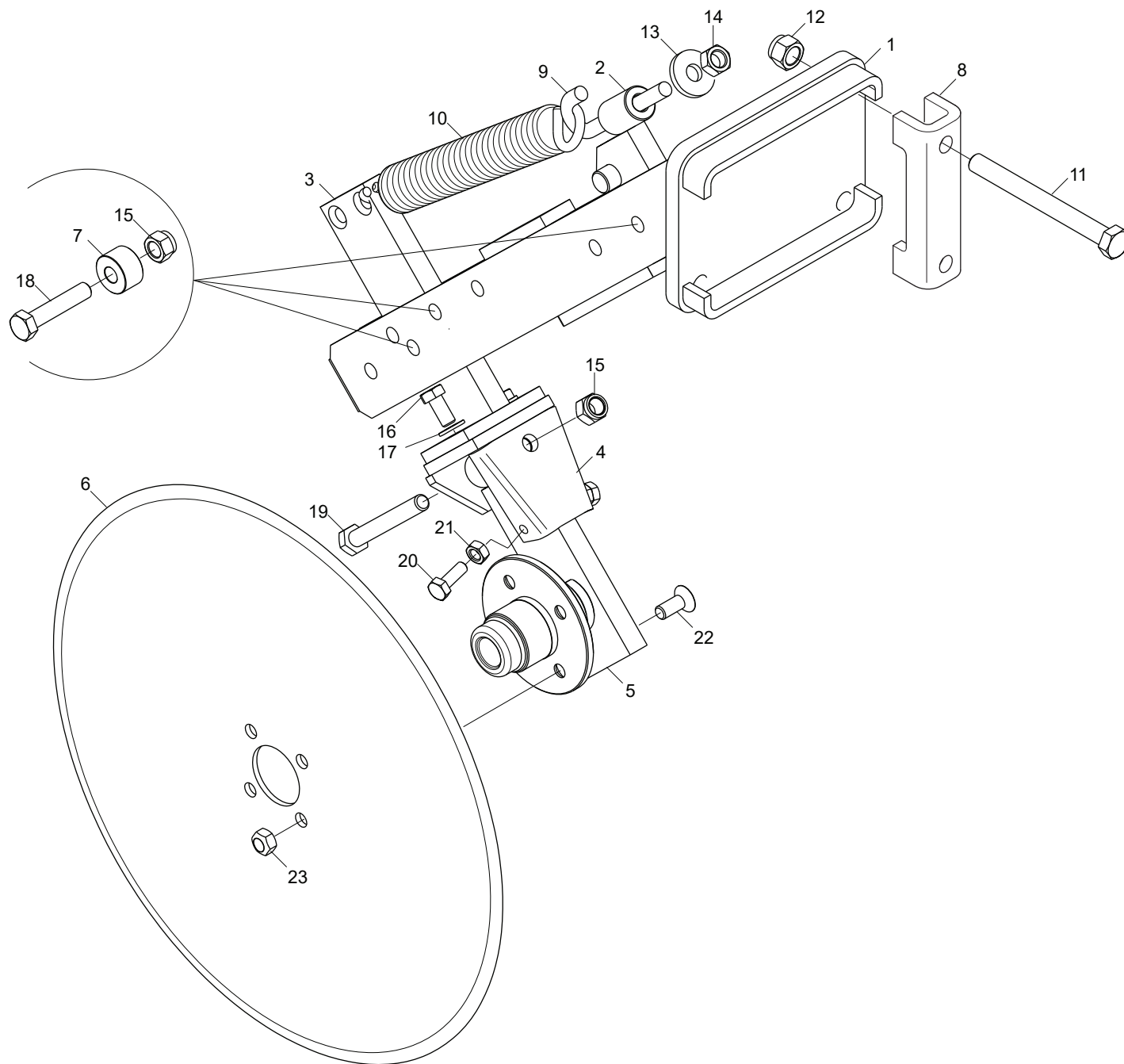




PROTEZIONI PIANTE

TAV. 091

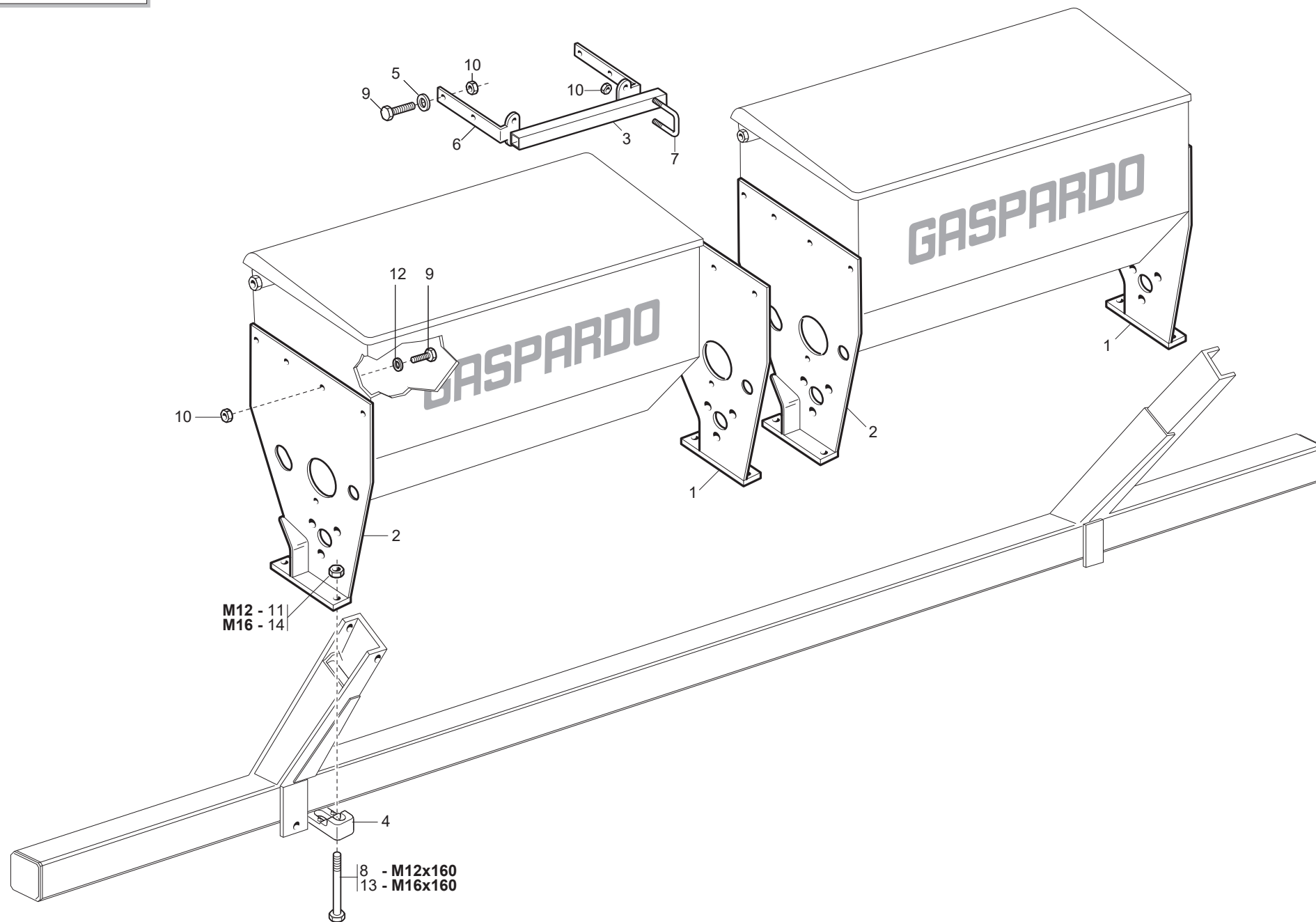
Pos.	Cod.	Descrizione	Description	Description	Benennung	Descrpcion
1	G13644340	SUPPORTO DISCHI DENTATI	TOOTHED DISK SUPPORT			
2	G13644350	BRACCIO REGOLABILE DISCO DENT.	ADJ.BLE ARM CROWN DISC			
3	G13643110	BOCCOLA 16 X29 X39,5 ZN	BUSHING 16 X29 X39,5 ZN			
4	G22230094	SUPPORTO CUSCINETTO	BEARING SUPPORT	SUPPORT PALIER	LAGERBsCHSE	SOPORTE COJINETE
5	G13643140	DISTANZIALE ZN	GALVANIZED SPACER			
6	G13643131	DISCO DENTATO DX	RIGHT TOOTHED DISC			
7	F01020568	VITE M16X2X45 U5739 8.8ZN	SCR. M16X2X45 U5739 8.8ZN	VIS M 16X 2X45 U5739 8.8 ZG	SCHRAUBE M 16X 2X45 U5739 8.8	TORNILLO M16X 2X45 U5739 8.8
8	F01020508	VITE M12X1,75X25 U5739 8.8ZN	SCR. M12X1,75X25 U5739 8.8ZN	VIS M12X1,75X25 U5739 8.8 ZN	SCHRAUBE M12X1,75X25U57398.8ZN	TORNIL.M12X1,75X25 U5739 8.8ZN
9	F01020112	VITE M10X1,5X45 U5737 8.8ZN	SCR. M10X1,5X45 U5737 8.8ZN	VIS M 10X45	SCHRAUBE M 10X45	TORNILLO M 10X45
10	F01020260	VITE M16X2X70 U5737 8.8ZN	SCR. M16X2X70 U5737 8.8ZN	VIS M16X2X70 U5737 8.8 ZN	SCHRAUBE M16X2X70 U5737 8.8 ZN	TORNILLO M16X2X70 U5737 8.8 ZN
11	F01020432	VITE M8X1,25X16 U5739 8.8ZN	SCR. M8X1,25X16 U5739 8.8ZN	VIS M8 X1,25X16 U5739 8.8 ZN	SCHRAUBE M8X1,25X16U5739 8.8ZN	TORNILLO M8X1,25X16U5739 8.8ZN
12	F01220266	DADO M16X2 D980 8ZN	NUT M16X2 D980 8ZN	ECROU M16X 2 D980 8 ZN	MUTTER M16X 2 D980 8 ZN	TUERCA M16X 2 D980 8 ZN
13	F01230048	DADO M10X1,5 D982 8ZN	NUT M10X1,5 D982 8ZN	ECR.AUTO-FREIN.M10X1,5 D982 ZN	SICHERUNGSMUTT.M10X1,5 D982 ZN	TUERCA SEGURID.M10X1,5 D982 ZN
14	F01200444	DADO M16X2 U5589 6SZN	NUT M16X2 U5589 6SZN	ECROU M16X2	MUTTER M16X2	DADO M16X2
15	F01220022	DADO M8X1,25 D980 8ZN	NUT M8X1,25 D980 8ZN	ECROU M8X 1,25 D980 8 ZN	MUTTER M8X 1,25 D980 8 ZN	TUERCA M8X 1,25 D980 8 ZN
16	F01430094	ROS.M16 17X 26X1,2 U8842J BR	WASHER D16 UNI 6798 D.INT.	RONDELLE D16 DIN 6798 D.INT.	UNT.SCHEIBE D16 DIN 6798 D.INT	ARANDELA D16 DIN 6798 D.INT.
17	F01410100	ROS.M16 17X 30X 3 U6592 ZN	WASHER M16 17X30X3 U6592 ZN	RONDELLE M16 17X30X3 U6592 ZN	SCHRAUBE M16 17X 30X3 U6592 ZN	ARANDELA M16 17X30X 3 U6592 ZN
18	F02200562	SPINA SICUR. D. 8X70 ZN	SNAP PIN D.8X 70 ZN	FICHE EL. D.8X70 ZN	SCHERSTIFT D.8X 70 ZN	CLAVIJA D.8X 70 ZN
19	F04010134	CUSC.D25 D47 B12 6005 2Z	BEARING D25 D47 B12 6005 2Z	PALIER 6005 2Z	LAGER 6005 2Z	COJINETE 6005 2Z
20	G13643121	DISCO DENTATO SX	LEFT DISK TOOTHED			
21	G13640252	ASS.SUPPORTO PROTEZIONE LAT.SX	ASSY L.SIDE GUARD SUPPORT			
22	G19203791	SCONTRIO FISS.EL.OPERATORI ZN	BRACKET			
23	F20110739	CAV.Q.B=35 M=12X1,75L=66	U BOLT Q.B=35 M=12X1,75 L=66			
24	G13640271	BRACCIO PER PROTEZ.	GUARD ARM			
25	F01020445	VITE M8X1,25X30 U5739 8.8ZN	SCR. M8X1,25X30 U5739 8.8ZN	VIS M 8X1,25X30 U5739 8.8 ZN	SCHRAU, M8X1,25X30 U5739 8.8ZN	TORN. M8X1,25X30 U5739 8.8 ZN
26	G13643530	BOCCOLA BRACCI PROT.SINTERIZ.	BUSHING	BOITE	BsCHSE	CASQUILLO
27	G13640431	PROTEZ.LAT.SX 2012	LEFT SIDE PROTECTION			
28	F01420049	ROS.M8 8,4X 32X 2 U6593 ZN	WASHER M8 8,4X32X2 U6593 ZN	RONDELLA M8 8,4X32X2 U6593 ZN	SCHEIBE M8 8,4X32X2 U6593 ZN	ARANDELA M8 8,4X32X2 U6593 ZN
29	F01200244	DADO M8X1,25 U5588 6.8ZN	NUT M8X1,25 U5588 6.8ZN	ECROU M8 X1,25 U5588 6.8 ZN	MUTTER M8 X1,25 U5588 6.8 ZN	TUERCA M8 X1,25 U5588 6.8 ZN
30	G13649050	CATENA GENOVESE D.2,8 L.295 ZN	GENOAN CHAIN D.2,8 L.295			
31	F02200363	COPIGLIA R 3X 62 ZN	SPRING SPLIT PIN 3X 62 ZN	GOUPILLE R 3X62	SPLINT R 3X62	CHAVETA R 3X62
32	G13640242	ASS.SUPPORTO PROTEZIONE LAT.DX	RIGHT SIDE PROTECTION ASSEMBLY			
33	G13640261	PROTEZ.LAT.DX 2012	RIGHT SIDE PROTECTION			
34	G23440044	PROTEZIONE LAT.SX C.HL-HM LM	LEFT LAT. C.HL-HM LMPROTECTION	PROTECTION LAT. GCH. AVEC HL-H	LINKER SEITENSCHUTZ C.HL-HM LM	PROTECCIN LAT.IZQ. C.HL-HM LMP
35	G23440043	PROTEZIONE LAT.DX C.HL-HM LM	RIGHT LAT. C.HL-HM LM PROTECTI	PROTECTION LAT. DRT. AVEC HL-H	RECHTER SEITENSCHUTZ C.HL-HM L	PROTECCIN LAT.DER. C.HL-HM LMP
36	F01230059	DADO M12X1,75 D982 8ZN	LOCK-NUT M12X1,75 D982 8ZN	ECR.AUTO-FREI.M12X1,75 D982 ZN	SICHERUNGSMUT.M12X1,75 D982 ZN	TUER.DE SEGUR.M12X1,75 D982 ZN



DISCHI DIREZIONALI

TAV. 100

Pos.	Cod.	Descrizione	Description	Description	Benennung	Descripcion
1	G13619340	BRACCIO DISCO DIREZIONALE	ARM DISC DIRECTIONAL	BRAS DISQUE DE GUIDAGE	ARM SCHEIBE DIREZIONALE	
2	G13619380	SUPPORTO GANCIO MOLLA	SPRING HOOK SUPPORT		HALTER GANCIO FEDER	
3	G13611800	BRACCIO SUPERIORE	UPPER ARM		ARM OBEN	
4	G13611840	SUPPORTO BRACCIO INF.	LOWER ARM SUPPORT		ARMHALTER	
5	G13611871	BRACCIO INFERIORE DISCO DIREZ.	BOTTOMARM	BRAS INFERIEUR	UNTERER ARM	BRAZO INFERIOR
6	G23420093	DISCO DIREZIONALE D.530	DIRECTIONAL DISK D.530	DISQUE DIRECTION. D. 530	RICHTUNGSSCHEIBE D.530	DISCO DIRECCIONAL D.530
7	G18801370	BOCCOLA 14,25X35X21	BUSHING 14,25X35X21	BOITE 14,25X35X21	BUECHSE 14,25X35X21	CASQUILLO 14,25X35X21
8	G13710561	SCONTRO A U SP.10 2F16,5 118	U-SHAPED PLAT.SP.10 2F16,5 118		INNERER U-ANSCHLAG 118 VERST-R	
9	G21120012	TIRANTE ZINCATO	GALVANISED TIE ROD	TRINGLE ZING.	VERZINKTE SPANNSTANGE	TIRANTE GALVANIZADO
10	G65337029	MOLLA TRAZ.SOLLEV. FB	TRACTION SPRING LIFT. FB	RESSORT TRACT. LEVAGE FB	ZUGFEDER HEBUNG FB	MUELLE TRAC. LEVDEL. FB
11	F01020291	VITE M16X2X170	SCREW M16X 2X170	VIS M16X 2X170	SCHRAUBE M16X 2X170	TORNILLO M16X 2X170
12	F01230085	DADO M16X2 D982 10ZN	NUT M16X2	ECROU M16X2	MUTTER M16X2	TUERCA M16X2 D982 10ZN
13	G18700690	RONDELLA 15 X40 X6 ZN	WASHER 15 X 40 X 6 ZN	RONDELLE 15 X40 X6 ZN	UNTERLEGSCHIEBE 15 X40 X6 ZN	ARANDELA 15 X40 X6 ZN
14	F01200306	DADO M14X2	NUT M14X2	ECROU M14X2	MUTTER M14X2	DADO M14X2
15	F01230073	DADO M14X2	NUT M14X2	ECROU M14X2	MUTTER M14X2	TUERCA AUTOBL. M14X2 D982 8ZN
16	F01020508	VITE M12X1,75X25	SCREW M12X1,75X25	VIS M12X1,75X25	SCHRAUBE M12X1,75X25	TORNILLO M12X1,75X25
17	F01410076	ROS.M1213X24X2,5	WASHER 12 13X 24X2,5	RONDELLE 12 13X 24X2,5	SCHIEBE M12 13X24X2,5 U6592 ZN	ARAND.M12 13X 24X2,5 U6592 ZN
18	F01020207	VITE M14X2X70	SCREW M14X2X70	VIS M14X2X70	SCHRAUBE M14X2X70	TORNILLO M14X2X70
19	F01020216	VITE M14X2X110	SCREW M14X2X110	VIS M14X2X110	SCHRAUBE M14X2X110	TORNILLO M14X2X110
20	F01020476	VITE M10X1,5X30	SCREW M10X1,5X30	VIS M10X1,5X30	SCHRAUBE M10X1,5X30	TORNILLO M10X1,5X30
21	F01200270	DADO M10X1,5	NUT M10X1,5	ECROU M10X1,5	MUTTER M10X1,5	TUERCA M10X1,5 U5588 CL8 ZN
22	F01030107	VITE M12X1,75X30	SCREW M12X1,75X30	VIS M12X1,75X30	SCHRAUBE M12X1,75X30	TORNILLO M12X1,75X30
23	F01220048	DADO M12X1,75	NUT M12X1,75	ECROU M12X1,75	MUTTER M12X1,75	TUERCA M12X1,75 D980 8 ZN
24	F01410100	ROS.M16 17X30X 3	WASHER M16 17X30X3	RONDELLE M16 17X30X3	SCHRAUBE M16 17X 30X3 U6592 ZN	ARAND.M16 17X 30X 3 U6592 ZN

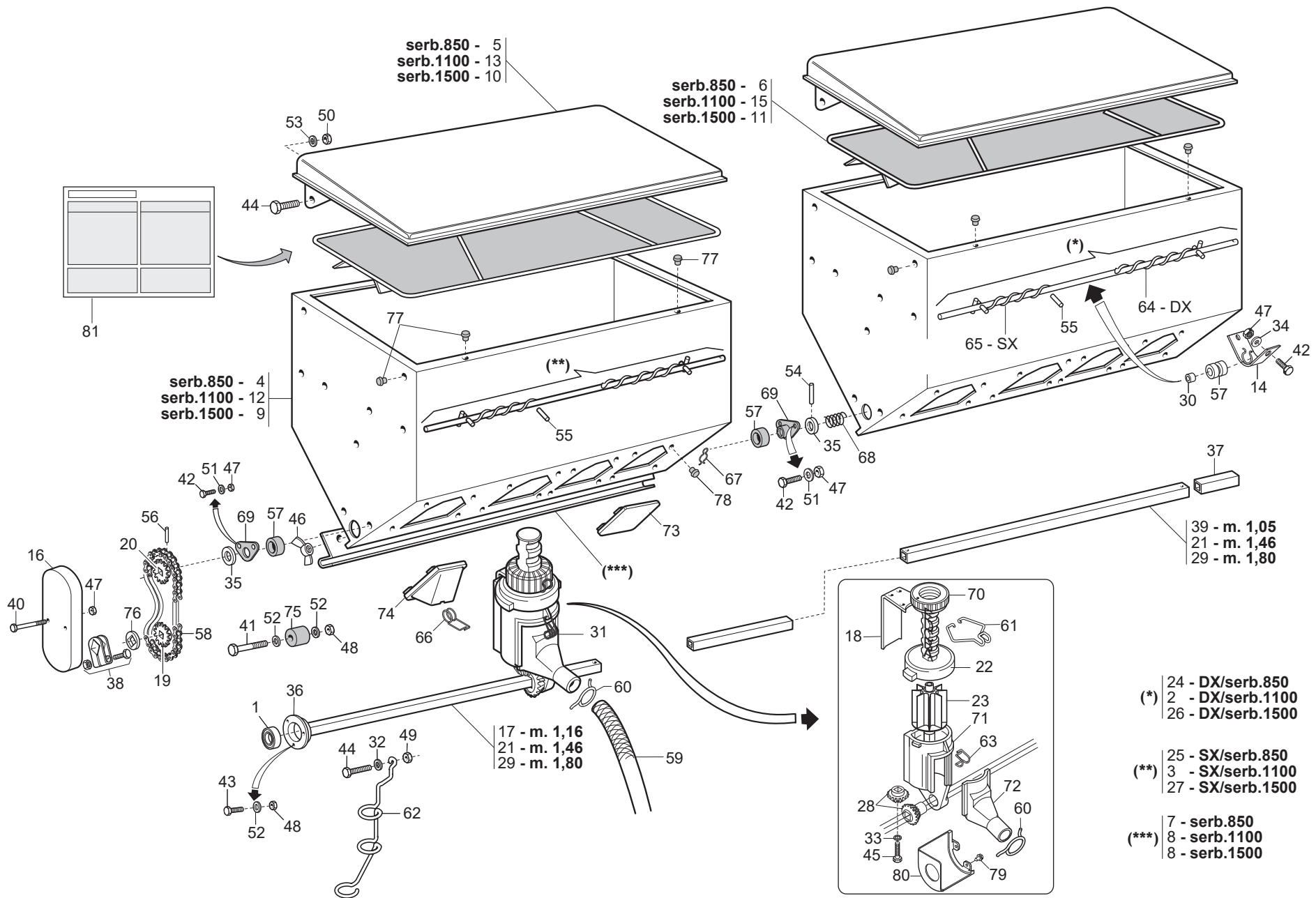


SUPPORTI SERBATOI SPANDICONCIME

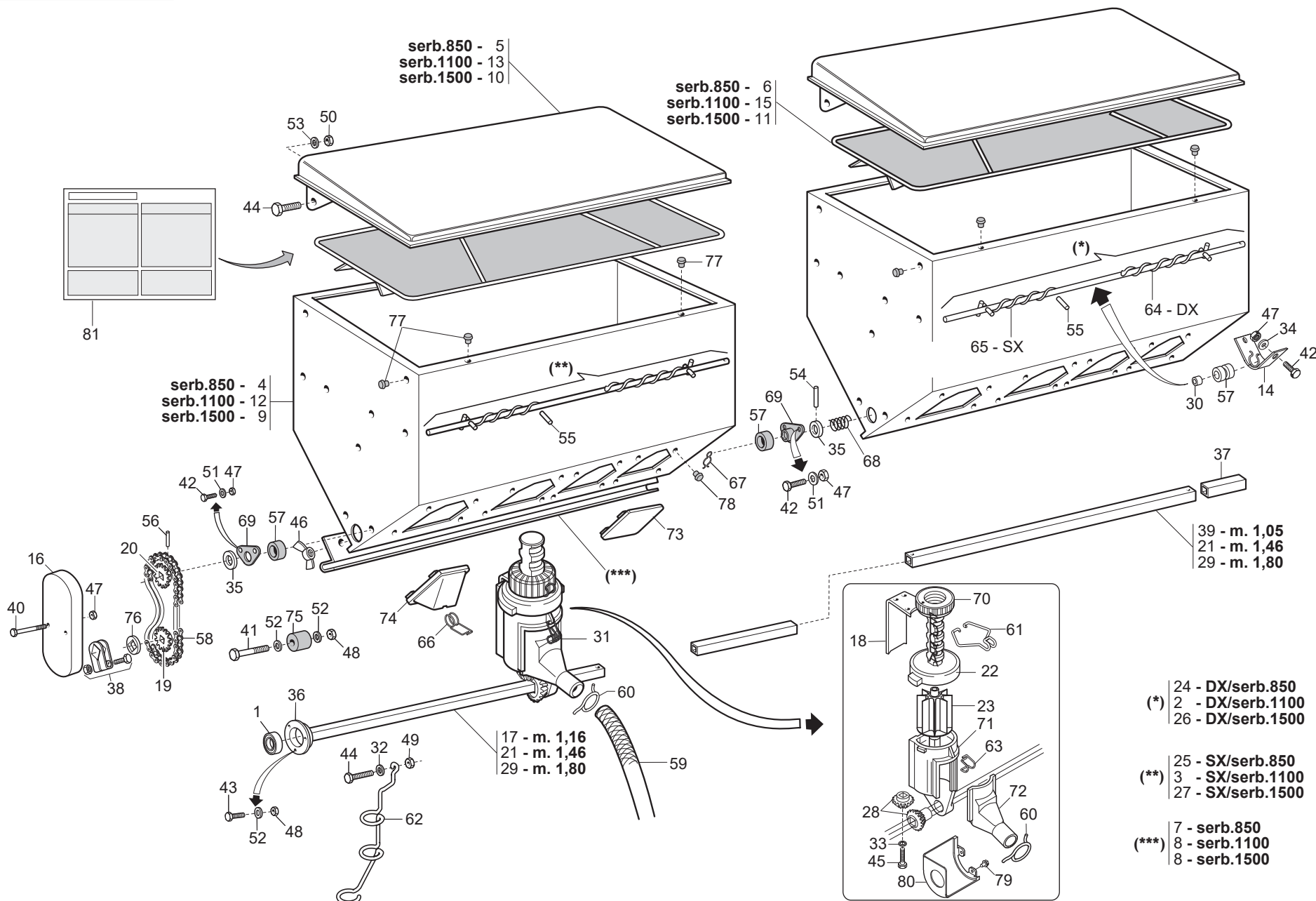
TAV. 110

Pos.	Cod.	Descrizione	Description	Description	Benennung	Descripcion
1	G13710462	ASS.SUPP.SPANDICONCIME DX	ASS.SUPP.R.FERT.SPREADER			
2	G13710492	ASS.SUPP.SPANDICONCIME SX	ASS.SUPP.L.FERT.SPREADER			
3	G13710500	TUBO Q. 35X 4X 400	SQUARE PIPE 35 X4 X400	TUBE CARRE 35 X4 X400	VIERKANTROHR 35 X4 X400	TUBO CUADRADO 35 X4 X400
4	G13710561	SCONTRO A U SP.10 2F16,5 118	U-SHAPED PLAT.SP.10 2F16,5 118			
5	F01420060	ROS.M10 10,5X 30X2,5 U6593 ZN	WASHER 10,5X30	RONDELLE 10,5X30	SCHEIBE 10,5X30	ARANDELA 10,5X30
6	G15475271	SUPPORTO MICRO	MICRO SUPPORT	SUPPORT MICROGRANULATEUR	HALTERUNG MICRO	SOPORTE MICRO
7	F20110706	CAV.Q.B=35 M=10X1,5 L=60	U BOLT Q.B=35 M=10X1,5 L=60	CAVALIER SUPPORT DISQUE SV	VERBINDUNG SCHEIBENHALTERUNG S	PERNO EN U SOP. DISCO SV
8	F01020182	VITE M12X1,75X160 U5737 8.8BR	SCR. M12X1,75X160 U5737 8.8BR	VIS 12X160 5737 8.G	SCHRAUBE 12X160 5737 8.G	TORNILLO 12X160 5737 8.G
9	F01020472	VITE M10X1,5X25 U5739 8.8ZN	SCR. M10X1,5X25 U5739 8.8ZN	VIS M10X1,5X25 U5739 8.8 ZN	SCHRAUBE M10X1,5X25 U5739 8.8	TORNILLO 10X25 U5739 8.8 ZN
10	F01200270	DADO M10X1,5 U5588 6.8ZN	NUT M10X1,5 U5588 6.8ZN	ECROU M10X 1,5 U5588 6.8 ZN	MUTTER M10X 1,5 U5588 6.8 ZN	TUERCA M10X 1,5 U5588 6.8 ZN
11	F01200293	DADO M12X1,75 U5588 6.8ZN	NUT M12X1,75 U5588 6.8ZN	ECROU M12X1,75 U5588 6.8 ZN	MUTTER M12X1,75 U5588 6.8 ZN	TUERCA M12X1,75 U5588 6.8 ZN
12	F01420060	ROS.M10 10,5X 30X2,5 U6593 ZN	WASHER 10,5X30	RONDELLE 10,5X30	SCHEIBE 10,5X30	ARANDELA 10,5X30
13	F01020273	VITE M16X2X160 U5737 8.8BR	SCR. M16X2X160 U5737 8.8BR	VIS M16X 2X160 U5737 8.8	SCHR. M16X 2X160 U5737 8.8	TORN. M16X 2X160 U5737 8.8
14	F01220266	DADO M16X2 D980 8ZN	NUT M16X2 D980 8ZN	ECROU M16X 2 D980 8 ZN	MUTTER M16X 2 D980 8 ZN	TUERCA M16X 2 D980 8 ZN

TAV. 120



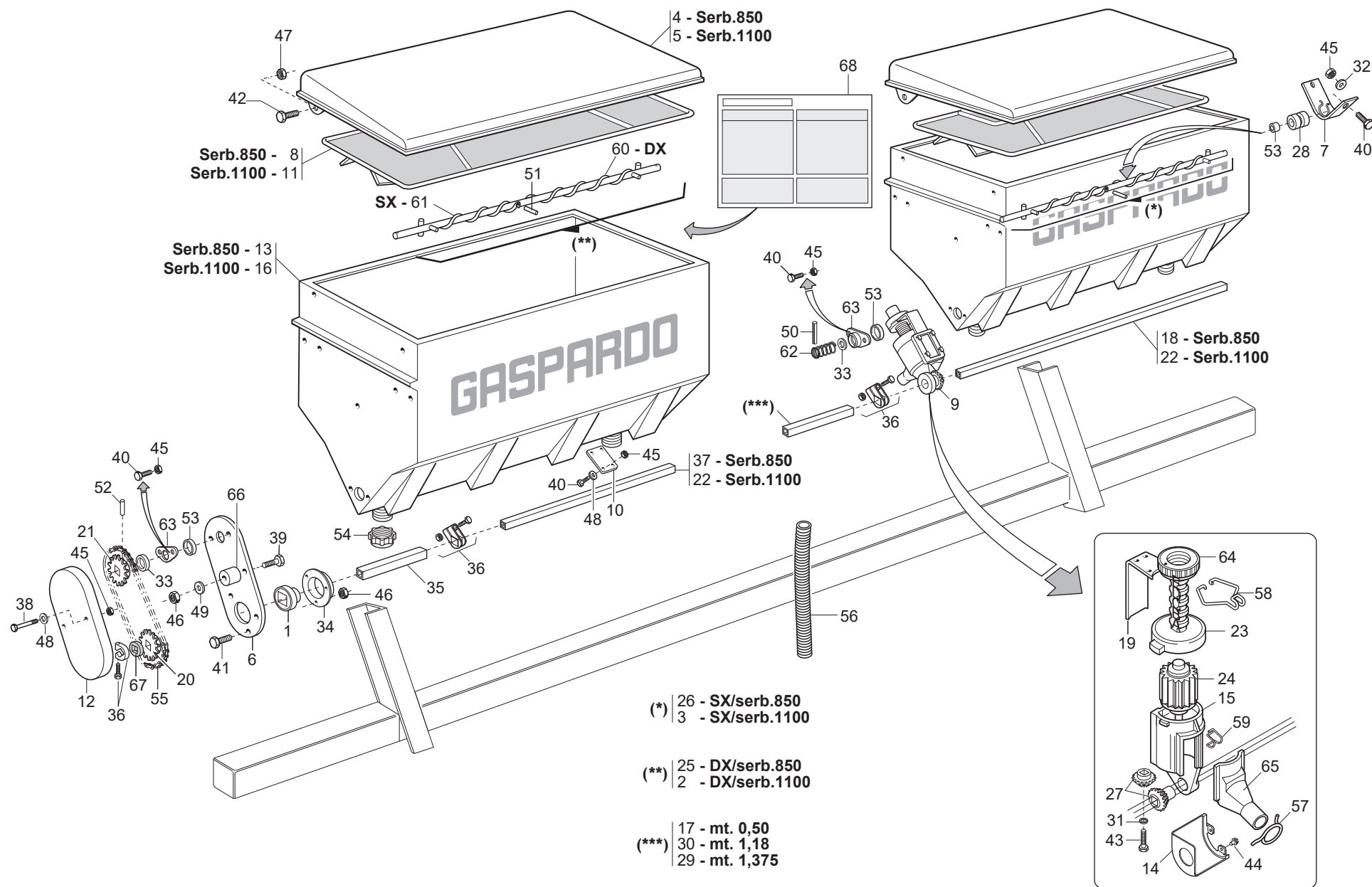
TAV. 120



SPANDICONCIME IN METALLO

TAV. 120

Pos.	Cod.	Descrizione	Description	Description	Benennung	Description
54	F02100079	SPINA E.P. 5X 20 U6873 C70 BR	PIN EL. 5X 20 U6873 C70 BR			
55	F02100314	SPINA EL.5 X36 DIN 1481 INOX	PIN EL.5 X36 DIN 1481 INOX			
56	F02100113	SPINA E.P. 6X 30 U6873 C70 ZN	PIN EL. 6X30 DIN 1481 ZN *	GOUPILLE EL.6 X30 DIN1481ZN*	SPANNSTIFT 6 X30 DIN 1481 ZN	CLAVIJA EL.6 X30 DIN 1481 ZN
57	F03011081	GUARNIZIONI LABBRO DE100	LIP GASKET D100			
58	F06080196	CATENA 1/2 ISO 083 32 MAGLIE	CUT-DOWN CHAIN .1/2 ISO 083 32	TRONCON CHAINE 1/2 ISO 083 32	KETTENZNGE 1/2 ISO 083 32 GL	TRECHO CADENA 1/2 ISO 083 32
59	F03100500	TUBO EOLO 35 PU	TUBE EOLO 35 PU	TUBE EOLO 35 PU		TUBO EOLO
60	G65336025	MOLLA SPEC.ZN STRINGIT.ASP.SP	SPEC SPRING ZN FAN . PIPE CLAM	RESSORT SPEC. ZN SERRE-TUBE AS	SPEZIALFEDER ZN RORHSCHELLE AB	MUELLE ESPEC. ZN APRIETA TUBOS
61	G65336055	MOLLA SPEC.REGOL.SPAND. SP	SPEC SPRING MAN. SPR. ADJUSTM.	RESSORT SPEC. REGL. EP. ENTRAJ	SPEZIALFEDER STREUEREINSTELLUN	MUELLE ESPEC. REGUL. ABONADORA
62	G18903890	MOLLA GUIDATUBO D.45	PIPE GUIDE SUPPORT 45	RESSORT GUIDE-TUBE 45	FEDER ROHRFÜHRUNG 45	MUELLE GU A TUBOS 45
63	G65336062	MOLLA SPEC.SCIV.DISTR.SPAND.SP	SPEC SPRING - MAN. SPR. DISTR.	RESS. SPEC. LANCOIR DISTR. EP.	SPEZ.FEDER RUTSCHE SZAPP. STRE	MUELLE ESPEC.PLANO INCL.DISTR.
64	G65336064	MOLLA SPEC.COCLEA DX SPAND.HL	SPEC. WORM SCREW SPRING RIGHT	RESSORT SPEC. VIS DRT. EP. ENG	SPEZ.FEDER RE SCHNECKE STREUER	MUELLE ESPEC. TORN.S/F DER. AB
65	G65336065	MOLLA SPEC.COCLEA SX SPAND.HL	SPEC. WORM SCREW SPRING LEFT M	RESSORT SPEC. VIS GCH. EP. ENG	SPEZ.FEDER LI SCHNECKE STREUER	MUELLE ESPEC. TORN.S/F IZQ. AB
66	G65336080	MOLLA SPEC.SCARICO SPAND.T.M.	SPEC. SPRING SPREDER RELIEF			
67	G65336089	MOLLA SPEC.TENUTA FERMO SPAND.	SPEC.SPRING- BLOCK. MAN. SPR.	RESSORT SPEC. D'ETANCHEITE ARR	SPEZIALFEDER DICHTUNG STREUER	MUELLE ESPEC. RETENC. BLOQ
68	G65338043	MOLLA COMP.ZN SERB. M80	ZN TANK COMP.SPRING M80	RESSORT COMPL. ZN RESERVOIR M8	DRUCKFEDER ZN BEHZLTER M80	MUELLE COMP.ZN DEPS. M80 A
69	G65338043	MOLLA COMP.ZN SERB. M80	ZN TANK COMP.SPRING M80	RESSORT COMPL. ZN RESERVOIR M8	DRUCKFEDER ZN BEHZLTER M80	MUELLE COMP.ZN DEPS. M80 A
70	G65338043	MOLLA COMP.ZN SERB. M80	ZN TANK COMP.SPRING M80	RESSORT COMPL. ZN RESERVOIR M8	DRUCKFEDER ZN BEHZLTER M80	MUELLE COMP.ZN DEPS. M80 A
71	G66248176	CORPO DISTR.SPAND. SP	MANURE SPREADER DISTR. CASING	CORPS DISTRIB. EP. ENGRAIS SP	VERTEILUNGSKTRPER STREUER SP	CUERPO DISTR. ABON. SP
72	G66248178	SCIVOLO DISTR.SPAND. SP	CHUTE- MANURE-SPREADER DISTRIB	LANCOIR DISTRIBUTION EP. ENGR.	DsNGERSTREUER RUTSCHE SP	PLANO INCLINADO DISTR. ABON. S
73	G66248184	CHIUSURA USCITA SERB.SPAND.SP	OUTLET CLOSURE- MAN.SPREAD. TA	FERMETURE SORTIE RESERVOIR FER	VERSCHLUSS AUSTRITT DsNGERSTR.	CIERRE SALIDA DEPS. ABON. SP I
74	G66248187	SCARICO SERB.SPAND.TIPO MICRO	MICRO TYPE MAN.SPR.TANK DISCH.	TRAPPE DE VIDANGE TYPE MICRO	BEHZLTERENTLADUNG STREUER TYP	DESCARGA DEPS. ABON.TIPO MICRD
75	G66248207	TENDICATENA SPAND. SP-520	CHAIN TENSIONER	TENDEUR DE CHAINE EPAND. ENGR.	KETTENSANNER DsNGERSTR. SP-52	SENSOR DE CADENA ABON. SP-520
76	G66248218	RONDELLA DISTAN.SPANDI	MAN. SPR. SPACER WASHER	RONDELLE ENTRETOISE EP. ENGRAI	ABSTANDSCHEIBE DsNGERSTREUER	ARANDELA DISTAN.ABONAD.
77	G66248223	TAPPO SUPP.SPAND.D.11	PLUG MAN. SPR. SUPP. D.11	BOUCHON SUPPORT EP. ENGRAIS D.	HALTERUNGSPFROPFEN DsNGERSTR.	TAPN SOPORTE ABON.D.11 D
78	G66248224	FERMO DISTRIBUTORE SPAND.	FERT. SPR. DISTRIB. STOP	ARRET DISTRIBUTEUR EP. ENGRAIS	FESTSTELLVORRICHTUNG SZAPP. ST	BLOQUEO DISTRIBUIDOR ABON.
79	F01070011	VITE A4,2X1,41X9,5 U6950 4.8NI	SCR. H4,2X1,41X9,5 U6950 4.8NI	VIS AUTOTAR. 4-2X9-5 T. E. COU	SELBSTSCHNEID. SCHRAUBE 4-2X9-	TORNILLO AUTORROSC. 4-2X9-5
80	G19002850	PROTEZIONE PIGNONE	PINION GUARD	PROTECTION PIGNON	RITZELSCHUTZ	PROTECCIN PIGNON PR
81	G19700903	TABELLA DISTR.CONCIME HL-HP	TABEL DISTRIB.FERTILIZ. HL-HP			



(*) 26 - SX/serb.850
3 - SX/serb.1100

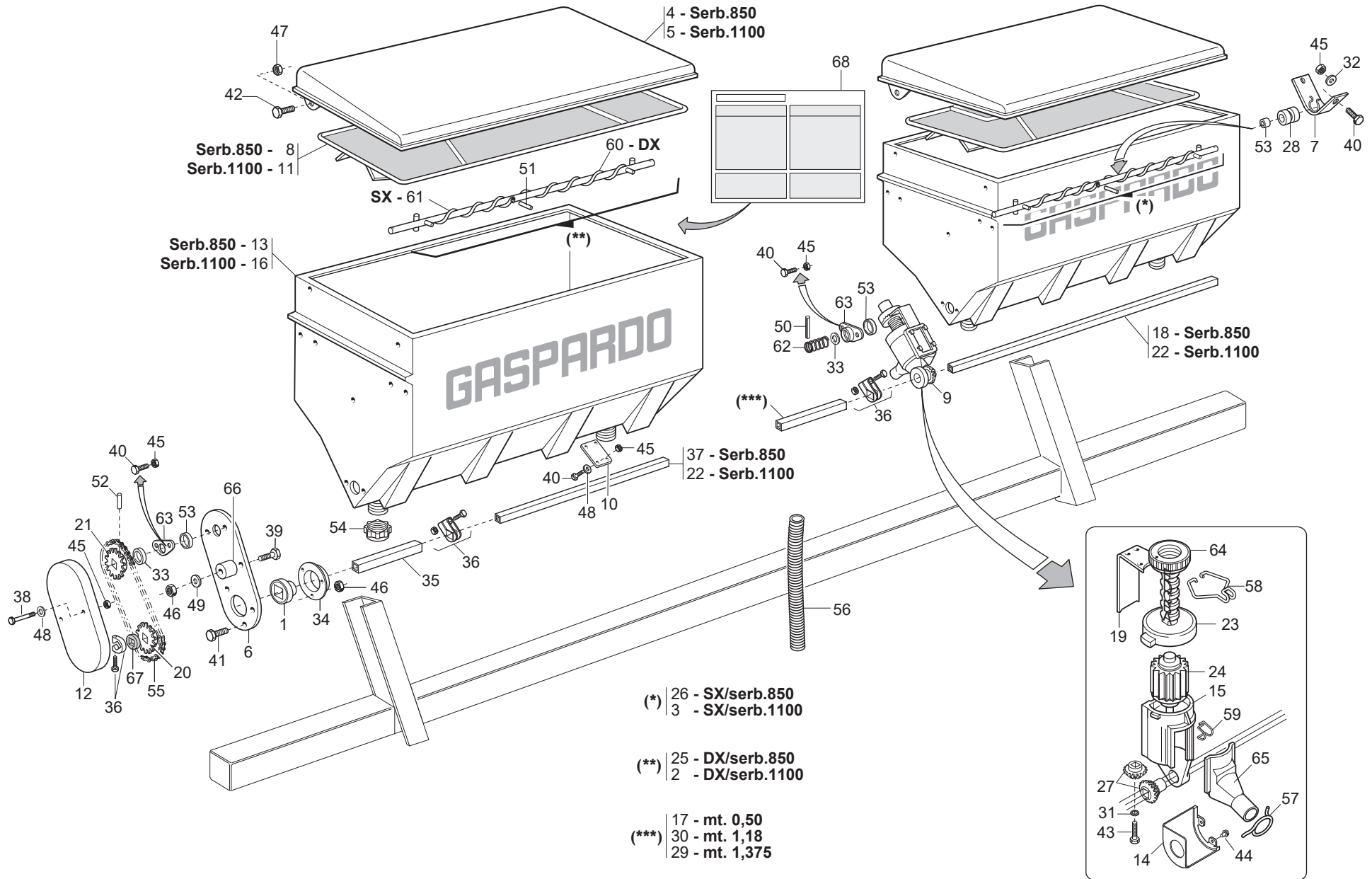
(**) 25 - DX/serb.850
2 - DX/serb.1100

(***) 17 - mt. 0,50
30 - mt. 1,18
29 - mt. 1,375

SPANDICONCIME IN PLASTICA

TAV. 130

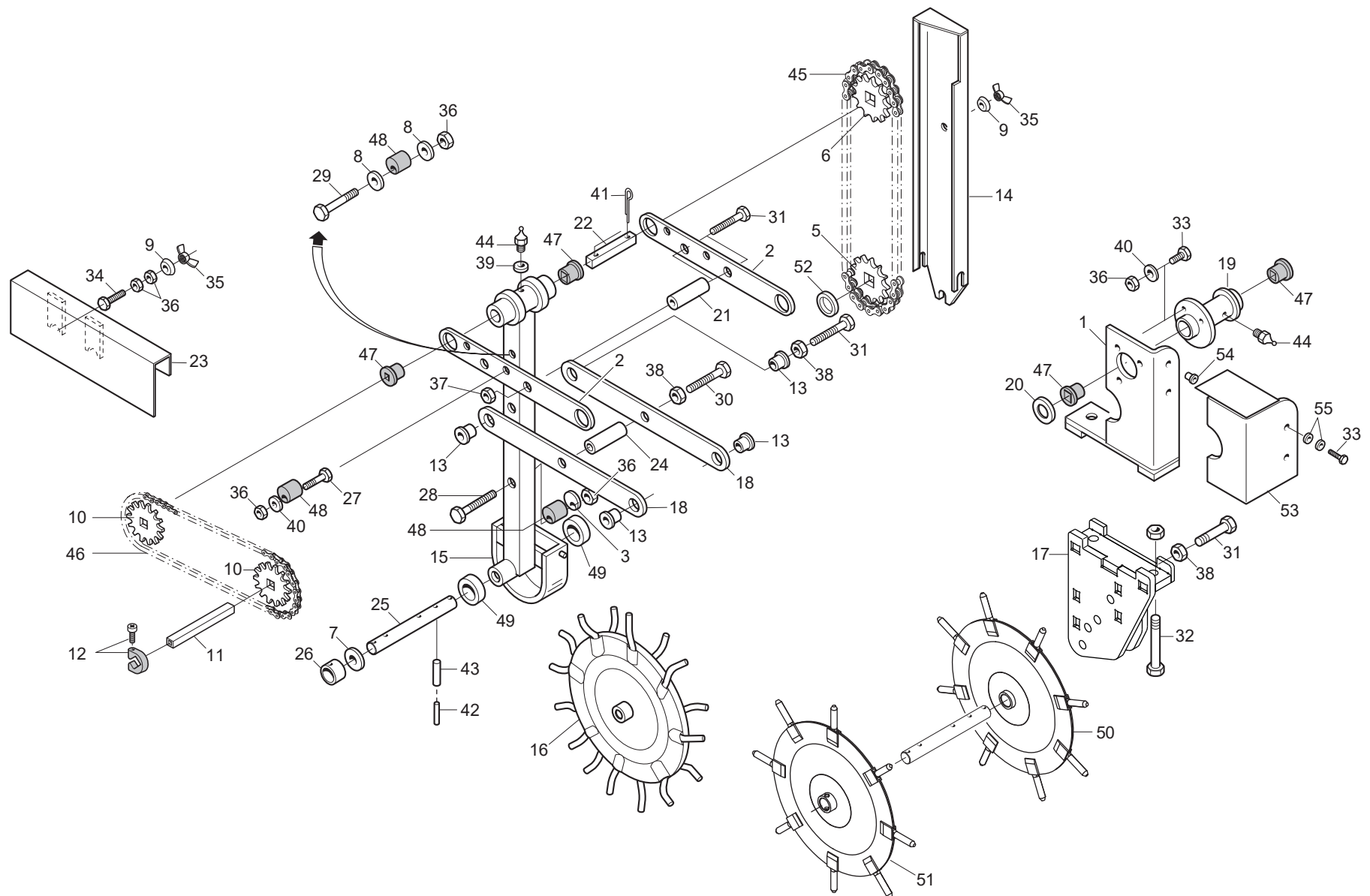
Pos.	Cod.	Descrizione	Description	Description	Benennung	Descripcion
1	G14830390	CUSCINETTO FORO QUADRO	SQUARE-HOLED BEARING	ROULEMENT TROU CARRE	VIERKANTLAGER	COJINETE ORIFICIO CUADRADO
2	G15271540	ASSE AGITATORE DX 1100	STIRRER SPINDLE-RIGHT 1100 TAN	AXE AGITATEUR DRT.RESERV.1100	SAMENMISCHERACHSE RE BEH.1100	EJE AGITAD.DER.DEPS.1100 COM A
3	G15271550	ASSE AGITATORE SX 1100	STIRRER SPINDLE- LEFT 1100	AXE AGITATEUR GCH. 1100	SAMENMISCHERACHSE LINKER 1100	EJE AGITAD. IZQ. 1100
4	G15470580	COPERCHIO SERBATOIO 850	TANK TOP 850	COUVERCLE RESERVOIR 650	BEHZLTERDECKEL 850	TAPA DEPSITO 850 A
5	G15471920	COPERCHIO SERBATOIO L.1100	TANK COVER L.1100	COUVERCLE RESERVOIR L.1100	BEHZLTERDECKEL L.1100	TAPA DEPS.L.1100 A
6	G15471930	PROTEZIONE	GUARD	PROTECTION	SCHUTZ	PROTECCIN P
7	G15471990	SUPPORTO COCLEA	SCREW SUPPORT	SUPPORT VIS ALIMENTATION	HALTERUNG SCHNECKE	SOPORTE CCLEA S
8	G15472760	GRIGLIA SERBATOIO PLASTICA 850	PLASTIC TANK GRID 850	GRILLE RESERVOIR PLASTIQUE 850	BEHZLTERGITTER PLAST.850	REJILLA DEPSITO PLAST.850 G
9	G15472770	DISTRIB.PER SPANDI.PLA.8 PALE	COMPL.PLAS.FERTIL.DISTR.8RIBS	MINIMAX COMPL 8C PLA	KOMPL.DOSIER.PLA.DÜNGERSTR.8S	DISTR.COMP.ABONO PLAST. 8AL.
10	G15472780	TAPPO SPANDI PLASTICA	PLASTIC FERT. SPREADER PLUG	BOUCHON EPAND. PLASTIQUE	PLASTIKPFROPFEN DsNGERSTR.	TAPN ABONADORA PLæSTICO D
11	G15473130	GRIGLIA SERBATOIO 1100 PLAST.	PLASTIC TANK GRID 1100	GRILLE RESERVOIR PLAST.1100	BEHZLTERGITTER PLAST.1100	REJILLA DEPSITO PLAST.1100 G
12	G19002710	PROTEZ.RINVIO SPANDICONCIME	FERTILIZER TRANSM. PROTECTION	PROTECTION RENVOI FERTILISEUR	SCHUTZ VORGELEGE DUNGERSTREUER	PROTECCION TRANSMISION ABONADO
13	G19004470	SERBATOIO CONCIME 850	FERTILIZER HOPPER 850	TR+MIE ENGRAIS 850	D_NGERTANK 850	DEPÉSITO ABONO 850
14	G19002850	PROTEZIONE PIGNONE	PINION GUARD	PROTECTION PIGNON	RITZELSCHUTZ	PROTECCIN PIGN PR
15	G19002920	CORPO DISTRIBUTORE SPANDI PLA.	PLA. F.SPREADER DISTRIB.CASING	CORPS DISTRIBUTEUR EPAND.	VERTEILUNGSKTRPER STREUER PLA.	CUERPO DIST. ABONADORA PLæS.
16	G19003060	SERBATOIO 1100 PLASTICA	PLASTIC TANK 1100	RESERVOIR 1100 PLASTIQUE	PLASTIKBEHZLTER 1100	DEPSITO 1100 PLæSTICA B
17	G20860012	MANICOTTO DI UNIONE L.500	JOINT SLEEVE L.500	MANCHON DE RACCORD L. 500	VERBINDUNGSMUFFE L.500	MANGUITO DE UNIN L.500 M
18	G20860032	ASSE RUOTA CAMBIO L.1160	WHEEL AXLE - GEARBOX L.1160	AXE ROUE BOITE DE VITESSE	GEBTRIEBERADACHSE L 1160	EJE RUEDA CAMBIO L.1160
19	G20860052	REGOLATORE APERTURA	OPENING REGULATOR	REGULATEUR OUVERTURE	TFFNUNGSEINSTELLER	REGULADOR ABERTURA
20	G20860086	INGRANAGGIO 1/2 Z-12 F.Q.	GEAR 1/2 Z-12 F.Q.	ENGRENAGE 1/2 Z-12 TROUS CARRE	ZAHNRAD 1/2 Z-12 F.Q.	ENGRANAJE 1/2 Z-12 F.Q.
21	G20860088	INGRANAGGIO 1/2 Z-12 F.T.	GEAR 1/2 Z-12 F.T.	ENGRENAGE 1/2 Z-12 TROUS RONDS	ZAHNRAD 1/2 Z-12 F.T.	ENGRANAJE 1/2 Z-12 F.T.
22	G20860090	ASSE TRASMISSIONE L.1460	AXLE- LEFT 5-R.60 L.1460	AXE GCH. 5 RANGEES 60 L. 1460	ACHSE LI 5R.F.60 L.1460	EJE IZQ. 5/12 L.1460
23	G20860093	VITE DI REGOL.	ADJUSTMENT BOLT	VIS DE REGLAGE	EINSTELLSCHRAUBE.	TORNILLO DE REGULACIN S
24	G20860106	DOSATORE SPANDI 8 PALE COMPL.	FERT.METERING DEVICE ASS.8 GRO	ROTOR DOSEUR 8C FERTIL COMPL.	DOSIERER DUNGER.KOMPL. 8 SEKT	DOSIFICADOR ABONO COMP.8 SECT
25	G20860121	ASSE AGITAT.DX SERB.850 COMPL.	STIRRER SPINDLE- RIGHT 850 TAN	AXE AGITATEUR DRT. RESERVOIR 8	SAMENMISCHERACHSE RE BEH.850	EJE AGITAD. DER. DEPS.850 COMA
26	G20860122	ASSE AGITAT.SX SERB.850 COMPL.	STIRRER SPINDLE- LEFT 850 TANK	AXE AGITATEUR GCH. RESERVOIR 8	SAMENMISCHERACHSE LI BEH.850	EJE AGITAD. IZQ. DEPS. 850 COA
27	G20860126	KIT INGR DISTR CONCIME (2+2)	KIT- MAN. DISTR. GEARS (2+2)	COUPLE CON DISTR ENGRAIS (2+2)	KIT ZAHNRZDER DsNGERSTREUER	SET ENGRANAJES DISTRIB. ABONO
28	G19005040	BOCCOLA ASSE AGITATORE SPANDI	FERT. SPREADER AXLE BUSH	DOUILLE AXE +PANDEUR	ACHSENBUCHSE STREUER	MANGUITO -RBOL ABONADORA
29	G20910044	MANICOTTO UNIONE L.1375	JOINT SLEEVE L.1375	MANCHON RACCORD L. 1375	VERBINDUNGSMUFFE L.1375	MANGUITO DE UNIN L.1375 M
30	G20910045	MANICOTTO UNIONE L.1180	JOINT SLEEVE L.1180	MANCHON RACCORD L. 1180	VERBINDUNGSMUFFE L.1180	MANGUITO DE UNIN L.1180 M
31	G20970097	RONDELLA 32X3X4,5	WASHER 32X3X4-5	RONDELLE 32X3X4-5	UNTERLEGSCHIEBE 32X3X4-5	ARANDELA 32X3X4-5
32	G20970125	RONDELLA 28X2,5X6,5	WASHER 28X2-5X6-5	RONDELLE 28X2-5X6-5	UNTERLEGSCHIEBE 28X2-5X6-5	ARANDELA 28X2-5X6-5
33	G22220073	RONDELLA 28X0,3X16,5	WASHER 28X0-3X16-5	RONDELLE 28X0-3X16-5	UNTERLEGSCHIEBE 28X0-3X16-5	ARANDELA 28X0-3X16-5
34	G22230094	SUPPORTO CUSCINETTO	BEARING SUPPORT	RONDELLA 28X0-3X16-5	LAGERBSCHSE	SOPORTE COJINETE
35	G22250287	MANICOTTO DISTANZIALE SV	SPACER SLEEVE SV	MANCHON ENTRETOISE SV	ABSTANDSMUFFE SV	MANGUITO DISTANCIADOR SV
36	G22505085	FERMO ASSE IN LAMIERA	PLATE AXLE STOP	ARRET AXE EN TOLE	FESTSTELLVORRICHTUNG BLECHACHS	BLOQUEO EJE DE CHAPA
37	G23440181	ASSE DISTRIBUTORI MT.1,05 HL/2	DISTRIBUTOR SPINDLE- MT.1.05 HL/2	AXE DISTRIBUTEURS M. 1-05 HL/2	STREUERACHSE M. 1-05 HL/2	EJE DISTRIBUIDORES MT.1-05 HL/
38	F01020043	VITE M6X1X60 U5737 8.8ZN	SCR. M6X1X60 U5737 8.8ZN	VIS M6X1X60 U5737 8.8 ZN	SCHRAUBE M6X1X60 U5737 8.8 ZN	TORNILLO M6X1X60 U5737 8.8 ZN
39	F01020068	VITE M8X1,25X40 U5737 8.8ZN	SCR. M8X1,25X40 U5737 8.8ZN	VIS M 8X1,25X40 U5737 8.8 ZN	SCHRA. M8X1,25X40 U5737 8.8 ZN	TORNIL.M8X1,25X40 U5737 8.8 ZN
40	F01020403	VITE M6X1X16 U5739 8.8ZN	SCR. M6X1X16 U5739 8.8ZN	VIS M6X1X16 U5739 8.8 ZN	SCHRAUBE M6X1X16 U5739 8.8 ZN	TORNILLO M6X1X16 U5739 8.8 ZN
41	F01020432	VITE M8X1,25X16 U5739 8.8ZN	SCR. M8X1,25X16 U5739 8.8ZN	VIS M8 X1,25X16 U5739 8.8 ZN	SCHRAUBE M8X1,25X16U5739 8.8ZN	TORNILLO M8X1,25X16U5739 8.8ZN
42	F01020472	VITE M10X1,5X25 U5739 8.8ZN	SCR. M10X1,5X25 U5739 8.8ZN	VIS M10X1,5X25 U5739 8.8 ZN	SCHRAUBE M10X1,5X25 U5739 8.8	TORNILLO 10X25 U5739 8.8 ZN
43	F01070075	VITE A4,2X1,41X38 U6954 4.8NI	SCR. H4,2X1,41X38 U6954 4.8NI	VIS 4-2X38 DIN 7981	SCHRAUBE 4-2X38 DIN 7981	TORNILLO 4-2X38 DIN 7981
44	F01070011	VITE A4,2X1,41X9,5 U6950 4.8NI	SCR. H4,2X1,41X9,5 U6950 4.8NI	VIS AUTOTAR. 4-2X9-5 T. E. COU	SELBSTSCHNEID. SCHRAUBE 4-2X9-	TORNILLO AUTORROSC. 4-2X9-5
45	F01200232	DADO M6X1 U5588 6.8ZN	NUT M6X1 U5588 6.8ZN	ECROU 6 UNI 5588 6.8 ZN	MUTTER 6 UNI 5588 6.8 ZN	TUERCA 6 UNI 5588 6.8 ZN
46	F01200244	DADO M8X1,25 U5588 6.8ZN	NUT M8X1,25 U5588 6.8ZN	ECROU M8 X1,25 U5588 6.8 ZN	MUTTER M8 X1,25 U5588 6.8 ZN	TUERCA M8 X1,25 U5588 6.8 ZN
47	F01220033	DADO M10X1,5 D980 8ZN	NUT M10X1,5 D980 8ZN	ECROU M10X1,5 D980 8ZN	MUTTER M10X1,5 D980 8ZN	TUERCA M10X1,5 D980 8ZN
48	F01410037	ROS.M6 6,4X12,5X1,6 U6592 ZN	WASHER M6 6,4X12,5X1,6 U6592ZN	RONDEL.M6 6,4X12,5X1,6 U6592ZN	SCHEIB.M6 6,4X12,5X1,6 U6592ZN	ARAND.M6 6,4X12,5X1,6 U6592 ZN
49	F01410051	ROS.M8 8,4X 17X1,6 U6592 ZN	WASHER M8 8,4X17X1,6 U6592 ZN	RONDELLE M8 8,4X17X1,6 U6592ZN	SCHEIBE M8 8,4X17X1,6 U6592 ZN	ARANDELA M8 8,4X17X1,6 U6592ZN
50	F02100079	SPINA E.P. 5X 20 U6873 C70 BR	PIN EL. 5X 20 U6873 C70 BR			
51	F02100314	SPINA EL.5 X36 DIN 1481 INOX	PIN EL.5 X36 DIN 1481 INOX			
52	F02100113	SPINA E.P. 6X 30 U6873 C70 ZN	PIN EL. 6X30 DIN 1481 ZN *	GOUPILE EL.6 X30 DIN1481ZN*	SPANNSTIFT 6 X30 DIN 1481 ZN	CLAVIJA EL.6 X30 DIN 1481 ZN
53	F03011081	GUARNIZIONI LABBRO DE100	LIP GASKET D100			



SPANDICONCIME IN PLASTICA

TAV. 130

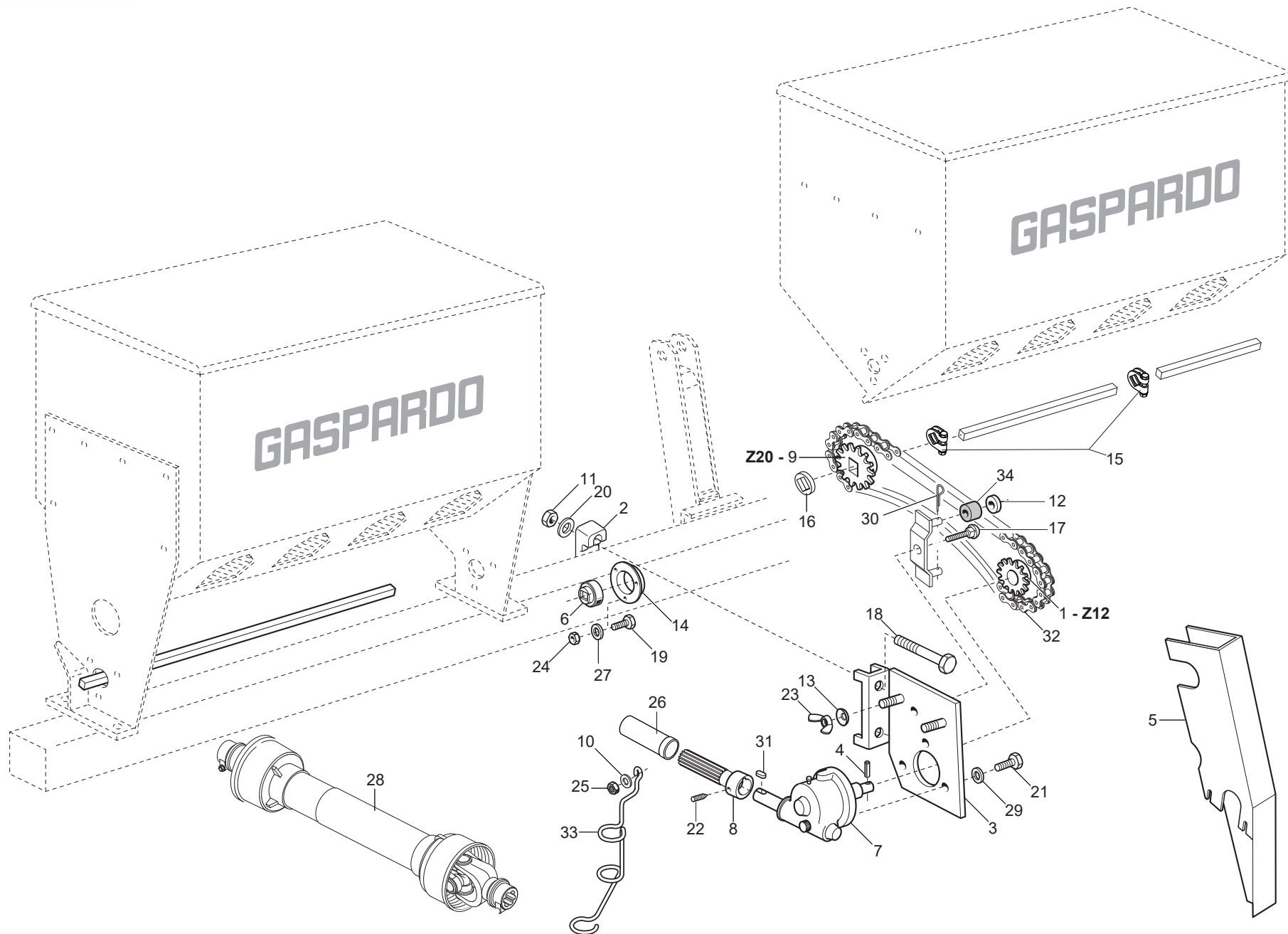
Pos.	Cod.	Descrizione	Description	Description	Benennung	Descripcion
54	F03150757	TAPPO FILETT.SERBAT.PLASTICA	SCREWED PLUG FOR PLASTIC TANK			
55	F06080196	CATENA 1/2 ISO 083 32 MAGLIE	CUT-DOWN CHAIN .1/2 ISO 083 32	TRONCON CHAINE 1/2 ISO 083 32	KETTENZNGE 1/2 ISO 083 32 GL	TRECHO CADENA 1/2 ISO 083 32
56	F03100500	TUBO EOLO 35 PU	TUBE EOLO 35 PU	TUBE EOLO 35 PU		TUBO EOLO
57	G65336025	MOLLA SPEC.ZN STRINGIT.ASP.SP	SPEC SPRING ZN FAN . PIPE CLAM	RESSORT SPEC. ZN SERRE-TUBE AS	SPEZIALFEDER ZN RORHSCHELLE AB	MUELLE ESPEC. ZN APRIETA TUBOS
58	G65336055	MOLLA SPEC.REGOL.SPAND. SP	SPEC SPRING MAN. SPR. ADJUSTM.	RESSORT SPEC. REGL. EP. ENTRAJ	SPEZIALFEDER STREUEREINSTELLUN	MUELLE ESPEC. REGUL. ABONADORA
59	G65336062	MOLLA SPEC.SCIV.DISTR.SPAND.SP	SPEC SPRING - MAN. SPR. DISTR.	RESS. SPEC. LANCOIR DISTR. EP.	SPEZ.FEDER RUTSCHE SZAPP. STRE	MUELLE ESPEC.PLANO INCL.DISTR.
60	G65336064	MOLLA SPEC.COCLEA DX SPAND.HL	SPEC. WORM SCREW SPRING RIGHT	RESSORT SPEC. VIS DRT. EP. ENG	SPEZ.FEDER RE SCHNECKE STREUER	MUELLE ESPEC. TORN.S/F DER. AB
61	G65336065	MOLLA SPEC.COCLEA SX SPAND.HL	SPEC. WORM SCREW SPRING LEFT M	RESSORT SPEC. VIS GCH. EP. ENG	SPEZ.FEDER LI SCHNECKE STREUER	MUELLE ESPEC. TORN.S/F IZQ. AB
62	G65338043	MOLLA COMP.ZN SERB. M80	ZN TANK COMP.SPRING M80	RESSORT COMPL. ZN RESERVOIR M8	DRUCKFEDER ZN BEHZLTER M80	MUELLE COMP.ZN DEPS. M80 A
63	G66248121	BOCCOLA CON FLANGIA M80	BUSHING W/ FLANGE M80	SUPPORT AVEC BRIDE M80	BsCHSE MIT FLANSCH M80	CASQUILLO CON BRIDA M80
64	G66248125	GHIERA REGOLAZIONE M80	ADJUSTMENT KNURLED NUT M80	BAGUE REGLAGE M80	EINSTELLMUTTER M80	CONTRATUERCA REGULACIN M80 G
65	G66248178	SCIVOLO DISTR.SPAND. SP	CHUTE- MANURE-SPREADER DISTRIB	LANCOIR DISTRIBUTION EP. ENGR.	DsNGERSTREUER RUTSCHE SP	PLANO INCLINADO DISTR. ABON. S
66	G66248207	TENDICATENA SPAND. SP-520	CHAIN TENSIONER	TENDEUR DE CHAINE EPAND. ENGR.	KETTENSPANNER DsNGERSTR. SP-52	TENSOR DE CADENA ABON. SP-520
67	G66248218	RONDELLA DISTAN.SPANDI	MAN. SPR. SPACER WASHER	RONDELLE ENTRETOISE EP. ENGRAI	ABSTANDSCHEIBE DsNGERSTREUER	ARANDELA DISTAN.ABONAD.
68	G19700903	TABELLA DISTR.CONCIME HL-HP	TABEL DISTRIB.FERTILIZ. HL-HP			



TRASMISSIONE SPANDICONCIME

TAV. 140

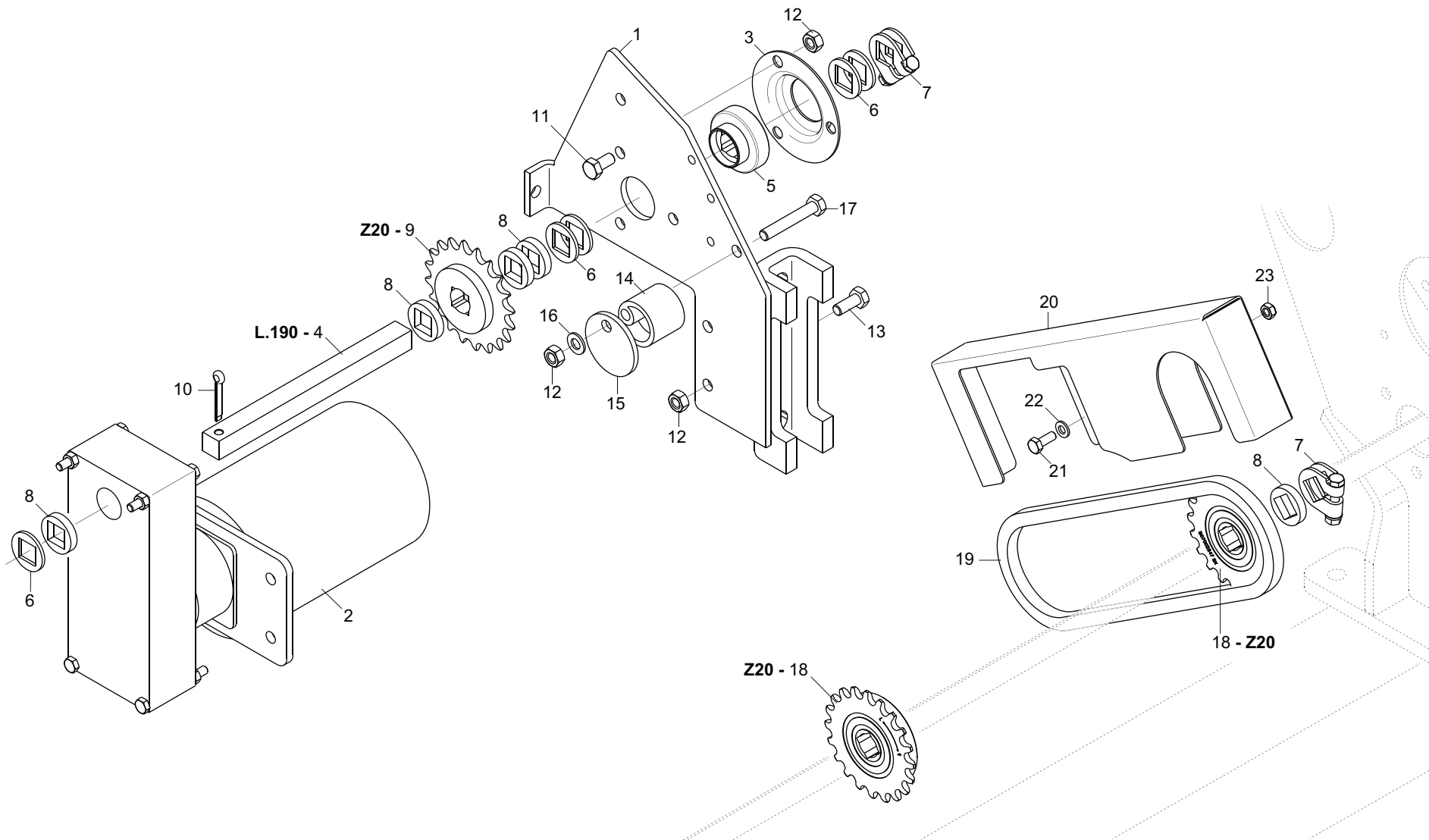
Pos.	Cod.	Descrizione	Description	Description	Benennung	Descrpcion
1	G13731501	SUPP.RINVIO HP-HL	TRANSMISSION SUPPORT HP-HL			
2	G13731511	BRACCIO SUPERIORE	SUPERIOR ARM	BRAS	ARM	BRAZO
3	G18701470	RONDELLA 9X48X4 SC.ZN	WASHER 9X48X4 SC.GALV.ED			
4	G22505085	FERMO ASSE IN LAMIERA	PLATE AXLE STOP	ARRET AXE EN TOLE	FESTSTELLVORRICHTUNG BLECHACHS	BLOQUEO EJE DE CHAPA
5	G13730940	PIGNONE Z12 1/2-3/16 D.25 ZN	PINION Z12 1/2-3/16 D.25 ZN			
6	G20900041	PIGNONE Z24 1/2X3/16 Q.16,4 ZN	GEAR 1/2 Z-24 F.Q. HL	ENGRENAGE 1/2 Z-24 TROUS CARRE	ZAHNRAD 1/2 Z-24 F.Q. HL	ENGRANAJE 1/2 Z-24 F.Q. HL
7	F01440079	ROND.RASAM.26,2X34,8X0,5 IX	WASHER D.26,2X34,8X0,5	RONDELLE D.26,2X34,8X0,5	UNTERLEGSSCHEIBE D.26,2X35X0,5	ARANDELA D.26,2X34,8X0,5
8	G20970029	RONDELLA 9X35X4	WASHER 9X35X4	RONDELLE 9X35X4	UNTERLEGSSCHEIBE 9X35X4	ARANDELA 9X35X4
9	G22220083	RONDELLA AD IMBOCCO	LEAD-IN WASHER	RONDELLE EMBOUTIE	TRICHTERSCHLEIBE	ARANDELA DE MUESCA
10	G22250007	INGR.CON IMZZO 1/2 Z-20 SV	GEARS- W/ HUB 1/2 Z-20 SV	ENGRENAGE 1/2 Z-20	ZAHNRAD MIT NABE 1/2 Z-20 SV	ENGRAN.CON PERNO 1/2 Z-20 SV
11	G22500171	MANICOTTO L.175	SLEEVE L.175	MANCHON L.175	MUFFE L.175	MANGUITO L.175
12	G22505085	FERMO ASSE IN LAMIERA	PLATE AXLE STOP	ARRET AXE EN TOLE	FESTSTELLVORRICHTUNG BLECHACHS	BLOQUEO EJE DE CHAPA
13	G13732550	BOCC.PAR.SINT.12,25X28 L.13	BUSHING	BOITE	BsCHSE	CASQUILLO
14	G13731032	CARTER INF.	LOWER CARTER			
15	G13732520	SUPPORTO RUOTA	WHEEL SUPPORT			
16	G23440221	RUOTA DI TRASMISSIONE HL/2	DRIVING WHEEL HL/2	ROUE D'ENTRAINEMENT HL/2	ANTRIEBSRAD HL/2	RUEDA DE TRANSMISIN HL/2 R
17	G13732651	FERMO PARALLELO SUP.	PARALLEL LOCK HIGHER			
18	G13731161	BRACCIO	ARM			
19	G23440225	MOZZO FLANGIATO HL/2	FLANGED HUB HL/2	MOYEU BRIDE HL/2	GEFLANSCHTE NABE HL/2	CUBO BRIDADO HL/2
20	G23440226	DISTANZIALE HL/2	SPACER HL/2	ENTRETOISE HL/2	DISTANZSTsCK HL/2	DISTANCIADOR HL/2
21	G23440227	DISTANZIALE BRACCI SUP. HL/2	UPPER ARM SPACER HL/2	DISTANZSTsCK BRAS SUP. HL/2	DISTANCIADOR BRAZOS SUP. HL/2	
22	G23440229	ASSE INGRANAGGI HL/2	GEAR SPINDLE HL/2	AXE ENGRENAGES HL/2	ZAHNRZDERACHSE HL/2	EJE ENGRANAJES HL/2
23	G13731351	CARTER	PROTECTION			
24	G23440249	DISTANZ.BRACCI INF. HL/2	LOWER ARM SPACER HL/2	ENTRETOISE BRAS INF. HL/2	DISTANZSTsCK ARME UNTEN HL/2	DISTANC. BRAZOS INF. HL/2
25	G13732440	ASSE RUOTA SINGOLA-DOPPIA	SINGLE-DOUBLE WHEEL SHAFT	AXE ROUE SIMPLE-DOUBLE	RADACHSE EINZEL-DOPPELT	EJE RUEDA SENCILLA-DOBLE
26	G23440251	FERMO RUOTA HL/2	WHEEL STOP HL/2	ARRET ROUE HL/2	FESTSTELLVORRICHTUNG RAD HL/2	BLOQUEO RUEDA HL/2
27	F01020077	VITE M8X1,25X60 U5737 8.8ZN	SCR. M8X1,25X60 U5737 8.8ZN	VIS M8X1,25X60 U5737 8.8 ZN	SCHRAU. M8X1,25X60 U5737 8.8ZN	TORN. M8X1,25X60 U5737 8.8 ZN
28	F01020086	VITE M8X1,25X80 U5737 8.8ZN	SCR. M8X1,25X80 U5737 8.8ZN	VIS M8X1,25X80 U5737 8.8 ZN	SCHRAUBE M8X1X80	TORNILLO M8X1X80
29	F01020090	VITE M8X1,25X100 U5737 8.8ZN	SCR. M8X1,25X100 U5737 8.8ZN	VIS M8X1,25X100 U5737 8.8ZN	SCRAU. M8X1,25X100 U5737 8.8ZN	TORN. M8X1,25X100 U5737 8.8ZN
30	F01020164	VITE M12X1,75X70 U5737 8.8ZN	BOLT M12X1,75X70 U5737 8.8ZN	VIS M12X1,75X70 U5737 8.8 ZN	SCHR. M12X1,75X70 U5737 8.8 ZN	TORN. M12X1,75X70 U5737 8.8 ZN
31	F01020166	VITE M12X1,75X80 U5737 8.8ZN	SCR. M12X1,75X80 U5737 8.8ZN	VIS M12X1,75X80 U5737 8.8 ZN	SCHRA. M12X1,75X80 U5737 8.8ZN	TORN. M12X1,75X80 U5737 8.8ZN
32	F01020178	VITE M12X1,75X140 U5737 8.8BR	SCR. M12X1,75X140 U5737 8.8BR	VIS M12X1,75X140 5737 8.8 BR	SCHR. M12X1,75X140 5737 8.8 BR	TORN. M12X1,75X140 5737 8.8 BR
33	F01020436	VITE M8X1,25X20 U5739 8.8ZN	SCR. M8X1,25X20 U5739 8.8ZN	VIS M8X1,25X 20 U5739 8.8 ZN	SCHRAUBE M8X1,25X20U5739 8.8ZN	TORN. M8X1,25X20 U5739 8.8 ZN
34	F01020445	VITE M8X1,25X30 U5739 8.8ZN	SCR. M8X1,25X30 U5739 8.8ZN	VIS M 8X1,25X30 U5739 8.8 ZN	SCHRAU, M8X1,25X30 U5739 8.8ZN	TORN. M8X1,25X30 U5739 8.8 ZN
35	F01240024	DADO M8X1,25 U5448 5.8ZN	NUT M8X1,25 U5448 5.8ZN	ECROU 8 UNI 5448 5.8 ZN	MUTTER 8 UNI 5448 5.8 ZN	TUERCA 8 UNI 5448 5.8 ZN
36	F01200244	DADO M8X1,25 U5588 6.8ZN	NUT M8X1,25 U5588 6.8ZN	ECROU M8 X1,25 U5588 6.8 ZN	MUTTER M8 X1,25 U5588 6.8 ZN	TUERCA M8 X1,25 U5588 6.8 ZN
37	F01200293	DADO M12X1,75 U5588 6.8ZN	NUT M12X1,75 U5588 6.8ZN	ECROU M12X1,75 U5588 6.8 ZN	MUTTER M12X1,75 U5588 6.8 ZN	TUERCA M12X1,75 U5588 6.8 ZN
38	F01220048	DADO M12X1,75 D980 8ZN	NUT M12X1,75 D980 8ZN	ECROU M12X1,75 D980 8 ZN	SCHLEIBE M12X1,75 D980 8 ZN	TUERCA M12X1,75 D980 8 ZN
39	F01410037	ROS.M6 6,4X12,5X1,6 U6592 ZN	WASHER M6 6,4X12,5X1,6 U6592ZN	RONDEL.M6 6,4X12,5X1,6 U6592ZN	SCHLEIBE M6 6,4X12,5X1,6 U6592ZN	ARAND.M6 6,4X12,5X1,6 U6592 ZN
40	F01410051	ROS.M8 8,4X 17X1,6 U6592 ZN	WASHER M8 8,4X17X1,6 U6592 ZN	RONDELLE M8 8,4X17X1,6 U6592ZN	SCHLEIBE M8 8,4X17X1,6 U6592 ZN	ARANDELA M8 8,4X17X1,6 U6592ZN
41	F02200225	COPIGLIA 5X 20 U1336 ZN	SPLIT PIN 5 X20 1336 GALVAN.	GOUPILLE 5 X20 1336 ZN	SPLINT 5 X20 1336 ZN	PASADOR 5 X20 1336 ZN
42	F02100314	SPINA EL.5 X36 DIN 1481 INOX	PIN EL.5 X36 DIN 1481 INOX			
43	F02100141	SPINA E.P. 8X 36 U6873 C70 BR	PIN EL. 8X 36 U6873 C70 BR	FICHE EL. 8X 36 U6873 C70 BR	SPANNSTIFT 8X 36 U6873 C70 BR	CLAVIJA EL. 8X 36 U6873 C70 BR
44	F01100011	ING.M 6X1 7663-A 9SMNPB28 ZN	GREASE NIPPLE M6X1 7663-A ZN	GRAISS. A BILLE M6X1 7663A ZN	SCHMIERBUECHE M6X1 7663-A ZN	ENGRAS. DE ESFE. M6X1 7663-AZN
45	F06080200	CATENA 1/2 ISO 083 114 MAGLIE	CHAIN 1/2 ISO 083 114 LINKS			
46	F06080036	CATENA 1/2 ISO 083 72 MAGLIE	CUT-DOWN CHAIN .1/2 ISO 083 72	TR. CH.1/2 ISO 083 72 MAILLES	KETTENZNGE 1/2 ISO 083 72 GL	TRECHO CADENA 1/2 ISO 083 72 E
47	G66248051	BOCCOLA FORO QUADRO CORTA SP	BUSHING- SHORT SQUARE HOLE SP	BOITE TROU CARRE COURTE SP	BsCHSE MIT VIERKANTLOCH KURZ	CASQUILLO ORIFICIO CUADRADO CO
48	G66248207	TENDICATENA SPAND. SP-520	CHAIN TENSIONER	TENDEUR DE CHAINE EPAND. ENGR.	KETTENSANNER DsNGERSTR. SP-52	SENSOR DE CADENA ABON. SP-520
49	F04010134	CUSC.D25 D47 B12 6005 Z2	BEARING D25 D47 B12 6005 Z2	PALIER 6005 Z2	LAGER 6005 Z2	COJINETE 6005 Z2
50	G13730270	RUOTA CON PERNO SCENTRATO	WHEEL W/NO CENTERED PIN			
51	G13730260	RUOTA CON PERNO CENTRATO	WHEEL W/ CENTERED PIN			
52	G13732530	DISTANZIALE ZN	SPACER	ENTRETOISE	DISTANZSTsCK	DISTANCIADOR
53	G13732590	PROTEZIONE POSTERIORE HL-HP	REAR GUARD HL-HP			
54	F02250682	INSERTO FIL.M 8X16 ZN T.RIDOTT	CYLINDRICAL NUT 8X16 ZG T.RIDO	ECROU CYLINDRIQUE 8X16 ZG T.RI	ZYLINDRISCHE MUTTER 8X16 ZG	TUERCA CILINDRICA 8X16 ZG T.RI
55	F01410088	ROS.M14 15X 28X2,5 U6592 ZN	WAS.M14 15X 28X2,5 U6592 ZB	RON.M14 15X 28X2,5 U6592 ZB	SCH.M14 15X 28X2,5 U6592 ZB	ARA.M14 15X 28X2,5 U6592 ZB



TRASMISSIONE CARDANICA SPANDICONCIME

TAV. 152

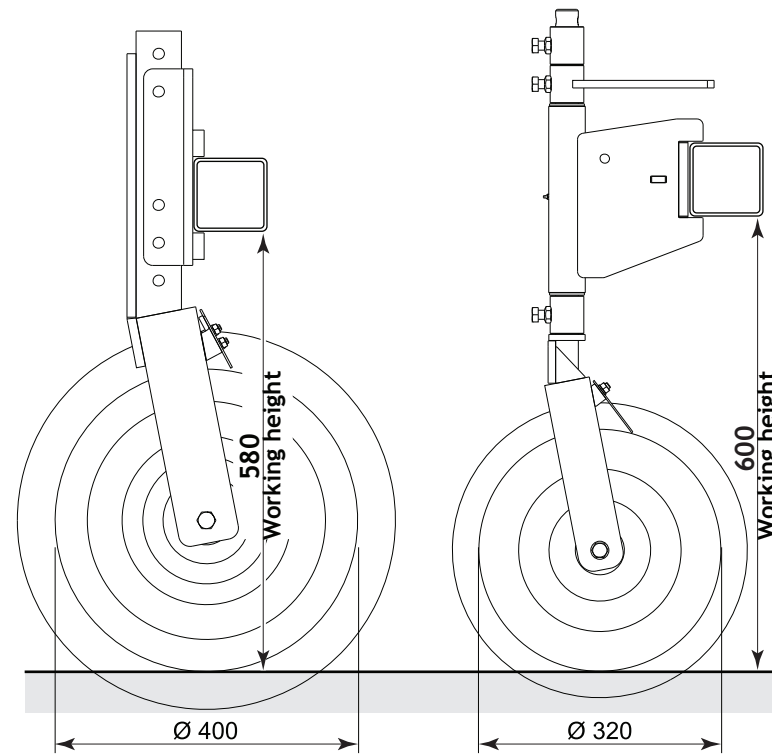
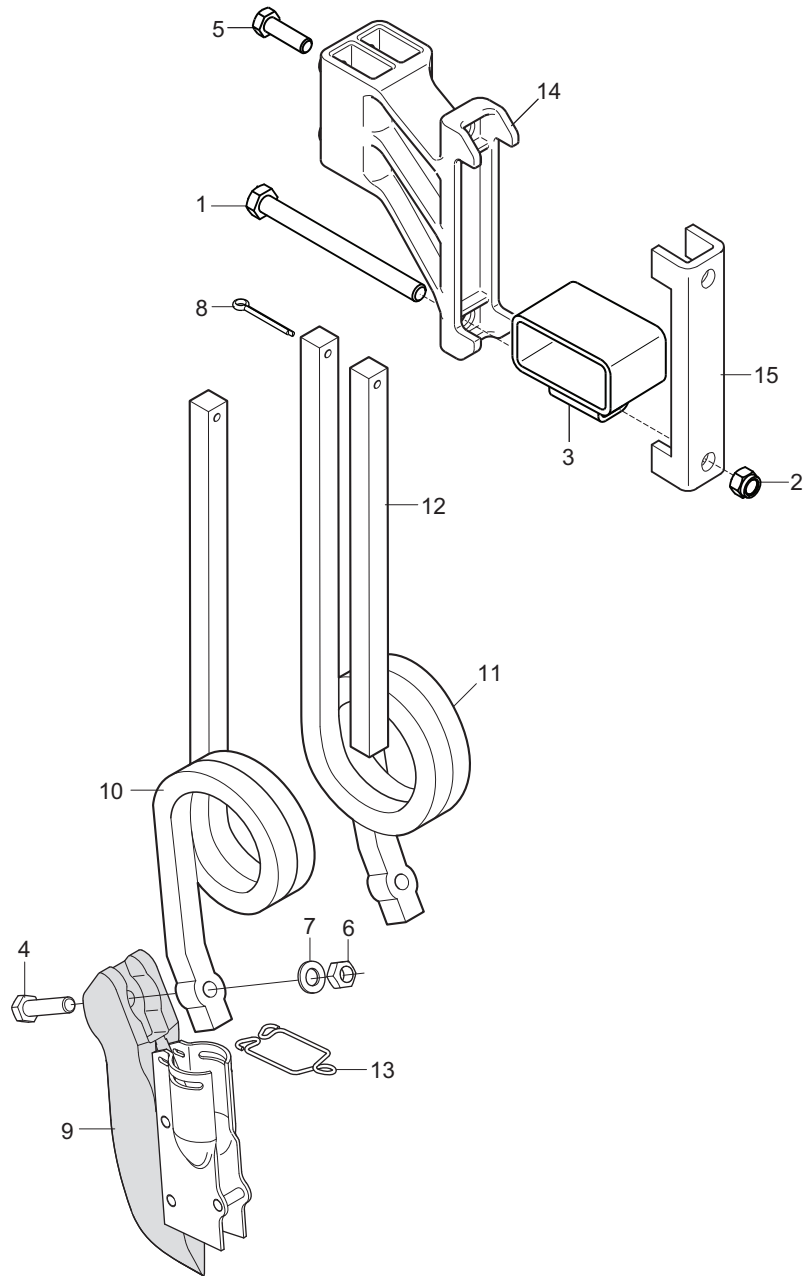
Pos.	Cod.	Descrizione	Description	Description	Benennung	Descrpcion
1	G13730940	PIGNONE Z12 1/2-3/16 D.25 ZN	PINION Z12 1/2-3/16 D.25 ZN			
2	G13710561	SCONTRO A U SP.10 2F16,5 118	U-SHAPED PLAT.SP.10 2F16,5 118			
3	G13730971	SUPPORTO RINVIO A CARDANO	TRAMSMISSION UNIV. JOINT SUPPO	SUPPORT RENVOI A CARDAN	VORLEGEHALTERUNG KARDAN	SOPORTE TRANSMISION A CARDAN
4	F02100141	SPINA E.P. 8X 36 U6873 C70 BR	PIN EL. 8X 36 U6873 C70 BR	FICHE EL. 8X 36 U6873 C70 BR	SPANNSTIFT 8X 36 U6873 C70 BR	CLAVIJA EL. 8X 36 U6873 C70 BR
5	G13731540	ASS.CARTER	ASS.CARTER.			
6	G14830390	CUSCINETTO FORO QUADRO	SQUARE-HOLED BEARING	ROULEMENT TROU CARRE	VIERKANTLAGER	COJINETE ORIFICIO CUADRADO
7	G20870027	RIDUTTORE	REDUCTION GEAR	REDUCTEUR	UNTERSETZUNG	REDUCTOR
8	G20900034	PRESA DI FORZA HL	POWER TAKE-OFF HL	PRISE DE FORCE HL	ABTRIEB HL	TOMA DE FUERZA HL
9	G22250007	INGR.CON MOZZO 1/2 Z-20 SV	GEARS- W/ HUB 1/2 Z-20 SV	ENGRENAGE 1/2 Z-20	ZAHNRAD MIT NABE 1/2 Z-20 SV	ENGRAN.CON PERNO 1/2 Z-20 SV
10	F01410076	ROS.M12 13X 24X2,5 U6592 ZN	WASHER 12 13X 24X2,5 U6592 ZN	RONDEL. M12 13X24X2,5 U6592 ZN	SCHIEBE M12 13X24X2,5 U6592 ZN	ARANDELA M12 13 X24X2,5 ZN
11	F01200306	DADO M14X2 U5588 6.8ZN	NUT M14X2 U5588 6.8ZN	ECROU M14X2	MUTTER M14X2	DADO M14X2
12	G20970085	RONDELLA 40X4X13	WASHER 40X4X13	RONDELLE 40X4X13	UNTERLEGSCHIEBE 40X4X13	ARANDELA 40X4X13
13	G22220083	RONDELLA AD IMBOCCO	LEAD-IN WASHER	RONDELLE EMBOUTIE	TRICHTERSCHIEBE	ARANDELA DE MUESCA
14	G22230094	SUPPORTO CUSCINETTO	BEARING SUPPORT	SUPPORT PALIER	LAGERBschSE	SOPORTE COJINETE
15	G22505085	FERMO ASSE IN LAMIERA	PLATE AXLE STOP	ARRET AXE EN TOLE	FESTSTELLVORRICHTUNG BLECHACHS	BLOQUEO EJE DE CHAPA
16	G66248218	RONDELLA DISTAN.SPANDI	MAN. SPR. SPACER WASHER	RONDELLE ENTRETOISE EP. ENGRAI	ABSTANDSCHIEBE DsNGERSTREUER	ARANDELA DISTAN.ABONAD.
17	F01060071	VITE M10X1,5X35 U5732 8.8ZN	SCREW M10X1,5X35 U5732 8.8ZN	VIS M10X1,5X35 U5731 8.8 ZN	SCHRA. M10X1,5X35 U5731 8.8 ZN	TORN. M10X1,5X35 U5731 8.8 ZN
18	F01020227	VITE M14X2X170 U5737 8.8BR	SCR. M14X2X170 U5737 8.8BR	VIS M14X 2X170 U5737 8.8 BR	SCHRAU. M14X 2X170 U5737 8.8BR	TORNI. M14X 2X170 U5737 8.8 BR
19	F01020432	VITE M8X1,25X16 U5739 8.8ZN	SCR. M8X1,25X16 U5739 8.8ZN	VIS M8 X1,25X16 U5739 8.8 ZN	SCHRAUBE M8X1,25X16U5739 8.8ZN	TORNILLO M8X1,25X16U5739 8.8ZN
20	F01410088	ROS.M14 15X 28X2,5 U6592 ZN	WAS.M14 15X 28X2,5 U6592 ZB	RON.M14 15X 28X2,5 U6592 ZB	SCH.M14 15X 28X2,5 U6592 ZB	ARA.M14 15X 28X2,5 U6592 ZB
21	F01020440	VITE M8X1,25X25 U5739 8.8ZN	SCR. M8X1,25X25 U5739 8.8ZN	VIS M8X1,25X25 U5739 8.8 ZN	SCHRAUBE M8X1,25X25U5739 8.8ZN	TORNIL.M8X1,25X25 U5739 8.8 ZN
22	F01050085	VITE M6X1X8 U5927	SCR. M6X1X8 U5927	VIS M6X1X8 U5927	SCHRAUBE M6X1X8 U5927	TORNILLO M6X1X8 U5927
23	F01240024	DADO M8X1,25 U5448 5.8ZN	NUT M8X1,25 U5448 5.8ZN	ECROU 8 UNI 5448 5.8 ZN	MUTTER 8 UNI 5448 5.8 ZN	TUERCA 8 UNI 5448 5.8 ZN
24	F01220022	DADO M8X1,25 D980 8ZN	NUT M8X1,25 D980 8ZN	ECROU M8X 1,25 D980 8 ZN	MUTTER M8X 1,25 D980 8 ZN	TUERCA M8X 1,25 D980 8 ZN
25	F01200270	DADO M10X1,5 U5588 6.8ZN	NUT M10X1,5 U5588 6.8ZN	ECROU M10X 1,5 U5588 6.8 ZN	MUTTER M10X 1,5 U5588 6.8 ZN	TUERCA M10X 1,5 U5588 6.8 ZN
26	G19002131	PROTEZIONE P.D.P.	PDP GUARD			
27	F01410051	ROS.M8 8,4X 17X1,6 U6592 ZN	WASHER M8 8,4X17X1,6 U6592 ZN	RONDELLE M8 8,4X17X1,6 U6592ZN	SCHIEBE M8 8,4X17X1,6 U6592 ZN	ARANDELA M8 8,4X17X1,6 U6592ZN
28	F08011711	CARD.B1 Z6-Z6 L700	PTO SHAFT B1 Z6-Z6 L700			
29	F01430059	ROS.M8 8,4X 15X0,8 U8842J ZN	WASHER M8 8,4X15X0,8 U8842J ZN	ROND. M8 8,4X 15X0,8 U8842J ZN	SCHIEBE M8 8,4X15X0,8 U8842JZN	ARAND. M8 8,4X15X0,8 U8842J ZN
30	F02200162	COPIGLIA 3X 20 U1336 ZN	SPLIT PIN 3 X20 1336 GALVAN.	GOUPILLE 3 X20 1336 ZN	SPLINT 3 X20 1336 ZN	PASADOR 3 X20 1336 ZN
31	F02150038	LINGUETTA 6X 6X 30 U6604A	PARALLELE KEY 6X 6X 30 U6604A	LANGUETTE 06X6X30 UNI6604	FEDERKEIL 06X6X30 UNI6604	LENGSETA 06X6X30 UNI6604
32	F06080039	CATENA 1/2 ISO 083 76 MAGLIE	CHAIN 1/2 ISO 083 76 SHACKLE			
33	G18903890	MOLLA GUIDATUBO D.45	PIPE GUIDE SUPPORT 45	RESSORT GUIDE-TUBE 45	FEDER ROHRFÜHRUNG 45	MUELLE GU A TUBOS 45
34	G66248100	RULLO TEND. SP	TIGHTENER ROLLER SP	ROULEAU TENDEUR SP	SPANNERROLLE SP	RODILLO TENSOR SP
35	G66248218	RONDELLA DISTAN.SPANDI	MAN. SPR. SPACER WASHER	RONDELLE ENTRETOISE EP. ENGRAI	ABSTANDSCHIEBE DsNGERSTREUER	ARANDELA DISTAN.ABONAD.



TRASMISSIONE ELETTRICA SPANDICONCIME
TAV. 190

Pos.	Cod.	Descrizione	Description	Description	Benennung	Descripcion
1	G13732960	SUPPORTO MOTORE ELETTRICO	ELETTRIC MOTOR SUPPORT			
2	F05010480	MOTORE 300W C.CENTRALINA	MOTOR 300W			
3	G22230094	SUPPORTO CUSCINETTO	BEARING SUPPORT	SUPPORT PALIER	LAGERBsCHSE	SOPORTE COJINETE
4	G22270127	ASSE RUOTA CAMBIO 2FL.500 SP	WHEEL AXLE - GEARBOX 2-ROW L.	AXE ROUE BOITE DE VITESSE	GEBTRIEBERADACHSE 2R.L.500 SP	EJE RUEDA CAMBIO 2 FILAS. L.50
5	G14830390	CUSCINETTO FORO QUADRO	SQUARE-HOLED BEARING	ROULEMENT TROU CARRE	VIERKANTLAGER	COJINETE ORIFICIO CUADRADO
6	G18701650	RONDELLA FORO QUADRO ZN	WASHER 16,5X30X2,5 ZN	RONDELLE 16,5X30X2,5 ZN	UNTERLEGSSCHEIBE 16,5X30X2,5 ZN	ARANDELA 16,5X30X2,5 ZN
7	G22505085	FERMO ASSE IN LAMIERA	PLATE AXLE STOP	ARRET AXE EN TOLE	FESTSTELLVORRICHTUNG BLECHACHS	BLOQUEO EJE DE CHAPA
8	G66248218	RONDELLA DISTAN.SPANDI	MAN. SPR. SPACER WASHER	RONDELLE ENTRETOISE EP. ENGRAI	ABSTANDSCHEIBE DsNGERSTREUER	ARANDELA DISTAN.ABONAD.
9	G22250007	INGR.CON MOZZO 1/2 Z-20 SV	GEARS- W/ HUB 1/2 Z-20 SV	ENGRENAGE 1/2 Z-20	ZAHNRAD MIT NABE 1/2 Z-20 SV	ENGRAN.CON PERNO 1/2 Z-20 SV
10	F02200227	COPIGLIA 5X 30 U1336 ZN	PIN 5X 30 U1336 ZN			
11	F01020432	VITE M8X1,25X16 U5739 8.8ZN	SCR. M8X1,25X16 U5739 8.8ZN	VIS M8 X1,25X16 U5739 8.8 ZN	SCHRAUBE M8X1,25X16U5739 8.8ZN	TORNILLO M8X1,25X16U5739 8.8ZN
12	F01200244	DADO M8X1,25 U5588 6.8ZN	NUT M8X1,25 U5588 6.8ZN	ECROU M8 X1,25 U5588 6.8 ZN	MUTTER M8 X1,25 U5588 6.8 ZN	TUERCA M8 X1,25 U5588 6.8 ZN
13	F01020436	VITE M8X1,25X20 U5739 8.8ZN	SCR. M8X1,25X20 U5739 8.8ZN	VIS M8X1,25X 20 U5739 8.8 ZN	SCHRAUBE M8X1,25X20U5739 8.8ZN	TORN. M8X1,25X20 U5739 8.8 ZN
14	G66248207	TENDICATENA SPAND. SP-520	CHAIN TENSIONER	TENDEUR DE CHAINE EPAND. ENGR.	KETTENSANNER DsNGERSTR. SP-52	ENSOR DE CADENA ABON. SP-520
15	G18701470	RONDELLA 9X48X4 SC.ZN	WASHER 9X48X4 SC.GALV.ED			
16	F01410051	ROS.M8 8,4X 17X1,6 U6592 ZN	WASHER M8 8,4X17X1,6 U6592 ZN	RONDELLE M8 8,4X17X1,6 U6592ZN	SCHEIBE M8 8,4X17X1,6 U6592 ZN	ARANDELA M8 8,4X17X1,6 U6592ZN
17	F01020452	VITE M8X1,25X50 U5739 8.8ZN	SCR. M8X1,25X50 U5739 8.8ZN	VIS M8X1,25X50 U5739 8.8 ZN	SCHRA. M8X1,25X50 U5739 8.8 ZN	TORN. M8X1,25X50 U5739 8.8 ZN
18	G07002547	INGRANAGGIO R.L. Z.20 SX	FREE WHEEL GEAR Z-20 LEFT	ENGRENAGE ROUE LIBRE Z-20 GCH.	ZAHNRAD FREILAUF Z-20 LINCHER	ENGRANAJE R.LIBRE Z-20 IZQ.
19	F06080023	CATENA 1/2 ISO 083 54 MAGLIE	CUT-DOWN CHAIN .1/2 ISO 083 54	TR. CH..1/2 ISO 083 54 MAILLE	KETTENZNGE 1/2 ISO 083 54 GL	TRECHO CADENA 1/2 ISO 083 54 E
20	G13733000	CARTER CATENA	CHAIN CARTER			
21	F01020403	VITE M6X1X16 U5739 8.8ZN	SCR. M6X1X16 U5739 8.8ZN	VIS M6X1X16 U5739 8.8 ZN	SCHRAUBE M6X1X16 U5739 8.8 ZN	TORNILLO M6X1X16 U5739 8.8 ZN
22	F01410037	ROS.M6 6,4X12,5X1,6 U6592 ZN	WASHER M6 6,4X12,5X1,6 U6592ZN	RONDEL.M6 6,4X12,5X1,6 U6592ZN	SCHEIB.M6 6,4X12,5X1,6 U6592ZN	ARAND.M6 6,4X12,5X1,6 U6592 ZN
23	F01220011	DADO M6X1 D980 8ZN	NUT M6X1 D980 8ZN	ECROU M6X1 D980 8 ZN	MUTTER M6X1 D980 8 ZN	TUERCA M6X1 D980 8 ZN

TAV. 210

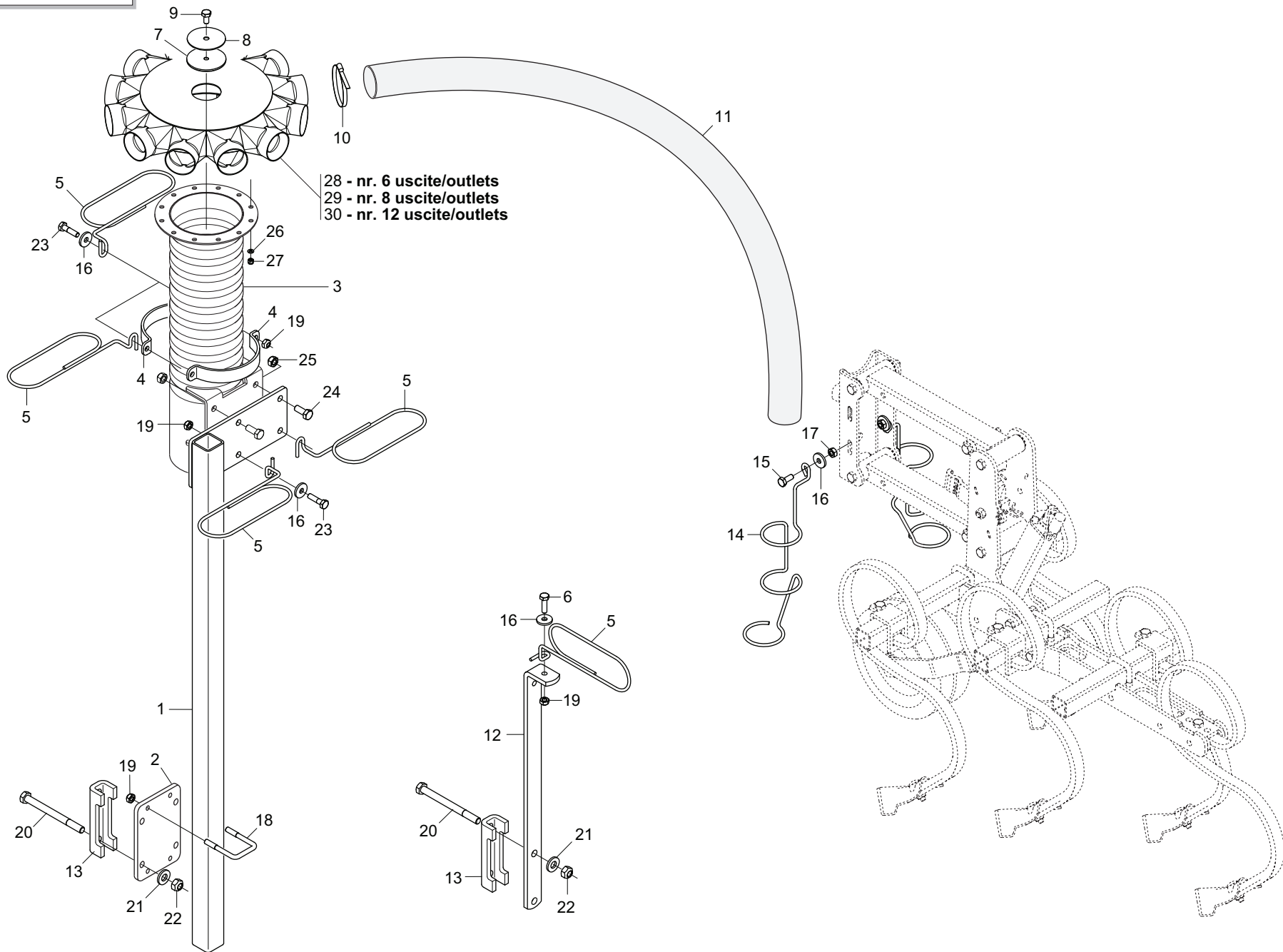


ASSOLCATORI CONCIME

TAV. 210

Pos.	Cod.	Descrizione	Description	Description	Benennung	Descripcion
1	F01020225	VITE M14X2X160 U5737 8.8BR	SCR. M14X2X160 U5737 8.8BR	VIS M 14 X160 5737 8.G	SCHRAUBE M 14 X160 5737 8.G	TORNILLO M 14 X160 5737 8.G
2	F01230073	DADO M14X2 D982 8ZN	SELF LOCK NUT M14X2 D982 8ZN	ECROU AUTOBL. M14X2 D982 8ZN	SELBSTSP.MUTT. M14X2 D982 8ZN	TUERCA AUTOBL. M14X2 D982 8ZN
3	GA3611430	DISTANZIALE ELEM.CONC.X SARC.	FERT.UNIT SPACER ROW CROP CULT			
4	F01020156	VITE M12X1,75X50 U5737 8.8ZN	SCR. M12X1,75X50 U5737 8.8ZN	VIS M12X1,75X50 U5737 8.8 ZN	SCHR. M12X1,75X50 U5737 8.8 ZN	TORN. M12X1,75X50 U5737 8.8 ZN
5	F01020508	VITE M12X1,75X25 U5739 8.8ZN	SCR. M12X1,75X25 U5739 8.8ZN	VIS M12X1,75X25 U5739 8.8 ZN	SCHRAUBE M12X1,75X25U57398.8ZN	TORNIL.M12X1,75X25 U5739 8.8ZN
6	F01220048	DADO M12X1,75 D980 8ZN	NUT M12X1,75 D980 8ZN	ECROU M12X1,75 D980 8 ZN	SCHEIBE M12X1,75 D980 8 ZN	TUERCA M12X1,75 D980 8 ZN
7	F01410076	ROS.M12 13X 24X2,5 U6592 ZN	WASHER 12 13X 24X2,5 U6592 ZN	RONDEL. M12 13X24X2,5 U6592 ZN	SCHEIBE M12 13X24X2,5 U6592 ZN	ARANDELA M12 13 X24X2,5 ZN
8	F02200229	COPIGLIA 5X 45 U1336 ZN	SPLIT PIN 5X 45 U1336 ZN	GOUPILLE 5X 45 U1336 ZN	SPANNSTIFT 5X 45 U1336 ZN	PASADOR 5X 45 U1336 ZN
9	G16670600	FALCIONE ELEM.CONCIMAZ.QUADRA	SQUARE SPRING FERT COULTER	SOC +LEM. FERTILIS. RESSORT CA	S-SCHAR ELEM.D_NGUNG QUADR.FED	BOTA ELEM.ABONAD.MUELLE CUADRA
10	G18902780	MOLLA CONCIMAZIONE 20X20 SX	SPRING 20X20 FERTILIZER LEFT	RESSORT FUMAGE 20X20 GCH	FEDER DsNGUNG 20X20 LI	MUELLE ABONO 20X20 IZQ
11	G18902770	MOLLA CONCIMAZIONE 20X20 DX	SPRING 20X20 FERTILIZER RIGHT	RESSORT FUMAGE 20X20 DRT	FEDER DsNGUNG 20X20 RE	MUELLE ABONO 20X20 DER
12	G18903200	FERMO SPIRALE	SPIRAL STOP	ARRET SPIRALE	FESTSTELLVORRICHTUNG SPIRALE	BLOQUEO ESPIRAL
13	G18903911	MOLLA FERMO TUBO D.35 ZN	PIPE LOCK SPRING D.35	RESSORT ARR-T TUBE D.35	ROHRSPERRFEDER D.35	MUELLE TOPE TUBO D. 35
14	G19203920	SUPP.MOLLA QUADRA DOPPIA POS.	SQUARE SPRING SUPPORT			
15	G15110091	SCONTRO A U SP.8 2F15 165	STRIKER	BRIDE 150 MM	ANSCHLAG	ELEMENTO DE EMPALME

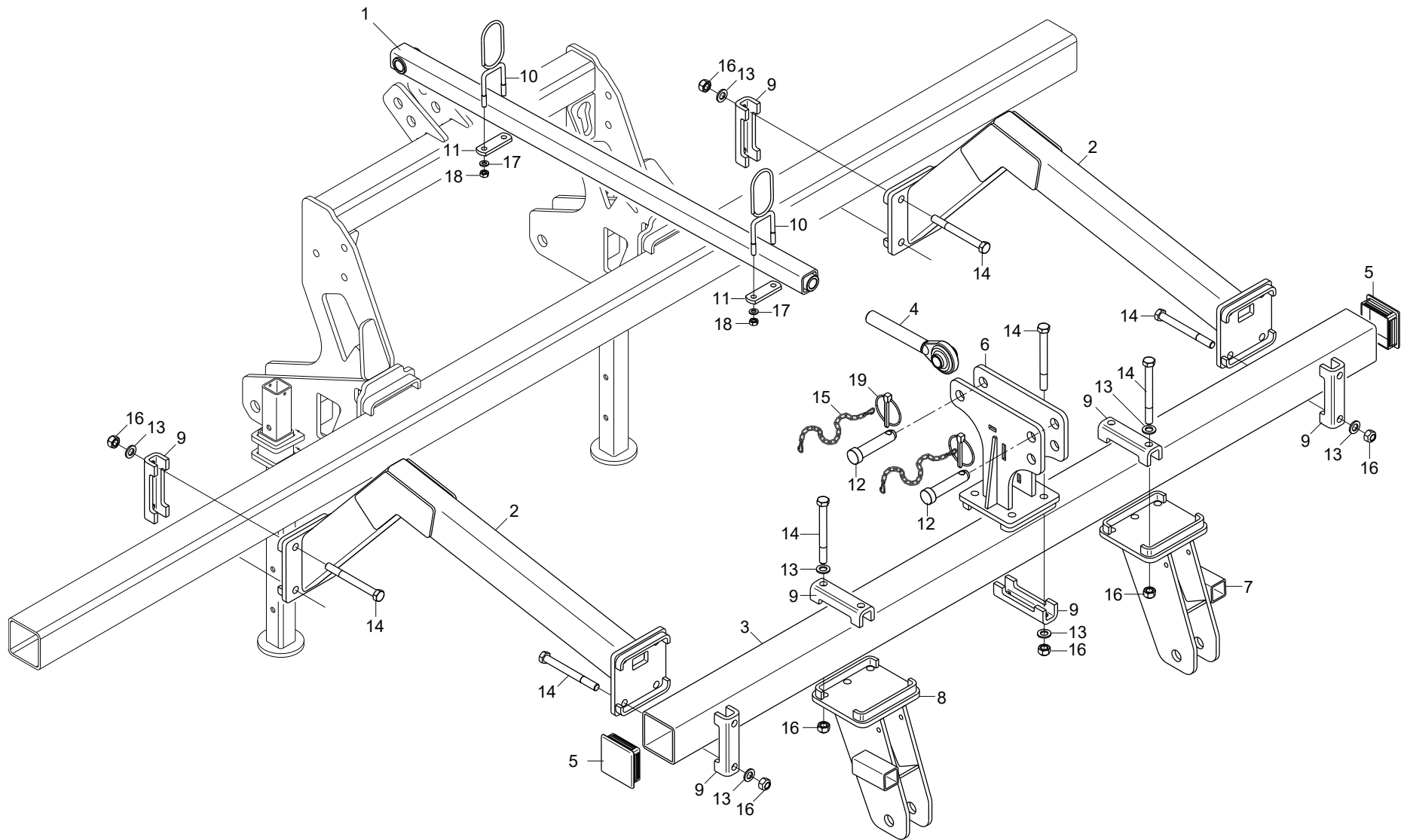
TAV. 220



DISTRIBUZIONE CONCIME CON "FRONT TANK"

TAV. 220

Pos.	Cod.	Descrizione	Description	Description	Benennung	Descripcion
1	G13617220	SUPPORTO CONVOGLIATORE	CONVEYOR SUPPORT			
2	G13617230	PIASTRA FISS.SUPP.CONVOGLIAT.	FIXING PLATE SUPP.CONVEYOR			
3	G17321661	ASS.TUBO MISCELATORE D150	ASSY MIXER TUBE D150			
4	G16124400	FASCETTA TUBO D.150	STRAP PIPE D.150 ZN	COLLIER SERRAGE TUBE D.150 ZN	ROHRSCHELLE D.150 ZN	ABRAZADERA TUBO D.150 ZN
5	G18904590	MOLLA GUIDA 3 TUBI D71 ZN	GUIDE SPRING 3 PIPE D71 ZN			
6	F01020479	VITE M10X1,5X35 U5739 8.8ZN	SCR. M10X1,5X35 U5739 8.8ZN	VIS M10X1,5X35 U5739 8.8 ZN	SCHR. M10X1,5X35 U5739 8.8 ZN	TORN. M10X1,5X35 U5739 8.8 ZN
7	G16021530	CONO DEVIATORE	CONICAL DEVIATOR	CONE DEVIATEUR	KLOTZ UMLEITHEBEL	CONO DESVIADOR
8	G16021560	TAPPO	CLOSURE TAP	BOUCHON DE FERMETURE	ABSCHLUSSPFROPFEN	TAPN DE CIERRE
9	F01020470	VITE M10X1,5X20 U5739 8.8ZN	SCR. M10X1,5X20 U5739 8.8ZN	VIS M10X1,5X20 U5739 8.8 ZN	SCHRAUBE M10X1,5X20 U5739 ZN	TORNILLO M10X1,5X20 U5739 8.8ZN
10	F02300022	FASCETTA STRING. 50/70 H.9	HOSE CLAMP 50/70 H.9			
11	F03100431	TUBO EOLO 63 PU	PIPE EOLO 63 PU			
12	G13617251	ASTA SUPP.TUBI ESTERNI	SUPPORTING ROD	TIGE SUPPORT	STsTZSTANGE	VARILLA SOPORTE
13	G13710561	SCONTRO A U SP.10 2F16,5 118	U-SHAPED PLAT.SP.10 2F16,5 118			
14	G18904640	MOLLA GUIDATUBO D73 ZN	PIPE GUIDE SPRING D73 ZN			
15	F01020472	VITE M10X1,5X25 U5739 8.8ZN	SCR. M10X1,5X25 U5739 8.8ZN	VIS M10X1,5X25 U5739 8.8 ZN	SCHRAUBE M10X1,5X25 U5739 8.8	TORNILLO 10X25 U5739 8.8 ZN
16	G20970012	RONDELLA 32X4X11	WASHER 32X4X11	RONDELLE 32X4X11	UNTERLEGSSCHEIBE 32X4X11	ARANDELA 32X4X11
17	F01200270	DADO M10X1,5 U5588 6.8ZN	NUT M10X1,5 U5588 6.8ZN	ECROU M10X 1,5 U5588 6.8 ZN	MUTTER M10X 1,5 U5588 6.8 ZN	TUERCA M10X 1,5 U5588 6.8 ZN
18	F20110715	CAV.Q.B=50 M=10X1,5 L=80	UBOLTSTRIKER Q.B=50M10X1,5L=80	BUTEE M10X 1,5X 30 61X 80 ZB	ANSCHLAG M10X 1,5X 30 61X 80	EL. DE EMPALME M10X 1,5X 30
19	F01220033	DADO M10X1,5 D980 8ZN	NUT M10X1,5 D980 8ZN	ECROU M10X1,5 D980 8ZN	MUTTER M10X1,5 D980 8ZN	TUERCA M10X1,5 D980 8ZN
20	F01020225	VITE M14X2X160 U5737 8.8BR	SCR. M14X2X160 U5737 8.8BR	VIS M 14 X160 5737 8.G	SCHRAUBE M 14 X160 5737 8.G	TORNILLO M 14 X160 5737 8.G
21	G20970142	RONDELLA 32X4X15,5	WASHER 32X4X15-5	RONDELLE 32X4X15-5	UNTERLEGSSCHEIBE 32X4X15-5	ARANDELA 32X4X15-5
22	F01220255	DADO M14X2 D980 8ZN	NUT M14X2 D980 8ZN	ECROU M14X2 D980 8 ZN	MUTTER M14X2 D980 8 ZN	TUERCA M14X2 D980 8 ZN
23	F01020110	VITE M10X1,5X40 U5737 8.8ZN	SCR. M10X1,5X40 U5737 8.8ZN	VIS M 10X40	SCHRAUBE M 10X40	TORNILLO M 10X40
24	F01020510	VITE M12X1,75X30 U5739 8.8ZN	SCR. M12X1,75X30 U5739 8.8ZN	VIS M12X1,75X30 U5739 8.8ZN	SCHRAU.M12X1,75X30 U5739 8.8ZN	TORN. M12X1,75X30 U5739 8.8ZN
25	F01220048	DADO M12X1,75 D980 8ZN	NUT M12X1,75 D980 8ZN	ECROU M12X1,75 D980 8 ZN	SCHEIBE M12X1,75 D980 8 ZN	TUERCA M12X1,75 D980 8 ZN
26	F01410034	ROS.M6 6,4X12,5X1,6 U6592 IX	WASHER M6 6,4X12,5X1,6 U6592			
27	F01230024	DADO M6X1 D982 A2IX	NUT M6X1 D982 A2IX	ECROU AUTOB.NOR.10	SELBSTSP. MUTTER NOR. 10	TUERCA AUTOB. NOR. 10
28	G17321391	ASS.DISTR. INOX 6U 60° D.63	ASS.DISTR INOX 6U 60° D.63			
29	G17321621	ASS.DISTR. INOX 8U 45° D.63	ASS.DISTR INOX 8U 45° D.63			
30	G17321441	ASS.DISTR. INOX 12U 30° D.63	ASS.DISTR INOX 12U 30° D.63			

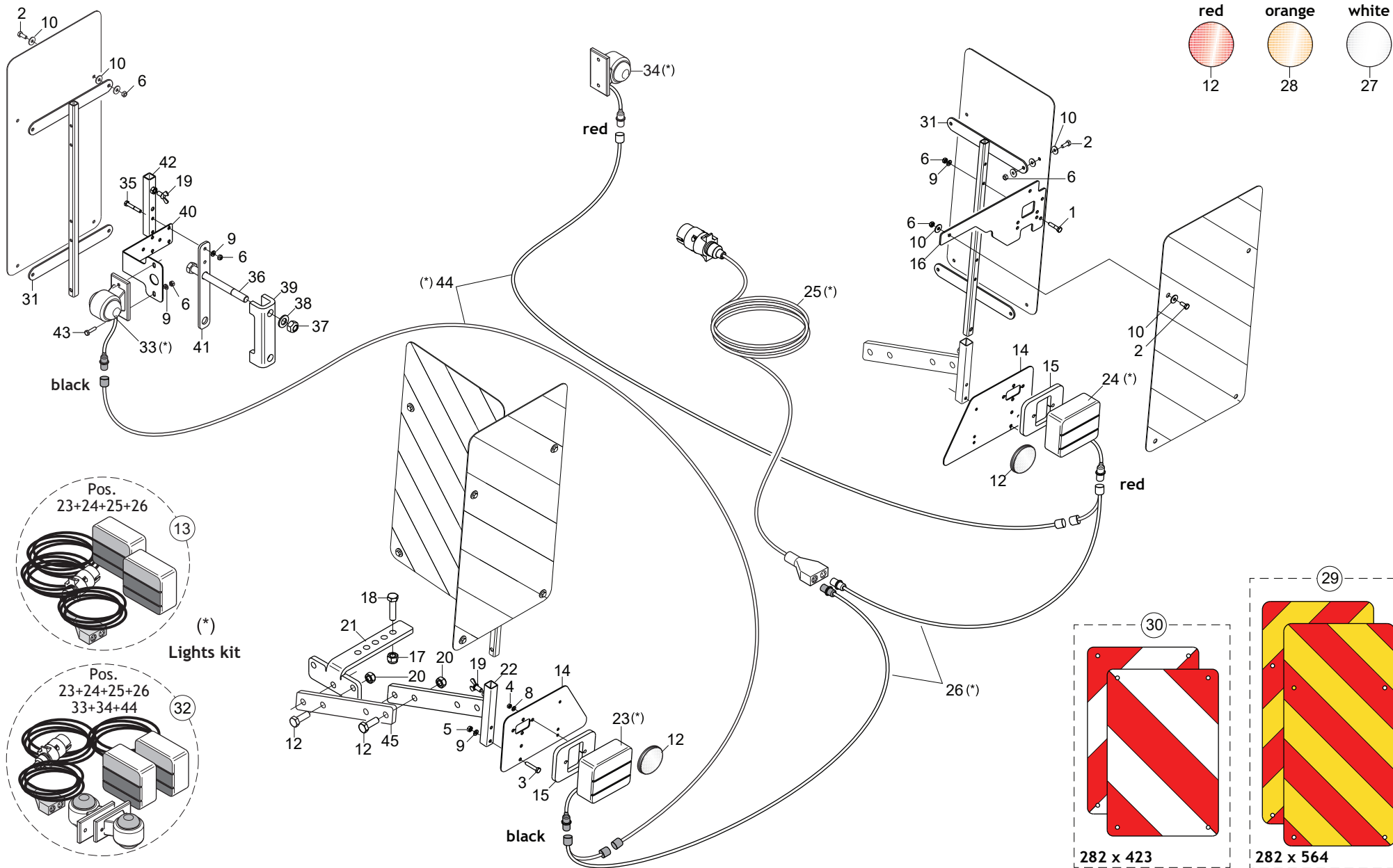


ATTACCO FRONTALE

TAV. 161

Pos.	Cod.	Descrizione	Description	Description	Benennung	Descripcion
1	G13616940	ASS.TIRANTE TERZO PUNTO HL-HP	ASSY 3RD POINT TENSIONER HL-HP			
2	G13616850	BRACCIO UNIONE TELAI	FRAME JUNCTION ARM			
3	G13615020	TUBO Q.100X 6X2200	TUBE Q.100X 6X2200			
4	G67004035	SNODO SFERICO DX M27X3	RIGHT SPHERICAL JOINT M27X3	ARTICULATION SPHERIQUE DRT M27	KUGELGELENK RECHTSM27X3	ARTICULACION ESFERICA DER. M27
5	F03150772	TAPPO XTUBO 100X100 SP.5-6	PROTECTION PLUG 100 SP.5-6	BOUCHON DE PROTECTION 100 SP.5	SCHUTZPFROPFEN 100 SP.5-6	TAPN DE PROTECCIN 100 SP.5-6
6	G13616890	TERZO PUNTO ATTACCO FRONT.	FRONT 3RD POINT			
7	G13612410	PRIMO-SECONDO PUNTO DX	1ST-2ND POINT RIGHT			
8	G13612420	PRIMO-SECONDO PUNTO SX	1ST-2ND POINT LEFT			
9	G13710561	SCONTRO A U SP.10 2F16,5 118	U-SHAPED PLAT.SP.10 2F16,5 118			
10	G14215950	GUIDATUBO IDR.	HYDR.TUBEGUIDE			
11	G20890017	SCONTRO	STRIKER PLATE	BUTEE	ANSCHLAG	ELEMENTO DE EMPALME
12	F20100132	PERNO D25 L 91 C43 TEST.D60 ZN	PIN D25 L91 C43 ZN			
13	F01410100	ROS.M16 17X 30X 3 U6592 ZN	WASHER M16 17X30X3 U6592 ZN	RONDELLE M16 17X30X3 U6592 ZN	SCHRAUBE M16 17X 30X3 U6592 ZN	ARANDELA M16 17X30X 3 U6592 ZN
14	F01020273	VITE M16X2X160 U5737 8.8BR	SCR. M16X2X160 U5737 8.8BR	VIS M16X 2X160 U5737 8.8	SCHR. M16X 2X160 U5737 8.8	TORN. M16X 2X160 U5737 8.8
15	G13812311	CATENELLA CON MOSCHETTONE ZN	CHAIN WITH SPRING CATCH	CHAINETTE AVEC MOUSQUETON	KETTE MIT KARABINERHAKEN	CADENA CON GANCHO
16	F01220266	DADO M16X2 D980 8ZN	NUT M16X2 D980 8ZN	ECROU M16X 2 D980 8 ZN	MUTTER M16X 2 D980 8 ZN	TUERCA M16X 2 D980 8 ZN
17	F01410064	ROS.M10 10,5X 20X 2 U6592 ZN	WASHER M10 10,5X20X2 U6592 ZN	RONDEL. M10 10,5X20X2 U6592 ZN	SCHEIBE M10 10,5X20X2 U6592 ZN	ARANDEL.M10 10,5X20X2 U6592 ZN
18	F01200270	DADO M10X1,5 U5588 6.8ZN	NUT M10X1,5 U5588 6.8ZN	ECROU M10X 1,5 U5588 6.8 ZN	MUTTER M10X 1,5 U5588 6.8 ZN	TUERCA M10X 1,5 U5588 6.8 ZN
19	F02200507	SPINA A SCATTO D 9 B/83	SNAP PIN D9 B/83 ZN	FICHE A DETENTE D9 B/83 ZN	EINRASTSTIFT D9 B/83 ZN	CLAVIJA DE MUELLE D9 B/83 ZN

TAV. 172



ACCESSORI

TAV. 172

Pos.	Cod.	Descrizione	Description	Description	Benennung	Description
1	F01020037	VITE M6X1X30 U5737 8.8ZN	SCR. M6X1X30 U5737 8.8ZN	VIS M6X1X30 U5737 8.8ZN	SCRAU. M6X1X30 U5737 8.8ZN	TORN. M6X1X30 U5737 8.8ZN
2	F01020403	VITE M6X1X16 U5739 8.8ZN	SCR. M6X1X16 U5739 8.8ZN	VIS M6X1X16 U5739 8.8ZN	SCHRAUBE M6X1X16 U5739 8.8ZN	TORNILLO M6X1X16 U5739 8.8ZN
3	F01020411	VITE M6X1X35 U5739 8.8ZN	SCR. M6X1X35 U5739 8.8ZN	VIS M6X1X35 U5739 8.8ZN	SCHRAUBE M6X1X35 U5739 8.8ZN	TORNILLO M6X1X35 U5739 8.8ZN
4	F01200220	DADO M5X0,8 U5588 6.8ZN	NUT M5X0,8 U5588 6.8ZN	ECROU 5 UNI 5588 6.8 ZN	MUTTER 5 UNI 5588 6.8 ZN	TUERCA 5 UNI 5588 6.8 ZN
5	F01200232	DADO M6X1 U5588 6.8ZN	NUT M6X1 U5588 6.8ZN	ECROU 6 UNI 5588 6.8 ZN	MUTTER 6 UNI 5588 6.8 ZN	TUERCA 6 UNI 5588 6.8 ZN
6	F01220011	DADO M6X1 D980 8ZN	NUT M6X1 D980 8ZN	ECROU M6X1 D980 8 ZN	MUTTER M6X1 D980 8 ZN	TUERCA M6X1 D980 8 ZN
7	F01230059	DADO M12X1,75 D982 8ZN	LOCK-NUT M12X1,75 D982 8ZN	ECR.AUTO-FREI.M12X1,75 D982 ZN	SICHERUNGSMUT.M12X1,75 D982 8ZN	TUER.DE SEGUR.M12X1,75 D982 ZN
8	F01410023	ROS.M5 5,3X 10X 1 U6592 ZN	WASHER M5 5,3X 10X 1 U6592			
9	F01410037	ROS.M6 6,4X12,5X1,6 U6592 ZN	WASHER M6 6,4X12,5X1,6 U6592ZN	RONDEL.M6 6,4X12,5X1,6 U6592ZN	SCHEIB.M6 6,4X12,5X1,6 U6592ZN	ARAND.M6 6,4X12,5X1,6 U6592 ZN
10	F01420036	ROS.M6 6,4X 18X1,5 U6593 ZN	WASHER M6 6,4X 18X1,5 U6593 ZN	RONDELLE M6 6,4X18X1,5 U6593ZN	SCHEIBEN M6 6,4X18X1,5U6593 ZN	ARANDELA M6 6,4X18X1,5U6593ZN
11	F05010816	TABELLE (2)CAR.SPORGENTI IT	WARNING BOARDS (2) IT			
12	F05010820	CATARIFR.TONDO D60 ROSSO	ROUND REFLECTOR D.60 RED			
13	F05010822	KIT FANALI DX-SX CON CAVO	KIT REAR ROAD LIGHTS MOUNTED			
14	GA5210020	PORTALUCE	BACK LIGHT SUPPORT			
15	GA5210040	SUPPORTO LUCE	SUPPORT LIGHT			
16	M04700558	SUPPORTO TABELLA INGOMBRO	LIGHT-CHART SUPPORT			
17	F01020512	VITE M12X1,75X35 U5739 8.8ZN	SCR. M12X1,75X35 U5739 8.8ZN	VIS M12X1,75X35 5739 8.8 ZN	SCHR. M12X1,75X35 5739 8.8 ZN	TORN. M12X1,75X35 5739 8.8 ZN
18	F01020517	VITE M12X1,75X50 U5739 8.8ZN	SCR. M12X1,75X50 U5739 8.8ZN	VIS M12X1,75X50 5739 8.8 ZN	SCHRA. M12X1,75X50 5739 8.8 ZN	TORN. M12X1,75X50 5739 8.8 ZN
19	F01090215	VITE M8X1,25X15 U5449 5.8ZN	SCR. M8X1,25X15 U5449 5.8ZN	VIS M8X1,25X15 U5449 5.8ZN	SCHRAU. M8X1,25X15 U5449 5.8ZN	TORN. M8X1,25X15 U5449 5.8ZN
20	F01220048	DADO M12X1,75 D980 8ZN	NUT M12X1,75 D980 8ZN	ECROU M12X1,75 D980 8 ZN	SCHEIBE M12X1,75 D980 8 ZN	TUERCA M12X1,75 D980 8 ZN
21	GA3612190	PIATTO PIEGATO SP.10	FOLDED PLATE THK.10			
22	GA3612211	SUPPORTO TABELLE	TABLES SUPPORT			
23	G67201083	FANALE LUCE-FRENO-FRECCIA SX	LIGHT SX			
24	G67201082	FANALE LUCE-FRENO-FRECCIA DX	STOP TABLE RIGHT			
25	F05200026	CABLAGGIO PRINCIPALE	MAIN CABLE			
26	F05200027	CABLAGGIO ALI LUCI STRADALI	LATERAL STREET LIGHTS CABLE			
27	F05010818	CATARIFR.TONDO D60 BIANCO	ROUND REFLECTOR D.60 WHITE			
28	F05010819	CATARIFR.TONDO D60 GIALLO	ROUND REFLECTOR D.60 YELLOW	JAUNE RÉFLECTEUR ROUND	RUNDREFLEKTOR GELB D60	REFLECTOR REDONDO AMARILLO
29	F05010816	TABELLE (2)CAR.SPORGENTI IT	WARNING BOARDS (2) IT			
30	F05010817	TABELLE (2)CAR.SPORGENTI FR-DE	WARNING BOARDS (2) FR-DE	TABLEAUX (2)AVERTISSEM. FR-DE	BRETT (2) WARNUNG FR-DE	TABLAS (2)CAR.ADVERT. FR-DE
31	G16612070	TELAIO SUPP.TABELLE STRAD.	FRAME SUPPORT TABLE			
32	F05010833	KIT LUCI POST.STRAD.ECCEZ.	KIT REAR ROAD LIGHTS M.EXCEP.			
33	F05010346	LUCE INGOMBRO ANTERIORE SX	FRONT LEFT LIGHT			
34	F05010345	LUCE INGOMBRO ANTERIORE DX	FRONT LIGHT DX			
35	F01020040	VITE M6X1X40 U5737 8.8ZN	SCR. M6X1X40 U5737 8.8ZN	VIS M6X1X40 U5737 8.8ZN	SCHRAU. M6X1X40 U5737 8.8ZN	TORNI. M6X1X40 U5737 8.8ZN
36	F01020225	VITE M14X2X160 U5737 8.8BR	SCR. M14X2X160 U5737 8.8BR	VIS M 14 X160 5737 8.G	SCHRAUBE M 14 X160 5737 8.G	TORNILLO M 14 X160 5737 8.G
37	F01220255	DADO M14X2 D980 8ZN	NUT M14X2 D980 8ZN	ECROU M14X2 D980 8 ZN	MUTTER M14X2 D980 8 ZN	TUERCA M14X2 D980 8 ZN
38	F01410088	ROS.M14 15X 28X2,5 U6592 ZN	WAS.M14 15X 28X2,5 U6592 ZB	RON.M14 15X 28X2,5 U6592 BZ	SCH.M14 15X 28X2,5 U6592 ZB	ARA.M14 15X 28X2,5 U6592 ZB
39	G13710561	SCONTRO A U SP.10 2F16,5 118	U-SHAPED PLAT.SP.10 2F16,5 118			
40	G17715130	SUPPORTO LAT.CATADIOTRI	REFLECTOR LATERAL SUPPORT			
41	GA3612250	PIATTO 220X30 SP.5	PLATE 220X30 THK.5			
42	GA3612261	SUPPORTO ANT.HL-HS	FRONT SUPPORT HL-HS			
43	F01020404	VITE M6X1X20 U5739 8.8ZN	SCREW M6X1X20 U5739 8.8ZN	VIS M6X1X20 U5739 8.8ZN	SCHRAUBE M6X1X20 U5739 8.8ZN	TORNILLO M6X1X20 U5739 8.8ZN
44	F05200028	CABLAGGIO SIDE MARKER	SIDE MARKER STREET LIGHT CABLE			
45	GA3612200	PIATTO 310X40 SP.10	PLATE 310X40 THK.10			

**USATE SEMPRE RICAMBI ORIGINALI
ALWAYS USE ORIGINAL SPARE PARTS
IMMER DIE ORIGINAL-ERSATZTEILE VERWENDEN
EMPLOYEZ TOUJOURS LES PIECES DE RECHANGE ORIGINALES
UTILIZAR SIEMPRE REPUESTOS ORIGINALES**

GASPARDO

Servizio Assistenza Tecnica - After Sales Service: +39 0434 695557

Servizio Ricambi - Spare Parts Service: +39 0434 695496

DEALER:



* G 1 9 5 3 1 0 8 1 *



MASCHIO GASPARDO SpA

Registered office & Production plant

Via Marcello, 73 - 35011 Campodarsego (Padova) - Italy
Tel. +39 049 9289810
Fax +39 049 9289900
info@maschio.com
www.maschionet.com

MASCHIO GASPARDO SpA

Production plant

Via Mussons, 7 - 33075
Morsano al Tagliamento (PN) - Italy
Tel. +39 0434 695410
Fax +39 0434 695425
info@gaspardo.it

MASCHIO DEUTSCHLAND GMBH

Äußere Nürnberger Straße 5
D - 91177 Thalmässing - Deutschland
Tel. +49 (0) 9173 79000
Fax +49 (0) 9173 790079
dialog@maschio.de
www.maschio.de

MASCHIO FRANCE Sarl

Rue Denis Papin ZA
F - 45240 La Ferté Saint Aubin
France
Tel. +33 (0) 2.38.64.12.12
Fax +33 (0) 2.38.64.66.79
info@maschio.fr

000 МАСКИО-ГАСПАРДО РУССИЯ

Улица Пушкина, 117 Б
404130 Волжский
Волгоградская область
Тел. +7 8443 203100
факс. +7 8443 203101
info@maschio.ru

MASCHIO-GASPARDO ROMANIA S.R.L.

Strada Înfrâterii, F.N.
315100 Chisineu-Cris (Arad) -România
Tel. +40 257 307030
Fax +40 257 307040
info@maschio.ro

MASCHIO-GASPARDO North America

112 3rd Avenue East
Dewitt, IA 52742 - USA
Ph. +1 563 659 6400
Fax +1 563 659 6405
info@maschio.us

MASCHIO IBERICA S.L.

**MASCHIO-GASPARDO POLAND
MASCHIO-GASPARDO UCRAINA
GASPARDO-MASCHIO TURCHIA
MASCHIO-GASPARDO CINA
MASCHIO-GASPARDO INDIA
MASCHIO-GASPARDO KOREA**