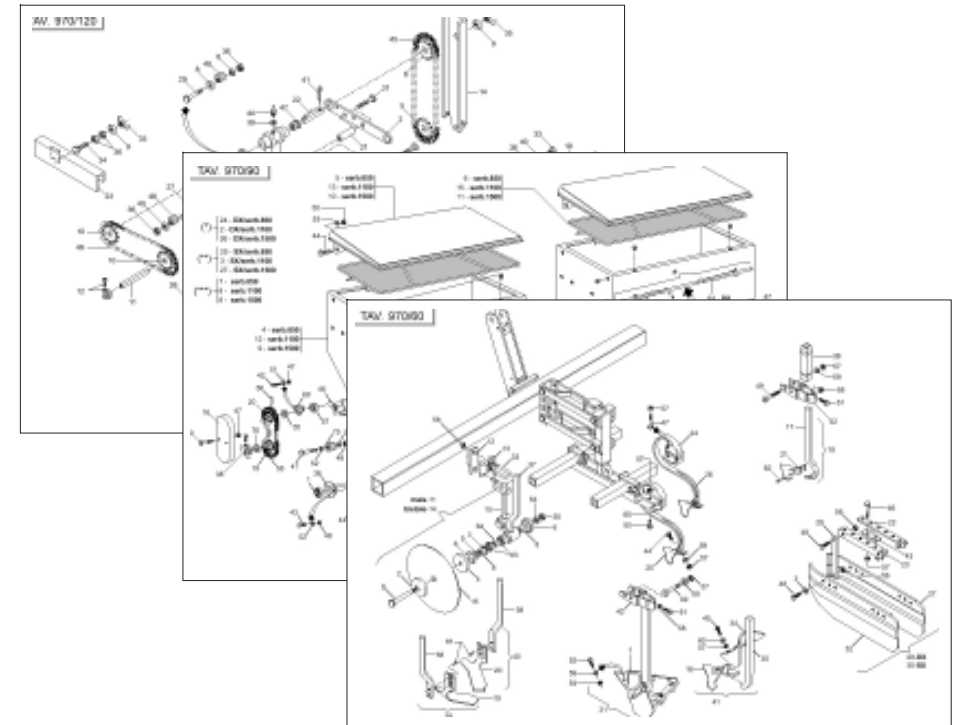


GASPARDO

MASCHIO GASPARDO S.p.A.



HS

Cod: G19530813 2015-12

- *) Valido per Paesi UE
- *) Valid for EU member countries
- *) Valable dans les Pays UE
- *) Gilt für EU-Mitgliedsländer
- *) Válido para Países UE

- IT** PARTI DI RICAMBIO
- EN** SPARE PARTS
- DE** ERSATZTEILE
- FR** PIÈCES DÉTACHÉES
- ES** PIEZAS DE REPUESTO

PARTI DI RICAMBIO**SPARE PARTS****ERSATZTEILE****PIECES DÉTACHÉES****RESPUESTOS**

Le ordinazioni delle parti di ricambio vanno fatte presso i nostri concessionari di zona e devono essere sempre corredate dalle seguenti indicazioni:

- **Tipo, modello e numero di matricola dell'attrezzatura.** Tali dati sono stampigliati nell'apposita targhetta di cui è dotata ogni attrezzatura.

- **Numero di codice della parte richiesta** rilevabile dal catalogo ricambi.

- **Descrizione del particolare e quantità richiesta.**

- **Numero della tavola.**

- **Mezzo di trasporto.** Nel caso questa voce non sia specificata, la Ditta Costruttrice, pur dedicando a questo servizio una particolare cura, non risponde di eventuali ritardi di spedizione dovuti a cause di forza maggiore.

Le spese di trasporto si intendono sempre a carico del destinatario. La merce viaggia a rischio e pericolo del committente anche se venduta franco destino.

NOTA: Il termine **(Dx) Destro** o **(Sx) Sinistro** della macchina o di parti di essa, è inteso guardando la macchina dalla parte posteriore. Le eccezioni saranno indicate.

Orders must be transmitted through our area dealers and should always include the following indications:

- **Type, model and serial number of the machine.** *These data are punched on the data plate with which every implement is equipped.*

- **Code number of the required spare part.** *This will be found in the spare parts catalogue.*

- **Description of the part and required quantity.**

- **Table number.**

- **Means of dispatch.** *If this item is not indicated, the Manufacturer, while dedicating particular care to this service, shall not be held responsible for delays in delivery caused by cases of force majeure.*

Transport expenses shall always be at the consignee's charge. The goods travel at the purchaser's risk and peril even when sold ex destination.

NOTE: *The symbols (Dx) right and (Sx) left, concerning the machine or single parts of it, are referred, as in the figure, to a rear view of them. Exceptions will be indicated.*

Die Bestellungen müssen bei unseren Gebietshändler aufgegeben werden. Bei der Bestellung sind stets die folgenden Angaben zu machen:

- **Typ, Modell und Serien-Nummer des Geräts.** Diese Daten stehen auf dem Typenschild, mit dem jedes Gerät versehen ist.

- **Artikel Nr. der erforderlichen Ersatzteile.** Diese stehen im Ersatzteil-Katalog.

- **Beschreibung des Ersatzteils und die erforderliche Stückzahl.**

- **Tafelnummer.**

- **Versandmittel.** Wenn dieser Punkt nicht spezifiziert wird, haftet die Herstellerfirma nicht für etwaigen Lieferverzug aufgrund höherer Gewalt, auch wenn er diesen Service besonders aufmerksam abwickelt.

Die Frachtkosten gehen dagegen immer zu Lasten des Empfängers. Die Ware reist auf Gefahr und Risiko des Auftraggebers, auch wenn frei Haus Verkauft vereinbart worden ist.

N.B.: Die Merkzeichen **(Dx) rechts** und **(Sx) links** betreffen eine rückwärtige Aussicht der Maschine oder Teile von ihr (siehe Bild). Ausnahmen werden gezeigt.

Les ordres doivent être effectués auprès de nos concessionaires de zone en précisant les indications suivantes:

- **Type, modèle et numéro de série de la machine.** *Ces données sont gravées sur la plaque d'identification de chaque outil.*

- **Numéro de code de la pièce détachée** *indiqué sur le catalogue des pièces détachées.*

- **Description de la pièce et quantité requise.**

- **Numéro de plan.**

- **Moyen d'expédition.** *Si cette rubrique n'est pas indiquée, le Constructeur, bien que soucieux de ce service, ne répond pas des retards d'expédition pour des causes de force majeure.*

Les frais de transport sont toujours à la charge du destinataire. La marchandise voyage aux risques et périls de l'acheteur même si vendue franco de port.

N.B.: *Les références (Dx) droit et (Sx) gauche de la machine ou des parties de la même, est entendue, comme de la figure, en regardant la machine de derriere dans le sens de marche.*

Los pedidos han de efectuarse en nuestros consesionarios de zona y deben incluir siempre las siguientes indicaciones:

- **Tipo, modelo y número de matricula del equipo.** Dichos datos están impresos en la relativa placa presente en el equipo.

- **Número de código de la parte requerida** presente en el catálogo respuestos.

- **Descripción de la pieza y cantidad requerida.**

- **Numero de ilustración.**

- **Medio de transporte.** En caso que este ítem no esté especificado, el Fabricante, aún prestando la debidas consideraciones para este aspecto, no responde por eventuales retardos de env'o debidos a causas de fuerza mayor.

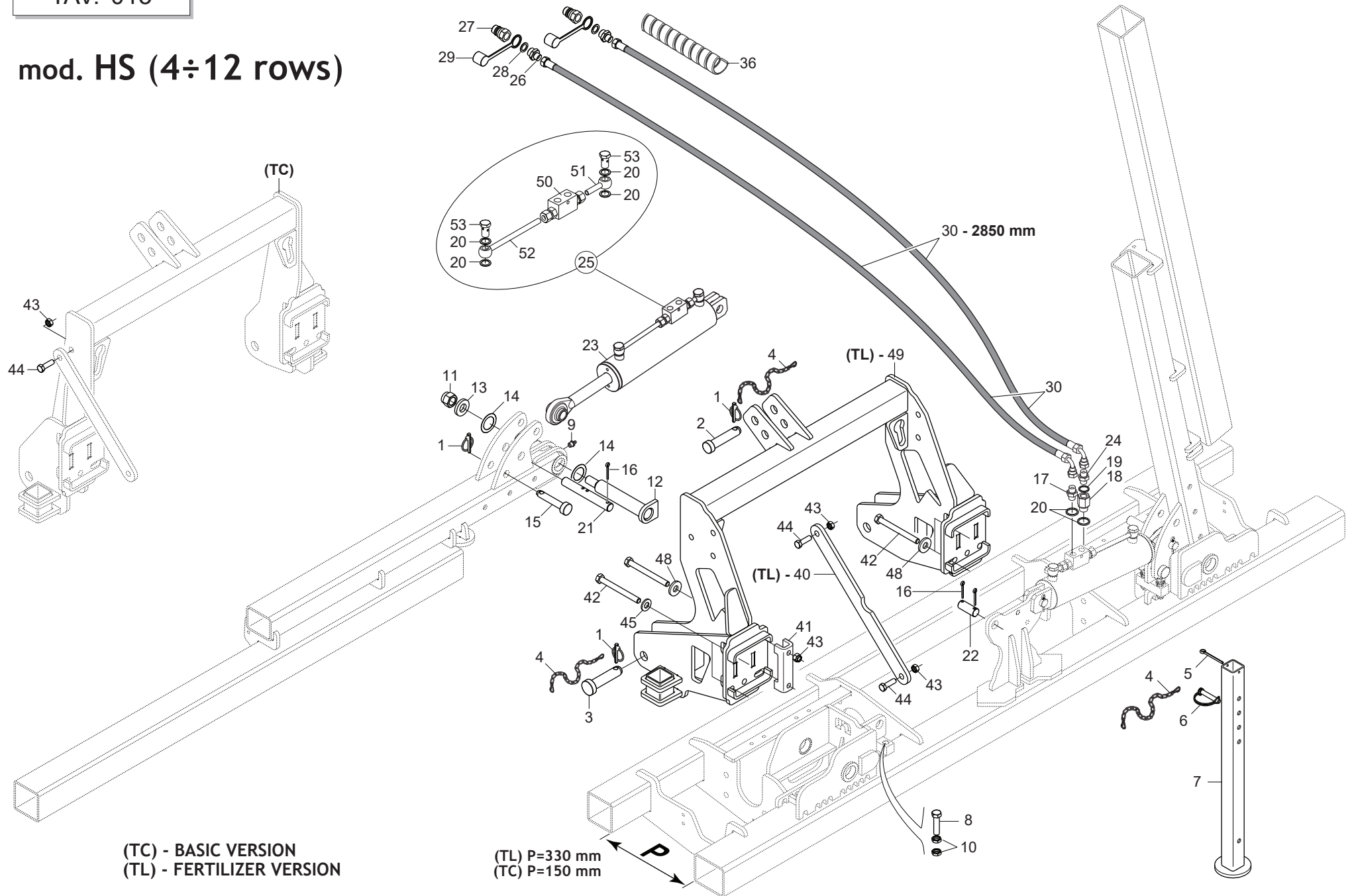
Los gastos de transporte se consideran siempre a cargo del destinatario. La mercadería viaja bajo riesgo y peligro del comprador, incluso cuando se vende franco destino.

N.B.: La refencia **(Dx) derecha** o **(Sx) izquierda** de la máquina o de sus componentes, se entiende, como en la figura, mirando la máquina por la parte trasera. Se indicarán las excepciones.

Nr. Tav.	Descrizione - Description	Pag.
TAV. 013	Telai mod. HS 4÷12 file	4
TAV. 210	Telai mod. HS 12÷24 file	6
TAV. 022	Ruote portanti	8
TAV. 034	Telaio elemento operatore	10
TAV. 190	Ruote in gomma	12
TAV. 042	Elementi operatori	14
TAV. 052	Protezioni piante	16
TAV. 061	Spandiconcime	18
TAV. 071	Speedy set	22
TAV. 081	Trasmissione spandiconcime	24
TAV. 090	Innesto-disinnesto trasmissione file esterne	26
TAV. 101	Concimazione pneumatica	28
TAV. 111	Distribuzione concime con "Front Tank"	30
TAV. 121	Coclea caricamento concime	32
TAV. 132	Pedana e scaletta	34
TAV. 141	Disco direzionale	36
TAV. 152	Attacco frontale	38
TAV. 172	Kit luci e tabelle di ingombro	40
TAV. 181	Versione HS-EFM	42
TAV. 200	Versione HS-EFE	44

TAV. 013

mod. HS (4÷12 rows)



(TC) - BASIC VERSION
(TL) - FERTILIZER VERSION

(TL) P=330 mm
(TC) P=150 mm

GASPARDO

cod. G19530813

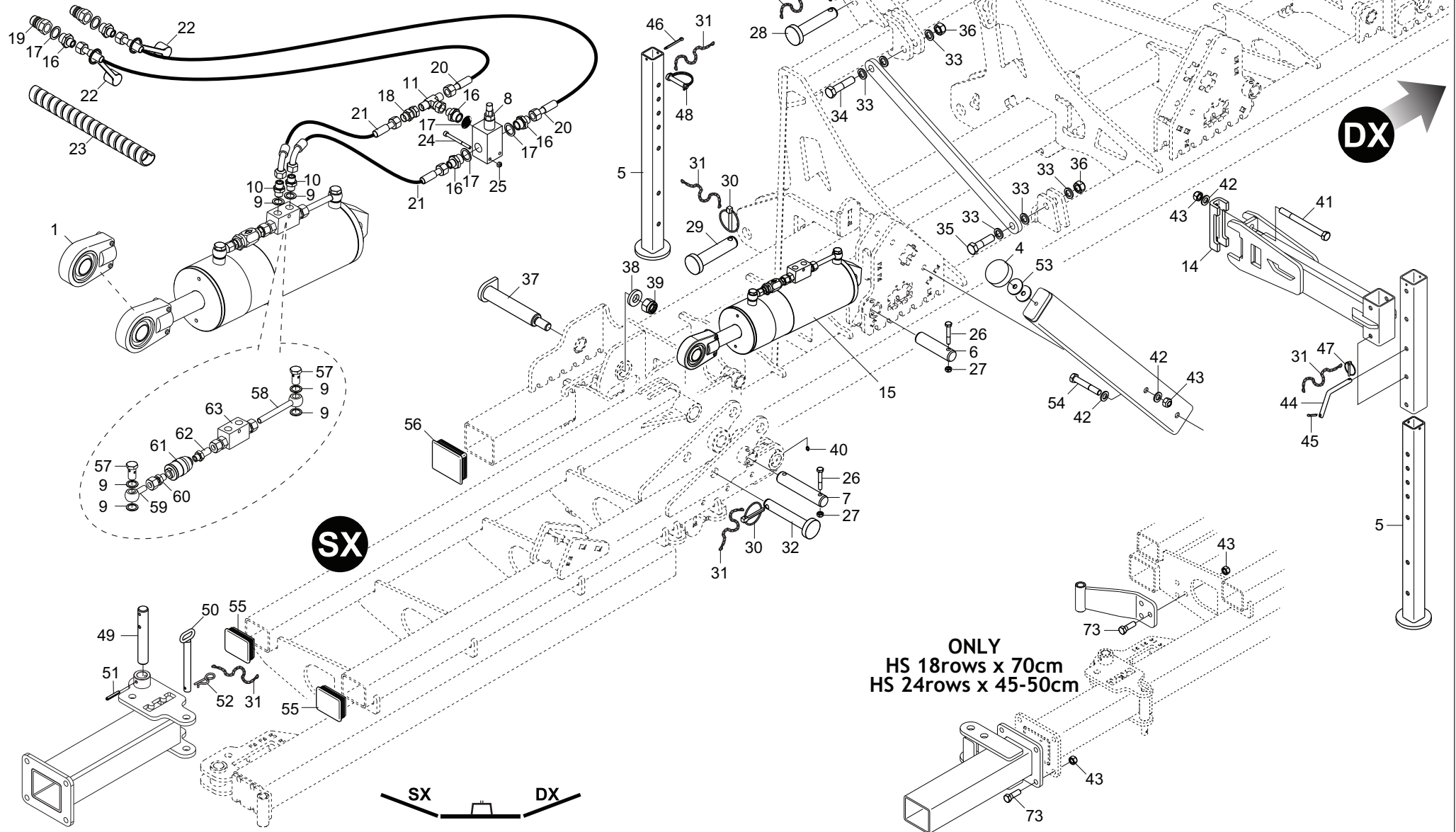
TELAJ MOD. HS 4÷12 FILE

TAV. 013

Pos.	Cod.	Descrizione	Description	Description	Benennung	Descripcion
1	F02200507	SPINA A SCATTO D 9 B/83	SNAP PIN D9 B/83 ZN	FICHE A DETENTE D9 B/83 ZN	EINRASTSTIFT D9 B/83 ZN	CLAVIJA DE MUELLE D9 B/83 ZN
2	F20100132	PERNO D25 L 91 C43 TEST.D60 ZN	PIN D25 L91 C43 ZN			
3	F20100135	PERNO D28 L 93 C43 TEST.D60 ZN	PIN D28 L93 C43 GALV.ED			
4	G13812311	CATENELLA CON MOSCHETTONE ZN	CHAIN WITH SPRING CATCH	CHAINETTE AVEC MOUSQUETON	KETTE MIT KARABINERHAKEN	CADENA CON GANCHO
5	F02200247	COPIGLIA 6X 60 U1336 ZN	SPLIT PIN 6X 60 U1336 ZN			
6	F02200584	SPINA SICUR. D. 12X70 ZN	PIN D12 L70 ZN	FICHE D12 L70 ZN	STIFT D12 L70 ZN	CLAVIJA D12 L70 ZN
7	G13619620	ASS.PUNTELLO UNIFICATO	PROP STANDARD			
8	F01020576	VITE M16X2X65 U5739 8.8ZN	SCR. M16X2X65 U5739 8.8ZN	VIS M16X2X65 U5739 8.8 ZN	SCHRAUBE M16X2X65 U5739 8.8 ZN	TORNILLO M16X2X65 U5739 8.8 ZN
9	F01100011	ING.M 6X1 7663-A 9SMNPB28 ZN	GREASE NIPPLE M6X1 7663-A ZN	GRAISS. A BILLE M6X1 7663A ZN	SCHMIERBUECHE M6X1 7663-A ZN	ENGRAS. DE ESFE. M6X1 7663-AZN
10	F01200444	DADO M16X2 U5589 6SZN	NUT M16X2 U5589 6SZN	ECROU M16X2	MUTTER M16X2	DADO M16X2
11	F01230143	DADO M24X2 D982 8ZN	NUT M24X2 D982 8ZN	ECROU M24X2 D982 8 ZN	MUTTER M24X2 D982 8 ZN	TUERCA M24X2 D982 8 ZN
12	G13619830	SPINA BRACCI ZN	ARMS PIN	BROCHE BRAS	STIFT ARME	CLAVIJA BRAZOS
13	G18701740	RONDELLA 25,25X50 X8	WASHER 25,25X50 X8			
14	G18705260	RONDELLA 41 X65 X0,5	WASHER 41X65X0,5	RONDELLE 41X65X0,5	UNTERLEGSCHLEIBE 41X65X0,5	ARANDELA 41X65X0,5
15	F20100035	PERNO D19 L90 C43 TEST.D35 ZN	BOLT D19 L86 C43 ZN	BOULON D19 L86 C43	BOLZEN D19 L86 C43	PERNO D19 L86 C43
16	F02200227	COPIGLIA 5X 30 U1336 ZN	PIN 5X 30 U1336 ZN			
17	F03150310	NIPPLO MM CIL-CIL 3/8-1/4 ZN	NIPPLE MM CIL-CIL 3/8-1/4 ZN	NIPPLE MALE CYL.3/8-1/4 ZN	NIPPELZYL.3/8-1/4 ZN	NIPLE MACHO CIL.3/8-1/4 ZN
18	F03150409	NIPPLO MF CIL-CIL 3/8-1/4 ZN	NIPPLE MF CIL-CIL 3/8-1/4 ZN			
19	F03151414	RONDELLA BONDED SEAL 1/4" NBR	WASHER BONDED SEAL 1/4" NBR			
20	F03151401	RONDELLA BONDED SEAL 3/8" NBR	WASHER BONDED SEAL 3/8" NBR			
21	G13615492	PERNO 25 X185 ZN	PIN 25X185 GALV.ED			
22	G13616180	SPINA 25 X 60 ZN	GALVANIZED PIN 25 X 60	GOUPILLE 25 X 60 ZN	STIFT 25 X 60 ZN	CLAVIJA 25 X 60 ZN
23	G13618650	CILINDRO DE 32X90 -283 C.VALV.	CYLINDER DE 32X90 -283 C.VALV.			
24	G16011700	NIPPLO MM 1/4-1/4 FORO 1,5	UPRIGHT 1/4" NIPPLE WITH GRUB	MONTANT NIPPLE 1/4 AVEC GRAIN	STZNDER NIPPEL 1/4 MIT STIFT 8	MONT.NIPLE 1/4 TORNIL.SIN CABE
25	F03150589	KIT VALVOLA DI BLOCCO 3/8 DE	PIL. BLOCK VALVE VBPDE38EC	SOUPAPE BLOC GUIDEE VBPDE38EC	GEST. SPERRVENTIL VBPDE38EC	VæLVULA BLOQUE PIL.VBPDE38EC
26	F03150211	NIPPLO MM CIL-CIL 1/2-1/4 ZN	NIPLE MM CIL-CIL 1/4-1/2 ZN	NIPLE MM 1/4-1/2 ZN	NIPLE GG 1/4-1/2 ZN	NIPLE MM 1/4-1/2 ZN
27	F03150935	INNESTO RAP.MASCH.1/2 A VALV.	QUICK CONNECT MALE CONE 1/2	CONNEXION RAPIDE MALE CONE 1/2	SCHNELLKUPP.GEWINDE KONISC 1/2	ACOPLAMIEN.RAP.MACHO CONO 1/2
28	F03151370	RONDELLA BONDED SEAL 1/2" NBR	WASHER BONDED SEAL 1/2" NBR			
29	F05150325	CAPPUC.F X INN.M RAP.1/2 ROSSO	COVER CONNECT F 1/2 RED	COUVERCLE CONNEXION F 1/2 ROSE	DECKEL W 1/2 SCHNELLKUPP. ROT	PAC PROTECCION F 1/2 ROJO
30	G15210554	TUBO 1/4R2 F1/4-CF1/4 2850	TUBE 1/4R2 F1/4-CF1/4 2850			
36	F05150484	SPIRALE PROTETTIVA D.27-32	PROTECTIVE SPIRAL D.27-32	SPIRALE DE PROTECTION D.27-32	SPIRAL SCHUTZ D.27-32	ESPIRAL PROTECIEN D.27-32
40	G13619770	TIRANTE 3 PUNTO UNIFICATO	3RD POINT TIE ROD			
41	G13710561	SCONTRO A U SP.10 2F16,5 118	U-SHAPED PLAT.SP.10 2F16,5 118			
42	F01020291	VITE M16X2X170 U5737 8.8BR	SCR. M16X 2X170 U5737 8.8 BR	VIS M16X 2X170 U5737 8.8 BR	SCHRAU. M16X 2X170 U5737 8.8BR	TORN. M16X 2X170 U5737 8.8 BR
43	F01230085	DADO M16X2 D982 10ZN	NUT M16X2 D982 8ZN	ECROU M16X2 D982 8ZN	MUTTER M16X2 D982 8ZN	TUERCA M16X2 D982 8ZN
44	F01020287	VITE M16X2X50 U5737 10.9ZD	SCR. M16X2X50 U5737 10.9ZD	VIS M16X2X50 U5737 10.9ZD	SCHRAU.M16X2X50 U5737 10.9ZD	TORN. M16X2X50 U5737 10.9ZD
45	F01410100	ROS.M16 17X 30X 3 U6592 ZN	WASHER M16 17X30X3 U6592 ZN	RONDELLE M16 17X30X3 U6592 ZN	SCHRAUBE M16 17X 30X3 U6592 ZN	ARANDELA M16 17X30X 3 U6592 ZN
48	G18700450	RONDELLA 17 X45 X6 ZN	WASHER 17X45X6 GALV.ED			
49	G13619600	ASS.TERZO PUNTO UNIFICATO	ASS.3RD POINT			
50	F03150499	VALVOLA DI BLOCCO	BLOCK VALVE	VALVE BLOQUER	VENTIL SCHLOSS	VALVULA BLOQUEAR
51	F03150823	ADATT. OCCHIO 3/8 L.40	EYE ADAPTER 3/8 L.40	RACCORD OEIL 3/8 L.40	TSENVBRINDUNGSST_CK 3/8 L.40	UNIN OJO 3/8 L.40
52	F03150824	ADATT. OCCHIO 3/8 L.220	EYE UNION 3/8 L.200	RACCORD OEIL 3/8 L.200	TSENVBRINDUNGSSTsCK 3/8 I.200	UNIN OJO 3/8 L.200
53	F03151223	RACCORDO VITE CAVA 3/8" L=39MM	UNION BOLT 3/8	VIS 3/8	SCHRAUBE 3/8	TORNILLO CAVA 3/8

TAV. 210

mod. HS (12÷24 rows)

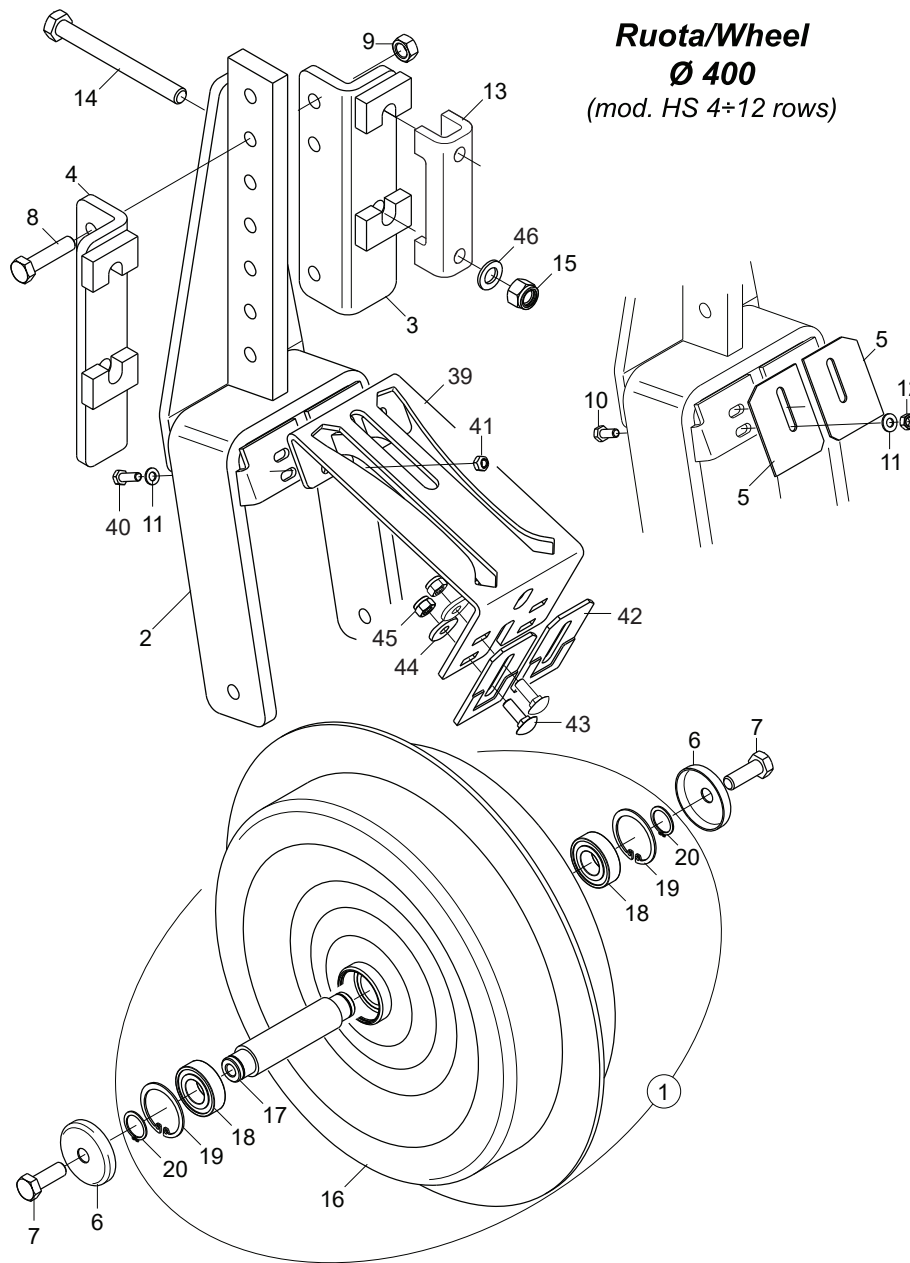


TELAJ MOD. HS 12÷24 FILE

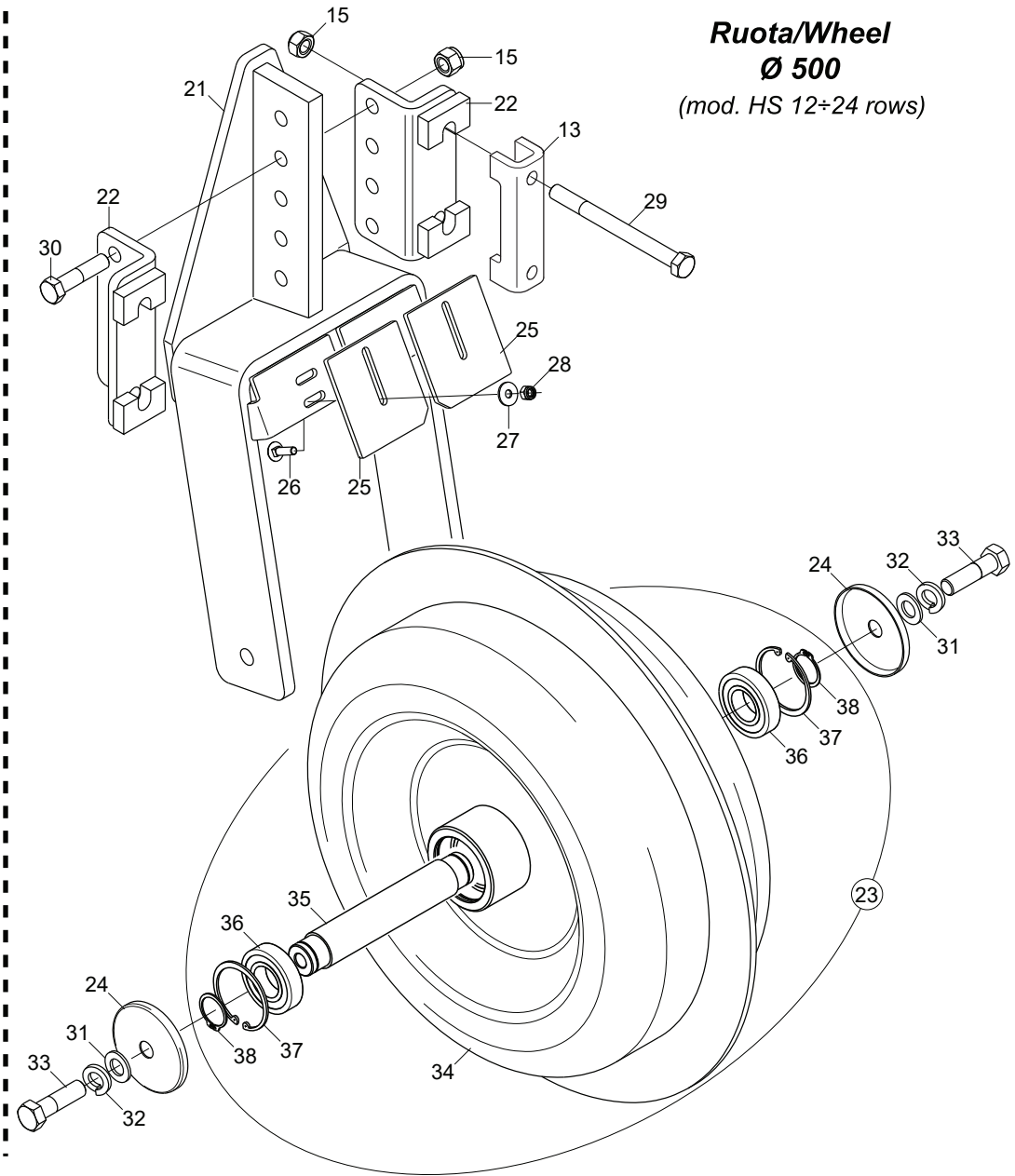
TAV. 210

Pos.	Cod.	Descrizione	Description	Description	Benennung	Descripcion
1	G67004098	SUPP.ROTULA SFERICA 35X1,5 D35	SUPP.BALL-KNEE-CAP 35X1,5D35			
4	F05150459	PARACOLPI CIL.75X25 M12 SH70	CYLINDER GUARD 75X25 M12 SH71	TAMPON CIL. 75X25 M12	PUFFER CIL. 75X25 M12	PARACHOQ. CIL. 75X25 M12
5	G13619620	ASS.PUNTELLO UNIFICATO	PROP STANDARD			
6	G15317710	ASSE D.35X138	D.35X138 AXLE/AXIS	AXE D.35X138	ACHSE D.35X138	EJE D.35X138
7	G16113350	SPINA 35,00X180 2F11 147 NP	PIN 35X180 2H11 147 NP	GOUPILLE 35X180 NP	BOLZENSTIFT 35X180 NP	PASADOR 35X180 NP
8	F03150524	VALV.MASSIMA 35LPM-210BAR-1/2"	MAXIMUM PRESSURE VALVE 1/2	VANNE DE S+CURIT+ V.M.P.1/2	DRUCKBEGRENZUNGSVENTIL 1/2	VALVULA PRES. M-X. V.P.M.1/2
9	F03151401	RONDELLA BONDED SEAL 3/8" NBR	WASHER BONDED SEAL 3/8" NBR			
10	F03150321	NIPPLO MM CIL-CIL 3/8-3/8 ZG	NIPPLE MM CIL-CIL 3/8-3/8 ZN		NIPPLE MM CIL-CIL 3/8-3/8 ZN	NIPLE MM CIL-CIL 3/8-3/8 ZN
11	F03151221	RACCORDO -T- M-FG-M 3/8" ZN	CONNECTOR T- M-FG-M 3/8" ZN	RACCORD -T- M-FG-M 3/8 ZN	ANSCHLUSSTsCK-T-M-FG-M 3/8 ZN	UNION -T- M-FG-M 3/8 ZN
14	G13710561	SCONTRO A U SP.10 2F16,5 118	U-SHAPED PLAT.SP.10 2F16,5 118			
15	G16112100	CILINDRO DE 40X130-290	DE 40X130-290 CYLINDER	CYLINDRE DE 40X130-290	ZYLINDER DE 40X130-290	CILINDRO DE 40X130-290
16	F03150222	NIPPLO MM CIL-CIL 1/2-3/8 ZG	NIPPLE M-M CYL-CYL 1/2-3/8 ZG	NIPPLE H-H CIL-CIL 1/2-3/8 ZG	NIPPEL M-M CIL-CIL 1/2-3/8 ZG	NIPLE H-H CIL-CIL 1/2-3/8 ZG
17	F03151370	RONDELLA BONDED SEAL 1/2" NBR	WASHER BONDED SEAL 1/2" NBR			
18	F03150067	NIPPLO MF GIREVOLE 3/8 ZG CIL	NIPPLE M-F REVOLVING 3/8 ZG		NIPPLE M-F DREHBAR 3/8 ZG	NIPPLE M-F VUELTA 3/8 ZG
19	F03150935	INNESTO RAP.MASCH.1/2 A VALV.	QUICK CONNECT MALE CONE 1/2	CONNEXION RAPIDE MALE CONE 1/2	SCHNELLKUPP.GEWINDE KONISC 1/2	ACOPLAMIENT.RAP.MACHO CONO 1/2
20	GA7911510	TUBO 3/8R2 F3/8-F3/8 2300	TUBE 3/8R2 F3/8-F3/8 2300			
21	G16114650	TUBO 3/8R2 CF3/8- F3/8 290	PIPE 3/8R2 CF3/8- F3/8 290	TUBE 3/8R2 CF3/8- F3/8 290	ROHR 3/8R2 CF3/8- F3/8 290	TUBO 3/8R2 CF3/8- F3/8 290
22	F05150325	CAPPUC.F X INN.M RAP.1/2 ROSSO	COVER CONNECT F 1/2 RED	COUVERCLE CONNEXION F 1/2 ROSE	DECKEL W 1/2 SCHNELLKUPP. ROT	PAC PROTECCION F 1/2 ROJO
23	F05150484	SPIRALE PROTETTIVA D.27-32	PROTECTIVE SPIRAL D.27-32	SPIRALE DE PROTECTION D.27-32	SPIRAL SCHUTZ D.27-32	ESPIRAL PROTECCION D.27-32
24	F01040070	VITE M6X1X70 U5931 8.8ZN	SCREW M6X1X70 U5931 8.8ZN	VIS M6X1X70 U5931 8.8ZN	SCHRAUBE M6X1X70 U5931 8.8ZN	TORNILLO M6X1X70 U5931 8.8ZN
25	F01220011	DADO M6X1 D980 8ZN	NUT M6X1 D980 8ZN	ECROU M6X1 D980 8 ZN	MUTTER M6X1 D980 8 ZN	TUERCA M6X1 D980 8 ZN
26	F01020120	VITE M10X1,5X65 U5737 8.8ZN	SCR. M10X1,5X65 U5737 8.8ZN	VIS M10X1,5X65 U5737 8.8 ZN	SCHRA. M10X1,5X65 U5737 8.8 ZN	TORN. M10X1,5X65 U5737 8.8 ZN
27	F01220033	DADO M10X1,5 D980 8ZN	NUT M10X1,5 D980 8ZN	ECROU M10X1,5 D980 8ZN	MUTTER M10X1,5 D980 8ZN	TUERCA M10X1,5 D980 8ZN
28	F20100139	PERNO D32 L135 C43 TEST.D60 ZN	PIN D32 L135 C40 ZN	BOULON D32 L135 C43 ZN	BOLTZEN D32 L135 C43 ZN	PERNO D32 L135 C43 ZN
29	F20100141	PERNO D36 L128 C43 TEST.D60 ZN	PIN D36 L128 C43 ZN	BOULON D36 L128 C43 ZN	BOLTZEN D36 L128 C43 ZN	PERNO D36 L128 C43 ZN
30	F02200507	SPINA A SCATTO D 9 B/83	SNAP PIN D9 B/83 ZN	FICHE A DETENTE D9 B/83 ZN	EINRASTSTIFT D9 B/83 ZN	CLAVIJA DE MUELLE D9 B/83 ZN
31	G13812311	CATENELLA CON MOSCHETTONE ZN	CHAIN WITH SPRING CATCH	CHAINETTE AVEC MOUSQUETON	KETTE MIT KARABINERHAKEN	CADENA CON GANCHO
32	F20100138	PERNO D28 L154 C43 TEST.D60 ZN	PIN D28 L154 C43 ZN	BOULON D28 L154 C43 ZN	BOLTZEN D28 L154 C43 ZN	PERNO D28 L154 C43 ZN
33	G18701570	RONDELLA 21 X32 X4 ZN	WASHER 21 X 32 X 4- GALVANIZED	RONDELLE 21 X32 X4 ZN	UNTERLEGSSCHEIBE 21 X32 X4	ARANDELA 21 X32 X4 ZN
34	F01020324	VITE M20X2,5X85 U5737 10.9ZD	SCR. M20X2,5X85 U5737 10.9ZD	VIS M20X2,5X85 U5737 10.9 ZD	SCHRA.M20X2,5X85 U5737 10.9 ZD	TORN. M20X2,5X85 U5737 10.9 ZD
35	F01020307	VITE M20X2,5X75 U5737 12.9ZF	SCR. M20X2,5X75 U5737 12.9ZF	VIS M20X2,5X75 U5737 12.9 ZF	SCHRA.M20X2,5X75 U5737 12.9 ZF	TORN.M20X2,5X75 U5737 12.9 ZF
36	F01220092	DADO M20X2,5 D980 8ZN	NUT M20X2,5 D980 8ZN	ECROU M20X 2,5 D980 8 ZN	MUTTER M20X 2,5 D980 8 ZN	TUERCA M20X 2,5 D980 8 ZN
37	G13619830	SPINA BRACCI ZN	ARMS PIN	BROCHE BRAS	STIFT ARME	CLAVIJA BRAZOS
38	G18701740	RONDELLA 25,25X50 X8	WASHER 25,25X50 X8			
39	F01230143	DADO M24X2 D982 8ZN	NUT M24X2 D982 8ZN	ECROU M24X2 D982 8 ZN	MUTTER M24X2 D982 8 ZN	TUERCA M24X2 D982 8 ZN
40	F01100011	ING.M 6X1 7663-A 9SMNPB28 ZN	GREASE NIPPLE M6X1 7663-A ZN	GRAISS. A BILLE M6X1 7663A ZN	SCHMIERBUECHE M6X1 7663-A ZN	ENGRAS. DE ESFE. M6X1 7663-AZN
41	F01020278	VITE M16X2X180 U5737 8.8BR	SCR. M16X2X180 U5737 8.8BR	VIS M16X 2X180 U5737 8.8BR	SCHRA. M16X 2X180 U5737 8.8BR	TORNIL. M16X 2X180 U5737 8.8BR
42	F01410100	ROS.M16 17X 30X 3 U6592 ZN	WASHER M16 17X30X3 U6592 ZN	RONDELLE M16 17X30X3 U6592 ZN	SCHRAUBE M16 17X 30X3 U6592 ZN	ARANDELA M16 17X30X 3 U6592 ZN
43	F01220266	DADO M16X2 D980 8ZN	NUT M16X2 D980 8ZN	ECROU M16X 2 D980 8 ZN	MUTTER M16X 2 D980 8 ZN	TUERCA M16X 2 D980 8 ZN
44	G15318410	CHIAVISTELLO D.12 ZN	KEY D.12 ZN			
45	F02200227	COPIGLIA 5X 30 U1336 ZN	SPLIN 5X 30 U1336 ZN			
46	F02200247	COPIGLIA 6X 60 U1336 ZN	SPLIN PIN 6X 60 U1336 ZN			
47	F02200463	SPINA SCATTO D. 5 B/81 ZN	SNAP PIN D5 B/81 ZN	FICHE A DETENTE D5 B/81 ZN	EINRASTSTIFT D5 B/81 ZN	CLAVIJA DE MUELLE D5 B/81 ZN
48	F02200584	SPINA SICUR. D. 12X70 ZN	PIN D12 L70 ZN	FICHE D12 L70 ZN	STIFT D12 L70 ZN	CLAVIJA D12 L70 ZN
49	G15910660	SPINA INFERIORE CILINDRO	BOTTOM CYLINDER PIN	GOUPILLE INFERIEURE CYLINDRE	UNTERER STIFT ZYLINDER	CLAVIJA INFERIOR CILINDRO
50	G14215360	SPINA DI SICUREZZA	PIN D20 L173,5	FICHE D20 L173,5	STIFT D20 L173,5	CLAVIJA D20 L173,5
51	F02100144	SPINA E.P. 8X 50 U6873 C70 BR	ELASTIC PIN 8X50 U6873 C70 BR	FICHE EL. D8 L50 D1481 C70 BR	SPANNSTIFT D8 L50 D1481 C70BR	CLAVIJA D8 L50 D1481 C70 BR
52	G18903261	MOLLA FERMO SPIRONI ZN	GALVAN. COIL STOP SPRING	RESSORT ARRET SPIRES ZN	FEDER FESTSTELLVORR. FEDERHALT	MUELLE BLOQUEO VARILLA PORTAM
53	G18701530	RONDELLA 13X48X4 ZN	WASHER 13X48X4 ZN	RONDELLE 13X48X4 ZN	SCHEIBE 13X48X4 ZN	ARANDELA 13X48X4 ZN
54	F01020285	VITE M16X2X100 U5737 8.8ZN	SCR. M16X2X100 U5737 8.8ZN	VIS M16X2X100 U5737 8.8 ZN	SCHR.M16X2X100 U5737 8.8 ZN	TORN.M16X2X100 U5737 8.8 ZN
55	F05100161	TAPPO PLT X TUBO 100X80 SP.4-6	PLT PLUG TUBE 100X80 SP.4-6			
56	F05100206	TAPPO PLT X TUBO 120X100X3,5-6	PLT PLUG TUBE 120X100X3,5-6			
57	F03151223	RACCORDO VITE CAVA 3/8" L=39MM	UNION BOLT 3/8	VIS 3/8	SCHRAUBE 3/8	TORNILLO CAVA 3/8
58	F03150824	ADATT. OCCHIO 3/8 L.220	EYE UNION 3/8 L.200	RACCORD OEIL 3/8 L.200	TSENVERBINDUNGSSTsCK 3/8 I.200	UNIN OJO 3/8 L.200
59	F03150823	ADATT. OCCHIO 3/8 L.40	EYE ADAPTER 3/8 L.40	RACCORD OEIL 3/8 L.40	TSENVERBINDUNGSST CK 3/8 L.40	UNIN OJO 3/8 L.40
60	G67321036	GIUNZIONE ESTREM.TN92-12L R1/4	JUNCTION EXTREM.TN92-12L R1/4			
61	F03151226	REGOL.DI FLUSSO VRF 1/4' GAS	1/4' GAS VALVE VRF	SOUPAPE REG DEBIT VRF 1/4" GAZ	VENITL VRF 1/4' GAS	VæLVULA VRF 1/4' GAS
62	G67321037	COMBINAZIONE GIREVOL. 1/4G	ROTATION COMB. TN 126-12L R1/4	COMBINAISON ROT.126-12L R1/4G	KOMBINATION ROT. 126-12L R1/4G	COMBINACION ROT.126-12L R1/4G
63	F03150499	VALVOLA DI BLOCCO	BLOCK VALVE	VALVE BLOQUER	VENTIL SCHLOSS	VALVULA BLOQUEAR
73	F01020287	VITE M16X2X50 U5737 10.9ZD	SCR. M16X2X50 U5737 10.9ZD	VIS M16X2X50 U5737 10.9ZD	SCHRAU.M16X2X50 U5737 10.9ZD	TORN. M16X2X50 U5737 10.9ZD

Ruota/Wheel
Ø 400
 (mod. HS 4÷12 rows)



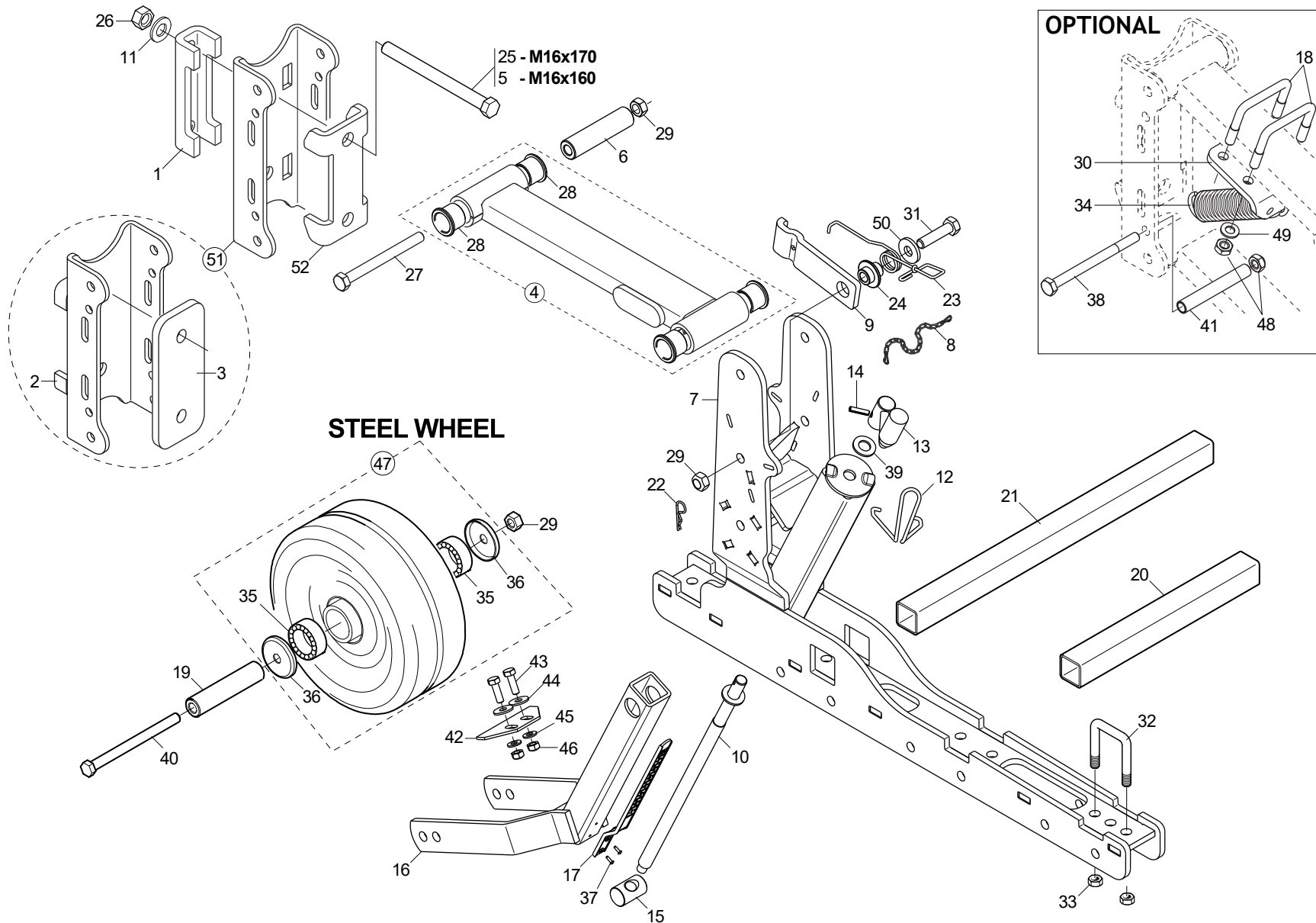
Ruota/Wheel
Ø 500
 (mod. HS 12÷24 rows)



RUOTE PORTANTI

TAV. 022

Pos.	Cod.	Descrizione	Description	Description	Benennung	Descripcion
1	G13618910	RUOTA PORTANTE HS COMPL	COMPL.MAIN WHEEL HS			
2	G13618680	SUPPORTO RUOTE PORTANTI HS	BEARING WHEELS SUPPORT HS			
3	G13618700	ATTACCO RUOTE PORT.DX HS	HITCH WHEEL RIGHT HS			
4	G13618720	ATTACCO RUOTE PORT.SX HS	HITCH WHEEL LEFT HS			
5	G13615840	RASCHIATERRA RUOTE PORTANTI	SOIL SCRAPER BEARING WHEELS	RACLEUR ROUES PORTANTES	ERDSCHABER TRAGERZDER	RASCADOR DE TIERRA RUEDAS PORT
6	G20970520	ROND.FOND.D.15 RUOTE P.RANGH.	SIDE DELIV. RAKE WHEEL D.15 BO	ROND. FOND. D. 15 ROUES ARRIER	TIEFE SCHEIBE D.15 RZDER P.RAN	ARAND. DE FOND.D.15 RUEDAS TRA
7	F01020198	VITE M14X2X45 U5737 8.8ZN	SCR. M14X2X45 U5737 8.8ZN	VIS 14X45 5737 8.G ZN *	SCHRAUBE 14X45 5737 8.G ZN *	TORNILLO 14X45 5737 8.G ZN *
8	F01020203	VITE M14X2X60 U5737 8.8ZN	SCR. M14X2X60 U5737 8.8ZN	VIS M 14X60	SCHRAUBE M 14X60	TORNILLO M 14X60
9	F01200306	DADO M14X2 U5588 6.8ZN	NUT M14X2 U5588 6.8ZN	ECROU M14X2	MUTTER M14X2	DADO M14X2
10	F01020436	VITE M8X1,25X20 U5739 8.8ZN	SCR. M8X1,25X20 U5739 8.8ZN	VIS M8X1,25X 20 U5739 8.8 ZN	SCHRAUBE M8X1,25X20U5739 8.8ZN	TORN. M8X1,25X20 U5739 8.8 ZN
11	F01410051	ROS.M8 8,4X 17X1,6 U6592 ZN	WASHER M8 8,4X17X1,6 U6592 ZN	RONDELLE M8 8,4X17X1,6 U6592ZN	SCHEIBE M8 8,4X17X1,6 U6592 ZN	ARANDELA M8 8,4X17X1,6 U6592ZN
12	F01200244	DADO M8X1,25 U5588 6.8ZN	NUT M8X1,25 U5588 6.8ZN	ECROU M8 X1,25 U5588 6.8 ZN	MUTTER M8 X1,25 U5588 6.8 ZN	TUERCA M8 X1,25 U5588 6.8 ZN
13	G13710561	SCONTRO A U SP.10 2F16,5 118	U-SHAPED PLAT.SP.10 2F16,5 118			
14	F01020273	VITE M16X2X160 U5737 8.8BR	SCR. M16X2X160 U5737 8.8BR	VIS M16X 2X160 U5737 8.8	SCHR. M16X 2X160 U5737 8.8	TORN. M16X 2X160 U5737 8.8
15	F01230085	DADO M16X2 D982 10ZN	NUT M16X2 D982 8ZN	ECROU M16X2 D982 8ZN	MUTTER M16X2 D982 8ZN	TUERCA M16X2 D982 8ZN
16	G13615750	RUOTA PORTANTE	MAIN WHEEL	ROUE PORTANTA		
17	G13618900	ASSE RUOTE PORTANTI	CARRYING WHEEL AXLE			
18	F04010170	CUSC.D25 D52 B15 6205 2RS EX>	BEARING D25 D52 B15 6205 2RS	ROULEMENT 6205 2RS	LAGER 6205 2RS	COJINETE 6205 2RS
19	F02050381	ANELLO E. DI 52X 2 U7437 C70	SEEGER RING E. 52X 2 U7437 C70	SEEGER E. 52X 2 U7437 C70	SEEGERING E. 52X 2 U7437 C70	ANILLO 52X 2 U7437 C70
20	F02050101	ANELLO E. DE 25X 1,2 U7435 C70	SEEGER RING E. 25X1,2 7435 C70	SEEGER E. 25X 1,2 U7435 C70	SEEGERING E. 25X 1,2 U7435 C70	ANILLO E. 25X 1,2 U7435 C70
21	GA3611110	SUPPORTO RUOTE PORT.D500X200	BEARING WHEELS SUPP.D500X200			
22	GA3611350	ATTACCO RUOTE PORT.D500	D500 MOUNT.WHEELS ATTACK			
23	GA3611310	RUOTA CON CRESTA D.500X220	WHEEL WITH CREST D.500X200			
24	G18705280	ROND.FOND.19 X97 X1,5X10	BOTTOM WASHER 19X97X1,5X10			
25	GA3611180	RASCHIATERRA RUOTE D.500	WHEEL D.500 SOIL SCRAPER			
26	F01060042	VITE M8X1,25X30 U5731 8.8ZN	SCR. M8X1,25X30 U5732 4.6ZN	VIS 8 X30 5732 4.6 ZN	SCHRAUBE 8 X30 5732 4.6 ZN	TORNILLO 8 X30 5732 4.6 ZN
27	F01420048	ROS.M8 8,4X 24X 2 U6593 ZN	WASHER M8 8,4X 24X2 U6593 ZN	RONDELLE M8 8,4X24X 2 U6593 ZN	SCHEIBEN M8 8,4X24X 2 U6593 ZN	ARANDELA M8 8,4X 24X2 U6593 ZN
28	F01230034	DADO M8X1,25 D982 8	NUT M8X1,25 D982 8ZN	ECROU M8X 1,25 D982 8 ZN	MUTTER M8X 1,25 D982 8 ZN	TUERCA M8X 1,25 D982 8 ZN
29	F01020278	VITE M16X2X180 U5737 8.8BR	SCR. M16X2X180 U5737 8.8BR	VIS M16X 2X180 U5737 8.8BR	SCHRA. M16X 2X180 U5737 8.8BR	TORNIL. M16X 2X180 U5737 8.8BR
30	F01020260	VITE M16X2X70 U5737 8.8ZN	SCR. M16X2X70 U5737 8.8ZN	VIS M16X2X70 U5737 8.8 ZN	SCHRAUBE M16X2X70 U5737 8.8 ZN	TORNILLO M16X2X70 U5737 8.8 ZN
31	F01410112	ROS.M18 19X 34X 3 U6592 ZN	WASHER M18 19X 34X 3 U6592 ZN	RONDELLE M18 19X34X 3 U6592 ZN	SCHEIBE M18 19X 34X 3 U6592 ZN	ARANDELA M18 19X 34X3 U6592 ZN
32	F01480156	ROS.G 19X32 X5,3 FLZNNC-240H	GROWER WASHER D.18	RONDELLE GROWER D.18	SCHEIBE GROWER D.18	ARANDELA GROWER D.18
33	F01020294	VITE M18X2,5X65 U5737 8.8ZN	BOLT M18X2,5X65 U5737 8.8ZN	VIS M18X 2,5X 65 U5737 8.8 ZN	SCHRA. M18X2,5X65 U5737 8.8ZN	TORN. M18X2,5X65 U5737 8.8ZN
34	GA3611300	RUOTA CON CRESTA D500X200	WHEEL WITH CREST D500X200			
35	GA3611320	ASSE RUOTE CON CRESTA D500	WHEELS WITH CREST D500 AXIS			
36	F04010178	CUSC.D35 D72 B17 6207 2RS1 EX	BEAR.D35 D72 B17 6207 2RS1 EX	ROULEM. D35 D72 B17 6207 2RS1	LAGER D35 D72 B17 6207 2RS1	COJINETE D35 D72 6207 2RS1
37	F02050403	ANELLO E. DI 72X 2,5 U7437 C70	SEEGER RING E.72X2,5 U7437 C70	SEEGER E. 72X 2,5 U7437 C70	SEEGERING E. 72X 2,5 U7437 C70	ANILLO E. 72X 2,5 U7437 C70
38	F02050146	ANELLO E. DE 35X 1,5 U7435 C70	ELASTIC RING DE 35X 1,5 U7435	BAGUE ELASTIQUE DE 35X 1,5	RING DE 35X 1,5 U7435 C70	ANILLO DE 35X 1,5 U7435 C70
39	GA3614790	SUPPORTO RASCHIAT.ARRETRATO	SOIL SCRAPER SUPPORT			
40	F01020440	VITE M8X1,25X25 U5739 8.8ZN	SCR. M8X1,25X25 U5739 8.8ZN	VIS M8X1,25X25 U5739 8.8 ZN	SCHRAUBE M8X1,25X25U5739 8.8ZN	TORNILLO M8X1,25X25 U5739 8.8
41	F01220022	DADO M8X1,25 D980 8ZN	NUT M8X1,25 D980 8ZN	ECROU M8X 1,25 D980 8 ZN	MUTTER M8X 1,25 D980 8 ZN	TUERCA M8X 1,25 D980 8 ZN
42	M43400883	PIASTRINA RASCHIATERRA PER CPK	SCRAPER PLATE CPK	PLAQUE RACLEUR CPK	PL TTCHEN ERDSCHABER CPK	PLAQUETA RASCADOR CPK
43	F01060069	VITE M10X1,5X30 U5731 8.8ZN	SCR. M10X1,5X30 U5732 4.6ZN	BOULON 10X30 5732 4.6	SCHRAUBE 10X30 5732 4.6	TORNILLO M10X1,5X30 U5731 8.8
44	G20970012	RONDELLA 32X4X11	WASHER 32X4X11	RONDELLE 32X4X11	UNTERLEGSCHHEIBE 32X4X11	ARANDELA 32X4X11
45	F01230048	DADO M10X1,5 D982 8ZN	NUT M10X1,5 D982 8ZN	ECR.AUTO-FREIN.M10X1,5 D982 ZN	SICHERUNGSMUTT.M10X1,5 D982 ZN	TUERCA SEGURID.M10X1,5 D982 ZN
46	F01410100	ROS.M16 17X 30X 3 U6592 ZN	WASHER M16 17X30X3 U6592 ZN	RONDELLE M16 17X30X3 ZN	SCHRAUBE M16 17X 30X3 U6592 ZN	ARAND.M16 17X 30X 3 U6592 ZN

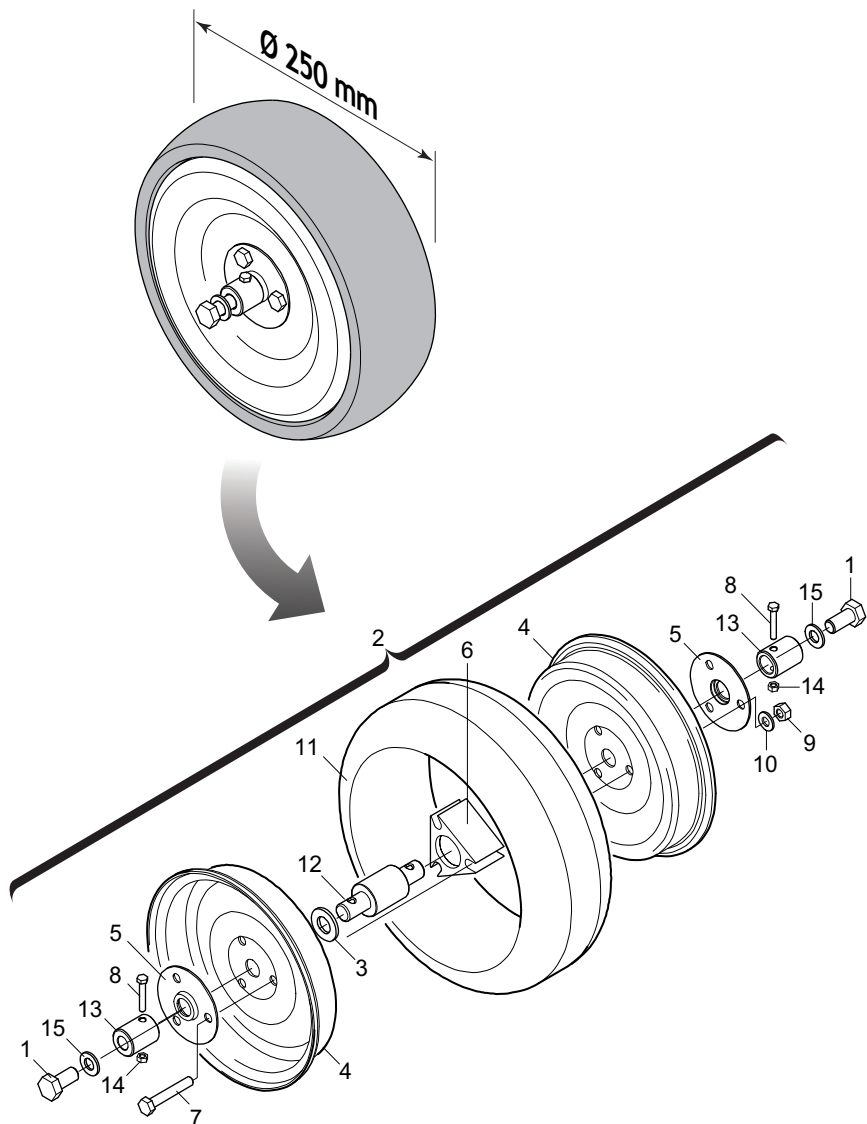


TELAIO ELEMENTO OPERATORE

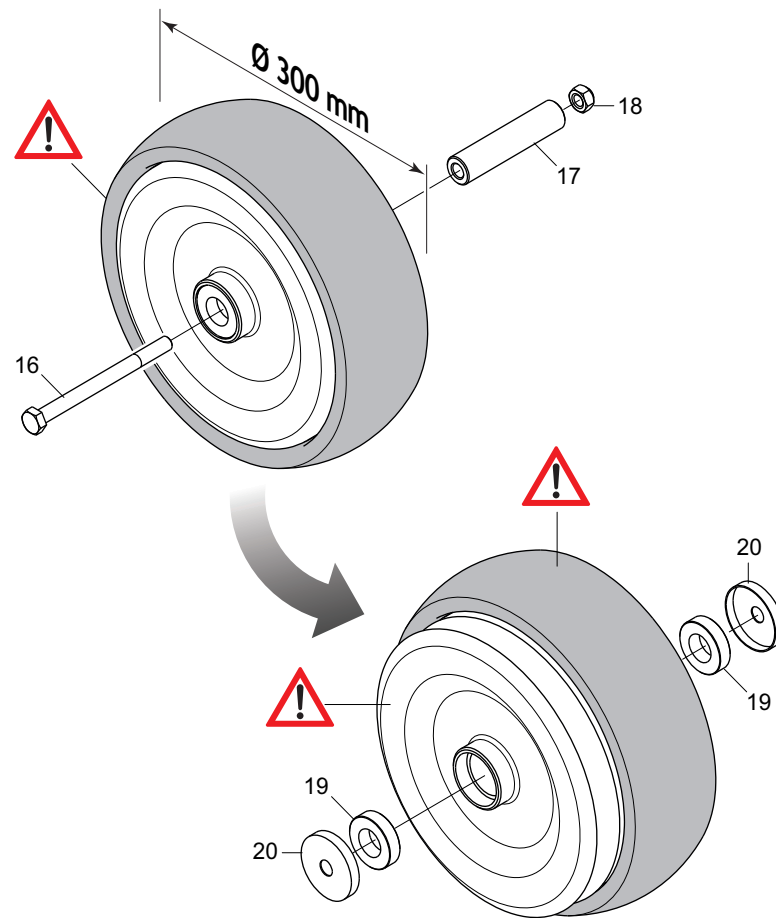
TAV. 034

Pos.	Cod.	Descrizione	Description	Description	Benennung	Descrpcion
1	G13710561	SCONTRO A U SP.10 2F16,5 118	U-SHAPED PLAT.SP.10 2F16,5 118			
2	G13644211	PIASTRA DI ATTACCO	LINK PLATE			
3	GA3640940	RINFORZO PIASTRA ATTACCO 2015	LINK PLATE REINFORCEMENT 2015			
4	G13649040	PARALLELO UNIF.C/BOCCOLA	STAND.PARALLEL C/BUSHING			
5	F01020273	VITE M16X2X160 U5737 8.8BR	SCR. M16X2X160 U5737 8.8BR	VIS M16X 2X160 U5737 8.8	SCHR. M16X 2X160 U5737 8.8	TORN. M16X 2X160 U5737 8.8
6	G13643630	BOCCOLA PARALLELO	PANEL BUSHING		BOITE PARALLELE	
7	G13644560	CORPO CENTRALE UNIF.	CENTRAL CASING		CORPS CENTRALE	CUERPO CENTRAL
8	G13812311	CATENELLA CON MOSCHETTONE ZN	CHAIN WITH SPRING CATCH		CHAINETTE AVEC MOUSQUETON	CADENA CON GANCHO
9	G13644050	LEVA BLOCCO PARALLELO ZN.	LOCK PARALLEL LEVER			
10	G23440194	VITE REGOLAZIONE HL/2	ADJUSTMENT BOLT HL/2.	VIS REGLAGE HL/2	EINSTELLSCHRAUBE HL/2	TORNILLO REGULACIN HL/2 S
11	F01410100	ROS.M16 17X 30X 3 U6592 ZN	WASHER M16 17X30X3 U6592 ZN	RONDELLE M16 17X30X3 U6592 ZN	SCHRAUBE M16 17X 30X3 U6592 ZN	ARANDELA M16 17X30X 3 U6592 ZN
12	G65336100	MOLLA SPEC.FERMO MANIGLIA SP	SPEC SPRING HANDLE STOP SP	RESSORT SPEC. ARRET POIGNEE SP	SPEZIALFEDER GRIFFSPERRE SP	MUELLE ESPEC. BLOQUEO MANIJA S
13	G22270235	MANIGLIA REGOLAZIONE B4	ADJUSTMENT HANDLE B4	POIGNEE REGLAGE B4	EINSTELLGRIFF B4	MANIJA REGULACIN B4 M
14	F02100111	SPINA E.P. 6X 24 U6873 A2 IX	PIN EL. 6 X24 U6873 A2 IX			
15	G23440193	BLOCCETTO VITE REGOLAZ. HL/2	ADJUSTMENT BOLT BLOCK HL/2	CALE VIS REGLAGE HL/2	BLOCK EINSTELLSCHRAUBE HL/2	BLOQUE TORNILLO REGUL. HL/2
16	G13643751	SUPPORTO RUOTA DOPPIO FORO	WHEEL SUPPORT 2HOLES			
17	G19003400	ASTA INDICAZIONE PROFONDITA'	DEPTH INDICATING ROD	TIGE INDICATION PROFONDEUR	TIEFENANZEIGESTAB	VARILLA INDICACIÓN PROFUNDIDAD
18	F20110741	CAV.Q.M10X 1,5X 25 71X 53 ZN	PERNO EN U M 10X71			
19	G13641770	BOCCOLA 12,40X25 X112	BUSHING 12,4X25X112	BOITE 12,4X25X112	BUCHSE 12,4X25X112	MANGUITO 12,4X25X112
20	G13640171	TUBO Q. 40X 4X 350	SQUARE PIPE 40X4X350	TUBE CARRE 40X4X350	VIERKANTROHR 40X4X350	TUBO CUADRADO 40X4X350
21	G13640161	TUBO Q. 40X 4X 580	SQUARE PIPE 40X4X580	TUBE CARRE 40X4X580	VIERKANTROHR 40X4X580	TUBO CUADRADO 40X4X580
22	F02200342	COPIGLIA R 2X 50 ZN	SPRING SPLIT PIN 2X50 GALV.	GOUPILLE R 2X50 ZN	SPLINT R 2X50 ZN	CHAVETA R 2X50 ZN
23	G18904430	MOLLA LEVA DI BLOCCO ZN	LEVER SPRING TO LOCK			
24	G13644040	BOCCOLA FULCRO LEVA ZN	BUSHING LEVER COUPLING ZN			
25	F01020291	VITE M16X2X170 U5737 8.8BR	SCR. M16X 2X170 U5737 8.8 BR	VIS M16X 2X170 U5737 8.8 BR	SCHRAU. M16X 2X170 U5737 8.8BR	TORN. M16X 2X170 U5737 8.8 BR
26	F01230085	DADO M16X2 D982 10ZN	NUT M16X2 D982 8ZN	ECROU M16X2 D982 8ZN	MUTTER M16X2 D982 8ZN	TUERCA M16X2 D982 8ZN
27	F01020191	VITE M12X1,75X130 U5737 10.9ZD	SCR. M12X1,75X130 U5737 10.9ZD			
28	G66349003	BOCCOLA SINT.	BUSHING- SINTERED	BOITE FRITTEE	SYNTH. BUECHSE	CASQUILLO SINT.
29	F01220048	DADO M12X1,75 D980 8ZN	NUT M12X1,75 D980 8ZN	ECROU M12X1,75 D980 8 ZN	SCHEIBE M12X1,75 D980 8 ZN	TUERCA M12X1,75 D980 8 ZN
30	G13644630	PIASTRAATTACCO MOLLA ZN	SPRING COUPLING PLATE	PLAQUE ATTELAGE RESSORT	KUPPLUNGSPLATTE FEDER	PLACA CONEXION MUELLE
31	F01020156	VITE M12X1,75X50 U5737 8.8ZN	SCR. M12X1,75X50 U5737 8.8ZN	VIS M12X1,75X50 U5737 8.8 ZN	SCHR. M12X1,75X50 U5737 8.8 ZN	TORN. M12X1,75X50 U5737 8.8 ZN
32	F20110739	CAV.Q.B=35 M=12X1,75L=66	U BOLT Q.B=35 M=12X1,75 L=66			
33	F01230059	DADO M12X1,75 D982 8ZN	LOCK-NUT M12X1,75 D982 8ZN	ECR.AUTO-FREI.M12X1,75 D982 ZN	SICHERUNGSMUT.M12X1,75 D982 8ZN	TUER.DE SEGUR.M12X1,75 D982 ZN
34	G65337040	MOLLA TRAZ.ELEMENTO MT600	TRACTION SPRING MT600	RESSORT TRACT. ELEMENT MT600	ZUGFEDER ELEMENT MT600	MUELLE TRACC. ELEMENTO MT600
35	F04010134	CUSC.D25 D47 B12 6005 2Z	BEARING D25 D47 B12 6005 2Z	PALIER 6005 2Z	LAGER 6005 2Z	COJINETE 6005 2Z
36	G67007092	CALOTTA PARAPOLVERE	CAP	CALOTTE	KUPPE	CASQUETE
37	F02250077	RIVETTO STR. 3 X14 U9200A AL	3X14 ALUMINIUM PULL RIVET	RIVET A RUPTURE 3X14 ALUMINIUM	REISSNIETE3X14 ALL.	REMACHE DESGAR. 3X14 ALL.
38	F01020138	VITE M10X1,5X130 U5737 8.8ZN	SCR. M10X1,5X130 U5737 8.8ZN	VIS M10X1,5 X130 U5737 8.8ZN	SCHRAU.M10X1,5X130 U5737 8.8ZN	TORNI. M10X1,5X130 U5737 8.8ZN
39	F01410088	ROS.M14 15X 28X2,5 U6592 ZN	WAS.M14 15X 28X2,5 U6592 ZB	RON.M14 15X 28X2,5 U6592 ZB	SCH.M14 15X 28X2,5 U6592 ZB	ARA.M14 15X 28X2,5 U6592 ZB
40	F01020180	VITE M12X1,75X150 U5737 8.8BR	SCR. M12X1,75X150 U5737 8.8BR	SCR. M12X1,75X150 U5737 8.G	SCHRAUBE 12X150 5737 8.G	TORNILLO 12X150 5737 8.G
41	G13644640	BOCCOLA 11 X14 X99,5 ZN	BUSHING 11X14X99,5	BOITE 11X14X99,5	BsCHSE 11X14X99,5	CASQUILLO 11X14X99,5
42	G13643760	RASCHIATERRA	SOIL SCRAPER	RACLEUR		
43	F01020440	VITE M8X1,25X25 U5739 8.8ZN	SCR. M8X1,25X25 U5739 8.8ZN	VIS M8X1,25X25 U5739 8.8 ZN	SCHRAUBE M8X1,25X25U5739 8.8ZN	TORNIL.M8X1,25X25 U5739 8.8 ZN
44	F01420048	ROS.M8 8,4X 24X 2 U6593 ZN	WASHER M8 8,4X 24X2 U6593 ZN	RONDELLE M8 8,4X24X 2 U6593 ZN	SCHEIBEN M8 8,4X24X 2 U6593 ZN	ARANDELA M8 8,4X 24X2 U6593 ZN
45	F01410051	ROS.M8 8,4X 17X1,6 U6592 ZN	WASHER M8 8,4X17X1,6 U6592 ZN	RONDELLE M8 8,4X17X1,6 U6592ZN	SCHEIBE M8 8,4X17X1,6 U6592 ZN	ARANDELA M8 8,4X17X1,6 U6592ZN
46	F01220022	DADO M8X1,25 D980 8ZN	NUT M8X1,25 D980 8ZN	ECROU M8X 1,25 D980 8 ZN	MUTTER M8X 1,25 D980 8 ZN	TUERCA M8X 1,25 D980 8 ZN
47	G13643510	RUOTA DI PROF.250X100 CON CUS.	DEPTH WHEEL	ROUE PROFONDEUR	TIEFENRAD	RUEDA DE PROFUNDIDAD
48	F01220033	DADO M10X1,5 D980 8ZN	NUT M10X1,5 D980 8ZN	ECROU M10X1,5 D980 8ZN	MUTTER M10X1,5 D980 8ZN	TUERCA M10X1,5 D980 8ZN
49	F01410064	ROS.M10 10,5X 20X 2 U6592 ZN	WASHER M10 10,5X20X2 U6592 ZN	RONDEL. M10 10,5X20X2 U6592 ZN	SCHEIBE M10 10,5X20X2 U6592 ZN	ARANDEL.M10 10,5X20X2 U6592 ZN
50	G20970035	RONDELLA 32X4X13	WASHER 32X4X13	RONDELLE 32X4X13	UNTERLEGSCHIEBE 32X4X13	ARANDELA 32X4X13
51	G13643791	PIASTRA DI ATTACCO UNIF.	COUPLING PLATE	PLAQUE DE RACCORD	KUPPLUNGSPLATTE	PLACA DE CONEXION
52	G13644620	PIASTRA BLOCCO UNIF.	LOCK PLATE STANDARD			

**RUBBER WHEEL
Ø 250 mm**



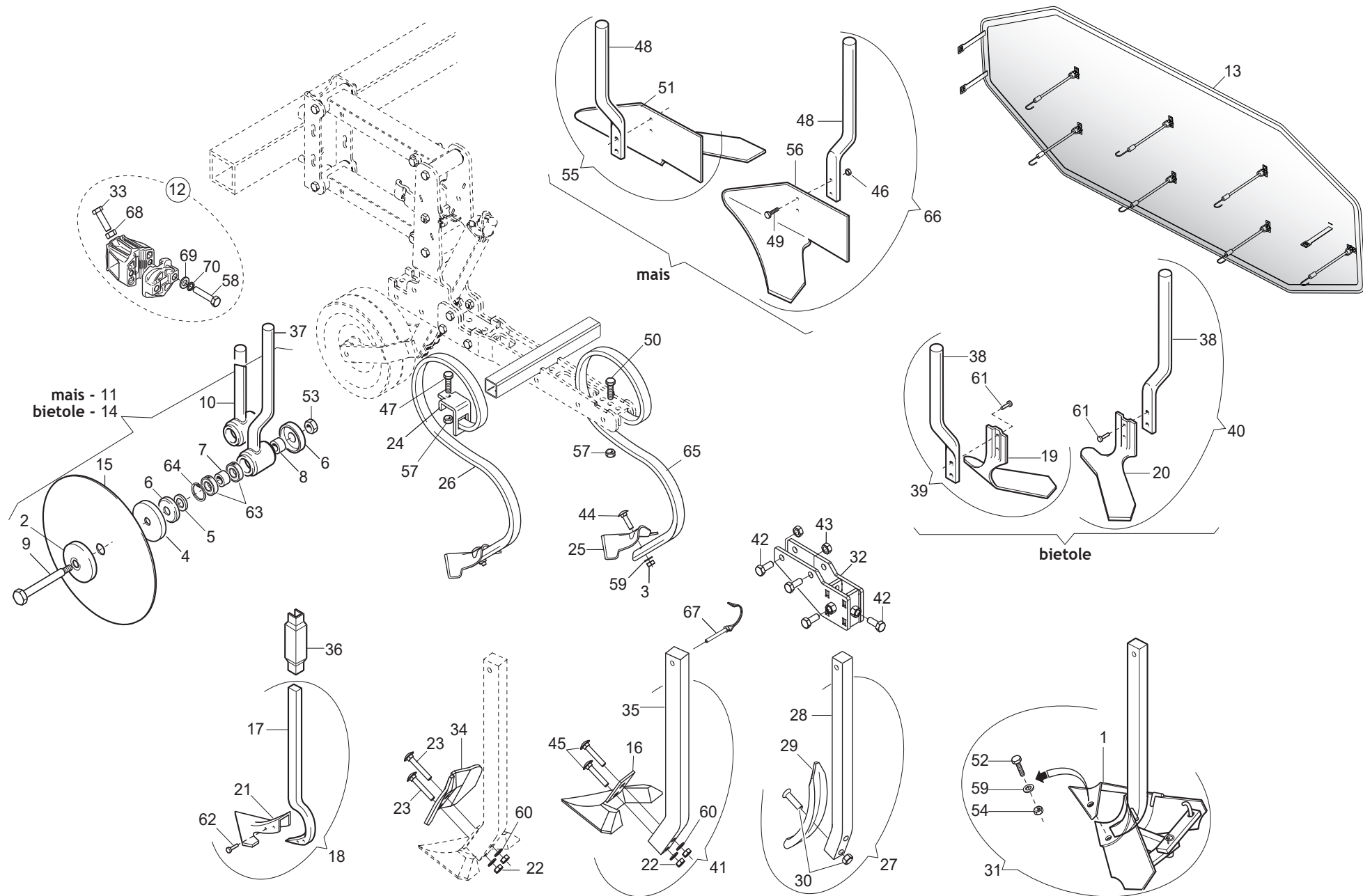
**RUBBER WHEEL
Ø 300 mm**



Sostituito da Ruota Completa Ø 250 mm (cod. G13643260)
Replaced by Ø 250 mm Assembly Wheel (cod. G13643260)
Заменено на колесо в сборе Ø 250 мм (код. G13643260)

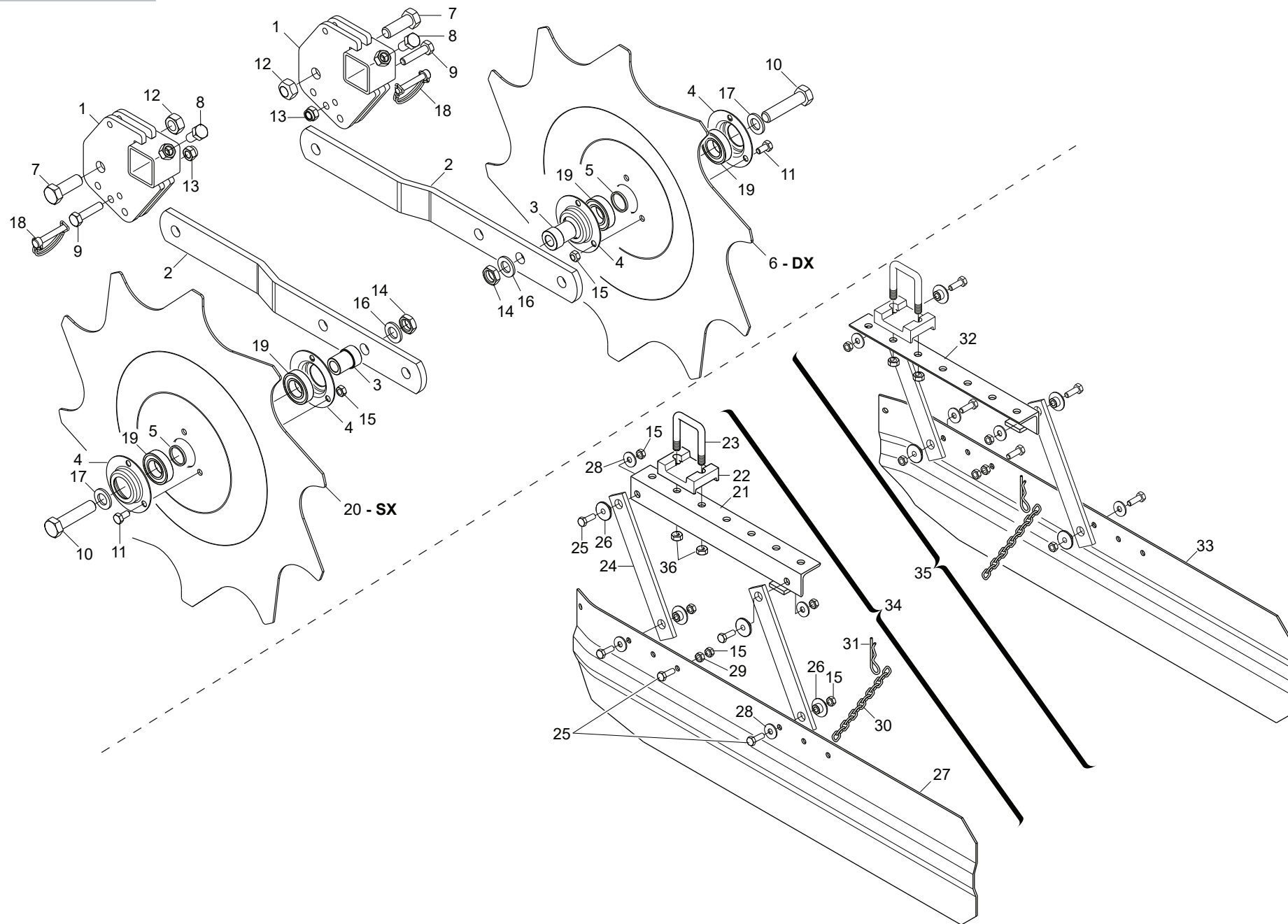
RUOTE IN GOMMA
TAV. 190

Pos.	Cod.	Descrizione	Description	Description	Benennung	Descripcion
1	F01020506	VITE M12X1,75X20 U5739 8.8ZN	SCR. M12X1,75X20 U5739 8.8ZN	VIS M 12X20	SCHRAUBE M 12X20	TORNILLO M 12X20
2	G13643260	RUOTA FARMF. D.FORCELLA COMPL	WHEEL COMPLETE WITH FORK			
3	G22270079	PARAPOLVERE D.25	DUST COVER D.25	PARE-POUSSIÈRE D. 25	STAUBDECKEL D.25	GUARDAPOLVO D.25
4	G23440108	CERCHIO RUOTA FARMFLEX HL	WHEEL RIM FARMFLEX HL	CERCLE ROUE FARMFLEX HL	RADREIFEN FARMFLEX HL	LLANTA RUEDA FARMFLEX HL
5	G23440109	TAPPO APERTO RUOTA HL	WHEEL OPEN PLUG HL	BOUCHON OUVERT ROUE HL	OFFENER RADPFROPFEN HL	TAPN ABIERTO RUEDA HL D
6	G22270082	DISTANZIALE ALL.RUOTA	ALUMINIUM WHEEL SPACER	ENTRETOISE ALL. ROUE	DISTANZSTsCK RAD	DISTANCIADOR ALOJAMIENTO RUEDA
7	F01020072	VITE M8X1,25X50 U5737 8.8ZN	SCR. M8X1,25X50 U5737 8.8ZN	VIS M8X1,25X50 U5737 8.8 ZN	SCHR. M8X1,25X50 U5737 8.8 ZN	TORN. M8X1,25X50 U5737 8.8 ZN
8	F01020383	VITE M5X0,8X30 U5739 8.8ZN	SCR. M5X0,8X30 U5739 8.8ZN	VIS M5X0,8X30 U5739 8.8ZN	SCHRAUBE M5X0,8X30 U5739 8.8ZN	TORNILLO M5X0,8X30 U5739 8.8ZN
9	F01200244	DADO M8X1,25 U5588 6.8ZN	NUT M8X1,25 U5588 6.8ZN	ECROU M8 X1,25 U5588 6.8 ZN	MUTTER M8 X1,25 U5588 6.8 ZN	TUERCA M8 X1,25 U5588 6.8 ZN
10	F01430059	ROS.M8 8,4X 15X0,8 U8842J ZN	WASHER M8 8,4X15X0,8 U8842J ZN	ROND. M8 8,4X 15X0,8 U8842J ZN	SCHEIBE M8 8,4X15X0,8 U8842JZN	ARAND. M8 8,4X15X0,8 U8842J ZN
11	F06120190	COPERTURA FARMFLEX 4"X10,5 HL	TYRE FARMFLEX 4"X10-5 HL	COUVERTURE FARMFLEX 4"X10-5 H	MANTEL FARMFLEX 4"X10-5 HL	CUBIERTA FARMFLEX 4"X10-5 HL
12	G13643240	CUSCINETTO RUOTA FARMFLEX	BEARING FOR FARMFLEX WHEEL			COJINETE RUEDA FARMFLEX
13	G13643230	MANICOTTO RUOTA FARMFLEX ZN	FARMFLEX WHEEL SLEEVE ZN			
14	F01220200	DADO M5X0,8 D980 8ZN	NUT M5X0,8 D980 8ZN	ECROU M5X 0,8 D980 8 ZN	MUTTER M5X 0,8 D980 8 ZN	TUERCA M5X 0,8 D980 8 ZN
15	F01430071	ROS.M12 13X20,5X 1 U8842J ZN	WASHER D12 DIN 6798 D.INT.ZN	RONDELLE D12 DIN 6798 D. INT.	UNT. SCHEIBE D12 DIN 6798 D.IN	ARANDELA D12 DIN 6798 D.INT.ZN
16	F01020180	VITE M12X1,75X150 U5737 8.8BR	SCR. M12X1,75X150 U5737 8.8BR	VIS 12X150 5737 8.G	SCHRAUBE 12X150 5737 8.G	TORNILLO 12X150 5737 8.G
17	G13641770	BOCCOLA 12,40X25 X112	BUSHING 12,4X25X112	BOITE 12,4X25X112	BUCHSE 12,4X25X112	MANGUITO 12,4X25X112
18	F01220048	DADO M12X1,75 D980 8ZN	NUT M12X1,75 D980 8ZN	ECROU M12X1,75 D980 8 ZN	SCHEIBE M12X1,75 D980 8 ZN	TUERCA M12X1,75 D980 8 ZN
19	F04010134	CUSC.D25 D47 B12 6005 2Z	BEARING D25 D47 B12 6005 2Z	PALIER 6005 2Z	LAGER 6005 2Z	COJINETE 6005 2Z
20	G67007092	CALOTTA PARAPOLVERE	CAP	CALOTTE	KUPPE	CASQUETE



ELEMENTI OPERATORI

Pos.	Cod.	Descrizione	Description	Description	Benennung	Descripcion
1	G23410118	PUNTA RINCALZATORE	RIDGING PLOUGH TIP	POINTE BUTTOIR	ABDECKERSPITZE	PUNTA RECALZADOR
2	G20970013	RONDELLA 85X8X17,25	WASHER 85X8X17-25	RONDELLE 85X8X17-25	UNTERLEGSCHNEIBE 85X8X17-25	ARANDELA 85X8X17-25
3	F01200270	DADO M10X1,5 U5588 6.8ZN	NUT M10X1,5 U5588 6.8ZN	ECROU M10X 1,5 U5588 6.8 ZN	MUTTER M10X 1,5 U5588 6.8 ZN	TUERCA M10X 1,5 U5588 6.8 ZN
4	G20970053	RONDELLA 85X10X17	WASHER 85X10X17	RONDELLE 85X10X17	UNTERLEGSCHNEIBE 85X10X17	ARANDELA 85X10X17
5	G20970502	RONDELLA A FOND. 37X26X5X1,5	BOTTOMED WASHER 37X26x5x1,5	RONDELLE A CULOT 37X26X5X1-5	BODENSCHNEIBE 37X26X5X1-5	ARANDELA DE FOND. 37X26X5X1-5
6	G20970503	RONDELLA A FOND. 48X17,25X8X1,5	BOTTOMED WASHER 48X17-25X8X1-5	RONDELLE A CULOT 48X17-25X8X1-5	BODENSCHNEIBE 48X17-25X8X1-5	ARANDELA DE FOND. 48X17-25X8X1-5
7	G20980003	BOCCOLA 14X17,5X25	BUSHING 14X17-5X25	BOITE 14X17-5X25	BsCHSE 14X17-5X25	CASQUILLO 14X17-5X25
8	G20980004	BOCCOLA 10X17,5X25	BUSHING 10X17-5X25	BOITE 10X17-5X25	BsCHSE 10X17-5X25	CASQUILLO 10X17-5X25
9	G10740171	VITE 16X103	SCREW 116X103			
10	G23410046	GAMBO CON MOZZO PER DISCO	SHANK W/ DISK HUB	TIGE AVEC MOYEU POUR DISQUE	SCHAFT MIT NABE Fsr SCHEIBE	VæSTAGO CON PERNO PARA DISCO
11	G23410047	DISCO ASSOLCAT. CON GAMBO LM	FURROW OPENER DISK	DISQUE SOC AVEC TIGE LM	SCHEIBE SZSCHARENREISSER MIT S	DISCO SURCADOR CON VæSTAGO LM
12	G13649020	SUPPORTO GAMBO ELEMENTI COMPL	ROD SUPPORT ELEMENT COMPL			
13	G13649030	TELO PROTEZ. ELEM. TRASPORTO	TRASPORT ELEMENT COVER SHEET			
14	G23440148	DISCO BIETOLE COMPL. HL LM	S.BEET DISC ASSY. HL LM	DISQUE BETTES COMPL. HL LM	RsbENSCHNEIBE KOMPL. HL LM	DISCO REMOLACHAS COMPL. HL LM
15	G23420048	DISCO BOMBATO	CONVEX DISK	DISQUE BOMBE	RsbENGLBT SCHEIBE	DISCO COMBADO
16	G23420051	ZAPPA POSTERIORE DA 215 LM	HOE- REAR- 215 LM	HOUE ARRIERE DE 215 LM	MESSER HINTEN 215 LM	AZADA TRASERA DE 215 LM
17	G23430032	GAMBO ZAPPETTA POSTERIORE	SHANK - REAR HOE BLADE	TIGE BINETTE ARRIERE	SCHAFT HINTERES MESSER	VæSTAGO SALLETE TRASERO
18	G23430033	ZAPPA POST.DA 140 COMPL. LM	HOE- REAR- 140- COMPLETE LM	HOUE ARRIERE DE 140 COMPL. LM	MESSER HINTEN 140 KOMPL. LM	AZADA TRAS. DE 140 COMPL. LM
19	G23430039	ZAPPETTA DA 14 SINISTRA	HOE BLADE- 14 LEFT	BINETTE DE 14 GCH.	KLEINES MESSER 14 LINKS	SALLETE DE 14 IZQUIERDA
20	G23430040	ZAPPETTA DA 14 DESTRA	HOE BLADE- 14 RIGHT	HOUE ARRIERE DE 14 DRT.	KLEINES MESSER 14 RECHTS	SALLETE DE 14 DERECHA
21	G23430042	>ZAPPA POSTERIORE DA 140	HOE- REAR- 140- COMPLETE	HOUE ARRIERE DE 140	MESSER HINTEN 140	SALLETE TRASERO DE 140
22	F01200269	DADO M10X1,5 U5588 6.8BR	NUT M10X1,5 U5588 6.8BR	ECROU 10 UNI 5588 6.8	MUTTER 10 UNI 5588 6.8	TUERCA 10 UNI 5588 6.8
23	F01060086	VITE M10X1,5X70 U5731 8.8ZN	SCR. M10X1,5X70 U5732 4.6ZN	VIS 10X70 5732 4.6 ZN	SCHRAUBE 10X70 5732 4.6 ZN	TORNILLO 10X70 5732 4.6 ZN
24	G23440038	STAFFA PORTA MOLLA	SPRING BRACKET	BRIDE PORTE-RESSORT	FEDER TRAGBsGEL	ESTRIBO PORTA MUELLE
25	G13640360	ZAPPA DA 150 HL A DELTA	DELTA BLADE 150 HL	HOUE 150 HL	MESSER 150 HL	AZADA 150 HL
26	G23440040	MOLLA COMPLETA DI ZAPPA LM	SPRING COMPLETE WITH BLADE 150			
27	G13644380	MOLLA ROMPI TRACCIA L.500 COMPL	ROWBRAKER SPRING L.500			
28	F20120330	MOLLA ROMPI TRACCIA 30X30 L.500	ROWBRAKER SPRING 30X30 L.500			
29	F20120014	VOMERE REVERSIBILE 40X16	REVERSIBILE COULTER 40X16	PARTAGER REVERSIBLE 40X16	TEILEN REVERSIBLE 40X16	COMPARTIR REVERSIBILE 40X16
30	F20120041	VITE M12X60	SCREW M12X60			
31	G23440056	RINCALZATORE ALI REGOLAB. LM	ADJUSTABLE WING RIDGE PLOUGH L	BUTTOIR AILETTES REGL. LM	ABDECKER EINSTELLBARE FLsGEL L	RECALZADOR ALETAS REGUL. LM
32	G13644031	ASS.ATTACCO RINCALZATORE	RIDGER COUPLING	FIXATION BUTTOIR	KUPPLUNG ABDECKER	CONEXIN RECALZADOR
33	F01020528	VITE M12X1,75X40 U5739 10.9ZD	BOLT M12X1,75X40 U5739 10.9ZN	VIS M12X1,75X40 U5739 10.9 ZN	SCHR. M12X1,75X40 U5739 10.9 ZN	TORN. M12X1,75X40 U5739 10.9 ZN
34	G23440084	VOMERE SUPPLEMENTARE HL LM	PLOUGH-SHARE- SUPPLEM. HL LM	SOC SUPPLEMENTAIRE HL LM	ZUSZTZLICHE SCHAR HL LM	REJA SUPLEMENTARIA HL LM
35	G23440087	GAMBO ZAPPA POST. HL	SHANK - REAR HOE HL	TIGE HOUE ARRIERE HL	SCHAFT HINT. MESSER HL	VæSTAGO AZADA TRAS. HL
36	G23440146	SCONTRIO ZAPPA POST.BIE.HL LM	STRIKER PLATE HL LM	BUTEE HOUE ARRIERE BETTES HL L	HINT. PLEUEL MESSERANSCHLAG H	ELEM. DE EMPALME AZADA TRAS.RE
37	G23440147	GAMBO DISCO BIETOLE HL	DISK SHANK- BEET HL	TIGE DISQUE BETTES HL	SCHAFT RsbENSCHNEIBE HL	VæSTAGO DISCO REMOLACHAS HL
38	G23440149	GAMBO ZAPPA LATERALE HL	SHANK HL	TIGE HOUE LAT. HL	SCHAFTSEITLICHE MESSER HL	VæSTAGO AZADA LATERAL HL
39	G23440150	ZAPPA LAT. SX COMPL. HL LM	HOE- LEFT SIDE COMPL. HL LM	HOUE LAT. GCH. COMPL. HL LM	MESSER SEITL. LINKS KOMPL. HL	AZADA LAT. IZQ. COMPL. HL LM
40	G23440151	ZAPPA LAT. DX COMPL. HL LM	HOE- RIGHT SIDE- COMPL. HL LM	HOUE LAT. DRT. COMPL. HL LM	MESSER SEITL. RECHTS KOMPL. HL	AZADA LAT. DER. COMPL. HL LM
41	G23440153	ZAPPA SUPPLEMENT. COMPL.HL LM	HOE- SUPPL. COMPLETE HL LM	HOUE SUPPLEMENT. COMPL. HL LM	ZUSATZMESSER KOMP.HL LM	AZADA SUPLET. COMP. HL LM
42	F01020510	VITE M12X1,75X30 U5739 8.8ZN	SCR. M12X1,75X30 U5739 8.8ZN	VIS M12X1,75X30 U5739 8.8ZN	SCHRAU. M12X1,75X30 U5739 8.8ZN	TORN. M12X1,75X30 U5739 8.8ZN
43	F01220048	DADO M12X1,75 D980 8ZN	NUT M12X1,75 D980 8ZN	ECROU M12X1,75 D980 8 ZN	SCHEIBE M12X1,75 D980 8 ZN	TUERCA M12X1,75 D980 8 ZN
44	F01060076	VITE M10X1,5X40 U5731 8.8ZN	SCR. M10X1,5X40 U5731 8.8ZN	VIS M10X1,5X40 U5731 8.8ZN	SCHRA. M10X1,5X40 U5731 8.8ZN	TORN. M10X1,5X40 U5731 8.8ZN
45	F01060082	VITE M10X1,5X60 U5732 8.8BR	SCR. M10X1,5X60 U5732 8.8BR	VIS 10X60 5732 8.G	SCHRAUBE 10X60 5732 8.G	TORNILLO 10X60 5732 8.G
46	F01200269	DADO M10X1,5 U5588 6.8BR	NUT M10X1,5 U5588 6.8BR	ECROU 10 UNI 5588 6.8	MUTTER 10 UNI 5588 6.8	TUERCA 10 UNI 5588 6.8
47	F01020166	VITE M12X1,75X80 U5737 8.8ZN	SCR. M12X1,75X80 U5737 8.8ZN	VIS M12X1,75X80 U5737 8.8ZN	SCHRA. M12X1,75X80 U5737 8.8ZN	TORN. M12X1,75X80 U5737 8.8ZN
48	G23410042	GAMBO ZAPPETTA	SHANK- HOE BLADE	TIGE BINETTE	SCHAFT KLEINES MESSER	VæSTAGO SALLETE
49	F01060070	VITE M10X1,5X30 U5732 8.8BR	SCR. M10X1,5X30 U5732 8.8BR	BOULON 10X30 5732 8.8	SCHRAUBE 10X30 5732 8.8	PERNO 10X30 5732 8.8
50	F01020152	VITE M12X1,75X40 U5737 8.8ZN	SCR. M12X1,75X40 U5737 8.8ZN	VIS M12X1,75X40 U5737 8.8 ZN	SCHRAUBE M12X1,75X40U5737.8ZN	TORNIL. M12X1,75X40 U5737 8.8ZN
51	G23420049	ZAPPA LATERALE SX	HOE- LEFT SIDE	HOUE LAT. GCH.	MESSER SEITLICH LINKS	AZADA LATERAL IZQ.
52	F01060113	VITE M10X1,5X40 U6104 4.6BR	SCR. M10X1,5X40 U6104 4.6BR	BOULON 10X40 6104 4.6	SCHRAUBE 10X40 6104 4.6	PERNO 10X40 6104 4.6
53	F01220266	DADO M16X2 D980 8ZN	NUT M16X2 D980 8ZN	ECROU M16X 2 D980 8 ZN	MUTTER M16X 2 D980 8 ZN	TUERCA M16X 2 D980 8 ZN
54	F01200269	DADO M10X1,5 U5588 6.8BR	NUT M10X1,5 U5588 6.8BR	ECROU 10 UNI 5588 6.8	MUTTER 10 UNI 5588 6.8	TUERCA 10 UNI 5588 6.8
55	G23410043	ZAPPA LAT.SX COMPL. LM	HOE- LEFT SIDE COMPL. LM	HOUE LAT. GCH. COMPL. LM	MESSER SEITL. LINKS KOMPL. LM	AZADA LAT. IZQ. COMPL. LM
56	G23420050	ZAPPA LATERALE DX	HOE- RIGHT SIDE	HOUE LAT. DRT.	MESSER SEITLICH RECHTS	AZADA LATERAL DER.
57	F01230059	DADO M12X1,75 D982 8ZN	LOCK-NUT M12X1,75 D982 8ZN	ECR.AUTO-FREI.M12X1,75 D982 ZN	SICHERUNGSMUT.M12X1,75 D982 8ZN	TUER.DE SEGUR.M12X1,75 D982 ZN
58	F01020188	VITE M12X1,75X60 U5737 10.9ZD	SCR. M12X1,75X60 U5737 10.9ZD	VIS M12X1,75X60 U5737 10.9 ZD	SCHR. M12X1,75X60 5737 10.9 ZD	TORN. M12X1,75X60 5737 10.9 ZD
59	F01410064	ROS.M10 10,5X 20X 2 U6592 ZN	WASHER M10 10,5X20X2 U6592 ZN	RONDEL. M10 10,5X20X2 U6592 ZN	SCHNEIBE M10 10,5X20X2 U6592 ZN	ARANDELA M10 10,5X20X2 U6592 ZN
60	F01430023	ROS.M10 10,5X 18X0,9 U8842J ZN	WASHER D10 DIN 6798 D.INT.ZN	RONDELLE D10 DIN 6798 D. INT.	UNT. SCHEIBE D10 DIN 6798 D.INT.ZN	ARANDELA D10 DIN 6798 D.INT.ZN
61	F02250273	RIBATTINO TT 6X25 Q.TY 136	PACK RIVETS TT 6X25 QTY 136	PAQUET RIVETS 6X25 QTE 136	PACKUNG NIETEN 6X25 STK 136	PAQU. REMACHES 6X25 QTY 136
62	F02250460	RIBATTINO TPS 5,4X30 2710940	1KG PACK BLAD.MOUNT.TPS 5-4X30	PAQUET RIVETS TPS 5-4X30 KG	PACKUNG NIETEN TPS 5-4X30 KG	PAQU. DE REMACHES TPS 5-4X30 K
63	F04010161	CUSC.D17 D40 B12 6203 2RS EX	BEARING D17 D40 B12 6203 2RS	ROULEMENT 6203 2RS	LAGER 6203 2RS	COJINETE 6203 2RS SKF
64	F02050348	ANELLO E. DI 40X1,75 U7437 C70	SEEEGER RING E. 40X1,75 U7437	SEEGER E. 40X 1,75 U7437 C70	SEEGERING 40X 1,75 U7437 C70	ANILLO E. 40 X1,75 U7437 C70
65	F20120331	MOLLA FLEX 32X12	SPRING FLEX 32X12	RESSORT FLEX 32X12	FEDER FLEX 32X12	MUELLE FLEX 32X12
66	G23410044	ZAPPA LAT.DX COMPL. LM	HOE- RIGHT SIDE COMPL. LM	HOUE LAT. DRT. COMPL. LM	MESSER SEITL. RECHTS KOMPL. LM	AZADA LAT. DER. COMPL. LM
67	F02200562	SPINA SICUR.D. 8X70 ZN	SNAP PIN D.8X 70 ZN	FICHE EL. D.8X70 ZN	SCHERSTIFT D.8X 70 ZN	CLAVIJA D.8X 70 ZN
68	F01200293	DADO M12X1,75 U5588 6.8ZN	NUT M12X1,75 U5588 6.8ZN	ECROU M12X1,75 U5588 6.8 ZN	MUTTER M12X1,75 U5588 6.8 ZN	TUERCA M12X1,75 U5588 6.8 ZN
69	F01410076	ROS.M12 13X 24X2,5 U6592 ZN	WASHER 12 13X 24X2,5 U6592 ZN	RONDEL. M12 13X24X2,5 U6592 ZN	SCHEIBE M12 13X24X2,5 U6592 ZN	ARANDELA M12 13 X24X2,5 ZN
70	F01480055	ROS.G 12,2X 18X2,5 D7980 ZN	WASHER. 12.2X18X2,5 D7980ZN	ROND.ELAST. 12.2X18X2,5D7980ZN	FEDERRINGE 12,2X18 2,5 D7980ZN	ARAND. EL. 12,2X18X2,5 D7980ZN

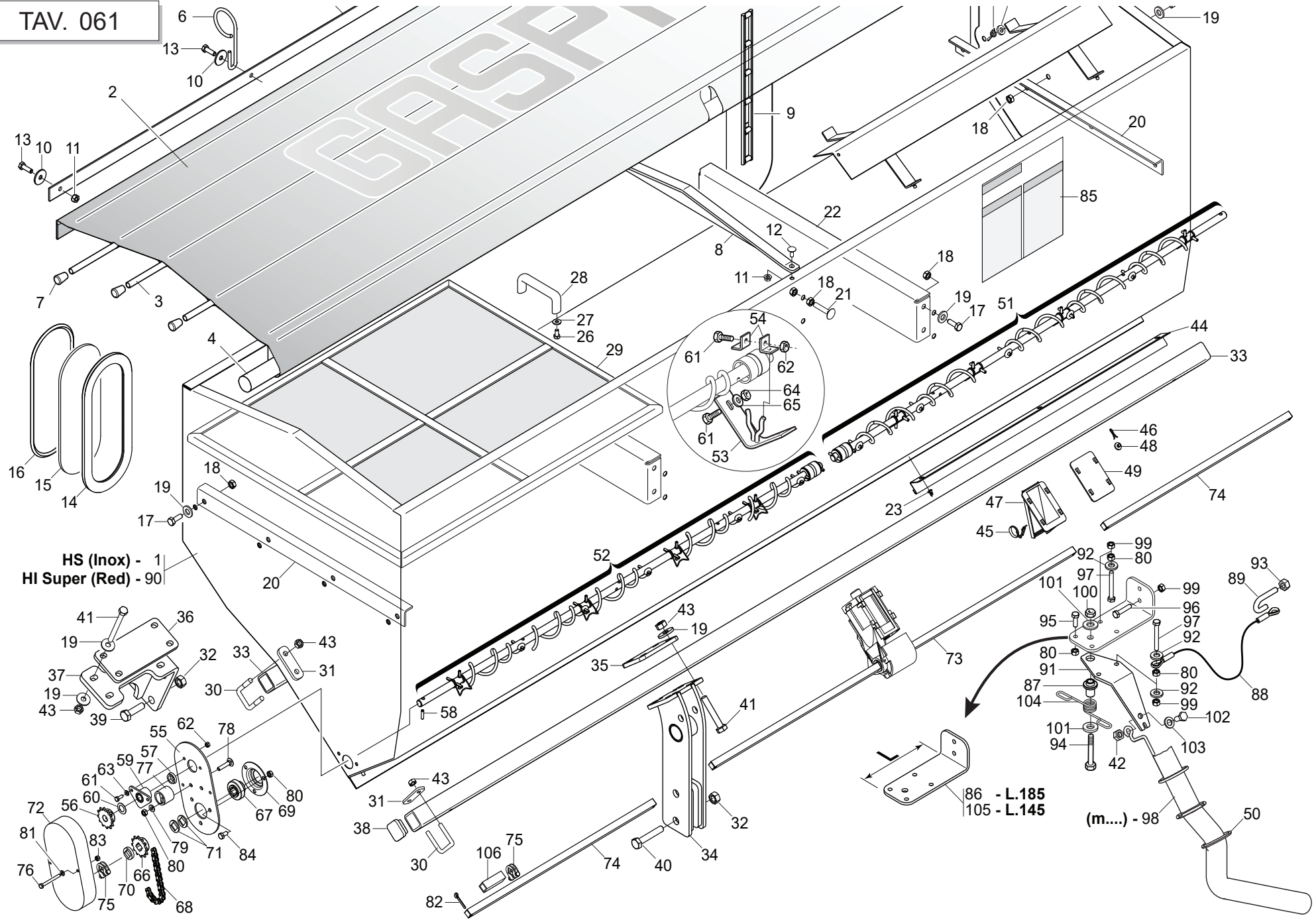


PROTEZIONI DELLE PIANTE

TAV. 052

Pos.	Cod.	Descrizione	Description	Description	Benennung	Descrpcion
1	G13644340	SUPPORTO DISCHI DENTATI	TOOTHED DISK SUPPORT			
2	G13644350	BRACCIO REGOLABILE DISCO DENT.	ADJ.BLE ARM CROWN DISC			
3	G13643110	BOCCOLA 16 X29 X39,5 ZN	BUSHING 16 X29 X39,5 ZN			
4	G22230094	SUPPORTO CUSCINETTO	BEARING SUPPORT	SUPPORT PALIER	LAGERBsCHSE	SOPORTE COJINETE
5	G13643140	DISTANZIALE ZN	GALVANIZED SPACER			
6	G13643131	DISCO DENTATO DX	RIGHT TOOTHED DISC			
7	F01020568	VITE M16X2X45 U5739 8.8ZN	SCR. M16X2X45 U5739 8.8ZN	VIS M 16X 2X45 U5739 8.8 ZG	SCHRAUBE M 16X 2X45 U5739 8.8	TORNILLO M16X 2X45 U5739 8.8
8	F01020508	VITE M12X1,75X25 U5739 8.8ZN	SCR. M12X1,75X25 U5739 8.8ZN	VIS M12X1,75X25 U5739 8.8 ZN	SCHRAUBE M12X1,75X25U57398.8ZN	TORNIL.M12X1,75X25 U5739 8.8ZN
9	F01020112	VITE M10X1,5X45 U5737 8.8ZN	SCR. M10X1,5X45 U5737 8.8ZN	VIS M 10X45	SCHRAUBE M 10X45	TORNILLO M 10X45
10	F01020260	VITE M16X2X70 U5737 8.8ZN	SCR. M16X2X70 U5737 8.8ZN	VIS M16X2X70 U5737 8.8 ZN	SCHRAUBE M16X2X70 U5737 8.8 ZN	TORNILLO M16X2X70 U5737 8.8 ZN
11	F01020432	VITE M8X1,25X16 U5739 8.8ZN	SCR. M8X1,25X16 U5739 8.8ZN	VIS M8 X1,25X16 U5739 8.8 ZN	SCHRAUBE M8X1,25X16U5739 8.8ZN	TORNILLO M8X1,25X16U5739 8.8ZN
12	F01220266	DADO M16X2 D980 8ZN	NUT M16X2 D980 8ZN	ECROU M16X 2 D980 8 ZN	MUTTER M16X 2 D980 8 ZN	TUERCA M16X 2 D980 8 ZN
13	F01230048	DADO M10X1,5 D982 8ZN	NUT M10X1,5 D982 8ZN	ECR.AUTO-FREIN.M10X1,5 D982 ZN	SICHERUNGSMUTT.M10X1,5 D982 ZN	TUERCA SEGURID.M10X1,5 D982 ZN
14	F01200444	DADO M16X2 U5589 6SZN	NUT M16X2 U5589 6SZN	ECROU M16X2	MUTTER M16X2	DADO M16X2
15	F01220022	DADO M8X1,25 D980 8ZN	NUT M8X1,25 D980 8ZN	ECROU M8X 1,25 D980 8 ZN	MUTTER M8X 1,25 D980 8 ZN	TUERCA M8X 1,25 D980 8 ZN
16	F01430094	ROS.M16 17X 26X1,2 U8842J BR	WASHER D16 UNI 6798 D.INT.	RONDELLE D16 DIN 6798 D.INT.	UNT.SCHEIBE D16 DIN 6798 D.INT.	ARANDELA D16 DIN 6798 D.INT.
17	F01410100	ROS.M16 17X 30X 3 U6592 ZN	WASHER M16 17X30X3 U6592 ZN	RONDELLE M16 17X30X3 U6592 ZN	SCHRAUBE M16 17X 30X3 U6592 ZN	ARANDELA M16 17X30X 3 U6592 ZN
18	F02200562	SPINA SICUR. D. 8X70 ZN	SNAP PIN D.8X 70 ZN	FICHE EL. D.8X70 ZN	SCHERSTIFT D.8X 70 ZN	CLAVIJA D.8X 70 ZN
19	F04010134	CUSC.D25 D47 B12 6005 2Z	BEARING D25 D47 B12 6005 2Z	PALIER 6005 2Z	LAGER 6005 2Z	COJINETE 6005 2Z
20	G13643121	DISCO DENTATO SX	LEFT DISK TOOTHED			
21	G13640252	ASS.SUPPORTO PROTEZIONE LAT.SX	ASSY L.SIDE GUARD SUPPORT			
22	G19203791	SCONTRO FISS.EL.OPERATORI ZN	BRACKET			
23	F20110739	CAV.Q.B=35 M=12X1,75L=66	U BOLT Q.B=35 M=12X1,75 L=66			
24	G13640271	BRACCIO PER PROTEZ.	GUARD ARM			
25	F01020445	VITE M8X1,25X30 U5739 8.8ZN	SCR. M8X1,25X30 U5739 8.8ZN	VIS M 8X1,25X30 U5739 8.8 ZN	SCHRAU, M8X1,25X30 U5739 8.8ZN	TORN. M8X1,25X30 U5739 8.8 ZN
26	G13643530	BOCCOLA BRACCI PROT.SINTERIZ.	BUSHING	BOITE	BsCHSE	CASQUILLO
27	G13640431	PROTEZ.LAT.SX 2012	LEFT SIDE PROTECTION			
28	F01420049	ROS.M8 8,4X 32X 2 U6593 ZN	WASHER M8 8,4X32X2 U6593 ZN	RONDELLA M8 8,4X32X2 U6593 ZN	SCHEIBE M8 8,4X32X2 U6593 ZN	ARANDELA M8 8,4X32X2 U6593 ZN
29	F01200244	DADO M8X1,25 U5588 6.8ZN	NUT M8X1,25 U5588 6.8ZN	ECROU M8 X1,25 U5588 6.8 ZN	MUTTER M8 X1,25 U5588 6.8 ZN	TUERCA M8 X1,25 U5588 6.8 ZN
30	G13649050	CATENA GENOVESE D.2,8 L.295 ZN	GENOAN CHAIN D.2,8 L.295			
31	F02200363	COPIGLIA R 3X 62 ZN	SPRING SPLIT PIN 3X 62 ZN	GOUPILLE R 3X62	SPLINT R 3X62	CHAVETAR 3X62
32	G13640242	ASS.SUPPORTO PROTEZIONE LAT.DX	RIGHT SIDE PROTECTION ASSEMBLY			
33	G13640261	PROTEZ.LAT.DX 2012	RIGHT SIDE PROTECTION			
34	G23440044	PROTEZIONE LAT.SX C.HL-HM LM	LEFT LAT. C.HL-HM LMPROTECTION	PROTECTION LAT. GCH. AVEC HL-H	LINKER SEITENSCHUTZ C.HL-HM LM	PROTECCIN LAT.IZQ. C.HL-HM LMP
35	G23440043	PROTEZIONE LAT.DX C.HL-HM LM	RIGHT LAT. C.HL-HM LM PROTECTI	PROTECTION LAT. DRT. AVEC HL-H	RECHTER SEITENSCHUTZ C.HL-HM L	PROTECCIN LAT.DER. C.HL-HM LMP
36	F01230059	DADO M12X1,75 D982 8ZN	LOCK-NUT M12X1,75 D982 8ZN	ECR.AUTO-FREI.M12X1,75 D982 ZN	SICHERUNGSMUT.M12X1,75 D982 8ZN	TUER.DE SEGUR.M12X1,75 D982 ZN

TAV. 061

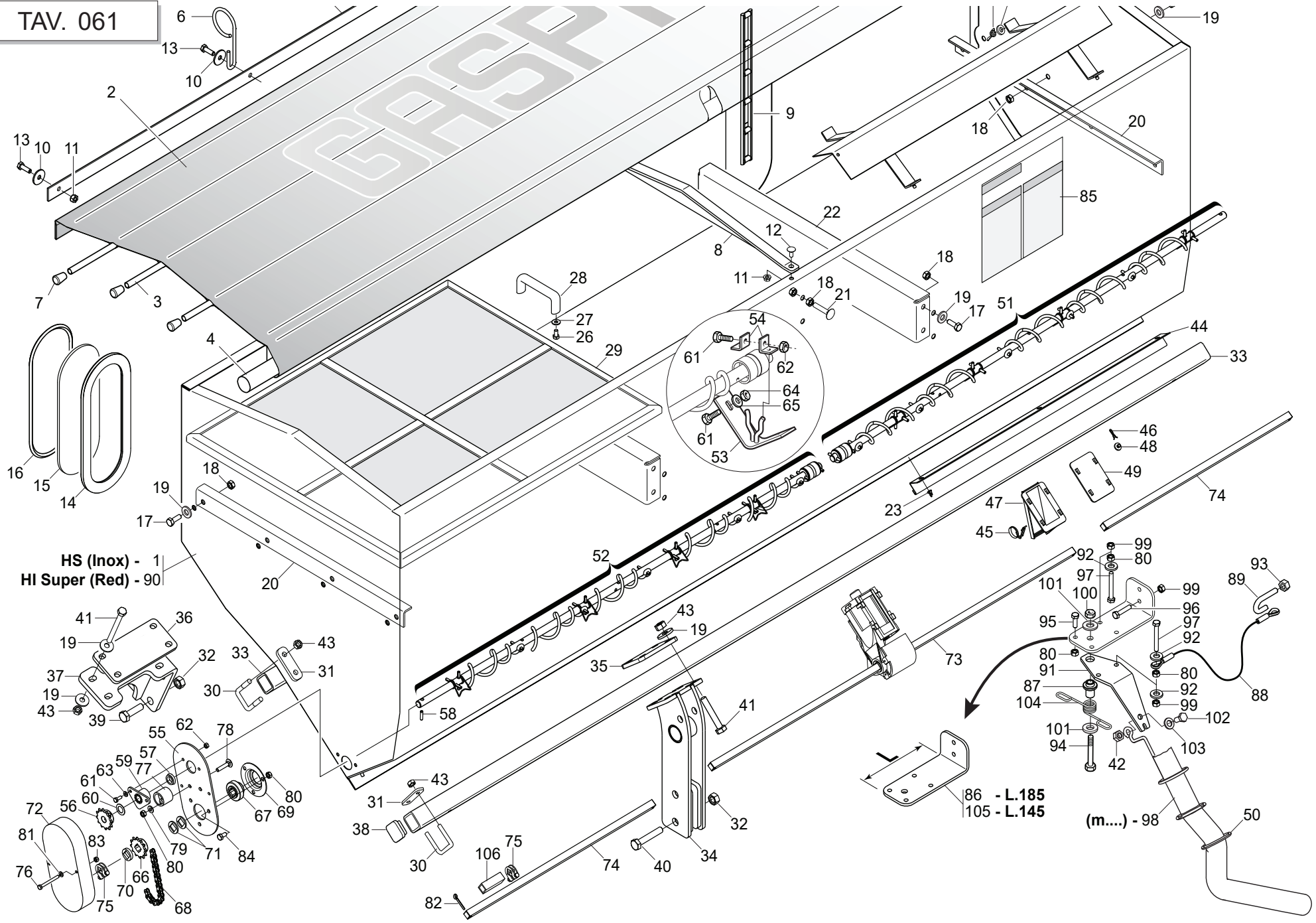


SPANDICONCIME

TAV. 061

Pos.	Cod.	Descrizione	Description	Description	Benennung	Descrpcion
1	G13723040	SPANDICONCIME HS 950 INOX	FERTILIZER HS 950 INOX	0	0	0
2	G13723230	TELO COPRISERBATOIO 950 HS	TANKCOVER SHEET 950 HS	0	0	0
3	G13722250	TUBO RINFORZO TELO TRAMOGGIA	REINFORCEMENT TUBE	TUBE DE RENFORCEMENT	VERSTZRKUNGSROHR	TUBO DE REFUERZO
4	G13722240	TUBO APERT./CHIUS.TELO TRAMOG.	TUBE OPEN./CLOS.HOPPER COVER			
5	G13722230	ASTA FISSAGGIO TELO TRAMOGGIA	FIXING ROD	TIGE DE FIXATION	BEFESTIGUNGSTANGE	VARILLA DE FIJACIN
6	G18902270	GUIDATUBO ZN TEL	TUBE GUIDE ZN TEL	GUIDER TUBE TEL ZN	FUHREN ROHR TEL ZN	GUIAR TUBO TEL ZN
7	F05150472	PUNTALE A CAMPANA PVC NERO D10	BELL PUSH ROD PVC D10 BLACK			
8	G13723220	SUPPORTO TELO SERB.950	SUPP.TANK SHEET 950			
9	F06808487	CATENA AGGANCIAMENTO TELO IN GOMMA	RUBBER FRAME CONNECTION CHAIN	CHA+NE ACCROCHAGE TOILE EN CAO	KETTE BEFESTIGUNG GUMMITUCH	CADENA ENGANCHE LONA DE CAUCHO
10	F01420049	ROS.M8 8,4X 32X 2 U6593 ZN	WASHER M8 8,4X32X2 U6593 ZN	RONDELLA M8 8,4X32X2 U6593 ZN	SCHLEIBE M8 8,4X32X2 U6593 ZN	ARANDELA M8 8,4X32X2 U6593 ZN
11	F01260032	DADO M8 D6923 A2IX	NUT M8 D6923 A2IX	ECROU FLANG. M8 D6923 A2 IX	MUTTER FLANG. M8 D6923 A2 IX	TUERCA FLANG. M8 D6923 A2 IX
12	F01060039	VITE M8X1,25X20 U5732 A2IX	SCR. M8X1,25X20 U5732 A2IX	VIS 8X20 5732 4.6	SCHRAUBE 8X20 5732 4.6	TORNILLO 8X20 5732 4.6
13	F01020443	VITE M8X1,25X25 U5739 A2IX	SCR. M8X1,25X25 U5739 A2IX	VIS M8X1.25X25 U5739 A2 IX	SCHRAUBE M8X1.25X25 5739 A2 IX	TORNILLO M8X1.25X25 5739 A2 IX
14	F03011155	GUARNIZIONE VETRO TRAMOGGIA	GLASS SEAL	GARNITURE VERRE	GLASDICHTUNG	JUNTA VIDRIO
15	G16021080	FINESTRA CONTR.LIVELLO SEMI	SEED LEVEL CHECKING WINDOW	FENETRE CONTROLE NIV. GRAINES	KONTROLLFENSTER SAMENSTAND	VENTANA CONTROL NIVEL SEMILLAS
16	G68005092	TENDITORE GUARNIZIONE	TURNBUCKLE GASKET	TENDEUR GARNITURE	DICHTUNGSSPANNER	SENSOR JUNTA
17	F01020463	VITE M10X1,5X25 U5739 A2IX	SCR. M10X1,5X25 U5739 A2IX	VIS 10X25 5739 INOX A2	SCHRAUBE 10X25 5739 INOX A2	TORNILLO 10X25 5739 INOX A2
18	F01200271	DADO M10X1,5 U5588 A2IX	NUT M10X1,5 U5588 A2IX	ECROU 10 5588 6.8 INOX	MUTTER 10 5588 6.8 INOX	TUERCA 10 5588 6.8 INOX
19	F01420059	ROS.M10 10,5X 30X2,5 U6593 IX	WASHER 11X30X2,5 6593 A2	RONDELLE 11X30X2,5 6593 A2	UNTERLEGSCHLEIBE 11X30X2,5 6593	ARANDELA 11X30X2,5 6593 A2
20	G13723190	SUPPORTO LATERALE GRIGLIA	GRIND SIDE SUPPORT			
21	F01060064	VITE M10X1,5X45 U5732 A2IX	SCR. M10X1,5X45 U5732 A2IX	VIS 10X45 5732 INOX A2	SCHRAUBE 10X45 5732 INOX A2	TORNILLO 10X45 5732 INOX A2
22	G13723180	RINFORZO INT.SERBATOIO 950	INNER REINF.TANK 950			
23	F01240012	DADO M6X1 U5448 5.8ZN	NUT M6X1 U5448 5.8ZN	ECROU 6 UNI 5448 5.8 ZN	MUTTER 6 UNI 5448 5.8 ZN	TUERCA 6 UNI 5448 5.8 ZN
24	F01420039	ROS.M6 6,4X 24X1,5 U6593 IX	WASHER M6 6,4X24X1,5 U6593 IX	RONDELL.M6 6,4X24X1,5 U6593 IX	SCHLEIBE M6 6,4X24X1,5 U6593 IX	ARANDEL.M6 6,4X24X1,5 U6593 IX
25	G13723120	TEGOLO HS	BENT TILE HS			
26	F01020427	VITE M 8X1,25X 12 U5739 8.8ZN	SCR. M8X1,25X12 U5739 8.8ZN	VIS M8X1,25X12 U5739 8.8ZN	SCHRA. M8X1,25X12 U5739 8.8ZN	TORN. M8X1,25X12 U5739 8.8ZN
27	F01420047	ROS.M8 8,4X 24X 2 U6593 IX	WASHER M8 8,4X24X2 U6593 IX	RONDELLE M8 8,4X24X2 U6593 IX	SCHLEIBE M8 8,4X24X2 U6593 IX	ARANDELA M8 8,4X24X2 U6593 IX
28	F05150112	MANIGLIA INTERAS. 117 FORO 8MM	HANDLE	POIGNEE	HANDGRIFF	MANILLA
29	G13723170	GRIGLIA SERBATOIO 950	TANK GRIND 950			
30	F20110705	CAV.Q.B=40 M=10X1,5 L=62	U BOLT Q.B=40 M=10X1,5 L=62	CAVALIER ZN	BsGELBOLZEN ZN	PERNO EN U ZN
31	G20890017	SCONTRO	STRIKER PLATE	BUTEE	ANSCHLAG	ELEMENTO DE EMPALME
32	F01230085	DADO M16X2 D982 8ZN	NUT M16X2 D982 8ZN	ECROU M16X2 D982 8ZN	MUTTER M16X2 D982 8ZN	TUERCA M16X2 D982 8ZN
33	G13723060	TUBO SUPP.SERBATOIO HS L.2400	TANK SUPP. TUBE L.2400	TUBE SUPP. RESERVOIRS L.2400	ROHR BEHZLTERHALTERUNG L.2400	TUBO SOP.DEPOSITOS L.2400
34	G13723310	SUPPORTO POST.SERB.950	REAR TANK SUPP. 950			
35	G13723320	PIASTRAATTACCO SUPPORTO POST.	REAR SUPPORT PLATE			
36	G13723430	PIASTRAATTACCO SUPPORTO ANT.	FRONT SUPPORT PLATE			
37	G13723460	SUPPORTO ANT.SERB.	FRONT TANK SUPPORT			
38	F20120348	PUNTALE Q.40 NERO	SQUARE TIP 40 BLACK			
39	F01020256	VITE M16X2X60 U5737 8.8ZN	SCR. M16X2X60 U5737 8.8ZN	VIS M16X 2X60 U5737 8.8 ZN	SCHRAUBE M16X2X60 U5737 8.8 ZN	TORNILLO M16X2X60 U5737 8.8 ZN
40	F01020260	VITE M16X2X70 U5737 8.8ZN	SCR. M16X2X70 U5737 8.8ZN	VIS M16X2X70 U5737 8.8 ZN	SCHRAUBE M16X2X70 U5737 8.8 ZN	TORNILLO M16X2X70 U5737 8.8 ZN
41	F01020145	VITE M10X1,5X90 U5737 A2IX	SCR. M10X1,5X90 U5737 A2IX	VIS M10X1.5X 90 U5737 A2 IX	SCHRAUBE M10X1.5X90 5737 A2 IX	TORNILLO M10X1.5X90 5737 A2 IX
42	F01200270	DADO M10X1,5 U5588 6.8ZN	NUT M10X1,5 U5588 6.8ZN	ECROU M10X 1,5 U5588 6.8 ZN	MUTTER M10X 1,5 U5588 6.8 ZN	TUERCA M10X 1,5 U5588 6.8 ZN
43	F01230047	DADO M10X1,5 D982 A2IX	NUT M10X1,5 D982 A2IX	ECROU M10X 1,5 D982 A2 IX	MUTTER M10X 1,5 D982 A2 IX	TUERCA M10X 1,5 D982 A2 IX
44	G15470780	PORTA DI PULIZIA SERB.850	CLEANING DOOR TANK 850	PORTE DE NETTOYAGE RESERVOIR 8	REINIGUNGSTsR BEHZLTER 850	PUERTA DE LIMPIEZA DEPS. 850 P
45	G65336080	MOLLA SPEC.SCARICO SPAND.T.M.	SPEC. SPRING SPREDER RELIEF			
46	G65336089	MOLLA SPEC.TENUTA FERMO SPAND.	SPEC.SPRING- BLOCK. MAN. SPR.	RESSORT SPEC. D'ETANCHEITE ARR	SPEZIALFEDER DICHTUNG STREUER	MUELLE ESPEC. RETENC. BLOQ
47	G66248187	SCARICO SERB.SPAND.TIPO MICRO	MICRO TYPE MAN.SPR.TANK DISCH.	TRAPPE DE VIDANGE TYPE MICRO	BEHZLTERENTLADUNG STREUER TYP	DESCARGA DEPS. ABON.TIPO MICRD
48	G66248224	FERMO DISTRIBUTORE SPAND.	FERT. SPR. DISTRIB. STOP	ARRET DISTRIBUTEUR EP. ENGRAIS	FESTSTELLVORRICHTUNG SZAPP. ST	BLOQUEO DISTRIBUIDOR ABON.
49	G66248184	CHIUSURA USCITA SERB.SPAND.SP	OUTLET CLOSURE -MAN.SPREAD. TA	FERMETURE SORTIE RESERVOIR FER	VERSCHLUSS AUSTRITT DsNGERSTR.	CIERRE SALIDA DEPS. ABON. SP I
50	G18903890	MOLLA GUIDATUBO D.45	PIPE GUIDE SUPPORT 45	RESSORT GUIDE-TUBE 45	FEDER ROHRFÜHRUNG 45	MUELLE GU A TUBOS 45
51	G13723360	COCLEA DX 6U SERB.950 COMPL	RIGHT SCREW 6OUT TANK950			
52	G13723370	COCLEA SX 6U SERB.950 COMPL	LEFT SCREW 6OUT TANK.950			
53	G15471990	SUPPORTO COCLEA	SCREW SUPPORT	SUPPORT VIS ALIMENTATION	HALTERUNG SCHNECKE	SOPORTE CCLEA S
54	G13722120	FERMO ASSE AGITATORE	STIRRER AXIS LOCK	ARR-TAXE AGITATEUR	SPERRE R_RHWELLENACHSE	TOPE EJE AGITADOR

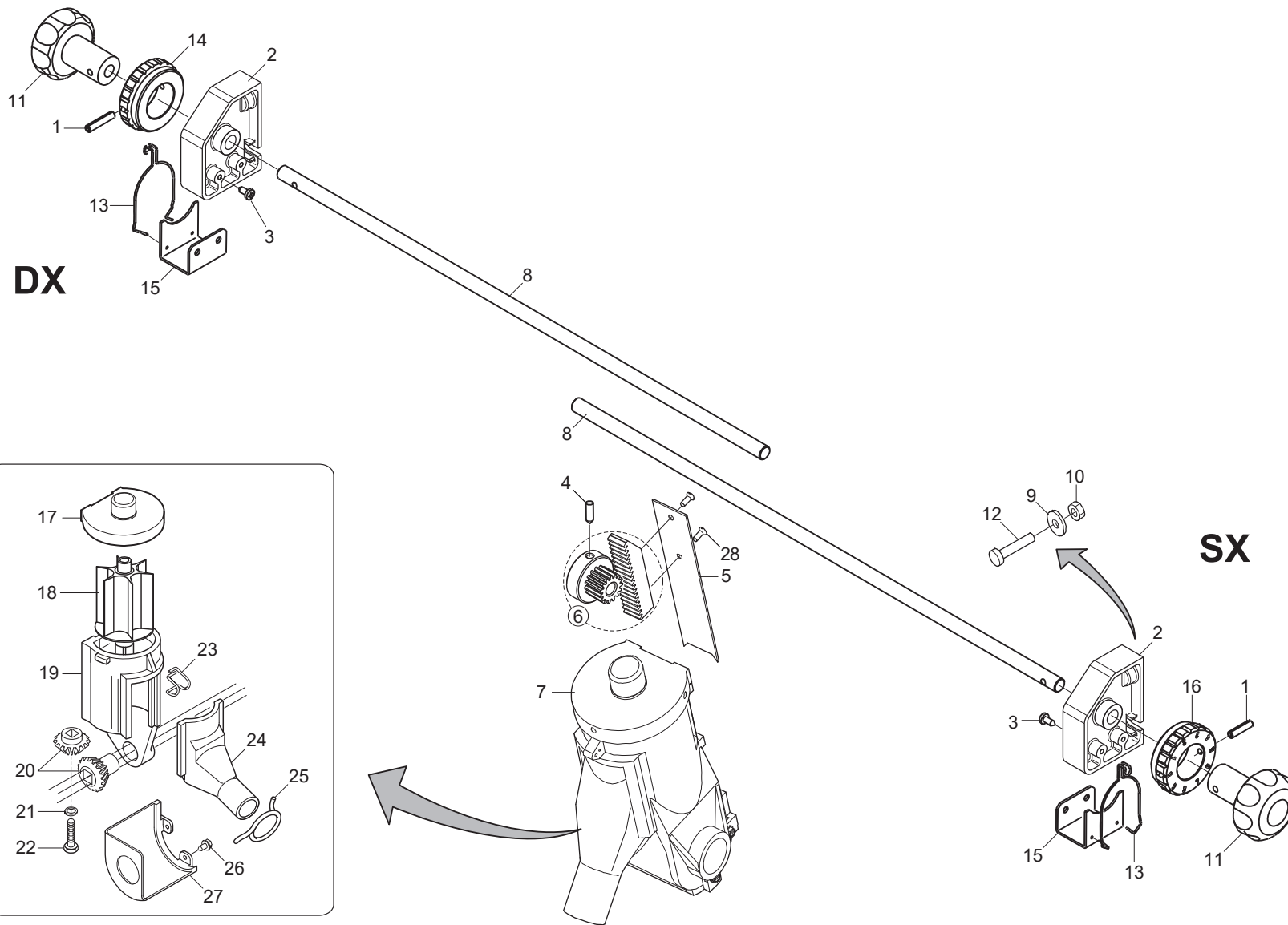
TAV. 061



SPANDICONCIME

TAV. 061

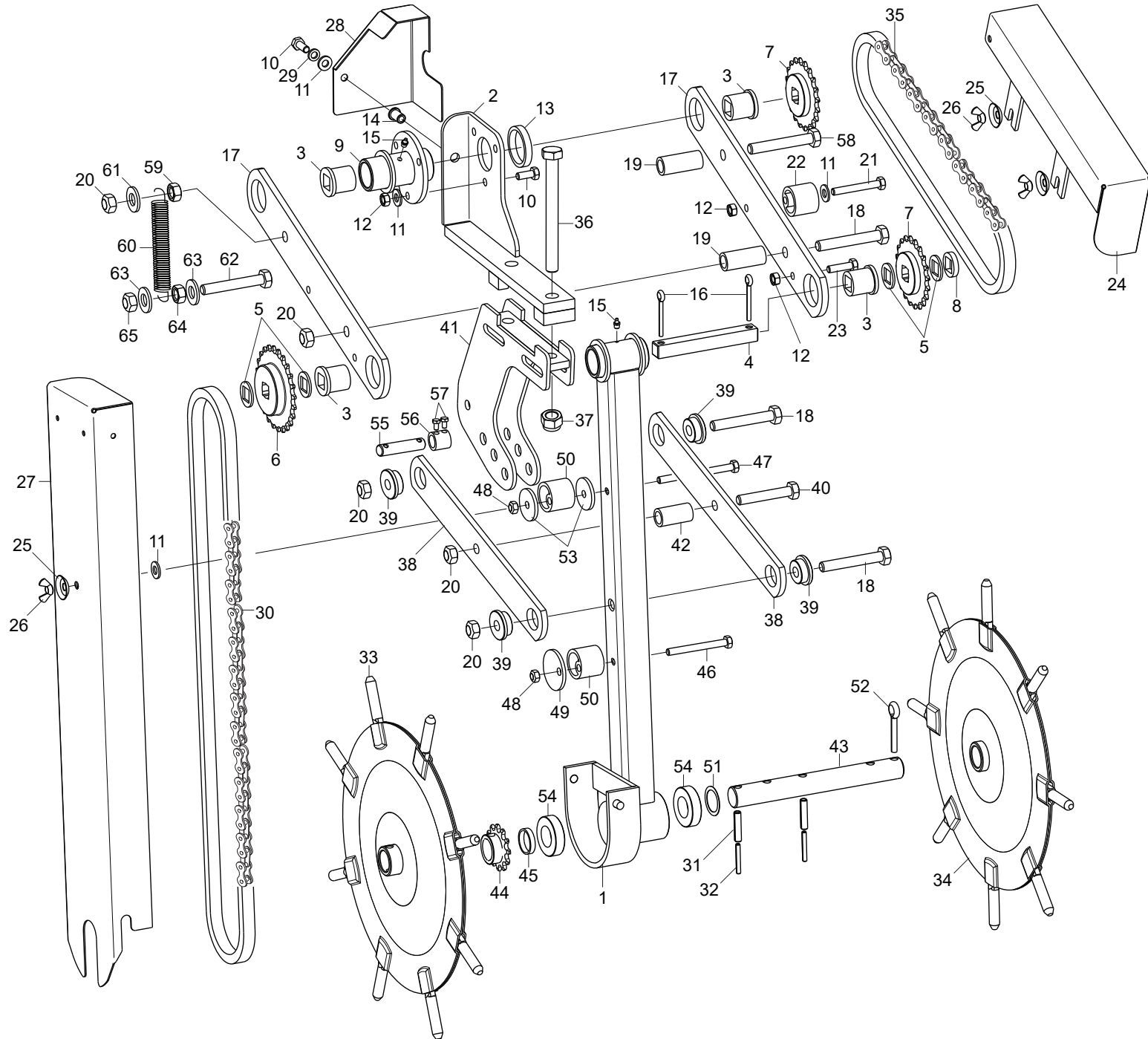
Pos.	Cod.	Descrizione	Description	Description	Benennung	Descrpcion
55	G15471930	PROTEZIONE	GUARD	PROTECTION	SCHUTZ	PROTECCIN P
56	G20860088	INGRANAGGIO 1/2 Z-12 F.T.	GEAR 1/2 Z-12 F.T.	ENGRENAGE 1/2 Z-12 TROUS ROUNDS	ZAHNRAD 1/2 Z-12 F.T.	ENGRANAJE 1/2 Z-12 F.T.
57	F03011081	GUARNIZIONI LABBRO DE100	LIP GASKET D100			
58	F02100113	SPINA E.P. 6X 30 U6873 C70 ZN	PIN EL. 6X30 DIN 1481 ZN *	GOUPILLE EL.6 X30 DIN1481ZN*	SPANNSTIFT 6 X30 DIN 1481 ZN	CLAVIJA EL.6 X30 DIN 1481 ZN
59	G66248121	BOCCOLA CON FLANGIA M80	BUSHING W/ FLANGE M80	SUPPORT AVEC BRIDE M80	BsCHSE MIT FLANSCH M80	CASQUILLO CON BRIDA M80
60	G22220073	RONDELLA 28X0,3X16,5	WASHER 28X0-3X16-5	RONDELLE 28X0-3X16-5	UNTERLEGSCHIEBE 28X0-3X16-5	ARANDELA 28X0-3X16-5
61	F01020419	VITE M 6X1 X 16 U5739 A2IX	SCR. M6X1X16 U5739 A2IX	VIS M6 X1 X 16 U5739 8.8 IX	SCHRAUBE M6 X1 X 16 U5739 8.	TORNIL. M6 X1 X 16 U5739 8.8
62	F01200233	DADO M6X1 U5588 A2IX	NUT M6X1 U5588 A2IX	ECROU M 6X 1 U5588 I	MUTTER M 6X 1 U5588	TUERCA M 6X 1 U5588
63	F01410034	ROS.M6 6,4X12,5X1,6 U6592 IX	WASHER M6 6,4X12,5X1,6 U6592			
64	F01230024	DADO M6X1 D982 A2IX	NUT M6X1 D982 A2IX	ECROU AUTOB.NOR.10	SELBSTSP.MUTTER NOR. 10	TUERCA AUTOB. NOR. 10
65	F01420038	ROS.M6 6,4X18X1,5 U6593 IX	WASHER M6 6,4X18X1,5 U6593 IX	RONDELLE M6 6,4X18X1,5U6593 IX	SCHEIBE M6 6,4X18X1,5 U6593 IX	ARANDELA M6 6,4X18X1,5 6593IX
66	G20860086	INGRANAGGIO 1/2 Z-12 F.Q.	GEAR 1/2 Z-12 F.Q.	ENGRENAGE 1/2 Z-12 TROUS CARRE	ZAHNRAD 1/2 Z-12 F.Q.	ENGRANAJE 1/2 Z-12 F.Q.
67	G14830390	CUSCINETTO FORO QUADRO	SQUARE-HOLED BEARING	ROULEMENT TROU CARRE	VIERKANTLAGER	COJINETE ORIFICIO CUADRADO
68	F06080196	CATENA 1/2 ISO 083 32 MAGLIE	CUT-DOWN CHAIN .1/2 ISO 083 32	TRONCON CHAINE 1/2 ISO 083 32	KETTENLNZNGE 1/2 ISO 083 32 GL	TRECHO CADENA 1/2 ISO 083 32
69	G22230094	SUPPORTO CUSCINETTO	BEARING SUPPORT	SUPPORT PALIER	LAGERBsCHSE	SOPORTE COJINETE
70	G66248218	RONDELLA DISTAN.SPANDI	MAN. SPR. SPACER WASHER	RONDELLE ENTRETOISE EP. ENGRAI	ABSTANDSCHEIBE DsNGERSTREUER	ARANDELA DISTAN.ABONAD.
71	G18701650	RONDELLA FORO QUADRO ZN	WASHER 16,5X30X2,5 ZN	RONDELLE 16,5X30X2,5 ZN	UNTERLEGSCHIEBE 16,5X30X2,5 ZN	ARANDELA 16,5X30X2,5 ZN
72	G19002710	PROTEZ.RINIVIO SPANDICONCIME	FERTILIZER TRANSM. PROTECTION	PROTECTION RENVOI FERTILISEUR	SCHUTZ VORGELEGE DUNGERSTREUER	PROTECCION TRANSMISION ABONADO
73	G15131070	ASSE TR.SEMIN.L.1450 5 FORI	SEED.TRANS.AXLE L1450 5HOLES			
74	G13723070	ASSE TRASMISSIONE L.490	TRANSMISIN AX L 490			
75	G22505085	FERMO ASSE IN LAMIERA	PLATE AXLE STOP	ARRET AXE EN TOLE	FESTSTELLVORRICHTUNG BLECHACHS	BLOQUEO EJE DE CHAPA
76	F01020043	VITE M6X1X60 U5737 8.8ZN	SCR. M6X1X60 U5737 8.8ZN	VIS M6X1X60U5737 8.8 ZN	SCHRAUBE M6X1X60 U5737 8.8 ZN	TORNILLO M6X1X60 U5737 8.8 ZN
77	G66248207	TENDICATENA SPAND. SP-520	CHAIN TENSIONER	TENDEUR DE CHAINE EPAND. ENGR.	KETTENSPANNER DsNGERSTR. SP-52	SENSOR DE CADENA ABON. SP-520
78	F01020068	VITE M8X1,25X40 U5737 8.8ZN	SCR. M8X1,25X40 U5737 8.8ZN	VIS M 8X1,25X40U5737 8.8 ZN	SCHRA. M8X1,25X40 U5737 8.8 ZN	TORNIL.M8X1,25X40 U5737 8.8 ZN
79	F01410051	ROS.M8 8,4X 17X1,6 U6592 ZN	WASHER M8 8,4X17X1,6 U6592 ZN	RONDELLE M8 8,4X17X1,6 U6592ZN	SCHIEBE M8 8,4X17X1,6 U6592 ZN	ARANDELA M8 8,4X17X1,6 U6592ZN
80	F01200244	DADO M8X1,25 U5588 6.8ZN	NUT M8X1,25 U5588 6.8ZN	ECROU M8 X1,25 U5588 6.8 ZN	MUTTER M8 X1,25 U5588 6.8 ZN	TUERCA M8 X1,25 U5588 6.8 ZN
81	F01410037	ROS.M6 6,4X12,5X1,6 U6592 ZN	WASHER M6 6,4X12,5X1,6 U6592ZN	RONDEL.M6 6,4X12,5X1,6 U6592ZN	SCHEIB.M6 6,4X12,5X1,6 U6592ZN	ARAND.M6 6,4X12,5X1,6 U6592 ZN
82	F02200227	COPIGLIA 5X 30 U1336 ZN	PIN 5X 30 U1336 ZN			
83	F01200232	DADO M6X1 U5588 6.8ZN	NUT M6X1 U5588 6.8ZN	ECROU 6 UNI 5588 6.8 ZN	MUTTER 6 UNI 5588 6.8 ZN	TUERCA 6 UNI 5588 6.8 ZN
84	F01020432	VITE M8X1,25X16 U5739 8.8ZN	SCR. M8X1,25X16 U5739 8.8ZN	VIS M8 X1,25X16 U5739 8.8 ZN	SCHRAUBE M8X1,25X16U5739 8.8ZN	TORNILLO M8X1,25X16U5739 8.8ZN
85	G19702570	TABELLA DI DISTRIB.CONCIME HI	FERTILIZER DISTR.TABLE HI			
86	G13618810	PIASTRA SUPPORTO ARTICOLAZIONI	JOINT SUPPORT PLATE			
87	G13618820	BOCCOLA ARTICOLAZIONI ESTERNE	BUSHING FOR EXTERNAL ARTIC.			
88	G13618831	CAVO ARTICOLAZIONI ESTERNE	EXTERNAL JOINTS CABLE			
89	G22270428	GANCIO TAGLIENTE SP/S	HOOK - CUTTER SP/S	CROCHET HACHOIR SP/S	HAKEN SZSCHAR SP/S	GANCHO GUADA%ADORA SP/S
90	G13723600	ASS.SPANDICONCIME HI 950 FE	SPREADER ASSEMBLY HI	ASSEMBLAGE +PANDEUR HI		ENS. ABONADORA HI
91	G13616360	PIASTRA ARTICOLAZIONE TUBI EST	OUTER TUBE JOINT PLATE	PLAQUE JOINT TUBES EST	GELENKPLATTE AUSSENROHRE	PLACA ARTICULACIN TUBOS EXT P
92	F01420048	ROS.M8 8,4X 24X 2 U6593 ZN	WASHER M8 8,4X 24X2 U6593 ZN	RONDELLE M8 8,4X24X 2 U6593 ZN	SCHEIBEN M8 8,4X24X 2 U6593 ZN	ARANDELA M8 8,4X 24X2 U6593 ZN
93	F01220033	DADO M10X1,5 D980 8ZN	NUT M10X1,5 D980 8ZN	ECROU M10X1,5 D980 8ZN	MUTTER M10X1,5 D980 8ZN	TUERCA M10X1,5 D980 8ZN
94	F01020160	VITE M12X1,75X60 U5737 8.8ZN	SCR. M12X1,75X60 U5737 8.8ZN	VIS M12X1,75X60 U5737 8.8 ZN	SCHRA.M12X1,75X60 U5737 8.8 ZN	TORN. M12X1,75X60 U5737 8.8 ZN
95	F01020436	VITE M8X1,25X20 U5739 8.8ZN	SCR. M8X1,25X20 U5739 8.8ZN	VIS M8X1,25X 20 U5739 8.8 ZN	SCHRAUBE M8X1,25X20U5739 8.8ZN	TORN. M8X1,25X20 U5739 8.8 ZN
96	F01020445	VITE M8X1,25X30 U5739 8.8ZN	SCR. M8X1,25X30 U5739 8.8ZN	VIS M 8X1,25X30 U5739 8.8 ZN	SCHRAU. M8X1,25X30 U5739 8.8ZN	TORN. M8X1,25X30 U5739 8.8 ZN
97	F01020454	VITE M8X1,25X70 U5739 8.8ZN	SCR. M8X1,25X70 U5739 8.8ZN	VIS M8X1,25X70 U5739 8.8 ZN	SCHRA. M8X1,25X70 U5739 8.8 ZN	TORN. M8X1,25X70 U5739 8.8 ZN
98	F03100506	TUBO EOLO PU D.45	TUBE EOLO PU D.45			
99	F01220022	DADO M8X1,25 D980 8ZN	NUT M8X1,25 D980 8ZN	ECROU M8X 1,25 D980 8 ZN	MUTTER M8X 1,25 D980 8 ZN	TUERCA M8X 1,25 D980 8 ZN
100	F01220048	DADO M12X1,75 D980 8ZN	NUT M12X1,75 D980 8ZN	ECROU M12X1,75 D980 8 ZN	SCHEIBE M12X1,75 D980 8 ZN	TUERCA M12X1,75 D980 8 ZN
101	G20970085	RONDELLA 40X4X13	WASHER 40X4X13	RONDELLE 40X4X13	UNTERLEGSCHIEBE 40X4X13	ARANDELA 40X4X13
102	F01020472	VITE M10X1,5X25 U5739 8.8ZN	SCR. M10X1,5X25 U5739 8.8ZN	VIS M10X1,5X25 U5739 8.8 ZN	SCHRAUBE M10X1,5X25 U5739 8.8	TORNILLO 10X25 U5739 8.8 ZN
103	G20970012	RONDELLA 32X4X11	WASHER 32X4X11	RONDELLE 32X4X11	UNTERLEGSCHIEBE 32X4X11	ARANDELA 32X4X11
104	G18904500	MOLLA ARTICOLAZIONI ESTERNE ZN	SPRING ZN	RESSORT ZN	FEDER ZN	MUELLE ZN
105	GA3613920	PIASTRA SUPPORTO ARTICOLAZIONI	JOINT PLATE SUPPORT			
106	G10530361	TUBO Q. 20X1,2X 107 1F6,5	SQUARE PIPE 20X1,2X 110			



SPEEDY SET

TAV. 071

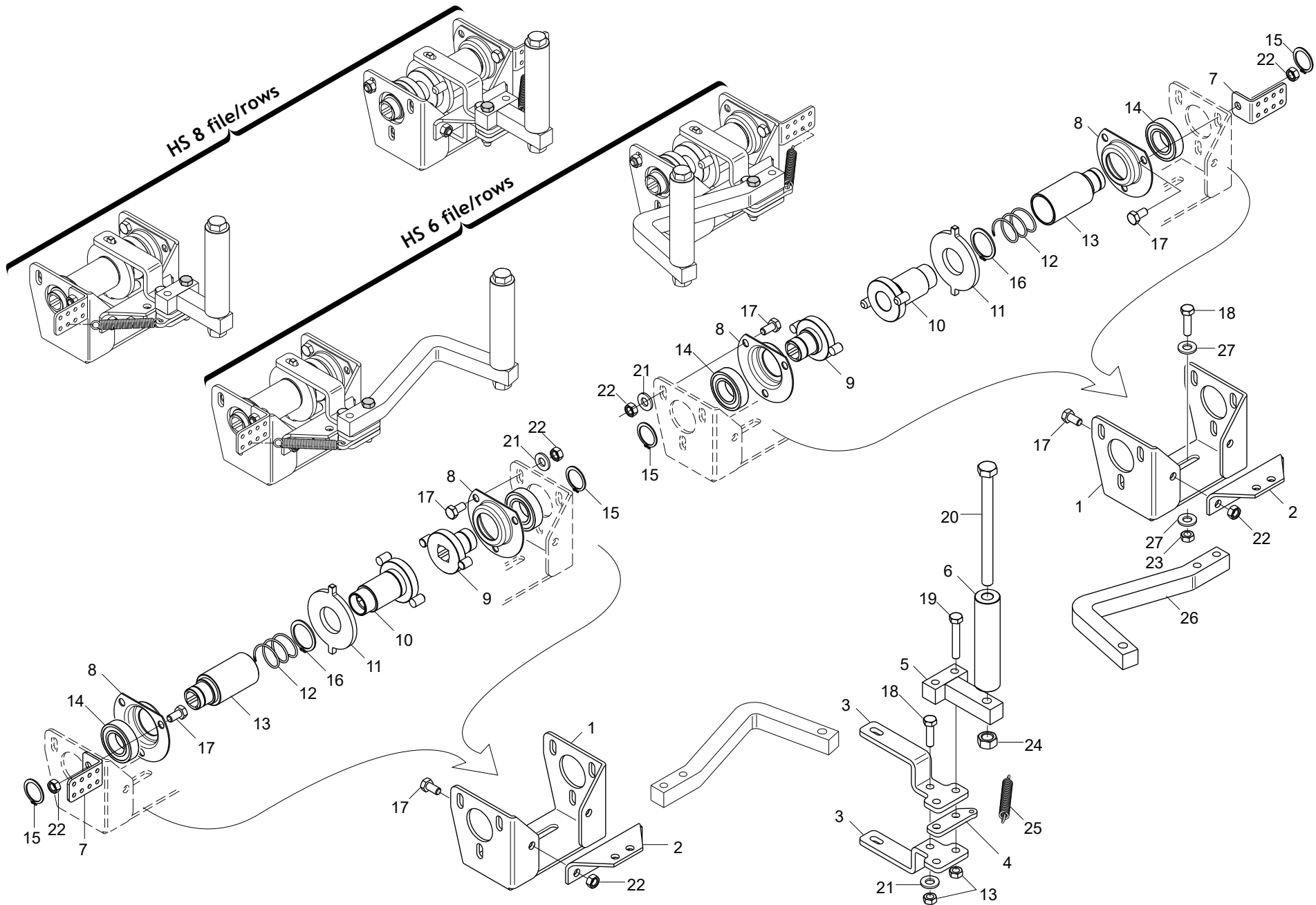
Pos.	Cod.	Descrizione	Description	Description	Benennung	Descripcion
1	F02100066	SPINA E.P. 4X 36 U6873 C70 BR	PIN EL. 4X 36 U6873 C70 BR			
2	G19003660	SUPPORTO	SUPPORT	SUPPORT	HALTERUNG	SOPORTE
3	F01070061	VITE A3,9X1,34X9,5 U6954 4.8NI	SCR. H3,9X1,34X9,5 U6954 4.8NI	VIS 3,9X 9,5 DIN 7981	SCHRAUBE 3,9X 9,5 DIN 7981	TORNILLO 3,9X 9,5 DIN 7981
4	F01050083	VITE M5X0,8X12 U5927 A2IX	SCR. M5X0,8X12 U5927 A2IX	GOUJON 5X12 UNI 5927	STIFT 5X12 UNI 5927	TORNILLO SIN CABEZA 5X12 5927
5	G16670100	REGOLATORE APERTURA	OPENING REGULATOR	REGULATEUR OUVERTURE	TFFNUNGSEINSTELLER	REGULADOR ABERTURA
6	G16675490	KIT PIGNONE CREMAGLIERA	KIT PINION RACK			
7	G13722410	DISTR.COMPL.6PALE SPEEDY SET F	COMPL.SPEEDY 6-BLADE DISTR. SE	DISTR.COMPL.6PALETTES SPEEDY S	SAATGUTAUS.6SCH.KOMPL.SPEEDY S	DISTR.COMPL.6PALETAS SPEEDY SE
8	G16670330	TONDO D.10X1030	ROUND D.10X1030			
9	F01410034	ROS.M6 6,4X12,5X1,6 U6592 IX	WASHER M6 6,4X12,5X1,6 U6592			
10	F01200233	DADO M6X1 U5588 A2IX	NUT M6X1 U5588 A2IX	ECROU M 6X 1 U5588 I	MUTTER M 6X 1 U5588	TUERCA M 6X 1 U5588
11	G19003670	MANOPOLA SPEEDY SET	SPEEDY HANDLE SET	POIGN+E SPEEDY SET	GRIFF SPEEDY SET	EMPUGADURA SPEEDY SET
12	F01020417	VITE M6X1X12 U5739 A2IX	SCR. M6X1X12 U5739 A2IX	VIS M6 X1 X12 U5739 A2 IX	SCHRAUBE M6X1X12 U5739 A2 IX	TORNILLO M6X1 X12 U5739 A2 IX
13	G65336055	MOLLA SPEC.REGOL.SPAND. SP	SPEC SPRING MAN. SPR. ADJUSTM.	RESSORT SPEC. REGL. EP. ENTRA	SPEZIALFEDER STREUEREINSTELLUN	MUELLE ESPEC. REGUL. ABONADORA
14	G19003710	GHIERA REGOLAZIONE DX	RIGHT ADJUSTMENT KNURLED	BAGUE REGLAGE DROITE	EINSTELLMUTTER RE	CONTRATUERCA REGULACIN DER.
15	G16670310	SUPPORTO MOLLA REGOLATORE	ADJ.SPRING SUPPORT			
16	G19003720	GHIERA REGOLAZIONE SX	LEFT ADJUSTMENT KNURLED NUT	MANCHON DE REGLAGE GCH	EINSTELLMUTTER LINKS	ROSCA REGULACION IZQUIERDA
17	G19003700	COPERCHIO SPEEDY SET	COVER SPEEDY SET	COUVERCLE SPEEDY SET	DECKEL SPEEDY SET	TAPA SPEEDY SET
18	G19003610	DOSATORE 6 PALE	DISTRIBUTOR ROTOR 6 GROOVES	ROTOR DOSEUR 6 FERTI	DOSIERER KOMPL.6 ZELLEN	DOSIFICADOR COMPL.6 SECTOR
19	G66248176	CORPO DISTR.SPAND. SP	MANURE SPREADER DISTR. CASING	CORPS DISTRIB. EP. ENGRAIS SP	VERTEILUNGSKTRPER STREUER SP	CUERPO DISTR. ABON. SP
20	G20860126	KIT INGR DISTR CONCIME (2+2)	KIT- MAN. DISTR. GEARS (2+2)	COUPLE CON DISTR ENGRAIS (2+2)	KIT ZAHNRZDER DsNGERSTREUER	SET ENGRANAJES DISTRIB. ABONO
21	G20970097	RONDELLA 32X3X4,5	WASHER 32X3X4-5	RONDELLE 32X3X4-5	UNTERLEGSCHEIBE 32X3X4-5	ARANDELA 32X3X4-5
22	F01070075	VITE A4,2X1,41X38 U6954 4.8NI	SCR. H4,2X1,41X38 U6954 4.8NI	VIS 4-2X38 DIN 7981	SCHRAUBE 4-2X38 DIN 7981	TORNILLO 4-2X38 DIN 7981
23	G65336062	MOLLA SPEC.SCIV.DISTR.SPAND.SP	SPEC SPRING - MAN. SPR. DISTR.	RESS. SPEC. LANCOIR DISTR. EP.	SPEZ.FEDER RUTSCHE SZAPP. STRE	MUELLE ESPEC.PLANO INCL.DISTR.
24	G66248178	SCIVOLO DISTR.SPAND. SP	CHUTE- MANURE-SPREADER DISTRIB	LANCOIR DISTRIBUTION EP. ENGR.	DsNGERSTREUER RUTSCHE SP	PLANO INCLINADO DISTR. ABON. S
25	G65336025	MOLLA SPEC.ZN STRINGIT.ASP.SP	SPEC SPRING ZN FAN . PIPE CLAM	RESSORT SPEC. ZN SERRE-TUBE AS	SPEZIALFEDER ZN RORHSCHELLE AB	MUELLE ESPEC. ZN APRIETA TUBOS
26	F01070011	VITE A4,2X1,41X9,5 U6950 4.8NI	SCR. H4,2X1,41X9,5 U6950 4.8NI	VIS AUTOTAR. 4-2X9-5 T. E. COU	SELBSTSCHNEID. SCHRAUBE 4-2X9-	TORNILLO AUTORROSC. 4-2X9-5
27	G19002850	PROTEZIONE PIGNONE	PINION GUARD	PROTECTION PIGNON	RITZELSCHUTZ	PROTECCIN PI¼N PR
28	F01080032	VITE M4X0,7X10 U7688 A2IX	SCR. M4X0,7X10 U7688 A2IX	VIS M4X 0,7X10 U7688 A2 IX	SCHRAUBE M4X 0,7X10 7688 A2 IX	TORNILLO M4X0.7X10 U7688 A2 IX



TRASMISSIONE SPANDICONCIME

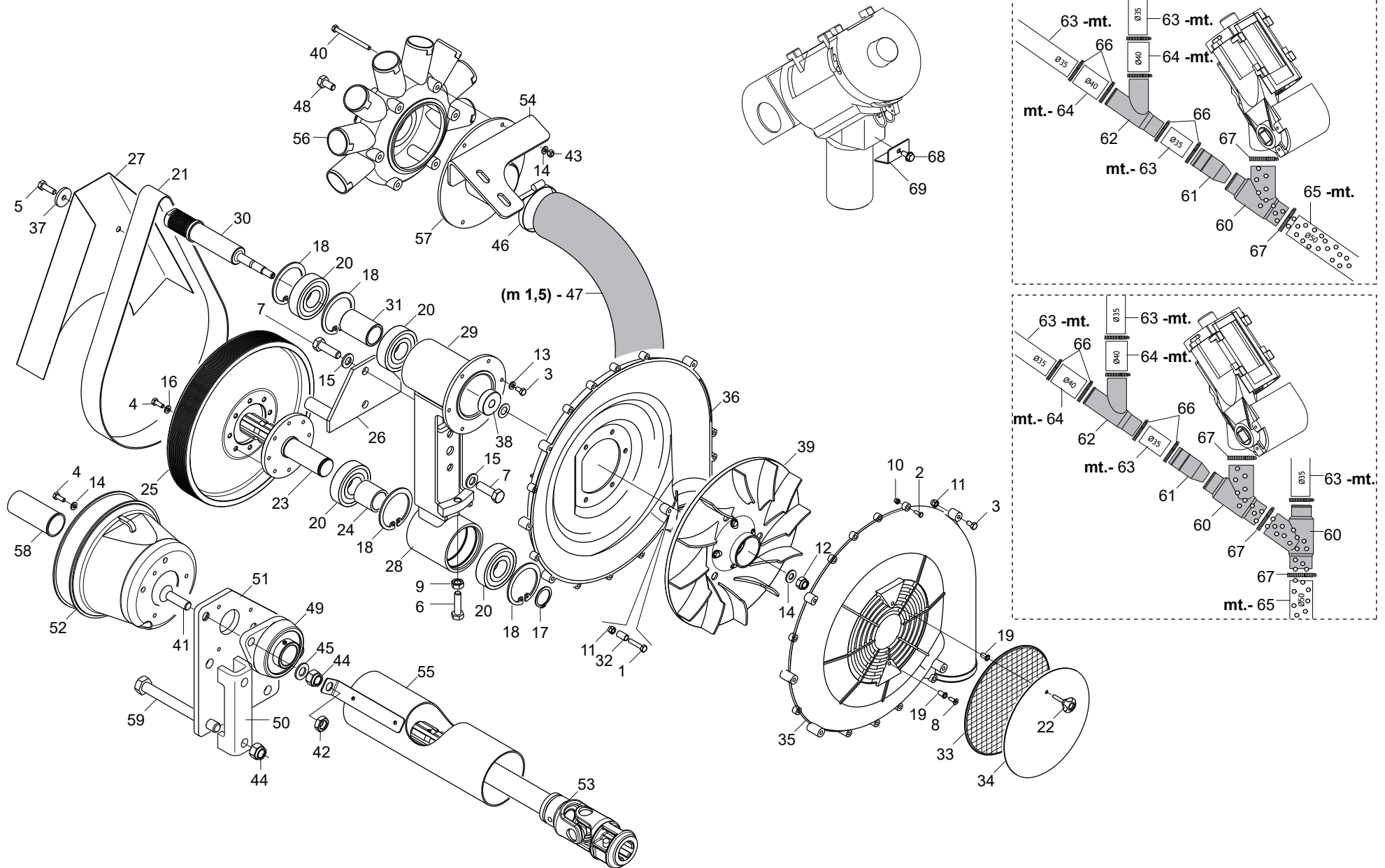
TAV. 081

Pos.	Cod.	Descrizione	Description	Description	Benennung	Descripcion
1	G13732800	SUPPORTO RUOTA DENTATA	GEAR SUPPORT			
2	G13732720	SUPPORTO SUP.TRASMISSIONE	UPPER TRANSPM.SUPPORT			
3	G66248051	BOCCOLA FORO QUADRO CORTA SP	BUSHING- SHORT SQUARE HOLE SP			
4	G23440229	ASSE INGRANAGGI HL/2	GEAR SPINDLE HL/2	BOITE TROU CARRE COURTE SP	BsCHSE MIT VIERKANTLOCH KURZ	CASQUILLO ORIFICIO CUADRADO CO
5	G18701650	RONDELLA FORO QUADRO ZN	WASHER 16,5X30X2,5 ZN	AXE ENGRENAGES HL/2	ZAHNRZDERACHSE HL/2	EJE ENGRANAJES HL/2
6	G20900041	PIGNONE Z24 1/2X3/16 Q.16,4 ZN	GEAR 1/2 Z-24 F.Q. HL	RONDELLE 16,5X30X2,5 ZN	UNTERLEGSCHIEBE 16,5X30X2,5 ZN	ARANDELA 16,5X30X2,5 ZN
7	G22250007	INGR.CON MOZZO 1/2 Z-20 SV	GEARS- W/ HUB 1/2 Z-20 SV	ENGRENAGE 1/2 Z-24 TROUS CARRE	ZAHNRAD 1/2 Z-24 F.Q. HL	ENGRANAJE 1/2 Z-24 F.Q. HL
8	G66248218	RONDELLA DISTAN.SPANDI	MAN. SPR. SPACER WASHER	ENGRENAGE 1/2 Z-20	ZAHNRAD MIT NABE 1/2 Z-20 SV	ENGRAN.CON PERNO 1/2 Z-20 SV
9	G23440225	MOZZO FLANGIATO HL/2	FLANGED HUB HL/2	RONDELLE ENTRETOISE EP. ENGRAI	ABSTANDSCHEIBE DsNGERSTREUER	ARANDELA DISTAN.ABONAD.
10	F01020436	VITE M8X1,25X20 U5739 8.8ZN	SCR. M8X1,25X20 U5739 8.8ZN	MOYEU BRIDE HL/2	GEFLANSCHTE NABE HL/2	CUBO BRIDADO HL/2
11	F01410051	ROS.M8 8,4X 17X1,6 U6592 ZN	WASHER M8 8,4X17X1,6 U6592 ZN	VIS M8X1,25X20 U5739 8.8 ZN	SCHRAUBE M8X1,25X20U5739 8.8ZN	TORN. M8X1,25X20 U5739 8.8 ZN
12	F01240024	DADO M8X1,25 U5448 5.8ZN	NUT M8X1,25 U5448 5.8ZN	RONDELLE M8 8,4X17X1,6 U6592ZN	SCHIEBE M8 8,4X17X1,6 U6592 ZN	ARANDELA M8 8,4X17X1,6 U6592ZN
13	G13732780	DISTANZIALE MOZZO ZN	HUB SPACER GAL.ED	ECROU 8 UNI 5448 5.8 ZN	MUTTER 8 UNI 5448 5.8 ZN	TUERCA 8 UNI 5448 5.8 ZN
14	F02250682	INSERTO FIL.M 8X16 ZN T.RIDOTT	CYLINDRICAL NUT 8X16 ZG T.RIDO	ECROU CYLINDRIQUE 8X16 ZG T.RI	ZYLINDRISCHE MUTTER 8X16 ZG	TUERCA CILINDRICA 8X16 ZG T.RI
15	F01100011	ING.M 6X1 7663-A 9SMNPB28 ZN	INGREASE NIPPLE M6X1 7663-A ZN	GRAISS. A BILLE M6X1 7663A ZN	SCHMIERBUECHE M6X1 7663-A ZN	ENGRAS. DE ESFE. M6X1 7663-AZN
16	F02200227	COPIGLIA 5X30 U1336 ZN	PIN 5X30 U1336 ZN			
17	G13731511	BRACCIO SUPERIORE	SUPERIOR ARM	BRAS	ARM	BRAZO
18	F01020166	VITE M12X1,75X80 U5737 8.8ZN	SCR. M12X1,75X80 U5737 8.8ZN	VIS M12X1,75X80 U5737 8.8ZN	SCHRA. M12X1,75X80 U5737 8.8ZN	TORN. M12X1,75X80 U5737 8.8ZN
19	G23440227	DISTANZIALE BRACCI SUP. HL/2	UPPER ARM SPACER HL/2	ENTRETOISE BRAS SUP. HL/2	DISTANZSTsCK OB. ARME HL/2	DISTANCIADOR BRAZOS SUP. HL/2
20	F01200448	DADO M12X1,75 D980 8ZN	NUT M12X1,75 D980 8ZN	ECROU M12X1,75 D980 8 ZN	SCHIEBE M12X1,75 D980 8 ZN	TUERCA M12X1,75 D980 8 ZN
21	F01020077	VITE M8X1,25X60 U5737 8.8ZN	SCR. M8X1,25X60 U5737 8.8ZN	VIS M8X1,25X60 U5737 8.8 ZN	SCHRAU. M8X1,25X60 U5737 8.8ZN	TORN. M8X1,25X60 U5737 8.8 ZN
22	G66248207	TENDICATENA SPAND. SP-520	CHAIN TENSIONER	TENDEUR DE CHAINE EPAND. ENGR.	KETTENSPANNER DsNGERSTR. SP-520	TENSOR DE CADENA ABON. SP-520
23	F01020445	VITE M8X1,25X30 U5739 8.8ZN	SCR. M8X1,25X30 U5739 8.8ZN	VIS M 8X1,25X30 U5739 8.8 ZN	SCHRAU, M8X1,25X30 U5739 8.8ZN	TORN. M8X1,25X30 U5739 8.8 ZN
24	G13731351	CARTER	PROTECTION			
25	G22220083	RONDELLA AD IMBOCCO	LEAD-IN WASHER	RONDELLE EMBOUTIE	TRICHTERSCHIEBE	ARANDELA DE MUESCA
26	F01240024	DADO M8X1,25 U5448 5.8ZN	NUT M8X1,25 U5448 5.8ZN	ECROU 8 UNI 5448 5.8 ZN	MUTTER 8 UNI 5448 5.8 ZN	TUERCA 8 UNI 5448 5.8 ZN
27	G13732810	CARTER LUNGO TRASMISSIONE	LONG CARTER TRANSMISSION			
28	G13732580	PROTEZIONE POSTERIORE HI	REAR GUARD HI			
29	F01430059	ROS.M8 8,4X 15X0,8 U8842J ZN	WASHER M8 8,4X15X0,8 U8842J ZN	ROND. M8 8,4X 15X0,8 U8842J ZN	SCHEIBE M8 8,4X15X0,8 U8842JZN	ARAND. M8 8,4X15X0,8 U8842J ZN
30	F06080065	CATENA 1/2 ISO 083 122 MAGLIE	CHAIN 1/2 ISO 083 122-LINKS	CHAINE 1/2 ISO 083 122 MAILLES	KETTE 1/2 ISO 083 122 GLIEDER	CADENA 1/2 ISO 083 122 ESLABLNL
31	F02100141	SPINA E.P. 8X 36 U6873 C70 BR	PIN EL. 8X 36 U6873 C70 BR	FICHE EL. 8X 36 U6873 C70 BR	SPANNSTIFT 8X 36 U6873 C70 BR	CLAVIJA EL. 8X 36 U6873 C70 BR
32	F02100314	SPINA EL.5 X36 DIN 1481 INOX	PIN EL.5 X36 DIN 1481 INOX			
33	G13730270	RUOTA CON PERNO SCENTRATO	WHEEL W/NO CENTERED PIN			
34	G13730260	RUOTA CON PERNO CENTRATO	WHEEL W/ CENTERED PIN			
35	F06080036	CATENA 1/2 ISO 083 72 MAGLIE	CUT-DOWN CHAIN .1/2 ISO 083 72	TR. CH.1/2 ISO 083 72 MAILLES	KETTENZNGE 1/2 ISO 083 72 GL	TRECHO CADENA 1/2 ISO 083 72 E
36	F01020221	VITE M14X2X140 U5737 8.8BR	SCR. M14X2X140 U5737 8.8BR	VIS M 14 X140 5737 8.G	SCHRAUBE M 14 X140 5737 8.G	TORNILLO M 14 X140 5737 8.G
37	F01230073	DADO M14X2 D982 8ZN	SELF LOCK NUT M14X2 D982 8ZN	ECROU AUTOBL. M14X2 D982 8ZN	SELBSTSP.MUTT. M14X2 D982 8ZN	TUERCA AUTOBL. M14X2 D982 8ZN
38	G13731161	BRACCIO	ARM			
39	G13732550	BOCC.PAR.SINT.12,25X28 L.13	BUSHING	BOITE	BsCHSE	CASQUILLO
40	F01020164	VITE M12X1,75X70 U5737 8.8ZN	BOLT M12X1,75X70 U5737 8.8ZN	VIS M12X1,75X70 U5737 8.8 ZN	SCHR. M12X1,75X70 U5737 8.8 ZN	TORN. M12X1,75X70 U5737 8.8 ZN
41	G13732760	SUPPORTO INF.TRASMISSIONE	LOWER SUPP.TRANS.			
42	G23440249	DISTANZ.BRACCI INF. HL/2	LOWER ARM SPACER HL/2	ENTRETOISE BRAS INF. HL/2	DISTANZSTsCK ARME UNTEN HL/2	DISTANC. BRAZOS INF. HL/2
43	G13732440	ASSE RUOTA SINGOLA-DOPPIA	SINGLE-DOUBLE WHEEL SHAFT	AXE ROUE SIMPLE-DOUBLE	RADACHSE EINZEL-DOPPELT	EJE RUEDA SENCILLA-DOBLE
44	G13730940	PIGNONE Z12 1/2-3/16 D.25 ZN	PINION Z12 1/2-3/16 D.25 ZN			
45	G13732530	DISTANZIALE ZN	SPACER	ENTRETOISE	DISTANZSTsCK	DISTANCIADOR
46	F01020086	VITE M8X1,25X80 U5737 8.8ZN	SCR. M8X1,25X80 U5737 8.8ZN	VIS M8X1X80	SCHRAUBE M8X1X80	TORNILLO M8X1X80
47	F01020090	VITE M8X1,25X100 U5737 8.8ZN	SCR. M8X1,25X100 U5737 8.8ZN	VIS M8X1,25X100 U5737 8.8ZN	SCRAU. M8X1,25X100 U5737 8.8ZN	TORN. M8X1,25X100 U5737 8.8ZN
48	F01200244	DADO M8X1,25 U5588 6.8ZN	NUT M8X1,25 U5588 6.8ZN	ECROU M8 X1,25 U5588 6.8 ZN	MUTTER M8 X1,25 U5588 6.8 ZN	TUERCA M8 X1,25 U5588 6.8 ZN
49	G18701470	RONDELLA 9X48X4 SC.ZN	WASHER 9X48X4 SC.GALV.ED			
50	G66248207	TENDICATENA SPAND. SP-520	CHAIN TENSIONER	TENDEUR DE CHAINE EPAND. ENGR.	KETTENSPANNER DsNGERSTR. SP-520	TENSOR DE CADENA ABON. SP-520
51	F01440079	ROND.RASAM.26,2X34,8X0,5 IX	WASHER D.26,2X34,8X0,5	RONDELLE D.26,2X34,8X0,5	UNTERLEGSCHIEBE D.26,2X35X0,5	ARANDELA D.26,2X34,8X0,5
52	F02200243	COPIGLIA 6X30 U1336 ZN	SPLIT PIN 6 X30 1336 GALVAN.	GOUPILLE 6 X30 1336 ZN	SPLINT 6 X30 1336 ZN	PASADOR 6 X30 1336 ZN
53	G20970029	RONDELLA 9X35X4	WASHER 9X35X4	RONDELLE 9X35X4	UNTERLEGSCHIEBE 9X35X4	ARANDELA 9X35X4
54	F04010134	CUSC.D25 D47 B12 6005 2Z	BEARING D25 D47 B12 6005 2Z	PALIER 6005 2Z	LAGER 6005 2Z	COJINETE 6005 2Z
55	G15413010	SPINA 15X62 ZN	PIN 15X62 ZN	GOUPILLE 15X62 ZN	BOLZENSTIFT 15X62 ZN	PASADOR 15X62 ZN
56	G16033760	BUSSOLA ACCOPIATORE	BUSH	DOUILLE	BUCHSE	CASQUILLO
57	F01040085	VITE M8X1,25X12 U5931 A2IX	SCR. M8X1,25X12 U5931 A2IX	VIS M8X1,25X12 U5931 IX A2	SCHRAUBE M8X1,25X12 U5931 IX	TORNIL. M8X1,25X12 U5931 IX A
58	F01020172	VITE M12X1,75X110 U5737 8.8ZN	SCR. M12X1,75X110 U5737 8.8ZN	VIS M12X1,75X110 U5737 8.8ZN	SCHRA.M12X1,75X110 U5737 8.8ZN	TORN.M12X1,75X110 U5737 8.8ZN
59	F01200293	DADO M12X1,75 U5588 6.8ZN	NUT M12X1,75 U5588 6.8ZN	ECROU M12X1,75 U5588 6.8 ZN	MUTTER M12X1,75 U5588 6.8 ZN	TUERCA M12X1,75 U5588 6.8 ZN
60	G65337040	MOLLA TRAZ.ELEMENTO MT600	TRACTION SPRING MT600	RESSORT TRACT. ELEMENT MT600	ZUGFEDER ELEMENT MT600	MUELLE TRACC. ELEMENTO MT600
61	G20970035	RONDELLA 32X4X13	WASHER 32X4X13	RONDELLE 32X4X13	UNTERLEGSCHIEBE 32X4X13	ARANDELA 32X4X13
62	F01020493	VITE M10X1,5X100 U5739 8.8ZN	SCR. M10X1,5X100 U5739 8.8ZN	VIS 10X100 5739 8.G ZN	SCHRAUBE 10X100 5739 8.G ZN	TORNILLO 10X100 5739 8.G ZN
63	G20970012	RONDELLA 32X4X11	WASHER 32X4X11	RONDELLE 32X4X11	UNTERLEGSCHIEBE 32X4X11	ARANDELA 32X4X11
64	F01200270	DADO M10X1,5 U5588 6.8ZN	NUT M10X1,5 U5588 6.8ZN	ECROU M10X 1,5 U5588 6.8 ZN	MUTTER M10X 1,5 U5588 6.8 ZN	TUERCA M10X 1,5 U5588 6.8 ZN
65	F01220033	DADO M10X1,5 D980 8ZN	NUT M10X1,5 D980 8ZN	ECROU M10X1,5 D980 8ZN	MUTTER M10X1,5 D980 8ZN	TUERCA M10X1,5 D980 8ZN



INNESTO-DISINNESTO TRASMISSIONE FILE ESTERNE
TAV. 090

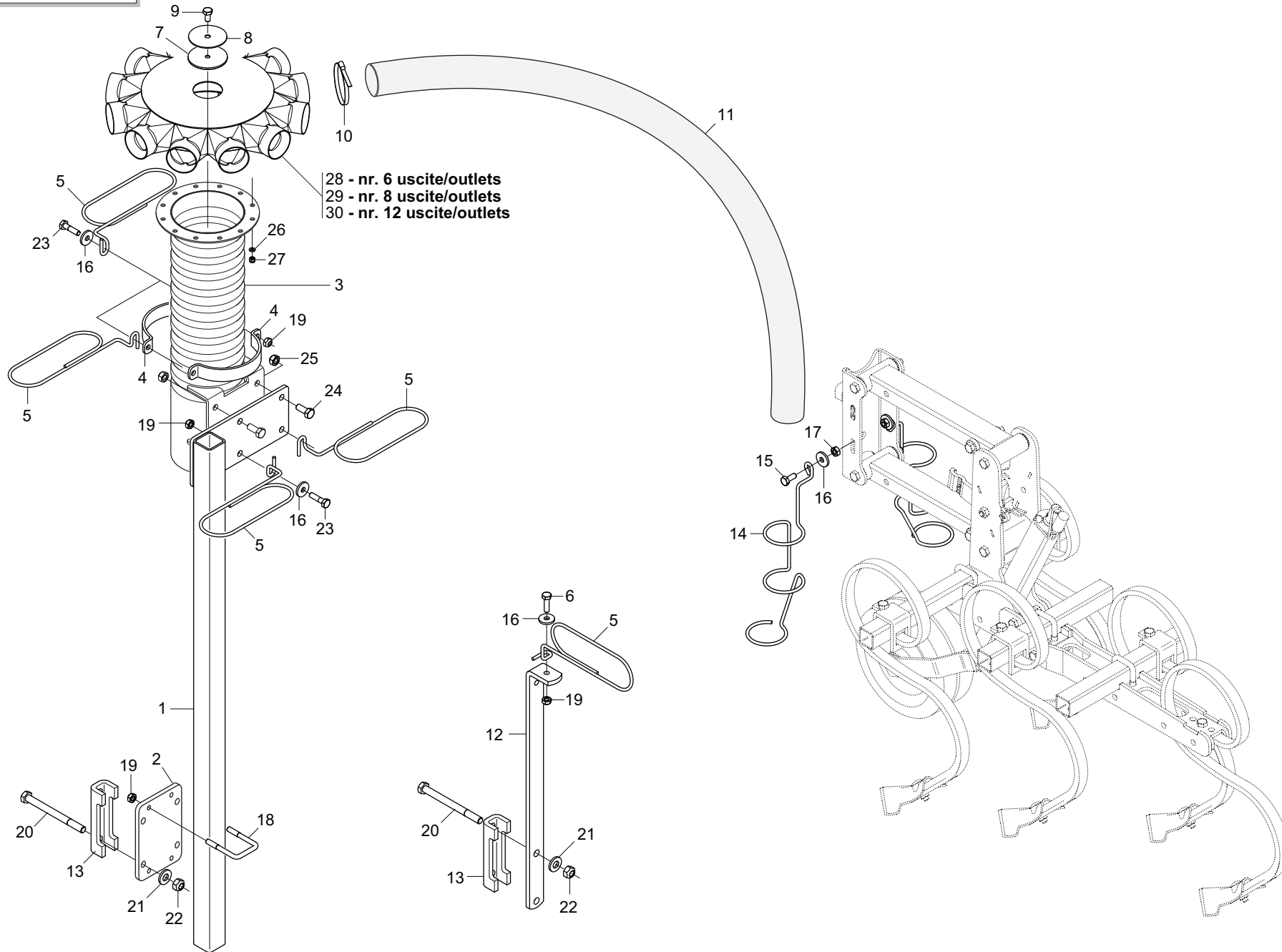
Pos.	Cod.	Descrizione	Description	Description	Benennung	Descripcion
1	G13732670	SUPPORTO INNESTI	CLUTCH SUPPORT			
2	G13732260	PIASTRA DI UNIONE	COUPLING PLATE	PLAQUE D'UNION	VERBINDUNGSPLATTE	PLACA DE UNIÓN
3	G13732840	LEVA DISINNESTO HS	DISENGAGE LEVER HS			
4	G13732850	SPESSORE LEVE ZN	LEVER SPACER GALV.ED			
5	G13732880	BRACCIO SUPPORTO RULLO 8F	ARM ROLLER SUPPORT 8R			
6	G13831400	RULLO TENDICATENA	CHAIN TIGHTENER ROLLER	ROULEAU TENDEUR DE CHAINE	ROLLE KETTENSANNER	RODILLO TENSOR DE LA CADENA
7	G13732900	ATTACCO MOLLA REGOLABILE ZN	ADJ.SPRING HITCH			
8	G22230086	SUPPORTO CUSCINETTO TAGLIATO	CUT BEARING SUPPORT	SUPPORT PALIER COUPE	HALTERUNG LAGER MIT SCHNITT	SOPORTE COJINETE CORTADO
9	G13732290	INNESTO INTERNO ZN	GALVAN.INTERNAL COUPLING	ACCOUPLLEMENT INTERNE ZN	KUPPLUNG INNERE ZN	ACOPLAMIENTO INTERIOR ZN
10	G13732320	INNESTO ESTERNO ZN	GALVAN.OUTER COUPLING	ACCOUPLLEMENT EXT.ZN	KUPPLUNG AUSSEN ZN	ACOPLAMIENTO EXTERIOR ZN
11	G23440548	ANELLO GUIDA INNESTO HL/ID	CONNECTOR GUIDE RING HL/ID	BAGUE GUIDE-ACCOUPLLEMENT HL/ID	KUPPLUNGSFÜHRUNGSRING HL/ID	ANILLO GUA DEL ACOPLAMIENTO HI
12	G18900381	MOLLA COMP.ZN SPINGIDISCO	SPRING			
13	G13732380	SUPPORTO INNESTO ESTERNO ZN	EXT. COUPLING SUPPORT ZN	SUPPORT ACCOUP. EXT. ZN	HALTERUNG ZUSSERE KUPPLUNG ZN	SOPORTE ACOPL. EXTERIOR ZN
14	F04010134	CUSC.D25 D47 B12 6005 2Z	BEARING D25 D47 B12 6005 2Z	PALIER 6005 2Z	LAGER 6005 2Z	COJINETE 6005 2Z
15	F02050101	ANELLO E. DE 25X 1,2 U7435 C70	SEEGER RING E. 25X1,2 7435 C70	SEEGER E. 25X 1,2 U7435 C70	SEEGERING E. 25X 1,2 U7435 C70	ANILLO E. 25X 1,2 U7435 C70
16	F02050619	ANELLO E. DE 32X 1,5 U7435 C70	EXT. RING DE 32X 1,5 U7435 C70			
17	F01020432	VITE M8X1,25X16 U5739 8.8ZN	SCR. M8X1,25X16 U5739 8.8ZN	VIS M8 X1,25X16 U5739 8.8 ZN	SCHRAUBE M8X1,25X16U5739 8.8ZN	TORNILLO M8X1,25X16U5739 8.8ZN
18	F01020445	VITE M8X1,25X30 U5739 8.8ZN	SCR. M8X1,25X30 U5739 8.8ZN	VIS M 8X1,25X30 U5739 8.8 ZN	SCHRAU, M8X1,25X30 U5739 8.8ZN	TORN. M8X1,25X30 U5739 8.8 ZN
19	F01020072	VITE M8X1,25X50 U5737 8.8ZN	SCR. M8X1,25X50 U5737 8.8ZN	VIS M8X1,25X50 U5737 8.8 ZN	SCHR. M8X1,25X50 U5737 8.8 ZN	TORN. M8X1,25X50 U5737 8.8 ZN
20	F01020182	VITE M12X1,75X160 U5737 8.8BR	SCR. M12X1,75X160 U5737 8.8BR	VIS 12X160 5737 8.G	SCHRAUBE 12X160 5737 8.G	TORNILLO 12X160 5737 8.G
21	F01410051	ROS.M8 8,4X 17X1,6 U6592 ZN	WASHER M8 8,4X17X1,6 U6592 ZN	RONDELLE M8 8,4X17X1,6 U6592ZN	SCHIBE M8 8,4X17X1,6 U6592 ZN	ARANDELA M8 8,4X17X1,6 U6592ZN
22	F01200244	DADO M8X1,25 U5588 6.8ZN	NUT M8X1,25 U5588 6.8ZN	ECROU M8 X1,25 U5588 6.8 ZN	MUTTER M8 X1,25 U5588 6.8 ZN	TUERCA M8 X1,25 U5588 6.8 ZN
23	F01220022	DADO M8X1,25 D980 8ZN	NUT M8X1,25 D980 8ZN	ECROU M8X 1,25 D980 8 ZN	MUTTER M8X 1,25 D980 8 ZN	TUERCA M8X 1,25 D980 8 ZN
24	F01200293	DADO M12X1,75 U5588 6.8ZN	NUT M12X1,75 U5588 6.8ZN	ECROU M12X1,75 U5588 6.8 ZN	MUTTER M12X1,75 U5588 6.8 ZN	TUERCA M12X1,75 U5588 6.8 ZN
25	G65337007	MOLLA TRAZ.ATT.3 PUNTI 12 F SP	TRACTION COUPLING SPRING 3 POI	RESSORT TRACT. ATTELAGE 3 POIN	ZUGFEDER 3 PUNKTE KUPPLUNG 12	MUELLE TRAC. CONEX. 3 PUNTOS 1
26	G13732890	BRACCIO SUPPORTO RULLO 6F	ARM ROLLER SUPPORT 6R			
27	F01420048	ROS.M8 8,4X 24X 2 U6593 ZN	WASHER M8 8,4X 24X2 U6593 ZN	RONDELLE M8 8,4X24X 2 U6593 ZN	SCHEIBEN M8 8,4X24X 2 U6593 ZN	ARANDELA M8 8,4X 24X2 U6593 ZN



CONCIMAZIONE PNEUMATICA

TAV. 101

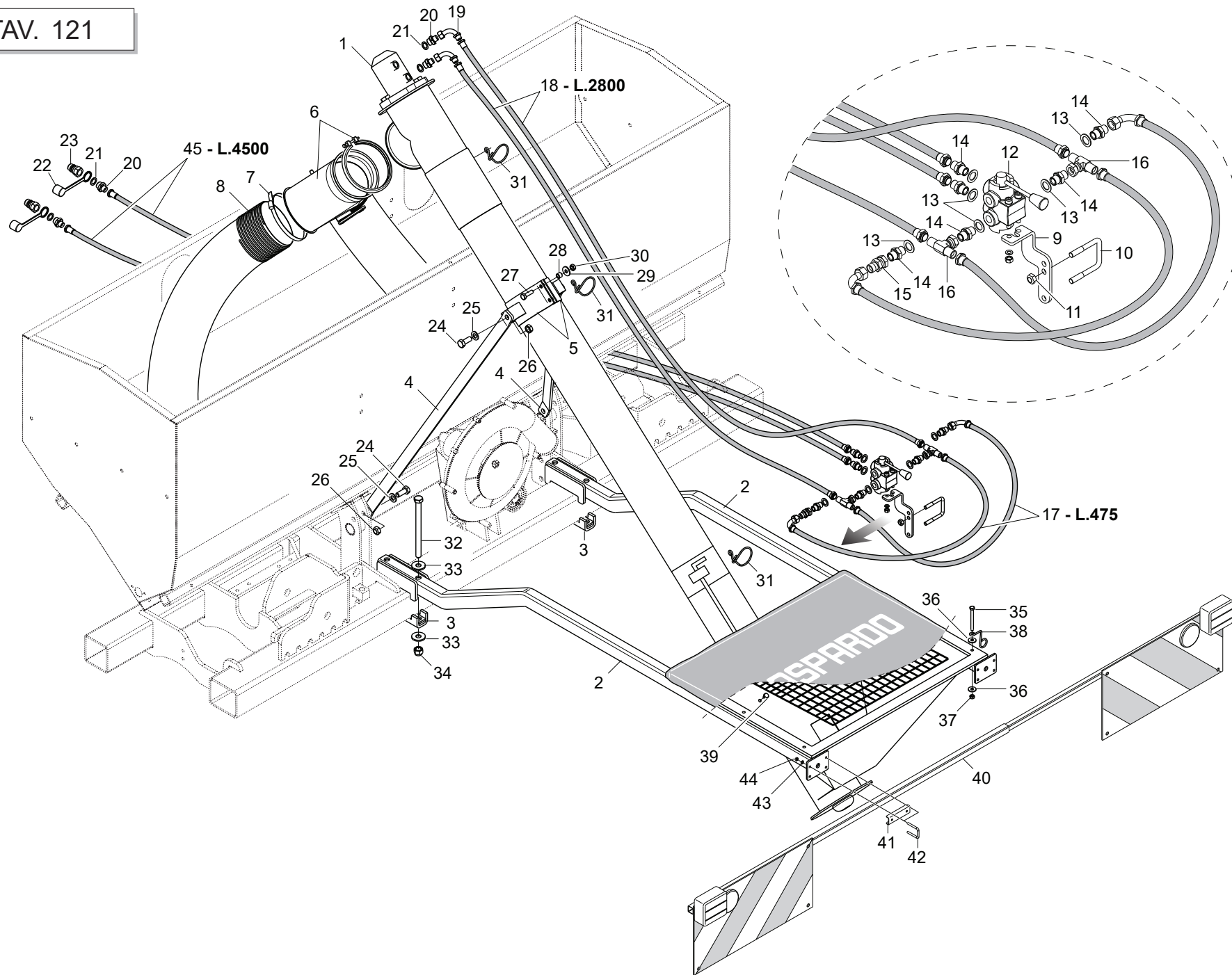
Pos.	Cod.	Descrizione	Description	Description	Benennung	Descripcion
1	F01020037	VITE M6X1X30 U5737 8.8ZN	SCR. M6X1X30 U5737 8.8ZN	VIS M6X1X30 U5737 8.8ZN	SCRAU. M6X1X30 U5737 8.8ZN	TORN. M6X1X30 U5737 8.8ZN
2	F01020362	VITE M4X0,7X12 U5739 8.8ZN	SCR. M4X0,7X12 U5739 8.8ZN	VIS 4X12 5739 8.G ZN	SCHRAUBE 4X12 5739 8.G ZN	TORNILLO 4X12 5739 8.G ZN
3	F01020398	VITE M6X1X12 U5739 8.8ZN	SCR. M6X1X12 U5739 8.8ZN	VIS M6X 1X12 U5739 8.8 ZN	SCHRAUBE M6X 1X12 U5739 8.8 ZN	TORNILLO M6X 1X12 U5739 8.8 ZN
4	F01020403	VITE M6X1X16 U5739 8.8ZN	SCR. M6X1X16 U5739 8.8ZN	VIS M6X1X16 U5739 8.8 ZN	SCHRAUBE M6X1X16 U5739 8.8 ZN	TORNILLO M6X1X16 U5739 8.8 ZN
5	F01020440	VITE M8X1,25X25 U5739 8.8ZN	SCR. M8X1,25X25 U5739 8.8ZN	VIS M8X1,25X25 U5739 8.8 ZN	SCHRAUBE M8X1,25X25 U5739 8.8 ZN	TORNIL. M8X1,25X25 U5739 8.8 ZN
6	F01020483	VITE M10X1,5X40 U5739 10.9ZD	SCR. M10X1,5X40 U5739 10.9ZD	VIS M10X1,5X40 U5739 10.9 ZD	SCHRA. M10X1,5X40 U5739 10.9 ZD	TORN. M10X1,5X40 U5739 10.9 ZD
7	F01020528	VITE M12X1,75X40 U5739 10.9ZD	BOLT M12X1,75X40 U5739 10.9ZN	VIS M12X1,75X40 U5739 10.9 ZN	SCHR. M12X1,75X40 U5739 10.9 ZN	TORN. M12X1,75X40 U5739 10.9 ZN
8	F01080044	VITE M5X0,8X14 U7688 4.8ZN	SCR. M5X0,8X14 U7688 4.8ZN	VIS 5 X14 7688 ZN	SCHRAUBE 5 X14 7688 ZN	TORNILLO 5 X14 7688 ZN
9	F01200270	DADO M10X1,5 U5588 6.8ZN	NUT M10X1,5 U5588 6.8ZN	ECROU M10X 1,5 U5588 6.8 ZN	MUTTER M10X 1,5 U5588 6.8 ZN	TUERCA M10X 1,5 U5588 6.8 ZN
10	F01230016	DADO M4X0,7 D982 8ZN	NUT M4X0,7 D982 8ZN	ECROU AUTOB. NOR. 4 ZN	SELBSTSP. MUTTER NOR. 4 ZN	TUERCA AUTOB. NOR. 4 ZN
11	F01230022	DADO M6X1 D982 8ZN	NUT M6X1 D982 8ZN	ECROU AUTO-FREIN. M6X1 D982 8ZN	SICHERUNGSMUT. M6X1 D982 8 ZN	TUERCA DE SEGU. M6X1 D982 8 ZN
12	F01230048	DADO M10X1,5 D982 8ZN	NUT M10X1,5 D982 8ZN	ECR. AUTO-FREIN. M10X1,5 D982 ZN	SICHERUNGSMUTT. M10X1,5 D982 ZN	TUERCA SEGURID. M10X1,5 D982 ZN
13	F01410037	ROS.M6 6,4X12,5X1,6 U6592 ZN	WASHER M6 6,4X12,5X1,6 U6592ZN	RONDEL. M6 6,4X12,5X1,6 U6592ZN	SCH. M6 6,4X12,5X1,6 U6592ZN	ARAND. M6 6,4X12,5X1,6 U6592 ZN
14	F01410064	ROS.M10 10,5X 20X 2 U6592 ZN	WASHER M10 10,5X20X2 U6592 ZN	RONDEL. M10 10,5X20X2 U6592 ZN	SCH. M10 10,5X20X2 U6592 ZN	ARANDEL. M10 10,5X20X2 U6592 ZN
15	F01410076	ROS.M12 13X 24X2,5 U6592 ZN	WASHER 12 13X 24X2,5 U6592 ZN	RONDEL. M12 13X24X2,5 U6592 ZN	SCH. M12 13X24X2,5 U6592 ZN	ARANDELA M12 13 X24X2,5 ZN
16	F01430047	ROS.M6 6,4X 11X0,7 U8842J ZN	WASHER D6 DIN 6798 D.INT.GALV.	RONDELLE D6 DIN 6798 D. INT. Z	SCH. M6 6,4X 11X0,7 U8842J ZN	ARANDELA D6 DIN 6798 D.INT.ZN
17	F02050112	ANELLO E. DE 30X 1,5 U7435 C70	SEEEGER RING 30X 1,5 U7435 C70	E. SEEEGER E. 30 X 1,5 U7435 C70	SEEEGERING E. 30X 1,5 U7435 C70	ANILLO E. 30 X 1,5 U7435 C70
18	F02050403	ANELLO E. DI 72X 2,5 U7437 C70	SEEEGER RING E. 72X2,5 U7437 C70	SEEEGER E. 72X 2,5 U7437 C70	SEEEGERING E. 72X 2,5 U7437 C70	ANILLO E. 72X 2,5 U7437 C70
19	F02250679	INSERTO FIL.M 5X12 ZN T.TONDA	CYLINDRICAL NUT 5 TC 30	ECROU CYLINDRIQUE 5 TC 30	ZYLINDRISCHE MUTTER 5 TC 30	TUERCA CILINDRICA 5 TC 30
20	F04010215	CUSC.D30 D72 B19 6306 2RSC3 EX	BEARING D30 D72 B19 6306 2RSC3	PALIER 6306 2RS C3	LAGER 6306 2RS C3	COJINETE 6306 2RS C3
21	F06010158	CINGHIA POLY V 1168 J-16 GOLE	BELT- POLY V J1168 J-16 GOLE	COURROIE POLY-V 1168 J-16 GOR	RIEMEN POLY V J1168 J-16 RILLE	CORREA POLY V J1168 J-16 GARGA
22	F06220034	VOLANTINO M5 X 25 VPA/25	HANDWHEEL M5 X 25 VPA/25	VOLANT M5 X 25 VPA/25	HANDRAD M5 X 25 VPA/25	VOLANTE M5 X 25 VPA/25
23	G22230011	PRESA DI FORZA	POWER TAKE-OFF	PRISE DE FORCE	ABTRIEB	TOMA DE FUERZA
24	G22230010	DISTANZIALE CUSCINETTI	BEARING SPACER	ENTRETOISE PALIERS	DISTANZSTsCK LAGER	DISTANCIADOR COJINETES
25	G22230012	PULEGGIA MOTRICE	DRIVING PULLEY 540	POULIE MOTRICE 540T	ANTRIEBSSCHLEIBE 540	POLEA MOTRIZ 540
26	G23440559	ATTACCO CARTER HL/ID	CASE COUPLING HL/ID	FIXATION CARTER HL/ID	GEHZUSEKUPPLUNG HL/ID	CONEXIN CæRTER HL/ID P
27	G23440554	CARTER PROTEZIONE HL/ID	OUTER PROTECTION CASE	CARTER PROTECTION HL/ID	SCHUTZGEHZUSE HL/ID	CæRTER PROTECCIN HL/ID C
28	G13750290	SUPPORTO PULEGGIA MOTRICE	DRIVE PULLEY SUPPORT			
29	G13750320	SUPPORTO PULEGGIA CONDOTTA	PULLEY SUPPORT			
30	G13750330	ALBERO PULEGGIA CONDOTTA	SHAFT DRIVEN PULLEY			
31	G13750340	DISTANZIALE CUSCIN.PULEGGIA C.	BEARING PULLEY SPACER			
32	G23440562	DISTANZ.GUSCI SOFFIANTE HL/ID	BLOWER SHELL SPACER HL/ID	ENTRETOISE COQUES SOUFFLANTE H	DISTANZSTsCK SCHALEN GELBZSE H	DISTANC. CASCARAS SOPLAD. HL/ID
33	G23440563	GRIGLIA DI PROTEZIONE HL/ID	PROTECT. GRID HL/ID	GRILLE DE PROTECTION HL/ID	SCHUTZGITTER HL/ID	REJILLA DE PROTECCIN HL/ID G
34	G23440564	COPERCHIO CHIUSURA SOFF. HL/ID	BLOWER CLOSING COVER . HL/ID	COUVERCLE FERMETURE SOUFFL. HL	ABSCHLUSSDECKEL GEBL. HL/ID	TAPA CIERRE SOPL. HL/ID
35	G13912460	COPRIVENTOLA LATO SCHIENALE	BACK FAN PROTECTION	PROTECTION ROTOR DOSSIER	RUECKENLAUFRADESCHUTZ	PROTECCIN VENTILADOR RESPALDOP
36	G13912470	COPRIVENTOLA LATO MOTORE	MOTOR FAN PROTECTION	PROTECTION ROTOR MOTEUR	MOTORLAUFRADESCHUTZ	PROTECCIN VENTILADOR MOTOR P
37	G20970032	RONDELLA 32X4X8,5	WASHER 32X4X8-5	RONDELLE 32X4X8-5	UNTERLEGSCH. 32X4X8-5	ARANDELA 32X4X8-5
38	G20980107	BOCCOLA 13X40X12	BUSHING 13X40X12	BOITE 13X40X12	BsCHSE 13X40X12	CASQUILLO 13X40X12
39	G67320001	VENTOLA PLASTICA DISCO L80M8	PLASTIC FAN- DISK L80M8	ROTOR PLASTIQUE DISQUE L80M8	SCH. M6X1X75 U5737 8.8ZN	VENTILADOR PLÆSTICO DISCO L80M
40	F01020048	VITE M6X1X75 U5737 8.8ZN	SCR. M6X1X75 U5737 8.8ZN	VIS M6X1X75 U5737 8.8ZN	SCHRAU. M6X 1X 75 U5737 8.8 ZN	TORNIL. M6X1X75 U5737 8.8ZN
41	F01030133	VITE M14X2X50 U5933 10.9ZD	SCREW M14X2X50 U5933 10.9ZD	VIS M14X2X50 U5933 10.9ZD	SCHRAUBE M14X2X50 U5933 10.9ZD	TORNILLO M14X2X50 U5933 10.9ZD
42	F01200433	DADO M14X2 U5589 6SZN	NUT M14X2 U5589 6SZN	ECROU 14 UNI 5589 6.8 ZN	MUTTER 14 UNI 5589 6.8 ZN	TUERCA 14 UNI 5589 6.8 ZN
43	F01220011	DADO M6X1 D980 8ZN	NUT M6X1 D980 8ZN	ECROU M6X1 D980 8 ZN	MUTTER M6X1 D980 8 ZN	TUERCA M6X1 D980 8 ZN
44	F01230073	DADO M14X2 D982 8ZN	SELF LOCK NUT M14X2 D982 8ZN	ECROU AUTOBL. M14X2 D982 8ZN	SELBSTSP.MUTT. M14X2 D982 8ZN	TUERCA AUTOBL. M14X2 D982 8ZN
45	F01410088	ROS.M14 15X 28X2,5 U6592 ZB	WAS.M14 15X 28X2,5 U6592 ZB	RON.M14 15X 28X2,5 U6592 ZB	SCH.M14 15X 28X2,5 U6592 ZB	ARA.M14 15X 28X2,5 U6592 ZB
46	F02300023	FASCETTA STRING. 80/100 H.8	PIPE CLAMP 80/100 H.8	COLLIER DE SERRAGE 77/95	ROHRSCHELLE 80/100 H.8	ABRAZADERA P. MANGUERA 80/100
47	F03100367	TUBO VULCANO PU R 76	FLEXIBLE PVC PIPE R 76	TUBE FLEXIBLE PVC R 76	76 SCHLAUCH PVC	TUBO FLEXIBLE PVC R 76
48	F03150664	TAPPO MASCHIO 1/8 ESAGONO	1/8 MALE HEXAGON. PLUG	BOUCHON MALE 1/8 HEXAGONAL	GEWINDEPFROPFEN 1/8 SECHSKANT	TAPN MACHO 1/8 HEXÆGONO D
49	F04100139	SUPPORTO FY TB35 TF	SUPPORT FY TB35 TF	SUPPORT FY TB35 TF	HALTERUNG FY TP35 TF	SOPORTE FY TB35 TF
50	G13710561	SCONTRO A U SP.10 2F16,5 118	U-SHAPED PLAT.SP.10 2F16,5 118			
51	G13750260	SUPPORTO PROLUNGA P.D.F.	P.T.O. EXTENSION SUPPORT	SUPP. RALLONGE P.D.F.	HALTERUNG VERLÆNGERUNG P.D.F.	SOPORTE PROLONGACION P.D.F.
52	G13750280	CUFFIA PROTEZIONE CARDANO HI	PROPELLER-SHAFT GAITOR HI	PROTECTEUR CARDAN HI	SCHUTZKASTEN KÄRDAN HI	ENVOLTURA PROTECC. CARDAN HI
53	G13750360	PROLUNGA PDP CON CROCIERA	PDP EXTENSION W-SPYDER			
54	G13750370	PIASTRA SUPPORTO CONVOGLIATORE	SUPP.CONVEYOR PLATE			
55	G13750410	PROTEZIONE PROLUNGA PDP	PDP EXTENTION GUARD			
56	G23440553	CONVOGLIATORE D.35 HL/ID	CONVEYOR- D.35 HL/ID	CONVOYEUR D. 35 HL/ID	FTRDERER D.35 HL/ID	CONDUCTOR D.35 HL/ID
57	G23440551	FLANGIA CONVOGLIATORE HL/ID	CONVEYOR FLANGE HL/ID	BRIDE CONVOYEUR HL/ID	FLANSCH FTRDERER HL/ID	BRIDA CONDUCTOR HL/ID
58	G19002131	PROTEZIONE P.D.P.	PDP GUARD			
59	F01020225	VITE M14X2X160 U5737 8.8BR	SCR. M14X2X160 U5737 8.8BR	VIS M 14 X160 5737 8.G	SCHRAUBE M 14 X160 5737 8.G	TORNILLO M 14 X160 5737 8.G
60	G19003790	CONVOGLIATORE CONCIME 45	CONDUCTOR D.45			
61	G13912101	UGELLO CONCIMAZIONE PNEUMATICA	NOZZLE PNEUMATIC FERTILIZATION			
62	G13912131	RACCORDO CONCIMAZ.PNEUMATICA	UNION PNEUMATIC FERTILIZATION			
63	F03100500	TUBO EOLO 35 PU	TUBE EOLO 35 PU	RACCORD FUMAGE PNEUMATIQUE	ANSCHLUSS PNEUMATISCHE DsNGUNG	UNIN DE ABONO NEUMAT.
64	F03100548	TUBO EOLO PU 40	PIPE OREGON D.40	TUBE EOLO 35 PU	TUBE EOLO 35 PU	TUBO EOLO
65	F03100493	TUBO EOLO PU 52	PIPE OREGON D.40	TUBE SATURNO L D.40	ROHR OREGON D.40	TUBO OREGON D.40
66	F02300020	FASCETTA STRING. 32/50 H.9	EOLO PIPE 50	TUBE EOLO 50	ROHR EOLO 50	TUBO EOLO 50
67	F02300021	FASCETTA STRING. 40/60 H.8	HOSE CLAMP 32/50 H.9			
68	G13723540	PIASTRINA CHIUSURA SCIVOLO IX	STRING FASTEN STRAPS 40/60 H.8	COLLIER DE SERRAGE 40/60 H.8	SCELLE 40/60 H.8	ABRAZADERA 40/60 H.8
69	F01070011	VITE A4,2X1,41X9,5 U6950 4.8NI	CLOSING CHUTE PLATE IX	SCR. H4,2X1,41X9,5 U6950 4.8NI	SELBSTSCHNEID. SCHRAUBE 4-2X9-	TORNILLO AUTORROSC. 4-2X9-5



DISTRIBUZIONE CONCIME CON "FRONT TANK"

TAV. 111

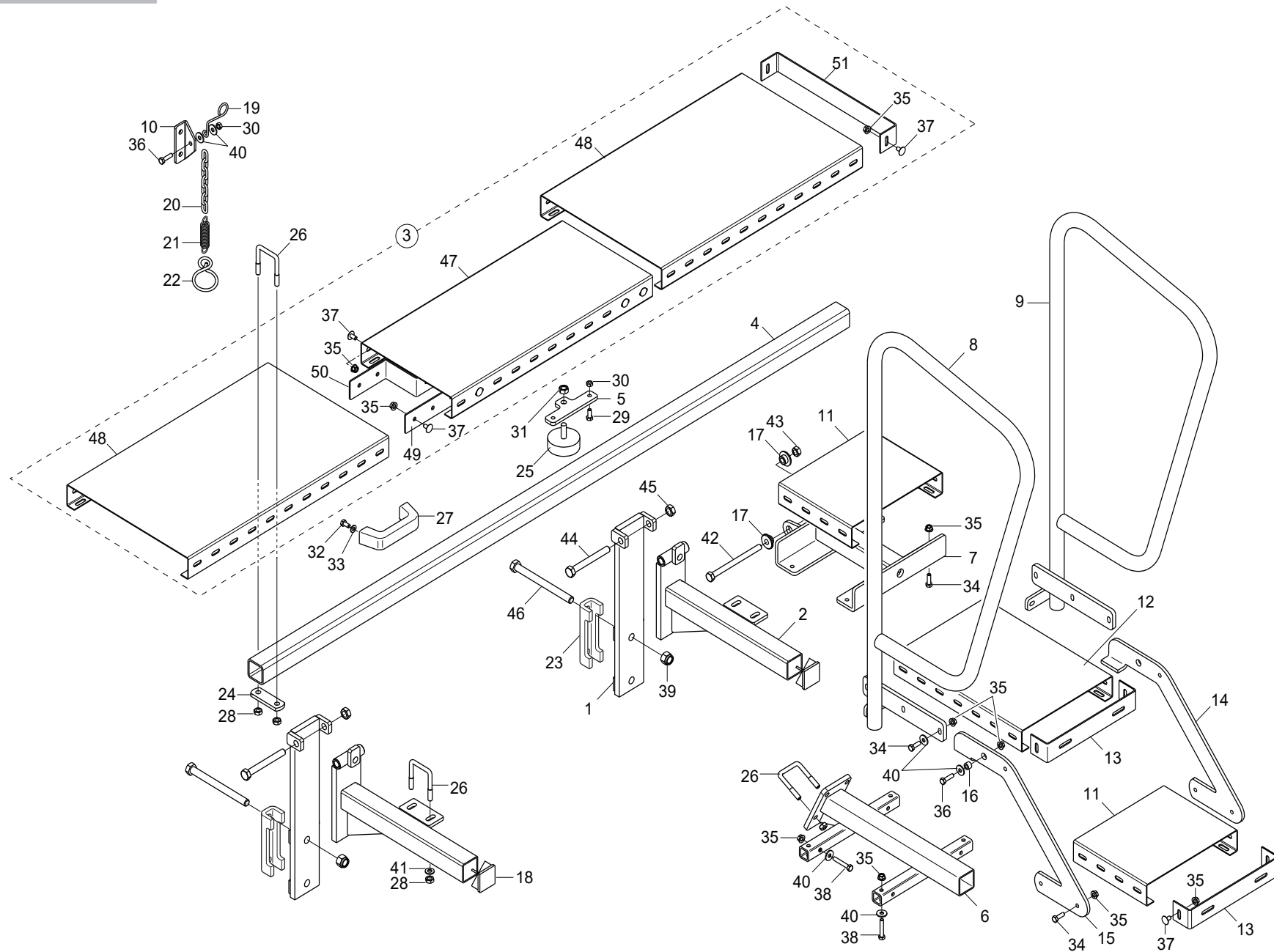
Pos.	Cod.	Descrizione	Description	Description	Benennung	Descrpcion
1	G13617220	SUPPORTO CONVOGLIATORE	CONVEYOR SUPPORT			
2	G13617230	PIASTRA FISS.SUPP.CONVOGLIAT.	FIXING PLATE SUPP.CONVEYOR			
3	G17321661	ASS.TUBO MISCELATORE D150	ASSY MIXER TUBE D150			
4	G16124400	FASCETTA TUBO D.150	STRAP PIPE D.150 ZN	COLLIER SERRAGE TUBE D.150 ZN	ROHRSCHELLE D.150 ZN	ABRAZADERA TUBO D.150 ZN
5	G18904590	MOLLA GUIDA 3 TUBI D71 ZN	GUIDE SPRING 3 PIPE D71 ZN			
6	F01020479	VITE M10X1,5X35 U5739 8.8ZN	SCR. M10X1,5X35 U5739 8.8ZN	VIS M10X1,5X35 U5739 8.8 ZN	SCHR. M10X1,5X35 U5739 8.8 ZN	TORN. M10X1,5X35 U5739 8.8 ZN
7	G16021530	CONO DEVIATORE	CONICAL DEVIATOR	CONE DEVIATEUR	KLOTZ UMLEITHEBEL	CONO DESVIADOR
8	G16021560	TAPPO	CLOSURE TAP	BOUCHON DE FERMETURE	ABSCHLUSSPFROPFEN	TAPN DE CIERRE
9	F01020470	VITE M10X1,5X20 U5739 8.8ZN	SCR. M10X1,5X20 U5739 8.8ZN	VIS M10X1,5X20 U5739 8.8 ZN	SCHRAUBE M10X1,5X20 U5739 ZN	TORNILLOM10X1,5X20 U5739 8.8ZN
10	F02300022	FASCETTA STRING. 50/70 H.9	HOSE CLAMP 50/70 H.9			
11	F03100431	TUBO EOLO 63 PU	PIPE EOLO 63 PU			
12	G13617251	ASTA SUPP.TUBI ESTERNI	SUPPORTING ROD	TIGE SUPPORT	StTZSTANGE	VARILLA SOPORTE
13	G13710561	SCONTRO A U SP.10 2F16,5 118	U-SHAPED PLAT.SP.10 2F16,5 118			
14	G18904640	MOLLA GUIDATUBO D73 ZN	PIPE GUIDE SPRING D73 ZN			
15	F01020472	VITE M10X1,5X25 U5739 8.8ZN	SCR. M10X1,5X25 U5739 8.8ZN	VIS M10X1,5X25 U5739 8.8 ZN	SCHRAUBE M10X1,5X25 U5739 8.8	TORNILLO 10X25 U5739 8.8 ZN
16	G20970012	RONDELLA 32X4X11	WASHER 32X4X11	RONDELLE 32X4X11	UNTERLEGSSCHEIBE 32X4X11	ARANDELA 32X4X11
17	F01200270	DADO M10X1,5 U5588 6.8ZN	NUT M10X1,5 U5588 6.8ZN	ECROU M10X 1,5 U5588 6.8 ZN	MUTTER M10X 1,5 U5588 6.8 ZN	TUERCA M10X 1,5 U5588 6.8 ZN
18	F20110715	CAV.Q.B=50 M=10X1,5 L=80	UBOLTSTRIKER Q.B=50M10X1,5L=80	BUTEE M10X 1,5X 30 61X 80 ZB	ANSCHLAG M10X 1,5X 30 61X 80	EL. DE EMPALME M10X 1,5X 30
19	F01220033	DADO M10X1,5 D980 8ZN	NUT M10X1,5 D980 8ZN	ECROU M10X1,5 D980 8ZN	MUTTER M10X1,5 D980 8ZN	TUERCA M10X1,5 D980 8ZN
20	F01020225	VITE M14X2X160 U5737 8.8BR	SCR. M14X2X160 U5737 8.8BR	VIS M 14 X160 5737 8.G	SCHRAUBE M 14 X160 5737 8.G	TORNILLO M 14 X160 5737 8.G
21	G20970142	RONDELLA 32X4X15,5	WASHER 32X4X15-5	RONDELLE 32X4X15-5	UNTERLEGSSCHEIBE 32X4X15-5	ARANDELA 32X4X15-5
22	F01220255	DADO M14X2 D980 8ZN	NUT M14X2 D980 8ZN	ECROU M14X2 D980 8 ZN	MUTTER M14X2 D980 8 ZN	TUERCA M14X2 D980 8 ZN
23	F01020110	VITE M10X1,5X40 U5737 8.8ZN	SCR. M10X1,5X40 U5737 8.8ZN	VIS M 10X40	SCHRAUBE M 10X40	TORNILLO M 10X40
24	F01020510	VITE M12X1,75X30 U5739 8.8ZN	SCR. M12X1,75X30 U5739 8.8ZN	VIS M12X1,75X30 U5739 8.8ZN	SCHRAU.M12X1,75X30 U5739 8.8ZN	TORN. M12X1,75X30 U5739 8.8ZN
25	F01220048	DADO M12X1,75 D980 8ZN	NUT M12X1,75 D980 8ZN	ECROU M12X1,75 D980 8 ZN	SCHEIBE M12X1,75 D980 8 ZN	TUERCA M12X1,75 D980 8 ZN
26	F01410034	ROS.M6 6,4X12,5X1,6 U6592 IX	WASHER M6 6,4X12,5X1,6 U6592			
27	F01230024	DADO M6X1 D982 A2IX	NUT M6X1 D982 A2IX	ECROU AUTOB.NOR.10	SELBSTSP. MUTTER NOR. 10	TUERCA AUTOB. NOR. 10
28	G17321391	ASS.DISTR. INOX 6U 60° D.63	ASS.DISTR INOX 6U 60° D.63			
29	G17321621	ASS.DISTR. INOX 8U 45° D.63	ASS.DISTR INOX 8U 45° D.63			
30	G17321441	ASS.DISTR. INOX 12U 30° D.63	ASS.DISTR INOX 12U 30° D.63			



COCLEA CARICAMENTO CONCIME

TAV. 121

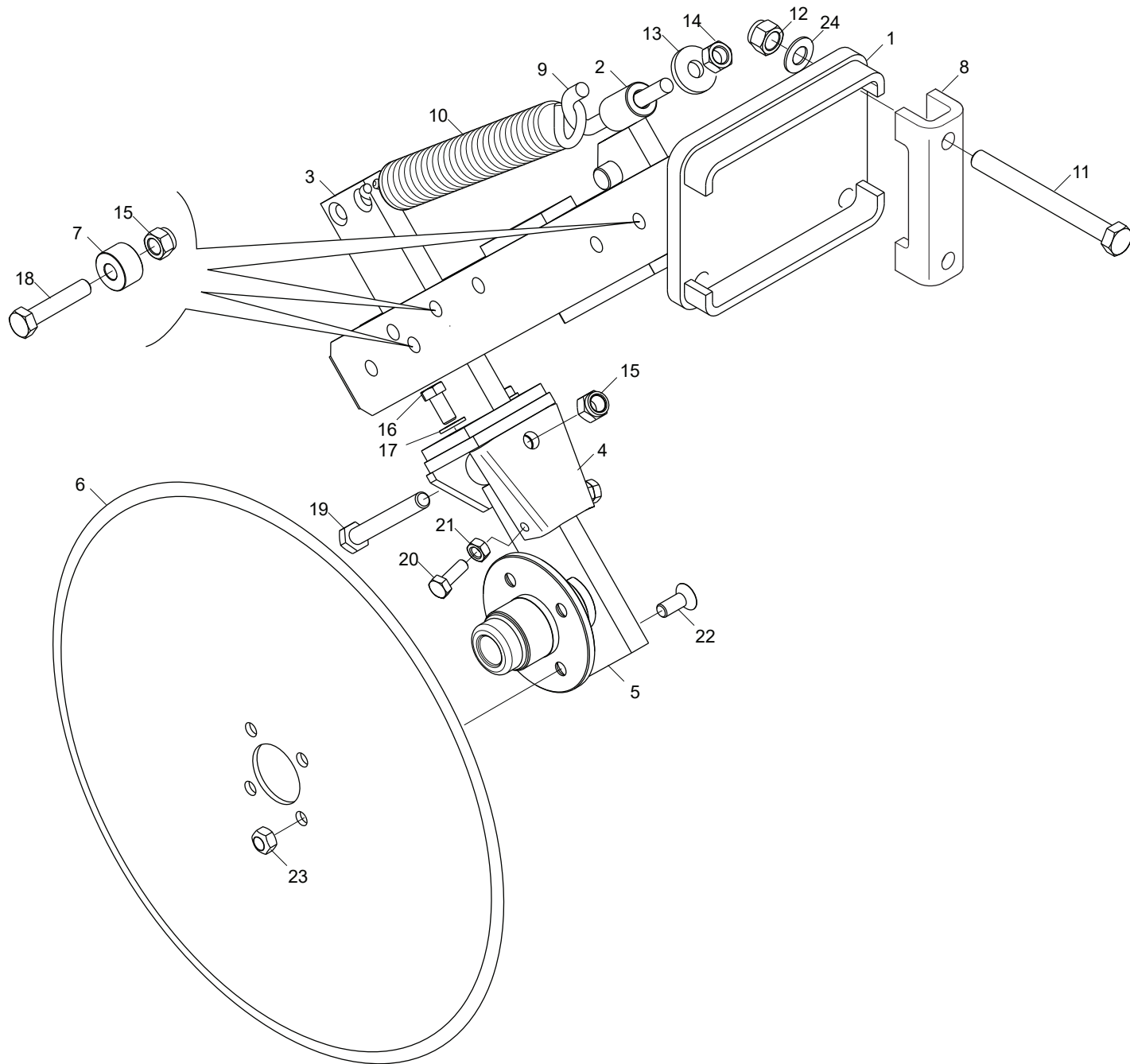
Pos.	Cod.	Descrizione	Description	Description	Benennung	Description
1	G67007083	CARICAT.A COCLEA L.2550 A 90	SCREW LOADER L.2550 A 90			
2	G13619230	TUBO SUPPORTO COCLEA	SCREW SUPPORT TUBE			
3	G13710561	SCONTRO A U SP.10 2F16,5 118	U-SHAPED PLAT.SP.10 2F16,5 118			
4	G13619240	ASTA SUPPORTO COCLEA	SCREW SUPPORT ROD			
5	G15473460	FASCIA D'ANCORAGGIO	ANCHOR BAND			
6	G67007099	SCARICO DIVISORE A Y D.150	SEPARATOR UNLOADED "Y".D.150			
7	F02300026	FASCETTA STRING.150/170 H.12	STRING STRAP 150/170 H.12	COLLIER DE SERRAGE 150/170 H.1	KABELSCHELLE 150/170 H.12	ABRAZADERA 150/170 H.12
8	F03100432	TUBO EOLO 152 PU-ES ANTI UV	TUBE EOLO 152 PU ANTI UV			
9	G15317640	SUPPORTO DEVIATORE	VALVE SUPPORT	SUPPORT SOUPAPE	VENTILHALTERUNG	SOPORTE VALVULA
10	F20110714	CAV.Q.B50 M10X1,5 L72 IX	U BOLT Q.B=50 M=10X1,5 L=72	CAVLAIERE B=50 M=10X1,5 L=72	VERBINDUNG B=50 M=10X1,5 L=72	PERNO EN U B=50 M=10X1,5 L=72
11	F01230048	DADO M10X1,5 D982 8ZN	NUT M10X1,5 D982 8ZN	ECR.AUTO-FREIN.M10X1,5 D982 ZN	SICHERUNGSMUTT.M10X1,5 D982 ZN	TUERCA SEGURID.M10X1,5 D982 ZN
12	G15112260	DEVIATORE DOPPIO 6 VIE 3/8 >	DEVIATORE DOPPIO 6 VIE 3/8			
13	F03151401	RONDELLA BONDED SEAL 3/8" NBR	WASHER BONDED SEAL 3/8" NBR			
14	F03150321	NIPPLO MM CIL-CIL 3/8-3/8 ZG	NIPPLE MM CIL-CIL 3/8-3/8 ZN	NIPPLE MM CIL-CIL 3/8-3/8 ZN	NIPPLEZYL MM 3/8-3/8 ZN	NIPLE MM CIL-CIL 3/8-3/8 ZN
15	F03150067	NIPPLO MF GIREVOLE 3/8 ZG CIL	NIPPLE M-F REVOLVING 3/8 ZG	NIPPLE M-F TOURNER 3/8 ZG	NIPPLE M-F DREHBAR 3/8 ZG	NIPPLE M-F VUELTA 3/8 ZG
16	F03151221	RACCORDO -T- M-FG-M 3/8' ZN	CONNECTOR T- M-FG-M 3/8' ZN	RACCORD -T- M-FG-M 3/8 ZN	ANSCHLUSSTSCK-T-M-FG-M 3/8 ZN	UNION -T- M-FG-M 3/8 ZN
17	G14213981	TUBO 3/8R2 CF3/8- F3/8 500	PIPE 3/8R2 CF3/8- F3/8 500	ROHR 3/8R2 CF3/8- F3/8 500	ROHR 3/8R2 CF3/8- F3/8 500	TUBO 3/8R2 CF3/8- F3/8 500
18	G15317630	TUBO 3/8 R2 F3/8-F3/8 L.2800	PIPE 3/8 R2 F3/8-F3/8 L.2800	TUBE 3/8 R2 F3/8-F3/8 L.2800	ROHR 3/8 R2 F3/8-F3/8 L.2800	TUBO 3/8 R2 F3/8-F3/8 L.2800
19	F03150860	CURVA 90° F.GIREV.3/8 - M.3/8	ELBOW 90° F.SLEWING 3/8 - M.3/8	COUDE 90 F.TOURN.3/8 - M.3/8	KNIESTSCK 90 F.DREHB.3/8-M.3/8	CURVA 90 F.GIRAT. 3/8 - M.3/8
20	F03150222	NIPPLO MM CIL-CIL 1/2-3/8 ZG	NIPPLE M-M CYL-CYL 1/2-3/8 ZG	NIPPLE H-H CIL-CIL 1/2-3/8 ZG	NIPPEL M-M CIL-CIL 1/2-3/8 ZG	NIPLE H-H CIL-CIL 1/2-3/8 ZG
21	F03151370	RONDELLA BONDED SEAL 1/2" NBR	WASHER BONDED SEAL 1/2" NBR			
22	F05150325	CAPPUC.F X INN.M RAP.1/2 ROSSO	COVER CONNECT F 1/2 RED	COUVERCLE CONNEXION F 1/2 ROSE	DECKEL W 1/2 SCHNELLKUPP. ROT	PAC PROTECCION F 1/2 ROJO
23	F03150935	INNESTO RAP.MASCH.1/2 A VALV.	QUICK CONNECT MALE CONE 1/2	CONNEXION RAPIDE MALE CONE 1/2	SCHNELLKUPP.GEWINDE KONISC 1/2	ACOPLAMIENTO.RAP.MACHO CONO 1/2
24	F01020544	VITE M14X2X40 U5739 8.8ZN	SCR. M14X2X40 U5739 8.8ZN	VIS M14X2X40 U5739 8.8ZN	SCHR.M14X2X40 U5739 8.8ZN	TOR.M14X2X40 U5739 8.8ZN
25	F01410088	ROS.M14 15X 28X2,5 U6592 ZN	WAS.M14 15X 28X2,5 U6592 ZB	RON.M14 15X 28X2,5 U6592 ZB	SCH.M14 15X 28X2,5 U6592 ZB	ARA.M14 15X 28X2,5 U6592 ZB
26	F01220255	DADO M14X2 D980 8ZN	NUT M14X2 D980 8ZN	ECROU M14X2 D980 8 ZN	MUTTER M14X2 D980 8 ZN	TUERCA M14X2 D980 8 ZN
27	F01020479	VITE M10X1,5X35 U5739 8.8ZN	SCR. M10X1,5X35 U5739 8.8ZN	VIS M10X1,5X35 U5739 8.8 ZN	SCHR. M10X1,5X35 U5739 8.8 ZN	TORN. M10X1,5X35 U5739 8.8 ZN
28	G20980080	BOCCOLA 15X12X10,25	BUSH 15X12X10-25			
29	F01420060	ROS.M10 10,5X 30X2,5 U6593 ZN	WASHER 10,5X30	RONDELLE 10,5X30	SCHEIBE 10,5X30	ARANDELA 10,5X30
30	F01220033	DADO M10X1,5 D980 8ZN	NUT M10X1,5 D980 8ZN	ECROU M10X1,5 D980 8ZN	MUTTER M10X1,5 D980 8ZN	TUERCA M10X1,5 D980 8ZN
31	G18903140	MOLLAGUIDATUBO	PIPE GUIDE SUPPORT	RESSORT GUIDE-TUBE	FEDER ROHRFSHRUNG	MUELLE GUA TUBOS A
32	F01020286	VITE M16X2X220 U5737 10.9ZD	SCR. M16X2X220 U5737 10.9ZD	VIS M16X 2X220 U5737 10.9 ZD	SCHRAU.M16X 2X220 U5737 10.9ZD	TORNI.M16X 2X220 U5737 10.9 ZD
33	F01410100	ROS.M16 17X 30X 3 U6592 ZN	WASHER M16 17X30X3 U6592 ZN	RONDELLE M16 17X30X3 U6592 ZN	SCHRAUBE M16 17X 30X3 U6592 ZN	ARANDELA M16 17X30X 3 U6592 ZN
34	F01230085	DADO M16X2 D982 10ZN	NUT M16X2 D982 8ZN	ECROU M16X2 D982 8ZN	MUTTER M16X2 D982 8ZN	TUERCA M16X2 D982 8ZN
35	F01020086	VITE M8X1,25X80 U5737 8.8ZN	SCR. M8X1,25X80 U5737 8.8ZN	VIS M8X1X80	SCHRAUBE M8X1X80	TORNILLO M8X1X80
36	F01420048	ROS.M8 8,4X 24X 2 U6593 ZN	WASHER M8 8,4X 24X2 U6593 ZN	RONDELLE M8 8,4X24X 2 U6593 ZN	SCHEIBEN M8 8,4X24X 2 U6593 ZN	ARANDELA M8 8,4X 24X2 U6593 ZN
37	F01220022	DADO M8X1,25 D980 8ZN	NUT M8X1,25 D980 8ZN	ECROU M8X 1,25 D980 8 ZN	MUTTER M8X 1,25 D980 8 ZN	TUERCA M8X 1,25 D980 8 ZN
38	G18904290	MOLLA GUIDA TUBO DISC.MICRO ZN	MICRO GUIDE SPRING	RESSORT GUIDE MICRO	FsHRUNGSPFEDER MIKRO	MUELLE GUID.MICRO
39	G66248223	TAPPO SUPP.SPAND.D.11	PLUG MAN. SPR. SUPP. D.11	BOUCHON SUPPORT EP. ENGRAIS D.	HALTERUNGSPFROPFEN DsNGERSTR.	TAPN SOPORTE ABON.D.11 D
40	F05010165	ASTA ZN CON FARI E TABELLE	ROD WITH LIGHTS AND TABLES	TIGE AVEC LUMI+RE ET TABLEAU	STANGE MIT LICHTERBAUSATZ	VARILLA CON LUCES Y TABLAS
41	G13619260	FERMO SUPPORTO KIT LUCI ZN	LIGHT KIT SUPPORT LOCK ZN			
42	F20110700	CAV.Q.B=30 M=10X1,5 L=52	U BOLT Q.B=30 M=10X1,5 L=52	ATTEL.M10X 1,5X 30 41X 52 ZN	VERBI.M10X 1,5X 30 41X 52 ZB	PERNO M10X 1,5X 30 41X 52 ZN
43	F01410064	ROS.M10 10,5X 20X 2 U6592 ZN	WASHER M10 10,5X20X2 U6592 ZN	RONDEL. M10 10,5X20X2 U6592 ZN	SCHEIBE M10 10,5X20X2 U6592 ZN	ARANDEL.M10 10,5X20X2 U6592 ZN
44	F01220033	DADO M10X1,5 D980 8ZN	NUT M10X1,5 D980 8ZN	ECROU M10X1,5 D980 8ZN	MUTTER M10X1,5 D980 8ZN	TUERCA M10X1,5 D980 8ZN
45	G16112340	TUBO 3/8 R2 F-F L.4500	PIPE 3/8 R2 F-F L.4500	TUBE 3/8 R2 F-F L.4500	ROHR 3/8 R2 F-F L.4500	TUBO 3/8 R2 F-F L.4500



PEDANA E SCALETTA

TAV. 132

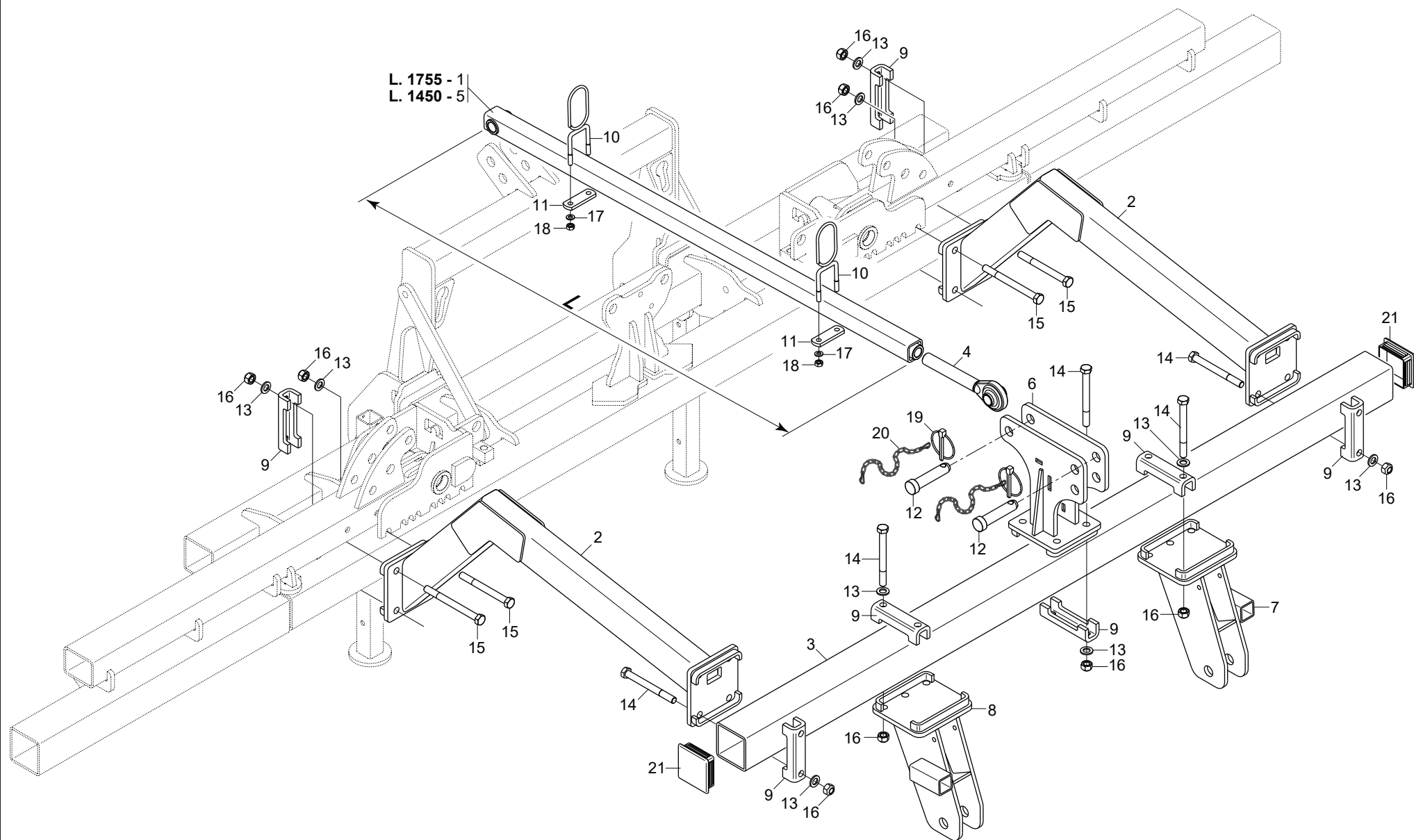
Pos.	Cod.	Descrizione	Description	Description	Benennung	Descripcion
1	G13618940	ATTACCO TELAIO PEDANA	BOARD FRAME LINK			
2	G13619000	SUPPORTO PEDANA	BOARD SUPPORT			
3	G13619050	PEDANA HS COMPL	BOARD HS COMPL			
4	G16710780	TUBO Q. 50X 4X1930	TUBE Q. 50X 4X1930			
5	G13619040	PIASTRA SUPPORTO PARACOLPI	GUARD SUPPORT PLATE			
6	G13619100	SUPPORTO SCALETTA	STAIR SUPPORT			
7	G13619150	SUPPORTO SCALINO SUP.	UPPER STAIR SUPPORT			
8	G13619180	CORRIMANO SX PEDANA	LEFT BOARD HANDRAIL			
9	G13619250	CORRIMANO DX PEDANA	LEFT BOARD HANDRAIL			
10	G13619190	SUPPORTO FERMO PEDANA	BOARD SUPPORT			
11	G13619110	PEDANA 300X240X2 ZN	BOARD 300X240X2 ZN			
12	G13616420	GRADINO 300X420X2 ZN	STEP 300X420X2 ZN			
13	G13616430	SUPPORTO INT.GRADINO 300 ZN	INT.SUPPORT STEP 300 ZN			
14	G16013500	SUPPORTO DX PEDANA	RH FOOTPLATE SUPPORT	SUPPORT DRT. MARCHEPIED	RE TRITTBRETTHALTERUNG	SOPORTE DER. PLATAFORMA
15	G16013510	SUPPORTO SX PEDANA	LH FOOTPLATE SUPPORT	SUPPORT GCH.MARCHEPIED	TRITTBRETTHALTERUNG LI	SOPORTE IZQ. PLATAFORMA
16	G18801580	BOCCOLA 8,5 X15 X10 ZN	BUSH 8.5 X15 X10	DOUILLE 8,5 X15 X10	BUCHSE 8,5 X15 X10	MANGUILLO 8,5 X15 X10
17	G15421232	BOCCOLA BRACCIO PARALLELO SP.8	ARM BUSHING PARALLEL SP.8	BOITE BRAS PARALLELE SP.8	BsCHSE ARM PARALLELE SP.8	CASQUILLO BRAZO PARALELO SP.8
18	F20120349	PUNTALE Q.50 ALETT.POLIT.NERO	CAP	BOUCHON	DECKEL	CORCHO
19	G18904290	MOLLA GUIDA TUBO DISC.MICRO ZN	MICRO GUIDE SPRING	RESSORT GUIDE MICRO	FsHRUNGSFEDER MIKRO	MUELLE GUID.MICRO
20	G16040140	CATENA D.5 L.171 ZN	GENOAN CHAIN D.5	CHAINE GENOISE D. 5	KETTE GENOVESE D.5	CADENA GENOVESE D.5
21	G65337005	MOLLA TRAZ.CAMBIO SV	TRACTION COUPLING SPRING- GEAR	RESSORT TRACT.BOITE DE VITESSE	ZUGFEDER GETRIEBE SV	MUELLE TRAC. CAMBIO SV
22	G18903690	ATTACCO MOLLA	SPRING COUPLING	FIXATION RESSORT	KUPPLUNG FEDER	CONEXIN MUELLE O
23	G13710561	SCONTRO A U SP.10 2F16,5 118	U-SHAPED PLAT.SP.10 2F16,5 118			
24	G20890017	SCONTRO	STRIKER PLATE	BUTEE	ANSCHLAG	ELEMENTO DE EMPALME
25	F05150459	PARACOLPI CIL.75X25 M12 SH70	CYLINDER GUARD 75X25 M12 SH71	TAMPON CIL. 75X25 M12	PUFFER CIL. 75X25 M12	PARACHOQ. CIL. 75X25 M12
26	F20110715	CAV.Q.B=50 M=10X1,5 L=80	UBOLTSTRIKER Q.B=50M10X1,5L=80	BUTEE M10X 1,5X 30 61X 80 ZB	ANSCHLAG M10X 1,5X 30 61X 80	EL. DE EMPALME M10X 1,5X 30
27	F05150117	MANIGLIA MS132 M8 6146030	HANDLE MS132 M8 6146030	POIGNEE MS132 M8 6146030	GRIFF MS132 M8 6146030	MANIJA MS132 M8 6146030
28	F01220033	DADO M10X1,5 D980 8ZN	NUT M10X1,5 D980 8ZN	ECROU M10X1,5 D980 8ZN	MUTTER M10X1,5 D980 8ZN	TUERCA M10X1,5 D980 8ZN
29	F01020436	VITE M8X1,25X20 U5739 8.8ZN	SCR. M8X1,25X20 U5739 8.8ZN	VIS M8X1,25X 20 U5739 8.8 ZN	SCHRAUBE M8X1,25X20U5739 8.8ZN	TORN. M8X1,25X20 U5739 8.8 ZN
30	F01220022	DADO M8X1,25 D980 8ZN	NUT M8X1,25 D980 8ZN	ECROU M8X 1,25 D980 8 ZN	MUTTER M8X 1,25 D980 8 ZN	TUERCA M8X 1,25 D980 8 ZN
31	F01200293	DADO M12X1,75 U5588 6.8ZN	NUT M12X1,75 U5588 6.8ZN	ECROU M12X1,75 U5588 6.8 ZN	MUTTER M12X1,75 U5588 6.8 ZN	TUERCA M12X1,75 U5588 6.8 ZN
32	F01020432	VITE M8X1,25X16 U5739 8.8ZN	SCR. M8X1,25X16 U5739 8.8ZN	VIS M8 X1,25X16 U5739 8.8 ZN	SCHRAUBE M8X1,25X16U5739 8.8ZN	TORNILLO M8X1,25X16U5739 8.8ZN
33	F01410051	ROS.M8 8,4X 17X1,6 U6592 ZN	WASHER M8 8,4X17X1,6 U6592 ZN	RONDELLE M8 8,4X17X1,6 U6592ZN	SCHLEIBE M8 8,4X17X1,6 U6592 ZN	ARANDELA M8 8,4X17X1,6 U6592ZN
34	F01020440	VITE M8X1,25X25 U5739 8.8ZN	SCR. M8X1,25X25 U5739 8.8ZN	VIS M8X1,25X25 U5739 8.8 ZN	SCHRAUBE M8X1,25X25U5739 8.8ZN	TORNIL.M8X1,25X25 U5739 8.8 ZN
35	F01260043	DADO M8 D6923 8.8ZN	NUT M8 D6923 8.8ZN	ECROU BRIDE .M8 DIN 6923 8.8 Z	GEFLANSCHTE MUTTER M8 DIN6923	TUERCA BRIDA M8 DIN 6923 8.8 Z
36	F01020445	VITE M8X1,25X30 U5739 8.8ZN	SCR. M8X1,25X30 U5739 8.8ZN	VIS M 8X1,25X30 U5739 8.8 ZN	SCHRAU. M8X1,25X30 U5739 8.8ZN	TORN. M8X1,25X30 U5739 8.8 ZN
37	F01030495	VITE TTCN 90' M8X16 ZN	TTCN 90' BOLT M8X16 GALVANIZED	VIS TTCN 90' M8X16 ZN	SCHRAUBE TTCN 90' M8X16 ZN	TORNILLO TTCN 90' M8x16 ZN
38	F01020072	VITE M8X1,25X50 U5737 8.8ZN	SCR. M8X1,25X50 U5737 8.8ZN	VIS M8X1,25X50 U5737 8.8 ZN	SCHR. M8X1,25X50 U5737 8.8 ZN	TORN. M8X1,25X50 U5737 8.8 ZN
39	F01230085	DADO M16X2 D982 10ZN	NUT M16X2 D982 8ZN	ECROU M16X2 D982 8ZN	MUTTER M16X2 D982 8ZN	TUERCA M16X2 D982 8ZN
40	F01420048	ROS.M8 8,4X 24X 2 U6593 ZN	WASHER M8 8,4X 24X2 U6593 ZN	RONDELLE M8 8,4X24X 2 U6593 ZN	SCHLEIBEN M8 8,4X24X 2 U6593 ZN	ARANDELA M8 8,4X 24X2 U6593 ZN
41	F01410064	ROS.M10 10,5X 20X 2 U6592 ZN	WASHER M10 10,5X20X2 U6592 ZN	RONDEL. M10 10,5X20X2 U6592 ZN	SCHLEIBE M10 10,5X20X2 U6592 ZN	ARANDEL.M10 10,5X20X2 U6592 ZN
42	F01020182	VITE M12X1,75X160 U5737 8.8BR	SCR. M12X1,75X160 U5737 8.8BR	VIS 12X160 5737 8.G	SCHRAUBE 12X160 5737 8.G	TORNILLO 12X160 5737 8.G
43	F01220048	DADO M12X1,75 D980 8ZN	NUT M12X1,75 D980 8ZN	ECROU M12X1,75 D980 8 ZN	SCHLEIBE M12X1,75 D980 8 ZN	TUERCA M12X1,75 D980 8 ZN
44	F01020240	VITE M14X2X120 U5737 8.8ZN	SCREW M14X2X120 U5737 8.8ZN	VIS M14X2X120 U5737 8.8ZN	SCHRAU. M14X2X120 U5737 8.8ZN	TORNILLO M14X2X120 U5737 8.8ZN
45	F01220255	DADO M14X2 D980 8ZN	NUT M14X2 D980 8ZN	ECROU M14X2 D980 8 ZN	MUTTER M14X2 D980 8 ZN	TUERCA M14X2 D980 8 ZN
46	F01020278	VITE M16X2X180 U5737 8.8BR	SCR. M16X2X180 U5737 8.8BR	VIS M16X 2X180 U5737 8.8BR	SCHRA. M16X 2X180 U5737 8.8BR	TORNIL. M16X 2X180 U5737 8.8BR
47	G13616410	PEDANA 300X660X2 ZN	FOOTBOARD 300X660X2 ZN			
48	G13619010	PEDANA 400X660X2 ZN	BOARD 400X660X2 ZN			
49	G13619020	GIUNTO PEDANA DRITTO	STRAIGHT BOARD JOINT			
50	G13619030	GIUNTO PEDANA PIEGATO	BEND BOARD JOINT			
51	G16310681	TERMINALE PEDANA 400 ZN	GALVANIZED PLATFORM END			



DISCO DIERZIONALE

TAV. 141

Pos.	Cod.	Descrizione	Description	Description	Benennung	Descripcion
1	G13619340	BRACCIO DISCO DIREZIONALE	ARM DISC DIRECTIONAL	BRAS DISQUE DE GUIDAGE	ARM SCHEIBE DIREZIONALE	
2	G13619380	SUPPORTO GANCIO MOLLA	SPRING HOOK SUPPORT		HALTER GANCIO FEDER	
3	G13611800	BRACCIO SUPERIORE	UPPER ARM		ARM OBEN	
4	G13611840	SUPPORTO BRACCIO INF.	LOWER ARM SUPPORT		ARMHALTER	
5	G13611871	BRACCIO INFERIORE DISCO DIREZ.	BOTTOMARM	BRAS INFERIEUR	UNTERER ARM	BRAZO INFERIOR
6	G23420093	DISCO DIREZIONALE D.530	DIRECTIONAL DISK D.530	DISQUE DIRECTION. D. 530	RICHTUNGSSCHEIBE D.530	DISCO DIRECCIONALE D.530
7	G18801370	BOCCOLA 14,25X35X21	BUSHING 14,25X35X21	BOITE 14,25X35X21	BUECHSE 14,25X35X21	CASQUILLO 14,25X35X21
8	G13710561	SCONTRO A U SP.10 2F16,5 118	U-SHAPED PLAT.SP.10 2F16,5 118		INNERER U-ANSCHLAG 118 VERST-R	
9	G21120012	TIRANTE ZINCATO	GALVANISED TIE ROD	TRINGLE ZING.	VERZINKTE SPANNSTANGE	TIRANTE GALVANIZADO
10	G65337029	MOLLA TRAZ.SOLLEV. FB	TRACTION SPRING LIFT. FB	RESSORT TRACT. LEVAGE FB	ZUGFEDER HEBUNG FB	MUELLE TRAC. LEVDEL. FB
11	F01020291	VITE M16X2X170	SCREW M16X 2X170	VIS M16X 2X170	SCHRAUBE M16X 2X170	TORNILLO M16X 2X170
12	F01230085	DADO M16X2 D982 10ZN	NUT M16X2	ECROU M16X2	MUTTER M16X2	TUERCA M16X2 D982 10ZN
13	G18700690	RONDELLA 15 X40 X6 ZN	WASHER 15 X 40 X 6 ZN	RONDELLE 15 X40 X6 ZN	UNTERLEGSCHIEBE 15 X40 X6 ZN	ARANDELA 15 X40 X6 ZN
14	F01200306	DADO M14X2	NUT M14X2	ECROU M14X2	MUTTER M14X2	DADO M14X2
15	F01230073	DADO M14X2	NUT M14X2	ECROU M14X2	MUTTER M14X2	TUERCA AUTOBL. M14X2 D982 8ZN
16	F01020508	VITE M12X1,75X25	SCREW M12X1,75X25	VIS M12X1,75X25	SCHRAUBE M12X1,75X25	TORNILLO M12X1,75X25
17	F01410076	ROS.M1213X24X2,5	WASHER 12 13X 24X2,5	RONDELLE 12 13X 24X2,5	SCHIEBE M12 13X24X2,5 U6592 ZN	ARAND.M12 13X 24X2,5 U6592 ZN
18	F01020207	VITE M14X2X70	SCREW M14X2X70	VIS M14X2X70	SCHRAUBE M14X2X70	TORNILLO M14X2X70
19	F01020216	VITE M14X2X110	SCREW M14X2X110	VIS M14X2X110	SCHRAUBE M14X2X110	TORNILLO M14X2X110
20	F01020476	VITE M10X1,5X30	SCREW M10X1,5X30	VIS M10X1,5X30	SCHRAUBE M10X1,5X30	TORNILLO M10X1,5X30
21	F01200270	DADO M10X1,5	NUT M10X1,5	ECROU M10X1,5	MUTTER M10X1,5	TUERCA M10X1,5 U5588 CL8 ZN
22	F01030107	VITE M12X1,75X30	SCREW M12X1,75X30	VIS M12X1,75X30	SCHRAUBE M12X1,75X30	TORNILLO M12X1,75X30
23	F01220048	DADO M12X1,75	NUT M12X1,75	ECROU M12X1,75	MUTTER M12X1,75	TUERCA M12X1,75 D980 8 ZN
24	F01410100	ROS.M16 17X30X 3	WASHER M16 17X30X3	RONDELLE M16 17X30X3	SCHRAUBE M16 17X 30X3 U6592 ZN	ARAND.M16 17X 30X 3 U6592 ZN

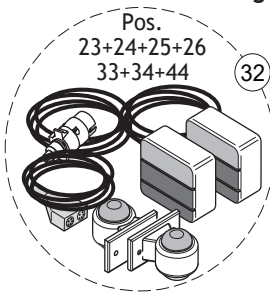
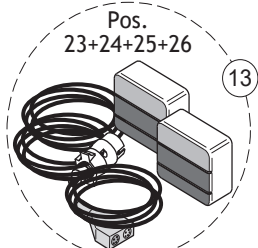
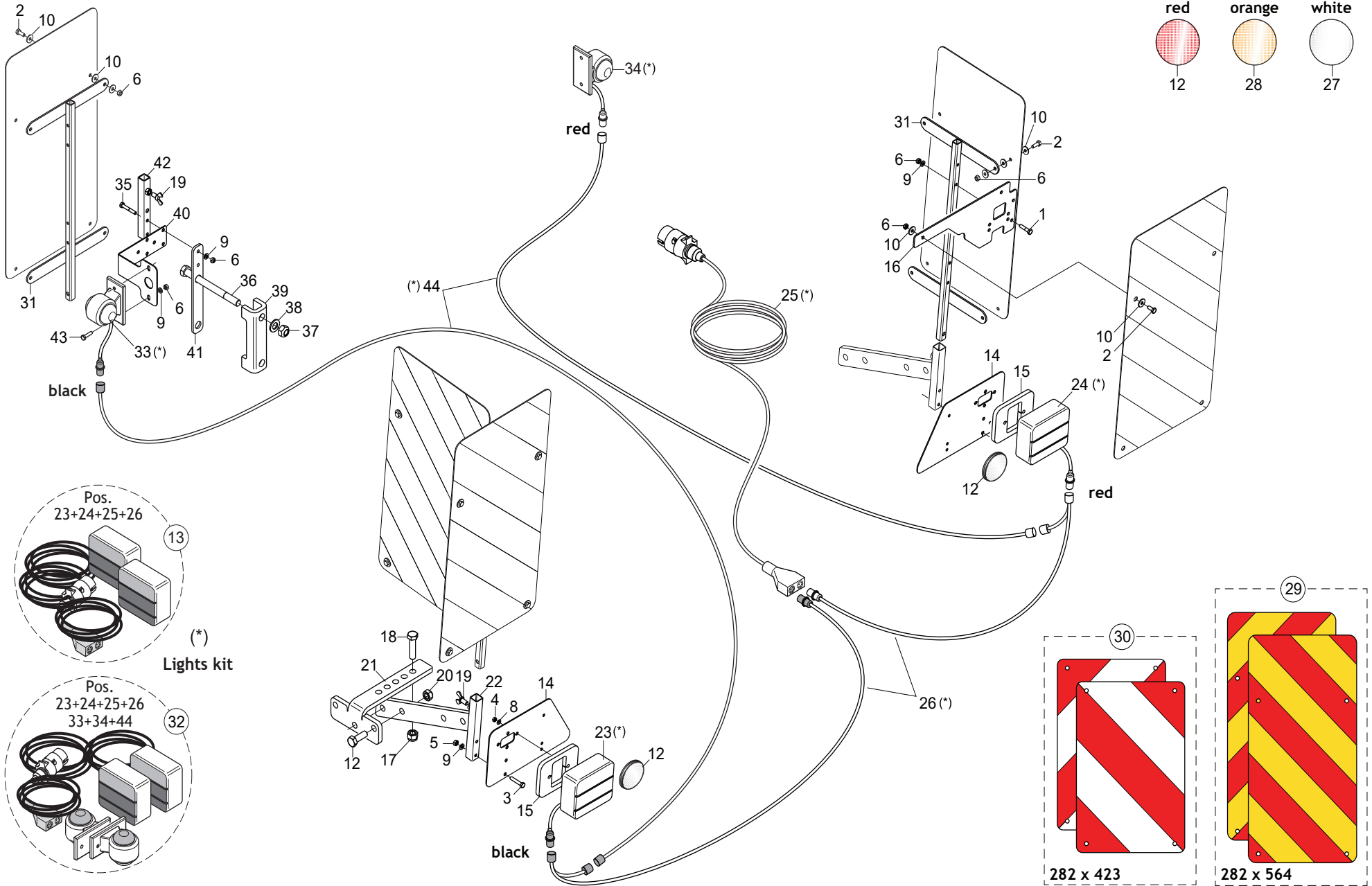
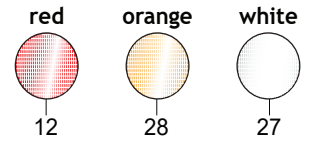


ATTACCO FRONTALE

TAV. 152

Pos.	Cod.	Descrizione	Description	Description	Benennung	Descripcion
1	G13616921	TIRANTE TERZO PUNTO HI	3RD POINT TIE ROD HI			
2	G13616850	BRACCIO UNIONE TELAI	FRAME JUNCTION ARM			
3	G13615020	TUBO Q.100X 6X2200	TUBE Q.100X 6X2200			
4	G67004035	SNODO SFERICO DX M27X3	RIGHT SPHERICAL JOINT M27X3	ARTICULATION SPHERIQUE DRT M27	KUGELGELENK RECHTSM27X3	ARTICULACION ESFERICA DER. M27
5	GA3613740	TIRANTE TERZO PUNTO HS-TC	THIRD POINT TIE ROD HS-TC			
6	G13616890	TERZO PUNTO ATTACCO FRONT.	FRONT 3RD POINT			
7	G13612410	PRIMO-SECONDO PUNTO DX	1ST-2ND POINT RIGHT			
8	G13612420	PRIMO-SECONDO PUNTO SX	1ST-2ND POINT LEFT			
9	G13710561	SCONTRO A U SP.10 2F16,5 118	U-SHAPED PLAT.SP.10 2F16,5 118			
10	G14215950	GUIDATUBO IDR.	HYDR.TUBEGUIDE			
11	G20890017	SCONTRO	STRIKER PLATE	BUTEE	ANSCHLAG	ELEMENTO DE EMPALME
12	F20100132	PERNO D25 L 91 C43 TEST.D60 ZN	PIN D25 L91 C43 ZN			
13	F01410100	ROS.M16 17X 30X 3 U6592 ZN	WASHER M16 17X30X3 U6592 ZN	RONDELLE M16 17X30X3 U6592 ZN	SCHRAUBE M16 17X 30X3 U6592 ZN	ARANDELA M16 17X30X 3 U6592 ZN
14	F01020273	VITE M16X2X160 U5737 8.8BR	SCR. M16X2X160 U5737 8.8BR	VIS M16X 2X160 U5737 8.8	SCHR. M16X 2X160 U5737 8.8	TORN. M16X 2X160 U5737 8.8
15	F01020278	VITE M16X2X180 U5737 8.8BR	SCR. M16X2X180 U5737 8.8BR	VIS M16X 2X180 U5737 8.8BR	SCHRA. M16X 2X180 U5737 8.8BR	TORNIL. M16X 2X180 U5737 8.8BR
16	F01220266	DADO M16X2 D980 8ZN	NUT M16X2 D980 8ZN	ECROU M16X 2 D980 8 ZN	MUTTER M16X 2 D980 8 ZN	TUERCA M16X 2 D980 8 ZN
17	F01410064	ROS.M10 10,5X 20X 2 U6592 ZN	WASHER M10 10,5X20X2 U6592 ZN	RONDEL. M10 10,5X20X2 U6592 ZN	SCHEIBE M10 10,5X20X2 U6592 ZN	ARANDEL.M10 10,5X20X2 U6592 ZN
18	F01200270	DADO M10X1,5 U5588 6.8ZN	NUT M10X1,5 U5588 6.8ZN	ECROU M10X 1,5 U5588 6.8 ZN	MUTTER M10X 1,5 U5588 6.8 ZN	TUERCA M10X 1,5 U5588 6.8 ZN
19	F02200507	SPINA A SCATTO D 9 B/83	SNAP PIN D9 B/83 ZN	FICHE A DETENTE D9 B/83 ZN	EINRASTSTIFT D9 B/83 ZN	CLAVIJA DE MUELLE D9 B/83 ZN
20	G13812311	CATENELLA CON MOSCHETTONE ZN	CHAIN WITH SPRING CATCH	CHAINETTE AVEC MOUSQUETON	KETTE MIT KARABINERHAKEN	CADENA CON GANCHO
21	F03150772	TAPPO X TUBO 100X100 SP.5-6	PROTECTION PLUG 100 SP.5-6	BOUCHON DE PROTECTION 100 SP.5	SCHUTZPFROPFEN 100 SP.5-6	TAPN DE PROTECCIN 100 SP.5-6

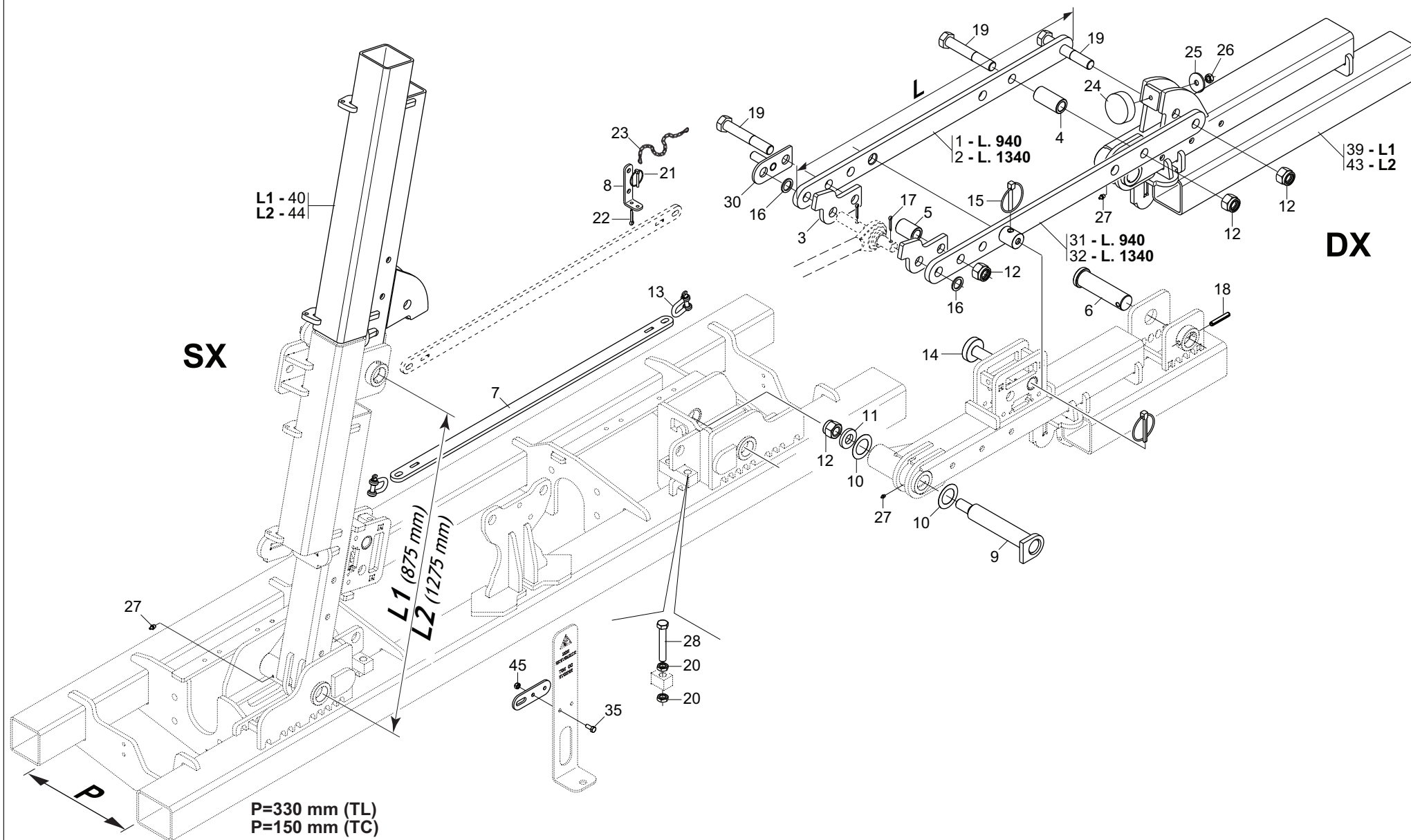
TAV. 172



KIT LUCI E TABELLE INGOMBRO

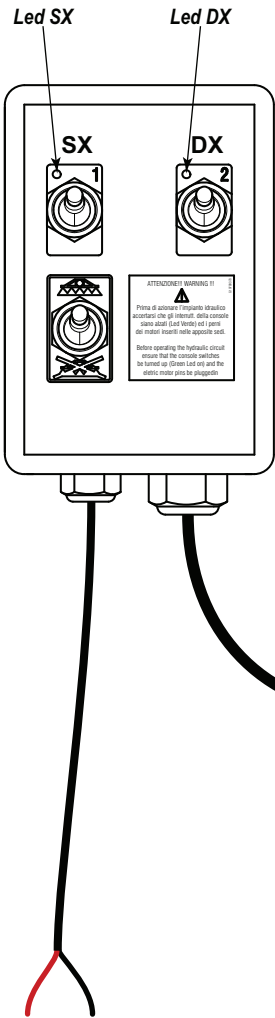
TAV. 172

Pos.	Cod.	Descrizione	Description	Description	Benennung	Description
1	F01020037	VITE M6X1X30 U5737 8.8ZN	SCR. M6X1X30 U5737 8.8ZN	VIS M6X1X30 U5737 8.8ZN	SCRAU. M6X1X30 U5737 8.8ZN	TORN. M6X1X30 U5737 8.8ZN
2	F01020403	VITE M6X1X16 U5739 8.8ZN	SCR. M6X1X16 U5739 8.8ZN	VIS M6X1X16 U5739 8.8 ZN	SCHRAUBE M6X1X16 U5739 8.8 ZN	TORNILLO M6X1X16 U5739 8.8 ZN
3	F01020411	VITE M6X1X35 U5739 8.8ZN	SCR. M6X1X35 U5739 8.8ZN	VIS M6X1X35 U5739 8.8ZN	SCHRAUBE M6X1X35 U5739 8.8ZN	TORNILLO M6X1X35 U5739 8.8ZN
4	F01200220	DADO M5X0,8 U5588 6.8ZN	NUT M5X0,8 U5588 6.8ZN	ECROU 5 UNI 5588 6.8 ZN	MUTTER 5 UNI 5588 6.8 ZN	TUERCA 5 UNI 5588 6.8 ZN
5	F01200232	DADO M6X1 U5588 6.8ZN	NUT M6X1 U5588 6.8ZN	ECROU 6 UNI 5588 6.8 ZN	MUTTER 6 UNI 5588 6.8 ZN	TUERCA 6 UNI 5588 6.8 ZN
6	F01220011	DADO M6X1 D980 8ZN	NUT M6X1 D980 8ZN	ECROU M6X1 D980 8 ZN	MUTTER M6X1 D980 8 ZN	TUERCA M6X1 D980 8 ZN
7	F01230059	DADO M12X1,75 D982 8ZN	LOCK-NUT M12X1,75 D982 8ZN	ECR.AUTO-FREI.M12X1,75 D982 ZN	SICHERUNGSMUT.M12X1,75 D982 8ZN	TUER.DE SEGUR.M12X1,75 D982 ZN
8	F01410023	ROS.M5 5,3X 10X 1 U6592 ZN	WASHER M5 5,3X 10X 1 U6592			
9	F01410037	ROS.M6 6,4X12,5X1,6 U6592 ZN	WASHER M6 6,4X12,5X1,6 U6592ZN	RONDEL.M6 6,4X12,5X1,6 U6592ZN	SCHEIB.M6 6,4X12,5X1,6 U6592ZN	ARAND.M6 6,4X12,5X1,6 U6592 ZN
10	F01420036	ROS.M6 6,4X 18X1,5 U6593 ZN	WASHER M6 6,4X 18X1,5 U6593 ZN	RONDELLE M6 6,4X18X1,5 U6593ZN	SCHEIBEN M6 6,4X18X1,5U6593 ZN	ARANDELA M6 6,4X18X1,5U6593ZN
11	F05010816	TABELLE (2)CAR.SPORGENTI IT	WARNING BOARDS (2) IT			
12	F05010820	CATARIFR.TONDO D60 ROSSO	ROUND REFLECTOR D.60 RED			
13	F05010822	KIT FANALI DX-SX CON CAVO	KIT REAR ROAD LIGHTS MOUNTED			
14	GA5210020	PORTA LUCE	BACK LIGHT SUPPORT			
15	GA5210040	SUPPORTO LUCE	SUPPORT LIGHT			
16	M04700558	SUPPORTO TABELLA INGOMBRO	LIGHT-CHART SUPPORT			
17	F01020512	VITE M12X1,75X35 U5739 8.8ZN	SCR. M12X1,75X35 U5739 8.8ZN	VIS M12X1,75X35 5739 8.8 ZN	SCHR. M12X1,75X35 5739 8.8 ZN	TORN. M12X1,75X35 5739 8.8 ZN
18	F01020517	VITE M12X1,75X50 U5739 8.8ZN	SCR. M12X1,75X50 U5739 8.8ZN	VIS M12X1,75X50 5739 8.8 ZN	SCHRA. M12X1,75X50 5739 8.8 ZN	TORN. M12X1,75X50 5739 8.8 ZN
19	F01090215	VITE M8X1,25X15 U5449 5.8ZN	SCR. M8X1,25X15 U5449 5.8ZN	VIS M8X1,25X15 U5449 5.8ZN	SCHRAU. M8X1,25X15 U5449 5.8ZN	TORN. M8X1,25X15 U5449 5.8ZN
20	F01220048	DADO M12X1,75 D980 8ZN	NUT M12X1,75 D980 8ZN	ECROU M12X1,75 D980 8 ZN	SCHEIBE M12X1,75 D980 8 ZN	TUERCA M12X1,75 D980 8 ZN
21	GA3612190	PIATTO PIEGATO SP.10	FOLDED PLATE THK.10			
22	GA3612211	SUPPORTO TABELLE	TABLES SUPPORT			
23	G67201083	FANALE LUCE-FRENO-FRECCIA SX	LIGHT SX			
24	G67201082	FANALE LUCE-FRENO-FRECCIA DX	STOP TABLE RIGHT			
25	F05200026	CABLAGGIO PRINCIPALE	MAIN CABLE			
26	F05200027	CABLAGGIO ALI LUCI STRADALI	LATERAL STREET LIGHTS CABLE			
27	F05010818	CATARIFR.TONDO D60 BIANCO	ROUND REFLECTOR D.60 WHITE			
28	F05010819	CATARIFR.TONDO D60 GIALLO	ROUND REFLECTOR D.60 YELLOW	JAUNE RÉFLECTEUR ROUND	RUNDREFLEKTOR GELB D60	REFLECTOR REDONDO AMARILLO
29	F05010816	TABELLE (2)CAR.SPORGENTI IT	WARNING BOARDS (2) IT			
30	F05010817	TABELLE (2)CAR.SPORGENTI FR-DE	WARNING BOARDS (2) FR-DE	TABLEAUX (2)AVERTISSEM. FR-DE	BRETT (2) WARNUNG FR-DE	TABLAS (2)CAR.ADVERT. FR-DE
31	G16612070	TELAIO SUPP.TABELLE STRAD.	FRAME SUPPORT TABLE			
32	F05010833	KIT LUCI POST.STRAD.ECCEZ.	KIT REAR ROAD LIGHTS M.EXCEP.			
33	F05010346	LUCE INGOMBRO ANTERIORE SX	FRONT LEFT LIGHT			
34	F05010345	LUCE INGOMBRO ANTERIORE DX	FRONT LIGHT DX			
35	F01020040	VITE M6X1X40 U5737 8.8ZN	SCR. M6X1X40 U5737 8.8ZN	VIS M6X1X40 U5737 8.8ZN	SCHRAU. M6X1X40 U5737 8.8ZN	TORNI. M6X1X40 U5737 8.8ZN
36	F01020225	VITE M14X2X160 U5737 8.8BR	SCR. M14X2X160 U5737 8.8BR	VIS M 14 X160 5737 8.G	SCHRAUBE M 14 X160 5737 8.G	TORNILLO M 14 X160 5737 8.G
37	F01220255	DADO M14X2 D980 8ZN	NUT M14X2 D980 8ZN	ECROU M14X2 D980 8 ZN	MUTTER M14X2 D980 8 ZN	TUERCA M14X2 D980 8 ZN
38	F01410088	ROS.M14 15X 28X2,5 U6592 ZN	WAS.M14 15X 28X2,5 U6592 ZB	RON.M14 15X 28X2,5 U6592 ZB	SCH.M14 15X 28X2,5 U6592 ZB	ARA.M14 15X 28X2,5 U6592 ZB
39	G13710561	SCONTRO A U SP.10 2F16,5 118	U-SHAPED PLAT.SP.10 2F16,5 118			
40	G17715130	SUPPORTO LAT.CATADIOTRI	REFLECTOR LATERAL SUPPORT			
41	GA3612250	PIATTO 220X30 SP.5	PLATE 220X30 THK.5			
42	GA3612261	SUPPORTO ANT.HL-HS	FRONT SUPPORT HL-HS			
43	F01020404	VITE M6X1X20 U5739 8.8ZN	SCREW M6X1X20 U5739 8.8ZN	VIS M6X1X20 U5739 8.8ZN	SCHRAUBE M6X1X20 U5739 8.8ZN	TORNILLO M6X1X20 U5739 8.8ZN
44	F05200028	CABLAGGIO SIDE MARKER	SIDE MARKER STREET LIGHT CABLE			



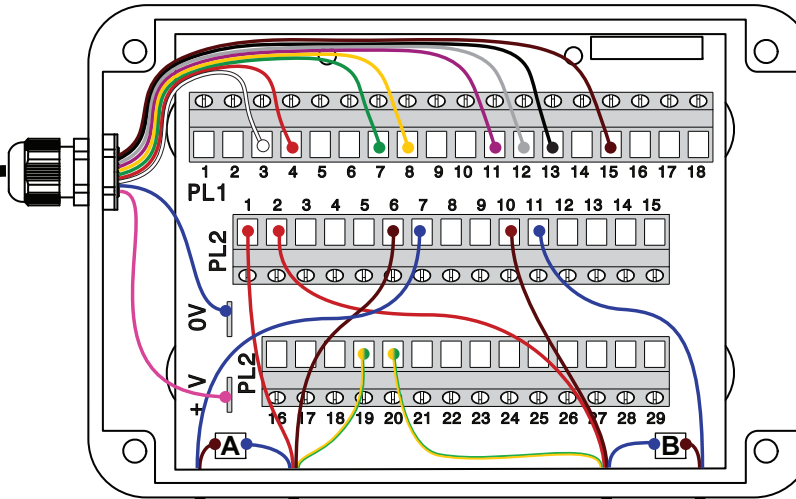
Pos.	Cod.	Descrizione	Description	Description	Benennung	Descrpcion
1	GA3610600	ASTA ALZATA U.F. 6F	LIFT ROD U.F.6F			
2	GA3610810	ASTA ALZATA U.F. 8F	LIFT ROD U.F.8F			
3	GA3610610	PIASTRA BLOCCO BRACCIO	PLATE ARM LOCKING			
4	G18803550	BOCCOLA 24,5X38-78 ZN	BUSHING 24,5X38-78 ZN			
5	G18803570	BOCCOLA 24,5 X38,0 X54 ZN	BUSHING D24,5X38X54 ZN			
6	GA3610630	SPINA D.40X147	PIN D40 L 147			
7	GA3610920	ASTA SICUREZZA X TRASPORTO	SAFETY ROD FOR SHIPPING			
8	GA3610910	STAFFA SUPP.ASTA	ROD SUPP.BRACKET			
9	G13619830	SPINA BRACCI ZN	ARMS PIN	BROCHE BRAS	STIFT ARME	CLAVIJA BRAZOS
10	G18705260	RONDELLA 41 X65 X0,5	WASHER 41X65X0,5	RONDELLE 41X65X0,5	UNTERLEGSCHIEBE 41X65X0,5	ARANDELA 41X65X0,5
11	G18701740	RONDELLA 25,25X50 X8	WASHER 25,25X50 X8			
12	F01230144	DADO M24X3 D982 8ZN	NUT M24X3 D982 8ZN	ECROU M24X 3 D982 8 ZN	MUTTER M24X 3 D982 8 ZN	TUERCA M24X 3 D982 8 ZN
13	F02250667	GRILLO M10 U1947A ZN	CLEVIS- 3/8- GALVANISED- ART.	MANILLE DE 3/ 8 ZN ART. 9	U KETTENANSCHLUSS DA 3/ 8 ZN A	GRILLETE DA 3/ 8 ZN ART.9
14	F20100133	PERNO D25 L122 C43 TEST.D60 ZN	PIN D25 L122 C43 ZN	BOULON D25 L122 C43 ZN	BOLZEN D25 L122 C43 ZN	PERNO D25 L122 C43 ZN
15	F02200507	SPINA A SCATTO D 9 B/83	SNAP PIN D9 B/83 ZN	FICHE A DETENTE D9 B/83 ZN	EINRASTSTIFT D9 B/83 ZN	CLAVIJA DE MUELLE D9 B/83 ZN
16	G18701590	RONDELLA 25X35X2,5 ZN	WASHER 25 X35 X2,5 ZN	RONDELLE 25 X35 X2,5 ZN	SCHEIBE 25 X35 X2,5 ZN	ARANDELA 25 X35 X2,5 ZN
17	F02200227	COPIGLIA 5X 30 U1336 ZN	PIN 5X 30 U1336 ZN			
18	F02100167	SPINA E.P. 10X 60 U6873 C70 BR	PIN EL. 10X 60 U6873 C70 BR			
19	F01020340	VITE M24X3X150 U5737 10.9ZD	SCR. M24X3X150 U5737 10.9ZD	VIS M24X3X150 U5737 10.9 ZD	SCHRA. M24X3X150 U5737 10.9 ZD	TORN. M24X3X150 U5737 10.9 ZD
20	F01200444	DADO M16X2 U5589 6SZN	NUT M16X2 U5589 6SZN	ECROU M16X2	MUTTER M16X2	DADO M16X2
21	F02200463	SPINA SCATTO D. 5 B/81 ZN	SNAP PIN D5 B/81 ZN	FICHE A DETENTE D5 B/81 ZN	EINRASTSTIFT D5 B/81 ZN	CLAVIJA DE MUELLE D5 B/81 ZN
22	F02200243	COPIGLIA 6X 30 U1336 ZN	SPLIT PIN 6 X30 1336 GALVAN.	GOUPILLE 6 X30 1336 ZN	SPLINT 6 X30 1336 ZN	PASADOR 6 X30 1336 ZN
23	G13812311	CATENELLA CON MOSCHETTONE ZN	CHAIN WITH SPRING CATCH	CHAINETTE AVEC MOUSQUETON	KETTE MIT KARABINERHAKEN	CADENA CON GANCHO
24	F05150459	PARACOLPI CIL.75X25 M12 SH70	CYLINDER GUARD 75X25 M12 SH71	TAMPON CIL. 75X25 M12	PUFFER CIL. 75X25 M12	PARACHOQ. CIL. 75X25 M12
25	G18701530	RONDELLA 13X48X4 ZN	WASHER 13X48X4 ZN	RONDELLE 13X48X4 ZN	SCHEIBE 13X48X4 ZN	ARANDELA 13X48X4 ZN
26	F01220048	DADO M12X1,75 D980 8ZN	NUT M12X1,75 D980 8ZN	ECROU M12X1,75 D980 8 ZN	SCHEIBE M12X1,75 D980 8 ZN	TUERCA M12X1,75 D980 8 ZN
27	F01100011	ING.M 6X1 7663-A 9SMNPB28 ZN	GREASE NIPPLE M6X1 7663-A ZN	GRAISS. A BILLE M6X1 7663A ZN	SCHMIERBUÈCHE M6X1 7663-A ZN	ENGRAS. DE ESFE. M6X1 7663-AZN
28	F01020580	VITE M16X2X100 U5739 8.8ZN	SCR. M16X2X100 U5739 8.8ZN	VIS M16X 2X100 8.8 U5739	SCHARUBE M16X 2X100 8.8 U5739	TORNILLO M16X 2X100 8.8 U5739
30	GA3612380	DISINNESTO HS-EFM-EFE SPA	DISCONNECTION HS-EFM-EFE FERT.			
31	GA3613940	ASTA ALZATA ULTIMA FILA HS	LAST ROW LIFT ROD HS			
32	GA3613990	ASTA ALZATA ULTIMA F.HS 8-12F	LAST ROW LIFT ROD HS 8-12R			
35	F01020436	VITE M8X1,25X20 U5739 8.8ZN	SCR. M8X1,25X20 U5739 8.8ZN	VIS M8X1,25X 20 U5739 8.8 ZN	SCHRAUBE M8X1,25X20U5739 8.8ZN	TORN. M8X1,25X20 U5739 8.8 ZN
39	GA3610590	BRACCIO DX ALZATA 6-8F	LIFT ARM RIGHT 6-8ROW			
40	GA3610650	BRACCIO SX ALZATA 6-8F	LIFT ARM LEFT 6-8ROW			
43	GA3610880	BRACCIO DX ALZATA 8-12F	LIFT ARM RIGHT 8-12ROW			
44	GA3610870	BRACCIO SX ALZATA 8-12F	LIFT ARM LEFT 8-12ROW			
45	F01220022	DADO M8X1,25 D980 8ZN	NUT M8X1,25 D980 8ZN	ECROU M8X 1,25 D980 8 ZN	MUTTER M8X 1,25 D980 8 ZN	TUERCA M8X 1,25 D980 8 ZN

Pos.	Cod.	Descrizione	Description	Description	Benennung	Descrpcion
1	GA3610600	ASTA ALZATA U.F. 6F	LIFT ROD U.F.6F			
2	GA3610810	ASTA ALZATA U.F. 8F	LIFT ROD U.F.8F			
3	F01220048	DADO M12X1,75 D980 8ZN	NUT M12X1,75 D980 8ZN	ECROU M12X1,75 D980 8 ZN	SCHEIBE M12X1,75 D980 8 ZN	TUERCA M12X1,75 D980 8 ZN
4	GA3610730	SUPPORTO ATTUATORE DX	RIGHT ACTUATOR SUPPORT			
5	GA3610760	CARTER PROTEZ.ATTUATORE	ACTUATOR PROTECTION CARTER			
6	GA3610740	SPINA ATTUATORE ZN	ACTUATOR PIN ZN			
7	F05010660	ATTUATORE LINAK LA23 C.130MM	ACTUATOR LINAK LA23 C.130MM			
8	F05010665	CAVO COLL.ATT. LINAK LA23	CON.TION ATT. CABLE LINAK LA23			
9	GA3610931	PIASTRA SUPP.SCATOLA DERIVAZ.	SUPP.PLATE SHUNT BOX			
10	F05010490	SCATOLA DI DERIVAZIONE RDS	JUNCTION BOX RDS			
11	F05010458	PRESSACAVO PG11 CON GHIERA	CABLE PRESS PG11-RING NUT			
12	F05010595	COMAN.PARZIALIZZATORI+GENERALE	SHUTTER COMMAND+MAIN			
13	F05100190	TAPPO FORO SELETTORE >	SELECTOR HOLE PLUG	BOUCHON TROU SELECTEUR	PFFROPFEN LOCHWZLER	TAPN AGUJERO SELECTOR
14	F01020110	VITE M10X1,5X40 U5737 8.8ZN	SCR. M10X1,5X40 U5737 8.8ZN	VIS M 10X40	SCHRAUBE M 10X40	TORNILLO M 10X40
15	F01020154	VITE M12X1,75X45 U5737 8.8ZN	SCR. M12X1,75X45 U5737 8.8ZN	VIS M12X1,75X 45 U5737 8.8 ZN	SCHR.M12X1,75X 45 U5737 8.8 ZN	TORN.M12X1,75X 45 U5737 8.8 ZN
16	F01020452	VITE M8X1,25X50 U5739 8.8ZN	SCR. M8X1,25X50 U5739 8.8ZN	VIS M8X1,25X50 U5739 8.8 ZN	SCHRA. M8X1,25X50 U5739 8.8 ZN	TORN. M8X1,25X50 U5739 8.8 ZN
17	F01020068	VITE M8X1,25X40 U5737 8.8ZN	SCR. M8X1,25X40 U5737 8.8ZN	VIS M 8X1,25X40 U5737 8.8 ZN	SCHRA. M8X1,25X40 U5737 8.8 ZN	TORNIL.M8X1,25X40 U5737 8.8 ZN
18	F01220033	DADO M10X1,5 D980 8ZN	NUT M10X1,5 D980 8ZN	ECROU M10X1,5 D980 8ZN	MUTTER M10X1,5 D980 8ZN	TUERCA M10X1,5 D980 8ZN
19	F01200244	DADO M8X1,25 U5588 6.8ZN	NUT M8X1,25 U5588 6.8ZN	ECROU M8 X1,25 U5588 6.8 ZN	MUTTER M8 X1,25 U5588 6.8 ZN	TUERCA M8 X1,25 U5588 6.8 ZN
20	F01220022	DADO M8X1,25 D980 8ZN	NUT M8X1,25 D980 8ZN	ECROU M8X 1,25 D980 8 ZN	MUTTER M8X 1,25 D980 8 ZN	TUERCA M8X 1,25 D980 8 ZN
21	F01020479	VITE M10X1,5X35 U5739 8.8ZN	SCR. M10X1,5X35 U5739 8.8ZN	VIS M10X1,5X35 U5739 8.8 ZN	SCHR. M10X1,5X35 U5739 8.8 ZN	TORN. M10X1,5X35 U5739 8.8 ZN
22	GA3610720	SUPPORTO ATTUATORE SX	LFET ACTUATOR SUPPORT			
23	GA3613970	SUPPORTO SENSORE A PULSANTE DX	RIGHT BUTTON SENSOR SUPPORT			
24	GA3613980	SUPPORTO SENSORE A PULSANTE SX	LEFT BUTTON SENSOR SUPPORT			
25	F01230047	DADO M10X1,5 D982 A2IX	NUT M10X1,5 D982 A2IX	ECROU M10X 1,5 D982 A2 IX	MUTTER M10X 1,5 D982 A2 IX	TUERCA M10X 1,5 D982 A2 IX
26	F01020144	VITE M10X1,5X75 U5737 A2IX	SCR. M10X1,5X75 U5737 A2IX	VIS M10X 1,5X 75 U5737 8.8 IX	SCHRAUBE M10X 1,5X 75 U5737 8.	TORNIL. M10X 1,5X 75 U5737 8.8
27	F01230016	DADO M4X0,7 D982 8ZN	NUT M4X0,7 D982 8ZN	ECROU AUTOB.NOR.4 ZN	SELBSTSP. MUTTER NOR. 4 ZN	TUERCA AUTOB. NOR. 4 ZN
28	F01040030	VITE M4X0,7X35 U5931 12.9ZF	SCR. M4X0,7X35 U5931 12.9ZF	VIS M4X0,7X35 U5931 12.9ZF	SCHRAU. M4X0,7X35 U5931 12.9ZF	TORNIL. M4X0,7X35 U5931 12.9ZF
29	F01220011	DADO M6X1 D980 8ZN	NUT M6X1 D980 8ZN	ECROU M6X1 D980 8 ZN	MUTTER M6X1 D980 8 ZN	TUERCA M6X1 D980 8 ZN
30	F01020406	VITE M6X1X25 U5739 8.8ZN	SCR. M6X1X25 U5739 8.8ZN	VIS M6X25	SCHRAUBE M6X25	TORNILLO M6X25
31	F05200165	CABL.SENSORE FINE CORSA HS-EFE	LIMIT STOP SENSOR CABLE HS-EFE			
32	F01020254	VITE M16X2X55 U5737 10.9ZD	SCR. M16X2X55 U5737 10.9ZD			
33	F05150057	FASCETTA POLYA. 3,6X140 NERA	PLASTIC CLAMP 3,6X140	COLLIER POLYAMIDE 3,6X140	SHELLE POLYAMID 3,6X140	ABRAZADERA POLIAMIDA 3,6X140
34	F01070300	VITE A4,2X1,41X16 U8117 4.8NI	SCR. H4,2X1,41X16 U8117 4.8NI	VIS 4,2X1,41X 16 8117 4.8NI	SCHRAUBE 4,2X1,41X 16 8117 4.	TORNILLO 4,2X1,41X 16 8117 4.
35	F05010412	SUPPORTO TUBI OLIO E CAVI	SUPPORT FOR OIL TUBES AND CABL	SUPPORT TUYAUX HUILE ET C-BLES	HALTERUNG ILSCHL-UCHE UND KABE	SOPORTE TUBOS ACEITE Y CABLES
36	F01230085	DADO M16X2 D982 10ZN	NUT M16X2 D982 8ZN	ECROU M16X2 D982 8ZN	MUTTER M16X2 D982 8ZN	TUERCA M16X2 D982 8ZN
37	F01020566	VITE M16X2X40 U5739 8.8ZN	SCR. M16X2X40 U5739 8.8ZN	VIS M16X2X40 U5739 8.8 ZN	SCHRAUBE M16X2X40 U5739 8.8 ZN	TORNILLO M16X2X40 U5739 8.8 ZN
38	F01220033	DADO M10X1,5 D980 8ZN	NUT M10X1,5 D980 8ZN	ECROU M10X1,5 D980 8ZN	MUTTER M10X1,5 D980 8ZN	TUERCA M10X1,5 D980 8ZN
39	F01020472	VITE M10X1,5X25 U5739 8.8ZN	SCR. M10X1,5X25 U5739 8.8ZN	VIS M10X1,5X25 U5739 8.8 ZN	SCHRAUBE M10X1,5X25 U5739 8.8	TORNILLO 10X25 U5739 8.8 ZN
40	GA3614000	SUPP.PIASTRA SCATOLA DERIV.	SHUNT BOX PLATE SUPPORT			
41	F20100133	PERNO D25 L122 C43 TEST.D60 ZN	PIN D25 L122 C43 ZN	BOULON D25 L122 C43 ZN	BOLZEN D25 L122 C43 ZN	PERNO D25 L122 C43 ZN
42	F02200507	SPINA A SCATTO D 9 B/83	SNAP PIN D9 B/83 ZN	FICHE A DETENTE D9 B/83 ZN	EINRASTSTIFT D9 B/83 ZN	CLAVIJA DE MUELLE D9 B/83 ZN



Control box

Wire Color	Conn-Term
White	PL1 - 3
Red	PL1 - 4
Green	PL1 - 7
Yellow	PL1 - 8
Violet	PL1 - 11
Gray	PL1 - 12
Black	PL1 - 13
Brown	PL1 - 15
Blue	OV
Pink	+ V



Conn-Term	Wire Color	Description
PL1 - 3	White	Motore SX +/-
PL1 - 4	Red	Motore SX +/-
PL1 - 7	Green	Motore DX +/-
PL1 - 8	Yellow	Motore DX +/-
PL1 - 11	Violet	Led Verde SX
PL1 - 12	Gray	Led Verde DX
PL1 - 13	Black	*non utilizzato*
PL1 - 15	Brown	Comando disinnesto
PL2 - 1	Red	GND comune fine corsa Motore SX
PL2 - 2	Red	GND comune fine corsa Motore DX
PL2 - 6	Brown	Motore SX +/-
PL2 - 7	Blue	Motore SX +/-
PL2 - 10	Brown	Motore DX +/-
PL2 - 11	Blue	Motore DX +/-
PL2 - 19	Green/Yellow	Segnale fine corsa Motore SX
PL2 - 20	Green/Yellow	Segnale fine corsa Motore DX
OV	Blue	GND
+ V	Pink	+12Vdc

Power supply cable

Wire Color	Description
Red	+12 Vdc Batteria
Black	0 V Batteria

Left Sensor

Wire Color	Conn-Term
Blue	PL2 - 7
Brown	A

Left Motor

Wire Color	Conn-Term
Blue	A
Red	PL2 - 1
Brown	PL2 - 6
Green/Yellow	PL2 - 19

Right Motor

Wire Color	Conn-Term
Blue	B
Red	PL2 - 2
Brown	PL2 - 10
Green/Yellow	PL2 - 20

Right Sensor

Wire Color	Conn-Term
Blue	PL2 - 7
Brown	A

**USATE SEMPRE RICAMBI ORIGINALI
ALWAYS USE ORIGINAL SPARE PARTS
IMMER DIE ORIGINAL-ERSATZTEILE VERWENDEN
EMPLOYEZ TOUJOURS LES PIECES DE RECHANGE ORIGINALES
UTILIZAR SIEMPRE REPUESTOS ORIGINALES**

GASPARDO

Servizio Assistenza Tecnica - After Sales Service: +39 0434 695557

Servizio Ricambi - Spare Parts Service: +39 0434 695496

DEALER:



* G 1 9 5 3 0 8 1 3 *



MASCHIO GASPARDO SpA

Registered office & Production plant

Via Marcello, 73 - 35011 Campodarsego (Padova) - Italy

Tel. +39 049 9289810

Fax +39 049 9289900

info@maschio.com

www.maschionet.com

MASCHIO GASPARDO SpA

Production plant

Via Mussons, 7 - 33075

Morsano al Tagliamento (PN) - Italy

Tel. +39 0434 695410

Fax +39 0434 695425

info@gaspardo.it

MASCHIO DEUTSCHLAND GMBH

Äußere Nürnberger Straße 5

D - 91177 Thalmässing - Deutschland

Tel. +49 (0) 9173 79000

Fax +49 (0) 9173 790079

dialog@maschio.de

www.maschio.de

MASCHIO FRANCE Sarl

Rue Denis Papin ZA

F - 45240 La Ferté Saint Aubin

France

Tel. +33 (0) 2.38.64.12.12

Fax +33 (0) 2.38.64.66.79

info@maschio.fr

000 МАСКИО-ГАСПАРДО РУССИЯ

Улица Пушкина, 117 Б

404130 Волжский

Волгоградская область

Тел. +7 8443 203100

факс. +7 8443 203101

info@maschio.ru

MASCHIO-GASPARDO ROMANIA S.R.L.

Strada Înfrâterii, F.N.

315100 Chisineu-Cris (Arad) -România

Tel. +40 257 307030

Fax +40 257 307040

info@maschio.ro

MASCHIO-GASPARDO North America

112 3rd Avenue East

Dewitt, IA 52742 - USA

Ph. +1 563 659 6400

Fax +1 563 659 6405

info@maschio.us

MASCHIO IBERICA S.L.

MASCHIO-GASPARDO POLAND

MASCHIO-GASPARDO UKRAINA

GASPARDO-MASCHIO TURCHIA

MASCHIO-GASPARDO CINA

MASCHIO-GASPARDO INDIA

MASCHIO-GASPARDO KOREA