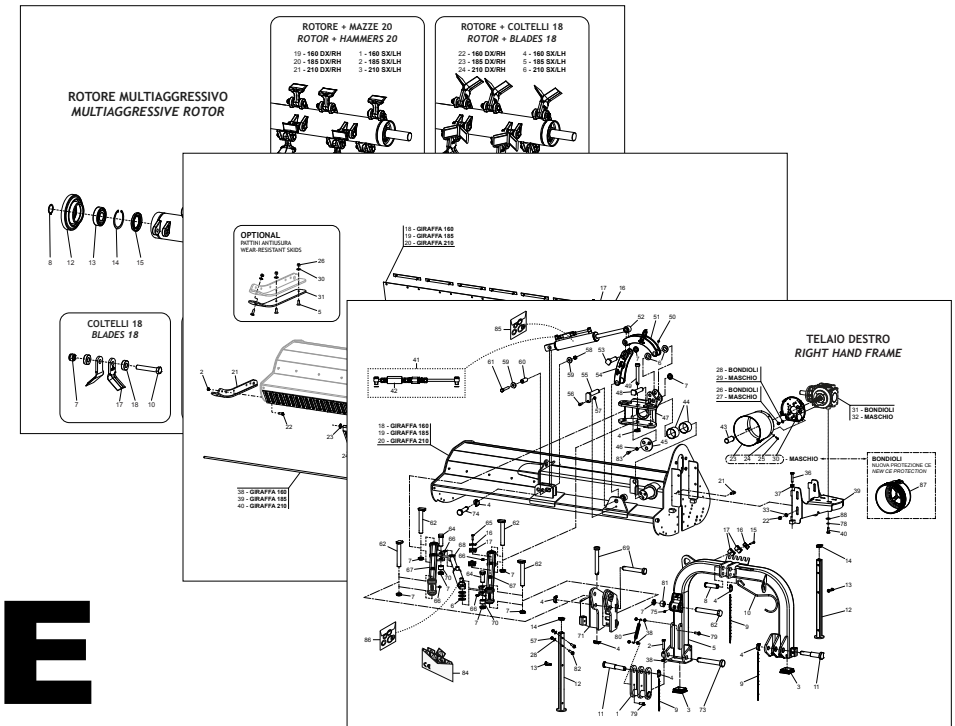


MASCHIO GASPARDO S.p.A.



GIRAFFA XL SE

Cod: F07011730 2020-11

- *) Valido per Paesi UE
- *) Valid for EU member countries
- *) Valable dans les Pays UE
- *) Gilt für EU-Mitgliedsländer
- *) Válido para Países UE

- IT** PARTI DI RICAMBIO
- EN** SPARE PARTS
- DE** ERSATZTEILE
- FR** PIÈCES DÉTACHÉES
- ES** PIEZAS DE REPUESTO

| ITALIANO | ENGLISH | DEUTSCH | FRANÇAIS | ESPAÑOL |
|---|--|---|---|---|
| PARTI DI RICAMBIO | SPARE PARTS | ERSATZTEILE | PIECES DÉTACHÉES | RESPUESTOS |
| Le ordinazioni delle parti di ricambio vanno fatte presso i nostri concessionari di zona e devono essere sempre corredate dalle seguenti indicazioni: | <i>Orders must be transmitted through our area dealers and should always include the following indications:</i> | Die Bestellungen müssen bei unseren Gebietshändlern aufgegeben werden. Bei der Bestellung sind stets die folgenden Angaben zu machen: | <i>Les ordres doivent être effectués auprès de nos concessionaires de zone en précisant les indications suivantes:</i> | Los pedidos han de efectuarse en nuestros concesionarios de zona y deben incluir siempre las siguientes indicaciones: |
| - Tipo, modello e numero di matricola dell'attrezzatura. Tali dati sono stampigliati nell'apposita targhetta di cui è dotata ogni attrezzatura. | - Type, model and serial number of the machine. <i>These data are punched on the data plate with which every implement is equipped.</i> | - Typ, Modell und Serien-Nummer des Geräts. Diese Daten stehen auf dem Typenschild, mit dem jedes Gerät versehen ist. | - Type, modèle et numéro de série de la machine. <i>Ces données sont gravées sur la plaque d'identification de chaque outil.</i> | - Tipo, modelo y número de matrícula del equipo. Dichos datos están impresos en la relativa placa presente en el equipo. |
| - Numero di codice della parte richiesta rilevabile dal catalogo ricambi. | - Code number of the required spare part. <i>This will be found in the spare parts catalogue.</i> | - Artikel Nr. der erforderlichen Ersatzteile. Diese stehen im Ersatzteil-Katalog. | - Numéro de code de la pièce détachée indiqué sur le catalogue des pièces détachées. | - Número de código de la parte requerida presente en el catálogo respuestas. |
| - Descrizione del particolare e quantità richiesta. | - Description of the part and required quantity. | - Beschreibung des Ersatzteils und die erforderliche Stückzahl. | - Description de la pièce et quantité requise. | - Descripción de la pieza y cantidad requerida. |
| - Numero della tavola. | - Table number. | - Tafelnummer. | - Numéro de plan. | - Numero de ilustración. |
| - Mezzo di trasporto. Nel caso questa voce non sia specificata, la Ditta Costruttrice, pur dedicando a questo servizio una particolare cura, non risponde di eventuali ritardi di spedizione dovuti a cause di forza maggiore. Le spese di trasporto si intendono sempre a carico del destinatario. La merce viaggia a rischio e pericolo del committente anche se venduta franco destino. | - Means of dispatch. <i>If this item is not indicated, the Manufacturer, while dedicating particular care to this service, shall not be held responsible for delays in delivery caused by cases of force majeure. Transport expenses shall always be at the consignee's charge. The goods travel at the purchaser's risk and peril even when sold ex destination.</i> | - Versandmittel. Wenn dieser Punkt nicht spezifiziert wird, haftet die Herstellerfirma nicht für etwaigen Lieferverzug aufgrund höherer Gewalt, auch wenn er diesen Service besonders aufmerksam abwickelt. Die Frachtkosten gehen dagegen immer zu Lasten des Empfängers. Die Ware reist auf Gefahr und Risiko des Auftraggebers, auch wenn frei Haus Verkauft vereinbart worden ist. | - Moyen d'expédition. <i>Si cette rubrique n'est pas indiquée, le Constructeur, bien que soucieux de ce service, ne répond pas des retards d'expédition pour des causes de force majeure. Les frais de transport sont toujours à la charge du destinataire. La marchandise voyage aux risques et périls de l'acheteur même si vendue franco de port.</i> | - Medio de transporte. En caso que este ítem no esté especificado, el Fabricante, aun prestando la debidas consideraciones para este aspecto, no responde por eventuales retardos de env'o debidos a causas de fuerza mayor. Los gastos de transporte se consideran siempre a cargo del destinatario. La mercadería viaja bajo riesgo y peligro del comprador, incluso cuando se vende franco destino. |
| NOTA: Il termine (Dx) Destro o (Sx) Sinistro della macchina o di parti di essa, è inteso guardando la macchina dalla parte posteriore. Le eccezioni saranno indicate. | NOTE: <i>The symbols (Dx) right and (Sx) left, concerning the machine or single parts of it, are referred, as in the figure, to a rear view of them. Exceptions will be indicated.</i> | N.B.: Die Merkzeichen (Dx) rechts und (Sx) links betreffen eine rückwärtige Aussicht der Maschine oder Teile von ihr (siehe Bild). Ausnahmen werden gezeigt. | N.B.: <i>Les références (Dx) droit et (Sx) gauche de la machine ou des parties de la même, est entendue, comme de la figure, en regardant la machine de derriere dans le sens de marche.</i> | N.B.: La referencia (Dx) derecha o (Sx) izquierda de la máquina o de sus componentes, se entiende, como en la figura, mirando la máquina por la parte trasera. Se indicarán las excepciones. |

INDICE

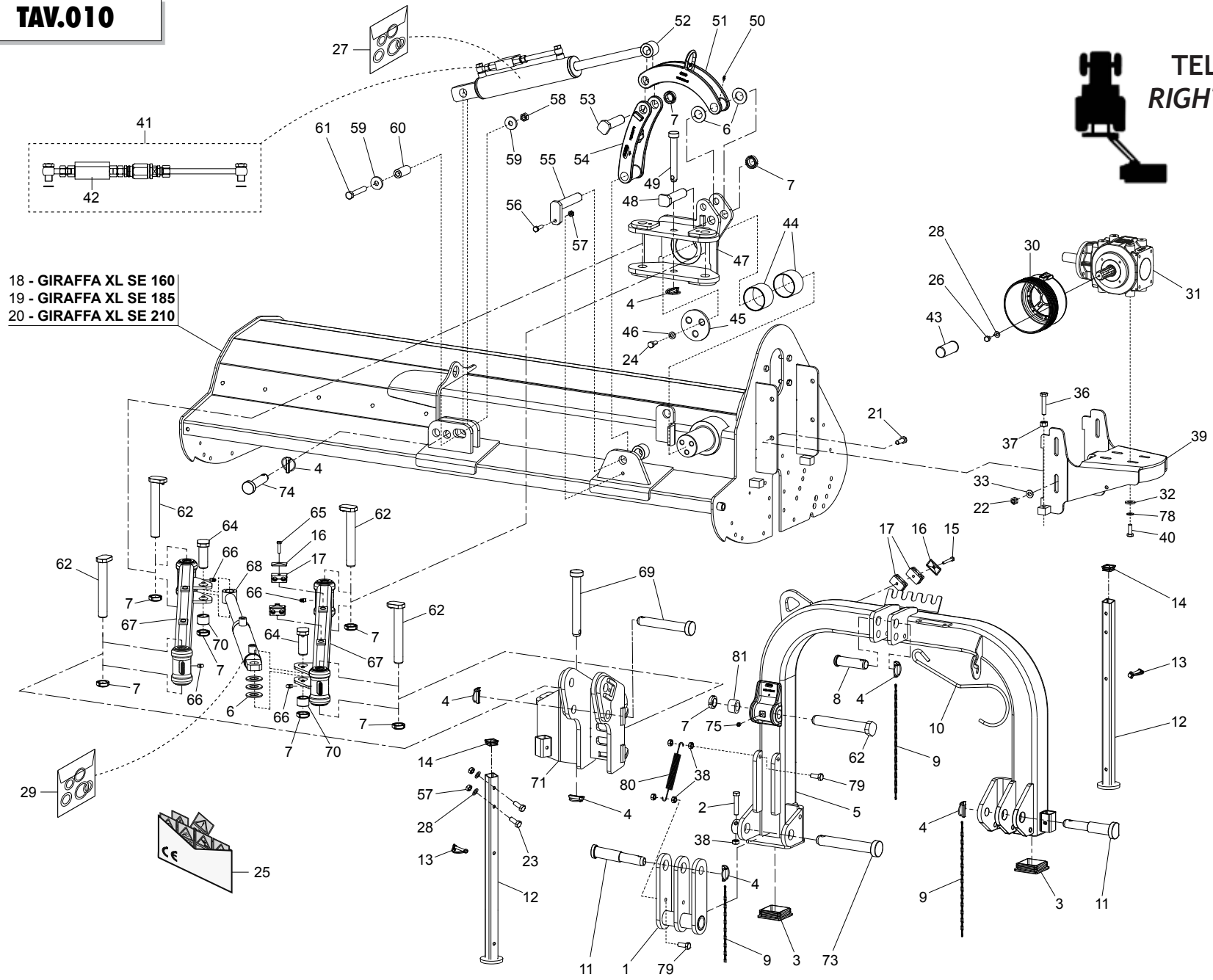
| N° Tavola | Descrizione | Pagina |
|------------------|---|---------------|
| TAV.010 | TELAIO DESTRO E TERZO PUNTO | 5 |
| TAV.020 | TELAIO SINISTRO E TERZO PUNTO | 9 |
| TAV.030 | TRASMISSIONE | 13 |
| TAV.040 | RULLO ED OPTIONALS | 15 |
| TAV.050 | ROTORE | 17 |
| TAV.060 | ROTORE MULTIAGGRESSIVO | 19 |
| TAV.070 | MOLTIPLICATORE 540 rpm - Bondioli per versione destra | 21 |
| TAV.080 | MOLTIPLICATORE 540 rpm - Bondioli per versione sinistra | 23 |
| TAV.090 | IMPIANTO IDRAULICO | 25 |
| TAV.100 | SUPPORTI TABELLE STRADALI | 27 |
| TAV.110 | KIT TABELLE STRADALI G99600020 | 29 |
| TAV.120 | KIT TABELLE STRADALI G99600021 | 31 |
| TAV.130 | CARDANO WALTERSCHEID | 33 |
| TAV.140 | CARDANO BONDIOLI | 35 |
| TAV.150 | CARDANO OMOCINETICO WALTERSCHEID | 37 |

INDEX

| N° Table | Description | Page |
|-----------------|--|-------------|
| TAV.010 | RIGHT FRAME AND 3rd POINT HITCH | 5 |
| TAV.020 | LEFT FRAME AND 3rd POINT HITCH | 9 |
| TAV.030 | TRANSMISSION | 13 |
| TAV.040 | ROLLER AND OPTIONALS | 15 |
| TAV.050 | ROTOR | 17 |
| TAV.060 | MULTIAGGRESSIVE ROTOR | 19 |
| TAV.070 | GEARBOX 540 rpm - Bondioli for right version | 21 |
| TAV.080 | GEARBOX 540 rpm - Bondioli for left version | 23 |
| TAV.090 | HYDRAULIC PLANT | 25 |
| TAV.100 | ROAD KIT SUPPORTS | 27 |
| TAV.110 | ROAD TRANSPORT KIT G99600020 | 29 |
| TAV.120 | ROAD TRANSPORT KIT G99600021 | 31 |
| TAV.130 | WALTERSCHEID CARDAN SHAFT | 33 |
| TAV.140 | BONDIOLI CARDAN SHAFT | 35 |
| TAV.150 | WALTERSCHEID CONSTANT VELOCITY PTO SHAFT | 37 |

TAV.010

TELAIO DESTRO RIGHT-HAND DRIVE



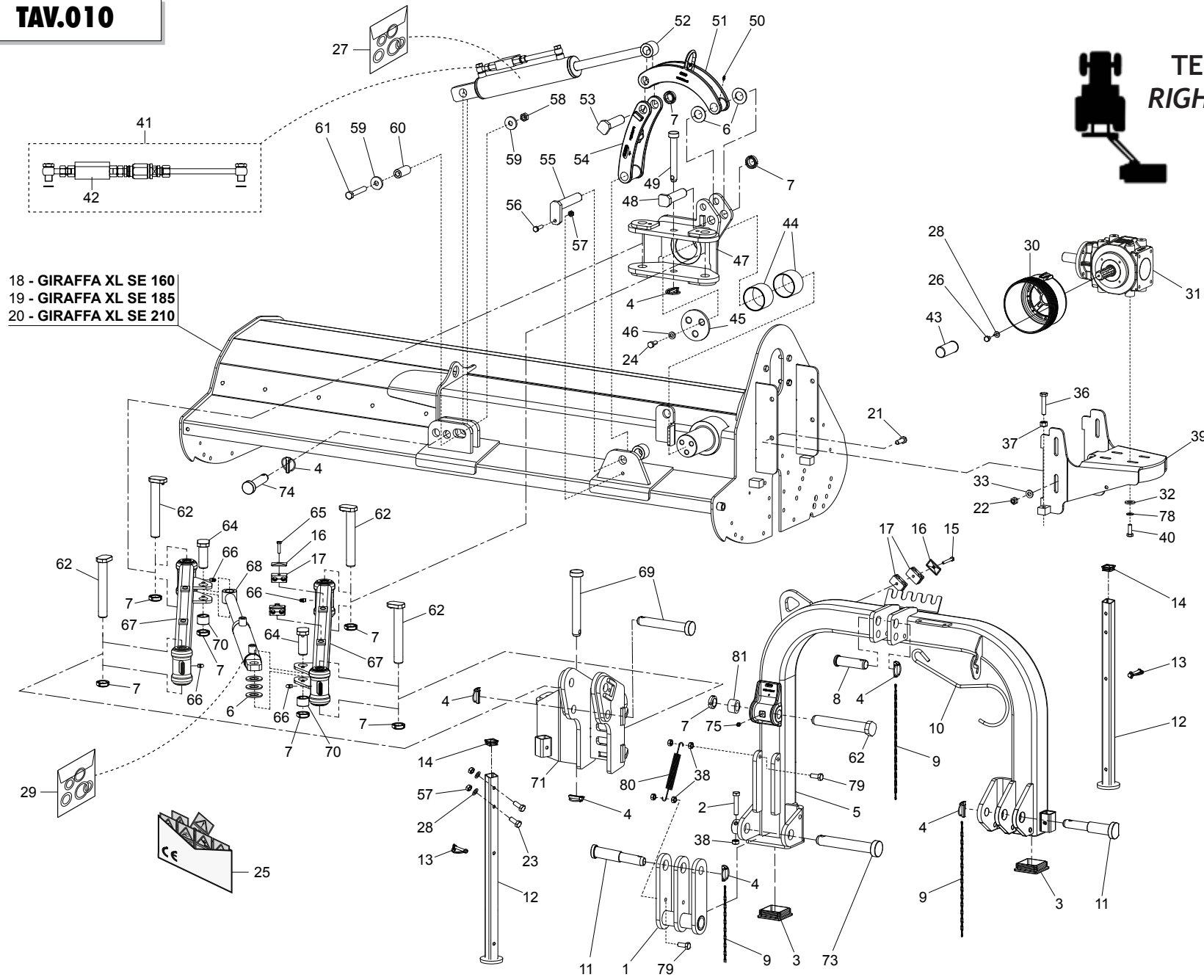
**TELAIO DESTRO E TERZO PUNTO
RIGHT FRAME AND 3rd POINT HITCH**

TAV.010

| Pos. | Cod. | Descrizione | Description | Description | Benennung | Descripcion |
|------|------------|--------------------------------|-------------------------------|--------------------------------|--------------------------------|--------------------------------|
| 1 | M30400908R | BIELLA ATTACCO BARRE | CONNECTING ROD FOR BAR | | VERBINDUNG PLEUEL FUER LEISTE | |
| 2 | F01010058R | VITE M12X1,25X65 | SCREW M12X1,25X65 U5738 8.8ZN | VIS M12X1,25X65 U5738 8.8ZN | SCHRAUBE M 12X1,25X65 | TORNIL.M12X1,25X65 U5738 8.8ZN |
| 3 | F03150773R | TAPPO X TUBO 90X 90 SP.2-5 | TUBE CAP 90X 90 SP.2-5 | BOUCHON 90X 90 SP.2-5 | ROHRKOPFSTOPFEN 90X 90 SP.2-5 | TAPON 90X 90 SP.2-5 |
| 4 | F02200529R | SPINA SCATTO D.11 H58 ZN | SNAP PIN D.11 H58 ZN | FICHE A DETENTE D.11 H58 ZN | EINRASTSTIFT D.11 ZB | CLAVIJA DE MUELLE D.11 H58 ZN |
| 5 | M30400915R | CASTELLO TERZO PUNTO GF | THREE POINT HITCH GF | | DREIPUNKTBOCK GIRAFFA | |
| 6 | F01410168R | ROS.M30 31X 56X 4 | WASHER M30 31X56X4 | RONDELLE M30 31X56X4 | SCHEIBE M30 31X56X4 U6592 ZB | ARANDELLA M30 31X56X4 ZN |
| 7 | F02010111R | GHIERA AU.GUP M30X1,5 T.4H ZN | SELF LOCKING NUT M30X1,5 | COLLIER AUTOBL. M30X1,5 | SELBSTSP. NUTMUTTER M30X1,5 | VIROLA AUTOBL. M30X1,5 |
| 8 | F20100063R | PERNO D25 L91 C43 TEST.D35 ZN | PIN D25 L91 C43 TEST.D35 ZN | GOUJON D25 L91 C43 TEST.D35ZN | BOLZEN GASPARDO D25 L113 C40 | PERNO D25 L91 C43 TEST.D35 ZN |
| 9 | M58100930R | CATENELLA L=476 | ASSEMBLY CHAIN DMP L=476 | | CHAINE L=476 | CADENA L=476 |
| 10 | F20120400R | GANCIO SOSTEGNO CARDANO | SHAFT HOOK SUPPORT | | SUPPORT CARDAN | SOPORTE CARDAN |
| 11 | M21400563R | PERNO ATTACCO BARRA.2 -3 C. | PIN FOR BAR LINKAGE | | GOUJON ATTELAGE BARRE | PERNO ATAQUE BARRA |
| 12 | M06700513R | COMP. PIEDINO SUPPORTO | SUPPORT | | | SOPORTE PIEDE |
| 13 | F02200562R | SPINA SICUR.D. 8X70 ZN | SNAP PIN D.8X 70 ZN | FICHE EL. D.8X70 ZN | SCHERSTIFT D.8X 70 ZN | CLAVIJA D.8X 70 ZN |
| 14 | F05100025R | TAPPO AD ALETTE 35X35 PLT NERO | PLUG | BOUCHON FERMETURE | VERSCHLUSSPFROPFEN | TAPONCLAUSURA |
| 15 | F01020077R | VITE M8X1,25X60 | SCREW M8X1,25X60 U5737 8.8ZN | VIS M8X1,25X60 U5737 8.8ZN | SCHRAUBE M 8X60 8.8 | TORN. M8X1,25X60 U5737 8.8ZN |
| 16 | M58100628R | PIATTO SUPERIORE ZPG | UPPER PLATE | PLAT SUPERIEUR | OBENE PLATTE | PLATO SUPERIOR |
| 17 | F03151019R | COPIA COLL.2T D12 1V I=00 M8 | COLLAR PAIR 2T D12 1V I=00 M8 | | BAND PAAR 2T D12 1V I=00 M8 | |
| 18 | M30416701R | COMP.TELAIO SCAT.EST.GF 160 | FRAME EXTER.BOX GF 160 | | | |
| 19 | M30419701R | COMP.TELAIO SCAT.EST.GF 190 | FRAME EXTER.BOX GF 190 | | | |
| 20 | M30421701R | COMP.TELAIO SCAT.EST.GF 210 | FRAME EXTER.BOX GF 210 | | MULCHERGEH USE GIRAFFA 185 SE | |
| 21 | F01010318R | VITE M14X1,5X40 | SCREW M14X1,5X40 U5740 8.8ZN | VIS M14X1,5X40 U5740 8.8ZN | SCHRAUBE M 14X1,5X40 | TORNIL. M14X1,5X40 U5740 8.8ZN |
| 22 | F01220059R | DADO M14X1,5 | NUT M14X1,5 D980 8ZN | ECROU M14X1,5 D980 8ZN | SELBSTSP.MUTT. M14X1,5 980-V | TUERCA M14X 1,5 D980 8 ZN |
| 23 | F01010264R | VITE M10X1,25X70 | SCREW M10X1,25X70 U5740 8.8ZN | VIS M10X1,25X70 U5740 8.8ZN | SCHRAUBE M10X1,25X70 | TORNIL.M10X1,25X70 U5740 8.8ZN |
| 24 | F01010341R | VITE M16X1,5X45 U5740 8.8ZN | SCREW M16X1,5X45 U5740 8.8ZN | VIS M16X1,5X45 U5740 8.8ZN | SCHR.M16X1,5 X45 U5740 8.8 ZN | TORNIL. M16X1,5X45 U5740 8.8ZN |
| 25 | F20030241R | KIT.ET.CE TRINCIA | KIT CE LABELS MULCHERS | | KIT AUFLKLEBER F R MULCHGER TE | |
| 26 | F01020468R | VITE M10X1,5X16 | SCREW M10X1,5X16 U5739 8.8ZN | VIS M10X1,5X16 U5739 8.8ZN | SCHRA. M10X1,5X16 U5739 8.8 ZN | TORNIL. M10X1,5X16 U5739 8.8ZN |
| 27 | F03100140R | SERIE GUARN.PER CIL. M3040053 | GASKET SET M30400530 | | | |
| 28 | F01410064R | ROS.M10 10,5X 20X 2 | WASHER M10 10,5X20X2 | RONDELLE M10 10,5X20X2 | SCHEIBE 10,5X21 | ARAND.M10 10,5X 20X 2 U6592 ZN |
| 29 | F03100068R | SERIE GUAR.M07400588-M26400416 | GASKET SET M07400588 | SERIE JOINTS M07400588 | DICHTUNGSSATZ | SERIE JUNTAS M07400588 |
| 30 | F08011962R | PROTEZIONE CE SMONTABILE | REMOVABLE COUNTER CAP | | | |
| 31 | M30400205R | SCATOLA MOLTIPL.540 BONDIOLI | COMPLETE GEARBOX | BOITE DE VITESSE | GETRIEBE 540 UPM BONDIOLI | CAJA CAMBIO COMPLETA |
| 32 | F01500011R | RONDELLA 13X35X5 | WASHER D. 12 | RONDELLE D. 12 | SCHIEBE D.12 | ARANDELA D.12 |
| 33 | F01410088R | ROS.M14 15X 28X2,5 | WASHER M14 15X 28X2,5 | RONDELLE M14 15X 28X2,5 | SCHEIBE M14 15X28X2,5 U6592 ZB | ARA.M14 15X 28X2,5 U6592 ZB |
| 36 | F01010323R | VITE M14X1,5X70 | SCREW M14X1,5X70 U5740 8.8ZN | VIS M14X1,5X70 U5740 8.8ZN | SCHRAUBE M 14X1,5X70 | TORNIL. M14X1,5X70 U5740 8.8ZN |
| 37 | F01200089R | DADO M14X1,5 | NUT M14X1,5 U5587 CL8 ZNN6SZN | ECROU M14X1,5 U5587 CL8ZNN6SZN | MUTTER M14X1,5 | TUERCA M14X1,5 U5587 CL8 ZNN6S |
| 38 | F01220047R | DADO M12X1,25 | NUT M12X1,25 | ECROU M12X1,25 D980 8ZN | SELBSTSP.MUTTER M12X1,25 980-V | TUERCA M12X1,25 D980 8 ZN |
| 39 | M30400528R | COMP. ATTACCO SCATOLA GF | BOX LINKAGE | | KOMPL. HALTER KASTEN GF | |
| 40 | F01010288R | VITE M12X1,25X35 | SCREW M12X1,25X35 U5740 8.8ZN | VIS M12X1,25X35 U5740 8.8ZN | SCHRAUBE M12X1,25X35 | TORNIL.M12X1,25X35 U5740 8.8ZN |
| 41 | F03151318R | KIT VAL.BLOC.UNID.X M50400545 | KIT VALVE BLOCK. | VANNE D ARR T | BLOCKKLAPPE | |
| 42 | F03150499R | VALVOLA BLOCCO | BLOCK VALVE | VALVE BLOQUER | GEST. SPERRVENTIL | VALVULA BLOQUEAR |
| 43 | M38100146R | MANICOTTO PROTEZIONE PDF 1 3 8 | P.T.O. PROTECTION | MANCHON PROTECTION PDF 1 3 8 | ZAPFWELLENSCHUTZ P.T.O. | MANGUITO PROTECCION PDF 1 3 8 |
| 44 | F04100105R | BOCOLA D=85 D=80 L=60 AUTOLUB | BUSHING D=85 D=80 L=60 | DOUILLE D=85 D=80 L=60 | BUECHSE D=85 D=80 L=60 | CASQUILLO D=85 D=80 L=60 |
| 45 | M07400748R | ROSETTA DI BLOCCAGGIO | WASHER CLAMPING | | UNTERLEGSCHIEBE CLAMBOLZENG | |
| 46 | F01480145R | ROS.G 17X29X5 | GROWER WASHER 17X29 | GROWER RONDELLE 17X29 | SPRENGRING D.16 | ARANDELA GROWER 17X29 |
| 47 | M07400709R | GIUNTO MOVIMENTAZIONE | JOINT | JOINT | VERBINDUNG | JUNTA |
| 48 | M07400592R | COMP.PERNO D=30 L=119 | PIN | GOUJON | STIFT | PERNO |
| 49 | F20100115R | PERNO D22 L144 C40 TEST.D35 ZN | PIN D22 L144 C40 TEST.D35 ZN | GOUJON D22 L144 C40 TEST.D35ZN | GASPARDO-STIFT 22X144 ZN | PERNO D22 L144 C40 TEST.D35 ZN |
| 50 | F01100011R | ING.M 6X1 7663A 9SMNPB28 Z | GREASE NIPPLE M6X1 7663-A ZN | GRAISS. A BILLE M6X1 7663A ZN | KUGELFETTBUCHE M6X1 A | ENG.M 6X1 7663-A 9SMNPB28 ZN |
| 51 | M30400546R | BIELLA | UPPER CONNECTION ROD | BIELLE ATTELAGE | PLEUEL OBER IN CERA PERSA | BIELA ATAQUE |
| 52 | M30400530R | MARTINETTO ID.A=80 C=273 L=566 | CYLINDER A=80 C=273 L=566 | MANIVELLE HYDRAULIQUE | HYDRAUL.SPINDELVERSTELLUNG | GATO HYDRAULICO |
| 53 | M07400598R | COMP.PERNO D=30 L=109 | PIN D=30 L=109 | GOUJON D=30 L=109 | STIFT D=30 L=109 | PERNO D=30 L=109 |
| 54 | M06700515R | BIELLA INFERIORE SENZA FERMO | LOWER ROD WITHOUT BLOCK | | UNTERER PLEUEL MITOUT BLOCK | |
| 55 | M07400596R | COMP.PERNO D=30 L=150 | PIN | GOUJON | STIFT | PERNO |
| 56 | F01010026R | VITE M10X1,25X40 | SCREW M10X1,25X40 U5738 8.8ZN | VIS M10X1,25X40 U5738 8.8ZN | SCHRAUBE M 10X1,25X40 | TORNIL.M10X1,25X40 U5738 8.8ZN |
| 57 | F01220034R | DADO M10X1,25 | NUT M10X1,25 | ECROU M10X1,25 D980 8GALV. | SELBSTSP.MUTT. M10X1,25 980-V | TUER.M10X1,25 D980 8 ZB |
| 58 | F01220070R | DADO M16X1,5 | NUT M16X1,5 | ECROU M16X1,5 D980 10ZN | MUTTER M16X1,5 | TUERCA M16X1,5 D980 10ZN |
| 59 | F01500023R | RONDELLA 17X45X6 | WASHER 17 X45X6 | RONDELLE 17 X45X6 | ELASTISCHE SCHEIBE | WASHER 17 X45X6 D6340 C50 ZD |

TAV.010

TELAIO DESTRO RIGHT-HAND DRIVE



- 18 - GIRAFFA XL SE 160
- 19 - GIRAFFA XL SE 185
- 20 - GIRAFFA XL SE 210

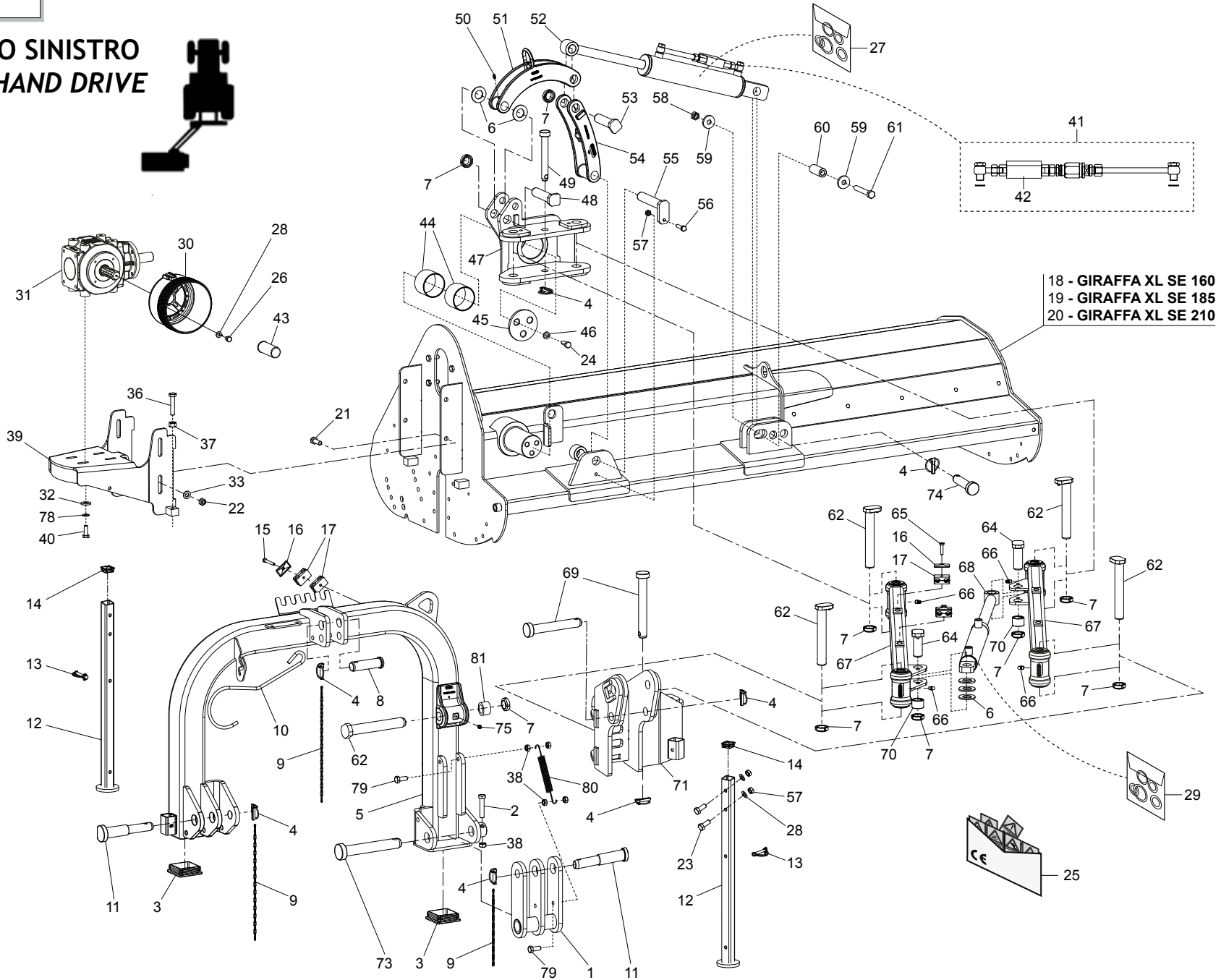
**TELAIO DESTRO E TERZO PUNTO
RIGHT FRAME AND 3rd POINT HITCH**

TAV.010

| Pos. | Cod. | Descrizione | Description | Description | Benennung | Description |
|------|------------|--------------------------------|--------------------------------|--------------------------------|-------------------------------|--------------------------------|
| 60 | M50400556R | DISTANZIALE D=30 D=20 L=65 | SPACER D=30 D=20 L=65 | ENTRETOISE D=30 D=30 L=65 | DISTANZSTUECK D=30 D=20 L=65 | DISTANCIAD.D=30 D=20 L=65 |
| 61 | F01010124R | VITE M16X1,5X100 | SCREW M16X1,5X100 U5738 8.8ZN | VIS M16X1,5X100 U5738 8.8ZN | SCHRAUBE M16X1,5X100 | TORNIL.M16X1,5X100 U5738 8.8ZN |
| 62 | M07400726R | PERNO D=30 L= 199 | PIN D=30 L= 199 | GOUJON D=30 L= 199 | BOLZEN F R ARME GIRAFFA 2012 | PERNO D=30 L= 199 |
| 64 | M07700539R | PERNO D=30 L=109 | PIN D=30 L=109 | GOUJON D=30 L=109 | BOLZEN D=30 L=109 | PERNO D=30 L=109 |
| 65 | F01020449R | VITE M8X1,25X35 | SCREW M8X1,25X35 U5739 8.8ZN | VIS M8X1,25X35 U5739 8.8ZN | SCHRAUBE M 8X35 | TORN. M8X1,25X35 U5739 8.8ZN |
| 66 | F01100063R | ING.M10X1 7663C 9SMNPB28 Z | GREASE NIPPLE M10X1 7663 | ING.M10X1 7663-C 9SMNPB28 ZN | SCHMIERBUECHSE M10X1 | ING.M10X1 7663-C 9SMNPB28 ZN |
| 67 | M30400918R | PARALLELOGRAMMA | PARALLELOGRAM | | PARALLELOGRAM | |
| 68 | M07400588R | COMP. MART.IDR.A=50 C=314 L616 | CYLINDER A=50 C=314 L=616 | VERIN | SPINDELVERSTELLUNGSTEIL | MARTINETE |
| 69 | F20100077R | PERNO D28 L194 C43 TEST.D45 ZN | PIN D28 L194 C43 TEST.D45 ZN | GOUJON D28 L194 C43 TEST.D45ZN | STIFT D=28 L=200 | PERNO D28 L194 C43 TEST.D45 ZN |
| 70 | M23400529R | ROSETTA D=48,3 D=32,5 L=22 | WASHER D=48,3 D=32,5 L=22 | ROSETTE D=48,3 D=32,5 L=22 | SCHEIBE D=48,3 D=32,5 L=22 | DISTANC. D=48,3 D=32,5 L=22 |
| 71 | M30400595R | COMPOSTO ATTACCO 3 PUNTO | THREE POINT CONNECTION | | 3 PUNKT VERBINDUNG | |
| 73 | F20100142R | PERNO D36 L208 C43 TEST.D60 ZN | PIN D36 L208 C43 TEST.D60 ZN | GOUJON D36 L208 C43 TEST.D60ZN | BOLZEN D36 L208 C40 ZN | PERNO D36 L208 C43 TEST.D60 ZN |
| 74 | F20100074R | PERNO D28 L109 C43 SPINA 3 P. | PIN D28 L109 C43 SPINA 3 P. | GOUJON D28 L109 C43 SPINA 3 P. | VERB.BOLZEN SCHUTZHOLM | PERNO D28 L109 C43 SPINA 3 P. |
| 75 | F01100061R | ING.M10X1 7663A 9SMNPB28 Z | GREASE NIPPLE M10X1 7663-A ZN | GRAISSEUR M10X1 7663-A ZN | SCHMIERNIPPEL M10X1 | ENGRASADOR M10X1 7663-A ZN |
| 78 | F01480123R | ROS.G 12,5X22,9X 4 | GROVER WASHER M12 ZGP EXTRA P. | GROVER RONDELLE M12 ZGP EXTRA | UNTERLEGSCHEIBE M12 ZGP EXTRA | ARANDELA M12 ZGP EXTRA P. |
| 79 | F01010292R | VITE M12X1,25X45 | SCREW M12X1,25X45 U5740 8.8ZN | VIS M12X1,25X45 U5740 8.8ZN | SCHRAUBE M12X1,25X45 | TORNIL.M12X1,25X45 U5740 8.8ZN |
| 80 | M34100530R | MOLLE X PROLUNGA L.LIV. | LEVELL.BONNET SPRING EXTENSION | EXTENSION RESSORT LAME NIVELL. | FEDER | RESORTE PROLONGA CHAPA NIVELL. |
| 81 | M23400528R | ROSETTA D=48,3 D=32,5 L=15 | WASHER D=48,3 D=32,5 L=15 | ROSETTE D=48,3 D=32,5 L=15 | SCHEIBED=48,3 D=32,5 L=15 | ARANDELLA D=48,3 D=32,5 L=15 |

TAV.020

TELAIO SINISTRO LEFT HAND DRIVE



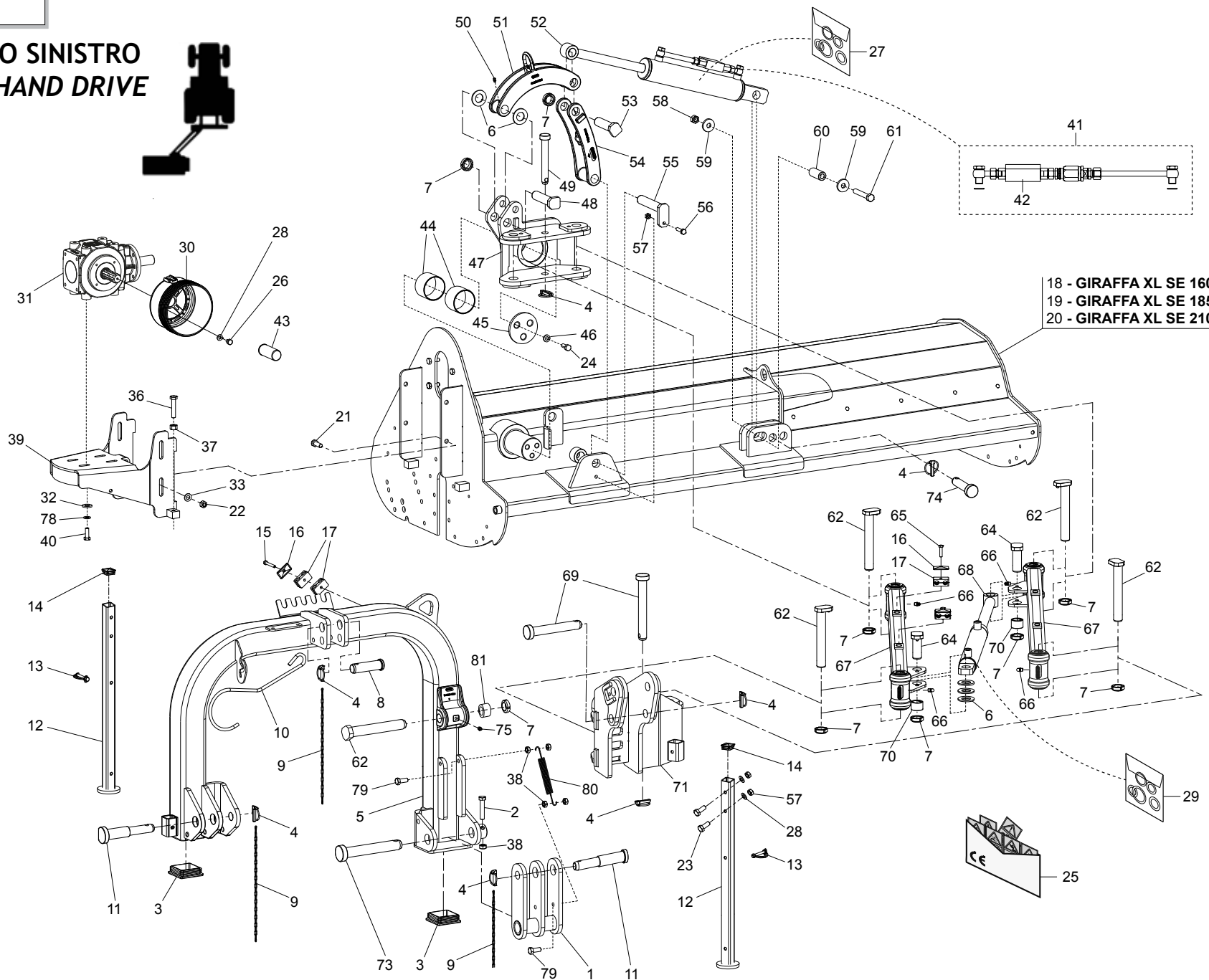
**TELAIO SINISTRO E TERZO PUNTO
LEFT FRAME AND 3rd POINT HITCH**

TAV.020

| Pos. | Cod. | Descrizione | Description | Description | Benennung | Description |
|------|------------|--------------------------------|--------------------------------|--------------------------------|--------------------------------|--------------------------------|
| 1 | M30400908R | BIELLA ATTACCO BARRE | CONNECTING ROD FOR BAR | | VERBINDUNG PLEUEL FUER LEISTE | |
| 2 | F01010058R | VITE M12X1,25X65 | SCREW M12X1,25X65 U5738 8.8ZN | VIS M12X1,25X65 U5738 8.8ZN | SCHRAUBE M 12X1,25X65 | TORNIL.M12X1,25X65 U5738 8.8ZN |
| 3 | F03150773R | TAPPO X TUBO 90X 90 SP.2-5 | TUBE CAP 90X 90 SP.2-5 | BOUCHON 90X 90 SP.2-5 | ROHRKOPFSTOPFEN 90X 90 SP.2-5 | TAPON 90X 90 SP.2-5 |
| 4 | F02200529R | SPINA SCATTO D.11 H58 ZN | SNAP PIN D.11 H58 ZN | FICHE A DETENTE D.11 H58 ZN | EINRASTSTIFT D.11 ZB | CLAVIJA DE MUELLE D.11 H58 ZN |
| 5 | M06700531R | CASTELLO TERZO PUNTO GF SX | THIRD POINT LEFT GF | | RAHMEN | |
| 6 | F01410168R | ROS.M30 31X 56X 4 | WASHER M30 31X56X4 | RONDELLE M30 31X56X4 | SCHEIBE M30 31X56X4 U6592 ZB | ARANDELLA M30 31X56X4 ZN |
| 7 | F02010111R | GHIERA AU.GUP M30X1,5 T.4H ZN | SELF LOCKING NUT M30X1,5 | COLLIER AUTOBL. M30X1,5 | SELBSTSP. NUTMUTTER M30X1,5 | VIROLA AUTOBL. M30X1,5 |
| 8 | F20100063R | PERNO D25 L91 C43 TEST.D35 ZN | PIN D25 L91 C43 TEST.D35 ZN | GOUJON D25 L91 C43 TEST.D35ZN | BOLZEN GASPARDO D25 L113 C40 | PERNO D25 L91 C43 TEST.D35 ZN |
| 9 | M58100930R | CATENELLA L=476 | ASSEMBLY CHAIN DMP L=476 | CHAINE L=476 | KETTE L=476 | CADENA L=476 |
| 10 | F20120400R | GANCIO SOSTEGNO CARDANO | SHAFT HOOK SUPPORT | SUPPORT CARDAN | GELENKWELLE - HAKEN | SOPORTE CARDAN |
| 11 | M21400563R | PERNO ATTACCO BARRA.2 -3 C. | PIN FOR BAR LINKAGE | GOUJON ATTELAGE BARRE | VERB.BOLZEN SCHUTZHOLM | PERNO ATAQUE BARRA |
| 12 | M06700513R | COMP. PIEDINO SUPPORTO | SUPPORT | | | SOPORTE PIEDE |
| 13 | F02200562R | SPINA SICUR.D. 8X70 ZN | SNAP PIN D.8X 70 ZN | FICHE EL. D.8X70 ZN | SCHERSTIFT D.8X 70 ZN | CLAVIJA D.8X 70 ZN |
| 14 | F05100025R | TAPPO AD ALETTE 35X35 PLT NERO | PLUG | BOUCHON FERMETURE | VERSCHLUSSPFROPFEN | TAPONCLAUSURA |
| 15 | F01020077R | VITE M8X1,25X60 | SCREW M8X1,25X60 U5737 8.8ZN | VIS M8X1,25X60 U5737 8.8ZN | SCHRAUBE M 8X60 8.8 | TORN. M8X1,25X60 U5737 8.8ZN |
| 16 | M58100628R | PIATTO SUPERIORE ZPG | UPPER PLATE | PLAT SUPERIEUR | OBENE PLATTE | PLATO SUPERIOR |
| 17 | F03151019R | COPPIA COLL.2T D12 1V I=00 M8 | COLLAR PAIR 2T D12 1V I=00 M8 | | BAND PAAR 2T D12 1V I=00 M8 | |
| 18 | M06716540R | COMP.TELAIO SCAT.EST.GF 160 SX | FRAME EXTER.BOX GF 160 LEFT | | | |
| 19 | M06719540R | COMP.TELAIO SCAT.EST.GF 190 SX | FRAME EXTER.BOX GF 190 LEFT | | | |
| 20 | M06721540R | COMP.TELAIO SCAT.EST.GF 210 SX | FRAME EXTER.BOX GF 210 LEFT | | | |
| 21 | F01010318R | VITE M14X1,5X40 | SCREW M14X1,5X40 U5740 8.8ZN | VIS M14X1,5X40 U5740 8.8ZN | SCHRAUBE M 14X1,5X40 | TORNIL. M14X1,5X40 U5740 8.8ZN |
| 22 | F01220059R | DADO M14X1,5 | NUT M14X1,5 D980 8ZN | ECROU M14X1,5 D980 8ZN | SELBSTSP.MUTT. M14X1,5 980-V | TUERCA M14X 1,5 D980 8 ZN |
| 23 | F01010264R | VITE M10X1,25X70 | SCREW M10X1,25X70 U5740 8.8ZN | VIS M10X1,25X70 U5740 8.8ZN | SCHRAUBE M10X1,25X70 | TORNIL.M10X1,25X70 U5740 8.8ZN |
| 24 | F01010341R | VITE M16X1,5X45 U5740 8.8ZN | SCREW M16X1,5X45 U5740 8.8ZN | VIS M16X1,5X45 U5740 8.8ZN | SCHR.M16X1,5 X45 U5740 8.8 ZN | TORNIL. M16X1,5X45 U5740 8.8ZN |
| 25 | F20030241R | KIT.ET.CE TRINCIA | KIT CE LABELS MULCHERS | | KIT AUFLIEBER F R MULCHGER TE | |
| 26 | F01020468R | VITE M10X1,5X16 | SCREW M10X1,5X16 U5739 8.8ZN | VIS M10X1,5X16 U5739 8.8ZN | SCHRA. M10X1,5X16 U5739 8.8 ZN | TORNIL. M10X1,5X16 U5739 8.8ZN |
| 27 | F03100116R | SERIE GUARNIZ.CILID.M07400989 | GASKET SET M07400989* | | | |
| 28 | F01410064R | ROS.M10 10,5X 20X 2 | WASHER M10 10,5X20X2 | RONDELLE M10 10,5X20X2 | SCHEIBE 10,5X21 | ARAND.M10 10,5X 20X 2 U6592 ZN |
| 29 | F03100068R | SERIE GUAR.M07400588-M26400416 | GASKET SET M07400588 | SERIE JOINTS M07400588 | DICHTUNGSSATZ | SERIE JUNTAS M07400588 |
| 30 | F08011962R | PROTEZIONE CE SMONTABILE | REMOVABLE COUNTER CAP | | | |
| 31 | M07400203R | MOLTIPLIC. GIRAFFA S.I. BO 54 | MULTIPLICATOR GIRAFFA S.I. BO* | | GETRIEBE GIRAFFA SI 540 UPM | |
| 32 | F01500011R | RONDELLA 13X35X5 | WASHER D. 12 | RONDELLE D. 12 | SCHEIBE D.12 | ARANDELA D.12 |
| 33 | F01410088R | ROS.M14 15X 28X2,5 | WASHER M14 15X 28X2,5 | RONDELLE M14 15X 28X2,5 | SCHEIBE M14 15X28X2,5 U6592 ZB | ARA.M14 15X 28X2,5 U6592 ZB |
| 36 | F01010323R | VITE M14X1,5X70 | SCREW M14X1,5X70 U5740 8.8ZN | VIS M14X1,5X70 U5740 8.8ZN | SCHRAUBE M 14X1,5X70 | TORNIL. M14X1,5X70 U5740 8.8ZN |
| 37 | F01200089R | DADO M14X1,5 | NUT M14X1,5 U5587 CL8 ZNN6SZN | ECROU M14X1,5 U5587 CL8ZNN6SZN | MUTTER M14X1,5 | TUERCA M14X1,5 U5587 CL8 ZNN6S |
| 38 | F01220047R | DADO M12X1,25 | NUT M12X1,25 | ECROU M12X1,25 D980 8ZN | SELBSTSP.MUTTER M12X1,25 980-V | TUERCA M12X1,25 D980 8 ZN |
| 39 | M30400528R | COMP. ATTACCO SCATOLA GF | BOX LINKAGE | | KOMPL. HALTER KASTEN GF | |
| 40 | F01010288R | VITE M12X1,25X35 | SCREW M12X1,25X35 U5740 8.8ZN | VIS M12X1,25X35 U5740 8.8ZN | SCHRAUBE M12X1,25X35 | TORNIL.M12X1,25X35 U5740 8.8ZN |
| 41 | F03151318R | KIT VAL.BLOC.UNID.X M50400545 | KIT VALVE BLOCK. | VANNE D ARR T | BLOCKKLAPPE | |
| 42 | F03150499R | VALVOLA BLOCCO | BLOCK VALVE | VALVE BLOQUER | GEST. SPERRVENTIL | VALVULA BLOQUEAR |
| 43 | M38100146R | MANICOTTO PROTEZIONE PDF 1 3 8 | P.T.O. PROTECTION | MANCHON PROTECTION PDF 1 3 8 | ZAPFWELLENSCHUTZ P.T.O. | MANGUITO PROTECCION PDF 1 3 8 |
| 44 | F04100105R | BOCCOLA D=85 D=80 L=60 AUTOLUB | BUSHING D=85 D=80 L=60 | DOUILLE D=85 D=80 L=60 | BUECHSE D=85 D=80 L=60 | CASQUILLO D=85 D=80 L=60 |
| 45 | M07400748R | ROSETTA DI BLOCCAGGIO | WASHER CLAMPING | | UNTERLEGSCHIEBE CLAMBOLZENG | |
| 46 | F01480145R | ROS.G 17X29X5 | GROWER WASHER 17X29 | GROWER RONDELLE 17X29 | SPRENGRING D.16 | ARANDELA GROWER 17X29 |
| 47 | M07400709R | GIUNTO MOVIMENTAZIONE | JOINT | JOINT | VERBINDUNG | JUNTA |
| 48 | M07400592R | COMP.PERNO D=30 L=119 | PIN | GOUJON | STIFT | PERNO |
| 49 | F20100115R | PERNO D22 L144 C40 TEST.D35 ZN | PIN D22 L144 C40 TEST.D35 ZN | GOUJON D22 L144 C40 TEST.D35ZN | GASPARDO-STIFT 22X144 ZN | PERNO D22 L144 C40 TEST.D35 ZN |
| 50 | F01100011R | ING.M 6X1 7663A 9SMNPB28 Z | GREASE NIPPLE M6X1 7663-A ZN | GRAISS. A BILLE M6X1 7663A ZN | KUGELFETTBUCHE M6X1 A | ENG.M 6X1 7663-A 9SMNPB28 ZN |
| 51 | M30400546R | BIELLA | UPPER CONNECTION ROD | BIELLE ATTELAGE | PLEUEL OBER IN CERA PERSA | BIELA ATAQUE |
| 52 | M30400530R | MARTINETTO ID.A=80 C=273 L=566 | CYLINDER A=80 C=273 L=566 | MANIVELLE HYDRAULIQUE | HYDRAUL.SPINDELVERSTELLUNG | GATO HYDRAULICO |
| 53 | M07400598R | COMP.PERNO D=30 L=109 | PIN D=30 L=109 | GOUJON D=30 L=109 | STIFT D=30 L=109 | PERNO D=30 L=109 |
| 54 | M06700515R | BIELLA INFERIORE SENZA FERMO | LOWER ROD WITHOUT BLOCK | | UNTERER PLEUEL MITOUT BLOCK | |
| 55 | M07400596R | COMP.PERNO D=30 L=150 | PIN | GOUJON | STIFT | PERNO |
| 56 | F01010026R | VITE M10X1,25X40 | SCREW M10X1,25X40 U5738 8.8ZN | VIS M10X1,25X40 U5738 8.8ZN | SCHRAUBE M 10X1,25X40 | TORNIL.M10X1,25X40 U5738 8.8ZN |
| 57 | F01220034R | DADO M10X1,25 | NUT M10X1,25 | ECROU M10X1,25 D980 8GALV. | SELBSTSP.MUTT. M10X1,25 980-V | TUER.M10X1,25 D980 8 ZB |
| 58 | F01220070R | DADO M16X1,5 | NUT M16X1,5 | ECROU M16X1,5 D980 10ZN | TUERCA M16X1,5 | TUERCA M16X1,5 D980 10ZN |
| 59 | F01500023R | RONDELLA 17X45X6 | WASHER 17 X45X6 | RONDELLE 17 X45X6 | ELASTISCHE SCHEIBE | WASHER 17 X45X6 D6340 C50 ZD |

TAV.020

TELAIO SINISTRO LEFT HAND DRIVE



**TELAIO SINISTRO E TERZO PUNTO
LEFT FRAME AND 3rd POINT HITCH**

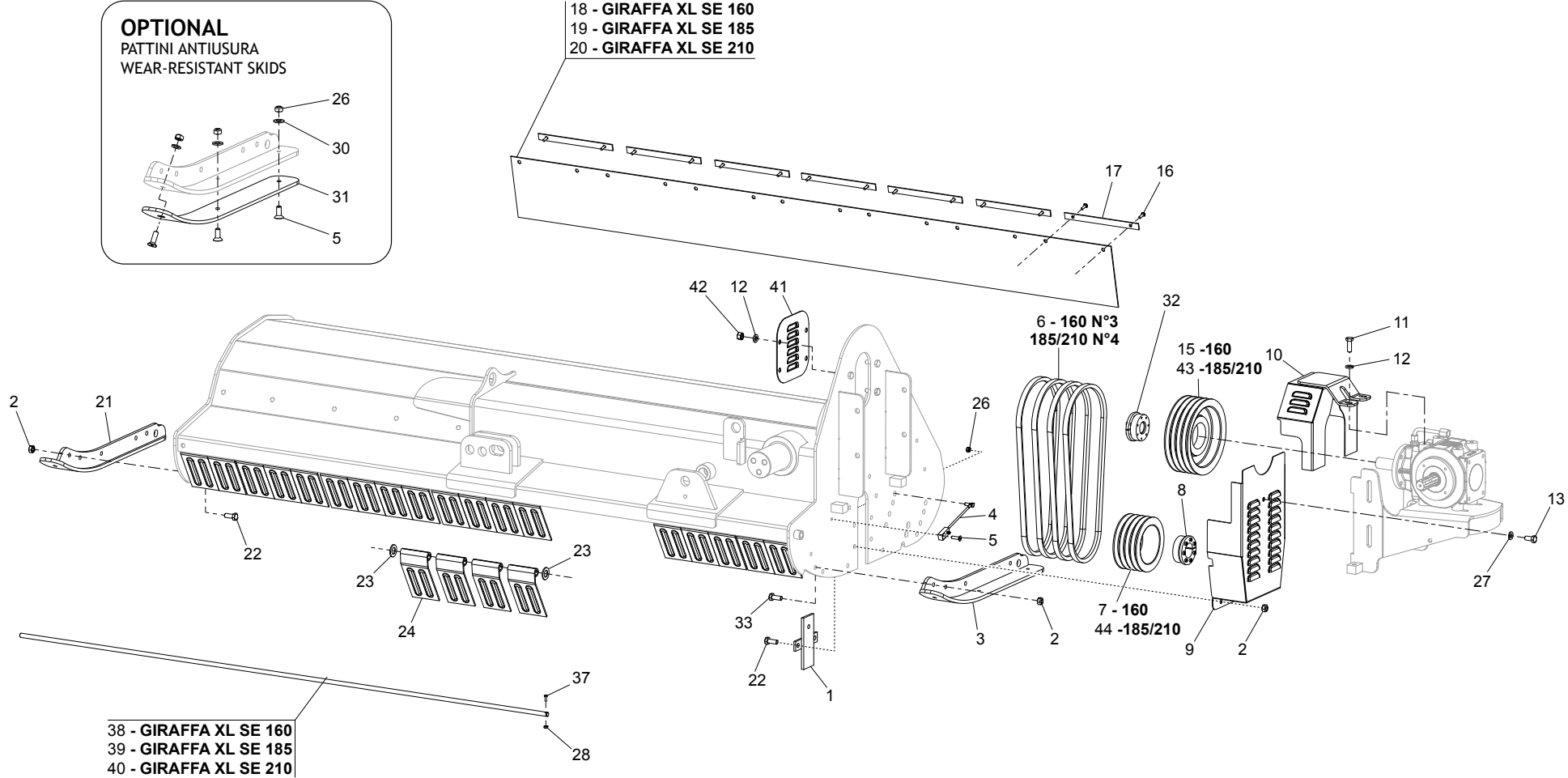
TAV.020

| Pos. | Cod. | Descrizione | Description | Description | Benennung | Description |
|------|------------|--------------------------------|--------------------------------|--------------------------------|-------------------------------|--------------------------------|
| 60 | M50400556R | DISTANZIALE D=30 D=20 L=65 | SPACER D=30 D=20 L=65 | ENTRETOISE D=30 D=30 L=65 | DISTANZSTUECK D=30 D=20 L=65 | DISTANCIAD.D=30 D=20 L=65 |
| 61 | F01010124R | VITE M16X1,5X100 | SCREW M16X1,5X100 U5738 8.8ZN | VIS M16X1,5X100 U5738 8.8ZN | SCHRAUBE M16X1,5X100 | TORNIL.M16X1,5X100 U5738 8.8ZN |
| 62 | M07400726R | PERNO D=30 L= 199 | PIN D=30 L= 199 | GOUJON D=30 L= 199 | BOLZEN F R ARME GIRAFFA 2012 | PERNO D=30 L= 199 |
| 64 | M07700539R | PERNO D=30 L=109 | PIN D=30 L=109 | GOUJON D=30 L=109 | BOLZEN D=30 L=109 | PERNO D=30 L=109 |
| 65 | F01020449R | VITE M8X1,25X35 | SCREW M8X1,25X35 U5739 8.8ZN | VIS M8X1,25X35 U5739 8.8ZN | SCHRAUBE M 8X35 | TORN. M8X1,25X35 U5739 8.8ZN |
| 66 | F01100063R | ING.M10X1 7663C 9SMNPB28 Z | GREASE NIPPLE M10X1 7663 | ING.M10X1 7663-C 9SMNPB28 ZN | SCHMIERBUECHSE M10X1 | ING.M10X1 7663-C 9SMNPB28 ZN |
| 67 | M30400918R | PARALLELOGRAMMA | PARALLELOGRAM | | PARALLELOGRAM | |
| 68 | M07400588R | COMP. MART.IDR.A=50 C=314 L616 | CYLINDER A=50 C=314 L=616 | VERIN | SPINDELVERSTELLUNGSTEIL | MARTINETE |
| 69 | F20100077R | PERNO D28 L194 C43 TEST.D45 ZN | PIN D28 L194 C43 TEST.D45 ZN | GOUJON D28 L194 C43 TEST.D45ZN | STIFT D=28 L=200 | PERNO D28 L194 C43 TEST.D45 ZN |
| 70 | M23400529R | ROSETTA D=48,3 D=32,5 L=22 | WASHER D=48,3 D=32,5 L=22 | ROSETTE D=48,3 D=32,5 L=22 | SCHEIBE D=48,3 D=32,5 L=22 | DISTANC. D=48,3 D=32,5 L=22 |
| 71 | M06700536R | COMPOSTO ATTACCO 3 PUNTO SX | THREE POINT CONNECTION | | | |
| 73 | F20100142R | PERNO D36 L208 C43 TEST.D60 ZN | PIN D36 L208 C43 TEST.D60 ZN | GOUJON D36 L208 C43 TEST.D60ZN | BOLZEN D36 L208 C40 ZN | PERNO D36 L208 C43 TEST.D60 ZN |
| 74 | F20100074R | PERNO D28 L109 C43 SPINA 3 P. | PIN D28 L109 C43 SPINA 3 P. | GOUJON D28 L109 C43 SPINA 3 P. | VERB.BOLZEN SCHUTZHOLM | PERNO D28 L109 C43 SPINA 3 P. |
| 75 | F01100061R | ING.M10X1 7663A 9SMNPB28 Z | GREASE NIPPLE M10X1 7663-A ZN | GRAISSEUR M10X1 7663-A ZN | SCHMIERNIPPEL M10X1 | ENGRASADOR M10X1 7663-A ZN |
| 78 | F01480123R | ROS.G 12,5X22,9X 4 | GROVER WASHER M12 ZGP EXTRA P. | GROVER RONDELLE M12 ZGP EXTRA | UNTERLEGSCHIEBE M12 ZGP EXTRA | ARANDELA M12 ZGP EXTRA P. |
| 79 | F01010292R | VITE M12X1,25X45 | SCREW M12X1,25X45 U5740 8.8ZN | VIS M12X1,25X45 U5740 8.8ZN | SCHRAUBE M12X1,25X45 | TORNIL.M12X1,25X45 U5740 8.8ZN |
| 80 | M34100530R | MOLLE X PROLUNGA L.LIV. | LEVELL.BONNET SPRING EXTENSION | EXTENSION RESSORT LAME NIVELL. | FEDER | RESORTE PROLONGA CHAPA NIVELL. |
| 81 | M23400528R | ROSETTA D=48,3 D=32,5 L=15 | WASHER D=48,3 D=32,5 L=15 | ROSETTE D=48,3 D=32,5 L=15 | SCHEIBED=48,3 D=32,5 L=15 | ARANDELLA D=48,3 D=32,5 L=15 |

TAV.030

OPTIONAL
PATTINI ANTIUSURA
WEAR-RESISTANT SKIDS

- 18 - GIRAFFA XL SE 160
- 19 - GIRAFFA XL SE 185
- 20 - GIRAFFA XL SE 210



**TRAMMISSIONE
TRANSMISSION**

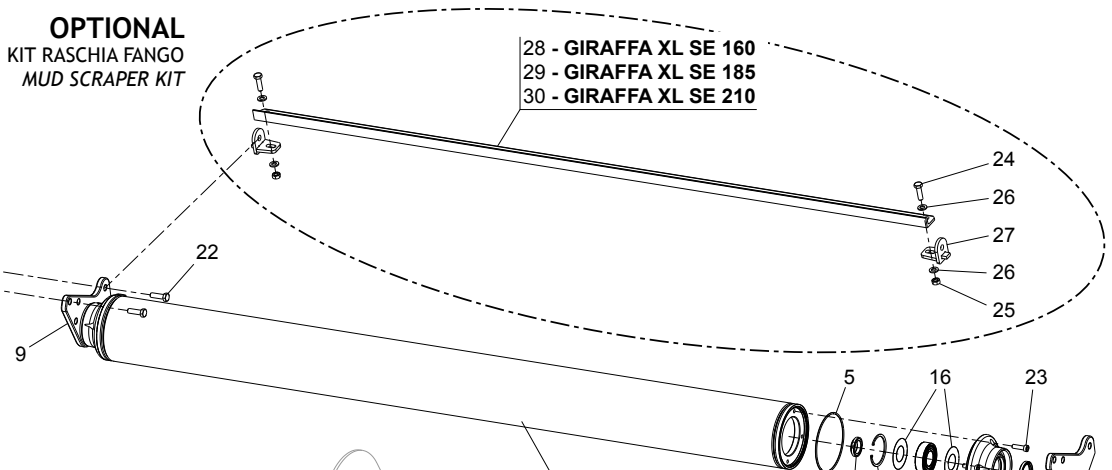
TAV.030

| Pos. | Cod. | Descrizione | Description | Description | Benennung | Description |
|------|------------|-------------------------------|--------------------------------|-------------------------------|--------------------------------|--------------------------------|
| 1 | M07400531R | COPRI ASOLA | REAR LATERAL PANEL | CAPOT ARRIERE LATERAL | HINTERE BLECH | PLANCHA LATERALE |
| 2 | F01220047R | DADO M12X1,25 | NUT M12X1,25 | ECROU M12X1,25 D980 8ZN | SELBSTSP.MUTTER M12X1,25 980-V | TUERCA M12X1,25 D980 8 ZN |
| 3 | M50400773R | SLITTA GF.NA SX | LEFT SKID | | KUFE LINKS | |
| 4 | T24004000R | ASSIEME INGRASSATORE | GREASE NIPPLE | GRAISSEUR | SCHMIERROHR | ENGRASADOR |
| 5 | F01030058R | VITE M8X1,25X30 | SCREW M8X1,25X30 | VIS M8X1,25X30 U5933 10.9ZD | SCHRAUBE M8X1,25X30 U5933 10,9 | TORN. M8X1,25X30 U5933 10.9ZD |
| 6 | F06010039R | CINGHIA SPBX L=1320 | BELT SPBX L=1320 | COURROIE L=1320 | SCHAUBE SPBX L=1320 | CORREA SPBX L=1320 |
| 7 | T22003001R | PULEGGIA ROTORE DP=160 | DRIVING PULLEY | POULIE TIRANTE | RIEMENSPANNER | ROLDANA DE TIRAR |
| 8 | F06060039R | CALETTATORE AUTOCENTR.45X80 | SELF CENTR.CLAMP.EL.45X80 | EMBOITEMENT AUTOBLOCANT 45X80 | SELBSTPERR.VERKEILEN 45X80 | |
| 9 | M07400934R | CARTER BASSO | CARTER | CARTER | GEHAEUSE | CARTER |
| 10 | M07400932R | CARTER ALTO | CARTER | CARTER | GEHAEUSE | CARTER |
| 11 | F01020512R | VITE M12X1,75X35 | SCREW M12X1,75X35 U5739 8.8ZN | VIS M12X1,75X35 U5739 8.8ZN | SCHRAUBE M 12X35 | TORN. M12X1,75X35 U5739 8.8ZN |
| 12 | F01480123R | ROS.G 12,5X22,9X 4 | GROVER WASHER M12 ZGP EXTRA P. | GROVER RONDELLE M12 ZGP EXTRA | UNTERLEGSCHIEBE M12 ZGP EXTRA | ARANDELA M12 ZGP EXTRA P. |
| 13 | F01010281R | VITE M12X1,25X25 | SCREW M12X1,25X25 U5740 8.8ZN | VIS M12X1,25X25 U5740 8.8ZN | SCHRAUBE M12X1,25X25 | TORNIL.M12X1,25X25 U5740 8.8ZN |
| 15 | T16003002R | PULEGGIA SPB MOTRICE D=225 3V | DRIVING PULLEY | POULIE TIRANTE | RIEMENSPANNER | ROLDANA DE TIRAR |
| 16 | F02250160R | RIVETTO STR. 6,4X22 ACCIAIO | RIVET | RIVET | NIETE 6,4X22 ACCIAIO | REMACHE |
| 17 | M07400953R | PIATTO PER ATTACCO GOMMA | PLATE | PLAT | PLATTE | PLATO |
| 18 | T24155681R | PROTEZ. POSTERIORE PVC L=1530 | REAR GUARD PVC L=1530 | | PROTEZ. HINTERIORE PVC L=1530 | |
| 19 | T24195681R | PROTEZ. POSTERIORE PVC L=1880 | REAR GUARD PVC L=1880 | | SCHUTZ | |
| 20 | T24215681R | PROTEZ. POSTERIORE PVC L=2080 | REAR GUARD PVC L=2080 | | SCHUTZ HINTERIORE PVC L=2080 | |
| 21 | M50400772R | SLITTA GF.NA DX | RIGHT SKID | | KUFE RECHTS | |
| 22 | F01010283R | VITE M12X1,25X30 | SCREW M12X1,25X30 U5740 8.8ZN | VIS M12X1,25X30 U5740 8.8ZN | SCHRAUBE M 12X1,25X30 | TORNIL.M12X1,25X30 U5740 8.8ZN |
| 23 | F01410100R | ROS.M16 17X30X 3 | WASHER M16 17X30X3 | RONDELLE M16 17X30X3 | SCHIEBE D.16 UNI 6592 ZN | ARAND.M16 17X 30X 3 U6592 ZN |
| 24 | M24400518R | BANDELLA PROTEZ. 93X170 ZG | PROTECTION BAR | BANDE PROTECTION | SCHUTZKLAPPE | ALETA PROTECCION |
| 26 | F01220022R | DADO M8X1,25 | NUT M8X1,25 | CROU M8X1,25 D980 ZN | SELBSTSP.MUTT. M8X1,25 980-V | TUERCA M8X 1,25 D980 8 ZN |
| 27 | F01410076R | ROS.M1213X24X2,5 | WASHER 12 13X 24X2,5 | RONDELLE 12 13X 24X2,5 | SCHIEBE D12 UNI 6592 ZN | ARAND.M12 13X 24X2,5 U6592 ZN |
| 28 | F01220011R | DADO M6X1 | NUT M6X1 | CROU M6X1 D980 8ZN | SELBSTSPERR.MUTTER M6 | TUERCA M6X1 D980 8 ZN |
| 30 | F01410051R | ROS.M8 8,4X 17X1,6 | WASHER M8 8,4X17X1,6 | RONDELLE M8 8,4X17X1,6 | SCHIEBE D.8 | ARAND.M8 8,4X 17X1,6 U6592 ZN |
| 31 | M50400778R | SLITTA ANTIUSURA OPTIONAL | NO WEAR SKID OPTIONAL | | VERSCHLEI SCHUTZ F R GLEITKUFE | |
| 32 | F06060037R | CALETTATORE AUTOCENTR.35X80 | SELF CENTR.CLAMP.EL.35X80 | EMBOITAGE AUOBL. 35X80 | SELBSTPERR.VERKEILEN 35X80 | ENSAMBLADURA AUTOBL. 35X80 |
| 33 | F01010288R | VITE M12X1,25X35 | SCREW M12X1,25X35 U5740 8.8ZN | VIS M12X1,25X35 U5740 8.8ZN | SCHRAUBE M12X1,25X35 | TORNIL.M12X1,25X35 U5740 8.8ZN |
| 37 | F01040066R | VITE M6X1X35 | SCREW M6X1X35 | VIS M6X1X35 U5931 8.8ZN | SCHRAUBE 6 X35 5931 8.G ZN | TORNILLO M6X1X35 U5931 8.8ZN |
| 38 | T24155085R | ASTA BANDELLE CR 155 | PROTECTION FLAP BAR CR155 | TIGE PALETTE PROTECTION CR155 | DAS TURBAND STANGE CR155 | VARILLA BANDA CR155 |
| 39 | T24195085R | ASTA BANDELLE CR 190 | PROTECTION FLAP BAR CR190 | TIGE PALETTE PROTECTION CR190 | STANGE CR190 | VARILLA BANDA CR190 |
| 40 | T24215085R | ASTA BANDELLE CR 210 | PROTECTION FLAP BAR CR210 | TIGE PALETTE PROTECTION CR210 | DAS TURBAND STANGE CR210 | VARILLA BANDA CR210 |
| 41 | M07400939R | CARTER FIANCATA | CARTER | CARTER | GEH USE SEITENWAND | CARTER |
| 42 | F01200073R | DADO M12X1,25 | NUT M12X1,25 | ECROU M12X1,25 U5587 CL8 ZN | MUTT.M 12X1,25 | TUERCA M12X1,25 U5587 6S ZN |
| 43 | T30003002R | PULEGGIA ROTORE D=224 4V | DRIVING PULLEY | POULIE TIRANTE | RIEMENSPANNER | ROLDANA DE TIRAR |
| 44 | T16003005R | PULEGGIA DP=160 A 4 GOLE | PULLEY | POULIE | SCHIEBE | ROLDANA |

TAV.040

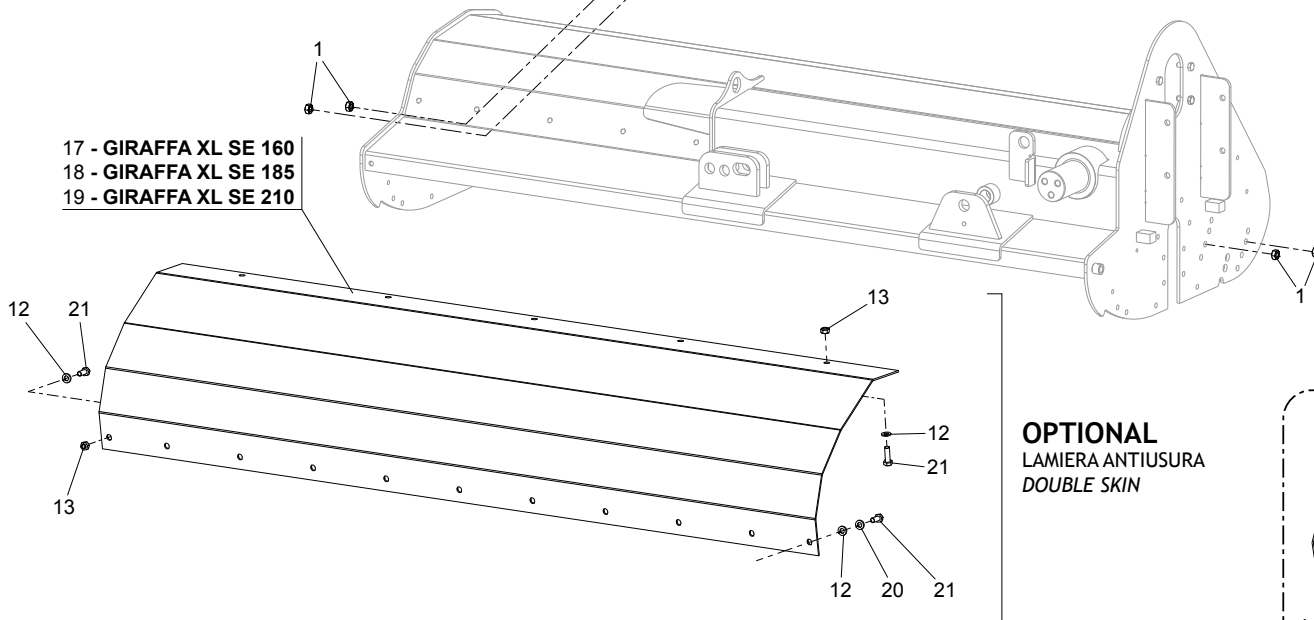
OPTIONAL
KIT RASCHIA FANGO
MUD SCRAPER KIT

- 28 - GIRAFFA XL SE 160
- 29 - GIRAFFA XL SE 185
- 30 - GIRAFFA XL SE 210

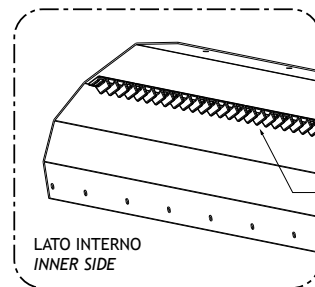


- 17 - GIRAFFA XL SE 160
- 18 - GIRAFFA XL SE 185
- 19 - GIRAFFA XL SE 210

- 2 - GIRAFFA XL SE 160
- 3 - GIRAFFA XL SE 185
- 4 - GIRAFFA XL SE 210



OPTIONAL
LAMIERA ANTIUSURA
DOUBLE SKIN



CONTROCOLTELLO SALDATO
WELDED COUNTER-BLADE

LATO INTERNO
INNER SIDE

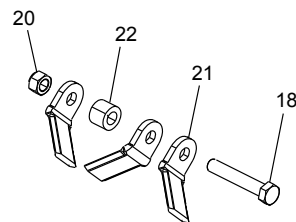
**RULLO ED OPTIONALS
ROLLER AND OPTIONALS**

TAV.040

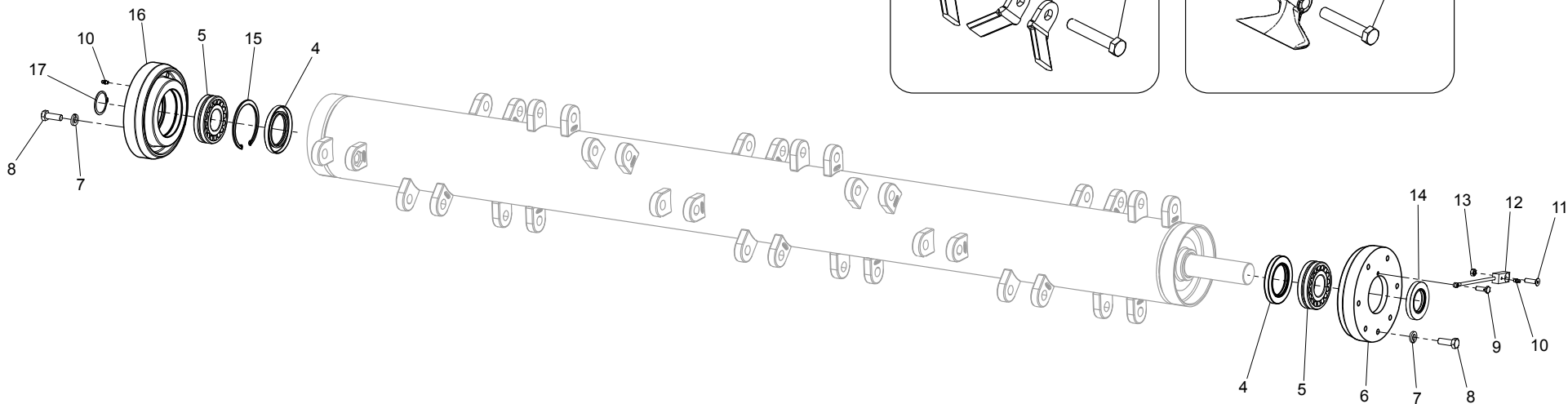
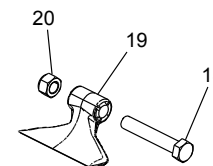
| Pos. | Cod. | Descrizione | Description | Description | Benennung | Description |
|------|------------|--------------------------------|--------------------------------|-------------------------------|--------------------------------|--------------------------------|
| 1 | F01220059R | DADO M14X1,5 | NUT M14X1,5 D980 8ZN | ECROU M14X1,5 D980 8ZN | SELBSTSP.MUTT. M14X1,5 980-V | TUERCA M14X 1,5 D980 8 ZN |
| 2 | M30415602R | RULLO POST.D=168,3 L=1410 | REAR ROLLER D=168,3 L=1410 | ROULEAU ARR.D=168,3 L=1410 | HECK WALZE D=168,3 L=1410 | RODILLO TRAS.D=168,3 L=1410 |
| 3 | M30419602R | RULLO POST.D=168,3 L=1760 - | REAR ROLLER D=168,3 L=1760 | ROULEAU ARR.D=168,3 L=1760 | HECK WALZE D=168,3 L=1760 | RODILLO TRAS.D=168,3 L=1760 |
| 4 | M30421602R | RULLO POST.D=168,3 L=1960 | REAR ROLLER D=168,3 L=1960 | ROULEAU ARR.D=168,3 L=1960 | | RODILLO TRAS.D=168,3 L=1960 |
| 5 | F03010758R | ANEL. OR 148,82X3,53 NBR 70 | GASKET OR 148,82X3,53 NBR 70 | BAGUE OR 148,82X3,53 NBR 70 | RING OR 148,82X3,53 NBR 70 | ANILLO OR 148,82X3,53 NBR 70 |
| 6 | M30400607R | SUPPORTO CUSCINETTO RULLO | ROLLER BEARING SUPPORT | | LAGERHALTER F R WALZE | |
| 7 | F04010327R | CUSC.D40 D80 B23 62208 2RS1 | BEARING D40 D80 B23 62208 2RS1 | ROUL. D40 D80 B23 62208 2RS1 | LAGER 62208 2RS1 | COJIN.D40 D80 B23 62208 2RS1 |
| 8 | F02050425R | ANELLO E. DI 80X 2,5 U7437 C70 | SEEGER RING D.80 | BAGUE SEEGER D.80 | SEEGERRING D.80 | ANILLO E. DI 80X 2,5 U7437 C70 |
| 9 | M30400630R | STAFFA RULLO DX | RIGHT STIRRUP | | LAGERHALTER RECHTS F R WALZE | |
| 10 | M30400631R | STAFFA RULLO SX | LEFT STIRRUP | | HALTER WALZE LINKS | |
| 11 | F02010022R | GHIERA AU.GUK M35X1,5 T.4H ZN | SELF LOCKING NUT M35X1,5 | COLLIER AUTOBL. M35X1,5 | SELBSTSP. NUTMUTTER M35X1,5 | VIROLA AUTOBL. M35X1,5 |
| 12 | F01410076R | ROS.M1213X24X2,5 | WASHER 12 13X 24X2,5 | RONDELLE 12 13X 24X2,5 | SCHEIBE D12 UNI 6592 ZN | ARAND.M12 13X 24X2,5 U6592 ZN |
| 13 | F01220047R | DADO M12X1,25 | NUT M12X1,25 | ECROU M12X1,25 D980 8ZN | SELBSTSP.MUTTER M12X1,25 980-V | TUERCA M12X1,25 D980 8 ZN |
| 14 | F03010160R | ANELLO T.A. 50X 65X 8 D3760NBR | OIL SEAL 50X65X8 | PARE-HUILE 50X65X8 | OELABDICHTUNG 50X65X8 | PARA-ACEITE 50X65X8 |
| 15 | F01100011R | ING.M 6X1 7663A 9SMNPB28 Z | GREASE NIPPLE M6X1 7663-A ZN | GRAISS. A BILLE M6X1 7663A ZN | KUGELFETTBUCHSE M6X1 A | ENG.M 6X1 7663-A 9SMNPB28 ZN |
| 16 | M30400617R | ROSETTA SPESS. D=80 D=42 0,5 | WASHER SPACER D=80 D=42 0,5 | | | |
| 17 | M07416738R | LAMIERA ANTIUSURA GF160 | SHEET METAL GF160 | | PLATTE METALL GF160 | |
| 18 | M07419738R | LAMIERA ANTIUSURA GF190 | SHEET METAL GF 190 | | PLATTE METALL GF 190 | |
| 19 | M07421738R | LAMIERA ANTIUSURA GF210 | SHEET METAL GF210 | | PLATTE METALL GF210 | |
| 20 | F01480123R | ROS.G 12,5X22,9X 4 | GROVER WASHER M12 ZGP EXTRA P. | GROVER RONDELLE M12 ZGP EXTRA | UNTERLEGSSCHEIBE M12 ZGP EXTRA | ARANDELA M12 ZGP EXTRA P. |
| 21 | F01010283R | VITE M12X1,25X30 | SCREW M12X1,25X30 U5740 8.8ZN | VIS M12X1,25X30 U5740 8.8ZN | SCHRAUBE M 12X1,25X30 | TORNIL.M12X1,25X30 U5740 8.8ZN |
| 22 | F01010318R | VITE M14X1,5X40 | SCREW M14X1,5X40 U5740 8.8ZN | VIS M14X1,5X40 U5740 8.8ZN | SCHRAUBE M 14X1,5X40 | TORNIL. M14X1,5X40 U5740 8.8ZN |
| 23 | F01030285R | VITE M10X1,25X35 U5931 8.8DLS | SCREW M10X1,25X35 | VIS M10X1,25X35 | SCHRAUBE M10X1,25X35 | TORN. M10X1,25X35 U5931 8.8DLS |
| 24 | F01010291R | VITE M12X1,25X40 | SCREW M12X1,25X40 U5740 8.8ZN | VIS M12X1,25X40 U5740 8.8ZN | SCHRAUBE M12X1,25X40 | TORNIL.M12X1,25X40 U5740 8.8ZN |
| 25 | F01220047R | DADO M12X1,25 | NUT M12X1,25 | ECROU M12X1,25 D980 8ZN | SELBSTSP.MUTTER M12X1,25 980-V | TUERCA M12X1,25 D980 8 ZN |
| 26 | F01410076R | ROS.M1213X24X2,5 | WASHER 12 13X 24X2,5 | RONDELLE 12 13X 24X2,5 | SCHEIBE D12 UNI 6592 ZN | ARAND.M12 13X 24X2,5 U6592 ZN |
| 27 | M30400619R | SUPPORTO RASCHIA RULLO | SCRAPER SUPPORT | | ABSTREIFER HALTER | |
| 28 | M22416602R | RASCHIA FANGO BV 160 ZG | MUD SCRAPER BV 160 | DECROTTOIR POUR BOUE BV 160 | ABSTREIFER FUR SCHLAMM BV 160 | RASCADOR PARA FANGO BV 160 |
| 29 | M22418602R | RASCHIA FANGO GF 180 | MUD SCRAPER GF 185 | DECROTTOIR POUR BOUE GF 185 | ABSTREIFER FUR SCHLAMM GF 185 | RASCADOR PARA FANGO GF 185 |
| 30 | M22421602R | RASCHIA FANGO BV 210 ZG | MUD SCRAPER BV 210 | DECROTTOIR POUR BOUE BV 210 | ABSTREIFER FUR WALZE GF210 SE | RASCADOR PARA FANGO BV 210 |

TAV.050

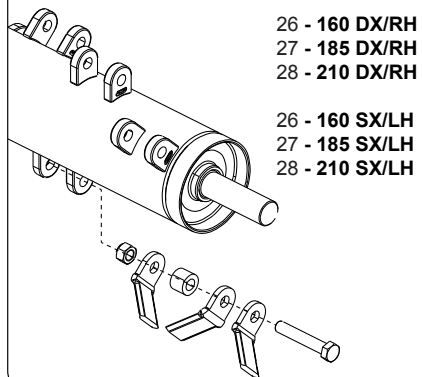
COLTELLI 15 BLADES 15



MAZZE 14 HAMMERS 14



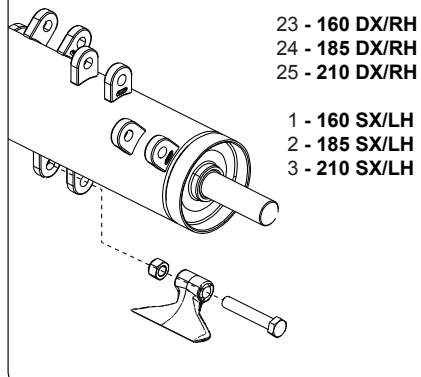
ROTORE + COLTELLI 15 ROTOR + BLADES 15



26 - 160 DX/RH
27 - 185 DX/RH
28 - 210 DX/RH

26 - 160 SX/LH
27 - 185 SX/LH
28 - 210 SX/LH

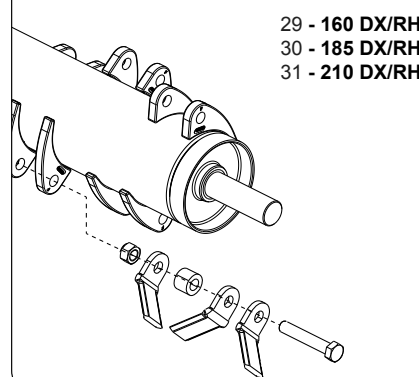
ROTORE + MAZZE 14 ROTOR + HAMMERS 14



23 - 160 DX/RH
24 - 185 DX/RH
25 - 210 DX/RH

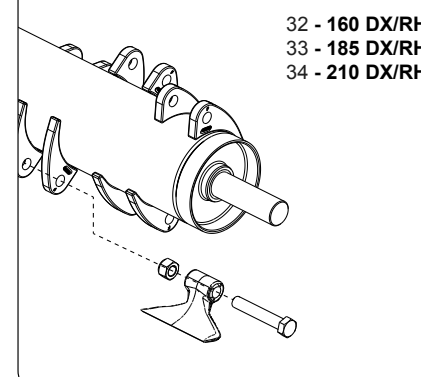
1 - 160 SX/LH
2 - 185 SX/LH
3 - 210 SX/LH

ROTORE + COLTELLI 15 S ROTOR + BLADES 15 S



29 - 160 DX/RH
30 - 185 DX/RH
31 - 210 DX/RH

ROTORE + MAZZE 14 S ROTOR + HAMMERS 14 S



32 - 160 DX/RH
33 - 185 DX/RH
34 - 210 DX/RH

**ROTORE
ROTOR**

TAV.050

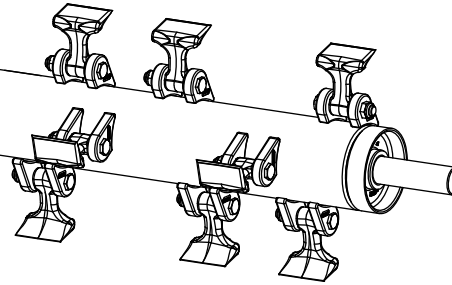
| Pos. | Cod. | Descrizione | Description | Description | Benennung | Description |
|------|-------------|--------------------------------|--------------------------------|-------------------------------|--------------------------------|--------------------------------|
| 1 | M06716418R | ROTORE ELIC.VERS.A MAZZE 160 | ASS.HELIC.ROTOR WITH HAMMER 14 | | | |
| 2 | M06719418R | ROTORE ELIC.VERS.A MAZZE 190 | ASS.HELIC.ROTOR WITH HAMMER 14 | | | |
| 3 | M06721418R | ROTORE ELIC.VERS.A MAZZE 210 | ASS.HELIC.ROTOR WITH HAMMER 14 | | | |
| 4 | F03010218R | ANELLO T.A. 65X100X10 D3760NBR | OIL SEAL 65X100X10 | PARE-HUILE 65X100X10 D3760NBR | SCHUTZRING 65X100X10 D3760 NBR | ANILLO 65X100X10 |
| 5 | F04010031R | CUSC.D45 D100 B25 21309 | BEARING D45 D100 B25 21309 | ROUL. D45 D100 B25 21309 | LAGER.D45 D100 B25 21309 | COJINETE D45 D100 B25 21309 |
| 6 | T30004008R | SUPPORTO ROTORE SX | LEFT ROTOR SUPPORT | SUPPORT ROTOR | ROTORHALTER | SOPORTE ROTOR |
| 7 | F01480123R | ROS.G 12,5X22,9X 4 | GROVER WASHER M12 ZGP EXTRA P. | GROVER RONDELLE M12 ZGP EXTRA | UNTERLEGSSCHEIBE M12 ZGP EXTRA | ARANDELA M12 ZGP EXTRA P. |
| 8 | F01010288R | VITE M12X1,25X35 | SCREW M12X1,25X35 U5740 8.8ZN | VIS M12X1,25X35 U5740 8.8ZN | SCHRAUBE M12X1,25X35 | TORNIL.M12X1,25X35 U5740 8.8ZN |
| 9 | T24004003R | VITE FORATA PER INGRASSAGGIO | BOLT | VIS | SCHRAUBE | TORN.PERFORADO PARA ENGRASAR |
| 10 | F01100011R | ING.M 6X1 7663A 9SMNPB28 Z | GREASE NIPPLE M6X1 7663-A ZN | GRAISS. A BILLE M6X1 7663A ZN | KUGELFETTBUCHSE M6X1 A | ENG.M 6X1 7663-A 9SMNPB28 ZN |
| 11 | F01030058R | VITE M8X1,25X30 | SCREW M8X1,25X30 | VIS M8X1,25X30 U5933 10.9ZD | SCHRAUBE M8X1,25X30 U5933 10,9 | TORN. M8X1,25X30 U5933 10.9ZD |
| 12 | T24004000R | ASSIEME INGRASSATORE | GREASE NIPPLE | GRAISSEUR | SCHMIERROHR | ENGRASADOR |
| 13 | F01220022R | DADO M8X1,25 | NUT M8X1,25 | CROU M8X1,25 D980 ZN | SELBSTSP.MUTT. M8X1,25 980-V | TUERCA M8X 1,25 D980 8 ZN |
| 14 | F03010139R | ANELLO T.A. 45X 80X10 D3760NBR | OIL SEAL 45X 80X10 D3760NBR | BOURRAGE 45X 80X10 D3760NBR | OELABDICHTUNG 45X80X10 | JUNTA DE ACEITE 45X 80X10 |
| 15 | F02050471R | ANELLO E. DI100X 3 U7437 C70 | SEEGER RING D.100 | BAGUE SEEGER D.100 | SEEGERRING D.100 | ANILLO SEEGER D.100 |
| 16 | T30004007R | SUPPORTO ROTORE DX | RIGHT ROTOR SUPPORT | | ROTORHALTER RECHTS | |
| 17 | F02050191R | ANELLO E. DE 45X1,75 U7435 C70 | RING 45X1,75 U7435 C70 | BAGUE ELASTIQUE UNI 7435 | SEEGERRING RECHT 45 | ANILLO DE 45X1,75 U7435 C70 |
| 18 | F20110092R | VITE M20X1.5X116 | SCREW M20X1.5X116 SPEC.BR.8.8 | VIS M20X1.5X116 SPEC. BR.8.8 | SCHRAUBE M20X1.5X116 | TORNILLO M20X1.5X116 SPE.BR8.8 |
| 19 | M03400410R | MAZZA 14 | HAMMER 14 | MARTEAU DE 14 POUR BISONTE | HAMMERSCHLEGEL TYP 14 | MARTILLO 14 PARA BISONTE |
| 20 | F01230258R | DADO M20X1,5 | NUT M20X1,5 | ECROU M20X1,5 U7474 8SZN | SELBSTSPERR.MUTTER M20X1,5 | TUERCA M20X1,5 U7474 8SZN |
| 21 | M03400406R | COLTELLO 15 A Y | BLADE Y 15 | COUTEAU Y 15 | MESSER TYP 15 F R BISONTE | CUCHILLO Y 15 |
| 22 | M03400407R | DISTANZIALE | BUSHING | ENTRET.D=38 D=20 L=29 ZN | B CHSE DISTANZST CK | DISTANC.D=38 D=20 L=29 ZN |
| 23 | MSP000047R | COM.ROT.CR155-GF160 M14 NO SUP | ROTOR CR155-GF160 M14 NO SUP | | | |
| 24 | MSP000053R | COM.ROT.CORAZZA190 M14 NO SUP | CORAZ.ROTOR 190 M14 NO SUP | | | COM.ROT.CORAZZA190 M14 NO SUP |
| 25 | MSP000056R | COM.ROT.CR210-GF210 M14 NO SUP | ASS.ROTOR CR210-GF210 M14 | | | |
| 26 | M097154021R | COM.ROT.CR155-GF160 C15 NO SUP | ROTOR CR155-GF160 C15 NO SUP | | ROTOR CR155-GF160 C15 NO SUP | |
| 27 | M097194021R | COM.ROT.CORAZZA190 C15 NO SUP | CORAZ.ROTOR 190 C15 NO SUP | | CORAZ.ROTOR 190 C15 NO SUP | |
| 28 | M097214021R | COM.ROT.CR210-GF210 C15 NO SUP | ROTOR CR210-GF210 C15 NO SUP | | ROTOR CR210-GF210 C15 NO SUP | |
| 29 | M30415419R | COMP.ROT.SPECIALE C15S NO SUP | ROTOR CR-GF C15S NO SUP | | | |
| 30 | M30419419R | COMP.ROT.SPECIALE C15S NO SUP | ROTOR CR-GF C15S NO SUP | | | |
| 31 | M30421419R | COMP.ROT.SPECIALE C15S NO SUP | ROTOR CR-GF C15S NO SUP | | | |
| 32 | M30415418R | COMP.ROT.SPECIALE M14S NO SUP | ROTOR CR-GF M14S NO SUP | | | |
| 33 | M30419418R | COMP.ROT.SPECIALE M14S NO SUP | ROTOR CR-GF M14S NO SUP | | | |
| 34 | M30421418R | COMP.ROT.SPECIALE M14S NO SUP | ROTOR CR-GF M14S NO SUP | | | |

TAV.060

**ROTORE MULTIAGGRESSIVO
MULTIAGGRESSIVE ROTOR**

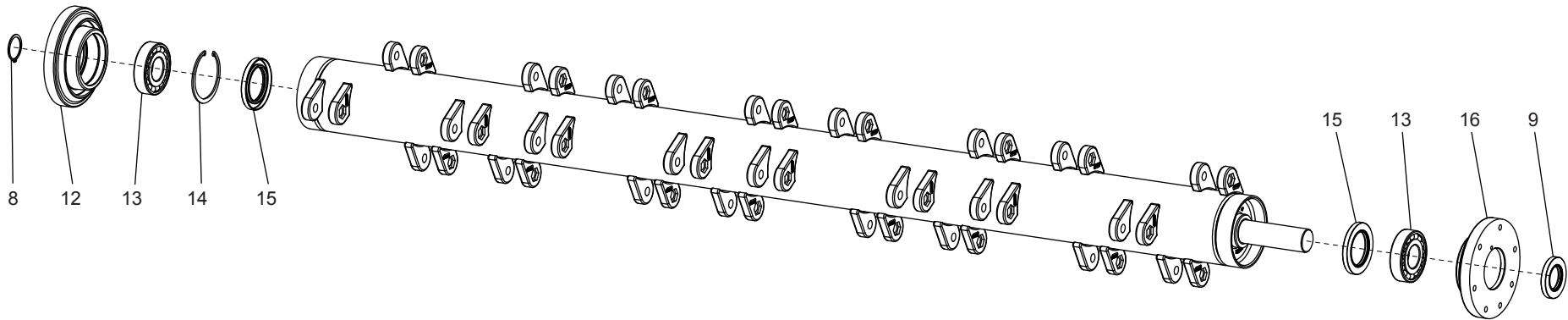
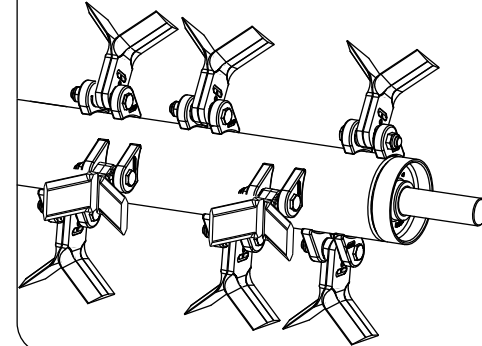
**ROTORE + MAZZE 20
ROTOR + HAMMERS 20**

- | | |
|----------------|---------------|
| 19 - 160 DX/RH | 1 - 160 SX/LH |
| 20 - 185 DX/RH | 2 - 185 SX/LH |
| 21 - 210 DX/RH | 3 - 210 SX/LH |

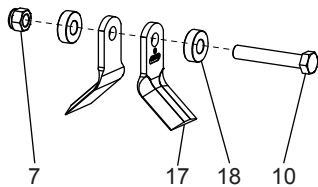


**ROTORE + COLTELLI 18
ROTOR + BLADES 18**

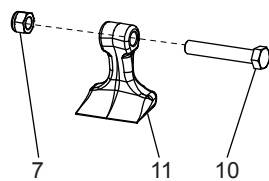
- | | |
|----------------|---------------|
| 22 - 160 DX/RH | 4 - 160 SX/LH |
| 23 - 185 DX/RH | 5 - 185 SX/LH |
| 24 - 210 DX/RH | 6 - 210 SX/LH |



**COLTELLI 18
BLADES 18**



**MAZZE 20
HAMMERS 20**



**ROTORE MULTIAGGRESSIVO
MULTIAGGRESSIVE ROTOR**

TAV.060

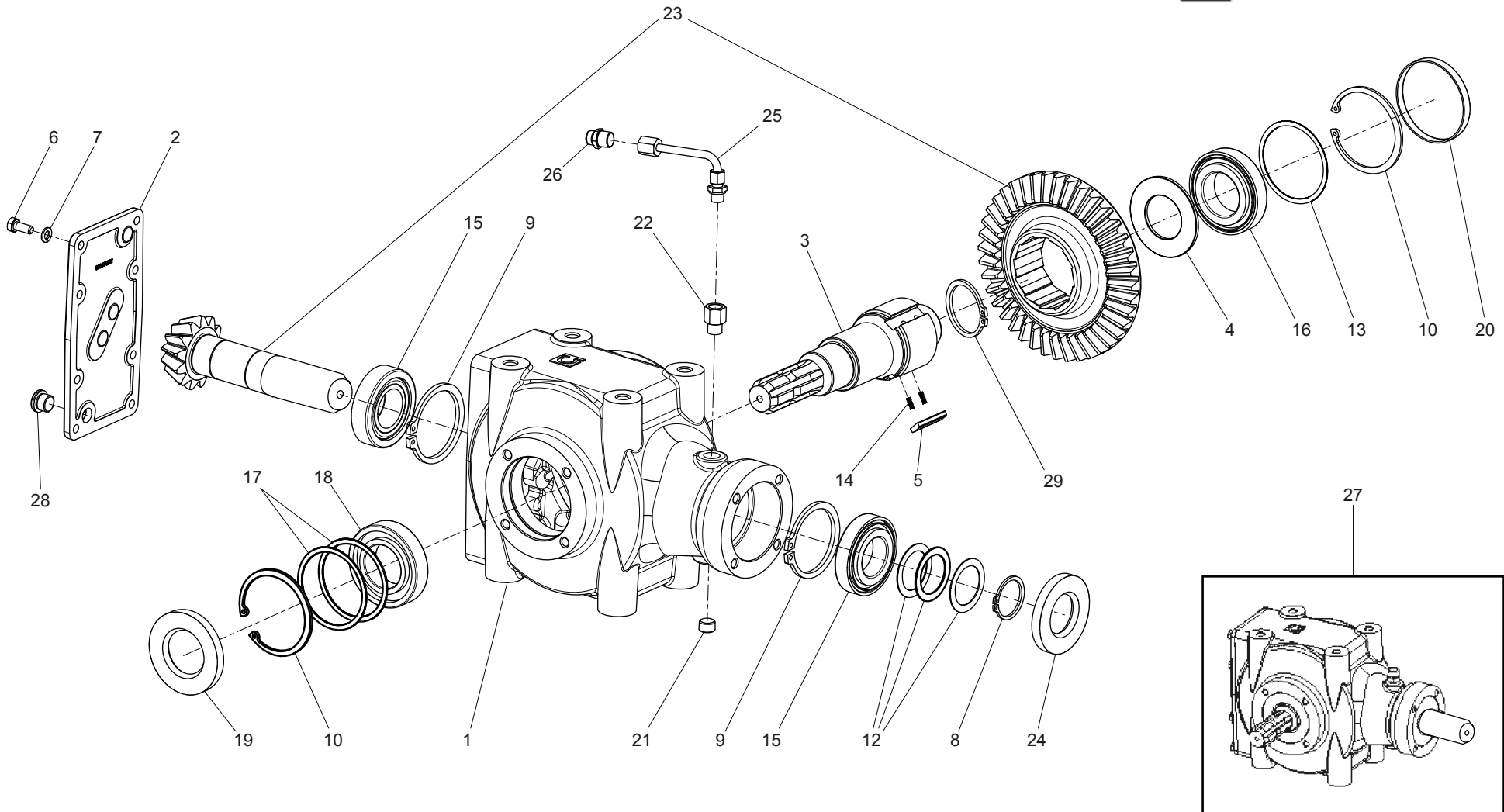
| Pos. | Cod. | Descrizione | Description | Description | Benennung | Description |
|------|------------|--------------------------------|-------------------------------|-------------------------------|--------------------------------|---------------------------------|
| 1 | MSP000030R | COMP.ROT.MAZZE20 MAG GF160 SX | LEFT HAMMER20 ROTOR MAG GF160 | | | |
| 2 | MSP000034R | COMP.ROT.MAZZE20 MAG GF190 SX | LEFT HAMMER20 ROTOR MAG GF190 | | | |
| 3 | MSP000038R | COMP.ROT.MAZZE20 MAG GF210 SX | LEFT HAMMER20 ROTOR MAG GF210 | | | |
| 4 | MSP000031R | COMP.ROT.COLT.18 MAG GF160 SX | LEFT ROTOR BLADE 18 MAG GF160 | | | |
| 5 | MSP000035R | COMP.ROT.COLT.18 MAG GF190 SX | LEFT ROTOR BLADE 18 MAG GF190 | | | |
| 6 | MSP000039R | COMP.ROT.COLT.18 MAG GF210 SX | LEFT ROTOR BLADE 18 MAG GF210 | | | |
| 7 | F01230084R | DADO M16X1,5 | NUT M16X1,5 | ECROU M16X1,5 D982 6ZN | SELBSTSPERR.MUTTER M16X1,5 | TUERCA M16X1,5 D982 6ZN |
| 8 | F02050191R | ANELLO E. DE 45X1,75 U7435 C70 | RING 45X1,75 U7435 C70 | BAGUE ELASTIQUE UNI 7435 | SEEGERRING RECHT 45 | ANILLO DE 45X1,75 U7435 C70 |
| 9 | F03010139R | ANELLO T.A. 45X 80X10 D3760NBR | OIL SEAL 45X 80X10 D3760NBR | BOURRAGE 45X 80X10 D3760NBR | OELABDICHTUNG 45X80X10 | JUNTA DE ACEITE 45X 80X10 |
| 10 | F20110093R | VITE M16X1.5X95 | SCREW M16X1.5X95 SPEC.BR.10.9 | VIS M16X1.5X95 SPEC. BR.10.9 | SCHRAUBE M16X1.5X95 SP.BR.10.9 | TORNILLO M16X1.5X95 SPE.BR.10.9 |
| 11 | M30400415R | MAZZA 20 STAMPATA MAG | HAMMER 20 MAG | | HAMMER 20 MAG | |
| 12 | M25400409R | SUPPORTO ROTORE LATO ESTERNO | ROTOR SUPPORT SIDE PANEL | SUPPORT ROTOR PARTIE LATERALE | ROTORHALTER SEITENWAND | SOPORTE ROTOR FLANCO |
| 13 | F04010031R | CUSC.D45 D100 B25 21309 | BEARING D45 D100 B25 21309 | ROUL. D45 D100 B25 21309 | LAGER.D45 D100 B25 21309 | COJINETE D45 D100 B25 21309 |
| 14 | F02050471R | ANELLO E. DI100X 3 U7437 C70 | SEEGER RING D.100 | BAGUE SEEGER D.100 | SEEGERRING D.100 | ANILLO SEEGER D.100 |
| 15 | F03010218R | ANELLO T.A. 65X100X10 D3760NBR | OIL SEAL 65X100X10 | PARE-HUILE 65X100X10 D3760NBR | SCHUTZRING 65X100X10 D3760 NBR | ANILLO 65X100X10 |
| 16 | M25400410R | SUPPORTO ROTORE LATO TRASMISS. | ROTOR SUPPORT TRANSM. SIDE | SUPPORT ROTOR COTE TRANSM. | ROTORHALTER TRANSMISSIONSEITE | SOPORTE ROTOR LADO TRASMISSION |
| 17 | M07400954R | COLTELLO 18 | KNIFE*18 | COUTEAU 18 GALVANISE P | | |
| 18 | T21004046R | DISTANZIALE COLTELLO ZPG | SPACER KNIFE | DIUTEAU TIPE ZN | SCHEIBE 04-06 | |
| 19 | M30415401R | COM.ROT.CR BL155-GF160 MAG M20 | | | | |
| 20 | M30419401R | COM.ROT.CR BL190-GF185 MAG M20 | | | | |
| 21 | M30421401R | COM.ROT.CR BL210-GF210MAG M20 | | | COM.ROT.CR BL210-GF210MAG M20 | |
| 22 | M30415402R | COM.ROT.CR BL155-GF160 MAG C18 | | | | |
| 23 | M30419402R | COM.ROT.CR BL190GF185 MAG C18 | | | | |
| 24 | M30421402R | COM.ROT.CR BL210-GF210MAG C18 | | | | |

TAV.070

BONDIOLI - per versione destra
BONDIOLI - for right version



TELAIO DESTRO
RIGHT-HAND DRIVE



MOLTIPLICATORE 540 rpm - Bondioli per versione destra
GEARBOX 540 rpm - Bondioli for right version

TAV.070

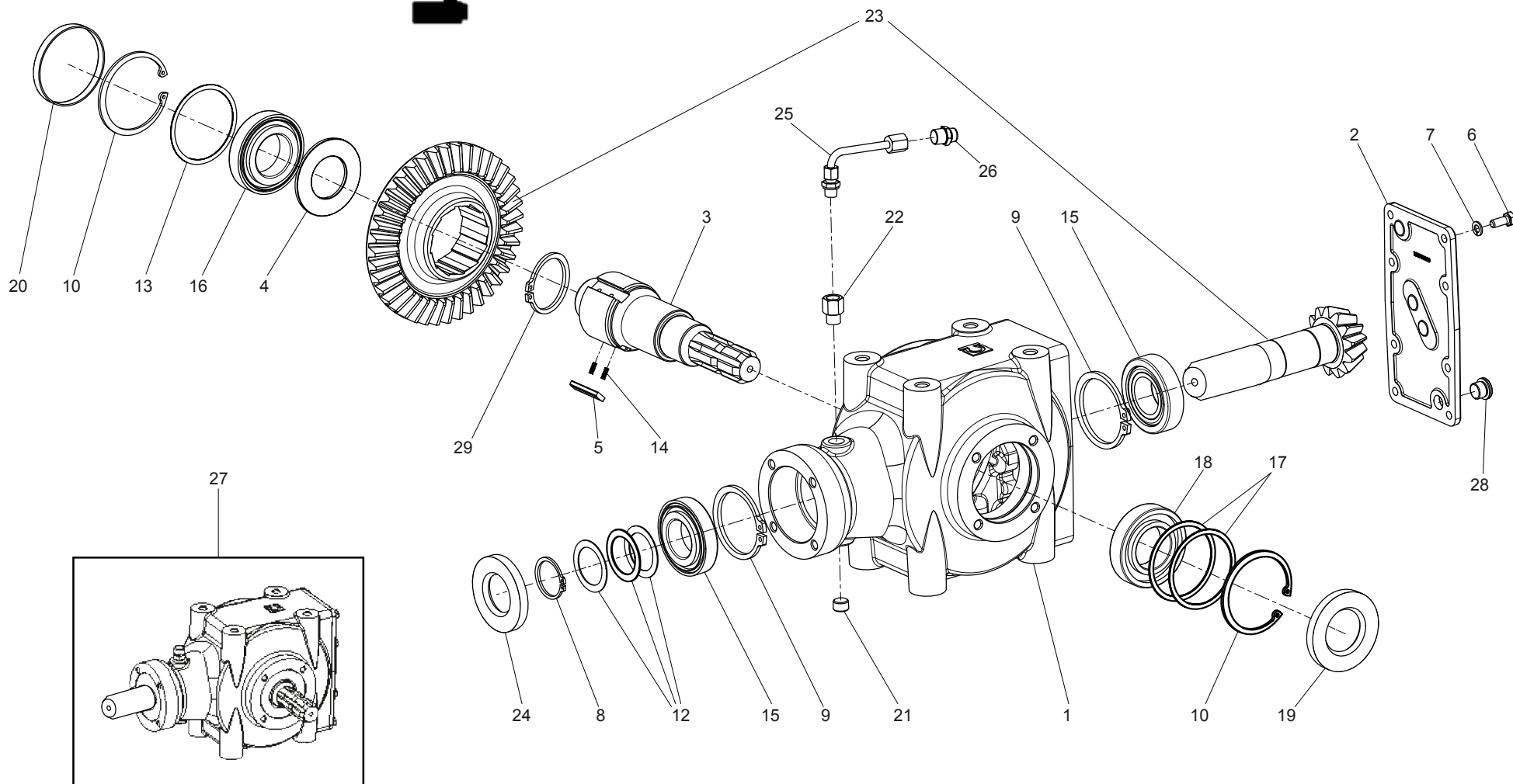
| Pos. | Cod. | Descrizione | Description | Description | Benennung | Description |
|------|------------|--------------------------------|--------------------------------|--------------------------------|--------------------------------|--------------------------------|
| 1 | M30500100R | SCATOLA MOLTIPL. | GEARBOX | BOITE DE VITESSE | WECHSELGETRIEBEGEHAEUSE | CAJA CAMBIO |
| 2 | M30500108R | COPERCHIO | GEARBOX COVER | COUVERCLE BOITE A VITESSES | GETRIEBEBECKEL | TAPA CAJA CAMBIO |
| 3 | M30500101R | ALBERO | SHAFT | ARBRE | 295039934 ACHSE AS.X 2061 BP | ARBOL |
| 4 | M30500103R | DISTANZIALE | SPACER | ENTRETOISE | DISTANZST CK | DISTANCIADOR |
| 5 | M30500104R | PIASTRINA | PLATE | PLAQUETTE | 298700007 PIASTRIRL L=40X2061 | PLAQUITA |
| 6 | F01020436R | VITE M8X1,25X20 | SCREW M8X1,25X20 U5739 8.8ZN | VIS M8X1,25X20 U5739 8.8ZN | SCHRAUBE M 8X20 | TORN. M8X1,25X20 U5739 8.8ZN |
| 7 | F01480099R | ROS.G 8,4X14,4X2,7 | GROWER WASHER D.8 | GROWER RONDELLE D.8 | SPRENGRING D.8 | ARANDELA GROWER D.8 |
| 8 | F02050147R | ANELLO E. DE 35X 2,5 U7436 C70 | ELASTIC RING 35X2,5 U7436 C70 | BAGUE ELASTIQUE 35X 2,5 U7436 | RING 35X 2,5 U7436 C70 | ANILLO 35X 2,5 U7436 C70 |
| 9 | F02050403R | ANELLO E. DI 72X 2,5 U7437 C7 | SEEGER RING E.72X2,5 U7437 C70 | SEEGER E. 72X 2,5 U7437 C70 | SEEGERING E. 72X 2,5 U7437 C70 | ANILLO E. DI 72X 2,5 U7437 C7 |
| 10 | F02050425R | ANELLO E. DI 80X 2,5 U7437 C70 | SEEGER RING D.80 | BAGUE SEEGER D.80 | SEEGERRING D.80 | ANILLO E. DI 80X 2,5 U7437 C70 |
| 12 | M30500105R | KIT SPESSORI | REINFORCEMENTS | RENFORTS | 340E03500 RINGLI SP.35,2 | RENFUERZOS |
| 13 | M30500102R | DISTANZ. D.35,2X48,3X4 | SPACER D.35,2X48,3X4 | ENTRETOISE D.35,2X48,3X4 | 298403512 DIST.D.35,2X48,3X4 | DISTANCIADOR D.35,2X48,3X4 |
| 14 | M50400905R | MOLLA PER RUOTA LIBERA | SPRING FOR FREE WHEEL | | FEDER F. FREILAUF GETRIEBE ML | |
| 15 | F04050014R | CUSC.D35 D72 T18,25 30207 | BEARING D35 D72 T18,25 30207 | ROUL. D35 D72 T18,25 30207 | LAGER 30207 | COJINETE D35 D72 T18,25 30207 |
| 16 | F04050017R | CUSC.D40 D80 T19,75 30208 | BEARING D40 D80 T19,75 30208 | ROUL. D40 D80 T19,75 30208 | LAGER 30208 | COJINETE D40 D80 T19,75 30208 |
| 17 | M30500106R | KIT SPESSORI | REINFORCEMENTS | RENFORTS | RINGLI SP. 69,3 | RENFUERZOS |
| 18 | F04010180R | CUSC.D40 D80 B18 6208 | BEARING D40 D80 B18 6208 | ROUL. D40 D80 B18 6208 | LAGER 6208 | COJINETE D40 D80 B18 6208 |
| 19 | F03010277R | ANELLO T.AS 40X 80X10 D3760NBR | OIL SEAL 40X80X10 NBR | BOURAGE 40X80X10 NBR | OELABDICHTUNG 40X80X10 | ANILLO T.AS 40X 80X10 D3760NBR |
| 20 | F03011026R | TAPPO CHIUSURA D=80 X 10 GA | COVER D. 80X10 | BOUCHON 80X10 | DECKEL 80X10 | CORCHO 80X10 |
| 21 | M29100112R | TAPPO SCARICO OLIO | OIL OUTLET PLUG | BOUCHON DE VIDANGE HUILE | OELABLASSPFROPFEN | TAPON DESCARGADO ACEITE |
| 22 | F03020113R | PROLUNGA M F 3 8 L22 L.TOT=33 | EXTENSION M F 3 8 L22 L.TOT=33 | | | |
| 23 | M30500107R | COPIA CONICA | BEVEL GEAR PAIR | COUPLE CONIQUE | KEGELRITZELSATZ | PAR CONICO |
| 24 | F03010265R | ANELLO T.AS 35X 80X10 D3760NBR | RING T.AS 35X80X10 D3760 NBR | BAGUE T.AS 35X 80X10 D3760 NBR | SCHUTZRING 35X80X10 D3760 NBR | INEL T.AS 35X80X10 D3760 NBR |
| 25 | M07400216R | PROLUNGA SFIATO 90 | BREATHER PLUG 90 | BOUCHON DE SOUPIRAIL 90 | ENTLUEFTERSTOPFEN 90 | TAPON RESPIRADERO 90 |
| 26 | F03150718R | TAPPO 3 8 GAS CON SFIATO | GAS BREATHING PLUG 3 8 | BOUCHON D HUILE SOUPIRAIL | OELENTLUEFTERSTOPFEN | TAPON ACEITE |
| 27 | M30400205R | SCATOLA MOLTIPL.540 BONDIOLO | COMPLETE GEARBOX | BOITE DE VITESSE | GETRIEBE 540 UPM BONDIOLO | CAJA CAMBIO COMPLETA |
| 28 | F03150719R | TAPPO 3 8 GAS | GAS CAP 3 8 | BOUCHON | DECKEL | CORCHO |
| 29 | M30500109R | ANELLO E. D.50 M3200 | ELASTIC RING D.50 | BAGUE ELASTIQUE D.50 | 339001050 RING E. D.50 M3200 | ANILLO D.50 |

TAV.080

**TELAIO SINISTRO
LEFT-HAND DRIVE**



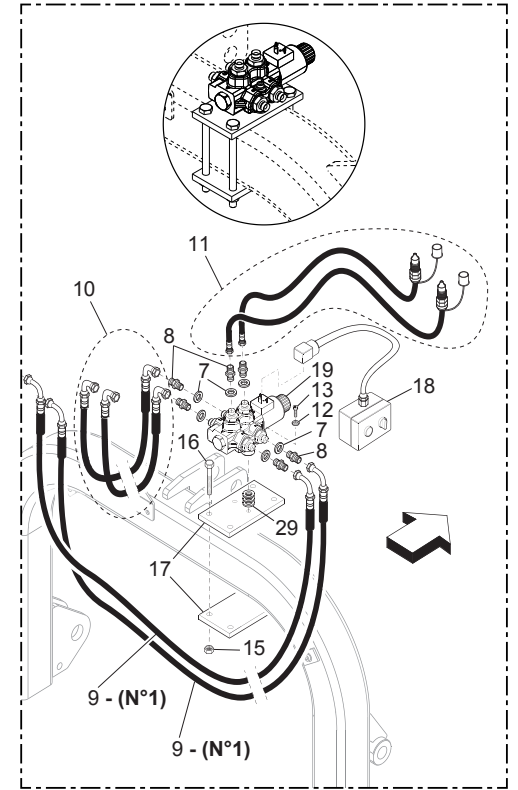
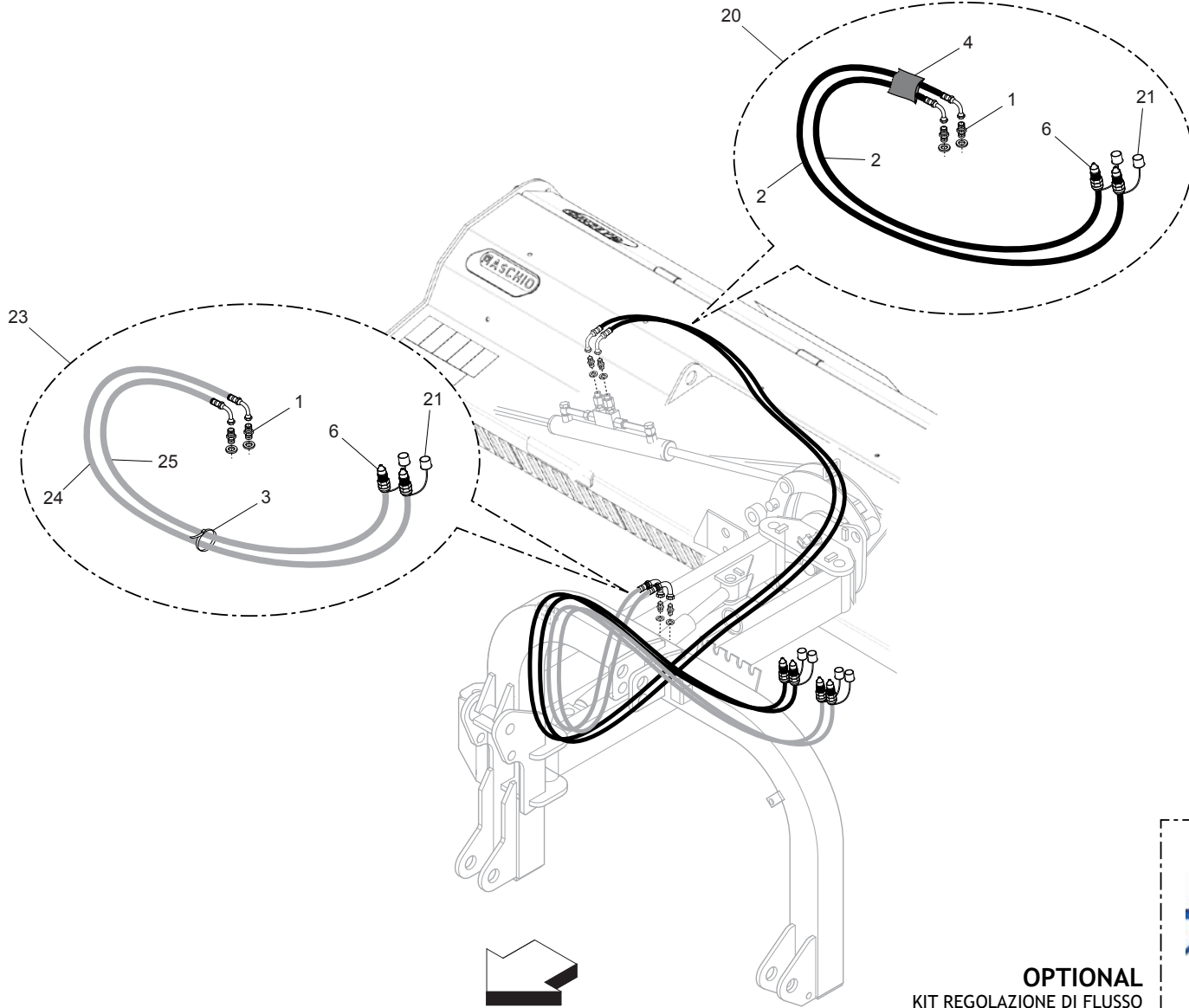
**BONDIOLI - per versione sinistra
BONDIOLI - for left version**



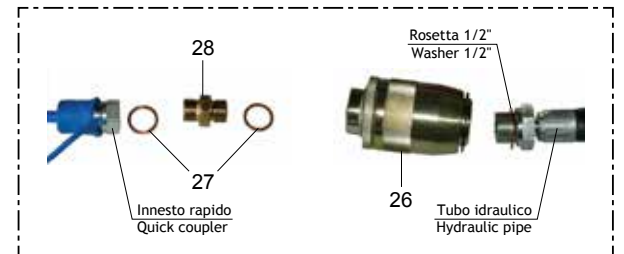
MOLTIPLICATORE 540 rpm - Bondioli per versione sinistra
GEARBOX 540 rpm - Bondioli for left version

TAV.080

| Pos. | Cod. | Descrizione | Description | Description | Benennung | Description |
|------|------------|--------------------------------|--------------------------------|--------------------------------|---------------------------------|--------------------------------|
| 1 | M30500158R | SCATOLA 2061-G25 R | GEAR BOX 2061-G25 R | | | |
| 2 | F03060331R | KIT COPERTURA 2061 CON TAPPI | KIT COVER 2061 WITH PLUGS | | | |
| 3 | M30500152R | ALBERO | SHAFT | ARBRE | ZENTRALWELLE | ARBOL |
| 4 | M30500103R | DISTANZIALE | SPACER | ENTRETOISE | DISTANZST CK | DISTANCIADOR |
| 5 | M30500104R | PIASTRINA | PLATE | PLAQUETTE | 298700007 PIASTR.I.RL L=40X2061 | PLAQUITA |
| 6 | F01020436R | VITE M8X1,25X20 | SCREW M8X1,25X20 U5739 8.8ZN | VIS M8X1,25X20 U5739 8.8ZN | SCHRAUBE M 8X20 | TORN. M8X1,25X20 U5739 8.8ZN |
| 7 | F01480099R | ROS.G 8,4X14,4X2,7 | GROWER WASHER D.8 | GROWER RONDELLE D.8 | SPRENGRING D.8 | ARANDELA GROWER D.8 |
| 8 | F03012216R | ANELLO SEEGER 35X2.50 DIN471 2 | SNAP RING 35X2.50 DIN 471 2 | | | |
| 9 | F02050403R | ANELLO E. DI 72X 2,5 U7437 C7 | SEEGER RING E.72X2,5 U7437 C70 | SEEGER E. 72X 2,5 U7437 C70 | SEEGERING E. 72X 2,5 U7437 C70 | ANILLO E. DI 72X 2,5 U7437 C7 |
| 10 | F02050425R | ANELLO E. DI 80X 2,5 U7437 C70 | SEEGER RING D.80 | BAGUE SEEGER D.80 | SEEGERING D.80 | ANILLO E. DI 80X 2,5 U7437 C70 |
| 12 | F06280033R | KIT SPESSORE E.35 | SHIM KIT E.35 | | | |
| 13 | M30500102R | DISTANZ. D.35,2X48,3X4 | SPACER D.35,2X48,3X4 | ENTRETOISE D.35,2X48,3X4 | 298403512 DIST.D.35,2X48,3X4 | DISTANCIADOR D.35,2X48,3X4 |
| 14 | F02400084R | MOLLA X RUOTA LIBERA BONDIOLI | SPRING FOR FREE WHEEL BONDIOLI | | FEDER F R FREILAUF BONDIOLI | |
| 15 | F04050014R | CUSC.D35 D72 T18,25 30207 | BEARING D35 D72 T18,25 30207 | ROUL. D35 D72 T18,25 30207 | LAGER 30207 | COJINETE D35 D72 T18,25 30207 |
| 16 | F04050017R | CUSC.D40 D80 T19,75 30208 | BEARING D40 D80 T19,75 30208 | ROUL. D40 D80 T19,75 30208 | LAGER 30208 | COJINETE D40 D80 T19,75 30208 |
| 17 | F06280035R | KIT SPESSORE I.80 | SHIM KIT I.80 | | | |
| 18 | F04010180R | CUSC.D40 D80 B18 6208 | BEARING D40 D80 B18 6208 | ROUL. D40 D80 B18 6208 | LAGER 6208 | COJINETE D40 D80 B18 6208 |
| 19 | F03010277R | ANELLO T.AS 40X 80X10 D3760NBR | OIL SEAL 40X80X10 NBR | BOURAGE 40X80X10 NBR | OELABDICHTUNG 40X80X10 | ANILLO T.AS 40X 80X10 D3760NBR |
| 20 | F03011026R | TAPPO CHIUSURA D=80 X 10 GA | COVER D. 80X10 | BOUCHON 80X10 | DECKEL 80X10 | CORCHO 80X10 |
| 21 | M29100112R | TAPPO SCARICO OLIO | OIL OUTLET PLUG | BOUCHON DE VIDANGE HUILE | OELABLASSPFROPFEN | TAPON DESCARGADO ACEITE |
| 22 | F03020113R | PROLUNGA M F 3 8 L22 L.TOT=33 | EXTENSION M F 3 8 L22 L.TOT=33 | | | |
| 23 | M30500159R | COPPIA C. XM07400203 | BEVEL GEAR PAIR XM07400203 | | | |
| 24 | F03010265R | ANELLO T.AS 35X 80X10 D3760NBR | RING T.AS 35X80X10 D3760 NBR | BAGUE T.AS 35X 80X10 D3760 NBR | SCHUTZRING 35X80X10 D3760 NBR | INEL T.AS 35X80X10 D3760 NBR |
| 25 | M07400216R | PROLUNGA SFIATO 90 | BREATHER PLUG 90 | BOUCHON DE SOUPIRAIL 90 | ENTLUEFTERSTOPFEN 90 | TAPON RESPIRADERO 90 |
| 26 | F03150718R | TAPPO 3 8 GAS CON SFIATO | GAS BREATHER PLUG 3 8 | BOUCHON D HUILE SOUPIRAIL | OELENTLUEFTERSTOPFEN | TAPON ACEITE |
| 27 | M07400203R | MOLTIPLIC. GIRAFFA S.I. BO 54 | MULTIPLICATOR GIRAFFA S.I. BO* | | GETRIEBE GIRAFFA SI 540 UPM | |
| 28 | F03150719R | TAPPO 3 8 GAS | GAS CAP 3 8 | BOUCHON | DECKEL | CORCHO |
| 29 | M30500109R | ANELLO E. D.50 M3200 | ELASTIC RING D.50 | BAGUE ELASTIQUE D.50 | 339001050 RING E. D.50 M3200 | ANILLO D.50 |



OPTIONAL
 KIT RIDUZIONE TUBI IDRAULICI
 HYDRAULIC TUBE REDUCTION KIT



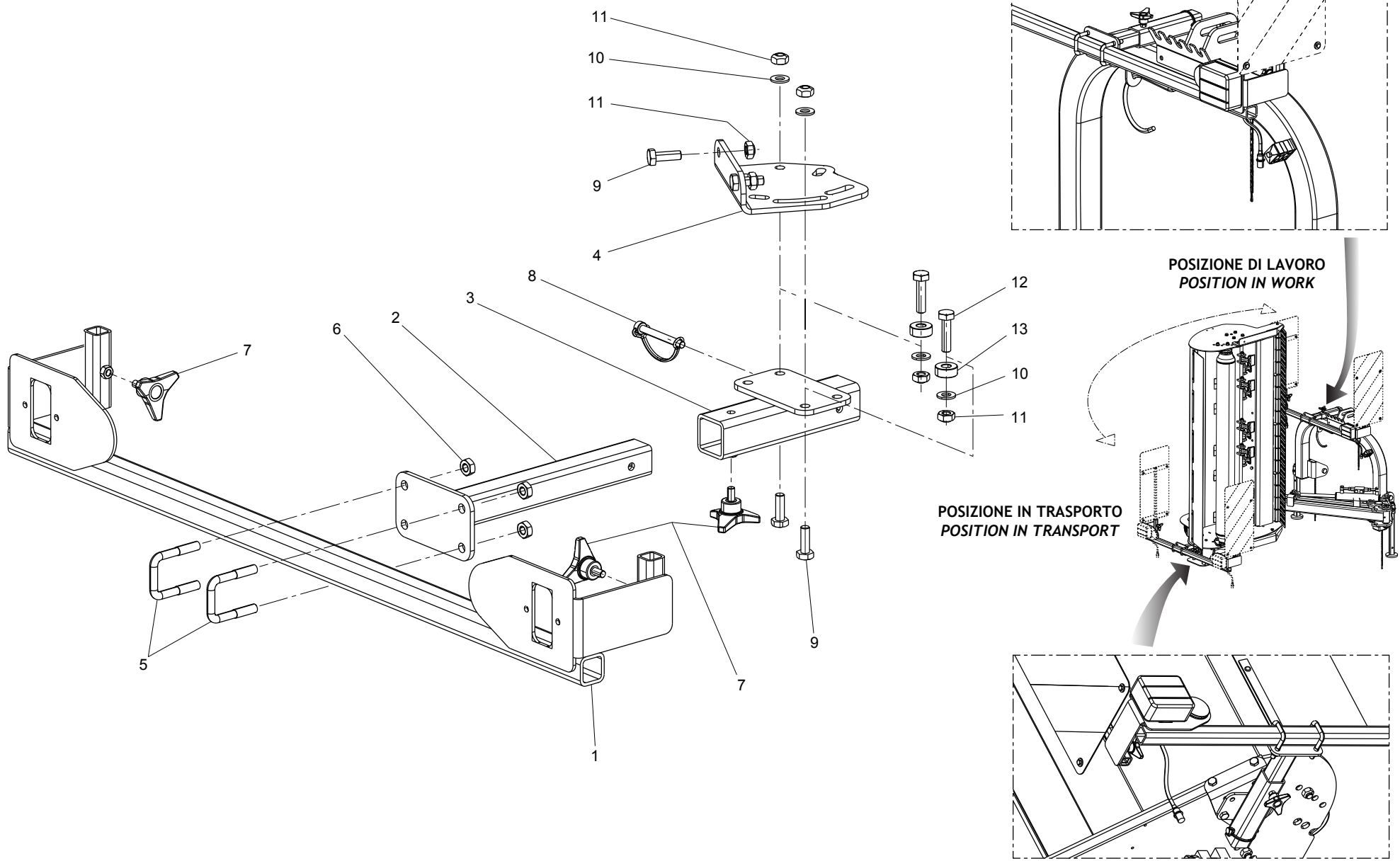
OPTIONAL
 KIT REGOLAZIONE DI FLUSSO
 FLOW REGULATOR KIT

**IMPIANTO IDRAULICO
HYDRAULIC PLANT**

TAV.090

| Pos. | Cod. | Descrizione | Description | Description | Benennung | Description |
|------|------------|--------------------------------|--------------------------------|--------------------------------|--------------------------------|-------------------------------|
| 1 | F03080081R | NIPPLO M3 8 SEAL ML10 ZN | NIPPLE M3 8 SEAL ML10 ZN | | NIPPEL M3 8 DICHTUNG ML10 ZN | |
| 2 | F03070313R | TG 1 4 R17 FL10 CFL10 4300 | RUB.TUBE R17 FL10 CFL10 4300 | | RUB.ROHR R17 FL10 CFL10 4300 | |
| 3 | F05150067R | FASCETTA NERA 9X350 | BLACK BAND | BANDE NOIR 9X350 | SCHWARZE BAND 9X350 | CINTA |
| 4 | F03100365R | GUAINA TELATA D=65 L=4000 | SHEATH D=65 L=4000 | GAINÉ D=65 L=4000 | MANTEL D=65 L=4000 | VAINA D=65 L=4000 |
| 6 | F03080090R | INNESTO RAP.MASCH.DL M16X1,5 | QUICK CONNECT MALE CONE DL M16 | | | |
| 7 | F03020070R | RONDELLA AUTO. 3 8 | AUTOCENT WASHER 3 8 | JOINT | SCHEIBE BONDED AUTOCENT 3 8 | ARANDELA BONDED AUTOCENT 3 8 |
| 8 | F03150310R | NIPPLO MM CIL-CIL 3 8-1 4 ZN | NIPPLE CYL.MALE3 8-1 4 ZN | NIPPLE MALE CYL.3 8-1 4 ZN | NIPPELZYL.3 8-1 4 ZN | NIPLE MACHO CIL.3 8-1 4 ZN |
| 9 | F03050235R | TUBO 2SN 1 4 FD1 4 F901 4 3500 | HYDRAULIC TUBE R2AT 1 4 | TUBE HYDRAUL. R2AT 1 4 L 3400 | HYDRAUL. ROHR R2AT 1 4 L 3400 | TUBO HYDRAULICO R2AT 1 4 |
| 10 | F03060013R | KIT TUBAZ.IDR.X KIT GF | HYDRAULIC PIPE KIT GF | | KIT TUBAZ.IDR.X KIT GF | |
| 11 | M58100890R | PREMONT.TUB.IDR.MART.LAT. GUA | HYDRAULIC TUBE | TUBE HYDRAUL. | HYDRAUL. ROHR | TUBO HYDRAULICO |
| 12 | F01480088R | ROS.G 6,4X12,4X2 | GROWER WASHER D.6 | GROWER RONDELLE D.6 | SPRENGRING D.6 | ARANDELA GROWER D.6 |
| 13 | F01040068R | VITE M6X1X50 | SCREW M6X1X50 | VIS M6X1X50 U5931 8.8ZN | SCHRAUBE M 6X1X50 | TORN. M6X1X50 U5931 8.8ZN |
| 15 | F01220034R | DADO M10X1,25 | NUT M10X1,25 | ECROU M10X1,25 D980 8GALV. | SELBSTSP.MUTT. M10X1,25 980-V | TUER.M10X1,25 D980 8 ZB |
| 16 | F01010038R | VITE M10X1,25X140 | SCREW M10X1,25X140 U5738 8.8ZN | VIS M10X1,25X140 U5738 8.8ZN | SCHAR.M10X1,25X140 5738 8.8 ZN | TORN.M10X1,25X140 U5738 8.8ZN |
| 17 | M07400805R | STAFFA PORTA DEVIATORE | SUPPORT SHUNTER STIRRUP | | HALTER SHUNTER STEIGBUEGEL | |
| 18 | M58100872R | COMANDO ELETTRICO 12V DC | ELECTRIC CONTROL | COMMANDE ELECTRIQUE | ELEKTRISCHER ANTRIEB | ACCIONAMENTO ELECTRICO |
| 19 | F03151042R | DEVIATORE A 6 VIE 2 POSIZIONI | DISTRIBUTOR | DISTRIBUTEUR | VERTEILER | DISTRIBUIDOR |
| 20 | F03060228R | KIT TUBAZ.IDR.GF L=4300 DIN24 | KIT PIPES HYDR L=4300 DIN24 | | KIT ROHRE HYDR L=4300 DIN24 | |
| 21 | F05150325R | CAPPUC.F X INN.M RAP.1 2 ROSS | COVER CONNECT F 1 2 RED | COUVERCLE CONNEXION F 1 2 ROSE | DECKEL W 1 2 SCHNELLKUPP. ROT | PAC PROTECCION F 1 2 ROJO |
| 23 | F03060226R | KIT TUBAZ.IDR.GF L=2500 DIN24 | KIT PIPES HYDR L=2500 DIN24 | | | |
| 24 | F03070231R | TG 1 4 R17 FL10 CFL10 2500 | TG 1 4 R17 FL10 CFL10.2500 | | TG 1 4 R17 FL10 CFL10.2500 | |
| 25 | F03070090R | TUBO 1 4 R17 FL10 CFL10 L2200 | PIPE 1 4 R17 FL10 CFL10 L2200 | | | |
| 26 | F03151227R | REGOLAT.DI FLUSSO UNIDIR. 1 2 | FLOWREGULATOR UNIDIR. 1 2 | REGUL.DE FLUX UNIDIR. 1 2 | FLUSSEINSTELLER UNIDIR 1 2 | REGULADOR DE FLUJO UNIDIR.1 2 |
| 27 | F03151370R | RONDELLA 1 2 | WASHER SEAL 1 2 | RONDELLE SEAL 1 2 | SCHEIBE SEAL 1 2 | ARANDELA SEAL 1 2 |
| 28 | F03150255R | NIPPLO MASCH.CIL.1 2-1 2 ZN | NIPPLE M. CYL. 1 2-1 2 ZN | NIPLE M. CYL. 1 2 - 1 2 ZN | NIPPEL F. ZYL. 1 2-1 2 ZN | NIPLE M. CIL. 1 2 - 1 2 ZN |
| 29 | F01420036R | ROS.M6 6,4X 18X1,5 | WASHER M6 6,4X 18X1,5 | RONDELLE M6 6,4X 18X1,5 | SCHEIBE 6-6X 18X2 6593 ZN | ARANDELA M6 6,4X18X1,5U6593ZN |

TAV.100

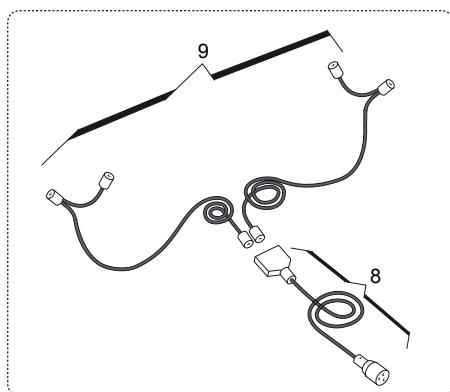
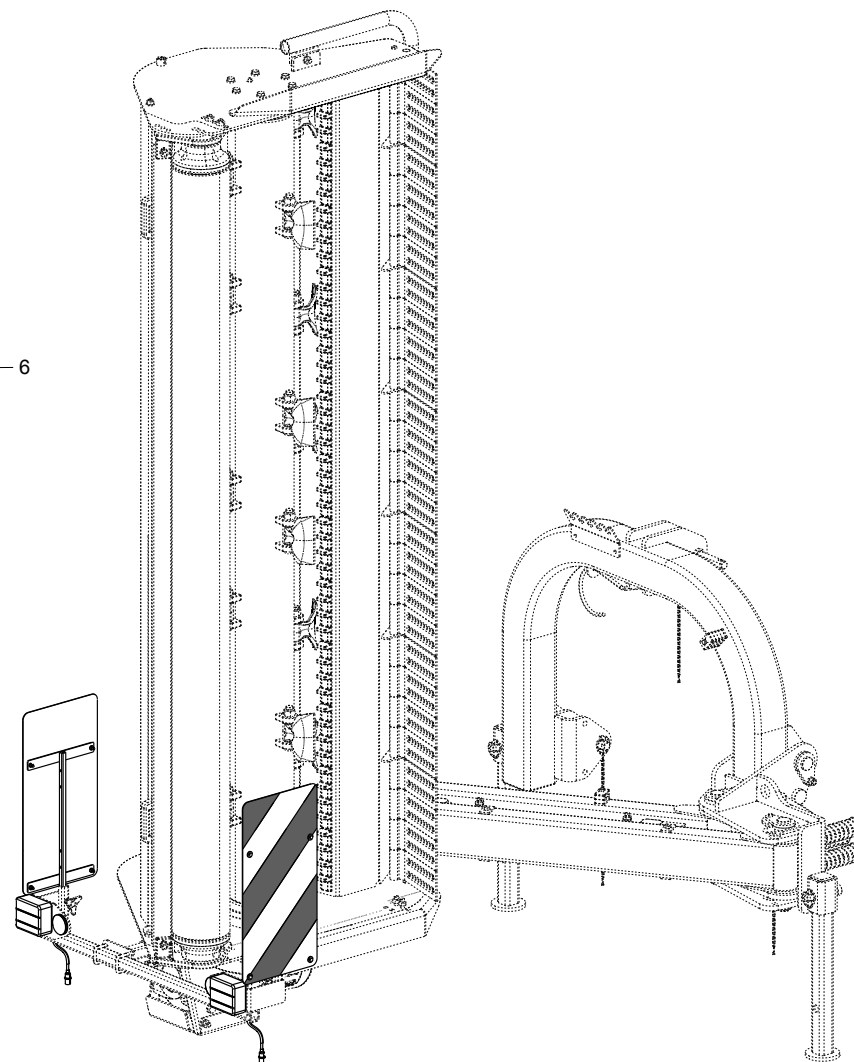
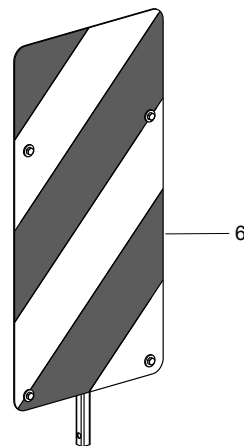
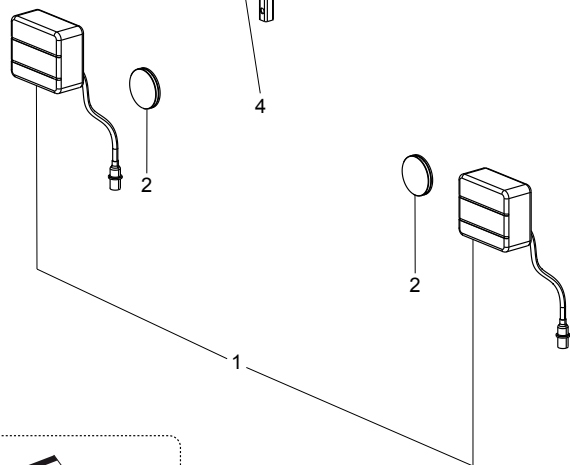
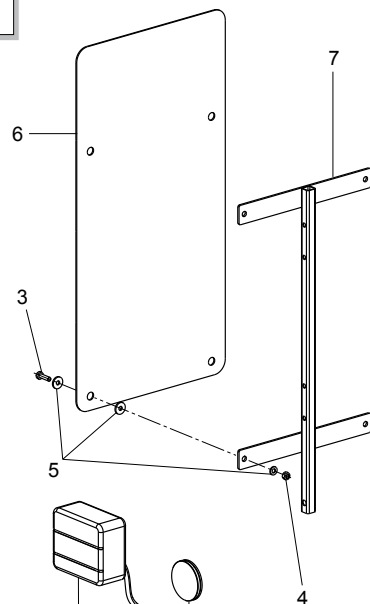


**SUPPORTI TABELLE STRADALI
ROAD KIT SUPPORTS**

TAV.100

| Pos. | Cod. | Descrizione | Description | Description | Benennung | Description |
|------|------------|--------------------------------|--------------------------------|------------------------------|--------------------------------|--------------------------------|
| 1 | M50400758R | SUPPORTO SEGN.STRAD.BARRA LUCI | ROAD SIGN.SUPPORT | | | |
| 2 | M50400761R | STAFFAGGIO | BRACKET | | | |
| 3 | M50400764R | STAFFAGGIO | BRACKET | | | |
| 4 | M50400767R | STAFFA | CLAMP | | | |
| 5 | F20110706R | CAV.Q.B=35 M=10X1,5 L=60 | U BOLT Q.B=35 M=10X1,5 L=60 | CAVALIER SUPPORT DISQUE SV | VERBINDUNG SCHEIBENHALTERUNG S | PERNO EN U SOP. DISCO SV |
| 6 | F01220033R | DADO M10X1,5 | NUT M10X1,5 | ECROU M10X1,5 D980 8GALV. | MUTTER M10 | TUERCA M10X1,5 D980 8 |
| 7 | F06220018R | VOLANTINO 3LOBI D.65-M8X15 | 3-LOBE HANDWHEEL D.65-M8X15 | | HANDRAD 3 BUCKEL D.65-M8X15 | |
| 8 | F02200562R | SPINA SICUR.D. 8X70 ZN | SNAP PIN D.8X 70 ZN | FICHE EL. D.8X70 ZN | SCHERSTIFT D.8X 70 ZN | CLAVIJA D.8X 70 ZN |
| 9 | F01010250R | VITE M10X1,25X30 | SCREW M10X1,25X30 U5738 8.8ZN | VIS M10X1,25X30 U5738 8.8ZN | SCHRAUBE M10X1,25X30 | TORNIL.M10X1,25X30 U5738 8.8ZN |
| 10 | F01410064R | ROS.M10 10,5X 20X 2 | WASHER M10 10,5X20X2 | RONDELLE M10 10,5X20X2 | SCHEIBE 10,5X21 | ARAND.M10 10,5X 20X 2 U6592 ZN |
| 11 | F01220034R | DADO M10X1,25 | NUT M10X1,25 | ECROU M10X1,25 D980 8GALV. | SELBSTSP.MUTT. M10X1,25 980-V | TUER.M10X1,25 D980 8 ZB |
| 12 | F01010039R | VITE M10X1,25X40 | SCREW M10X1,25X40 U5740 10.9ZD | VIS M10X1,25X40 U5740 10.9ZD | SCHRAUBE M 10X1,25X40 | TORN. M10X1,25X40 U5740 10.9ZD |
| 13 | M33100599R | DISTANZIALE PROTEZIONE ERP.ZPG | SPACER | ENTRETOISE | DISTANZSTUECK | DISTANCIADOR |

TAV.110

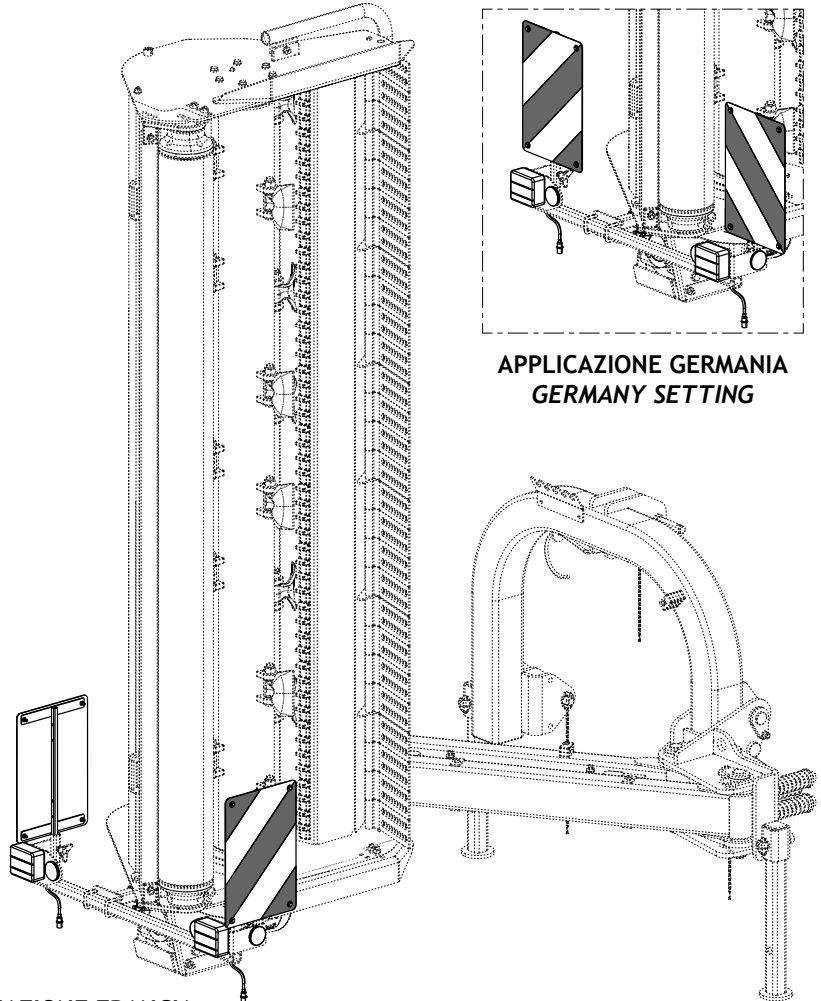
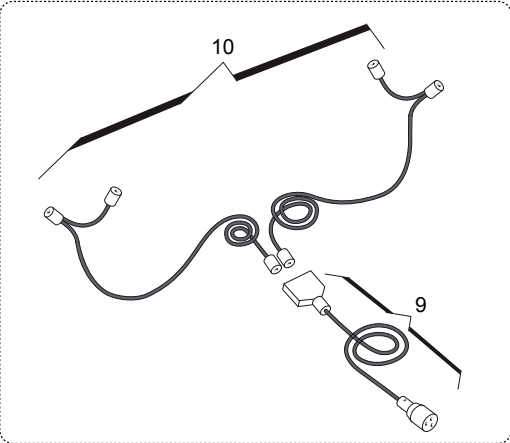
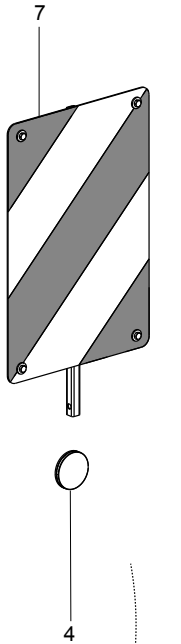
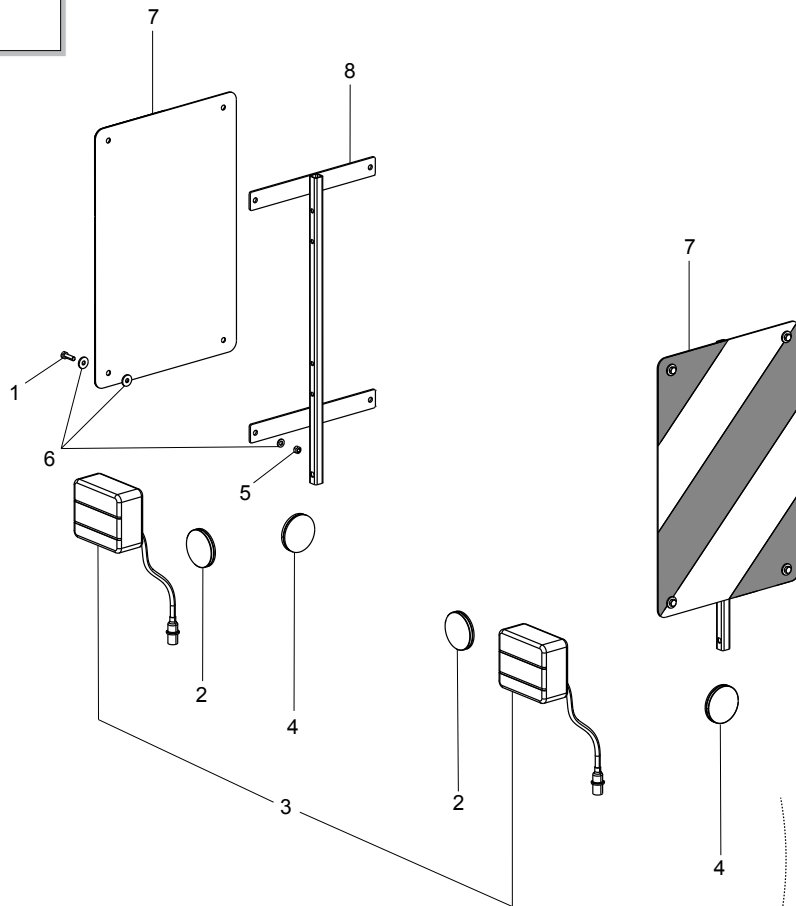


KIT TABELLE STRADALI G99600020
ROAD TRANSPORT KIT G99600020

TAV.110

| Pos. | Cod. | Descrizione | Description | Description | Benennung | Description |
|------|------------|-----------------------------|------------------------------|----------------------------|-----------------------------|-------------------------------|
| 1 | F05010822R | KIT FANALI DX-SX CON CAVO | KIT REAR ROAD LIGHTS MOUNTED | | BELEUCHTUNG INKL. KABELBAUM | |
| 2 | F05010820R | CATARIFR.TONDO D60 ROSSO | ROUND REFLECTOR D.60 RED | | REFLEKTOR RUND ROT D.60MM | |
| 3 | F01020404R | VITE M6X1X20 | SCREW M6X1X20 U5739 8.8ZN | VIS M6X1X20 U5739 8.8ZN | SCHRAUBE 6X20 5739 8.G ZN | TORNILLO M6X1X20 U5739 8.8ZN |
| 4 | F01220011R | DADO M6X1 | NUT M6X1 | CROU M6X1 D980 8ZN | SELBSTSPERR.MUTTER M6 | TUERCA M6X1 D980 8 ZN |
| 5 | F01420036R | ROS.M6 6,4X 18X1,5 | WASHER M6 6,4X 18X1,5 | RONDELLE M6 6,4X 18X1,5 | SCHEIBE 6-6X 18X2 6593 ZN | ARANDELA M6 6,4X18X1,5U6593ZN |
| 6 | F05010816R | TABELLE 2 CAR.SPORGENTI IT | WARNING BOARDS 2 IT | PANNEAU 2 SIGNALISATION IT | WARN TAFELS 2 IT | TABLAS 2 CAR.ADVERT. IT |
| 7 | G16612070R | TELAIO SUPP.TABELLE STRAD. | FRAME SUPPORT TABLE | | | |
| 8 | F05200026R | CABLAGGIO PRINCIPALE | MAIN CABLE | | | |
| 9 | F05200027R | CABLAGGIO ALI LUCI STRADALI | LATERAL STREET LIGHTS CABLE | | | |

TAV.120



**APPLICAZIONE GERMANIA
GERMANY SETTING**

**APPLICAZIONE FRANCIA
FRANCE SETTING**

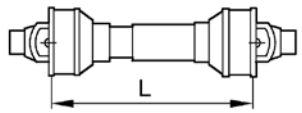
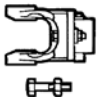
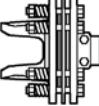
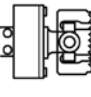

**KIT TABELLE STRADALI G99600021
ROAD TRANSPORT KIT G99600021**

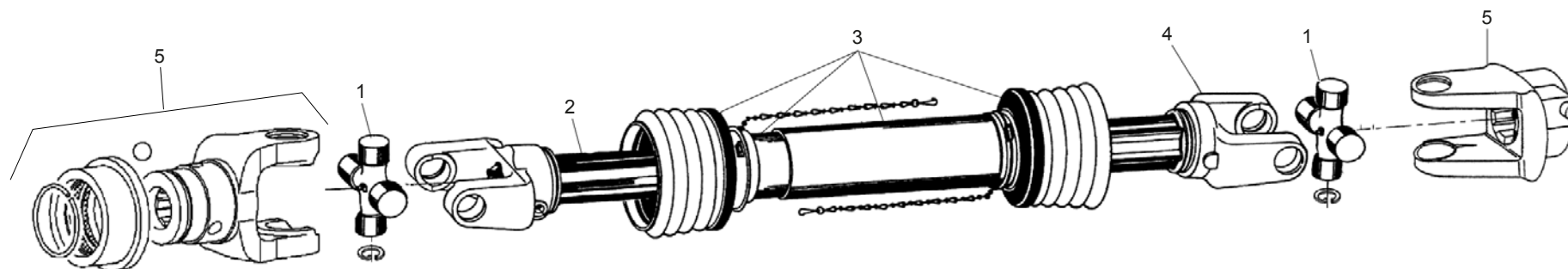
TAV.120

| Pos. | Cod. | Descrizione | Description | Description | Benennung | Descripcion |
|------|------------|------------------------------|------------------------------|------------------------------|-----------------------------|-------------------------------|
| 1 | F01020404R | VITE M6X1X20 | SCREW M6X1X20 U5739 8.8ZN | VIS M6X1X20 U5739 8.8ZN | SCHRAUBE 6X20 5739 8.G ZN | TORNILLOM6X1X20 U5739 8.8ZN |
| 2 | F05010820R | CATARIFR.TONDO D60 ROSSO | ROUND REFLECTOR D.60 RED | | REFLEKTOR RUND ROT D.60MM | |
| 3 | F05010822R | KIT FANALI DX-SX CON CAVO | KIT REAR ROAD LIGHTS MOUNTED | | BELEUCHTUNG INKL. KABELBAUM | |
| 4 | F05010819R | CATARIFR.TONDO D60 GIALLO | ROUND REFLECTOR D.60 YELLOW | JAUNE R FLECTEUR ROUND | REFLEKTOR RUND GELB D.60 | REFLECTOR REDONDO AMARILLO |
| 5 | F01220011R | DADO M6X1 | NUT M6X1 | CROU M6X1 D980 8ZN | SELBSTSPERR.MUTTER M6 | TUERCA M6X1 D980 8 ZN |
| 6 | F01420036R | ROS.M6 6,4X 18X1,5 | WASHER M6 6,4X 18X1,5 | RONDELLE M6 6,4X 18X1,5 | SCHEIBE 6-6X 18X2 6593 ZN | ARANDELA M6 6,4X18X1,5U6593ZN |
| 7 | F05010817R | TABELLE 2 CAR.SPORGENTI FR-D | WARNING BOARDS 2 FR-DE | TABLEAUX 2 AVERTISSEM. FR-DE | SATZ WARNTAFELN ROT WEI | TABLAS 2 CAR.ADVERT. FR-DE |
| 8 | G16612070R | TELAIO SUPP.TABELLE STRAD. | FRAME SUPPORT TABLE | | | |
| 9 | F05200026R | CABLAGGIO PRINCIPALE | MAIN CABLE | | | |
| 10 | F05010822R | KIT FANALI DX-SX CON CAVO | KIT REAR ROAD LIGHTS MOUNTED | | BELEUCHTUNG INKL. KABELBAUM | |

TAV.130

WALTERSCHEID

| | | | | |
|---|---|---|---|---|
|  |  |  |  |  |
| 6 - F08011608 L=1934 1 3/8" Z6 | -- | -- | -- | -- |



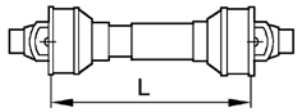
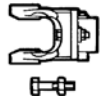
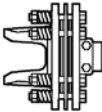
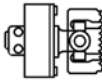

**CARDANO WALTERSCHEID
WALTERSCHEID CARDAN SHAFT**

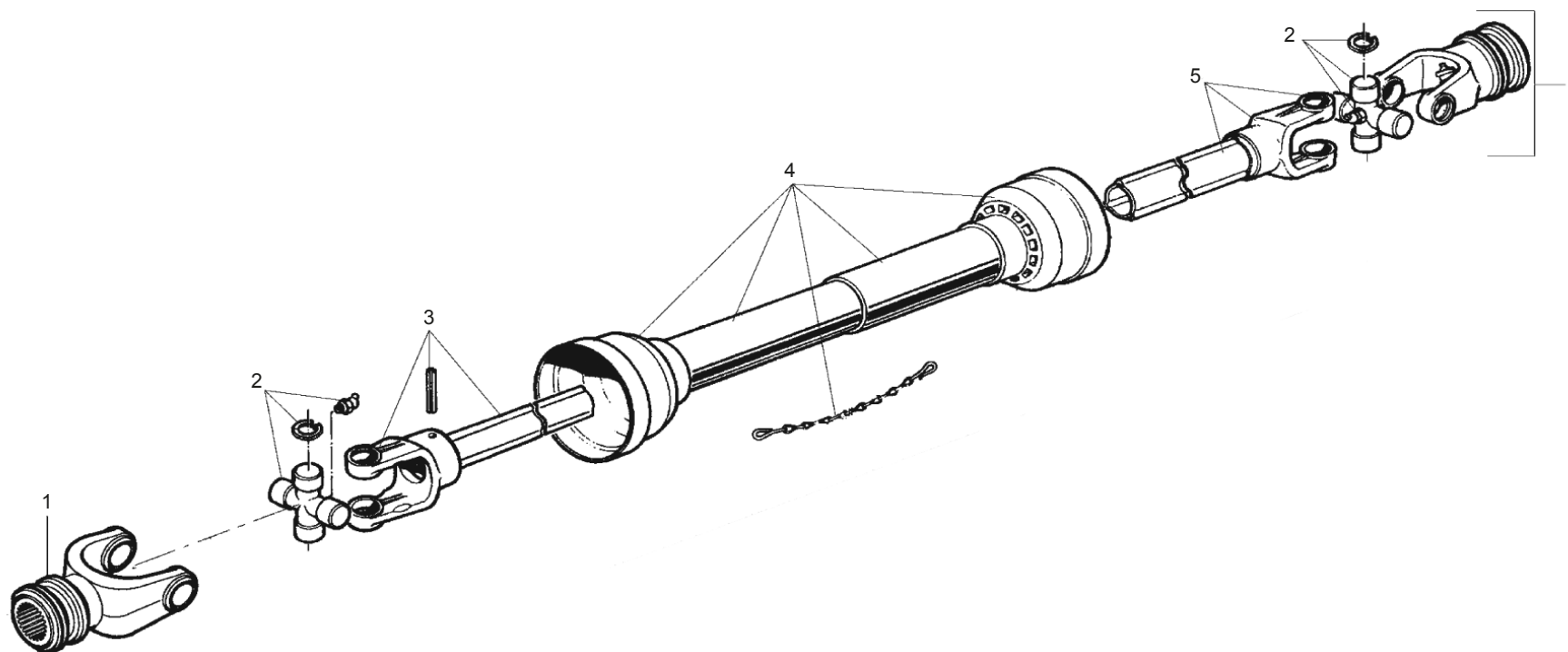
TAV.130

| Pos. | Cod. | Descrizione | Description | Description | Benennung | Descripcion |
|------|------------|--------------------------------|-------------------------|-----------------------------|----------------------|------------------------|
| 1 | F08010683R | CROCIERA COMPLETA W2300 | SPIDER ASSY | CROISIERE COMPL. | GELENKKREUZ KOMPL. | CRUCETA COMPL. |
| 2 | F08010720R | FORC.COMP.TUBO INT.W2400 L1380 | FORK WITH INTERNAL PIPE | FOURCHE AVEC TUBE INT. | GABELST. AUSSENROHR | HORQUILLA TUBO INT. |
| 3 | F08010896R | PROTEZIONE COMPL.WS GIRAFFA | PROTECTION ASSY | PROTECTION COMPL. | KOMPL. SCHUTZ | PROTECCION COMPL. |
| 4 | F08010729R | FORC.COMP.TUBO EST.W2400 L1565 | FORK WITH EXTERNAL PIPE | FOURCHE AVEC TUBE EXTERIEUR | GABEL WITH EXT. ROHR | HORQUILLA TUBO EXTERNO |
| 5 | F08010457R | FORCELLA COMPLETA DI PULSANTE | LINKAGE FORK | FOURCHE ATTELAGE | GABELSTUECK | HORQUILLA ATAQUE |
| 6 | F08011608R | CARD.GKN | UNIVERSAL P T O SHAFT | ARBRE A CARDAN | GELENKWELLE | ARBOL CARDANICO |

TAV.140

BONDIOLI

| | | | | |
|---|---|---|---|---|
|  |  |  |  |  |
| 6 - F08011696 L=2047 3/8" Z6 | -- | -- | -- | -- |



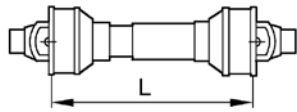

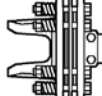
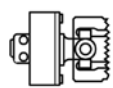

**CARDANO BONDIOLI
BONDIOLI CARDAN SHAFT**

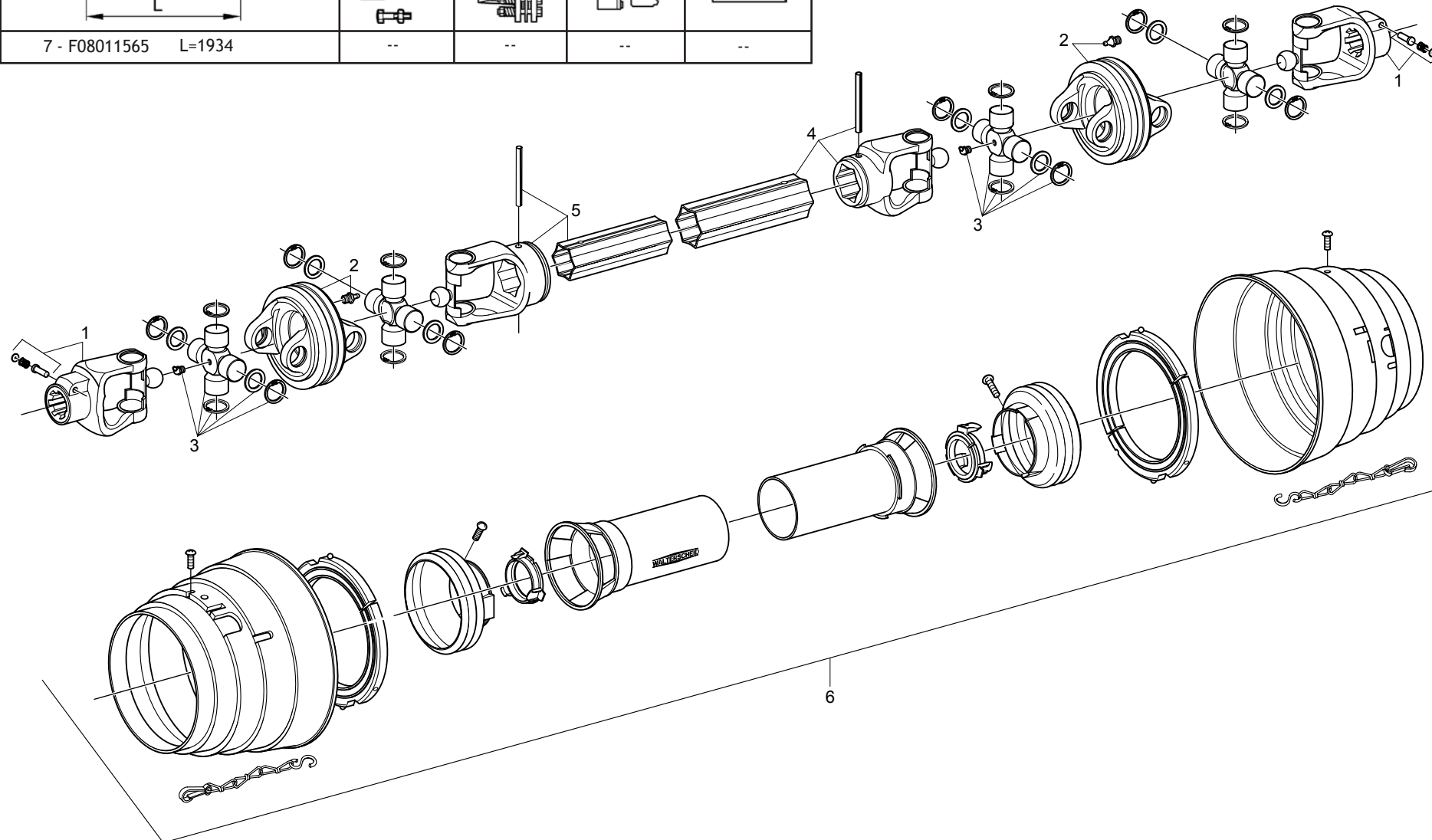
TAV.140

| Pos. | Cod. | Descrizione | Description | Description | Benennung | Descripcion |
|------|------------|--------------------------------|-----------------------------|------------------|-----------------------------|------------------|
| 1 | F08010167R | 5070H0355 FORCELLA COMPLETA | LINKAGE FORK | FOURCHE ATTELAGE | GABELSTUECK M. FLANSCH | HORQUILLAATAQUE |
| 2 | F08010678R | 4120H0011R30 CROCIERA COMPLETA | SPIDER ASSY | CROISIERE COMPL. | GELENKKREUZ KOMPL. | CRUCETA COMPLETA |
| 3 | F08012159R | FORC.106 TUBO INT.1650 SPINA | FORC.106 PIPE INT.1650 PIN* | | | |
| 4 | F08012157R | PROT. COMPLETA 106 L.1810 | PROT. COMPLETA 106 L.1810. | | SCHUTZ KOMPLETT 106 L.1810. | |
| 5 | F08012158R | FORC.106 TUBO EST.1650 SPINA | FORC.106 PIPE EST.1650 PIN* | | | |
| 6 | F08011696R | CARD.BONDIOLI | BONDIOLI PTO SHAFT | | KARDANWELLEBONDIOLI | |

TAV.150

WALTERSCHEID

| | | | | |
|---|---|---|---|---|
|  |  |  |  |  |
| 7 - F08011565 L=1934 | -- | -- | -- | -- |



**CARDANO OMOCINETICO WALTERSCHEID
WALTERSCHEID CONSTANT VELOCITY PTO SHAFT**

TAV.150

| Pos. | Cod. | Descrizione | Description | Description | Benennung | Descripcion |
|------|------------|--------------------------------|-------------------------------|-----------------------------|---------------------------|----------------------------|
| 1 | F08010463R | FORCELLA COMPLETA DI PULSANTE | LINKAGE FORK PUSHBUTTON | FOURCHE ATTELAGE POUSSOIR | GABELSTUECK DRUCKKNOPF | HORQUILLA ATAQUE PULSADOR |
| 2 | F08010223R | FORCELLA DOPPIA INGRASSATORE | DOUBLEYOKE GREASENIPPLE | FOURCHE DOUBLE GRAISSEUR | DOPPELGABEL SCHMIERNIPPEL | HORQUILLA DOBLA ENGRASADOR |
| 3 | F08010687R | CROCIERA COMPLETA | SPIDER ASSY | CROISIERE COMPL. | GELENKKREUZ KOMPL. | CRUCETA COMPLETA |
| 4 | F08010662R | FORCELLA TUBO ESTERNO SPINA | FORK WITH EXTERNAL PIPE | FOURCHE AVEC TUBE EXTERIEUR | GABELST. AUSSENROHR | HORQUILLA TUBO EXTERNO |
| 5 | F08010661R | FORCELLA TUBO INTERNO SPINA | FORK WITH INTERNAL PIPE | FOURCHE AVEC TUBE INT. | GABELST. INNENROHR | HORQUILLA TUBO INT. |
| 6 | F08010897R | PROTEZIONE COMPLETA CARDANO | PROTECTION ASSY | PROTECTION COMPL. | KOMPL. SCHUTZ | PROTECCION COMPL. |
| 7 | F08011565R | CARD.GKN 2480-1710-SD25-S4LH S | SHAFT GKN*2480-1710-SD25-S4LH | | GELENKWELLE | |

**USATE SEMPRE RICAMBI ORIGINALI
ALWAYS USE ORIGINAL SPARE PARTS
IMMER DIE ORIGINAL-ERSATZTEILE VERWENDEN
EMPLOYEZ TOUJOURS LES PIECES DE RECHANGE ORIGINALES
UTILIZAR SIEMPRE REPUESTOS ORIGINALES**



**Servizio Assistenza Tecnica - After Sales Service
Servizio Ricambi - Spare Parts Service**



maschio.com

DEALER:



MASCHIO GASPARDO SpA
Registered Office and Production Plant
Via Marcello, 73 - 35011 Campodarsego (Padova) - Italy
Tel. +39 049 9289810
Fax +39 049 9289900
info@maschio.com
www.maschionet.com

MASCHIO DEUTSCHLAND GMBH
Äußere Nürnberger Straße 5
D - 91177 Thalmässing - Deutschland
Tel. +49 (0) 9173 79000
Fax +49 (0) 9173 790079
dialog@maschio.de
www.maschionet.de

MASCHIO FRANCE Sarl
1 rue Denis Papin ZA
F - 45240 La Ferte St. Aubin
France
Tel. +33 (0) 2.38.64.12.12
Fax +33 (0) 2.38.64.66.79
info@maschio.fr

000 МАСКИО-ГАСПАРДО РУССИЯ
04130, Россия,
Волгоградская область,
г. Волжский, ул. Пушкина, 117 «б».
Тел.: +7 8443 203100
факс: +7 8443 203101
e-mail: info@maschio.ru

MASCHIO GASPARDO SpA
Production Plant
Via Mussons, 7 - 33075 Morsano al Tagliamento (PN) - Italy
Tel. +39 0434 695410
Fax +39 0434 695425
info@gaspardo.it

MASCHIO GASPARDO NORTH AMERICA Inc.
112 3rd Avenue East
DeWitt - IA 52742
Ph. +1 563 6596400
Fax +1 563 6596404
info@maschio.us

MASCHIO-GASPARDO ROMANIA S.R.L.
Strada Înfrăţirii, F.N.
315100 Chisineu-Cris (Arad) -România
Tel. +40 257 307030
Fax +40 257 307040
info@maschio.ro

MASCHIO IBERICA S.L.
MASCHIO-GASPARDO POLAND
MASCHIO-GASPARDO UCRAINA
GASPARDO-MASCHIO TURCHIA
MASCHIO-GASPARDO CINA
MASCHIO-GASPARDO INDIA