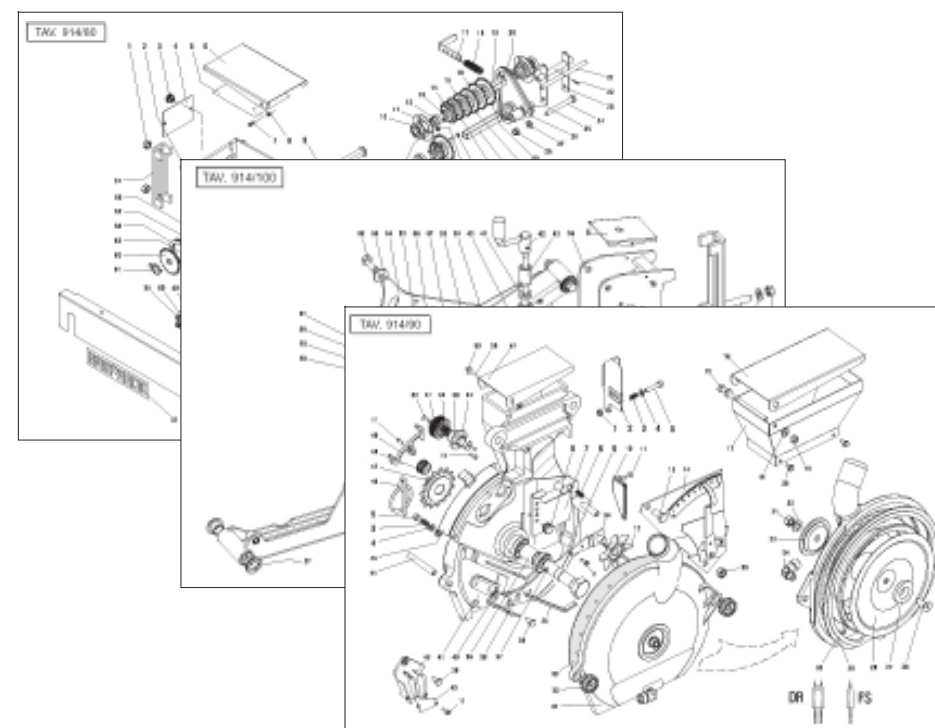


GASPARDO

MASCHIO GASPARDO S.p.A.

ORIETTA OLIMPIA



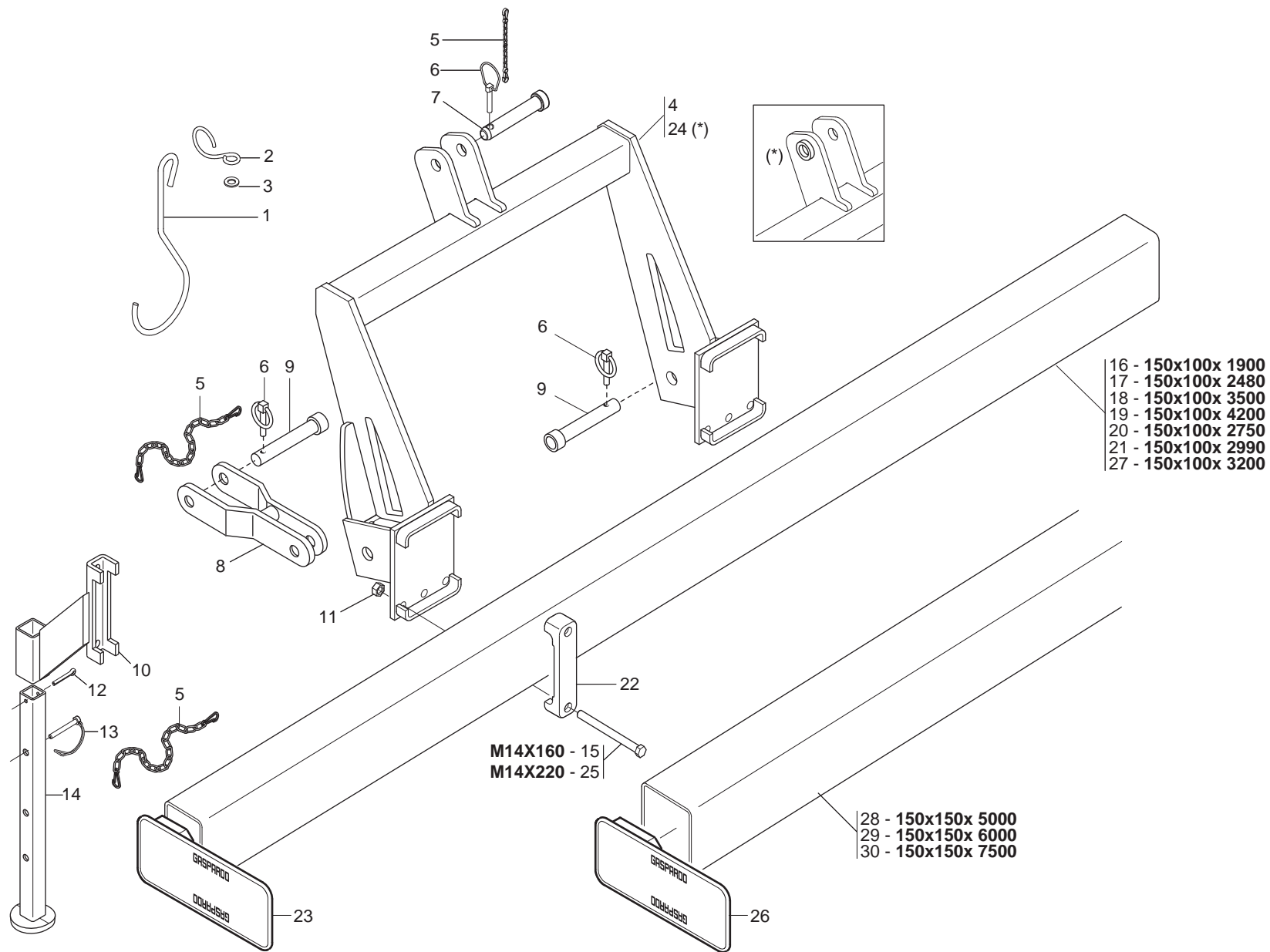
Cod: G19530513 12.2007

- *) Valido per Paesi UE
- *) Valid for EU member countries
- *) Valable dans les Pays UE
- *) Gilt für EU-Mitgliedsländer
- *) Válido para Países UE

- IT** PARTI DI RICAMBIO
- EN** SPARE PARTS
- DE** ERSATZTEILE
- FR** PIÈCES DÉTACHÉES
- ES** PIEZAS DE REPUESTO

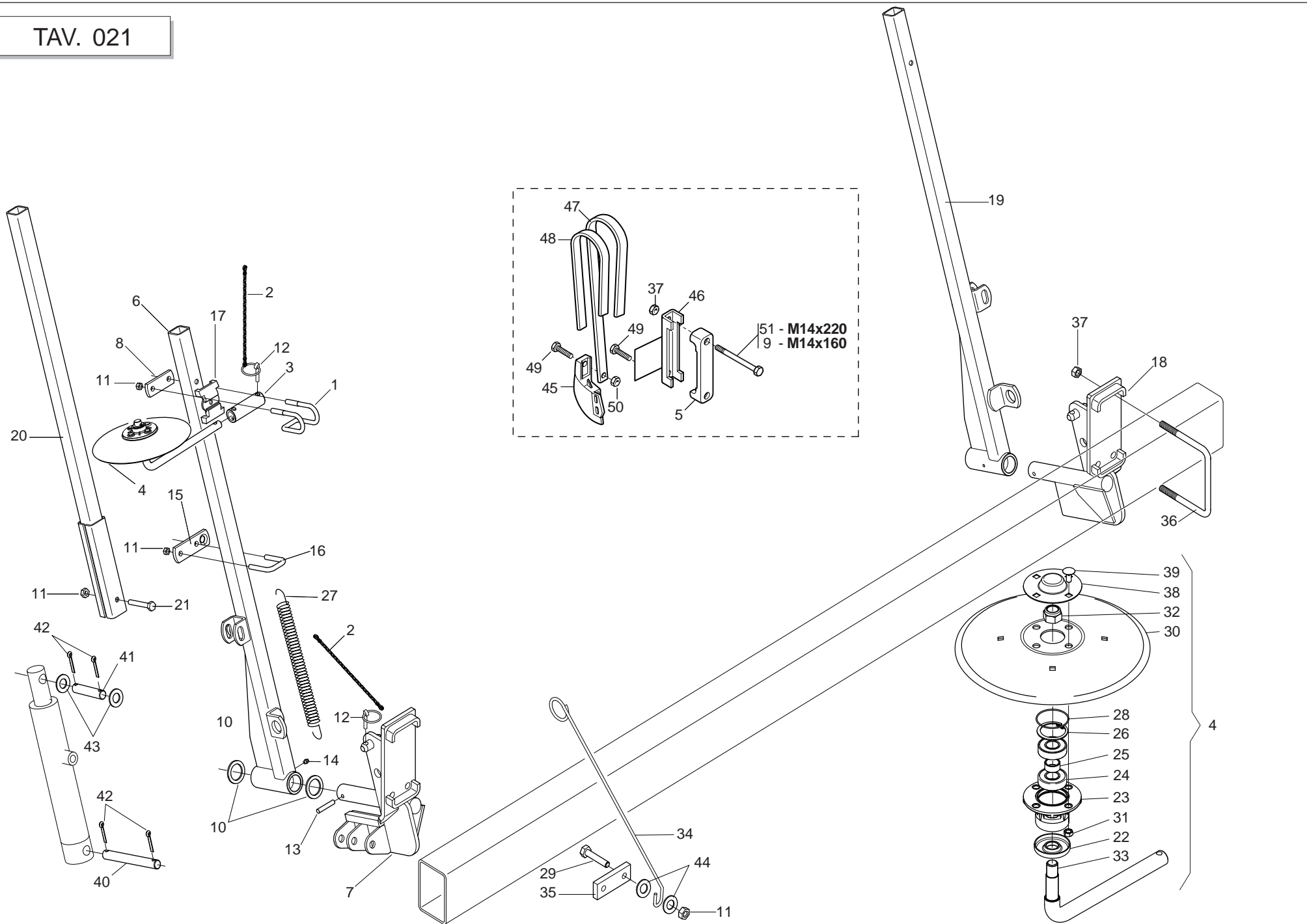
ITALIANO	ENGLISH	DEUTSCH	FRANÇAIS	ESPAÑOL
PARTI DI RICAMBIO	SPARE PARTS	ERSATZTEILE	PIECES DÉTACHÉES	RESPUESTOS
<p>Le ordinazioni delle parti di ricambio vanno fatte presso i nostri concessionari di zona e devono essere sempre corredate dalle seguenti indicazioni:</p> <ul style="list-style-type: none"> - Tipo, modello e numero di matricola dell'attrezzatura. Tali dati sono stampigliati nell'apposita targhetta di cui è dotata ogni attrezzatura. - Numero di codice della parte richiesta rilevabile dal catalogo ricambi. - Descrizione del particolare e quantità richiesta. - Numero della tavola. - Mezzo di trasporto. Nel caso questa voce non sia specificata, la Ditta Costruttrice, pur dedicando a questo servizio una particolare cura, non risponde di eventuali ritardi di spedizione dovuti a cause di forza maggiore. Le spese di trasporto si intendono sempre a carico del destinatario. La merce viaggia a rischio e pericolo del committente anche se venduta franco destino. <p>NOTA: Il termine (Dx) Destro o (Sx) Sinistro della macchina o di parti di essa, è inteso guardando la macchina dalla parte posteriore. Le eccezioni saranno indicate.</p>	<p><i>Orders must be transmitted through our area dealers and should always include the following indications:</i></p> <ul style="list-style-type: none"> - Type, model and serial number of the machine. <i>These data are punched on the data plate with which every implement is equipped.</i> - Code number of the required spare part. <i>This will be found in the spare parts catalogue.</i> - Description of the part and required quantity. - Table number. - Means of dispatch. <i>If this item is not indicated, the Manufacturer, while dedicating particular care to this service, shall not be held responsible for delays in delivery caused by cases of force majeure. Transport expenses shall always be at the consignee's charge. The goods travel at the purchaser's risk and peril even when sold ex destination.</i> <p>NOTE: <i>The symbols (Dx) right and (Sx) left, concerning the machine or single parts of it, are referred, as in the figure, to a rear view of them. Exceptions will be indicated.</i></p>	<p>Die Bestellungen müssen bei unseren Gebietshändlern aufgegeben werden. Bei der Bestellung sind stets die folgenden Angaben zu machen:</p> <ul style="list-style-type: none"> - Typ, Modell und Serien-Nummer des Geräts. Diese Daten stehen auf dem Typenschild, mit dem jedes Gerät versehen ist. - Artikel Nr. der erforderlichen Ersatzteile. Diese stehen im Ersatzteil-Katalog. - Beschreibung des Ersatzteils und die erforderliche Stückzahl. - Tafelnummer. - Versandmittel. Wenn dieser Punkt nicht spezifiziert wird, haftet die Herstellerfirma nicht für etwaigen Lieferverzug aufgrund höherer Gewalt, auch wenn er diesen Service besonders aufmerksam abwickelt. Die Frachtkosten gehen dagegen immer zu Lasten des Empfängers. Die Ware reist auf Gefahr und Risiko des Auftraggebers, auch wenn frei Haus Verkauft vereinbart worden ist. <p>N.B.: Die Merkzeichen (Dx) rechts und (Sx) links betreffen eine rückwärtige Aussicht der Maschine oder Teile von ihr (siehe Bild). Ausnahmen werden gezeigt.</p>	<p><i>Les ordres doivent être effectués auprès de nos concessionaires de zone en précisant les indications suivantes:</i></p> <ul style="list-style-type: none"> - Type, modèle et numéro de série de la machine. <i>Ces données sont gravées sur la plaque d'identification de chaque outil.</i> - Numéro de code de la pièce détachée indiqué sur le catalogue des pièces détachées. - Description de la pièce et quantité requise. - Numéro de plan. - Moyen d'expédition. <i>Si cette rubrique n'est pas indiquée, le Constructeur, bien que soucieux de ce service, ne répond pas des retards d'expédition pour des causes de force majeure. Les frais de transport sont toujours à la charge du destinataire. La marchandise voyage aux risques et périls de l'acheteur même si vendue franco de port.</i> <p>N.B.: <i>Les références (Dx) droit et (Sx) gauche de la machine ou des parties de la même, est entendue, comme de la figure, en regardant la machine de derriere dans le sens de marche.</i></p>	<p>Los pedidos han de efectuarse en nuestros concesionarios de zona y deben incluir siempre las siguientes indicaciones:</p> <ul style="list-style-type: none"> - Tipo, modelo y número de matrícula del equipo. Dichos datos están impresos en la relativa placa presente en el equipo. - Número de código de la parte requerida presente en el catálogo respuestos. - Descripción de la pieza y cantidad requerida. - Numero de ilustración. - Medio de transporte. En caso que este ítem no esté especificado, el Fabricante, aún prestando la debidas consideraciones para este aspecto, no responde por eventuales retardos de env'o debidos a causas de fuerza mayor. Los gastos de transporte se consideran siempre a cargo del destinatario. La mercadería viaja bajo riesgo y peligro del comprador, incluso cuando se vende franco destino. <p>N.B.: La refencia (Dx) derecha o (Sx) izquierda de la máquina o de sus componentes, se entiende, como en la figura, mirando la máquina por la parte trasera. Se indicarán las excepciones.</p>

Nr. Tav.	Descrizione - Description	Pag.
TAV. 012	Telaio e attacco 3 punti	4
TAV. 021	Segnafile	6
TAV. 031	Segnafile rinforzato	8
TAV. 042	Comando segnafile oleodinamico	10
TAV. 050	Comando segnafile meccanico	12
TAV. 062	Depressore	14
TAV. 072	Impianto aspirazione e soffiaggio	18
TAV. 082	Ruota di trasmissione	20
TAV. 092	Distributore semi	24
TAV. 102	Telaio elemeto	26
TAV. 113	Falcioni assolcatori	28
TAV. 122	Bilanciere e ruote di compressione	30
TAV. 131	Ruotini di compressione - FILA SINGOLA e FILA a FASCIA	32
TAV. 142	Ruotini di compressione - FILA DOPPIA "DR"	34
TAV. 152	Supporti serbatoi spandiconcime plastica	36
TAV. 162	Serbatoi spandiconcime plastica	38
TAV. 172	Supporti serbatoi spandiconcime ferro	42
TAV. 181	Serbatoi spandiconcime ferro	44
TAV. 192	Microgranulatore	58
TAV. 202	Trasmissione spandiconcime e microgranulatore	52
TAV. 211	Concimazione pneumatica	54
TAV. 222	Speedy set	56
TAV. 231	Rullo anteriore	58
TAV. 241	Accessori	60
VARIANTI OLIMPIA		
TAV. 250	Elemento seminatore	62
TAV. 262	Ruote e ruotini di compressione	66
TAV. 290	Varianti "OLIMPIA - I"	68
TAV. 300	Cardani	70
TAV. 310	Dischi di semina	72



TELAIO ED ATTACCO TERZO PUNTO
TAV. 012

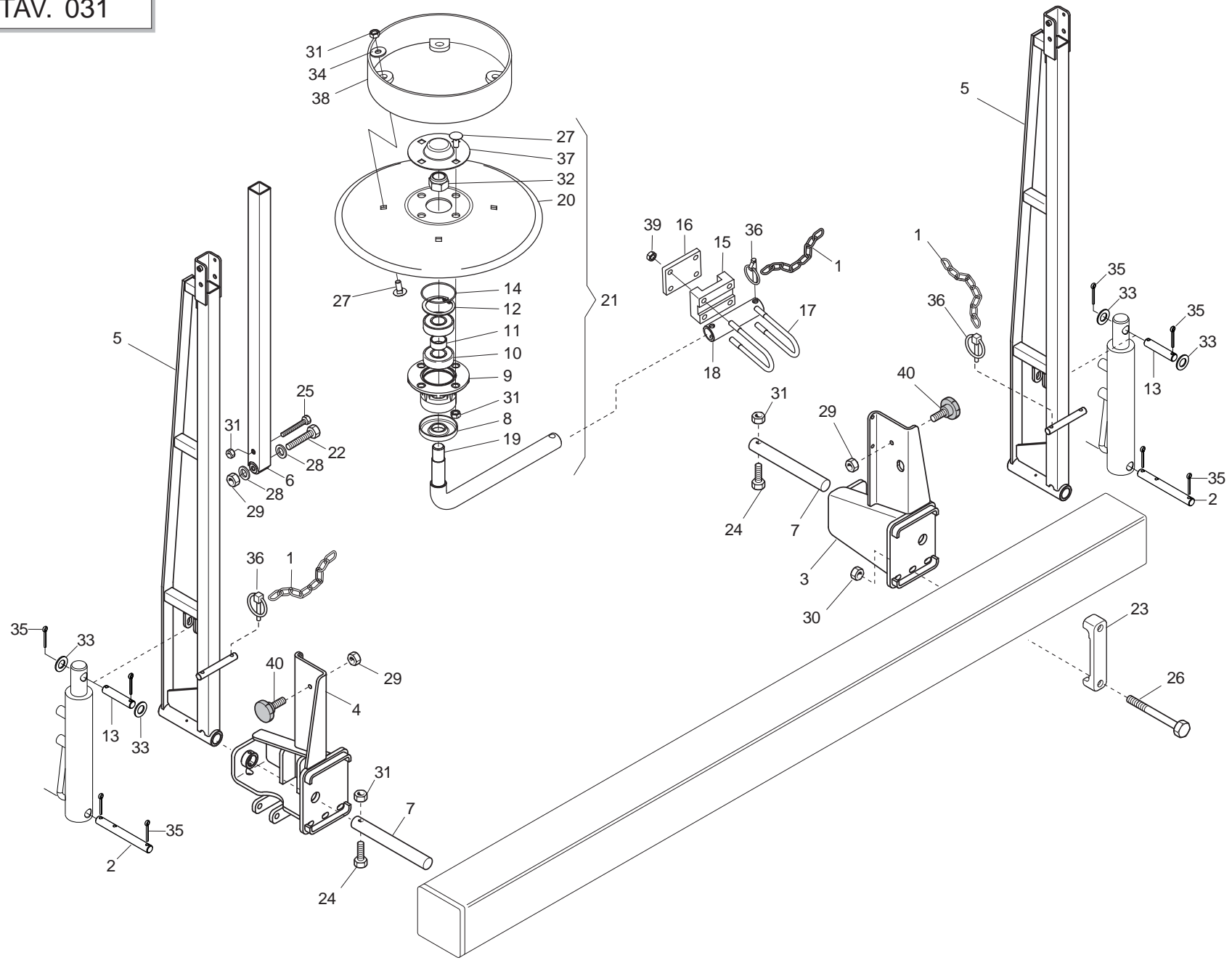
Pos.	Cod.	Descrizione	Description	Description	Benennung	Descripcion
1	F20120400	GANCIO SOSTEGNO CARDANO	SHAFT HOOK	SUPPORT CARDAN	GELENKWELLE - HACKEN	SOPORTE CARDAN
2	G65336004	MOLLA SPEC.ZN AGG.SEMINAT. SP	SPEC SPRING- ZN ADD. SEEDER SP	RESSORT SPEC. ZN ATTELAGE SEME	SPEZIALFEDER ZN SZELEM. KUPPL.	MUELLE ESPEC. ZN CONEX. SEMBRA
3	F01410088	ROS.M14 15X 28X2,5 U6592 ZN	WAS.M14 15X 28X2,5 U6592 ZB	RON.M14 15X 28X2,5 U6592 ZB	SCH.M14 15X 28X2,5 U6592 ZB	ARA.M14 15X 28X2,5 U6592 ZB
4	G15410103	ATTACCO A TRE PUNTI 150	3-POINT COUPLING 150	ATTELAGE A TROIS POINTS 150	DREI-PUNKT-KUPPLUNG 150	UNIN DE TRES PUNTOS 150 O
5	G13812311	CATENELLA CON MOSCHETTONE	CHAIN WITH SPRING CATCH	CHAINETTE AVEC MOUSQUETON	KETTE MIT KARABINERHAKEN	CADENA CON GANCHO
6	F02200507	SPINA SCATTO D. 9 B/83 ZN	SNAP PIN D 9 B/83	FICHE A DETENTE D 9 B/83	EINRASTSTIFT D 9 B/83	CLAVIJA DE MUELLE D 9 B/83
7	F20100062	SPINA GASPARD0 25X128 ZN	FOR 3RD POINT	GOUJON 3EME POINT	BOLZEN 3. PUNKT	PERNO 3 PUNTO
8	G15410122	PRIMO/SECONDO PUNTO	FIRST/SECOND POINT	PREMIER/DEUXIEME POINT	ERSTER/ZWEITER PUNKT	PRIMER/SEGUNDO PUNTO
9	F20100078	PERNO D28 L93 C43 ZN	PIN D.28	GOUJON D.28	BOLZEN D.28	PERNO D.28
10	G15112711	SUPPORTO PUNTELLO	PROP SUPPORT	SUPPORT ETRESILLON	STsTZLAGER	STsTZLAGER
11	F01200306	DADO M14X 2 U5588 6.8 ZN	NUT M14X2	ECROU M14X2	MUTTER M14X2	DADO M14X2
12	F02200246	COPIGLIA 6X 45 U1336 ZN	SPLIT PIN 6 X45 1336 GALVAN.	GOUPILLE 6 X45 1336 ZN	SPLINT 6 X45 1336 ZN	PASADOR 6 X45 1336 ZN
13	F02200584	SPINA SICUR. D. 12X70 ZN	GALVAN. SAFETY PIN D.12X70	GOUPILLE DE S+CURIT+ D.12X70 Z	SCHERSTIFT D.12X70 ZN	PASADOR DE SEGURIDAD D 12X70 Z
14	G10710032	PUNTELLO	PROP	ETRESILLON	STsTZE	PUNTAL
15	F01020225	VITE M14X 2X160 U5737 8.8 BR	BOLT M 14 X160 5737 8.G	VIS M 14 X160 5737 8.G	SCHRAUBE M 14 X160 5737 8.G	TORNILLO M 14 X160 5737 8.G
16	G16610040	TUBO RET.150X100X1900	RECTANGULAR PIPE 150X100X1900	TUBE RECTANGULAIRE 150X100X190	RECHTECK.ROHR150X100X1900	TUBO RECT.150X100X1900
17	G16610050	TUBO R.150X100X2480	RECTANGULAR PIPE 150X100X2480	TUBE RECT.150X100X6X2480	R. ROHR150X100X6X2480	TUBO RECT.150X100X6X2480
18	G16610060	TUBO R.150X100X3500	RECTANGULAR PIPE 150X100X3500	TUBE RECT.150X100X3500	R. ROHR150X100X3500	TUBO RECT.150X100X3500
19	G16610070	TUBO R.150X100X4200	RECTANGULAR PIPE 150X100X4200	TUBE RECT.150X100X4200	R. ROHR150X100X4200	TUBO RECT.150X100X4200
20	G16610080	TUBO R.150X100X6X2750	RECTANGULAR PIPE 150X100X6X275	TUBE RECT.150X100X6X2750	R. ROHR150X100X6X2750	TUBO RECT.150X100X6X2750
21	G15211250	TUBO R.150X100X6X2990	RECTANGULAR PIPE 150X100X6X299	TUBE RECT.150X100X6X2990	R. ROHR150X100X6X2990	TUBO RECT.150X100X6X2990
22	G19204030	SCONTRO FISS.150 2F D15				
23	G16610110	TAPPO TELAIO 150X100 COMPL.	COMPL. FRAME PLUG 150X100 B319	BOUCHON CH-SSIS 150X100 COMPL.	PFROPFEN RAHMEN 150X100 KOMPL.	TAPÈN BASTIDOR 150X100 COMPL.
24	G15211770	TERZO PUNTO RINF.150	THIRD POINT REINFORCEMENT 150	TROISIEME POINT RENFORCE	DRITTER PUNKT VERSTZRKT	TERCER PUNTO REF.
25	F01020236	VITE M14X 2X220 U5737 8.8 BR	SCREW M14X2X220 U5737 8.8 BR	VIS M14X2X220 U5737 8.8 BR	SCHRAUBE M14X2X220 U5737 8.8	TORNILLO M14X2X220 U5737 8.8
26	G19003000	TAPPO PER TELAIO 150	CAP FOR FRAME 150	BOUCHON POUR BATI 150	PFROPFEN FOR RAHMEN 150	TAPON PARA BASTIDOR 150
27	G14217400	TUBO TELAIO 150X100X3200	FRAME PIPE 150X100X3200	TUBE BATI 150X100X3200	ROHR RAHMEN 150X100X3200	TUBO BASTIDOR 150X100X3200
28	G15210690	TUBO TELAIO FISSO 150X5000	FIXED FRAME PIPE 150X5000	TUBE BATI FIXE 150X5000	ROHR FIXER RAHMEN 150X5000	TUBO BASTIDOR FIJO 150X5000
29	G15210740	TUBO TELAIO FISSO 150X6000	FIXED FRAME PIPE 150X6000	TUBE BATI FIXE 150X6000	ROHR FIXER RAHMEN 150X6000	TUBO BASTIDOR FIJO 150X6000
30	G15211790	TUBO TELAIO FISSO L.7500 Q.150				



SEGNAFILE

TAV. 021

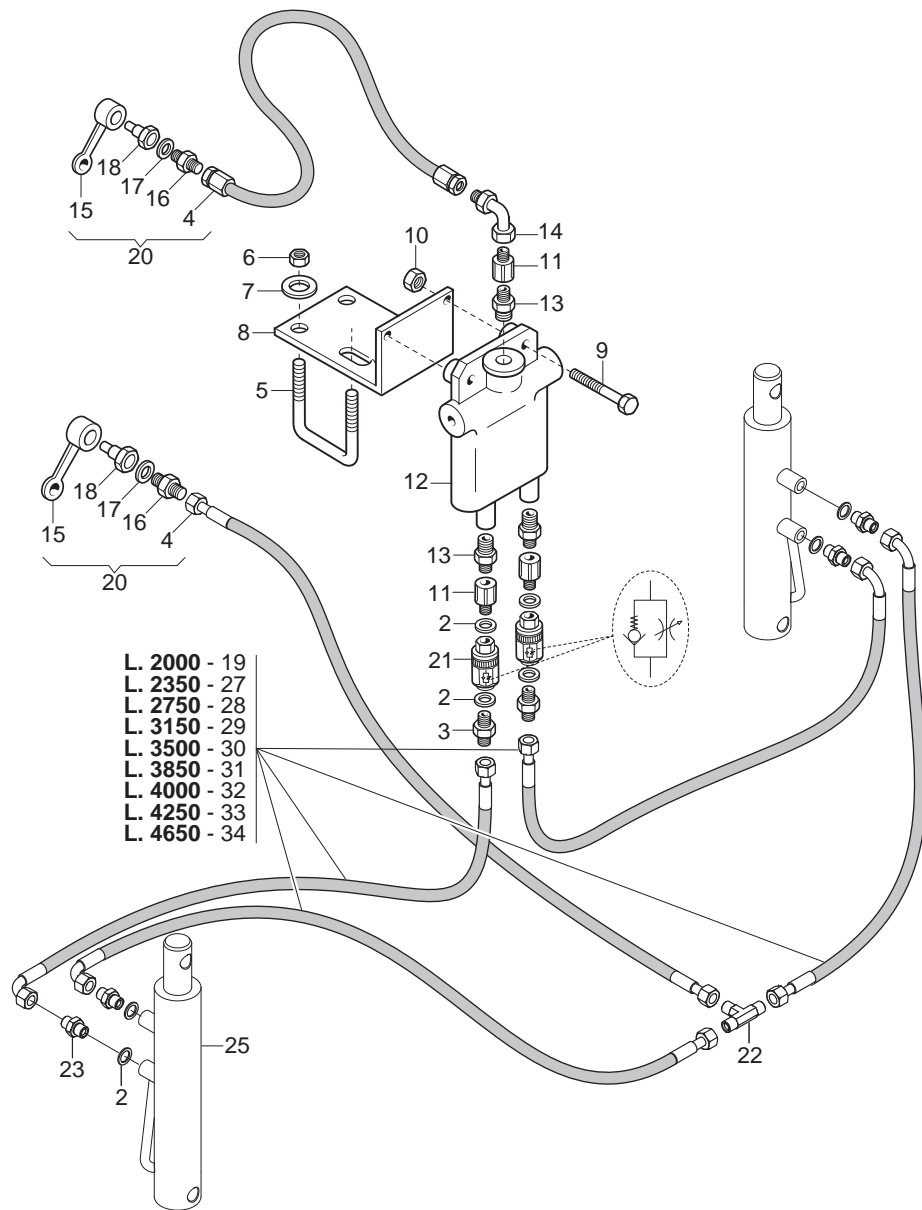
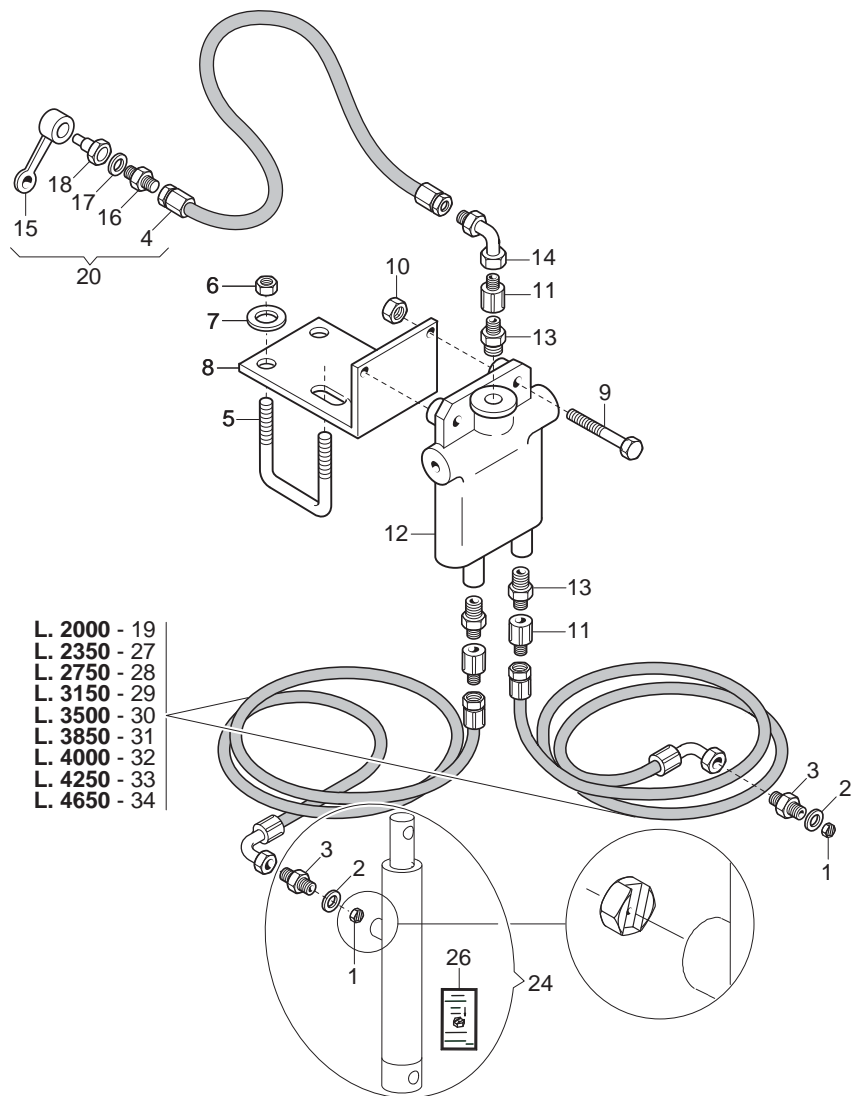
Pos.	Cod.	Descrizione	Description	Description	Benennung	Descripcion
1	G16610230	CAVALLOTTO MANICOTTO DISCO	DISK SLEEVE U BOLT	ETRIER MANCHON DISQUE	_BERBR_KCUNG MUFFE SCHEIBE	ABRAZADERA MANGUITO DE DISCO
2	G13812311	CATENELLA CON MOSCHETTONE	CHAIN WITH SPRING CATCH	CHAINETTE AVEC MOUSQUETON	KETTE MIT KARABINERHAKEN	CADENA CON GANCHO
3	G17111290	MANICOTTO DISCO	DISC COUPLING SLEEVE	MANCHON DISQUE	SCHEIBENMUFFE	MANGUITO DISCO
4	G16610200	DISCO D.320 COMPL	DISK D.320 COMPL	DISQUE D.320 COMPLET	SCHEIBE D.320 KOMP	DISCO D.320 COM
5	G19204030	SCONTRIO FISS.150 2F D15				
6	G15412691	BRACCIO SEGNAFILE SX	LH FOLDING ARM	BRAS PLIANT GCH.	KLAPPBARER ARM LI.	BRAZO PLEGABLE IQZ.
7	G15412681	ASS.SUPP.SEGNAFILE SX				
8	G23440198	SCONTRIO ATTACCO BRACCIO HL/2	STRIKER PLATE ARM ATTACH. HL/2	BUTEE FIXATION BRAS HL/2	ARMKUPPLUNGSANSCHLAG HL/2	ELEMENTO DE EMPALME CONEXIN BC
9	F01020225	VITE M14X 2X160 U5737 8.8 BR	BOLT M 14 X160 5737 8.G	VIS M 14 X160 5737 8.G	SCHRAUBE M 14 X160 5737 8.G	TORNILLO M 14 X160 5737 8.G
10	G18701600	RONDELLA 35,5 X50 X3 ZN	WASHER 35.5 X 50 X 3- GALVANIZ	RONDELLE 35-5 X50 X3 ZN	UNTERLEGSCHLEIBE 35-5 X50 X3	ARANDELA 35-5 X50 X3 ZN
11	F01200270	DADO M10X 1,5 U5588 6.8 ZN	NUT M10	ECROU M10	MUTTER M10	DADO M10
12	F02200507	SPINA SCATTO D. 9 B/83 ZN	SNAP PIN D 9 B/83	FICHE A DETENTE D 9 B/83	EINRASTSTIFT D 9 B/83	CLAVIJA DE MUELLE D 9 B/83
13	F02100146	SPINA E.P. 8X 55 U6873 C70 BR	PIN EL. .8 X55 DIN 1481	FICHE EL.8 X55 DIN 1481	SPANNSTIFT 8 X55 DIN 1481	CLAVIJA EL.8 X55 DIN 1481
14	F01100011	ING.M 6X1 7663-A 9SMNPB28 ZN	SPHERE NIPPLE M6X1/A	GRAISSEUR A BILLES M6X1/A	KUGELFETTBSCHSE M6X1/A	ENGRAS. DE ESFERAS M6X1/A
15	G15412810	ATTACCO FUNE SEGNAFILE	ROW MARKER ROPE LINKAGE	FIXATION CABLE TRACEUR	SEILKUPPLUNG SPURANZEIGER	CONEXIÓN CABLE MARCADOR DE FIL
16	F20110705	CAV.Q.M10X 1,5X 30 51X 62 ZN	U-BOLT GALVAN	CAVALIER ZN	BSGELBOLZEN ZN	PERNO EN U ZN
17	G19203740	ELEMENTO FISSAGGIO GAMBO ZN.	GALVAN. SHANK FASTENING ELEMEN	ELEMENT FIXATION TIGES ZN	BEFESTIGUNGSELEMENT SCHZCHTE Z	ELEMENTO SUJECIN VµSTAGOS ZN
18	G15412851	ASS.SUPP.SEGNAFILE DX				
19	G15412861	BRACCIO SEGNAFILE DX	RH FOLDING ARM	BRAS PLIANT DRT.	KLAPPBARER ARM RE.	BRAZO PLEGABLE DER.
20	G15412780	PROLUNGA BRACCIO SEGNAFILE	ROWMARKER EXTENSION	RALLONGE TRACEUR SOL.	VERLZNGERUNG SPURREISSER	PROLONG. MARC. DE FILAS
21	F01020122	VITE 10X 1,5X 70 U5737 8.8 ZN	BOLT 10X 1,5X 70 U5737 8.8 ZB	VIS 10X 1,5X 70 U5737 8.8 ZB	SCHR.10X 1,5X 70 U5737 8.8 ZB	TORN.10X 1,5X 70 U5737 8.8 ZB
22	G16610430	FONDELLO ZN.				
23	G16610160	SUPP.CUSCINETTI DISCO SEGN.ZN.	GALVAN. ROWMAKER DISK BEARING	SUPPORT ROULEMENTS DISQUE TRAC	SCHEIBENLAGERHALTERUNG	SOPORTE COJINETE DE DISCO MARC
24	F04010156	CUSC.d20 D47 B14 6204 2RSH				
25	G18801270	BOCCOLA 21 X25 X12 ZN	BUSHING 21 X 25 X 12 ZN	BOITE 21 X25 X12 ZN	BsCHSE 21 X25 X12 ZN	CASQUILLO 21 X25 X12 ZN
26	F02050370	ANELLO E. DI 47X1,75 U7437 C70	SEEGER RING 47X 1,75 U7437 C70	SEEGER E. 47X 1,75 U7437 C70	SEEGERING E. 47X1,75 U7437 C70	ANILLO E. 47X 1,75 U7437 C70
27	G65337004	MOLLA TRAZ.SOLLEV. FU	TRACTION SPRING LIFT. FU	RESSORT TRACT. LEVAGE FU	ZUGFEDER HEBUNG FU	MUELLE TRAC. LEVDEL. FU
28	F03010576	ANELLO OR 50,52X1,78 NBR	GASKET OR 033 DOWTY	BAGUE OR 033 DOWTY	RING OR 033 DOWTY	ANILLO OR 033 DOWTY
29	F01020476	VITE M10X 1,5X30 U5739 8.8 ZN	BOLT M 10X30	VIS M 10X30	SCHRAUBE M 10X30	TORNILLO M 10X30
30	G16610170	DISCO SEGNAFILE D.320	ROW MARKER DISK D.320	DISQUE TRACEUR D320	SPURREISSERSCHLEIBE D. 320	DISCO MARCARDOR DE FILAS O 320
31	F01200244	DADO M 8X1,25 U5588 6.8 ZN	NUT M8	ECROU M8	MUTTER M8	DADO M8
32	F01230098	DADO M18X 2,5 D982 8 ZN	NUT M18X 2,5 D982 8 ZB	ECRO.M18X 2,5 D982 8 ZB	MUTT.M18X 2,5 D982 8 ZB	TUER.M18X 2,5 D982 8 ZB
33	G16610180	PERNO REGGIDISCO SEGNAF.	ROWMAKER DISC-HOLDER PIN	PIVOT PORTE-DISQUE TRACEUR	SCHEIBENTRAGBOLZEN	PERNO SOPORTE DISCO MARCAFILA
34	G65336135	MOLLA GUIDACORDA D.45	ROPE GUIDE SPRING D.45	RESSORT GUIDE-CORDE D. 45	FEDER SEILFSHRUNG D.45	MUELLE GUA CUERDA D.45 A
35	G15470810	SUPPORTO GUIDACORDA SP	ROPE GUIDE SUPPORT SP	SUPPORT GUIDE-CORDE SP	HALTERUNG SEILFSHRUNG SP	SOPORTE GUIACUERDA SP
36	F20110780	CAV.Q.M14X 2X 50 165X129 ZN	U-BOLT M14X165-128	CAVALIER M14X165-128	VERBINDUNG M14X165-128	PERNO EN U M14X165-128
37	F01200306	DADO M14X 2 U5588 6.8 ZN	NUT M14X2	ECROU M14X2	MUTTER M14X2	DADO M14X2
38	G16610190	CHIUSURA CUSCINETTO ZN	GALVAN. BEARING CLOSURE	FERMETURE ROULEMENT ZN	LAGERVERSCHLUSS ZN	CIERRE COJINETE ZN
39	F01060040	BUL.M 8X1,25X 20 U5732 4.6 ZG	BOLT 8 X20 5732 4.6 GALVANIZED	VIS 8 X20 5732 4.6 ZN	SCHRAUBE 8 X20 5732 4.6 ZN	TORNILLO 8 X20 5732 4.6 ZN
40	G15413020	SPINA 15X120 ZN	GALVANIZED PIN 15X120	GOUPILLE 15X120 ZN	STIFT 15X120 ZN	CLAVIJA 15X120 ZN
41	G15413010	SPINA 15X62 ZN	PIN 15X62 ZN	GOUPILLE 15X62 ZN	BOLZENSTIFT 15X62 ZN	PASADOR 15X62 ZN
42	F02200194	COPIGLIA 4X 25 U1336 ZN	SPLIT PIN 4 X25 1336 GALVAN.	GOUPILLE 4 X25 1336 ZN	SPLINT 4 X25 1336 ZN	PASADOR 4 X25 1336 ZN
43	G20970142	RONDELLA 32X4X15,5	WASHER 32X4X15-5	RONDELLE 32X4X15-5	UNTERLEGSCHLEIBE 32X4X15-5	ARANDELA 32X4X15-5
44	G20970111	RONDELLA 29,8X2X16,5	WASHER 29,8X2X16,5	RONDELLE 29,8X2X16,5	UNTERLEGSCHLEIBE 29,8X2X16,5	ARANDELA 29,8X2X16,5
45	G13811261	FALCIONE SEGNAFILE INT.	INNER ROWM. CUTTER	HACHOIR TRACEUR INT.	SZSCHAR SPURREISSER INNEN	GUADAFADORA MARCADOR DE HILE
46	G15470232	SUPPORTO MOLLA PIATTA 150	FLAT SPRING SUPPORT 150	SUPPORT RESSORT PLAT 150	HALTERUNG FLACHFEDER 150	SOPORTE MUELLE PLANO 150
47	G18901092	GAMBO CONCIMAZ.MOLLA PIATTA SP	FLAT SPRING MANURING LEG SP	TIGE FUMAGE RESSORT PLAT SP	SCHAFT DsNGUNG FLACHE FEDER SP	VæSTAGO ABONO MUELLE CHATO SP
48	G18902861	RINF.MOLLA PIATTA CONCIM.SP	MANUR.PLATE SPRING REINFORCE.S	RENF. RESSORT PLAT FUMAGE SP	VERSTZRKUNG FLACHFEDER DsNGUNG	REFUERZO MUELLE ABONO SP
49	F01020512	VITE M12X1,75X35 U5739 8.8 ZN	SCREW M 12X35	VIS M 12X35	SCHRAUBE M 12X35	TORNILLO M 12X35
50	F01200293	DADO M12X1,75 U5588 6.8 ZN	NUT M12	ECROU M12	MUTTER M12	DADO M12
51	F01020236	VITE M14X 2X220 U5737 8.8 BR	SCREW M14X2X220 U5737 8.8 BR	VIS M14X2X220 U5737 8.8 BR	SCHRAUBE M14X2X220 U5737 8.8	TORNILLO M14X2X220 U5737 8.8



SEGNAFILE RINFORZATO

TAV. 031

Pos.	Cod.	Descrizione	Description	Description	Benennung	Descripcion
1	G13812311	CATENELLA CON MOSCHETTONE	CHAIN WITH SPRING CATCH	CHAINETTE AVEC MOUSQUETON	KETTE MIT KARABINERHAKEN	CADENA CON GANCHO
2	G15413020	SPINA 15X120 ZN	GALVANIZED PIN 15X120	GOUPILLE 15X120 ZN	STIFT 15X120 ZN	CLAVIJA 15X120 ZN
3	G15411381	SUPPORTO BRACCIO DX	RIGHT ARM SUPPORT	RACLEUR GCH BAGUE	HALTERUNG ARM RE	SOPORTE BRAZO DER
4	G15411391	SUPPORTO BRACCIO SX	LEFT ARM SUPPORT	SUPPORT BRAS GCH	HALTERUNG ARM LI	SOPORTE BRAZO IZQ
5	G15411471	BRACCIO SEGNAFILE FRANCIA	FRENCH ROWMARKER ARM	BRAS TRACEUR	SPURREISSERARM	BRAZO MARCADOR DE FILAS
6	G16072220	BRACCIO SEGNAFILE	ROW MARKER BEAM	BRAS TRACEUR	REIHENANREISSARM	BRAZO MARCADOR DE FILAS
7	G14215830	ASSE SEGNAFILE ZN	GALVAN. ROWMAKER AXLE	AXE BRAS TRACEUR ZN	REISSERASCHE	EJE MARCADOR DE FILAS
8	G16610430	FONDELLO ZN.				
9	G16610160	SUPP.CUSCINETTI DISCO SEGN.ZN.	GALVAN. ROWMAKER DISK BEARING	SUPPORT ROULEMENTS DISQUE TRAC	SCHEIBENLAGERHALTERUNG	SOPORTE COJINETE DE DISCO MARC
10	F04010156	CUSC.d20 D47 B14 6204 2RSH				
11	G18801270	BOCCOLA 21 X25 X12 ZN	BUSHING 21 X 25 X 12 ZN	BOITE 21 X25 X12 ZN	BsCHSE 21 X25 X12 ZN	CASQUILLO 21 X25 X12 ZN
12	F02050370	ANELLO E. DI 47X1,75 U7437 C70	SEEGER RING 47X 1,75 U7437 C70	SEEGER E. 47X 1,75 U7437 C70	SEEGERING E. 47X1,75 U7437 C70	ANILLO E. 47X 1,75 U7437 C70
13	G15413010	SPINA 15X62 ZN	PIN 15X62 ZN	GOUPILLE 15X62 ZN	BOLZENSTIFT 15X62 ZN	PASADOR 15X62 ZN
14	F03010576	ANELLO OR 50,52X1,78 NBR	GASKET OR 033 DOWTY	BAGUE OR 033 DOWTY	RING OR 033 DOWTY	ANILLO OR 033 DOWTY
15	G16912470	SCONTRO FISS.MANICOTTO TQ.50	STRIKER PLATE SLEEVE	BUTEE MANCHON	ANSCHLAG MUFFE	ELEMENTO DE EMPALME MANGUITO
16	G17111330	SCONTRO 90X70 -10 4F11 66X46	STOP TEETH 90X70 -10 4F11 66X4	BUT+E 90X70 -10 4TROUS 11 66X4	ANSCHLAG 90X70 -10 4F11 66X46	DIENTE DE PARADA 90X70 -10 4F1
17	F20110860	CAV.T.M10X 1,5X 30 46X128,5ZN	U BOLT M10X46 ZN	CAVALIER M10X46 ZN	VERBINDUNG M10X46 ZN	PERNO EN U M10X46 ZN
18	G17111290	MANICOTTO DISCO	DISC COUPLING SLEEVE	MANCHON DISQUE	SCHEIBENMUFFE	MANGUITO DISCO
19	G16610180	PERNO REGGIDISCO SEGNAF.	ROWMAKER DISC-HOLDER PIN	PIVOT PORTE-DISQUE TRACEUR	SCHEIBENTRAGBOLZEN	PERNO SOPORTE DISCO MARCAFILA
20	G16610170	DISCO SEGNAFILE D.320	ROW MARKER DISK D.320	DISQUE TRACEUR D320	SPURREISSERSCHEIBE D. 320	DISCO MARCARDOR DE FILAS O 320
21	G16610222	MONT.DISCO D.320 LIM.				
22	F01020168	VITE M12X1,75X90 U5737 8.8 ZN	BOLT 12X90 5737 8.G GALVANIZED	VIS 12X90 5737 8.G ZN	SCHRAUBE 12X90 5737 8.G ZN	TORNILLO 12X90 5737 8.G ZN
23	G19204030	SCONTRO FISS.150 2F D15				
24	F01020077	VITE M 8X1,25X60 U5737 8.8 ZN	BOLT M 8X60	VIS M 8X60	SCHRAUBE M 8X60	TORNILLO M 8X60
25	F01020088	VITE M 8X1,25X90 U5737 8.8 ZN	BOLT 8 X90 5737 8.G GALVANIZED	VIS 8 X90 5737 8.G ZN	SCHRAUBE 8 X90 5737 8.G ZN	TORNILLO 8 X90 5737 8.G ZN
26	F01020236	VITE M14X 2X220 U5737 8.8 BR	SCREW M14X2X220 U5737 8.8 BR	VIS M14X2X220 U5737 8.8 BR	SCHRAUBE M14X2X220 U5737 8.8	TORNILLO M14X2X220 U5737 8.8
27	F01060040	BUL.M 8X1,25X 20 U5732 4.6 ZG	BOLT 8 X20 5732 4.6 GALVANIZED	VIS 8 X20 5732 4.6 ZN	SCHRAUBE 8 X20 5732 4.6 ZN	TORNILLO 8 X20 5732 4.6 ZN
28	F01410076	ROS.M12 13X 24X2,5 U6592 ZN	PLANE WASHER D12 UNI 6592 ZN	RONDELLE D12 UNI 6592 ZN	SCHIBE D12 UNI 6592 ZN	ARANDELA D12 UNI 6592 ZN
29	F01200293	DADO M12X1,75 U5588 6.8 ZN	NUT M12	ECROU M12	MUTTER M12	DADO M12
30	F01200306	DADO M14X 2 U5588 6.8 ZN	NUT M14X2	ECROU M14X2	MUTTER M14X2	DADO M14X2
31	F01200244	DADO M 8X1,25 U5588 6.8 ZN	NUT M8	ECROU M8	MUTTER M8	DADO M8
32	F01230098	DADO M18X 2,5 D982 8 ZN	NUT M18X 2,5 D982 8 ZB	ECRO.M18X 2,5 D982 8 ZB	MUTT.M18X 2,5 D982 8 ZB	TUER.M18X 2,5 D982 8 ZB
33	F01410088	ROS.M14 15X 28X2,5 U6592 ZN	WAS.M14 15X 28X2,5 U6592 ZB	RON.M14 15X 28X2,5 U6592 ZB	SCH.M14 15X 28X2,5 U6592 ZB	ARA.M14 15X 28X2,5 U6592 ZB
34	F01420048	ROS.M8 8,4X 24X 2 U6593 ZN	PLANE WASHER D.8	RONDELLE D.8	SCHIBE D.8	ARANDELA D.8
35	F02200227	COPIGLIA 5X 30 U1336 ZN	SPLIT PIN 5 X30 1336 GALVAN.	GOUPILLE 5 X30 1336 ZN	SPLINT 5 X30 1336 ZN	PASADOR 5 X30 1336 ZN
36	F02200507	SPINA SCATTO D. 9 B/83 ZN	SNAP PIN D 9 B/83	FICHE A DETENTE D 9 B/83	EINRASTSTIFT D 9 B/83	CLAVIJA DE MUELLE D 9 B/83
37	G16610190	CHIUSURA CUSCINETTO ZN	GALVAN. BEARING CLOSURE	FERMETURE ROULEMENT ZN	LAGERVERSCHLUSS ZN	CIERRE COJINETE ZN
38	G16610210	ASS.LIMITATORE PROFONDITA'	LIMITER DEPTH COUPLYNG	GR. ASS. LIMITEUR DE PROFONDEU	TIEFENBEGRENZERKOMPLEX	CONJ. LIMITADOR DE PROFUNDIDAD
39	F01200270	DADO M10X 1,5 U5588 6.8 ZN	NUT M10	ECROU M10	MUTTER M10	DADO M10
40	F05150459	PARACOLPI CIL.75X25 M12 SH70	RUBBER BUFFER- CYLINDR. 75X25	PARE-CHOCs CYL. 75X25 M12 7811	PUFFER ZYL.75X25 M12 781103	PARAGOLPES CIL.75X25 M12 78110



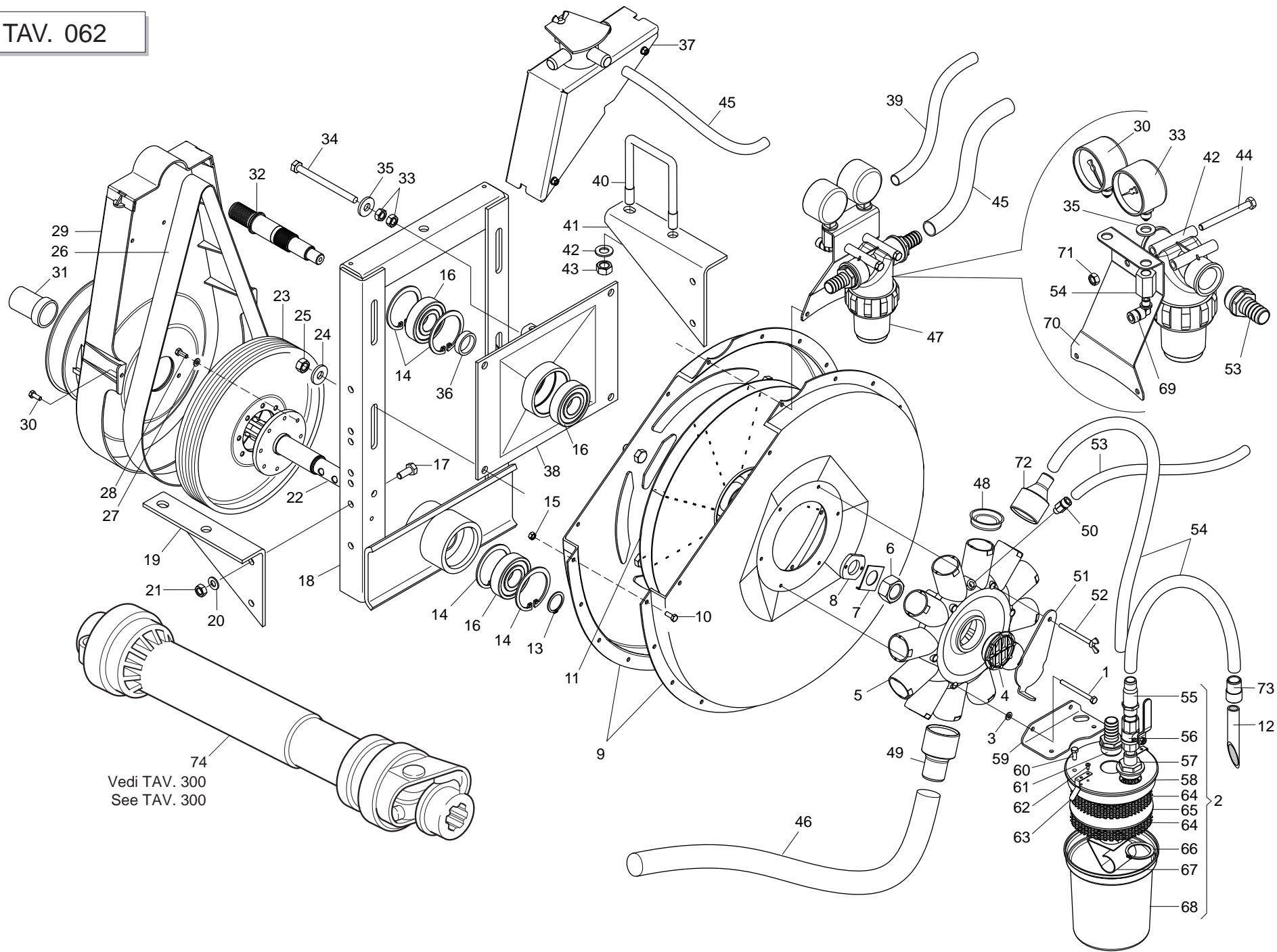
COMANDO SEGNAFILE OLEODINAMICO

TAV. 042

Pos.	Cod.	Descrizione	Description	Description	Benennung	Descripcion
1	G15413050	STROZZATORE A PASTIGLIA D.0,8	PAD VENTURI D.0,8	ETRANGLEUR D.0,8	DROSSEL D.0,8	ESTRANGULADOR D.0,8
2	F03151238	RONDELLA RAME 13X19X1,5 -1/4"	1/4 COPPER WASHER	RONDELLE CUIVRE 1/4	UNTERLEGSCHLEIBE KUPFER 1/4	ARANDELA COBRE 1/4
3	F03150266	NIPPLO MM CIL-CIL 1/4-1/4 ZN	NIPPLE GALV.CYL.MALE 1/4 ZN	NIPPLE MALE CYL. 1/4 ZN	NIPPELZYL.1/4 ZN	NIPLE MACHO CIL.1/4 ZN
4	G22270463	TUB.TR.1/4R2 F-F 1/4 L1500 LM	TUBE TR.1/4R2 F-F1/4 L1500 LM	TUB.TR.1/4R2 F-F 1/4 L1500 LM	ROHR1/4R2 F-F 1/4 L1500 LM	TUB.TR.1/4R2 F-F 1/4 L1500 LM
5	F20110770	CAV.Q.M14X 2X 50 96X119 ZN	U-BOLT M14X96 - 119 ZN	CAVALIER M14X96 - 119 ZN	VERBINDUNG M14X96 - 119 ZN	PERNO EN U M14X96 - 119 ZN
6	F01200306	DADO M14X 2 U5588 6.8 ZN	NUT M14X2	ECROU M14X2	MUTTER M14X2	DADO M14X2
7	G20970142	RONDELLA 32X4X15,5	WASHER 32X4X15-5	RONDELLE 32X4X15-5	UNTERLEGSCHLEIBE 32X4X15-5	ARANDELA 32X4X15-5
8	G15412351	SUPPORTO VALVOLA				
9	F01020068	VITE M 8X1,25X40 U5737 8.8 ZN				
10	F01200244	DADO M 8X1,25 U5588 6.8 ZN	NUT M8	ECROU M8	MUTTER M8	DADO M8
11	F03151194	PROLUNGA CORTA 036 1/4	SHORT EXTENSION 036 1/4	RALLONGE COURTE 036 1/4	KURZE VERLZNGERUNG 036 1/4	PROLONG. CORTA 036 1/4
12	F03150577	VALVOLA SEGNAF.CROSS SQV	ROW MARKER VALVE ATI C128513	SOUPAPE TRACEUR C.SQV	VENTIL SPURREISSER ATI C128513	VæLVULA MARCAFILAS ATI C128513
13	F03150122	NIPPLO MM 3/4 JIC OR 1/4 OR ZG	NIPPLE- 3/4 JIC OR - 1/4	NIPPLE 3/4 JIC OR - 1/4	NIPPEL 3/4 JIC OR - 1/4	NIPLE 3/4 JIC OR - 1/4
14	F03150859	CURVA 90°F.GIREV.1/4 - M.1/4	ELBOW 90[F. SWIVEL 1/4 -M.1/4	COUDE 90[F.TOURN.1/4 - M.1/4	KNIESTsCK 90[F.DREHB.1/4 - M.	CURVA 90 F.GIRAT.1/4 - M.1/4C
15	F05150325	CAPPUCCIO PROT.INNESTO RAP.1/2	COVER 1/2	COUVERCLE 1/2	DECKEL 1/2	TAPA 1/2
16	F03150211	NIPPLO MM CIL-CIL 1/2-1/4 ZN	NIPLE 1/4-1/2	NIPLE 1/4-1/2	NIPLE 1/4-1/2	NIPLE 1/4-1/2
17	F03151237	RONDELLA RAME 21X27X1,5 -1/2"	1/2 COPPER WASHER	RONDELLE CUIVRE 1/2	UNTERLEGSCHLEIBE KUPFER 1/2	ARANDELA COBRE 1/2
18	F03150935	INNESTO RAP.MASCH.1/2 A VALV.	QUICK CONNECT MALE CONE 1/2 CO	CONNEXION RAPIDE MALE CONE 1/2	SCHNELLKUPPLUNG GEWINDE KONISC	ACOPLAMIENTO RAPIDO MACHO CONO
19	G23440517	TUBO 1/4R2 C-F 1/4 L2000 HL/ID	PIPE 1/4R2 C-F 1/4 L2000 HL/ID	TUBE 1/4R2 C-F 1/4 L2000 HL/ID	ROHR 1/4R2 C-F 1/4 L2000 HL/ID	TUBO 1/4R2 C-F 1/4 L2000 HL/ID
20	G13811211	TUBO X COLLEG. AL TRATTORE	PIPE FOR CONNECTION TO TRACTOR	TUBE POUR CONN. AU TRACTEUR	ROHR F. KUPPLUNG AM SCHLEPPER	TUBO P/CONEXIN AL TRACTOR T
21	F03151226	REGOL.DI FLUSSO VRF 1/4' GAS	1/4' GAS VALVE VRF	SOUPAPE REG DEBIT VRF 1/4" GAZ	VENITL VRF 1/4' GAS	VæLVULA VRF 1/4' GAS
22	F03151219	RACCORDO -T- MASCHIO 1/4 ZN	MALE T-UNION 1/4 ZINC.	RACCORD -T- MALE 1/4 ZING.	ANSCHLUSStsCK -T- GEWINDE 1/4	UNIN -T- MACHO 1/4 CINC. R
23	G16011690	MONT.NIPPLO 1/4 GRANO F.1,0	UPRIGHT 1/4" NIPPLE WITH GRUB	MONTANT NIPPLE 1/4 AVEC GRAIN	STZNDER NIPPEL 1/4 MIT STIFT 8	MONT.NIPLE 1/4 TORNIL.SIN CABE
24	G15413110	CILINDRO SEGNAFILE SP COMPL.	ROW MARKER CYLINDER SP	CYLINDRE TRACEUR SP	SYLINDER REIHENANREISSER SP	CILINDRO MARCADOR DE FILAS
25	G16610140	CILINDRO DE 30X40 -155	CYLINDER D.E.30-40/155	CYLINDRE D.E. 30-40/155	ZYLINDER D.E.30-40/155	CILINDRO D.E. 30-40/155
26	G19702710	DECAL.POSIZIONE STROZZATORE	VENTURI POSITION STICKER	DECALCOM POSITION TAQUET	ABZIEHBILD POSIZION DROSSELSTE	CALCOMAN-A. POSICIÉN ESTRANGUL
27	G22505140	TUBO 1/4R2 C-F 1/4 L.2350 LM	PIPE 1/4R1 C-F 1/4 L.2350 LM	TUBE 1/4R1 C-F 1/4 L. 2350 LM	ROHR 1/4R1 C-F 1/4 L.2350 LM	TUBO 1/4R1 C-F 1/4 L.2350 LM
28	G15210553	TUBO 1/4R2 CF45 1/4-F 1/4 2750				
29	G15210950	TUBO 1/4 R2 C-F 1/4 L.3150	PIPE 1/4-R2 C-F 1/4 M.3150	TUBE 1/4-R2 C-F 1/4 M.3150	ROHR 1/4-R2 C-F 1/4 M.3150	TUBO 1/4-R2 C-F 1/4 M.3150
30	G15210561	TUBO 1/4R2 CF1/4- F1/4 3500				
31	G15413060	TUBO 1/4R2 CF1/4- F1/4 3850	TUBE 1/4R2 CF1/4-F1/4 3850	TUYAU 1/4R2 CF1/4-F1/4 3850	SCHLAUCH 1/4R2 CF1/4-F1/4 3850	TUBO 1/4R2 CF1/4-F1/4 3850
32	G16012650	TUBO R2 1/4 C-F L.4000	PIPE 1/4 R2 C-F 1/4 L.4000	TUBE 1/4 R2 C-F 1/4 L. 4000	ROHR 1/4 R2 C-F 1/4 L 4000	TUBO 1/4 R2 C-F 1/4 L.4000
33	G15413070	TUBO 1/4R2 CF1/4- F1/4 4250	TUBE 1/4R2 CF1/4-F1/4 4250	TUYAU 1/4R2 CF1/4-F1/4 4250	SCHLAUCH 1/4R2 CF1/4-F1/4 4250	TUBO 1/4R2 CF1/4-F1/4 4250
34	G15413080	TUBO 1/4 C-F L.4650	TUBE 1/4 C-F L.4650	TUBE 1/4 C-F L.4650	ROHR 1/4 C-F L.4650	TUBO 1/4 C-F L.4650

COMANDO SEGNAFILE MECCANICO
TAV. 050

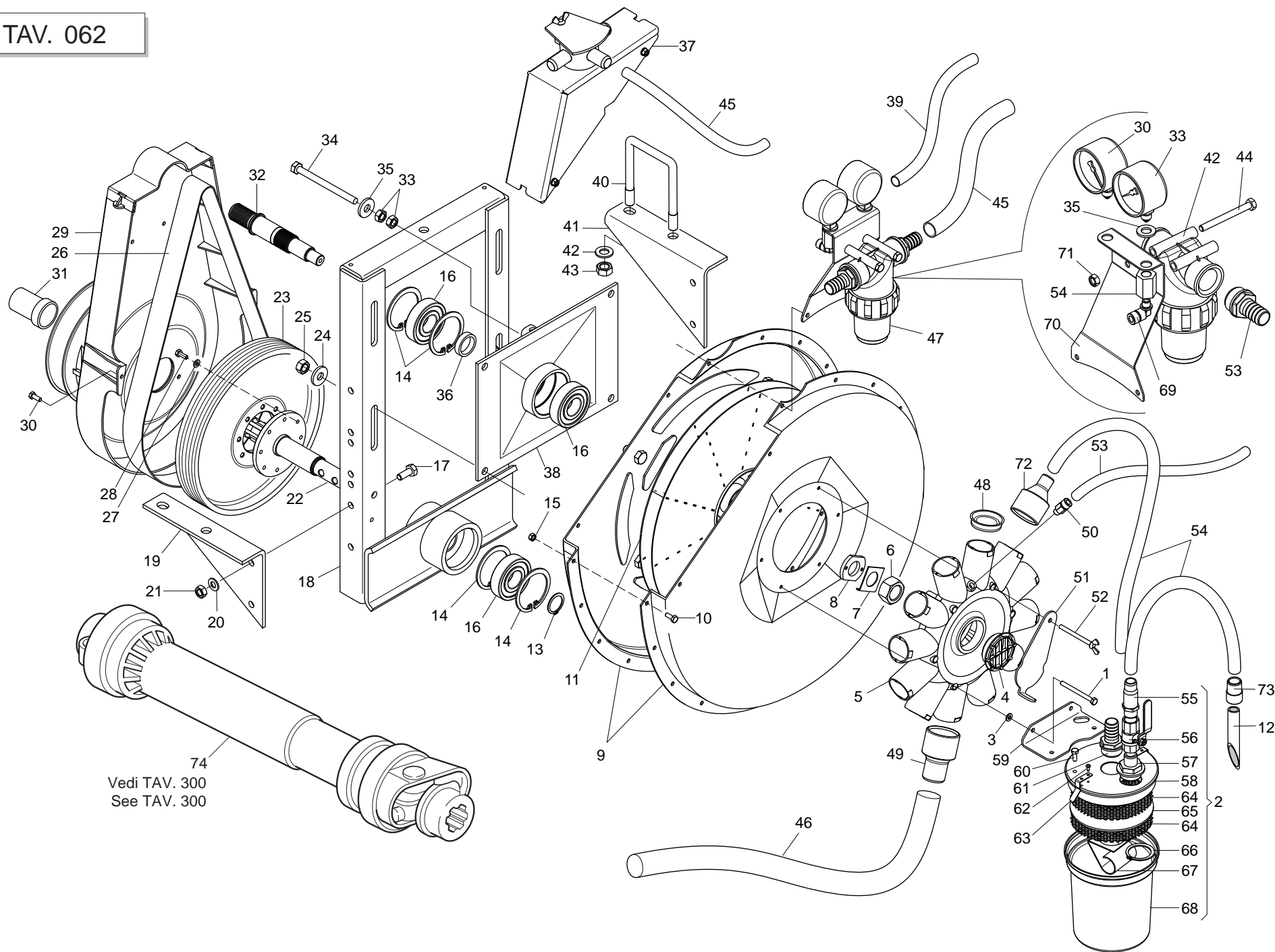
Pos.	Cod.	Descrizione	Description	Description	Benennung	Descripcion
1	G15410920	COMANDO SEGNAFILE	ROWMARKER CONTROL	COMMANDE TRACEUR	SPURREISSERSCHALTUNG	MANDO MARCADOR DE FILAS
2	G15410950	LEVA PIANA	FLAT LEVER	LEVIER PLAT	FLACHER HEBEL	PALANCA PLANA
3	G15410960	LEVA STAMPATA	PRESSED LEVER	LEVIER IMPRESSION	GEPRESSTER HEBEL	PALANCA MOLDEADA
4	G15410990	LEVA SCATTO SEGNAFILE	ROWMARKER SNAP LEVER	LEVIER DETENTE TRACEUR	SCHNAPPHEBEL REIHENANREISSER	PALANCA DISPARO MARCADOR DE FI
5	G15411110	SUPPORTO LEVA SCATTO	SNAP LEVER SUPPORT	SUPPORT LEVIER DETENTE	HALTERUNG SCHNAPPHEBEL	SOPORTE PALANCA DISPARADOR
6	G15411120	FERMO LEVE AGGANCIO	LEVERS HOOK UP STOP	ARRET LEVIER ACCORCHAGE	FESTSTELLVORRICHTUNG KUPPLUNGS	BLOQUEO PALANCA ENGANCHE
7	G15411130	FERMO CORDE SEGNAFILE SP	ROWMARKER ROPE STOP SP	ARRET CORDES TRACEUR SP	FESTSTELLVOR. SEILE REIHENANRE	BLOQUEO CUERDAS MARCADOR FILAS
8	G15411140	MONT.SCATTO AUTOMATICO SP	UPRIGHT- AUTOMATIC SNAP SP	MONTANT DETENTE AUTOMATIQUE SP	STZNDER AUTOMATISCHES EINRASTE	MONT.DISPARADOR AUTOMÆTICO SP
9	F20100062	SPINA GASPARDO 25X128 ZN	FOR 3RD POINT	GOUJON 3EME POINT	BOLZEN 3. PUNKT	PERNO 3 PUNTO
10	G18902680	MOLLA TRAZ.ZN SERBATOIO SV290	GALV.TANK TRACT.SPRING SV290	RESSORT RAZ.ZN RESERVOIR SV290	ZUGFEDER ZN BEHZLTER SV290	MUELLE TRAC.ZN DEPOSITO SV290 A
11	G21120067	BOCCOLA IN BRONZO	BRONZE BUSHING	BOITE EN BRONZE	BRONZEBsCHSE	CASQUILLO DE BRONCE
12	G22220124	SCONTRO	STRIKER PLATE	BUTEE	ANSCHLAG	ELEMENTO DE EMPALME
13	G22220132	SCONTRO BRACCI	STRIKER PLATE- ARMS	BUTEE BRAS	ARME ANSCHLAG	ELEMENTO DE EMPALME BRAZOS
14	G22270021	BRACCIO INF.SX COMANDO SEGNAF.	ARM-LOWER LEFT ROWMARK. CONTR.	BRAS INF. GCH. COMMANDE TRACEU	LINKER UNT. ARM SPURREISSERSTE	BRAZO INF.IZQ. MANDO MARC. FIL
15	G22270022	BRACCIO INF.DX COMANDO SEGNAF.	RIGHT LOWER ARM-ROWMARK.CONTR.	BRAS INF. DRT. COMMANDE TRACEU	RECHTER UNT. ARM SPURREISSERST	BRAZO INF.DER. MANDO MARC. FIL
16	G13810341	ATTACCO COMANDO 3°PUNTO	CONTROL COUPLING 3. POINT	FIXATION COMMANDE 3 POINT K	UPPLUNG STEUERUNG 3. PUNKT C	ONEXIN MANDO 3PUNTO OPR
17	F01020177	VITE M12X1,75X140 5737 8.8 ZN	BOLT M12X1,75X140 U5737 8.8 ZG	VIS M12X1,75X140 U5737 8.8 ZG	SCHRAUBE M12X1,75X140 U5737 8.	TORNIL. M12X1,75X140 U5737 8.8
18	F01020510	VITE M12X1,75X30 U5739 8.8 ZN	BOLT M 12X30	VIS M 12X30	SCHRAUBE M 12X30	TORNILLO M 12X30
19	F01020517	VITE M12X1,75X50 U5739 8.8 ZN	BOLT M12X1,75X50	VIS M12X1,75X50	SCHRAUBE M12X1,75X50	TORNILLO M12X1,75X50
20	F01200293	DADO M12X1,75 U5588 6.8 ZN	NUT M12	ECROU M12	MUTTER M12	DADO M12
21	F01410088	ROS.M14 15X 28X2,5 U6592 ZB	WAS.M14 15X 28X2,5 U6592 ZB	RON.M14 15X 28X2,5 U6592 ZB	SCH.M14 15X 28X2,5 U6592 ZB	ARA.M14 15X 28X2,5 U6592 ZB
22	F02200227	COPIGLIA 5X 30 U1336 ZN	SPLIT PIN 5 X30 1336 GALVAN.	GOUPILLE 5 X30 1336 ZN	SPLINT 5 X30 1336 ZN	PASADOR 5 X30 1336 ZN
23	F02200507	SPINA SCATTO D. 9 B/83 ZN	SNAP PIN D 9 B/83	FICHE A DETENTE D 9 B/83	EINRASTSTIFT D 9 B/83	CLAVIJA DE MUELLE D 9 B/83
24	F02100141	SPINA E.P. 8X 36 U6873 C70 BR	PIN EL. 8 X36 DIN 1481	FICHE EL. 8 X36 DIN 1481	SPANNSTIFT 8 X36 DIN 1481	CLAVIJA EL.8 X36 DIN 1481
25	F01100011	ING.M 6X1 7663-A 9SMNPB28 ZN	SPHERE NIPPLE M6X1/A	GRAISSEUR A BILLES M6X1/A	KUGELFETTBSCHSE M6X1/A	ENGRAS. DE ESFERAS M6X1/A
26	F05150399	CORDA POLIPROPILENE D.12	POLIPROPILENE 12 CABLE	CORDE POLIPROPILENE 12	SEIL POLIPROPILENE 12	CUERDA POLIPROPILENE 12
27	G13812311	CATENELLA CON MOSCHETTONE	CHAIN WITH SPRING CATCH	CHAINETTE AVEC MOUSQUETON	KETTE MIT KARABINERHAKEN	CADENA CON GANCHO



DEPRESSORE

TAV. 062

Pos.	Cod.	Descrizione	Description	Description	Benennung	Descripcion
1	F01020047	VITE M 6X 1X 70 U5737 8.8 ZN	BOLT 6 X70 5737 8.G GALVANIZED	VIS 6 X70 5737 8.G ZN	SCHRAUBE 6 X70 5737 8.G ZN	TORNILLO 6 X70 5737 8.G ZN
2	G15855360	ASPIRASEME COMPL.	SEED Suction GROUP	GROUPE ASPIRATEUR DE GRAINES	GBEL-SEAGGREGAT	GRUPO ASPIRASEMILLAS
3	F01430047	ROS.M6 6,4X 11X0,7 U8842J ZN	WASHER D6 DIN 6798 D.INT.GALV.	RONDELLE D6 DIN 6798 D. INT. Z	UNT. SCHEIBE D6 DIN 6798 D. IN	ARANDELA D6 DIN 6798 D.INT.ZN
4	G19005240	TAPPO ASPIRAZIONE FORATO	FLANGE	BRIDE	FLANSH	BRIDA
5	G19004480	CONVOGLIATORE 12 USCITE	CONVEYOR 12 OUTLETS	CONVOYEUR 12 SORTIES	TRICHTER MIT 12 AUSG-NGEN	TRANSPORTADOR 12 SALIDAS
6	F01230143	DADO M24X 2 D982 8 ZN	NORMAL SELF-LOCK.NUT 24X2 GAL	ECROU AUTOB. NOR. 24X2 ZN	MUTTER AUTOB.NOR.24X2 ZN	TUERCA AUTOB. NOR.24X2 ZN
7	G13912060	PIASTRINA DI TENUTA	STOP PLATE	PLAQUETTE DE TENUE	DICHTPLZTTCHEN	PLACA DE RETENCIN P
8	G13912050	RONDELLA DI FERMO	STOP WASHER	RONDELLE DE BLOCAGE	FESTSTELLSCHEIBE	ARANDELLA DE BLOQUEO
9	G22230335	INVOLUCRI DEPRESSORE	VACUUM PUMP CASINGS	ENVELOPPES DEPRESSEUR H	sLLEN VAKUUMPUMPE C	AJAS BOMBA VACO CA
10	F01020403	VITE M 6X 1X 16 U5739 8.8 ZN	BOLT M6X16	VIS M6X16	SCHRAUBE M6X16	TORNILLO M6X16
11	G22230015	GIRANTE	IMPELLER	ROUE TURBINE	LAUFRAD	RODETE
12	F03100277	TUBO PVC ANTIG.NEU.TRA.14X19	PIPE- ANTIFREEZE NEU.TRA.14X19	TUBE PVC TRA. 14X19	ROHR PVC FROSTSCHUTZNEU.TRA.14	TUBO PVC ANTICONG.14X19
13	F02050112	ANELLO E. DE 30X 1,5 U7435 C70	SEEGER RING 30X 1,5 U7435 C70	SEEGER E. 30 X 1,5 U7435 C70	SEEGERING E. 30X 1,5 U7435 C70	ANILLO E. 30 X 1,5 U7435 C70
14	F02050403	ANELLO E. DI 72X 2,5 U7437 C70	SEEGER RING E.72X2,5 U7437 C70	SEEGER E. 72X 2,5 U7437 C70	SEEGERING E. 72X 2,5 U7437 C70	ANILLO E. 72X 2,5 U7437 C70
15	F01220011	DADO M 6X 1 D980 8 ZN	SELF LOCKING NUT M6	ECROU AUTOBL. M6	SELBSTSPERR.MUTTER M6	DADO AUTOBL. M6
16	F04010215	CUSC.D30 D72 B19 6306 2RSC3 EX	BEARING 6306 2RS C3	PALIER 6306 2RS C3	LAGER 6306 2RS C3	COJINETE 6306 2RS C3
17	F01020472	VITE M10X 1,5X25 U5739 8.8 ZN	BOLT 10X25 5739 8.G GALVANIZED	VIS 10X25 5739 8.G ZN	SCHRAUBE 10X25 5739 8.G ZN	TORNILLO 10X25 5739 8.G ZN
18	G15450042	ASSIEMAGGIO INCASTELLATURA	CASTING ASSEMBLY	GR. BATI	GESTELL	CONJ. BASTIDOR
19	G15450060	SUPPORTO SX	LEFT SUPPORT	SUPPORT GCH	HALTERUNG LI	SOPORTE IZQ
20	F01430023	ROS.M10 10,5X 18X0,9 U8842J ZN	WASHER D10 DIN 6798 D.INT.ZN	RONDELLE D10 DIN 6798 D. INT.	UNT. SCHEIBE D10 DIN 6798 D.IN	ARANDELA D10 DIN 6798 D.INT.ZN
21	F01200270	DADO M10X 1,5 U5588 6.8 ZN	NUT M10	ECROU M10	MUTTER M10	DADO M10
22	G22270369	P.DI P.CON CODOLO	POWER TAKE-OFF- W/ SPIGOT	PRISE DE FORCE AVEC CONE	KRAFTABTRIEB MIT ENDSTsCK	TOMA DE FUERZA CON MANGO
23	G22230012	PULEGGIA MOTRICE	DRIVING PULLEY	POULIE MOTRICE 540T	ANTRIEBSSCHEIBE	POLEA MOTRIZ
24	F01420084	ROS.M14 14,5X 36X 3 U6593 ZN	GALVANIZED WASHER 14 X36 X3	RONDELLE 14 X36 X3 ZN	UNTERLEGSscheibe 14 X36 X3 ZN	ARANDELA 14 X36 X3 ZN
25	F01200293	DADO M12X1,75 U5588 6.8 ZN	NUT M12	ECROU M12	MUTTER M12	DADO M12
26	F06010160	CINGHIA POLY V 1287 J-16 GOLE	BELT- POLY V 1287 J-16 GOLE	COURROIE POLY V 1287 J-16 CANN	RIEMEN POLY V 1287 J-16 RILLEN	CORREA POLY V 1287 J-16 GARGAN
27	F01430047	ROS.M6 6,4X 11X0,7 U8842J ZN	WASHER D6 DIN 6798 D.INT.GALV.	RONDELLE D6 DIN 6798 D. INT. Z	UNT. SCHEIBE D6 DIN 6798 D. IN	ARANDELA D6 DIN 6798 D.INT.ZN
28	F01020403	VITE M 6X 1X 16 U5739 8.8 ZN	BOLT M6X16	VIS M6X16	SCHRAUBE M6X16	TORNILLO M6X16
29	G15450342	PROTEZ.CINGHIA DEPRES.COMPLETO				
30	F03151288	VACUOM.0-100 MBAR C.SM.INC.D80				
31	G66248227	CUFFIA PROTEZIONE P.D.P.	POWER TAKE-OFF PROTECTION HOUS	PROTECTEUR PRISE DE PUISSANCE	SCHUTZKASTEN KRAFTABTRIEB	ENVOLTURA PROTECCIN T. DE P. G
32	G15450390	PULEGGIA CONDOTTA	DRIVEN PULLEY D.28	POULIE ENTRAINEE D. 28	GETRIEBENE SCHEIBE D.28	POLEA CONDUCIDA D.28
33	F03151287	MANOM.0 A 25 MBAR C.SM.INC.D80				
34	G15450270	VITE 10X130 8.8 FIL.60 ZN	GALVANIZ. SCREW 10X130 8.8 FIL	VIS 10X130 8.8 FIL.60 ZN	SCHRAUBE 10X130 8.8 GEW.60 ZN	TORNILLO 10X130 8.8 FIL.60 ZN
35	F05150479	ROND.APPOGGIO MANOMETRI SV	PRESSURE GAUGE REST WASHER	ROND. LOGEMENT MANOMETRES SV	StsTZSCHEIBE MANOMETER SV	ARAND. SOPORTE MANOMETROS SV
36	G22230014	DISTANZIALE	SPACER	ENTRETOISE	DISTANZStsCK	DISTANCIADOR
37	G15850180	CONVOGLIATORE SOFFIAGGIO COMPL	CONVEYOR COMPL	CONVOYEUR COMPLET	FTRDERER KOMP	CONDUCTOR COM
38	G15850280	SUPPORTO PULEGGIA CONDOTTA				
39	F03100391	TUBO POLIURETANO 8-6				
40	F20110770	CAV.Q.M14X 2X 50 96X119 ZN	U-BOLT M14X96 - 119 ZN	CAVALIER M14X96 - 119 ZN	VERBINDUNG M14X96 - 119 ZN	PERNO EN U M14X96 - 119 ZN
41	G15450050	SUPPORTO DX	RIGHT SUPPORT	SUPPORT DRT	HALTERUNG RE	SOPORTE DER
42	F03151149	FILTRO LINEA 1'F 100 MESH	LINE FILTER 1'F 100 MESH	FILTRE LIGNE 1'F 100 MESH	LEITUNGSFILTER 1' F 100 MESH	FILTRO LINEA 1'F 100 MESH
43	F01200306	DADO M14X 2 U5588 6.8 ZN	NUT M14X2	ECROU M14X2	DADO M14X2	DADO M14X2
44	F01020086	VITE M 8X1,25X80 U5737 8.8 ZN	BOLT M8X1X80	VIS M8X1X80	SCHRAUBE M8X1X80	TORNILLO M8X1X80
45	F03100385	TUBO FLEX EOLO DIAM.22	FLEXIBLE SHEATH- BLACK PVC- D.	GAINE CAVOFLEX AN. PVC 22 NOIR	MANTEL CAVOFLEX AN.PVC 22 SCHW	VAINA CABLE FLEX. PVC 22 NEGRO
46	F03100500	TUBO EOLO 35 PU	EOLO PIPE 35 PU	TUBE EOLO 35 PU	ROHR EOLO 35 PU	TUBO EOLO 35 PU
47	G15855370	FILTRO E MANOMETRI COMPL	FILTER AND PRESSURE GAUGE UNIT	GROUPE FILTRE ET MANOMETRES	FILTER- UND MANOMETERAGGREGAT	GRUPO FILTRO Y MANĒMETROS
48	F05050020	TAPPO SALVAFILETTO D.39	CONVEYOR PLUG D.39	BOUCHON PROTEGE-FILET D. 39	GEWINDESCHUTZPFROPFEN D.39	TAPN GUARDARROSCA D.39 D
49	G19005250	RIDUZIONE CONVOGLIATORE 45-35				
50	F03151197	RACC.SUPERAPIDO DRITTO 1/8G-8>	STRAIGHT SUPER-QUICK CONNECTOR	RACC.SUPERAPIDE DRT. 1/8G-8	GERADER SUPERSCHNELLANSCHLUSS	RACOR SUPERRAPIDO RECTO 1/8G-8
51	G15855330	PORTELLO REGOLAZ.ASPIRAZIONE	ASPIRATION ADJUSTMENT FLAP	PORTE REGLAGE ASPIRATION	EINSTELLUNGSDECKEL GBEL-SE	REGISTRO REGULADOR DE ASPIRACI
52	F01090204	VIT.M 6X 1X 70 U5449 5.8 ZN	GALVAN. SCREW 6X70 5449 5.8	VIS 6X70 5449 5.8 ZN	SCHRAUBE 6X70 5449 5.8. ZN	TORNILLO 6X70 5449 5.8 ZN
53	F03151183	P/GOMMA 1"X22 M COD.2130	HOSE 1"X22 M	RACCORD PLASTIQUE 1"X22 M	P/GUMMI 1"X22 M	P/CAUCHO 1"X22 M
54	G22250274	COLLEGAMENTO MANOMETRI SP-SV	PRESSURE GAUGE CONNECT. SP-SV	RACCORD MANOMETRES SP-SV	VERBINDUNG MANOMETER SP-SV	CONEXIN MANMETROS SP-SV LE

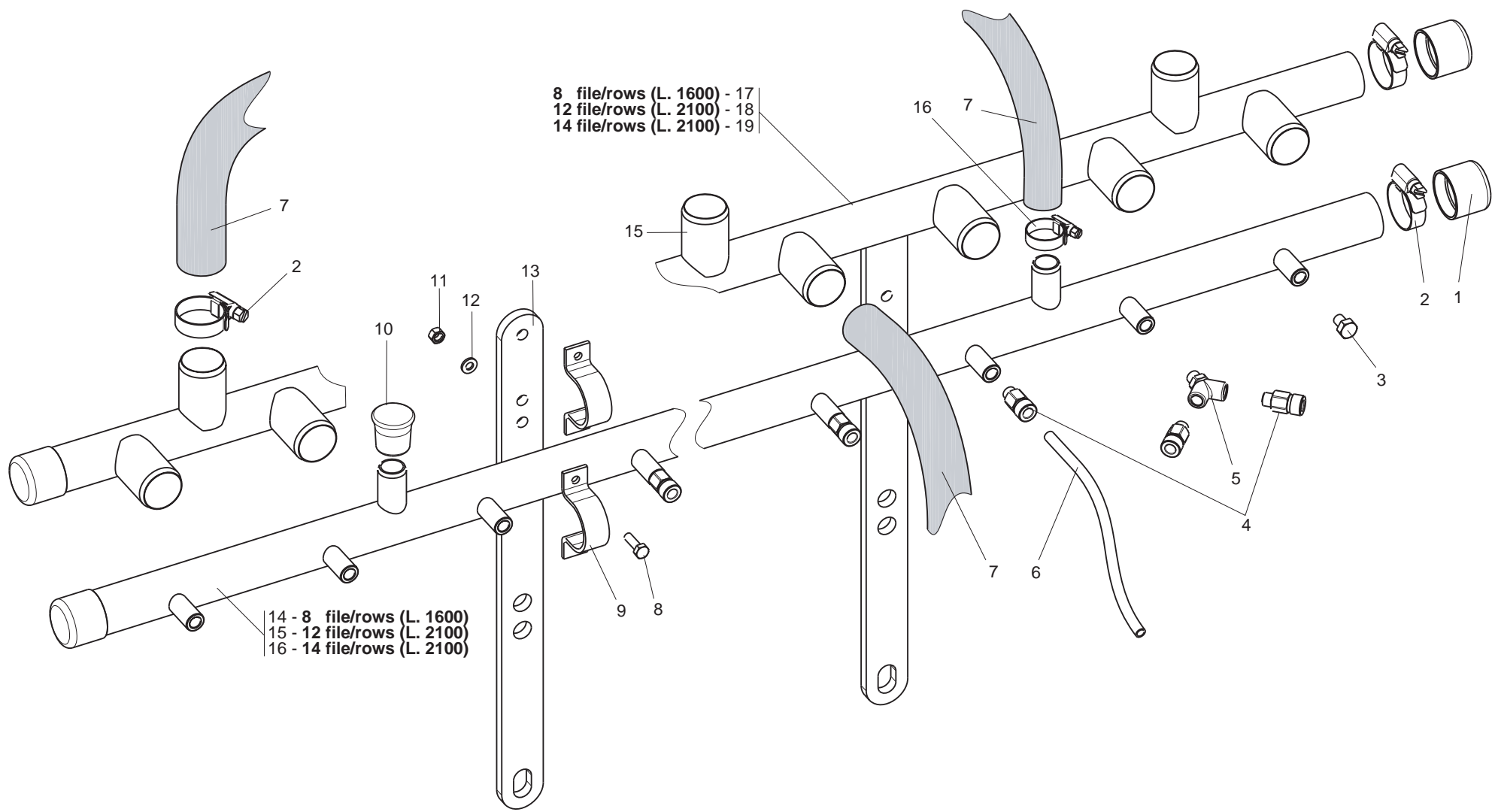


74
Vedi TAV. 300
See TAV. 300

DEPRESSORE

TAV. 062

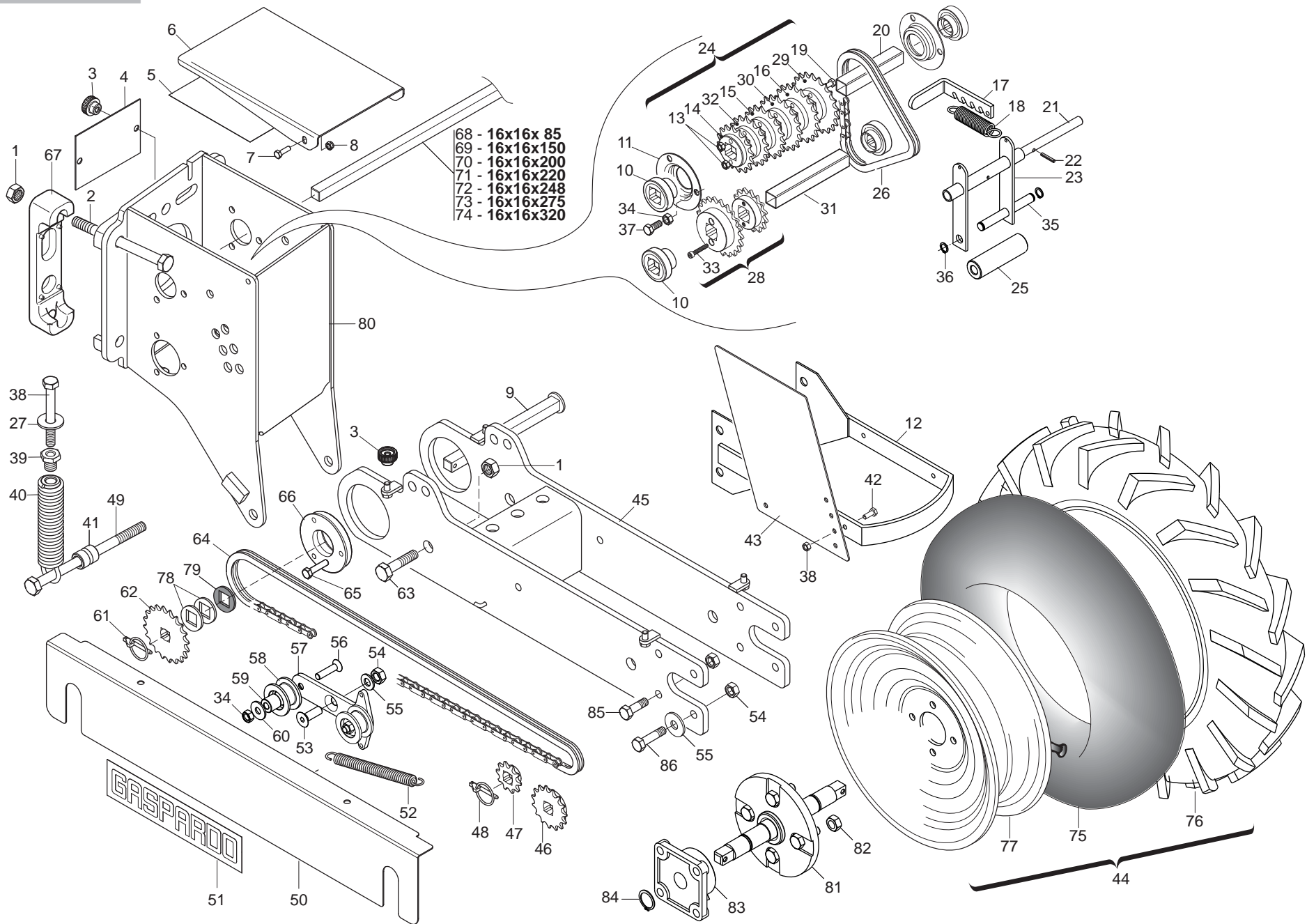
Pos.	Cod.	Descrizione	Description	Description	Benennung	Descripcion
55	F03151185	P/GOMMA PVC 1/2X20 >	PVC 1/2X20 RUBBER/TIRE-CARRIER	PORTE-ROUE PVC 1/2X20	REIFENHALTERUNG PVC 1/2X20	CARGA GOMA PVC 1/2X20
56	F03151243	RUBINETTO	BREATHER TAP	BOUCHON REFOUL.	ENTLsFTUNGSPFROPFEN	TAPON PURGADOR
57	G15850300	RIDUZIONE G1'-G1/2'	REDUCTION G1'-G1/2'	REDUCTION G1'-G1/2'	UNTERSETZUNG G1'-G1/2'	REDUCCIN G1'-G1/2'
58	G10551030	COPERCHIO ASPIRASEMI	SEED SUCTION COVER	COUVERCLE ASPIR. DE GRAINES	SAMENABSAUGERDECKEL	TAPA ASPIRADOR DE SEMILLAS
59	G15855350	SUPPORTO ASPIRASEME	SEED SUCTION SUPPORT	SUPPORT ASPIRATEUR DE GRAINES	GEBL-SEHALTERUNG	SOPORTRE ASPIRA SEMILLAS
60	F01020403	VITE M 6X 1X 16 U5739 8.8 ZN	BOLT M6X16	VIS M6X16	SCHRAUBE M6X16	TORNILLO M6X16
61	F03151183	P/GOMMA 1'X22 M COD.2130	HOSE 1'X22 M	RACCORD PLASTIQUE 1'X22 M	P/GUMMI 1'X22 M	P/CAUCHO 1'X22 M
62	F01070047	VIT.A.3,5X1,34X 9,5 6954 4.8NI	BOLT 3-5X 9-5 DIN 7981	VIS 3-5X 9-5 DIN 7981	SCHRAUBE 3-5X 9-5 DIN 7981	TORNILLO 3-5X 9-5 DIN 7981
63	G18904440	STAFFA FISSAGGIO BRACCI ZN				
64	G22250314	GRIGLIA FILTRO ASPIRASEMI SV	SEED SUCTION FILTER GRID SV	GRILLE FILTRE ASPIRATEUR DE GR	GITTER SAMENABSAUGERFILTER SV	REJILLA FILTRO ASPIRADOR DE SE
65	G22250315	FILTRO ASPIRASEMI SV	SEED SUCTION FILTER SV	FILTRE ASPIRATEUR DE GRAINES S	SAMENABSAUGFILTER SV	FILTRO ASPIRADOR DE SEMILLAS S
66	F02050168	ANELLO E. DE 40X1,75 U7435 C70	SEEGER RING D.40	BAGUE SEEGER D.40	SEEGERRING D.40	ANILLO SEEGER D.40
67	G22250316	DEFLETTORE ASPIRASEMI SV	SEED SUCTION DEFLECTOR SV	DEFLECTEUR ASPIR. DE GRAINES SV	ABLENKER SAMENABSAUGER SV	DEFLECTOR ASPIRADOR DE SEMILLA
68	F05150389	CONTENIT.SOTTOVUOT.LT.2 AR.122	VACUUM CONTAINER LT.2 AR.122	CONTENEUR SOUS VIDE LT. 2 AR.	LUFTDICHTER BEHZLTER .L2 AR.	CONTENED. AL VACO LT. 2 AR.12C
69	F03150821	ADATT. OCCHIO 1/4 L.38	EYE UNION 1/4 L.38	RACCORD OEIL 1/4 L.38	TSENVERBINDUNGSSTsCK 1/4 L.38	UNIN OJO 1/4 L.38 R
70	G15855340	SUPP.FILTRO E MANOMETRI	FILTER AND PRESSURE GAUGE SUPP	SUPPORT FILTRE ET MANOMETRES	FILTER- UND MANOMETERHALTERUNG	SOPORTE FILTRO Y MANEMETROS
71	F01200244	DADO M 8X1,25 U5588 6.8 ZN	NUT M8	ECROU M8	MUTTER M8	DADO M8
72	G19005260	RIDUZIONE CONVOGLIATORE 45-22	CONVEYOR REDUCTION 45-22	REDUCTION DE CONVOYEUR 45-22	FTRDERERUNTERSETZUNG 45-22	REDUCCIN DE CONDUCTOR 45-22
73	G19005270	RIDUZIONE CONVOGLIATORE 22-19	CONVEYOR REDUCTION 22-19	REDUCTION DE CONVOYEUR 22-19	FTRDERERUNTERSETZUNG 22-19	REDUCCIN DE CONDUCTOR 22-19
74	F08011711	CARD.B1 Z6-Z6 L700	CARD.B1 Z6-Z6 L700	CARD.B1 Z6-Z6 L700	KARD.B1 Z6-Z6 L700	CARD.B1 Z6-Z6 L700



IMPIANTO ASPIRAZIONE E SOFFIAGGIO

TAV. 072

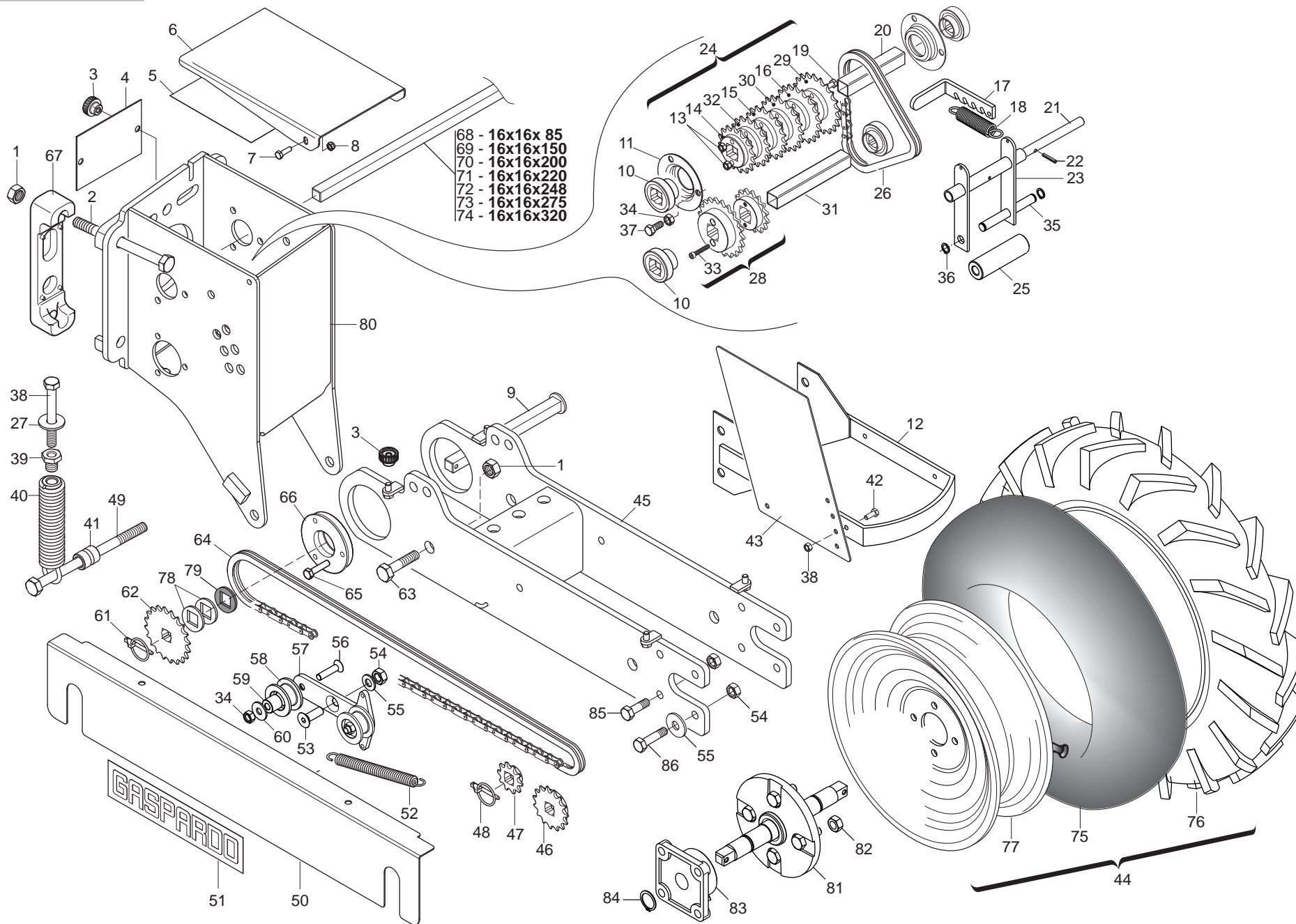
Pos.	Cod.	Descrizione	Description	Description	Benennung	Descripcion
1	G66248098	TAPPO CONVOGLIATORE DEPR. SP	AIR PUMP CONVEYOR PLUG SP	BOUCHON CONVOYEUR TURBINE SP	VAKUUM FTRDERPFROPFEN SP	TAPN CONDUCTOR DEPR. SP D
2	F02300020	FASCETTA STRING. 32/50 H.9	STRING FASTEN.STRAPS 32/50 H.9	COLLIER 32/50 H.9	SHELLE 32/50 H.9	ABRAZADERA 32/50 H.8
3	F03150664	TAPPO MASCHIO 1/8 ESAGONO	1/8 MALE HEXAGON. PLUG	BOUCHON MALE 1/8 HEXAGONAL	GEWINDEPFROPFEN 1/8 SECHSKANT	TAPN MACHO 1/8 HEXÆGONO D
4	F03151197	RACC.SUPERAPIDO DRITTO 1/8G-8>	STRAIGHT SUPER-QUICK CONNECTOR	RACC.SUPERAPIDE DRT. 1/8G-8	GERADER SUPERSCHNELLANSCHLUSS	RACOR SUPERRAPIDO RECTO 1/8G-8
5	F03151225	RACCORDO Y 1/8G F-F-M >	UNION Y 1/8G F-F-M	RACCORD Y 1/8G F-F-M	ANSCHLUSSTsCK Y 1/8G F-F-M	UNIN Y 1/8G F-F-M
6	F03100391	TUBO POLIURETANO 8-6				
7	F03100500	TUBO EOLO 35 PU	EOLO PIPE 35 PU	TUBE EOLO 35 PU	ROHR EOLO 35 PU	TUBO EOLO 35 PU
8	F01020404	VITE M 6X 1X20 U5739 8.8 ZN	BOLT 6X20 5739 8.G GALVANIZED	VIS 6X20 5739 8.G ZN	SCHRAUBE 6X20 5739 8.G ZN	TORNILLO 6X20 5739 8.G ZN
9	G22250091	FORCELLA SUPP.TUBI SV	FORK	FOURCHETTE SUPPORT TUBES SV	GABEL ROHRHALTERUNG SV	HORQUILLA SOPORTE TUBOS SV
10	F05150473	PUNTALE PVC D.20	PVC TIP D.20	EMBOUT PVC D. 20	STTSSELSCHAFT PVC D.20	PUNTAL PVC D.20
11	F01200232	DADO M 6X 1 U5588 6.8 ZN				
12	F01410037	ROS.M6 6,4X12,5X1,6 U6592 ZN	PLANE WASHER D.6	RONDELLE D.6	SCHEIBE D.6	ARANDELA D.6
13	G15855170	SUPPORTO RAMPA SOFFIAGGIO	BLOWER RAMP SUPPORT	SUPPORT RAMPE SOUFFLAGE	GEBL-SERAMPENHALTERUNG	SOPORTE RAMPA DE SOPLO
14	G15855150	RAMPA SOFFIAGGIO 1600X12	1600X12 BLOW RAMP COUPLING	ASS. RAMPE SOUFFLAGE 1600X12	GEBL-SERAMPENKOMPLEX 1600X12	CONJ. RAMPA DE SOPLO 1600X12
15	G15855240	RAMPA SOFFIAGGIO 2100X14	2100X14 BLOW RAMP COUPLING	ASS. RAMPE SOUFFLAGE 2100X14	GEBL-SERAMPENKOMPLEX 2100X14	CONJ. RAMPA DE SOPLO 2100X14
16	G15855280	RAMPA SOFFIAGGIO 2100X8	2100X8 BLOW RAMP COUPLING	ASS. RAMPE SOUFFLAGE 2100X8	GEBL-SERAMPENKOMPLEX 2100X8	CONJ. RAMPA DE SOPLO 2100X8
17	G15855140	RAMPA ASPIRAZIONE 1600X12	1600X12 BLOW RAMP COUPLING	ASS. RAMPE ASPIRATION 1600X12	GEBL-SERAMPENKOMPLEX 1600X12	CONJ. RAMPA DE ASPIRACIËN 160
18	G15855230	RAMPA ASPIRAZIONE 2100X14	2100X14 BLOW RAMP COUPLING	ASS. RAMPE ASPIRATION 2100X14	GEBL-SERAMPENKOMPLEX 2100X14	CONJ.. RAMPA DE ASPIRACIËN 210
19	G15855270	RAMPA ASPIRAZIONE 2100X8	2100X8 BLOW RAMP COUPLING	ASS. RAMPE ASPIRATION 2100X8	GEBL-SERAMPENKOMPLEX 2100X8	CONJ.. RAMPA DE ASPIRACIËN 210



RUOTA DI TRASMISSIONE

TAV. 082

Pos.	Cod.	Descrizione	Description	Description	Benennung	Descripcion
1	F01200306	DADO M14X 2 U5588 6.8 ZN	NUT M14X2	ECROU M14X2	MUTTER M14X2	DADO M14X2
2	F01020221	VITE M14X 2X140 U5737 8.8 BR	BOLT M 14 X140 5737 8.G	VIS M 14 X140 5737 8.G	SCHRAUBE M 14 X140 5737 8.G	TORNILLO M 14 X140 5737 8.G
3	F06220037	VOLANTINO ZIGR.D.26-M8 FEM	KNURLED FLYWHEEL D.26-M8 FEM	VOLANT CANNEL+ D.26-M8 FEM	GER-ND. HANDRAD D.26-M8 FEM	VOLANTE ESTR. Ī 26-M8 FEM
4	G22250035	PORTA DI CHIUSURA SV	CLOSURE DOOR SV	PORTE DE FERMETURE SV	ABSCHLUSSSTsR SV	PUERTA DE CIERRE SV
5	G19704260	TABELLA DISTANZA DI SEMINA R	R SEED PLANTING DISTANCE TABLE	TABEAU DISTANCE DE SEMIS R	TABELLE AUSSAATSABSTAND R	TABLA DE DISTANCIA DE SIEMBRA
6	G15835170	COPERCHIO SCATOLA CAMBIO R.5"	GEARBOX COVER R.5"	COUVERCLE BOITE DE VITESSE R.5	DECKEL GETRIEBEGEHZUSE R.5"	TAPA CAJA DEL CAMBIO R.5"
7	F01040063	VITE M 6X 1X20 U5931 8.8 ZN	BOLT M 6	VIS M 6	SCHRAUBE M 6	TORNILLO M 6
8	F01230022	DADO M 6X 1 D982 8 ZN	NORM.SELF-LOCKING NUT 6 GALVAN	ECROU AUTOB.NOR.6 ZN	SELBSTSP. MUTTER NOR.6 ZN	TUERCA AUTOB. NOR. 6 ZN
9	G22250037	ASSE INF.CAMBIO SV	LOWER GEARBOX SPINDLE SV	AXE INF. BOITE DE VITESSE	UNTERE GETRIEBEACHSE SV	EJE INF. CAMBIO SV
10	G10538350	CUSCINETTO FORO QUADRO RIB.	SQUARE HOLE BEARING	PALIER TROU CARRE	LAGER VIERKANTLOCH	COJINETE ORIFICIO CUADRADO
11	G22230094	SUPPORTO CUSCINETTO	BEARING SUPPORT	SUPPORT PALIER	LAGERBsCHSE	SOPORTE COJINETE
12	G10530101	ASS.RASCHIATERRA	SOIL SCRAPER ASSEMBLY	GR. RACLEUR	ERDSCHABER	CONJ. RASC. TIERRA
13	F01200232	DADO M 6X 1 U5588 6.8 ZN	NUT M6X1	ECROU M6X1	MUTTER M6X1	DADO M6X1
14	G10530690	PIGNONE Z16 1/2-3/16 Q.20,5 ZN	PIGNON Z16 1/2-3/16 Q.20,5 ZN	PIGNON Z16 1/2-3/16 Q.20,5 ZN	PIGNON Z16 1/2-3/16 Q.20,5 ZN	PIGNON Z16 1/2-3/16 Q.20,5 ZN
15	G22250045	CORONA CAMBIO Z-18 SV	GEARBOX RING GEAR Z-18 SV	COURONNE BOITE DE VITESSE	GETRIEBEKRANZ Z-18 SV	CORONA CAMBIO Z-18 SV
16	G22250047	CORONA CAMBIO Z-20 SV	GEARBOX RING GEAR Z-20 SV	COURONNE BOITE DE VITESSE	GETRIEBEKRANZ Z-20 SV	CORONA CAMBIO Z-20 SV
17	G22250038	MANIGLIA SV	HANDLE SV	POIGNEE SV	GRIFF SV	MANIJA SV
18	G65337005	MOLLA TRAZ.CAMBIO SV	TRACTION COUPLING SPRING- GEAR	RESSORT TRACT.BOITE DE VITESSE	ZUGFEDER GETRIEBE SV	MUELLE TRAC. CAMBIO SV
19	F01020050	VITE M 6X 1X 80 U5737 8.8 ZN	BOLT 6 X80 5737 8.G GALVANIZED	VIS 6 X80 5737 8.G ZN	SCHRAUBE 6 X80 5737 8.G ZN	TORNILLO 6 X80 5737 8.G ZN
20	G10530361	TUBO Q. 20X1,2X 110	TUBO Q. 20X1,2X 110	TUBO Q. 20X1,2X 110	TUBO Q. 20X1,2X 110	TUBO Q. 20X1,2X 110
21	G22250040	SPINA TENDICATENA SV	CHAIN TIGHTENER PIN SV	BROCHE TENDEUR DE CHAINE SV	KETTENSPANNERSTIFT SV	CLAVIJA TENSOR DE CADENA SV
22	F02100062	SPINA E.P. 4X 24 U6873 C70 BR	PIN EL. 4 X24 DIN 1481	FICHE EL. 4 X24 DIN 1481	SPANNSTIFT 4 X24 DIN 1481	CLAVIJA EL.4 X24 DIN 1481
23	G10530271	TENDICATENA CAMBIO	TENDICATENA CAMBIO	TENDICATENA CAMBIO	TENDICATENA CAMBIO	TENDICATENA CAMBIO
24	G22250049	BLOCCO CAMBIO SV	GEARBOX SV	ENSEMBLE BOITE DE VITESSE	GETRIEBEBLOCK SV	BLOQUE CAMBIO SV
25	G66248024	RULLO TEND. SP	TIGHTENER ROLLER SP	ROULEAU TENDEUR SP	SPANNERROLLE SP	RODILLO TENSOR SP
26	F06080017	CATENA 1/2 ISO 083 42 MAGLIE	CHAIN 1/2 ISO 083 42	CHAIN 1/2 ISO 083 42	CHAIN 1/2 ISO 083 42	CHAIN 1/2 ISO 083 42
27	F01410076	ROS.M12 13X 24X2,5 U6592 ZN	PLANE WASHER D12 UNI 6592 ZN	RONDELLE D12 UNI 6592 ZN	SCHEIBE D12 UNI 6592 ZN	ARANDELA D12 UNI 6592 ZN
28	G22250051	BLOCCO INGRANAGGI Z-15/21 SV	GEAR WHEEL BLOCK Z-15/21 SV	ENSEMBLE ENGRENAGES Z-15/21 SV	ZAHNRZDERBLOCK Z-15/21 SV	BLOQUE ENGRANAJES Z-15/21 SV
29	G22250048	CORONA CAMBIO Z-21 SV	GEARBOX RING GEAR Z-21 SV	COURONNE BOITE DE VITESSE	GETRIEBEKRANZ Z-21 SV	CORONA CAMBIO Z-21 SV
30	G22250046	CORONA CAMBIO Z-19 SV	GEARBOX RING GEAR Z-19 SV	COURONNE BOITE DE VITESSE	GETRIEBEKRANZ Z-19 SV	CORONA CAMBIO Z-19 SV
31	G22250053	DISTAN.INFERIORE SV	LOWER SPACER SV	ENTRETOISE INF. SV	UNTERES DISTANZSTsCK SV	DISTAN. INFERIOR SV
32	G22250044	CORONA CAMBIO Z-17 SV	GEARBOX RING GEAR Z-17 SV	COURONNE BOITE DE VITESSE	GETRIEBEKRANZ Z-17 SV	CORONA CAMBIO Z-17 SV
33	F01040047	VIT.M 5X 0,8X 30 U5931 A2 IX	NUT M5	ECROU M5	MUTTER M5	DADO M5
34	F01200244	DADO M 8X1,25 U5588 6.8 ZN	NUT M8	ECROU M8	MUTTER M8	DADO M8
35	G15835380	ASSE TENDICATENA ZN	CHAIN TIGHTENER PIN ZN	BROCHE TENDEUR DE CHAINE ZN	KETTENSPANNERSTIFT ZN	CLAVIJA TENSOR DE CADENA ZN
36	F02050023	ANELLO E. DE 12X 1 U7435 C70	SEEGER RING D 12X 1 U7435 C70	BAGUE SEEGER D 12X 1 U7435 C70	SEEGERRING D 12X 1 U7435 C70	ANILLO D 12X 1 U7435 C70
37	F01020432	VITE M 8X1,25X16 U5739 8.8 ZN	BOLT M8X16	VIS M 8X16	SCHRAUBE M 8X16	TORNILLO M 8X16
38	F01020170	VITE M12X1,75X100 5737 8.8 ZN	BOLT M 12X100	VIS M 12X100	SCHRAUBE M 12X100	TORNILLO M 12X100
39	G15220120	VITE REGOLAZIONE ZN	BOLT M 6X 1X 20 U5931 8.8 ZN	VIS M 6X 1X 20 U5931 8.8 ZN	SCHRAUBE M 6X 1X 20 U5931 8.8 ZN	TORNILLO M 6X 1X 20 U5931 8.8 ZN
40	G15226270	MOLLA COMPL.	MOLLA COMPL.	MOLLA COMPL.	MOLLA COMPL.	MOLLA COMPL.
41	G15830440	BOCCOLA MOLLA TRAZIONE ZN.	GALVANIZED BUSH EXTENSION SPR	DOUILLE RESSORT TRACTION ZN	ZUGFEDERBUCHSE	MANGUITO MUELLE DE TRACCIEN GA
42	F01020403	VITE M 6X 1X 16 U5739 8.8 ZN	BOLT M6X16	VIS M 6X16	SCHRAUBE M 6X16	TORNILLO M 6X16
43	G15830141	PARAFANGO	MUDGARD/FENDER	PARE-BOUE	KOTFL_GEL	GUARDABARRO
44	F06120113	RUOTA COMPL.5.00-15 6PR DX	COMPL. WHEEL 5.00-15 6PR RH.	ROUE COMPL. 5.00-15 6PR DRT.	RAD KOMPL.5.00-15 6PR RE	RUEDA COMPL.5.00-15 6PR DER.
45	G15835111	ASS.BRACCI RUOTA TRASMISSIONE	ASS.BRACCI RUOTA TRASMISSIONE	ASS.BRACCI RUOTA TRASMISSIONE	ASS.BRACCI RUOTA TRASMISSIONE	ASS.BRACCI RUOTA TRASMISSIONE
46	G22250028	PIGNONE Z-15 SV	Z-15 PINION SV	PIGNON Z-15 SV	RITZEL Z-15 SV	PI¼N Z-15 SV
47	G22250006	INGR.CON MOZZO 1/2 Z-10 SV	GEARS- W/ HUB 1/2 Z-10 SV	ENGRENAGE AVEC MOYEU 1/2 Z-10	ZAHNRAD MIT NABE 1/2 Z-10 SV	ENGRAN.CON PERNO 1/2 Z-10 SV
48	F02200452	SPINA SCATTO D.4,4 B/80 ZN	SNAP PIN D.4-4 B/80	FICHE A DETENTE D. 4-4 B/80	EINRASTSTIFT D 4-4 B/80	CLAVIJA DE MUELLE D.4-4 B/80
49	F01020229	VITE M14X 2X180 U5737 8.8 BR	SCREW 14X180 5737 8.G	VIS 14X180 5737 8.G	SCHRAUBE 14X180 5737 8.G	TORNILLO 14X180 5737 8.G
50	G15835241	CARTER RUOTA TRASMISSIONE R	CARTER RUOTA TRASMISSIONE R	CARTER RUOTA TRASMISSIONE R	CARTER RUOTA TRASMISSIONE R	CARTER RUOTA TRASMISSIONE R
51	G19706120	DECAL.GASPARDO H55	DECAL.GASPARDO H55	DECAL.GASPARDO H55	DECAL.GASPARDO H55	DECAL.GASPARDO H55
52	G65337035	MOLLA TENDICATENA RUOTA DP	CHAIN TIGHTENER SPRING DP	RESSORT TENDEUR DE CHAINE ROUE	FEDER KETTENSPANNER RAD DP	MUELLE TENSOR DE LA CADENA RUE
53	F01030060	VITE M 8X1,25X35 U5933 10.9 ZD	BOLT 8X35 5933 8.8 GALVANIZ.	VIS 8X35 5933 8.8 ZN	SCHRAUBE 8X35 5933 8.8 ZN	TORNILLO 8X35 5933 8.8 ZN
54	F01200270	DADO M10X 1,5 U5588 6.8 ZN	NUT M10	ECROU M10	MUTTER M10	DADO M10

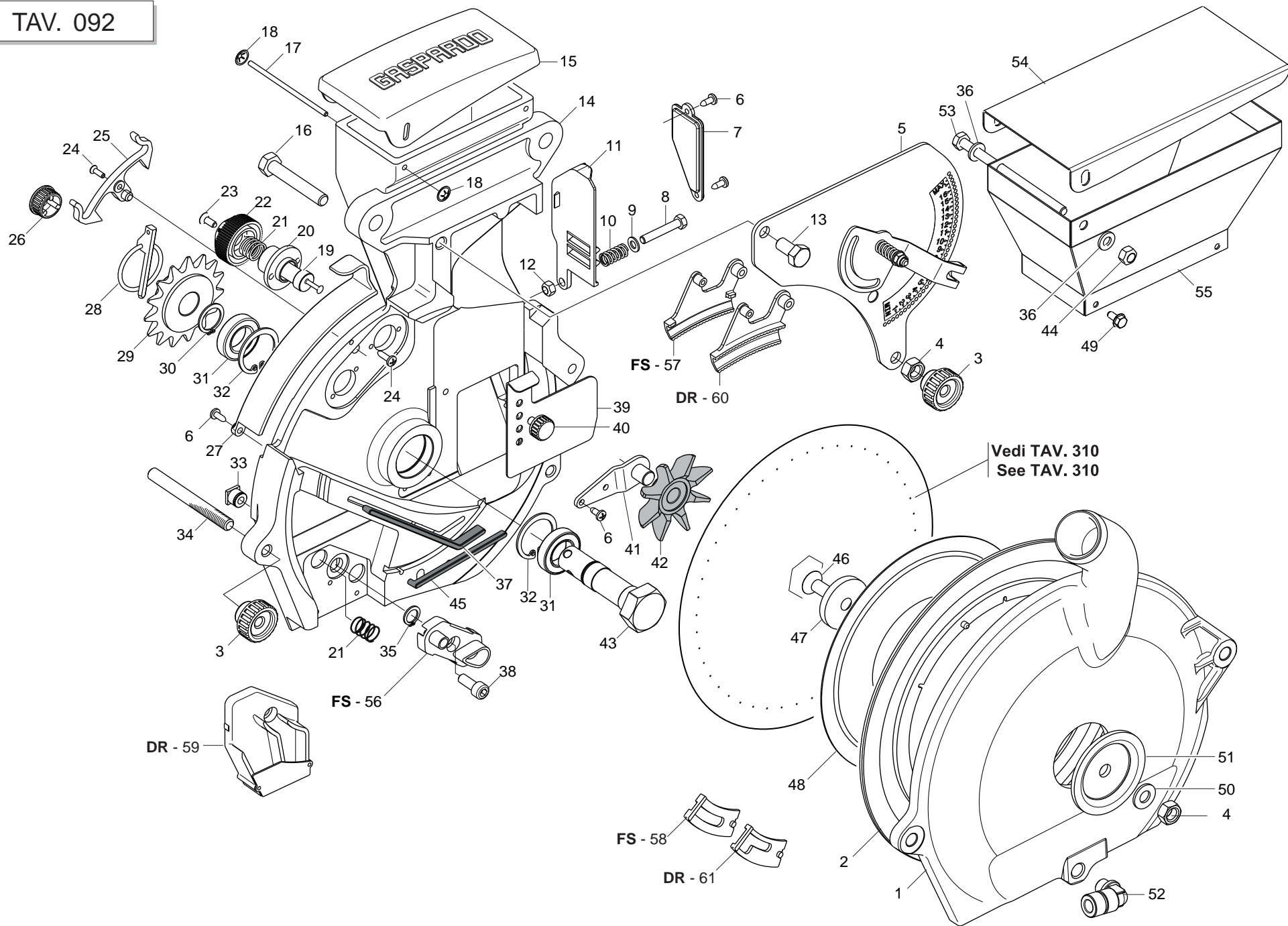


RUOTA DI TRASMISSIONE

TAV. 082

Pos.	Cod.	Descrizione	Description	Description	Benennung	Descripcion
55	F01410064	ROS.M10 10,5X 20X 2 U6592 ZN	WASHER 10,5X21	RONDELLE 10,5X21	SCHEIBE 10,5X21	ARANDELA 10,5X21
56	F01030060	VITE M 8X1,25X35 U5933 10.9 ZD	BOLT 8X35 5933 8.8 GALVANIZ.	VIS 8X35 5933 8.8 ZN	SCHRAUBE 8X35 5933 8.8 ZN	TORNILLO 8X35 5933 8.8 ZN
57	G15835330	TENDICATENA ZN				
58	G19005110	RULLO TENDICATENA	CHAIN TIGHTENER ROLLER	ROULEAU TENDEUR DE CHAINE	ROLLE KETTENSPANNER	RODILLO TENSOR DE LA CADENA
59	G18801450	BOCCOLA 8,25 X18 X17	BUSHING 8,25 X 18 X 17	BOITE 8,25 X18 X17	BsCHSE 8,25 X18 X17	CASQUILLO 8,25 X18 X17
60	F01420048	ROS.M8 8,4X 24X 2 U6593 ZN	PLANE WASHER D.8	RONDELLE D.8	SCHIEBE D.8	ARANDELA D.8
61	F02200452	SPINA SCATTO D.4,4 B/80 ZN	SNAP PIN D.4-4 B/80	FICHE A DETENTE D. 4-4 B/80	EINRASTSTIFT D 4-4 B/80	CLAVIJA DE MUELLE D.4-4 B/80
62	G22250007	INGR.CON MOZZO 1/2 Z-20 SV	GEARS- W/ HUB 1/2 Z-20 SV	ENGRENAGE 1/2 Z-20	ZAHNRAD MIT NABE 1/2 Z-20 SV	ENGRAN.CON PERNO 1/2 Z-20 SV
63	F01020231	VITE M14X 2X190 U5737 8.8 BR	BOLT M 14 X190 5737 8.G	VIS M 14 X190 5737 8.G	SCHRAUBE M 14 X190 5737 8.G	TORNILLO M 14 X190 5737 8.G
64	F06080111	CATENA 1/2 ISO 084 113 MAGLIE	CHAIN 1/2 ISO 084 113			
65	F01020445	VIT.M 8X1,25X 30 U5739 8.8 ZN	BOLT M8X30	VIS M 8X30	SCHRAUBE M 8X30	TORNILLO M 8X30
66	G22310011	FLANGIA CAMBIO DP	GEARBOX FLANGE DP	BRIDE BOITE DE VITESSE DP	FLANSCH GETRIEBE DP	BRIDA CAMBIO DP
67	G19204030	SCONTRO FISS.150 2F D15				
68	G10920400	ASSE TRASM.L.850				
69	G22270089	ASSE TRASM.SEMINAT.L.1500 SP	AXLE- SEEDING MACH.. GEARBOX L	AXE ENTRAINEMENT SEMEUR L. 150	ACHSE SZELEMENTANTRIEB.L.1500	EJE TRANS.SEMBR. L.1500 SP
70	G22230141	ASSE SEMINAT.6F.CM.80 L.2000	AXLE- 6-ROW SEEDER MACH. 80 CM	AXE SEMEUR 6 RANGEES CM. 80 L.	ACHSE SZALEMENT 6 R.CM.80 L.2	EJE SEMBR. 6 FILAS. CM.80 L.2000
71	G22250276	ASSE TRASM.SEMINAT.L.2200 SV	AXLE- SEEDING MACH. GEARBOX L.	AXE ENTRAINEMENT SEMEUR L. 220	ACHSE SZELEMENT-ANTRIEB.L.2200	EJE TRANS.SEMBR. L.2200 SV
72	G22250275	ASSE TRASM.SEMINAT.L.2750 SV	AXLE- SEEDING MACH. GEARBOX L.	AXE ENTRAINEMENT SEMEUR L. 275	ACHSE SZELEMENTANTRIEB L.2750	EJE TRANS.SEMBR. L.2750 SV
73	G22250031	ASSE TRASM.SEMINAT.L.3200 SV	AXLE- SEEDING MACH. GEARBOX L.	AXE ENTRAINEMENT SEMEUR L.3200	ACHSE SZELEMENTANTRIEB .L.3200	EJE TRANS.SEMBR. L.3200 SV
74	G13732200	ASSE TRASMISSIONE L.2485	TRANSMISSION AXLE L2485	AXE TRANSMISSION L.2485	sBERTRAGUNGSACHSE L.2485	EJE TRANSMISIN L 2485 A
75	F06120134	CAMERA 15 L 290	CHAMBER 15 L 290	CHAMBRE 15 L 290	KAMMER 15 L 290	CAMARA 15 L 290
76	F06120170	COPERTURA 5.00-15 IM 110 6PR	COVERING 500-15 IM110 4PR	COUVERTURE 500-15 IM110 4PR	MANTEL 500-15 IM110 4PR	CUBIERTA 500-15 IM110 4PR
77	F06120206	CERCHIO 3.00 D 15 PV RAL 9001				
78	G66248218	RONDELLA DISTAN.SPAND.	MAN. SPR. SPACER WASHER	RONDELLE ENTRETOISE EP. ENGRAI	ABSTANDSCHEIBE DsNGERSTREUER	ARANDELA DISTAN.ABONAD.
79	G18701620	RONDELLA 16,5 X35 X3 QU.ZN	WASHER 16.5 X 35 X 3- GALVAN.	RONDELLE 16-5 X35 X3 QU.ZN	UNTERLEGSCHIEBE 16-5 X35 X3 Q	ARANDELA 16-5 X35 X3 QU.ZN
80	G15835131	ASS.SCATOLA CAMBIO R.5"				
81	G22250323	ASSE RUOTA SV	WHEEL AXLE SV	AXE ROUE SV	RADACHSE SV	EJE RUEDA SV
82	F01250040	DADO COLON. 12X1.5 ZN	COLUMN NUT M12X1.5 STUD BOLT	ECROU M12X1. 5 COLONNE	SCHRAUBBOLZENMUTTER M12X1.5	TUERCA 12X1.5 COLUMNA
83	F04100137	SUPPORTO FY 25 TF	SUPPORT FY 25 TF	SUPPORT FY 25 TF	HALTERUNG FY 25 TF	SOPORTE FY 25 TF
84	F02050101	ANELLO E. DE 25X 1,2 U7435 C70	SEEGER RING E. 25X1,2 7435 C70	SEEGER E. 25X 1,2 U7435 C70	SEEGERING E. 25X 1,2 U7435 C70	ANILLO E. 25X 1,2 U7435 C70
85	F01020110	VITE M10X 1,5X40 U5737 8.8 ZN	BOLT 10X40 5737 8.G GALVANIZED	VIS 10X40 5737 8.G ZN	SCHRAUBE 10X40 5737 8.G ZN	TORNILLO 10X40 5737 8.G ZN
86	F01020112	VITE M10X 1,5X45 U5737 8.8 ZN	BOLT 10X45 5737 8.G GALVANIZED	VIS 10X45 5737 8.G ZN	SCHRAUBE 10X45 5737 8.G ZN	TORNILLO 10X45 5737 8.G ZN

TAV. 092

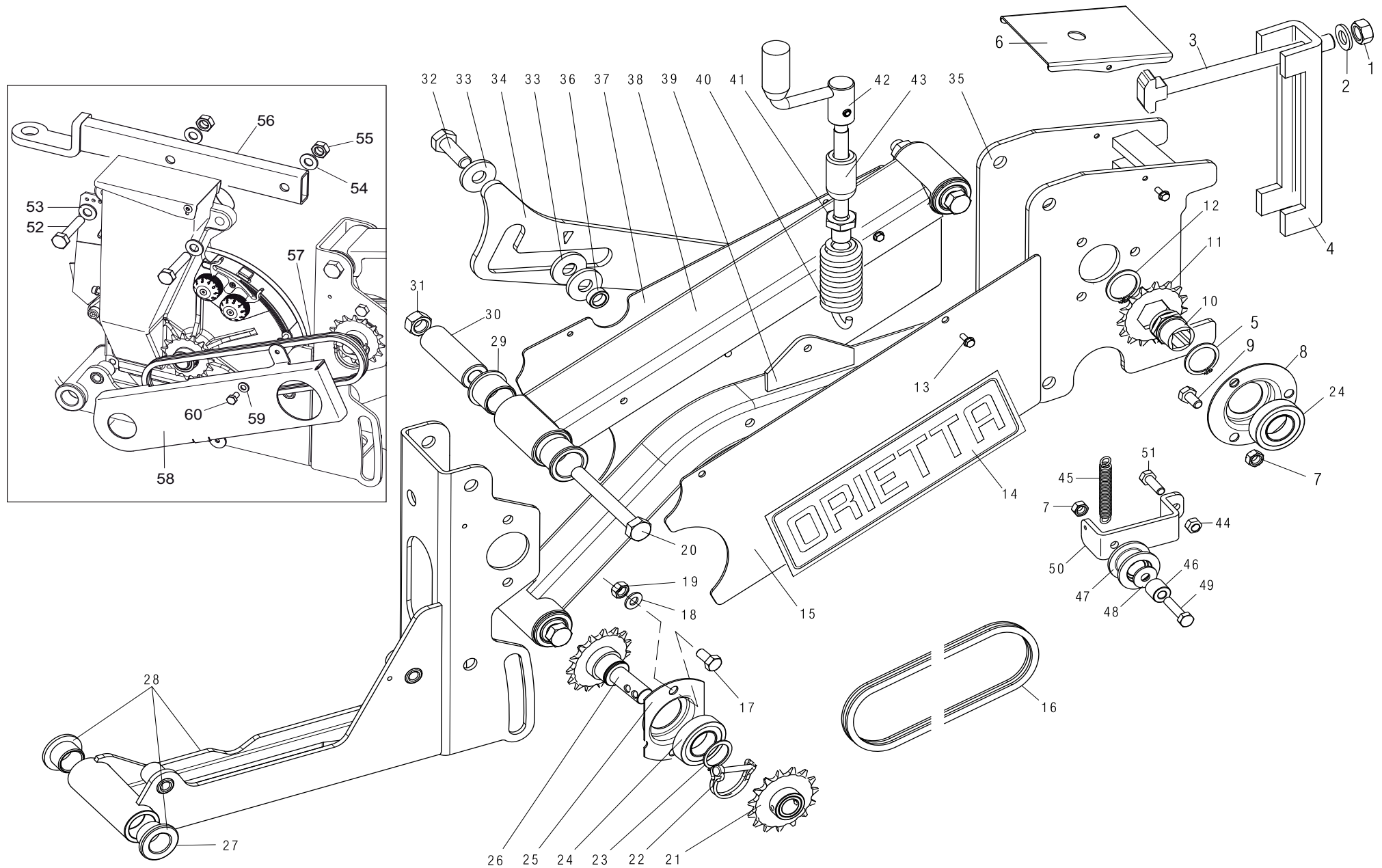


Vedi TAV. 310
See TAV. 310

DISTRIBUTORE SEMI (FILA SINGOLA E DOPPIA FILA)

TAV. 092

Pos.	Cod.	Descrizione	Description	Description	Benennung	Descripcion
1	G15826062	COPERCHIO CORPO DISTR.R1"LAV."				
2	G19005920	GUARNIZIONE COPERCHIO				
3	F06220037	VOLANTINO ZIGR.D.26-M8 FEM	KNURLED FLYWHEEL D.26-M8 FEM	VOLANT CANNEL+ D.26-M8 FEM	GER-ND. HANDRAD D.26-M8 FEM	VOLANTE ESTR. Ī 26-M8 FEM
4	F01200244	DADO M 8X1,25 U5588 6.8 ZN	NUT M8	ECROU M8	MUTTER M8	DADO M8
5	G15829600	GRUPPO SELETTORE COMPL				
6	F01070047	VIT.A.3,5X1,34X 9,5 6954 4.8NI	BOLT 3-5X 9-5 DIN 7981	VIS 3-5X 9-5 DIN 7981	SCHRAUBE 3-5X 9-5 DIN 7981	TORNILLO 3-5X 9-5 DIN 7981
7	G19004640	FINESTRA LIVELLO SEME "R"	SEED LEVEL OPENING "R"	FENETRE DE NIVEAU DES GRAINES	SAMENINSPEKTIONSFENSTER "R"	VENTANA DE NIVEL SEMILLAS
8	F01020383	VITE M5X 0,8X 30 U5739 8.8 ZN	BOLT 5X30 5739 8.G GALVANIZED	VIS 5X30 5739 8.G ZN	SCHRAUBE 5X30 5739 8.G ZN	TORNILLO 5X30 5739 8.G ZN
9	F01410023	ROS.M5 5,3X 10X 1 U6592 ZN	WASHER D5 UNI 6592 ZN	RONDELLE D5 UNI 6592 ZN	UNTERLEGSSCHEIBE D5 UNI 6592 ZN	ARANDELA D5 UNI 6592 ZN
10	G18904240	MOLLA APERTURA PORTA CONTROLLO	SPRING	RESSORT	FEDER	MUELLE
11	G19004880	FINESTRA DISTRIBUTORE	DISTRIBUTOR OPENING	FENETRE DISTRIBUTEUR	VERTEILERFENSTER	VENTANA DISTRIBUIDOR
12	F01230019	DADO M 5X 0,8 D982 8 ZN	NORM.SELF-LOCKING NUT 5 GALVAN	ECROU AUTOB.NOR.5 ZN	SELBSTSP.MUTTER NOR.5 ZN	TUERCA AUTOB. NOR. 5 ZN
13	F01020429	VITE M 8X1,25X14 U5739 8.8 ZN	BOLT 8X14 5739 8.G GALVANIZ.	VIS 8X14 5739 8.G ZN	SCHRAUBE 8X14 5739 8.G ZN	TORNILLO 8X14 5739 8.G ZN
14	G15826052	CORPO DISTRIBUTORE R1 "LAVOR."				
15	G19005610	COPERCHIO TRAMOGGIA DISTRIBUT.				
16	F01020452	VITE M 8X1,25X50 U5739 8.8 ZN	BOLT M8X50	VIS M8X50	SCHRAUBE M8X50	TORNILLO M8X50
17	G15828220	PERNO COPERCHIO DISTRIB.ZN	DISTRIBUTOR COVER PIN	PIVOT COUVERCLE DISTRIBUTEUR	BOLZEN DECKEL SZAPPARAT	PERNO TAPA DISTRIBUDOR
18	F02050649	FISSATORE ELAST.ALBERO D.3 S.S	D.3 S.S ELASTIC SHAFT FASTENE	FIXATEUR ELAST. ARBRE D.3 S.S	WELLE, ELASTISCHE BEFESTIGUNG	FIJADOR EL-STICO -RBOL D.3.S.S
19	G22250145	PUNTA SELETTORE ECCENTRICO SV	ECCENTRIC SELECTOR POINT SV	POINTE SELECTEUR EXCENTR. SV	NOCKENWZHLERSPITZE SV	PUNTA SELECTOR EXCNTRICO SV P
20	G15825840	SUPPORTO SELETTORE SEM.ORTAG.	VEGETABLE SEED SELECTOR SUPPOR	SUPPORT SELECTEUR SEMIS LEGUM	GEM_SESAMENABSTREIFERHALTERUNG	SOPORTE SELECTOR SEMBRADOR DE.
21	G18901220	MOLLA COMP.SELETT.ECCEN. SV				
22	G19002121	POMELLO GRADUATO SELET.ECC.SV	GRADUATED KNOB SV	POIGNEE GRADUEE SV	SKALENGRIFF SV	PERILLA GRADUADA SV
23	F01030011	VITE M 4X 0,7X10 U5933 10.9 ZD	BOLT 4X10 5933 10.9 GALVANIZ.	VIS 4X10 5933 10.9 ZN	SCHRAUBE 4X10 5933 10.9 ZN	TORNILLO 4X10 5933 10.9 ZN
24	F01070049	VIT.A.3,5X1,27X 13 6954 4.8NI				
25	G19004580	SCATTO SELETTORE DR "R"	SELECTOR RELEASE	DETENTE SELECTEUR	PFPROPFEN EINRASTUNG	DISPARADOR SELECTOR
26	F05100190	TAPPO FORO SELETTORE >	SELECTOR HOLE PLUG	BOUCHON TROU SELECTEUR	PFPROPFEN LOCHWZLER	TAPN AGUJERO SELECTOR
27	G19203870	PORTELLINO ISPEZIONE DISCO				
28	F02200463	SPINA SCATTO D. 5 B/81 ZN	SNAP PIN D 5 B/81	FICHE A DETENTE D. 5 B/81	EINRASTSTIFT D 5 B/81	CLAVIJA DE MUELLE D 5 B/81
29	G15827420	INGRANAGGIO Z.15 COMPL.	FITTING GEAR Z.15	MONT. ENGRANAGE Z.15	MONT. ZAHNRAD Z.15	MONT. ENGRANAJE Z.15
30	F02050056	ANELLO E. DE 17X 1 U7435 C70	SEEGER RING E. 17X 1 U7435 C70	SEEGER E. 17 X 1 U7435 C70	SEEGERING E. 17X 1 U7435 C70	INEL E 17X 1 U7435 C70
31	F04010308	CUSC.D17 D30 B7 61903 2RS1>	BEARING 61903-2RS1	PALIER 61903-2RS1	LAGER 61903-2RS1	COJINETE 61903-2RS1
32	F02050293	ANELLO E. DI 30X 1,2 U7437 C70	SEEGER RING 30X1,2 U7437 C70	SEEGER E. 30X 1,2 U7437 C70	SEEGERING E. 30X 1,2 U7437 C70	ANILLO E. 30 X1,2 U7437 C70
33	G15829490	PERNO ESPULSORE				
34	G10521111	PRIGIONIERO CORPO DISTR.	DISTR. CASING STUD BOLT . SV	PRISONNIER CORPS DISTRIB.	STIFTSCHRAUBE SZAPPARATKTRPER	TIRANTE CUERPO DISTR.
35	F02050651	ANELLO E. DE 10X 1 U7435 C70	SEEGER RING ARR.10 U7437-75	SEEGER ARR. 10 UNI 7435-75	SEEGERING ARR.10 UNI 7437-75	ANILLO ARR.10 UNI 7435-75
36	F01410037	ROS.M6 6,4X12,5X1,6 U6592 ZN	PLANE WASHER D.6	RONDELLE D.6	SCHEIBE D.6	ARANDELA D.6
37	G19004650	GUARNIZIONE SEME "R"	SEED SEAL "R"	GARNITURE GRAINES "R"	SAMEN DIHCHTUNG "R"	JUNTA SEMILLAS "R"
38	F01040061	VITE M 6X 1X16 U5931 8.8 ZN	SCREW 6 X16 5931 8.G GALVAN.	VIS 6 X16 5931 8.G ZN	SCHRAUBE 6 X16 5931 8.G ZN	TORNILLO 6 X16 5931 8.G ZN
39	G15826040	PORTELLO ALIMENTAZIONE	POWER FLAP	PORTILLONALIMENTATION	ZUF_HRUNGSDECKEL	REGISTRO ALIMENTACIEN
40	F06220036	VOLANTINO ZIGR. D.15-M5 X10 >	KNURLED FLYWHEEL D.15-M5 X10	VOLANT CANNEL+ D.15-M5 X10	GER-ND. HANDRAD D.15-M5 X10	VOLANTE ESTR. D.15-M5 X10
41	G10521094	SUPPORTO AGITATORE ORIETTA				
42	G15828430	ASS.AGITATORE R	STIRRER ASSEMBLY R	GR. AGITATEUR R	SAMENMISCHER R	CONJ. AGITADOR R
43	G15828391	TRASCINATORE DISCO ZN				
44	F01220011	DADO M 6X 1 D980 8 ZN	SELF LOCKING NUT M6	ECROU AUTOBL. M6	SELBSTSPERR.MUTTER M6	DADO AUTOBL. M6
45	G19005620	GUARNIZIONE CAVA DISCO "R"				
46	F01030055	VITE M 8X1,25X20 U5933 10.9 ZD	BOLT M8X20	VIS M8X20	SCHRAUBE M8X20	TORNILLO M8X20
47	G18701890	RONDELLA D.8,5 SVASATA ZN.	FLARED WASHER D.8.5 ZN.	RONDELLE D.8,5 +VAS+E ZN.	F-CHERSSCHEIBE D.8.5 ZN.	ARANDELA ĩ 8,5 ABOCINADA ZN.
48	G15828290	CAPPELLOTTO TENUTA GUARNIZ.DR	SEALING RING CAP DR.	CAPUCHON D'TANCHEITE GARNITUR	ABSCHLUSSKAPPE DICHTUNG DR	ENVOLTURA HERMETICIDAD JUNTA D
49	F01070011	VIT.A.4,2X1,41X 9,5 6950 4.8NI	BOLT- SELF-TAPPING 4-2X9-5T.E.	VIS AUTOTAR. 4-2X9-5 T. E. COU	SELBSTSCHNEID. SCHRAUBE 4-2X9-	TORNILLO AUTORROSC. 4-2X9-5
50	F01430059	ROS.M8 8,4X 15X0,8 U8842J ZN	WASHER D8 DIN 6798 D.INT.ZN	RONDELLE D8 DIN 6798 D. INT. Z	UNT. SCHEIBE D8 DIN 6798 D. IN	ARANDELA D8 DIN 6798 D.INT.ZN
51	G16620470	TAPPO CENTRALE H=7,5	CENTRAL PLUG H=7,5	BOUCHON CENTRAL H=7,5	ZENTRALER PFPROPFEN H=7,5	TAPEN CENTRAL H=7,5
52	F03151196	RACC.SUPERAPIDO 90° 1/8G-8	SUPER-QUICK CONNECTOR 90° 1/8G	RACC.SUPERAPIDE 90° 1/8G-8	SUPERSCHNELLANSCHLUSS 90° 1/8G	RACOR SUPERR-PIDO 90° 1/8G-8
53	F01020052	VITE M 6X 1X100 U5737 8.8 ZN	BOLT 6 X100 5737 8.G GALVANIZ.	VIS 6 X100 5737 8.G ZN	SCHRAUBE 6 X100 5737 8.G ZN	TORNILLO 6 X100 5737 8.G ZN
54	G15828611	COPERCHIO RIALZO TRAMOGGIA	LIFT HOOPER COVER	COUVERCLE HAUTEUR TREMIE	ERYHTHUNG TRICHTERDECKEL	TAPA REALCE DE LA TOLVA
55	G15828561	RIALZO TRAMOGGIA	LIFT HOOPER ASSEMBLY	GR. HAUTEUR TREMIE	TRICHTERDECKEL	CONJ. REALCE DE LA TOLVA
56	G19004891	ESPULSORE SEME FS ORIETTA				
57	G19005530	PATTINO SELETTORE FS				
58	G19005930	TASSELLO FS				
59	G19005022	ESPULSORE SEME DR ORIETTA				
60	G19005540	PATTINO SELETTORE DR				
61	G19005940	TASSELLO DR				

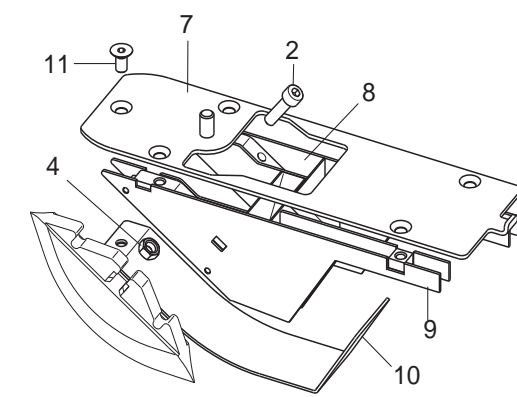
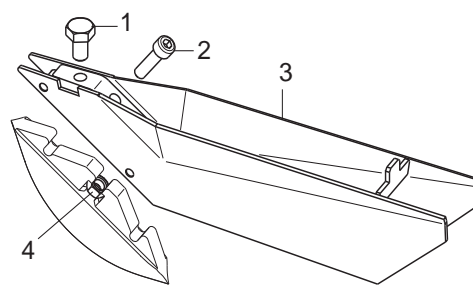
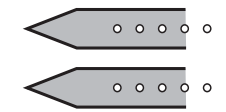
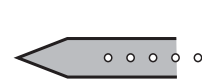
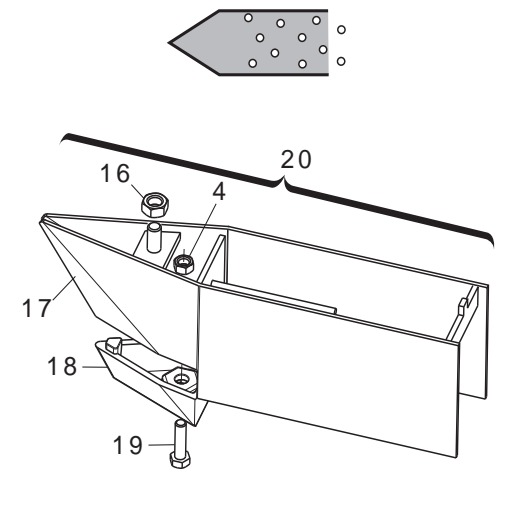


TELAIO ELEMENTO

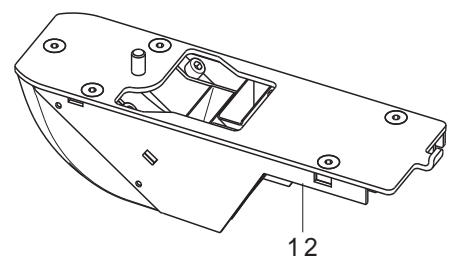
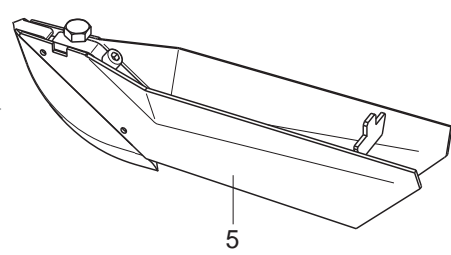
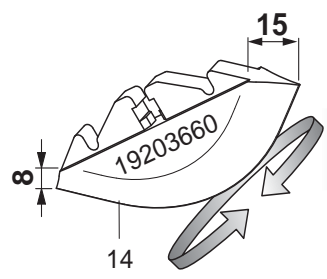
TAV. 102

Pos.	Cod.	Descrizione	Description	Description	Benennung	Descripcion
1	F01200306	DADO M14X 2 U5588 6.8 ZN	NUT M14X2	ECROU M14X2	MUTTER M14X2	DADO M14X2
2	F01410088	ROS.M14 15X 28X2,5 U6592 ZN	WAS.M14 15X 28X2,5 U6592 ZB	RON.M14 15X 28X2,5 U6592 ZB	SCH.M14 15X 28X2,5 U6592 ZB	ARA.M14 15X 28X2,5 U6592 ZB
3	G16610010	VITE A MARTELLO M14X165	WINGED SCREW M14X165	VIS A TETE MARTEAU M14X165	ZWEIFLÜGEL- SCHRAUBEN M14X165	TORNILLO DE MARIPOSA M14X165
4	G19204030	SCONTRIO FISS.150 2F D15				
5	F02050615	ANELLO E. DE 28X 1,5 U7435 C70	STOP RING 28 UNI 7435-75	BAGUE DE SERRAGE 28 UNI 7435-7	DRAHTSPRENGRING 28 UNI 7435-75	ANILLO PARADA 28 UNI 7435-75
6	G15829050	CARTER SUPERIORE	TOP CASE	CARTER SUPERIEUR	OBERES GEHZUSE	CµRTER SUPERIOR
7	F01200244	DADO M 8X1,25 U5588 6.8 ZN	NUT M8	ECROU M8	MUTTER M8	DADO M8
8	G22230094	SUPPORTO CUSCINETTO	BEARING SUPPORT	SUPPORT PALIER	LAGERB&SCHSE	SOPORTE COJINETE
9	F01020432	VITE M 8X1,25X16 U5739 8.8 ZN	BOLT M8X16	VIS M8X16	SCHRAUBE M8X16	TORNILLO M8X16
10	G22250441	MOZZO CORONA SEMINATORE SV/2	PLANTING UNIT CROWN HUB SV/2	MOYEU COURONNE SEMEUR SV/2	KRANZNABE SZELEMENT SV/2	CUBO CORONA SEMBRADOR SV/2
11	G22250190	CORONA ASSE SEMINAT.Z-15 SV	PLANTING UNIT AXLE Z-15 RING G	COURONNE AXE SEMEUR Z-15 SV	KRANZ SZELEMENTACHSE Z-15 SV	CORONA EJE SEMBR. Z-15 SV
12	F02050615	ANELLO E. DE 28X 1,5 U7435 C70	STOP RING 28 UNI 7435-75	BAGUE DE SERRAGE 28 UNI 7435-7	DRAHTSPRENGRING 28 UNI 7435-75	ANILLO PARADA 28 UNI 7435-75
13	F01020400	VITE M 6X 1X 14 U5739 8.8 ZN	BOLT 6X14 5739 8.8 GALVANIZED	VIS 6X14 5739 8.8 G ZN	SCHRAUBE 6X14 5739 8.8 G ZN	TORNILLO 6X14 5739 8.8 G ZN
14	G19704363	DECALCOMANIA ADESIVA ORIETTA	ORIETTA STICKER	DECAL. ORIETTA	ABZIEHB. ORIETTA	CAL. ORIETTA
15	G15826272	CARTER PARALLELOGRAMMA DX				
16	F06080043	CATENA 1/2 ISO 083 80 MAGLIE	CHAIN 1/2 ISO 083 80			
17	F01020427	VITE M 8X1,25X12 U5739 8.8 ZN	BOLT 8X12 5739 8.8 GALVANIZ.	VIS 8X12 5739 8.8 G ZN	SCHRAUBE 8X12 5739 8.8 G ZN	TORNILLO 8X12 5739 8.8 G ZN
18	F01410051	ROS.M8 8,4X 17X1,6 U6592 ZN	PLANE WASHER D.8	RONDELLE D.8	SCHEIBE D.8	ARANDELA D.8
19	F01240024	DADO M 8X1,25 U5448 5.8 ZN	NUT 8 UNI 5448 5.8 ZN	ECROU 8 UNI 5448 5.8 ZN	MUTTER 8 UNI 5448 5.8 ZN	TUERCA 8 UNI 5448 5.8 ZN
20	F01020170	VITE M12X1,75X100 5737 8.8 ZN	BOLT M12X100	VIS M12X100	SCHRAUBE M12X100	TORNILLO M12X100
21	G15826640	MOZZO RINVIO COMPL.	TRANSM. HUB FITTING	MONT. MOYEU TRANSMISSION	MONT. VORGELEGENABE	MONT. CUBO TRASMISIN
22	F02200463	SPINA SCATTO D. 5 B/81 ZN	SNAP PIN D 5 B/81	FICHE A DETENTE D. 5 B/81	EINRASTSTIFT D 5 B/81	CLAVIJA DE MUELLE D 5 B/81
23	F02050101	ANELLO E. DE 25X 1,2 U7435 C70	SEEGER RING E. 25X1,2 7435 C70	SEEGER E. 25X 1,2 U7435 C70	SEEGERING E. 25X 1,2 U7435 C70	ANILLO E. 25X 1,2 U7435 C70
24	F04010135	CUSC.D25 D47 B12 6005 2RS EX->				
25	G15725030	SUPPORTO CUSCINETTO	BEARING SUPPORT	SUPPORT PALIER	LAGERHALTERUNG	SOPORTE COJINETE
26	G15826600	ASS.ALBERO RINVIO R13 ZN	INTERMEDIATE SHAFT ASSEMBLY R1	GR. ARBRE TRANSMISSION R13 ZN	VORGELEGEWELLE R13 ZN	CONJ µRBOL TRANSMISIN R13 ZN
27	G66349006	BOCCOLA	BUSHING	BOITE	B&SCHSE	CASQUILLO
28	G15881430	MONT.ATTACCO DISTRIBUTORE				
29	G66349003	BOCCOLA SINT.	BUSHING- SINTERED	BOITE FRITTEE	SYNTH. BUECHSE	CASQUILLO SINT.
30	G22250405	PERNO BRACCIO INFERIORE SV/2	PIN- LOWER ARM SV/2	PIVOT BRAS INF. SV/2	ZAPFEN UNTERER ARM SV/2	PERNO BRAZO INFERIOR SV/2
31	F01220048	DADO M12X1,75 D980 8 ZN	SELF LOCKING NUT M12X1,75 980V	ECROU AUTOBL. M12X1,75 980-V	SIEHE 00553312	DADO AUTOBL. M12X1,75 980-V
32	F01020512	VITE M12X1,75X35 U5739 8.8 ZN	SCREW M12X35	VIS M12X35	SCHRAUBE M12X35	TORNILLO M12X35
33	G20970035	RONDELLA 32X4X13	WASHER 32X4X13	RONDELLE 32X4X13	UNTERLEGSCHHEIBE 32X4X13	ARANDELA 32X4X13
34	G15826771	ASTAAGGANCIIO PARALLELOGRAMMA				
35	G15828500	ATTACCO TELAIO150	FRAME COUPLING 150	FIXATION BATI 150	KUPPLUNG RAHMEN 150	CONEXIN BASTIDOR 150
36	G20980082	BOCCOLA 18X7X12,25	BUSHING 18X7X12-25	BOITE 18X7X12-25	B&SCHSE 18X7X12-25	CASQUILLO 18X7X12-25
37	G15829041	CARTER PARALLELOGRAMMA SX				
38	G15826282	BRACCIO SUP.SEMIN.ORIETTA				
39	G15826501	BRACCIO INF.PARALLELO OR.	PARALLELOGRAM LOWER ARMASS.	GR. BRAS INF.	EINHEIT PARALLELOGRAMM UNT. AR	CONJ. BRAZO INF. PARALELOGRAMA
40	G15828660	ASS.MOLLA ALLEGGERIMENTO	LIGHTENING SPRING COUPLING	ASS. RESSORT ALLEGEMENT	ERLEICHTERUNGSFEDERKOMPLEX	CONJ. MUELLE DE ALIGERAMIENTO
41	G15220120	VITE REGOLAZIONE ZN				
42	G15220960	MANIGLIA REGOLAZIONE	ADJUSTMENT HANDLE	POIGNEE REGLAGE	EINSTELLGRIFF	MANIJA REGULACION
43	G15828760	RULLO TENDICATENA 14,00X25X 45	BUSHING- TIGHTENER	BOITE TENDEUR	B&SCHSE SPANNER	CASQUILLO TENSOR
44	F01220022	DADO M 8X1,25 D980 8 ZN	SELF LOCKING NUT M8X1,25 980V	ECROU AUTOBL. M8X1,25 980-V	SELBSTSP.MUTT. M8X1,25 980-V	DADO AUTOBL. M8X1,25 980-V
45	F18902680	MOLLA TRAZ.ZN SERBATOIO SV290	GALV.TANK TRACT.SPRING SV290	RESSORT RAZ.ZN RESERVOIR SV290	ZUGFEDER ZN BEHZLTER SV290	MUELLE TRAC.ZN DEPOSITO SV290 A
46	G18801450	BOCCOLA 8,25 X18 X17	BUSHING 8,25 X 18 X 17	BOITE 8,25 X18 X17	B&SCHSE 8,25 X18 X17	CASQUILLO 8,25 X18 X17
47	G19005110	RULLO TENDICATENA	CHAIN TIGHTENER ROLLER	ROULEAU TENDEUR DE CHAINE	ROLLE KETTENSPANNER	RODILLO TENSOR DE LA CADENA
48	F01420048	ROS.M8 8,4X 24X 2 U6593 ZN	PLANE WASHER D.8	RONDELLE D.8	SCHEIBE D.8	ARANDELA D.8
49	F01020449	VITE M 8X1,25X35 U5739 8.8 ZN	BOLT M8X35	VIS M8X35	SCHRAUBE M8X35	TORNILLO M8X35
50	G15829150	BRACCETTO TENDICATENA ZN				
51	F01020440	VITE M 8X1,25X25 U5739 8.8 ZN	BOLT M8 X25 5739 8.8 ZN	VIS M8 X25 5739 8.8 ZN	SCHRAUBE M8 X25 5739 8.8 ZN	TORNILLO M8 X25 5739 8.8 ZN
52	F01020114	VITE M10X 1,5X50 U5737 8.8 ZN	BOLT 10X50 5737 8.8 GALVANIZED	VIS 10X50 5737 8.8 G ZN	SCHRAUBE 10X50 5737 8.8 G ZN	TORNILLO 10X50 5737 8.8 G ZN
53	F01410064	ROS.M10 10,5X 20X 2 U6592 ZN	WASHER 10,5X21	RONDELLE 10,5X21	SCHEIBE 10,5X21	ARANDELA 10,5X21
54	F01430023	ROS.M10 10,5X 18X0,9 U8842J ZN	WASHER D10 DIN 6798 D.INT.ZN	RONDELLE D10 DIN 6798 D. INT.	UNT. SCHEIBE D10 DIN 6798 D.IN	ARANDELA D10 DIN 6798 D.INT.ZN
55	F01200270	DADO M10X 1,5 U5588 6.8 ZN	NUT M10	ECROU M10	MUTTER M10	DADO M10
56	G15826101	ATTACCO DISTRIBUTORE OR.	DISTRIBUTOR COUPLING ASSEMBLY	GR. FIXATION DISTRIB. OR	SZAPPARATANSCHLUSS OR	CONJ. CONEXIN DISTR. OR
57	F06080010	CATENA 1/2 ISO 083 52 MAGLIE	CHAIN 1/2 ISO 083 52			
58	G15826401	CARTER RINVIO DISTRIBUTORE	DISTRIBUTOR INTERMEDIATE CASE	CARTER TRANSMISSION DISTRIBUTE	SAPPARAT VORGELEGEGEHZUSE	CµRTER TRANSMISIN DISTRIBUTOR
59	F01410034	ROS.M6 6,4X12,5X1,6 U6592 IX	INOX A2 WASHER D6 UNI 6592	RONDELLE D6 UNI 6592 INOX A2	UNTERLEGSCHHEIBE D6 UNI 6592 IN	ARANDELA D6 UNI 6592 INOX A2
60	F01020398	VITE M 6X 1X 12 U5739 8.8 ZN	BOLT M6X12	VIS M6X12	SCHRAUBE M6X12	TORNILLO M6X12

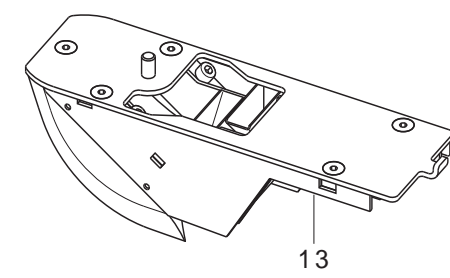
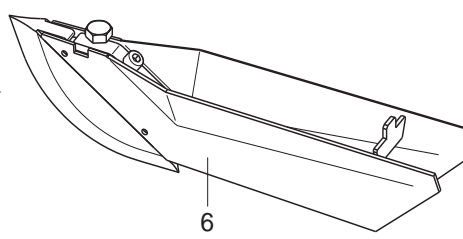
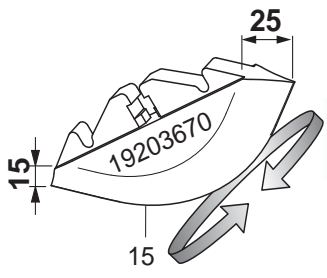
TAV. 113



8 - 15



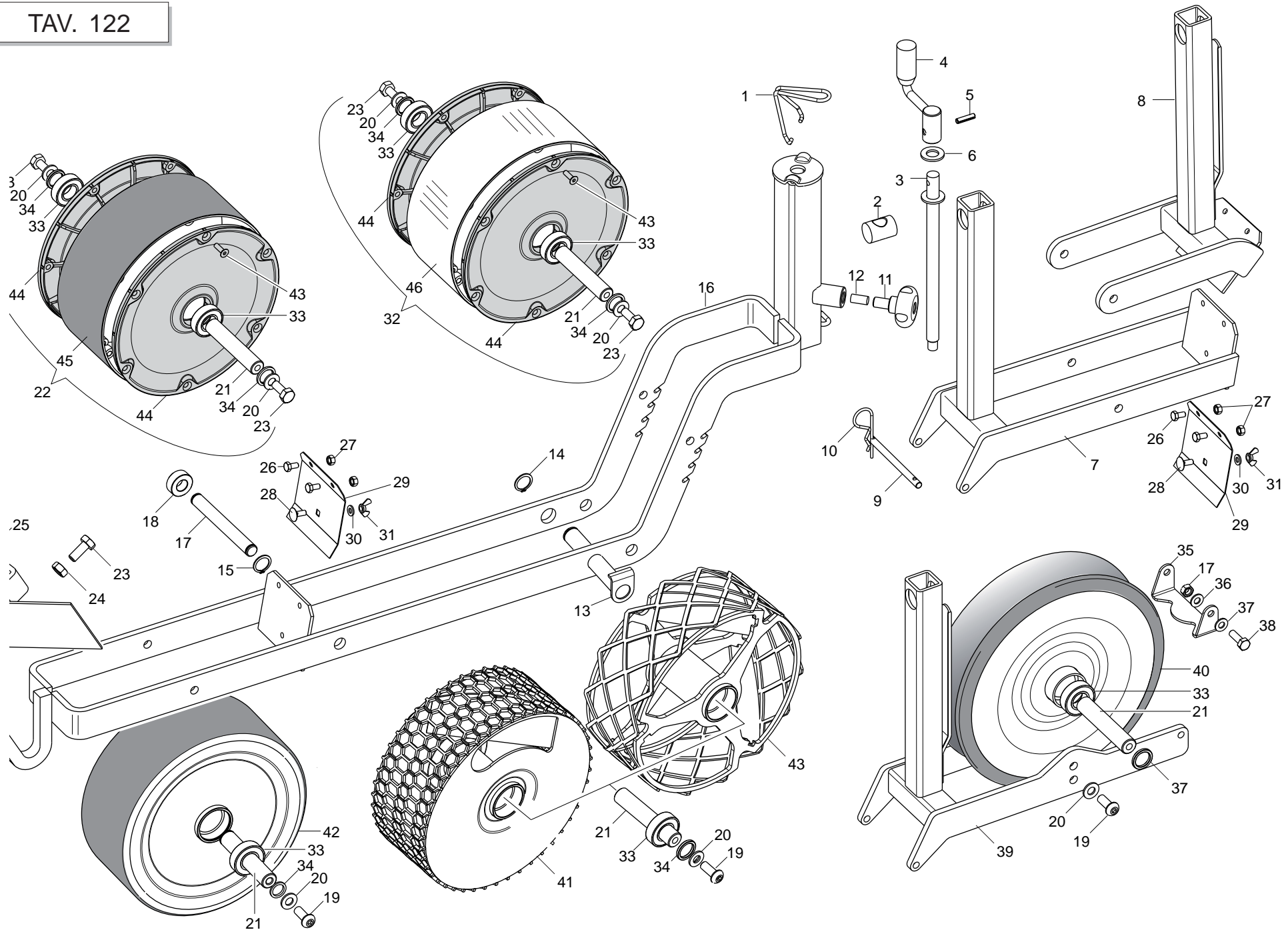
15 - 25



FALCIONI ASSOLCATORI - FILA SINGOLA, FILA A FASCIA E FILA DOPPIA

TAV. 113

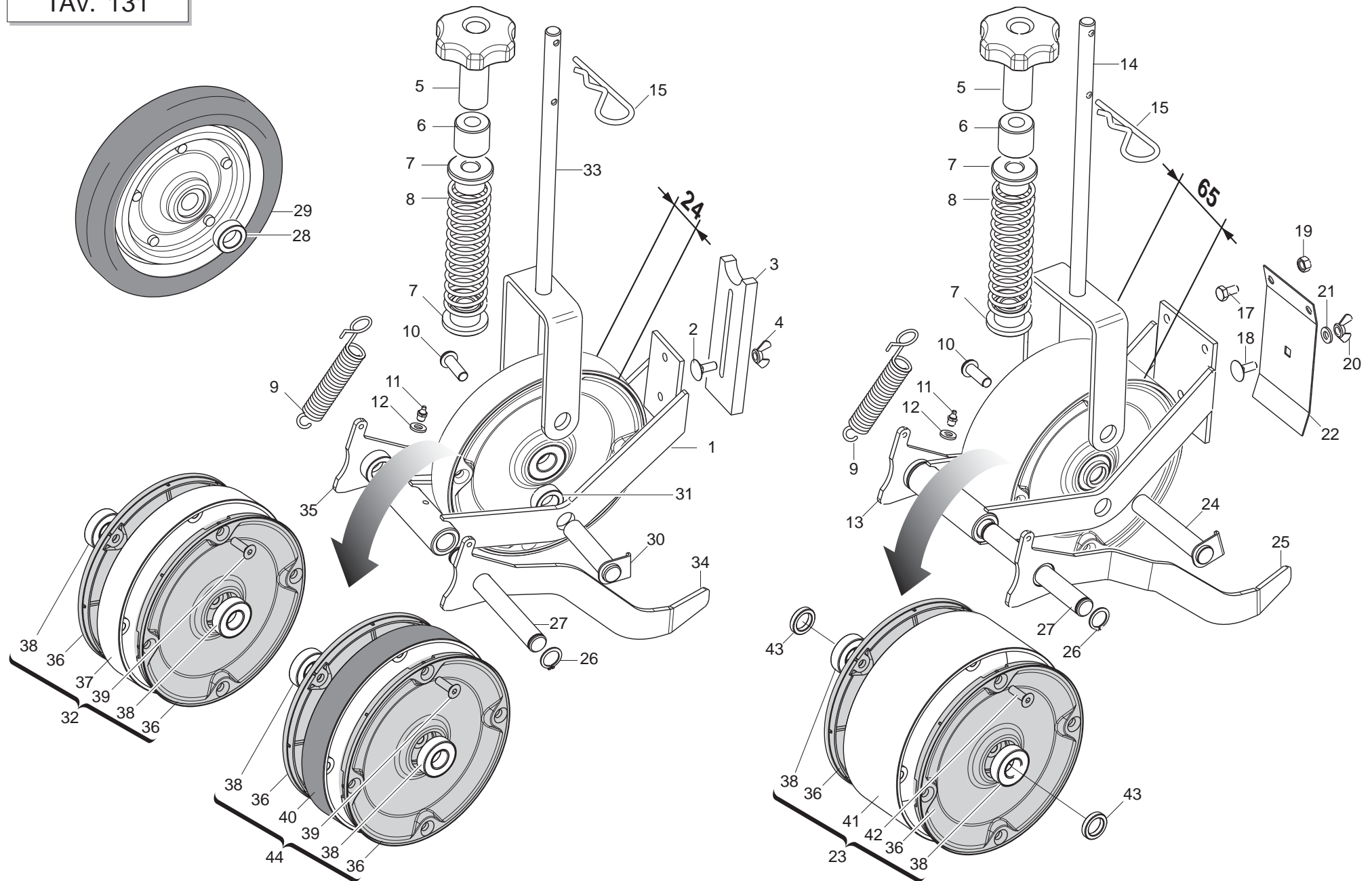
Pos.	Cod.	Descrizione	Description	Description	Benennung	Descripcion
1	F01020468	VITE M10X1,5 X16 U5739 8.8 ZN				
2	F01040098	VITE M 8X1,25X30 U5931 8.8 BR	SCREW 8 X30 5931 8.G	VIS 8 X30 5931 8.G	SCHRAUBE 8 X30 5931 8.G	TORNILLO 8 X30 5931 8.G
3	G15828350	ASS.LAMIERE FALCIONE FS-03	COULTER SHEET ASS. FS-03	GR. T+LES SOC FS-03	BLECHE S-SCHAR FS-03	CONJ. CHAPAS BOTA FS-03
4	F01200244	DADO M 8X1,25 U5588 6.8 ZN	NUT M8	ECROU M8	MUTTER M8	DADO M8
5	G15828400	FALCIONE FILA SINGOLA H14	H14 SINGLE ROW COULTER	HACHOIR RANG SIMPLE H14	EINZELREIHENS-SCHAR H 14	ARADO FILA SENCILLA H14
6	G15828410	FALCIONE FS-03 H14/25	FS-03 H14/25 COULTER	HACHOIR TRANSMISSION-03 H14/25	S-SCHAR FS-03 H14/25	ARADO FS-03 H14/25
7	G15881600	ASS.SUPPORTO FALCIONE DR7 '06				
8	G15881620	ASS.RIGA DX.FALCIONE DR '06				
9	G15881610	ASS.RIGA SX.FALCIONE DR '06				
10	G15881630	ASS.SLITTA FALCIONE DR7 '06				
11	F01030054	VITE M 8X1,25X16 U5933 10.9 ZD	BOLT 8X16 UNI5933 10.9 GALVANI	VIS 8X16 UNI 5933 10.9 ZN	SCHRAUBE 8X16 UNI 5933 10.9 ZN	TORNILLO 8X16 UNI 5933 10.9 ZN
12	G15881690	MONT.FALCIONE DR7 H08/15 '06				
13	G15881590	MONT.FALCIONE DR7 H15/25 '06				
14	G19203660	TAGLIENTE FALCIONE FS03 H8/15	CUTTER EDGE FS03 H8/15	COUPEUR HACHOIR FS03 H8/15	SCHARSCHNEIDE FS03 H8/15	AFIL. HOJA DE CORTE FS03 H8/15
15	G19203670	TAGLIENTE FALCIONE FS03 H15/25	CUTTER EDGE FS03 H14/25	COUPEUR HACHOIR FS03 H14/25	SCHARSCHNEIDE FS03 H14/25	AFIL. HOJA DE CORTE FS03 H14/2
16	F01200270	DADO M10X 1,5 U5588 6.8 ZN	NUT M10	ECROU M10	MUTTER M10	DADO M10
17	G15827310	ASS.FALCIONE FASCIA 6	CUTTER STRIP 6 ASS.	GR. BRIDE 6 HACHOIR	BAND 6 SZSCHAR	CONJ. BANDA 6 GUADAADORA
18	G19203640	PUNTALE FALCIONE A FASCIA "R"	BANDS CUTTER TIP "R"	ETRESILLON HACHOIR BANDES "R"	STSTZE SZSCHAR BsnDE "R"	PUNTAL GUAADORA FAJA 9 "R"
19	F01020450	VITE M 8X1,25X40 U5739 8.8 ZN	BOLT M8X40	VIS M 8X40	SCHRAUBE M 8X40	TORNILLO M 8X40
20	G15827340	FALCIONE A FASCIA 6 CON VITE				



BILANCIERE E RUOTE DI COMPRESSIONE

TAV. 122

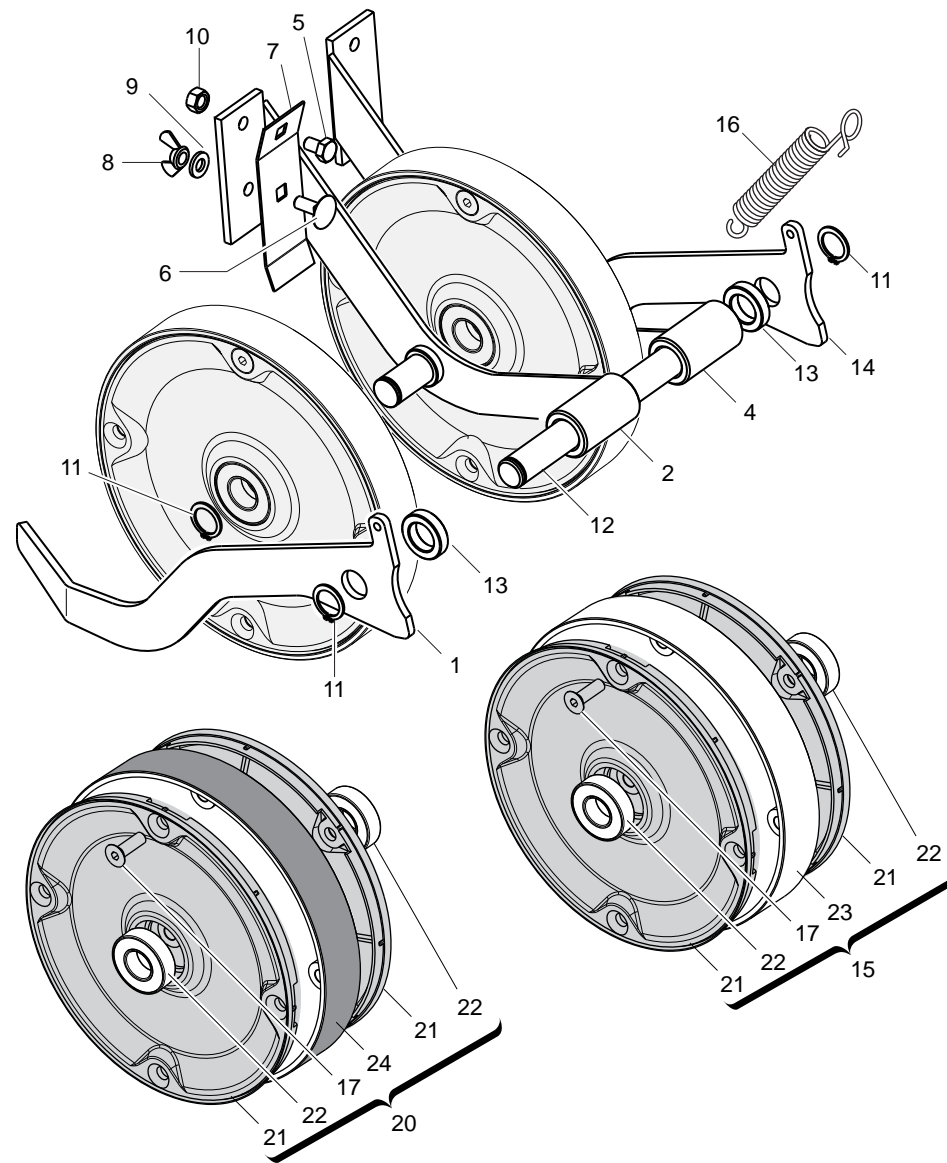
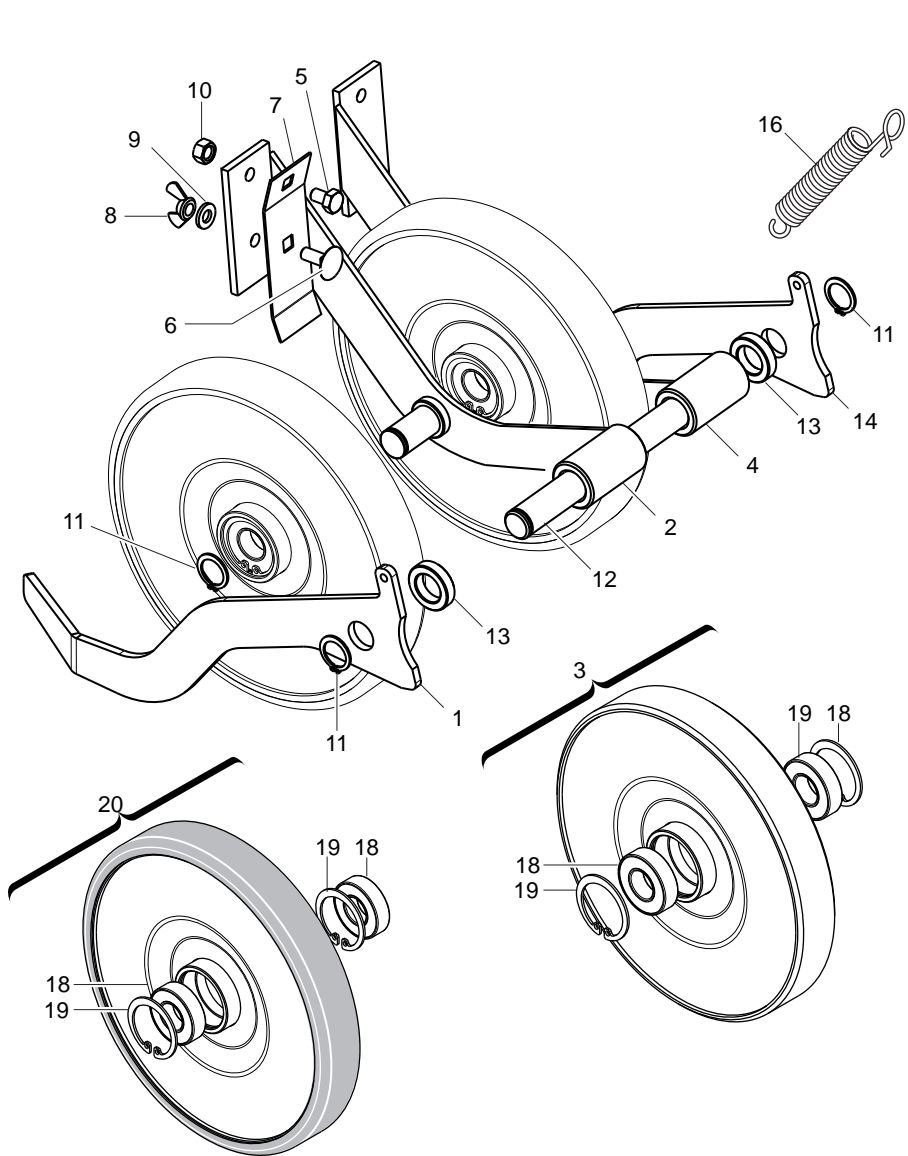
Pos.	Cod.	Descrizione	Description	Description	Benennung	Descripcion
1	G65336100	MOLLA SPEC.FERMO MANIGLIA SP	SPEC SPRING HANDLE STOP SP	RESSORT SPEC. ARRET POIGNEE SP	SPEZIALFEDER GRIFFSPERRE SP	MUELLE ESPEC. BLOQUEO MANIJA S
2	G22230063	ELEMENTO ARTICOLATO	ARTICULATED ELEMENT	ELEMENT ARTICULE	GELENKELEMENT	ELEMENTO ARTICULADO
3	G22230062	VITE DI REGOLAZIONE	ADJUSTMENT BOLT	VIS DE REGLAGE	EINSTELLSCHRAUBE	TORNILLO DE REGULACION S
4	G22270235	MANIGLIA REGOLAZIONE B4	ADJUSTMENT HANDLE B4	POIGNEE REGLAGE B4	EINSTELLGRIFF B4	MANIJA REGULACION B4 M
5	F02100109	SPINA E.P. 6X 24 U6873 C70 BR	PIN EL. .6 X24 DIN 1481	FICHE EL. 6 X24 DIN 1481	SPANNSTIFT 6 X24 DIN 1481	CLAVIJA EL.6 X24 DIN 1481
6	F01410088	ROS.M14 15X 28X2,5 U6592 ZN	WAS.M14 15X 28X2,5 U6592 ZB	RON.M14 15X 28X2,5 U6592 ZB	SCH.M14 15X 28X2,5 U6592 ZB	ARA.M14 15X 28X2,5 U6592 ZB
7	G15826790	ASTINA RUOTA POST.	REAR WHEEL ROD ASS.	GR. TIGE ROUE ARRIERE	HINTERRZDER STAGE	CONJ. VARILLA RUEDAS TRASERA E
8	G15829010	ASTINA RUOTA BIL.CORTO	SHORT ROCKER WHEEL ROD CUPLING	ASS. PETITE TIGE ROUE BALANCIE	RADSTABKOMPLEX KURZER TANDEMWA	CONJ. VARILLA RUEDA BALANC-N.C
9	G15827920	PERNO ESCLUSIONE COPRISEME ZN	GALVAN. SEED-COVER EXCLUSION P	PIVOT EXCLUSION COUVRE-GR ZN	BOLZEN _BERBR_CKUNG SAMENABDEC	PERNO DESCONEXI-N CUBRESEMILLA
10	F02200342	COPIGLIA R 2X 50 ZN	SPLIT PIN R 2X50 ZN	GOUPILLE R 2X50 ZN	SPLINT R 2X50 ZN	CHAVETA R 2X50 ZN
11	F06220013	VOLANT.8L.PERN.M12X30-40 VPA55	8-LOBE PIN HANDWHEEL M12X30-40	VOLANT 8 LOBES PIVOT M12X30-40	HANDRAD.8L.ZAPFENM12X30-40 VPA	VOLDEL.8L.PERN.M12X30-40 VPA55
12	G22270400	INSERTO MANOPOLA REGOLAZ. SP/S	ADJUSTMENT HANDLE INSERTION SP	PIECE INTERCAL. BOUT. REGL. SP	EINSATZ EINSTELLGRIFF SP/S	ENCASTRE PERILLA REGULAC. SP/S
13	G15828280	ASS.PERNO BILANCIERE ZN	GALVAN. ROCKER PIN ASS.	GR. PIVOT BALANCIER ZN	BOLZEN KIPPHEBEL ZN	CONJ. PERNO BALANCN
14	F02050078	ANELLO E. DE 20X 1,2 U7435 C70	SEEGER RING E. 20X1,2 7435 C70	SEEGER 20X 1,2 U7435 C70	SEEGER E. 20X 1,2 U7435 C70	
15	F02050034	ANELLO E. DE 15X 1 U7435 C70	ELASTIC RING DE 15X 1	BAGUE ELASTIQUE DE 15X 1	RING DE 15X 1	ANILLO DE 15X 1
16	G15826721	BILANCIERE ORIETTA	ROCKER ASS. ORIETTA	GR. BALANCIER ORIETTA	KIPPHEBEL ORIETTA	CONJ. BALANCN ORIETTA
17	G15827480	ASSE COPRISEME	SEED-COVER AXLE	AXE COUVRE-GR.	SAMENABDECK ASCHE	CUBRESEMILLAS EJE
18	G19005160	BOCCOLA FINECORSIA BILANCIERE	LIMIT SWITCH ROCKER BUSHING	DOUILLE BUTEE BALANCIE	ENDANSCHLAGSBUCHSE TANDEMWAGEN	CASQUILLO FIN DE CARRERA BALAN
19	F01030222	VITE M10X X20 U7380 10.9 ZD	GALVAN. SCREW 10X20 7380 8.G	VIS 10X20 7380 8.G ZN	SCHRAUBE 10X20 7380 8.G ZN	TORNILLO 10X20 7380 8.G ZN
20	F01420060	ROS.M10 10,5X 30X2,5 U6593 ZN	WASHER 10,5X30	RONDELLE 10,5X30	SCHEIBE 10,5X30	ARANDELA 10,5X30
21	G15826561	ASSE RUOTA 250X100	AXLE	AXE	ACHSE	EJE
22	G15826820	RUOTA IN GOMMA 250X100	RUBBER WHEEL 250X100	ROUE EN CAOUTCHOUC 250X100	GUMMIRAD 250X100	RUEDA DE CAUCHO 250X100
23	F01020472	VITE M10X 1,5X25 U5739 8.8 ZN	BOLT 10X25 5739 8.G GALVANIZED	VIS 10X25 5739 8.G ZN	SCHRAUBE 10X25 5739 8.G ZN	TORNILLO 10X25 5739 8.G ZN
24	F01200270	DADO M10X 1,5 U5588 6.8 ZN	NUT M10	ECROU M10	MUTTER M10	DADO M10
25	G10525830	SPIANATERRA	SOIL LEVELLER	NIVELEUSE	ERDEBNER	NIVELADORA
26	F01020397	VITE M 6X 1X 10 U5739 8.8 ZN	BOLT 6X10 5739 8.G GALVANIZED	VIS 6X10 5739 8.G ZN	SCHRAUBE 6X10 5739 8.G ZN	TORNILLO 6X10 5739 8.G ZN
27	F01200232	DADO M 6X 1 U5588 6.8 ZN				
28	F01060016	BUL.M 6X 1X 30 U5732 4.6 ZN	BOLT 6X30 5732 4.6 GALVANIZED	VIS 6X30 5732 4.6 ZN	SCHRAUBE 6X30 5732 4.6 ZN	TORNILLO 6X30 5732 4.6 ZN
29	G15826740	RASCHIATERRA SEM.R13	SOIL-SCRAPER SEM.R13	RACLEUR SEM.R13	ERDSCHABER SEM.R13	RASCADOR TIERRA SEM.R13
30	F01430047	ROS.M6 6,4X 11X0,7 U8842J ZN	WASHER D6 DIN 6798 D.INT.GALV.	RONDELLE D6 DIN 6798 D. INT. Z	UNT. SCHEIBE D6 DIN 6798 D. IN	ARANDELA D6 DIN 6798 D.INT.ZN
31	F01240012	DADO M 6X 1 U5448 5.8 ZN	NUT 6 UNI 5448 5.8 ZN	ECROU 6 UNI 5448 5.8 ZN	MUTTER 6 UNI 5448 5.8 ZN	TUERCA 6 UNI 5448 5.8 ZN
32	G15823621	RUOTA INOX D.254 SEM."R"	INOX D.254 SEM."R" WHEEL AXIS	AXE ROUE INOX D.254 SEM."R"	RADACHSE INOX D.254 SEM."R"	EJE RUEDA INOX D.254 SEM."R"
33	F04010131	CUSC.D20 D42 B12 6004-2RSH EX>	BEARING 6004 2RS EX. SKF	ROULEMENT 6004	LAGER 6004	COJINETE 6004
34	G19005081	DISTANZIALE RUOTE INOX R				
35	G15828730	RASCHIATERRA RUOTA V GOMMA	RUBBER V WHEEL SOIL-SCRAPER	RACLEUR ROUE CAOUTCHOUC V	ERDSCHABER GUMMIRAD V	RASCADOR RUEDA CAUCHO V
36	F01430059	ROS.M8 8,4X 15X0,8 U8842J ZN	WASHER D8 DIN 6798 D.INT.ZN	RONDELLE D8 DIN 6798 D. INT. Z	UNT. SCHEIBE D8 DIN 6798 D. IN	ARANDELA D8 DIN 6798 D.INT.ZN
37	F01410051	ROS.M8 8,4X 17X1,6 U6592 ZN	PLANE WASHER D.8	RONDELLE D.8	SCHEIBE D.8	ARANDELA D.8
38	F01020440	VITE M 8X1,25X25 U5739 8.8 ZN	BOLT M8 X25 5739 8.8 ZN	VIS M8 X25 5739 8.8 ZN	SCHRAUBE M8 X25 5739 8.8 ZN	TORNILLO M8 X25 5739 8.8 ZN
39	G15828690	ASTINA RUOTA POST.V	REAR WHEEL ROD ASS. V	GR. TIGE ROUE ARRIERE V	HINTERRZDER STAGE V	CONJ. VARILLA RUEDAS TRASERAES
40	G15828680	RUOTA POST.290X80 SEM.V COMPL.	290X80 SEM.V REAR WHEEL FITTING	MONT. ROUE POSTERIEURE 290X80	MONT. HINTERES RAD 290X80 SEM.	MONT. RUEDA TRASERA 290X80 SEM
41	G15827010	RUOTA IN GRIGLIA SEM R13	SEM R13 GRID WHEEL ASS.	GR. ROUE A GRILLE SEM R13	RAD AUS GITTER SEM R13	CONJ. RUEDA EN REJILLA SEM R13
42	G15828460	RUOTA GOMMA RIGIDA	SOLIDE RUBBER WHEEL COUPLING	ASS. ROUE GOMME RIGIDE	HARTGUMMIRADKOMPLEX	CONJ. RUEDA GOMA. R-GIDA
43	G15881340	ASS.RUOTA IN GRIGLIA 250X100				



RUOTINI DI COMPRESIONE - FILA SINGOLA E FILA A FASCIA

TAV. 131

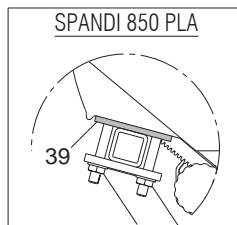
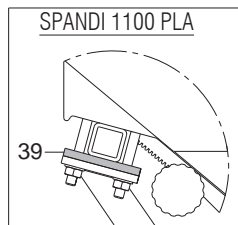
Pos.	Cod.	Descrizione	Description	Description	Benennung	Descripcion
1	G15825251	SUPP.RUOTINO PREMISEME FS	STRIP SEED PRESS WHEEL SUPPORT	ASS. SUPPORT ROUET RECOUVREUR	SAMENANDRUCKROLLENHALTERUNGSKO	CONJ.. SOPORTE RODILLO PRENSA
2	F01060016	BUL.M 6X 1X 30 U5732 4.6 ZN	BOLT 6X30 5732 4.6 GALVANIZED	VIS 6X30 5732 4.6 ZN	SCHRAUBE 6X30 5732 4.6 ZN	TORNILLO 6X30 5732 4.6 ZN
3	G15828440	RASCHIATERRA RUOTINI FS	WHEEL SOIL-SCRAPER FS	RACLEUR ROUE FS	ERDSCHABER FS	RASCADOR RUEDA FS
4	F01240012	DADO M 6X 1 U5448 5.8 ZN	NUT 6 UNI 5448 5.8 ZN	ECROU 6 UNI 5448 5.8 ZN	MUTTER 6 UNI 5448 5.8 ZN	TUERCA 6 UNI 5448 5.8 ZN
5	G19004530	VOLANTINO PRESSORE (SEM.ORT.R)	HANDWHEEL	VOLANT	HANDRAD	VOLANTE
6	G66248100	RULLO TEND. SP	TIGHTENER ROLLER SP	ROULEAU TENDEUR SP	SPANNERROLLE SP	RODILLO TENSOR SP
7	G19004560	BOCCOLA MOLLA PRESSORE	SPRING BUSHING	RESSORT	FEDER	CASQUILLO MUELLE
8	G18903670	MOLLA COMPRESIONE RUOTINO	COMPR. WHEEL SPRING	RESSORT COMPRESSION ROUET	FEDER DsNGUNG ROLLE	MUELLE COMPRESIN RUEDECILLA A
9	G18902520	MOLLA TRAZ.ZN RASCHIATERRA	GALVAN. SOIL SCRAPER TRAC.SPRI	RESSORT TRACT. ZN RACLEUR	ZUGFEDER ZN ERDSCHABER	MUELLE TRACC. RASCADOR TIERRA
10	F01030055	VITE M 8X1,25X20 U5933 10.9 ZD	BOLT M 8X20	VIS M 8X20	SCHRAUBE M 8X20	TORNILLO M 8X20
11	F01100011	ING.M 6X1 7663-A 9SMNPB28 ZN	SPHERE NIPPLE M6X1/A	GRAISSEUR A BILLES M6X1/A	KUGELFETTBSCHSE M6X1/A	ENGRAS. DE ESFERAS M6X1/A
12	F01410037	ROS.M6 6,4X12,5X1,6 U6592 ZN	PLANE WASHER D.6	RONDELLE D.6	SCHIEBE D.6	ARANDELA D.6
13	G15828810	ASS.COPRISEME A FASCIA DX. R	RIGHT BAND SEED-COVER ASS. R	GR. COUVRE-GR. DROITE BANDES R	SANENABDECK RE BsNDE R	CONJ. CUBRESEMILLAS DER. BANDA
14	G15828151	STELO PRESSORE RUOT.FASCIA	STRIP WHEEL PRESSURE STEM ASS.	GR. TIGE ROUE BRIDE	SCHAFT RAD BAND	CONJ. VµSTAGO RUEDA BANDA
15	F02200363	COPIGLIA R 3X 62 ZN	SPLIT PIN R 3X62	GOUPILLE R 3X62	SPLINT R 3X62	CHAVETA R 3X62
16	G15826010	BRACCIO PREMISEME FASCIA	STRIP SEED PRESS ARM COUPLING	ASS. BRAS ROUE INTERMEDIAIRE P	SAMENANDRUCKARMB_GELKOMPLEX	CONJ. PRENSA SEMILLAS FAJA
17	F01020397	VITE M 6X 1X 10 U5739 8.8 ZN	BOLT 6X10 5739 8.8 GALVANIZED	VIS 6X10 5739 8.8 ZN	SCHRAUBE 6X10 5739 8.8 ZN	TORNILLO 6X10 5739 8.8 ZN
18	F01060016	BUL.M 6X 1X 30 U5732 4.6 ZN	BOLT 6X30 5732 4.6 GALVANIZED	VIS 6X30 5732 4.6 ZN	SCHRAUBE 6X30 5732 4.6 ZN	TORNILLO 6X30 5732 4.6 ZN
19	F01200232	DADO M 6X 1 U5588 6.8 ZN				
20	F01240012	DADO M 6X 1 U5448 5.8 ZN	NUT 6 UNI 5448 5.8 ZN	ECROU 6 UNI 5448 5.8 ZN	MUTTER 6 UNI 5448 5.8 ZN	TUERCA 6 UNI 5448 5.8 ZN
21	F01430047	ROS.M6 6,4X 11X0,7 U8842J ZN	WASHER D6 DIN 6798 D.INT.GALV.	RONDELLE D6 DIN 6798 D. INT. Z	UNT. SCHEIBE D6 DIN 6798 D. IN	ARANDELA D6 DIN 6798 D.INT.ZN
22	G22250178	RASCHIATERRA RUOTINO LARGO SV	WIDE WHEEL SOIL-SCRAPER SV	RACLEUR ROUET LARGE SV	ERDSCHABER BREITE ROLLE SV	RASCADOR RUEDECILLA LARGA SV
23	G15829450	MONT.RUOTA INOX D.162X65 FL.				
24	G15828830	ASS.ASSE RUOTINO A FASCIA	SEM."R" BANDS WHEEL AXIS ASS.	GR. AXE ROUE BANDES SEM."R"	RADACHSE BsNDE SEM."R"	CONJ. EJE RUEDA FAJA SEM."R"
25	G15828800	ASS.COPRISEME A FASCIA SX. R	LEFT BANDS COVER-SEED ASS. R	GR. COUVRE-GR. GAUCHE BANDES R	SANENABDECK LI BsNDE R	CONJ. CUBRESEMILLAS IZQ. BANDA
26	F02050034	ANELLO E. DE 15X 1 U7435 C70	ELASTIC RING DE 15X 1	BAGUE ELASTIQUE DE 15X 1	RING DE 15X 1	ANILLO DE 15X 1
27	G15827480	ASSE COPRISEME	SEED-COVER AXLE	AXE COUVRE-GR.	SAMENABDECK ASCHE	CUBRESEMILLAS EJE
28	G15825270	DISTANZIALE RUOTINI	WHEEL SPACER	ENTRETOISE ROUE	DISTANZSTsCK RAD	DISTANCIADOR RUEDA
29	F06120066	RUOTINO FLEX 170 X 30	FLEX WHEEL 170 X 30	ROUET FLEX 170 X 30	ROLLE FLEX 170 X 30	RUEDECILLA FLEX 170 X 30
30	G15828740	ASS.ASSE RUOTINO	WHEEL AXIS ASS.	GR. AXE ROUE	RADACHSE	CONJ. EJE RUEDA
31	G19004960	SPESSORE RUOTINO	WHEEL SHIMS	CALE ROUE	ZWISCHRAD	ESPACIADOR DE RUEDA
32	G15829440	MONT.RUOTA INOX D.162X24 FL.				
33	G15827491	STELO PRESSORE R	PRESSURE STEM ASS.	GR. TIGE	SCHAFT	CONJ. VµSTAGO
34	G15827450	ASS.COPRISEME SX R13	R13 LEFT COVER-SEED ASS.	GR. COUVRE-GR. GAUCHE R13	SANENABDECK LI R13	CONJ. CUBRESEMILLAS IZQ. R13
35	G15827470	ASS.COPRISEME DX.R13	R13 RIGHT COVER-SEED ASS.	GR. COUVRE-GR. DROITE R13	SANENABDECK RE R13	CONJ. CUBRESEMILLAS DER. R13
36	G19005330	FIANCO RUOTA D.170				
37	G15829340	ASS.ANELLO INOX D.162X24				
38	F04010125	CUSC.D15 D32 B9 6002 2RS1	BEARING 6002 2RS1	PALIER 6002 2RS1	LAGER 6002 2RS1	COJINETE 6002 2RS1
39	F01030041	VITE M 6X 1X10 U5933 10.9 ZD				
40	G15829420	TUBO GOMMATO D.162X24				
41	G15829350	ASS.ANELLO INOX D.162X65				
42	F01030038	VITE M 6X 1X20 U5933 10.9 ZD	BOLT M 6X20	VIS M 6X20	SCHRAUBE M 6X20	TORNILLO M 6X20
43	G19005300	DISTANZIALE 15X22X4,5				
44	G15829590	MONT.RUOTA GOMMA D.162X24 FL.				



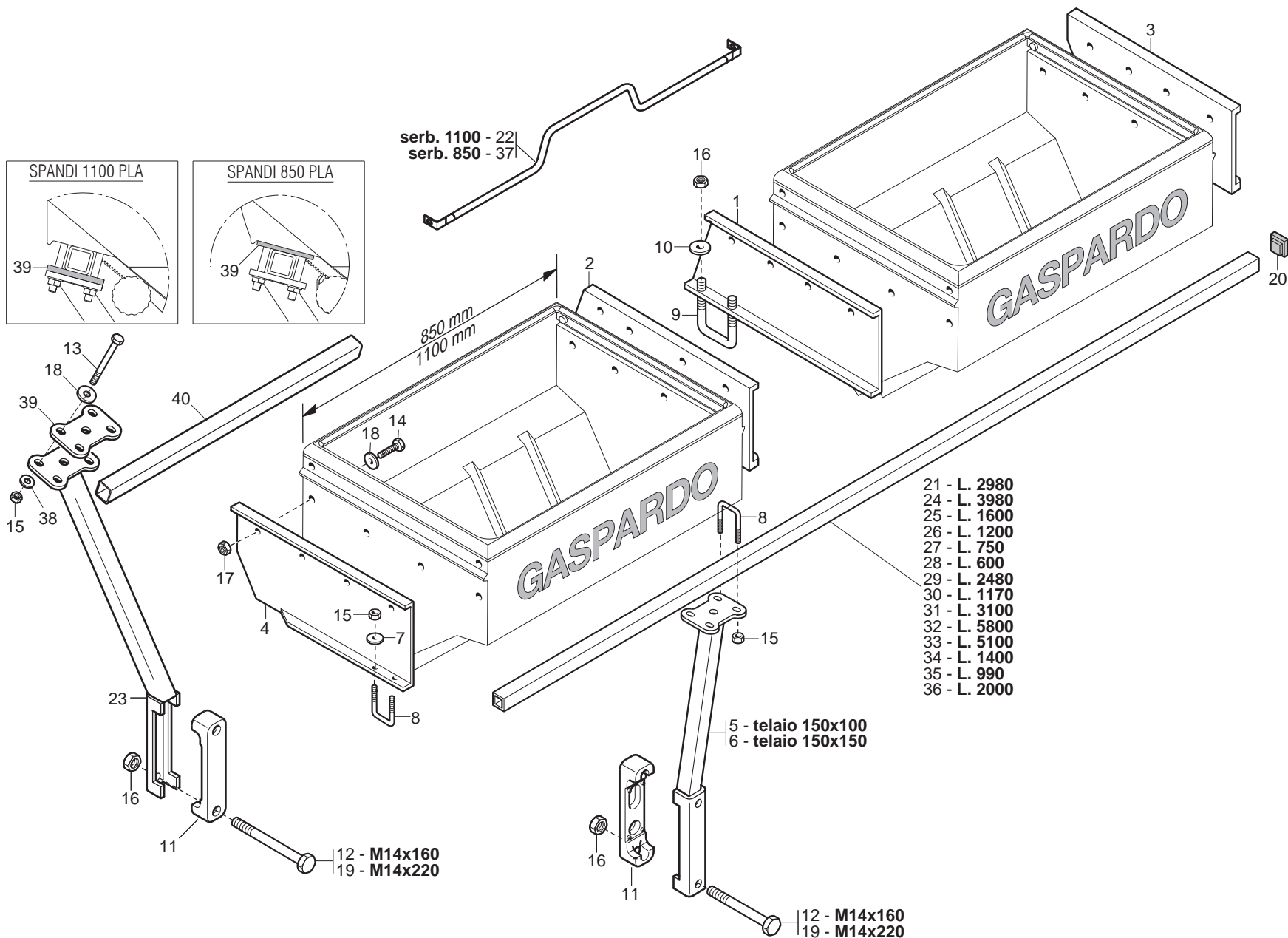
RUOTINI DI COMPRESSIONE - FILA DOPPIA "DR"
TAV. 142

Pos.	Cod.	Descrizione	Description	Description	Benennung	Descripcion
1	G15828890	BRACCIO COPRISEME DR DX.	DR RIGHT ARM COVER-SEED	BRAS COUVRE-GR. DROITE DR	SAMENABDECK ARM RE DR	BRAZO CUBRESEMILLAS DER. DR
2	G15825440	BRACCIO DX.PREMISEME DR	DR RIGHT-SIDE SEED PRESS ARM C	ASS. BRAS DROIT ROUE INTERMEDI	ARMKOMPLEX RECHTS SAMENANDR_CK	CONJ. BRAZO DX PRENSASEMILLAS
3	G15823640	RUOTINO FS INOX SEM "R"COMPL.	FS INOX SEM "R" WHEEL FITTING	MONT. ROUE FS INOX SEM "R"	MONT. RAD FS INOX SEM "R"	MONT. RUEDA FS INOX SEM "R"
4	G15825430	BRACCIO SX.PREMISEME DR	DR LEFT-SIDE SEED PRESS ARM CO	ASS. BRAS GAUCHE ROUE INTERMED	ARMKOMPLEX LINKS SAMENANDR_CKE	CONJ.. BRAZO SX PRENSASEMILLAS
5	F01020397	VITE M 6X 1X 10 U5739 8.8 ZN	BOLT 6X10 5739 8.G GALVANIZED	VIS 6X10 5739 8.G ZN	SCHRAUBE 6X10 5739 8.G ZN	TORNILLO 6X10 5739 8.G ZN
6	F01060016	BUL.M 6X 1X 30 U5732 4.6 ZN	BOLT 6X30 5732 4.6 GALVANIZED	VIS 6X30 5732 4.6 ZN	SCHRAUBE 6X30 5732 4.6 ZN	TORNILLO 6X30 5732 4.6 ZN
7	G10122392	RASCHIATERRA				
8	F01240012	DADO M 6X 1 U5448 5.8 ZN	NUT 6 UNI 5448 5.8 ZN	ECROU 6 UNI 5448 5.8 ZN	MUTTER 6 UNI 5448 5.8 ZN	TUERCA 6 UNI 5448 5.8 ZN
9	F01430047	ROS.M6 6,4X 11X0,7 U8842J ZN	WASHER D6 DIN 6798 D.INT.GALV.	RONDELLE D6 DIN 6798 D. INT. Z	UNT. SCHEIBE D6 DIN 6798 D. IN	ARANDELA D6 DIN 6798 D.INT.ZN
10	F01200232	DADO M 6X 1 U5588 6.8 ZN				
11	F02050034	ANELLO E. DE 15X 1 U7435 C70	ELASTIC RING DE 15X 1	BAGUE ELASTIQUE DE 15X 1	RING DE 15X 1	ANILLO DE 15X 1
12	G15827480	ASSE COPRISEME	SEED-COVER AXLE	AXE COUVRE-GR.	SAMENABDECK ASCHE	CUBRESEMILLAS EJE
13	G19005290	DISTANZIALE 15X24X6				
14	G15828880	BRACCIO COPRISEME DR SX.	DR LEFT ARM COVER-SEED	BRAS COUVRE-GR. GAUCHE DR	SAMENABDECK ARM LI DR	BRAZO CUBRESEMILLAS IZQ. DR
15	G15829440	MONT.RUOTA INOX D.162X24 FL.				
16	G18902520	MOLLA TRAZ.ZN RASCHIATERRA	GALVAN. SOIL SCRAPER TRAC.SPRI	RESSORT TRACT. ZN RACLEUR	ZUGFEDER ZN ERDSCHABER	MUELLE TRACC. RASCADOR TIERRA
17	F01030041	VITE M 6X 1X10 U5933 10.9 ZD				
18	F04010125	CUSC.D15 D32 B9 6002 2RS1	BEARING 6002 2RS1	PALIER 6002 2RS1	LAGER 6002 2RS1	COJINETE 6002 2RS1
19	F02050620	ANELLO E. DI 32X 1,2 U7437 C70	STOP RING 32 UNI 7435-75	BAGUE ARRET 32 UNI 7435-75	RING 32 UNI 7435-75	ANILLO PARADA 32 UNI 7435-75
20	G15829590	MONT.RUOTA GOMMA D.162X24 FL.				
21	G19005330	FIANCO RUOTA D.170				
22	F04010125	CUSC.D15 D32 B9 6002 2RS1	BEARING 6002 2RS1	PALIER 6002 2RS1	LAGER 6002 2RS1	COJINETE 6002 2RS1
23	G15829340	ASS.ANELLO INOX D.162X24				
24	G15829420	TUBO GOMMATO D.162X24				

TAV. 152



serb. 1100 - 22
serb. 850 - 37



- 21 - L. 2980
- 24 - L. 3980
- 25 - L. 1600
- 26 - L. 1200
- 27 - L. 750
- 28 - L. 600
- 29 - L. 2480
- 30 - L. 1170
- 31 - L. 3100
- 32 - L. 5800
- 33 - L. 5100
- 34 - L. 1400
- 35 - L. 990
- 36 - L. 2000

5 - telaio 150x100
6 - telaio 150x150

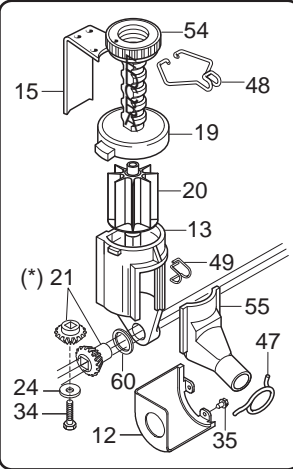
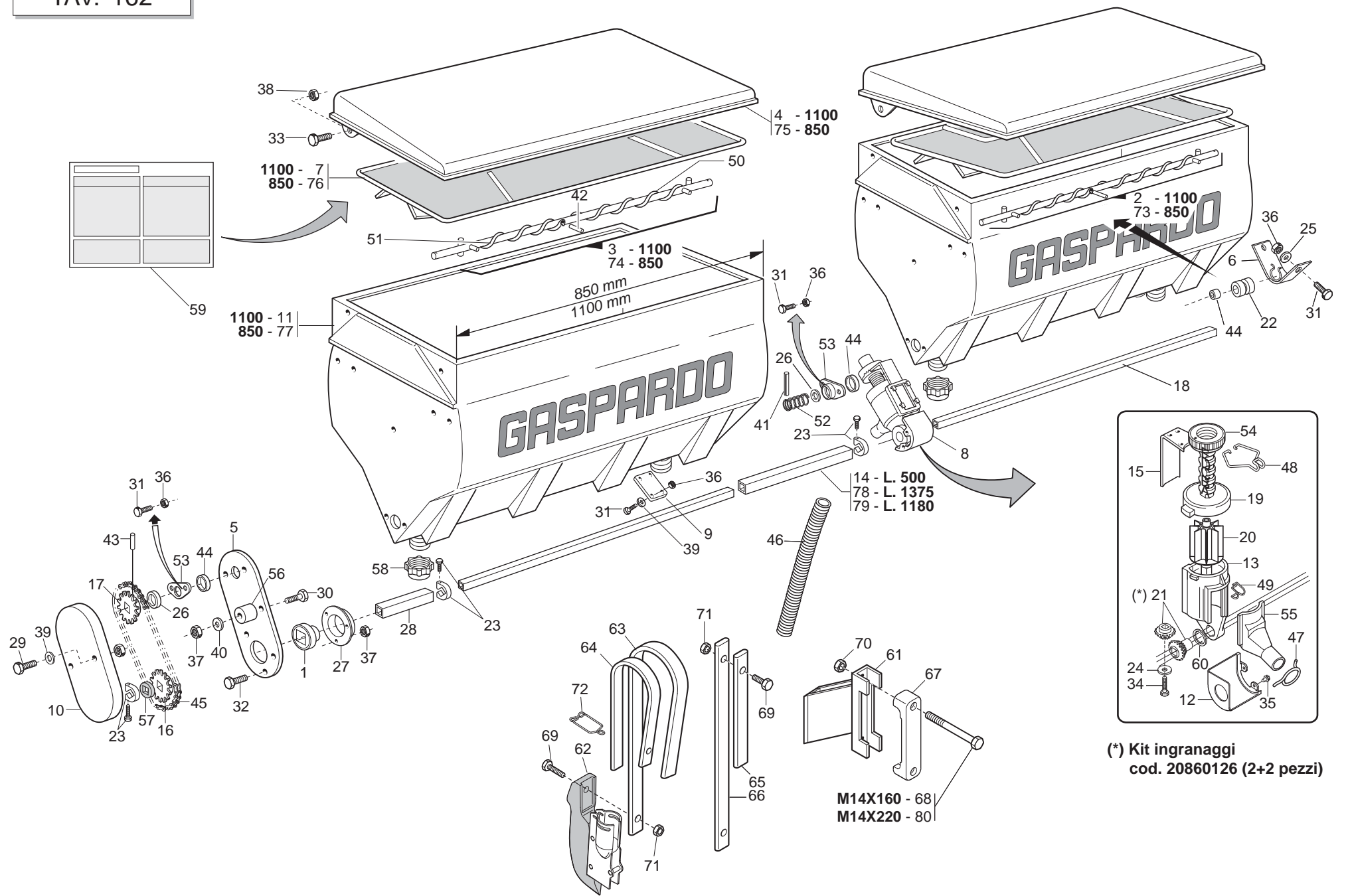
12 - M14x160
19 - M14x220

12 - M14x160
19 - M14x220

SUPPORTI SPANDICONCIME IN PLASTICA

TAV. 152

Pos.	Cod.	Descrizione	Description	Description	Benennung	Descrpcion
1	G15470632	SUPP.SPANDI CENTR.DX				
2	G15470642	SUPP.SPANDI CENTR.SX				
3	G15171381	SUPP.SPANDI EST.DX				
4	G15171391	SUPP.SPANDI EST.SX				
5	G16670011	SUPPORTO SPANDI	SPREADER SUPPORT	SUPPORT +PANDEUR	HALTERUNG SPANDI	SOPORTE ABONADORA
6	G15472901	SUPPORTO SPANDI Q.150	SQ. FERTILIZER SPREADER SUPPOR	SUPPORT +PANDEUR CARR+ 150	HALTERUNG SPANDI Q.150	SOPORTE ABONADORA Q.150
7	G18701140	RONDELLA 11 X35 X5	WASHER 11 X 35 X 5	RONDELLE 11 X35 X5	UNTERLEGSCHIEBE 11 X35 X5	ARANDELA 11 X35 X5
8	F20110706	CAV.Q.M10X 1,5X 30 47X 60 ZN	DISK SUPPORT.ELEMENT U BOLT SV	CAVALIER SUPPORT DISQUE SV	VERBINDUNG SCHEIBENHALTERUNG S	PERNO EN U SOP. DISCO SV
9	F20110770	CAV.Q.M14X 2X 50 96X119 ZN	U-BOLT M14X96 - 119 ZN	CAVALIER M14X96 - 119 ZN	VERBINDUNG M14X96 - 119 ZN	PERNO EN U M14X96 - 119 ZN
10	G20970142	RONDELLA 32X4X15,5	WASHER 32X4X15-5	RONDELLE 32X4X15-5	UNTERLEGSCHIEBE 32X4X15-5	ARANDELA 32X4X15-5
11	G19204030	SCONTRIO FISS.150 2F D15				
12	F01020225	VITE M14X 2X160 U5737 8.8 BR	BOLT M 14 X160 5737 8.G	VIS M 14 X160 5737 8.G	SCHRAUBE M 14 X160 5737 8.G	TORNILLO M 14 X160 5737 8.G
13	F01020463	VITE M10X1,5 X25 U5739 A2 IX	SCREW 10X25 5739 INOX A2	VIS 10X25 5739 INOX A2	SCHRAUBE 10X25 5739 INOX A2	TORNILLO 10X25 5739 INOX A2
14	F01020465	VITE M10X1,5 X35 U5739 A2 IX	SCREW 10X35 5739 INOX A2	VIS 10X35 5739 INOX A2	SCHRAUBE 10X35 5739 INOX A2	TORNILLO 10X35 5739 INOX A2
15	F01200271	DADO M10X 1,5 U5588 A2 IX	NUT 10 5588 6.8 INOX	ECROU 10 5588 6.8 INOX	MUTTER 10 5588 6.8 INOX	TUERCA 10 5588 6.8 INOX
16	F01200306	DADO M14X 2 U5588 6.8 ZN	NUT M14X2	ECROU M14X2	MUTTER M14X2	DADO M14X2
17	F01200271	DADO M10X 1,5 U5588 A2 IX	NUT 10 5588 6.8 INOX	ECROU 10 5588 6.8 INOX	MUTTER 10 5588 6.8 INOX	TUERCA 10 5588 6.8 INOX
18	F01420059	ROS.M10 10,5X 30X2,5 U6593 IX	WASHER 11X30X2,5 6593 A2	RONDELLE 11X30X2,5 6593 A2	UNTERLEGSCHIEBE 11X30X2,5 6593	ARANDELA 11X30X2,5 6593 A2
19	F01020236	VITE M14X 2X220 U5737 8.8 BR	SCREW M14X2X220 U5737 8.8 BR	VIS M14X2X220 U5737 8.8 BR	SCHRAUBE M14X2X220 U5737 8.8	TORNILLO M14X2X220 U5737 8.8
20	F20120346	PUNTALE Q 35 ALETT.POLIT.NERO				
21	G07000028	TUBO Q. 35X 4X2980	SQUARE PIPE 35 X 35 X 3 X 2980	TUBE CARRE 35 X 35 X 3 X 2980	VIERKANTROHR 35 X 35 X 3 X 298	TUBO CUADRADO 35 X 35 X 3 X 29
22	G15272961	RINFORZO SPANDICONCIME 1100	FERTILIZER 1100 REINFORCEMENT	RENFORT EPANDEUR D'ENGRAIS 110	VERSTZRKUNG DsNGERSTREUER 1100	REFUERZO ABONADORA 1100
23	G15275790	ASS.SUPPORTO ANT.SPANDI PLA				
24	G07000370	TUBO Q. 35X 3X3980	SQUARE PIPE 35X35X4X3980	TUBE CARRE 35X35X4X3980	VIERKANTROHR 35X35X4X3980	TUBO CUADRADO 35X35X4X3980
25	G07000375	TUBO Q. 35X 3X1600	SQUARE PIPE 35X35X4X1600	TUBE CARRE 35X35X4X1600	VIERKANTROHR 35X35X4X1600	TUBO CUADRADO 35X35X4X1600
26	G15472970	TUBO Q. 35X 4X1200	SQUARE PIPE 35 X4 X1200	TUBE CARRE 35 X4 X1200	VIERKANTROHR 35 X4 X1200	TUBO CUADRADO 35 X4 X1200
27	G15472980	TUBO Q. 35X 4X 750	SQUARE PIPE 35 X4 X750	TUBE CARRE 35 X4 X750	VIERKANTROHR 35 X4 X750	TUBO CUADRADO 35 X4 X750
28	G15472990	TUBO Q. 35X 4X 600	SQUARE PIPE 35 X4 X600	TUBE CARRE 35 X4 X600	VIERKANTROHR 35 X4 X600	TUBO CUADRADO 35 X4 X600
29	G15475130	TUBO SUPPORTO SERBATOIO L.2480	TANK SUPPORT PIPE L.2480	TUBE SUPPORT RESERVOIR L2460	ROHR HALTERUNG BEHZLTER L.2480	TUBO SOPORTE DEPSITO L 2480 T
30	G15475300	TUBO SUPPORTO MICRO L.1170	MICRO SUPPORT PIPE L.1170	TUBE SUPPORT MICRO L1170	ROHR HALTERUNG MIKRO L.1170	TUBO SOPORTE MICRO L1170
31	G15475390	TUBO SUPPORTO MICRO L.3100	MICRO SUPPORT PIPE L.3100	TUBE SUPPORT MICRO L3100	ROHR HALTERUNG MIKRO L.3100	TUBO SOPORTE MICRO L.3100
32	G15475400	TUBO SUPPORTO MICRO L.5800	MICRO SUPPORT PIPE L.3800	TUBE SUPPORT MICRO L5800	ROHR HALTERUNG MIKRO L.5800	TUBO SOPORTE MICRO L.5800
33	G15475540	TUBO SUPPORTO MICRO L.5100	MICRO SUPPORT PIPE L.5100	TUBE SUPPORT MICRO L5100	ROHR HALTERUNG MIKRO L.5100	TUBO SOPORTE MICRO L 51000
34	G20890207	BARRA DIFFUSORI DISERBO L.1400	WEEDKILLER SPREADER BAR L.1400	BARRE DIFFUSEURS DESHERBAGE L.	DIFFUSORENSTANGE UNKRAUTVERT.	BARRA DIFUSORES HERBICIDA L.1
35	G22220141	BRACCIO SCORREVOLE 4 FILE	SLIDING ARM- 4-ROW	BRAS GLISSANT 4 RANGEES	GLEITARM 4 REIHEN	BRAZO CORREDIZO 4 FILAS
36	G22270115	BRACC.SCORR.6F.100 L.2000 SP	SLIDING ARM 6-R. 100 L.2000 SP	BRAS GLISS. 6 RANG. 100 L. 200	GLEITARM 6R.100 L.2000 SP	BRAZO CORRED. 6 FILAS. 100 L.2
37	G15273180	RINFORZO SPANDICONCIME 850	FERTILIZER 850 REINFORCEMENT	RENFORT EPANDEUR D'ENGRAIS 850	VERSTZRKUNG DsNGERSTREUER 850	REFUERZO ABONADORA 850
38	F01410064	ROS.M10 10,5X 20X 2 U6592 ZN	WASHER 10,5X21	RONDELLE 10,5X21	SCHEIBE 10,5X21	ARANDELA 10,5X21
39	G14276330	SUPPORTO TUBO				
40	G15171650	TUBO Q. 35X 4X 940				



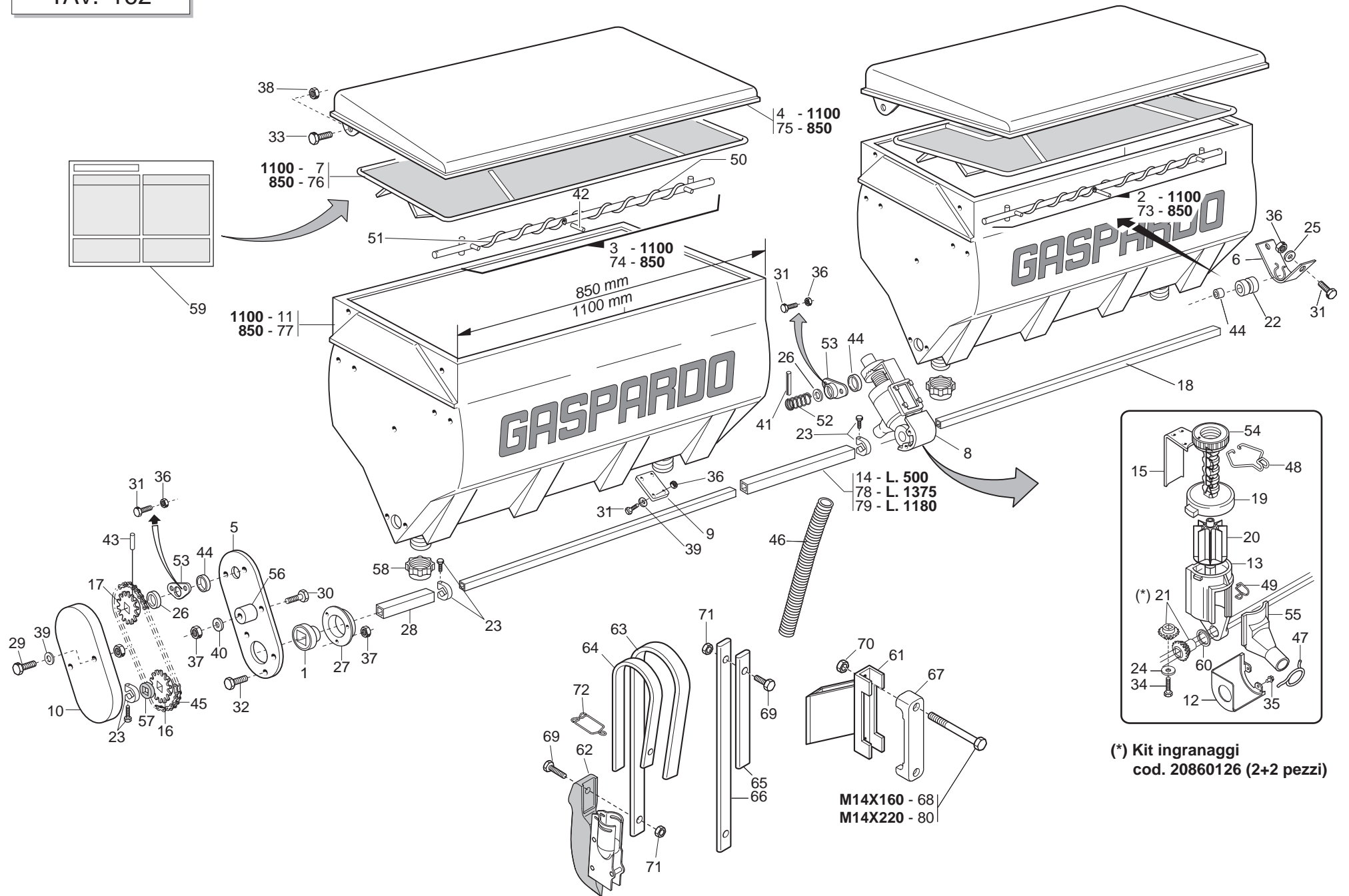
(*) Kit ingranaggi
cod. 20860126 (2+2 pezzi)

M14X160 - 68
M14X220 - 80

SPANDICONCIME IN PLASTICA

TAV. 162

Pos.	Cod.	Descrizione	Description	Description	Benennung	Descripcion
1	G14830390	CUSCINETTO FORO QUADRO	SQUARE-HOLED BEARING	ROULEMENT AL+SAGE CARR+	VIERKANTLAGER	COJINETE ORIFICIO CUADRADO
2	G15271540	ASSE AGITATORE DX 1100	STIRRER SPINDLE-RIGHT 1100 TAN	AXE AGITATEUR DRT.RESERV.1100	SAMENMISCHERACHSE RE BEH.1100	EJE AGITAD.DER.DEPS.1100 COM A
3	G15271550	ASSE AGITATORE SX 1100	STIRRER SPINDLE- LEFT 1100	AXE AGITATEUR GCH. 1100	SAMENMISCHERACHSE LINKER 1100	EJE AGITAD. IZQ. 1100
4	G15471920	COPERCHIO SERBATOIO L.1100	TANK COVER L.1100	COUVERCLE RESERVOIR L.1100	BEHZLTERDECKEL L.1100	TAPA DEPS.L.1100 A
5	G15471930	PROTEZIONE	GUARD	PROTECTION	SCHUTZ	PROTECCIN P
6	G15471990	SUPPORTO COCLEA	SCREW SUPPORT	SUPPORT VIS ALIMENTATION	HALTERUNG SCHNECKE	SOPORTE CCLEA S
7	G15473130	GRIGLIA SERBATOIO 1100 PLAST.	PLASTIC TANK GRID 1100	GRILLE RESERVOIR PLAST.1100	BEHZLTERGITTER PLAST.1100	REJILLA DEPSITO PLAST.1100 G
8	G15472770	DISTR.COMPL.8PALE SPANDI PL	COMPL.PLAS.FERTIL.DISTR.8RIBS	MINIMAX COMPL.8C PLA	KOMPL.DOSIER.PLA.DÜNGERSTR.8S	DISTR.COMP.ABONO PLAST.8AL.
9	G15472780	TAPPO SPANDI PLASTICA	PLASTIC FERT. SPREADER PLUG	BOUCHON EPAND. PLASTIQUE	PLASTIKPFROPFEN DsNGERSTR.	TAPN ABONADORA PLæSTICO D
10	G19002710	PROTEZ.RINVIO SPANDICONCIME	FERTILIZER TRANSM. PROTECTION	PROTECTION RENVOI FERTILISEUR	SCHUTZ VORGELEGE DUNGERSTREUER	PROTECCION TRANSMISION ABONADO
11	G19003060	SERBATOIO 1100 PLASTICA	PLASTIC TANK 1100	RESERVOIR 1100 PLASTIQUE	PLASTIKBEHZLTER 1100	DEPSITO 1100 PLæSTICA B
12	G19002850	PROTEZIONE PIGNONE	PINION GUARD	PROTECTION PIGNON	RITZELSCHUTZ	PROTECCIN PIGNON PR
13	G19002920	CORPO DISTRIBUTORE SPANDI PLA.	PLA. F.SPREADER DISTRIB.CASING	CORPS DISTRIBUTEUR EPAND.	VERTEILUNGSKTRPRER STREUER PLA.	CUERPO DIST. ABONADORA PLæS.
14	G20860012	MANICOTTO DI UNIONE L.500	JOINT SLEEVE L.500	MANCHON DE RACCORD L. 500	VERBINDUNGSMUFFE L.500	MANGUITO DE UNIN L.500 M
15	G20860052	REGOLATORE APERTURA	OPENING REGULATOR	REGULATEUR OUVERTURE	TFFNUNGSEINSTELLER	REGULADOR ABERTURA
16	G20860086	INGRANAGGIO 1/2 Z-12 F.Q.	GEAR 1/2 Z-12 F.Q.	ENGRENAGE 1/2 Z-12 TROUS CARRE	ZAHNRAD 1/2 Z-12 F.Q.	ENGRANAJE 1/2 Z-12 F.Q.
17	G20860088	INGRANAGGIO 1/2 Z-12 F.T.	GEAR 1/2 Z-12 F.T.	ENGRENAGE 1/2 Z-12 TROUS ROND	ZAHNRAD 1/2 Z-12 F.T.	ENGRANAJE 1/2 Z-12 F.T.
18	G20860090	ASSE SX 5F.60 L.1460	AXLE- LEFT 5-R.60 L.1460	AXE GCH. 5 RANGEES 60 L. 1460	ACHSE LI 5R.F.60 L.1460	EJE IZQ. 5 FILA. 60 L.1460
19	G20860093	VITE DI REGOL.	ADJUSTMENT BOLT	VIS DE REGLAGE	EINSTELLSCHRAUBE.	TORNILLO DE REGULACIN S
20	G20860106	DOSATORE SPANDI 8 PALE COMPL.	FERT.METERING DEVICE ASS.8 GRO	ROTOR DOSEUR 8C FERTI	DOSIERER DUNGER.KOMPL. 8 SEKT	DOSIFICADOR ABONO COMP.8 SECT
21	G20860126	KIT INGR DISTR CONCIME (2+2)	KIT INGR DISTR. GEARS	COUPLE CON DISTR ENGRAIS (2+2)	KIT ZAHNRZDER DsNGERSTREUER	SET ENGRANAJES DISTRIB. ABONO
22	G19005040	BOCCOLA ASSE SPANDI	FERT. SPREADER AXLE BUSH	DOUILLE AXE +PANDEUR	ACHSENBUCHSE STREUER	MANGUITO -RBOL ABONADORA
23	G22505085	FERMO ASSE IN LAMIERA	PLATE AXLE STOP	ARRET AXE EN TOLE	FESTSTELLVORRICHTUNG BLECHACHS	BLOQUEO EJE DE CHAPA
24	G20970097	RONDELLA 32X3X4,5	WASHER 32X3X4-5	RONDELLE 32X3X4-5	UNTERLEGSCHIEBE 32X3X4-5	ARANDELA 32X3X4-5
25	G20970125	RONDELLA 28X2,5X6,5	WASHER 28X2,5X6-5	RONDELLE 28X2-5X6-5	UNTERLEGSCHIEBE 28X2-5X6-5	ARANDELA 28X2-5X6-5
26	G22220073	RONDELLA 28X0,3X16,5	WASHER 28X0-3X16-5	RONDELLE 28X0-3X16-5	UNTERLEGSCHIEBE 28X0-3X16-5	ARANDELA 28X0-3X16-5
27	G22230094	SUPPORTO CUSCINETTO	BEARING SUPPORT	SUPPORT PALIER	LAGERBSCHSE	SOPORTE COJINETE
28	G22250287	MANICOTTO DISTANZIALE SV	SPACER SLEEVE SV	MANCHON ENTRETOISE SV	ABSTANDSMUFFE SV	MANGUITO DISTANCIADOR SV
29	F01020043	VITE M 6X 1X 60 U5737 8.8 ZN	BOLT 6 X60 5737 8.G GALVANIZED	VIS 6 X60 5737 8.G ZN	SCHRAUBE 6 X60 5737 8.G ZN	TORNILLO 6 X60 5737 8.G ZN
30	F01020068	VITE M 8X1,25X40 U5737 8.8 ZN				
31	F01020403	VITE M 6X 1X 16 U5739 8.8 ZN	BOLT M6X16	VIS M6X16	SCHRAUBE M6X16	TORNILLO M6X16
32	F01020432	VITE M 8X1,25X16 U5739 8.8 ZN	BOLT M8X16	VIS M8X16	SCHRAUBE M8X16	TORNILLO M8X16
33	F01020472	VITE M10X 1,5X25 U5739 8.8 ZN	BOLT 10X25 5739 8.G GALVANIZED	VIS 10X25 5739 8.G ZN	SCHRAUBE 10X25 5739 8.G ZN	TORNILLO 10X25 5739 8.G ZN
34	F01070075	VIT.A.4,2X1,41X 38 6954 4.8NI	BOLT 4-2X38 DIN 7981	VIS 4-2X38 DIN 7981	SCHRAUBE 4-2X38 DIN 7981	TORNILLO 4-2X38 DIN 7981
35	F01070011	VIT.A.4,2X1,41X 9,5 6950 4.8NI	BOLT- SELF-TAPPING 4-2X9-5T.E.	VIS AUTOTAR. 4-2X9-5 T. E. COU	SELBSTSCHNEID. SCHRAUBE 4-2X9-	TORNILLO AUTORROSC. 4-2X9-5
36	F01200232	DADO M 6X 1 U5588 6.8 ZN				
37	F01200244	DADO M 8X1,25 U5588 6.8 ZN	NUT M8	ECROU M8	MUTTER M8	DADO M8
38	F01220033	DADO M10X 1,5 D980 8 ZN	NUT M10X 1,5 D980 8 ZB	ECRO.M10X 1,5 D980 8 ZB	MUTT.M10X 1,5 D980 8 ZB	TUER.M10X 1,5 D980 8 ZB
39	F01410037	ROS.M6 6,4X12,5X1,6 U6592 ZN	PLANE WASHER D.6	RONDELLE D.6	SCHEIBE D.6	ARANDELA D.6
40	F01410051	ROS.M8 8,4X 17X1,6 U6592 ZN	PLANE WASHER D.8	RONDELLE D.8	SCHEIBE D.8	ARANDELA D.8
41	F02100079	SPINA E.P. 5X 16 U6873 C70 BR				
42	F02100089	SPINA E.P. 5X 36 U6873 C70 BR	PIN EL. 5 X36 DIN 1481	FICHE EL. 5 X36 DIN 1481	SPANNSTIFT 5 X36 DIN 1481	CLAVIJA EL.5 X36 DIN 1481
43	F02100114	SPINA E.P. 6X 30 U6873 C70 BR	ELASTIC PIN 6X30	GOUJON ELASTIQUE 6X30	SPANNHUELSE 6X30	ESPINA ELASTICA 6X30
44	F03011081	GUARNIZIONI LABBRO DE100				
45	F06080196	CATENA 1/2 ISO 083 32 MAGLIE	CUT-DOWN CHAIN .1/2 ISO 083 32	TRONCON CHAINE 1/2 ISO 083 32	KETTENZNGE 1/2 ISO 083 32 GL	TRECHO CADENA 1/2 ISO 083 32
46	F03100500	TUBO EOLO 35 PU	EOLO PIPE 35 PU	TUBE EOLO 35 PU	ROHR EOLO 35 PU	TUBO EOLO 35 PU
47	G65336025	MOLLA SPEC.ZN STRINGIT.ASP.SP	SPEC SPRING ZN FAN . PIPE CLAM	RESSORT SPEC. ZN SERRE-TUBE AS	SPEZIALFEDER ZN RORHSCHELLE AB	MUELLE ESPEC. ZN APRIETA TUBOS
48	G65336055	MOLLA SPEC.REGOL.SPAND. SP	SPEC SPRING MAN. SPR. ADJUSTM.	RESSORT SPEC. REGL. EP. ENTRA	SPEZIALFEDER STREUERINSTELLUN	MUELLE ESPEC. REGUL. ABONADORA
49	G65336062	MOLLA SPEC.SCIV.DISTR.SPAND.SP	SPEC SPRING - MAN. SPR. DISTR.	RESS. SPEC. LANCOIR DISTR. EP.	SPEZ.FEDER RUTSCHE SZAPP. STRE	MUELLE ESPEC.PLANO INCL.DISTR.
50	G65336064	MOLLA SPEC.COCLEA DX SPAND.HL	SPEC. WORM SCREW SPRING RIGHT	RESSORT SPEC. VIS DRT. EP. ENG	SPEZ.FEDER RE SCHNECKE STREUER	MUELLE ESPEC. TORN.S/F DER. AB
51	G65336065	MOLLA SPEC.COCLEA SX SPAND.HL	SPEC. WORM SCREW SPRING LEFT M	RESSORT SPEC. VIS GCH. EP. ENG	SPEZ.FEDER LI SCHNECKE STREUER	MUELLE ESPEC. TORN.S/F IZQ. AB
52	G65338043	MOLLA COMP.ZN SERB. M80	ZN TANK COMP.SPRING M80	RESSORT COMPL. ZN RESERVOIR M8	DRUCKFEDER ZN BEHZLTER M80	MUELLE COMP.ZN DEPS. M80 A
53	G66248121	BOCCOLA CON FLANGIA M80	BUSHING W/ FLANGE M80	SUPPORT AVEC BRIDE M80	BsCHSE MIT FLANSCH M80	CASQUILLO CON BRIDA M80
54	G66248125	GHIERA REGOLAZIONE M80	ADJUSTMENT KNURLED NUT M80	BAGUE REGLAGE M80	EINSTELLMUTTER M80	CONTRATUERCA REGULACIN M80 G



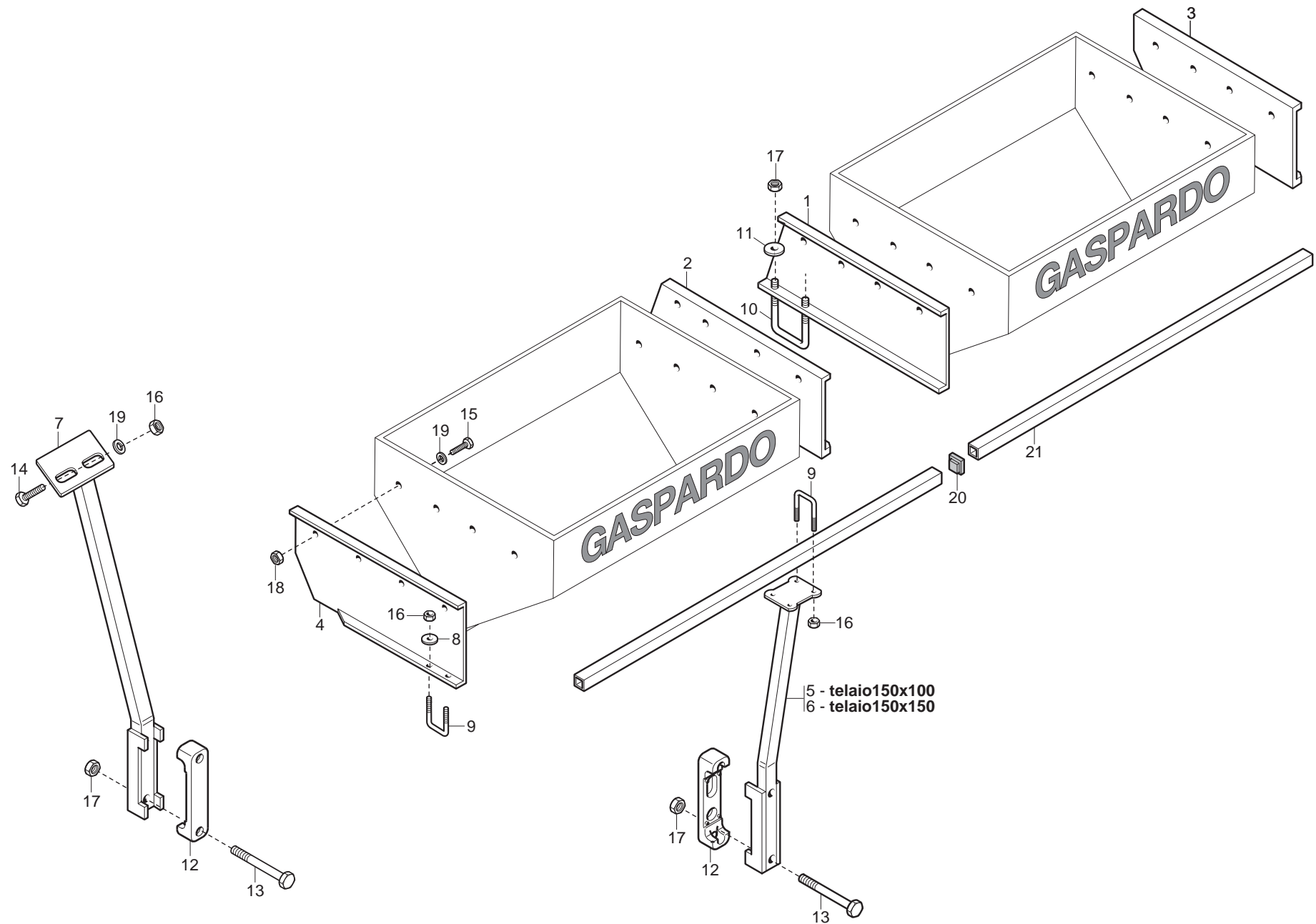
(*) Kit ingranaggi
cod. 20860126 (2+2 pezzi)

M14X160 - 68
M14X220 - 80

SPANDICONCIME IN PLASTICA

TAV. 162

Pos.	Cod.	Descrizione	Description	Description	Benennung	Descripcion
55	G66248178	SCIVOLO DISTR.SPAND. SP	CHUTE- MANURE-SPREADER DISTRIB	LANCOIR DISTRIBUTION EP. ENGR.	DsNGERSTREUER RUTSCHE SP	PLANO INCLINADO DISTR. ABON. S
56	G66248207	TENDICATENA SPAND. SP-520	CHAIN TENSIONER	TENDEUR DE CHAINE EPAND. ENGR.	KETTENSPANNER DsNGERSTR. SP-52	TENSOR DE CADENA ABON. SP-520
57	G66248218	RONDELLA DISTAN.SPAND.	MAN. SPR. SPACER WASHER	RONDELLE ENTRETOISE EP. ENGRAI	ABSTANDSCHEIBE DsNGERSTREUER	ARANDELA DISTAN.ABONAD.
58	F03150757	TAPPO FILETT.SERBAT.PLASTICA	PLASTIC TANK THREADED PLUG	BOUCHON FILETE RESERV.PLAST.	GEWINDEPFROPFEN PLASTIKBEH.	TAPN ROSCADO DEPS.PLÆSTICO DO
59	G19702751	DECAL.TABELLA CONCIME 'V'99	V 99 FERTILIZER CHART STICKER	DECALC. TABLEAU ENGRAIS V 99	ABZIEHB. TABELLE DsNGER V 99	CAL.TABLA ABONO V 99
60	G18701500	RONDELLA 29,5 X38 X0,3	WASHER 29,5 X 38 X 0,3	RONDELLE 29,5 X38 X0,3	UNTERLEGSCHIEBE 29,5X38X0,3	ARANDELA 29,5 X38 X0,3
61	G15470232	SUPPORTO MOLLA PIATTA 150	FLAT SPRING SUPPORT 150	SUPPORT RESSORT PLAT 150	HALTERUNG FLACHFEDER 150	SOPORTE MUELLE PLANO 150
62	G16670610	FALCIONE ELEM.CONCIMAZ.PIATTA	FLAT FERTILIZATION COULTER ELE	SOC +LEM. FERTILIS. RESSORT PL	S-SCHAR ELEM.D_NGUNG FLACHFEDE	BOTA ELEM.ABONAD. MUELLE PLANO
63	G18901092	GAMBO CONCIMAZ.MOLLA PIATTA SP	FLAT SPRING MANURING LEG SP	TIGE FUMAGE RESSORT PLAT SP	SCHAFT DsNGUNG FLACHE FEDER SP	VæSTAGO ABONO MUELLE CHATO SP
64	G18902861	RINF.MOLLA PIATTA CONCIM.SP	MANUR.PLATE SPRING REINFORCE.S	RENF. RESSORT PLAT FUMAGE SP	VERSTZRKUNG FLACHFEDER DsNGUNG	REFUERZO MUELLE ABONO SP
65	G18903220	RINF.MOLLA CONCIM.FILE DISP.	ODD NUM. ROW MANUR.SPRING REIN	RENF. RESS. FUMAGE RANGEES IMP	VERST. FEDER DsNG. UNGERADE RE	REFUERZO MUELLE ABONO FILAS IM
66	G18903210	MOLLA CONCIM.FILE DISPARI	ODD NUMBER ROW MANUR.SPRING	RESS. FUMAGE RANGEES IMPAIRES	FEDER DsNGUNG UNGERADE REIHEN	MUELLE ABONO FILAS IMPARES
67	G19204030	SCONTRO FISS.150 2F D15				
68	F01020225	VITE M14X 2X160 U5737 8.8 BR	BOLT M 14 X160 5737 8.G	VIS M 14 X160 5737 8.G	SCHRAUBE M 14 X160 5737 8.G	TORNILLO M 14 X160 5737 8.G
69	F01020512	VITE M12X1,75X35 U5739 8.8 ZN	SCREW M 12X35	VIS M 12X35	SCHRAUBE M 12X35	TORNILLO M 12X35
70	F01200306	DADO M14X 2 U5588 6.8 ZN	NUT M14X2	ECROU M14X2	MUTTER M14X2	DADO M14X2
71	F01220048	DADO M12X1,75 D980 8 ZN	SELF LOCKING NUT M12X1,75 980V	ECROU AUTOBL. M12X1,75 980-V	SIEHE 00553312	DADO AUTOBL. M12X1,75 980-V
72	G18903911	MOLLA FERMO TUBO D.35	PIPE LOCK SPRING D.35	RESSORT ARR-T TUBE D.35	ROHRSPERRFEDER D.35	MUELLE TOPE TUBO D. 35
73	G20860121	ASSE AGITAT.DX SERB.850 COMPL.	STIRRER SPINDLE- RIGHT 850 TAN	AXE AGITATEUR DRT. RESERVOIR 8	SAMENMISCHERACHSE RE BEH.850	EJE AGITAD. DER. DEPS.850 COMA
74	G20860122	ASSE AGITAT.SX SERB.850 COMPL.	STIRRER SPINDLE- LEFT 850 TANK	AXE AGITATEUR GCH. RESERVOIR 8	SAMENMISCHERACHSE LI BEH.850	EJE AGITAD. IZQ. DEPS. 850 COA
75	G15470580	COPERCHIO SERBATOIO 850	TANK TOP 850	COUVERCLE RESERVOIR 650	BEHZLTERDECKEL 850	TAPA DEPSITO 850 A
76	G15472760	GRIGLIA SERBATOIO PLASTICA 850	PLASTIC TANK GRID 850	GRILLE RESERVOIR PLASTIQUE 850	BEHZLTERGITTER PLAST.850	REJILLA DEPSITO PLAST.850 G
77	G19004470	SERBATOIO CONCIME 850	FERTILIZER HOPPER 850	TR+MIE ENGRAIS 850	D_NGERTANK 850	DEPESITO ABONO 850
78	G20910044	MANICOTTO UNIONE L.1375	JOINT SLEEVE L.1375	MANCHON RACCORD L. 1375	VERBINDUNGSMUFFE L.1375	MANGUITO DE UNIN L.1375 M
79	G20910045	MANICOTTO UNIONE L.1180	JOINT SLEEVE L.1180	MANCHON RACCORD L. 1180	VERBINDUNGSMUFFE L.1180	MANGUITO DE UNIN L.1180 M
80	F01020236	VITE M14X 2X220 U5737 8.8 BR	SCREW M14X2X220 U5737 8.8 BR	VIS M14X2X220 U5737 8.8 BR	SCHRAUBE M14X2X220 U5737 8.8	TORNILLO M14X2X220 U5737 8.8



SUPPORTI SPANDICONCIME IN FERRO

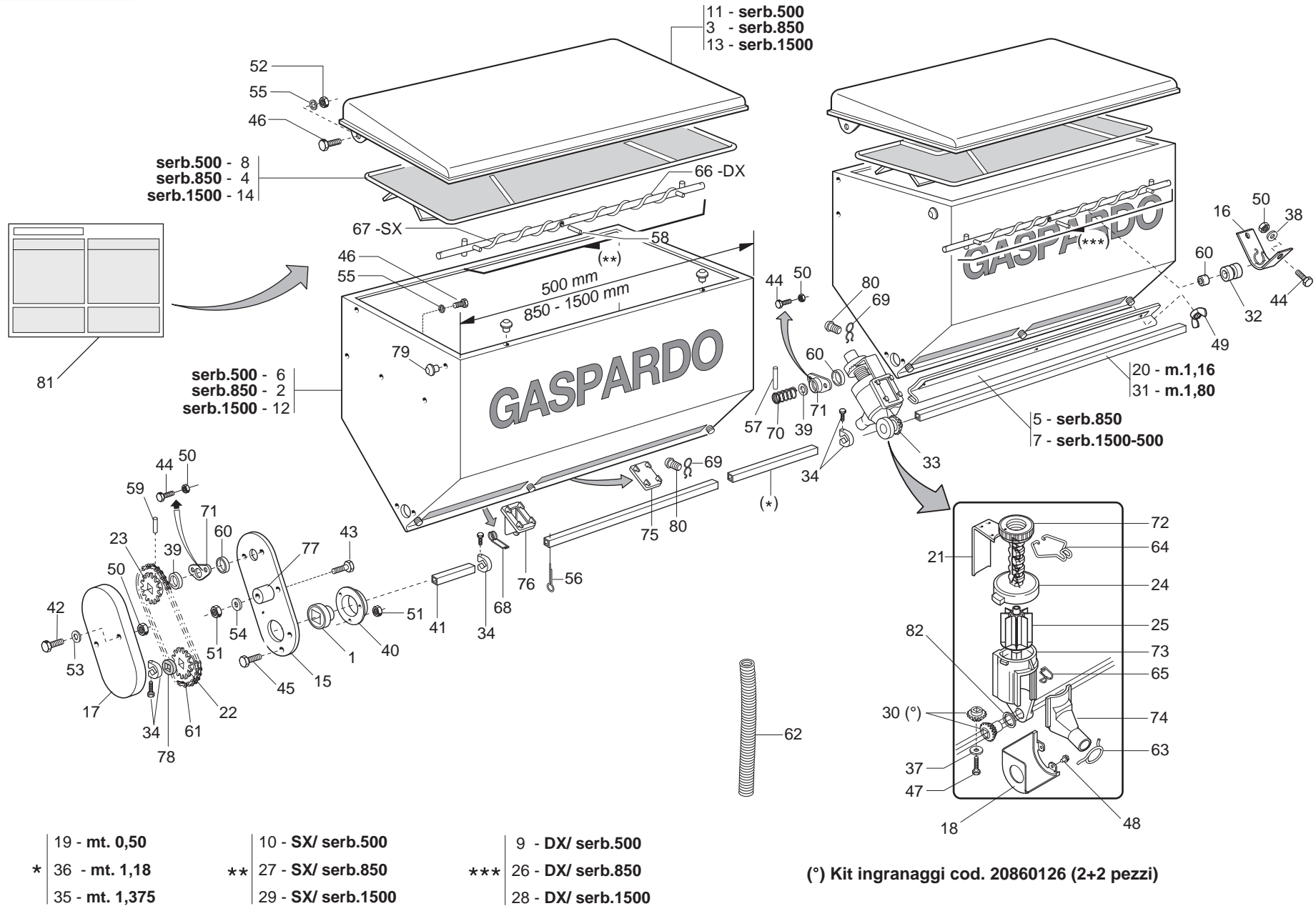
TAV. 172

Pos.	Cod.	Descrizione	Description	Description	Benennung	Descripcion
1	G15470632	SUPP.SPANDI CENTR.DX				
2	G15470642	SUPP.SPANDI CENTR.SX				
3	G15171381	SUPP.SPANDI EST.DX				
4	G15171391	SUPP.SPANDI EST.SX				
5	G16670011	SUPPORTO SPANDI	SPREADER SUPPORT	SUPPORT +PANDEUR	HALTERUNG SPANDI	SOPORTE ABONADORA
6	G15472901	SUPPORTO SPANDI Q.150	SQ. FERTILIZER SPREADER SUPPOR	SUPPORT +PANDEUR CARR+ 150	HALTERUNG SPANDI Q.150	SOPORTE ABONADORA Q.150
7	G15473051	SUPPORTO SERBATOIO ANT.	FRONT HOPPER SUPPORT	SUPPORT TR+MIE AVANT	HALTERUNG VORDERER BEH-LTER	SOPORTE DEPÓSITO ANT.
8	G18701140	RONDELLA 11 X35 X5	WASHER 11 X 35 X 5	RONDELLE 11 X35 X5	UNTERLEGSSCHEIBE 11 X35 X5	ARANDELA 11 X35 X5
9	F20110706	CAV.Q.M10X 1,5X 30 47X 60 ZN	DISK SUPPORT.ELEMENT U BOLT SV	CAVALIER SUPPORT DISQUE SV	VERBINDUNG SCHEIBENHALTERUNG S	PERNO EN U SOP. DISCO SV
10	F20110770	CAV.Q.M14X 2X 50 96X119 ZN	U-BOLT M14X96 - 119 ZN	CAVALIER M14X96 - 119 ZN	VERBINDUNG M14X96 - 119 ZN	PERNO EN U M14X96 - 119 ZN
11	G20970142	RONDELLA 32X4X15,5	WASHER 32X4X15-5	RONDELLE 32X4X15-5	UNTERLEGSSCHEIBE 32X4X15-5	ARANDELA 32X4X15-5
12	G19204030	SCONTRIO FISS.150 2F D15				
13	F01020238	VITE M14X 2X240 U5737 8.8 BR	BOLT M 14 X240 5737 8.G	VIS M 14 X240 5737 8.G	SCHRAUBE M 14 X240 5737 8.G	TORNILLO M 14 X240 5737 8.G
14	F01020463	VITE M10X1,5 X25 U5739 A2 IX	SCREW 10X25 5739 INOX A2	VIS 10X25 5739 INOX A2	SCHRAUBE 10X25 5739 INOX A2	TORNILLO 10X25 5739 INOX A2
15	F01020465	VITE M10X1,5 X35 U5739 A2 IX	SCREW 10X35 5739 INOX A2	VIS 10X35 5739 INOX A2	SCHRAUBE 10X35 5739 INOX A2	TORNILLO 10X35 5739 INOX A2
16	F01200271	DADO M10X 1,5 U5588 A2 IX	NUT 10 5588 6.8 INOX	ECROU 10 5588 6.8 INOX	MUTTER 10 5588 6.8 INOX	TUERCA 10 5588 6.8 INOX
17	F01200306	DADO M14X 2 U5588 6.8 ZN	NUT M14X2	ECROU M14X2	MUTTER M14X2	DADO M14X2
18	F01200271	DADO M10X 1,5 U5588 A2 IX	NUT 10 5588 6.8 INOX	ECROU 10 5588 6.8 INOX	MUTTER 10 5588 6.8 INOX	TUERCA 10 5588 6.8 INOX
19	F01420059	ROS.M10 10,5X 30X2,5 U6593 IX	WASHER 11X30X2,5 6593 A2	RONDELLE 11X30X2,5 6593 A2	UNTERLEGSSCHEIBE 11X30X2,5 6593	ARANDELA 11X30X2,5 6593 A2
20	F20120346	PUNTALE Q 35 ALETT.POLIT.NERO				
21	G15472970	TUBO Q. 35X 4X1200	SQUARE PIPE 35 X4 X1200	TUBE CARRE 35 X4 X1200	VIERKANTROHR 35 X4 X1200	TUBO CUADRADO 35 X4 X1200

SPANDICONCIME IN FERRO

TAV. 181

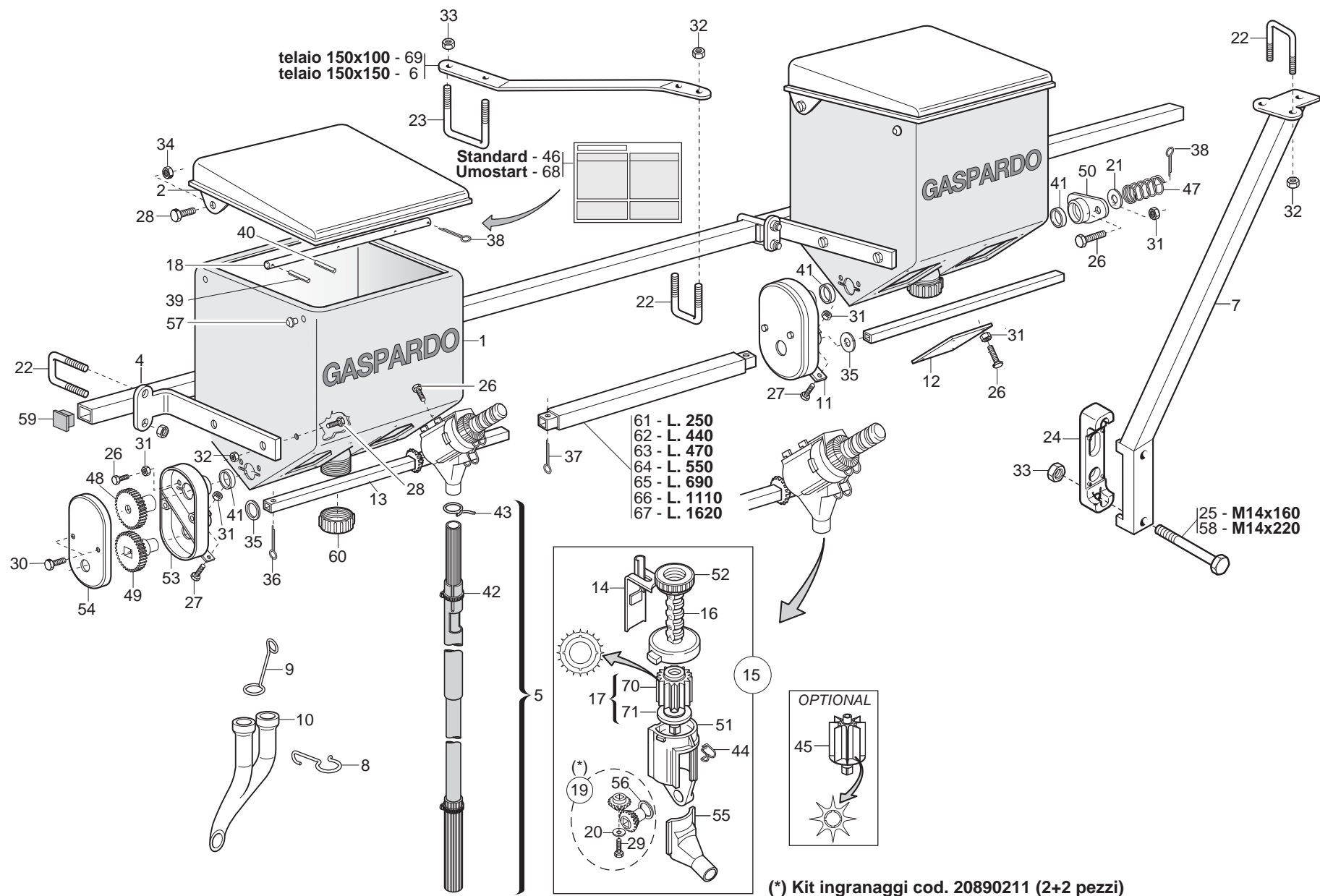
Pos.	Cod.	Descrizione	Description	Description	Benennung	Descripcion
1	G14830390	CUSCINETTO FORO QUADRO	SQUARE-HOLED BEARING	ROULEMENT AL+SAGE CARR+	VIERKANTLAGER	COJINETE ORIFICIO CUADRADO
2	G15470500	SERBATOIO CONCIME 850	MANURE TANK 850	RESERVOIR ENGRAIS 850	DsNGERBEHZLTER 850	DEPSITO ABONO 850 B
3	G15470580	COPERCHIO SERBATOIO 850	TANK TOP 850	COUVERCLE RESERVOIR 650	BEHZLTERDECKEL 850	TAPA DEPSITO 850 A
4	G15470700	GRIGLIA 850	GRID 850	GRILLE 850	GITTER 850	REJILLA 850
5	G15470780	PORTA DI PULIZIA SERB.850	TANK 850 CLEANING DOOR	PORTE DE NETTOYAGE RESERVOIR 8	REINIGUNGSTsR BEHZLTER 850	PUERTA DE LIMPIEZA DEPS. 850 P
6	G15471010	SERBATOIO CONCIME 500	FERTILIZER TANK 500	RESERVOIR ENGRAIS 500	DsNGERBEHZLTER 500	DEPSITO ABONO 500 B
7	G15471040	PORTA DI PULIZIA	CLEANING DOOR	PORTE DE NETTOYAGE	REINIGUNGSTsR	PUERTA LIMPIEZA
8	G15471090	GRIGLIA 500	GRID 500	GRILLE 500	GITTER 500	REJILLA 500
9	G15471120	ASSE AGITAT.DX SERBATOIO 500	RIGHT TANK STIRRER SPINDLE 500	AXE AGIT. DRT RESERVOIR 500	ACHSE SAMENMISCHER RE BEHZLTER	EJE AGITADOR DER DEPSITO 500 A
10	G15471130	ASSE AGITAT. SX SERBATOIO 500	LEFT TANK STIRRER SPINDLE 500	AXE AGIT. GCH RESERVOIR 500	ACHSE SAMENMISCHER LI BEHZLTER	EJE AGITADOR IZQ DEPSITO 500 A
11	G15471140	COPERCHIO SERBATOIO 500	TANK COVER 500	COUVERCLE RESERVOIR 500	BEHZLTERDECKEL 500	TAPA DEPSITO 500 A
12	G15471280	SERBATOIO CONCIME 1500	FERTILIZER TANK 1500	RESERVOIR ENGRAIS 1500	DsNGERBEHZLTER 1500	DEPSITO ABONO 1500 B
13	G15471320	COPERCHIO SERBATOIO 1500	TANK COVER 1500	COUVERCLE RESERVOIR 1500	BEHZLTERDECKEL 1500	TAPA DEPSITO 1500 A
14	G15471390	GRIGLIA 1500	GRID 1500	GRILLE 1500	GITTER 1500	REJILLA 1500
15	G15471930	PROTEZIONE	GUARD	PROTECTION	SCHUTZ	PROTECCIN P
16	G15471990	SUPPORTO COCLEA	SCREW SUPPORT	SUPPORT VISALIMENTATION	HALTERUNG SCHNECKE	SOPORTE CCLEA S
17	G19002710	PROTEZ.RINVIO SPANDICONCIME	FERTILIZER TRANSM. PROTECTION	PROTECTION RENVOI FERTILISEUR	SCHUTZ VORGELEGE DUNGERSTREUER	PROTECCION TRANSMISION ABONADO
18	G19002850	PROTEZIONE PIGNONE	PINION GUARD	PROTECTION PIGNON	RITZELSCHUTZ	PROTECCIN P1/4N PR
19	G20860012	MANICOTTO DI UNIONE L.500	JOINT SLEEVE L.500	MANCHON DE RACCORD L. 500	VERBINDUNGSMUFFE L.500	MANGUITO DE UNIN L.500 M
20	G20860008	ASSE LATO CAMBIO 2 F. L.1160	GEARBOX SIDE SPINDLE- 2-ROW L.	AXE COTE BOITE DE VITESSE	ACHSE GETRIEBESEITE 2 R. L. 11	EJE LADO CAMBIO 2 FIL. L.1
21	G20860052	REGOLATORE APERTURA	OPENING REGULATOR	REGULATEUR OUVERTURE	TFFNUNGSEINSTELLER	REGULADOR ABERTURA
22	G20860086	INGRANAGGIO 1/2 Z-12 F.Q.	GEAR 1/2 Z-12 F.Q.	ENGRENAGE 1/2 Z-12 TROUS CARRE	ZAHNRAD 1/2 Z-12 F.Q.	ENGRANAJE 1/2 Z-12 F.Q.
23	G20860088	INGRANAGGIO 1/2 Z-12 F.T.	GEAR 1/2 Z-12 F.T.	ENGRENAGE 1/2 Z-12 TROUS ROUNDS	ZAHNRAD 1/2 Z-12 F.T.	ENGRANAJE 1/2 Z-12 F.T.
24	G20860093	VITE DI REGOL.	ADJUSTMENT BOLT	VIS DE REGLAGE	EINSTELLSCHRAUBE.	TORNILLO DE REGULACIN S
25	G20860106	DOSATORE SPANDI 8 PALE COMPL.	FERT.METERING DEVICE ASS.8 GRO	ROTOR DOSEUR 8C FERTI	DOSIERER DUNGER.KOMPL. 8 SEKT	DOSIFICADOR ABONO COMP.8 SECT
26	G20860121	ASSE AGITAT.DX SERB.850 COMPL.	STIRRER SPINDLE- RIGHT 850 TAN	AXE AGITATEUR DRT. RESERVOIR 8	SAMENMISCHERACHSE RE BEH.850	EJE AGITAD. DER. DEPS.850 COMA
27	G20860122	ASSE AGITAT.SX SERB.850 COMPL.	STIRRER SPINDLE- LEFT 850 TANK	AXE AGITATEUR GCH. RESERVOIR 8	SAMENMISCHERACHSE LI BEH.850	EJE AGITAD. IZQ. DEPS. 850 COA
28	G20860123	AGIT.DX SERB.1500 3-4 USC.COMP	RIGHT 1500 TANK STIRRER- 3-4 O	AGITATEUR DRT. RESERVOIR 1500	SAMENMI. RE BEH.1500 3-4AUSG.	AGIT. DER. DEPS. 1500 3-4 SALA
29	G20860124	AGIT.SX SERB.1500 3-4 USC.COMP	LEFT 1500 TANK STIRRER- 3-4 OU	AGITATEUR GCH. RESERVOIR 1500	SAMENMI. LI BEH.1500 3-4 AUSG.	AGIT. IZQ. DEPS. 1500 3-4 SALA
30	G20860126	KIT INGR DISTR CONCIME (2+2)	KIT- MAN. DISTR. GEARS	COUPLE CON DISTR ENGRAIS (2+2)	KIT ZAHNRZDER DsNGERSTREUER	SET ENGRANAJES DISTRIB. ABONO
31	G20870028	ASSE SERB.LATO TRAS.6F.L.1800	AXLE- GEARBOX SIDE- 6-ROW L.18	AXE RESERVOIR COTE ENTRAINEMEN	ACHSE BEHZLTER ANTRIEBSS. 6F.L	EJE DEPS. LADO TRANS. 6 FILA A
32	G19005040	BOCCOLA ASSE SPANDI	FERT. SPREADER AXLE BUSH	DOUILLE AXE +PANDEUR	ACHSENBUCHSE STREUER	MANGUITO -RBOL ABONADORA
33	G20880044	DISTR.COMPL.8PALE SPANDI FE	COMPL.IRON FERTIL.DISTR.8 RIBS	MINIMAX COMPL 8C FER	KOMPL.DOSIER.MET.DUNGERSTR.8S	DISTR.COMP.ABONO HIER.8ALETAS
34	G22505085	FERMO ASSE IN LAMIERA	PLATE AXLE STOP	ARRET AXE EN TOLE	FESTSTELLVORRICHTUNG BLECHACHS	BLOQUEO EJE DE CHAPA
35	G20910044	MANICOTTO UNIONE L.1375	JOINT SLEEVE L.1375	MANCHON RACCORD L. 1375	VERBINDUNGSMUFFE L.1375	MANGUITO DE UNIN L.1375 M
36	G20910045	MANICOTTO UNIONE L.1180	JOINT SLEEVE L.1180	MANCHON RACCORD L. 1180	VERBINDUNGSMUFFE L.1180	MANGUITO DE UNIN L.1180 M
37	G20970097	RONDELLA 32X3X4,5	WASHER 32X3X4-5	RONDELLE 32X3X4-5	UNTERLEGSCHIEBE 32X3X4-5	ARANDELA 32X3X4-5
38	G20970125	RONDELLA 28X2,5X6,5	WASHER 28X2-5X6-5	RONDELLE 28X2-5X6-5	UNTERLEGSCHIEBE 28X2-5X6-5	ARANDELA 28X2-5X6-5
39	G22220073	RONDELLA 28X0,3X16,5	WASHER 28X0-3X16-5	RONDELLE 28X0-3X16-5	UNTERLEGSCHIEBE 28X0-3X16-5	ARANDELA 28X0-3X16-5
40	G22230094	SUPPORTO CUSCINETTO	BEARING SUPPORT	SUPPORT PALIER	LAGERBsCHSE	SOPORTE COJINETE
41	G22250287	MANICOTTO DISTANZIALE SV	SPACER SLEEVE SV	MANCHON ENTRETOISE SV	ABSTANDSMUFFE SV	MANGUITO DISTANCIADOR SV
42	F01020043	VITE M 6X 1X 60 U5737 8.8 ZN	BOLT 6 X60 5737 8.G GALVANIZED	VIS 6 X60 5737 8.G ZN	SCHRAUBE 6 X60 5737 8.G ZN	TORNILLO 6 X60 5737 8.G ZN
43	F01020068	VITE M 8X1,25X40 U5737 8.8 ZN				
44	F01020419	VITE M 6X1 X 16 U5739 A2 IX	BOLT M6 X1 X 16 U5739 8.8 IX	VIS M6 X1 X 16 U5739 8.8 IX	SCHRAUBE M6 X1 X 16 U5739 8.	TORNIL. M6 X1 X 16 U5739 8.8
45	F01020432	VITE M 8X1,25X16 U5739 8.8 ZN	BOLT M8X16	VIS M8X16	SCHRAUBE M8X16	TORNILLO M8X16
46	F01020463	VITE M10X1,5 X25 U5739 A2 IX	SCREW 10X25 5739 INOX A2	VIS 10X25 5739 INOX A2	SCHRAUBE 10X25 5739 INOX A2	TORNILLO 10X25 5739 INOX A2
47	F01070075	VIT.A.4,2X1,41X 38 6954 4.8NI	BOLT 4-2X38 DIN 7981	VIS 4-2X38 DIN 7981	SCHRAUBE 4-2X38 DIN 7981	TORNILLO 4-2X38 DIN 7981
48	F01070011	VIT.A.4,2X1,41X 9,5 6950 4.8NI	BOLT- SELF-TAPPING 4-2X9-5T.E.	VIS AUTOTAR. 4-2X9-5 T. E. COU	SELBSTSCHNEID. SCHRAUBE 4-2X9-	TORNILLO AUTORROSC. 4-2X9-5
49	F01240012	DADO M 6X 1 U5448 5.8 ZN	NUT 6 UNI 5448 5.8 ZN	ECROU 6 UNI 5448 5.8 ZN	MUTTER 6 UNI 5448 5.8 ZN	TUERCA 6 UNI 5448 5.8 ZN
50	F01200233	DADO M 6X 1 U5588 A2 IX	NUT M 6X 1 U5588 IX	ECROU M 6X 1 U5588 I	MUTTER M 6X 1 U5588	TUERCA M 6X 1 U5588
51	F01200244	DADO M 8X1,25 U5588 6.8 ZN	NUT M8	ECROU M8	MUTTER M8	DADO M8
52	F01200271	DADO M10X 1,5 U5588 A2 IX	NUT 10 5588 6.8 INOX	ECROU 10 5588 6.8 INOX	MUTTER 10 5588 6.8 INOX	TUERCA 10 5588 6.8 INOX
53	F01410037	ROS.M6 6,4X12,5X1,6 U6592 ZN	PLANE WASHER D.6	RONDELLE D.6	SCHEIBE D.6	ARANDELA D.6
54	F01410051	ROS.M8 8,4X 17X1,6 U6592 ZN	PLANE WASHER D.8	RONDELLE D.8	SCHEIBE D.8	ARANDELA D.8



SPANDICONCIME IN FERRO

TAV. 181

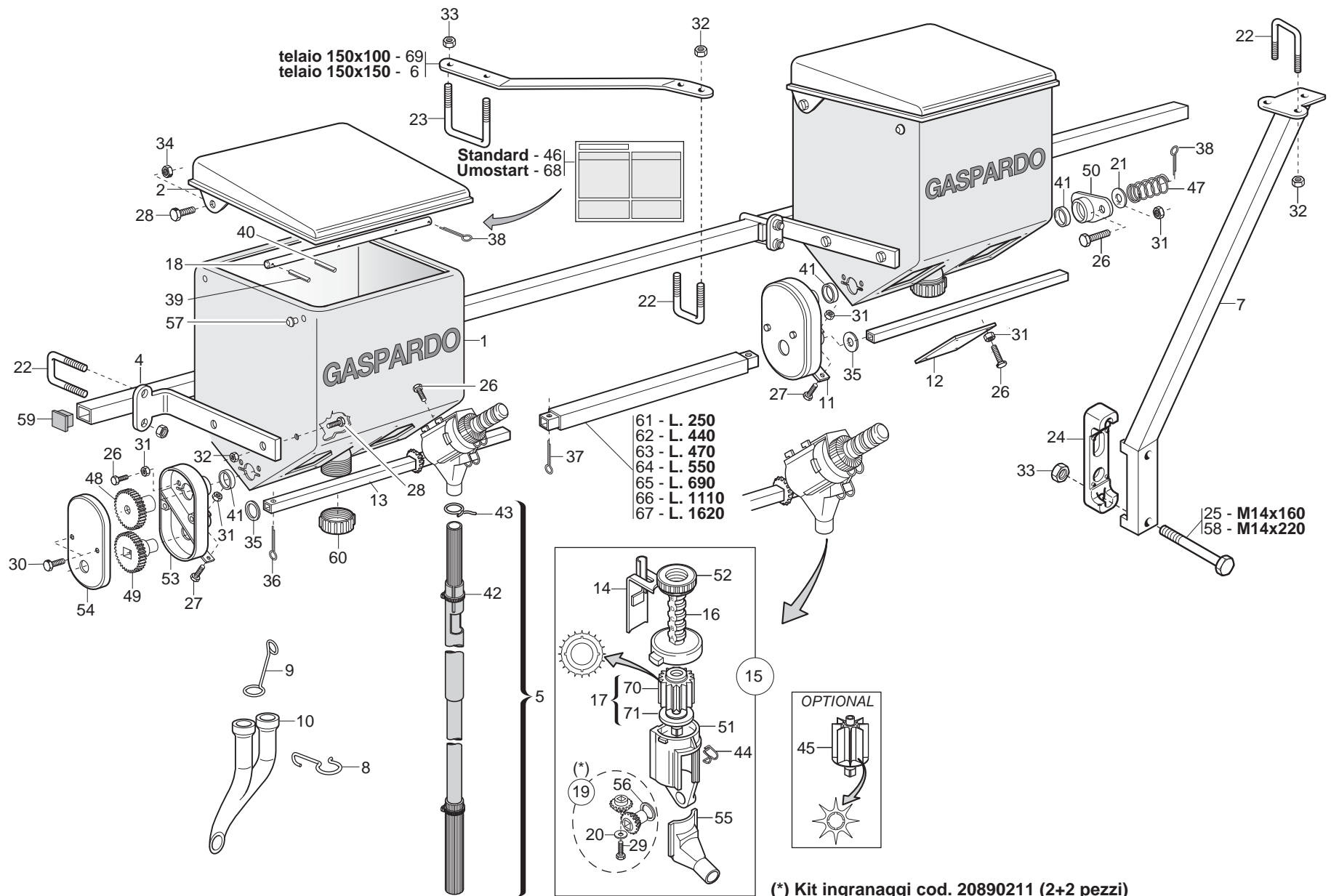
Pos.	Cod.	Descrizione	Description	Description	Benennung	Descripcion
55	F01420059	ROS.M10 10,5X 30X2,5 U6593 IX	WASHER 11X30X2,5 6593 A2	RONDELLE 11X30X2,5 6593 A2	UNTERLEGSCHLEIBE 11X30X2,5 6593	ARANDELA 11X30X2,5 6593 A2
56	F02200227	COPIGLIA 5X 30 U1336 ZN	SPLIT PIN 5 X30 1336 GALVAN.	GOUPILLE 5 X30 1336 ZN	SPLINT 5 X30 1336 ZN	PASADOR 5 X30 1336 ZN
57	F02100079	SPINA E.P. 5X 16 U6873 C70 BR				
58	F02100089	SPINA E.P. 5X 36 U6873 C70 BR	PIN EL. 5 X36 DIN 1481	FICHE EL. 5 X36 DIN 1481	SPANNSTIFT 5 X36 DIN 1481	CLAVIJA EL.5 X36 DIN 1481
59	F02100114	SPINA E.P. 6X 30 U6873 C70 BR	ELASTIC PIN 6X30	GOUJON ELASTIQUE 6X30	SPANNHUELSE 6X30	ESPINA ELASTICA 6X30
60	F03011081	GUARNIZIONI LABBRO DE100				
61	F06080196	CATENA 1/2 ISO 083 32 MAGLIE	CUT-DOWN CHAIN .1/2 ISO 083 32	TRONCON CHAINE 1/2 ISO 083 32	KETTENZANGE 1/2 ISO 083 32 GL	TRECHO CADENA 1/2 ISO 083 32
62	F03100500	TUBO EOLO 35 PU	EOLO PIPE 35 PU	TUBE EOLO 35 PU	ROHR EOLO 35 PU	TUBO EOLO 35 PU
63	G65336025	MOLLA SPEC.ZN STRINGIT.ASP.SP	SPEC SPRING ZN FAN . PIPE CLAM	RESSORT SPEC. ZN SERRE-TUBE AS	SPEZIALFEDER ZN RORHSHELLE AB	MUELLE ESPEC. ZN APRIETA TUBOS
64	G65336055	MOLLA SPEC.REGOL.SPAND. SP	SPEC SPRING MAN. SPR. ADJUSTM.	RESSORT SPEC. REGL. EP. ENTRAJ	SPEZIALFEDER STREUERINSTELLUN	MUELLE ESPEC. REGUL. ABONADORA
65	G65336062	MOLLA SPEC.SCIV.DISTR.SPAND.SP	SPEC SPRING - MAN. SPR. DISTR.	RESS. SPEC. LANCOIR DISTR. EP.	SPEZ.FEDER RUTSCHE SZAPP. STRE	MUELLE ESPEC.PLANO INCL.DISTR.
66	G65336064	MOLLA SPEC.COCLEA DX SPAND.HL	SPEC. WORM SCREW SPRING RIGHT	RESSORT SPEC. VIS DRT. EP. ENG	SPEZ.FEDER RE SCHNECKE STREUER	MUELLE ESPEC. TORN.S/F DER. AB
67	G65336065	MOLLA SPEC.COCLEA SX SPAND.HL	SPEC. WORM SCREW SPRING LEFT M	RESSORT SPEC. VIS GCH. EP. ENG	SPEZ.FEDER LI SCHNECKE STREUER	MUELLE ESPEC. TORN.S/F IZQ. AB
68	G65336080	MOLLA SPEC.SCARICO SPAND.T.M.	SPEC.SPRING- MAN. SPR. DISCHAR	RESSORT SPEC. DECHARGEMENT FER	SPEZIALFEDER STREUERENTLADUNG	MUELLE ESPEC. DESCARGA ABONAD.
69	G65336089	MOLLA SPEC.TENUTA FERMO SPAND.	SPEC.SPRING- BLOCK. MAN. SPR.	RESSORT SPEC. D'ETANCHEITE ARR	SPEZIALFEDER DICHTUNG STREUER	MUELLE ESPEC. RETENC. BLOQ
70	G65338043	MOLLA COMP.ZN SERB. M80	ZN TANK COMP.SPRING M80	RESSORT COMPL. ZN RESERVOIR M8	DRUCKFEDER ZN BEHZLTER M80	MUELLE COMP.ZN DEPS. M80 A
71	G66248121	BOCCOLA CON FLANGIA M80	BUSHING W/ FLANGE M80	SUPPORT AVEC BRIDE M80	BsCHSE MIT FLANSCH M80	CASQUILLO CON BRIDA M80
72	G66248125	GHIERA REGOLAZIONE M80	ADJUSTMENT KNURLED NUT M80	BAGUE REGLAGE M80	EINSTELLMUTTER M80	CONTRATUERCA REGULACIN M80 G
73	G66248176	CORPO DISTR.SPAND. SP	MANURE SPREADER DISTR. CASING	CORPS DISTRIB. EP. ENGRAIS SP	VERTEILUNGSKTRPER STREUER SP	CUERPO DISTR. ABON. SP
74	G66248178	SCIVOLO DISTR.SPAND. SP	CHUTE- MANURE-SPREADER DISTRIB	LANCOIR DISTRIBUTION EP. ENGR.	DsNGERSTREUER RUTSCHE SP	PLANO INCLINADO DISTR. ABON. S
75	G66248184	CHIUSURA USCITA SERB.SPAND.SP	OUTLET CLOSURE- MAN.SPREAD. TA	FERMETURE SORTIE RESERVOIR FER	VERSCHLUSS AUSTRITT DsNGERSTR.	CIERRE SALIDA DEPS. ABON. SP I
76	G66248187	SCARICO SERB.SPAND.TIPO MICRO	MICRO TYPE MAN.SPR.TANK DISCH.	TRAPPE DE VIDANGE TYPE MICRO	BEHZLTERENTLADUNG STREUER TYP	DESCARGA DEPS. ABON.TIPO MICRD
77	G66248207	TENDICATENA SPAND. SP-520	CHAIN TENSIONER	TENDEUR DE CHAINE EPAND. ENGR.	KETTENSANNER DsNGERSTR. SP-52	SENSOR DE CADENA ABON. SP-520
78	G66248218	RONDELLA DISTAN.SPAND.	MAN. SPR. SPACER WASHER	RONDELLE ENTRETOISE EP. ENGRAI	ABSTANDSCHEIBE DsNGERSTREUER	ARANDELA DISTAN.ABONAD.
79	G66248223	TAPPO SUPP.SPAND.D.11	PLUG MAN. SPR. SUPP. D.11	BOUCHON SUPPORT EP. ENGRAIS D.	HALTERUNGSPFROPFEN DsNGERSTR.	TAPN SOPORTE ABON.D.11 D
80	G66248224	FERMO DISTRIBUTORE SPAND.	FERT. SPR. DISTRIB. STOP	ARRET DISTRIBUTEUR EP. ENGRAIS	FESTSTELLVORRICHTUNG SZAPP. ST	BLOQUEO DISTRIBUIDOR ABON.
81	G19702751	DECAL.TABELLA CONCIME V'99	V 99 FERTILIZER CHART STICKER	DECALC. TABLEAU ENGRAIS V 99	ABZIEHB. TABELLE DsNGER V 99	CAL.TABLA ABONO V 99
82	G18701500	RONDELLA 29,5 X38 X0,3	WASHER 29,5 X 38 X 0,3	RONDELLE 29,5 X38 X0,3	UNTERLEGSCHLEIBE 29,5X38X0,3	ARANDELA 29,5 X38 X0,3



MICROGRANULATORE

TAV. 192

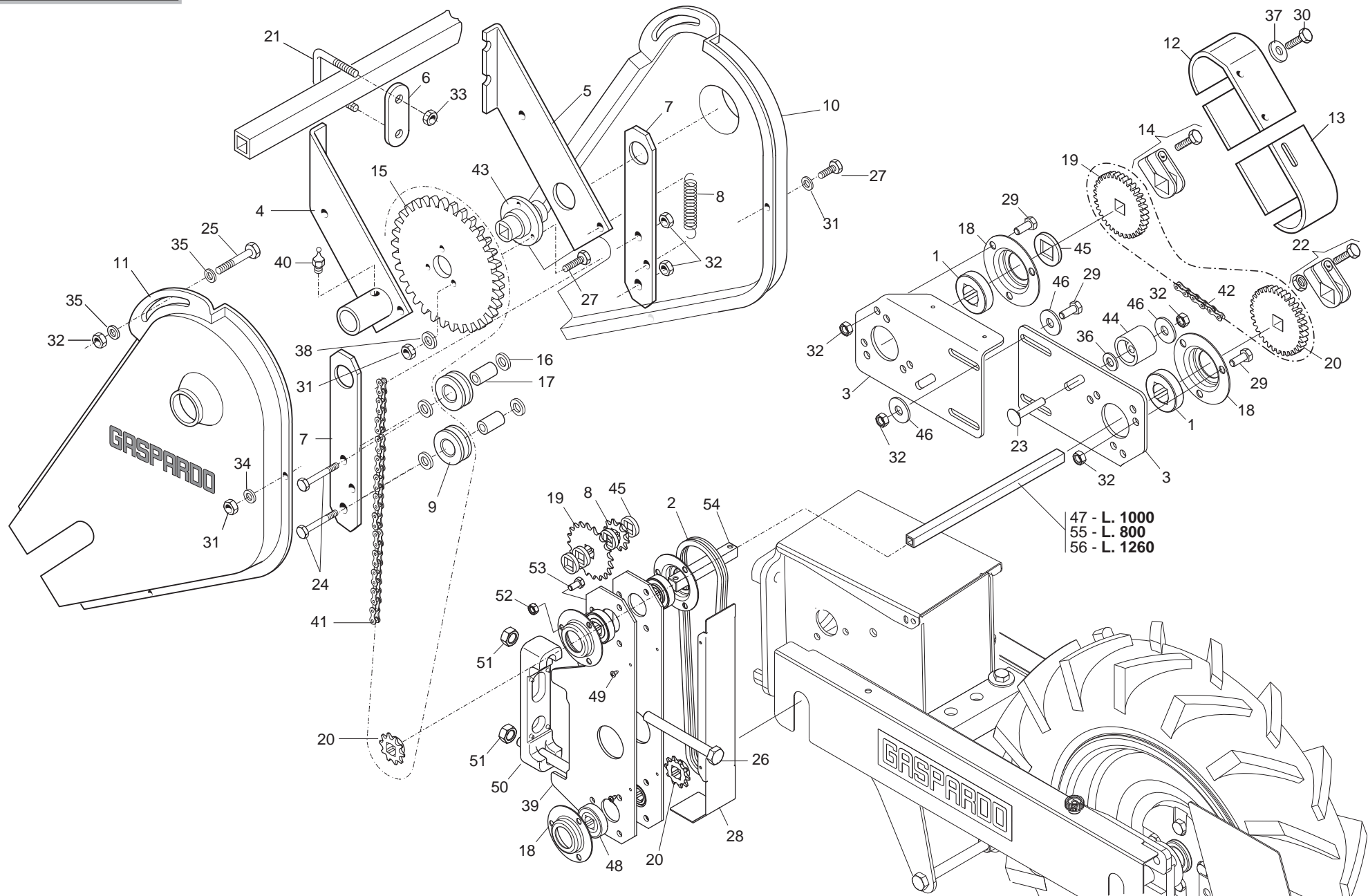
Pos.	Cod.	Descrizione	Description	Description	Benennung	Descripcion
1	G19002932	SERBATOIO MICRO 250 PLA.	PLASTIC TANK MICRO 250	RESERVOIR MICRO 250 PLASTIQUE	MIKROGRANULATBEHZLTER PLAST.	DEPSITO MICRO 250 PLAST.
2	G15475231	COPERCHIO MICRO 250 PLA.	PLASTIC COVER MICRO 250	COUVERCLE MICRO 250 PLASTIQUE	MIKRO DECKEL MICRO 250 PLAST.	TAPA MICRO 250 PLAST.
3	G15475260	SCONTRO SP	STRIKER PLATE SP	BUTEE SP	ANSCHLAG STREUER	ELEMENTO DE EMPALME SP
4	G15475271	SUPPORTO MICRO	MICRO SUPPORT	SUPPORT MICROGRANULATEUR	HALTERUNG MICRO	SOPORTE MICRO
5	G15870251	TUBO DISCESA MICRO ORTAG.COMPL				
6	G15475380	ATTACCO AL 3°P.BARRA MICRO	MICRO BAR 3-POINT COUPLING	ATTELAGE AU 3] P. BARRE MICRO	KUPPLUNG AM 3]PUNKT STANGE MIK	CONEXIN AL 3P.BARRA MICRO OP
7	G15475411	SUPP.BARRA MICRO M.S.SPAN.	M.S. FERTILISER SPREADER MICRO	SUPPORT BARRE MICRO M.S. EPAND	MIKRO SPINDELHALTERUNG M.S. Ds	SOPORTE BARRA MICRO M.S. ABONA
8	G18903180	MOLLA CONVOGLIATORE MICRO	MICRO CONVEYOR SPRING	RESSORT CONVOYEUR MICRO	FEDER MIKRO FTRDERER	MUELLE CONDUCTOR MICRO
9	G18903191	MOLLA SPEC.ZN DISCESA MICRO	SPEC.SPRING ZN MICRO GUIDE	RESSORT SPEC. ZN GUIDE MICRO	SPEZIALFEDER ZN F_HR.MIKRO	MUELLE ESPEC. ZN GUA MICRO
10	G19002580	RACCORDO FINALE CONCIMAZ.PNEUM	PNEUMAT. MAN. SPR. END UNION	RACCORD FINAL FUMAGE PNEUMAT.	ENDANSCHLUSS PNEUM. DsNGUNG	UNIN FINAL DE ABONAD. NEUMAT.R
11	G20890078	PIASTRA DI COLLEGAMENTO	CONNECTION PLATE	PLAQUE DE RACCORD	VERBINDUNGSPLATTE	PLACA DE CONEXIN P
12	G20890079	PIASTRA DI CHIUSURA	CLOSURE PLATE	PLAQUE DE FERMETURE	ABSCHLUSSPLATTE	PLACA DE CIERRE
13	G20890081	ASSE DISTRIB.MICRO L.445	MICRO DISTR. SPINDLE- L. 445	AXE DISTRIBUTEUR MICRO L. 445	MIKRO STREUERACHSE L 445	EJE DISTRIB.MICRO L.445
14	G20890089	REGOLATORE DI APERTURA	OPENING REGULATOR	REGULATEUR D'OUVERTURE	TFFNUNGSEINSTELLER	REGULADOR DE ABERTURA
15	G20890135	DISTRIB.NYLON COMPL.E SCIVOLO	DISTRIB. NYLON ASSY. AND CHUTE	MINIMAX COMPL.20C MICRO	SZAPPARAT NYLON KOMPL. UND RUT	DISTRIB.NYLON COMPL.Y PLANO IN
16	G20890151	VITE-SCALA GRADUATA	GRADUATED SCALE BOLT	VIS-ECHELLE GRADUEE	SCHRAUBE - GRADSKALA	TORNILLO - ESCALA GRADUADA
17	G20890158	DOSATORE MICRO COMPL.	ROTOR DIST. MICRO 20 GROOVES	ROTOR DOSEUR 20C MICRO	DOSIERER MIKRO KOMPL. 20 SEKT	DOSIFICADOR MICRO COMPL.20 SEC
18	G20890194	ASSE AGITATORE SERB.MICRO 250	STIRRER SPINDLE- MICRO TANK 25	AXE AGITATEUR RESERVOIR MICRO	SAMENMISCHERACHSE BEH.MIKRO 25	EJE AGITADOR DEPS. MICRO 250 A
19	G20890211	KIT INGRANAGGI DISTRIB.MICRO	KIT- MICRO. DISTR. GEARS	COUPLE CON DISTR MICRO (2+2)	KIT ZAHNRZDER MIKROSTREUER	SET ENGRANAJES DISTRIB.MICRO
20	F01420011	ROS.M4 4,3X 16X 1 U6593 ZN	FLAT WASHER 4-3X 16X1-5 6593 G	ROND.PLATE 4-3X 16X1-5 6593 ZN	SCHIEBE 4-3X 16X1-5 6593 ZN	ARAND. PLANA 4-3X 16X1-5 6593
21	G22220073	RONDELLA 28X0,3X16,5	WASHER 28X0-3X16-5	RONDELLE 28X0-3X16-5	UNTERLEGSCHIEBE 28X0-3X16-5	ARANDELA 28X0-3X16-5
22	F20110706	CAV.Q.M10X 1,5X 30 47X 60 ZN	DISK SUPPORT.ELEMENT U BOLT SV	CAVALIER SUPPORT DISQUE SV	VERBINDUNG SCHEIBENHALTERUNG S	PERNO EN U SOP. DISCO SV
23	F20110770	CAV.Q.M14X 2X 50 96X119 ZN	U-BOLT M14X96 - 119 ZN	CAVALIER M14X96 - 119 ZN	VERBINDUNG M14X96 - 119 ZN	PERNO EN U M14X96 - 119 ZN
24	G19204030	SCONTRO FISS.150 2F D15				
25	F01020225	VITE M14X 2X160 U5737 8.8 BR	BOLT M 14 X160 5737 8.G	VIS M 14 X160 5737 8.G	SCHRAUBE M 14 X160 5737 8.G	TORNILLO M 14 X160 5737 8.G
26	F01020397	VITE M 6X 1X 10 U5739 8.8 ZN	BOLT 6X10 5739 8.G GALVANIZED	VIS 6X10 5739 8.G ZN	SCHRAUBE 6X10 5739 8.G ZN	TORNILLO 6X10 5739 8.G ZN
27	F01020403	VITE M 6X 1X 16 U5739 8.8 ZN	BOLT M6X16	VIS M 6X16	SCHRAUBE M 6X16	TORNILLO M 6X16
28	F01020472	VITE M10X 1,5X25 U5739 8.8 ZN	BOLT 10X25 5739 8.G GALVANIZED	VIS 10X25 5739 8.G ZN	SCHRAUBE 10X25 5739 8.G ZN	TORNILLO 10X25 5739 8.G ZN
29	F01070061	VIT.A.3,9X1,34X 9,5 6954 4.8NI				
30	F01070121	VIT.A.3,9X1,34X 9,5 6955 4.8NI	BOLT 3-9X 9-5 DIN 7982	VIS 3-9X 9-5 DIN 7982	SCHRAUBE 3-9X 9-5 DIN 7982	TORNILLO 3-9X 9-5 DIN 7982
31	F01200232	DADO M 6X 1 U5588 6.8 ZN				
32	F01200270	DADO M10X 1,5 U5588 6.8 ZN	NUT M10	ECROU M10	MUTTER M10	DADO M10
33	F01200306	DADO M14X 2 U5588 6.8 ZN	NUT M14X2	ECROU M14X2	MUTTER M14X2	DADO M14X2
34	F012220033	DADO M10X 1,5 D980 8 ZN	NUT M10X 1,5 D980 8 ZB	ECRO.M10X 1,5 D980 8 ZB	MUTT.M10X 1,5 D980 8 ZB	TUER.M10X 1,5 D980 8 ZB
35	F01410088	ROS.M14 15X 28X2,5 U6592 ZN	WAS.M14 15X 28X2,5 U6592 ZB	RON.M14 15X 28X2,5 U6592 ZB	SCH.M14 15X 28X2,5 U6592 ZB	ARA.M14 15X 28X2,5 U6592 ZB
36	F02200161	COPIGLIA 3X 15 U1336 ZN	SPLIT PIN 3 X15 1336 GALVAN.	GOUPILLE 3 X15 1336 ZN	SPLINT 3 X15 1336 ZN	PASADOR 3 X15 1336 ZN
37	F02200162	COPIGLIA 3X 20 U1336 ZN	SPLIT PIN 3 X20 1336 GALVAN.	GOUPILLE 3 X20 1336 ZN	SPLINT 3 X20 1336 ZN	PASADOR 3 X20 1336 ZN
38	F02200194	COPIGLIA 4X 25 U1336 ZN	SPLIT PIN 4 X25 1336 GALVAN.	GOUPILLE 4 X25 1336 ZN	SPLINT 4 X25 1336 ZN	PASADOR 4 X25 1336 ZN
39	F02100083	SPINA E.P. 5X 24 U6873 C70 BR	PIN EL. 5 X24 DIN 1481	FICHE EL. 5 X24 DIN 1481	SPANNSTIFT 5 X24 DIN 1481	CLAVIJA EL.5 X24 DIN 1481
40	F02100089	SPINA E.P. 5X 36 U6873 C70 BR	PIN EL. 5 X36 DIN 1481	FICHE EL. 5 X36 DIN 1481	SPANNSTIFT 5 X36 DIN 1481	CLAVIJA EL.5 X36 DIN 1481
41	F03011081	GUARNIZIONI LABBRO DE100				
42	F02300017	FASCETTA STRING. 20/32 H.9	STRING FASTEN STRAPS 20/32 H.9	COLLIER DE SERRAGE 20/32 H.9	SCHELLE 20/32 H.9	ABRAZADERA 20/32 H.9
43	G65336041	MOLLA SPEC.ZN STRINGITUBO M80	SPEC.SPRING ZN . PIPE CLAMP M8	RESSORT SPEC. ZN SERRE-TUBE M8	SPEZIALFEDER ZN ROHRSCHELLE M8	MUELLE ESPEC. ZN APLASTA TUBOS
44	G65336046	MOLLA SPEC.ZN SCIVOLO M80	SPEC SPRING ZN CHUTE M80	RESSORT SPEC. ZN LANCOIR M80	SPEZIALFEDER ZN RUTSCHE M80	MUELLE ESPEC. ZN PLANO INCLINA
45	G22250240	DOSATORE COMPL. SV	MICRO DISTR.ROTOR 8 GROOVES	ROTOR DOSEUR 8C MICRO	DOSIERER KOMPL. SV	DOSIFICADOR COMPL. SV
46	G19702731	DECAL.TABELLA MICRO V99	V 99 MICRO CHART STICKER	DECALC. TABLEAU MICRO V 99	ABZIEHB. TABELLE MIKRO V 99	CAL.TABLA MICRO V 99
47	G65338043	MOLLA COMP.ZN SERB. M80	ZN TANK COMP.SPRING M80	RESSORT COMPL. ZN RESERVOIR M8	DRUCKFEDER ZN BEHZLTER M80	MUELLE COMP.ZN DEPS. M80 A
48	G66248119	RUOTA DENTATA Z-24 M80	GEAR-WHEEL Z-24 M80	ROUE DENTEE Z-24 M80	ZAHNRAD Z-24 M80	RUEDA DENTADA Z-24 M80
49	G66248120	RUOTA DENT.FORO QUAD.Z-24 M80	GEAR-WHEEL- SQUARE HOLE- Z-24	ROUE DENTEE TROU CARRE Z-24 M8	RAD VERZAHNT VIERKANTLOCH.Z-24	RUEDA DENT.ORIFICIO CUAD.Z-24
50	G66248121	BOCCOLA CON FLANGIA M80	BUSHING W/ FLANGE M80	SUPPORT AVEC BRIDE M80	BsCHSE MIT FLANSCH M80	CASQUILLO CON BRIDA M80
51	G66248123	CORPO DISTRIBUZIONE M80	DISTRIBUTION CASING M80	CORPS DISTRIBUTION M80	VERTEILUNGSKTRPER	CUERPO DISTRIBUCIN M80 C
52	G66248125	GHIERA REGOLAZIONE M80	ADJUSTMENT KNURLED NUT M80	BAGUE REGLAGE M80	EINSTELLMUTTER M80	CONTRATUERCA REGULACIN M80 G
53	G66248126	SUPP.TRASMISSIONE M80	TRANSM.SUPPORT M80	SUPPORT ENTRAINEMENT M80	ANTRIEBSHALTERUNG M80	SOPORTE TRANSMISIN M80 S
54	G66248138	COPERCHIO SUPP.TRASM. M80	TRANSMISSION SUPP. COVER M80	COUVERCLE SUPPORT ENTRAINEM.	DECKEL ANTRIEBSHALTERUNGS M80	TAPA SOP. TRANSM. M80



MICROGRANULATORE

TAV. 192

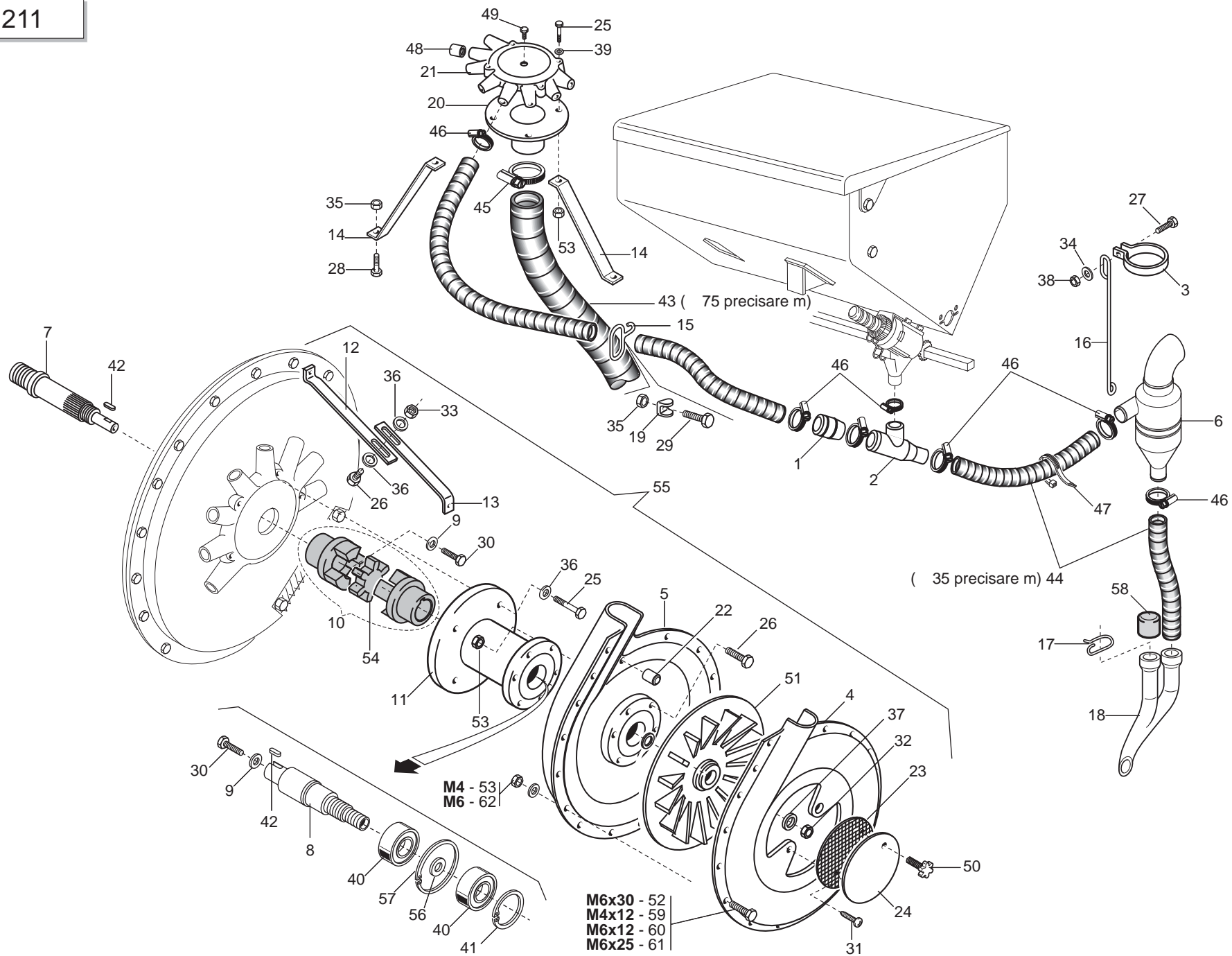
Pos.	Cod.	Descrizione	Description	Description	Benennung	Descripcion
55	G66248154	SCIVOLO DISTR. M80	CHUTE- DISTRIB. M80	ENTONNOIR DOSEUR MINIMAX MICRO	SAAPPARAT RUTSCHE M80	PLANO INCLINADO DISTR. M80
56	G20970100	RONDELLA 30X0,5X22 ACC.	WASHER 30X0-5X22 ACC.	RONDELLE 30X0-5X22 ACIER	UNTERLEGSCHIEBE 30X0-5X22 ACC.	ARANDELA 30X0-5X22 ACC.
57	G66248223	TAPPO SUPP.SPAND.D.11	PLUG MAN. SPR. SUPP. D.11	BOUCHON SUPPORT EP. ENGRAIS D.	HALTERUNGSPFROPFEN DsNGERSTR.	TAPN SOPORTE ABON.D.11 D
58	F01020236	VITE M14X 2X220 U5737 8.8 BR	SCREW M14X2X220 U5737 8.8 BR	VIS M14X2X220 U5737 8.8 BR	SCHRAUBE M14X2X220 U5737 8.8	TORNILLO M14X2X220 U5737 8.8
59	F20120346	PUNTALE Q 35 ALETT.POLIT.NERO				
60	G16675090	TAPPO PLASTICA MICRO C/OR				
61	G20890205	MANICOTTO UNIONE MICRO L.250	MICRO JOINT SLEEVE L.250	MANCHON RACCORD MICRO L. 250	VERBINDUNGSMUFFE MIKRO L.250	MANGUITO DE UNIN MICRO L.250 M
62	G20890201	MANICOTTO UNIONE MICRO L.440	MICRO JOINT SLEEVE L.440	MANCHON RACCORD MICRO L. 440	VERBINDUNGSMUFFE MIKRO L.440	MANGUITO DE UNIN MICRO L.440 M
63	G20890111	MANIC.UNIONE RINV.MICRO L.470	MICRO TRANSM.JOINT SLEEVE L.47	MANCHON RACCORD TRANSMISSION M	VERBINDUNGSMUFFE VORGELEGE MIK	MANGUITO EMPALME TRANSM. MICRO
64	G20890130	MANICOTTO UNIONE MICRO L.550	MICRO JOINT SLEEVE	MANCHON RACCORD MICRO L. 550	VERBINDUNGSMUFFE MIKRO L 550	MANGUITO DE UNIN MICRO L.550 M
65	G20890202	MANICOTTO UNIONE MICRO L.690	MICRO JOINT SLEEVE L.690	MANCHON RACCORD MICRO L. 690	VERBINDUNGSMUFFE MIKRO L.690	MANGUITO DE UNIN MICRO L.690 M
66	G20890112	MANICOTTO UNIONE MICRO L.1110	MICRO JOINT SLEEVE L.1110	MANCHON RACCORD MICRO L. 1110	VERBINDUNGSMUFFE MIKRO L1110	MANGUITO DE UNIN MICRO L.1110M
67	G20890203	MANICOTTO UNIONE MICRO L.1620	MICRO JOINT SLEEVE L.1620	MANCHON RACCORD MICRO L. 1620	VERBINDUNGSMUFFE MIKRO L.1620	MANGUITO DE UNIN MICRO L.1620M
68	G19702460	DECAL.TABELLA DISTRIB.UMOSTART	UMOSTART DISTRIBUTOR CHART STI	DECALC. TABLEAU DISTRIBUTEUR U	ABZIEHB. TABELLE SZAPPARAT UMO	CAL.TABLA DISTRIBUDOR UMOSTART
69	G16670240	TIRANTE BARRA MICRO S.SPANDI	S. FERTILISER SPREADER MICRO B	TRINGLE BARRE MICRO S. EPANDEU	SPANNSTANGE MIKRO STANGE S. Ds	TIRANTE BARRA MICRO S. ABONADO
70	G66248189	DOSATORE M80	SEED METERING DEVICE M80	DOSEUR M80	DOSIERER M80	DOSIFICADOR M80
71	G19001802	RONDELLA-ALBERO MICRO				



TRASMISSIONE SPANDICONCIME E MICROGRANULATORE

TAV. 202

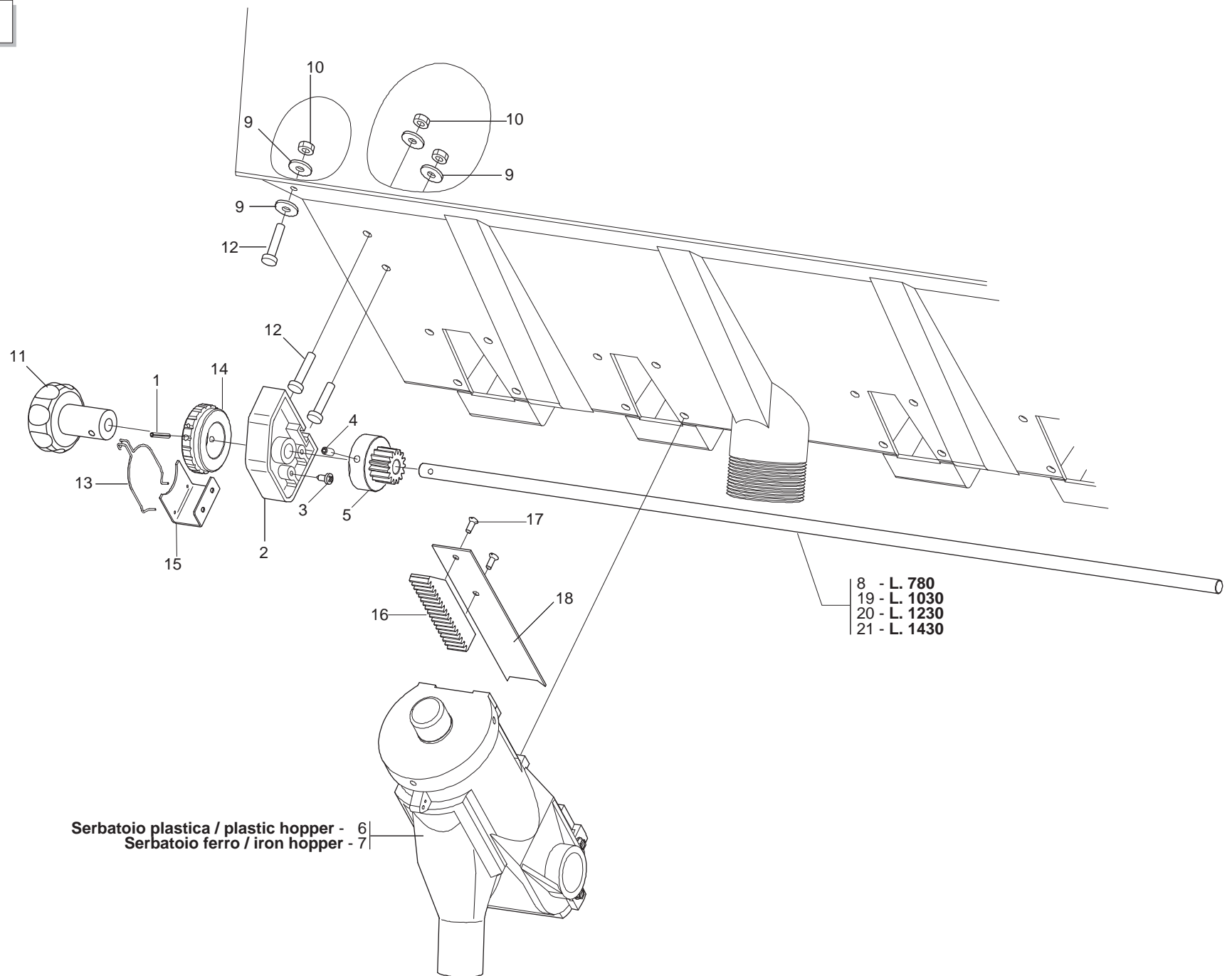
Pos.	Cod.	Descrizione	Description	Description	Benennung	Descripcion
1	G14830390	CUSCINETTO FORO QUADRO	SQUARE-HOLED BEARING	ROULEMENT AL+SAGE CARR+	VIERKANTLAGER	COJINETE ORIFICIO CUADRADO
2	F06080198	CATENA 1/2 ISO 083 66 MAGLIE	CHAIN 1/2 ISO 083 66 LINKS	CHAINE 1/2 ISO 083 66 MAILLES	KETTE 1/2 ISO 083 66 GLIEDER	CADENA 1/2 ISO 083 66 ESLABNEL
3	G15470851	FIANCO SUPP.TRASM.SPANDI	SPREADER TRANSM. SIDE SUPPORT	COTE SUPPORT TRANSM. EPAND.	SEITEN HALTER. ANTRIEB DUNGERS	COSTADO SOPORTE TRANSM. ABONAD
4	G15475031	SUPPORTO TRASMISSIONE SX	LEFT TRANSMISSION SUPPORT	SUPPORT ENTRAINEMENT GCH	HALTERUNG GETRIEBE LI	SOPORTE TRANSMISIN IZQ S
5	G15475041	SUPPORTO TRASMISSIONE DX	RIGHT TRANSMISSION SUPPORT	SUPPORT ENTRAINEMENT DRT	HALTERUNG GETRIEBE RE	SOPORTE TRANSMISIN DER S
6	G15475260	SCONTRO SP	STRIKER PLATE SP	BUTEE SP	ANSCHLAG STREUER	ELEMENTO DE EMPALME SP
7	G15475310	SUPPORTO RULLINI TENDIC. MICRO	MICRO CHAIN STRETCHER ROLLERS	SUPP. ROUETS TEND. CHAINE MICR	HALTERUNG KETTENSANNENROLLEN	SOP. RODILLOS TENSOR CADENA MI
8	G18902960	MOLLA TRAZ. TRASM.RUOTA ZN	TRANSMISSION TENSIONER SPRING	RESSORT TRACT. ENTRAIN. ROUE Z	ZUGFEDER RADANTRIEB ZN	MUELLE TRAC. TRANSM.RUEDA ZN
9	G19000091	ROCCETTO 2 META'	CHAIN TENSIONER	TENDEUR DE CHAINE 2 MOITIE	KLEINRAD SPANNER SA	CARRETE TENSOR SA
10	G19002810	CARTER RINVIO MICRO DX	RIGHT MICRO TRANSM. CASE	CARTER TRANSM. MICRO DRT	VORGELEGEGEHZE MIKRO RE	CæRTER TRANSMISIN MICRO DER C
11	G19002820	CARTER RINVIO MICRO SX	LEFT MICRO TRANSM. CASE	CARTER TRANSM. MICRO GCH	VORGELEGEGEHZE MIKRO LI	CæRTER TRANSMISIN MICRO IZQ C
12	G19002830	CARTER TRASMISSIONE SUPERIORE	TOP TRANSMISSION CASE	CARTER ENTRAINEMENT SUPERIEUR	OBERS ANTRIEBSGEHZE	CæRTER TRANSMISIN SUPERIOR C
13	G19002880	CARTER INFERIORE TRASM.SPAND.	BOTTOM SPREADER TRANSM. CASE	CARTER INFERIEUR TRANSM EPAND.	UNTER. ANTRIEBSGEHZE DsNG.GE	CæRTER INFER. TRANSMISIN ABONC
14	G22505085	FERMO ASSE IN LAMIERA	PLATE AXLE STOP	ARRET AXE EN TOLE	FESTSTELLVORRICHTUNG BLECHACHS	BLOQUEO EJE DE CHAPA
15	G20890128	CORONA Z-42 SP	RING GEAR Z-42 SP	COURONNE Z-42 SP	KRANZ Z-42 SP	CORONA Z-42 SP
16	G20970032	RONDELLA 32X4X8,5	WASHER 32X4X8-5	RONDELLE 32X4X8-5	UNTERLEGSCHIEBE 32X4X8-5	ARANDELA 32X4X8-5
17	G20980086	BOCCOLA DIST.D.8,5X16X31	BUSHING SPAC.. D.8-5X16X31	BOITE ENTRETOISE D. 8-5X16X31	VERTEILERBsCHSE D.8-5X16X31	CASQUILLO DIST. D.8-5X16X31
18	G22230094	SUPPORTO CUSCINETTO	BEARING SUPPORT	SUPPORT PALIER	LAGERBsCHSE	SOPORTE COJINETE
19	G22250007	INGR.CON MOZZO 1/2 Z-20 SV	GEARS- W/ HUB 1/2 Z-20 SV	ENGRENAGE 1/2 Z-20	ZAHNRAD MIT NABE 1/2 Z-20 SV	ENGRAN.CON PERNO 1/2 Z-20 SV
20	G22250006	INGR.CON MOZZO 1/2 Z-10 SV	GEARS- W/ HUB 1/2 Z-10 SV	ENGRENAGE AVEC MOYEU 1/2 Z-10	ENGRANAD MIT NABE 1/2 Z-10 SV	ENGRAN.CON PERNO 1/2 Z-10 SV
21	F20110706	CAV.Q.M10X 1,5X 30 47X 60 ZN	DISK SUPPORT.ELEMENT U BOLT SV	CAVALIER SUPPORT DISQUE SV	VERBINDUNG SCHEIBENHALTERUNG S	PERNO EN U SOP. DISCO SV
22	G22505085	FERMO ASSE IN LAMIERA	PLATE AXLE STOP	ARRET AXE EN TOLE	FESTSTELLVORRICHTUNG BLECHACHS	BLOQUEO EJE DE CHAPA
23	F01060047	BUL.M 8X1,25X 45 U5732 4.6 ZN	BOLT 8X45 5732 4.6 GALVANIZED	VIS 8X45 5732 4.6 ZN	SCHRAUBE 8X45 5732 4.6 ZN	TORNILLO 8X45 5732 4.6 ZN
24	F01020075	VITE M8X1,25X 55 U5737 8.8 ZN	BOLT 8 X55 5737 8.8 GALVANIZED	VIS 8 X55 5737 8.8 ZN	SCHRAUBE 8 X55 5737 8.8 ZN	TORNILLO 8 X55 5737 8.8 ZN
25	F01020083	VITE M 8X1,25X70 U5737 8.8 ZN	BOLT M 8X70	VIS M 8X70	SCHRAUBE M 8X70	TORNILLO M 8X70
26	F01020218	VITE M14X 2X130 U5737 8.8 ZN	BOLT M 14X130	VIS M 14X130	SCHRAUBE M 14X130	TORNILLO M 14X130
27	F01020403	VITE M 6X 1X 16 U5739 8.8 ZN	BOLT M 6X16	VIS M 6X16	SCHRAUBE M 6X16	TORNILLO M 6X16
28	G15875320	CARTER RINVIO	INTERMEDIATE CASE	CARTER TRANSMISSION	VORGELEGEGEHZE	CµRTER TRANSMISIN
29	F01020436	VITE M 8X1,25X 20 U5739 8.8 ZN	BOLT M 8X20	VIS M 8X20	SCHRAUBE M 8X20	TORNILLO M 8X20
30	F01070074	VIT.A.4,2X1,41X 25 6954 4.8NI	BOLT 4-2X25 DIN 7981	VIS 4-2X25 DIN 7981	SCHRAUBE 4-2X25 DIN 7981	TORNILLO 4-2X25 DIN 7981
31	F01200232	DADO M 6X 1 U5588 6.8 ZN	NUT M8	ECROU M8	MUTTER M8	DADO M8
32	F01200244	DADO M 8X1,25 U5588 6.8 ZN	NUT M10	ECROU M10	MUTTER M10	DADO M10
33	F01200270	DADO M10X 1,5 U5588 6.8 ZN	PLANE WASHER D.6	RONDELLE D.6	SCHEIBE D.6	ARANDELA D.6
34	F01410037	ROS.M6 6,4X12,5X1,6 U6592 ZN	PLANE WASHER D.8	RONDELLE D.8	SCHEIBE D.8	ARANDELA D.8
35	F01410051	ROS.M8 8,4X 17X1,6 U6592 ZN	WASHER 10,5X21	RONDELLE 10,5X21	SCHEIBE 10,5X21	ARANDELA 10,5X21
36	F01410064	ROS.M10 10,5X 20X 2 U6592 ZN	FLAT WASHER 4-3X 16X1-5 6593 G	ROND.PLATE 4-3X 16X1-5 6593 ZN	SCHEIBE 4-3X 16X1-5 6593 ZN	ARAND. PLANA 4-3X 16X1-5 6593
37	F01420011	ROS.M4 4,3X 16X 1 U6593 ZN	WASHER D6 DIN 6798 D.INT.GALV.	RONDELLE D6 DIN 6798 D. INT. Z	UNT. SCHEIBE D6 DIN 6798 D. IN	ARANDELA D6 DIN 6798 D.INT.ZN
38	F01430047	ROS.M6 6,4X 11X0,7 U8842J ZN	TRANSMISSION DRIVE ASS.	GR. RENVOI TRANSMISSION	VORGELEGE ANTRIEB	CONJ. REENV-O TRANSMISI-N
39	G15875310	RINVIO TRASMISSIONE	SPHERE NIPPLE M6X1/A	GRAISSEUR A BILLES M6X1/A	KUGELFETTBSCHSE M6X1/A	ENGRAS. DE ESFERAS M6X1/A
40	F01100011	ING.M 6X1 7663-A 9SMNPB28 ZN	CUT-DOWN CHAIN 1/2 ISO 083 98-	TR. CH.. 1/2 ISO 083 98 MAILLE	KETTENLNZIGE 1/2 ISO 083 98 GL	TRECHO CADENA 1/2 ISO 083 98 E
41	F06080052	CATENA 1/2 ISO 083 98 MAGLIE	CHAIN 1/2-3/16 56 LINKS.	CHAINE 1/2-3/16 56 MAILLES	KETTE 1/2-3/16 56 GLIEDER	CADENA 1/2-3/16 56 ESLABNE
42	F06080025	CATENA 1/2 ISO 083 56 MAGLIE	HUB - TRANSM. MICRO M80	MOYEU ENTRAINEMENT MICRO M80	ANTRIEBSNABER MIKRO M80	CUBO TRANSM. MICRO M80
43	G66248152	MOZZO TRASM.MICRO M80	CHAIN TENSIONER	TENDEUR DE CHAINE EPAND. ENGR.	KETTENSANNEN DsNGERSTR. SP-52	TENSOR DE CADENA ABON. SP-520
44	G66248207	TENDICATENA SPAND. SP-520	MAN. SPR. SPACER WASHER	RONDELLE ENTRETOISE EP. ENGRAI	ABSTANDSCHEIBE DsNGERSTREUER	ARANDELA DISTAN.ABONAD.
45	G66248218	RONDELLA DISTAN.SPAND.	PLANE WASHER D.8	RONDELLE D.8	SCHEIBE D.8	ARANDELA D.8
46	F01420048	ROS.M8 8,4X 24X 2 U6593 ZN	GEAR SPINDLE 4-ROW 80- 6-ROW.4	AXE BOITE DE VITESSE 4 RA	GETRIEBEACHSE 4 R. 80-6 R.45 L	EJE CAMBIO 4 FILAS. 80-6 FILAS
47	G22230138	ASSE CAMBIO 4F.80-6F.45 L.1000	CUSCINETTO F.Q. RIBASSATO	PALIER TROU CARRE	LAGER VIERKANTLOCH	COJINETE ORIFICIO CUADRADO
48	G10538351	CUSCINETTO F.Q. RIBASSATO	SQUARE HOLE BEARING	VIS 4-2X 9-5 DIN 7981	SCHRAUBE 4-2X 9,5 DIN 7981	TORNILLO 4-2X 9-5 DIN 7981
49	F01070073	VIT.A.4,2X1,41X 9,5 6954 4.8NI	BOLT 4-2X 9-5 DIN 7981			
50	G19204030	SCONTRO FISS.150 2F D15				
51	F01200306	DADO M14X 2 U5588 6.8 ZN	NUT M14X2	ECROU M14X2	MUTTER M14X2	DADO M14X2
52	F01200243	DADO M 8X1,25 U5588 6.8 BR	NUT 8 UNI 5588 6.8	ECROU 8 UNI 5588 6.8	MUTTER 8 UNI 5588 6.8	TUERCA 8 UNI 5588 6.8
53	F01020433	VITE M 8X1,25X16 U5739 8.8 BR	BOLT 8X16 5739 8.G	VIS 8X16 5739 8.G	SCHRAUBE 8X16 5739 8.G	TORNILLO 8X16 5739 8.G
54	G15870380	ASSE TRASM.L.120	TRANSMISSION AXLE L120	AXE TRANSMISSION L.120	sBERTRAGUNGSACHSE L.120	EJE TRANSMISIN L 120 A
55	G22230142	ASSE 4 FILE L.800	4-ROW SPINDLE L.800	AXE 4 RANGEES L. 800	ACHSE 4 REIHEN B. 800	EJE 4 FILAS L.800
56	G22270049	ASSE 4F.85-6F.50 L.1260	4-ROW SPINDLE - 85-6-ROW-50 L.	AXE 4 RANGEES 85-6 RANGEES 50	ACHSE 4 REIHEN 85-6 REIH. 50	EJE 4 FILAS. 85-6 FILAS. 50 L.



CONCIMAZIONE PNEUMATICA

TAV. 211

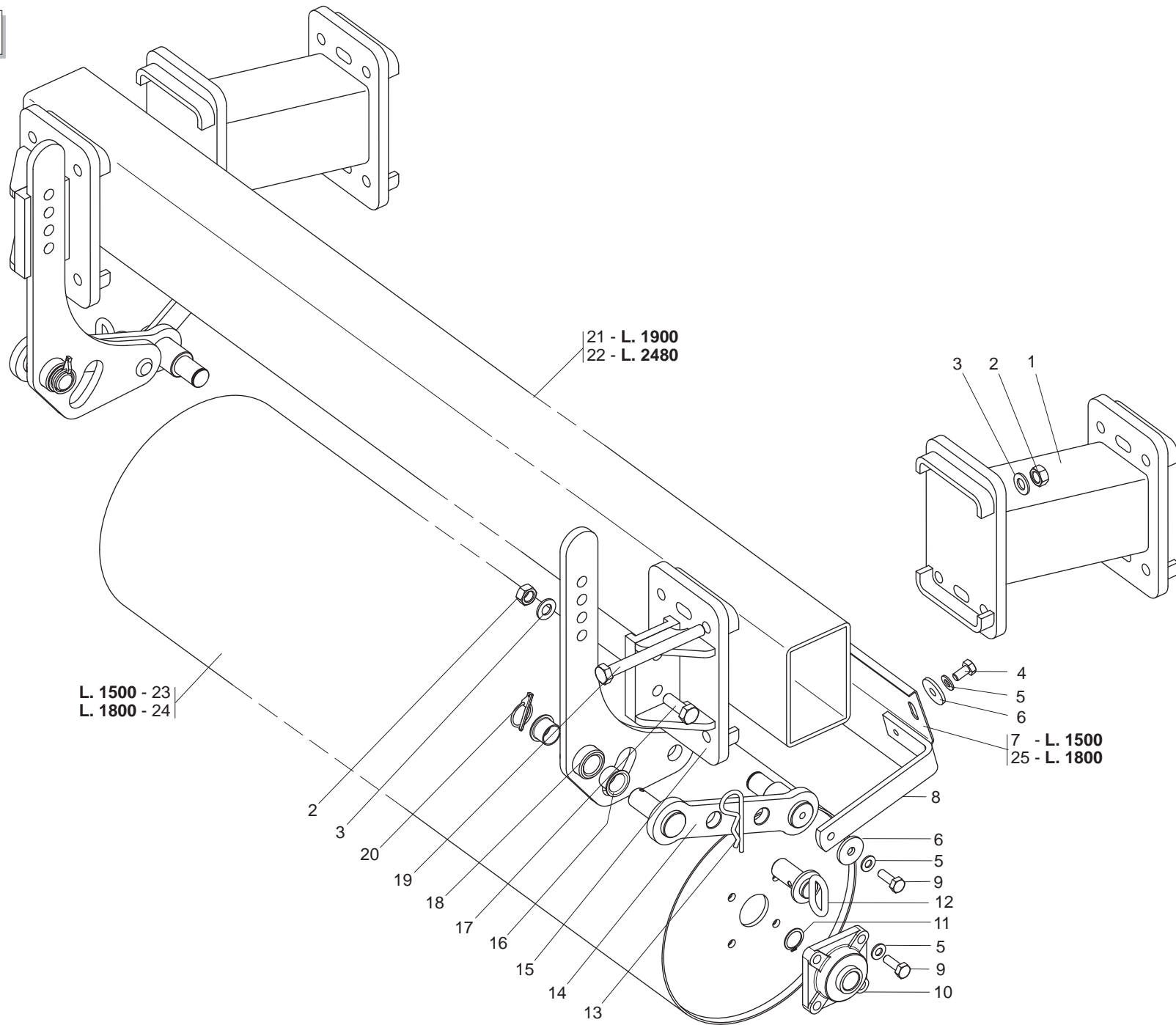
Pos.	Cod.	Descrizione	Description	Description	Benennung	Descripcion
1	G13912101	UGELLO CONCIMAZIONE PNEUMATICA	PNEUMATIC FERTIL. NOZZLE	BUSE FUMAGE PNEUMATIQUE	DsSE PNEUMATISCHE DsNGUNG	BOQUILLA DE ABONO NEUMATICA
2	G13912131	TUBO CONCIMAZIONE PNEUMATICA	PIPE PNEUMATIC FERTILISATION	TUBE FUMAGE PNEUMATIQUE	ROHR PNEUMATISCHE DsNGUNG	TUBO DE ABONO NEUMAT.
3	G13912350	FASCETTA VASO ESPANSIONE	EXPANSION CHAMBER CLAMP	COLLIER VASE EXPANSION	SCHELLE EXPANSIONSGEFZSS	ABRAZADERA DEPOSITO DE EXPANSIF
4	G13912460	COPRIVENTOLA LATO SCHIENALE	BACK FAN PROTECTION	PROTECTION ROTOR DOSSIER	RUECKENLAUFRADSCHUTZ	PROTECCIN VENTILADOR RESPALDO
5	G13912470	COPRIVENTOLA LATO MOTORE	MOTOR FAN PROTECTION	PROTECTION ROTOR MOTEUR	MOTORLAUFRADSCHUTZ	PROTECCIN VENTILADOR MOTOR A
6	G13912512	VASO ESPANSORE D.35-50	D.35-50 EXPANSION TANK	VASE EXPANSION D.35-50	EXPANSIONSGEFZSS D.35-50	DEPOSITO DE EXPANSIN D.35-50
7	G15450390	PULEGGIA CONDOTTA	DRIVEN PULLEY D.28	POULIE ENTRAINEE D. 28	GETRIEBENE SCHEIBE D.28	POLEA CONDUCIDA D.28
8	G15450400	PULEGGIA CONCIMAZ.PNEUMATICA	DRIVEN PULLEY	POULIE ENTRAINEE	GETRIEBENE SCHEIBE	POLEA CONDUCIDA
9	G15450410	RONDELLA X GIUNTO ELASTICO	LOCK WASHER	RONDELLE DE BLOCAGE	SPERRSCHEIBE	ARANDELA DE BLOQUEO
10	G15450420	GIUNTO ELASTICO LAVORATO	LOCK COUPLING	JOINT DE BLOCAGE	SPERRKUPPLUNG	JUNTA DE BLOQUEO
11	G15450431	FLANGIA SUPP.CONC.PNEUM.	FLANGE SUPPORT	BRIDE SUPPORT	LAGERFLANSCH	BRIDA DE SOPORTE
12	G15470410	RINFORZO ANTERIORE	FRONT REINFORCEMENT	REINFORCEMENT AVANT	VORDERE VERSTZRKUNG	REFUERZO DELANTERO
13	G15470420	RINFORZO POSTERIORE	REAR REINFORCEMENT	REINFORCEMENT ARRIERE	HINTERE VERSTZRKUNG	REFUERZO TRASERO
14	G15471471	SUPPORTO CONVOGLIATORE	CONVEYOR SUPPORT	SUPPORT CONVOYEUR	HALTERUNG FTRDERER	SOPORTE TRANSPORTADOR
15	G18901960	GUIDATUBI PER 3 TUBI	PIPE GUIDE FOR 3 PIPES	GUIDE-TUBES POUR 3 TUBES	ROHRFSHRUNG Fsr 3 ROHRE	GUA TUBOS PARA 3 TUBOS G
16	G18902650	MOLLA SUPP.VASO ESPANSIONE	EXPANSION TANK SUPPORT SPRING	RESSORT SUPP. VAS EXPANSION	OB. FEDER EXPANSIONSGEFZSS	MUELLE SOP. DEPOSITO DE EXPANSA
17	G18903180	MOLLA CONVOGLIATORE MICRO	MICRO CONVEYOR SPRING	RESSORT CONVOYEUR MICRO	FEDER MIKRO FTRDERER	MUELLE CONDUCTOR MICRO
18	G19002580	RACCORDO FINALE CONCIMAZ.PNEUM	PNEUMAT. MAN. SPR. END UNION	RACCORD FINAL FUMAGE PNEUMAT.	ENDANSCHLUSS PNEUM. DsNGUNG	UNIN FINAL DE ABONAD. NEUMAT.R
19	G22230264	RONDELLA TUBI DEPR.	AIR PUMP PIPE WASHER	RONDELLE TUBES DISPOSITIF DE D	UNTERLEGSCHIEBE VAKUUMPUMPENRO	ARANDELA TUBOS BOMBA VACO. S
20	G23440551	FLANGIA CONVOGLIATORE HL/ID	CONVEYOR FLANGE HL/ID	BRIDE CONVOYEUR HL/ID	FLANSCH FTRDERER HL/ID	BRIDA CONDUCTOR HL/ID
21	G23440553	CONVOGLIATORE D.35 HL/ID	CONVEYOR- D.35 HL/ID	CONVOYEUR D. 35 HL/ID	FTRDERER D.35 HL/ID	CONDUCTOR D.35 HL/ID
22	G23440562	DISTANZ.GUSCI SOFFIANTE HL/ID	BLOWER SHELL SPACER HL/ID	ENTRETOISE COQUES SOUFFLANTE H	DISTANZSTsCK SCHALEN GELBZSE H	DISTANC. CASCARAS SOPLAD. HL/I
23	G23440563	GRIGLIA DI PROTEZIONE HL/ID	PROTECT. GRID HL/ID	GRILLE DE PROTECTION HL/ID	SCHUTZGITTER HL/ID	REJILLA DE PROTECCIN HL/ID G
24	G23440564	COPERCHIO CHIUSURA SOFF. HL/ID	BLOWER CLOSING COVER . HL/ID	COUVERCLE FERMETURE SOUFFL. HL	ABSCHLUSSDECKEL GEBL. HL/ID	TAPA CIERRE SOPL. HL/ID
25	F01020048	VITE M 6X 1X 75 U5737 8.8 ZN	BOLT 6 X75 5737 8.G GALVANIZ.	VIS 6 X75 5737 8.G ZN	SCHRAUBE 6 X75 5737 8.G ZN	TORNILLO 6x75 5737 8.G ZN
26	F01020404	VITE M 6X 1X20 U5739 8.8 ZN	BOLT 6X20 5739 8.G GALVANIZED	VIS 6X20 5739 8.G ZN	SCHRAUBE 6X20 5739 8.G ZN	TORNILLO 6X20 5739 8.G ZN
27	F01020445	VIT.M 8X1,25X 30 U5739 8.8 ZN	BOLT M 8X30	VIS M 8X30	SCHRAUBE M 8X30	TORNILLO M 8X30
28	F01020472	VITE M10X 1,5X25 U5739 8.8 ZN	BOLT 10X25 5739 8.G GALVANIZED	VIS 10X25 5739 8.G ZN	SCHRAUBE 10X25 5739 8.G ZN	TORNILLO 10X25 5739 8.G ZN
29	F01020476	VITE M10X 1,5X30 U5739 8.8 ZN	BOLT M 10X30	VIS M 10X30	SCHRAUBE M 10X30	TORNILLO M 10X30
30	F01030054	VITE M 8X1,25X16 U5933 10.9 ZD	BOLT 8X16 UNI5933 10.9 GALVANI	VIS 8X16 UNI 5933 10.9 ZN	SCHRAUBE 8X16 UNI 5933 10.9 ZN	TORNILLO 8X16 UNI 5933 10.9 ZN
31	F01080044	VIT.M 5X 0,8X 14 U7688 4 8 ZN	BOLT 5 X14 7688 GALVANIZED	VIS 5 X14 7688 ZN	SCHRAUBE 5 X14 7688 ZN	TORNILLO 5 X14 7688 ZN
32	F01230046	DADO M10X 1,25 D982 8 ZN	SELF LOCKING NUT M10X1,25	ECROU AUTOBL. M10X1,25	SELBSTSPERR.MUTTER M10X1,25	DADO AUTOBL. M10X1,25
33	F01200232	DADO M 6X 1 U5588 6.8 ZN				
34	F01200244	DADO M 8X1,25 U5588 6.8 ZN	NUT M8	ECROU M8	MUTTER M8	DADO M8
35	F01200270	DADO M10X 1,5 U5588 6.8 ZN	NUT M10	ECROU M10	MUTTER M10	DADO M10
36	F01410037	ROS.M6 6,4X12,5X1,6 U6592 ZN	PLANE WASHER D.6	RONDELLE D.6	SCHEIBE D.6	ARANDELA D.6
37	F01410064	ROS.M10 10,5X 20X 2 U6592 ZN	WASHER 10,5X21	RONDELLE 10,5X21	SCHEIBE 10,5X21	ARANDELA 10,5X21
38	F01420048	ROS.M8 8,4X 24X 2 U6593 ZN	PLANE WASHER D.8	RONDELLE D.8	SCHEIBE D.8	ARANDELA D.8
39	F01430047	ROS.M6 6,4X 11X0,7 U8842J ZN	WASHER D6 DIN 6798 D.INT.GALV.	RONDELLE D6 DIN 6798 D. INT. Z	UNT. SCHEIBE D6 DIN 6798 D. IN	ARANDELA D6 DIN 6798 D.INT.ZN
40	F04010165	CUSC.D20 D47 B14 6204,2RSC3	BEARING 6204 2RS	PALIER 6204 2RS	LAGER 6204 2RS	COJINETE 6204 2RS
41	F02050078	ANELLO E. DE 20X 1,2 U7435 C70	SEEGER RING E. 20X1,2 7435 C70	SEEGER 20X 1,2 U7435 C70	SEEGER E. 20X 1,2 U7435 C70	
42	F02150036	LINGUETTA 6X 6X 20 U6604A	TAB 06X6X20 UNI6604	LANGUETTE 06X6X20 UNI6604	FEDERKEIL 06X6X20 UNI6604	LENGSETA 06X6X20 UNI6604
43	F03100367	TUBO FLESSIBILE PVC DI 75	FLEXIBLE PVC PIPE DI 75	TUBE FLEXIBLE PVC DI 75	75ER SCHLAUCH PVC	TUBO FLEXIBILE PVC DI 75
44	F03100500	TUBO EOLO 35 PU	EOLO PIPE 35 PU	TUBE EOLO 35 PU	ROHR EOLO 35 PU	TUBO EOLO 35 PU
45	F02300023	FASCETTA STRING. 80/100 H.8	PIPE CLAMP 77/95	COLLIER DE SERRAGE 77/95	ROHRSCHELLE 77/95	ABRAZADERA PARA MANGUERA 77/95
46	F02300018	FASCETTA STRING. 25/40 H.8	STRING FASTEN.STRAPS 25/40 H.8	COLLIER DE SERRAGE 25/40 H.8	SCHELLE 25/40 H.8	ABRAZADERA 25/40 H.8
47	F05150060	FASCETTA POLYAMIDE 9X360 31919	POLYAMIDE FASTENING STRAPS 9X3	COLLIER POLYAMIDE 9X350 31919	SCHELLE POLYAMID 9X350 31919	ABRAZADERA POLIAMIDA 9X350 319
48	G66248098	TAPPO CONVOGLIATORE DEPR. SP	AIR PUMP CONVEYOR PLUG SP	BOUCHON CONVOYEUR TURBINE SP	VAKUUM FTRDERPFROPFEN SP	TAPN CONDUCTOR DEPR. SP D
49	F03150664	TAPPO MASCHIO 1/8 ESAGONO	1/8 MALE HEXAGON. PLUG	BOUCHON MALE 1/8 HEXAGONAL	GEWINDEPFROPFEN 1/8 SECHSKANT	TAPN MACHO 1/8 HEXÆGONO D
50	F06220034	VOLANTINO M5 X 25 VPA/25	HANDWHEEL M5 X 25 VPA/25	VOLANT M5 X 25 VPA/25	HANDRAD M5 X 25 VPA/25	VOLANTE M5 X 25 VPA/25
51	G67320001	VENTOLA PLASTICA DISCO L80M8	PLASTIC FAN- DISK L80M8	ROTOR PLASTIQUE DISQUE L80M8	SCHEIBE PLASTIKRAD L80M8	VENTILADOR PLÆSTICO DISCO L80M
52	F01020037	VITE M 6X 1X 30 U5737 8.8 ZN	BOLT 6 X30 5737 8.G GALVANIZED	VIS 6 X30 5737 8.G ZN	SCHRAUBE 6 X30 5737 8.G ZN	TORNILLO 6 X30 5737 8.G ZN
53	F01230016	DADO M 4X 0,7 D982 8 ZN	NORM.SELF-LOCKING NUT 4 GALVAN	ECROU AUTOB.NOR.4 ZN	SELBSTSP. MUTTER NOR. 4 ZN	TUERCA AUTOB. NOR. 4 ZN
54	G58162014	ELEM.ELASTICO DEL GIUNTO 24.24	ELASTIC ELEMENT OF JOINT 24.24	ELEM. ELASTIQUE DU JOINT 24.24	ELAST. KUPPLUNGSELEM. 24.24	ELEM.ELÆSTICO DEL ACOPLAMIENTO
55	G15473770	SOFFIANTE CONC.PNEUM.COMPL.	COMPL. FERTILIZER PNEUMATIC BL	SOUFFLEUR ENGRAIS PNEUMATIQUE	PNEUMATISCHES GEBLZSE KOMPL.	SOPLADOR ABONO NEUM-TICO COMPL
56	F01440012	ROS. 20X28X 2 D988 IX	WASHER 20X28X2 DIN 988	RONDELLE 20X28X2 DIN 988	UNTERLEGSCHIEBE 20X28X2 DIN 988	ARANDELA 20X28X2 DIN 988
57	F02050370	ANELLO E. DI 47X1,75 U7437 C70	SEEGER RING 47X 1,75 U7437 C70	SEEGER E. 47X 1,75 U7437 C70	SEEGERING E. 47X1,75 U7437 C70	ANILLO E. 47X 1,75 U7437 C70
58	G66248098	TAPPO CONVOGLIATORE DEPR. SP	AIR PUMP CONVEYOR PLUG SP	BOUCHON CONVOYEUR TURBINE SP	VAKUUM FTRDERPFROPFEN SP	TAPN CONDUCTOR DEPR. SP D
59	F01020362	VITE M 4X0,7X 12 U5739 8.8 ZN	SCREW 4X12 5739 8.G GALVANIZED	VIS 4X12 5739 8.G ZN	SCHRAUBE 4X12 5739 8.G ZN	TORNILLO 4X12 5739 8.G ZN
60	F01020398	VITE M 6X 1X 12 U5739 8.8 ZN	BOLT M 6X12	VIS M 6X12	SCHRAUBE M 6X12	TORNILLO M 6X12
61	F01020406	VITE M 6X 1X 25 U5739 8.8 ZN	BOLT M 6X25	VIS M 6X25	SCHRAUBE M 6X25	TORNILLO M 6X25
62	F01220011	DADO M 6X 1 D980 8 ZN	SELF LOCKING NUT M6	ECROU AUTOBL. M6	SELBSTSPERR.MUTTER M6	DADO AUTOBL. M6



REGOLAZIONE CENTRALIZZATA SPANDICONCIME (SPEEDY SET)

TAV. 221

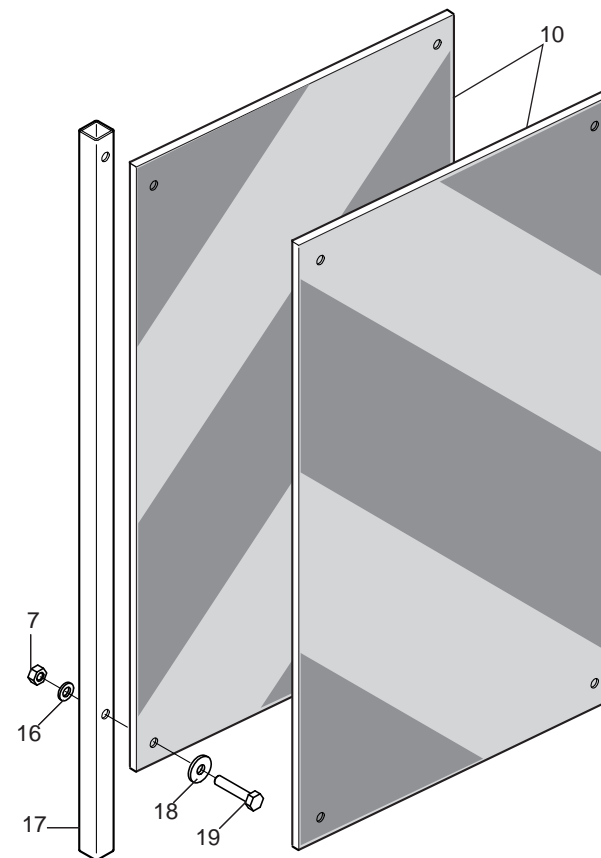
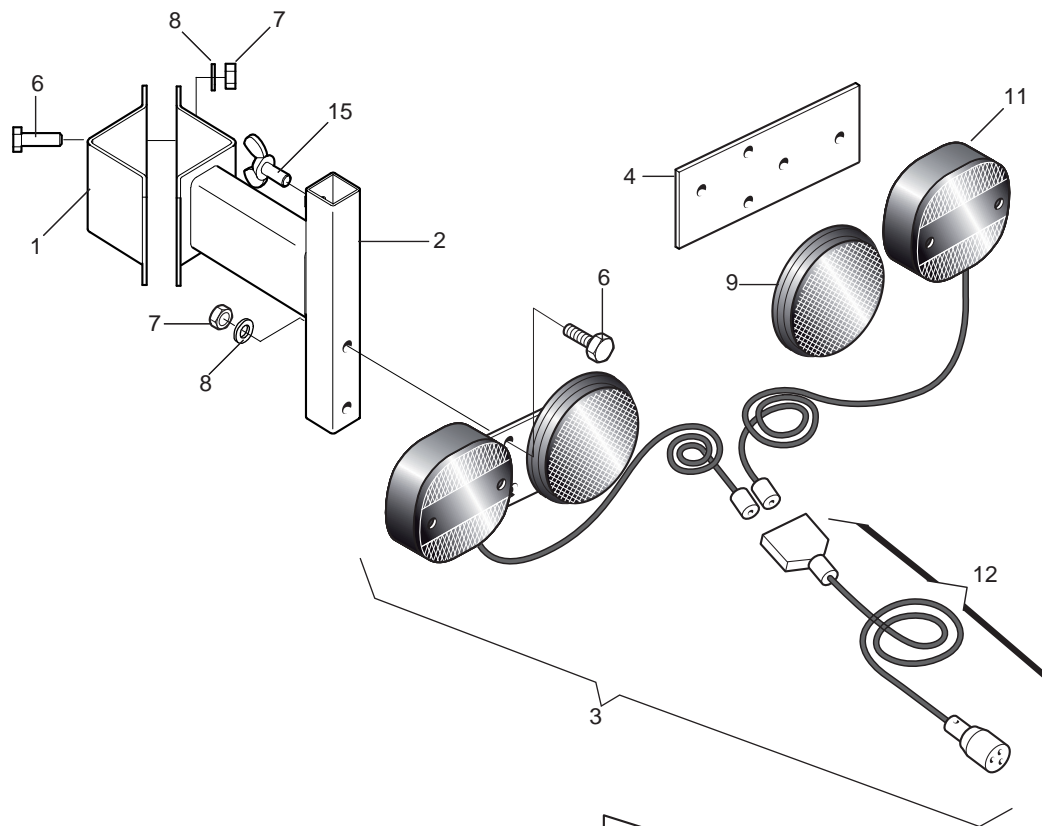
Pos.	Cod.	Descrizione	Description	Description	Benennung	Descripcion
1	F02100066	SPINA E.P. 4X 36 U6873 C70 BR				
2	G19003660	SUPPORTO	SUPPORT	SUPPORT	HALTERUNG	SOPORTE
3	F01070061	VIT.A.3,9X1,34X 9,5 6954 4.8NI				
4	F01050083	VIT.M 5X 0,8X 12 U5927 A2 IX				
5	G19003680	INGRANAGGIO Z.15	GEAR Z 15	ENGRENAGE Z 15	ZAHNRAD Z 15	ENGRANAJE Z 15
6	G13722330	DISTR.COMPL.8PALE SPEEDY SET F	COMPL.SPEEDY 8-BLADE DISTR. SE	DISTR.COMPL.8PALETTES SPEEDY S	SAATGUTAUS.8SCH.KOMPL.SPEEDY S	DISTR.COMPL.8PALETAS SPEEDY SE
7	G16670040	DISTR.COMPL.8PALE SPEEDY SET P	COMPL.PLA.SPEEDY SET DISTR.8R	MINIMAX COMPL 8C PLA SPEEDYSET	KOMPL.DOSIER.SPEEDY SET PLA.8S	DISTR.COMP.SPEEDY SET PLA.8AL.
8	G16670320	TONDO D.10X780	D.10X780 ROUND	ROND D.10X780	RUNDEISEN D.10X780	BARRA REDONDA D. 10X780
9	F01420036	ROS.M6 6,4X 18X 2 U6593 ZN	FLAT WASHER 6-6X 18X2 6593 ZN	ROND. PLATE 6-6X 18X2 6593 ZN	SCHEIBE 6-6X 18X2 6593 ZN	ARAND. PLANA 6-6X 18X2 6593 ZN
10	F01200232	DADO M 6X 1 U5588 6.8 ZN				
11	G19003670	MANOPOLA SPEEDY SET	SPEEDY HANDLE SET	POIGN+E SPEEDY SET	GRIFF SPEEDY SET	EMPUGADURA SPEEDY SET
12	F01020403	VITE M 6X 1X 16 U5739 8.8 ZN	BOLT M6X16	VIS M6X16	SCHRAUBE M6X16	TORNILLO M6X16
13	G65336055	MOLLA SPEC.REGOL.SPAND. SP	SPEC SPRING MAN. SPR. ADJUSTM.	RESSORT SPEC. REGL. EP. ENTRA	SPEZIALFEDER STREUEREINSTELLUN	MUELLE ESPEC. REGUL. ABONADORA
14	G19003710	GHIERA REGOLAZIONE DX	RIGHT ADJUSTMENT KNURLED	BAGUE REGLAGE DROITE	EINTELLMUTTER RE	CONTRATUERCA REGULACIN DER.
15	G16670140	SUPPORTO MOLLA REGOLATORE	REGULATOR SPRING SUPPORT	SUPPORT RESSORT R+GULATEUR	HALTERUNG EINSTELLFEDER	SOPORTE MUELLE REGULADOR
16	G19003690	CREMAGLIERA	RACK	CR+MAILL+RE	ZAHNSTANGE	CREMALLERA
17	F01080032	VITE M 4X 0,7X10 U7688 A2 IX	SCREW M4X 0,7X10 U7688 A2 IX	VIS M4X 0,7X10 U7688 A2 IX	SCHRAUBE M4X 0,7X10 7688 A2 IX	TORNILLO M4X0.7X10 U7688 A2 IX
18	G16670100	REGOLATORE APERTURA	OPENING REGULATOR	REGULATEUR OUVERTURE	TFFNUNGSEINSTELLER	REGULADOR ABERTURA
19	G16670330	TONDO D.10X1030	D.10X1030 ROUND	ROND D.10X1030	RUNDEISEN D.10X1030	BARRA REDONDA D. 10X1030
20	G16670340	TONDO D.10X1230	D.10X1230 ROUND	ROND D.10X1230	RUNDEISEN D.10X1230	BARRA REDONDA D. 10X1230
21	G16670350	TONDO D.10X1430	D.10X1430 ROUND	ROND D.10X1430	RUNDEISEN D.10X1430	BARRA REDONDA D. 10X1430



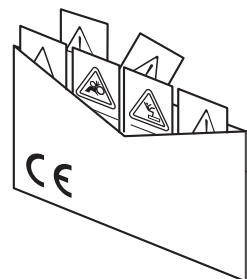
RULLO ANTERIORE

TAV. 231

Pos.	Cod.	Descrizione	Description	Description	Benennung	Descripcion
1	G15816370	DISTANZIALE TELAIO	FRAME SPACER ASS.	GR. ENTRETOISE BATI	DISTANZSTsCK RAHMEN	CONJ. DISTANCIADOR BASTIDOR
2	F01200306	DADO M14X 2 U5588 6.8 ZN	NUT M14X2	ECROU M14X2	MUTTER M14X2	DADO M14X2
3	F01410088	ROS.M14 15X 28X2,5 U6592 ZN	WAS.M14 15X 28X2,5 U6592 ZB	RON.M14 15X 28X2,5 U6592 ZB	SCH.M14 15X 28X2,5 U6592 ZB	ARA.M14 15X 28X2,5 U6592 ZB
4	F01020470	VITE M10X 1,5X20 U5739 8.8 ZN	BOLT M 10X20	VIS M 10X20	SCHRAUBE M 10X20	TORNILLO M 10X20
5	F01430023	ROS.M10 10,5X 18X0,9 U8842J ZN	WASHER D10 DIN 6798 D.INT.ZN	RONDELLE D10 DIN 6798 D. INT.	UNT. SCHEIBE D10 DIN 6798 D.IN	ARANDELA D10 DIN 6798 D.INT.ZN
6	G18701140	RONDELLA 11 X35 X5	WASHER 11 X 35 X 5	RONDELLE 11 X35 X5	UNTERLEGSCHEIBE 11 X35 X5	ARANDELA 11 X35 X5
7	G15810410	RASCHIATERRA PER RULLO 1500	SOIL SCRAPER FOR ROLLER 1500	RACLEUR ROULEAU 1500	ERDSHABER ROLLE 1500	RASCADOR DE TIERRA POR RODILLO
8	G15810330	SUPPORTO RASCH.RULLO 355	ROLLER 355 SOIL SCRAPER SUPPOR	SUPPORT RACLEUR ROULEAU 355	HALTERUNG ERDSCHABER ROLLE 355	SOPORTE RASCADOR TIERRA RODILLO
9	F01020476	VITE M10X 1,5X30 U5739 8.8 ZN	BOLT M 10X30	VIS M 10X30	SCHRAUBE M 10X30	TORNILLO M 10X30
10	F04100137	SUPPORTO FY 25 TF	SUPPORT FY 25 TF	SUPPORT FY 25 TF	HALTERUNG FY 25 TF	SOPORTE FY 25 TF
11	F02050101	ANELLO E. DE 25X 1,2 U7435 C70	SEEGER RING E. 25X1,2 7435 C70	SEEGER E. 25X 1,2 U7435 C70	SEEGERING E. 25X 1,2 U7435 C70	ANILLO E. 25X 1,2 U7435 C70
12	G15810471	ASS.PERNO BLOCCAGGIO RULLO ZN	GALVAN. PIN BLOCK ROLLER	PIVOT BLOCAGE ROULEAU ZN	ZAPFEN ROLLEBLOCK ZN	PERNO BLOQUE RODILLO ZN
13	F02200397	COPIGLIA R 5X100 ZN	SPLIT PIN R 5X100 GALVANIZED	GOUPILLE R 5X100 ZN	SPLINT R 5X100 ZN	PASADOR R 5X100 ZN
14	G15810240	BRACCIO SUPPORTO RULLO	ROLLER SUPPORT ARM COUPLING	GR. BRAS SUPPORT ROULEAU	WALZENHALTERUNGSARM	CONJ. BRAZO SOP. RODILLO
15	G15816380	ATTACCO RULLO	ROLLER COUPLING ASS.	GR. FIXATION ROULEAU	KUPPLUNG ROLLE	CONJ. CONEXIN RODILLO
16	F04150019	BOCCOLA FLANG.25 X 28 X 20 >	COLLARED BUSH 25 X 28 X 20	BOITE COLLIER 25 X 28 X 20	ANSCHLUSSBUECHSE 25 X 28 X 20	CASQUILLO CONEX. 25 X 28 X 20
17	F01020198	VITE M14X 2X 45 U5737 8.8 ZN	BOLT 14X45 5737 8.G GALVANIZ.	VIS 14X45 5737 8.G ZN *	SCHRAUBE 14X45 5737 8.G ZN *	TORNILLO 14X45 5737 8.G ZN *
18	G15810190	SUPPORTO RULLO	ROLLER SUPPORT ASS.	GR. SUPPORT ROULEAU	HALTERUNG ROLLE	CONJ. SOP. RODILLO
19	F01020223	VITE 14X 2X150 U5737 8.8 BR	SCREW 14X150 5737 8.G	VIS 14X150 5737 8.G	SCHRAUBE 14X150 5737 8.G	TORNILLO 14X150 5737 8.G
20	F02200463	SPINA SCATTO D. 5 B/81 ZN	SNAP PIN D 5 B/81	FICHE A DETENTE D. 5 B/81	EINRASTSTIFT D 5 B/81	CLAVIJA DE MUELLE D 5 B/81
21	G16610040	TUBO RET.150X100X1900	RECTANGULAR PIPE 150X100X1900	TUBE RECTANGULAIRE 150X100X190	RECHTECK.ROHR150X100X1900	TUBO RECT.150X100X1900
22	G16610050	TUBO R.150X100X2480	RECTANGULAR PIPE 150X100X6X248	TUBE RECT.150X100X6X2480	R. ROHR150X100X6X2480	TUBO RECT.150X100X6X2480
23	G15810310	RULLO 355X1500	ROLLER 355X1500 ASS.	GR. ROULEAU 355X1500	ROLLE 355X1500	CONJ. RODILLO 355X1500
24	G15810870	RULLO D.355X1800	ROLLER 355X1500 ASS.	GR. ROULEAU 355X1800	ROLLE 355X1800	CONJ. RODILLO 355X1800
25	G15810890	RASCHIATERRA PER RULLO 1800	SOIL SCRAPER FOR ROLLER 1800	RACLEUR ROULEAU 1800	ERDSHABER ROLLE 1800	RASCADOR DE TIERRA POR RODILLO



- 5 Rosso Gaspardo - 1Kg
- Gaspardo red - 1Kg
- Rot Gaspardo - 1Kg
- Rouge Gaspardo - 1Kg
- Rojo Gaspardo - 1Kg



- 13
- DECALCOMANIE AVVERTIMENTO
- DECAL
- DBZIEHBILD
- DECALCOMANIE
- CALCOMANIE
- CALCOMANIE

GASPARDO

ORietta

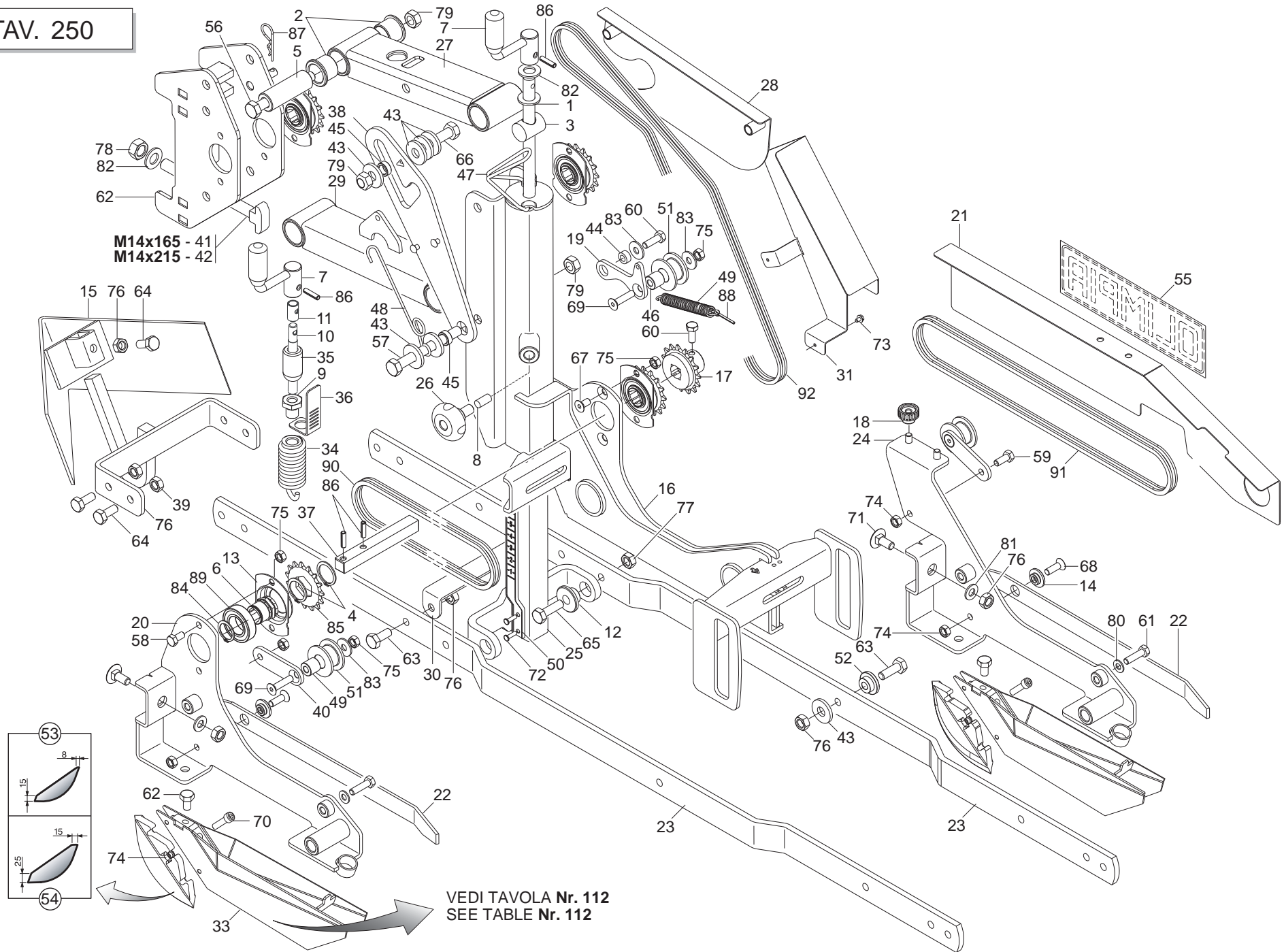
14

ACCESSORI

TAV. 241

Pos.	Cod.	Descrizione	Description	Description	Benennung	Descripcion
1	G15411260	FORCELLA LUCI ZN	OPENING FORK ZN	FOURCHE FEUX ZN	LICHTERGABEL ZN	HORQUILLA LUCES ZN
2	G15412640	SUPPORTO KIT LUCI POST.	REAR LIGHT SUPPORT KIT	SUPPORT KIT FEUX ARRI+RE	HALTERUNG KIT HINT. LICHTER	SOPORTE KIT LUCES POST.
3	G13616620	KIT LUCI PER MACCHINE PORTATE	LIGHT KIT FOR MOUNTED MACHINE	KIT FEUX POUR MACHINES PORT+ES	KIT LICHTER F_R FÜRDERMASCHINE	KIT LUCES PARA M-QUINAS SUSPEN
4	G13616570	PIASTRA SUPP.LUCI	LIGHTS SUPPORT PLATE	PLAQUE DE SUPPORT ECLAIRAGE	LICHTERHALTERUNGSPLATTE	PLACA SOPORTE LUCES
5	F03200251	ROSSO GASPARDO RAL3020 BICOMP.				
6	F01020403	VITE M 6X 1X 16 U5739 8.8 ZN	BOLT M6X16	VIS M6X16	SCHRAUBE M6X16	TORNILLO M 6X16
7	F01220011	DADO M 6X 1 D980 8 ZN	SELF LOCKING NUT M6	ECROU AUTOBL. M6	SELBSTSPERR.MUTTER M6	DADO AUTOBL. M6
8	F01430047	ROS.M6 6,4X 11X0,7 U8842J ZN	WASHER D6 DIN 6798 D.INT.GALV.	RONDELLE D6 DIN 6798 D. INT. Z	UNT. SCHEIBE D6 DIN 6798 D. IN	ARANDELA D6 DIN 6798 D.INT.ZN
9	F05010221	CATARIFRANGENTE TONDO D.80 >	D.80 ROUND REFLECTOR	CATADIOPTRE ROND D.80	RUNDER R_CKSTRAHLER D.80	PAPEL REFRACTARIO REDONDO D.80
10	F05010357	N.2 PANNELLI CARICHI SPORGENTI	N. JUTTING LOAD PANELS	N. 2 PANNEAUX CHARGES SAILLANT	N.2 TAFELN VORSRINGENDE LADUN	2 PANELES CARGADOS SALIENTES
11	F05010076	FANALE X KIT LUCI	LAMP KIT LIGHTS COMPL.	FEU KIT ECLAIRAGE COMPL.	LAMPEN KIT LICHT KOMPL.	FAROL SET LUCES COMPL.
12	F05010080	CABLAGGIO PER KIT LUCI	LIGHT WIRING HARNESS	CABLAGE KIT PHARES	VERKABELUNG LAMPENKIT	CABLEADO JUEGO LUCES
13	G89900500	KIT DECALCOMANIE -CE-	DECAL KIT -CE-	KIT DECALCOMANIE -CE- K	IT ABZIEHB. -CE- S	ET CALCOMANAS -CE-
14	G89900515	KIT DECALCOMANIE ORietta	ORietta DECAL KIT	KIT DECALCOM. ORietta	KIT ABZIEHB. ORietta	SET CALCOM. ORietta
15	F01090215	VITE M 8X1,25X15 U5449 5.8 ZN	BOLT 8X15 UNI 5449 5.8 GALVANI	VIS 8X15 UNI 5449 5.8 ZN	SCHRAUBE 8X15 UNI 5449 5.8 ZN	TORNILLO 8X15 UNI 5449 5.8 ZN
16	F01410037	ROS.M6 6,4X12,5X1,6 U6592 ZN	PLANE WASHER D.6	RONDELLE D.6	SCHEIBE D.6	ARANDELA D.6
17	G15412650	TUBO Q. 16X1,5X 643 ZN	GALVAN. SQUARE 16X1,5X643 ZN	TUBE CARRE 16X1,5X643 ZN	ROHR Q. 16X1,5X643 ZN	TUBO CUADRADO 16X1,5X643 ZN
18	F01420036	ROS.M6 6,4X 18X 2 U6593 ZN	FLAT WASHER 6-6X 18X2 6593 ZN	ROND. PLATE 6-6X 18X2 6593 ZN	SCHEIBE 6-6X 18X2 6593 ZN	ARAND. PLANA 6-6X 18X2 6593 ZN
19	F01020408	VITE M 6X 1X 30 U5739 8.8 ZN	BOLT M6X1X30	VIS M6X1X30	SCHRAUBE M 6X1X30	TORNILLO M 6X1X30

TAV. 250

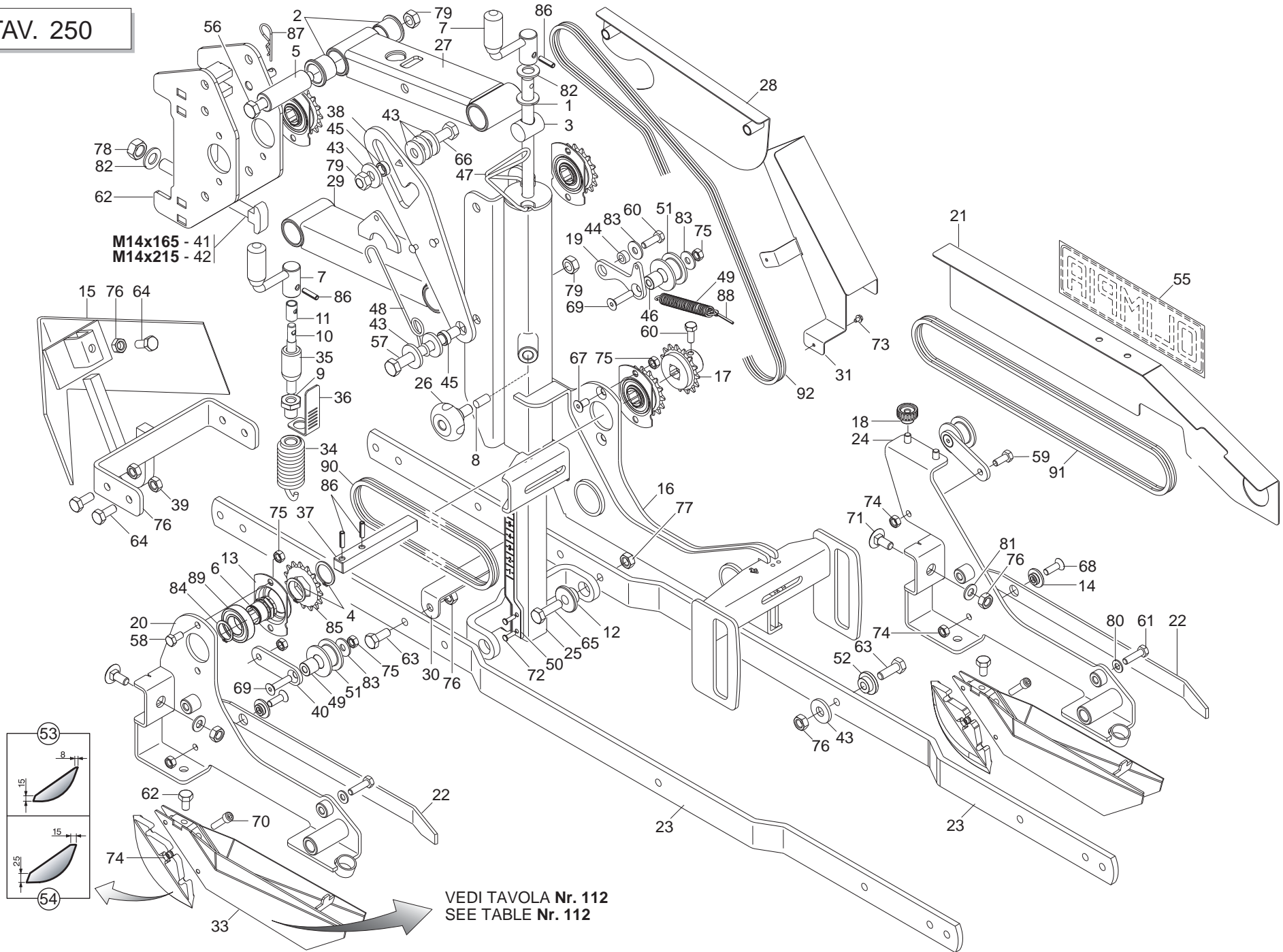


ELEMENTO OLIMPIA

TAV. 250

Pos.	Cod.	Descrizione	Description	Description	Benennung	Descrpcion
1	G22230062	VITE DI REGOLAZIONE	ADJUSTMENT BOLT	VIS DE REGLAGE	EINSTELLSCHRAUBE	TORNILLO DE REGULACION S
2	G66349003	BOCCOLA SINT.	BUSHING- SINTERED	BOITE FRITTEE	SYNTH. BUECHSE	CASQUILLO SINT.
3	G22230063	ELEMENTO ARTICOLATO	ARTICULATED ELEMENT	ELEMENT ARTICULE	GELENKELEMENT	ELEMENTO ARTICULADO
4	G22250190	CORONA ASSE SEMINAT.Z-15 SV	PLANTING UNIT AXLE Z-15 RING G	COURONNE AXE SEMEUR Z-15 SV	KRANZ SZELEMENTACHSE Z-15 SV	CORONA EJE SEMBR. Z-15 SV
5	G22250405	PERNO BRACCIO INFERIORE SV/2	PIN- LOWER ARM SV/2	PIVOT BRAS INF. SV/2	ZAPFEN UNTERER ARM SV/2	PERNO BRAZO INFERIOR SV/2
6	G22250441	MOZZO CORONA SEMINATORE SV/2	PLANTING UNIT CROWN HUB SV/2	MOYEU COURONNE SEMEUR SV/2	KRANZNABE SZELEMENT SV/2	CUBO CORONA SEMBRADOR SV/2
7	G22270235	MANIGLIA REGOLAZIONE B4	ADJUSTMENT HANDLE B4	POIGNEE REGLAGE B4	EINSTELLGRIFF B4	MANIJA REGULACION B4 M
8	G14820991	FERMO REGOLAZIONE	ADJUSTMENT STOP	BUTEE REGLAGE	EINSTELLUNGSSPERRE	BLOQUEO REGULACIEN
9	G15220120	VITE REGOLAZIONE ZN				
10	G22505063	VITE REGOL.RUOTE POSTERIORI	BOLT- REAR WHEEL ADJUSTM.	VIS REGLAGE ROUES ARRIERES	EINSTELLSCHRAUBE HINTERRZDER	TORNILLO REGUL. RUEDAS TRASERA
11	G22505061	BOCCOLA VITE DI REGOLAZIONE	BUSHING	BOITE VIS DE REGLAGE	BsCHSE EINSTELLSCHRAUBE	CASQUILLO TORNILLO DE REGULACION
12	G15224630	BOCCOLA BRACCIO	ARM BUSHING	BOITE BRAS	BsCHSE ARM	CASQUILLO BRAZO
13	G15725030	SUPPORTO CUSCINETTO	BEARING SUPPORT	SUPPORT PALIER	LAGERHALTERUNG	SOPORTE COJINETE
14	G15821110	BOCCOLA SUPPORTO COPRISEME	SEED COVER SUPP. BUSHING	BOITE SUPPORT COUVRE-SEMENCE	BsCHSE SAMENABDECKERHALTER.	CASQUILLO SOPORTE CUBRESEMILLA
15	G15821860	SPIANATERRA L				
16	G15827620	TELAJETTO CENTRALE				
17	G15827660	PIGNONE Z-15 ZN				
18	F06220037	VOLANTINO ZIGR.D.26-M8 FEM	KNURLED FLYWHEEL D.26-M8 FEM	VOLANT CANNEL+ D.26-M8 FEM	GER-ND. HANDRAD D.26-M8 FEM	VOLANTE ESTR. I 26-M8 FEM
19	G15827680	BRACCIO TENDICATENA				
20	G15827700	ATTACCO DISTRIBUTORE ANT.				
21	G15827800	CARTER POST.SEMINATORE				
22	G15827810	COPRISEME				
23	G15827830	BRACCIO BILANCIERE				
24	G15827860	ATTACCO DISTRIBUTORE POST.				
25	G15827870	SUPPORTO BILANCIERE				
26	F06220013	VOLANT.8L.PERN.M12X30-40 VPA55	8-LOBE PIN HANDWHEEL M12X30-40	VOLANT 8 LOBES PIVOT M12X30-40	HANDRAD.8L.ZAPFENM12X30-40 VPA	VOLDEL.8L.PERN.M12X30-40 VPA55
27	G15827900	BRACCIO SUP.PARALLELOGRAMMA				
28	G15827930	CARTER ANT.				
29	G15827940	BRACCETTO INF.				
30	G15827970	RASCHIATERRA				
31	G15827990	CARTER CENTRALE SEMINATORE				
32	G15828250	ATTACCO TELAIO				
33	G15828350	ASS.LAMIERE FALCIONE FS-03	COULTER SHEET ASS. FS-03	GR. T+LES SOC FS-03	BLECHE S-SCHAR FS-03	CONJ. CHAPAS BOTA FS-03
34	G15828660	ASS.MOLLA ALLEGGERIMENTO	LIGHTENING SPRING COUPLING	ASS. RESSORT ALLEGEMENT	ERLEICHTERUNGSFEDERKOMPLEX	CONJ. MUELLE DE ALIGERAMIENTO
35	G15828760	RULLO TENDICATENA 14,00X25X 45	BUSHING- TIGHTENER	BOITE TENDEUR	BsCHSE SPANNER	CASQUILLO TENSOR
36	G15829290	INDICE MOLLA PARALLELOGR. ZN				
37	G15829630	ASSE TRASMISSIONE				
38	G15829680	ASTAAGGANCIO				
39	G15829690	SUPPORTO SPARTIZOLLE				
40	G15835360	BRACCIO TENDICATENA				
41	G16610010	VITE A MARTELLO M14X165	WINGED SCREW M14X165	VIS A TETE MARTEAU M14X165	ZWEIFLÜGEL- SCHRAUBEN M14X165	TORNILLO DE MARIPOSA M14X165
42	G16610020	VITE A MARTELLO M14X215	WINGED SCREW M14X215	VIS A TETE MARTEAU M14X215	ZWEIFLÜGEL- SCHRAUBEN M14X215	TORNILLO DE MARIPOSA M14X215
43	G20970035	RONDELLA 32X4X13	WASHER 32X4X13	RONDELLE 32X4X13	UNTERLEGSCHEIBE 32X4X13	ARANDELA 32X4X13
44	G20980050	BOCCOLA 15X7X8,5 ZN	BUSHING 15X7X8-5 ZN	BOITE 15X7X8-5 ZN	BsCHSE 15X7X8-5 ZN	CASQUILLO 15X7X8-5 ZN
45	G20980082	BOCCOLA 18X7X12,25	BUSHING 18X7X12-25	BOITE 18X7X12-25	BsCHSE 18X7X12-25	CASQUILLO 18X7X12-25
46	G18801450	BOCCOLA 8,25 X18 X17	BUSHING 8,25 X 18 X 17	BOITE 8,25 X18 X17	BsCHSE 8,25 X18 X17	CASQUILLO 8,25 X18 X17
47	G65336100	MOLLA SPEC.FERMO MANIGLIA SP	SPEC SPRING HANDLE STOP SP	RESSORT SPEC. ARRET POIGNEE SP	SPEZIALFEDER GRIFFSPERRE SP	MUELLE ESPEC. BLOQUEO MANIJA S
48	G18902880	MOLLA FERMO PARALLELO SP	PARALLEL STOP SPRING SP	RESSORT ARRET PARALLELE SP	FEDER FESTSTELLVORRICHT. PARAL	MUELLE BLOQUEO PARALELO SP
49	G18902960	MOLLA TRAZ.TRASM.RUOTA ZN	TRANSMISSION TENSIONER SPRING	RESSORT TRACT. ENTRAIN. ROUE Z	ZUGFEDER RADANTRIEB ZN	MUELLE TRAC. TRANSM.RUEDA ZN
50	G19003400	ASTA INDICAZIONE PROFONDITA'	DEPTH INDICATING ROD	TIGE INDICATION PROFONDEUR	TIEFENANZEIGESTAB	VARILLA INDICACIÓN PROFUNDIDAD
51	G19005110	RULLO TENDICATENA	CHAIN TIGHTENER ROLLER	ROULEAU TENDEUR DE CHAINE	ROLLE KETTENSANNER	RODILLO TENSOR DE LA CADENA
52	G19005460	BOCCOLA BILANCIERE				
53	G19203660	TAGLIENTE FALCIONE FS03 H8/15	CUTTER EDGE FS03 H8/15	COUPEUR HACHOIR FS03 H8/15	SCHARSCHNEIDE FS03 H8/15	AFIL. HOJA DE CORTE FS03 H8/15
54	G19203670	TAGLIENTE FALCIONE FS03 H15/25	CUTTER EDGE FS03 H14/25	COUPEUR HACHOIR FS03 H14/25	SCHARSCHNEIDE FS03 H14/25	AFIL. HOJA DE CORTE FS03 H14/25

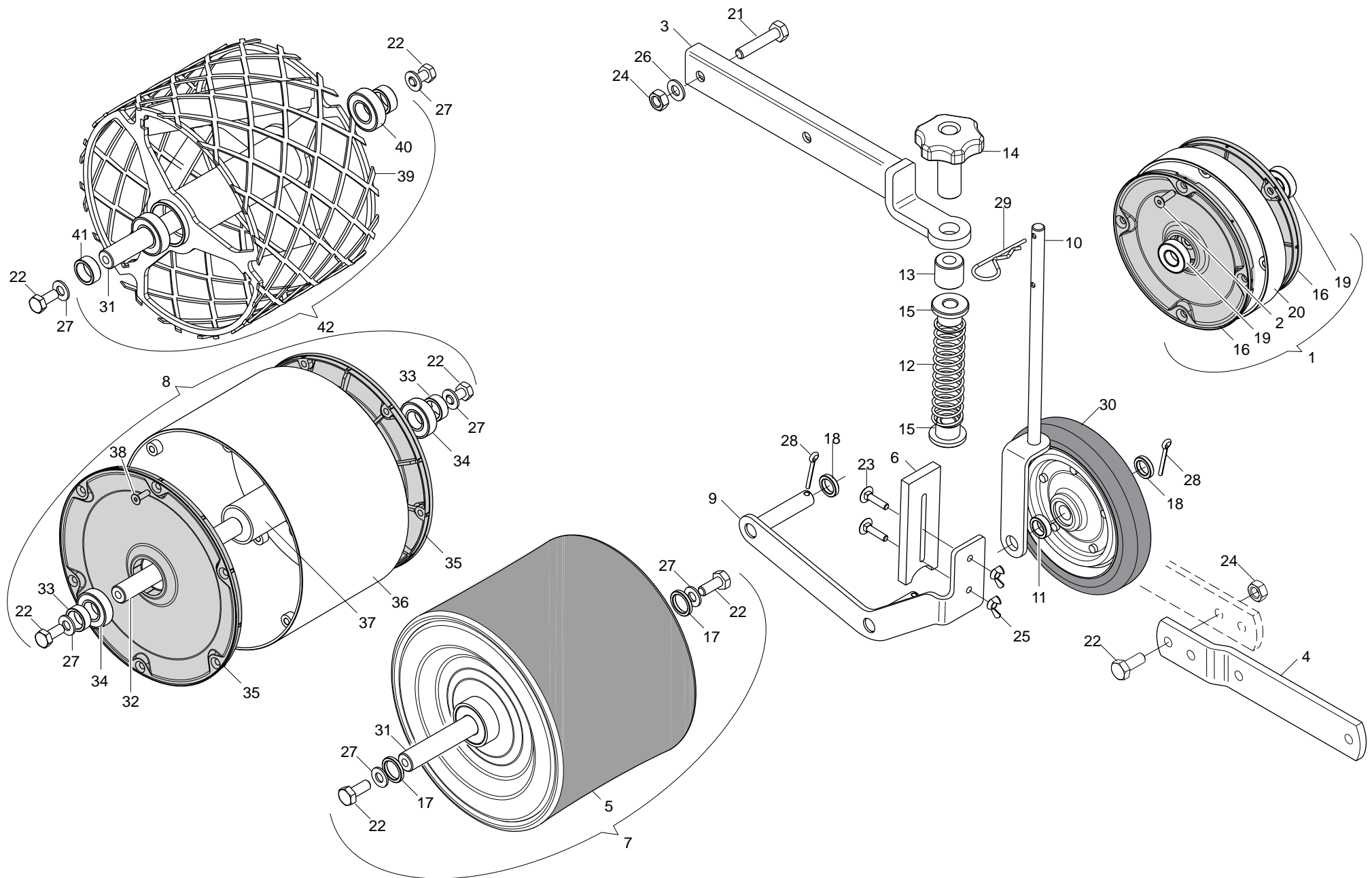
TAV. 250



ELEMENTO OLIMPIA

TAV. 250

Pos.	Cod.	Descrizione	Description	Description	Benennung	Descripcion
55	G19705530	DECAL. OLIMPIA				
56	F01020170	VITE M12X1,75X100 5737 8.8 ZN	BOLT M 12X100	VIS M 12X100	SCHRAUBE M 12X100	TORNILLO M 12X100
57	F01020172	VITE M12X1,75X110 5737 8.8 ZN	BOLT 12X110 5737 8.G GALVANIZ.	VIS 12X110 5737 8.G ZN	SCHRAUBE 12X110 5737 8.G ZN	TORNILLO 12X110 5737 8.G ZN
58	F01020432	VITE M 8X1,25X16 U5739 8.8 ZN	BOLT M 8X16	VIS M 8X16	SCHRAUBE M 8X16	TORNILLO M 8X16
59	F01020436	VITE M 8X1,25X 20 U5739 8.8 ZN	BOLT M 8X20	VIS M 8X20	SCHRAUBE M 8X20	TORNILLO M 8X20
60	F01020440	VITE M 8X1,25X25 U5739 8.8 ZN	BOLT M 8 X25 5739 8.8 ZN	VIS M 8 X25 5739 8.8 ZN	SCHRAUBE M 8 X25 5739 8.8 ZN	TORNILLO M 8 X25 5739 8.8 ZN
61	F01020445	VIT.M 8X1,25X 30 U5739 8.8 ZN	BOLT M 8X30	VIS M 8X30	SCHRAUBE M 8X30	TORNILLO M 8X30
62	F01020469	VITE M10X 1,5X16 U5739 8.8 BR	SCREW 10X16 5739 8.G	VIS 10X16 5739 8.G	SCHRAUBE 10X16 5739 8.G	TORNILLO 10X16 5739 8.G
63	F01020479	VITE M10X 1,5X35 U5739 8.8 ZN	BOLT M 10X35	VIS M 10X35	SCHRAUBE M 10X35	TORNILLO M 10X35
64	F01020472	VITE M10X 1,5X25 U5739 8.8 ZN	BOLT 10X25 5739 8.G GALVANIZED	VIS 10X25 5739 8.G ZN	SCHRAUBE 10X25 5739 8.G ZN	TORNILLO 10X25 5739 8.G ZN
65	F01020512	VITE M12X1,75X35 U5739 8.8 ZN	SCREW M 12X35	VIS M 12X35	SCHRAUBE M 12X35	TORNILLO M 12X35
66	F01020514	VITE M12X1,75X40 U5739 8.8 ZN	BOLT M12X1,75X40	VIS M12X1,75X40	SCHRAUBE M12X1,75X40	TORNILLO M12X1,75X40
67	F01030054	VITE M 8X1,25X16 U5933 10.9 ZD	BOLT 8X16 UNI5933 10.9 GALVANI	VIS 8X16 UNI 5933 10.9 ZN	SCHRAUBE 8X16 UNI 5933 10.9 ZN	TORNILLO 8X16 UNI 5933 10.9 ZN
68	F01030056	VITE M 8X1,25X25 U5933 10.9 ZD	BOLT 8X25 5933 10.9 GALVANIZED	VIS 8X25 5933 10.9 ZN	SCHRAUBE 8X25 5933 10.9 ZN	TORNILLO 8X25 5933 10.9 ZN
69	F01030060	VITE M 8X1,25X35 U5933 10.9 ZD	BOLT 8X35 5933 8.8 GALVANIZ.	VIS 8X35 5933 8.8 ZN	SCHRAUBE 8X35 5933 8.8 ZN	TORNILLO 8X35 5933 8.8 ZN
70	F01040098	VITE M 8X1,25X30 U5931 8.8 BR	SCREW 8 X30 5931 8.G	VIS 8 X30 5931 8.G	SCHRAUBE 8 X30 5931 8.G	TORNILLO 8 X30 5931 8.G
71	F01060069	BUL.M10X 1,5X 30 U5732 4.6 ZN				
72	F01070050	VIT.A.3,5X1,27X 16 6954 4.8NI			SCHRAUBE 3.5X1.27X 16 6954 4.8	
73	F01070073	VIT.A.4,2X1,41X 9,5 6954 4.8NI	BOLT 4-2X 9-5 DIN 7981	VIS 4-2X 9-5 DIN 7981	SCHRAUBE 4-2X 9,5 DIN 7981	TORNILLO 4-2X 9-5 DIN 7981
74	F01200243	DADO M 8X1,25 U5588 6.8 BR	NUT 8 UNI 5588 6.8	ECROU 8 UNI 5588 6.8	MUTTER 8 UNI 5588 6.8	TUERCA 8 UNI 5588 6.8
75	F01200244	DADO M 8X1,25 U5588 6.8 ZN	NUT M8	ECROU M8	MUTTER M8	DADO M8
76	F01200270	DADO M10X 1,5 U5588 6.8 ZN	NUT M10	ECROU M10	MUTTER M10	DADO M10
77	F01200293	DADO M12X1,75 U5588 6.8 ZN	NUT M12	ECROU M12	MUTTER M12	DADO M12
78	F01200306	DADO M14X 2 U5588 6.8 ZN	NUT M14X2	ECROU M14X2	MUTTER M14X2	DADO M14X2
79	F01220048	DADO M12X1,75 D980 8 ZN	SELF LOCKING NUT M12X1,75 980-V	ECROU AUTOBL. M12X1,75 980-V	SIEHE 00553312	DADO AUTOBL. M12X1,75 980-V
80	F01410051	ROS.M8 8,4X 17X1,6 U6592 ZN	PLANE WASHER D.8	RONDELLE D.8	SCHEIBE D.8	ARANDELA D.8
81	F01410064	ROS.M10 10,5X 20X 2 U6592 ZN	WASHER 10,5X21	RONDELLE 10,5X21	SCHEIBE 10,5X21	ARANDELA 10,5X21
82	F01410088	ROS.M14 15X 28X2,5 U6592 ZN	WAS.M14 15X 28X2,5 U6592 ZB	RON.M14 15X 28X2,5 U6592 ZB	SCH.M14 15X 28X2,5 U6592 ZB	ARA.M14 15X 28X2,5 U6592 ZB
83	F01420048	ROS.M8 8,4X 24X 2 U6593 ZN	PLANE WASHER D.8	RONDELLE D.8	SCHEIBE D.8	ARANDELA D.8
84	F02050101	ANELLO E. DE 25X 1,2 U7435 C70	SEEGER RING E. 25X1,2 7435 C70	SEEGER E. 25X 1,2 U7435 C70	SEEGERING E. 25X 1,2 U7435 C70	ANILLO E. 25X 1,2 U7435 C70
85	F02050615	ANELLO E. DE 28X 1,5 U7435 C70	STOP RING 28 UNI 7435-75	BAGUE DE SERRAGE 28 UNI 7435-7	DRAHTSPRENGRING 28 UNI 7435-75	ANILLO PARADA 28 UNI 7435-75
86	F02100109	SPINA E.P. 6X 24 U6873 C70 BR	PIN EL. .6 X24 DIN 1481	FICHE EL. 6 X24 DIN 1481	SPANNSTIFT 6 X24 DIN 1481	CLAVIJA EL.6 X24 DIN 1481
87	F02200342	COPIGLIA R 2X 50 ZN	SPLIT PIN R 2X50 ZN	GOUPILLE R 2X50 ZN	SPLINT R 2X50 ZN	CHAVETA R 2X50 ZN
88	F02200363	COPIGLIA R 3X 62 ZN	SPLIT PIN R 3X62	GOUPILLE R 3X62	SPLINT R 3X62	CHAVETA R 3X62
89	F04010135	CUSC.D25 D47 B12 6005 2RS EX>				
90	F06080016	CATENA 1/2 ISO 083 38 MAGLIE				
91	F06080050	CATENA 1/2 ISO 083 96 MAGLIE	CUT-DOWN CHAIN 1/2 ISO 083 96	TR. CH...1/2 ISO 083 96 MAILL	KETTENZNGE 1/2 ISO 083 96 GL	TRECHO CADENA 1/2 ISO 083 96 E
92	F06080087	CATENA 1/2 ISO 083 86 MAGLIE				

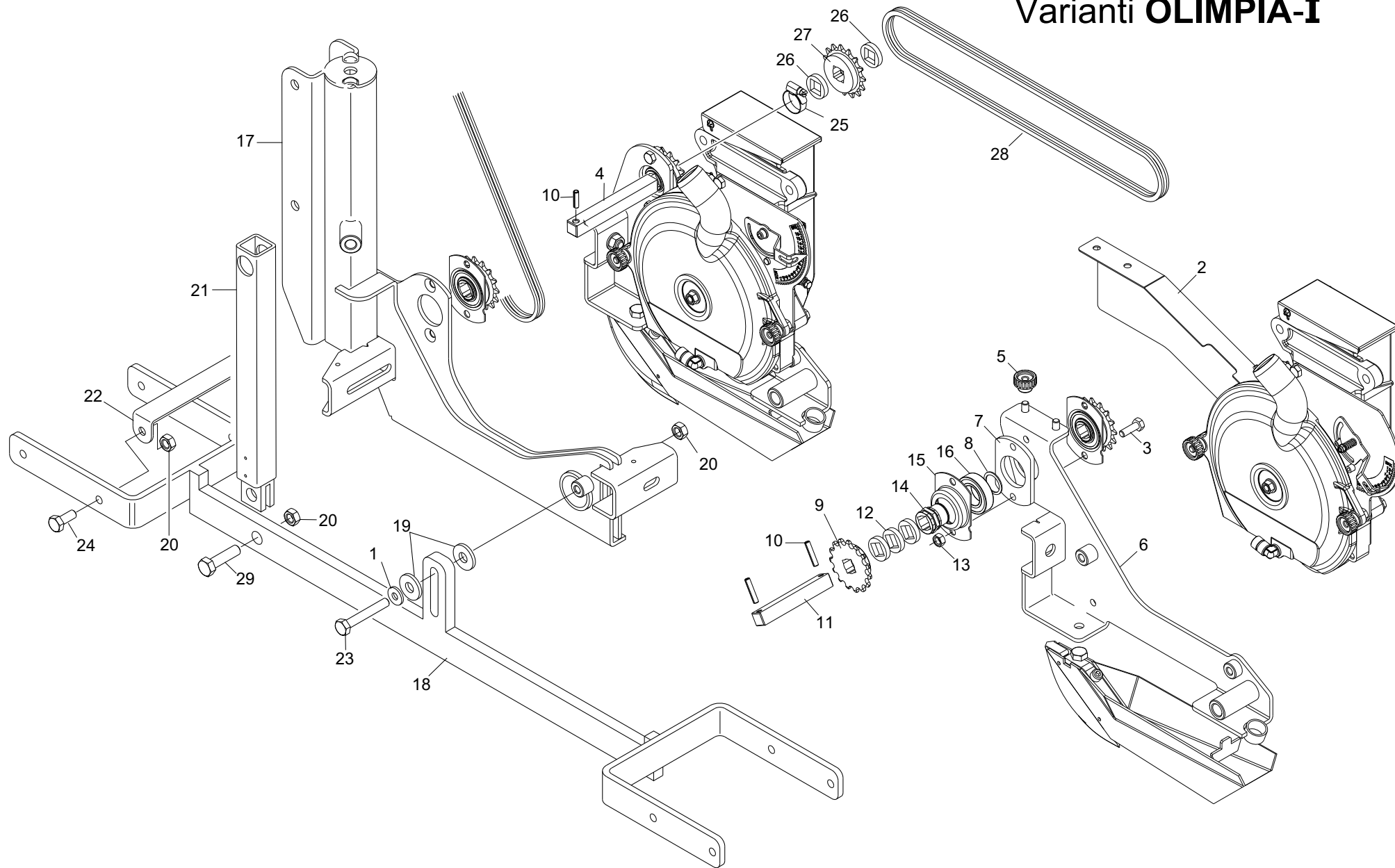


RUOTE E RUOTINI DI COMPRESSIONE

TAV. 262

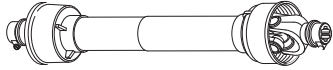

Pos.	Cod.	Descrizione	Description	Description	Benennung	Descripcion
1	G15829440	MONT.RUOTA INOX D.162X24 FL.				
2	F01030041	VITE M 6X 1X10 U5933 10.9 ZD				
3	G15826101	ATTACCO DISTRIBUTORE OR.	DISTRIBUTOR COUPLING ASSEMBLY	GR. FIXATION DISTRIB. OR	SZAPPARATANSCHLUSS OR	CONJ. CONEXIN DISTR. OR
4	G15827610	PROLUNGA BILANCIERE				
5	G15827960	RUOTA GOMMA 250X170 MOZZO 180				
6	G15828440	RASCHIATERRA RUOTINI FS	WHEEL SOIL-SCRAPER FS	RACLEUR ROUE FS	ERDSCHABER FS	RASCADOR RUEDA FS
7	G15829160	RUOTA 250X170 COMPL.				
8	G15829760	MONT.RUOTA INOX D.250X170 FL.				
9	G15829610	BRACCIO PREMISEME				
10	G15829620	PRESSORE				
11	G18802980	BOCCOLA 15 X22 X7				
12	G18903670	MOLLA COMPRESSIONE RUOTINO	COMPR. WHEEL SPRING	RESSORT COMPRESSION ROUET	FEDER DsNGUNG ROLLE	MUELLE COMPRESIN RUEDECILLA A
13	G66248100	RULLO TEND. SP	TIGHTENER ROLLER SP	ROULEAU TENDEUR SP	SPANNERROLLE SP	RODILLO TENSOR SP
14	G19004530	VOLANTINO PRESSORE (SEM.ORT.R)	HANDWHEEL	VOLANT	HANDRAD	VOLANTE
15	G19004560	BOCCOLA MOLLA PRESSORE	SPRING BUSHING	RESSORT	FEDER	CASQUILLO MUELLE
16	G19005330	FIANCO RUOTA D.170				
17	G19005081	DISTANZIALE RUOTE INOX R				
18	G19005300	DISTANZIALE 15X22X4,5				
19	F04010125	CUSC.D15 D32 B9 6002 2RS1	BEARING 6002 2RS1	PALIER 6002 2RS1	LAGER 6002 2RS1	COJINETE 6002 2RS1
20	G15829340	ASS.ANELLO INOX D.162X24				
21	F01020114	VITE M10X 1,5X50 U5737 8.8 ZN	BOLT 10X50 5737 8.G GALVANIZED	VIS 10X50 5737 8.G ZN	SCHRAUBE 10X50 5737 8.G ZN	TORNILLO 10X50 5737 8.G ZN
22	F01020472	VITE M10X 1,5X25 U5739 8.8 ZN	BOLT 10X25 5739 8.G GALVANIZED	VIS 10X25 5739 8.G ZN	SCHRAUBE 10X25 5739 8.G ZN	TORNILLO 10X25 5739 8.G ZN
23	F01060016	BUL.M 6X 1X 30 U5732 4.6 ZN	BOLT 6X30 5732 4.6 GALVANIZED	VIS 6X30 5732 4.6 ZN	SCHRAUBE 6X30 5732 4.6 ZN	TORNILLO 6X30 5732 4.6 ZN
24	F01200270	DADO M10X 1,5 U5588 6.8 ZN	NUT M10	ECROU M10	MUTTER M10	DADO M10
25	F01240012	DADO M 6X 1 U5448 5.8 ZN	NUT 6 UNI 5448 5.8 ZN	ECROU 6 UNI 5448 5.8 ZN	MUTTER 6 UNI 5448 5.8 ZN	TUERCA 6 UNI 5448 5.8 ZN
26	F01410064	ROS.M10 10,5X 20X 2 U6592 ZN	WASHER 10,5X21	RONDELLE 10,5X21	SCHEIBE 10,5X21	ARANDELA 10,5X21
27	F01420060	ROS.M10 10,5X 30X2,5 U6593 ZN	WASHER 10,5X30	RONDELLE 10,5X30	SCHEIBE 10,5X30	ARANDELA 10,5X30
28	F02200194	COPIGLIA 4X 25 U1336 ZN	SPLIT PIN 4 X25 1336 GALVAN.	GOUPILLE 4 X25 1336 ZN	SPLINT 4 X25 1336 ZN	PASADOR 4 X25 1336 ZN
29	F02200363	COPIGLIA R 3X 62 ZN	SPLIT PIN R 3X62	GOUPILLE R 3X62	SPLINT R 3X62	CHAVETA R 3X62
30	F06120066	RUOTINO FLEX 170 X 30	FLEX WHEEL 170 X 30	ROUET FLEX 170 X 30	ROLLE FLEX 170 X 30	RUEDECILLA FLEX 170 X 30
31	G15827980	ASSE RUOTA 250X170				
32	G15826561	ASSE RUOTA 250X100	AXLE	AXE	ACHSE	EJE
33	G19005600	DISTANZIALE D.20 XD.27 X10.5				
34	F04010131	CUSC.D20 D42 B12 6004-2RSH EX>	BEARING 6004 2RS EX. SKF	ROULEMENT 6004	LAGER 6004	COJINETE 6004
35	G19005320	FIANCO RUOTA D.250				
36	G15829770	ASS.ANELLO INOX D.250X170				
37	G15829360	DISTANZIALE D.39-45 L.90,5 ZN				
38	F01030038	VITE M 6X 1X20 U5933 10.9 ZD	BOLT M6X20	VIS M 6X20	SCHRAUBE M 6X20	TORNILLO M 6X20
39	G15881380	ASS.RUOTA IN GRIGLIA 250X170				
40	F04010131	CUSC.D20 D42 B12 6004-2RSH EX>	BEARING 6004 2RS EX. SKF	ROULEMENT 6004	LAGER 6004	COJINETE 6004
41	G19005600	DISTANZIALE D.20 XD.27 X10.5				
42	G15881400	MONT.RUOTA GRIGLIA D.250X170				

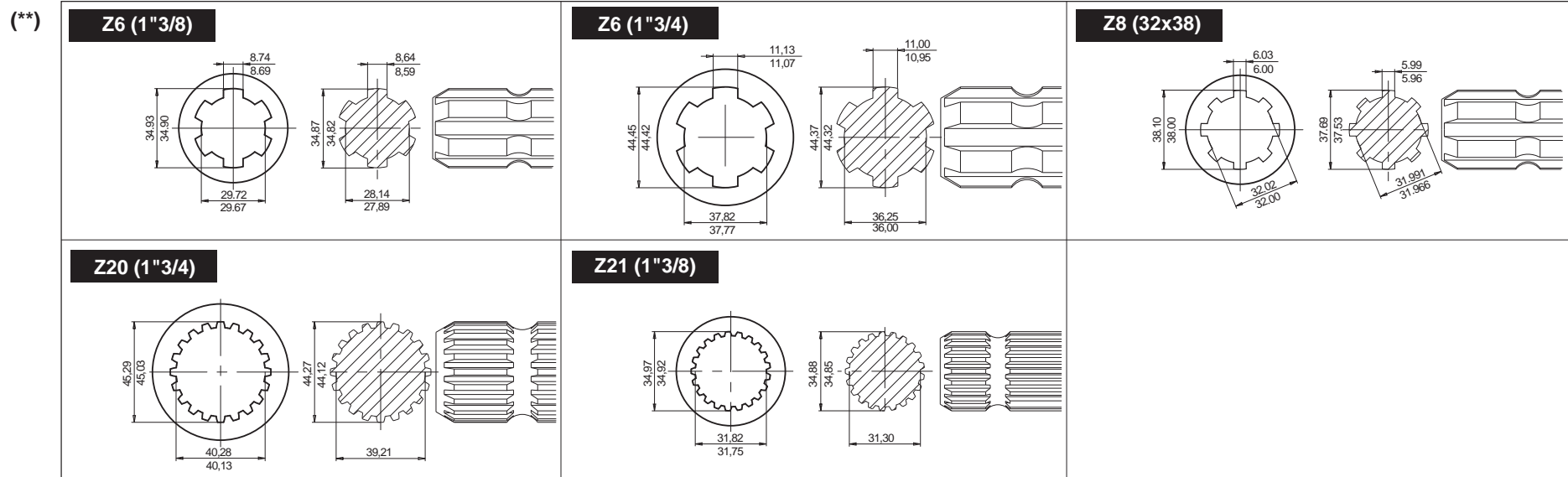
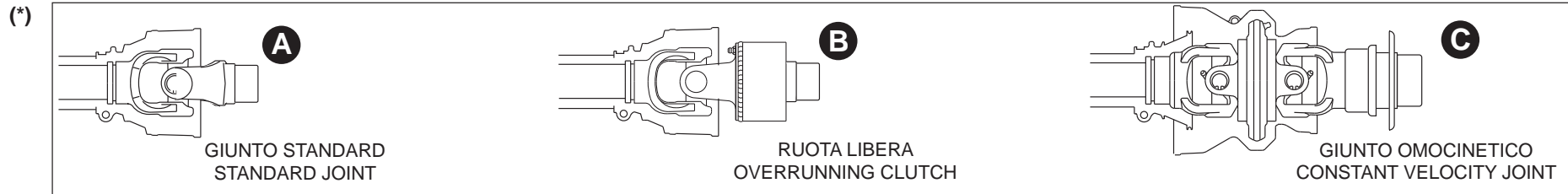
Varianti OLIMPIA-I



VARIANTI "OLIMPIA-I"
TAV. 290

Pos.	Cod.	Descrizione	Description	Description	Benennung	Descripcion
1	G20970035	RONDELLA 32X4X13	WASHER 32X4X13	RONDELLE 32X4X13	UNTERLEGSCHIEBE 32X4X13	ARANDELA 32X4X13
2	G15881250	CARTER				
3	F01020472	VITE M10X 1,5X25 U5739 8.8 ZN	BOLT 10X25 5739 8.G GALVANIZED	VIS 10X25 5739 8.G ZN	SCHRAUBE 10X25 5739 8.G ZN	TORNILLO 10X25 5739 8.G ZN
4	G15829630	ASSE TRASMISSIONE				
5	F06220037	VOLANTINO ZIGR.D.26-M8 FEM	KNURLED FLYWHEEL D.26-M8 FEM	VOLANT CANNEL+ D.26-M8 FEM	GER-ND. HANDRAD D.26-M8 FEM	VOLANTE ESTR. Ī26-M8 FEM
6	G15827860	ATTACCO DISTRIBUTORE POST.				
7	G15881240	SPESSORE				
8	F02050101	ANELLO E. DE 25X 1,2 U7435 C70	SEEGER RING E. 25X1,2 7435 C70	SEEGER E. 25X 1,2 U7435 C70	SEEGERING E. 25X 1,2 U7435 C70	ANILLO E. 25X 1,2 U7435 C70
9	G22250028	PIGNONE Z-15 SV	Z-15 PINION SV	PIGNON Z-15 SV	RITZEL Z-15 SV	PI¼N Z-15 SV P
10	F02100109	SPINA E.P. 6X 24 U6873 C70 BR	PIN EL. .6 X24 DIN 1481	FICHE EL. 6 X24 DIN 1481	SPANNSTIFT 6 X24 DIN 1481	CLAVIJA EL.6 X24 DIN 1481
11	G15881260	ALBERO				
12	G66248218	RONDELLA DISTAN.SPAND.	MAN. SPR. SPACER WASHER	RONDELLE ENTRETOISE EP. ENGRAI	ABSTANDSCHEIBE DsNGERSTREUER	ARANDELA DISTAN.ABONAD.
13	F01200244	DADO M 8X1,25 U5588 6.8 ZN	NUT M8	ECROU M8	MUTTER M8	DADO M8
14	G22250441	MOZZO CORONA SEMINATORE SV/2	PLANTING UNIT CROWN HUB SV/2	MOYEU COURONNE SEMEUR SV/2	KRANZNABE SZELEMENT SV/2	CUBO CORONA SEMBRADOR SV/2
15	G15725030	SUPPORTO CUSCINETTO	BEARING SUPPORT	SUPPORT PALIER	LAGERHALTERUNG	SOPORTE COJINETE
16	F04010135	CUSC.D25 D47 B12 6005 2RS EX>				
17	G15881100	ASS.TELAIETTO CENTRALE				
18	G15881170	ASS.BILANCIERE				
19	G19005460	BOCCOLA BILANCIERE				
20	F01200270	DADO M10X 1,5 U5588 6.8 ZN	NUT M10	ECROU M10	MUTTER M10	DADO M10
21	G15881140	ASS.TUBO REGOLAZ.PROFONDITA				
22	G15827970	RASCHIATERRA				
23	F01020122	VITE 10X 1,5X 70 U5737 8.8 ZN	BOLT 10X 1,5X 70 U5737 8.8 ZB	VIS 10X 1,5X 70 U5737 8.8 ZB	SCHR.10X 1,5X 70 U5737 8.8 ZB	TORN.10X 1,5X 70 U5737 8.8 ZB
24	F01030222	VITE M10X X20 U7380 10.9 ZD	GALVAN. SCREW 10X20 7380 8.G	VIS 10X20 7380 8.G ZN	SCHRAUBE 10X20 7380 8.G ZN	TORNILLO 10X20 7380 8.G ZN
25	F02300017	FASCETTA STRING. 20/32 H.9	STRING FASTEN STRAPS 20/32 H.9	COLLIER DE SERRAGE 20/32 H.9	SHELLE 20/32 H.9	ABRAZADERA 20/32 H.9
26	G66248218	RONDELLA DISTAN.SPAND.	MAN. SPR. SPACER WASHER	RONDELLE ENTRETOISE EP. ENGRAI	ABSTANDSCHEIBE DsNGERSTREUER	ARANDELA DISTAN.ABONAD.
27	G22250028	PIGNONE Z-15 SV	Z-15 PINION SV	PIGNON Z-15 SV	RITZEL Z-15 SV	PI¼N Z-15 SV P
28	F06080197	CATENA 1/2 ISO 083 58 MAGLIE	CHAIN 1/2 ISO 083 58 LINKS	CHAINE 1/2 ISO 083 58 MAILLES	KETTE 1/2 ISO 083 58 GLIEDER	CADENA 1/2 ISO 083 58 ESLABNEL
29	F01020485	VITE M10X1,5 X 50 5739 8.8 ZN				

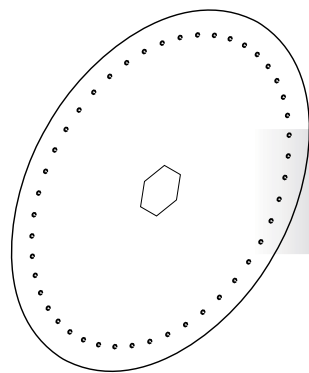
 Codice - Code Descrizione - Description		Lunghezze Lengths		Classe - Size (A x B) 	Tipo - Type (*)		Forcelle - Yokes (**)				
		min.	max.				Z6 (1"3/8)	Z6 (1"3/4)	Z8 (32x38)	Z20 (1"3/4)	Z21 (1"3/8)
F08011711	CARD.B1 Z6-Z6 L700	700	1100	B1 (22 x 54)	A	A	G58161015	F08011772	F08011742	F08011758	F08011767
F08011712	CARD.B3 Z6-Z6 L1300	1300	2000	B3 (27 x 70)	A	A	—	G58161016	F08011743	—	—
F08011713	CARD.B1 Z8-Z6 L700	700	1100	B1 (22 x 54)	A	A	G58161015	F08011772	F08011742	F08011758	F08011767
F08011714	CARD.B1 Z20-Z6 L700	700	1100	B1 (22 x 54)	A	A	G58161015	F08011772	F08011742	F08011758	F08011767
F08011715	CARD.B1 Z8-Z6 L900 R.LIB	900	1400	B1 (22 x 54)	A	B	G58161015	F08011772	F08011742	F08011758	F08011767
F08011716	CARD.B1 Z6-Z6 L900 R.LIB	900	1400	B1 (22 x 54)	A	B	G58161015	F08011772	F08011742	F08011758	F08011767
F08011719	CARD.B2 Z6-Z6 L900	900	1400	B2 (23,8 x 61,3)	A	B	—	—	—	—	—
F08011720	CARD.B3 Z8-Z6 L1300	1300	2000	B3 (27 x 70)	A	A	—	G58161016	F08011743	—	—
F08011757	CARD.B1 Z20-Z6 L900 R.L	900	1400	B1 (22 x 54)	A	B	G58161015	F08011772	F08011742	F08011758	F08011767
F08011764	CARD.R4 Z20-Z6 L1210 OM-RL	1210		R4 (27 x 74,6)	A	C	F08011768	—	F08011766	F08011774	F08011773



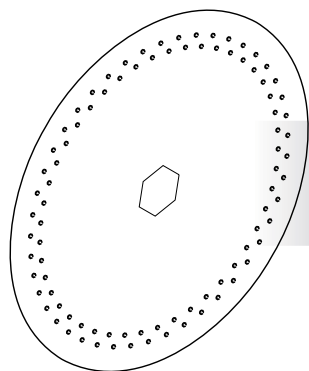
CARDANI

TAV. 300

Pos.	Cod.	Descrizione	Description	Description	Benennung	Descripcion
	F08011711	CARD.B1 Z6-Z6 L700	CARD.B1 Z6-Z6 L700	CARD.B1 Z6-Z6 L700	KARD.B1 Z6-Z6 L700	CARD.B1 Z6-Z6 L700
	F08011712	CARD.B3 Z6-Z6 L1300	UNIVERSAL JOINT T40 1020F 112	CARD. T40 1020F 112 112 1 CAT	KARDAN T40 1020F 112 112 1CAT	CARDæN T40 1020F 112 112 1CAT
	F08011713	CARD.B1 Z8-Z6 L700	UNIV.JOINT B1070BA32A60 Z-8 Z-	CARD. B1070BA32A60 Z-8 Z-6	KARDAN B1070BA32A60 Z-8 Z-6	CARD+N B1070BA32A60 Z-8 Z-6
	F08011714	CARD.B1 Z20-Z6 L700				
	F08011715	CARD.B1 Z8-Z6 L900 R.LIB				
	F08011716	CARD.B1 Z6-Z6 L900 R.LIB	UNIV.JOINT CE T100710 112 R12	CARD ROUE LIBRE T100710 112R12	KARDAN CE T100710 112 R12	CARDAN CE T100710 112 R12
	F08011719	CARD.B2 Z6-Z6 L900	UNIVERSAL JOINT 102 071 N T07	CARD. 102 071 N T07 T07 1 CAT	KARDAN 102 071 N T07 T07 1CAT	CARDæN 102 071 N T07 T07 1CAT
	F08011720	CARD.B3 Z8-Z6 L1300				
	F08011742	FORCELLA CARD.32X38 Z8 B1	CARDAN SHAFT FORK Z.8	FOURCHETTE CARDAN Z.8	GABEL KARDAN Z.8	HORQUILLA CARDæN Z.8
	F08011743	FORCELLA CARD.32X38 Z8 B3				
	F08011757	CARD.B1 Z20-Z6 L900 R.L >				
	F08011758	FORCELLA CARD.1"3/4 Z20 B1 >				
	F08011764	CARDANO OM 3/4Z20-RL Z6 L1210				
	F08011766	FORCELLA CARD.32X38 Z8 R4				
	F08011767	FORCELLA CARD.1 3/8 Z21 B1 >				
	F08011768	FORCELLA CARD.1 3/8 Z6 R4				
	F08011772	FORCELLA CARD.1"3/4 Z6 B1 >				
	F08011773	FORCELLA CARD.1 3/8 Z21 R4 >				
	F08011774	FORCELLA CARD.1 3/4 Z20 R4				
	G58161015	FORCELLA CARD.1'3/8 Z6 B1				
	G58161016	FORCELLA CARD.1'3/8 Z6 B3 >				



Fila singola - Single row - Einreihig - Un seul rang - Hilera sencilla											
Fori - Holes - Troues - Löcher - Agujeros	Nr.	Fori - Holes - Troues - Löcher - Agujeros									
		0,5	0,6	0,8	1	1,2	1,5	2	2,2	2,5	3
24		G15823880	G15823890	G15823900	G15823910	G15823920	G15823930	G15823940	G15823950	G15823960	G15823970
45		G15824200	G15824210	G15824220	G15824230	G15824240	G15824250	G15824260	G15824270	G15824280	G15824290
75		G15824300	G15824310	G15824320	G15824330	G15824340	G15824350	G15824360	G15824370	G15824380	G15824390
90		G15824400	G15824410	G15824420	G15824430	G15824440	G15824450	G15824460	G15824470	G15824480	G15824490
120		G15824600	G15824610	G15824620	G15824630	G15824640	G15824650	G15824660	G15824670	G15824680	G15824690



DR Fila doppia - Double row - Doppelreihe - Double rang - Hilera doble											
Fori - Holes - Troues - Löcher - Agujeros	Nr.	Fori - Holes - Troues - Löcher - Agujeros									
		0,5	0,6	0,8	1	1,2	1,5	2	2,2	2,5	3
24		G15880010	G15880020	G15880030	G15880040	G15880050	G15880060	G15880070	G15880080	G15880090	G15880100
45		G15880110	G15880120	G15880130	G15880140	G15880150	G15880160	G15880170	G15880180	G15880190	G15880200
75		G15880210	G15880220	G15880230	G15880240	G15880250	G15880260	G15880270	G15880280	G15880290	G15880300
90		G15880310	G15880320	G15880330	G15880340	G15880350	G15880360	G15880370	G15880380	G15880390	G15880400
120		G15880410	G15880420	G15880430	G15880440	G15880450	G15880460	G15880470	G15880480	G15880490	G15880500

**USATE SEMPRE RICAMBI ORIGINALI
ALWAYS USE ORIGINAL SPARE PARTS
IMMER DIE ORIGINAL-ERSATZTEILE VERWENDEN
EMPLOYEZ TOUJOURS LES PIECES DE RECHANGE ORIGINALES
UTILIZAR SIEMPRE REPUESTOS ORIGINALES**

GASPARDO

**Servizio Assistenza Tecnica - After Sales Service
Servizio Ricambi - Spare Parts Service
+39 0434 695410**

DEALER:



GASPARDO

G19530513



MASCHIO GASPARDO SpA

Sede legale e stabilimento produttivo

Via Marcello, 73 - 35011 Campodarsego (Padova) - Italy
Tel. +39 049 9289810
Fax +39 049 9289900
Email: info@maschio.com
www.maschionet.com

MASCHIO GASPARDO SpA

Stabilimento produttivo

Via Mussons, 7 - 33075
Morsano al Tagliamento (PN) - Italy
Tel. +39 0434 695410
Fax +39 0434 695425
Email: info@gaspardo.it

MASCHIO DEUTSCHLAND GMBH

Äußere Nürnberger Straße 5
D - 91177 Thalmässing
Deutschland
Tel. +49 (0) 9173 79000
Fax +49 (0) 9173 790079

MASCHIO FRANCE Sarl

1, Rue de Mérignan ZA
F - 45240 La Ferte St. Aubin
France
Tel. +33 (0) 2.38.64.12.12
Fax +33 (0) 2.38.64.66.79

MASCHIO IBERICA S.L.

Calle Cabernet, 10
Poligono Industrial Clot de Moja
Olerdola - 08734 Barcelona
Tel. +34 93.81.99.058
Fax +34 93.81.99.059

MASCHIO-GASPARDO USA Inc

120 North Scott Park Road
Eldridge, IA 52748 - USA
Ph. +1 563 2859937
Fax +1 563 2859938
e-mail: info@maschio.us

ООО МАСКИО-ГАСПАРДО РУССИЯ

Улица Пушкина, 117 Б
404126 Волжский
Волгоградская область
Тел. +7 8443 525065
факс. +7 8443 525064

MASCHIO-GASPARDO ROMANIA S.R.L.

Strada Înfrâtitirii, F.N.
315100 Chisineu-Cris (Arad) - România
Tel. +40 257 307030
Fax +40 257 307040
e-mail: maschio@maschio.ro

MASCHIO MIDDLEEAST

P.O. Box 922388
Amman, 11192 Jordan
Tel. 962 605511384
Fax 962 6 5538398
e-mail: tahaeng@nets.com.jo

GASPARDO-MASCHIO TURCHIA

MASCHIO-GASPARDO CANADA Inc
MASCHIO-GASPARDO CINA
MASCHIO-GASPARDO POLAND
MASCHIO-GASPARDO UCRAINA
GASPARDO BIELORUSSIA
MASCHIO-GASPARDO KOREA