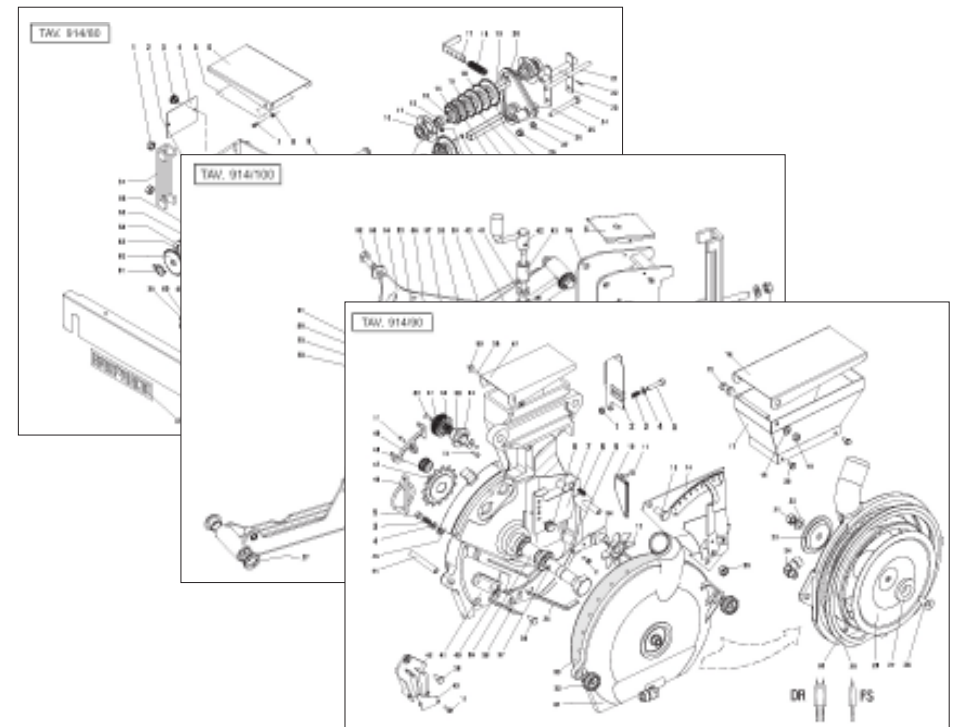


GASPARDO

MASCHIO GASPARDO S.p.A.

OLIMPIA ORIENTTA-C

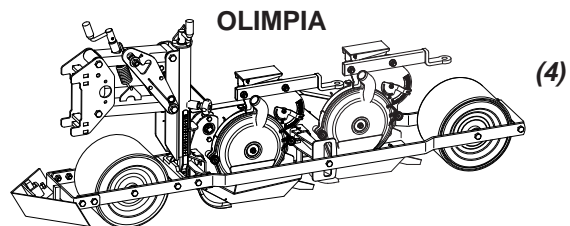
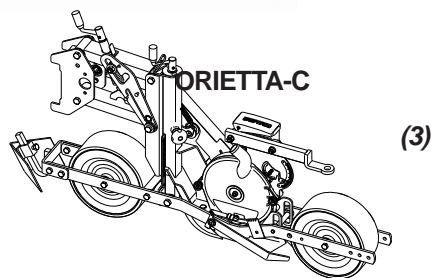


Cod: G19530932 2011-08

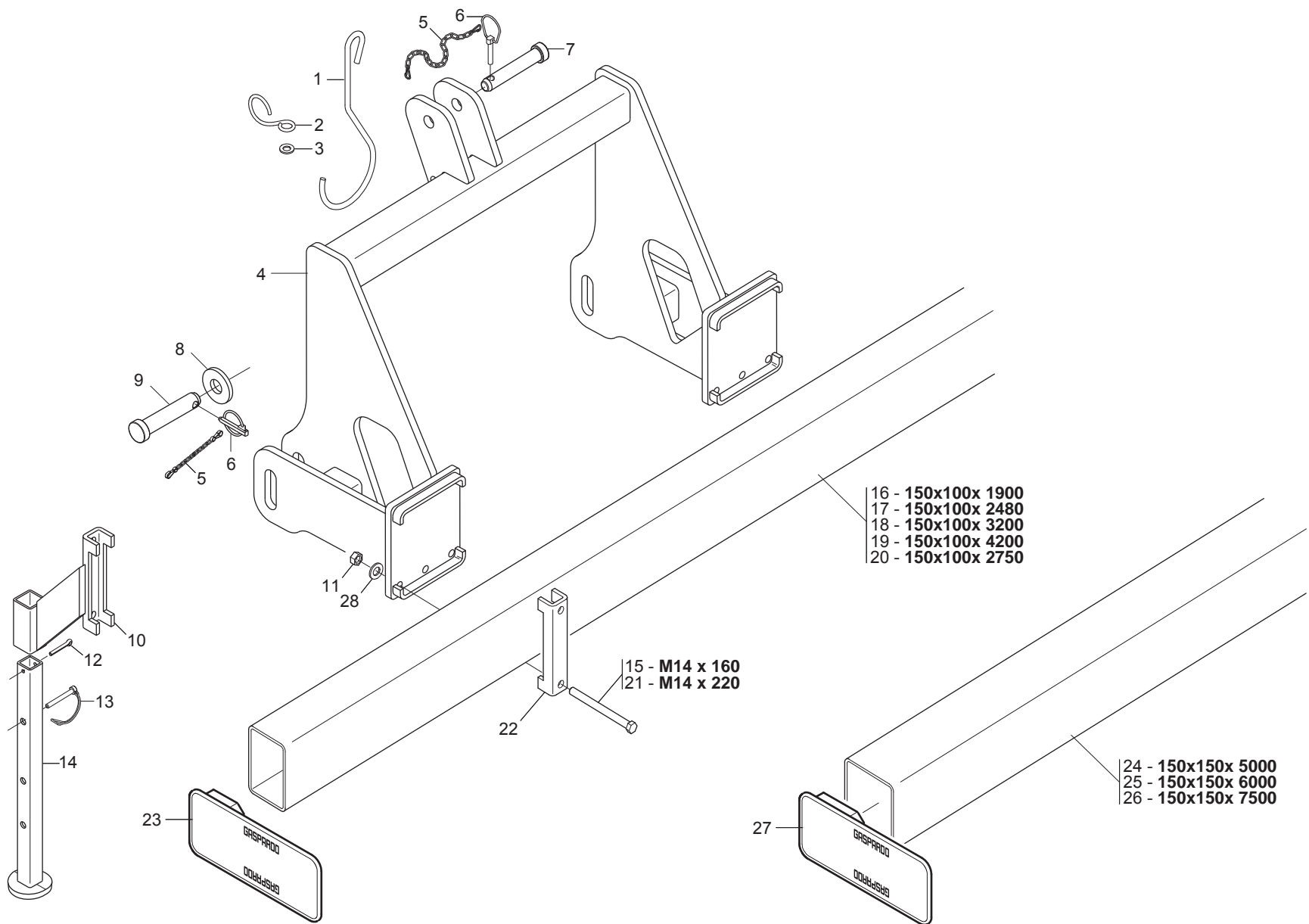
- *) Valido per Paesi UE
- *) Valid for EU member countries
- *) Valable dans les Pays UE
- *) Gilt für EU-Mitgliedsländer
- *) Válido para Países UE

IT PARTI DI RICAMBIO
EN SPARE PARTS
DE ERSATZTEILE
FR PIÈCES DÉTACHÉES
ES PIEZAS DE REPUESTO

| ITALIANO | ENGLISH | DEUTSCH | FRANÇAIS | ESPAÑOL |
|---|---|--|---|--|
| PARTI DI RICAMBIO | SPARE PARTS | ERSATZTEILE | PIECES DÉTACHÉES | RESPUESTOS |
| <p>Le ordinazioni delle parti di ricambio vanno fatte presso i nostri concessionari di zona e devono essere sempre corredate dalle seguenti indicazioni:</p> <ul style="list-style-type: none"> - Tipo, modello e numero di matricola dell'attrezzatura. Tali dati sono stampigliati nell'apposita targhetta di cui è dotata ogni attrezzatura. - Numero di codice della parte richiesta rilevabile dal catalogo ricambi. - Descrizione del particolare e quantità richiesta. - Numero della tavola. - Mezzo di trasporto. Nel caso questa voce non sia specificata, la Ditta Costruttrice, pur dedicando a questo servizio una particolare cura, non risponde di eventuali ritardi di spedizione dovuti a cause di forza maggiore. Le spese di trasporto si intendono sempre a carico del destinatario. La merce viaggia a rischio e pericolo del committente anche se venduta franco destino. <p>NOTA: Il termine (Dx) Destro o (Sx) Sinistro della macchina o di parti di essa, è inteso guardando la macchina dalla parte posteriore. Le eccezioni saranno indicate.</p> | <p><i>Orders must be transmitted through our area dealers and should always include the following indications:</i></p> <ul style="list-style-type: none"> - Type, model and serial number of the machine. <i>These data are punched on the data plate with which every implement is equipped.</i> - Code number of the required spare part. <i>This will be found in the spare parts catalogue.</i> - Description of the part and required quantity. - Table number. - Means of dispatch. <i>If this item is not indicated, the Manufacturer, while dedicating particular care to this service, shall not be held responsible for delays in delivery caused by cases of force majeure. Transport expenses shall always be at the consignee's charge. The goods travel at the purchaser's risk and peril even when sold ex destination.</i> <p>NOTE: <i>The symbols (Dx) right and (Sx) left, concerning the machine or single parts of it, are referred, as in the figure, to a rear view of them. Exceptions will be indicated.</i></p> | <p>Die Bestellungen müssen bei unseren Gebietshändlern aufgegeben werden. Bei der Bestellung sind stets die folgenden Angaben zu machen:</p> <ul style="list-style-type: none"> - Typ, Modell und Serien-Nummer des Geräts. Diese Daten stehen auf dem Typenschild, mit dem jedes Gerät versehen ist. - Artikel Nr. der erforderlichen Ersatzteile. Diese stehen im Ersatzteil-Katalog. - Beschreibung des Ersatzteils und die erforderliche Stückzahl. - Tafelnummer. - Versandmittel. Wenn dieser Punkt nicht spezifiziert wird, haftet die Herstellerfirma nicht für etwaigen Lieferverzug aufgrund höherer Gewalt, auch wenn er diesen Service besonders aufmerksam abwickelt. Die Frachtkosten gehen dagegen immer zu Lasten des Empfängers. Die Ware reist auf Gefahr und Risiko des Auftraggebers, auch wenn frei Haus Verkauft vereinbart worden ist. <p>N.B.: Die Merkzeichen (Dx) rechts und (Sx) links betreffen eine rückwärtige Aussicht der Maschine oder Teile von ihr (siehe Bild). Ausnahmen werden gezeigt.</p> | <p><i>Les ordres doivent être effectués auprès de nos concessionaires de zone en précisant les indications suivantes:</i></p> <ul style="list-style-type: none"> - Type, modèle et numéro de série de la machine. <i>Ces données sont gravées sur la plaque d'identification de chaque outil.</i> - Numéro de code de la pièce détachée indiqué sur le catalogue des pièces détachées. - Description de la pièce et quantité requise. - Numéro de plan. - Moyen d'expédition. <i>Si cette rubrique n'est pas indiquée, le Constructeur, bien que soucieux de ce service, ne répond pas des retards d'expédition pour des causes de force majeure. Les frais de transport sont toujours à la charge du destinataire. La marchandise voyage aux risques et périls de l'acheteur même si vendue franco de port.</i> <p>N.B.: <i>Les références (Dx) droit et (Sx) gauche de la machine ou des parties de la même, est entendue, comme de la figure, en regardant la machine de derriere dans le sens de marche.</i></p> | <p>Los pedidos han de efectuarse en nuestros concesionarios de zona y deben incluir siempre las siguientes indicaciones:</p> <ul style="list-style-type: none"> - Tipo, modelo y número de matrícula del equipo. Dichos datos están impresos en la relativa placa presente en el equipo. - Número de código de la parte requerida presente en el catálogo respuestas. - Descripción de la pieza y cantidad requerida. - Numero de ilustración. - Medio de transporte. En caso que este ítem no esté especificado, el Fabricante, aún prestando la debidas consideraciones para este aspecto, no responde por eventuales retardos de env'o debidos a causas de fuerza mayor. Los gastos de transporte se consideran siempre a cargo del destinatario. La mercadería viaja bajo riesgo y peligro del comprador, incluso cuando se vende franco destino. <p>N.B.: La refencia (Dx) derecha o (Sx) izquierda de la máquina o de sus componentes, se entiende, como en la figura, mirando la máquina por la parte trasera. Se indicarán las excepciones.</p> |



| Nr. Tav. | Descrizione - Description | Pag. |
|--|---|-------------|
| (1) { | TAV. 011 Telaio ed attacco 3 punti | 4 |
| | TAV. 021 Segnafile | 6 |
| | TAV. 032 Segnafile rinforzato | 8 |
| | TAV. 042 Comando segnafile oleodinamico | 10 |
| | TAV. 051 Comando segnafile meccanico | 12 |
| (2) { | TAV. 271 Telaio pieghevole | 14 |
| | TAV. 281 Impianto telaio pieghevole | 16 |
| | TAV. 291 Segnafile per telaio pieghevole | 18 |
| | TAV. 311 Impianto segnafile per telaio pieghevole | 20 |
| (3) { | TAV. 091 Distributore semi | 22 |
| | TAV. 101 Telaio elemeto | 24 |
| | TAV. 112 Falcioni assolcatori | 28 |
| | TAV. 122 Bilanciere e ruote di compressione | 30 |
| | TAV. 132 Ruotini di compressione | 32 |
| (4) { | VARIANTI OLIMPIA | |
| | TAV. 231 Elemento seminautore «N» | 34 |
| | TAV. 330 Elemento seminautore «W» | 38 |
| | TAV. 242 Ruote e ruotini di compressione | 40 |
| TAV. 062 Depressore | 42 | |
| TAV. 071 Impianto aspirazione e soffiaggio | 46 | |
| TAV. 081 Ruota di trasmissione | 48 | |
| TAV. 141 Supporti serbatoi spandiconcime plastica | 52 | |
| TAV. 151 Serbatoi spandiconcime plastica | 54 | |
| TAV. 181 Microgranulatore | 58 | |
| TAV. 191 Trasmissione spandiconcime e microgranulatore | 62 | |
| TAV. 201 Concimazione pneumatica | 64 | |
| TAV. 210 Speedy set | 66 | |
| TAV. 221 Rullo anteriore | 68 | |
| TAV. 251 Accessori | 70 | |
| TAV. 321 Cardani | 72 | |
| TAV. 260 Dischi di semina | 74 | |



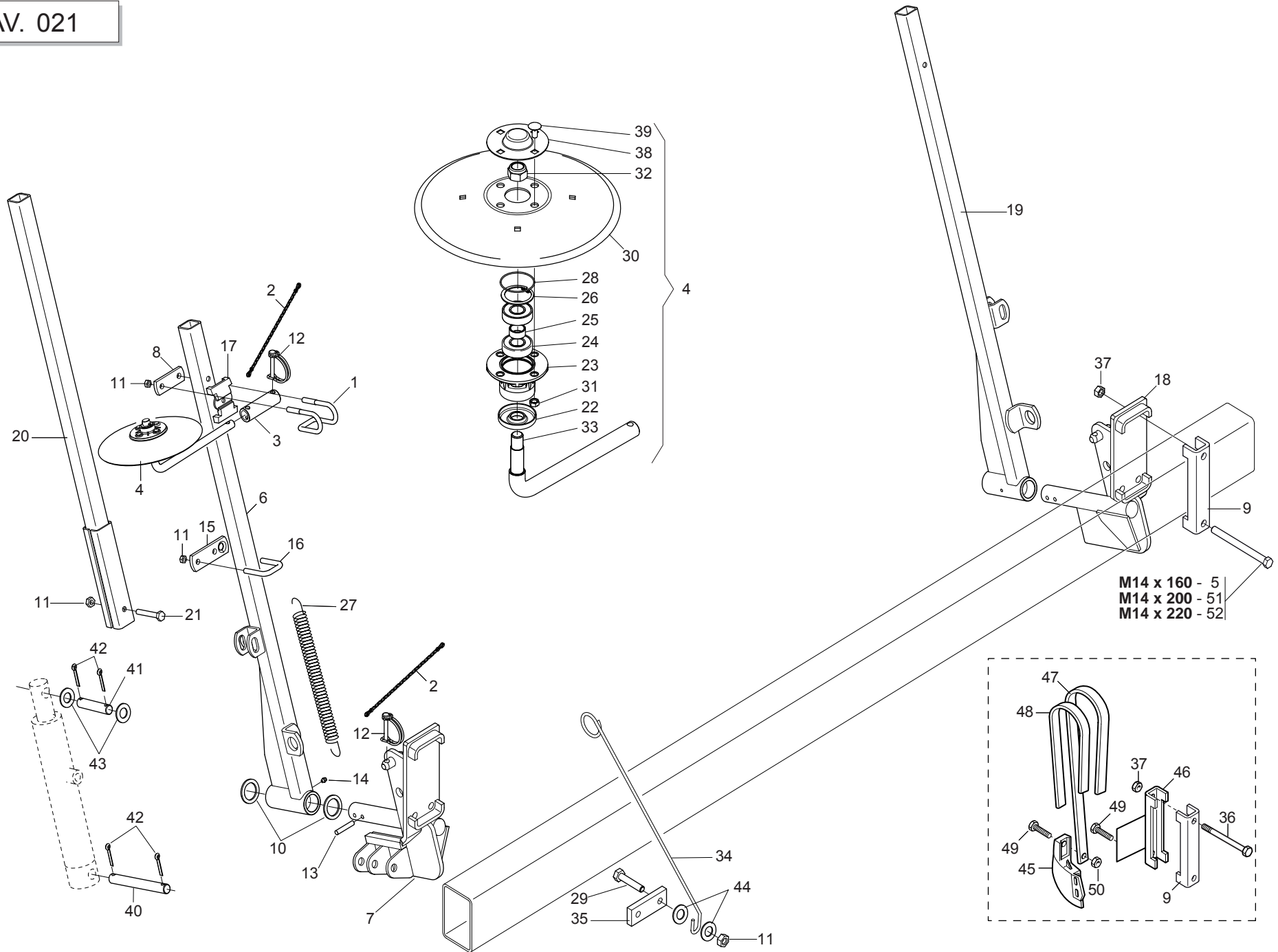
- 16 - 150x100x 1900
- 17 - 150x100x 2480
- 18 - 150x100x 3200
- 19 - 150x100x 4200
- 20 - 150x100x 2750

- 15 - M14 x 160
- 21 - M14 x 220

- 24 - 150x150x 5000
- 25 - 150x150x 6000
- 26 - 150x150x 7500

TELAIO ED ATTACCO TERZO PUNTO
TAV. 011

| Pos. | Cod. | Descrizione | Description | Description | Benennung | Descripcion |
|------|-----------|--------------------------------|--------------------------------|--------------------------------|--------------------------------|--------------------------------|
| 1 | F20120400 | GANCIO SOSTEGNO CARDANO | SHAFT HOOK SUPPORT | SUPPORT CARDAN | GELENKWELLE - HACKEN | SOPORTE CARDAN |
| 2 | G65336004 | MOLLA SPEC.ZN AGG.SEMINAT. SP | SPEC SPRING- ZN ADD. SEEDER SP | RESSORT SPEC. ZN ATTELAGE SEME | SPEZIALFEDER ZN SZELEM. KUPPL. | MUELLE ESPEC. ZN CONEX. SEMBRA |
| 3 | F01410088 | ROS.M14 15X 28X2,5 U6592 ZN | WAS.M14 15X 28X2,5 U6592 ZB | RON.M14 15X 28X2,5 U6592 ZB | SCH.M14 15X 28X2,5 U6592 ZB | ARA.M14 15X 28X2,5 U6592 ZB |
| 4 | G16610462 | ASS.TERZO PUNTO 2 CATEGORIA | | | | |
| 5 | G13812311 | CATENELLA CON MOSCHETTONE | CHAIN WITH SPRING CATCH | CHAINETTE AVEC MOUSQUETON | KETTE MIT KARABINERHAKEN | CADENA CON GANCHO |
| 6 | F02200507 | SPINA SCATTO D. 9 B/83 ZN | SNAP PIN D9 B/83 ZN | FICHE A DETENTE D9 B/83 ZN | EINRASTSTIFT D9 B/83 ZN | CLAVIJA DE MUELLE D9 B/83 ZN |
| 7 | F20100133 | PERNO D25 L122 C43 ZN | PIN D25 L122 C43 ZN | BOULON D25 L122 C43 ZN | BOLZEN D25 L122 C43 ZN | PERNO D25 L122 C43 ZN |
| 8 | G20970120 | RONDELLA 70X8X28,5 | WASHER 70X8X28-5 | RONDELLE 70X8X28-5 | UNTERLEGSSCHEIBE 70X8X28-5 | ARANDELA 70X8X28-5 |
| 9 | F20100136 | >PERNO D28 L109 C43 ZN | BOLT D28 L109 C43 ZN | BOULON D28 L109 C43 ZN | BOLTZEN D28 L109 C43 ZN | PERNO D28 L109 C43 ZN |
| 10 | G15112711 | SUPPORTO PUNTELLO | PROP SUPPORT | SUPPORT ETRESILLON | STsTZLAGER | STsTZLAGER |
| 11 | F01200306 | DADO M14X 2 U5588 6.8 ZN | NUT M14X2 | ECROU M14X2 | MUTTER M14X2 | DADO M14X2 |
| 12 | F02200246 | COPIGLIA 6X 45 U1336 ZN | PIN 6 X45 U1336 ZN | GOUPILLE 6 X45 U1336 ZN | SPLINT 6 X45 U1336 ZN | CLAVIJA 6 X45 U1336 ZN |
| 13 | F02200584 | SPINA SICUR. D. 12X70 ZN | PIN D12 L70 ZN | FICHE D12 L70 ZN | STIFT D12 L70 ZN | CLAVIJA D12 L70 ZN |
| 14 | G10710032 | PUNTELLO | PROP | ETRESILLON | STsTZE | PUNTAL |
| 15 | F01020225 | VITE M14X2X160 U5737 8.8 BR | SCREW M 14 X160 5737 8.G | VIS M 14 X160 5737 8.G | SCHRAUBE M 14 X160 5737 8.G | TORNILLO M 14 X160 5737 8.G |
| 16 | G16610040 | TUBO RET.150X100X1900 | RECTANGULAR PIPE 150X100X1900 | TUBE RECTANGULAIRE 150X100X190 | RECHTECK.ROHR150X100X1900 | TUBO RECT.150X100X1900 |
| 17 | G16610050 | TUBO R.150X100X2480 | RECTANGULAR PIPE 150X100X2480 | TUBE RECT.150X100X6X2480 | R. ROHR150X100X6X2480 | TUBO RECT.150X100X6X2480 |
| 18 | G14217400 | TUBO TELAIO 150X100X3200 | FRAME PIPE 150X100X3200 | TUBE BATI 150X100X3200 | ROHR RAHMEN 150X100X3200 | TUBO BASTIDOR 150X100X3200 |
| 19 | G16610070 | TUBO R.150X100X4200 | RECTANGULAR PIPE 150X100X4200 | TUBE RECT.150X100X4200 | R. ROHR150X100X4200 | TUBO RECT.150X100X4200 |
| 20 | G16610080 | TUBO R.150X100X6X2750 | RECTANGULAR PIPE 150X100X6X275 | TUBE RECT.150X100X6X2750 | R. ROHR150X100X6X2750 | TUBO RECT.150X100X6X2750 |
| 21 | F01020236 | VITE M14X2X220 U5737 8.8 BR | SCREW M14X2X220 U5737 8.8 BR | VIS M14X2X220 U5737 8.8 BR | SCHRAUBE M14X2X220 U5737 8.8 | TORNILLO M14X2X220 U5737 8.8 |
| 22 | G15110091 | SCONTRO A U | STRIKER | BRIDE 150 MM | ANSCHLAG | ELEMENTO DE EMPALME |
| 23 | G16610110 | TAPPO TELAIO 150X100 COMPL. | COMPL. FRAME PLUG 150X100 B319 | BOUCHON CH-SSIS 150X100 COMPL. | PFROPFEN RAHMEN 150X100 KOMPL. | TAPÉN BASTIDOR 150X100 COMPL. |
| 24 | G15210690 | TUBO TELAIO FISSO 150X5000 | FIXED FRAME PIPE 150X5000 | PIPE BATI FIXE 150X5000 | ROHR FIXER RAHMEN 150X5000 | TUBO BASTIDOR FIJO 150X5000 |
| 25 | G15210740 | TUBO TELAIO FISSO 150X6000 | FIXED FRAME PIPE 150X6000 | TUBE BATI FIXE 150X6000 | ROHR FIXER RAHMEN 150X6000 | TUBO BASTIDOR FIJO 150X6000 |
| 26 | G15211790 | TUBO TELAIO FISSO L.7500 Q.150 | FIXED FRAME PIPE L.7500 Q.150 | TUBE BATI FIXE L.7500 Q.150 | ROHR FIXER RAHMEN L.7500 Q.150 | TUBO BASTIDOR FIJO L.7500 Q150 |
| 27 | G19003000 | TAPPO PER TELAIO 150 | CAP FOR FRAME 150 | BOUCHON POUR BATI 150 | PFROPFEN FOR RAHMEN 150 | TAPON PARA BASTIDOR 150 |
| 28 | G20970142 | RONDELLA 32X4X15,5 | WASHER 32X4X15-5 | RONDELLE 32X4X15-5 | UNTERLEGSSCHEIBE 32X4X15-5 | ARANDELA 32X4X15-5 |



SEGNAFILE

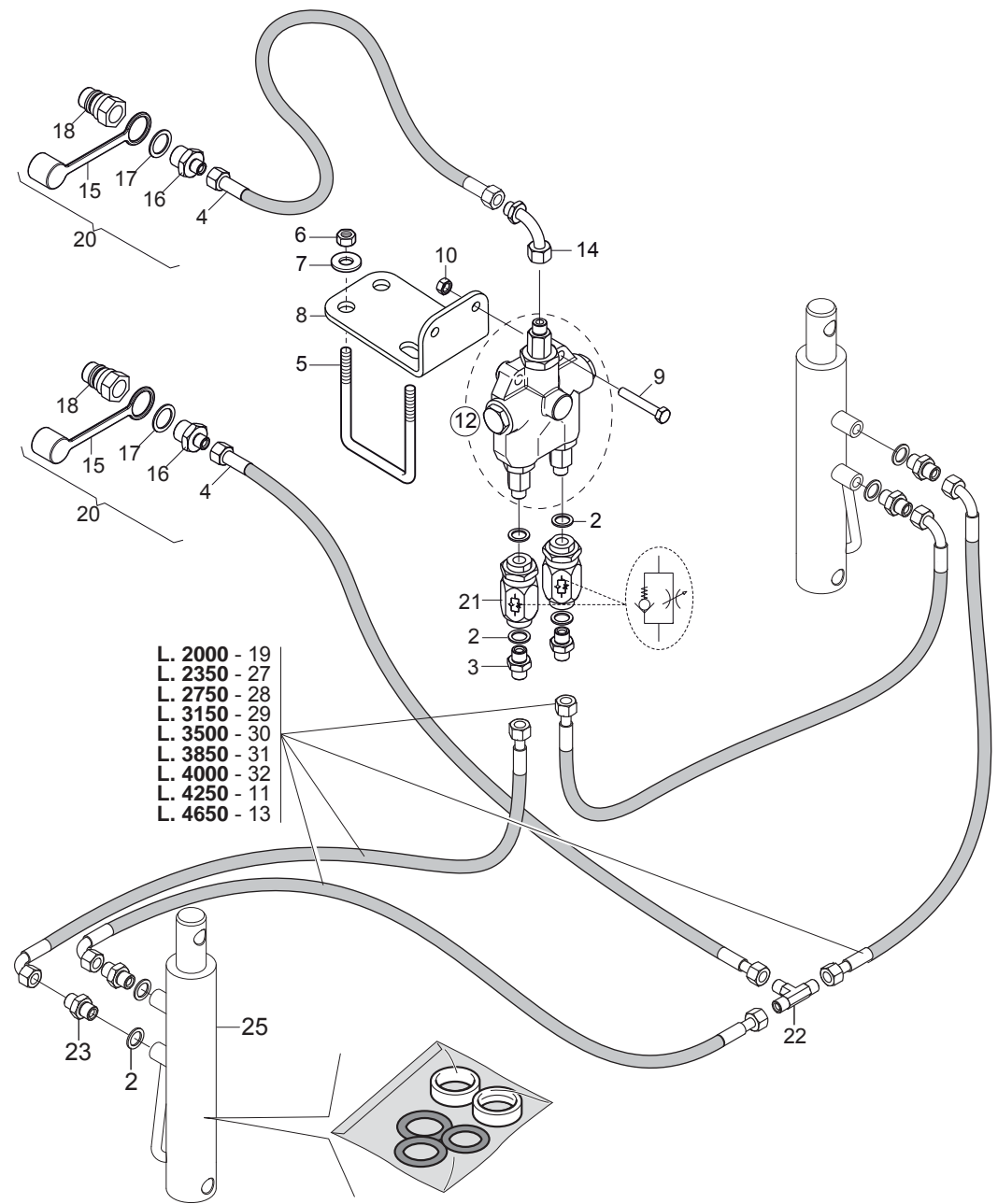
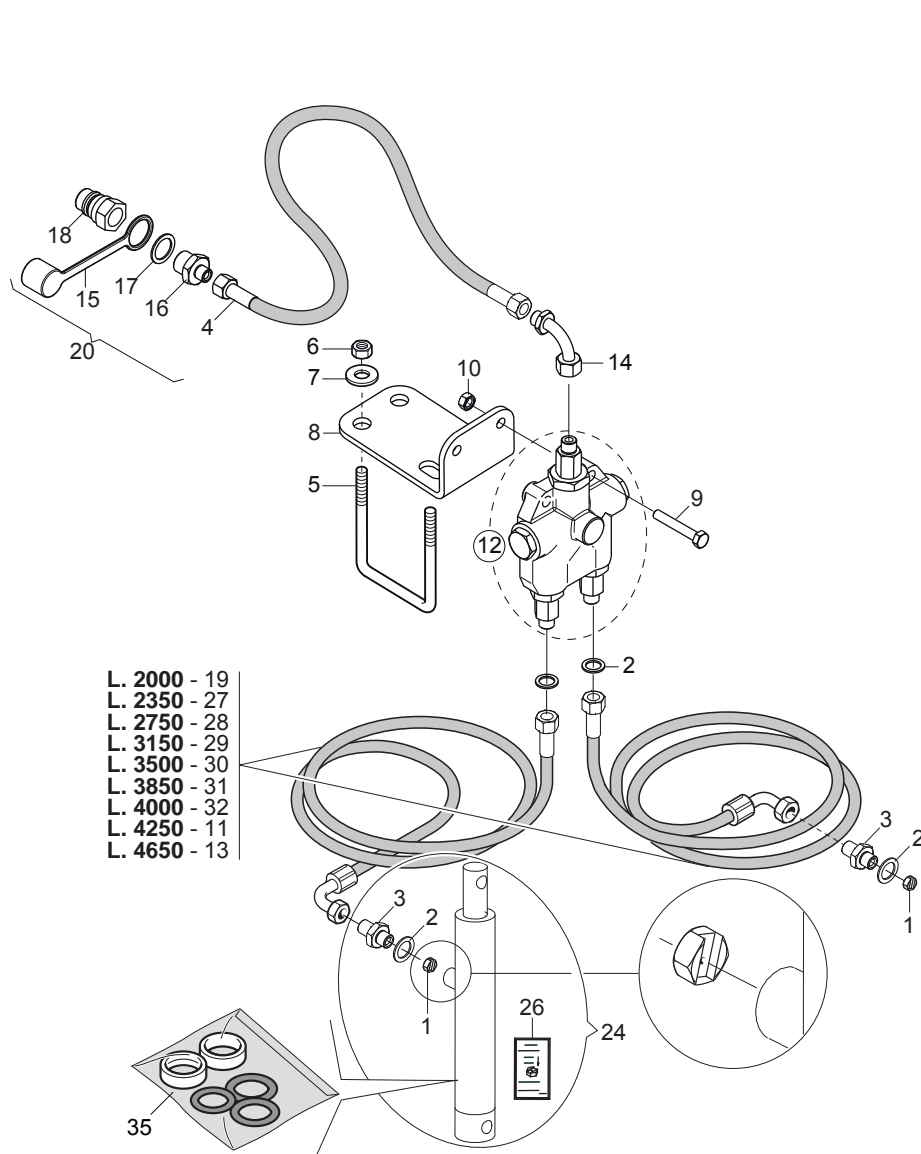
TAV. 021

| Pos. | Cod. | Descrizione | Description | Description | Benennung | Description |
|------|-----------|--------------------------------|--------------------------------|--------------------------------|--------------------------------|--------------------------------|
| 1 | G16610230 | CAVALLOTTO MANICOTTO DISCO | DISK SLEEVE U BOLT | ETRIER MANCHON DISQUE | _BERBR_KUNG MUFFE SCHEIBE | ABRAZADERA MANGUITO DE DISCO |
| 2 | G13812311 | CATENELLA CON MOSCHETTONE | CHAIN WITH SPRING CATCH | CHAINETTE AVEC MOUSQUETON | KETTE MIT KARABINERHAKEN | CADENA CON GANCHO |
| 3 | G17111290 | MANICOTTO DISCO | DISK SLEEVE U BOLT | MANCHON DISQUE | SCHEIBENMUFFE | MANGUITO DISCO |
| 4 | G16610200 | DISCO D.320 COMPL | DISK D.320 COMPL | DISQUE D.320 COMPLET | SCHEIBE D.320 KOMP | DISCO D.320 COM |
| 5 | F01020225 | VITE M14X2X160 U5737 8.8 BR | SCREW M 14 X160 5737 8.G | VIS M 14 X160 5737 8.G | SCHRAUBE M 14 X160 5737 8.G | TORNILLO M 14 X160 5737 8.G |
| 6 | G15412691 | BRACCIO SEGNAFILE SX | LH FOLDING ARM | BRAS PLIANT GCH. | KLAPPBARER ARM LI. | BRAZO PLEGABLE IZQ. |
| 7 | G15412682 | ASS.SUPP.SEGNAFILE SX | | | | |
| 8 | G23440198 | SCONTRIO ATTACCO BRACCIO HL/2 | STRIKER PLATE ARM ATTACH. HL/2 | BUTEE FIXATION BRAS HL/2 | ARMKUPPLUNGSANSCHLAG HL/2 | ELEMENTO DE EMPALME CONEXIN BC |
| 9 | G15110091 | SCONTRIO A U | STRIKER | BRIDE 150 MM | ANSCHLAG | ELEMENTO DE EMPALME |
| 10 | G18701600 | RONDELLA 35,5 X50 X3 ZN | WASHER 35.5 X 50 X 3- GALVANIZ | RONDELLE 35-5 X50 X3 ZN | UNTERLEGSSCHEIBE 35-5 X50 X3 | ARANDELA 35-5 X50 X3 ZN |
| 11 | F01200270 | DADO M10X 1,5 U5588 6.8 ZN | NUT M10X 1,5 U5588 6.8 ZN | ECROU M10X 1,5 U5588 6.8 ZN | MUTTER M10X 1,5 U5588 6.8 ZN | TUERCA M10X 1,5 U5588 6.8 ZN |
| 12 | F02100312 | SPINA DI SICUREZZA D.8X45 ZN | SAFETY PIN D.8X45 ZN | FICHE EL.DE SECURITE D.8X45 ZN | SCHERSTIFT D.8X45 ZN | CLAVIJA DE SEGURIDAD D 8X45 ZN |
| 13 | F02100146 | SPINA E.P. 8X 55 U6873 C70 BR | PIN EL. .8 X55 DIN 1481 | FICHE EL.8 X55 DIN 1481 | SPANNSTIFT 8 X55 DIN 1481 | CLAVIJA EL.8 X55 DIN 1481 |
| 14 | F01100011 | ING.M 6X1 7663-A 9SMNPB28 ZN | GREASE NIPPLE M6X1 7663-A ZN | GRAISS. A BILLE M6X1 7663A ZN | SCHMIERBUICHE M6X1 7663-A ZN | ENGRAS. DE ESFERAS M6X1 7663-A |
| 15 | G15412810 | ATTACCO FUNE SEGNAFILE | ROW MARKER ROPE LINKAGE | FIXATION CABLE TRACEUR | SEILKUPPLUNG SPURANZEIGER | CONEXIÓN CABLE MARCADOR DE FIL |
| 16 | F20110705 | CAV.Q.M10X 1,5X 30 51X 62 ZN | U-BOLT GALVAN | CAVALIER ZN | BsGELBOLZEN ZN | PERNO EN U ZN |
| 17 | G19203740 | ELEMENTO FISSAGGIO GAMBO ZN. | GALVAN. SHANK FASTENING ELEMEN | ELEMENT FIXATION TIGES ZN | BEFESTIGUNGSELEMENT SCHZCHTE Z | ELEMENTO SUJECIN VµSTAGOS ZN |
| 18 | G15412852 | ASS.SUPP.SEGNAFILE DX | | | | |
| 19 | G15412861 | BRACCIO SEGNAFILE DX | RH FOLDING ARM | BRAS PLIANT DRT. | KLAPPBARER ARM RE. | BRAZO PLEGABLE DER. |
| 20 | G15412780 | PROLUNGA BRACCIO SEGNAFILE | ROWMARKER EXTENSION | RALLONGE TRACEUR SOL. | VERLZNGERUNG SPURREISSER | PROLONG. MARC. DE FILAS |
| 21 | F01020122 | VITE M10X1,5X70 U5737 8.8 ZN | SCREW M10X1,5X 70 U5737 8.8 ZN | VIS 10X 1,5X 70 U5737 8.8 ZN | SCHR.10X 1,5X 70 U5737 8.8 ZN | TORN.10X 1,5X 70 U5737 8.8 ZN |
| 22 | G16610430 | FONDELLO ZN. | BOTTOM ZN. | | | |
| 23 | G16610160 | SUPP.CUSCINETTI DISCO SEGN.ZN. | GALVAN. ROWMARKER DISK BEARING | SUPPORT ROULEMENTS DISQUE TRAC | SCHEIBENLAGERHALTERUNG | SOPORTE COJINETE DE DISCO MARC |
| 24 | F04010156 | CUSC.d20 D47 B14 6204 2RSH | BEARING d20 D47 B14 6204 2RSH | | | |
| 25 | G18801270 | BOCCOLA 21 X25 X12 ZN | | | | |
| 26 | F02050370 | ANELLO E. DI 47X1,75 U7437 C70 | SEEGER RING 47X 1,75 U7437 C70 | SEEGER E. 47X 1,75 U7437 C70 | SEEGERING E. 47X1,75 U7437 C70 | ANILLO E. 47X 1,75 U7437 C70 |
| 27 | G65337004 | MOLLA TRAZ.SOLLEV. FU | TRACTION SPRING LIFT. FU | RESSORT TRACT. LEVAGE FU | ZUGFEDER HEBUNG FU | MUELLE TRAC. LEVDEL. FU |
| 28 | F03010576 | ANELLO OR 50,52X1,78 NBR | GASKET OR 50,52X1,78 NBR | BAGUE OR 50,52X1,78 NBR | RING OR 50,52X1,78 NBR | MUELLE OR 50,52X1,78 NBR |
| 29 | F01020476 | VITE M10X1,5X30 U5739 8.8 ZN | SCREW M10X1,5 X 30 5739 8.8 ZN | VIS M10X1,5 X 30 5739 8.8 ZN | SCHRA. M10X1,5X 30 5739 8.8 ZN | TORN. M10X1,5 X 30 5739 8.8 ZN |
| 30 | G16610170 | DISCO SEGNAFILE D.320 | ROW MARKER DISK D.320 | DISQUE TRACEUR D320 | SPURREISSERSSCHEIBE D. 320 | DISCO MARCARDOR DE FILAS O 320 |
| 31 | F01200244 | DADO M 8X1,25 U5588 6.8 ZN | NUT M8 X1,25 U5588 6.8 ZN | ECROU M8 X1,25 U5588 6.8 ZN | MUTTER M8 X1,25 U5588 6.8 ZN | TUERCA M8 X1,25 U5588 6.8 ZN |
| 32 | F01230098 | DADO M18X 2,5 D982 8 ZN | NUT M18X 2,5 D982 8 ZN | ECROU M18X 2,5 D982 8 ZN | MUTTER M18X 2,5 D982 8 ZN | TUERCA M18X 2,5 D982 8 ZN |
| 33 | G16610180 | PERNO REGGIDISCO SEGNAF. | ROWMAKER DISC-HOLDER PIN | PIVOT PORTE-DISQUE TRACEUR | SCHEIBENTRAGBOLZEN | PERNO SOPORTE DISCO MARCAFILA |
| 34 | G18902260 | GUIDACORDA ZN MT | | | | |
| 35 | G15470810 | SUPPORTO GUIDACORDA SP | ROPE GUIDE SUPPORT SP | SUPPORT GUIDE-CORDE SP | HALTERUNG SEILFSHRUNG SP | SOPORTE GUIACUERDA SP |
| 36 | F01020236 | VITE M14X2X220 U5737 8.8 BR | SCREW M14X2X220 U5737 8.8 BR | VIS M14X2X220 U5737 8.8 BR | SCHRAUBE M14X2X220 U5737 8.8 | TORNILLO M14X2X220 U5737 8.8 |
| 37 | F01200306 | DADO M14X 2 U5588 6.8 ZN | NUT M14X2 | ECROU M14X2 | MUTTER M14X2 | DADO M14X2 |
| 38 | G16610190 | CHIUSURA CUSCINETTO ZN | | | | |
| 39 | F01060040 | VITE M8X1,25X20 U5732 4.6 ZG | SCREW M8X1,25X20 U5732 4.6 ZN | VIS M8X1,25X20 U5732 4.6 ZN | SCHRA. M8X1,25X20 U5732 4.6 ZN | TORN. M8X1,25X20 U5732 4.6 ZN |
| 40 | G15413020 | SPINA 15X120 ZN | GALVANIZED PIN 15X120 | GOUPILLE 15X120 ZN | STIFT 15X120 ZN | CLAVIJA 15X120 ZN |
| 41 | G15413010 | SPINA 15X62 ZN | PIN 15X62 ZN | GOUPILLE 15X62 ZN | BOLZENSTIFT 15X62 ZN | PASADOR 15X62 ZN |
| 42 | F02200194 | COPIGLIA 4X 25 U1336 ZN | SPLIT PIN 4 X25 1336 GALVAN. | GOUPILLE 4 X25 1336 ZN | SPLINT 4 X25 1336 ZN | PASADOR 4 X25 1336 ZN |
| 43 | G20970142 | RONDELLA 32X4X15,5 | WASHER 32X4X15-5 | RONDELLE 32X4X15-5 | UNTERLEGSSCHEIBE 32X4X15-5 | ARANDELA 32X4X15-5 |
| 44 | G20970111 | RONDELLA 29,8X2X16,5 | WASHER 29,8X2X16,5 | RONDELLE 29,8X2X16,5 | UNTERLEGSSCHEIBE 29,8X2X16,5 | ARANDELA 29,8X2X16,5 |
| 45 | G13811261 | FALCIONE SEGNAFILE INT. | INNER ROWM. CUTTER | HACHOIR TRACEUR INT. | SZSCHAR SPURREISSER INNEN | GUADADORA MARCADOR DE HILE |
| 46 | G15470231 | SUPPORTO MOLLA PIATTA CON.150* | CONC. FLAT SPRING SUPPORT 150 | SUPP. RESSORT PLAT FUMAGE 150 | HALTERUNG DsNGERPLATTENFEDER 1 | SOPORTE MUELLE CHATO DE ABONO1 |
| 47 | G18901092 | GAMBO CONCIMAZ.MOLLA PIATTA SP | FLAT SPRING MANURING LEG SP | TIGE FUMAGE RESSORT PLAT SP | SCHAFT DsNGUNG FLACHE FEDER SP | VµSTAGO ABONO MUELLE CHATO SP |
| 48 | G18902861 | RINF.MOLLA PIATTA CONCIM.SP | MANUR.PLATE SPRING REINFORCE.S | RENF. RESSORT PLAT FUMAGE SP | VERSTZRKUNG FLACHFEDER DsNGUNG | REFUERZO MUELLE ABONO SP |
| 49 | F01020512 | VITE M12X1,75X35 U5739 8.8 ZN | SCREW M12X1,75X35 5739 8.8 ZN | VIS M12X1,75X35 5739 8.8 ZN | SCHR. M12X1,75X35 5739 8.8 ZN | TORN. M12X1,75X35 5739 8.8 ZN |
| 50 | F01200293 | DADO M12X1,75 U5588 6.8 ZN | NUT M12X1,75 U5588 6.8 ZN | ECROU M12X1,75 U5588 6.8 ZN | MUTTER M12X1,75 U5588 6.8 ZN | TUERCA M12X1,75 U5588 6.8 ZN |
| 51 | F01020233 | VITE M14X2X200 U5737 8.8 BR | SCREW M14X 2X200 U5737 8.8 ZB | VIS M14X2X 200 U5737 8.8 ZB | SCHRAUBE M14X 2X200 U5737 8.8 | TORNILLO M14X2X200 5737 8.8 ZB |
| 52 | F01020236 | VITE M14X2X220 U5737 8.8 BR | SCREW M14X2X220 U5737 8.8 BR | VIS M14X2X220 U5737 8.8 BR | SCHRAUBE M14X2X220 U5737 8.8 | TORNILLO M14X2X220 U5737 8.8 |

SEGNAFILE RINFORZATO

TAV. 032

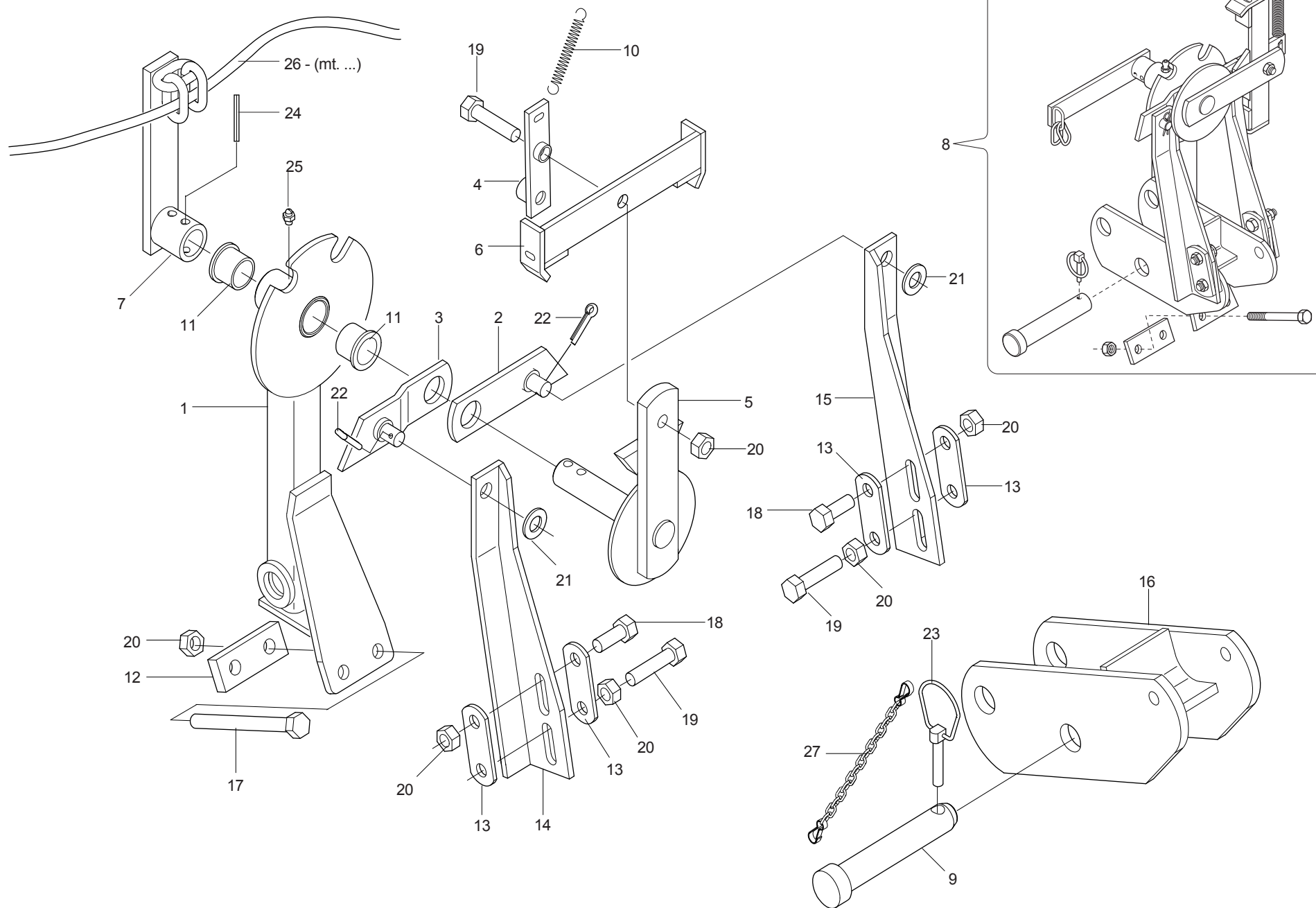
| Pos. | Cod. | Descrizione | Description | Description | Benennung | Descripcion |
|------|-----------|--------------------------------|--------------------------------|--------------------------------|--------------------------------|--------------------------------|
| 1 | G13812311 | CATENELLA CON MOSCHETTONE | CHAIN WITH SPRING CATCH | CHAINETTE AVEC MOUSQUETON | KETTE MIT KARABINERHAKEN | CADENA CON GANCHO |
| 2 | G15413020 | SPINA 15X120 ZN | GALVANIZED PIN 15X120 | GOUPILLE 15X120 ZN | STIFT 15X120 ZN | CLAVIJA 15X120 ZN |
| 3 | G15411381 | SUPPORTO BRACCIO DX | RIGHT ARM SUPPORT | RACLEUR GCH BAGUE | HALTERUNG ARM RE | SOPORTE BRAZO DER |
| 4 | G15411391 | SUPPORTO BRACCIO SX | LEFT ARM SUPPORT | SUPPORT BRAS GCH | HALTERUNG ARM LI | SOPORTE BRAZO IZQ |
| 5 | G15411471 | BRACCIO SEGNAFILE FRANCIA | FRENCH ROWMARKER ARM | BRAS TRACEUR | SPURREISSERARM | BRAZO MARCADOR DE FILAS |
| 6 | G16072220 | BRACCIO SEGNAFILE | ROW MARKER BEAM | BRAS TRACEUR | REIHENANREISSARM | BRAZO MARCADOR DE FILAS |
| 7 | G14215830 | ASSE SEGNAFILE ZN | GALVAN. ROWMAKER AXLE | AXE BRAS TRACEUR ZN | REISSERASCHE | EJE MARCADOR DE FILAS |
| 8 | G16610430 | FONDELLO ZN. | BOTTOM ZN. | | | |
| 9 | G16610160 | SUPP.CUSCINETTI DISCO SEGN.ZN. | GALVAN. ROWMARKER DISK BEARING | SUPPORT ROUEMENTS DISQUE TRAC | SCHEIBENLAGERHALTERUNG | SOPORTE COJINETE DE DISCO MARC |
| 10 | F04010156 | CUSC.d20 D47 B14 6204 2RSH | BEARING d20 D47 B14 6204 2RSH | | | |
| 11 | G18801270 | BOCCOLA 21 X25 X12 ZN | | | | |
| 12 | F02050370 | ANELLO E. DI 47X1,75 U7437 C70 | SEEGER RING 47X 1,75 U7437 C70 | SEEGER E. 47X 1,75 U7437 C70 | SEEGERING E. 47X1,75 U7437 C70 | ANILLO E. 47X 1,75 U7437 C70 |
| 13 | G15413010 | SPINA 15X62 ZN | PIN 15X62 ZN | GOUPILLE 15X62 ZN | BOLZENSTIFT 15X62 ZN | PASADOR 15X62 ZN |
| 14 | F03010576 | ANELLO OR 50,52X1,78 NBR | GASKET OR 50,52X1,78 NBR | BAGUE OR 50,52X1,78 NBR | RING OR 50,52X1,78 NBR | ANILLO OR 50,52X1,78 NBR |
| 15 | G19204230 | SUPPORTO MANICOTTO TQ.50 | | | | |
| 16 | G17111330 | SCONTRO 90X70 -10 4F11 66X46 | STOP TEETH 90X70 -10 4F11 66X4 | BUT+E 90X70 -10 4TROUS 11 66X4 | ANSCHLAG 90X70 -10 4F11 66X46 | DIENTE DE PARADA 90X70 -10 4F1 |
| 17 | F20110860 | CAV.T.M10X 1,5X 30 46X128,5ZN | U BOLT M10X46 ZN | CAVALIER M10X46 ZN | VERBINDUNG M10X46 ZN | PERNO EN U M10X46 ZN |
| 18 | G17111290 | MANICOTTO DISCO | DISK SLEEVE U BOLT | MANCHON DISQUE | SCHEIBENMUFFE | MANGUITO DISCO |
| 19 | G16610180 | PERNO REGGIDISCO SEGNAF. | ROWMAKER DISC-HOLDER PIN | PIVOT PORTE-DISQUE TRACEUR | SCHEIBENTRAGBOLZEN | PERNO SOPORTE DISCO MARCAFILE |
| 20 | G16610170 | DISCO SEGNAFILE D.320 | ROW MARKER DISK D.320 | DISQUE TRACEUR D320 | SPURREISSERSCHEIBE D. 320 | DISCO MARCARDOR DE FILAS O 320 |
| 21 | G16610222 | MONT.DISCO D.320 LIM. | ROWMARKET DISC D.320 ASSEMBLY | | | |
| 22 | F01020168 | VITE M12X1,75X90 U5737 8.8 ZN | SCREW M12X1,75X90 U5737 8.8 ZN | VIS M12X1,75X90 U5737 8.8 ZN | SCHR.M12X1,75X90 U5737 8.8 ZN | TORN. M12X1,75X90 U5737 8.8 ZN |
| 23 | G19204030 | SCONTRO FISS.150 2F D15 | | | | |
| 24 | F01020077 | VITE M 8X1,25X60 U5737 8.8 ZN | SCREW M8X1,25X60 U5737 8.8 ZN | VIS M8X1,25X60 U5737 8.8 ZN | SCHRA. M8X1,25X60 U5737 8.8 ZN | TORN. M8X1,25X60 U5737 8.8 ZN |
| 25 | F01020088 | VITE M 8X1,25X90 U5737 8.8 ZN | SCREW M8X1,25 X90 U5737 8.8 ZN | VIS M8X1,25 X90 U5737 8.8 ZN | SCHRA. M8X1,25X90 U5737 8.8 ZN | TORN. M8X1,25 X90 U5737 8.8 ZN |
| 26 | F01020236 | VITE M14X2X220 U5737 8.8 BR | SCREW M14X2X220 U5737 8.8 BR | VIS M14X2X220 U5737 8.8 BR | SCHRAUBE M14X2X220 U5737 8.8 | TORNILLO M14X2X220 U5737 8.8 |
| 27 | F01060040 | VITE M8X1,25X20 U5732 4.6 ZG | SCREW M8X1,25X20 U5732 4.6 ZN | VIS M8X1,25X20 U5732 4.6 ZN | SCHRA. M8X1,25X20 U5732 4.6 ZN | TORN. M8X1,25X20 U5732 4.6 ZN |
| 28 | F01410076 | ROS.M12 13X 24X2,5 U6592 ZN | WASHER D12 U6592 ZN | RONDELLE D12 U6592 ZN | SCHEIBE D12 U6592 ZN | ARANDELA D12 U6592 ZN |
| 29 | F01200293 | DADO M12X1,75 U5588 6.8 ZN | NUT M12X1,75 U5588 6.8 ZN | ECROU M12X1,75 U5588 6.8 ZN | MUTTER M12X1,75 U5588 6.8 ZN | TUERCA M12X1,75 U5588 6.8 ZN |
| 30 | F01200306 | DADO M14X 2 U5588 6.8 ZN | NUT M14X2 | ECROU M14X2 | MUTTER M14X2 | DADO M14X2 |
| 31 | F01200244 | DADO M 8X1,25 U5588 6.8 ZN | NUT M8 X1,25 U5588 6.8 ZN | ECROU M8 X1,25 U5588 6.8 ZN | MUTTER M8 X1,25 U5588 6.8 ZN | TUERCA M8 X1,25 U5588 6.8 ZN |
| 32 | F01230098 | DADO M18X 2,5 D982 8 ZN | NUT M18X 2,5 D982 8 ZN | ECROU M18X 2,5 D982 8 ZN | MUTTER M18X 2,5 D982 8 ZN | TUERCA M18X 2,5 D982 8 ZN |
| 33 | F01410088 | ROS.M14 15X 28X2,5 U6592 ZN | WAS.M14 15X 28X2,5 U6592 ZB | RON.M14 15X 28X2,5 U6592 ZB | SCH.M14 15X 28X2,5 U6592 ZB | ARA.M14 15X 28X2,5 U6592 ZB |
| 34 | F01420048 | ROS.M8 8,4X 24X 2 U6593 ZN | WASHER M8 8,4X 24X 2 U6593 ZN | RONDELLE M8 8,4X 24X2 U6593 ZN | SCHEIBE M8 8,4X 24X 2 U6593 ZN | ARANDELA M8 8,4X 24X2 U6593 ZN |
| 35 | F02200227 | COPIGLIA 5X 30 U1336 ZN | SPLIT PIN 5 X30 1336 GALVAN. | GOUPILLE 5 X30 1336 ZN | SPLINT 5 X30 1336 ZN | PASADOR 5 X30 1336 ZN |
| 36 | F02200507 | SPINA SCATTO D. 9 B/83 ZN | SNAP PIN D9 B/83 ZN | FICHE A DETENTE D9 B/83 ZN | EINRASTSTIFT D9 B/83 ZN | CLAVIJA DE MUELLE D9 B/83 ZN |
| 37 | G16610190 | CHIUSURA CUSCINETTO ZN | | | | |
| 38 | G16610210 | ASS.LIMITATORE PROFONDITA' | LIMITER DEPTH COUPLYNG | GR. ASS. LIMITEUR DE PROFONDEU | TIEFENBEGRENZERKOMPLEX | CONJ. LIMITADOR DE PROFUNDIDAD |
| 39 | F01200270 | DADO M10X 1,5 U5588 6.8 ZN | NUT M10X 1,5 U5588 6.8 ZN | ECROU M10X 1,5 U5588 6.8 ZN | MUTTER M10X 1,5 U5588 6.8 ZN | TUERCA M10X 1,5 U5588 6.8 ZN |
| 40 | F05150459 | PARACOLPI CIL.75X25 M12 SH70 | BUFFER-CYL. 75X25 M12 781103 | TAMPON CIL. 75X25 M12 781103 | PUFFER ZYL. 75X25 M12 781103 | PARACHOQ. CIL.75X25 M12 781103 |
| 41 | F02100312 | SPINA DI SICUREZZA D.8X45 ZN | SAFETY PIN D.8X45 ZN | FICHE EL.DE SECURITE D.8X45 ZN | SCHERSTIFT D.8X45 ZN | CLAVIJA DE SEGURIDAD D 8X45 ZN |
| 42 | G16611090 | SUPPORTO BRACCIO SEGN.RINF.DX | | | | |
| 43 | G16611100 | SUPPORTO BRACCIO SEGN.RINF.SX | | | | |
| 44 | G16611150 | BRACCIO SEGNAFILE RINF. | | | | |
| 45 | G16611250 | PERNO D.32X343 | | | | |
| 46 | F01020050 | VITE M6X1X80 U5737 8.8 ZN | SCREW M6X 1X80 U5737 8.8 ZN | VIS 6 X80 5737 8.G ZN | SCHRAUBE 6 X80 5737 8.G ZN | TORNILLO 6 X80 5737 8.G ZN |
| 47 | F01220011 | DADO M 6X 1 D980 8 ZN | NUT M6X1 D980 8 ZN | ECROU M6X1 D980 8 ZN | MUTTER M6X1 D980 8 ZN | TUERCA M6X1 D980 8 ZN |
| 48 | F03150996 | COPPIA COLLARI X TUBO D.18 | | | | |
| 49 | F01040101 | VITE M 8X1,25X40 U5931 8.8 ZN | SCREW M8X1,25X40 U5931 8.8 ZN | VIS M8X1,25X40 U5931 8.8 ZN | SCHRAUBE M8X1,25X40 U5931 8.8 | TORNILLO M8X1,25X40 U5931 8.8 |



COMANDO SEGNAFILE OLEODINAMICO

TAV. 042

| Pos. | Cod. | Descrizione | Description | Description | Benennung | Descripcion |
|------|-----------|--------------------------------|--------------------------------|--------------------------------|--------------------------------|--------------------------------|
| 1 | G15413050 | STROZZATORE A PASTIGLIA D.0,8 | PAD VENTURI D.0,8 | ETRANGLEUR D.0,8 | DROSSEL D.0,8 | ESTRANGULADOR D.0,8 |
| 2 | F01500012 | RONDELLA IN RAME 1/4" | WASHER 13 X19X1,5 - 1/4" | RONDELLE | SCHEIBE | ARANDELA |
| 3 | F03150266 | NIPPLO MM CIL-CIL 1/4-1/4 ZN | NIPPLE GALV.CYL.MALE 1/4 ZN | NIPPLE MALE CYL. 1/4 ZN | NIPPELZYL.1/4 ZN | NIPLE MACHO CIL.1/4 ZN |
| 4 | G22270463 | TUB.TR.1/4R2 F-F 1/4 L1500 LM | TUBE TR.1/4R2 F-F1/4 L1500 LM | TUB.TR.1/4R2 F-F 1/4 L1500 LM | ROHR1/4R2 F-F 1/4 L1500 LM | TUB.TR.1/4R2 F-F 1/4 L1500 LM |
| 5 | F20110770 | CAV.Q.M14X 2X 50 96X119 ZN | U BOLT M14X2X50 96X119 ZN | BRIDE U M14X2X50 96X119 ZN | ANSCHLANG U M14X2X50 96X119 ZN | EL.DE EMPALME M14X2X50 96X119 |
| 6 | F01200306 | DADO M14X 2 U5588 6.8 ZN | NUT M14X2 | ECROU M14X2 | MUTTER M14X2 | DADO M14X2 |
| 7 | G20970142 | RONDELLA 32X4X15,5 | WASHER 32X4X15-5 | RONDELLE 32X4X15-5 | UNTERLEGSCHIEBE 32X4X15-5 | ARANDELA 32X4X15-5 |
| 8 | G15412351 | SUPPORTO VALVOLA | | | | |
| 9 | F01020068 | VITE M 8X1,25X40 U5737 8.8 ZN | SCREW M8X1,25X40 U5737 8.8 ZN | VIS M 8X1,25X40 U5737 8.8 ZN | SCHRA. M8X1,25X40 U5737 8.8 ZN | TORNIL.M8X1,25X40 U5737 8.8 ZN |
| 10 | F01200244 | DADO M 8X1,25 U5588 6.8 ZN | NUT M8 X1,25 U5588 6.8 ZN | ECROU M8 X1,25 U5588 6.8 ZN | MUTTER M8 X1,25 U5588 6.8 ZN | TUERCA M8 X1,25 U5588 6.8 ZN |
| 11 | G15413070 | TUBO 1/4R2 CF1/4- F1/4 4250 | PIPE 1/4R2 CF1/4-F1/4 4250 | TUBE 1/4R2 CF1/4-F1/4 4250 | SCHLAUCH 1/4R2 CF1/4-F1/4 4250 | TUBO 1/4R2 CF1/4-F1/4 4250 |
| 12 | G16611050 | VALVOLA SEGNAFILE CN COMPL | ROWMARKER VALVE ASSY. | SOUPAPE TRACEUR COMPL. | KOMPL. SPURREISSEVENTIL | V-LVULA MARC. DE FILAS COMPL |
| 13 | G15413080 | TUBO 1/4 C-F L.4650 | TUBE 1/4 C-F L.4650 | TUBE 1/4 C-F L.4650 | ROHR 1/4 C-F L.4650 | TUBO 1/4 C-F L.4650 |
| 14 | F03150859 | CURVA 90° F.GIREV.1/4 - M.1/4 | ELBOW 90° F. SWIVEL 1/4 -M.1/4 | COUDE 90° F.TOURN.1/4 - M.1/4 | KNIESTsCK 90[F.DREHB.1/4 - M. | CURVA 90 F.GIRAT.1/4 - M.1/4 |
| 15 | F05150325 | CAPPUC.F X INN.M RAP.1/2 ROSSO | COVER CONNECT F 1/2 RED | COUVERCLE CONNEXION F 1/2 ROSE | DECKEL W 1/2 SCHNELLKUPP. ROT | PAC PROTECCION F 1/2 ROJO |
| 16 | F03150211 | NIPPLO MM CIL-CIL 1/2-1/4 ZN | NIPLE MM CIL-CIL 1/4-1/2 ZN | NIPLE MM 1/4-1/2 ZN | NIPLE GG 1/4-1/2 ZN | NIPLE MM 1/4-1/2 ZN |
| 17 | F03151237 | ROS. 21 X27X1,5 RAME -1/2" | COPPER WASHER 21X27X1,5 1/2 | RONDELLE CUIVRE 21X27X1,5 1/2 | SCHEIBE KUPFER 21X27X1,5 1/2 | ARANDELA COBRE 21X27X1,5 1/2 |
| 18 | F03150935 | INNESTO RAP.MASCH.1/2 A VALV. | QUICK CONNECT MALE CONE 1/2 | CONNEXION RAPIDE MALE CONE 1/2 | SCHNELLKUPP.GEWINDE KONISC 1/2 | ACOPLAMIEN.RAP.MACHO CONO 1/2 |
| 19 | G23440517 | TUBO 1/4R2 C-F 1/4 L2000 HL/ID | PIPE 1/4R2 C-F 1/4 L2000 HL/ID | TUBE 1/4R2 C-F 1/4 L2000 HL/ID | ROHR 1/4R2 C-F 1/4 L2000 HL/ID | TUBO 1/4R2 C-F 1/4 L2000 HL/ID |
| 20 | G13811211 | TUBO X COLLEG. AL TRATTORE | PIPE FOR CONNECTION TO TRACTOR | TUBE POUR CONN. AU TRACTEUR | ROHR F. KUPPLUNG AM SCHLEPPER | TUBO P/CONEXIN AL TRACTOR T |
| 21 | F03151226 | REGOL.DI FLUSSO VRF 1/4' GAS | 1/4' GAS VALVE VRF | SOUPAPE REG DEBIT VRF 1/4" GAZ | VENITL VRF 1/4' GAS | VæLVULA VRF 1/4' GAS |
| 22 | F03151219 | RACCORDO -T- MASCHIO 1/4 ZN | MALE T-UNION 1/4 ZN | CONNECTION A T | T VERBINDUNG | JUNTURA A T |
| 23 | G16011690 | NIPPLO MM 1/4-1/4 FORO 1,0 | UPRIGHT 1/4" NIPPLE WITH GRUB | MONTANT NIPPLE 1/4 AVEC GRAIN | STZNDER NIPPEL 1/4 MIT STIFT 8 | MONT.NIPLE 1/4 TORNIL.SIN CABE |
| 24 | G15413110 | CILINDRO SEGNAFILE SP COMPL. | ROW MARKER CYLINDER SP | CYLINDRE TRACEUR SP | SYLINDER REIHENANREISSER SP | CILINDRO MARCADOR DE FILAS |
| 25 | G16610140 | CILINDRO DE 30X40 -155 | CYLINDER D.E.30-40/155 | CYLINDRE D.E. 30-40/155 | ZYLINDER D.E.30-40/155 | CILINDRO D.E. 30-40/155 |
| 26 | G19702710 | DECAL.POSIZIONE STROZZATORE | VENTURI POSITION STICKER | DECALCOM POSITION TAQUET | ABZIEHBILD POSIZION DROSSELSTE | CALCOMAN-A. POSICIÉN ESTRANGUL |
| 27 | G22505140 | TUBO 1/4R2 C-F 1/4 L.2350 LM | PIPE 1/4R1 C-F 1/4 L.2350 LM | TUBE 1/4R1 C-F 1/4 L. 2350 LM | ROHR 1/4R1 C-F 1/4 L.2350 LM | TUBO 1/4R1 C-F 1/4 L.2350 LM |
| 28 | G15210553 | TUBO 1/4R2 CF45 1/4-F 1/4 2750 | PIPE 1/4R2 CF45 1/4-F 1/4 2750 | | | |
| 29 | G15210950 | TUBO 1/4 R2 C-F 1/4 L.3150 | PIPE 1/4-R2 C-F 1/4 M.3150 | TUBE 1/4-R2 C-F 1/4 M.3150 | ROHR 1/4-R2 C-F 1/4 M.3150 | TUBO 1/4-R2 C-F 1/4 M.3150 |
| 30 | G15210561 | TUBO 1/4R2 CF1/4- F1/4 3500 | PIPE 1/4R2 CF1/4- F1/4 3500 | TUBE 1/4R2 CF1/4- F1/4 3500 | ROHR 1/4R2 CF1/4- F1/4 3500 | TUBO 1/4R2 CF1/4- F1/4 3500 |
| 31 | G15413060 | TUBO 1/4R2 CF1/4- F1/4 3850 | TUBE 1/4R2 CF1/4-F1/4 3850 | TUYAU 1/4R2 CF1/4-F1/4 3850 | SCHLAUCH 1/4R2 CF1/4-F1/4 3850 | TUBO 1/4R2 CF1/4-F1/4 3850 |
| 32 | G16012650 | TUBO R2 1/4 C-F L.4000 | PIPE 1/4 R2 C-F 1/4 L.4000 | TUBE 1/4 R2 C-F 1/4 L. 4000 | ROHR 1/4 R2 C-F 1/4 L 4000 | TUBO 1/4 R2 C-F 1/4 L.4000 |

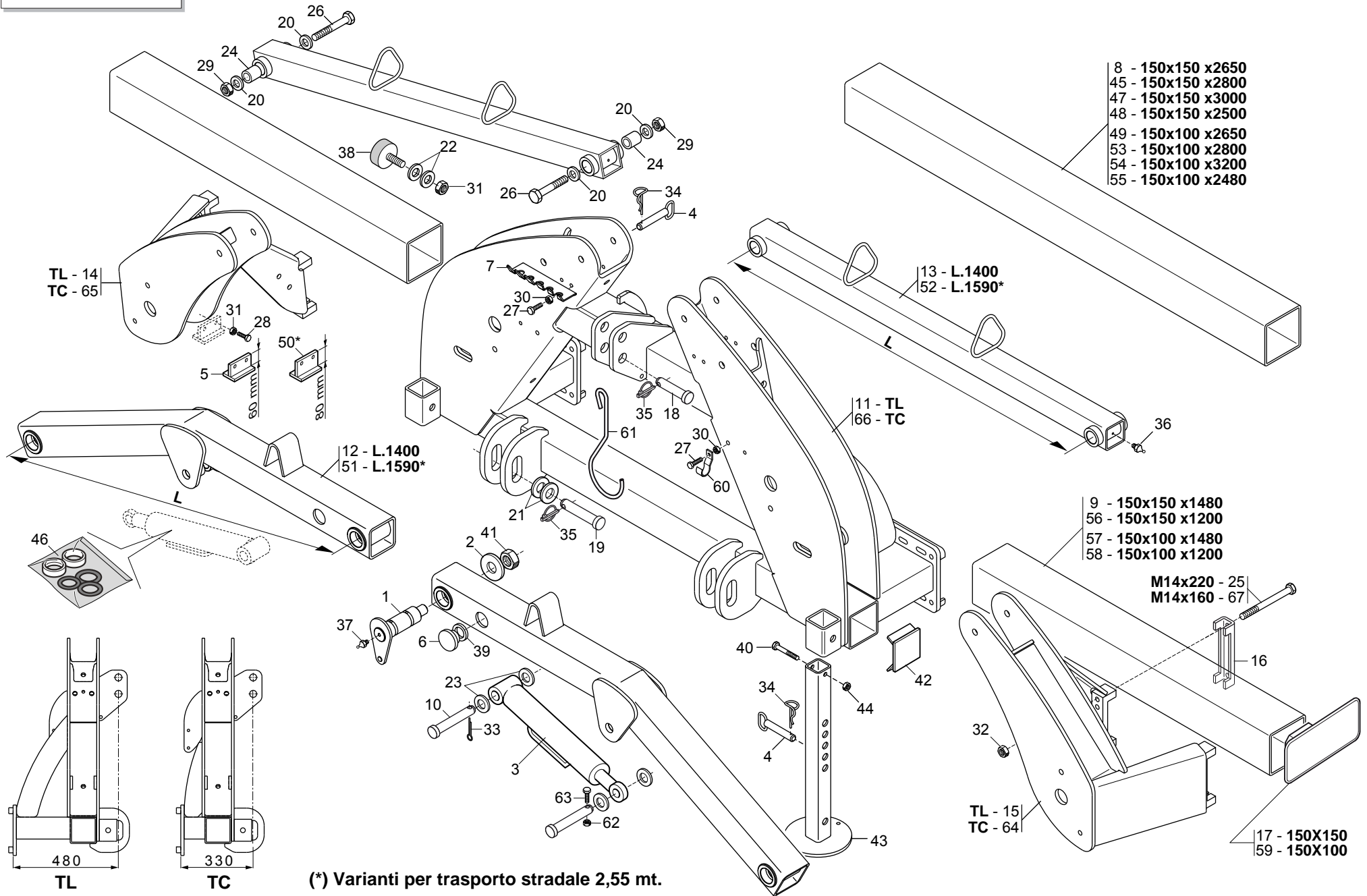


COMANDO SEGNAFILE MECCANICO

TAV. 051

| Pos. | Cod. | Descrizione | Description | Description | Benennung | Descripcion |
|------|-----------|--------------------------------|--------------------------------|--------------------------------|--------------------------------|---------------------------------|
| 1 | G15410921 | COMANDO SEGNAF.SP | | | | |
| 2 | G15410950 | LEVA PIANA | FLAT LEVER | LEVIER PLAT | FLACHER HEBEL | PALANCA PLANA |
| 3 | G15410960 | LEVA STAMPATA | PRESSED LEVER | LEVIER IMPRESSION | GEPRESSTER HEBEL | PALANCA MOLDEADA |
| 4 | G15410990 | LEVA SCATTO SEGNAFILE | ROWMARKER SNAP LEVER | LEVIER DETENTE TRACEUR | SCHNAPPHEBEL REIHENANREISSER | PALANCA DISPARO MARCADOR DE FI |
| 5 | G15411110 | SUPPORTO LEVA SCATTO | SNAP LEVER SUPPORT | SUPPORT LEVIER DETENTE | HALTERUNG SCHNAPPHEBEL | SOPORTE PALANCA DISPARADOR |
| 6 | G15411120 | FERMO LEVE AGGANCIO | LEVERS HOOK UP STOP | ARRET LEVIER ACCORCHAGE | FESTSTELLVORRICHTUNG KUPPLUNGS | BLOQUEO PALANCA ENGANCHE |
| 7 | G15411130 | FERMO CORDE SEGNAFILE SP | ROWMARKER ROPE STOP SP | ARRET CORDES TRACEUR SP | FESTSTELLVOR. SEILE REIHENANRE | BLOQUEO CUERDAS MARCADOR FILAS |
| 8 | G15411141 | SCATTO AUTOMATICO SP 530 COMPL | | | | |
| 9 | F20100133 | PERNO D25 L122 C43 ZN | PIN D25 L122 C43 ZN | BOULON D25 L122 C43 ZN | BOLZEN D25 L122 C43 ZN | PERNO D25 L122 C43 ZN |
| 10 | G18902680 | MOLLA TRAZ.ZN SERBATOIO SV290 | GALV.TANK TRACT.SPRING SV290 | RESSORT RAZ.ZN RESERVOIR SV290 | ZUGFEDER ZN BEHZLTER SV290 | MUELLE TRAC.ZN DEPOSITO SV290 A |
| 11 | G21120067 | BOCCOLA IN BRONZO | BRONZE BUSHING | BOITE EN BRONZE | BRONZEBsCHSE | CASQUILLO DE BRONCE |
| 12 | G22220124 | SCONTR0 | STRIKER PLATE | BUTEE | ANSCHLAG | ELEMENTO DE EMPALME |
| 13 | G22220132 | SCONTR0 BRACCI | STRIKER PLATE-ARMS | BUTEE BRAS | ARME ANSCHLAG | ELEMENTO DE EMPALME BRAZOS |
| 14 | G22270021 | BRACCIO INF.SX COMANDO SEGNAF. | ARM-LOWER LEFT ROWMARK. CONTR. | BRAS INF. GCH. COMMANDE TRACEU | LINKER UNT. ARM SPURREISSERSTE | BRAZO INF.IZQ. MANDO MARC. FIL |
| 15 | G22270022 | BRACCIO INF.DX COMANDO SEGNAF. | RIGHT LOWER ARM-ROWMARK.CONTR. | BRAS INF. DRT. COMMANDE TRACEU | RECHTER UNT. ARM SPURREISSERST | BRAZO INF.DER. MANDO MARC. FIL |
| 16 | G13810342 | ATTACCO COMANDO 3° PUNTO | CONTROL COUPLING 3. POINT | FIXATION COMMANDE 3 POINT K | UPPLUNG STEUERUNG 3. PUNKT C | ONEXIN MANDO 3PUNTO OPR |
| 17 | F01020182 | VITE M12X1,75X160 5737 8.8 BR | BOLT 12X160 5737 8.G | VIS 12X160 5737 8.G | SCHRAUBE 12X160 5737 8.G | TORNILLO 12X160 5737 8.G |
| 18 | F01020510 | VITE M12X1,75X30 U5739 8.8 ZN | BOLT M 12X30 | VIS M 12X30 | SCHRAUBE M 12X30 | TORNILLO M 12X30 |
| 19 | F01020517 | VITE M12X1,75X50 U5739 8.8 ZN | SCRE M12X1,75X50 5739 8.8 ZN | VIS M12X1,75X50 5739 8.8 ZN | SCHRA. M12X1,75X50 5739 8.8 ZN | TORN. M12X1,75X50 5739 8.8 ZN |
| 20 | F01200293 | DADO M12X1,75 U5588 6.8 ZN | NUT M12X1,75 U5588 6.8 ZN | ECROU M12X1,75 U5588 6.8 ZN | MUTTER M12X1,75 U5588 6.8 ZN | TUERCA M12X1,75 U5588 6.8 ZN |
| 21 | F01410088 | ROS.M14 15X 28X2,5 U6592 ZN | WAS.M14 15X 28X2,5 U6592 ZB | RON.M14 15X 28X2,5 U6592 ZB | SCH.M14 15X 28X2,5 U6592 ZB | ARA.M14 15X 28X2,5 U6592 ZB |
| 22 | F02200227 | COPIGLIA 5X 30 U1336 ZN | SPLIT PIN 5 X30 1336 GALVAN. | GOUPILLE 5 X30 1336 ZN | SPLINT 5 X30 1336 ZN | PASADOR 5 X30 1336 ZN |
| 23 | F02200507 | SPINA SCATTO D. 9 B/83 ZN | SNAP PIN D9 B/83 ZN | FICHE A DETENTE D9 B/83 ZN | EINRASTSTIFT D9 B/83 ZN | CLAVIJA DE MUELLE D9 B/83 ZN |
| 24 | F02100141 | SPINA E.P. 8X 36 U6873 C70 BR | PIN EL. 8X 36 U6873 C70 BR | FICHE EL. 8X 36 U6873 C70 BR | SPANNSTIFT 8X 36 U6873 C70 BR | CLAVIJA EL. 8X 36 U6873 C70 BR |
| 25 | F01100011 | ING.M 6X1 7663-A 9SMNPB28 ZN | GREASE NIPPLE M6X1 7663-A ZN | GRAISS. A BILLE M6X1 7663A ZN | SCHMIERBUECHE M6X1 7663-A ZN | ENGRAS. DE ESFERAS M6X1 7663-A |
| 26 | F05150399 | CORDA POLIPROPILENE D.12 | POLIPROPILENE 12 CABLE | CORDE POLIPROPILENE 12 | SEIL POLIPROPILENE 12 | CUERDA POLIPROPILENE 12 |
| 27 | G13812311 | CATENELLA CON MOSCHETTONE | CHAIN WITH SPRING CATCH | CHAINETTE AVEC MOUSQUETON | KETTE MIT KARABINERHAKEN | CADENA CON GANCHO |

TAV. 271

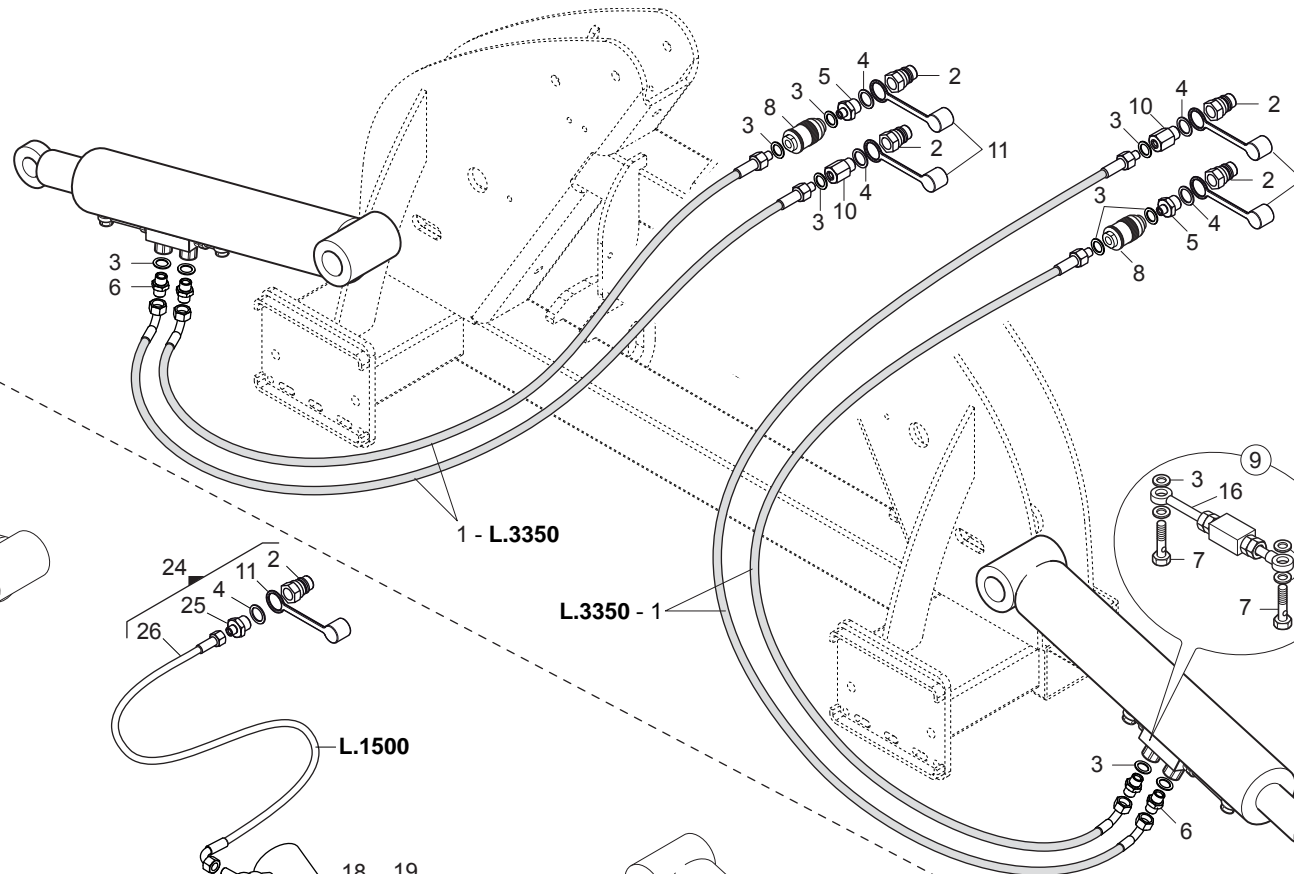


TELAIO PIEGHEVOLE

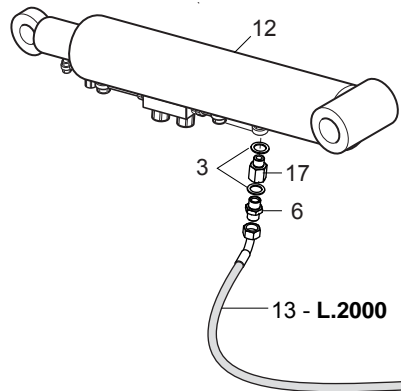
TAV. 271

| Pos. | Cod. | Descrizione | Description | Description | Benennung | Descripcion |
|------|-----------|--------------------------------|---------------------------------|--------------------------------|---------------------------------|--------------------------------|
| 1 | G14219550 | SPINA ROTAZIONE | | | | 0 |
| 2 | G14219500 | FLANGIA | | | | 0 |
| 3 | G14215302 | CILINDRO DE 40X80X335 | CYLINDER 40X80X335 | CYLINDRE 40X80X335 | ZYLINDER 40X80X335 | CILINDRO 40X80X335 |
| 4 | G14215360 | SPINA DI SICUREZZA | PIN D20 L173,5 | FICHE D20 L173,5 | STIFT D20 L173,5 | CLAVIJA D20 L173,5 |
| 5 | G14215570 | FERMO TELAIO MOBILE | MOBILE FRAME STOP | ARRET BATI MOBILE | FESTSTELLVORRICHTUNG MOBILER R | BLOQUEO BASTIDOR MVIL |
| 6 | G14216730 | PLAstra SCORRIMENTO | SLIDING PLATE | PLAQUE GLISSEMENT | GLEITPLATTE | PLACA DE DESPLAZAMIENTO |
| 7 | G14217560 | SUPPORTO 5 TUBI | 5 PIPE SUPPORT | SUPPORT 5 TUBES | 5 ROHR HALTERUNG | SOPORTE 5 TUBOS |
| 8 | G14215170 | TELAIO FISSO | FIXED FRAME | BATIFIXE | FIXER RAHMEN | BASTIDOR FIJO |
| 9 | G14215541 | TUBO Q.150X8X1480 | SQUARE TUBE 150X1480 | TUBE CARR+ 150X1480 | ROHR Q.150X1480 | TUBO CUADRADO 150X1480 |
| 10 | F20100076 | PERNO D28 L154 C40 ZN | BOLT D28 L154 C40 ZN | BOULON D28 L154 C40 ZN | BOLZEN D28 L154 C40 ZN | PERNO D28 L154 C40 ZN |
| 11 | G14219530 | TELAIO PORTANTE SI-MTI | | | | 0 |
| 12 | G14216613 | BRACCIO INFERIORE | LOWER ARM | BRAS INFERIEUR | UNTERER ARM | BRAZO INFERIOR |
| 13 | G14216641 | BRACCIO SUPERIORE | TOP ARM | BRAS SUPERIEUR | OBERER ARM | BRAZO SUPERIOR |
| 14 | G14216714 | SUPPORTO TELAIO MOBILE DX | | | | 0 |
| 15 | G14216724 | SUPPORTO TELAIO MOBILE SX | | | | 0 |
| 16 | G15110091 | SCONTRIO A U | STRIKER | BRIDE 150 MM | ANSCHLAG | ELEMENTO DE EMPALME |
| 17 | G19003000 | TAPPO PER TELAIO 150 | CAP FOR FRAME 150 | BOUCHON POUR BATI 150 | PFFROPFEN FOR RAHMEN 150 | TAPON PARA BASTIDOR 150 |
| 18 | F20100124 | PERNO D32 L135 C40 ZN | BOLT D32 L135 C40 ZN | BOULON D32 L135 C40 ZN | BOLZEN D32 L135 C40 ZN | PERNO D32 L135 C40 ZN |
| 19 | F20100141 | PERNO D36 L128 C43 ZN | BOLT D36 L128 C43 ZN | BOULON D36 L128 C43 ZN | BOLTZEN D36 L128 C43 ZN | PERNO D36 L128 C43 ZN |
| 20 | G20970043 | RONDELLA 50X8X20,5 ZN | WASHER 50X8X20,5 ZN | RONDELLE 50X8X20,5 ZN | UNTERLEGSCHLEIBE 50X8X20,5 ZN | ARANDELA 50X8X20,5 ZN |
| 21 | G18701810 | RONDELLA 38X70X10 | WASHER 38X70X10 | RONDELLE 38X70X10 | UNTERLEGSCHLEIBE 38X70X10 | ARANDELA 38X70X10 |
| 22 | G20970126 | RONDELLA 75X2,5X14,5 | WASHER 75X2,5X14,5 | RONDELLE 75X2,5X14,5 | UNTERLEGSCHLEIBE 75X2,5X14,5 | ARANDELA 75X2,5X14,5 |
| 23 | G18701580 | RONDELLA 30,5 X76 X4 | WASHER 30,5 X 76 X 6 | RONDELLE 30-5 X78 X6 | UNTERLEGSCHLEIBE 30-5 X78 X6 | ARANDELA 30-5 X78 X6 |
| 24 | G18801380 | BOCCOLA 20,25X40 X121 | BUSHING 20,25X40 X121 | | | |
| 25 | F01020236 | VITE M14X2X220 U5737 8.8 BR | SCREW M14X2X220 U5737 8.8 BR | VIS M14X2X220 U5737 8.8 BR | SCHRAUBE M14X2X220 U5737 8.8 | TORNILLO M14X2X220 U5737 8.8 |
| 26 | F01020322 | VITE M20X2,5X190 U5737 10.9 ZD | SCREW M20X2,5X190 5737 10.9 ZN | VIS M20X2,5X190 5737 10.9 ZN | SCHRA.M20X2,5X190 5737 10.9 ZN | TORN. M20X2,5X190 5737 10.9 ZN |
| 27 | F01020476 | VITE M10X1,5X30 U5739 8.8 ZN | SCREW M10X1,5 X 30 5739 8.8 ZN | VIS M10X1,5 X 30 5739 8.8 ZN | SCHRA. M10X1,5X 30 5739 8.8 ZN | TORN. M10X1,5 X 30 5739 8.8 ZN |
| 28 | F01020510 | VITE M12X1,75X30 U5739 8.8 ZN | BOLT M 12X30 | VIS M 12X30 | SCHRAUBE M 12X30 | TORNILLO M 12X30 |
| 29 | F01230131 | DADO M20X 2,5 D982 6 ZN | NUT M20X 2,5 D982 6 ZN | ECROU M20X 2,5 D982 6 ZN | MUTTER M20X 2,5 D982 6 ZN | TUERCA M20X 2,5 D982 6 ZN |
| 30 | F01200270 | DADO M10X 1,5 U5588 6.8 ZN | NUT M10X 1,5 U5588 6.8 ZN | ECROU M10X 1,5 U5588 6.8 ZN | MUTTER M10X 1,5 U5588 6.8 ZN | TUERCA M10X 1,5 U5588 6.8 ZN |
| 31 | F01200293 | DADO M12X1,75 U5588 6.8 ZN | NUT M12X1,75 U5588 6.8 ZN | ECROU M12X1,75 U5588 6.8 ZN | MUTTER M12X1,75 U5588 6.8 ZN | TUERCA M12X1,75 U5588 6.8 ZN |
| 32 | F01200306 | DADO M14X 2 U5588 6.8 ZN | NUT M14X2 | ECROU M14X2 | MUTTER M14X2 | DADO M14X2 |
| 33 | F02200272 | COPIGLIA 10X 60 U1336 ZN | SPLIT PIN 10 X60 1336 GALVAN. | GOUPILLE 10 X60 1336 ZN | SPLINT 10 X60 1336 ZN | PASADOR 10 X60 1336 ZN |
| 34 | F02200374 | COPIGLIA R 4X 82 ZN | SPRING SPLIT PIN 4X82 | GOUPILLE 4X82 | SPLINT 4X82 | PASADOR 4X82 |
| 35 | F02200507 | SPINA SCATTO D. 9 B/83 ZN | SNAP PIN D9 B/83 ZN | FICHE A DETENTE D9 B/83 ZN | EINRASTSTIFT D9 B/83 ZN | CLAVIJA DE MUELLE D9 B/83 ZN |
| 36 | F01100011 | ING.M 6X1 7663-A 9SMNPB28 ZN | GREASE NIPPLE M6X1 7663-A ZN | GRAISS. A BILLE M6X1 7663A ZN | SCHMIERBUECHE M6X1 7663-A ZN | ENGRAS. DE ESFERAS M6X1 7663-A |
| 37 | F01100061 | ING.M10X1 7663-A 9SMNPB28 ZN | GREASE NIPPLE M10X1 7663-A ZN | GRAISSEUR M10X1 7663-A ZN | SCHMIERBUECHSE M10X1 7663-A ZN | ENGRASADOR M10X1 7663-A ZN |
| 38 | F05150459 | PARACOLPI CIL.75X25 M12 SH70 | BUFFER-CYL. 75X25 M12 781103 | TAMPON CIL. 75X25 M12 781103 | PUFFER ZYL. 75X25 M12 781103 | PARACHOQ. CIL.75X25 M12 781103 |
| 39 | G18701770 | RONDELLA 50 X90 X0,5 | WASHER 50 X90 X0,5 | RONDELLE 50 X90 X0,5 | UNTERLEGSCHLEIBE 50 X90 X0,5 | ARANDELA 50 X90 X0,5 |
| 40 | F0120166 | VITE M12X1,75X80 U5737 8.8 ZN | SCREW M12X1,75X80 U5737 8.8 ZN | VIS M12X1,75X80 U5737 8.8 ZN | SCHRA.M12X1,75X80 U5737 8.8 ZN | TORN. M12X1,75X80 U5737 8.8 ZN |
| 41 | F01230291 | DADO M30X 2 D985 ZN | SELF-LOCK NUT M30X2 DIN 985 ZN | ECROU AUTOB. M30X2 DIN 985 ZN | SELBSTSP. MU. M30X2 DIN 985 ZN | TUERCA AUTOB. M30X2 DIN 985 ZN |
| 42 | G15413210 | TAPPO TELAIO 120 COMPL. | | | | |
| 43 | G15817000 | PUNTELLO TELAIO PIEGH. | | | | |
| 44 | F01220048 | DADO M12X1,75 D980 8 ZN | NUT M12X1,75 D980 8 ZN | ECROU M12X1,75 D980 8 ZN | SCHLEIBE M12X1,75 D980 8 ZN | TUERCA M12X1,75 D980 8 ZN |
| 45 | G22505031 | TUBO TELAIO L=2800 | FRAME PIPE L=2800 | TUBE BATI L=2800 | ROHR RAHMEN L=2800 | TUBO BASTIDOR L=2800 |
| 46 | F03100178 | KIT GUARNIZ.CILINDRO 14216770 | KIT O-RING CYLINDER 15312720 | KIT GARNIT. CYLINDRE 15312720 | KIT DICHT.OR ZYLINDER15312720 | SET JUNTA OR CILINDRO15312720 |
| 47 | G16610100 | TUBO TELAIO FISSO L.3000 Q.150 | FIXED FRAME PIPE L.3000 Q.150 | TUBE BATI FIXE L.3000 Q.150 | ROHR FIXER RAHMEN L.3000 Q.150 | TUBO BASTIDOR FIJO L.3000 Q150 |
| 48 | G15211690 | TUBO TELAIO FISSO L.2500 Q.150 | FIXED FRAME PIPE L.2500 Q.150 | TUBE BATI FIXE L.2500 Q.150 | ROHR FIXER RAHMEN L.2500 Q.150 | TUBO BASTIDOR FIJO L.2500 Q150 |
| 49 | G14217260 | TUBO R.150X100X6X2650 | RECTANGULAR PIPE 150X100X6X2650 | TUBE RECT. 150X100X6X2650 | R. ROHR 150X100X6X2650 | TUBO RECT. 150X100X6X2650 |
| 50 | G14218890 | FERMO TELAIO | FRAME STOP | ARRET BATI | FESTSTELLVORRICHTUNG | BLOQUEO BASTIDOR |
| 51 | G14218851 | BRACCIO INF.LUNGO | LOWER ARM LONG | BRAS LONG INFERIEUR | UNTERER LARGER ARM | BRAZO LARGO INFERIOR |
| 52 | G14218830 | BRACCIO SUPPORTO LUNGO | LONG SUPPORT ARM COUPLING | BRAS SUPPORT LONG | LARGERALTERUNGSARM | BRAZO SOP. LARGO |
| 53 | G14217390 | TUBO R.150X100X6X2800 | RECTANGULAR PIPE 150X100X2800 | TUBE RECT. 150X100X6X2800 | R. ROHR 150X100X6X2800 | TUBO RECT. 150X100X6X2800 |
| 54 | G14217400 | TUBO TELAIO 150X100X3200 | FRAME PIPE 150X100X3200 | TUBE BATI 150X100X3200 | ROHR RAHMEN 150X100X3200 | TUBO BASTIDOR 150X100X3200 |
| 55 | G16610050 | TUBO R.150X100X2480 | RECTANGULAR PIPE 150X100X2480 | TUBE RECT.150X100X6X2480 | R. ROHR150X100X6X2480 | TUBO RECT.150X100X6X2480 |
| 56 | G14219190 | TUBO Q.150X8X1200 | | | | |
| 57 | G14217270 | TUBO R.150X100X6X1480 | RECTANGULAR PIPE 150X100X 1480 | TUBE RECT.150X100X6X1480 | R. ROHR 150X100X6X1480 | TUBO RECT. 150X100X6X1480 |
| 58 | G14218860 | TUBO R.150X100X6X1200 | RECTANGULAR PIPE 150X100X 1200 | TUBE RECT.150X100X6X1200 | R. ROHR 150X100X6X1200 | TUBO RECT. 150X100X6X1200 |
| 59 | G16610110 | TAPPO TELAIO 150X100 COMPL. | COMPL. FRAME PLUG 150X100 B319 | BOUCHON CH-SSIS 150X100 COMPL. | PFFROPFEN RAHMEN 150X100 KOMPL. | TAPEN BASTIDOR 150X100 COMPL. |
| 60 | F20120401 | FASCETTA FERMA CARDANO ZN | SHAFT HOOK SUPPORT | SUPPORT CARDAN | GELENKWELLE HACKEN HALTER | SOPORTE CARDAN |
| 61 | F20120400 | GANCIO SOSTEGNO CARDANO | SHAFT HOOK SUPPORT | SUPPORT CARDAN | GELENKWELLE - HACKEN | SOPORTE CARDAN |
| 62 | F01220033 | DADO M10X 1,5 D980 8 ZN | NUT M10X 1,5 D980 8 ZN | ECROU M10X 1,5 D980 8 ZN | MUTTER M10X 1,5 D980 8 ZN | TUERCA M10X 1,5 D980 8 ZN |
| 63 | F01020109 | VITE M10X1,5X35 U5737 8.8 ZN | SCREW M10X1.5X35 U5737 8.8 ZB | VIS M10X1.5X35 U5737 8.8 ZB | SCHRAUBE M10X1.5X35 U5737 8.8 | TORNILLO M8X150 U5737 8.8 ZB |
| 64 | G14219860 | TELAIO MOBILE SX TC | | | | |
| 65 | G14219850 | TELAIO MOBILE DX TC | | | | |
| 66 | G14219880 | TELAIO PORTANTE TC | | | | |
| 67 | F01020225 | VITE M14X2X160 U5737 8.8 BR | SCREW M 14 X160 5737 8.G | VIS M 14 X160 5737 8.G | SCHRAUBE M 14 X160 5737 8.G | TORNILLO M 14 X160 5737 8.G |

VARIANTI PER IMPIANTO
BASSA PRESSIONE

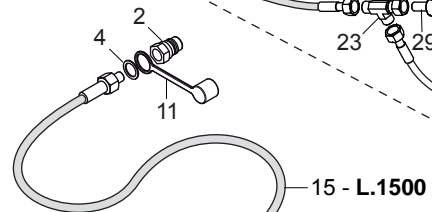


L.3350 - 1

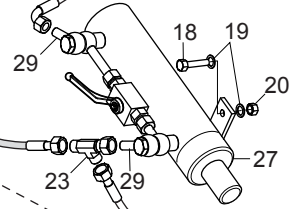


VARIANTI PER CILINDRO
DOPPIO STADIO

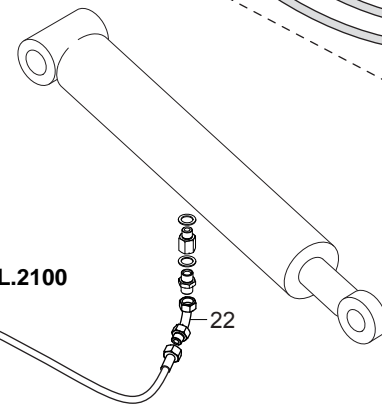
13 - L.2000



13 - L.2000



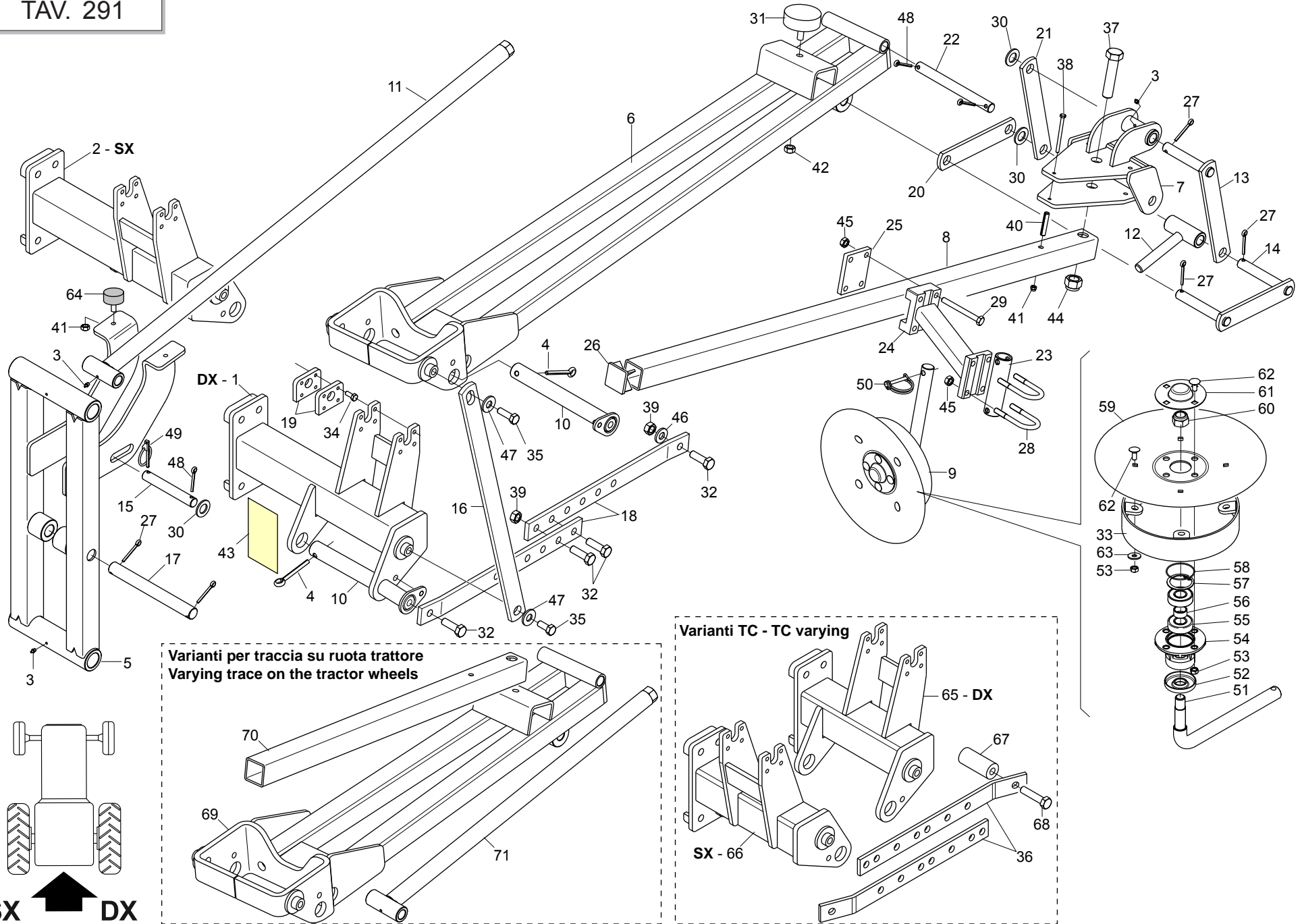
28 - L.2100



22

IMPIANTO TELAIO PIEGHEVOLE
TAV. 281

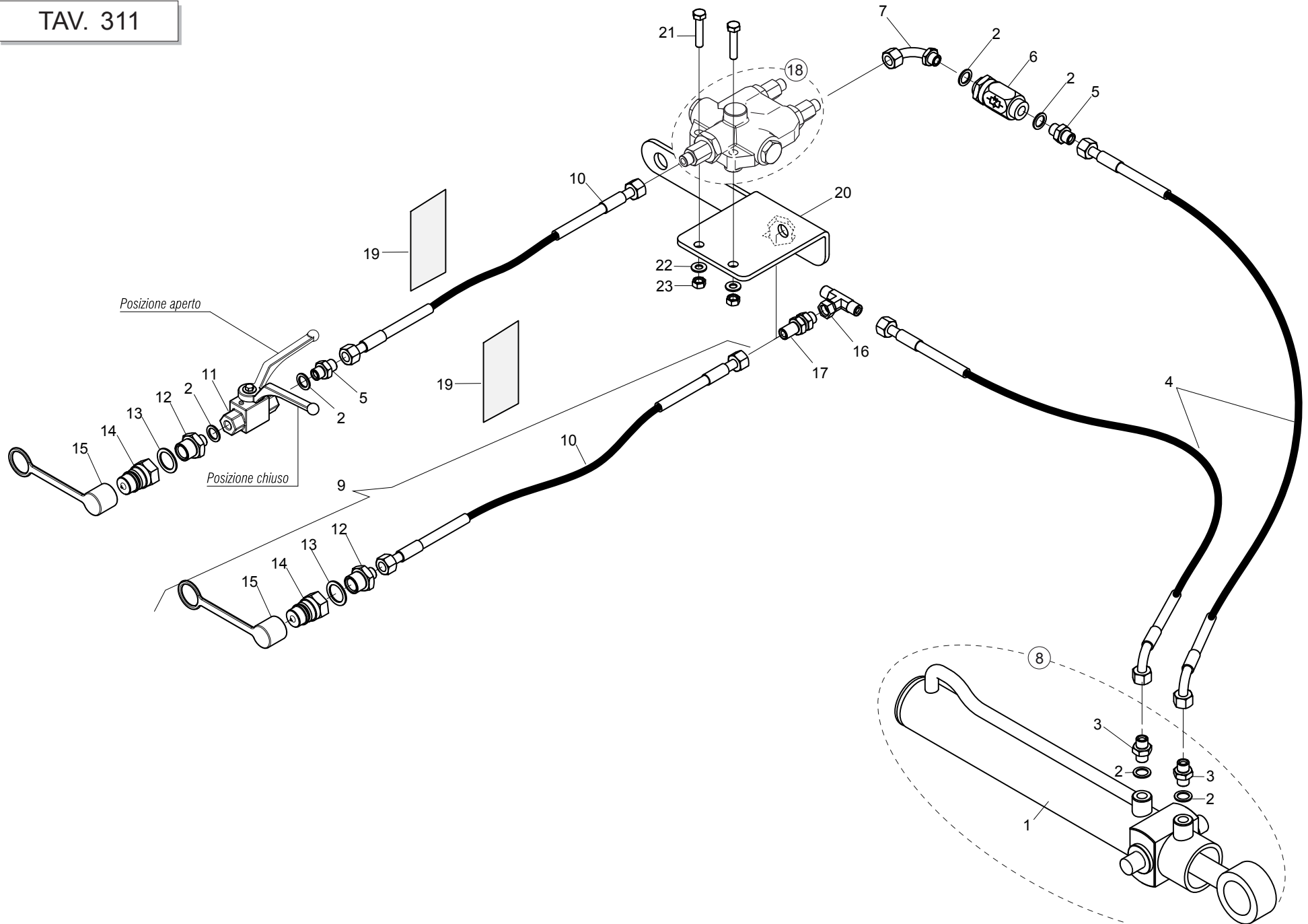
| Pos. | Cod. | Descrizione | Description | Description | Benennung | Description |
|------|-----------|--------------------------------|--------------------------------|--------------------------------|--------------------------------|---------------------------------|
| 1 | G14217120 | TUBO 3/8R2 CF3/8- M3/8 3350 | PIPE 3/8R2 CF3/8- M3/8 L.3350 | TUBE 3/8R2 CF3/8- M3/8 L.3350 | ROHR 3/8R2 CF3/8- M3/8 L.3350 | TUBO 3/8R2 CF3/8- M3/8 L.3350 |
| 2 | F03150935 | INNESTO RAP.MASCH.1/2 A VALV. | QUICK CONNECT MALE CONE 1/2 | CONNEXION RAPIDE MALE CONE 1/2 | SCHNELLKUPP.GEWINDE KONISC 1/2 | ACOPLAMIENTO.RAP.MACHO CONO 1/2 |
| 3 | F03151240 | ROS. 17 X23X1,5 RAME -3/8" | COPPER WASHER 17X23X1,5 3/8" | RONDELLE CUIVRE 17X23X1,5 3/8" | SCHEIBE KUPFER 17X23X1,5 3/8" | ARANDELA COBRE 17X23X1,5 3/8" |
| 4 | F03151237 | ROS. 21 X27X1,5 RAME -1/2" | COPPER WASHER 21X27X1,5 1/2 | RONDELLE CUIVRE 21X27X1,5 1/2 | SCHEIBE KUPFER 21X27X1,5 1/2 | ARANDELA COBRE 21X27X1,5 1/2 |
| 5 | F03150222 | NIPPLO MM CIL-CIL 1/2-3/8 ZG | NIPPLE M-M CYL-CYL 1/2-3/8 ZN | NIPPLE H-H CIL-CIL 1/2-3/8 ZN | NIPPEL M-M CIL-CIL 1/2-3/8 ZN | NIPLE H-H CIL-CIL 1/2-3/8 ZN |
| 6 | F03150321 | NIPPLO MM CIL-CIL 3/8-3/8 ZG | | | | |
| 7 | F03151223 | RACCORDO VITE CAVA 3/8 | UNION SCREW 3/8 | VIS 3/8 | SCHRAUBE 3/8 | TORNILLO CAVA 3/8 |
| 8 | F03151252 | STROZZATORE UNIDIREZ.VSRU 3/8 | BI-DIRECTIONAL VENTURI 3/8 | ETRANGLEUR BIDIRECTIONN. 3/8 | ZWEIS. DROSSEL 3/8 | ESTRANGULADOR BIDIRECCION.3/8 |
| 9 | F03150589 | KIT VALVOLA DI BLOCCO 3/8 DE | PIL. BLOCK VALVE VBPDE38EC | SOUPAPE BLOC GUIDEE VBPDE38EC | GEST. SPERRVENTIL VBPDE38EC | VæLVULA BLOQUE PIL.VBPDE38EC |
| 10 | F03151213 | RACCORDO RIDUZIONE M 1/2-F 3/8 | M 1/2-F 3/8 CONNECTION PIPE | RACCORD REDUCTION FINALEM 1/2- | ANSCHLUSS REDUKTIONM 1/2-F 3/8 | UNION REDUCCION M ç-F 3/8 |
| 11 | F05150325 | CAPPUC.F X INN.M RAP.1/2 ROSSO | COVER CONNECT F 1/2 RED | COUVERCLE CONNEXION F 1/2 ROSE | DECKEL W 1/2 SCHNELLKUPP. ROT | PAC PROTECCION F 1/2 ROJO |
| 12 | G14217511 | CILINDRO DOPPIO STADIO SI-MTI | | | | |
| 13 | G15312621 | TUBO 3/8 R2 F3/8-C3/8 L.2000 | PIPE 3/8 R2 F3/8-C3/8 L2000 | TUBE 3/8 R2 F3/8-C3/8 L2000 | ROHR 3/8 R2 F3/8-C3/8 L2000 | TUBO 3/8 R2 F3/8-C3/8 L2000 |
| 14 | F03151220 | RACCORDO -T- MASCHIO 3/8 ZN | MALE T-UNION 3/8 ZN | RACCORD -T- MALE 3/8 ZN | ANSCHLUSSTsCK-T-GEWINDE 3/8 ZN | UNION -T-MACHO 3/8 ZN |
| 15 | G22280116 | TUBO 3/8-R2 F3/8-M1/2 MT.1.50 | PIPE 3/8-R1 F3/8-M1/2 MT.1-50 | TUBE 3/8-R1 F3/8-M1/2 M. 1-50 | ROHR 3/8-R1 F3/8-M1/2 M 1-50 | TUBO 3/8-R1 F3/8-M1/2 MT.1-50 |
| 16 | F03151211 | RACCORDO OCCHIO 3/8 D.12 L.300 | EYE UNION 3/8 D.12 L.300 | RACCORD OEIL 3/8 D.12 L.300 | TSENVERBINDUNGSSTsCK 3/8 D.12 | UNIN OJO 3/8 O.12 L.300 R |
| 17 | F03151212 | RACCORDO PROLUNGA CORTA 3/8 ZN | SHORT EXTENSION UNION 3/8 ZN | RACCORD RALLONGE COURTE 3/8 ZN | ANSCHL.KURZE VERLZNG. 3/8 ZN | UNIN PROLONG. CORTA 3/8 ZN P |
| 18 | F01020479 | VITE M10X1,5X35 U5739 8.8 ZN | SCREW M10X1,5X35 U5739 8.8 ZN | VIS M10X1,5X35 U5739 8.8 ZN | SCHR. M10X1,5X35 U5739 8.8 ZN | TORN. M10X1,5X35 U5739 8.8 ZN |
| 19 | F01420060 | ROS.M10 10,5X 30X2,5 U6593 ZN | WASHER 10,5X30 | RONDELLE 10,5X30 | SCHEIBE 10,5X30 | ARANDELA 10,5X30 |
| 20 | F01230048 | DADO M10X 1,5 D982 8 ZN | NUT M10X 1,5 D982 8 ZN | ECROU M10X 1,5 D982 8 ZN | SCHEIBE M10X 1,5 D982 8 ZN | TUERCA M10X 1,5 D982 8 ZN |
| 21 | F03150310 | NIPPLO MM CIL-CIL 3/8-1/4 ZN | NIPPLE CYL.MALE3/8-1/4 ZN | NIPPLE MALE CYL.3/8-1/4 ZN | NIPPELZYL.3/8-1/4 ZN | NIPLE MACHO CIL.3/8-1/4 ZN |
| 22 | F03150859 | CURVA 90°F.GIREV.1/4 - M.1/4 | ELBOW 90° F. SWIVEL 1/4 -M.1/4 | COUDE 90° F.TOURN.1/4 - M.1/4 | KNIESTsCK 90[F.DREHB.1/4 - M. | CURVA 90 F.GIRAT.1/4 - M.1/4 |
| 23 | F03151217 | RACCORDO -T- LATER.M-M-FG 1/4 | T M-FG-M LATER.CONNECTION PIPE | RACCORD T M-FG-M 1/4 | ANSCHLUSST M-FG-M 1/4 | UNION T M-HG-M 1/4 |
| 24 | G13811211 | TUBO X COLLEG. AL TRATTORE | PIPE FOR CONNECTION TO TRACTOR | TUBE POUR CONN. AU TRACTEUR | ROHR F. KUPPLUNG AM SCHLEPPER | TUBO P/CONEXIN AL TRACTOR T |
| 25 | F03150211 | NIPPLO MM CIL-CIL 1/2-1/4 ZN | NIPLE MM CIL-CIL 1/4-1/2 ZN | NIPLE MM 1/4-1/2 ZN | NIPLE GG 1/4-1/2 ZN | NIPLE MM 1/4-1/2 ZN |
| 26 | G22270463 | TUB.TR.1/4R2 F-F 1/4 L1500 LM | TUBE TR.1/4R2 F-F1/4 L1500 LM | TUB.TR.1/4R2 F-F 1/4 L1500 LM | ROHR1/4R2 F-F 1/4 L1500 LM | TUB.TR.1/4R2 F-F 1/4 L1500 LM |
| 27 | G14219220 | CILINDRO DI SPINTA | CYLINDER | CYLINDRE | ZYLINDER | CILINDRO |
| 28 | G15210541 | TUBO 1/4R2 CF1/4- F1/4 2100 | | | | |
| 29 | F03151182 | OCCHIO FILETTATO CONICO 1/4 G | CONICAL UNION BOLT HOLLOW 1/4 | RACCORD VIS CREUSE 1/4 G CONIQ | ANSCHLUSS GEWINDEHOHLSCHR.1/4 | UNIN TORNILLO RANURA 1/4 G C+N |



SEGNAFILE PER TELAIO PIEGHEVOLE

TAV. 291

| Pos. | Cod. | Descrizione | Description | Description | Benennung | Descripcion |
|------|-----------|--------------------------------|--------------------------------|--------------------------------|--------------------------------|--------------------------------|
| 1 | G14218073 | SUPPORTO DX LUNGO | RIGHT SUPPORT LONG | SUPPORT DRT LONG | HALTERUNG RE LANGES | SOPORTE DER LARGO |
| 2 | G14218083 | SUPPORTO SX LUNGO | LEFT SUPPORT LONG | SUPPORT GCH LONG | HALTERUNG LI LANGES | SOPORTE IZQ LARGO |
| 3 | F01100011 | ING.M 6X1 7663-A 9SMNPB28 ZN | GREASE NIPPLE M6X1 7663-A ZN | GRAISS. A BILLE M6X1 7663A ZN | SCHMIERBUICHE M6X1 7663-A ZN | ENGRAS. DE ESFERAS M6X1 7663-A |
| 4 | F02200260 | COPIGLIA 8X 60 U1336 ZN | SPLIT PIN 8 X60 1336 ZN | GOUPILLE 8 X60 1336 ZN | SPLINT 8 X60 1336 ZN | PASADOR 8 X60 1336 ZN |
| 5 | G14218321 | BRACCIO SPINTA | PRESS. ARM | POUSSEE BRAS | ARMSCHUB | APRIETE BRAZO |
| 6 | G14218112 | SECONDO BRACCIO | 2.ARM | 2.BRAS | 2.ARM | 2.ARM |
| 7 | G14218372 | TESTA TERZO BRACCIO | ARM COUPLING | FIXATION BRAS | ARMKUPPLUNG | CONEXIËN BRAZO |
| 8 | G14218121 | TUBO TERZO BRACCIO | THIRD ARM TUBE | TUBE TROISIEME BRAS | ROHR DRITTER ARM | TUBO TERCER BRAZO |
| 9 | G16610222 | MONT.DISCO D.320 LIM. | ROWMARKET DISC D.320 ASSEMBLY | | | |
| 10 | G14218190 | SPINA ROTAZIONE ZN | ROTATION PIN ZN | GOUPILLE ROTATION ZN | ROTATIONSSTIFT ZN | PASADOR ROTACIËN ZN |
| 11 | G14218520 | TIRANTE ROTAZIONE | ROTATION TIE ROD | TRINGLE ROTATION | ROTATIONS SPANNSTANGE | ROTATIONS SPANNSTANGE |
| 12 | G14218210 | REGOLAZIONE TIRANTE | TIE ROD ADJUSTMENT | REGLAGE TIRANT | SPANNSTANGENSTELLUNG | REGULACIËN TIRANTE |
| 13 | G14218470 | ASTA ROTAZIONE SUP. | UPPER ROTATION ROD | TIGE DE ROTATION SUP. | ROTATIONSTANGE OBEN | VARILLA DE ROTACIËN SUPERIOR |
| 14 | G14218450 | ASTA ROTAZIONE INF. | LOWER ROTATION ROD | TIGE DE ROTATION INF. | ROTATIONSTANGE UNTEN | VARILLA DE ROTACIËN INFERIOR |
| 15 | G14218750 | SPINA D.20 X124 ZN | GALVANIZED PIN D.20 X124 | GOUPILLE D.20 X124 ZN | STIFT D.20 X124 ZN | CLAVIJA D.20 X124 ZN |
| 16 | G14218162 | TIRANTE ROTAZIONE | | | | |
| 17 | G14218200 | SPINA DI SPINTA ZN | PRESS. PIN | POUSSEE BROCHE | STIFTSCHUB | APRIETE CLAVIJA |
| 18 | G14215840 | TIRANTE SEGNAFILE | ROWMARKER TIE ROD | TRINGLE TRACEUR | SPANNSTANGE SPURREISSER | TIRANTE MARCADOR DE FILAS |
| 19 | G14218150 | PIASTRINA FISSAGGIO CILINDRO | SECURING PLATE | PLAQUE FIXATION | BEFESTIGUNGSPLATTE | PLACA FIJACI-N |
| 20 | G14218430 | ASTA ROTAZIONE INFERIORE | LOWER ROTATION ROD | TIGE DE ROTATION INF. | ROTATIONSTANGE UNTEN | VARILLA DE ROTACIËN INFERIOR |
| 21 | G14218460 | ASTA ROTAZIONE SUPERIORE | UPPER ROTATION ROD | TIGE DE ROTATION SUP. | ROTATIONSTANGE OBEN | VARILLA DE ROTACIËN SUPERIOR |
| 22 | G14215850 | SPINA 20 X194 ZN | GALVANIZED PIN 20 X194 | GOUPILLE 20 X194 ZN | STIFT 20 X194 ZN | CLAVIJA 20 X194 ZN |
| 23 | G17111290 | MANICOTTO DISCO | DISK SLEEVE U BOLT | MANCHON DISQUE | SCHIEBENMUFFER | MANGUITO DISCO |
| 24 | G14219030 | SUPPORTO ESTERNO DISCO | DISC EXT. SUPPORT | SUPPORT EXT. DISQUE | ZUSSERE HALTERUNG SCHEIBEN | SOPORTE EXT. DISCO |
| 25 | G17111330 | SCONTRO 90X70 -10 4F11 66X46 | STOP TEETH 90X70 -10 4F11 66X4 | BUT+E 90X70 -10 4TROUS 11 66X4 | ANSCHLAG 90X70 -10 4F11 66X46 | DIENTE DE PARADA 90X70 -10 4F1 |
| 26 | F20120349 | PUNTALE Q.50 ALETTI.POLIT.NERO | CAP | BOUCHON | DECKEL | CORCHO |
| 27 | F02200229 | COPIGLIA 5X 45 U1336 ZN | SPLIT PIN 5X 45 U1336 ZN | GOUPILLE 5 X45 1336 ZN | SPLINT 5X 45 U1336 ZN | PASADOR 5 X45 U1336 ZN |
| 28 | F20110855 | CAV.T.M10X 1,5X 25 46X58,5 ZN | | | | |
| 29 | F01020132 | VITE M10X1,5X 90 U5737 10,9 ZD | SCREW M10X1,5X90 U5737 10,9 ZN | VIS M10X1,5X90 U5737 10,9 ZN | SCHRA.M10X1,5X90 U5737 10,9 ZN | TORN. M10X1,5X90 U5737 10,9 ZN |
| 30 | F01410124 | ROS.M20 21X 37X 3 U6592 ZN | WASHER M20 21X37X3 U6592 ZN | RONDELLE M20 21X37X3 U6592 ZN | SCHIBE M20 21X37X3 U6592 ZN | ARANDELA M20 21X37X3 U6592 ZN |
| 31 | F05150459 | PARACOLPI CIL.75X25 M12 SH70 | BUFFER-CYL. 75X25 M12 781103 | TAMPON CIL. 75X25 M12 781103 | SCHIFFER ZYL. 75X25 M12 781103 | PARACHOQ. CIL.75X25 M12 781103 |
| 32 | F01020544 | VITE M14X2X40 U5739 8,8 ZN | BOLT M14X2X40 | VIS M14X2X40 | SCHRAUBE M14X2X40 | TORNILLO M14X2X40 |
| 33 | G16610210 | ASS.LIMITATORE PROFONDITA' | LIMITER DEPTH COUPLNG | GR. ASS. LIMITEUR DE PROFONDEU | TIEFENBEGRENZERKOMPLEX | CONJ. LIMITADOR DE PROFUNDIDAD |
| 34 | F01020436 | VITE M 8X1,25X 20 U5739 8,8 ZN | SCREW M8X1,25X20 U5739 8,8 ZN | VIS M8X1,25X20 U5739 8,8 ZN | SCHRA. M8X1,25X20 U5739 8,8 ZN | TORN. M8X1,25X20 U5739 8,8 ZN |
| 35 | F01020252 | VITE M16X2X50 U5737 8,8 ZN | SCREW M16X 2X 50 U5737 8,8 ZN | VIS M16X 2X 50 U5737 8,8 ZN | SCHRAUBE M16X2X50 U5737 8,8 ZN | TORNILLO M16X2X50 U5737 8,8 ZN |
| 36 | G14217050 | TIRANTE SUPPORTO SEGNAF. | ROW MARKER SUPPORT TIE ROD | TRINGLE ROWR TRACEUR | SPANNSTANGE HALTERUNG SPURR. | TIRANTE SOPORTE MARCADOR |
| 37 | F01020312 | VITE M20X2,5X100 U5737 8,8 ZN | SCREW M20X2,5X100 U5737 8,8 ZN | VIS M20X2,5X100 U5737 8,8 ZN | SCHRA.M20X2,5X100 U5737 8,8 ZN | TORN. M20X2,5X100 U5737 8,8 ZN |
| 38 | F01020086 | VITE M 8X1,25X80 U5737 8,8 ZN | BOLT M8X1X80 | VIS M8X1X80 | SCHRAUBE M8X1X80 | TORNILLO M8X1X80 |
| 39 | F01200306 | DADO M14X 2 U5588 6,8 ZN | NUT M14X2 | ECROU M14X2 | MUTTER M14X2 | DADO M14X2 |
| 40 | F02100197 | SPINA E.P. 14X 50 U6873 C70 BR | PIN E.P. 14X 50 U6873 C70 BR | GOUPILLE E.P. 14X50 U6873 C70 | SPANNSTIFT E.P.14X50 6873 C70 | |
| 41 | F01230034 | DADO M 8X1,25 D982 8 | SELF LOCK.NUT M8X1,25 D982 8ZN | ECROU AUTOBL.M8X1,25 D982 8 ZN | SELBST.MUTT.M8X1,25 D982 8 ZN | TUERCA AUTO. M8X1,25 D982 8 ZN |
| 42 | F01220048 | DADO M12X1,75 D980 8 ZN | NUT M12X1,75 D980 8 ZN | ECROU M12X1,75 D980 8 ZN | SCHIBE M12X1,75 D980 8 ZN | TUERCA M12X1,75 D980 8 ZN |
| 43 | F20030078 | DECAL.COM.CADUTA UTENSILI | øTOOLS FALLING DOWNø TRANSFER | DECAL. CHUTE OUTILS | AUFKLEBERABSTURZ WERKZEUGE | ETIQUETA ADHES. CAIDA HERRAMIE |
| 44 | F01230131 | DADO M20X 2,5 D982 6 ZN | NUT M20X 2,5 D982 6 ZN | ECROU M20X 2,5 D982 6 ZN | MUTTER M20X 2,5 D982 6 ZN | TUERCA M20X 2,5 D982 6 ZN |
| 45 | F01200270 | DADO M10X 1,5 U5588 6,8 ZN | NUT M10X 1,5 U5588 6,8 ZN | ECROU M10X 1,5 U5588 6,8 ZN | MUTTER M10X 1,5 U5588 6,8 ZN | TUERCA M10X 1,5 U5588 6,8 ZN |
| 46 | G20970142 | RONDELLA 32X4X15,5 | WASHER 32X4X15,5 | RONDELLE 32X4X15-5 | UNTERLEGSSCHEIBE 32X4X15-5 | ARANDELA 32X4X15-5 |
| 47 | G18700450 | RONDELLA 17 X45 X6 ZN | WASHER 17X45X6 ZN | RONDELLE 17X45X6 ZN | SCHIBE 17X45X6 ZN | ARANDELA 17X45X6 ZN |
| 48 | F02200226 | COPIGLIA 5X 25 U1336 ZN | SPLIT PIN 5 X25 1336 GALVAN. | GOUPILLE 5 X25 1336 ZN | SPLINT 5 X25 1336 ZN | PASADOR 5 X25 1336 ZN |
| 49 | F02200463 | SPINA SCATTO D. 5 B/81 ZN | SNAP PIN D5 B/81 ZN | FICHE A DETENTE D5 B/81 ZN | EINRASTSTIFT D5 B/81 ZN | CLAVIJA DE MUELLE D5 B/81 ZN |
| 50 | F02100312 | SPINA DI SICUREZZA D.8X45 ZN | SAFETY PIN D.8X45 ZN | FICHE EL.DE SECURITE D.8X45 ZN | CHRSTSTIFT D.8X45 ZN | CLAVIJA DE SEGURIDAD D 8X45 ZN |
| 51 | G16610180 | PERNO REGGIDISCO SEGNAF. | ROWMAKER DISC-HOLDER PIN | PIVOT PORTE-DISQUE TRACEUR | SCHIEBENTRAGBOLZEN | PERNO SOPORTE DISCO MARCAFILA |
| 52 | G18802790 | BOCCOLA 25 X20 X7 ZN B. | BUSHING 25 X20 X7 ZN B. | BOITE 25 X20 X7 ZN B. | B CHSE 25 X20 X7 ZN B. | CASQUILLO 25 X20 X7 ZN B |
| 53 | F01200244 | DADO M 8X1,25 U5588 6,8 ZN | NUT M8 X1,25 U5588 6,8 ZN | ECROU M8 X1,25 U5588 6,8 ZN | MUTTER M8 X1,25 U5588 6,8 ZN | TUERCA M8 X1,25 U5588 6,8 ZN |
| 54 | G16610160 | SUPP.CUSCINETTI DISCO SEGN.ZN. | GALVAN. ROWMARKER DISK BEARING | SUPPORT ROULEMENTS DISQUE TRAC | SCHIEBENLAGERHALTERUNG | SOPORTE COJINETE DE DISCO MARC |
| 55 | F04010156 | CUSC.d20 D47 B14 6204 2RSH | BEARING d20 D47 B14 6204 2RSH | | | |
| 56 | G18801270 | BOCCOLA 21 X25 X12 ZN | | | | |
| 57 | F02050370 | ANELLO E. DI 47X1,75 U7437 C70 | SEEGER RING 47X 1,75 U7437 C70 | SEEGER E. 47X 1,75 U7437 C70 | SEEGERING E. 47X1,75 U7437 C70 | ANILLO E. 47X 1,75 U7437 C70 |
| 58 | F03010576 | ANELLO OR 50,52X1,78 NBR | GASKET OR 50,52X1,78 NBR | BAGUE OR 50,52X1,78 NBR | RING OR 50,52X1,78 NBR | ANILLO OR 50,52X1,78 NBR |
| 59 | G16610170 | DISCO SEGNAFILE D.320 | ROW MARKER DISK D.320 | DISQUE TRACEUR D320 | SPURREISSERSCHIBE D. 320 | DISCO MARCADOR DE FILAS O 320 |
| 60 | F01230098 | DADO M18X 2,5 D982 8 ZN | NUT M18X 2,5 D982 8 ZN | ECROU M18X 2,5 D982 8 ZN | MUTTER M18X 2,5 D982 8 ZN | TUERCA M18X 2,5 D982 8 ZN |
| 61 | G16610190 | CHIUSURA CUSCINETTO ZN | | | | |
| 62 | F01060040 | VITE M8X1,25X20 U5732 4,6 ZG | SCREW M8X1,25X20 U5732 4,6 ZN | VIS M8X1,25X20 U5732 4,6 ZN | SCHRA. M8X1,25X20 U5732 4,6 ZN | TORN. M8X1,25X20 U5732 4,6 ZN |
| 63 | F01420048 | ROS.M8 8,4X 24X 2 U6593 ZN | WASHER M8 8,4X 24X 2 U6593 ZN | RONDELLE M8 8,4X 24X2 U6593 ZN | SCHIBE M8 8,4X 24X 2 U6593 ZN | ARANDELA M8 8,4X 24X2 U6593 ZN |
| 64 | G16242560 | PARACOLPI 30X8 M8X30 | BUFFER 30X8 M8X30 | PARE-CHOC30X8 M8X30 | STOSSZMPFER 30X8 M8X30 | PARAGOLPES 30X8 M8X30 |
| 65 | G14218233 | SUPPORTO DX CORTO | RIGHT SUPPORT SHORT | SUPPORT DRT COURT | HALTERUNG RE KURZER | SOPORTE DER CORTO |
| 66 | G14218243 | SUPPORTO SX CORTO | LEFT SUPPORT SHORT | SUPPORT GCH COURT | HALTERUNG LI KURZER | SOPORTE IZQ CORTO |
| 67 | G14217020 | BOCCOLA 15 X35 X80 | BUSHING 15 X35 X80 | BOITE 15 X35 X80 | B CHSE 15 X35 X80 | CASQUILLO 15 X35 X80 |
| 68 | F01020218 | VITE M14X2X130 U5737 8,8 ZN | SCREW M14X 2X130 5737 8,8 ZN | VIS M14X130 | SCHRAUBE M 14X130 | TORNILLO M 14X130 |
| 69 | G14218982 | SECONDO BRACCIO CORTO | | | | |
| 70 | G14219001 | TUBO TERZO BRACCIO CORTO | THIRD ARM TUBE SHORT | TUBE TROISIEME BRAS COURT | ROHR DRITTER ARM KURZER | TUBO TERCER BRAZO CORTO |
| 71 | G14218162 | TIRANTE ROTAZIONE | | | | |

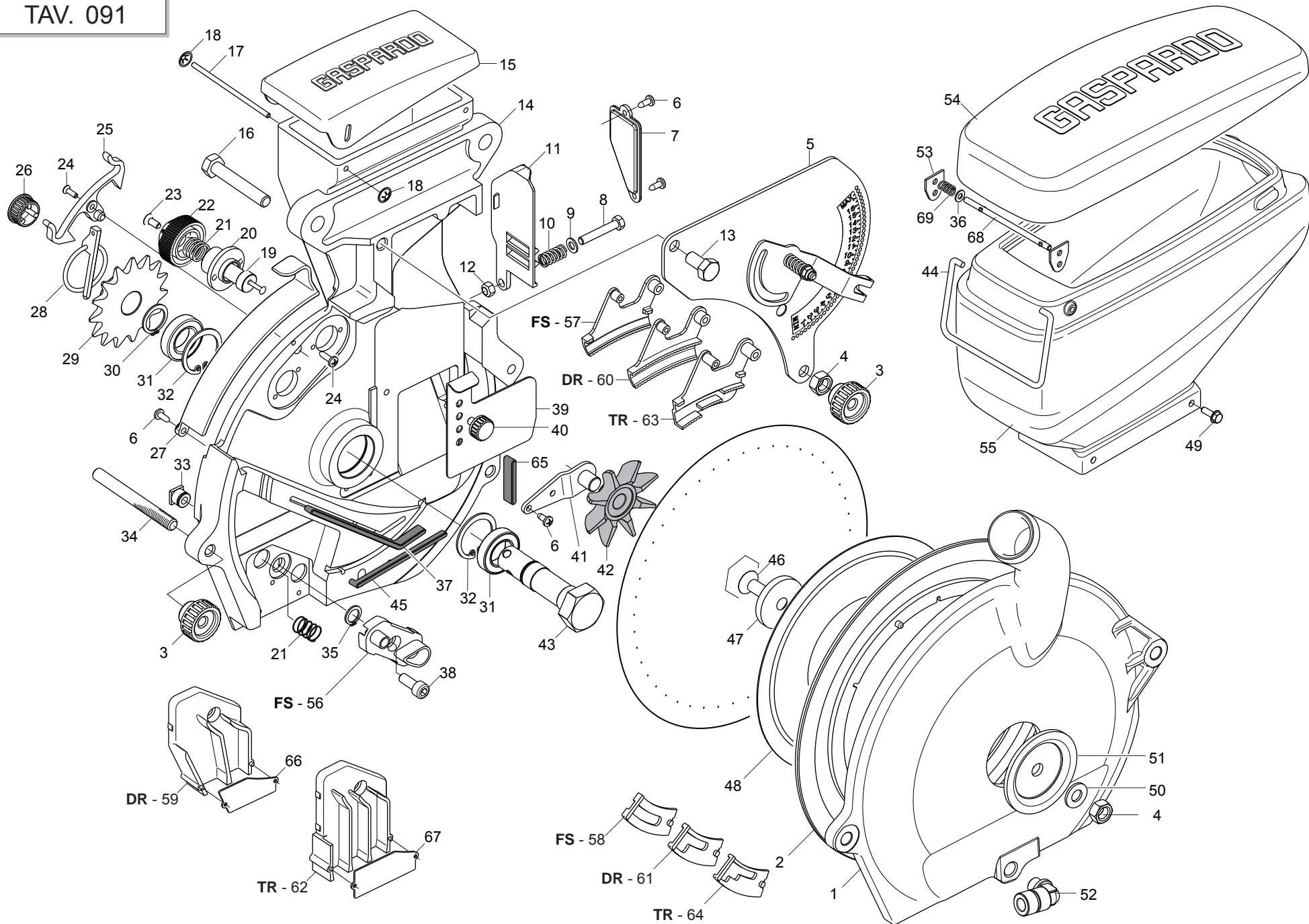


IMPIANTO SEGNAFILE PER TELAIO PIEGHEVOLE

TAV. 311

| Pos. | Cod. | Descrizione | Description | Description | Benennung | Descripcion |
|------|-----------|--------------------------------|--------------------------------|--------------------------------|--------------------------------|--------------------------------|
| 1 | G14218300 | CILINDRO SEGNAFILE | ROW MARKER CYLINDER | CYLINDRE TRACEUR | SYLINDER REIHENANREISSER | CILINDRO MARCADOR DE FILAS |
| 2 | F01500012 | RONDELLA IN RAME 1/4" | WASHER 13 X19X1,5 - 1/4" | RONDELLE | SCHEIBE | ARANDELA |
| 3 | G16011690 | NIPPLO MM 1/4-1/4 FORO 1,0 | UPRIGHT 1/4" NIPPLE WITH GRUB | MONTANT NIPPLE 1/4 AVEC GRAIN | STZNDER NIPPEL 1/4 MIT STIFT 8 | MONT.NIPLE 1/4 TORNIL.SIN CABE |
| 4 | G16012650 | TUBO R2 1/4 C-F L.4000 | PIPE 1/4 R2 C-F 1/4 L.4000 | TUBE 1/4 R2 C-F 1/4 L. 4000 | ROHR 1/4 R2 C-F 1/4 L 4000 | TUBO 1/4 R2 C-F 1/4 L.4000 |
| 5 | F03150266 | NIPPLO MM CIL-CIL 1/4-1/4 ZN | NIPPLE GALV.CYL.MALE 1/4 ZN | NIPPLE MALE CYL. 1/4 ZN | NIPPELZYL.1/4 ZN | NIPLE MACHO CIL.1/4 ZN |
| 6 | F03151226 | REGOL.DI FLUSSO VRF 1/4' GAS | 1/4' GAS VALVE VRF | SOUPAPE REG DEBIT VRF 1/4" GAZ | VENITL VRF 1/4' GAS | VæLVULA VRF 1/4' GAS |
| 7 | F03150859 | CURVA 90°F.GIREV.1/4 - M.1/4 | ELBOW 90° F. SWIVEL 1/4 -M.1/4 | COUDE 90° F.TOURN.1/4 - M.1/4 | KNIESTsCK 90[F.DREHB.1/4 - M. | CURVA 90 F.GIRAT.1/4 - M.1/4 |
| 8 | G14218300 | CILINDRO SEGNAFILE | ROW MARKER CYLINDER | CYLINDRE TRACEUR | SYLINDER REIHENANREISSER | CILINDRO MARCADOR DE FILAS |
| 9 | G13811211 | TUBO X COLLEG. AL TRATTORE | PIPE FOR CONNECTION TO TRACTOR | TUBE POUR CONN. AU TRACTEUR | ROHR F. KUPPLUNG AM SCHLEPPER | TUBO P/CONEXIN AL TRACTOR T |
| 10 | G22270463 | TUB.TR.1/4R2 F-F 1/4 L1500 LM | TUBE TR.1/4R2 F-F 1/4 L1500 LM | TUB.TR.1/4R2 F-F 1/4 L1500 LM | ROHR1/4R2 F-F 1/4 L1500 LM | TUB.TR.1/4R2 F-F 1/4 L1500 LM |
| 11 | F03151245 | RUBINETTO F-F 1/4 | COCK F.-F. 1/4" | ROBINET F.-F. 1/4" | HAHN F.-F. 1/4" | GRIFO H.-H. 1/4" |
| 12 | F03150211 | NIPPLO MM CIL-CIL 1/2-1/4 ZN | NIPLE MM CIL-CIL 1/4-1/2 ZN | NIPLE MM 1/4-1/2 ZN | NIPLE GG 1/4-1/2 ZN | NIPLE MM 1/4-1/2 ZN |
| 13 | F03151237 | ROS. 21 X27X1,5 RAME -1/2" | COPPER WASHER 21X27X1,5 1/2 | RONDELLE CUIVRE 21X27X1,5 1/2 | SCHEIBE KUPFER 21X27X1,5 1/2 | ARANDELA COBRE 21X27X1,5 1/2 |
| 14 | F03150935 | INNESTO RAP.MASCH.1/2 A VALV. | QUICK CONNECT MALE CONE 1/2 | CONNEXION RAPIDE MALE CONE 1/2 | SCHNELLKUPP.GEWINDE KONISC 1/2 | ACOPLAMIEN.RAP.MACHO CONO 1/2 |
| 15 | F05150325 | CAPPUC.F X INN.M RAP.1/2 ROSSO | COVER CONNECT F 1/2 RED | COUVERCLE CONNEXION F 1/2 ROSE | DECKEL W 1/2 SCHNELLKUPP. ROT | PAC PROTECCION F 1/2 ROJO |
| 16 | F03151216 | RACCORDO -T- CENTR.M-FG-M 1/4 | UNION T M-M-F 1/4' ZN | RACCORD T M-M-F " ZN | ANSCHLUSStsCK TM-M-F 1/4' ZN | UNIN T M-M-F 1/4' ZN R |
| 17 | F05010359 | PASSAPARETE 1/4M-1/4M | PASS WALL 1/4M -1/4M | | | |
| 18 | G16611050 | VALVOLA SEGNAFILE CN COMPL | ROWMARKER VALVE ASSY. | SOUPAPE TRACEUR COMPL. | KOMPL. SPURREISSERVENTIL | V-LVULA MARC. DE FILAS COMPL |
| 19 | G19702880 | DECAL.MOVIMENT.SEGNAFILE | STICKER | DECALCOMANIE | ABZIEHBILDER | CALCOMANIAS |
| 20 | G14217082 | SUPPORTO VALVOLA | VALVE SUPPORT | SUPPORT SOUPAPE | VENTILHALTERUNG | SOPORTE V+LVULA |
| 21 | F01020068 | VITE M 8X1,25X40 U5737 8.8 ZN | SCREW M8X1,25X40 U5737 8.8 ZN | VIS M 8X1,25X40 U5737 8.8 ZN | SCHRA. M8X1,25X40 U5737 8.8 ZN | TORNIL.M8X1,25X40 U5737 8.8 ZN |
| 22 | F01410051 | ROS.M8 8,4X 17X1,6 U6592 ZN | WASHER M8 8,4X17X1,6 U6592 ZN | RONDEL. M8 8,4X17X1,6 U6592 ZN | SCHEIBE M8 8,4X17X1,6 U6592 ZN | ARANDELA M8 8,4X17X1,6 U6592ZN |
| 23 | F01200244 | DADO M 8X1,25 U5588 6.8 ZN | NUT M8 X1,25 U5588 6.8 ZN | ECROU M8 X1,25 U5588 6.8 ZN | MUTTER M8 X1,25 U5588 6.8 ZN | TUERCA M8 X1,25 U5588 6.8 ZN |

TAV. 091

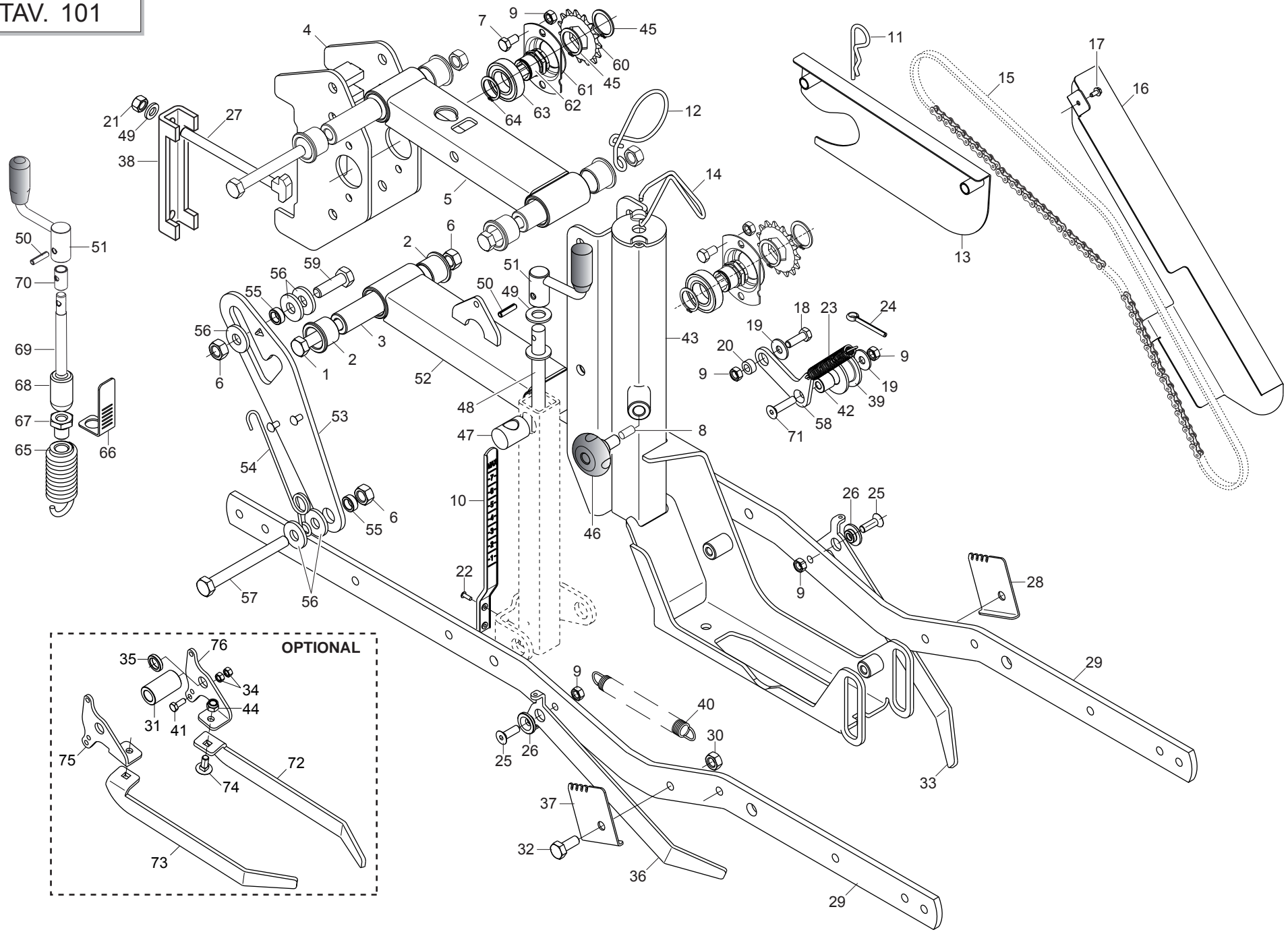


DISTRIBUTORE SEMI

TAV. 091

| Pos. | Cod. | Descrizione | Description | Description | Benennung | Description |
|------|-----------|--------------------------------|--------------------------------|--------------------------------|--------------------------------|--------------------------------|
| 1 | G15826062 | COPERCHIO CORPO DISTR.R1"LAV." | | | | |
| 2 | G19005920 | GUARNIZIONE COPERCHIO | | | | EMPAQUES DE CUBIERTA |
| 3 | F06220037 | VOLANTINO ZIGR.D.26-M8 FEM | | | | FOLLETO ZIGR.D.26-M8 |
| 4 | F01200244 | DADO M 8X1,25 U5588 6.8 ZN | NUT M8 X1,25 U5588 6.8 ZN | ECROU M8 X1,25 U5588 6.8 ZN | MUTTER M8 X1,25 U5588 6.8 ZN | TUERCA M8 X1,25 U5588 6.8 ZN |
| 5 | G15829600 | GRUPPO SELETTORE COMPL | | | | |
| 6 | F01070047 | VITE M3,5X1,34X9,5 U6954 4.8NI | BOLT 3-5X 9-5 DIN 7981 | VIS 3-5X 9-5 DIN 7981 | SCHRAUBE 3-5X 9-5 DIN 7981 | TORNILLO 3-5X 9-5 DIN 7981 |
| 7 | G19004640 | FINESTRA LIVELLO SEME "R" | SEED LEVEL OPENING "R" | FENETRE DE NIVEAU DES GRAINES | SAMENINSPEKTIONSFENSTER "R" | VENTANA DE NIVEL SEMILLAS |
| 8 | F01020383 | VITE M5X0,8X30 U5739 8.8 ZN | SCREW M5X 0,8X 30 U5739 8.8 ZN | VIS 5X30 5739 8.G ZN | SCHRAUBE 5X30 5739 8.G ZN | TORNILLO 5X30 5739 8.G ZN |
| 9 | F01410023 | ROS.M5 5,3X 10X 1 U6592 ZN | WASHER D5 UNI 6592 ZN | RONDELLE D5 UNI 6592 ZN | UNTERLEGSCHIEBE D5 UNI 6592 ZN | ARANDELA D5 UNI 6592 ZN |
| 10 | G18904240 | MOLLA APERTURA PORTA CONTROLLO | SPRING | RESSORT | FEDER | MUELLE |
| 11 | G19004880 | FINESTRA DISTRIBUTORE | DISTRIBUTOR OPENING | FENETRE DISTRIBUTEUR | VERTEILERFENSTER | VENTANA DISTRIBUIDOR |
| 12 | F01230019 | DADO M 5X 0,8 D982 8 ZN | NORM.SELF-LOCKING NUT 5 GALVAN | ECROU AUTOB.NOR.5 ZN | SELBSTSP. MUTTER NOR.5 ZN | TUERCA AUTOB. NOR. 5 ZN |
| 13 | F01020429 | VITE M 8X1,25X14 U5739* 8.8 ZN | BOLT 8X14 5739 8.G GALVANIZ. | VIS 8X14 5739 8.G ZN | SCHRAUBE 8X14 5739 8.G ZN | TORNILLO 8X14 5739 8.G ZN |
| 14 | G15826052 | CORPO DISTRIBUTORE R1 "LAVOR." | | | | |
| 15 | G19005610 | COPERCHIO TRAMOGGIA DISTRIBUT. | SEED DISTRIBUTOR COVER | | | |
| 16 | F01020452 | VITE M 8X1,25X50 U5739 8.8 ZN | SCREW M8X1,25X50 U5739 8.8 ZN | VIS M8X1,25X50 U5739 8.8 ZN | SCHRA. M8X1,25X50 U5739 8.8 ZN | TORN. M8X1,25X50 U5739 8.8 ZN |
| 17 | G15828220 | PERNO COPERCHIO DISTRIB.ZN | DISTRIBUTOR COVER PIN | PIVOT COUVERCLE DISTRIBUTEUR | BOLZEN DECKEL SZAPPARAT | PERNO TAPA DISTRIBUDOR |
| 18 | F02050649 | FISSATORE ELAST.ALBERO D.3 S.S | D.3 S.S ELASTIC SHAFT FASTENE | FIXATEUR ELAST. ARBRE D.3 S.S | WELLE, ELASTISCHE BEFESTIGUNG | FIJADOR EL-STICO -RBOL D.3.S.S |
| 19 | G22250145 | PUNTA SELETTORE ECCENTRICO SV | | | | SELECTOR EXCENTRICO SV |
| 20 | G15825840 | SUPPORTO SELETTORE SEM.ORTAG. | | | | |
| 21 | G18901220 | MOLLA COMP.SELETT.ECCEN. SV | | | | |
| 22 | G19002121 | POMELLO GRADUATO SELET.ECC.SV | | | | |
| 23 | F01030011 | VITE M4X0,7X10 U5933 10.9 ZN | | | | |
| 24 | F01070049 | VITE M3,5X1,27X13 U6954 4.8NI | BOLT 3,5X1,27X 13 6954 4.8NI | VIS 3,5X1,27X 13 6954 4.8NI | SCHRAUBE 3.5X1.27X 13 6954 4.8 | TORNILLO 3.5X1.27X 13 6954 4.8 |
| 25 | G19004580 | SCATTO SELETTORE DR "R" | | | | |
| 26 | F05100190 | TAPPO FORO SELETTORE > | SELECTOR HOLE PLUG | BOUCHON TROU SELECTEUR | PFROPFEN LOCHWZLER | TAPN AGUJERO SELECTOR |
| 27 | G19203870 | PORTELLINO ISPEZIONE DISCO | DISC INSPECTION DOOR | | | |
| 28 | F02200463 | SPINA SCATTO D. 5 B/81 ZN | SNAP PIN D5 B/81 ZN | FICHE A DETENTE D5 B/81 ZN | EINRASTSTIFT D5 B/81 ZN | CLAVIJA DE MUELLE D5 B/81 ZN |
| 29 | G15827421 | INGRANAGGIO Z.15 COMPL. | | | | |
| 30 | F02050056 | ANELLO E. DE 17X 1 U7435 C70 | SEEGER RING E. 17X 1 U7435 C70 | SEEGER E. 17 X 1 U7435 C70 | SEEGERING E. 17X 1 U7435 C70 | INEL E 17X 1 U7435 C70 |
| 31 | F04010308 | CUSC.D17 D30 B7 61903 2RS1> | BEARING 61903-2RS1 | PALIER 61903-2RS1 | LAGER 61903-2RS1 | COJINETE 61903-2RS1 |
| 32 | F02050293 | ANELLO E. DI 30X 1,2 U7437 C70 | SEEGER RING 30X1,2 U7437 C70 | SEEGER E. 30X 1,2 U7437 C70 | SEEGERING E. 30X 1,2 U7437 C70 | ANILLO E. 30 X1,2 U7437 C70 |
| 33 | G15829490 | PERNO ESPULSORE | | | | |
| 34 | G10521111 | PRIGIONIERO CORPO DISTR. | DISTR. CASING STUD BOLT . SV | PRISONNIER CORPS DISTRIB. | STIFTSCHRAUBE SZAPPARATKTRPER | TIRANTE CUERPO DISTR. |
| 35 | F02050651 | ANELLO E. DE 10X 1 U7435 C70 | SEEGER RING ARR.10 U7435-75 | SEEGER ARR. 10 UNI 7435-75 | SEEGERING ARR.10 UNI 7435-75 | ANILLO ARR.10 UNI 7435-75 |
| 36 | F01410011 | ROS.M4 4,3X 9X0,8 U6592 ZN | PLANE WASHER 4,5X 9 6592 | RONDELLE 4,5X 9 6592 | SCHIEBE 4,5X 9 6592 | ARANDELA 4,5X 9 6592 |
| 37 | G19004650 | GUARNIZIONE SEME "R" | SEED SEAL "R" | GARNITURE GRAINES "R" | SAMEN DIHCHTUNG "R" | JUNTA SEMILLAS "R" |
| 38 | F01040060 | VITE M6X1X14 U5931 8.8 ZN | BOLT 6X14 5931 8.G GALVANIZED | VIS 6X14 5931 8.G ZN | SCHRAUBE 6X14 5931 8.G ZN | TORNILLO 6X14 5931 8.G ZN |
| 39 | G15826040 | PORTELLO ALIMENTAZIONE | POWER FLAP | PORTILLON ALIMENTATION | ZUF. HRUNGSDECKEL | REGISTRO ALIMENTACIEN |
| 40 | F06220036 | VOLANTINO ZIGR. D.15-M5 X10 > | KNURLED FLYWHEEL D.15-M5 X10 | VOLANT CANNEL + D.15-M5 X10 | GER-ND. HANDRAD D.15-M5 X10 | VOLANTE ESTR. D.15-M5 X10 |
| 41 | G10521094 | SUPPORTO AGITATORE ORIETTA | AGITATOR SUPPORT ORIETTA | | | |
| 42 | G15828430 | ASS.AGITATORE R | | | | |
| 43 | G15828391 | TRASCINATORE DISCO ZN | | | | |
| 44 | G15882120 | CERNIERA COPERCHIO IX | | | | |
| 45 | G19005620 | GUARNIZIONE CAVA DISCO "R" | GASKET FOR DISC R | | | |
| 46 | F01030055 | VITE M 8X1,25X20 U5933 10.9 ZD | SCREW M8X1,25X20 U5933 10.9 ZD | VIS M 8X20 | SCHRAUBE M 8X20 | TORNILLO M 8X20 |
| 47 | G18701890 | RONDELLA D.8,5 SVASATA ZN. | FLARED WASHER D.8.5 ZN. | RONDELLE D.8,5 +VAS+E ZN. | F-CHERSCHIEBE D.8,5 ZN. | ARANDELA I 8,5 ABOCINADA ZN. |
| 48 | G15828290 | CAPPELLOTTA TENUTA GUARNIZ.DR | | | | |
| 49 | F01070078 | VITE M4,2X1,41X13 U6950 4.8ZN | SELFTHREADING BOLT 4,2X13 TE | VIS AUTOTARADEUSE.4-2X13 TE | SELBSTSCHNEID. SCHRAUBE 4-2X13 | TORNILLO AUTOR.4-2X13 TE |
| 50 | F01430059 | ROS.M8 8,4X 15X0,8 U8842J ZN | WASHER M8 8,4X15X0,8 U8842J ZN | ROND. M8 8,4X 15X0,8 U8842J ZN | SCHIEBE M8 8,4X15X0,8 U8842JZN | ARAND. M8 8,4X15X0,8 U8842J ZN |
| 51 | G16620470 | TAPPO CENTRALE H=7,5 | CENTRAL PLUG H=7.5 | BOUCHON CENTRAL H=7,5 | ZENTRALER PFROPFEN H=7,5 | TAPEN CENTRAL H=7,5 |
| 52 | F03151196 | RACC.SUPERAPIDO 90° 1/8G-8 | | | | |
| 53 | G15882430 | PIASTA RINF.COPERCHIO TRAM. IX | | | | |
| 54 | G19006100 | COPERCHIO | | | | |
| 55 | G19006090 | RIALZO TRAMOGGIA | | | | |
| 56 | G19004891 | ESPULSORE SEME FS ORIETTA | SEED EJECTOR SR ORIETTA | | | |
| 57 | G19005530 | PATTINO SELETTORE FS | | | | |
| 58 | G19005930 | TASSELLO FS | | | | ANCLA FS |
| 59 | G19005022 | ESPULSORE SEME DR ORIETTA | SEED EMISSION DR ORIETTA | | | |
| 60 | GA5820110 | PATTINO SELETTORE DR LAV. | | | | |
| 61 | G19005940 | TASSELLO DR | CAP DOUBLE ROW | | | |
| 62 | G19005880 | ESPULSORE SEME 3F | | | | |
| 63 | G19005550 | PATTINO SELETTORE 3F | | | | |
| 64 | G19005950 | TASSELLO TR | | | | |
| 65 | G19006350 | PATTINO DISCO | | | | |
| 66 | G15881540 | CARTERINO ESPULSORE DR | | | | |
| 67 | G15881550 | CARTERINO ESPULSORE TR | | | | |
| 68 | G15882540 | ASSE FISS.COPERCHIO RIALZO IX | | | | |
| 69 | G65338044 | MOLLA COMP.ZN PRESS.SELETT. SV | ZN SELCT. PRESS. COMP. SPRING | RESSORT COMPL. ZN PRESS. SELEC | DRUCKFEDER ZN WZHLERDRUCK SV | MUELLE COMP.ZN PRES. SELECT. S |

TAV. 101

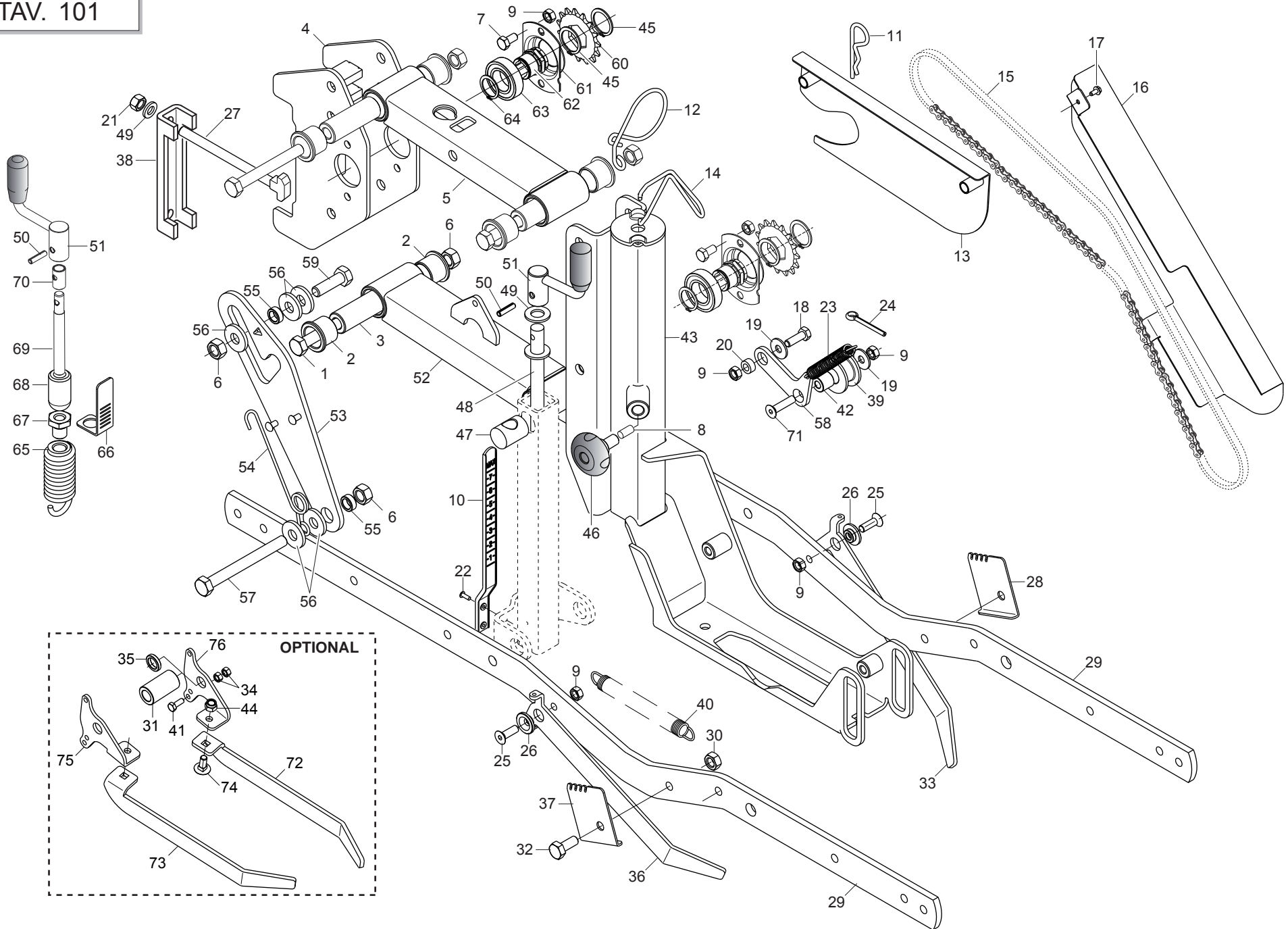


TELAIO ELEMENTO

TAV. 101

| Pos. | Cod. | Descrizione | Description | Description | Benennung | Descripcion |
|------|-----------|--------------------------------|--------------------------------|--------------------------------|--------------------------------|--------------------------------|
| 1 | F01020170 | VITE M12X1,75X100 5737 8.8 ZN | SCREW M12X1,75X100 5737 8.8 ZN | VIS M12X1,75X100 5737 8.8 ZN | SCHRA.M12X1,75X100 5737 8.8 ZN | TORN. M12X1,75X100 5737 8.8 ZN |
| 2 | G66349003 | BOCCOLA SINT. | BUSHING- SINTERED | BOITE FRITTEE | SYNTH. BUECHSE | CASQUILLO SINT. |
| 3 | G22250405 | PERNO BRACCIO INFERIORE SV/2 | PIN- LOWER ARM SV/2 | PIVOT BRAS INF. SV/2 | ZAPFEN UNTERER ARM SV/2 | PERNO BRAZO INFERIOR SV/2 |
| 4 | G15828250 | ATTACCO TELAI0 | FRAME COUPLING | FIXATION BATI | KUPPLUNG RAHMEN | CONEXIN BASTIDOR |
| 5 | G15827900 | BRACCIO SUP.PARALLELOGRAMMA | | | | |
| 6 | F01220048 | DADO M12X1,75 D980 8 ZN | NUT M12X1,75 D980 8 ZN | ECROU M12X1,75 D980 8 ZN | SCHEIBE M12X1,75 D980 8 ZN | TUERCA M12X1,75 D980 8 ZN |
| 7 | F01020432 | VITE M 8X1,25X16 U5739 8.8 ZN | SCREW M8X 1.25X16 U5739 8.8 ZN | VIS M 8X16 | SCHRAUBE M 8X16 | TORNILLO M 8X16 |
| 8 | G14820991 | FERMO REGOLAZIONE | ADJUSTMENT STOP | BUTEE REGLAGE | EINSTELLUNGSSPERRE | BLOQUEO REGULACIEN |
| 9 | F01200244 | DADO M 8X1,25 U5588 6.8 ZN | NUT M8 X1,25 U5588 6.8 ZN | ECROU M8 X1,25 U5588 6.8 ZN | MUTTER M8 X1,25 U5588 6.8 ZN | TUERCA M8 X1,25 U5588 6.8 ZN |
| 10 | G19003400 | ASTA INDICAZIONE PROFONDITA' | DEPTH INDICATING ROD | TIGE INDICATION PROFONDEUR | TIEFENANZEIGESTAB | VARILLA INDICACION PROFUNDIDAD |
| 11 | F02200363 | COPIGLIA R 3X 62 ZN | SPRING SPLIT PIN 3X 62 ZN | GOUPILLE R 3X62 | SPLINT R 3X62 | CHAVETAR 3X62 |
| 12 | G18903140 | MOLLA GUIDATUBO | PIPE GUIDE SUPPORT | RESSORT GUIDE-TUBE | FEDER ROHRFshRUNG | MUELLE GUA TUBOS A |
| 13 | G15827930 | CARTER ANT. | | | | |
| 14 | G65336100 | MOLLA SPEC.FERMO MANIGLIA SP | SPEC SPRING HANDLE STOP SP | RESSORT SPEC. ARRET POIGNEE SP | SPEZIALFEDER GRIFFSPERRE SP | MUELLE ESPEC. BLOQUEO MANIJA S |
| 15 | F06080223 | SP.CAT.1/2-3/16 108M.ISO 083-1 | | | | |
| 16 | G15881270 | CARTER LATERALE | | | | |
| 17 | F01070011 | VITE M4,2X1,41X9,5 U6950 4.8NI | BOLT-SELF-TAPPING 4-2X9-5T.E. | VIS AUTOTAR. 4-2X9-5 T. E. COU | SELBSTSCHNEID. SCHRAUBE 4-2X9- | TORNILLO AUTORROSC. 4-2X9-5 |
| 18 | F01020440 | VITE M 8X1,25X25 U5739 8.8 ZN | BOLT M8X1,25X25 U5739 8.8 ZN | VIS M8X1,25X25 U5739 8.8 ZN | SCHRA. M8X1,25X25 U5739 8.8 ZN | TORNIL.M8X1,25X25 U5739 8.8 ZN |
| 19 | F01420048 | ROS.M8 8,4X 24X 2 U6593 ZN | WASHER M8 8,4X 24X 2 U6593 ZN | RONDELLE M8 8,4X 24X2 U6593 ZN | SCHEIBE M8 8,4X 24X 2 U6593 ZN | ARANDELA M8 8,4X 24X2 U6593 ZN |
| 20 | G20980050 | BOCCOLA 15X7X8,5 ZN | BUSHING 15X7X8-5 ZN | BOITE 15X7X8-5 ZN | BsCHSE 15X7X8-5 ZN | CASQUILLO 15X7X8-5 ZN |
| 21 | F01200306 | DADO M14X 2 U5588 6.8 ZN | NUT M14X2 | ECROU M14X2 | MUTTER M14X2 | DADO M14X2 |
| 22 | F02250077 | RIVETTO STR. 3X 14 U9200A AL | 3X14 ALUMINIUM PULL RIVET | RIVET A RUPTURE 3X14 ALUMINIUM | REISSNIETE3X14 ALL. | REMACHE DESGAR. 3X14 ALL. |
| 23 | G65337035 | MOLLA TENDICATENA RUOTA DP | | | | RESORTE TENSION CADENA DE RUED |
| 24 | F02200165 | COPIGLIA 3X 35 U1336 ZN | SPLIT PIN 3 X35 1336 GALVAN. | GOUPILLE 3 X 35 1336 ZN | SPLINT 3 X35 1336 ZN | PASADOR 3 X35 1336 ZN * |
| 25 | F01030056 | VITE M 8X1,25X25 U5933 10.9 ZD | BOLT 8X25 5933 10.9 GALVANIZED | VIS 8X25 5933 10.9 ZN | SCHRAUBE 8X25 5933 10.9 ZN | TORNILLO 8X25 5933 10.9 ZN |
| 26 | G15821110 | BOCCOLA SUPPORTO COPRISEME | SEED COVER SUPP. BUSHING | BOITE SUPPORT COUVRE-SEMENCE | BsCHSE SAMENABDECKERHALTER. | CASQUILLO SOPORTE CUBRESEMILLA |
| 27 | G16610010 | VITE A MARTELLO M14X165 | WINGED SCREW M14X165 | VIS A TETE MARTEAU M14X165 | ZWEIFLÜGEL- SCHRAUBEN M14X165 | TORNILLO DE MARIPOSAM14X165 |
| 28 | G15829970 | ATTACCO DX MOLLA COPRISEME | | | | |
| 29 | G15829820 | BRACCIO BILANCIERE | | | | |
| 30 | F01200270 | DADO M10X 1,5 U5588 6.8 ZN | NUT M10X 1,5 U5588 6.8 ZN | ECROU M10X 1,5 U5588 6.8 ZN | MUTTER M10X 1,5 U5588 6.8 ZN | TUERCA M10X 1,5 U5588 6.8 ZN |
| 31 | G19006460 | DISTANZIALE D15-25X45 | | | | |
| 32 | F01020472 | VITE M10X1,5X25 U5739 8.8 ZN | BOLT 10X25 5739 8.G GALVANIZED | VIS 10X25 5739 8.G ZN | SCHRAUBE 10X25 5739 8.G ZN | TORNILLO 10X25 5739 8.G ZN |
| 33 | G15881090 | COPRISEME DX | | | | |
| 34 | F01200232 | DADO M 6X 1 U5588 6.8 ZN | NUT 6 UNI 5588 6.8 GALVANIZED | ECROU 6 UNI 5588 6.8 ZN | MUTTER 6 UNI 5588 6.8 ZN | TUERCA 6 UNI 5588 6.8 ZN |
| 35 | G19005300 | DISTANZIALE 15X22X4,5 | | | | |
| 36 | G15881080 | COPRISEME SX | | | | |
| 37 | G15829960 | ATTACCO SX MOLLA COPRISEME | | | | |
| 38 | G15110091 | SCONTRO A U | STRIKER | BRIDE 150 MM | ANSCHLAG | ELEMENTO DE EMPALME |
| 39 | G19005110 | RULLO TENDICATENA | | | | RODILLO TENSION CADENA |
| 40 | G18902520 | MOLLA TRAZ.ZN RASCHIATERRA | | | | RESORTE TRAZ.ZN RASTRILLO |
| 41 | F01020403 | VITE M6X1X16 U5739 8.8 ZN | SCREW M6X1X16 U5739 8.8 ZN | VIS M6X1X16 U5739 8.8 ZN | SCHRAUBE M6X1X16 U5739 8.8 ZN | TORNILLO M6X1X16 U5739 8.8 ZN |
| 42 | G18801450 | BOCCOLA 8,25 X18 X17 | BUSHING 8,25 X 18 X 17 | BOITE 8,25 X18 X17 | BsCHSE 8,25 X18 X17 | CASQUILLO 8,25 X18 X17 |
| 43 | G15829790 | ASS.TELAIETTO SEMINATORE | | | | |
| 44 | F01230034 | DADO M 8X1,25 D982 8 | SELF LOCK.NUT M8X1,25 D982 8ZN | ECROU AUTOBL.M8X1,25 D982 8 ZN | SELBST.MUTT.M8X1,25 D982 8 ZN | TUERCA AUTO. M8X1,25 D982 8 ZN |
| 45 | F02050615 | ANELLO E. DE 28X 1,5 U7435 C70 | STOP RING 28 UNI 7435-75 | BAGUE DE SERRAGE 28 UNI 7435-7 | DRAHTSPRENGRING 28 UNI 7435-75 | ANILLO PARADA 28 UNI 7435-75 |
| 46 | F06220010 | VOLANTINO 4 LOBI M12X25 | 8-LOBE HANDWHEEL M12X25 | VOLANT 8 LOBES M12X25 | HANDRAD 8 BUCKEL M12X25 | VOLANTE 8 LOBI M12X25 |
| 47 | G22230063 | ELEMENTO ARTICOLATO | ARTICULATED ELEMENT | ELEMENT ARTICULE | ELEMENKLEMENT | ELEMENTO ARTICULADO |
| 48 | G22230062 | VITE DI REGOLAZIONE | ADJUSTMENT BOLT | VIS DE REGLAGE | EINSTELLSCHRAUBE | TORNILLO DE REGULACIN S |
| 49 | F01410088 | ROS.M14 15X 28X2,5 U6592 ZN | WAS.M14 15X 28X2,5 U6592 ZB | RON.M14 15X 28X2,5 U6592 ZB | SCH.M14 15X 28X2,5 U6592 ZB | ARA.M14 15X 28X2,5 U6592 ZB |
| 50 | F02100109 | SPINA E.P. 6X 24 U6873 C70 BR | PIN EL. .6 X24 DIN 1481 | FICHE EL. 6 X24 DIN 1481 | SPANNSTIFT 6 X24 DIN 1481 | CLAVIJA EL.6 X24 DIN 1481 |
| 51 | G22270235 | MANIGLIA REGOLAZIONE B4 | ADJUSTMENT HANDLE B4 | POIGNEE REGLAGE B4 | EINSTELLGRIFF B4 | MANIJA REGULACIN B4 M |
| 52 | G15827940 | BRACCETTO INF. | | | | |
| 53 | G15829681 | ASTAAGGANCIO | | | | |
| 54 | G18902880 | MOLLA FERMO PARALLELO SP | | | | |
| 55 | G20980082 | BOCCOLA 18X7X12,25 | BUSHING 18X7X12-25 | BOITE 18X7X12-25 | BsCHSE 18X7X12-25 | CASQUILLO 18X7X12-25 |

TAV. 101

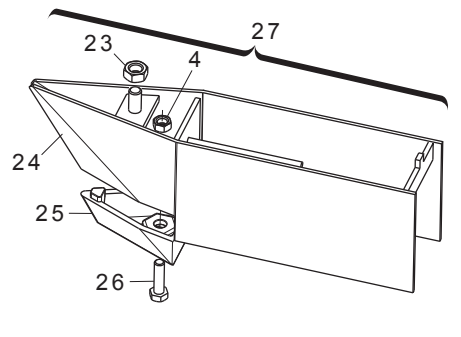
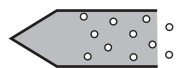


TELAIO ELEMENTO
TAV. 101

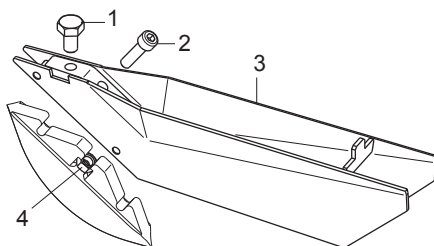
| Pos. | Cod. | Descrizione | Description | Description | Benennung | Descripcion |
|------|-----------|--------------------------------|--------------------------------|-------------------------------|--------------------------------|--------------------------------|
| 56 | G20970035 | RONDELLA 32X4X13 | WASHER 32X4X13 | RONDELLE 32X4X13 | UNTERLEGSCHIEBE 32X4X13 | ARANDELA 32X4X13 |
| 57 | F01020174 | VITE M12X1,75X120 5737 8.8 ZN | | | | |
| 58 | G15881320 | BRACCIO TENDICATENA | | | | |
| 59 | F01020528 | VITE M12X1,75X40 U5739 10.9 ZD | SCREW M12X1,75X40 U5739 10.9ZN | VIS M12X1,75X40 U5739 10.9 ZN | SCHR.M12X1,75X40 U5739 10.9 ZN | TORN.M12X1,75X40 U5739 10.9 ZN |
| 60 | G22250190 | CORONA ASSE SEMINAT.Z-15 SV | PLANTING UNIT AXLE Z-15 RING G | COURONNE AXE SEMEUR Z-15 SV | KRANZ SZELEMENTACHSE Z-15 SV | CORONA EJE SEMBR. Z-15 SV |
| 61 | G15725030 | SUPPORTO CUSCINETTO | BEARING SUPPORT | SUPPORT PALIER | LAGERHALTERUNG | SOPORTE COJINETE |
| 62 | G22250441 | MOZZO CORONA SEMINATORE SV/2 | PLANTING UNIT CROWN HUB SV/2 | MOYEU COURONNE SEMEUR SV/2 | KRANZNABE SZELEMENT SV/2 | CUBO CORONA SEMBRADOR SV/2 |
| 63 | F04010135 | CUSC.D25 D47 B12 6005 2RS EX> | BEARING D25 D47 B12 6005 2RS | 0 | | |
| 64 | F02050101 | ANELLO E. DE 25X 1,2 U7435 C70 | SEEGER RING E. 25X1,2 7435 C70 | SEEGER E. 25X 1,2 U7435 C70 | SEEGERING E. 25X 1,2 U7435 C70 | ANILLO E. 25X 1,2 U7435 C70 |
| 65 | G15828660 | ASS.MOLLA ALLEGGERIMENTO | LIGHTENING SPRING COUPLING | ASS. RESSORT ALLEGEMENT | ERLEICHTERUNGSFEDERKOMPLEX | CONJ. MUELLE DE ALIGERAMIENTO |
| 66 | G15829290 | INDICE MOLLA PARALLELOGR. ZN | | | | |
| 67 | G15220120 | VITE REGOLAZIONE ZN | REGULATION BOLT | VIS RÉGLAGE ZN | STELLSCHRAUBE ZN | TORNILLO REGULACIÓN ZN |
| 68 | G15828760 | BOCCOLA TENDITORE 14,00X25X 45 | BUSHING- TIGHTENER | BOITE TENDEUR | BsCHSE SPANNER | CASQUILLO TENSOR |
| 69 | G22505063 | VITE REGOL.RUOTE POSTERIORI | BOLT- REAR WHEEL ADJUSTM. | VIS REGLAGE ROUES ARRIERES | EINSTELLSCHRAUBE HINTERRZDER | TORNILLO REGUL. RUEDAS TRASERA |
| 70 | G22505061 | BOCCOLA VITE DI REGOLAZIONE | BUSHING | BOITE VIS DE REGLAGE | BsCHSE EINSTELLSCHRAUBE | CASQUILLO TORNILLO DE REGULACI |
| 71 | F01030060 | VITE M 8X1,25X35 U5933 10.9 ZD | SCREW M8X1,25X35 U5933 8.8 ZD | VIS 8X35 5933 8.8 ZN | SCHRAUBE 8X35 5933 8.8 ZN | TORNILLO 8X35 5933 8.8 ZN |
| 72 | G15829851 | COPRISEME REGOLABILE SX | | | | |
| 73 | G15829861 | COPRISEME REGOLABILE DX | | | | |
| 74 | F01060040 | VITE M8X1,25X20 U5732 4.6 ZG | SCREW M8X1,25X20 U5732 4.6 ZN | VIS M8X1,25X20 U5732 4.6 ZN | SCHRA. M8X1,25X20 U5732 4.6 ZN | TORN. M8X1,25X20 U5732 4.6 ZN |
| 75 | G15882440 | SUPP.DX COPRISEME REGOLABILE | | | | |
| 76 | G15882450 | SUPP.SX COPRISEME REGOLABILE | | | | |

TAV. 112

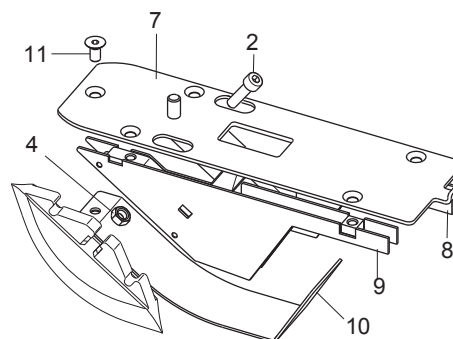
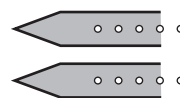
FS



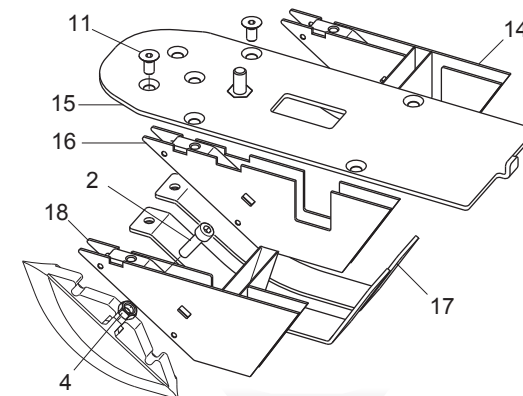
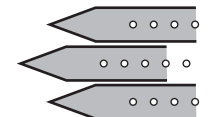
F



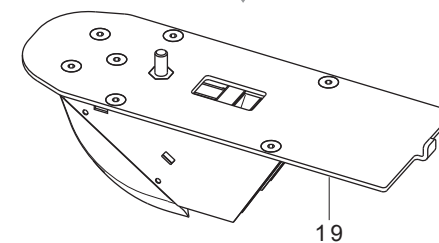
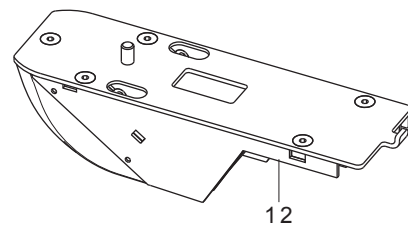
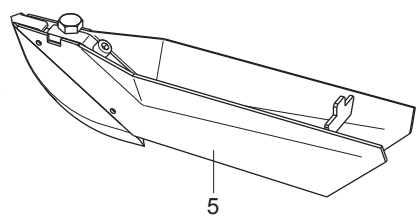
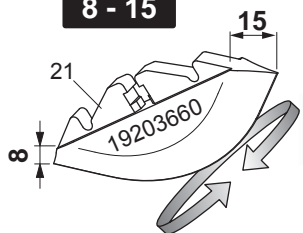
DR



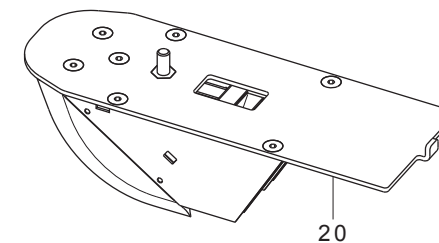
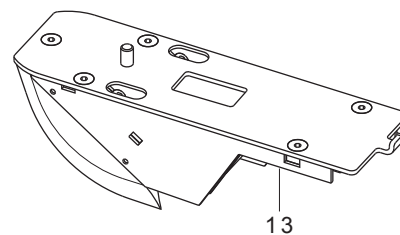
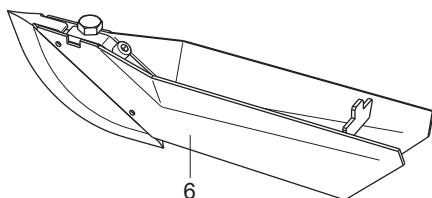
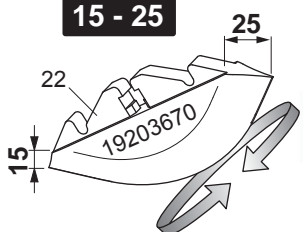
TR



8 - 15



15 - 25

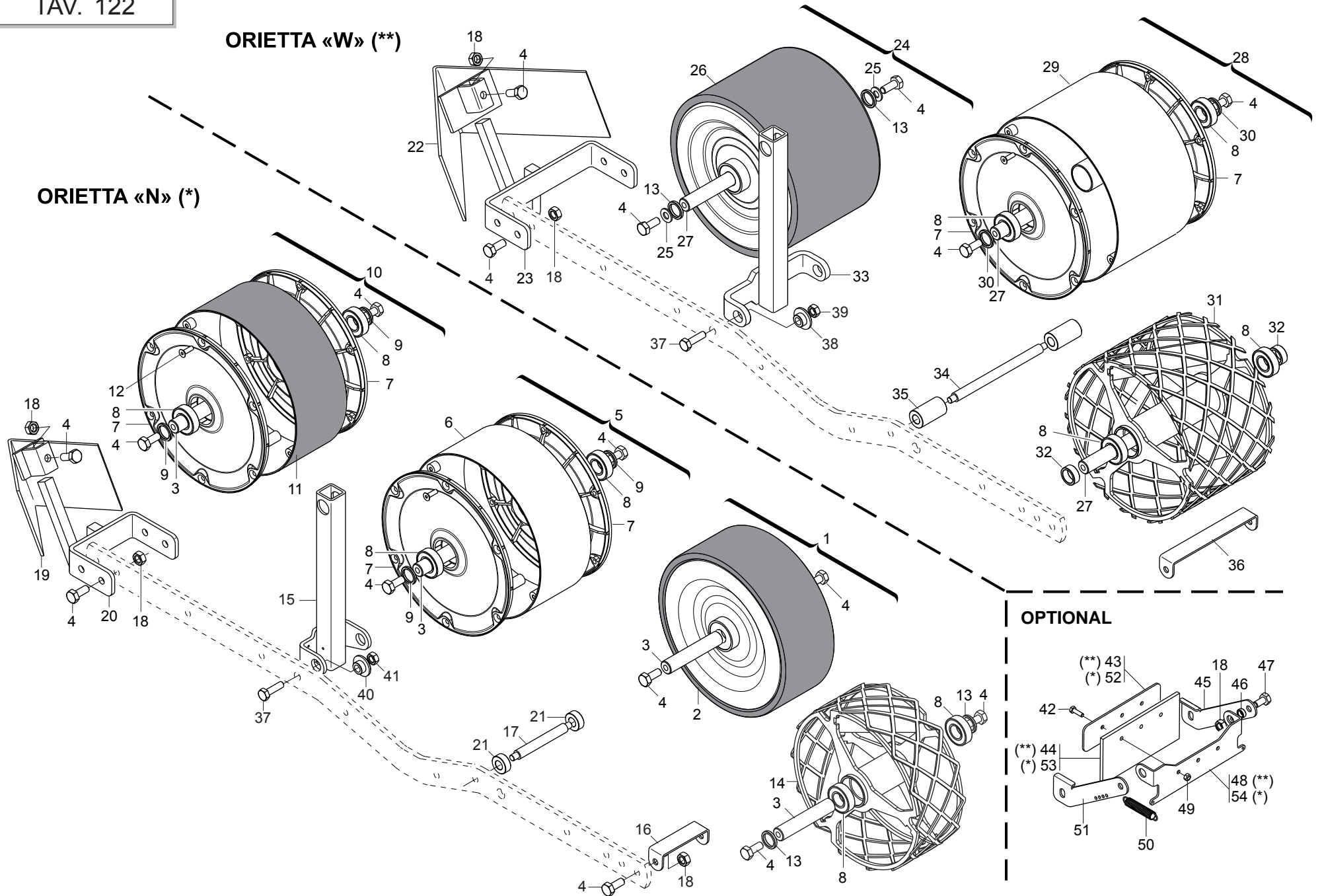


FALCIONI ASSOLCATORI
TAV. 112

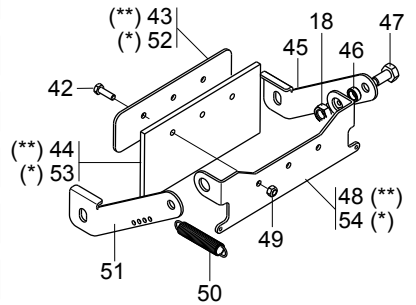
| Pos. | Cod. | Descrizione | Description | Description | Benennung | Descripcion |
|------|-----------|--------------------------------|--------------------------------|--------------------------------|--------------------------------|--------------------------------|
| 1 | F01020468 | VITE M10X1,5X16 U5739 8.8 ZN | SCREW M10X1,5X16 U5739 8.8 ZN | VIS M10X1,5X16 U5739 8.8 ZN | SCHRA. M10X1,5X16 U5739 8.8 ZN | TORN. M10X1,5X16 U5739 8.8 ZN |
| 2 | F01040098 | VITE M 8X1,25X30 U5931 8.8 BR | SCREW 8 X30 5931 8.G | VIS 8 X30 5931 8.G | SCHRAUBE 8 X30 5931 8.G | TORNILLO 8 X30 5931 8.G |
| 3 | G15828350 | ASS.LAMIERE FALCIONE FS-03 | COULTER SHEET ASS. FS-03 | GR. T+LES SOC FS-03 | BLECHE S-SCHAR FS-03 | CONJ. CHAPAS BOTA FS-03 |
| 4 | F01200244 | DADO M 8X1,25 U5588 6.8 ZN | NUT M8 X1,25 U5588 6.8 ZN | ECROU M8 X1,25 U5588 6.8 ZN | MUTTER M8 X1,25 U5588 6.8 ZN | TUERCA M8 X1,25 U5588 6.8 ZN |
| 5 | G15828400 | FALCIONE FILA SINGOLA H14 | H14 SINGLE ROW COULTER | HACHOIR RANG SIMPLE H14 | EINZELREIHENS-SCHAR H 14 | ARADO FILA SENCILLA H14 |
| 6 | G15828410 | FALCIONE FS-03 H14/25 | FS-03 H14/25 COULTER | HACHOIR TRANSMISSION-03 H14/25 | S-SCHAR FS-03 H14/25 | ARADO FS-03 H14/25 |
| 7 | G15881601 | SUPPORTO FALCIONE DR7 '11 | | | | |
| 8 | G15881620 | ASS.RIGA DX.FALCIONE DR '06 | RIGHT CUTTER LINE ASS. DR | GR. REGLE DROITE DE HACHOIR D | STAB RE SZSCHAR DR | CONJ. VARILLA DER. GUADA#ADORA |
| 9 | G15881610 | ASS.RIGA SX.FALCIONE DR '06 | LEFT CUTTER LINE ASS. DR | GR. REGLE GAUCHE DE HACHOIR D | STAB LI SZSCHAR DR | CONJ. VARILLA IZQ. GUADA#ADORA |
| 10 | G15881630 | ASS.SLITTA FALCIONE DR7 '06 | | | | |
| 11 | F01030054 | VITE M 8X1,25X16 U5933 10.9 ZD | BOLT 8X16 UNI5933 10.9 GALVANI | VIS 8X16 UNI 5933 10.9 ZN | SCHRAUBE 8X16 UNI 5933 10.9 ZN | TORNILLO 8X16 UNI 5933 10.9 ZN |
| 12 | G15881691 | FALCIONE DR7 H08/15 '11 COMPL | | | | |
| 13 | G15881591 | FALCIONE DR7 H15/25 '11 COMPL | | | | |
| 14 | G15881472 | ASS.RIGA DX FALCIONE TR | RIGHT CUTTER LINE ASS. TR | GR. REGLE DROITE DE HACHOIR TR | STAB RE SZSCHAR TR | CONJ. VARILLA DER. GUADA#ADORA |
| 15 | G15881450 | ASS.TOP FALCIONE TR | | | | |
| 16 | G15881481 | ASS.RIGA CENTRALE FALCIONE TR | | | | |
| 17 | G15881740 | ASS.SLITTA TR | | | | |
| 18 | G15881492 | ASS.RIGA SX FALCIONE TR | LEFT CUTTER LINE ASS. TR | GR. REGLE GAUCHE DE HACHOIR TR | STAB LI SZSCHAR TR | CONJ. VARILLA IZQ. GUADA#ADORA |
| 19 | G15882020 | MONT.FALCIONE TR-10 H 8-15 | | | | |
| 20 | G15881440 | MONT.FALCIONE TR-10 H15-25 | | | | |
| 21 | G19203660 | TAGLIENTE FALCIONE FS03 H8/15 | CUTTER EDGE FS03 H8/15 | COUPEUR HACHOIR FS03 H8/15 | SCHARSCHNEIDE FS03 H8/15 | AFIL. HOJA DE CORTE FS03 H8/15 |
| 22 | G19203670 | TAGLIENTE FALCIONE FS03 H15/25 | | | | REJA TRIPLE FS03 H15/25 |
| 23 | F01200270 | DADO M10X 1,5 U5588 6.8 ZN | NUT M10X 1,5 U5588 6.8 ZN | ECROU M10X 1,5 U5588 6.8 ZN | MUTTER M10X 1,5 U5588 6.8 ZN | TUERCA M10X 1,5 U5588 6.8 ZN |
| 24 | G15827310 | ASS.FALCIONE FASCIA 6 | | | | |
| 25 | G19203640 | PUNTALE FALCIONE A FASCIA "R" | | | | |
| 26 | F01020450 | VITE M 8X1,25X40 U5739 8.8 ZN | SCREW M8X 1,25X40 5739 8.8 ZN | VIS M 8X40 | SCHRAUBE M 8X40 | TORNILLO M 8X40 |
| 27 | G15827340 | FALCIONE A FASCIA 6 CON VITE | | | | |

ORietta «W» ()**

ORietta «N» (*)



OPTIONAL



RUOTE DI COMPRESSIONE

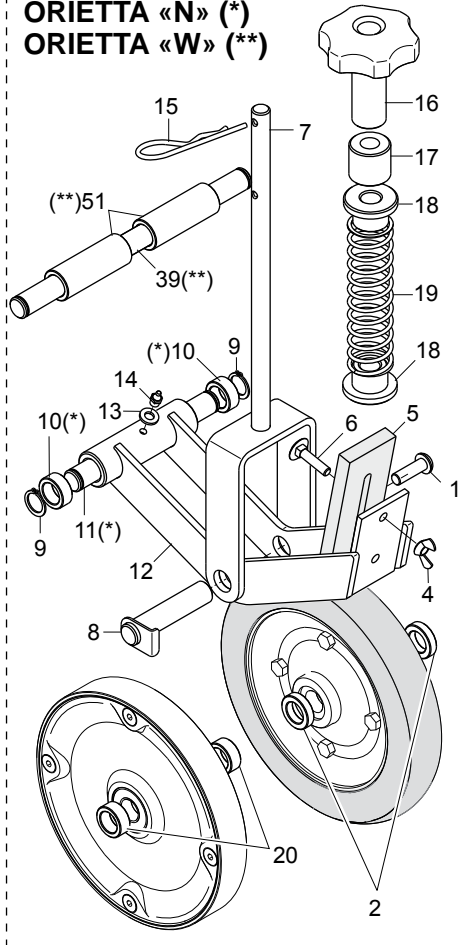
TAV. 122

| Pos. | Cod. | Descrizione | Description | Description | Benennung | Descripcion |
|------|-----------|--------------------------------|--------------------------------|-----------------------------|--------------------------------|--------------------------------|
| 1 | G15826830 | MONT.RUOTA IN GOMMA D.250X100 | | | | |
| 2 | G15826820 | RUOTA IN GOMMA 250X100 | RUBBER WHEEL 250X100 | ROUE EN CAOUTCHOUC 250X100 | GUMMIRAD 250X100 | RUEDA DE CAUCHO 250X100 |
| 3 | G15826561 | ASSE RUOTA 250X100 | AXLE | AXE | ACHSE | EJE |
| 4 | F01020472 | VITE M10X1,5X25 U5739 8.8 ZN | BOLT 10X25 5739 8.G GALVANIZED | VIS 10X25 5739 8.G ZN | SCHRAUBE 10X25 5739 8.G ZN | TORNILLO 10X25 5739 8.G ZN |
| 5 | G15829430 | MONT.RUOTA INOX D.250X100 FL. | | | | |
| 6 | G15829330 | ASS.ANELLO INOX D.250X100 | RING D.250X100 | BAGUE D.250X100 | RING D.250X100 | ANILLO D.250X100 |
| 7 | G19005320 | FIANCO RUOTA D.250 | | | | |
| 8 | F04010131 | CUSC.D20 D42 B12 6004-2RSH EX> | BEARING D20 D42 B12 6004-2RSH | ROULEMENT 6004 | LAGER 6004 | COJINETE 6004 |
| 9 | G19005080 | DISTANZIALE RUOTE INOX R | INOX R WHEEL SPACER | ENTRETOISE ROUE INOX R | DISTANZSTsCK RAD INOX R | DISTANCIADOR RUEDA INOX R |
| 10 | G15829580 | MONT.RUOTA GOMMA D.250X100 FL. | | | | |
| 11 | G15829410 | TUBO GOMMATO D.250X100 | | | | |
| 12 | F01030038 | VITE M6X1X20 U5933 10.9 ZD | SCREW M6X 1X20 U5933 10.9 ZD | VIS M 6X20 | SCHRAUBE M 6X20 | TORNILLO M 6X20 |
| 13 | G19005081 | DISTANZIALE RUOTE INOX R | | | | |
| 14 | G15881340 | ASS.RUOTA IN GRIGLIA 250X100 | | | | |
| 15 | G15829920 | ASS.SUPPORTO BILANCIERE | | | | |
| 16 | G15829950 | RASCHIATERRA | | | | |
| 17 | G15829890 | ASSE POSTERIORE BILANCIERE | | | | |
| 18 | F01200270 | DADO M10X 1,5 U5588 6.8 ZN | NUT M10X 1,5 U5588 6.8 ZN | ECROU M10X 1,5 U5588 6.8 ZN | MUTTER M10X 1,5 U5588 6.8 ZN | TUERCA M10X 1,5 U5588 6.8 ZN |
| 19 | G10525830 | SPIANATERRA | SOIL LEVELLER | NIVELEUSE | ERDEBNER | NIVELADORA |
| 20 | G15882040 | ASS.SUPPORTO SPARTIZOLLE | | | | |
| 21 | G19005160 | BOCCOLA FINECORSIA BILANCIERE | LIMIT SWITCH ROCKER BUSHING | DOUILLE BUTEE BALANCIE | ENDANSCHLAGSBUCHSE TANDEMWAGEN | CASQUILLO FIN DE CARRERA BALAN |
| 22 | G15821861 | SPIANATERRA | | | | |
| 23 | G15829690 | SUPPORTO SPARTIZOLLE | | | | |
| 24 | G15829160 | RUOTA 250X170 COMPL. | | | | |
| 25 | F01420060 | ROS.M10 10,5X 30X2,5 U6593 ZN | WASHER 10,5X30 | RONDELLE 10,5X30 | SCHEIBE 10,5X30 | ARANDELA 10,5X30 |
| 26 | G15827960 | RUOTA GOMMA 250X170 MOZZO 180 | | | | |
| 27 | G15827980 | ASSE RUOTA 250X170 | WHEEL AXLE 250X170 | AXE ROUE 250X170 | RADACHSE 250X170 | EJE RUEDA 250X170 |
| 28 | G15829760 | MONT.RUOTA INOX D.250X170 FL. | | | | |
| 29 | G15829770 | ASS.ANELLO INOX D.250X170 | RING D.250X170 | BAGUE D.250X170 | RING D.250X170 | ANILLO D.250X170 |
| 30 | G19005600 | DISTANZIALE D.20 XD.27 X10.5 | | | | |
| 31 | G15881380 | ASS.RUOTA IN GRIGLIA 250X170 | | | | |
| 32 | G19005600 | DISTANZIALE D.20 XD.27 X10.5 | | | | |
| 33 | G15827870 | SUPPORTO BILANCIERE | | | | |
| 34 | G15881810 | ASSE POSTERIORE BILANCIERE 187 | | | | |
| 35 | G19005960 | DIST.D.15 X30 X53 | | | | |
| 36 | G15827970 | RASCHIATERRA | | | | |
| 37 | F01020512 | VITE M12X1,75X35 U5739 8.8 ZN | SCREW M12X1,75X35 5739 8.8 ZN | VIS M12X1,75X35 5739 8.8 ZN | SCHR. M12X1,75X35 5739 8.8 ZN | TORN. M12X1,75X35 5739 8.8 ZN |
| 38 | G15224630 | BOCCOLA BRACCIO | ARM BUSHING | BOITE BRAS | BsCHSE ARM | CASQUILLO BRAZO |
| 39 | F01200293 | DADO M12X1,75 U5588 6.8 ZN | NUT M12X1,75 U5588 6.8 ZN | ECROU M12X1,75 U5588 6.8 ZN | MUTTER M12X1,75 U5588 6.8 ZN | TUERCA M12X1,75 U5588 6.8 ZN |
| 40 | G15421231 | BOCCOLA BRACCIO SUPERIORE | UPPER ARM BUSHING | BOITE BRAS SUPERIEURE | OBERE ARMBsCHSE | CASQUILLO BRAZO SUPERIOR |
| 41 | F01220048 | DADO M12X1,75 D980 8 ZN | NUT M12X1,75 D980 8 ZN | ECROU M12X1,75 D980 8 ZN | SCHEIBE M12X1,75 D980 8 ZN | TUERCA M12X1,75 D980 8 ZN |
| 42 | F01020404 | VITE M6X1X20 U5739 8.8 ZN | SCREW M 6X 1X20 U5739 8.8 ZN | VIS 6X20 5739 8.G ZN | SCHRAUBE 6X20 5739 8.G ZN | TORNILLO 6X20 5739 8.G ZN |
| 43 | G15882181 | PIASTRA 175X45 | | | | |
| 44 | G15882191 | RASCHIATORE IN GOMMA | | | | |
| 45 | G15882160 | SUPPORTO DX | | | | |
| 46 | G20980037 | BOCCOLA 15X10,25X8 | BUSHING 15X10,25X8 | BOITE 15X10,25X8 | BsCHSE 15X10,25X8 | CASQUILLO 15X10,25X8 |
| 47 | F01020470 | VITE M10X1,5X20 U5739 8.8 ZN | BOLT M 10X20 | VIS M 10X20 | SCHRAUBE M 10X20 | TORNILLO M 10X20 |
| 48 | G15882171 | SUPPORTO RASCHIATERRA GOMMA | | | | |
| 49 | F01220011 | DADO M 6X 1 D980 8 ZN | NUT M6X1 D980 8 ZN | ECROU M6X1 D980 8 ZN | MUTTER M6X1 D980 8 ZN | TUERCA M6X1 D980 8 ZN |
| 50 | G18904170 | MOLLA SPORTELLO GRANDE | LARGE HATCH SPRING | RESSORT PORTILLON GRAND | GROSSE Klappe FEDER | MUELLE DE PORTILLO GRANDE |
| 51 | G15882150 | SUPPORTO SX | | | | |
| 52 | G15882730 | PIASTRA | | | | |
| 53 | G15882740 | RASCHIATORE IN GOMMA | | | | |
| 54 | G15882750 | SUPP.RASCHIATERRA IN GOMMA | | | | |

TAV. 132

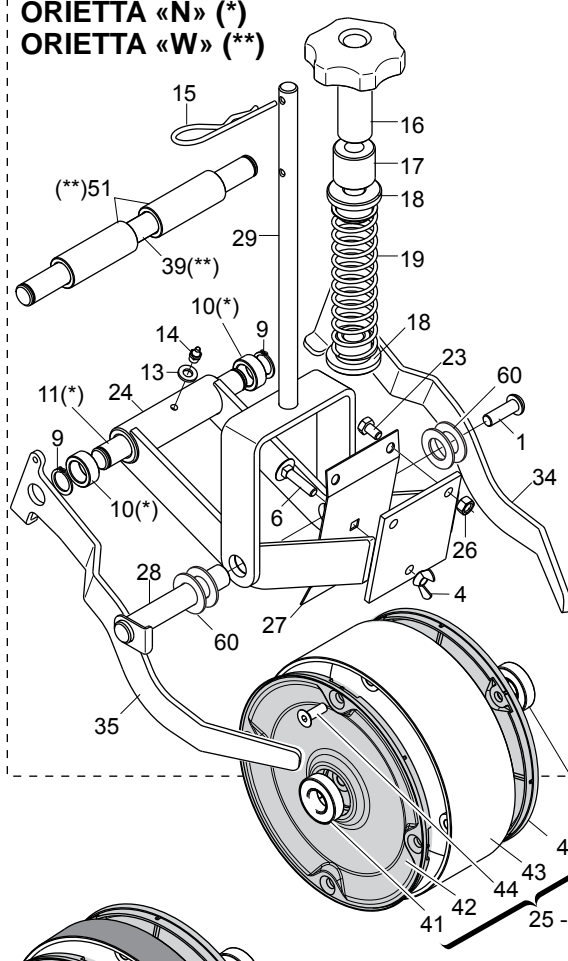
FILA SINGOLA - SINGLE ROW

ORietta «N» (*)
ORietta «W» ()**



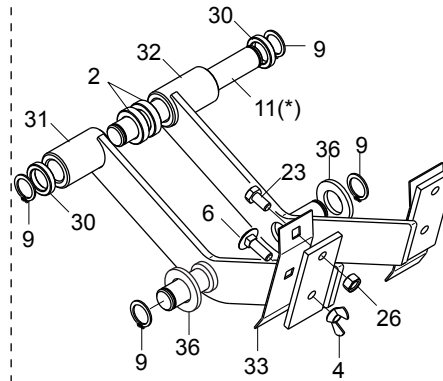
SEMINA A FASCIA - BROAD SEEDING

ORietta «N» (*)
ORietta «W» ()**



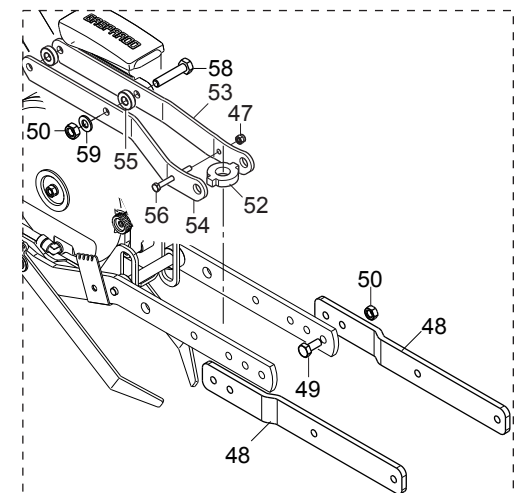
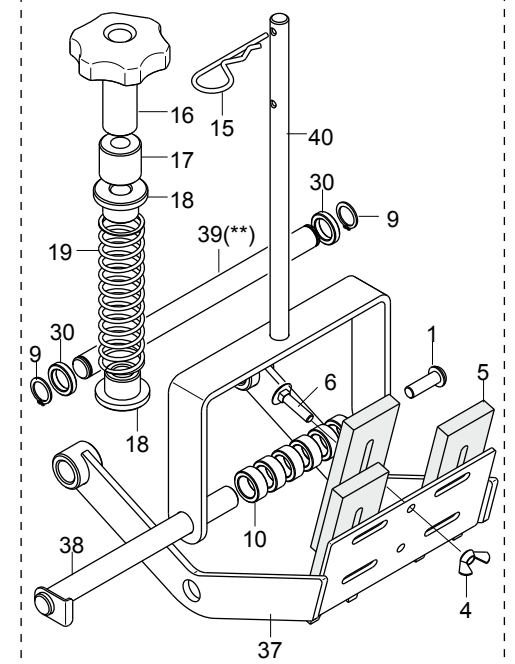
FILA DOPPIA - DOUBLE ROW

ORietta «N» (*)



FILA DOPPIA E TRIPLA - DOUBLE AND TRIPLE ROW

ORietta «W» ()**

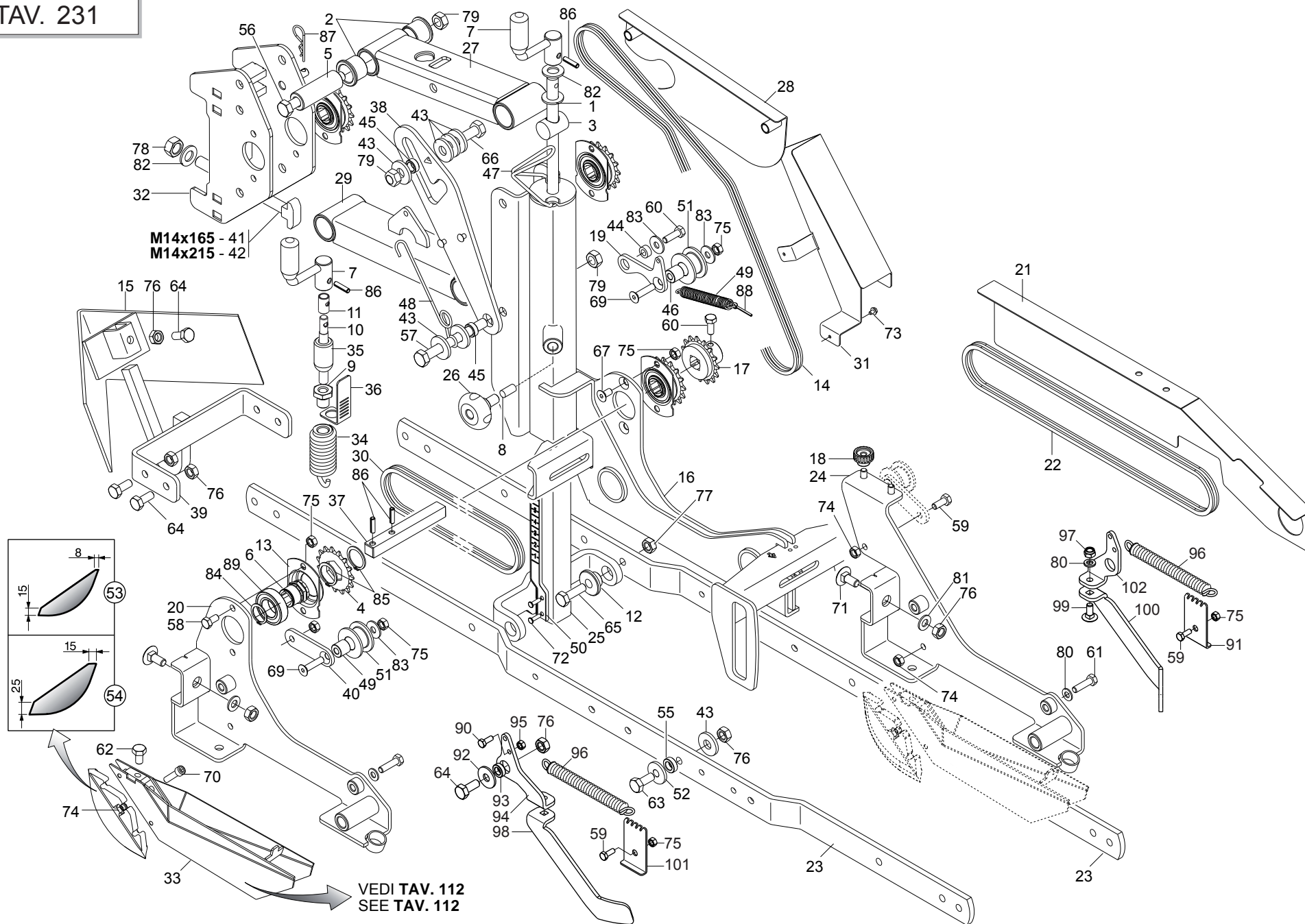


RUOTINI DI COMPRESSIONE

TAV. 132

| Pos. | Cod. | Descrizione | Description | Description | Benennung | Descripcion |
|------|-----------|--------------------------------|--------------------------------|--------------------------------|---------------------------------|--------------------------------|
| 1 | F01030211 | VITE M8X1,25X25 U7380 10.9 ZD | BOLT 8X25 U7380 10.9 GALVANIZ | VIS 8X25 U7380 10.9 ZN | SCHRAUBE 8X25 U7380 10.9 ZN | TORNILLO 8X25 U7380 10.9 ZN |
| 2 | G19005290 | DISTANZIALE 15X24X6 | | | | |
| 3 | F06120066 | RUOTINO FLEX 170 X 30 | WHEEL FLEX 170X 30 | | | |
| 4 | F01240012 | DADO M 6X 1 U5448 5.8 ZN | NUT 6 UNI 5448 5.8 ZN | ECROU 6 UNI 5448 5.8 ZN | MUTTER 6 UNI 5448 5.8 ZN | TUERCA 6 UNI 5448 5.8 ZN |
| 5 | G15828440 | RASCHIATERRA RUOTINI FS | WHEEL SOIL-SCRAPER FS | RACLEUR ROUE FS | ERDSCHABER FS | RASCADOR RUEDA FS |
| 6 | F01060069 | VITE M10X1,5X30 U5732 4.6 ZN | BOLT 10X30 5732 4.6 | BOULON 10X30 5732 4.6 | SCHRAUBE 10X30 5732 4.6 | PERNO 10X30 5732 4.6 |
| 7 | G15827491 | STELO PRESSORE R | PRESSURE STEM ASS. | GR. TIGE | SCHAFT | CONJ. VµSTAGO |
| 8 | G15828740 | ASS.ASSE RUOTINO | WHEEL AXIS ASS. | GR. AXE ROUE | RADACHSE | CONJ. EJE RUEDA |
| 9 | F02050034 | ANELLO E. DE 15X 1 U7435 C70 | ELASTIC RING DE 15X 1 | BAGUE ELASTIQUE DE 15X 1 | RING DE 15X 1 | ANILLO DE 15X 1 |
| 10 | G19005970 | DIST.D.15 X22 X 9 | | | | |
| 11 | G15827480 | ASSE COPRISEME | SEED-COVER AXLE | AXE COUVRE-GR. | SAMENABDECK ASCHE | CUBRESEMILLAS EJE |
| 12 | G15825251 | SUPP.RUOTINO PREMISEME FS | STRIP SEED PRESS WHEEL SUPPORT | ASS. SUPPORT ROUET RECOUVREUR | SAMENANDRUCKROLLENHALTERUNGSKO | CONJ.. SOPORTE RODILLO PRENSA |
| 13 | F01410037 | ROS.M6 6.4X12,5X1,6 U6592 ZN | PLANE WASHER D.6 | RONDELLE D.6 | SCHLEIBE D.6 | ARANDELA D.6 |
| 14 | F20110500 | INGRASS.A SFERE M6X1 LUNGO | SPHERE NIPPLE M6X1 LONG | GRAISSEUR A BILLES M6X1 LONG | KUGELFETTBSCHSE M6X1 LANG | ENGRASADOR ESFERAS M6X1 LARGO |
| 15 | F02200363 | COPIGLIA R 3X 62 ZN | SPRING SPLIT PIN 3X 62 ZN | GOUPILLE R 3X62 | SPLINT R 3X62 | CHAVETA R 3X62 |
| 16 | G19004530 | VOLANTINO PRESSORE (SEM.ORT.R) | HANDWHEEL | VOLANT | HANDRAD | VOLANTE |
| 17 | G66248100 | RULLO TEND. SP | TIGHTENER ROLLER SP | ROULEAU TENDEUR SP | SPANNERROLLE SP | RODILLO TENSOR SP |
| 18 | G19004560 | BOCCOLA MOLLA PRESSORE | SPRING BUSHING | RESSORT | FEDER | CASQUILLO MUELLE |
| 19 | G18903670 | MOLLA COMPRESSIONE RUOTINO | COMPR. WHEEL SPRING | RESSORT COMPRESSION ROUET | FEDER DsNGUNG ROLLE | MUELLE COMPRESIN RUEDECILLA A |
| 20 | G19005160 | BOCCOLA FINECORSIA BILANCIERE | LIMIT SWITCH ROCKER BUSHING | DOUILLE BUTEE BALANCIE | ENDANSCHLAGSBUCHSE TANDEMWAGEN | CASQUILLO FIN DE CARRERA BALAN |
| 21 | G15829590 | MONT.RUOTA GOMMAD.162X24 FL. | | | | |
| 22 | GA5820270 | RUOTA INOX D.168X23 COMPL | | | | |
| 23 | F01020398 | VITE M6X1X12 U5739 8.8 ZN | BOLT M6X12 | VIS M6X12 | SCHRAUBE M6X12 | TORNILLO M6X12 |
| 24 | G15826010 | BRACCIO PREMISEME FASCIA | STRIP SEED PRESS ARM COUPLING | ASS. BRAS ROUE INTERMEDIAIRE P | SAMENANDRUCKARMB_GELKOMPLEX | CONJ. PRENSA SEMILLAS FAJA |
| 25 | G15829451 | RUOTA INOX D.162X65 FL.COMPL | | | | |
| 26 | F01200232 | DADO M 6X 1 U5588 6.8 ZN | NUT 6 UNI 5588 6.8 GALVANIZED | ECROU 6 UNI 5588 6.8 ZN | MUTTER 6 UNI 5588 6.8 ZN | TUERCA 6 UNI 5588 6.8 ZN |
| 27 | G22250178 | RASCHIATERRA RUOTINO LARGO SV | WIDE WHEEL SOIL-SCRAPER SV | RACLEUR ROUET LARGE SV | ERDSCHABER BREITE ROLLE SV | RASCADOR RUEDECILLA LARGA SV |
| 28 | G15828830 | ASS.ASSE RUOTINO A FASCIA | SEM."R" BANDS WHEEL AXIS ASS. | GR. AXE ROUE BANDES SEM."R" | RADACHSE BsNDE SEM."R" | CONJ. EJE RUEDA FAJA SEM."R" |
| 29 | G15828151 | STELO PRESSORE RUOT.FASCIA | STRIP WHEEL PRESSURE STEM ASS. | GR. TIGE ROUE BRIDE | SCHAFT RAD BAND | CONJ. VµSTAGO RUEDA BANDA |
| 30 | G19005300 | DISTANZIALE 15X22X4,5 | | | | |
| 31 | G15825430 | BRACCIO SX.PREMISEME DR | DR LEFT-SIDE SEED PRESS ARM CO | ASS. BRAS GAUCHE ROUE INTERMED | ARMKOMPLEX LINKS SAMENANDR_CKE | CONJ.. BRAZO SX PRENSASEMILLAS |
| 32 | G15825440 | BRACCIO DX.PREMISEME DR | DR RIGHT-SIDE SEED PRESS ARM C | ASS. BRAS DROIT ROUE INTERMEDI | ARMKOMPLEX RECHTS SAMENANDR_CK | CONJ. BRAZO DX PRENSASEMILLAS |
| 33 | G10122392 | RASCHIATERRA | | | | |
| 34 | G15881931 | COPRISEME A FASCIA DX | | | | |
| 35 | G15881921 | COPRISEME A FASCIA SX | | | | |
| 36 | F01410100 | ROS.M16 17X 30X 3 U6592 ZN | WASHER M16 17X30X3 U6592 ZN | RONDELLE M16 17X30X3 U6592 ZN | SCHLEIBE M16 17X30X3 U6592 ZN | ARANDELA M16 17X30X3 U6592 ZN |
| 37 | G15881800 | ASS.SUPPORTO RASCHIATERRA | | | | |
| 38 | G15881780 | ASS.ASSE RUOTINO TR | WHEEL AXIS TR | AXE ROUE TR | RADACHSE TR | EJE RUEDA TR |
| 39 | G15881840 | PERNO RUOTE PREMISEME TR ZN | | | | |
| 40 | G15881750 | ASS.PRESSORE RUOTINI TR | | | | |
| 41 | F04010125 | CUSC.D15 D32 B9 6002 2RS1 | BEARING D15 D32 B9 6002 2RS1 | PALIER 6002 2RS1 | LAGER 6002 2RS1 | COJINETE 6002 2RS1 |
| 42 | G19005331 | FIANCO RUOTA D.168 | | | | |
| 43 | G15882720 | ANELLO INOX 168X65 | | | | |
| 44 | F01030038 | VITE M6X1X20 U5933 10.9 ZD | SCREW M6X 1X20 U5933 10.9 ZD | VIS M 6X20 | SCHRAUBE M 6X20 | TORNILLO M 6X20 |
| 45 | G15829420 | TUBO GOMMATO D.162X24 | | | | |
| 46 | GA5820280 | ANELLO INOX 168X23 | | | | |
| 47 | F01030041 | VITE M6X1X10 U5933 10.9 ZD | BOLT 6x10 5933 10.9 GALVANIZ. | VIS 6x10 5933 10.9 ZN | SCHRAUBE 6x10 5933 10.9 ZN | TORNILLO 6x10 5933 10.9 ZN |
| 48 | G15827610 | PROLUNGA BILANCIERE | | | | |
| 49 | F01020472 | VITE M10X1,5X25 U5739 8.8 ZN | BOLT 10X25 5739 8.G GALVANIZED | VIS 10X25 5739 8.G ZN | SCHRAUBE 10X25 5739 8.G ZN | TORNILLO 10X25 5739 8.G ZN |
| 50 | F01200270 | DADO M10X 1,5 U5588 6.8 ZN | NUT M10X 1,5 U5588 6.8 ZN | ECROU M10X 1,5 U5588 6.8 ZN | MUTTER M10X 1,5 U5588 6.8 ZN | TUERCA M10X 1,5 U5588 6.8 ZN |
| 51 | G15882300 | DISTANZIALE 15-25X50 | | | | |
| 52 | G15882480 | SUPP.BASCULANTE | | | | |
| 53 | G15882470 | PIATTO DX SUPP.BASCULANTE | | | | |
| 54 | G15882490 | PIATTO SX SUPP.BASCULANTE | | | | |
| 55 | G18801680 | BOCCOLA 11 X25 X7,5 ZN | BUSHING 11X25X7,5 GALVA | BOITE 11X25X7,5 ZN | BsCHSE 11X25X7,5 ZN | CASQUILLO 11X25X7,5 ZN |
| 56 | F01020043 | VITE M6X1X60 U5737 8.8 ZN | SCREW M6X 1X60 U5737 8.8 ZN | VIS 6 X60 5737 8.G ZN | SCHRAUBE 6 X60 5737 8.G ZN | TORNILLO 6 X60 5737 8.G ZN |
| 57 | F01230022 | DADO M 6X 1 D982 8 ZN | NORM.SELF-LOCKING NUT 6 GALVAN | ECROU AUTOB.NOR.6 ZN | SCHRAUBE AUTOB.NOR.6 ZN | TUERCA AUTOB. NOR. 6 ZN |
| 58 | F01020114 | VITE M10X1,5X50 U5737 8.8 ZN | SCREW M10X 1,5X50 U5737 8.8 ZN | VIS M10X 1,5X50 U5737 8.8 ZN | SCHRA.M10X 1,5X50 U5737 8.8 ZN | TORN. M10X 1,5X50 U5737 8.8 ZN |
| 59 | F01410064 | ROS.M10 10,5X 20X 2 U6592 ZN | WASHER M10 10,5X20X2 U6592 ZN | RONDELL.M10 10,5X20X2 U6592 ZN | SCHLEIBE M10 10,5X20X2 U6592 ZN | ARAND. M10 10,5X20X2 U6592 ZN |
| 60 | G20970149 | RONDELLA D.15X28X1,5 | WASHER D.15X28X1-5 | RONDELLE D. 15X28X1-5 | UNTERLEGSCHLEIBE D.15X28X1-5 | ARANDELA D.15X28X1-5 |

TAV. 231

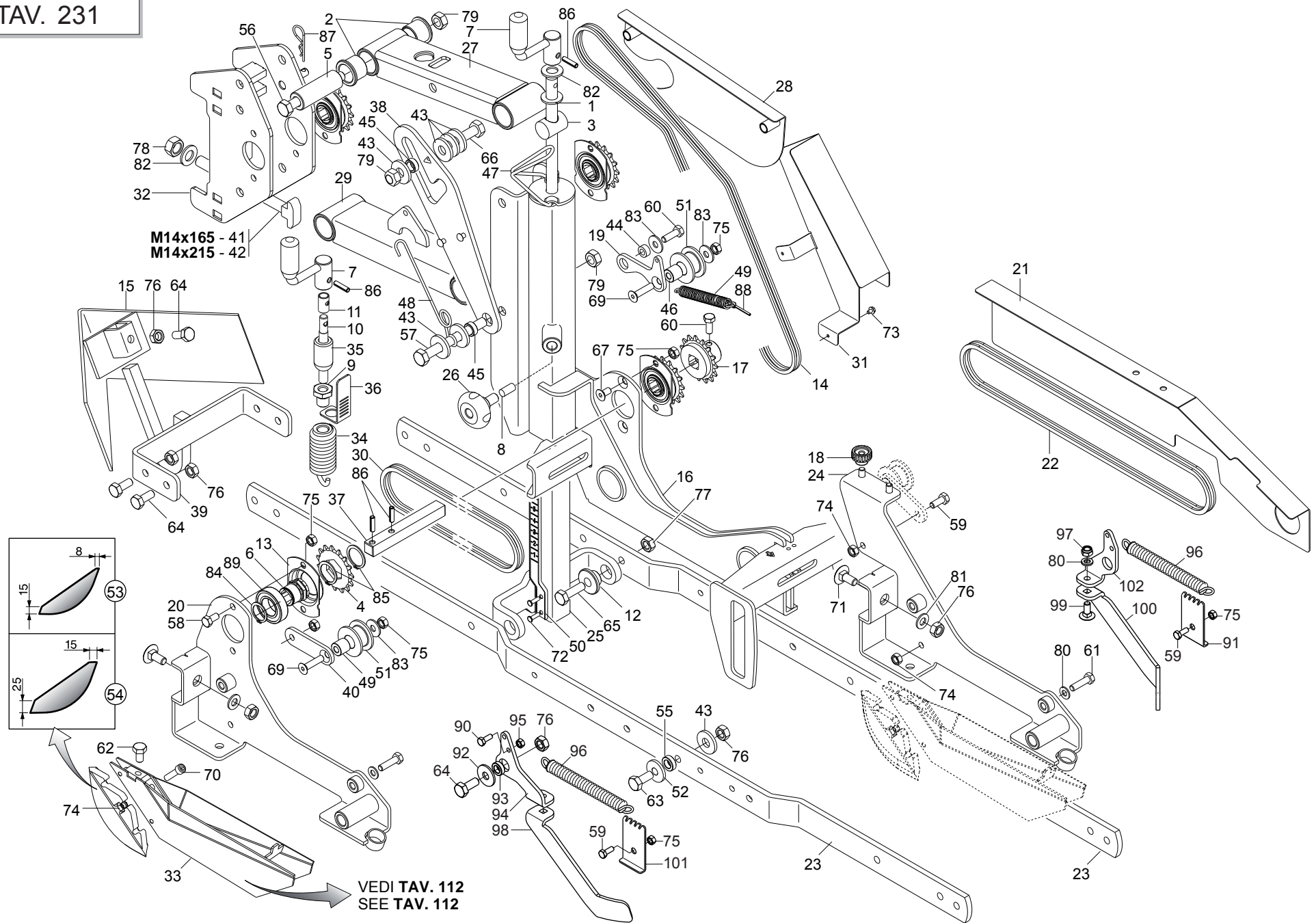


ELEMENTO OLIMPIA

TAV. 231

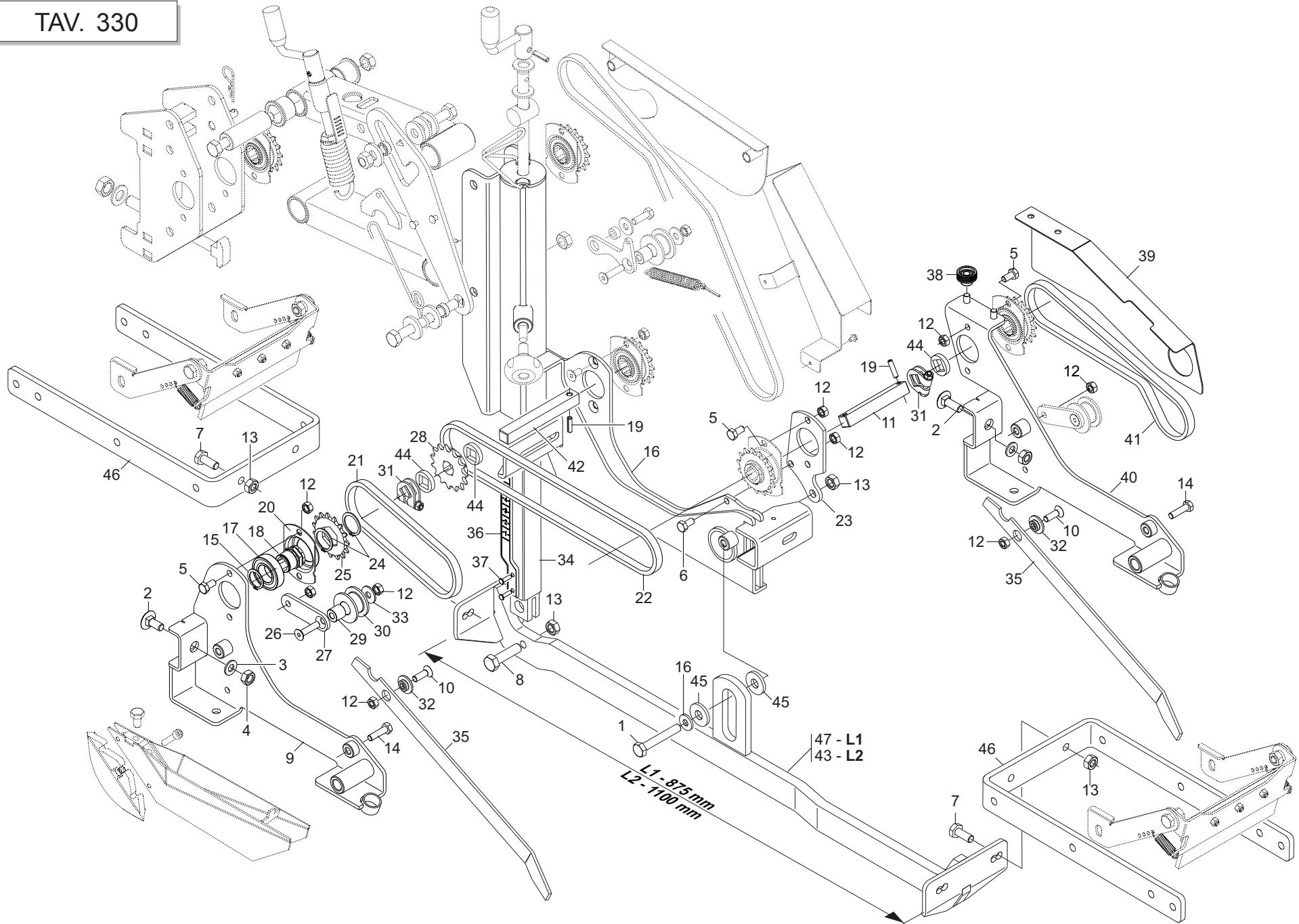
| Pos. | Cod. | Descrizione | Description | Description | Benennung | Descrpcion |
|------|-----------|--------------------------------|--------------------------------|--------------------------------|-------------------------------|----------------------------------|
| 1 | G22230062 | VITE DI REGOLAZIONE | ADJUSTMENT BOLT | VIS DE REGLAGE | EINSTELLSCHRAUBE | TORNILLO DE REGULACION S |
| 2 | G66349003 | BOCCOLA SINT. | BUSHING- SINTERED | BOITE FRITTEE | SYNTH. BUECHSE | CASQUILLO SINT. |
| 3 | G22230063 | ELEMENTO ARTICOLATO | ARTICULATED ELEMENT | ELEMENT ARTICULE | GELENKELEMENT | ELEMENTO ARTICULADO |
| 4 | G22250190 | CORONA ASSE SEMINAT.Z-15 SV | PLANTING UNIT AXLE Z-15 RING G | COURONNE AXE SEMEUR Z-15 SV | KRANZ SZELEMENTACHSE Z-15 SV | CORONA EJE SEMBR. Z-15 SV |
| 5 | G22250405 | PERNO BRACCIO INFERIORE SV/2 | PIN- LOWER ARM SV/2 | PIVOT BRAS INF. SV/2 | ZAPFEN UNTERER ARM SV/2 | PERNO BRAZO INFERIOR SV/2 |
| 6 | G22250441 | MOZZO CORONA SEMINATORE SV/2 | PLANTING UNIT CROWN HUB SV/2 | MOYEU COURONNE SEMEUR SV/2 | KRANZNABE SZELEMENT SV/2 | CUBO CORONA SEMBRADOR SV/2 |
| 7 | G22270235 | MANIGLIA REGOLAZIONE B4 | ADJUSTMENT HANDLE B4 | POIGNEE REGLAGE B4 | EINSTELLGRIFF B4 | MANIJA REGULACION B4 M |
| 8 | G14820991 | FERMO REGOLAZIONE | ADJUSTMENT STOP | BUTEE REGLAGE | EINSTELLUNGSSPERRE | BLOQUEO REGULACION |
| 9 | G15220120 | VITE REGOLAZIONE ZN | REGULATION BOLT | VIS RÉGLAGE ZN | STELLSCHRAUBE ZN | TORNILLO REGULACION ZN |
| 10 | G22505063 | VITE REGOL.RUOTE POSTERIORI | BOLT- REAR WHEEL ADJUSTM. | VIS REGLAGE ROUES ARRIERES | EINSTELLSCHRAUBE HINTERRZDER | TORNILLO REGUL. RUEDAS TRASERA |
| 11 | G22505061 | BOCCOLA VITE DI REGOLAZIONE | BUSHING | BOITE VIS DE REGLAGE | BsCHSE EINSTELLSCHRAUBE | CASQUILLO TORNILLO DE REGULACION |
| 12 | G15224630 | BOCCOLA BRACCIO | ARM BUSHING | BOITE BRAS | BsCHSE ARM | CASQUILLO BRAZO |
| 13 | G15725030 | SUPPORTO CUSCINETTO | BEARING SUPPORT | SUPPORT PALIER | LAGERHALTERUNG | SOPORTE COJINETE |
| 14 | F06080087 | CATENA 1/2 ISO 083 86 MAGLIE | | | | |
| 15 | G15821861 | SPIANATERRA | | | | |
| 16 | G15827620 | TELAJETTO CENTRALE | | | | |
| 17 | G15827660 | PIGNONE Z-15 ZN | | | | |
| 18 | F06220037 | VOLANTINO ZIGR.D.26-M8 FEM | | | | FOLLETO ZIGR.D.26-M8 |
| 19 | G15827680 | BRACCIO TENDICATENA | | | | |
| 20 | G15827700 | ATTACCO DISTRIBUTORE ANT. | | | | |
| 21 | G15827800 | CARTER POST.SEMINATORE | | | | |
| 22 | F06080050 | CATENA 1/2 ISO 083 96 MAGLIE | CUT-DOWN CHAIN 1/2 ISO 083 96 | TR. CH...1/2 ISO 083 96 MAILL | KETTENZNGE 1/2 ISO 083 96 GL | TRECHO CADENA 1/2 ISO 083 96 E |
| 23 | G15827831 | BRACCIO BILANCIERE | | | | |
| 24 | G15827860 | ATTACCO DISTRIBUTORE POST. | | | | |
| 25 | G15827870 | SUPPORTO BILANCIERE | | | | |
| 26 | F06220010 | VOLANTINO 4 LOBI M12X25 | 8-LOBE HANDWHEEL M12X25 | VOLANT 8 LOBES M12X25 | HANDRAD 8 BUCKEL M12X25 | VOLANTE 8 LOBI M12X25 |
| 27 | G15827900 | BRACCIO SUP.PARALLELOGRAMMA | | | | |
| 28 | G15827930 | CARTER ANT. | | | | |
| 29 | G15827940 | BRACCETTO INF. | | | | |
| 30 | F06080016 | CATENA 1/2 ISO 083 38 MAGLIE | | | | |
| 31 | G15827990 | CARTER CENTRALE SEMINATORE | | | | |
| 32 | G15828250 | ATTACCO TELAIO | FRAME COUPLING | FIXATION BATI | KUPPLUNG RAHMEN | CONEXIN BASTIDOR |
| 33 | G15828350 | ASS.LAMIERE FALCIONE FS-03 | COULTER SHEET ASS. FS-03 | GR. T+LES SOC FS-03 | BLECHE S-SCHAR FS-03 | CONJ. CHAPAS BOTA FS-03 |
| 34 | G15828660 | ASS.MOLLA ALLEGGERIMENTO | LIGHTENING SPRING COUPLING | ASS. RESSORT ALLEGEMENT | ERLEICHTERUNGSFEDERKOMPLEX | CONJ. MUELLE DE ALIGERAMIENTO |
| 35 | G15828760 | BOCCOLA TENDITORE 14,00X25X 45 | BUSHING- TIGHTENER | BOITE TENDEUR | BsCHSE SPANNER | CASQUILLO TENSOR |
| 36 | G15829290 | INDICE MOLLA PARALLELOGR. ZN | | | | |
| 37 | G15829630 | ASSE TRASMISSIONE | TRANSMISSION AXLE | AXE TRANSMISSION | ANTRIEBSACHSE | EJE TRANSMISION |
| 38 | G15829681 | ASTAAGGANCIO | | | | |
| 39 | G15829690 | SUPPORTO SPARTIZOLLE | | | | |
| 40 | G15835360 | BRACCIO TENDICATENA | | | | |
| 41 | G16610010 | VITE A MARTELLO M14X165 | WINGED SCREW M14X165 | VIS A TETE MARTEAU M14X165 | ZWEIFLÜGEL- SCHRAUBEN M14X165 | TORNILLO DE MARIPOSA M14X165 |
| 42 | G16610020 | VITE A MARTELLO M14X215 | WINGED SCREW M14X215 | VIS A TETE MARTEAU M14X215 | ZWEIFLÜGEL- SCHRAUBEN M14X215 | TORNILLO DE MARIPOSA M14X215 |
| 43 | G20970035 | RONDELLA 32X4X13 | WASHER 32X4X13 | RONDELLE 32X4X13 | UNTERLEGSCHHEIBE 32X4X13 | ARANDELA 32X4X13 |
| 44 | G20980050 | BOCCOLA 15X7X8,5 ZN | BUSHING 15X7X8-5 ZN | BOITE 15X7X8-5 ZN | BsCHSE 15X7X8-5 ZN | CASQUILLO 15X7X8-5 ZN |
| 45 | G20980082 | BOCCOLA 18X7X12,25 | BUSHING 18X7X12-25 | BOITE 18X7X12-25 | BsCHSE 18X7X12-25 | CASQUILLO 18X7X12-25 |
| 46 | G18801450 | BOCCOLA 8,25 X18 X17 | BUSHING 8,25 X 18 X 17 | BOITE 8,25 X18 X17 | BsCHSE 8,25 X18 X17 | CASQUILLO 8,25 X18 X17 |
| 47 | G65336100 | MOLLA SPEC.FERMO MANIGLIA SP | SPEC SPRING HANDLE STOP SP | RESSORT SPEC. ARRET POIGNEE SP | SPEZIALFEDER GRIFFSPERRE SP | MUELLE ESPEC. BLOQUEO MANIJA S |
| 48 | G18902880 | MOLLA FERMO PARALLELO SP | | | | |
| 49 | G18801450 | BOCCOLA 8,25 X18 X17 | BUSHING 8,25 X 18 X 17 | BOITE 8,25 X18 X17 | BsCHSE 8,25 X18 X17 | CASQUILLO 8,25 X18 X17 |
| 50 | G19003400 | ASTA INDICAZIONE PROFONDITA' | DEPTH INDICATING ROD | TIGE INDICATION PROFONDEUR | TIEFENANZEIGESTAB | VARILLA INDICACION PROFUNDIDAD |
| 51 | G19005110 | RULLO TENDICATENA | | | | RODILLO TENSIONA CADENA |
| 52 | G19005460 | BOCCOLA BILANCIERE | ROCKER BUSHING | BOITE BALANCIER | BsCHSE KIPPHEBEL | CASQUILLO BALANCN |
| 53 | G19203660 | TAGLIENTE FALCIONE FS03 H8/15 | CUTTER EDGE FS03 H8/15 | COUPEUR HACHOIR FS03 H8/15 | SCHARSCHNEIDE FS03 H8/15 | AFIL. HOJA DE CORTE FS03 H8/15 |
| 54 | G19203670 | TAGLIENTE FALCIONE FS03 H15/25 | | | | REJA TRIPLE FS03 H15/25 |

TAV. 231



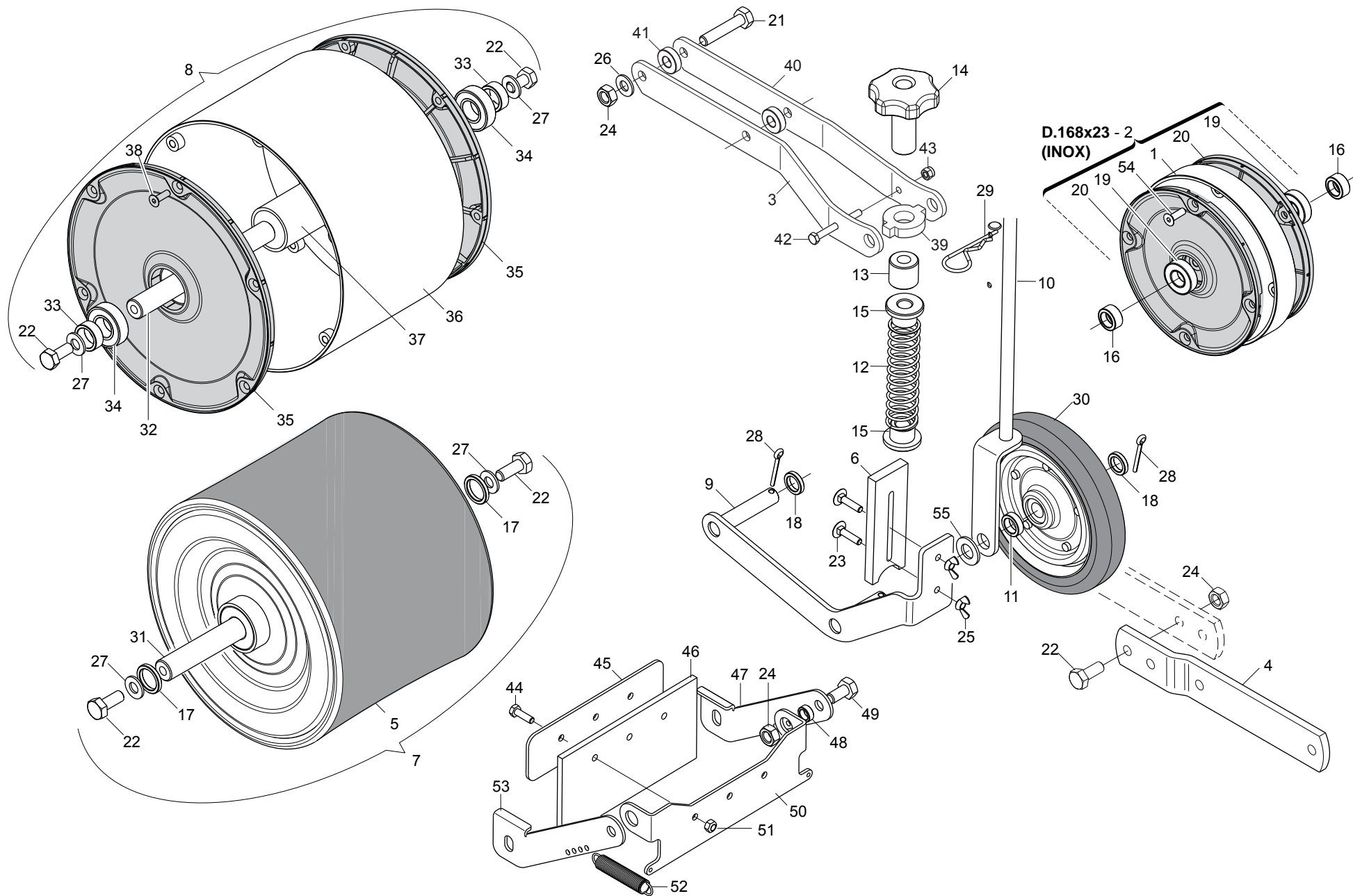
VEDI TAV. 112
SEE TAV. 112

| Pos. | Cod. | Descrizione | Description | Description | Benennung | Descripcion |
|------|-----------|--------------------------------|--------------------------------|--------------------------------|--------------------------------|---------------------------------|
| 55 | G18801610 | BOCCOLA 10,25X16 X11 ZN | BUSHING 10.25 X 16 X 11- GALVA | BOITE 10-25X16 X11 ZN | BsCHSE 10-25X16 X11 ZN | CASQUILLO 10-25X16 X11 ZN |
| 56 | F01020170 | VITE M12X1,75X100 5737 8.8 ZN | SCREW M12X1,75X100 5737 8.8 ZN | VIS M12X1,75X100 5737 8.8 ZN | SCHRA.M12X1,75X100 5737 8.8 ZN | TORN. M12X1,75X100 5737 8.8 ZN |
| 57 | F01020172 | VITE M12X1,75X110 5737 8.8 ZN | SCREW M12X1,75X110 5737 8.8 ZN | VIS 12X110 5737 8.G ZN | SCHRAUBE 12X110 5737 8.G ZN | TORNILLO 12X110 5737 8.G ZN |
| 58 | F01020432 | VITE M 8X1,25X16 U5739 8.8 ZN | SCREW M8X 1.25X16 U5739 8.8 ZN | VIS M8X16 | SCHRAUBE M8X16 | TORNILLO M8X16 |
| 59 | F01020436 | VITE M 8X1,25X 20 U5739 8.8 ZN | SCREW M8X1,25X20 U5739 8.8 ZN | VIS M8X1,25X20 U5739 8.8 ZN | SCHRA. M8X1,25X20 U5739 8.8 ZN | TORN. M8X1,25X20 U5739 8.8 ZN |
| 60 | F01020440 | VITE M 8X1,25X25 U5739 8.8 ZN | BOLT M8X1,25X25 U5739 8.8 ZN | VIS M8X1,25X25 U5739 8.8 ZN | SCHRA. M8X1,25X25 U5739 8.8 ZN | TORNIL. M8X1,25X25 U5739 8.8 ZN |
| 61 | F01020445 | VITE M8X1,25X30 U5739 8.8 ZN | BOLT M8X30 | VIS M8X30 | SCHRAUBE M8X30 | TORNILLO M8X30 |
| 62 | F01020468 | VITE M10X1,5 X16 U5739 8.8 ZN | SCREW M10X1,5X16 U5739 8.8 ZN | VIS M10X1,5X16 U5739 8.8 ZN | SCHRA. M10X1,5X16 U5739 8.8 ZN | TORN. M10X1,5X16 U5739 8.8 ZN |
| 63 | F01020479 | VITE M10X1,5X35 U5739 8.8 ZN | SCREW M10X1,5X35 U5739 8.8 ZN | VIS M10X1,5X35 U5739 8.8 ZN | SCHR. M10X1,5X35 U5739 8.8 ZN | TORN. M10X1,5X35 U5739 8.8 ZN |
| 64 | F01020472 | VITE M10X1,5X25 U5739 8.8 ZN | BOLT 10X25 5739 8.G GALVANIZED | VIS 10X25 5739 8.G ZN | SCHRAUBE 10X25 5739 8.G ZN | TORNILLO 10X25 5739 8.G ZN |
| 65 | F01020512 | VITE M12X1,75X35 U5739 8.8 ZN | SCREW M12X1,75X35 5739 8.8 ZN | VIS M12X1,75X35 5739 8.8 ZN | SCHR. M12X1,75X35 5739 8.8 ZN | TORN. M12X1,75X35 5739 8.8 ZN |
| 66 | F01020152 | VITE M12X1,75X 40 5737 8.8 ZN | SCREW M12X1,75X40 U5737 8.8 ZN | VIS M12X1,75X 40 U5737 8.8 ZN | SCHR.M12X1,75X 40 U5737 8.8 ZN | TORN.M12X1,75X 40 U5737 8.8 ZN |
| 67 | F01030054 | VITE M 8X1,25X16 U5933 10.9 ZD | BOLT 8X16 UNI5933 10.9 GALVANI | VIS 8X16 UNI 5933 10.9 ZN | SCHRAUBE 8X16 UNI 5933 10.9 ZN | TORNILLO 8X16 UNI 5933 10.9 ZN |
| 68 | F01030056 | VITE M 8X1,25X25 U5933 10.9 ZD | BOLT 8X25 5933 10.9 GALVANIZED | VIS 8X25 5933 10.9 ZN | SCHRAUBE 8X25 5933 10.9 ZN | TORNILLO 8X25 5933 10.9 ZN |
| 69 | F01030060 | VITE M 8X1,25X35 U5933 10.9 ZD | SCREW M8X1,25X35 U5933 8.8 ZD | VIS 8X35 5933 8.8 ZN | SCHRAUBE 8X35 5933 8.8 ZN | TORNILLO 8X35 5933 8.8 ZN |
| 70 | F01040098 | VITE M 8X1,25X30 U5931 8.8 BR | SCREW 8 X30 5931 8.G | VIS 8 X30 5931 8.G | SCHRAUBE 8 X30 5931 8.G | TORNILLO 8 X30 5931 8.G |
| 71 | F01060069 | VITE M10X1,5X30 U5732 4.6 ZN | BOLT 10X30 5732 4.6 | BOULON 10X30 5732 4.6 | SCHRAUBE 10X30 5732 4.6 | PERNO 10X30 5732 4.6 |
| 72 | F01070050 | VITE M3,5X1,27X16 U6954 4.8NI | BOLT 3,5X1,27X 16 6954 4.8NI | VIS 3,5X1,27X 16 6954 4.8NI | SCHRAUBE 3.5X1.27X 16 6954 4.8 | TORNILLO 3.5X1.27X 16 6954 4.8 |
| 73 | F01070073 | VITE M4,2X1,41X9,5 U6954 4.8NI | BOLT 4-2X 9-5 DIN 7981 | VIS 4-2X 9-5 DIN 7981 | SCHRAUBE 4-2X 9,5 DIN 7981 | TORNILLO 4-2X 9-5 DIN 7981 |
| 74 | F01200243 | DADO M 8X1,25 U5588 6.8 BR | NUT 8 UNI 5588 6.8 | ECROU 8 UNI 5588 6.8 | MUTTER 8 UNI 5588 6.8 | TUERCA 8 UNI 5588 6.8 |
| 75 | F01200244 | DADO M 8X1,25 U5588 6.8 ZN | NUT M8 X1,25 U5588 6.8 ZN | ECROU M8 X1,25 U5588 6.8 ZN | MUTTER M8 X1,25 U5588 6.8 ZN | TUERCA M8 X1,25 U5588 6.8 ZN |
| 76 | F01200270 | DADO M10X 1,5 U5588 6.8 ZN | NUT M10X 1,5 U5588 6.8 ZN | ECROU M10X 1,5 U5588 6.8 ZN | MUTTER M10X 1,5 U5588 6.8 ZN | TUERCA M10X 1,5 U5588 6.8 ZN |
| 77 | F01200293 | DADO M12X1,75 U5588 6.8 ZN | NUT M12X1,75 U5588 6.8 ZN | ECROU M12X1,75 U5588 6.8 ZN | MUTTER M12X1,75 U5588 6.8 ZN | TUERCA M12X1,75 U5588 6.8 ZN |
| 78 | F01200306 | DADO M14X 2 U5588 6.8 ZN | NUT M14X2 | ECROU M14X2 | MUTTER M14X2 | DADO M14X2 |
| 79 | F01220048 | DADO M12X1,75 D980 8 ZN | NUT M12X1,75 D980 8 ZN | ECROU M12X1,75 D980 8 ZN | SCHIEBE M12X1,75 D980 8 ZN | TUERCA M12X1,75 D980 8 ZN |
| 80 | F01410051 | ROS.M8 8,4X 17X1,6 U6592 ZN | WASHER M8 8,4X17X1,6 U6592 ZN | RONDEL. M8 8,4X17X1,6 U6592 ZN | SCHEIBE M8 8,4X17X1,6 U6592 ZN | ARANDELA M8 8,4X17X1,6 U6592ZN |
| 81 | F01410064 | ROS.M10 10,5X 20X 2 U6592 ZN | WASHER M10 10,5X20X2 U6592 ZN | RONDELL.M10 10,5X20X2 U6592 ZN | SCHEIBE M10 10,5X20X2 U6592 ZN | ARAND. M10 10,5X20X2 U6592 ZN |
| 82 | F01410088 | ROS.M14 15X 28X2,5 U6592 ZN | WAS.M14 15X 28X2,5 U6592 ZB | RON.M14 15X 28X2,5 U6592 ZB | SCH.M14 15X 28X2,5 U6592 ZB | ARA.M14 15X 28X2,5 U6592 ZB |
| 83 | F01420048 | ROS.M8 8,4X 24X 2 U6593 ZN | WASHER M8 8,4X 24X 2 U6593 ZN | RONDELLE M8 8,4X 24X2 U6593 ZN | SCHEIBE M8 8,4X 24X 2 U6593 ZN | ARANDELA M8 8,4X 24X2 U6593 ZN |
| 84 | F02050101 | ANELLO E. DE 25X 1,2 U7435 C70 | SEEGER RING E. 25X1,2 7435 C70 | SEEGER E. 25X 1,2 U7435 C70 | SEEGERING E. 25X 1,2 U7435 C70 | ANILLO E. 25X 1,2 U7435 C70 |
| 85 | F02050615 | ANELLO E. DE 28X 1,5 U7435 C70 | STOP RING 28 UNI 7435-75 | BAGUE DE SERRAGE 28 UNI 7435-7 | DRAHTSPRENGRING 28 UNI 7435-75 | ANILLO PARADA 28 UNI 7435-75 |
| 86 | F02100109 | SPINA E.P. 6X 24 U6873 C70 BR | PIN EL. .6 X24 DIN 1481 | FICHE EL. 6 X24 DIN 1481 | SPANNSTIFT 6 X24 DIN 1481 | CLAVIJA EL.6 X24 DIN 1481 |
| 87 | F02200342 | COPIGLIA R 2X 50 ZN | SPRING SPLIT PIN 2X50 ZN | GOUPILLE R 2X50 ZN | SPLINT R 2X50 ZN | CHAVETA R 2X50 ZN |
| 88 | F02200363 | COPIGLIA R 3X 62 ZN | SPRING SPLIT PIN 3X 62 ZN | GOUPILLE R 3X62 | SPLINT R 3X62 | CHAVETA R 3X62 |
| 89 | F04010135 | CUSC.D25 D47 B12 6005 2RS EX> | BEARING D25 D47 B12 6005 2RS | | | |
| 90 | F01020403 | VITE M6X1X16 U5739 8.8 ZN | SCREW M6X1X16 U5739 8.8 ZN | VIS M6X1X16 U5739 8.8 ZN | SCHRAUBE M6X1X16 U5739 8.8 ZN | TORNILLO M6X1X16 U5739 8.8 ZN |
| 91 | G15829960 | ATTACCO SX MOLLA COPRISEME | | | | |
| 92 | F01420060 | ROS.M10 10,5X 30X2,5 U6593 ZN | WASHER 10,5X30 | RONDELLE 10,5X30 | SCHEIBE 10,5X30 | ARANDELA 10,5X30 |
| 93 | G18800260 | BOCCOLA 10,5X18X6 ZN | | | | |
| 94 | G15882220 | SUPPORTO COPRISEME SX | | | | |
| 95 | F01200232 | DADO M 6X 1 U5588 6.8 ZN | NUT 6 UNI 5588 6.8 GALVANIZED | ECROU 6 UNI 5588 6.8 ZN | MUTTER 6 UNI 5588 6.8 ZN | TUERCA 6 UNI 5588 6.8 ZN |
| 96 | G18902520 | MOLLA TRAZ.ZN RASCHIATERRA | | | | RESORTE TRAZ.ZN RASTRILLO |
| 97 | F01230034 | DADO M 8X1,25 D982 8 | SELF LOCK.NUT M8X1,25 D982 8ZN | ECROU AUTOBL.M8X1,25 D982 8 ZN | SELBST.MUTT.M8X1,25 D982 8 ZN | TUERCA AUTO. M8X1,25 D982 8 ZN |
| 98 | G15882240 | COPRISEME SX | | | | |
| 99 | F01060040 | VITE M8X1,25X20 U5732 4.6 ZG | SCREW M8X1,25X20 U5732 4.6 ZN | VIS M8X1,25X20 U5732 4.6 ZN | SCHRA. M8X1,25X20 U5732 4.6 ZN | TORN. M8X1,25X20 U5732 4.6 ZN |
| 100 | G15882250 | COPRISEME DX | | | | |
| 101 | G15829970 | ATTACCO DX MOLLA COPRISEME | | | | |
| 102 | G15882230 | SUPPORTO COPRISEME DX | | | | |
| 103 | G18801610 | BOCCOLA 10,25X16 X11 ZN | BUSHING 10.25 X 16 X 11- GALVA | BOITE 10-25X16 X11 ZN | BsCHSE 10-25X16 X11 ZN | CASQUILLO 10-25X16 X11 ZN |



VARIANTI ELEMENTO OLIMPIA «W»
TAV. 330

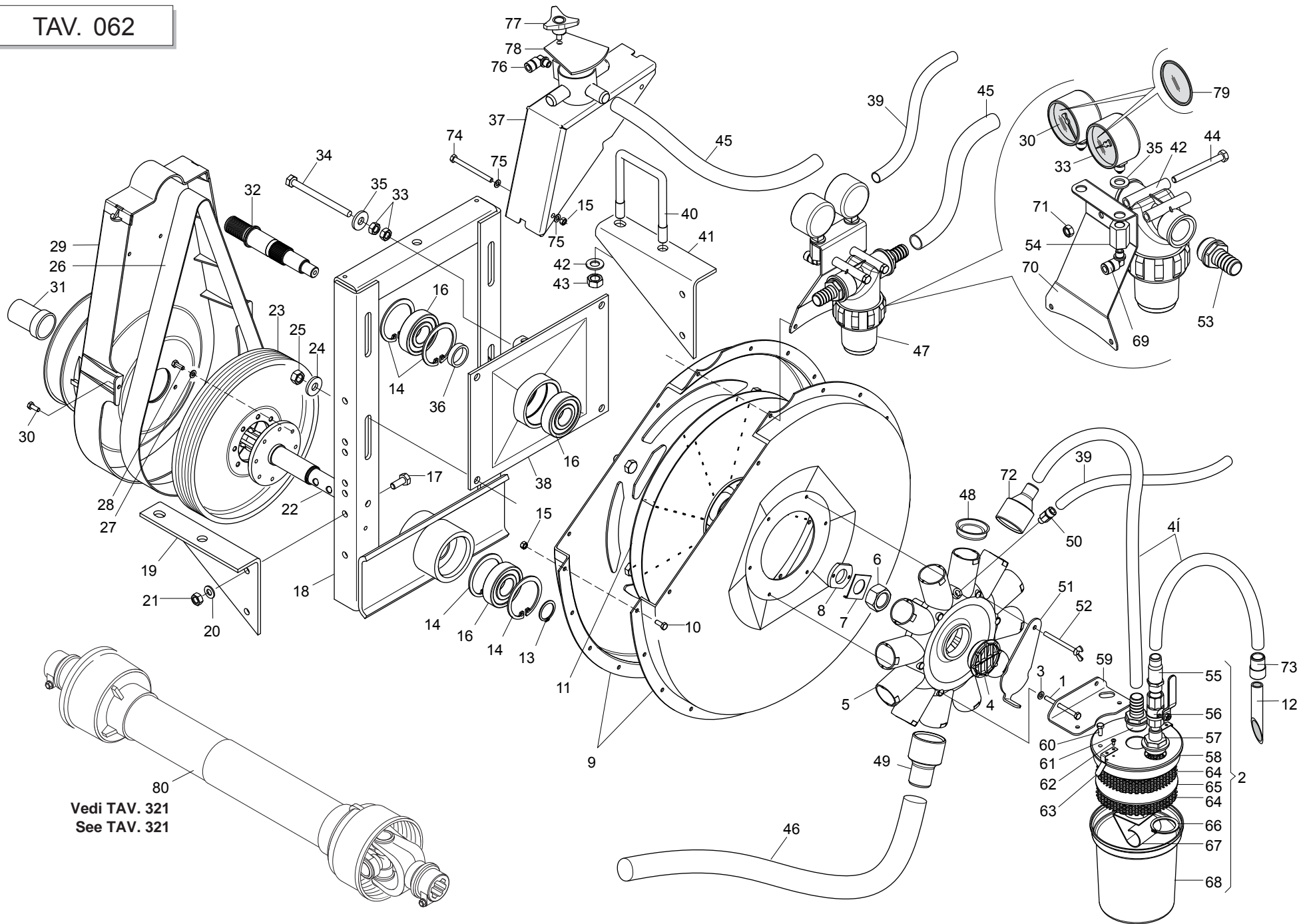
| Pos. | Cod. | Descrizione | Description | Description | Benennung | Descripcion |
|------|-----------|--------------------------------|--------------------------------|--------------------------------|---------------------------------|--------------------------------|
| 1 | F01020122 | VITE M10X1,5X70 U5737 8.8 ZN | SCREW M10X1,5X 70 U5737 8.8 ZN | VIS 10X 1,5X 70 U5737 8.8 ZN | SCHR. 10X 1,5X 70 U5737 8.8 ZN | TORN.10X 1,5X 70 U5737 8.8 ZN |
| 2 | F01060069 | VITE M10X1,5X30 U5732 4.6 ZN | BOLT 10X30 5732 4.6 | BOULON 10X30 5732 4.6 | SCHRAUBE 10X30 5732 4.6 | PERNO 10X30 5732 4.6 |
| 3 | F01410064 | ROS.M10 10,5X 20X 2 U6592 ZN | WASHER M10 10,5X20X2 U6592 ZN | RONDELL.M10 10,5X20X2 U6592 ZN | SCHLEIBE M10 10,5X20X2 U6592 ZN | ARAND. M10 10,5X20X2 U6592 ZN |
| 4 | F01200270 | DADO M10X 1,5 U5588 6.8 ZN | NUT M10X 1,5 U5588 6.8 ZN | ECROU M10X 1,5 U5588 6.8 ZN | MUTTER M10X 1,5 U5588 6.8 ZN | TUERCA M10X 1,5 U5588 6.8 ZN |
| 5 | F01020432 | VITE M 8X1,25X16 U5739 8.8 ZN | SCREW M8X 1.25X16 U5739 8.8 ZN | VIS M 8X16 | SCHRAUBE M 8X16 | TORNILLO M 8X16 |
| 6 | F01020440 | VITE M 8X1,25X25 U5739 8.8 ZN | BOLT M8X1,25X25 U5739 8.8 ZN | VIS M8X1,25X25 U5739 8.8 ZN | SCHRA. M8X1,25X25 U5739 8.8 ZN | TORNIL.M8X1,25X25 U5739 8.8 ZN |
| 7 | F01020472 | VITE M10X1,5X25 U5739 8.8 ZN | BOLT 10X25 5739 8.G GALVANIZED | VIS 10X25 5739 8.G ZN | SCHRAUBE 10X25 5739 8.G ZN | TORNILLO 10X25 5739 8.G ZN |
| 8 | F01020485 | VITE M10X1,5 X 50 5739 8.8 ZN | BOLT M 10X50 | VIS M 10X50 | SCHRAUBE M 10X50 | TORNILLO M 10X50 |
| 9 | G15827700 | ATTACCO DISTRIBUTORE ANT. | | | | |
| 10 | F01030056 | VITE M 8X1,25X25 U5933 10.9 ZD | BOLT 8X25 5933 10.9 GALVANIZED | VIS 8X25 5933 10.9 ZN | SCHRAUBE 8X25 5933 10.9 ZN | TORNILLO 8X25 5933 10.9 ZN |
| 11 | G15881260 | ALBERO | SHAFT | ARBRE | WELLE | EJE |
| 12 | F01200244 | DADO M 8X1,25 U5588 6.8 ZN | NUT M8 X1,25 U5588 6.8 ZN | ECROU M8 X1,25 U5588 6.8 ZN | MUTTER M8 X1,25 U5588 6.8 ZN | TUERCA M8 X1,25 U5588 6.8 ZN |
| 13 | F01200270 | DADO M10X 1,5 U5588 6.8 ZN | NUT M10X 1,5 U5588 6.8 ZN | ECROU M10X 1,5 U5588 6.8 ZN | MUTTER M10X 1,5 U5588 6.8 ZN | TUERCA M10X 1,5 U5588 6.8 ZN |
| 14 | F01020445 | VITE M8X1,25X30 U5739 8.8 ZN | BOLT M8X30 | VIS M 8X30 | SCHRAUBE M 8X30 | TORNILLO M 8X30 |
| 15 | F02050101 | ANELLO E. DE 25X 1,2 U7435 C70 | SEEGER RING E. 25X1,2 7435 C70 | SEEGER E. 25X 1,2 U7435 C70 | SEEGERING E. 25X 1,2 U7435 C70 | ANILLO E. 25X 1,2 U7435 C70 |
| 16 | F01410064 | ROS.M10 10,5X 20X 2 U6592 ZN | WASHER M10 10,5X20X2 U6592 ZN | RONDELL.M10 10,5X20X2 U6592 ZN | SCHLEIBE M10 10,5X20X2 U6592 ZN | ARAND. M10 10,5X20X2 U6592 ZN |
| 17 | F04010135 | CUSC.D25 D47 B12 6005 2RS EX> | BEARING D25 D47 B12 6005 2RS | | | |
| 18 | G22250441 | MOZZO CORONA SEMINATORE SV/2 | PLANTING UNIT CROWN HUB SV/2 | MOYEU COURONNE SEMEUR SV/2 | KRANZNABE SZELEMENT SV/2 | CUBO CORONA SEMBRADOR SV/2 |
| 19 | F02100109 | SPINA E.P. 6X 24 U6873 C70 BR | PIN EL. .6 X24 DIN 1481 | FICHE EL. 6 X24 DIN 1481 | SPANNSTIFT 6 X24 DIN 1481 | CLAVIJA EL.6 X24 DIN 1481 |
| 20 | G15725030 | SUPPORTO CUSCINETTO | BEARING SUPPORT | SUPPORT PALIER | LAGERHALTERUNG | SOPORTE COJINETE |
| 21 | F06080016 | CATENA 1/2 ISO 083 38 MAGLIE | | | | |
| 22 | F06080197 | CATENA 1/2 ISO 083 58 MAGLIE | CHAIN 1/2 ISO 083 58 LINKS | CHAINE 1/2 ISO 083 58 MAILLES | KETTE 1/2 ISO 083 58 GLIEDER | CADENA 1/2 ISO 083 58 ESLABEL |
| 23 | GA5820400 | SUPPORTO CUSCINETTO OLIMPIA W | | | | |
| 24 | F02050615 | ANELLO E. DE 28X 1,5 U7435 C70 | STOP RING 28 UNI 7435-75 | BAGUE DE SERRAGE 28 UNI 7435-7 | DRAHTSPRENGRING 28 UNI 7435-75 | ANILLO PARADA 28 UNI 7435-75 |
| 25 | G22250190 | CORONA ASSE SEMINAT.Z-15 SV | PLANTING UNIT AXLE Z-15 RING G | COURONNE AXE SEMEUR Z-15 SV | KRANZ SZELEMENTACHSE Z-15 SV | CORONA EJE SEMBR. Z-15 SV |
| 26 | F01030060 | VITE M 8X1,25X35 U5933 10.9 ZD | SCREW M8X1,25X35 U5933 8.8 ZD | VIS 8X35 5933 8.8 ZN | SCHRAUBE 8X35 5933 8.8 ZN | TORNILLO 8X35 5933 8.8 ZN |
| 27 | G15835360 | BRACCIO TENDICATENA | | | | |
| 28 | G22250028 | PIGNONE Z-15 SV | Z-15 PINION SV | PIGNON Z-15 SV | RITZEL Z-15 SV | PIÑON Z-15 SV |
| 29 | G18801450 | BOCCOLA 8,25 X18 X17 | BUSHING 8,25 X 18 X 17 | BOITE 8,25 X18 X17 | BsCHSE 8,25 X18 X17 | CASQUILLO 8,25 X18 X17 |
| 30 | G19005110 | RULLO TENDICATENA | | | | |
| 31 | G22505085 | FERMO ASSE IN LAMIERA | PLATE AXLE STOP | ARRET AXE EN TOLE | FESTSTELLVORRICHTUNG BLECHACHS | BLOQUEO EJE DE CHAPA |
| 32 | G15821110 | BOCCOLA SUPPORTO COPRISEME | SEED COVER SUPP. BUSHING | BOITE SUPPORT COUVRE-SEMENCE | BsCHSE SAMENABDECKERHALTER. | CASQUILLO SOPORTE CUBRESEMILLA |
| 33 | F01420048 | ROS.M8 8,4X 24X 2 U6593 ZN | WASHER M8 8,4X 24X 2 U6593 ZN | RONDELLE M8 8,4X 24X2 U6593 ZN | SCHLEIBE M8 8,4X 24X 2 U6593 ZN | ARANDELA M8 8,4X 24X2 U6593 ZN |
| 34 | G15881140 | ASS.TUBO REGOLAZ.PROFONDITA | | | | |
| 35 | G15827811 | COPRISEME | | | | |
| 36 | G19003400 | ASTA INDICAZIONE PROFONDITA' | DEPTH INDICATING ROD | TIGE INDICATION PROFONDEUR | TIEFENANZEIGESTAB | VARILLA INDICACIÓN PROFUNDIDAD |
| 37 | F01070050 | VITE M3,5X1,27X16 U6954 4.8NI | BOLT 3,5X1,27X 16 6954 4.8NI | VIS 3,5X1,27X 16 6954 4.8NI | SCHRAUBE 3.5X1.27X 16 6954 4.8 | TORNILLO 3.5X1.27X 16 6954 4.8 |
| 38 | F06220037 | VOLANTINO ZIGR.D.26-M8 FEM | | | | |
| 39 | G15881250 | CARTER | | | | |
| 40 | G15827860 | ATTACCO DISTRIBUTORE POST. | | | | |
| 41 | F06080023 | CATENA 1/2 ISO 083 54 MAGLIE | CUT-DOWN CHAIN .1/2 ISO 083 54 | TR. CH..1/2 ISO 083 54 MAILLE | KETTENZNGE 1/2 ISO 083 54 GL | TRECHO CADENA 1/2 ISO 083 54 E |
| 42 | G15829630 | ASSE TRASMISSIONE | TRANSMISSION AXLE | AXE TRANSMISSION | ANTRIEBSACHSE | EJE TRANSMISIN |
| 43 | GA5820350 | BILANCIERE SAGOMATO L1100 | | | | |
| 44 | G66248218 | RONDELLA DISTAN.SPAND. | MAN. SPR. SPACER WASHER | RONDELLE ENTRETOISE EP. ENGRAI | ABSTANDSCHEIBE DsNGERSTREUER | ARANDELA DISTAN.ABONAD. |
| 45 | G19005460 | BOCCOLA BILANCIERE | ROCKER BUSHING | BOITE BALANCIER | BsCHSE KIPPHEBEL | CASQUILLO BALANCON |
| 46 | GA5820310 | SUPPORTO RUOTA COMPRESS.L170 | | | | |
| 47 | GA5820320 | BILANCIERE SAGOMATO L875 | | | | |



RUOTE E RUOTINI DI COMPRESSIONE

TAV. 242

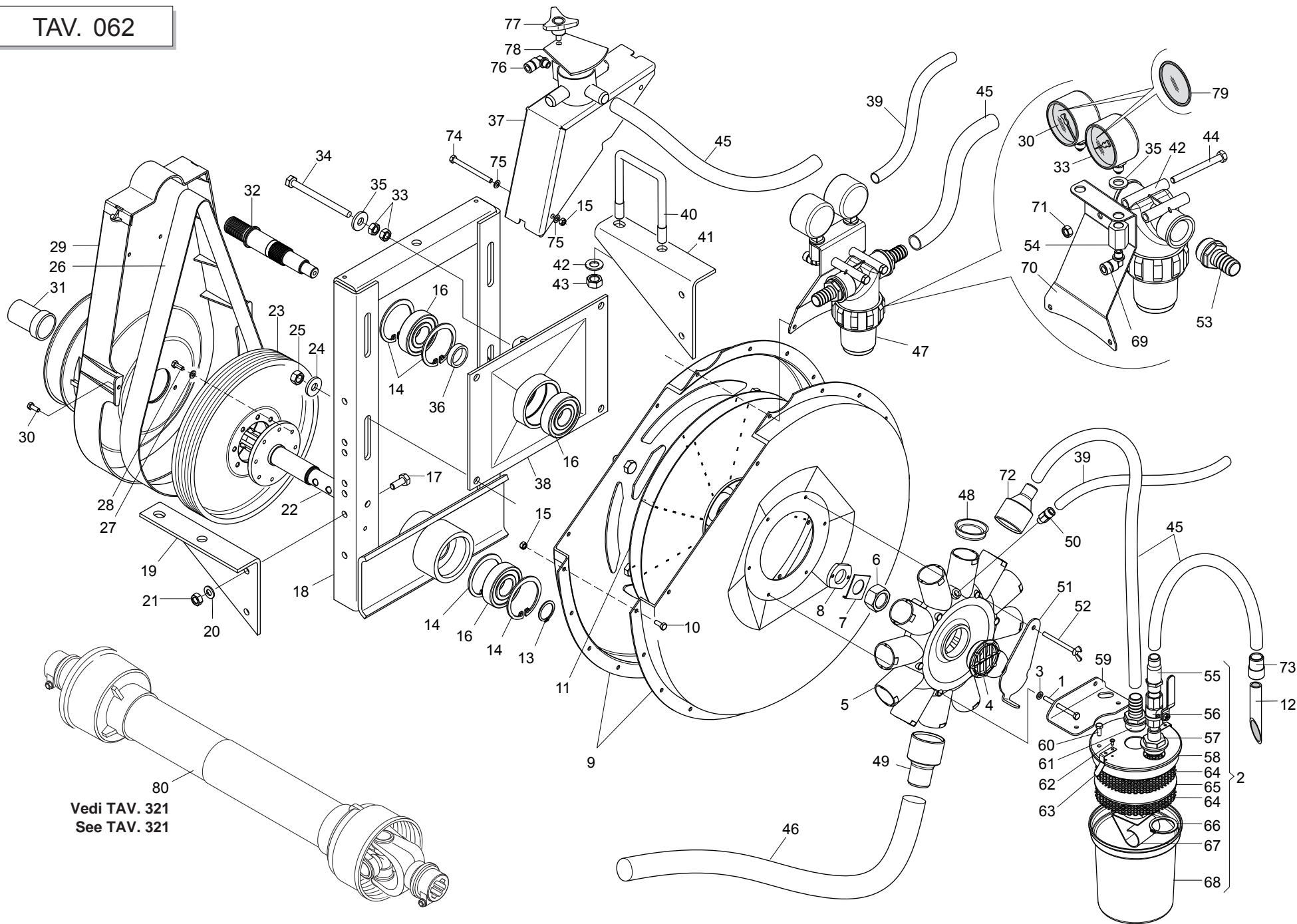
| Pos. | Cod. | Descrizione | Description | Description | Benennung | Descripcion |
|------|-----------|--------------------------------|--------------------------------|--------------------------------|--------------------------------|--------------------------------|
| 1 | GA5820280 | ANELLO INOX 168X23 | | | | |
| 2 | GA5820270 | RUOTA INOX D.168X23 COMPL | | | | |
| 3 | G15882490 | PIATTO SX SUPP.BASCULANTE | | | | |
| 4 | G15827610 | PROLUNGA BILANCIERE | | | | |
| 5 | G15827960 | RUOTA GOMMA 250X170 MOZZO 180 | | | | |
| 6 | G15828440 | RASCHIATERRA RUOTINI FS | WHEEL SOIL-SCRAPER FS | RACLEUR ROUE FS | ERDSCHABER FS | RASCADOR RUEDA FS |
| 7 | G15829160 | RUOTA 250X170 COMPL. | | | | |
| 8 | G15829760 | MONT.RUOTA INOX D.250X170 FL. | | | | |
| 9 | G15829610 | BRACCIO PREMISEME | | | | |
| 10 | G15829620 | PRESSORE | | | | |
| 11 | G18802980 | BOCCOLA 15 X22 X7 | BUSHING 15 X22 X7 | BOITE 15 X22 X7 | BsCHSE 15 X22 X7 | CASQUILLO 15 X22 X7 |
| 12 | G18903670 | MOLLA COMPRESSIONE RUOTINO | COMPR. WHEEL SPRING | RESSORT COMPRESSION ROUET | FEDER DsNGUNG ROLLE | MUELLE COMPRESIN RUEDECILLA A |
| 13 | G66248100 | RULLO TEND. SP | TIGHTENER ROLLER SP | ROULEAU TENDEUR SP | SPANNERROLLE SP | RODILLO TENSOR SP |
| 14 | G19004530 | VOLANTINO PRESSORE (SEM.ORT.R) | HANDWHEEL | VOLANT | HANDRAD | VOLANTE |
| 15 | G19004560 | BOCCOLA MOLLA PRESSORE | SPRING BUSHING | RESSORT | FEDER | CASQUILLO MUELLE |
| 16 | G19004961 | DISTANZIALE 15X22X10 | | | | |
| 17 | G19005081 | DISTANZIALE RUOTE INOX R | | | | |
| 18 | G19005300 | DISTANZIALE 15X22X4,5 | | | | |
| 19 | F04010125 | CUSC.D15 D32 B9 6002 2RS1 | BEARING D15 D32 B9 6002 2RS1 | PALIER 6002 2RS1 | LAGER 6002 2RS1 | COJINETE 6002 2RS1 |
| 20 | G19005331 | FIANCO RUOTA D.168 | | | | |
| 21 | F01020114 | VITE M10X1,5X50 U5737 8.8 ZN | SCREW M10X 1,5X50 U5737 8.8 ZN | VIS M10X 1,5X50 U5737 8.8 ZN | SCHRA.M10X 1,5X50 U5737 8.8 ZN | TORN. M10X 1,5X50 U5737 8.8 ZN |
| 22 | F01020472 | VITE M10X1,5X25 U5739 8.8 ZN | BOLT 10X25 5739 8.G GALVANIZED | VIS 10X25 5739 8.G ZN | SCHRAUBE 10X25 5739 8.G ZN | TORNILLO 10X25 5739 8.G ZN |
| 23 | F01060016 | VITE M6X1X30 U5732 4.6 ZN | BOLT 6X30 5732 4.6 GALVANIZED | VIS 6X30 5732 4.6 ZN | SCHRAUBE 6X30 5732 4.6 ZN | TORNILLO 6X30 5732 4.6 ZN |
| 24 | F01200270 | DADO M10X 1,5 U5588 6.8 ZN | NUT M10X 1,5 U5588 6.8 ZN | ECROU M10X 1,5 U5588 6.8 ZN | MUTTER M10X 1,5 U5588 6.8 ZN | TUERCA M10X 1,5 U5588 6.8 ZN |
| 25 | F01240012 | DADO M 6X 1 U5448 5.8 ZN | NUT 6 UNI 5448 5.8 ZN | ECROU 6 UNI 5448 5.8 ZN | MUTTER 6 UNI 5448 5.8 ZN | TUERCA 6 UNI 5448 5.8 ZN |
| 26 | F01410064 | ROS.M10 10,5X 20X 2 U6592 ZN | WASHER M10 10,5X20X2 U6592 ZN | RONDELL.M10 10,5X20X2 U6592 ZN | SCHEIBE M10 10,5X20X2 U6592 ZN | ARAND. M10 10,5X20X2 U6592 ZN |
| 27 | F01420060 | ROS.M10 10,5X 30X2,5 U6593 ZN | WASHER 10,5X30 | RONDELLE 10,5X30 | SCHEIBE 10,5X30 | ARANDELA 10,5X30 |
| 28 | F02200194 | COPIGLIA 4X 25 U1336 ZN | SPLIT PIN 4 X25 1336 GALVAN. | GOUPILLE 4 X25 1336 ZN | SPLINT 4 X25 1336 ZN | PASADOR 4 X25 1336 ZN |
| 29 | F02200363 | COPIGLIA R 3X 62 ZN | SPRING SPLIT PIN 3X 62 ZN | GOUPILLE R 3X62 | SPLINT R 3X62 | CHAVETA R 3X62 |
| 30 | F06120066 | RUOTINO FLEX 170 X 30 | WHEEL FLEX 170X 30 | | | |
| 31 | G15827980 | ASSE RUOTA 250X170 | WHEEL AXLE 250X170 | AXE ROUE 250X170 | RADACHSE 250X170 | EJE RUEDA 250X170 |
| 32 | G15826561 | ASSE RUOTA 250X100 | AXLE | AXE | ACHSE | EJE |
| 33 | G19005600 | DISTANZIALE D.20 XD.27 X10.5 | | | | |
| 34 | F04010131 | CUSC.D20 D42 B12 6004-2RSH EX> | BEARING D20 D42 B12 6004-2RSH | ROULEMENT 6004 | LAGER 6004 | COJINETE 6004 |
| 35 | G19005320 | FIANCO RUOTA D.250 | | | | |
| 36 | G15829770 | ASS.ANELLO INOX D.250X170 | RING D.250X170 | BAGUE D.250X170 | RING D.250X170 | ANILLO D.250X170 |
| 37 | G15829360 | DISTANZIALE D.39-45 L.90,5 ZN | | | | |
| 38 | F01030038 | VITE M6X1X20 U5933 10.9 ZD | SCREW M6X 1X20 U5933 10.9 ZD | VIS M 6X20 | SCHRAUBE M 6X20 | TORNILLO M 6X20 |
| 39 | G15882480 | SUPP.BASCULANTE | | | | |
| 40 | G15882470 | PIATTO DX SUPP.BASCULANTE | | | | |
| 41 | G18801680 | BOCCOLA 11 X25 X7,5 ZN | BUSHING 11X25X7,5 GALVA | BOITE 11X25X7,5 ZN | BsCHSE 11X25X7,5 ZN | CASQUILLO 11X25X7,5 ZN |
| 42 | F01020043 | VITE M6X1X60 U5737 8.8 ZN | SCREW M6X 1X60 U5737 8.8 ZN | VIS 6 X60 5737 8.G ZN | SCHRAUBE 6 X60 5737 8.G ZN | TORNILLO 6 X60 5737 8.G ZN |
| 43 | F01230022 | DADO M 6X 1 D982 8 ZN | NORM.SELF-LOCKING NUT 6 GALVAN | ECROU AUTOB.NOR.6 ZN | SELBSTSP. MUTTER NOR.6 ZN | TUERCA AUTOB. NOR. 6 ZN |
| 44 | F01020404 | VITE M6X1X20 U5739 8.8 ZN | SCREW M 6X 1X20 U5739 8.8 ZN | VIS 6X20 5739 8.G ZN | SCHRAUBE 6X20 5739 8.G ZN | TORNILLO 6X20 5739 8.G ZN |
| 45 | G15882180 | PIASTRA | | | | |
| 46 | G15882190 | RASCHIATORE IN GOMMA | | | | |
| 47 | G15882160 | SUPPORTO DX | | | | |
| 48 | G20980037 | BOCCOLA 15X10,25X8 | BUSHING 15X10,25X8 | BOITE 15X10,25X8 | BsCHSE 15X10,25X8 | CASQUILLO 15X10,25X8 |
| 49 | F01020470 | VITE M10X1,5X20 U5739 8.8 ZN | BOLT M 10X20 | VIS M 10X20 | SCHRAUBE M 10X20 | TORNILLO M 10X20 |
| 50 | G15882171 | SUPPORTO RASCHIATERRA GOMMA | | | | |
| 51 | F01220011 | DADO M 6X 1 D980 8 ZN | NUT M6X1 D980 8 ZN | ECROU M6X1 D980 8 ZN | MUTTER M6X1 D980 8 ZN | TUERCA M6X1 D980 8 ZN |
| 52 | G18904170 | MOLLA SPORTELLO GRANDE | LARGE HATCH SPRING | RESSORT PORTILLON GRAND | GROSSE Klappe FEDER | MUELLE DE PORTILLO GRANDE |
| 53 | G15882150 | SUPPORTO SX | | | | |
| 54 | F01030041 | VITE M6X1X10 U5933 10.9 ZD | BOLT 6x10 5933 10.9 GALVANIZ. | VIS 6x10 5933 10.9 ZN | SCHRAUBE 6x10 5933 10.9 ZN | TORNILLO 6x10 5933 10.9 ZN |
| 55 | F01410088 | ROS.M14 15X 28X2,5 U6592 ZN | WAS.M14 15X 28X2,5 U6592 ZB | RON.M14 15X 28X2,5 U6592 ZB | SCH.M14 15X 28X2,5 U6592 ZB | ARA.M14 15X 28X2,5 U6592 ZB |



DEPRESSORE

TAV. 062

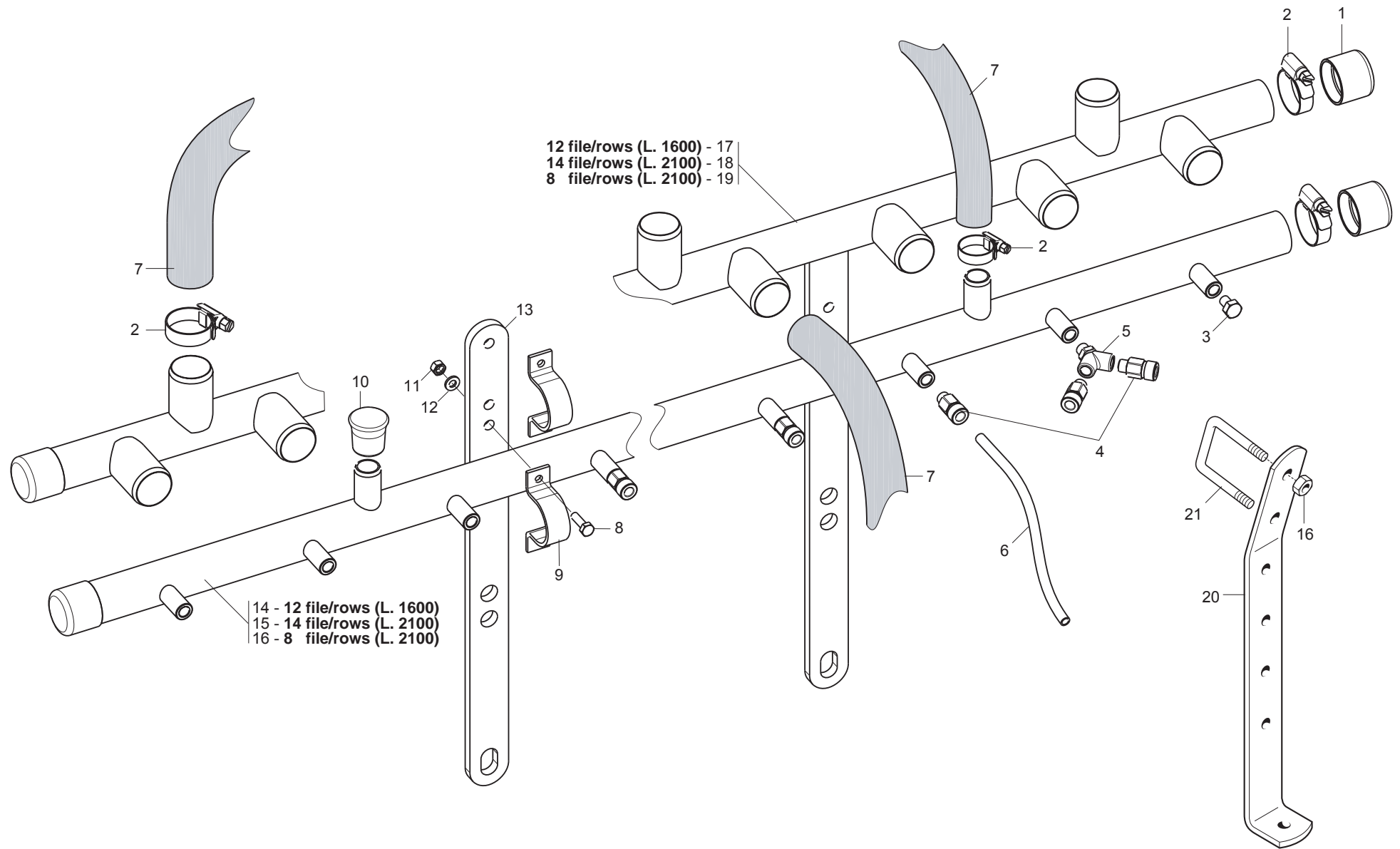
| Pos. | Cod. | Descrizione | Description | Description | Benennung | Descripcion |
|------|-----------|--------------------------------|--------------------------------|--------------------------------|--------------------------------|--------------------------------|
| 1 | F01020047 | VITE M6X1X70 U5737 8.8 ZN | SCREW M6X 1X70 U5737 8.8 ZN | VIS 6 X70 5737 8.G ZN | SCHRAUBE 6 X70 5737 8.G ZN | TORNILLO 6 X70 5737 8.G ZN |
| 2 | G15855361 | ASPIRASEME COMPL | SEED SUCTION GROUP | GROUPE ASPIRATEUR DE GRAINES | GEBL-SEAGGREGAT | GRUPO ASPIRASEMILLAS |
| 3 | F01430047 | ROS.M6 6,4X 11X0,7 U8842J ZN | WASHER D6 DIN 6798 D.INT.GALV. | RONDELLE D6 DIN 6798 D. INT. Z | UNT. SCHEIBE D6 DIN 6798 D. IN | ARANDELA D6 DIN 6798 D.INT.ZN |
| 4 | G19005240 | TAPPO ASPIRAZIONE FORATO | FLANGE | BRIDE | FLANSH | BRIDA |
| 5 | G19004480 | CONVOGLIATORE 12 USCITE | CONVEYOR 12 OUTLETS | CONVOYEUR 12 SORTIES | TRICHTER MIT 12 AUSG-NGEN | TRANSPORTADOR 12 SALIDAS |
| 6 | F01230143 | DADO M24X 2 D982 8 ZN | NUT M24X2 D982 8 ZN | ECROU M24X2 D982 8 ZN | MUTTER M24X2 D982 8 ZN | TUERCA M24X2 D982 8 ZN |
| 7 | G13912060 | PIASTRINA DI TENUTA | STOP PLATE | PLAQUETTE DE TENUE | DICHTPLZTTCHEN | PLACA DE RETENCIN P |
| 8 | G13912050 | RONDELLA DI FERMO | STOP WASHER | RONDELLE DE BLOCAGE | FESTSTELLSCHEIBE | ARANDELLA DE BLOQUEO |
| 9 | G22230335 | INVOLUCRI DEPRESSORE | VACUUM PUMP CASINGS | ENVELOPPES DEPRESSEUR H | sLLEN VAKUUMPUMPE C | AJAS BOMBA VACO CA |
| 10 | F01020403 | VITE M6X1X16 U5739 8.8 ZN | SCREW M6X1X16 U5739 8.8 ZN | VIS M6X1X16 U5739 8.8 ZN | SCHRAUBE M6X1X16 U5739 8.8 ZN | TORNILLO M6X1X16 U5739 8.8 ZN |
| 11 | G22230015 | GIRANTE | | | | |
| 12 | F03100277 | TUBO PVC ANTIG.NEU.TRA.14X19 | PIPE- ANTIFREEZE NEU.TRA.14X19 | TUBE PVC TRA. 14X19 | ROHR PVC FROSTSCHUTZNEU.TRA.14 | TUBO PVC ANTICONG.14X19 |
| 13 | F02050112 | ANELLO E. DE 30X 1,5 U7435 C70 | SEEGER RING 30X 1,5 U7435 C70 | SEEGER E. 30 X 1,5 U7435 C70 | SEEGERING E. 30X 1,5 U7435 C70 | ANILLO E. 30 X 1,5 U7435 C70 |
| 14 | F02050403 | ANELLO E. DI 72X 2,5 U7437 C70 | SEEGER RING E.72X2,5 U7437 C70 | SEEGER E. 72X 2,5 U7437 C70 | SEEGERING E. 72X 2,5 U7437 C70 | ANILLO E. 72X 2,5 U7437 C70 |
| 15 | F01220011 | DADO M 6X 1 D980 8 ZN | NUT M6X1 D980 8 ZN | ECROU M6X1 D980 8 ZN | MUTTER M6X1 D980 8 ZN | TUERCA M6X1 D980 8 ZN |
| 16 | F04010215 | CUSC.D30 D72 B19 6306 2RSC3 EX | BEARING D30 D72 B19 6306 2RSC3 | PALIER 6306 2RS C3 | LAGER 6306 2RS C3 | COJINETE 6306 2RS C3 |
| 17 | F01020472 | VITE M10X1,5X25 U5739 8.8 ZN | BOLT 10X25 5739 8.G GALVANIZED | VIS 10X25 5739 8.G ZN | SCHRAUBE 10X25 5739 8.G ZN | TORNILLO 10X25 5739 8.G ZN |
| 18 | G15850200 | INCASTELLATURA DEPRESSORE | DIFFUSION AIR PUMP FRAME | B-TI POMPE A D+PRESSION | GESTELL VAKUUMPUMPE | ARMAZEN BOMBA VAC-O |
| 19 | G15450061 | SUPPORTO SX | | | | |
| 20 | F01430023 | ROS.M10 10,5X 18X0,9 U8842J ZN | WASHER D10 DIN 6798 D.INT.ZN | RONDELLE D10 DIN 6798 D. INT. | UNT. SCHEIBE D10 DIN 6798 D.IN | ARANDELA D10 DIN 6798 D.INT.ZN |
| 21 | F01200270 | DADO M10X 1,5 U5588 6.8 ZN | NUT M10X 1,5 U5588 6.8 ZN | ECROU M10X 1,5 U5588 6.8 ZN | MUTTER M10X 1,5 U5588 6.8 ZN | TUERCA M10X 1,5 U5588 6.8 ZN |
| 22 | G22270369 | P.DI P.CON CODOLO | POWER TAKE-OFF- W/ SPIGOT | PRISE DE FORCE AVEC CONE | KRAFTABTRIEB MIT ENDSTsCK | TOMA DE FUERZA CON MANGO |
| 23 | G22230012 | PULEGGIA MOTRICE | DRIVING PULLEY | POULIE MOTRICE 540T | ANTRIEBSSCHEIBE | POLEA MOTRIZ |
| 24 | F01420084 | ROS.M14 14,5X 36X 3 U6593 ZN | GALVANIZED WASHER 14 X36 X3 | RONDELLE 14 X36 X3 ZN | UNTERLEGSSCHEIBE 14 X36 X3 ZN | ARANDELA 14 X36 X3 ZN |
| 25 | F01200293 | DADO M12X1,75 U5588 6.8 ZN | NUT M12X1,75 U5588 6.8 ZN | ECROU M12X1,75 U5588 6.8 ZN | MUTTER M12X1,75 U5588 6.8 ZN | TUERCA M12X1,75 U5588 6.8 ZN |
| 26 | F06010160 | CINGHIA POLY V 1287 J-16 GOLE | BELT POLY V 1287 J-16 CU GAT | COURROIE POLY V 1287 J-16 GOR | | BANDA POLY V 1287 J-16 GOLE |
| 27 | F01430047 | ROS.M6 6,4X 11X0,7 U8842J ZN | WASHER D6 DIN 6798 D.INT.GALV. | RONDELLE D6 DIN 6798 D. INT. Z | UNT. SCHEIBE D6 DIN 6798 D. IN | ARANDELA D6 DIN 6798 D.INT.ZN |
| 28 | F01020403 | VITE M6X1X16 U5739 8.8 ZN | SCREW M6X1X16 U5739 8.8 ZN | VIS M6X1X16 U5739 8.8 ZN | SCHRAUBE M6X1X16 U5739 8.8 ZN | TORNILLO M6X1X16 U5739 8.8 ZN |
| 29 | G15450342 | PROTEZ.CINGHIA DEPRES.COMPLETO | BELT PROTECTION | | | |
| 30 | F03151288 | VACUOM.0-100 MBAR C.SM.INC.D80 | VACUUM METER 0-100 MBAR C.SMOR | VACUOMETRE 0-100 MBARS A/SUPPO | VAKUUMMETER 0-100 MBAR M. DZMP | VACUM. 0-100 MBAR C.ATEN.INC.V |
| 31 | G19002131 | PROTEZIONE P.D.P. | | | | |
| 32 | G15450390 | PULEGGIA CONDOTTA | DRIVEN PULLEY D.28 | POULIE ENTRAINEE D. 28 | GETRIEBENE SCHEIBE D.28 | POLEA CONDUCIDA D.28 |
| 33 | F03151287 | MANOM.0 A 25 MBAR C.SM.INC.D80 | MANOM.0 TO 25 MBAR CUSHION D80 | | | |
| 34 | G15450270 | VITE 10X130 8.8 FIL.60 ZN | GALVANIZ. SCREW 10X130 8.8 FIL | VIS 10X130 8.8 FIL.60 ZN | SCHRAUBE 10X130 8.8 GEW.60 ZN | TORNILLO 10X130 8.8 FIL.60 ZN |
| 35 | F05150479 | ROND.APPOGGIO MANOMETRI SV | PRESSURE GAUGE REST WASHER | ROND. LOGEMENT MANOMETRES SV | StsTZSCHEIBE MANOMETER SV | ARAND. SOPORTE MANOMETROS SV |
| 36 | G22230014 | DISTANZIALE | SPACER | ENTRETOISE | DISTANZSTsCK | DISTANCIADOR |
| 37 | G15850140 | CONVOGLIATORE | SEED FUNNEL | CONVOYEUR | TRICHTER | TRANSPORTADOR |
| 38 | G15850280 | SUPPORTO PULEGGIA CONDOTTA | | | | |
| 39 | F03100391 | TUBO POLIURETANO 8-6 | POLIURETHAN PIPE 8-6 | | | |
| 40 | F20110770 | CAV.Q.M14X 2X 50 96X119 ZN | U BOLT M14X2X50 96X119 ZN | BRIDE U M14X2X50 96X119 ZN | ANSCHLANG U M14X2X50 96X119 ZN | EL.DE EMPALME M14X2X50 96X119 |
| 41 | G15450051 | SUPPORTO DX | | | | |
| 42 | F03151149 | FILTRO LINEA 1'F 100 MESH | LINE FILTER 1'F 100 MESH | FILTRE LIGNE 1'F 100 MESH | LEITUNGSFILTER 1' F 100 MESH | FILTRO LINEA 1'F 100 MESH |
| 43 | F01200306 | DADO M14X 2 U5588 6.8 ZN | NUT M14X2 | ECROU M14X2 | MUTTER M14X2 | DADO M14X2 |
| 44 | F01020086 | VITE M 8X1,25X80 U5737 8.8 ZN | BOLT M8X1X80 | VIS M8X1X80 | SCHRAUBE M8X1X80 | TORNILLO M8X1X80 |
| 45 | F03100385 | TUBO FLEX EOLO DIAM.22 | | | | |
| 46 | F03100500 | TUBO EOLO 35 PU | TUBE EOLO 35 PU | | | |
| 47 | G15855370 | FILTRO E MANOMETRI COMPL | FILTER AND PRESSURE GAUGE UNIT | GROUPE FILTRE ET MANOMETRES | FILTER- UND MANOMETERAGGREGAT | GRUPO FILTRO Y MANEMETROS |
| 48 | F05050020 | TAPPO SALVAFILETTO D.39 | CONVEYOR PLUG D.39 | BOUCHON PROTEGE-FILET D. 39 | GEWINDESCHUTZPFROPFEN D.39 | TAPN GUARDARROSCA D.39 D |
| 49 | G19005250 | RIDUZIONE CONVOGLIATORE 45-35 | | | | |
| 50 | F03151197 | RACC.SUPERAPIDO DRITTO 1/8G-8> | | | | |
| 51 | G15855330 | PORTELLO REGOLAZ.ASPIRAZIONE | ASPIRATION ADJUSTMENT FLAP | PORTE REGLAGE ASPIRATION | EINSTELLUNGSDECKEL GEBL-SE | REGISTRO REGULADOR DE ASPIRACI |
| 52 | F01090204 | VITE M6X1X70 U5449 5.8 ZN | GALVAN. SCREW 6X70 5449 5.8 | VIS 6X70 5449 5.8 ZN | SCHRAUBE 6X70 5449 5.8. ZN | TORNILLO 6X70 5449 5.8 ZN |
| 53 | F03151183 | P/GOMMA 1"X22 M COD.2130 | HOSE 1"X22 M | RACCORD PLASTIQUE 1"X22 M | P/GUMMI 1"X22 M | P/CAUCHO 1"X22 M |
| 54 | G22250274 | COLLEGAMENTO MANOMETRI SP-SV | PRESSURE GAUGE CONNECT. SP-SV | RACCORD MANOMETRES SP-SV | VERBINDUNG MANOMETER SP-SV | CONEXIN MANMETROS SP-SV LE |
| 55 | F03151185 | P/GOMMA PVC 1/2X20 > | PVC 1/2X20 RUBBER/TIRE-CARRIER | PORTE-ROUE PVC 1/2X20 | REIFENHALTERUNG PVC 1/2X20 | CARGA GOMA PVC 1/2X20 |



DEPRESSORE

TAV. 062

| Pos. | Cod. | Descrizione | Description | Description | Benennung | Descripcion |
|------|-----------|--------------------------------|--------------------------------|--------------------------------|--------------------------------|--------------------------------|
| 56 | F03151243 | RUBINETTO | BREATHER TAP | BOUCHON REFOUL. | ENTLsFTUNGSPFROPFEN | TAPON PURGADOR |
| 57 | G15850300 | RIDUZIONE G1'-G1/2' | REDUCTION G1'-G1/2' | REDUCTION G1'-G1/2' | UNTERSETZUNG G1'-G1/2' | REDUCCIN G1'-G1/2' |
| 58 | G10551031 | COPERCHIO ASPIRASEMI | | | | |
| 59 | G15855350 | SUPPORTO ASPIRASEME | SEED SUCTION SUPPORT | SUPPORT ASPIRATEUR DE GRAINES | GEBL-SEHALTERUNG | SOPORTRE ASPIRA SEMILLAS |
| 60 | F01020403 | VITE M6X1X16 U5739 8.8 ZN | SCREW M6X1X16 U5739 8.8 ZN | VIS M6X1X16 U5739 8.8 ZN | SCHRAUBE M6X1X16 U5739 8.8 ZN | TORNILLO M6X1X16 U5739 8.8 ZN |
| 61 | F03151183 | P/GOMMA 1"X22 M COD.2130 | HOSE 1"X22 M | RACCORD PLASTIQUE 1"X22 M | P/GUMMI 1"X22 M | P/CAUCHO 1"X22 M |
| 62 | F01070047 | VITE M3,5X1,34X9,5 U6954 4.8NI | BOLT 3-5X 9-5 DIN 7981 | VIS 3-5X 9-5 DIN 7981 | SCHRAUBE 3-5X 9-5 DIN 7981 | TORNILLO 3-5X 9-5 DIN 7981 |
| 63 | G18904440 | STAFFA FISSAGGIO BRACCI ZN | | | | |
| 64 | G22250314 | GRIGLIA FILTRO ASPIRASEMI SV | SEED SUCTION FILTER GRID SV | GRILLE FILTRE ASPIRATEUR DE GR | GITTER SAMENABSAUGERFILTER SV | REJILLA FILTRO ASPIRADOR DE SE |
| 65 | G22250315 | FILTRO ASPIRASEMI SV | SEED SUCTION FILTER SV | FILTRE ASPIRATEUR DE GRAINES S | SAMENABSAUGFILTER SV | FILTRO ASPIRADOR DE SEMILLAS S |
| 66 | F02050168 | ANELLO E. DE 40X1,75 U7435 C70 | SEEGER RING 40X1,75 U7435 C70 | BAGUE SEEGER 40X1,75 U7435 C70 | SEEGERRING 40X1,75 U7435 C70 | ANIL. SEEGER 40X1,75 U7435 C70 |
| 67 | G22250316 | DEFLETTORE ASPIRASEMI SV | SEED SUCTION DEFLECTOR SV | DEFLECTEUR ASPIR.DE GRAINES SV | ABLENKER SAMENABSAUGER SV | DEFLECTOR ASPIRADOR DE SEMILLA |
| 68 | F05150389 | CONTENIT.SOTTOVUOT.LT.2 AR.122 | VACUUM CONTAINER LT.2 AR.122 | CONTENEUR SOUS VIDE LT. 2 AR. | LUFTDICHTER BEHZLTER .L2 AR. | CONTENED. AL VACO LT. 2 AR.12C |
| 69 | F03150821 | ADATT. OCCHIO 1/4 L.38 | EYE UNION 1/4 L.38 | RACCORD OEIL 1/4 L.38 | TSENVERBINDUNGSSTsCK 1/4 L.38 | UNIN OJO 1/4 L.38 R |
| 70 | G15855340 | SUPP.FILTRO E MANOMETRI | FILTER AND PRESSURE GAUGE SUPP | SUPPORT FILTRE ET MANOMETRES | FILTER- UND MANOMETERHALTERUNG | SOPORTE FILTRO Y MANEMETROS |
| 71 | F01200244 | DADO M 8X1,25 U5588 6.8 ZN | NUT M8 X1,25 U5588 6.8 ZN | ECROU M8 X1,25 U5588 6.8 ZN | MUTTER M8 X1,25 U5588 6.8 ZN | TUERCA M8 X1,25 U5588 6.8 ZN |
| 72 | G19005260 | RIDUZIONE CONVOGLIATORE 45-22 | CONVEYOR REDUCTION 45-22 | REDUCTION DE CONVOYEUR 45-22 | FTRDERERUNTERSETZUNG 45-22 | REDUCCIN DE CONDUCTOR 45-22 |
| 73 | G19005270 | RIDUZIONE CONVOGLIATORE 22-19 | CONVEYOR REDUCTION 22-19 | REDUCTION DE CONVOYEUR 22-19 | FTRDERERUNTERSETZUNG 22-19 | REDUCCIN DE CONDUCTOR 22-19 |
| 74 | F01020050 | VITE M6X1X80 U5737 8.8 ZN | SCREW M6X 1X80 U5737 8.8 ZN | VIS 6 X80 5737 8.G ZN | SCHRAUBE 6 X80 5737 8.G ZN | TORNILLO 6 X80 5737 8.G ZN |
| 75 | F01420036 | ROS.M6 6,4X 18X 2 U6593 ZN | FLAT WASHER 6-6X 18X2 6593 ZN | ROND. PLATE 6-6X 18X2 6593 ZN | SCHEIBE 6-6X 18X2 6593 ZN | ARAND. PLANA 6-6X 18X2 6593 ZN |
| 76 | F03151200 | RACCORDO 90° C5 1/8' 6/8 | UNION 90° C5 1/8' 6/8 | RACCORD 90° C5 1/8" 6/8 | ANSCHLUSSTsCK 90° C5 1/8' 6/8 | UNION 90° C5 1/8" 6/8 |
| 77 | F06220018 | VOLANTINO 3LOBI D.65-M8X15 | 3-LOBE HANDWHEEL D.65-M8X15 | VOLANT 3 LOBES D.65-M8X15 | HANDRAD 3 BUCKEL D.65-M8X15 | VOLANTE 3 LOBI D.65-M8X15 |
| 78 | G22250118 | PORTA CHIUSURA CAMERE SV | CHAMBER CLOSURE INSPECTION DOO | PORTE FERMETURE CHAMBRES SV | KAMMERN ABSCHLUSSTsR SV | PUERTA DE CIERRE CAMARAS SV |
| 79 | F03151356 | VETRO VACUOM.0-100 MBAR D80 | | | | |
| 80 | F08011711 | CARD.B1 Z6-Z6 L700 | | | | |

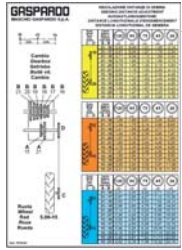


IMPIANTO ASPIRAZIONE E SOFFIAGGIO

TAV. 071

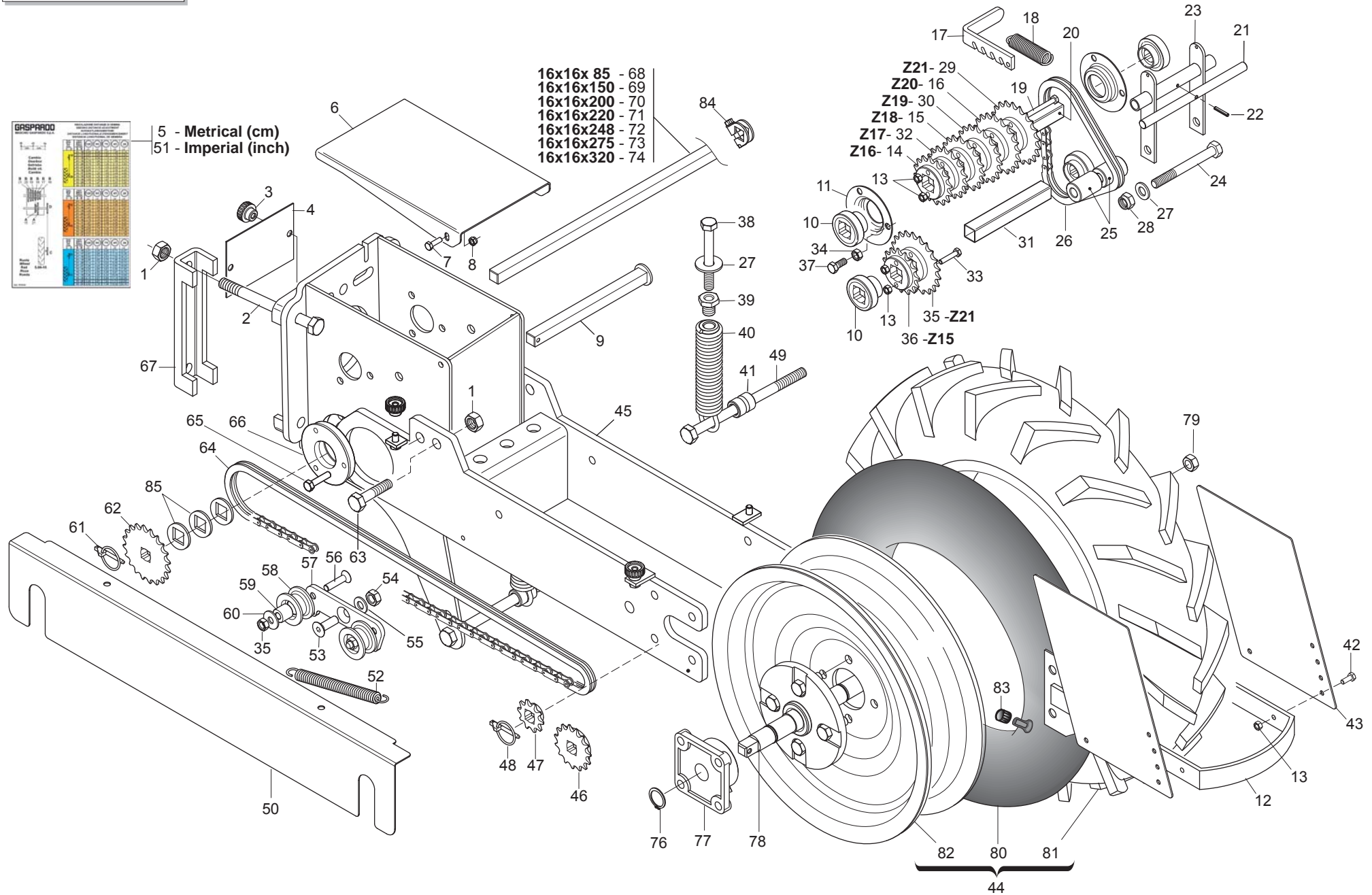
| Pos. | Cod. | Descrizione | Description | Description | Benennung | Description |
|------|-----------|--------------------------------|--------------------------------|--------------------------------|--------------------------------|--------------------------------|
| 1 | G66248098 | TAPPO CONVOGLIATORE DEPR. SP | AIR PUMP CONVEYOR PLUG SP | BOUCHON CONVOYEUR TURBINE SP | VAKUUM FTRDERPFROPFEN SP | TAPN CONDUCTOR DEPR. SP D |
| 2 | F02300020 | FASCETTA STRING. 32/50 H.9 | ABRAZADERA 32/50 H.8 | | | |
| 3 | F05150473 | PUNTALE PVC D.20 | PVC TIP D.20 | EMBOUT PVC D. 20 | STTSSELSCHAFT PVC D.20 | PUNTAL PVC D.20 |
| 4 | F03151197 | RACC.SUPERAPIDO DRITTO 1/8G-8> | SUPER.RIGHT JUNCTION 1/8G-8> | | | |
| 5 | F03151225 | RACCORDO Y 1/8G F-F-M | UNION Y 1/8G F-F-M | RACCORD Y 1/8G F-F-M | ANSCHLUSSTsCK Y 1/8G F-F-M | UNIN Y 1/8G F-F-M |
| 6 | F03100391 | TUBO POLIURETANO 8-6 | POLIURETHAN PIPE 8-6 | | | |
| 7 | F03100500 | TUBO EOLO 35 PU | TUBE EOLO 35 PU | TUBE EOLO 35 PU | 0 | TUBO EOLO |
| 8 | F01020404 | VITE M6X1X20 U5739 8.8 ZN | TORNILLO M6X20 | | | |
| 9 | G22250091 | FORCELLA SUPP.TUBI SV | FORK | FOURCHETTE SUPPORT TUBES SV | GABEL ROHRHALTERUNG SV | HORQUILLA SOPORTE TUBOS SV |
| 10 | F05150473 | PUNTALE PVC D.20 | PVC TIP D.20 | EMBOUT PVC D. 20 | STTSSELSCHAFT PVC D.20 | PUNTAL PVC D.20 |
| 11 | F01200232 | DADO M 6X 1 U5588 6.8 ZN | NUT 6 UNI 5588 6.8 GALVANIZED | ECROU 6 UNI 5588 6.8 ZN | MUTTER 6 UNI 5588 6.8 ZN | TUERCA 6 UNI 5588 6.8 ZN |
| 12 | F01410037 | ROS.M6 6,4X12,5X1,6 U6592 ZN | WASHER M6 6,4X12,5X1,6 U6592ZN | RONDEL.M6 6,4X12,5X1,6 U6592ZN | SCHEIB.M6 6,4X12,5X1,6 U6592ZN | ARAND.M6 6,4X12,5X1,6 U6592 ZN |
| 13 | G15855170 | SUPPORTO RAMPASOFFIAGGIO | BLOWER RAMP SUPPORT | SUPPORT RAMPE SOUFFLAGE | GEBL-SERAMPENHALTERUNG | SOPORTE RAMPADA SOPLO |
| 14 | G15855150 | RAMPASOFFIAGGIO 1600X12 | 1600X12 BLOW RAMP COUPLING | ASS. RAMPE SOUFFLAGE 1600X12 | GEBL-SERAMPENKOMPLEX 1600X12 | CONJ. RAMPADA SOPLO 1600X12 |
| 15 | G15855240 | RAMPASOFFIAGGIO 2100X14 | 2100X14 BLOW RAMP COUPLING | ASS. RAMPE SOUFFLAGE 2100X14 | GEBL-SERAMPENKOMPLEX 2100X14 | CONJ. RAMPADA SOPLO 2100X14 |
| 16 | F01200270 | DADO M10X 1,5 U5588 6.8 ZN | NUT M10X 1,5 U5588 6.8 ZN | ECROU M10X 1,5 U5588 6.8 ZN | MUTTER M10X 1,5 U5588 6.8 ZN | TUERCA M10X 1,5 U5588 6.8 ZN |
| 17 | G15855140 | RAMPASASPIRAZIONE 1600X12 | 1600X12 BLOW RAMP COUPLING | ASS. RAMPE ASPIRATION 1600X12 | GEBL-SERAMPENKOMPLEX 1600X12 | CONJ. RAMPADA ASPIRACIEN 160 |
| 18 | G15855230 | RAMPASASPIRAZIONE 2100X14 | 2100X14 BLOW RAMP COUPLING | ASS. RAMPE ASPIRATION 2100X14 | GEBL-SERAMPENKOMPLEX 2100X14 | CONJ.. RAMPADA ASPIRACIEN 210 |
| 19 | G15855270 | RAMPASASPIRAZIONE 2100X8 | 2100X8 BLOW RAMP COUPLING | ASS. RAMPE ASPIRATION 2100X8 | GEBL-SERAMPENKOMPLEX 2100X8 | CONJ.. RAMPADA ASPIRACIEN 210 |
| 20 | G15850000 | SUPP.TUBI ASP. E SOFF. | PIPE SUPPORT | SUPPORT TUBES | ROHRHALTERUNG | SOPORTE TUBOS |
| 21 | F20110706 | CAV.Q.B=35 M=10X1,5 L=60 | U BOLT Q.B=35 M=10X1,5 L=60 | CAVALIER SUPPORT DISQUE SV | VERBINDUNG SCHEIBENHALTERUNG S | PERNO EN U SOP. DISCO SV |

TAV. 081



5 - Metric (cm)
51 - Imperial (inch)

- 16x16x 85 - 68
- 16x16x150 - 69
- 16x16x200 - 70
- 16x16x220 - 71
- 16x16x248 - 72
- 16x16x275 - 73
- 16x16x320 - 74

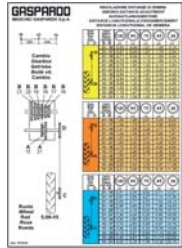


RUOTA DI TRASMISSIONE

TAV. 081

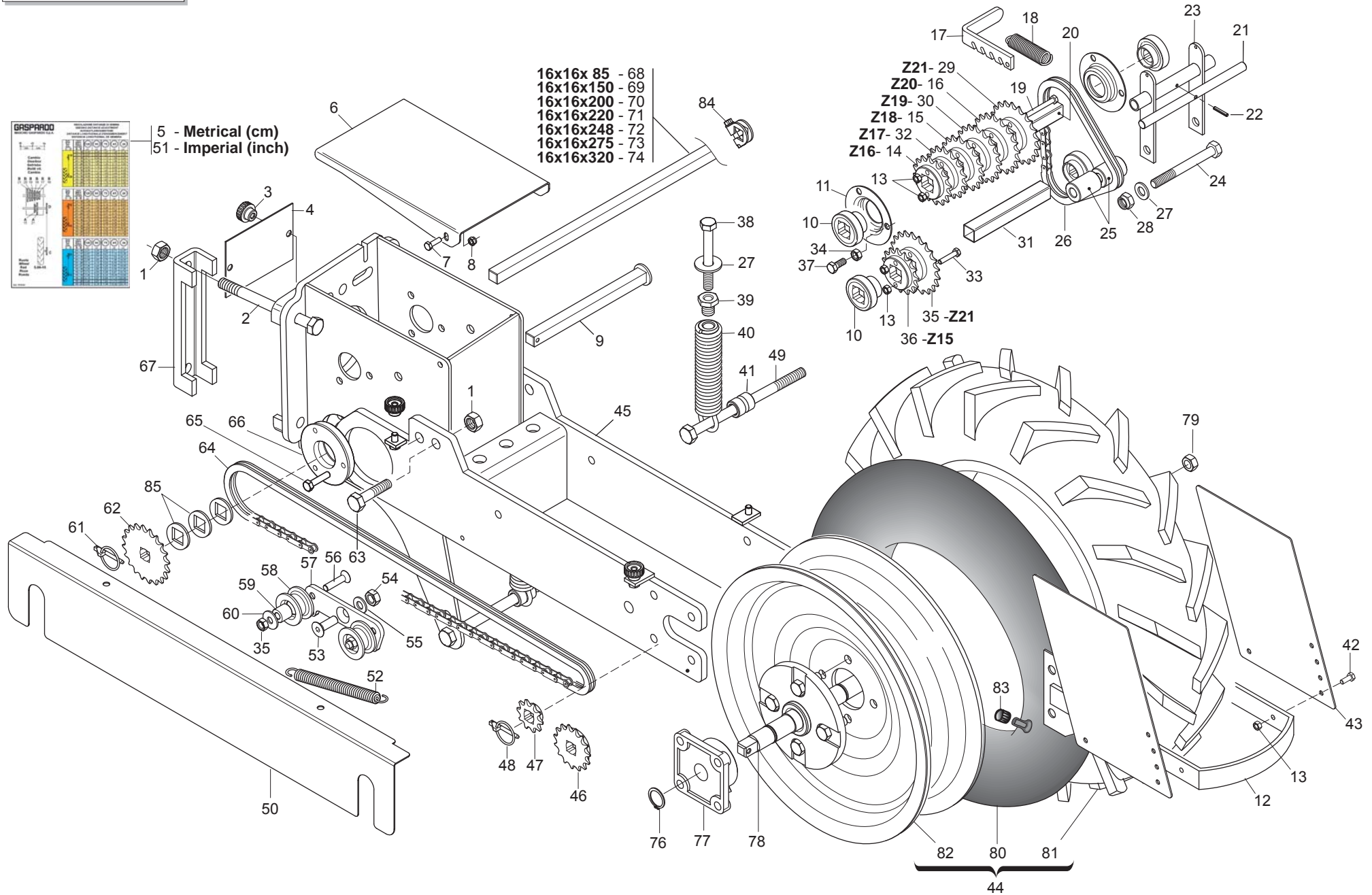
| Pos. | Cod. | Descrizione | Description | Description | Benennung | Description |
|------|-----------|--------------------------------|--------------------------------|--------------------------------|--------------------------------|--------------------------------|
| 1 | F01200306 | DADO M14X 2 U5588 6.8 ZN | NUT M14X2 | ECROU M14X2 | MUTTER M14X2 | DADO M14X2 |
| 2 | F01020221 | VITE M14X2X140 U5737 8.8 BR | BOLT M 14 X140 5737 8.G | VIS M 14 X140 5737 8.G | SCHRAUBE M 14 X140 5737 8.G | TORNILLO M 14 X140 5737 8.G |
| 3 | F06220037 | VOLANTINO ZIGR.D.26-M8 FEM | | | | FOLLETO ZIGR.D.26-M8 |
| 4 | G22250035 | PORTA DI CHIUSURA SV | CLOSURE DOOR SV | PORTE DE FERMETURE SV | ABSCHLUSSsR SV | PUERTA DE CIERRE SV |
| 5 | G19704260 | TABELLA DISTANZA DI SEMINA R | R SEED PLANTING DISTANCE TABLE | TABEAU DISTANCE DE SEMIS R | TABELLE AUSSAATSABSTAND R | TABLA DE DISTANCIA DE SIEMBRA |
| 6 | G15835170 | COPERCHIO SCATOLA CAMBIO R.5" | GEARBOX COVER R.5" | COUVERCLE BOITE DE VITESSE R.5 | DECKEL GETRIEBEGEHZUSE R.5" | TAPA CAJA DEL CAMBIO R.5" |
| 7 | F01040063 | VITE M6X1X20 U5931 8.8 ZN | BOLT M 6 | VIS M 6 | SCHRAUBE M 6 | TORNILLO M 6 |
| 8 | F01230022 | DADO M 6X 1 D982 8 ZN | NORM.SELF-LOCKING NUT 6 GALVAN | ECROU AUTOB.NOR.6 ZN | SELBSTSP. MUTTER NOR.6 ZN | TUERCA AUTOB. NOR. 6 ZN |
| 9 | G22250037 | ASSE INF.CAMBIO SV | LOWER GEARBOX SPINDLE SV | AXE INF. BOITE DE VITESSE | UNTERE GETRIEBEACHSE SV | EJE INF. CAMBIO SV |
| 10 | G10538350 | CUSCINETTO FORO QUADRO RIB. | SQUARE HOLE BEARING | PALIER TROU CARRE | LAGER VIERKANTLOCH | COJINETE ORIFICIO CUADRADO |
| 11 | G22230094 | SUPPORTO CUSCINETTO | BEARING SUPPORT | SUPPORT PALIER | LAGERBsCHSE | SOPORTE COJINETE |
| 12 | G10530101 | ASS.RASCHIATERRA | SOIL SCRAPER ASSEMBLY | GR. RACLEUR | ERDSCHABER | CONJ. RASC. TIERRA |
| 13 | F01200232 | DADO M 6X 1 U5588 6.8 ZN | NUT 6 UNI 5588 6.8 GALVANIZED | ECROU 6 UNI 5588 6.8 ZN | MUTTER 6 UNI 5588 6.8 ZN | TUERCA 6 UNI 5588 6.8 ZN |
| 14 | G10530690 | PIGNONE Z16 1/2-3/16 Q.20,5 ZN | GEAR Z16 1/2-3/16 Q.20,5 ZN | | | |
| 15 | G22250045 | CORONA CAMBIO Z-18 SV | GEARBOX RING GEAR Z-18 SV | COURONNE BOITE DE VITESSE | GETRIEBEKRANZ Z-18 SV | CORONA CAMBIO Z-18 SV |
| 16 | G22250047 | CORONA CAMBIO Z-20 SV | GEARBOX RING GEAR Z-20 SV | COURONNE BOITE DE VITESSE | GETRIEBEKRANZ Z-20 SV | CORONA CAMBIO Z-20 SV |
| 17 | G22250038 | MANIGLIA SV | HANDLE SV | POIGNEE SV | GRIFF SV | MANIJA SV |
| 18 | G65337005 | MOLLA TRAZ.CAMBIO SV | TRACTION COUPLING SPRING- GEAR | RESSORT TRACT.BOITE DE VITESSE | ZUGFEDER GETRIEBE SV | MUELLE TRAC. CAMBIO SV |
| 19 | F01020050 | VITE M6X1X80 U5737 8.8 ZN | SCREW M6X 1X80 U5737 8.8 ZN | VIS 6 X80 5737 8.G ZN | SCHRAUBE 6 X80 5737 8.G ZN | TORNILLO 6 X80 5737 8.G ZN |
| 20 | G10530361 | TUBO Q. 20X1,2X 107 | SQUARE PIPE 20X1,2X 110 | | | |
| 21 | G22250040 | SPINA TENDICATENA SV | CHAIN TIGHTENER PIN SV | BROCHE TENDEUR DE CHAINE SV | KETTENSANNERSTIFT SV | CLAVIJA TENSOR DE CADENA SV |
| 22 | F02100062 | SPINA E.P. 4X 24 U6873 C70 BR | PIN EL. 4 X24 DIN 1481 | FICHE EL. 4 X24 DIN 1481 | SPANNSTIFT 4 X24 DIN 1481 | CLAVIJA EL.4 X24 DIN 1481 |
| 23 | G10530271 | TENDICATENA CAMBIO | | | | |
| 24 | F01020172 | VITE M12X1,75X110 5737 8.8 ZN | SCREW M12X1,75X110 5737 8.8 ZN | VIS 12X110 5737 8.G ZN | SCHRAUBE 12X110 5737 8.G ZN | TORNILLO 12X110 5737 8.G ZN |
| 25 | G66248024 | RULLO TEND. SP | TIGHTENER ROLLER SP | ROULEAU TENDEUR SP | SPANNERROLLE SP | RODILLO TENSOR SP |
| 26 | F06080017 | CATENA 1/2 ISO 083 42 MAGLIE | CHAIN 1/2 ISO 083 42 SHACKLE | | | |
| 27 | F01430071 | ROS.M12 13X20,5X 1 U8842J ZN | WASHER D12 DIN 6798 D.INT.ZN | RONDELLE D12 DIN 6798 D. INT. | UNT. SCHEIBE D12 DIN 6798 D.IN | ARANDELA D12 DIN 6798 D.INT.ZN |
| 28 | F01230058 | DADO M12X1,25 D982 8 ZN | NUT M12X1,25 D982 8 ZN | ECROU M12X1,25 D982 8 ZN | MUTTER M12X1,25 D982 8 ZN | DADO M12X1,25 D982 8 ZN |
| 29 | G22250048 | CORONA CAMBIO Z-21 SV | GEARBOX RING GEAR Z-21 SV | COURONNE BOITE DE VITESSE | GETRIEBEKRANZ Z-21 SV | CORONA CAMBIO Z-21 SV |
| 30 | G22250046 | CORONA CAMBIO Z-19 SV | GEARBOX RING GEAR Z-19 SV | COURONNE BOITE DE VITESSE | GETRIEBEKRANZ Z-19 SV | CORONA CAMBIO Z-19 SV |
| 31 | G22250053 | DISTAN.INFERIORE SV | LOWER SPACER SV | ENTRETOISE INF. SV | UNTERES DISTANZSTsCK SV | DISTAN. INFERIOR SV |
| 32 | G22250044 | CORONA CAMBIO Z-17 SV | GEARBOX RING GEAR Z-17 SV | COURONNE BOITE DE VITESSE | GETRIEBEKRANZ Z-17 SV | CORONA CAMBIO Z-17 SV |
| 33 | F01020408 | VITE M6X1X30 U5739 8.8 ZN | BOLT M6X1X30 | VIS M6X1X30 | SCHRAUBE M6X1X30 | TORNILLO M6X1X30 |
| 34 | F01200244 | DADO M 8X1,25 U5588 6.8 ZN | NUT M8 X1,25 U5588 6.8 ZN | ECROU M8 X1,25 U5588 6.8 ZN | MUTTER M8 X1,25 U5588 6.8 ZN | TUERCA M8 X1,25 U5588 6.8 ZN |
| 35 | G22250048 | CORONA CAMBIO Z-21 SV | GEARBOX RING GEAR Z-21 SV | COURONNE BOITE DE VITESSE | GETRIEBEKRANZ Z-21 SV | CORONA CAMBIO Z-21 SV |
| 36 | G22250050 | CORONA CAMBIO Z-15 SV | GEARBOX RING GEAR Z-15 SV | COURONNE BOITE DE VITESSE | GETRIEBEKRANZ Z-15 SV | CORONA CAMBIO Z-15 SV |
| 37 | F01020432 | VITE M 8X1,25X16 U5739 8.8 ZN | SCREW M8X 1.25X16 U5739 8.8 ZN | VIS M 8X16 | SCHRAUBE M 8X16 | TORNILLO M 8X16 |
| 38 | F01020526 | VITE M12X1,75X100 5739 8.8 ZN | SCREW M12X1,75X100 5739 8.8 ZN | VIS 12X100 5739 8.G ZN | SCHRAUBE 12X100 5739 8.G ZN | TORNILLO 12X100 5739 8.G ZN |
| 39 | G15220120 | VITE REGOLAZIONE ZN | REGULATION BOLT | VIS RÉGLAGE ZN | STELLSCHRAUBE ZN | TORNILLO REGULACIÓN ZN |
| 40 | G13825210 | MONT.MOLLA PRESS.USA > | | | | |
| 41 | G15830440 | BOCCOLA MOLLA TRAZIONE ZN. | GALVANIZED BUSH EXTENSION SPR | DOUILLE RESSORT TRACTION ZN | ZUGFEDERBUCHSE | MANGUITO MUELLE DE TRACCIÉN GA |
| 42 | F01020403 | VITE M6X1X16 U5739 8.8 ZN | SCREW M6X1X16 U5739 8.8 ZN | VIS M6X1X16 U5739 8.8 ZN | SCHRAUBE M6X1X16 U5739 8.8 ZN | TORNILLO M6X1X16 U5739 8.8 ZN |
| 43 | G15830141 | PARAFANGO | MUDGARD/FENDER | PARE-BOUE | KOTFL_GEL | GUARDABARRO |
| 44 | F06120113 | RUOTA COMPL.5.00-15 6PR DX | COMPL. WHEEL 5.00-15 6PR RH. | ROUE COMPL. 5.00-15 6PR DRT. | RAD KOMPL.5.00-15 6PR RE | RUEDA COMPL.5.00-15 6PR DER. |
| 45 | G15835111 | ASS.BRACCI RUOTA TRASMISSIONE | TRANSMISSION WHEEL ARMS ASSEM | GR. BRAS ROUE ENTRAINEMENT | ANTRIEBSRADARME | RUEDA DE TRANSMISIN R |
| 46 | G22250028 | PIGNONE Z-15 SV | Z-15 PINION SV | PIGNON Z-15 SV | RITZEL Z-15 SV | PIñN Z-15 SV P |
| 47 | G22250006 | INGR.CON MOZZO 1/2 Z-10 SV | GEARS- W/ HUB 1/2 Z-10 SV | ENGRENAGE AVEC MOYEU 1/2 Z-10 | ZAHNRAD MIT NABE 1/2 Z-10 SV | ENGRAN.CON PERNO 1/2 Z-10 SV |
| 48 | F02200452 | SPINA SCATTO D.4,4 B/80 ZN | SNAP PIN D4,4 B/80 ZN | FICHE A DETENTE D4,4 B/80 ZN | EINRASTSTIFT D4,4 B/80 ZN | CLAVIJA DE MUELLE D4,4 B/80 ZN |
| 49 | F01020229 | VITE M14X2X180 U5737 8.8 BR | SCREW 14X180 5737 8.G | VIS 14X180 5737 8.G | SCHRAUBE 14X180 5737 8.G | TORNILLO 14X180 5737 8.G |
| 50 | G15835241 | CARTER RUOTA TRASMISSIONE R | | | | |
| 51 | G19708000 | DECAL.CAMBIO R.5,00-15 R INCH | | | | |
| 52 | G65337035 | MOLLA TENDICATENA RUOTA DP | | | | |
| 53 | F01030084 | VITE M10X1,5X25 U5933 10.9 ZD | BOLT 10 X25 5933 10.9 GALVANIZ | VIS 10 X25 5933 10.9 ZN | SCHRAUBE 10 X25 5933 10.9 ZN | TORNILLO 10 X25 5933 10.9 ZN |
| 54 | F01220033 | DADO M10X 1,5 D980 8 ZN | NUT M10X 1,5 D980 8 ZN | ECROU M10X 1,5 D980 8 ZN | MUTTER M10X 1,5 D980 8 ZN | TUERCA M10X 1,5 D980 8 ZN |

TAV. 081



5 - Metric (cm)
51 - Imperial (inch)

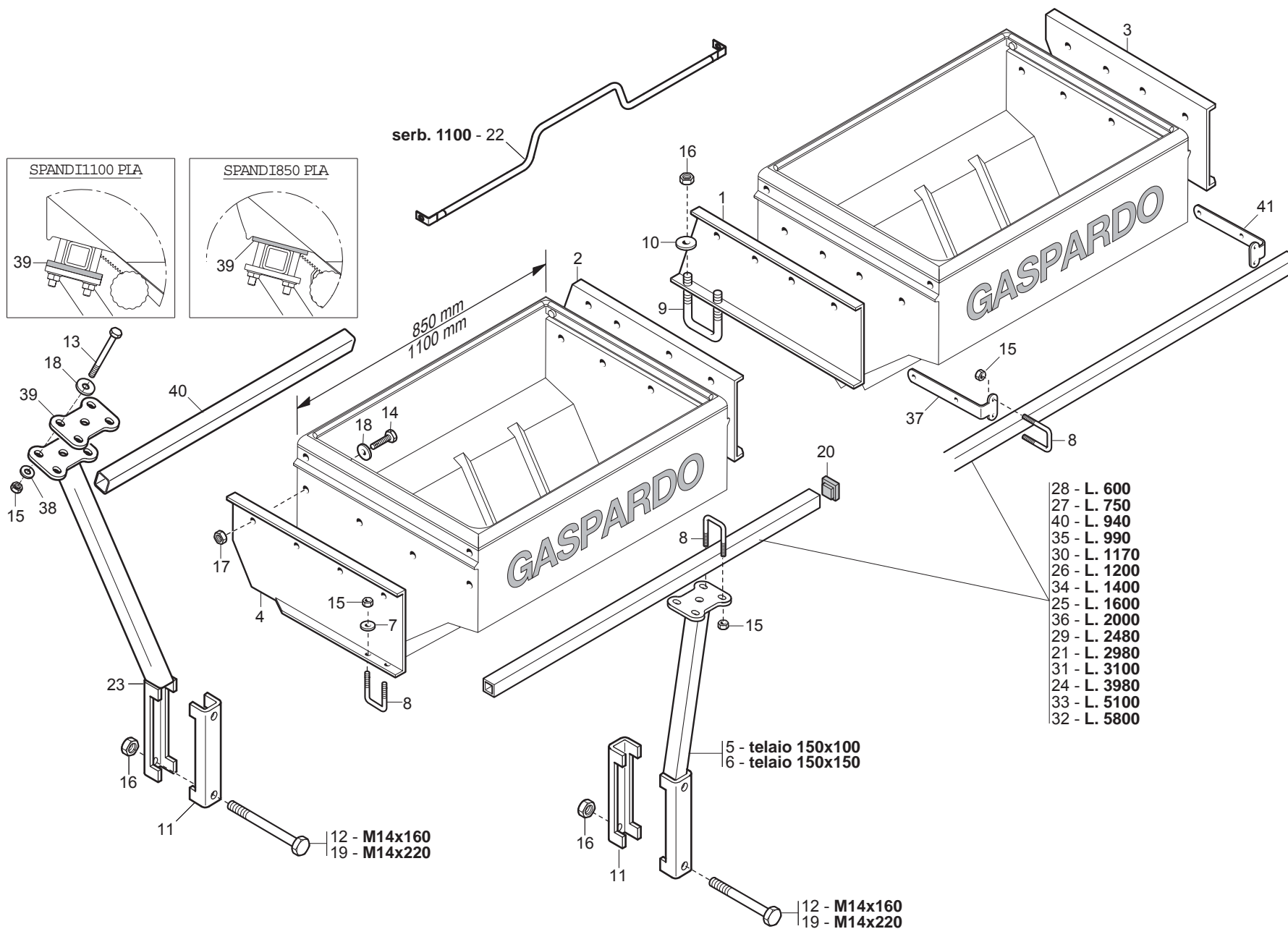
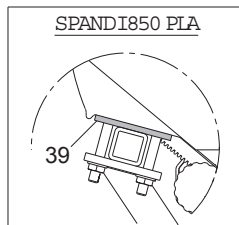
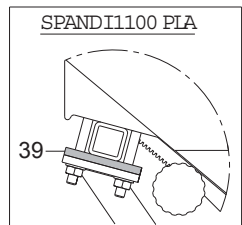
- 16x16x 85 - 68
- 16x16x150 - 69
- 16x16x200 - 70
- 16x16x220 - 71
- 16x16x248 - 72
- 16x16x275 - 73
- 16x16x320 - 74



RUOTA DI TRASMISSIONE

TAV. 081

| Pos. | Cod. | Descrizione | Description | Description | Benennung | Description |
|------|-----------|--------------------------------|--------------------------------|--------------------------------|--------------------------------|--------------------------------|
| 55 | F01410064 | ROS.M10 10,5X 20X 2 U6592 ZN | WASHER M10 10,5X20X2 U6592 ZN | RONDELL.M10 10,5X20X2 U6592 ZN | SCHEIBE M10 10,5X20X2 U6592 ZN | ARAND. M10 10,5X20X2 U6592 ZN |
| 56 | F01030060 | VITE M 8X1,25X35 U5933 10.9 ZD | SCREW M8X1,25X35 U5933 8.8 ZD | VIS 8X35 5933 8.8 ZN | SCHRAUBE 8X35 5933 8.8 ZN | TORNILLO 8X35 5933 8.8 ZN |
| 57 | G15830460 | TENDICATENA SEM. R | SEEDER CHAIN TIGHTENER R | TENDEUR DE CHAINE SEMEUR R | KETTENSPELLNER SZELEMENT R | TENSOR DE CADENA SEMBRADOR R |
| 58 | G19005110 | RULLO TENDICATENA | | | | RODILLO TENSIONA CADENA |
| 59 | G18801450 | BOCCOLA 8,25 X18 X17 | BUSHING 8,25 X 18 X 17 | BOITE 8,25 X18 X17 | BsCHSE 8,25 X18 X17 | CASQUILLO 8,25 X18 X17 |
| 60 | F01420048 | ROS.M8 8,4X 24X 2 U6593 ZN | WASHER M8 8,4X 24X 2 U6593 ZN | RONDELLE M8 8,4X 24X2 U6593 ZN | SCHEIBE M8 8,4X 24X 2 U6593 ZN | ARANDELA M8 8,4X 24X2 U6593 ZN |
| 61 | F02200452 | SPINA SCATTO D.4,4 B/80 ZN | SNAP PIN D4,4 B/80 ZN | FICHE A DETENTE D4,4 B/80 ZN | EINRASTSTIFT D4,4 B/80 ZN | CLAVIJA DE MUELLE D4,4 B/80 ZN |
| 62 | G20910039 | INGRANAGGIO SUP.Z-20 FERRO * | | | | |
| 63 | F01020231 | VITE M14X2X190 U5737 8.8 BR | SCREW M14X2 X190 5737 8.8 BR | VIS M 14 X190 5737 8.G | SCHRAUBE M 14 X190 5737 8.G | TORNILLO M 14 X190 5737 8.G |
| 64 | F06080111 | CATENA 1/2 ISO 084 113 MAGLIE | CHAIN 1/2 ISO 084 113 | | | |
| 65 | F01020445 | VITE M8X1,25X30 U5739 8.8 ZN | BOLT M8X30 | VIS M 8X30 | SCHRAUBE M 8X30 | TORNILLO M 8X30 |
| 66 | G22310011 | FLANGIA CAMBIO DP | GEARBOX FLANGE DP | BRIDE BOITE DE VITESSE DP | FLANSCH GETRIEBE DP | BRIDA CAMBIO DP |
| 67 | G15110091 | SCONTRO A U | STRIKER | BRIDE 150 MM | ANSCHLAG | ELEMENTO DE EMPALME |
| 68 | G10920400 | ASSE TRASM.L.850 | TRANSMISSION AXLE L850 | AXE TRANSMISSION L.850 | ANTRIEBSACHSE L.850 | EJE TRANSMISIN L 850 |
| 69 | G22270089 | ASSE TRASM.SEMINAT.L.1500 SP | AXLE- SEEDING MACH.. GEARBOX L | AXE ENTRAINEMENT SEMEUR L. 150 | ACHSE SZELEMENTANTRIEB.L.1500 | EJE TRANS.SEMBR. L.1500 SP |
| 70 | G22230141 | ASSE SEMINAT.6F.CM.80 L.2000 | AXLE- 6-ROW SEEDER MACH. 80 CM | AXE SEMEUR 6 RANGEES CM. 80 L. | ACHSE SZAELEMENT 6 R.CM.80 L.2 | EJE SEMBR. 6 FILAS. CM.80 L.20 |
| 71 | G22250276 | ASSE TRASM.SEMINAT.L.2200 SV | AXLE- SEEDING MACH. GEARBOX L. | AXE ENTRAINEMENT SEMEUR L. 220 | ACHSE SZELEMENT-ANTRIEB.L.2200 | EJE TRANS.SEMBR. L.2200 SV |
| 72 | G22250275 | ASSE TRASM.SEMINAT.L.2750 SV | AXLE- SEEDING MACH. GEARBOX L. | AXE ENTRAINEMENT SEMEUR L. 275 | ACHSE SZELEMENTANTRIEB L.2750 | EJE TRANS.SEMBR. L.2750 SV |
| 73 | G22250031 | ASSE TRASM.SEMINAT.L.3200 SV | AXLE- SEEDING MACH. GEARBOX L. | AXE ENTRAINEMENT SEMEUR L.3200 | ACHSE SZELEMENTANTRIEB L.3200 | EJE TRANS.SEMBR. L.3200 SV |
| 74 | G13732200 | ASSE TRASMISSIONE L.2485 | TRANSMISSION AXLE L2485 | AXE TRANSMISSION L.2485 | sBERTRAGUNGSACHSE L.2485 | EJE TRANSMISIN L 2485 A |
| 75 | G15835131 | ASS.SCATOLA CAMBIO R.5" | | | | |
| 76 | F02050101 | ANELLO E. DE 25X 1,2 U7435 C70 | SEEGER RING E. 25X1,2 7435 C70 | SEEGER E. 25X 1,2 U7435 C70 | SEEGERING E. 25X 1,2 U7435 C70 | ANILLO E. 25X 1,2 U7435 C70 |
| 77 | F04100137 | SUPPORTO FY 25 TF | SUPPORT FY 25 TF | | | |
| 78 | G22250323 | ASSE RUOTA SV | WHEEL AXLE SV | AXE ROUE SV | RADACHSE SV | EJE RUEDA SV |
| 79 | F01250040 | DADO COLON. 12X1.5 ZN | COLUMN NUT M12X1,5 STUD BOLT | ECROU M12X1. 5 COLONNE | SCHRAUBBOLZENMUTTER M12X1.5 | TUERCA 12X1,5 COLUMNA |
| 80 | F06120134 | CAMERA 15 L 290 | INNER TUBE 15 L.290 | CHAMBRE 15 L 290 | KAMMER 15 L 290 | CAMARA 15 L 290 |
| 81 | F06120170 | COPERTURA 5.00-15 IM 110 6PR | TYRE 500-15 IM110 4PR | COUVERTURE 500-15 IM110 4PR | MANTEL 500-15 IM110 4PR | CUBIERTA 500-15 IM110 4PR |
| 82 | F06120206 | CERCHIO 3.00 D 15 PV RAL 9001 | | | | |
| 83 | F05050025 | CAPPELOTTO PROTEZ. X VALV.PVC | | | | |
| 84 | G22505085 | FERMO ASSE IN LAMIERA | PLATE AXLE STOP | ARRET AXE EN TOLE | FESTSTELLVORRICHTUNG BLECHACHS | BLOQUEO EJE DE CHAPA |
| 85 | G66248218 | RONDELLA DISTAN.SPAND. | MAN. SPR. SPACER WASHER | RONDELLE ENTRETOISE EP. ENGRAI | ABSTANDSCHEIBE DsNGERSTREUER | ARANDELA DISTAN.ABONAD. |



- 28 - L. 600
- 27 - L. 750
- 40 - L. 940
- 35 - L. 990
- 30 - L. 1170
- 26 - L. 1200
- 34 - L. 1400
- 25 - L. 1600
- 36 - L. 2000
- 29 - L. 2480
- 21 - L. 2980
- 31 - L. 3100
- 24 - L. 3980
- 33 - L. 5100
- 32 - L. 5800

5 - telaio 150x100
6 - telaio 150x150

12 - M14x160
19 - M14x220

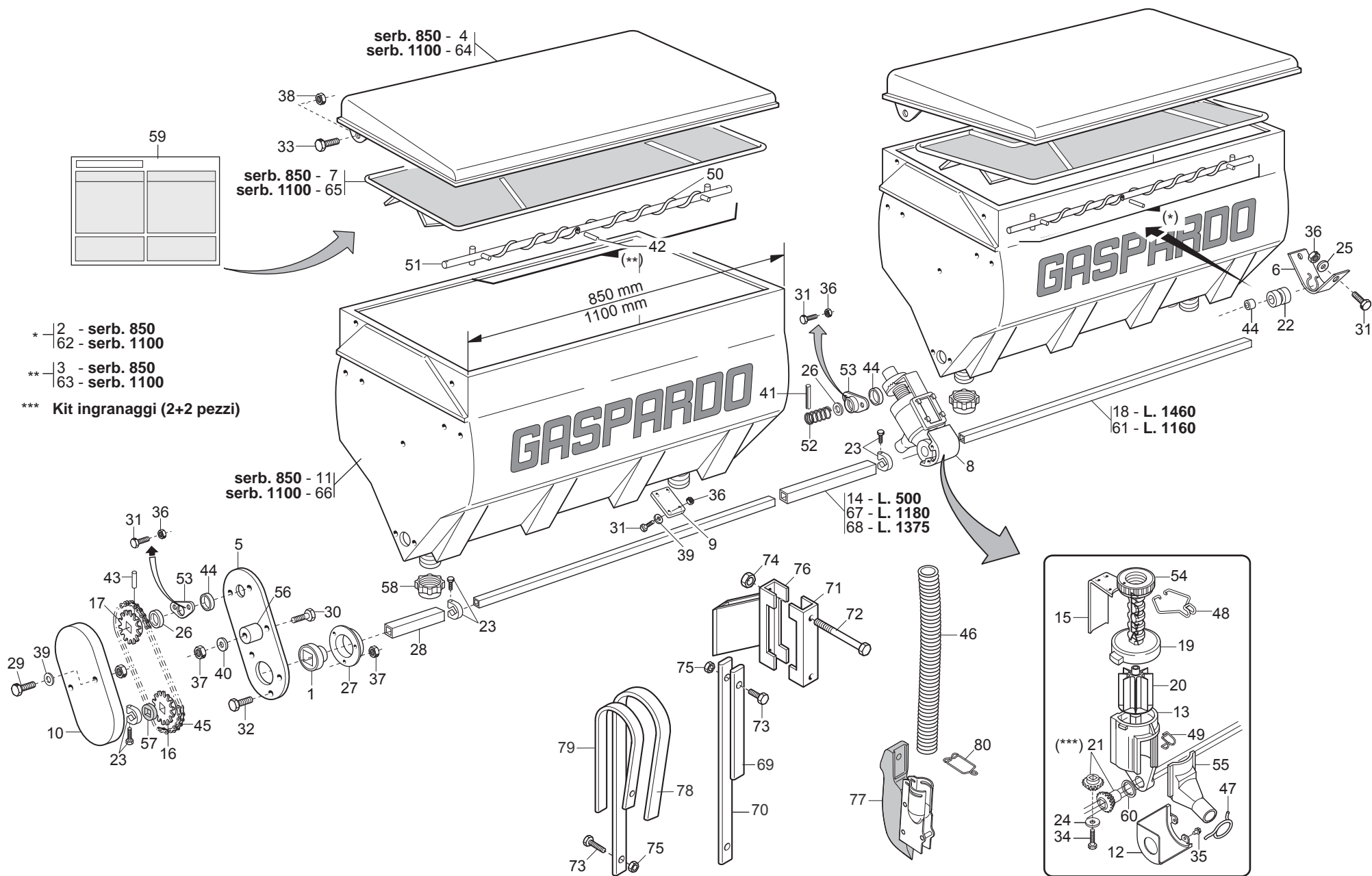
12 - M14x160
19 - M14x220

SUPPORTI SPANDICONCIME IN PLASTICA

TAV. 141

| Pos. | Cod. | Descrizione | Description | Description | Benennung | Descripcion |
|------|-----------|--------------------------------|--------------------------------|--------------------------------|---------------------------------|--------------------------------|
| 1 | G15470632 | SUPP.SPANDI CENTR.DX | | | | |
| 2 | G15470642 | SUPP.SPANDI CENTR.SX | | | | |
| 3 | G15171380 | SUPPORTO ESTERNO SPANDI DX * | MAN.SPR. EXT. RIGHT SUPPORT | SUPPORT EXT. DRT. EP. ENGRAIS | RECHTE ZUSSERE HALTER.DsNGERST | SOPORTE EXT.DER. ABONADORA . |
| 4 | G15171390 | SUPPORTO ESTERNO SPANDI SX * | MAN.SPR.EXT.LEFT SUPPORT | SUPPORT EXT. GCH. EP. ENGRAIS | LINKER ZUSSERE HALTER.DsNGERST | SOPORTE EXTERIOR IZQ.ABONADORA |
| 5 | G16670011 | SUPPORTO SPANDI | SPREADER SUPPORT | SUPPORT +PANDEUR | HALTERUNG SPANDI | SOPORTE ABONADORA |
| 6 | G15472901 | SUPPORTO SPANDI Q.150 | SQ. FERTILIZER SPREADER SUPPOR | SUPPORT +PANDEUR CARR+ 150 | HALTERUNG SPANDI Q.150 | SOPORTE ABONADORA Q.150 |
| 7 | G18701140 | RONDELLA 11 X35 X5 | WASHER 11 X 35 X 5 | RONDELLE 11 X35 X5 | UNTERLEGSSCHEIBE 11 X35 X5 | ARANDELA 11 X35 X5 |
| 8 | F20110706 | CAV.Q.M10X 1,5X 30 47X 60 ZN | DISK SUPPORT.ELEMENT U BOLT SV | CAVALIER SUPPORT DISQUE SV | VERBINDUNG SCHEIBENHALTERUNG S | PERNO EN U SOP. DISCO SV |
| 9 | F20110770 | CAV.Q.M14X 2X 50 96X119 ZN | U BOLT M14X2X50 96X119 ZN | BRIDE U M14X2X50 96X119 ZN | ANSCHLANG U M14X2X50 96X119 ZN | EL.DE EMPALME M14X2X50 96X119 |
| 10 | G20970142 | RONDELLA 32X4X15,5 | WASHER 32X4X15-5 | RONDELLE 32X4X15-5 | UNTERLEGSSCHEIBE 32X4X15-5 | ARANDELA 32X4X15-5 |
| 11 | G15110091 | SCONTRO A U | STRIKER | BRIDE 150 MM | ANSCHLAG | ELEMENTO DE EMPALME |
| 12 | F01020225 | VITE M14X2X160 U5737 8.8 BR | SCREW M 14 X160 5737 8.G | VIS M 14 X160 5737 8.G | SCHRAUBE M 14 X160 5737 8.G | TORNILLO M 14 X160 5737 8.G |
| 13 | F01020144 | VITE M10X1,5X75 U5737 A2 IX | BOLT M10X 1,5X 75 U5737 8.8 IX | VIS M10X 1,5X 75 U5737 8.8 IX | SCHRAUBE M10X 1,5X 75 U5737 8. | TORNIL. M10X 1,5X 75 U5737 8.8 |
| 14 | F01020465 | VITE M10X1,5 X35 U5739 A2 IX | SCREW 10X35 5739 INOX A2 | VIS 10X35 5739 INOX A2 | SCHRAUBE 10X35 5739 INOX A2 | TORNILLO 10X35 5739 INOX A2 |
| 15 | F01200271 | DADO M10X 1,5 U5588 A2 IX | NUT 10 5588 6.8 INOX | ECROU 10 5588 6.8 INOX | MUTTER 10 5588 6.8 INOX | TUERCA 10 5588 6.8 INOX |
| 16 | F01200306 | DADO M14X 2 U5588 6.8 ZN | NUT M14X2 | ECROU M14X2 | MUTTER M14X2 | DADO M14X2 |
| 17 | F01200271 | DADO M10X 1,5 U5588 A2 IX | NUT 10 5588 6.8 INOX | ECROU 10 5588 6.8 INOX | MUTTER 10 5588 6.8 INOX | TUERCA 10 5588 6.8 INOX |
| 18 | F01420059 | ROS.M10 10,5X 30X2,5 U6593 IX | WASHER 11X30X2,5 6593 A2 | RONDELLE 11X30X2,5 6593 A2 | UNTERLEGSSCHEIBE 11X30X2,5 6593 | ARANDELA 11X30X2,5 6593 A2 |
| 19 | F01020236 | VITE M14X2X220 U5737 8.8 BR | SCREW M14X2X220 U5737 8.8 BR | VIS M14X2X220 U5737 8.8 BR | SCHRAUBE M14X2X220 U5737 8.8 | TORNILLO M14X2X220 U5737 8.8 |
| 20 | F20120346 | PUNTALE Q 35 ALETT.POLIT.NERO | | | | |
| 21 | G07000028 | TUBO Q. 35X 4X2980 | SQUARE PIPE 35 X 35 X 3 X 2980 | TUBE CARRE 35 X 35 X 3 X 2980 | VIERKANTROHR 35 X 35 X 3 X 298 | TUBO CUADRADO 35 X 35 X 3 X 29 |
| 22 | G15272961 | RINFORZO SPANDICONCIME 1100 | FERTILIZER 1100 REINFORCEMENT | RENFORT EPANDEUR D'ENGRAIS 110 | VERSTZRKUNG DsNGERSTREUER 1100 | REFUERZO ABONADORA 1100 |
| 23 | G15275790 | ASS.SUPPORTO ANT.SPANDI PLA | | | | |
| 24 | G07000370 | TUBO Q. 35X 3X3980 | SQUARE PIPE 35X35X4X3980 | TUBE CARRE 35X35X4X3980 | VIERKANTROHR 35X35X4X3980 | TUBO CUADRADO 35X35X4X3980 |
| 25 | G07000375 | TUBO Q. 35X 3X1600 | SQUARE PIPE 35X35X4X1600 | TUBE CARRE 35X35X4X1600 | VIERKANTROHR 35X35X4X1600 | TUBO CUADRADO 35X35X4X1600 |
| 26 | G15472970 | TUBO Q. 35X 4X1200 | SQUARE PIPE 35 X4 X1200 | TUBE CARRE 35 X4 X1200 | VIERKANTROHR 35 X4 X1200 | TUBO CUADRADO 35 X4 X1200 |
| 27 | G15472980 | TUBO Q. 35X 4X 750 | SQUARE PIPE 35 X4 X750 | TUBE CARRE 35 X4 X750 | VIERKANTROHR 35 X4 X750 | TUBO CUADRADO 35 X4 X750 |
| 28 | G15472990 | TUBO Q. 35X 4X 600 | SQUARE PIPE 35 X4 X600 | TUBE CARRE 35 X4 X600 | VIERKANTROHR 35 X4 X600 | TUBO CUADRADO 35 X4 X600 |
| 29 | G15475130 | TUBO SUPPORTO SERBATOIO L.2480 | TANK SUPPORT PIPE L.2480 | TUBE SUPPORT RESERVOIR L2460 | ROHR HALTERUNG BEHZLTER L.2480 | TUBO SOPORTE DEPSITO L 2480 T |
| 30 | G15475300 | TUBO SUPPORTO MICRO L.1170 | MICRO SUPPORT PIPE L.1170 | TUBE SUPPORT MICRO L1170 | ROHR HALTERUNG MIKRO L.1170 | TUBO SOPORTE MICRO L.1170 |
| 31 | G15475390 | TUBO SUPPORTO MICRO L.3100 | MICRO SUPPORT PIPE L.3100 | TUBE SUPPORT MICRO L3100 | ROHR HALTERUNG MIKRO L.3100 | TUBO SOPORTE MICRO L.3100 |
| 32 | G15475400 | TUBO SUPPORTO MICRO L.5800 | MICRO SUPPORT PIPE L.3800 | TUBE SUPPORT MICRO L5800 | ROHR HALTERUNG MIKRO L.5800 | TUBO SOPORTE MICRO L.5800 |
| 33 | G15475540 | TUBO SUPPORTO MICRO L.5100 | MICRO SUPPORT PIPE L.5100 | TUBE SUPPORT MICRO L5100 | ROHR HALTERUNG MIKRO L.5100 | TUBO SOPORTE MICRO L 51000 |
| 34 | G20890207 | BARRA DIFFUSORI DISERBO L.1400 | WEEDKILLER SPREADER BAR L.1400 | BARRE DIFFUSEURS DESHERBAGE L. | DIFFUSORENSTANGE UNKRAUTVERT. | BARRA DIFUSORES HERBICIDA L.1 |
| 35 | G22220141 | BRACCIO SCORREVOLE 4 FILE | SLIDING ARM- 4-ROW | BRAS GLISSANT 4 RANGEES | GLEITARM 4 REIHEN | BRAZO CORREDIZO 4 FILAS |
| 36 | G22270115 | BRACC.SCORR.6F.100 L.2000 SP | SLIDING ARM 6-R. 100 L.2000 SP | BRAS GLISS. 6 RANG. 100 L. 200 | GLEITARM 6R.100 L.2000 SP | BRAZO CORRED. 6 FILAS. 100 L.2 |
| 37 | G15475271 | SUPPORTO MICRO | MICRO SUPPORT | SUPPORT MICROGRANULATEUR | HALTERUNG MICRO | SOPORTE MICRO |
| 38 | F01410064 | ROS.M10 10,5X 20X 2 U6592 ZN | WASHER M10 10,5X20X2 U6592 ZN | RONDELL.M10 10,5X20X2 U6592 ZN | SCHEIBE M10 10,5X20X2 U6592 ZN | ARAND. M10 10,5X20X2 U6592 ZN |
| 39 | G14276330 | SUPPORTO TUBO | | | | |
| 40 | G15171650 | TUBO Q. 35X 4X 940 | | | | |

TAV. 151



serb. 850 - 4
serb. 1100 - 64

serb. 850 - 7
serb. 1100 - 65

serb. 850 - 11
serb. 1100 - 66

* 2 - serb. 850
62 - serb. 1100

** 3 - serb. 850
63 - serb. 1100

*** Kit ingranaggi (2+2 pezzi)

18 - L. 1460
61 - L. 1160

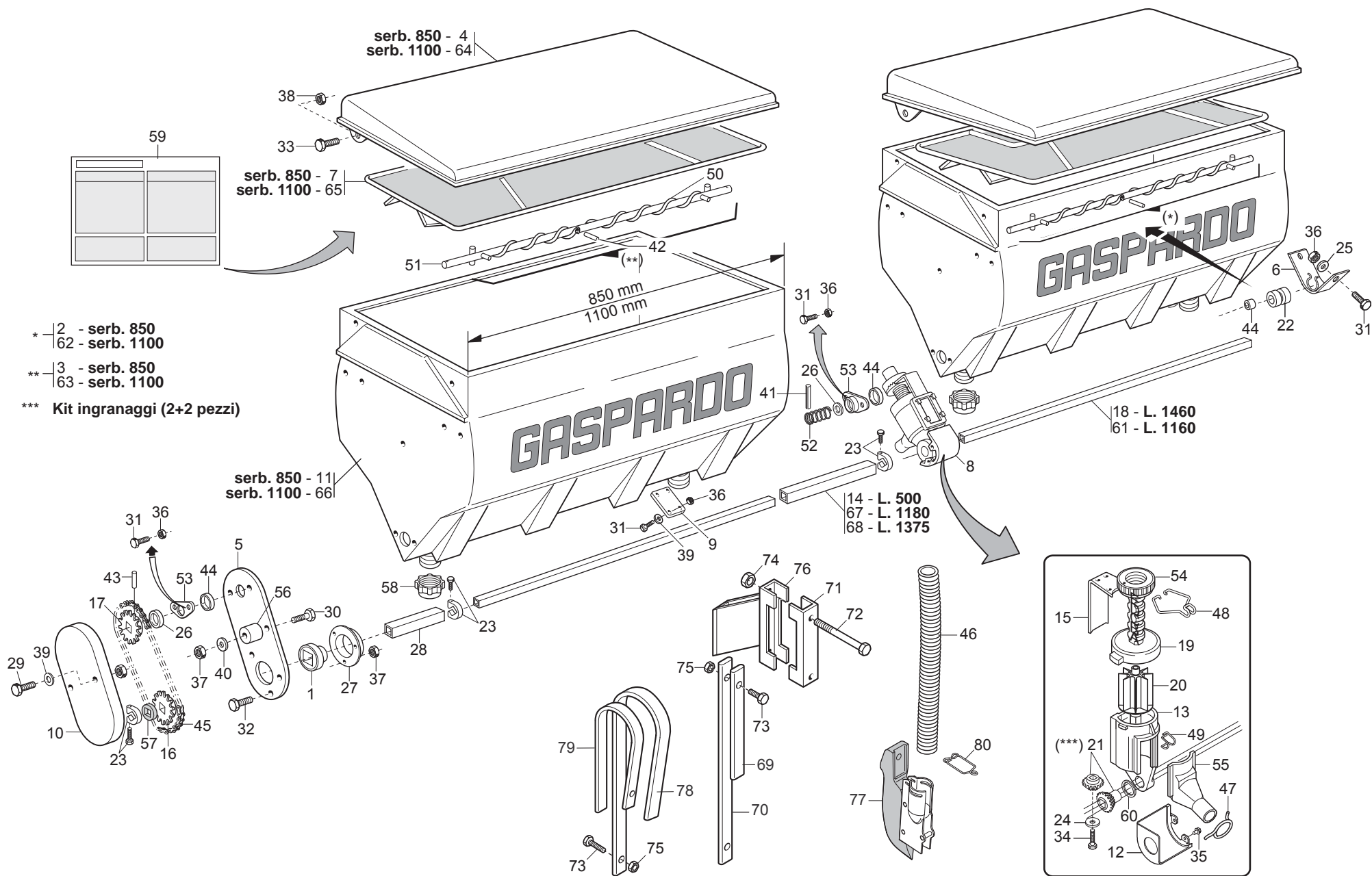
14 - L. 500
67 - L. 1180
68 - L. 1375

SPANDICONIME IN PLASTICA

TAV. 151

| Pos. | Cod. | Descrizione | Description | Description | Benennung | Descripcion |
|------|-----------|--------------------------------|--------------------------------|--------------------------------|---------------------------------|--------------------------------|
| 1 | G14830390 | CUSCINETTO FORO QUADRO | SQUARE-HOLED BEARING | ROULEMENT AL+SAGE CARR+ | VIERKANTLAGER | COJINETE ORIFICIO CUADRADO |
| 2 | G20860121 | ASSE AGITAT.DX SERB.850 COMPL. | STIRRER SPINDLE- RIGHT 850 TAN | AXE AGITATEUR DRT. RESERVOIR 8 | SAMENMISCHERACHSE RE BEH.850 | EJE AGITAD. DER. DEPS.850 COMA |
| 3 | G20860122 | ASSE AGITAT.SX SERB.850 COMPL. | STIRRER SPINDLE- LEFT 850 TANK | AXE AGITATEUR GCH. RESERVOIR 8 | SAMENMISCHERACHSE LI BEH.850 | EJE AGITAD. IZQ. DEPS. 850 COA |
| 4 | G15470580 | COPERCHIO SERBATOIO 850 | TANK TOP 850 | COUVERCLE RESERVOIR 650 | BEHZLTERDECKEL 850 | TAPA DEPOSITO 850 A |
| 5 | G15471930 | PROTEZIONE | GUARD | PROTECTION | SCHUTZ | PROTECCIN P |
| 6 | G15471990 | SUPPORTO COCLEA | SCREW SUPPORT | SUPPORT VIS ALIMENTATION | HALTERUNG SCHNECKE | SOPORTE COCLEA S |
| 7 | G15472760 | GRIGLIA SERBATOIO PLASTICA 850 | PLASTIC TANK GRID 850 | GRILLE RESERVOIR PLASTIQUE 850 | BEHZLTERGITTER PLAST.850 | REJILLA DEPOSITO PLAST.850 G |
| 8 | G15472770 | DISTR.COMPL.8PALE SPANDI PL | COMPL.PLAS.FERTIL.DISTR.8RIBS | MINIMAX COMPL.8C PLA | KOMPL.DOSIER.PLA.DÜNGERSTR.8S | DISTR.COMP.ABONO PLAST. 8AL. |
| 9 | G15472780 | TAPPO SPANDI PLASTICA | PLASTIC FERT. SPREADER PLUG | BOUCHON EPAND. PLASTIQUE | PLASTIKPFROPFEN DsNGERSTR. | TAPN ABONADORA PLæSTICO D |
| 10 | G19002710 | PROTEZ.RINVIO SPANDICONCIME | FERTILIZER TRANSP. PROTECTION | PROTECTION RENVOI FERTILISEUR | SCHUTZ VORGELEGE DUNGERSTREUER | PROTECCIN TRANSMISION ABONADO |
| 11 | G19004470 | SERBATOIO CONCIME 850 | FERTILIZER HOPPER 850 | TR+MIE ENGRAIS 850 | D_NGERTANK 850 | DEPËSITO ABONO 850 |
| 12 | G19002850 | PROTEZIONE PIGNONE | PINION GUARD | PROTECTION PIGNON | RITZELSCHUTZ | PROTECCIN PI¼N PR |
| 13 | G19002920 | CORPO DISTRIBUTORE SPANDI PLA. | PLA. F.SPREADER DISTRIB.CASING | CORPS DISTRIBUTEUR EPAND. | VERTEILUNGSKTRPRER STREUER PLA. | CUERPO DIST. ABONADORA PLæS. |
| 14 | G20860012 | MANICOTTO DI UNIONE L.500 | JOINT SLEEVE L.500 | MANCHON DE RACCORD L. 500 | VERBINDUNGSMUFFE L.500 | MANGUITO DE UNIN L.500 M |
| 15 | G20860052 | REGOLATORE APERTURA | OPENING REGULATOR | REGULATEUR OUVERTURE | TFFNUNGSEINSTELLER | REGULADOR ABERTURA |
| 16 | G20860086 | INGRANAGGIO 1/2 Z-12 F.Q. | GEAR 1/2 Z-12 F.Q. | ENGRENAGE 1/2 Z-12 TROUS CARRE | ZAHNRAD 1/2 Z-12 F.Q. | ENGRANAJE 1/2 Z-12 F.Q. |
| 17 | G20860088 | INGRANAGGIO 1/2 Z-12 F.T. | GEAR 1/2 Z-12 F.T. | ENGRENAGE 1/2 Z-12 TROUS ROND | ZAHNRAD 1/2 Z-12 F.T. | ENGRANAJE 1/2 Z-12 F.T. |
| 18 | G20860090 | ASSE SX 5F.60 L.1460 | AXLE- LEFT 5-R.60 L.1460 | AXE GCH. 5 RANGEES 60 L. 1460 | ACHSE LI 5R.F.60 L.1460 | EJE IZQ. 5 FILA. 60 L.1460 |
| 19 | G20860093 | VITE DI REGOL. | ADJUSTMENT BOLT | VIS DE REGLAGE | EINSTELLSCHRAUBE. | TORNILLO DE REGULACIN S |
| 20 | G20860106 | DOSATORE SPANDI 8 PALE COMPL. | FERT.METERING DEVICE ASS.8 GRO | ROTOR DOSEUR 8C FERTIL COMPL. | DOSIERER DUNGER.KOMPL. 8 SEKT | DOSIFICADOR ABONO COMP.8 SECT |
| 21 | G20860126 | KIT INGR DISTR CONCIME (2+2) | KIT INGR. DISTR. GEARS (2+2) | COUPLE CON DISTR ENGRAIS (2+2) | KIT ZAHNRZDER DsNGERSTREUER | SET ENGRANAJES DISTRIB. ABONO |
| 22 | G19005040 | BOCCOLA ASSE SPANDI | FERT. SPREADER AXLE BUSH | DOUILLE AXE +PANDEUR | ACHSENBUCHSE STREUER | MANGUITO -RBOL ABONADORA |
| 23 | G22505085 | FERMO ASSE IN LAMIERA | PLATE AXLE STOP | ARRET AXE EN TOLE | FESTSTELLVORRICHTUNG BLECHACHS | BLOQUEO EJE DE CHAPA |
| 24 | G20970097 | RONDELLA 32X3X4,5 | WASHER 32X3X4-5 | RONDELLE 32X3X4-5 | UNTERLEGSCHEIBE 32X3X4-5 | ARANDELA 32X3X4-5 |
| 25 | G20970125 | RONDELLA 28X2,5X6,5 | WASHER 28X2-5X6-5 | RONDELLE 28X2-5X6-5 | UNTERLEGSCHEIBE 28X2-5X6-5 | ARANDELA 28X2-5X6-5 |
| 26 | G22220073 | RONDELLA 28X0,3X16,5 | WASHER 28X0-3X16-5 | RONDELLE 28X0-3X16-5 | UNTERLEGSCHEIBE 28X0-3X16-5 | ARANDELA 28X0-3X16-5 |
| 27 | G22230094 | SUPPORTO CUSCINETTO | BEARING SUPPORT | SUPPORT PALIER | LAGERBSCHSE | SOPORTE COJINETE |
| 28 | G22250287 | MANICOTTO DISTANZIALE SV | SPACER SLEEVE SV | MANCHON ENTRETOISE SV | ABSTANDSMUFFE SV | MANGUITO DISTANCIADOR SV |
| 29 | F01020043 | VITE M6X1X60 U5737 8.8 ZN | SCREW M6X 1X60 U5737 8.8 ZN | VIS 6 X60 5737 8.G ZN | SCHRAUBE 6 X60 5737 8.G ZN | TORNILLO 6 X60 5737 8.G ZN |
| 30 | F01020068 | VITE M 8X1,25X40 U5737 8.8 ZN | SCREW M8X1,25X40 U5737 8.8 ZN | VIS M 8X1,25X40 U5737 8.8 ZN | SCHRA. M8X1,25X40 U5737 8.8 ZN | TORNIL.M8X1,25X40 U5737 8.8 ZN |
| 31 | F01020403 | VITE M6X1X16 U5739 8.8 ZN | SCREW M6X1X16 U5739 8.8 ZN | VIS M6X1X16 U5739 8.8 ZN | SCHRAUBE M6X1X16 U5739 8.8 ZN | TORNILLO M6X1X16 U5739 8.8 ZN |
| 32 | F01020432 | VITE M 8X1,25X16 U5739 8.8 ZN | SCREW M8X 1.25X16 U5739 8.8 ZN | VIS M 8X16 | SCHRAUBE M 8X16 | TORNILLO M 8X16 |
| 33 | F01020472 | VITE M10X1,5X25 U5739 8.8 ZN | BOLT 10X25 5739 8.G GALVANIZED | VIS 10X25 5739 8.G ZN | SCHRAUBE 10X25 5739 8.G ZN | TORNILLO 10X25 5739 8.G ZN |
| 34 | F01070075 | VITE M4,2X1,41X38 U6954 4.8 NI | BOLT 4-2X38 DIN 7981 | VIS 4-2X38 DIN 7981 | SCHRAUBE 4-2X38 DIN 7981 | TORNILLO 4-2X38 DIN 7981 |
| 35 | F01070011 | VITE M4,2X1,41X9,5 U6950 4.8NI | BOLT- SELF-TAPPING 4-2X9-5T.E. | VIS AUTOTAR. 4-2X9-5 T. E. COU | SELBSTSCHNEID. SCHRAUBE 4-2X9-5 | TORNILLO AUTORROSC. 4-2X9-5 |
| 36 | F01200232 | DADO M 6X 1 U5588 6.8 ZN | NUT 6 UNI 5588 6.8 GALVANIZED | ECROU 6 UNI 5588 6.8 ZN | MUTTER 6 UNI 5588 6.8 ZN | TUERCA 6 UNI 5588 6.8 ZN |
| 37 | F01200244 | DADO M 8X1,25 U5588 6.8 ZN | NUT M8 X1,25 U5588 6.8 ZN | ECROU M8 X1,25 U5588 6.8 ZN | MUTTER M8 X1,25 U5588 6.8 ZN | TUERCA M8 X1,25 U5588 6.8 ZN |
| 38 | F01220033 | DADO M10X 1,5 D980 8 ZN | NUT M10X 1,5 D980 8 ZN | ECROU M10X 1,5 D980 8 ZN | MUTTER M10X 1,5 D980 8 ZN | TUERCA M10X 1,5 D980 8 ZN |
| 39 | F01410037 | ROS.M6 6,4X12,5X1,6 U6592 ZN | PLANE WASHER D.6 | RONDELLE D.6 | SCHEIBE D.6 | ARANDELA D.6 |
| 40 | F01410051 | ROS.M8 8,4X 17X1,6 U6592 ZN | WASHER M8 8,4X17X1,6 U6592 ZN | RONDEL. M8 8,4X17X1,6 U6592 ZN | SCHEIBE M8 8,4X17X1,6 U6592 ZN | ARANDELA M8 8,4X17X1,6 U6592ZN |
| 41 | F02100079 | SPINA E.P. 5X 16 U6873 C70 BR | PIN EL. 5X 16 U6873 C70 BR | FICHE EL. 5X 36 U6873 C70 BR | STIFT EL. 5X 36 U6873 C70 BR | CLAVIJA EL. 5X 36 U6873 C70 BR |
| 42 | F02100089 | SPINA E.P. 5X 36 U6873 C70 BR | PIN EL. 5X 36 U6873 C70 BR | GOUJON ELASTIC PIN 6X30 | SPANNHUELSE 6X30 | ESPINA ELASTICA 6X30 |
| 43 | F02100114 | SPINA E.P. 6X 30 U6873 C70 BR | ELASTIC PIN 6X30 | | | |
| 44 | F03011081 | GUARNIZIONI LABBRO DE100 | LIP GASKET D100 | | | |
| 45 | F06080196 | CATENA 1/2 ISO 083 32 MAGLIE | CUT-DOWN CHAIN .1/2 ISO 083 32 | TRONCON CHAINE 1/2 ISO 083 32 | KETTENLNZNGE 1/2 ISO 083 32 GL | TRECHO CADENA 1/2 ISO 083 32 |
| 46 | F03100500 | TUBO EOLO 35 PU | TUBE EOLO 35 PU | TUBE EOLO 35 PU | | |
| 47 | G65336025 | MOLLA SPEC.ZN STRINGIT.ASP.SP | SPEC SPRING ZN FAN . PIPE CLAM | RESSORT SPEC. ZN SERRE-TUBE AS | SPEZIALFEDER ZN RORHSCHELLE AB | MUELLE ESPEC. ZN APRIETA TUBOS |
| 48 | G65336055 | MOLLA SPEC.REGOL.SPAND. SP | SPEC SPRING MAN. SPR. ADJUSTM. | RESSORT SPEC. REGL. EP. ENTRA | SPEZIALFEDER STREUER EINSTELLUN | MUELLE ESPEC. REGUL. ABONADORA |
| 49 | G65336062 | MOLLA SPEC.SCIV.DISTR.SPAND.SP | SPEC SPRING - MAN. SPR. DISTR. | RESS. SPEC. LANCOIR DISTR. EP. | SPEZ.FEDER RUTSCHE SZAPP. STRE | MUELLE ESPEC.PLANO INCL.DISTR. |
| 50 | G65336064 | MOLLA SPEC.COCLEA DX SPAND.HL | SPEC. WORM SCREW SPRING RIGHT | RESSORT SPEC. VIS DRT. EP. ENG | SPEZ.FEDER RE SCHNECKE STREUER | MUELLE ESPEC. TORN.S/F DER. AB |
| 51 | G65336065 | MOLLA SPEC.COCLEA SX SPAND.HL | SPEC. WORM SCREW SPRING LEFT M | RESSORT SPEC. VIS GCH. EP. ENG | SPEZ.FEDER LI SCHNECKE STREUER | MUELLE ESPEC. TORN.S/F IZQ. AB |
| 52 | G65338043 | MOLLA COMP.ZN SERB. M80 | ZN TANK COMP.SPRING M80 | RESSORT COMPL. ZN RESERVOIR M8 | DRUCKFEDER ZN BEHZLTER M80 | MUELLE COMP.ZN DEPS. M80 A |
| 53 | G66248121 | BOCCOLA CON FLANGIA M80 | BUSHING W/ FLANGE M80 | SUPPORT AVEC BRIDE M80 | BschSE MIT FLANSCH M80 | CASQUILLO CON BRIDA M80 |
| 54 | G66248125 | GHIERA REGOLAZIONE M80 | ADJUSTMENT KNURLD NUT M80 | BAGUE REGLAGE M80 | EINSTELLMUTTER M80 | CONTRATUERCA REGULACIN M80 G |

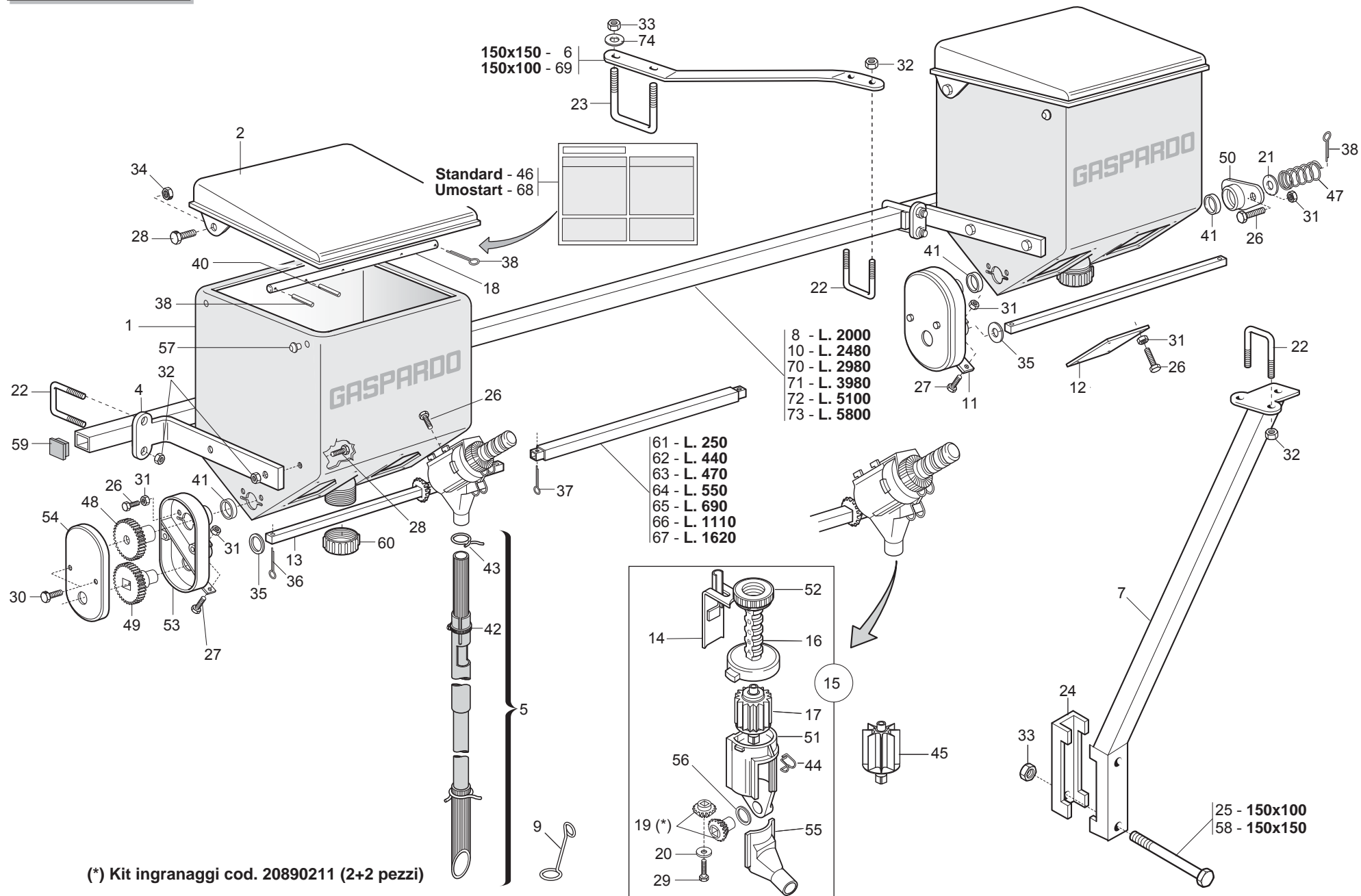
TAV. 151



SPANDICONCIME IN PLASTICA

TAV. 151

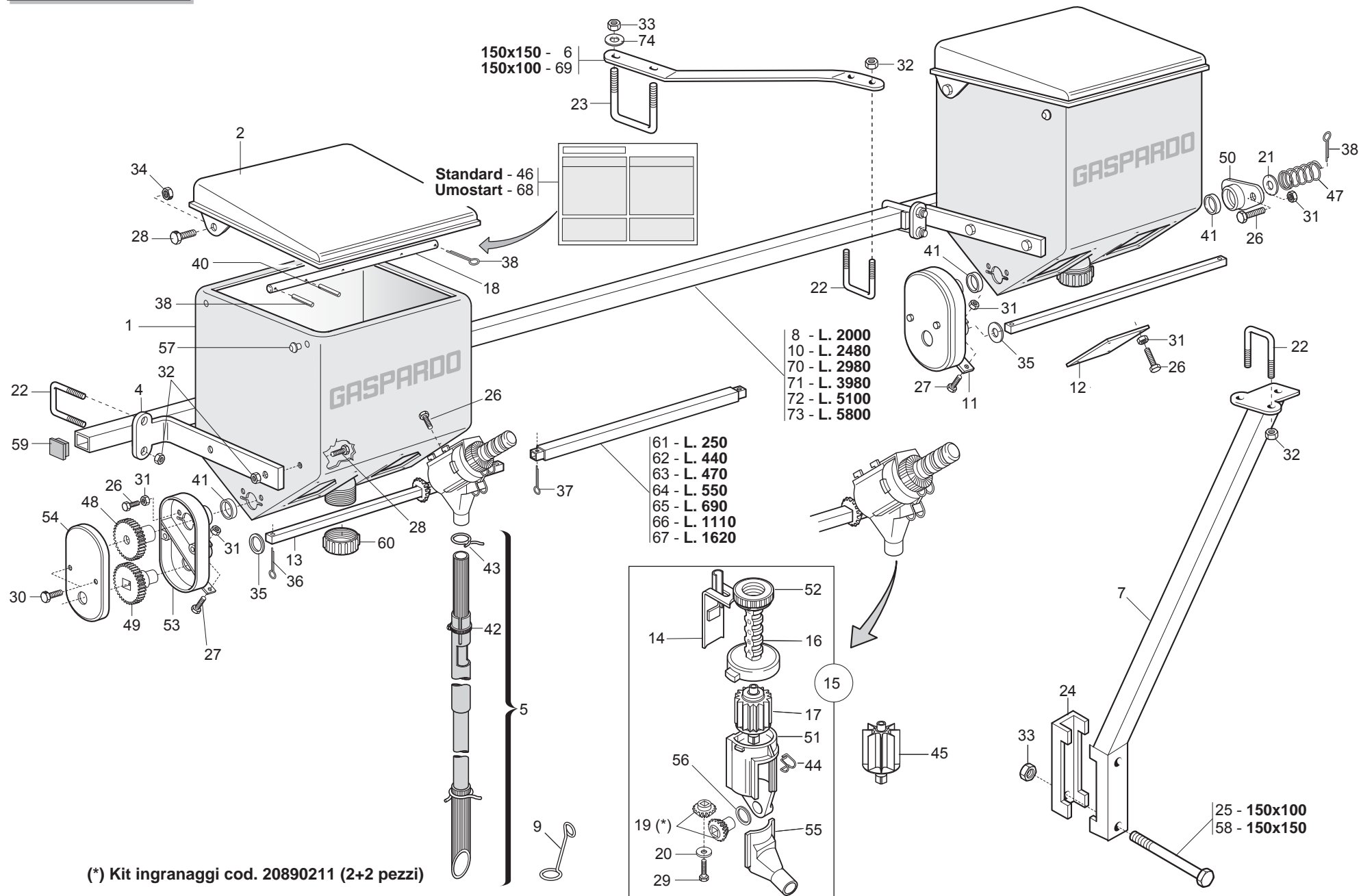
| Pos. | Cod. | Descrizione | Description | Description | Benennung | Descripcion |
|------|-----------|--------------------------------|--------------------------------|--------------------------------|--------------------------------|--------------------------------|
| 55 | G66248178 | SCIVOLO DISTR.SPAND. SP | CHUTE- MANURE-SPREADER DISTRIB | LANCOIR DISTRIBUTION EP. ENGR. | DsNGERSTREUER RUTSCHE SP | PLANO INCLINADO DISTR. ABON. S |
| 56 | G66248207 | TENDICATENA SPAND. SP-520 | CHAIN TENSIONER | TENDEUR DE CHAINE EPAND. ENGR. | KETTENSANNER DsNGERSTR. SP-52 | TENSOR DE CADENA ABON. SP-520 |
| 57 | G66248218 | RONDELLA DISTAN.SPAND. | MAN. SPR. SPACER WASHER | RONDELLE ENTRETOISE EP. ENGRAI | ABSTANDSCHEIBE DsNGERSTREUER | ARANDELA DISTAN.ABONAD. |
| 58 | F03150757 | TAPPO FILETT.SERBAT.PLASTICA | SCREWED PLUG FOR PLASTIC TANK | | | |
| 59 | G19702751 | DECAL.TABELLA CONCIME 'V'99 | V 99 FERTILIZER CHART STICKER | DECALC. TABLEAU ENGRAIS V 99 | ABZIEHB. TABELLE DsNGER V 99 | CAL.TABLA ABONO V 99 |
| 60 | G18701500 | RONDELLA 29,5 X38 X0,3 | WASHER 29,5 X 38 X 0,3 | RONDELLE 29,5 X38 X0,3 | UNTERLEGSCHIEBE 29,5X38X0,3 | ARANDELA 29,5 X38 X0,3 |
| 61 | G20860032 | ASSE RUOTA CAMBIO L.1160 | WHEEL AXLE - GEARBOX L.1160 | AXE ROUE BOITE DE VITESSE | GEBTRIEBERADACHSE L 1160 | EJE RUEDA CAMBIO L.1160 |
| 62 | G15271540 | ASSE AGITATORE DX 1100 | STIRRER SPINDLE-RIGHT 1100 TAN | AXE AGITATEUR DRT.RESERV.1100 | SAMENMISCHERACHSE RE BEH.1100 | EJE AGITAD.DER.DEPS.1100 COM A |
| 63 | G15271550 | ASSE AGITATORE SX 1100 | STIRRER SPINDLE- LEFT 1100 | AXE AGITATEUR GCH. 1100 | SAMENMISCHERACHSE LINKER 1100 | EJE AGITAD. IZQ. 1100 |
| 64 | G15471920 | COPERCHIO SERBATOIO L.1100 | TANK COVER L.1100 | COUVERCLE RESERVOIR L.1100 | BEHZLTERDECKEL L.1100 | TAPA DEPS.L.1100 A |
| 65 | G15473130 | GRIGLIA SERBATOIO 1100 PLAST. | PLASTIC TANK GRID 1100 | GRILLE RESERVOIR PLAST.1100 | BEHZLTERGITTER PLAST.1100 | REJILLA DEPSITO PLAST.1100 G |
| 66 | G19003060 | SERBATOIO 1100 PLASTICA | PLASTIC TANK 1100 | RESERVOIR 1100 PLASTIQUE | PLASTIKBEHZLTER 1100 | DEPSITO 1100 PLÆSTICA B |
| 67 | G20910045 | MANICOTTO UNIONE L.1180 | JOINT SLEEVE L.1180 | MANCHON RACCORD L. 1180 | VERBINDUNGSMUFFE L.1180 | MANGUITO DE UNIN L.1180 M |
| 68 | G20910044 | MANICOTTO UNIONE L.1375 | JOINT SLEEVE L.1375 | MANCHON RACCORD L. 1375 | VERBINDUNGSMUFFE L.1375 | MANGUITO DE UNIN L.1375 M |
| 69 | G18903220 | RINF.MOLLA CONCIM.FILE DISP. | ODD NUM. ROW MANUR.SPRING REIN | RENF. RESS. FUMAGE RANGEES IMP | VERST. FEDER DsNG. UNGERADE RE | REFUERZO MUELLE ABONO FILAS IM |
| 70 | G18903210 | MOLLA CONCIM.FILE DISPARI | ODD NUMBER ROW MANUR.SPRING | RESS. FUMAGE RANGEES IMPAIRES | FEDER DsNGUNG UNGERADE REIHEN | MUELLE ABONO FILAS IMPARES |
| 71 | G15110091 | SCONTRO A U | STRIKER | BRIDE 150 MM | ANSCHLAG | ELEMENTO DE EMPALME |
| 72 | F01020225 | VITE M14X2X160 U5737 8.8 BR | SCREW M 14 X160 5737 8.G | VIS M 14 X160 5737 8.G | SCHRAUBE M 14 X160 5737 8.G | TORNILLO M 14 X160 5737 8.G |
| 73 | F01020512 | VITE M12X1,75X35 U5739 8.8 ZN | SCREW M12X1,75X35 5739 8.8 ZN | VIS M12X1,75X35 5739 8.8 ZN | SCHR. M12X1,75X35 5739 8.8 ZN | TORN. M12X1,75X35 5739 8.8 ZN |
| 74 | F01200306 | DADO M14X 2 U5588 6.8 ZN | NUT M14X2 | ECROU M14X2 | MUTTER M14X2 | DADO M14X2 |
| 75 | F01220048 | DADO M12X1,75 D980 8 ZN | NUT M12X1,75 D980 8 ZN | ECROU M12X1,75 D980 8 ZN | SCHIEBE M12X1,75 D980 8 ZN | TUERCA M12X1,75 D980 8 ZN |
| 76 | G15470231 | SUPPORTO MOLLA PIATTA CON.150* | CONC. FLAT SPRING SUPPORT 150 | SUPP. RESSORT PLAT FUMAGE 150 | HALTERUNG DsNGERPLATTENFEDER 1 | SOPORTE MUELLE CHATO DE ABONO1 |
| 77 | G16670610 | FALCIONE ELEM.CONCIMAZ.PIATTA | | | | |
| 78 | G18901092 | GAMBO CONCIMAZ.MOLLA PIATTA SP | FLAT SPRING MANURING LEG SP | TIGE FUMAGE RESSORT PLAT SP | SCHAFT DsNGUNG FLACHE FEDER SP | VæSTAGO ABONO MUELLE CHATO SP |
| 79 | G18902861 | RINF.MOLLA PIATTA CONCIM.SP | MANUR.PLATE SPRING REINFORCE.S | RENF. RESSORT PLAT FUMAGE SP | VERSTZRKUNG FLACHFEDER DsNGUNG | REFUERZO MUELLE ABONO SP |
| 80 | G18903911 | MOLLA FERMO TUBO D.35 | PIPE LOCK SPRING D.35 | RESSORT ARR-T TUBE D.35 | ROHRSPERRFEDER D.35 | MUELLE TOPE TUBO D. 35 |



MICROGRANULATORE

TAV. 181

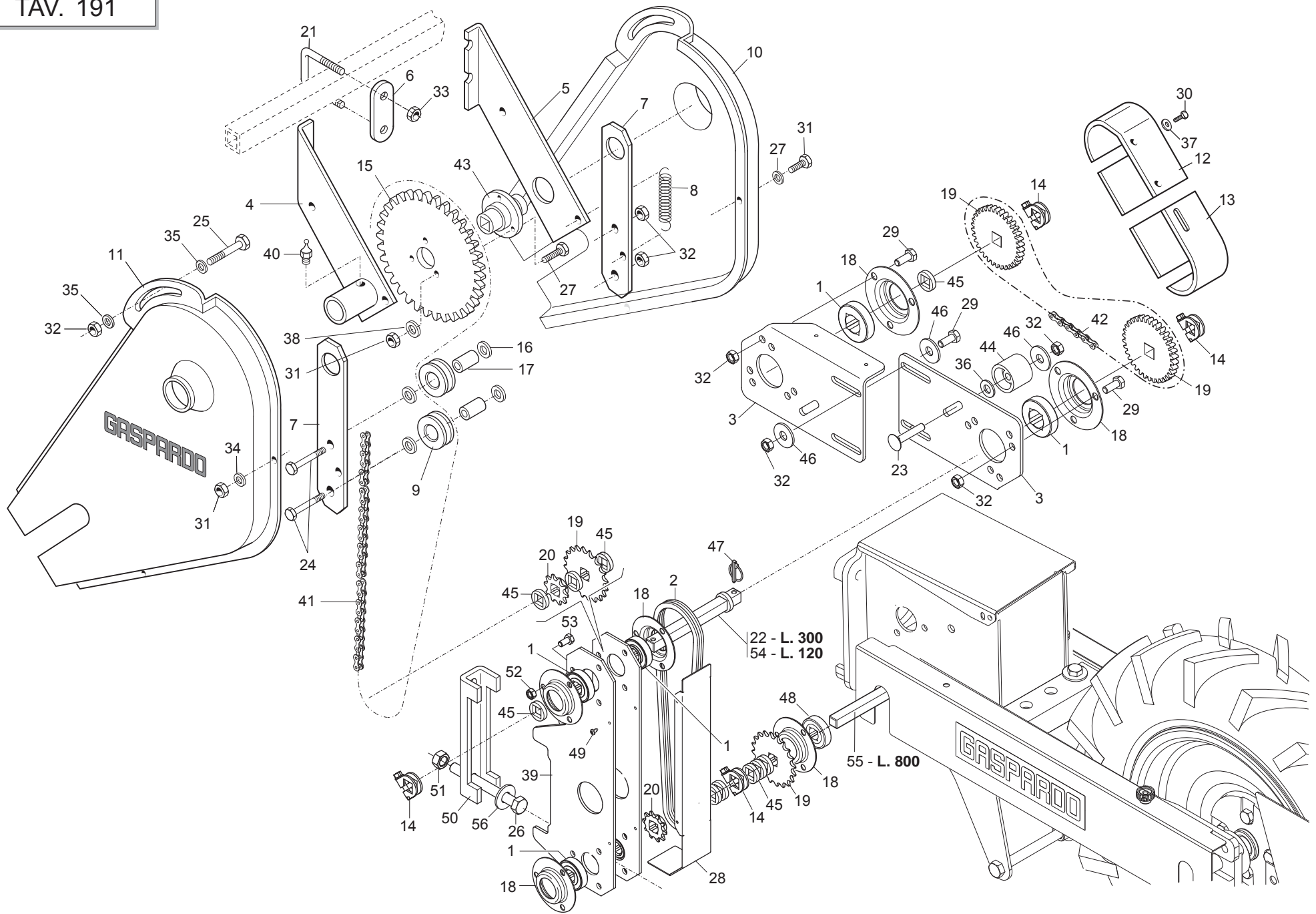
| Pos. | Cod. | Descrizione | Description | Description | Benennung | Description |
|------|-----------|--------------------------------|--------------------------------|--------------------------------|---------------------------------|--------------------------------|
| 1 | G19002932 | SERBATOIO MICRO 250 PLA. | PLASTIC TANK MICRO 250 | RESERVOIR MICRO 250 PLASTIQUE | MIKROGRANULATBEHZLTER PLAST. | DEPSITO MICRO 250 PLAST. |
| 2 | G15475231 | COOPERCHIO MICRO 250 PLA. | PLASTIC COVER MICRO 250 | COUVERCLE MICRO 250 PLASTIQUE | MIKRO DECKEL 250 PLAST. | TAPA MICRO 250 PLAST. |
| 3 | G15475260 | SCONTRIO SP | STRIKER PLATE SP | STRIKER PLATE SP | ANSCHLAG STREUER | ELEMENTO DE EMPALME SP |
| 4 | G15475271 | SUPPORTO MICRO | MICRO SUPPORT | SUPPORT MICROGRANULATEUR | HALTERUNG MICRO | SOPORTE MICRO |
| 5 | G15870251 | TUBO DISCESA MICRO ORTAG.COMPL | | | | |
| 6 | G15475382 | TIRANTE MICRO TEL.150 | | | | |
| 7 | G15475411 | SUPP.BARRA MICRO M.S.SPAN. | M.S. FERTILISER SPREADER MICRO | SUPPORT BARRE MICRO M.S. EPAND | MIKRO SPINDELHALTERUNG M.S. Ds | SOPORTE BARRA MICRO M.S. ABONA |
| 8 | G22270115 | BRACC.SCORR.6F.100 L.2000 SP | SLIDING ARM 6-R. 100 L.2000 SP | BRAS GLISS. 6 RANG. 100 L. 200 | GLEITARM 6R.100 L.2000 SP | BRAZO CORRED. 6 FILAS. 100 L.2 |
| 9 | G18903191 | MOLLA SPEC.ZN DISCESA MICRO | SPEC.SPRING ZN MICRO GUIDE | RESSORT SPEC. ZN GUIDE MICRO | SPEZIALFEDER ZN F_HR.MIKRO | MUELLE ESPEC. ZN GUA MICRO |
| 10 | G15475130 | TUBO SUPPORTO SERBATOIO L.2480 | TANK SUPPORT PIPE L.2480 | TUBE SUPPORT RESERVOIR L2460 | ROHR HALTERUNG BEHZLTER L.2480 | TUBO SOPORTE DEPSITO L 2480 T |
| 11 | G20890078 | PIASTRA DI COLLEGAMENTO | CONNECTION PLATE | PLAQUE DE RACCORD | VERBINDUNGSPLATTE | PLACA DE CONEXIN P |
| 12 | G20890079 | PIASTRA DI CHIUSURA | CLOSURE PLATE | PLAQUE DE FERMETURE | ABSCHLUSSPLATTE | PLACA DE CIERRE |
| 13 | G20890081 | ASSE DISTRIB.MICRO L.445 | MICRO DISTR. SPINDLE- L. 445 | AXE DISTRIBUTEUR MICRO L. 445 | MIKRO STREUERACHSE L 445 | EJE DISTRIB.MICRO L.445 |
| 14 | G20890089 | REGOLATORE DIAPERTURA | OPENING REGULATOR | REGULATEUR D'OUVERTURE | TFFNUNGSEINTELLER | REGULADOR DE ABERTURA |
| 15 | G20890135 | DISTRIB.NYLON COMPL.E SCIVOLO | DISTRIB. NYLON ASSY. AND CHUTE | MINIMAX COMPL 20C MICRO | SZAPPARAT NYLON KOMPL. UND RUT | DISTRIB.NYLON COMPL.Y PLANO IN |
| 16 | G20890151 | VITE-SCALA GRADUATA | GRADUATED SCALE BOLT | VIS-EHELLE GRADUEE | SCHRAUBE - GRADSKALA | TORNILLO - ESCALA GRADUADA |
| 17 | G20890158 | DOSATORE MICRO COMPL. | ROTOR DIST. MICRO 20 GROOVES | ROTOR DOSEUR 20C MICRO COMPL. | DOSIERER MIKRO KOMPL. 20 SEKT | DOSIFICADOR MICRO COMPL.20 SEC |
| 18 | G20890194 | ASSE AGITATORE SERB.MICRO 250 | STIRRER SPINDLE- MICRO TANK 25 | AXE AGITATEUR RESERVOIR MICRO | SAMENMISCHERACHSE BEH.MIKRO 25 | EJE AGITADOR DEPS. MICRO 250 A |
| 19 | G20890211 | KIT INGRANAGGI DISTRIB.MICRO | | | | KIT ENGRANAJES DISTRIB.MICRO |
| 20 | F01420011 | ROS.M4 4,3X 16X 1 U6593 ZN | FLAT WASHER 4-3X 16X1-5 6593 G | ROND.PLATE 4-3X 16X1-5 6593 ZN | SCHLEIBE 4-3X 16X1-5 6593 ZN | ARAND. PLANA 4-3X 16X1-5 6593 |
| 21 | G22220073 | RONDELLA 28X0,3X16,5 | WASHER 28X0-3X16-5 | RONDELLE 28X0-3X16-5 | UNTERLEGSCHLEIBE 28X0-3X16-5 | ARANDELA 28X0-3X16-5 |
| 22 | F20110706 | CAV.Q.M10X 1,5X 30 47X 60 ZN | DISK SUPPORT.ELEMENT U BOLT SV | CAVALIER SUPPORT DISQUE SV | VERBINDUNG SCHLEIBENHALTERUNG S | PERNO EN U SOP. DISCO SV |
| 23 | F20110770 | CAV.Q.M14X 2X 50 96X119 ZN | U BOLT M14X2X50 96X119 ZN | BRIDE U M14X2X50 96X119 ZN | ANSCHLANG U M14X2X50 96X119 ZN | EL.DE EMPALME M14X2X50 96X119 |
| 24 | G15110091 | SCONTRIO A U | STRIKER | BRIDE 150 MM | ANSCHLAG | ELEMENTO DE EMPALME |
| 25 | F01020229 | VITE M14X2X180 U5737 8.8 BR | SCREW 14X180 5737 8.8 | VIS 14X180 5737 8.8 | SCHRAUBE 14X180 5737 8.8 | TORNILLO 14X180 5737 8.8 |
| 26 | F01020397 | VITE M6X1X10 U5739 8.8 ZN | SCREW M 6X 1X 10 U5739 8.8 ZN | VIS 6X10 5739 8.8 ZN | SCHRAUBE 6X10 5739 8.8 ZN | TORNILLO 6X10 5739 8.8 ZN |
| 27 | F01020403 | VITE M6X1X16 U5739 8.8 ZN | SCREW M6X1X16 U5739 8.8 ZN | VIS M6X1X16 U5739 8.8 ZN | SCHRAUBE M6X1X16 U5739 8.8 ZN | TORNILLO M6X1X16 U5739 8.8 ZN |
| 28 | F01020472 | VITE M10X1,5X25 U5739 8.8 ZN | BOLT 10X25 5739 8.8 GALVANIZED | VIS 10X25 5739 8.8 ZN | SCHRAUBE 10X25 5739 8.8 ZN | TORNILLO 10X25 5739 8.8 ZN |
| 29 | F01070061 | VITE M3,9X1,34X9,5 U6954 4.8NI | BOLT 3,9X 9,5 DIN 7981 | VIS 3,9X 9,5 DIN 7981 | SCHRAUBE 3,9X 9,5 DIN 7981 | TORNILLO 3,9X 9,5 DIN 7981 |
| 30 | F01070121 | VITE M3,9X1,34X9,5 6955 4.8NI | BOLT 3-9X 9-5 DIN 7982 | VIS 3-9X 9-5 DIN 7982 | SCHRAUBE 3-9X 9-5 DIN 7982 | TORNILLO 3-9X 9-5 DIN 7982 |
| 31 | F01200232 | DADO M 6X 1 U5588 6.8 ZN | NUT 6 UNI 5588 6.8 GALVANIZED | ECROU 6 UNI 5588 6.8 ZN | MUTTER 6 UNI 5588 6.8 ZN | TUERCA 6 UNI 5588 6.8 ZN |
| 32 | F01200270 | DADO M10X 1,5 U5588 6.8 ZN | NUT M10X 1,5 U5588 6.8 ZN | ECROU M10X 1,5 U5588 6.8 ZN | MUTTER M10X 1,5 U5588 6.8 ZN | TUERCA M10X 1,5 U5588 6.8 ZN |
| 33 | F01200306 | DADO M14X 2 U5588 6.8 ZN | NUT M14X2 | ECROU M14X2 | MUTTER M14X2 | DADO M14X2 |
| 34 | F01220033 | DADO M10X 1,5 D980 8 ZN | NUT M10X 1,5 D980 8 ZN | ECROU M10X 1,5 D980 8 ZN | MUTTER M10X 1,5 D980 8 ZN | TUERCA M10X 1,5 D980 8 ZN |
| 35 | F01410088 | ROS.M14 15X 28X2,5 U6592 ZN | WAS.M14 15X 28X2,5 U6592 ZB | RON.M14 15X 28X2,5 U6592 ZB | SCH.M14 15X 28X2,5 U6592 ZB | ARA.M14 15X 28X2,5 U6592 ZB |
| 36 | F02200161 | COPIGLIA 3X 15 U1336 ZN | SPLIT PIN 3 X15 1336 GALVAN. | GOUPILLE 3 X15 1336 ZN | SPLINT 3 X15 1336 ZN | PASADOR 3 X15 1336 ZN |
| 37 | F02200162 | COPIGLIA 3X 20 U1336 ZN | SPLIT PIN 3 X20 1336 GALVAN. | GOUPILLE 3 X20 1336 ZN | SPLINT 3 X20 1336 ZN | PASADOR 3 X20 1336 ZN |
| 38 | F02200194 | COPIGLIA 4X 25 U1336 ZN | SPLIT PIN 4 X25 1336 GALVAN. | GOUPILLE 4 X25 1336 ZN | SPLINT 4 X25 1336 ZN | PASADOR 4 X25 1336 ZN |
| 39 | F02100083 | SPINA E.P. 5X 24 U6873 C70 BR | PIN EL. 5 X24 DIN 1481 | FICHE EL. 5 X24 DIN 1481 | SPANNSTIFT 5 X24 DIN 1481 | CLAVIJA EL.5 X24 DIN 1481 |
| 40 | F02100089 | SPINA E.P. 5X 36 U6873 C70 BR | PIN EL. 5X 36 U6873 C70 BR | FICHE EL. 5X 36 U6873 C70 BR | STIFT EL. 5X 36 U6873 C70 BR | CLAVIJA EL. 5X 36 U6873 C70 BR |
| 41 | F03011081 | GUARNIZIONI LABBRO DE100 | LIP GASKET D100 | | | |
| 42 | F02300017 | FASCETTA STRING. 20/32 H.9 | CABLE TIE 20/32 H.9 | COLLIER DE SERRAGE 20/32 H.9 | SHELLE 20/32 H.9 | ABRAZADERA 20/32 H.9 |
| 43 | G65336041 | MOLLA SPEC.ZN STRINGITUBO M80 | SPEC.SPRING ZN . PIPE CLAMP M8 | RESSORT SPEC. ZN SERRE-TUBE M8 | SPEZIALFEDER ZN ROHRSCHELLE M8 | MUELLE ESPEC. ZN APLASTA TUBOS |
| 44 | G65336046 | MOLLA SPEC.ZN SCIVOLO M80 | SPEC SPRING ZN CHUTE M80 | RESSORT SPEC. ZN LANCIOIR M80 | SPEZIALFEDER ZN RUTSCHE M80 | MUELLE ESPEC. ZN PLANO INCLINA |
| 45 | G22250240 | DOSATORE COMPL. SV | MICRO DISTR.ROTOR 8 GROOVES | ROTOR DOSEUR 8C MICRO SV | DOSIERER KOMPL. SV | DOSIFICADOR COMPL. SV |
| 46 | G19702731 | DECAL.TABELLA MICRO V99 | V 99 MICRO CHART STICKER | DECALC. TABLEAU MICRO V 99 | ABZIEHB. TABELLE MIKRO V 99 | CAL.TABLA MICRO V 99 |
| 47 | G65338043 | MOLLA COMP.ZN SERB. M80 | ZN TANK COMP.SPRING M80 | RESSORT COMPL. ZN RESERVOIR M8 | DRUCKFEDER ZN BEHZLTER M80 | MUELLE COMP.ZN DEPS. M80 A |
| 48 | G66248119 | RUOTA DENTATA Z-24 M80 | GEAR-WHEEL Z-24 M80 | ROUE DENTEE Z-24 M80 | ZAHNRAD Z-24 M80 | RUEDA DENTADA Z-24 M80 |
| 49 | G66248120 | RUOTA DENT.FORO QUAD.Z-24 M80 | GEAR-WHEEL- SQUARE HOLE- Z-24 | ROUE DENTEE TROU CARRE Z-24 M8 | RAD VERZAHNT VIERKANTLOCH.Z-24 | RUEDA DENT.ORIFICIO CUAD.Z-24 |
| 50 | G66248121 | BOCCOLA CON FLANGIA M80 | BUSHING W/ FLANGE M80 | SUPPORT AVEC BRIDE M80 | BSCHE MIT FLANSCH M80 | CASQUILLO CON BRIDA M80 |
| 51 | G66248123 | CORPO DISTRIBUZIONE M80 | DISTRIBUTION CASING M80 | CORPS DISTRIBUTION M80 | VERTEILUNGSKTRPER | CUERPO DISTRIBUCIN M80 C |
| 52 | G66248125 | GHIERA REGOLAZIONE M80 | ADJUSTMENT KNURLED NUT M80 | BAGUE REGLAGE M80 | EINSTELLMUTTER M80 | CONTRATUERCA REGULACIN M80 G |
| 53 | G66248126 | SUPP.TRASMISSIONE M80 | TRANSM.SUPPORT M80 | SUPPORT ENTRAINEMENT M80 | ANTRIEBSHALTERUNG M80 | SOPORTE TRANSMISIN M80 S |
| 54 | G66248138 | COOPERCHIO SUPP.TRASM. M80 | TRANSMISSION SUPP. COVER M80 | COUVERCLE SUPPORT ENTRAINEM. | DECKELANTRIEBSHALTERUNGS M80 | TAPA SOP. TRANSM. M80 |



MICROGRANULATORE

TAV. 181

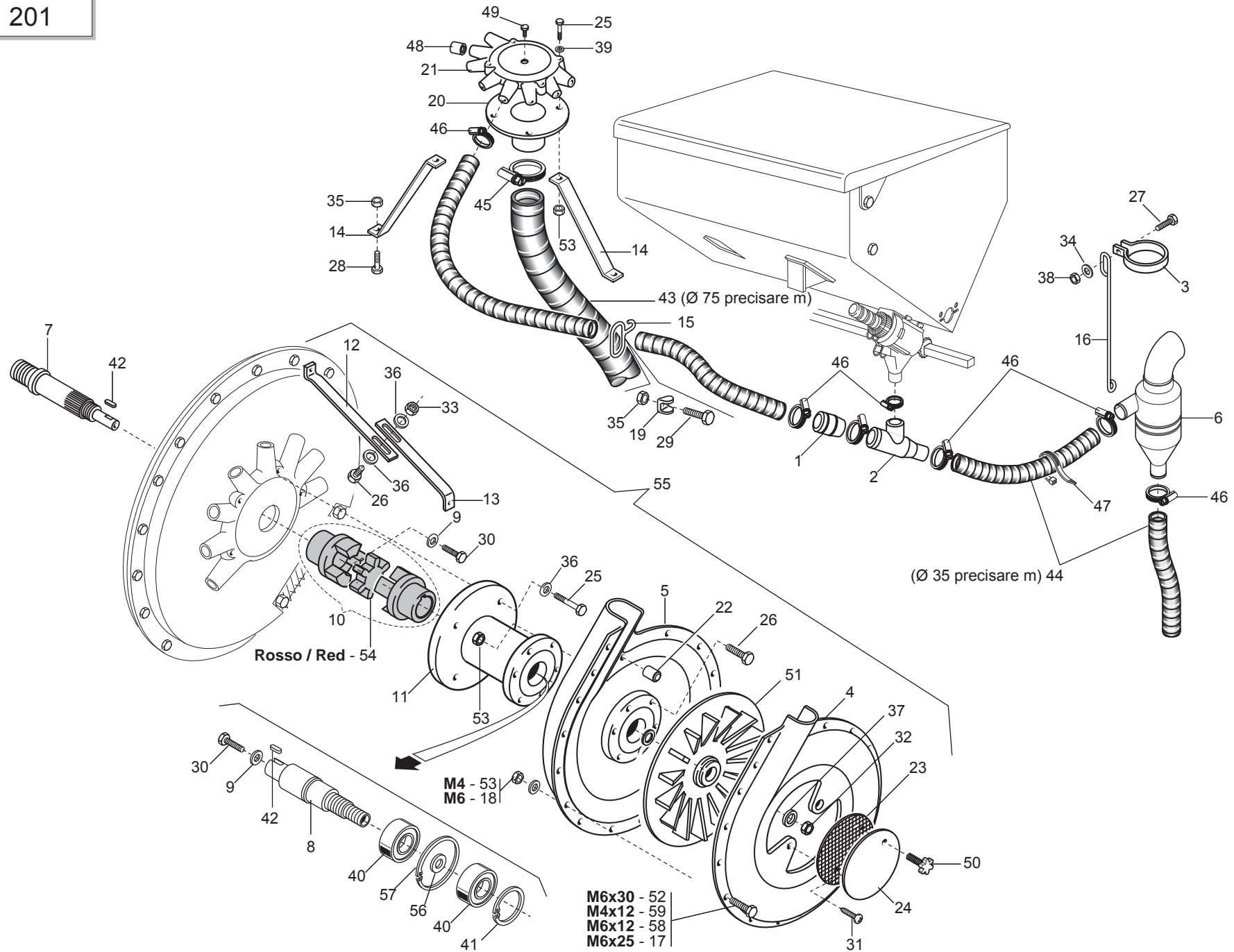
| Pos. | Cod. | Descrizione | Description | Description | Benennung | Descripcion |
|------|-----------|--------------------------------|--------------------------------|--------------------------------|--------------------------------|--------------------------------|
| 55 | G66248154 | SCIVOLO DISTR. M80 | CHUTE- DISTRIB. M80 | ENTONNOIR DOSEUR MINIMAX MICRO | SAAPPARAT RUTSCHE M80 | PLANO INCLINADO DISTR. M80 |
| 56 | G20970100 | RONDELLA 30X0,5X22 ACC. | WASHER 30X0-5X22 ACC. | RONDELLE 30X0-5X22 ACIER | UNTERLEGSCHIEBE 30X0-5X22 ACC. | ARANDELA 30X0-5X22 ACC. |
| 57 | G66248223 | TAPPO SUPP.SPAND.D.11 | PLUG MAN. SPR. SUPP. D.11 | BOUCHON SUPPORT EP. ENGRAIS D. | HALTERUNGSPFROPFEN DsNGERSTR. | TAPN SOPORTE ABON.D.11 D |
| 58 | F01020238 | VITE M14X2X240 U5737 8.8 BR | BOLT M 14 X240 5737 8.G | VIS M 14 X240 5737 8.G | SCHRAUBE M 14 X240 5737 8.G | TORNILLO M 14 X240 5737 8.G |
| 59 | G15475560 | TAPPO TUBO 35X35 * | PLUG PIPE 35X35 | BOUCHON TUBE 35X35 | ROHRPFROPFEN 35X35 | TAP N TUBO 35X35 |
| 60 | G16675090 | TAPPO PLASTICA MICRO C/OR | | | | |
| 61 | G20890205 | MANICOTTO UNIONE MICRO L.250 | MICRO JOINT SLEEVE L.250 | MANCHON RACCORD MICRO L. 250 | VERBINDUNGSMUFFE MIKRO L.250 | MANGUITO DE UNIN MICRO L.250 M |
| 62 | G20890201 | MANICOTTO UNIONE MICRO L.440 | MICRO JOINT SLEEVE L.440 | MANCHON RACCORD MICRO L. 440 | VERBINDUNGSMUFFE MIKRO L.440 | MANGUITO DE UNIN MICRO L.440 M |
| 63 | G20890111 | MANIC.UNIONE RINV.MICRO L.470 | MICRO TRANSM.JOINT SLEEVE L.47 | MANCHON RACCORD TRANSMISSION M | VERBINDUNGSMUFFE VORGELEGE MIK | MANGUITO EMPALME TRANSM. MICRO |
| 64 | G20890130 | MANICOTTO UNIONE MICRO L.550 | MICRO JOINT SLEEVE | MANCHON RACCORD MICRO L. 550 | VERBINDUNGSMUFFE MIKRO L 550 | MANGUITO DE UNIN MICRO L.550 M |
| 65 | G20890202 | MANICOTTO UNIONE MICRO L.690 | MICRO JOINT SLEEVE L.690 | MANCHON RACCORD MICRO L. 690 | VERBINDUNGSMUFFE MIKRO L.690 | MANGUITO DE UNIN MICRO L.690 M |
| 66 | G20890112 | MANICOTTO UNIONE MICRO L.1110 | MICRO JOINT SLEEVE L.1110 | MANCHON RACCORD MICRO L. 1110 | VERBINDUNGSMUFFE MIKRO L1110 | MANGUITO DE UNIN MICRO L.1110M |
| 67 | G20890203 | MANICOTTO UNIONE MICRO L.1620 | MICRO JOINT SLEEVE L.1620 | MANCHON RACCORD MICRO L. 1620 | VERBINDUNGSMUFFE MIKRO L.1620 | MANGUITO DE UNIN MICRO L.1620M |
| 68 | G19702460 | DECAL.TABELLA DISTRIB.UMOSTART | UMOSTART DISTRIBUTOR CHART STI | DECALC. TABLEAU DISTRIBUTEUR U | ABZIEHB. TABELLE SZAPPARAT UMO | CAL.TABLA DISTRIBUDOR UMOSTART |
| 69 | G16670241 | TIRANTE BARRA MICRO SP | | | | |
| 70 | G07000028 | TUBO Q. 35X 4X2980 | SQUARE PIPE 35 X 35 X 3 X 2980 | TUBE CARRE 35 X 35 X 3 X 2980 | VIERKANTROHR 35 X 35 X 3 X 298 | TUBO CUADRADO 35 X 35 X 3 X 29 |
| 71 | G07000370 | TUBO Q. 35X 3X3980 | SQUARE PIPE 35X35X4X3980 | TUBE CARRE 35X35X4X3980 | VIERKANTROHR 35X35X4X3980 | TUBO CUADRADO 35X35X4X3980 |
| 72 | G15475540 | TUBO SUPPORTO MICRO L.5100 | MICRO SUPPORT PIPE L.5100 | TUBE SUPPORT MICRO L5100 | ROHR HALTERUNG MIKRO L.5100 | TUBO SOPORTE MICRO L 51000 |
| 73 | G15475400 | TUBO SUPPORTO MICRO L.5800 | MICRO SUPPORT PIPE L.3800 | TUBE SUPPORT MICRO L5800 | ROHR HALTERUNG MIKRO L.5800 | TUBO SOPORTE MICRO L.5800 |
| 74 | G20970142 | RONDELLA 32X4X15,5 | WASHER 32X4X15-5 | RONDELLE 32X4X15-5 | UNTERLEGSCHIEBE 32X4X15-5 | ARANDELA 32X4X15-5 |



TRASMISSIONE SPANDICONCIME E MICROGRANULATORE

TAV. 191

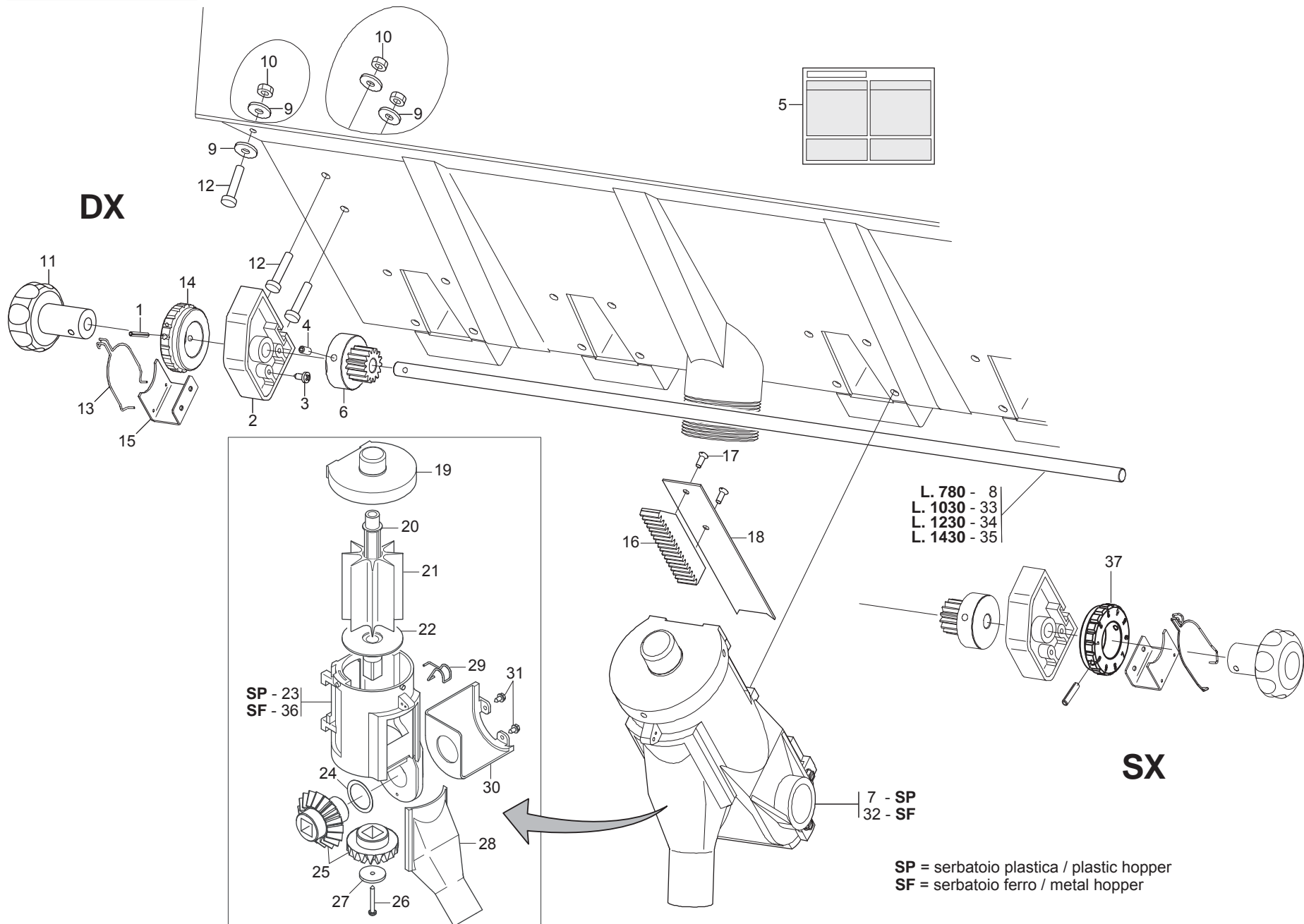
| Pos. | Cod. | Descrizione | Description | Description | Benennung | Descripcion |
|------|-----------|--------------------------------|--------------------------------|---------------------------------|--------------------------------|----------------------------------|
| 1 | G14830390 | CUSCINETTO FORO QUADRO | SQUARE-HOLED BEARING | ROULEMENT AL+SAGE CARR+ | VIERKANTLAGER | COJINETE ORIFICIO CUADRADO |
| 2 | F06080024 | CATENA 1/2 ISO 083 55 MAGLIE | CUT-DOWN CHAIN. 1/2-3/16 55 | TR. CH. 1/2-3/16 55 MAILLES | KETTENZLNGE 1/2-3/16 55 GLIEDE | TRECHO CADENA 1/2-3/16 55 ES LA |
| 3 | G15470851 | FIANCO SUPP.TRASM.SPANDI | SPREADER TRANSM. SIDE SUPPORT | COTE SUPPORT TRANSM. EPAND. | SEITEN HALTER. ANTRIEB DUNGERS | COSTADO SOPORTE TRANSM. ABONAD |
| 4 | G15475031 | SUPPORTO TRASMISSIONE SX | LEFT TRANSMISSION SUPPORT | SUPPORT ENTRAINEMENT GCH | HALTERUNG GETRIEBE LI | SOPORTE TRANSMISIN IZQ S |
| 5 | G15475041 | SUPPORTO TRASMISSIONE DX | RIGHT TRANSMISSION SUPPORT | SUPPORT ENTRAINEMENT DRT | HALTERUNG GETRIEBE RE | SOPORTE TRANSMISIN DER S |
| 6 | G15475260 | SCONTRO SP | STRIKER PLATE SP | BUTEE SP | ANSCHLAG STREUER | ELEMENTO DE EMPALME SP |
| 7 | G15475310 | SUPPORTO RULLINI TENDIC. MICRO | MICRO CHAIN STRETCHER ROLLERS | SUPP. ROUETS TEND. CHAINE MICR | HALTERUNG KETTENSANNROLLEN | SOP. RODILLOS TENSOR CADENA MI |
| 8 | G18902960 | MOLLA TRAZ. TRASM.RUOTA ZN | TRANSMISSION TENSIONER SPRING | RESSORT TRACT. ENTRAIN. ROUE Z | ZUGFEDER RADANTRIEB ZN | MUELLE TRAC. TRANSM.RUEDA ZN |
| 9 | G19000091 | ROCCETTO 2 META' | CHAIN TENSIONER | TENDEUR DE CHAINE 2 MOITIE | KLEINRAD SPANNER SA | CARRETE TENSOR SA |
| 10 | G19002810 | CARTER RINVIO MICRO DX | RIGHT MICRO TRANSM. CASE | CARTER TRANSM. MICRO DRT | VORGELEGEGEHUSE MIKRO RE | CæRTER TRANSMISIN MICRO DER C |
| 11 | G19002820 | CARTER RINVIO MICRO SX | LEFT MICRO TRANSM. CASE | CARTER TRANSM. MICRO GCH | VORGELEGEGEHUSE MIKRO LI | CæRTER TRANSMISIN MICRO IZQ C |
| 12 | G19002830 | CARTER TRASMISSIONE SUPERIORE | TOP TRANSMISSION CASE | CARTER ENTRAINEMENT SUPERIEUR | OBERS ANTRIEBSGEHUSE | CæRTER TRANSMISIN SUPERIOR C |
| 13 | G19002880 | CARTER INFERIORE TRASM.SPAND. | BOTTOM SPREADER TRANSM. CASE | CARTER INFERIEUR TRANSM EPAND. | UNTER. ANTRIEBSGEHUSE DsNG.GE | CæRTER INFER. TRANSMISIN ABONC |
| 14 | G22505085 | FERMO ASSE IN LAMIERA | PLATE AXLE STOP | ARRET AXE EN TOLE | FESTSTELLVORRICHTUNG BLECHACHS | BLOQUEO EJE DE CHAPA |
| 15 | G20890128 | CORONA Z-42 SP | RING GEAR Z-42 SP | COURONNE Z-42 SP | KRANZ Z-42 SP | CORONA Z-42 SP |
| 16 | G20970032 | RONDELLA 32X4X8,5 | WASHER 32X4X8-5 | RONDELLE 32X4X8-5 | UNTERLEGSCHIEBE 32X4X8-5 | ARANDELA 32X4X8-5 |
| 17 | G20980086 | BOCCOLA DIST.D.8,5X16X31 | BUSHING SPAC.. D.8-5X16X31 | BOITE ENTRETOISE D. 8-5X16X31 | VERTEILERBschSE D.8-5X16X31 | CASQUILLO DIST. D.8-5X16X31 |
| 18 | G22230094 | SUPPORTO CUSCINETTO | BEARING SUPPORT | SUPPORT PALIER | LAGERBschSE | SOPORTE COJINETE |
| 19 | G20910039 | INGRANAGGIO SUP.Z-20 FERRO * | | | | |
| 20 | G22250006 | INGR.CON MOZZO 1/2 Z-10 SV | GEARS- W/ HUB 1/2 Z-10 SV | ENGRENAGE AVEC MOYEU 1/2 Z-10 | ZAHNRAD MIT NABE 1/2 Z-10 SV | ENGRAN.CON PERNO 1/2 Z-10 SV |
| 21 | F20110706 | CAV.Q.M10X 1,5X 30 47X 60 ZN | DISK SUPPORT.ELEMENT U BOLT SV | CAVALIER SUPPORT DISQUE SV | VERBINDUNG SCHEIBENHALTERUNG S | PERNO EN U SOP. DISCO SV |
| 22 | G22270127 | ASSE RUOTA CAMBIO 2F.L.500 SP | WHEEL AXLE - GEARBOX 2-ROW L. | AXE ROUE BOITE DE VITESSE | GEBTRIEBERADACHSE 2R.L.500 SP | EJE RUEDA CAMBIO 2 FILAS. L.50 |
| 23 | F01060047 | VITE M8X1,25X45 U5732 4.6 ZN | BOLT 8X45 5732 4.6 GALVANIZED | VIS 8X45 5732 4.6 ZN | SCHRAUBE 8X45 5732 4.6 ZN | TORNILLO 8X45 5732 4.6 ZN |
| 24 | F01020075 | VITE M8X1,25X 55 U5737 8.8 ZN | BOLT 8 X55 5737 8.8 GALVANIZED | VIS 8 X55 5737 8.8 ZN | SCHRAUBE 8 X55 5737 8.8 ZN | TORNILLO 8 X55 5737 8.8 ZN |
| 25 | F01020083 | VITE M 8X1,25X70 U5737 8.8 ZN | SCREW M8X1,25X70 U5737 8.8 ZN | VIS M 8X70 | SCHRAUBE M 8X70 | TORNILLO M 8X70 |
| 26 | F01020225 | VITE M14X2X160 U5737 8.8 BR | SCREW M 14 X160 5737 8.8 G | VIS M 14 X160 5737 8.8 G | SCHRAUBE M 14 X160 5737 8.8 G | TORNILLO M 14 X160 5737 8.8 G |
| 27 | F01020403 | VITE M6X1X16 U5739 8.8 ZN | SCREW M6X1X16 U5739 8.8 ZN | VIS M6X1X16 U5739 8.8 ZN | SCHRAUBE M6X1X16 U5739 8.8 ZN | TORNILLO M6X1X16 U5739 8.8 ZN |
| 28 | G15875320 | CARTER RINVIO | INTERMEDIATE CASE | CARTER TRANSMISSION | VORGELEGEGEHUSE | CµRTER TRANSMISIN |
| 29 | F01020436 | VITE M 8X1,25X 20 U5739 8.8 ZN | SCREW M8X1,25X20 U5739 8.8 ZN | VIS M8X1,25X20 U5739 8.8 ZN | SCHRA. M8X1,25X20 U5739 8.8 ZN | TORN. M8X1,25X20 U5739 8.8 ZN |
| 30 | F01070074 | VITE M4,2X1,41X25 U6954 4.8NI | BOLT 4-2X25 DIN 7981 | VIS 4-2X25 DIN 7981 | SCHRAUBE 4-2X25 DIN 7981 | TORNILLO 4-2X25 DIN 7981 |
| 31 | F01200232 | DADO M 6X 1 U5588 6.8 ZN | NUT 6 UNI 5588 6.8 GALVANIZED | ECROU 6 UNI 5588 6.8 ZN | MUTTER 6 UNI 5588 6.8 ZN | TUERCA 6 UNI 5588 6.8 ZN |
| 32 | F01200244 | DADO M 8X1,25 U5588 6.8 ZN | NUT M8 X1,25 U5588 6.8 ZN | ECROU M8 X1,25 U5588 6.8 ZN | MUTTER M8 X1,25 U5588 6.8 ZN | TUERCA M8 X1,25 U5588 6.8 ZN |
| 33 | F01200270 | DADO M10X 1,5 U5588 6.8 ZN | NUT M10X 1,5 U5588 6.8 ZN | ECROU M10X 1,5 U5588 6.8 ZN | MUTTER M10X 1,5 U5588 6.8 ZN | TUERCA M10X 1,5 U5588 6.8 ZN |
| 34 | F01410037 | ROS.M6 6,4X12,5X1,6 U6592 ZN | PLANE WASHER D.6 | RONDELLE D.6 | SCHEIBE D.6 | ARANDELA D.6 |
| 35 | F01410051 | ROS.M8 8,4X 17X1,6 U6592 ZN | WASHER M8 8,4X17X1,6 U6592 ZN | RONDEL. M8 8,4X17X1,6 U6592 ZN | SCHEIBE M8 8,4X17X1,6 U6592 ZN | ARANDELA M8 8,4X17X1,6 U6592ZN |
| 36 | F01410064 | ROS.M10 10,5X 20X 2 U6592 ZN | WASHER M10 10,5X20X2 U6592 ZN | RONDELL. M10 10,5X20X2 U6592 ZN | SCHEIBE M10 10,5X20X2 U6592 ZN | ARAND. M10 10,5X20X2 U6592 ZN |
| 37 | F01420011 | ROS.M4 4,3X 16X 1 U6593 ZN | FLAT WASHER 4-3X 16X1-5 6593 G | ROND.PLATE 4-3X 16X1-5 6593 ZN | SCHEIBE 4-3X 16X1-5 6593 ZN | ARAND. PLANA 4-3X 16X1-5 6593 ZN |
| 38 | F01430047 | ROS.M6 6,4X 11X0,7 U8842J ZN | WASHER D6 DIN 6798 D.INT.GALV. | RONDELLE D6 DIN 6798 D. INT. Z | UNT. SCHEIBE D6 DIN 6798 D. IN | ARANDELA D6 DIN 6798 D.INT.ZN |
| 39 | G15875310 | RINVIO TRASMISSIONE | TRANSMISSION DRIVE ASS. | GR. RENVOI TRANSMISSION | VORGELEGE ANTRIEB | CONJ. REENV-O TRANSMISI-N |
| 40 | F01100011 | ING.M 6X1 7663-A 9SMNPB28 ZN | GREASE NIPPLE M6X1 7663-A ZN | GRAISS. A BILLE M6X1 7663A ZN | SCHMIERBUECHE M6X1 7663-A ZN | ENGRAS. DE ESFERAS M6X1 7663-A |
| 41 | F06080056 | SP.CAT.1/2-3/16 105M.ISO 083-1 | | | | |
| 42 | F06080025 | CATENA 1/2 ISO 083 56 MAGLIE | CHAIN 1/2-3/16 56 LINKS. | CHAINE 1/2-3/16 56 MAILLES | KETTE 1/2-3/16 56 GLIEDER | CADENA 1/2-3/16 56 ESLABNE |
| 43 | G66248152 | MOZZO TRASM.MICRO M80 | HUB - TRANSM. MICRO M80 | MOYEU ENTRAINEMENT MICRO M80 | ANTRIEBSNABE MIKRO M80 | CUBO TRANSM. MICRO M80 |
| 44 | G66248207 | TENDICATENA SPAND. SP-520 | CHAIN TENSIONER | TENDEUR DE CHAINE EPAND. ENGR. | KETTENSANNER DsNGERSTR. SP-52 | TENSOR DE CADENA ABON. SP-520 |
| 45 | G66248218 | RONDELLA DISTAN.SPAND. | MAN. SPR. SPACER WASHER | RONDELLE ENTRETOISE EP. ENGRAI | ABSTANDSCHEIBE DsNGERSTREUER | ARANDELA DISTAN.ABONAD. |
| 46 | F01420048 | ROS.M8 8,4X 24X 2 U6593 ZN | WASHER M8 8,4X 24X 2 U6593 ZN | RONDELLE M8 8,4X 24X2 U6593 ZN | SCHEIBE M8 8,4X 24X 2 U6593 ZN | ARANDELA M8 8,4X 24X2 U6593 ZN |
| 47 | F02200452 | SPINA SCATTO D.4,4 B/80 ZN | SNAP PIN D4,4 B/80 ZN | FICHE A DETENTE D4,4 B/80 ZN | EINRASTSTIFT D4,4 B/80 ZN | CLAVIJA DE MUELLE D4,4 B/80 ZN |
| 48 | G10538351 | CUSCINETTO F.Q. RIBASSATO | SQUARE HOLE BEARING | SQUARE TROU CARRE | LAGER VIERKANTLOCH | COJINETE ORIFICIO CUADRADO |
| 49 | F01070073 | VITE M4,2X1,41X9,5 U6954 4.8NI | BOLT 4-2X 9-5 DIN 7981 | VIS 4-2X 9-5 DIN 7981 | SCHRAUBE 4-2X 9,5 DIN 7981 | TORNILLO 4-2X 9-5 DIN 7981 |
| 50 | G15110091 | SCONTRO A U | STRIKER | BRIDE 150 MM | ANSCHLAG | ELEMENTO DE EMPALME |
| 51 | F01200306 | DADO M14X 2 U5588 6.8 ZN | NUT M14X2 | ECROU M14X2 | MUTTER M14X2 | DADO M14X2 |
| 52 | F01200244 | DADO M 8X1,25 U5588 6.8 ZN | NUT M8 X1,25 U5588 6.8 ZN | ECROU M8 X1,25 U5588 6.8 ZN | MUTTER M8 X1,25 U5588 6.8 ZN | TUERCA M8 X1,25 U5588 6.8 ZN |
| 53 | F01020432 | VITE M 8X1,25X16 U5739 8.8 ZN | SCREW M8X 1.25X16 U5739 8.8 ZN | VIS M 8X16 | SCHRAUBE M 8X16 | TORNILLO M 8X16 |
| 54 | G15870380 | ASSE TRASM.L. 120 | TRANSMISSION AXLE L120 | AXE TRANSMISSION L.120 | sBERTRAGUNGSACHSE L.120 | EJE TRANSMISIN L 120 A |
| 55 | G22230142 | ASSE 4 FILE L.800 | 4-ROW SPINDLE L.800 | AXE 4 RANGEES L. 800 | ACHSE 4 REIHEN B. 800 | EJE 4 FILAS L.800 |
| 56 | G20970142 | RONDELLA 32X4X15,5 | WASHER 32X4X15-5 | RONDELLE 32X4X15-5 | UNTERLEGSCHIEBE 32X4X15-5 | ARANDELA 32X4X15-5 |



CONCIMAZIONE PNEUMATICA

TAV. 201

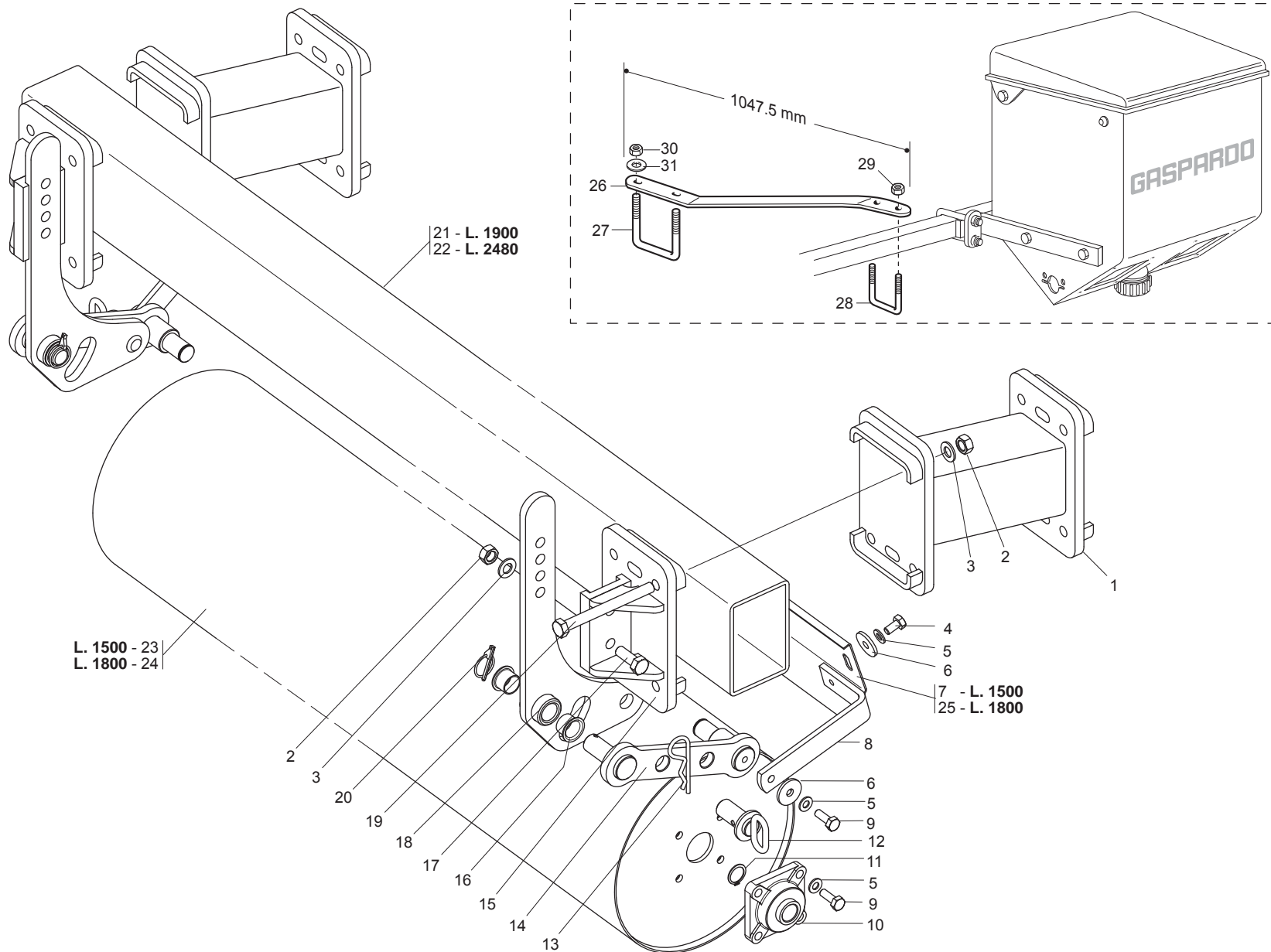
| Pos. | Cod. | Descrizione | Description | Description | Benennung | Descripcion |
|------|-----------|--------------------------------|--------------------------------|--------------------------------|---------------------------------|---------------------------------|
| 1 | G13912101 | UGELLO CONCIMAZIONE PNEUMATICA | PNEUMATIC FERTIL. NOZZLE | BUSE FUMAGE PNEUMATIQUE | DsSE PNEUMATISCHE DsNGUNG | BOQUILLA DE ABONO NEUMATICA |
| 2 | G13912131 | TUBO CONCIMAZIONE PNEUMATICA | PIPE PNEUMATIC FERTILISATION | TUBE FUMAGE PNEUMATIQUE | ROHR PNEUMATISCHE DsNGUNG | TUBO DE ABONO NEUMAT. |
| 3 | G13912350 | FASCETTA VASO ESPANSIONE | EXPANSION CHAMBER CLAMP | COLLIER VASE EXPANSION | SHELLE EXPANSIONSGEFZSS | ABRAZADERA DEPOSITO DE EXPANSIC |
| 4 | G13912460 | COPRIVENTOLA LATO SCHIENALE | BACK FAN PROTECTION | PROTECTION ROTOR DOSSIER | RUECKENLAUFRADSCHUTZ | PROTECCIN VENTILADOR RESPALDOP |
| 5 | G13912470 | COPRIVENTOLA LATO MOTORE | MOTOR FAN PROTECTION | PROTECTION ROTOR MOTEUR | MOTORLAUFRADSCHUTZ | PROTECCIN VENTILADOR MOTOR P |
| 6 | G13912512 | VASO ESPANSORE D.35-50 | D.35-50 EXPANSION TANK | VASE EXPANSION D.35-50 | EXPANSIONSGEFZSS D.35-50 | DEPOSITO DE EXPANSIN D.35-50 |
| 7 | G15450390 | PULEGGIA CONDOTTA | DRIVEN PULLEY D.28 | POULIE ENTRAINEE D. 28 | GETRIEBENE SCHEIBE D.28 | POLEA CONDUCTIDA D.28 |
| 8 | G15450401 | PUL.CONDOTTA CONCIM.PNEUM. | | | | |
| 9 | G15450410 | RONDELLA X GIUNTO ELASTICO | LOCK WASHER | RONDELLE DE BLOCAGE | SPERRSCHEIBE | ARANDELA DE BLOQUEO |
| 10 | G15450420 | GIUNTO ELAS.ROTEX19 95/98SHORE | LOCK COUPLING | JOINT DE BLOCAGE | SPERRKUPPLUNG | JUNTA DE BLOQUEO |
| 11 | G15450431 | FLANGIA SUPP.CONC.PNEUM. | FLANGE SUPPORT | BRIDE SUPPORT | LAGERFLANSCH | BRIDA DE SOPORTE |
| 12 | G15470410 | RINFORZO ANTERIORE | FRONT REINFORCEMENT | REINFORCEMENT AVANT | VORDERE VERSTZRKUNG | REFUERZO DELANTERO |
| 13 | G15470420 | RINFORZO POSTERIORE | REAR REINFORCEMENT | REINFORCEMENT ARRIERE | HINTERE VERSTZRKUNG | REFUERZO TRASERO |
| 14 | G15471471 | SUPPORTO CONVOGLIATORE | CONVEYOR SUPPORT | SUPPORT CONVOYEUR | HALTERUNG FTRDERER | SOPORTE TRANSPORTADOR |
| 15 | G18901960 | GUIDATUBI PER 3 TUBI | PIPE GUIDE FOR 3 PIPES | GUIDE-TUBES POUR 3 TUBES | ROHRFshRUNG FsR 3 ROHRE | GUA TUBOS PARA 3 TUBOS G |
| 16 | G18902650 | MOLLA SUPP.VASO ESPANSIONE | EXPANSION TANK SUPPORT SPRING | RESSORT SUPP. VAS EXPANSION | OB. FEDER EXPANSIONSGEFZSS | MUELLE SOP. DEPOSITO DE EXPANSA |
| 17 | F01020406 | VITE M6X1X25 U5739 8.8 ZN | SCREW M6X 1X 25 U5739 8.8 ZN | VIS M 6X25 | SCHRAUBE M 6X25 | TORNILLO M 6X25 |
| 18 | F01220011 | DADO M 6X 1 D980 8 ZN | NUT M6X1 D980 8 ZN | ECROU M6X1 D980 8 ZN | MUTTER M6X1 D980 8 ZN | TUERCA M6X1 D980 8 ZN |
| 19 | G22230264 | RONDELLA TUBI DEPR. | AIR PUMP PIPE WASHER | RONDELLE TUBES DISPOSITIF DE D | UNTERLEGSSCHEIBE VAKUUMPUMPENRO | ARANDELA TUBOS BOMBA VACO. S |
| 20 | G23440551 | FLANGIA CONVOGLIATORE HL/ID | CONVEYOR FLANGE HL/ID | BRIDE CONVOYEUR HL/ID | FLANSCH FTRDERER HL/ID | BRIDA CONDUCTOR HL/ID |
| 21 | G23440553 | CONVOGLIATORE D.35 HL/ID | CONVEYOR- D.35 HL/ID | CONVOYEUR D. 35 HL/ID | FTRDERER D.35 HL/ID | CONDUCTOR D.35 HL/ID |
| 22 | G23440562 | DISTANZ.GUSCI SOFFIANTE HL/ID | BLOWER SHELL SPACER HL/ID | ENTRETOISE COQUES SOUFFLANTE H | DISTANZSTsCK SCHALEN GELBZSE H | DISTANC. CASCARAS SOPLAD. HL/I |
| 23 | G23440563 | GRIGLIA DI PROTEZIONE HL/ID | PROTECT. GRID HL/ID | GRILLE DE PROTECTION HL/ID | SCHUTZGITTER HL/ID | REJILLA DE PROTECCIN HL/ID G |
| 24 | G23440564 | COPERCHIO CHIUSURA SOFF. HL/ID | BLOWER CLOSING COVER. HL/ID | COUVERCLE FERMETURE SOUFFL. HL | ABSCHLUSSDECKEL GEBL. HL/ID | TAPA CIERRE SOPL. HL/ID |
| 25 | F01020048 | VITE M6X1X75 U5737 8.8 ZN | SCREW M6X 1X75 U5737 8.8 ZN | VIS 6 X75 5737 8.G ZN | SCHRAUBE 6 X75 5737 8.G ZN | TORNILLO 6x75 5737 8.G ZN |
| 26 | F01020404 | VITE M6X1X20 U5739 8.8 ZN | SCREW M 6X 1X20 U5739 8.8 ZN | VIS 6X20 5739 8.G ZN | SCHRAUBE 6X20 5739 8.G ZN | TORNILLO 6X20 5739 8.G ZN |
| 27 | F01020445 | VITE M8X1,25X30 U5739 8.8 ZN | BOLT M8X30 | VIS M 8X30 | SCHRAUBE M 8X30 | TORNILLO M 8X30 |
| 28 | F01020472 | VITE M10X1,5X25 U5739 8.8 ZN | BOLT 10X25 5739 8.G GALVANIZED | VIS 10X25 5739 8.G ZN | SCHRAUBE 10X25 5739 8.G ZN | TORNILLO 10X25 5739 8.G ZN |
| 29 | F01020476 | VITE M10X1,5X30 U5739 8.8 ZN | SCREW M10X1,5 X 30 5739 8.8 ZN | VIS M10X1,5 X 30 5739 8.8 ZN | SCHRA. M10X1,5X 30 5739 8.8 ZN | TORN. M10X1,5 X 30 5739 8.8 ZN |
| 30 | F01030054 | VITE M 8X1,25X16 U5933 10.9 ZD | BOLT 8X16 UNI5933 10.9 GALVANI | VIS 8X16 UNI 5933 10.9 ZN | SCHRAUBE 8X16 UNI 5933 10.9 ZN | TORNILLO 8X16 UNI 5933 10.9 ZN |
| 31 | F01080044 | VITE M5X0,8X14 U7688 4 8 ZN | BOLT 5 X14 7688 GALVANIZED | VIS 5 X14 7688 ZN | SCHRAUBE 5 X14 7688 ZN | TORNILLO 5 X14 7688 ZN |
| 32 | F01230048 | DADO M10X 1,5 D982 8 ZN | NUT M10X 1,5 D982 8 ZN | ECROU M10X 1,5 D982 8 ZN | SCHEIBE M10X 1,5 D982 8 ZN | TUERCA M10X 1,5 D982 8 ZN |
| 33 | F01200232 | DADO M 6X 1 U5588 6.8 ZN | NUT 6 UNI 5588 6.8 GALVANIZED | ECROU 6 UNI 5588 6.8 ZN | MUTTER 6 UNI 5588 6.8 ZN | TUERCA 6 UNI 5588 6.8 ZN |
| 34 | F01200244 | DADO M 8X1,25 U5588 6.8 ZN | NUT M8 X1,25 U5588 6.8 ZN | ECROU M8 X1,25 U5588 6.8 ZN | MUTTER M8 X1,25 U5588 6.8 ZN | TUERCA M8 X1,25 U5588 6.8 ZN |
| 35 | F01200270 | DADO M10X 1,5 U5588 6.8 ZN | NUT M10X 1,5 U5588 6.8 ZN | ECROU M10X 1,5 U5588 6.8 ZN | MUTTER M10X 1,5 U5588 6.8 ZN | TUERCA M10X 1,5 U5588 6.8 ZN |
| 36 | F01410037 | ROS.M6 6,4X12,5X1,6 U6592 ZN | PLANE WASHER D.6 | RONDELLE D.6 | SCHEIBE D.6 | ARANDELA D.6 |
| 37 | F01410064 | ROS.M10 10,5X 20X 2 U6592 ZN | WASHER M10 10,5X20X2 U6592 ZN | RONDELL.M10 10,5X20X2 U6592 ZN | SCHEIBE M10 10,5X20X2 U6592 ZN | ARAND. M10 10,5X20X2 U6592 ZN |
| 38 | F01420048 | ROS.M8 8,4X 24X 2 U6593 ZN | WASHER M8 8,4X 24X 2 U6593 ZN | RONDELLE M8 8,4X 24X2 U6593 ZN | SCHEIBE M8 8,4X 24X 2 U6593 ZN | ARANDELA M8 8,4X 24X2 U6593 ZN |
| 39 | F01430047 | ROS.M6 6,4X 11X0,7 U8842J ZN | WASHER D6 DIN 6798 D.INT.GALV. | RONDELLE D6 DIN 6798 D. INT. Z | UNT. SCHEIBE D6 DIN 6798 D. IN | ARANDELA D6 DIN 6798 D.INT.ZN |
| 40 | F04010165 | CUSC.D20 D47 B14 6204,2RSC3 | BEARING D20 D47 B14 6204 2RSC3 | PALIER 6204 2RS | LAGER 6204 2RS | COJINETE 6204 2RS |
| 41 | F02050078 | ANELLO E. DE 20X 1,2 U7435 C70 | SEEGER RING E. 20X1,2 7435 C70 | SEEGER 20X 1,2 U7435 C70 | SEEGER E. 20X 1,2 U7435 C70 | |
| 42 | F02150036 | LINGUETTA 6X 6X 20 U6604A | PARALLEL KEY 6X 6X 20 U6604A | LANGUETTE 06X6X20 UNI6604 | FEDERKEIL 06X6X20 UNI6604 | LENGsETA 06X6X20 UNI6604 |
| 43 | F03100367 | TUBO VULCANO PU R 76 | FLEXIBLE PVC PIPE R 76 | TUBE FLEXIBLE PVC R 76 | 76 SCHLAUCH PVC | TUBO FLEXIBLE PVC R 76 |
| 44 | F03100500 | TUBO EOLO 35 PU | TUBE EOLO 35 PU | TUBE EOLO 35 PU | | |
| 45 | F02300023 | FASCETTA STRING. 80/100 H.8 | PIPE CLAMP 80/100 H.8 | COLLIER DE SERRAGE 77/95 | ROHRSCHELLE 80/100 H.8 | ABRAZADERA P. MANGUERA 80/100 |
| 46 | F02300018 | FASCETTA STRING. 25/40 H.8 | PIPE TIE 25/40 H.8 | COLLIER DE SERRAGE 25/40 H.8 | SHELLE 25/40 H.8 | ABRAZADERA 25/40 H.8 |
| 47 | F05150060 | FASCETTA POLYAMIDE 9X380 31919 | POLYAMIDE FASTENING STRAPS 9X3 | COLLIER POLYAMIDE 9X350 31919 | SHELLE POLYAMID 9X350 31919 | ABRAZADERA POLIAMIDA 9X350 319 |
| 48 | G66248098 | TAPPO CONVOGLIATORE DEPR. SP | AIR PUMP CONVEYOR PLUG SP | BOUCHON CONVOYEUR TURBINE SP | VAKUUM FTRDERPFROPFEN SP | TAPN CONDUCTOR DEPR. SP D |
| 49 | F03150664 | TAPPO MASCHIO 1/8 ESAGONO | 1/8 MALE HEXAGON. PLUG | BOUCHON MALE 1/8 HEXAGONAL | GEWINDEPFROPFEN 1/8 SECHSKANT | TAPN MACHO 1/8 HEXsGONO D |
| 50 | F06220034 | VOLANTINO M5 X 25 VPA/25 | HANDWHEEL M5 X 25 VPA/25 | VOLANT M5 X 25 VPA/25 | HANDRAD M5 X 25 VPA/25 | VOLANTE M5 X 25 VPA/25 |
| 51 | G67320001 | VENTOLA PLASTICA DISCO L80M8 | PLASTIC FAN- DISK L80M8 | ROTOR PLASTIQUE DISQUE L80M8 | SCHEIBE PLASTIKRAD L80M8 | VENTILADOR PLsSTICO DISCO L80M |
| 52 | F01020037 | VITE M6X1X30 U5737 8.8 ZN | BOLT M6X 1X 30 U5737 8.8 ZN | VIS M6X 1X 30 U5737 8.8 ZN | SCHRAUBE M6 X30 5737 8.G ZN | TORNILLO M6X 1X30 U5737 8.8 ZN |
| 53 | F01230016 | DADO M 4X 0,7 D982 8 ZN | NORM.SELF-LOCKING NUT 4 GALVAN | ECROU AUTOB.NOR.4 ZN | SELBSTSP. MUTTER NOR. 4 ZN | TUERCA AUTOB. NOR. 4 ZN |
| 54 | G58162014 | ELEM.ELAS.ROTEX 19 95/98 SHORE | ELASTIC ELEMENT OF JOINT 24.24 | ELEM. ELASTIQUE DU JOINT 24.24 | ELAST. KUPPLUNGSELEM. 24.24 | ELEM.ELsSTICO DEL ACOPLAMIENTO |
| 55 | F15473770 | SOFFIANTE CONC.PNEUM.COMPL. | COMPL. FERTILIZER PNEUMATIC BL | SOUFFLEUR ENGRAIS PNEUMATIQUE | UNTERLEGSCHES GEBLZSE KOMPL. | SOPLADOR ABONO NEUM-TICO COMPL |
| 56 | F01440012 | ROS. 20X28X 2 D988 IX | WASHER 20X28X2 DIN 988 | RONDELLE 20X28X2 DIN 988 | UNTERLEGSSCHEIBE 20X28X2 DIN 98 | ARANDELA 20X28X2 DIN 988 |
| 57 | F02050370 | ANELLO E. DI 47X1,75 U7437 C70 | SEEGER RING 47X 1,75 U7437 C70 | SEEGER E. 47X 1,75 U7437 C70 | SEEGERING E. 47X1,75 U7437 C70 | ANILLO E. 47X 1,75 U7437 C70 |
| 58 | F01020398 | VITE M6X1X12 U5739 8.8 ZN | BOLT M6X12 | VIS M 6X12 | SCHRAUBE M 6X12 | TORNILLO M 6X12 |
| 59 | F01020362 | VITE M4X0,7X12 U5739 8.8 ZN | SCREW 4X12 5739 8.G GALVANIZED | VIS 4X12 5739 8.G ZN | SCHRAUBE 4X12 5739 8.G ZN | TORNILLO 4X12 5739 8.G ZN |



REGOLAZIONE CENTRALIZZATA SPANDICONCIME (SPEEDY SET)

TAV. 210

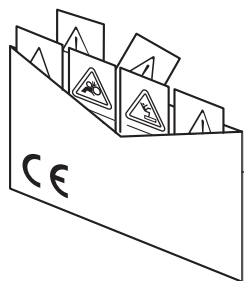
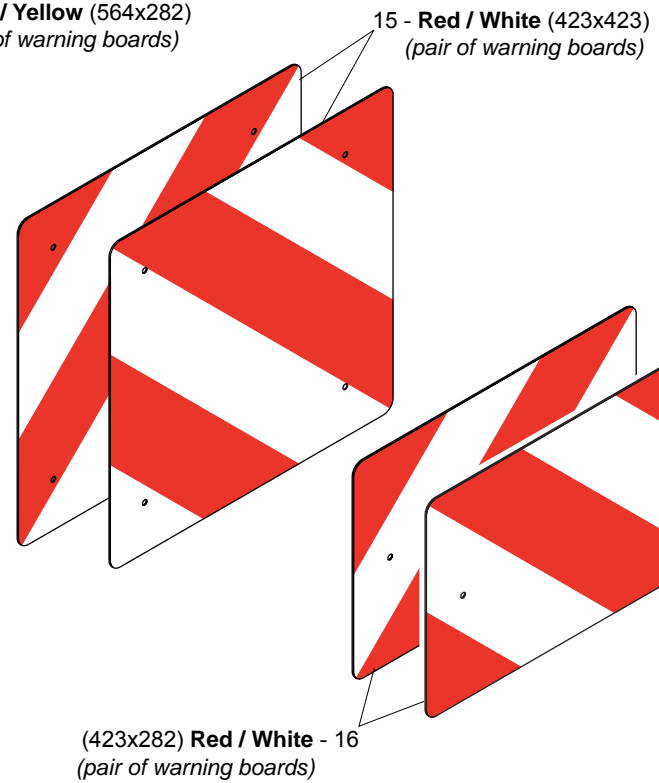
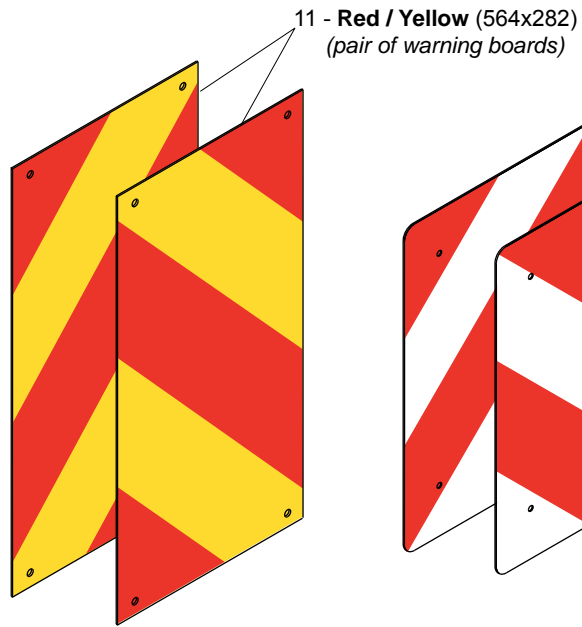
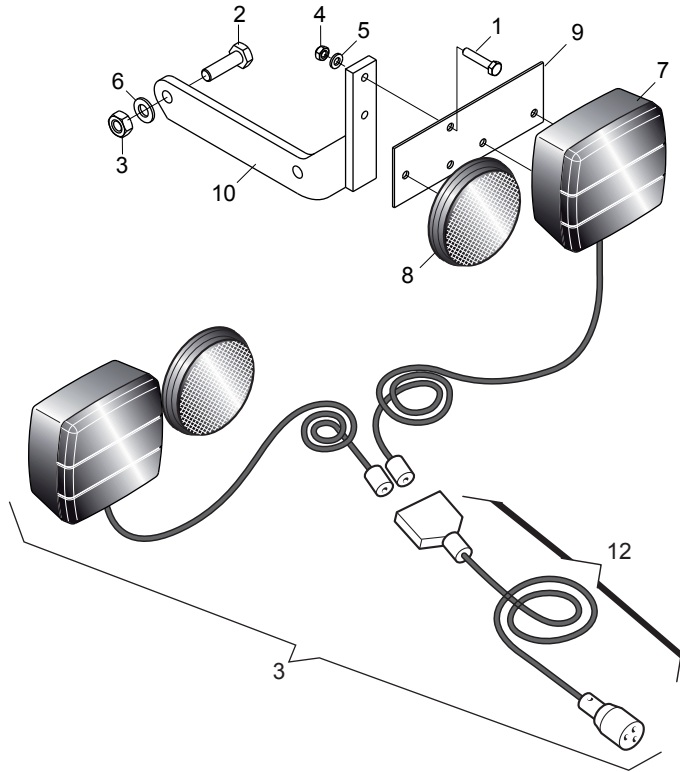
| Pos. | Cod. | Descrizione | Description | Description | Benennung | Descripcion |
|------|-----------|--------------------------------|--------------------------------|--------------------------------|---------------------------------|--------------------------------|
| 1 | F02100066 | SPINA E.P. 4X 36 U6873 C70 BR | | | | 0 |
| 2 | G19003660 | SUPPORTO | SUPPORT | SUPPORT | HALTERUNG | SOPORTE |
| 3 | F01070061 | VITE M3,9X1,34X9,5 U6954 4.8NI | BOLT 3,9X 9,5 DIN 7981 | VIS 3,9X 9,5 DIN 7981 | SCHRAUBE 3,9X 9,5 DIN 7981 | TORNILLO 3,9X 9,5 DIN 7981 |
| 4 | F01050083 | VITE M5X0,8X12 U5927 A2 IX | GRUB-SCREW5X12 UNI 5927 | GOUJON 5X12 UNI 5927 | STIFT 5X12 UNI 5927 | TORNILLO SIN CABEZA 5X12 5927 |
| 5 | G19705101 | DECAL.SPANDIC.CON SPEEDYSET | | | | |
| 6 | G19003680 | INGRANAGGIO Z.15 | GEAR Z 15 | ENGRENAGE Z 15 | ZAHNRAD Z 15 | ENGRANAJE Z 15 |
| 7 | G16670040 | DISTR.COMPL.8PALE SPEEDY SET P | COMPL.PLA.SPEEDY SET DISTR.8R | MINIMAX COMPL 8C PLA SPEEDYSET | KOMPL.DOSIER.SPEEDY SET PLA.8S | DISTR.COMP.SPEEDY SET PLA.8AL. |
| 8 | G16670320 | TONDO D.10X780 | D.10X780 ROUND | ROND D.10X780 | RUNDEISEN D.10X780 | BARRA REDONDA D. 10X780 |
| 9 | F01420038 | ROS.M6 6,4X 18X 2 U6593 IX | WASHER M6 6,4X18X2 U6593 IX | RONDELLE M6 6,4X18X2 U6593 IX | SCHEIBE M6 6,4X18X2 U6593 IX | ARANDELA M6 6,4X18X2 U6593 IX |
| 10 | F01200233 | DADO M 6X 1 U5588 A2 IX | NUT M 6X 1 U5588 IX | ECROU M 6X 1 U5588 I | MUTTER M 6X 1 U5588 | TUERCA M 6X 1 U5588 |
| 11 | G19003670 | MANOPOLA SPEEDY SET | SPEEDY HANDLE SET | POIGN+E SPEEDY SET | GRIFF SPEEDY SET | EMPUJADURA SPEEDY SET |
| 12 | F01020419 | VITE M 6X1 X 16 U5739 A2 IX | BOLT M6 X1 X 16 U5739 8.8 IX | VIS M6 X1 X 16 U5739 8.8 IX | SCHRAUBE M6 X1 X 16 U5739 8. | TORNIL. M6 X1 X 16 U5739 8.8 |
| 13 | G65336055 | MOLLA SPEC.REGOL.SPAND. SP | SPEC SPRING MAN. SPR. ADJUSTM. | RESSORT SPEC. REGL. EP. ENTRA | SPEZIALFEDER STREUEREinstellUN | MUELLE ESPEC. REGUL. ABONADORA |
| 14 | G19003720 | GHIERA REGOLAZIONE SX | LEFT ADJUSTMENT KNURLED NUT | MANCHON DE REGLAGE GCH | EINSTELLMUTTER LINKS | ROSCA REGULACION IZQUIERDA |
| 15 | G16670310 | SUPPORTO MOLLAREGOLATORE | | | | |
| 16 | G19003690 | CREMAGLIERA | RACK | CR+MAILL+RE | ZAHNSTANGE | CREMALLERA |
| 17 | F01080032 | VITE M4X0,7X10 U7688 A2 IX | SCREW M4X 0,7X10 U7688 A2 IX | VIS M4X 0,7X10 U7688 A2 IX | SCHRAUBE M4X 0,7X10 7688 A2 IX | TORNILLO M4X0.7X10 U7688 A2 IX |
| 18 | G16670100 | REGOLATORE APERTURA | OPENING REGULATOR | REGULATEUR OUVERTURE | TFFNUNGSEINSTELLER | REGULADOR ABERTURA |
| 19 | G19003700 | COPERCHIO SPEEDY SET | COVER SPEEDY SET | COUVERCLE SPEEDY SET | DECKEL SPEEDY SET | TAPA SPEEDY SET |
| 20 | G66248173 | ASSE DISTR.SPAND. SP | MANURE SPREADER DISTR. SPINDLE | AXE DISTRIBUTEUR EP.ENGRAIS SP | ACHSE SZAPPARAT STREUER SP | EJE DISTR. ABON. SP |
| 21 | G66248172 | DOSATORE DISTR.SPAND. SP | MAN.SPR. SEED METERING DEVICE | DOSEUR DISTRIBUTEUR EP. ENGRAI | DOSIERER DsNGERSTREUER. SP | DOSIFICADOR DISTR.ABON. SP |
| 22 | G66248211 | PERNO RONDELLA FUSA SPAND. SP | MAN. SPR. CAST WASHER PIN. SP | PIVOT RONDELLE MOULEE EP. ENGR | ZAPPEN LOSE UNTERLEGSCHIEBE ST | PERNO ARANDELA FUNDIDA ABONAD |
| 23 | G19002920 | CORPO DISTRIBUTORE SPANDI PLA. | PLA. F.SPREADER DISTRIB.CASING | CORPS DISTRIBUTEUR EPAND. | VERTEILUNGSKTRPER STREUER PLA. | CUERPO DIST. ABONADORA PLæS. |
| 24 | G18701500 | RONDELLA 29,5 X38 X0,3 | WASHER 29,5 X 38 X 0,3 | RONDELLE 29,5 X38 X0,3 | UNTERLEGSCHIEBE 29,5X38X0,3 | ARANDELA 29,5 X38 X0,3 |
| 25 | G20860126 | KIT INGR DISTR CONCIME (2+2) | KIT- MAN. DISTR. GEARS (2+2) | COUPLE CON DISTR ENGRAIS (2+2) | KIT ZAHNRZDER DsNGERSTREUER | SET ENGRANAJES DISTRIB. ABONO |
| 26 | F01070075 | VITE M4,2X1,41X38 U6954 4.8 NI | BOLT 4-2X38 DIN 7981 | VIS 4-2X38 DIN 7981 | SCHRAUBE 4-2X38 DIN 7981 | TORNILLO 4-2X38 DIN 7981 |
| 27 | G20970097 | RONDELLA 32X3X4,5 | WASHER 32X3X4-5 | RONDELLE 32X3X4-5 | UNTERLEGSCHIEBE 32X3X4-5 | ARANDELA 32X3X4-5 |
| 28 | G66248178 | SCIVOLO DISTR.SPAND. SP | CHUTE- MANURE-SPREADER DISTRIB | LANCOIR DISTRIBUTION EP. ENGR. | DsNGERSTREUER RUTSCHE SP | PLANO INCLINADO DISTR. ABON. S |
| 29 | G65336062 | MOLLA SPEC.SCIV.DISTR.SPAND.SP | SPEC SPRING - MAN. SPR. DISTR. | RESS. SPEC. LANCOIR DISTR. EP. | SPEZ.FEDER RUTSCHE SZAPP. STRE | MUELLE ESPEC.PLANO INCL.DISTR. |
| 30 | G19002850 | PROTEZIONE PIGNONE | PINION GUARD | PROTECTION PIGNON | RITZELSCHUTZ | PROTECCIN PIGN PR |
| 31 | F01070011 | VITE M4,2X1,41X9,5 U6950 4.8NI | BOLT- SELF-TAPPING 4-2X9-5T.E. | VIS AUTOTAR. 4-2X9-5 T. E. COU | SELBSTSCHNEID. SCHRAUBE 4-2X9- | TORNILLO AUTORROSC. 4-2X9-5 |
| 32 | G13722330 | DISTR.COMPL.8PALE SPEEDY SET F | COMPL.SPEEDY 8-BLADE DISTR. SE | DISTR.COMPL.8PALETTES SPEEDY S | SAATGUTAU.S.8SCH.KOMPL.SPEEDY S | DISTR.COMPL.8PALETAS SPEEDY SE |
| 33 | G16670330 | TONDO D.10X1030 | D.10X1030 ROUND | ROND D.10X1030 | RUNDEISEN D.10X1030 | BARRA REDONDA D. 10X1030 |
| 34 | G16670340 | TONDO D.10X1230 | D.10X1230 ROUND | ROND D.10X1230 | RUNDEISEN D.10X1230 | BARRA REDONDA D. 10X1230 |
| 35 | G16670350 | TONDO D.10X1430 | D.10X1430 ROUND | ROND D.10X1430 | RUNDEISEN D.10X1430 | BARRA REDONDA D. 10X1430 |
| 36 | G66248176 | CORPO DISTR.SPAND. SP | MANURE SPREADER DISTR. CASING | CORPS DISTRIB. EP. ENGRAIS SP | VERTEILUNGSKTRPER STREUER SP | CUERPO DISTR. ABON. SP |
| 37 | G19003710 | GHIERA REGOLAZIONE DX | RIGHT ADJUSTMENT KNURLED | BAGUE REGLAGE DROITE | EINSTELLMUTTER RE | CONTRATUERCA REGULACIN DER. |



RULLO ANTERIORE

TAV. 221

| Pos. | Cod. | Descrizione | Description | Description | Benennung | Descripcion |
|------|-----------|--------------------------------|--------------------------------|--------------------------------|--------------------------------|--------------------------------|
| 1 | G15816370 | DISTANZIALE TELAIO | FRAME SPACER ASS. | GR. ENTRETOISE BATI | DISTANZSTsCK RAHMEN | CONJ. DISTANCIADOR BASTIDOR |
| 2 | F01200306 | DADO M14X 2 U5588 6.8 ZN | NUT M14X2 | ECROU M14X2 | MUTTER M14X2 | DADO M14X2 |
| 3 | F01410088 | ROS.M14 15X 28X2,5 U6592 ZN | WAS.M14 15X 28X2,5 U6592 ZB | RON.M14 15X 28X2,5 U6592 ZB | SCH.M14 15X 28X2,5 U6592 ZB | ARA.M14 15X 28X2,5 U6592 ZB |
| 4 | F01020470 | VITE M10X1,5X20 U5739 8.8 ZN | BOLT M 10X20 | VIS M 10X20 | SCHRAUBE M 10X20 | TORNILLO M 10X20 |
| 5 | F01430023 | ROS.M10 10,5X 18X0,9 U8842J ZN | WASHER D10 DIN 6798 D.INT.ZN | RONDELLE D10 DIN 6798 D. INT. | UNT. SCHEIBE D10 DIN 6798 D.IN | ARANDELA D10 DIN 6798 D.INT.ZN |
| 6 | G20970099 | RONDELLA 38X4X11 * | WASHER 38X4X11 | RONDELLE 38X4X11 | UNTERLEGSSCHEIBE 38X4X11 | ARANDELA 38X4X11 |
| 7 | G15810410 | RASCHIATERRA PER RULLO 1500 | SOIL SCRAPER FOR ROLLER 1500 | RACLEUR ROULEAU 1500 | ERDSHABER ROLLE 1500 | RASCADOR DE TIERRA POR RODILLO |
| 8 | G15810330 | SUPPORTO RASCH.RULLO 355 | ROLLER 355 SOIL SCRAPER SUPPOR | SUPPORT RACLEUR ROULEAU 355 | HALTERUNG ERDSCHABER ROLLE 355 | SOPORTE RASCADOR TIERRA RODILL |
| 9 | F01020476 | VITE M10X1,5X30 U5739 8.8 ZN | SCREW M10X1,5 X 30 5739 8.8 ZN | VIS M10X1,5 X 30 5739 8.8 ZN | SCHRA. M10X1,5X 30 5739 8.8 ZN | TORN. M10X1,5 X 30 5739 8.8 ZN |
| 10 | F04100137 | SUPPORTO FY 25 TF | SUPPORT FY 25 TF | SUPPORT FY 25 TF | | |
| 11 | F02050101 | ANELLO E. DE 25X 1,2 U7435 C70 | SEEGER RING E. 25X1,2 7435 C70 | SEEGER E. 25X 1,2 U7435 C70 | SEEGERING E. 25X 1,2 U7435 C70 | ANILLO E. 25X 1,2 U7435 C70 |
| 12 | G15810471 | ASS.PERNO BLOCCAGGIO RULLO ZN | GALVAN. PIN BLOCK ROLLER | PIVOT BLOCAGE ROULEAU ZN | ZAPFEN ROLLEBLOCK ZN | PERNO BLOQUE RODILLO ZN |
| 13 | F02200397 | COPIGLIA R 5X100 ZN | SPRING SPLIT PIN 5X100 ZN | GOUPILLE R 5X100 ZN | SPLINT R 5X100 ZN | CLAVIJA R 5X100 ZN |
| 14 | G15810240 | BRACCIO SUPPORTO RULLO | ROLLER SUPPORT ARM COUPLING | GR. BRAS SUPPORT ROULEAU | WALZENHALTERUNGSARM | CONJ. BRAZO SOP. RODILLO |
| 15 | G15816380 | ATTACCO RULLO | ROLLER COUPLING ASS. | GR. FIXATION ROULEAU | KUPPLUNG ROLLE | CONJ. CONEXIN RODILLO |
| 16 | F04150019 | BOCCOLA FLANG.25 X 28 X 20 > | COLLARED BUSH 25 X 28 X 20 | BOITE COLLIER 25 X 28 X 20 | ANSCHLUSSBUECHSE 25 X 28 X 20 | CASQUILLO CONEX. 25 X 28 X 20 |
| 17 | F01020198 | VITE M14X2X45 U5737 8.8 ZN | SCREW M14X2X45 U5737 8.8 ZN | VIS 14X45 5737 8.G ZN * | SCHRAUBE 14X45 5737 8.G ZN * | TORNILLO 14X45 5737 8.G ZN * |
| 18 | G15810190 | SUPPORTO RULLO | ROLLER SUPPORT ASS. | GR. SUPPORT ROULEAU | HALTERUNG ROLLE | CONJ. SOP. RODILLO |
| 19 | F01020223 | VITE M14X2X150 U5737 8.8 BR | SCREW 14X150 5737 8.G | VIS 14X150 5737 8.G | SCHRAUBE 14X150 5737 8.G | TORNILLO 14X150 5737 8.G |
| 20 | F02200463 | SPINA SCATTO D. 5 B/81 ZN | SNAP PIN D5 B/81 ZN | FICHE A DETENTE D5 B/81 ZN | EINRASTSTIFT D5 B/81 ZN | CLAVIJA DE MUELLE D5 B/81 ZN |
| 21 | G16610040 | TUBO RET.150X100X1900 | RECTANGULAR PIPE 150X100X1900 | TUBE RECTANGULAIRE 150X100X190 | RECHTECK.ROHR150X100X1900 | TUBO RECT.150X100X1900 |
| 22 | G16610050 | TUBO R.150X100X2480 | RECTANGULAR PIPE 150X100X2480 | TUBE RECT.150X100X6X2480 | R. ROHR150X100X6X2480 | TUBO RECT.150X100X6X2480 |
| 23 | G15810310 | RULLO 355X1500 | ROLLER 355X1500 ASS. | GR. ROULEAU 355X1500 | ROLLE 355X1500 | CONJ. RODILLO 355X1500 |
| 24 | G15810870 | RULLO D.355X1800 | ROLLER 355X1500 ASS. | GR. ROULEAU 355X1800 | ROLLE 355X1800 | CONJ. RODILLO 355X1800 |
| 25 | G15810890 | RASCHIATERRA PER RULLO 1800 | SOIL SCRAPER FOR ROLLER 1800 | RACLEUR ROULEAU 1800 | ERDSHABER ROLLE 1800 | RASCADOR DE TIERRA POR RODILLO |
| 26 | GA5820340 | TIRANTE BARRA MICRO RULLO ANT. | | | | |
| 27 | F20110770 | CAV.Q.M14X 2X 50 96X119 ZN | U BOLT M14X2X50 96X119 ZN | BRIDE U M14X2X50 96X119 ZN | ANSCHLANG U M14X2X50 96X119 ZN | EL.DE EMPALME M14X2X50 96X119 |
| 28 | F20110706 | CAV.Q.M10X 1,5X 30 47X 60 ZN | DISK SUPPORT.ELEMENT U BOLT SV | CAVALIER SUPPORT DISQUE SV | VERBINDUNG SCHEIBENHALTERUNG S | PERNO EN U SOP. DISCO SV |
| 29 | F01200270 | DADO M10X 1,5 U5588 6.8 ZN | NUT M10X 1,5 U5588 6.8 ZN | ECROU M10X 1,5 U5588 6.8 ZN | MUTTER M10X 1,5 U5588 6.8 ZN | TUERCA M10X 1,5 U5588 6.8 ZN |
| 30 | F01200306 | DADO M14X 2 U5588 6.8 ZN | NUT M14X2 | ECROU M14X2 | MUTTER M14X2 | DADO M14X2 |
| 31 | G20970142 | RONDELLA 32X4X15,5 | WASHER 32X4X15-5 | RONDELLE 32X4X15-5 | UNTERLEGSSCHEIBE 32X4X15-5 | ARANDELA 32X4X15-5 |



13
 DECALCOMANIE AVVERTIMENTO
 DECAL
 DBZIEHBILD
 DECALCOMANIE
 CALCOMANIE
 CALCOMANIE



14
 Rosso Gaspardo - 1Kg
 Gaspardo red - 1Kg
 Rot Gaspardo - 1Kg
 Rouge Gaspardo - 1Kg
 Rojo Gaspardo - 1Kg

GASPARDO
ORietta
OLIMPIA

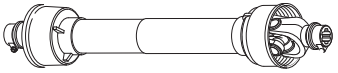
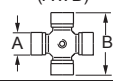
12

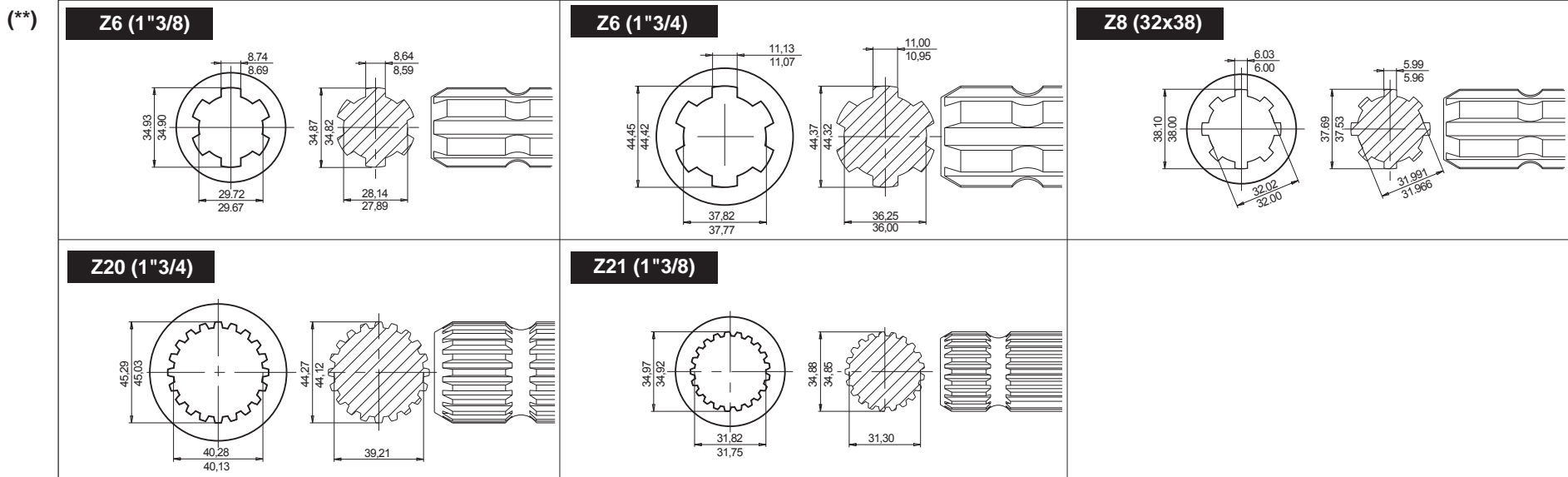
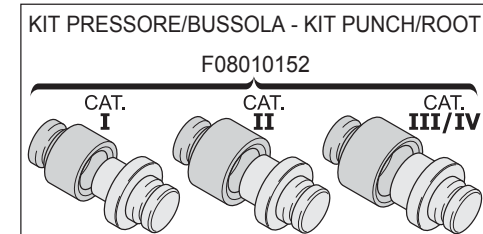
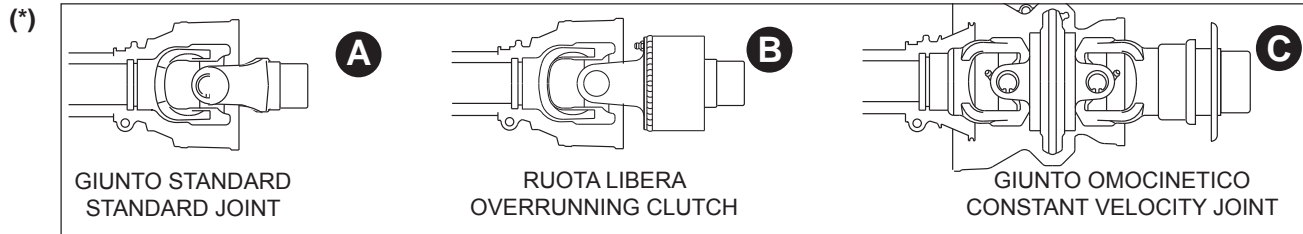
ACCESSORI

TAV. 251

| Pos. | Cod. | Descrizione | Description | Description | Benennung | Descripcion |
|------|-----------|--------------------------------|-------------------------------|--------------------------------|--------------------------------|--------------------------------|
| 1 | F01020408 | VITE M6X1X30 U5739 8.8 ZN | BOLT M6X1X30 | VIS M6X1X30 | SCHRAUBE M 6X1X30 | TORNILLO M 6X1X30 |
| 2 | F01020479 | VITE M10X1,5X35 U5739 8.8 ZN | SCREW M10X1,5X35 U5739 8.8 ZN | VIS M10X1,5X35 U5739 8.8 ZN | SCHR. M10X1,5X35 U5739 8.8 ZN | TORN. M10X1,5X35 U5739 8.8 ZN |
| 3 | F01200270 | DADO M10X 1,5 U5588 6.8 ZN | NUT M10X 1,5 U5588 6.8 ZN | ECROU M10X 1,5 U5588 6.8 ZN | MUTTER M10X 1,5 U5588 6.8 ZN | TUERCA M10X 1,5 U5588 6.8 ZN |
| 4 | F01220011 | DADO M 6X 1 D980 8 ZN | NUT M6X1 D980 8 ZN | ECROU M6X1 D980 8 ZN | MUTTER M6X1 D980 8 ZN | TUERCA M6X1 D980 8 ZN |
| 5 | F01410037 | ROS.M6 6,4X12,5X1,6 U6592 ZN | PLANE WASHER D.6 | RONDELLE D.6 | SCHEIBE D.6 | ARANDELA D.6 |
| 6 | F01410064 | ROS.M10 10,5X 20X 2 U6592 ZN | WASHER M10 10,5X20X2 U6592 ZN | RONDELL.M10 10,5X20X2 U6592 ZN | SCHEIBE M10 10,5X20X2 U6592 ZN | ARAND. M10 10,5X20X2 U6592 ZN |
| 7 | F05010076 | FANALE X KIT LUCI | LAMP KIT LIGHTS COMPL. | FEU KIT ECLAIRAGE COMPL. | LAMPEN KIT LICHT KOMPL. | FAROL SET LUCES COMPL. |
| 8 | F05010221 | CATARIFRANGENTE TONDO D.80 > | D.80 ROUND REFLECTOR | CATADIOPTRÉ ROND D.80 | RUNDER R_CKSTRAHLER D.80 | PAPEL REFRACTARIO REDONDO D.80 |
| 9 | G13616570 | PIASTRA SUPP.LUCI | LIGHTS SUPPORT PLATE | PLAQUE DE SUPPORT ECLAIRAGE | LICHTERHALTERUNGSPLATTE | PLACA SOPORTE LUCES |
| 10 | G15817130 | SUPPORTO KIT LUCI | | | | |
| 11 | F05010357 | N.2 PANNELLI CARICHI SPORGENTI | N.2 JUTTING LOAD PANELS | N.2 PANNEAUX CHARGES SAILLANT | N.2 TAFELN VORSRINGENDE LADUN | 2 PANELES CARGADOS SALIENTES |
| 12 | G89900515 | KIT DECALCOMANIE ORIETTA | ORIETTA DECAL KIT | KIT DECALCOM. ORIETTA | KIT ABZIEHB. ORIETTA | SET CALCOM. ORIETTA |
| 13 | G89900500 | KIT DECALCOMANIE -CE- | DECAL KIT -CE- | KIT DECALCOMANIE -CE- K | IT ABZIEHB. -CE- S | ET CALCOMANAS -CE- |
| 14 | F03200253 | ARANCIO RAL2002 BICOMP.LT.1,5 | RAL2002 1,5 | | | |
| 15 | F05010590 | PANNELLI CAR.SPORG.423X423 | | | | |
| 16 | F05010591 | PANNELLI CAR.SPORG.423X282 | | | | |

TAV. 321

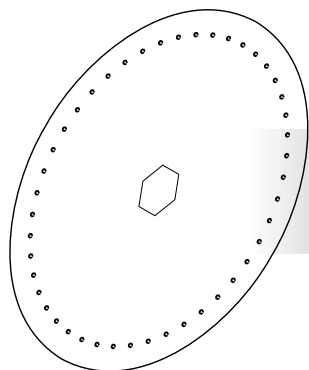
|  Codice - Code Descrizione - Description | | Lunghezze Lengths | | Classe - Size (A x B)  | Tipo - Type (*) | | Forcelle - Yokes (**) | | | | |
|---|----------------------------|-------------------|------|---|-----------------|---|-----------------------|---------------|---------------|----------------|----------------|
| | | min. | max. | | | | Z6 (1"3/8) | Z6 (1"3/4) | Z8 (32x38) | Z20 (1"3/4) | Z21 (1"3/8) |
| F08011711 | CARD.B1 Z6-Z6 L700 | 700 | 1100 | B1 (22 x 54) | A | A | G58161015 | F08011772 | F08011742 | F08011758 | F08011767 |
| F08011713 | CARD.B1 Z8-Z6 L700 | 700 | 1100 | B1 (22 x 54) | A | A | G58161015 | F08011772 | F08011742 | F08011758 | F08011767 |
| F08011714 | CARD.B1 Z20-Z6 L700 | 700 | 1100 | B1 (22 x 54) | A | A | G58161015 | F08011772 | F08011742 | F08011758 | F08011767 |
| F08011715 | CARD.B1 Z8-Z6 L900 R.LIB | 900 | 1400 | B1 (22 x 54) | A | B | G58161015 | F08011772 | F08011742 | F08011758 | F08011767 |
| F08011716 | CARD.B1 Z6-Z6 L900 R.LIB | 900 | 1400 | B1 (22 x 54) | A | B | G58161015 | F08011772 | F08011742 | F08011758 | F08011767 |
| F08011719 | CARD.B2 Z6-Z6 L900 | 900 | 1400 | B2 (23,8 x 61,3) | A | B | — | — | — | — | — |
| F08011720 | CARD.B3 Z8-Z6 L1300 | 1300 | 2000 | B3 (27 x 70) | A | A | — | G58161016 | F08011743 | — | — |
| F08011757 | CARD.B1 Z20-Z6 L900 R.L | 900 | 1400 | B1 (22 x 54) | A | B | G58161015 | F08011772 | F08011742 | F08011758 | F08011767 |
| F08011764 | CARD.R4 Z20-Z6 L1210 OM-RL | 1210 | | R4 (27 x 74,6) | A | C | F08011768 | — | F08011766 | F08011774 | F08011773 |
| F08011930 | CARD.B3 Z6-Z6 L1200 | 1200 | 1700 | B3 (27 x 70) | A | A | — | G58161016 | F08011743 | — | — |



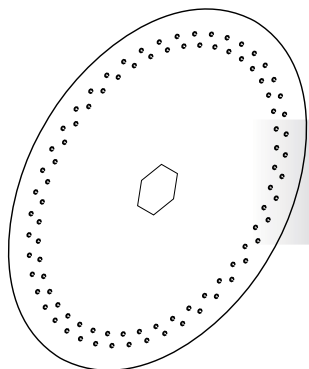
CARDANI

TAV. 321

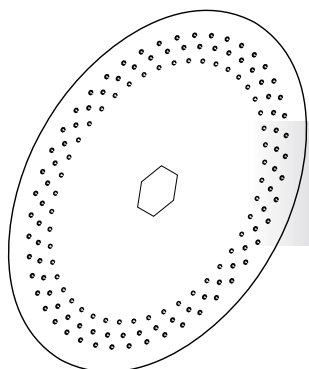
| Pos. | Cod. | Descrizione | Description | Description | Benennung | Descripcion |
|------|-----------|--------------------------------|--------------------------------|--------------------------------|-------------------------------|-------------------------------|
| | F08010152 | KIT PRESSORE BUSSOLA CAT I-IV> | TOOLS FOR PTO YOKE CAT I-IV | | | |
| | F08011711 | CARD.B1 Z6-Z6 L700 | | | | |
| | F08011713 | CARD.B1 Z8-Z6 L700 | PTO SHAFT B1 Z8-Z6 L700 | | | |
| | F08011714 | CARD.B1 Z20-Z6 L700 | UNIVERSAL JOINT B1 Z20-Z6 L700 | | | |
| | F08011715 | CARD.B1 Z8-Z6 L900 R.LIB | CARD.B1 Z8-Z6 L900 FREE W. | | | |
| | F08011716 | CARD.B1 Z6-Z6 L900 R.LIB | CARD.B1 Z6-Z6 L900 R.LIB | CARD ROUE LIBRE T100710 112R12 | KARDAN CE T100710 112 R12 | CARDAN CE T100710 112 R12 |
| | F08011719 | CARD.B2 Z6-Z6 L900 | UNIVERSAL JOINT 102 071 N T07 | CARD. 102 071 N T07 T07 1 CAT | KARDAN 102 071 N T07 T07 1CAT | CARDæN 102 071 N T07 T07 1CAT |
| | F08011720 | CARD.B3 Z8-Z6 L1300 | UNIV.JOINT B3 Z8-Z6 L1300 | | | |
| | F08011742 | FORCELLA CARD.32X38 Z8 B1 | YOKE CARD.32X38 Z8 B1 | FOURCHETTE CARDAN Z8 B1 | GABEL KARDAN Z8 B1 | HORQUILLA CARDAN Z8 B1 |
| | F08011743 | FORCELLA CARD.32X38 Z8 B3 | YOKE CARD.32X38 Z8 B3 | | | |
| | F08011757 | CARD.B1 Z20-Z6 L900 R.L > | UNIVERSAL JOINTB1 Z20-Z6 L900 | | | |
| | F08011758 | FORCELLA CARD.1"3/4 Z20 B1 > | | | | |
| | F08011764 | CARDANO OM 3/4Z20-RL Z6 L1381 | CARD.R4 Z20-Z6 L1381 OM-RL | | | |
| | F08011766 | FORCELLA CARD.32X38 Z8 R4 | FORK 32X38 Z8 R4 | | | |
| | F08011767 | FORCELLA CARD.1 3/8 Z21 B1 > | | | | |
| | F08011768 | FORCELLA CARD.1 3/8 Z6 R4 | FORK 1 3/8 Z6 R4 | | | |
| | F08011772 | FORCELLA CARD.1"3/4 Z6 B1 > | YOKE 1" 3/4 Z6 B1 | | | |
| | F08011773 | FORCELLA CARD.1 3/8 Z21 R4 > | FORK 1 3/8 Z21 R4 | | | |
| | F08011774 | FORCELLA CARD.1 3/4 Z20 R4 | | | | |
| | F08011930 | CARD.B3 Z6-Z6 L1200 | UNIVERSAL JOINT B3 1200 CE | | | |
| | G58161015 | FORCELLA CARD.1'3/8 Z6 B1 | | | | |
| | G58161016 | FORCELLA CARD.1'3/8 Z6 B3 > | | | | |



| Fila singola - Single row - Einreihig - Un seul rang - Hilera sencilla | | | | | | | | | | | |
|--|-----|---|-----------|-----------|-----------|-----------|-----------|-----------|-----------|-----------|-----------|
| Fori - Holes - Troues - Löcher - Agujeros | Nr. | Fori - Holes - Troues - Löcher - Agujeros Ø | | | | | | | | | |
| | | 0,5 | 0,6 | 0,8 | 1 | 1,2 | 1,5 | 2 | 2,2 | 2,5 | 3 |
| | 24 | G15823880 | G15823890 | G15823900 | G15823910 | G15823920 | G15823930 | G15823940 | G15823950 | G15823960 | G15823970 |
| | 45 | G15824200 | G15824210 | G15824220 | G15824230 | G15824240 | G15824250 | G15824260 | G15824270 | G15824280 | G15824290 |
| | 75 | G15824300 | G15824310 | G15824320 | G15824330 | G15824340 | G15824350 | G15824360 | G15824370 | G15824380 | G15824390 |
| | 90 | G15824400 | G15824410 | G15824420 | G15824430 | G15824440 | G15824450 | G15824460 | G15824470 | G15824480 | G15824490 |
| | 120 | G15824600 | G15824610 | G15824620 | G15824630 | G15824640 | G15824650 | G15824660 | G15824670 | G15824680 | G15824690 |



| DR Fila doppia - Double row - Doppelreihe - Double rang - Hilera doble | | | | | | | |
|--|-----|---|-----------|-----------|-----------|-----------|-----------|
| Fori - Holes - Troues - Löcher - Agujeros | Nr. | Fori - Holes - Troues - Löcher - Agujeros Ø | | | | | |
| | | 0,5 | 0,6 | 0,8 | 1 | 1,2 | 1,5 |
| | 24 | G15880010 | G15880020 | G15880030 | G15880040 | G15880050 | G15880060 |
| | 45 | G15880110 | G15880120 | G15880130 | G15880140 | G15880150 | G15880160 |
| | 75 | G15880210 | G15880220 | G15880230 | G15880240 | G15880250 | G15880260 |
| | 90 | G15880310 | G15880320 | G15880330 | G15880340 | G15880350 | G15880360 |
| | 120 | G15880410 | G15880420 | G15880430 | G15880440 | G15880450 | G15880460 |



| TR Fila Tripla - Triple row - Dreiergruppereihe - Triple rang - Hilera Triple | | | | |
|---|-----|---|-----------|-----------|
| Fori - Holes - Troues - Löcher - Agujeros | Nr. | Fori - Holes - Troues - Löcher - Agujeros Ø | | |
| | | 0,6 | 0,8 | 1 |
| | 45 | - | G15880810 | G15880820 |
| | 75 | - | G15880860 | G15880870 |
| | 90 | G15882500 | G15880910 | G15880920 |
| | 120 | - | G15880960 | G15880970 |

**USATE SEMPRE RICAMBI ORIGINALI
ALWAYS USE ORIGINAL SPARE PARTS
IMMER DIE ORIGINAL-ERSATZTEILE VERWENDEN
EMPLOYEZ TOUJOURS LES PIECES DE RECHANGE ORIGINALES
UTILIZAR SIEMPRE REPUESTOS ORIGINALES**

GASPARDO

**Servizio Assistenza Tecnica - After Sales Service
Servizio Ricambi - Spare Parts Service
+39 0434 695410**

DEALER:



MASCHIO GASPARDO SpA
Registered office & Production plant
Via Marcello, 73 - 35011 Campodarsego (Padova) - Italy
Tel. +39 049 9289810
Fax +39 049 9289900
info@maschio.com
www.maschionet.com

MASCHIO GASPARDO SpA
Production plant
Via Mussons, 7 - 33075
Morsano al Tagliamento (PN) - Italy
Tel. +39 0434 695410
Fax +39 0434 695425
info@gaspardo.it

MASCHIO DEUTSCHLAND GMBH
Äußere Nürnberger Straße 5
D - 91177 Thalmässing - Deutschland
Tel. +49 (0) 9173 79000
Fax +49 (0) 9173 790079
dialog@maschio.de
www.maschio.de

MASCHIO FRANCE Sarl
1, Rue de Mérignan ZA
F - 45240 La Ferte St. Aubin
France
Tel. +33 (0) 2.38.64.12.12
Fax +33 (0) 2.38.64.66.79
info@maschio.fr

000 МАСКИО-ГАСПАРДО РУССИЯ
Улица Пушкина, 117 Б
404126 Волжский
Волгоградская область
Тел. +7 8443 515152
факс. +7 8443 515153
info@maschio.ru

MASCHIO-GASPARDO ROMANIA S.R.L.
Strada Înfrâtririi, F.N.
315100 Chisineu-Cris (Arad) -România
Tel. +40 257 307030
Fax +40 257 307040
info@maschio.ro

MASCHIO-GASPARDO North America
120 North Scott Park Road
Eldridge, IA 52748 - USA
Ph. +1 563 2859937
Fax +1 563 2859938
info@maschio.us

**MASCHIO-GASPARDO IBERICA
MASCHIO-GASPARDO POLAND
MASCHIO-GASPARDO UCRAINA
GASPARDO-MASCHIO TURCHIA
MASCHIO-GASPARDO CINA**