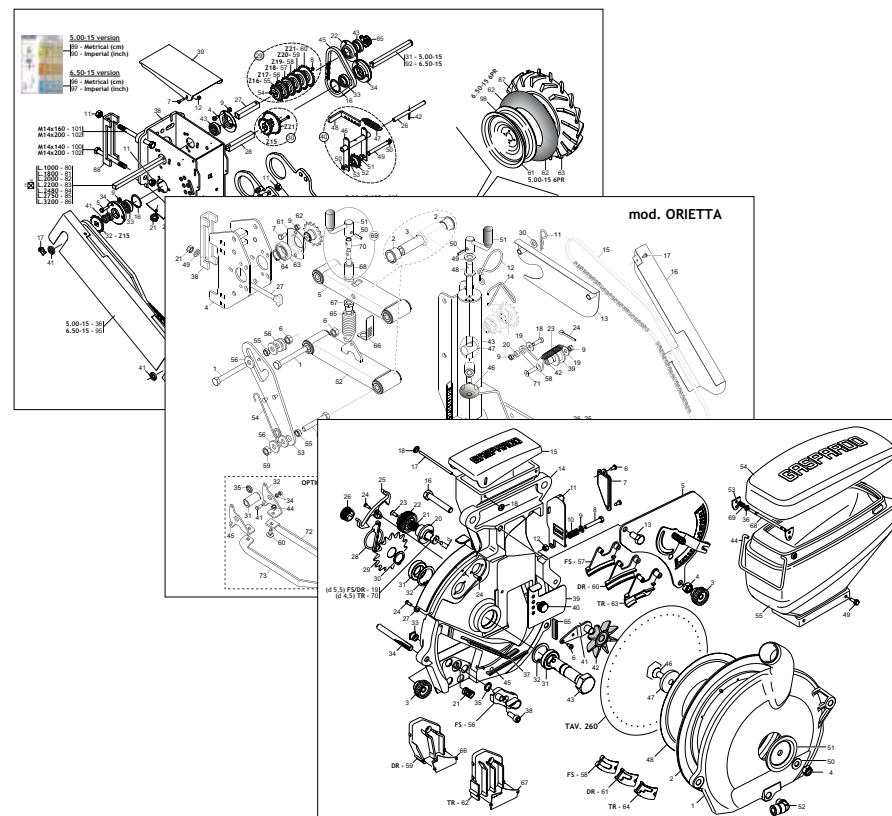


# GASPARDO

MASCHIO GASPARDO S.p.A.



# OLIMPIA ORIETTA-C

Cod: G19530933 2016-10

- \*) Valido per Paesi UE
- \*) Valid for EU member countries
- \*) Gilt für EU-Mitgliedsländer
- \*) Valable dans le Pays UE
- \*) Válido para Países UE
- \*) Valabil pentru țările UE

- IT** PARTI DI RICAMBIO
- EN** SPARE PARTS
- DE** ERSATZTEILE
- FR** PIÈCES DÉTACHÉES
- ES** PIEZAS DE REPUESTO

## PARTI DI RICAMBIO

Le ordinazioni delle parti di ricambio vanno fatte presso i nostri concessionari di zona e devono essere sempre corredate dalle seguenti indicazioni:

- **Tipo, modello e numero di matricola dell'attrezzatura.** Tali dati sono stampigliati nell'apposita targhetta di cui è dotata ogni attrezzatura.

- **Numero di codice della parte richiesta** rilevabile dal catalogo ricambi.

- **Descrizione del particolare e quantità richiesta.**

- **Numero della tavola.**

- **Mezzo di trasporto.** Nel caso questa voce non sia specificata, la Ditta Costruttrice, pur dedicando a questo servizio una particolare cura, non risponde di eventuali ritardi di spedizione dovuti a cause di forza maggiore.

Le spese di trasporto si intendono sempre a carico del destinatario. La merce viaggia a rischio e pericolo del committente anche se venduta franco destino.

**NOTA:** Il termine **(Dx) Destro** o **(Sx) Sinistro** della macchina o di parti di essa, è inteso guardando la macchina dalla parte posteriore. Le eccezioni saranno indicate.

## SPARE PARTS

Orders must be transmitted through our area dealers and should always include the following indications:

- **Type, model and serial number of the machine.** These data are punched on the data plate with which every implement is equipped.

- **Code number of the required spare part.** This will be found in the spare parts catalogue.

- **Description of the part and required quantity.**

- **Table number.**

- **Means of dispatch.** If this item is not indicated, the Manufacturer, while dedicating particular care to this service, shall not be held responsible for delays in delivery caused by cases of force majeure.

Transport expenses shall always be at the consignee's charge. The goods travel at the purchaser's risk and peril even when sold ex destination.

**NOTE:** The symbols **(Dx) right** and **(Sx) left**, concerning the machine or single parts of it, are referred, as in the figure, to a rear view of them. Exceptions will be indicated.

## ERSATZTEILE

Die Bestellungen müssen bei unseren Gebietshändlern aufgegeben werden. Bei der Bestellung sind stets die folgenden Angaben zu machen:

- **Typ, Modell und Serien-Nummer des Geräts.** Diese Daten stehen auf dem Typenschild, mit dem jedes Gerät versehen ist.

- **Artikel Nr. der erforderlichen Ersatzteile.** Diese stehen im Ersatzteil-Katalog.

- **Beschreibung des Ersatzteils und die erforderliche Stückzahl.**

- **Tafelnummer.**

- **Versandmittel.** Wenn dieser Punkt nicht spezifiziert wird, haftet die Herstellerfirma nicht für etwaigen Lieferverzug aufgrund höherer Gewalt, auch wenn er diesen Service besonders aufmerksam abwickelt. Die Frachtkosten gehen dagegen immer zu Lasten des Empfängers. Die Ware reist auf Gefahr und Risiko des Auftraggebers, auch wenn frei Haus Verkauft vereinbart worden ist.

**N.B.:** Die Merkzeichen **(Dx) rechts** und **(Sx) links** betreffen eine rückwärtige Aussicht der Maschine oder Teile von ihr (siehe Bild). Ausnahmen werden gezeit.

## PIECES DÉTACHÉES

Les ordres doivent être effectués auprès de nos concessionnaires de zone en précisant les indications suivantes:

- **Type, modèle et numéro de série de la machine.** Ces données sont gravées sur la plaque d'identification de chaque outil.

- **Numéro de code de la pièce détachée** indiqué sur le catalogue des pièces détachées.

- **Description de la pièce et quantité requise.**

- **Numéro de plan.**

- **Moyen d'expédition.** Si cette rubrique n'est pas indiquée, le Constructeur, bien que soucieux de ce service, ne répond pas des retards d'expédition pour des causes de force majeure.

Les frais de transport sont toujours à la charge du destinataire. La marchandise voyage aux risques et périls de l'acheteur même si vendue franco de port.

**N.B.:** Les références **(Dx) droit** et **(Sx) gauche** de la machine ou des parties de la même, est entendue, comme de la figure, en regardant la machine de derriere dans le sens de marche.

## RESPUESTOS

Los pedidos han de efectuarse en nuestros consesionarios de zona y deben incluir siempre las siguientes indicaciones:

- **Tipo, modelo y número de matricula del equipo.** Dichos datos están impresos en la relativa placa presente en el equipo.

- **Número de código de la parte requerida** presente en el catálogo respuestos.

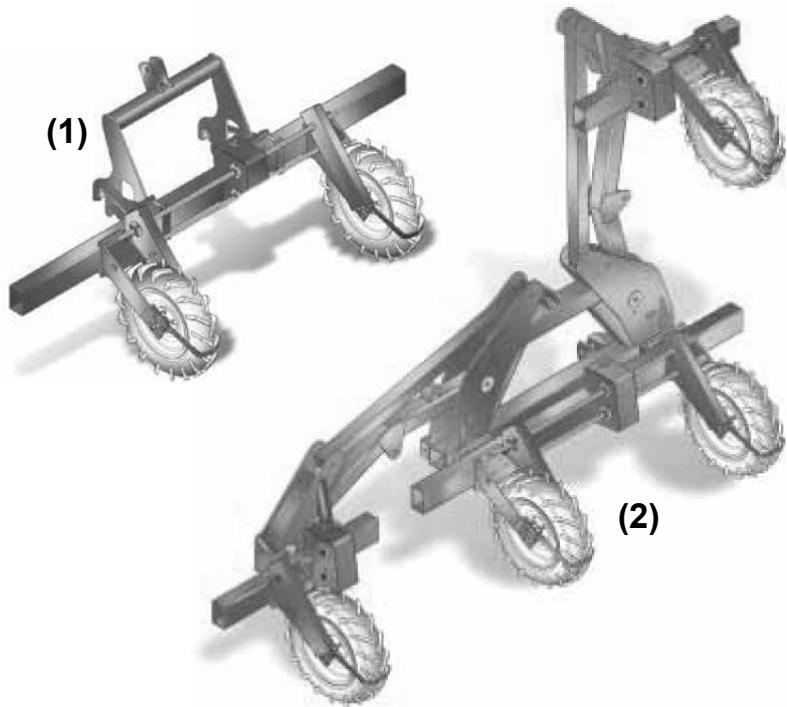
- **Descripción de la pieza y cantidad requerida.**

- **Numero de ilustración.**

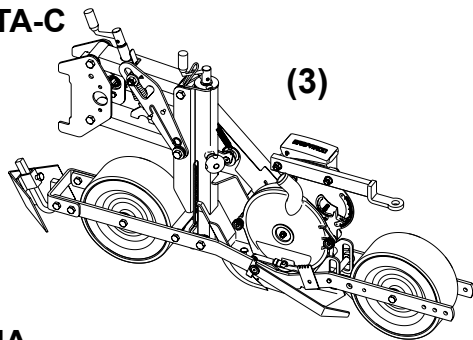
- **Medio de transporte.** En caso que este ítem no esté especificado, el Fabricante, aún prestando la debidas consideraciones para este aspecto, no responde por eventuales retardos de env'o debidos a causas de fuerza mayor.

Los gastos de transporte se consideran siempre a cargo del destinatario. La mercadería viaja bajo riesgo y peligro del comprador, incluso cuando se vende franco destino.

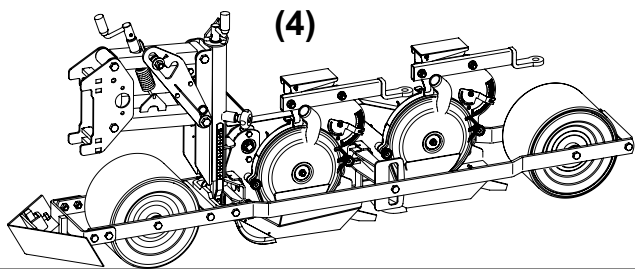
**N.B.:** La referencia **(Dx) derecha** o **(Sx) izquierda** de la máquina o de sus componentes, se entiende, como en la figura, mirando la máquina por la parte trasera. Se indicarán las excepciones.



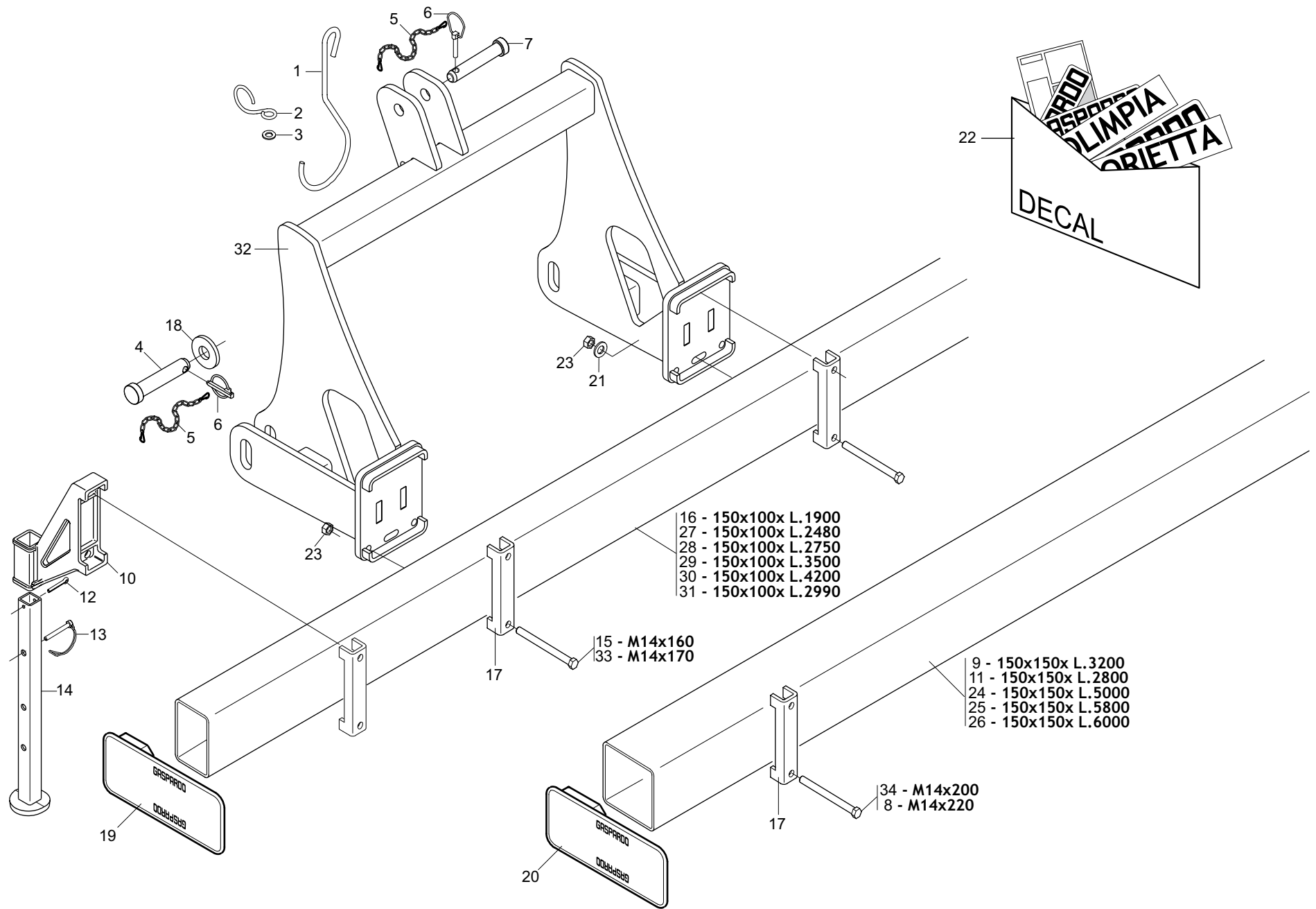
mod. ORIETTA-C



mod. OLIMPIA



Nr. Tav.	Descrizione	Description	Pag.	
(1)	TAV. 012	Telaio e attacco 3 punti	Toolbar and tree point hitch	4
	TAV. 022	Segnafile (telaio L= 2500÷4200)	Row marker (toolbar L= 2500÷4200)	6
	TAV. 033	Segnafile (telaio L= >4200)	Row marker (toolbar L= >4200)	8
	TAV. 043	Impianto oleodinamico segnafile	Hydraulic row marker system	10
	TAV. 051	Comando segnafile meccanico	Mechanical row marker system	12
(2)	TAV. 273	Telaio a ripiegamento oleodinamico	Hydraulic folding frame	14
	TAV. 282	Impianto oleodinamico telaio «BSP 60»	Hydraulic frame system «BSP 60»	16
	TAV. 350	Impianto oleodinamico telaio «DIN 24»	Hydraulic frame system «DIN 24»	18
	TAV. 292	Segnafile (WRM / CRM)	Row marker (WRM / CRM)	20
	TAV. 293	Segnafile (WRM / CRM)	Row marker (WRM / CRM)	24
	TAV. 313	Impianto oleodinamico segnafile «BSP 60»	Hydraulic row marker system «BSP 60»	28
TAV. 360	Impianto oleodinamico segnafile «DIN 24»	Hydraulic row marker system «DIN 24»	30	
(3)	TAV. 093	Distributore semi	Seed distributor	32
	TAV. 102	Telaio elemento	Unit toolbar	34
	TAV. 114	Elementi assolcatori	Coulters	38
	TAV. 123	Ruote di compressione	Compression wheels	40
	TAV. 133	Ruotini premiseme	Seed press wheels	42
	TAV. 380	Coltro a disco (varianti)	Disc coulters (variants)	44
(4)	<b>mod. OLIMPIA (varianti elemento seminatore)</b>		<b>mod. OLIMPIA (Planting unit variants)</b>	
	TAV. 233	Telaio elemento «N»	Unit toolbar «N»	46
	TAV. 331	Telaio elemento «W»	Unit toolbar «W»	50
	TAV. 244	Ruote di compressione	Compression wheels	52
TAV. 390	Esclusione elettrica file di semina	Electric row shut off	54	
TAV. 063	Depressore	Air pump	56	
TAV. 072	Impianto di aspirazione e soffiaggio	Aspiration and blowing system	60	
TAV. 083	Ruote di trasmissione	Drive wheels	62	
TAV. 370	Regolazione altezza ruote di trasmissione	Transmission wheels height regulation	66	
TAV. 141	Supporti serbatoi spandiconcime	Supports for fertilizer distributor	68	
TAV. 151	Serbatoio spandiconcime	Fertilizer distributor	70	
TAV. 182	Microgranulatore «16 litri»	Microgranulator «16 liters»	74	
TAV. 341	Microgranulatore «30 litri»	Microgranulator «30 liters»	78	
TAV. 193	Trasmissione spandiconcime e microgranulatore	Fertilizer distributor drive and microgranulator	80	
TAV. 203	Concimazione pneumatica	Pneumatic fertilizer	82	
TAV. 211	Speedy set	Speedy set	84	
TAV. 222	Rullo anteriore	Front roller	86	
TAV. 400	Posa manichetta irrigazione	Irrigation hose laying	88	
TAV. 253	Kit luci e tabelle di ingombro stradale	Lighting kit and warning boards	90	
TAV. 322	Cardano	Cardan shaft	92	
TAV. 260	Dischi di semina	Seed plates	96	



- 16 - 150x100x L.1900
- 27 - 150x100x L.2480
- 28 - 150x100x L.2750
- 29 - 150x100x L.3500
- 30 - 150x100x L.4200
- 31 - 150x100x L.2990

- 15 - M14x160
- 33 - M14x170

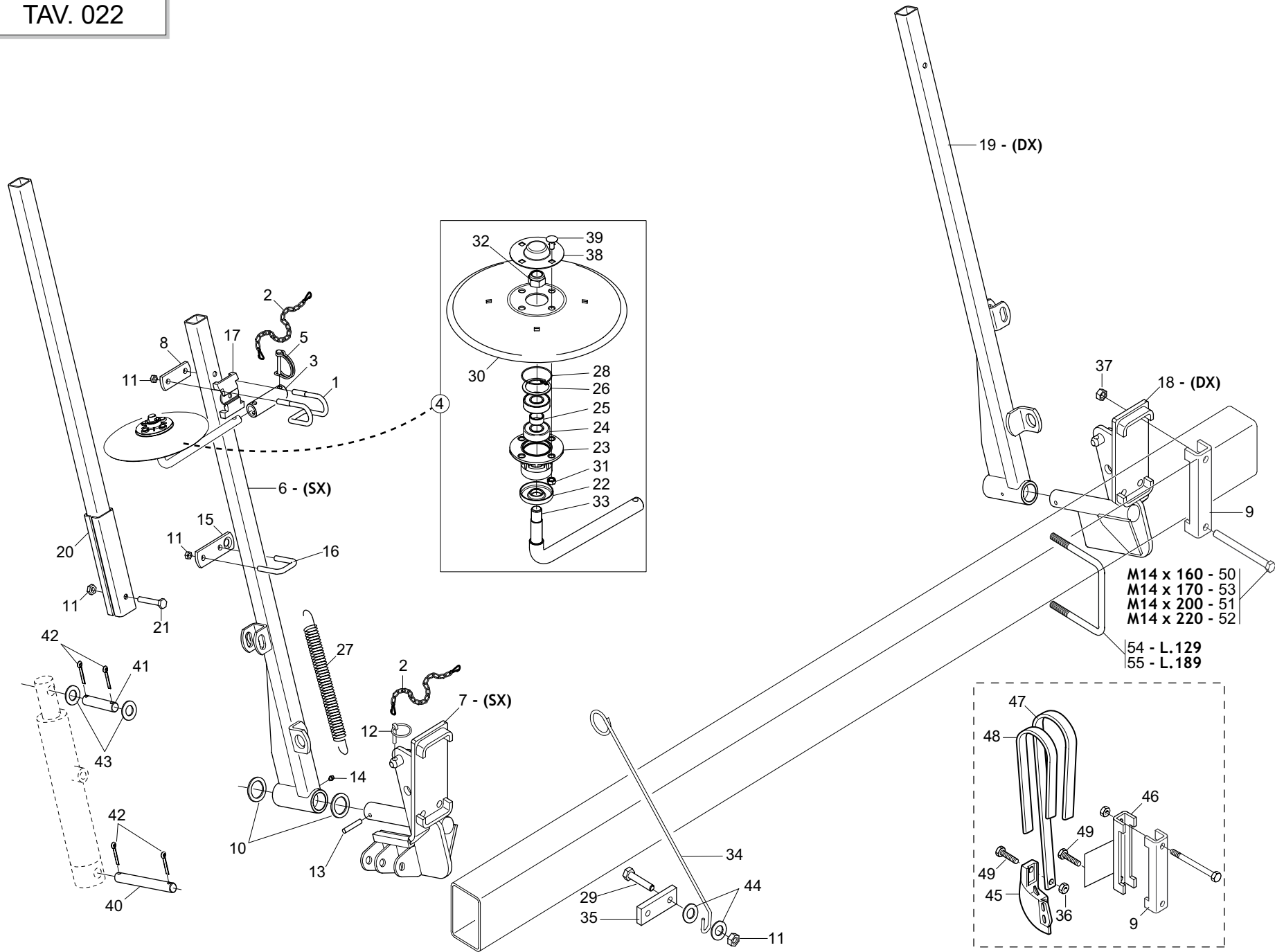
- 9 - 150x150x L.3200
- 11 - 150x150x L.2800
- 24 - 150x150x L.5000
- 25 - 150x150x L.5800
- 26 - 150x150x L.6000

- 34 - M14x200
- 8 - M14x220

## TELAIO E ATTACCO 3 PUNTI TOOLBAR AND TREE POINT HITCH

TAV. 012

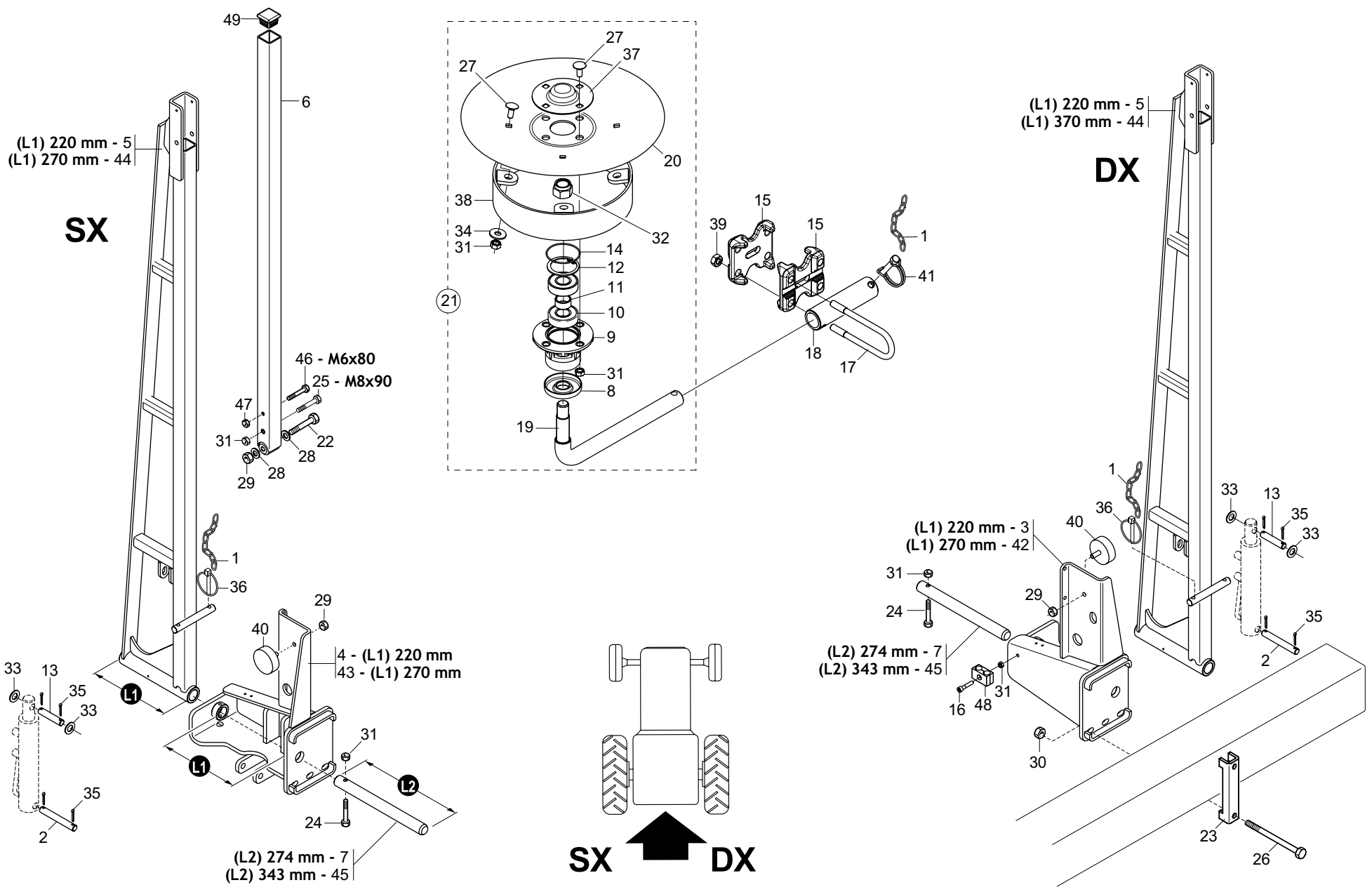
Pos.	Cod.	Descrizione	Description	Description	Benennung	Description
1	F20120400R	GANCIO SOSTEGNO CARDANO	SHAFT HOOK SUPPORT	SUPPORT CARDAN	GELENKWELLE - HACKEN	SOPORTE CARDAN
2	G65336004R	MOLLA SPEC.ZN AGG.SEMINAT. SP	SPEC SPRING- ZN ADD. SEEDER SP	RESSORT SPEC. ZN ATTELAGE SEME	SPEZIALFEDER ZN SZELEM. KUPPL.	MUELLE ESPEC. ZN CONEX. SEMBRA
3	F01410088R	ROS.M14 15X 28X2,5 U6592 ZN	WAS.M14 15X 28X2,5 U6592 ZB	RON.M14 15X 28X2,5 U6592 ZB	SCH.M14 15X 28X2,5 U6592 ZB	ARA.M14 15X 28X2,5 U6592 ZB
4	F20100136R	PERNO D28 L109 C43 TEST.D60 Z	BOLT D28 L109 C43 ZN	BOULON D28 L109 C43 ZN	BOLTZEN D28 L109 C43 ZN	PERNO D28 L109 C43 ZN
5	G13812311R	CATENELLA CON MOSCHETTONE	CHAIN WITH SPRING CATCH	CHAINETTE AVEC MOUSQUETON	KETTE MIT KARABINERHAKEN	CADENA CON GANCHO
6	F02200507R	SPINA A SCATTO D 9 B 83	SNAP PIN D9 B 83 ZN	FICHE A DETENTE D9 B 83 ZN	EINRASTSTIFT D9 B 83 ZN	CLAVIJA DE MUELLE D9 B 83 ZN
7	F20100133R	PERNO D25 L122 C43 TEST.D60 ZN	PIN D25 L122 C43 ZN	BOULON D25 L122 C43 ZN	BOLZEN D25 L122 C43 ZN	PERNO D25 L122 C43 ZN
8	F01020236R	VITE M14X2X220 U5737 8.8BR	SCR. M14X2X220 U5737 8.8BR	VIS M14X2X220 U5737 8.8 BR	SCHRAUBE M14X2X220 U5737 8.8	TORNILLO M14X2X220 U5737 8.8
9	G22505032R	TUBO TELAIO L=3200	FRAME PIPE L=3200	TUBE BATI L=3200	ROHR RAHMEN L=3200	TUBO BASTIDOR L=3200
10	G19204860R	SUPPORTO PUNTELLO SP-MT	SHORE SUPPORT SP-MT			
11	G22505031R	TUBO TELAIO L=2800	FRAME PIPE L=2800	TUBE BATI L=2800	ROHR RAHMEN L=2800	TUBO BASTIDOR L=2800
12	F02200246R	COPIGLIA 6X 45 U1336 ZN	PIN 6 X45 U1336 ZN	GOUPILLE 6 X45 U1336 ZN	SPLINT 6 X45 U1336 ZN	CLAVIJA 6 X45 U1336 ZN
13	F02200584R	SPINA SICUR.D.12X70 ZN	PIN D12 L70 ZN	FICHE D12 L70 ZN	STIFT D12 L70 ZN	CLAVIJA D12 L70 ZN
14	G15112691R	PUNTELLO ST250	PROP ST250			
15	F01020225R	VITE M14X2X160 U5737 8.8BR	SCR. M14X2X160 U5737 8.8BR	VIS M 14 X160 5737 8.G	SCHRAUBE M 14 X160 5737 8.G	TORNILLO M 14 X160 5737 8.G
16	G16610040R	TUBO RET.150X100X1900	RECTANGULAR PIPE 150X100X1900	TUBE RECTANGULAIRE 150X100X190	RECHTECK.ROHR150X100X1900	TUBO RECT.150X100X1900
17	G15110091R	SCONTRO A U	CONTRA U	BRIDE 150 MM	ANSCHLAG	ELEMENTO DE EMPALME
18	G20970120R	RONDELLA 70X8X28,5	WASHER 70X8X28-5	RONDELLE 70X8X28-5	UNTERLEGSSCHEIBE 70X8X28-5	ARANDELA 70X8X28-5
19	G16610110R	TAPPO TELAIO 150X100 COMPL.	COMPL. FRAME PLUG 150X100 B319	BOUCHON CH-SSIS 150X100 COMPL.	PFROPFEN RAHMEN 150X100 KOMPL.	TAP N BASTIDOR 150X100 COMPL.
20	G15213660R	MONT.TAPPO TELAIO 150X150	ASS.PLUG-FRAME 150X150			
21	G20970142R	RONDELLA 32X4X15,5	WASHER 32X4X15-5	RONDELLE 32X4X15-5	UNTERLEGSSCHEIBE 32X4X15-5	ARANDELA 32X4X15-5
22	G89900515R	KIT DECALCOMANIE ORIETTA	ORIETTA DECAL KIT	KIT DECALCOM. ORIETTA	KIT ABZIEHB. ORIETTA	SET CALCOM. ORIETTA
23	F01200306R	DADO M14X2 U5588 CL8 ZN	NUT M14X2 U5588 6.8ZN	ECROU M14X2	MUTTER M14X2	DADO M14X2
24	G15210690R	TUBO TELAIO FISSO 150X5000	FIXED FRAME PIPE 150X5000	PIPE BATI FIXE 150X5000	ROHR FIXER RAHMEN 150X5000	TUBO BASTIDOR FIJO 150X5000
25	G22505035R	TUBO TELAIO L=5800	FRAME TUBE L=5801			
26	G15210740R	TUBO TELAIO FISSO 150X6000	FIXED FRAME PIPE 150X6000	TUBE BATI FIXE 150X6000	ROHR FIXER RAHMEN 150X6000	TUBO BASTIDOR FIJO 150X6000
27	G16610050R	TUBO R.150X100X2480	RECTANGULAR PIPE 150X100X2480	TUBE RECT.150X100X6X2480	R. ROHR150X100X6X2480	TUBO RECT.150X100X6X2480
28	G16610080R	TUBO R.150X100X 6X2750	RECTANGULAR PIPE 150X100X6X275	TUBE RECT.150X100X6X2750	R. ROHR150X100X6X2750	TUBO RECT.150X100X6X2750
29	G16610060R	TUBO R.150X100X3500	RECTANGULAR PIPE 150X100X3500	TUBE RECT.150X100X3500	R. ROHR150X100X3500	TUBO RECT.150X100X3500
30	G16610070R	TUBO R.150X100X4200	RECTANGULAR PIPE 150X100X4200	TUBE RECT.150X100X4200	R. ROHR150X100X4200	TUBO RECT.150X100X4200
31	G15211250R	TUBO R.150X100X 6X2990	RECTANGULAR PIPE 150X100X2990	TUBE RECT.150X100X6X2990	R. ROHR150X100X6X2990	TUBO RECT.150X100X6X2990
32	G16610463R	TERZO PUNTO 2 CATEGORIA	3RD POINT 2 CAT.			
33	F01020227R	VITE M14X2X170 U5737 8.8BR	SCR. M14X2X170 U5737 8.8BR	VIS M14X 2X170 U5737 8.8 BR	SCHRAU. M14X 2X170 U5737 8.8BR	TORNI. M14X 2X170 U5737 8.8 BR
34	F01020233R	VITE M14X2X200 U5737 8.8BR	SCR. M14X2X200 U5737 8.8BR	VIS M14X2X 200 U5737 8.8 ZB	SCHRAUBE M14X 2X200 U5737 8.8	TORNILLO M14X2X200 5737 8.8 ZB



**SEGNAFILE (TELAIO L= 2500÷4200)  
ROW MARKER (TOOLBAR L= 2500÷4200)**

**TAV. 022**

Pos.	Cod.	Descrizione	Description	Description	Benennung	Description
1	G16610230R	CAVALLOTTO MANICOTTO DISCO	U BOLT FOR DISC SLEEVE	ETRIER MANCHON DISQUE	_BERBR_CKUNG MUFFE SCHEIBE	ABRAZADERA MANGUITO DE DISCO
2	G13812311R	CATENELLA CON MOSCHETTONE	CHAIN WITH SPRING CATCH	CHAINETTE AVEC MOUSQUETON	KETTE MIT KARABINERHAKEN	CADENA CON GANCHO
3	G17111290R	MANICOTTO DISCO	DISC SLEEVE U BOLT	MANCHON DISQUE	SCHEIBENMUFFE	MANGUITO DISCO
4	G16610200R	DISCO D.320 COMPL	DISC D.320 COMPL			
5	F02100312R	SPINA DI SICUREZZA D.8X45 ZN	SAFETY PIN D.8X45 ZN	FICHE EL.DE SECURITE D.8X45 ZN	SCHERSTIFT D.8X45 ZN	CLAVIJA DE SEGURIDAD D 8X45 ZN
6	G15412691R	BRACCIO SEGNAFILE SX	ROW MARKER ARM LEFT	BRAS PLIANT GCH.	KLAPPBARER ARM LI.	BRAZO PLEGABLE IZQ.
7	G16611490R	ASS.SUPP.SEGNAFILE SX	LEFT ROWMARKER SUPPORT			
8	G23440198R	SCONTRO ATTACCO BRACCIO HL 2	STRIKER PLATE ARM ATTACH. HL 2	BUTEE FIXATION BRAS HL 2	ARMKUPPLUNGSANSCHLAG HL 2	ELEMENTO DE EMPALME CONEXI N B
9	G15110091R	SCONTRO A U	CONTRA U	BRIDE 150 MM	ANSCHLAG	ELEMENTO DE EMPALME
10	G18701600R	RONDELLA 35,5 X50 X3 ZN	WASHER 35.5 X 50 X 3- GALVANIZ	RONDELLE 35-5 X50 X3 ZN	UNTERLEGSSCHEIBE 35-5 X50 X3	ARANDELA 35-5 X50 X3 ZN
11	F01200270R	DADO M10X1,5 U5588 CL8 ZN	NUT M10X1,5 U5588 6.8ZN	ECROU M10X 1,5 U5588 6.8 ZN	MUTTER M10X 1,5 U5588 6.8 ZN	TUERCA M10X1,5 U5588 CL8 ZN
12	F02200507R	SPINA A SCATTO D 9 B 83	SNAP PIN D9 B 83 ZN	FICHE A DETENTE D9 B 83 ZN	EINRASTSTIFT D9 B 83 ZN	CLAVIJA DE MUELLE D9 B 83 ZN
13	F02100146R	SPINA E.P. 8X 55 U6873 C70 BR	PIN EL. .8 X55 DIN 1481	FICHE EL.8 X55 DIN 1481	SPANNSTIFT 8 X55 DIN 1481	CLAVIJA EL.8 X55 DIN 1481
14	F01100011R	ING.M 6X1 7663-A 9SMNPB28 ZN	GREASE NIPPLE M6X1 7663-A ZN	GRAISS. A BILLE M6X1 7663A ZN	SCHMIERBUECHE M6X1 7663-A ZN	ENG.M 6X1 7663-A 9SMNPB28 ZN
15	G15412810R	ATTACCO FUNE SEGNAFILE	ROW MARKER ROPE LINKAGE	FIXATION CABLE TRACEUR	SEILKUPPLUNG SPURANZEIGER	CONEXI N CABLE MARCADOR DE FIL
16	F20110705R	CAV.Q.B=40 M=10X1,5 L=62	U BOLT Q.B=40 M=10X1,5 L=62	CAVALIER ZN	BSGELBOLZEN ZN	PERNO EN U ZN
17	G19203740R	ELEMENTO FISSAGGIO GAMBO ZN.	GALVAN. SHANK FASTENING ELEMEN	ELEMENT FIXATION TIGES ZN	BEFESTIGUNGSELEMENT SCHZCHTE Z	ELEMENTO SUJECIN V STAGOS ZN
18	G16611500R	SUPPORTO SEGNAFILE DX	RIGHT ROWMARKER SUPPORT			
19	G15412861R	BRACCIO SEGNAFILE DX	RH FOLDING ARM	BRAS PLIANT DRT.	KLAPPBARER ARM RE.	BRAZO PLEGABLE DER.
20	G15412780R	PROLUNGA BRACCIO SEGNAFILE	ROWMARKER EXTENSION	RALLONGE TRACEUR SOL.	VERLZNGERUNG SPURREISSER	PROLONG. MARC. DE FILAS
21	F01020122R	VITE M10X1,5X70 U5737 8.8ZN	SCR. M10X1,5X70 U5737 8.8ZN	VIS M10X1,5X70 U5737 8.8 ZN	SCHRA.M10X1,5X70 U5737 8.8 ZN	TORN. M10X1,5X70 U5737 8.8 ZN
22	G16610431R	FONDELLO ZN	BOTTOM GALV.ED			
23	G16610160R	SUPP.CUSCINETTI DISCO SEGN.ZN.	GALVAN. ROWMARKER DISK BEARING	SUPPORT ROULEMENTS DISQUE TRAC	SCHEIBENLAGERHALTERUNG	SOPORTE COJINETE DE DISCO MARC
24	F04010156R	CUSC. D20 D47 B14 6204 2RSH	BEARING D20 D47 B14 6204 2RSH	ROULEMENTD20 D47 B14		
25	G18801270R	BOCCOLA 21 X25 X12 ZN B.	BUSHING 21 X25 X12 ZN			
26	F02050370R	ANELLO E. DI 47X1,75 U7437 C70	SEEGER RING 47X 1,75 U7437 C70	SEEGER E. 47X 1,75 U7437 C70	SEEGERING E. 47X1,75 U7437 C70	ANILLO E. 47X 1,75 U7437 C70
27	G65337004R	MOLLA TRAZ.SOLLEV. FU	TRACTION SPRING LIFT. FU	RESSORT TRACT. LEVAGE FU	ZUGFEDER HEBUNG FU	MUELLE TRAC. LEVDEL. FU
28	F03010576R	ANELLO OR 50,52X1,78 NBR	GASKET OR 50,52X1,78 NBR	BAGUE OR 50,52X1,78 NBR	RING OR 50,52X1,78 NBR	ANILLO OR 50,52X1,78 NBR
29	F01020476R	VITE M10X1,5X30 U5739 8.8ZN	SCR. M10X1,5X30 U5739 8.8ZN	VIS M10X1,5X30 U5739 8.8 ZN	SCHRAUBE M10X1,5X30U5739 8.8ZN	TORNILLO M10X1,5X30 U5739 8.8
30	G16610170R	DISCO SEGNAFILE D.320	ROW MARKER DISK D.320	DISQUE TRACEUR D320	SPURREISSERSCHEIBE D. 320	DISCO MARCARDOR DE FILAS O 320
31	F01200244R	DADO M8X1,25 U5588 CL8 ZN	NUT M8X1,25 U5588 6.8ZN	ECROU M8 X1,25 U5588 6.8 ZN	MUTTER M8 X1,25 U5588 6.8 ZN	TUERCA M8X1,25 U5588 CL8 ZN
32	F01230098R	DADO M18X2,5 D982 8 ZN	NUT M18X2,5 D982 8 ZN	ECROU M18X 2,5 D982 8 ZN	MUTTER M18X 2,5 D982 8 ZN	TUERCA M18X 2,5 D982 8 ZN
33	G16610180R	PERNO REGGIDISCO SEGNAF.	ROWMARKER DISCHOLDER PIN			
34	G18902260R	GUIDACORDA ZN MT	ROPE GUIDE ZN			
35	G15470810R	SUPPORTO GUIDACORDA SP	ROPE GUIDE SUPPORT SP	SUPPORT GUIDE-CORDE SP	HALTERUNG SEILFSHRUNG SP	SOPORTE GUIACUERDA SP
36	F01200293R	DADO M12X1,75 U5588 CL8 ZN	NUT M12X1,75 U5588 6S ZN	ECROU M12X1,75 U5588 6S ZN	MUTTER M12X1,75 U5588 6S ZN	TUERCA M12X1,75 U5588 CL8 ZN
37	F01200306R	DADO M14X2 U5588 CL8 ZN	NUT M14X2 U5588 6.8ZN	ECROU M14X2	MUTTER M14X2	DADO M14X2
38	G16610190R	CHIUSURA CUSCINETTO ZN	END BEARING ZN			
39	F01060040R	VITE M8X1,25X20 U5731 8.8ZN	SCR. M8X1,25X20 U5732 4.6ZG	VIS M8X1,25X20 U5732 4.6 ZN	SCHRA. M8X1,25X20 U5732 4.6 ZN	TORN. M8X1,25X20 U5732 4.6 ZN
40	G15413020R	SPINA 15X120 ZN	GALVANIZED PIN 15X120	GOUPILLE 15X120 ZN	STIFT 15X120 ZN	CLAVIJA 15X120 ZN
41	G15413010R	SPINA 15X62 ZN	PIN 15X62 ZN	GOUPILLE 15X62 ZN	BOLZENSTIFT 15X62 ZN	PASADOR 15X62 ZN
42	F02200194R	COPIGLIA 4X 25 U1336 ZN	SPLIT PIN 4 X25 1336 GALVAN.	GOUPILLE 4 X25 1336 ZN	SPLINT 4 X25 1336 ZN	PASADOR 4 X25 1336 ZN
43	G20970142R	RONDELLA 32X4X15,5	WASHER 32X4X15-5	RONDELLE 32X4X15-5	UNTERLEGSSCHEIBE 32X4X15-5	ARANDELA 32X4X15-5
44	F01410100R	ROS.M16 17X 30X 3 U6592 ZN	WASHER M16 17X30X3 U6592 ZN	RONDELLE M16 17X30X3 ZN	SCHRAUBE M16 17X 30X3 U6592 ZN	ARAND.M16 17X 30X 3 U6592 ZN
45	G13811261R	FALCIONE SEGNAFILE INT.	INNER ROWM. CUTTER	HACHOIR TRACEUR INT.	SZSCHAR SPURREISSER INNEN	GUADA ADORA MARCADOR DE HILE
46	G15470232R	SUPPORTO MOLLA PIATTA 150	FLAT SPRING SUPPORT 150	SUPPORT RESSORT PLAT 150	HALTERUNG FLACHFEDER 150	SOPORTE MUELLE PLANO 150
47	G18901092R	GAMBO CONCIMAZ.MOLLA PIATTA SP	FLAT SPRING MANURING LEG SP	TIGE FUMAGE RESSORT PLAT SP	SCHAFT DSNUNG FLACHE FEDER SP	V STAGO ABONO MUELLE CHATO SP
48	G18902861R	RINF.MOLLA PIATTA CONCIM.SP	MANUR.PLATE SPRING REINFORCE.S	RENF. RESSORT PLAT FUMAGE SP	VERSTZRKUNG FLACHFEDER DSNUNG	REFUERZO MUELLE ABONO SP
49	F01020512R	VITE M12X1,75X35 U5739 8.8ZN	SCR. M12X1,75X35 U5739 8.8ZN	VIS M12X1,75X35 5739 8.8 ZN	SCHR. M12X1,75X35 5739 8.8 ZN	TORNILLO M12X1,75X35 U5739 8
50	F01020225R	VITE M14X2X160 U5737 8.8BR	SCR. M14X2X160 U5737 8.8BR	VIS M 14 X160 5737 8.G	SCHRAUBE M 14 X160 5737 8.G	TORNILLO M 14 X160 5737 8.G
51	F01020233R	VITE M14X2X200 U5737 8.8BR	SCR. M14X2X200 U5737 8.8BR	VIS M14X2X 200 U5737 8.8 ZB	SCHRAUBE M14X 2X200 U5737 8.8	TORNILLO M14X2X200 5737 8.8 ZB
52	F01020236R	VITE M14X2X220 U5737 8.8BR	SCR. M14X2X220 U5737 8.8BR	VIS M14X2X220 U5737 8.8 BR	SCHRAUBE M14X2X220 U5737 8.8	TORNILLO M14X2X220 U5737 8.8
53	F01020227R	VITE M14X2X170 U5737 8.8BR	SCR. M14X2X170 U5737 8.8BR	VIS M14X 2X170 U5737 8.8 BR	SCHRAU. M14X 2X170 U5737 8.8BR	TORNI. M14X 2X170 U5737 8.8 BR
54	F20110780R	CAV.R.B=150H=100M=14X2 L=129	U BOLT R.B=150 H100 M14X2 L129	CAVALIER M14X165-128	VERBINDUNG M14X165-128	PERNO EN U M14X165-128
55	F20110785R	CAV.Q.B=150 M=14X2 L=189	U BOLT Q.B=150 M=14X2 L=189	CAVALIER 150	VERBINDUNG 150	PERNO EN U 150



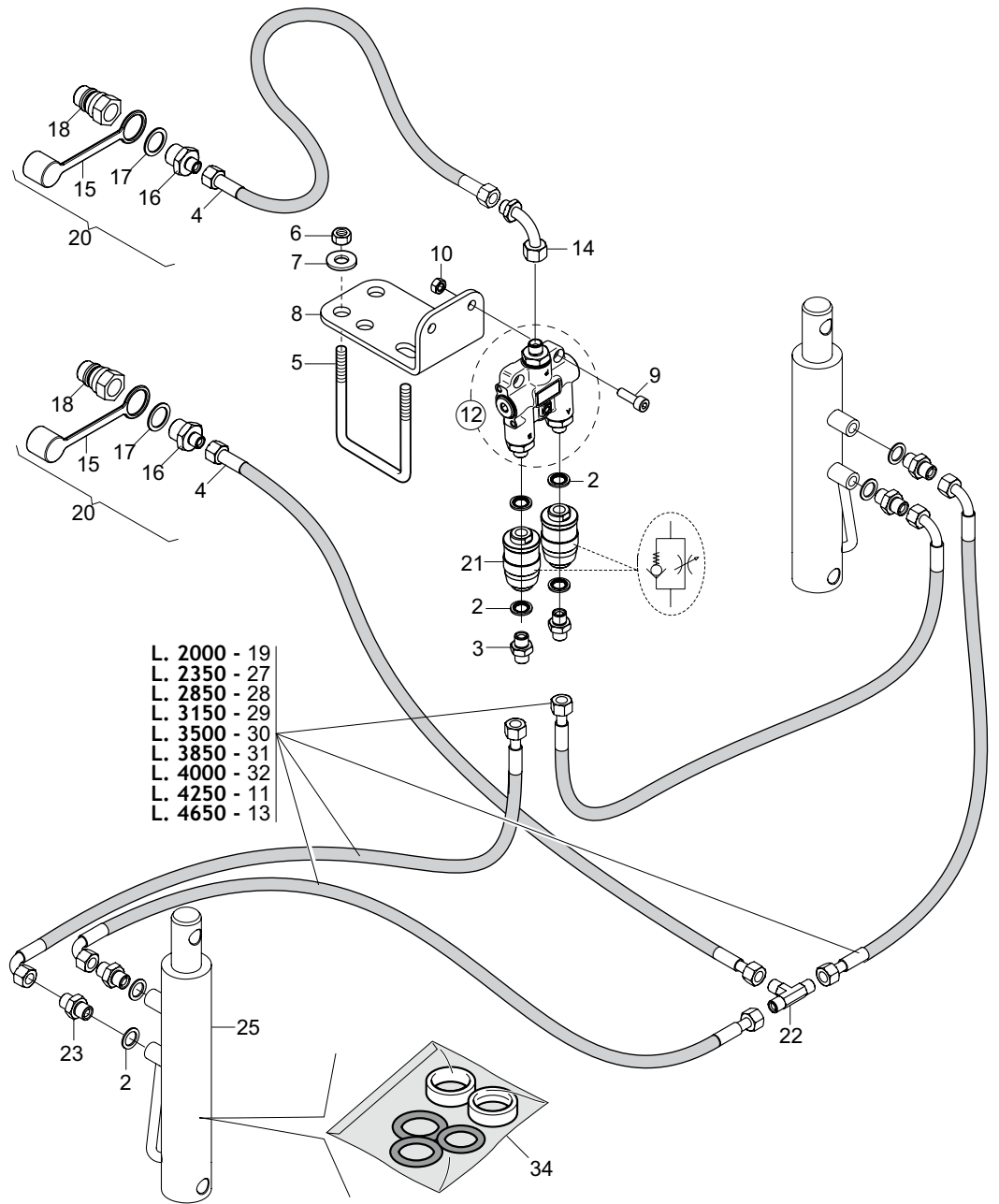
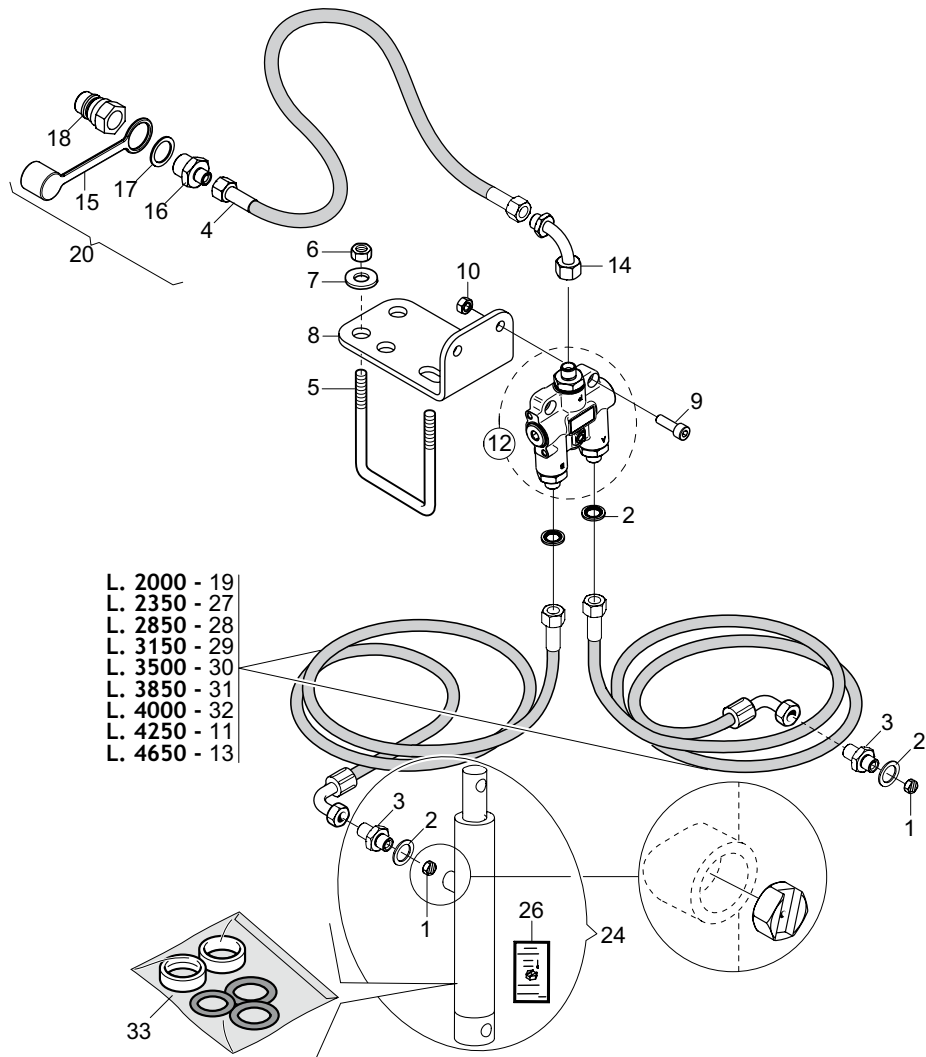


**SEGNAFILE (TELAIO L= >4200)  
ROW MARKER (TOOLBAR L= >4200)**

**TAV. 033**

Pos.	Cod.	Descrizione	Description	Description	Benennung	Description
1	G13812311R	CATENELLA CON MOSCHETTONE	CHAIN WITH SPRING CATCH	CHAINETTE AVEC MOUSQUETON	KETTE MIT KARABINERHAKEN	CADENA CON GANCHO
2	G15413020R	SPINA 15X120 ZN	GALVANIZED PIN 15X120	GOUVILLE 15X120 ZN	STIFT 15X120 ZN	CLAVIJA 15X120 ZN
3	G15411381R	SUPPORTO BRACCIO DX	RIGHT ARM SUPPORT	RACLEUR GCH BAGUE	HALTERUNG ARM RE	SOPORTE BRAZO DER
4	G15411391R	SUPPORTO BRACCIO SX	LEFT ARM SUPPORT	SUPPORT BRAS GCH	HALTERUNG ARM LI	SOPORTE BRAZO IZQ
5	G15411471R	BRACCIO SEGNAFILE FRANCIA	FRENCH ROWMARKER ARM	BRAS TRACEUR	SPURREISSERARM	BRAZO MARCADOR DE FILAS
6	G16072220R	BRACCIO SEGNAFILE	ROW MARKER ARM			
7	G14215830R	ASSE SEGNAFILE ZN	GALVAN. ROWMAKER AXLE	AXE BRAS TRACEUR ZN	REISSERASCHE	EJE MARCADOR DE FILAS
8	G16610431R	FONDELLO ZN	BOTTOM GALV.ED			
9	G16610160R	SUPP.CUSCINETTI DISCO SEGN.ZN.	GALVAN. ROWMARKER DISK BEARING	SUPPORT ROULEMENTS DISQUE TRAC	SCHEIBENLAGERHALTERUNG	SOPORTE COJINETE DE DISCO MARC
10	F04010156R	CUSC. D20 D47 B14 6204 2RSH	BEARING D20 D47 B14 6204 2RSH	ROULEMENTD20 D47 B14		
11	G18801270R	BOCCOLA 21 X25 X12 ZN B.	BUSHING 21 X25 X12 ZN			
12	F02050370R	ANELLO E. DI 47X1,75 U7437 C70	SEEGER RING 47X 1,75 U7437 C70	SEEGER E. 47X 1,75 U7437 C70	SEEGERING E. 47X1,75 U7437 C70	ANILLO E. 47X 1,75 U7437 C70
13	G15413010R	SPINA 15X62 ZN	PIN 15X62 ZN	GOUVILLE 15X62 ZN	BOLZENSTIFT 15X62 ZN	PASADOR 15X62 ZN
14	F03010576R	ANELLO OR 50,52X1,78 NBR	GASKET OR 50,52X1,78 NBR	BAGUE OR 50,52X1,78 NBR	RING OR 50,52X1,78 NBR	ANILLO OR 50,52X1,78 NBR
15	G19204230R	SUPPORTO MANICOTTO TQ.50	SLEEVE SUPPORT TQ.50			
16	F01040101R	VITE M8X1,25X40 U5931 8.8ZN	SCR. M8X1,25X40 U5931 8.8ZN	VIS M8X1,25X40 U5931 8.8 ZN	SCHRAUBE M8X1,25X40 U5931 8.8	TORNILLO M8X1,25X40 U5931 8.8
17	F20110860R	CAV.T.M10X 1,5X 30 46X128,5ZN	U BOLT T.M10X1,5X30 46X L128,5	CAVALIER M10X46 ZN	VERBINDUNG M10X46 ZN	PERNO EN U M10X46 ZN
18	G17111290R	MANICOTTO DISCO	DISC SLEEVE U BOLT	MANCHON DISQUE	SCHEIBENMUFFE	MANGUITO DISCO
19	G16610180R	PERNO REGGIDISCO SEGNAF.	ROWMARKER DISCHOLDER PIN			
20	G16610170R	DISCO SEGNAFILE D.320	ROW MARKER DISK D.320	DISQUE TRACEUR D320	SPURREISSERSCHEIBE D. 320	DISCO MARCARDOR DE FILAS O 320
21	G16610222R	MONT.DISCO D.320 LIM.	ROWMARKER DISC D.320 ASSEMBLY			
22	F01020168R	VITE M12X1,75X90 U5737 8.8ZN	SCR. M12X1,75X90 U5737 8.8ZN	VIS M12X1,75X90 U5737 8.8 ZN	SCHRAB.M12X1,75X90 5737 8.8 ZN	TORNIL.M12X1,75X90 5737 8.8 ZN
23	G15110091R	SCONTRO A U	CONTRA U	BRIDE 150 MM	ANSCHLAG	ELEMENTO DE EMPALME
24	F01020077R	VITE M8X1,25X60 U5737 8.8ZN	SCR. M8X1,25X60 U5737 8.8ZN	VIS M8X1,25X60 U5737 8.8 ZN	SCHRAU. M8X1,25X60 U5737 8.8ZN	TORN. M8X1,25X60 U5737 8.8 ZN
25	F01020088R	VITE M8X1,25X90 U5737 8.8ZN	SCREW M8X1,25X90 U5737 8.8ZN	VIS M8X1,25X90 U5737 8.8 ZN	SCHR.M8X1,25X90 U5737 8.8 ZN	TORN. M8X1,25X90 U5737 8.8 ZN
26	F01020236R	VITE M14X2X220 U5737 8.8BR	SCR. M14X2X220 U5737 8.8BR	VIS M14X2X220 U5737 8.8 BR	SCHRAUBE M14X2X220 U5737 8.8	TORNILLO M14X2X220 U5737 8.8
27	F01060040R	VITE M8X1,25X20 U5731 8.8ZN	SCR. M8X1,25X20 U5732 4.6ZG	VIS M8X1,25X20 U5732 4.6 ZN	SCHRA. M8X1,25X20 U5732 4.6 ZN	TORN. M8X1,25X20 U5732 4.6 ZN
28	F01410076R	ROS.M12 13X 24X2,5 U6592 ZN	WASHER 12 13X 24X2,5 U6592 ZN	RONDEL. M12 13X24X2,5 U6592 ZN	SCHIBE M12 13X24X2,5 U6592 ZN	ARAND.M12 13X 24X2,5 U6592 ZN
29	F01200293R	DADO M12X1,75 U5588 CL8 ZN	NUT M12X1,75 U5588 6S ZN	ECROU M12X1,75 U5588 6S ZN	MUTTER M12X1,75 U5588 6S ZN	TUERCA M12X1,75 U5588 CL8 ZN
30	F01200306R	DADO M14X2 U5588 CL8 ZN	NUT M14X2 U5588 6.8ZN	ECROU M14X2	MUTTER M14X2	DADO M14X2
31	F01200244R	DADO M8X1,25 U5588 CL8 ZN	NUT M8X1,25 U5588 6.8ZN	ECROU M8 X1,25 U5588 6.8 ZN	MUTTER M8 X1,25 U5588 6.8 ZN	TUERCA M8X1,25 U5588 CL8 ZN
32	F01230098R	DADO M18X2,5 D982 8 ZN	NUT M18X2,5 D982 8 ZN	ECROU M18X 2,5 D982 8 ZN	MUTTER M18X 2,5 D982 8 ZN	TUERCA M18X 2,5 D982 8 ZN
33	G20970111R	RONDELLA 29,8X2X16,5	WASHER 29,8X2X16,5	RONDELLE 29,8X2X16,5	UNTERLEGSCHEIBE 29,8X2X16,5	ARANDELA 29,8X2X16,5
34	F01420048R	ROS.M8 8,4X 24X 2 U6593 ZN	WASHER M8 8,4X 24X2 U6593 ZN	RONDELLE M8 8,4X24X 2 U6593 ZN	SCHEIBEN M8 8,4X24X 2 U6593 ZN	ARAND.M8 8,4X 24X 2 U6593 ZN
35	F02200227R	COPIGLIA 5 X30 1336 ZN	PIN 5X 30 U1336 ZN			
36	F02200507R	SPINA A SCATTO D 9 B 83	SNAP PIN D9 B 83 ZN	FICHE A DETENTE D9 B 83 ZN	EINRASTSTIFT D9 B 83 ZN	CLAVIJA DE MUELLE D9 B 83 ZN
37	G16610190R	CHIUSURA CUSCINETTO ZN	END BEARING ZN			
38	G16610210R	ASS.LIMITATORE PROFONDITA	LIMITER DEPTH COUPLYNG	GR. ASS. LIMITEUR DE PROFONDEU	TIEFENBEGRENZERKOMPLEX	CONJ. LIMITADOR DE PROFUNDIDAD
39	F01200270R	DADO M10X1,5 U5588 CL8 ZN	NUT M10X1,5 U5588 6.8ZN	ECROU M10X 1,5 U5588 6.8 ZN	MUTTER M10X 1,5 U5588 6.8 ZN	TUERCA M10X1,5 U5588 CL8 ZN
40	F05150459R	PARACOLPI CIL. 75X25 SH71	CYLINDER GUARD 75X25 M12 SH71	TAMPON CIL. 75X25 M12	PUFFER CIL. 75X25 M12	PARACHOQ. CIL. 75X25 M12
41	F02100312R	SPINA DI SICUREZZA D.8X45 ZN	SAFETY PIN D.8X45 ZN	FICHE EL.DE SECURITE D.8X45 ZN	SCHERSTIFT D.8X45 ZN	CLAVIJA DE SEGURIDAD D 8X45 ZN
42	G16611090R	SUPPORTO BRACCIO SEGN.RINF.DX	ARM SUPP.REINF.ROWMA.RIGHT			
43	G16611100R	SUPPORTO BRACCIO SEGN.RINF.SX	ARM SUPP.REINF.ROWMA.LEFT			
44	G16611150R	BRACCIO SEGNAFILE RINF.	REINF.ROWMARKER ARM			
45	G16611250R	PERNO D.32X343	PIN D.32X343			
46	F01020050R	VITE M6X1X80 U5737 8.8ZN	SCR. M6X1X80 U5737 8.8ZN	VIS 6 X80 5737 8.G ZN	SCHRAUBE 6 X80 5737 8.G ZN	TORNILLO 6 X80 5737 8.G ZN
47	F01220011R	DADO M6X1 D980 8ZN	NUT M6X1 D980 8ZN	ECROU M6X1 D980 8 ZN	MUTTER M6X1 D980 8 ZN	TUERCA M6X1 D980 8 ZN
48	F03150996R	COPPIA COLLARI X TUBO D.18	DOUBLE TUBE SUPPORT D.19			
49	F20120349R	PUNTALE Q.50 ALETT.POLIT.NERO	CAP	BOUCHON	DECKEL	CORCHO

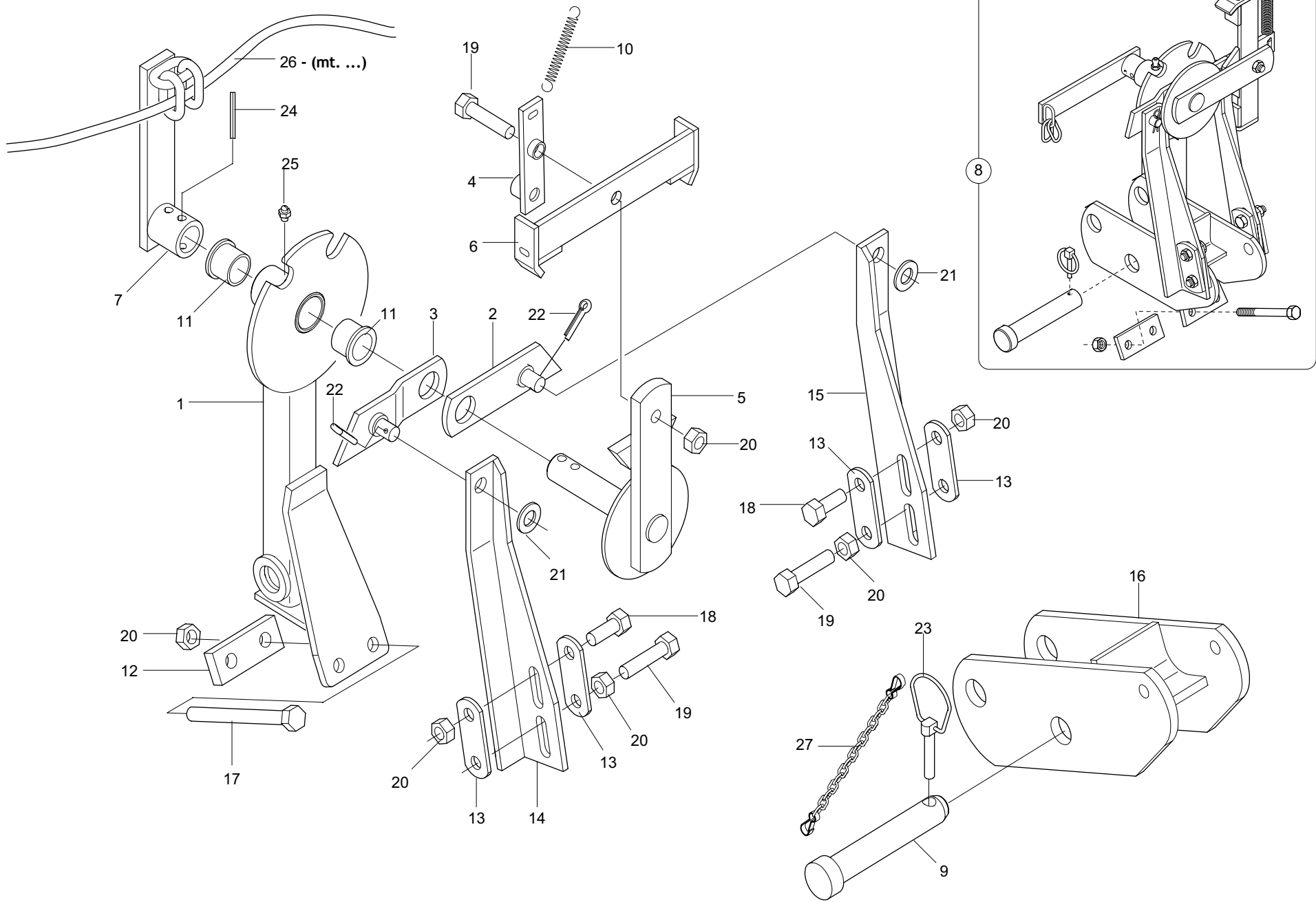
TAV. 043



**IMPIANTO OLEODINAMICO SEGNAFILE  
HYDRAULIC ROW MARKER SYSTEM**

**TAV. 043**

Pos.	Cod.	Descrizione	Description	Description	Benennung	Description
1	G15413050R	STROZZATORE A PASTIGLIA D.0,8	PAD VENTURI D.0,8	ETRANGLEUR D.0.8	DROSSEL D.0,8	ESTRANGULADOR D.0,8
2	F03151414R	RONDELLA BONDED SEAL 1 4 NBR	WASHER BONDED SEAL 1 4 NBR			
3	F03150266R	NIPPLO MM CIL-CIL 1 4-1 4 ZN	NIPPLE CYL.MALE 1 4 GALV.	NIPPLE MALE CYL. 1 4 ZN	NIPPELZYL.1 4 ZN	NIPLE MACHO CIL.1 4 ZN
4	G22270463R	TUB.TR.1 4R2 F-F 1 4 L1500 LM	TUBE TR.1 4R2 F-F1 4 L1500 LM	TUB.TR.1 4R2 F-F 1 4 L1500 LM	ROHR1 4R2 F-F 1 4 L1500 LM	TUB.TR.1 4R2 F-F 1 4 L1500 LM
5	F20110770R	CAV.Q.B=80 M=14X2 L=119	U BOLT Q.B=80 M=14X2 L=119	BRIDE U M14X2X50 96X119 ZN	ANSCHLANG U M14X2X50 96X119 ZN	EL.DE EMPALME M14X2X50 96X119
6	F01200306R	DADO M14X2 U5588 CL8 ZN	NUT M14X2 U5588 6.8ZN	ECROU M14X2	MUTTER M14X2	DADO M14X2
7	G20970142R	RONDELLA 32X4X15,5	WASHER 32X4X15-5	RONDELLE 32X4X15-5	UNTERLEGSCHEIBE 32X4X15-5	ARANDELA 32X4X15-5
8	G15412351R	SUPPORTO VALVOLA	VALVE SUPPORT			
9	F01020068R	VITE M8X1,25X40 U5737 8.8ZN	SCR. M8X1,25X40 U5737 8.8ZN	VIS M 8X1,25X40 U5737 8.8 ZN	SCHRA. M8X1,25X40 U5737 8.8 ZN	TORNILLO M8X1,25X40 U5737 8.8
10	F01200244R	DADO M8X1,25 U5588 CL8 ZN	NUT M8X1,25 U5588 6.8ZN	ECROU M8 X1,25 U5588 6.8 ZN	MUTTER M8 X1,25 U5588 6.8 ZN	TUERCA M8X1,25 U5588 CL8 ZN
11	G15413070R	TUBO 1 4R2 CF1 4- F1 4 4250	PIPE 1 4R2 CF1 4-F1 4 4250	TUBE 1 4R2 CF1 4-F1 4 4250	SCHLAUCH 1 4R2 CF1 4-F1 4 4250	TUBO 1 4R2 CF1 4-F1 4 4250
12	G16611051R	MONT.VALVOLA SEGNAFILE BP	ROWMARKER VALVE ASSY.			
13	G15413080R	TUBO 1 4 C-F L.4650	TUBE 1 4 C-F L.4650	TUBE 1 4 C-F L.4650	ROHR 1 4 C-F L.4650	TUBO 1 4 C-F L.4650
14	F03150859R	CURVA 90 F.GIREV.1 4 - M.1 4	ELBOW 90 F.SLEWING 1 4 -M.1 4	COUDE 90 F.TOURN.1 4 - M.1 4	KNIESTSCK 90 F.DREHB.1 4 - M.	CURVA 90 F.GIRAT.1 4 - M.1 4
15	F05150325R	CAPPUC.F X INN.M RAP.1 2 ROSS	COVER CONNECT F 1 2 RED	COUVERCLE CONNEXION F 1 2 ROSE	DECKEL W 1 2 SCHNELLKUPP. ROT	PAC PROTECCION F 1 2 ROJO
16	F03150211R	NIPPLO MM CIL-CIL 1 2-1 4 ZN	NIPLE MM CIL-CIL 1 4-1 2 ZN	NIPLE MM 1 4-1 2 ZN	NIPLE GG 1 4-1 2 ZN	NIPLE MM 1 4-1 2 ZN
17	F03151370R	RONDELLA BONDED SEAL 1 2 NBR	WASHER BONDED SEAL 1 2 NBR			
18	F03150935R	INNESTO RAP.MASCH.1 2 A VALV.	QUICK CONNECT MALE CONE 1 2	CONNEXION RAPIDE MALE CONE 1 2	SCHNELLKUPP.GEWINDE KONISC 1 2	ACOPLAMIENT.RAP.MACHO CONO 1 2
19	G23440517R	TUBO 1 4R2 C-F 1 4 L2000 HL ID	PIPE 1 4R2 C-F 1 4 L2000 HL ID	TUBE 1 4R2 C-F 1 4 L2000 HL ID	ROHR 1 4R2 C-F 1 4 L2000 HL ID	TUBO 1 4R2 C-F 1 4 L2000 HL ID
20	G13811211R	TUBO X COLLEG. AL TRATTORE	PIPE FOR CONNECTION TO TRACTOR	TUBE POUR CONN. AU TRACTEUR	ROHR F. KUPPLUNG AM SCHLEPPER	TUBO P CONEXI N AL TRACTOR
21	F03151226R	REGOL.DI FLUSSO VRF 1 4 GAS	1 4 GAS VALVE VRF	SOUPAPE REG DEBIT VRF 1 4 GAZ	VENITL VRF 1 4 GAS	V LVULA VRF 1 4 GAS
22	F03151219R	RACCORDO -T- MASCHIO 1 4 ZN	MALE T-UNION 1 4 ZN	CONNECTION A T	T VERBINDUNG	JUNTURA A T
23	G16011690R	MONT.NIPPLO 1 4 GRANO F.1,0	UPRIGHT 1 4 NIPPLE WITH GRUB	MONTANT NIPPLE 1 4 AVEC GRAIN	STZNDER NIPPEL 1 4 MIT STIFT 8	MONT.NIPLE 1 4 TORNIL.SIN CABE
24	G15413110R	CILINDRO SEGNAFILE SP COMPL.	ROW MARKER CYLINDER SP	CYLINDRE TRACEUR SP	SYLINDER REIHENANREISSER SP	CILINDRO MARCADOR DE FILAS
25	G16610140R	CILINDRO DE 30X40 -155	CYLINDER D.E.30-40 155	CYLINDRE D.E. 30-40 155	ZYLINDER D.E.30-40 155	CILINDRO D.E. 30-40 155
26	G19702710R	DECAL.POSIZIONE STROZZATORE	VENTURI POSITION STICKER	DECALCOM POSITION TAQUET	ABZIEHBILD POSIZION DROSSELSTE	CALCOMAN-A. POSICI N ESTRANGUL
27	G22505140R	TUBO 1 4R2 C-F 1 4 L.2350 LM	TUBE 1 4R1 C-F 1 4 L.2350 LM	TUBE 1 4R2 C-F 1 4 L.2350 LM	ROHR 1 4R2 C-F 1 4 L.2350 LM	TUBO 1 4R2 C-F 1 4 L.2350 LM
28	G15210554R	TUBO 1 4R2 F1 4-CF1 4 2850	TUBE 1 4R2 F1 4-CF1 4 2850			
29	G15210950R	TUBO 1 4 R2 C-F 1 4 L.3150	PIPE 1 4-R2 C-F 1 4 M.3150	TUBE 1 4-R2 C-F 1 4 M.3150	ROHR 1 4-R2 C-F 1 4 M.3150	TUBO 1 4-R2 C-F 1 4 M.3150
30	G15210561R	TUBO 1 4R2 CF1 4- F1 4 3500	PIPE 1 4R2 CF1 4- F1 4 3500	TUBE 1 4R2 CF1 4- F1 4 3500	ROHR 1 4R2 CF1 4- F1 4 3500	TUBO 1 4R2 CF1 4- F1 4 3500
31	G15413060R	TUBO 1 4R2 CF1 4- F1 4 3850	TUBE 1 4R2 CF1 4-F1 4 3850	TUYAU 1 4R2 CF1 4-F1 4 3850	SCHLAUCH 1 4R2 CF1 4-F1 4 3850	TUBO 1 4R2 CF1 4-F1 4 3850
32	G16012650R	TUBO R2 1 4 C-F L.4000	PIPE 1 4 R2 C-F 1 4 L.4000	TUBE 1 4 R2 C-F 1 4 L.4000	ROHR 1 4 R2 C-F 1 4 L.4000	TUBO 1 4 R2 C-F 1 4 L.4000
33	F03100191R	KIT GUARNIZ.CILINDRO 15413110	CYLINDER SEAL KIT 15413110	KIT GARNIT. CYLINDRE 15413110	KIT ZYLINDERDICHTUNG 15413110	KIT JUNTA CILINDRO 15413110
34	F03100609R	KIT GUARNIZ.CILINDRO G16610140	CYL.GASKET KIT G16610140			

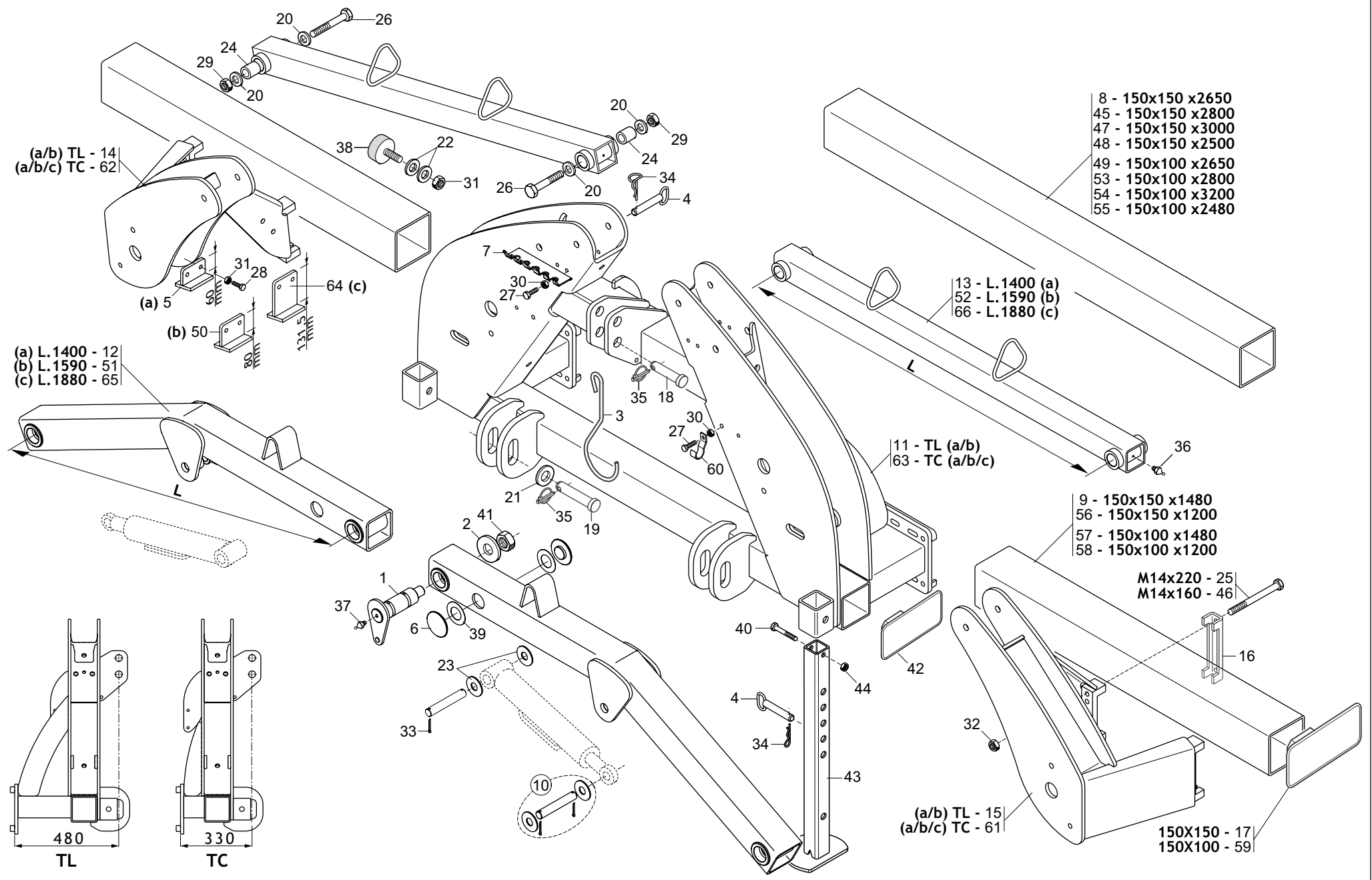


**COMANDO SEGNAFILE MECCANICO  
MECHANICAL ROW MARKER SYSTEM**

TAV. 051

Pos.	Cod.	Descrizione	Description	Description	Benennung	Descripcion
1	G15410921R	COMANDO SEGNAF.SP	ROWMARKER CONTR.SP			
2	G15410950R	LEVA PIANA	FLAT LEVER	LEVIER PLAT	FLACHER HEBEL	PALANCA PLANA
3	G15410960R	LEVA STAMPATA	PRESSED LEVER	LEVIER IMPRESSION	GEPRESSTER HEBEL	PALANCA MOLDEADA
4	G15410990R	LEVA SCATTO SEGNAFILE	ROWMARKER SNAP LEVER	LEVIER DETENTE TRACEUR	SCHNAPPHEBEL REIHENANREISSER	PALANCA DISPARO MARCADOR DE FI
5	G15411110R	SUPPORTO LEVA SCATTO	SNAP LEVER SUPPORT	SUPPORT LEVIER DETENTE	HALTERUNG SCHNAPPHEBEL	SOPORTE PALANCA DISPARADOR
6	G15411120R	FERMO LEVE AGGANCIO	LEVERS HOOK UP STOP	ARRET LEVIER ACCORCHAGE	FESTSTELLVORRICHTUNG KUPPLUNGS	BLOQUEO PALANCA ENGANCHE
7	G15411130R	FERMO CORDE SEGNAFILE SP	ROWMARKER ROPE STOP SP	ARRET CORDES TRACEUR SP	FESTSTELLVOR. SEILE REIHENANRE	BLOQUEO CUERDAS MARCADOR FILAS
8	G15411141R	SCATTO AUTOMATICO SP 530 COMPL	AUTOM.RELEASE SP 530 COMP.			
9	F20100133R	PERNO D25 L122 C43 TEST.D60 ZN	PIN D25 L122 C43 ZN	BOULON D25 L122 C43 ZN	BOLZEN D25 L122 C43 ZN	PERNO D25 L122 C43 ZN
10	G18902680R	MOLLA TRAZ.ZN SERBATOIO SV290	GALV.TANK TRACT.SPRING SV290	RESSORT RAZ.ZN RESERVOIR SV290	ZUGFEDER ZN BEHZLTER SV290	MUELLE TRAC.ZN DEP SITO SV290
11	G21120067R	BOCCOLA IN BRONZO	BRONZE BUSHING	BOITE EN BRONZE	BRONZEBSCHSE	CASQUILLO DE BRONCE
12	G22220124R	SCONTRO	STRIKER PLATE	BUTEE	ANSCHLAG	ELEMENTO DE EMPALME
13	G22220132R	SCONTRO BRACCI	STRIKER PLATE- ARMS	BUTEE BRAS	ARME ANSCHLAG	ELEMENTO DE EMPALME BRAZOS
14	G22270021R	BRACCIO INF.SX COMANDO SEGNAF.	ARM-LOWER LEFT ROWMARK. CONTR.	BRAS INF. GCH. COMMANDE TRACEU	LINKER UNT. ARM SPURREISSERSTE	BRAZO INF.IZQ. MANDO MARC. FIL
15	G22270022R	BRACCIO INF.DX COMANDO SEGNAF.	RIGHT LOWER ARM-ROWMARK.CONTR.	BRAS INF. DRT. COMMANDE TRACEU	RECHTER UNT. ARM SPURREISSERST	BRAZO INF.DER. MANDO MARC. FIL
16	G13810342R	ATTACCO COMANDO 3 PUNTO	CONTROL COUPLING 3. POINT	FIXATION COMMANDE 3 POINT K	UPPLUNG STEUERUNG 3. PUNKT C	ONEXIN MANDO 3PUNTO OPR
17	F01020182R	VITE M12X1,75X160 U5737 8.8BR	SCR. M12X1,75X160 U5737 8.8BR	VIS 12X160 5737 8.G	SCHRAUBE 12X160 5737 8.G	TORNILLO 12X160 5737 8.G
18	F01020510R	VITE M12X1,75X30 U5739 8.8ZN	SCR. M12X1,75X30 U5739 8.8ZN	VIS M12X1,75X30 U5739 8.8ZN	SCHRAU.M12X1,75X30 U5739 8.8ZN	TORNILLO M12X1,75X30 U5739 8
19	F01020517R	VITE M12X1,75X50 U5739 8.8ZN	SCR. M12X1,75X50 U5739 8.8ZN	VIS M12X1,75X50 5739 8.8 ZN	SCHRA. M12X1,75X50 5739 8.8 ZN	TORNILLO M12X1,75X50 U5739 8
20	F01200293R	DADO M12X1,75 U5588 CL8 ZN	NUT M12X1,75 U5588 6S ZN	ECROU M12X1,75 U5588 6S ZN	MUTTER M12X1,75 U5588 6S ZN	TUERCA M12X1,75 U5588 CL8 ZN
21	F01410088R	ROS.M14 15X 28X2,5 U6592 ZN	WAS.M14 15X 28X2,5 U6592 ZB	RON.M14 15X 28X2,5 U6592 ZB	SCH.M14 15X 28X2,5 U6592 ZB	ARA.M14 15X 28X2,5 U6592 ZB
22	F02200227R	COPIGLIA 5 X30 1336 ZN	PIN 5X 30 U1336 ZN			
23	F02200507R	SPINA A SCATTO D 9 B 83	SNAP PIN D9 B 83 ZN	FICHE A DETENTE D9 B 83 ZN	EINRASTSTIFT D9 B 83 ZN	CLAVIJA DE MUELLE D9 B 83 ZN
24	F02100141R	SPINA E.P. 8X 36 U6873 C70 BR	PIN EL. 8X 36 U6873 C70 BR	FICHE EL. 8X 36 U6873 C70 BR	SPANNSTIFT 8X 36 U6873 C70 BR	CLAVIJA EL. 8X 36 U6873 C70 BR
25	F01100011R	ING.M 6X1 7663-A 9SMNPB28 ZN	GREASE NIPPLE M6X1 7663-A ZN	GRAISS. A BILLE M6X1 7663A ZN	SCHMIERBUECHE M6X1 7663-A ZN	ENG.M 6X1 7663-A 9SMNPB28 ZN
26	F05150399R	CORDA POLIPROPILENE D.12	POLIPR. D.12 ROPE			
27	G13812311R	CATENELLA CON MOSCHETTONE	CHAIN WITH SPRING CATCH	CHAINETTE AVEC MOUSQUETON	KETTE MIT KARABINERHAKEN	CADENA CON GANCHO

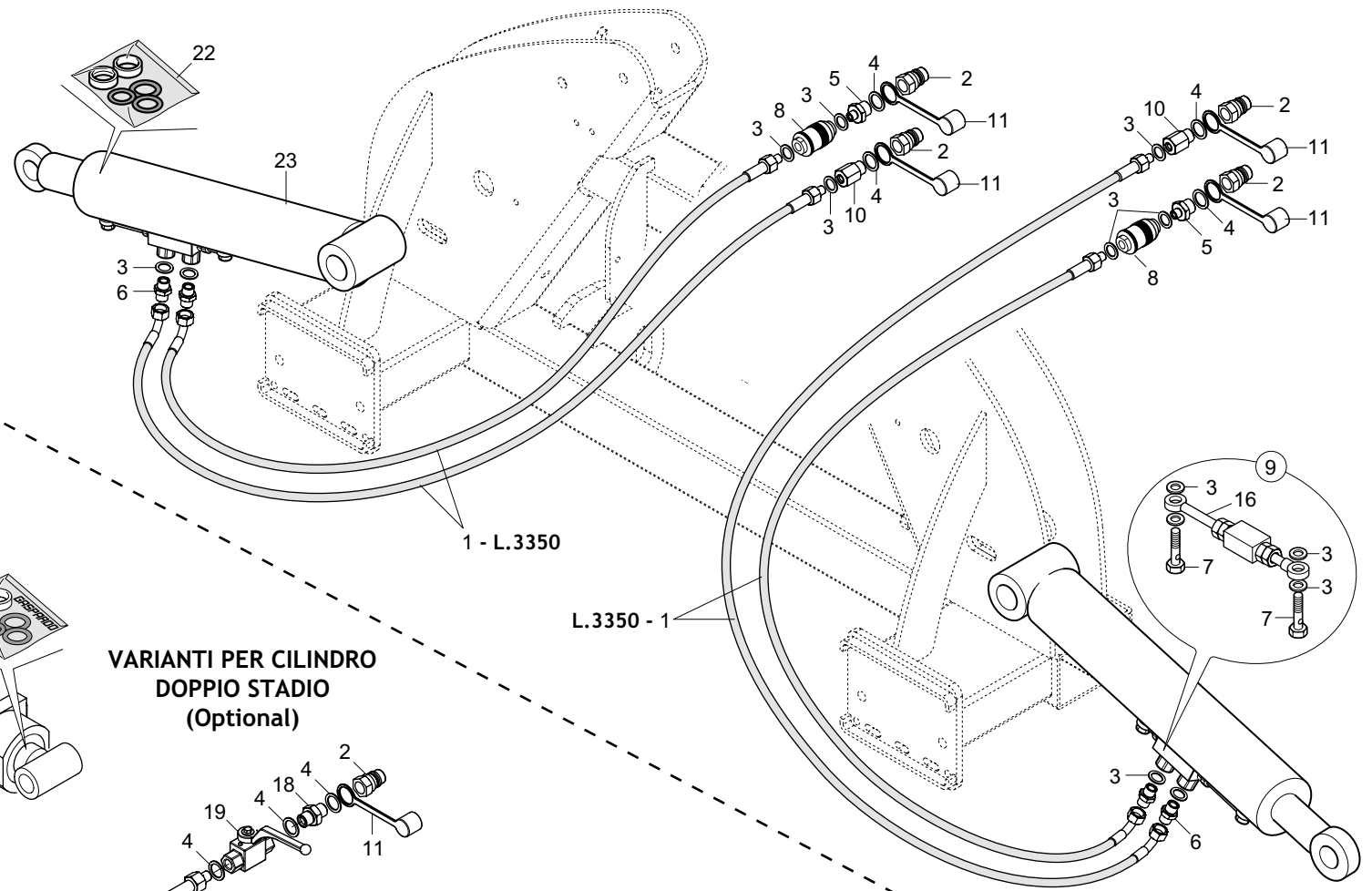
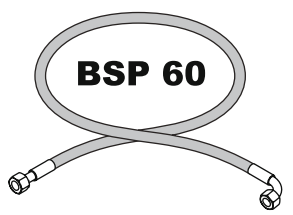
TAV. 273



## TELAIO A RIPIEGAMENTO OLEODINAMICO HYDRAULIC FOLDING FRAME

TAV. 273

Pos.	Cod.	Descrizione	Description	Description	Benennung	Descripcion
1	G14219551R	SPINA ROTAZIONE	ROTATION PIN			
2	G14219500R	FLANGIA	FLANGE			
3	F20120400R	GANCIO SOSTEGNO CARDANO	SHAFT HOOK SUPPORT	SUPPORT CARDAN	GELENKWELLE - HACKEN	SOPORTE CARDAN
4	G14215360R	SPINA D20 L173,5	PIN D20 L173,5	FICHE D20 L173,5	STIFT D20 L173,5	CLAVIJA D20 L173,5
5	G14215570R	FERMO TELAIO MOBILE	MOBILE FRAME STOP	ARRET BATI MOBILE	FESTSTELLVORRICHTUNG MOBILER R	BLOQUEO BASTIDOR M VIL
6	G14216731R	PIASTRA SCORRIMENTO D.100	SLIDING PLATE D.100			
7	G14217560R	SUPPORTO 5 TUBI	5 PIPE SUPPORT	SUPPORT 5 TUBES	5 ROHR HALTERUNG	SOPORTE 5 TUBOS
8	G14215170R	TELAIO FISSO	FIXED FRAME	BATI FIXE	FIXER RAHMEN	BASTIDOR FIJO
9	G14215541R	TUBO Q.150X1480	SQUARE TUBE 150X1480	TUBE CARR 150X1480	ROHR Q.150X1480	TUBO CUADRADO 150X1480
10	G14215272R	SPINA 29,8X164 ZN	PIN 29,8X164 ZN			
11	G14219530R	TELAIO PORTANTE SI-MTI	MAIN FRAME SI-MTI			
12	G14216614R	BRACCIO INFL.1400	LOWER ARM L.1400			
13	G14216642R	BRACCIO SUPERIORE L=1400	UPPER ARM L=1400			
14	G14216714R	SUPPORTO TELAIO MOBILE DX	SUPP.R.OFFSET FRAME			
15	G14216724R	SUPPORTO TELAIO MOBILE SX	SUPP.L.OFFSET FRAME			
16	G151100091R	SCONTRO A U	CONTRA U	BRIDE 150 MM	ANSCHLAG	ELEMENTO DE EMPALME
17	G15213660R	MONT.TAPPO TELAIO 150X150	ASS.PLUG-FRAME 150X150			
18	F20100139R	PERNO D32 L135 C43 TEST.D60 Z	PIN D32 L135 C40 ZN	BOULON D32 L135 C43 ZN	BOLTZEN D32 L135 C43 ZN	PERNO D32 L135 C43 ZN
19	F20100141R	PERNO D36 L128 C43 TEST.D60 ZN	PIN D36 L128 C43 ZN	BOULON D36 L128 C43 ZN	BOLTZEN D36 L128 C43 ZN	PERNO D36 L128 C43 ZN
20	G20970043R	RONDELLA 50X8X20,5 ZN	WASHER 50X8X20-5 ZN	RONDELLE 50X8X20-5 ZN	UNTERLEGSSCHEIBE 50X8X20-5 ZN	ARANDELA 50X8X20-5 ZN
21	G18701810R	RONDELLA 38X70X10	WASHER 38X70X10	RONDELLE 38X70X10	UNTERLEGSSCHEIBE 38X70X10	ARANDELA 38X70X10
22	G20970126R	RONDELLA 75X2,5X14,5	WASHER 75X2-5X14-5	RONDELLE 75X2-5X14-5	UNTERLEGSSCHEIBE 75X2-5X14-5	ARANDELA 75X2-5X14-5
23	G18701580R	RONDELLA 30,5 X78 X6	WASHER 30.5 X 76 X 6	RONDELLE 30-5 X78 X6	UNTERLEGSSCHEIBE 30-5 X78 X6	ARANDELA 30-5 X78 X6
24	G18801380R	BOCCOLA 20,25X40 X121	BUSHING 20,25X 40 X121			
25	F01020236R	VITE M14X2X220 U5737 8.8BR	SCR. M14X2X220 U5737 8.8BR	VIS M14X2X220 U5737 8.8 BR	SCHRAUBE M14X2X220 U5737 8.8	TORNILLO M14X2X220 U5737 8.8
26	F01020322R	VITE M20X2,5X190 U5737 10.9ZD	SCR. M20X2,5X190 U5737 10.9ZD	VIS M20X2,5X190 5737 10.9 ZN	SCHRA.M20X2,5X190 5737 10.9 ZN	TORN. M20X2,5X190 5737 10.9 ZN
27	F01020476R	VITE M10X1,5X30 U5739 8.8ZN	SCR. M10X1,5X30 U5739 8.8ZN	VIS M10X1,5X30 U5739 8.8 ZN	SCHRAUBE M10X1,5X30U5739 8.8ZN	TORNILLO M10X1,5X30 U5739 8.8
28	F01020510R	VITE M12X1,75X30 U5739 8.8ZN	SCR. M12X1,75X30 U5739 8.8ZN	VIS M12X1,75X30 U5739 8.8ZN	SCHRAU.M12X1,75X30 U5739 8.8ZN	TORNILLO M12X1,75X30 U5739 8.8ZN
29	F01230131R	DADO M20X 2,5 D982 6S ZN	NUT M20X2,5 D982 6ZN	ECROU M20X,5 D982 6ZN	MUTTER M20X2,5 D982 6ZN	TUERCA M20X2,5 D982 6ZN
30	F01200270R	DADO M10X1,5 U5588 CL8 ZN	NUT M10X1,5 U5588 6.8ZN	ECROU M10X 1,5 U5588 6.8 ZN	MUTTER M10X 1,5 U5588 6.8 ZN	TUERCA M10X1,5 U5588 CL8 ZN
31	F01200293R	DADO M12X1,75 U5588 CL8 ZN	NUT M12X1,75 U5588 6S ZN	ECROU M12X1,75 U5588 6S ZN	MUTTER M12X1,75 U5588 6S ZN	TUERCA M12X1,75 U5588 CL8 ZN
32	F01200306R	DADO M14X2 U5588 CL8 ZN	NUT M14X2 U5588 6.8ZN	ECROU M14X2	MUTTER M14X2	DADO M14X2
33	F02200246R	COPIGLIA 6X 45 U1336 ZN	PIN 6 X45 U1336 ZN	GOUPILLE 6 X45 U1336 ZN	SPLINT 6 X45 U1336 ZN	CLAVIJA 6 X45 U1336 ZN
34	F02200374R	COPIGLIA R 4X 82 ZN	SPRING SPLIT PIN 4X82	GOUPILLE 4X82	SPLINT 4X82	PASADOR 4X82
35	F02200507R	SPINA A SCATTO D 9 B 83	SNAP PIN D9 B 83 ZN	FICHE A DETENTE D9 B 83 ZN	EINRASTSTIFT D9 B 83 ZN	CLAVIJA DE MUELLE D9 B 83 ZN
36	F01100011R	ING.M 6X1 7663-A 9SMNPB28 ZN	GREASE NIPPLE M6X1 7663-A ZN	GRAISS. A BILLE M6X1 7663A ZN	SCHMIERBUECHE M6X1 7663-A ZN	ENG.M 6X1 7663-A 9SMNPB28 ZN
37	F01100061R	ING.M10X1 7663-A 9SMNPB28 ZN	GREASE NIPPLE M10X1 7663-A ZN	GRAISSEUR M10X1 7663-A ZN	SCHMIERBUECHSE M10X1 7663-A ZN	ENGRASADOR M10X1 7663-A ZN
38	F05150459R	PARACOLPI CIL. 75X25 SH71	CYLINDER GUARD 75X25 M12 SH71	TAMPON CIL. 75X25 M12	PUFFER CIL. 75X25 M12	PARACHOQ. CIL. 75X25 M12
39	G18701770R	RONDELLA 50 X90 X0,5	WASHER 50 X90 X0,5	RONDELLE 50 X90 X0,5	UNTERLEGSSCHEIBE 50 X90 X0,5	ARANDELA 50 X90 X0,5
40	F01020166R	VITE M12X1,75X80 U5737 8.8ZN	SCR. M12X1,75X80 U5737 8.8ZN	VIS M12X1,75X80 U5737 8.8ZN	SCHRA. M12X1,75X80 U5737 8.8ZN	TORN. M12X1,75X80 U5737 8.8ZN
41	F01230291R	DADO M30X2 D985 ZN	NUT M30X2 D985 ZN	ECROU AUTOB. M30X2 DIN 985 ZN	SELBSTSP. MU. M30X2 DIN 985 ZN	TUERCA M30X2 D985 ZN
42	G15413210R	TAPPO TELAIO 120 COMPL.	FRAME PLUG 120 COMPL.			
43	G15817001R	PUNTELLO TEL. PIEG. ORIETTA	PROP FLEXIBLE FRAME			
44	F01220059R	DADO M14X1,5 D980 8ZN	NUT M14X1,5 D980 8ZN	ECROU M14X 1,5 D980 8 ZN	MUTTER M14X 1,5 D980 8 ZN	TUERCA M14X 1,5 D980 8 ZN
45	G22505031R	TUBO TELAIO L=2800	FRAME PIPE L=2800	TUBE BATI L=2800	ROHR RAHMEN L=2800	TUBO BASTIDOR L=2800
46	F01020225R	VITE M14X2X160 U5737 8.8BR	SCR. M14X2X160 U5737 8.8BR	VIS M 14 X160 5737 8.G	SCHRAUBE M 14 X160 5737 8.G	TORNILLO M 14 X160 5737 8.G
47	G16610100R	TUBO TELAIO FISSO L.3000 Q.150	FIXED FRAME PIPE L.3000 SQ.150	TUBE BATI FIXE L.3000 Q.150	ROHR FIXER RAHMEN L.3000 Q.150	TUBO BASTIDOR FIJO L.3000 Q150
48	G15211690R	TUBO TELAIO FISSO L.2500 Q.150	FIXED FRAME PIPE L.2500 Q.150	TUBE BATI FIXE L.2500 Q.150	ROHR FIXER RAHMEN L.2500 Q.150	TUBO BASTIDOR FIJO L.2500 Q150
49	G14217260R	TUBO R.150X100X 6X2650	RECTANGULAR PIPE 150X100X2650	TUBE RECT. 150X100X 6X2650	R. ROHR 150X100X 6X2650	TUBO RECT. 150X100X 6X2650
50	G14218890R	FERMO TELAIO	FRAME STOP	ARRET BATI	FESTSTELLVORRICHTUNG	BLOQUEO BASTIDOR
51	G14218852R	BRACCIO INFL.1590	LOWER ARM L.1590			
52	G14218831R	BRACCIO SUP.L=1590	TOP ARM L.1590			
53	G14217390R	TUBO R.150X100X 6X2800	RECTANGULAR PIPE 150X100X2800	TUBE RECT. 150X100X 6X2800	R. ROHR 150X100X 6X2800	TUBO RECT. 150X100X 6X2800
54	G14217400R	TUBO TELAIO 150X100X3200	FRAME PIPE 150X100X3200	TUBE BATI 150X100X3200	ROHR RAHMEN 150X100X3200	TUBO BASTIDOR 150X100X3200
55	G16610050R	TUBO R.150X100X2480	RECTANGULAR PIPE 150X100X2480	TUBE RECT.150X100X6X2480	R. ROHR150X100X6X2480	TUBO RECT.150X100X6X2480
56	G14219190R	TUBO Q.150X 8X1200	TUBE Q.150X 8X1200			
57	G14217270R	TUBO R.150X100X 6X1480	RECTANGULAR PIPE 150X100X 1480	TUBE RECT.150X100X 6X1480	R. ROHR 150X100X 6X1480	TUBO RECT. 150X100X 6X1480
58	G14218860R	TUBO R.150X100X 6X1200	RECTANGULAR PIPE 150X100X 1200	TUBE RECT.150X100X 6X1200	R. ROHR 150X100X 6X1200	TUBO RECT. 150X100X 6X1200
59	G16610110R	TAPPO TELAIO 150X100 COMPL.	COMPL. FRAME PLUG 150X100 B319	BOUCHON CH-SSIS 150X100 COMPL.	PFROPFEN RAHMEN 150X100 KOMPL.	TAP N BASTIDOR 150X100 COMPL.
60	F20120401R	FASCETTA FERMA CARDANO ZN	SHAFT HOOK SUPPORT	SUPPORT CARDAN	GELENKWELLE HACKEN HALTER	SOPORTE CARDAN
61	G14219860R	TELAIO MOBILE SX TC	MOBILE LEFT FRAME TC			
62	G14219850R	TELAIO MOBILE DX TC	MOBILE RIGHT FRAME TC			
63	G14219880R	TELAIO PORTANTE TC	MAIN FRAME TC			
64	GA4212650R	ASS.FERMO TELAIO 1880	ASS.FRAME BRAKE 1880			
65	G14217432R	ASS.BRACCIO INFERIORE L=1880	ASS.LOWER ARM L=1880			
66	G14217441R	ASS. BRACCIO SUPERIORE L=1880	ASS.UPPER ARM L=1880			



**VARIANTI PER CILINDRO  
DOPPIO STADIO  
(Optional)**



**IMPIANTO OLEODINAMICO TELAIO «BSP 60»  
HYDRAULIC FRAME SYSTEM «BSP 60»**

**TAV. 282**

Pos.	Cod.	Descrizione	Description	Description	Benennung	Description
1	G14217120R	TUBO 3 8R2 CF3 8- M3 8 L.3350	PIPE 3 8R2 CF3 8- M3 8 L.3350	TUBE 3 8R2 CF3 8- M3 8 L.3350	ROHR 3 8R2 CF3 8- M3 8 L.3350	TUBO 3 8R2 CF3 8- M3 8 L.3350
2	F03150935R	INNESTO RAP.MASCH.1 2 A VALV.	QUICK CONNECT MALE CONE 1 2	CONNEXION RAPIDE MALE CONE 1 2	SCHNELLKUPP.GEWINDE KONISC 1 2	ACOPLAMIENT.RAP.MACHO CONO 1 2
3	F03151401R	RONDELLA BONDED SEAL 3 8 NBR	WASHER BONDED SEAL 3 8 NBR			
4	F03151370R	RONDELLA BONDED SEAL 1 2 NBR	WASHER BONDED SEAL 1 2 NBR			
5	F03150222R	NIPPLO MM CIL-CIL 1 2-3 8 ZG	NIPPLE M-M CYL-CYL 1 2-3 8 ZG	NIPPLE H-H CIL-CIL 1 2-3 8 ZG	NIPPEL M-M CIL-CIL 1 2-3 8 ZG	NIPLE H-H CIL-CIL 1 2-3 8 ZG
6	F03150321R	NIPPLO MM CIL-CIL 3 8-3 8 ZG	NIPPLE MM CIL-CIL 3 8-3 8 ZN	NIPPLE MM CIL-CIL 3 8-3 8 ZN	NIPPLEZYL MM 3 8-3 8 ZN	NIPLE MM CIL-CIL 3 8-3 8 ZN
7	F03151223R	RACCORDO VITE CAVA 3 8 L=39M	UNION BOLT 3 8	VIS 3 8	SCHRAUBE 3 8	TORNILLO CAVA 3 8
8	F03151252R	STROZZATORE UNIDIREZ.VSRU 3 8	UNI-DIRECTIONAL VENTURI 3 8	ETRANGLEUR UNIDIRECTIONN. 3 8	ZWEIS. DROSSEL 3 8	ESTRANGULADOR UNIDIRECCION.3 8
9	F03150589R	KIT VALVOLA DI BLOCCO 3 8 DE	PIL. BLOCK VALVE VBPDE38EC	SOUPAPE BLOC GUIDEE VBPDE38EC	GEST. SPERRVENTIL VBPDE38EC	V LVVULA BLOQUE PIL.VBPDE38EC
10	F03151213R	NIPPLO MF CIL-CIL 1 2-3 8 ZN	M 1 2-F 3 8 CONNECTION PIPE	RACCORD REDUCTION FINALEM 1 2-	ANSCHLUSS REDUKTIONM 1 2-F 3 8	UNION REDUCCION M -F 3 8
11	F05150325R	CAPPUC.F X INN.M RAP.1 2 ROSS	COVER CONNECT F 1 2 RED	COUVERCLE CONNEXION F 1 2 ROSE	DECKEL W 1 2 SCHNELLKUPP. ROT	PAC PROTECCION F 1 2 ROJO
12	G14217513R	CILINDRO DOPPIO STADIO SI-MTI	CYLINDER 2STEPS SI-MTI			
13	G16117780R	TUBO 3 8R2 CF3 8- F3 8 1450	PIPE 3 8R2 CF3 8-F3 8 1450			
14	F03151220R	RACCORDO -T- MASCHIO 3 8 ZN	MALE T-UNION 3 8 ZN	RACCORD -T- MALE 3 8 ZN	ANSCHLUSSTSCK-T-GEWINDE 3 8 ZN	UNION -T-MACHO 3 8 ZN
15	G22280116R	TUBO 3 8-R2 F3 8-M1 2 MT.1.50	PIPE 3 8-R1 F3 8-M1 2 MT.1-50	TUBE 3 8-R1 F3 8-M1 2 M. 1-50	ROHR 3 8-R1 F3 8-M1 2 M 1-50	TUBO 3 8-R1 F3 8-M1 2 MT.1-50
16	F03151211R	RACCORDO OCCHIO 3 8 D.12 L.300	EYE UNION 3 8 D.12 L.300	RACCORD OEIL 3 8 D.12 L.300	TSENVERBINDUNGSSTSCK 3 8 D.12	UNI N OJO 3 8 O.12 L.300
17	F03151212R	PROLUNGA CORTA 3 8	SHORT EXTENSION 3 8	RALLONGE COURTE 3 8	KURZE VERLZNGERUNG 3 8	PROLONG. CORTA 3 8
18	F03150255R	NIPPLO MASCH.CIL.1 2-1 2 ZN	NIPPLE M. CYL. 1 2-1 2 ZN	NIPLE M. CYL. 1 2 - 1 2 ZN	NIPLE F. ZYL. 1 2-1 2 ZN	NIPLE M. CIL. 1 2 - 1 2 ZN
19	F03150575R	VALVOLA A SFERA G1 2 F-F PN500	BALL VALVE G1 2 F-F PN500	CLAPET SFERA G1 2 F-F PN500	VENTIL SFERA G1 2 F-F PN500	VALVULA SFERA G1 2 F-F PN500
20	F03100633R	KIT GUAR.STELO-C.LUNGA1421751	KIT O-RING CYLINDER G14217513			
21	F03100634R	KIT GUAR.STELO-C.CORTA1421751	KIT O-RING CYLINDER G14217513			
22	F03100178R	KIT GUARNIZ.CILINDRO 14216770	KIT O-RING CYLINDER 15312720	KIT GARNIT. CYLINDRE 15312720	KIT DICHT.OR ZYLINDER15312720	SET JUNTA OR CILINDRO15312720
23	G14215302R	CILINDRO DE 40X80X335	CYLINDER 40X80X335	CYLINDRE 40X80X335	ZYLINDER 40X80X335	CILINDRO 40X80X335



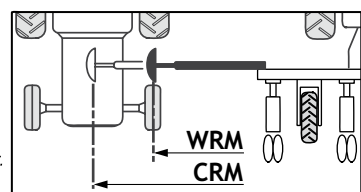
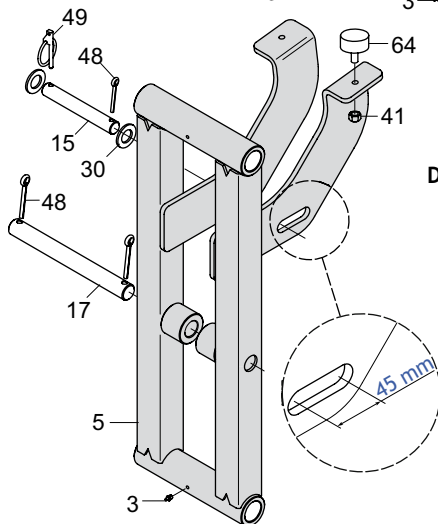
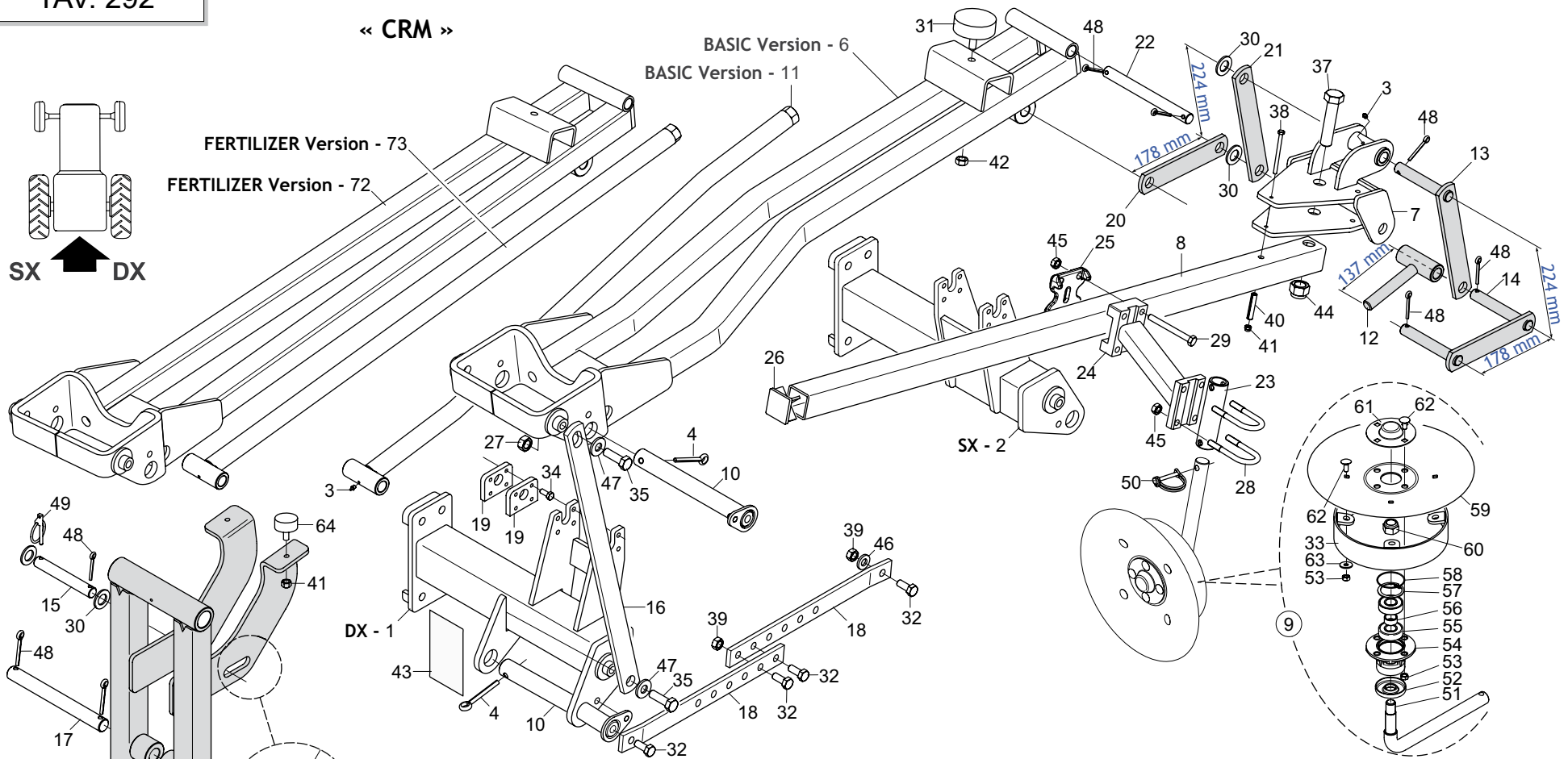
**IMPIANTO OLEODINAMICO TELAIO «DIN 24»  
HYDRAULIC FRAME SYSTEM «DIN 24»**

**TAV. 350**

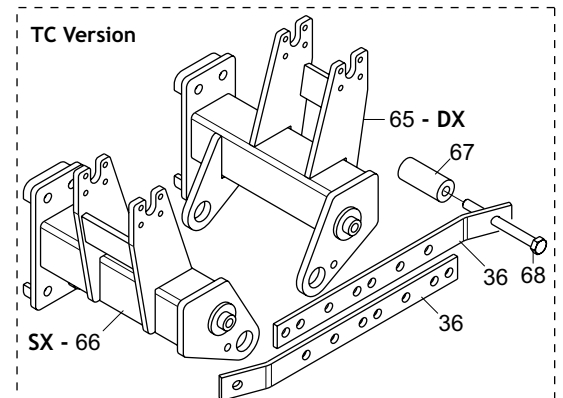
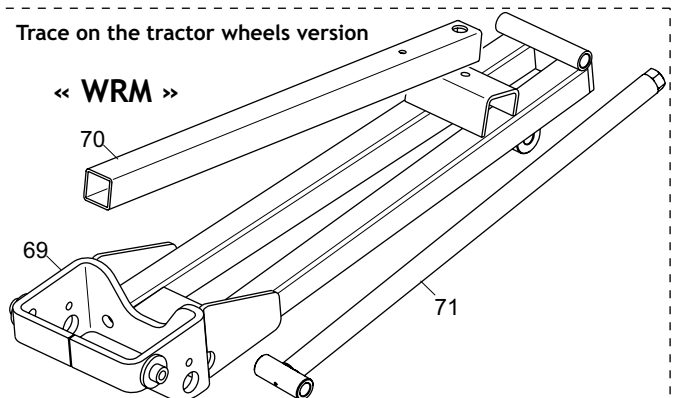
Pos.	Cod.	Descrizione	Description	Description	Benennung	Description
1	G14217513R	CILINDRO DOPPIO STADIO SI-MTI	CYLINDER 2STEPS SI-MTI			
2	F03080081R	NIPPLO M3 8 SEAL ML10 ZN	NIPPLE M3 8 SEAL ML10 ZN			
3	F03151401R	RONDELLA BONDED SEAL 3 8 NBR	WASHER BONDED SEAL 3 8 NBR			
4	F03151212R	PROLUNGA CORTA 3 8	SHORT EXTENSION 3 8	RALLONGE COURTE 3 8	KURZE VERLZNGERUNG 3 8	PROLONG. CORTA 3 8
5	F03151252R	STROZZATORE UNIDIREZ.VSRU 3 8	UNI-DIRECTIONAL VENTURI 3 8	ETRANGLEUR UNIDIRECTIONN. 3 8	ZWEIS. DROSSEL 3 8	ESTRANGULADOR UNIDIRECCION.3 8
6	F05150330R	CAPPUC.F X INN.M RAP.1 2 BLU	PROTECT. COVER CAP F 1 2 BLUE	COUVERCLE CONNEXION F 1 2 BLEU	DECKEL W 1 2 SCHNELLKUPP. BLUE	PAC PROTECCION F 1 2 AZUL
7	F05150329R	CAPPUC.F X INN.M RAP.1 2 GIALL	PROTECT. COVER CAP F 1 2 YELLO	COUVERCLE CONNEX. F 1 2 JAUNE	DECKEL W 1 2 SCHNELLKUPP GELB	PAC PROTECCION F 1 2 AMARILLO
8	F05150328R	CAPPUC.F X INN.M RAP.1 2 VERDE	PROTECT. COVER CAP F 1 2 GREEN	COUVERCLE CONNEXION F 1 2 VERT	DECKEL W 1 2 SCHNELLKUPP. GRUN	PAC PROTECCION F 1 2 VERDE
9	F03080090R	INNESTO RAP.MASCH.DL M16X1,5	QUICK CONNECT MALE CONE DL M16			
10	F03070064R	TUBO 1 4 R17 FL10 CFL10 L3350	TUBE 1 4 R17 FL10 CFL10 L3350			
11	F03080009R	RACC.T ML12 FL12 ML12 ZN	T-UNION ML12 FL12 ML12	RACCORD T ML12 FL12 ML12 ZN	ANSCHLUSST.T ML12 FL12 ML12 ZN	UNION T ML12 FL12 ML12 ZN
12	F03080001R	NIPPLO M3 8 SEAL ML12 ZN	NIPPLE M3 8 SEAL ML12 ZN	NIPLE M3 8 SEAL ML12 ZN	NIPPEL M3 8 SEAL ML12 ZN	NIPLE M3 8 SEAL ML12 ZN
13	F03070747R	TUBO 3 8 2SC FL12 CFL12 L1470	PIPE 3 8 2SC FL12 CFL12 L1470			
14	F03150935R	INNESTO RAP.MASCH.1 2 A VALV.	QUICK CONNECT MALE CONE 1 2	CONNEXION RAPIDE MALE CONE 1 2	SCHNELLKUPP.GEWINDE KONISC 1 2	ACOPLAMIENT.RAP.MACHO CONO 1 2
15	F03151370R	RONDELLA BONDED SEAL 1 2 NBR	WASHER BONDED SEAL 1 2 NBR			
16	F03150211R	NIPPLO MM CIL-CIL 1 2-1 4 ZN	NIPLE MM CIL-CIL 1 4-1 2 ZN	NIPLE MM 1 4-1 2 ZN	NIPLE GG 1 4-1 2 ZN	NIPLE MM 1 4-1 2 ZN
17	F03151245R	RUBINETTO F-F 1 4	COCK F.-F. 1 4	ROBINET F.-F. 1 4	HAHN F.-F. 1 4	GRIFO H.-H. 1 4
18	F03080064R	NIPPLO M1 4 SEAL ML12 ZN	NIPPLE M1 4 SEAL ML12 ZN	NIPLE M1 4 SEAL ML12 ZN	NIPPEL M1 4 SEAL ML12 ZN	NIPLE M1 4 SEAL ML12 ZN
19	F03020069R	RONDELLA BONDED AUTOCENT 1 4	BONDED WASHER 1 4	RONDELLE BONDED 1 4	BONDED SCHEIBE 1 4	BONDED ARANDELA 1 4
20	F03080010R	PASSAPARETE ML12 ML12 ZN	PASS WALL ML12 ML12			
21	F03070903R	TUBO 3 8 2SC FL12 FL12 L1390	PIPE 3 8 2SC FL12 FL12 L1390			
22	F03150222R	NIPPLO MM CIL-CIL 1 2-3 8 ZG	NIPPLE M-M CYL-CYL 1 2-3 8 ZG	NIPPLE H-H CIL-CIL 1 2-3 8 ZG	NIPPEL M-M CIL-CIL 1 2-3 8 ZG	NIPLE H-H CIL-CIL 1 2-3 8 ZG
23	F03070167R	TUBO 1 4 R17 FL10 CFL10 L3000	TUBE 1 4 R17 FL10 CFL10 L3000			
24	F03100633R	KIT GUAR.STELO-C.LUNGA1421751	KIT O-RING CYLINDER G14217513			
25	F03100634R	KIT GUAR.STELO-C.CORTA1421751	KIT O-RING CYLINDER G14217513			
26	F03100178R	KIT GUARNIZ.CILINDRO 14216770	KIT O-RING CYLINDER 15312720	KIT GARNIT. CYLINDRE 15312720	KIT DICHT.OR ZYLINDER15312720	SET JUNTA OR CILINDRO15312720
27	F03150589R	KIT VALVOLA DI BLOCCO 3 8 DE	PIL. BLOCK VALVE VBPDE38EC	SOUPAPE BLOC GUIDEE VBPDE38EC	GEST. SPERRVENTIL VBPDE38EC	V LVULA BLOQUE PIL.VBPDE38EC
28	F03151211R	RACCORDO OCCHIO 3 8 D.12 L.300	EYE UNION 3 8 D.12 L.300	RACCORD OEIL 3 8 D.12 L.300	TSENVERBINDUNGSSTSCK 3 8 D.12	UNI N OJO 3 8 O.12 L.300
29	F03151223R	RACCORDO VITE CAVA 3 8 L=39M	UNION BOLT 3 8	VIS 3 8	SCHRAUBE 3 8	TORNILLO CAVA 3 8
30	G14215302R	CILINDRO DE 40X80X335	CYLINDER 40X80X335	CYLINDRE 40X80X335	ZYLINDER 40X80X335	CILINDRO 40X80X335

TAV. 292

« CRM »



- «CRM»: trace on the tractor center.
- «WRM»: trace on the tractor wheels.
- BASIC Version: *without* Fertilizer Hopper.
- FERTILIZER Version: *with* Fertilizer Hopper.
- TC Version: Compact frame.

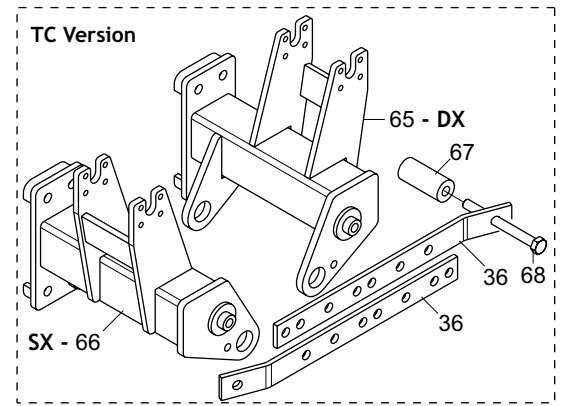
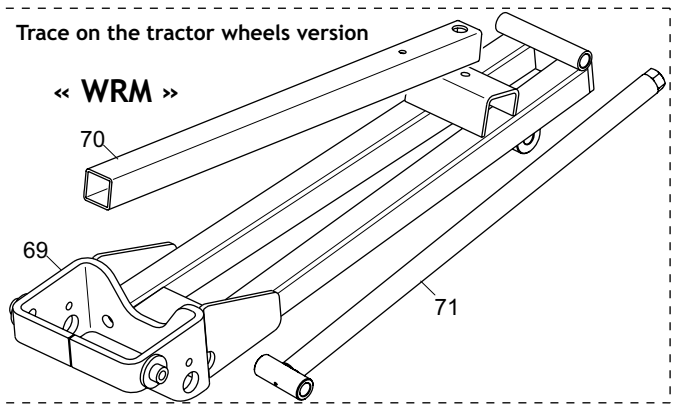
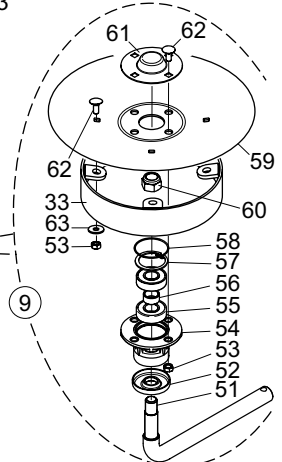
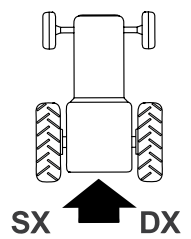
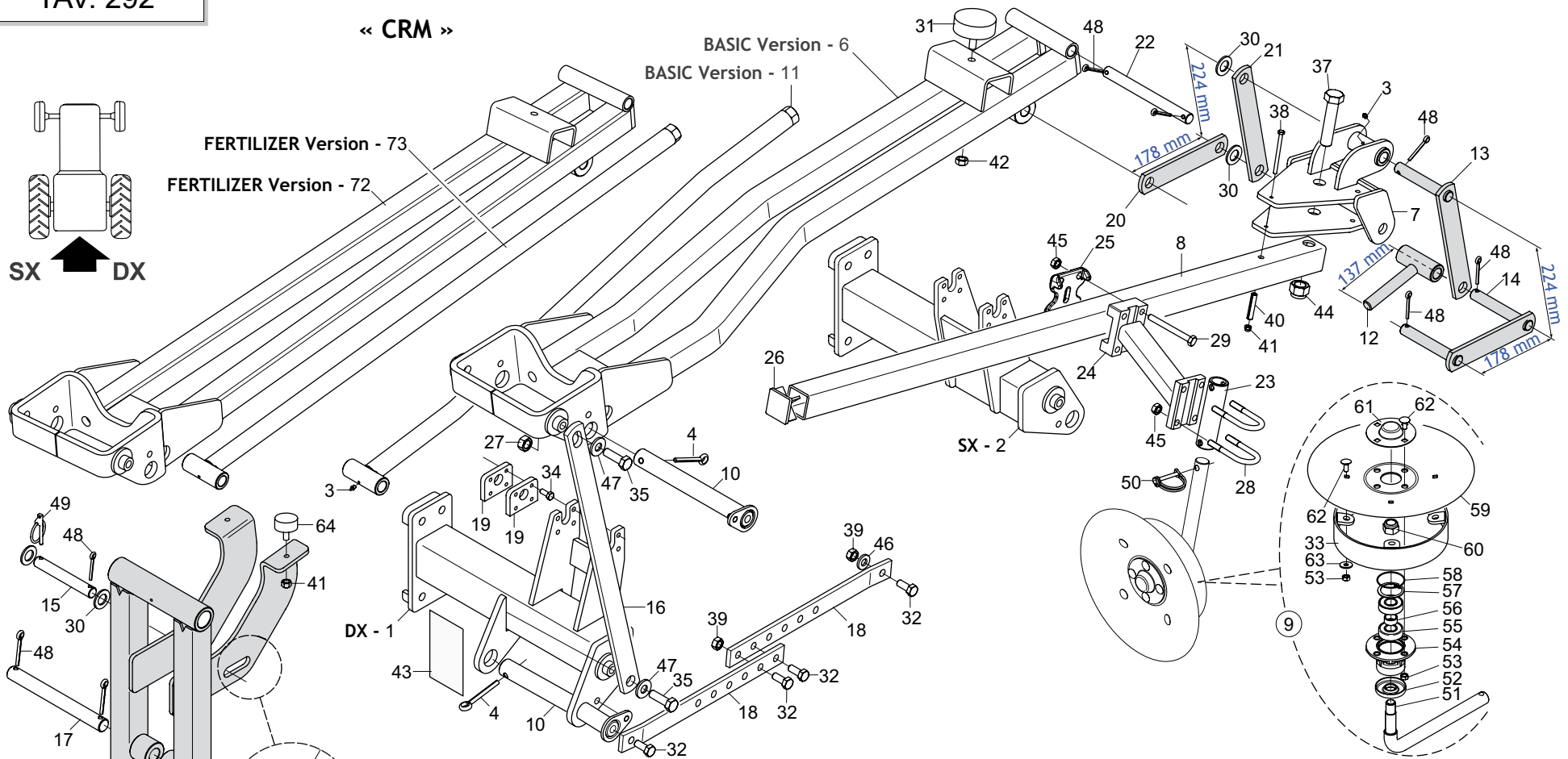


**SEGNAFI (WRM / CRM)  
ROW MARKER (WRM / CRM)**

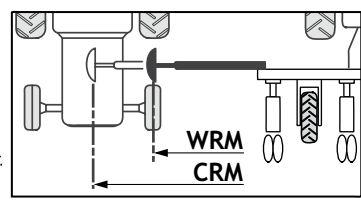
**TAV. 292**

Pos.	Cod.	Descrizione	Description	Description	Benennung	Description
1	G14218073R	SUPPORTO DX LUNGO	RIGHT SUPPORT LONG	SUPPORT DRT LONG	HALTERUNG RE LANGES	SOPORTE DER LARGO
2	G14218083R	SUPPORTO SX LUNGO	LEFT SUPPORT LONG	SUPPORT GCH LONG	HALTERUNG LI LANGES	SOPORTE IZQ LARGO
3	F01100011R	ING.M 6X1 7663-A 9SMNPB28 ZN	GREASE NIPPLE M6X1 7663-A ZN	GRAISS. A BILLE M6X1 7663A ZN	SCHMIERBUECHE M6X1 7663-A ZN	ENG.M 6X1 7663-A 9SMNPB28 ZN
4	F02200260R	COPIGLIA 8X 60 U1336 ZN	SPLIT PIN 8 X60 1336 ZN	GOUPILLE 8 X60 1336 ZN	SPLINT 8 X60 1336 ZN	PASADOR 8 X60 1336 ZN
5	G14218321R	BRACCIO SPINTA	PRESS. ARM	POUSSEE BRAS	ARMSCHUB	APRIETE BRAZO
6	GA4210950R	SECONDO BRACCIO CRM DX	SECOND RIGHT ARM CRM			
7	G14218372R	TESTA TERZO BRACCIO	ARM COUPLING	FIXATION BRAS	ARMKUPPLUNG	CONEXI N BRAZO
8	G14218121R	TUBO TERZO BRACCIO	THIRD ARM TUBE	TUBE TROISIEME BRAS	ROHR DRITTER ARM	TUBO TERCER BRAZO
9	G16610222R	MONT.DISCO D.320 LIM.	ROWMARKER DISC D.320 ASSEMBLY			
10	G14218190R	SPINA ROTAZIONE ZN	ROTATION PIN ZN	GOUPILLE ROTATION ZN	ROTATIONSSTIFT ZN	PASADOR ROTACI N ZN
11	GA4211100R	TIRANTE INF.	LOWER TIE ROD			
12	G14218210R	REGOLAZIONE TIRANTE	TIE ROD ADJUSTMENT	REGLAGE TIRANT	SPANNSTANGENSTELLUNG	REGULACI N TIRANTE
13	G14218470R	ASTA ROTAZIONE SUP.	UPPER ROTATION ROD	TIGE DE ROTATION SUP.	ROTATIONSTANGE OBEN	VARILLA DE ROTACI N SUPERIOR
14	G14218450R	ASTA ROTAZIONE INF.	LOWER ROTATION ROD	TIGE DE ROTATION INF.	ROTATIONSTANGE UNTEN	VARILLA DE ROTACI N INFERIOR
15	G14218750R	SPINA D.20 X124 ZN	GALVANIZED PIN D.20 X124	GOUPILLE D.20 X124 ZN	STIFT D.20 X124 ZN	CLAVIJA D.20 X124 ZN
16	G14218162R	TIRANTE ROTAZIONE	ROTATION TIE ROD			
17	G14218200R	SPINA DI SPINTA ZN	PRESS. PIN	POUSSEE BROCHE	STIFTSCHUB	APRIETE CLAVIJA
18	G14215840R	TIRANTE SEGNAFI	ROWMARKER TIE ROD	TRINGLE TRACEUR	SPANNSTANGE SPURREISSER	TIRANTE MARCADOR DE FILAS
19	G14218150R	PIASTRINA FISSAGGIO CILINDRO	SECURING PLATE	PLAQUE FIXATION	BEFESTIGUNGSPLATTE	PLACA FIJACI-N
20	G14218430R	ASTA ROTAZIONE INFERIORE	LOWER ROTATION ROD	TIGE DE ROTATION INF.	ROTATIONSTANGE UNTEN	VARILLA DE ROTACI N INFERIOR
21	G14218460R	ASTA ROTAZIONE SUPERIORE	UPPER ROTATION ROD	TIGE DE ROTATION SUP.	ROTATIONSTANGE OBEN	VARILLA DE ROTACI N SUPERIOR
22	G14215850R	SPINA 20 X194 ZN	GALVANIZED PIN 20 X194	GOUPILLE 20 X194 ZN	STIFT 20 X194 ZN	CLAVIJA 20 X194 ZN
23	G17111290R	MANICOTTO DISCO	DISC SLEEVE U BOLT	MANCHON DISQUE	SCHIEBENMUFFE	MANGUITO DISCO
24	G14219030R	SUPPORTO ESTERNO DISCO	DISC EXT. SUPPORT	SUPPORT EXT. DISQUE	ZUSSERE HALTERUNG SCHEIBEN	SOPORTE EXT. DISCO
25	G19204230R	SUPPORTO MANICOTTO TQ.50	SLEEVE SUPPORT TQ.50			
26	F20120349R	PUNTALE Q.50 ALETT.POLIT.NERO	CAP	BOUCHON	DECKEL	CORCHO
27	F01220266R	DADO M16X2 D980 8ZN	NUT M16X2 D980 8ZN	ECROU M16X 2 D980 8 ZN	MUTTER M16X 2 D980 8 ZN	TUERCA M16X 2 D980 8 ZN
28	F20110855R	CAV.T.M10X 1,5X 25 46X58,5 ZN	U BOLT T.M10X1,5X25 46X L=58,5			
29	F01020132R	VITE M10X1,5X90 U5737 10.9ZD	SCREW M10X1,5X90 U5737 10.9ZD	VIS M10X1,5X90 U5737 10.9ZD	SCHRAU.M10X1,5X90 U5737 10.9ZD	TORN. M10X1,5X90 U5737 10.9ZD
30	F01410124R	ROS.M20 21X 37X 3 U6592 ZN	WASHER M20 21X 37X 3 U6592 ZN	RONDEL.M20 21X37X3 ZN	MUTTER M20 21X 37X 3 U6592 ZN	ARAND.M20 21X 37X 3 U6592 ZN
31	F05150459R	PARACOLPI CIL. 75X25 SH71	CYLINDER GUARD 75X25 M12 SH71	TAMPON CIL. 75X25 M12	PUFFER CIL. 75X25 M12	PARACHOQ. CIL. 75X25 M12
32	F01020544R	VITE M14X2X40 U5739 8.8ZN	SCR. M14X2X40 U5739 8.8ZN	VIS M14X2X40 U5739 8.8ZN	SCHR.M14X2X40 U5739 8.8ZN	TOR.M14X2X40 U5739 8.8ZN
33	G16610210R	ASS.LIMITATORE PROFONDITA	LIMITER DEPTH COUPLYNG	GR. ASS. LIMITEUR DE PROFONDEU	TIEFENBEGRENZERKOMPLEX	CONJ. LIMITADOR DE PROFUNDIDAD
34	F01020436R	VITE M8X1,25X20 U5739 8.8ZN	SCR. M8X1,25X20 U5739 8.8ZN	VIS M8X1,25X 20 U5739 8.8 ZN	SCHRAUBE M8X1,25X20U5739 8.8ZN	TORNILLO M8X1,25X20 U5739 8.8
35	F01020576R	VITE M16X2X65 U5739 8.8ZN	SCR. M16X2X65 U5739 8.8ZN	VIS M16X2X65 U5739 8.8 ZN	SCHRAUBE M16X2X65 U5739 8.8 ZN	TORNILLO M16X2X65 U5739 8.8
36	G14217050R	TIRANTE SUPPORTO SEGNAF.	ROW MARKER SUPPORT TIE ROD	TRINGLE SUPPORT TRACEUR	SPANNSTANGE HALTERUNG SPURR.	TIRANTE SOPORTE MARCADOR
37	F01020312R	VITE M20X2,5X100 U5737 8.8ZN	SCR. M20X2,5X100 U5737 8.8ZN	VIS M20X2,5X100 U5737 8.8 ZN	SCHRA.M20X2,5X100 U5737 8.8 ZN	TORN. M20X2,5X100 U5737 8.8 ZN
38	F01020086R	VITE M8X1,25X80 U5737 8.8ZN	SCR. M8X1,25X80 U5737 8.8ZN	VIS M8X1X80	SCHRAUBE M8X1X80	TORNILLO M8X1X80
39	F01200306R	DADO M14X2 U5588 CL8 ZN	NUT M14X2 U5588 6.8ZN	ECROU M14X2	MUTTER M14X2	DADO M14X2
40	F02100197R	SPINA E.P. 14X 50 U6873 C70 BR	PIN E.P. 14X 50 U6873 C70 BR	GOUPILLE E.P. 14X50 U6873 C70	SPANNSTIFT E,P,14X50 6873 C70	
41	F01230034R	DADO M8X1,25 D982 8ZN	NUT M8X1,25 D982 8ZN	ECROU M8X 1,25 ZN	MUTTER M8X 1,25 D982 8 ZN	TUERCA M8X1,25 D982 8
42	F01220048R	DADO M12X1,75 D980 8ZN	NUT M12X1,75 D980 8ZN	ECROU M12X1,75 D980 8 ZN	SCHIEBE M12X1,75 D980 8 ZN	TUERCA M12X1,75 D980 8 ZN
43	F20030078R	DECALCOM.CADUTA UTENSILI	TOOLS FALLING DOWN TRANSFER	DECALC. CHUTE OUTILS	AUFKLEBERABSTURZ WERKZEUGE	ETIQUETA ADHES. CAIDA HERRAMIE
44	F01230131R	DADO M20X 2,5 D982 6S ZN	NUT M20X2,5 D982 6ZN	ECROU M20X,5 D982 6ZN	MUTTER M20X2,5 D982 6ZN	TUERCA M20X2,5 D982 6ZN
45	F01200270R	DADO M10X1,5 U5588 CL8 ZN	NUT M10X1,5 U5588 6.8ZN	ECROU M10X 1,5 U5588 6.8 ZN	MUTTER M10X 1,5 U5588 6.8 ZN	TUERCA M10X1,5 U5588 CL8 ZN
46	G20970142R	RONDELLA 32X4X15,5	WASHER 32X4X15-5	RONDELLE 32X4X15-5	UNTERLEGSCHIEBE 32X4X15-5	ARANDELA 32X4X15-5
47	G18700450R	SAIBA 17X45X6 ZN	WASHER 17X45X6 GALV.E.D			
48	F02200227R	COPIGLIA 5 X30 1336 ZN	PIN 5X 30 U1336 ZN			
49	F02200463R	SPINA SCATTO D5 B 81 ZN	SNAP PIN D5 B 81 ZN	FICHE A DETENTE D5 B 81 ZN	EINRASTSTIFT D5 B 81 ZN	CLAVIJA DE MUELLE D5 B 81 ZN
50	F02100312R	SPINA DI SICUREZZA D.8X45 ZN	SAFETY PIN D.8X45 ZN	FICHE EL.DE SECURITE D.8X45 ZN	SCHERSTIFT D.8X45 ZN	CLAVIJA DE SEGURIDAD D 8X45 ZN
51	G16610180R	PERNO REGGIDISCO SEGNAF.	ROWMARKER DISCHOLDER PIN			
52	G18802790R	BOCCOLA 25 X20 X7 ZN B.	BUSHING 25 X20 X7 ZN B.	BOITE 25 X20 X7 ZN B.	B.CHSE 25 X20 X7 ZN B.	CASQUILLO 25 X20 X7 ZN B
53	F01200244R	DADO M8X1,25 U5588 CL8 ZN	NUT M8X1,25 U5588 6.8ZN	ECROU M8 X1,25 U5588 6.8 ZN	MUTTER M8 X1,25 U5588 6.8 ZN	TUERCA M8X1,25 U5588 CL8 ZN
54	G16610160R	SUPP.CUSCINETTI DISCO SEGN.ZN.	GALVAN. ROWMARKER DISK BEARING	SUPPORT ROULEMENTS DISQUE TRAC	SCHIEBENLAGERHALTERUNG	SOPORTE COJINETE DE DISCO MARC
55	F04010156R	CUSC. D20 D47 B14 6204 2RSH	BEARING D20 D47 B14 6204 2RSH	ROULEMENTD20 D47 B14		

« CRM »



- «CRM»: trace on the tractor center.
- «WRM»: trace on the tractor wheels.
- BASIC Version: *without* Fertilizer Hopper.
- FERTILIZER Version: *with* Fertilizer Hopper.
- TC Version: Compact frame.



**SEGNAFILE (WRM / CRM)  
ROW MARKER (WRM / CRM)**

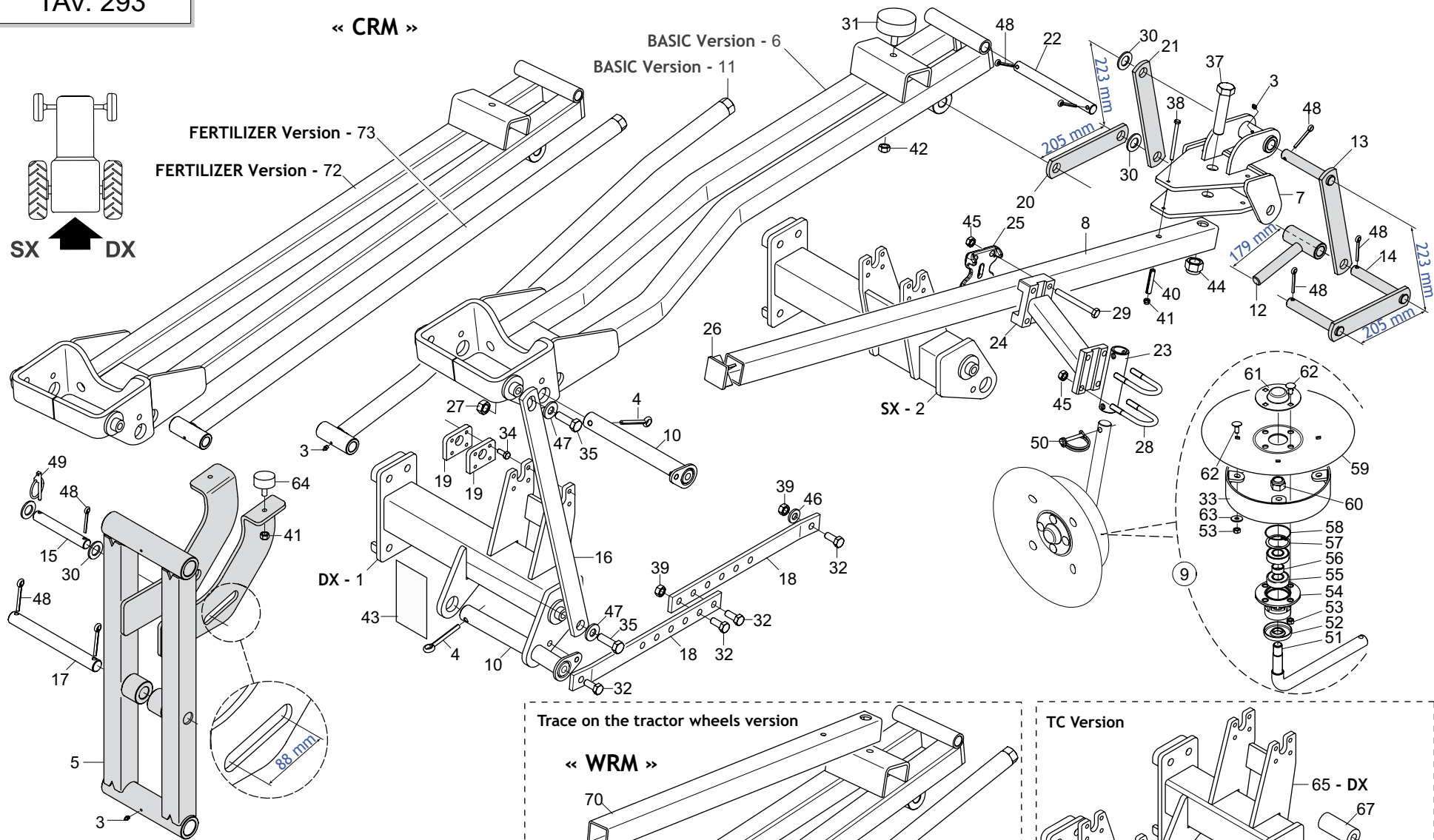
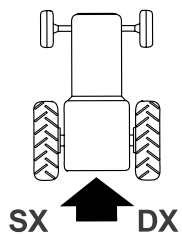
**TAV. 292**

Pos.	Cod.	Descrizione	Description	Description	Benennung	Descripcion
56	G18801270R	BOCCOLA 21 X25 X12 ZN B.	BUSHING 21 X25 X12 ZN			
57	F02050370R	ANELLO E. DI 47X1,75 U7437 C70	SEEGER RING 47X 1,75 U7437 C70	SEEGER E. 47X 1,75 U7437 C70	SEEGERING E. 47X1,75 U7437 C70	ANILLO E. 47X 1,75 U7437 C70
58	F03010576R	ANELLO OR 50,52X1,78 NBR	GASKET OR 50,52X1,78 NBR	BAGUE OR 50,52X1,78 NBR	RING OR 50,52X1,78 NBR	ANILLO OR 50,52X1,78 NBR
59	G16610170R	DISCO SEGNAFILE D.320	ROW MARKER DISK D.320	DISQUE TRACEUR D320	SPURREISSERSCHEIBE D. 320	DISCO MARCARDOR DE FILAS O 320
60	F01230098R	DADO M18X2,5 D982 8 ZN	NUT M18X2,5 D982 8 ZN	ECROU M18X 2,5 D982 8 ZN	MUTTER M18X 2,5 D982 8 ZN	TUERCA M18X 2,5 D982 8 ZN
61	G16610190R	CHIUSURA CUSCINETTO ZN	END BEARING ZN			
62	F01060040R	VITE M8X1,25X20 U5731 8.8ZN	SCR. M8X1,25X20 U5732 4.6ZG	VIS M8X1,25X20 U5732 4.6 ZN	SCHRA. M8X1,25X20 U5732 4.6 ZN	TORN. M8X1,25X20 U5732 4.6 ZN
63	F01420048R	ROS.M8 8,4X 24X 2 U6593 ZN	WASHER M8 8,4X 24X2 U6593 ZN	RONDELLE M8 8,4X24X 2 U6593 ZN	SCHEIBEN M8 8,4X24X 2 U6593 ZN	ARAND.M8 8,4X 24X 2 U6593 ZN
64	G16242560R	PARACOLPI 30X8 M8X30	BUFFER 30X8 M8X30	PARE-CHOCS 30X8 M8X30	STOSSDZMPFER 30X8 M8X30	PARAGOLPES 30X8 M8X30
65	G14218233R	SUPPORTO DX CORTO	RIGHT SUPPORT SHORT	SUPPORT DRT COURT	HALTERUNG RE KURZER	SOPORTE DER CORTO
66	G14218243R	SUPPORTO SX CORTO	LEFT SUPPORT SHORT	SUPPORT GCH COURT	HALTERUNG LI KURZER	SOPORTE IZQ CORTO
67	G14217020R	BOCCOLA 15 X35 X80	BUSHING 15 X35 X80	BOITE 15 X35 X80	B_CHSE 15 X35 X80	CASQUILLO 15 X35 X80
68	F01020218R	VITE M14X2X130 U5737 8.8ZN	SCR. M14X2X130 U5737 8.8ZN	VIS M 14X130	SCHRAUBE M 14X130	TORNILLO M 14X130
69	G14218982R	SECONDO BRACCIO CORTO	2ND ARM SHORT			
70	G14219001R	TUBO TERZO BRACCIO CORTO	THIRD ARM TUBE SHORT	TUBE TROISIEME BRAS COURT	ROHR DRITTER ARM KURZER	TUBO TERCER BRAZO CORTO
71	G14219011R	TIRANTE ROTAZIONE BRACCIO	ARM ROTATION TIE ROD	TRINGLE ROTATION BRAS	ROTATIONS SPANNSTANGE ARM	ROTATIONS SPANNSTANGE BRAZO
72	G14218112R	SECONDO BRACCIO	2.ARM	2.BRAS	2.ARM	2.ARM
73	G14218520R	TIRANTE ROTAZIONE	ROTATION TIE ROD	TRINGLE ROTATION	ROTATIONS SPANNSTANGE	ROTATIONS SPANNSTANGE

« CRM »

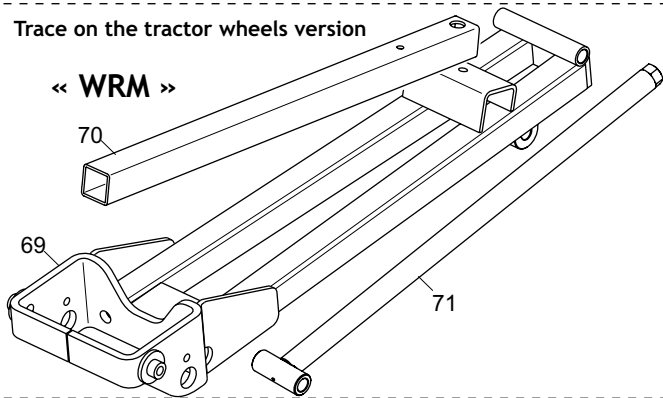
BASIC Version - 6  
BASIC Version - 11

FERTILIZER Version - 73  
FERTILIZER Version - 72

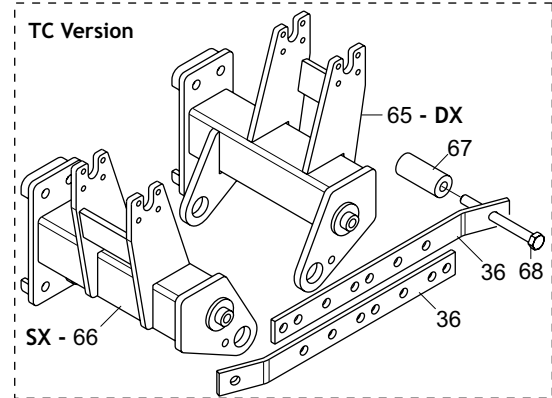


Trace on the tractor wheels version

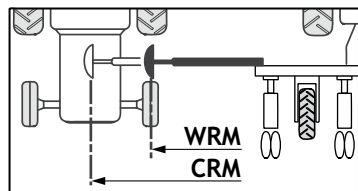
« WRM »



TC Version



- « CRM »: trace on the tractor center.
- « WRM »: trace on the tractor wheels.
- BASIC Version: *without* Fertilizer Hopper.
- FERTILIZER Version: *with* Fertilizer Hopper.
- TC Version: Compact frame.





**SEGNAFI (WRM / CRM)  
ROW MARKER (WRM / CRM)**

**TAV. 293**

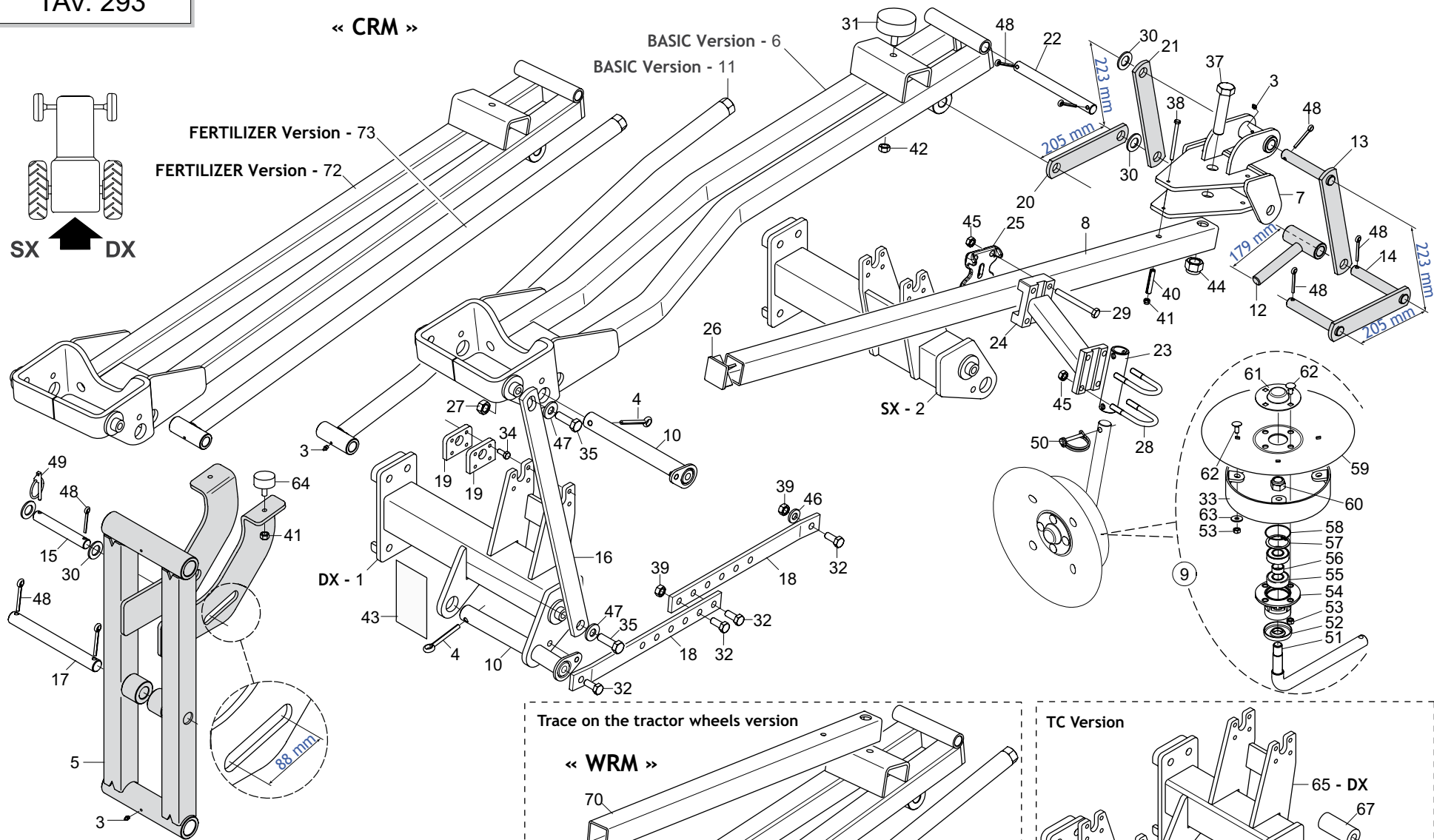
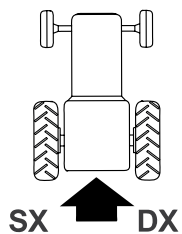
Pos.	Cod.	Descrizione	Description	Description	Benennung	Description
1	G14218073R	SUPPORTO DX LUNGO	RIGHT SUPPORT LONG	SUPPORT DRT LONG	HALTERUNG RE LANGES	SOPORTE DER LARGO
2	G14218083R	SUPPORTO SX LUNGO	LEFT SUPPORT LONG	SUPPORT GCH LONG	HALTERUNG LI LANGES	SOPORTE IZQ LARGO
3	F01100011R	ING.M 6X1 7663-A 9SMNPB28 ZN	GREASE NIPPLE M6X1 7663-A ZN	GRAISS. A BILLE M6X1 7663A ZN	SCHMIERBUECHE M6X1 7663-A ZN	ENG.M 6X1 7663-A 9SMNPB28 ZN
4	F02200260R	COPIGLIA 8X 60 U1336 ZN	SPLIT PIN 8 X60 1336 ZN	GOUPILLE 8 X60 1336 ZN	SPLINT 8 X60 1336 ZN	PASADOR 8 X60 1336 ZN
5	GA4211690R	BRACCIO SPINTA	PRESS. ARM			
6	GA4210950R	SECONDO BRACCIO CRM DX	SECOND RIGHT ARM CRM			
7	G14218372R	TESTA TERZO BRACCIO	ARM COUPLING	FIXATION BRAS	ARMKUPPLUNG	CONEXI N BRAZO
8	G14218121R	TUBO TERZO BRACCIO	THIRD ARM TUBE	TUBE TROISIEME BRAS	ROHR DRITTER ARM	TUBO TERCER BRAZO
9	G16610222R	MONT.DISCO D.320 LIM.	ROWMARKER DISC D.320 ASSEMBLY			
10	G14218190R	SPINA ROTAZIONE ZN	ROTATION PIN ZN	GOUPILLE ROTATION ZN	ROTATIONSSTIFT ZN	PASADOR ROTACI N ZN
11	GA4211100R	TIRANTE INF.	LOWER TIE ROD			
12	GA4211770R	REGOLAZIONE TIRANTE	TIE ROD ADJUSTMENT			
13	GA4211720R	ASTA ROTAZIONE SUP.	UPPER ROTATION ROD			
14	GA4211700R	ASTA ROTAZIONE INF.	LOWER ROTATION ROD			
15	G14218750R	SPINA D.20 X124 ZN	GALVANIZED PIN D.20 X124	GOUPILLE D.20 X124 ZN	STIFT D.20 X124 ZN	CLAVIJA D.20 X124 ZN
16	G14218162R	TIRANTE ROTAZIONE	ROTATION TIE ROD			
17	G14218200R	SPINA DI SPINTA ZN	PRESS. PIN	POUSSEE BROCHE	STIFTSCHUB	APRIETE CLAVIJA
18	G14215840R	TIRANTE SEGNAFI	ROWMARKER TIE ROD	TRINGLE TRACEUR	SPANNSTANGE SPURREISSER	TIRANTE MARCADOR DE FILAS
19	G14218150R	PIASTRINA FISSAGGIO CILINDRO	SECURING PLATE	PLAQUE FIXATION	BEFESTIGUNGSPLATTE	PLACA FIJACI-N
20	GA4211710R	ASTA ROTAZIONE INFERIORE	LOWER ROTATION ROD			
21	GA4211730R	ASTA ROTAZIONE SUPERIORE	UPPER ROTATION ROD			
22	G14215850R	SPINA 20 X194 ZN	GALVANIZED PIN 20 X194	GOUPILLE 20 X194 ZN	STIFT 20 X194 ZN	CLAVIJA 20 X194 ZN
23	G17111290R	MANICOTTO DISCO	DISC SLEEVE U BOLT	MANCHON DISQUE	SCHIEBENMUFFE	MANGUITO DISCO
24	G14219030R	SUPPORTO ESTERNO DISCO	DISC EXT. SUPPORT	SUPPORT EXT. DISQUE	ZUSSERE HALTERUNG SCHEIBEN	SOPORTE EXT. DISCO
25	G19204230R	SUPPORTO MANICOTTO TQ.50	SLEEVE SUPPORT TQ.50			
26	F20120349R	PUNTALE Q.50 ALETTI.POLIT.NERO	CAP	BOUCHON	DECKEL	CORCHO
27	F01220266R	DADO M16X2 D980 8ZN	NUT M16X2 D980 8ZN	ECROU M16X 2 D980 8 ZN	MUTTER M16X 2 D980 8 ZN	TUERCA M16X 2 D980 8 ZN
28	F20110855R	CAV.T.M10X 1,5X 25 46X58,5 ZN	U BOLT T.M10X1,5X25 46X L=58,5			
29	F01020132R	VITE M10X1,5X90 U5737 10.9ZD	SCREW M10X1,5X90 U5737 10.9ZD	VIS M10X1,5X90 U5737 10.9ZD	SCHRAU.M10X1,5X90 U5737 10.9ZD	TORN. M10X1,5X90 U5737 10.9ZD
30	F01410124R	ROS.M20 21X 37X 3 U6592 ZN	WASHER M20 21X 37X 3 U6592 ZN	RONDEL.M20 21X37X3 ZN	MUTTER M20 21X 37X 3 U6592 ZN	ARAND.M20 21X 37X 3 U6592 ZN
31	F05150459R	PARACOLPI CIL. 75X25 SH71	CYLINDER GUARD 75X25 M12 SH71	TAMPON CIL. 75X25 M12	PUFFER CIL. 75X25 M12	PARACHOQ. CIL. 75X25 M12
32	F01020544R	VITE M14X2X40 U5739 8.8ZN	SCR. M14X2X40 U5739 8.8ZN	VIS M14X2X40 U5739 8.8ZN	SCHR.M14X2X40 U5739 8.8ZN	TOR.M14X2X40 U5739 8.8ZN
33	G16610210R	ASS.LIMITATORE PROFONDITA	LIMITER DEPTH COUPLYNG	GR. ASS. LIMITEUR DE PROFONDEU	TIEFENBEGRENZERKOMPLEX	CONJ. LIMITADOR DE PROFUNDIDAD
34	F01020436R	VITE M8X1,25X20 U5739 8.8ZN	SCR. M8X1,25X20 U5739 8.8ZN	VIS M8X1,25X 20 U5739 8.8 ZN	SCHRAUBE M8X1,25X20U5739 8.8ZN	TORNILLO M8X1,25X20 U5739 8.8
35	F01020576R	VITE M16X2X65 U5739 8.8ZN	SCR. M16X2X65 U5739 8.8ZN	VIS M16X2X65 U5739 8.8 ZN	SCHRAUBE M16X2X65 U5739 8.8 ZN	TORNILLO M16X2X65 U5739 8.8
36	G14217050R	TIRANTE SUPPORTO SEGNAF.	ROW MARKER SUPPORT TIE ROD	TRINGLE SUPPORT TRACEUR	SPANNSTANGE HALTERUNG SPURN.	TIRANTE SOPORTE MARCADOR
37	F01020312R	VITE M20X2,5X100 U5737 8.8ZN	SCR. M20X2,5X100 U5737 8.8ZN	VIS M20X2,5X100 U5737 8.8 ZN	SCHRA.M20X2,5X100 U5737 8.8 ZN	TORN. M20X2,5X100 U5737 8.8 ZN
38	F01020086R	VITE M8X1,25X80 U5737 8.8ZN	SCR. M8X1,25X80 U5737 8.8ZN	VIS M8X1X80	SCHRAUBE M8X1X80	TORNILLO M8X1X80
39	F01200306R	DADO M14X2 U5588 CL8 ZN	NUT M14X2 U5588 6.8ZN	ECROU M14X2	MUTTER M14X2	DADO M14X2
40	F02100197R	SPINA E.P. 14X 50 U6873 C70 BR	PIN E.P. 14X 50 U6873 C70 BR	GOUPILLE E.P. 14X50 U6873 C70	SPANNSTIFT E,P,14X50 6873 C70	
41	F01230034R	DADO M8X1,25 D982 8ZN	NUT M8X1,25 D982 8ZN	ECROU M8X 1,25 ZN	MUTTER M8X 1,25 D982 8 ZN	TUERCA M8X1,25 D982 8
42	F01220048R	DADO M12X1,75 D980 8ZN	NUT M12X1,75 D980 8ZN	ECROU M12X1,75 D980 8 ZN	SCHIEBE M12X1,75 D980 8 ZN	TUERCA M12X1,75 D980 8 ZN
43	F20030078R	DECALCOM.CADUTA UTENSILI	TOOLS FALLING DOWN TRANSFER	DECALC. CHUTE OUTILS	AUFKLEBERABSTURZ WERKZEUGE	ETIQUETA ADHES. CAIDA HERRAMIE
44	F01230131R	DADO M20X 2,5 D982 6S ZN	NUT M20X2,5 D982 6ZN	ECROU M20X,5 D982 6ZN	MUTTER M20X2,5 D982 6ZN	TUERCA M20X2,5 D982 6ZN
45	F01200270R	DADO M10X1,5 U5588 CL8 ZN	NUT M10X1,5 U5588 6.8ZN	ECROU M10X 1,5 U5588 6.8 ZN	MUTTER M10X 1,5 U5588 6.8 ZN	TUERCA M10X1,5 U5588 CL8 ZN
46	G20970142R	RONDELLA 32X4X15,5	WASHER 32X4X15-5	RONDELLE 32X4X15-5	UNTERLEGSSCHEIBE 32X4X15-5	ARANDELA 32X4X15-5
47	G18700450R	SAIBA 17X45X6 ZN	WASHER 17X45X6 GALV.E.D			
48	F02200227R	COPIGLIA 5 X30 1336 ZN	PIN 5X 30 U1336 ZN			
49	F02200463R	SPINA SCATTO D5 B 81 ZN	SNAP PIN D5 B 81 ZN	FICHE A DETENTE D5 B 81 ZN	EINRASTSTIFT D5 B 81 ZN	CLAVIJA DE MUELLE D5 B 81 ZN
50	F02100312R	SPINA DI SICUREZZA D.8X45 ZN	SAFETY PIN D.8X45 ZN	FICHE EL.DE SECURITE D.8X45 ZN	SCHERSTIFT D.8X45 ZN	CLAVIJA DE SEGURIDAD D 8X45 ZN
51	G16610180R	PERNO REGGIDISCO SEGNAF.	ROWMARKER DISCHOLDER PIN			
52	G18802790R	BOCCOLA 25 X20 X7 ZN B.	BUSHING 25 X20 X7 ZN B.	BOITE 25 X20 X7 ZN B.	B.CHSE 25 X20 X7 ZN B.	CASQUILLO 25 X20 X7 ZN B
53	F01200244R	DADO M8X1,25 U5588 CL8 ZN	NUT M8X1,25 U5588 6.8ZN	ECROU M8 X1,25 U5588 6.8 ZN	MUTTER M8 X1,25 U5588 6.8 ZN	TUERCA M8X1,25 U5588 CL8 ZN
54	G16610160R	SUPP.CUSCINETTI DISCO SEGN.ZN.	GALVAN. ROWMARKER DISK BEARING	SUPPORT ROULEMENTS DISQUE TRAC	SCHEIBENLAGERHALTERUNG	SOPORTE COJINETE DE DISCO MARC
55	F04010156R	CUSC. D20 D47 B14 6204 2RSH	BEARING D20 D47 B14 6204 2RSH	ROULEMENTD20 D47 B14		

« CRM »

BASIC Version - 6  
BASIC Version - 11

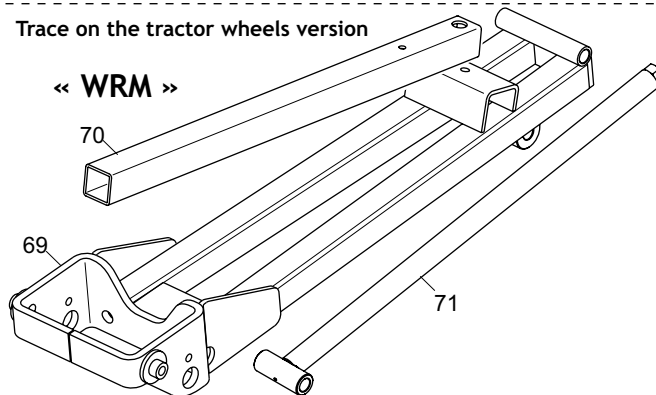
FERTILIZER Version - 73

FERTILIZER Version - 72

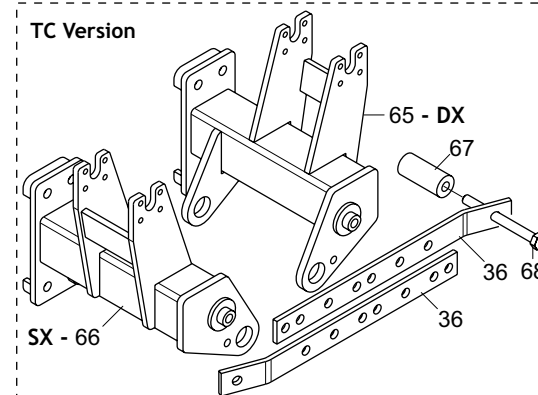


Trace on the tractor wheels version

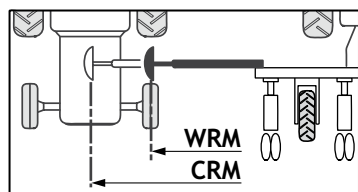
« WRM »



TC Version



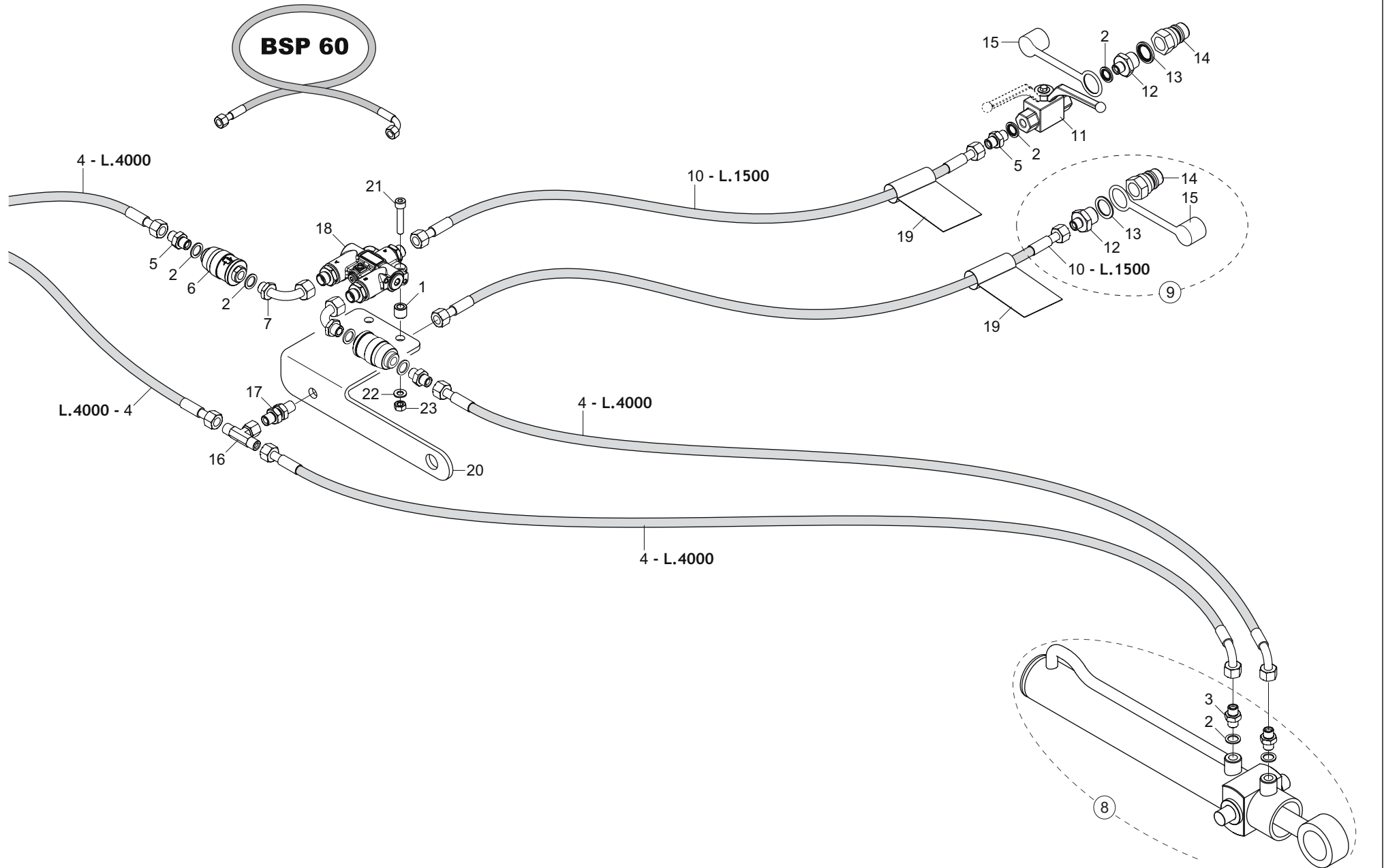
- « CRM »: trace on the tractor center.
- « WRM »: trace on the tractor wheels.
- BASIC Version: *without* Fertilizer Hopper.
- FERTILIZER Version: *with* Fertilizer Hopper.
- TC Version: Compact frame.



**SEGNAFILE (WRM / CRM)  
ROW MARKER (WRM / CRM)**

**TAV. 293**

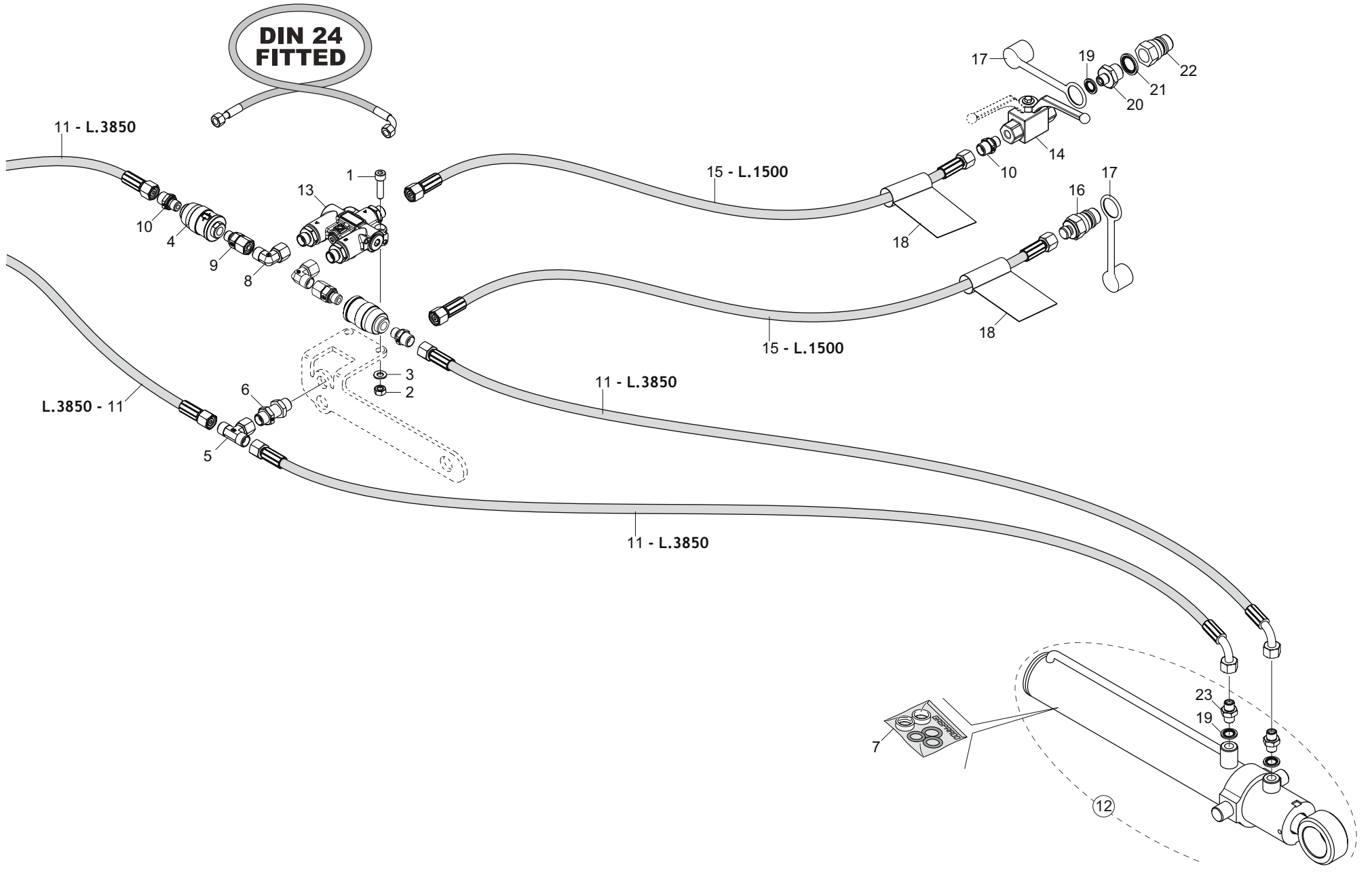
Pos.	Cod.	Descrizione	Description	Description	Benennung	Descripcion
56	G18801270R	BOCCOLA 21 X25 X12 ZN B.	BUSHING 21 X25 X12 ZN			
57	F02050370R	ANELLO E. DI 47X1,75 U7437 C70	SEEGER RING 47X 1,75 U7437 C70	SEEGER E. 47X 1,75 U7437 C70	SEEGERING E. 47X1,75 U7437 C70	ANILLO E. 47X 1,75 U7437 C70
58	F03010576R	ANELLO OR 50,52X1,78 NBR	GASKET OR 50,52X1,78 NBR	BAGUE OR 50,52X1,78 NBR	RING OR 50,52X1,78 NBR	ANILLO OR 50,52X1,78 NBR
59	G16610170R	DISCO SEGNAFILE D.320	ROW MARKER DISK D.320	DISQUE TRACEUR D320	SPURREISSERSCHEIBE D. 320	DISCO MARCARDOR DE FILAS O 320
60	F01200244R	DADO M8X1,25 U5588 CL8 ZN	NUT M8X1,25 U5588 6.8ZN	ECROU M8 X1,25 U5588 6.8 ZN	MUTTER M8 X1,25 U5588 6.8 ZN	TUERCA M8X1,25 U5588 CL8 ZN
61	G16610190R	CHIUSURA CUSCINETTO ZN	END BEARING ZN			
62	F01060040R	VITE M8X1,25X20 U5731 8.8ZN	SCR. M8X1,25X20 U5732 4.6ZG	VIS M8X1,25X20 U5732 4.6 ZN	SCHRA. M8X1,25X20 U5732 4.6 ZN	TORN. M8X1,25X20 U5732 4.6 ZN
63	F01420048R	ROS.M8 8,4X 24X 2 U6593 ZN	WASHER M8 8,4X 24X2 U6593 ZN	RONDELLE M8 8,4X24X 2 U6593 ZN	SCHEIBEN M8 8,4X24X 2 U6593 ZN	ARAND.M8 8,4X 24X 2 U6593 ZN
64	G16242560R	PARACOLPI 30X8 M8X30	BUFFER 30X8 M8X30	PARE-CHOCS 30X8 M8X30	STOSSDZMPFER 30X8 M8X30	PARAGOLPES 30X8 M8X30
65	G14218233R	SUPPORTO DX CORTO	RIGHT SUPPORT SHORT	SUPPORT DRT COURT	HALTERUNG RE KURZER	SOPORTE DER CORTO
66	G14218243R	SUPPORTO SX CORTO	LEFT SUPPORT SHORT	SUPPORT GCH COURT	HALTERUNG LI KURZER	SOPORTE IZQ CORTO
67	G14217020R	BOCCOLA 15 X35 X80	BUSHING 15 X35 X80	BOITE 15 X35 X80	B_CHSE 15 X35 X80	CASQUILLO 15 X35 X80
68	F01020218R	VITE M14X2X130 U5737 8.8ZN	SCR. M14X2X130 U5737 8.8ZN	VIS M 14X130	SCHRAUBE M 14X130	TORNILLO M 14X130
69	G14218982R	SECONDO BRACCIO CORTO	2ND ARM SHORT			
70	G14219001R	TUBO TERZO BRACCIO CORTO	THIRD ARM TUBE SHORT	TUBE TROISIEME BRAS COURT	ROHR DRITTER ARM KURZER	TUBO TERCER BRAZO CORTO
71	G14219011R	TIRANTE ROTAZIONE BRACCIO	ARM ROTATION TIE ROD	TRINGLE ROTATION BRAS	ROTATIONS SPANNSTANGE ARM	ROTATIONS SPANNSTANGE BRAZO
72	G14218112R	SECONDO BRACCIO	2.ARM	2.BRAS	2.ARM	2.ARM
73	G14218520R	TIRANTE ROTAZIONE	ROTATION TIE ROD	TRINGLE ROTATION	ROTATIONS SPANNSTANGE	ROTATIONS SPANNSTANGE



**IMPIANTO OLEODINAMICO SEGNAFILE «BSP 60»  
HYDRAULIC ROW MARKER SYSTEM «BSP 60»**

**TAV. 313**

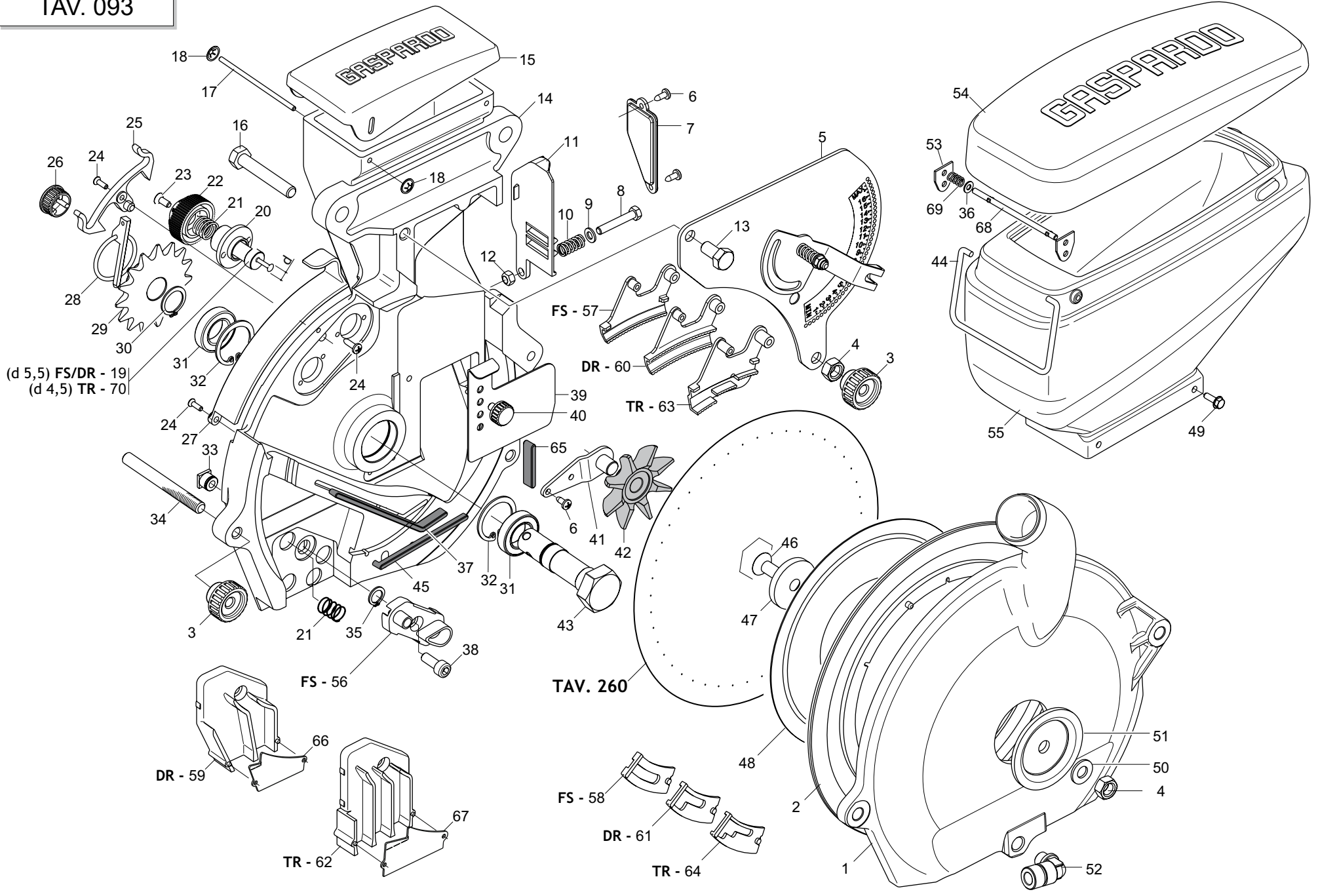
Pos.	Cod.	Descrizione	Description	Description	Benennung	Descripcion
1	G18801880R	BOCCOLA 8,25 X15 X13 ZN	BUSHING 8,25 X15 X13 ZN	BOITE 8,25 X15 X13 ZN	BSCHSE 8,25 X15 X13 ZN	CASQUILLO 8,25 X15 X13 ZN
2	F03020069R	RONDELLA BONDED AUTOCENT 1 4	BONDED WASHER 1 4	RONDELLE BONDED 1 4	BONDED SCHEIBE 1 4	BONDED ARANDELA 1 4
3	G16011690R	MONT.NIPPLO 1 4 GRANO F.1,0	UPRIGHT 1 4 NIPPLE WITH GRUB	MONTANT NIPPLE 1 4 AVEC GRAIN	STZNDER NIPPEL 1 4 MIT STIFT 8	MONT.NIPLE 1 4 TORNIL.SIN CABE
4	G16012650R	TUBO R2 1 4 C-F L.4000	PIPE 1 4 R2 C-F 1 4 L.4000	TUBE 1 4 R2 C-F 1 4 L. 4000	ROHR 1 4 R2 C-F 1 4 L 4000	TUBO 1 4 R2 C-F 1 4 L.4000
5	F03150266R	NIPPLO MM CIL-CIL 1 4-1 4 ZN	NIPPLE CYL.MALE 1 4 GALV.	NIPPLE MALE CYL. 1 4 ZN	NIPPELZYL.1 4 ZN	NIPLE MACHO CIL.1 4 ZN
6	F03151226R	REGOL.DI FLUSSO VRF 1 4 GAS	1 4 GAS VALVE VRF	SOUPEPE REG DEBIT VRF 1 4 GAZ	VENITL VRF 1 4 GAS	V LVULA VRF 1 4 GAS
7	F03150859R	CURVA 90 F.GIREV.1 4 - M.1 4	ELBOW 90 F.SLEWING 1 4 -M.1 4	COUDE 90 F.TOURN.1 4 - M.1 4	KNIESTSCK 90 F.DREHB.1 4 - M.	CURVA 90 F.GIRAT.1 4 - M.1 4
8	G14218300R	CILINDRO SEGNAFILE	ROW MARKER CYLINDER	CYLINDRE TRACEUR	SYLINDER REIHENANREISSER	CILINDRO MARCADOR DE FILAS
9	G13811211R	TUBO X COLLEG. AL TRATTORE	PIPE FOR CONNECTION TO TRACTOR	TUBE POUR CONN. AU TRACTEUR	ROHR F. KUPPLUNG AM SCHLEPPER	TUBO P CONEXI N AL TRACTOR
10	G22270463R	TUB.TR.1 4R2 F-F 1 4 L1500 LM	TUBE TR.1 4R2 F-F 1 4 L1500 LM	TUB.TR.1 4R2 F-F 1 4 L1500 LM	ROHR1 4R2 F-F 1 4 L1500 LM	TUB.TR.1 4R2 F-F 1 4 L1500 LM
11	F03151245R	RUBINETTO F-F 1 4	COCK F-F. 1 4	ROBINET F.-F. 1 4	HAHN F.-F. 1 4	GRIFO H.-H. 1 4
12	F03150211R	NIPPLO MM CIL-CIL 1 2-1 4 ZN	NIPLE MM CIL-CIL 1 4-1 2 ZN	NIPLE MM 1 4-1 2 ZN	NIPLE GG 1 4-1 2 ZN	NIPLE MM 1 4-1 2 ZN
13	F03151370R	RONDELLA BONDED SEAL 1 2 NBR	WASHER BONDED SEAL 1 2 NBR			
14	F03150935R	INNESTO RAP.MASCH.1 2 A VALV.	QUICK CONNECT MALE CONE 1 2	CONNEXION RAPIDE MALE CONE 1 2	SCHNELLKUPP.GEWINDE KONISC 1 2	ACOPLAMIENT.RAP.MACHO CONO 1 2
15	F05150325R	CAPPUC.F X INN.M RAP.1 2 ROSS	COVER CONNECT F 1 2 RED	COUVERCLE CONNEXION F 1 2 ROSE	DECKEL W 1 2 SCHNELLKUPP. ROT	PAC PROTECCION F 1 2 ROJO
16	F03151216R	RACCORDO -T- CENTR.M-FG-M 1 4	UNION T M-M-F 1 4 ZN	RACCORD T M-M-F ZN	ANSCHLUSSTSCK TM-M-F 1 4 ZN	UNI N T M-M-F 1 4 ZN
17	F05010359R	PASSAPARETE 1 4M-1 4M	PASS WALL 1 4M -1 4M			
18	G16611051R	MONT.VALVOLA SEGNAFILE BP	ROWMARKER VALVE ASSY.			
19	G19702880R	DECAL.MOVIMENT.SEGNAFILE	STICKER	DECALCOMANIE	ABZIEHBILDER	CALCOMANIAS
20	G14217082R	SUPPORTO VALVOLA	VALVE SUPPORT	SUPPORT SOUPEPE	VENTILHALTERUNG	SOPORTE V LVULA
21	F01040101R	VITE M8X1,25X40 U5931 8.8ZN	SCR. M8X1,25X40 U5931 8.8ZN	VIS M8X1,25X40 U5931 8.8 ZN	SCHRAUBE M8X1,25X40 U5931 8.8	TORNILLO M8X1,25X40 U5931 8.8
22	F01410051R	ROS.M8 8,4X 17X1,6 U6592 ZN	WASHER M8 8,4X17X1,6 U6592 ZN	RONDELLE M8 8,4X17X1,6 ZN	SCHEIBE M8 8,4X17X1,6 U6592 ZN	ARAND.M8 8,4X 17X1,6 U6592 ZN
23	F01200244R	DADO M8X1,25 U5588 CL8 ZN	NUT M8X1,25 U5588 6.8ZN	ECROU M8 X1,25 U5588 6.8 ZN	MUTTER M8 X1,25 U5588 6.8 ZN	TUERCA M8X1,25 U5588 CL8 ZN



**IMPIANTO OLEODINAMICO SEGNAFILE «DIN 24»  
HYDRAULIC ROW MARKER SYSTEM «DIN 24»**

**TAV. 360**

Pos.	Cod.	Descrizione	Description	Description	Benennung	Descripcion
1	F01040107R	VITE M8X1,25X30 U5931 A2IX	SCR. M8X1,25X30 U5931 A2IX	VIS M8X1,25X 30 U5931 A2 IX	SCHRAUBE M8X1,25X 30 U5931 A2	TORNIL. M8X1,25X 30 U5931 A2
2	F01200244R	DADO M8X1,25 U5588 CL8 ZN	NUT M8X1,25 U5588 6.8ZN	ECROU M8 X1,25 U5588 6.8 ZN	MUTTER M8 X1,25 U5588 6.8 ZN	TUERCA M8X1,25 U5588 CL8 ZN
3	F01410051R	ROS.M8 8,4X 17X1,6 U6592 ZN	WASHER M8 8,4X17X1,6 U6592 ZN	RONDELLE M8 8,4X17X1,6 ZN	SCHEIBE M8 8,4X17X1,6 U6592 ZN	ARAND.M8 8,4X 17X1,6 U6592 ZN
4	F03151226R	REGOL.DI FLUSSO VRF 1 4 GAS	1 4 GAS VALVE VRF	SOUPAPE REG DEBIT VRF 1 4 GAZ	VENITL VRF 1 4 GAS	V LVULA VRF 1 4 GAS
5	F03080080R	RACC.T ML10 FL10 ML10 ZN	T-UNION ML10 FL10 ML10 ZN			
6	F03080098R	PASSAPARETE ML10 ML10 ZN	PASS WALL ML10 ML10			PASAMUROS ML10 ML10 ZN
7	F03090017R	KIT GUARNIZ.CILINDRO F03090016	KIT O-RING CYLINDER F03090016			
8	F03080086R	RACC.L FL10 ML10 ZN	L-UNION FL10 ML10 ZN			
9	F03080097R	NIPPLO M1 4 SEAL FL10 ZN	NIPPLE M1 4 SEAL FL10			
10	B0H0C0019R	RACCORDO I 10 RASTELLI TN92GG	JUNCTION			
11	F03070061R	TUBO 1 4 R17 FL10 CFL10 L3850	TUBE 1 4 R17 FL10 CFL10 L3850			
12	F03090016R	CILINDRO DE 25X50 -350	CYLINDER DE 25X50 -350			
13	F03095001R	VALVOLA SEGNAFILE M16 DIN24	ROWMARKER VALVE M16 DIN24			
14	F03151245R	RUBINETTO F-F 1 4	COCK F.-F. 1 4	ROBINET F.-F. 1 4	HAHN F.-F. 1 4	GRIFO H.-H. 1 4
15	F03070089R	TUBO 1 4 R17 FL10 FL10 L1500	PIPE 1 4 R17 FL10 FL10 L1500			
16	F03080090R	INNESTO RAP.MASCH.DL M16X1,5	QUICK CONNECT MALE CONE DL M16			
17	F05150325R	CAPPUC.F X INN.M RAP.1 2 ROSS	COVER CONNECT F 1 2 RED	COUVERCLE CONNEXION F 1 2 ROSE	DECKEL W 1 2 SCHNELLKUPP. ROT	PAC PROTECCION F 1 2 ROJO
18	G19702880R	DECAL.MOVIMENT.SEGNAFILE	STICKER	DECALCOMANIE	ABZIEHBILDER	CALCOMANIAS
19	F03020069R	RONDELLA BONDED AUTOCENT 1 4	BONDED WASHER 1 4	RONDELLE BONDED 1 4	BONDED SCHEIBE 1 4	BONDED ARANDELA 1 4
20	F03150211R	NIPPLO MM CIL-CIL 1 2-1 4 ZN	NIPLE MM CIL-CIL 1 4-1 2 ZN	NIPLE MM 1 4-1 2 ZN	NIPLE GG 1 4-1 2 ZN	NIPLE MM 1 4-1 2 ZN
21	F03151370R	RONDELLA BONDED SEAL 1 2 NBR	WASHER BONDED SEAL 1 2 NBR			
22	F03150935R	INNESTO RAP.MASCH.1 2 A VALV.	QUICK CONNECT MALE CONE 1 2	CONNEXION RAPIDE MALE CONE 1 2	SCHNELLKUPP.GEWINDE KONISC 1 2	ACOPLAMIEN.TAP.MACHO CONO 1 2
23	G15232270R	NIPPLO M-M GAS-DIN F1,0	NIPPLE M-M GAS-DIN F1,0			

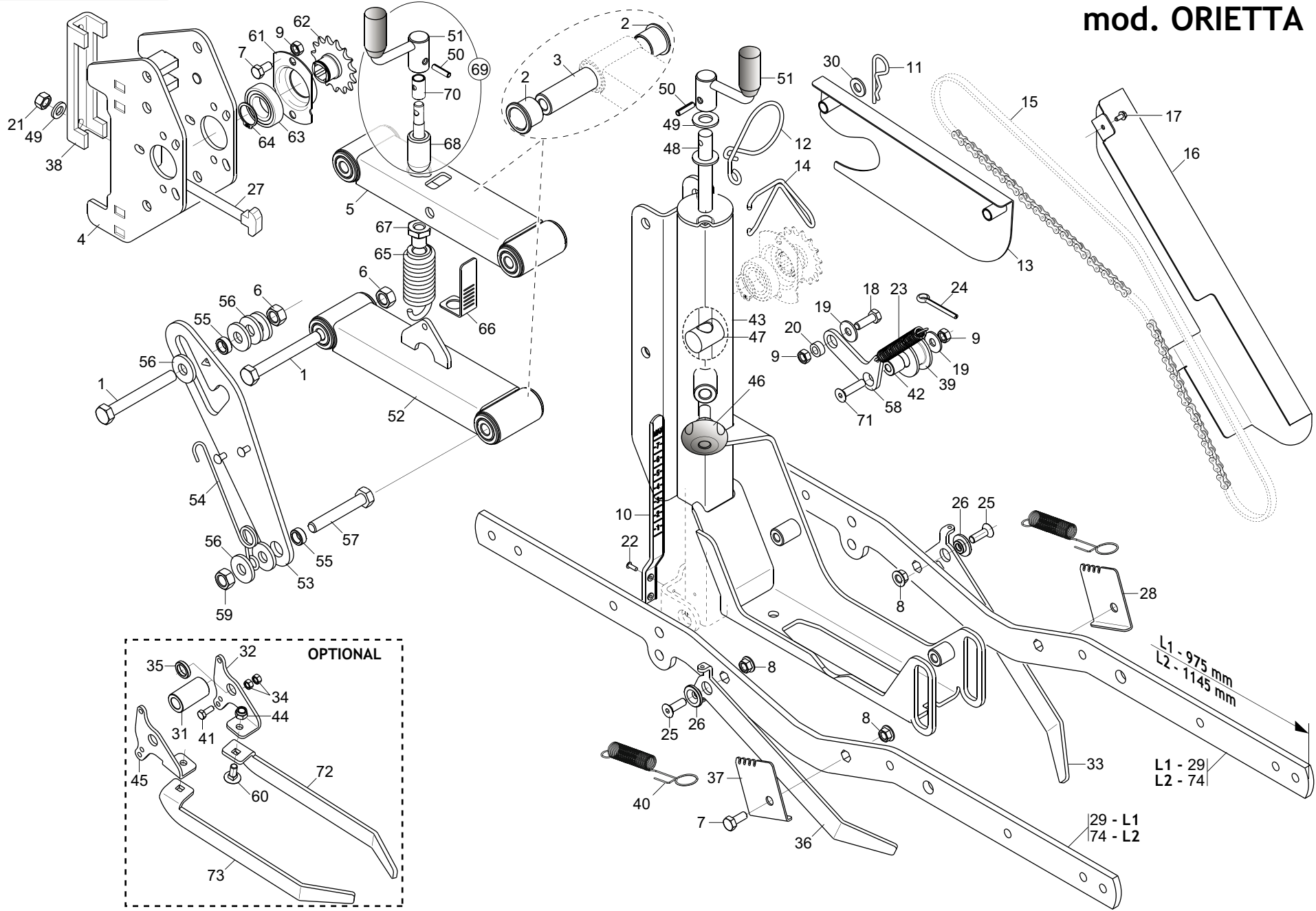




## DISTRIBUTORE SEMI SEED DISTRIBUTOR

TAV. 093

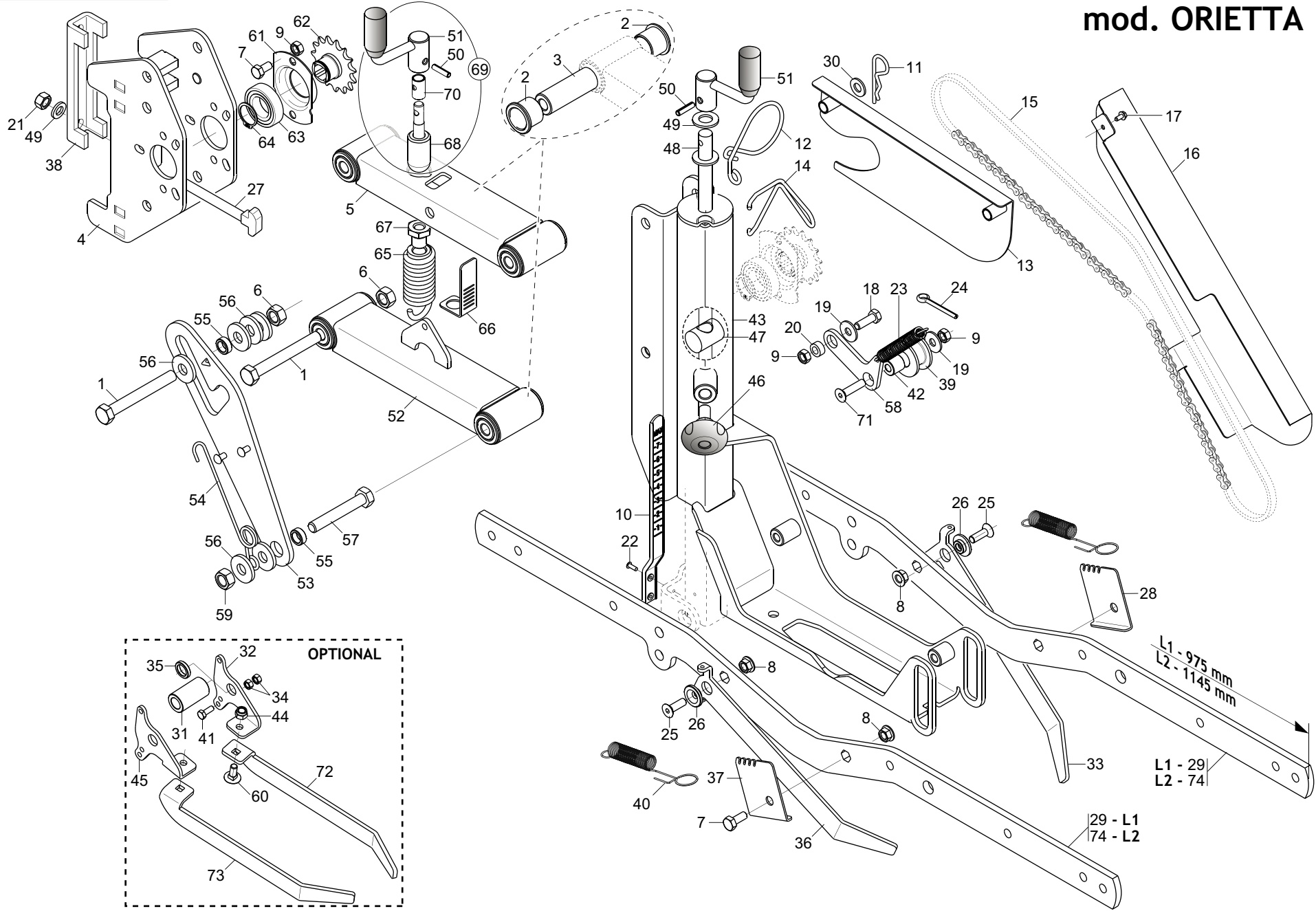
Pos.	Cod.	Descrizione	Description	Description	Benennung	Descripcion
1	G15826062R	COPERCHIO CORPO DISTR.R1 LAV.	DISTRIBUTOR BODY COVER R1 LAV			TAPON CUERPO DISTRIBUTOR R1
2	G19005920R	GUARN.COPERCHIO OLIMPIA	COVER GASKET OLIMPIA			EMPAQUES DE CUBIERTA
3	F06220037R	VOLANTINO ZIGR.D.26-M8 FEM	KNURLED HANDWHEEL D.26-M8			FOLLETO ZIGR.D.26-M8
4	F01200244R	DADO M8X1,25 U5588 CL8 ZN	NUT M8X1,25 U5588 6.8ZN	ECROU M8 X1,25 U5588 6.8 ZN	MUTTER M8 X1,25 U5588 6.8 ZN	TUERCA M8X1,25 U5588 CL8 ZN
5	G15829600R	GRUPPO SELETTORE COMPL	COMPLETE SELECTING GROUP			
6	F01070047R	VITE A3,5X1,34X9,5 U6954 4.8NI	SCR. H3,5X1,34X9,5 U6954 4.8NI	VIS 3-5X 9-5 DIN 7981	SCHRAUBE 3-5X 9-5 DIN 7981	TORNILLO 3-5X 9-5 DIN 7981
7	G19004640R	FINESTRA LIVELLO SEME R	SEED LEVEL OPENING R	FENETRE DE NIVEAU DES GRAINES	SAMENINSPEKTIONSFENSTER R	VENTANA DE NIVEL SEMILLAS
8	F01020383R	VITE M5X0,8X30 U5739 8.8ZN	SCR. M5X0,8X30 U5739 8.8ZN	SCR. M5X0,8X30 U5739 8.8ZN	SCHRAUBE M5X0,8X30 U5739 8.8ZN	TORNILLO M5X0,8X30 U5739 8.8ZN
9	F01410023R	RONDELLA D5 UNI 6592 ZN	WASHER M5 5,3X 10X 1 U6592			
10	G18904240R	MOLLA L=17 D.FILO=1.3 SP.=7	SPRING L=17 D.1.3	RESSORT	FEDER	MUELLE
11	G19004880R	FINESTRA DISTRIBUTORE	DISTRIBUTOR OPENING	FENETRE DISTRIBUTEUR	VERTEILERFENSTER	MUELLE
12	F01230019R	DADO M5X0,8 D982 8ZN	NUT M5X0,8 D982 8ZN	ECROU AUTOB.NOR.5 ZN	SELBSTSP. MUTTER NOR.5 ZN	TUERCA AUTOB. NOR. 5 ZN
13	F01020429R	VITE M8X1,25X14 U5739 8.8ZN	SCR. M8X1,25X14 U5739* 8.8ZN	VIS 8X14 5739 8.G ZN	SCHRAUBE 8X14 5739 8.G ZN	TORNILLO 8X14 5739 8.G ZN
14	G15826053R	CORPO DISTRIBUTORE R1 LAVOR.	DISTRIB. BODY R1 MACHINED			
15	G19005610R	COPERCHIO TRAMOGGIA DISTRIBUT.	SEED DISTRIBUTOR COVER			
16	F01020452R	VITE M8X1,25X50 U5739 8.8ZN	SCR. M8X1,25X50 U5739 8.8ZN	VIS M8X1,25X50 U5739 8.8 ZN	SCHRA. M8X1,25X50 U5739 8.8 ZN	TORN. M8X1,25X50 U5739 8.8 ZN
17	G15828220R	PERNO COPERCHIO DISTRIB.ZN	DISTRIBUTOR COVER PIN	PIVOT COUVERCLE DISTRIBUTEUR	BOLZEN DECKEL SZAPPARAT	PERNO TAPA DISTRIBUDOR
18	F02050649R	FISSATORE ELAST.ALBERO D.3 S.S	D.3 S.S ELASTIC SHAFT FASTENE	FIXATEUR ELAST. ARBRE D.3 S.S	WELLE, ELASTISCHE BEFESTIGUNG	FIJADOR EL-STICO -RBOL D.3.S.S
19	G22250145R	PUNTA SELETTORE ECCENTRICO SV	ECCENTRIC TIP SWITCH SV			SELECTOR EXCENTRICO SV
20	G15825840R	SUPPORTO SELETTORE SEM.ORTAG.	VEG. PLANTER SELECTOR SUPPORT			SOPORTE SELECTOR SEMILLA HORT.
21	G18901220R	MOLLA COMP.SELETT.ECCEN. SV	SPRING COMP.SELETT.ECCEN. SV			MUELLE SV
22	G19002121R	POMELLO GRADUATO SELET.ECC.SV	GRADUATED KNOB			POMULO GRADUADO SV
23	F01030011R	VITE M4X0,7X10 U5933 10.9ZD	SCR. M4X0,7X10 U5933 10.9ZD			
24	F01070049R	VITE A3,5X1,27X13 U6954 4.8NI	SCR. H3,5X1,27X13 U6954 4.8NI	VIS 3,5X1,27X 13 6954 4.8NI	SCHRAUBE 3.5X1.27X 13 6954 4.8	TORNILLO 3.5X1.27X 13 6954 4.8
25	G19004580R	SCATTO SELETTORE DR R	RELEASE SELECTOR DR R			
26	F05100190R	TAPPO FORO SELETTORE	SELECTOR HOLE PLUG	BOUCHON TROU SELECTEUR	PFROPFEN LOCHWZLER	TAPN AGUJERO SELECTOR
27	G19203870R	PORTELLINO ISPEZIONE DISCO	DISC INSPECTION DOOR			PUERTA ISPECCION DISCO
28	F02200463R	SPINA SCATTO D5 B 81 ZN	SNAP PIN D5 B 81 ZN	FICHE A DETENTE D5 B 81 ZN	EINRASTSTIFT D5 B 81 ZN	CLAVIJA DE MUELLE D5 B 81 ZN
29	G15827421R	INGRANAGGIO Z.15 COMPL.	GEAR Z.15 COMPL.			
30	F02050056R	ANELLO E. DE 17X 1 U7435 C70	SEEGER RING E. 17X 1 U7435 C70	SEEGER E. 17 X 1 U7435 C70	SEEGERING E. 17X 1 U7435 C70	INEL E 17X 1 U7435 C70
31	F04010308R	CUSC.D17 D30 B7 61903 2RS1	BEARING 61903-2RS1	PALIER 61903-2RS1	LAGER 61903-2RS1	COJINETE 61903-2RS1
32	F02050293R	ANELLO E. DI 30X 1,2 U7437 C70	SEEGER RING 30X1,2 U7437 C70	SEEGER E. 30X 1,2 U7437 C70	SEEGERING E. 30X 1,2 U7437 C70	ANILLO E. 30 X1,2 U7437 C70
33	G15829490R	PERNO ESPULSORE	EXPPELLER PIN			
34	G10521111R	PRIGIONIERO CORPO DISTR.	DISTR. CASING STUD BOLT. SV	PRISONNIER CORPS DISTRIB.	STIFTSCHRAUBE SZAPPARATKTRPER	TIRANTE CUERPO DISTR.
35	F02050651R	ANELLO E. DE 10X 1 U7435 C70	SEEGER RING ARR.10 U7435-75	SEEGER ARR. 10 UNI 7435-75	SEEGERING ARR.10 UNI 7435-75	ANILLO E. DE 10X 1 U7435 C70
36	F01410011R	ROS.M4 4,3X 9X0,8 U6592 ZN	PLANE WASHER 4,5X 9 6592	RONDELLE 4,5X 9 6592	SCHEIBE 4,5X 9 6592	ARANDELA 4,5X 9 6592
37	G19004650R	GUARNIZIONE SEME R	SEED SEAL R	GARNITURE GRAINES R	SAMEN DIHTUNG R	JUNTA SEMILLAS R
38	F01040060R	VITE M6X1X14 U5931 8.8ZN	SCREW M6X1X14 U5931 8.8ZN	VIS M6X1X14 U5931 8.8ZN	SCHRAUBE M6X1X14 U5931 8.8ZN	TORNILLO M6X1X14 U5931 8.8ZN
39	G15826040R	PORTELLO ALIMENTAZIONE	POWER FLAP	PORTILLON ALIMENTATION	ZUF. HRUNGSDECKEL	REGISTRO ALIMENTACI N
40	F06220036R	VOLANTINO ZIGR. D.15-M5 X10	KNURLED FLYWHEEL D.15-M5 X10	VOLANT CANNEL D.15-M5 X10	GER-ND. HANDRAD D.15-M5 X10	VOLANTE ESTR. D.15-M5 X10
41	G10521094R	SUPPORTO AGITATORE ORIETTA	AGITATOR SUPPORT ORIETTA			
42	G15828431R	ASS.AGITATORE R	ASS.AGITATOR R			
43	G15828391R	TRASCINATORE DISCO ZN	DISC DRIVER GALV.ED			
44	G15882120R	CERNIERA COPERCHIO IX	COVER HINGE IX			
45	G19005620R	INS.CAVA PIOLI X DISCO S.PIOL	GASKET FOR DISC R			
46	F01030055R	VITE M8X1,25X20 U5933 10.9ZD	SCR. M8X1,25X20 U5933 10.9ZD	VIS M 8X20	SCHRAUBE M 8X20	JUNTA DISCO R
47	G18701890R	RONDELLA SVAS. 8,5X35 X5 ZN	FLARED WASHER D.8.5 ZN.	RONDELLE D.8,5 VAS E ZN.	F-CHERSCHEIBE D.8,5 ZN.	TORNILLO M 8X20
48	G15828290R	CAPPELLOTTO TENUTA GUARNIZ.DR	CAP SEALING GASKET			ARANDELA 8,5 ABOCINADA ZN.
49	F01070078R	VITE A4,2X1,41X13 U6950 4.8ZN	SCR. H4,2X1,41X13 U6950 4.8ZN	VIS AUTOTARADEUSE.4-2X13 TE	SELBSTSCHNEID. SCHRAUBE 4-2X13	TORNILLO AUTOR.4-2X13 TE
50	F01430059R	ROS.M8 8,4X 15X0,8 U8842J ZN	WASHER M8 8,4X15X0,8 U8842J ZN	ROND. M8 8,4X 15X0,8 U8842J ZN	SCHEIBE M8 8,4X15X0,8 U8842JZN	ARAND. M8 8,4X15X0,8 U8842J ZN
51	G16620470R	TAPPO CENTRALE H=7,5	CENTRAL PLUG H=7.5	BOUCHON CENTRAL H=7,5	ZENTRALER PFROPFEN H=7,5	TAP N CENTRAL H=7,5
52	F13010027R	RACC.SUPERAPIDO 90 1 8G-8	90 UNION STRAIGHT 1 8G-8			
53	G15882430R	PIASTA RINF.COPERCHIO TRAM. IX	REINF.PLATE HOPPER COVER IX			
54	G19006100R	COPERCHIO	COVER			
55	G19006090R	RIALZO TRAMOGGIA	HOPPER RISE			
56	G19004891R	ESPULSORE SEME FS ORIETTA	SEED EJECTOR SR ORIETTA			EXPULSOR SEMILLA FS ORIETTA
57	G19005530R	PATTINO SELETTORE FS	SKATE SELECTOR			
58	G19005930R	TASSELLO FS	WEDGE SR			ANCLA FS
59	G19005023R	ESPULSORE SEME DR ORIETTA	SEED EMISSION DR ORIETTA			EXPULSOR SEMILLA DR ORIETTA
60	GA5820110R	PATTINO SELETTORE DR LAV.	BLOCK ROCKER DR			
61	G19005940R	TASSELLO DR	CAP DOUBLE ROW			TACO DR
62	G19005880R	ESPULSORE SEME 3F	SEED EJECTOR 3F			
63	GA5820810R	PATTINO SELETTORE 3F LAV	PLATE SELECTOR 3ROWS			
64	G19005950R	TASSELLO TR	ANCHOR TR			TACO TR
65	G19006350R	PATTINO DISCO	SLIDING BLOCK DISC			
66	G15881541R	CARTERINO ESPULSORE DR	CARTER			
67	G15881551R	CARTERINO ESPULSORE TR	CARTER			
68	G15882540R	ASSE FISS.COPERCHIO RIALZO IX	FIXED AXLE EXTENSION COVER IX			
69	G65338044R	MOLLA COMP.ZN PRESS.SELETT. SV	ZN SELCT. PRESS. COMP. SPRING	RESSORT COMPL. ZN PRESS. SELEC	DRUCKFEDER ZN WZHLERDRUCK SV	MUELLE COMP.ZN PRES. SELECT. S
70	G15883420R	PUNTA SELETTORE ECCENTR. D.4.5	ECCENTRIC SELECTOR D4.5			



## TELAIO ELEMENTO UNIT TOOLBAR

TAV. 102

Pos.	Cod.	Descrizione	Description	Description	Benennung	Descripcion
1	F01020170R	VITE M12X1,75X100 U5737 8.8ZN	SCR. M12X1,75X100 U5737 8.8ZN	VIS M12X1,75X100 5737 8.8 ZN	SCHRA.M12X1,75X100 5737 8.8 ZN	TORN. M12X1,75X100 5737 8.8 ZN
2	G66349003R	BOCCOLA SINT.	BUSHING- SINTERED	BOITE FRITTEE	SYNTH. BUECHSE	CASQUILLO SINT.
3	G22250405R	PERNO BRACCIO INFERIORE SV 2	PIN- LOWER ARM SV 2	PIVOT BRAS INF. SV 2	ZAPFEN UNTERER ARM SV 2	PERNO BRAZO INFERIOR SV 2
4	G15828250R	ATTACCO TELAIO	FRAME COUPLING	FIXATION BATI	KUPPLUNG RAHMEN	CONEXIN BASTIDOR
5	GA5820420R	PARALLELO SUP.CON PERNI	UPPER PARALLEL WITH PINS			
6	F01220048R	DADO M12X1,75 D980 8ZN	NUT M12X1,75 D980 8ZN	ECROU M12X1,75 D980 8 ZN	SCHEIBE M12X1,75 D980 8 ZN	TUERCA M12X1,75 D980 8 ZN
7	F01020432R	VITE M8X1,25X16 U5739 8.8ZN	SCR. M8X1,25X16 U5739 8.8ZN	VIS M8 X1,25X16 U5739 8.8 ZN	SCHRAUBE M8X1,25X16U5739 8.8ZN	TORNILLO M8X1,25X16 U5739 8.8
8	F01260043R	DADO M8 D6923 8.8ZN	NUT M8 D6923 8.8ZN	ECROU BRIDE .M8 DIN 6923 8.8 Z	GEFLANSCHTE MUTTER M8 DIN6923	TUERCA BRIDA M8 DIN 6923 8.8 Z
9	F01200244R	DADO M8X1,25 U5588 CL8 ZN	NUT M8X1,25 U5588 6.8ZN	ECROU M8 X1,25 U5588 6.8 ZN	MUTTER M8 X1,25 U5588 6.8 ZN	TUERCA M8X1,25 U5588 CL8 ZN
10	G19003400R	ASTA INDICAZIONE PROFONDITA	DEPTH INDICATING ROD	TIGE INDICATION PROFONDEUR	TIEFENANZEIGESTAB	VARILLA INDICACI N PROFUNDIDAD
11	F02200342R	COPIGLIA R 2X 50 ZN	SPRING SPLIT PIN 2X50 GALV.	GOUPILLE R 2X50 ZN	SPLINT R 2X50 ZN	CHAVETA R 2X50 ZN
12	G18903140R	MOLLA GUIDATUBO	PIPE GUIDE SUPPORT	RESSORT GUIDE-TUBE	FEDER ROHRFSHRUNG	MUELLE GU A TUBOS
13	G15827930R	CARTER ANT.	FRONT CARTER			
14	G65336100R	MOLLA SPEC.FERMO MANIGLIA SP	SPEC SPRING HANDLE STOP SP	RESSORT SPEC. ARRET POIGNEE SP	SPEZIALFEDER GRIFFSPERRE SP	MUELLE ESPEC. BLOQUEO MANIJA S
15	F06080223R	SP.CAT.1 2-3 16 108M.ISO 083-1	SP.CAT.1 2-3 16 108M.ISO 083-			
16	G15881270R	CARTER LATERALE	SIDE CARTER			
17	F01070011R	VITE A4,2X1,41X9,5 U6950 4.8NI	SCR. H4,2X1,41X9,5 U6950 4.8NI	VIS AUTOTAR. 4-2X9-5 T. E. COU	SELBSTSCHNEID. SCHRAUBE 4-2X9-	TORNILLO AUTORROSC. 4-2X9-5
18	F01020440R	VITE M8X1,25X25 U5739 8.8ZN	SCR. M8X1,25X25 U5739 8.8ZN	VIS M8X1,25X25 U5739 8.8 ZN	SCHRAUBE M8X1,25X25U5739 8.8ZN	TORNILLO M8X1,25X25 U5739 8.8
19	F01420048R	ROS.M8 8,4X 24X 2 U6593 ZN	WASHER M8 8,4X 24X2 U6593 ZN	RONDELLE M8 8,4X24X 2 U6593 ZN	SCHEIBEN M8 8,4X24X 2 U6593 ZN	ARAND.M8 8,4X 24X 2 U6593 ZN
20	G20980050R	BOCCOLA 15X7X8,5 ZN	BUSHING 15X7X8-5 ZN	BOITE 15X7X8-5 ZN	BSCHSE 15X7X8-5 ZN	CASQUILLO 15X7X8-5 ZN
21	F01200306R	DADO M14X2 U5588 CL8 ZN	NUT M14X2 U5588 6.8ZN	ECROU M14X2	MUTTER M14X2	DADO M14X2
22	F02250077R	RIVETTO STR. 3 X14 U9200AAL	3X14 ALUMINIUM PULL RIVET	RIVET A RUPTURE 3X14 ALUMINIUM	REISSNIETE3X14 ALL.	REMACHE DESGAR. 3X14 ALL.
23	G18902680R	MOLLA TRAZ.ZN SERBATOIO SV290	GALV.TANK TRACT.SPRING SV290	RESSORT RAZ.ZN RESERVOIR SV290	ZUGFEDER ZN BEHZLTER SV290	MUELLE TRAC.ZN DEP SITO SV290
24	F02200194R	COPIGLIA 4X 25 U1336 ZN	SPLIT PIN 4 X25 1336 GALVAN.	GOUPILLE 4 X25 1336 ZN	SPLINT 4 X25 1336 ZN	PASADOR 4 X25 1336 ZN
25	F01030055R	VITE M8X1,25X20 U5933 10.9ZD	SCR. M8X1,25X20 U5933 10.9ZD	VIS M 8X20	SCHRAUBE M 8X20	TORNILLO M 8X20
26	G15821110R	BOCCOLA SUPPORTO COPRISEME	SEED COVER SUPP. BUSHING	BOITE SUPPORT COUVRE-SEMENCE	BSCHSE SAMENABDECKERHALTER.	CASQUILLO SOPORTE CUBRESEMILLA
27	G16610010R	VITE A MARTELLO M14X165	WINGED BOLT M14X165	VIS A TETE MARTEAU M14X165	ZWEIFL GEL- SCHRAUBEN M14X165	TORNILLO DE MARIPOSA M14X165
28	G15829970R	ATTACCO DX MOLLA COPRISEME	RIGHT HITCH SEEDCOVER SPRING			
29	GA5820700R	BRACCIO BILANCIERE EVO	BALANCE WHEEL ARM EVO			
30	F01410064R	ROS.M10 10,5X 20X 2 U6592 ZN	WASHER M10 10,5X20X2 U6592 ZN	RONDEL. M10 10,5X20X2 U6592 ZN	SCHEIBE M10 10,5X20X2 U6592 ZN	ARAND.M10 10,5X 20X 2 U6592 ZN
31	G19006460R	DISTANZIALE D15-25X45	SPACER D15-25X45			
32	G15882450R	SUPP.SX COPRISEME REGOLABILE	LEFT SUPPORT SEEDCOVER ADJ.			
33	G15881090R	COPRISEME DX	SEEDCOVERING RIGHT			
34	F01200232R	DADO M6X1 U5588 CL8 ZN	NUT M6X1 U5588 6.8ZN	ECROU 6 UNI 5588 6.8 ZN	MUTTER 6 UNI 5588 6.8 ZN	TUERCA M6X1 U5588 CL8 ZN
35	G19005300R	DISTANZIALE 15X22X4,5	SPACER 15X22X4,5			
36	G15881080R	COPRISEME SX	SEEDCOVERING LEFT			
37	G15829960R	ATTACCO SX MOLLA COPRISEME	LEFT SEEDCOVER PRING			
38	G15110091R	SCONTRO A U	CONTRA U	BRIDE 150 MM	ANSCHLAG	ELEMENTO DE EMPALME
39	G19005110R	RULLO TENDICATENA	ROLLER CHAIN TIGHTENER			RODILLO TENSIONA CADENA
40	G18902520R	MOLLA TRAZ.ZN RASCHIATERRA	SCRAPER TRACTION SPRING ZN			RESORTE TRAZ.ZN RASTRILLO
41	F01020403R	VITE M6X1X16 U5739 8.8ZN	SCR. M6X1X16 U5739 8.8ZN	VIS M6X1X16 U5739 8.8 ZN	SCHRAUBE M6X1X16 U5739 8.8 ZN	TORNILLO M6X1X16 U5739 8.8 ZN
42	G18801450R	BOCCOLA 8,25 X18 X17	BUSHING 8,25 X 18 X 17	BOITE 8,25 X18 X17	BSCHSE 8,25 X18 X17	CASQUILLO 8,25 X18 X17
43	G15829791R	TELAJETTO SEMINATORE	PLANTING UNIT FRAME			
44	F01230034R	DADO M8X1,25 D982 8ZN	NUT M8X1,25 D982 8ZN	ECROU M8X 1,25 ZN	MUTTER M8X 1,25 D982 8 ZN	TUERCA M8X1,25 D982 8
45	G15882440R	SUPP.DX COPRISEME REGOLABILE	RIGHT SUPP.SEEDCOVER ADJ.ABLE			
46	F06220010R	VOLANTINO 8 LOBI M12X25	BOLT M12X25			
47	G22230063R	ELEMENTO ARTICOLATO	ARTICULATED ELEMENT	ELEMENT ARTICULE	GELENKELEMENT	ELEMENTO ARTICULADO
48	G22230062R	VITE DI REGOLAZIONE	ADJUSTMENT BOLT	VIS DE REGLAGE	EINSTELLSCHRAUBE	TORNILLO DE REGULACI N
49	F01410088R	ROS.M14 15X 28X2,5 U6592 ZN	WAS.M14 15X 28X2,5 U6592 ZB	RON.M14 15X 28X2,5 U6592 ZB	SCH.M14 15X 28X2,5 U6592 ZB	ARA.M14 15X 28X2,5 U6592 ZB
50	F02100111R	SPINA E.P. 6X 24 U6873 A2 IX	PIN EL. 6 X24 U6873 A2 IX			
51	G22270235R	MANIGLIA REGOLAZIONE B4	ADJUSTMENT HANDLE B4	POIGNEE REGLAGE B4	EINSTELLGRIFF B4	MANIJA REGULACI N B4
52	GA5820430R	PARALLELO INF.CON PERNI	LOWER PARALLEL WITH PINS			
53	G15829681R	ASTA AGGANCIO	HOOK PLATE ASSEMBLY			
54	G18902880R	MOLLA FERMO PARALLELO SP	PARALLEL LOCK SPRING SP			
55	G18800820R	BOCCOLA 12,25X18 X7	BUSHING 12,25X18X7			



**TELAIO ELEMENTO  
UNIT TOOLBAR**

**TAV. 102**

Pos.	Cod.	Descrizione	Description	Description	Benennung	Descripcion
56	G20970035R	RONDELLA 32X4X13	WASHER 32X4X13	RONDELLE 32X4X13	UNTERLEGSCHIEBE 32X4X13	ARANDELA 32X4X13
57	F01020172R	VITE M12X1,75X110 U5737 8.8ZN	SCR. M12X1,75X110 U5737 8.8ZN	VIS M12X1,75X110 U5737 8.8ZN	SCHRA.M12X1,75X110 U5737 8.8ZN	TORN.M12X1,75X110 U5737 8.8ZN
58	G15881320R	BRACCIO TENDICATENA	CHAIN-STRETCHER ARM			
59	F01200078R	DADO M12X1,75 AUTOF. U5588 ZB	NUT M12X1,75 AUTOF. U5588			
60	F01060040R	VITE M8X1,25X20 U5731 8.8ZN	SCR. M8X1,25X20 U5732 4.6ZG	VIS M8X1,25X20 U5732 4.6 ZN	SCHRA. M8X1,25X20 U5732 4.6 ZN	TORN. M8X1,25X20 U5732 4.6 ZN
61	G15725030R	SUPPORTO CUSCINETTO	BEARING SUPPORT	SUPPORT PALIER	LAGERHALTERUNG	SOPORTE COJINETE
62	G15835470R	PIGNONE ISO 08B-1 1 2-3 16 Z15	ISO 08B-1 Z=15 PINION SQR16,4			
63	F04010135R	CUSC.D25 D47 B12 6005 2RS EX	BEARING D25 D47 B12 6005 2RS			
64	F02050101R	ANELLO E. DE 25X 1,2 U7435 C7	SEEGER RING E. 25X1,2 7435 C70	SEEGER E. 25X 1,2 U7435 C70	SEEGERING E. 25X 1,2 U7435 C70	ANILLO E. DE 25X 1,2 U7435 C7
65	G15828660R	ASS.MOLLA ALLEGGERIMENTO	LIGHTENING SPRING COUPLING	ASS. RESSORT ALLEGEMENT	ERLEICHTERUNGSFEDERKOMPLEX	CONJ. MUELLE DE ALIGERAMIENTO
66	G15829290R	INDICE MOLLA PARALLELOGR. ZN	PARALL.SPRING INDICATOR			
67	G15220120R	VITE REGOLAZIONE ZN	REGULATION BOLT	VIS R GLAGE ZN	STELLSCHRAUBE ZN	TORNILLO REGULACI N ZN
68	G15828760R	BOCCOLA TENDITORE	BUSHING- TIGHTENER	BOITE TENDEUR	BSCHE SPANNER	CASQUILLO TENSOR
69	G15220960R	MANIGLIA REGOLAZIONE	ADJUSTMENT HANDLE	POIGNEE REGLAGE	EINSTELLGRIFF	MANIJA REGULACION
70	G22505061R	BOCCOLA VITE DI REGOLAZIONE	BUSHING	BOITE VIS DE REGLAGE	BSCHE EINSTELLSCHRAUBE	CASQUILLO TORNILLO DE REGULACI
71	F01030060R	VITE M8X1,25X35 U5933 10.9ZD	SCREW M8X1,25X35 U5933 10.9ZD	VIS M8X1,25X35 U5933 10.9ZD	SCHRA.M8X1,25X35 U5933 10.9ZD	TORNILLO M8X1,25X35 U5933 10.9
72	G15829851R	COPRISEME REGOLABILE SX	ADJUSTABLE SEEDCOVERING LEFT			
73	G15829861R	COPRISEME REGOLABILE DX	ADJUSTABLE SEEDCOVERING RIGHT			
74	G15829820R	BRACCIO BILANCIERE	BALANCER ARM			



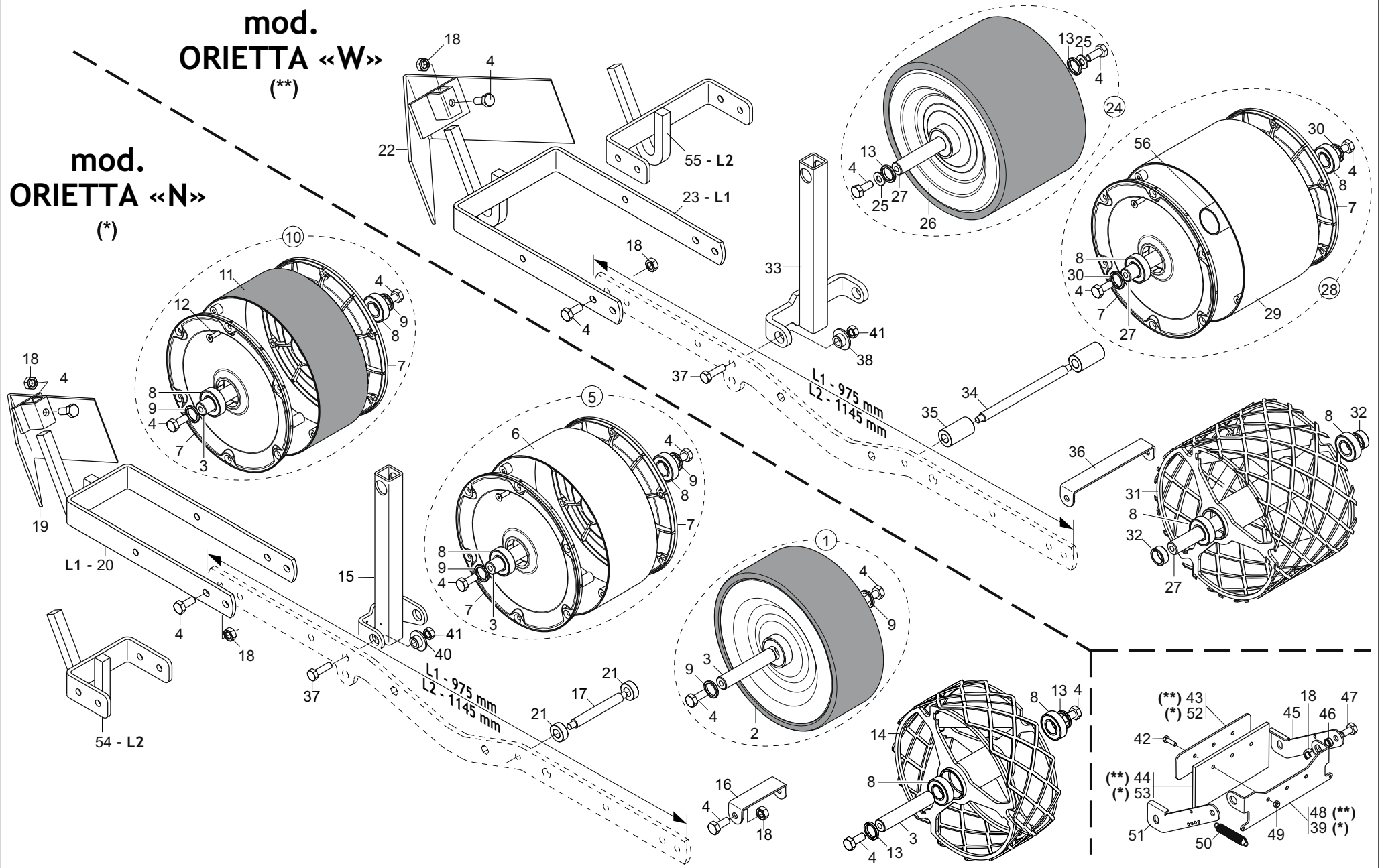
## ELEMENTI ASSOLCATORI COULTERS

TAV. 114

Pos.	Cod.	Descrizione	Description	Description	Benennung	Descripcion
1	F01020468R	VITE M10X1,5X16 U5739 8.8ZN	SCR. M10X1,5X16 U5739 8.8ZN	RONDELLE M10X1,5 X 16	DUEBEL M10X1,5 X 16	TORNILLO M10X1,5X16 U5739 8
2	F01040107R	VITE M8X1,25X30 U5931 A2IX	SCR. M8X1,25X30 U5931 A2IX	VIS M8X1,25X 30 U5931 A2 IX	SCHRAUBE M8X1,25X 30 U5931 A2	TORNIL. M8X1,25X 30 U5931 A2
3	GA5821210R	ASS.LAMIERE FALCIONE FS-19	ASS.COULTER FS-19			
4	F01200244R	DADO M8X1,25 U5588 CL8 ZN	NUT M8X1,25 U5588 6.8ZN	ECROU M8 X1,25 U5588 6.8 ZN	MUTTER M8 X1,25 U5588 6.8 ZN	TUERCA M8X1,25 U5588 CL8 ZN
5	GA5821230R	FALCIONE FS-19 H08 15 MIC	COULTER FS-19 H08 15 MIC			
6	GA5821220R	FALCIONE FS-19 H15 25 MIC	COULTER FS-19 H15 25 MIC			
7	G15881602R	ASS.SUPPORTO FALCIONE DR7 19	ASS.SUPPORT COULTER DR7 19			
8	G15881620R	RIGA DX FALCIONE DR 06	RIGHT CUTTER LINE DR	GR. REGLE DROITE DE HACHOIR D	STAB RE SZSCHAR DR	CONJ. VARILLA DER. GUADA ADORA
9	G15881610R	RIGA SX FALCIONE DR 06	LEFT CUTTER LINE DR	GR. REGLE GAUCHE DE HACHOIR D	STAB LI SZSCHAR DR	CONJ. VARILLA IZQ. GUADA ADORA
10	G15881630R	SLITTA FALCIONE DR7 06	BLADE SKID DR7 06			
11	F01030054R	VITE M8X1,25X16 U5933 10.9 ZD	SCREW M8X1,25X16 U5933 10.9 GA	VIS M8X1,25X16 U5933 10.9 ZD	SCHRAU.M8X1,25X16 U5933 10.9ZD	TORNI.M8X1,25X16 U5933 10.9 ZD
12	G15881692R	MONT.FALC.DR7 H08 15 19 C.MIC	MOUNT.COULTER DR7 H08 15 19			
13	G15881592R	MONT.FALC DR7 H15 25 19 C.MIC	MOUNT.COULTER DR7 H15 25 19			
14	G15881473R	ASS.RIGA DX FALCIONE TR	RIGHT ROW ASSEMBLY			
15	G15881451R	ASS.TOP FALCIONE TR C.MIC	ASS.TOP COULTER TR C.MIC			
16	G15881482R	ASS.RIGA CENTRALE FALCIONE TR	ASS.CENTRAL ROW COULTER			
17	G15881740R	SLITTA TR	SKID TR			
18	G15881493R	ASS.RIGA SX FALCIONE TR	LEFT ROW ASSEMBLY			
19	G15882021R	MONT.FALC.TR-10 H08-15 19 C.M	MOUNT.COULTER TR-10 H08-15			
20	G15881441R	MONT.FALC TR-10 H15-25 19 C.M	TR-10 H15-25 COULTER W.MIC			
21	G19203660R	TAGLIENTE FALCIONE FS03 H8 15	CUTTER EDGE FS03 H8 15	COUPEUR HACHOIR FS03 H8 15	SCHARSCHNEIDE FS03 H8 15	AFIL. HOJA DE CORTE FS03 H8 15
22	G19203670R	TAGLIENTE FALCIONE FS03 H15 25	KNIFE COULTER SR03 H15 25			REJA TRIPLE FS03 H15 25
23	F01200270R	DADO M10X1,5 U5588 CL8 ZN	NUT M10X1,5 U5588 6.8ZN	ECROU M10X 1,5 U5588 6.8 ZN	MUTTER M10X 1,5 U5588 6.8 ZN	TUERCA M10X1,5 U5588 CL8 ZN
24	G15827310R	ASS.FALCIONE FASCIA 6	ASSEMBLY STRIP COULTER 6			
25	G19203640R	PUNTALE FALCIONE A FASCIA R	TOOTH BLADE			
26	F01020451R	VITE M8X1,25X45 U5739 8.8ZN	SCR. M8X1,25X45 U5739 8.8ZN	VIS M8X1,25X45 U5739 8.8ZN	SCHRA.M8X1,25X45 U5739 8.8ZN	TORN. M8X1,25X45 U5739 8.8ZN
27	G15827340R	FALCIONE A FASCIA 6 CON VITE	STRIP COULTER 6 WITH SCREW			
28	GA5821240R	ASS.LAMIERE FALC.FS CORTO 19	ASS.COULTER FS SHORT 19			
29	GA5821250R	FALC.FS-19 H15 25 CORTO MIC	COULTER FS-19 H15 25 SHORT MIC			
30	GA5821260R	FALC.FS-19 H08 15 CORTO MIC	COULTER FS-19 H08 15 CORTO MIC			
31	GA5821310R	FALCION.FASCIA 6 CM C.VITE MIC	COULTER 6 CM			
32	GA5821270R	ASS.FALCIONE FASCIA 6 CM MIC	ASS.COULTER 6 CM MIC			

mod.  
**ORietta «W»**  
(\*\*)

mod.  
**ORietta «N»**  
(\*)





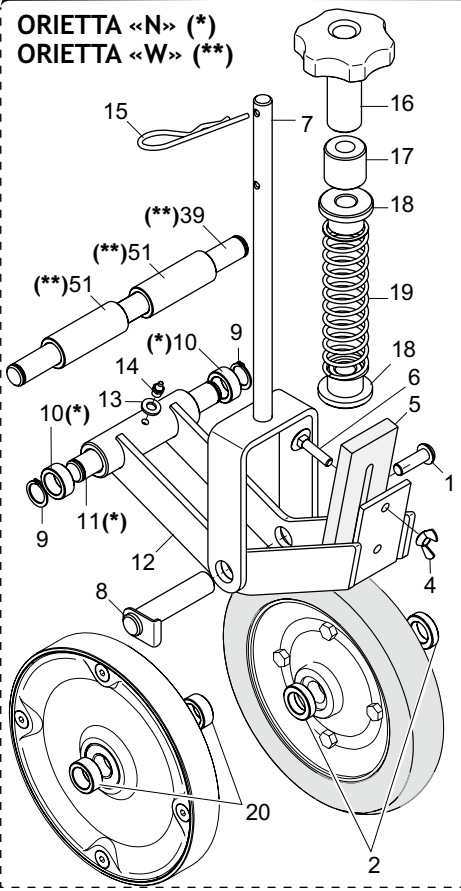
## RUOTE DI COMPRESSIONE COMPRESSION WHEELS

TAV. 123

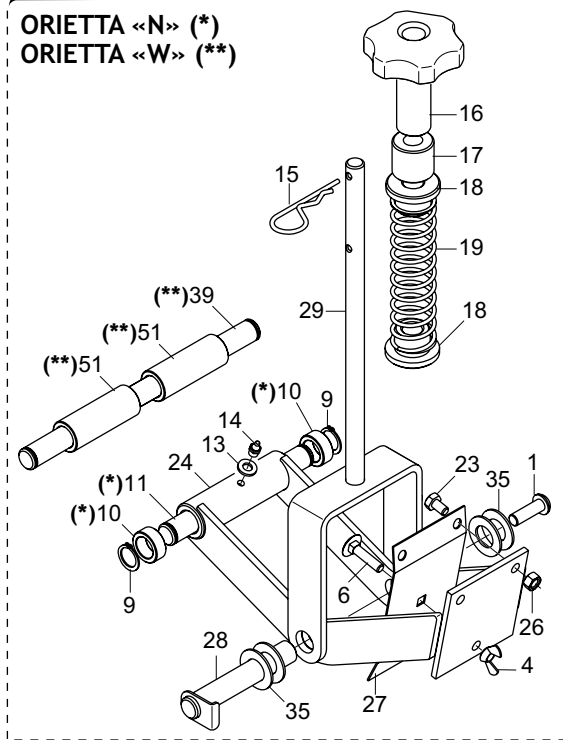
Pos.	Cod.	Descrizione	Description	Description	Benennung	Description
1	G15826830R	MONT.RUOTA IN GOMMA D.250X100	RUBB. WHEEL ASSEMBLY D.250X100			
2	G15826821R	RUOTA IN GOMMA 250X100	RUBBER WHEEL 250X100			
3	G15826561R	ASSE RUOTA 250X100	WHEEL AXLE 250X100	AXE	ACHSE	EJE
4	F01020472R	VITE M10X1,5X25 U5739 8.8ZN	SCR. M10X1,5X25 U5739 8.8ZN	VIS M10X1,5X25 U5739 8.8 ZN	SCHRAUBE M10X1,5X25 U5739 8.8	TORNILLO M10X1,5X25 U5739 8.8
5	G15829430R	RUOTA INOX D.250X100 FL.COMPL.	WHEEL INOX D.250X100 FL.			
6	G15829330R	ANELLO INOX D.250X100	RING D.250X100	BAGUE D.250X100	RING D.250X100	ANILLO D.250X100
7	G19005320R	FIANCO RUOTA D.250	SIDE WHEEL D.250			
8	F04010131R	CUSC.D20 D42 B12 6004-2RSH EX	BEARING D20 D42 B12 6004-2RSH	ROULEMENT D20 B12	LAGER 6004	COJINETE 6004
9	G19005080R	DISTANZIALE RUOTE INOX R	INOX R WHEEL SPACER	ENTRETOISE ROUE INOX R	DISTANZSTSCK RAD INOX R	DISTANCIADOR RUEDA INOX R
10	G15829580R	RUOTA GOMMA D.250X100 FL.COMPL.	RUBBER WHEEL D.250X100 FL.			
11	G15829410R	TUBO GOMMATO D.250X100	RUBBER TUBE D.250X100			
12	F01030038R	VITE M6X1X20 U5933 10.9ZD	SCR. M6X1X20 U5933 10.9ZD	VIS M6X1X20 U5933 10.9ZD	SCHRAU. M6X1X20 U5933 10.9ZD	TORNILLO M6X1X20 U5933 10.9ZD
13	G19005081R	DISTANZIALE RUOTE INOX R	WHEEL SPACER INOX R			
14	G15881340R	ASS.RUOTA IN GRIGLIA 250X100	ASSY GRID WHEEL 250X100			
15	G15829920R	SUPPORTO BILANCIERE	ROCKER ARM SUPPORT			
16	G15829950R	RASCHIATERRA	SOILSCRAPER			
17	G15829890R	ASSE POSTERIORE BILANCIERE	REAR ROCKER SHAFT			
18	F01200270R	DADO M10X1,5 U5588 CL8 ZN	NUT M10X1,5 U5588 6.8ZN	ECROU M10X 1,5 U5588 6.8 ZN	MUTTER M10X 1,5 U5588 6.8 ZN	TUERCA M10X1,5 U5588 CL8 ZN
19	G10525830R	SPIANATERRA	SOIL LEVELLER	NIVELEUSE	ERDEBNER	NIVELADORA
20	GA5820720R	SUPPORTO SPARTIZOLLE STRETTO	SOD-BREAKER SUPPORT TIGHT			
21	G19005161R	BOCCOLA 15X40X12 PLA	BUSHING 15X40X12 PLA			
22	G15821861R	SPIANATERRA	SOIL LEVELLER			
23	GA5820750R	SUPPORTO SPARTIZOLLE LARGO	SOD-BREAKER SUPPORT WIDE			
24	G15829160R	RUOTA 250X170 COMPL.	WHEEL 250X170 COMPL.			
25	F01420060R	ROS.M10 10,5X 30X2,5 U6593 ZG	GALV.WASHER 10,5X30X2,5 U6593	RONDELLE 10,5X30	SCHEIBE 10,5X30	ARAND.M10 10,5X 30X2,5 U6593
26	G15827960R	RUOTA GOMMA 250X170 MOZZO 180	RUBBER WHEEL 250X170 HUB 180			
27	G15827980R	ASSE RUOTA 250X170	WHEEL AXLE 250X170	AXE ROUE 250X170	RADACHSE 250X170	EJE RUEDA 250X170
28	G15829760R	RUOTA INOX D.250X170 FL.COMPL.	WHEEL INOX D.250X170 FL.			
29	G15829770R	ANELLO INOX D.250X170	RING D.250X170	BAGUE D.250X170	RING D.250X170	ANILLO D.250X170
30	G19005600R	DISTANZIALE D.20 XD.27 X10.5	SPACER D.20 XD.27 X10.5			
31	G15881381R	RUOTA IN GRIGLIA 250X170	ASSY GRID WHEEL 250X170			
32	G19005600R	DISTANZIALE D.20 XD.27 X10.5	SPACER D.20 XD.27 X10.5			
33	G15827870R	SUPPORTO BILANCIERE	SUPPORT ROCKET ARM			
34	G15881810R	ASSE POSTERIORE BILANCIERE 187	REAR ROCKER SHAFT 187			
35	G19005960R	DIST.D.15 X30 X53	SPACER D.15 X30 X53			
36	G15827970R	RASCHIATERRA	SOILSCRAPER			
37	F01020512R	VITE M12X1,75X35 U5739 8.8ZN	SCR. M12X1,75X35 U5739 8.8ZN	VIS M12X1,75X35 5739 8.8 ZN	SCHR. M12X1,75X35 5739 8.8 ZN	TORNILLO M12X1,75X35 U5739 8
38	G15224630R	BOCCOLA SINT.12,25X20 L.15 PAR	BUSHING SINT.12,25X20 L.15 PAR	BOITE BRAS	BSCHE ARM	CASQUILLO BRAZO
39	G15882751R	SUPP.RASCHIATERRA IN GOMMA	RUBBER MUD SCRAPER SUPPORT			
40	G15421231R	BOCCOLA BRACCIO SUPERIORE	UPPER ARM BUSHING	BOITE BRAS SUPERIEURE	OBERE ARMBSCHE	CASQUILLO BRAZO SUPERIOR
41	F01220048R	DADO M12X1,75 D980 8ZN	NUT M12X1,75 D980 8ZN	ECROU M12X1,75 D980 8 ZN	SCHEIBE M12X1,75 D980 8 ZN	TUERCA M12X1,75 D980 8 ZN
42	F01020404R	VITE M6X1X20 U5739 8.8ZN	SCR. M6X1X20 U5739 8.8ZN	VIS M6X1X20 U5739 8.8ZN	SCHRAUBE M6X1X20 U5739 8.8ZN	TORNILLO M6X1X20 U5739 8.8ZN
43	G15882181R	PIASTRA 175X45 3F6,5	PLATE 175X45 3F6,5			
44	G15882191R	RASCHIATORE IN GOMMA	RUBBER SCRAPER			
45	G15882160R	SUPPORTO DX	RIGHT SUPPORT			
46	G20980080R	BOCCOLA 15X12X10,25	BUSH 15X12X10-25			
47	F01020470R	VITE M10X1,5X20 U5739 8.8ZN	SCR. M10X1,5X20 U5739 8.8ZN	VIS M10X1,5X20 U5739 8.8 ZN	SCHRAUBE M10X1,5X20 U5739 ZN	TORNILLO M10X1,5X20 U5739 8
48	G15882171R	SUPPORTO RASCHIATERRA GOMMA	RUBBER SOILSCRAPER SUPPORT			
49	F01220011R	DADO M6X1 D980 8ZN	NUT M6X1 D980 8ZN	ECROU M6X1 D980 8 ZN	MUTTER M6X1 D980 8 ZN	TUERCA M6X1 D980 8 ZN
50	G18904170R	MOLLA SPORTELLO GRANDE	SPRING BIG-DOOR			
51	G15882150R	SUPPORTO SX	LEFT SUPPORT			
52	G15882730R	PIASTRA	PLATE			
53	G15882740R	RASCHIATORE IN GOMMA	RUBBER SCRAPER			
54	G15882041R	SUPPORTO SPARTIZOLLE	SOD-BREAKER SUPPORT			
55	G15829691R	SUPPORTO SPARTIZOLLE	SOD-BREAKER SUPPORT			
56	G15829360R	DISTANZIALE D.39-45 L.90,5 ZN	SPACER D.39-45 L.90,5 ZN			

TAV. 133

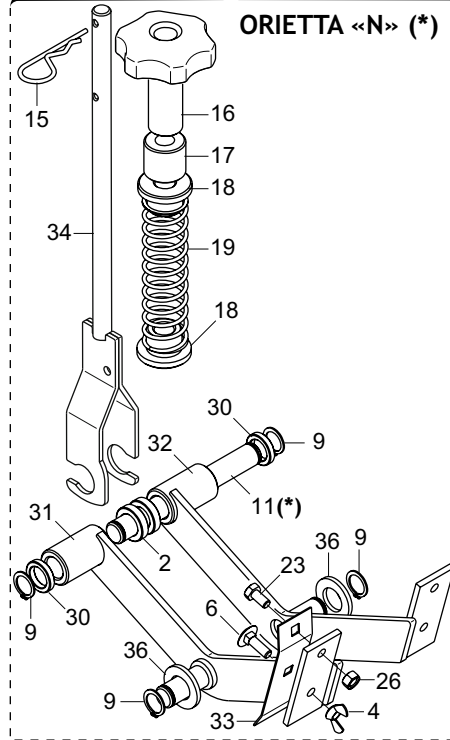
FILA SINGOLA - SINGLE ROW



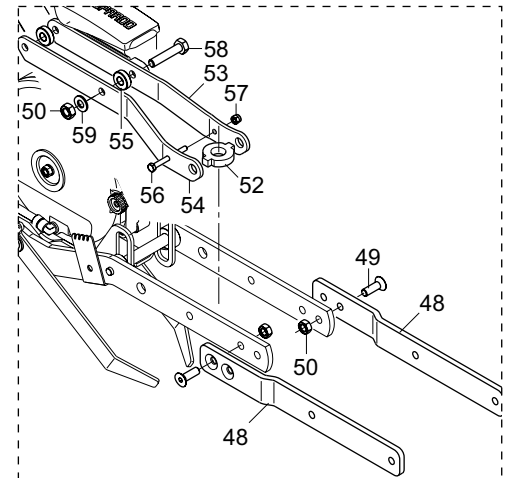
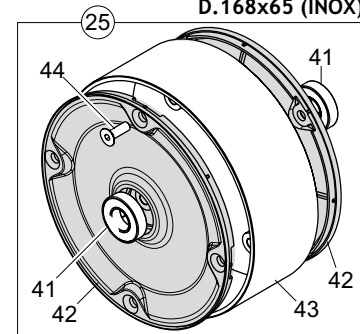
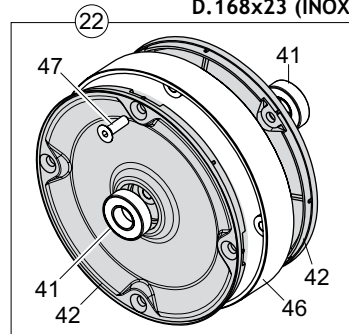
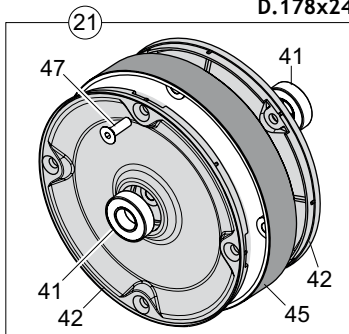
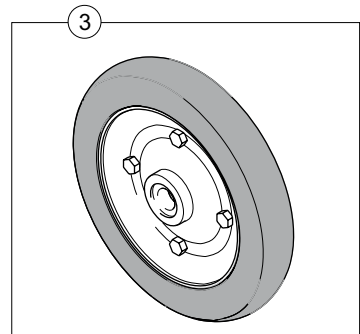
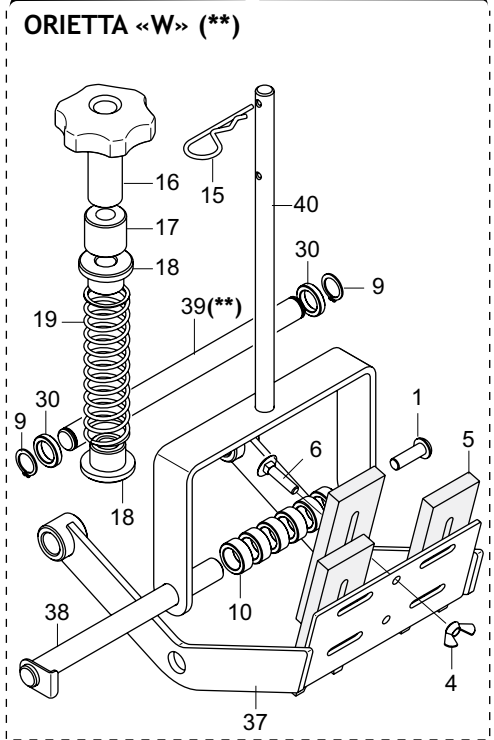
SEMINA A FASCIA - BROAD SEEDING



FILA DOPPIA - DOUBLE ROW



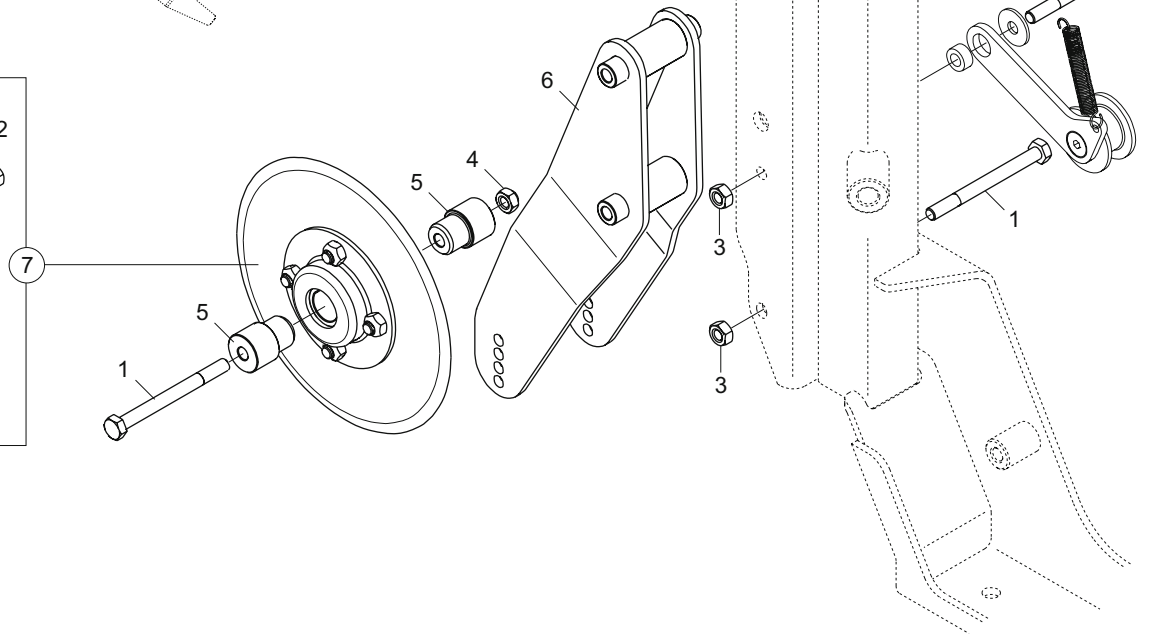
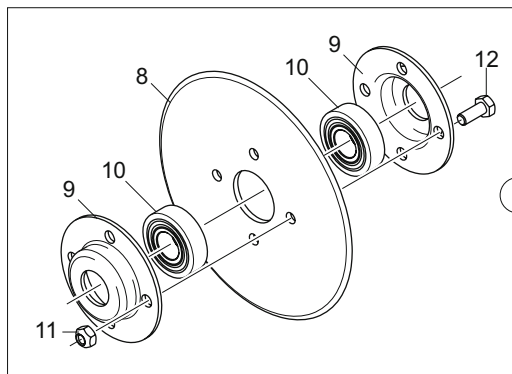
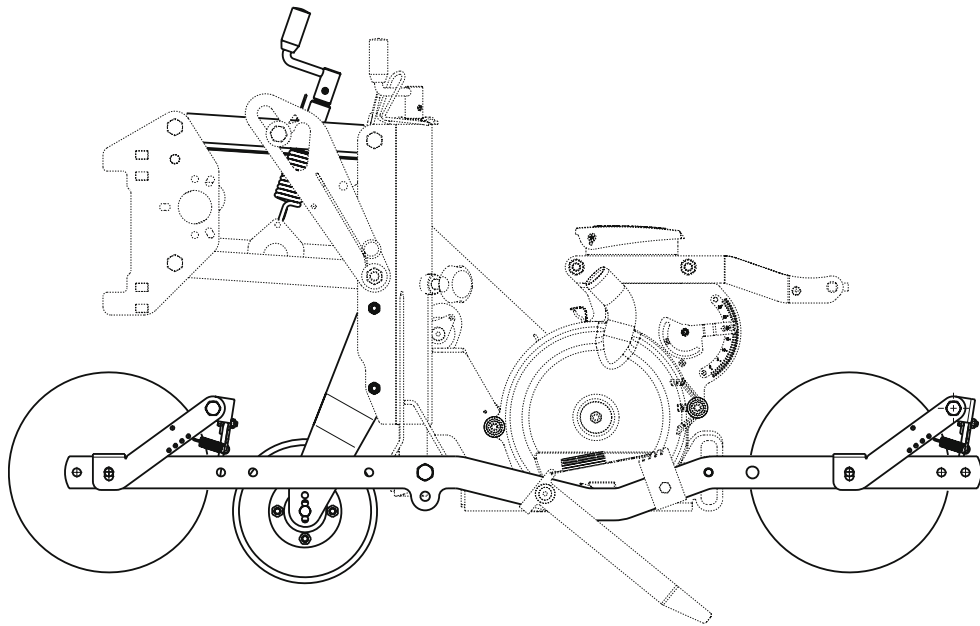
FILA DOPPIA E TRIPLA - DOUBLE AND TRIPLE ROW



## RUOTINI PREMISEME SEED PRESS WHEELS

TAV. 133

Pos.	Cod.	Descrizione	Description	Description	Benennung	Descrpcion
1	F01030211R	VITE M8X1,25X25 U7380 10.9ZD	SCR. M8X1,25X25 U7380 10.9ZD	VIS 8X25 U7380 10.9 ZN	SCHRAUBE 8X25 U7380 10.9 ZN	TORNILLO M8X1,25X25 U7380 10
2	G19005290R	DISTANZIALE 15X24X6	SPACER 15X24X6			
3	F06120066R	RUOTINO FLEX 170 X 30	WHEEL FLEX 170X 30			
4	F01240013R	DADO M6X1 U5448 A2 GE	NUT M6X1 U5448 A2 GE			
5	G15828441R	RASCHIATERRA RUOTINI FS	WHEEL SOIL-SCRAPER FS			
6	F01060069R	VITE M10X1,5X30 U5731 8.8ZN	SCR. M10X1,5X30 U5732 4.6ZN	BOULON 10X30 5732 4.6	SCHRAUBE 10X30 5732 4.6	TORNILLO M10X1,5X30 U5731 8.8
7	G15827491R	STELO PRESSORE R	PRESSURE STEM ASS.	GR. TIGE	SCHAFT	CONJ. V STAGO
8	G15828740R	ASS.ASSE RUOTINO	WHEEL AXIS ASS.	GR. AXE ROUE	RADACHSE	CONJ. EJE RUEDA
9	F02050034R	ANELLO E. DE 15X 1 U7435 C70	ELASTIC RING DE 15X 1	BAGUE ELASTIQUE DE 15X 1	RING DE 15X 1	ANILLO DE 15X 1
10	G19005970R	DIST.D.15 X22 X 9	SPACER D.15 X22 X 9			
11	G15827480R	ASSE COPRISEME	SEED-COVER AXLE	AXE COUVRE-GR.	SAMENABDECK ASCHE	CUBRESEMILLAS EJE
12	G15825251R	SUPP.RUOTINO PREMISEME FS	STRIP SEED PRESS WHEEL SUPPORT	ASS. SUPPORT ROUET RECOUVREUR	SAMENANDRUCKROLLENHALTERUNGSKO	CONJ.. SOPORTE RODILLO PRENSA
13	F01410037R	ROS.M6 6,4X12,5X1,6 U6592 ZN	WASHER M6 6,4X12,5X1,6 U6592ZN	RONDEL.M6 6,4X12,5X1,6 U6592ZN	SCHIEB.M6 6,4X12,5X1,6 U6592ZN	ARAND.M6 6,4X12,5X1,6 U6592 ZN
14	F20110500R	INGRASS.A SFERE M6X1 LUNGO	SPHERE NIPPLE M6X1 LONG	GRAISSEUR A BILLES M6X1 LONG	KUGELFETTBSCHSE M6X1 LANG	ENGRASADOR ESFERAS M6X1 LARGO
15	F02200363R	COPIGLIA R 3X 62 ZN	SPRING SPLIT PIN 3X 62 ZN	GOUPILLE R 3X62	SPLINT R 3X62	PASADOR R 3X 62
16	G19004530R	VOLANTINO PRESSORE SEM.ORT.R	HANDWHEEL	VOLANT	HANDRAD	VOLANTE
17	G66248100R	RULLO TEND. SP	TIGHTENER ROLLER SP	ROULEAU TENDEUR SP	SPANNERROLLE SP	RODILLO TENSOR SP
18	G19004560R	BOCCOLA MOLLA PRESSORE	SPRING BUSHING	RESSORT	FEDER	CASQUILLO MUELLE
19	G18903670R	MOLLA COMPRESIONE RUOTINO	COMPR. WHEEL SPRING	RESSORT COMPRESSION ROUET	FEDER DSNUNGUNG ROLLE	MUELLE COMPRESI N RUEDECILLA
20	G19005161R	BOCCOLA 15X40X12 PLA	BUSHING 15X40X12 PLA			
21	GA5820830R	RUOTA GOMMA R.D.178X23 FL COMP	RUBBER WHEEL R.D.178X23 FL.			
22	GA5820270R	RUOTA INOX D.168X23 COMPL	WHEEL INOX D.168X23 COMPL			
23	F01020398R	VITE M6X1X12 U5739 8.8ZN	SCR. M6X1X12 U5739 8.8ZN	VIS M6X 1X12 U5739 8.8 ZN	SCHRAUBE M6X 1X12 U5739 8.8 ZN	TORNILLO M6X 1X12 U5739 8.8 ZN
24	G15826010R	BRACCIO PREMISEME FASCIA	STRIP SEED PRESS ARM COUPLING	ASS. BRAS ROUE INTERMEDIAIRE P	SAMENANDRUCKARM_GELKOMPLEX	CONJ. PRENSA SEMILLAS FAJA
25	G15829451R	RUOTA INOX D.168X65 FL.COMPL	WHEEL INOX D.168X65 FL.ASS.BLY			
26	F01200232R	DADO M6X1 U5588 CL8 ZN	NUT M6X1 U5588 6.8ZN	ECROU 6 UNI 5588 6.8 ZN	MUTTER 6 UNI 5588 6.8 ZN	TUERCA M6X1 U5588 CL8 ZN
27	G22250178R	RASCHIATERRA RUOTINO LARGO SV	WIDE WHEEL SOIL-SCRAPER SV	RACLEUR ROUET LARGE SV	ERDSCHABER BREITE ROLLE SV	RASCADOR RUEDECILLA LARGA SV
28	G15828830R	ASS.ASSE RUOTINO A FASCIA	SEM. R BANDS WHEEL AXIS ASS.	GR. AXE ROUE BANDES SEM. R	RADACHSE BSNDE SEM. R	CONJ. EJE RUEDA FAJA SEM. R
29	G15828151R	STELO PRESSORE RUOT.FASCIA	STRIP WHEEL PRESSURE STEM ASS.	GR. TIGE ROUE BRIDE	SCHAFT RAD BAND	CONJ. V STAGO RUEDA BANDA
30	G19005300R	DISTANZIALE 15X22X4,5	SPACER 15X22X4,5			
31	G15825430R	BRACCIO SX.PREMISEME DR	DR LEFT-SIDE SEED PRESS ARM CO	ASS. BRAS GAUCHE ROUE INTERMED	ARMKOMPLEX LINKS SAMENANDR_CKE	CONJ.. BRAZO SX PRENSASEMILLAS
32	G15825440R	BRACCIO DX.PREMISEME DR	DR RIGHT-SIDE SEED PRESS ARM C	ASS. BRAS DROIT ROUE INTERMEDI	ARMKOMPLEX RECHTS SAMENANDR_CK	CONJ. BRAZO DX PRENSASEMILLAS
33	G10122392R	RASCHIATERRA	SOILSCRAPER			
34	GA5820850R	ASS.PRESSORE RUOTINO DR7 16	ASS.PRESSORE RUOTINO DR7 16			
35	G20970149R	RONDELLA D.15X28X1,5	WASHER D.15X28X1-5	RONDELLE D. 15X28X1-5	UNTERLEGSSCHEIBE D.15X28X1-5	ARANDELA D.15X28X1-5
36	F01410100R	ROS.M16 17X 30X 3 U6592 ZN	WASHER M16 17X30X3 U6592 ZN	RONDELLE M16 17X30X3 ZN	SCHRAUBE M16 17X 30X3 U6592 ZN	ARAND.M16 17X 30X 3 U6592 ZN
37	G15881800R	ASS.SUPPORTO RASCHIATERRA	ASS.SOIL-SCRAPER SUPPORT			
38	G15881780R	ASS.ASSE RUOTINO TR	WHEEL AXIS TR	AXE ROUE TR	RADACHSE TR	EJE RUEDA TR
39	G15881840R	PERNO RUOTE PREMISEME TR ZN	WHEELS PIN SEEDPRESS TR			
40	G15881750R	ASS.PRESSORE RUOTINI TR	WHEEL TR PRESS.			
41	F04010125R	CUSC.D15 D32 B9 6002 2RS1	BEARING D15 D32 B9 6002 2RS1	PALIER 6002 2RS1	LAGER 6002 2RS1	COJINETE 6002 2RS1
42	G19005331R	FIANCO RUOTA D.168	SIDE WHEEL D.168			
43	G15882720R	ANELLO INOX 168X65	STAINLESS RING 168X65			
44	F01030038R	VITE M6X1X20 U5933 10.9ZD	SCR. M6X1X20 U5933 10.9ZD	VIS M6X1X20 U5933 10.9ZD	SCHRAU. M6X1X20 U5933 10.9ZD	TORNILLO M6X1X20 U5933 10.9ZD
45	GA5820820R	TUBO GOMMATO D.178X23 FUSIONE	RUBBER PIPE D.178X23			
46	GA5820280R	ANELLO INOX 168X23	STAINLESS RING 168X23			
47	F01030041R	VITE M6X1X10 U5933 10.9ZD	SCREW M6X1X10 U5933 10.9ZD	VIS M6X1X10 U5933 10.9ZD	SCHRAU. M6X1X10 U5933 10.9ZD	TORNILLO M6X1X10 U5933 10.9ZD
48	G15827610R	PROLUNGA BILANCIERE	EXTENSION ROCKER			
49	F01030084R	VITE M10X1,5X25 U5933 10.9ZD	SCREW M10X1,5X25 U5933 10.9ZD	VIS M10X1,5X25 U5933 10.9ZD	SCHRA.M10X1,5X25 U5933 10.9ZD	TORN. M10X1,5X25 U5933 10.9ZD
50	F01200270R	DADO M10X1,5 U5588 CL8 ZN	NUT M10X1,5 U5588 6.8ZN	ECROU M10X 1,5 U5588 6.8 ZN	MUTTER M10X 1,5 U5588 6.8 ZN	TUERCA M10X1,5 U5588 CL8 ZN
51	G15882300R	DISTANZIALE 15-25X50	SPACER 15-25X50			
52	G15882480R	SUPP.BASCULANTE	PIVOT SUPP.			
53	G15882470R	PIATTO DX SUPP.BASCULANTE	PIVOTING SUPP.RIGHT PLATE			
54	G15882490R	PIATTO SX SUPP.BASCULANTE	LEFT PLATE SUPP.SWINGING			
55	G18801680R	BOCCOLA 11 X25 X7,5 ZN	BUSHING 11X25X7,5 GALVA	BOITE 11X25X7,5 ZN	BSCHE 11X25X7,5 ZN	CASQUILLO 11X25X7,5 ZN
56	F01020043R	VITE M6X1X60 U5737 8.8ZN	SCR. M6X1X60 U5737 8.8ZN	VIS M6X1X60 U5737 8.8 ZN	SCHRAUBE M6X1X60 U5737 8.8 ZN	TORNILLO M6X1X60 U5737 8.8 ZN
57	F01230022R	DADO M6X1 D982 8ZN	NUT M6X1 D982 8ZN	ECROU AUTO-FREIN.M6X1 D982 8ZN	SICHERUNGSMUT. M6X1 D982 8 ZN	TUERCA DE SEGU.M6X1 D982 8 ZN
58	F01020114R	VITE M10X1,5X50 U5737 8.8ZN	SCR. M10X1,5X50 U5737 8.8ZN	VIS M10X 1,5X50 U5737 8.8 ZN	SCHRA.M10X 1,5X50 U5737 8.8 ZN	TORNILLO M10X1,5X50 U5737 8.8
59	F01410064R	ROS.M10 10,5X 20X 2 U6592 ZN	WASHER M10 10,5X20X2 U6592 ZN	RONDEL. M10 10,5X20X2 U6592 ZN	SCHEIBE M10 10,5X20X2 U6592 ZN	ARAND.M10 10,5X 20X 2 U6592 ZN



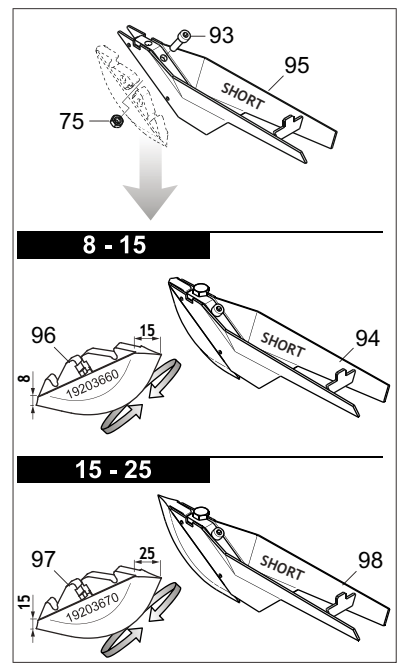
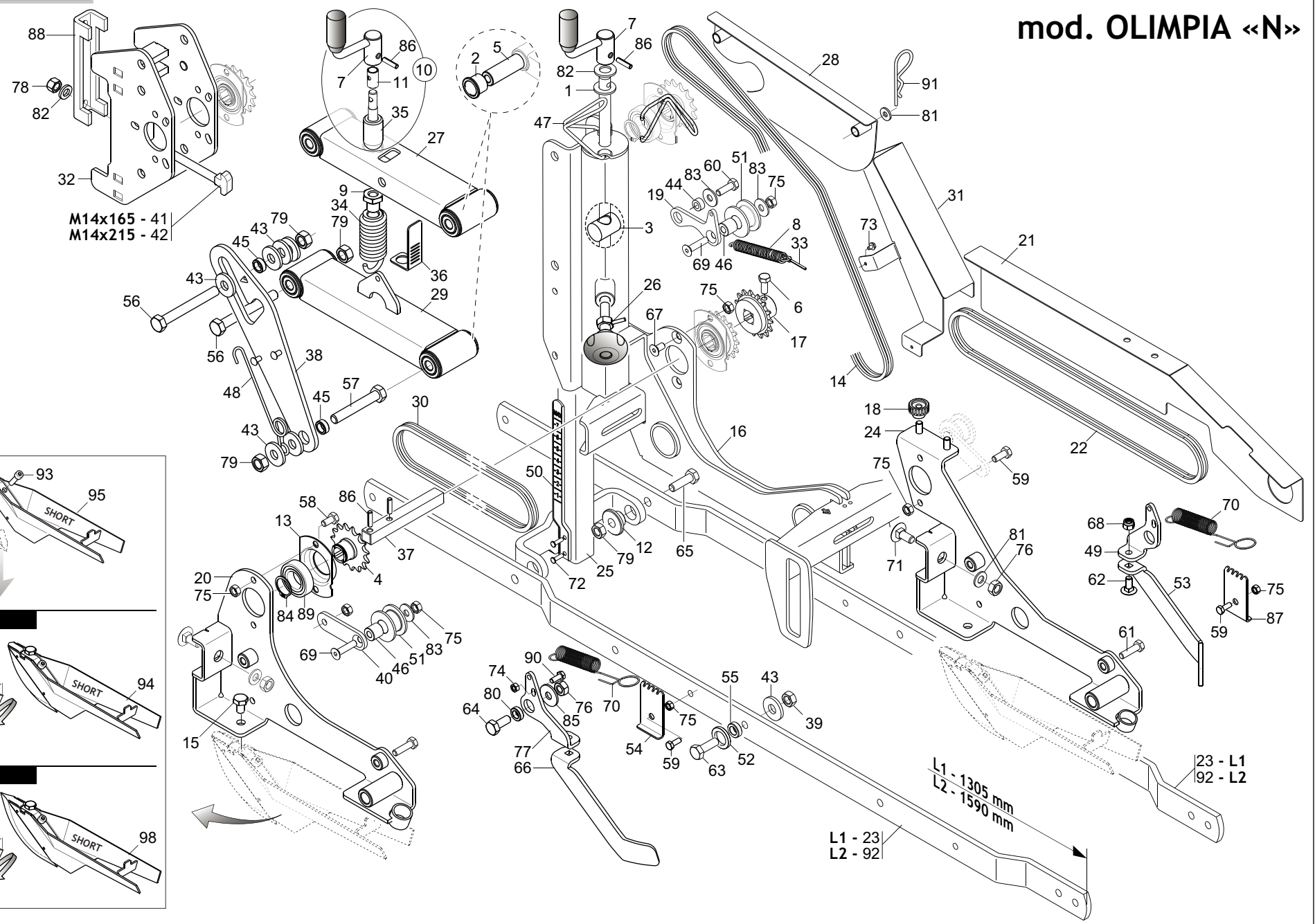
**COLTRO A DISCO (VARIANTI)  
DISC COULTER (VARIANTS)**

**TAV. 380**

Pos.	Cod.	Descrizione	Description	Description	Benennung	Descripcion
1	F01020088R	VITE M8X1,25X90 U5737 8.8ZN	SCREW M8X1,25X90 U5737 8.8ZN	VIS M8X1,25X90 U5737 8.8 ZN	SCHR.M8X1,25X90 U5737 8.8 ZN	TORN. M8X1,25X90 U5737 8.8 ZN
2	F01020090R	VITE M8X1,25X100 U5737 8.8ZN	SCR. M8X1,25X100 U5737 8.8ZN	VIS M8X1,25X100 U5737 8.8ZN	SCRAU. M8X1,25X100 U5737 8.8ZN	TORN. M8X1,25X100 U5737 8.8ZN
3	F01200244R	DADO M8X1,25 U5588 CL8 ZN	NUT M8X1,25 U5588 6.8ZN	ECROU M8 X1,25 U5588 6.8 ZN	MUTTER M8 X1,25 U5588 6.8 ZN	TUERCA M8X1,25 U5588 CL8 ZN
4	F01220022R	DADO M8X1,25 D980 8ZN	NUT M8X1,25 D980 8ZN	ECROU M8X 1,25 D980 8 ZN	MUTTER M8X 1,25 D980 8 ZN	TUERCA M8X 1,25 D980 8 ZN
5	G18804160R	BOCCOLA 8,25X25 X35 ZN	BUSHING 8,25X25X35 ZN			
6	G15883600R	SUPPORTO COLTRO D.180 O EVO	COULTER SUPPORT D.180 O EVO			
7	G15883530R	MONT.DISCO ASSOLCATORE D.180	MOUNT.DISC D.180			
8	G15883500R	DISCO ASSOLCATORE D.180 SP.4	OPENIN DISC D180 SP4			
9	G16242190R	SUPPORTO CUSCINETTO	BEARING SUPPORT	SUPPORT PALIER	LAGERBSCHSE	SOPORTE COJINETE
10	F04010156R	CUSC. D20 D47 B14 6204 2RSH	BEARING D20 D47 B14 6204 2RSH	ROULEMENTD20 D47 B14		
11	F01220022R	DADO M8X1,25 D980 8ZN	NUT M8X1,25 D980 8ZN	ECROU M8X 1,25 D980 8 ZN	MUTTER M8X 1,25 D980 8 ZN	TUERCA M8X 1,25 D980 8 ZN
12	F01020436R	VITE M8X1,25X20 U5739 8.8ZN	SCR. M8X1,25X20 U5739 8.8ZN	VIS M8X1,25X 20 U5739 8.8 ZN	SCHRAUBE M8X1,25X20U5739 8.8ZN	TORNILLO M8X1,25X20 U5739 8.8

TAV. 233

mod. OLIMPIA «N»



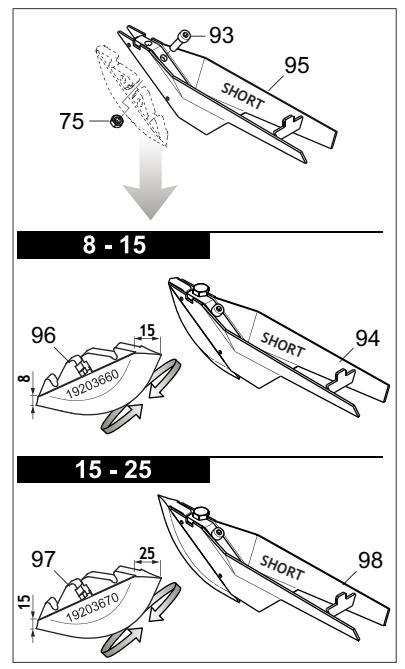
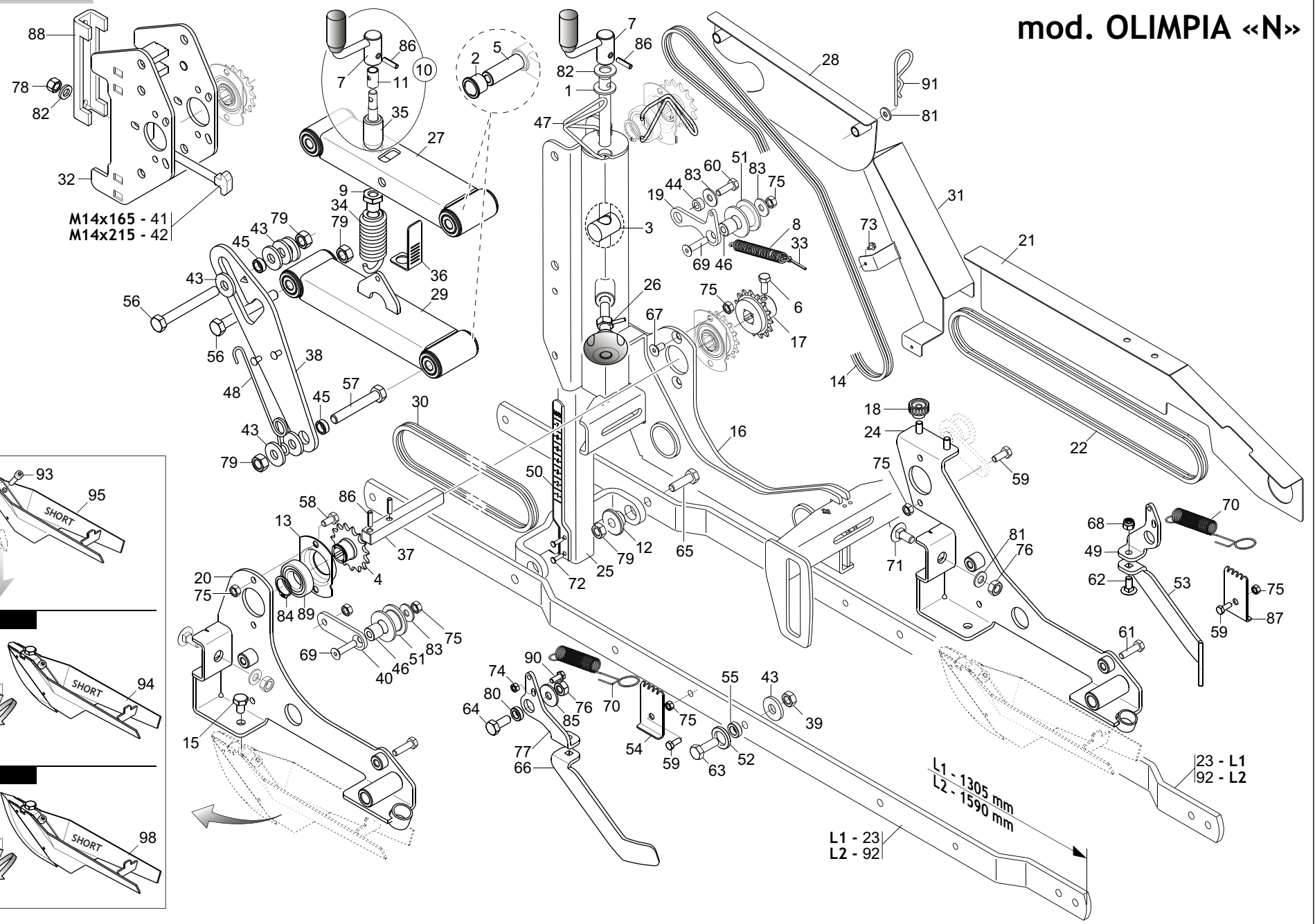
**TELAIO ELEMENTO «N»  
UNIT TOOLBAR «N»**

**TAV. 233**

Pos.	Cod.	Descrizione	Description	Description	Benennung	Description
1	G22230062R	VITE DI REGOLAZIONE	ADJUSTMENT BOLT	VIS DE REGLAGE	EINSTELLSCHRAUBE	TORNILLO DE REGULACION
2	G66349003R	BOCCOLA SINT.	BUSHING- SINTERED	BOITE FRITTEE	SYNTH. BUECHSE	CASQUILLO SINT.
3	G22230063R	ELEMENTO ARTICOLATO	ARTICULATED ELEMENT	ELEMENT ARTICULE	GELENKELEMENT	ELEMENTO ARTICULADO
4	G15835470R	PIGNONE ISO 08B-1 1 2-3 16 Z15	ISO 08B-1 Z=15 PINION SQR16,4			
5	G22250405R	PERNO BRACCIO INFERIORE SV 2	PIN- LOWER ARM SV 2	PIVOT BRAS INF. SV 2	ZAPFEN UNTERER ARM SV 2	PERNO BRAZO INFERIOR SV 2
6	F01020427R	VITE M 8X1,25X 12 U5739 8.8ZN	SCR. M8X1,25X12 U5739 8.8ZN	VIS M8X1,25X12 U5739 8.8ZN	SCHRA. M8X1,25X12 U5739 8.8ZN	TORN. M8X1,25X12 U5739 8.8ZN
7	G22270235R	MANIGLIA REGOLAZIONE B4	ADJUSTMENT HANDLE B4	POIGNEE REGLAGE B4	EINSTELLGRIFF B4	MANIJA REGULACION B4
8	G18902360R	MOLLA AGGANCIAMENTO SEGNAFILE SP	ROWMARKER COUPLER SPRING SP			
9	G15220120R	VITE REGOLAZIONE ZN	REGULATION BOLT	VIS R GLAGE ZN	STELLSCHRAUBE ZN	TORNILLO REGULACION ZN
10	G15220960R	MANIGLIA REGOLAZIONE	ADJUSTMENT HANDLE	POIGNEE REGLAGE	EINSTELLGRIFF	MANIJA REGULACION
11	G22505061R	BOCCOLA VITE DI REGOLAZIONE	BUSHING	BOITE VIS DE REGLAGE	BSCHSE EINSTELLSCHRAUBE	CASQUILLO TORNILLO DE REGULACION
12	G15224630R	BOCCOLA SINT.12,25X20 L.15 PAR	BUSHING SINT.12,25X20 L.15 PAR	BOITE BRAS	BSCHSE ARM	CASQUILLO BRAZO
13	G15725030R	SUPPORTO CUSCINETTO	BEARING SUPPORT	SUPPORT PALIER	LAGERHALTERUNG	SOPORTE COJINETE
14	F06080087R	CATENA 1 2 ISO 083 86 MAGLIE	CHAIN 1 2 ISO 083 86 MESH			
15	F01020468R	VITE M10X1,5X16 U5739 8.8ZN	SCR. M10X1,5X16 U5739 8.8ZN	RONDELLE M10X1,5 X 16	DUEBEL M10X1,5 X 16	TORNILLO M10X1,5X16 U5739 8
16	G15827621R	TELAIETTO CENTRALE OLIMPIA N	CENTRAL FRAME OLIMPIA N			
17	G15827660R	PIGNONE Z-15 ZN	PINION Z-15 ZN			
18	F06220037R	VOLANTINO ZIGR.D.26-M8 FEM	KNURLED HANDWHEEL D.26-M8			FOLLETO ZIGR.D.26-M8
19	G15827680R	BRACCIO TENDICATENA ZN	CHAIN-STRETCHER ARM			
20	G15827701R	ATTACCO DISTRIBUTORE ANT.	FRONT.HITCH DISTR.			
21	G15827800R	CARTER POST.SEMINATORE	REAR CARTER PLANTER			
22	F06080050R	CATENA 1 2 ISO 083 96 MAGLIE	CHAIN 1 2 ISO 083 96 LINKS	TR. CH...1 2 ISO 083 96 MAILL	KETTENZNGE 1 2 ISO 083 96 GL	TRECHO CADENA 1 2 ISO 083 96 E
23	GA5820730R	BRACCIO BILANCIERE EVO	BALANCE WHEEL ARM EVO			
24	G15827861R	ATTACCO DISTRIBUTORE POST.	REAR HITCH DISTRIB.			
25	G15827870R	SUPPORTO BILANCIERE	SUPPORT ROCKET ARM			
26	G16621830R	MONT.VOLANTINO RUOTA PROF.SP	DEPTH WHEEL HANDLE SP ASS.BLY			
27	GA5820420R	PARALLELO SUP.CON PERNI	UPPER PARALLEL WITH PINS			
28	G15827930R	CARTER ANT.	FRONT CARTER			
29	GA5820430R	PARALLELO INF.CON PERNI	LOWER PARALLEL WITH PINS			
30	F06080016R	CATENA 1 2 ISO 083 38 MAGLIE	CHAIN 1 2 ISO 083 38 LINKS	CHAINE 1 2 ISO 083 38 MAILLES	KETTE 1 2 ISO 083 38 MASCHEN	CADENA 1 2 ISO 083 38 ESLABON
31	G15827990R	CARTER CENTRALE SEMINATORE	PLANETER CENTRAL CARTER			
32	G15828250R	ATTACCO TELAIO	FRAME COUPLING	FIXATION BATI	KUPPLUNG RAHMEN	CONEXIN BASTIDOR
33	F02200194R	COPIGLIA 4X 25 U1336 ZN	SPLIT PIN 4 X25 1336 GALVAN.	GOUPILLE 4 X25 1336 ZN	SPLINT 4 X25 1336 ZN	PASADOR 4 X25 1336 ZN
34	G15828660R	ASS.MOLLA ALLEGGERIMENTO	LIGHTENING SPRING COUPLING	ASS. RESSORT ALLEGEMENT	ERLEICHTERUNGSFEDERKOMPLEX	CONJ. MUELLE DE ALIGERAMIENTO
35	G15828760R	BOCCOLA TENDITORE	BUSHING- TIGHTENER	BOITE TENDEUR	BSCHSE SPANNER	CASQUILLO TENSOR
36	G15829290R	INDICE MOLLA PARALLELOGR. ZN	PARALL.SPRING INDICATOR			
37	G15829630R	ASSE TRASMISSIONE	TRANSMISSION AXLE	AXE TRANSMISSION	ANTRIEBSACHSE	EJE TRANSMISION
38	G15829681R	ASTA AGGANCIAMENTO	HOOK PLATE ASSEMBLY			
39	F01220033R	DADO M10X1,5 D980 8ZN	NUT M10X1,5 D980 8ZN	ECROU M10X1,5 D980 8ZN	MUTTER M10X1,5 D980 8ZN	TUERCA M10X1,5 D980 8
40	G15835360R	BRACCIO TENDICATENA	CHAIN-STRETCHER ARM			
41	G16610010R	VITE A MARTELLO M14X165	WINGED BOLT M14X165	VIS A TETE MARTEAU M14X165	ZWEIFL GEL- SCHRAUBEN M14X165	TORNILLO DE MARIPOSA M14X165
42	G16610020R	VITE A MARTELLO M14X215	WINGED BOLT M14X215	VIS A TETE MARTEAU M14X215	ZWEIFL GEL- SCHRAUBEN M14X215	TORNILLO DE MARIPOSA M14X215
43	G20970035R	RONDELLA 32X4X13	WASHER 32X4X13	RONDELLE 32X4X13	UNTERLEGSCHHEIBE 32X4X13	ARANDELA 32X4X13
44	G20980050R	BOCCOLA 15X7X8,5 ZN	BUSHING 15X7X8-5 ZN	BOITE 15X7X8-5 ZN	BSCHSE 15X7X8-5 ZN	CASQUILLO 15X7X8-5 ZN
45	G18800820R	BOCCOLA 12,25X18 X7	BUSHING 12,25X18X7			
46	G18801450R	BOCCOLA 8,25 X18 X17	BUSHING 8,25 X 18 X 17	BOITE 8,25 X18 X17	BSCHSE 8,25 X18 X17	CASQUILLO 8,25 X18 X17
47	G65336100R	MOLLA SPEC.FERMO MANIGLIA SP	SPEC SPRING HANDLE STOP SP	RESSORT SPEC. ARRET POIGNEE SP	SPEZIALFEDER GRIFFSPERRE SP	MUELLE ESPEC. BLOQUEO MANIJA S
48	G18902880R	MOLLA FERMO PARALLELO SP	PARALLEL LOCK SPRING SP			
49	G15882230R	SUPPORTO COPRISEME DX	RIGHT SEEDCOVER SUPPORT			
50	G19003400R	ASTA INDICAZIONE PROFONDITA	DEPTH INDICATING ROD	TIGE INDICATION PROFONDEUR	TIEFENANZEIGESTAB	VARILLA INDICACION PROFUNDIDAD
51	G19005110R	RULLO TENDICATENA	ROLLER CHAIN TIGHTENER			RODILLO TENSIONA CADENA
52	G19005460R	BOCCOLA BILANCIERE	ROCKER BUSHING	BOITE BALANCIER	BSCHSE KIPPHEBEL	CASQUILLO BALANCON
53	G15882250R	COPRISEME DX	SEEDCOVERING RIGHT			
54	G15829970R	ATTACCO DX MOLLA COPRISEME	RIGHT HITCH SEEDCOVER SPRING			
55	G18801610R	BOCCOLA 10,25X16 X11 ZN	BUSHING 10.25 X 16 X 11- GALVA	BOITE 10-25X16 X11 ZN	BSCHSE 10-25X16 X11 ZN	CASQUILLO 10-25X16 X11 ZN

TAV. 233

mod. OLIMPIA «N»

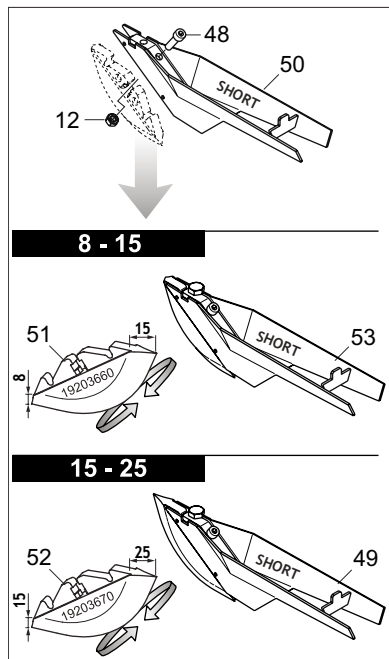




**TELAIO ELEMENTO «N»  
UNIT TOOLBAR «N»**

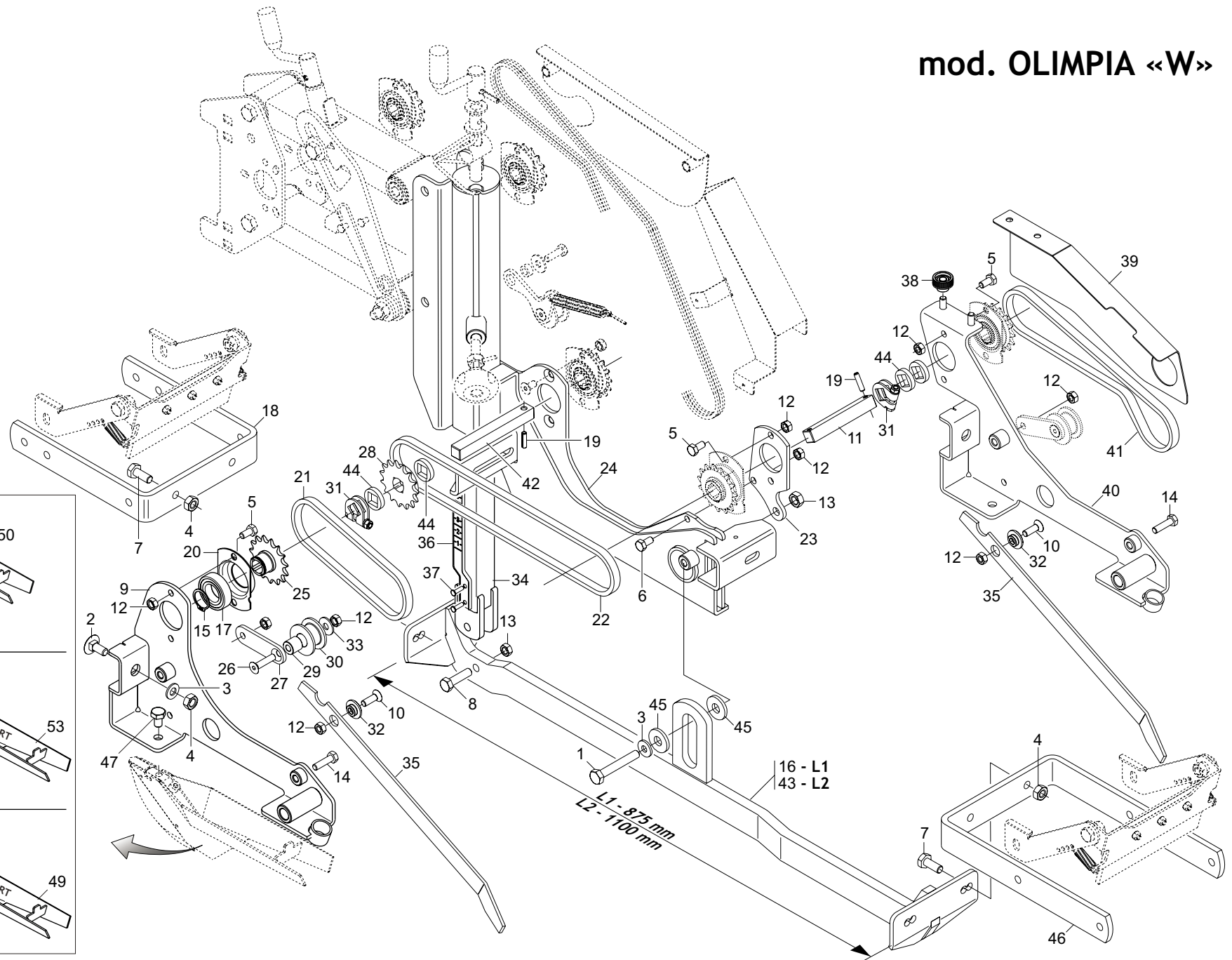
**TAV. 233**

Pos.	Cod.	Descrizione	Description	Description	Benennung	Descripcion
56	F01020170R	VITE M12X1,75X100 U5737 8.8ZN	SCR. M12X1,75X100 U5737 8.8ZN	VIS M12X1,75X100 5737 8.8 ZN	SCHRA.M12X1,75X100 5737 8.8 ZN	TORN. M12X1,75X100 5737 8.8 ZN
57	F01020172R	VITE M12X1,75X110 U5737 8.8ZN	SCR. M12X1,75X110 U5737 8.8ZN	VIS M12X1,75X110 U5737 8.8ZN	SCHRA.M12X1,75X110 U5737 8.8ZN	TORN.M12X1,75X110 U5737 8.8ZN
58	F01020432R	VITE M8X1,25X16 U5739 8.8ZN	SCR. M8X1,25X16 U5739 8.8ZN	VIS M8 X1,25X16 U5739 8.8 ZN	SCHRAUBE M8X1,25X16U5739 8.8ZN	TORNILLO M8X1,25X16 U5739 8.8
59	F01020436R	VITE M8X1,25X20 U5739 8.8ZN	SCR. M8X1,25X20 U5739 8.8ZN	VIS M8X1,25X 20 U5739 8.8 ZN	SCHRAUBE M8X1,25X20U5739 8.8ZN	TORNILLO M8X1,25X20 U5739 8.8
60	F01020440R	VITE M8X1,25X25 U5739 8.8ZN	SCR. M8X1,25X25 U5739 8.8ZN	VIS M8X1,25X25 U5739 8.8 ZN	SCHRAUBE M8X1,25X25U5739 8.8ZN	TORNILLO M8X1,25X25 U5739 8.8
61	F01020445R	VITE M8X1,25X30 U5739 8.8ZN	SCR. M8X1,25X30 U5739 8.8ZN	VIS M 8X1,25X30 U5739 8.8 ZN	SCHRAU. M8X1,25X30 U5739 8.8ZN	TORNILLO M8X1,25X30 U5739 8.8
62	F01060040R	VITE M8X1,25X20 U5731 8.8ZN	SCR. M8X1,25X20 U5732 4.6ZG	VIS M8X1,25X20 U5732 4.6 ZN	SCHRA. M8X1,25X20 U5732 4.6 ZN	TORN. M8X1,25X20 U5732 4.6 ZN
63	F01020479R	VITE M10X1,5X35 U5739 8.8ZN	SCR. M10X1,5X35 U5739 8.8ZN	VIS M10X1,5X35 U5739 8.8 ZN	SCHR. M10X1,5X35 U5739 8.8 ZN	TORNILLO M10X1,5X35 U5739 8
64	F01020472R	VITE M10X1,5X25 U5739 8.8ZN	SCR. M10X1,5X25 U5739 8.8ZN	VIS M10X1,5X25 U5739 8.8 ZN	SCHRAUBE M10X1,5X25 U5739 8.8	TORNILLO M10X1,5X25 U5739 8.8
65	F01020512R	VITE M12X1,75X35 U5739 8.8ZN	SCR. M12X1,75X35 U5739 8.8ZN	VIS M12X1,75X35 5739 8.8 ZN	SCHR. M12X1,75X35 5739 8.8 ZN	TORNILLO M12X1,75X35 U5739 8
66	G15882240R	COPRISEME SX	SEEDCOVERING LEFT			
67	F01030054R	VITE M8X1,25X16 U5933 10.9 ZD	SCREW M8X1,25X16 U5933 10.9 GA	VIS M8X1,25X16 U5933 10.9 ZD	SCHRAU.M8X1,25X16 U5933 10.9ZD	TORNI.M8X1,25X16 U5933 10.9 ZD
68	F01230034R	DADO M8X1,25 D982 8ZN	NUT M8X1,25 D982 8ZN	ECROU M8X 1,25 ZN	MUTTER M8X 1,25 D982 8 ZN	TUERCA M8X1,25 D982 8
69	F01030060R	VITE M8X1,25X35 U5933 10.9ZD	SCREW M8X1,25X35 U5933 10.9ZD	VIS M8X1,25X35 U5933 10.9ZD	SCHRA.M8X1,25X35 U5933 10.9ZD	TORNILLO M8X1,25X35 U5933 10.9
70	G18902520R	MOLLA TRAZ.ZN RASCHIATERRA	SCRAPER TRACTION SPRING ZN			RESORTE TRAZ.ZN RASTRILLO
71	F01060069R	VITE M10X1,5X30 U5731 8.8ZN	SCR. M10X1,5X30 U5732 4.6ZN	BOULON 10X30 5732 4.6	SCHRAUBE 10X30 5732 4.6	TORNILLO M10X1,5X30 U5731 8.8
72	F02250077R	RIVETTO STR. 3 X14 U9200A AL	3X14 ALUMINIUM PULL RIVET	RIVET A RUPTURE 3X14 ALUMINIUM	REISSNIETE3X14 ALL.	REMACHE DESGAR. 3X14 ALL.
73	F01070011R	VITE A4,2X1,41X9,5 U6950 4.8NI	SCR. H4,2X1,41X9,5 U6950 4.8NI	VIS AUTOTAR. 4-2X9-5 T. E. COU	SELBSTSCHNEID. SCHRAUBE 4-2X9-	TORNILLO AUTORROSC. 4-2X9-5
74	F01200232R	DADO M6X1 U5588 CL8 ZN	NUT M6X1 U5588 6.8ZN	ECROU 6 UNI 5588 6.8 ZN	MUTTER 6 UNI 5588 6.8 ZN	TUERCA M6X1 U5588 CL8 ZN
75	F01200244R	DADO M8X1,25 U5588 CL8 ZN	NUT M8X1,25 U5588 6.8ZN	ECROU M8 X1,25 U5588 6.8 ZN	MUTTER M8 X1,25 U5588 6.8 ZN	TUERCA M8X1,25 U5588 CL8 ZN
76	F01200270R	DADO M10X1,5 U5588 CL8 ZN	NUT M10X1,5 U5588 6.8ZN	ECROU M10X 1,5 U5588 6.8 ZN	MUTTER M10X 1,5 U5588 6.8 ZN	TUERCA M10X1,5 U5588 CL8 ZN
77	G15882220R	SUPPORTO COPRISEME SX	LEFT SEEDCOVER SUPPORT			
78	F01200306R	DADO M14X2 U5588 CL8 ZN	NUT M14X2 U5588 6.8ZN	ECROU M14X2	MUTTER M14X2	DADO M14X2
79	F01220048R	DADO M12X1,75 D980 8ZN	NUT M12X1,75 D980 8ZN	ECROU M12X1,75 D980 8 ZN	SCHEIBE M12X1,75 D980 8 ZN	TUERCA M12X1,75 D980 8 ZN
80	G18800260R	BOCCOLA 10,5X18X6 ZN	BUSHING 10,5X18X6 ZN			
81	F01410064R	ROS.M10 10,5X 20X 2 U6592 ZN	WASHER M10 10,5X20X2 U6592 ZN	RONDEL. M10 10,5X20X2 U6592 ZN	SCHEIBE M10 10,5X20X2 U6592 ZN	ARAND.M10 10,5X 20X 2 U6592 ZN
82	F01410088R	ROS.M14 15X 28X2,5 U6592 ZN	WAS.M14 15X 28X2,5 U6592 ZB	RON.M14 15X 28X2,5 U6592 ZB	SCH.M14 15X 28X2,5 U6592 ZB	ARA.M14 15X 28X2,5 U6592 ZB
83	F01420048R	ROS.M8 8,4X 24X 2 U6593 ZN	WASHER M8 8,4X 24X2 U6593 ZN	RONDELLE M8 8,4X24X 2 U6593 ZN	SCHIEBEN M8 8,4X24X 2 U6593 ZN	ARAND.M8 8,4X 24X 2 U6593 ZN
84	F02050101R	ANELLO E. DE 25X 1,2 U7435 C7	SEEGER RING E. 25X1,2 7435 C70	SEEGER E. 25X 1,2 U7435 C70	SEEGERING E. 25X 1,2 U7435 C70	ANILLO E. DE 25X 1,2 U7435 C7
85	F01420060R	ROS.M10 10,5X 30X2,5 U6593 ZG	GALV.WASHER 10,5X30X2,5 U6593	RONDELLE 10,5X30	SCHIEBE 10,5X30	ARAND.M10 10,5X 30X2,5 U6593
86	F02100111R	SPINA E.P. 6X 24 U6873 A2 IX	PIN EL. 6 X24 U6873 A2 IX			
87	G15829960R	ATTACCO SX MOLLA COPRISEME	LEFT SEEDCOVER PRING			
88	G15110091R	SCONTRO A U	CONTRA U	BRIDE 150 MM	ANSCHLAG	ELEMENTO DE EMPALME
89	F04010135R	CUSC.D25 D47 B12 6005 2RS EX	BEARING D25 D47 B12 6005 2RS			
90	F01020403R	VITE M6X1X16 U5739 8.8ZN	SCR. M6X1X16 U5739 8.8ZN	VIS M6X1X16 U5739 8.8 ZN	SCHRAUBE M6X1X16 U5739 8.8 ZN	TORNILLO M6X1X16 U5739 8.8 ZN
91	F02200342R	COPIGLIA R 2X 50 ZN	SPRING SPLIT PIN 2X50 GALV.	GOUPILLE R 2X50 ZN	SPLINT R 2X50 ZN	CHAVETA R 2X50 ZN
92	G15827831R	BRACCIO BILANCIERE	BALANCE WHEEL ARM			
93	F01040107R	VITE M8X1,25X30 U5931 A2IX	SCR. M8X1,25X30 U5931 A2IX	VIS M8X1,25X 30 U5931 A2 IX	SCHRAUBE M8X1,25X 30 U5931 A2	TORNIL. M8X1,25X 30 U5931 A2
94	GA5820630R	FALCIONE FS H8 15 CORTO COMPL	SHORT CUTTER FS H8 15			
95	GA5820610R	FALCIONE FS CORTO	SHORT CUTTER FS			
96	G19203660R	TAGLIENTE FALCIONE FS03 H8 15	CUTTER EDGE FS03 H8 15	COUPEUR HACHOIR FS03 H8 15	SCHARSCHNEIDE FS03 H8 15	AFIL. HOJA DE CORTE FS03 H8 15
97	G19203670R	TAGLIENTE FALCIONE FS03 H15 25	KNIFE COULTER SR03 H15 25			REJA TRIPLE FS03 H15 25
98	GA5820620R	FALCIONE FS H15 25 CORTO COMPL	SHORT CUTTER FS H15 25			



8 - 15

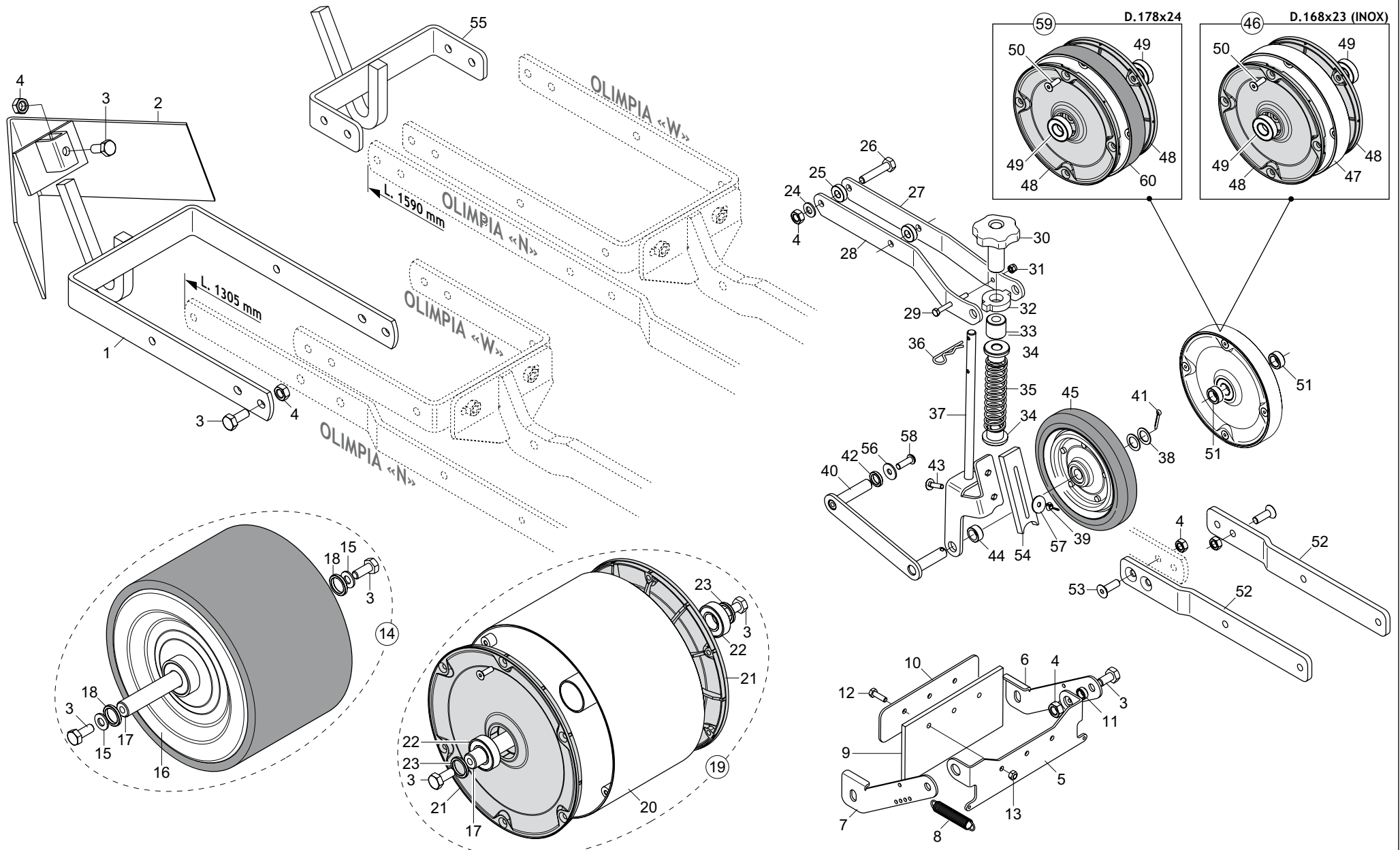
15 - 25



**TELAIO ELEMENTO «W»  
UNIT TOOLBAR «W»**

**TAV. 331**

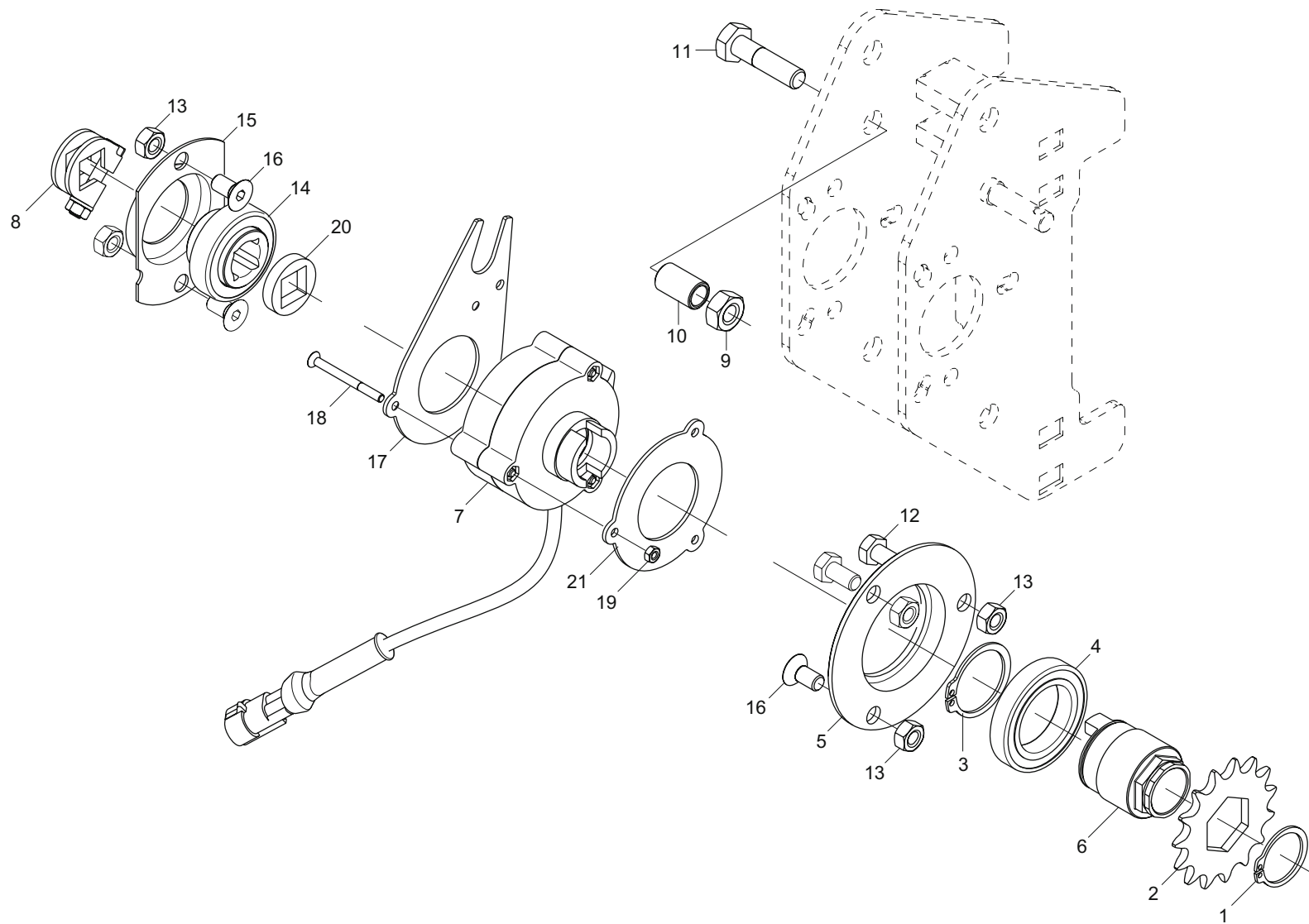
Pos.	Cod.	Descrizione	Description	Description	Benennung	Descripcion
1	F01020122R	VITE M10X1,5X70 U5737 8.8ZN	SCR. M10X1,5X70 U5737 8.8ZN	VIS M10X1,5X70 U5737 8.8 ZN	SCHRA.M10X1,5X70 U5737 8.8 ZN	TORN. M10X1,5X70 U5737 8.8 ZN
2	F01060069R	VITE M10X1,5X30 U5731 8.8ZN	SCR. M10X1,5X30 U5732 4.6ZN	BOULON 10X30 5732 4.6	SCHRAUBE 10X30 5732 4.6	TORNILLO M10X1,5X30 U5731 8.8
3	F01410064R	ROS.M10 10,5X 20X 2 U6592 ZN	WASHER M10 10,5X20X2 U6592 ZN	RONDEL. M10 10,5X20X2 U6592 ZN	SCHEIBE M10 10,5X20X2 U6592 ZN	ARAND.M10 10,5X 20X 2 U6592 ZN
4	F01200270R	DADO M10X1,5 U5588 CL8 ZN	NUT M10X1,5 U5588 6.8ZN	ECROU M10X 1,5 U5588 6.8 ZN	MUTTER M10X 1,5 U5588 6.8 ZN	TUERCA M10X1,5 U5588 CL8 ZN
5	F01020432R	VITE M8X1,25X16 U5739 8.8ZN	SCR. M8X1,25X16 U5739 8.8ZN	VIS M8 X1,25X16 U5739 8.8 ZN	SCHRAUBE M8X1,25X16U5739 8.8ZN	TORNILLO M8X1,25X16 U5739 8.8
6	F01020440R	VITE M8X1,25X25 U5739 8.8ZN	SCR. M8X1,25X25 U5739 8.8ZN	VIS M8X1,25X25 U5739 8.8 ZN	SCHRAUBE M8X1,25X25U5739 8.8ZN	TORNILLO M8X1,25X25 U5739 8.8
7	F01020472R	VITE M10X1,5X25 U5739 8.8ZN	SCR. M10X1,5X25 U5739 8.8ZN	VIS M10X1,5X25 U5739 8.8 ZN	SCHRAUBE M10X1,5X25 U5739 8.8	TORNILLO M10X1,5X25 U5739 8.8
8	F01020485R	VITE M10X1,5X50 U5739 8.8ZN	SCR. M10X1,5X50 U5739 8.8ZN	VIS M 10X50	SCHRAUBE M 10X50	TORNILLO M10X1,5X50 U5739 8
9	G15827701R	ATTACCO DISTRIBUTORE ANT.	FRONT.HITCH DISTR.			
10	F01030056R	VITE M8X1,25X25 U5933 10.9ZD	SCR. M8X1,25X25 U5933 10.9ZD	VIS 8X25 5933 10.9 ZN	SCHRAUBE 8X25 5933 10.9 ZN	TORNILLO 8X25 5933 10.9 ZN
11	G15881260R	ALBERO	SHAFT	ARBRE	WELLE	EJE
12	F01200244R	DADO M8X1,25 U5588 CL8 ZN	NUT M8X1,25 U5588 6.8ZN	ECROU M8 X1,25 U5588 6.8 ZN	MUTTER M8 X1,25 U5588 6.8 ZN	TUERCA M8X1,25 U5588 CL8 ZN
13	F01220033R	DADO M10X1,5 D980 8ZN	NUT M10X1,5 D980 8ZN	ECROU M10X1,5 D980 8ZN	MUTTER M10X1,5 D980 8ZN	TUERCA M10X1,5 D980 8
14	F01020445R	VITE M8X1,25X30 U5739 8.8ZN	SCR. M8X1,25X30 U5739 8.8ZN	VIS M 8X1,25X30 U5739 8.8 ZN	SCHRAU, M8X1,25X30 U5739 8.8ZN	TORNILLO M8X1,25X30 U5739 8.8
15	F02050101R	ANELLO E. DE 25X 1,2 U7435 C7	SEEGER RING E. 25X1,2 7435 C70	SEEGER E. 25X 1,2 U7435 C70	SEEGERING E. 25X 1,2 U7435 C70	ANILLO E. DE 25X 1,2 U7435 C7
16	GA5820320R	BILANCIERE SAGOMATO L875	ROCKER ARM SHAPED L875			
17	F04010135R	CUSC.D25 D47 B12 6005 2RS EX	BEARING D25 D47 B12 6005 2RS			
18	G15881201R	SUPP.RUOTA COMPRESS.L.170 ANT.	FRONT COMPR.WHEEL SUPP.L.170			
19	F02100111R	SPINA E.P. 6X 24 U6873 A2 IX	PIN EL. 6 X24 U6873 A2 IX			
20	G15725030R	SUPPORTO CUSCINETTO	BEARING SUPPORT	SUPPORT PALIER	LAGERHALTERUNG	SOPORTE COJINETE
21	F06080016R	CATENA 1 2 ISO 083 38 MAGLIE	CHAIN 1 2 ISO 083 38 LINKS	CHAINE 1 2 ISO 083 38 MAILLES	KETTE 1 2 ISO 083 38 MASCHE	CADENA 1 2 ISO 083 38 ESLABON
22	F06080197R	CATENA 1 2 ISO 083 58 MAGLIE	CHAIN 1 2 ISO 083 58 LINKS	CHAINE 1 2 ISO 083 58 MAILLES	KETTE 1 2 ISO 083 58 GLIEDER	CADENA 1 2 ISO 083 58 ESLAB NE
23	GA5820400R	SUPP.CUSCINETTO OLIMPIA W	BEARING SUPPORT OLIMPIA W			
24	G15881101R	TELAIETTO CENTRALE W	CENTRAL FRAME W			
25	G15835470R	PIGNONE ISO 08B-1 1 2-3 16 Z15	ISO 08B-1 Z=15 PINION SQR16,4			
26	F01030060R	VITE M8X1,25X35 U5933 10.9ZD	SCREW M8X1,25X35 U5933 10.9ZD	VIS M8X1,25X35 U5933 10.9ZD	SCHRA.M8X1,25X35 U5933 10.9ZD	TORNILLO M8X1,25X35 U5933 10.9
27	G15835360R	BRACCIO TENDICATENA	CHAIN-STRETCHER ARM			
28	G22250028R	PIGNONE Z-15 SV	Z-15 PINION SV	PIGNON Z-15 SV	RITZEL Z-15 SV	PI N Z-15 SV
29	G18801450R	BOCCOLA 8,25 X18 X17	BUSHING 8,25 X 18 X 17	BOITE 8,25 X18 X17	BSCHE 8,25 X18 X17	CASQUILLO 8,25 X18 X17
30	G19005110R	RULLO TENDICATENA	ROLLER CHAIN TIGHTENER			
31	G22505085R	FERMO ASSE IN LAMIERA	PLATE AXLE STOP	ARRET AXE EN TOLE	FESTSTELLVORRICHTUNG BLECHACHS	BLOQUEO EJE DE CHAPA
32	G15821110R	BOCCOLA SUPPORTO COPRISEME	SEED COVER SUPP. BUSHING	BOITE SUPPORT COUVRE-SEMENCE	BSCHE SAMENABDECKERHALTER.	CASQUILLO SOPORTE CUBRESEMILLA
33	F01420048R	ROS.M8 8,4X 24X 2 U6593 ZN	WASHER M8 8,4X 24X2 U6593 ZN	RONDELLE M8 8,4X24X 2 U6593 ZN	SCHEIBEN M8 8,4X24X 2 U6593 ZN	ARAND.M8 8,4X 24X 2 U6593 ZN
34	G15881140R	ASS.TUBO REGOLAZ.PROFONDITA	ASSY DEPTH ADJ.TUBE			
35	G15827811R	COPRISEME	SEED COVER			
36	G19003400R	ASTA INDICAZIONE PROFONDITA	DEPTH INDICATING ROD	TIGE INDICATION PROFONDEUR	TIEFENANZEIGESTAB	VARILLA INDICACI N PROFUNDIDAD
37	F01070049R	VITE A3,5X1,27X13 U6954 4.8NI	SCR. H3,5X1,27X13 U6954 4.8NI	VIS 3,5X1,27X 13 6954 4.8NI	SCHRAUBE 3.5X1.27X 13 6954 4.8	TORNILLO 3.5X1.27X 13 6954 4.8
38	F06220037R	VOLANTINO ZIGR.D.26-M8 FEM	KNURLED HANDWHEEL D.26-M8			FOLLETO ZIGR.D.26-M8
39	G15881250R	CARTER	CARTER.			
40	G15827861R	ATTACCO DISTRIBUTORE POST.	REAR HITCH DISTRIB.			
41	F06080023R	CATENA 1 2 ISO 083 54 MAGLIE	CUT-DOWN CHAIN .1 2 ISO 083 54	TR. CH..1 2 ISO 083 54 MAILLE	KETTENZNGE 1 2 ISO 083 54 GL	TRECHO CADENA 1 2 ISO 083 54 E
42	G15829630R	ASSE TRASMISSIONE	TRANSMISSION AXLE	AXE TRANSMISSION	ANTRIEBSACHSE	EJE TRANSMISIN
43	GA5820350R	BILANCIERE SAGOMATO L1100	ROCKER ARM SPAHED L1100			
44	G66248218R	RONDELLA DISTAN.SPAND.	MAN. SPR. SPACER WASHER	RONDELLE ENTRETOISE EP. ENGRAI	ABSTANDSCHEIBE DSNGERSTREUER	ARANDELA DISTAN.ABONAD.
45	G19005460R	BOCCOLA BILANCIERE	ROCKER BUSHING	BOITE BALANCIER	BSCHE KIPPHEBEL	CASQUILLO BALANCN
46	G15881211R	SUPP.RUOTA COMPRESS.L.170 POST	REAR COMPRESS.WHEEL SUPP.L.170			
47	F01020468R	VITE M10X1,5X16 U5739 8.8ZN	SCR. M10X1,5X16 U5739 8.8ZN	RONDELLE M10X1,5 X 16	DUEBEL M10X1,5 X 16	TORNILLO M10X1,5X16 U5739 8
48	F01040107R	VITE M8X1,25X30 U5931 A2IX	SCR. M8X1,25X30 U5931 A2IX	VIS M8X1,25X 30 U5931 A2 IX	SCHRAUBE M8X1,25X 30 U5931 A2	TORNIL. M8X1,25X 30 U5931 A2
49	GA5820620R	FALCIONE FS H15 25 CORTO COMPL	SHORT CUTTER FS H15 25			
50	GA5820610R	FALCIONE FS CORTO	SHORT CUTTER FS			
51	G19203660R	TAGLIENTE FALCIONE FS03 H8 15	CUTTER EDGE FS03 H8 15	COUPEUR HACHOIR FS03 H8 15	SCHARSCHNEIDE FS03 H8 15	AFIL. HOJA DE CORTE FS03 H8 15
52	G19203670R	TAGLIENTE FALCIONE FS03 H15 25	KNIFE COULTER SR03 H15 25			REJA TRIPLE FS03 H15 25
53	GA5820630R	FALCIONE FS H8 15 CORTO COMPL	SHORT CUTTER FS H8 15			



## RUOTE DI COMPRESSIONE COMPRESSION WHEELS

TAV. 244

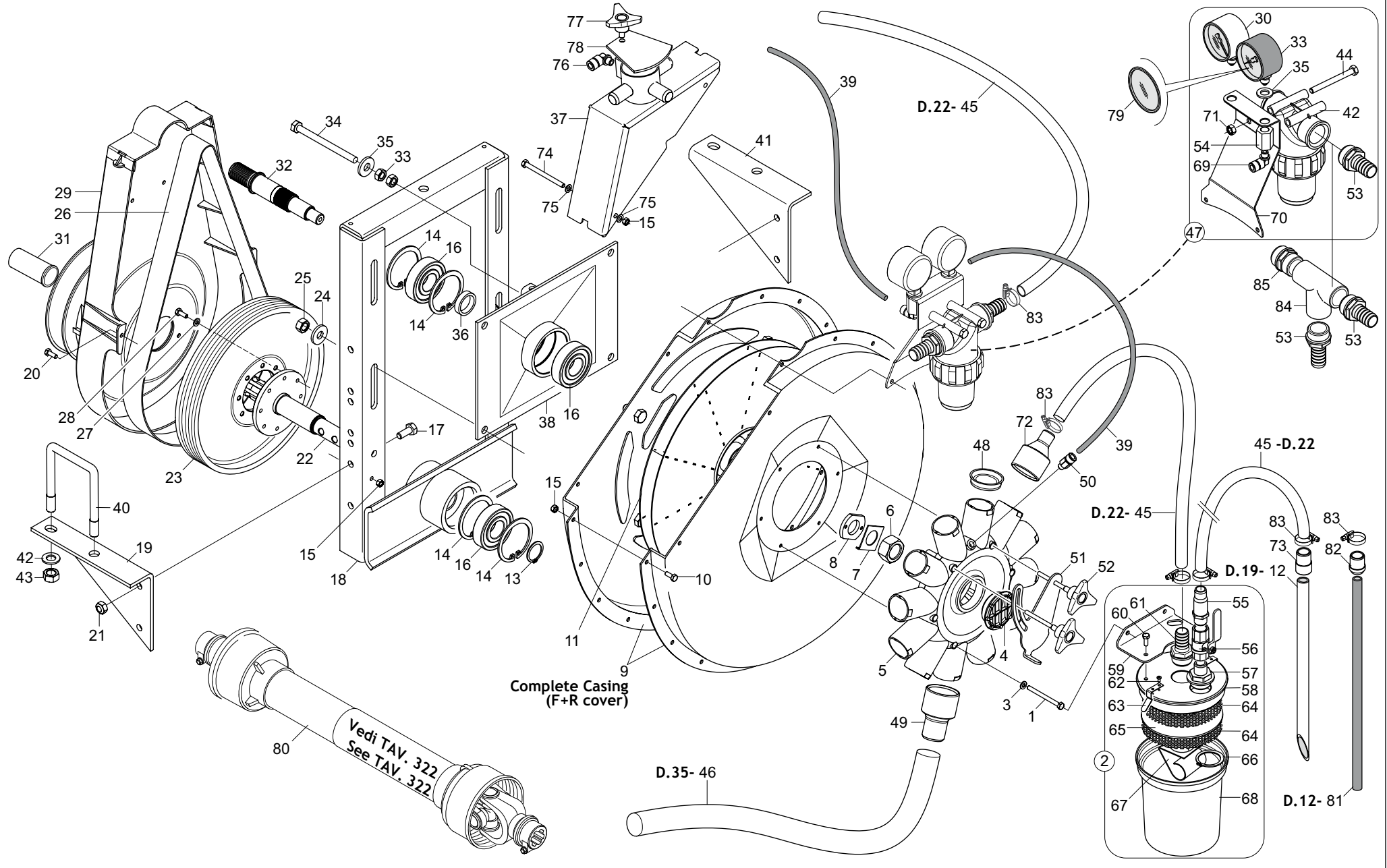
Pos.	Cod.	Descrizione	Description	Description	Benennung	Descripcion
1	GA5820750R	SUPPORTO SPARTIZOLLE LARGO	SOD-BREAKER SUPPORT WIDE			
2	G15821861R	SPIANATERRA	SOIL LEVELLER			
3	F01020472R	VITE M10X1,5X25 U5739 8.8ZN	SCR. M10X1,5X25 U5739 8.8ZN	VIS M10X1,5X25 U5739 8.8 ZN	SCHRAUBE M10X1,5X25 U5739 8.8	TORNILLO M10X1,5X25 U5739 8.8
4	F01200270R	DADO M10X1,5 U5588 CL8 ZN	NUT M10X1,5 U5588 6.8ZN	ECROU M10X 1,5 U5588 6.8 ZN	MUTTER M10X 1,5 U5588 6.8 ZN	TUERCA M10X1,5 U5588 CL8 ZN
5	G15882751R	SUPP.RASCHIATERRA IN GOMMA	RUBBER MUD SCRAPER SUPPORT			
6	G15882160R	SUPPORTO DX	RIGHT SUPPORT			
7	G15882150R	SUPPORTO SX	LEFT SUPPORT			
8	G18904170R	MOLLA SPORTELLLO GRANDE	SPRING BIG-DOOR			
9	G15882741R	RASCHIATORE IN GOMMA	RUBBER SCRAPER			
10	G15882731R	PIASTRA	PLATE			
11	G20980080R	BOCCOLA 15X12X10,25	BUSH 15X12X10-25			
12	F01020404R	VITE M6X1X20 U5739 8.8ZN	SCREW M6X1X20 U5739 8.8ZN	VIS M6X1X20 U5739 8.8ZN	SCHRAUBE M6X1X20 U5739 8.8ZN	TORNILLO M6X1X20 U5739 8.8ZN
13	F01220011R	DADO M6X1 D980 8ZN	NUT M6X1 D980 8ZN	ECROU M6X1 D980 8 ZN	MUTTER M6X1 D980 8 ZN	TUERCA M6X1 D980 8 ZN
14	G15829160R	RUOTA 250X170 COMPL.	WHEEL 250X170 COMPL.			
15	F01420060R	ROS.M10 10,5X 30X2,5 U6593 ZG	GALV.WASHER 10,5X30X2,5 U6593	RONDELLE 10,5X30	SCHEIBE 10,5X30	ARAND.M10 10,5X 30X2,5 U6593
16	G15827960R	RUOTA GOMMA 250X170 MOZZO 180	RUBBER WHEEL 250X170 HUB 180			
17	G15827980R	ASSE RUOTA 250X170	WHEEL AXLE 250X170	AXE ROUE 250X170	RADACHSE 250X170	EJE RUEDA 250X170
18	G19005081R	DISTANZIALE RUOTE INOX R	WHEEL SPACER INOX R			
19	G15829760R	RUOTA INOX D.250X170 FL.COMPL.	WHEEL INOX D.250X170 FL.			
20	G15829770R	ANELLO INOX D.250X170	RING D.250X170	BAGUE D.250X170	RING D.250X170	ANILLO D.250X170
21	G19005320R	FIANCO RUOTA D.250	SIDE WHEEL D.250			
22	F04010131R	CUSC.D20 D42 B12 6004-2RSH EX	BEARING D20 D42 B12 6004-2RSH	ROULEMENT D20 B12	LAGER 6004	COJINETE 6004
23	G19005600R	DISTANZIALE D.20 XD.27 X10.5	SPACER D.20 XD.27 X10.5			
24	F01410064R	ROS.M10 10,5X 20X 2 U6592 ZN	WASHER M10 10,5X20X2 U6592 ZN	RONDEL. M10 10,5X20X2 U6592 ZN	SCHEIBE M10 10,5X20X2 U6592 ZN	ARAND.M10 10,5X 20X 2 U6592 ZN
25	G18801680R	BOCCOLA 11 X25 X7,5 ZN	BUSHING 11X25X7,5 GALVA	BOITE 11X25X7,5 ZN	BSCHSE 11X25X7,5 ZN	CASQUILLO 11X25X7,5 ZN
26	F01020114R	VITE M10X1,5X50 U5737 8.8ZN	SCR. M10X1,5X50 U5737 8.8ZN	VIS M10X 1,5X50 U5737 8.8 ZN	SCHRA.M10X 1,5X50 U5737 8.8 ZN	TORNILLO M10X1,5X50 U5737 8.8
27	G15882470R	PIATTO DX SUPP.BASCULANTE	PIVOTING SUPP.RIGHT PLATE			
28	G15882490R	PIATTO SX SUPP.BASCULANTE	LEFT PLATE SUPP.SWINGING			
29	F01020043R	VITE M6X1X60 U5737 8.8ZN	SCR. M6X1X60 U5737 8.8ZN	VIS M6X1X60 U5737 8.8 ZN	SCHRAUBE M6X1X60 U5737 8.8 ZN	TORNILLO M6X1X60 U5737 8.8 ZN
30	G19004530R	VOLANTINO PRESSORE SEM.ORT.R	HANDWHEEL	VOLANT	HANDRAD	VOLANTE
31	F01230022R	DADO M6X1 D982 8ZN	NUT M6X1 D982 8ZN	ECROU AUTO-FREIN.M6X1 D982 8ZN	SICHERUNGSMUT. M6X1 D982 8 ZN	TUERCA DE SEGU.M6X1 D982 8 ZN
32	G15882480R	SUPP.BASCULANTE	PIVOT SUPP.			
33	G66248100R	RULLO TEND. SP	TIGHTENER ROLLER SP	ROULEAU TENDEUR SP	SPANNERROLLE SP	RODILLO TENSOR SP
34	G19004560R	BOCCOLA MOLLA PRESSORE	SPRING BUSHING	RESSORT	FEDER	CASQUILLO MUELLE
35	G18903670R	MOLLA COMPRESIONE RUOTINO	COMPR. WHEEL SPRING	RESSORT COMPRESSION ROUET	FEDER DSNUNG ROLLE	MUELLE COMPRESI N RUEDECILLA
36	F02200363R	COPIGLIA R 3X 62 ZN	SPRING SPLIT PIN 3X 62 ZN	GOUPILLE R 3X62	SPLINT R 3X62	PASADOR R 3X 62
37	GA5820580R	ASS.PRESSORE 15	ASS.PRESSORE 15			
38	G18701820R	RONDELLA 16,5 X25 X1,0 ZN	WASHER 16,5X25X1,0 ZN			
39	F01240013R	DADO M6X1 U5448 A2 GE	NUT M6X1 U5448 A2 GE			
40	GA5820560R	ASS.BRACCIO PREMISEME 15	ASS.ARM 15			
41	F02200194R	COPIGLIA 4X 25 U1336 ZN	SPLIT PIN 4 X25 1336 GALVAN.	GOUPILLE 4 X25 1336 ZN	SPLINT 4 X25 1336 ZN	PASADOR 4 X25 1336 ZN
42	G19005300R	DISTANZIALE 15X22X4,5	SPACER 15X22X4,5			
43	F01060015R	VITE M6X1X25 U5731 8.8ZN	SCR. M6X1X25 U5732 4.6ZN	VIS 6X25 5732 4.6 ZN	SCHRAUBE 6X25 5732 4.6 ZN	TORNILLO 6X25 5732 4.6 ZN
44	G20980078R	BOCCOLA D.15,25X22X10 ZN	BUSHING D.15-25X22X10 ZN	BOITE D. 15-25X22X10 ZN	BSCHSE D.15-25X22X10 ZN	CASQUILLO D.15-25X22X10 ZN
45	F06120066R	RUOTINO FLEX 170 X 30	WHEEL FLEX 170X 30			
46	GA5820270R	RUOTA INOX D.168X23 COMPL	WHEEL INOX D.168X23 COMPL			
47	GA5820280R	ANELLO INOX 168X23	STAINLESS RING 168X23			
48	G19005331R	FIANCO RUOTA D.168	SIDE WHEEL D.168			
49	F04010125R	CUSC.D15 D32 B9 6002 2RS1	BEARING D15 D32 B9 6002 2RS1	PALIER 6002 2RS1	LAGER 6002 2RS1	COJINETE 6002 2RS1
50	F01030041R	VITE M6X1X10 U5933 10.9ZD	SCREW M6X1X10 U5933 10.9ZD	VIS M6X1X10 U5933 10.9ZD	SCHRAU. M6X1X10 U5933 10.9ZD	TORNILLO M6X1X10 U5933 10.9ZD
51	G19004961R	DISTANZIALE 15X22X10	SPACER 15X22X10			
52	G15827610R	PROLUNGA BILANCIERE	EXTENSION ROCKER			
53	F01030084R	VITE M10X1,5X25 U5933 10.9ZD	SCREW M10X1,5X25 U5933 10.9ZD	VIS M10X1,5X25 U5933 10.9ZD	SCHRA.M10X1,5X25 U5933 10.9ZD	TORN. M10X1,5X25 U5933 10.9ZD
54	G15828441R	RASCHIATERRA RUOTINI FS	WHEEL SOIL-SCRAPER FS			
55	G15829691R	SUPPORTO SPARTIZOLLE	SOD-BREAKER SUPPORT			
56	F01420048R	ROS.M8 8,4X 24X 2 U6593 ZN	WASHER M8 8,4X 24X2 U6593 ZN	RONDELLE M8 8,4X24X 2 U6593 ZN	SCHEIBEN M8 8,4X24X 2 U6593 ZN	ARAND.M8 8,4X 24X 2 U6593 ZN
57	F01420037R	ROS.M6 6,4X 24X1,5 U6593 ZN	WASHER M6 6,4X24X1,5 U6593 ZN			
58	F01030211R	VITE M8X1,25X25 U7380 10.9ZD	SCR. M8X1,25X25 U7380 10.9ZD	VIS 8X25 U7380 10.9 ZN	SCHRAUBE 8X25 U7380 10.9 ZN	TORNILLO M8X1,25X25 U7380 10
59	GA5820830R	RUOTA GOMMA R.D.178X23 FL COMP	RUBBER WHEEL R.D.178X23 FL.			
60	GA5820820R	TUBO GOMMATO D.178X23 FUSIONE	RUBBER PIPE D.178X23			



**ESCLUSIONE ELETTRICA FILE DI SEMINA  
ELECTRIC ROW SHUT OFF**

**TAV. 390**

Pos.	Cod.	Descrizione	Description	Description	Benennung	Descripcion
1	F02050615R	ANELLO E. DE 28X 1,5 U7435 C70	STOP RING 28 UNI 7435-75	BAGUE DE SERRAGE 28 UNI 7435-7	DRAHTSPRENGRING 28 UNI 7435-75	ANILLO PARADA 28 UNI 7435-75
2	G10522500R	CORONA Z15 1 2X3 16 ES.27,2 ZN	GEARB.RING Z15 1 2X3 16 ES27,2			
3	F02050146R	ANELLO E. DE 35X 1,5 U7435 C70	ELASTIC RING DE 35X 1,5 U7435	BAGUE ELASTIQUE DE 35X 1,5	RING DE 35X 1,5 U7435 C70	ANILLO DE 35X 1,5 U7435 C70
4	F04010311R	CUSC.D35 D55 B10 61907 LLU	BEARING D35 D55 B10 61907 L			
5	G22500092R	SUPPORTO CUSCINETTO	BEARING SUPPORT	SUPPORT PALIER	LAGERBSCHSE	SOPORTE COJINETE
6	GA5820300R	MOZZO CORONA ESCLUS.FILE ZN	HUB CORONA			
7	F05200967R	DISINNESTO EL.ALBERO Q.16 C C	SQ.16 SHAFT DISCONNECTOR W C			
8	G22505085R	FERMO ASSE IN LAMIERA	PLATE AXLE STOP	ARRET AXE EN TOLE	FESTSTELLVORRICHTUNG BLECHACHS	BLOQUEO EJE DE CHAPA
9	F01200270R	DADO M10X1,5 U5588 CL8 ZN	NUT M10X1,5 U5588 6.8ZN	ECROU M10X 1,5 U5588 6.8 ZN	MUTTER M10X 1,5 U5588 6.8 ZN	TUERCA M10X1,5 U5588 CL8 ZN
10	G18801480R	BOCCOLA 10,25X14 X23 ZN	BUSHING 10,25 X 14 X 23 GALVA	BOITE 10,25X14 X23 ZN	BSCHE 10,25X14 X23 ZN	CASQUILLO 10,25X14 X23 ZN
11	F01020110R	VITE M10X1,5X40 U5737 8.8ZN	SCR. M10X1,5X40 U5737 8.8ZN	VIS M 10X40	SCHRAUBE M 10X40	TORNILLO M 10X40
12	F01020432R	VITE M8X1,25X16 U5739 8.8ZN	SCR. M8X1,25X16 U5739 8.8ZN	VIS M8 X1,25X16 U5739 8.8 ZN	SCHRAUBE M8X1,25X16U5739 8.8ZN	TORNILLO M8X1,25X16 U5739 8.8
13	F01200244R	DADO M8X1,25 U5588 CL8 ZN	NUT M8X1,25 U5588 6.8ZN	ECROU M8 X1,25 U5588 6.8 ZN	MUTTER M8 X1,25 U5588 6.8 ZN	TUERCA M8X1,25 U5588 CL8 ZN
14	G14830390R	CUSCINETTO FORO QUADRO	SQUARE-HOLED BEARING	ROULEMENT TROU CARRE	VIERKANTLAGER	COJINETE ORIFICIO CUADRADO
15	G15725030R	SUPPORTO CUSCINETTO	BEARING SUPPORT	SUPPORT PALIER	LAGERHALTERUNG	SOPORTE COJINETE
16	F01030054R	VITE M8X1,25X16 U5933 10.9 ZD	SCREW M8X1,25X16 U5933 10.9 GA	VIS M8X1,25X16 U5933 10.9 ZD	SCHRAU.M8X1,25X16 U5933 10.9ZD	TORNI.M8X1,25X16 U5933 10.9 ZD
17	GA5820930R	LAMIERA ANTIROTAZIONE ZN	SHEET METAL ANTIROTATION ZN			
18	F01030523R	VIT.M 4X 0,7X 45 U5933 10.9 ZD	SCREW M4X0,7X45 10,9 ZD			
19	F01200209R	DADO M4X0,7 U5588 CL8 ZN 6.8ZN	NUT M4X0,7 U5588 6.8ZN	ECROU 4 UNI 5588 6.8 ZN	MUTTER 4 UNI 5588 6.8 ZN	TUERCA 4 UNI 5588 6.8 ZN
20	G66248218R	RONDELLA DISTAN.SPAND.	MAN. SPR. SPACER WASHER	RONDELLE ENTRETOISE EP. ENGRAI	ABSTANDSCHEIBE DSNGERSTREUER	ARANDELA DISTAN.ABONAD.
21	GA5820950R	FIANCO ESCLUSIONE ZN	SIDE ESCLUSION ZN			

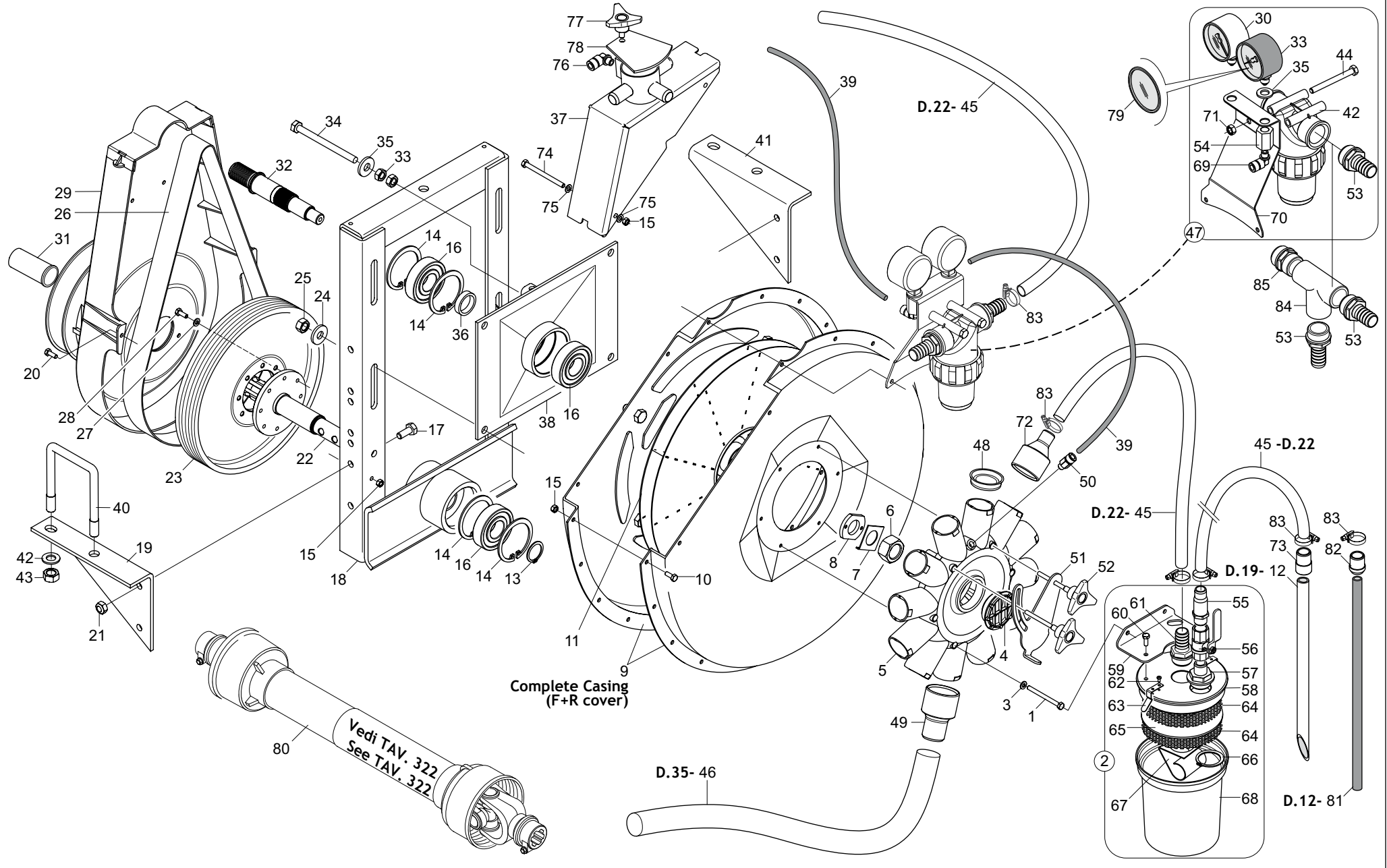




## DEPRESSORE AIR PUMP

TAV. 063

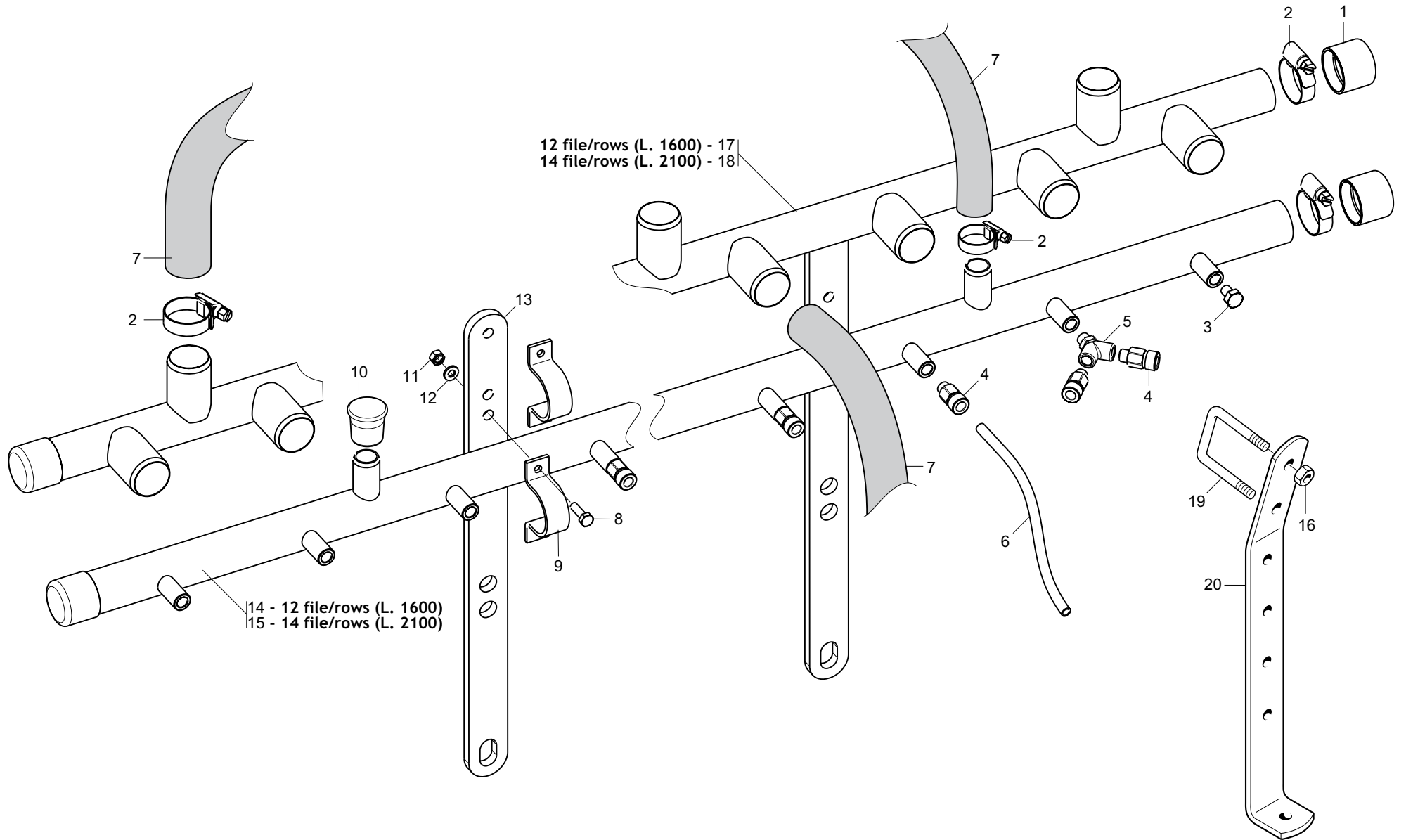
Pos.	Cod.	Descrizione	Description	Description	Benennung	Descripcion
1	F01020047R	VITE M6X1X70 U5737 8.8ZN	SCR. M6X1X70 U5737 8.8ZN	VIS 6 X70 5737 8.G ZN	SCHRAUBE 6 X70 5737 8.G ZN	TORNILLO 6 X70 5737 8.G ZN
2	G15855361R	ASPIRASEME COMPL	SEED SUCTION GROUP	GROUPE ASPIRATEUR DE GRAINES	GEBL-SEAGGREGAT	GRUPO ASPIRASEMILLAS
3	F01430047R	ROS.M6 6,4X 11X0,7 U8842J ZN	WASHER D6 DIN 6798 D.INT.GALV.	RONDELLE D6 DIN 6798 D. INT. Z	UNT. SCHEIBE D6 DIN 6798 D. IN	ARANDELA D6 DIN 6798 D.INT.ZN
4	G19005240R	TAPPO ASPIRAZIONE FORATO	FLANGE	BRIDE	FLANSH	BRIDA
5	G19004480R	CONVOGLIATORE 12 USCITE	CONVEYOR 12 OUTLETS	CONVOYEUR 12 SORTIES	TRICHTER MIT 12 AUSG-NGEN	TRANSPORTADOR 12 SALIDAS
6	F01230143R	DADO M24X2 D982 8ZN	NUT M24X2 D982 8ZN	ECROU M24X2 D982 8 ZN	MUTTER M24X2 D982 8 ZN	TUERCA M24X2 D982 8 ZN
7	G13912060R	PIASTRINA DI TENUTA	STOP PLATE	PLAQUETTE DE TENUE	DICHTPLZTTCHEN	PLACA DE RETENCI N
8	G13912050R	RONDELLA DI FERMO	STOP WASHER	RONDELLE DE BLOCAGE	FESTSTELLSCHEIBE	ARANDELLA DE BLOQUEO
9	G22230335R	INVOLUCRI DEPRESSORE	VACUUM PUMP CASINGS	ENVELOPPES DEPRESSEUR	HSLLEN VAKUUMPUMPE	CAJAS BOMBA VAC O
10	F01020403R	VITE M6X1X16 U5739 8.8ZN	SCR. M6X1X16 U5739 8.8ZN	VIS M6X1X16 U5739 8.8 ZN	SCHRAUBE M6X1X16 U5739 8.8 ZN	TORNILLO M6X1X16 U5739 8.8 ZN
11	G22230015R	GIRANTE	ROTOR			
12	G15855180R	PUNTALE ASPIRASEMI	ASPIRAT.SEEDS TIP			
13	F02050112R	ANELLO E.DE 30X 1,5 U7435 ZN	SEEGER RING 30X 1,5 U7435 C70	SEEGER E. 30 X 1,5 U7435 C70	SEEGERING E. 30X 1,5 U7435 C70	ANILLO E. 30 X 1,5 U7435 C70
14	F02050403R	ANELLO E. DI 72X 2,5 U7437 C7	SEEGER RING E.72X2,5 U7437 C70	SEEGER E. 72X 2,5 U7437 C70	SEEGERING E. 72X 2,5 U7437 C70	ANILLO E. DI 72X 2,5 U7437 C7
15	F01220011R	DADO M6X1 D980 8ZN	NUT M6X1 D980 8ZN	ECROU M6X1 D980 8 ZN	MUTTER M6X1 D980 8 ZN	TUERCA M6X1 D980 8 ZN
16	F04010215R	CUSC.D30 D72 B19 6306 2RSC3 EX	BEARING D30 D72 B19 6306 2RSC3	ROULEMENT	LAGER 6306 2RS C3	COJINETE 6306 2RS C3
17	F01020479R	VITE M10X1,5X35 U5739 8.8ZN	SCR. M10X1,5X35 U5739 8.8ZN	VIS M10X1,5X35 U5739 8.8 ZN	SCHR. M10X1,5X35 U5739 8.8 ZN	TORNILLO M10X1,5X35 U5739 8
18	G15850200R	INCASTELLATURA DEPRESSORE	DIFFUSION AIR PUMP FRAME	B-TI POMPE A D PRESSION	GESTELL VAKUUMPUMPE	ARMAZ N BOMBA VAC-O
19	G15450061R	SUPPORTO SX	LEFT SUPPORT			
20	F01040061R	VITE M6X1X16 U5931 8.8ZN	SCREW M6X1X16 U5931 8.8ZN	VIS M6X1X16 U5931 8.8ZN	SCHRAUBE M6X1X16 U5931 8.8ZN	TORNILLO M6X1X16 U5931 8.8ZN
21	F01220033R	DADO M10X1,5 D980 8ZN	NUT M10X1,5 D980 8ZN	ECROU M10X1,5 D980 8ZN	MUTTER M10X1,5 D980 8ZN	TUERCA M10X1,5 D980 8
22	G10150101R	ASS.PRESA DI FORZA	POWER TAKE-OFF SHAFT			
23	G22230012R	PULEGGIA MOTRICE 540 GIRI	DRIVING PULLEY 540	POULIE MOTRICE 540T	ANTRIEBSSCHEIBE 540	POLEA MOTRIZ 540
24	F01420084R	ROS.M14 14,5X 36X 3 U6593 ZN	GALVANIZED WASHER 14 X36 X3	RONDELLE 14 X36 X3 ZN	UNTERLEGSCHEIBE 14 X36 X3 ZN	ARANDELA 14 X36 X3 ZN
25	F01200293R	DADO M12X1,75 U5588 CL8 ZN	NUT M12X1,75 U5588 6S ZN	ECROU M12X1,75 U5588 6S ZN	MUTTER M12X1,75 U5588 6S ZN	TUERCA M12X1,75 U5588 CL8 ZN
26	F06010160R	CINGHIA POLY V 1287 J-16 GOLE	BELT POLY V 1287 J-16 CU GAT	COURROIE POLY V	BELT POLY J-16 1287 V GOLE	BANDA POLY V 1287 J-16 GOLE
27	F01430047R	ROS.M6 6,4X 11X0,7 U8842J ZN	WASHER D6 DIN 6798 D.INT.GALV.	RONDELLE D6 DIN 6798 D. INT. Z	UNT. SCHEIBE D6 DIN 6798 D. IN	ARANDELA D6 DIN 6798 D.INT.ZN
28	F01020403R	VITE M6X1X16 U5739 8.8ZN	SCR. M6X1X16 U5739 8.8ZN	VIS M6X1X16 U5739 8.8 ZN	SCHRAUBE M6X1X16 U5739 8.8 ZN	TORNILLO M6X1X16 U5739 8.8 ZN
29	G15450342R	PROTEZ.CINGHIA DEPRES.COMPLETO	DEPRES. COMPL.PROTECTION BELT			
30	F03151288R	VACUOM.0-100 MBAR C.SM.INC.D8	VACUUM METER 0-100 MBAR C.SMOR	VACUOM.0-100 MBARS A SUPPO	VAKUUMMETER 0-100 MBAR M. DZMP	VACUM. 0-100 MBAR C.ATEN.INC.V
31	M38100146R	MANICOTTO PROTEZIONE PDF 1 3 8	P.T.O. PROTECTION	MANCHON DE PROTECTION P.T.O.	ZAPFWELLENSCHUTZ P.T.O.	MANGUITO PROTECCION P.T.O.
32	G15450390R	PULEGGIA CONDOTTA D.28	DRIVEN PULLEY D.28	POULIE ENTRAINEE D. 28	GETRIEBENE SCHEIBE D.28	POLEA CONDUCTIVA D.28
33	F03151287R	MANOM.0 A 25 MBAR C.SM.INC.D8	MANOM.0 TO 25 MBAR CUSHION D80			
34	G15450270R	VITE 10X130 8.8 FIL.60 ZN	GALVANIZ. BOLT 10X130 8.8 FIL	VIS 10X130 8.8 FIL.60 ZN	SCHRAUBE 10X130 8.8 GEW.60 ZN	TORNILLO 10X130 8.8 FIL.60 ZN
35	F05150479R	ROND.APPOGGIO MANOMETRI SV	PRESSURE GAUGE REST WASHER	ROND. LOGEMENT MANOMETRES SV	STSTZSCHEIBE MANOMETER SV	ARAND. SOPORTE MANOMETROS SV
36	G22230014R	DISTANZIALE	SPACER	ENTRETROISE	DISTANZSTOCK	DISTANCIADOR
37	G15850140R	CONVOGLIATORE	SEED FUNNEL	CONVOYEUR	TRICHTER	TRANSPORTADOR
38	G15850280R	SUPPORTO PULEGGIA CONDOTTA	PULLEY SUPPORT			
39	F13070005R	TUBO POLIURETANO 8-6 NERO	POLIURETHAN PIPE 8-6 BLACK			
40	F20110770R	CAV.Q.B=80 M=14X2 L=119	U BOLT Q.B=80 M=14X2 L=119	BRIDE U M14X2X50 96X119 ZN	ANSCHLANG U M14X2X50 96X119 ZN	EL.DE EMPALME M14X2X50 96X119
41	G15450051R	SUPPORTO DX	RIGHT SUPPORT			
42	F03151149R	FILTRO LINEA 1 F 100 MESH	LINE FILTER 1 F 100 MESH	FILTRE LIGNE 1 F 100 MESH	LEITUNGSFILTER 1 F 100 MESH	FILTRO LINEA 1 F 100 MESH
43	F01200306R	DADO M14X2 U5588 CL8 ZN	NUT M14X2 U5588 6.8ZN	ECROU M14X2	MUTTER M14X2	DADO M14X2
44	F01020086R	VITE M8X1,25X80 U5737 8.8ZN	SCR. M8X1,25X80 U5737 8.8ZN	VIS M8X1X80	SCHRAUBE M8X1X80	TORNILLO M8X1X80
45	F03100385R	TUBO FLEX EOLO DIAM.22	EOLO FLEX TUBE DIAM.22			
46	F03100500R	TUBO EOLO 35 PU	TUBE EOLO 35 PU	TUBE EOLO 35 PU		TUBO EOLO
47	G15855371R	FILTRO E MANOMETRI COMPL	FILTER AND PRESSURE GAUGE UNIT			
48	F05050020R	TAPPO SALVAFILETTO D.39	CONVEYOR PLUG D.39	BOUCHON PROTEGE-FILET D. 39	GEWINDESCHUTZPFROPFEN D.39	TAP N GUARDARROSCA D.39
49	G19005250R	RIDUZIONE CONVOGLIATORE 45-35	CONVEYOR REDUCTION 45-35	REDUCTION DE CONVOYEUR 45-35	FTRDERERUNTERSETZUNG 45-35	REDUCCIN DE CONDUCTOR 45-35
50	F13010028R	RACC.SUPERAPIDO DRITTO 1 8G-8	SUPERAP.RIGHT JUNCTION 1 8G-8			
51	G15855330R	PORTELLO REGOLAZ.ASPIRAZIONE	ASPIRATION ADJUSTMENT FLAP	PORTE REGLAGE ASPIRATION	EINSTELLUNGSDECKEL GEBL-SE	REGISTRO REGULADOR DE ASPIRACI
52	F06220030R	VOLANTINO A LOBI VTP 40 M6X70	LOBE HANDWHEEL VTP 40 M6X70			
53	F03151183R	P GOMMA 1 X22 M COD.2130	HOSE 1 X22 M	RACCORD PLASTIQUE 1 X22 M	P GUMMI 1 X22 M	P CAUCHO 1 X22 M
54	G22250274R	COLLEGAMENTO MANOMETRI SP-SV	PRESSURE GAUGE CONNECT. SP-SV	RACCORD MANOMETRES SP-SV	VERBINDUNG MANOMETER SP-SV	CONEXI N MAN METROS SP-SV
55	F03151185R	P GOMMA PVC 1 2X20	PVC 1 2X20 RUBBER TIRE-CARRIER	PORTE-ROUE PVC 1 2X20	REIFENHALTERUNG PVC 1 2X20	CARGA GOMA PVC 1 2X20



## DEPRESSORE AIR PUMP

TAV. 063

Pos.	Cod.	Descrizione	Description	Description	Benennung	Descripcion
56	F03151243R	RUBINETTO	BREATHER TAP	BOUCHON REFOUL.	ENTLSFTUNGSPFROPFEN	TAPON PURGADOR
57	G15850300R	RIDUZIONE G1 -G1 2	REDUCTION G1 -G1 2	REDUCTION G1 -G1 2	UNTERSETZUNG G1 -G1 2	REDUCCIN G1 -G1 2
58	G10551031R	COPERCHIO ASPIRASEMI	SUCTION SEED COVER			
59	G15855350R	SUPPORTO ASPIRASEME	SEED SUCTION SUPPORT	SUPPORT ASPIRATEUR DE GRAINES	GEBL-SEHALTERUNG	SOPORTRE ASPIRA SEMILLAS
60	F01020403R	VITE M6X1X16 U5739 8.8ZN	SCR. M6X1X16 U5739 8.8ZN	VIS M6X1X16 U5739 8.8 ZN	SCHRAUBE M6X1X16 U5739 8.8 ZN	TORNILLO M6X1X16 U5739 8.8 ZN
61	F03151183R	P GOMMA 1 X22 M COD.2130	HOSE 1 X22 M	RACCORD PLASTIQUE 1 X22 M	P GUMMI 1 X22 M	P CAUCHO 1 X22 M
62	F01070047R	VITE A3,5X1,34X9,5 U6954 4.8NI	SCR. H3,5X1,34X9,5 U6954 4.8NI	VIS 3-5X 9-5 DIN 7981	SCHRAUBE 3-5X 9-5 DIN 7981	TORNILLO 3-5X 9-5 DIN 7981
63	G18904440R	STAFFA FISSAGGIO BRACCI ZN	FIXING BRACKET ARMS			
64	G22250314R	GRIGLIA FILTRO ASPIRASEMI SV	SEED SUCTION FILTER GRID SV	GRILLE FILTRE ASPIRATEUR DE GR	GITTER SAMENABSAUGERFILTER SV	REJILLA FILTRO ASPIRADOR DE SE
65	G22250315R	FILTRO ASPIRASEMI SV	SEED SUCTION FILTER SV	FILTRE ASPIRATEUR DE GRAINES S	SAMENABSAUGFILTER SV	FILTRO ASPIRADOR DE SEMILLAS S
66	F02050168R	ANELLO E.DE 40X1,75 U7435	SEEGER RING 40X1,75 U7435	BAGUE SEEGER 40X1,75 U7435	SEEGERRING 40X1,75 U7435	ANIL.SEEGER 40X1,75 U7435
67	G22250316R	DEFLETTORE ASPIRASEMI SV	SEED SUCTION DEFLECTOR SV	DEFLECTEUR ASPIR.DE GRAINES SV	ABLENKER SAMENABSAUGER SV	DEFLECTOR ASPIRADOR DE SEMILLA
68	F05150389R	CONTENIT.SOTTOVUOT.LT.2 AR.122	VACUUM CONTAINER LT.2 AR.122	CONTENEUR SOUS VIDE LT. 2 AR.	LUFTDICHTER BEHZLTER .L2 AR.	CONTENED. AL VAC O LT. 2 AR.12
69	F03150821R	ADATT. OCCHIO 1 4 L.38	EYE UNION 1 4 L.38	RACCORD OEIL 1 4 L.38	TSENVERBINDUNGSSTSCCK 1 4 L.38	UNIN OJO 1 4 L.38 R
70	G15855341R	SUPP.FILTRO E MANOMETRI	FILTER AND PRESSURE GAUGE SUPP			
71	F01200244R	DADO M8X1,25 U5588 CL8 ZN	NUT M8X1,25 U5588 6.8ZN	ECROU M8 X1,25 U5588 6.8 ZN	MUTTER M8 X1,25 U5588 6.8 ZN	TUERCA M8X1,25 U5588 CL8 ZN
72	G19005260R	RIDUZIONE CONVOGLIATORE 45-22	CONVEYOR REDUCTION 45-22	REDUCTION DE CONVOYEUR 45-22	FTRDERERUNTERSETZUNG 45-22	REDUCCIN DE CONDUCTOR 45-22
73	G19005270R	RIDUZIONE CONVOGLIATORE 22-19	CONVEYOR REDUCTION 22-19	REDUCTION DE CONVOYEUR 22-19	FTRDERERUNTERSETZUNG 22-19	REDUCCIN DE CONDUCTOR 22-19
74	F01020050R	VITE M6X1X80 U5737 8.8ZN	SCR. M6X1X80 U5737 8.8ZN	VIS 6 X80 5737 8.G ZN	SCHRAUBE 6 X80 5737 8.G ZN	TORNILLO 6 X80 5737 8.G ZN
75	F01420036R	ROS.M6 6,4X 18X1,5 U6593 ZN	WASHER M6 6,4X 18X1,5 U6593 ZN	RONDELLE M6 6,4X18X1,5 U6593ZN	SCHEIBEN M6 6,4X18X1,5U6593 ZN	ARANDELA M6 6,4X18X1,5U6593ZN
76	F13010027R	RACC.SUPERAPIDO 90 1 8G-8	90 UNION STRAIGHT 1 8G-8			
77	F06220018R	VOLANTINO 3LOBI D.65-M8X15	3-LOBE HANDWHEEL D.65-M8X15			
78	G22250118R	PORTA CHIUSURA CAMERE SV	CHAMBER CLOSURE INSPECTION DOO	PORTE FERMETURE CHAMBRES SV	KAMMERN ABSCHLUSSTSR SV	PUERTA DE CIERRE CAMARAS SV
79	F03151356R	VETRO VACUOM.0-100 MBAR D80	VACUOM. GLASS 0-100 MBAR D80			
80	F08011711R	CARD. S10 0700F 112 112 1CAT	PTO SHAFT B1 Z6-Z6 L700			
81	F13070003R	TUBO RILSAN 12X9 NERO	RILSAN TUBE 12X9 BLACK			
82	G19007550R	RIDUZIONE CONVOGLIATORE 22-12	CONVEYOR REDUCTION 22-12			
83	F02300017R	FASCETTA STRING. 20 32 H.9	CLAMP 20 32 H.9	GAINE 20 32 H.9	KLEMME 20 32 H.9	ABRAZADERA 20 32 H.9
84	F03151215R	RACCORDO T 90 DA 1 FF COD8240	T-UNION 90 DA 1 FF	RACCORD T 90 DE 1 FF	VERBINDUNGSSTSCCK T 90 1 FF	UNI N T 90 DE 1 FF
85	F03150147R	NIPPLO MM 1 PVC ART.8210 CIL	1 NIPPLE	NIPPLE DE 1	NIPPEL 1	NIPLE DE 1

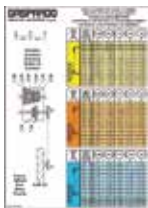


**IMPIANTO DI ASPIRAZIONE E SOFFIAGGIO  
ASPIRATION AND BLOWING SYSTEM**

TAV. 072

Pos.	Cod.	Descrizione	Description	Description	Benennung	Descripcion
1	G66248098R	TAPPO CONVOGLIATORE DEPR. SP	AIR PUMP CONVEYOR PLUG SP	BOUCHON CONVOYEUR TURBINE SP	VAKUUM FTRDERPFROPFEN SP	TAP N CONDUCTOR DEPR. SP
2	F02300018R	FASCETTA STRING. 25 40 H.8	CLAMP 25 40 H.8	GAINÉ 25 40 H.8	KLEMME 25 40 H.8	BRAZADERA 25 40 H.8
3	F03150664R	TAPPO MASCHIO 1 8 ESAGONO	1 8 MALE HEXAGON. PLUG	BOUCHON MALE 1 8 HEXAGONAL	GEWINDEPFROPFEN 1 8 SECHSKANT	TAP N MACHO 1 8 HEX GONO
4	F13010028R	RACC.SUPERAPIDO DRITTO 1 8G-8	SUPERAP.RIGHT JUNCTION 1 8G-8			
5	F03151225R	RACCORDO Y 1 8G F-F-M	UNION Y 1 8G F-F-M	RACCORD Y 1 8G F-F-M	ANSCHLUSSTSCK Y 1 8G F-F-M	UNIN Y 1 8G F-F-M
6	F13070005R	TUBO POLIURETANO 8-6 NERO	POLIURETHAN PIPE 8-6 BLACK			
7	F03100500R	TUBO EOLO 35 PU	TUBE EOLO 35 PU	TUBE EOLO 35 PU		TUBO EOLO
8	F01020404R	VITE M6X1X20 U5739 8.8ZN	SCREW M6X1X20 U5739 8.8ZN	VIS M6X1X20 U5739 8.8ZN	SCHRAUBE M6X1X20 U5739 8.8ZN	TORNILLO M6X1X20 U5739 8.8ZN
9	G22250091R	FORCELLA SUPP.TUBI SV	FORK	FOURCHETTE SUPPORT TUBES SV	GABEL ROHRHALTERUNG SV	HORQUILLA SOPORTE TUBOS SV
10	F05150473R	PUNTALE PVC D.20	PVC TIP D.20	EMBOUT PVC D. 20	STTSSELSCHAFT PVC D.20	PUNTAL PVC D.20
11	F01200232R	DADO M6X1 U5588 CL8 ZN	NUT M6X1 U5588 6.8ZN	ECROU 6 UNI 5588 6.8 ZN	MUTTER 6 UNI 5588 6.8 ZN	TUERCA M6X1 U5588 CL8 ZN
12	F01410037R	ROS.M6 6,4X12,5X1,6 U6592 ZN	WASHER M6 6,4X12,5X1,6 U6592ZN	RONDEL.M6 6,4X12,5X1,6 U6592ZN	SCHEIB.M6 6,4X12,5X1,6 U6592ZN	ARAND.M6 6,4X12,5X1,6 U6592 ZN
13	G15855170R	SUPPORTO RAMPA SOFFIAGGIO	BLOWER RAMP SUPPORT	SUPPORT RAMPE SOUFFLAGE	GEBL-SERAMPENHALTERUNG	SOPORTE RAMPA DE SOPLO
14	G15855150R	RAMPA SOFFIAGGIO 1600X12	1600X12 BLOW RAMP COUPLING	ASS. RAMPE SOUFFLAGE 1600X12	GEBL-SERAMPENKOMPLEX 1600X12	CONJ. RAMPA DE SOPLO 1600X12
15	G15855240R	RAMPA SOFFIAGGIO 2100X14	2100X14 BLOW RAMP COUPLING	ASS. RAMPE SOUFFLAGE 2100X14	GEBL-SERAMPENKOMPLEX 2100X14	CONJ. RAMPA DE SOPLO 2100X14
16	F01200270R	DADO M10X1,5 U5588 CL8 ZN	NUT M10X1,5 U5588 6.8ZN	ECROU M10X 1,5 U5588 6.8 ZN	MUTTER M10X 1,5 U5588 6.8 ZN	TUERCA M10X1,5 U5588 CL8 ZN
17	G15855140R	RAMPA ASPIRAZIONE 1600X12	1600X12 BLOW RAMP COUPLING	ASS. RAMPE ASPIRATION 1600X12	GEBL-SERAMPENKOMPLEX 1600X12	CONJ. RAMPA DE ASPIRACI N 160
18	G15855230R	RAMPA ASPIRAZIONE 2100X14	2100X14 BLOW RAMP COUPLING	ASS. RAMPE ASPIRATION 2100X14	GEBL-SERAMPENKOMPLEX 2100X14	CONJ.. RAMPA DE ASPIRACI N 210
19	F20110706R	CAV.Q.B=35 M=10X1,5 L=60	U BOLT Q.B=35 M=10X1,5 L=60	CAVALIER SUPPORT DISQUE SV	VERBINDUNG SCHEIBENHALTERUNG S	PERNO EN U SOP. DISCO SV
20	G15850000R	SUPP.TUBI ASP. E SOFF.	PIPE SUPPORT	SUPPORT TUBES	ROHRHALTERUNG	SOPORTE TUBOS

# TAV. 083

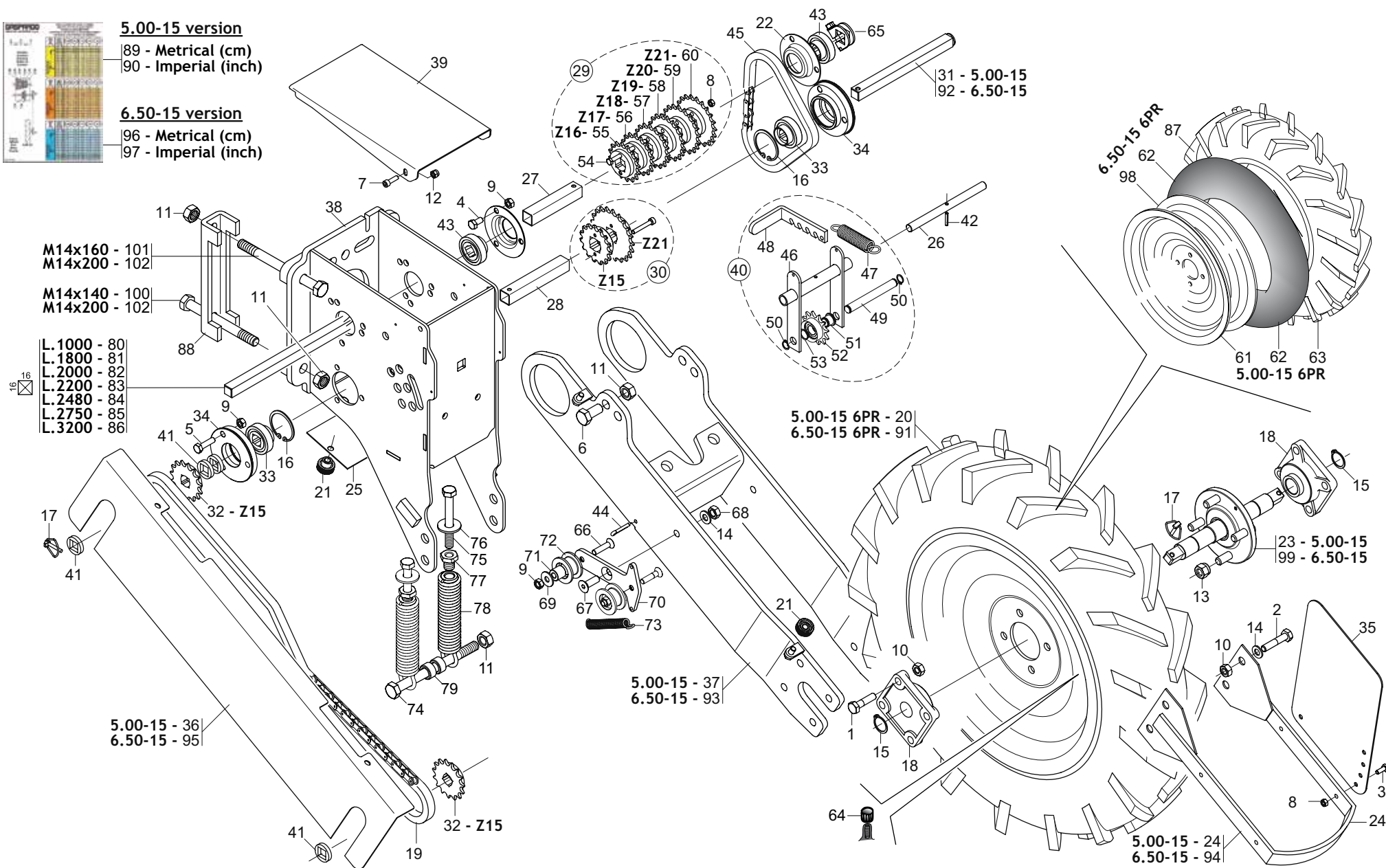


## 5.00-15 version

89 - Metrical (cm)  
90 - Imperial (inch)

## 6.50-15 version

96 - Metrical (cm)  
97 - Imperial (inch)



M14x160 - 101  
M14x200 - 102

M14x140 - 100  
M14x200 - 102

L.1000 - 80  
L.1800 - 81  
L.2000 - 82  
L.2200 - 83  
L.2480 - 84  
L.2750 - 85  
L.3200 - 86

15 16

5.00-15 - 36  
6.50-15 - 95

5.00-15 6PR - 20  
6.50-15 6PR - 91

5.00-15 - 37  
6.50-15 - 93

5.00-15 - 24  
6.50-15 - 94

5.00-15 6PR

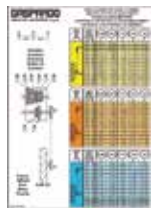
23 - 5.00-15  
99 - 6.50-15

## RUOTE DI TRASMISSIONE DRIVE WHEELS

TAV. 083

Pos.	Cod.	Descrizione	Description	Description	Benennung	Descripcion
1	F01020110R	VITE M10X1,5X40 U5737 8.8ZN	SCR. M10X1,5X40 U5737 8.8ZN	VIS M 10X40	SCHRAUBE M 10X40	TORNILLO M 10X40
2	F01020112R	VITE M10X1,5X45 U5737 8.8ZN	SCR. M10X1,5X45 U5737 8.8ZN	VIS M 10X45	SCHRAUBE M 10X45	TORNILLO M 10X45
3	F01020403R	VITE M6X1X16 U5739 8.8ZN	SCR. M6X1X16 U5739 8.8ZN	VIS M6X1X16 U5739 8.8 ZN	SCHRAUBE M6X1X16 U5739 8.8 ZN	TORNILLO M6X1X16 U5739 8.8 ZN
4	F01020432R	VITE M8X1,25X16 U5739 8.8ZN	SCR. M8X1,25X16 U5739 8.8ZN	VIS M8 X1,25X16 U5739 8.8 ZN	SCHRAUBE M8X1,25X16U5739 8.8ZN	TORNILLO M8X1,25X16 U5739 8.8
5	F01020445R	VITE M8X1,25X30 U5739 8.8ZN	SCR. M8X1,25X30 U5739 8.8ZN	VIS M 8X1,25X30 U5739 8.8 ZN	SCHRAU, M8X1,25X30 U5739 8.8ZN	TORNILLO M8X1,25X30 U5739 8.8
6	F01020540R	VITE M14X2X30 U5739 8.8ZN	SCR. M14X2X30 U5739 8.8ZN	VIS M14X2X30 U5739 8.8ZN	SCHRAUBE M14X2X30 U5739 8.8ZN	TORNILLO M14X2X30 U5739 8.8ZN
7	F01040063R	VITE M6X1X20 U5931 8.8ZN	SCR. M6X1X20 U5931 8.8ZN	VIS M 6	SCHRAUBE M 6	TORNILLO M 6
8	F01200232R	DADO M6X1 U5588 CL8 ZN	NUT M6X1 U5588 6.8ZN	ECROU 6 UNI 5588 6.8 ZN	MUTTER 6 UNI 5588 6.8 ZN	TUERCA M6X1 U5588 CL8 ZN
9	F01200244R	DADO M8X1,25 U5588 CL8 ZN	NUT M8X1,25 U5588 6.8ZN	ECROU M8 X1,25 U5588 6.8 ZN	MUTTER M8 X1,25 U5588 6.8 ZN	TUERCA M8X1,25 U5588 CL8 ZN
10	F01200270R	DADO M10X1,5 U5588 CL8 ZN	NUT M10X1,5 U5588 6.8ZN	ECROU M10X 1,5 U5588 6.8 ZN	MUTTER M10X 1,5 U5588 6.8 ZN	TUERCA M10X1,5 U5588 CL8 ZN
11	F01200306R	DADO M14X2 U5588 CL8 ZN	NUT M14X2 U5588 6.8ZN	ECROU M14X2	MUTTER M14X2	DADO M14X2
12	F01230022R	DADO M6X1 D982 8ZN	NUT M6X1 D982 8ZN	ECROU AUTO-FREIN.M6X1 D982 8ZN	SICHERUNGSMUT. M6X1 D982 8 ZN	TUERCA DE SEGU.M6X1 D982 8 ZN
13	F01250040R	DADO COLON. 12X1.5 ZN	COLUMN NUT M12X1.5 STUD BOLT	ECROU M12X1. 5 COLONNE	SCHRAUBBOLZENMUTTER M12X1.5	TUERCA 12X1.5 COLUMNNA
14	F01410064R	ROS.M10 10,5X 20X 2 U6592 ZN	WASHER M10 10,5X20X2 U6592 ZN	RONDEL. M10 10,5X20X2 U6592 ZN	SCHEIBE M10 10,5X20X2 U6592 ZN	ARAND.M10 10,5X 20X 2 U6592 ZN
15	F02050101R	ANELLO E. DE 25X 1,2 U7435 C7	SEEGER RING E. 25X1,2 7435 C70	SEEGER E. 25X 1,2 U7435 C70	SEEGERING E. 25X 1,2 U7435 C70	ANILLO E. DE 25X 1,2 U7435 C7
16	F02050370R	ANELLO E. DI 47X1,75 U7437 C70	SEEGER RING 47X 1,75 U7437 C70	SEEGER E. 47X 1,75 U7437 C70	SEEGERING E. 47X1,75 U7437 C70	ANILLO E. 47X 1,75 U7437 C70
17	F02200452R	SPINA SCATTO D.4,4 B 80 ZN	SNAP PIN D4.4 B 80 ZN	SNAP PIN D4.4 B 80 ZN	FICHE A DETENTE D4.4 B 80 ZN	CLAVIJA DE MUELLE D4,4 B 80 ZN
18	F04100137R	SUPPORTO FY 25 TF	SUPPORT FY 25 TF	SUPPORT FY 25 TF	SUPPORT FY 25 TF	SUPPORTO FY 25 TF
19	F06080111R	CATENA 1 2 ISO 084 113 MAGLIE	CHAIN 1 2 ISO 084 113	CHAIN 1 2 ISO 084 113	CHAIN 1 2 ISO 084 113	CATENA 1 2 ISO 084 113 MAGLIE
20	F06120113R	RUOTA COMPL.5.00-15 6PR DX	COMPL. WHEEL 5.00-15 6PR RH.	ROUE COMPL. 5.00-15 6PR DRT.	RAD KOMPL.5.00-15 6PR RE	RUEDA COMPL.5.00-15 6PR DER.
21	F06220037R	VOLANTINO ZIGR.D.26-M8 FEM	KNURLED HANDWHEEL D.26-M8	KNURLED HANDWHEEL D.26-M8	KNURLED HANDWHEEL D.26-M8	FOLLETO ZIGR.D.26-M8
22	G22230094R	SUPPORTO CUSCINETTO	BEARING SUPPORT	SUPPORT DE ROULEMENT	LAGERBSCHSE	SOPORTE COJINETE
23	G22270280R	ASSE RUOTA TRASM.NORMALE SP S	NORMAL DRIVE WHEEL AXLE	AXE ROUE ENTRAINEMENT 5.00-15	RADACHSE NORMALER ANTRIEB SP S	EJE RUEDA TRANS. NORMAL SP S
24	G10530101R	ASS.RASCHIATERRA	SOIL SCRAPER ASSEMBLY	GR. RACLEUR	ERDSCHABER	CONJ. RASC. TIERRA
25	G22250035R	PORTA DI CHIUSURA SV	CLOSURE DOOR SV	PORTE DE FERMETURE SV	ABSCHLUSSTSR SV	PUERTA DE CIERRE SV
26	G22250040R	SPINA TENDICATENA SV	CHAIN TIGHTENER PIN SV	BROCHE TENDEUR DE CHAINE SV	KETTENSANNERSTIFT SV	CLAVIJA TENSOR DE CADENA SV
27	G10530361R	TUBO Q. 20X1,2X 110 1F6,5	SQUARE PIPE 20X1,2X 110	SQUARE PIPE 20X1,2X 110	SQUARE PIPE 20X1,2X 110	TUBO Q. 20X1,2X 110 1F6,5
28	G22250053R	DISTANZIALE INFERIORE SV	LOWER SPACER SV	ENTRETOISE INF. SV	UNTERES DISTANZSTSK SV	DISTAN. INFERIOR SV
29	G22250049R	BLOCCO CAMBIO SV	GEARBO	ENSEMBLE BOITE DE VITESSE	GETRIEBEBLOCK SV	BLOQUE CAMBIO SV
30	G22250051R	BLOCCO INGRANAGGI Z-15 21 SV	GEAR WHEEL BLOCK Z-15 21 SV	ENSEMBLE ENGRENAGES Z-15 21 SV	ZAHNRZDERBLOCK Z-15 21 SV	BLOQUE ENGRANAJES Z-15 21 SV
31	G22250037R	ASSE INF.CAMBIO SV	LOWER GEARBOX SPINDLE SV	AXE INF. BOITE DE VITESSE	UNTERE GETRIEBEACHSE SV	EJE INF. CAMBIO SV
32	G22250028R	PIGNONE Z-15 SV	Z-15 PINION SV	PIGNON Z-15 SV	RITZEL Z-15 SV	PI N Z-15 SV
33	G14830390R	CUSCINETTO FORO QUADRO	SQUARE-HOLED BEARING	ROULEMENT TROU CARRE	VIERKANTLAGER	COJINETE ORIFICIO CUADRADO
34	G22310011R	FLANGIA CAMBIO DP	GEARBOX FLANGE DP	BRIDE BOITE DE VITESSE DP	FLANSCH GETRIEBE DP	BRIDA CAMBIO DP
35	G15830141R	PARAFANGO	MUDGARD FENDER	PARE-BOUE	KOTFL_GEL	GUARDABARRO
36	G15835241R	CARTER RUOTA TRASMISSIONE R	TRASM.WHEEL CARTER	TRASM.WHEEL CARTER	TRASM.WHEEL CARTER	CARTER RUOTA TRASMISSIONE R
37	G15835501R	BRACCI RUOTA TRASMISSIONE	TRANSMISSION WHEEL ARMS ASS.	TRANSMISSION WHEEL ARMS ASS.	TRANSMISSION WHEEL ARMS ASS.	BRACCI RUOTA TRASMISSIONE
38	G15835133R	ASS.SCATOLA CAMBIO RUOTA 5	ASSY GEARBOX WHEEL 5	ASSY GEARBOX WHEEL 5	ASSY GEARBOX WHEEL 5	ASS.SCATOLA CAMBIO RUOTA 5
39	G15835170R	COPERCHIO SCATOLA CAMBIO R.5	GEARBOX COVER R.5	COUVERCLE BOITE DE VITESSE R.5	DECKEL GETRIEBEGEHZUSE R.5	TAPA CAJA DEL CAMBIO R.5
40	G15835312R	TENDICATENA CAMBIO COMPL	ASSY GEARBOX CHAIN TIGHTENER	ASSY GEARBOX CHAIN TIGHTENER	ASSY GEARBOX CHAIN TIGHTENER	TENDICATENA CAMBIO COMPL
41	G66248218R	RONDELLA DISTAN.SPAND.	MAN. SPR. SPACER WASHER	RONDELLE ENTRETOISE EP. ENGRAI	ABSTANDSCHEIBE DSNGERSTREUER	ARANDELA DISTAN.ABONAD.
42	F02100062R	SPINA E.P. 4X 24 U6873 C70 BR	PIN EL. 4 X24 DIN 1481	FICHE EL. 4 X24 DIN 1481	SPANNSTIFT 4 X24 DIN 1481	CLAVIJA EL.4 X24 DIN 1481
43	G10538350R	CUSCINETTO FORO QUADRO RIB.	SQUARE HOLE BEARING	PALIER TROU CARRE	LAGER VIERKANTLOCH	COJINETE ORIFICIO CUADRADO
44	F02200226R	COPIGLIA 5X 25 U1336 ZN	SPLIT PIN 5 X25 1336 GALVAN.	GOUPILLE 5 X25 1336 ZN	SPLINT 5 X25 1336 ZN	PASADOR 5 X25 1336 ZN
45	F06080017R	CATENA 1 2 ISO 083 42 MAGLIE	CHAIN 1 2 ISO 083 42 LINKS	CHAIN 1 2 ISO 083 42 LINKS	CHAIN 1 2 ISO 083 42 LINKS	CATENA 1 2 ISO 083 42 MAGLIE
46	G10530271R	TENDICATENA CAMBIO	CHAINSTRETCHER GEARBOX	CHAINSTRETCHER GEARBOX	CHAINSTRETCHER GEARBOX	TENDICATENA CAMBIO
47	G65337005R	MOLLA TRAZ.CAMBIO SV	TRACTION COUPLING SPRING- GEAR	RESSORT TRACT.BOITE DE VITESSE	ZUGFEDER GETRIEBE SV	MUELLE TRAC. CAMBIO SV
48	G22250038R	MANIGLIA SV	HANDLE SV	POIGNEE SV	GRIFF SV	MANIJA SV
49	G15835380R	ASSE TENDICATENA ZN	CHAIN STRETCHER AXIS	AXE TENDEUR DE CHAINE	ACHSE KETTENSANNER	EJE TENSOR DE CADENA
50	F02050023R	ANELLO E. DE 12X 1 U7435 C70	SEEGER RING D 12X 1 U7435 C70	BAGUE SEEGER D 12X 1 U7435 C70	SEEGERRING D 12X 1 U7435 C70	ANILLO D 12X 1 U7435 C70
51	G15835460R	BOCCOLA 12 X15 X14	BUSHING 12 X15 X14	BUSHING 12 X15 X14	BUSHING 12 X15 X14	BOCCOLA 12 X15 X14
52	G16930550R	PIGNONE TENDICATENA CONC.COMPL	COMPL. FERTILIS. CHAIN EXTENDE	PIGNON TENDEUR DE CHAINE FERTI	RITZEL KETTENSANNER D_NGER KO	PI ON TIRA CADENA ABONO COMPL.
53	F02050034R	ANELLO E. DE 15X 1 U7435 C70	ELASTIC RING DE 15X 1	BAGUE ELASTIQUE DE 15X 1	RING DE 15X 1	ANILLO DE 15X 1
54	F01020050R	VITE M6X1X80 U5737 8.8ZN	SCR. M6X1X80 U5737 8.8ZN	VIS 6 X80 5737 8.G ZN	SCHRAUBE 6 X80 5737 8.G ZN	TORNILLO 6 X80 5737 8.G ZN
55	G10530690R	PIGNONE Z16 1 2-3 16 Q.20,5 ZN	GEAR Z16 1 2-3 16 Q.20,5 ZN	GEAR Z16 1 2-3 16 Q.20,5 ZN	GEAR Z16 1 2-3 16 Q.20,5 ZN	PIGNONE Z16 1 2-3 16 Q.20,5 ZN

# TAV. 083

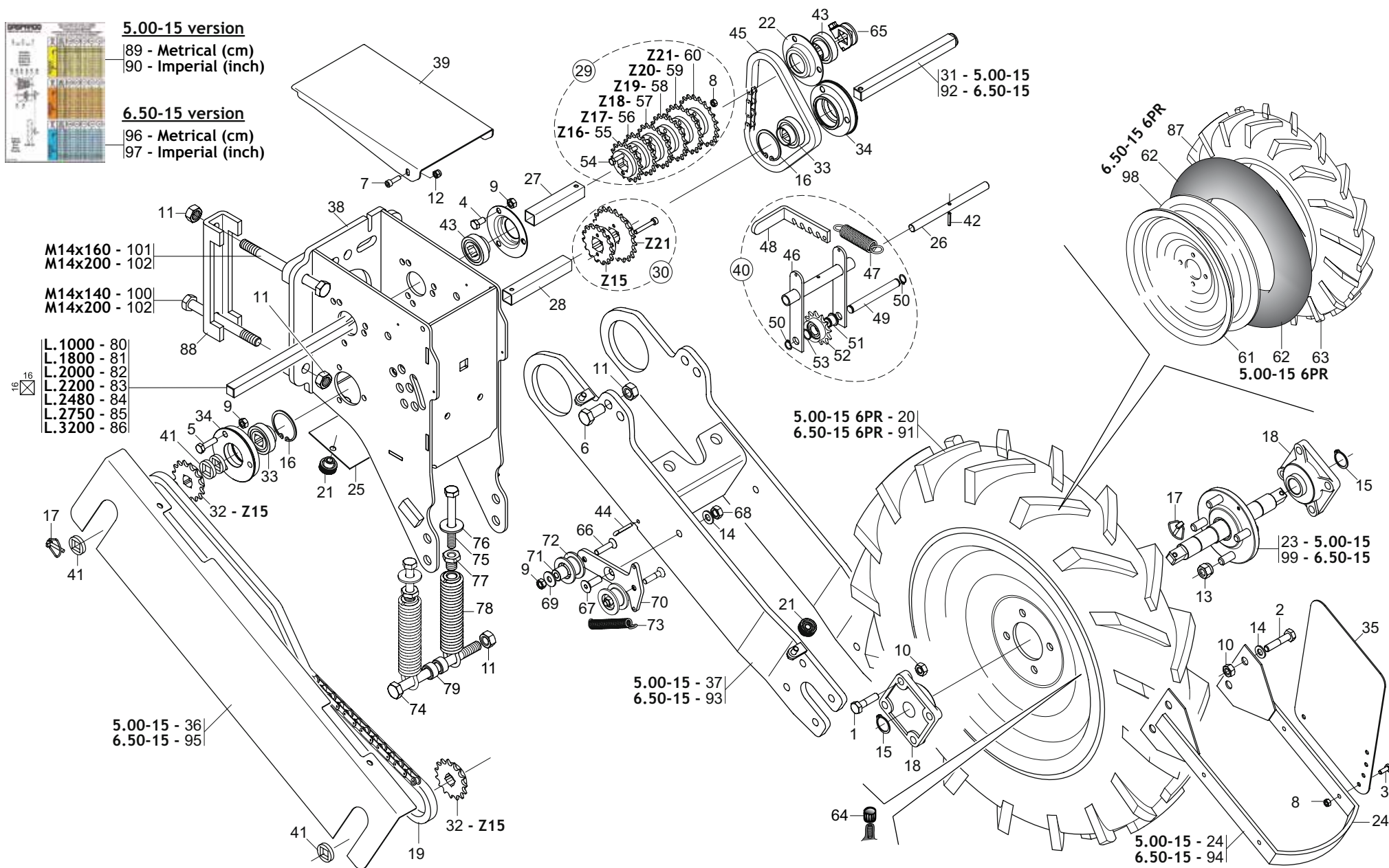


## 5.00-15 version

89 - Metrical (cm)  
90 - Imperial (inch)

## 6.50-15 version

96 - Metrical (cm)  
97 - Imperial (inch)



M14x160 - 101  
M14x200 - 102

M14x140 - 100  
M14x200 - 102

L.1000 - 80  
L.1800 - 81  
L.2000 - 82  
L.2200 - 83  
L.2480 - 84  
L.2750 - 85  
L.3200 - 86

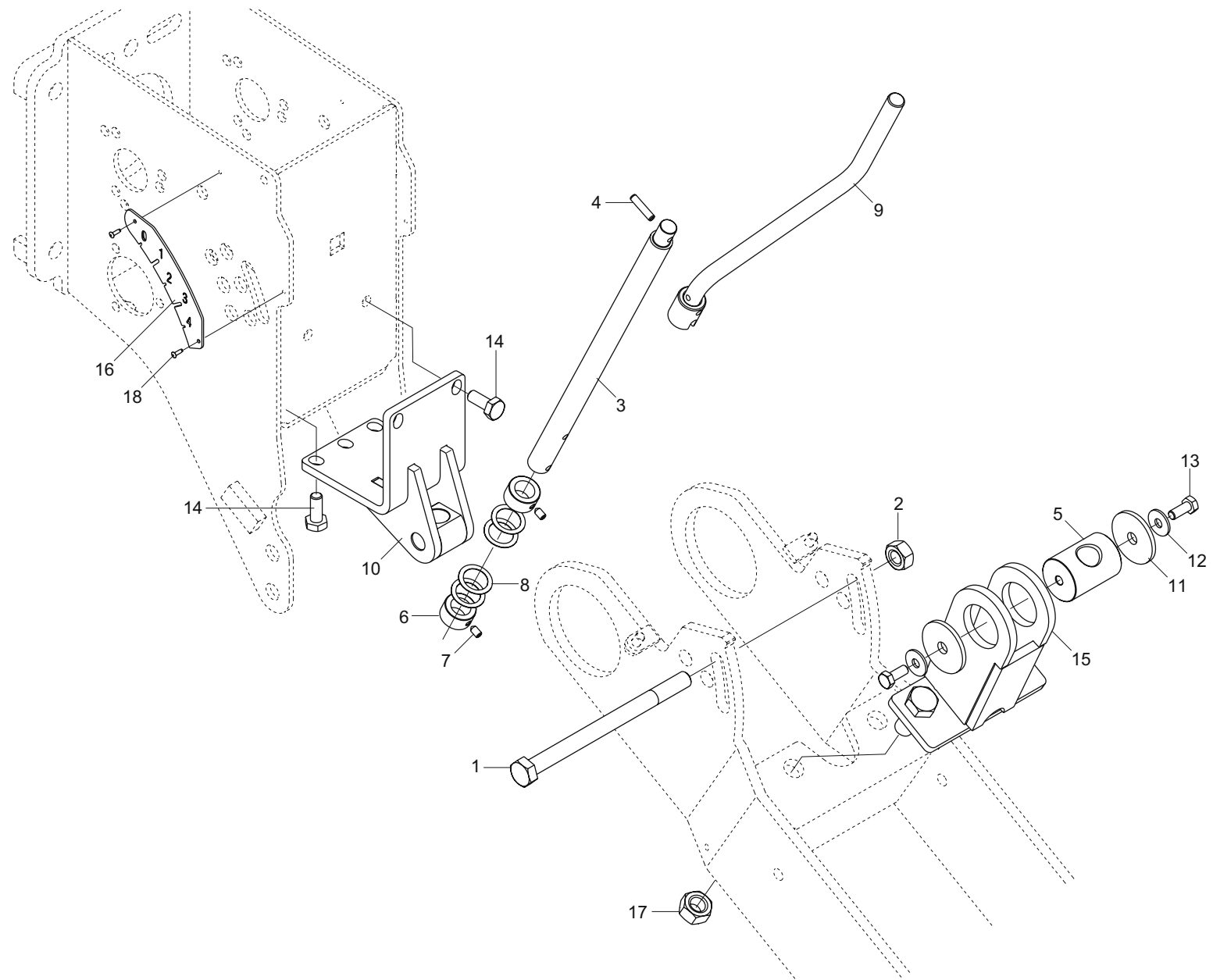
15 16



## RUOTE DI TRASMISSIONE DRIVE WHEELS

TAV. 083

Pos.	Cod.	Descrizione	Description	Description	Benennung	Description
56	G22250044R	CORONA CAMBIO Z-17 SV	GEARBOX RING GEAR Z-17 SV	COURONNE BOITE DE VITESSE	GETRIEBEKRANZ Z-17 SV	CORONA CAMBIO Z-17 SV
57	G22250045R	CORONA CAMBIO Z-18 SV	GEARBOX RING GEAR Z-18 SV	COURONNE BOITE DE VITESSE	GETRIEBEKRANZ Z-18 SV	CORONA CAMBIO Z-18 SV
58	G22250046R	CORONA CAMBIO Z-19 SV	GEARBOX RING GEAR Z-19 SV	COURONNE BOITE DE VITESSE	GETRIEBEKRANZ Z-19 SV	CORONA CAMBIO Z-19 SV
59	G22250047R	CORONA CAMBIO Z-20 SV	GEARBOX RING GEAR Z-20 SV	COURONNE BOITE DE VITESSE	GETRIEBEKRANZ Z-20 SV	CORONA CAMBIO Z-20 SV
60	G22250048R	CORONA CAMBIO Z-21 SV	GEARBOX RING GEAR Z-21 SV	COURONNE BOITE DE VITESSE	GETRIEBEKRANZ Z-21 SV	CORONA CAMBIO Z-21 SV
61	F06120206R	CERCHIO 3.00 D 15 PV RAL 9001	RIM 3.00 D 15 PV RAL 9002			
62	F06120134R	CAMERA X R5.00-15 E 6.5 80-15	INNER TUBE R5.00-15 6.5 80-15	CHAMBRE R5.00-15 6.5 80-15	KAMMER R5.00-15 6.5 80-15	CAMARA R5.00-15 6.5 80-15
63	F06120170R	COPERTURA 5.00-15 IM 110 6PR	TYRE 500-15 IM110 4PR	COUVERTURE 500-15 IM110 4PR	MANTEL 500-15 IM110 4PR	CUBIERTA 500-15 IM110 4PR
64	F05050025R	CAPPELOTTO PROTEZ. X VALV.PVC	PROTECTION CAP PVC X VALVA	CAPUCHON PROTECION PVC X VALVA	SCHUTZKAPPE PVC X VENTIL	TAPA PROTECION PVC X VALVA
65	G22505085R	FERMO ASSE IN LAMIERA	PLATE AXLE STOP	ARRET AXE EN TOLE	FESTSTELLVORRICHTUNG BLECHACHS	BLOQUEO EJE DE CHAPA
66	F01030060R	VITE M8X1,25X35 U5933 10.9ZD	SCREW M8X1,25X35 U5933 10.9ZD	VIS M8X1,25X35 U5933 10.9ZD	SCHRA.M8X1,25X35 U5933 10.9ZD	TORNILLO M8X1,25X35 U5933 10.9
67	F01030096R	VITE M10X1,5X30 U5933 10.9ZN	SCR. M10X1,5X30 U5933 10.9ZN			TORN. M10X1,5X30 U5933 10.9 ZN
68	F01220033R	DADO M10X1,5 D980 8ZN	NUT M10X1,5 D980 8ZN	ECROU M10X1,5 D980 8ZN	MUTTER M10X1,5 D980 8ZN	TUERCA M10X1,5 D980 8
69	F01420048R	ROS.M8 8,4X 24X 2 U6593 ZN	WASHER M8 8,4X 24X2 U6593 ZN	RONDELLE M8 8,4X24X 2 U6593 ZN	SCHEIBEN M8 8,4X24X 2 U6593 ZN	ARAND.M8 8,4X 24X 2 U6593 ZN
70	G15835330R	TENDICATENA ZN	CHAINSTRETCHER ZN			
71	G18801450R	BOCCOLA 8,25 X18 X17	BUSHING 8,25 X 18 X 17	BOITE 8,25 X18 X17	BSCHSE 8,25 X18 X17	CASQUILLO 8,25 X18 X17
72	G19005110R	RULLO TENDICATENA	ROLLER CHAIN TIGHTENER			
73	G65337035R	MOLLA TENDICATENA RUOTA DP	CHAINSTRETCHING WHEEL SPRING			
74	F01020229R	VITE M14X2X180 U5737 8.8BR	SCR. M14X2X180 U5737 8.8BR	VIS 14X180 5737 8.G	SCHRAUBE 14X180 5737 8.G	TORNILLO 14X180 5737 8.G
75	F01020526R	VITE M12X1,75X100 U5739 8.8ZN	SCR. M12X1,75X100 U5739 8.8ZN	VIS 12X100 5739 8.G ZN	SCHRAUBE 12X100 5739 8.G ZN	TORNILLO 12X100 5739 8.G ZN
76	F01410076R	ROS.M12 13X 24X2,5 U6592 ZN	WASHER 12 13X 24X2,5 U6592 ZN	RONDEL. M12 13X24X2,5 U6592 ZN	SCHEIBE M12 13X24X2,5 U6592 ZN	ARAND.M12 13X 24X2,5 U6592 ZN
77	G15220120R	VITE REGOLAZIONE ZN	REGULATION BOLT	VIS R GLAGE ZN	STELLSCHRAUBE ZN	TORNILLO REGULACI N ZN
78	G15226270R	MOLLA COMPL.	COMPL. SPRING	RESSORT COMPLETE		
79	G15830440R	BOCCOLA MOLLA TRAZIONE ZN.	GALVANIZED BUSH EXTENSION SPR	DOUILLE RESSORT TRACTION ZN	ZUGFEDERBUCHSE	MANGUITO MUELLE DE TRACCI N GA
80	G22230138R	ASSE CAMBIO 4F.80-6F.45 L.1000	GEAR SPINDLE 4-ROW 80- 6-ROW.4	AXE BOITE DE VITESSE 4 RA	GETRIEBEACHSE 4 R. 80-6 R.45 L	EJE CAMBIO 4 FILAS. 80-6 FILAS
81	G20870028R	ASSE SERB.LATO TRAS.6F.L.1800	AXLE- GEARBOX SIDE- 6-ROW L.18	AXE RESERVOIR COTE ENTRAINEMEN	ACHSE BEHZLTER ANTRIEBSS. 6F.L	EJE DEP S. LADO TRANS. 6 FILA
82	G22230141R	ASSE SEMINAT.6F.CM.80 L.2000	AXLE-6-ROW SEEDER MACH.L.2000	AXE SEMEUR 6 RANGEES CM. 80 L.	ACHSE SZAELEMENT 6 R.CM.80 L.2	EJE SEMBR. 6 FILAS. CM.80 L.20
83	G22250276R	ASSE TRASM.SEMINAT.L.2200 SV	AXLE- SEEDING MACH. GEARBOX L.	AXE ENTRAINEMENT SEMEUR L. 220	ACHSE SZELEMENT-ANTRIEB.L.2200	EJE TRANS.SEMBR. L.2200 SV
84	G22250275R	ASSE TRASM.SEMINAT.L.2750 SV	AXLE- SEEDING MACH. GEARBOX L.	AXE ENTRAINEMENT SEMEUR L. 275	ACHSE SZELEMENTANTRIEB L.2750	EJE TRANS.SEMBR. L.2750 SV
85	G22250031R	ASSE TRASM.SEMINAT.L.3200 SV	AXLE- SEEDING MACH. GEARBOX L.	AXE ENTRAINEMENT SEMEUR L.3200	ACHSE SZELEMENTANTRIEB .L.3200	EJE TRANS.SEMBR. L.3200 SV
86	G13732200R	ASSE TRASMISSIONE L.2485	TRANSMISSION AXLE L2485	AXE TRANSMISSION L.2485	SBERTRAGUNGSACHSE L.2485	EJE TRANSMISI N L 2485
87	F06120180R	COPERTURA 6.5-15 IM 110 6PR	TYRE 6.5-15 IM 110 6PR			
88	G15110091R	SCONTRO A U	CONTRA U	BRIDE 150 MM	ANSCHLAG	ELEMENTO DE EMPALME
89	G19704261R	DECAL.CAMBIO RUOTA 5,00-15 R	DECAL.WHEEL 5,00-15			
90	G19708000R	DECAL.CAMBIO R.5,00-15 R INCH	LABEL GEAR R.5,00-15 R INCH			
91	F06120116R	RUOTA GOMMATA LARGA DX COMPL.	UPLEFT- WIDE RUBBERED WHEEL			
92	G15835710R	ASSE INFERIORE CAMBIO L.220	LOWER GEARBOX SPINDLE L.220			
93	G15835530R	BRACCI RUOTA TRASSMISS.RINFORZ.	REINFOR.TRANS.M.WHEEL ARMS ASS.			
94	G15835690R	RASCHIATERRA R 6.50 O	SOIL SCRAPER R 6.50 O			
95	G15835570R	CARTER RUOTA TRASMISSIONE R6,5	TRANSMISSION WHEEL CARTER R6,5			
96	G19709060R	DECAL.CAMBIO RUOTA 6,50-15 R	DECAL.WHEEL 6,50-15 R			
97	G19709510R	DECAL.CAMBIO R.6,50-15 R INCH	DECAL.WHEEL 6,50-15 R INCH			
98	F06120207R	CERCHIO 5J 15 H2 PV RAL 9001	RIM 5J 15 H2 PV RAL 9001			
99	G22270281R	ASSE RUOTA TRASM.MAGG. SP S	INCREASED DRIVE WHEEL AXLE	AXE ROUE ENTRAINEMENT 6.50-15	RADACHSE SBERBEM. ANTRIEB SP S	EJE RUEDA TRANS. SOBREDIMENS.
100	F01020221R	VITE M14X2X140 U5737 8.8BR	SCR. M14X2X140 U5737 8.8BR	VIS M 14 X140 5737 8.G	SCHRAUBE M 14 X140 5737 8.G	TORNILLO M 14 X140 5737 8.G
101	F01020225R	VITE M14X2X160 U5737 8.8BR	SCR. M14X2X160 U5737 8.8BR	VIS M 14 X160 5737 8.G	SCHRAUBE M 14 X160 5737 8.G	TORNILLO M 14 X160 5737 8.G
102	F01020233R	VITE M14X2X200 U5737 8.8BR	SCR. M14X2X200 U5737 8.8BR	VIS M14X2X 200 U5737 8.8 ZB	SCHRAUBE M14X 2X200 U5737 8.8	TORNILLO M14X2X200 5737 8.8 ZB



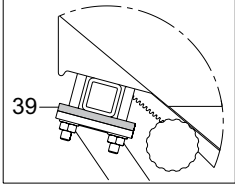
**REGOLAZIONE ALTEZZA RUOTE DI TRASMISSIONE  
TRANSMISSION WHEELS HEIGHT REGULATION**

**TAV. 370**

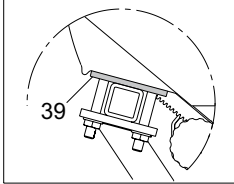
Pos.	Cod.	Descrizione	Description	Description	Benennung	Descripcion
1	F01020231R	VITE M14X2X190 U5737 8.8BR	SCR. M14X2X190 U5737 8.8BR	VIS M 14 X190 5737 8.G	SCHRAUBE M 14 X190 5737 8.G	TORNILLO M 14 X190 5737 8.G
2	F01200306R	DADO M14X2 U5588 CL8 ZN	NUT M14X2 U5588 6.8ZN	ECROU M14X2	MUTTER M14X2	DADO M14X2
3	G16018710R	VITE REGOLAZIONE TPN 20 ZN	ADJUSTING BOLT TPN 20 GALVAN	VIS R GLAGE TPN 20 ZN	STELLSCHRAUBE TPN 20ZN	TORNILLO REGULACI N TPN 20 ZN
4	F02100110R	SPINA E.P. 6X 26 U6873 C70 BR	PIN EL. 6 X26 DIN 1481	FICHE EL.6 X26 DIN 1481	SPANNSTIFT 6 X26 DIN 1481	CLAVIJA EL.6 X26 DIN 1481
5	G16340970R	BOCCOLA TIRAMOLLA SUP.ZN	BUSHING HIGH.TIGH.SPRING			
6	G16912580R	BUSSOLA FILETTATA S-SC ZN	GALVANIS. THREADED BUSH	MANCHON FILETE S-SC ZN	GEWINDEB_CHSE S-SC ZN	CASQUILLO FILETEADO S-SC ZN
7	F01050085R	VITE M6X1X8 U5927	SCR. M6X1X8 U5927	VIS M6X1X8 U5927	SCHRAUBE M6X1X8 U5927	TORNILLO M6X1X8 U5927
8	G20970100R	RONDELLA 30X0,5X22 ACC.	WASHER 30X0-5X22 ACC.	RONDELLE 30X0-5X22 ACIER	UNTERLEGSCHIEBE 30X0-5X22 ACC.	ARANDELA 30X0-5X22 ACC.
9	G07002489R	MANIGLIA CAMBIO M ZN	GEAR HANDLE M ZN	MANIVELLE ESSAI DEBIT REGLAGE	GETRIEBE SGRIF M ZN	MANIJA CAMBIO M ZN
10	G15835640R	ASS.SUPP.INF.REGOLAZIONE RUOTE	ASS.LOWER SUPP.REGULAT.WHEELS			
11	G20970039R	RONDELLA 48X4X11	WASHER 48X4X11	RONDELLE 48X4X11	UNTERLEGSCHIEBE 48X4X11	ARANDELA 48X4X11
12	F01420048R	ROS.M8 8,4X 24X 2 U6593 ZN	WASHER M8 8,4X 24X2 U6593 ZN	RONDELLE M8 8,4X24X 2 U6593 ZN	SCHIEBEN M8 8,4X24X 2 U6593 ZN	ARAND.M8 8,4X 24X 2 U6593 ZN
13	F01020436R	VITE M8X1,25X20 U5739 8.8ZN	SCR. M8X1,25X20 U5739 8.8ZN	VIS M8X1,25X 20 U5739 8.8 ZN	SCHRAUBE M8X1,25X20U5739 8.8ZN	TORNILLO M8X1,25X20 U5739 8.8
14	F01020472R	VITE M10X1,5X25 U5739 8.8ZN	SCR. M10X1,5X25 U5739 8.8ZN	VIS M10X1,5X25 U5739 8.8 ZN	SCHRAUBE M10X1,5X25 U5739 8.8	TORNILLO M10X1,5X25 U5739 8.8
15	G15835620R	ASS.REGOLAZ.SUP.	ASS.REGULATION SUPPORT			
16	G15835700R	INDICE IX	INDICE IX			
17	F01200324R	DADO M16X2 U5588 8.8ZN	NUT M16X2 U5588 8.8ZN	ECROU M16X2 U5588 8.8ZN	MUTTER M16X2 U5588 8.8ZN	TUERCA M16X2 U5588 8.8ZN
18	F02250077R	RIVETTO STR. 3 X14 U9200A AL	3X14 ALUMINIUM PULL RIVET	RIVET A RUPTURE 3X14 ALUMINIUM	REISSNIETE3X14 ALL.	REMACHE DESGAR. 3X14 ALL.

TAV. 141

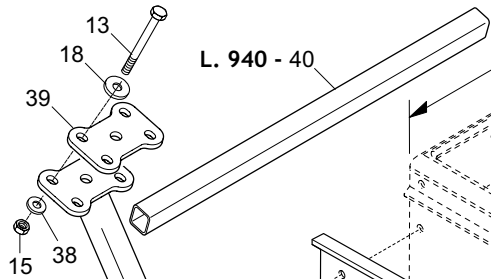
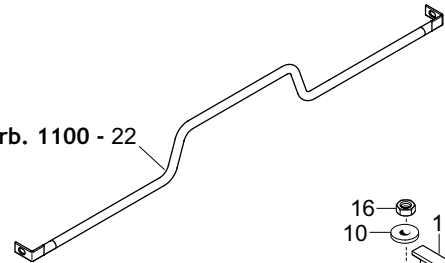
SPANDI 1100 PLA



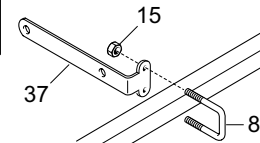
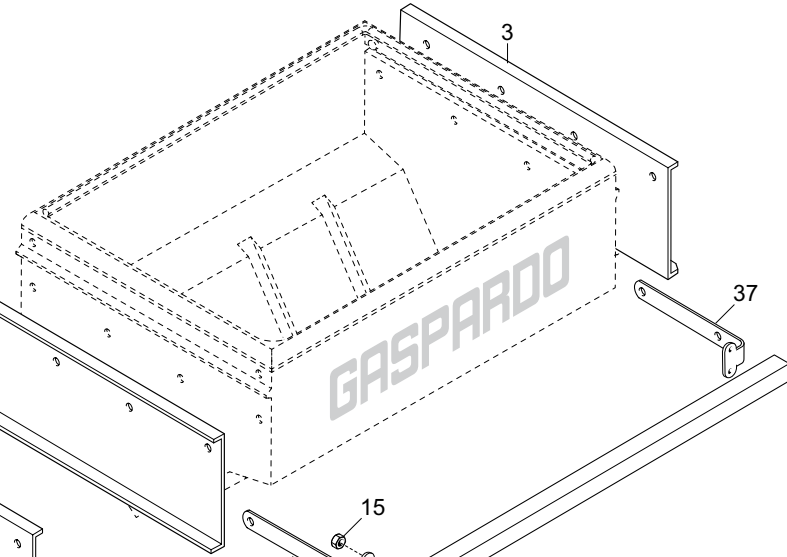
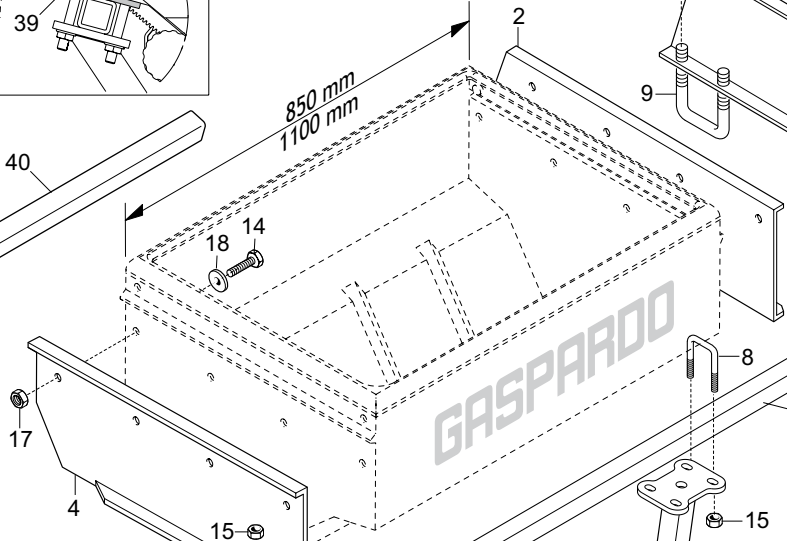
SPANDI 850 PLA



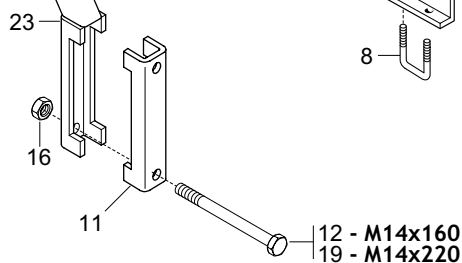
serb. 1100 - 22



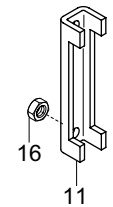
L. 940 - 40



- 28 - L.600
- 27 - L.750
- 40 - L.940
- 35 - L.990
- 30 - L.1170
- 26 - L.1200
- 34 - L.1400
- 25 - L.1600
- 36 - L.2000
- 29 - L.2480
- 21 - L.2980
- 31 - L.3100
- 24 - L.3980
- 33 - L.5100
- 32 - L.5800



12 - M14x160  
19 - M14x220



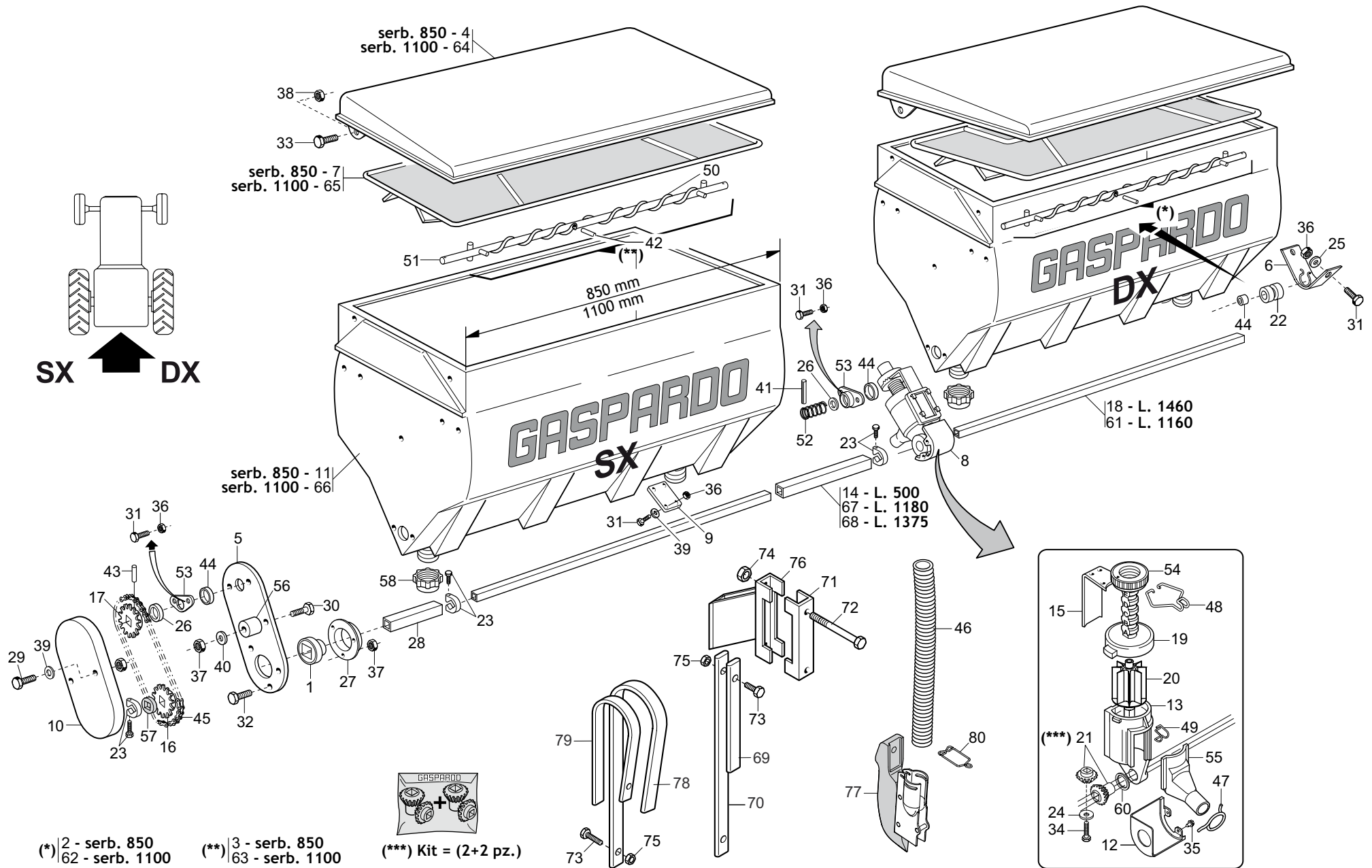
12 - M14x160  
19 - M14x220

5 - telaio 150x100  
6 - telaio 150x150

**SUPPORTI SERBATOI SPANDICONCIME  
SUPPORTS FOR FERTILIZER DISTRIBUTOR**

TAV. 141

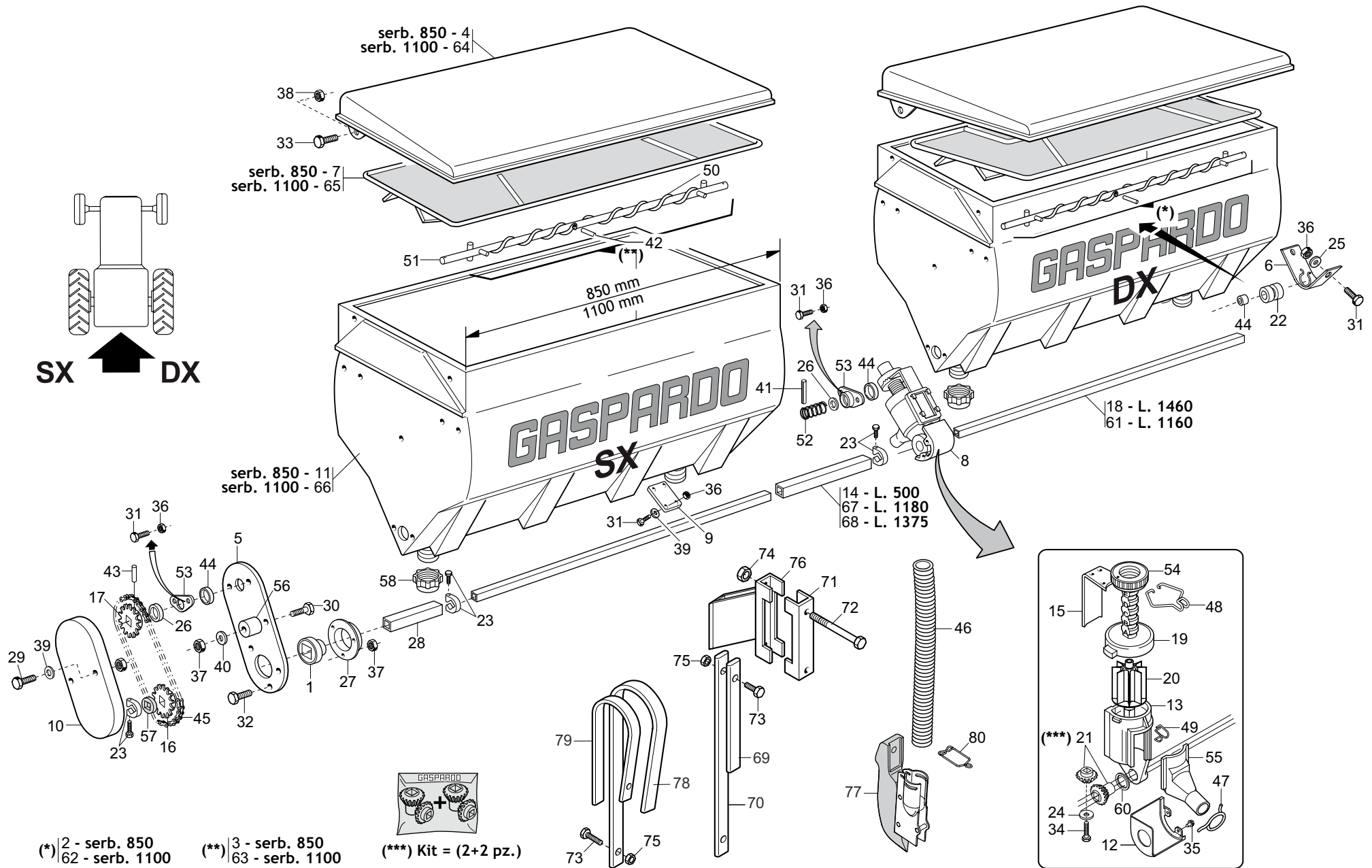
Pos.	Cod.	Descrizione	Description	Description	Benennung	Description
1	G15470632R	SUPP.SPANDI CENTR.DX	CENTRAL RIGHT FERT.ER SUPPORT			
2	G15470642R	SUPP.SPANDI CENTR.SX	CENTRAL LEFT FERT.ZER SUPP.			
3	G15171381R	SUPP.SPANDI EST.DX	RIGHT EXT.AL FERT.ZER SUPPORT			
4	G15171391R	SUPP.SPANDI EST.SX	LEFT EXT.AL FERT.ER SUPPORT			
5	G16670011R	SUPPORTO SPANDI	SPREADER SUPPORT	SUPPORT PANDEUR	HALTERUNG SPANDI	SOPORTE ABONADORA
6	G15472901R	SUPPORTO SPANDI Q.150	FERT.SPREADER SUPPORT SQ.150	SUPPORT PANDEUR CARR 150	HALTERUNG SPANDI Q.150	SOPORTE ABONADORA Q.150
7	G18701140R	RONDELLA 11 X35 X5	WASHER 11 X 35 X 5	RONDELLE 11 X35 X5	UNTERLEGSCHEIBE 11 X35 X5	ARANDELA 11 X35 X5
8	F20110706R	CAV.Q.B=35 M=10X1,5 L=60	U BOLT Q.B=35 M=10X1,5 L=60	CAVALIER SUPPORT DISQUE SV	VERBINDUNG SCHEIBENHALTERUNG S	PERNO EN U SOP. DISCO SV
9	F20110770R	CAV.Q.B=80 M=14X2 L=119	U BOLT Q.B=80 M=14X2 L=119	BRIDE U M14X2X50 96X119 ZN	ANSCHLANG U M14X2X50 96X119 ZN	EL.DE EMPALME M14X2X50 96X119
10	G20970142R	RONDELLA 32X4X15,5	WASHER 32X4X15-5	RONDELLE 32X4X15-5	UNTERLEGSCHEIBE 32X4X15-5	ARANDELA 32X4X15-5
11	G15110091R	SCONTRO A U	CONTRA U	BRIDE 150 MM	ANSCHLAG	ELEMENTO DE EMPALME
12	F01020225R	VITE M14X2X160 U5737 8.8BR	SCR. M14X2X160 U5737 8.8BR	VIS M 14 X160 5737 8.G	SCHRAUBE M 14 X160 5737 8.G	TORNILLO M 14 X160 5737 8.G
13	F01020144R	VITE M10X1,5X75 U5737 A2IX	SCR. M10X1,5X75 U5737 A2IX	VIS M10X 1,5X 75 U5737 8.8 IX	SCHRAUBE M10X 1,5X 75 U5737 8.	TORNIL. M10X 1,5X 75 U5737 8.8
14	F01020465R	VITE M10X1,5X35 U5739 A2IX	SCR. M10X1,5X35 U5739 A2IX	VIS M10X1,5X35 U5739 A2IX	SCHRA.M10X1,5X35 U5739 A2IX	TOR.M10X1,5X35 U5739 A2IX
15	F01200271R	DADO M10X1,5 U5588 A2IX	NUT M10X1,5 U5588 A2IX	ECROU 10 5588 6.8 INOX	MUTTER 10 5588 6.8 INOX	TUERCA 10 5588 6.8 INOX
16	F01200306R	DADO M14X2 U5588 CL8 ZN	NUT M14X2 U5588 6.8ZN	ECROU M14X2	MUTTER M14X2	DADO M14X2
17	F01200271R	DADO M10X1,5 U5588 A2IX	NUT M10X1,5 U5588 A2IX	ECROU 10 5588 6.8 INOX	MUTTER 10 5588 6.8 INOX	TUERCA 10 5588 6.8 INOX
18	F01420059R	ROS.M10 10,5X 30X2,5 U6593 IX	WASHER 11X30X2,5 6593 A2	RONDELLE 11X30X2,5 6593 A2	UNTERLEGSCHEIBE 11X30X2,5 6593	ARANDELA 11X30X2,5 6593 A2
19	F01020236R	VITE M14X2X220 U5737 8.8BR	SCR. M14X2X220 U5737 8.8BR	VIS M14X2X220 U5737 8.8 BR	SCHRAUBE M14X2X220 U5737 8.8	TORNILLO M14X2X220 U5737 8.8
20	F20120346R	PUNTALE Q 35 ALETT.POLIT.NERO	SQ.TIP 35 BLACK			
21	G07000028R	TUBO Q.35 X4 X2980	SQUARE PIPE 35 X 35 X 3 X 2980	TUBE CARRE 35 X 35 X 3 X 2980	VIERKANTROHR 35 X 35 X 3 X 298	TUBO CUADRADO 35 X 35 X 3 X 29
22	G15272961R	RINFORZO SPANDICONCIME 1100	FERTILIZER 1100 REINFORCEMENT	RENFORT EPANDEUR D ENGRAIS 110	VERSTZRKUNG DSNGERSTREUER 1100	REFUERZO ABONADORA 1100
23	G15275790R	ASS.SUPPORTO ANT.SPANDI PLA	FRONTAL FERT.DISTR.SUPPORT			
24	G07000370R	TUBO Q. 35X 3X3980	SQUARE PIPE 35X35X4X3980	TUBE CARRE 35X35X4X3980	VIERKANTROHR 35X35X4X3980	TUBO CUADRADO 35X35X4X3980
25	G07000375R	TUBO Q. 35X 3X1600 1F8	SQUARE PIPE 35X35X4X1600 1H8	TUBE CARRE 35X35X4X1600	VIERKANTROHR 35X35X4X1600	TUBO CUADRADO 35X35X4X1600
26	G15472970R	TUBO Q. 35X 4X1200	SQUARE PIPE 35 X4 X1200	TUBE CARRE 35 X4 X1200	VIERKANTROHR 35 X4 X1200	TUBO CUADRADO 35 X4 X1200
27	G15472980R	TUBO Q.35 X4 X750	SQUARE PIPE 35 X4 X750	TUBE CARRE 35 X4 X750	VIERKANTROHR 35 X4 X750	TUBO CUADRADO 35 X4 X750
28	G15472990R	TUBO Q. 35X 4X 600	SQUARE PIPE 35 X4 X600	TUBE CARRE 35 X4 X600	VIERKANTROHR 35 X4 X600	TUBO CUADRADO 35 X4 X600
29	G15475130R	TUBO SUPPORTO SERBATOIO L.2480	TANK SUPPORT PIPE L.2480	TUBE SUPPORT RESERVOIR L2460	ROHR HALTERUNG BEHZLTER L.2480	TUBO SOPORTE DEP SITO L 2480
30	G15475300R	TUBO SUPPORTO MICRO L.1170	MICRO SUPPORT PIPE L.1170	TUBE SUPPORT MICRO L1170	ROHR HALTERUNG MIKRO L.1170	TUBO SOPORTE MICRO L1170
31	G15475390R	TUBO SUPPORTO MICRO L.3100	MICRO SUPPORT PIPE L.3100	TUBE SUPPORT MICRO L3100	ROHR HALTERUNG MIKRO L.3100	TUBO SOPORTE MICRO L.3100
32	G15475400R	TUBO SUPPORTO MICRO L.5800	MICRO SUPPORT PIPE L.3800	TUBE SUPPORT MICRO L5800	ROHR HALTERUNG MIKRO L.5800	TUBO SOPORTE MICRO L.5800
33	G15475540R	TUBO SUPPORTO MICRO L.5100	MICRO SUPPORT PIPE L.5100	TUBE SUPPORT MICRO L5100	ROHR HALTERUNG MIKRO L.5100	TUBO SOPORTE MICRO L 51000
34	G20890207R	BARRA DIFFUSORI DISERBO L.1400	WEEDKILLER SPREADER BAR L.1400	BARRE DIFFUSEURS DESHERBAGE L.	DIFFUSORENSTANGE UNKRAUTVERT.	BARRA DIFUSORES HERBICIDA L.1
35	G22220141R	BRACCIO SCORREVOLE 4 FILE	SLIDING ARM- 4-ROW	BRAS GLISSANT 4 RANGEES	GLEITARM 4 REIHEN	BRAZO CORREDIZO 4 FILAS
36	G22270115R	BRACC.SCORR.6F.100 L.2000 SP	SLIDING ARM 6-R. 100 L.2000 SP	BRAS GLISS. 6 RANG. 100 L. 200	GLEITARM 6R.100 L.2000 SP	BRAZO CORRED. 6 FILAS. 100 L.2
37	G15475271R	SUPPORTO MICRO	MICRO SUPPORT	SUPPORT MICROGRANULATEUR	HALTERUNG MICRO	SOPORTE MICRO
38	F01410064R	ROS.M10 10,5X 20X 2 U6592 ZN	WASHER M10 10,5X20X2 U6592 ZN	RONDEL. M10 10,5X20X2 U6592 ZN	SCHEIBE M10 10,5X20X2 U6592 ZN	ARAND.M10 10,5X 20X 2 U6592 ZN
39	G14276330R	SUPPORTO TUBO	TUBE SUPPORT			
40	G15171650R	TUBO Q. 35X 4X 940 1F6,5	TUBE Q. 35X 4X 940 1HOLE 6,5			



## SERBATOIO SPANDICONCIME FERTILIZER DISTRIBUTOR

TAV. 151

Pos.	Cod.	Descrizione	Description	Description	Benennung	Descripcion
1	G14830390R	CUSCINETTO FORO QUADRO	SQUARE-HOLED BEARING	ROULEMENT TROU CARRE	VIERKANTLAGER	COJINETE ORIFICIO CUADRADO
2	G20860121R	ASSE AGITAT.DX SERB.850 COMPL.	STIRRER SPINDLE- RIGHT 850 TAN	AXE AGITATEUR DRT. RESERVOIR 8	SAMENMISCHERACHSE RE. BEH.850	EJE AGITAD. DER. DEP S.850 COM
3	G20860122R	ASSE AGITAT.SX SERB.850 COMPL.	STIRRER SPINDLE- LEFT 850 TANK	AXE AGITATEUR GCH. RESERVOIR 8	SAMENMISCHERACHSE LI. BEH.850	EJE AGITAD. IZQ. DEP S. 850 CO
4	G15470580R	COPERCHIO SERBATOIO 850	TANK TOP 850	COUVERCLE RESERVOIR 650	BEHZLTERDECKEL 850	TAPA DEP SITO 850
5	G15471930R	PROTEZIONE	GUARD	PROTECTION	SCHUTZ	PROTECCI N
6	G15471990R	SUPPORTO COCLEA	SUPPORT SUPPORT	SUPPORT VIS ALIMENTATION	HALTERUNG SCHNECKE	SOPORTE C CLEA
7	G15472760R	GRIGLIA SERBATOIO PLASTICA 850	PLASTIC TANK GRID 850	GRILLE RESERVOIR PLASTIQUE 850	BEHZLTERGITTER PLAST.850	REJILLA DEP SITO PLAST.850
8	G15472770R	DISTR.COMPL.8PALE SPANDI PL	COMPL.PLAS.FERTIL.DISTR.8RIBS	MINIMAX COMPL 8C PLA	KOMPL.DOSIER.PLA.D NGERSTR.8S	DISTR.COMP.ABONO PLAST. 8AL.
9	G15472780R	TAPPO SPANDI PLASTICA	PLASTIC FERT. SPREADER PLUG	BOUCHON EPAND. PLASTIQUE	PLASTIKPFROPFEN DSNGERSTR.	TAP N ABONADORA PL STICO
10	G19002710R	PROTEZ.RINVIO SPANDICONCIME	FERTILIZER TRANSM. PROTECTION	PROTECTION RENVOI FERTILISEUR	SCHUTZ VORGELEGE DUNGERSTREUER	PROTECCION TRANSMISION ABONADO
11	G19004470R	SERBATOIO CONCIME 850	FERTILIZER HOPPER 850	TR MIE ENGRAIS 850	D_NGERTANK 850	DEP SITO ABONO 850
12	G19002850R	PROTEZIONE PIGNONE	PINION GUARD	PROTECTION PIGNON	RITZELSCHUTZ	PROTECCI N PI N
13	G19002920R	CORPO DISTRIBUTORE SPANDI PLA.	PLA. F.SPREADER DISTRIB.CASING	CORPS DISTRIBUTEUR EPAND.	VERTEILUNGSKTRPER STREUER PLA.	CUERPO DIST. ABONADORA PL S.
14	G20860012R	MANICOTTO DI UNIONE L.500	JOINT SLEEVE L.500	MANCHON DE RACCORD L. 500	VERBINDUNGSMUFFE L.500	MANGUITO DE UNI N L.500
15	G20860052R	REGOLATORE APERTURA	OPENING REGULATOR	REGULATEUR OUVERTURE	TFFNUNGSEINSTELLER	REGULADOR ABERTURA
16	G20860086R	INGRANAGGIO 1 2 Z-12 F.Q.	GEAR 1 2 Z-12 F.Q.	ENGRENAGE 1 2 Z-12 TROUS CARRE	ZAHNRAD 1 2 Z-12 F.Q.	ENGRANAJE 1 2 Z-12 F.Q.
17	G20860088R	INGRANAGGIO 1 2 Z-12 F.T.	GEAR 1 2 Z-12 F.T.	ENGRENAGE 1 2 Z-12 TROUS ROND	ZAHNRAD 1 2 Z-12 F.T.	ENGRANAJE 1 2 Z-12 F.T.
18	G20860090R	ASSE SX 5F.60 L.1460	AXLE- LEFT 5-R.60 L.1460	AXE GCH. 5 RANGEES 60 L. 1460	ACHSE LI 5R.F.60 L.1460	EJE IZQ. 5 FILA. 60 L.1460
19	G20860093R	VITE DI REGOL.	ADJUSTMENT BOLT	VIS DE REGLAGE	EINSTELLSCHRAUBE.	TORNILLO DE REGULACI N
20	G20860106R	DOSATORE SPANDI 8 PALE COMPL.	FERT.METERING DEVICE ASS.8 GRO	ROTOR DOSEUR 8C FERTIL COMPL.	DOSIERER DUNGER.KOMPL. 8 SEKT	DOSIFICADOR ABONO COMP.8 SECT
21	G20860126R	KIT INGRANAGGI DISTRIB.CONCIME	KIT- MAN. DISTR. GEARS 2 2	COUPLE CON DISTR ENGRAIS 2 2	KIT ZAHNRZDER DSNGERSTREUER	SET ENGRANAJES DISTRIB. ABONO
22	G19005040R	BOCCOLA ASSE SPANDI	FERT. SPREADER AXLE BUSH	DOUILLE AXE PANDEUR	ACHSENBUCHSE STREUER	MANGUITO -RBOL ABONADORA
23	G22505085R	FERMO ASSE IN LAMIERA	PLATE AXLE STOP	ARRET AXE EN TOLE	FESTSTELLVORRICHTUNG BLECHACHS	BLOQUEO EJE DE CHAPA
24	G20970097R	RONDELLA 32X3X4,5	WASHER 32X3X4-5	RONDELLE 32X3X4-5	UNTERLEGSCHEIBE 32X3X4-5	ARANDELA 32X3X4-5
25	G20970125R	RONDELLA 28X2,5X6,5	WASHER 28X2-5X6-5	RONDELLE 28X2-5X6-5	UNTERLEGSCHEIBE 28X2-5X6-5	ARANDELA 28X2-5X6-5
26	G22220073R	RONDELLA 28X0,3X16,5	WASHER 28X0-3X16-5	RONDELLE 28X0-3X16-5	UNTERLEGSCHEIBE 28X0-3X16-5	ARANDELA 28X0-3X16-5
27	G22230094R	SUPPORTO CUSCINETTO	BEARING SUPPORT	SUPPORT DE ROULEMENT	LAGERSBSCHSE	SOPORTE COJINETE
28	G22250287R	MANICOTTO DISTANZIALE SV	SPACER SLEEVE SV	MANCHON ENTRETOISE SV	ABSTANDSMUFFE SV	MANGUITO DISTANCIADOR SV
29	F01020043R	VITE M6X1X60 U5737 8.8ZN	SCR. M6X1X60 U5737 8.8ZN	VIS M6X1X60 U5737 8.8 ZN	SCHRAUBE M6X1X60 U5737 8.8 ZN	TORNILLO M6X1X60 U5737 8.8 ZN
30	F01020068R	VITE M8X1,25X40 U5737 8.8ZN	SCR. M8X1,25X40 U5737 8.8ZN	VIS M 8X1,25X40 U5737 8.8 ZN	SCHRA. M8X1,25X40 U5737 8.8 ZN	TORNILLO M8X1,25X40 U5737 8.8
31	F01020403R	VITE M6X1X16 U5739 8.8ZN	SCR. M6X1X16 U5739 8.8ZN	VIS M6X1X16 U5739 8.8 ZN	SCHRAUBE M6X1X16 U5739 8.8 ZN	TORNILLO M6X1X16 U5739 8.8 ZN
32	F01020432R	VITE M8X1,25X16 U5739 8.8ZN	SCR. M8X1,25X16 U5739 8.8ZN	VIS M8 X1,25X16 U5739 8.8 ZN	SCHRAUBE M8X1,25X16U5739 8.8ZN	TORNILLO M8X1,25X16 U5739 8.8
33	F01020472R	VITE M10X1,5X25 U5739 8.8ZN	SCR. M10X1,5X25 U5739 8.8ZN	VIS M10X1,5X25 U5739 8.8 ZN	SCHRAUBE M10X1,5X25 U5739 8.8	TORNILLO M10X1,5X25 U5739 8.8
34	F01070075R	VITE A4,2X1,41X38 U6954 4.8NI	SCR. H4,2X1,41X38 U6954 4.8NI	VIS 4-2X38 DIN 7981	SCHRAUBE 4-2X38 DIN 7981	TORNILLO 4-2X38 DIN 7981
35	F01070011R	VITE A4,2X1,41X9,5 U6950 4.8NI	SCR. H4,2X1,41X9,5 U6950 4.8NI	VIS AUTOTAR. 4-2X9-5 T. E. COU	SELBSTSCHNEID. SCHRAUBE 4-2X9-	TORNILLO AUTORROSC. 4-2X9-5
36	F01200232R	DADO M6X1 U5588 CL8 ZN	NUT M6X1 U5588 6.8ZN	ECROU 6 UNI 5588 6.8 ZN	MUTTER 6 UNI 5588 6.8 ZN	TUERCA M6X1 U5588 CL8 ZN
37	F01200244R	DADO M8X1,25 U5588 CL8 ZN	NUT M8X1,25 U5588 6.8ZN	ECROU M8 X1,25 U5588 6.8 ZN	MUTTER M8 X1,25 U5588 6.8 ZN	TUERCA M8X1,25 U5588 CL8 ZN
38	F01220033R	DADO M10X1,5 D980 8ZN	NUT M10X1,5 D980 8ZN	ECROU M10X1,5 D980 8ZN	MUTTER M10X1,5 D980 8ZN	TUERCA M10X1,5 D980 8
39	F01410037R	ROS.M6 6,4X12,5X1,6 U6592 ZN	WASHER M6 6,4X12,5X1,6 U6592ZN	RONDEL.M6 6,4X12,5X1,6 U6592ZN	SCHIEB.M6 6,4X12,5X1,6 U6592ZN	ARAND.M6 6,4X12,5X1,6 U6592 ZN
40	F01410051R	ROS.M8 8,4X 17X1,6 U6592 ZN	WASHER M8 8,4X17X1,6 U6592 ZN	RONDELLE M8 8,4X17X1,6 ZN	SCHIEBE M8 8,4X17X1,6 U6592 ZN	ARAND.M8 8,4X 17X1,6 U6592 ZN
41	F02100079R	SPINA E.P. 5X20 U6873 C70 BR	PIN EL. 5X20 U6873 C70 BR			CLAVIJA EL.P. 5X20 30 U6873 C
42	F02100314R	SPINA EL.5 X36 DIN 1481 INOX	PIN EL.5 X36 DIN 1481 INOX			
43	F02100114R	SPINA E.P. 6X 30 U6873 C70 BR	ELASTIC PIN 6X30	GOUJON ELASTIQUE 6X30	SPANNHUELSE 6X30	ESPIÑA ELASTICA 6X30
44	F03011081R	GUARNIZIONI LABBRO DE100	LIP GASKET D100			
45	F06080196R	CATENA 1 2 ISO 083 32 MAGLIE	CUT-DOWN CHAIN .1 2 ISO 083 32	TRONCON CHAINE 1 2 ISO 083 32	KETTENZNGE 1 2 ISO 083 32 GL	TRECHO CADENA 1 2 ISO 083 32
46	F03100500R	TUBO EOLO 35 PU	TUBE EOLO 35 PU	TUBE EOLO 35 PU		TUBO EOLO
47	G65336025R	MOLLA SPEC.ZN STRINGIT.ASP.SP	SPEC SPRING ZN FAN . PIPE CLAM	RESSORT SPEC. ZN SERRE-TUBE AS	SPEZIALFEDER ZN RORRSCHELLE AB	MUELLE ESPEC. ZN APRIETA TUBOS
48	G65336055R	MOLLA SPEC.REGOL.SPAND. SP	SPEC SPRING MAN. SPR. ADJUSTM.	RESSORT SPEC. REGL. EP. ENTRA	SPEZIALFEDER STREUERINSTELLUN	MUELLE ESPEC. REGUL. ABONADORA
49	G65336062R	MOLLA SPEC.SCIV.DISTR.SPAND.SP	SPEC SPRING - MAN. SPR. DISTR.	RESS. SPEC. LANCOIR DISTR. EP.	SPEZ.FEDER RUTSCHE SZAPP. STRE	MUELLE ESPEC. PLANO INCL.DISTR.
50	G65336064R	MOLLA SPEC.COCLEA DX SPAND.HL	SPEC. WORM SCREW SPRING RIGHT	RESSORT SPEC. VIS DRT. EP. ENG	SPEZ.FEDER RE SCHNECKE STREUER	MUELLE ESPEC. TORN.S F DER. AB
51	G65336065R	MOLLA SPEC.COCLEA SX SPAND.HL	SPEC. WORM SCREW SPRING LEFT M	RESSORT SPEC. VIS GCH. EP. ENG	SPEZ.FEDER LI SCHNECKE STREUER	MUELLE ESPEC. TORN.S F IZQ. AB
52	G65338043R	MOLLA COMP.ZN SERB. M80	ZN TANK COMP.SPRING M80	RESSORT COMPL. ZN RESERVOIR M8	DRUCKFEDER ZN BEHZLTER M80	MUELLE COMP.ZN DEP S. M80
53	G66248121R	BOCCOLA CON FLANGIA M80	BUSHING W FLANGE M80	SUPPORT AVEC BRIDE M80	BSCHSE MIT FLANSCH M80	CASQUILLO CON BRIDA M80
54	G66248125R	GHIERA REGOLAZIONE M80	ADJUSTMENT KNURLED NUT M80	BAGUE REGLAGE M80	EINSTELLMUTTER M80	CONTRATUERCA CON REGULACI N M80
55	G66248178R	SCIVOLO DISTR.SPAND. SP	CHUTE- MANURE-SPREADER DISTRIB	LANCOIR DISTRIBUTION EP. ENGR.	DSNGERSTREUER RUTSCHE SP	PLANO INCLINADO DISTR. ABON. S

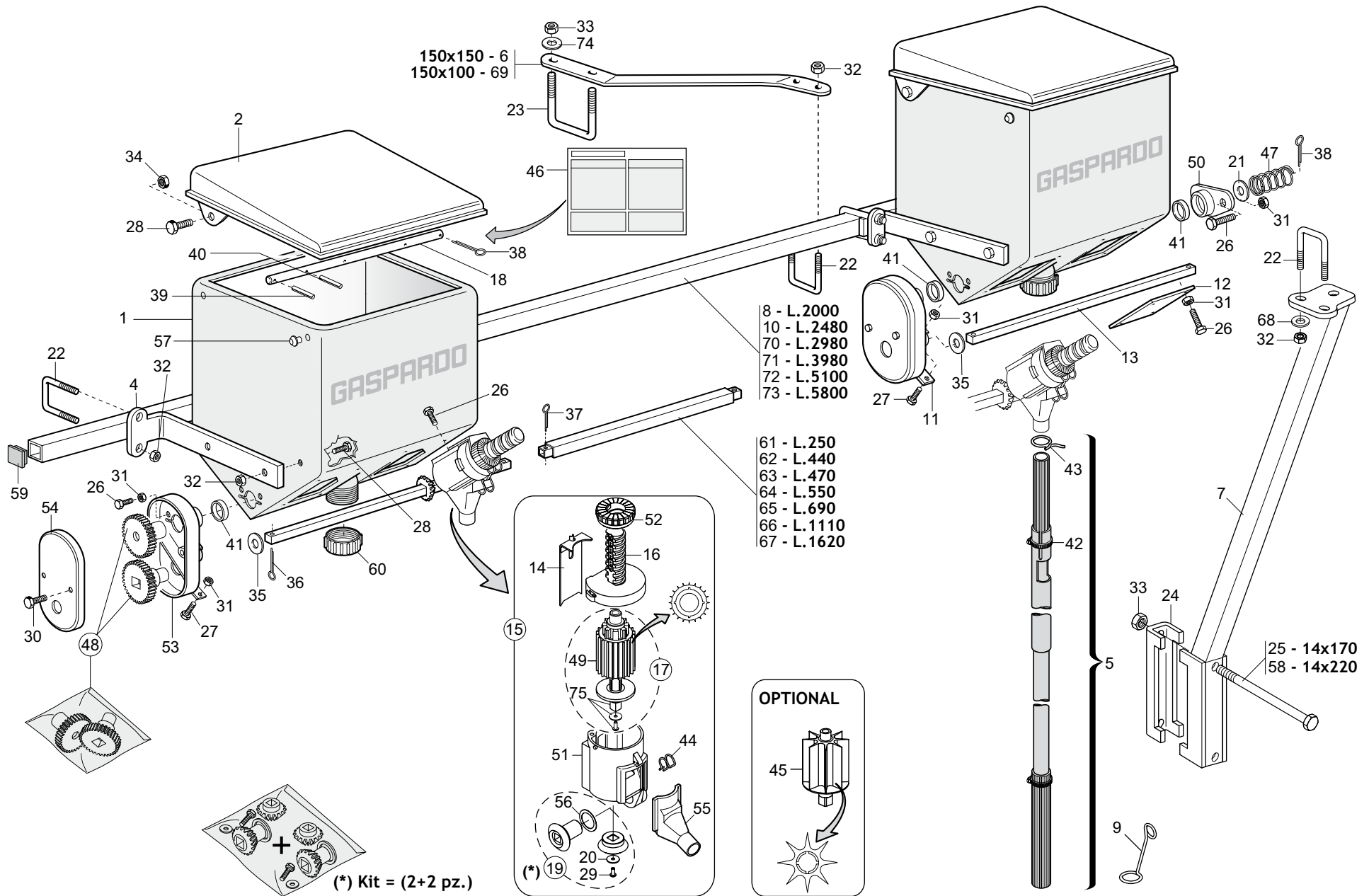




**SERBATOIO SPANDICONCIME  
FERTILIZER DISTRIBUTOR**

**TAV. 151**

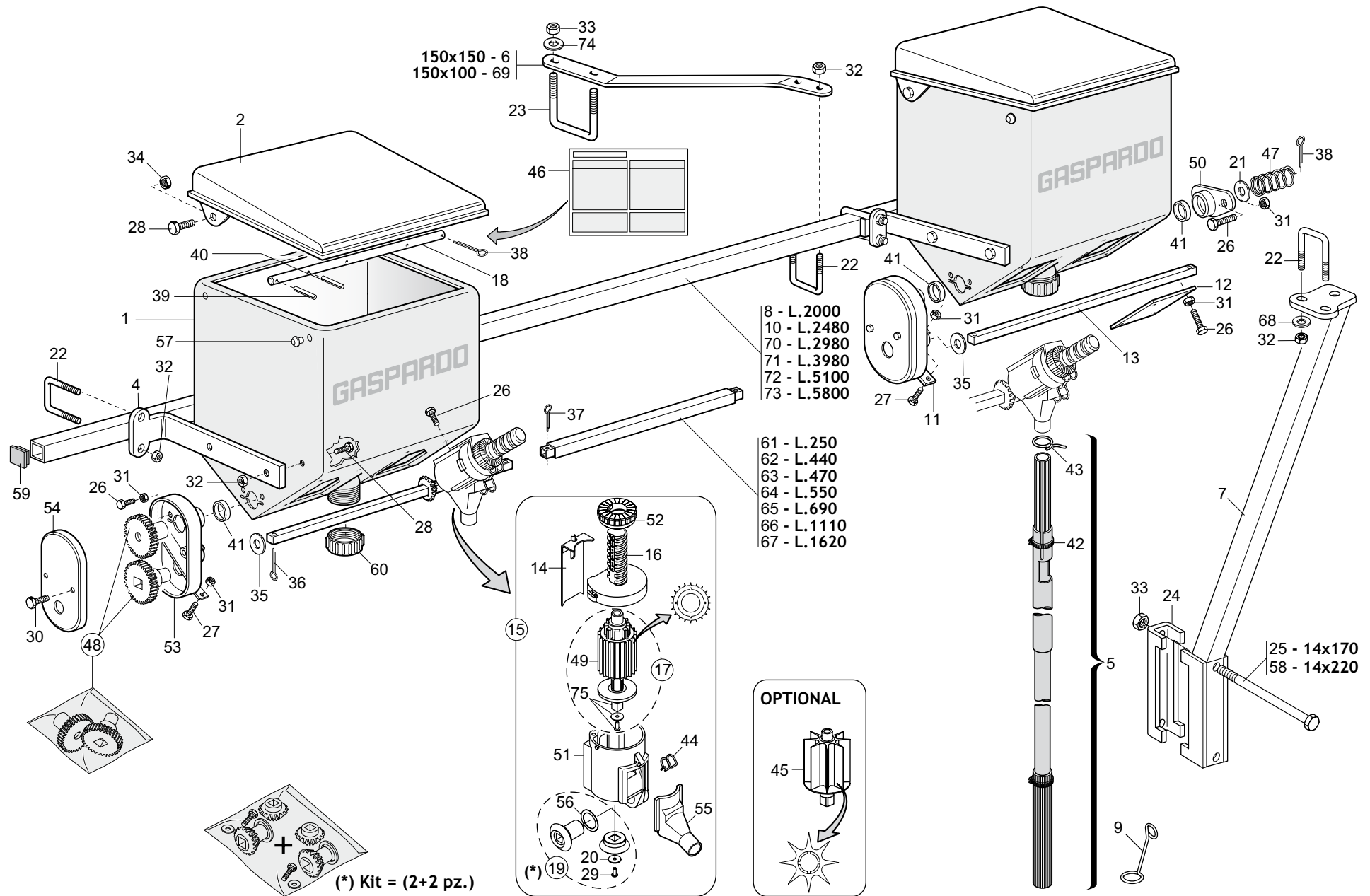
Pos.	Cod.	Descrizione	Description	Description	Benennung	Descripcion
56	G66248207R	TENDICATENA SPAND. SP-520	CHAIN TENSIONER	TENDEUR DE CHAINE EPAND. ENGR.	KETTENSPELLER DSNGERSTR. SP-52	SENSOR DE CADENA ABON. SP-520
57	G66248218R	RONDELLA DISTAN. SPAND.	MAN. SPR. SPACER WASHER	RONDELLE ENTRETOISE EP. ENGRAI	ABSTANDSCHEIBE DSNGERSTREUER	ARANDELA DISTAN.ABONAD.
58	F03150757R	TAPPO FILETT.SERBAT.PLASTICA	SCREWED PLUG FOR PLASTIC TANK			
60	G18701500R	RONDELLA 29,5 X38 X0,3	WASHER 29,5 X 38 X 0,3	RONDELLE 29,5 X38 X0,3	UNTERLEGSSCHEIBE 29,5X38X0,3	ARANDELA 29,5 X38 X0,3
61	G20860032R	ASSE RUOTA CAMBIO L.1160	WHEEL AXLE - GEARBOX L.1160	AXE ROUE BOITE DE VITESSE	GEBTRIEBERADACHSE L 1160	EJE RUEDA CAMBIO L.1160
62	G15271540R	ASSE AGITATORE DX 1100	STIRRER SPINDLE-RIGHT 1100 TAN	AXE AGITATEUR DRT.RESERV.1100	SAMENMISCHERACHSE RE BEH.1100	EJE AGITAD.DER.DEP S.1100 COM
63	G15271550R	ASSE AGITATORE SX 1100	STIRRER SPINDLE- LEFT 1100	AXE AGITATEUR GCH. 1100	SAMENMISCHERACHSE LINKER 1100	EJE AGITAD. IZQ. 1100
64	G15471920R	COPERCHIO SERBATOIO L.1100	TANK COVER L.1100	COUVERCLE RESERVOIR L.1100	BEHZLTERDECKEL L.1100	TAPA DEP S.L.1100
65	G15473130R	GRIGLIA SERBATOIO 1100 PLAST.	PLASTIC TANK GRID 1100	GRILLE RESERVOIR PLAST.1100	BEHZLTERGITTER PLAST.1100	REJILLA DEP SITO PLAST.1100
66	G19003060R	SERBATOIO 1100 PLASTICA	PLASTIC TANK 1100	RESERVOIR 1100 PLASTIQUE	PLASTIKBEHZLTER 1100	DEP SITO 1100 PL STICA
67	G20910045R	MANICOTTO UNIONE L.1180	JOINT SLEEVE L.1180	MANCHON RACCORD L. 1180	VERBINDUNGSMUFFE L.1180	MANGUITO DE UNI N L.1180
68	G20910044R	MANICOTTO UNIONE L.1375	JOINT SLEEVE L.1375	MANCHON RACCORD L. 1375	VERBINDUNGSMUFFE L.1375	MANGUITO DE UNI N L.1375
69	G18903220R	RINF.MOLLA CONCIM.FILE DISP.	ODD NUM. ROW MANUR.SPRING REIN	RENF. RESS. FUMAGE RANGEES IMP	VERST. FEDER DSNG. UNGERADE RE	REFUERZO MUELLE ABONO FILAS IM
70	G18903210R	MOLLA CONCIM.FILE DISPARI	ODD NUMBER ROW MANUR.SPRING	RESS. FUMAGE RANGEES IMPAIRES	FEDER DSNGUNG UNGERADE REIHEN	MUELLE ABONO FILAS IMPARES
71	G15110091R	SCONTRO A U	CONTRA U	BRIDE 150 MM	ANSCHLAG	ELEMENTO DE EMPALME
72	F01020225R	VITE M14X2X160 U5737 8.8BR	SCR. M14X2X160 U5737 8.8BR	VIS M 14 X160 5737 8.G	SCHRAUBE M 14 X160 5737 8.G	TORNILLO M 14 X160 5737 8.G
73	F01020512R	VITE M12X1,75X35 U5739 8.8ZN	SCR. M12X1,75X35 U5739 8.8ZN	VIS M12X1,75X35 5739 8.8 ZN	SCHR. M12X1,75X35 5739 8.8 ZN	TORNILLO M12X1,75X35 U5739 8
74	F01200306R	DADO M14X2 U5588 CL8 ZN	NUT M14X2 U5588 6.8ZN	ECROU M14X2	MUTTER M14X2	DADO M14X2
75	F01220048R	DADO M12X1,75 D980 8ZN	NUT M12X1,75 D980 8ZN	ECROU M12X1,75 D980 8 ZN	SCHNEIBE M12X1,75 D980 8 ZN	TUERCA M12X1,75 D980 8 ZN
76	G15470232R	SUPPORTO MOLLA PIATTA 150	FLAT SPRING SUPPORT 150	SUPPORT RESSORT PLAT 150	HALTERUNG FLACHFEDER 150	SOPORTE MUELLE PLANO 150
77	G16670610R	FALCIONE ELEM.CONCIMAZ.PIATTA	FLAT FERT.ELEMENT MOWER	SOC POUR . FERTILIS. PLAT		BOTA ELEM.ABONAD.MUELLE PLANO
78	G18901092R	GAMBO CONCIMAZ.MOLLA PIATTA SP	FLAT SPRING MANURING LEG SP	TIGE FUMAGE RESSORT PLAT SP	SCHAFT DSNGUNG FLACHE FEDER SP	V STAGO ABONO MUELLE CHATO SP
79	G18902861R	RINF.MOLLA PIATTA CONCIM.SP	MANUR.PLATE SPRING REINFORCE.S	RENF. RESSORT PLAT FUMAGE SP	VERSTZRKUNG FLACHFEDER DSNGUNG	REFUERZO MUELLE ABONO SP
80	G18903911R	MOLLA FERMO TUBO D.35 ZN	PIPE LOCK SPRING D.35	RESSORT ARR-T TUBE D.35	ROHRSPERRFEDER D.35	MUELLE TOPE TUBO D. 35



**MICROGRANULATORE «16 LITRI»  
MICROGRANULATOR «16 LITERS»**

TAV. 182

Pos.	Cod.	Descrizione	Description	Description	Benennung	Description
1	G19002932R	SERBATOIO MICRO 250 PLA.	PLASTIC TANK MICRO 250	RESERVOIR MICRO 250 PLASTIQUE	MIKROGRANULATBEHZLTER PLAST.	DEPSITO MICRO 250 PLAST.
2	G15475231R	COPERCHIO MICRO 250 PLA.	PLASTIC COVER MICRO 250	COUVERCLE MICRO 250 PLASTIQUE	MIKRO DECKEL 250 PLAST.	TAPA MICRO 250 PLAST.
4	G15475271R	SUPPORTO MICRO	MICRO SUPPORT	SUPPORT MICROGRANULATEUR	HALTERUNG MICRO	SOPORTE MICRO
5	G15870251R	TUBO DISCESA MICRO ORTAG.COMPL	COMP.SEED DEL.TUBE MICRO ORTAG			
6	G15475382R	TIRANTE MICRO TEL.150	TIE-ROD MICRO TEL.150			
7	G15475411R	SUPP.BARRA MICRO M.S.SPAN.	M.S. FERTILISER SPREADER MICRO	SUPPORT BARRE MICRO M.S. EPAND	MIKRO SPINDELHALTERUNG M.S. DS	SOPORTE BARRA MICRO M.S. ABONA
8	G22270115R	BRACC.SCORR.6F.100 L.2000 SP	SLIDING ARM 6-R. 100 L.2000 SP	BRAS GLISS. 6 RANG. 100 L. 200	GLEITARM 6R.100 L.2000 SP	BRAZO CORRED. 6 FILAS. 100 L.2
9	G18903191R	MOLLA SPEC.ZN DISCESA MICRO	SPEC.SPRING ZN MICRO GUIDE	RESSORT SPEC. ZN GUIDE MICRO	SPEZIALFEDER ZN F_HR.MIKRO	MUELLE ESPEC. ZN GUA MICRO
10	G15475130R	TUBO SUPPORTO SERBATOIO L.2480	TANK SUPPORT PIPE L.2480	TUBE SUPPORT RESERVOIR L2460	ROHR HALTERUNG BEHZLTER L.2480	TUBO SOPORTE DEP SITO L.2480
11	G20890078R	PIASTRA DI COLLEGAMENTO	CONNECTION PLATE	PLAQUE DE RACCORD	VERBINDUNGSPLATTE	PLACA DE CONEXI N
12	G20890079R	PIASTRA DI CHIUSURA	CLOSURE PLATE	PLAQUE DE FERMETURE	ABSCHLUSSPLATTE	PLACA DE CIERRE
13	G20890081R	ASSE DISTRIB.MICRO L.445	MICRO DISTR. SPINDLE- L. 445	AXE DISTRIBUTEUR MICRO L. 445	MIKRO STREUERACHSE L 445	EJE DISTRIB.MICRO L.445
14	G20890089R	REGOLATORE DI APERTURA	OPENING REGULATOR	REGULATEUR D OUVERTURE	TFFNUNGSEINTELLER	REGULADOR DE ABERTURA
15	G20890135R	DISTRIB.NYLON COMPL.E SCIVOLO	DISTRIB. NYLON ASSY. AND CHUTE	MINIMAX COMPL 20C MICRO	SZAPPARAT NYLON KOMPL. UND RUT	DISTRIB.NYLON COMPL.Y PLANO IN
16	G20890151R	VITE-SCALA GRADUATA	GRADUATED SCALE BOLT	VIS-ECHELLE GRADUEE	SCHRAUBE - GRADSKALA	TORNILLO - ESCALA GRADUADA
17	G20890158R	DOSATORE MICRO COMPL.	ROTOR DIST. MICRO 20 GROOVES	ROTOR DOSEUR 20C MICRO COMPL.	DOSIERER MIKRO KOMPL. 20 SEKT	DOSIFICADOR MICRO COMPL.20 SEC
18	G20890194R	ASSE AGITATORE SERB.MICRO 250	STIRRER SPINDLE- MICRO TANK 25	AXE AGITATEUR RESERVOIR MICRO	SAMENMISCHERACHSE BEH.MIKRO 25	EJE AGITADOR DEP S. MICRO 250
19	G20890211R	KIT INGRANAGGI DISTRIB.MICRO	DISTRIBUTION GEAR KIT MICRO	KIT ENGRENAGE DE DISTRIBUTION		KIT ENGRANAJES DISTRIB.MICRO
20	F01420011R	ROS.M4 4,3X 16X 1 U6593 ZN	FLAT WASHER 4-3X 16X1-5 6593 G	ROND.PLATE 4-3X 16X1-5 6593 ZN	SCHLEIBE 4-3X 16X1-5 6593 ZN	ARAND. PLANA 4-3X 16X1-5 6593
21	G22220073R	RONDELLA 28X0,3X16,5	WASHER 28X0-3X16-5	RONDELLE 28X0-3X16-5	UNTERLEGSCHLEIBE 28X0-3X16-5	ARANDELA 28X0-3X16-5
22	F20110706R	CAV.Q.B=35 M=10X1,5 L=60	U BOLT Q.B=35 M=10X1,5 L=60	CAVALIER SUPPORT DISQUE SV	VERBINDUNG SCHEIBENHALTERUNG S	PERNO EN U SOP. DISCO SV
23	F20110770R	CAV.Q.B=80 M=14X2 L=119	U BOLT Q.B=80 M=14X2 L=119	BRIDE U M14X2X50 96X119 ZN	ANSCHLANG U M14X2X50 96X119 ZN	EL.DE EMPALME M14X2X50 96X119
24	G15110091R	SCONTRO A U	CONTRA U	BRIDE 150 MM	ANSCHLAG	ELEMENTO DE EMPALME
25	F01020227R	VITE M14X2X170 U5737 8.8BR	SCR. M14X2X170 U5737 8.8BR	VIS M14X 2X170 U5737 8.8 BR	SCHRAU. M14X 2X170 U5737 8.8BR	TORNI. M14X 2X170 U5737 8.8 BR
26	F01020397R	VITE M6X1X10 U5739 8.8ZN	SCR. M6X1X10 U5739 8.8ZN	VIS 6X10 5739 8.G ZN	SCHRAUBE 6X10 5739 8.G ZN	TORNILLO 6X10 5739 8.G ZN
27	F01020403R	VITE M6X1X16 U5739 8.8ZN	SCR. M6X1X16 U5739 8.8ZN	VIS M6X1X16 U5739 8.8 ZN	SCHRAUBE M6X1X16 U5739 8.8 ZN	TORNILLO M6X1X16 U5739 8.8 ZN
28	F01020472R	VITE M10X1,5X25 U5739 8.8ZN	SCR. M10X1,5X25 U5739 8.8ZN	VIS M10X1,5X25 U5739 8.8 ZN	SCHRAUBE M10X1,5X25 U5739 8.8	TORNILLO M10X1,5X25 U5739 8.8
29	F01070061R	VITE A3,9X1,34X9,5 U6954 4.8NI	SCR. H3,9X1,34X9,5 U6954 4.8NI	VIS 3,9X 9,5 DIN 7981	SCHRAUBE 3,9X 9,5 DIN 7981	TORNILLO 3,9X 9,5 DIN 7981
30	F01070121R	VITE A3,9X1,34X9,5 U6955 4.8NI	SCR. H3,9X1,34X9,5 U6955 4.8NI	VIS 3-9X 9-5 DIN 7982	SCHRAUBE 3-9X 9-5 DIN 7982	TORNILLO 3-9X 9-5 DIN 7982
31	F01200232R	DADO M6X1 U5588 CL8 ZN	NUT M6X1 U5588 6.8ZN	ECROU 6 UNI 5588 6.8 ZN	MUTTER 6 UNI 5588 6.8 ZN	TUERCA M6X1 U5588 CL8 ZN
32	F01200270R	DADO M10X1,5 U5588 CL8 ZN	NUT M10X1,5 U5588 6.8ZN	ECROU M10X 1,5 U5588 6.8 ZN	MUTTER M10X 1,5 U5588 6.8 ZN	TUERCA M10X1,5 U5588 CL8 ZN
33	F01200306R	DADO M14X2 U5588 CL8 ZN	NUT M14X2 U5588 6.8ZN	ECROU M14X2	MUTTER M14X2	DADO M14X2
34	F01220033R	DADO M10X1,5 D980 8ZN	NUT M10X1,5 D980 8ZN	ECROU M10X1,5 D980 8ZN	MUTTER M10X1,5 D980 8ZN	TUERCA M10X1,5 D980 8
35	F01410088R	ROS.M14 15X 28X2,5 U6592 ZN	WAS.M14 15X 28X2,5 U6592 ZB	RON.M14 15X 28X2,5 U6592 ZB	SCH.M14 15X 28X2,5 U6592 ZB	ARA.M14 15X 28X2,5 U6592 ZB
36	F02200161R	COPIGLIA 3X 15 U1336 ZN	SPLIT PIN 3 X15 1336 GALVAN.	GOUPIILLE 3 X15 1336 ZN	SPLINT 3 X15 1336 ZN	PASADOR 3 X15 1336 ZN
37	F02200162R	COPIGLIA 3X 20 U1336 ZN	SPLIT PIN 3 X20 1336 GALVAN.	GOUPIILLE 3 X20 1336 ZN	SPLINT 3 X20 1336 ZN	PASADOR 3 X20 1336 ZN
38	F02200194R	COPIGLIA 4X 25 U1336 ZN	SPLIT PIN 4 X25 1336 GALVAN.	GOUPIILLE 4 X25 1336 ZN	SPLINT 4 X25 1336 ZN	PASADOR 4 X25 1336 ZN
39	F02100083R	SPINA E.P. 5X 24 U6873 C70 BR	PIN EL. 5 X24 DIN 1481	FICHE EL. 5 X24 DIN 1481	SPANNSTIFT 5 X24 DIN 1481	CLAVIJA EL.5 X24 DIN 1481
40	F02100314R	SPINA EL.5 X36 DIN 1481 INOX	PIN EL.5 X36 DIN 1481 INOX			
41	F03011081R	GUARNIZIONI LABBRO DE100	LIP GASKET D100			
42	F02300017R	FASCETTA STRING. 20 32 H.9	CLAMP 20 32 H.9	GAINE 20 32 H.9	KLEMME 20 32 H.9	ABRAZADERA 20 32 H.9
43	G65336041R	MOLLA SPEC.ZN STRINGITUBO M80	SPEC.SPRING ZN . PIPE CLAMP M8	RESSORT SPEC. ZN SERRE-TUBE M8	SPEZIALFEDER ZN ROHRSCHELLE M8	MUELLE ESPEC. ZN APLASTA TUBOS
44	G65336046R	MOLLA SPEC.ZN SCIVOLO M80	SPEC SPRING ZN CHUTE M80	RESSORT SPEC. ZN LANCOIR M80	SPEZIALFEDER ZN RUTSCHE M80	MUELLE ESPEC. ZN PLANO INCLINA
45	G22250240R	DOSATORE COMPL. SV	DISTRIBUTOR MICRO COMPL.	ROTOR DOSEUR 8C MICRO SV		DOSIFICADOR COMPL. SV
46	G19702732R	DECAL.TABELLA MICRO O	LABEL TAB.MICRO O			
47	G65338043R	MOLLA COMP.ZN SERB. M80	ZN TANK COMP.SPRING M80	RESSORT COMPL. ZN RESERVOIR M8	DRUCKFEDER ZN BEHZLTER M80	MUELLE COMP.ZN DEP S. M80
48	G11475210R	KIT RUOTE DENTATE Z24	KIT GEAR WHEELS Z24			
49	G66248189R	DOSATORE M80	SEED METERING DEVICE M80	DOSEUR M80	DOSIERER M80	DOSIFICADOR M80
50	G66248121R	BOCCOLA CON FLANGIA M80	BUSHING W FLANGE M80	SUPPORT AVEC BRIDE M80	BSCHE MIT FLANSCH M80	CASQUILLO CON BRIDA M80
51	G66248123R	CORPO DISTRIBUZIONE M80	DISTRIBUTION CASING M80	CORPS DISTRIBUTION M80	VERTEILUNGSKTRPER	CUERPO DISTRIBUCI N M80
52	G66248125R	GHIERA REGOLAZIONE M80	ADJUSTMENT KNURLED NUT M80	BAGUE REGLAGE M80	EINSTELLMUTTER M80	CONTRATUERCA REGULACI N M80
53	G19001262R	SUPPORTO TRASMISSIONE RINF.	REINFORCED TRANSMISS.SUPPORT			
54	G66248138R	COPERCHIO SUPP.TRASM. M80	TRANSMISSION SUPP. COVER M80	COUVERCLE SUPPORT ENTRAINEM.	DECKEL ANTRIEBSHALTERUNGS M80	TAPA SOP. TRANSM. M80
55	G66248154R	SCIVOLO DISTR. M80	CHUTE- DISTRIB. M80	ENTONNOIR DOSEUR MINIMAX MICRO	SAAPPARAT RUTSCHE M80	PLANO INCLINADO DISTR. M80
56	G20970100R	RONDELLA 30X0,5X22 ACC.	WASHER 30X0-5X22 ACC.	RONDELLE 30X0-5X22 ACIER	UNTERLEGSCHLEIBE 30X0-5X22 ACC.	ARANDELA 30X0-5X22 ACC.

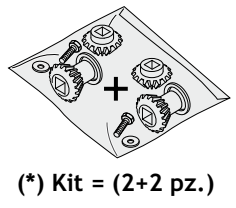
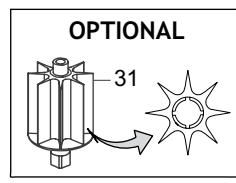
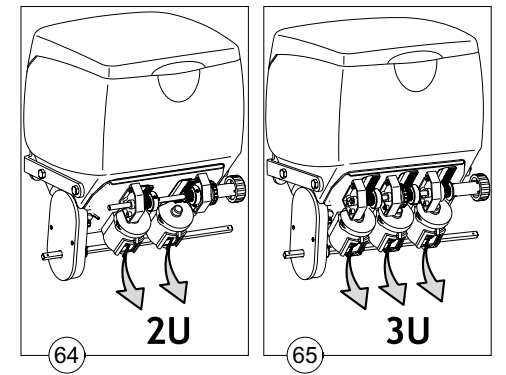
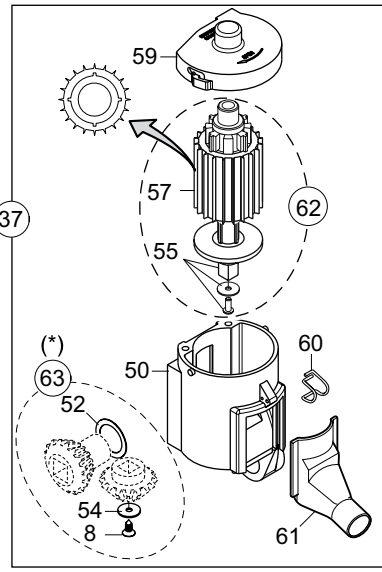
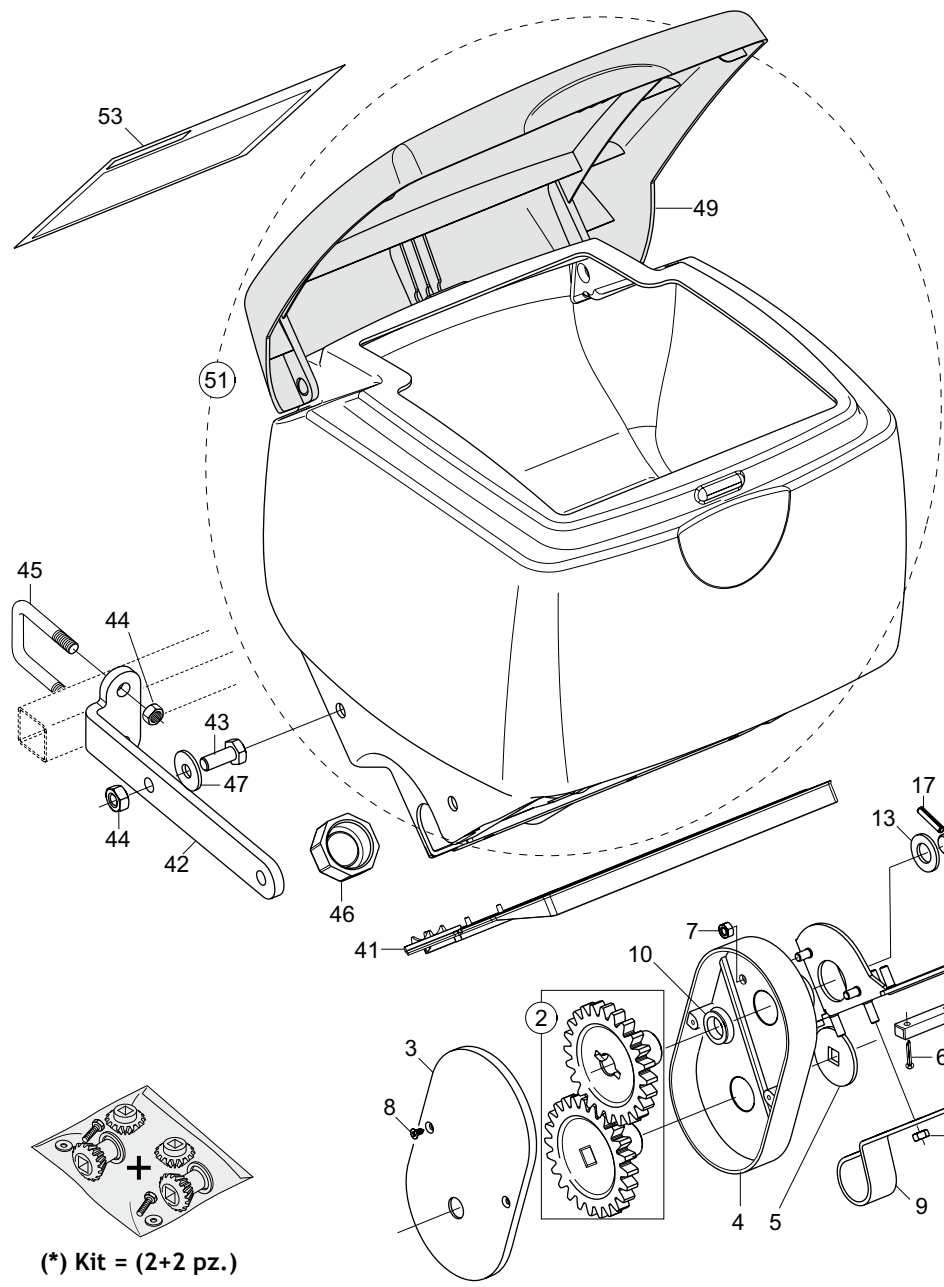


**MICROGRANULATORE «16 LITRI»  
MICROGRANULATOR «16 LITERS»**

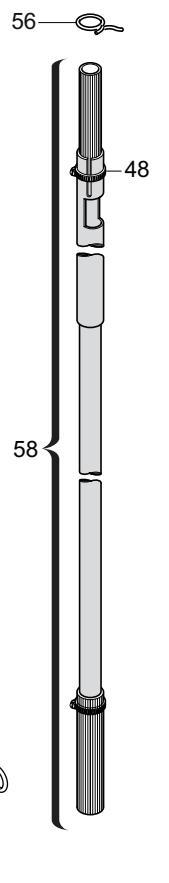
**TAV. 182**

Pos.	Cod.	Descrizione	Description	Description	Benennung	Descripcion
57	G66248223R	TAPPO SUPP.SPAND.D.11	PLUG MAN. SPR. SUPP. D.11	BOUCHON SUPPORT EP. ENGRAIS D.	HALTERUNGSPFROPFEN DSNGERSTR.	TAP N SOPORTE ABON.D.11
58	F01020236R	VITE M14X2X220 U5737 8.8BR	SCR. M14X2X220 U5737 8.8BR	VIS M14X2X220 U5737 8.8 BR	SCHRAUBE M14X2X220 U5737 8.8	TORNILLO M14X2X220 U5737 8.8
59	F20120346R	PUNTALE Q 35 ALETT.POLIT.NERO	SQ.TIP 35 BLACK			
60	G16675090R	TAPPO PLASTICA MICRO C OR	PLASTIC PLUG MICRO C OR			
61	G20890205R	MANICOTTO UNIONE MICRO L.250	MICRO JOINT SLEEVE L.250	MANCHON RACCORD MICRO L. 250	VERBINDUNGSMUFFE MIKRO L.250	MANGUITO DE UNI N MICRO L.250
62	G20890201R	MANICOTTO UNIONE MICRO L.440	MICRO JOINT SLEEVE L.440	MANCHON RACCORD MICRO L. 440	VERBINDUNGSMUFFE MIKRO L.440	MANGUITO DE UNI N MICRO L.440
63	G20890111R	MANIC.UNIONE RINV.MICRO L.470	MICRO TRANSM.JOINT SLEEVE L.47	MANCHON RACCORD TRANSMISSION M	VERBINDUNGSMUFFE VORGELEGE MIK	MANGUITO EMPALME TRANSM. MICRO
64	G20890130R	MANICOTTO UNIONE MICRO L.550	MICRO JOINT SLEEVE	MANCHON RACCORD MICRO L. 550	VERBINDUNGSMUFFE MIKRO L.550	MANGUITO DE UNI N MICRO L.550
65	G20890202R	MANICOTTO UNIONE MICRO L.690	MICRO JOINT SLEEVE L.690	MANCHON RACCORD MICRO L. 690	VERBINDUNGSMUFFE MIKRO L.690	MANGUITO DE UNI N MICRO L.690
66	G20890112R	MANICOTTO UNIONE MICRO L.1110	MICRO JOINT SLEEVE L.1110	MANCHON RACCORD MICRO L. 1110	VERBINDUNGSMUFFE MIKRO L1110	MANGUITO DE UNI N MICRO L.1110
67	G20890203R	MANICOTTO UNIONE MICRO L.1620	MICRO JOINT SLEEVE L.1620	MANCHON RACCORD MICRO L. 1620	VERBINDUNGSMUFFE MIKRO L.1620	MANGUITO DE UNI N MICRO L.1620
68	G18701140R	RONDELLA 11 X35 X5	WASHER 11 X 35 X 5	RONDELLE 11 X35 X5	UNTERLEGSCHEIBE 11 X35 X5	ARANDELA 11 X35 X5
69	G16670241R	TIRANTE BARRA MICRO SP	TIE ROD BAR MICRO SP			
70	G07000028R	TUBO Q.35 X4 X2980	SQUARE PIPE 35 X 35 X 3 X 2980	TUBE CARRE 35 X 35 X 3 X 2980	VIERKANTROHR 35 X 35 X 3 X 298	TUBO CUADRADO 35 X 35 X 3 X 29
71	G07000370R	TUBO Q. 35X 3X3980	SQUARE PIPE 35X35X4X3980	TUBE CARRE 35X35X4X3980	VIERKANTROHR 35X35X4X3980	TUBO CUADRADO 35X35X4X3980
72	G15475540R	TUBO SUPPORTO MICRO L.5100	MICRO SUPPORT PIPE L.5100	TUBE SUPPORT MICRO L5100	ROHR HALTERUNG MIKRO L.5100	TUBO SOPORTE MICRO L 51000
73	G15475400R	TUBO SUPPORTO MICRO L.5800	MICRO SUPPORT PIPE L.3800	TUBE SUPPORT MICRO L5800	ROHR HALTERUNG MIKRO L.5800	TUBO SOPORTE MICRO L.5800
74	G20970142R	RONDELLA 32X4X15,5	WASHER 32X4X15-5	RONDELLE 32X4X15-5	UNTERLEGSCHEIBE 32X4X15-5	ARANDELA 32X4X15-5
75	G19001802R	RONDELLA-ALBERO MICRO	WASHER-SHAFT MICRO			

Serbatoio PLASTICA 30 litri  
 PLASTIC hopper 30 liters



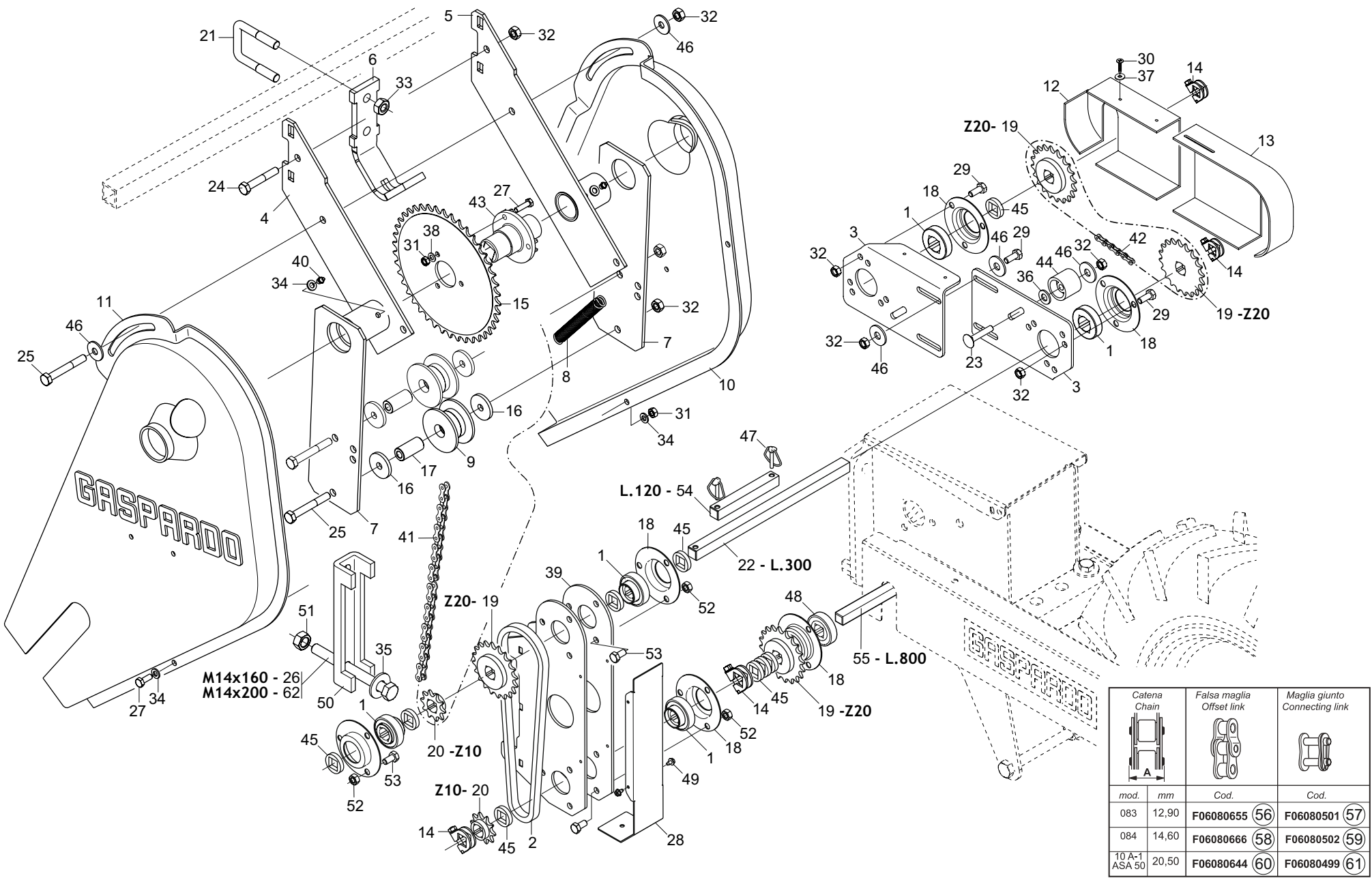
(\*) Kit = (2+2 pz.)



**MICROGRANULATORE «30 LITRI»  
MICROGRANULATOR «30 LITERS»**

**TAV. 341**

Pos.	Cod.	Descrizione	Description	Description	Benennung	Descripcion
1	G11420221R	ASSE TRASM.DISTR.	DISTR. TRANSMISSION AXLE			
2	G11475210R	KIT RUOTE DENTATE Z24	KIT GEAR WHEELS Z24			
3	G66248138R	COPERCHIO SUPP.TRASM. M80	TRANSMISSION SUPP. COVER M80	COUVERCLE SUPPORT ENTRAINEM.	DECKEL ANTRIEBSHALTERUNGS M80	TAPA SOP. TRANSM. M80
4	G19001262R	SUPPORTO TRASMISSIONE RINF.	REINFORCED TRANSMISS.SUPPORT			
5	F01420084R	ROS.M14 14,5X 36X 3 U6593 ZN	GALVANIZED WASHER 14 X36 X3	RONDELLE 14 X36 X3 ZN	UNTERLEGSSCHEIBE 14 X36 X3 ZN	ARANDELA 14 X36 X3 ZN
6	F02200162R	COPIGLIA 3X 20 U1336 ZN	SPLIT PIN 3 X20 1336 GALVAN.	GOUPILLE 3 X20 1336 ZN	SPLINT 3 X20 1336 ZN	PASADOR 3 X20 1336 ZN
7	F01200232R	DADO M6X1 U5588 CL8 ZN	NUT M6X1 U5588 6.8ZN	ECROU 6 UNI 5588 6.8 ZN	MUTTER 6 UNI 5588 6.8 ZN	TUERCA M6X1 U5588 CL8 ZN
8	F01070122R	VITE A3,9X1,34X13 U6955 4.8NI	SCR. H3,9X1,34X13 U6955 4.8NI	VIS M3,9X1,34X13 U6955 4.8NI	SCHRA.M3,9X1,34X13 U6955 4.8NI	TORN.M3,9X1,34X13 U6955 4.8NI
9	G11435240R	SUPPORTO ASSE CARTER	CARTER AXLE SUPPORT			
10	F03011081R	GUARNIZIONI LABBRO DE100	LIP GASKET D100			
11	F04150042R	BOCCOLA CLIP IGUS MCM-14-03	BUSH CLIP IGUS MCM-14-03			
12	G18903191R	MOLLA SPEC.ZN DISCESA MICRO	SPEC.SPRING ZN MICRO GUIDE	RESSORT SPEC. ZN GUIDE MICRO	SPEZIALFEDER ZN F. HR.MIKRO	MUELLE ESPEC. ZN GUA MICRO
13	F01410088R	ROS.M14 15X 28X2,5 U6592 ZN	WAS.M14 15X 28X2,5 U6592 ZB	RON.M14 15X 28X2,5 U6592 ZB	SCH.M14 15X 28X2,5 U6592 ZB	ARA.M14 15X 28X2,5 U6592 ZB
14	F02200194R	COPIGLIA 4X 25 U1336 ZN	SPLIT PIN 4 X25 1336 GALVAN.	GOUPILLE 4 X25 1336 ZN	SPLINT 4 X25 1336 ZN	PASADOR 4 X25 1336 ZN
15	G19003670R	MANOPOLA SPEEDY SET	SPEEDY HANDLE SET	POIGN E SPEEDY SET	GRIFF SPEEDY SET	EMPU ADURA SPEEDY SET
16	G17772900R	ALBERO REGOLAZIONE SPEEDY SET	ADJUSTING AXLE SPEEDY SET			
17	F02100083R	SPINA E.P. 5X 24 U6873 C70 BR	PIN EL. 5 X24 DIN 1481	FICHE EL. 5 X24 DIN 1481	SPANNSTIFT 5 X24 DIN 1481	CLAVIJA EL.5 X24 DIN 1481
18	F02100314R	SPINA EL.5 X36 DIN 1481 INOX	PIN EL.5 X36 DIN 1481 INOX			
19	F01050083R	VITE M5X0,8X12 U5927 A2IX	SCR. M5X0,8X12 U5927 A2IX	GOUJON 5X12 UNI 5927	STIFT 5X12 UNI 5927	TORNILLO SIN CABEZA 5X12 5927
20	F01030041R	VITE M6X1X10 U5933 10.9ZD	SCREW M6X1X10 U5933 10.9ZD	VIS M6X1X10 U5933 10.9ZD	SCHRAU. M6X1X10 U5933 10.9ZD	TORNILLO M6X1X10 U5933 10.9ZD
21	G16675490R	KIT PIGNONE CREMAGLIERA	KIT PINION RACK			
22	G19003660R	SUPPORTO	SUPPORT			
23	F01200233R	DADO M6X1 U5588 A2IX	NUT M6X1 U5588 A2IX	ECROU M 6X 1 U5588 I	HALTERUNG	SOPORTE
24	F01020417R	VITE M6X1X12 U5739 A2IX	SCR. M6X1X12 U5739 A2IX	VIS M6 X1 X12 U5739 A2 IX	MUTTER M 6X 1 U5588	TORNILLO M6X1 X12 U5739 A2 IX
25	F01080022R	VITE M3X0,5X10 U7688 4.8ZN	SCR. M3X0,5X10 U7688 4.8ZN			
26	G16670310R	SUPPORTO MOLLA REGOLATORE	ADJ.SPRING SUPPORT			
27	G65336055R	MOLLA SPEC.REGOL.SPAND. SP	SPEC SPRING MAN. SPR. ADJUSTM.	RESSORT SPEC. REGL. EP. ENTRA	SPEZIALFEDER STREUEREINSTELLUN	MUELLE ESPEC. REGUL. ABONADORA
28	G19003720R	GHIERA REGOLAZIONE SX	LEFT ADJUSTMENT KNURLED NUT	MANCHON DE REGLAGE GCH	EINSTELLMUTTER LINKS	ROSCA REGULACION IZQUIERDA
29	F02100066R	SPINA EL.4 X36 DIN 1481	PIN EL. 4X 36 U6873 C70 BR			
30	G17772140R	REGOLAT.APERT.MIC SPEED.SET IX	MICRO FERT.SPEEDY SET THROTTLE			
31	G22250240R	DOSATORE COMPL. SV	DISTRIBUTOR MICRO COMPL.	ROTOR DOSEUR 8C MICRO SV		DOSIFICADOR COMPL. SV
32	F01080032R	VITE M4X0,7X10 U7688 A2IX	SCR. M4X0,7X10 U7688 A2IX	VIS M4X 0,7X10 U7688 A2 IX	SCHRAUBE M4X 0,7X10 7688 A2 IX	TORNILLO M4X0.7X10 U7688 A2 IX
33	G15276111R	ASSE AGITATORE SERB.30L 3U	3-SLOT AGITATOR			
34	G15276120R	PIASTRA DOSATORI 3U	MICRO DISTR.PLATE 3U			
35	F02100062R	SPINA E.P. 4X 24 U6873 C70 BR	PIN EL. 4 X24 DIN 1481	FICHE EL. 4 X24 DIN 1481	SPANNSTIFT 4 X24 DIN 1481	CLAVIJA EL.4 X24 DIN 1481
36	G17772550R	BOCCOLA 10,4 X25 X16 FORO 5 ZN	BUSHING D10,4X25X16 HOLE 5 ZN			
37	G11400060R	DISTRIBUTORE MICRO SPEEDY SET	DISTRIBUTOR MICRO SPEEDY SET			
38	G15276161R	ASSE AGITATORE SERB.30L 2U	SHAKER AXLE TANK 30L 2U			
39	G15276130R	PIASTRA DOSATORI 2U	MICRO DISTR.PLATE 2U			
40	F01230024R	DADO M6X1 D982 A2IX	NUT M6X1 D982 A2IX	ECROU AUTOB.NOR.10	SELBSTSP. MUTTER NOR. 10	TUERCA AUTOB. NOR. 10
41	G19006620R	GUARNIZIONE PIASTRA MICRO	GASKET PLATE MICRO			
42	G15475271R	SUPPORTO MICRO	MICRO SUPPORT	SUPPORT MICROGRANULATEUR	HALTERUNG MICRO	SOPORTE MICRO
43	F01020472R	VITE M10X1,5X25 U5739 8.8ZN	SCR. M10X1,5X25 U5739 8.8ZN	VIS M10X1,5X25 U5739 8.8 ZN	SCHRAUBE M10X1,5X25 U5739 8.8	TORNILLO M10X1,5X25 U5739 8.8
44	F01200270R	DADO M10X1,5 U5588 CL8 ZN	NUT M10X1,5 U5588 6.8ZN	ECROU M10X 1,5 U5588 6.8 ZN	MUTTER M10X 1,5 U5588 6.8 ZN	TUERCA M10X1,5 U5588 CL8 ZN
45	F20110706R	CAV.Q.B=35 M=10X1,5 L=60	U BOLT Q.B=35 M=10X1,5 L=60	CAVALIER SUPPORT DISQUE SV	VERBINDUNG SCHEIBENHALTERUNG S	PERNO EN U SOP. DISCO SV
46	G16675090R	TAPPO PLASTICA MICRO C OR	PLASTIC PLUG MICRO C OR			
47	F01420060R	ROS.M10 10,5X 30X2,5 U6593 ZG	GALV.WASHER 10,5X30X2,5 U6593	RONDELLE 10,5X30	SCHEIBE 10,5X30	ARAND.M10 10,5X 30X2,5 U6593
48	F02300017R	FASCETTA STRING. 20 32 H.9	CLAMP 20 32 H.9	GAINÉ 20 32 H.9	KLEMME 20 32 H.9	ABRAZADERA 20 32 H.9
49	G19006413R	COPERCHIO SERB.MICRO DELTA	TANK COVER MICRO DELTA			
50	G66248123R	CORPO DISTRIBUZIONE M80	DISTRIBUTION CASING M80	CORPS DISTRIBUTION M80	VERTEILUNGSKTRPER	CUERPO DISTRIBUCI N M80
51	G19006600R	SERBATOIO MICRO 30L	TANK MICRO 30L			
52	G20970100R	RONDELLA 30X0,5X22 ACC.	WASHER 30X0-5X22 ACC.	RONDELLE 30X0-5X22 ACIER	UNTERLEGSSCHEIBE 30X0-5X22 ACC.	ARANDELA 30X0-5X22 ACC.
53	G19708541R	DECAL.DISTRIB.MICRO 30L O	LABEL DISTR.MICRO 30L O			
54	F01420011R	ROS.M4 4,3X 16X 1 U6593 ZN	FLAT WASHER 4-3X 16X1-5 6593 G	ROND.PLATE 4-3X 16X1-5 6593 ZN	SCHEIBE 4-3X 16X1-5 6593 ZN	ARAND. PLANA 4-3X 16X1-5 6593
55	G19001802R	RONDELLA-ALBERO MICRO	WASHER-SHAFT MICRO			
56	G65336041R	MOLLA SPEC.ZN STRINGITUBO M80	SPEC.SPRING ZN. PIPE CLAMP M8	RESSORT SPEC. ZN SERRE-TUBE M8	SPEZIALFEDER ZN ROHRSCHELLE M8	MUELLE ESPEC. ZN APLASTA TUBOS
57	G66248189R	DOSATORE M80	SEED METERING DEVICE M80	DOSEUR M80	DOSIERER M80	DOSIFICADOR M80
58	G15870251R	TUBO DISCESA MICRO ORTAG.COMPL	COMP.SEED DEL.TUBE MICRO ORTAG			
59	G19006390R	COPERCHIO DISTR.MICRO SPEEDY S	DISTR.TOR COVER MICRO SPEEDY S			
60	G65336046R	MOLLA SPEC.ZN SCIVOLO M80	SPEC SPRING ZN CHUTE M80	RESSORT SPEC. ZN LANCOIR M80	SPEZIALFEDER ZN RUTSCHE M80	MUELLE ESPEC. ZN PLANO INCLINA
61	G66248154R	SCIVOLO DISTR. M80	CHUTE- DISTRIB. M80	ENTONNOIR DOSEUR MINIMAX MICRO	SAAPPARAT RUTSCHE M80	PLANO INCLINADO DISTR. M80
62	G20890158R	DOSATORE MICRO COMPL.	ROTOR DIST. MICRO 20 GROOVES	ROTOR DOSEUR 20C MICRO COMPL.	DOSIERER MIKRO KOMPL. 20 SEKT	DOSIFICADOR MICRO COMPL.20 SEC
63	G20890211R	KIT INGRANAGGI DISTRIB.MICRO	DISTRIBUTION GEAR KIT MICRO	KIT ENGRENAGE DE DISTRIBUTION		KIT INGRANAJES DISTRIB.MICRO
64	G15276141R	SERBATOIO MICRO 30L 2U COMPL	TANK MICRO 30L 2 OUT COMPL.	RESERVOIR MICRO 30L 2U COMPL		
65	G15276151R	SERBATOIO MICRO 30L 3U COMPL	TANK MICRO 30L 3 OUT COMPL.			

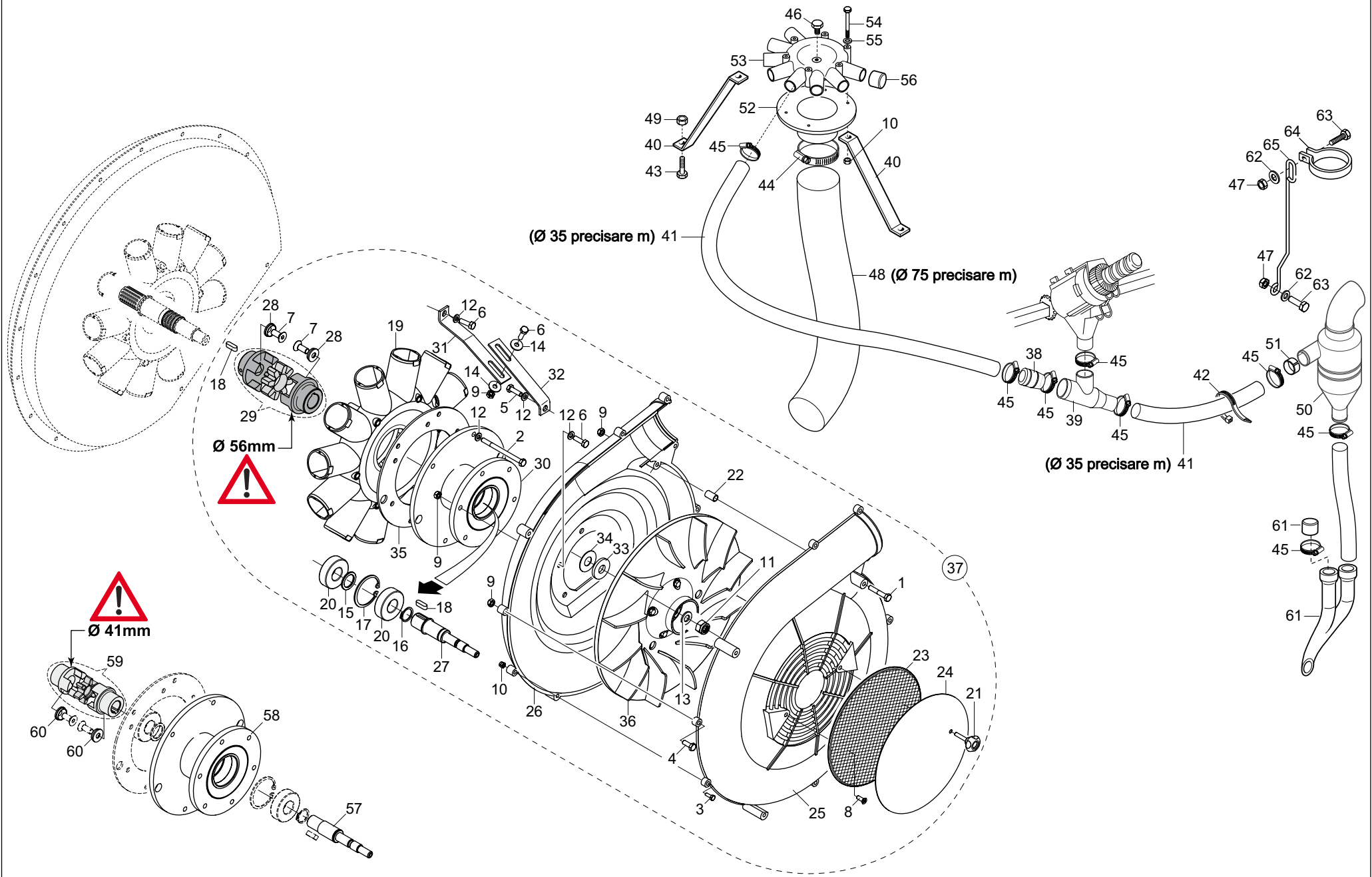




**TRASMISSIONE SPANDICONCIME E MICROGRANULATORE  
FERTILIZER DISTRIBUTOR DRIVE AND MICROGRANULATOR**

TAV. 193

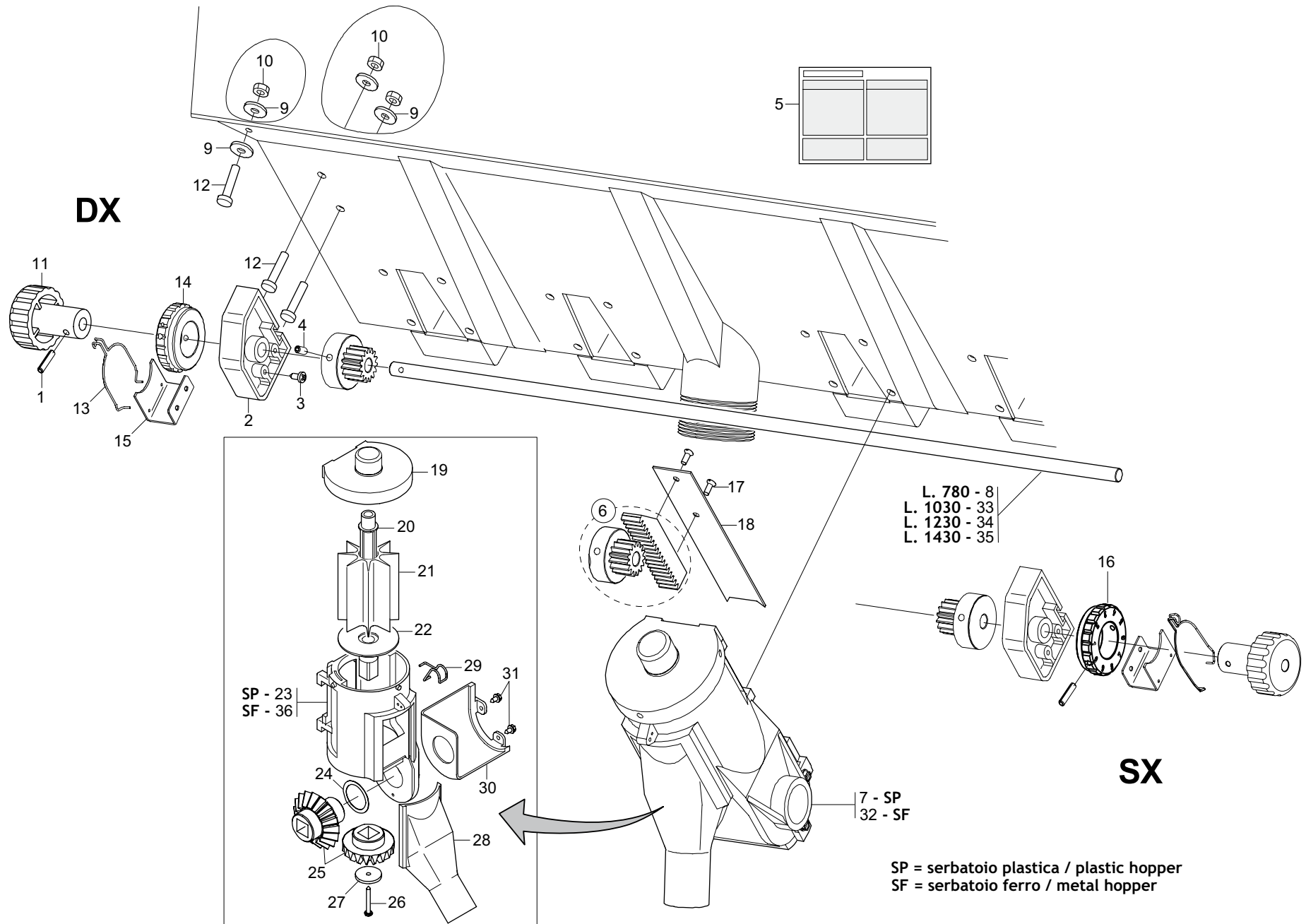
Pos.	Cod.	Descrizione	Description	Description	Benennung	Description
1	G14830390R	CUSCINETTO FORO QUADRO	SQUARE-HOLED BEARING	ROULEMENT TROU CARRE	VIERKANTLAGER	COJINETE ORIFICIO CUADRADO
2	F06080024R	CATENA 1 2 ISO 083 55 MAGLIE	CUT-DOWN CHAIN.1 2-3 16 55	TR. CH.1 2-3 16 55 MAILLES	KETTENZNGE 1 2-3 16 55 GLIEDE	TRECHO CADENA 1 2-3 16 55 ES LA
3	G15470851R	FIANCO SUPP.TRASM.SPANDI	SPREADER TRANSM. SIDE SUPPORT	COTE SUPPORT TRANSM. EPAND.	SEITEN HALTER. ANTRIEB DUNGERS	COSTADO SOPORTE TRANSM. ABONAD
4	G15476880R	RIBADITURA SUPP.TRASM.SX	LH TRANSMISSION SUPPORT			
5	G15476890R	RIBADITURA SUPP.TRASM.DX	RH TRANSMISSION SUPPORT			
6	G15476390R	SCONTRO CENTRALE	CENTRAL PLATE			
7	G15475311R	SUPPORTO RULLINI TENDIC. MICRO	MICRO CHAIN STRETCHER ROLLERS			
8	G18902960R	MOLLA TRAZ. TRANSM.RUOTA ZN	TRANSMISSION TENSIONER SPRING	RESSORT TRACT. ENTRAIN. ROUE Z	ZUGFEDER RADANTRIEB ZN	MUELLE TRAC. TRANSM.RUEDA ZN
9	G19000091R	ROCCHETTO 2 META	CHAIN TENSIONER	TENDEUR DE CHAINE 2 MOITIE	KLEINRAD SPANNER SA	CARRETE TENSOR SA
10	G19002810R	CARTER RINVIO MICRO DX	RIGHT MICRO TRANSM. CASE	CARTER TRANSM. MICRO DRT	VORGELEGEGEHZESE MIKRO RE	C RTER TRANSMISI N MICRO DER
11	G19002820R	CARTER RINVIO MICRO SX	LEFT MICRO TRANSM. CASE	CARTER TRANSM. MICRO GCH	VORGELEGEGEHZESE MIKRO LI	C RTER TRANSMISI N MICRO IZQ
12	G19002830R	CARTER TRASMISSIONE SUPERIORE	TOP TRANSMISSION CASE	CARTER ENTRAINEMENT SUPERIEUR	OBERES ANTRIEBSGEHZESE	C RTER TRANSMISI N SUPERIOR
13	G19002880R	CARTER INFERIORE TRASM.SPAND.	BOTTOM SPREADER TRANSM. CASE	CARTER INFERIEUR TRANSM EPAND.	UNTER. ANTRIEBSGEHZESE DSNG.GE	C RTER INFER. TRANSMISI N ABON
14	G22505085R	FERMO ASSE IN LAMIERA	PLATE AXLE STOP	ARRET AXE EN TOLE	FESTSTELLVORRICHTUNG BLECHACHS	BLOQUEO EJE DE CHAPA
15	G20890128R	CORONA Z-42 SP	RING GEAR Z-42 SP	COURONNE Z-42 SP	KRANZ Z-42 SP	CORONA Z-42 SP
16	G20970032R	RONDELLA 32X4X8,5	WASHER 32X4X8-5	RONDELLE 32X4X8-5	UNTERLEGSCHIEBE 32X4X8-5	ARANDELA 32X4X8-5
17	G20980086R	BOCCOLA DIST.D.8,5X16X31	BUSHING SPAC.. D.8-5X16X31	BOITE ENTRETOISE D. 8-5X16X31	VERTEILERBSCHSE D.8-5X16X31	CASQUILLO DIST. D.8-5X16X31
18	G22230094R	SUPPORTO CUSCINETTO	BEARING SUPPORT	SUPPORT DE ROULEMENT	LAGERBSCHSE	SOPORTE COJINETE
19	G22250007R	INGR.CON MOZZO 1 2 Z-20 SV	GEARS- W HUB 1 2 Z-20 SV	ENGRENAGE 1 2 Z-20	ENGRNAGE MIT NABE 1 2 Z-20 SV	ENGRAN.CON PERNO 1 2 Z-20 SV
20	G22250006R	INGR.CON MOZZO 1 2 Z-10 SV	GEARS- W HUB 1 2 Z-10 SV	ENGRENAGE AVEC MOYEU 1 2 Z-10	ZAHNRAD MIT NABE 1 2 Z-10 SV	ENGRAN.CON PERNO 1 2 Z-10 SV
21	F20110706R	CAV.Q.B=35 M=10X1,5 L=60	U BOLT Q.B=35 M=10X1,5 L=60	CAVALIER SUPPORT DISQUE SV	VERBINDUNG SCHEIBENHALTERUNG S	PERNO EN U SOP. DISCO SV
22	G22270127R	ASSE RUOTA CAMBIO 2F.L.500 SP	WHEEL AXLE - GEARBOX 2-ROW L.	AXE ROUE BOITE DE VITESSE	GETRIEBERADACHSE 2R.L.500 SP	EJE RUEDA CAMBIO 2 FILAS. L.50
23	F01060047R	VITE M8X1,25X45 U5731 8.8ZN	SCR. M8X1,25X45 U5732 4.6ZN	VIS 8X45 5732 4.6 ZN	SCHRAUBE 8X45 5732 4.6 ZN	TORNILLO 8X45 5732 4.6 ZN
24	F01020072R	VITE M8X1,25X50 U5737 8.8ZN	SCR. M8X1,25X50 U5737 8.8ZN	VIS M8X1,25X50 U5737 8.8 ZN	SCHR. M8X1,25X50 U5737 8.8 ZN	TORN. M8X1,25X50 U5737 8.8 ZN
25	F01020077R	VITE M8X1,25X60 U5737 8.8ZN	SCR. M8X1,25X60 U5737 8.8ZN	VIS M8X1,25X60 U5737 8.8 ZN	SCHRAU. M8X1,25X60 U5737 8.8ZN	TORN. M8X1,25X60 U5737 8.8 ZN
26	F01020225R	VITE M14X2X160 U5737 8.8BR	SCR. M14X2X160 U5737 8.8BR	VIS M 14 X160 5737 8.G	SCHRAUBE M 14 X160 5737 8.G	TORNILLO M 14 X160 5737 8.G
27	F01020403R	VITE M6X1X16 U5739 8.8ZN	SCR. M6X1X16 U5739 8.8ZN	VIS M6X1X16 U5739 8.8 ZN	SCHRAUBE M6X1X16 U5739 8.8 ZN	TORNILLO M6X1X16 U5739 8.8 ZN
28	G15875321R	CARTER RINVIO	TRASM. CARTER			
29	F01020436R	VITE M8X1,25X20 U5739 8.8ZN	SCR. M8X1,25X20 U5739 8.8ZN	VIS M8X1,25X 20 U5739 8.8 ZN	SCHRAUBE M8X1,25X20U5739 8.8ZN	TORNILLO M8X1,25X20 U5739 8.8
30	F01070074R	VITE A4,2X1,41X25 U6954 4.8NI	SCR. H4,2X1,41X25 U6954 4.8NI	VIS 4-2X25 DIN 7981	SCHRAUBE 4-2X25 DIN 7981	TORNILLO 4-2X25 DIN 7981
31	F01200232R	DADO M6X1 U5588 CL8 ZN	NUT M6X1 U5588 6.8ZN	ECROU 6 UNI 5588 6.8 ZN	MUTTER 6 UNI 5588 6.8 ZN	TUERCA M6X1 U5588 CL8 ZN
32	F01200244R	DADO M8X1,25 U5588 CL8 ZN	NUT M8X1,25 U5588 6.8ZN	ECROU M8 X1,25 U5588 6.8 ZN	MUTTER M8 X1,25 U5588 6.8 ZN	TUERCA M8X1,25 U5588 CL8 ZN
33	F01200270R	DADO M10X1,5 U5588 CL8 ZN	NUT M10X1,5 U5588 6.8ZN	ECROU M10X 1,5 U5588 6.8 ZN	MUTTER M10X 1,5 U5588 6.8 ZN	TUERCA M10X1,5 U5588 CL8 ZN
34	F01410037R	ROS.M6 6,4X12,5X1,6 U6592 ZN	WASHER M6 6,4X12,5X1,6 U6592ZN	RONDEL. M6 6,4X12,5X1,6 U6592ZN	SCHEIB. M6 6,4X12,5X1,6 U6592ZN	ARAND. M6 6,4X12,5X1,6 U6592 ZN
35	G20970142R	RONDELLA 32X4X15,5	WASHER 32X4X15-5	RONDELLE 32X4X15-5	UNTERLEGSCHIEBE 32X4X15-5	ARANDELA 32X4X15-5
36	F01410064R	ROS.M10 10,5X 20X 2 U6592 ZN	WASHER M10 10,5X20X2 U6592 ZN	RONDEL. M10 10,5X20X2 U6592 ZN	SCHEIBE M10 10,5X20X2 U6592 ZN	ARAND.M10 10,5X 20X 2 U6592 ZN
37	F01420011R	ROS.M4 4,3X 16X 1 U6593 ZN	FLAT WASHER 4-3X 16X1-5 6593 G	ROND.PLATE 4-3X 16X1-5 6593 ZN	SCHEIBE 4-3X 16X1-5 6593 ZN	ARAND. PLANA 4-3X 16X1-5 6593
38	F01430047R	ROS.M6 6,4X 11X0,7 U8842J ZN	WASHER D6 DIN 6798 D.INT.GALV.	RONDELLE D6 DIN 6798 D. INT. Z	UNT. SCHEIBE D6 DIN 6798 D. IN	ARANDELA D6 DIN 6798 D.INT.ZN
39	G15875310R	RINVIO TRASMISSIONE	TRANSMISSION DRIVE ASS.	GR. RENVOI TRANSMISSION	VORGELEGE ANTRIEB	CONJ. REENV-O TRANSMISI-N
40	F01100011R	ING.M 6X1 7663-A 9SMNPB28 ZN	GREASE NIPPLE M6X1 7663-A ZN	GRAISS. A BILLE M6X1 7663A ZN	SCHMIERBUECHE M6X1 7663-A ZN	ENG.M 6X1 7663-A 9SMNPB28 ZN
41	F06080056R	SP.CAT.1 2-3 16 105M.ISO 083-1	CHAIN 1 2-3 16 ISO 083-1 105 L			
42	F06080025R	CATENA 1 2 ISO 083 56 MAGLIE	CHAIN 1 2-3 16 56 LINKS.	CHAINE 1 2-3 16 56 MAILLES	KETTE 1 2-3 16 56 GLIEDER	CADENA 1 2-3 16 56 ESLABNE
43	G66248152R	MOZZO TRASM.MICRO M80	HUB - TRANSM. MICRO M80	MOYEU ENTRAINEMENT MICRO M80	ANTRIEBSNABE MIKRO M80	CUBO TRANSM. MICRO M80
44	G66248207R	TENDICATENA SPAND. SP-520	CHAIN TENSIONER	TENDEUR DE CHAINE EPAND. ENGR.	KETTENSANNER DSNGERSTR. SP-52	TENSOR DE CADENA ABON. SP-520
45	G66248218R	RONDELLA DISTAN.SPAND.	MAN. SPR. SPACER WASHER	RONDELLE ENTRETOISE EP. ENGRAI	ABSTANDSCHEIBE DSNGERSTREUER	ARANDELA DISTAN.ABONAD.
46	F01420048R	ROS.M8 8,4X 24X 2 U6593 ZN	WASHER M8 8,4X 24X2 U6593 ZN	RONDELLE M8 8,4X24X 2 U6593 ZN	SCHEIBEN M8 8,4X24X 2 U6593 ZN	ARAND.M8 8,4X 24X 2 U6593 ZN
47	F02200452R	SPINA SCATTO D.4,4 B 80 ZN	SNAP PIN D4.4 B 80 ZN	FICHE A DETENTE D4.4 B 80 ZN	EINRASTSTIFT D4.4 B 80 ZN	CLAVIJA DE MUELLE D4.4 B 80 ZN
48	G10538351R	CUSCINETTO F.Q. RIBASSATO	SQUARE HOLE BEARING	PALIER TROU CARRE	LAGER VIERKANTLOCH	COJINETE ORIFICIO CUADRADO
49	F01070011R	VITE A4,2X1,41X9,5 U6950 4.8NI	SCR. H4,2X1,41X9,5 U6950 4.8NI	VIS AUTOTAR. 4-2X9-5 T. E. COU	SELBSTSCHNEID. SCHRAUBE 4-2X9-5	TORNILLO AUTOROSC. 4-2X9-5
50	G15110091R	SCONTRO A U	CONTRA U	BRIDE 150 MM	ANSCHLAG	ELEMENTO DE EMPALME
51	F01200306R	DADO M14X2 U5588 CL8 ZN	NUT M14X2 U5588 6.8ZN	ECROU M14X2	MUTTER M14X2	DADO M14X2
52	F01200244R	DADO M8X1,25 U5588 CL8 ZN	NUT M8X1,25 U5588 6.8ZN	ECROU M8 X1,25 U5588 6.8 ZN	MUTTER M8 X1,25 U5588 6.8 ZN	TUERCA M8X1,25 U5588 CL8 ZN
53	F01020432R	VITE M8X1,25X16 U5739 8.8ZN	SCR. M8X1,25X16 U5739 8.8ZN	VIS M8 X1,25X16 U5739 8.8 ZN	SCHRAUBE M8X1,25X16U5739 8.8ZN	TORNILLO M8X1,25X16 U5739 8.8
54	G15870380R	ASSE TRASM.L.120	TRANSMISSION AXLE L.120	AXE TRANSMISSION L.120	SBERTRAGUNGSACHSE L.120	EJE TRANSMISI N L.120
55	G22230142R	ASSE 4 FILE L.800	4-ROW SPINDLE L.800	AXE 4 RANGES L. 800	ACHSE 4 REIHEN B. 800	EJE 4 FILAS L.800
56	F06080655R	FALSA MAGLIA CAT.1 2 ISO 083	DUMMY CHAIN LINK 1 2 ISO 083	FAUSSE MAILLE CHAINE 1 2 ISO 0	FALSCHES GLIED 1 2 ISO 083	ESLAB N FICTICIO CAD. 1 2 ISO
57	F06080501R	GIUNZIONE CATENA 1 2 ISO 083	CHAIN JOINT 1 2 ISO 083	JONCTION CHAINE 1 2 ISO 083	KETTENVERBINDUNG 1 2 ISO 083	UNI N CADENA 1 2 ISO 083
58	F06080666R	FALSA MAGLIA CAT.1 2 ISO 084-1	CHAIN EYE CAT. 1 2 ISO 084-1			
59	F06080502R	GIUNZIONE CATENA 1 2 ISO 084-1	CHAIN JUNCTION 1 2 ISO 084-1			
60	F06080644R	FALSA MAGLIA CAT.5 8 ASA 50LUB	DUMMY CHAIN LINK 5 8 ASA 50LUB	FAUSSE MAILLE CHAINE ASA 50LUB	FALSCHES GLIED 5 8 ASA 50LUB	ESLAB N FICTICIO CAD.5 8 ASA50
61	F06080499R	GIUNZIONE CATENA 5 8 ASA 50LUB	CHAIN JOINT 5 8 ASA 50LUB	JONCTIONS CHAINE 5 8 ASA 50LUB	KETTENVERBINDUNG 5 8 ASA 50LUB	UNIONES CADENA 5 8 ASA 50LUB
62	F01020233R	VITE M14X2X200 U5737 8.8BR	SCR. M14X2X200 U5737 8.8BR	VIS M14X2X 200 U5737 8.8 ZB	SCHRAUBE M14X 2X200 U5737 8.8	TORNILLO M14X2X200 5737 8.8 ZB



## CONCIMAZIONE PNEUMATICA PNEUMATIC FERTILIZER

TAV. 203

Pos.	Cod.	Descrizione	Description	Description	Benennung	Description
1	F01020039R	VITE M6X1X35 U5737 8.8ZN	SCR. M6X1X35 U5737 8.8ZN	VIS 6 X35 5737 8.G ZN	SCHRAUBE 6 X35 5737 8.G ZN	TORNILLO 6 X35 5737 8.G ZN
2	F01020050R	VITE M6X1X80 U5737 8.8ZN	SCR. M6X1X80 U5737 8.8ZN	VIS 6 X80 5737 8.G ZN	SCHRAUBE 6 X80 5737 8.G ZN	TORNILLO 6 X80 5737 8.G ZN
3	F010200362R	VITE M4X0,7X12 U5739 8.8ZN	SCR. M4X0,7X12 U5739 8.8ZN	VIS 4X12 5739 8.G ZN	SCHRAUBE 4X12 5739 8.G ZN	TORNILLO 4X12 5739 8.G ZN
4	F010200398R	VITE M6X1X12 U5739 8.8ZN	SCR. M6X1X12 U5739 8.8ZN	VIS M6X 1X12 U5739 8.8 ZN	SCHRAUBE M6X 1X12 U5739 8.8 ZN	TORNILLO M6X 1X12 U5739 8.8 ZN
5	F01020403R	VITE M6X1X16 U5739 8.8ZN	SCR. M6X1X16 U5739 8.8ZN	VIS M6X1X16 U5739 8.8 ZN	SCHRAUBE M6X1X16 U5739 8.8 ZN	TORNILLO M6X1X16 U5739 8.8 ZN
6	F01020404R	VITE M6X1X20 U5739 8.8ZN	SCREW M6X1X20 U5739 8.8ZN	VIS M6X1X20 U5739 8.8ZN	SCHRAUBE M6X1X20 U5739 8.8ZN	TORNILLO M6X1X20 U5739 8.8ZN
7	F01030055R	VITE M8X1,25X20 U5933 10.9ZD	SCR. M8X1,25X20 U5933 10.9ZD	VIS M 8X20	SCHRAUBE M 8X20	TORNILLO M 8X20
8	F01080044R	VITE M5X0,8X14 U7688 4.8ZN	SCR. M5X0,8X14 U7688 4.8ZN	VIS 5 X14 7688 ZN	SCHRAUBE 5 X14 7688 ZN	TORNILLO 5 X14 7688 ZN
9	F01220011R	DADO M6X1 D980 8ZN	NUT M6X1 D980 8ZN	ECROU M6X1 D980 8 ZN	MUTTER M6X1 D980 8 ZN	TUERCA M6X1 D980 8 ZN
10	F01230016R	DADO M4X0,7 D982 8ZN	NUT M4X0,7 D982 8ZN	ECROU AUTOB.NOR.4 ZN	SELBSTSP. MUTTER NOR. 4 ZN	TUERCA AUTOB. NOR. 4 ZN
11	F01230048R	DADO M10X1,5 D982 8ZN	NUT M10X1,5 D982 8ZN	ECR.AUTO-FREIN.M10X1,5 D982 ZN	SICHERUNGSMUTT.M10X1,5 D982 ZN	TUERCA SEGURID.M10X1,5 D982 ZN
12	F01410037R	ROS.M6 6,4X12,5X1,6 U6592 ZN	WASHER M6 6,4X12,5X1,6 U6592ZN	RONDEL.M6 6,4X12,5X1,6 U6592ZN	SCHIEB.M6 6,4X12,5X1,6 U6592ZN	ARAND.M6 6,4X12,5X1,6 U6592 ZN
13	F01410064R	ROS.M10 10,5X 20X 2 U6592 ZN	WASHER M10 10,5X20X2 U6592 ZN	RONDEL. M10 10,5X20X2 U6592 ZN	SCHIEBE M10 10,5X20X2 U6592 ZN	ARAND.M10 10,5X 20X 2 U6592 ZN
14	F01420036R	ROS.M6 6,4X 18X1,5 U6593 ZN	WASHER M6 6,4X 18X1,5 U6593 ZN	RONDELLE M6 6,4X18X1,5 U6593ZN	SCHIEBEN M6 6,4X18X1,5U6593 ZN	ARANDELA M6 6,4X18X1,5U6593ZN
15	F01440012R	ROS. 20X28X 2 D988 IX	WASHER 20X28X2 DIN 988	RONDELLE 20X28X2 DIN 988	UNTERLEGSCHIEBE 20X28X2 DIN 98	ARANDELA 20X28X2 DIN 988
16	F02050078R	ANELLO E. DE 20X 1,2 U7435 C7	SEEGER RING E. 20X1,2 7435 C70	SEEGER 20X 1,2 U7435 C70	SEEGER E. 20X 1,2 U7435 C70	
17	F02050370R	ANELLO E. DI 47X1,75 U7437 C70	SEEGER RING 47X 1,75 U7437 C70	SEEGER E. 47X 1,75 U7437 C70	SEEGERING E. 47X1,75 U7437 C70	ANILLO E. 47X 1,75 U7437 C70
18	F02150036R	LINGUETTA 6X 6X 20 U6604A	PARALLEL KEY 6X 6X 20 U6604A	LANGUETTE 06X6X20 UNI6604	FEDERKEIL 06X6X20 UNI6604	LENGSETA 06X6X20 UNI6604
19	G15476360R	CONVOGLIATORE 12U CONC.PNEUM.	CONVEYOR 12OUTLETS PNEUM.FERT.			
20	F04010165R	CUSC.D20 D47 B14 6204,2RSC3	BEARING D20 D47 B14 6204 2RSC3	PALIER 6204 2RS	LAGER 6204 2RS	COJINETE 6204 2RS
21	F06220034R	VOLANTINO M5 X 25 VPA 25	HANDWHEEL M5 X 25 VPA 25	VOLANT M5 X 25 VPA 25	HANDRAD M5 X 25 VPA 25	VOLANTE M5 X 25 VPA 25
22	G23440562R	DISTANZ.GUSCI SOFFIANTE HL ID	BLOWER SHELL SPACER HL ID	ENTRETROISE COQUES SOUFFLANTE H	DISTANZSTSCCK SCHALEN GELBZSE H	DISTANC. CASCARAS SOPLAD. HL I
23	G23440563R	GRIGLIA DI PROTEZIONE HL ID	PROTECT. GRID HL ID	GRILLE DE PROTECTION HL ID	SCHUTZGITTER HL ID	REJILLA DE PROTECCI N HL ID
24	G23440564R	COPRICHIO CHIUSURA SOFF. HL ID	BLOWER CLOSING COVER . HL ID	COUVERCLE FERMETURE SOUFFL. HL	ABSCHLUSSDECKEL GEBL. HL ID	TAPA CIERRE SOPL. HL ID
25	G13912460R	GOPRIVENTOLA LATO SCHIENALE	BACK FAN PROTECTION	PROTECTION ROTOR DOSSIER	RUECKENLAUFRADSCHUTZ	PROTECCI N VENTILADOR RESPALDO
26	G13912470R	COPRIVENTOLA LATO MOTORE	MOTOR FAN PROTECTION	PROTECTION ROTOR MOTEUR	MOTORLAUFRADSCHUTZ	PROTECCI N VENTILADOR MOTOR
27	G15450402R	PUL.CONDOTTA CONCIM.PNEUM.	DRIVEN PULLEY PNEUM.SEEDEE			
28	G15355500R	RONDELLA AUTOCENTRANTE ZN	SELF-CENTERING WASHER ZN	RONDELLE AUTOCENTREE ZN	SELBSTZENTR.UNTERLEGSCH. ZN	ARANDELA AUTOCENTRADORA ZN
29	G15476340R	GIUNTO ELAS.LAVOR.D.18-22 L66	ELASTIC COUPLING D.18-22 L66			
30	G15450433R	FLANGIA	FLANGE			
31	G15470411R	RINF.ANTERIORE	FRONT REINFORCEMENT			
32	G15470421R	RINF.POSTERIORE	REAR REINFORCEMENT			
33	G20970035R	RONDELLA 32X4X13	WASHER 32X4X13	RONDELLE 32X4X13	UNTERLEGSCHIEBE 32X4X13	ARANDELA 32X4X13
34	G18701660R	RONDELLA 14,2 X33 X0,3	WASHER 33X 0-3X14-2	RONDELLE 33X 0-3X14-2	UNTERLEGSCHIEBE 14-2 X33 X0-3	ARANDELA 33X 0-3X14-2
35	G19004340R	DISTANZIALE CONCIM.PNEUMATICA	PNEUM.FERT. SPACER			
36	G67320001R	VENTOLA PLASTICA DISCO L80M8	PLASTIC FAN- DISK L80M8	ROTOR PLASTIQUE DISQUE L80M8	SCHEIBE PLASTIKRAD L80M8	VENTILADOR PL STICO DISCO L80M
37	G15473771R	SOFFIANTE CONC.PNEUM.RINF.	REINFORCED FERTILIZ.AIR BLOWER			
38	G13912101R	UGELLO CONCIMAZIONE PNEUMATICA	NOZZLE PNEUMATIC FERTILIZATION			
39	G13912131R	RACCORDO CONCIMAZ.PNEUMATICA	UNION PNEUMATIC FERTILIZATION	RACCORD FUMAGE PNEUMATIQUE	ANSCHLUSS PNEUMATISCHE DSNUNG	UNIN DE ABONO NEUMAT.
40	G15471471R	SUPPORTO CONVOGLIATORE	CONVEYOR SUPPORT	SUPPORT CONVOYEUR	HALTERUNG FTRDERER	SOPORTE TRANSPORTADOR
41	F03100500R	TUBO EOLO 35 PU	TUBE EOLO 35 PU	TUBE EOLO 35 PU	TUBO EOLO	TUBO EOLO
42	F05150060R	FASCETTA POLYA. 9,0X380 NERA	POLYAMIDE FASTENING STRAPS 9X3	COLLIER POLYAMIDE 9X350 31919	SHELLE POLYAMID 9X350 31919	ABRAZADERA POLIAMIDA 9X350 319
43	F01020472R	VITE M10X1,5X25 U5739 8.8ZN	SCR. M10X1,5X25 U5739 8.8ZN	VIS M10X1,5X25 U5739 8.8 ZN	SCHRAUBE M10X1,5X25 U5739 8.8	TORNILLO M10X1,5X25 U5739 8.8
44	F02300023R	FASCETTA STRING. 80 100 H.8	PIPE CLAMP 80 100 H.8	COLLIER DE SERRAGE 77 95	ROHRSCHELLE 80 100 H.8	ABRAZADERA P. MANGUERA 80 100
45	F02300020R	FASCETTA STRING. 32 50 H.9	HOSE CLAMP 32 50 H.9			
46	F03150664R	TAPPO MASCHIO 1 8 ESAGONO	1 8 MALE HEXAGON. PLUG	BOUCHON MALE 1 8 HEXAGONAL	GEWINDEPFROPFEN 1 8 SECHSKANT	TAP N MACHO 1 8 HEX GONO
47	F01200244R	DADO M8X1,25 U5588 CL8 ZN	NUT M8X1,25 U5588 6.8ZN	ECROU M8 X1,25 U5588 6.8 ZN	MUTTER M8 X1,25 U5588 6.8 ZN	TUERCA M8X1,25 U5588 CL8 ZN
48	F03100367R	TUBO VULCANO PU R 76	FLEXIBLE PVC PIPE R 76	TUBE FLEXIBLE PVC R 76	76 SCHLAUCH PVC	TUBO FLEXIBLE PVC R 76
49	F01200270R	DADO M10X1,5 U5588 CL8 ZN	NUT M10X1,5 U5588 6.8ZN	ECROU M10X 1,5 U5588 6.8 ZN	MUTTER M10X 1,5 U5588 6.8 ZN	TUERCA M10X1,5 U5588 CL8 ZN
50	G13912512R	VASO ESPANSORE D.35-50	D.35-50 EXPANSION TANK	VASE EXPANSION D.35-50	EXPANSIONSGEFZSS D.35-50	DEPSITO DE EXPANSIN D.35-50
51	G16670670R	DISTANZIALE D.48,1X1,5 L=25	SPACER D.48,1X1,5 L=25			
52	G23440551R	FLANGIA CONVOGLIATORE HL ID	CONVEYOR FLANGE HL ID	BRIDE CONVOYEUR HL ID	FLANSCH FTRDERER HL ID	BRIDA CONDUCTOR HL ID
53	G23440553R	CONVOGLIATORE D.35 HL ID	CONVEYOR- D.35 HL ID	CONVOYEUR D. 35 HL ID	FTRDERER D.35 HL ID	CONDUCTOR D.35 HL ID
54	F01020047R	VITE M6X1X70 U5737 8.8ZN	SCR. M6X1X70 U5737 8.8ZN	VIS 6 X70 5737 8.G ZN	SCHRAUBE 6 X70 5737 8.G ZN	TORNILLO 6 X70 5737 8.G ZN
55	F01430047R	ROS.M6 6.4X 11X0,7 U8842J ZN	WASHER D6 DIN 6798 D.INT.GALV.	RONDELLE D6 DIN 6798 D. INT. Z	UNT. SCHEIBE D6 DIN 6798 D. IN	ARANDELA D6 DIN 6798 D.INT.ZN
56	G66248098R	TAPPO CONVOGLIATORE DEPR. SP	AIR PUMP CONVEYOR PLUG SP	BOUCHON CONVOYEUR TURBINE SP	VAKUUM FTRDERPFROPFEN SP	TAP N CONDUCTOR DEPR. SP
57	G15450401R	PUL.CONDOTTA CONCIM.PNEUM.	DRIVEN PULLEY PNEUM.SEEDEE			
58	G15450432R	FLANGIA	FLANGE			
59	G15450420R	GIUNTO ELASTICO LAVORATO	LOCK COUPLING	JOINT DE BLOCAGE	SPERRKUPPLUNG	JUNTA DE BLOQUEO
60	G15450410R	RONDELLA X GIUNTO ELASTICO	LOCK WASHER	RONDELLE DE BLOCAGE	SPERRSCHEIBE	ARANDELA DE BLOQUEO
61	G19002580R	RACCORDO FINALE CONCIMAZ.PNEUM	PNEUMAT. MAN. SPR. END UNION	RACCORD FINAL FUMAGE PNEUMAT.	ENDANSCHLUSS PNEUM. DSNUNG	UNI N FINAL DE ABONAD. NEUMAT.
62	F01420048R	ROS.M8 8,4X 24X 2 U6593 ZN	WASHER M8 8,4X 24X2 U6593 ZN	RONDELLE M8 8,4X24X 2 U6593 ZN	SCHIEBEN M8 8,4X24X 2 U6593 ZN	ARAND.M8 8,4X 24X 2 U6593 ZN
63	F01020445R	VITE M8X1,25X30 U5739 8.8ZN	SCR. M8X1,25X30 U5739 8.8ZN	VIS M 8X1,25X30 U5739 8.8 ZN	SCHRAU. M8X1,25X30 U5739 8.8ZN	TORNILLO M8X1,25X30 U5739 8.8
64	G13912350R	FASCETTA VASO ESPANSIONE	EXPANSION CHAMBER CLAMP	COLLIER VASE EXPANSION	SHELLE EXPANSIONSGEFZSS	ABRAZADERA DEP SITO DE EXPANSI
65	G18903961R	MOLLA SUPPORTO VASO ESPANSORE	EXPANSION TANK SUPPORT SPRING			



**SPEEDY SET  
SPEEDY SET**

**TAV. 211**

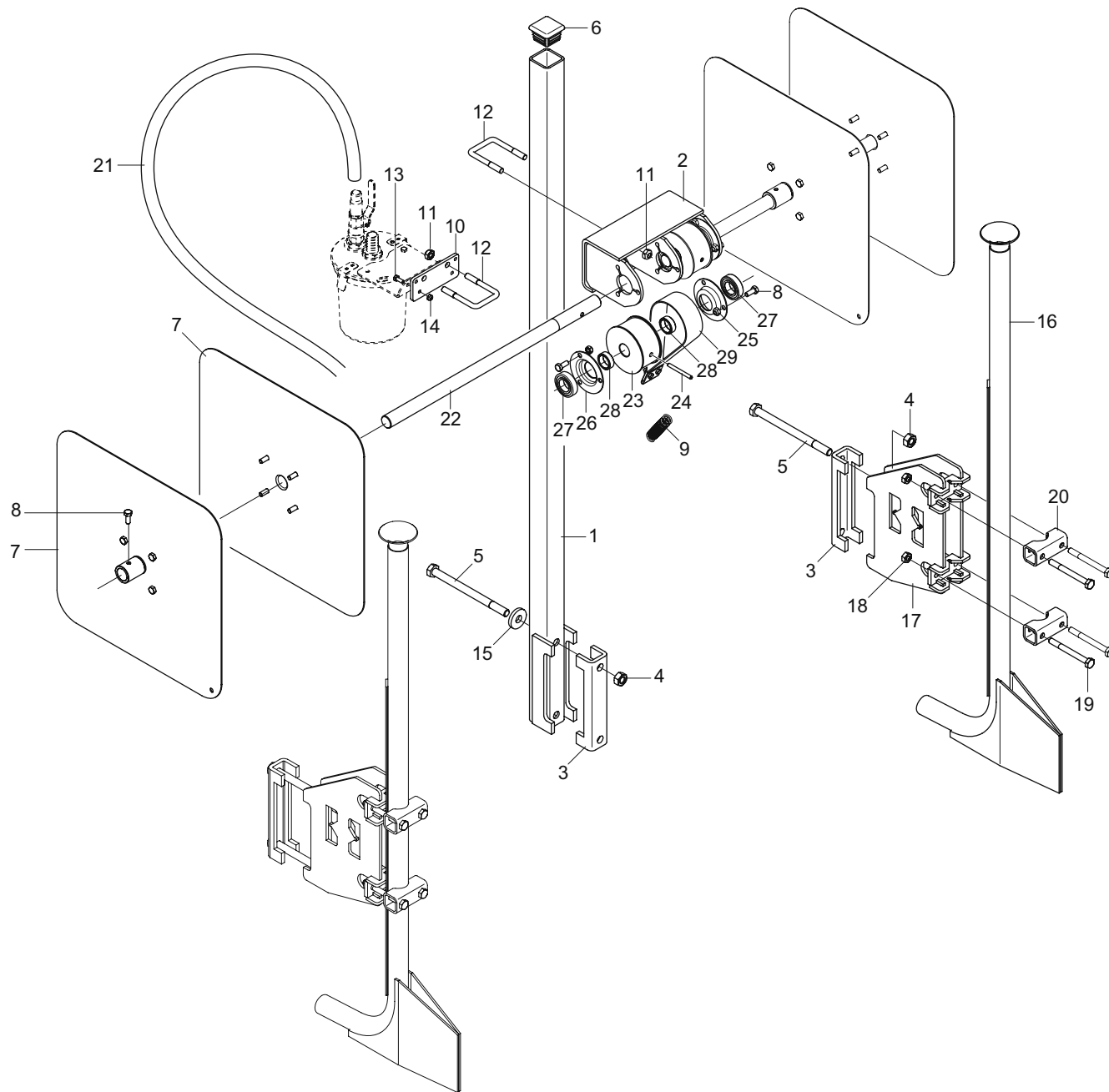
Pos.	Cod.	Descrizione	Description	Description	Benennung	Descripcion
1	F02100066R	SPINA EL.4 X36 DIN 1481	PIN EL. 4X 36 U6873 C70 BR			CLAVIJA EL.4 X36 DIN 1481
2	G19003660R	SUPPORTO	SUPPORT	SUPPORT	HALTERUNG	SOPORTE
3	F01070061R	VITE A3,9X1,34X9,5 U6954 4.8NI	SCR. H3,9X1,34X9,5 U6954 4.8NI	VIS 3,9X 9,5 DIN 7981	SCHRAUBE 3,9X 9,5 DIN 7981	TORNILLO 3,9X 9,5 DIN 7981
4	F01050083R	VITE M5X0,8X12 U5927 A2IX	SCR. M5X0,8X12 U5927 A2IX	GOUJON 5X12 UNI 5927	STIFT 5X12 UNI 5927	TORNILLO SIN CABEZA 5X12 5927
5	G19705101R	DECAL.SPANDIC.CON SPEEDYSET	DECAL.FERTILIZER W SPEEDYSET			
6	G16675490R	KIT PIGNONE CREMAGLIERA	KIT PINION RACK			
7	G16670040R	DISTR.COMPL.8PALE SPEEDY SET P	COMPL.PLA.SPEEDY SET DISTR.8R	MINIMAX COMPL 8C PLA SPEEDYSET	KOMPL.DOSIER.SPEEDY SET PLA.8S	DISTR.COMP.SPEEDY SET PLA.8AL.
8	G16670321R	TONDO D.10X 780 3F4	ROUND BAR D.10X780 3F4			
9	F01420038R	ROS.M6 6,4X18X1,5 U6593 IX	WASHER M6 6,4X18X1,5 U6593 IX	RONDELLE M6 6,4X18X1,5U6593 IX	SCHEIBE M6 6,4X18X1,5 U6593 IX	ARANDELA M6 6,4X18X1,5 6593IX
10	F01200233R	DADO M6X1 U5588 A2IX	NUT M6X1 U5588 A2IX	ECROU M 6X 1 U5588 I	MUTTER M 6X 1 U5588	TUERCA M 6X 1 U5588
11	G19003670R	MANOPOLA SPEEDY SET	SPEEDY HANDLE SET	POIGN E SPEEDY SET	GRIFF SPEEDY SET	EMPU ADURA SPEEDY SET
12	F01020419R	VITE M 6X1 X 16 U5739 A2IX	SCR. M6X1X16 U5739 A2IX	VIS M6 X1 X 16 U5739 8.8 IX	SCHRAUBE M6 X1 X 16 U5739 8.	TORNIL. M6 X1 X 16 U5739 8.8
13	G65336055R	MOLLA SPEC.REGOL.SPAND. SP	SPEC SPRING MAN. SPR. ADJUSTM.	RESSORT SPEC. REGL. EP. ENTRA	SPEZIALFEDER STREUEREINSTELLUN	MUELLE ESPEC. REGUL. ABONADORA
14	G19003720R	GHIERA REGOLAZIONE SX	LEFT ADJUSTMENT KNURLED NUT	MANCHON DE REGLAGE GCH	EINSTELLMUTTER LINKS	ROSCA REGULACION IZQUIERDA
15	G16670310R	SUPPORTO MOLLA REGOLATORE	ADJ.SPRING SUPPORT			
16	G19003710R	GHIERA REGOLAZIONE DX	RIGHT ADJUSTMENT KNURLED	BAGUE REGLAGE DROITE	EINSTELLMUTTER RE	CONTRATUERCA REGULACIN DER.
17	F01080032R	VITE M4X0,7X10 U7688 A2IX	SCR. M4X0,7X10 U7688 A2IX	VIS M4X 0,7X10 U7688 A2 IX	SCHRAUBE M4X 0,7X10 7688 A2 IX	TORNILLO M4X0.7X10 U7688 A2 IX
18	G16670100R	REGOLATORE APERTURA	OPENING REGULATOR	REGULATEUR OUVERTURE	TFFNUNGSEINSTELLER	REGULADOR ABERTURA
19	G19003700R	COPERCHIO SPEEDY SET	COVER SPEEDY SET	COUVERCLE SPEEDY SET	DECKEL SPEEDY SET	TAPA SPEEDY SET
20	G66248173R	ASSE DISTR.SPAND. SP	MANURE SPREADER DISTR. SPINDLE	AXE DISTRIBUTEUR EP.ENGRAIS SP	ACHSE SZAPPARAT STREUER SP	EJE DISTR. ABON. SP
21	G66248172R	DOSATORE DISTR.SPAND. SP	MAN.SPR. SEED METERING DEVICE	DOSEUR DISTRIBUTEUR EP. ENGRAI	DOSIERER DSNGERSTREUER. SP	DOSIFICADOR DISTR.ABON. SP
22	G66248211R	PERNO RONDELLA FUSA SPAND. SP	MAN. SPR. CAST WASHER PIN. SP	PIVOT RONDELLE MOULEE EP. ENGR	ZAPFEN LOSE UNTERLEGSCHIEBE ST	PERNO ARANDELA FUNDIDA ABONAD
23	G19002920R	CORPO DISTRIBUTORE SPANDI PLA.	PLA. F.SPREADER DISTRIB.CASING	CORPS DISTRIBUTEUR EPAND.	VERTEILUNGSKTRPER STREUER PLA.	CUERPO DIST. ABONADORA PL S.
24	G18701500R	RONDELLA 29,5 X38 X0,3	WASHER 29,5 X 38 X 0,3	RONDELLE 29,5 X38 X0,3	UNTERLEGSCHIEBE 29,5X38X0,3	ARANDELA 29,5 X38 X0,3
25	G20860126R	KIT INGRANAGGI DISTRIB.CONCIME	KIT- MAN. DISTR. GEARS 2 2	COUPLE CON DISTR ENGRAIS 2 2	KIT ZAHNRZDER DSNGERSTREUER	SET ENGRANAJES DISTRIB. ABONO
26	F01070075R	VITE A4,2X1,41X38 U6954 4.8NI	SCR. H4,2X1,41X38 U6954 4.8NI	VIS 4-2X38 DIN 7981	SCHRAUBE 4-2X38 DIN 7981	TORNILLO 4-2X38 DIN 7981
27	G20970097R	RONDELLA 32X3X4,5	WASHER 32X3X4-5	RONDELLE 32X3X4-5	UNTERLEGSCHIEBE 32X3X4-5	ARANDELA 32X3X4-5
28	G66248178R	SCIVOLO DISTR.SPAND. SP	CHUTE- MANURE-SPREADER DISTRIB	LANCOIR DISTRIBUTION EP. ENGR.	DSNGERSTREUER RUTSCHE SP	PLANO INCLINADO DISTR. ABON. S
29	G65336062R	MOLLA SPEC.SCIV.DISTR.SPAND.SP	SPEC SPRING - MAN. SPR. DISTR.	RESS. SPEC. LANCOIR DISTR. EP.	SPEZ.FEDER RUTSCHE SZAPP. STRE	MUELLE ESPEC.PLANO INCL.DISTR.
30	G19002850R	PROTEZIONE PIGNONE	PINION GUARD	PROTECTION PIGNON	RITZELSCHUTZ	PROTECCI N PI N
31	F01070011R	VITE A4,2X1,41X9,5 U6950 4.8NI	SCR. H4,2X1,41X9,5 U6950 4.8NI	VIS AUTOTAR. 4-2X9-5 T. E. COU	SELBSTSCHNEID. SCHRAUBE 4-2X9-	TORNILLO AUTORROSC. 4-2X9-5
32	G13722330R	DISTR.COMPL.8PALE SPEEDY SET F	COMPL.SPEEDY 8-BLADE DISTR. SE	DISTR.COMPL.8PALETES SPEEDY S	SAATGUTAUS.8SCH.KOMPL.SPEEDY S	DISTR.COMPL.8PALETAS SPEEDY SE
33	G16670330R	TONDO D.10X1030	ROUND D.10X1030			
34	G16670340R	TONDO D.10X1230	D.10X1230 ROUND	ROND D.10X1230	RUNDEISEN D.10X1230	BARRA REDONDA D. 10X1230
35	G16670350R	TONDO D.10X1430	D.10X1430 ROUND	ROND D.10X1430	RUNDEISEN D.10X1430	BARRA REDONDA D. 10X1430
36	G66248176R	CORPO DISTR.SPAND. SP	MANURE SPREADER DISTR. CASING	CORPS DISTRIB. EP. ENGRAIS SP	VERTEILUNGSKTRPER STREUER SP	CUERPO DISTR. ABON. SP



## RULLO ANTERIORE FRONT ROLLER

TAV. 222

Pos.	Cod.	Descrizione	Description	Description	Benennung	Descripcion
1	G15816370R	DISTANZIALE TELAIO	FRAME SPACER ASS.	GR. ENTRETOISE BATI	DISTANZSTSCCK RAHMEN	CONJ. DISTANCIADOR BASTIDOR
2	F01200306R	DADO M14X2 U5588 CL8 ZN	NUT M14X2 U5588 6.8ZN	ECROU M14X2	MUTTER M14X2	DADO M14X2
3	F01410088R	ROS.M14 15X 28X2,5 U6592 ZN	WAS.M14 15X 28X2,5 U6592 ZB	RON.M14 15X 28X2,5 U6592 ZB	SCH.M14 15X 28X2,5 U6592 ZB	ARA.M14 15X 28X2,5 U6592 ZB
4	F01020470R	VITE M10X1,5X20 U5739 8.8ZN	SCR. M10X1,5X20 U5739 8.8ZN	VIS M10X1,5X20 U5739 8.8 ZN	SCHRAUBE M10X1,5X20 U5739 ZN	TORNILLO M10X1,5X20 U5739 8
5	F01430023R	ROS.M10 10,5X 18X0,9 U8842J Z	WASHER D10 DIN 6798 D.INT.ZN	RONDELLE D10 DIN 6798 D. INT.	UNT. SCHEIBE D10 DIN 6798 D.IN	ARANDELA D10 DIN 6798 D.INT.ZN
6	G18701140R	RONDELLA 11 X35 X5	WASHER 11 X 35 X 5	RONDELLE 11 X35 X5	UNTERLEGSCHIEBE 11 X35 X5	ARANDELA 11 X35 X5
7	G15810410R	RASCHIATERRA PER RULLO 1500	SOIL SCRAPER FOR ROLLER 1500	RACLEUR ROULEAU 1500	ERDSHABER ROLLE 1500	RASCADOR DE TIERRA POR RODILLO
8	G15810330R	SUPPORTO RASCH.RULLO 355	ROLLER 355 SOIL SCRAPER SUPPOR	SUPPORT RACLEUR ROULEAU 355	HALTERUNG ERDSCHABER ROLLE 355	SOPORTE RASCADOR TIERRA RODILL
9	F01020476R	VITE M10X1,5X30 U5739 8.8ZN	SCR. M10X1,5X30 U5739 8.8ZN	VIS M10X1,5X30 U5739 8.8 ZN	SCHRAUBE M10X1,5X30U5739 8.8ZN	TORNILLO M10X1,5X30 U5739 8.8
10	F04100137R	SUPPORTO FY 25 TF	SUPPORTO FY 25 TF			
11	F02050101R	ANELLO E. DE 25X 1,2 U7435 C7	SEEGER RING E. 25X1,2 7435 C70	SEEGER E. 25X 1,2 U7435 C70	SEEGERING E. 25X 1,2 U7435 C70	ANILLO E. DE 25X 1,2 U7435 C7
12	G15810472R	ASS.PERNO BLOCCAGGIO RULLO ZN	GALVAN. PIN BLOCK ROLLER			
13	F02200374R	COPIGLIA R 4X 82 ZN	SPRING SPLIT PIN 4X82	GOUPILLE 4X82	SPLINT 4X82	PASADOR 4X82
14	G15810241R	BRACCIO SUPPORTO RULLO	ROLLER SUPPORT ARM			
15	G15816380R	ATTACCO RULLO	ROLLER COUPLING ASS.	GR. FIXATION ROULEAU	KUPPLUNG ROLLE	CONJ. CONEXIN RODILLO
16	F04150019R	BOCCOLA FLANG.25 X 28 X 20	COLLARED BUSH 25 X 28 X 20	BOITE COLLIER 25 X 28 X 20	ANSCHLUSSBUECHSE 25 X 28 X 20	CASQUILLO CONEX. 25 X 28 X 20
17	F01020198R	VITE M14X2X45 U5737 8.8ZN	SCR. M14X2X45 U5737 8.8ZN	VIS 14X45 5737 8.G ZN *	SCHRAUBE 14X45 5737 8.G ZN *	TORNILLO 14X45 5737 8.G ZN *
18	G15810191R	ASS.SUPPORTO RULLO	ROLL SUPPORT ASS.BLY			
19	F01020223R	VITE M14X2X150 U5737 8.8BR	SCR. M14X2X150 U5737 8.8BR	VIS 14X150 5737 8.G	SCHRAUBE 14X150 5737 8.G	TORNILLO 14X150 5737 8.G
20	F02200463R	SPINA SCATTO D5 B 81 ZN	SNAP PIN D5 B 81 ZN	FICHE A DETENTE D5 B 81 ZN	EINRASTSTIFT D5 B 81 ZN	CLAVIJA DE MUELLE D5 B 81 ZN
21	G16610040R	TUBO RET.150X100X1900	RECTANGULAR PIPE 150X100X1900	TUBE RECTANGULAIRE 150X100X1900	RECHTECK.ROHR150X100X1900	TUBO RECT.150X100X1900
22	G16610050R	TUBO R.150X100X2480	RECTANGULAR PIPE 150X100X2480	TUBE RECT.150X100X6X2480	R. ROHR150X100X6X2480	TUBO RECT.150X100X6X2480
23	G15810310R	RULLO 355X1500	ROLLER 355X1500 ASS.	GR. ROULEAU 355X1500	ROLLE 355X1500	CONJ. RODILLO 355X1500
24	G15810870R	RULLO D.355X1800	ROLLER 355X1500 ASS.	GR. ROULEAU 355X1800	ROLLE 355X1800	CONJ. RODILLO 355X1800
25	G15810890R	RASCHIATERRA PER RULLO 1800	SOIL SCRAPER FOR ROLLER 1800	RACLEUR ROULEAU 1800	ERDSHABER ROLLE 1800	RASCADOR DE TIERRA POR RODILLO
26	GA5820340R	TIRANTE BARRA MICRO RULLO ANT.	ROLLER BAR TIE-ROD			
27	F20110770R	CAV.Q.B=80 M=14X2 L=119	U BOLT Q.B=80 M=14X2 L=119	BRIDE U M14X2X50 96X119 ZN	ANSCHLANG U M14X2X50 96X119 ZN	EL.DE EMPALME M14X2X50 96X119
28	F20110706R	CAV.Q.B=35 M=10X1,5 L=60	U BOLT Q.B=35 M=10X1,5 L=60	CAVALIER SUPPORT DISQUE SV	VERBINDUNG SCHEIBENHALTERUNG S	PERNO EN U SOP. DISCO SV
29	F01200270R	DADO M10X1,5 U5588 CL8 ZN	NUT M10X1,5 U5588 6.8ZN	ECROU M10X 1,5 U5588 6.8 ZN	MUTTER M10X 1,5 U5588 6.8 ZN	TUERCA M10X1,5 U5588 CL8 ZN
30	F01200306R	DADO M14X2 U5588 CL8 ZN	NUT M14X2 U5588 6.8ZN	ECROU M14X2	MUTTER M14X2	DADO M14X2
31	G20970142R	RONDELLA 32X4X15,5	WASHER 32X4X15-5	RONDELLE 32X4X15-5	UNTERLEGSCHIEBE 32X4X15-5	ARANDELA 32X4X15-5
32	F01410147R	ROS.M24 25X 44X 4 U6592 ZN	WASHER M24 25X44X 4 U6592 ZN	RONDELLA M24 25X44X4 U6592 ZN	SCHEIBE M24 25X44X4 U6592 ZN	ARANDELLA M24 25X44X4 U6592 ZN

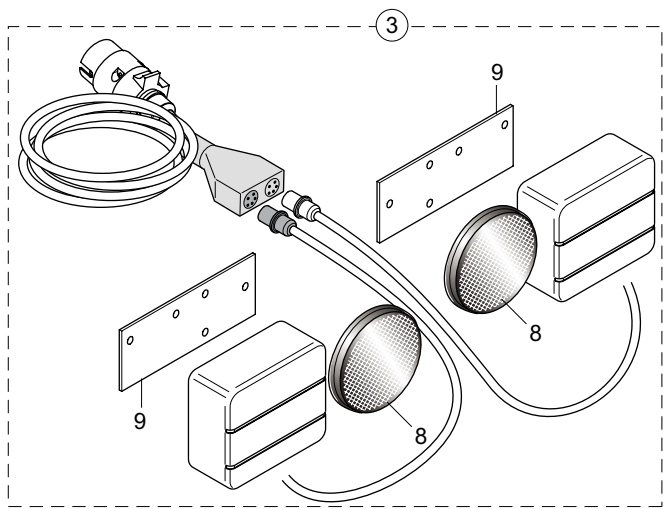
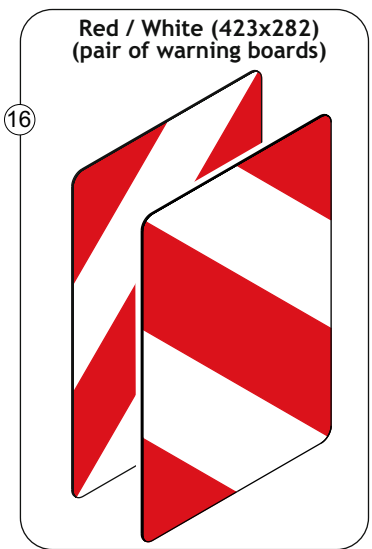
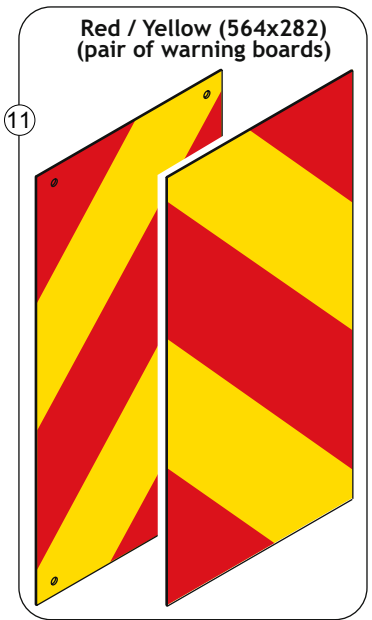
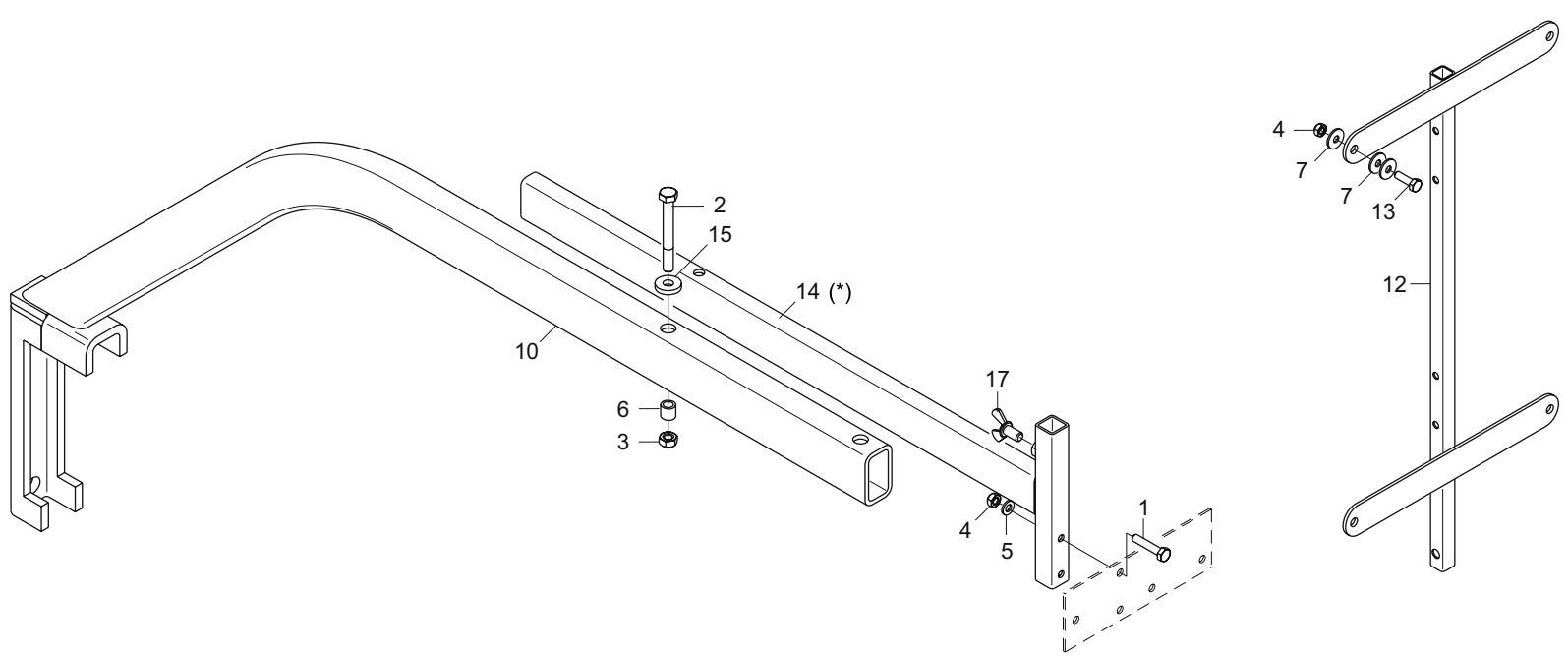




**POSA MANICHETTA IRRIGAZIONE  
IRRIGATION HOSE LAYING**

**TAV. 400**

Pos.	Cod.	Descrizione	Description	Description	Benennung	Description
1	G15817390R	ASS.PALO SUPP.MANICHETTA	ASS.SUPPORT ROD			
2	G15817230R	ASS.SUPP.ROTOLI	ASS.SUPPORT			
3	G15110091R	SCONTRO A U	CONTRA U	BRIDE 150 MM	ANSCHLAG	ELEMENTO DE EMPALME
4	F01200306R	DADO M14X2 U5588 CL8 ZN	NUT M14X2 U5588 6.8ZN	ECROU M14X2	MUTTER M14X2	DADO M14X2
5	F01020231R	VITE M14X2X190 U5737 8.8BR	SCR. M14X2X190 U5737 8.8BR	VIS M 14 X190 5737 8.G	SCHRAUBE M 14 X190 5737 8.G	TORNILLO M 14 X190 5737 8.G
6	F20120349R	PUNTALE Q.50 ALETT.POLIT.NERO	CAP	BOUCHON	DECKEL	CORCHO
7	G15817240R	FIANCATA ROTOLO MANICHETTA	ROLL HOSE PLATE ASSEMBLY			
8	F01020436R	VITE M8X1,25X20 U5739 8.8ZN	SCR. M8X1,25X20 U5739 8.8ZN	VIS M8X1,25X 20 U5739 8.8 ZN	SCHRAUBE M8X1,25X20U5739 8.8ZN	TORNILLO M8X1,25X20 U5739 8.8
9	G65337005R	MOLLA TRAZ.CAMBIO SV	TRACTION COUPLING SPRING- GEAR	RESSORT TRACT.BOITE DE VITESSE	ZUGFEDER GETRIEBE SV	MUELLE TRAC. CAMBIO SV
10	G15817270R	PIATTO TIRAGGIO MOLLE	TENSIONER PLATE			
11	F01220033R	DADO M10X1,5 D980 8ZN	NUT M10X1,5 D980 8ZN	ECROU M10X1,5 D980 8ZN	MUTTER M10X1,5 D980 8ZN	TUERCA M10X1,5 D980 8
12	F20110715R	CAV.Q.B=50 M=10X1,5 L=80	UBOLTSTRIKER Q.B=50M10X1,5L=80	BUTEE M10X 1,5X 30 61X 80 ZB	ANSCHLAG M10X 1,5X 30 61X 80	EL. DE EMPALME M10X 1,5X 30
13	F01020403R	VITE M6X1X16 U5739 8.8ZN	SCR. M6X1X16 U5739 8.8ZN	VIS M6X1X16 U5739 8.8 ZN	SCHRAUBE M6X1X16 U5739 8.8 ZN	TORNILLO M6X1X16 U5739 8.8 ZN
14	F01220011R	DADO M6X1 D980 8ZN	NUT M6X1 D980 8ZN	ECROU M6X1 D980 8 ZN	MUTTER M6X1 D980 8 ZN	TUERCA M6X1 D980 8 ZN
15	G18700690R	RONDELLA 15 X40 X6 ZN	WASHER 15 X 40 X 6 ZN	RONDELLE 15 X40 X6 ZN	UNTERLEGSCHIEBE 15 X40 X6 ZN	ARANDELA 15 X40 X6 ZN
16	G15817870R	ASS.ASSOLCATORE 16	ASS.COULTER 16			
17	G15817950R	ASS.SUPPORTO ASSOLCATORE 16	DRIP TAPE COULTER SUPP.ASSY 16			
18	F01200270R	DADO M10X1,5 U5588 CL8 ZN	NUT M10X1,5 U5588 6.8ZN	ECROU M10X 1,5 U5588 6.8 ZN	MUTTER M10X 1,5 U5588 6.8 ZN	TUERCA M10X1,5 U5588 CL8 ZN
19	F01020133R	VITE M10X1,5X100 U5737 8.8ZN	SCR. M10X1,5X100 U5737 8.8ZN	VIS M10X1,5 X100 U5737 8.8ZN	SCHRAU.M10X1,5X100 U5737 8.8ZN	TORNI. M10X1,5X100 U5737 8.8ZN
20	G15817960R	TUBO Q.35X4X 80 4F11	TUBE Q.35X4X 80 4F11			
21	F03100385R	TUBO FLEX EOLO DIAM.22	EOLO FLEX TUBE DIAM.22			
22	G15817400R	TONDO D.25X 550	ROUND BAR D25X550			
23	G15817410R	BOCCOLA 25X95X50	BUSHING 25X95X50			
24	F02100126R	SPINA E.P. 6X60 U6873 C70 BR	PIN E.D. 6X60 U6873 C70 BR	FICHE E.D. 6X60 U6873 C70 BR	BOLTZEN E.D. 6X60 U6873 C70 BR	CLAVIJA E.D. 6X60 U6873 C70 BR
25	F01220022R	DADO M8X1,25 D980 8ZN	NUT M8X1,25 D980 8ZN	ECROU M8X 1,25 D980 8 ZN	MUTTER M8X 1,25 D980 8 ZN	TUERCA M8X 1,25 D980 8 ZN
26	G22230094R	SUPPORTO CUSCINETTO	BEARING SUPPORT	SUPPORT DE ROULEMENT	LAGERBSCHSE	SOPORTE COJINETE
27	F04010135R	CUSC.D25 D47 B12 6005 2RS EX	BEARING D25 D47 B12 6005 2RS			
28	G18802160R	BOCCOLA 25,25X32 X11 ZN	BUSHING D25,25X32X11 ZN			
29	G15817430R	MONT.CINGHIA FRENO	BRAKE BELT ASSY			



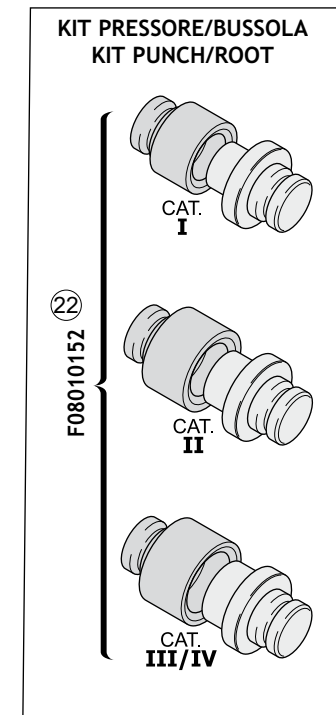
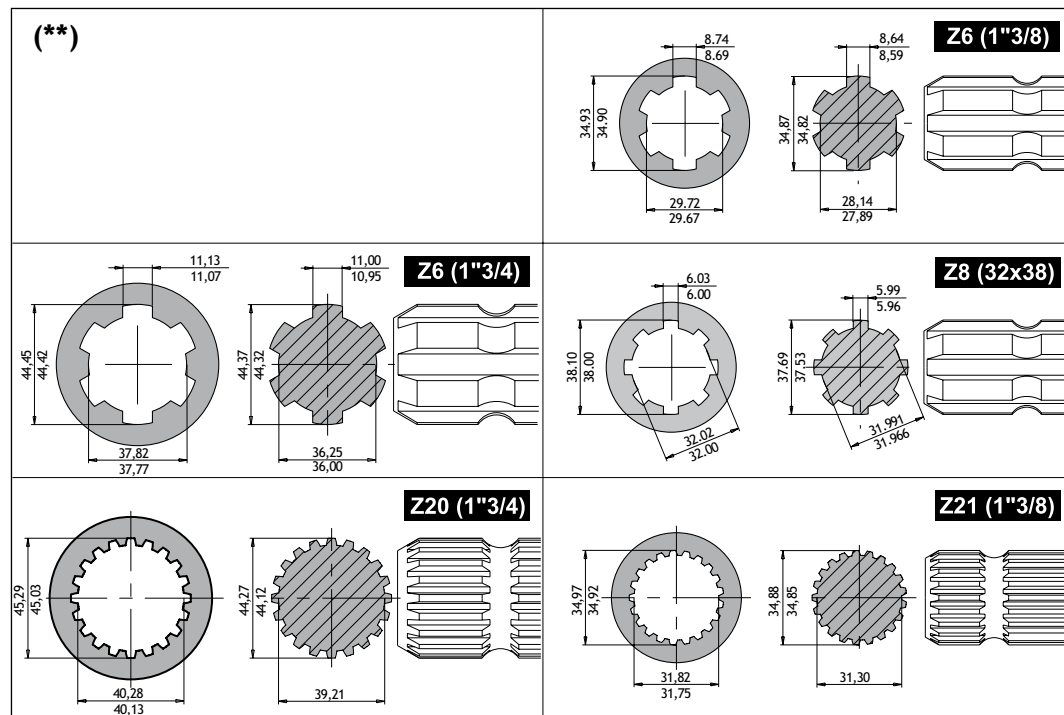
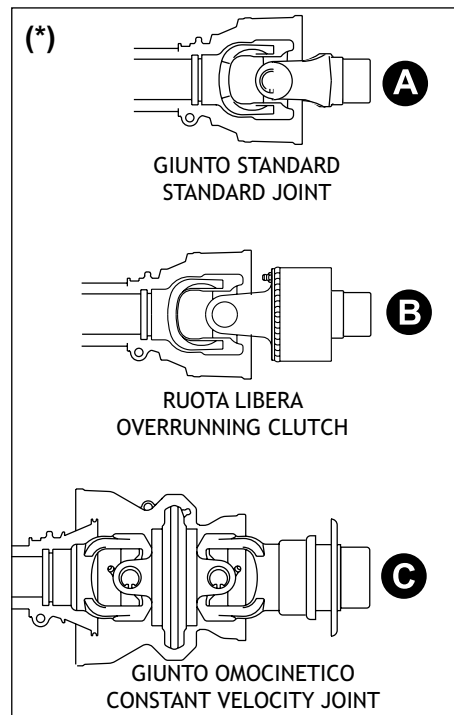
(\*)  
Fornito completo di pos. 12  
Supplied with pos. 12

## KIT LUCI E TABELLE DI INGOMBRO STRADALE LIGHTING KIT AND WARNING BOARDS

TAV. 253

Pos.	Cod.	Descrizione	Description	Description	Benennung	Descripcion
1	F01020408R	VITE M6X1X30 U5739 8.8ZN	SCR. M6X1X30 U5739 8.8ZN	VIS M 6X1X30	SCHRAUBE M 6X1X30	TORNILLO M6X1X30 U5739 8
2	F01020083R	VITE M8X1,25X70 U5737 8.8ZN	SCR. M8X1,25X70 U5737 8.8ZN	VIS M 8X1,25X 70 U5737 8.8 ZN	SCHRA. M8X1,25X70 U5737 8.8ZN	TORN. M 8X1,25X 70 U5737 8.8ZN
3	F01220022R	DADO M8X1,25 D980 8ZN	NUT M8X1,25 D980 8ZN	ECROU M8X 1,25 D980 8 ZN	MUTTER M8X 1,25 D980 8 ZN	TUERCA M8X 1,25 D980 8 ZN
4	F01220011R	DADO M6X1 D980 8ZN	NUT M6X1 D980 8ZN	ECROU M6X1 D980 8 ZN	MUTTER M6X1 D980 8 ZN	TUERCA M6X1 D980 8 ZN
5	F01410037R	ROS.M6 6,4X12,5X1,6 U6592 ZN	WASHER M6 6,4X12,5X1,6 U6592ZN	RONDEL.M6 6,4X12,5X1,6 U6592ZN	SCHEIB.M6 6,4X12,5X1,6 U6592ZN	ARAND.M6 6,4X12,5X1,6 U6592 ZN
6	G18800970R	BOCCOLA 8,25 X12 X11	BUSHING 8,25 X12 X11			
7	F01420036R	ROS.M6 6,4X 18X1,5 U6593 ZN	WASHER M6 6,4X 18X1,5 U6593 ZN	RONDELLE M6 6,4X18X1,5 U6593ZN	SCHEIBEN M6 6,4X18X1,5U6593 ZN	ARANDELA M6 6,4X18X1,5U6593ZN
8	F05010221R	CATARIFRANGENTE TONDO D.80	ROUND REFLECTOR D.80			
9	G13616570R	PIASTRA SUPPORTO LUCI	LIGHTS PLATE SUPPORT			
10	G15817800R	SUPPORTO TABELLE POSTERIORI	REAR TABLE SUPPORT			
11	F05010816R	TABELLE 2 CAR.SPORGENTI IT	WARNING BOARDS 2 IT			
12	G16612071R	TELAIO SUPP.TABELLE STRAD.	FRAME SUPPORT TABLE			
13	F01020404R	VITE M6X1X20 U5739 8.8ZN	SCREW M6X1X20 U5739 8.8ZN	VIS M6X1X20 U5739 8.8ZN	SCHRAUBE M6X1X20 U5739 8.8ZN	TORNILLO M6X1X20 U5739 8.8ZN
14	G15817811R	SUPPORTO LUCI POST.MOBILE	MOBILE REAR LIGHT SUPPORT			
15	G20970104R	RONDELLA 21X4X8,5	WASHER 21X4X8-5	RONDELLE 21X4X8-5	UNTERLEGSCHIEBE 21X4X8-5	ARANDELA 21X4X8-5
16	F05010817R	TABELLE 2 CAR.SPORGENTI FR-D	WARNING BOARDS 2 FR-DE	TABLEAUX 2 AVERTISSEM. FR-DE	BRETT 2 WARNUNG FR-DE	TABLAS 2 CAR.ADVERT. FR-DE
17	F01090215R	VITE M8X1,25X15 U5449 5.8ZN	SCR. M8X1,25X15 U5449 5.8ZN	VIS M8X1,25X15 U5449 5.8ZN	SCHRAU. M8X1,25X15 U5449 5.8ZN	TORN. M8X1,25X15 U5449 5.8ZN

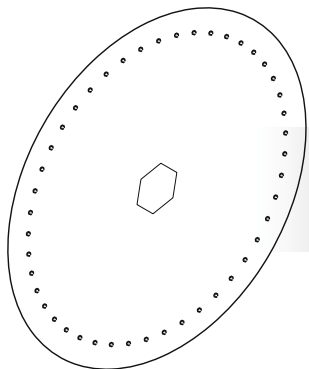
Codice - Code	Descrizione - Description	Lunghezze Lengths		Classe - Size (A x B)	Tipo - Type (*)		Forcella - Yokes (**)					Forcella - Yokes Z6 (1"3/8)
		min.	max.		Z6 (1"3/8)	Z6 (1"3/4)	Z8 (32x38)	Z20 (1"3/4)	Z21 (1"3/8)			
① F08011711	CARD.B1 Z6-Z6 L700	700	960	B1 (22 x 54)	A	A	G58161015 (11)	F08011772 (13)	F08011742 (15)	F08011758 (18)	F08011767 (20)	G58161015 (11)
② F08011713	CARD.B1 Z8-Z6 L700	700	960	B1 (22 x 54)	A	A	G58161015 (11)	F08011772 (13)	F08011742 (15)	F08011758 (18)	F08011767 (20)	G58161015 (11)
③ F08011714	CARD.B1 Z20-Z6 L700	760	1020	B1 (22 x 54)	A	A	G58161015 (11)	F08011772 (13)	F08011742 (15)	F08011758 (18)	F08011767 (20)	G58161015 (11)
④ F08011715	CARD.B1 Z8-Z6 L900 R.LIB	915	1190	B1 (22 x 54)	A	B	G58161015 (11)	F08011772 (13)	F08011742 (15)	F08011758 (18)	F08011767 (20)	—
⑤ F08011716	CARD.B1 Z6-Z6 L900 R.LIB	915	1190	B1 (22 x 54)	A	B	G58161015 (11)	F08011772 (13)	F08011742 (15)	F08011758 (18)	F08011767 (20)	—
⑥ F08011719	CARD.B2 Z6-Z6 L900	900	1300	B2 (23,8 x 61,3)	A	A	—	—	—	—	—	—
⑦ F08011720	CARD.B3 Z8-Z6 L1300	1300	1775	B3 (27 x 74,6)	A	A	G58161016 (14)	—	F08011743 (16)	—	—	G58161016 (14)
⑧ F08011757	CARD.B1 Z20-Z6 L900 R.L	975	1250	B1 (22 x 54)	A	B	G58161015 (11)	F08011772 (13)	F08011742 (15)	F08011758 (18)	F08011767 (20)	—
⑨ F08011764	CARD.R4 Z20-Z6 L1381 OM-RL	1381		R4 (22 x 86)	C	B	F08011768 (12)	—	F08011766 (17)	F08011774 (19)	F08011773 (21)	—
⑩ F08011783	CARD.R4 Z6-Z6 L1565 OM-RL	1565		R4 (22 x 86)	C	B	F08011768 (12)	—	F08011766 (17)	F08011774 (19)	F08011773 (21)	—
⑩ F08011930	CARD.B3 Z6-Z6 L1200	1200	1700	B3 (27 x 70)	A	A	—	G58161016 (14)	F08011743 (16)	—	—	—



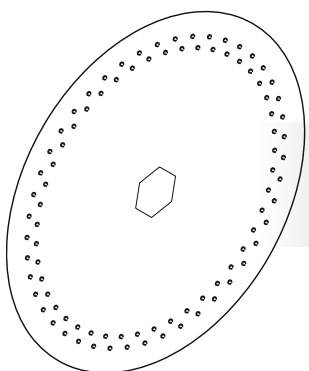
## CARDANO CARDAN SHAFT

TAV. 322

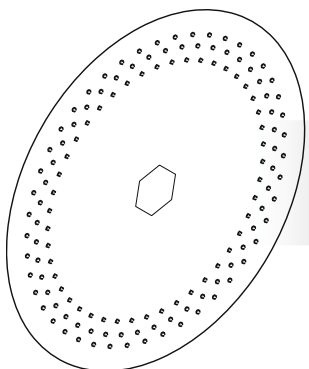
Pos.	Cod.	Descrizione	Description	Description	Benennung	Descripcion
1	F08011711R	CARD. S10 0700F 112 112 1CAT	PTO SHAFT B1 Z6-Z6 L700			
2	F08011713R	CARD.B1 Z8-Z6 L700	PTO SHAFT B1 Z8-Z6 L700			
3	F08011714R	CARD.B1 Z20-Z6 L700	PTO SHAFT B1 Z20-Z6 L700			
4	F08011715R	CARD.B1 Z8-Z6 L900 R.LIB	CARD.B1 Z8-Z6 L900 FREE W.			
5	F08011716R	CARD.B1 Z6-Z6 L900 R.LIB	UNIV.JOINT B1 Z6-Z6 L900 R.LIB	CARD.B1 Z6-Z6 L900 R.LIB	KARDAN CE T100710 112 R12	CARDAN CE T100710 112 R12
6	F08011719R	CARD.B2 Z6-Z6 L900	UNIVERSAL JOINT 102 071 N T07	CARD. 102 071 N T07 T07 1 CAT	KARDAN 102 071 N T07 T07 1CAT	CARD N 102 071 N T07 T07 1CAT
7	F08011720R	CARD.B3 Z8-Z6 L1300	UNIV.JOINT B3 Z8-Z6 L1300			
8	F08011757R	CARD.B1 Z20-Z6 L900 R.L	UNIVERSAL JOINTB1 Z20-Z6 L900			
9	F08011764R	CARDANO OM 3 4Z20-RL Z6 L1381	CARD.R4 Z20-Z6 L1381 OM-RL			
10	F08011930R	CARD.B3 Z6-Z6 L1200	PTO SHAFT B3 Z6-Z6 L1200			
11	G58161015R	FORCELLA CARD.1 3 8 Z6 B1	CARD. FORK 1 3 8 Z6 B1			
12	F08011768R	FORCELLA CARD.1 3 8 Z6 R4	FORK 1 3 8 Z6 R4			
13	F08011772R	FORCELLA CARD.1 3 4 Z6 B1	YOKE 1 3 4 Z6 B1			
14	G58161016R	FORCELLA CARD.1 3 8 Z6 B3	CARD.FORK 1 3 8 Z6 B3			
15	F08011742R	FORCELLA CARD.32X38 Z8 B1	YOKE CARD.32X38 Z8 B1	FOURCHETTE CARDAN Z8 B1	GABEL KARDAN Z8 B1	HORQUILLA CARDAN Z8 B1
16	F08011743R	FORCELLA CARD.32X38 Z8 B3	YOKE CARD.32X38 Z8 B3			
17	F08011766R	FORCELLA CARD.32X38 Z8 R4	FORK 32X38 Z8 R4			
18	F08011758R	FORCELLA CARD.1 3 4 Z20 B1	CARD.FORK 1 3 4 Z20 B1			
19	F08011774R	FORCELLA CARD.1 3 4 Z20 R4	CARD. FORK 1 3 4 Z20 R4			
20	F08011767R	FORCELLA CARD.1 3 8 Z21 B1	CARD.FORK 1 3 8 Z21 B1			
21	F08011773R	FORCELLA CARD.1 3 8 Z21 R4	FORK 1 3 8 Z21 R4			
22	F08010152R	KIT PRESSORE BUSSOLA CAT I-IV	TOOLS FOR PTO YOKE CAT I-IV			
23	F08011783R	CARD.R4 Z6-Z6 L1565 OM-RL	UNIV. PTO SHAFT R4 Z6-Z6 L1210			



Fila singola - Single row - Einreihig - Un seul rang - Hilera sencilla										
Fori - Holes - Troues - Löcher - Agujeros	Nr.	Fori - Holes - Troues - Löcher - Agujeros Ø								
		0,5	0,6	0,8	1	1,2	1,5	2	2,2	2,5
24	G15823880 (1)	G15823890 (6)	G15823900 (11)	G15823910 (16)	G15823920 (21)	G15823930 (26)	G15823940 (31)	G15823950 (36)	G15823960 (41)	G15823970 (46)
45	G15824200 (2)	G15824210 (7)	G15824220 (12)	G15824230 (17)	G15824240 (22)	G15824250 (27)	G15824260 (32)	G15824270 (37)	G15824280 (42)	G15824290 (47)
75	G15824300 (3)	G15824310 (8)	G15824320 (13)	G15824330 (18)	G15824340 (23)	G15824350 (28)	G15824360 (33)	G15824370 (38)	G15824380 (43)	G15824390 (48)
90	G15824400 (4)	G15824410 (9)	G15824420 (14)	G15824430 (19)	G15824440 (24)	G15824450 (29)	G15824460 (34)	G15824470 (39)	G15824480 (44)	G15824490 (49)
120	G15824600 (5)	G15824610 (10)	G15824620 (15)	G15824630 (20)	G15824640 (25)	G15824650 (30)	G15824660 (35)	G15824670 (40)	G15824680 (45)	G15824690 (50)
180	G15824500 (90)	G15824510 (91)	G15824520 (92)	G15824530 (93)	G15824540 (94)	-	-	-	-	-

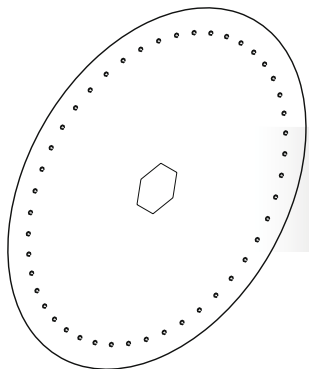


DR Fila doppia - Double row - Doppelreihe - Double rang - Hilera doble						
Fori - Holes - Troues - Löcher - Agujeros	Nr.	Fori - Holes - Troues - Löcher - Agujeros Ø				
		0,5	0,6	0,8	1	1,2
24	G15880010 (51)	G15880020 (56)	G15880030 (61)	G15880040 (66)	G15880050 (71)	G15880060 (76)
45	G15880110 (52)	G15880120 (57)	G15880130 (62)	G15880140 (67)	G15880150 (72)	G15880160 (77)
75	G15880210 (53)	G15880220 (58)	G15880230 (63)	G15880240 (68)	G15880250 (73)	G15880260 (78)
90	G15880310 (54)	G15880320 (59)	G15880330 (64)	G15880340 (69)	G15880350 (74)	G15880360 (79)
120	G15880410 (55)	G15880420 (60)	G15880430 (65)	G15880440 (70)	G15880450 (75)	G15880460 (80)
180	-	-	G15880560 (95)	G15883770 (96)	-	-

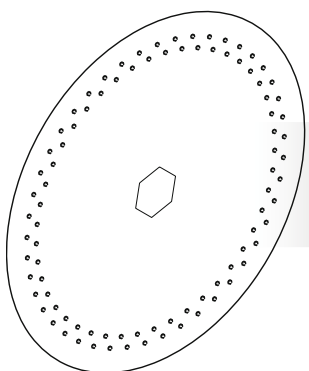


TR Fila Tripla - Triple row - Dreiergruppereihe - Triple rang - Hilera Triple			
Fori - Holes - Troues - Löcher - Agujeros	Nr.	Fori - Holes - Troues - Löcher - Agujeros Ø	
		0,6	0,8
45	-	G15880810 (82)	G15880820 (86)
75	-	G15880860 (83)	G15880870 (87)
90	G15882500 (81)	G15880910 (84)	G15880920 (88)
120	-	G15880960 (85)	G15880970 (89)

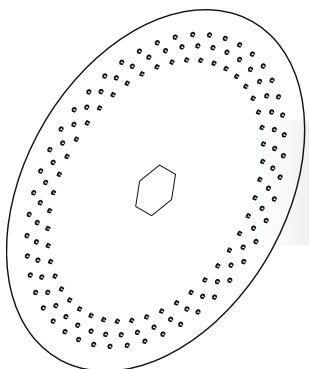




Fila singola - Single row - Einreihig - Un seul rang - Hilera sencilla										
Fori - Holes - Troux - Löcher - Agujeros	Nr.	Fori - Holes - Troux - Löcher - Agujeros Ø								
		0,5	0,6	0,8	1	1,2	1,5	2	2,2	2,5
24	G15823880 (1)	G15823890 (6)	G15823900 (11)	G15823910 (16)	G15823920 (21)	G15823930 (26)	G15823940 (31)	G15823950 (36)	G15823960 (41)	G15823970 (46)
45	G15824200 (2)	G15824210 (7)	G15824220 (12)	G15824230 (17)	G15824240 (22)	G15824250 (27)	G15824260 (32)	G15824270 (37)	G15824280 (42)	G15824290 (47)
75	G15824300 (3)	G15824310 (8)	G15824320 (13)	G15824330 (18)	G15824340 (23)	G15824350 (28)	G15824360 (33)	G15824370 (38)	G15824380 (43)	G15824390 (48)
90	G15824400 (4)	G15824410 (9)	G15824420 (14)	G15824430 (19)	G15824440 (24)	G15824450 (29)	G15824460 (34)	G15824470 (39)	G15824480 (44)	G15824490 (49)
120	G15824600 (5)	G15824610 (10)	G15824620 (15)	G15824630 (20)	G15824640 (25)	G15824650 (30)	G15824660 (35)	G15824670 (40)	G15824680 (45)	G15824690 (50)
180	G15824500 (90)	G15824510 (91)	G15824520 (92)	G15824530 (93)	G15824540 (94)	-	-	-	-	-



DR Fila doppia - Double row - Doppelreihe - Double rang - Hilera doble						
Fori - Holes - Troux - Löcher - Agujeros	Nr.	Fori - Holes - Troux - Löcher - Agujeros Ø				
		0,5	0,6	0,8	1	1,2
24	G15880010 (51)	G15880020 (56)	G15880030 (61)	G15880040 (66)	G15880050 (71)	G15880060 (76)
45	G15880110 (52)	G15880120 (57)	G15880130 (62)	G15880140 (67)	G15880150 (72)	G15880160 (77)
75	G15880210 (53)	G15880220 (58)	G15880230 (63)	G15880240 (68)	G15880250 (73)	G15880260 (78)
90	G15880310 (54)	G15880320 (59)	G15880330 (64)	G15880340 (69)	G15880350 (74)	G15880360 (79)
120	G15880410 (55)	G15880420 (60)	G15880430 (65)	G15880440 (70)	G15880450 (75)	G15880460 (80)
180	-	-	G15880560 (95)	G15883770 (96)	-	-



TR Fila Tripla - Triple row - Dreiergruppereihe - Triple rang - Hilera Triple			
Fori - Holes - Troux - Löcher - Agujeros	Nr.	Fori - Holes - Troux - Löcher - Agujeros Ø	
		0,6	0,8
45	-	G15880810 (82)	G15880820 (86)
75	-	G15880860 (83)	G15880870 (87)
90	G15882500 (81)	G15880910 (84)	G15880920 (88)
120	-	G15880960 (85)	G15880970 (89)



## DISCHI DI SEMINA SEED PLATES

TAV. 260

Pos.	Cod.	Descrizione	Description	Description	Benennung	Descripcion
56	G15880020R	DISCO SEMI 2x 24 FORI D. 0,6 (DR)	SEED DISC 2x 24 HOLES D. 0,6 (DR)	SÄSCHEIBE 2x 24 LÖCHER D. 0,6 (DR)	DISQUE SEMIS 2x 24 TROUS D. 0,6 (DR)	DISCO SEMI 2x 24 FOROS D. 0,6 (DR)
57	G15880120R	DISCO SEMI 2x 45 FORI D. 0,6 (DR)	SEED DISC 2x 45 HOLES D. 0,6 (DR)	SÄSCHEIBE 2x 45 LÖCHER D. 0,6 (DR)	DISQUE SEMIS 2x 45 TROUS D. 0,6 (DR)	DISCO SEMI 2x 45 FOROS D. 0,6 (DR)
58	G15880220R	DISCO SEMI 2x 75 FORI D. 0,6 (DR)	SEED DISC 2x 75 HOLES D. 0,6 (DR)	SÄSCHEIBE 2x 75 LÖCHER D. 0,6 (DR)	DISQUE SEMIS 2x 75 TROUS D. 0,6 (DR)	DISCO SEMI 2x 75 FOROS D. 0,6 (DR)
59	G15880320R	DISCO SEMI 2x 90 FORI D. 0,6 (DR)	SEED DISC 2x 90 HOLES D. 0,6 (DR)	SÄSCHEIBE 2x 90 LÖCHER D. 0,6 (DR)	DISQUE SEMIS 2x 90 TROUS D. 0,6 (DR)	DISCO SEMI 2x 90 FOROS D. 0,6 (DR)
60	G15880420R	DISCO SEMI 2x 120 FORI D. 0,6 (DR)	SEED DISC 2x 120 HOLES D. 0,6 (DR)	SÄSCHEIBE 2x 120 LÖCHER D. 0,6 (DR)	DISQUE SEMIS 2x 120 TROUS D. 0,6 (DR)	DISCO SEMI 2x 120 FOROS D. 0,6 (DR)
61	G15880030R	DISCO SEMI 2x 24 FORI D. 0,8 (DR)	SEED DISC 2x 24 HOLES D. 0,8 (DR)	SÄSCHEIBE 2x 24 LÖCHER D. 0,8 (DR)	DISQUE SEMIS 2x 24 TROUS D. 0,8 (DR)	DISCO SEMI 2x 24 FOROS D. 0,8 (DR)
62	G15880130R	DISCO SEMI 2x 45 FORI D. 0,8 (DR)	SEED DISC 2x 45 HOLES D. 0,8 (DR)	SÄSCHEIBE 2x 45 LÖCHER D. 0,8 (DR)	DISQUE SEMIS 2x 45 TROUS D. 0,8 (DR)	DISCO SEMI 2x 45 FOROS D. 0,8 (DR)
63	G15880230R	DISCO SEMI 2x 75 FORI D. 0,8 (DR)	SEED DISC 2x 75 HOLES D. 0,8 (DR)	SÄSCHEIBE 2x 75 LÖCHER D. 0,8 (DR)	DISQUE SEMIS 2x 75 TROUS D. 0,8 (DR)	DISCO SEMI 2x 75 FOROS D. 0,8 (DR)
64	G15880330R	DISCO SEMI 2x 90 FORI D. 0,8 (DR)	SEED DISC 2x 90 HOLES D. 0,8 (DR)	SÄSCHEIBE 2x 90 LÖCHER D. 0,8 (DR)	DISQUE SEMIS 2x 90 TROUS D. 0,8 (DR)	DISCO SEMI 2x 90 FOROS D. 0,8 (DR)
65	G15880430R	DISCO SEMI 2x 120 FORI D. 0,8 (DR)	SEED DISC 2x 120 HOLES D. 0,8 (DR)	SÄSCHEIBE 2x 120 LÖCHER D. 0,8 (DR)	DISQUE SEMIS 2x 120 TROUS D. 0,8 (DR)	DISCO SEMI 2x 120 FOROS D. 0,8 (DR)
66	G15880040R	DISCO SEMI 2x 24 FORI D. 1,0 (DR)	SEED DISC 2x 24 HOLES D. 1,0 (DR)	SÄSCHEIBE 2x 24 LÖCHER D. 1,0 (DR)	DISQUE SEMIS 2x 24 TROUS D. 1,0 (DR)	DISCO SEMI 2x 24 FOROS D. 1,0 (DR)
67	G15880140R	DISCO SEMI 2x 45 FORI D. 1,0 (DR)	SEED DISC 2x 45 HOLES D. 1,0 (DR)	SÄSCHEIBE 2x 45 LÖCHER D. 1,0 (DR)	DISQUE SEMIS 2x 45 TROUS D. 1,0 (DR)	DISCO SEMI 2x 45 FOROS D. 1,0 (DR)
68	G15880240R	DISCO SEMI 2x 75 FORI D. 1,0 (DR)	SEED DISC 2x 75 HOLES D. 1,0 (DR)	SÄSCHEIBE 2x 75 LÖCHER D. 1,0 (DR)	DISQUE SEMIS 2x 75 TROUS D. 1,0 (DR)	DISCO SEMI 2x 75 FOROS D. 1,0 (DR)
69	G15880340R	DISCO SEMI 2x 90 FORI D. 1,0 (DR)	SEED DISC 2x 90 HOLES D. 1,0 (DR)	SÄSCHEIBE 2x 90 LÖCHER D. 1,0 (DR)	DISQUE SEMIS 2x 90 TROUS D. 1,0 (DR)	DISCO SEMI 2x 90 FOROS D. 1,0 (DR)
70	G15880440R	DISCO SEMI 2x 120 FORI D. 1,0 (DR)	SEED DISC 2x 120 HOLES D. 1,0 (DR)	SÄSCHEIBE 2x 120 LÖCHER D. 1,0 (DR)	DISQUE SEMIS 2x 120 TROUS D. 1,0 (DR)	DISCO SEMI 2x 120 FOROS D. 1,0 (DR)
71	G15880050R	DISCO SEMI 2x 24 FORI D. 1,2 (DR)	SEED DISC 2x 24 HOLES D. 1,2 (DR)	SÄSCHEIBE 2x 24 LÖCHER D. 1,2 (DR)	DISQUE SEMIS 2x 24 TROUS D. 1,2 (DR)	DISCO SEMI 2x 24 FOROS D. 1,2 (DR)
72	G15880150R	DISCO SEMI 2x 45 FORI D. 1,2 (DR)	SEED DISC 2x 45 HOLES D. 1,2 (DR)	SÄSCHEIBE 2x 45 LÖCHER D. 1,2 (DR)	DISQUE SEMIS 2x 45 TROUS D. 1,2 (DR)	DISCO SEMI 2x 45 FOROS D. 1,2 (DR)
73	G15880250R	DISCO SEMI 2x 75 FORI D. 1,2 (DR)	SEED DISC 2x 75 HOLES D. 1,2 (DR)	SÄSCHEIBE 2x 75 LÖCHER D. 1,2 (DR)	DISQUE SEMIS 2x 75 TROUS D. 1,2 (DR)	DISCO SEMI 2x 75 FOROS D. 1,2 (DR)
74	G15880350R	DISCO SEMI 2x 90 FORI D. 1,2 (DR)	SEED DISC 2x 90 HOLES D. 1,2 (DR)	SÄSCHEIBE 2x 90 LÖCHER D. 1,2 (DR)	DISQUE SEMIS 2x 90 TROUS D. 1,2 (DR)	DISCO SEMI 2x 90 FOROS D. 1,2 (DR)
75	G15880450R	DISCO SEMI 2x 120 FORI D. 1,2 (DR)	SEED DISC 2x 120 HOLES D. 1,2 (DR)	SÄSCHEIBE 2x 120 LÖCHER D. 1,2 (DR)	DISQUE SEMIS 2x 120 TROUS D. 1,2 (DR)	DISCO SEMI 2x 120 FOROS D. 1,2 (DR)
76	G15880060R	DISCO SEMI 2x 24 FORI D. 1,5 (DR)	SEED DISC 2x 24 HOLES D. 1,5 (DR)	SÄSCHEIBE 2x 24 LÖCHER D. 1,5 (DR)	DISQUE SEMIS 2x 24 TROUS D. 1,5 (DR)	DISCO SEMI 2x 24 FOROS D. 1,5 (DR)
77	G15880160R	DISCO SEMI 2x 45 FORI D. 1,5 (DR)	SEED DISC 2x 45 HOLES D. 1,5 (DR)	SÄSCHEIBE 2x 45 LÖCHER D. 1,5 (DR)	DISQUE SEMIS 2x 45 TROUS D. 1,5 (DR)	DISCO SEMI 2x 45 FOROS D. 1,5 (DR)
78	G15880260R	DISCO SEMI 2x 75 FORI D. 1,5 (DR)	SEED DISC 2x 75 HOLES D. 1,5 (DR)	SÄSCHEIBE 2x 75 LÖCHER D. 1,5 (DR)	DISQUE SEMIS 2x 75 TROUS D. 1,5 (DR)	DISCO SEMI 2x 75 FOROS D. 1,5 (DR)
79	G15880360R	DISCO SEMI 2x 90 FORI D. 1,5 (DR)	SEED DISC 2x 90 HOLES D. 1,5 (DR)	SÄSCHEIBE 2x 90 LÖCHER D. 1,5 (DR)	DISQUE SEMIS 2x 90 TROUS D. 1,5 (DR)	DISCO SEMI 2x 90 FOROS D. 1,5 (DR)
80	G15880460R	DISCO SEMI 2x 120 FORI D. 1,5 (DR)	SEED DISC 2x 120 HOLES D. 1,5 (DR)	SÄSCHEIBE 2x 120 LÖCHER D. 1,5 (DR)	DISQUE SEMIS 2x 120 TROUS D. 1,5 (DR)	DISCO SEMI 2x 120 FOROS D. 1,5 (DR)
81	G15882500R	DISCO SEMI 3x 90 FORI D. 0,6 (TR)	SEED DISC 3x 90 HOLES D. 0,6 (TR)	SÄSCHEIBE 3x 90 LÖCHER D. 0,6 (TR)	DISQUE SEMIS 3x 90 TROUS D. 0,6 (TR)	DISCO SEMI 3x 90 FOROS D. 0,6 (TR)
82	G15880810R	DISCO SEMI 3x 45 FORI D. 0,8 (TR)	SEED DISC 3x 45 HOLES D. 0,8 (TR)	SÄSCHEIBE 3x 45 LÖCHER D. 0,8 (TR)	DISQUE SEMIS 3x 45 TROUS D. 0,8 (TR)	DISCO SEMI 3x 45 FOROS D. 0,8 (TR)
83	G15880860R	DISCO SEMI 3x 75 FORI D. 0,8 (TR)	SEED DISC 3x 75 HOLES D. 0,8 (TR)	SÄSCHEIBE 3x 75 LÖCHER D. 0,8 (TR)	DISQUE SEMIS 3x 75 TROUS D. 0,8 (TR)	DISCO SEMI 3x 75 FOROS D. 0,8 (TR)
84	G15880910R	DISCO SEMI 3x 90 FORI D. 0,8 (TR)	SEED DISC 3x 90 HOLES D. 0,8 (TR)	SÄSCHEIBE 3x 90 LÖCHER D. 0,8 (TR)	DISQUE SEMIS 3x 90 TROUS D. 0,8 (TR)	DISCO SEMI 3x 90 FOROS D. 0,8 (TR)
85	G15880960R	DISCO SEMI 3x 120 FORI D. 0,8 (TR)	SEED DISC 3x 120 HOLES D. 0,8 (TR)	SÄSCHEIBE 3x 120 LÖCHER D. 0,8 (TR)	DISQUE SEMIS 3x 120 TROUS D. 0,8 (TR)	DISCO SEMI 3x 120 FOROS D. 0,8 (TR)
86	G15880820R	DISCO SEMI 3x 45 FORI D. 1,0 (TR)	SEED DISC 3x 45 HOLES D. 1,0 (TR)	SÄSCHEIBE 3x 45 LÖCHER D. 1,0 (TR)	DISQUE SEMIS 3x 45 TROUS D. 1,0 (TR)	DISCO SEMI 3x 45 FOROS D. 1,0 (TR)
87	G15880870R	DISCO SEMI 3x 75 FORI D. 1,0 (TR)	SEED DISC 3x 75 HOLES D. 1,0 (TR)	SÄSCHEIBE 3x 75 LÖCHER D. 1,0 (TR)	DISQUE SEMIS 3x 75 TROUS D. 1,0 (TR)	DISCO SEMI 3x 75 FOROS D. 1,0 (TR)
88	G15880920R	DISCO SEMI 3x 90 FORI D. 1,0 (TR)	SEED DISC 3x 90 HOLES D. 1,0 (TR)	SÄSCHEIBE 3x 90 LÖCHER D. 1,0 (TR)	DISQUE SEMIS 3x 90 TROUS D. 1,0 (TR)	DISCO SEMI 3x 90 FOROS D. 1,0 (TR)
89	G15880970R	DISCO SEMI 3x 120 FORI D. 1,0 (TR)	SEED DISC 3x 120 HOLES D. 1,0 (TR)	SÄSCHEIBE 3x 120 LÖCHER D. 1,0 (TR)	DISQUE SEMIS 3x 120 TROUS D. 1,0 (TR)	DISCO SEMI 3x 120 FOROS D. 1,0 (TR)
90	G15824500R	DISCO SEMI 180 FORI D. 0,5 (9 PIOLI)	SEED DISC 180 HOLES D. 0,5 (9 PEGS)	SÄSCHEIBE 180 LÖCHER D. 0,5 (9 SPROS.)	DISQUE SEMIS 180 TROUS D. 0,5 (9 ERGOTS)	DISCO SEMI 180 FOROS D. 0,5 (9 ESPIGAS)
91	G15824510R	DISCO SEMI 180 FORI D. 0,6 (FS)	SEED DISC 180 HOLES D. 0,6 (FS)	SÄSCHEIBE 180 LÖCHER D. 0,6 (FS)	DISQUE SEMIS 180 TROUS D. 0,6 (FS)	DISCO SEMI 180 FOROS D. 0,6 (FS)
92	G15824520R	DISCO SEMI 180 FORI D. 0,8 (FS)	SEED DISC 180 HOLES D. 0,8 (FS)	SÄSCHEIBE 180 LÖCHER D. 0,8 (FS)	DISQUE SEMIS 180 TROUS D. 0,8 (FS)	DISCO SEMI 180 FOROS D. 0,8 (FS)
93	G15824530R	DISCO SEMI 180 FORI D. 1,0 (FS)	SEED DISC 180 HOLES D. 1,0 (FS)	SÄSCHEIBE 180 LÖCHER D. 1,0 (FS)	DISQUE SEMIS 180 TROUS D. 1,0 (FS)	DISCO SEMI 180 FOROS D. 1,0 (FS)
94	G15824540R	DISCO SEMI 180 FORI D. 1,2 (FS)	SEED DISC 180 HOLES D. 1,2 (FS)	SÄSCHEIBE 180 LÖCHER D. 1,2 (FS)	DISQUE SEMIS 180 TROUS D. 1,2 (FS)	DISCO SEMI 180 FOROS D. 1,2 (FS)
95	G15880560R	DISCO SEMI 2x 180 FORI D. 0,8 (DR)	SEED DISC 2x 180 HOLES D. 0,8 (DR)	SÄSCHEIBE 2x 180 LÖCHER D. 0,8 (DR)	DISQUE SEMIS 2x 180 TROUS D. 0,8 (DR)	DISCO SEMI 2x 180 FOROS D. 0,8 (DR)
96	G15883770R	DISCO SEMI 2x 180 FORI D. 1,0 (DR)	SEED DISC 2x 180 HOLES D. 1,0 (DR)	SÄSCHEIBE 2x 180 LÖCHER D. 1,0 (DR)	DISQUE SEMIS 2x 180 TROUS D. 1,0 (DR)	DISCO SEMI 2x 180 FOROS D. 1,0 (DR)

**USATE SEMPRE RICAMBI ORIGINALI  
ALWAYS USE ORIGINAL SPARE PARTS  
IMMER DIE ORIGINAL-ERSATZTEILE VERWENDEN  
EMPLOYEZ TOUJOURS LES PIECES DE RECHANGE ORIGINALES  
UTILIZAR SIEMPRE REPUESTOS ORIGINALES**

# **GASPARDO**

**Servizio Assistenza Tecnica - After Sales Service**

**Servizio Ricambi - Spare Parts Service**



**maschio.com**

DEALER:



**MASCHIO GASPARDO SpA**

**Registered office & Production plant**  
Via Marcello, 73 - 35011 Campodarsego (Padova) - Italy  
Tel. +39 049 9289810  
Fax +39 049 9289900  
info@maschio.com  
www.maschionet.com

**MASCHIO GASPARDO SpA  
Production plant**

Via Mussons, 7 - 33075 Morsano al Tagliamento (PN) - Italy  
Tel. +39 0434 695410  
Fax +39 0434 695425  
info@gaspardo.it

**MASCHIO DEUTSCHLAND GMBH**

Äußere Nürnberger Straße 5  
D - 91177 Thalmässing - Deutschland  
Tel. +49 (0) 9173 79000  
Fax +49 (0) 9173 790079  
dialog@maschio.de  
www.maschio.de

**MASCHIO-GASPARDO North America**

112 3rd Avenue East  
Dewitt, IA 52742 - USA  
Ph. +1 563 659 6400  
Fax +1 563 659 6405  
info@maschio.us

**MASCHIO FRANCE Sarl**

Rue Denis Papin ZA  
F - 45240 La Ferté St. Aubin  
France  
Tel. +33 (0) 2.38.64.12.12  
Fax +33 (0) 2.38.64.66.79  
info@maschio.fr

**MASCHIO-GASPARDO ROMANIA S.R.L.**

Strada Înfrăţirii, F.N.  
315100 Chisineu-Cris (Arad) -România  
Tel. +40 257 307030  
Fax +40 257 307040  
info@maschio.ro

**000 MASCHIO-GASPARDO РУССИЯ**

Улица Пушкина, 117 Б  
404130 Волжский  
Волгоградская область  
Тел. +7 8443 203100  
факс. +7 8443 203101  
info@maschio.ru

**MASCHIO-GASPARDO IBERICA  
MASCHIO-GASPARDO POLAND  
MASCHIO-GASPARDO UCRAINA  
GASPARDO-MASCHIO TURCHIA  
MASCHIO-GASPARDO CINA  
MASCHIO-GASPARDO INDIA**