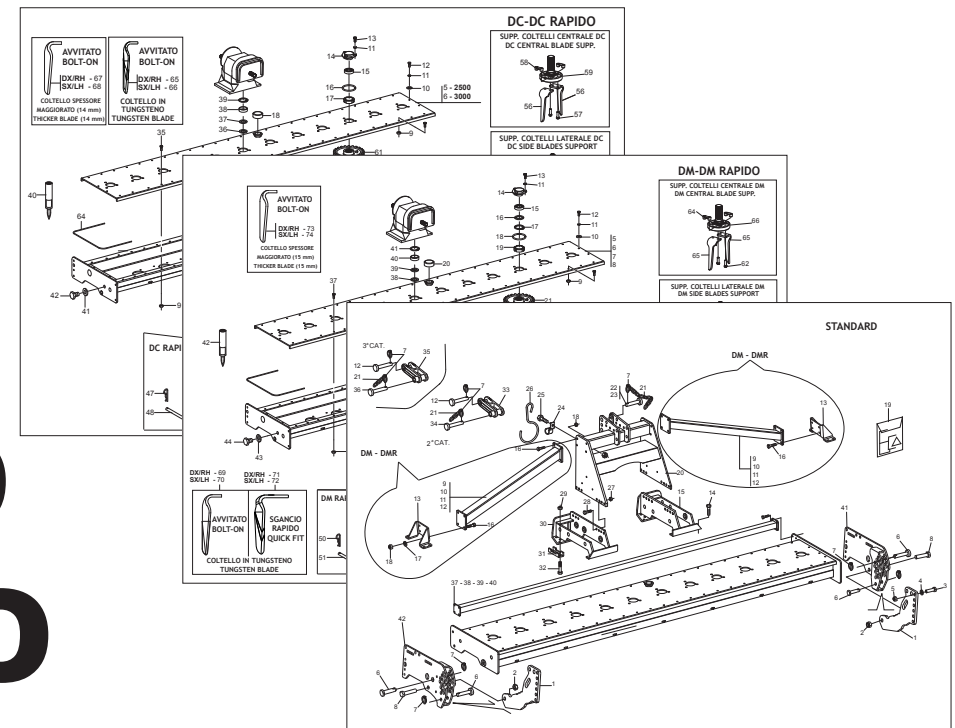


MASCHIO GASPARDO S.p.A.



DC - DC RAPIDO

DM - DM RAPIDO

Cod: F07011114 2008-09

- *) Valido per Paesi UE
- *) Valid for EU member countries
- *) Valable dans les Pays UE
- *) Gilt für EU-Mitgliedsländer
- *) Válido para Países UE

- IT** PARTI DI RICAMBIO
- EN** SPARE PARTS
- FR** PIÈCES DÉTACHÉES
- DE** ERSATZTEILE
- ES** PIEZAS DE REPUESTO

PARTI DI RICAMBIO

Le ordinazioni delle parti di ricambio vanno fatte presso i nostri concessionari di zona e devono essere sempre corredate dalle seguenti indicazioni:

- **Tipo, modello e numero di matricola dell'attrezzatura.** Tali dati sono stampigliati nell'apposita targhetta di cui è dotata ogni attrezzatura.

- **Numero di codice della parte richiesta** rilevabile dal catalogo ricambi.

- **Descrizione del particolare e quantità richiesta.**

- **Numero della tavola.**

- **Mezzo di trasporto.** Nel caso questa voce non sia specificata, la Ditta Costruttrice, pur dedicando a questo servizio una particolare cura, non risponde di eventuali ritardi di spedizione dovuti a cause di forza maggiore.

Le spese di trasporto si intendono sempre a carico del destinatario. La merce viaggia a rischio e pericolo del committente anche se venduta franco destino.

NOTA: Il termine **(Dx) Destro** o **(Sx) Sinistro** della macchina o di parti di essa, è inteso guardando la macchina dalla parte posteriore. Le eccezioni saranno indicate.

SPARE PARTS

Orders must be transmitted through our area dealers and should always include the following indications:

- **Type, model and serial number of the machine.** *These data are punched on the data plate with which every implement is equipped.*

- **Code number of the required spare part.** *This will be found in the spare parts catalogue.*

- **Description of the part and required quantity.**

- **Table number.**

- **Means of dispatch.** *If this item is not indicated, the Manufacturer, while dedicating particular care to this service, shall not be held responsible for delays in delivery caused by cases of force majeure.*

Transport expenses shall always be at the consignee's charge. The goods travel at the purchaser's risk and peril even when sold ex destination.

NOTE: *The symbols (Dx) right and (Sx) left, concerning the machine or single parts of it, are referred, as in the figure, to a rear view of them. Exceptions will be indicated.*

ERSATZTEILE

Die Bestellungen müssen bei unseren Gebietshändlern aufgegeben werden. Bei der Bestellung sind stets die folgenden Angaben zu machen:

- **Typ, Modell und Serien-Nummer des Geräts.** Diese Daten stehen auf dem Typenschild, mit dem jedes Gerät versehen ist.

- **Artikel Nr. der erforderlichen Ersatzteile.** Diese stehen im Ersatzteil-Katalog.

- **Beschreibung des Ersatzteils und die erforderliche Stückzahl.**

- **Tafelnummer.**

- **Versandmittel.** Wenn dieser Punkt nicht spezifiziert wird, haftet die Herstellerfirma nicht für etwaigen Lieferverzug aufgrund höherer Gewalt, auch wenn er diesen Service besonders aufmerksam abwickelt.

Die Frachtkosten gehen dagegen immer zu Lasten des Empfängers. Die Ware reist auf Gefahr und Risiko des Auftraggebers, auch wenn frei Haus Verkauft vereinbart worden ist.

N.B.: Die Merkzeichen **(Dx) rechts** und **(Sx) links** betreffen eine rückwärtige Aussicht der Maschine oder Teile von ihr (siehe Bild). Ausnahmen werden gezeigt.

PIECES DÉTACHÉES

Les ordres doivent être effectués auprès de nos concessionnaires de zone en précisant les indications suivantes:

- **Type, modèle et numéro de série de la machine.** *Ces données sont gravées sur la plaque d'identification de chaque outil.*

- **Numéro de code de la pièce détachée** *indiqué sur le catalogue des pièces détachées.*

- **Description de la pièce et quantité requise.**

- **Numéro de plan.**

- **Moyen d'expédition.** *Si cette rubrique n'est pas indiquée, le Constructeur, bien que soucieux de ce service, ne répond pas des retards d'expédition pour des causes de force majeure.*

Les frais de transport sont toujours à la charge du destinataire. La marchandise voyage aux risques et périls de l'acheteur même si vendue franco de port.

N.B.: *Les références (Dx) droit et (Sx) gauche de la machine ou des parties de la même, est entendue, comme de la figure, en regardant la machine de derrière dans le sens de marche.*

RESPUESTOS

Los pedidos han de efectuarse en nuestros concesionarios de zona y deben incluir siempre las siguientes indicaciones:

- **Tipo, modelo y número de matrícula del equipo.** Dichos datos están impresos en la relativa placa presente en el equipo.

- **Número de código de la parte requerida** presente en el catálogo respuestas.

- **Descripción de la pieza y cantidad requerida.**

- **Numero de ilustración.**

- **Medio de transporte.** En caso que este ítem no esté especificado, el Fabricante, aún prestando la debidas consideraciones para este aspecto, no responde por eventuales retardos de env'o debidos a causas de fuerza mayor.

Los gastos de transporte se consideran siempre a cargo del destinatario. La mercadería viaja bajo riesgo y peligro del comprador, incluso cuando se vende franco destino.

N.B.: La referencia **(Dx) derecha** o **(Sx) izquierda** de la máquina o de sus componentes, se entiende, como en la figura, mirando la máquina por la parte trasera. Se indicarán las excepciones.

INDICE

N° Tavola	Descrizione	Pagina
TAV.010	TELAIO E ROTORI DC-DCR	5
TAV.010	TELAIO E ROTORI DC-DCR	7
TAV.020	TELAIO E ROTORI DM-DMR	9
TAV.020	TELAIO E ROTORI DM-DMR	11
TAV.030	GRUPPO 3° PUNTO STD	13
TAV.040	GRUPPO 3° PUNTO COMBI	15
TAV.050	GRUPPO CAMBIO.....	17
TAV.050	GRUPPO CAMBIO.....	19
TAV.060	PROTEZIONI LATERALI.....	21
TAV.070	BARRA LIVELLATRICE.....	23
TAV.080	REGOLAZIONE MECCANICA DEL RULLO STD	25
TAV.090	REGOLAZIONE IDRAULICA DEL RULLO STD	27
TAV.100	STAFFE-BRACCIO COLL. RULLO COMBI	29
TAV.110	GR. RULLO GABBIA	31
TAV.120	GR. RULLO PACKER.....	33
TAV.120	GR. RULLO PACKER.....	35
TAV.130	GR. RULLO SPIROPACKER	37
TAV.140	GR. RULLO SPUNTONI.....	39
TAV.150	GR. RULLO RISAIA.....	41
TAV.160	GR. RULLO FLANGIATO	43
TAV.170	GR. RULLO GOMMATO	45
TAV.180	GRUPPO PROTEZIONI CE	47
TAV.190	PROTEZIONI CE POSTERIORI	49
TAV.200	OPZIONALI	51
TAV.210	ALBERO CARDANICO	53

INDEX

N° Table	Description	Page
TAV.010	FRAME AND ROTORS DC-DCR.....	5
TAV.010	FRAME AND ROTORS DC-DCR.....	7
TAV.020	FRAME AND ROTORS DM-DMR	9
TAV.020	FRAME AND ROTORS DM-DMR	11
TAV.030	3RD-POINT UNIT STD.....	13
TAV.040	3RD-POINT UNIT COMBI.....	15
TAV.050	GEAR SHIFTGEAR.....	17
TAV.050	GEAR SHIFTGEAR.....	19
TAV.060	SIDE PANELS	21
TAV.070	LEVELLING BAR.....	23
TAV.080	ROLLER MECH. ADJUSTM. STD	25
TAV.090	ROLLER HYDRAUL. ADJUSTM. STD.....	27
TAV.100	ROLLER CONNECTION BRACKET COMBI	29
TAV.110	CAGE ROLLER UNIT.....	31
TAV.120	PACKER ROLLER UNIT	33
TAV.120	PACKER ROLLER UNIT	35
TAV.130	SPIRAL-PACKER ROLLER UNIT	37
TAV.140	SPIKE ROLLER UNIT	39
TAV.150	RICE ROLLER UNIT	41
TAV.160	LIGHT DUTY PACKER ROLLER	43
TAV.170	TYRED ROLLER.....	45
TAV.180	EC GUARDS UNIT.....	47
TAV.190	EC GUARDS UNIT (REAR)	49
TAV.200	OPTIONALS.....	51
TAV.210	CARDAN SHAFT.....	53

TAV.010



**AVVITATO
BOLT-ON**

DX/RH - 67
SX/LH - 68

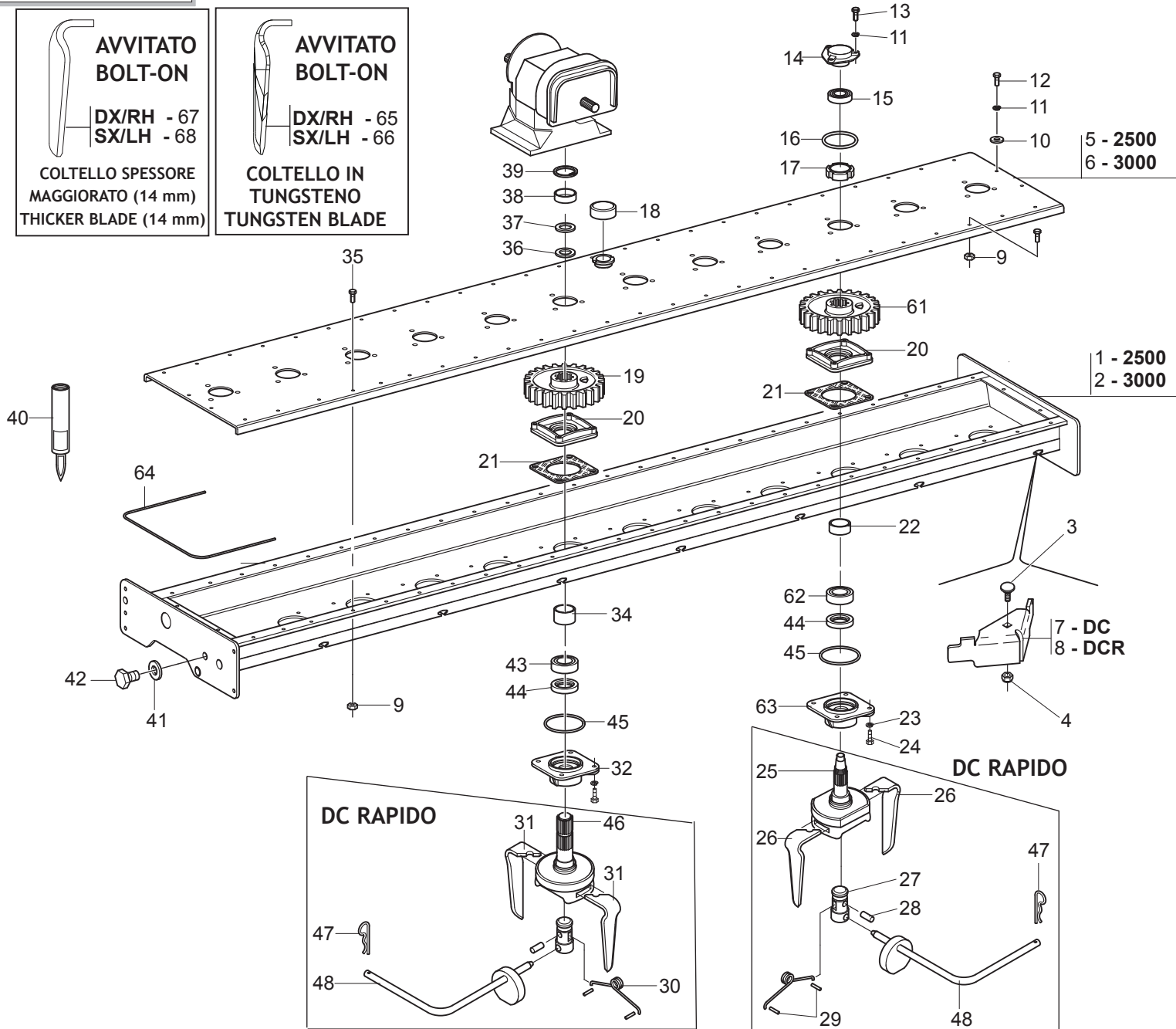
COLTELLO SPESSORE
MAGGIORATO (14 mm)
THICKER BLADE (14 mm)



**AVVITATO
BOLT-ON**

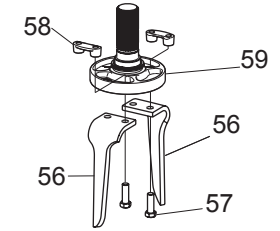
DX/RH - 65
SX/LH - 66

COLTELLO IN
TUNGSTENO
TUNGSTEN BLADE

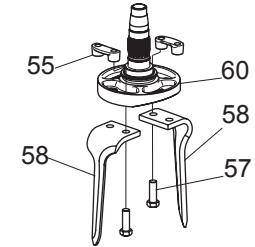


DC-DC RAPIDO

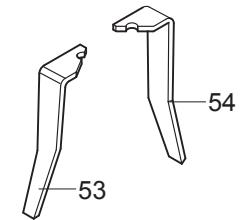
SUPP. COLTELLI CENTRALE DC
DC CENTRAL BLADE SUPP.



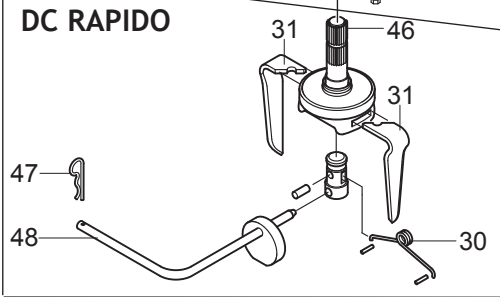
SUPP. COLTELLI LATERALE DC
DC SIDE BLADES SUPPORT



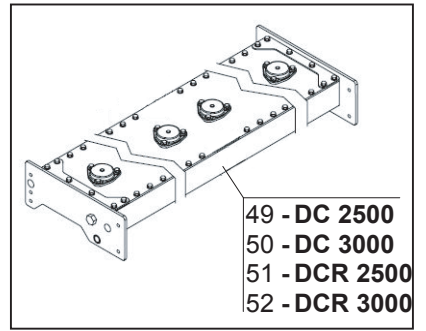
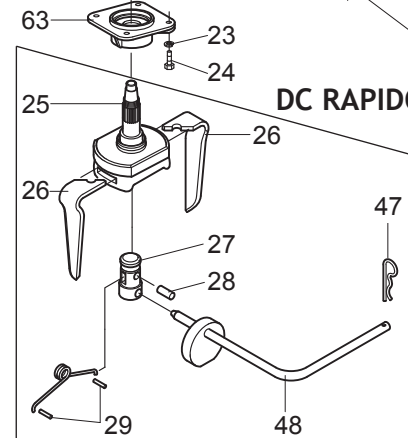
COLTELLI "ON GRIP" DCR (OPT.)
DCR "ON GRIP" BLADES (OPT.)



DC RAPIDO



DC RAPIDO



49 - DC 2500
50 - DC 3000
51 - DCR 2500
52 - DCR 3000

**TELAIO E ROTORI DC-DCR
FRAME AND ROTORS DC-DCR**

TAV.010

Pos.	Cod.	Descrizione	Description	Description	Benennung	Description
1	M26425582R	COMP.CORPO TRASMISSIONE L=2500	TRANSMISSION BOX L=2500	BOITE DE TRANSMISSION L=2500	ANTRIEBSKASTEN L=2500	CUERPO TRASMISION L=2500
2	M26430582R	COMP.CORPO TRASMISSIONE L=2992	TRANSMISSION BOX L=2992	BOITE DE TRANSMISSION L=2992	ANTRIEBSKASTEN L=2992	CUERPO TRASMISION L=2992
3	F01060206R	VITE M12X1,75X30 U5731 8.8ZN	SCR. M12X1,75X30 U5731* 8.8ZN	VIS M12X1,75X30	SCHRAUBE M12X1,75X30	TORNILLO M12X1,75X30
4	F01220048R	DADO M12X1,75 D980 8ZN	NUT M12X1,75 D980 8ZN	ECROU M12X1,75 D980 8 ZN	SCHEIBE M12X1,75 D980 8 ZN	TUERCA M12X1,75 D980 8 ZN
5	M23425510R	COMP.COPERCHIO C.TRASM.L=2462	UPPER PLATE L=2462	CAPOT SUPERIEUR L=2462	OBERBLECH L=2462	PLANCHA SUPERIOR L=2462
6	M23430510R	COMP.COPERCHIO C.TRASM.L=2954	UPPER PLATE L=2954	CAPOT SUPERIEUR L=2954	OBERBLECH L=2954	PLANCHA SUPERIOR L=2954
7	M26400507R	CUNEO RINFORZO VERSIONE PLS RP	STIFFENING WEDGE	COIN DE RENFORCEMENT	VERSTAERKUNGSKEIL	CU A DE REFUERZO
8	M52400525R	CUNEO RINFORZO VERSIONE PLS RP	STIFFENING WEDGE	COIN DE RENFORCEMENT	VERSTAERKUNGSKEIL	CU A DE REFUERZO
9	F01220034R	DADO M10X1,25 D980 8ZN	NUT M10X1,25 D980 8ZN	ECRO.M10X1,25 D980 8 ZB	MUTT.M10X1,25 D980 8 ZB	TUER.M10X1,25 D980 8 ZB
10	F01410064R	ROS.M10 10,5X 20X 2 U6592 ZN	WASHER M10 10,5X20X2 U6592 ZN	RONDEL. M10 10,5X20X2 U6592 ZN	SCHEIBE M10 10,5X20X2 U6592 ZN	ARAND.M10 10,5X 20X 2 U6592 ZN
11	F01480112R	ROS.G 10,5X19X 3 FLZNNC - 240H	GROWER WASHER D.10	RONDELLE GROWER D.10	SCHEIBE GROWER D.10	ARANDELA GROWER D.10
12	F01010250R	VITE M10X1,25X30 U5740 8.8ZN	SCR. M10X1,25X30 U5740 8.8ZN	VIS M10X1,25X30 U5740 8.8 ZB	SCHR.M10X1,25X30 U5740 8.8 ZB	TORN.M10X1,25X30 U5740 8.8 ZB
13	F20110012R	VITE M10X1,25X 35 5738 10.9 PL	BOLT M 10X1,25X35	VIS M 10X1,25X35	SCHRAUBE M 10X1,25X35	TORNILLO M 10X1,25X35
14	M38100344R	SUPPORTO CUSCINETTO SUPERIORE	BEARING SUPPORT	SUPPORT ROULEMENT	LAGERHALTER	SOPORTE
15	F04010179R	CUSC.D35 D72 B17 6207 2RSC3	BEARING D35 D72 B17 6207 2RSC3	ROULEMENT D35 D72 B17 6207	LAGER D35 D72 B17 6207 2RSC	COJINETE D35 D72 B17 6207
16	F03010684R	ANELLO OR 94,84X3,53 NGR	GASKET OR 94,84X3,53 NBR	BAGUE OR 94.83X3.53 NBR	RING OR 94,84X3,53 NBR	ANILLO OR 94,84X3,53 NBR
17	F02010144R	GHIERA AU.GUP M45X1,5 T.4H ZN	SELF LOCKING NUT M45X1,5 T.4H	COLLIER AUTOBL. M45X1,5 T.4H	SELBSTSP. M45X1,5 T.4H ZN	VIROLA AUTOBL. M45X1,5 T.4H
18	F03150746R	TAPPO CARICO OLIO	OIL INLET CAP	BOUCHON HUILE CHARGEMEN	ENTLUEFTERPFROPFEN	CORCHO OLEO
19	M36100306R	INGRANAGGIO LATERALE DM	GEAR	ENGRENAGE LATERAL DM	ZAHNRAD	ENGRANAJE
20	M19400308R	FLANGIA INTERNA	INNER FLANGE	FLASQUE INTERIEUR	INNENFLANSCH	BRIDA INTERNA
21	M27100309R	GUARNIZIONE FLEXOID 5 10	GASKET MM.0,5	JOINT MM.0,5	DICHTUNG MM.0,5	JUNTA MM.0,5
22	M27100306R	DISTANZIALE 50,9X63,5X20,5	SPACER	ENTRETOISE	DISTANZSTUECK	DISTANCIADOR
23	F01480123R	ROS.G 12,5X22,9X 4 FLZNNC-240H	WASHER M12 ZGP EXTRA P.	RONDELLE M12 ZGP EXTRA P.	UNTERLEGSCHIEBE M12 ZGP EXTRA	ARANDELA M12 ZGP EXTRA P.
24	F01010289R	VITE M12X1,25X35 U5740 10.9DL	SCR. M12X1,25X35 U5740 10.9DL	VIS M 12X1,25X35	SCHRAUBE M 12X1,25X35	TORNILLO M 12X1,25X35
25	M26400311R	SUPP.COLTELLI LAT.SGANCIO RAP.	QUICK FIT BLADE SUPPORT	COUTEAU RAPIDO 12MM DRT		
26	M36100290R	COLT100X12X300DX QUICK	BLAD100X12X300RH QUICK	GOUJON D=40 L=76	STIFT D=40 L=76	PERNO D=40 L=76
27	M36100394R	PERNO D=40 L=76	PIN D=40 L=76	GOUJON ELASTIQUE 8X36	SPANNHUELSE 8X36	ESPINA ELASTICA 8X36
28	F02100242R	SPINA E.S. 8X 36 U6875 C70 BR	ELASTIC PIN 8X36			
29	F02100204R	SPINA E.S. 4X 30 U6875 C70 BR	ELASTIC PIN 4X30			
30	M36100341R	MOLLA X SGANCIO RAPIDO	SPRING QUICK FIT	RESSORT GOUJON RAPIDO	FEDER	MUELLE
31	M36100291R	COLT100X12X300SX QUICK	BLAD100X12X300LH QUICK	COUTEAU RAPIDO 12MM GCH		
32	M19400307R	FLANGIA SUPP.INFERIORE DM	LOWER FLANGE SUPPORT DM			
34	M36500313R	DISTANZ. D=67 D=55 L=16.5	SPACER D=67 D=55 L=16.5	ENTRETOISE D=67 D=55 L=16.5	DISTANZSTUECK D=67 D=55 L=16.5	DISTANCIADOR D=67 D=55 L=16.5
35	F01010039R	VITE M10X1,25X40 U5740 10.9ZD	SCR. M10X1,25X40 U5740 10.9ZD	VIS M 10X1,25X40 U5740 10.9ZD	SCHRA.M10X1,25X40 U5740 10.9ZD	TORN. M10X1,25X40 U5740 10.9ZD
36	M36500311R	ROSETTA D=65 D=55 L=0,1	WASHER D=65 D=55 L=0,1	ROSETTE D=65 D=55 L=0,1	SCHEIBE D=65 D=55 L=0,1	ARANDELLA D=65 D=55 L=0,1
37	M36500312R	ROSETTA D=65 D=55 L=0,05	WASHER D=65 D=55 L=0,05	ROSETTE D=65 D=55 L=0,05	SCHEIBE D=65 D=55 L=0,05	ARANDELLA D=65 D=55 L=0,05
38	M36500314R	DISTANZ. D=67 D=55 L=14,8	SPACER D=67 D=55 L=14,8	ENTRETOISE D=67 D=55 L=14,8	DISTANZSTUECK D=67 D=55 L=14,8	DISTANCIADOR D=67 D=55 L=14,8
39	F02050204R	ANELLO E. DE 55X 3 U7436 C70	SEEGER RING D.55	BAGUE SEEGER D.55	SEEGERRING D.55	ANILLO D.55
40	F03220010R	POLIURETANO NERO IN CAR.310 M	SEALING PACKAGE	CONFECTION SIGILLANTE	DICHTUNGSMASSE ANFERTIGUNG	CONFECCION SELADURA
41	M26100321R	GUARNIZIONE PER TAPPO OLIO	GASKET	JOINT	DICHTUNG	JUNTA
42	F03150625R	TAPPO CARICO SCARICO M18X1,5	OIL IN OUT CAP M18X1,5	BOUCHON HUILE CHARGEMEN	ENTLUEFTERPFROPFEN	CORCHO OLEO
43	F04010192R	CUSC.D55 D100 B21 6211 53 KN	BEARING D55 D100 B21 6211 53KN	ROULEMENT 6211 AG15	LAGER D55 D100 B21 6211 53KN	COJINETE 6211 AG15
44	M38100214R	ANELLO COMBI 65X85X13 17	OIL SEAL 65X85X13 17 SPEC.	PARE-HUILE 65X85X13 17 SPEC	OELABDICHTUNG 65X85X13 17SPEC.	PARA-ACEITTE 65X85X13 17 SPEC.
45	F03010726R	ANELLO OR 123.43X3.53 NBR	GASKET OR 123.43X3.53 NBR	BAGUE OR D. 123.43X3.53	RING OR 123.43X3.53 NBR	ANILLO OR 123.43X3.53 NBR
46	M36100229R	SUPPORTO COLTELLI CENTRALE PLS	CENTR. BLADE SUPPORT	SUPPORT COUTEAU CENTRAL DMR	ZENTRALMESSERHALTERUNG	SOPORTE CUCHILLO CENTR.
47	F02200374R	COPIGLIA R 4X 82 ZN	SPRING SPLIT PIN 4X82	GOUPILLE 4X82	SPLINT 4X82	PASADOR 4X82
48	M36100386R	MANICO ECCENTRICO	TOOL FOR QUICK-FIT SYSTEM	MANIVELLE	KURBEL	MANGO
49	M26425591R	CORPO TR. DC 2500 STD-COMBI 08	COMPL.BOX DC 2500 STD-COMBI 08			
50	M26430591R	CORPO TR. DC 3000 STD-COMBI 08	COMPL.BOX DC 3000 STD-COMBI 08			
51	M26425588R	GR.COR.DCR SCM 2500 RICAMBI 07	COMPL.BOX DCR2500 STD-COMBI 08	CORP COMPLETE DCR SCM 2500	GEHAEUSE DCR SCM 2500	CUERPO COMPLETO DCR SCM 2500
52	M26430588R	GR.COR.DCR SCM 3000 RICAMBI 07	COMPLETE BOX DCR SCM 3000	CORP COMPLETE DCR SCM 3000	GEHAEUSE DCR SCM 3000	CUERPO COMPLETO DCR SCM 3000
53	M26400220R	COLT100X12X330DX QUICK OG	BLAD100X12X330RH QUICK OG	COUTEAU TIPE 330DX RAPIDE OG		
54	M26400221R	COLT100X12X330SX QUICK OG	BLAD100X12X330LH QUICK OG	COUTEAU TIPE 330SX RAPIDE OG		
55	M38100218R	FERMO VITE COLTELLI DC-DL-DS	KNIVES FASTENING BOLT	ETRIER SERRAGE COUTEAU DC-DS	MESSERSCHRAUBESPERRUNG	CLAUSURATORNILLOCUCHILLA

TAV.010



**AVVITATO
BOLT-ON**

DX/RH - 67
SX/LH - 68

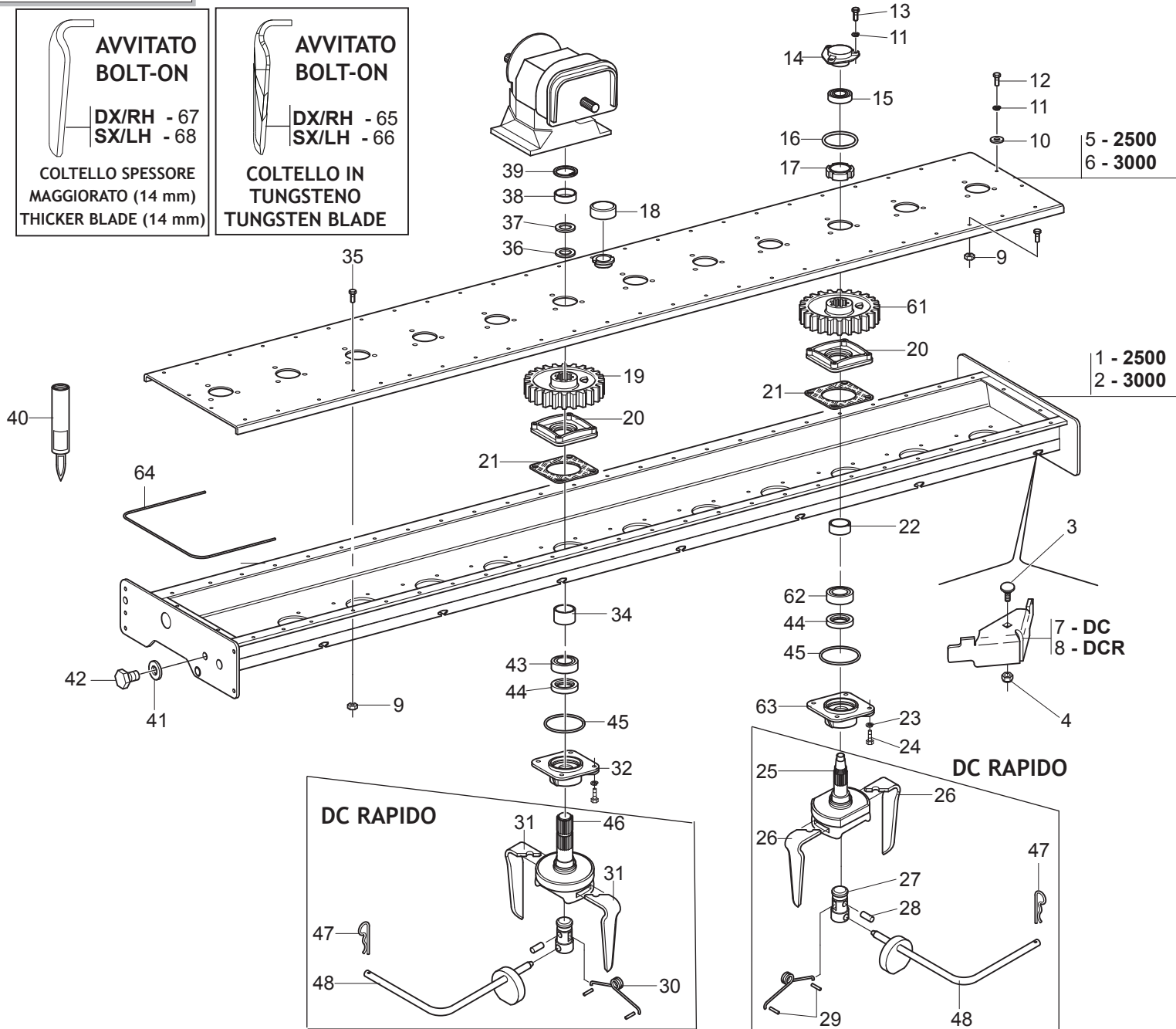
COLTELLO SPESSORE
MAGGIORATO (14 mm)
THICKER BLADE (14 mm)



**AVVITATO
BOLT-ON**

DX/RH - 65
SX/LH - 66

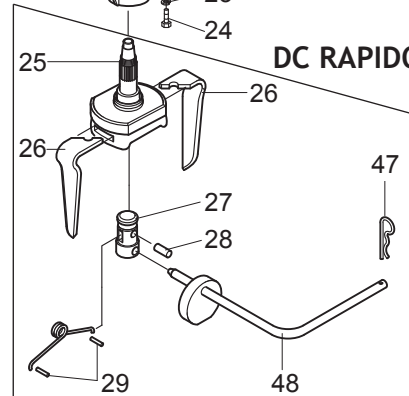
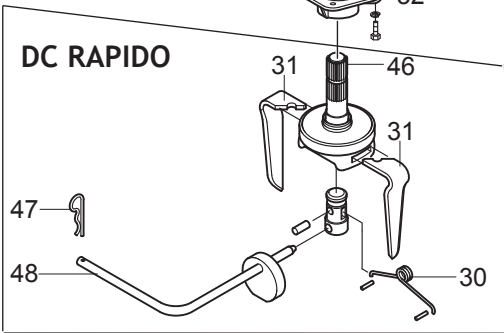
COLTELLO IN
TUNGSTENO
TUNGSTEN BLADE



5 - 2500
6 - 3000

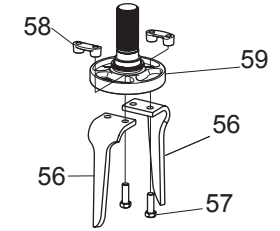
1 - 2500
2 - 3000

7 - DC
8 - DCR

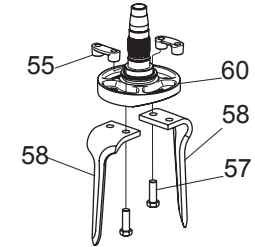


DC-DC RAPIDO

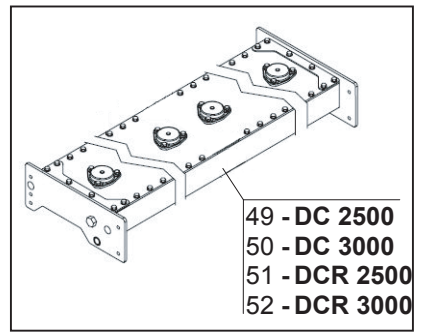
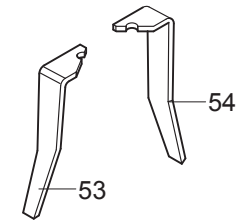
SUPP. COLTELLI CENTRALE DC
DC CENTRAL BLADE SUPP.



SUPP. COLTELLI LATERALE DC
DC SIDE BLADES SUPPORT



COLTELLI "ON GRIP" DCR (OPT.)
DCR "ON GRIP" BLADES (OPT.)



**TELAIO E ROTORI DC-DCR
FRAME AND ROTORS DC-DCR**

TAV.010

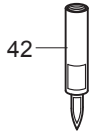
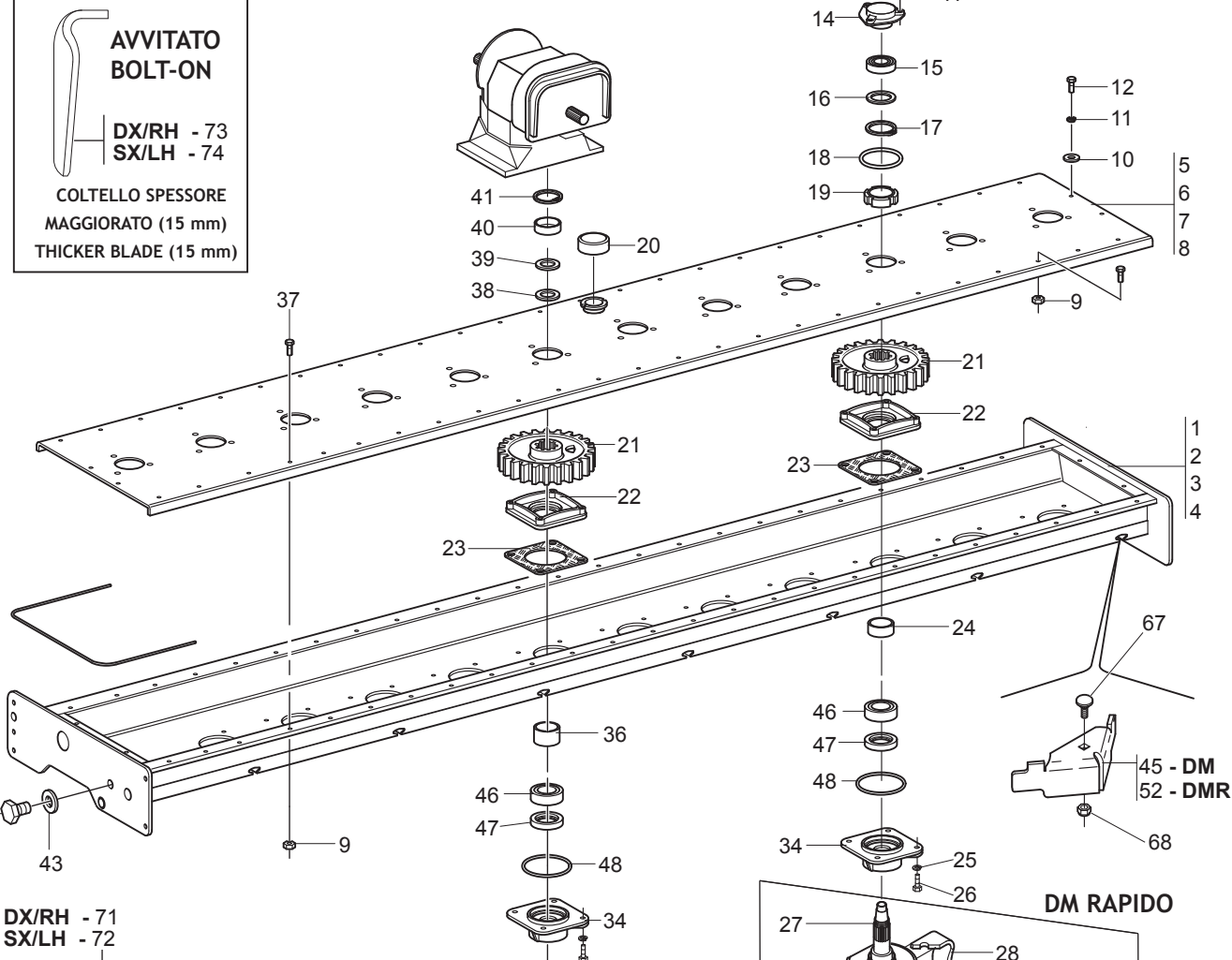
Pos.	Cod.	Descrizione	Description	Description	Benennung	Description
56	M27100209R	COLT90X12X280SX 50M16	BLAD90X12X280LH 50M16	COUTEAU GAUCHE DC DS DL 90X12	LINKES MESSER DC DS DL 90X12	CUCHILLO IZQ. DC DS DL 90X12
57	F20110044R	VITE M16X1,5X50 SPEC 12.9ZF	BOLT M16X1,5X50 SPEC 12.9ZF	VIS M16X1,5X50 SPEC 12.9ZF	SCHRAU. M16X1,5X50 SPEC 12.9ZF	TORN. M16X1,5X50 SPEC 12.9ZF
58	M27100210R	COLT90X12X280DX 50M16	BLAD90X12X280RH 50M16	COUTEAU DROIT DC DS DL 90X12	RECHT MESSER DC DS DL 90X12	CUCHILLO DERECH.DC DS DL 90X12
59	M26400309R	SUPPORTO COLTELLI CENTRALE	CENTR. BLADE SUPPORT	SUPPORT COUTEAU CENTRAL DMR	ZENTRALMESSERHALTERUNG	SOPORTE CUCHILLO CENTR.
60	M38100301R	SUPPORTO COLTELLI LATERALE T	SIDE BLADE SUPPORT	SUPPORT COUTEAU LATERAL	SEITENMESSERHALTERUNG	SOPORTE CUCHILLO LATERAL
61	M27100305R	INGRANAGGIO	GEAR	ENGRENAGE	ZAHNRAD	ENGRANAGE
62	F04010188R	CUSC.D50 D90 B20 6210 C3	BEARING D50 D90 B20 6210 C3	ROULEMENT D50 D90 B20 6210 C3	LAGER D50 D90 B20 6210 C3	COJINETE D50 D90 B20 6210 C3
63	M26400306R	FLANGIA SUPP.INFERIORE DC	FLANGE BOTTOM SUPPORT DC	SUPPORT INFERIEUR DC	FLANSCH	BRIDA SOPORTE INFERIOR DC
64	F03011158R	GUARNIZIONE IN SILICONE D=6	GASKET D=6	JOINT D=6	DICHTUNG D=6	JUNTA D=6
65	M38100226R	COLT90X12X280DX 50M16 TG	BLAD90X12X280RH 50M16 TG	COUTEAU DC-BR 12MM DRT TUNGSTE		
66	M38100227R	COLT90X12X280SX 50M16 TG	BLAD90X12X280LH 50M16 TG	COUTEAU DC-BR 12MM GCH TUNGSTE		
67	M38100222R	COLT90X14X280DX 50M16	BLAD90X14X280RH 50M16	COUTEAU DROIT DC DS DL 90X14	RECHT MESSER DC DS DL 90X14	CUCHILLO DERECH.DC DS DL 90X14
68	M38100223R	COLT90X14X280SX 50M16	BLAD90X14X280LH 50M16	COUTEAU GAUCHE DC DS DL 90X14	LINKES MESSER DC DS DL 90X14	CUCHILLO IZQ. DC DS DL 90X14

TAV.020

**AVVITATO
BOLT-ON**

DX/RH - 73
SX/LH - 74

COLTELLO SPESSORE
MAGGIORATO (15 mm)
THICKER BLADE (15 mm)



DX/RH - 69
SX/LH - 70

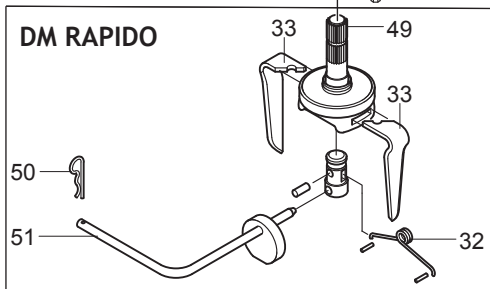
DX/RH - 71
SX/LH - 72

**AVVITATO
BOLT-ON**

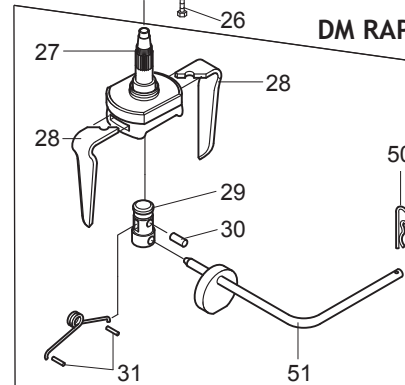
**SGANCIO
RAPIDO
QUICK FIT**

COLTELLO IN TUNGSTENO
TUNGSTEN BLADE

DM RAPIDO

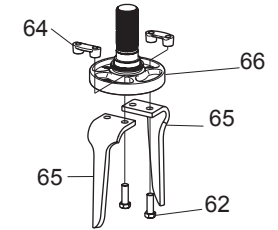


DM RAPIDO

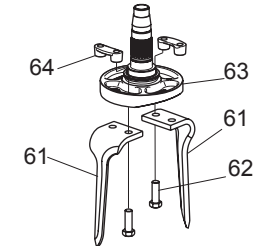


DM-DM RAPIDO

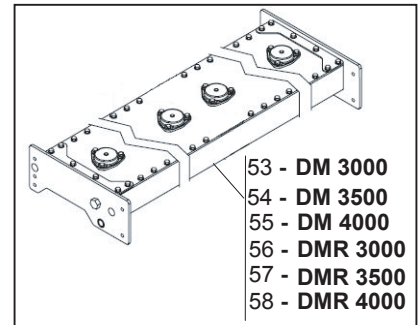
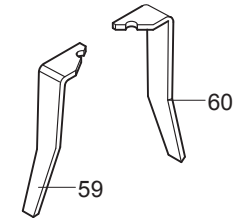
SUPP. COLTELLI CENTRALE DM
DM CENTRAL BLADE SUPP.



SUPP. COLTELLI LATERALE DM
DM SIDE BLADES SUPPORT



COLTELLI "ON GRIP" DMR (OPT.)
DMR "ON GRIP" BLADES (OPT.)



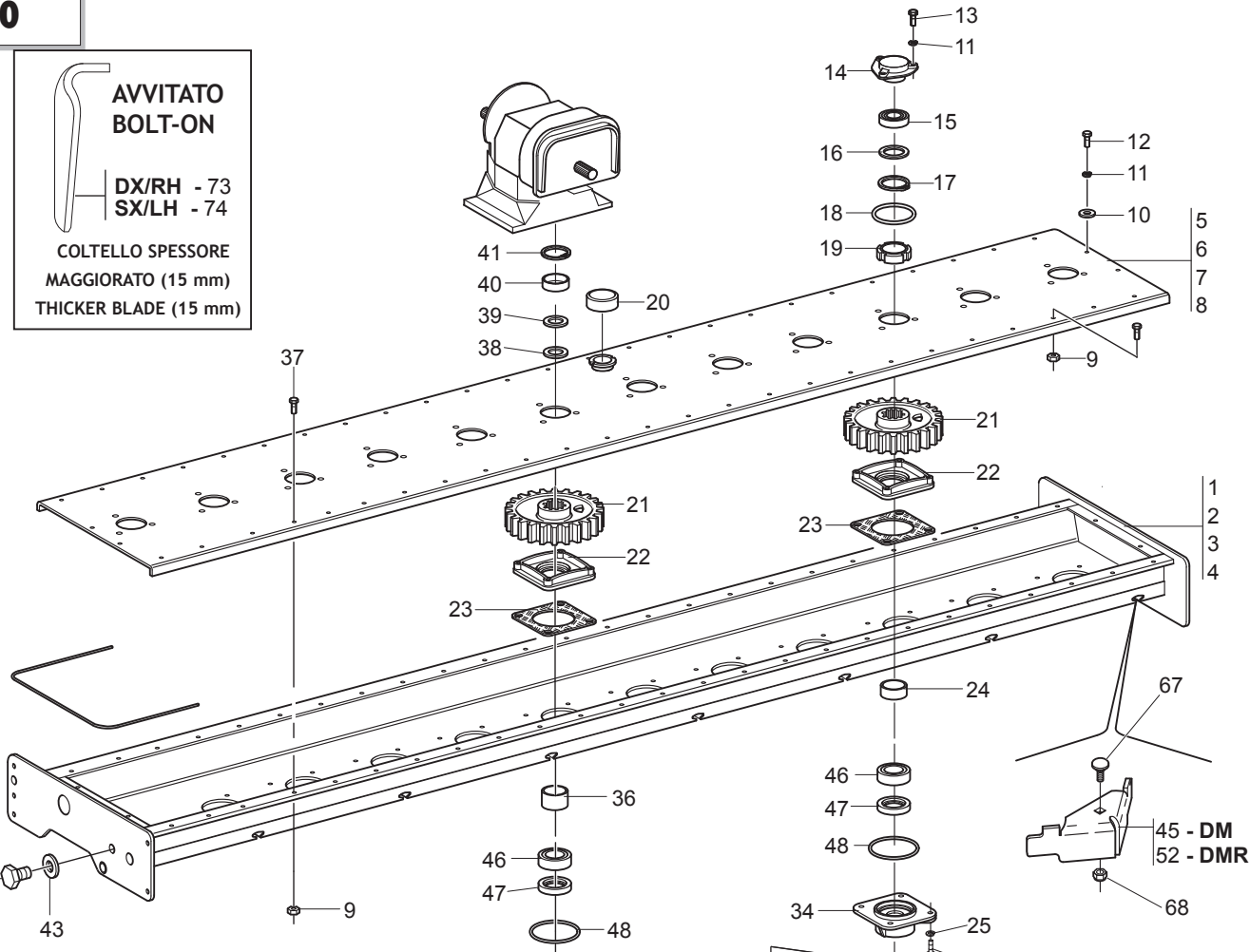
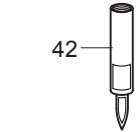
**TELAIO E ROTORI DM-DMR
FRAME AND ROTORS DM-DMR**

TAV.020

Pos.	Cod.	Descrizione	Description	Description	Benennung	Descripcion
1	M26425582R	COMP.CORPO TRASMISSIONE L=2500	TRANSMISSION BOX L=2500	BOITE DE TRANSMISSION L=2500	ANTRIEBSKASTEN L=2500	CUERPO TRASMISION L=2500
2	M26430582R	COMP.CORPO TRASMISSIONE L=2992	TRANSMISSION BOX L=2992	BOITE DE TRANSMISSION L=2992	ANTRIEBSKASTEN L=2992	CUERPO TRASMISION L=2992
3	M26435582R	COMP.CORPO TRASMISSIONE L=3484	TRANSMISSION BOX L=3484	BOITE DE TRANSMISSION L=3484	ANTRIEBSKASTEN L=3484	CUERPO TRASMISION L=3484
4	M26440582R	COMP.CORPO TRASMISSIONE L=3976	TRANSMISSION BOX L=3976	BOITE DE TRANSMISSION L=3976	ANTRIEBSKASTEN L=3976	CUERPO TRASMISION L=3976
5	M23425510R	COMP.COPERCHIO C. TRASM.L=2462	UPPER PLATE L=2462	CAPOT SUPERIEUR L=2462	OBERBLECH L=2462	PLANCHA SUPERIOR L=2462
6	M23430510R	COMP.COPERCHIO C. TRASM.L=2954	UPPER PLATE L=2954	CAPOT SUPERIEUR L=2954	OBERBLECH L=2954	PLANCHA SUPERIOR L=2954
7	M23435510R	COMP.COPERCHIO C. TRASM.L=3446	UPPER PLATE L=3446	CAPOT SUPERIEUR L=3446	OBERBLECH L=3446	PLANCHA SUPERIOR L=3446
8	M23440510R	COMP.COPERCHIO C. TRASM.L=3938	UPPER PLATE L=3938	CAPOT SUPERIEUR L=3938	OBERBLECH L=3938	PLANCHA SUPERIOR L=3938
9	F01220034R	DADO M10X1,25 D980 8ZN	NUT M10X1,25 D980 8ZN	ECRO.M10X1,25 D980 8 ZB	MUTT.M10X1,25 D980 8 ZB	TUER.M10X1,25 D980 8 ZB
10	F01410064R	ROS.M10 10,5X 20X 2 U6592 ZN	WASHER M10 10,5X20X2 U6592 ZN	RONDEL. M10 10,5X20X2 U6592 ZN	SCHEIBE M10 10,5X20X2 U6592 ZN	ARAND.M10 10,5X 20X 2 U6592 ZN
11	F01480112R	ROS.G 10,5X19X 3 FLZNNC - 240H	GROWER WASHER D.10	RONDELLE GROWER D.10	SCHEIBE GROWER D.10	ARANDELA GROWER D.10
12	F01010250R	VITE M10X1,25X30 U5740 8.8ZN	SCR. M10X1,25X30 U5740 8.8ZN	VIS M10X1,25X30 U5740 8.8 ZB	SCHR.M10X1,25X30 U5740 8.8 ZB	TORN.M10X1,25X30 U5740 8.8 ZB
13	F20110012R	VITE M10X1,25X 35 5738 10.9 PL	BOLT M 10X1,25X35	VIS M 10X1,25X35	SCHRAUBE M 10X1,25X35	TORNILLO M 10X1,25X35
14	M19400303R	SUPPORTO CUSCINETTO SUPER. TN	BEARING SUPPORT	SUPPORT ROULEMENT	LAGERHALTER	SOPORTE COJINETE
15	F04010217R	CUSC.D35 D80 B21 6307 2RS	BEARING 6307 2RS	ROULEMENT 6307 2RS	LAGER 6307	COJINETE 6307 2RS
16	M19400304R	DISCO ANTICADUTA SFERE	DISCO BALL FALL			
17	F02050425R	ANELLO E. DI 80X 2,5 U7437 C70	SEEGER RING D.80	BAGUE SEEGER D.80	SEEGERRING D.80	ANILLO E. DI 80X 2,5 U7437 C70
18	F03010684R	ANELLO OR 94,84X3,53 NGR	GASKET OR 94,84X3,53 NBR	BAGUE OR 94.83X3.53 NBR	RING OR 94,84X3,53 NBR	ANILLO OR 94,84X3,53 NBR
19	F02010155R	GHIERA AU.GUP M50X1,5 T.4H ZN	SELF LOCKING NUT M50X1,5	COLLIER AUTOBL. M50X1,5	SELBSTSP. NUTMUTTER M50X1,5	VIROLA AUTOBL. M50X1,5
20	F03150746R	TAPPO CARICO OLIO	OIL INLET CAP	BOUCHON HUILE CHARGEMEN	ENTLUEFTERPFROPFEN	CORCHO OLEO
21	M36100306R	INGRANAGGIO LATERALE DM	GEAR	ENGRENAGE LATERAL DM	ZAHNRAD	ENGRANAJE
22	M19400308R	FLANGIA INTERNA	INNER FLANGE	FLASQUE INTERIEUR	INNENFLANSCH	BRIDA INTERNA
23	M27100309R	GUARNIZIONE FLEXOID 5 10	GASKET MM.0,5	JOINT MM.0,5	DICHTUNG MM.0,5	JUNTA MM.0,5
24	M36100304R	DISTANZIALE ROTORI LATERALI	SPACER			
25	F01480123R	ROS.G 12,5X22,9X 4 FLZNNC-240H	WASHER M12 ZGP EXTRA P.	RONDELLE M12 ZGP EXTRA P.	UNTERLEGSCHIEBE M12 ZGP EXTRA	ARANDELA M12 ZGP EXTRA P.
26	F01010289R	VITE M12X1,25X35 U5740 10.9DL	SCR. M12X1,25X35 U5740 10.9DL	VIS M 12X1,25X35	SCHRAUBE M 12X1,25X35	TORNILLO M 12X1,25X35
27	M19400312R	SUPPORTO COLTELLI LATERALE	LATERAL BLADE SUPPORT	SUPPORT COUTEAU LATERAL	SEITLICH MESSERTRAEGER	SOPORTE CUCHILLO LATERAL
28	M36100366R	COLT100X15X320DX QUICK	BLAD100X15X320RH QUICK	COUTEAU RAPIDO 100X15X320 DRT	MESSER QUICK 100X15X320 RECHTS	SOPORTE CUCHILLA LATERAL
29	M36100394R	PERNO D=40 L=76	PIN D=40 L=76	GOUJON D=40 L=76	STIFT D=40 L=76	CUCHILLA DEREQ.QUICK-FIT 15MM
30	F02100242R	SPINA E.S. 8X 36 U6875 C70 BR	ELASTIC PIN 8X36	GOUJON ELASTIQUE 8X36	SPANNHUELSE 8X36	PERNO D=40 L=76
31	F02100203R	SPINA E.S. 4X 25 U6875 C70 BR	ELASTIC PIN 4X 25 U6875 C70 BR	GOUJON ELSTIQUE 4X 25 U6875	SPANNHUELSE 4X 25 U6875 C70 BR	ESPINA ELASTICA 8X36
32	M36100341R	MOLLA X SGANCIO RAPIDO	SPRING QUICK FIT	RESSORT GOUJON RAPIDO	FEDER	ESPINA ELASTICA 4X 25 U6875
33	M36100367R	COLT100X15X320SX QUICK	BLAD100X15X320LH QUICK	COUTEAU RAPIDO 100X15X320 GCH	MESSER QUICK 100X15X320 LINKS	MUELLE
34	M19400307R	FLANGIA SUPP.INFERIORE DM	LOWER FLANGE SUPPORT DM			CUCHILLA ISQUIR.QUICK-FIT 15MM
36	M36500313R	DISTANZ. D=67 D=55 L=16.5	SPACER D=67 D=55 L=16.5	ENTRETOISE D=67 D=55 L=16.5	DISTANZSTUECK D=67 D=55 L=16.5	DISTANCIADOR D=67 D=55 L=16.5
37	F01010254R	VITE M10X1,25X35 U5740 8.8ZN	SCR. M10X1,25X35 U5740 8.8ZN	VIS M 10X1,25X35	SCHRAUBE M 10X1,25X35	TORNILLO M 10X1,25X35
38	M36500311R	ROSETTA D=65 D=55 L=0,1	WASHER D=65 D=55 L=0,1	ROSETTE D=65 D=55 L=0,1	SCHEIBE D=65 D=55 L=0,1	ARANDELLA D=65 D=55 L=0,1
39	M36500312R	ROSETTA D=65 D=55 L=0.05	WASHER D=65 D=55 L=0.05	ROSETTE D=65 D=55 L=0.05	SCHEIBE D=65 D=55 L=0.05	ARANDELLA D=65 D=55 L=0.05
40	M36500314R	DISTANZ. D=67 D=55 L=14.8	SPACER D=67 D=55 L=14.8	ENTRETOISE D=67 D=55 L=14.8	DISTANZSTUECK D=67 D=55 L=14.8	DISTANCIADOR D=67 D=55 L=14.8
41	F02050204R	ANELLO E. DE 55X 3 U7436 C70	SEEGER RING D.55	BAGUE SEEGER D.55	SEEGERRING D.55	ANILLO D.55
42	F03220010R	POLIURETANO NERO IN CAR.310 M	SEALING PACKAGE	CONFECTION SIGILLANTE	DICHTUNGSMASSE ANFERTIGUNG	CONFECCION SELADURA
43	M26100321R	GUARNIZIONE PER TAPPO OLIO	GASKET	JOINT	DICHTUNG	JUNTA
44	F03150625R	TAPPO CARICO SCARICO M18X1,5	OIL IN OUT CAP M18X1,5	BOUCHON HUILE CHARGEMEN	ENTLUEFTERPFROPFEN	CORCHO OLEO
45	M12400995R	CUNEO RINFORZO VERSIONE PLS RP	STIFFENING WEDGE	COIN DE RENFORCEMENT	VERSTAERKUNGSKIEL	CU A DE REFUERZO
46	F04010192R	CUSC.D55 D100 B21 6211 53KN	BEARING D55 D100 B21 6211 53KN	ROULEMENT 6211 AG15	LAGER 6211 AG15	COJINETE 6211 AG15
47	M38100214R	ANELLO COMBI 65X85X13 17	OIL SEAL 65X85X13 17 SPEC.	PARE-HUILE 65X85X13 17 SPEC	OELABDICHTUNG 65X85X13 17SPEC.	PARA-ACEITE 65X85X13 17 SPEC.
48	F03010726R	ANELLO OR 123.43X3.53 NBR	GASKET OR 123.43X3.53 NBR	BAGUE OR D. 123.43X3.53	RING OR 123.43X3.53 NBR	ANILLO OR 123.43X3.53 NBR
49	M36100229R	SUPPORTO COLTELLI CENTRALE PLS	CENTR. BLADE SUPPORT	SUPPORT COUTEAU CENTRAL DMR	ZENTRALMESSERHALTERUNG	SOPORTE CUCHILLO CENTR.

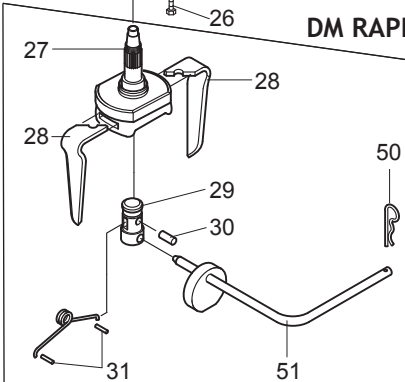
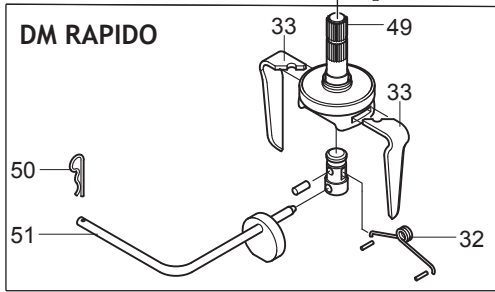
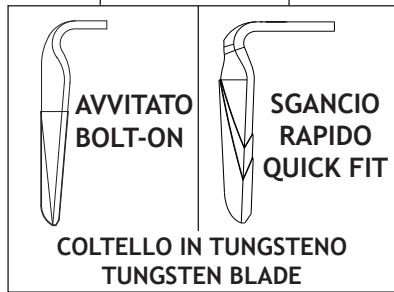
TAV.020

AVVITATO BOLT-ON
 DX/RH - 73
 SX/LH - 74
 COLTELLI SPESSORE MAGGIORATO (15 mm)
 THICKER BLADE (15 mm)



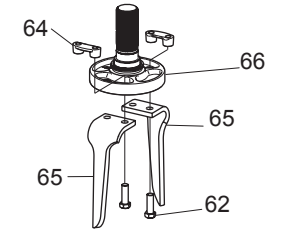
DX/RH - 69
 SX/LH - 70

DX/RH - 71
 SX/LH - 72

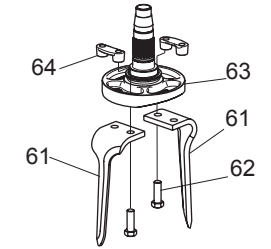


DM-DM RAPIDO

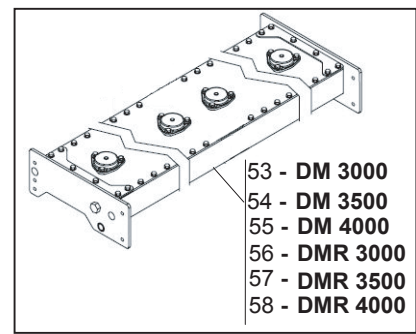
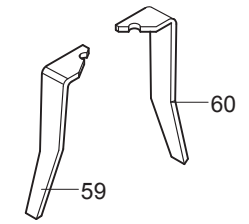
SUPP. COLTELLI CENTRALE DM
DM CENTRAL BLADE SUPP.



SUPP. COLTELLI LATERALE DM
DM SIDE BLADES SUPPORT



COLTELLI "ON GRIP" DMR (OPT.)
DMR "ON GRIP" BLADES (OPT.)



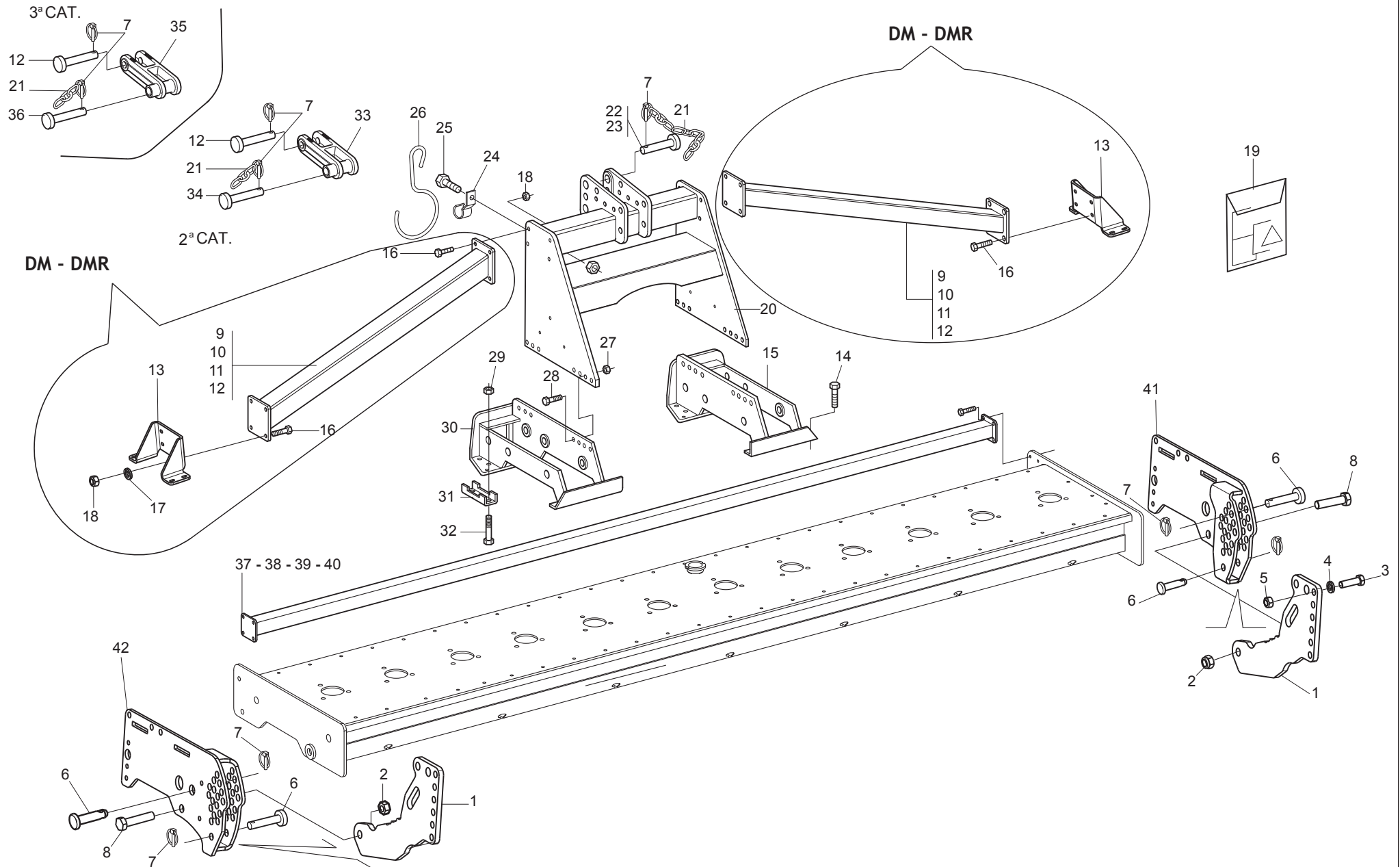
**TELAIO E ROTORI DM-DMR
FRAME AND ROTORS DM-DMR**

TAV.020

Pos.	Cod.	Descrizione	Description	Description	Benennung	Description
50	F02200374R	COPIGLIAR 4X 82 ZN	SPRING SPLIT PIN 4X82	GOUPILLE 4X82	SPLINT 4X82	PASADOR 4X82
51	M36100386R	MANICO ECCENTRICO	TOOL FOR QUICK-FIT SYSTEM	MANIVELLE	KURBEL	MANGO
52	M52400525R	CUNEO RINFORZO VERSIONE PLS RP	STIFFENING WEDGE	COIN DE RENFORCEMENT	VERSTAERKUNGSKEIL	CU A DE REFUERZO
53	M35430520R	CORPO NO CC.DM 3000 COM.RICAMB	COMPLETE BOX DM COMBI 3000	LAMIER COMPL DM COMBI 3000	GEHAEUSE DM COMBI 3000	CUERPO COMPL DM COMBI 3000
54	M35435520R	CORPO NO CC.DM 3500 COM.RICAMB	COMPLETE BOX DM COMBI 3500	LAMIER COMPL DM COMBI 3500	GEHAEUSE DM COMBI 3500	CUERPO COMPL DM COMBI 3500
55	M35440520R	CORPO NO CC.DM 4000 COM.RICAMB	COMPLETE BOX DM COMBI 4000	LAMIER COMPL DM COMBI 4000	GEHAEUSE DM COMBI 4000	CUERPO COMPL DM COMBI 4000
56	M23430599R	CORPO TR. DMR3000 STD-COMBI 08	TRANSM.BOX DMR3000 STD-COMBI08			
57	M23435599R	CORPO TR. DMR3500 STD-COMBI 08	TRANSM.BOX DMR3500 STD-COMBI08			
58	M23440599R	CORPO TR. DMR4000 STD-COMBI 08	TRANSM.BOX DMR4000 STD-COMBI08			
59	M36100228R	COLT100X15X330SX QUICK OG	BLAD100X15X330LH QUICK OG	COUPEAU RAPIDO ONGRIP 15MM GCH	LINKS 15MM AUF GRIFF ZINKEN	CUCHILLA ON GRIP 15MM IZQUIER.
60	M36100227R	COLT100X15X330DX QUICK OG	BLAD100X15X330RH QUICK OG	COUPEAU RAPIDO ONGRIP 15MM DRT	RECHTS 15MM AUF GRIFF ZINKEN	CUCHILLA ON GRIP 15MM DERECHA
61	M36100210R	COLT100X12X300DX 60M16	BLAD100X12X300RH 60M16	COUPEAUX DM 100X12 DROIT	RECHTES MESSER 100X12	CUCHILLO DERECHO 100X12
62	F20110044R	VITE M16X1,5X50 SPEC 12.9ZF	BOLT M16X1,5X50 SPEC 12.9ZF	VIS M16X1,5X50 SPEC 12.9ZF	SCHRAU. M16X1,5X50 SPEC 12.9ZF	TORN. M16X1,5X50 SPEC 12.9ZF
63	M36100332R	SUPPORTO COLTELLI LATERALE	LATERAL BLADE SUPPORT	SUPPORT COUPEAU LATERAL	SEITLICH MESSERTRAEGER	SOPORTE CUCHILLO LATERAL
64	M36100312R	FERMO VITE COLTELLI	KNIVES FASTENING BOLT	ETRIER DE SERRAGE COUPEAUX DM	MESSERSCHRAUBESPERRUNG	CLAUSURA TORNILLO CUCHILLA
65	M36100211R	COLT100X12X300SX 60M16	BLAD100X12X300LH 60M16	COUPEAUX DM 100X12 GAUCHE	LINKES MESSER 100X12	CUCHILLO IZQUIERDO
66	M19400302R	SUPPORTO COLTELLI CENTRALE	CENTRAL BALDE SUPPORT			
67	F01060206R	VITE M12X1,75X30 U5731 8.8ZN	SCR. M12X1,75X30 U5731* 8.8ZN	VIS M12X1,75X30	SCHRAUBE M12X1,75X30	TORNILLO M12X1,75X30
68	F01220048R	DADO M12X1,75 D980 8ZN	NUT M12X1,75 D980 8ZN	ECROU M12X1,75 D980 8 ZN	SCHEIBE M12X1,75 D980 8 ZN	TUERCA M12X1,75 D980 8 ZN
69	M36100223R	COLT100X12X306DX 60M16 TG	BLAD100X12X306RH 60M16 TG	COUPEAU DM 12MM TUNGSTENE DRT		
70	M36100224R	COLT100X12X306SX 60M16 TG	BLAD100X12X306LH 60M16 TG	COUPEAU DM 12MM TUNGSTENE GCH		
71	M36100285R	COLT100X15X320DX QUICK TG	BLAD100X15X320RH QUICK TG	COUPEAU DRT QUICK100X15X320TUN	RECHTS MESSER 100X15X320 TUNGS	CUCHILLA DER.QUICK-FIT TUNGST.
72	M36100286R	COLT100X15X320SX QUICK TG	BLAD100X15X320LH QUICK TG	COUPEAU GCH QUICK100X15X320TUN	LINKES MESSER 100X15X320 TUNGS	CUCHILLA IZ.QUICK-FIT TUNGST.
73	M36100215R	COLT100X15X300DX 60M16	BLAD100X15X300RH 60M16	COUPEAU DRT SP.15 DM		
74	M36100216R	COLT100X15X300SX 60M16	BLAD100X15X300LH 60M16	COUPEAU GCH. SP.15 DM		

TAV.030

STANDARD



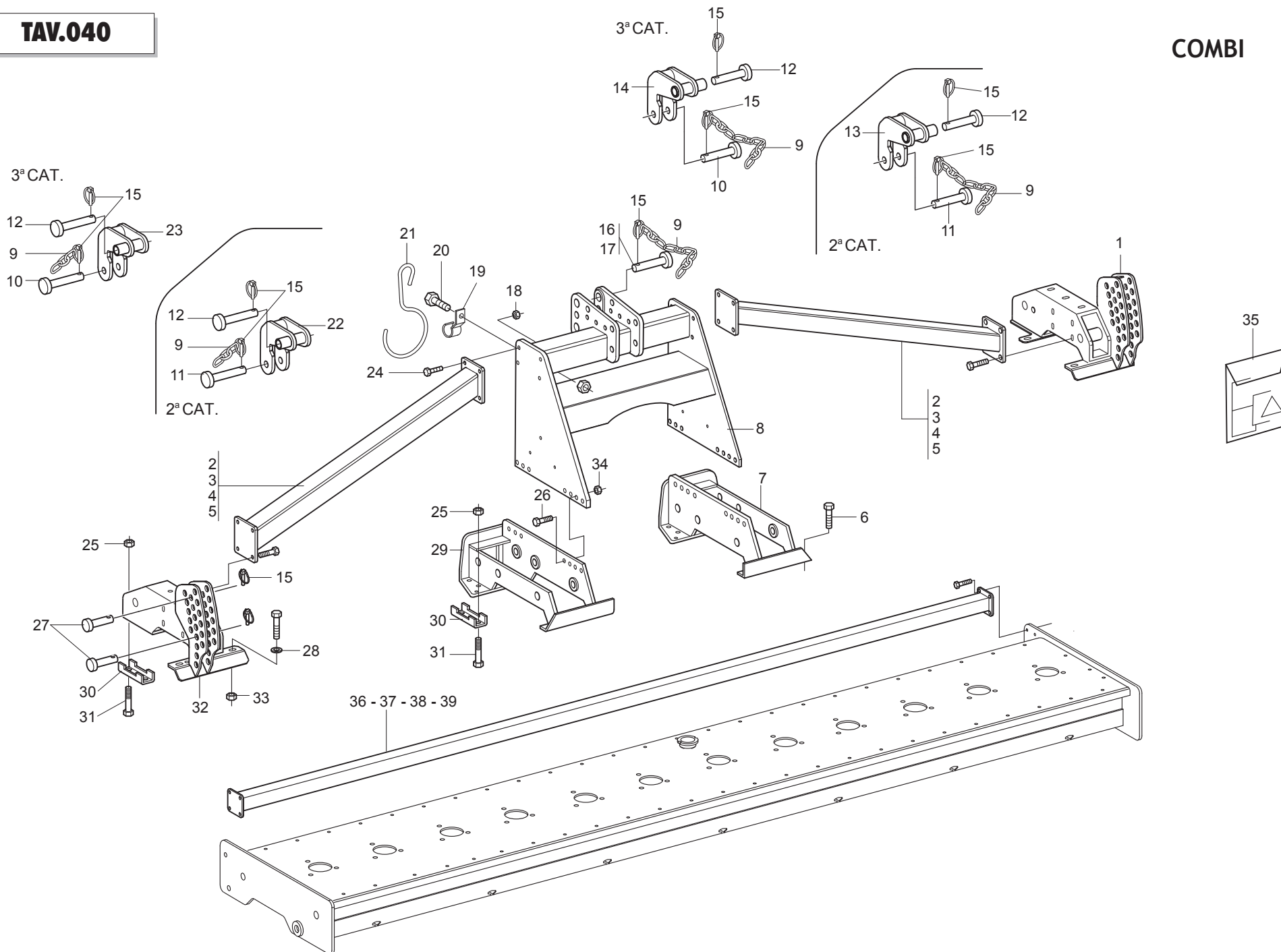
**GRUPPO 3° PUNTO STD
3RD-POINT UNIT STD**

TAV.030

Pos.	Cod.	Descrizione	Description	Description	Benennung	Descripcion
1	M26400415R	BRACCIO COLLEGAMENTO RULLO	ROLLER CONNECTING ARM	BRAS DE CONNECTION ROULEAU	WALZE VERBINDUNGSARM	BRAZO DE CONEXI N RODILLO
2	F01230269R	DADO M22X1,5 D985 CL8 ZN	NUT M22X1,5 D985 6S ZN	ECROU AUTOBL.M22X1,5 D985 6SZN	SELBST.MUTT.M22X1,5 D985 6S ZN	DADO AUTOBL.M22X1,5 D985 6S ZN
3	F01010151R	VITE M18X1,5X60 U5738 8.8ZN	SCR. M18X1,5X60 U5738 8.8ZN	VIS M18X1,5X60	SCHRAUBE M18X1,5X60	TORNILLO M18X1,5X60
4	F01480156R	ROS.G 19X32 X5,3 FLZNNC-240H	GROWER WASHER D.18	RONDELLE GROWER D.18	SCHEIBE GROWER D.18	ARANDELA GROWER D.18
5	F01220081R	DADO M18X1,5 D980 8ZN	NUT M18X1,5 D980 8ZN	ECROU AUTOBL. M18X1,5 980-V	SELBSTSP.MUTT. M18X1,5 980-V	DADO AUTOBL. M18X1,5 980-V
6	F20100054R	PERNO D19 L58 C40 TEST.D35 ZN	PIN D19 L58 C40	GOUJON D19	BOLZEN D19	PERNO D19 L58 C40
7	F02200529R	SPINA SCATTO D.11 H58 ZN	SNAP PIN D.11 H58 ZN	FICHE A DETENTE D.11 H58 ZN	EINRASTSTIFT D.11 H58 ZN	CLAVIJA DE MUELLE D.11 H58 ZN
8	F01010190R	VITE M22X1,5X90 U5738 8.8ZN	SCREW M22X1,5 X90 U5738 8.8 ZN	VIS M 22X1,5X90 U5738 8.8 ZN	SCHRAUBE M22X1,5X90 U5738 8.8	TORNIL. M22X1,5X90 U5738 8.8
9	M26425598R	COLLEGAMENTO 3 P. DC-DM 2500	RIGHT 3POINT LINKAGE BEAM 2500	POUTRE ATT.3 POINT.DROITE 2500	RECHTS 3 PUNKTBOCK STREBUNG	TIRANTE ENGANCHE 3P. DERECHO
10	M26430598R	COLLEGAMENTO 3 P. DC-DM 3000	RIGHT 3POINT LINKAGE BEAM 3000	POUTRE ATT.3 POINT.DROITE 3000	RECHTS 3 PUNKTBOCK STREBUNG	TIRANTE ENGANCHE 3P.DERECHO
11	M26435598R	COLLEGAMENTO 3 P. DC-DM 3500	RIGHT 3POINT LINKAGE BEAM 3500	POUTRE ATT.3 POINT.DROITE 3500	RECHTS 3 PUNKTBOCK STREBUNG	TIRANTE ENGANCHE 3P.DERECHO
12	M26440598R	COLLEGAMENTO 3 P. DC-DM 4000	RIGHT 3POINT LINKAGE BEAM 4000	POUTRE ATT.3 POINT.DROITE 4000	RECHTS 3 PUNKTBOCK STREBUNG	TIRANTE ENGANCHE 3P.DERECHO
13	M26400405R	STAFFA ATTACCO	STIRRUP LINKAGE	ATTELAGE ETRIER	BUEGELLINK	ESTRIBO ATAQUE
14	F01010254R	VITE M10X1,25X35 U5740 8.8ZN	SCR. M10X1,25X35 U5740 8.8ZN	VIS M 10X1,25X35	SCHRAUBE M 10X1,25X35	TORNILLO M 10X1,25X35
15	M26400707R	BASE RINFORZATA 3 PUNTO DX	RIGHT BASE LINKAGE	BASE ATTELAGE DROIT	BASISVERB. RECHTS	BASE ATAQUE DERECHO
16	F01010053R	VITE M12X1,25X45 U5738 8.8ZN	SCR. M12X1,25X45 U5738 8.8ZN	VIS M 12X1,25X45	SCHRAUBE M 12X1,25X45	TORNILLO M 12X1,25X45
17	F01500011R	ROS. 13 X35X5 D6340 C50 ZN	WASHER D. 12	RONDELLE D.12	SCHEIBE D.12	ARANDELA D.12
18	F01220047R	DADO M12X1,25 D980 8ZN	NUT M12X1,25 D980 8ZN	ECROU M12X1,25 D980 8 ZN	MUTTER M12X1,25 D980 8 ZN	TUERCA M12X1,25 D980 8 ZN
19	F20030150R	KIT ETICH. SICUREZZA CE	SECURITY LABELS	ETIQUETTES DE SECURITE	SICHERUNG AUFKLEBER	CALCOMANIA DE PELIGRO
20	M26400590R	COMP.CASTELLO 3 PUNTO	COMPLETE 3RD POINT	3EME POINT COMPL.	3. PUNKT KOMPLETT	TERCER PUNTO COMPL.
21	M63112581R	ASSIEME CATENELLA L.333 ZN	CHAIN L.333 ZN	CHAINE	KETTE	CADENA
22	F20100062R	PERNO D25 L122 C40 TEST.D35 Z	BOLT D25 L122 C40 TEST.D35 Z	BOULON D25 L122 ZN	BOLZEN D25 L122 ZN	PERNO D25 L122 ZN
23	F20100101R	PERNO D32 L128 C43 TEST.D45 ZN	BOLT D32 L128 C43 ZN	BOULON D32 L128 C43 ZN	BOTZEN D32 L128 C43 ZN	PERNO D32 L128 C43 ZN
24	F20120401R	FASCETTA FERMA CARDANO ZN	SHAFT HOOK SUPPORT	SUPPORT CARDAN	GELENKWELLE HACKEN HALTER	SOPORTE CARDAN
25	M71100532R	VITE M12X1,25X 25 SPEC.8.8 ZN	BOLT M12X1,25X25	VIS M12X1,25X25	SCHRAUBE M12X1,25X25	TORNILLO M12X1,25X25
26	F20120400R	GANCIO SOSTEGNO CARDANO	SHAFT HOOK SUPPORT	SUPPORT CARDAN	GELENKWELLE - HACKEN	SOPORTE CARDAN
27	F01220059R	DADO M14X1,5 D980 8ZN	NUT M14X1,5 D980 8ZN	ECROU M14X 1,5 D980 8 ZN	MUTTER M14X 1,5 D980 8 ZN	TUERCA M14X 1,5 D980 8 ZN
28	F01010318R	VITE M14X1,5X40 U5740 8.8ZN	SCR. M14X1,5X40 U5740 8.8ZN	VIS M 14X1,5X40	SCHRAUBE M 14X1,5X40	TORNILLO M 14X1,5X40
29	F01220070R	DADO M16X1,5 D980 10ZN	NUT M16X1,5 D980 8ZN	ECRO.M16X1,5 D980 8ZN	MUTTER M16X1,5 D980 8ZN	TUER.M16X1,5 D980 8ZN
30	M26400708R	BASE RINFORZATA 3 PUNTO SX	LEFT BASE LINKAGE	BASE ATTELAGE GAUCHE	BASISVERB. LINKSS	BASE ATAQUE IZQUIERDO
31	M36200241R	STAFFA PER TUBO DA 80	STIRRUP	ETRIER	BUEGEL	ESTRIBO
32	F01010135R	VITE M16X1,5X180 U5738 8.8BR	SCR. M16X1,5X180 U5738 8.8BR	VIS M 16X1,5X170	SCHRAUBE M 16X1,5X170	TORNILLO M 16X1,5X170
33	M35400512R	BIELLA 2 CATEGORIA	2 CATEGORY ROD			
34	F20100074R	PERNO D28 L109 C43 SPINA 3 P.	PIN FOR BAR LINKAGE	GOUJON ATTELAGE BARRE	VERB.BOLZEN SCHUTZHOLM	PERNO ATAQUE BARRA
35	M35400513R	BIELLA 3 CATEGORIA	3 CATEGORY ROD			
36	F20100112R	PERNO D36 L128 C43 TEST.D45 Z	BOLT D36 L128 C43 ZN	BOULON D36 L128 C43 ZN	BOLTZEN D36 L128 C43 ZN	PERNO D36 L128 C43 ZN
37	M26425589R	TRAVE ANT. 80X80 2500	BEAM 80X80 2500	POUTRE 80X80 2500	HAUPTTTRAEGER 80X80 2500	VIGA 80X80 2500
38	M26430589R	TRAVE ANT. 80X80 3000	BEAM 80X80 3000	POUTRE 80X80 3000	HAUPTTTRAEGER 80X80 3000	VIGA 80X80 3000
39	M26435589R	TRAVE ANT. 80X80 3500	BEAM 80X80 3500	POUTRE 80X80 3500	HAUPTTTRAEGER 80X80 3500	VIGA 80X80 3500
40	M26440589R	TRAVE ANT. 80X80 4000	BEAM 80X80 4000	POUTRE 80X80 4000	HAUPTTTRAEGER 80X80 4000	VIGA 80X80 4000
41	M26400406R	COMP.FIANCATA DX REG. PERNI	RIGHT SIDE PANEL	COTE DROIT	RECHTE SEITENWAND	FLANCO DERECHO
42	M26400407R	COMP.FIANCATA SX REG. PERNI	LEFT SIDE PANEL	COTE GAUCHE	LINKE SEITENWAND	FLANCO IZQUIERDO

TAV.040

COMBI

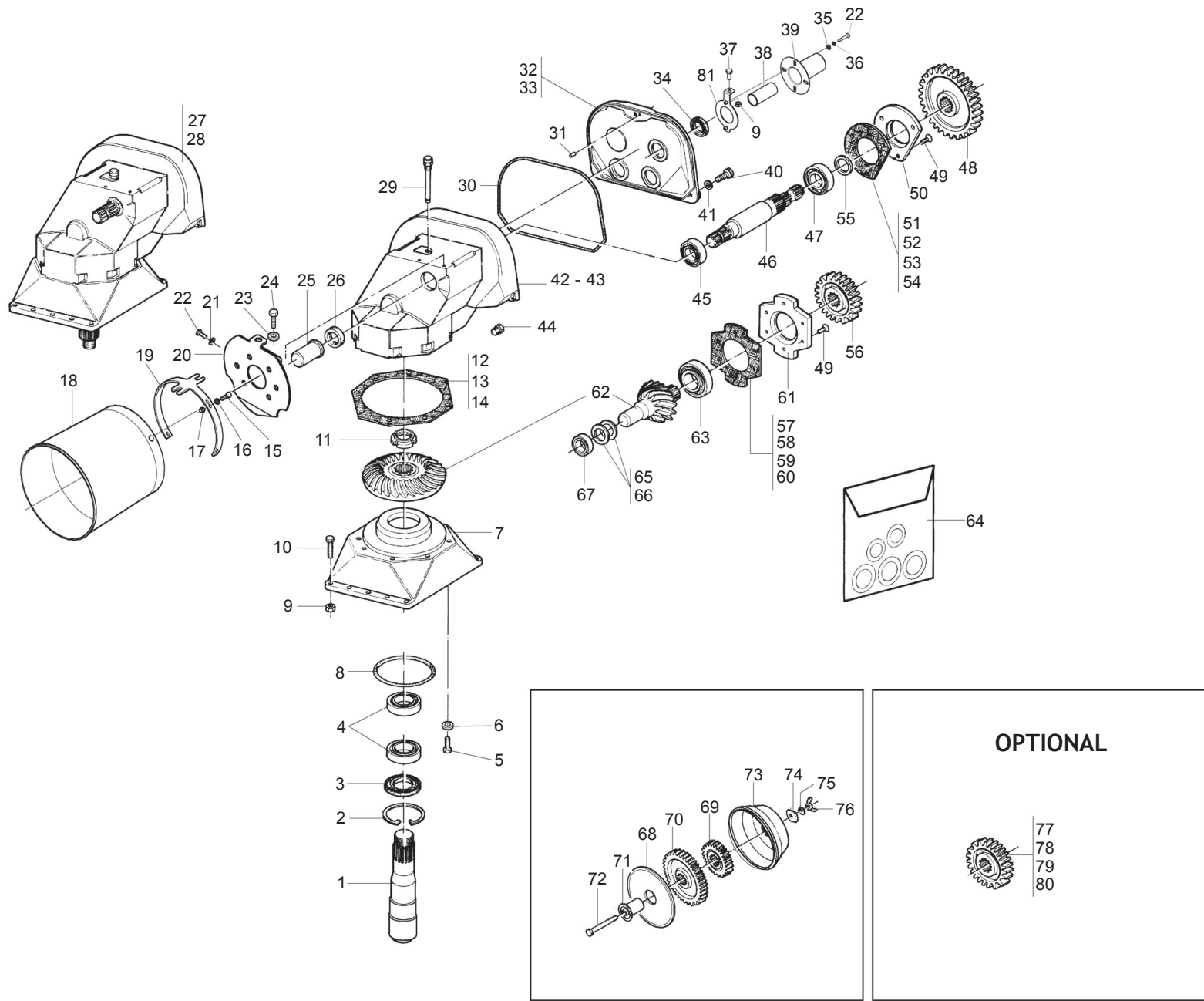


**GRUPPO 3° PUNTO COMBI
3RD-POINT UNIT COMBI**

TAV.040

Pos.	Cod.	Descrizione	Description	Description	Benennung	Description
1	M26400731R	SUPPORTO DX REGOLAZIONE RULLO	RIGHT SUPPORT	SUPPORT DROIT	RECHTE TRAEGER	SOPORTE DERECHO
2	M26425598R	COLLEGAMENTO 3 P. DC-DM 2500	RIGHT 3POINT LINKAGE BEAM 2500	POUTRE ATT.3 POINT.DROITE 2500	RECHTS 3 PUNKTBOCK STREBUNG	TIRANTE ENGANCHE 3P. DERECHO
3	M26430598R	COLLEGAMENTO 3 P. DC-DM 3000	RIGHT 3POINT LINKAGE BEAM 3000	POUTRE ATT.3 POINT.DROITE 3000	RECHTS 3 PUNKTBOCK STREBUNG	TIRANTE ENGANCHE 3P.DERECHO
4	M26435598R	COLLEGAMENTO 3 P. DC-DM 3500	RIGHT 3POINT LINKAGE BEAM 3500	POUTRE ATT.3 POINT.DROITE 3500	RECHTS 3 PUNKTBOCK STREBUNG	TIRANTE ENGANCHE 3P.DERECHO
5	M26440598R	COLLEGAMENTO 3 P. DC-DM 4000	RIGHT 3POINT LINKAGE BEAM 4000	POUTRE ATT.3 POINT.DROITE 4000	RECHTS 3 PUNKTBOCK STREBUNG	TIRANTE ENGANCHE 3P.DERECHO
6	F01010254R	VITE M10X1,25X35 U5740 8.8ZN	SCR. M10X1,25X35 U5740 8.8ZN	VIS M 10X1,25X35	SCHRAUBE M 10X1,25X35	TORNILLO M 10X1,25X35
7	M26400707R	BASE RINFORZATA 3 PUNTO DX	RIGHT BASE LINKAGE	BASE ATTELAGE DROIT	BASISVERB. RECHTS	BASE ATAQUE DERECHO
8	M26400590R	COMP.CASTELLO 3 PUNTO	COMPLETE 3RD POINT	3EME POINT COMPL.	3. PUNKT KOMPLETT	TERCER PUNTO COMPL.
9	M63112581R	ASSIEME CATENELLA L.333 ZN	CHAIN L.333 ZN	CHAINE	KETTE	CADENA
10	F20100112R	PERNO D36 L128 C43 TEST.D45 Z	BOLT D36 L128 C43 ZN	BOULON D36 L128 C43 ZN	BOLTZEN D36 L128 C43 ZN	PERNO D36 L128 C43 ZN
11	F20100074R	PERNO D28 L109 C43 SPINA 3 P.	PIN FOR BAR LINKAGE	GOUJON ATTELAGE BARRE	VERB.BOLZEN SCHUTZHOLM	PERNO ATAQUE BARRA
12	F20100113R	PERNO D36 L208 C43 TEST.D45 Z	PIN D36 L208 C40 ZN	GOUJON D36 L208 C40 ZN	BOLZEN D36 L208 C40 ZN	PERNO D36 L208 C40 ZN
13	M23400589R	BIELLA ATT.B.DX 2 CAT.	RIGHT CONNECTING ROD	BIELLE ATTELAGE BARRE DROITE	PLEUELST.VERB.SCHUTZH. RECHTS	BIELA ATAQUE BARRA DERECHA
14	M23400592R	BIELLA ATT.B.DX 3 CAT.	RIGHT CONNECTING ROD	BIELLE ATTELAGE BARRE DROITE	PLEUELST.VERB.SCHUTZH. RECHTS	BIELA ATAQUE BARRA DERECHA
15	F02200529R	SPINA SCATTO D.11 H58 ZN	SNAP PIN D.11 H58 ZN	FICHE A DETENTE D.11 H58 ZN	EINRASTSTIFT D.11 H58 ZN	CLAVIJA DE MUELLE D.11 H58 ZN
16	F20100062R	PERNO D25 L122 C40 TEST.D35 Z	BOLT D25 L122 ZN	BOULON D25 L122 ZN	BOLZEN D25 L122 ZN	PERNO D25 L122 ZN
17	F20100101R	PERNO D32 L128 C43 TEST.D45 ZN	BOLT D32 L128 C43 ZN	BOULON D32 L128 C43 ZN	BOTZEN D32 L128 C43 ZN	PERNO D32 L128 C43 ZN
18	F01220047R	DADO M12X1,25 D980 8ZN	NUT M12X1,25 D980 8ZN	ECROU M12X1,25 D980 8 ZN	MUTTER M12X1,25 D980 8 ZN	TUERCA M12X1,25 D980 8 ZN
19	F20120401R	FASCETTA FERMA CARDANO ZN	SHAFT HOOK SUPPORT	SUPPORT CARDAN	GELENKWELLE HACKEN HALTER	SOPORTE CARDAN
20	M71100532R	VITE M12X1,25X 25 SPEC.8.8 ZN	BOLT M12X1,25X25	VIS M12X1,25X25	SCHRAUBE M12X1,25X25	TORNILLO M12X1,25X25
21	F20120400R	GANCIO SOSTEGNO CARDANO	SHAFT HOOK SUPPORT	SUPPORT CARDAN	GELENKWELLE - HACKEN	SOPORTE CARDAN
22	M23400590R	BIELLA ATT.B.SX 2 CAT.	LEFT CONNECTING ROD	BIELLE ATTELAGE BARRE GAUCHE	PLEUELST.VERB.SCHUTZH.LINKS	BIELA ATAQUE BARRA IZQUIERDA
23	M23400593R	BIELLA ATT.B.SX 3 CAT.	CONNECTING ROD L.H.	BIELLE GAUCHE	LINKER PLEUEL HM	VARILLA
24	F01010288R	VITE M12X1,25X35 U5740 8.8ZN	SCR. M12X1,25X35 U5740 8.8ZN	VIS M12X1,25X35 U5740 8.8 ZN	SCHR.M12X1,25X35 U5740 8.8 ZN	TORN.M12X1,25X35 U5740 8.8 ZN
25	F01220070R	DADO M16X1,5 D980 10ZN	NUT M16X1,5 D980 8ZN	ECRO.M16X1,5 D980 8ZN	MUTTER M16X1,5 D980 8ZN	TUER.M16X1,5 D980 8ZN
26	F01010318R	VITE M14X1,5X40 U5740 8.8ZN	SCR. M14X1,5X40 U5740 8.8ZN	VIS M 14X1,5X40	SCHRAUBE M 14X1,5X40	TORNILLO M 14X1,5X40
27	F20100048R	PERNO D22 L48 C43 TEST.D35 ZN	BOLT D22 L48 C43 ZN	GOUJON D22 L48 C43	BOLZEN D22 L48 C43	PERNO D22 L48 C43
28	F01500010R	ROS. 10,5X28X4 D6340 C50 ZN	WASHER 10,5X28X4	RONDELLE 10,5X28X4	SCHEIBE 10,5X28X4	ARANDELA 10,5X28X4
29	M26400708R	BASE RINFORZATA 3 PUNTO SX	LEFT BASE LINKAGE	BASE ATTELAGE GAUCHE	BASISVERB. LINKSS	BASE ATAQUE IZQUIERDO
30	M36200241R	STAFFA PER TUBO DA 80	STIRRUP	ETRIER	BUEGEL	ESTRIBO
31	F01010135R	VITE M16X1,5X180 U5738 8.8BR	SCR. M16X1,5X180 U5738 8.8BR	VIS M 16X1,5X170	SCHRAUBE M 16X1,5X170	TORNILLO M 16X1,5X170
32	M26400732R	SUPPORTO SX REGOLAZIONE RULLO	LEFT SUPPORT	SUPPORT GAUCHE	LINK TRAEGER	SOPORTE ISQUIERDO
33	F01220034R	DADO M10X1,25 D980 8ZN	NUT M10X1,25 D980 8ZN	ECRO.M10X1,25 D980 8 ZB	MUTT.M10X1,25 D980 8 ZB	TUER.M10X1,25 D980 8 ZB
34	F01220059R	DADO M14X1,5 D980 8ZN	NUT M14X1,5 D980 8ZN	ECROU M14X 1,5 D980 8 ZN	MUTTER M14X 1,5 D980 8 ZN	TUERCA M14X 1,5 D980 8 ZN
35	F20030150R	KIT ETICH. SICUREZZA CE	SECURITY LABELS	ETIQUETTES DE SECURITE	SICHERUNG AUFKLEBER	CALCOMANIA DE PELIGRO
36	M26425589R	TRAVE ANT. 80X80 2500	BEAM 80X80 2500	POUTRE 80X80 2500	HAUPTTTRAEGER 80X80 2500	VIGA 80X80 2500
37	M26430589R	TRAVE ANT. 80X80 3000	BEAM 80X80 3000	POUTRE 80X80 3000	HAUPTTTRAEGER 80X80 3000	VIGA 80X80 3000
38	M26435589R	TRAVE ANT. 80X80 3500	BEAM 80X80 3500	POUTRE 80X80 3500	HAUPTTTRAEGER 80X80 3500	VIGA 80X80 3500
39	M26440589R	TRAVE ANT. 80X80 4000	BEAM 80X80 4000	POUTRE 80X80 4000	HAUPTTTRAEGER 80X80 4000	VIGA 80X80 4000

TAV.050

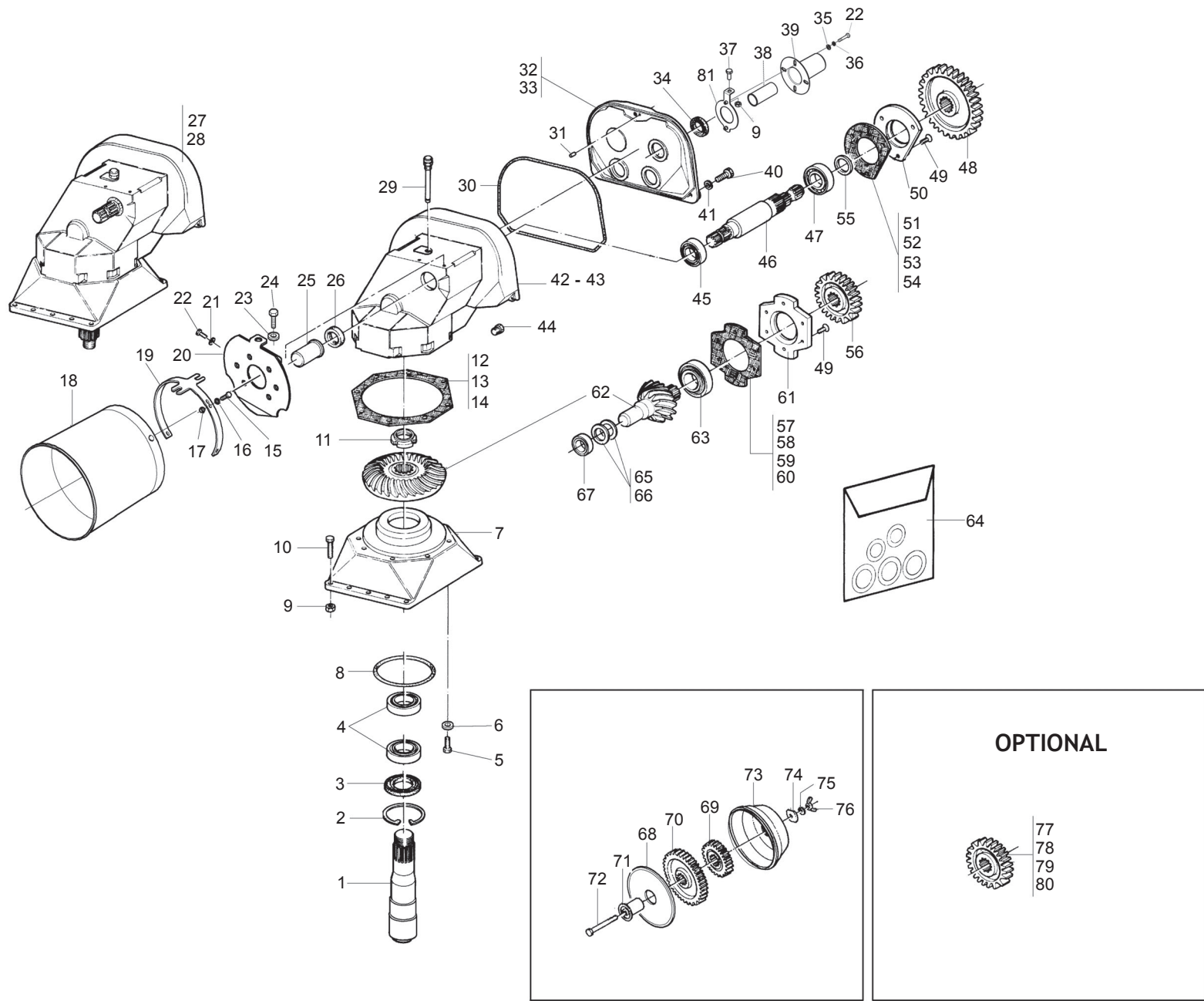


**GRUPPO CAMBIO
GEAR SHIFTGEAR**

TAV.050

Pos.	Cod.	Descrizione	Description	Description	Benennung	Descrpcion
1	M19400203R	ALBERO TRASM.D=80 L=208,5	SHAFT TR.D=80 L=208,5			
2	F02050482R	ANELLO E. DI110X 4 U7437 C70	SEEGER RING D.110	BAGUE SEEGER D.110	SEEGERRING D.110	ANILLO SEEGER D.110
3	F03010244R	ANELLO T.A. 80X110X10 D3760NBR	OIL SEAL 80X110X10	PARE-HUILE 80X110X10	OELABDICHTUNG 80X110X10	PARA-ACEITE 80X110X10
4	F04050117R	CUSC.D65 D110 T34 33113	BEARING D65 D110 T34 33113	ROULEMENT D65 D110 T34 33113	LAGER D65 D110 T34 33113	COJINETE D65 D110 T34 33113
5	F01010289R	VITE M12X1,25X35 U5740 10.9DL	SCR. M12X1,25X35 U5740 10.9DL	VIS M 12X1,25X35	SCHRAUBE M 12X1,25X35	TORNILLO M 12X1,25X35
6	F01480123R	ROS.G 12,5X22,9X 4 FLZNNC-240H	WASHER M12 ZGP EXTRA P.	RONDELLE M12 ZGP EXTRA P.	UNTERLEGSCHLEIBE M12 ZGP EXTRA	ARANDELA M12 ZGP EXTRA P.
7	M19400202R	BASE CAMBIO	GEARBOX SUPPORT	SUPPORT BOITE DE VITESSE	WECHSELGETRIEBE HALTER	SOPORTE CAMBIO
8	F03010738R	ANELLO OR 126,59X353 NBR	GASKET OR 126,59X353 NBR	BAGUE OR	RING OR	ANILLO OR
9	F01220034R	DADO M10X1,25 D980 8ZN	NUT M10X1,25 D980 8ZN	ECRO.M10X1,25 D980 8 ZB	MUTT.M10X1,25 D980 8 ZB	TUER.M10X1,25 D980 8 ZB
10	F01010254R	VITE M10X1,25X35 U5740 8.8ZN	SCR. M10X1,25X35 U5740 8.8ZN	VIS M 10X1,25X35	SCHRAUBE M 10X1,25X35	TORNILLO M 10X1,25X35
11	F02010155R	GHIERRAAU.GUP M50X1,5 T.4H ZN	SELF LOCKING NUT M50X1,5	COLLIER AUTOBL. M50X1,5	SELBSTSP. NUTMUTTER M50X1,5	VIROLA AUTOBL. M50X1,5
12	M14100204R	GUARNIZIONE FLANGIA PR 1 10	GASKET MM.0,1	JOINT MM.0,1	DICHTUNG MM.0,1	JUNTA MM.0,1
13	M14100205R	GUARNIZIONE FLANGIA PR 3 10	GASKET MM.0,3	JOINT MM.0,3	DICHTUNG MM.0,3	JUNTA MM.0,3
14	M14100206R	GUARNIZIONE FLANGIA PR 5 10	GASKET MM.0,5	JOINT MM.0,5	DICHTUNG MM.0,5	JUNTA MM.0,5
15	F01020403R	VITE M6X1X16 U5739 8.8ZN	SCR. M6X1X16 U5739 8.8ZN	VIS M6X1X16 U5739 8.8 ZN	SCHRAUBE M6X1X16 U5739 8.8 ZN	TORNILLO M6X1X16 U5739 8.8 ZN
16	F01410037R	ROS.M6 6,4X12,5X1,6 U6592 ZN	WASHER M6 6,4X12,5X1,6 U6592ZN	RONDEL.M6 6,4X12,5X1,6 U6592ZN	SCHLEIB.M6 6,4X12,5X1,6 U6592ZN	ARAND.M6 6,4X12,5X1,6 U6592 ZN
17	F01220011R	DADO M6X1 D980 8ZN	NUT M6X1 D980 8ZN	ECROU M6X1 D980 8 ZN	MUTTER M6X1 D980 8 ZN	TUERCA M6X1 D980 8 ZN
18	M68100106R	PROTEZIONE CARDANO	CARDAN PROTECTION	PROTECTION CARDAN	GELENKWELLENSCHUTZ	PROTECCION CARDANICO
19	M12400115R	ATTACCO CUFFIA	PROTECTION SUPPORT	SUPPORT PROTECTION CARDAN	GELENKWELLENSCHUTZ HALTER	SOPORTE PROTECCION CARDANICO
20	M12400111R	ATTACCO CUFFIA	PROTECTION SUPPORT	SUPPORT PROTECTION CARDAN	GELENKWELLENSCHUTZ HALTER	SOPORTE PROTECCION CARDANICO
21	F01410037R	ROS.M6 6,4X12,5X1,6 U6592 ZN	WASHER M6 6,4X12,5X1,6 U6592ZN	RONDEL.M6 6,4X12,5X1,6 U6592ZN	SCHLEIB.M6 6,4X12,5X1,6 U6592ZN	ARAND.M6 6,4X12,5X1,6 U6592 ZN
22	F01020403R	VITE M6X1X16 U5739 8.8ZN	SCR. M6X1X16 U5739 8.8ZN	VIS M6X1X16 U5739 8.8 ZN	SCHRAUBE M6X1X16 U5739 8.8 ZN	TORNILLO M6X1X16 U5739 8.8 ZN
23	F01480099R	ROS.G 8,4X14,4X2,7 FLZNNC-240H	GROWER WASHER D.8	RONDELLE GROWER D.8	SCHLEIBE GROWER D.8	ARANDELA GROWER D.8
24	F01020436R	VITE M8X1,25X20 U5739 8.8ZN	SCR. M8X1,25X20 U5739 8.8ZN	VIS M8X1,25X 20 U5739 8.8 ZN	SCHRAUBE M8X1,25X20U5739 8.8ZN	TORNILLO M8X1,25X20 U5739 8.8
25	M13100145R	MANICOTTO PROT.P.T.O.D.44	P.T.O. PROTECTION	MANCHON DE PROTECTION P.T.O.	ZAPFWELLENSCHUTZ P.T.O.	MANGUITO PROTECCION P.T.O.
26	F03010286R	ANEL. T.AS 45X 60X 7 D3760NBR	OIL SEAL 45X60X7	PARE-HUILE 45X 60X 7 D3760NBR	OELABDICHTUNG 45X 60X 7	PARA-ACEITE 45X 60X 7 D3760NBR
27	M19400101R	COMP.M.CAM.C.DM 2500 3500 4500	GEAR BOX ASSEMBLY 2500-4500	BOITE DE VITESSE 2500-4500	WECHSELGETR.KOMPL.2500-4500	CAJA CAMBIO COMPL.2500-4500
28	M19400102R	COMP.M.CAM.C.DM 3000 4000 5000	GEAR BOX ASSEMBLY 3000-5000	BOITE DE VITESSE 3000-5000	WECHSELGETR.KOMPL.3000-5000	CAJA CAMBIO COMPL.3000-5000
29	M36100123R	TAPPO SFIATO CON ASTINA DM	BREATHER PLUG	BOUCHON DE SOUPIRRAIL	ENTLUEFTERSTOPFEN	TAPON RESPIRADERO
30	M38100105R	GUARNIZIONE COPERCHIO CAMBIO	GEARBOX COVER GASKET	JOINT COUVERCLE BOITE DE VIT.	WECHSELGETRIEBEBECKEL DICHTUNG	JUNTA TAPA CAMBIO
31	M10100133R	SPINA RIF.COPERCHIO CAMBIO	PIN	GOUJON	STIFT	ESPIÑA
32	M36100151R	COPERCHIO CAMBIO	COVER GEAR	COUVERCLE BOITE DE VITESSE	WECHSELGETRIEBEBECKEL	TAPA CAMBIO
33	M36100152R	COPERCHIO CAMBIO	GEARBOX COVER	COUVERCLE BOITE DE VIT.	WECHSELGETRIEBEBECKEL	TAPA CAMBIO
34	F03010102R	ANELLO T.A. 38X 50X 7 D3760NBR	OIL SEAL 38X 50X 7 D3760NBR	PARE-HUILE 38X 50X 7 D3760NBR	OELABDICHTUNG 38X 50X 7 D3760	PARA-ACEITE 38X 50X 7 D3760NBR
35	F01410051R	ROS.M8 8,4X 17X1,6 U6592 ZN	WASHER M8 8,4X17X1,6 U6592 ZN	RONDELLE M8 8,4X17X1,6 ZN	SCHLEIBE M8 8,4X17X1,6 U6592 ZN	ARAND.M8 8,4X 17X1,6 U6592 ZN
36	F01480088R	ROS.G 6,4X12,4X2 FLZNNC-240H	GROWER WASHER D.6	RONDELLE GROWER D.6	SCHLEIBE GROWER D.6	ARANDELA GROWER D.6
37	F01010244R	VITE M10X1,25X25 U5740 8.8ZN	SCR. M10X1,25X25 U5740 8.8ZN	VIS M 10X1,25X25	SCHRAUBE M 10X1,25X25	TORNILLO M 10X1,25X25
38	M38100146R	MANICOTTO PROTEZIONE PDF 1 3 8	P.T.O. PROTECTION	MANCHON DE PROTECTION P.T.O.	ZAPFWELLENSCHUTZ P.T.O.	MANGUITO PROTECCION P.T.O.
39	F20150001R	PROTEZIONE P.F.P.1 3 4 GRUPPO	PROTECTION	CARTER	SCHUTZ	PROTECCION
40	F01020476R	VITE M10X1,5X30 U5739 8.8ZN	SCR. M10X1,5X30 U5739 8.8ZN	VIS M10X1,5X30 U5739 8.8 ZN	SCHRAUBE M10X1,5X30U5739 8.8ZN	TORNILLO M10X1,5X30 U5739 8.8
41	F01410064R	ROS.M10 10,5X 20X 2 U6592 ZN	WASHER M10 10,5X20X2 U6592 ZN	RONDEL. M10 10,5X20X2 U6592 ZN	SCHLEIBE M10 10,5X20X2 U6592 ZN	ARAND.M10 10,5X 20X 2 U6592 ZN
42	M36100101R	CORPO RID.CAMBIO 3000 4000	GEARBOX 3000 4000 5000	BOITE DE VITESSE 3000 4000 500	WECHSELGETRIEBEGEHAEUSE	CAJA CAMBIO 3000 4000 5000
43	M36100104R	CORPO RID.CAMBIO DM 3500 4500	GEARBOX 3500 4500	BOITE DE VITESSE 3500 4500	WECHSELGETRIEBEGEHAEUSE	CAJA CAMBIO 3500 4500
44	F03150630R	TAPPO SCARICO 1 2 GAS CON.	OIL OUTLET PLUG 1 2	BOUCHON DE VIDANGE HUILE 1 2	OELABLASSPFROPFEN 1 2	TAPON DESCARGADO ACEITE 1 2
45	F04050018R	CUSC. D45 D85 T20,75 30209	BEARING D45 D85 T20,75 30209	ROULEMENT D45 D85 T20,75 30209	LAGER D45 D85 T20,75 30209	COJINETE D45 D85 T20,75 30209
46	M36100150R	ALBERO PRESA DI FORZA	POWER TAKE-OFF SHAFT	ARBRE PRISE DE FORCE	ZAPFWELLE P.D.F.	ARBOL TOMA DE FUERZA
47	F04050041R	CUSC. D45 D100 T27,25 30309	BEARING D45 D100 T27,25 30309	ROULEMENT D45 D100 T27,25 3030	LAGER D45 D100 T27,25 30309	COJINETE D45 D100 T27,25 30309
48	M24100109R	INGRAN. CAMBIO Z 17 M7	GEAR Z-17	ENGRENAGE Z-17	ZAHNRAD WECHSELGETRIEBE Z-17	ENGRANAJE Z-17
49	F01030085R	VITE M10X1,5X25 U5933 10.9BR	SCR. M10X1,5X25 U5933 10.9BR	VIS M10X 1,5X25 U5933 10.9 BR	SCHRAUBE M10X 1,5X25 U5933	TORNILLO M10X 1,5X25 U5933
50	M36100138R	FLANGIA CUSC. ALBERO PDF	BEARING SUPPORT	SUPPORT ROULEMENT	LAGERHALTER	SOPORTE COJINETE
51	M36100111R	GUARNIZ.FL.P.F.MYLARE 0,05 DM	GASKET MM. 0,05	JOINT MM.0,05	DICHTUNG MM.0,05	JUNTA MM.0,05
52	M36100112R	GUARN.FL.CUSC.P.F.PRESPAN 0,1	GASKET MM.0,1	JOINT MM.0,1	DICHTUNG MM.0,1	JUNTA MM.0,1
53	M36100113R	GUARN.FL.CUSC.P.F.PRESPAN 0,3	GASKET MM.0,3	JOINT MM.0,3	DICHTUNG MM.0,3	JUNTA MM.0,3
54	M36100114R	GUARN.FL.CUSC.P.F.PRESPAN 0,5	GASKET MM.0,5	JOINT MM.0,5	DICHTUNG MM.0,5	JUNTA MM.0,5
55	M36100149R	DISTANZIALE INGR.	SPACER	ENTRETOISE	DISTANZSTUECK	DISTANCIADOR
56	M24100110R	INGRAN. CAMBIO Z 23 M7	GEAR Z-23	ENGRENAGE Z-23	ZAHNRAD WECHSELGETRIEBE Z-23	ENGRANAJE Z-23

TAV.050



**GRUPPO CAMBIO
GEAR SHIFTGEAR**

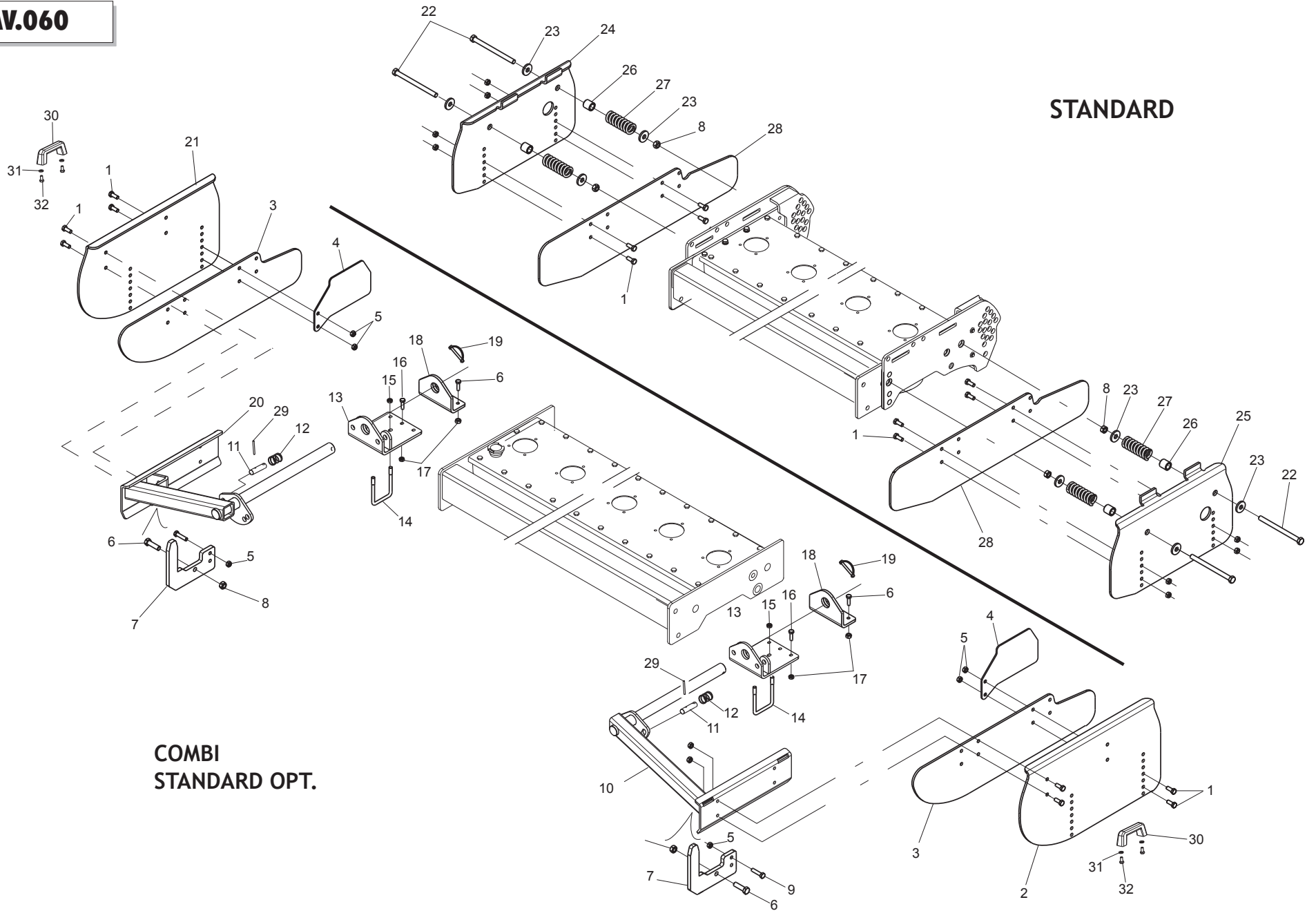
TAV.050

Pos.	Cod.	Descrizione	Description	Description	Benennung	Description
57	M36100133R	GUA.FLAN.CUS.PIG.MYLAR 0,05 DM	GASKET MM. 0,05	JOINT MM.0,05	DICHTUNG MM.0,05	JUNTA MM.0,05
58	M36100134R	GUA.FLA.CUS.PIG.PRESPAN 0,1 DM	GASKET MM.0,1	JOINT MM.0,1	DICHTUNG MM.0,1	JUNTA MM.0,1
59	M36100135R	GUA.FLA.CUS.PIG.PRESPAN 0,3 DM	GASKET MM.0,3	JOINT MM.0,3	DICHTUNG MM.0,3	JUNTA MM.0,3
60	M36100136R	GUA.FLA.CUS.PIG.PRESPAN 0,5 DM	GASKET MM.0,5	JOINT MM.0,5	DICHTUNG MM.0,5	JUNTA MM.0,5
61	M36100132R	FLANGIA CUSCINETTO PIGNONE	BEARING SUPPORT FLANGE PINION	FLASQUE ROULEMENT	LAGERFLANSCH	BRIDA COJINETE
62	M36100153R	COPPIA CONICA	BEVEL GEAR PAIR	COUPLE CONIQUE	KEGELRITZELSATZ	PAR CONICO
63	F04050118R	CUSC. D65 D120 T41 33213	BEARING D65 D120 T41 33213	ROULEMENT D65 D120 T41 33213	LAGER D65 D120 T41 33213	COJINETE D65 D120 T41 33213
64	F03100072R	SERIE GUARNIZIONI CAMBIO DM	GASKET SET DM	SERIE JOINTS DM	DICHTUNGSSATZ DM	SERIE JUNTAS DM
65	M36200132R	SPESSORE REGISTRO 0,15	SPACER MM.0,15	ENTRETOISE MM.0,15	DISTANZSTUECK MM.0,15	DISTANCIADOR MM.0,15
66	M36200133R	SPESSORE REGISTRO 0,30	SPACER MM.0,3	EPAISSEUR MM.0,3	PLAETTCHEN MM.0,3	ESPESOR MM.0,3
67	F04050036R	CUSC.D20 D52 T16,25 30304	BEARING D20 D52 T13,25 30304	ROULEMENT D20 D52 T13,25 30304	LAGER D20 D52 T13,25 30304	COJINETE D20 D52 T13,25 30304
68	M12400120R	COPERCHIO CUFFIA INGRANAGGI	COVER	COUVERCLE	DECKEL	TAPA
69	M24100116R	INGRANAGGIO Z=15	GEAR Z-15	ENGRENAGE Z-15	ZAHNRAD WECHSELGETRIEBE Z-15	ENGRANAJE Z-15
70	M24100117R	INGRANAGGIO Z=25	GEAR Z-25	ENGRENAGE Z-25	ZAHNRAD WECHSELGETRIEBE Z-25	ENGRANAJE Z-25
71	M36100592R	SUPPORTO CON BASE	SPACER	ENTRETOISE	DISTANZSTUECK	DISTANCIADOR
72	F01010065R	VITE M12X1,25X110 U5738 8.8ZN	SCR. M12X1,25X110 U5738 8.8ZN	VIS M 12X1,25X110	SCHRAUBE M 12X1,25X110	TORNILLO M 12X1,25X110
73	M36100590R	COPERCHIO CONTENITORE INGR.	COVER	COUVERCLE	DECKEL	TAPA
74	F01410100R	ROS.M16 17X 30X 3 U6592 ZN	WASHER M16 17X30X3 U6592 ZN	RONDELLE M16 17X30X3 ZN	SCHRAUBE M16 17X 30X3 U6592 ZN	ARAND.M16 17X 30X 3 U6592 ZN
75	F01480123R	ROS.G 12,5X22,9X 4 FLZNNC-240H	WASHER M12 ZGP EXTRA P.	RONDELLE M12 ZGP EXTRA P.	UNTERLEGSCHIEBE M12 ZGP EXTRA	ARANDELA M12 ZGP EXTRA P.
76	F01220047R	DADO M12X1,25 D980 8ZN	NUT M12X1,25 D980 8ZN	ECROU M12X1,25 D980 8 ZN	MUTTER M12X1,25 D980 8 ZN	TUERCA M12X1,25 D980 8 ZN
77	M24100113R	INGR.PER CAMBIO M7 Z=16	GEAR Z-16	ENGRENAGE Z-16	ZAHNRAD WECHSELGETRIEBE Z-16	ENGRANAJE Z-16
78	M24100111R	INGRAN. CAMBIO Z 18 M7	GEAR Z-18	ENGRENAGE Z-18	ZAHNRAD WECHSELGETRIEBE Z-18	ENGRANAJE Z-18
79	M24100112R	INGRAN. CAMBIO Z 22 M7	GEAR Z-22	ENGRENAGE Z-22	ZAHNRAD WECHSELGETRIEBE Z-22	ENGRANAJE Z-22
80	M24100114R	INGR.PER CAMBIO M7 Z=24	GEAR Z-24	ENGRENAGE Z-24	ZAHNRAD WECHSELGETRIEBE Z-24	ENGRANAJE Z-24
81	M19400103R	COMP. SUPPORTO PDF POSTERIORE	REAR GUARD SUPPORT	SUPPORT PROTECTION ARRI RE	HINTERE SHUTZUNGSHALTER	SOPORTE PROTECCION POSTERIOR

TAV.060

STANDARD

**COMBI
STANDARD OPT.**

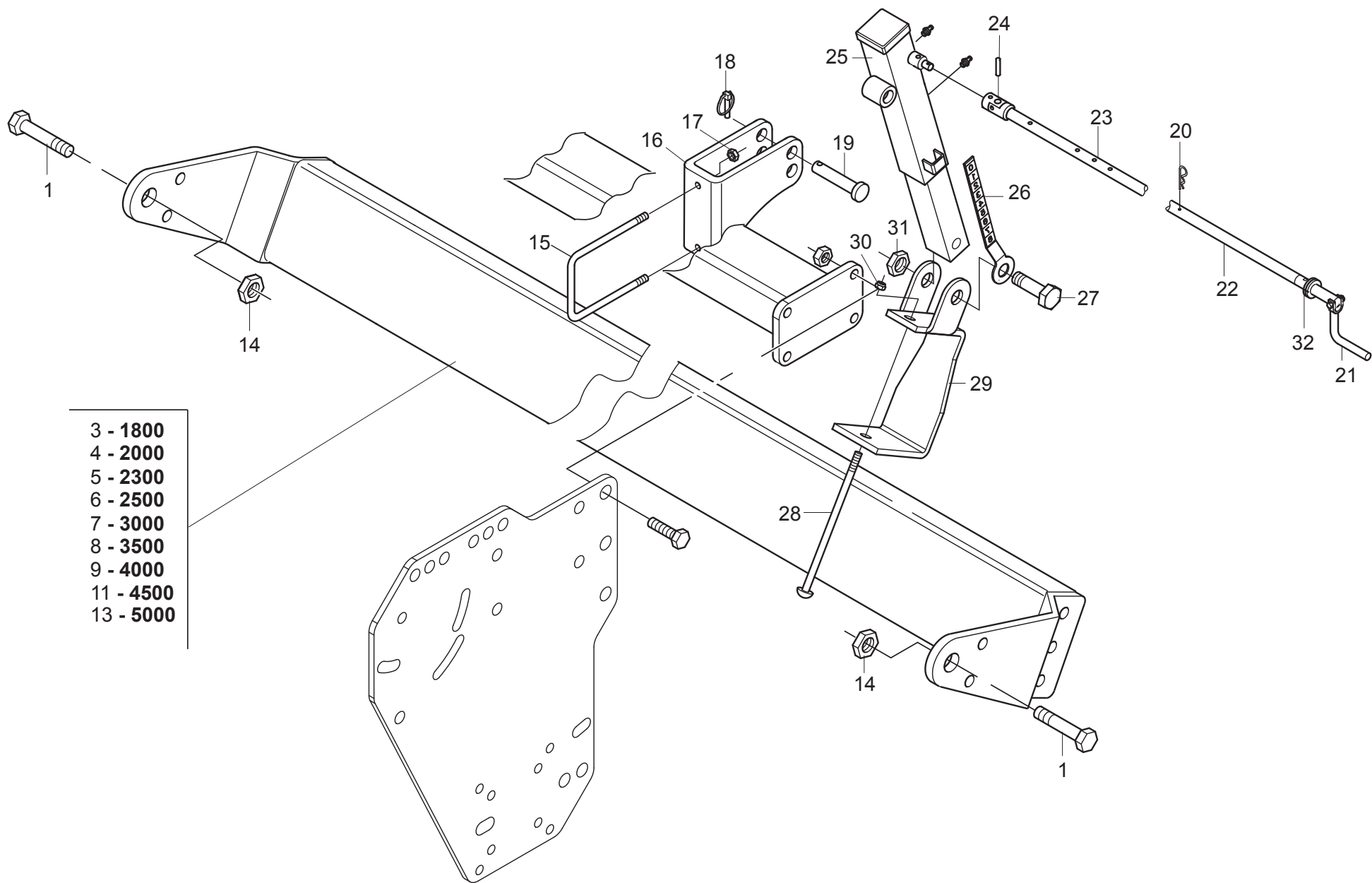


**PROTEZIONI LATERALI
SIDE PANELS**

TAV.060

Pos.	Cod.	Descrizione	Description	Description	Benennung	Description
1	F01010283R	VITE M12X1,25X30 U5740 8.8ZN	SCR. M12X1,25X30 U5740 8.8ZN	VIS M 12X1,25X30	SCHRAUBE M 12X1,25X30	TORNILLO M 12X1,25X30
2	M26400722R	PROTEZIONE LATERALE SX	LEFT SIDE PROTECTION	PROTECTION LAT. GAUCHE	SEITENSCHUTZ LINKS	PROTECCION LATERAL IZQUIERDO
3	M26400755R	PROTEZIONE LATERALE INFERIORE	BOTTOM SIDE PROTECTION	PROTECTION LAT.INF RIEUR	UNTERE SEITENSCHUTZ	PROTECCION LATERAL INFERIOR
4	M23400915R	PROTEZIONE LATERALE RULLO	SIDE PROTECTION	PROTECTION LAT.	SEITENSCHUTZ	PROTECCION LATERAL
5	F01220047R	DADO M12X1,25 D980 8ZN	NUT M12X1,25 D980 8ZN	ECROU M12X1,25 D980 8 ZN	MUTTER M12X1,25 D980 8 ZN	TUERCA M12X1,25 D980 8 ZN
6	F01010115R	VITE M16X1,5X55 U5738 8.8ZN	SCR. M16X1,5X55 U5738 8.8ZN	VIS M16X1,5 X55 U5738 8.8ZN	SCHRAU. M16X1,5X55 U5738 8.8ZN	TORN. M16X1,5X55 U5738 8,8ZN
7	M26400725R	PIASTRA	PLATE	PLAQUETTE	PLATTE	PLAQUITA
8	F01220070R	DADO M16X1,5 D980 10ZN	NUT M16X1,5 D980 8ZN	ECROU.M16X1,5 D980 8ZN	MUTTER M16X1,5 D980 8ZN	TUER.M16X1,5 D980 8ZN
9	F01010055R	VITE M12X1,25X50 U5738 8.8ZN	SCR. M12X1,25X50 U5738 8.8ZN	VIS M12X1,25X50 U5738 8.8 ZN	SCHRA.M12X1,25X50 U5738 8.8 ZN	TORN. M12X1,25X50 U5738 8.8 ZN
10	M26400762R	COMP.BRACCIO SX	LEFT ARM	BRAS GAUCHE	LINKE ARM	BRAZO IZQUIERDO
11	M26400757R	PERNO	PIN	GOUJON	STIFT	PERNO
12	G18900381R	MOLLA COMP.ZN SPINGIDISCO	SPRING			
13	M26400768R	SUPPORTO ANTERIORE	FRONT SUPPORT	SUPPORT ANT RIEUR	VORDERE HALTERUNG	SOPORTE ANTERIOR
14	F20110751R	CAV.Q.M12X1,75X 30 93X120 ZN	CONNE.M12X1,75X30 93X120 ZN	ATTEL.M12X1,75X30 93X120 ZN	VERBI.M12X1,75X30 93X120 ZN	PERNO M12X1,75X30 93X120 ZN
15	F01220048R	DADO M12X1,75 D980 8ZN	NUT M12X1,75 D980 8ZN	ECROU M12X1,75 D980 8 ZN	SCHEIBE M12X1,75 D980 8 ZN	TUERCA M12X1,75 D980 8 ZN
16	F01010022R	VITE M10X1,25X35 U5738 8.8ZN	SCR. M10X1,25X35 U5738 8.8ZN	VIS M 10X1,25X35	SCHRAUBE M 10X1,25X35	TORNILLO M 10X1,25X35
17	F01220034R	DADO M10X1,25 D980 8ZN	NUT M10X1,25 D980 8ZN	ECRO.M10X1,25 D980 8 ZB	MUTT.M10X1,25 D980 8 ZB	TUER.M10X1,25 D980 8 ZB
18	M26400766R	SUPPORTO POSTERIORE	REAR SUPPORT	SUPPORT POST RIEUR	HINTERE HALTERUNG	SOPORTE POSTERIOR
19	F02200562R	SPINA SICUR.D. 8X70 ZN	SNAP PIN D.8X 70 ZN	FICHE EL. D.8X70 ZN	SCHERSTIFT D.8X 70 ZN	CLAVIJA D.8X 70 ZN
20	M26400761R	COMP.BRACCIO DX	RIGHT ARM	BRAS DROITE	RECHTE ARM	BRAZO DERECHO
21	M26400721R	PROTEZIONE LATERALE DX	RIGHT SIDE PROTECTION	PROTECTION LAT.DROITE	RECHTE SEITENSCHUTZ	PROTECCION LATERAL DERECHO
22	F01010137R	VITE M16X1,5X210 U5738 8.8ZN	SCR. M16X1,5X210 U5738 8.8ZN	VIS M 16X1,5X210	SCHRAUBE M 16X1,5X210	TORNILLO M 16X1,5X210
23	F01500023R	ROS. 17 X45X6 D6340 C50 ZD	ELASTIC DISK	DISQUE ELASTIQUE	ELASTISCHE SCHEIBE	DISCO ELASTICO
24	M26400411R	PROTEZIONE LATERALE DX	RIGHT SIDE PROTECTION	PROTECTION LAT.DROITE	RECHTE SEITENSCHUTZ	PROTECCION LATERAL DERECHO
25	M26400412R	PROTEZIONE LATERALE SX	LEFT SIDE PROTECTION	PROTECTION LAT. GAUCHE	SEITENSCHUTZ LINKS	PROTECCION LATERAL IZQUIERDO
26	M36100392R	DISTANZIALE D=32 D=22,5 L=32	SPACER	ENTRETOISE	DISTANZSTUECK	DISTANCIADOR
27	M24100569R	MOLLA SUPERIORE MARTINETTO	SPRING	RESSORT	FEDER	MUELLE
28	M26400413R	PROTEZIONE LATERALE INFERIORE	BOTTOM SIDE PROTECTION	PROTECTION LAT.INF RIEUR	UNTERE SEITENSCHUTZ	PROTECCION LATERAL INFERIOR
29	F02100093R	SPINA E.P. 5X 50 U6873 C70 BR	PIN EL. 5X 50 U6873 C70 BR			
30	F05150112R	MANIGLIA INTERAS. 117 FORO 8MM	HANDLE	POIGNEE	HANDGRIFF	MANILLA
31	F01480099R	ROS.G 8,4X14,4X2,7 FLZNNC-240H	GROWER WASHER D.8	RONDELLE GROWER D.8	SCHEIBE GROWER D.8	ARANDELA GROWER D.8
32	F01020432R	VITE M8X1,25X16 U5739 8.8ZN	SCR. M8X1,25X16 U5739 8.8ZN	VIS M8 X1,25X16 U5739 8.8 ZN	SCHRAUBE M8X1,25X16U5739 8.8ZN	TORNILLO M8X1,25X16 U5739 8.8

TAV.070



- 3 - 1800
- 4 - 2000
- 5 - 2300
- 6 - 2500
- 7 - 3000
- 8 - 3500
- 9 - 4000
- 11 - 4500
- 13 - 5000

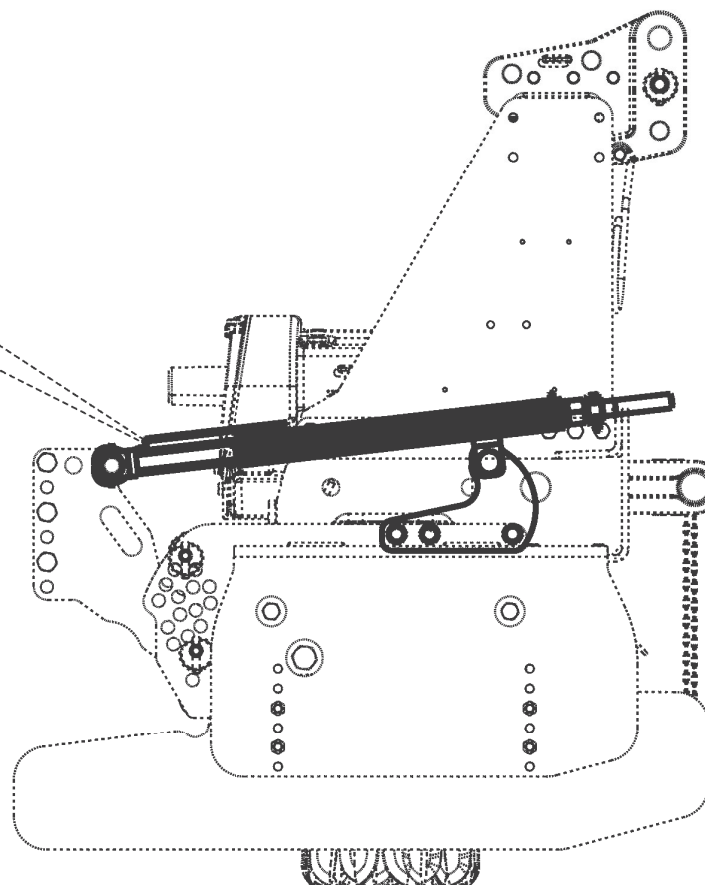
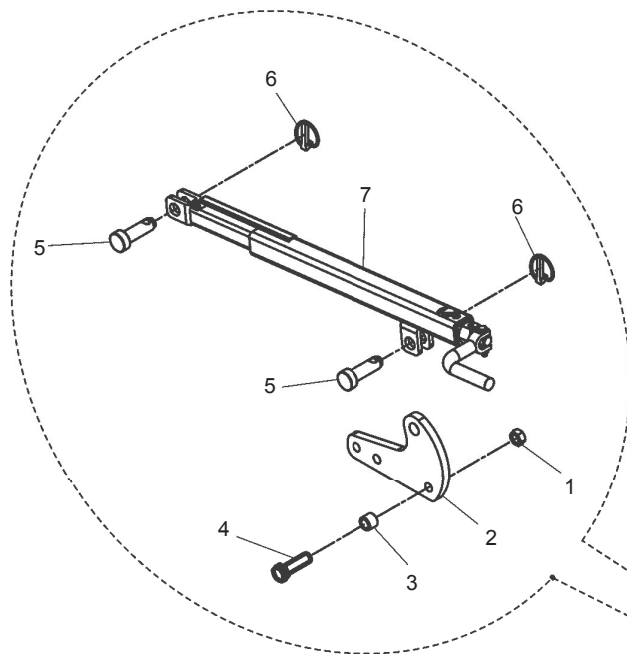
**BARRA LIVELLATRICE
LEVELLING BAR**

TAV.070

Pos.	Cod.	Descrizione	Description	Description	Benennung	Description
1	F01010364R	VITE M18X1,5X50 U5740 8.8ZN	SCR. M18X1,5X50 U5740 8.8ZN	VIS M 18X1,5X50	SCHRAUBE M 18X1,5X50	TORNILLO M 18X1,5X50
3	M23418783R	BARRA LIVELLATRICE 1800	REAR BAR 1800	BARRE ARRIERE 1800	KOMPL. HINTERE SCHINE 1800	BARRA TRASERA 1800
4	M23420783R	BARRA LIVELLATRICE 2000	REAR BAR 2000	BARRE ARRIERE 2000	KOMPL. HINTERE SCHINE 2000	BARRA TRASERA 2000
5	M23423783R	BARRA LIVELLATRICE 2300	REAR BAR 2300	BARRE ARRIERE 2300	KOMPL. HINTERE SCHINE 2300	BARRA TRASERA 2300
6	M23425783R	BARRA LIVELLATRICE 2500	REAR BAR 2500	BARRE ARRIERE 2500	KOMPL. HINTERE SCHINE 2500	BARRA TRASERA 2500
7	M23430783R	BARRA LIVELLATRICE 3000	REAR BAR 3000	BARRE ARRIERE 3000	KOMPL. HINTERE SCHINE 3000	BARRA TRASERA 3000
8	M23435783R	BARRA LIVELLATRICE 3500	REAR BAR 3500	BARRE ARRIERE 3500	KOMPL. HINTERE SCHINE 3500	BARRA TRASERA 3500
9	M23440783R	BARRA LIVELLATRICE 4000	REAR BAR 4000	BARRE ARRIERE 4000	KOMPL. HINTERE SCHINE 4000	BARRA TRASERA 4000
11	M23445783R	BARRA LIVELLATRICE 4500	REAR BAR 4500	BARRE ARRIERE 4500	KOMPL. HINTERE SCHINE 4500	BARRA TRASERA 4500
13	M23450783R	BARRA LIVELLATRICE 5000	REAR BAR 5000	BARRE ARRIERE 5000	KOMPL. HINTERE SCHINE 5000	BARRA TRASERA 5000
14	F01220081R	DADO M18X1,5 D980 8ZN	NUT M18X1,5 D980 8ZN	ECROU AUTOBL. M18X1,5 980-V	DADO AUTOBL. M18X1,5 980-V	DADO AUTOBL. M18X1,5 980-V
15	F20110800R	CAV.R.B=100 M=16X2 L=135	U BOLT R.B=100 M=16X2 L=135	ATTEL.B=100 M=16X2 L=135	VERBI.B=100 M=16X2 L=135	PERNO U B=100 M=16X2 L=135
16	M23400444R	STAFFA ATTACCO MARTINETTO	ADJUST HITCH PLATE			
17	F01230085R	DADO M16X2 D982 10ZN	NUT M16X2 D982 10ZN	ECROU M16X2 D982 10ZN	MUTTER M16X2 D982 10ZN	TUERCA M16X2 D982 10ZN
18	F02200529R	SPINA SCATTO D.11 H58 ZN	SNAP PIN D.11 H58 ZN	FICHE A DETENTE D.11 H58 ZN	EINRASTSTIFT D.11 H58 ZN	CLAVIJA DE MUELLE D.11 H58 ZN
19	F20100049R	PERNO D22 L86 C43 TEST.D35 ZN	BOLT D22 L86 C43 ZN	GOUJON D.22	BOLZEN D.22	PERNO D.22
20	F02200374R	COPIGLIA R. 4X 82 ZN	SPRING SPLIT PIN 4X82	GOUPIILLE 4X82	SPLINT 4X82	PASADOR 4X82
21	M36200808R	COMP. MANICO VITE	HANDLE SCREW			
22	M12400460R	ASTA ESTERNA	EXTERNAL BEAM			
23	M12400461R	COMP.ASTA INTERNA	INTERNAL BEAM ASSEMBLY			
24	F02100086R	SPINA E.P. 5X 30 U6873 C70 ZN	PIN EL. 5 X30 DIN 1481 GALVAN.	FICHE EL. 5 X30 DIN 1481 ZN	SPANNSTIFT 5 X30 DIN 1481 ZN	CLAVIJA EL.P. 5X 30 U6873 C70
25	M23400917R	MARTINETTO REG. 180 - 330	MECHANICAL ADJUSTER 180 - 330			
26	M23400945R	COMP.ASTA REGOLAZ. MARTINETTI	RULER ASSEMBLY			
27	F01010194R	VITE M22X1,5X110 U5738 8.8ZN	SCR. M22X1,5X110 U5738 8.8ZN			
28	F01060209R	VITE M10X1,5X200 U5731 8.8ZN	SCR. M10X1,5X200 U5731* 8.8ZN	VIS M 10X1,5X200	SCHRAUBE M 10X1,5X200	TORNILLO M 10X1,5X200
29	M43400464R	PIASTRA ATTACCO MARTINETTO	PLATE PF JACK ATTACK			
30	F01220033R	DADO M10X1,5 D980 8ZN	NUT M10X1,5 D980 8ZN	ECROU M10X1,5 D980 8ZN	MUTTER M10X1,5 D980 8ZN	TUERCA M10X1,5 D980 8
31	F01230269R	DADO M22X1,5 D985 CL8 ZN	NUT M22X1,5 D985 6S ZN	ECROU AUTOBL.M22X1,5 D985 6SZN	SELBST.MUTT.M22X1,5 D985 6S ZN	DADO AUTOBL.M22X1,5 D985 6S ZN
32	F01460051R	DISCO ELASTICO 40X20,3X2	CUP SPRING 40X 20,3X 2 D2093			

TAV.080

STANDARD



REGOLAZIONE MECCANICA (STANDARD)
MECHANICAL ADJUSTMENT (STANDARD)

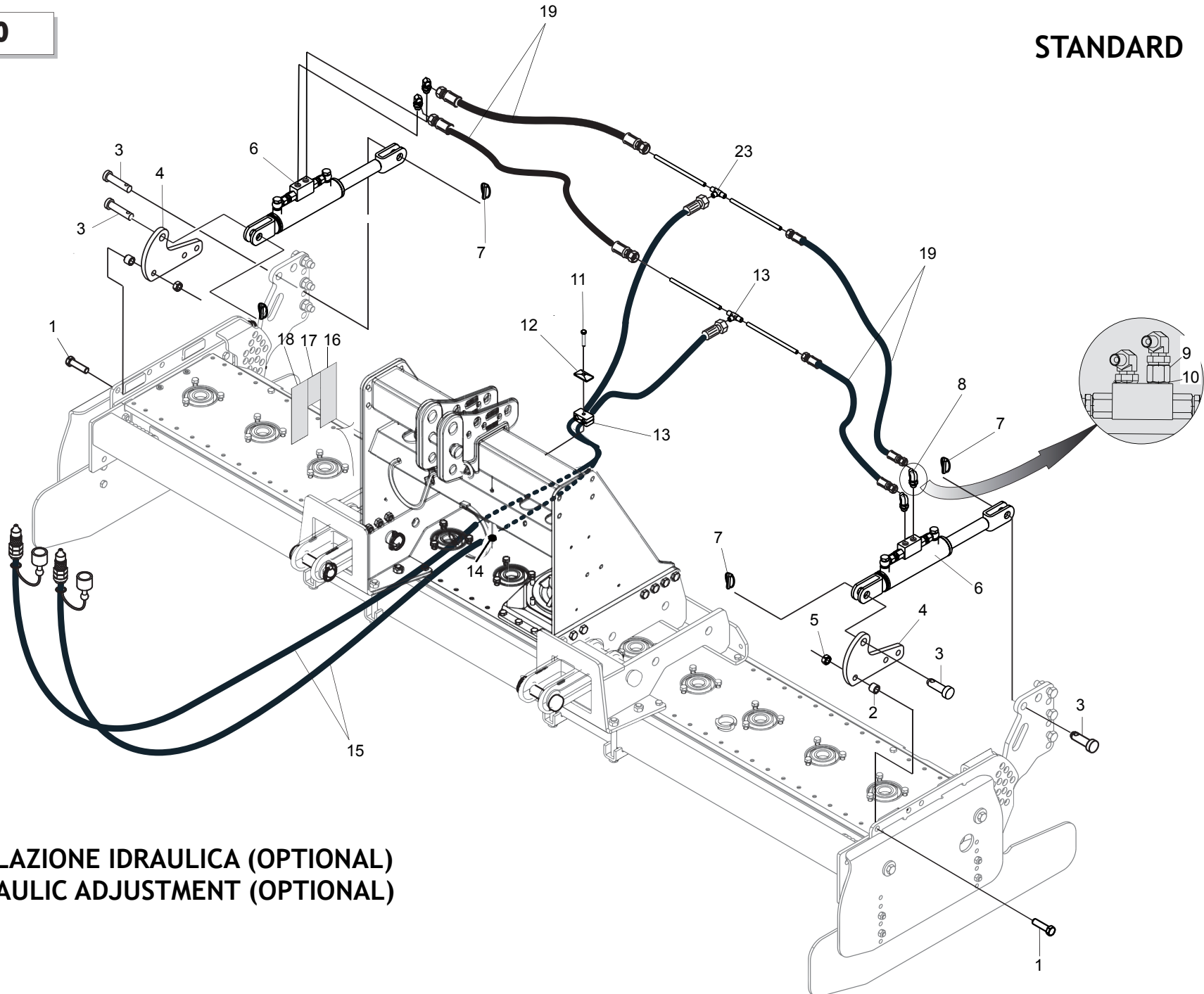
**REGOLAZIONE MECCANICA DEL RULLO STD
ROLLER MECH. ADJUSTM. STD**

TAV.080

Pos.	Cod.	Descrizione	Description	Description	Benennung	Description
1	F01220070R	DADO M16X1,5 D980 10ZN	NUT M16X1,5 D980 8ZN	ECRO.M16X1,5 D980 8ZN	MUTTER M16X1,5 D980 8ZN	TUER.M16X1,5 D980 8ZN
2	M26400419R	RINFORZO CORPO TRASMISSIONE	GEARTRAY REINFORCEM.	RENFORT LAMIER	VERSTERKERUNG	RENFUERZO TRANSM.
3	M19400403R	DISTANZ. D=25 D=16,5 L=20	SPACER	ENTRETOISE	DISTANZSTUECK	DISTANCIADOR
4	F01010346R	VITE M16X1,5X60 U5740 8.8ZN	SCR. M16X1,5X60 U5740 8.8ZN	VIS M16X1,5X60	SCHRAUBE M16X1,5X60	TORNILLO M16X1,5X60
5	F20100048R	PERNO D22 L48 C43 TEST.D35 ZN	BOLT D22 L48 C43 ZN	GOUJON D22 L48 C43	BOLZEN D22 L48 C43	PERNO D22 L48 C43
6	F02200529R	SPINA SCATTO D.11 H58 ZN	SNAP PIN D.11 H58 ZN	FICHE A DETENTE D.11 H58 ZN	EINRASTSTIFT D.11 H58 ZN	CLAVIJA DE MUELLE D.11 H58 ZN
7	M26400423R	MARTINETTO REG.C=465 A=645	MECHANICAL JACK C=465 O=645	MANIVELLE MECHANIC C=465 A=645	MECHANISC. SPINDEL C=465 A=645	GATO MECHANICO C=465 A=645

TAV.090

STANDARD

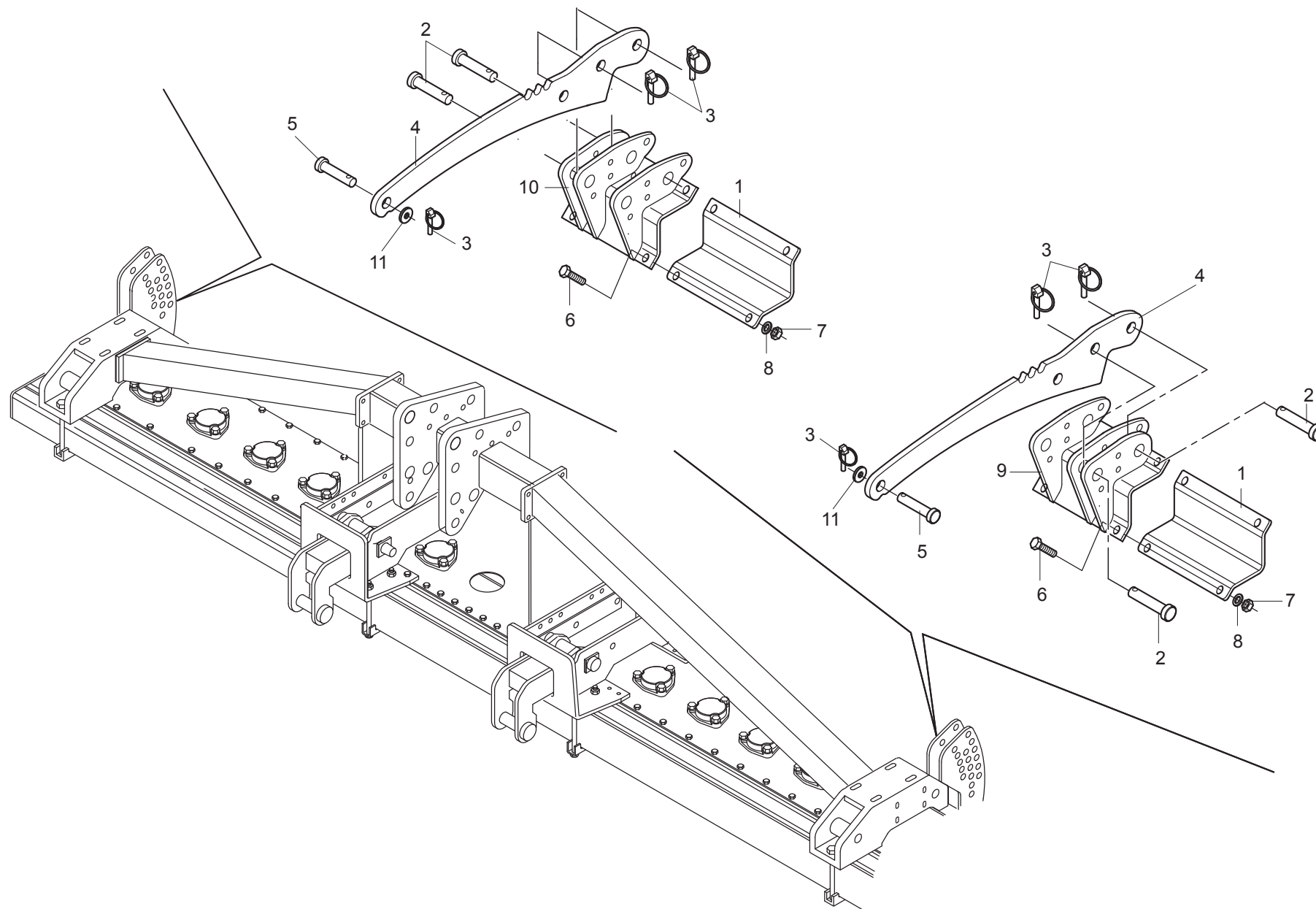


REGOLAZIONE IDRAULICA (OPTIONAL)
HYDRAULIC ADJUSTMENT (OPTIONAL)

**REGOLAZIONE IDRAULICA DEL RULLO STD
ROLLER HYDRAUL. ADJUSTM. STD**

TAV.090

Pos.	Cod.	Descrizione	Description	Description	Benennung	Description
1	F01010348R	VITE M16X1,5X70 U5740 8.8ZN	SCREW M16X1,5X 70 U5740 8.8 ZN	VIS M16X1,5X 70 U5740 8.8 ZN	SCHR.M16X 1,5X 70 U5740 8.8 ZN	TORN. M16X1,5X 70 U5740 8.8 ZN
2	M19400403R	DISTANZ. D=25 D=16,5 L=20	SPACER	ENTRETOISE	DISTANZSTUECK	DISTANCIADOR
3	F20100048R	PERNO D22 L48 C43 TEST.D35 ZN	BOLT D22 L48 C43 ZN	GOUJON D22 L48 C43	BOLZEN D22 L48 C43	PERNO D22 L48 C43
4	M26400419R	RINFORZO CORPO TRASMISSIONE	GEARTRAY REINFORCEM.	RENFORT LAMIER	VERSTERKERUNG	RENFUERZO TRANSM.
5	F01220070R	DADO M16X1,5 D980 10ZN	NUT M16X1,5 D980 8ZN	ECRO.M16X1,5 D980 8ZN	MUTTER M16X1,5 D980 8ZN	TUER.M16X1,5 D980 8ZN
6	M26400416R	MART.IDR.A=50 C=135 L=640	HYDR.ADJU.A=50 C=135 L=640 505	MAN.HYDR.A=50 C=135 L=640 505	HYDR.KURB.A=50 C=135 L=640 505	GATO HIDR.A=50 C=135 L=640 505
7	F02200529R	SPINA SCATTO D.11 H58 ZN	SNAP PIN D.11 H58 ZN	FICHE A DETENTE D.11 H58 ZN	EINRASTSTIFT D.11 H58 ZN	CLAVIJA DE MUELLE D.11 H58 ZN
8	F03150842R	ADATT.A 90 ORIENT.3 8-1 4	90 ADAPTOR 3 8-1 4	ADAPTEUR 90	PASSTUECK 90	ADAPTADOR 90
9	F03151040R	PROLUNGA 3 8 M-F L=35	NIPPLE EXTENSION	RALLONGE 3 8	VERLAENGERUNG	PROLONGA RACOR
10	F03100023R	ROS. 17 X23X1,5 RAME -3 8	WASHER 17X23X1,5 RAME -3 8	RONDELLE 17X23X1,5 RAME -3 8	SCHIEBE 17X23X1,5 RAME -3 8	ARAN. 17 X23X1,5 RAME -3 8
11	F01020451R	VITE M8X1,25X45 U5739 8.8ZN	SCR. M8X1,25X45 U5739 8.8ZN	VIS M8X1,25X45 U5739 8.8ZN	SCHRA.M8X1,25X45 U5739 8.8ZN	TORN. M8X1,25X45 U5739 8.8ZN
12	M58100628R	PIATTO SUPERIORE ZPG	UPPER PLATE	PLAT SUPERIEUR	OBENE PLATTE	PLATO SUPERIOR
13	F03150992R	COPPIA COLLARI X TUBO D.16	DOUBLE SUPPORT	SUPPORT DOUBLE	DOPPELHALTER	SOPORTE DOBLE
14	F01220022R	DADO M8X1,25 D980 8ZN	NUT M8X1,25 D980 8ZN	ECROU M8X 1,25 D980 8 ZN	MUTTER M8X 1,25 D980 8 ZN	TUERCA M8X 1,25 D980 8 ZN
15	M58100890R	PREMONT.TUB.IDR.MART.LAT. GUA	HYDRAULIC TUBE	TUBE HYDRAUL.	HYDRAUL. ROHR	TUBO HYDRAULICO
16	F20030012R	ETICH.ABBASSAMENTO RULLI	LABEL ABBASSAMENTO RULLI			
17	F20030081R	ETICH.SCOPIO TUBI	DECAL.HOSE BURST	ETIQUETTE	AUFKLEBER	ETIQUETA
18	F20030083R	ETICH.SOLLEVAMENTO RULLI	LABEL SOLLEVAMENTO RULLI			
19	F03050188R	TUBO FL.1 4 SAE100 R2AT L.1970	TUBE FL.1 4 SAE100 R2AT L.1970	TUBE FL.1 4 SAE100 R2AT L.1970	ROHR FL.1 4 SAE100 R2AT L.1970	TUBO FL.1 4 SAE100 R2AT L.1970
23	F03151219R	RACCORDO -T- MASCHIO 1 4 ZN	MALE T-UNION 1 4 ZN	CONNECTION A T	T VERBINDUNG	JUNTURA A T

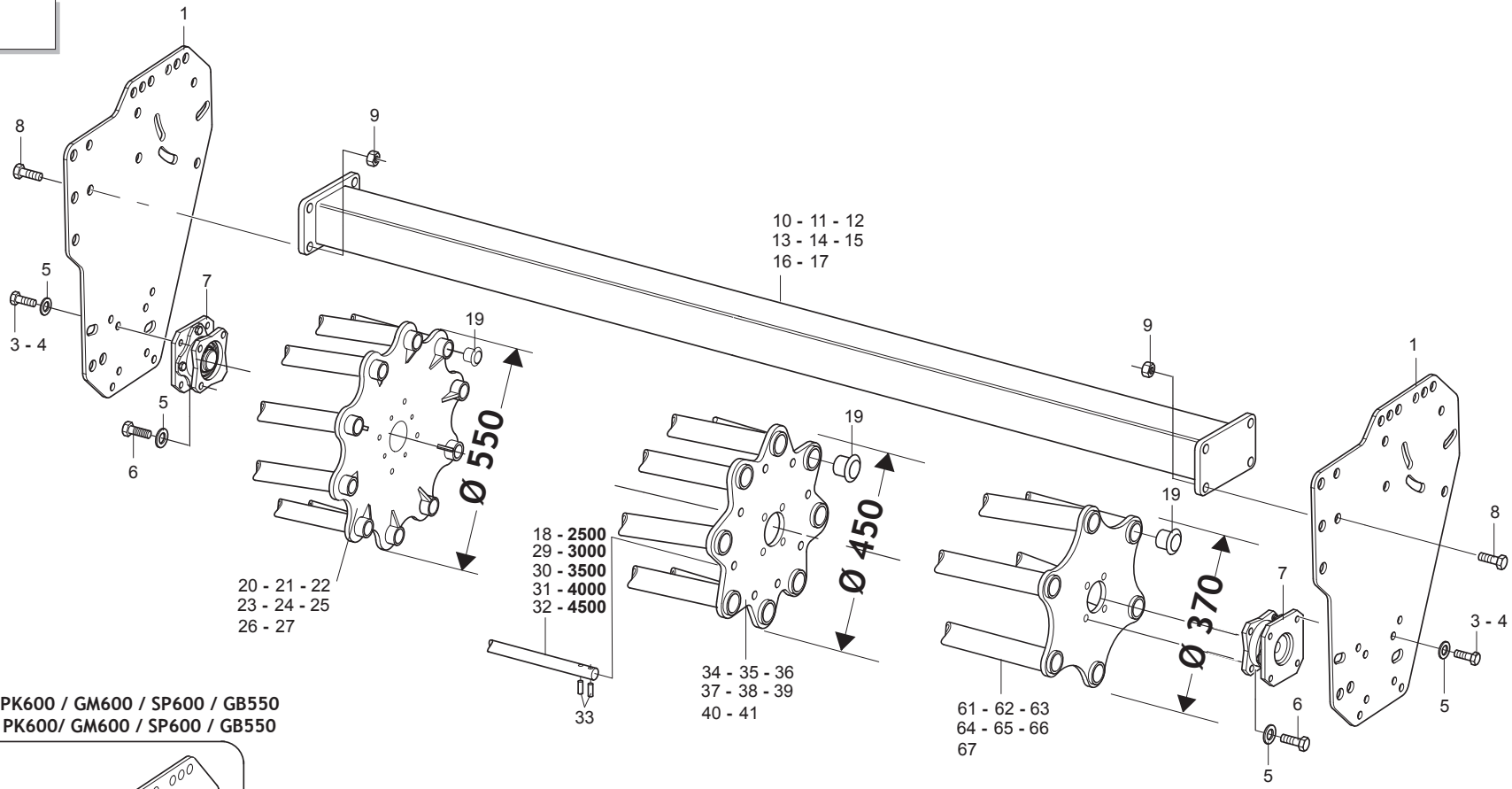


**STAFFE-BRACCIO COLL. RULLO COMBI
ROLLER CONNECTION BRACKET COMBI**

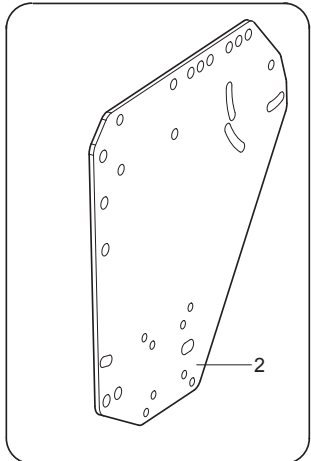
TAV.100

Pos.	Cod.	Descrizione	Description	Description	Benennung	Description
1	M44400403R	STAFFA ATTACCO RULLO DX	ROLLER CONNECTION SUPPORT	SUPPORT ROULEAU DROITE	SCHUTZHOLM WALZE	SOPORTE RODILLO DERECHA
2	F20100090R	PERNO D32 L64 C43 TEST.D45 ZN	PIN D32 L64	GOUJON D32 L64	STIFT D32 L64 ZN	PERNO D32 L64
3	F02200529R	SPINA SCATTO D.11 H58 ZN	SNAP PIN D.11 H58 ZN	FICHE A DETENTE D.11 H58 ZN	EINRASTSTIFT D.11 H58 ZN	CLAVIJA DE MUELLE D.11 H58 ZN
4	M44400405R	BRACCIO COLLEGAMENTO RULLO	ROLLER CONNECTING ARM	BRAS DE CONNECTION ROULEAU	WALZE VERBINDUNGSARM	BRAZO DE CONEXI N RODILLO
5	F20100101R	PERNO D32 L128 C43 TEST.D45 ZN	BOLT D32 L128 C43 ZN	BOULON D32 L128 C43 ZN	BOTZEN D32 L128 C43 ZN	PERNO D32 L128 C43 ZN
6	F01010341R	VITE M16X1,5X45 U5740 8.8ZN	SCR. M16X1,5X45 U5740 8.8ZN	VIS M16X1,5 X45 U5740 8.8 ZN	SCHR.M16X1,5 X45 U5740 8.8 ZN	TORN.M16X1,5 X45 U5740 8.8 ZN
7	F01220070R	DADO M16X1,5 D980 10ZN	NUT M16X1,5 D980 8ZN	ECRO.M16X1,5 D980 8ZN	MUTTER M16X1,5 D980 8ZN	TUER.M16X1,5 D980 8ZN
8	F01410100R	ROS.M16 17X 30X 3 U6592 ZN	WASHER M16 17X30X3 U6592 ZN	RONDELLE M16 17X30X3 ZN	SCHRAUBE M16 17X 30X3 U6592 ZN	ARAND.M16 17X 30X 3 U6592 ZN
9	M44400404R	STAFFA ATTACCO RULLO SX	LEFT ROLLER CONNECTION SUPP.	SUPPORT ROULEAU GAUCHE	LINKS SCHUTZHOLM WALZE	SOPORTE RODILLO IZQUIERDO
10	M44400401R	STAFFA ATTACCO RULLO DX	RIGHT ROLLER CONNECTION SUPP.	SUPPORT ROULEAU RECHTE	RECHTE SCHUTZHOLM WALZE	SOPORTE RODILLO DERECHO
11	M23400422R	DISTANZIALE D=60 D=32,5 L=4	SPACER D=60 D=32,5 L=4	ENTRETOISED=60 D=32,5 L=4	DISTANZSTUECK D=60 D=32,5 L=4	DISTANCIADOR D=60 D=32,5 L=4

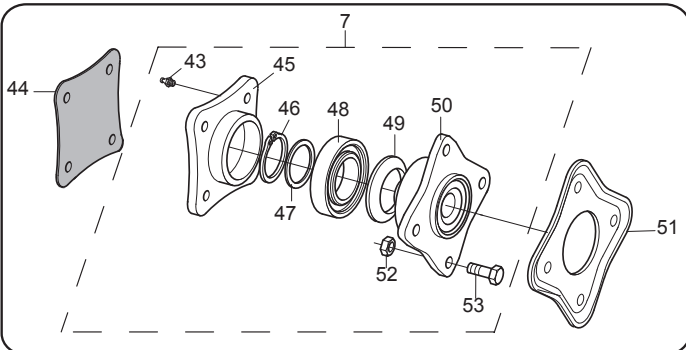
TAV.110



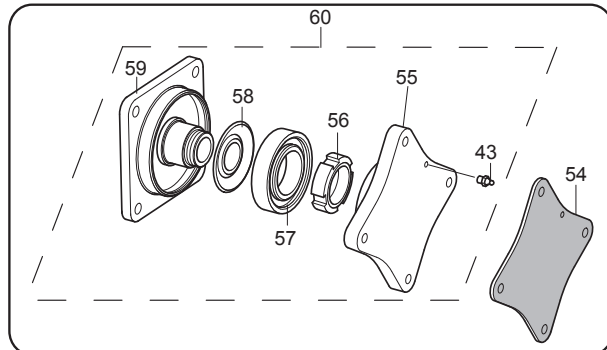
PER: PK600 / GM600 / SP600 / GB550
 FOR: PK600/ GM600 / SP600 / GB550



H.42



H.60



**GR. RULLO GABBIA
CAGE ROLLER UNIT**

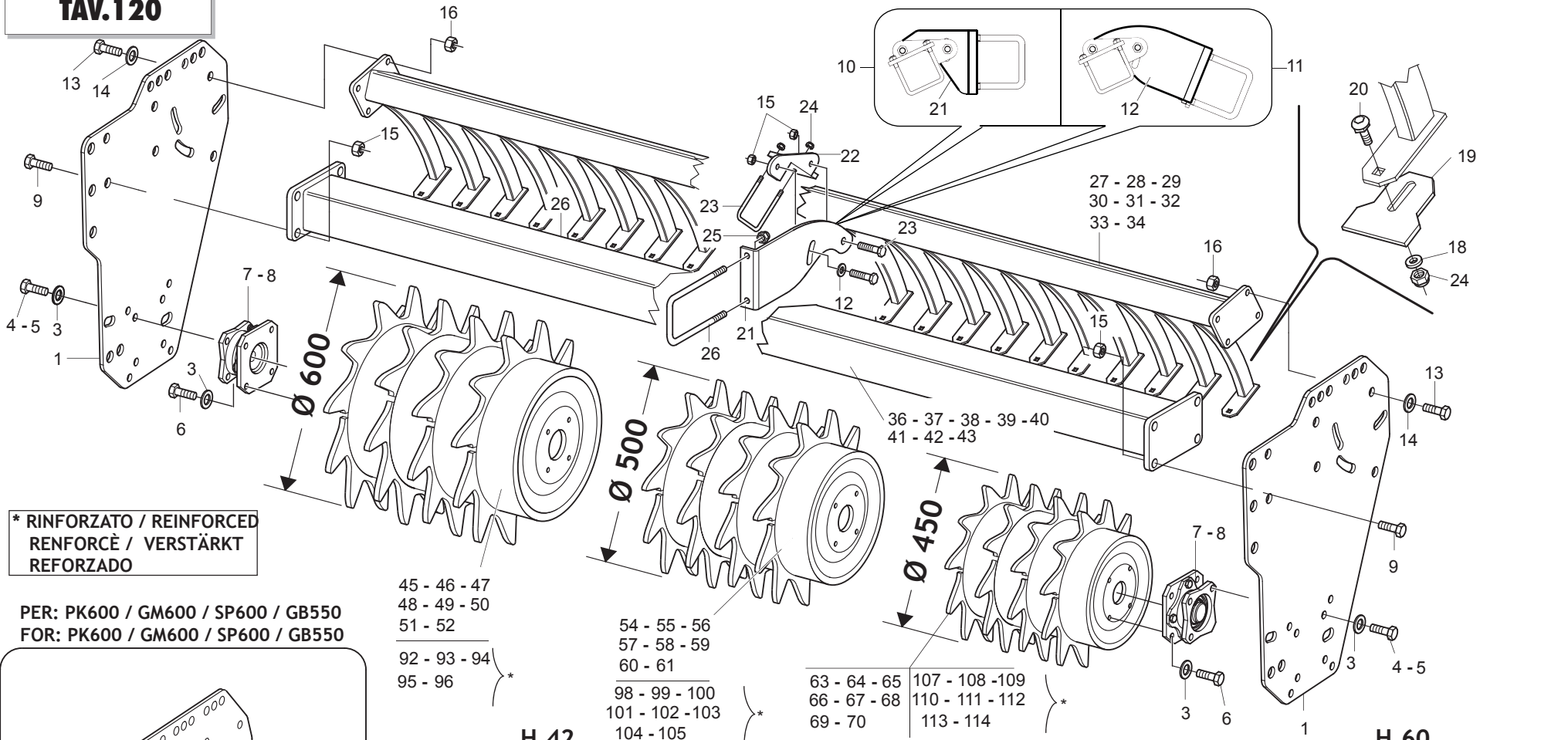
TAV.110

Pos.	Cod.	Descrizione	Description	Description	Benennung	Descripcion
1	M43400700R	FIANCATA RULLO PICCOLA	ROLLER SIDE PANEL SMALL	COTE ROULEAU GAUCHE PETIT	WALZENSEITENWAND KLEIN	FLANCO RODILLO PEQUE A
2	M43400701R	FIANCATA RULLO GRANDE	BIG ROLLER SIDE			
3	F01010283R	VITE M12X1,25X30 U5740 8.8ZN	SCR. M12X1,25X30 U5740 8.8ZN	VIS M 12X1,25X30	SCHRAUBE M 12X1,25X30	TORNILLO M 12X1,25X30
4	F01010288R	VITE M12X1,25X35 U5740 8.8ZN	SCR. M12X1,25X35 U5740 8.8ZN	VIS M12X1,25X35 U5740 8.8 ZN	SCHR.M12X1,25X35 U5740 8.8 ZN	TORN.M12X1,25X35 U5740 8.8 ZN
5	F01480123R	ROS.G 12,5X22,9X 4 FLZNNC-240H	WASHER M12 ZGP EXTRA P.	RONDELLE M12 ZGP EXTRA P.	UNTERLEGSCHIEBE M12 ZGP EXTRA	ARANDELA M12 ZGP EXTRA P.
6	F01010291R	VITE M12X1,25X40 U5740 8.8ZN	SCR. M12X1,25X40 U5740 8.8ZN	VIS M12X1,25X40 U5740 8.8 ZN	SCHR.M12X1,25X40 U5740 8.8 ZN	TORN. M12X1,25X40 U5740 8.8 ZN
7	M43400467R	COMP.SUPP.CUSC.OSCIL.H42 X RI	COMPLETE BEARING SUPPORT H42	SUPPORT ROULEMENT H42	LAGERHALTERUNG H.42 P.GETRIEBE	SOPORTE COJINETE H.42 RIC.
8	F01010341R	VITE M16X1,5X45 U5740 8.8ZN	SCR. M16X1,5X45 U5740 8.8ZN	VIS M16X1,5 X45 U5740 8.8 ZN	SCHR.M16X1,5 X45 U5740 8.8 ZN	TORN.M16X1,5 X45 U5740 8.8 ZN
9	F01220070R	DADO M16X1,5 D980 10ZN	NUT M16X1,5 D980 8ZN	ECRO.M16X1,5 D980 8ZN	MUTTER M16X1,5 D980 8ZN	TUER.M16X1,5 D980 8ZN
10	M43418457R	TRAVE ANTERIORE RULLO 1500C	BEAM 1500C	POUTRE 1500C	WALZE HAUPTTTRAEGER 1500C	VIGA 1500C
11	M43420457R	TRAVE ANTERIORE RULLO 2000A	BEAM 2000A	POUTRE 2000A	HAUPTTTRAEGER 2000A	VIGA 2000A
12	M43423457R	TRAVE ANTERIORE RULLO 2000C	BEAM 2000C	POUTRE 2000C	HAUPTTTRAEGER 2000C	VIGA 2000C
13	M43425457R	TRAVE ANTERIORE RULLO 2500A	BEAM 2500A	POUTRE 2500A	HAUPTTTRAEGER 2500A	VIGA 2500A
14	M43430457R	TRAVE ANTERIORE RULLO 3000A	FRONT BEAM ROLLER 3000A			
15	M43435457R	TRAVE ANTERIORE RULLO 3500A	BEAM 3500A	POUTRE 3500A	HAUPTTTRAEGER 3500A	VIGA 3500A
16	M43440457R	TRAVE ANTERIORE RULLO 4000A	BEAM 4000A	POUTRE 4000A	HAUPTTTRAEGER 4000A	VIGA 4000A
17	M43445457R	TRAVE ANTERIORE RULLO 4500A	BEAM 4500A	POUTRE 4500A	HAUPTTTRAEGER 4500A	VIGA 4500A
18	M43425474R	TUBO D=30 S=2,8 2500	PIPE D=30 S=2,8 2500	TUBE D=30 S=2,8 2500	ROHR D=30 S=2,8 2500	TUBO D=30 S=2,8 2500
19	F05100019R	TAPPO AD ALETTA D. 34 PLT	PLUG D. 34 PLT	BOUCHON FERMETURE D.34	VERSCHLUSSPFROPFEN D.34	TAPON CLAUSURA D.34
20	M23418714R	ROTORE RULLO GB.550 1500C	CAGE ROLLER ROTOR GB.550 1500C	ROTOR GB.550 1500C	STABWALZEROTOR GB.550 1500C	ROTOR RODIL.BARR.GB.550 1500C
21	M23420714R	ROTORE RULLO GB.550 2000A	CAGE ROLLER ROTOR GB.550 2000A	ROTOR GB.550 2000A	STABWALZEROTOR GB.550 2000A	ROTOR RODIL.BARRAS GB.550 2000
22	M23423714R	ROTORE RULLO GB.550 2000C	CAGE ROLLER ROTOR GB.550 2000C	ROTOR GB.550 2000C	STABWALZEROTOR GB.550 2000C	ROTOR RODIL.BARR.GB.550 2000C
23	M23425714R	ROTORE RULLO GB.550 2500A	CAGE ROLLER ROTOR GB.550 2500A	ROTOR GB.550 2500A	STABWALZEROTOR GB.550 2500A	ROTOR RODIL.BARRAS GB.550 2500
24	M23430714R	ROTORE RULLO GB.550 3000A	ROTOR*ROLLER GB.550 3000A			
25	M23435714R	ROTORE RULLO GB.550 3500A	CAGE ROLLER ROTOR GB.550 3500A	ROTOR GB.550 3500A	STABWALZEROTOR GB.550 3500A	ROTOR RODIL.BARRAS GB.550 3500
26	M23440714R	ROTORE RULLO GB.550 4000A	CAGE ROLLER ROTOR GB.550 4000A	ROTOR GB.550 4000A	STABWALZEROTOR GB.550 4000A	ROTOR RODIL.BARRAS GB.550 4000
27	M23445714R	ROTORE RULLO GB.550 4500A	CAGE ROLLER ROTOR GB.550 4500A	ROTOR GB.550 4500A	STABWALZEROTOR GB.550 4500A	ROTOR RODIL.BARRAS GB.550 4500
29	M43430474R	TUBO D=30 S=2,8 3000	PIPE D=30 S=2,8 3000	TUBE D=30 S=2,8 3000	ROHR D=30 S=2,8 3000	TUBO D=30 S=2,8 3000
30	M43435474R	TUBO D=30 S=2,8	PIPE D=30 S=2,8	TUBE D=30 S=2,8	ROHR D=30 S=2,8	TUBO D=30 S=2,8
31	M43440474R	TUBO D=30 S=2,8	PIPE D=30 S=2,8	TUBE D=30 S=2,8	ROHR D=30 S=2,8	TUBO D=30 S=2,8
32	M43445474R	TUBO D=30 S=2,8	PIPE D=30 S=2,8	TUBE D=30 S=2,8	ROHR D=30 S=2,8	TUBO D=30 S=2,8
33	F02100142R	SPINA E.P. 8X 40 U6873 C70 BR	ELASTIC PIN 8X40	GOUJON ELASTIQUE 8X40	SPANNHUELSE 8X40	CLAVIJA EL.P. 8X 40 U6873 C70
34	M43418473R	ROTORE RULLO GABBIA 450 1500C	CAGE ROLLER ROTOR D=450 1500C	ROTOR ROULEAU A CAGE 450 1500C	STABWALZEROTOR D=450 1500C	ROTOR RODILLO BARRAS 450 1500C
35	M43420473R	ROTORE RULLO GB 450 2000A	CAGE ROLLER ROTOR D=450 2000A	ROTOR ROULEAU A CAGE 450 2000A	STABWALZEROTOR D=450 2000A	ROTOR RODILLO BARRAS 450 2000A
36	M43423473R	ROTORE RULLO GB 450 2000C	CAGE ROLLER ROTOR D=450 2000C	ROTOR ROULEAU A CAGE 450 2000C	STABWALZEROTOR D=450 2000C	ROTOR RODILLO BARRAS 450 2000C
37	M43425473R	ROTORE RULLO GB 450 2500A	CAGE ROLLER ROTOR D=450 2500A	ROTOR ROULEAU A CAGE 450 2500A	STABWALZEROTOR D=450 2500A	ROTOR RODILLO BARRAS 450 2500A
38	M43430473R	ROTORE RULLO GABBIA 450 3000A	CAGE ROLLER ROTOR D=450 3000A	ROTOR ROULEAU A CAGE 450 3000A	STABWALZEROTOR D=450 3000A	ROTOR RODILLO BARRAS 450 3000A
39	M43435473R	ROTORE RULLO GABBIA 450 3500A	CAGE ROLLER ROTOR D=450 3500A	ROTOR ROULEAU A CAGE 450 3500A	STABWALZEROTOR D=450 3500A	ROTOR RODILLO BARRAS 450 3500A
40	M43440473R	ROTORE RULLO GB 450 4000A	CAGE ROLLER ROTOR D=450 4000A	ROTOR ROULEAU A CAGE 450 4000A	STABWALZEROTOR D=450 4000A	ROTOR RODILLO BARRAS 450 4000A
41	M43445473R	ROTORE RULLO GABBIA 450 4500A	CAGE ROLLER ROTOR D=450 4500A	ROTOR ROULEAU A CAGE 450 4500A	STABWALZEROTOR D=450 4500A	ROTOR RODILLO BARRAS 450 4500A
43	F01100011R	ING.M 6X1 7663-A 9SMNPB28 ZN	GREASE NIPPLE M6X1 7663-A ZN	GRAISS. A BILLE M6X1 7663A ZN	SCHMIERBUECHE M6X1 7663-A ZN	ENG.M 6X1 7663-A 9SMNPB28 ZN
44	M43400704R	GUARNIZIONE METALLICA H42	METAL GASKET H42			
45	M23400439R	FLANGIA SUPPORTO H.42	SUPPORT FLANGE H.42	SUPPORT H.42	HALTER H.42	SOPORTE H.42
46	F02050168R	ANELLO E.DE 40X1,75 U7435	SEEGER RING 40X1,75 U7435	BAGUE SEEGER 40X1,75 U7435	SEEGERRING 40X1,75 U7435	ANIL. SEEGER 40X1,75 U7435
47	M48000307R	ANELLO RINF.40X50X1,5 C70	STIFFENER RING 40X50X1,5 C70	BAGUE DE RENFORCEM. 40X50X1,5	SEEGER RING 40X50X1,5 C70	ANILLO REFUERZO 40X50X1,5
48	F04010184R	CUSC.D40 D80 BOMB.18 6208 2RS1	BEARING D40 D80 BOMB.18 6208	ROULEMENT D40 D80 BOMB.18 6208	LAGER D40 D80 BOMB.18 6208 2RS	COJINETE D40 D80 BOMB.18 6208
49	M38100990R	GUARNIZIONE ELASTICA	GASKET	JOINT	DICHTUNG	JUNTA
50	M23400438R	MOZZO CUSCINETTO OSCILLANTE	BEARING HUB	MOYEU	NABE	CUBO
51	M43400707R	FLANGIA SPESSORE	INNER FLANGE	FLASQUE INTERIEUR	INNENFLANSCH	BRIDA INTERNA
52	F01220047R	DADO M12X1,25 D980 8ZN	NUT M12X1,25 D980 8ZN	ECROU M12X1,25 D980 8 ZN	MUTTER M12X1,25 D980 8 ZN	TUERCA M12X1,25 D980 8 ZN
53	M71100532R	VITE M12X1,25X 25 SPEC.8.8 ZN	BOLT M12X1,25X25	VIS M12X1,25X25	SCHRAUBE M12X1,25X25	TORNILLO M12X1,25X25
54	M43400705R	GUARNIZIONE METALLICA H60	GASKET H60	JONT H60	DICHTUNG H60	JUNTA H60
55	M23400436R	FLANGIA ESTERNA SUP.CUSC.OSC.	OUT.FLANGE FLOAT.BEARING SUPP.			
56	F02010034R	GHIERA AU.GUK M40X1,5 T.4H ZN	SELFLOCKING NUT M40X1,5 T.4HZN	COLLIER AUTOBL. M40X1,5 T.4HZN	SELBSTSP. NUTMUTTER M40X1,5 ZN	VIROLA AUTOBL. M40X1,5 T.4H ZN
57	F04010225R	CUSC.D45 D100 B25 1726309-2RS1	BEARING D45 D100 B25 1726309-2	ROULEMENT D45 D100	LAGER D45 D100 B25 1726309-2RS	COJINETE D45 D100
58	M61100441R	ANELLO T. 52X 90X 6 SPEC.	RING T. 52X 90X 6 SPEC.	ANNEAU T. 52X 90X 6 SPEC.	RING T. 52X 90X 6 SPEC.	ANILLO T. 52X 90X 6 SPEC.
59	M23400435R	FLANGIA INTERNA SUPP. CUSCIN.	HUB SWINGING BEARING SUPPORT	BRIDE INTERNE PALIER	FLANSCH INTERN LAGER	BRIDA INTERNA TENIENDO

TAV.120

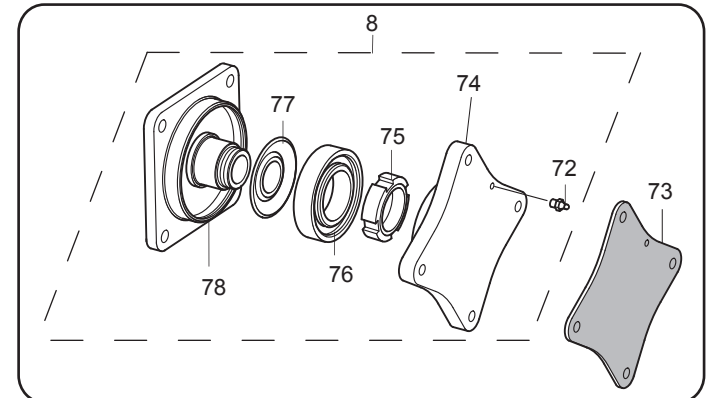
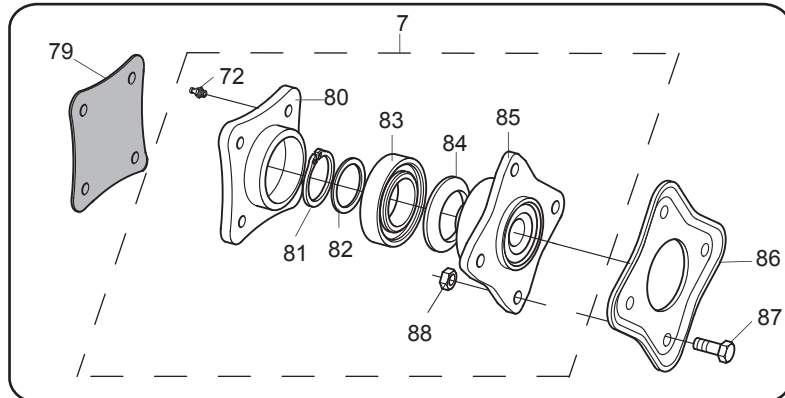
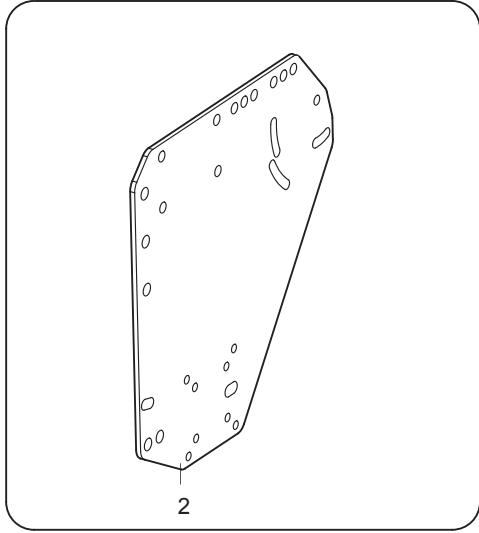
Ø 450 - Ø 500

Ø 600



* RINFORZATO / REINFORCED
RENFORCÈ / VERSTÄRKT
REFORZADO

PER: PK600 / GM600 / SP600 / GB550
FOR: PK600 / GM600 / SP600 / GB550



**GR. RULLO PACKER
PACKER ROLLER UNIT**

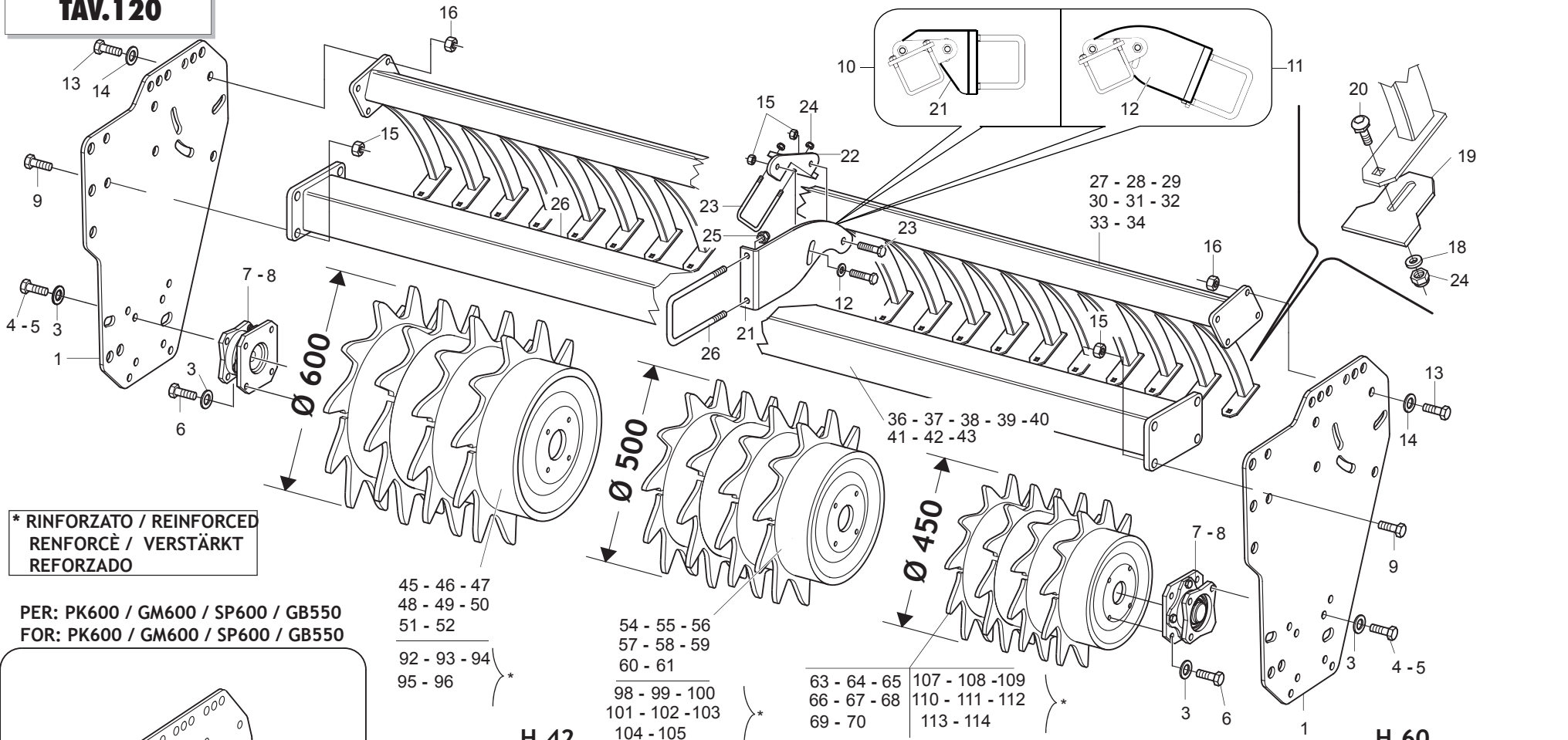
TAV. 120

Pos.	Cod.	Descrizione	Description	Description	Benennung	Descripcion
1	M43400700R	FIANCATA RULLO PICCOLA	ROLLER SIDE PANEL SMALL	COTE ROULEAU GAUCHE PETIT	WALZENSEITENWAND KLEIN	FLANCO RODILLO PEQUE A
2	M43400701R	FIANCATA RULLO GRANDE	BIG ROLLER SIDE			
3	F01480123R	ROS.G 12,5X22,9X 4 FLZNNC-240H	WASHER M12 ZGP EXTRA P.	RONDELLE M12 ZGP EXTRA P.	UNTERLEGSCHIEBE M12 ZGP EXTRA	ARANDELA M12 ZGP EXTRA P.
4	F01010283R	VITE M12X1,25X30 U5740 8.8ZN	SCR. M12X1,25X30 U5740 8.8ZN	VIS M 12X1,25X30	SCHRAUBE M 12X1,25X30	TORNILLO M 12X1,25X30
5	F01010288R	VITE M12X1,25X35 U5740 8.8ZN	SCR. M12X1,25X35 U5740 8.8ZN	VIS M12X1,25X35 U5740 8.8 ZN	SCHR.M12X1,25X35 U5740 8.8 ZN	TORN.M12X1,25X35 U5740 8.8 ZN
6	F01010291R	VITE M12X1,25X40 U5740 8.8ZN	SCR. M12X1,25X40 U5740 8.8ZN	VIS M12X1,25X40 U5740 8.8 ZN	SCHR.M12X1,25X40 U5740 8.8 ZN	TORN.M12X1,25X40 U5740 8.8 ZN
7	M43400467R	COMP.SUPP.CUSC.OSCIL.H42 X RI	COMPLETE BEARING SUPPORT H42	SUPPORT ROULEMENT H42	LAGERHALTERUNG H.42 P.GETRIEBE	SOPORTE COJINETE H.42 RIC.
8	M43400468R	COMP.SUPP.CUSC.OSCIL.H60 X RI	BEARING OSCILLATING H.60 S.PAR	ROULEMENT OSCILLANT H.60 P.DET	LAGER SCHWINGEND H.60 ERSATZT.	COJINETE OSCILANTE H.60 P.REP.
9	F01010341R	VITE M16X1,5X45 U5740 8.8ZN	SCR. M16X1,5X45 U5740 8.8ZN	VIS M16X1,5 X45 U5740 8.8 ZN	SCHR.M16X1,5 X45 U5740 8.8 ZN	TORN.M16X1,5 X45 U5740 8.8 ZN
10	M23400775R	GRUPPO COLLEGAMENTO RIF.TRAVE	CONNECTION OF BEAM REINFORCEM.			
11	M23400776R	COLLEGAMENTO DI RINFORZO TRAVE	ADJUSTER PLATE	PLAQUETTE DE REGISTRE	REGULIERUNGSPLATTE	PLAQUITA REGISTRO
12	M23400494R	PIATTO DI REGOLAZIONE	SCR. M14X1,5X50 U5738 8.8ZN	VIS M14X1.5X50 ZN	SCHRA.M14X1.5X50 U5738 8.8 ZN	TORN. M14X1.5X50 U5738 8.8 ZN
13	F01010082R	VITE M14X1,5X50 U5738 8.8ZN	SCR. M14X1,5X50 U5738 8.8ZN	RON.M14 15X 28X2,5 U6592 ZB	SCH.M14 15X 28X2,5 U6592 ZB	ARA.M14 15X 28X2,5 U6592 ZB
14	F01410088R	ROS.M14 15X 28X2,5 U6592 ZN	WAS.M14 15X 28X2,5 U6592 ZB	ECRO.M16X1,5 D980 8ZN	MUTTER M16X1,5 D980 8ZN	TUER.M16X1,5 D980 8ZN
15	F01220070R	DADO M16X1,5 D980 10ZN	NUT M16X1,5 D980 8ZN	ECROU M14X 1,5 D980 8 ZN	MUTTER M14X 1,5 D980 8 ZN	TUERCA M14X 1,5 D980 8 ZN
16	F01220059R	DADO M14X1,5 D980 8ZN	NUT M14X1,5 D980 8ZN	RONDEL. M10 10,5X20X2 U6592 ZN	SCHEIBE M10 10,5X20X2 U6592 ZN	ARAND.M10 10,5X 20X 2 U6592 ZN
18	F01410064R	ROS.M10 10,5X 20X 2 U6592 ZN	WASHER M10 10,5X20X2 U6592 ZN	PLAT DU DECROT.ROUL.PK	ABSTREIFER PLATTE PK	PLACA RASQUETA PK
19	M23400958R	PIASTRINA RASCH. PER PK TUNGST	SCRETTCHING PLATE FOR PK ROLLER	VIS M10X1,5X25	SCHRAUBE M10X1,5X25	TORNILLO M10X1,5X25
20	F01060208R	VITE M10X1,5X25 U5731 8.8ZN	SCR. M10X1,5X25 U5731 8.8ZN	LAME	MESSER	CUCHILLA
21	M23400493R	LAMA RINFORZO	BLADE	LAME	MESSER	CUCHILLA
22	M23400495R	LAMA	BLADE	LAME	MESSER	CUCHILLA
23	F01010319R	VITE M14X1,5X45 U5740 8.8ZN	SCR. M14X1,5X45 U5740 8.8ZN	VIS M14X1,5 X45 U5740 8.8 ZB	SCH. M14X1,5 X45 U5740 8.8 ZB	TORNILLO M14X1,5 X45 U5740 8.8
24	F01220033R	DADO M10X1,5 D980 8ZN	NUT M10X1,5 D980 8ZN	ECROU M10X1,5 D980 8ZN	MUTTER M10X1,5 D980 8ZN	TUERCA M10X1,5 D980 8
25	F01220266R	DADO M16X2 D980 8ZN	NUT M16X2 D980 8ZN	ECROU M16X 2 D980 8 ZN	MUTTER M16X 2 D980 8 ZN	TUERCA M16X 2 D980 8 ZN
26	F20110800R	CAV.R.B=100 M=16X2 L=135	U BOLT R.B=100 M=16X2 L=135	ATEL.B=100 M=16X2 L=135	VERBI.B=100 M=16X2 L=135	PERNO U B=100 M=16X2 L=135
27	M23418980R	TRAVE POST.RULLO PK 1800	SOIL SCRAPER FRAME PK 1800	CHASSIS ATT.DECROT PK 1800	ABSTREIFERRAHMEN PK 1800	TELAR ATAQ.RASQ PK 1800
28	M23420980R	TRAVE POST.RULLO PK 2000	SOIL SCRAPER FRAME PK 2000	CHASSIS ATT.DECROT PK 2000	ABSTREIFERRAHMEN PK 2000	TELAR ATAQ.RASQ PK 2000
29	M23423980R	TRAVE POST.RULLO PK 2300	SOIL SCRAPER FRAME PK 2300	CHASSIS ATT.DECROT PK 2300	ABSTREIFERRAHMEN PK 2300	TELAR ATAQ.RASQ PK 2300
30	M23425980R	TRAVE POST.RULLO PK 2500	SOIL SCRAPER FRAME PK 2500	CHASSIS ATT.DECROTTOIR PK 2500	ABSTREIFERRAHMEN PK 2500	TELAR ATAQ.RASQUETA PK 2500
31	M23430980R	TRAVE POST.RULLO PK 3000	SOIL SCRAPER FRAME PK 3000	CHASSIS ATT.DECROTTOIR PK 3000	ABSTREIFERRAHMEN PK 3000	TELAR ATAQ.RASQUETA PK 3000
32	M23435980R	TRAVE POST.RULLO PK 3500	SOIL SCRAPER FRAME PK 3500	CHASSIS ATT.DECROTTOIR PK 3500	ABSTREIFERRAHMEN PK 3500	TELAR ATAQ.RASQUETA PK 3500
33	M23440980R	TRAVE POST.RULLO PK 4000	SOIL SCRAPER FRAME PK 4000	CHASSIS ATT.DECROTTOIR PK 4000	ABSTREIFERRAHMEN PK 4000	TELAR ATAQ.RASQUETA PK 4000
34	M23445980R	TRAVE POST.RULLO PK 4500	SOIL SCRAPER FRAME PK 4500	CHASSIS ATT.DECROTTOIR PK 4500	ABSTREIFERRAHMEN PK 4500	TELAR ATAQ.RASQUETA PK 4500
36	M43418457R	TRAVE ANTERIORE RULLO 1500C	BEAM 1500C	POUTRE 1500C	WALZE HAUPTTTRAEGER 1500C	VIGA 1500C
37	M43420457R	TRAVE ANTERIORE RULLO 2000A	BEAM 2000A	POUTRE 2000A	HAUPTTTRAEGER 2000A	VIGA 2000A
38	M43423457R	TRAVE ANTERIORE RULLO 2000C	BEAM 2000C	POUTRE 2000C	HAUPTTTRAEGER 2000C	VIGA 2000C
39	M43425457R	TRAVE ANTERIORE RULLO 2500A	BEAM 2500A	POUTRE 2500A	HAUPTTTRAEGER 2500A	VIGA 2500A
40	M43430457R	TRAVE ANTERIORE RULLO 3000A	FRONT BEAM ROLLER 3000A			
41	M43435457R	TRAVE ANTERIORE RULLO 3500A	BEAM 3500A	POUTRE 3500A	HAUPTTTRAEGER 3500A	VIGA 3500A
42	M43440457R	TRAVE ANTERIORE RULLO 4000A	BEAM 4000A	POUTRE 4000A	HAUPTTTRAEGER 4000A	VIGA 4000A
43	M43445457R	TRAVE ANTERIORE RULLO 4500A	BEAM 4500A	POUTRE 4500A	HAUPTTTRAEGER 4500A	VIGA 4500A
45	M23418711R	ROTORE RULLO PK.600 1500C	PACKER ROLLER ROTOR 1500C D600	ROTOR D600 1500C HERSE	PACKERWALZEROTOR 1500C D600	ROTOR RODILLO PACK 1500C D600
46	M23420711R	ROTORE RULLO PK.600 2000A	PACKER ROLLER ROTOR 2000A D600	ROTOR D600 2000A HERSE	PACKERWALZEROTOR 2000A D600	ROTOR RODILLO PACK 2000A D600
47	M23423711R	ROTORE RULLO PK.600 2000C	PACKER ROLLER ROTOR 2000C D600	ROTOR D600 2000C HERSE	PACKERWALZEROTOR 2000C D600	ROTOR RODILLO PACK 2000C D600
48	M23425711R	ROTORE RULLO PK.600 2500A	PACKER ROLLER ROTOR 2500A D600	ROTOR D600 2500A HERSE	PACKERWALZEROTOR 2500A D600	ROTOR RODIL PACKER 2500A D600
49	M23430711R	ROTORE RULLO PK.600 3000A	PACKER ROLLER ROTOR 3000A D600	ROTOR D600 3000A HERSE	PACKERWALZEROTOR 3000A D600	ROTOR RODIL PACKER 3000A D600
50	M23435711R	ROTORE RULLO PK.600 3500A	PACKER ROLLER ROTOR 3500A D600	ROTOR D600 3500A HERSE	PACKERWALZEROTOR 3500A D600	ROTOR RODIL PACKER 3500A D600
51	M23440711R	ROTORE RULLO PK.600 4000A	PACKER ROLLER ROTOR 4000A D600	ROTOR D600 4000A HERSE	PACKERWALZEROTOR 4000A D600	ROTOR RODIL PACKER 4000A D600
52	M23445711R	ROTORE RULLO PK.600 4500A	PACKER ROLLER ROTOR 4500A D600	ROTOR D600 4500A HERSE	PACKERWALZEROTOR 4500A D600	ROTOR RODIL PACKER 4500A D600
54	M23418712R	ROTORE RULLO PK.500 1500C	PACKER ROLLER ROTOR 1500C D500	ROTOR D500 1500C HERSE	PACKERWALZEROTOR 1500C D500	ROTOR RODILLO PACK 1500C D500
55	M23420712R	ROTORE RULLO PK.500 2000A	PACKER ROLLER ROTOR 2000A D500	ROTOR D500 2000A HERSE	PACKERWALZEROTOR 2000A D500	ROTOR RODILLO PACK 2000A D500
56	M23423712R	ROTORE RULLO PK.500 2000C	PACKER ROLLER ROTOR 2000C D500	ROTOR D500 2000C HERSE	PACKERWALZEROTOR 2000C D500	ROTOR RODILLO PACK 2000C D500
57	M23425712R	ROTORE RULLO PK.500 2500A	PACKER ROLLER ROTOR 2500 D500	ROTOR D500 2500 HERSE	PACKERWALZEROTOR 2500 D500	ROTOR RODILLO PACKER 2500 D500
58	M23430712R	ROTORE RULLO PK.500 3000A	PACKER ROLLER ROTOR 3000 D500	ROTOR D500 3000 HERSE	PACKERWALZEROTOR 3000 D500	ROTOR RODILLO PACKER 3000 D500
59	M23435712R	ROTORE RULLO PK.500 3500A	PACKER ROLLER ROTOR 3500 D500	ROTOR D500 3500 HERSE	PACKERWALZEROTOR 3500 D500	ROTOR RODILLO PACKER 3500 D500
60	M23440712R	ROTORE RULLO PK.500 4000A	PACKER ROLLER ROTOR 4000 D500	ROTOR D500 4000 HERSE	PACKERWALZEROTOR 4000 D500	ROTOR RODILLO PACKER 4000 D500
61	M23445712R	ROTORE RULLO PK.500 4500A	PACKER ROLLER ROTOR 4500 D500	ROTOR D500 4500 HERSE	PACKERWALZEROTOR 4500 D500	ROTOR RODILLO PACKER 4500 D500

TAV.120

Ø 450 - Ø 500

Ø 600



*** RINFORZATO / REINFORCED
RENFORCÈ / VERSTÄRKT
REFORZADO**

**PER: PK600 / GM600 / SP600 / GB550
FOR: PK600 / GM600 / SP600 / GB550**

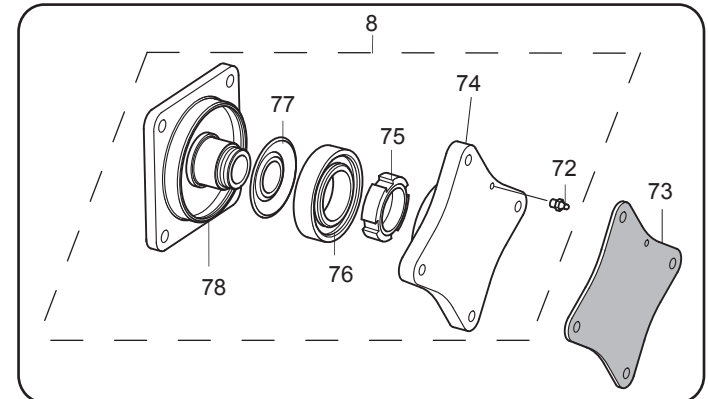
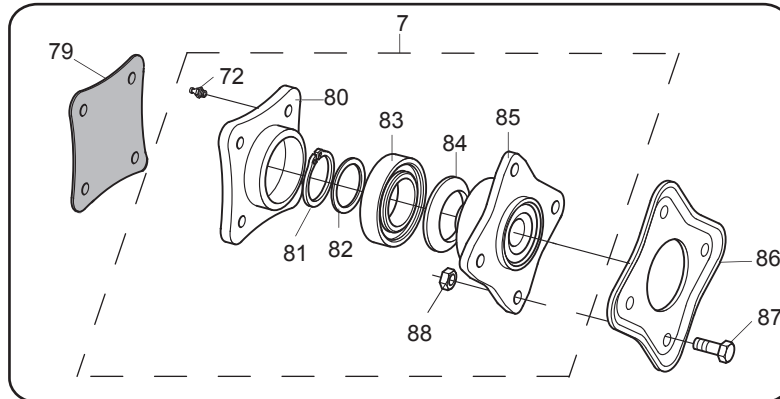
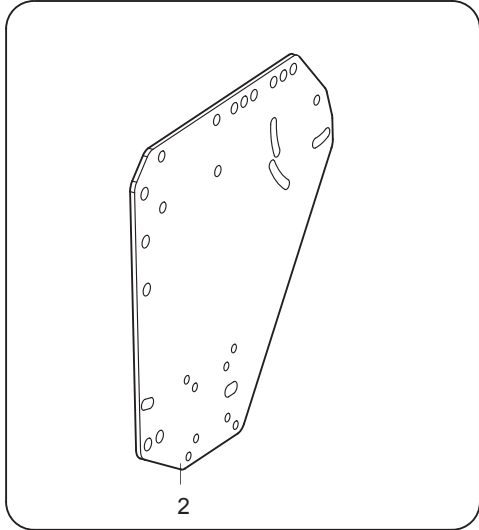
45 - 46 - 47
48 - 49 - 50
51 - 52
92 - 93 - 94
95 - 96

54 - 55 - 56
57 - 58 - 59
60 - 61
98 - 99 - 100
101 - 102 - 103
104 - 105

63 - 64 - 65
66 - 67 - 68
69 - 70
107 - 108 - 109
110 - 111 - 112
113 - 114

H.42

H.60

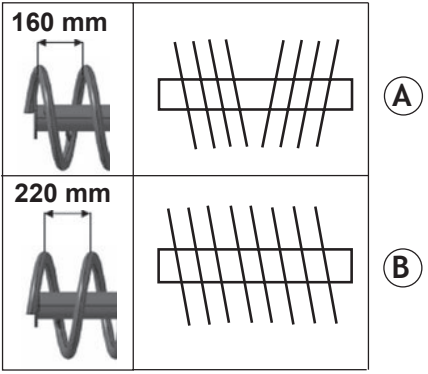
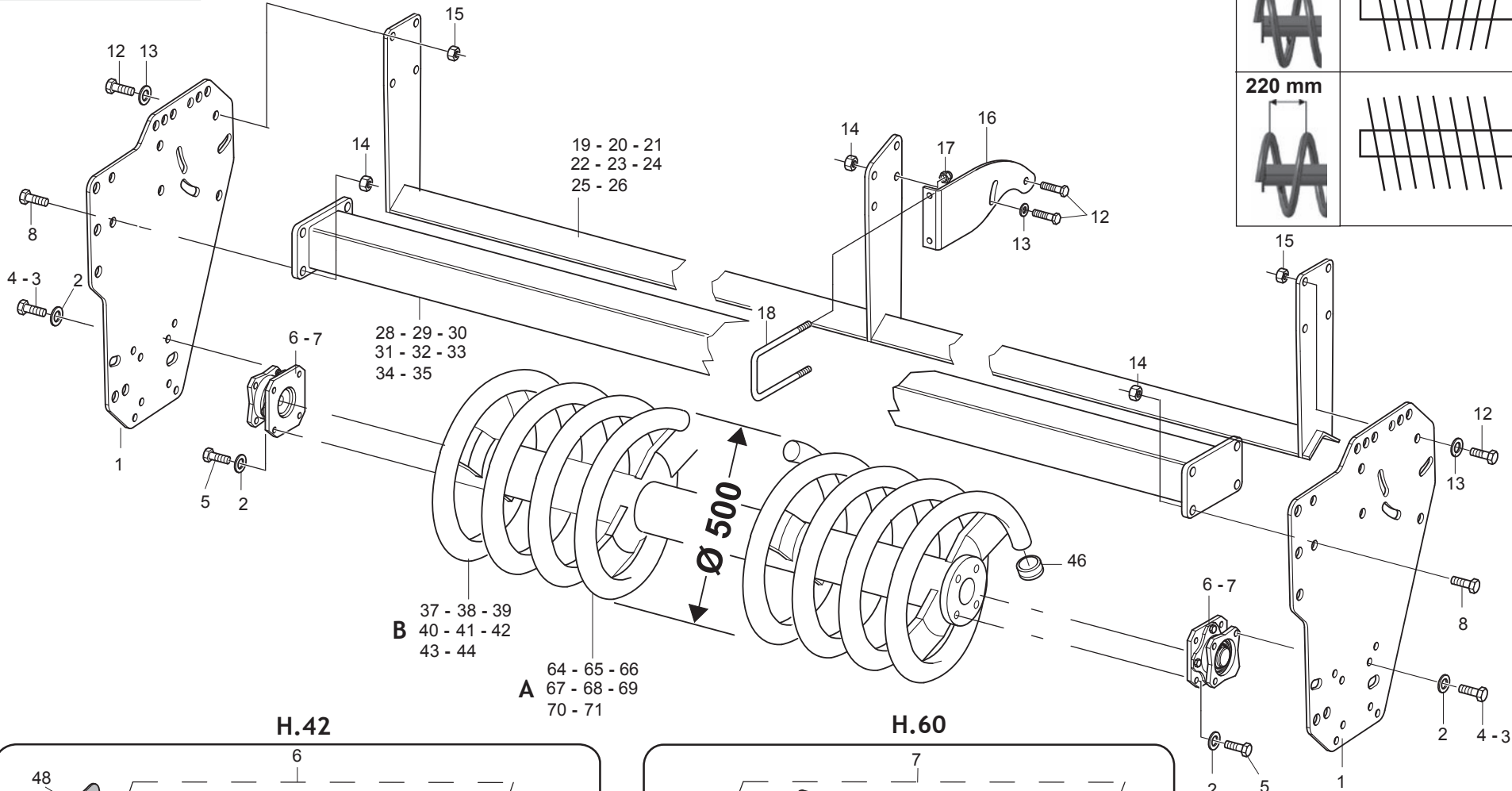


**GR. RULLO PACKER
PACKER ROLLER UNIT**

TAV. 120

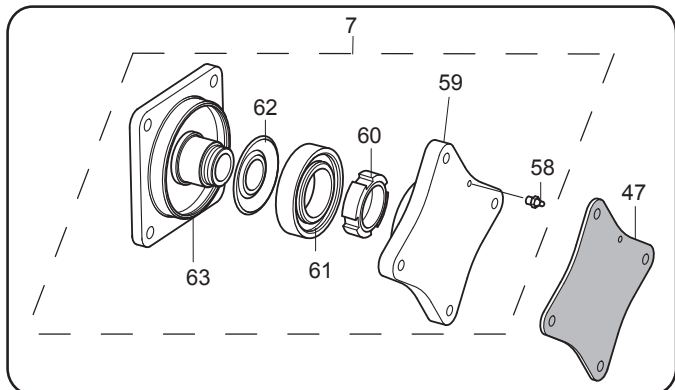
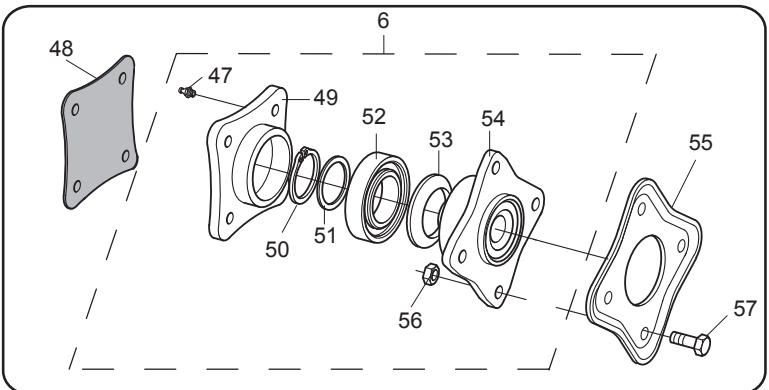
Pos.	Cod.	Descrizione	Description	Description	Benennung	Description
63	M23418713R	ROTORE RULLO PK.450 1500C	PACKER ROLLER ROTOR 1500C D450	ROTOR D450 1500C HERSE	PACKERWALZEROTOR 1500C D450	ROTOR RODILLO PACK 1500C D450
64	M23420713R	ROTORE RULLO PK.450 2000A	PACKER ROLLER ROTOR 2000A D450	ROTOR D450 2000A HERSE	PACKERWALZEROTOR 2000A D450	ROTOR RODILLO PACK 2000A D450
65	M23423713R	ROTORE RULLO PK.450 2000C	PACKER ROLLER ROTOR 2000C D450	ROTOR D450 2000C HERSE	PACKERWALZEROTOR 2000C D450	ROTOR RODILLO PACK 2000C D450
66	M23425713R	ROTORE RULLO PK.450 2500A	PACKER ROLLER ROTOR 2500A D450	ROTOR D450 2500A HERSE	PACKERWALZEROTOR 2500A D450	ROTOR RODILLO PACK 2500A D450
67	M23430713R	ROTORE RULLO PK.450 3000A	PACKER ROLLER ROTOR 3000A D450	ROTOR D450 3000A HERSE	PACKERWALZEROTOR 3000A D450	ROTOR RODILLO PACK 3000A D450
68	M23435713R	ROTORE RULLO PK.450 3500A	PACKER ROLLER ROTOR 3500A D450	ROTOR D450 3500A HERSE	PACKERWALZEROTOR 3500A D450	ROTOR RODILLO PACK 3500A D450
69	M23440713R	ROTORE RULLO PK.450 4000A	PACKER ROLLER ROTOR 4000A D450	ROTOR D450 4000A HERSE	PACKERWALZEROTOR 4000A D450	ROTOR RODILLO PACK 4000A D450
70	M23445713R	ROTORE RULLO PK.450 4500A	PACKER ROLLER ROTOR 4500A D450	ROTOR D450 4500A HERSE	PACKERWALZEROTOR 4500A D450	ROTOR RODILLO PACK 4500A D450
72	F01100011R	ING.M 6X1 7663-A 9SMNPB28 ZN	GREASE NIPPLE M6X1 7663-A ZN	GRAISS. A BILLE M6X1 7663A ZN	SCHMIERBUECHE M6X1 7663-A ZN	ENG.M 6X1 7663-A 9SMNPB28 ZN
73	M43400705R	GUARNIZIONE METALLICA H60	GASKET H60	JONT H60	DICHTUNG H60	JUNTA H60
74	M23400436R	FLANGIA ESTERNA SUP.CUSC.OSC.	OUT.FLANGE FLOAT.BEARING SUPP.			
75	F02010034R	GHIERA AU.GUK M40X1,5 T.4HZN	SELFLOCKING NUT M40X1,5 T.4HZN	COLLIER AUTOBL. M40X1,5 T.4HZN	SELBSTSP. NUTMUTTER M40X1,5 ZN	VIROLA AUTOBL. M40X1,5 T.4H ZN
76	F04010225R	CUSC.D45 D100 B25 1726309-2RS1	BEARING D45 D100 B25 1726309-2	ROULEMENT D45 D100	LAGER D45 D100 B25 1726309-2RS	COJINETE D45 D100
77	M61100441R	ANELLO T. 52X 90X 6 SPEC.	RING T. 52X 90X 6 SPEC.	ANNEAU T. 52X 90X 6 SPEC.	RING T. 52X 90X 6 SPEC.	ANILLO T. 52X 90X 6 SPEC.
78	M23400435R	FLANGIA INTERNA SUPP. CUSCIN.	HUB SWINGING BEARING SUPPORT	BRIDE INTERNE PALIER	FLANSCH INTERN LAGER	BRIDA INTERNA TENIENDO
79	M43400704R	GUARNIZIONE METALLICA H42	METAL GASKET H42			
80	M23400439R	FLANGIA SUPPORTO H.42	SUPPORT FLANGE H.42	SUPPORT H.42	HALTER H.42	SOPORTE H.42
81	F02050168R	ANELLO E.DE 40X1,75 U7435	SEEGER RING 40X1,75 U7435	BAGUE SEEGER 40X1,75 U7435	SEEGERRING 40X1,75 U7435	ANIL.SEEGER 40X1,75 U7435
82	M48000307R	ANELLO RINF.40X50X1,5 C70	STIFFENER RING 40X50X1,5 C70	BAGUE DE RENFORCEM. 40X50X1,5	ANILLO REFUERZO 40X50X1,5 C70	ANILLO REFUERZO 40X50X1,5
83	F04010184R	CUSC.D40 D80 BOMB.18 6208 2RS1	BEARING D40 D80 BOMB.18 6208	ROULEMENT D40 D80 BOMB.18 6208	LAGER D40 D80 BOMB.18 6208 2RS	COJINETE D40 D80 BOMB.18 6208
84	M38100990R	GUARNIZIONE ELASTICA	GASKET	JOINT	DICHTUNG	JUNTA
85	M23400438R	MOZZO CUSCINETTO OSCILLANTE	BEARING HUB	MOYEU	NABE	CUBO
86	M43400707R	FLANGIA SPESSORE	INNER FLANGE	FLASQUE INTERIEUR	INNENFLANSCH	BRIDA INTERNA
87	M71100532R	VITE M12X1,25X 25 SPEC.8.8 ZN	BOLT M12X1,25X25	VIS M12X1,25X25	SCHRAUBE M12X1,25X25	TORNILLO M12X1,25X25
88	F01220047R	DADO M12X1,25 D980 8ZN	NUT M12X1,25 D980 8ZN	ECROU M12X1,25 D980 8 ZN	MUTTER M12X1,25 D980 8 ZN	TUERCA M12X1,25 D980 8 ZN
92	M43425482R	ROTORE RULLO PK.600 2500A DS	PACKER ROLLER ROTOR D600 2500A	ROTOR PK D600 2500A	PACKERWALZEROTOR D600 2500A	ROTOR RODILLO PACK D600 2500A
93	M43430482R	ROTORE RULLO PK.600 3000A DS	PACKER ROLLER ROTOR D600 3000A	ROTOR HERSE D600 3000A	PACKERWALZEROTOR D600 3000A	ROTOR RODILLO PACK. D600 3000A
94	M43435482R	ROTORE RULLO PK.600 3500A DS	PACKER ROLLER ROTOR D600 3500A	ROTOR PK D600 3500A	PACKERWALZEROTOR D600 3500A	ROTOR RODILLO PACK D600 3500A
95	M43440482R	ROTORE RULLO PK.600 4000A DS	PACKER ROLLER ROTORD600 4000A	ROTOR PK D600 4000A	PACKERWALZEROTOR D600 4000A	ROTOR RODILLO PACK 4000A D600
96	M43445482R	ROTORE RULLO PK.600 4500A DS	PACKER ROLLER ROTORD600 4500A	ROTOR PK D600 4500A	PACKERWALZEROTOR D600 4500A	ROTOR RODILLO PACK 4500A D600
98	M43418483R	ROTORE RULLO PK.D500 1500C DS	PACKER ROLLER ROTOR 1500C D500	ROTOR D500 1500C HERSE	PACKERWALZEROTOR 1500C D500	ROTOR RODILLO PACK 1500C D500
99	M43420483R	ROTORE RULLO PK.D500 2000A DS	PACKER ROLLER ROTOR 2000A D500	ROTOR D500 2000A HERSE	PACKERWALZEROTOR 2000A D500	ROTOR RODILLO PACK 2000A D500
100	M43423483R	ROTORE RULLO PK.D500 2000C DS	PACKER ROLLER ROTOR 2000C D500	ROTOR D500 2000C HERSE	PACKERWALZEROTOR 2000C D500	ROTOR RODILLO PACK 2000C D500
101	M43425483R	ROTORE RULLO PK.D500 2500A DS	PACKER ROLLER ROTOR 2500 D500	ROTOR D500 2500 HERSE	PACKERWALZEROTOR 2500 D500	ROTOR RODILLO PACKER 2500 D500
102	M43430483R	ROTORE RULLO PK.D500 3000A DS	PACKER ROLLER ROTOR 3000 D500	ROTOR D500 3000 HERSE	PACKERWALZEROTOR 3000 D500	ROTOR RODILLO PACKER 3000 D500
103	M43435483R	ROTORE RULLO PK.D500 3500A DS	PACKER ROLLER ROTOR 3500 D500	ROTOR D500 3500 HERSE	PACKERWALZEROTOR 3500 D500	ROTOR RODILLO PACKER 3500 D500
104	M43440483R	ROTORE RULLO PK.D500 4000A DS	PACKER ROLLER ROTOR 4000 D500	ROTOR D500 4000 HERSE	PACKERWALZEROTOR 4000 D500	ROTOR RODILLO PACKER 4000 D500
105	M43445483R	ROTORE RULLO PK.500 4500A	ROTOR PK.500 4500A			
107	M43418484R	ROTORE RULLO PK.450 1500C DS	PACKER ROLLER ROTOR 1500C D450	ROTOR D450 1500C HERSE	PACKERWALZEROTOR 1500C D450	ROTOR RODILLO PACK 1500C D450
108	M43420484R	ROTORE RULLO PK.450 2000A DS	PACKER ROLLER ROTOR 2000A D450	ROTOR D450 2000A HERSE	PACKERWALZEROTOR 2000A D450	ROTOR RODILLO PACK 2000A D450
109	M43423484R	ROTORE RULLO PK.450 2000C DS	PACKER ROLLER ROTOR 2000C D450	ROTOR D450 2000C HERSE	PACKERWALZEROTOR 2000C D450	ROTOR RODILLO PACK 2000C D450
110	M43425484R	ROTORE RULLO PK.450 2500A DS	PACKER ROLLER ROTOR 2500A D450	ROTOR D450 2500A HERSE	PACKERWALZEROTOR 2500A D450	ROTOR RODILLO PACK 2500A D450
111	M43430484R	ROTORE RULLO PK.450 3000A DS	PACKER ROLLER ROTOR 3000A D450	ROTOR D450 3000A HERSE	PACKERWALZEROTOR 3000A D450	ROTOR RODILLO PACK 3000A D450
112	M43435484R	ROTORE RULLO PK.450 3500A DS	PACKER ROLLER ROTOR 3500A D450	ROTOR D450 3500A HERSE	PACKERWALZEROTOR 3500A D450	ROTOR RODILLO PACK 3500A D450
113	M43440484R	ROTORE RULLO PK.450 4000A DS	PACKER ROLLER ROTOR 4000A D450	ROTOR D450 4000A HERSE	PACKERWALZEROTOR 4000A D450	ROTOR RODILLO PACK 4000A D450
114	M43445484R	ROTORE RULLO PK.450 4500A DS	PACKER ROLLER ROTOR 4500A D450	ROTOR D450 4500A HERSE	PACKERWALZEROTOR 4500A D450	ROTOR RODILLO PACK 4500A D450

TAV.130



H.42

H.60

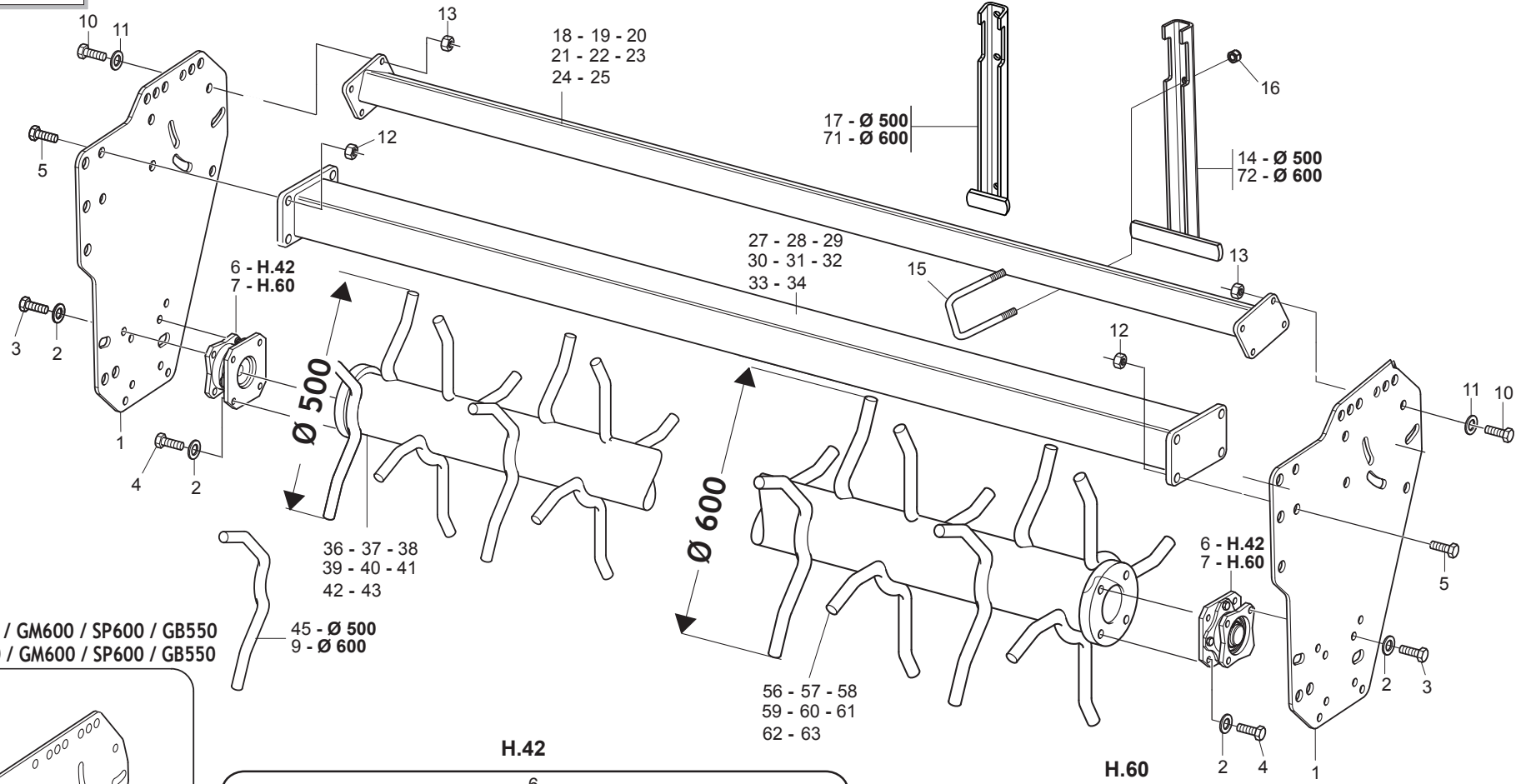


**GR. RULLO SPIROPACKER
SPIRAL-PACKER ROLLER UNIT**

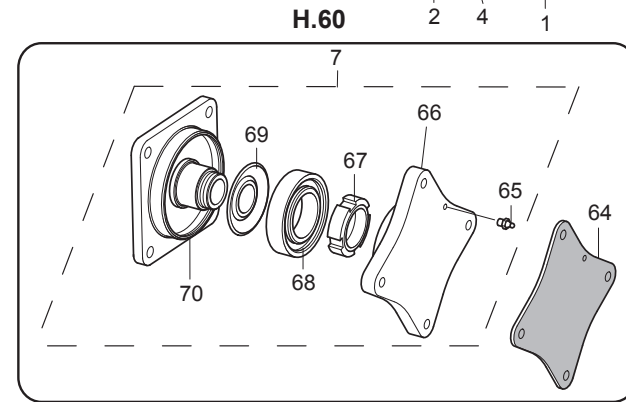
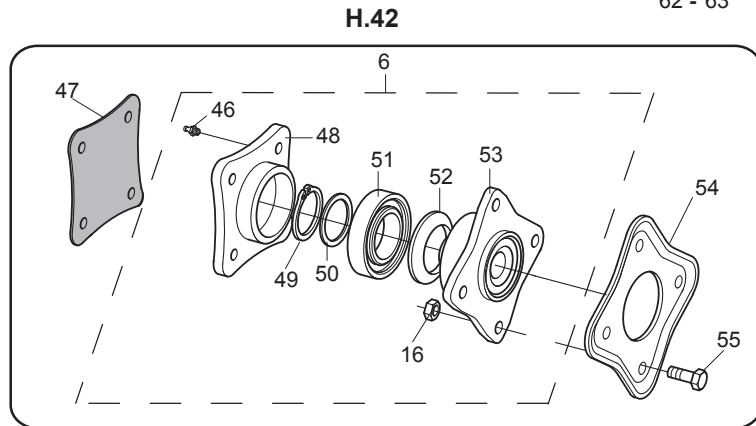
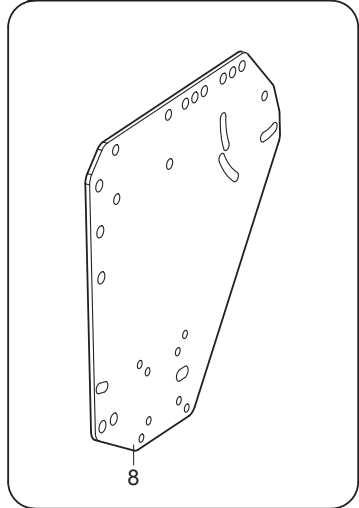
TAV. 130

Pos.	Cod.	Descrizione	Description	Description	Benennung	Description
1	M43400700R	FIANCATA RULLO PICCOLA	ROLLER SIDE PANEL SMALL	COTE ROULEAU GAUCHE PETIT	WALZENSEITENWAND KLEIN	FLANCO RODILLO PEQUE A
2	F01480123R	ROS.G 12,5X22,9X 4 FLZNNC-240H	WASHER M12 ZGP EXTRA P.	RONDELLE M12 ZGP EXTRA P.	UNTERLEGSCHIEBE M12 ZGP EXTRA	ARANDELA M12 ZGP EXTRA P.
3	F01010283R	VITE M12X1,25X30 U5740 8.8ZN	SCR. M12X1,25X30 U5740 8.8ZN	VIS M 12X1,25X30	SCHRAUBE M 12X1,25X30	TORNILLO M 12X1,25X30
4	F01010288R	VITE M12X1,25X35 U5740 8.8ZN	SCR. M12X1,25X35 U5740 8.8ZN	VIS M12X1,25X35 U5740 8.8 ZN	SCHR.M12X1,25X35 U5740 8.8 ZN	TORN.M12X1,25X35 U5740 8.8 ZN
5	F01010291R	VITE M12X1,25X40 U5740 8.8ZN	SCR. M12X1,25X40 U5740 8.8ZN	VIS M12X1,25X40 U5740 8.8 ZN	SCHR. M12X1,25X40 U5740 8.8 ZN	TORN. M12X1,25X40 U5740 8.8 ZN
6	M43400467R	COMP.SUPP.CUSC.OSCIL.H42 X RI	COMPLETE BEARING SUPPORT H42	SUPPORT ROULEMENT H42	LAGERHALTERUNG H.42 P.GETRIEBE	SOPORTE COJINETE H.42 RIC.
7	M43400468R	COMP.SUPP.CUSC.OSCIL.H60 X RI	BEARING OSCILLATING H.60 S.PAR	ROULEMENT OSCILLANT H.60 P.DET	LAGER SCHWINGEND H.60 ERSATZT.	COJINETE OSCILANTE H.60 P.REP.
8	F01010341R	VITE M16X1,5X45 U5740 8.8ZN	SCR. M16X1,5X45 U5740 8.8ZN	VIS M16X1,5 X45 U5740 8.8 ZN	SCHR.M16X1,5 X45 U5740 8.8 ZN	TORN.M16X1,5 X45 U5740 8.8 ZN
12	F01010319R	VITE M14X1,5X45 U5740 8.8ZN	SCR. M14X1,5X45 U5740 8.8ZN	VIS M14X1,5 X45 U5740 8.8 ZB	SCH. M14X1,5 X45 U5740 8.8 ZB	TORNILLO M14X1,5 X45 U5740 8.8
13	F01410088R	ROS.M14 15X 28X2,5 U6592 ZN	WAS.M14 15X 28X2,5 U6592 ZB	RON.M14 15X 28X2,5 U6592 ZB	SCH.M14 15X 28X2,5 U6592 ZB	ARA.M14 15X 28X2,5 U6592 ZB
14	F01220070R	DADO M16X1,5 D980 10ZN	NUT M16X1,5 D980 8ZN	ECROU M16X1,5 D980 8ZN	MUTTER M16X1,5 D980 8ZN	TUER.M16X1,5 D980 8ZN
15	F01220059R	DADO M14X1,5 D980 8ZN	NUT M14X1,5 D980 8ZN	ECROU M14X 1,5 D980 8 ZN	MUTTER M14X 1,5 D980 8 ZN	TUERCA M14X 1,5 D980 8 ZN
16	M23400493R	LAMA RINFORZO	BLADE	LAME	MESSER	CUCHILLA
17	F01220266R	DADO M16X2 D980 8ZN	NUT M16X2 D980 8ZN	ECROU M16X 2 D980 8 ZN	MUTTER M16X 2 D980 8 ZN	TUERCA M16X 2 D980 8 ZN
18	F20110800R	CAV.R.B=100 M=16X2 L=135	U BOLT R.B=100 M=16X2 L=135	ATTEL.B=100 M=16X2 L=135	VERBL.B=100 M=16X2 L=135	PERNO U B=100 M=16X2 L=135
19	M43418449R	TRAVE RASCHIATERRA 1800	SOIL SCRAPER FRAME 1800	CHASSIS ATT. DECROTTOIR 1800	ABSTREIFERRAHMEN 1800	TELAR ATAQUE RASQUETA 1800
20	M43420449R	TRAVE RASCHIATERRA 2000	SOIL SCRAPER FRAME 2000	CHASSIS ATT. DECROTTOIR 2000	ABSTREIFERRAHMEN 2000	TELAR ATAQUE RASQUETA 2000
21	M43423449R	TRAVE RASCHIATERRA 2300	SOIL SCRAPER FRAME 2300	CHASSIS ATT. DECROTTOIR 2300	ABSTREIFERRAHMEN 2300	TELAR ATAQUE RASQUETA 2300
22	M43425449R	TRAVE RASCHIATERRA 2500	SOIL SCRAPER FRAME 2500	CHASSIS ATT. DECROTTOIR 2500	ABSTREIFERRAHMEN 2500	TELAR ATAQUE RASQUETA 2500
23	M43430449R	TRAVE RASCHIATERRA 3000	SOIL SCRAPER FRAME 3000	CHASSIS ATT. DECROTTOIR 3000	ABSTREIFERRAHMEN 3000	TELAR ATAQUE RASQUETA 3000
24	M43435449R	TRAVE RASCHIATERRA 3500	SOIL SCRAPER FRAME 3500	CHASSIS ATT. DECROTTOIR 3500	ABSTREIFERRAHMEN 3500	TELAR ATAQUE RASQUETA 3500
25	M43440449R	TRAVE RASCHIATERRA 4000	SOIL SCRAPER FRAME 4000	CHASSIS ATT. DECROTTOIR 4000	ABSTREIFERRAHMEN 4000	TELAR ATAQUE RASQUETA 4000
26	M43445449R	TRAVE RASCHIATERRA 4500	SOIL SCRAPER FRAME 4500	CHASSIS ATT. DECROTTOIR 4500	ABSTREIFERRAHMEN 4500	TELAR ATAQUE RASQUETA 4500
28	M43418457R	TRAVE ANTERIORE RULLO 1500C	BEAM 1500C	POUTRE 1500C	WALZE HAUPTTTRAEGER 1500C	VIGA 1500C
29	M43420457R	TRAVE ANTERIORE RULLO 2000A	BEAM 2000A	POUTRE 2000A	HAUPTTTRAEGER 2000A	VIGA 2000A
30	M43423457R	TRAVE ANTERIORE RULLO 2000C	BEAM 2000C	POUTRE 2000C	HAUPTTTRAEGER 2000C	VIGA 2000C
31	M43425457R	TRAVE ANTERIORE RULLO 2500A	BEAM 2500A	POUTRE 2500A	HAUPTTTRAEGER 2500A	VIGA 2500A
32	M43430457R	TRAVE ANTERIORE RULLO 3000A	FRONT BEAM ROLLER 3000A			
33	M43435457R	TRAVE ANTERIORE RULLO 3500A	BEAM 3500A	POUTRE 3500A	HAUPTTTRAEGER 3500A	VIGA 3500A
34	M43440457R	TRAVE ANTERIORE RULLO 4000A	BEAM 4000A	POUTRE 4000A	HAUPTTTRAEGER 4000A	VIGA 4000A
35	M43445457R	TRAVE ANTERIORE RULLO 4500A	BEAM 4500A	POUTRE 4500A	HAUPTTTRAEGER 4500A	VIGA 4500A
37	M43418445R	ROTORE RULLO SK.500	SPIROROLLER ROTOR D.500 1800	ROTOR SPIROPACKER D.500 1800	SPIROPACKERWALZE D.500 1800	ROTOR SPIROPACKER D.500 1800
38	M43420445R	ROTORE RULLO SK.500	SPIROROLLER ROTOR D.500 2000A	ROTOR SPIROPACKER D.500 2000A	SPIROPACKERWALZE D.500 2000A	ROTOR SPIROPACKER D.500 2000A
39	M43423445R	ROTORE RULLO SK.500	SPIROROLLER ROTOR D.500 2300	ROTOR SPIROPACKER D.500 2300	SPIROPACKERWALZE D.500 2300	ROTOR SPIROPACKER D.500 2300
40	M43425445R	ROTORE RULLO SK.500 2500A	SK ROLLER ROTOR 500 2500A	ROTOR ROULEAU SK 2500A	SK WALZEROTOR 500 2500A	ROTOR RODILLO SK 500 2500A
41	M43430445R	ROTORE RULLO SK.500	SK ROLLER ROTOR 500 3000	ROTOR ROULEAU SK 500 3000	SK WALZEROTOR 500 3000	ROTOR RODILLO SK 500 3000
42	M43435445R	ROTORE RULLO SK.500	SK ROLLER ROTOR 500 3500	ROTOR ROULEAU SK 500 3500	SK WALZEROTOR 500 3500	ROTOR RODILLO SK 500 3500
43	M43440445R	ROTORE RULLO SK.500	SK ROLLER ROTOR 500 4000	ROTOR ROULEAU SK 500 4000	SK WALZEROTOR 500 4000	ROTOR RODILLO SK 500 4000
44	M43445445R	ROTORE RULLO SK.500	SK ROLLER ROTOR 500 4500	ROTOR ROULEAU SK 500 4500	SK WALZEROTOR 500 4500	ROTOR RODILLO SK 500 4500
46	F05100022R	TAPPO NERO D.45 PER R.SPPK	PLUG D.45	BOUCHON FERMETURE D.45	VERSCHLUSSPFRPFEN D.45	TAPON CLAUSURA D.45
47	F01100011R	ING.M 6X1 7663-A 9SMNPB28 ZN	GREASE NIPPLE M6X1 7663-A ZN	GRAISS. A BILLE M6X1 7663A ZN	SCHMIERBUECHE M6X1 7663-A ZN	ENG.M 6X1 7663-A 9SMNPB28 ZN
48	M43400704R	GUARNIZIONE METALLICA H42	METAL GASKET H42			
49	M23400439R	FLANGIA SUPPORTO H.42	SUPPORT FLANGE H.42	SUPPORT H.42	HALTER H.42	SOPORTE H.42
50	F02050168R	ANELLO E.DE 40X1,75 U7435	SEEGER RING 40X1,75 U7435	BAGUE SEEGER 40X1,75 U7435	SEEGERRING 40X1,75 U7435	ANIL. SEEGER 40X1,75 U7435
51	M48000307R	ANELLO RINF.40X50X1,5 C70	STIFFENER RING 40X50X1,5 C70	BAGUE DE RENFORCEM. 40X50X1,5	SEEGER RING 40X50X1,5 C70	ANILLO REFUERZO 40X50X1,5
52	F04010184R	CUSC.D40 D80 BOMB.18 6208 2RS1	BEARING D40 D80 BOMB.18 6208	ROULEMENT D40 D80 BOMB.18 6208	LAGER D40 D80 BOMB.18 6208 2RS	COJINETE D40 D80 BOMB.18 6208
53	M38100990R	GUARNIZIONE ELASTICA	GASKET	JOINT	DICHTUNG	JUNTA
54	M23400438R	MOZZO CUSCINETTO OSCILLANTE	BEARING HUB	MOYEU	NABE	CUBO
55	M43400707R	FLANGIA SPESSORE	INNER FLANGE	FLASQUE INTERIEUR	INNENFLANSCH	BRIDA INTERNA
56	F01220047R	DADO M12X1,25 D980 8ZN	NUT M12X1,25 D980 8ZN	ECROU M12X1,25 D980 8 ZN	MUTTER M12X1,25 D980 8 ZN	TUERCA M12X1,25 D980 8 ZN
57	M71100532R	VITE M12X1,25X 25 SPEC.8.8 ZN	BOLT M12X1,25X25	VIS M12X1,25X25	SCHRAUBE M12X1,25X25	TORNILLO M12X1,25X25
58	M43400705R	GUARNIZIONE METALLICA H60	GASKET H60	JONT H60	DICHTUNG H60	JUNTA H60
59	M23400436R	FLANGIA ESTERNA SUP.CUSC.OSC.	OUT.FLANGE FLOAT.BEARING SUPP.			
60	F02010034R	GHIERA AU.GUK M40X1,5 T.4H ZN	SELFLOCKING NUT M40X1,5 T.4HZN	COLLIER AUTOBL. M40X1,5 T.4HZN	SELBSTSP. NUTMUTTER M40X1,5 ZN	VIROLA AUTOBL. M40X1,5 T.4H ZN
61	F04010225R	CUSC.D45 D100 B25 1726309-2RS1	BEARING D45 D100 B25 1726309-2	ROULEMENT D45 D100	LAGER D45 D100 B25 1726309-2RS	COJINETE D45 D100
62	M61100441R	ANELLO T. 52X 90X 6 SPEC.	RING T. 52X 90X 6 SPEC.	ANNEAU T. 52X 90X 6 SPEC.	RING T. 52X 90X 6 SPEC.	ANILLO T. 52X 90X 6 SPEC.
63	M23400435R	FLANGIA INTERNA SUPP. CUSCIN.	HUB SWINGING BEARING SUPPORT	BRIDE INTERNE PALIER	FLANSCH INTERN LAGER	BRIDA INTERNA TENIENDO

TAV.140



PER: PK600 / GM600 / SP600 / GB550
FOR: PK600 / GM600 / SP600 / GB550

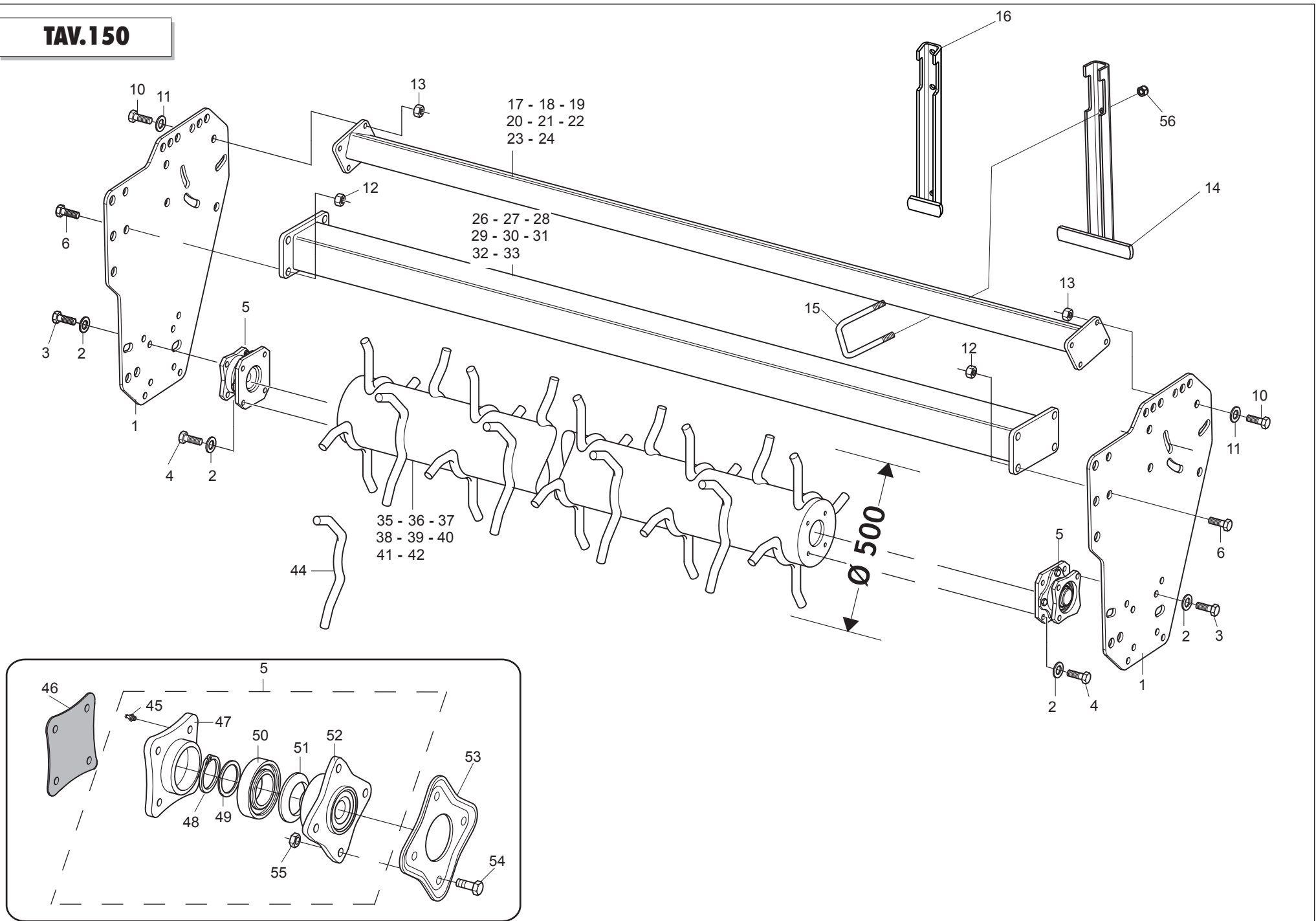


**GR. RULLO SPUNTONI
SPIKE ROLLER UNIT**

TAV.140

Pos.	Cod.	Descrizione	Description	Description	Benennung	Descripcion
1	M43400700R	FIANCATA RULLO PICCOLA	ROLLER SIDE PANEL SMALL	COTE ROULEAU GAUCHE PETIT	WALZENSEITENWAND KLEIN	FLANCO RODILLO PEQUE A
2	F01480123R	ROS.G 12,5X22,9X 4 FLZNNC-240H	WASHER M12 ZGP EXTRA P.	RONDELLE M12 ZGP EXTRA P.	UNTERLEGSCHIEBE M12 ZGP EXTRA	ARANDELA M12 ZGP EXTRA P.
3	F01010228R	VITE M12X1,25X35 U5740 8.8ZN	SCR. M12X1,25X35 U5740 8.8ZN	VIS M12X1,25X35 U5740 8.8 ZN	SCHR.M12X1,25X35 U5740 8.8 ZN	TORN.M12X1,25X35 U5740 8.8 ZN
4	F01010291R	VITE M12X1,25X40 U5740 8.8ZN	SCR. M12X1,25X40 U5740 8.8ZN	VIS M12X1,25X40 U5740 8.8 ZN	SCHR.M12X1,25X40 U5740 8.8 ZN	TORN. M12X1,25X40 U5740 8.8 ZN
5	F01010341R	VITE M16X1,5X45 U5740 8.8ZN	SCR. M16X1,5X45 U5740 8.8ZN	VIS M16X1,5 X45 U5740 8.8 ZN	SCHR.M16X1,5 X45 U5740 8.8 ZN	TORN.M16X1,5 X45 U5740 8.8 ZN
6	M43400467R	COMP.SUPP.CUSC.OSCIL.H42 X RI	COMPLETE BEARING SUPPORT H42	SUPPORT ROULEMENT H42	LAGERHALTERUNG H.42 P.GETRIEBE	SOPORTE COJINETE H.42 RIC.
7	M43400468R	COMP.SUPP.CUSC.OSCIL.H60 X RI	BEARING OSCILLATING H.60 S.PAR	ROULEMENT OSCILLANT H.60 P.DET	LAGER SCHWINGEND H.60 ERSATZT.	COJINETE OSCILANTE H.60 P.REP.
8	M43400701R	FIANCATA RULLO GRANDE	BIG ROLLER SIDE			
9	M26100685R	DENTE PER RULLO	ROLLER TOOTH	DENT POUR ROULEAU	ZINKENMESSER	DIENTE POR RODILLO
10	F01010082R	VITE M14X1,5X50 U5738 8.8ZN	SCR. M14X1,5X50 U5738 8.8ZN	VIS M14X1,5X50 ZN	SCHRA.M14X1,5X50 U5738 8.8 ZN	TORN. M14X1,5X50 U5738 8.8 ZN
11	F01410088R	ROS.M14 15X 28X2,5 U6592 ZN	WAS.M14 15X 28X2,5 U6592 ZB	RON.M14 15X 28X2,5 U6592 ZB	SCH.M14 15X 28X2,5 U6592 ZB	ARA.M14 15X 28X2,5 U6592 ZB
12	F01220070R	DADO M16X1,5 D980 10ZN	NUT M16X1,5 D980 8ZN	NUT M16X1,5 D980 8ZN	ECRO.M16X1,5 D980 8ZN	TUER.M16X1,5 D980 8ZN
13	F01220059R	DADO M14X1,5 D980 8ZN	NUT M14X1,5 D980 8ZN	ECROU M14X 1,5 D980 8 ZN	MUTTER M14X 1,5 D980 8 ZN	TUERCA M14X 1,5 D980 8 ZN
14	M23400871R	COMP. SUPPORTO RASCH.GRANDE	TRIPLE SOIL SCRAPER SUPPORT	SUPPORT DECROTTOIR TRIPLE	DRITTE ABSTREIFER HALTERUNG	SUPORTE RASQUETA TRIPLA
15	F20110751R	CAV.Q.M12X1,75X 30 93X120 ZN	CONNE.M12X1,75X30 93X120 ZN	ATTEL.M12X1,75X30 93X120 ZN	VERBI.M12X1,75X30 93X120 ZN	PERNO M12X1,75X30 93X120 ZN
16	F01220048R	DADO M12X1,75 D980 8ZN	NUT M12X1,75 D980 8ZN	ECROU M12X1,75 D980 8 ZN	SCHEIBE M12X1,75 D980 8 ZN	TUERCA M12X1,75 D980 8 ZN
17	M23400873R	COMP. SUPPORTO RASCH.PICCOLO	DOUBLE SOIL SCRAPER SUPPORT	SUPPORT DECROTTOIR DOUPLE	DOPPEL ABSTREIFER HALTERUNG	SOPORTE RASQUETA DOBLA
18	M43418460R	TRAVE POSTERIORE RULLO 1500C	SOIL SCRAPER FRAME 1500C	CHASSIS ATT. DECROTTOIR 2500	ABSTREIFERRAHMEN 1500C	TELAR ATAQUE RASQUETA 1500C
19	M43420460R	TRAVE POSTERIORE RULLO 2000A	SOIL SCRAPER FRAME 2000A	CHASSIS ATT. DECROTTOIR 2000A	ABSTREIFERRAHMEN 2000A	TELAR ATAQUE RASQUETA 2000A
20	M43423460R	TRAVE POSTERIORE RULLO 2000C	SOIL SCRAPER FRAME 2000C	CHASSIS ATT. DECROTTOIR 2000C	ABSTREIFERRAHMEN 2000C	TELAR ATAQUE RASQUETA 2000C
21	M43425460R	TRAVE POSTERIORE RULLO 2500A	SOIL SCRAPER FRAME 2500	CHASSIS ATT. DECROTTOIR 2500	ABSTREIFERRAHMEN 2500	TELAR ATAQUE RASQUETA 2500
22	M43430460R	TRAVE POSTERIORE RULLO 3000A	SOIL SCRAPER FRAME 3000A	CHASSIS ATT. DECROTTOIR 3000A	ABSTREIFERRAHMEN 3000A	TELAR ATAQUE RASQUETA 3000A
23	M43435460R	TRAVE POSTERIORE RULLO 3500A	SOIL SCRAPER FRAME 3500A	CHASSIS ATT. DECROTTOIR 3500A	ABSTREIFERRAHMEN 3500A	TELAR ATAQUE RASQUETA 3500A
24	M43440460R	TRAVE POSTERIORE RULLO 4000A	SOIL SCRAPER FRAME 4000A	CHASSIS ATT. DECROTTOIR 4000A	ABSTREIFERRAHMEN 4000A	TELAR ATAQUE RASQUETA 4000A
25	M43445460R	TRAVE POSTERIORE RULLO 4500B	SOIL SCRAPER FRAME 4500B	CHASSIS ATT. DECROTTOIR 4500B	ABSTREIFERRAHMEN 4500B	TELAR ATAQUE RASQUETA 4500B
27	M43418457R	TRAVE ANTERIORE RULLO 1500C	BEAM 1500C	POUTRE 1500C	WALZE HAUPTTTRAEGER 1500C	VIGA 1500C
28	M43420457R	TRAVE ANTERIORE RULLO 2000A	BEAM 2000A	POUTRE 2000A	HAUPTTTRAEGER 2000A	VIGA 2000A
29	M43423457R	TRAVE ANTERIORE RULLO 2000C	BEAM 2000C	POUTRE 2000C	HAUPTTTRAEGER 2000C	VIGA 2000C
30	M43425457R	TRAVE ANTERIORE RULLO 2500A	BEAM 2500A	POUTRE 2500A	HAUPTTTRAEGER 2500A	VIGA 2500A
31	M43430457R	TRAVE ANTERIORE RULLO 3000A	FRONT BEAM ROLLER 3000A			
32	M43435457R	TRAVE ANTERIORE RULLO 3500A	BEAM 3500A	POUTRE 3500A	HAUPTTTRAEGER 3500A	VIGA 3500A
33	M43440457R	TRAVE ANTERIORE RULLO 4000A	BEAM 4000A	POUTRE 4000A	HAUPTTTRAEGER 4000A	VIGA 4000A
34	M43445457R	TRAVE ANTERIORE RULLO 4500A	BEAM 4500A	POUTRE 4500A	HAUPTTTRAEGER 4500A	VIGA 4500A
36	M23418700R	ROTORE RULLO SPUNT D500 1500C	SPIKE ROLLER ROTOR D500 1500C	ROTOR ROULEAU DENTS D500 1500	ZINKENWALZEROTOR D500 1500C	ROTOR RODIL.DIENTES D500 1500C
37	M23420700R	ROTORE RULLO SPUNT D500 2000A	SPIKE ROLLER ROTOR D500 2000A	ROTOR ROULEAU DENTS D500 2000A	ZINKENWALZEROTOR D500 2000A	ROTOR RODIL.DIENTES D500 2000A
38	M23423700R	ROTORE RULLO SPUNT D500 2000C	SPIKE ROLLER ROTOR D500 2000C	ROTOR ROULEAU DENTS D500 2000C	ZINKENWALZEROTOR D500 2000C	ROTOR RODIL.DIENTES D500 2000C
39	M23425700R	ROTORE RULLO SPUNT D500 2500A	SPIKE ROLLER ROTOR D500 2500A	ROTOR ROULEAU DENTS D500 2500A	ZINKENWALZEROTOR D500 2500A	ROTOR RODIL.DIENTES D500 2500A
40	M23430700R	ROTORE RULLO SPUNT D500 3000A	SPIKE ROLLER ROTOR D500 3000A	ROTOR ROULEAU DENTS D500 3000A	ZINKENWALZEROTOR D500 3000A	ROTOR RODIL.DIENTES D500 3000A
41	M23435700R	ROTORE RULLO SPUNT D500 3500A	SPIKE ROLLER ROTOR D500 3500A	ROTOR ROULEAU DENTS D500 3500A	ZINKENWALZEROTOR D500 3500A	ROTOR RODIL.DIENTES D500 3500A
42	M23440700R	ROTORE RULLO SPUNT D500 4000A	SPIKE ROLLER ROTOR D500 4000A	ROTOR ROULEAU DENTS D500 4000A	ZINKENWALZEROTOR D500 4000A	ROTOR RODIL.DIENTES D500 4000A
43	M23445700R	ROTORE RULLO SPUNT D500 4500A	SPIKE ROLLER ROTOR D500 4500A	ROTOR ROULEAU DENTS D500 4500A	ZINKENWALZEROTOR D500 4500A	ROTOR RODIL.DIENTES D500 4500A
45	M38100695R	DENTE RULLO SPUNT.D=26 L= 456	ROLLER TOOTH	DENT POUR ROULEAU	ZINKENMESSER	DIENTE POR RODILLO
46	F01100011R	ING.M 6X1 7663-A 9SMNPB28 ZN	GREASE NIPPLE M6X1 7663-A ZN	GRAISS. A BILLE M6X1 7663A ZN	SCHMIERBUECHE M6X1 7663-A ZN	ENG.M 6X1 7663-A 9SMNPB28 ZN
47	M43400704R	GUARNIZIONE METALLICA H42	METAL GASKET H42			
48	M23400439R	FLANGIA SUPPORTO H.42	SUPPORT FLANGE H.42	SUPPORT H.42	HALTER H.42	SOPORTE H.42
49	F02050168R	ANELLO E.DE 40X1,75 U7435	SEEGER RING 40X1,75 U7435	BAGUE SEEGER 40X1,75 U7435	SEEGERRING 40X1,75 U7435	ANIL.SEEGER 40X1,75 U7435
50	M48000307R	ANELLO RINF.40X50X1,5 C70	STIFFENER RING 40X50X1,5 C70	BAGUE DE RENFORCEM. 40X50X1,5	SEEGER RING 40X50X1,5 C70	ANILLO REFUERZO 40X50X1,5
51	F04010184R	CUSC.D40 D80 BOMB.18 6208 2RS1	BEARING D40 D80 BOMB.18 6208	ROULEMENT D40 D80 BOMB.18 6208	LAGER D40 D80 BOMB.18 6208 2RS	COJINETE D40 D80 BOMB.18 6208
52	M38100990R	GUARNIZIONE ELASTICA	GASKET	JOINT	DICHTUNG	JUNTA
53	M23400438R	MOZZO CUSCINETTO OSCILLANTE	BEARING HUB	MOYEU	NABE	CUBO
54	M52400525R	CUNEO RINFORZO VERSIONE PLS RP	STIFFENING WEDGE	COIN DE RENFORCEMENT	VERSTAERKUNGSKEIL	CU A DE REFUERZO
55	M35430520R	CORPO NO CC.DM 3000 COM.RICAMB	COMPLETE BOX DM COMBI 3000	LAMIER COMPL DM COMBI 3000	GEHAEUSE DM COMBI 3000	CUERPO COMPL DM COMBI 3000
56	M35435520R	CORPO NO CC.DM 3500 COM.RICAMB	COMPLETE BOX DM COMBI 3500	LAMIER COMPL DM COMBI 3500	GEHAEUSE DM COMBI 3500	CUERPO COMPL DM COMBI 3500
57	M35440520R	CORPO NO CC.DM 4000 COM.RICAMB	COMPLETE BOX DM COMBI 4000	LAMIER COMPL DM COMBI 4000	GEHAEUSE DM COMBI 4000	CUERPO COMPL DM COMBI 4000
58	M23430599R	CORPO TR. DMR3000 STD-COMBI 08	TRANSM.BOX DMR3000 STD-COMBI08			
59	M23435599R	CORPO TR. DMR3500 STD-COMBI 08	TRANSM.BOX DMR3500 STD-COMBI 08			
60	M23440599R	CORPO TR. DMR4000 STD-COMBI 08	TRANSM.BOX DMR4000 STD-COMBI08			

TAV.150

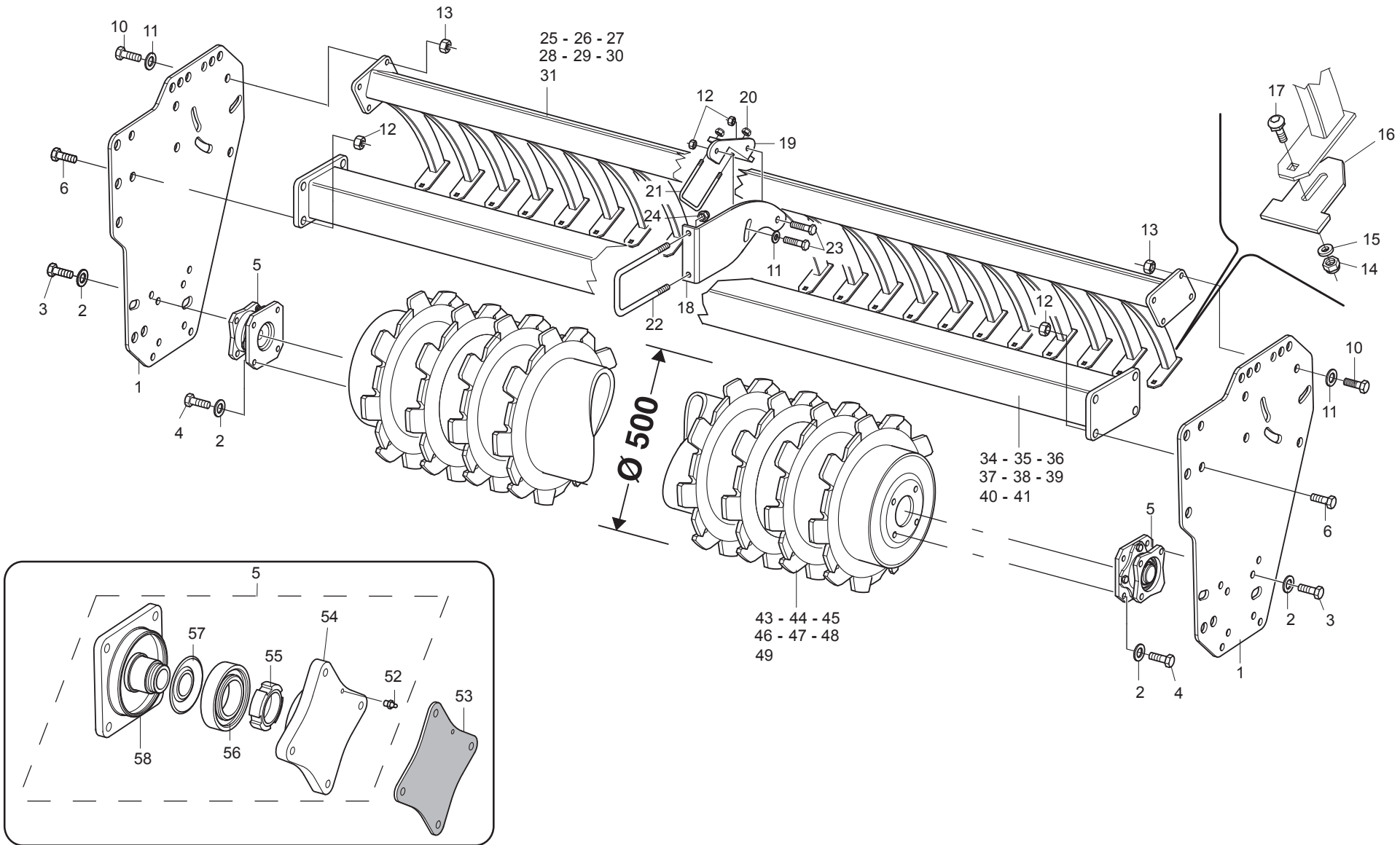


**GR. RULLO RISAIA
RICE ROLLER UNIT**

TAV.150

Pos.	Cod.	Descrizione	Description	Description	Benennung	Description
1	M43400700R	FIANCATA RULLO PICCOLA	ROLLER SIDE PANEL SMALL	COTE ROULEAU GAUCHE PETIT	WALZENSEITENWAND KLEIN	FLANCO RODILLO PEQUE A
2	F01480123R	ROS.G 12,5X22,9X 4 FLZNNC-240H	WASHER M12 ZGP EXTRA P.	RONDELLE M12 ZGP EXTRA P.	UNTERLEGSCHLEIBE M12 ZGP EXTRA	ARANDELA M12 ZGP EXTRA P.
3	F010102283R	VITE M12X1,25X30 U5740 8.8ZN	SCR. M12X1,25X30 U5740 8.8ZN	VIS M 12X1,25X30	SCHRAUBE M 12X1,25X30	TORNILLO M 12X1,25X30
4	F01010291R	VITE M12X1,25X40 U5740 8.8ZN	SCR. M12X1,25X40 U5740 8.8ZN	VIS M12X1,25X40 U5740 8.8 ZN	SCHR.M12X1,25X40 U5740 8.8 ZN	TORN. M12X1,25X40 U5740 8.8 ZN
5	M43400467R	COMP.SUPP.CUSC.OSCIL.H42 X RI	COMPLETE BEARING SUPPORT H42	SUPPORT ROULEMENT H42	LAGERHALTERUNG H.42 P.GETRIEBE	SOPORTE COJINETE H.42 RIC.
6	F01010341R	VITE M16X1,5X45 U5740 8.8ZN	SCR. M16X1,5X45 U5740 8.8ZN	VIS M16X1,5 X45 U5740 8.8 ZN	SCHR.M16X1,5 X45 U5740 8.8 ZN	TORN.M16X1,5 X45 U5740 8.8 ZN
10	F01010082R	VITE M14X1,5X50 U5738 8.8ZN	SCR. M14X1,5X50 U5738 8.8ZN	VIS M14X1,5X50 ZN	SCHRA.M14X1,5X50 U5738 8.8 ZN	TORN. M14X1,5X50 U5738 8.8 ZN
11	F01410088R	ROS.M14 15X 28X2,5 U6592 ZN	WAS.M14 15X 28X2,5 U6592 ZB	RON.M14 15X 28X2,5 U6592 ZB	SCH.M14 15X 28X2,5 U6592 ZB	ARA.M14 15X 28X2,5 U6592 ZB
12	F01220070R	DADO M16X1,5 D980 10ZN	NUT M16X1,5 D980 8ZN	ECRO.M16X1,5 D980 8ZN	MUTTER M16X1,5 D980 8ZN	TUER.M16X1,5 D980 8ZN
13	F01220059R	DADO M14X1,5 D980 8ZN	NUT M14X1,5 D980 8ZN	ECROU M14X 1,5 D980 8 ZN	MUTTER M14X 1,5 D980 8 ZN	TUERCA M14X 1,5 D980 8 ZN
14	M23400871R	COMP. SUPPORTO RASCH.GRANDE	TRIPLE SOIL SCRAPER SUPPORT	SUPPORT DECROTTOIR TRIPLE	DRITTE ABSTREIFER HALTERUNG	SOPORTE RASQUETA TRIPLA
15	F20110751R	CAV.Q.M12X1,75X 30 93X120 ZN	CONNE.M12X1,75X30 93X120 ZN	ATTEL.M12X1,75X30 93X120 ZN	VERBI.M12X1,75X30 93X120 ZN	PERNO M12X1,75X30 93X120 ZN
16	M23400873R	COMP. SUPPORTO RASCH.PICCOLO	DOUBLE SOIL SCRAPER SUPPORT	SUPPORT DECROTTOIR DOUPLE	DOPPEL ABSTREIFER HALTERUNG	SOPORTE RASQUETA DOBLA
17	M43418460R	TRAVE POSTERIORE RULLO 1500C	SOIL SCRAPER FRAME 1500C	CHASSIS ATT. DECROTTOIR 2500	ABSTREIFERRAHMEN 1500C	TELAR ATAQUE RASQUETA 1500C
18	M43420460R	TRAVE POSTERIORE RULLO 2000A	SOIL SCRAPER FRAME 2000A	CHASSIS ATT. DECROTTOIR 2000A	ABSTREIFERRAHMEN 2000A	TELAR ATAQUE RASQUETA 2000A
19	M43423460R	TRAVE POSTERIORE RULLO 2000C	SOIL SCRAPER FRAME 2000C	CHASSIS ATT. DECROTTOIR 2000C	ABSTREIFERRAHMEN 2000C	TELAR ATAQUE RASQUETA 2000C
20	M43425460R	TRAVE POSTERIORE RULLO 2500A	SOIL SCRAPER FRAME 2500	CHASSIS ATT. DECROTTOIR 2500	ABSTREIFERRAHMEN 2500	TELAR ATAQUE RASQUETA 2500
21	M43430460R	TRAVE POSTERIORE RULLO 3000A	SOIL SCRAPER FRAME 3000A	CHASSIS ATT. DECROTTOIR 3000A	ABSTREIFERRAHMEN 3000A	TELAR ATAQUE RASQUETA 3000A
22	M43435460R	TRAVE POSTERIORE RULLO 3500A	SOIL SCRAPER FRAME 3500A	CHASSIS ATT. DECROTTOIR 3500A	ABSTREIFERRAHMEN 3500A	TELAR ATAQUE RASQUETA 3500A
23	M43440460R	TRAVE POSTERIORE RULLO 4000A	SOIL SCRAPER FRAME 4000A	CHASSIS ATT. DECROTTOIR 4000A	ABSTREIFERRAHMEN 4000A	TELAR ATAQUE RASQUETA 4000A
24	M43445460R	TRAVE POSTERIORE RULLO 4500B	SOIL SCRAPER FRAME 4500B	CHASSIS ATT. DECROTTOIR 4500B	ABSTREIFERRAHMEN 4500B	TELAR ATAQUE RASQUETA 4500B
26	M43418457R	TRAVE ANTERIORE RULLO 1500C	BEAM 1500C	POUTRE 1500C	WALZE HAUPTTTRAEGER 1500C	VIGA 1500C
27	M43420457R	TRAVE ANTERIORE RULLO 2000A	BEAM 2000A	POUTRE 2000A	HAUPTTTRAEGER 2000A	VIGA 2000A
28	M43423457R	TRAVE ANTERIORE RULLO 2000C	BEAM 2000C	POUTRE 2000C	HAUPTTTRAEGER 2000C	VIGA 2000C
29	M43425457R	TRAVE ANTERIORE RULLO 2500A	BEAM 2500A	POUTRE 2500A	HAUPTTTRAEGER 2500A	VIGA 2500A
30	M43430457R	TRAVE ANTERIORE RULLO 3000A	FRONT BEAM ROLLER 3000A			
31	M43435457R	TRAVE ANTERIORE RULLO 3500A	BEAM 3500A	POUTRE 3500A	HAUPTTTRAEGER 3500A	VIGA 3500A
32	M43440457R	TRAVE ANTERIORE RULLO 4000A	BEAM 4000A	POUTRE 4000A	HAUPTTTRAEGER 4000A	VIGA 4000A
33	M43445457R	TRAVE ANTERIORE RULLO 4500A	BEAM 4500A	POUTRE 4500A	HAUPTTTRAEGER 4500A	VIGA 4500A
35	M43418721R	ROTORE RULLO RISAIA 500 1500C	ROLLER PADDY-FIELD 500 1500C	ROULEAU POUR RIZIERE 500 1500C	WALZE FUER REISFELD 500 1500C	RODILLO PARA ARROZAL 500 1500C
36	M43420721R	ROTORE RULLO RISAIA 500 2000A	ROLLER PADDY-FIELD 500 2000A	ROULEAU POUR RIZIERE 500 2000A	WALZE FUER REISFELD 500 2000A	RODILLO PARA ARROZAL 500 2000A
37	M43423721R	ROTORE RULLO RISAIA 500 2000C	ROLLER PADDY-FIELD 500 2000C	ROULEAU POUR RIZIERE 500 2000C	WALZE FUER REISFELD 500 2000C	RODILLO PARA ARROZAL 500 2000C
38	M43425721R	ROTORE RULLO RISAIA 500 2500A	ROLLER PADDY-FIELD 500 2500A	ROULEAU POUR RIZIERE 500 2500A	WALZE FUER REISFELD 500 2500A	RODILLO PARA ARROZAL 500 2500A
39	M43430721R	ROTORE RULLO RISAIA 500 3000A	ROLLER PADDY-FIELD 500 3000A	ROULEAU POUR RIZIERE 500 3000A	WALZE FUER REISFELD 500 3000A	RODILLO PARA ARROZAL 500 3000A
40	M43435721R	ROTORE RULLO RISAIA 500 3500B	ROLLER PADDY-FIELD 500 3500B	ROULEAU POUR RIZIERE 500 3500B	WALZE FUER REISFELD 500 3500B	RODILLO PARA ARROZAL 500 3500B
41	M43440721R	ROTORE RULLO RISAIA 500 4000A	ROLLER PADDY-FIELD 500 4000A	ROULEAU POUR RIZIERE 500 4000A	WALZE FUER REISFELD 500 4000A	RODILLO PARA ARROZAL 500 4000A
42	M43445721R	ROTORE RULLO RISAIA 500 4500A	ROLLER PADDY-FIELD 500 4500A	ROULEAU POUR RIZIERE 500 4500A	WALZE FUER REISFELD 500 4500A	RODILLO PARA ARROZAL 500 4500A
44	M23400756R	DENTE PER ROTORE RISAIA	ROLLER TOOTH	DENT POUR ROULEAU	ZINKENMESSER	DIENTE POR RODILLO
45	F01100011R	ING.M 6X1 7663-A 9SMNPB28 ZN	GREASE NIPPLE M6X1 7663-A ZN	GRAISS. A BILLE M6X1 7663A ZN	SCHMIERBUECHE M6X1 7663-A ZN	ENG.M 6X1 7663-A 9SMNPB28 ZN
46	M43400704R	GUARNIZIONE METALLICA H42	METAL GASKET H42			
47	M23400439R	FLANGIA SUPPORTO H.42	SUPPORT FLANGE H.42	SUPPORT H.42	HALTER H.42	SOPORTE H.42
48	F02050168R	ANELLO E.DE 40X1,75 U7435	SEEGER RING 40X1,75 U7435	BAGUE SEEGER 40X1,75 U7435	SEEGER RING 40X1,75 U7435	ANIL. SEEGER 40X1,75 U7435
49	M48000307R	ANELLO RINF.40X50X1,5 C70	STIFFENER RING 40X50X1,5 C70	BAGUE DE RENFORCEM. 40X50X1,5	SEEGER RING 40X50X1,5 C70	ANILLO REFUERZO 40X50X1,5
50	F04010184R	CUSC.D40 D80 BOMB.18 6208 2RS1	BEARING D40 D80 BOMB.18 6208	ROULEMENT D40 D80 BOMB.18 6208	LAGER D40 D80 BOMB.18 6208 2RS	COJINETE D40 D80 BOMB.18 6208
51	M38100990R	GUARNIZIONE ELASTICA	GASKET	JOINT	DICHTUNG	JUNTA
52	M23400438R	MOZZO CUSCINETTO OSCILLANTE	BEARING HUB	MOYEU	NABE	CUBO
53	M43400707R	FLANGIA SPESSORE	INNER FLANGE	FLASQUE INTERIEUR	INNENFLANSCH	BRIDA INTERNA
54	M71100532R	VITE M12X1,25X 25 SPEC.8.8 ZN	BOLT M12X1,25X25	VIS M12X1,25X25	SCHRAUBE M12X1,25X25	TORNILLO M12X1,25X25
55	F01220047R	DADO M12X1,25 D980 8ZN	NUT M12X1,25 D980 8ZN	ECROU M12X1,25 D980 8 ZN	MUTTER M12X1,25 D980 8 ZN	TUERCA M12X1,25 D980 8 ZN
56	F01220048R	DADO M12X1,75 D980 8ZN	NUT M12X1,75 D980 8ZN	ECROU M12X1,75 D980 8 ZN	SCHLEIBE M12X1,75 D980 8 ZN	TUERCA M12X1,75 D980 8 ZN

TAV.160

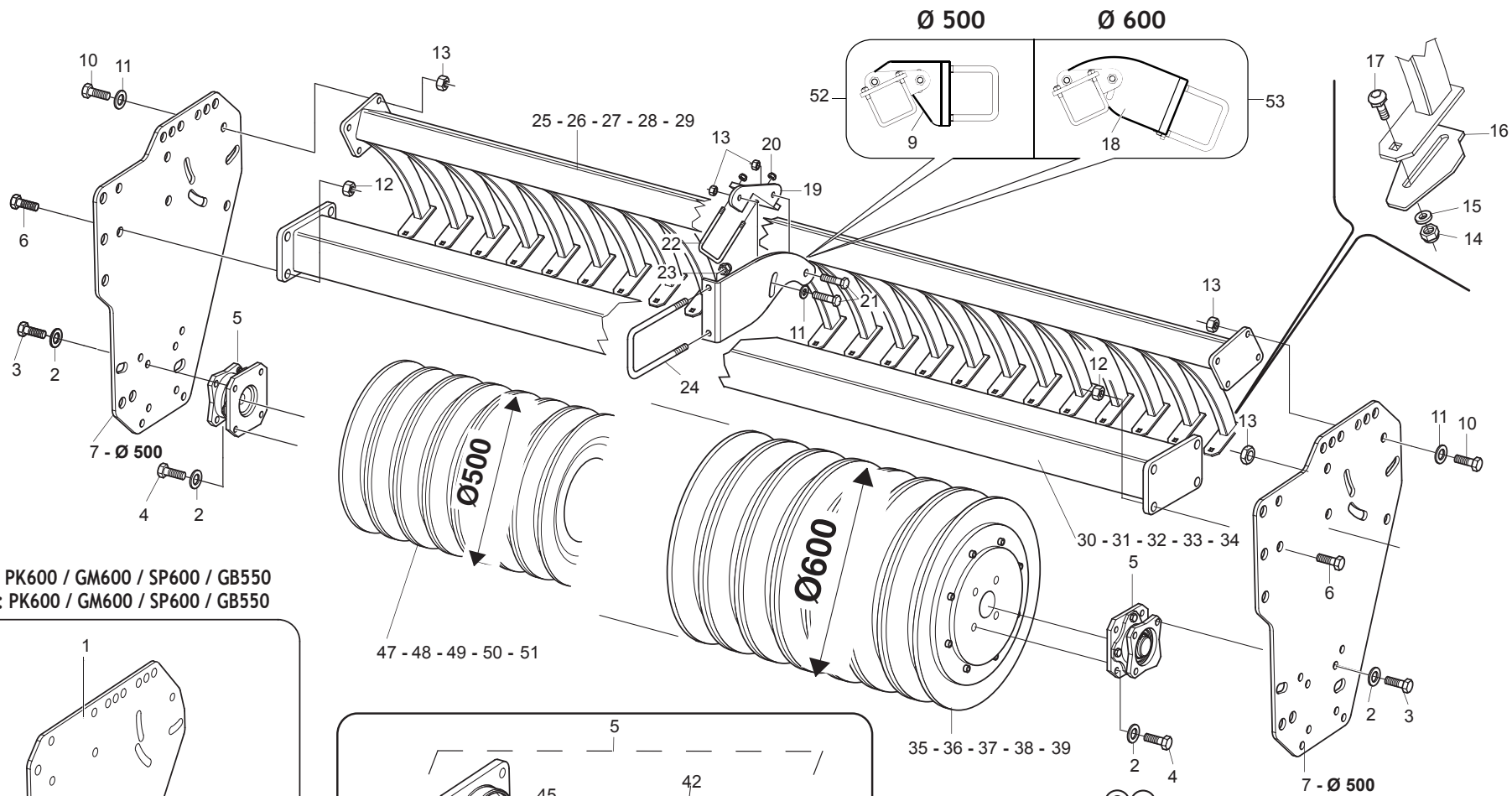


**GR. RULLO FLANGIATO
LIGHT DUTY PACKER ROLLER**

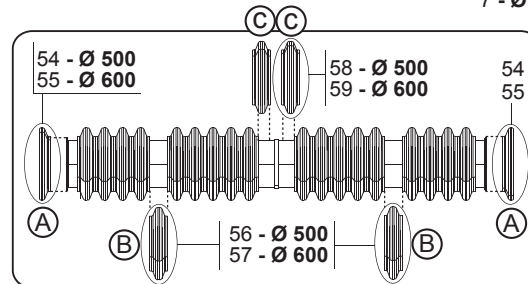
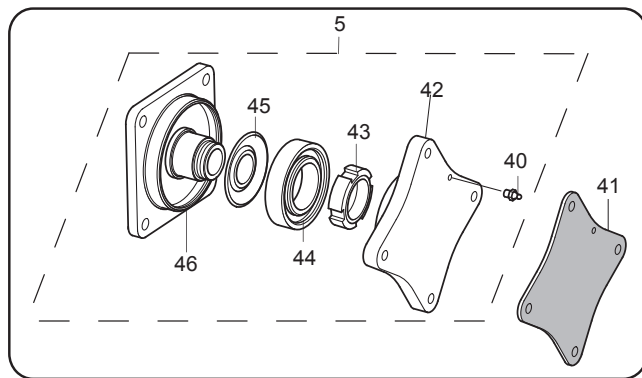
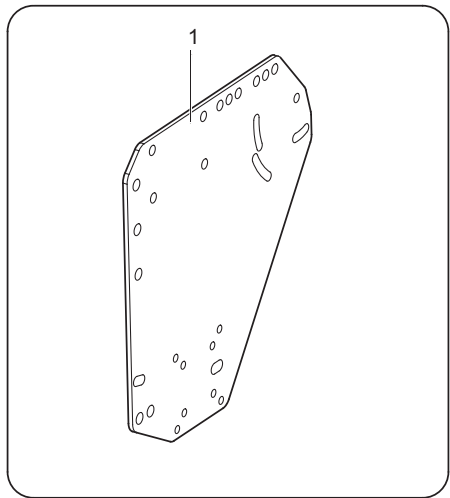
TAV.160

Pos.	Cod.	Descrizione	Description	Description	Benennung	Descripcion
1	M43400700R	FIANCATA RULLO PICCOLA	ROLLER SIDE PANEL SMALL	COTE ROULEAU GAUCHE PETIT	WALZENSEITENWAND KLEIN	FLANCO RODILLO PEQUE A
2	F01480123R	ROS.G 12,5X22,9X 4 FLZNNC-240H	WASHER M12 ZGP EXTRA P.	RONDELLE M12 ZGP EXTRA P.	UNTERLEGSCHLEIBE M12 ZGP EXTRA	ARANDELA M12 ZGP EXTRA P.
3	F01010288R	VITE M12X1,25X35 U5740 8.8ZN	SCR. M12X1,25X35 U5740 8.8ZN	VIS M12X1,25X35 U5740 8.8 ZN	SCHR.M12X1,25X35 U5740 8.8 ZN	TORN.M12X1,25X35 U5740 8.8 ZN
4	F01010291R	VITE M12X1,25X40 U5740 8.8ZN	SCR. M12X1,25X40 U5740 8.8ZN	VIS M12X1,25X40 U5740 8.8 ZN	SCHR.M12X1,25X40 U5740 8.8 ZN	TORN. M12X1,25X40 U5740 8.8 ZN
5	M43400468R	COMP.SUPP.CUSC.OSCIL.H60 X RI	BEARING OSCILLATING H.60 S.PAR	ROULEMENT OSCILLANT H.60 P.DET	LAGER SCHWINGEND H.60 ERSATZT.	COJINETE OSCILANTE H.60 P.REP.
6	F01010341R	VITE M16X1,5X45 U5740 8.8ZN	SCR. M16X1,5X45 U5740 8.8ZN	VIS M16X1,5 X45 U5740 8.8 ZN	SCHR.M16X1,5 X45 U5740 8.8 ZN	TORN.M16X1,5 X45 U5740 8.8 ZN
10	F01010082R	VITE M14X1,5X50 U5738 8.8ZN	SCR. M14X1,5X50 U5738 8.8ZN	VIS M14X1,5X50 ZN	SCHRA.M14X1,5X50 U5738 8.8 ZN	TORN. M14X1,5X50 U5738 8.8 ZN
11	F01410088R	ROS.M14 15X 28X2,5 U6592 ZN	WAS.M14 15X 28X2,5 U6592 ZB	RON.M14 15X 28X2,5 U6592 ZB	SCH.M14 15X 28X2,5 U6592 ZB	ARA.M14 15X 28X2,5 U6592 ZB
12	F01220070R	DADO M16X1,5 D980 10ZN	NUT M16X1,5 D980 8ZN	ECRO.M16X1,5 D980 8ZN	MUTTER M16X1,5 D980 8ZN	TUER.M16X1,5 D980 8ZN
13	F01220059R	DADO M14X1,5 D980 8ZN	NUT M14X1,5 D980 8ZN	ECROU M14X 1,5 D980 8 ZN	MUTTER M14X 1,5 D980 8 ZN	TUERCA M14X 1,5 D980 8 ZN
14	F01220034R	DADO M10X1,25 D980 8ZN	NUT M10X1,25 D980 8ZN	ECRO.M10X1,25 D980 8 ZB	MUTT.M10X1,25 D980 8 ZB	TUER.M10X1,25 D980 8 ZB
15	F01410064R	ROS.M10 10,5X 20X 2 U6592 ZN	WASHER M10 10,5X20X2 U6592 ZN	RONDEL. M10 10,5X20X2 U6592 ZN	SCHLEIBE M10 10,5X20X2 U6592 ZN	ARAND.M10 10,5X 20X 2 U6592 ZN
16	M23400788R	PIASTRA RASCHIATERRRA PER FL	SCRETING PLATE FL	PLAT DU DECROT.ROUL.FL	ABSTREIFER PLATTE FL	PLACA RASQUETA FL
17	F01060208R	VITE M10X1,5X25 U5731 8.8ZN	SCR. M10X1,5X25 U5731 8.8ZN	VIS M10X1,5X25	SCHRAUBE M10X1,5X25	TORNILLO M10X1,5X25
18	M23400493R	LAMA RINFORZO	BLADE	LAME	MESSER	CUCHILLA
19	M23400495R	LAMA	BLADE	LAME	MESSER	CUCHILLA
20	F01220033R	DADO M10X1,5 D980 8ZN	NUT M10X1,5 D980 8ZN	ECROU M10X1,5 D980 8ZN	MUTTER M10X1,5 D980 8ZN	TUERCA M10X1,5 D980 8
21	F20110730R	CAV.Q.B=80 M=10X1,5 L=109	U BOLTQ.B=80 M=10X1,5 L=109	BUTEE M10X 1,5X 30 91X 99 ZB	ANSCHLAG M10X 1,5X 30 91X 99	EL. DE EMPALME M10X 1,5X 30
22	F20110800R	CAV.R.B=100 M=16X2 L=135	U BOLT R.B=100 M=16X2 L=135	ATTEL.B=100 M=16X2 L=135	VERBI.B=100 M=16X2 L=135	PERNO U B=100 M=16X2 L=135
23	F01010319R	VITE M14X1,5X45 U5740 8.8ZN	SCR. M14X1,5X45 U5740 8.8ZN	VIS M14X1,5 X45 U5740 8.8 ZB	SCH. M14X1,5 X45 U5740 8.8 ZB	TORNILLO M14X1,5 X45 U5740 8.8
24	F01230085R	DADO M16X2 D982 10ZN	NUT M16X2 D982 10ZN	ECROU M16X2 D982 10ZN	MUTTER M16X2 D982 10ZN	TUERCA M16X2 D982 10ZN
25	M23418981R	TRAVE POST.RULLO FL500 1500C	SOIL SCRAPER FRAME FL500 1500C	CHASSIS ATT.DECROT FL500 1500C	ABSTREIFERRAHMEN FL 500 1500C	TELAR ATAQ.RASQ FL500 1500C
26	M23420981R	TRAVE POST.RULLO FL500 2000A	SOIL SCRAPER FRAME FL500 2000A	CHASSIS ATT.DECROT FL500 2000A	ABSTREIFERRAHMEN FL 500 2000A	TELAR ATAQ.RASQ FL500 2000A
27	M23423981R	TRAVE POST.RULLO FL500 2000C	SOIL SCRAPER FRAME FL500 2000C	CHASSIS ATT.DECROT FL500 2000C	ABSTREIFERRAHMEN FL 500 2000C	TELAR ATAQ.RASQ FL500 2000C
28	M23425981R	TRAVE POST.RULLO FL500 2500A	SOIL SCRAPER FRAME FL500 2500A	CHASSIS ATT.DECROT FL500 2500A	ABSTREIFERRAH FL 500 2500A	TELAR ATAQ.RASQ FL500 2500A
29	M23430981R	TRAVE POST.RULLO FL500 3000A	SOIL SCRAPER FRAME FL500 3000A	CHASSIS ATT.DECR.FL500 3000A	ABSTREIFERRAHMEN FL 500 3000A	TELAR ATAQ.RASQ FL500 3000A
30	M23435981R	TRAVE POST.RULLO FL500 3500A	SOIL SCRAP FRAME FL500 3500A	CHASSIS ATT.DECROT FL500 3500A	ABSTREIFERRAHMEN FL500 3500A	TELAR ATAQ.RASQ FL500 3500A
31	M23440981R	TRAVE POST.RULLO FL500 4000A	SOIL SCRAP FRAME FL500 4000A	CHASSIS ATT.DECROT FL500 4000A	ABSTREIFERRAHMEN FL500 4000A	TELAR ATAQ.RASQ FL500 4000A
34	M43418457R	TRAVE ANTERIORE RULLO 1500C	BEAM 1500C	POUTRE 1500C	WALZE HAUPTTTRAEGER 1500C	VIGA 1500C
35	M43420457R	TRAVE ANTERIORE RULLO 2000A	BEAM 2000A	POUTRE 2000A	HAUPTTTRAEGER 2000A	VIGA 2000A
36	M43423457R	TRAVE ANTERIORE RULLO 2000C	BEAM 2000C	POUTRE 2000C	HAUPTTTRAEGER 2000C	VIGA 2000C
37	M43425457R	TRAVE ANTERIORE RULLO 2500A	BEAM 2500A	POUTRE 2500A	HAUPTTTRAEGER 2500A	VIGA 2500A
38	M43430457R	TRAVE ANTERIORE RULLO 3000A	FRONT BEAM ROLLER 3000A			
39	M43435457R	TRAVE ANTERIORE RULLO 3500A	BEAM 3500A	POUTRE 3500A	HAUPTTTRAEGER 3500A	VIGA 3500A
40	M43440457R	TRAVE ANTERIORE RULLO 4000A	BEAM 4000A	POUTRE 4000A	HAUPTTTRAEGER 4000A	VIGA 4000A
41	M43445457R	TRAVE ANTERIORE RULLO 4500A	BEAM 4500A	POUTRE 4500A	HAUPTTTRAEGER 4500A	VIGA 4500A
43	M23418722R	ROTORE RULLO FL.500 1800A	CRUMBLER ROLLER ROTOR 1800A	ROTOR ROULEAU A FLASQUES 1800A	KRUMENPACKERWALZE ROTOR 1800A	ROTOR DE RULO A BRIDE 1800A
44	M23420722R	ROTORE RULLO FL.500 2000A	CRUMBLER ROLLER ROTOR 2000A	ROTOR ROULEAU A FLASQUES 2000A	KRUMENPACKERWALZE ROTOR 2000A	ROTOR DE RULO A BRIDE 2000A
45	M23423722R	ROTORE RULLO FL.500 2000C	CRUMBLER ROLLER ROTOR 2000C	ROTOR ROULEAU A FLASQUES 2000C	KRUMENPACKERWALZE ROTOR 2000C	ROTOR DE RULO A BRIDE 2000C
46	M23425722R	ROTORE RULLO FL.500 2500A	CRUMBLER ROLLER ROTOR 500	ROTOR ROULEAU A FLASQUES 500	KRUMENPACKERWALZE ROTOR 500	ROTOR DE RULO A BRIDE 500
47	M23430722R	ROTORE RULLO FL.500 3000A	CRUMBLER ROLLER ROTOR 500	ROTOR ROULEAU A FLASQUES 500	KRUMENPACKERWALZE ROTOR 500	ROTOR DE RULO A BRIDE 500
48	M23435722R	ROTORE RULLO FL.500 3500A	CRUMBLER ROLLER ROTOR 500	ROTOR ROULEAU A FLASQUES 500	KRUMENPACKERWALZE ROTOR 500	ROTOR DE RULO A BRIDE 500
49	M23440722R	ROTORE RULLO FL.500 4000A	CRUMBLER ROLLER ROTOR 500	ROTOR ROULEAU A FLASQUES 500	KRUMENPACKERWALZE ROTOR 500	ROTOR DE RULO A BRIDE 500
52	F01100011R	ING.M 6X1 7663-A 9SMNPB28 ZN	GREASE NIPPLE M6X1 7663-A ZN	GRAISS. A BILLE M6X1 7663A ZN	SCHMIERBUECHE M6X1 7663-A ZN	ENG.M 6X1 7663-A 9SMNPB28 ZN
53	M43400705R	GUARNIZIONE METALLICA H60	GASKET H60	JONT H60	DICHTUNG H60	JUNTA H60
54	M23400436R	FLANGIA ESTERNA SUP.CUSC.OSC.	OUT.FLANGE FLOAT.BEARING SUPP.			
55	F02010034R	GHIERA AU.GUK M40X1,5 T.4H ZN	SELFLOCKING NUT M40X1,5 T.4HZN	COLLIER AUTOBL. M40X1,5 T.4HZN	SELBSTSP. NUTMUTTER M40X1,5 ZN	VIROLA AUTOBL. M40X1,5 T.4H ZN
56	F04010225R	CUSC.D45 D100 B25 1726309-2RS1	BEARING D45 D100 B25 1726309-2	ROULEMENT D45 D100	LAGER D45 D100 B25 1726309-2RS	COJINETE D45 D100
57	M61100441R	ANELLO T. 52X 90X 6 SPEC.	RING T. 52X 90X 6 SPEC.	ANNEAU T. 52X 90X 6 SPEC.	RING T. 52X 90X 6 SPEC.	ANILLO T. 52X 90X 6 SPEC.
58	M52400525R	CUNEO RINFORZO VERSIONE PLS RP	STIFFENING WEDGE	COIN DE RENFORCEMENT	VERSTAERKUNGSKEIL	CU A DE REFUERZO

TAV.170



PER: PK600 / GM600 / SP600 / GB550
 FOR: PK600 / GM600 / SP600 / GB550



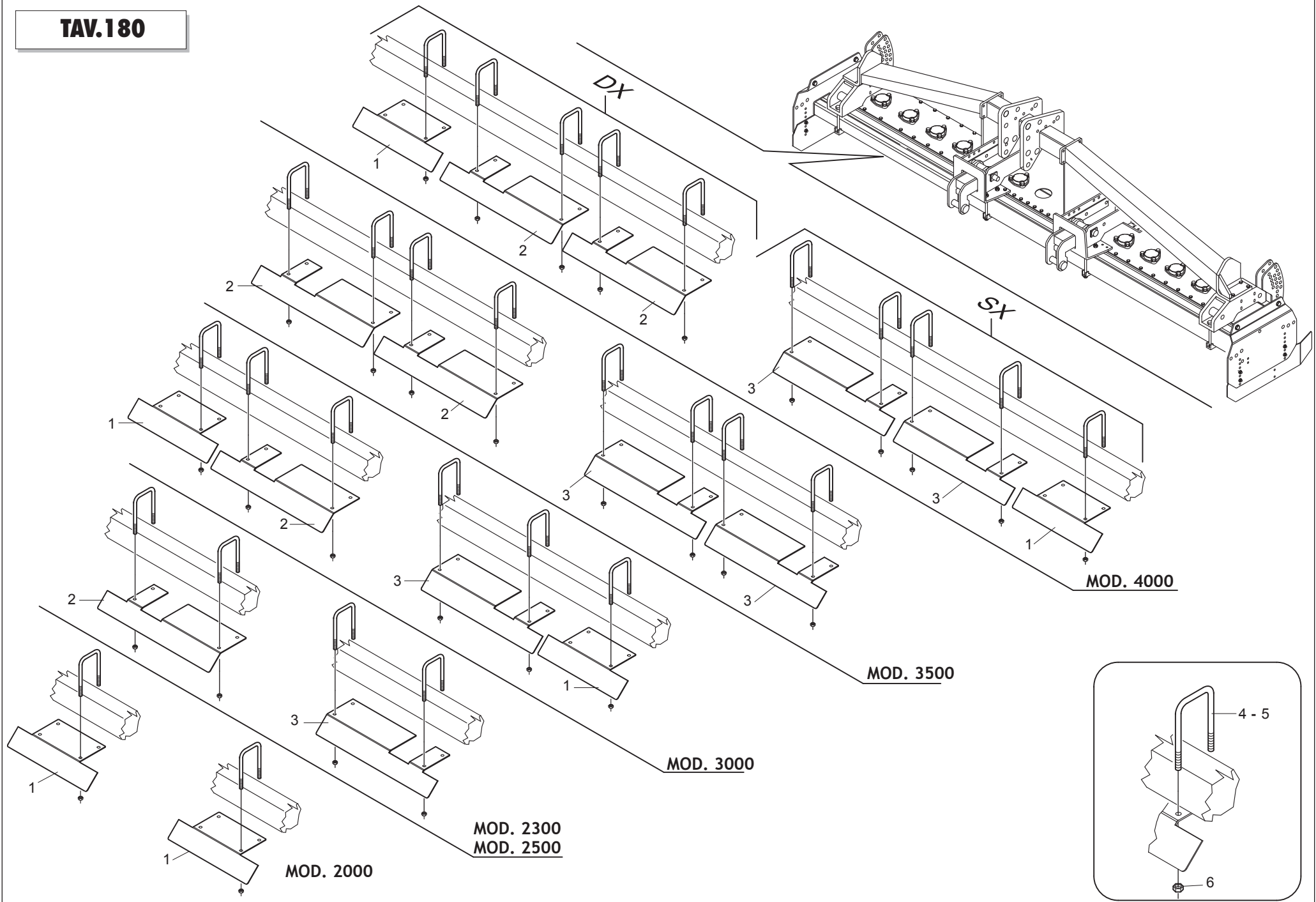
SCHEMA ANELLI GOMMATI
 RUBBER RINGS SCHEME

**GR. RULLO GOMMATO
TYRED ROLLER**

TAV.170

Pos.	Cod.	Descrizione	Description	Description	Benennung	Description
1	M43400701R	FIANCATA RULLO GRANDE	BIG ROLLER SIDE			
2	F01480123R	ROS.G 12,5X22,9X 4 FLZNNC-240H	WASHER M12 ZGP EXTRA P.	RONDELLE M12 ZGP EXTRA P.	UNTERLEGSCHLEIBE M12 ZGP EXTRA	ARANDELA M12 ZGP EXTRA P.
3	F01010228R	VITE M12X1,25X35 U5740 8.8ZN	SCR. M12X1,25X35 U5740 8.8ZN	VIS M12X1,25X35 U5740 8.8 ZN	SCHR.M12X1,25X35 U5740 8.8 ZN	TORN.M12X1,25X35 U5740 8.8 ZN
4	F01010291R	VITE M12X1,25X40 U5740 8.8ZN	SCR. M12X1,25X40 U5740 8.8ZN	VIS M12X1,25X40 U5740 8.8 ZN	SCHR.M12X1,25X40 U5740 8.8 ZN	TORN. M12X1,25X40 U5740 8.8 ZN
5	M43400468R	COMP.SUPP.CUSC.OSCIL.H60 X RI	BEARING OSCILLATING H.60 S.PAR	ROULEMENT OSCILLANT H.60 P.DET	LAGER SCHWINGEND H.60 ERSATZT.	COJINETE OSCILANTE H.60 P.REP.
6	F01010341R	VITE M16X1,5X45 U5740 8.8ZN	SCR. M16X1,5X45 U5740 8.8ZN	VIS M16X1,5 X45 U5740 8.8 ZN	SCHR.M16X1,5 X45 U5740 8.8 ZN	TORN.M16X1,5 X45 U5740 8.8 ZN
7	M43400700R	FIANCATA RULLO PICCOLA	ROLLER SIDE PANEL SMALL	COTE ROULEAU GAUCHE PETIT	WALZENSEITENWAND KLEIN	FLANCO RODILLO PEQUE A
9	M23400493R	LAMA RINFORZO	BLADE	LAME	MESSER	CUCHILLA
10	F01010082R	VITE M14X1,5X50 U5738 8.8ZN	SCR. M14X1,5X50 U5738 8.8ZN	VIS M14X1,5X50 ZN	SCHRA.M14X1,5X50 U5738 8.8 ZN	TORN. M14X1,5X50 U5738 8.8 ZN
11	F01410088R	ROS.M14 15X 28X2,5 U6592 ZN	WAS.M14 15X 28X2,5 U6592 ZB	RON.M14 15X 28X2,5 U6592 ZB	SCH.M14 15X 28X2,5 U6592 ZB	ARA.M14 15X 28X2,5 U6592 ZB
12	F01220070R	DADO M16X1,5 D980 10ZN	NUT M16X1,5 D980 8ZN	ECRO.M16X1,5 D980 8ZN	MUTTER M16X1,5 D980 8ZN	TUER.M16X1,5 D980 8ZN
13	F01220059R	DADO M14X1,5 D980 8ZN	NUT M14X1,5 D980 8ZN	ECROU M14X 1,5 D980 8 ZN	MUTTER M14X 1,5 D980 8 ZN	TUERCA M14X 1,5 D980 8 ZN
14	F01220034R	DADO M10X1,25 D980 8ZN	NUT M10X1,25 D980 8ZN	ECRO.M10X1,25 D980 8 ZB	MUTT.M10X1,25 D980 8 ZB	TUER.M10X1,25 D980 8 ZB
15	F01410064R	ROS.M10 10,5X 20X 2 U6592 ZN	WASHER M10 10,5X20X2 U6592 ZN	RONDEL. M10 10,5X20X2 U6592 ZN	SCHLEIBE M10 10,5X20X2 U6592 ZN	ARAND.M10 10,5X 20X 2 U6592 ZN
16	M23400956R	PIASTRINA RASCHIATERRA PER GM	SCRATCHING PLATE GM	PLAT DU DECROTTOIR GM	ABSTREIFER PLATTE GM	PLACA RASQUETA GM
17	F01060208R	VITE M10X1,5X25 U5731 8.8ZN	SCR. M10X1,5X25 U5731 8.8ZN	VIS M10X1,5X25	SCHRAUBE M10X1,5X25	TORNILLO M10X1,5X25
18	M23400494R	PIATTO DI REGOLAZIONE	ADJUSTER PLATE	PLAQUETTE DE REGISTRE	REGULIERUNGSPLATTE	PLAQUITA REGISTRO
19	M23400495R	LAMA	BLADE	LAME	MESSER	CUCHILLA
20	F01220033R	DADO M10X1,5 D980 8ZN	NUT M10X1,5 D980 8ZN	ECROU M10X1,5 D980 8ZN	MUTTER M10X1,5 D980 8ZN	TUERCA M10X1,5 D980 8
21	F01010319R	VITE M14X1,5X45 U5740 8.8ZN	SCR. M14X1,5X45 U5740 8.8ZN	VIS M14X1,5 X45 U5740 8.8 ZB	SCH. M14X1,5 X45 U5740 8.8 ZB	TORNILLO M14X1,5 X45 U5740 8.8
22	F20110730R	CAV.Q.B=80 M=10X1,5 L=109	U BOLTQ.B=80 M=10X1,5 L=109	BUTEE M10X 1,5X 30 91X 99 ZB	ANSCHLAG M10X 1,5X 30 91X 99	EL. DE EMPALME M10X 1,5X 30
23	F01230085R	DADO M16X2 D982 10ZN	NUT M16X2 D982 10ZN	ECROU M16X2 D982 10ZN	MUTTER M16X2 D982 10ZN	TUERCA M16X2 D982 10ZN
24	F20110800R	CAV.R.B=100 M=16X2 L=135	U BOLT R.B=100 M=16X2 L=135	ATTEL.B=100 M=16X2 L=135	VERBI.B=100 M=16X2 L=135	PERNO U B=100 M=16X2 L=135
25	M23425979R	TRAVE RASCHIATERRA 1800	SOIL SCRAPER FRAME 1800	CHASSIS ATT. DECROTTOIR 1800	ABSTREIFERRAHMEN 1800	TELAR ATAQUE RASQUETA 1800
26	M23430979R	TRAVE RASCHIATERRA 3000	SOIL SCRAPER FRAME 3000	CHASSIS ATT. DECROTTOIR 3000	ABSTREIFERRAHMEN 3000	TELAR ATAQUE RASQUETA 3000
27	M23435979R	TRAVE RASCHIATERRA 3500	SOIL SCRAPER FRAME 3500	CHASSIS ATT. DECROTTOIR 3500	ABSTREIFERRAHMEN 3500	TELAR ATAQUE RASQUETA 3500
28	M23440979R	TRAVE RASCHIATERRA 4000	SOIL SCRAPER FRAME 4000	CHASSIS ATT. DECROTTOIR 4000	ABSTREIFERRAHMEN 4000	TELAR ATAQUE RASQUETA 4000
29	M23445979R	TRAVE RASCHIATERRA 4500A	SOIL SCRAPER FRAME 4500A	CHASSIS ATT. DECROTTOIR 4500A	ABSTREIFERRAHMEN 4500A	TELAR ATAQUE RASQUETA 4500A
30	M43425457R	TRAVE ANTERIORE RULLO 2500A	BEAM 2500A	POUTRE 2500A	HAUPTTTRAEGER 2500A	VIGA 2500A
31	M43430457R	TRAVE ANTERIORE RULLO 3000A	FRONT BEAM ROLLER 3000A			
32	M43435457R	TRAVE ANTERIORE RULLO 3500A	BEAM 3500A	POUTRE 3500A	HAUPTTTRAEGER 3500A	VIGA 3500A
33	M43440457R	TRAVE ANTERIORE RULLO 4000A	BEAM 4000A	POUTRE 4000A	HAUPTTTRAEGER 4000A	VIGA 4000A
34	M43445457R	TRAVE ANTERIORE RULLO 4500A	BEAM 4500A	POUTRE 4500A	HAUPTTTRAEGER 4500A	VIGA 4500A
35	M23425709R	ROT.RUL.GM.600 2500A LIGHT 01	RUBBER ROLLER ROTOR 2500A	ROTOR ROULEAU CAOUTCH.2500A	GUMM.WALZEROTOR 2500A	ROTOR RODILLO ENGOMADO 2500A
36	M23430709R	ROT.RUL.GM.600 3000A LIGHT 01	RUBBER ROLLER ROTOR 3000A	ROTOR ROULEAU CAOUTCH.3000A	GUMM.WALZEROTOR 3000A	ROTOR RODILLO ENGOMADO 3000A
37	M23435709R	ROT.RUL.GM.600 3500A LIGHT 01	RUBBER ROLLER ROTOR 3500A	ROTOR ROULEAU CAOUTCH.3500A	GUMM.WALZEROTOR 3500A	ROTOR RODILLO ENGOMADO 3500A
38	M23440709R	ROT.RUL.GM.600 4000A LIGHT 01	RUBBER ROLLER ROTOR 4000A	ROTOR ROULEAU CAOUTCH.4000A	GUMM.WALZEROTOR 4000A	ROTOR RODILLO ENGOMADO 4000A
39	M23445709R	ROT.RUL.GM.600 4500A LIGHT 01	RUBBER ROLLER ROTOR 4500A	ROTOR ROULEAU CAOUTCH.4500A	GUMM.WALZEROTOR 4500A	ROTOR RODILLO ENGOMADO 4500A
40	F01100011R	ING.M 6X1 7663-A 9SMNPB28 ZN	ING.M 6X1 7663-A 9SMNPB28 ZN	GRAISS. A BILLE M6X1 7663A ZN	SCHMIERBUECHE M6X1 7663-A ZN	ENG.M 6X1 7663-A 9SMNPB28 ZN
41	M43400705R	GUARNIZIONE METALLICA H60	GASKET H60	JONT H60	DICHTUNG H60	JUNTA H60
42	M23400436R	FLANGIA ESTERNA SUP.CUSC.OSC.	OUT.FLANGE FLOAT.BEARING SUPP.			
43	F02010034R	GHIERA AU.GUK M40X1,5 T.4HZN	SELFLOCKING NUT M40X1,5 T.4HZN	COLLIER AUTOBL. M40X1,5 T.4HZN	SELBSTSP. NUTMUTTER M40X1,5 ZN	VIROLA AUTOBL. M40X1,5 T.4H ZN
44	F04010225R	CUSC.D45 D100 B25 1726309-2RS1	BEARING D45 D100 B25 1726309-2	ROULEMENT D45 D100	LAGER D45 D100 B25 1726309-2RS	COJINETE D45 D100
45	M61100441R	ANELLO T. 52X 90X 6 SPEC.	RING T. 52X 90X 6 SPEC.	ANNEAU T. 52X 90X 6 SPEC.	RING T. 52X 90X 6 SPEC.	ANILLO T. 52X 90X 6 SPEC.
46	M23400435R	FLANGIA INTERNA SUPP. CUSCIN.	HUB SWINGING BEARING SUPPORT	BRIDE INTERNE PALIER	FLANSCH INTERN LAGER	BRIDA INTERNA TENIENDO
47	M43425629R	ROTORE RULLO GM.500 2500A	RUBBER ROLLER ROTOR GM500 2500A	ROULEAU CAOUTCHOUT GM500 2500A	GUMMWALZEROTOR GM500 2500A	ROT.RODIL.DE GOMMA GM500 2500A
48	M43430629R	ROTORE RULLO GM.500 3000A	RUBBER ROLLER ROTOR GM500 3000	ROULEAU CAOUTCHOUT GM500 3000A	GUMMWALZEROTOR GM500 3000A	ROT.RODIL.DE GOMMA GM500 3000A
49	M43435629R	ROTORE RULLO GM.500 3500A	RUBBER ROLLER ROTOR GM500 3500	ROULEAU CAOUTCHOUT GM500 3500A	GUMMWALZEROTOR GM500 3500A	ROT.RODIL.DE GOMMA GM500 3500A
50	M43440629R	ROTORE RULLO GM.500 4000A	RUBBER ROLLER ROTOR GM500 4000	ROULEAU CAOUTCHOUT GM500 4000A	GUMMWALZEROTOR GM500 4000A	ROT.RODIL.DE GOMMA GM500 4000A
51	M43445629R	ROTORE RULLO GM.500 4500A	RUBBER ROLLER ROTOR GM500 4500	ROULEAU CAOUTCHOUT GM500 4500A	GUMMWALZEROTOR GM500 4500A	ROT.RODIL.DE GOMMA GM500 4500A
52	M23400775R	GRUPPO COLLEGAMENTO RIF.TRAVE				

TAV.180

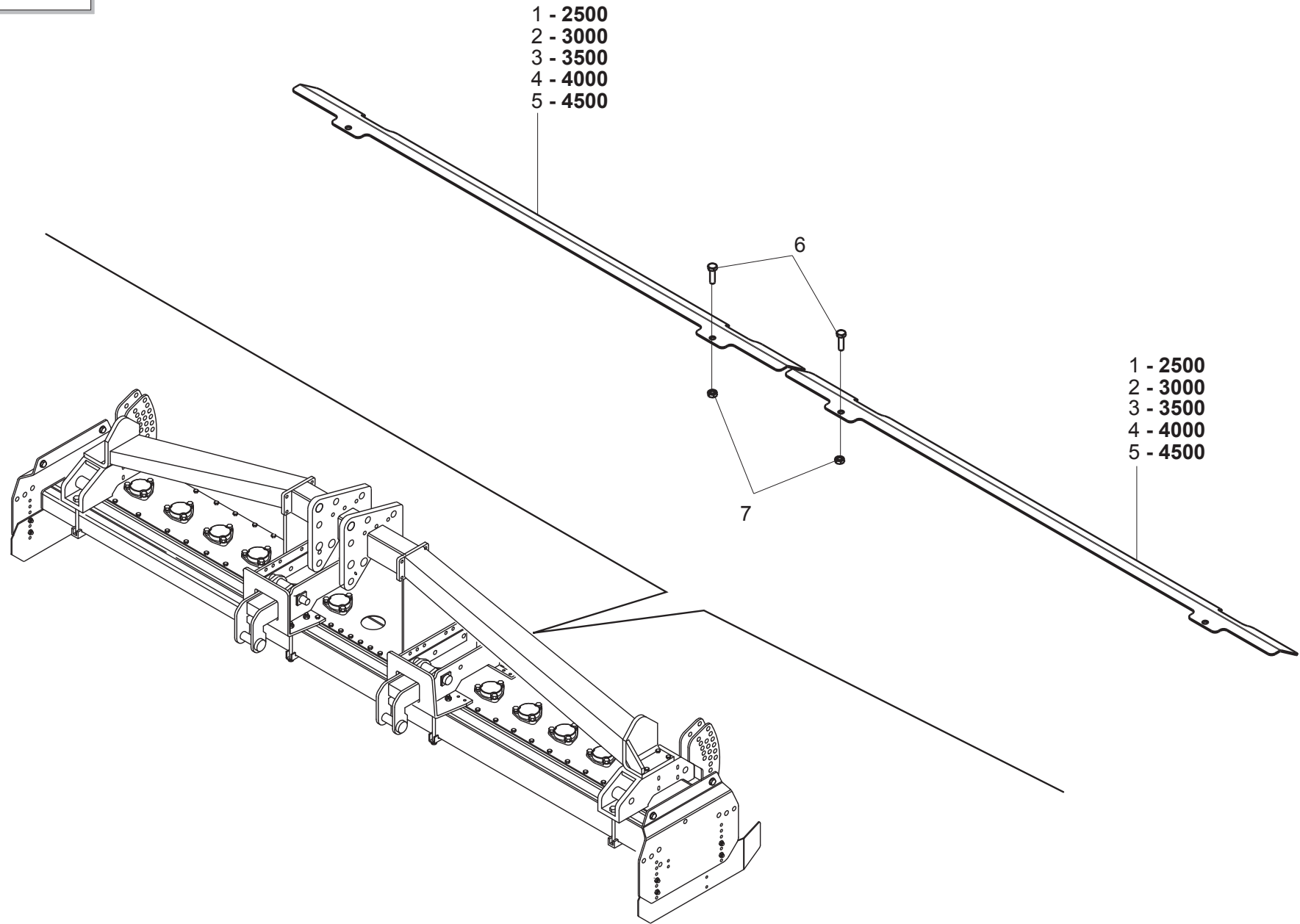


**GRUPPO PROTEZIONI CE
EC GUARDS UNIT**

TAV.180

Pos.	Cod.	Descrizione	Description	Description	Benennung	Description
1	M23400552R	PROTEZ. ANTERIORE CE	FRONT PROTECTION CE	PROTECTION AVANT CE	VORDERER SCHUTZ CE	PROTECCION DELANTERA CE
2	M23400551R	PROTEZIONI ANTERIORI	FRONT PROTECTION CE	PROTECTION AVANT CE	VORDERER SCHUTZ CE	PROTECCION DELANTERA CE
3	M23400550R	PROTEZ. ANTERIORE CE	FRONT PROTECTION CE	PROTECTION AVANT CE	VORDERER SCHUTZ CE	PROTECCION DELANTERA CE
4	F20110730R	CAV.Q.B=80 M=10X1,5 L=109	U BOLTQ.B=80 M=10X1,5 L=109	BUTEE M10X 1,5X 30 91X 99 ZB	ANSCHLAG M10X 1,5X 30 91X 99	EL. DE EMPALME M10X 1,5X 30
5	F20110735R	CAV.R.B=80 H=120M=10X1,5 L=139	CONNECTION	ATTELAGE	AERBINDUNG	ATAQUE
6	F01220033R	DADO M10X1,5 D980 8ZN	NUT M10X1,5 D980 8ZN	ECROU M10X1,5 D980 8ZN	MUTTER M10X1,5 D980 8ZN	TUERCA M10X1,5 D980 8

TAV.190

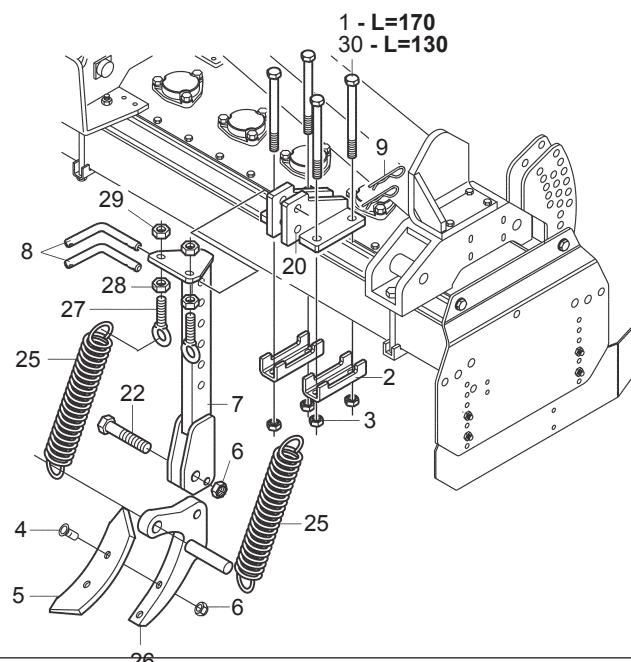
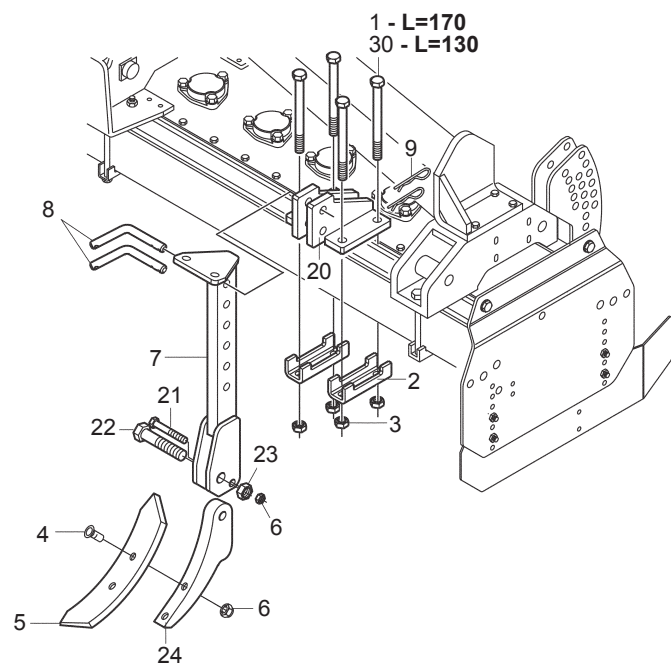
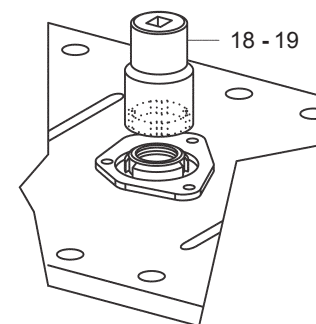
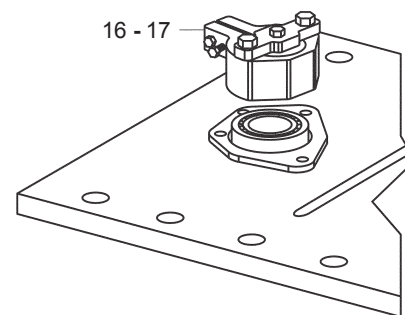
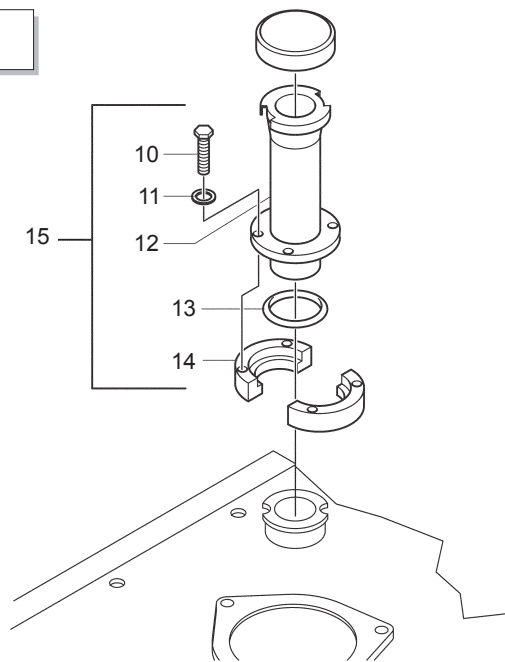


**PROTEZIONI CE POSTERIORI
EC GUARDS UNIT (REAR)**

TAV.190

Pos.	Cod.	Descrizione	Description	Description	Benennung	Description
1	M26425422R	PROTEZIONE CE POST. MOD.2500	REAR PROTECTION MOD. 2500	PROTECTION ARRIERE MOD.2500	HINTERER SCHUTZ MOD. 2500	PROTECCION TRASERA MOD. 2500
2	M26430422R	PROTEZIONE CE POST.MOD.3000	REAR PROTECTION MOD.3000	PROTECTION ARRIERE MOD.3000	HINTERER SCHUTZ MOD.3000	PROTECCION TRASERA MOD.3000
3	M26435422R	PROTEZIONE CE POST.MOD.3500	REAR PROTECTION MOD.3500	PROTECTION ARRIERE MOD.3500	HINTERER SCHUTZ MOD.3500	PROTECCION TRASERA MOD.3500
4	M26440422R	PROTEZIONE CE POST.MOD.4000	REAR PROTECTION MOD.4000	PROTECTION ARRIERE MOD.4000	HINTERER SCHUTZ MOD.4000	PROTECCION TRASERA MOD.4000
5	M26445422R	PROTEZIONE CE POST.MOD.4500	REAR PROTECTION MOD.4500	PROTECTION ARRIERE MOD.4500	HINTERER SCHUTZ MOD.4500	PROTECCION TRASERA MOD.4500
6	F01010262R	VITE M10X1,25X50 U5740 8.8ZN	SCR. M10X1,25X50 U5740 8.8ZN	VIS M 10X1,25X50	SCHRAUBE M 10X1,25X50	TORNILLO M 10X1,25X50
7	F01200268R	DADO M10X1,25 U5588 CL8 ZN6SZN	NUT M10X1,25 U5588 6SZN	ECROU M10X1,25	MUTTER M10X1,25	TUER. M10X1,25

TAV.200

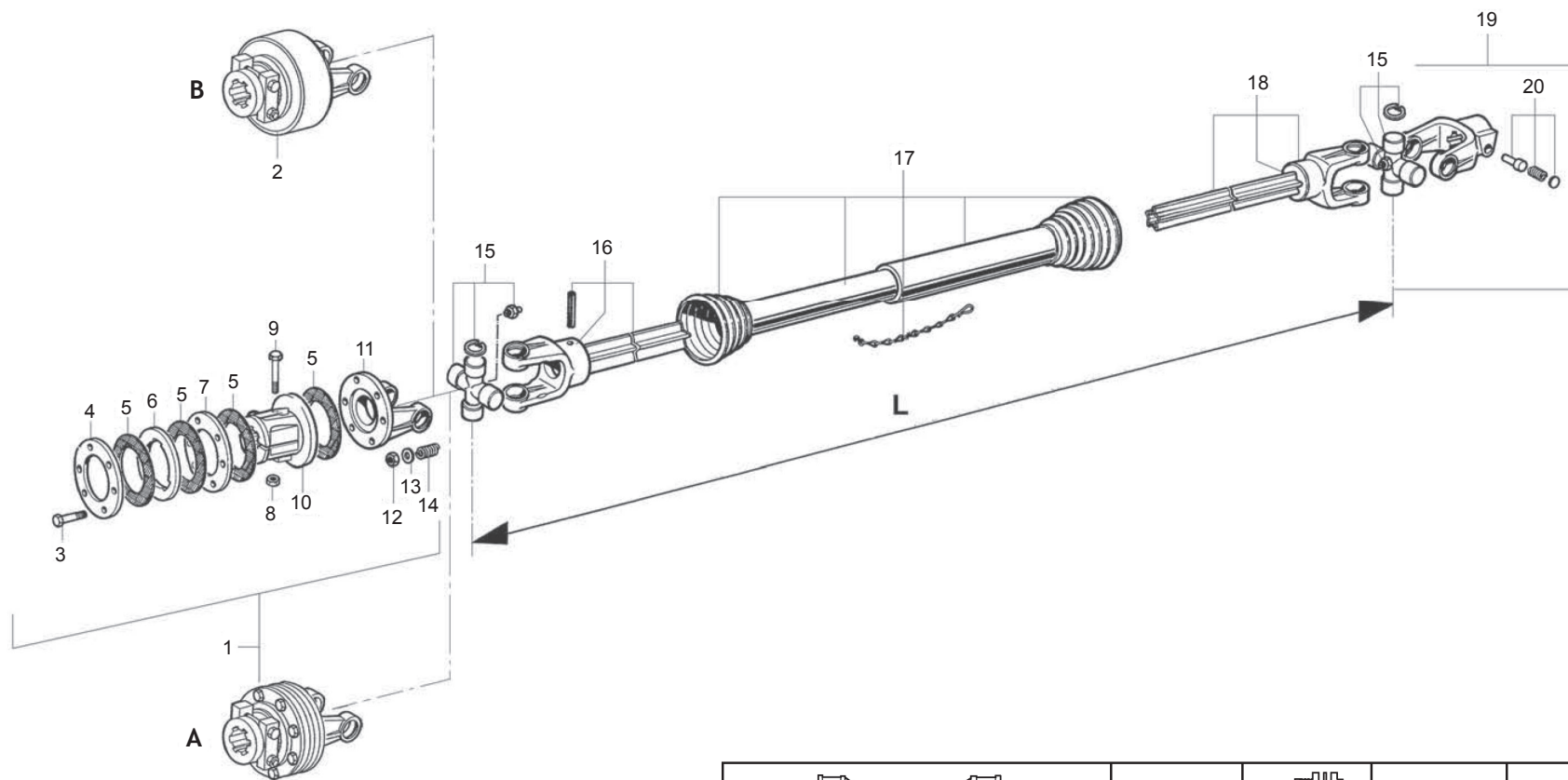


OPZIONALI
OPTIONALS

TAV.200

Pos.	Cod.	Descrizione	Description	Description	Benennung	Description
1	F01010135R	VITE M16X1,5X180 U5738 8.8BR	SCR. M16X1,5X180 U5738 8.8BR	VIS M 16X1,5X170	SCHRAUBE M 16X1,5X170	TORNILLO M 16X1,5X170
2	M36200241R	STAFFA PER TUBO DA 80	STIRRUP	ETRIER	BUEGEL	ESTRIBO
3	F01220070R	DADO M16X1,5 D980 10ZN	NUT M16X1,5 D980 8ZN	ECROU.M16X1,5 D980 8ZN	MUTTER M16X1,5 D980 8ZN	TUER.M16X1,5 D980 8ZN
4	F01030093R	VITE M10X1,5X50 U5933 10.9ZN	SCR. M10X1,5X50 U5933 10.9ZN	VIS M10X 1,5X 50 U5933 8.8 ZN	SCHRA. M10X1,5X50 U5933 8.8 ZN	TORN. M10X1,5X50 U5933 8.8 ZN
5	M12400613R	VOMERINO REV.257 X 65 X 10	PLOUGH REV. 257X 65X 10			
6	F01220033R	DADO M10X1,5 D980 8ZN	NUT M10X1,5 D980 8ZN	ECROU M10X1,5 D980 8ZN	MUTTER M10X1,5 D980 8ZN	TUERCA M10X1,5 D980 8
7	M12400602R	SUPPORTO ANCORA ROMPIR.	TOOTH FOR TRACK ERADICATOR	POINTE POUR DENTS EFFACEUSE	UNTERGRUNDLOCKERER	PUNTA PARA BORROHUELLA
8	M26100713R	PERNO BLOCCAGGIO RUOTA	WHEEL ADJUSTER PIN	GOUJON	BOLZEN	PERNO
9	F02200374R	COPIGLIA R 4X 82 ZN	SPRING SPLIT PIN 4X82	GOUVILLE 4X82	SPLINT 4X82	PASADOR 4X82
10	F01020406R	VITE M6X1X25 U5739 8.8ZN	SCR. M6X1X25 U5739 8.8ZN	VIS M 6X25	SCHRAUBE M 6X25	TORNILLO M 6X25
11	F01480088R	ROS.G 6,4X12,4X2 FLZNNC-240H	GROWER WASHER D.6	RONDELLE GROWER D.6	SCHEIBE GROWER D.6	ARANDELA GROWER D.6
12	M36200856R	SEMIFLANGIA INFERIORE	FLANGE	FLASQUE	FLANSCH	BRIDA
13	F03010552R	ANELLO OR 45,69X2,62 NBR	GASKET OR 45,69X2,62 NBR	BAGUE OR 45,69X2,62 NBR	RING OR 45,69X2,62 NBR	ANILLO OR 45,69X2,62 NBR
14	M36200856R	SEMIFLANGIA INFERIORE	FLANGE	FLASQUE	FLANSCH	BRIDA
15	M36299001R	KIT PROLUNGA CARICO OLIO ERP.	OIL PLUG EXTENSION	REHAUSSE BOUCHON HUILE HERSE	OLVERSCHLUSSVERLAENGERUNG	PROLONGAMIENTO TAPON ACEITE
16	M38100307R	ESTRATTORE CUSC.SUP. DL-DS-DC	EXTRACTOR	EXTRACTEUR	LAGER AUSZIEHER	EXTRACTOR PARA RODAMIENTO
17	M36100335R	ESTRATTORE CUSC.SUP.	BEARING EXTRACTOR	EXTRACTEUR	LAGER AUSZIEHER	EXTRACTOR PARA RODAMIENTO
18	M38100306R	CHIAVE PER GHIERA M45X1,5 ZN	KEY D.45X1,5	CLE D.45X1,5	SCHLUESSEL F. MUTTER D.45X1,5	LLAVE M45X1,5 ZN
19	M36100334R	CHIAVE PER GHIERA M50X1,5 ZN	KEY FOR SELF LOCKING NUT	CLE M50X1,5	SCHLUESSEL F. MUTTER	LLAVE M50X1,5 ZN
20	M12400674R	PIASTRA DI FISSAGGIO ANCORA	SUPPORT	SUPPORT	HALTER	SOPORTE
21	F01020119R	VITE M10X1,5X60 U5737 8.8BR	SCR. M10X1,5X60 U5737 8.8BR			
22	F01010170R	VITE M20X1,5X70 U5738 8.8ZN	SCR. M20X1,5X70 U5738 8.8ZN	VIS M 20X1,5X70	SCHRAUBE M 20X1,5X70	TORNILLO M 20X1,5X70
23	F01220093R	DADO M20X1,5 D980 8ZN	NUT M20X1,5 D980 8ZN	ECROU AUTOBL.M20X1,5 ZN	SELB.MUTTER M20X1,5 D980 8ZN	TUERCA AUTOBL.M20X1,5 D980 8ZN
24	M12400601R	ROMPIRACCIA LATERALE	TOOTH FOR TRACK ERADICATOR	POINTE POUR DENTS EFFACEUSE	UNTERGRUNDLOCKERER	PUNTA PARA BORROHUELLA
25	M12400612R	MOLLA	SPRING			
26	M12400609R	ANCORA PER ROMPIRACCIA	TOOTH	DENT	ZINKE	DIENTE
27	M12400607R	TIRANTE M16	STRETCHER	TENDEUR	VERSTAERKUNGSROHR	TENSOR
28	F01200110R	DADO M16X2 U5587 CL8 ZN 6.8ZN	NUT M16X2 U5587 6.8ZN	ECROU M16	MUTTER M16	TUERCA M16
29	F01230085R	DADO M16X2 D982 10ZN	NUT M16X2 D982 10ZN	ECROU M16X2 D982 10ZN	MUTTER M16X2 D982 10ZN	TUERCA M16X2 D982 10ZN
30	F01010128R	VITE M16X1,5X130 U5738 8.8ZN	SCR. M16X1,5X130 U5738 8.8ZN	VIS M 16X1,5X130 U5738 8.8 ZN	SCHRAU.M16X1,5X130 U5738 8.8ZN	TORN. M16X1,5X130 U5738 8.8ZN

WALTERSCHEID



A	21 - F08011675 L=710	--	X	--	DC-DCR DM-DMR
B	22 - F08011802 L=710	--	--	X	STD / COMBI

**ALBERO CARDANICO
CARDAN SHAFT**

TAV.210

Pos.	Cod.	Descrizione	Description	Description	Benennung	Description
1	F08011355R	LIMITATORE 139149 K90 4 2500	CLUTCH ASSY GNK.K90 41		LIMITEREN 139149 K90 4 2500	
2	F08011331R	LIMITATORE DI COPPIA K64 22RM	CLUTCH ASSY	EMBAYAGE COMPL.	KOMPL. KUPPLUNG	FRICCION COMPL.
3	F01010065R	VITE M12X1,25X110 U5738 8.8ZN	SCR. M12X1,25X110 U5738 8.8ZN	VIS M 12X1,25X110	SCHRAUBE M 12X1,25X110	TORNILLO M 12X1,25X110
4	F08010972R	DISCO DI PRESSIONE	PRESSURE DISC	DISQUE DE PRESSION	DRUCKSCHEIBE	DISCO DE PRESION
5	F08010909R	DISCO D ATTRITO	FRICTION DISK	DISQUE DE FROTTEMENT	KUPPLUNGSCHLEIBE	DISCO FROTAMIENTO
6	F08010936R	DISCO DI TRASCINAMENTO	DRIVING DISK	DISQUE	SCHUBBETRIEBSCHLEIBE	DISCO ARRASTRE
7	F08010594R	FORCELLA LIMIT.A BUL.GKN	SHEAR PIN	LIMITEUR	SCHERSTIFT	LIMITADOR
8	F01230057R	DADO M12X1,75 D982 6ZN	NUT M12X1,75 D982 6ZN	ECROU M12X1,75 D982 6 ZN	MUTTER M12X1,75 D982 6 ZN	TUERCA M12X1,75 D982 6 ZN
9	F01020162R	VITE M12X1,75X65 U5737 8.8ZN	SCR. M12X1,75X65 U5737 8.8ZN	VIS M12X1,75X65 U5737 8.8 ZN	SCHRA.M12X1,75X65 U5737 8.8 ZN	TORNILLO M12X1,75X65 U5737 8.
10	F08011087R	MOZZO SCANALATO	SPLINED HUB	ENTRAINEUR	MITNEHMER	ARRASTRADO
11	F08010417R	36.73.01 FORCELLA GR.2500	FLANGE FORK	FOURCHE AVEC FLASQUE	GABELSTUECK M. FLANSCH	HORQUILLA BRIDA
12	F01200073R	DADO M12X1,25 U5587 CL8 ZN	NUT M12X1,25 U5587 6SN	ECROU M12X1,25 U5587 6S ZN	MUTTER M12X1,25 U5587 6S ZN	TUERCA M12X1,25 U5587 6S ZN
13	F01410076R	ROS.M12 13X 24X2,5 U6592 ZN	WASHER 12 13X 24X2,5 U6592 ZN	RONDEL. M12 13X24X2,5 U6592 ZN	SCHEIBE M12 13X24X2,5 U6592 ZN	ARAND.M12 13X 24X2,5 U6592 ZN
14	F08011222R	660153 MOLLA DI PRESSIONE	PRESSURE SPRING	RESSORT DE PRESSION	DRUCKFEDER	MUELLE DE PRESION
15	F08010686R	CROCIERA COMPLETA	SPIDER ASSY	CROISIERE COMPL.	GELENKKREUZ KOMPL.	CRUCETA COMPLETA
16	F08010533R	FORCELLA CON TUBO INTERNO	FORK WITH INTERNAL PIPE	FOURCHE AVEC TUBE INTERIEUR	GABELST. INNENROHR	HORQUILLA TUBO INTERNO
17	F08010851R	PROTEZIONE COMPLETA	PROTECTION ASSY	PROTECTION COMPL.	KOMPL. SCHUTZ	PROTECCION COMPL.
18	F08010721R	FORCELLA TUBO ESTERNO	FORK WITH EXTERNAL PIPE	FOURCHE AVEC TUBE EXTERIEUR	GABELST. AUSSENROHR	HORQUILLA TUBO ESTERNO
19	F08010459R	FORCELLA COMP.PULS.-1 3 8 Z6	LINKAGE FORK-1 3 8 Z6	FOURCHE ATTELAGE-1 3 8 Z6	GABELSTUECK-1 3 8 Z6	HORQUILLA ATAQUE-1 3 8 Z6
20	F08011168R	339107 PULSANTE	YOKE PIN 339107	POUSSOIR COMPL.	DRUCKKNOPF KOMPL.	PULSADOR COMPL.

**USATE SEMPRE RICAMBI ORIGINALI
ALWAYS USE ORIGINAL SPARE PARTS
IMMER DIE ORIGINAL-ERSATZTEILE VERWENDEN
EMPLOYEZ TOUJOURS LES PIECES DE RECHANGE ORIGINALES
UTILIZAR SIEMPRE REPUESTOS ORIGINALES**



**Servizio Assistenza Tecnica - After Sales Service
Servizio Ricambi - Spare Parts Service**



maschio.com

DEALER:



MASCHIO GASPARDO SpA

Registered Office and Production Plant

Via Marcello, 73 - 35011 Campodarsego (Padova) - Italy

Tel. +39 049 9289810

Fax +39 049 9289900

info@maschio.com

www.maschionet.com

MASCHIO DEUTSCHLAND GMBH

Außere Nürnberger Straße 5

D - 91177 Thalmässing - Deutschland

Tel. +49 (0) 9173 79000

Fax +49 (0) 9173 790079

dialog@maschio.de

www.maschionet.de

MASCHIO FRANCE Sarl

1 rue Denis Papin ZA

F - 45240 La Ferte St. Aubin

France

Tel. +33 (0) 2.38.64.12.12

Fax +33 (0) 2.38.64.66.79

info@maschio.fr

000 МАСКИО-ГАСПАРДО РУССИЯ

04130, Россия,

Волгоградская область,

г. Волжский, ул. Пушкина, 117 «б».

Тел.: +7 8443 203100

факс: +7 8443 203101

e-mail: info@maschio.ru

MASCHIO GASPARDO SpA

Production Plant

Via Mussons, 7 - 33075 Morsano al Tagliamento (PN) - Italy

Tel. +39 0434 695410

Fax +39 0434 695425

info@gaspardo.it

MASCHIO GASPARDO NORTH AMERICA Inc.

112 3rd Avenue East

DeWitt - IA 52742

Ph. +1 563 6596400

Fax +1 563 6596404

info@maschio.us

MASCHIO-GASPARDO ROMANIA S.R.L.

Strada Înfrătirii, F.N.

315100 Chisineu-Cris (Arad) -România

Tel. +40 257 307030

Fax +40 257 307040

info@maschio.ro

MASCHIO IBERICA S.L.

MASCHIO-GASPARDO POLAND

MASCHIO-GASPARDO UCRAINA

GASPARDO-MASCHIO TURCHIA

MASCHIO-GASPARDO CINA

MASCHIO-GASPARDO INDIA