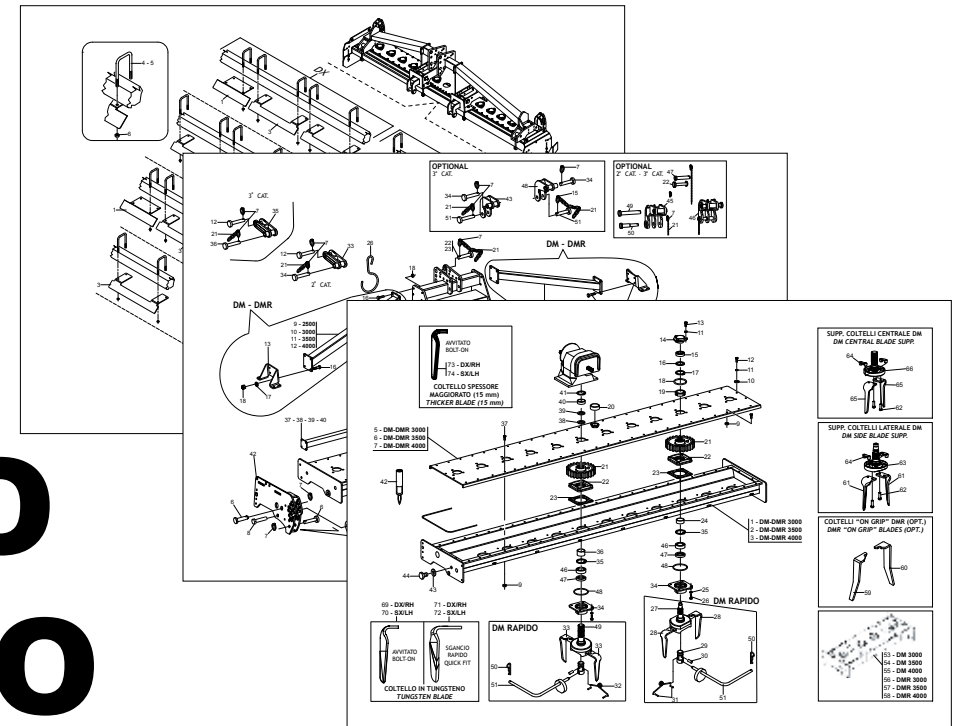


MASCHIO GASPARDO S.p.A.

DC - DC RAPIDO DM - DM RAPIDO



Cod: F07011114 2015-02

- *) Valido per Paesi UE
- *) Valid for EU member countries
- *) Valable dans les Pays UE
- *) Gilt für EU-Mitgliedsländer
- *) Válido para Países UE

- IT** PARTI DI RICAMBIO
- EN** SPARE PARTS
- DE** ERSATZTEILE
- FR** PIÈCES DÉTACHÉES
- ES** PIEZAS DE REPUESTO

PARTI DI RICAMBIO

SPARE PARTS

ERSATZTEILE

PIECES DÉTACHÉES

RESPUESTOS

Le ordinazioni delle parti di ricambio vanno fatte presso i nostri concessionari di zona e devono essere sempre corredate dalle seguenti indicazioni:

- **Tipo, modello e numero di matricola dell'attrezzatura.** Tali dati sono stampigliati nell'apposita targhetta di cui è dotata ogni attrezzatura.

- **Numero di codice della parte richiesta** rilevabile dal catalogo ricambi.

- **Descrizione del particolare e quantità richiesta.**

- **Numero della tavola.**

- **Mezzo di trasporto.** Nel caso questa voce non sia specificata, la Ditta Costruttrice, pur dedicando a questo servizio una particolare cura, non risponde di eventuali ritardi di spedizione dovuti a cause di forza maggiore.

Le spese di trasporto si intendono sempre a carico del destinatario. La merce viaggia a rischio e pericolo del committente anche se venduta franco destino.

NOTA: Il termine **(Dx) Destro** o **(Sx) Sinistro** della macchina o di parti di essa, è inteso guardando la macchina dalla parte posteriore. Le eccezioni saranno indicate.

Orders must be transmitted through our area dealers and should always include the following indications:

- **Type, model and serial number of the machine.** *These data are punched on the data plate with which every implement is equipped.*

- **Code number of the required spare part.** *This will be found in the spare parts catalogue.*

- **Description of the part and required quantity.**

- **Table number.**

- **Means of dispatch.** *If this item is not indicated, the Manufacturer, while dedicating particular care to this service, shall not be held responsible for delays in delivery caused by cases of force majeure.*

Transport expenses shall always be at the consignee's charge. The goods travel at the purchaser's risk and peril even when sold ex destination.

NOTE: *The symbols (Dx) right and (Sx) left, concerning the machine or single parts of it, are referred, as in the figure, to a rear view of them. Exceptions will be indicated.*

Die Bestellungen müssen bei unseren Gebietshändlern aufgegeben werden. Bei der Bestellung sind stets die folgenden Angaben zu machen:

- **Typ, Modell und Serien-Nummer des Geräts.** Diese Daten stehen auf dem Typenschild, mit dem jedes Gerät versehen ist.

- **Artikel Nr. der erforderlichen Ersatzteile.** Diese stehen im Ersatzteil-Katalog.

- **Beschreibung des Ersatzteils und die erforderliche Stückzahl.**

- **Tafelnummer.**

- **Versandmittel.** Wenn dieser Punkt nicht spezifiziert wird, haftet die Herstellerfirma nicht für etwaigen Lieferverzug aufgrund höherer Gewalt, auch wenn er diesen Service besonders aufmerksam abwickelt.

Die Frachtkosten gehen dagegen immer zu Lasten des Empfängers. Die Ware reist auf Gefahr und Risiko des Auftraggebers, auch wenn frei Haus Verkauft vereinbart worden ist.

N.B.: Die Merkzeichen **(Dx) rechts** und **(Sx) links** betreffen eine rückwärtige Aussicht der Maschine oder Teile von ihr (siehe Bild). Ausnahmen werden gezeigt.

Les ordres doivent être effectués auprès de nos concessionnaires de zone en précisant les indications suivantes:

- **Type, modèle et numéro de série de la machine.** *Ces données sont gravées sur la plaque d'identification de chaque outil.*

- **Numéro de code de la pièce détachée** *indiqué sur le catalogue des pièces détachées.*

- **Description de la pièce et quantité requise.**

- **Numéro de plan.**

- **Moyen d'expédition.** *Si cette rubrique n'est pas indiquée, le Constructeur, bien que soucieux de ce service, ne répond pas des retards d'expédition pour des causes de force majeure.*

Les frais de transport sont toujours à la charge du destinataire. La marchandise voyage aux risques et périls de l'acheteur même si vendue franco de port.

N.B.: *Les références (Dx) droit et (Sx) gauche de la machine ou des parties de la même, est entendue, comme de la figure, en regardant la machine de derriere dans le sens de marche.*

Los pedidos han de efectuarse en nuestros concesionarios de zona y deben incluir siempre las siguientes indicaciones:

- **Tipo, modelo y número de matrícula del equipo.** Dichos datos están impresos en la relativa placa presente en el equipo.

- **Número de código de la parte requerida** presente en el catálogo respuestas.

- **Descripción de la pieza y cantidad requerida.**

- **Numero de ilustración.**

- **Medio de transporte.** En caso que este ítem no esté especificado, el Fabricante, aún prestando la debidas consideraciones para este aspecto, no responde por eventuales retardos de env'o debidos a causas de fuerza mayor.

Los gastos de transporte se consideran siempre a cargo del destinatario. La mercadería viaja bajo riesgo y peligro del comprador, incluso cuando se vende franco destino.

N.B.: La referencia **(Dx) derecha** o **(Sx) izquierda** de la máquina o de sus componentes, se entiende, como en la figura, mirando la máquina por la parte trasera. Se indicarán las excepciones.

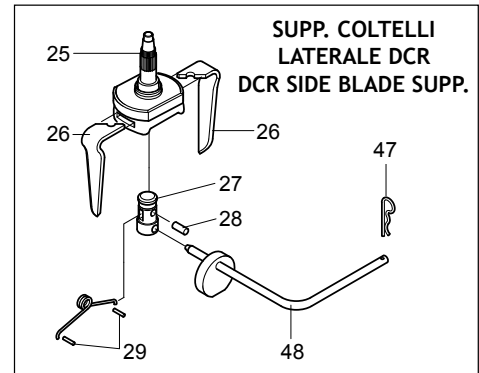
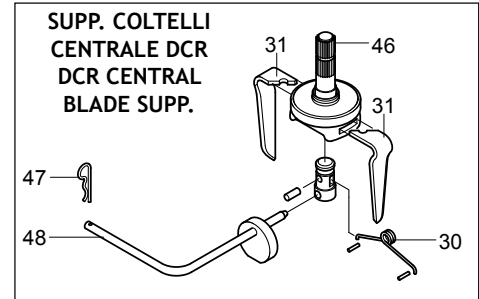
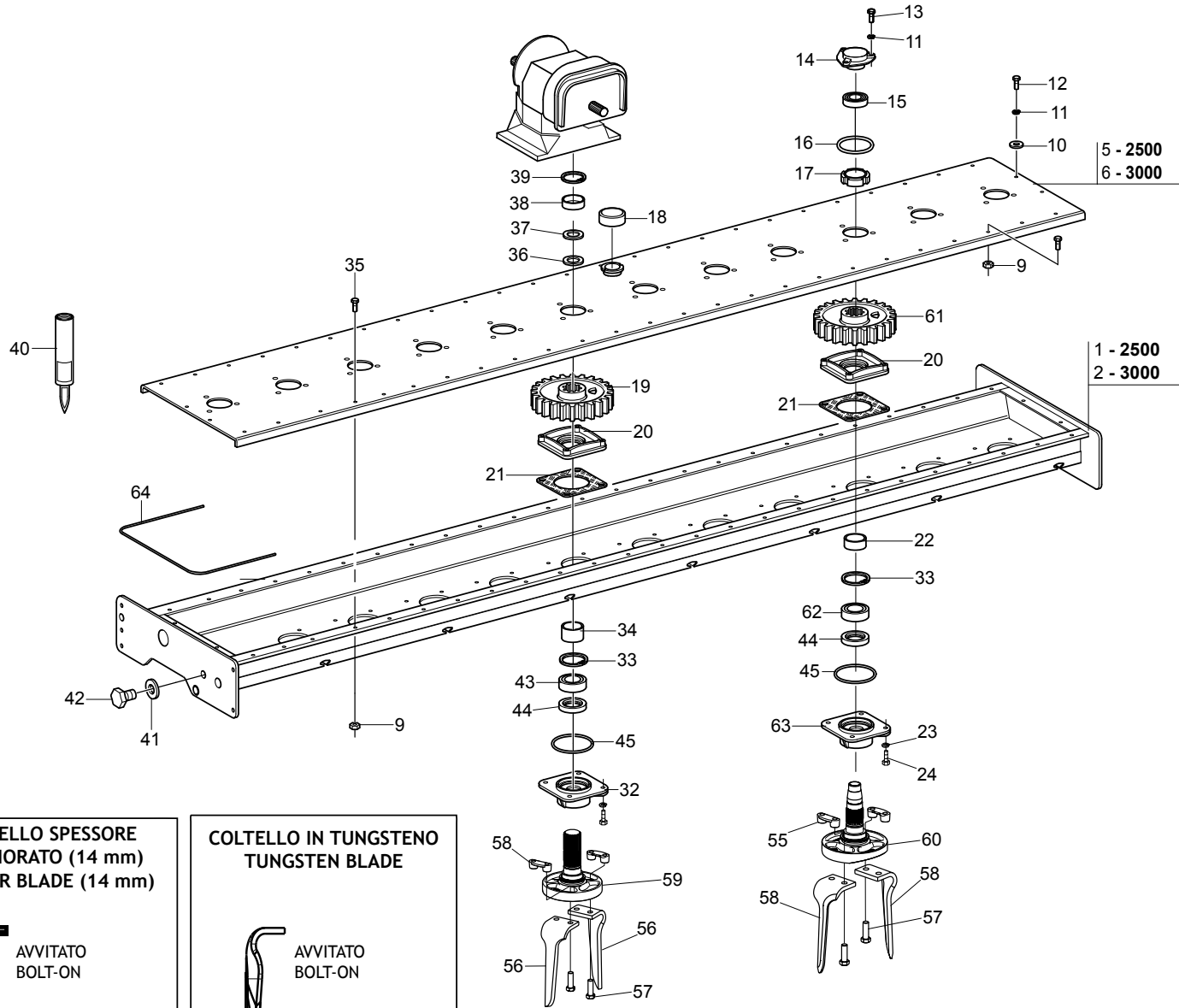
INDICE

| N° Tavola | Descrizione | Pagina |
|------------------|--|---------------|
| TAV.010 | TELAIO E ROTORI DC-DCR | 5 |
| TAV.020 | TELAIO E ROTORI DM - DMR | 9 |
| TAV.030 | GRUPPO TERZO PUNTO STD. | 13 |
| TAV.040 | GRUPPO TERZO PUNTO COMBI | 15 |
| TAV.050 | GRUPPO CAMBIO..... | 17 |
| TAV.060 | PROTEZIONI LATERALI..... | 21 |
| TAV.070 | BARRA LIVELLATRICE..... | 23 |
| TAV.080 | REGOLAZIONE MECCANICA RULLO (VERS. STANDARD) | 25 |
| TAV.090 | REGOLAZIONE IDRAULICA RULLO (VERS. STANDARD)..... | 27 |
| TAV.100 | BRACCIO COLLEGAMENTO RULLO (VERS. COMBI) | 29 |
| TAV.110 | CUNEI DEFLETTORI AVVITATI | 31 |
| TAV.120 | GRUPPO PROTEZIONI CE (ANTERIORI)..... | 33 |
| TAV.130 | GRUPPO PROTEZIONI <<CE>> (POSTERIORI)..... | 35 |
| TAV.140 | OPTIONALS | 37 |
| TAV.150 | KIT SUPPORTI PER TRASPORTO STRADALE | 41 |
| TAV.160 | KIT TABELLE STRADALI G99600006 | 43 |
| TAV.170 | KIT TABELLE STRADALI G99600017 | 45 |
| TAV.180 | KIT TABELLE STRADALI G99600018 | 47 |
| TAV.190 | KIT TABELLE STRADALI G99600032 | 49 |
| TAV.200 | CARDANO..... | 51 |
| TAV.210 | CARDANO..... | 53 |
| TAV.220 | CARDANO..... | 55 |
| TAV.230 | CARDANO..... | 57 |
| TAV.240 | CARDANO..... | 59 |
| TAV.250 | TABELLA RULLI | 60 |

INDEX

| N° Table | Description | Page |
|-----------------|--|-------------|
| TAV.010 | FRAME AND ROTORS DC-DCR..... | 5 |
| TAV.020 | FRAME AND ROTORS DM - DMR | 9 |
| TAV.030 | 3RD-POINT UNIT STD..... | 13 |
| TAV.040 | 3RD-POINT UNIT COMBI..... | 15 |
| TAV.050 | GEARBOX..... | 17 |
| TAV.060 | SIDE PANELS | 21 |
| TAV.070 | LEVELING BAR..... | 23 |
| TAV.080 | ROLLER MECHANICAL ADJ. (STANDARD VERSION)..... | 25 |
| TAV.090 | ROLLER HYDRAULIC ADJ. (STANDARD VERSION)..... | 27 |
| TAV.100 | ROLLER CONNECTING BRACKET (COMBI VERSION)..... | 29 |
| TAV.110 | BOLT-ON STEEL DEFLECTORS..... | 31 |
| TAV.120 | (FRONT) EC GUARDS UNIT | 33 |
| TAV.130 | (REAR) <<EC>> GUARDS UNIT | 35 |
| TAV.140 | OPTIONALS..... | 37 |
| TAV.150 | ROAD TRANSPORT SUPPORTS KIT..... | 41 |
| TAV.160 | ROAD TRANSPORT KIT G99600006..... | 43 |
| TAV.170 | ROAD TRANSPORT KIT G99600017..... | 45 |
| TAV.180 | ROAD TRANSPORT KIT G99600018..... | 47 |
| TAV.190 | ROAD TRANSPORT KIT G99600032..... | 49 |
| TAV.200 | CARDAN SHAFT..... | 51 |
| TAV.210 | CARDAN SHAFT..... | 53 |
| TAV.220 | CARDAN SHAFT..... | 55 |
| TAV.230 | CARDAN SHAFT..... | 57 |
| TAV.240 | CARDAN SHAFT..... | 59 |
| TAV.250 | ROLLER TABLE..... | 60 |

TAV.010



COLTELLO SPESSORE MAGGIORATO (14 mm)
THICKER BLADE (14 mm)

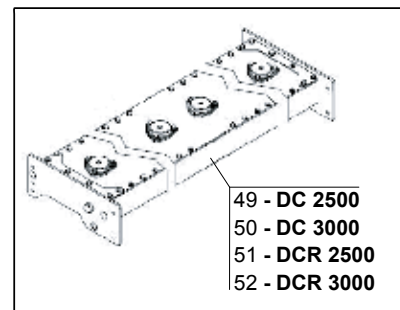
AVVITATO BOLT-ON

67 - DX/RH
 68 - SX/LH

COLTELLO IN TUNGSTENO
TUNGSTEN BLADE

AVVITATO BOLT-ON

65 - DX/RH
 66 - SX/LH

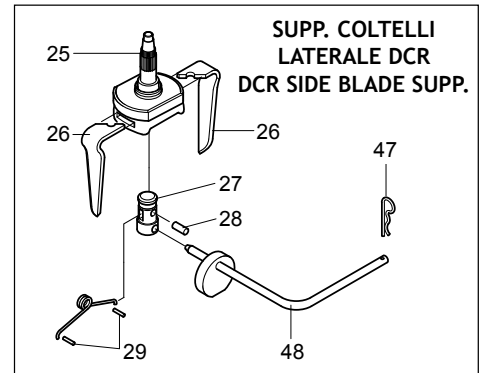
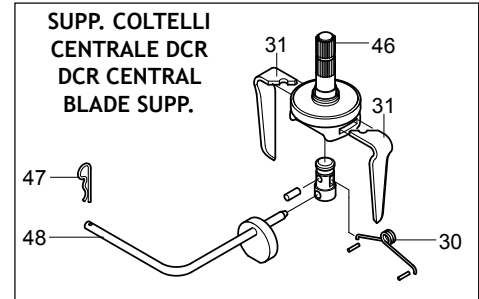
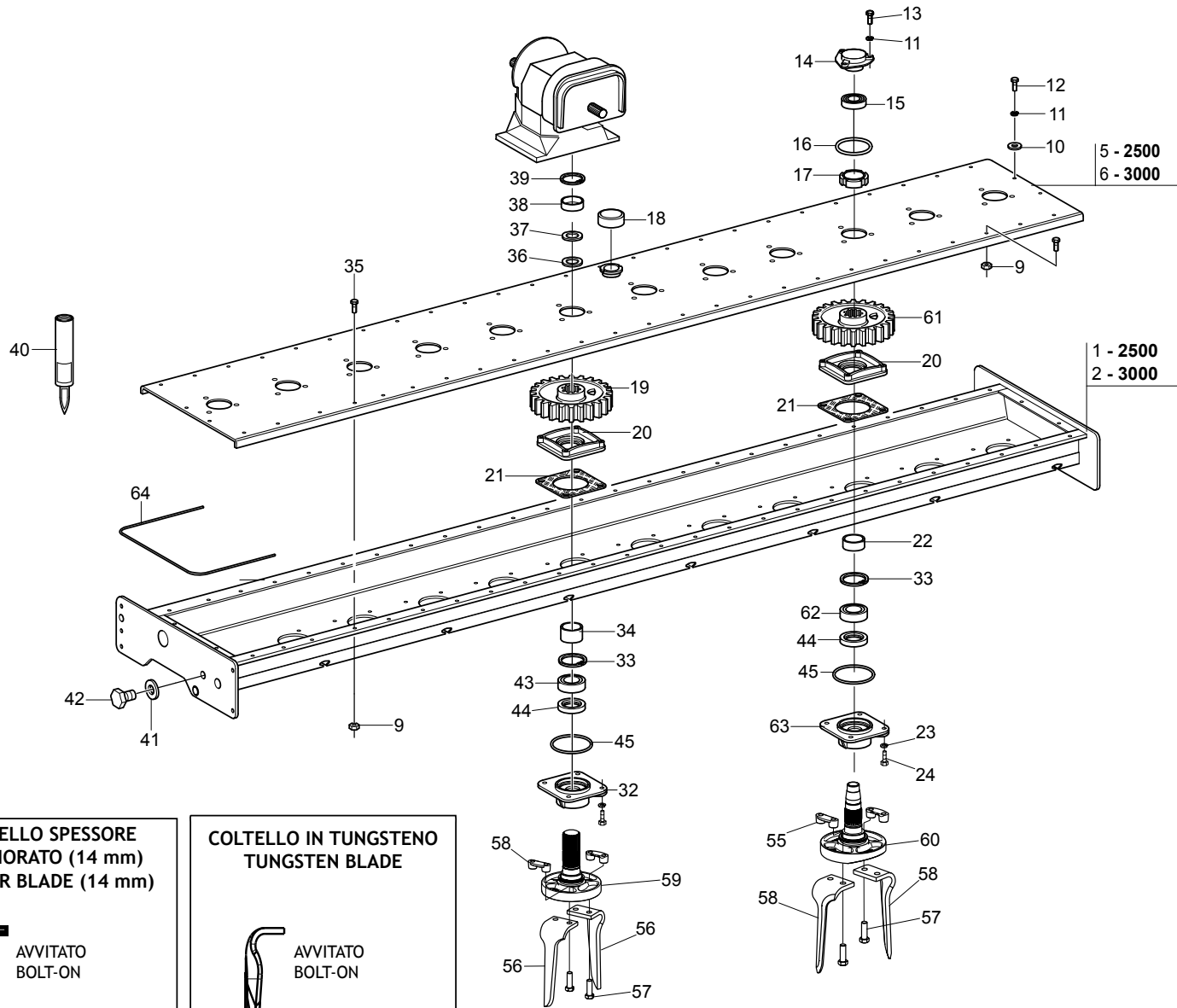


**TELAIO E ROTORI DC
FRAME AND ROTORS DC**

TAV.010

| Pos. | Cod. | Descrizione | Description | Benennung | Description | Descrpcion |
|------|------------|--------------------------------|--------------------------------|-------------------------------|---------------------------------|--------------------------------|
| 1 | F01220047R | DADO M12X1,25 D980 8ZN | NUT M12X1,25 D980 8ZN | ECROU M12X1,25 D980 8 ZN | MUTTER M12X1,25 D980 8 ZN | TUERCA M12X1,25 D980 8 ZN |
| 2 | M26430582R | COMP.CORPO TRASMISSIONE L=2992 | TRANSMISSION BOX L=2992 | BOITE DE TRANSMISSION L=2992 | ANTRIEBSKASTEN L=2992 | CUERPO TRASMISION L=2992 |
| 5 | M23425510R | COMP.COPERCHIO C.TRASM.L=2462 | UPPER PLATE L=2462 | CAPOT SUPERIEUR L=2462 | OBERBLECH L=2462 | PLANCHA SUPERIOR L=2462 |
| 6 | M23430510R | COMP.COPERCHIO C.TRASM.L=2954 | UPPER PLATE L=2954 | CAPOT SUPERIEUR L=2954 | OBERBLECH L=2954 | PLANCHA SUPERIOR L=2954 |
| 9 | F01220034R | DADO M10X1,25 D980 8ZN | NUT M10X1,25 D980 8ZN | ECROU M10X1,25 D980 8 ZB | MUTT.M10X1,25 D980 8 ZB | TUER.M10X1,25 D980 8 ZB |
| 10 | F01410062R | ROS.M10 10,5X 18X 2 U6592 ZN | WASHER M10 10,5X 18X 2 U6592 | RONDELLE M10 10,5X18X2 ZN | RONDELLE M10 10,5X18X2 ZN | ARAND.M10 10,5X 18X 2 U6592 ZN |
| 11 | F01480112R | ROS.G 10,5X19X 3 FLZNNC - 240H | GROWER WASHER D.10 | RONDELLE GROWER D.10 | SCHLEIBE GROWER D.10 | ARANDELA GROWER D.10 |
| 12 | F20110012R | VITE M10X1,25X 35 5738 10.9 PL | BOLT M 10X1,25X35 | VIS M 10X1,25X35 | SCHRAUBE M 10X1,25X35 | TORNILLO M 10X1,25X35 |
| 13 | F20110012R | VITE M10X1,25X 35 5738 10.9 PL | BOLT M 10X1,25X35 | VIS M 10X1,25X35 | SCHRAUBE M 10X1,25X35 | TORNILLO M 10X1,25X35 |
| 14 | M38100344R | SUPPORTO CUSCINETTO SUPERIORE | BEARING SUPPORT | SUPPORT ROULEMENT | LAGERHALTER | SOPORTE |
| 15 | F04010179R | CUSC.D35 D72 B17 6207 2RSC3 | BEARING D35 D72 B17 6207 2RSC3 | ROULEMENT D35 D72 B17 6207 | LAGER D35 D72 B17 6207 2RSC | COJINETE D35 D72 B17 6207 |
| 16 | F03010684R | ANELLO OR 94,84X3,53 NGR | GASKET OR 94,84X3,53 NBR | BAGUE OR 94,84X3,53 NBR | RING OR 94,84X3,53 NBR | ANILLO OR 94,84X3,53 NBR |
| 17 | F02010144R | GHIERA AU.GUP M45X1,5 T.4H ZN | SELF LOCKING NUT M45X1,5 T.4H | COLLIER AUTOBL. M45X1,5 T.4H | SELBSTSP. M45X1,5 T.4H ZN | VIROLA AUTOBL. M45X1,5 T.4H |
| 18 | F03150746R | TAPPO CARICO OLIO | OIL INLET CAP | BOUCHON HUILE CHARGEMEN | ENTLUEFTERPFROPFFEN | CORCHO OLEO |
| 19 | M36100306R | INGRANAGGIO LATERALE DM | GEAR | ENGRENAGE LATERAL DM | ZAHNRAD | ENGRANAJE |
| 20 | M19400308R | FLANGIA INTERNA | INNER FLANGE | FLASQUE INTERIEUR | BRIDA INTERNA | BRIDA INTERNA |
| 21 | M27100309R | GUARNIZIONE FLEXOID 5 10 | GASKET MM.0,5 | JOINT MM.0,5 | DICHTUNG MM.0,5 | JUNTA MM.0,5 |
| 22 | M27100306R | DISTANZIALE 50,9X63,5X20,5 | SPACER | ENTRETOISE | DISTANZSTUECK | DISTANCIADOR |
| 23 | F01480123R | ROS.G 12,5X22,9X 4 FLZNNC-240H | WASHER M12 ZGP EXTRA P. | RONDELLE M12 ZGP EXTRA P. | UNTERLEGESCHLEIBE M12 ZGP EXTRA | ARANDELA M12 ZGP EXTRA P. |
| 24 | F01010289R | VITE M12X1,25X35 U5740 10.9DL | SCR. M12X1,25X35 U5740 10.9DL | VIS M 12X1,25X35 | SCHRAUBE M 12X1,25X35 | TORNILLO M 12X1,25X35 |
| 25 | M26400311R | SUPP.COLTELLI LAT.SGANCIO RAP. | QUICK FIT BLADE SUPPORT | | | |
| 26 | M36100290R | COLT100X12X300DX QUICK | BLAD100X12X300RH QUICK | COUTEAU RAPIDO 12MM DRT | | |
| 27 | M36100394R | PERNO D=40 L=76 | PIN D=40 L=76 | GOUJON D=40 L=76 | STIFT D=40 L=76 | PERNO D=40 L=76 |
| 28 | F02100242R | SPINA E.S. 8X 36 U6875 C70 BR | ELASTIC PIN 8X36 | GOUJON ELASTIQUE 8X36 | SPANNHUELSE 8X36 | ESPINA ELASTICA 8X36 |
| 29 | F02100204R | SPINA E.S. 4X 30 U6875 C70 BR | ELASTIC PIN 4X30 | | | |
| 30 | M36100341R | MOLLA X SGANCIO RAPIDO | SPRING QUICK FIT | RESSORT GOUJON RAPIDO | FEDER | MUELLE |
| 31 | M36100291R | COLT100X12X300SX QUICK | BLAD100X12X300LH QUICK | COUTEAU RAPIDO 12MM GCH | | |
| 32 | M19400307R | FLANGIA SUPP.INFERIORE DM | LOWER FLANGE SUPPORT DM | | | |
| 33 | F02050471R | ANELLO E. DI100X 3 U7437 C70 | SEEGER RING D.100 | BAGUE SEEGER D.100 | SEEGERRING D.100 | ANILLO SEEGER D.100 |
| 34 | M36500313R | DISTANZ. D=67 D=55 L=16.5 | SPACER D=67 D=55 L=16.5 | ENTRETOISE D=67 D=55 L=16.5 | DISTANZSTUECK D=67 D=55 L=16.5 | DISTANCIADOR D=67 D=55 L=16.5 |
| 35 | F01010244R | VITE M10X1,25X25 U5740 8.8ZN | SCR. M10X1,25X25 U5740 8.8ZN | VIS M 10X1,25X25 | SCHRAUBE M 10X1,25X25 | TORNILLO M 10X1,25X25 |
| 36 | M36500311R | ROSETTA D=65 D=55 L=0,1 | WASHER D=65 D=55 L=0,1 | ROSETTE D=65 D=55 L=0,1 | SCHLEIBE D=65 D=55 L=0,1 | ARANDELLA D=65 D=55 L=0,1 |
| 37 | M36500312R | ROSETTA D=65 D=55 L=0,05 | WASHER D=65 D=55 L=0,05 | ROSETTE D=65 D=55 L=0,05 | SCHLEIBE D=65 D=55 L=0,05 | ARANDELLA D=65 D=55 L=0,05 |
| 38 | M36500314R | DISTANZ. D=67 D=55 L=14.8 | SPACER D=67 D=55 L=14.8 | ENTRETOISE D=67 D=55 L=14.8 | DISTANZSTUECK D=67 D=55 L=14.8 | DISTANCIADOR D=67 D=55 L=14.8 |
| 39 | F02050204R | ANELLO E. DE 55X 3 U7436 C70 | SEEGER RING D.55 | BAGUE SEEGER D.55 | SEEGERRING D.55 | ANILLO D.55 |
| 40 | F03220010R | POLIURETANO NERO IN CAR.310 M | SEALING PACKAGE | CONFECTION SIGILLANTE | DICHTUNGSMASSE ANFERTIGUNG | CONFECION SELADURA |
| 41 | M26100321R | GUARNIZIONE PER TAPPO OLIO | GASKET | JOINT | DICHTUNG | JUNTA |
| 42 | F03150625R | TAPPO CARICO SCARICO M18X1,5 | OIL IN OUT CAP M18X1,5 | BOUCHON HUILE CHARGEMEN | ENTLUEFTERPFROPFFEN | CORCHO OLEO |
| 43 | F04010192R | CUSC.D55 D100 B21 6211 53 KN | BEARING D55 D100 B21 6211 53KN | ROULEMENT 6211 AG15 | LAGER 6211 AG15 | COJINETE 6211 AG15 |
| 44 | M38100214R | ANELLO COMBI 65X85X13 17 | OIL SEAL 65X85X13 17 SPEC. | PARE-HUILE 65X85X13 17 SPEC | OELABDICHTUNG 65X85X13 17SPEC. | PARA-ACEITE 65X85X13 17 SPEC. |
| 45 | F03010726R | ANELLO OR 123,43X3,53 NBR | GASKET OR 123,43X3,53 NBR | BAGUE OR D. 123,43X3,53 | RING OR 123,43X3,53 NBR | ANILLO OR 123,43X3,53 NBR |
| 46 | M36100229R | SUPPORTO COLTELLI CENTRALE PLS | CENTR. BLADE SUPPORT | SUPPORT COUTEAU CENTRAL DMR | ZENTRALMESSERHALTERUNG | SOPORTE CUCHILLO CENTR. |
| 47 | F02200374R | COPIGLIA R 4X 82 ZN | SPRING SPLIT PIN 4X82 | GOUPILE 4X82 | SPLINT 4X82 | PASADOR 4X82 |
| 48 | M36100386R | MANICO ECCENTRICO | TOOL FOR QUICK-FIT SYSTEM | MANIVELLE | KURBEL | MANGO |
| 49 | M26425591R | CORPO TR. DC 2500 STD-COMBI 08 | COMPL.BOX DC 2500 STD-COMBI 08 | | | |
| 50 | M26430591R | CORPO TR. DC 3000 STD-COMBI 08 | COMPL.BOX DC 3000 STD-COMBI 08 | | | |
| 51 | M26425588R | GR.COR.DCR SCM 2500 RICAMBI 07 | COMPL.BOX DCR2500 STD-COMBI 08 | CORP COMPLETE DCR SCM 2500 | GEHAEUSE DCR SCM 2500 | CUERPO COMPLETO DCR SCM 2500 |
| 52 | M26430588R | GR.COR.DCR SCM 3000 RICAMBI 07 | COMPLETE BOX DCR SCM 3000 | CORP COMPLETE DCR SCM 3000 | GEHAEUSE DCR SCM 3000 | CUERPO COMPLETO DCR SCM 3000 |
| 55 | M38100218R | FERMO VITE COLTELLI DC-DL-DS | KNIVES FASTENING BOLT | ETRIER SERRAGE COUTEAU DC-DS | MESSERSCHRAUBESPERRUNG | CLAUSURATORNILLOCUCHILLA |
| 56 | M27100209R | COLT90X12X280SX 50M16 | BLAD90X12X280LH 50M16 | COUTEAU GAUCHE DC DS DL 90X12 | LINKES MESSER DC DS DL 90X12 | CUCHILLO IZQ. DC DS DL 90X12 |
| 57 | F20110044R | VITE M16X1,5X50 SPEC 12.9ZF | BOLT M16X1,5X50 SPEC 12.9ZF | VIS M16X1,5X50 SPEC 12.9ZF | SCHRAU. M16X1,5X50 SPEC 12.9ZF | TORN. M16X1,5X50 SPEC 12.9ZF |
| 58 | M27100210R | COLT90X12X280DX 50M16 | BLAD90X12X280RH 50M16 | COUTEAU DROIT DC DS DL 90X12 | RECHT MESSER DC DS DL 90X12 | CUCHILLO DERECH.DC DS DL 90X12 |
| 59 | M26400309R | SUPPORTO COLTELLI CENTRALE | CENTR. BLADE SUPPORT | SUPPORT COUTEAU CENTRAL DMR | ZENTRALMESSERHALTERUNG | SOPORTE CUCHILLO CENTR. |

TAV.010



COLTELLO SPESSORE MAGGIORATO (14 mm)
THICKER BLADE (14 mm)

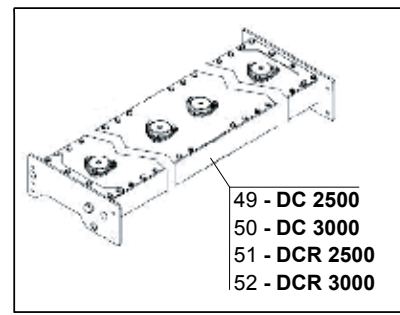
AVVITATO BOLT-ON

67 - DX/RH
68 - SX/LH

COLTELLO IN TUNGSTENO
TUNGSTEN BLADE

AVVITATO BOLT-ON

65 - DX/RH
66 - SX/LH

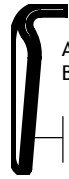


**TELAIO E ROTORI DC-DCR
FRAME AND ROTORS DC-DCR**

TAV.010

| Pos. | Cod. | Descrizione | Description | Benennung | Description | Description |
|------|------------|------------------------------|-----------------------------|--------------------------------|------------------------------|--------------------------------|
| 60 | M38100301R | SUPPORTO COLTELLI LATERALE T | SIDE BLADE SUPPORT | SUPPORT COUTEAU LATERAL | SEITENMESSERHALTERUNG | SOPORTE CUCHILLO LATERAL |
| 61 | M27100305R | INGRANAGGIO | GEAR | ENGRENAGE | ZAHNRAD | ENGRANAGE |
| 62 | F04010188R | CUSC.D50 D90 B20 6210 C3 | BEARING D50 D90 B20 6210 C3 | ROULEMENT D50 D90 B20 6210 C3 | LAGER D50 D90 B20 6210 C3 | COJINETE D50 D90 B20 6210 C3 |
| 63 | M26400306R | FLANGIA SUPP.INFERIORE DC | FLANGE BOTTOM SUPPORT DC | SUPPORT INFERIEUR DC | FLANSCH | BRIDA SOPORTE INFERIOR DC |
| 64 | F03011158R | GUARNIZIONE IN SILICONE D=6 | GASKET D=6 | JOINT D=6 | DICHTUNG D=6 | JUNTA D=6 |
| 65 | M38100226R | COLT90X12X280DX 50M16 TG | BLAD90X12X280RH 50M16 TG | COUTEAU DC-BR 12MM DRT TUNGSTE | | |
| 66 | M38100227R | COLT90X12X280SX 50M16 TG | BLAD90X12X280LH 50M16 TG | COUTEAU DC-BR 12MM GCH TUNGSTE | | |
| 67 | M38100222R | COLT90X14X280DX 50M16 | BLAD90X14X280RH 50M16 | COUTEAU DROIT DC DS DL 90X14 | RECHT MESSER DC DS DL 90X14 | CUCHILLO DERECH.DC DS DL 90X14 |
| 68 | M38100223R | COLT90X14X280SX 50M16 | BLAD90X14X280LH 50M16 | COUTEAU GAUCHE DC DS DL 90X14 | LINKES MESSER DC DS DL 90X14 | CUCHILLO IZQ. DC DS DL 90X14 |

TAV.020

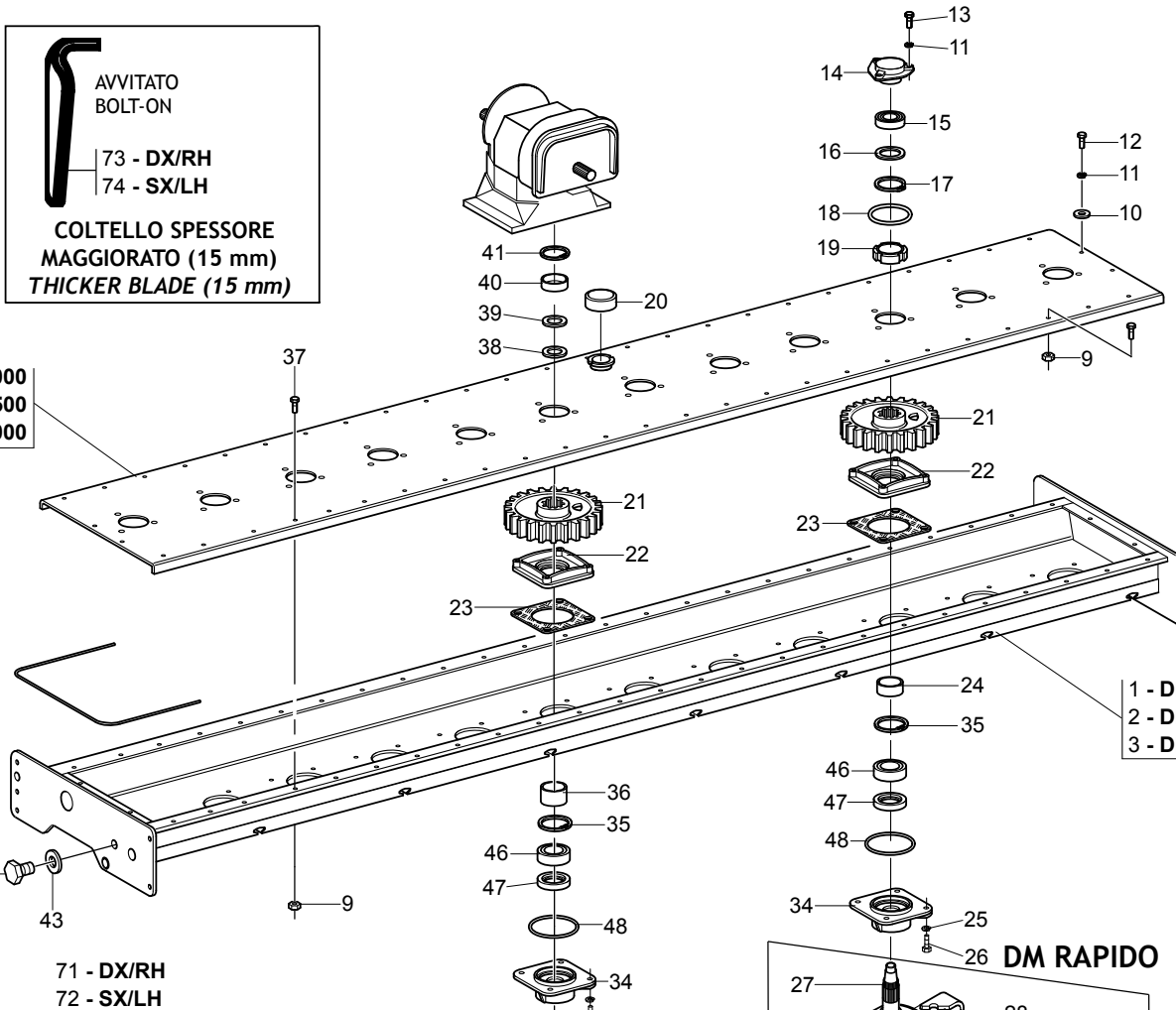
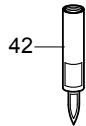


AVVITATO
BOLT-ON

73 - DX/RH
74 - SX/LH


COLTELLO SPESSORE
MAGGIORATO (15 mm)
THICKER BLADE (15 mm)

- 5 - DM-DMR 3000
- 6 - DM-DMR 3500
- 7 - DM-DMR 4000



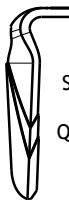
- 1 - DM-DMR 3000
- 2 - DM-DMR 3500
- 3 - DM-DMR 4000

- 69 - DX/RH
- 70 - SX/LH
- 71 - DX/RH
- 72 - SX/LH



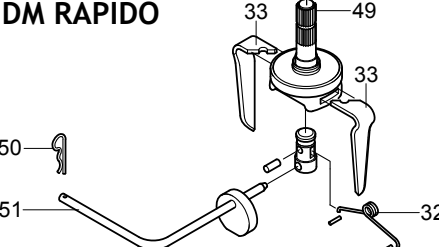
AVVITATO
BOLT-ON

COLTELLO IN TUNGSTENO
TUNGSTEN BLADE

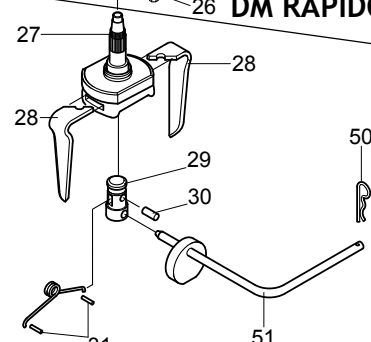


SGANCIO
RAPIDO
QUICK FIT

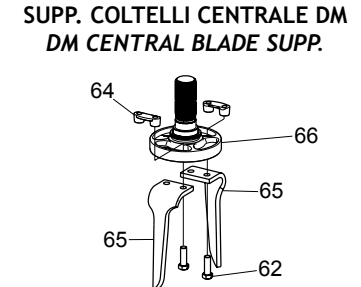
DM RAPIDO



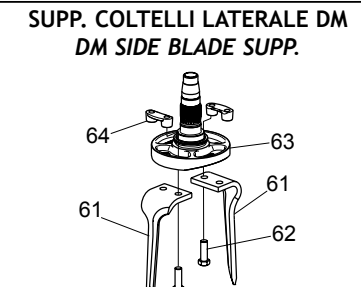
DM RAPIDO



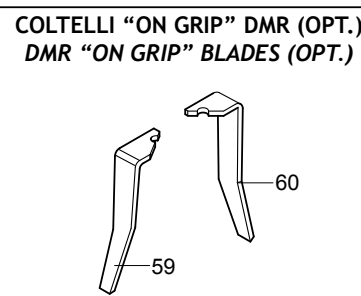
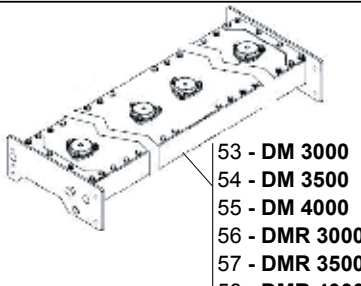
SUPP. COLTELLI CENTRALE DM
DM CENTRAL BLADE SUPP.



SUPP. COLTELLI LATERALE DM
DM SIDE BLADE SUPP.



COLTELLI "ON GRIP" DMR (OPT.)
DMR "ON GRIP" BLADES (OPT.)

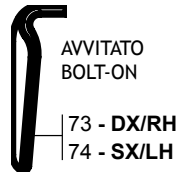
- 53 - DM 3000
- 54 - DM 3500
- 55 - DM 4000
- 56 - DMR 3000
- 57 - DMR 3500
- 58 - DMR 4000

**TELAIO E ROTORI DM - DMR
FRAME AND ROTORS DM - DMR**

TAV.020

| Pos. | Cod. | Descrizione | Description | Benennung | Description | Descrpcion |
|------|------------|--------------------------------|--------------------------------|--------------------------------|--------------------------------|--------------------------------|
| 1 | M26430582R | COMP.CORPO TRASMISSIONE L=2992 | TRANSMISSION BOX L=2992 | BOITE DE TRANSMISSION L=2992 | ANTRIEBSKASTEN L=2992 | CUERPO TRASMISSION L=2992 |
| 2 | M26435582R | COMP.CORPO TRASMISSIONE L=3484 | TRANSMISSION BOX L=3484 | BOITE DE TRANSMISSION L=3484 | ANTRIEBSKASTEN L=3484 | CUERPO TRASMISSION L=3484 |
| 3 | M26440582R | COMP.CORPO TRASMISSIONE L=3976 | TRANSMISSION BOX L=3976 | BOITE DE TRANSMISSION L=3976 | ANTRIEBSKASTEN L=3976 | CUERPO TRASMISSION L=3976 |
| 5 | M23430510R | COMP.COPERCHIO C.TRASM.L=2954 | UPPER PLATE L=2954 | CAPOT SUPERIEUR L=2954 | OBERBLECH L=2954 | PLANCHA SUPERIOR L=2954 |
| 6 | M23435510R | COMP.COPERCHIO C.TRASM.L=3446 | UPPER PLATE L=3446 | CAPOT SUPERIEUR L=3446 | OBERBLECH L=3446 | PLANCHA SUPERIOR L=3446 |
| 7 | M23440510R | COMP.COPERCHIO C.TRASM.L=3938 | UPPER PLATE L=3938 | CAPOT SUPERIEUR L=3938 | OBERBLECH L=3938 | PLANCHA SUPERIOR L=3938 |
| 9 | F01220034R | DADO M10X1,25 D980 8ZN | NUT M10X1,25 D980 8ZN | ECRO.M10X1,25 D980 8 ZB | MUTT.M10X1,25 D980 8 ZB | TUER.M10X1,25 D980 8 ZB |
| 10 | F01410062R | ROS.M10 10,5X 18X 2 U6592 ZN | WASHER M10 10,5X 18X 2 U6592 | RONDELLE M10 10,5X18X2 ZN | DICHTUNGSRING M10 10,5X18X2 ZN | ARAND.M10 10,5X 18X 2 U6592 ZN |
| 11 | F01480112R | ROS.G 10,5X19X 3 FLZNNC - 240H | GROWER WASHER D.10 | RONDELLE GROWER D.10 | SCHEIBE GROWER D.10 | ARANELLA GROWER D.10 |
| 12 | F01010244R | VITE M10X1,25X25 U5740 8.8ZN | SCR. M10X1,25X25 U5740 8.8ZN | VIS M 10X1,25X25 | SCHRAUBE M 10X1,25X25 | TORNILLO M 10X1,25X25 |
| 13 | F20110012R | VITE M10X1,25X 35 5738 10.9 PL | BOLT M 10X1,25X35 | VIS M 10X1,25X35 | SCHRAUBE M 10X1,25X35 | TORNILLO M 10X1,25X35 |
| 14 | M19400303R | SUPPORTO CUSCINETTO SUPER. TN | BEARING SUPPORT | SUPPORT ROULEMENT | LAGERHALTER | SOPORTE COJINETE |
| 15 | F04010350R | CUSCINETTO 6307C 2HRS L100 50 | BEARING 6307C 2HRS L100 50 | | | |
| 16 | M19400304R | DISCO ANTICADUTA SFERE | DISCO BALL FALL | | | |
| 17 | F02050425R | ANELLO E. DI 80X 2,5 U7437 C70 | SEEGER RING D.80 | BAGUE SEEGER D.80 | SEEGERRING D.80 | ANILLO E. DI 80X 2,5 U7437 C70 |
| 18 | F03010684R | ANELLO OR 94,84X3,53 NGR | GASKET OR 94,84X3,53 NGR | BAGUE OR 94,84X3,53 NBR | RING OR 94,84X3,53 NBR | ANILLO OR 94,84X3,53 NBR |
| 19 | F02010155R | GHIERA AU.GUP M50X1,5 T.4H ZN | SELF LOCKING NUT M50X1,5 | COLLIER AUTOBL. M50X1,5 | SELBSTSP. NUTMUTTER M50X1,5 | VIROLA AUTOBL. M50X1,5 |
| 20 | F03150746R | TAPPO CARICO OLIO | OIL INLET CAP | BOUCHON HUILE CHARGEMEN | ENTLUEFTERPFROPFEN | CORCHO OLEO |
| 21 | M36100306R | INGRANAGGIO LATERALE DM | GEAR | ENGRENAGE LATERAL DM | ZAHNRAD | ENGRANAJE |
| 22 | M19400308R | FLANGIA INTERNA | INNER FLANGE | FLASQUE INTERIEUR | INNENFLANSCH | BRIDA INTERNA |
| 23 | M27100309R | GUARNIZIONE FLEXOID 5 10 | GASKET MM.0,5 | JOINT MM.0,5 | DICHTUNG MM.0,5 | JUNTA MM.0,5 |
| 24 | M36100304R | DISTANZIALE ROTORI LATERALI | SPACER | | | |
| 25 | F01480123R | ROS.G 12,5X22,9X 4 FLZNNC-240H | WASHER M12 ZGP EXTRA P. | RONDELLE M12 ZGP EXTRA P. | UNTERLEGSCHIEBE M12 ZGP EXTRA | ARANDELA M12 ZGP EXTRA P. |
| 26 | F01010289R | VITE M12X1,25X35 U5740 10.9DL | SCR. M12X1,25X35 U5740 10.9DL | VIS M 12X1,25X35 | SCHRAUBE M 12X1,25X35 | TORNILLO M 12X1,25X35 |
| 27 | M19400312R | SUPPORTO COLTELLI LATERALE | LATERAL BLADE SUPPORT | SUPPORT COUTEAU LATERAL | SEITLICH MESSERTRAEGER | SOPORTE CUCHILLO LATERAL |
| 28 | M36100366R | COLT100X15X320DX QUICK | BLAD100X15X320RH QUICK | COUTEAU RAPIDO 100X15X320 DRT | MESSER QUICK 100X15X320 RECHTS | CUCHILLA DEREQ.QUICK-FIT 15MM |
| 29 | M36100394R | PERNO D=40 L=76 | PIN D=40 L=76 | GOUJON D=40 L=76 | STIFT D=40 L=76 | PERNO D=40 L=76 |
| 30 | F02100242R | SPINA E.S. 8X 36 U6875 C70 BR | ELASTIC PIN 8X36 | GOUJON ELASTIQUE 8X36 | SPANNHUELSE 8X36 | ESPINA ELASTICA 8X36 |
| 31 | F02100204R | SPINA E.S. 4X 30 U6875 C70 BR | ELASTIC PIN 4X30 | | | |
| 32 | M36100341R | MOLLA X SGANCIO RAPIDO | SPRING QUICK FIT | RESSORT GOUJON RAPIDO | FEDER | MUELLE |
| 33 | M36100367R | COLT100X15X320SX QUICK | BLAD100X15X320LH QUICK | COUTEAU RAPIDO 100X15X320 GCH | MESSER QUICK 100X15X320 LINKS | CUCHILLA ISQUIR.QUICK-FIT 15MM |
| 34 | M19400307R | FLANGIA SUPP.INFERIORE DM | LOWER FLANGE SUPPORT DM | | | |
| 35 | F02050471R | ANELLO E. DI100X 3 U7437 C70 | SEEGER RING D.100 | BAGUE SEEGER D.100 | SEEGERRING D.100 | ANILLO SEEGER D.100 |
| 36 | M36500313R | DISTANZ. D=67 D=55 L=16.5 | SPACER D=67 D=55 L=16.5 | ENTRETOISE D=67 D=55 L=16.5 | DISTANZSTUECK D=67 D=55 L=16.5 | DISTANCIADOR D=67 D=55 L=16.5 |
| 37 | F01010254R | VITE M10X1,25X35 U5740 8.8ZN | SCR. M10X1,25X35 U5740 8.8ZN | VIS M 10X1,25X35 | SCHRAUBE M 10X1,25X35 | TORNILLO M 10X1,25X35 |
| 38 | M36500311R | ROSETTA D=65 D=55 L=0,1 | WASHER D=65 D=55 L=0,1 | ROSETTE D=65 D=55 L=0,1 | SCHEIBE D=65 D=55 L=0,1 | ARANELLA D=65 D=55 L=0,1 |
| 39 | M36500312R | ROSETTA D=65 D=55 L=0.05 | WASHER D=65 D=55 L=0.05 | ROSETTE D=65 D=55 L=0.05 | SCHEIBE D=65 D=55 L=0.05 | ARANELLA D=65 D=55 L=0.05 |
| 40 | M36500314R | DISTANZ. D=67 D=55 L=14.8 | SPACER D=67 D=55 L=14.8 | ENTRETOISE D=67 D=55 L=14.8 | DISTANZSTUECK D=67 D=55 L=14.8 | DISTANCIADOR D=67 D=55 L=14.8 |
| 41 | F02050204R | ANELLO E. DE 55X 3 U7436 C70 | SEEGER RING D.55 | BAGUE SEEGER D.55 | SEEGERRING D.55 | ANILLO D.55 |
| 42 | F03220010R | POLIURETANO NERO IN CAR.310 M | SEALING PACKAGE | CONFECTION SIGILLANTE | DICHTUNGSMASSE ANFERTIGUNG | CONFECTION SELADURA |
| 43 | M26100321R | GUARNIZIONE PER TAPPO OLIO | GASKET | JOINT | DICHTUNG | JUNTA |
| 44 | F03150625R | TAPPO CARICO SCARICO M18X1,5 | OIL IN OUT CAP M18X1,5 | BOUCHON HUILE CHARGEMEN | ENTLUEFTERPFROPFEN | CORCHO OLEO |
| 46 | F04010192R | CUSC.D55 D100 B21 6211 53 KN | BEARING D55 D100 B21 6211 53KN | ROULEMENT 6211 AG15 | LAGER 6211 AG15 | COJINETE 6211 AG15 |
| 47 | M38100214R | ANELLO COMBI 65X85X13 17 | OIL SEAL 65X85X13 17 SPEC. | PARE-HUILE 65X85X13 17 SPEC | OELABDICHTUNG 65X85X13 17SPEC. | PARA-ACEITE 65X85X13 17 SPEC. |
| 48 | F03010726R | ANELLO OR 123.43X3.53 NBR | GASKET OR 123.43X3.53 NBR | BAGUE OR D. 123.43X3.53 | RING OR 123.43X3.53 NBR | ANILLO OR 123.43X3.53 NBR |
| 49 | M36100229R | SUPPORTO COLTELLI CENTRALE PLS | CENTR. BLADE SUPPORT | SUPPORT COUTEAU CENTRAL DMR | ZENTRALMESSERHALTERUNG | SOPORTE CUCHILLO CENTR. |
| 50 | F02200374R | COPIGLIA R 4X 82 ZN | SPRING SPLIT PIN 4X82 | GOUPILE 4X82 | SPLINT 4X82 | PASADOR 4X82 |
| 51 | M36100386R | MANICO ECCENTRICO | TOOL FOR QUICK-FIT SYSTEM | MANIVELLE | KURBEL | MANGO |
| 53 | M35430520R | CORPO NO CC.DM 3000 COM.RICAMB | COMPLETE BOX DM COMBI 3000 | LAMIER COMPL DM COMBI 3000 | GEHAEUSE DM COMBI 3000 | CUERPO COMPL DM COMBI 3000 |
| 54 | M35435520R | CORPO NO CC.DM 3500 COM.RICAMB | COMPLETE BOX DM COMBI 3500 | LAMIER COMPL DM COMBI 3500 | GEHAEUSE DM COMBI 3500 | CUERPO COMPL DM COMBI 3500 |
| 55 | M35440520R | CORPO NO CC.DM 4000 COM.RICAMB | COMPLETE BOX DM COMBI 4000 | LAMIER COMPL DM COMBI 4000 | GEHAEUSE DM COMBI 4000 | CUERPO COMPL DM COMBI 4000 |
| 56 | M23430599R | CORPO TR. DMR3000 STD-COMBI 08 | TRANSM.BOX DMR3000 STD-COMBI08 | | | |
| 57 | M23435599R | CORPO TR. DMR3500 STD-COMBI 08 | TRANSM.BOX DMR3500 STD-COMBI08 | | | |
| 58 | M23440599R | CORPO TR. DMR4000 STD-COMBI 08 | TRANSM.BOX DMR4000 STD-COMBI08 | | | |
| 59 | M36100228R | COLT100X15X330SX QUICK OG | BLAD100X15X330LH QUICK OG | COUTEAU RAPIDO ONGRIP 15MM GCH | LINKS 15MM AUF GRIFF ZINKEN | CUCHILLA ON GRIP 15MM IZQUIER. |

TAV.020

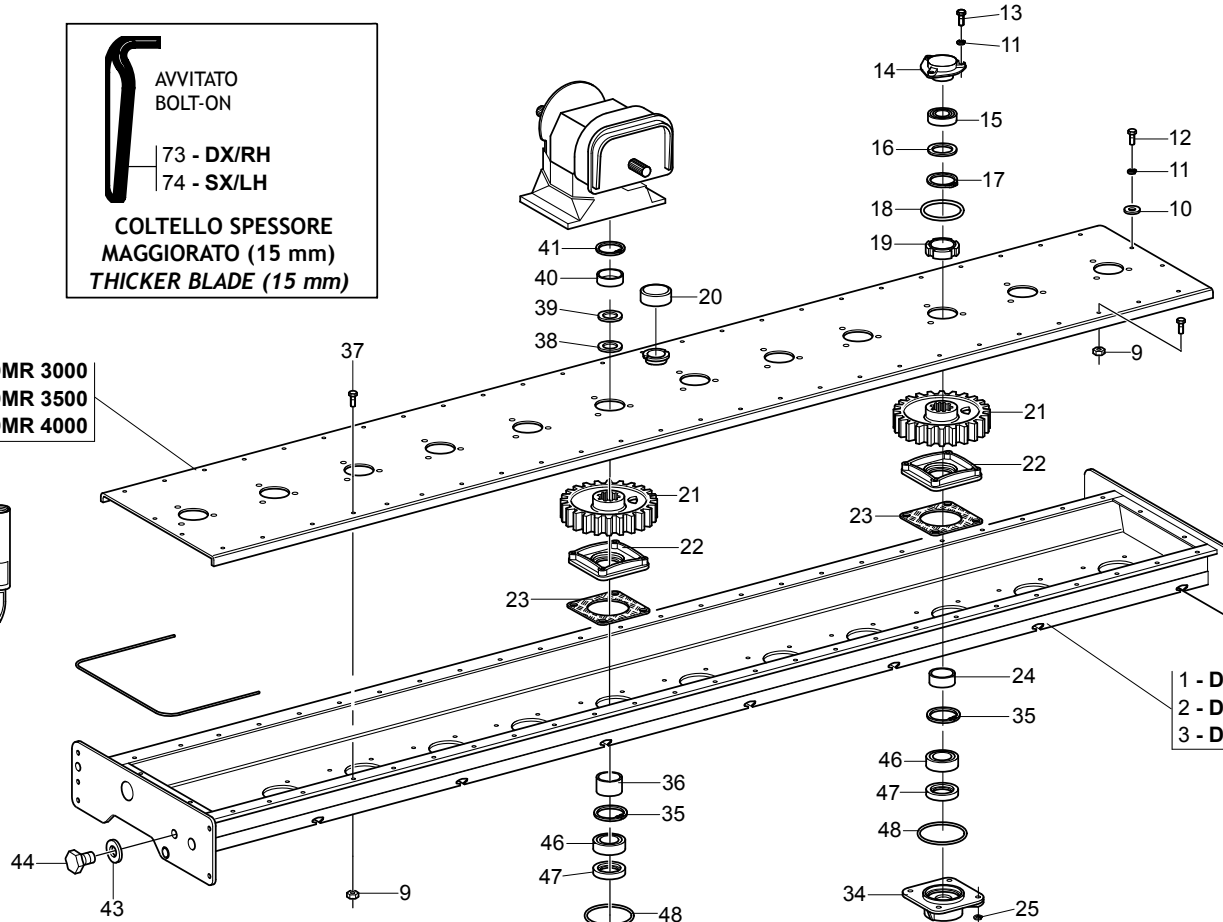
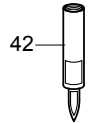


AVVITATO
BOLT-ON

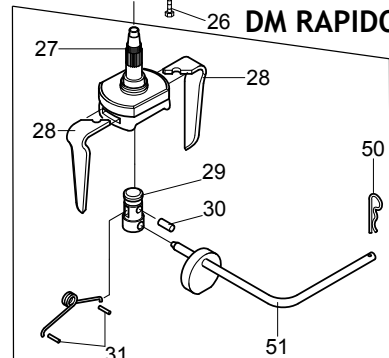
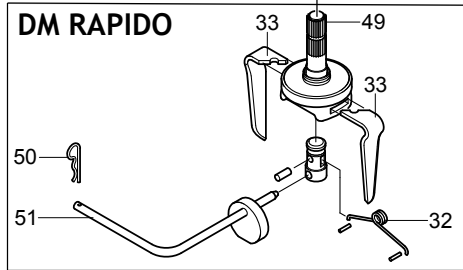
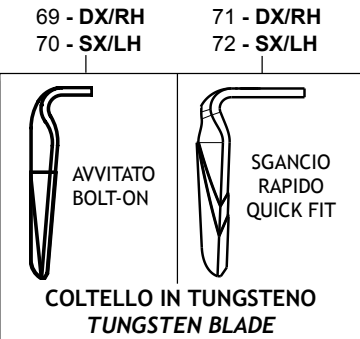
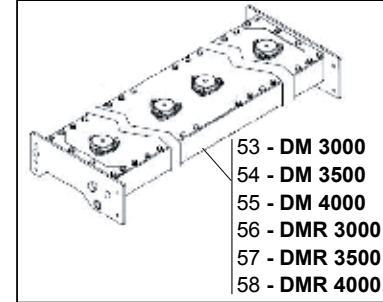
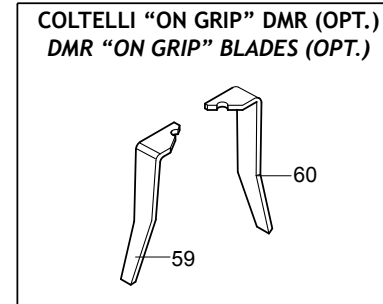
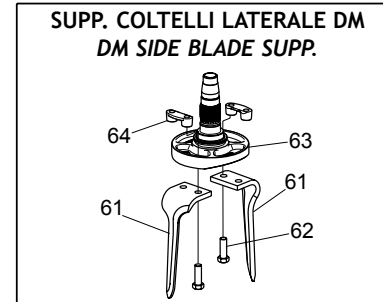
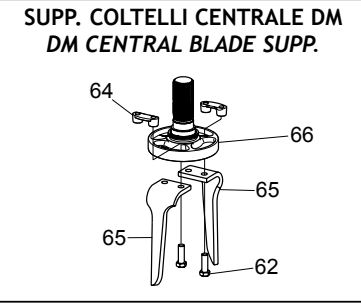
73 - DX/RH
74 - SX/LH

COLTELLO SPESSORE
MAGGIORATO (15 mm)
THICKER BLADE (15 mm)

- 5 - DM-DMR 3000
- 6 - DM-DMR 3500
- 7 - DM-DMR 4000



- 1 - DM-DMR 3000
- 2 - DM-DMR 3500
- 3 - DM-DMR 4000

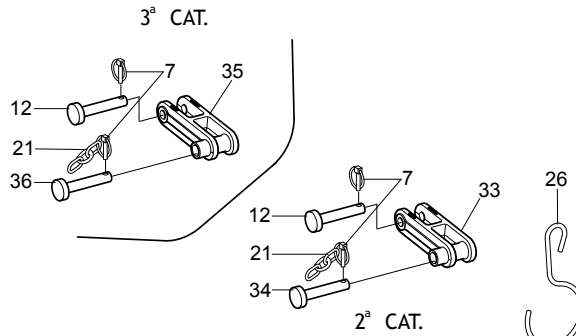


**TELAIO E ROTORI DM - DMR
FRAME AND ROTORS DM - DMR**

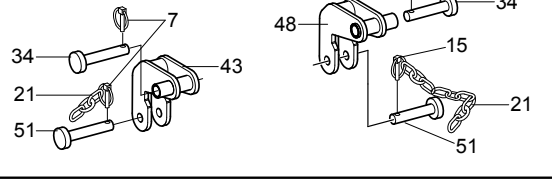
TAV.020

| Pos. | Cod. | Descrizione | Description | Benennung | Description | Description |
|------|------------|-----------------------------|-----------------------------|--------------------------------|--------------------------------|--------------------------------|
| 60 | M36100227R | COLT100X15X330DX QUICK OG | BLAD100X15X330RH QUICK OG | COUTEAU RAPIDO ONGRIP 15MM DRT | RECHTS 15MM AUF GRIFF ZINKEN | CUCHILLA ON GRIP 15MM DERECHA |
| 61 | M36100210R | COLT100X12X300DX 60M16 | BLAD100X12X300RH 60M16 | COUTEAUX DM 100X12 DROIT | RECHTES MESSER 100X12 | CUCHILLO DERECHO 100X12 |
| 62 | F20110044R | VITE M16X1,5X50 SPEC 12.9ZF | BOLT M16X1,5X50 SPEC 12.9ZF | VIS M16X1,5X50 SPEC 12.9ZF | SCHRAU. M16X1,5X50 SPEC 12.9ZF | TORN. M16X1,5X50 SPEC 12.9ZF |
| 63 | M36100332R | SUPPORTO COLTELLI LATERALE | LATERAL BLADE SUPPORT | SUPPORT COUTEAU LATERAL | SEITLICH MESSERTRAEGER | SOPORTE CUCHILLO LATERAL |
| 64 | M36100312R | FERMO VITE COLTELLI | KNIVES FASTENING BOLT | ETRIER DE SERRAGE COUTEAUX DM | MESSERSCHRAUBESPERRUNG | CLAUSURA TORNILLO CUCHILLA |
| 65 | M36100211R | COLT100X12X300SX 60M16 | BLAD100X12X300LH 60M16 | COUTEAUX DM 100X12 GAUCHE | LINKES MESSER 100X12 | CUCHILLO IZQUIERDO |
| 66 | M19400302R | SUPPORTO COLTELLI CENTRALE | CENTRAL BALDE SUPPORT | | | |
| 69 | M36100223R | COLT100X12X306DX 60M16 TG | BLAD100X12X306RH 60M16 TG | COUTEAU DM 12MM TUNGSTENE DRT | | |
| 70 | M36100224R | COLT100X12X306SX 60M16 TG | BLAD100X12X306LH 60M16 TG | COUTEAU DM 12MM TUNGSTENE GCH | | |
| 71 | M36100285R | COLT100X15X320DX QUICK TG | BLAD100X15X320RH QUICK TG | COUTEAU DRT QUICK100X15X320TUN | RECHTS MESSER 100X15X320 TUNGS | CUCHILLA DER.QUICK-FIT TUNGST. |
| 72 | M36100286R | COLT100X15X320SX QUICK TG | BLAD100X15X320LH QUICK TG | COUTEAU GCH QUICK100X15X320TUN | LINKES MESSER 100X15X320 TUNGS | CUCHILLA IZ.QUICK-FIT TUNGST. |
| 73 | M36100215R | COLT100X15X300DX 60M16 | BLAD100X15X300RH 60M16 | COUTEAU DRT SP.15 DM | | |
| 74 | M36100216R | COLT100X15X300SX 60M16 | BLAD100X15X300LH 60M16 | COUTEAU GCH. SP.15 DM | | |

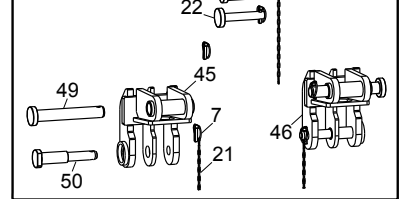
TAV.030



OPTIONAL 3^a CAT.



OPTIONAL 2^a CAT. - 3^a CAT.



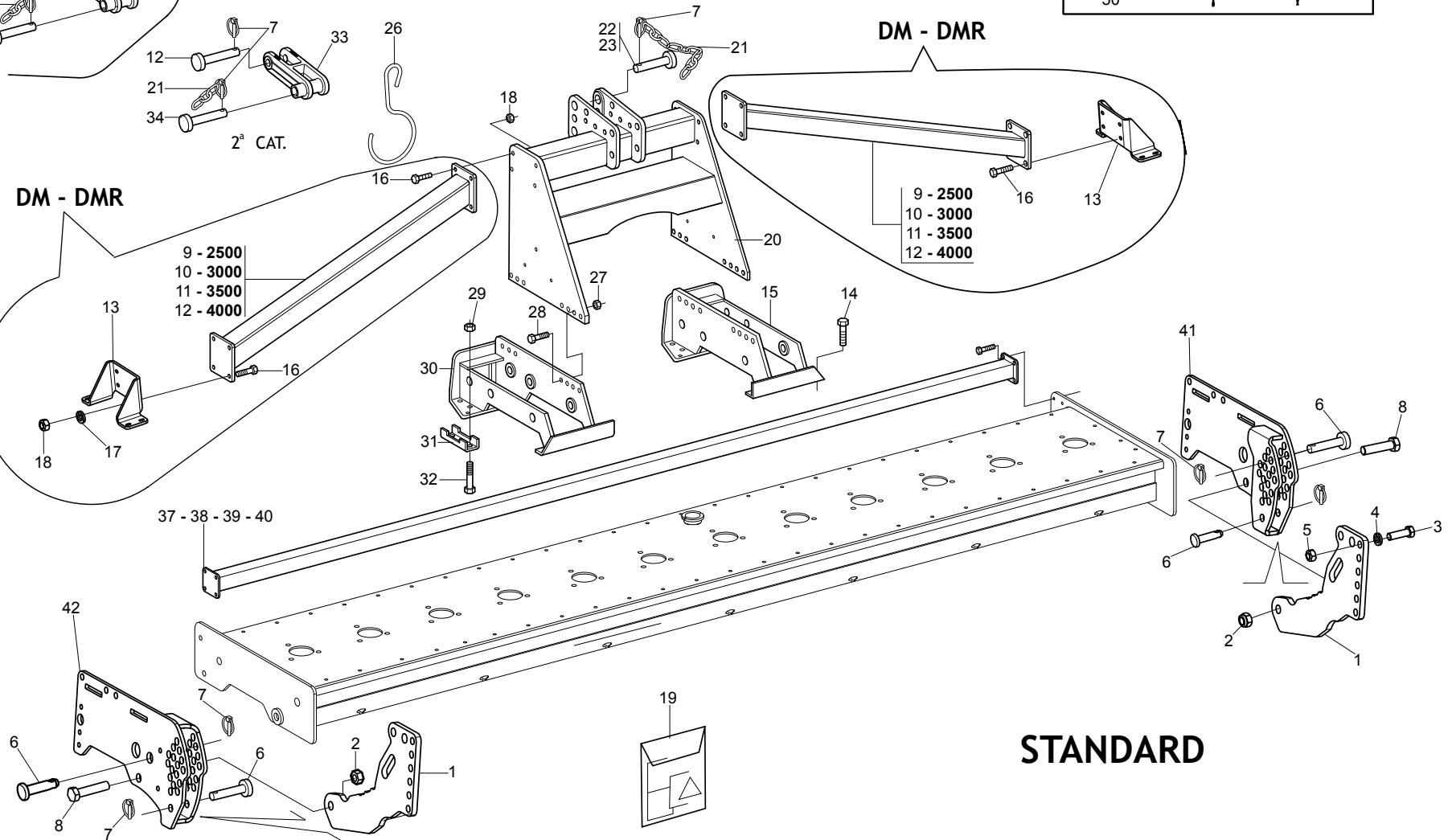
DM - DMR

- 9 - 2500
- 10 - 3000
- 11 - 3500
- 12 - 4000

DM - DMR

- 9 - 2500
- 10 - 3000
- 11 - 3500
- 12 - 4000

STANDARD

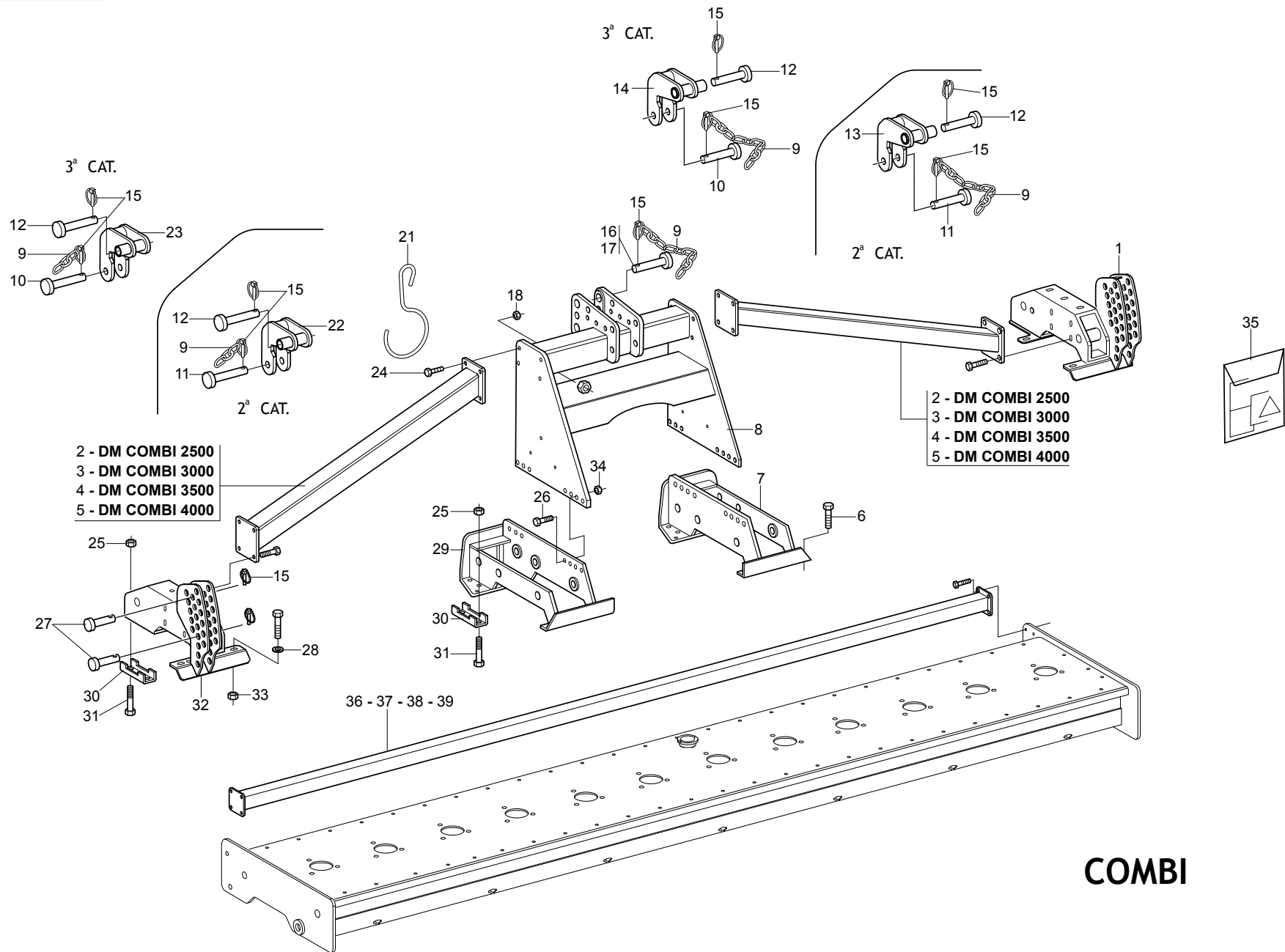


**GRUPPO TERZO PUNTO STD.
3RD-POINT UNIT STD.**

TAV.030

| Pos. | Cod. | Descrizione | Description | Benennung | Description | Descripcion |
|------|------------|--------------------------------|--------------------------------|--------------------------------|--------------------------------|--------------------------------|
| 1 | M26400415R | BRACCIO COLLEGAMENTO RULLO | ROLLER CONNECTING ARM | BRAS DE CONNECTION ROULEAU | WALZE VERBINDUNGSARM | BRAZO DE CONEXI N RODILLO |
| 2 | F01230269R | DADO M22X1,5 D985 CL8 ZN | NUT M22X1,5 D985 6S ZN | ECROU AUTOBL.M22X1,5 D985 6SZN | SELBST.MUTT.M22X1,5 D985 6S ZN | DADO AUTOBL.M22X1,5 D985 6S ZN |
| 3 | F01010151R | VITE M18X1,5X60 U5738 8.8ZN | SCR. M18X1,5X60 U5738 8.8ZN | VIS M18X1,5X60 | SCHRAUBE M18X1,5X60 | TORNILLO M18X1,5X60 |
| 4 | F01480156R | ROS.G 19X32 X5,3 FLZNNC-240H | GROWER WASHER D.18 | RONDELLE GROWER D.18 | SCHEIBE GROWER D.18 | ARANDELA GROWER D.18 |
| 5 | F01220081R | DADO M18X1,5 D980 8ZN | NUT M18X1,5 D980 8ZN | ECROU AUTOBL. M18X1,5 980-V | SELBSTSP.MUTT. M18X1,5 980-V | DADO AUTOBL. M18X1,5 980-V |
| 6 | F20100054R | PERNO D19 L58 C40 TEST.D35 ZN | PIN D19 L58 C40 | GOUJON D19 | BOLZEN D19 | PERNO D19 L58 C40 |
| 7 | F02200529R | SPINA SCATTO D.11 H58 ZN | SNAP PIN D.11 H58 ZN | FICHE A DETENTE D.11 H58 ZN | EINRASTSTIFT D.11 H58 ZN | CLAVIJA DE MUELLE D.11 H58 ZN |
| 8 | F01010190R | VITE M22X1,5X90 U5738 8.8ZN | SCREW M22X1,5 X90 U5738 8.8 ZN | VIS M 22X1,5X90 U5738 8.8 ZN | SCHRAUBE M22X1,5X90 U5738 8.8 | TORNIL. M22X1,5X90 U5738 8.8 |
| 9 | M26425598R | COLLEGAMENTO 3 P. DC-DM 2500 | RIGHT 3POINT LINKAGE BEAM 2500 | POUTRE ATT.3 POINT.DROITE 2500 | RECHTS 3 PUNKTBOCK STREBUNG | TIRANTE ENGANCHE 3P. DERECHO |
| 10 | M26430598R | COLLEGAMENTO 3 P. DC-DM 3000 | RIGHT 3POINT LINKAGE BEAM 3000 | POUTRE ATT.3 POINT.DROITE 3000 | RECHTS 3 PUNKTBOCK STREBUNG | TIRANTE ENGANCHE 3P.DERECHO |
| 11 | M26435598R | COLLEGAMENTO 3 P. DC-DM 3500 | RIGHT 3POINT LINKAGE BEAM 3500 | POUTRE ATT.3 POINT.DROITE 3500 | RECHTS 3 PUNKTBOCK STREBUNG | TIRANTE ENGANCHE 3P.DERECHO |
| 12 | M26440598R | COLLEGAMENTO 3 P. DC-DM 4000 | RIGHT 3POINT LINKAGE BEAM 4000 | POUTRE ATT.3 POINT.DROITE 4000 | RECHTS 3 PUNKTBOCK STREBUNG | TIRANTE ENGANCHE 3P.DERECHO |
| 13 | M26400405R | STAFFA ATTACCO | STIRRUP LINKAGE | ATTELAGE ETRIER | BUEGELLINK | ESTRIBO ATAQUE |
| 14 | F01010254R | VITE M10X1,25X35 U5740 8.8ZN | SCR. M10X1,25X35 U5740 8.8ZN | VIS M 10X1,25X35 | SCHRAUBE M 10X1,25X35 | TORNILLO M 10X1,25X35 |
| 15 | M26400707R | BASE RINFORZATA 3 PUNTO DX | RIGHT BASE LINKAGE | BASE ATTELAGE DROIT | BASISVERB. RECHTS | BASE ATAQUE DERECHO |
| 16 | F01010053R | VITE M12X1,25X45 U5738 8.8ZN | SCR. M12X1,25X45 U5738 8.8ZN | VIS M 12X1,25X45 | SCHRAUBE M 12X1,25X45 | TORNILLO M 12X1,25X45 |
| 17 | F01500011R | ROS. 13 X35X5 D6340 C50 ZN | WASHER D. 12 | RONDELLE D.12 | SCHEIBE D.12 | ARANDELA D.12 |
| 18 | F01220047R | DADO M12X1,25 D980 8ZN | NUT M12X1,25 D980 8ZN | ECROU M12X1,25 D980 8 ZN | MUTTER M12X1,25 D980 8 ZN | TUERCA M12X1,25 D980 8 ZN |
| 19 | F20030150R | KIT ETICH. SICUREZZA CE | SECURITY LABELS | ETIQUETTES DE SECURITE | SICHERUNG AUFKLEBER | CALCOMANIA DE PELIGRO |
| 20 | M26400590R | COMP.CASTELLO 3 PUNTO | COMPLETE 3RD POINT | 3EME POINT COMPL. | 3. PUNKT KOMPLETT | TERCER PUNTO COMPL. |
| 21 | M58100930R | CATENELLA L=476 | ASSEMBLY CHAIN DMP L=476 | CHAINE L=476 | KETTE L=476 | CADENA L=476 |
| 22 | F20100133R | PERNO D25 L122 C43 TEST.D60 ZN | PIN D25 L122 C43 ZN | BOULON D25 L122 C43 ZN | BOLZEN D25 L122 C43 ZN | PERNO D25 L122 C43 ZN |
| 23 | F20100124R | PERNO D32 L135 C40 TEST.D45 Z | BOLT D32 L135 C40 ZN | BOULON D32 L135 C40 ZN | BOLZEN D32 L135 C40 ZN | PERNO D32 L135 C40 ZN |
| 26 | F20120400R | GANCIO SOSTEGNO CARDANO | SHAFT HOOK SUPPORT | SUPPORT CARDAN | GELENKWELLE - HACKEN | SOPORTE CARDAN |
| 27 | F01220059R | DADO M14X1,5 D980 8ZN | NUT M14X1,5 D980 8ZN | ECROU M14X 1,5 D980 8 ZN | MUTTER M14X 1,5 D980 8 ZN | TUERCA M14X 1,5 D980 8 ZN |
| 28 | F20110032R | VITE M14X1,5 X 40 SPEC 10.9 ZD | BOLT M14X1,5X40 10.9 | VIS M 14X1,5X40 | SCHRAUBE M 14X1,5X40 | TORNILLO M 14X1,5X40 |
| 29 | F01220070R | DADO M16X1,5 D980 10ZN | NUT M16X1,5 D980 8ZN | ECRO.M16X1,5 D980 8ZN | MUTTER M16X1,5 D980 8ZN | TUER.M16X1,5 D980 8ZN |
| 30 | M26400708R | BASE RINFORZATA 3 PUNTO SX | LEFT BASE LINKAGE | BASE ATTELAGE GAUCHE | BASISVERB. LINKSS | BASE ATAQUE IZQUIERDO |
| 31 | M36200241R | STAFFA PER TUBO DA 80 | STIRRUP | ETRIER | BUEGEL | ESTRIBO |
| 32 | F01010128R | VITE M16X1,5X130 U5738 8.8ZN | SCR. M16X1,5X130 U5738 8.8ZN | VIS M 16X1,5X130 U5738 8.8 ZN | SCHRAU.M16X1,5X130 U5738 8.8ZN | TORN. M16X1,5X130 U5738 8.8ZN |
| 33 | M35400512R | BIELLA 2 CATEGORIA | 2 CATEGORY ROD | | | |
| 34 | F20100142R | PERNO D36 L208 C43 TEST.D60 ZN | PIN D36 L208 C43 ZN | GOUJON D36 L208 C43 ZN | BOLZEN D36 L208 C43 ZN | PERNO D36 L208 C43 ZN |
| 35 | M35400513R | BIELLA 3 CATEGORIA | 3 CATEGORY ROD | | | |
| 36 | F20100141R | PERNO D36 L128 C43 TEST.D60 ZN | PIN D36 L128 C43 ZN | BOULON D36 L128 C43 ZN | BOLTZEN D36 L128 C43 ZN | PERNO D36 L128 C43 ZN |
| 37 | M26425589R | TRAVE ANT. 80X80 2500 | BEAM 80X80 2500 | POUTRE 80X80 2500 | HAUPTTTRAEGER 80X80 2500 | VIGA 80X80 2500 |
| 38 | M26430589R | TRAVE ANT. 80X80 3000 | BEAM 80X80 3000 | POUTRE 80X80 3000 | HAUPTTTRAEGER 80X80 3000 | VIGA 80X80 3000 |
| 39 | M26435589R | TRAVE ANT. 80X80 3500 | BEAM 80X80 3500 | POUTRE 80X80 3500 | HAUPTTTRAEGER 80X80 3500 | VIGA 80X80 3500 |
| 40 | M26440589R | TRAVE ANT. 80X80 4000 | BEAM 80X80 4000 | POUTRE 80X80 4000 | HAUPTTTRAEGER 80X80 4000 | VIGA 80X80 4000 |
| 41 | M26400406R | COMP.FIANCATA DX REG. PERNI | RIGHT SIDE PANEL | COTE DROIT | RECHTE SEITENWAND | FLANCO DERECHO |
| 42 | M26400407R | COMP.FIANCATA SX REG. PERNI | LEFT SIDE PANEL | COTE GAUCHE | LINKE SEITENWAND | FLANCO IZQUIERDO |
| 43 | M23400589R | BIELLA ATT.B.DX 2 CAT. | RIGHT CONNECTING ROD | BIELLE ATTELAGE BARRE DROITE | PLEUELST.VERB.SCHUTZH. RECHTS | BIELA ATAQUE BARRA DERECHA |
| 45 | M35400651R | COMP.BIELLA 2 3 CATEGORIA DX | CONNECTING ROD FOR BAR RIGHT | | | |
| 46 | M35400652R | COMP.BIELLA 2 3 CATEGORIA SX | CONNECTING ROD FOR BAR LEFT | | | |
| 47 | F20100124R | PERNO D32 L135 C40 TEST.D45 Z | BOLT D32 L135 C40 ZN | BOULON D32 L135 C40 ZN | BOLZEN D32 L135 C40 ZN | PERNO D32 L135 C40 ZN |
| 48 | M35400528R | BIELLA SX ATTACCO BARRE 2 CAT | LH 3RD LINKAGE ROD 2 CAT | | | |
| 49 | F20100142R | PERNO D36 L208 C43 TEST.D60 ZN | PIN D36 L208 C43 ZN | GOUJON D36 L208 C43 ZN | BOLZEN D36 L208 C43 ZN | PERNO D36 L208 C43 ZN |
| 50 | M21400563R | PERNO ATTACCO BARRA.2 -3 C. | PIN FOR BAR LINKAGE | GOUJON ATTELAGE BARRE | VERB.BOLZEN SCHUTZHOLM | PERNO ATAQUE BARRA |
| 51 | F20100075R | PERNO PER BIELLA D.28 ZN | PIN D.28 ZN | BOULON D.28 ZN | BOLZEN D.28 ZN | PERNO D.28 ZN |

TAV.040



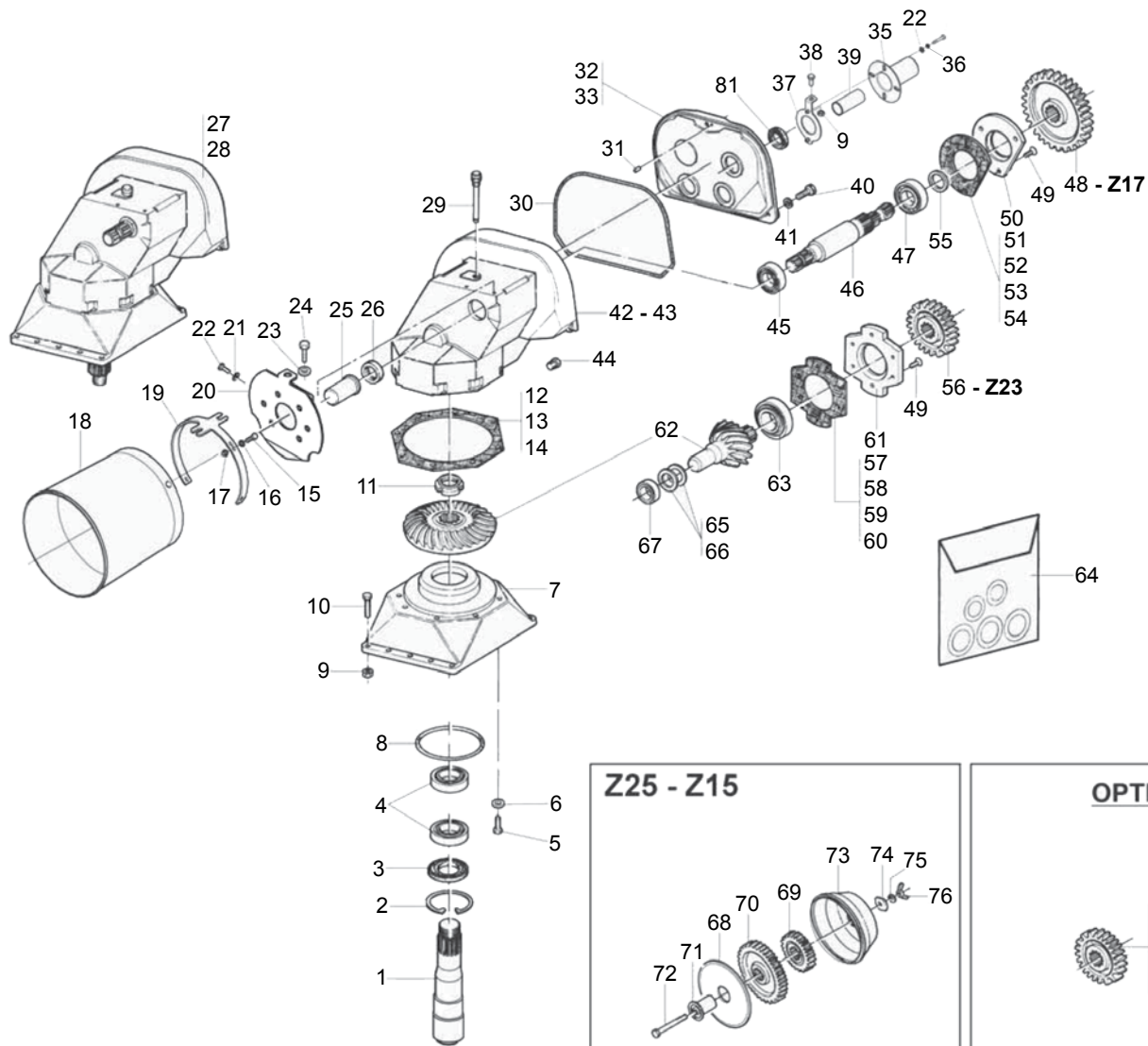
COMBI

**GRUPPO TERZO PUNTO COMBI
3RD-POINT UNIT COMBI**

TAV.040

| Pos. | Cod. | Descrizione | Description | Benennung | Description | Description |
|------|------------|--------------------------------|--------------------------------|--------------------------------|--------------------------------|-------------------------------|
| 1 | M26400731R | SUPPORTO DX REGOLAZIONE RULLO | RIGHT SUPPORT | SUPPORT DROIT | RECHTE TRAEGER | SOPORTE DERECHO |
| 2 | M26425598R | COLLEGAMENTO 3 P. DC-DM 2500 | RIGHT 3POINT LINKAGE BEAM 2500 | POUTRE ATT.3 POINT.DROITE 2500 | RECHTS 3 PUNKTBOCK STREBUNG | TIRANTE ENGANCHE 3P. DERECHO |
| 3 | M26430598R | COLLEGAMENTO 3 P. DC-DM 3000 | RIGHT 3POINT LINKAGE BEAM 3000 | POUTRE ATT.3 POINT.DROITE 3000 | RECHTS 3 PUNKTBOCK STREBUNG | TIRANTE ENGANCHE 3P.DERECHO |
| 4 | M26435598R | COLLEGAMENTO 3 P. DC-DM 3500 | RIGHT 3POINT LINKAGE BEAM 3500 | POUTRE ATT.3 POINT.DROITE 3500 | RECHTS 3 PUNKTBOCK STREBUNG | TIRANTE ENGANCHE 3P.DERECHO |
| 5 | M26440598R | COLLEGAMENTO 3 P. DC-DM 4000 | RIGHT 3POINT LINKAGE BEAM 4000 | POUTRE ATT.3 POINT.DROITE 4000 | RECHTS 3 PUNKTBOCK STREBUNG | TIRANTE ENGANCHE 3P.DERECHO |
| 6 | F01010254R | VITE M10X1,25X35 U5740 8.8ZN | SCR. M10X1,25X35 U5740 8.8ZN | VIS M 10X1,25X35 | SCHRAUBE M 10X1,25X35 | TORNILLO M 10X1,25X35 |
| 7 | M26400707R | BASE RINFORZATA 3 PUNTO DX | RIGHT BASE LINKAGE | BASE ATTELAGE DROIT | BASISVERB. RECHTS | BASE ATAQUE DERECHO |
| 8 | M26400590R | COMP.CASTELLO 3 PUNTO | COMPLETE 3RD POINT | 3EME POINT COMPL. | 3. PUNKT KOMPLETT | TERCER PUNTO COMPL. |
| 9 | F02200529R | SPINA SCATTO D.11 H58 ZN | SNAP PIN D.11 H58 ZN | FICHE A DETENTE D.11 H58 ZN | EINRASTSTIFT D.11 H58 ZN | CLAVIJA DE MUELLE D.11 H58 ZN |
| 10 | F20100141R | PERNO D36 L128 C43 TEST.D60 ZN | PIN D36 L128 C43 ZN | BOULON D36 L128 C43 ZN | BOLTZEN D36 L128 C43 ZN | PERNO D36 L128 C43 ZN |
| 11 | F20100075R | PERNO PER BIELLA D.28 ZN | PIN D.28 ZN | BOULON D.28 ZN | BOLZEN D.28 ZN | PERNO D.28 ZN |
| 12 | F20100142R | PERNO D36 L208 C43 TEST.D60 ZN | PIN D36 L208 C43 ZN | GOUJON D36 L208 C43 ZN | BOLZEN D36 L208 C43 ZN | PERNO D36 L208 C43 ZN |
| 13 | M23400589R | BIELLA ATT.B.DX 2 CAT. | RIGHT CONNECTING ROD | BIELLE ATTELAGE BARRE DROITE | PLEUELST.VERB.SCHUTZH. RECHTS | BIELA ATAQUE BARRA DERECHA |
| 14 | M35400531R | BIELLA DX ATTACCO BARRE 3 CAT | RIGHT LINKAGE ROD CAT. 3 | | | |
| 15 | F02200529R | SPINA SCATTO D.11 H58 ZN | SNAP PIN D.11 H58 ZN | FICHE A DETENTE D.11 H58 ZN | EINRASTSTIFT D.11 H58 ZN | CLAVIJA DE MUELLE D.11 H58 ZN |
| 16 | F20100133R | PERNO D25 L122 C43 TEST.D60 ZN | PIN D25 L122 C43 ZN | BOULON D25 L122 C43 ZN | BOLZEN D25 L122 C43 ZN | PERNO D25 L122 C43 ZN |
| 17 | F20100124R | PERNO D32 L135 C40 TEST.D45 Z | BOLT D32 L135 C40 ZN | BOULON D32 L135 C40 ZN | BOLZEN D32 L135 C40 ZN | PERNO D32 L135 C40 ZN |
| 18 | F01220047R | DADO M12X1,25 D980 8ZN | NUT M12X1,25 D980 8ZN | ECROU M12X1,25 D980 8 ZN | MUTTER M12X1,25 D980 8 ZN | TUERCA M12X1,25 D980 8 ZN |
| 21 | F20120400R | GANCIO SOSTEGNO CARDANO | SHAFT HOOK SUPPORT | SUPPORT CARDAN | GELENKWELLE - HACKEN | SOPORTE CARDAN |
| 22 | M35400528R | BIELLA SX ATTACCO BARRE 2 CAT | LH 3RD LINKAGE ROD 2 CAT | | | |
| 23 | M35400532R | BIELLA SX ATTACCO BARRE 3 CAT | LEFT LINKAGE ROD CAT. 3 | | | |
| 24 | F01010288R | VITE M12X1,25X35 U5740 8.8ZN | SCR. M12X1,25X35 U5740 8.8ZN | VIS M12X1,25X35 U5740 8.8 ZN | SCHR.M12X1,25X35 U5740 8.8 ZN | TORN.M12X1,25X35 U5740 8.8 ZN |
| 25 | F01220070R | DADO M16X1,5 D980 10ZN | NUT M16X1,5 D980 8ZN | ECRO.M16X1,5 D980 8ZN | MUTTER M16X1,5 D980 8ZN | TUER.M16X1,5 D980 8ZN |
| 26 | F20110032R | VITE M14X1,5 X 40 SPEC 10.9 ZD | BOLT M14X1,5X40 10.9 | VIS M 14X1,5X40 | SCHRAUBE M 14X1,5X40 | TORNILLO M 14X1,5X40 |
| 27 | F20100048R | PERNO D22 L48 C43 TEST.D35 ZN | BOLT D22 L48 C43 ZN | GOUJON D22 L48 C43 | BOLZEN D22 L48 C43 | PERNO D22 L48 C43 |
| 28 | F01500010R | ROS. 10,5X28X4 D6340 C50 ZN | WASHER 10,5X28X4 | RONDELLE 10,5X28X4 | SCHEIBE 10,5X28X4 | ARANDELA 10,5X28X4 |
| 29 | M26400708R | BASE RINFORZATA 3 PUNTO SX | LEFT BASE LINKAGE | BASE ATTELAGE GAUCHE | BASISVERB. LINKSS | BASE ATAQUE IZQUIERDO |
| 30 | M36200241R | STAFFA PER TUBO DA 80 | STIRRUP | ETRIER | BUEGEL | ESTRIBO |
| 31 | F01010128R | VITE M16X1,5X130 U5738 8.8ZN | SCR. M16X1,5X130 U5738 8.8ZN | VIS M 16X1,5X130 U5738 8.8 ZN | SCHRAU.M16X1,5X130 U5738 8.8ZN | TORN. M16X1,5X130 U5738 8.8ZN |
| 32 | M26400732R | SUPPORTO SX REGOLAZIONE RULLO | LEFT SUPPORT | SUPPORT GAUCHE | LINK TRAEGER | SOPORTE ISQUIERDO |
| 33 | F01220034R | DADO M10X1,25 D980 8ZN | NUT M10X1,25 D980 8ZN | ECRO.M10X1,25 D980 8 ZB | MUTT.M10X1,25 D980 8 ZB | TUER.M10X1,25 D980 8 ZB |
| 34 | F01220059R | DADO M14X1,5 D980 8ZN | NUT M14X1,5 D980 8ZN | ECROU M14X 1,5 D980 8 ZN | MUTTER M14X 1,5 D980 8 ZN | TUERCA M14X 1,5 D980 8 ZN |
| 35 | F20030150R | KIT ETICH. SICUREZZA CE | SECURITY LABELS | ETIQUETTES DE SECURITE | SICHERUNG AUFKLEBER | CALCOMANIA DE PELIGRO |
| 36 | M26425589R | TRAVE ANT. 80X80 2500 | BEAM 80X80 2500 | POUTRE 80X80 2500 | HAUPTTTRAEGER 80X80 2500 | VIGA 80X80 2500 |
| 37 | M26430589R | TRAVE ANT. 80X80 3000 | BEAM 80X80 3000 | POUTRE 80X80 3000 | HAUPTTTRAEGER 80X80 3000 | VIGA 80X80 3000 |
| 38 | M26435589R | TRAVE ANT. 80X80 3500 | BEAM 80X80 3500 | POUTRE 80X80 3500 | HAUPTTTRAEGER 80X80 3500 | VIGA 80X80 3500 |
| 39 | M26440589R | TRAVE ANT. 80X80 4000 | BEAM 80X80 4000 | POUTRE 80X80 4000 | HAUPTTTRAEGER 80X80 4000 | VIGA 80X80 4000 |

TAV.050

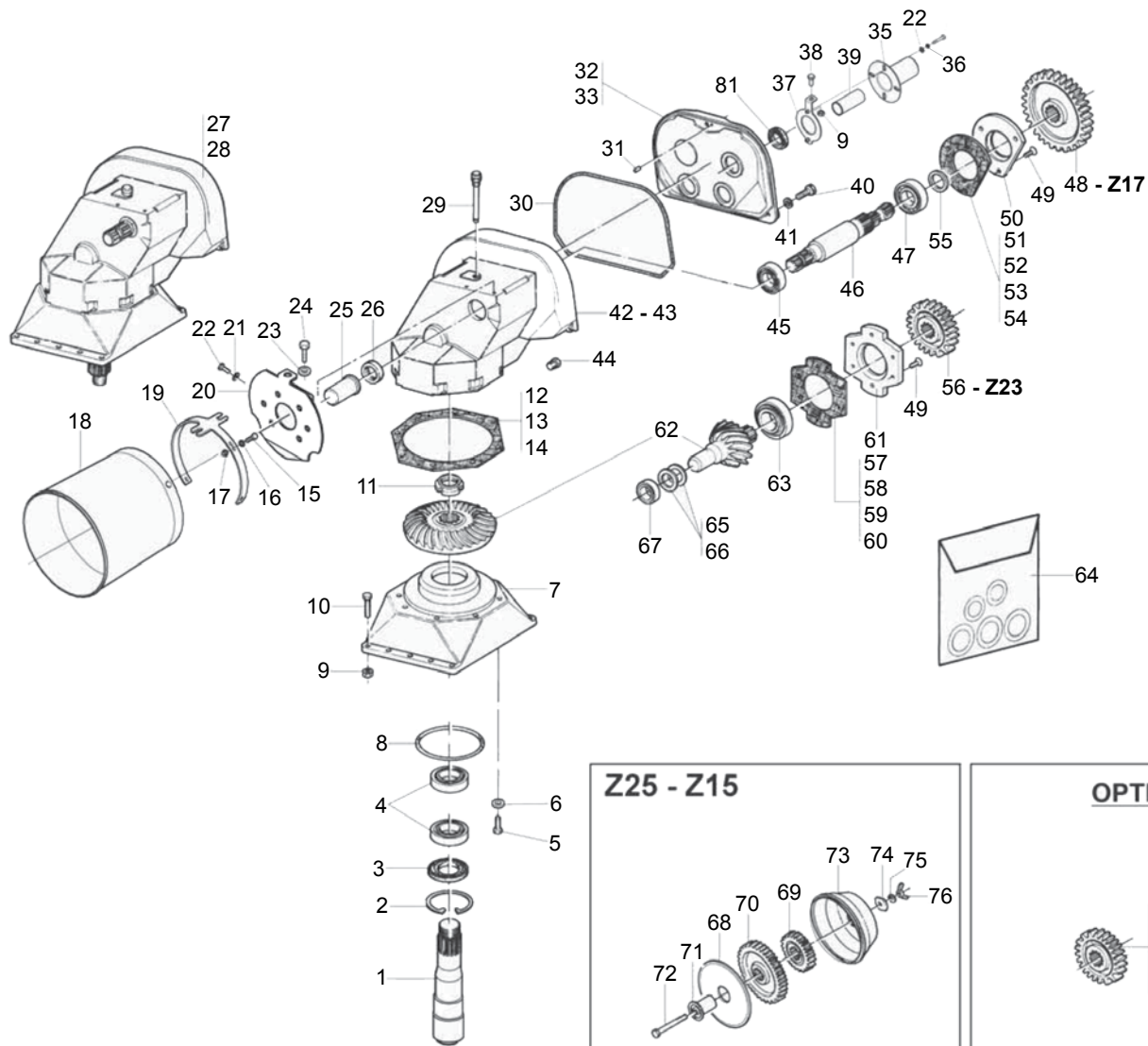


**GRUPPO CAMBIO
GEARBOX**

TAV.050

| Pos. | Cod. | Descrizione | Description | Benennung | Description | Description |
|------|------------|--------------------------------|--------------------------------|--------------------------------|---------------------------------|--------------------------------|
| 1 | M19400203R | ALBERO TRASM.D=80 L=208,5 | SHAFT TR.D=80 L=208,5 | | | |
| 2 | F02050482R | ANELLO E. DI110X 4 U7437 C70 | SEEGER RING D.110 | BAGUE SEEGER D.110 | SEEGERRING D.110 | ANILLO SEEGER D.110 |
| 3 | F03010244R | ANELLO T.A. 80X110X10 D3760NBR | OIL SEAL 80X110X10 | PARE-HUILE 80X110X10 | OELABDICHTUNG 80X110X10 | PARA-ACEITE 80X110X10 |
| 4 | F04050117R | CUSC.D65 D110 T34 33113 | BEARING D65 D110 T34 33113 | ROULEMENT D65 D110 T34 33113 | LAGER D65 D110 T34 33113 | COJINETE D65 D110 T34 33113 |
| 5 | F01010289R | VITE M12X1,25X35 U5740 10.9DL | SCR. M12X1,25X35 U5740 10.9DL | VIS M 12X1,25X35 | SCHRAUBE M 12X1,25X35 | TORNILLO M 12X1,25X35 |
| 6 | F01480123R | ROS.G 12,5X22,9X 4 FLZNNC-240H | WASHER M12 ZGP EXTRA P. | RONDELLE M12 ZGP EXTRA P. | UNTERLEGSCHLEIBE M12 ZGP EXTRA | ARANDELA M12 ZGP EXTRA P. |
| 7 | M19400202R | BASE CAMBIO | GEARBOX SUPPORT | SUPPORT BOITE DE VITESSE | WECHSELGETRIEBE HALTER | SOPORTE CAMBIO |
| 8 | F03010738R | ANELLO OR 126,59X353 NBR | GASKET OR 126,59X353 NBR | BAGUE OR | RING OR | ANILLO OR |
| 9 | F01220034R | DADO M10X1,25 D980 8ZN | NUT M10X1,25 D980 8ZN | ECROU.M10X1,25 D980 8 ZB | MUTT.M10X1,25 D980 8 ZB | TUER.M10X1,25 D980 8 ZB |
| 10 | F01010254R | VITE M10X1,25X35 U5740 8.8ZN | SCR. M10X1,25X35 U5740 8.8ZN | VIS M 10X1,25X35 | SCHRAUBE M 10X1,25X35 | TORNILLO M 10X1,25X35 |
| 11 | F02010155R | GHIERA AU.GUP M50X1,5 T.4H ZN | SELF LOCKING NUT M50X1,5 | COLLIER AUTOBL. M50X1,5 | SELBSTSP. NUTMUTTER M50X1,5 | VIOLA AUTOBL. M50X1,5 |
| 12 | M14100204R | GUARNIZIONE FLANGIA PR 1 10 | GASKET MM.0,1 | JOINT MM.0,1 | DICHTUNG MM.0,1 | JUNTA MM.0,1 |
| 13 | M14100205R | GUARNIZIONE FLANGIA PR 3 10 | GASKET MM.0,3 | JOINT MM.0,3 | DICHTUNG MM.0,3 | JUNTA MM.0,3 |
| 14 | M14100206R | GUARNIZIONE FLANGIA PR 5 10 | GASKET MM.0,5 | JOINT MM.0,5 | DICHTUNG MM.0,5 | JUNTA MM.0,5 |
| 15 | F01020403R | VITE M6X1X16 U5739 8.8ZN | SCR. M6X1X16 U5739 8.8ZN | VIS M6X1X16 U5739 8.8 ZN | SCHRAUBE M6X1X16 U5739 8.8 ZN | TORNILLO M6X1X16 U5739 8.8 ZN |
| 16 | F01410037R | ROS.M6 6,4X12,5X1,6 U6592 ZN | WASHER M6 6,4X12,5X1,6 U6592ZN | RONDEL.M6 6,4X12,5X1,6 U6592ZN | SCHLEIB.M6 6,4X12,5X1,6 U6592ZN | ARAND.M6 6,4X12,5X1,6 U6592 ZN |
| 17 | F01220011R | DADO M6X1 D980 8ZN | NUT M6X1 D980 8ZN | ECROU M6X1 D980 8 ZN | MUTTER M6X1 D980 8 ZN | TUERCA M6X1 D980 8 ZN |
| 18 | M68100106R | PROTEZIONE CARDANO | CARDAN PROTECTION | PROTECTION CARDAN | GELENKWELLENSCHUTZ | PROTECCION CARDANICO |
| 19 | M12400115R | ATTACCO CUFFIA | PROTECTION SUPPORT | SUPPORT PROTECTION CARDAN | GELENKWELLENSCHUTZ HALTER | SOPORTE PROTECCION CARDANICO |
| 20 | M12400111R | ATTACCO CUFFIA | PROTECTION SUPPORT | SUPPORT PROTECTION CARDAN | GELENKWELLENSCHUTZ HALTER | SOPORTE PROTECCION CARDANICO |
| 21 | F01410037R | ROS.M6 6,4X12,5X1,6 U6592 ZN | WASHER M6 6,4X12,5X1,6 U6592ZN | RONDEL.M6 6,4X12,5X1,6 U6592ZN | SCHLEIB.M6 6,4X12,5X1,6 U6592ZN | ARAND.M6 6,4X12,5X1,6 U6592 ZN |
| 22 | F01020403R | VITE M6X1X16 U5739 8.8ZN | SCR. M6X1X16 U5739 8.8ZN | VIS M6X1X16 U5739 8.8 ZN | SCHRAUBE M6X1X16 U5739 8.8 ZN | TORNILLO M6X1X16 U5739 8.8 ZN |
| 23 | F01480099R | ROS.G 8,4X14,4X2,7 FLZNNC-240H | GROWER WASHER D.8 | RONDELLE GROWER D.8 | SCHLEIBE GROWER D.8 | ARANDELA GROWER D.8 |
| 24 | F01020436R | VITE M8X1,25X20 U5739 8.8ZN | SCR. M8X1,25X20 U5739 8.8ZN | VIS M8X1,25X 20 U5739 8.8 ZN | SCHRAUBE M8X1,25X20U5739 8.8ZN | TORNILLO M8X1,25X20 U5739 8.8 |
| 25 | M38100147R | MANICOTTO PROTEZIONE PDF 1 3 4 | P.T.O. PROTECTION | MANCHON DE PROTECTION P.T.O. | ZAPFWELLENSCHUTZ P.T.O. | MANGUITO PROTECCION P.T.O. |
| 26 | F03010286R | ANEL. T.AS 45X 60X 7 D3760NBR | OIL SEAL 45X60X7 | PARE-HUILE 45X 60X 7 D3760NBR | OELABDICHTUNG 45X 60X 7 | PARA-ACEITE 45X 60X 7 D3760NBR |
| 27 | M19400101R | COMP.M.CAM.C.DM 2500 3500 4500 | GEAR BOX ASSEMBLY 2500-4500 | BOITE DE VITESSE 2500-4500 | WECHSELGETR.KOMPL.2500-4500 | CAJA CAMBIO COMPL.2500-4500 |
| 28 | M19400102R | COMP.M.CAM.C.DM 3000 4000 5000 | GEAR BOX ASSEMBLY 3000-5000 | BOITE DE VITESSE 3000-5000 | WECHSELGETR.KOMPL.3000-5000 | CAJA CAMBIO COMPL.3000-5000 |
| 29 | M36100123R | TAPPO SFIATO CON ASTINA DM | BREATHER PLUG | BOUCHON DE SOUPIRAIL | ENTLUEFTERSTOPFEN | TAPON RESPIRADERO |
| 30 | M38100105R | GUARNIZIONE COPERCHIO CAMBIO | GEARBOX COVER GASKET | JOINT COUVERCLE BOITE DE VIT. | WECHSELGETRIEBEBECKEL DICHTUNG | JUNTA TAPA CAMBIO |
| 31 | F02100292R | SPINA CIL. 6X 20 U2338 1999 | PIN | | | |
| 32 | M36100151R | COPERCHIO CAMBIO | COVER GEAR | COUVERCLE BOITE DE VITESSE | WECHSELGETRIEBEBECKEL | TAPA CAMBIO |
| 33 | M36100152R | COPERCHIO CAMBIO | GEARBOX COVER | COUVERCLE BOITE DE VIT. | WECHSELGETRIEBEBECKEL | TAPA CAMBIO |
| 35 | F01410051R | ROS.M8 8,4X 17X1,6 U6592 ZN | WASHER M8 8,4X17X1,6 U6592 ZN | RONDELLE M8 8,4X17X1,6 ZN | SCHLEIBE M8 8,4X17X1,6 U6592 ZN | ARAND.M8 8,4X 17X1,6 U6592 ZN |
| 36 | F01480088R | ROS.G 6,4X12,4X2 FLZNNC-240H | GROWER WASHER D.6 | RONDELLE GROWER D.6 | SCHLEIBE GROWER D.6 | ARANDELA GROWER D.6 |
| 37 | M19400103R | COMP. SUPPORTO PDF POSTERIORE | REAR GUARD SUPPORT | SUPPORT PROTECTION ARRI RE | HINTERE SHUTZUNGSHALTER | SOPORTE PROTECCION POSTERIOR |
| 38 | F01010244R | VITE M10X1,25X25 U5740 8.8ZN | SCR. M10X1,25X25 U5740 8.8ZN | VIS M 10X1,25X25 | SCHRAUBE M 10X1,25X25 | TORNILLO M 10X1,25X25 |
| 39 | F20150001R | PROTEZIONE P.F.P.1 3 4 GRUPPO | PROTECTION | CARTER | SCHUTZ | PROTECCION |
| 40 | F01020476R | VITE M10X1,5X30 U5739 8.8ZN | SCR. M10X1,5X30 U5739 8.8ZN | VIS M10X1,5X30 U5739 8.8 ZN | SCHRAUBE M10X1,5X30U5739 8.8ZN | TORNILLO M10X1,5X30 U5739 8.8 |
| 41 | F01410062R | ROS.M10 10,5X 18X 2 U6592 ZN | WASHER M10 10,5X 18X 2 U6592 | RONDELLE M10 10,5X18X2 ZN | DICHTUNGSRING M10 10,5X18X2 ZN | ARAND.M10 10,5X 18X 2 U6592 ZN |
| 42 | M36100101R | CORPO RID.CAMBIO 3000 4000 | GEARBOX 3000 4000 5000 | BOITE DE VITESSE 3000 4000 500 | WECHSELGETRIEBEBEGEAUSE | CAJA CAMBIO 3000 4000 5000 |
| 43 | M36100104R | CORPO RID.CAMBIO DM 3500 4500 | GEARBOX 3500 4500 | BOITE DE VITESSE 3500 4500 | WECHSELGETRIEBEBEGEAUSE | CAJA CAMBIO 3500 4500 |
| 44 | F03150630R | TAPPO SCARICO 1 2 GAS CON. | OIL OUTLET PLUG 1 2 | BOUCHON DE VIDANGE HUILE 1 2 | OELABLASSPFROPFEN 1 2 | TAPON DESCARGADO ACEITE 1 2 |
| 45 | F04050018R | CUSC. D45 D85 T20,75 30209 | BEARING D45 D85 T20,75 30209 | ROULEMENT D45 D85 T20,75 30209 | LAGER D45 D85 T20,75 30209 | COJINETE D45 D85 T20,75 30209 |
| 46 | M36100150R | ALBERO PRESA DI FORZA | POWER TAKE-OFF SHAFT | ARBRE PRISE DE FORCE | ZAPFWELLE P.D.F. | ARBOL TOMA DE FUERZA |
| 47 | F04050041R | CUSC. D45 D100 T27,25 30309 | BEARING D45 D100 T27,25 30309 | ROULEMENT D45 D100 T27,25 3030 | LAGER D45 D100 T27,25 30309 | COJINETE D45 D100 T27,25 30309 |
| 48 | M24100109R | INGRAN. CAMBIO Z 17 M7 | GEAR Z-17 M7 | ENGRENAGE Z-17 | ZAHNRAD WECHSELGETRIEBE Z-17 | ENGRANAJE Z-17 |
| 49 | F01030085R | VITE M10X1,5X25 U5933 10.9BR | SCR. M10X1,5X25 U5933 10.9BR | VIS M10X 1,5X25 U5933 10.9 BR | SCHRAUBE M10X 1,5X25 U5933 | TORNILLO M10X 1,5X25 U5933 |
| 50 | M36100138R | FLANGIA CUSC. ALBERO PDF | BEARING SUPPORT | SUPPORT ROULEMENT | LAGERHALTER | SOPORTE COJINETE |
| 51 | M36100111R | GUARNIZ.FL.P.F.MYLARE 0,05 DM | GASKET MM. 0,05 | JOINT MM.0,05 | DICHTUNG MM.0.05 | JUNTA MM.0,05 |
| 52 | M36100112R | GUARN.FL.CUSC.P.F.PRESPAN 0,1 | GASKET MM.0,1 | JOINT MM.0,1 | DICHTUNG MM.0,1 | JUNTA MM.0,1 |
| 53 | M36100113R | GUARN.FL.CUSC.P.F.PRESPAN 0,3 | GASKET MM.0,3 | JOINT MM.0,3 | DICHTUNG MM.0,3 | JUNTA MM.0,3 |
| 54 | M36100114R | GUARN.FL.CUSC.P.F.PRESPAN 0,5 | GASKET MM.0,5 | JOINT MM.0,5 | DICHTUNG MM.0,5 | JUNTA MM.0,5 |
| 55 | M36100149R | DISTANZIALE INGR. | SPACER | ENTRETOISE | DISTANZSTUECK | DISTANCIADOR |
| 56 | M24100110R | INGRAN. CAMBIO Z 23 M7 | GEAR Z-23 | ENGRENAGE Z-23 | ZAHNRAD WECHSELGETRIEBE Z-23 | ENGRANAJE Z-23 |
| 57 | M36100133R | GUA.FLAN.CUS.PIG.MYLAR 0,05 DM | GASKET MM. 0,05 | JOINT MM.0,05 | DICHTUNG MM.0,05 | JUNTA MM.0,05 |

TAV.050

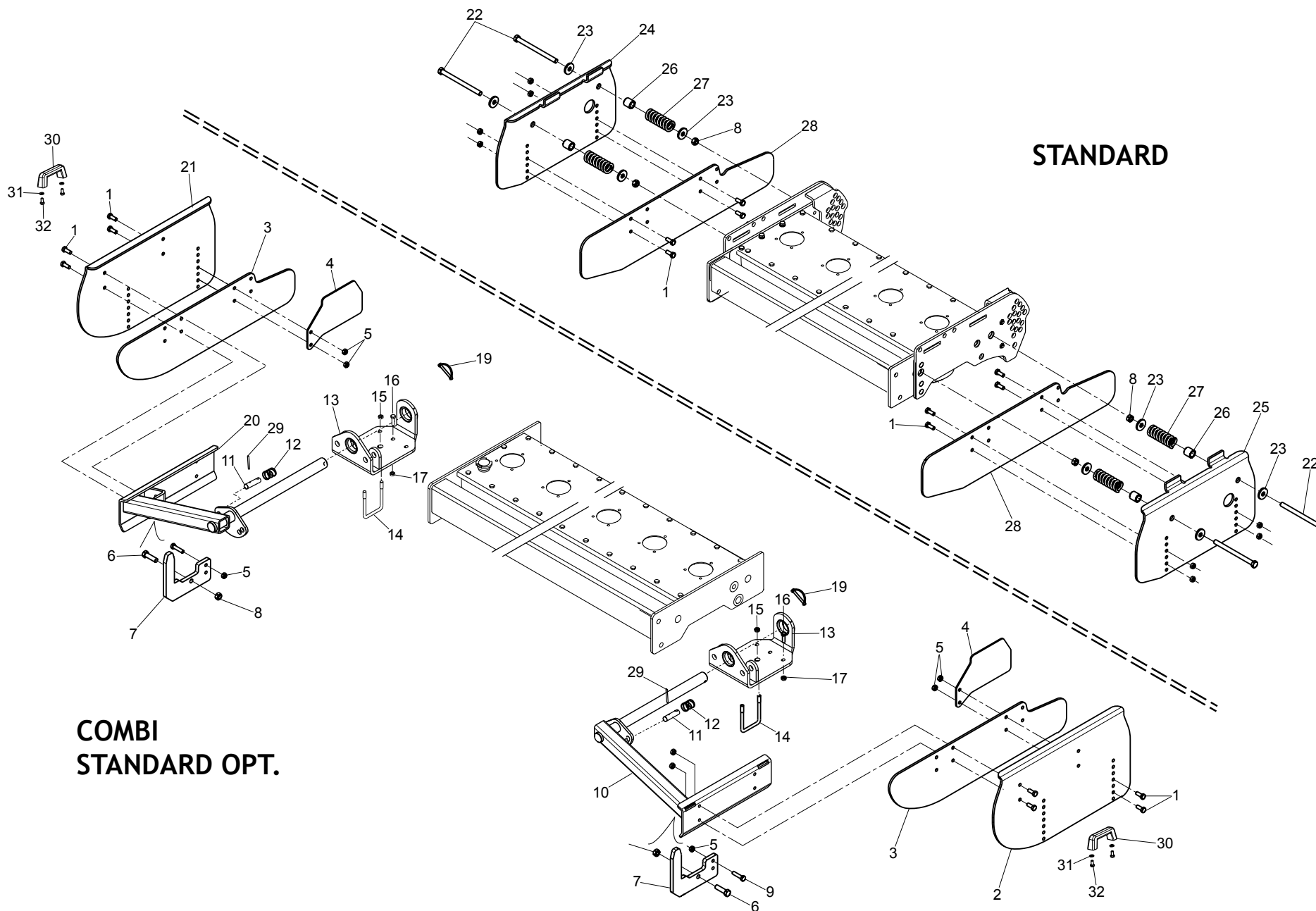


**GRUPPO CAMBIO
GEARBOX**

TAV.050

| Pos. | Cod. | Descrizione | Description | Benennung | Description | Description |
|------|------------|--------------------------------|-------------------------------|--------------------------------|--------------------------------|--------------------------------|
| 58 | M36100134R | GUA.FLA.CUS.PIG.PRESPAN 0,1 DM | GASKET MM.0,1 | JOINT MM.0,1 | DICHTUNG MM.0,1 | JUNTA MM.0,1 |
| 59 | M36100135R | GUA.FLA.CUS.PIG.PRESPAN 0,3 DM | GASKET MM.0,3 | JOINT MM.0,3 | DICHTUNG MM.0,3 | JUNTA MM.0,3 |
| 60 | M36100136R | GUA.FLA.CUS.PIG.PRESPAN 0,5 DM | GASKET MM.0,5 | JOINT MM.0,5 | DICHTUNG MM.0,5 | JUNTA MM.0,5 |
| 61 | M36100132R | FLANGIA CUSCINETTO PIGNONE | BEARING SUPPORT FLANGE PINION | FLASQUE ROULEMENT | LAGERFLANSCH | BRIDA COJINETE |
| 62 | M36100153R | COPPIA CONICA | BEVEL GEAR PAIR | COUPLE CONIQUE | KEGELRITZELSATZ | PAR CONICO |
| 63 | F04050118R | CUSC. D65 D120 T41 33213 | BEARING D65 D120 T41 33213 | ROULEMENT D65 D120 T41 33213 | LAGER D65 D120 T41 33213 | COJINETE D65 D120 T41 33213 |
| 64 | F03100072R | SERIE GUARNIZIONI CAMBIO DM | GASKET SET DM | SERIE JOINTS DM | DICHTUNGSSATZ DM | SERIE JUNTAS DM |
| 65 | M36200132R | SPESSORE REGISTRO 0,15 | SPACER MM.0,15 | ENTRETOISE MM.0,15 | DISTANZSTUECK MM.0,15 | DISTANCIADOR MM.0,15 |
| 66 | M36200133R | SPESSORE REGISTRO 0,30 | SPACER MM.0,3 | EPAISSEUR MM.0,3 | PLAETTCHEN MM.0,3 | ESPESOR MM.0,3 |
| 67 | F04050036R | CUSC.D20 D52 T16,25 30304 | BEARING D20 D52 T13,25 30304 | ROULEMENT D20 D52 T13,25 30304 | LAGER D20 D52 T13,25 30304 | COJINETE D20 D52 T13,25 30304 |
| 68 | M12400126R | COPERCHIO | GEAR CONTAINER COVER | COUVERCLE | DECKEL | TAPA |
| 69 | M24100116R | INGRANAGGIO Z=15 | GEAR Z-15 | ENGRENAGE Z-15 | ZAHNRAD WECHSELGETRIEBE Z-15 | ENGRANAJE Z-15 |
| 70 | M24100117R | INGRANAGGIO Z=25 | GEAR Z-25 | ENGRENAGE Z-25 | ZAHNRAD WECHSELGETRIEBE Z-25 | ENGRANAJE Z-25 |
| 71 | M36100592R | SUPPORTO CON BASE | SPACER | ENTRETOISE | DISTANZSTUECK | DISTANCIADOR |
| 72 | F01010065R | VITE M12X1,25X110 U5738 8.8ZN | SCR. M12X1,25X110 U5738 8.8ZN | VIS M 12X1,25X110 | SCHRAUBE M 12X1,25X110 | TORNILLO M 12X1,25X110 |
| 73 | M36100590R | COPERCHIO CONTENITORE INGR. | COVER | COUVERCLE | DECKEL | TAPA |
| 74 | F01410100R | ROS.M16 17X 30X 3 U6592 ZN | WASHER M16 17X30X3 U6592 ZN | RONDELLE M16 17X30X3 ZN | SCHRAUBE M16 17X 30X3 U6592 ZN | ARAND.M16 17X 30X 3 U6592 ZN |
| 75 | F01480123R | ROS.G 12,5X22,9X 4 FLZNNC-240H | WASHER M12 ZGP EXTRA P. | RONDELLE M12 ZGP EXTRA P. | UNTERLEGSCHLEIBE M12 ZGP EXTRA | ARANDELA M12 ZGP EXTRA P. |
| 76 | F01220047R | DADO M12X1,25 D980 8ZN | NUT M12X1,25 D980 8ZN | ECROU M12X1,25 D980 8 ZN | MUTTER M12X1,25 D980 8 ZN | TUERCA M12X1,25 D980 8 ZN |
| 77 | M24100113R | INGR.PER CAMBIO M7 Z=16 | GEAR Z-16 | ENGRENAGE Z-16 | ZAHNRAD WECHSELGETRIEBE Z-16 | ENGRANAJE Z-16 |
| 78 | M24100111R | INGRAN. CAMBIO Z 18 M7 | GEAR Z-18 | ENGRENAGE Z-18 | ZAHNRAD WECHSELGETRIEBE Z-18 | ENGRANAJE Z-18 |
| 79 | M24100112R | INGRAN. CAMBIO Z 22 M7 | GEAR Z-22 | ENGRENAGE Z-22 | ZAHNRAD WECHSELGETRIEBE Z-22 | ENGRANAJE Z-22 |
| 80 | M24100114R | INGR.PER CAMBIO M7 Z=24 | GEAR Z-24 | ENGRENAGE Z-24 | ZAHNRAD WECHSELGETRIEBE Z-24 | ENGRANAJE Z-24 |
| 81 | F03010102R | ANELLO T.A. 38X 50X 7 D3760NBR | OIL SEAL 38X 50X 7 D3760NBR | PARE-HUILE 38X 50X 7 D3760NBR | OELABDICHTUNG 38X 50X 7 D3760 | PARA-ACEITE 38X 50X 7 D3760NBR |

TAV.060



STANDARD

**COMBI
STANDARD OPT.**

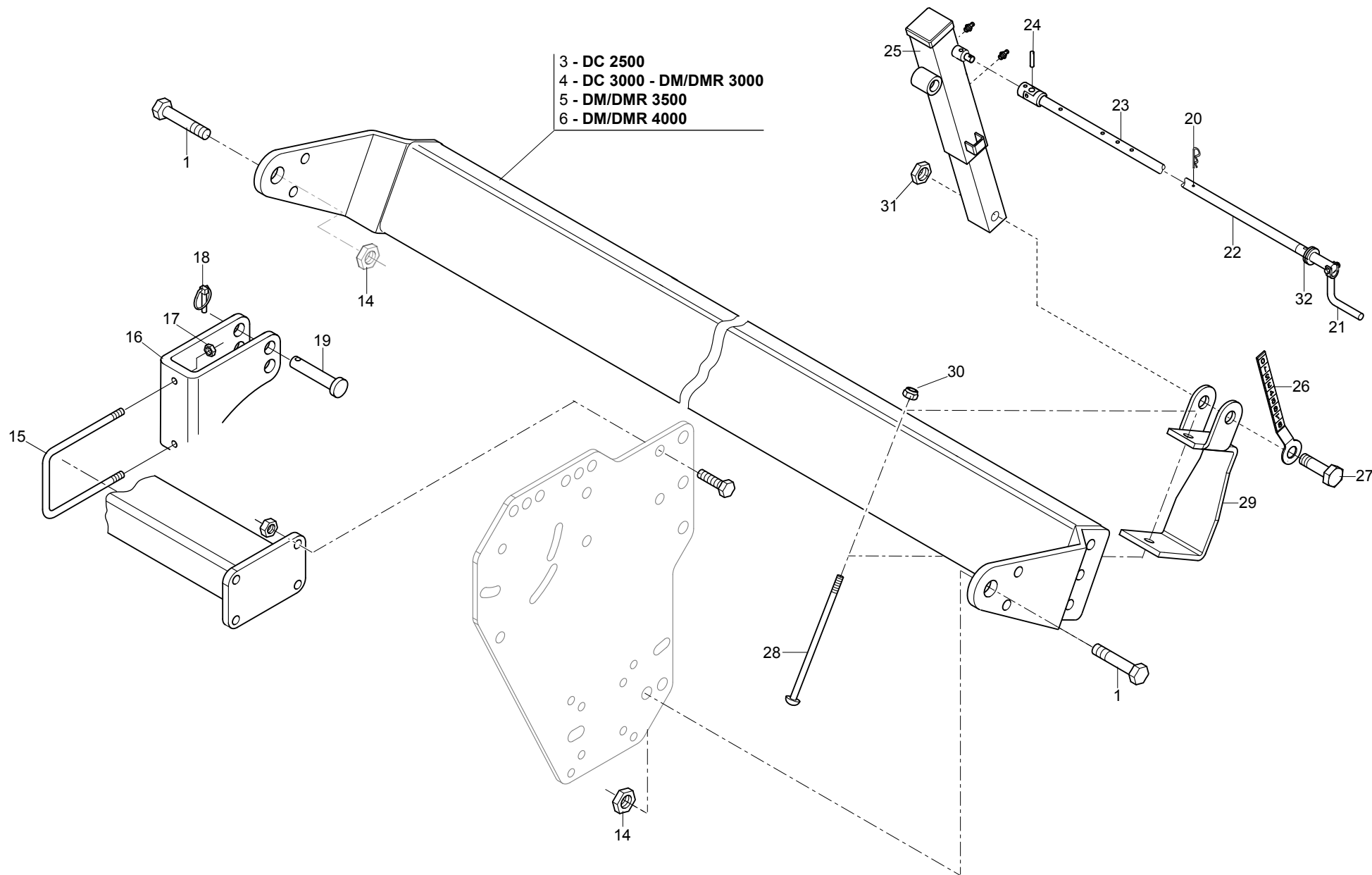
**PROTEZIONI LATERALI
SIDE PANELS**

TAV.060

| Pos. | Cod. | Descrizione | Description | Benennung | Description | Description |
|------|------------|--------------------------------|------------------------------|------------------------------|--------------------------------|--------------------------------|
| 1 | F01010283R | VITE M12X1,25X30 U5740 8.8ZN | SCR. M12X1,25X30 U5740 8.8ZN | VIS M 12X1,25X30 | SCHRAUBE M 12X1,25X30 | TORNILLO M 12X1,25X30 |
| 2 | M26400722R | PROTEZIONE LATERALE SX | LEFT SIDE PROTECTION | PROTECTION LAT. GAUCHE | SEITENSCHUTZ LINKS | PROTECCION LATERAL IZQUIERDO |
| 3 | M26400755R | PROTEZIONE LATERALE INFERIORE | BOTTOM SIDE PROTECTION | PROTECTION LAT.INF RIEUR | UNTERE SEITENSCHUTZ | PROTECCION LATERAL INFERIOR |
| 4 | M23400915R | PROTEZIONE LATERALE RULLO | SIDE PROTECTION | PROTECTION LAT. | SEITENSCHUTZ | PROTECCION LATERAL |
| 5 | F01220047R | DADO M12X1,25 D980 8ZN | NUT M12X1,25 D980 8ZN | ECROU M12X1,25 D980 8 ZN | MUTTER M12X1,25 D980 8 ZN | TUERCA M12X1,25 D980 8 ZN |
| 6 | F01010115R | VITE M16X1,5X55 U5738 8.8ZN | SCR. M16X1,5X55 U5738 8.8ZN | VIS M16X1,5 X55 U5738 8.8ZN | SCHRAU. M16X1,5X55 U5738 8.8ZN | TORN. M16X1,5X55 U5738 8,8ZN |
| 7 | M26400725R | PIASTRA | PLATE | PLAQUETTE | PLATTE | PLAQUITA |
| 8 | F01220070R | DADO M16X1,5 D980 10ZN | NUT M16X1,5 D980 8ZN | ECRO.M16X1,5 D980 8ZN | MUTTER M16X1,5 D980 8ZN | TUER.M16X1,5 D980 8ZN |
| 9 | F01010055R | VITE M12X1,25X50 U5738 8.8ZN | SCR. M12X1,25X50 U5738 8.8ZN | VIS M12X1,25X50 U5738 8.8 ZN | SCHRA.M12X1,25X50 U5738 8.8 ZN | TORN. M12X1,25X50 U5738 8.8 ZN |
| 10 | M26400777R | COMP.BRACCIO SX | ARM LH | BRAS GH | ARM LI | BRAZO IZQ |
| 11 | M26400757R | PERNO | PIN | GOUJON | STIFT | PERNO |
| 12 | G18900381R | MOLLA COMP.ZN SPINGIDISCO | SPRING | | | |
| 13 | M26400778R | SUPPORTO | FRONT SUPPORT | SUPPORT | HALTERUNG | SOPORTE |
| 14 | F20110751R | CAV.Q.M12X1,75X 30 93X120 ZN | CONNE.M12X1,75X30 93X120 ZN | ATTEL.M12X1,75X30 93X120 ZN | VERBI.M12X1,75X30 93X120 ZN | PERNO M12X1,75X30 93X120 ZN |
| 15 | F01220048R | DADO M12X1,75 D980 8ZN | NUT M12X1,75 D980 8ZN | ECROU M12X1,75 D980 8 ZN | SCHIEBE M12X1,75 D980 8 ZN | TUERCA M12X1,75 D980 8 ZN |
| 16 | F01010254R | VITE M10X1,25X35 U5740 8.8ZN | SCR. M10X1,25X35 U5740 8.8ZN | VIS M 10X1,25X35 | SCHRAUBE M 10X1,25X35 | TORNILLO M 10X1,25X35 |
| 17 | F01220034R | DADO M10X1,25 D980 8ZN | NUT M10X1,25 D980 8ZN | ECRO.M10X1,25 D980 8 ZB | MUTT.M10X1,25 D980 8 ZB | TUER.M10X1,25 D980 8 ZB |
| 19 | F02200562R | SPINA SICUR.D. 8X70 ZN | SNAP PIN D.8X 70 ZN | FICHE EL. D.8X70 ZN | SCHERSTIFT D.8X 70 ZN | CLAVIJA D.8X 70 ZN |
| 20 | M26400776R | COMP.BRACCIO DX | ARM RH | BRAS DR | ARM RE | BRAZO DER |
| 21 | M26400721R | PROTEZIONE LATERALE DX | RIGHT SIDE PROTECTION | PROTECTION LAT.DROITE | RECHTE SEITENSCHUTZ | PROTECCION LATERAL DERECHO |
| 22 | F01010137R | VITE M16X1,5X210 U5738 8.8ZN | SCR. M16X1,5X210 U5738 8.8ZN | VIS M 16X1,5X210 | SCHRAUBE M 16X1,5X210 | TORNILLO M 16X1,5X210 |
| 23 | F01500023R | ROS. 17 X45X6 D6340 C50 ZD | ELASTIC DISK | DISQUE ELASTIQUE | ELASTISCHE SCHEIBE | DISCO ELASTICO |
| 24 | M26400411R | PROTEZIONE LATERALE DX | RIGHT SIDE PROTECTION | PROTECTION LAT.DROITE | RECHTE SEITENSCHUTZ | PROTECCION LATERAL DERECHO |
| 25 | M26400412R | PROTEZIONE LATERALE SX | LEFT SIDE PROTECTION | PROTECTION LAT. GAUCHE | SEITENSCHUTZ LINKS | PROTECCION LATERAL IZQUIERDO |
| 26 | M36100392R | DISTANZIALE D=32 D=22,5 L=32 | SPACER | ENTRETOISE | DISTANZSTUECK | DISTANCIADOR |
| 27 | M24100569R | MOLLA SUPERIORE MARTINETTO | SPRING | RESSORT | FEDER | MUELLE |
| 28 | M26400413R | PROTEZIONE LATERALE INFERIORE | BOTTOM SIDE PROTECTION | PROTECTION LAT.INF RIEUR | UNTERE SEITENSCHUTZ | PROTECCION LATERAL INFERIOR |
| 29 | F02100093R | SPINA E.P. 5X 50 U6873 C70 BR | PIN EL. 5X 50 U6873 C70 BR | | | |
| 30 | F05150112R | MANIGLIA INTERAS. 117 FORO 8MM | HANDLE | POIGNEE | HANDGRIFF | MANILLA |
| 31 | F01480099R | ROS.G 8,4X14,4X2,7 FLZNNC-240H | GROWER WASHER D.8 | RONDELLE GROWER D.8 | SCHEIBE GROWER D.8 | ARANDELA GROWER D.8 |
| 32 | F01020432R | VITE M8X1,25X16 U5739 8.8ZN | SCR. M8X1,25X16 U5739 8.8ZN | VIS M8 X1,25X16 U5739 8.8 ZN | SCHRAUBE M8X1,25X16U5739 8.8ZN | TORNILLO M8X1,25X16 U5739 8.8 |

TAV.070

- 3 - DC 2500
- 4 - DC 3000 - DM/DMR 3000
- 5 - DM/DMR 3500
- 6 - DM/DMR 4000

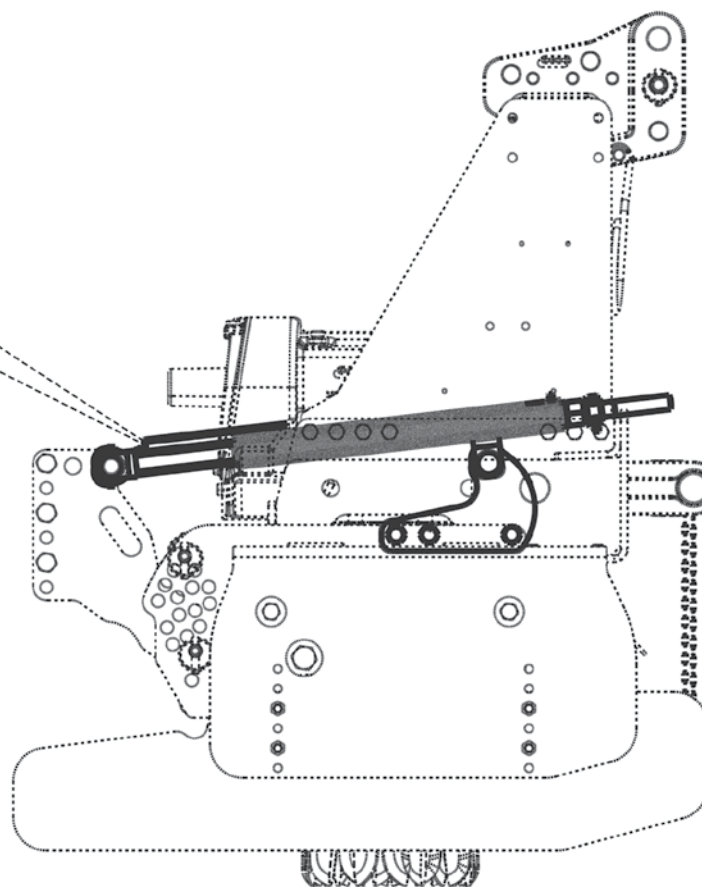
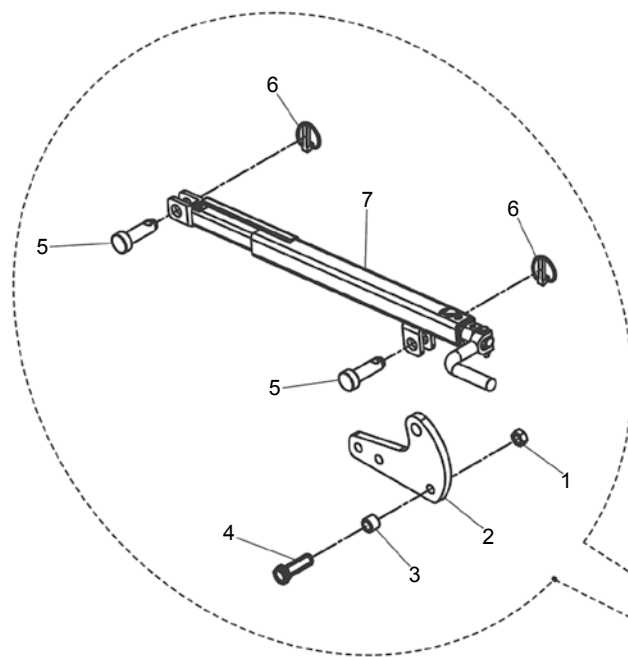


**BARRA LIVELLATRICE
LEVELING BAR**

TAV.070

| Pos. | Cod. | Descrizione | Description | Benennung | Description | Description |
|------|------------|-------------------------------|--------------------------------|--------------------------------|--------------------------------|--------------------------------|
| 1 | F01010364R | VITE M18X1,5X50 U5740 8.8ZN | SCR. M18X1,5X50 U5740 8.8ZN | VIS M 18X1,5X50 | SCHRAUBE M 18X1,5X50 | TORNILLO M 18X1,5X50 |
| 3 | M23425783R | BARRA LIVELLATRICE 2500 | REAR BAR 2500 | BARRE ARRIERE 2500 | KOMPL. HINTERE SCHINE 2500 | BARRA TRASERA 2500 |
| 4 | M23430783R | BARRA LIVELLATRICE 3000 | REAR BAR 3000 | BARRE ARRIERE 3000 | KOMPL. HINTERE SCHINE 3000 | BARRA TRASERA 3000 |
| 5 | M23435783R | BARRA LIVELLATRICE 3500 | REAR BAR 3500 | BARRE ARRIERE 3500 | KOMPL. HINTERE SCHINE 3500 | BARRA TRASERA 3500 |
| 6 | M23440783R | BARRA LIVELLATRICE 4000 | REAR BAR 4000 | BARRE ARRIERE 4000 | KOMPL. HINTERE SCHINE 4000 | BARRA TRASERA 4000 |
| 14 | F01220081R | DADO M18X1,5 D980 8ZN | NUT M18X1,5 D980 8ZN | ECROU AUTOBL. M18X1,5 980-V | SELBSTSP.MUTT. M18X1,5 980-V | DADO AUTOBL. M18X1,5 980-V |
| 15 | F20110800R | CAV.R.B=100 M=16X2 L=135 | U BOLT R.B=100 M=16X2 L=135 | ATTEL.B=100 M=16X2 L=135 | VERBI.B=100 M=16X2 L=135 | PERNO U B=100 M=16X2 L=135 |
| 16 | M23400444R | STAFFA ATTACCO MARTINETTO | ADJUST HITCH PLATE | | | |
| 17 | F01230085R | DADO M16X2 D982 10ZN | NUT M16X2 D982 10ZN | ECROU M16X2 D982 10ZN | MUTTER M16X2 D982 10ZN | TUERCA M16X2 D982 10ZN |
| 18 | F02200529R | SPINA SCATTO D.11 H58 ZN | SNAP PIN D.11 H58 ZN | FICHE A DETENTE D.11 H58 ZN | EINRASTSTIFT D.11 H58 ZN | CLAVIJA DE MUELLE D.11 H58 ZN |
| 19 | F20100049R | PERNO D22 L86 C43 TEST.D35 ZN | BOLT D22 L86 C43 ZN | GOUJON D.22 | BOLZEN D.22 | PERNO D.22 |
| 20 | F02200374R | COPIGLIA R 4X 82 ZN | SPRING SPLIT PIN 4X82 | GOUPILLE 4X82 | SPLINT 4X82 | PASADOR 4X82 |
| 21 | M36200808R | COMP. MANICO VITE | HANDLE SCREW | | | |
| 22 | M12400460R | ASTA ESTERNA | EXTERNAL BEAM | | | |
| 23 | M12400461R | COMP.ASTA INTERNA | INTERNAL BEAM ASSEMBLY | | | |
| 24 | F02100086R | SPINA E.P. 5X 30 U6873 C70 ZN | PIN EL. 5 X30 DIN 1481 GALVAN. | FICHE EL. 5 X30 DIN 1481 ZN | SPANNSTIFT 5 X30 DIN 1481 ZN | CLAVIJA EL.P. 5X 30 U6873 C70 |
| 25 | M23400917R | MARTINETTO REG. 180 - 330 | MECHANICAL ADJUSTER 180 - 330 | | | |
| 26 | M23400945R | COMP.ASTA REGOLAZ. MARTINETTI | RULER ASSEMBLY | | | |
| 27 | F01010194R | VITE M22X1,5X110 U5738 8.8ZN | SCR. M22X1,5X110 U5738 8.8ZN | | | |
| 28 | F01060209R | VITE M10X1,5X200 U5731 8.8ZN | SCR. M10X1,5X200 U5731* 8.8ZN | VIS M 10X1,5X200 | SCHRAUBE M 10X1,5X200 | TORNILLO M 10X1,5X200 |
| 29 | M43400464R | PIASTRA ATTACCO MARTINETTO | PLATE PF JACK ATTACK | | | |
| 30 | F01220033R | DADO M10X1,5 D980 8ZN | NUT M10X1,5 D980 8ZN | ECROU M10X1,5 D980 8ZN | MUTTER M10X1,5 D980 8ZN | TUERCA M10X1,5 D980 8 |
| 31 | F01230269R | DADO M22X1,5 D985 CL8 ZN | NUT M22X1,5 D985 6S ZN | ECROU AUTOBL.M22X1,5 D985 6SZN | SELBST.MUTT.M22X1,5 D985 6S ZN | DADO AUTOBL.M22X1,5 D985 6S ZN |
| 32 | F01460051R | DISCO ELASTICO 40X20,3X2 | CUP SPRING 40X 20,3X 2 D2093 | | | |

TAV.080

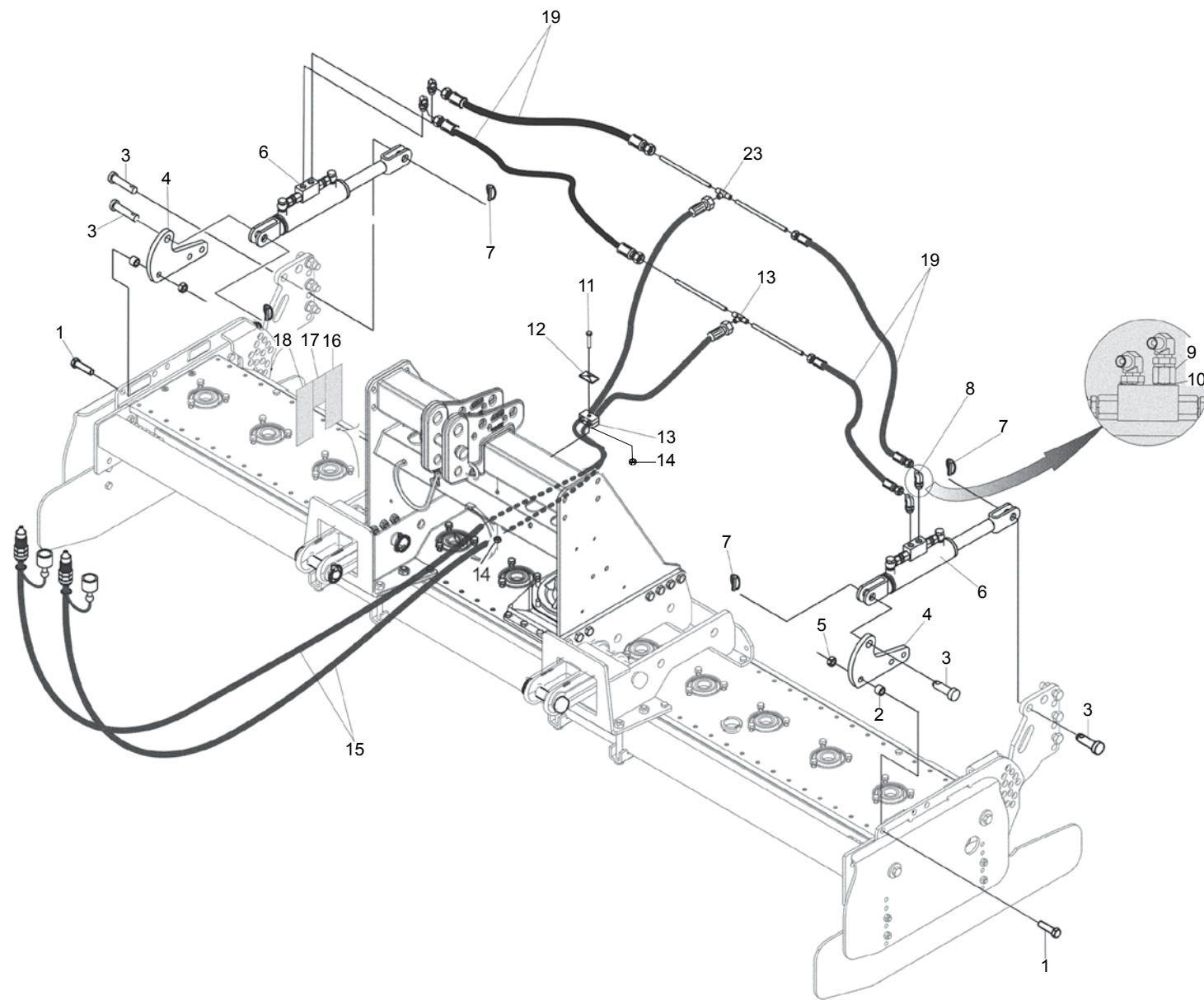


**REGOLAZIONE MECCANICA RULLO (VERS. STANDARD)
ROLLER MECHANICAL ADJ. (STANDARD VERSION)**

TAV.080

| Pos. | Cod. | Descrizione | Description | Benennung | Description | Description |
|------|------------|-------------------------------|-----------------------------|--------------------------------|--------------------------------|-------------------------------|
| 1 | F01220070R | DADO M16X1,5 D980 10ZN | NUT M16X1,5 D980 8ZN | ECRO.M16X1,5 D980 8ZN | MUTTER M16X1,5 D980 8ZN | TUER.M16X1,5 D980 8ZN |
| 2 | M26400419R | RINFORZO CORPO TRASMISSIONE | GEARTRAY REINFORCEM. | RENFORT LAMIER | VERSTERKERUNG | RENFUERZO TRANSM. |
| 3 | M19400403R | DISTANZ. D=25 D=16,5 L=20 | SPACER | ENTRETOISE | DISTANZSTUECK | DISTANCIADOR |
| 4 | F01010346R | VITE M16X1,5X60 U5740 8.8ZN | SCR. M16X1,5X60 U5740 8.8ZN | VIS M16X1,5X60 | SCHRAUBE M16X1,5X60 | TORNILLO M16X1,5X60 |
| 5 | F20100048R | PERNO D22 L48 C43 TEST.D35 ZN | BOLT D22 L48 C43 ZN | GOUJON D22 L48 C43 | BOLZEN D22 L48 C43 | PERNO D22 L48 C43 |
| 6 | F02200529R | SPINA SCATTO D.11 H58 ZN | SNAP PIN D.11 H58 ZN | FICHE A DETENTE D.11 H58 ZN | EINRASTSTIFT D.11 H58 ZN | CLAVIJA DE MUELLE D.11 H58 ZN |
| 7 | M26400423R | MARTINETTO REG.C=465 A=645 | MECHANICAL JACK C=465 O=645 | MANIVELLE MECHANIC C=465 A=645 | MECHANISC. SPINDEL C=465 A=645 | GATO MECHANICO C=465 A=645 |

TAV.090

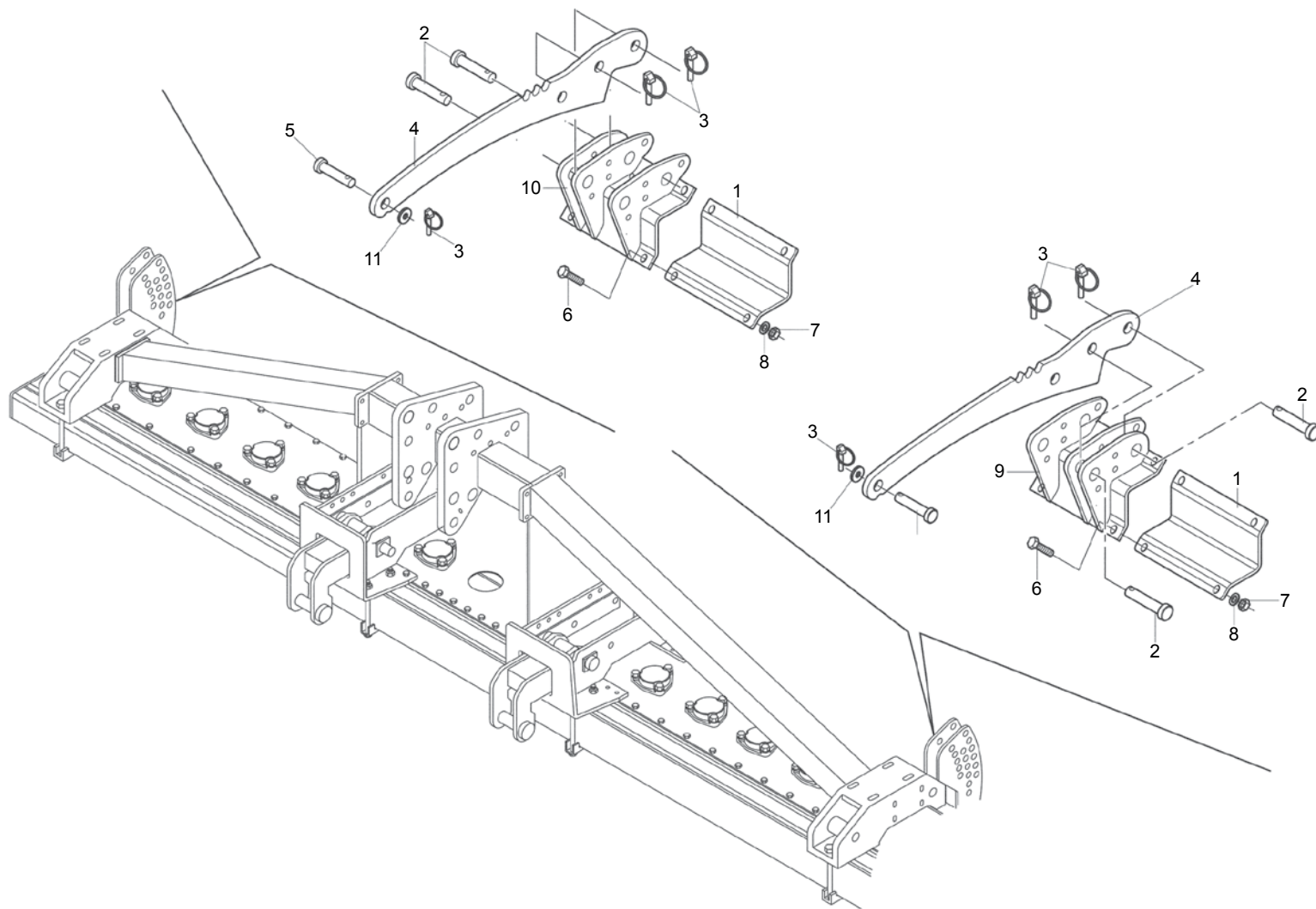


**REGOLAZIONE IDRAULICA RULLO (VERS. STANDARD)
ROLLER HYDRAULIC ADJ. (STANDARD VERSION)**

TAV.090

| Pos. | Cod. | Descrizione | Description | Benennung | Description | Description |
|------|------------|--------------------------------|--------------------------------|--------------------------------|--------------------------------|--------------------------------|
| 1 | F01010348R | VITE M16X1,5X70 U5740 8.8ZN | SCREW M16X1,5X 70 U5740 8.8 ZN | VIS M16X1,5X 70 U5740 8.8 ZN | SCHR.M16X 1,5X 70 U5740 8.8 ZN | TORN. M16X1,5X 70 U5740 8.8 ZN |
| 2 | M19400403R | DISTANZ. D=25 D=16,5 L=20 | SPACER | ENTRETOISE | DISTANZSTUECK | DISTANCIADOR |
| 3 | F20100048R | PERNO D22 L48 C43 TEST.D35 ZN | BOLT D22 L48 C43 ZN | GOUJON D22 L48 C43 | BOLZEN D22 L48 C43 | PERNO D22 L48 C43 |
| 4 | M26400419R | RINFORZO CORPO TRASMISSIONE | GEARTRAY REINFORCEM. | RENFORT LAMIER | VERSTERKERUNG | RENFUERZO TRANSM. |
| 5 | F01220070R | DADO M16X1,5 D980 10ZN | NUT M16X1,5 D980 8ZN | ECRO.M16X1,5 D980 8ZN | MUTTER M16X1,5 D980 8ZN | TUER.M16X1,5 D980 8ZN |
| 6 | M26400416R | MART.IDR.A=50 C=135 L=640 | HYDR.ADJU.A=50 C=135 L=640 505 | MAN.HYDR.A=50 C=135 L=640 505 | HYDR.KURB.A=50 C=135 L=640 505 | GATO HIDR.A=50 C=135 L=640 505 |
| 7 | F02200529R | SPINA SCATTO D.11 H58 ZN | SNAP PIN D.11 H58 ZN | FICHE A DETENTE D.11 H58 ZN | EINRASTSTIFT D.11 H58 ZN | CLAVIJA DE MUELLE D.11 H58 ZN |
| 8 | F03150842R | ADATT.A 90 ORIENT.3 8-1 4 | 90 ADAPTOR 3 8-1 4 | ADAPTEUR 90 | PASSTUECK 90 | ADAPTADOR 90 |
| 9 | F03020113R | PROLUNGA M F 3 8 L22 L.TOT=33 | EXTENSION M F 3 8 L22 L.TOT=33 | | | |
| 10 | F03020070R | RONDELLA BONDED AUTOCENT 3 8 | AUTOCENT BONDED WASHER 3 8 | RONDELLE BONDED AUTOCENT 3 8 | SCHEIBE BONDED AUTOCENT 3 8 | ARANDELA BONDED AUTOCENT 3 8 |
| 11 | F01020451R | VITE M8X1,25X45 U5739 8.8ZN | SCR. M8X1,25X45 U5739 8.8ZN | VIS M8X1,25X45 U5739 8.8ZN | SCHRA.M8X1,25X45 U5739 8.8ZN | TORN. M8X1,25X45 U5739 8.8ZN |
| 12 | M58100628R | PIATTO SUPERIORE ZPG | UPPER PLATE | PLAT SUPERIEUR | OBENE PLATTE | PLATO SUPERIOR |
| 13 | F03150992R | COPPIA COLLARI X TUBO D.16 | DOUBLE SUPPORT | SUPPORT DOUBLE | DOPPELHALTER | SOPORTE DOBLE |
| 14 | F01220022R | DADO M8X1,25 D980 8ZN | NUT M8X1,25 D980 8ZN | ECROU M8X 1,25 D980 8 ZN | MUTTER M8X 1,25 D980 8 ZN | TUERCA M8X 1,25 D980 8 ZN |
| 15 | M58100890R | PREMONT.TUB.IDR.MART.LAT. GUA | HYDRAULIC TUBE | TUBE HYDRAUL. | HYDRAUL. ROHR | TUBO HYDRAULICO |
| 16 | F20030012R | ETICH.ABBASSAMENTO RULLI | LABEL ABBASSAMENTO RULLI | | | |
| 17 | F20030081R | ETICH.SCOPIO TUBI | DECAL.HOSE BURST | ETIQUETTE | AUFKLEBER | ETIQUETA |
| 18 | F20030083R | ETICH.SOLLEVAMENTO RULLI | LABEL SOLLEVAMENTO RULLI | | | |
| 19 | F03050188R | TUBO FL.1 4 SAE100 R2AT L.1970 | TUBE FL.1 4 SAE100 R2AT L.1970 | TUBE FL.1 4 SAE100 R2AT L.1970 | ROHR FL.1 4 SAE100 R2AT L.1970 | TUBO FL.1 4 SAE100 R2AT L.1970 |
| 23 | F03020033R | UNIONE A T BSP 1 4-19 | TEE BSP 1 4-19 | RACCORD T BSP 1 4-19 | UNION T BSP 1 4-19 | UNION T BSP 1 4-19 |

TAV.100

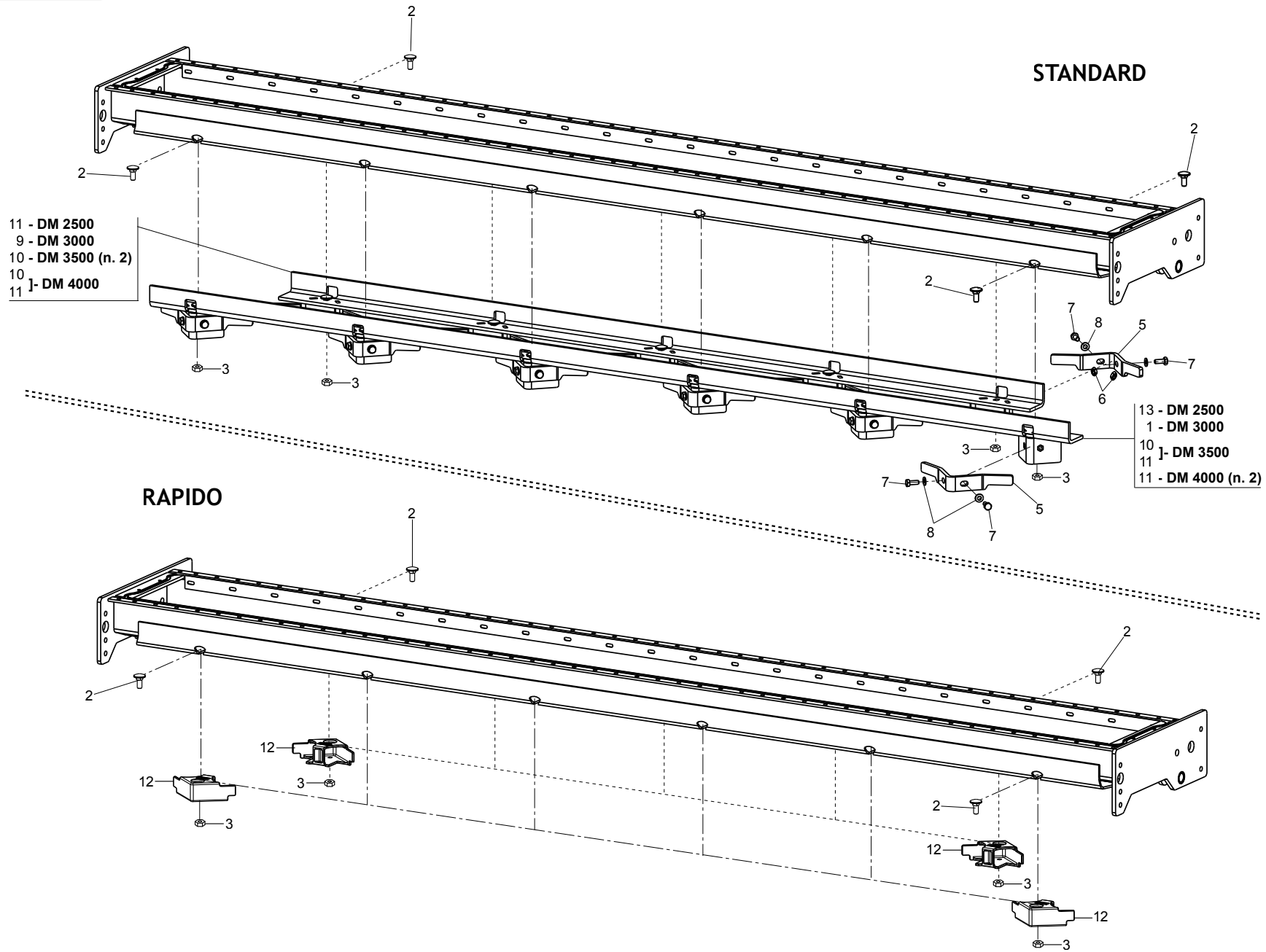


**BRACCIO COLLEGAMENTO RULLO (VERS. COMBI)
ROLLER CONNECTING BRACKET (COMBI VERSION)**

TAV.100

| Pos. | Cod. | Descrizione | Description | Benennung | Description | Description |
|------|------------|-------------------------------|-------------------------------|------------------------------|--------------------------------|-------------------------------|
| 1 | M44400403R | STAFFA ATTACCO RULLO DX | ROLLER CONNECTION SUPPORT | SUPPORT ROULEAU DROITE | SCHUTZHOLM WALZE | SOPORTE RODILLO DERECHA |
| 2 | F20100090R | PERNO D32 L64 C43 TEST.D45 ZN | PIN D32 L64 | GOUJON D32 L64 | STIFT D32 L64 ZN | PERNO D32 L64 |
| 3 | F02200529R | SPINA SCATTO D.11 H58 ZN | SNAP PIN D.11 H58 ZN | FICHE A DETENTE D.11 H58 ZN | EINRASTSTIFT D.11 H58 ZN | CLAVIJA DE MUELLE D.11 H58 ZN |
| 4 | M44400405R | BRACCIO COLLEGAMENTO RULLO | ROLLER CONNECTING ARM | BRAS DE CONNECTION ROULEAU | WALZE VERBINDUNGSARM | BRAZO DE CONEXI N RODILLO |
| 5 | F20100124R | PERNO D32 L135 C40 TEST.D45 Z | BOLT D32 L135 C40 ZN | BOULON D32 L135 C40 ZN | BOLZEN D32 L135 C40 ZN | PERNO D32 L135 C40 ZN |
| 6 | F01010341R | VITE M16X1,5X45 U5740 8.8ZN | SCR. M16X1,5X45 U5740 8.8ZN | VIS M16X1,5 X45 U5740 8.8 ZN | SCHR.M16X1,5 X45 U5740 8.8 ZN | TORN.M16X1,5 X45 U5740 8.8 ZN |
| 7 | F01220070R | DADO M16X1,5 D980 10ZN | NUT M16X1,5 D980 8ZN | ECRO.M16X1,5 D980 8ZN | MUTTER M16X1,5 D980 8ZN | TUER.M16X1,5 D980 8ZN |
| 8 | F01410100R | ROS.M16 17X 30X 3 U6592 ZN | WASHER M16 17X30X3 U6592 ZN | RONDELLE M16 17X30X3 ZN | SCHRAUBE M16 17X 30X3 U6592 ZN | ARAND.M16 17X 30X 3 U6592 ZN |
| 9 | M44400404R | STAFFA ATTACCO RULLO SX | LEFT ROLLER CONNECTION SUPP. | SUPPORT ROULEAU GAUCHE | LINKS SCHUTZHOLM WALZE | SOPORTE RODILLO IZQUIERDO |
| 10 | M44400401R | STAFFA ATTACCO RULLO DX | RIGHT ROLLER CONNECTION SUPP. | SUPPORT ROULEAU RECHTE | RECHTE SCHUTZHOLM WALZE | SOPORTE RODILLO DERECHO |
| 11 | M23400422R | DISTANZIALE D=60 D=32,5 L=4 | SPACER D=60 D=32,5 L=4 | ENTRETOISED=60 D=32,5 L=4 | DISTANZSTUECK D=60 D=32,5 L=4 | DISTANCIADOR D=60 D=32,5 L=4 |

TAV.110

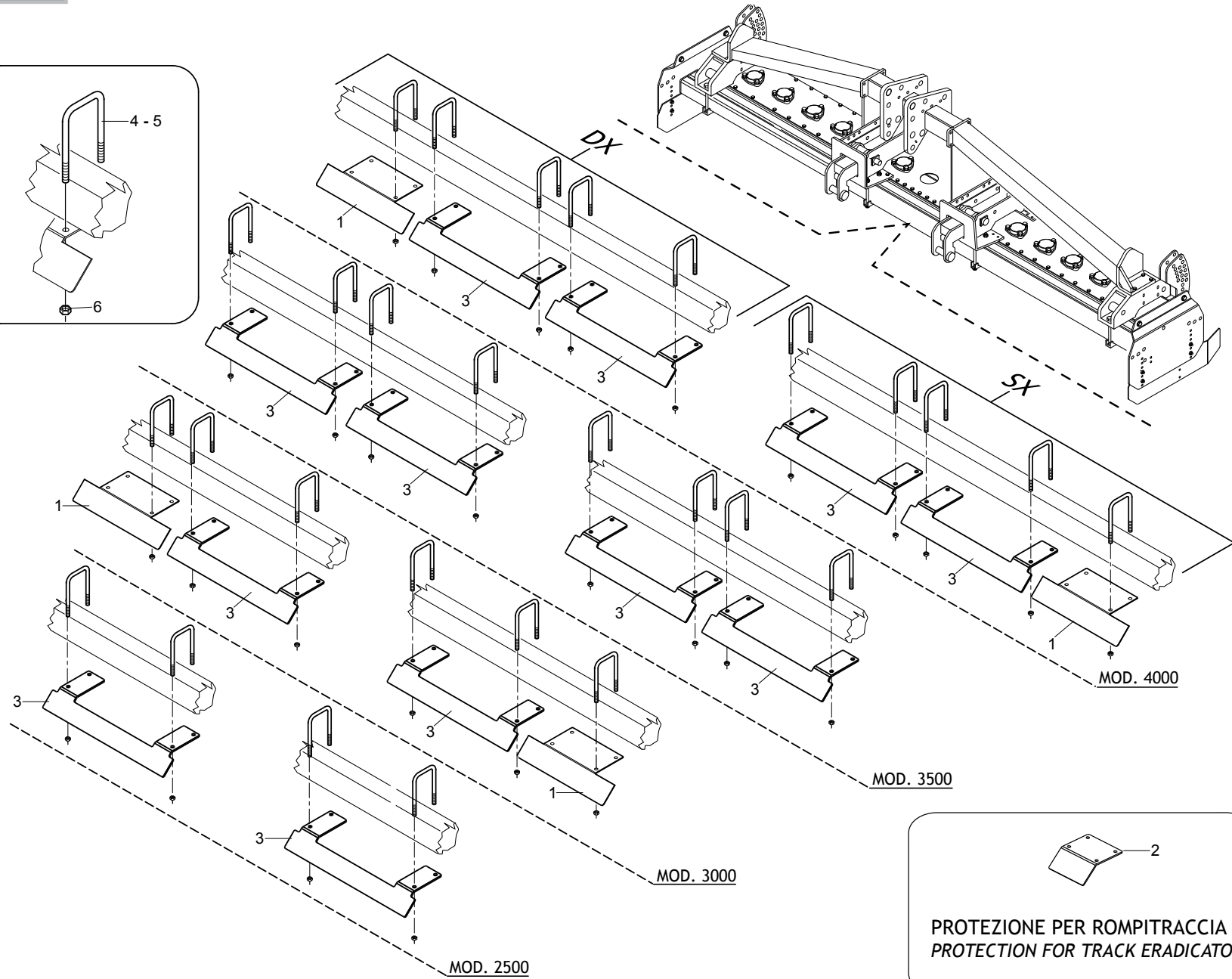
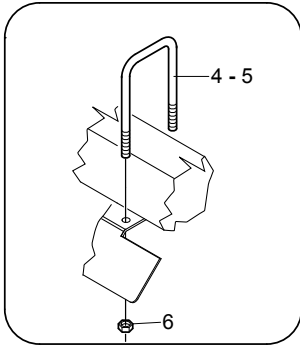


**CUNEI DEFLETTORI AVVITATI
BOLT-ON STEEL DEFLECTORS**

TAV.110

| Pos. | Cod. | Descrizione | Description | Benennung | Description | Descripcion |
|------|------------|--------------------------------|-------------------------------|-----------------------------|--------------------------------|--------------------------------|
| 1 | M26430806R | PLUS SALDATO 3000 | PLUS WELDED L=-- | | | |
| 2 | F01060206R | VITE M12X1,75X30 U5731 8.8ZN | SCR. M12X1,75X30 U5731* 8.8ZN | VIS M12X1,75X30 | SCHRAUBE M12X1,75X30 | TORNILLO M12X1,75X30 |
| 3 | F01220048R | DADO M12X1,75 D980 8ZN | NUT M12X1,75 D980 8ZN | ECROU M12X1,75 D980 8 ZN | SCHEIBE M12X1,75 D980 8 ZN | TUERCA M12X1,75 D980 8 ZN |
| 5 | M26400815R | DEFLETTORE CUNEO | CARTER DEFLECTOR | | | |
| 6 | F01260049R | DADO FL.M10X1.5 CH15 D6923 8ZN | NUT M10X1.5 CH15 D6923 8 ZN | | | |
| 7 | F01020472R | VITE M10X1,5X25 U5739 8.8ZN | SCR. M10X1,5X25 U5739 8.8ZN | VIS M10X1,5X25 U5739 8.8 ZN | SCHRAUBE M10X1,5X25 U5739 8.8 | TORNILLO M10X1,5X25 U5739 8.8 |
| 8 | F01410062R | ROS.M10 10,5X 18X 2 U6592 ZN | WASHER M10 10,5X 18X 2 U6592 | RONDELLE M10 10,5X18X2 ZN | DICHTUNGSRING M10 10,5X18X2 ZN | ARAND.M10 10,5X 18X 2 U6592 ZN |
| 9 | M26425806R | PLUS SALDATO 2500 | PLUS WELDED L=-- | | | |
| 10 | M26418806R | PLUS SALDATO 1800 | PLUS WELDED L=-- | | | |
| 11 | M26420806R | PLUS SALDATO 2000 | PLUS WELDED L=-- | | | |
| 12 | M52400525R | CUNEO RINFORZO VERSIONE PLS RP | STIFFENING WEDGE | COIN DE RENFORCEMENT | VERSTAERKUNGSKEIL | CU A DE REFUERZO |
| 13 | M26425806R | PLUS SALDATO 2500 | PLUS WELDED L=-- | | | |

TAV.120



2

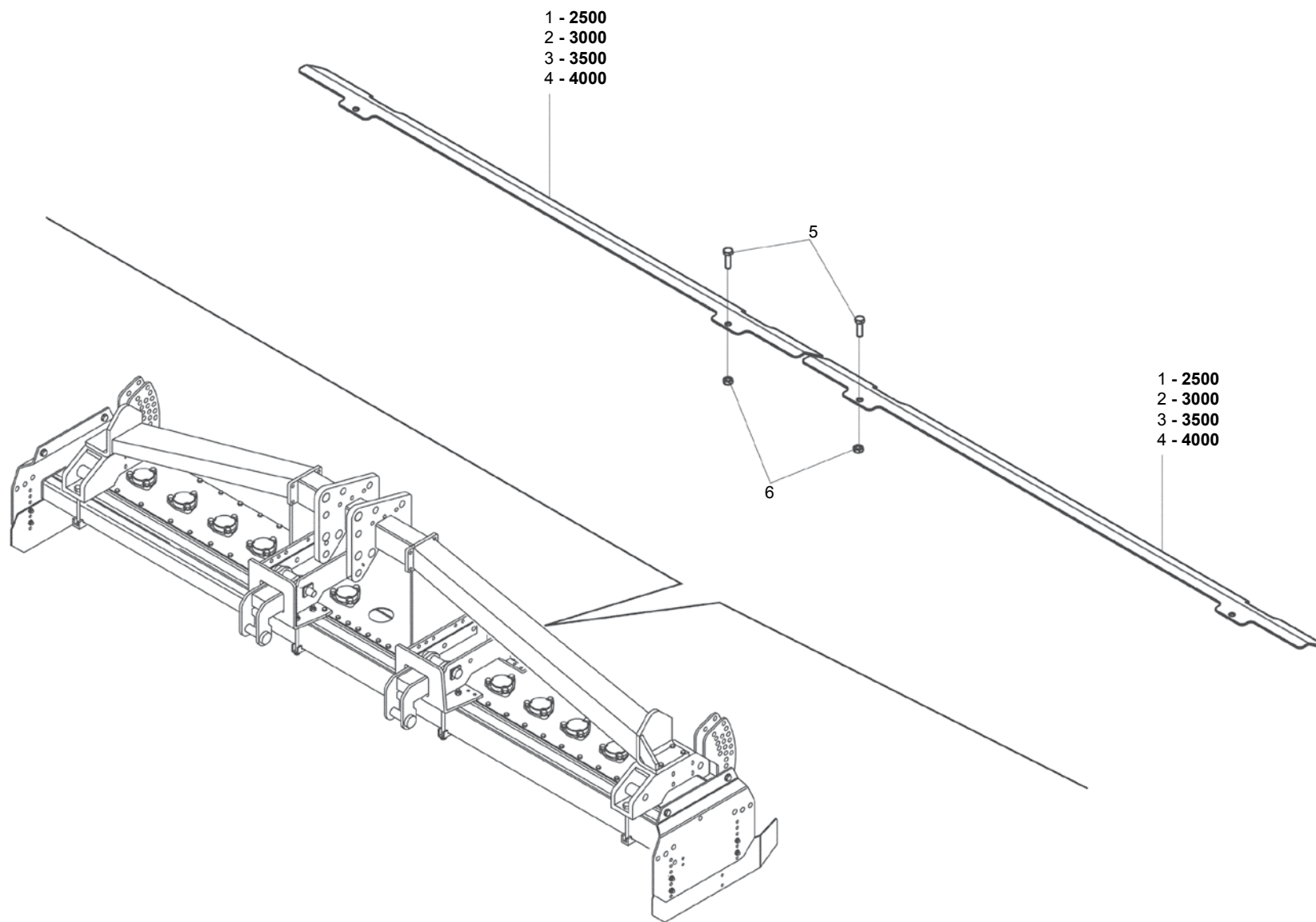
**PROTEZIONE PER ROMPITRACCIA
PROTECTION FOR TRACK ERADICATOR**

**GRUPPO PROTEZIONI CE (ANTERIORI)
(FRONT) EC GUARDS UNIT**

TAV.120

| Pos. | Cod. | Descrizione | Description | Benennung | Description | Description |
|------|------------|--------------------------------|-----------------------------|------------------------------|------------------------------|-----------------------------|
| 1 | M23400552R | PROTEZ. ANTERIORE CE | FRONT PROTECTION CE | PROTECTION AVANT CE | VORDERER SCHUTZ CE | PROTECCION DELANTERA CE |
| 2 | M23400553R | PROTEZ. ANTERIORE CE | FRONT PROTECTION CE | PROTECTION AVANT CE | VORDERER SCHUTZ CE | PROTECCION DELANTERA CE |
| 3 | M23400550R | PROTEZ. ANTERIORE CE | FRONT PROTECTION CE | PROTECTION AVANT CE | VORDERER SCHUTZ CE | PROTECCION DELANTERA CE |
| 4 | F20110730R | CAV.Q.B=80 M=10X1,5 L=109 | U BOLTQ.B=80 M=10X1,5 L=109 | BUTEE M10X 1,5X 30 91X 99 ZB | ANSCHLAG M10X 1,5X 30 91X 99 | EL. DE EMPALME M10X 1,5X 30 |
| 5 | F20110735R | CAV.R.B=80 H=120M=10X1,5 L=139 | CONNECTION | ATTELAGE | AERBINDUNG | ATAQUE |
| 6 | F01220033R | DADO M10X1,5 D980 8ZN | NUT M10X1,5 D980 8ZN | ECROU M10X1,5 D980 8ZN | MUTTER M10X1,5 D980 8ZN | TUERCA M10X1,5 D980 8 |

TAV.130

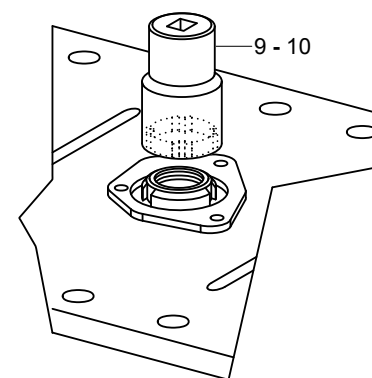
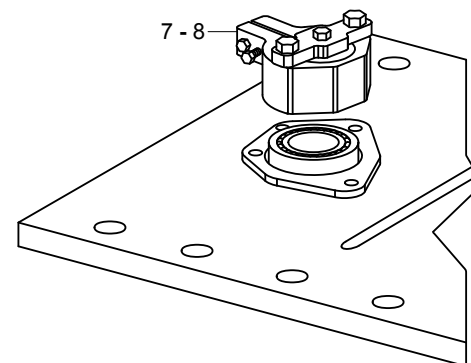
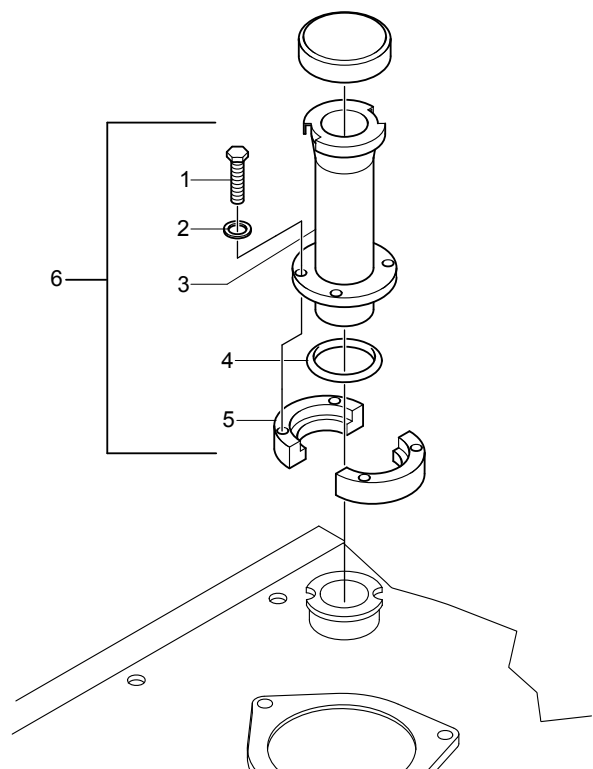


**GRUPPO PROTEZIONI <<CE>> (POSTERIORI)
(REAR) <<EC>> GUARDS UNIT**

TAV.130

| Pos. | Cod. | Descrizione | Description | Benennung | Description | Description |
|------|------------|------------------------------|------------------------------|-----------------------------|---------------------------|------------------------------|
| 1 | M26425422R | PROTEZIONE CE POST. MOD.2500 | REAR PROTECTION MOD. 2500 | PROTECTION ARRIERE MOD.2500 | HINTERER SCHUTZ MOD. 2500 | PROTECCION TRASERA MOD. 2500 |
| 2 | M26430422R | PROTEZIONE CE POST.MOD.3000 | REAR PROTECTION MOD.3000 | PROTECTION ARRIERE MOD.3000 | HINTERER SCHUTZ MOD.3000 | PROTECCION TRASERA MOD.3000 |
| 3 | M26435422R | PROTEZIONE CE POST.MOD.3500 | REAR PROTECTION MOD.3500 | PROTECTION ARRIERE MOD.3500 | HINTERER SCHUTZ MOD.3500 | PROTECCION TRASERA MOD.3500 |
| 4 | M26440422R | PROTEZIONE CE POST.MOD.4000 | REAR PROTECTION MOD.4000 | PROTECTION ARRIERE MOD.4000 | HINTERER SCHUTZ MOD.4000 | PROTECCION TRASERA MOD.4000 |
| 5 | F01010026R | VITE M10X1,25X40 U5738 8.8ZN | SCR. M10X1,25X40 U5738 8.8ZN | VIS M 10X1,25X40 | SCHRAUBE M 10X1,25X40 | TORNILLO M 10X1,25X40 |
| 6 | F01220034R | DADO M10X1,25 D980 8ZN | NUT M10X1,25 D980 8ZN | ECRO.M10X1,25 D980 8 ZB | MUTT.M10X1,25 D980 8 ZB | TUER.M10X1,25 D980 8 ZB |

TAV.140



**OPTIONALS
OPTIONALS**

TAV.140

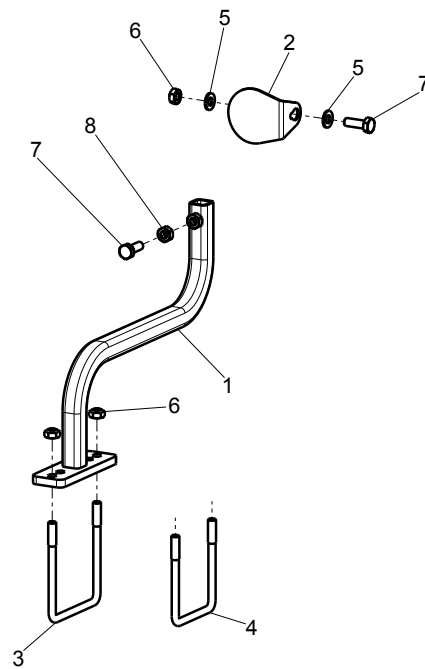
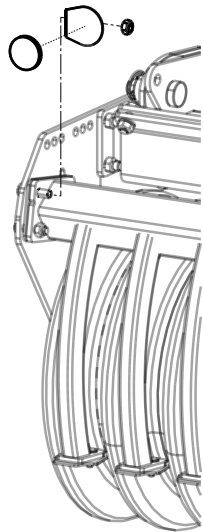
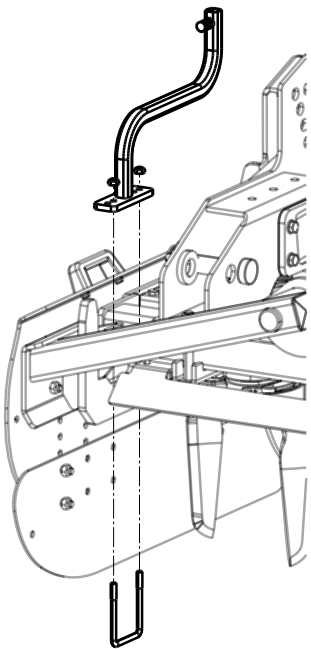
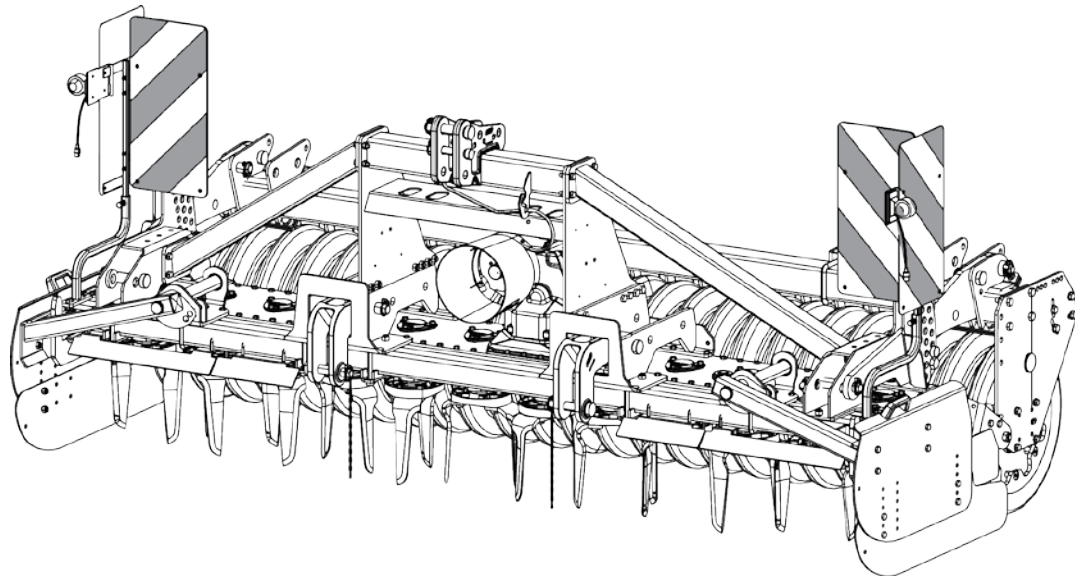
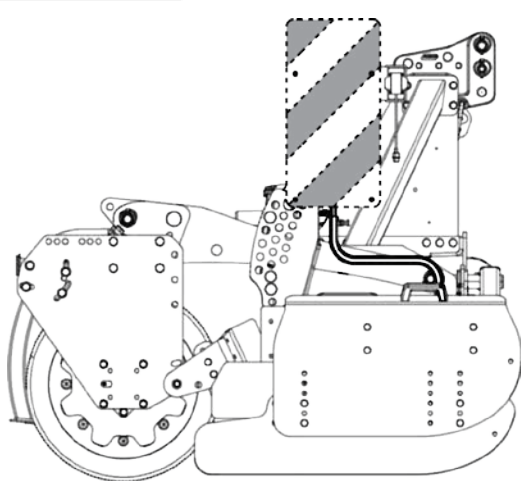
| Pos. | Cod. | Descrizione | Description | Benennung | Description | Description |
|------|------------|-------------------------------|--------------------------|------------------------------|-------------------------------|-----------------------------|
| 1 | F01020406R | VITE M6X1X25 U5739 8.8ZN | SCR. M6X1X25 U5739 8.8ZN | VIS M 6X25 | SCHRAUBE M 6X25 | TORNILLO M 6X25 |
| 2 | F01480088R | ROS.G 6,4X12,4X2 FLZNNC-240H | GROWER WASHER D.6 | RONDELLE GROWER D.6 | SCHEIBE GROWER D.6 | ARANDELA GROWER D.6 |
| 3 | M36200856R | SEMIFLANGIA INFERIORE | FLANGE | FLASQUE | FLANSCH | BRIDA |
| 4 | F03010552R | ANELLO OR 45,69X2,62 NBR | GASKET OR 45,69X2,62 NBR | BAGUE OR 45,69X2,62 NBR | RING OR 45,69X2,62 NBR | ANILLO OR 45,69X2,62 NBR |
| 5 | M36200856R | SEMIFLANGIA INFERIORE | FLANGE | FLASQUE | FLANSCH | BRIDA |
| 6 | M36299001R | KIT PROLUNGA CARICO OLIO ERP. | OIL PLUG EXTENSION | REHAUSSE BOUCHON HUILE HERSE | OLVERSCHLUSSVERLAENGERUNG | PROLONGAMIENTO TAPON ACEITE |
| 7 | M38100307R | ESTRATTORE CUSC.SUP. DL-DS-DC | EXTRACTOR | EXTRACTEUR | LAGER AUSZIEHER | EXTRACTOR PARA RODAMIENTO |
| 8 | M36100335R | ESTRATTORE CUSC.SUP. | BEARING EXTRACTOR | EXTRACTEUR | LAGER AUSZIEHER | EXTRACTOR PARA RODAMIENTO |
| 9 | M38100306R | CHIAVE PER GHIERA M45X1,5 ZN | KEY D.45X1,5 | CLE D.45X1,5 | SCHLUESSEL F. MUTTER D.45X1,5 | LLAVE M45X1,5 ZN |
| 10 | M36100334R | CHIAVE PER GHIERA M50X1,5 ZN | KEY FOR SELF LOCKING NUT | CLE M50X1,5 | SCHLUESSEL F. MUTTER | LLAVE M50X1,5 ZN |

**OPTIONALS
OPTIONALS**

TAV.150

| Pos. | Cod. | Descrizione | Description | Benennung | Description | Description |
|------|------------|---------------------------------|--------------------------------|--------------------------------|--------------------------------|--------------------------------|
| 1 | F02200452R | SPINA SCATTO D.4,4 B 80 ZN | SNAP PIN D4.4 B 80 ZN | FICHE A DETENTE D4.4 B 80 ZN | EINRASTSTIFT D4.4 B 80 ZN | CLAVIJA DE MUELLE D4,4 B 80 ZN |
| 2 | M35400602R | COMP.SUPP.ANCORA ROMPIRACCCIA | WHEEL TRACK ERADIC.SUB.SUPPORT | | | |
| 3 | F01010398R | VITE M22X1,5X70 U5740 8.8ZN | SCR. M22X1,5X70 U5740 8.8ZN | VIS M22X1,5X 70 U5740 8.8 ZB | SCHR.M22X1,5X 70 U5740 8.8 ZB | TORN.M22X1,5X 70 U5740 8.8 ZB |
| 4 | F01230269R | DADO M22X1,5 D985 CL8 ZN | NUT M22X1,5 D985 6S ZN | ECROU AUTOBL.M22X1,5 D985 6SZN | SELBST.MUTT.M22X1,5 D985 6S ZN | DADO AUTOBL.M22X1,5 D985 6S ZN |
| 5 | M35400625R | COMP.ROMPIRTR.X MOLLE CON PERNO | WHEEL TRACK ERADICATOR SPRINGS | | | |
| 6 | M12400612R | MOLLA | SPRING | | | |
| 7 | M12400607R | TIRANTE M16 | STRETCHER | TENDEUR | VERSTAERKUNGSROHR | TENSOR |
| 8 | F01200110R | DADO M16X2 U5587 CL8 ZN 6.8ZN | NUT M16X2 U5587 6.8ZN | ECROU M16 | MUTTER M16 | TUERCA M16 |
| 9 | F01230085R | DADO M16X2 D982 10ZN | NUT M16X2 D982 10ZN | ECROU M16X2 D982 10ZN | MUTTER M16X2 D982 10ZN | TUERCA M16X2 D982 10ZN |
| 10 | M12400613R | VOMERINO REV.257 X 65 X 10 | PLOUGH REV. 257X 65X 10 | | | |
| 11 | F01030117R | KIT V.M12X1,75X60 U6104 8.8ZN | KIT M12X1,75X60 | VIS M12X1,75X60 | SCHRAUBE M12X1,75X60 | TORNILLO M12X1,75X60 |
| 12 | F01220048R | DADO M12X1,75 D980 8ZN | NUT M12X1,75 D980 8ZN | ECROU M12X1,75 D980 8 ZN | SCHEIBE M12X1,75 D980 8 ZN | TUERCA M12X1,75 D980 8 ZN |
| 13 | F20100021R | PERNO D16 L70 C40 TEST.D25 ZN | PIN D16 L70 C40 TEST.D25 ZN | | | |
| 14 | M73400637R | PROTEZIONE MOLLE | SAFETY SPRING | | | |
| 15 | F01020476R | VITE M10X1,5X30 U5739 8.8ZN | SCR. M10X1,5X30 U5739 8.8ZN | VIS M10X1,5X30 U5739 8.8 ZN | SCHRAUBE M10X1,5X30U5739 8.8ZN | TORNILLO M10X1,5X30 U5739 8.8 |
| 16 | M35400624R | ROMPIRACCCIA LATERALE | LATERAL WHEEL TRACK ERADICATOR | | | |
| 17 | F01020160R | VITE M12X1,75X60 U5737 8.8ZN | SCR. M12X1,75X60 U5737 8.8ZN | VIS M12X1,75X60 U5737 8.8 ZN | SCHRA.M12X1,75X60 U5737 8.8 ZN | TORNILLO M12X1,75X60 U5737 8. |
| 18 | F01010135R | VITE M16X1,5X180 U5738 8.8BR | SCR. M16X1,5X180 U5738 8.8BR | VIS M 16X1,5X170 | SCHRAUBE M 16X1,5X170 | TORNILLO M 16X1,5X170 |
| 19 | M36200241R | STAFFA PER TUBO DA 80 | STIRRUP | ETRIER | BUEGEL | ESTRIBO |
| 20 | F01220070R | DADO M16X1,5 D980 10ZN | NUT M16X1,5 D980 8ZN | ECRO.M16X1,5 D980 8ZN | MUTTER M16X1,5 D980 8ZN | TUER.M16X1,5 D980 8ZN |
| 21 | M35400607R | PIASTRA SUPP.ROMPIRTR.MONOTRAVE | SUPPORT PLATE WHEEL TRACK ERAD | | | |

TAV.160

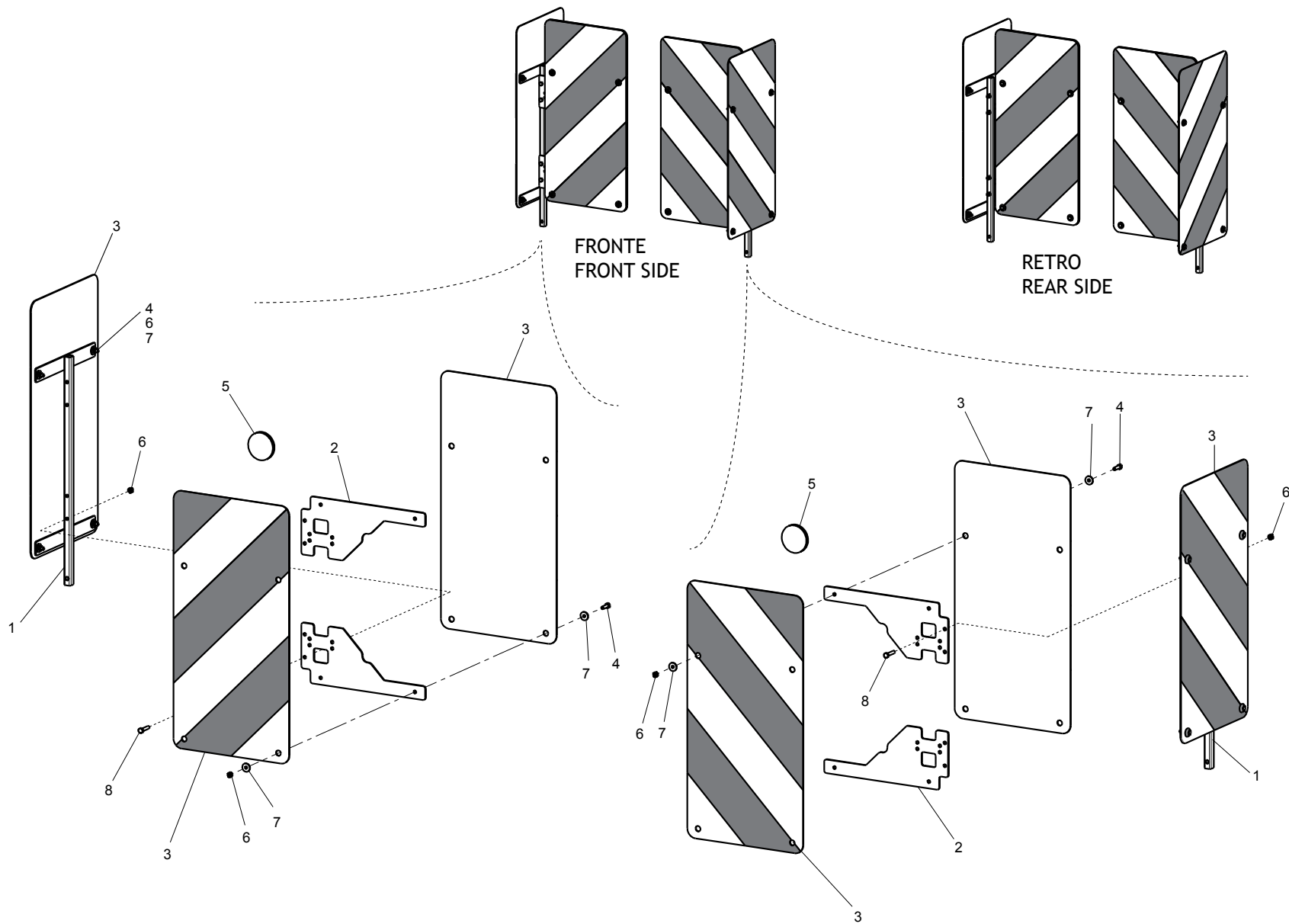


**KIT SUPPORTI PER TRASPORTO STRADALE
ROAD TRANSPORT SUPPORTS KIT**

TAV.160

| Pos. | Cod. | Descrizione | Description | Benennung | Description | Description |
|------|------------|------------------------------|--------------------------------|-------------------------------|--------------------------------|--------------------------------|
| 1 | M26400911R | SUPPORTO TABELLA INGOMBRO | LIGHT-CHART SUPPORT | | | |
| 2 | M28400701R | SUPPORTO CATADIOTTRO | SUPPORT REFLECTOR | | | |
| 3 | F20110726R | CAV.Q.B=100 M=10X1,5 L=122 | U BOLT M10X 1,5X 30 111X122 ZG | ATTEL.M10X 1,5X 30 111X122 ZG | VERBI.M10X 1,5X 30 111X122 ZG | PERNO M10X 1,5X 30 111X122 ZG |
| 4 | F20110730R | CAV.Q.B=80 M=10X1,5 L=109 | U BOLTQ.B=80 M=10X1,5 L=109 | BUTEE M10X 1,5X 30 91X 99 ZB | ANSCHLAG M10X 1,5X 30 91X 99 | EL. DE EMPALME M10X 1,5X 30 |
| 5 | F01410062R | ROS.M10 10,5X 18X 2 U6592 ZN | WASHER M10 10,5X 18X 2 U6592 | RONDELLE M10 10,5X18X2 ZN | DICHTUNGSRING M10 10,5X18X2 ZN | ARAND.M10 10,5X 18X 2 U6592 ZN |
| 6 | F01220033R | DADO M10X1,5 D980 8ZN | NUT M10X1,5 D980 8ZN | ECROU M10X1,5 D980 8ZN | MUTTER M10X1,5 D980 8ZN | TUERCA M10X1,5 D980 8 |
| 7 | F01020476R | VITE M10X1,5X30 U5739 8.8ZN | SCR. M10X1,5X30 U5739 8.8ZN | VIS M10X1,5X30 U5739 8.8 ZN | SCHRAUBE M10X1,5X30U5739 8.8ZN | TORNILLO M10X1,5X30 U5739 8.8 |
| 8 | F01200270R | DADO M10X1,5 U5588 CL8 ZN | NUT M10X1,5 U5588 6.8ZN | ECROU M10X 1,5 U5588 6.8 ZN | MUTTER M10X 1,5 U5588 6.8 ZN | TUERCA M10X1,5 U5588 CL8 ZN |

TAV.170

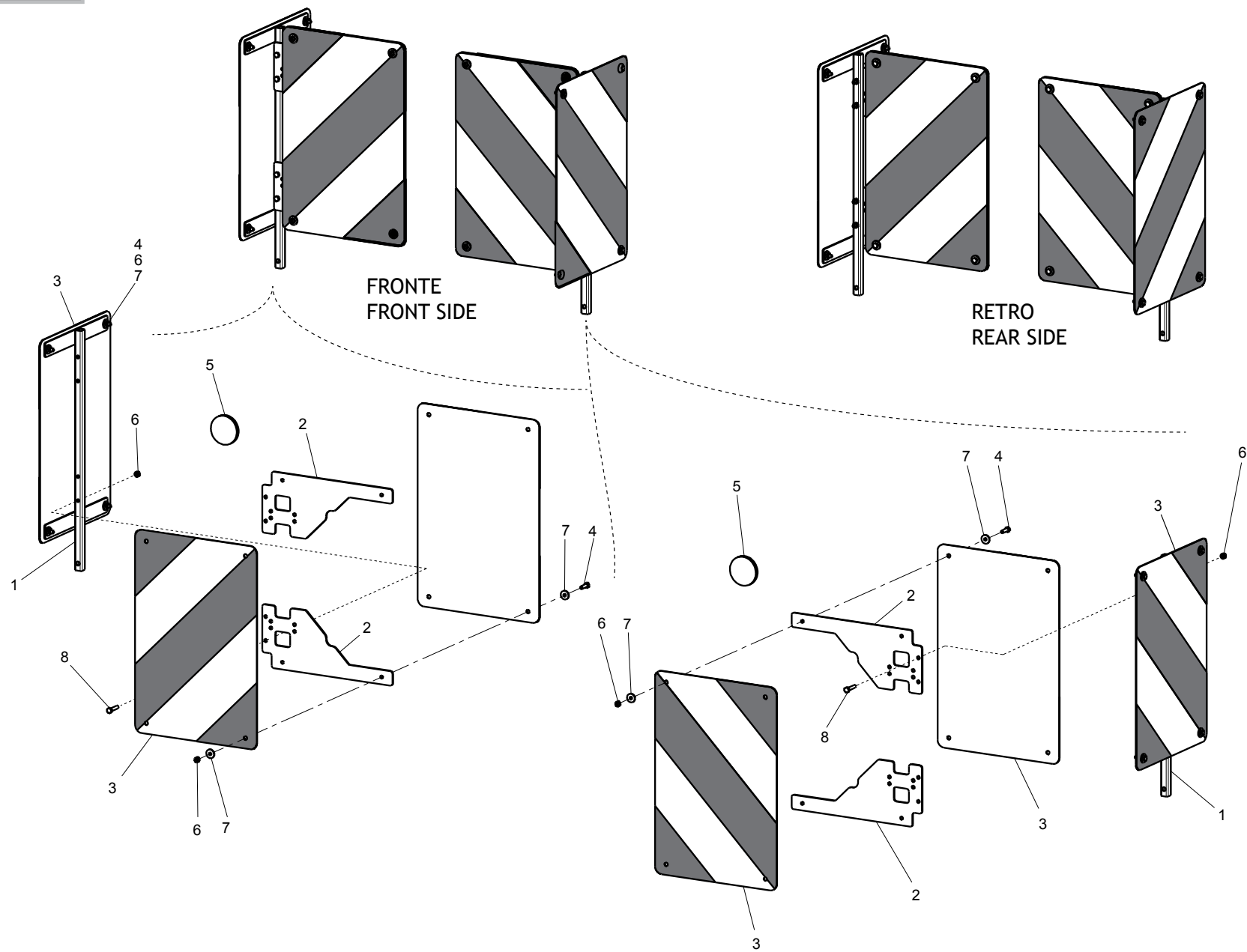


**KIT TABELLE STRADALI G99600006
ROAD TRANSPORT KIT G99600006**

TAV.170

| Pos. | Cod. | Descrizione | Description | Benennung | Description | Description |
|------|------------|-----------------------------|--------------------------------|--------------------------------|--------------------------------|-------------------------------|
| 1 | G16612070R | TELAIO SUPP.TABELLE STRAD. | FRAME SUPPORT TABLE | | | |
| 2 | M04700558R | SUPPORTO TABELLA INGOMBRO | LIGHT-CHART SUPPORT | | | |
| 3 | F05010816R | TABELLE 2 CAR.SPORGENTI IT | WARNING BOARDS 2 IT | | | |
| 4 | F01020404R | VITE M6X1X20 U5739 8.8ZN | SCREW M6X1X20 U5739 8.8ZN | VIS M6X1X20 U5739 8.8ZN | SCHRAUBE M6X1X20 U5739 8.8ZN | TORNILLO M6X1X20 U5739 8.8ZN |
| 5 | F05010820R | CATARIFR.TONDO D60 ROSSO | ROUND REFLECTOR D.60 RED | | | |
| 6 | F01220011R | DADO M6X1 D980 8ZN | NUT M6X1 D980 8ZN | ECROU M6X1 D980 8 ZN | MUTTER M6X1 D980 8 ZN | TUERCA M6X1 D980 8 ZN |
| 7 | F01420036R | ROS.M6 6,4X 18X1,5 U6593 ZN | WASHER M6 6,4X 18X1,5 U6593 ZN | RONDELLE M6 6,4X18X1,5 U6593ZN | SCHEIBEN M6 6,4X18X1,5U6593 ZN | ARANDELA M6 6,4X18X1,5U6593ZN |
| 8 | F01020408R | VITE M6X1X30 U5739 8.8ZN | SCR. M6X1X30 U5739 8.8ZN | VIS M 6X1X30 | SCHRAUBE M 6X1X30 | TORNILLO M6X1X30 U5739 8 |

TAV.180

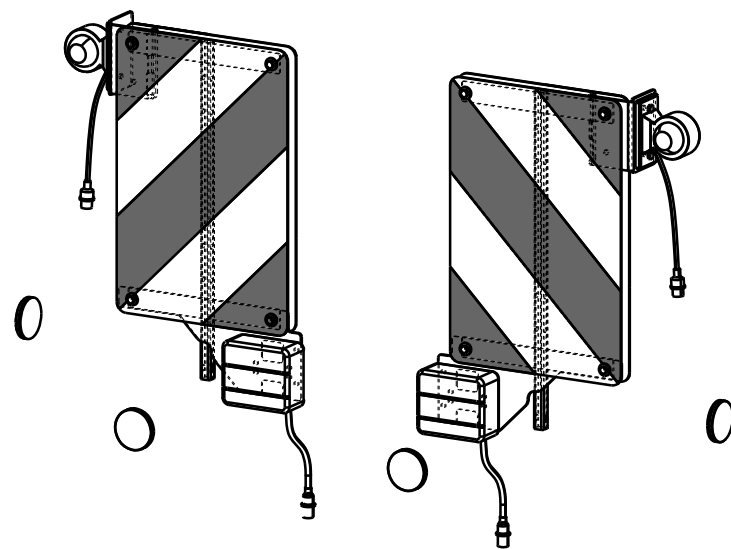
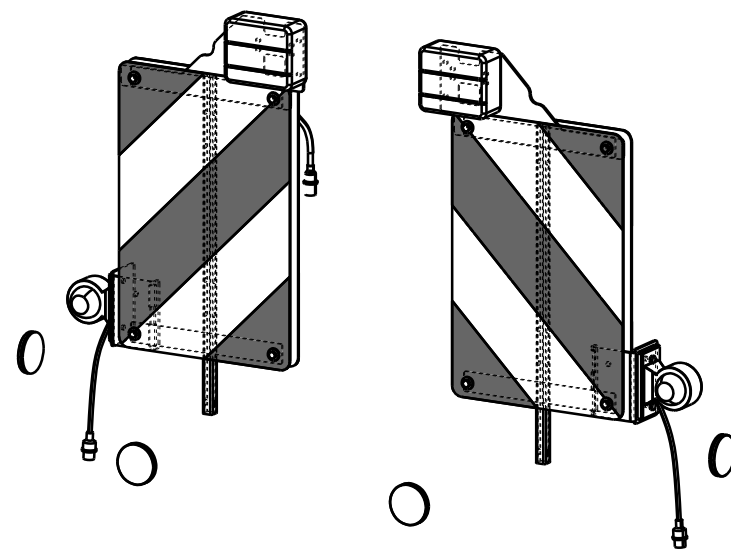
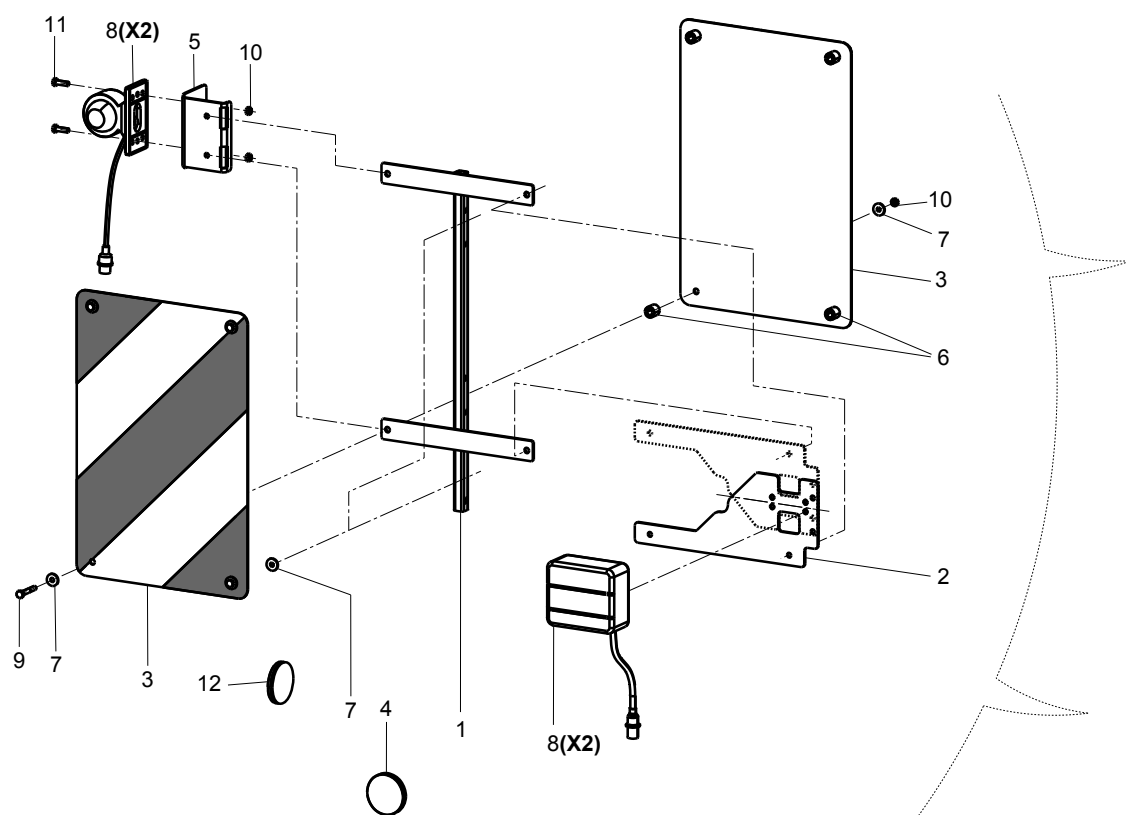


**KIT TABELLE STRADALI G99600017
ROAD TRANSPORT KIT G99600017**

TAV.180

| Pos. | Cod. | Descrizione | Description | Benennung | Description | Description |
|------|------------|------------------------------|--------------------------------|--------------------------------|--------------------------------|-------------------------------|
| 1 | G16612070R | TELAIO SUPP.TABELLE STRAD. | FRAME SUPPORT TABLE | | | |
| 2 | M04700558R | SUPPORTO TABELLA INGOMBRO | LIGHT-CHART SUPPORT | | | |
| 3 | F05010817R | TABELLE 2 CAR.SPORGENTI FR-D | WARNING BOARDS 2 FR-DE | TABLEAUX 2 AVERTISSEM. FR-DE | BRETT 2 WARNUNG FR-DE | TABLAS 2 CAR.ADVERT. FR-DE |
| 4 | F01020404R | VITE M6X1X20 U5739 8.8ZN | SCREW M6X1X20 U5739 8.8ZN | VIS M6X1X20 U5739 8.8ZN | SCHRAUBE M6X1X20 U5739 8.8ZN | TORNILLO M6X1X20 U5739 8.8ZN |
| 5 | F05010820R | CATARIFR.TONDO D60 ROSSO | ROUND REFLECTOR D.60 RED | | | |
| 6 | F01220011R | DADO M6X1 D980 8ZN | NUT M6X1 D980 8ZN | ECROU M6X1 D980 8 ZN | MUTTER M6X1 D980 8 ZN | TUERCA M6X1 D980 8 ZN |
| 7 | F01420036R | ROS.M6 6,4X 18X1,5 U6593 ZN | WASHER M6 6,4X 18X1,5 U6593 ZN | RONDELLE M6 6,4X18X1,5 U6593ZN | SCHEIBEN M6 6,4X18X1,5U6593 ZN | ARANDELA M6 6,4X18X1,5U6593ZN |
| 8 | F01020408R | VITE M6X1X30 U5739 8.8ZN | SCR. M6X1X30 U5739 8.8ZN | VIS M 6X1X30 | SCHRAUBE M 6X1X30 | TORNILLO M6X1X30 U5739 8 |

TAV.190



**KIT TABELLE STRADALI G99600018
ROAD TRANSPORT KIT G99600018**

TAV.190

| Pos. | Cod. | Descrizione | Description | Benennung | Description | Descripcion |
|------|------------|------------------------------|--------------------------------|--------------------------------|--------------------------------|-------------------------------|
| 1 | G16612070R | TELAIO SUPP.TABELLE STRAD. | FRAME SUPPORT TABLE | | | |
| 2 | M04700558R | SUPPORTO TABELLA INGOMBRO | LIGHT-CHART SUPPORT | | | |
| 3 | F05010817R | TABELLE 2 CAR.SPORGENTI FR-D | WARNING BOARDS 2 FR-DE | TABLEAUX 2 AVERTISSEM. FR-DE | BRETT 2 WARNUNG FR-DE | TABLAS 2 CAR.ADVERT. FR-DE |
| 4 | F05010820R | CATARIFR.TONDO D60 ROSSO | ROUND REFLECTOR D.60 RED | | | |
| 5 | M04700563R | SUPPORTO LUCE D INGOMBRO | SUPPORT LIGHT OVERALL | | | |
| 6 | G18803050R | BOCCOLA 8,5X16X16 PL | BUSHING 8,5X16X16 PL | | | |
| 7 | F01420036R | ROS.M6 6,4X 18X1,5 U6593 ZN | WASHER M6 6,4X 18X1,5 U6593 ZN | RONDELLE M6 6,4X18X1,5 U6593ZN | SCHEIBEN M6 6,4X18X1,5U6593 ZN | ARANDELA M6 6,4X18X1,5U6593ZN |
| 8 | F05010833R | KIT LUCI POST.STRAD.ECCEZ. | KIT REAR ROAD LIGHTS M.EXCEP. | | | |
| 9 | F01020040R | VITE M6X1X40 U5737 8.8ZN | SCR. M6X1X40 U5737 8.8ZN | VIS M6X1X40 U5737 8.8ZN | SCHRAU. M6X1X40 U5737 8.8ZN | TORNILLO M6X1X40 U5737 8 |
| 10 | F01220011R | DADO M6X1 D980 8ZN | NUT M6X1 D980 8ZN | ECROU M6X1 D980 8 ZN | MUTTER M6X1 D980 8 ZN | TUERCA M6X1 D980 8 ZN |
| 11 | F01020404R | VITE M6X1X20 U5739 8.8ZN | SCREW M6X1X20 U5739 8.8ZN | VIS M6X1X20 U5739 8.8ZN | SCHRAUBE M6X1X20 U5739 8.8ZN | TORNILLO M6X1X20 U5739 8.8ZN |
| 12 | F05010819R | CATARIFR.TONDO D60 GIALLO | ROUND REFLECTOR D.60 YELLOW | JAUNE R FLECTEUR ROUND | RUNDFLEKTOR GELB D60 | REFLECTOR REDONDO AMARILLO |

TAV.200

TABELLA SUPPLEMENTARE DC - DM - DM RAPIDO 3000-3500-4000

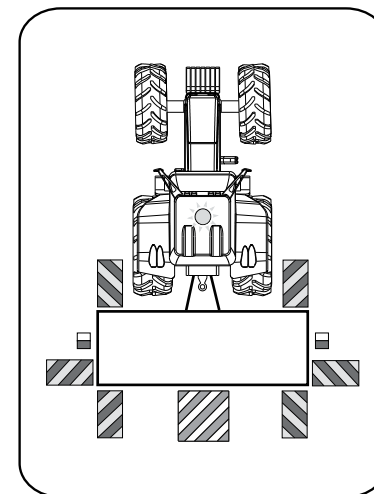
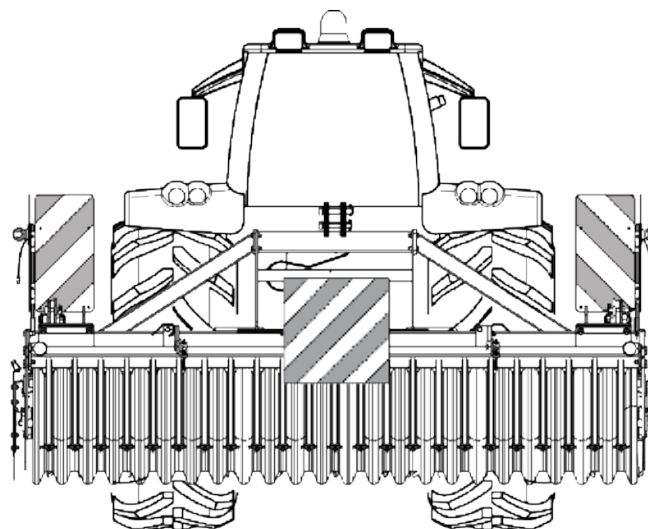
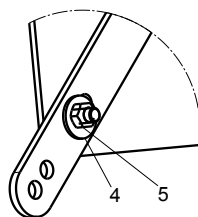
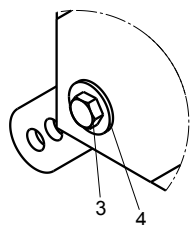
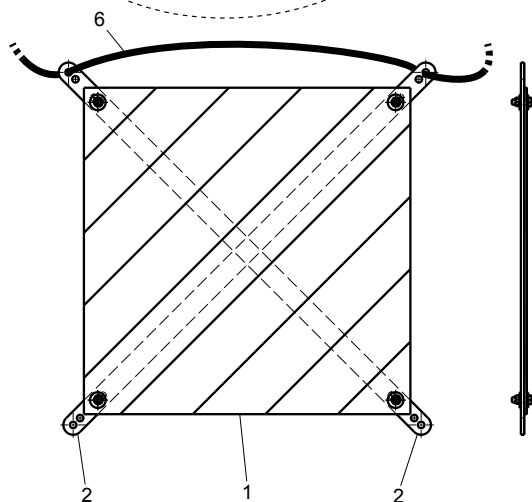
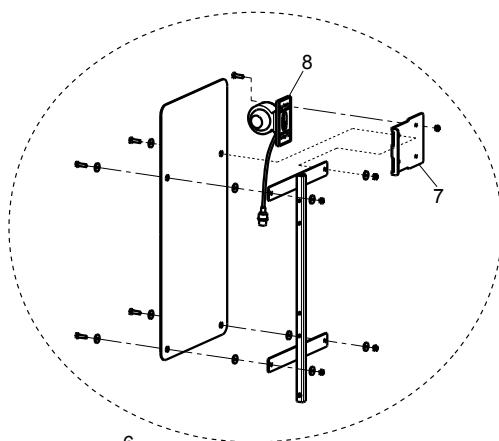
(PER IL MONTAGGIO VEDERE ANCHE TAV.140)

**CONSULTARE LIBRETTO USO E MANUTENZIONE*.*

SUPPLEMENTARY ROAD PANEL FOR DC - DM - DM RAPIDO 3000-3500-4000

(FOR ASSEMBLY SEE ALSO TAB.140)

**MAKE REFERENCE TO THE OPERATION MANUAL*.*



PER IL POSIZIONAMENTO FARE RIFERIMENTO ALLE ISTRUZIONI ALLEGATE ALLA TABELLA.

FOR POSITIONING MAKE REFERENCE TO THE INSTRUCTIONS INCLUDED WITH THE ROAD PANELS.

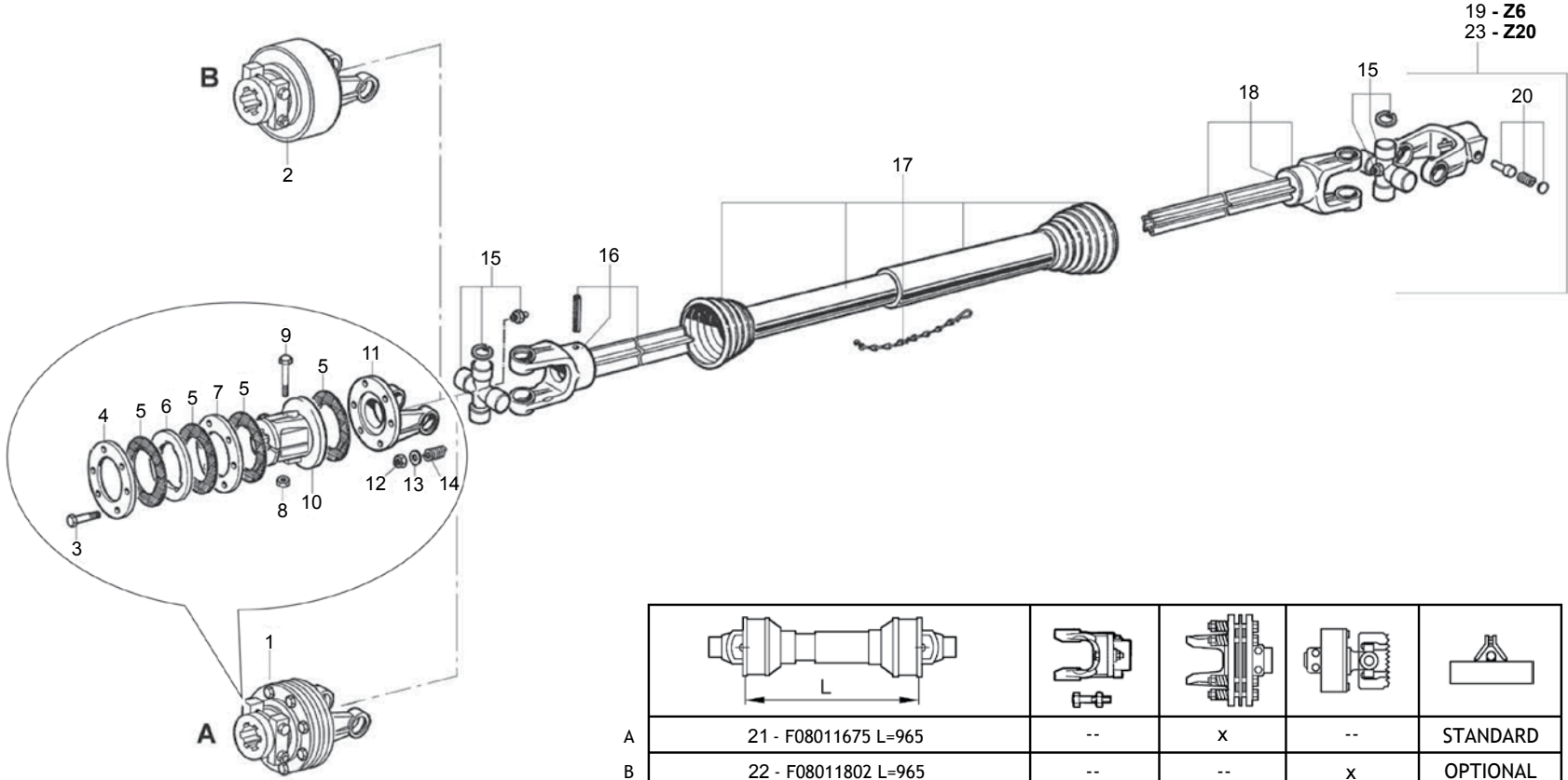
**KIT TABELLE STRADALI G99600032
ROAD TRANSPORT KIT G99600032**

TAV.200

| Pos. | Cod. | Descrizione | Description | Benennung | Description | Description |
|------|------------|--------------------------------|--------------------------------|--------------------------------|--------------------------------|-------------------------------|
| 1 | F05011000R | TABELLA CAR. SPORGENTI 500X500 | WARNING BOARD 500X500 | | | |
| 2 | M75400043R | SUPPORTO TAB.CAR.SPORG.500X500 | SUPPORT FOR PANEL 500X500 IT | | | |
| 3 | F01020440R | VITE M8X1,25X25 U5739 8.8ZN | SCR. M8X1,25X25 U5739 8.8ZN | VIS M8X1,25X25 U5739 8.8 ZN | SCHRAUBE M8X1,25X25U5739 8.8ZN | TORNILLO M8X1,25X25 U5739 8.8 |
| 4 | F01420048R | ROS.M8 8,4X 24X 2 U6593 ZN | WASHER M8 8,4X 24X2 U6593 ZN | RONDELLE M8 8,4X24X 2 U6593 ZN | SCHEIBEN M8 8,4X24X 2 U6593 ZN | ARAND.M8 8,4X 24X 2 U6593 ZN |
| 5 | F01220022R | DADO M8X1,25 D980 8ZN | NUT M8X1,25 D980 8ZN | ECROU M8X 1,25 D980 8 ZN | MUTTER M8X 1,25 D980 8 ZN | TUERCA M8X 1,25 D980 8 ZN |
| 6 | F05150355R | CORDA ELAST. GANCIO D=8X800 | ELASTIC CABLE HOOK D8 L800 | | | |
| 7 | M04700562R | SUPPORTO LUCE D INGOMBRO | SUPPORT LIGHT OVERALL | | | |
| 8 | F05010847R | KIT LUCI PORT.POST.LAT.ECCEZ. | KIT REAR LIGHTS LATOUTSTANDING | | | |

TAV.210

WALTERSCHEID

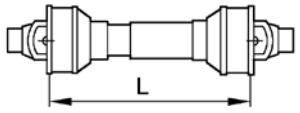

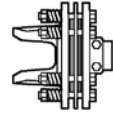
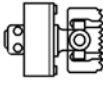



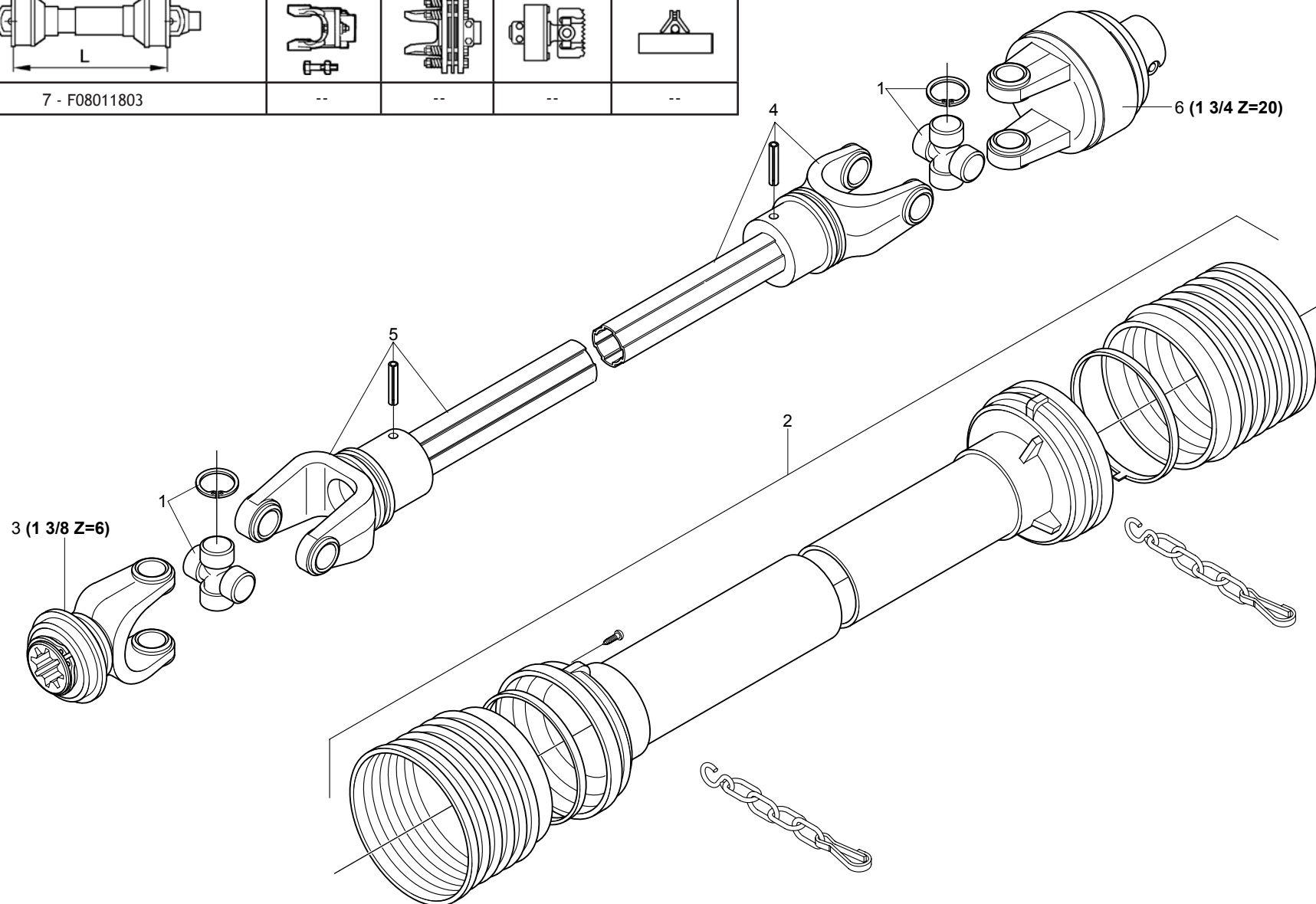
**CARDANO
CARDAN SHAFT**

TAV.210

| Pos. | Cod. | Descrizione | Description | Benennung | Description | Description |
|------|------------|-------------------------------|-------------------------------|--------------------------------|---------------------------------|--------------------------------|
| 1 | F08011355R | LIMITATORE 139149 K90 4 2500 | CLUTCH ASSY GNK.K90 41 | | LIMITEREN 139149 K90 4 2500 | |
| 2 | F08011331R | LIMITATORE DI COPPIA K64 22RM | CLUTCH ASSY | EMBAYAGE COMPL. | KOMPL. KUPPLUNG | FRICCION COMPL. |
| 3 | F01010065R | VITE M12X1,25X110 U5738 8.8ZN | SCR. M12X1,25X110 U5738 8.8ZN | VIS M 12X1,25X110 | SCHRAUBE M 12X1,25X110 | TORNILLO M 12X1,25X110 |
| 4 | F08010972R | DISCO DI PRESSIONE | PRESSURE DISC | DISQUE DE PRESSION | DRUCKSCHEIBE | DISCO DE PRESION |
| 5 | F08010909R | DISCO D ATTRITO | FRICTION DISK | DISQUE DE FROTTEMENT | KUPPLUNGSSCHEIBE | DISCO FROTAMIENTO |
| 6 | F08010936R | DISCO DI TRASCINAMENTO | DRIVING DISK | DISQUE | SCHUBBETRIEBSCHEIBE | DISCO ARRASTRE |
| 7 | F08010954R | DISCO INTERMEDIO | INTERNAL DISC SERIES | DISQUE INTERMEDIAIRE | ZWISCHENSCHIEBE SERIE | DISCO INTERMEDIO SERIE |
| 8 | F01230059R | DADO M12X1,75 D982 8ZN | LOCK-NUT M12X1,75 D982 8ZN | ECR.AUTO-FREI.M12X1,75 ZN | SICHERUNGSMUT.M12X1,75 D982 8ZN | TUER.DE SEGUR.M12X1,75 D982 ZN |
| 9 | F01020164R | VITE M12X1,75X70 U5737 8.8ZN | SCREW M12X1,75X70 U5737 8.8ZN | VIS M12X1,75X70 ZN | SCHR. M12X1,75X70 U5737 8.8 ZN | TORNILLO M12X1,75X70 U5737 8. |
| 10 | F08011087R | MOZZO SCANALATO | SPLINED HUB | ENTRAINEUR | MITNEHMER | ARRASTRADO |
| 11 | F08010417R | 36.73.01 FORCELLA GR.2500 | FLANGE FORK | FOURCHE AVEC FLASQUE | GABELSTUECK M. FLANSCH | HORQUILLA BRIDA |
| 12 | F01200073R | DADO M12X1,25 U5587 CL8 ZN | NUT M12X1,25 U5587 6SN | ECROU M12X1,25 U5587 6S ZN | MUTTER M12X1,25 U5587 6S ZN | TUERCA M12X1,25 U5587 6S ZN |
| 13 | F01410076R | ROS.M12 13X 24X2,5 U6592 ZN | WASHER 12 13X 24X2,5 U6592 ZN | RONDEL. M12 13X24X2,5 U6592 ZN | SCHEIBE M12 13X24X2,5 U6592 ZN | ARAND.M12 13X 24X2,5 U6592 ZN |
| 14 | F08011222R | 660153 MOLLA DI PRESSIONE | PRESSURE SPRING | RESSORT DE PRESSION | DRUCKFEDER | MUELLE DE PRESION |
| 15 | F08010686R | CROCIERA COMPLETA | SPIDER ASSY | CROISIERE COMPL. | GELENKKREUZ KOMPL. | CRUCETA COMPLETA |
| 16 | F08010533R | FORCELLA CON TUBO INTERNO | FORK WITH INTERNAL PIPE | FOURCHE AVEC TUBE INTERIEUR | GABELST. INNENROHR | HORQUILLA TUBO INTERNO |
| 17 | F08010851R | PROTEZIONE COMPLETA | PROTECTION ASSY | PROTECTION COMPL. | KOMPL. SCHUTZ | PROTECCION COMPL. |
| 18 | F08010721R | FORCELLA TUBO ESTERNO | FORK WITH EXTERNAL PIPE | FOURCHE AVEC TUBE EXTERIEUR | GABELST. AUSSENROHR | HORQUILLA TUBO ESTERNO |
| 19 | F08010459R | FORCELLA COMP.PULS.-1 3 8 Z6 | LINKAGE FORK-1 3 8 Z6 | FOURCHE ATTELAGE-1 3 8 Z6 | GABELSTUECK-1 3 8 Z6 | HORQUILLA ATAQUE-1 3 8 Z6 |
| 20 | F08011168R | 339107 PULSANTE | YOKE PIN 339107 | POUSSOIR COMPL. | DRUCKKNOPF KOMPL. | PULSADOR COMPL. |
| 21 | F08011675R | CARD.GKN PER DCR-SCM A DISCHI | PTO SHAFT GKN DCR-SCM W DISKS | | | |
| 22 | F08011802R | CAR.GKN CAMME 3 8 Z6 LT L965 | PTO GKN CAMME 3 8 Z6 LT L96 | | | |
| 23 | F08010460R | FORCELLA 1 3 4 Z20 X W 2500 | LINKAGE FORK-1 3 4 Z20 | FOURCHE ATTELAGE-1 3 4 Z20 | GABELSTUECK-1 3 4 Z20 | HORQUILLAATAQUE-1 3 4 Z20 |

BONDIOLI - PAVESI

| | | | | |
|---|---|---|--|---|
|  |  |  |  |  |
| 7 - F08011803 | -- | -- | -- | -- |



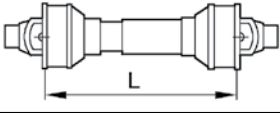
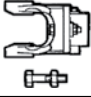
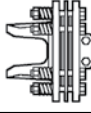
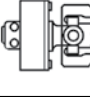
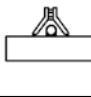
**CARDANO
CARDAN SHAFT**

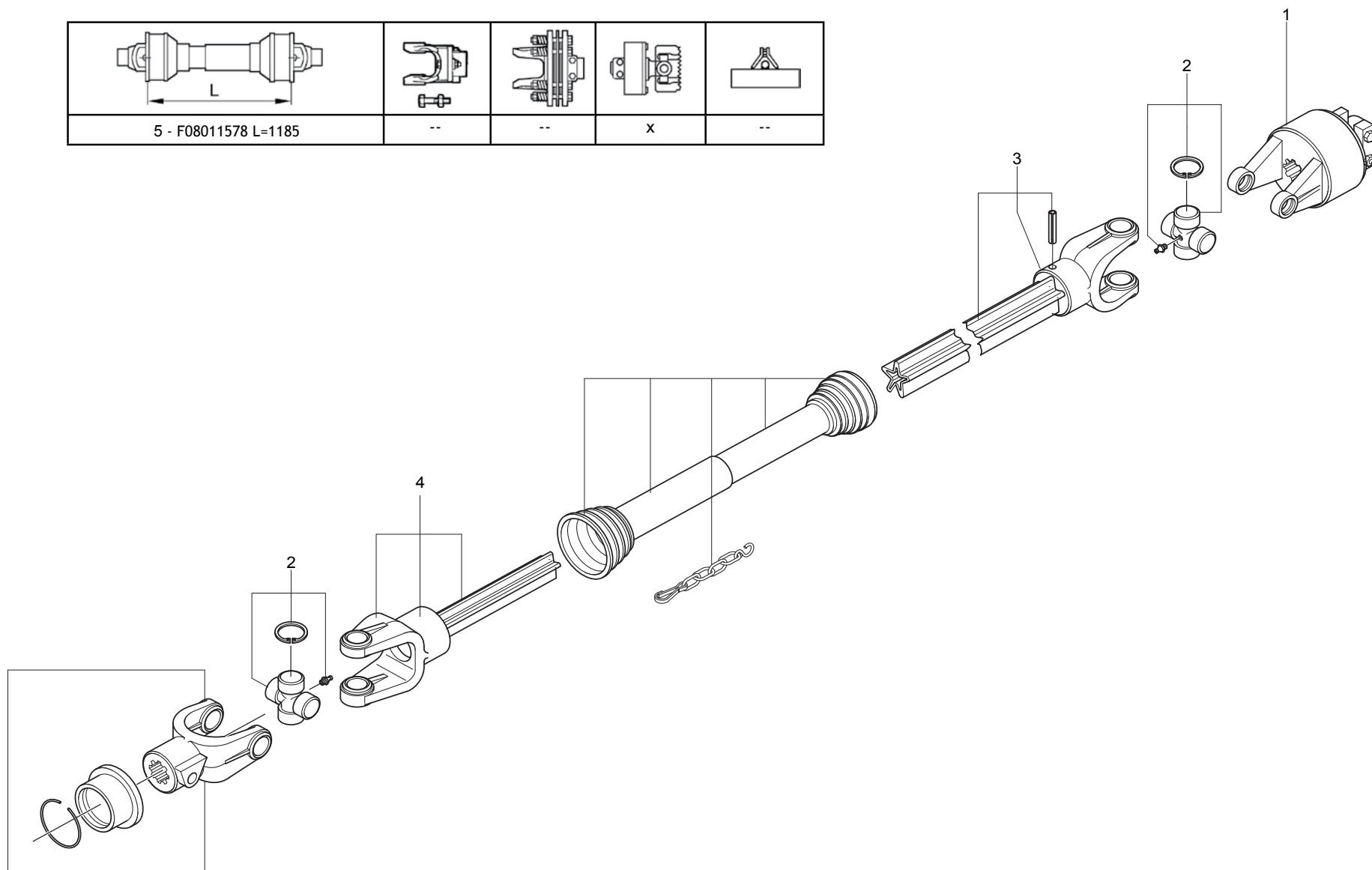
TAV.220

| Pos. | Cod. | Descrizione | Description | Benennung | Description | Description |
|------|------------|--------------------------------|-------------------------------|-----------------------------|--------------------|------------------------|
| 1 | F08010690R | CROCIERA COMPLETA | SPIDER ASSY | CROISILLON COMPL. | GELENKKREUZ KOMPL. | CRUCETA COMPLETA |
| 2 | F08010834R | PROT. COMPLETA BOS8 | PROTECTION ASSY | PROTECTION COMPL. | KOMPL. SCHUTZ | PROTECCION COMPL. |
| 3 | F08013041R | FORC.COMPL. BO S8 3 8Z63 | FORK | | | |
| 4 | F08013014R | FORC.INT.S8 TUB 1000 | FORK WITH INTERNAL PIPE | FOURCHE AVEC TUBE INTERIEUR | GABELST. INNENROHR | HORQUILLA TUBO INTERNO |
| 5 | F08010242R | FORC TUBO SP.GHIERA EST.S8 | FORK EST. S8 | | | |
| 6 | F08013040R | FRIZ.BO COMP.NOT 3 4 Z20 2500N | FRIZ.BO COMP.NOT 3 4 Z20 2500 | | | |
| 7 | F08011803R | CAR 50 BO 38Z6 CAM 2500 L1063 | PTO 50 BO 38Z6 CAM 2500 L1063 | | | |

TAV.230

WALTERSCHEID

| | | | | |
|---|---|---|--|---|
|  |  |  |  |  |
| 5 - F08011578 L=1185 | -- | -- | X | -- |



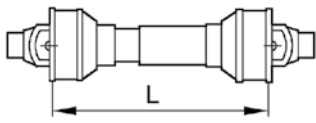
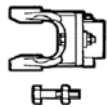
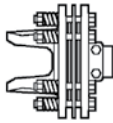
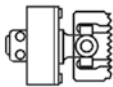

**CARDANO
CARDAN SHAFT**

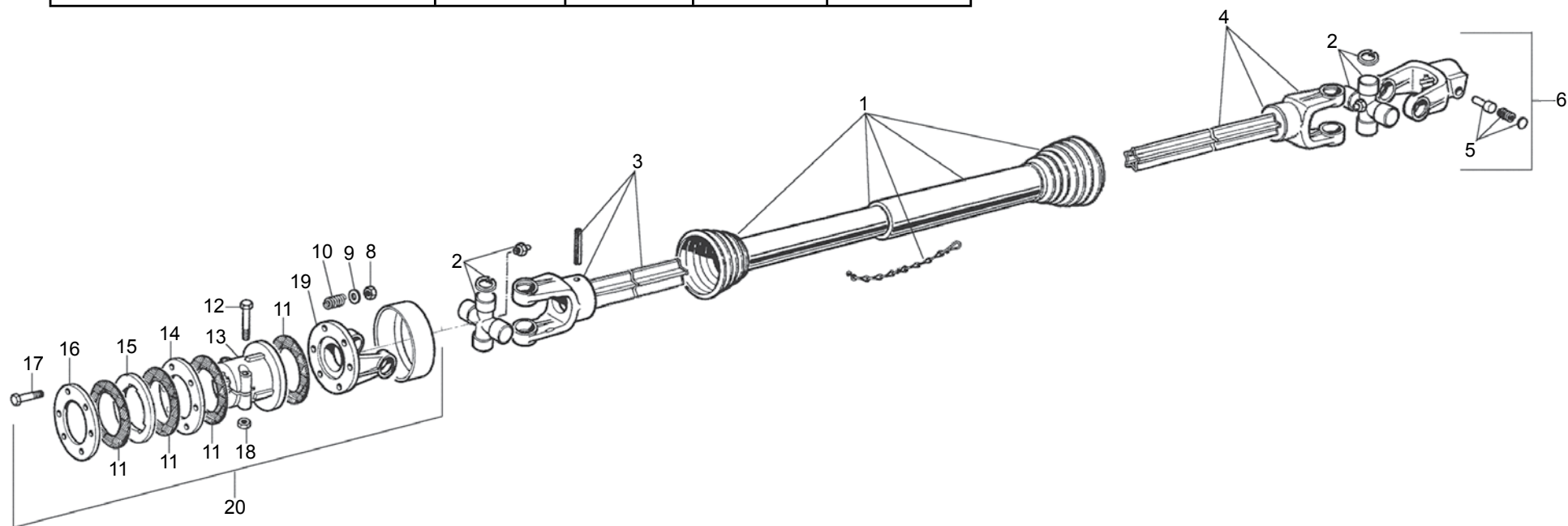
TAV.230

| Pos. | Cod. | Descrizione | Description | Benennung | Description | Description |
|------|------------|--------------------------------|--------------------------|-----------------------------|---------------------|------------------------|
| 1 | F08011006R | FRIZIONE COMP.C.GKN K64 2R 29 | CLUTCH ASSY | EMBAYAGE COMPL. | KOMPL. KUPPLUNG | FRICCION COMPL. |
| 2 | F08010670R | CROCIERA COMPLETA | SPIDER ASSY | CROISIERE COMPL. | GELENKKREUZ KOMPL. | CRUCETA COMPLETA |
| 3 | F08010196R | FORCELLA COMPL. ALBERO ESTERNO | FORK WITH EXTERNAL SHAFT | FOURCHE AVEC TUBE EXT. | GABELST. AUSSENROHR | HORQUILLA TUBO EXT. |
| 4 | F08010197R | FORCELLA COMPL. ALBERO INTERNO | FORK WITH INTERNAL PIPE | FOURCHE AVEC TUBE INTERIEUR | GABELST. INNENROHR | HORQUILLA TUBO INTERNO |
| 5 | M00572151R | ALBERO CARDANICO COMPLETO | UNIVERSAL P T O SHAFT | ARBRE A CARDAN | GELENKWELLE | ARBOL CARDANICO |

TAV.240

WALTERSCHEID

| | | | | |
|---|---|---|---|---|
|  |  |  |  |  |
| 22 - F08011592 L=1007 | -- | X | -- | -- |



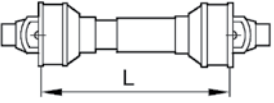
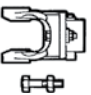

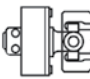

**CARDANO
CARDAN SHAFT**

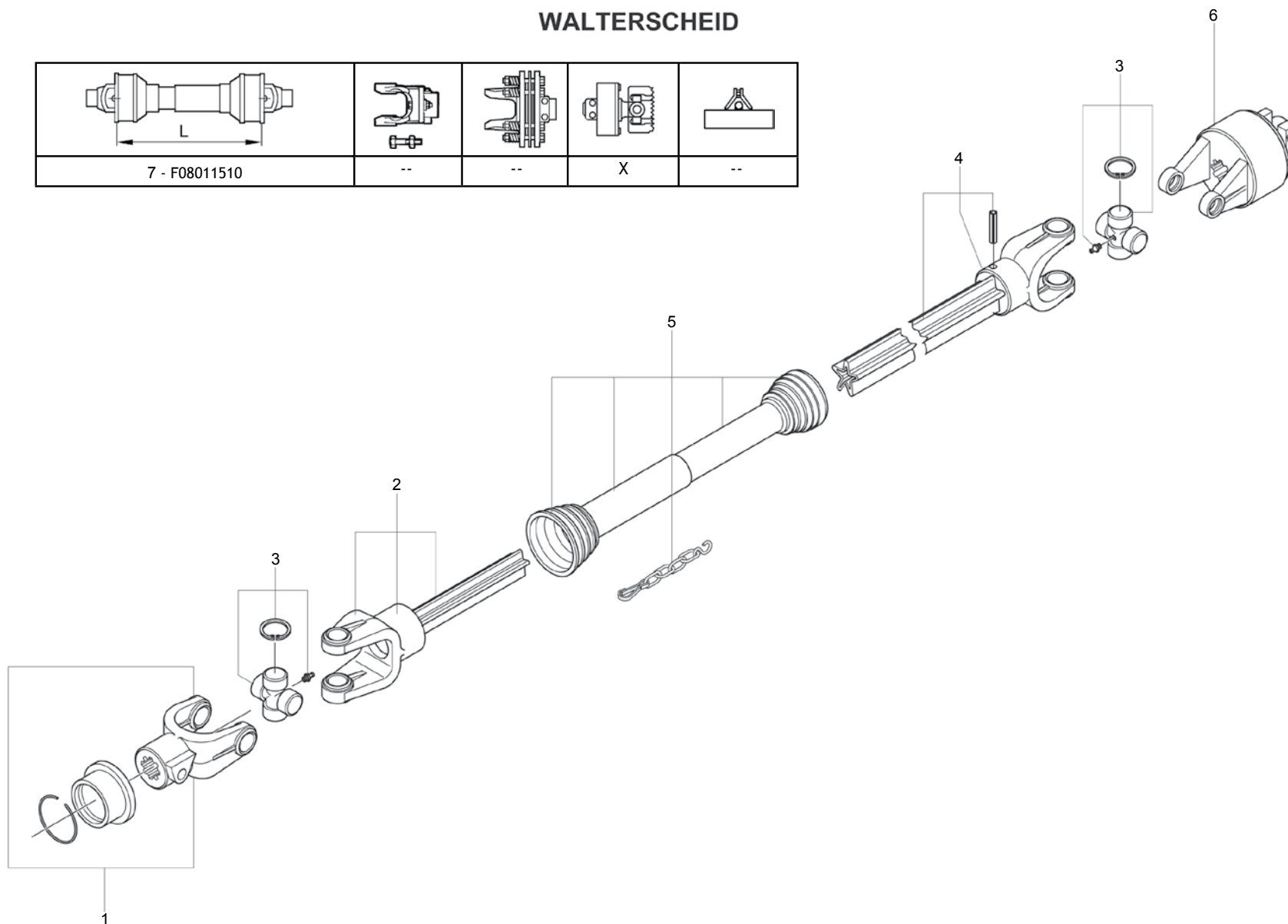
TAV.240

| Pos. | Cod. | Descrizione | Description | Benennung | Description | Description |
|------|------------|--------------------------------|-------------------------------|--------------------------------|---------------------------------|--------------------------------|
| 1 | F08010873R | 693066 PROTEZIONE CONPL.GKN | COMPL. PROTECTION GKN 693066 | | KOMPL. SCHUTZ | |
| 2 | F08010674R | CROCIERA COMPLETA | SPIDER ASSY | CROISIERE COMPL. | GELENKKREUZ KOMPL. | CRUCETA COMPLETA |
| 3 | F08010196R | FORCELLA COMPL. ALBERO ESTERNO | FORK WITH EXTERNAL SHAFT | FOURCHE AVEC TUBE EXT. | GABELST. AUSSENROHR | HORQUILLA TUBO EXT. |
| 4 | F08010197R | FORCELLA COMPL. ALBERO INTERNO | FORK WITH INTERNAL PIPE | FOURCHE AVEC TUBE INTERIEUR | GABELST. INNENROHR | HORQUILLA TUBO INTERNO |
| 5 | F08011168R | 339107 PULSANTE | YOKE PIN 339107 | POUSSOIR COMPL. | DRUCKKNOPF KOMPL. | PULSADOR COMPL. |
| 6 | F08010464R | FORC.COMPL.PULSANTI 1 3 8 Z21 | COMPLETE FORK 1 3 8 Z21 | FOURCHE ATTELAGE | GABELSTUECK | HORQUILLA ATAQUE |
| 8 | F01200073R | DADO M12X1,25 U5587 CL8 ZN | NUT M12X1,25 U5587 6SZN | ECROU M12X1,25 U5587 6S ZN | MUTTER M12X1,25 U5587 6S ZN | TUERCA M12X1,25 U5587 6S ZN |
| 9 | F01410076R | ROS.M12 13X 24X2,5 U6592 ZN | WASHER 12 13X 24X2,5 U6592 ZN | RONDEL. M12 13X24X2,5 U6592 ZN | SCHEIBE M12 13X24X2,5 U6592 ZN | ARAND.M12 13X 24X2,5 U6592 ZN |
| 10 | F08011222R | 660153 MOLLA DI PRESSIONE | PRESSURE SPRING | RESSORT DE PRESSION | DRUCKFEDER | MUELLE DE PRESION |
| 11 | F08010909R | DISCO D ATTRITO | FRICTION DISK | DISQUE DE FROTTEMENT | KUPPLUNGSSCHEIBE | DISCO FROTAMIENTO |
| 12 | F01020164R | VITE M12X1,75X70 U5737 8.8ZN | SCREW M12X1,75X70 U5737 8.8ZN | VIS M12X1,75X70 ZN | SCHR. M12X1,75X70 U5737 8.8 ZN | TORNILLO M12X1,75X70 U5737 8. |
| 13 | F08011087R | MOZZO SCANALATO | SPLINED HUB | ENTRAINEUR | MITNEHMER | ARRASTRADO |
| 14 | F08010954R | DISCO INTERMEDIO | INTERNAL DISC SERIES | DISQUE INTERMEDIAIRE | ZWISCHENSCHIEBE SERIE | DISCO INTERMEDIO SERIE |
| 15 | F08010936R | DISCO DI TRASCINAMENTO | DRIVING DISK | DISQUE | SCHUBBETRIEBSCHIEBE | DISCO ARRASTRE |
| 16 | F08010972R | DISCO DI PRESSIONE | PRESSURE DISC | DISQUE DE PRESSION | DRUCKSCHIEBE | DISCO DE PRESION |
| 17 | F01010065R | VITE M12X1,25X110 U5738 8.8ZN | SCR. M12X1,25X110 U5738 8.8ZN | VIS M 12X1,25X110 | SCHRAUBE M 12X1,25X110 | TORNILLO M 12X1,25X110 |
| 18 | F01230059R | DADO M12X1,75 D982 8ZN | LOCK-NUT M12X1,75 D982 8ZN | ECR.AUTO-FREI.M12X1,75 ZN | SICHERUNGSMUT.M12X1,75 D982 8ZN | TUER.DE SEGUR.M12X1,75 D982 ZN |
| 19 | F08010346R | 267301 FORCELLA A FLANGIA | FLANGE FORK | FOURCHE AVEC FLASQUE | GABELSTUECK M. FLANSCH | HORQUILLA BRIDA |
| 20 | F08011015R | FRIZIONE COMPLETA GKN | CLUTCH ASSY | EMBAYAGE COMPL. | KOMPL. KUPPLUNG | FRICCION COMPL. |
| 22 | F08011592R | CARD.GKN 180158 | UNIVERSAL P T O SHAFT | ARBRE A CARDAN | GELENKWELLE | ARBOL CARDANICO |

TAV.250

WALTERSCHEID

| | | | | |
|---|---|---|---|---|
|  |  |  |  |  |
| 7 - F08011510 | -- | -- | X | -- |



**CARDANO
CARDAN SHAFT**

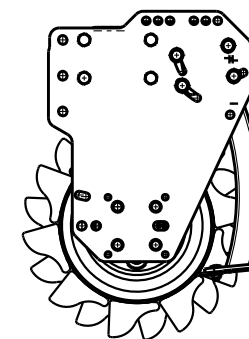
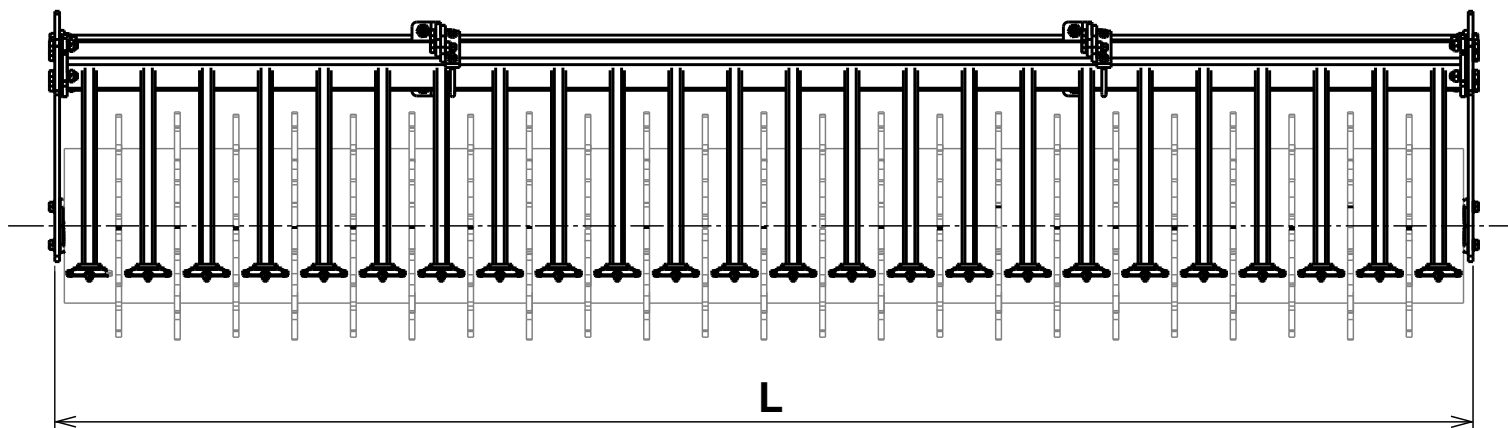
TAV.250

| Pos. | Cod. | Descrizione | Description | Benennung | Description | Description |
|------|------------|-------------------------------|-----------------------------|-----------------------------|---------------------|------------------------|
| 1 | F08010398R | FORCELLA 1 3 8 Z 21 2500 | FORK 1 3 8 Z21 GKN W2500 | | GABEL | |
| 2 | F08010533R | FORCELLA CON TUBO INTERNO | FORK WITH INTERNAL PIPE | FOURCHE AVEC TUBE INTERIEUR | GABELST. INNENROHR | HORQUILLA TUBO INTERNO |
| 3 | F08010686R | CROCIERA COMPLETA | SPIDER ASSY | CROISIERE COMPL. | GELENKKREUZ KOMPL. | GRUCETA COMPLETA |
| 4 | F08010721R | FORCELLA TUBO ESTERNO | FORK WITH EXTERNAL PIPE | FOURCHE AVEC TUBE EXTERIEUR | GABELST. AUSSENROHR | HORQUILLA TUBO ESTERNO |
| 5 | F08010851R | PROTEZIONE COMPLETA | PROTECTION ASSY | PROTECTION COMPL. | KOMPL. SCHUTZ | PROTECCION COMPL. |
| 6 | F08011331R | LIMITATORE DI COPPIA K64 22RM | CLUTCH ASSY | EMBAYAGE COMPL. | KOMPL. KUPPLUNG | FRICCION COMPL. |
| 7 | F08011510R | CAR 50 WA 38Z21 CAM 2500 L965 | PTO SHAFT 50 38Z21 CAM 2500 | | | |

| MODELLO / MODEL | L. [mm] |
|---|---------|
| DC 2500 | 2482 |
| DC 3000 - DM 3000 - DM 3000 RAPIDO - DM 3000 RAPIDO COMBI | 2974 |
| DM 3500 - DM 3500 RAPIDO - DM 3500 RAPIDO COMBI | 3466 |
| DM 4000 - DM 4000 RAPIDO - DM 4000 RAPIDO COMBI | 3958 |

L- RAPPRESENTA LA LARGHEZZA DEL RULLO E VIENE UTILIZZATA PER LA SELEZIONE DEI RICAMBI DEL RULLO, VEDERE IL CATALOGO RICAMBI RULLI ALLEGATO.

L- IT DESCRIBES THE ROLLER WIDTH, AND IT IS UTILIZED FOR THE SELECTION OF THE ROLLER SPARE PARTS SEE ROLLERS SPARE PARTS CATALOGUE ENCLOSED.



| Pos. | Cod. | Descrizione | Description | Benennung | Description | Descripcion |
|------|------|-------------|-------------|-----------|-------------|-------------|
| | | | | | | |

**USATE SEMPRE RICAMBI ORIGINALI
ALWAYS USE ORIGINAL SPARE PARTS
IMMER DIE ORIGINAL-ERSATZTEILE VERWENDEN
EMPLOYEZ TOUJOURS LES PIECES DE RECHANGE ORIGINALES
UTILIZAR SIEMPRE REPUESTOS ORIGINALES**



**Servizio Assistenza Tecnica - After Sales Service
Servizio Ricambi - Spare Parts Service**



maschio.com

DEALER:



MASCHIO GASPARDO SpA

Registered Office and Production Plant

Via Marcello, 73 - 35011 Campodarsego (Padova) - Italy

Tel. +39 049 9289810

Fax +39 049 9289900

info@maschio.com

www.maschionet.com

MASCHIO DEUTSCHLAND GMBH

Äußere Nürnberger Straße 5

D - 91177 Thalmässing - Deutschland

Tel. +49 (0) 9173 79000

Fax +49 (0) 9173 790079

dialog@maschio.de

www.maschionet.de

MASCHIO FRANCE Sarl

1 rue Denis Papin ZA

F - 45240 La Ferte St. Aubin

France

Tel. +33 (0) 2.38.64.12.12

Fax +33 (0) 2.38.64.66.79

info@maschio.fr

ООО МАСКИО-ГАСПАРДО РУССИЯ

04130, Россия,

Волгоградская область,

г. Волжский, ул. Пушкина, 117 «б».

Тел.: +7 8443 203100

факс: +7 8443 203101

e-mail: info@maschio.ru

MASCHIO GASPARDO SpA

Production Plant

Via Mussons, 7 - 33075 Morsano al Tagliamento (PN) - Italy

Tel. +39 0434 695410

Fax +39 0434 695425

info@gaspardo.it

MASCHIO-GASPARDO USA Inc

120 North Scott Park Road

Eldridge, IA 52748 - USA

Ph. +1 563 2859937

Fax +1 563 2859938

info@maschio.us

MASCHIO-GASPARDO ROMANIA S.R.L.

Strada Înfrăţirii, F.N.

315100 Chisineu-Cris (Arad) -România

Tel. +40 257 307030

Fax +40 257 307040

info@maschio.ro

MASCHIO IBERICA S.L.

MASCHIO-GASPARDO POLAND

MASCHIO-GASPARDO UCRAINA

GASPARDO-MASCHIO TURCHIA

MASCHIO-GASPARDO CINA

MASCHIO-GASPARDO INDIA