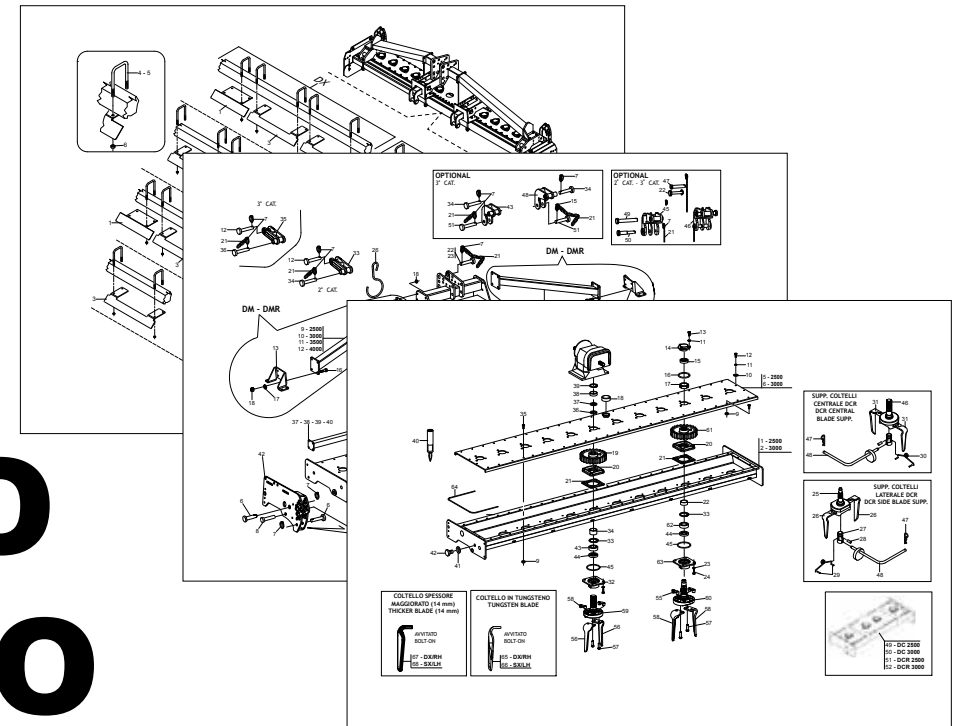


MASCHIO GASPARDO S.p.A.

DC - DC RAPIDO DM - DM RAPIDO



Cod: F07011114 2019-12

- *) Valido per Paesi UE
- *) Valid for EU member countries
- *) Valable dans les Pays UE
- *) Gilt für EU-Mitgliedsländer
- *) Válido para Países UE

- IT** PARTI DI RICAMBIO
- EN** SPARE PARTS
- DE** ERSATZTEILE
- FR** PIÈCES DÉTACHÉES
- ES** PIEZAS DE REPUESTO

PARTI DI RICAMBIO

SPARE PARTS

ERSATZTEILE

PIECES DÉTACHÉES

RESPUESTOS

Le ordinazioni delle parti di ricambio vanno fatte presso i nostri concessionari di zona e devono essere sempre corredate dalle seguenti indicazioni:

- **Tipo, modello e numero di matricola dell'attrezzatura.** Tali dati sono stampigliati nell'apposita targhetta di cui è dotata ogni attrezzatura.

- **Numero di codice della parte richiesta** rilevabile dal catalogo ricambi.

- **Descrizione del particolare e quantità richiesta.**

- **Numero della tavola.**

- **Mezzo di trasporto.** Nel caso questa voce non sia specificata, la Ditta Costruttrice, pur dedicando a questo servizio una particolare cura, non risponde di eventuali ritardi di spedizione dovuti a cause di forza maggiore.

Le spese di trasporto si intendono sempre a carico del destinatario. La merce viaggia a rischio e pericolo del committente anche se venduta franco destino.

NOTA: Il termine **(Dx) Destro** o **(Sx) Sinistro** della macchina o di parti di essa, è inteso guardando la macchina dalla parte posteriore. Le eccezioni saranno indicate.

Orders must be transmitted through our area dealers and should always include the following indications:

- **Type, model and serial number of the machine.** *These data are punched on the data plate with which every implement is equipped.*

- **Code number of the required spare part.** *This will be found in the spare parts catalogue.*

- **Description of the part and required quantity.**

- **Table number.**

- **Means of dispatch.** *If this item is not indicated, the Manufacturer, while dedicating particular care to this service, shall not be held responsible for delays in delivery caused by cases of force majeure.*

Transport expenses shall always be at the consignee's charge. The goods travel at the purchaser's risk and peril even when sold ex destination.

NOTE: *The symbols (Dx) right and (Sx) left, concerning the machine or single parts of it, are referred, as in the figure, to a rear view of them. Exceptions will be indicated.*

Die Bestellungen müssen bei unseren Gebietshändlern aufgegeben werden. Bei der Bestellung sind stets die folgenden Angaben zu machen:

- **Typ, Modell und Serien-Nummer des Geräts.** Diese Daten stehen auf dem Typenschild, mit dem jedes Gerät versehen ist.

- **Artikel Nr. der erforderlichen Ersatzteile.** Diese stehen im Ersatzteil-Katalog.

- **Beschreibung des Ersatzteils und die erforderliche Stückzahl.**

- **Tafelnummer.**

- **Versandmittel.** Wenn dieser Punkt nicht spezifiziert wird, haftet die Herstellerfirma nicht für etwaigen Lieferverzug aufgrund höherer Gewalt, auch wenn er diesen Service besonders aufmerksam abwickelt.

Die Frachtkosten gehen dagegen immer zu Lasten des Empfängers. Die Ware reist auf Gefahr und Risiko des Auftraggebers, auch wenn frei Haus Verkauft vereinbart worden ist.

N.B.: Die Merkzeichen **(Dx) rechts** und **(Sx) links** betreffen eine rückwärtige Aussicht der Maschine oder Teile von ihr (siehe Bild). Ausnahmen werden gezeigt.

Les ordres doivent être effectués auprès de nos concessionnaires de zone en précisant les indications suivantes:

- **Type, modèle et numéro de série de la machine.** *Ces données sont gravées sur la plaque d'identification de chaque outil.*

- **Numéro de code de la pièce détachée** *indiqué sur le catalogue des pièces détachées.*

- **Description de la pièce et quantité requise.**

- **Numéro de plan.**

- **Moyen d'expédition.** *Si cette rubrique n'est pas indiquée, le Constructeur, bien que soucieux de ce service, ne répond pas des retards d'expédition pour des causes de force majeure.*

Les frais de transport sont toujours à la charge du destinataire. La marchandise voyage aux risques et périls de l'acheteur même si vendue franco de port.

N.B.: *Les références (Dx) droit et (Sx) gauche de la machine ou des parties de la même, est entendue, comme de la figure, en regardant la machine de derriere dans le sens de marche.*

Los pedidos han de efectuarse en nuestros concesionarios de zona y deben incluir siempre las siguientes indicaciones:

- **Tipo, modelo y número de matrícula del equipo.** Dichos datos están impresos en la relativa placa presente en el equipo.

- **Número de código de la parte requerida** presente en el catálogo respuestas.

- **Descripción de la pieza y cantidad requerida.**

- **Numero de ilustración.**

- **Medio de transporte.** En caso que este ítem no esté especificado, el Fabricante, aún prestando la debidas consideraciones para este aspecto, no responde por eventuales retardos de env'o debidos a causas de fuerza mayor.

Los gastos de transporte se consideran siempre a cargo del destinatario. La mercadería viaja bajo riesgo y peligro del comprador, incluso cuando se vende franco destino.

N.B.: La referencia **(Dx) derecha** o **(Sx) izquierda** de la máquina o de sus componentes, se entiende, como en la figura, mirando la máquina por la parte trasera. Se indicarán las excepciones.

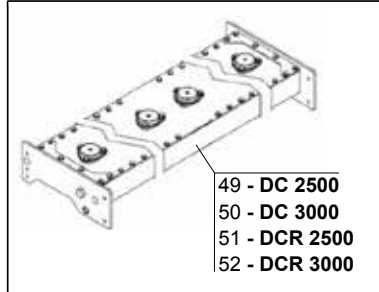
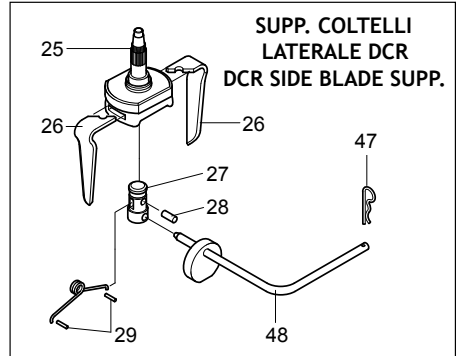
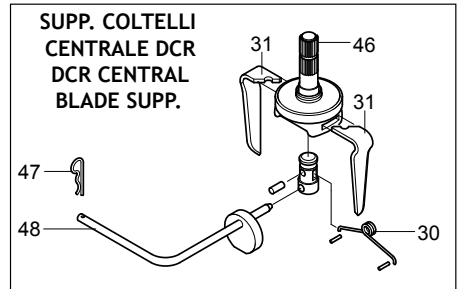
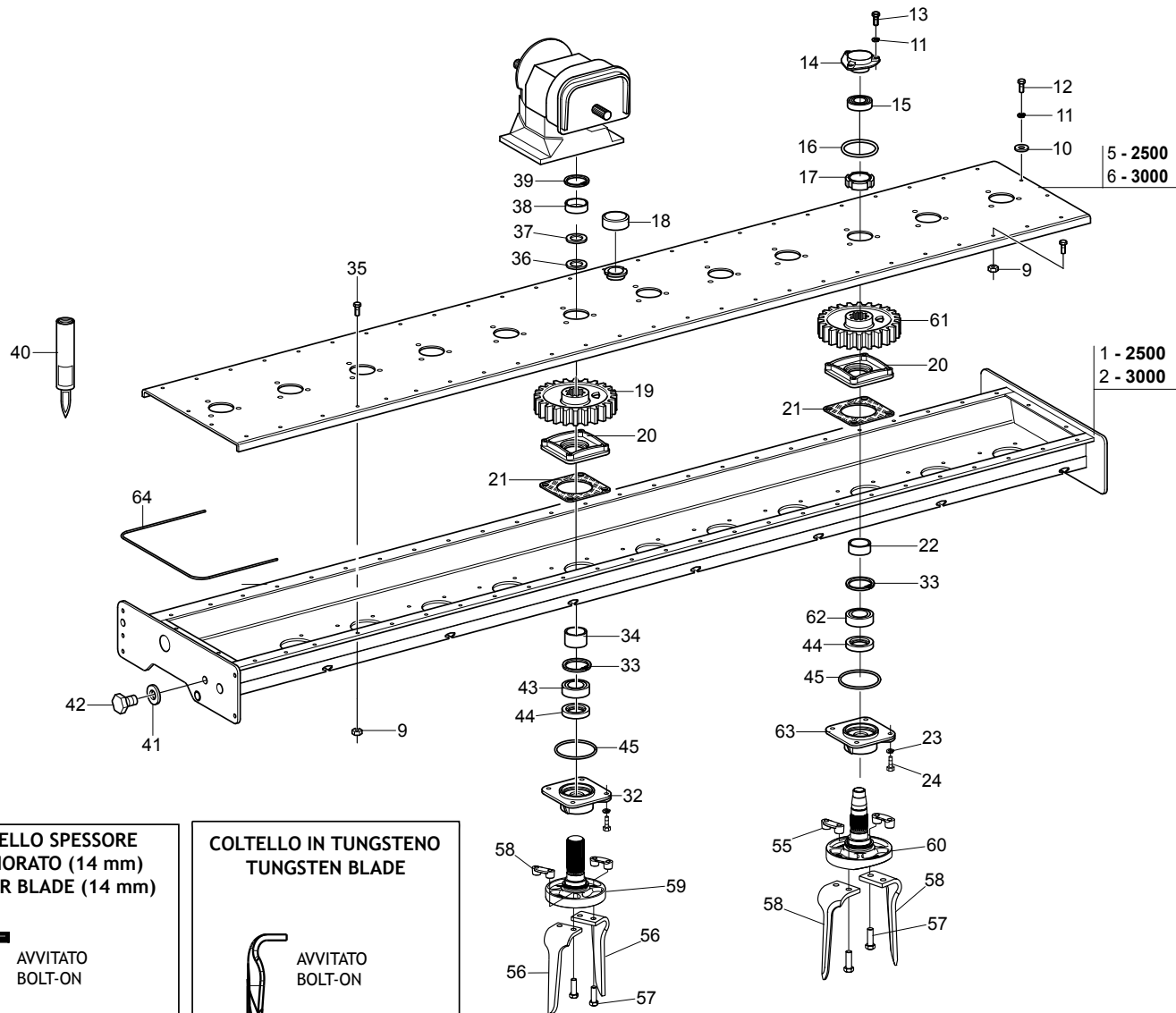
INDICE

N° Tavola	Descrizione	Pagina
TAV.011	TELAIO E ROTORI DC-DCR	5
TAV.021	TELAIO E ROTORI DM - DMR	9
TAV.031	GRUPPO TERZO PUNTO STD.	13
TAV.040	GRUPPO TERZO PUNTO COMBI	15
TAV.050	GRUPPO CAMBIO.....	17
TAV.060	PROTEZIONI LATERALI.....	21
TAV.070	BARRA LIVELLATRICE.....	23
TAV.080	REGOLAZIONE MECCANICA RULLO (VERS. STANDARD)	25
TAV.090	REGOLAZIONE IDRAULICA RULLO (VERS. STANDARD).....	27
TAV.100	BRACCIO COLLEGAMENTO RULLO (VERS. COMBI)	29
TAV.110	CUNEI DEFLETTORI AVVITATI	31
TAV.120	GRUPPO PROTEZIONI CE (ANTERIORI).....	33
TAV.130	GRUPPO PROTEZIONI <<CE>> (POSTERIORI).....	35
TAV.140	OPTIONALS	37
TAV.150	OPTIONALS	39
TAV.160	KIT SUPPORTI PER TRASPORTO STRADALE	41
TAV.170	KIT TABELLE STRADALI G99600006	43
TAV.180	KIT TABELLE STRADALI G99600017	45
TAV.190	KIT TABELLE STRADALI G99600018	47
TAV.200	KIT TABELLE STRADALI G99600032	49
TAV.210	CARDANO.....	51
TAV.220	CARDANO.....	53
TAV.230	CARDANO.....	55
TAV.240	CARDANO.....	57
TAV.250	CARDANO.....	59
TAV.260	CARDANO.....	61
TAV.270	CARDANO.....	63
TAV.280	TABELLA RULLI	64

INDEX

N° Table	Description	Page
TAV.011	FRAME AND ROTORS DC-DCR.....	5
TAV.021	FRAME AND ROTORS DM - DMR	9
TAV.031	3RD-POINT UNIT STD.....	13
TAV.040	3RD-POINT UNIT COMBI.....	15
TAV.050	GEARBOX.....	17
TAV.060	SIDE PANELS	21
TAV.070	LEVELING BAR.....	23
TAV.080	ROLLER MECHANICAL ADJ. (STANDARD VERSION).....	25
TAV.090	ROLLER HYDRAULIC ADJ. (STANDARD VERSION).....	27
TAV.100	ROLLER CONNECTING BRACKET (COMBI VERSION).....	29
TAV.110	BOLT-ON STEEL DEFLECTORS.....	31
TAV.120	(FRONT) EC GUARDS UNIT	33
TAV.130	(REAR) <<EC>> GUARDS UNIT	35
TAV.140	OPTIONALS.....	37
TAV.150	OPTIONALS.....	39
TAV.160	ROAD TRANSPORT SUPPORTS KIT.....	41
TAV.170	ROAD TRANSPORT KIT G99600006.....	43
TAV.180	ROAD TRANSPORT KIT G99600017.....	45
TAV.190	ROAD TRANSPORT KIT G99600018.....	47
TAV.200	ROAD TRANSPORT KIT G99600032.....	49
TAV.210	CARDAN SHAFT.....	51
TAV.220	CARDAN SHAFT.....	53
TAV.230	CARDAN SHAFT.....	55
TAV.240	CARDAN SHAFT.....	57
TAV.250	CARDAN SHAFT.....	59
TAV.260	CARDAN SHAFT.....	61
TAV.270	CARDAN SHAFT.....	63
TAV.280	ROLLER TABLE	64

TAV.011



COLTELLO SPESSORE MAGGIORATO (14 mm)
THICKER BLADE (14 mm)

AVVITATO BOLT-ON

67 - DX/RH
68 - SX/LH

COLTELLO IN TUNGSTENO
TUNGSTEN BLADE

AVVITATO BOLT-ON

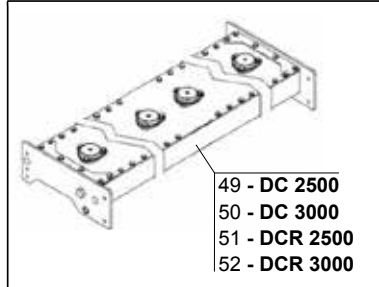
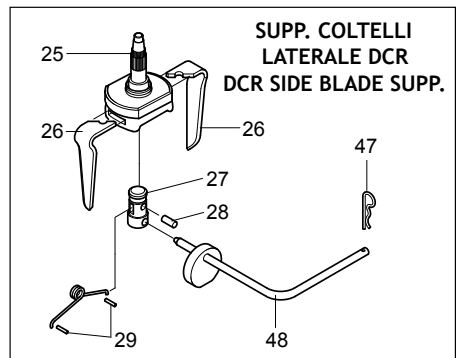
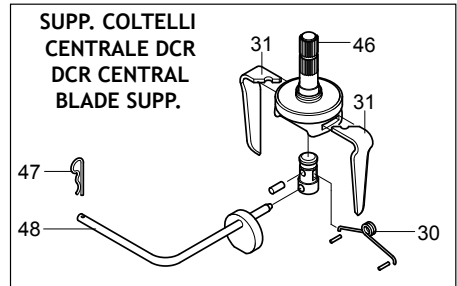
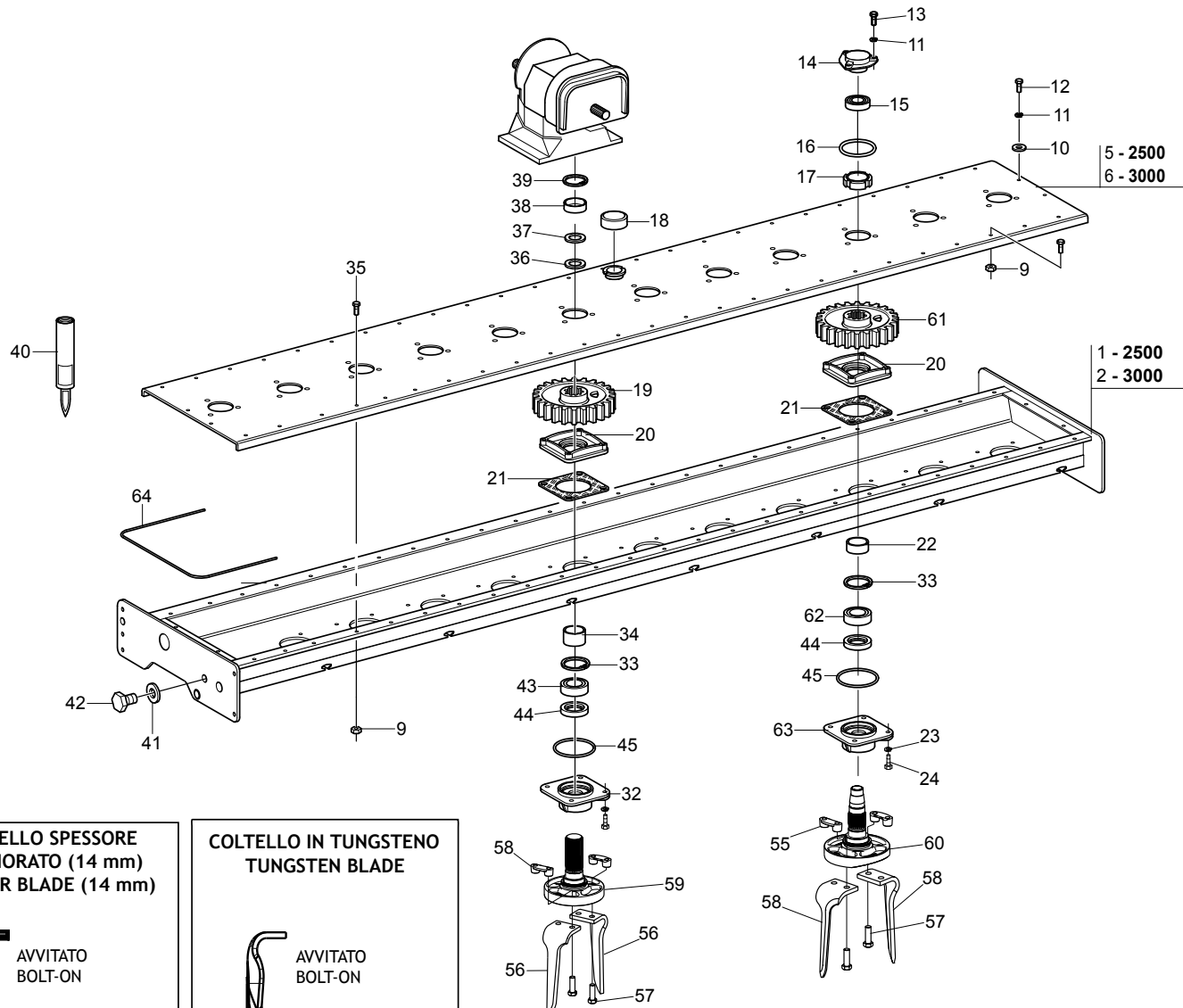
65 - DX/RH
66 - SX/LH

**TELAIO E ROTORI DC-DCR
FRAME AND ROTORS DC-DCR**

TAV.011

Pos.	Cod.	Descrizione	Description	Benennung	Description	Description
1	F01220047R	DADO M12X1,25	NUT M12X1,25	ECROU M12X1,25	MUTTER M12X1,25	TUERCA M12X1,25 D980 8 ZN
2	M26430582R	COMP.CORPO TRASMISSIONE L=2992	TRANSMISSION BOX L=2992	BOITE DE TRANSMISSION L=2992	ANTRIEBSKASTEN L=2992	CUERPO TRASMISSION L=2992
5	M23425510R	COMP.COPERCHIO C.TRASM.L=2462	UPPER PLATE L=2462	CAPOT SUPERIEUR L=2462	OBERBLECH L=2462	PLANCHA SUPERIOR L=2462
6	M23430510R	COMP.COPERCHIO C.TRASM.L=2954	UPPER PLATE L=2954	CAPOT SUPERIEUR L=2954	OBERBLECH L=2954	PLANCHA SUPERIOR L=2954
9	F01220034R	DADO M10X1,25	NUT M10X1,25	ECROU M10X1,25	MUTTER M10X1,25	TUER.M10X1,25 D980 8 ZB
10	F01410062R	ROS.M10 10,5X 18X 2	WASHER M10 10,5X 18X 2	RONDELLE M10 10,5X 18X 2	DICHTUNGSRING M10 10,5X18X2 ZN	ARANDELA M10 10,5X 18X 2 U6592 ZN
11	F01480112R	ROS.G 10,5X19X 3	GROWER WASHER D.10	GROWER RONDELLE D.10	SCHEIBE GROWER D.10	ARANDELA GROWER D.10
12	F20110012R	VITE M10X1,25X 35	SCREW M 10X1,25X35	VIS M 10X1,25X35	SCHRAUBE M 10X1,25X35	TORNILLO M 10X1,25X35
13	F20110012R	VITE M10X1,25X 35	SCREW M 10X1,25X35	VIS M 10X1,25X35	SCHRAUBE M 10X1,25X35	TORNILLO M 10X1,25X35
14	M38100344R	SUPPORTO CUSCINETTO SUPERIORE	BEARING SUPPORT	SUPPORT ROULEMENT	LAGERHALTER	SOPORTE
15	F04010179R	CUSC.D35 D72 B17 6207 2RSC3	BEARING D35 D72 B17 6207 2RSC3	ROULEMENT D35 D72 B17 6207	LAGER D35 D72 B17 6207 2RSC	COJINETE D35 D72 B17 6207
16	F03010684R	ANELLO OR 94,84X3,53 NGR	GASKET OR 94,84X3,53 NBR	BAGUE OR 94,84X3,53 NBR	RING OR 94,84X3,53 NBR	ANILLO OR 94,84X3,53 NBR
17	F02010144R	GHIERA AU.GUP M45X1,5 T.4H ZN	S.LOCK NUT GUP M45X1.5 T.4H ZN	COLLIER AUTOBL. M45X1,5 T.4H	SELBSTSP. M45X1,5 T.4H ZN	VIROLA AUTOBL. M45X1,5 T.4H
18	F03150746R	TAPPO CARICO OLIO	OIL INLET CAP	BOUCHON HUILE CHARGEMEN	ENTLUEFTERPFROPFEN	CORCHO OLEO
19	M36100306R	INGRANAGGIO LATERALE DM	GEAR	ENGRENAGE LATERAL DM	ZAHNRAD	ENGRANAJE
20	M19400308R	FLANGIA INTERNA	INNER FLANGE	FLASQUE INTERIEUR	INNENFLANSCH	BRIDA INTERNA
21	M27100309R	GUARNIZIONE FLEXOID 5 10	GASKET MM.0,5	JOINT MM.0,5	DICHTUNG MM.0,5	JUNTA MM.0,5
22	M27100306R	DISTANZIALE 50,9X63,5X20,5	SPACER	ENTRETOISE	DISTANZSTUECK	DISTANCIADOR
23	F01480123R	ROS.G 12,5X22,9X 4	GROVER WASHER M12 ZGP EXTRA P.	GROVER RONDELLE M12 ZGP EXTRA	UNTERLEGSCHIEBE M12 ZGP EXTRA	ARANDELA M12 ZGP EXTRA P.
24	F01010289R	VITE M12X1,25X35	SCREW M12X1,25X35	SCREW M12X1,25X35	SCHRAUBE M12X1,25X35	TORNILLO M12X1,25X35
25	M26400311R	SUPP.COLTELLI LAT.SGANCIO RAP.	QUICK FIT BLADE SUPPORT			
26	M36100290R	COLT100X12X300RH QUICK	BLAD100X12X300RH QUICK	COUTEAU RAPIDO 12MM DRT		
27	M36100394R	PERNO D=40 L=76	PERNO D=40 L=76	GOUJON D=40 L=76	STIFT D=40 L=76	PERNO D=40 L=76
28	F02100242R	SPINA E.S. 8X 36 U6875 C70 BR	ELASTIC PIN 8X36	GOUJON ELASTIQUE 8X36	SPANNHUELSE 8X36	ESPINA ELASTICA 8X36
29	F02100204R	SPINA E.S. 4X 30 U6875 C70 BR	ELASTIC PIN 4X30			
30	M36100341R	MOLLA X SGANCIO RAPIDO	SPRING QUICK FIT	RESSORT GOUJON RAPIDO	FEDER	MUELLE
31	M36100291R	COLT100X12X300SX QUICK	BLAD100X12X300LH QUICK	COUTEAU RAPIDO 12MM GCH		
32	M19400307R	FLANGIA SUPP.INFERIORE DM	LOWER FLANGE SUPPORT DM		FLANSCH	
33	F02050471R	ANELLO E. DI100X 3 U7437 C70	SEEGER RING D.100	BAGUE SEEGER D.100	SEEGERRING D.100	ANILLO SEEGER D.100
34	M36500313R	DISTANZ. D=67 D=55 L=16.5	SPACER D=67 D=55 L=16.5	ENTRETOISE D=67 D=55 L=16.5	DISTANZSTUECK D=67 D=55 L=16.5	DISTANCIADOR D=67 D=55 L=16.5
35	F01010244R	VITE M10X1,25X25	SCREW M10X1,25X25	VIS M10X1,25X25	SCHRAUBE M10X1,25X25	TORNILLO M10X1,25X25
36	M36500311R	ROSETTA D=65 D=55 L=0,1	WASHER D=65 D=55 L=0,1	ROSETTE D=65 D=55 L=0,1	SCHEIBE D=65 D=55 L=0,1	ARANDELLA D=65 D=55 L=0,1
37	M36500312R	ROSETTA D=65 D=55 L=0,05	WASHER D=65 D=55 L=0,05	ROSETTE D=65 D=55 L=0,05	SCHEIBE D=65 D=55 L=0,05	ARANDELLA D=65 D=55 L=0,05
38	M36500314R	DISTANZ. D=67 D=55 L=14.8	SPACER D=67 D=55 L=14.8	ENTRETOISE D=67 D=55 L=14.8	DISTANZSTUECK D=67 D=55 L=14.8	DISTANCIADOR D=67 D=55 L=14.8
39	F02050204R	ANELLO E. DE 55X 3 U7436 C70	SEEGER RING D.55	BAGUE SEEGER D.55	SEEGERRING D.55	ANILLO D.55
40	F03220010R	POLIURETANO NERO IN CAR.310 M	SEALING PACKAGE	CONFECTION SIGILLANTE	DICHTUNGSMASSE ANFERTIGUNG	CONFECCION SELADURA
41	M26100321R	GUARNIZIONE PER TAPPO OLIO	GASKET	JOINT	DICHTUNG	JUNTA
42	F03150625R	TAPPO CARICO SCARICO M18X1,5	OIL IN OUT CAP M18X1,5	BOUCHON HUILE CHARGEMEN	ENTLUEFTERPFROPFEN	CORCHO OLEO
43	F04010192R	CUSC.D55 D100 B21 6211 53KN	BEARING D55 D100 B21 6211 53KN	ROULEMENT 6211 AG15	LAGER 6211 AG15	COJINETE 6211 AG15
44	M38100214R	ANELLO COMBI 65X85X13 17	OIL SEAL 65X85X13 17 SPEC.	PARE-HUILE 65X85X13 17 SPEC	OELABDICHTUNG 65X85X13 17SPEC.	PARA-ACEITE 65X85X13 17 SPEC.
45	F03010726R	ANELLO OR 123.43X3.53 NBR	GASKET OR 123.43X3.53 NBR	BAGUE OR D. 123.43X3.53	RING OR 123.43X3.53 NBR	ANILLO OR 123.43X3.53 NBR
46	M36100229R	SUPPORTO COLTELLI CENTRALE PLS	CENTR. BLADE SUPPORT	SUPPORT COUTEAU CENTRAL DMR	ZENTRALMESSERHALTERUNG	SOPORTE CUCHILLO CENTR.
47	F02200374R	COPIGLIA R 4X 82 ZN	SPRING SPLIT PIN 4X82	GOUPILLE 4X82	SPLINT 4X82	PASADOR 4X82
48	M36100386R	MANICO ECCENTRICO	TOOL FOR QUICK-FIT SYSTEM	MANIVELLE	KURBEL	MANGO
49	M26425591R	CORPO TR. DC 2500 STD-COMBI 08	COMPL.BOX DC 2500 STD-COMBI 08			
50	M26430591R	CORPO TR. DC 3000 STD-COMBI 08	COMPL.BOX DC 3000 STD-COMBI 08			
51	M26425588R	GR.COR.DCR SCM 2500 RICAMBI 07	COMPL.BOX DCR SCM 2500 RICAMBI 07	CORP COMPLETE DCR SCM 2500	GEHAEUSE DCR SCM 2500	CUERPO COMPLETO DCR SCM 2500
52	M26430588R	GR.COR.DCR SCM 3000 RICAMBI 07	COMPLETE BOX DCR SCM 3000	CORP COMPLETE DCR SCM 3000	GEHAEUSE DCR SCM 3000	CUERPO COMPLETO DCR SCM 3000
55	M38100218R	FERMO VITE COLTELLI DC-DL-DS	KNIVES FASTENING BOLT	ETRIER SERRAGE COUTEAU DC-DS	MESSERSCHRAUBESPERRUNG	CLAUSURATORNILLOCUCHILLA
56	M27100209R	COLT90X12X280SX 50M16	BLAD90X12X280LH 50M16	COUTEAU GAUCHE DC DS DL 90X12	LINKES MESSER DC DS DL 90X12	CUCHILLO IZQ. DC DS DL 90X12
57	F20110044R	VITE M16X1,5X50	SCREW M16X1,5X50	VIS M16X1,5X50	SCHRAUBE M16X1,5X50	TORNILLO M16X1,5X50
58	M27100210R	COLT90X12X280DX 50M16	BLAD90X12X280RH 50M16	COUTEAU DROIT DC DS DL 90X12	RECHT MESSER DC DS DL 90X12	CUCHILLO DERECH.DC DS DL 90X12
59	M26400309R	SUPPORTO COLTELLI CENTRALE	CENTR. BLADE SUPPORT	SUPPORT COUTEAU CENTRAL DMR	ZENTRALMESSERHALTERUNG	SOPORTE CUCHILLO CENTR.
60	M38100301R	SUPPORTO COLTELLI LATERALE T	SIDE BLADE SUPPORT	SUPPORT COUTEAU LATERAL	SEITENMESSERHALTERUNG	SOPORTE CUCHILLO LATERAL
61	M27100305R	INGRANAGGIO	GEAR	ENGRENAGE	ZAHNRAD	ENGRANAJE
62	F04010188R	CUSC.D50 D90 B20 6210 C3	BEARING D50 D90 B20 6210 C3	ROULEMENT D50 D90 B20 6210 C3	LAGER D50 D90 B20 6210 C3	COJINETE D50 D90 B20 6210 C3

TAV.011



COLTELLO SPESSORE MAGGIORATO (14 mm)
THICKER BLADE (14 mm)

AVVITATO BOLT-ON

67 - DX/RH
68 - SX/LH

COLTELLO IN TUNGSTENO
TUNGSTEN BLADE

AVVITATO BOLT-ON

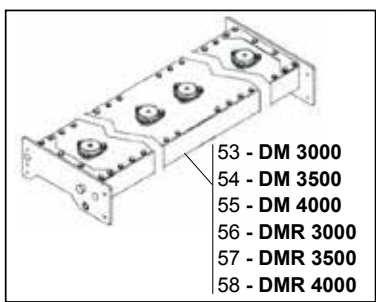
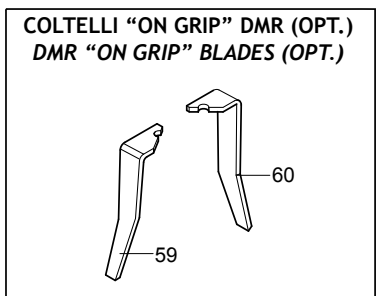
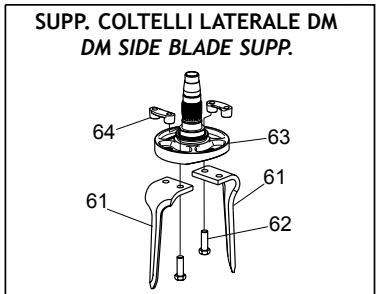
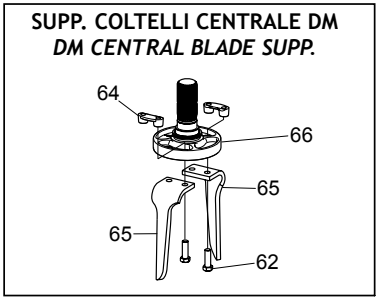
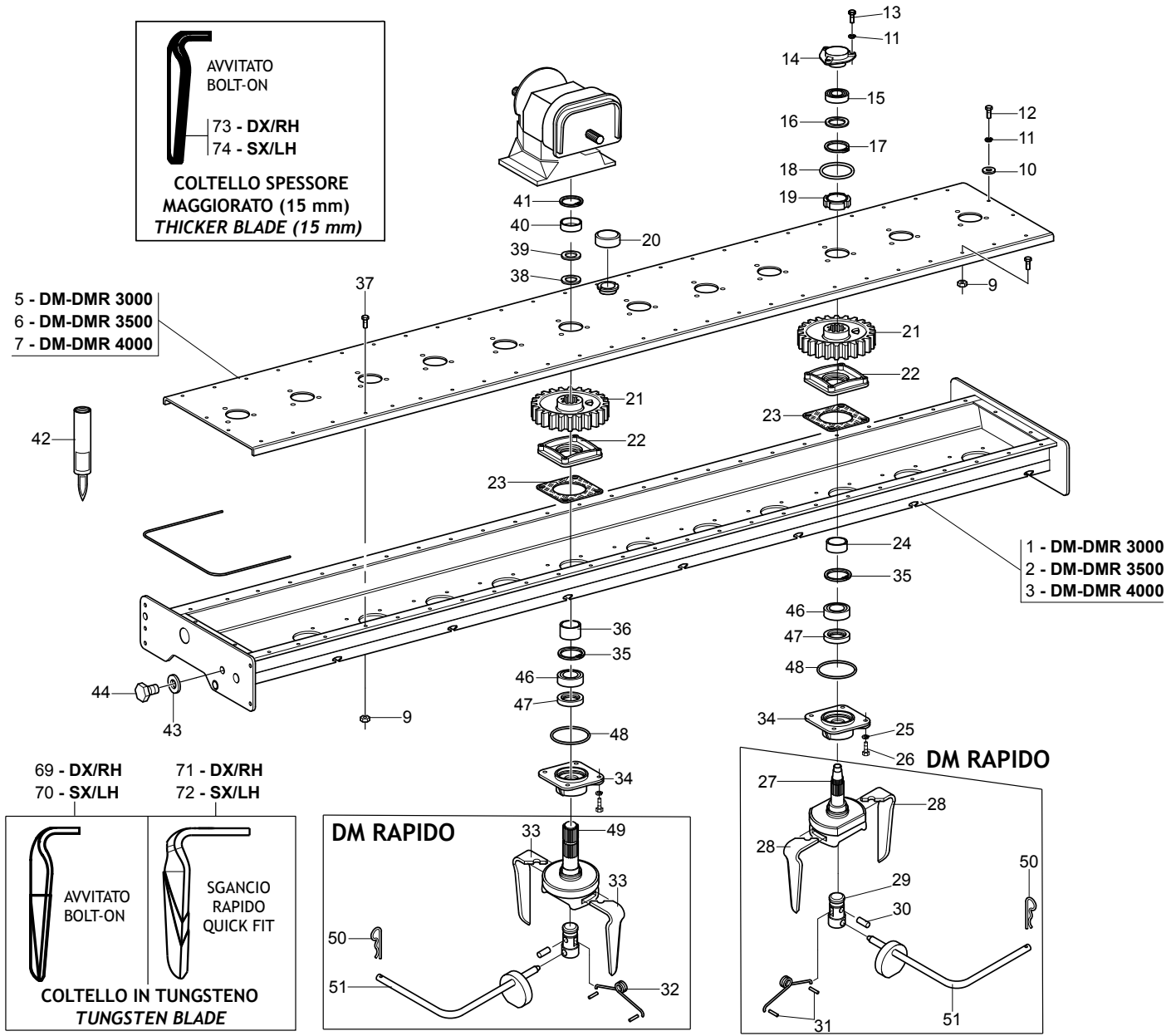
65 - DX/RH
66 - SX/LH

**TELAIO E ROTORI DC-DCR
FRAME AND ROTORS DC-DCR**

TAV.011

Pos.	Cod.	Descrizione	Description	Benennung	Description	Description
63	M26400306R	FLANGIA SUPP.INFERIORE DC	FLANGE BOTTOM SUPPORT DC	SUPPORT INFERIEUR DC	FLANSCH	BRIDA SOPORTE INFERIOR DC
64	F03011158R	GUARNIZIONE IN SILICONE D=6	GASKET D=6	JOINT D=6	DICHTUNG D=6	JUNTA D=6
65	M38100226R	COLT90X12X280DX 50M16 TG	BLAD90X12X280RH 50M16 TG	COUTEAU DC-BR 12MM DRT TUNGSTE	MESSER WOLFRAMCARBID RECHTS DC	
66	M38100227R	COLT90X12X280SX 50M16 TG	BLAD90X12X280LH 50M16 TG	COUTEAU DC-BR 12MM GCH TUNGSTE	MESSER WOLFRAMCARBID LINKS DC	
67	M38100222R	COLT90X14X280DX 50M16	BLAD90X14X280RH 50M16	COUTEAU DROIT DC DS DL 90X14	RECHT MESSER DC DS DL 90X14	CUCHILLO DERECH.DC DS DL 90X14
68	M38100223R	COLT90X14X280SX 50M16	BLAD90X14X280LH 50M16	COUTEAU GAUCHE DC DS DL 90X14	LINKES MESSER DC DS DL 90X14	CUCHILLO IZQ. DC DS DL 90X14

TAV.021

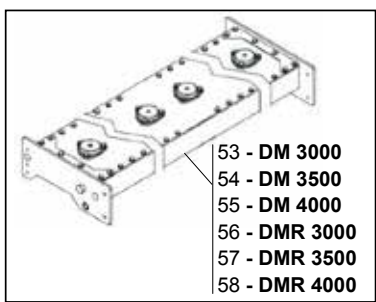
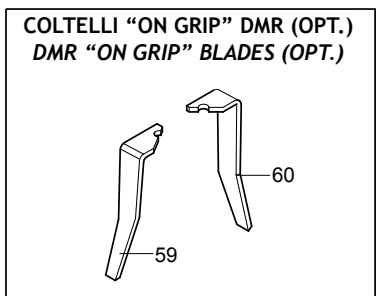
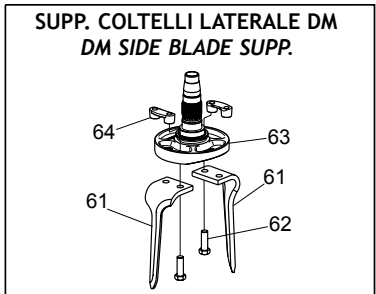
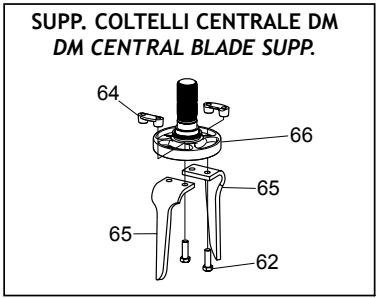
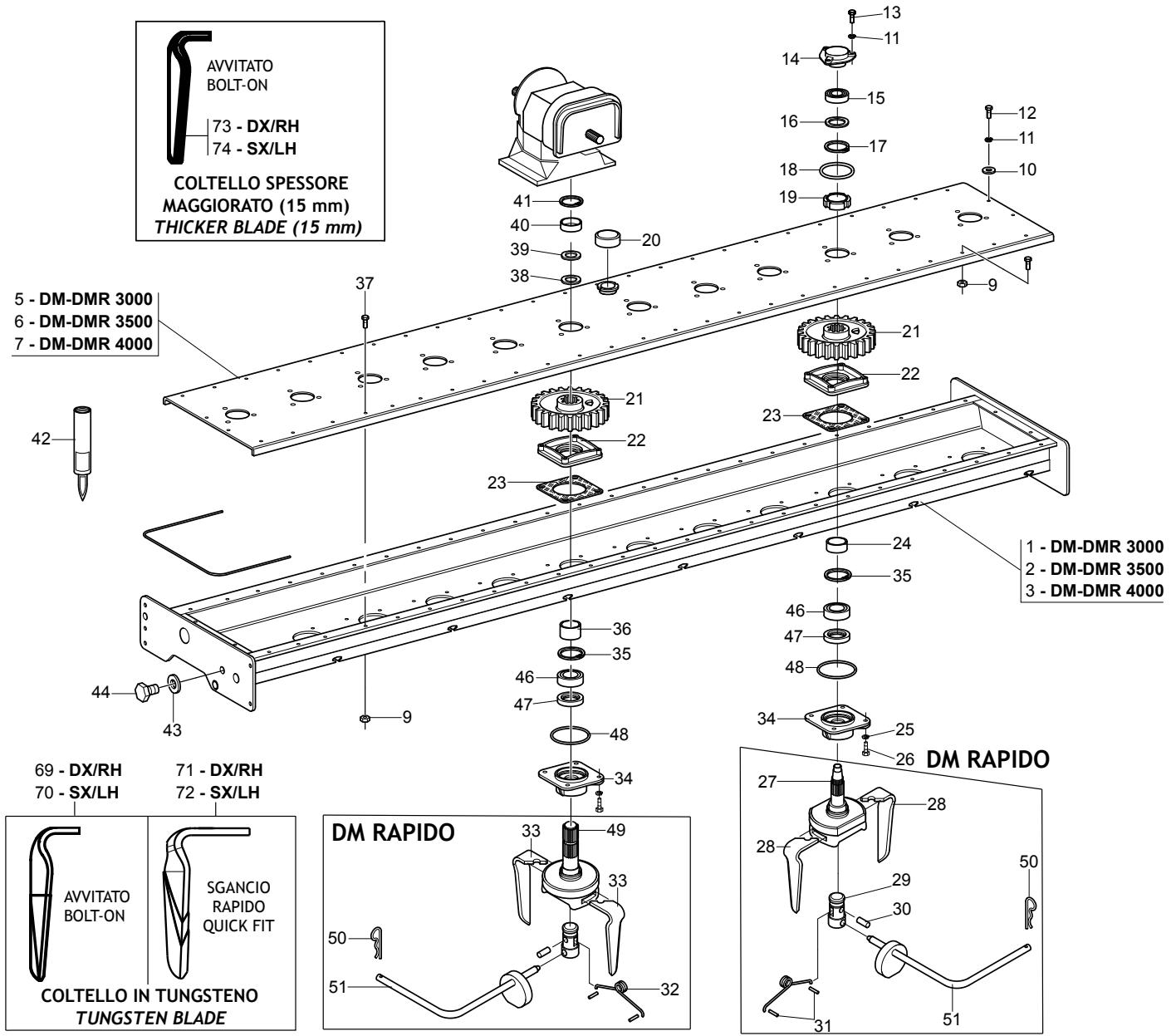


**TELAIO E ROTORI DM - DMR
FRAME AND ROTORS DM - DMR**

TAV.021

Pos.	Cod.	Descrizione	Description	Benennung	Description	Descrpcion
1	M26430582R	COMP.CORPO TRASMISSIONE L=2992	TRANSMISSION BOX L=2992	BOITE DE TRANSMISSION L=2992	ANTRIEBSKASTEN L=2992	CUERPO TRASMISION L=2992
2	M26435582R	COMP.CORPO TRASMISSIONE L=3484	TRANSMISSION BOX L=3484	BOITE DE TRANSMISSION L=3484	ANTRIEBSKASTEN L=3484	CUERPO TRASMISION L=3484
3	M26440582R	COMP.CORPO TRASMISSIONE L=3976	TRANSMISSION BOX L=3976	BOITE DE TRANSMISSION L=3976	ANTRIEBSKASTEN L=3976	CUERPO TRASMISION L=3976
5	M23430510R	COMP.COPERCHIO C.TRASM.L=2954	UPPER PLATE L=2954	CAPOT SUPERIEUR L=2954	OBERBLECH L=2954	PLANCHA SUPERIOR L=2954
6	M23435510R	COMP.COPERCHIO C.TRASM.L=3446	UPPER PLATE L=3446	CAPOT SUPERIEUR L=3446	OBERBLECH L=3446	PLANCHA SUPERIOR L=3446
7	M23440510R	COMP.COPERCHIO C.TRASM.L=3938	UPPER PLATE L=3938	CAPOT SUPERIEUR L=3938	OBERBLECH L=3938	PLANCHA SUPERIOR L=3938
9	F01220034R	DADO M10X1,25	NUT M10X1,25	ECROU M10X1,25	MUTTER M10X1,25	TUER.M10X1,25 D980 8 ZB
10	F01410062R	ROS.M10 10,5X 18X 2	WASHER M10 10,5X 18X 2	RONDELLE M10 10,5X 18X 2	DICHTUNGSRING M10 10,5X18X2 ZN	ARAND.M10 10,5X 18X 2 U6592 ZN
11	F01480112R	ROS.G 10,5X19X 3	GROWER WASHER D.10	GROWER RONDELLE D.10	SCHEIBE GROWER D.10	ARANDELA GROWER D.10
12	F01010244R	VITE M10X1,25X25	SCREW M10X1,25X25	VIS M10X1,25X25	SCHRAUBE M10X1,25X25	TORNILLO M10X1,25X25
13	F20110012R	VITE M10X1,25X 35	SCREW M 10X1,25X35	VIS M 10X1,25X35	SCHRAUBE M 10X1,25X35	TORNILLO M 10X1,25X35
14	M19400303R	SUPPORTO CUSCINETTO SUPER. TN	BEARING SUPPORT	SUPPORT ROULEMENT	LAGERHALTER	SOPORTE COJINETE
15	F04010350R	CUSCINETTO 6307C 2HRS L100 50	BEARING 6307C 2HRS L100 50		LAGER 6307	
16	M19400304R	DISCO ANTICADUTA SFERE	DISCO BALL FALL		SCHIENE	
17	F02050425R	ANELLO E. DI 80X 2,5 U7437 C70	SEEGER RING D.80	BAGUE SEEGER D.80	SEEGERRING D.80	ANILLO E. DI 80X 2,5 U7437 C70
18	F03010684R	ANELLO OR 94,84X3,53 NGR	GASKET OR 94,84X3,53 NBR	BAGUE OR 94.83X3.53 NBR	RING OR 94,84X3,53 NBR	ANILLO OR 94,84X3,53 NBR
19	F02010155R	GHIERA AU.GUP M50X1,5 T.4H ZN	SELF LOCKING NUT M50X1,5	COLLIER AUTOBL. M50X1,5	SELBSTSP. NUTMUTTER M50X1,5	VIROLA AUTOBL. M50X1,5
20	F03150746R	TAPPO CARICO OLIO	OIL INLET CAP	BOUCHON HUILE CHARGEMEN	ENTLUEFTERPFROPFEN	CORCHO OLEO
21	M36100306R	INGRANAGGIO LATERALE DM	GEAR	ENGRENAGE LATERAL DM	ZAHNRAD	ENGRANAJE
22	M19400308R	FLANGIA INTERNA	INNER FLANGE	FLASQUE INTERIEUR	INNENFLANSCH	BRIDA INTERNA
23	M27100309R	GUARNIZIONE FLEXOID 5 10	GASKET MM.0,5	JOINT MM.0,5	DICHTUNG MM.0,5	JUNTA MM.0,5
24	M36100304R	DISTANZIALE ROTORI LATERALI	SPACER		DISTANZSTUECK	
25	F01480123R	ROS.G 12,5X22,9X 4	GROVER WASHER M12 ZGP EXTRA P.	GROVER RONDELLE M12 ZGP EXTRA	UNTERLEGSCHHEIBE M12 ZGP EXTRA	ARANDELA M12 ZGP EXTRA P.
26	F01010289R	VITE M12X1,25X35	SCREW M12X1,25X35	VIS M12X1,25X35	SCHRAUBE M12X1,25X35	TORNILLO M12X1,25X35
27	M19400312R	SUPPORTO COLTELLI LATERALE	LATERAL BLADE SUPPORT	SUPPORT COUTEAU LATERAL	SEITLICH MESSERTRAEGER	SOPORTE CUCHILLO LATERAL
28	M36100366R	COLT100X15X320DX QUICK	BLAD100X15X320RH QUICK	COUTEAU RAPIDO 100X15X320 DRT	MESSER QUICK 100X15X320 RECHTS	CUCHILLA DEREQ.QUICK-FIT 15MM
29	M36100394R	PERNO D=40 L=76	PIN D=40 L=76	GOUJON D=40 L=76	STIFT D=40 L=76	PERNO D=40 L=76
30	F02100242R	SPINA E.S. 8X 36 U6875 C70 BR	ELASTIC PIN 8X36	GOUJON ELASTIQUE 8X36	SPANNHUELSE 8X36	ESPINA ELASTICA 8X36
31	F02100204R	SPINA E.S. 4X 30 U6875 C70 BR	ELASTIC PIN 4X30			
32	M36100341R	MOLLA X SGANCIO RAPIDO	SPRING QUICK FIT	RESSORT GOUJON RAPIDO	FEDER	MUELLE
33	M36100367R	COLT100X15X320SX QUICK	BLAD100X15X320LH QUICK	COUTEAU RAPIDO 100X15X320 GCH	MESSER QUICK 100X15X320 LINKS	CUCHILLA ISQUIR.QUICK-FIT 15MM
34	M19400307R	FLANGIA SUPP.INFERIORE DM	LOWER FLANGE SUPPORT DM		FLANSCH	
35	F02050471R	ANELLO E. DI100X 3 U7437 C70	SEEGER RING D.100	BAGUE SEEGER D.100	SEEGERRING D.100	ANILLO SEEGER D.100
36	M36500313R	DISTANZ. D=67 D=55 L=16.5	SPACER D=67 D=55 L=16.5	ENTRETOISE D=67 D=55 L=16.5	DISTANZSTUECK D=67 D=55 L=16.5	DISTANCIADOR D=67 D=55 L=16.5
37	F01010254R	VITE M10X1,25X35	SCREW M10X1,25X35	VIS M10X1,25X35	SCHRAUBE M10X1,25X35	TORNILLO M10X1,25X35
38	M36500311R	ROSETTA D=65 D=55 L=0,1	WASHER D=65 D=55 L=0,1	ROSETTE D=65 D=55 L=0,1	SCHEIBE D=65 D=55 L=0,1	ARANDELLA D=65 D=55 L=0,1
39	M36500312R	ROSETTA D=65 D=55 L=0,05	WASHER D=65 D=55 L=0,05	ROSETTE D=65 D=55 L=0,05	SCHEIBE D=65 D=55 L=0,05	ARANDELLA D=65 D=55 L=0,05
40	M36500314R	DISTANZ. D=67 D=55 L=14.8	SPACER D=67 D=55 L=14.8	ENTRETOISE D=67 D=55 L=14.8	DISTANZSTUECK D=67 D=55 L=14.8	DISTANCIADOR D=67 D=55 L=14.8
41	F02050204R	ANELLO E. DE 55X 3 U7436 C70	SEEGER RING D.55	BAGUE SEEGER D.55	SEEGERRING D.55	ANILLO D.55
42	F03220010R	POLIURETANO NERO IN CAR.310 M	SEALING PACKAGE	CONFECTION SIGILLANTE	DICHTUNGSMASSE ANFERTIGUNG	CONFECTION SELADURA
43	M26100321R	GUARNIZIONE PER TAPPO OLIO	GASKET	JOINT	DICHTUNG	JUNTA
44	F03150625R	TAPPO CARICO SCARICO M18X1,5	OIL IN OUT CAP M18X1,5	BOUCHON HUILE CHARGEMEN	ENTLUEFTERPFROPFEN	CORCHO OLEO
46	F04010192R	CUSC.D55 D100 B21 6211 53 KN	BEARING D55 D100 B21 6211 53KN	ROULEMENT 6211 AG15	LAGER 6211 AG15	COJINETE 6211 AG15
47	M38100214R	ANELLO COMBI 65X85X13 17	OIL SEAL 65X85X13 17 SPEC.	PARE-HUILE 65X85X13 17 SPEC	OELABDICHTUNG 65X85X13 17SPEC.	PARA-ACEITE 65X85X13 17 SPEC.
48	F03010726R	ANELLO OR 123.43X3.53 NBR	GASKET OR 123.43X3.53 NBR	BAGUE OR D. 123.43X3.53	RING OR 123.43X3.53 NBR	ANILLO OR 123.43X3.53 NBR
49	M36100229R	SUPPORTO COLTELLI CENTRALE PLS	CENTR. BLADE SUPPORT	SUPPORT COUTEAU CENTRAL DMR	ZENTRALMESSERHALTERUNG	SOPORTE CUCHILLO CENTR.
50	F02200374R	COPIGLIA R 4X 82 ZN	SPRING SPLIT PIN 4X82	GOUPILLE 4X82	SPLINT 4X82	PASADOR 4X82
51	M36100386R	MANICO ECCENTRICO	TOOL FOR QUICK-FIT SYSTEM	MANIVELLE	KURBEL	MANGO
53	M35430520R	CORPO NO CC.DM 3000 COM.RICAMB	COMPLETE BOX DM COMBI 3000	LAMIER COMPL DM COMBI 3000	GEHAEUSE DM COMBI 3000	CUERPO COMPL DM COMBI 3000
54	M35435520R	CORPO NO CC.DM 3500 COM.RICAMB	COMPLETE BOX DM COMBI 3500	LAMIER COMPL DM COMBI 3500	GEHAEUSE DM COMBI 3500	CUERPO COMPL DM COMBI 3500
55	M35440520R	CORPO NO CC.DM 4000 COM.RICAMB	COMPLETE BOX DM COMBI 4000	LAMIER COMPL DM COMBI 4000	GEHAEUSE DM COMBI 4000	CUERPO COMPL DM COMBI 4000
56	M23430599R	CORPO TR. DMR3000 STD-COMBI 08	TRANSM.BOX DMR3000 STD-COMBI08		GEHAEUSE DMR COMBI 3000	
57	M23435599R	CORPO TR. DMR3500 STD-COMBI 08	TRANSM.BOX DMR3500 STD-COMBI08			
58	M23440599R	CORPO TR. DMR4000 STD-COMBI 08	TRANSM.BOX DMR4000 STD-COMBI08		GEHAEUSE DMR COMBI 4000	
59	M36100228R	COLT100X15X330SX QUICK OG	BLAD100X15X330LH QUICK OG	COUTEAU RAPIDO ONGRIP 15MM GCH	LINKS 15MM AUF GRIFF ZINKEN	CUCHILLA ON GRIP 15MM IZQUIER.
60	M36100227R	COLT100X15X330DX QUICK OG	BLAD100X15X330RH QUICK OG	COUTEAU RAPIDO ONGRIP 15MM DRT	RECHTS 15MM AUF GRIFF ZINKEN	CUCHILLA ON GRIP 15MM DERECHA
61	M36100210R	COLT100X12X300DX 60M16	BLAD100X12X300RH 60M16	COUTEAUX DM 100X12 DROIT	RECHTES MESSER 100X12	CUCHILLO DERECHO 100X12

TAV.021

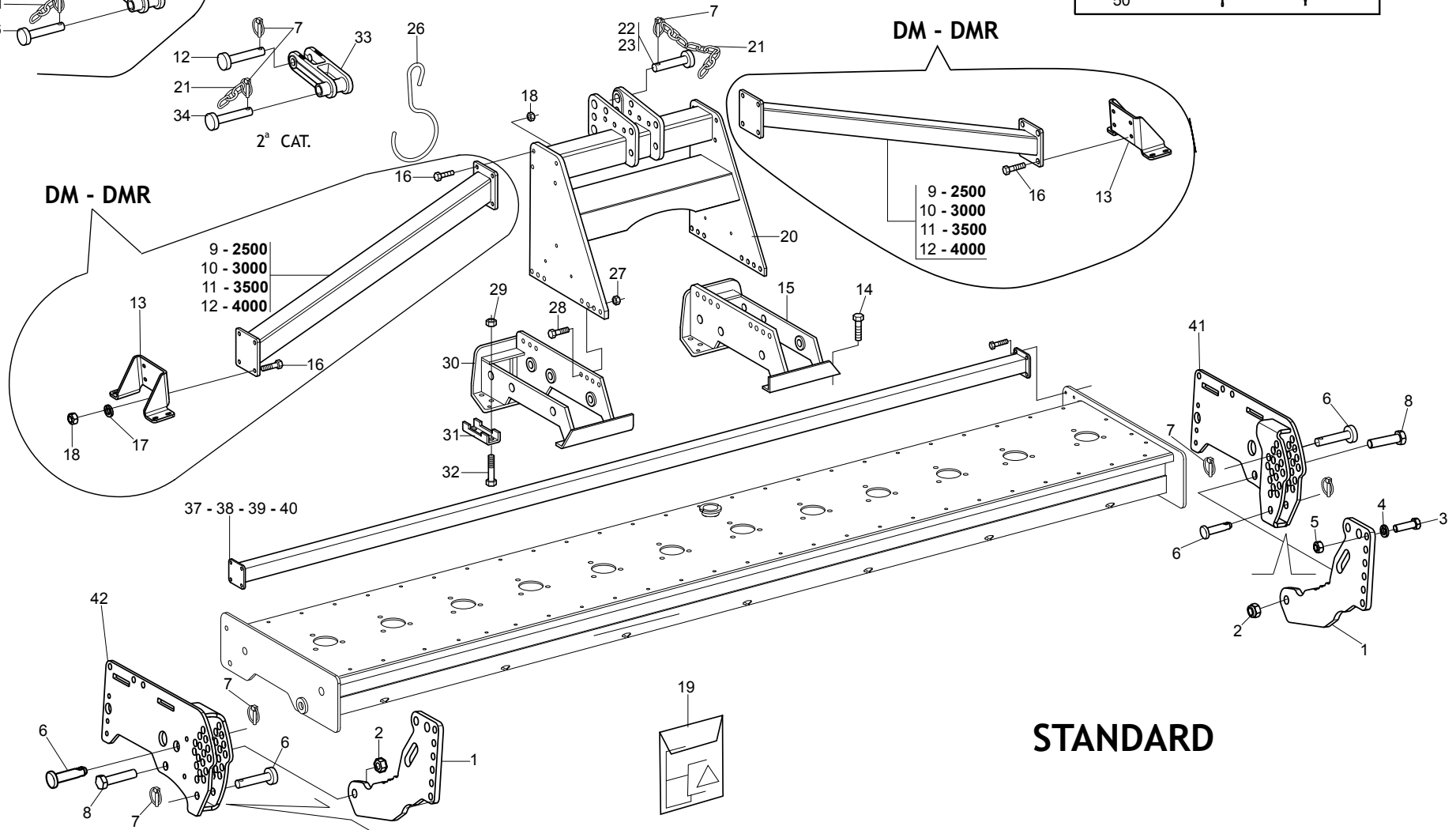
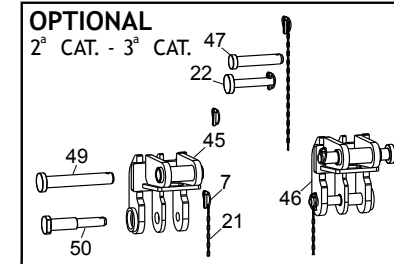
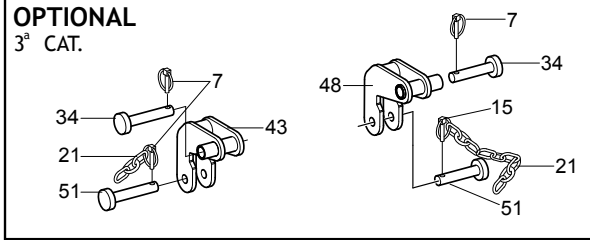
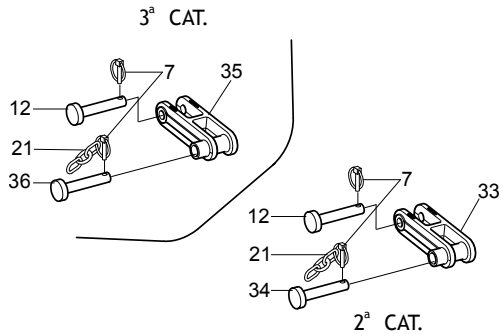


**TELAIO E ROTORI DM - DMR
FRAME AND ROTORS DM - DMR**

TAV.021

Pos.	Cod.	Descrizione	Description	Benennung	Description	Description
62	F20110044R	VITE M16X1,5X50	SCREW M16X1,5X50	VIS M16X1,5X50	SCHRAUBE M16X1,5X50	TORNILLO M16X1,5X50
63	M36100332R	SUPPORTO COLTELLI LATERALE	LATERAL BLADE SUPPORT	SUPPORT COUTEAU LATERAL	SEITLICH MESSERTRAEGER	SOPORTE CUCHILLO LATERAL
64	M36100312R	FERMO VITE COLTELLI	KNIVES FASTENING BOLT	ETRIER DE SERRAGE COUTEAUX DM	MESSERSCHRAUBESPERRUNG	CLAUSURA TORNILLO CUCHILLA
65	M36100211R	COLT100X12X300SX 60M16	BLAD100X12X300LH 60M16	COUTEAUX DM 100X12 GAUCHE	LINKES MESSER 100X12	CUCHILLO IZQUIERDO
66	M19400302R	SUPPORTO COLTELLI CENTRALE	CENTRAL BLADE SUPPORT		ZENTR. MESSERHALTERUNG	
69	M36100223R	COLT100X12X306DX 60M16 TG	BLAD100X12X306RH 60M16 TG	COUTEAU DM 12MM TUNGSTENE DRT		
70	M36100224R	COLT100X12X306SX 60M16 TG	BLAD100X12X306LH 60M16 TG	COUTEAU DM 12MM TUNGSTENE GCH		
71	M36100285R	COLT100X15X320DX QUICK TG	BLAD100X15X320RH QUICK TG	COUTEAU DRT QUICK100X15X320TUN	RECHTS MESSER 100X15X320 TUNGS	CUCHILLA DER.QUICK-FIT TUNGST.
72	M36100286R	COLT100X15X320SX QUICK TG	BLAD100X15X320LH QUICK TG	COUTEAU GCH QUICK100X15X320TUN	LINKES MESSER 100X15X320 TUNGS	CUCHILLA IZ.QUICK-FIT TUNGST.
73	M36100215R	COLT100X15X300DX 60M16	BLAD100X15X300RH 60M16	COUTEAU DRT SP.15 DM	RECHTES MESSER DM - 15 MM	
74	M36100216R	COLT100X15X300SX 60M16	BLAD100X15X300LH 60M16	COUTEAU GCH. SP.15 DM	LINKES MESSER DM 15 MM	

TAV.031

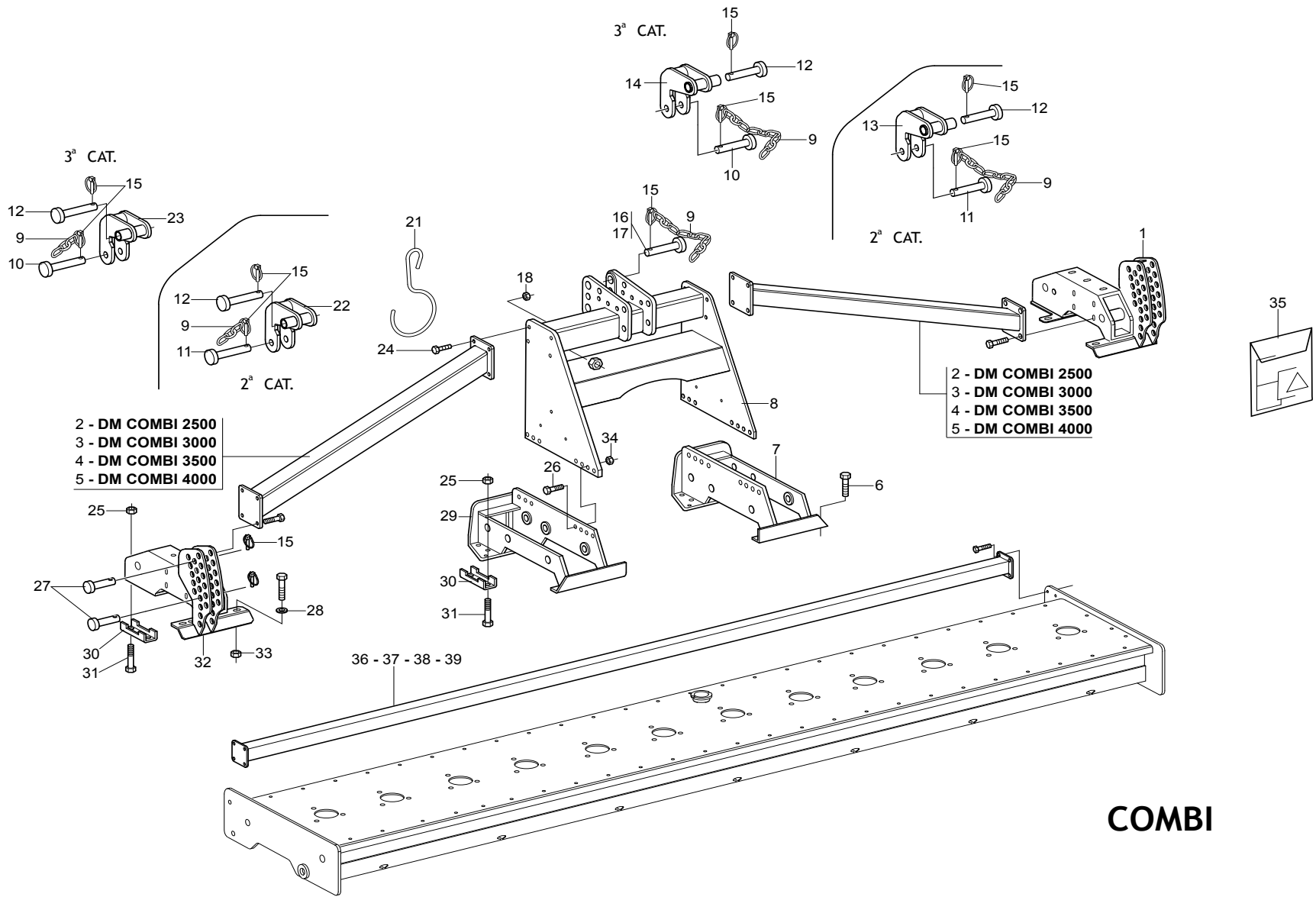


**GRUPPO TERZO PUNTO STD.
3RD-POINT UNIT STD.**

TAV.031

Pos.	Cod.	Descrizione	Description	Benennung	Description	Descripcion
1	M26400415R	BRACCIO COLLEGAMENTO RULLO	ROLLER CONNECTING ARM	BRAS DE CONNECTION ROULEAU	WALZE VERBINDUNGSARM	BRAZO DE CONEXI N RODILLO
2	F01230269R	DADO M22X1,5	NUT M22X1,5	ECROU M22X1,5	MUTTER M22X1,5	DADO AUTOBL. M22X1,5 D985 6S ZN
3	F01010151R	VITE M18X1,5X60	SCREW M18X1,5X60	VIS M18X1,5X60	SCHRAUBE M18X1,5X60	TORNILLO M18X1,5X60
4	F01480156R	ROS.G 19X32X5,3	GROWER WASHER D.18	GROWER RONDELLE D.18	SCHEIBE GROWER D.18	ARANDELA GROWER D.18
5	F01220081R	DADO M18X1,5	NUT M18X1,5	ECROU M18X1,5	MUTTER M18X1,5	DADO AUTOBL. M18X1,5 980-V
6	F20100054R	PERNO D19 L58 C40 TEST.D35 ZN	PIN D19 L58 C40	GOUJON D19	BOLZEN D19	PERNO D19 L58 C40
7	F02200529R	SPINA SCATTO D.11 H58 ZN	SNAP PIN D.11 H58 ZN	FICHE A DETENTE D.11 H58 ZN	EINRASTSTIFT D.11 H58 ZN	CLAVIJA DE MUELLE D.11 H58 ZN
8	F01010190R	VITE M22X1,5X90	SCREW M22X1,5 X90	VIS M22X1,5 X90	SCHRAUBE M22X1,5 X90	TORNILLO M22X1,5 X90
9	M26425598R	COLLEGAMENTO 3 P. DC-DM 2500	RIGHT 3POINT LINKAGE BEAM 2500	POUTRE ATT.3 POINT.DROITE 2500	RECHTS 3 PUNKTBOCK STREBUNG	TIRANTE ENGANCHE 3P. DERECHO
10	M26430598R	COLLEGAMENTO 3 P. DC-DM 3000	RIGHT 3POINT LINKAGE BEAM 3000	POUTRE ATT.3 POINT.DROITE 3000	RECHTS 3 PUNKTBOCK STREBUNG	TIRANTE ENGANCHE 3P.DERECHO
11	M26435598R	COLLEGAMENTO 3 P. DC-DM 3500	RIGHT 3POINT LINKAGE BEAM 3500	POUTRE ATT.3 POINT.DROITE 3500	RECHTS 3 PUNKTBOCK STREBUNG	TIRANTE ENGANCHE 3P.DERECHO
12	M26440598R	COLLEGAMENTO 3 P. DC-DM 4000	RIGHT 3POINT LINKAGE BEAM 4000	POUTRE ATT.3 POINT.DROITE 4000	RECHTS 3 PUNKTBOCK STREBUNG	TIRANTE ENGANCHE 3P.DERECHO
13	M26400405R	STAFFA ATTACCO	STIRRUP LINKAGE	ATELAGE ETRIER	BUEGELLINK	ESTRIBO ATAQUE
14	F01010254R	VITE M10X1,25X35	SCREW M10X1,25X35	VIS M10X1,25X35	SCHRAUBE M10X1,25X35	TORNILLO M10X1,25X35
15	M26400707R	BASE RINFORZATA 3 PUNTO DX	RIGHT BASE LINKAGE	BASE ATTELAGE DROIT	BASISVERB. RECHTS	BASE ATAQUE DERECHO
16	F01010053R	VITE M12X1,25X45	SCREW M12X1,25X45	VIS M12X1,25X45	SCHRAUBE M12X1,25X45	TORNILLO M12X1,25X45
17	F01500011R	RONDELLA 13X35X5	WASHER D. 12	RONDELLE D. 12	SCHEIBE D.12	ARANDELA D.12
18	F01220047R	DADO M12X1,25	NUT M12X1,25	ECROU M12X1,25	MUTTER M12X1,25	TUERCA M12X1,25 D980 8 ZN
19	F20030150R	KIT ETICH. SICUREZZA CE	SECURITY LABELS	ETIQUETTES DE SECURITE	SICHERUNG AUFKLEBER	CALCOMANIA DE PELIGRO
20	M26400590R	COMP.CASTELLO 3 PUNTO	COMPLETE 3RD POINT	3EME POINT COMPL.	3. PUNKT KOMPLETT	TERCER PUNTO COMPL.
21	M58100930R	CATENELLA L=476	ASSEMBLY CHAIN DMP L=476	CHAINE L=476	KETTE L=476	CADENA L=476
22	F20100133R	PERNO D25 L122 C43 TEST.D60 ZN	PIN D25 L122 C43 ZN	BOULON D25 L122 C43 ZN	BOLZEN D25 L122 C43 ZN	PERNO D25 L122 C43 ZN
23	F20100124R	PERNO D32 L135 C40 TEST.D45 Z	BOLT D32 L135 C40 ZN	BOULON D32 L135 C40 ZN	BOLZEN D32 L135 C40 ZN	PERNO D32 L135 C40 ZN
26	F20120400R	GANCIO SOSTEGNO CARDANO	SHAFT HOOK SUPPORT	SUPPORT CARDAN	GELENKWELLE - HACKEN	SOPORTE CARDAN
27	F01220059R	DADO M14X1,5	NUT M14X1,5	ECROU M14X1,5	MUTTER M14X1,5	TUERCA M14X 1,5 D980 8 ZN
28	F20110032R	VITE M14X1,5 X 40	SCREW M14X 1,5X 40	VIS M14X 1,5X 40	SCHRAUBE M14X 1,5X 40	TORNILLO M14X 1,5X 40
29	F01220070R	DADO M16X1,5	NUT M16X1,5	ECROU M16X1,5	MUTTER M16X1,5	TUER.M16X1,5 D980 8ZN
30	M26400708R	BASE RINFORZATA 3 PUNTO SX	LEFT BASE LINKAGE	BASE ATTELAGE GAUCHE	BASISVERB. LINKSS	BASE ATAQUE IZQUIERDO
31	M36200241R	STAFFA PER TUBO DA 80	STIRRUP	ETRIER	BUEGEL	ESTRIBO
32	F01010128R	VITE M16X1,5X130	SCREW M16X1,5X130	VIS M16X1,5X130	SCHRAUBE M16X1,5X130	TORNILLO M16X1,5X130
33	M35400512R	BIELLA 2 CATEGORIA	2 CATEGORY ROD			
34	F20100142R	PERNO D36 L208 C43 TEST.D60 ZN	PIN D36 L208 C43 ZN	GOUJON D36 L208 C43 ZN	BOLZEN D36 L208 C43 ZN	PERNO D36 L208 C43 ZN
35	M35400513R	BIELLA 3 CATEGORIA	3 CATEGORY ROD			
36	F20100141R	PERNO D36 L128 C43 TEST.D60 ZN	PIN D36 L128 C43 ZN	BOULON D36 L128 C43 ZN	BOLTZEN D36 L128 C43 ZN	PERNO D36 L128 C43 ZN
37	M26425589R	TRAVE ANT. 80X80 2500	BEAM 80X80 2500	POUTRE 80X80 2500	HAUPTTTRAEGER 80X80 2500	VIGA 80X80 2500
38	M26430589R	TRAVE ANT. 80X80 3000	BEAM 80X80 3000	POUTRE 80X80 3000	HAUPTTTRAEGER 80X80 3000	VIGA 80X80 3000
39	M26435589R	TRAVE ANT. 80X80 3500	BEAM 80X80 3500	POUTRE 80X80 3500	HAUPTTTRAEGER 80X80 3500	VIGA 80X80 3500
40	M26440589R	TRAVE ANT. 80X80 4000	BEAM 80X80 4000	POUTRE 80X80 4000	HAUPTTTRAEGER 80X80 4000	VIGA 80X80 4000
41	M26400406R	COMP.FIANCATA DX REG. PERNI	RIGHT SIDE PANEL	COTE DROIT	RECHTE SEITENWAND	FLANCO DERECHO
42	M26400407R	COMP.FIANCATA SX REG. PERNI	LEFT SIDE PANEL	COTE GAUCHE	LINKE SEITENWAND	FLANCO IZQUIERDO
43	M23400589R	BIELLA ATT.B.DX 2 CAT.	RIGHT CONNECTING ROD	BIELLE ATTELAGE BARRE DROITE	PLEUELST.VERB.SCHUTZH. RECHTS	BIELA ATAQUE BARRA DERECHA
45	M35400651R	COMP.BIELLA 2 3 CATEGORIA DX	CONNECTING ROD FOR BAR RIGHT			
46	M35400652R	COMP.BIELLA 2 3 CATEGORIA SX	CONNECTING ROD FOR BAR LEFT			
47	F20100124R	PERNO D32 L135 C40 TEST.D45 Z	BOLT D32 L135 C40 ZN	BOULON D32 L135 C40 ZN	BOLZEN D32 L135 C40 ZN	PERNO D32 L135 C40 ZN
48	M35400528R	BIELLA SX ATTACCO BARRE 2 CAT	LH 3RD LINKAGE ROD 2 CAT			
49	F20100142R	PERNO D36 L208 C43 TEST.D60 ZN	PIN D36 L208 C43 ZN	GOUJON D36 L208 C43 ZN	BOLZEN D36 L208 C43 ZN	PERNO D36 L208 C43 ZN
50	M21400563R	PERNO ATTACCO BARRA.2 -3 C.	PIN FOR BAR LINKAGE	GOUJON ATTELAGE BARRE	VERB.BOLZEN SCHUTZHOLM	PERNO ATAQUE BARRA
51	F20100075R	PERNO PER BIELLA D.28 ZN	PIN D.28 ZN	BOULON D.28 ZN	BOLZEN D.28 ZN	PERNO D.28 ZN

TAV.040

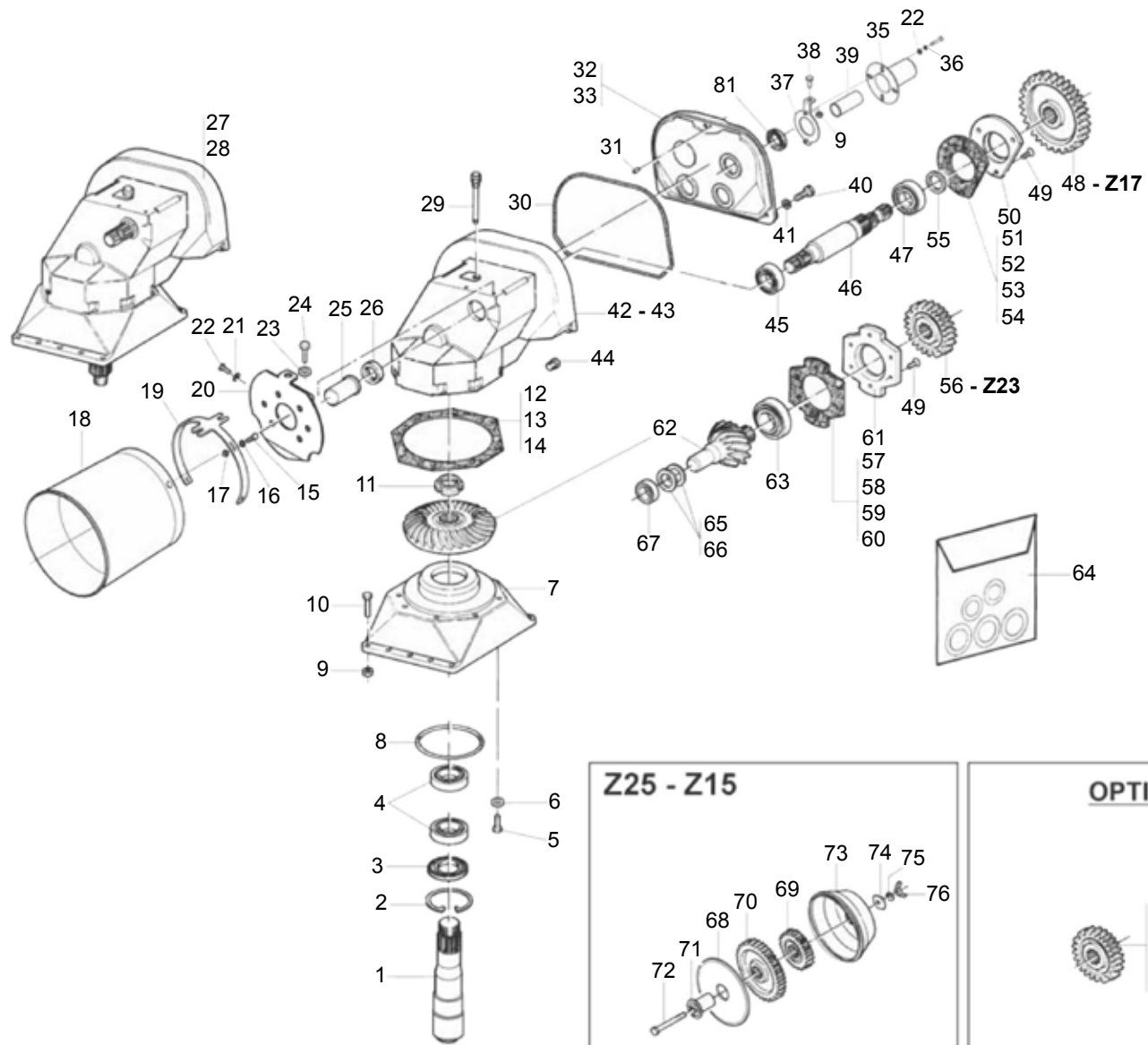


**GRUPPO TERZO PUNTO COMBI
3RD-POINT UNIT COMBI**

TAV.040

Pos.	Cod.	Descrizione	Description	Benennung	Description	Description
1	M26400731R	SUPPORTO DX REGOLAZIONE RULLO	RIGHT SUPPORT	SUPPORT DROIT	RECHTE TRAEGER	SOPORTE DERECHO
2	M26425598R	COLLEGAMENTO 3 P. DC-DM 2500	RIGHT 3POINT LINKAGE BEAM 2500	POUTRE ATT.3 POINT.DROITE 2500	RECHTS 3 PUNKTBOCK STREBUNG	TIRANTE ENGANCHE 3P. DERECHO
3	M26430598R	COLLEGAMENTO 3 P. DC-DM 3000	RIGHT 3POINT LINKAGE BEAM 3000	POUTRE ATT.3 POINT.DROITE 3000	RECHTS 3 PUNKTBOCK STREBUNG	TIRANTE ENGANCHE 3P.DERECHO
4	M26435598R	COLLEGAMENTO 3 P. DC-DM 3500	RIGHT 3POINT LINKAGE BEAM 3500	POUTRE ATT.3 POINT.DROITE 3500	RECHTS 3 PUNKTBOCK STREBUNG	TIRANTE ENGANCHE 3P.DERECHO
5	M26440598R	COLLEGAMENTO 3 P. DC-DM 4000	RIGHT 3POINT LINKAGE BEAM 4000	POUTRE ATT.3 POINT.DROITE 4000	RECHTS 3 PUNKTBOCK STREBUNG	TIRANTE ENGANCHE 3P.DERECHO
6	F01010254R	VITE M10X1,25X35	SCREW M10X1,25X35	VIS M10X1,25X35	SCHRAUBE M10X1,25X35	TORNILLO M10X1,25X35
7	M26400707R	BASE RINFORZATA 3 PUNTO DX	RIGHT BASE LINKAGE	BASE ATTELAGE DROIT	BASISVERB. RECHTS	BASE ATAQUE DERECHO
8	M26400590R	COMP.CASTELLO 3 PUNTO	COMPLETE 3RD POINT	3EME POINT COMPL.	3. PUNKT KOMPLETT	TERCER PUNTO COMPL.
9	F02200529R	SPINA SCATTO D.11 H58 ZN	SNAP PIN D.11 H58 ZN	FICHE A DETENTE D.11 H58 ZN	EINRASTSTIFT D.11 H58 ZN	CLAVIJA DE MUELLE D.11 H58 ZN
10	F20100141R	PERNO D36 L128 C43 TEST.D60 ZN	PIN D36 L128 C43 ZN	BOULON D36 L128 C43 ZN	BOLTZEN D36 L128 C43 ZN	PERNO D36 L128 C43 ZN
11	F20100075R	PERNO PER BIELLA D.28 ZN	PIN D.28 ZN	BOULON D.28 ZN	BOLZEN D.28 ZN	PERNO D.28 ZN
12	F20100142R	PERNO D36 L208 C43 TEST.D60 ZN	PIN D36 L208 C43 ZN	GOUJON D36 L208 C43 ZN	BOLZEN D36 L208 C43 ZN	PERNO D36 L208 C43 ZN
13	M23400589R	BIELLA ATT.B.DX 2 CAT.	RIGHT CONNECTING ROD	BIELLE ATTELAGE BARRE DROITE	PLEUELST.VERB.SCHUTZH. RECHTS	BIELA ATAQUE BARRA DERECHA
14	M35400531R	BIELLA DX ATTACCO BARRE 3 CAT	RIGHT LINKAGE ROD CAT. 3			
15	F02200529R	SPINA SCATTO D.11 H58 ZN	SNAP PIN D.11 H58 ZN	FICHE A DETENTE D.11 H58 ZN	EINRASTSTIFT D.11 H58 ZN	CLAVIJA DE MUELLE D.11 H58 ZN
16	F20100133R	PERNO D25 L122 C43 TEST.D60 ZN	PIN D25 L122 C43 ZN	BOULON D25 L122 C43 ZN	BOLZEN D25 L122 C43 ZN	PERNO D25 L122 C43 ZN
17	F20100124R	PERNO D32 L135 C40 TEST.D45 Z	BOLT D32 L135 C40 ZN	BOULON D32 L135 C40 ZN	BOLZEN D32 L135 C40 ZN	PERNO D32 L135 C40 ZN
18	F01220047R	DADO M12X1,25	NUT M12X1,25	ECROU M12X1,25	MUTTER M12X1,25	TUERCA M12X1,25 D980 8 ZN
21	F20120400R	GANCIO SOSTEGNO CARDANO	SHAFT HOOK SUPPORT	SUPPORT CARDAN	GELENKWELLE - HACKEN	SOPORTE CARDAN
22	M35400528R	BIELLA SX ATTACCO BARRE 2 CAT	LH 3RD LINKAGE ROD 2 CAT			
23	M35400532R	BIELLA SX ATTACCO BARRE 3 CAT	LEFT LINKAGE ROD CAT. 3			
24	F01010288R	VITE M12X1,25X35	SCREW M12X1,25X35	VIS M12X1,25X35	SCHRAUBE M12X1,25X35	TORNILLO M12X1,25X35
25	F01220070R	DADO M16X1,5	NUT M16X1,5	ECROU M16X1,5	MUTTER M16X1,5	TUER.M16X1,5 D980 8ZN
26	F20110032R	VITE M14X1,5 X 40	SCREW M14X 1,5X 40	VIS M14X 1,5X 40	SCHRAUBE M14X 1,5X 40	TORNILLO M14X 1,5X 40
27	F20100048R	PERNO D22 L48 C43 TEST.D35 ZN	BOLT D22 L48 C43 ZN	GOUJON D22 L48 C43	BOLZEN D22 L48 C43	PERNO D22 L48 C43
28	F01500010R	RONDELLA 10,5X28X4	WASHER 10,5X28X4	RONDELLE 10,5X28X4	SCHEIBE 10,5X28X4	ARANDELA 10,5X28X4
29	M26400708R	BASE RINFORZATA 3 PUNTO SX	LEFT BASE LINKAGE	BASE ATTELAGE GAUCHE	BASISVERB. LINKSS	BASE ATAQUE IZQUIERDO
30	M36200241R	STAFFA PER TUBO DA 80	STIRRUP	ETRIER	BUEGEL	ESTRIBO
31	F01010128R	VITE M16X1,5X130	SCREW M16X1,5X130	VIS M16X1,5X130	SCHRAUBE M16X1,5X130	TORNILLO M16X1,5X130
32	M26400732R	SUPPORTO SX REGOLAZIONE RULLO	LEFT SUPPORT	SUPPORT GAUCHE	LINK TRAEGER	SOPORTE ISQUIERDO
33	F01220034R	DADO M10X1,25	NUT M10X1,25	ECROU M10X1,25	MUTTER M10X1,25	TUER.M10X1,25 D980 8 ZB
34	F01220059R	DADO M14X1,5	NUT M14X1,5	ECROU M14X1,5	MUTTER M14X1,5	TUERCA M14X 1,5 D980 8 ZN
35	F20030150R	KIT ETICH. SICUREZZA CE	SECURITY LABELS	ETIQUETTES DE SECURITE	SICHERUNG AUFKLEBER	CALCOMANIA DE PELIGRO
36	M26425598R	TRAVE ANT. 80X80 2500	BEAM 80X80 2500	POUTRE 80X80 2500	HAUPTTTRAEGER 80X80 2500	VIGA 80X80 2500
37	M26430589R	TRAVE ANT. 80X80 3000	BEAM 80X80 3000	POUTRE 80X80 3000	HAUPTTTRAEGER 80X80 3000	VIGA 80X80 3000
38	M26435589R	TRAVE ANT. 80X80 3500	BEAM 80X80 3500	POUTRE 80X80 3500	HAUPTTTRAEGER 80X80 3500	VIGA 80X80 3500
39	M26440589R	TRAVE ANT. 80X80 4000	BEAM 80X80 4000	POUTRE 80X80 4000	HAUPTTTRAEGER 80X80 4000	VIGA 80X80 4000

TAV.050

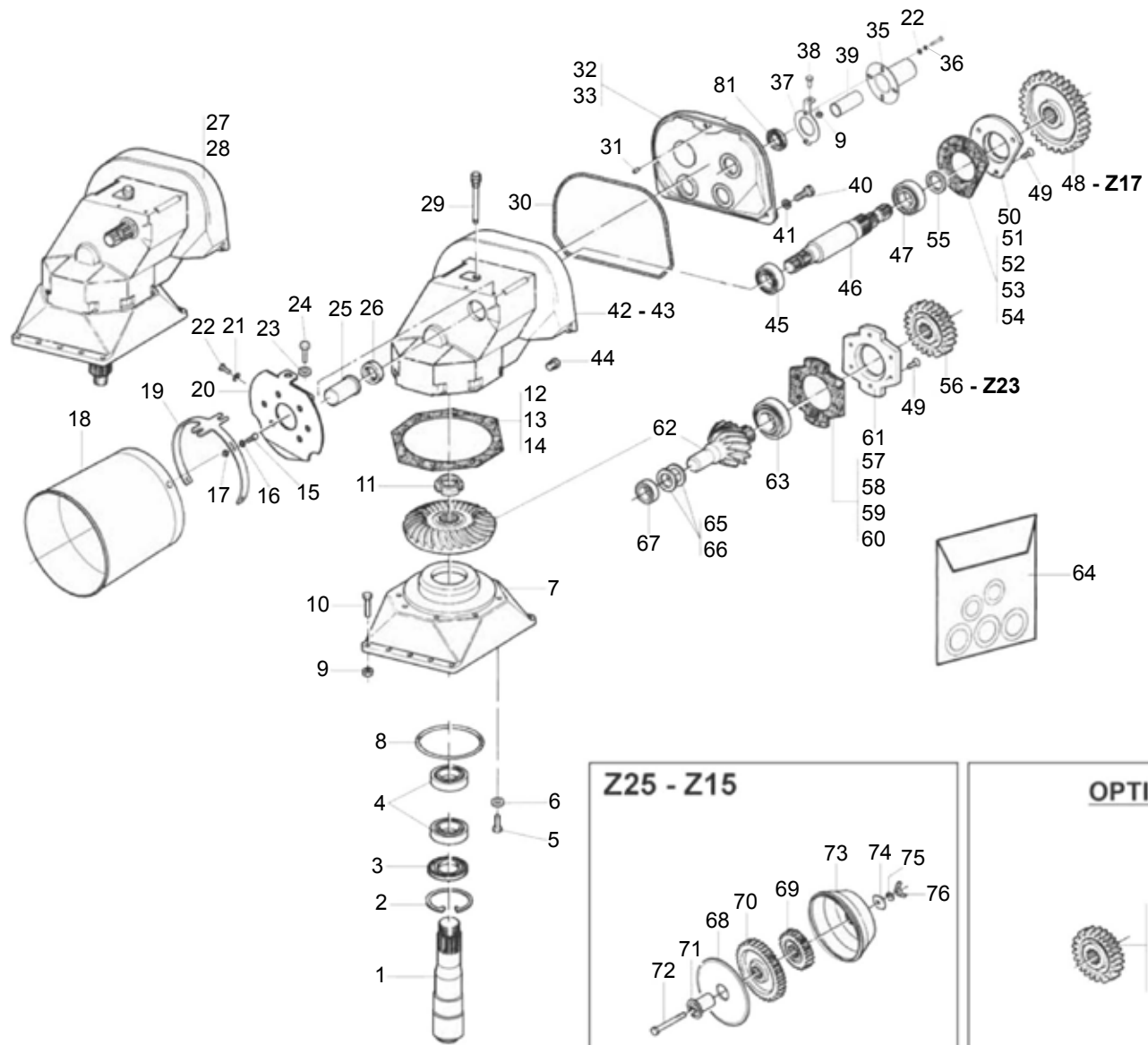


**GRUPPO CAMBIO
GEARBOX**

TAV.050

Pos.	Cod.	Descrizione	Description	Benennung	Description	Descrpcion
1	M19400203R	ALBERO TRASM.D=80 L=208,5	SHAFT TR.D=80 L=208,5		ANTRIEBSWELLE	
2	F02050482R	ANELLO E. DI110X 4 U7437 C70	SEEGER RING D.110	BAGUE SEEGER D.110	SEEGERRING D.110	ANILLO SEEGER D.110
3	F03010244R	ANELLO T.A 80X110X10 D3760NBR	OIL SEAL 80X110X10	PARE-HUILE 80X110X10	OELABDICHTUNG 80X110X10	PARA-ACEITE 80X110X10
4	F04050117R	CUSC.D65 D110 T34 33113	BEARING D65 D110 T34 33113	ROULEMENT D65 D110 T34 33113	LAGER D65 D110 T34 33113	COJINETE D65 D110 T34 33113
5	F01010289R	VITE M12X1,25X35	SCREW M12X1,25X35	VIS M12X1,25X35	SCHRAUBE M12X1,25X35	TORNILLO M12X1,25X35
6	F01480123R	ROS.G 12,5X22,9X 4	GROVER WASHER M12 ZGP EXTRA P.	GROVER RONDELLE M12 ZGP EXTRA	UNTERLEGSCHLEIBE M12 ZGP EXTRA	ARANDELA M12 ZGP EXTRA P.
7	M19400202R	BASE CAMBIO	GEARBOX SUPPORT	SUPPORT BOITE DE VITESSE	WECHSELGETRIEBE HALTER	SOPORTE CAMBIO
8	F03010738R	ANELLO OR 126,59X353 NBR	GASKET OR 126,59X353 NBR	BAGUE OR	RING OR	ANILLO OR
9	F01220034R	DADO M10X1,25	NUT M10X1,25	ECROU M10X1,25	MUTTER M10X1,25	TUER.M10X1,25 D980 8 ZB
10	F01010254R	VITE M10X1,25X35	SCREW M10X1,25X35	VIS M10X1,25X35	SCHRAUBE M10X1,25X35	TORNILLO M10X1,25X35
11	F02010155R	GHIERA AU.GUP M50X1,5 T.4H ZN	SELF LOCKING NUT M50X1,5	COLLIER AUTOBL. M50X1,5	SELBSTSP. NUTMUTTER M50X1,5	VIROLA AUTOBL. M50X1,5
12	M14100204R	GUARNIZIONE FLANGIA PR 1 10	GASKET MM.0,1	JOINT MM.0,1	DICHTUNG MM.0,1	JUNTA MM.0,1
13	M14100205R	GUARNIZIONE FLANGIA PR 3 10	GASKET MM.0,3	JOINT MM.0,3	DICHTUNG MM.0,3	JUNTA MM.0,3
14	M14100206R	GUARNIZIONE FLANGIA PR 5 10	GASKET MM.0,5	JOINT MM.0,5	DICHTUNG MM.0,5	JUNTA MM.0,5
15	F01020403R	VITE M6X1X16	SCREW M6X1X16	VIS M6X1X16	SCHRAUBE M6X1X16	TORNILLO M6X1X16
16	F01410037R	ROS.M6 6,4X12,5X1,6	WASHER M6 6,4X12,5X1,6	RONDELLE M6 6,4X12,5X1,6	SCHEIB.M6 6,4X12,5X1,6 U6592ZN	ARAND.M6 6,4X12,5X1,6 U6592 ZN
17	F01220011R	DADO M6X1	NUT M6X1	ECROU M6X1	MUTTER M6X1	TUERCA M6X1 D980 8 ZN
18	M68100106R	PROTEZIONE CARDANO	CARDAN PROTECTION	PROTECTION CARDAN	GELENKWELLENSCHUTZ	PROTECCION CARDANICO
19	M12400115R	ATTACCO CUFFIA	PROTECTION SUPPORT	SUPPORT PROTECTION CARDAN	GELENKWELLENSCHUTZ HALTER	SOPORTE PROTECCION CARDANICO
20	M12400111R	ATTACCO CUFFIA	PROTECTION SUPPORT	SUPPORT PROTECTION CARDAN	GELENKWELLENSCHUTZ HALTER	SOPORTE PROTECCION CARDANICO
21	F01410037R	ROS.M6 6,4X12,5X1,6	WASHER M6 6,4X12,5X1,6	RONDELLE M6 6,4X12,5X1,6	SCHEIB.M6 6,4X12,5X1,6 U6592ZN	ARAND.M6 6,4X12,5X1,6 U6592 ZN
22	F01020403R	VITE M6X1X16	SCREW M6X1X16	VIS M6X1X16	SCHRAUBE M6X1X16	TORNILLO M6X1X16
23	F01480099R	ROS.G 8,4X14,4X2,7	GROWER WASHER D.8	GROWER RONDELLE D.8	SCHEIBE GROWER D.8	ARANDELA GROWER D.8
24	F01020436R	VITE M8X1,25X20	SCREW M8X1,25X20	VIS M8X1,25X20	SCHRAUBE M8X1,25X20	TORNILLO M8X1,25X20
25	M38100147R	MANICOTTO PROTEZIONE PDF 1 3 4	P.T.O. PROTECTION	MANCHON DE PROTECTION P.T.O.	ZAPFWELLENSCHUTZ P.T.O.	MANGUITO PROTECCION P.T.O.
26	F03010286R	ANEL. T.AS 45X 60X 7 D3760NBR	OIL SEAL 45X60X7	PARE-HUILE 45X 60X 7 D3760NBR	OELABDICHTUNG 45X 60X 7	PARA-ACEITE 45X 60X 7 D3760NBR
27	M19400101R	COMP.M.CAM.C.DM 2500 3500 4500	GEAR BOX ASSEMBLY 2500-4500	BOITE DE VITESSE 2500-4500	WECHSELGETR.KOMPL.2500-4500	CAJA CAMBIO COMPL.2500-4500
28	M19400102R	COMP.M.CAM.C.DM 3000 4000 5000	GEAR BOX ASSEMBLY 3000-5000	BOITE DE VITESSE 3000-5000	WECHSELGETR.KOMPL.3000-5000	CAJA CAMBIO COMPL.3000-5000
29	M36100123R	TAPPO SFIATO CON ASTINA DM	BREATHER PLUG	BOUCHON DE SOUPIRIL	ENTLUEFFTERSTOPFEN	TAPON RESPIRADERO
30	M38100105R	GUARNIZIONE COPERCHIO CAMBIO	GEARBOX COVER GASKET	JOINT COUVERCLE BOITE DE VIT.	WECHSELGETRIEBEBEDECKEL DICHTUNG	JUNTA TAPA CAMBIO
31	F02100292R	SPINA CIL. 6X 20 U2338 1999	PIN		BOLZEN	
32	M36100151R	COPERCHIO CAMBIO	COVER GEAR	COUVERCLE BOITE DE VITESSE	WECHSELGETRIEBEBEDECKEL	TAPA CAMBIO
33	M36100152R	COPERCHIO CAMBIO	GEARBOX COVER	COUVERCLE BOITE DE VIT.	WECHSELGETRIEBEBEDECKEL	TAPA CAMBIO
35	F01410051R	ROS.M8 8,4X 17X1,6	WASHER M8 8,4X17X1,6	RONDELLE M8 8,4X17X1,6	SCHEIBE M8 8,4X17X1,6 U6592 ZN	ARAND.M8 8,4X 17X1,6 U6592 ZN
36	F01480088R	ROS.G 6,4X12,4X2	GROWER WASHER D.6	GROWER RONDELLE D.6	SCHEIBE GROWER D.6	ARANDELA GROWER D.6
37	M19400103R	COMP. SUPPORTO PDF POSTERIORE	REAR GUARD SUPPORT	SUPPORT PROTECTION ARRI RE	HINTERE SHUTZUNGSHALTER	SOPORTE PROTECCION POSTERIOR
38	F01010244R	VITE M10X1,25X25	SCREW M10X1,25X25	VIS M10X1,25X25	SCHRAUBE M10X1,25X25	TORNILLO M10X1,25X25
39	F20150001R	PROTEZIONE P.F.P.1 3 4 GRUPPO	PROTECTION	CARTER	SCHUTZ	PROTECCION
40	F01020476R	VITE M10X1,5X30	SCREW M10X1,5X30	VIS M10X1,5X30	SCHRAUBE M10X1,5X30	TORNILLO M10X1,5X30
41	F01410062R	ROS.M10 10,5X 18X 2	WASHER M10 10,5X 18X 2	RONDELLE M10 10,5X 18X 2	DICHTUNGSRING M10 10,5X18X2 ZN	ARAND.M10 10,5X 18X 2 U6592 ZN
42	M36100101R	CORPO RID.CAMBIO 3000 4000	GEARBOX 3000 4000 5000	BOITE DE VITESSE 3000 4000 500	WECHSELGETRIEBEGEHAUSE	CAJA CAMBIO 3000 4000 5000
43	M36100104R	CORPO RID.CAMBIO DM 3500 4500	GEARBOX 3500 4500	BOITE DE VITESSE 3500 4500	WECHSELGETRIEBEGEHAUSE	CAJA CAMBIO 3500 4500
44	F03150630R	TAPPO SCARICO 1 2 GAS CON.	OIL OUTLET PLUG 1 2	BOUCHON DE VIDANGE HUILE 1 2	OELABLASSPFROPFEN 1 2	TAPON DESCARGADO ACEITE 1 2
45	F04050018R	CUSC. D45 D85 T20,75 30209	BEARING D45 D85 T20,75 30209	ROULEMENT D45 D85 T20,75 30209	LAGER D45 D85 T20,75 30209	COJINETE D45 D85 T20,75 30209
46	M36100150R	ALBERO PRESA DI FORZA	POWER TAKE-OFF SHAFT	ARBRE PRISE DE FORCE	ZAPFWELLE P.D.F.	ARBOL TOMA DE FUERZA
47	F04050041R	CUSC. D45 D100 T27,25 30309	BEARING D45 D100 T27,25 30309	ROULEMENT D45 D100 T27,25 3030	LAGER D45 D100 T27,25 30309	COJINETE D45 D100 T27,25 30309
48	M24100109R	INGRAN. CAMBIO Z 17 M7	GEAR Z-17	ENGRENAGE Z-17	ZAHNRAD WECHSELGETRIEBE Z-17	ENGRANAJE Z-17
49	F01030085R	VITE M10X1,5X25	SCREW M10X1,5X25	VIS M10X1,5X25	SCHRAUBE M10X1,5X25	TORNILLO M10X1,5X25
50	M36100138R	FLANGIA CUSC. ALBERO PDF	BEARING SUPPORT	SUPPORT ROULEMENT	LAGERHALTER	SOPORTE COJINETE
51	M36100111R	GUARNIZ.FL.P.F.MYLARE 0,05 DM	GASKET MM. 0,05	JOINT MM.0,05	DICHTUNG MM.0,05	JUNTA MM.0,05
52	M36100112R	GUARN.FL.CUSC.P.F.PRESPAN 0,1	GASKET MM.0,1	JOINT MM.0,1	DICHTUNG MM.0,1	JUNTA MM.0,1
53	M36100113R	GUARN.FL.CUSC.P.F.PRESPAN 0,3	GASKET MM.0,3	JOINT MM.0,3	DICHTUNG MM.0,3	JUNTA MM.0,3
54	M36100114R	GUARN.FL.CUSC.P.F.PRESPAN 0,5	GASKET MM.0,5	JOINT MM.0,5	DICHTUNG MM.0,5	JUNTA MM.0,5
55	M36100149R	DISTANZIALE INGR.	SPACER	ENTRETOISE	DISTANZSTUECK	DISTANCIADOR
56	M24100110R	INGRAN. CAMBIO Z 23 M7	GEAR Z-23	ENGRENAGE Z-23	ZAHNRAD WECHSELGETRIEBE Z-23	ENGRANAJE Z-23
57	M36100133R	GUA.FLAN.CUS.PIG.MYLAR 0,05 DM	GASKET MM. 0,05	JOINT MM.0,05	DICHTUNG MM.0,05	JUNTA MM.0,05

TAV.050

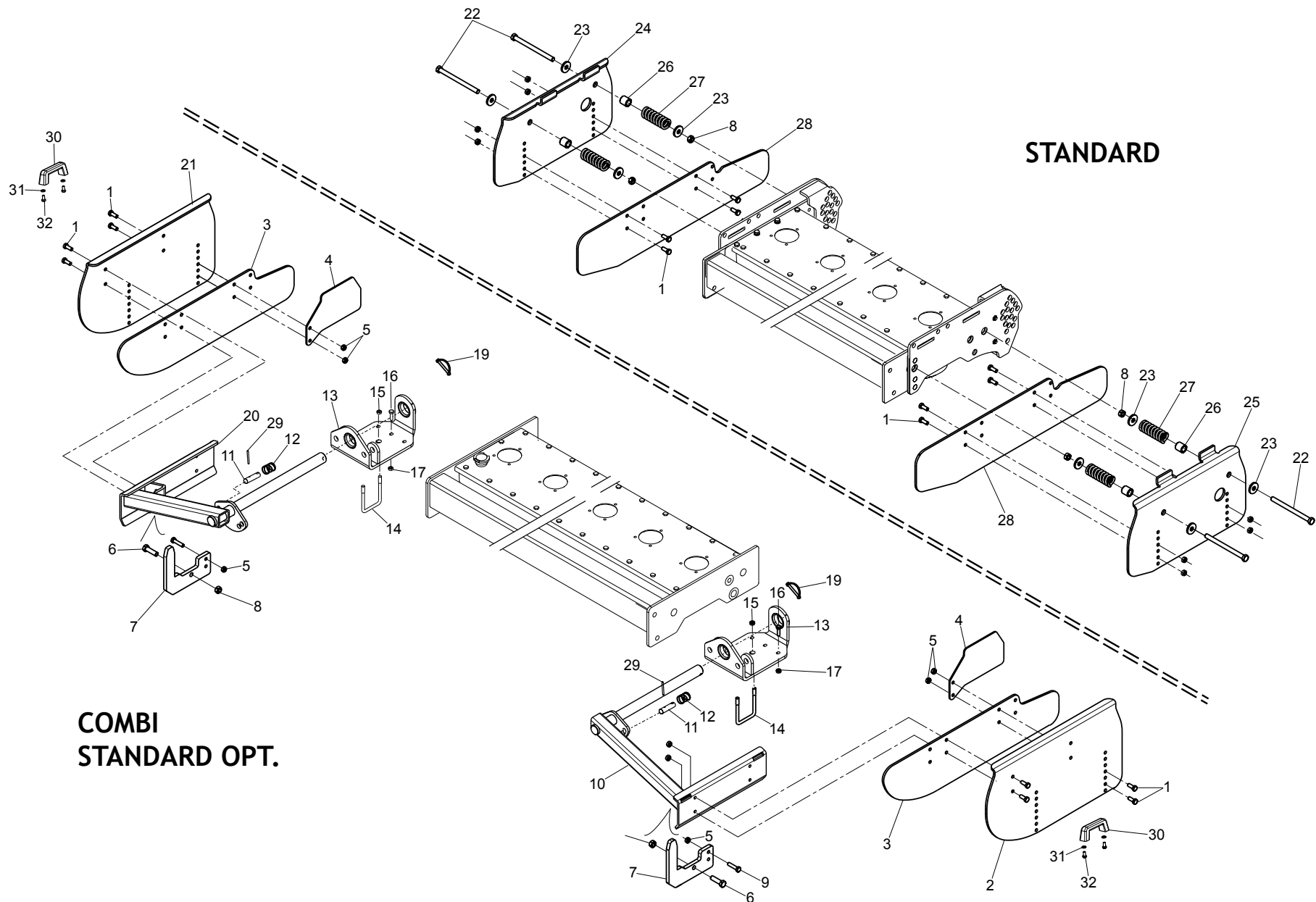


**GRUPPO CAMBIO
GEARBOX**

TAV.050

Pos.	Cod.	Descrizione	Description	Benennung	Description	Description
58	M36100134R	GUA.FLA.CUS.PIG.PRESPAN 0,1 DM	GASKET MM.0,1	JOINT MM.0,1	DICHTUNG MM.0,1	JUNTA MM.0,1
59	M36100135R	GUA.FLA.CUS.PIG.PRESPAN 0,3 DM	GASKET MM.0,3	JOINT MM.0,3	DICHTUNG MM.0,3	JUNTA MM.0,3
60	M36100136R	GUA.FLA.CUS.PIG.PRESPAN 0,5 DM	GASKET MM.0,5	JOINT MM.0,5	DICHTUNG MM.0,5	JUNTA MM.0,5
61	M36100132R	FLANGIA CUSCINETTO PIGNONE	BEARING SUPPORT FLANGE PINION	FLASQUE ROULEMENT	LAGERFLANSCH	BRIDA COJINETE
62	M36100153R	COPPIA CONICA	BEVEL GEAR PAIR	COUPLE CONIQUE	KEGELRITZELSATZ	PAR CONICO
63	F04050118R	CUSC. D65 D120 T41 33213	BEARING D65 D120 T41 33213	ROULEMENT D65 D120 T41 33213	LAGER D65 D120 T41 33213	COJINETE D65 D120 T41 33213
64	F03100072R	SERIE GUARNIZIONI CAMBIO DM	GASKET SET DM	SERIE JOINTS DM	DICHTUNGSSATZ DM	SERIE JUNTAS DM
65	M36200132R	SPESSORE REGISTRO 0,15	SPACER MM.0,15	ENTRETOISE MM.0,15	DISTANZSTUECK MM.0,15	DISTANCIADOR MM.0,15
66	M36200133R	SPESSORE REGISTRO 0,30	SPACER MM.0,3	EPAISSEUR MM.0,3	PLAETTCHEN MM.0,3	ESPESOR MM.0,3
67	F04050036R	CUSC.D20 D52 T16,25 30304	BEARING D20 D52 T13,25 30304	ROULEMENT D20 D52 T13,25 30304	LAGER D20 D52 T13,25 30304	COJINETE D20 D52 T13,25 30304
68	M12400126R	COPERCHIO	GEAR CONTAINER COVER	COUVERCLE	DECKEL	TAPA
69	M24100116R	INGRANAGGIO Z=15	GEAR Z-15	ENGRENAGE Z-15	ZAHNRAD WECHSELGETRIEBE Z-15	ENGRANAJE Z-15
70	M24100117R	INGRANAGGIO Z=25	GEAR Z-25	ENGRENAGE Z-25	ZAHNRAD WECHSELGETRIEBE Z-25	ENGRANAJE Z-25
71	M36100592R	SUPPORTO CON BASE	SPACER	ENTRETOISE	DISTANZSTUECK	DISTANCIADOR
72	F01010065R	VITE M12X1,25X110	SCREW M12X1,25X110	VIS M12X1,25X110	SCHRAUBE M12X1,25X110	TORNILLO M12X1,25X110
73	M36100590R	COPERCHIO CONTENITORE INGR.	COVER	COUVERCLE	DECKEL	TAPA
74	F01410100R	ROS.M16 17X30X 3	WASHER M16 17X30X3	RONDELLE M16 17X30X3	SCHRAUBE M16 17X 30X3 U6592 ZN	ARAND.M16 17X 30X 3 U6592 ZN
75	F01480123R	ROS.G 12,5X22,9X 4	GROVER WASHER M12 ZGP EXTRA P.	GROVER RONDELLE M12 ZGP EXTRA	UNTERLEGSCHIEBE M12 ZGP EXTRA	ARANDELA M12 ZGP EXTRA P.
76	F01220047R	DADO M12X1,25	NUT M12X1,25	ECROU M12X1,25	MUTTER M12X1,25	TUERCA M12X1,25 D980 8 ZN
77	M24100113R	INGR.PER CAMBIO M7 Z=16	GEAR Z-16	ENGRENAGE Z-16	ZAHNRAD WECHSELGETRIEBE Z-16	ENGRANAJE Z-16
78	M24100111R	INGRAN. CAMBIO Z 18 M7	GEAR Z-18	ENGRENAGE Z-18	ZAHNRAD WECHSELGETRIEBE Z-18	ENGRANAJE Z-18
79	M24100112R	INGRAN. CAMBIO Z 22 M7	GEAR Z-22	ENGRENAGE Z-22	ZAHNRAD WECHSELGETRIEBE Z-22	ENGRANAJE Z-22
80	M24100114R	INGR.PER CAMBIO M7 Z=24	GEAR Z-24	ENGRENAGE Z-24	ZAHNRAD WECHSELGETRIEBE Z-24	ENGRANAJE Z-24
81	F03010102R	ANELLO T.A. 38X 50X 7 D3760NBR	OIL SEAL 38X 50X 7 D3760NBR	PARE-HUILE 38X 50X 7 D3760NBR	OELABDICHTUNG 38X 50X 7 D3760	PARA-ACEITE 38X 50X 7 D3760NBR

TAV.060

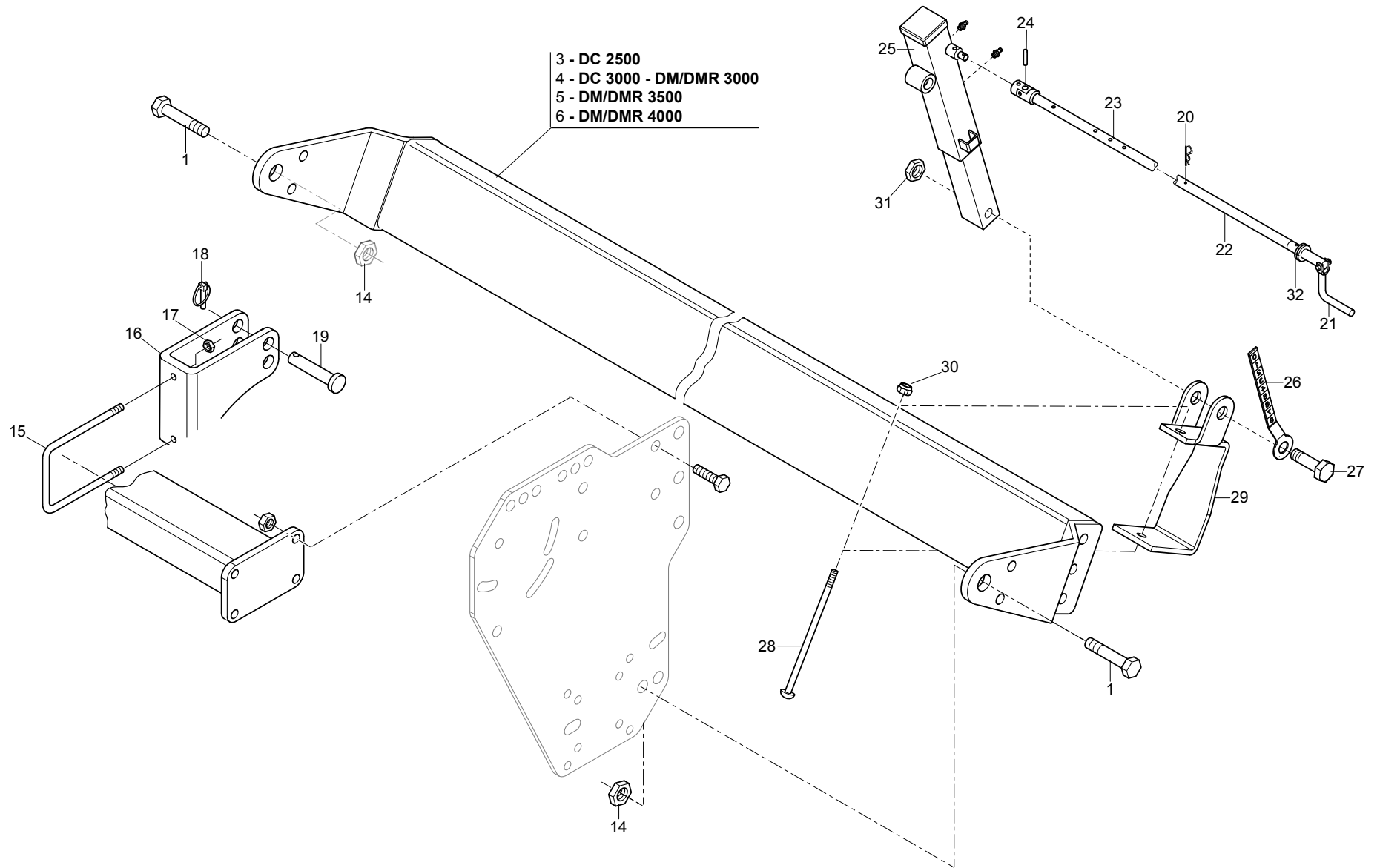


**PROTEZIONI LATERALI
SIDE PANELS**

TAV.060

Pos.	Cod.	Descrizione	Description	Benennung	Description	Description
1	F01010283R	VITE M12X1,25X30	SCREW M12X1,25X30	VIS M12X1,25X30	SCHRAUBE M12X1,25X30	TORNILLO M12X1,25X30
2	M26400722R	PROTEZIONE LATERALE SX	LEFT SIDE PROTECTION	PROTECTION LAT. GAUCHE	SEITENSCHUTZ LINKS	PROTECCION LATERAL IZQUIERDO
3	M26400755R	PROTEZIONE LATERALE INFERIORE	BOTTOM SIDE PROTECTION	PROTECTION LAT.INF RIEUR	UNTERE SEITENSCHUTZ	PROTECCION LATERAL INFERIOR
4	M23400915R	PROTEZIONE LATERALE RULLO	SIDE PROTECTION	PROTECTION LAT.	SEITENSCHUTZ	PROTECCION LATERAL
5	F01220047R	DADO M12X1,25	NUT M12X1,25	ECROU M12X1,25	MUTTER M12X1,25	TUERCA M12X1,25 D980 8 ZN
6	F01010115R	VITE M16X1,5X55	SCREW M16X1,5X55	VIS M16X1,5X55	SCHRAUBE M16X1,5X55	TORNILLO M16X1,5X55
7	M26400725R	PIASTRA	PLATE	PLAQUETTE	PLATTE	PLAQUITA
8	F01220070R	DADO M16X1,5	NUT M16X1,5	ECROU M16X1,5	MUTTER M16X1,5	TUER.M16X1,5 D980 8ZN
9	F01010055R	VITE M12X1,25X50	SCREW M12X1,25X50	VIS M12X1,25X50	SCHRAUBE M12X1,25X50	TORNILLO M12X1,25X50
10	M26400777R	COMP.BRACCIO SX	ARM LH	BRAS GH	ARM LI	BRAZO IZQ
11	M26400757R	PERNO	PIN	GOUJON	STIFT	PERNO
12	G18900381R	MOLLA COMP.ZN SPINGIDISCO	SPRING		FEDER	
13	M26400778R	SUPPORTO	FRONT SUPPORT	SUPPORT	HALTERUNG	SOPORTE
14	F20110751R	CAV.Q.M12X1,75X 30 93X120 ZN	CONNE.M12X1,75X30 93X120 ZN	ATTEL.M12X1,75X30 93X120 ZN	VERBI.M12X1,75X30 93X120 ZN	PERNO M12X1,75X30 93X120 ZN
15	F01220048R	DADO M12X1,75	NUT M12X1,75	ECROU M12X1,75	MUTTER M12X1,75	TUERCA M12X1,75 D980 8 ZN
16	F01010254R	VITE M10X1,25X35	SCREW M10X1,25X35	VIS M10X1,25X35	SCHRAUBE M10X1,25X35	TORNILLO M10X1,25X35
17	F01220034R	DADO M10X1,25	NUT M10X1,25	ECROU M10X1,25	MUTTER M10X1,25	TUER.M10X1,25 D980 8 ZB
19	F02200562R	SPINA SICUR.D. 8X70 ZN	SNAP PIN D.8X 70 ZN	FICHE EL. D.8X70 ZN	SCHERSTIFT D.8X 70 ZN	CLAVIJA D.8X 70 ZN
20	M26400776R	COMP.BRACCIO DX	ARM RH	BRAS DR	ARM RE	BRAZO DER
21	M26400721R	PROTEZIONE LATERALE DX	RIGHT SIDE PROTECTION	PROTECTION LAT.DROITE	RECHTE SEITENSCHUTZ	PROTECCION LATERAL DERECHO
22	F01010137R	VITE M16X1,5X210	SCREW M16X1,5X210	VIS M16X1,5X210	SCHRAUBE M16X1,5X210	TORNILLO M16X1,5X210
23	F01500023R	RONDELLA 17X45X6	WASHER 17 X45X6	RONDELLE 17 X45X6	WASHER 17 X45X6 D6340 C50 ZD	WASHER 17 X45X6 D6340 C50 ZD
24	M26400411R	PROTEZIONE LATERALE DX	RIGHT SIDE PROTECTION	PROTECTION LAT.DROITE	RECHTE SEITENSCHUTZ	PROTECCION LATERAL DERECHO
25	M26400412R	PROTEZIONE LATERALE SX	LEFT SIDE PROTECTION	PROTECTION LAT. GAUCHE	SEITENSCHUTZ LINKS	PROTECCION LATERAL IZQUIERDO
26	M36100392R	DISTANZIALE D=32 D=22,5 L=32	SPACER	ENTRETOISE	DISTANZSTUECK	DISTANCIADOR
27	M24100569R	MOLLA SUPERIORE MARTINETTO	SPRING	RESSORT	FEDER	MUELLE
28	M26400413R	PROTEZIONE LATERALE INFERIORE	BOTTOM SIDE PROTECTION	PROTECTION LAT.INF RIEUR	UNTERE SEITENSCHUTZ	PROTECCION LATERAL INFERIOR
29	F02100093R	SPINA E.P. 5X 50 U6873 C70 BR	PIN EL. 5X 50 U6873 C70 BR		SPANNSTIFT 5X45 DIN 1481 ZN *	
30	F05150112R	MANIGLIA INTERAS. 117 FORO 8MM	HANDLE	POIGNEE	HANDGRIFF	MANILLA
31	F01480099R	ROS.G 8,4X14,4X2,7	GROWER WASHER D.8	GROWER RONDELLE D.8	SCHIBE GROWER D.8	ARANDELA GROWER D.8
32	F01020432R	VITE M8X1,25X16	SCREW M8X1,25X16	VIS M8X1,25X16	SCHRAUBE M8X1,25X16	TORNILLO M8X1,25X16

TAV.070

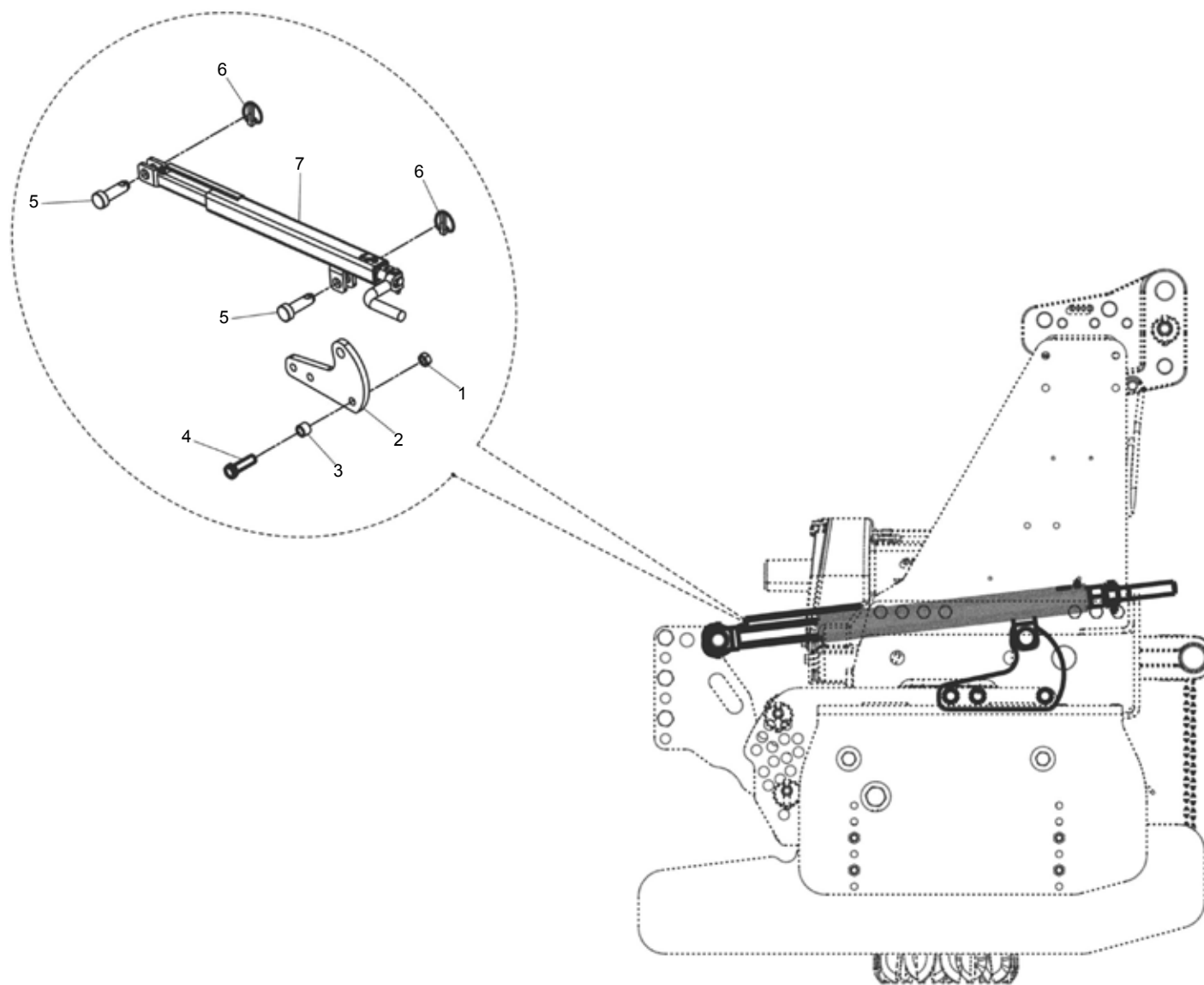


**BARRA LIVELLATRICE
LEVELING BAR**

TAV.070

Pos.	Cod.	Descrizione	Description	Benennung	Description	Description
1	F01010364R	VITE M18X1,5X50	SCREW M18X1,5X50	VIS M18X1,5X50	SCHRAUBE M18X1,5X50	TORNILLO M18X1,5X50
3	M23425783R	BARRA LIVELLATRICE 2500	REAR BAR 2500	BARRE ARRIERE 2500	KOMPL. HINTERE SCHINE 2500	BARRA TRASERA 2500
4	M23430783R	BARRA LIVELLATRICE 3000	REAR BAR 3000	BARRE ARRIERE 3000	KOMPL. HINTERE SCHINE 3000	BARRA TRASERA 3000
5	M23435783R	BARRA LIVELLATRICE 3500	REAR BAR 3500	BARRE ARRIERE 3500	KOMPL. HINTERE SCHINE 3500	BARRA TRASERA 3500
6	M23440783R	BARRA LIVELLATRICE 4000	REAR BAR 4000	BARRE ARRIERE 4000	KOMPL. HINTERE SCHINE 4000	BARRA TRASERA 4000
14	F01220081R	DADO M18X1,5	NUT M18X1,5	ECROU M18X1,5	MUTTER M18X1,5	DADO AUTOBL. M18X1,5 980-V
15	F20110800R	CAV.R.B=100 M=16X2 L=135	U BOLT R.B=100 M=16X2 L=135	ATTEL.B=100 M=16X2 L=135	VERBI.B=100 M=16X2 L=135	PERNO U B=100 M=16X2 L=135
16	M23400444R	STAFFA ATTACCO MARTINETTO	ADJUST HITCH PLATE		BUEGELLINK	
17	F01230085R	DADO M16X2 D982 10ZN	NUT M16X2	ECROU M16X2	MUTTER M16X2	TUERCA M16X2 D982 10ZN
18	F02200529R	SPINA SCATTO D.11 H58 ZN	SNAP PIN D.11 H58 ZN	FICHE A DETENTE D.11 H58 ZN	EINRASTSTIFT D.11 H58 ZN	CLAVIJA DE MUELLE D.11 H58 ZN
19	F20100049R	PERNO D22 L86 C43 TEST.D35 ZN	BOLT D22 L86 C43 ZN	GOUJON D.22	BOLZEN D.22	PERNO D.22
20	F02200374R	COPIGLIA R 4X 82 ZN	SPRING SPLIT PIN 4X82	GOUPILLE 4X82	SPLINT 4X82	PASADOR 4X82
21	M36200808R	COMP. MANICO VITE	HANDLE SCREW		REGULIERUNGHEFT	
22	M12400460R	ASTA ESTERNA	EXTERNAL BEAM		AUSSENHOLM	
23	M12400461R	COMP.ASTA INTERNA	INTERNAL BEAM ASSEMBLY		INNENHOLM	
24	F02100086R	SPINA E.P. 5X 30 U6873 C70 ZN	PIN EL. 5 X30 DIN 1481 GALVAN.	FICHE EL. 5 X30 DIN 1481 ZN	SPANNSTIFT 5 X30 DIN 1481 ZN	CLAVIJA EL.P. 5X 30 U6873 C70
25	M23400917R	MARTINETTO REG. 180 - 330	MECHANICAL ADJUSTER 180 - 330			
26	M23400945R	COMP.ASTA REGOLAZ. MARTINETTI	RULER ASSEMBLY		SKALA WALZENVERSTELLUNG	
27	F01010194R	VITE M22X1,5X110	SCREW M22X1,5X110	VIS M22X1,5X110	SCHRAUBE M 22X1,5X110	TORNILLO M22X1,5X110
28	F01060209R	VITE M10X1,5X200	SCREW M10X1,5X200	VIS M10X1,5X200	SCHRAUBE M10X1,5X200	TORNILLO M10X1,5X200
29	M43400464R	PIASTRA ATTACCO MARTINETTO	PLATE PF JACK ATTACK		WINDEHALTERUNG PLATTE	
30	F01220033R	DADO M10X1,5	NUT M10X1,5	ECROU M10X1,5	MUTTER M10X1,5	TUERCA M10X1,5 D980 8
31	F01230269R	DADO M22X1,5	NUT M22X1,5	ECROU M22X1,5	MUTTER M22X1,5	DADO AUTOBL.M22X1,5 D985 6S ZN
32	F01460051R	DISCO ELASTICO 40X20,3X2	CUP SPRING 40X 20,3X 2 D2093		ELASTISCHE SCHEIBE	

TAV.080

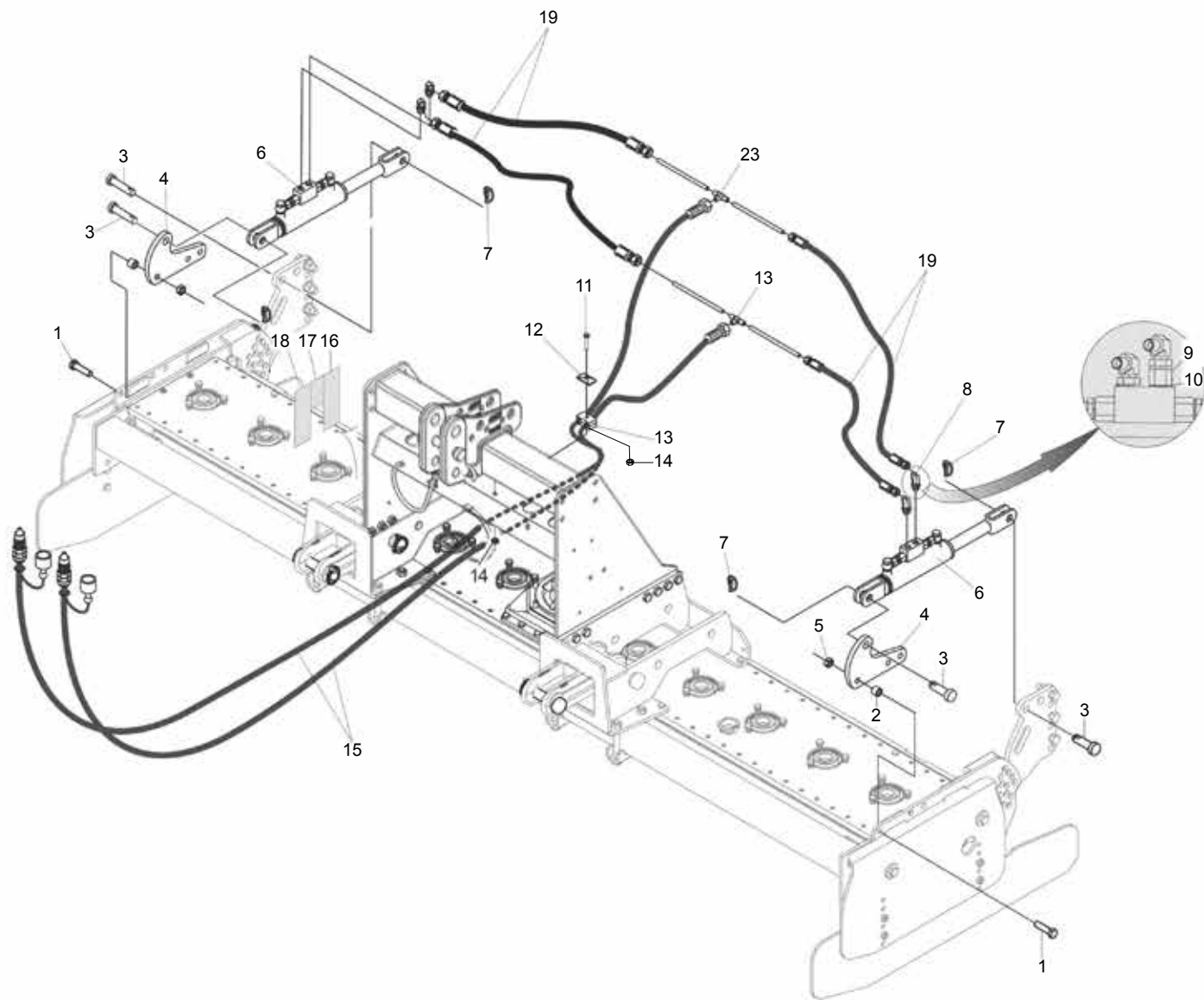


**REGOLAZIONE MECCANICA RULLO (VERS. STANDARD)
ROLLER MECHANICAL ADJ. (STANDARD VERSION)**

TAV.080

Pos.	Cod.	Descrizione	Description	Benennung	Description	Description
1	F01220070R	DADO M16X1,5	NUT M16X1,5	ECROU M16X1,5	MUTTER M16X1,5	TUER.M16X1,5 D980 8ZN
2	M26400419R	RINFORZO CORPO TRASMISSIONE	GEARTRAY REINFORCEM.	RENFORT LAMIER	VERSTERKERUNG	RENFUERZO TRANSM.
3	M19400403R	DISTANZ. D=25 D=16,5 L=20	SPACER	ENTRETOISE	DISTANZSTUECK	DISTANCIADOR
4	F01010346R	VITE M16X1,5X60	SCREW M16X1,5X60	VIS M16X1,5X60	SCHRAUBE M16X1,5X60	TORNILLO M16X1,5X60
5	F20100048R	PERNO D22 L48 C43 TEST.D35 ZN	BOLT D22 L48 C43 ZN	GOUJON D22 L48 C43	BOLZEN D22 L48 C43	PERNO D22 L48 C43
6	F02200529R	SPINA SCATTO D.11 H58 ZN	SNAP PIN D.11 H58 ZN	FICHE A DETENTE D.11 H58 ZN	EINRASTSTIFT D.11 H58 ZN	CLAVIJA DE MUELLE D.11 H58 ZN
7	M26400423R	MARTINETTO REG.C=465 A=645	MECHANICAL JACK C=465 O=645	MANIVELLE MECHANIC C=465 A=645	MECHANISC. SPINDEL C=465 A=645	GATO MECHANICO C=465 A=645

TAV.090

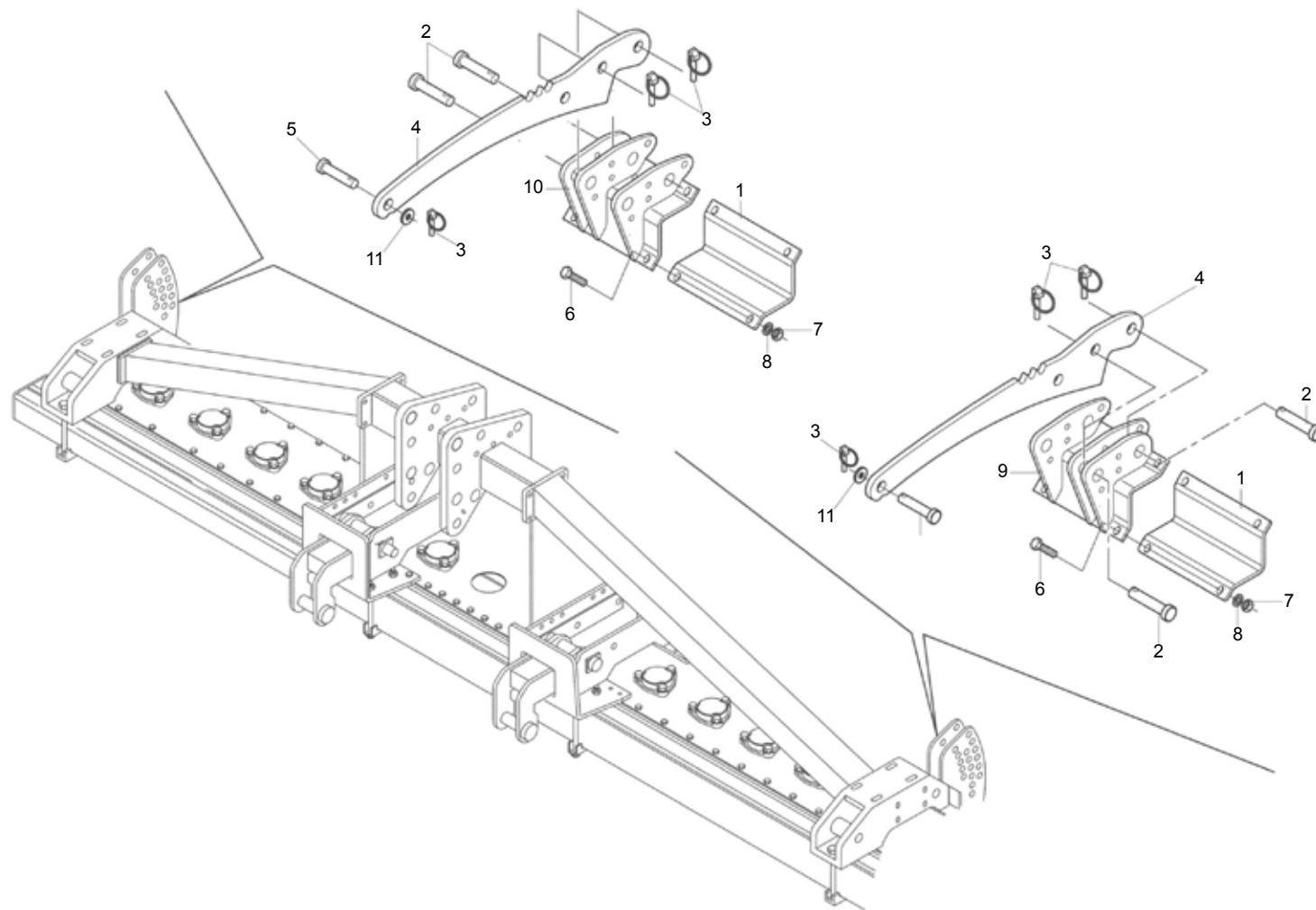


**REGOLAZIONE IDRAULICA RULLO (VERS. STANDARD)
ROLLER HYDRAULIC ADJ. (STANDARD VERSION)**

TAV.090

Pos.	Cod.	Descrizione	Description	Benennung	Description	Description
1	F01010348R	VITE M16X1,5X70	SCREW M16X1,5X 70	VIS M16X1,5X 70	SCHRAUBE M16X1,5X 70	TORNILLO M16X1,5X 70
2	M19400403R	DISTANZ. D=25 D=16,5 L=20	SPACER	ENTRETOISE	DISTANZSTUECK	DISTANCIADOR
3	F20100048R	PERNO D22 L48 C43 TEST.D35 ZN	BOLT D22 L48 C43 ZN	GOUJON D22 L48 C43	BOLZEN D22 L48 C43	PERNO D22 L48 C43
4	M26400419R	RINFORZO CORPO TRASMISSIONE	GEARTRAY REINFORCEM.	RENFORT LAMIER	VERSTERKERUNG	RENFUERZO TRANSM.
5	F01220070R	DADO M16X1,5	NUT M16X1,5	ECROU M16X1,5	MUTTER M16X1,5	TUER.M16X1,5 D980 8ZN
6	M26400416R	MART.IDR.A=50 C=135 L=640	HYDR.ADJU.A=50 C=135 L=640 505	MAN.HYDR.A=50 C=135 L=640 505	HYDR.KURB.A=50 C=135 L=640 505	GATO HIDR.A=50 C=135 L=640 505
7	F02200529R	SPINA SCATTO D.11 H58 ZN	SNAP PIN D.11 H58 ZN	FICHE A DETENTE D.11 H58 ZN	EINRASTSTIFT D.11 H58 ZN	CLAVIJA DE MUELLE D.11 H58 ZN
8	F03150842R	ADATT.A 90 ORIENT.3 8-1 4	90 ADAPTOR 3 8-1 4	ADAPTEUR 90	PASSTUECK 90	ADAPTADOR 90
9	F03020113R	PROLUNGA M F 3 8 L22 L.TOT=33	EXTENSION M F 3 8 L22 L.TOT=33			
10	F03020070R	RONDELLA AUTO. 3 8	AUTOCENT WASHER 3 8	AUTOCENT RONDELLE 3 8	SCHEIBE BONDED AUTOCENT 3 8	ARANDELA BONDED AUTOCENT 3 8
11	F01020451R	VITE M8X1,25X45	SCREW M8X1,25X45	VIS M8X1,25X45	SCHRAUBE M8X1,25X45	TORNILLO M8X1,25X45
12	M58100628R	PIATTO SUPERIORE ZPG	UPPER PLATE	PLAT SUPERIEUR	OBENE PLATTE	PLATO SUPERIOR
13	F03150992R	COPPIA COLLARI X TUBO D.16	DOUBLE SUPPORT	SUPPORT DOUBLE	DOPPELHALTER	SOPORTE DOBLE
14	F01220022R	DADO M8X1,25	NUT M8X1,25	ECROU M8X1,25	MUTTER M8X1,25	TUERCA M8X 1,25 D980 8 ZN
15	M58100890R	PREMONT.TUB.IDR.MART.LAT. GUA	HYDRAULIC TUBE	TUBE HYDRAUL.	HYDRAUL. ROHR	TUBO HYDRAULICO
16	F20030012R	ETICH.ABBASSAMENTO RULLI	LABEL ABBASSAMENTO RULLI		AUFKLEBER ABBASSAMENTO ROLLE	
17	F20030081R	ETICH.SCOPIO TUBI	DECAL.HOSE BURST	ETIQUETTE	AUFKLEBER	ETIQUETA
18	F20030083R	ETICH.SOLLEVERMENTO RULLI	LABEL SOLLEVERMENTO RULLI		AUFKLEBER SOLI.EBELMENTO ROLLE	
19	F03050188R	TUBO FL.1 4 SAE100 R2AT L.1970	TUBE FL.1 4 SAE100 R2AT L.1970	TUBE FL.1 4 SAE100 R2AT L.1970	ROHR FL.1 4 SAE100 R2AT L.1970	TUBO FL.1 4 SAE100 R2AT L.1970
23	F03020033R	UNIONE A T BSP 1 4-19	TEE BSP 1 4-19	RACCORD T BSP 1 4-19	UNION T BSP 1 4-19	UNION T BSP 1 4-19

TAV.100

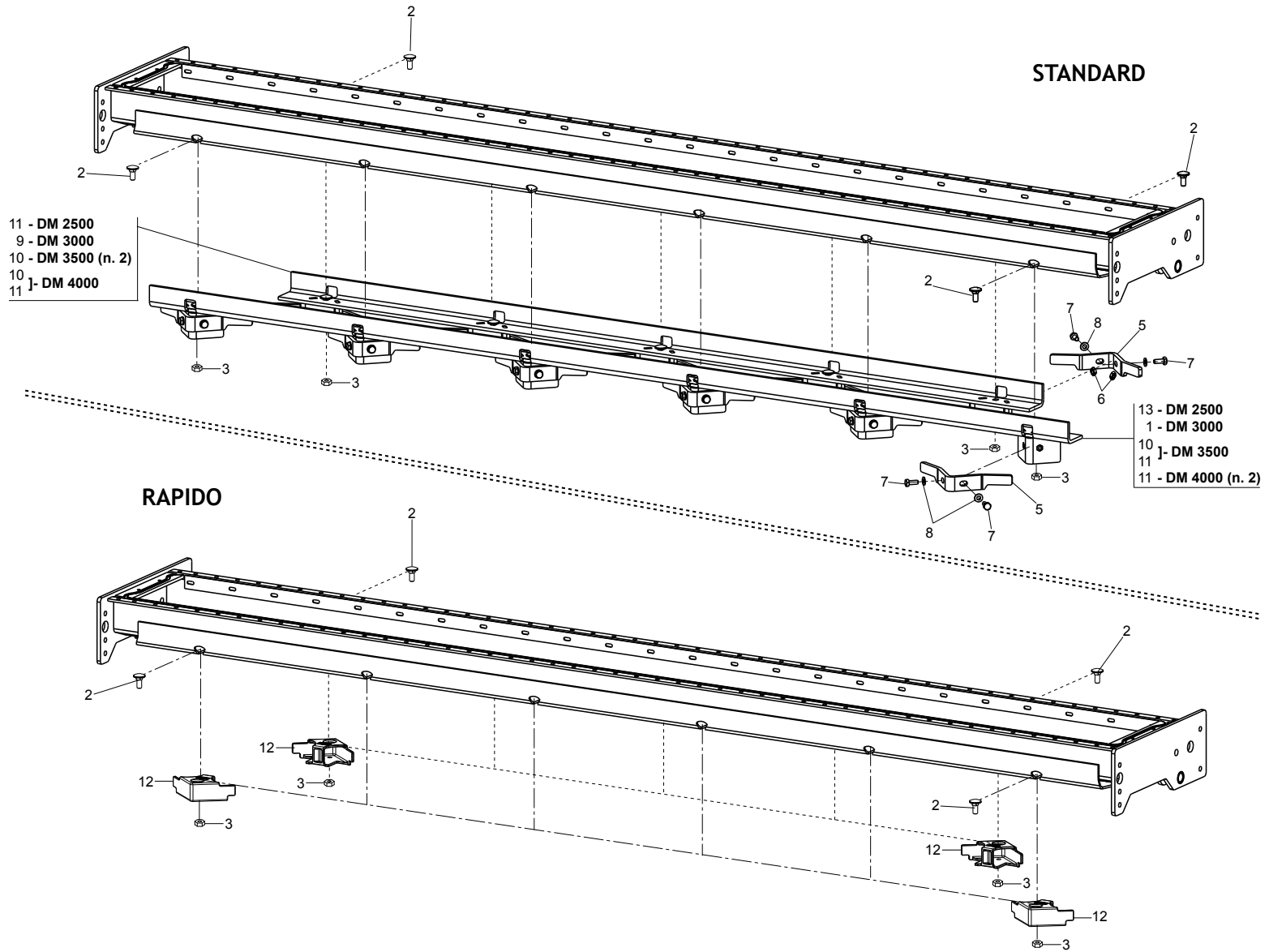


**BRACCIO COLLEGAMENTO RULLO (VERS. COMBI)
ROLLER CONNECTING BRACKET (COMBI VERSION)**

TAV.100

Pos.	Cod.	Descrizione	Description	Benennung	Description	Description
1	M44400403R	STAFFA ATTACCO RULLO DX	ROLLER CONNECTION SUPPORT	SUPPORT ROULEAU DROITE	SCHUTZHOLM WALZE	SOPORTE RODILLO DERECHA
2	F20100090R	PERNO D32 L64 C43 TEST.D45 ZN	PIN D32 L64	GOUJON D32 L64	STIFT D32 L64 ZN	PERNO D32 L64
3	F02200529R	SPINA SCATTO D.11 H58 ZN	SNAP PIN D.11 H58 ZN	FICHE A DETENTE D.11 H58 ZN	EINRASTSTIFT D.11 H58 ZN	CLAVIJA DE MUELLE D.11 H58 ZN
4	M44400405R	BRACCIO COLLEGAMENTO RULLO	ROLLER CONNECTING ARM	BRAS DE CONNECTION ROULEAU	WALZE VERBINDUNGSARM	BRAZO DE CONEXI N RODILLO
5	F20100124R	PERNO D32 L135 C40 TEST.D45 Z	BOLT D32 L135 C40 ZN	BOULON D32 L135 C40 ZN	BOLZEN D32 L135 C40 ZN	PERNO D32 L135 C40 ZN
6	F01010341R	VITE M16X1,5X45 U5740 8.8ZN	SCR. M16X1,5X45 U5740 8.8ZN	VIS M16X1,5 X45 U5740 8.8 ZN	SCHR.M16X1,5 X45 U5740 8.8 ZN	TORN.M16X1,5 X45 U5740 8.8 ZN
7	F01220070R	DADO M16X1,5	NUT M16X1,5	ECROU M16X1,5	MUTTER M16X1,5	TUER.M16X1,5 D980 8ZN
8	F01410100R	ROS.M16 17X30X 3	WASHER M16 17X30X3	RONDELLE M16 17X30X3	SCHRAUBE M16 17X 30X3 U6592 ZN	ARAND.M16 17X 30X 3 U6592 ZN
9	M44400404R	STAFFA ATTACCO RULLO SX	LEFT ROLLER CONNECTION SUPP.	SUPPORT ROULEAU GAUCHE	LINKS SCHUTZHOLM WALZE	SOPORTE RODILLO IZQUIERDO
10	M44400401R	STAFFA ATTACCO RULLO DX	RIGHT ROLLER CONNECTION SUPP.	SUPPORT ROULEAU RECHTE	RECHTE SCHUTZHOLM WALZE	SOPORTE RODILLO DERECHO
11	M23400422R	DISTANZIALE D=60 D=32,5 L=4	SPACER D=60 D=32,5 L=4	ENTRETOISED=60 D=32,5 L=4	DISTANZSTUECK D=60 D=32,5 L=4	DISTANCIADOR D=60 D=32,5 L=4

TAV.110

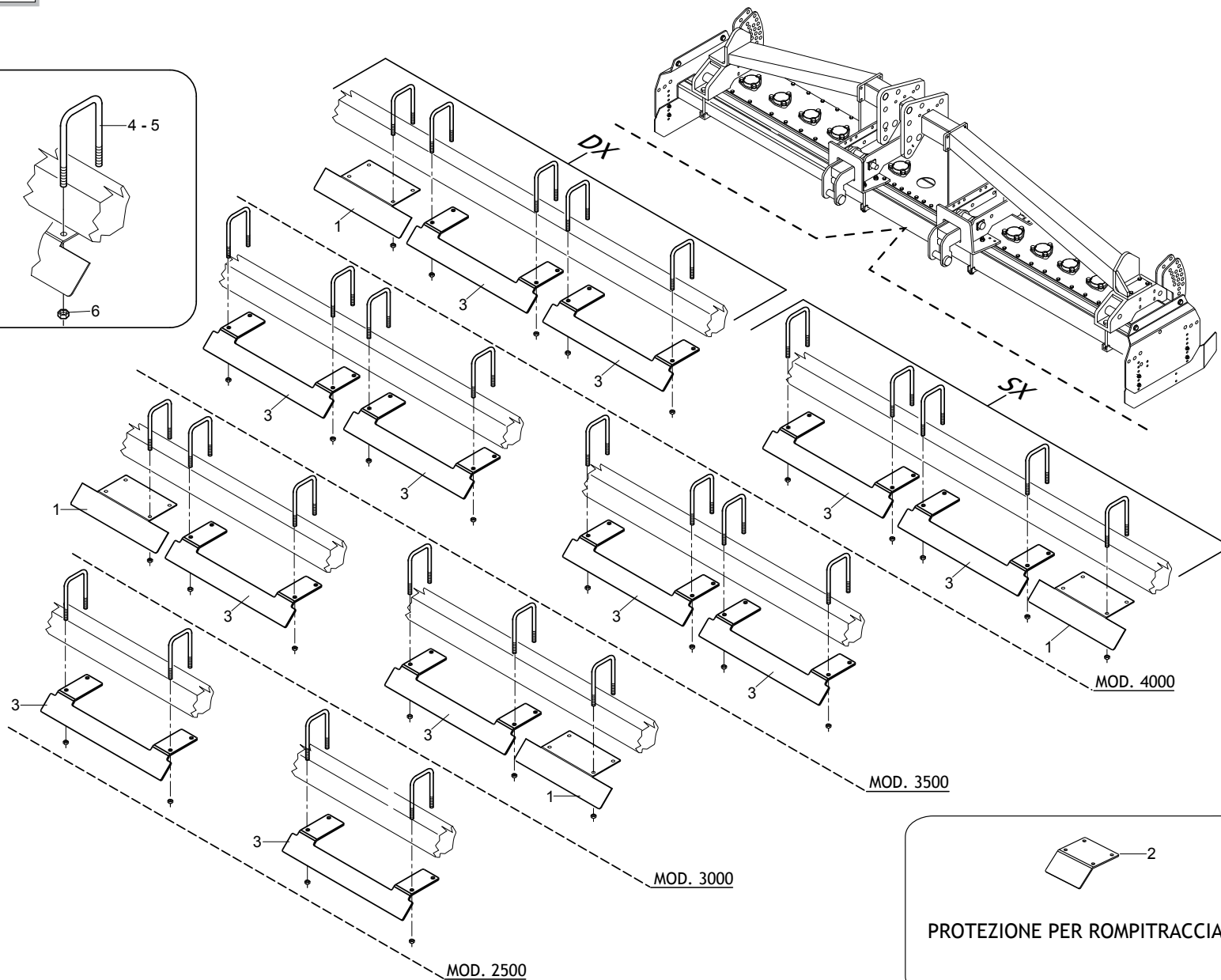
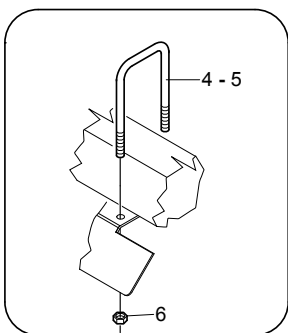


**CUNEI DEFLETTORI AVVITATI
BOLT-ON STEEL DEFLECTORS**

TAV.110

Pos.	Cod.	Descrizione	Description	Benennung	Description	Descripcion
1	M26430806R	PLUS SALDATO 3000	PLUS WELDED L=--		PLUS GESCHWEISST L=--	
2	F01060206R	VITE M12X1,75X30	SCREW M12X1,75X30	VIS M12X1,75X30	SCHRAUBE M12X1,75X30	TORNILLO M12X1,75X30
3	F01220048R	DADO M12X1,75	NUT M12X1,75	ECROU M12X1,75	MUTTER M12X1,75	TUERCA M12X1,75 D980 8 ZN
5	M26400815R	DEFLETTORE CUNEO	CARTER DEFLECTOR		GEHAEUSE DEFLEKTOR	
6	F01260049R	DADO FL.M10X1.5 CH15	NUT FL.M10X1.5 CH15	ECROU FL.M10X1.5 CH15	MUTTER M10X1.5 CH15 D6923 8 ZN	
7	F01020472R	VITE M10X1,5X25	SCREW M10X1,5X25	VIS M10X1,5X25	SCHRAUBE M10X1,5X25	TORNILLO M10X1,5X25
8	F01410062R	ROS.M10 10,5X 18X 2	WASHER M10 10,5X 18X 2	RONDELLE M10 10,5X 18X 2	DICHTUNGSRING M10 10,5X18X2 ZN	ARAND.M10 10,5X 18X 2 U6592 ZN
9	M26425806R	PLUS SALDATO 2500	PLUS WELDED L=--		PLUS GESCHWEISST L=--	
10	M26418806R	PLUS SALDATO 1800	PLUS WELDED L=--		PLUS GESCHWEISST L=--	
11	M26420806R	PLUS SALDATO 2000	PLUS WELDED L=--		PLUS GESCHWEISST L=--	
12	M52400525R	CUNEO RINFORZO VERSIONE PLS RP	STIFFENING WEDGE	COIN DE RENFORCEMENT	VERSTAERKUNGSKEIL	CU A DE REFUERZO
13	M26425806R	PLUS SALDATO 2500	PLUS WELDED L=--		PLUS GESCHWEISST L=--	

TAV.120

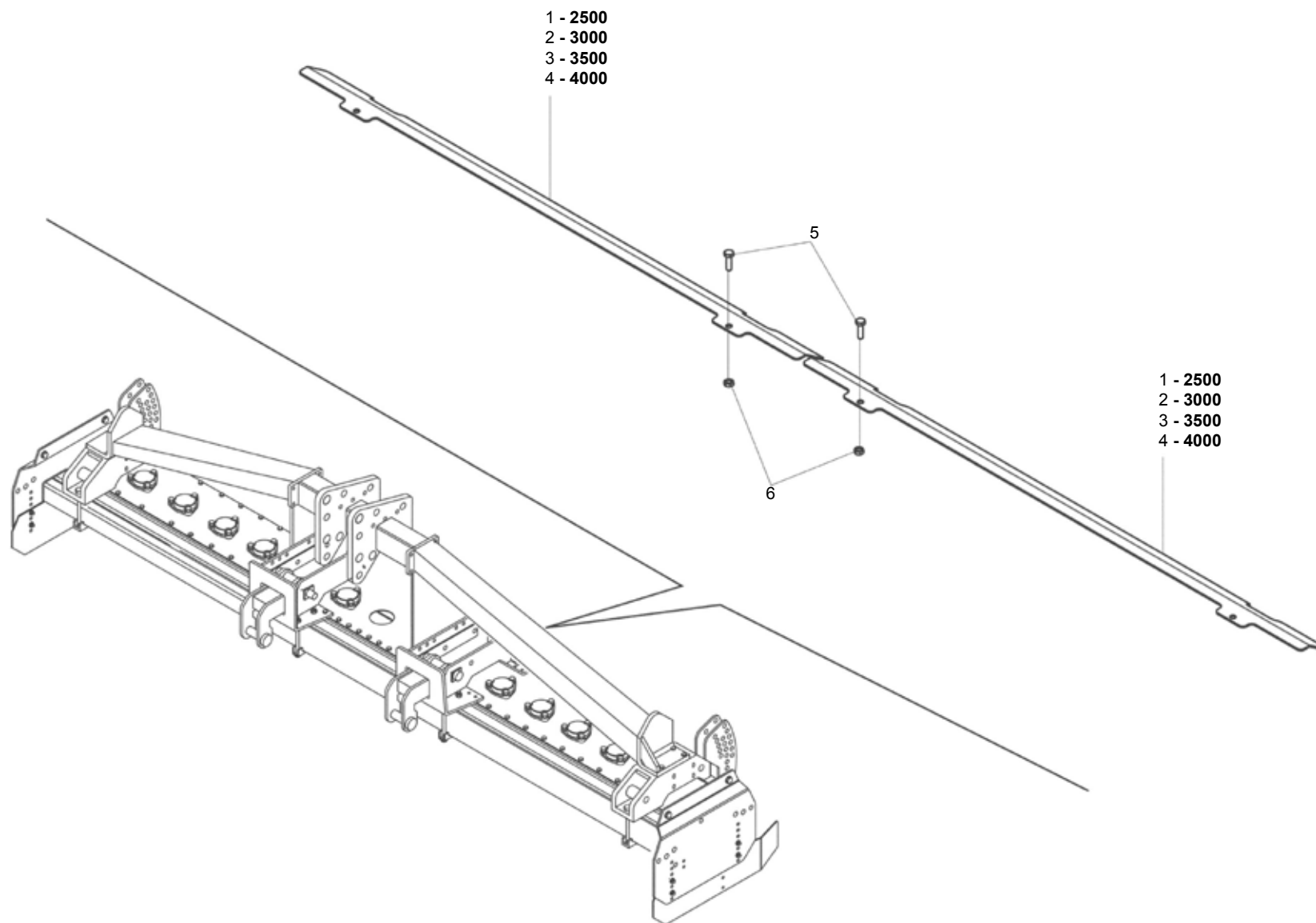


**GRUPPO PROTEZIONI CE (ANTERIORI)
(FRONT) EC GUARDS UNIT**

TAV.120

Pos.	Cod.	Descrizione	Description	Benennung	Description	Description
1	M23400552R	PROTEZ. ANTERIORE CE	FRONT PROTECTION CE	PROTECTION AVANT CE	VORDERER SCHUTZ CE	PROTECCION DELANTERA CE
2	M23400553R	PROTEZ. ANTERIORE CE	FRONT PROTECTION CE	PROTECTION AVANT CE	VORDERER SCHUTZ CE	PROTECCION DELANTERA CE
3	M23400550R	PROTEZ. ANTERIORE CE	FRONT PROTECTION CE	PROTECTION AVANT CE	VORDERER SCHUTZ CE	PROTECCION DELANTERA CE
4	F20110730R	CAV.Q.B=80 M=10X1,5 L=109	U BOLTQ.B=80 M=10X1,5 L=109	BUTEE M10X 1,5X 30 91X 99 ZB	ANSCHLAG M10X 1,5X 30 91X 99	EL. DE EMPALME M10X 1,5X 30
5	F20110735R	CAV.R.B=80 H=120M=10X1,5 L=139	CONNECTION	ATTELAGE	AERBINDUNG	ATAQUE
6	F01220033R	DADO M10X1,5	NUT M10X1,5	ECROU M10X1,5	MUTTER M10X1,5	TUERCA M10X1,5 D980 8

TAV.130

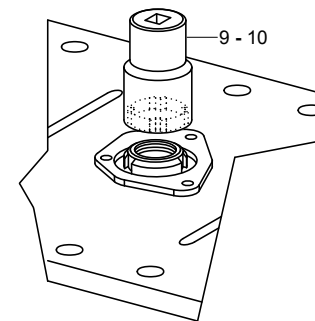
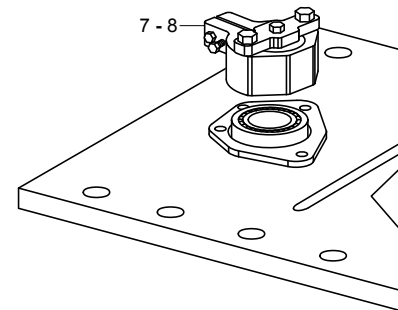
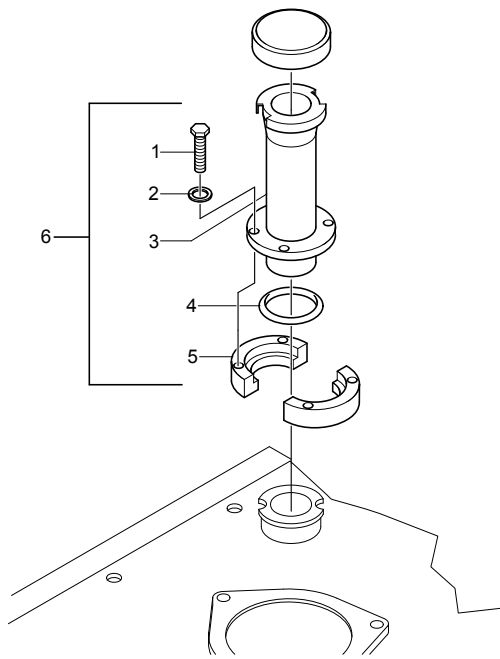


**GRUPPO PROTEZIONI <<CE>> (POSTERIORI)
(REAR) <<EC>> GUARDS UNIT**

TAV.130

Pos.	Cod.	Descrizione	Description	Benennung	Description	Description
1	M26425422R	PROTEZIONE CE POST. MOD.2500	REAR PROTECTION MOD. 2500	PROTECTION ARRIERE MOD.2500	HINTERER SCHUTZ MOD. 2500	PROTECCION TRASERA MOD. 2500
2	M26430422R	PROTEZIONE CE POST.MOD.3000	REAR PROTECTION MOD.3000	PROTECTION ARRIERE MOD.3000	HINTERER SCHUTZ MOD.3000	PROTECCION TRASERA MOD.3000
3	M26435422R	PROTEZIONE CE POST.MOD.3500	REAR PROTECTION MOD.3500	PROTECTION ARRIERE MOD.3500	HINTERER SCHUTZ MOD.3500	PROTECCION TRASERA MOD.3500
4	M26440422R	PROTEZIONE CE POST.MOD.4000	REAR PROTECTION MOD.4000	PROTECTION ARRIERE MOD.4000	HINTERER SCHUTZ MOD.4000	PROTECCION TRASERA MOD.4000
5	F01010026R	VITE M10X1,25X40	SCREW M10X1,25X40	VIS M10X1,25X40	SCHRAUBE M10X1,25X40	TORNILLO M10X1,25X40
6	F01220034R	DADO M10X1,25	NUT M10X1,25	ECROU M10X1,25	MUTTER M10X1,25	TUER.M10X1,25 D980 8 ZB

TAV.140

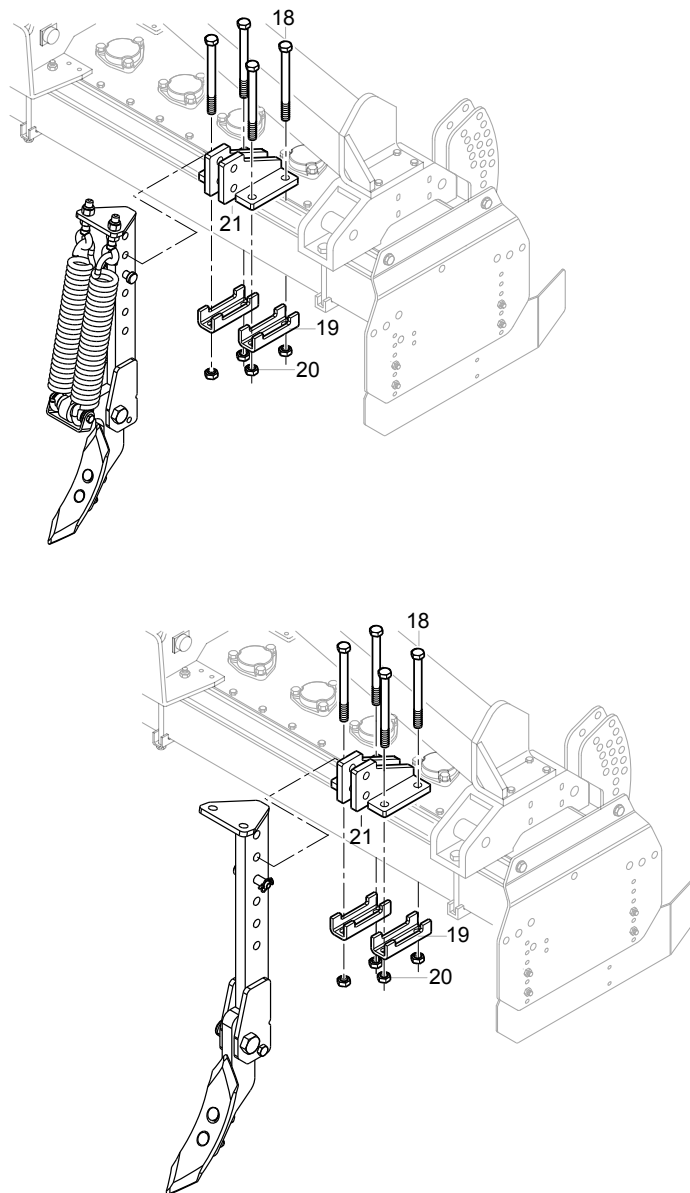
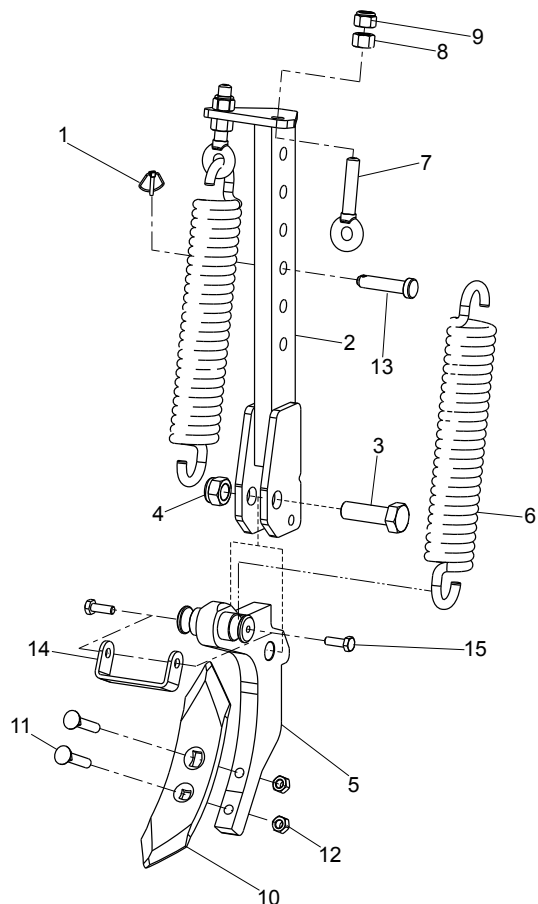


**OPTIONALS
OPTIONALS**

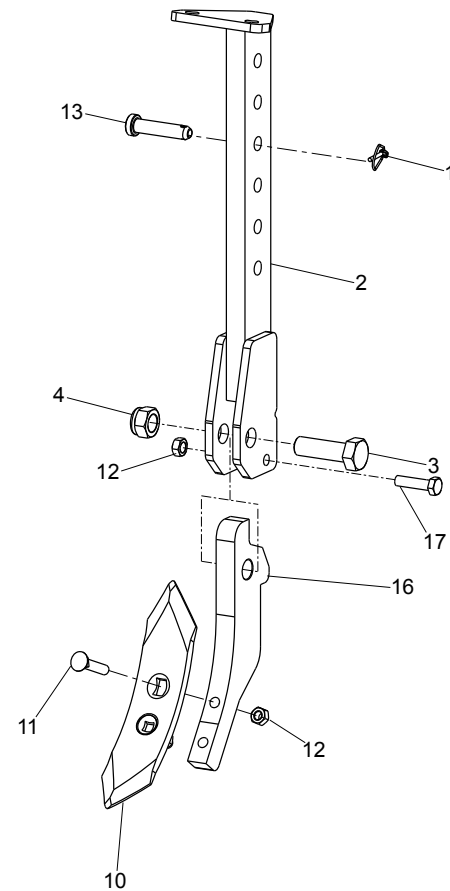
TAV.140

Pos.	Cod.	Descrizione	Description	Benennung	Description	Description
1	F01020406R	VITE M6X1X25	SCREW M6X1X25	VIS M6X1X25	SCHRAUBE M6X1X25	TORNILLO M6X1X25
2	F01480088R	ROS.G 6,4X12,4X2	GROWER WASHER D.6	GROWER RONDELLE D.6	SCHEIBE GROWER D.6	ARANDELA GROWER D.6
3	M36200856R	SEMIFLANGIA INFERIORE	FLANGE	FLASQUE	FLANSCH	BRIDA
4	F03010552R	ANELLO OR 45,69X2,62 NBR	GASKET OR 45,69X2,62 NBR	BAGUE OR 45,69X2,62 NBR	RING OR 45,69X2,62 NBR	ANILLO OR 45,69X2,62 NBR
5	M36200856R	SEMIFLANGIA INFERIORE	FLANGE	FLASQUE	FLANSCH	BRIDA
6	M36299001R	KIT PROLUNGA CARICO OLIO ERP.	OIL PLUG EXTENSION	REHAUSSE BOUCHON HUILE HERSE	OLVERSCHLUSSVERLAENGERUNG	PROLONGAMIENTO TAPON ACEITE
7	M38100307R	ESTRATTORE CUSC.SUP. DL-DS-DC	EXTRACTOR	EXTRACTEUR	LAGER AUSZIEHER	EXTRACTOR PARA RODAMIENTO
8	M36100335R	ESTRATTORE CUSC.SUP.	BEARING EXTRACTOR	EXTRACTEUR	LAGER AUSZIEHER	EXTRACTOR PARA RODAMIENTO
9	M38100306R	CHIAVE PER GHIERA M45X1,5 ZN	KEY D.45X1,5	CLE D.45X1,5	SCHLUESSEL F. MUTTER D.45X1,5	LLAVE M45X1,5 ZN
10	M36100334R	CHIAVE PER GHIERA M50X1,5 ZN	KEY FOR SELF LOCKING NUT	CLE M50X1,5	SCHLUESSEL F. MUTTER	LLAVE M50X1,5 ZN

**ROMPITRACCIA A MOLLE
TRACK ERADICATOR SAFETY SPRIGS**



**ROMPITRACCIA A BULLONE DI TRANCIO
TRACK ERADICATOR SAFETY SHEAR BOLT**

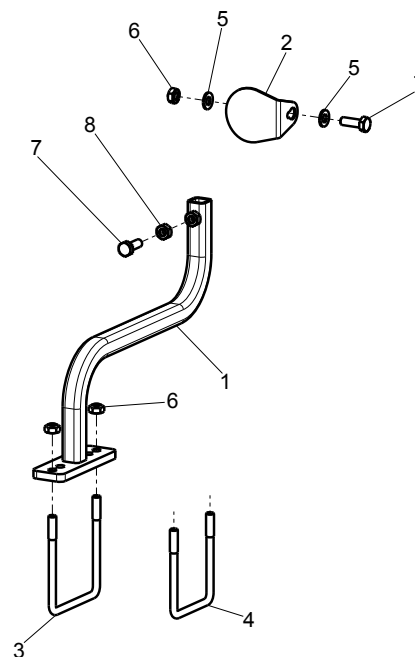
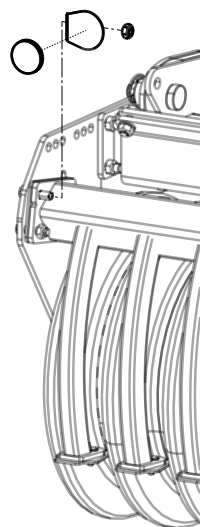
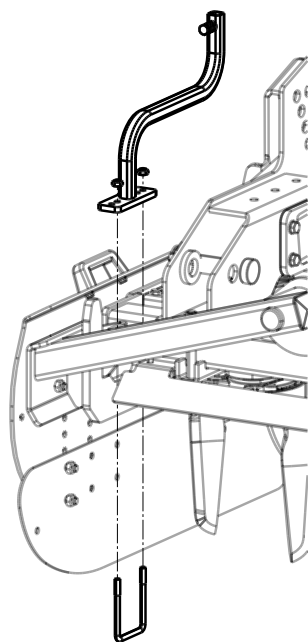
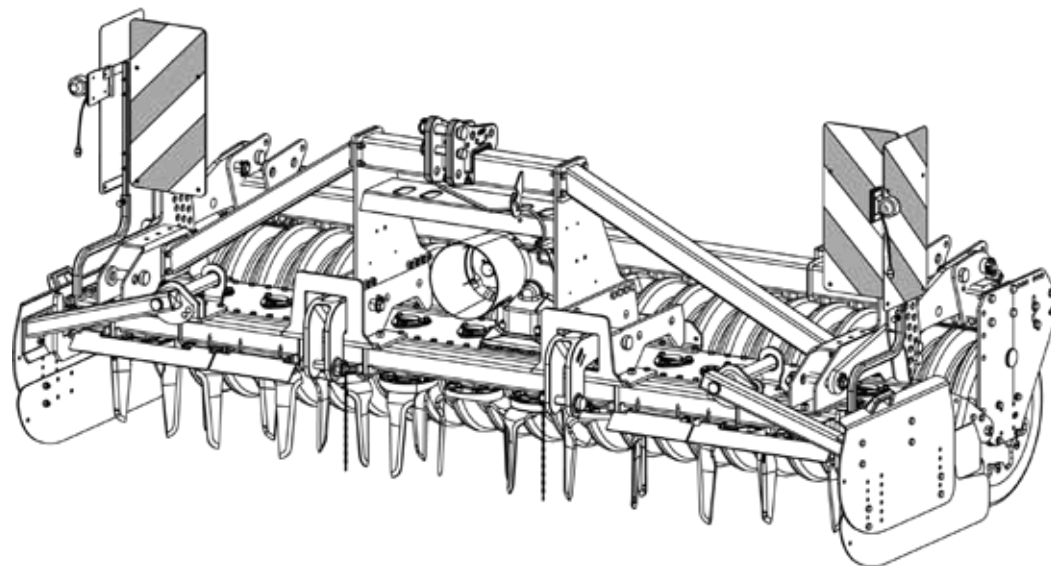
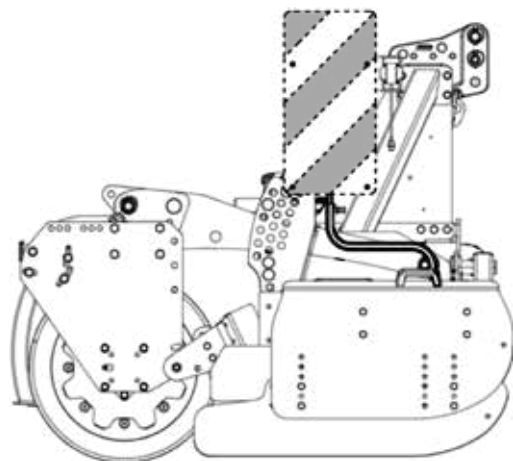


**OPTIONALS
OPTIONALS**

TAV.150

Pos.	Cod.	Descrizione	Description	Benennung	Description	Description
1	F02200452R	SPINA SCATTO D.4,4 B 80 ZN	SNAP PIN D4.4 B 80 ZN	FICHE A DETENTE D4.4 B 80 ZN	EINRASTSTIFT D4.4 B 80 ZN	CLAVIJA DE MUELLE D4,4 B 80 ZN
2	M35400602R	COMP.SUPP.ANCORA ROMPITRACCIA	WHEEL TRACK ERADIC.SUB.SUPPORT		HALTER F R SPURLOCKERER	
3	F01010398R	VITE M22X1,5X70	SCREW M22X1,5X70	VIS M22X1,5X70	SCHRAUBE M22X1,5X70	TORNILLO M22X1,5X70
4	F01230269R	DADO M22X1,5	NUT M22X1,5	ECROU M22X1,5	MUTTER M22X1,5	DADO AUTOBL.M22X1,5 D985 6S ZN
5	M35400625R	COMP.ROMPITR.X MOLLE CON PERNO	WHEEL TRACK ERADICATOR SPRINGS			
6	M12400612R	MOLLA	SPRING		FEDER	
7	M12400607R	TIRANTE M16	STRETCHER	TENDEUR	VERSTAERKUNGSROHR	TENSOR
8	F01200110R	DADO M16X2	NUT M16X2	ECROU M16X2	MUTTER M16X2	TUERCA M16
9	F01230085R	DADO M16X2 D982 10ZN	NUT M16X2	ECROU M16X2	MUTTER M16X2	TUERCA M16X2 D982 10ZN
10	F20120009R	VOMERINO	PLOWSHARE		PFLUGSCHAR	
11	F01030117R	KIT V.M12X1,75X60 U6104 8.8ZN	KIT M12X1,75X60	VIS M12X1,75X60	SCHRAUBE M12X1,75X60	TORNILLO M12X1,75X60
12	F01220048R	DADO M12X1,75	NUT M12X1,75	ECROU M12X1,75	MUTTER M12X1,75	TUERCA M12X1,75 D980 8 ZN
13	F20100021R	PERNO D16 L70 C40 TEST.D25 ZN	PIN D16 L70 C40 TEST.D25 ZN		BOLZEN D16 L70 C40 TEST.D25 ZN	
14	M73400637R	PROTEZIONE MOLLE	SAFETY SPRING		SICHERHEITSFEDER	
15	F01020476R	VITE M10X1,5X30	SCREW M10X1,5X30	VIS M10X1,5X30	SCHRAUBE M10X1,5X30	TORNILLO M10X1,5X30
16	M35400624R	ROMPITRACCIA LATERALE	LATERAL WHEEL TRACK ERADICATOR		SEITLICHER SPURLOCKERER	
17	F01020160R	VITE M12X1,75X60	SCREW M12X1,75X60	VIS M12X1,75X60	SCHRAUBE M12X1,75X60	TORNILLO M12X1,75X60
18	F01010135R	VITE M16X1,5X180	SCREW M16X1,5X180	VIS M16X1,5X180	SCHRAUBE M16X1,5X180	TORNILLO M16X1,5X180
19	M36200241R	STAFFA PER TUBO DA 80	STIRRUP	ETRIER	BUEGEL	ESTRIBO
20	F01220070R	DADO M16X1,5	NUT M16X1,5	ECROU M16X1,5	MUTTER M16X1,5	TUER.M16X1,5 D980 8ZN
21	M35400607R	PIASTRA SUPP.ROMPITR.MONOTRAVE	SUPPORT PLATE WHEEL TRACK ERAD		HALTER PLATTE RAD TRACK ERAD	

TAV.160

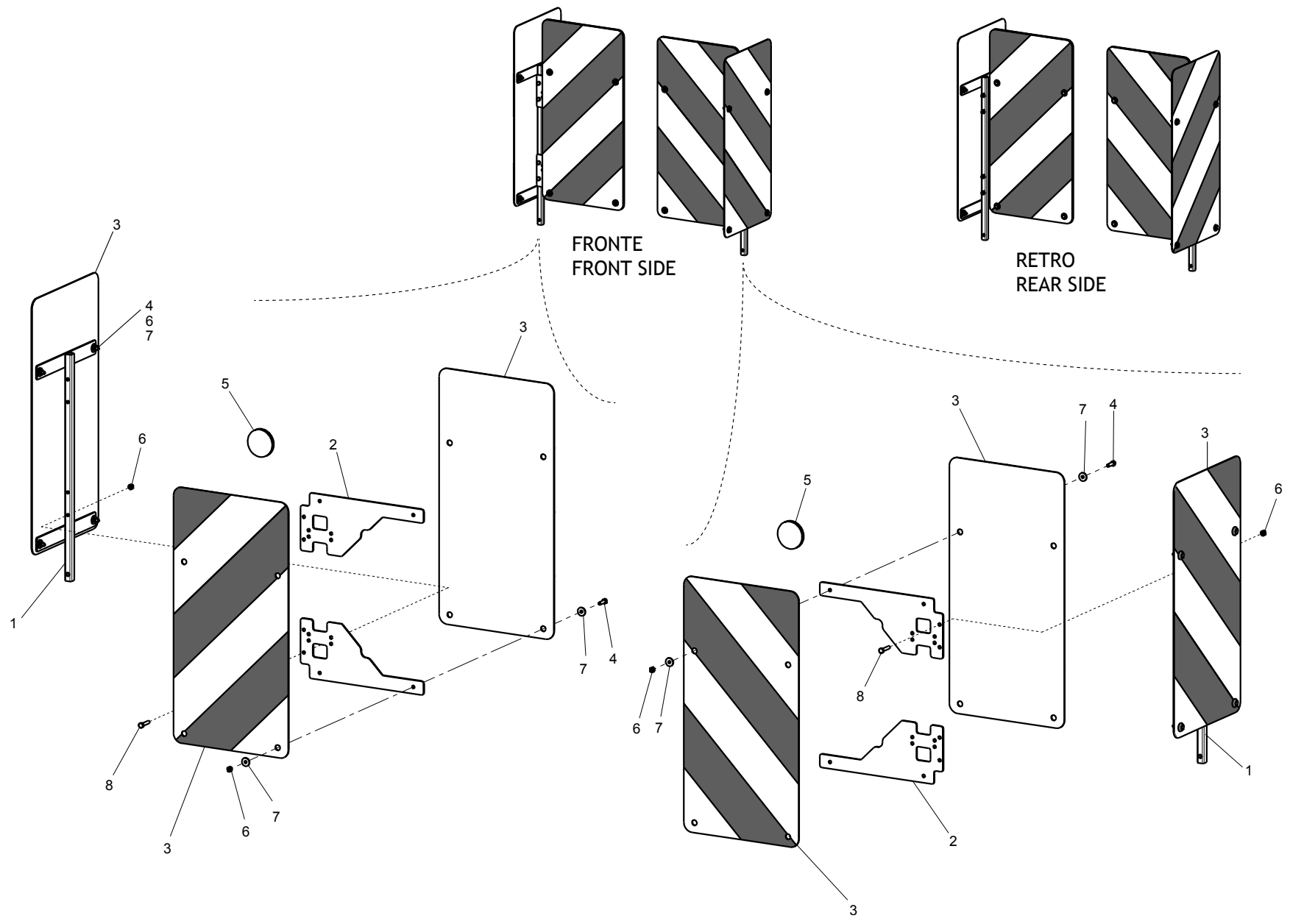


**KIT SUPPORTI PER TRASPORTO STRADALE
ROAD TRANSPORT SUPPORTS KIT**

TAV.160

Pos.	Cod.	Descrizione	Description	Benennung	Description	Descripcion
1	M26400911R	SUPPORTO TABELLA INGOMBRO	LIGHT-CHART SUPPORT		LICHT-TABELLE HALTER	
2	M28400701R	SUPPORTO CATADIOTTRO	SUPPORT REFLECTOR			
3	F20110726R	CAV.Q.B=100 M=10X1,5 L=122	U BOLT M10X 1,5X 30 111X122 ZG	ATTEL.M10X 1,5X 30 111X122 ZG	VERBI.M10X 1,5X 30 111X122 ZG	PERNO M10X 1,5X 30 111X122 ZG
4	F20110730R	CAV.Q.B=80 M=10X1,5 L=109	U BOLTQ.B=80 M=10X1,5 L=109	BUTEE M10X 1,5X 30 91X 99 ZB	ANSCHLAG M10X 1,5X 30 91X 99	EL. DE EMPALME M10X 1,5X 30
5	F01410062R	ROS.M10 10,5X 18X 2	WASHER M10 10,5X 18X 2	RONDELLE M10 10,5X 18X 2	DICHTUNGSRING M10 10,5X18X2 ZN	ARAND.M10 10,5X 18X 2 U6592 ZN
6	F01220033R	DADO M10X1,5	NUT M10X1,5	ECROU M10X1,5	MUTTER M10X1,5	TUERCA M10X1,5 D980 8
7	F01020476R	VITE M10X1,5X30	SCREW M10X1,5X30	VIS M10X1,5X30	SCHRAUBE M10X1,5X30	TORNILLO M10X1,5X30
8	F01200270R	DADO M10X1,5	NUT M10X1,5	ECROU M10X1,5	MUTTER M10X1,5	TUERCA M10X1,5 U5588 CL8 ZN

TAV.170

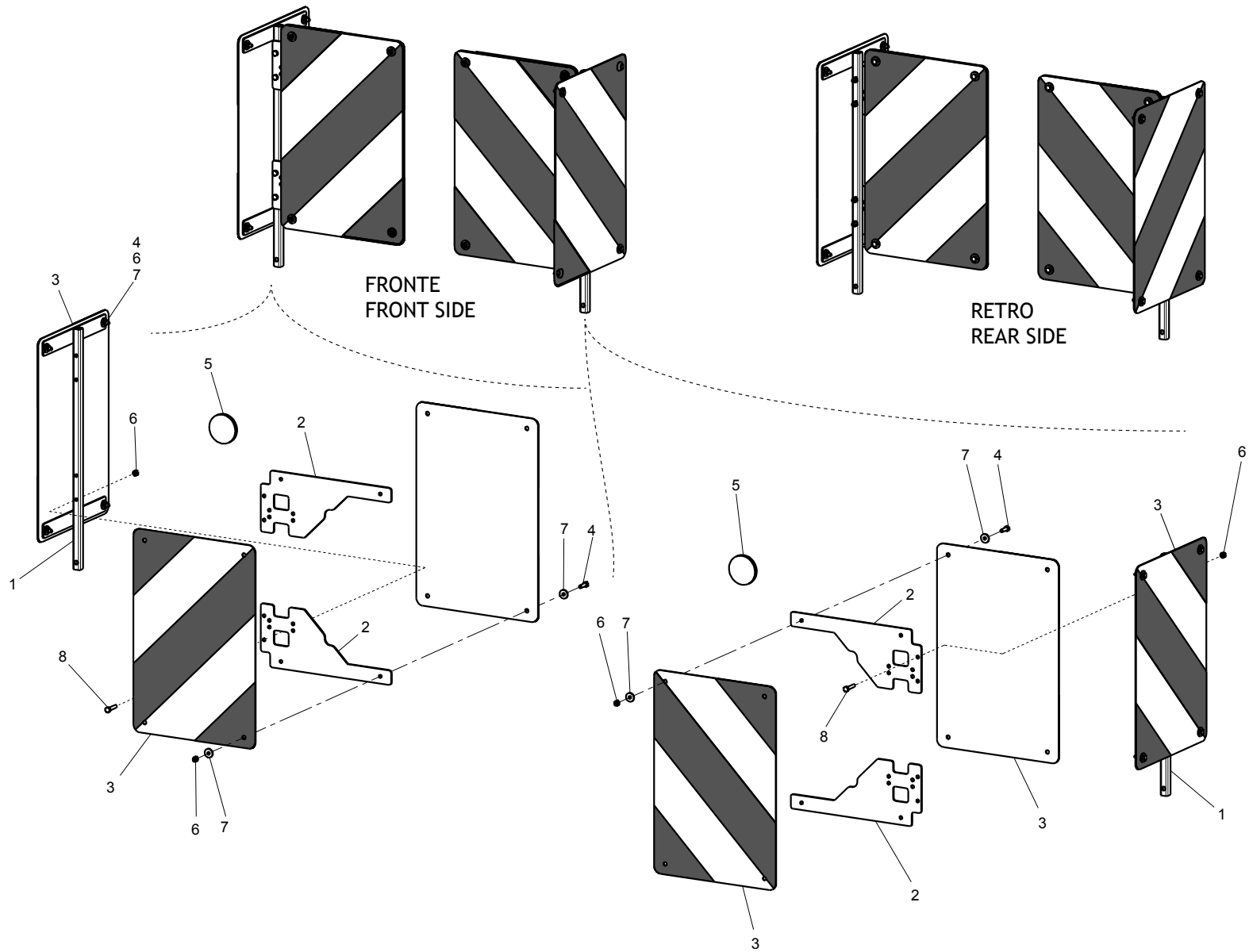


**KIT TABELLE STRADALI G99600006
ROAD TRANSPORT KIT G99600006**

TAV.170

Pos.	Cod.	Descrizione	Description	Benennung	Description	Description
1	G16612070R	TELAIO SUPP.TABELLE STRAD.	FRAME SUPPORT TABLE		LICHT-TABELLE HALTER	
2	M04700558R	SUPPORTO TABELLA INGOMBRO	LIGHT-CHART SUPPORT		BRETT 2 WARNUNG IT	TABLAS 2 CAR.ADVERT. IT
3	F05010816R	TABELLE 2 CAR.SPORGENTI IT	WARNING BOARDS 2 IT	PANNEAU 2 SIGNALISATION IT	SCHRAUBE M6X1X20	TORNILLO M6X1X20
4	F01020404R	VITE M6X1X20	SCREW M6X1X20	VIS M6X1X20		
5	F05010820R	CATARIFR.TONDO D60 ROSSO	ROUND REFLECTOR D.60 RED		REFLEKTOR RUND ROT D.60MM	
6	F01220011R	DADO M6X1	NUT M6X1	ECROU M6X1	MUTTER M6X1	TUERCA M6X1 D980 8 ZN
7	F01420036R	ROS.M6 6,4X 18X1,5	WASHER M6 6,4X 18X1,5	RONDELLE M6 6,4X 18X1,5	SCHEIBEN M6 6,4X18X1,5U6593 ZN	ARANDELA M6 6,4X18X1,5U6593ZN
8	F01020408R	VITE M6X1X30	SCREW M6X1X30	VIS M6X1X30	SCHRAUBE M6X1X30	TORNILLO M6X1X30

TAV.180

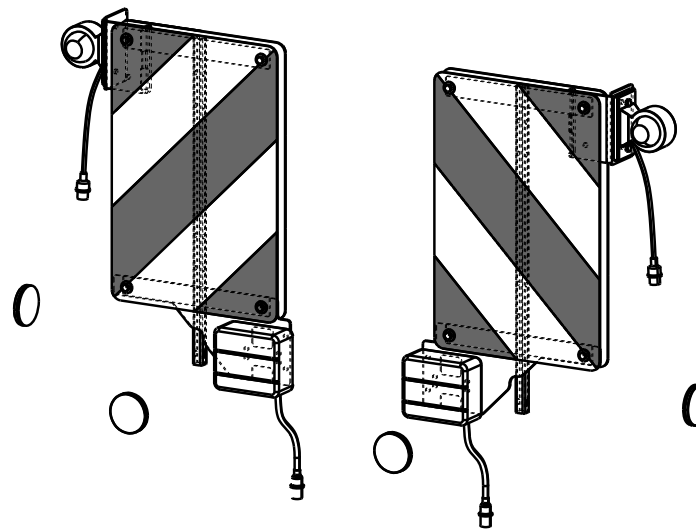
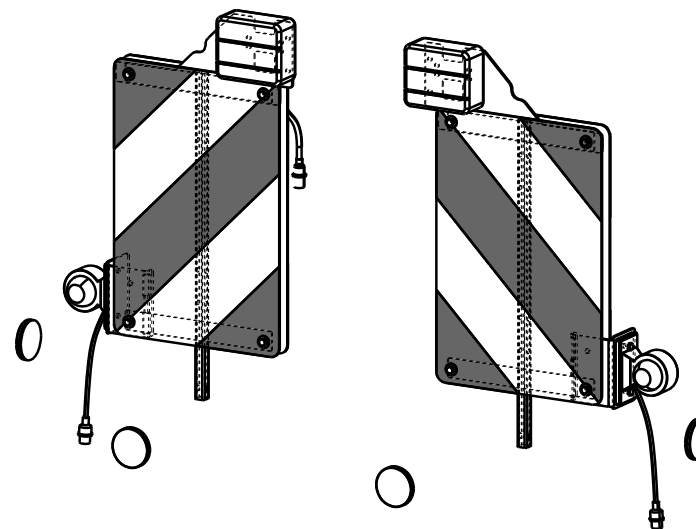
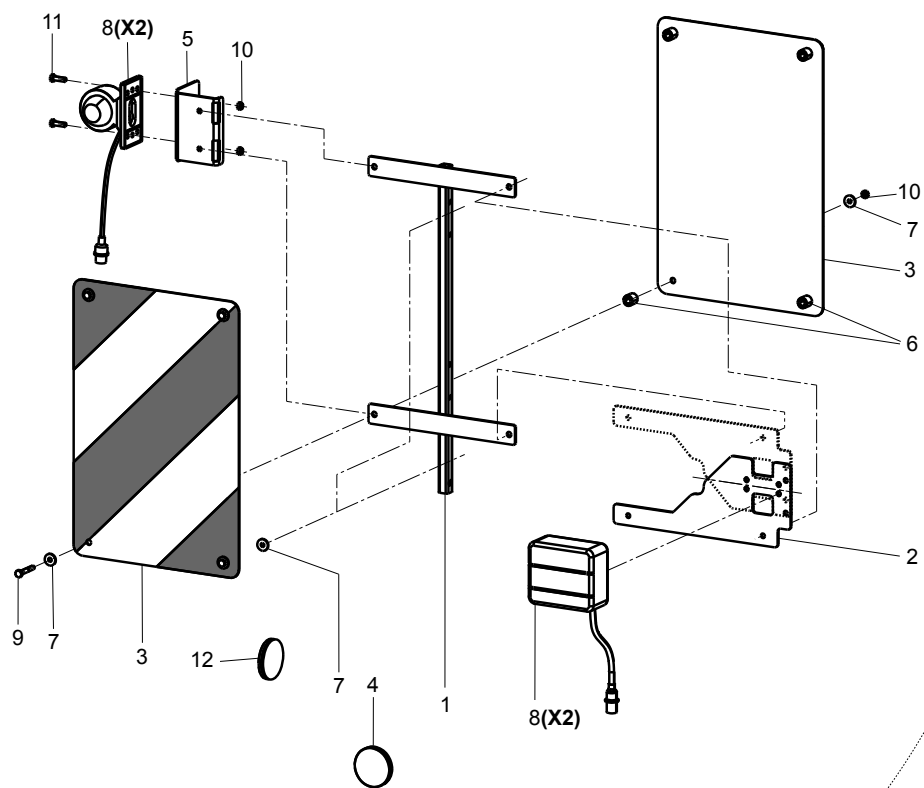


**KIT TABELLE STRADALI G99600017
ROAD TRANSPORT KIT G99600017**

TAV.180

Pos.	Cod.	Descrizione	Description	Benennung	Description	Description
1	G16612070R	TELAIO SUPP.TABELLE STRAD.	FRAME SUPPORT TABLE			
2	M04700558R	SUPPORTO TABELLA INGOMBRO	LIGHT-CHART SUPPORT			
3	F05010817R	TABELLE 2 CAR.SPORGENTI FR-D	WARNING BOARDS 2 FR-DE	TABLEAUX 2 AVERTISSEM. FR-DE	LICHT-TABELLE HALTER	TABLAS 2 CAR.ADVERT. FR-DE
4	F01020404R	VITE M6X1X20	SCREW M6X1X20	VIS M6X1X20	BRETT 2 WARNUNG FR-DE	TORNILLO M6X1X20
5	F05010820R	CATARIFR.TONDO D60 ROSSO	ROUND REFLECTOR D.60 RED		SCHRAUBE M6X1X20	
6	F01220011R	DADO M6X1	NUT M6X1	ECROU M6X1	REFLEKTOR RUND ROT D.60MM	
7	F01420036R	ROS.M6 6,4X 18X1,5	WASHER M6 6,4X 18X1,5	RONDELLE M6 6,4X 18X1,5	MUTTER M6X1	TUERCA M6X1 D980 8 ZN
8	F01020408R	VITE M6X1X30	SCREW M6X1X30	VIS M6X1X30	SCHEIBEN M6 6,4X18X1,5U6593 ZN	ARANDELA M6 6,4X18X1,5U6593ZN
					SCHRAUBE M6X1X30	TORNILLO M6X1X30

TAV.190



**KIT TABELLE STRADALI G99600018
ROAD TRANSPORT KIT G99600018**

TAV.190

Pos.	Cod.	Descrizione	Description	Benennung	Description	Description
1	G16612070R	TELAIO SUPP.TABELLE STRAD.	FRAME SUPPORT TABLE			
2	M04700558R	SUPPORTO TABELLA INGOMBRO	LIGHT-CHART SUPPORT			
3	F05010817R	TABELLE 2 CAR.SPORGENTI FR-D	WARNING BOARDS 2 FR-DE	TABLEAUX 2 AVERTISSEM. FR-DE	LICHT-TABELLE HALTER	TABLAS 2 CAR.ADVERT. FR-DE
4	F05010820R	CATARIFR.TONDO D60 ROSSO	ROUND REFLECTOR D.60 RED		BRETT 2 WARNUNG FR-DE	
5	M04700563R	SUPPORTO LUCE D INGOMBRO	SUPPORT LIGHT OVERALL		REFLEKTOR RUND ROT D.60MM	
6	G18803050R	BOCCOLA 8,5X16X16 PL	BUSHING 8,5X16X16 PL			
7	F01420036R	ROS.M6 6,4X 18X1,5	WASHER M6 6,4X 18X1,5	RONDELLE M6 6,4X 18X1,5	SCHEIBEN M6 6,4X18X1,5U6593 ZN	ARANDELA M6 6,4X18X1,5U6593ZN
8	F05010833R	KIT LUCI POST.STRAD.ECCEZ.	KIT REAR ROAD LIGHTS M.EXCEP.		BELEUCHTUNG F R MIRKA	
9	F01020040R	VITE M6X1X40	SCREW M6X1X40	VIS M6X1X40	SCHRAUBE M6X1X40	TORNILLO M6X1X40
10	F01220011R	DADO M6X1	NUT M6X1	ECROU M6X1	MUTTER M6X1	TUERCA M6X1 D980 8 ZN
11	F01020404R	VITE M6X1X20	SCREW M6X1X20	VIS M6X1X20	SCHRAUBE M6X1X20	TORNILLO M6X1X20
12	F05010819R	CATARIFR.TONDO D60 GIALLO	ROUND REFLECTOR D.60 YELLOW	JAUNE R FLECTEUR ROUND	RUNDFLEKTOR GELB D60	REFLECTOR REDONDO AMARILLO

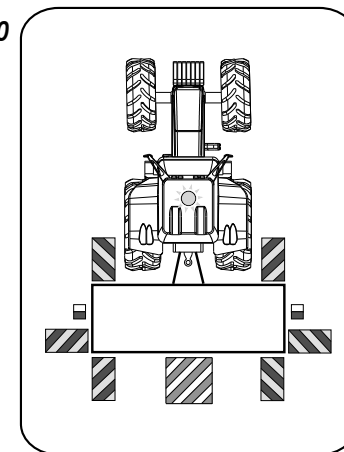
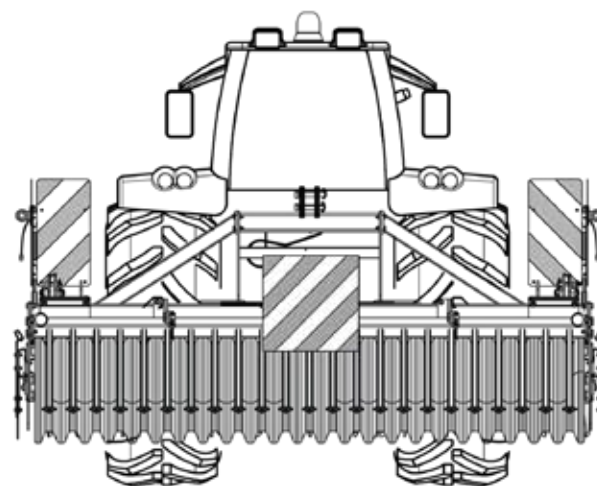
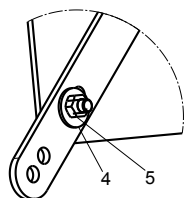
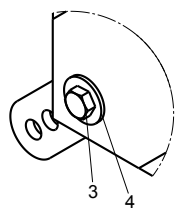
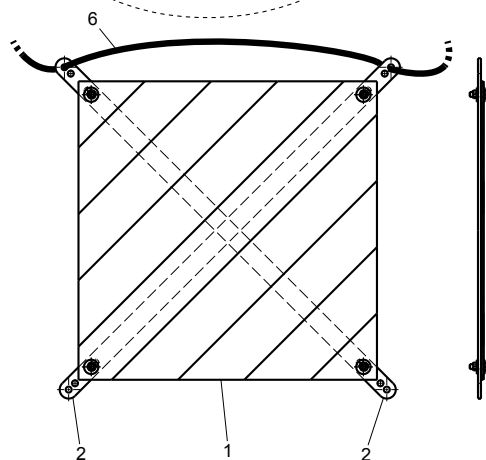
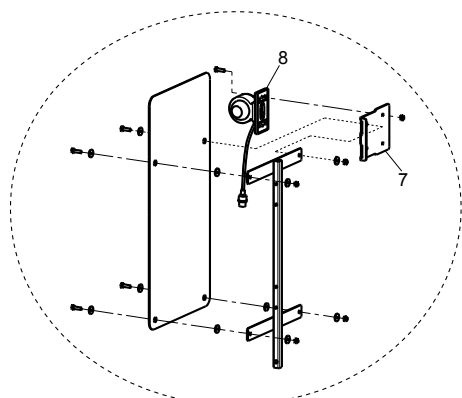
TAV.200

TABELLA SUPPLEMENTARE DC - DM - DM RAPIDO 3000-3500-4000
(PER IL MONTAGGIO VEDERE ANCHE TAV.140)

**CONSULTARE LIBRETTO USO E MANUTENZIONE*.*

*SUPPLEMENTARY ROAD PANEL FOR DC - DM - DM RAPIDO 3000-3500-4000
(FOR ASSEMBLY SEE ALSO TAB. 140)*

**MAKE REFERENCE TO THE OPERATION MANUAL*.*



PER IL POSIZIONAMENTO FARE RIFERIMENTO ALLE
ISTRUZIONI ALLEGATE ALLA TABELLA.

*FOR POSITIONING MAKE REFERENCE TO THE INSTRUCTIONS
INCLUDED WITH THE ROAD PANELS.*

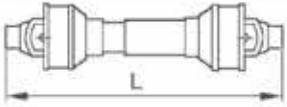


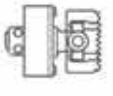

**KIT TABELLE STRADALI G99600032
ROAD TRANSPORT KIT G99600032**

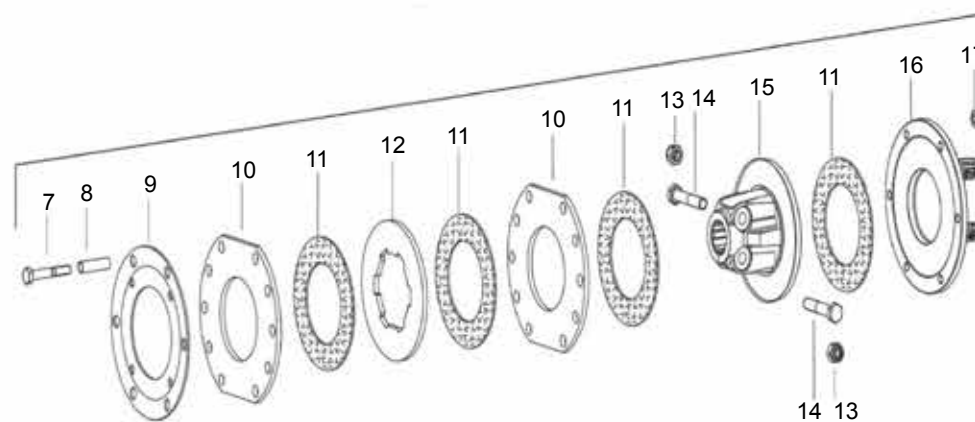
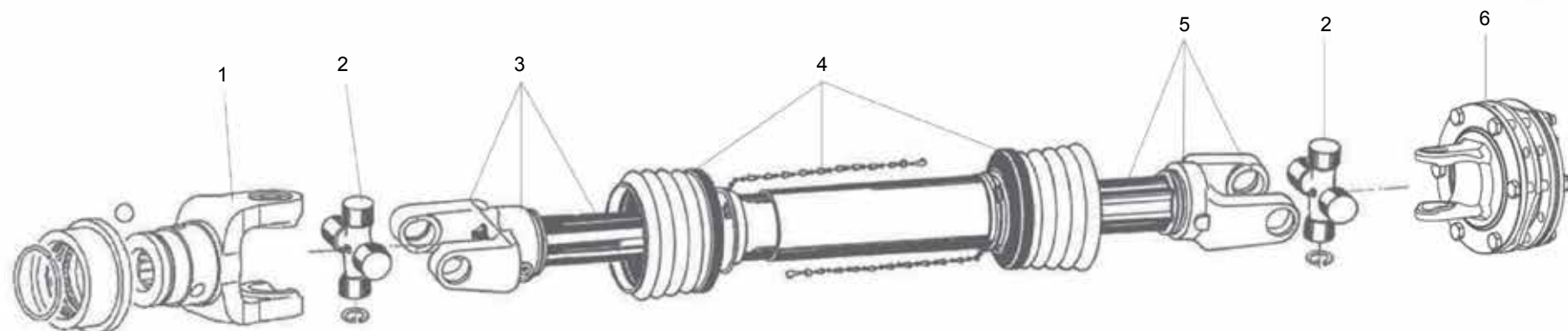
TAV.200

Pos.	Cod.	Descrizione	Description	Benennung	Description	Description
1	F05011000R	TABELLA CAR. SPORGENTI 500X500	WARNING BOARD 500X500		WARN TAFEL 500X500	
2	M75400043R	SUPPORTO TAB.CAR.SPORG.500X500	SUPPORT FOR PANEL 500X500 IT		HALTER FUER PANEL 500X500 IT	
3	F01020440R	VITE M8X1,25X25	SCREW M8X1,25X25	VIS M8X1,25X25	SCHRAUBE M8X1,25X25	TORNILLO M8X1,25X25
4	F01420048R	ROS.M8 8,4X 24X 2	WASHER M8 8,4X 24X 2	RONDELLE M8 8,4X 24X2	SCHEIBEN M8 8,4X24X 2 U6593 ZN	ARAND.M8 8,4X 24X 2 U6593 ZN
5	F01220022R	DADO M8X1,25	NUT M8X1,25	ECROU M8X1,25	MUTTER M8X1,25	TUERCA M8X 1,25 D980 8 ZN
6	F05150355R	CORDA ELAST. GANCIO D=8X800	ELASTIC CABLE HOOK D8 L800			
7	M04700562R	SUPPORTO LUCE D INGOMBRO	SUPPORT LIGHT OVERALL			
8	F05010847R	KIT LUCI PORT.POST.LAT.ECCEZ.	KIT REAR LIGHTS LATOUTSTANDING			

TAV.210

WALTERSCHEID

				
18 - F08011976 L= 965	--	X	--	--



**CARDANO
CARDAN SHAFT**

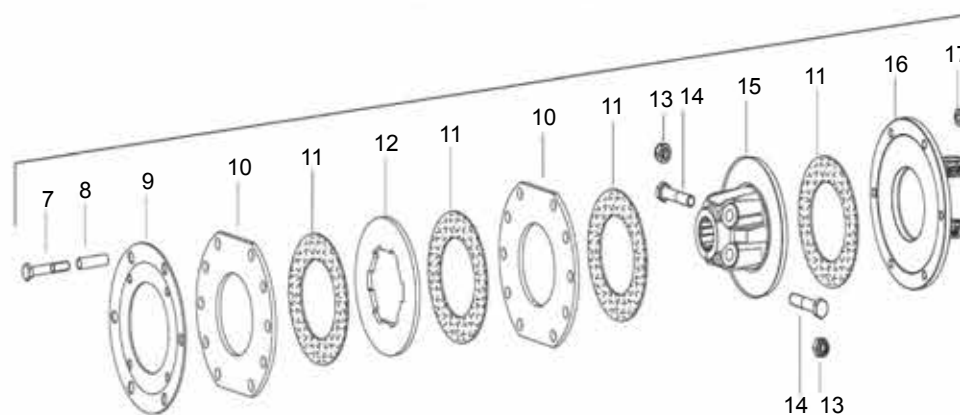
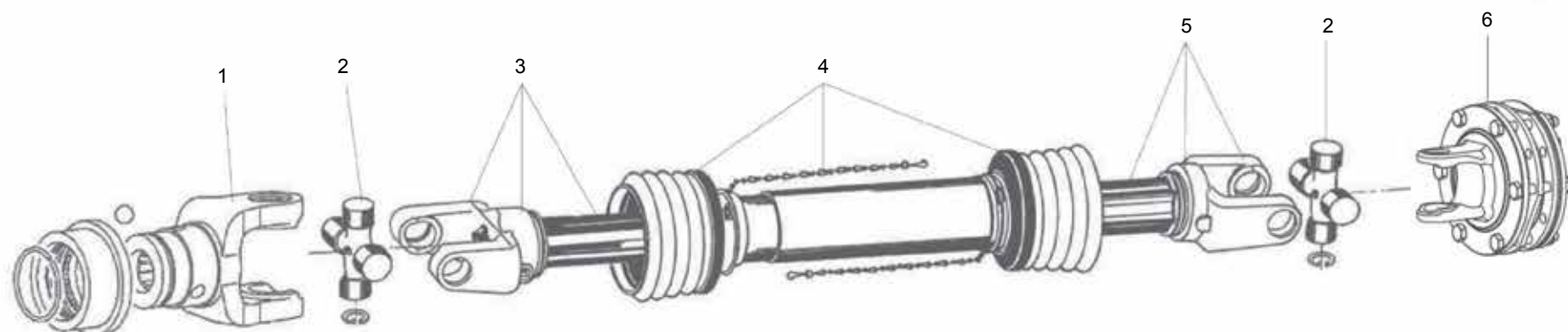
TAV.210

Pos.	Cod.	Descrizione	Description	Benennung	Description	Descripcion
1	F08012328R	FORCELLA ATT.TRATTORE	TRACTOR ATTACHMENT FORK			
2	F08012331R	CROCIERA COMPLETA	COMPLETE CRUISE			
3	F08012332R	FORC. SP.EL. TUBO INT.	FORK EL-PIN INT.PIPE			
4	F08012327R	PROTEZIONE COMPLETA	COMPLETE PROTECTION			
5	F08012333R	FORC. SP.EL. TUBO EST.	FORK EL.PIN EST.PIPE			
6	F08012329R	FORCELLA A DISCHI M99599976	DISC FORK FOR M99599976			
7	F08012359R	VITE M10X65 DIN 931	SCREW M10X65 DIN 931			
8	F08012358R	TUBETTO	PIPE			
9	F08012365R	MOLLA A TAZZA	BELLEVILLE HUB			
10	F08012355R	DISCO FORCELLA	FORK DISC			
11	F08012353R	DISCO FORCELLA	FORK DISC			
12	F08012356R	DISCO FORCELLA	FORK DISC			
13	F08012362R	DADO M12 DIN985	NUT M12 DIN985			
14	F08012360R	VITE M12X65 DIN 931	SCREW M12X65 DIN 931			
15	F08012369R	MOZZO FORCELLA	FORK HUB			
16	F08012352R	FLANGIA FORCELLA	FORK FLANGE			
17	F08012361R	DADO M10 DIN934	NUT M10 DIN934			
18	F08011976R	CAR 50 WA 38Z6 FRZ 2100 L965	CAR 50 WA 38Z6 FRZ 2100 L965			

TAV.220

WALTERSCHEID

18 - F08011977 L= 1007	..	X



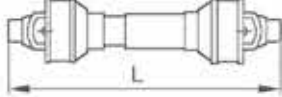


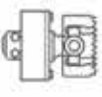

**CARDANO
CARDAN SHAFT**

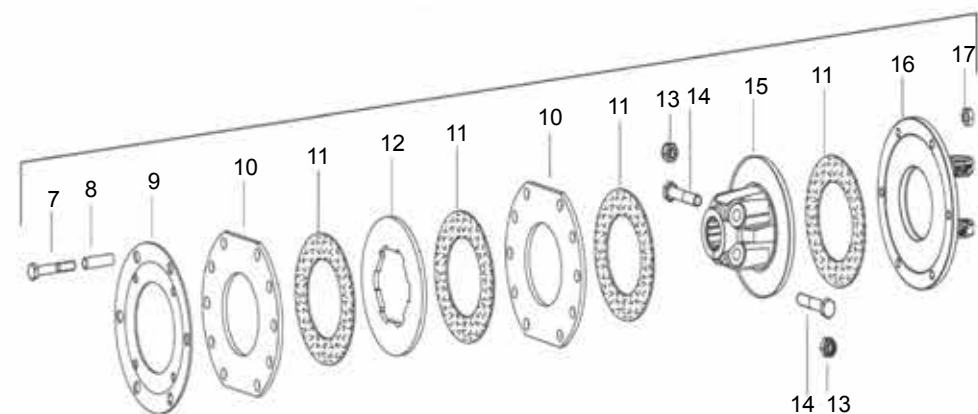
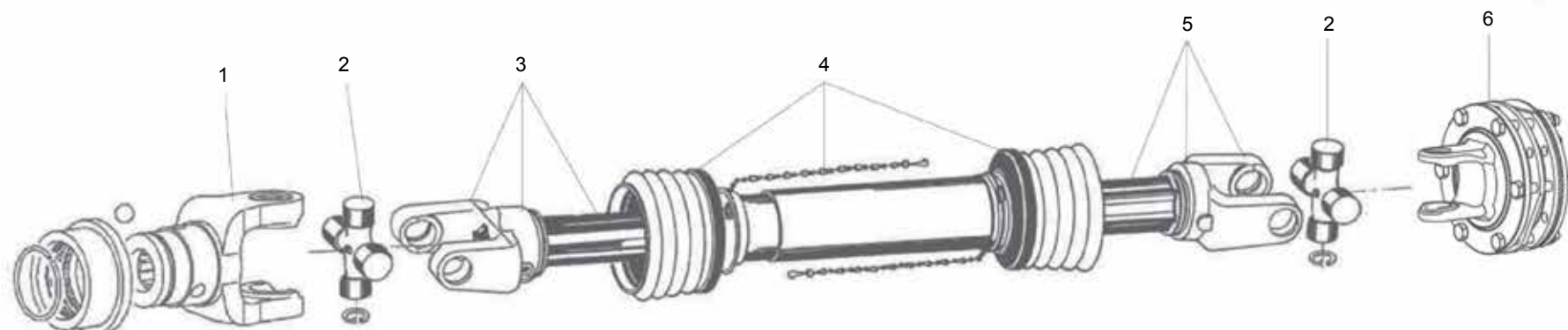
TAV.220

Pos.	Cod.	Descrizione	Description	Benennung	Description	Descripcion
1	F08012336R	FORCELLA AT. TRATTORE M99599977	TRACTOR ATTACHMENT FORK			
2	F08012339R	CROCIERA COMPLETA	COMPLETE CRUISE			
3	F08012340R	FORC. SP.EL. TUBO INT.	FORK EL. PIN INT. PIPE			
4	F08012334R	PROTEZIONE COMPLETA M99599977	COMPLETE PROTECTION M99599977			
5	F08012341R	FORC. SP.EL. TUBO EST.	FORK EL. PIN EXT. PIPE			
6	F08012338R	FORCELLA A DISCHI	DISC FORK			
7	F08012359R	VITE M10X65 DIN 931	SCREW M10X65 DIN 931			
8	F08012358R	TUBETTO	PIPE			
9	F08012370R	MOLLA A TAZZA	BELLEVILLE SPRING			
10	F08012355R	DISCO FORCELLA	FORK DISC			
11	F08012353R	DISCO FORCELLA	FORK DISC			
12	F08012356R	DISCO FORCELLA	FORK DISC			
13	F08012362R	DADO M12 DIN985	NUT M12 DIN985			
14	F08012360R	VITE M12X65 DIN 931	SCREW M12X65 DIN 931			
15	F08012369R	MOZZO FORCELLA	FORK HUB			
16	F08012368R	FLANGIA FORCELLA	FORK FLANGE			
17	F08012361R	DADO M10 DIN934	NUT M10 DIN934			
18	F08011977R	CAR 60 WA 38Z6 FRZ 2100 L1007	CAR 60 WA 38Z6 FRZ 2100 L1007			

TAV.230

WALTERSCHEID

				
18 - F08011978 L= 1007	..	X



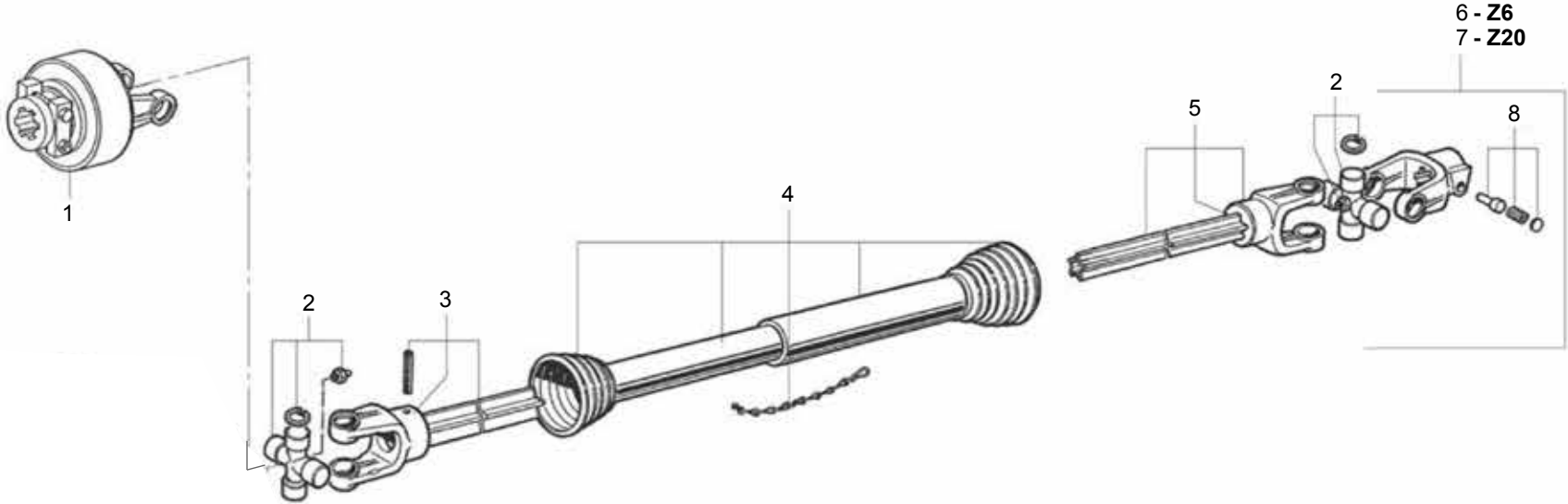
**CARDANO
CARDAN SHAFT**

TAV.230

Pos.	Cod.	Descrizione	Description	Benennung	Description	Descripcion
1	F08012337R	FORCELLA AT. TRATTORE M99599978	TRACTOR ATTACHMENT FORK			
2	F08012339R	CROCIERA COMPLETA	COMPLETE CRUISE			
3	F08012340R	FORC. SP.EL. TUBO INT.	FORK EL. PIN INT. PIPE			
4	F08012335R	PROTEZIONE COMPLETA M99599978	COMPLETE PROTECTION M99599978			
5	F08012341R	FORC. SP.EL. TUBO EST.	FORK EL. PIN EXT. PIPE			
6	F08012338R	FORCELLA A DISCHI	DISC FORK			
7	F08012359R	VITE M10X65 DIN 931	SCREW M10X65 DIN 931			
8	F08012358R	TUBETTO	PIPE			
9	F08012370R	MOLLA A TAZZA	BELLEVILLE SPRING			
10	F08012355R	DISCO FORCELLA	FORK DISC			
11	F08012353R	DISCO FORCELLA	FORK DISC			
12	F08012356R	DISCO FORCELLA	FORK DISC			
13	F08012362R	DADO M12 DIN985	NUT M12 DIN985			
14	F08012360R	VITE M12X65 DIN 931	SCREW M12X65 DIN 931			
15	F08012369R	MOZZO FORCELLA	FORK HUB			
16	F08012368R	FLANGIA FORCELLA	FORK FLANGE			
17	F08012361R	DADO M10 DIN934	NUT M10 DIN934			
18	F08011978R	CAR 60 WA 38Z21 FRZ 2100 L100	CAR 60 WA 38Z21 FRZ 2100 L100			

TAV.240

WALTERSCHEID






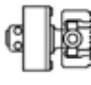

<p>9 - F08011802 L=965</p>	<p>--</p>	<p>--</p>	<p>x</p>	<p>OPTIONAL</p>

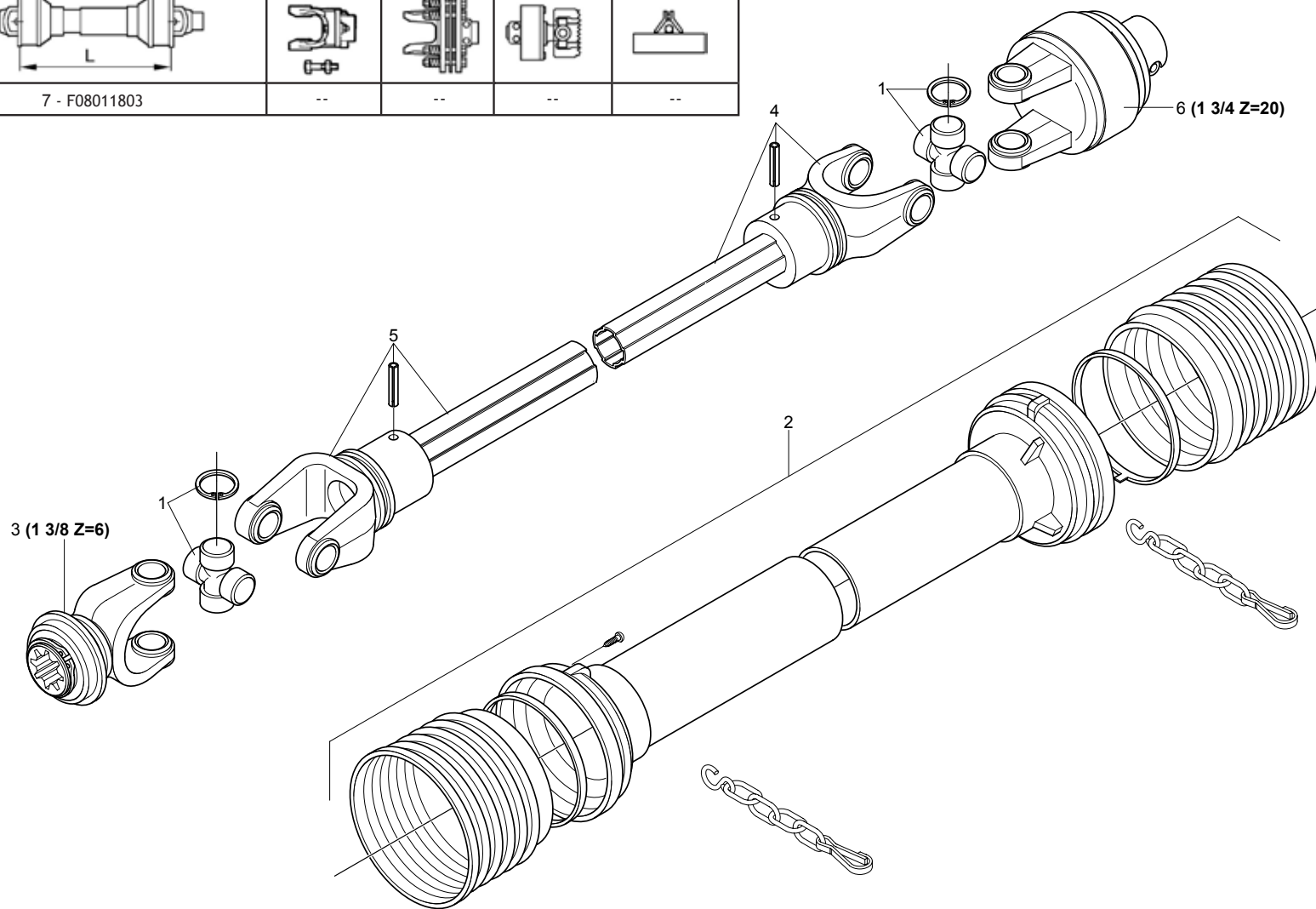
**CARDANO
CARDAN SHAFT**

TAV.240

Pos.	Cod.	Descrizione	Description	Benennung	Description	Description
1	F08011331R	LIMITATORE DI COPPIA K64 22RM	CLUTCH ASSY	EMBAYAGE COMPL.	KOMPL. KUPPLUNG	FRICCION COMPL.
2	F08010686R	CROCIERA COMPLETA	SPIDER ASSY	CROISIERE COMPL.	GELENKKREUZ KOMPL.	CRUCETA COMPLETA
3	F08010533R	FORCELLA CON TUBO INTERNO	FORK WITH INTERNAL PIPE	FOURCHE AVEC TUBE INTERIEUR	GABELST. INNENROHR	HORQUILLA TUBO INTERNO
4	F08010851R	PROTEZIONE COMPLETA	PROTECTION ASSY	PROTECTION COMPL.	KOMPL. SCHUTZ	PROTECCION COMPL.
5	F08010721R	FORCELLA TUBO ESTERNO	FORK WITH EXTERNAL PIPE	FOURCHE AVEC TUBE EXTERIEUR	GABELST. AUSSENROHR	HORQUILLA TUBO ESTERNO
6	F08010459R	FORCELLA COMP.PULS.-1 3 8 Z6	LINKAGE FORK-1 3 8 Z6	FOURCHE ATTELAGE-1 3 8 Z6	GABELSTUECK-1 3 8 Z6	HORQUILLA ATAQUE-1 3 8 Z6
7	F08010460R	FORCELLA 1 3 4 Z20 X W 2500	LINKAGE FORK-1 3 4 Z20	FOURCHE ATTELAGE-1 3 4 Z20	GABELSTUECK-1 3 4 Z20	HORQUILLA ATAQUE-1 3 4 Z20
8	F08011168R	339107 PULSANTE	YOKE PIN 339107	POUSSOIR COMPL.	DRUCKKNOPF KOMPL.	PULSADOR COMPL.
9	F08011802R	CAR.GKN CAMME 3 8 Z6 LT L965	PTO GKN CAMME 3 8 Z6 LT L96			

BONDIOLI - PAVESI

				
7 - F08011803	--	--	--	--



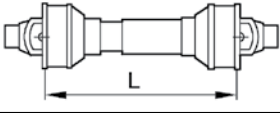
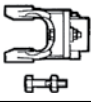
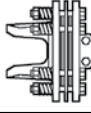
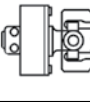

**CARDANO
CARDAN SHAFT**

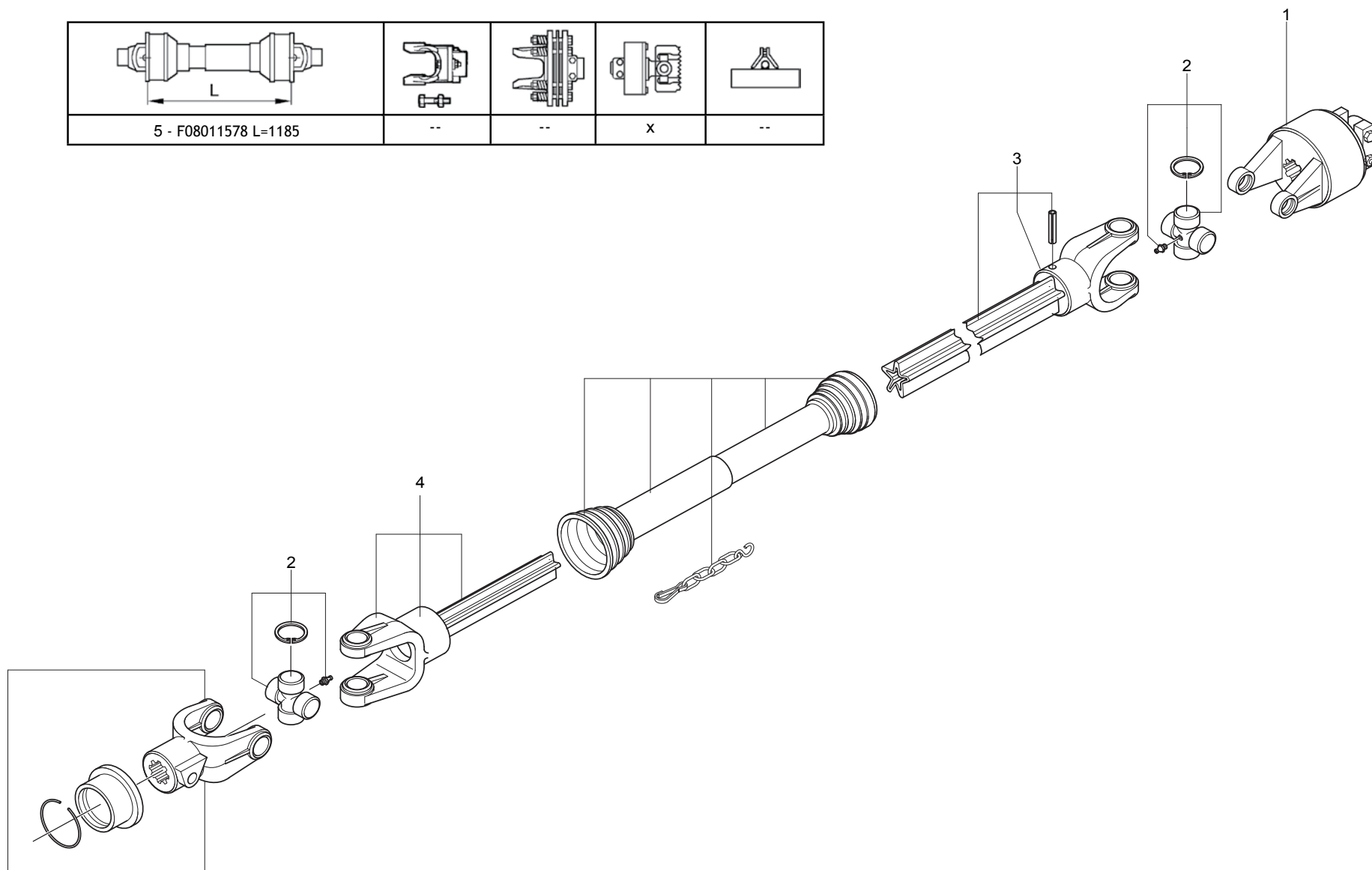
TAV.250

Pos.	Cod.	Descrizione	Description	Benennung	Description	Description
1	F08010690R	CROCIERA COMPLETA	SPIDER ASSY	CROISILLON COMPL.	GELENKKREUZ KOMPL.	CRUCETA COMPLETA
2	F08010834R	PROT. COMPLETA BOS8	PROTECTION ASSY	PROTECTION COMPL.	KOMPL. SCHUTZ	PROTECCION COMPL.
3	F08013041R	FORC.COMPL. BO S8 3 8Z63	FORK		GABEL	
4	F08013014R	FORC.INT.S8 TUB 1000	FORK WITH INTERNAL PIPE	FOURCHE AVEC TUBE INTERIEUR	GABELST. INNENROHR	HORQUILLA TUBO INTERNO
5	F08010242R	FORC TUBO SP.GHIERA EST.S8	FORK EST. S8		GABEL EST. S8	
6	F08013040R	FRIZ.BO COMP.NOT 3 4 Z20 2500N	FRIZ.BO COMP.NOT 3 4 Z20 2500			
7	F08011803R	CAR 50 BO 38Z6 CAM 2500 L1063	PTO 50 BO 38Z6 CAM 2500 L1063		CAR 50 BO 38Z6 CAM 2500 L1063	

TAV.260

WALTERSCHEID

				
5 - F08011578 L=1185	--	--	X	--



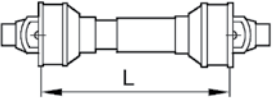
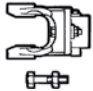
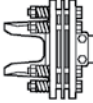
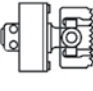

**CARDANO
CARDAN SHAFT**

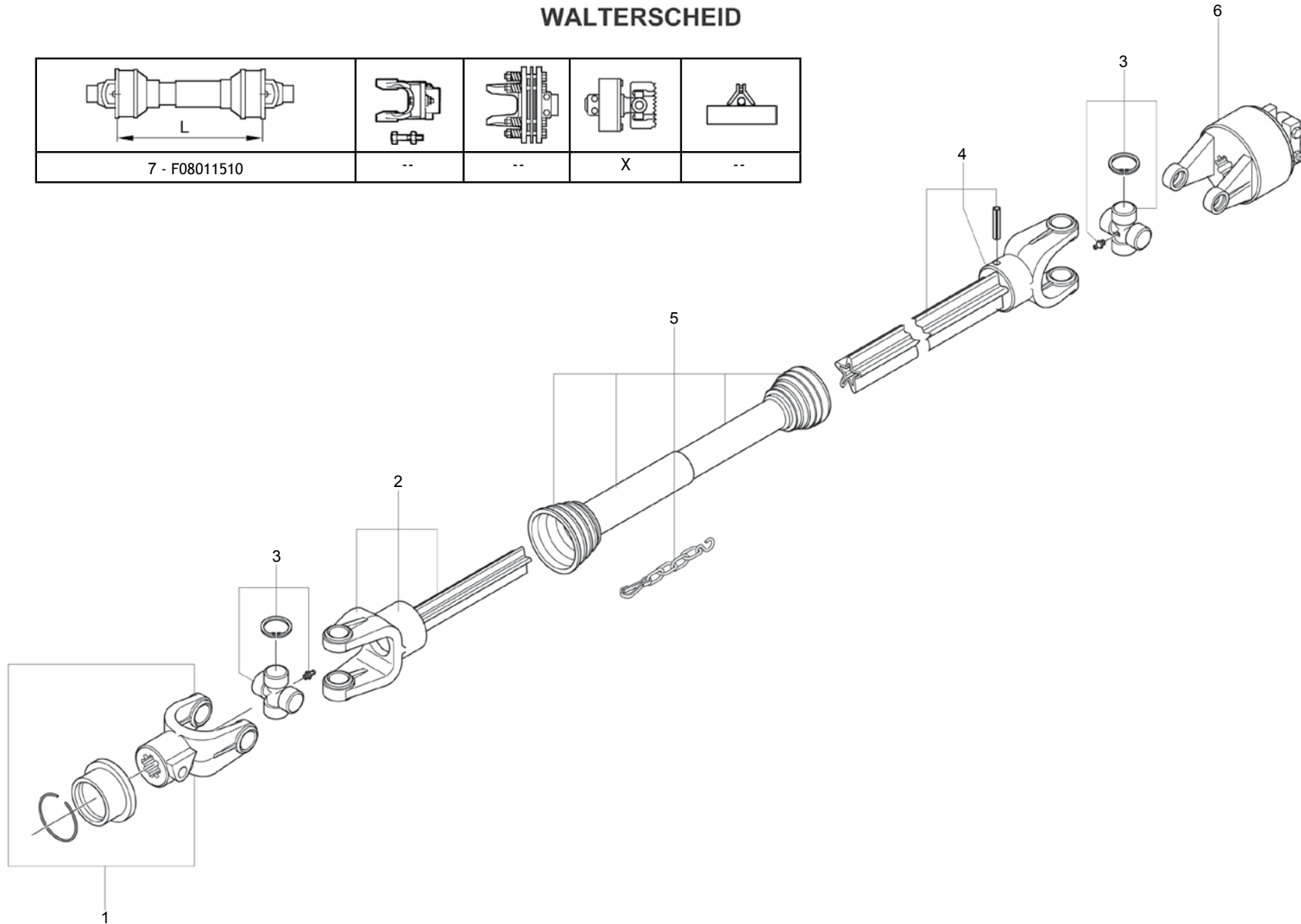
TAV.260

Pos.	Cod.	Descrizione	Description	Benennung	Description	Description
1	F08011006R	FRIZIONE COMP.C.GKN K64 2R 29	CLUTCH ASSY	EMBAYAGE COMPL.	KOMPL. KUPPLUNG	FRICCION COMPL.
2	F08010670R	CROCIERA COMPLETA	SPIDER ASSY	CROISIERE COMPL.	GELENKKREUZ KOMPL.	CRUCETA COMPLETA
3	F08010196R	FORCELLA COMPL. ALBERO ESTERNO	FORK WITH EXTERNAL SHAFT	FOURCHE AVEC TUBE EXT.	GABELST. AUSSENROHR	HORQUILLA TUBO EXT.
4	F08010197R	FORCELLA COMPL. ALBERO INTERNO	FORK WITH INTERNAL PIPE	FOURCHE AVEC TUBE INTERIEUR	GABELST. INNENROHR	HORQUILLA TUBO INTERNO
5	M00572151R	ALBERO CARDANICO COMPLETO	UNIVERSAL P T O SHAFT	ARBRE A CARDAN	GELENKWELLE	ARBOL CARDANICO

TAV.270

WALTERSCHEID

				
7 - F08011510	--	--	X	--



**CARDANO
CARDAN SHAFT**

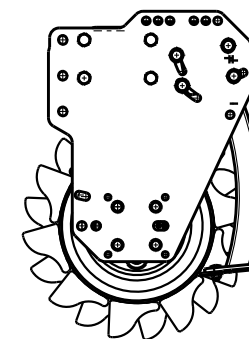
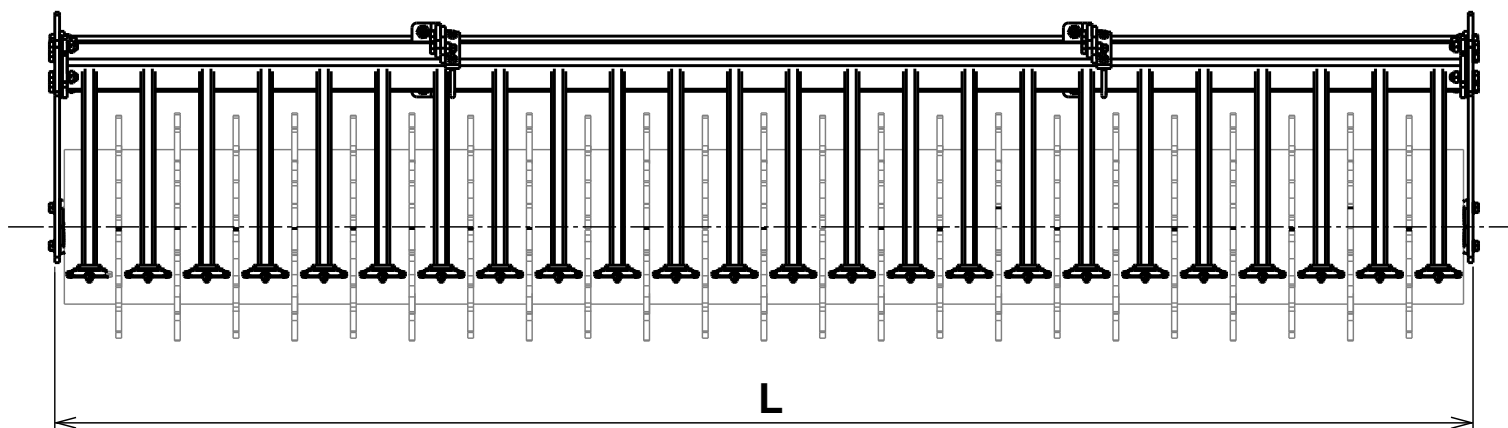
TAV.270

Pos.	Cod.	Descrizione	Description	Benennung	Description	Description
1	F08010398R	FORCELLA 1 3 8 Z 21 2500	FORK 1 3 8 Z21 GKN W2500		GABEL	
2	F08010533R	FORCELLA CON TUBO INTERNO	FORK WITH INTERNAL PIPE	FOURCHE AVEC TUBE INTERIEUR	GABELST. INNENROHR	HORQUILLA TUBO INTERNO
3	F08010686R	CROCIERA COMPLETA	SPIDER ASSY	CROISIERE COMPL.	GELENKKREUZ KOMPL.	CRUCETA COMPLETA
4	F08010721R	FORCELLA TUBO ESTERNO	FORK WITH EXTERNAL PIPE	FOURCHE AVEC TUBE EXTERIEUR	GABELST. AUSSENROHR	HORQUILLA TUBO ESTERNO
5	F08010851R	PROTEZIONE COMPLETA	PROTECTION ASSY	PROTECTION COMPL.	KOMPL. SCHUTZ	PROTECCION COMPL.
6	F08011331R	LIMITATORE DI COPPIA K64 22RM	CLUTCH ASSY	EMBAYAGE COMPL.	KOMPL. KUPPLUNG	FRICCION COMPL.
7	F08011510R	CAR 50 WA 38Z21 CAM 2500 L965	PTO SHAFT 50 38Z21 CAM 2500		CAR 50 WA 38Z21 CAM 2500 L965	

MODELLO / MODEL	L. [mm]
DC 2500	2482
DC 3000 - DM 3000 - DM 3000 RAPIDO - DM 3000 RAPIDO COMBI	2974
DM 3500 - DM 3500 RAPIDO - DM 3500 RAPIDO COMBI	3466
DM 4000 - DM 4000 RAPIDO - DM 4000 RAPIDO COMBI	3958

L- RAPPRESENTA LA LARGHEZZA DEL RULLO E VIENE UTILIZZATA PER LA SELEZIONE DEI RICAMBI DEL RULLO, VEDERE IL CATALOGO RICAMBI RULLI ALLEGATO.

L- IT DESCRIBES THE ROLLER WIDTH, AND IT IS UTILIZED FOR THE SELECTION OF THE ROLLER SPARE PARTS SEE ROLLERS SPARE PARTS CATALOGUE ENCLOSED.



Pos.	Cod.	Descrizione	Description	Benennung	Description	Descripcion

**USATE SEMPRE RICAMBI ORIGINALI
ALWAYS USE ORIGINAL SPARE PARTS
IMMER DIE ORIGINAL-ERSATZTEILE VERWENDEN
EMPLOYEZ TOUJOURS LES PIECES DE RECHANGE ORIGINALES
UTILIZAR SIEMPRE REPUESTOS ORIGINALES**



**Servizio Assistenza Tecnica - After Sales Service
Servizio Ricambi - Spare Parts Service**



maschio.com

DEALER:



MASCHIO GASPARDO SpA

Registered Office and Production Plant

Via Marcello, 73 - 35011 Campodarsego (Padova) - Italy

Tel. +39 049 9289810

Fax +39 049 9289900

info@maschio.com

www.maschionet.com

MASCHIO GASPARDO SpA

Production Plant

Via Mussons, 7 - 33075 Morsano al Tagliamento (PN) - Italy

Tel. +39 0434 695410

Fax +39 0434 695425

info@gaspardo.it

MASCHIO DEUTSCHLAND GMBH

Äußere Nürnberger Straße 5

D - 91177 Thalmässing - Deutschland

Tel. +49 (0) 9173 79000

Fax +49 (0) 9173 790079

dialog@maschio.de

www.maschionet.de

MASCHIO-GASPARDO USA Inc

120 North Scott Park Road

Eldridge, IA 52748 - USA

Ph. +1 563 2859937

Fax +1 563 2859938

info@maschio.us

MASCHIO FRANCE Sarl

1 rue Denis Papin ZA

F - 45240 La Ferte St. Aubin

France

Tel. +33 (0) 2.38.64.12.12

Fax +33 (0) 2.38.64.66.79

info@maschio.fr

MASCHIO-GASPARDO ROMANIA S.R.L.

Strada Înfrăţirii, F.N.

315100 Chisineu-Cris (Arad) -România

Tel. +40 257 307030

Fax +40 257 307040

info@maschio.ro

ООО МАСКИО-ГАСПАРДО РУССИЯ

04130, Россия,

Волгоградская область,

г. Волжский, ул. Пушкина, 117 «б».

Тел.: +7 8443 203100

факс: +7 8443 203101

e-mail: info@maschio.ru

MASCHIO IBERICA S.L.

MASCHIO-GASPARDO POLAND

MASCHIO-GASPARDO UCRAINA

GASPARDO-MASCHIO TURCHIA

MASCHIO-GASPARDO CINA

MASCHIO-GASPARDO INDIA