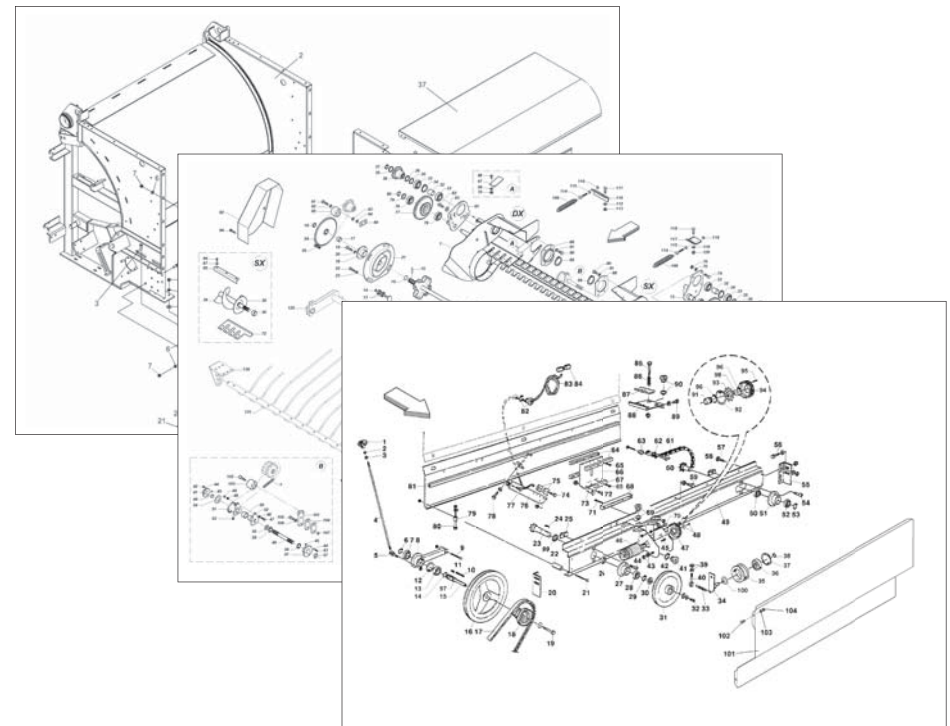




FERABOLI



ENTRY 150

Cod: B0D5P0055 2009-05

- *) Valido per Paesi UE
- *) Valid for EU member countries
- *) Valable dans les Pays UE
- *) Gilt für EU-Mitgliedsländer
- *) Válido para Países UE

- IT** PARTI DI RICAMBIO
- EN** SPARE PARTS
- DE** ERSATZTEILE
- FR** PIÈCES DÉTACHÉES
- ES** PIEZAS DE REPUESTO

PARTI DI RICAMBIO

Le ordinazioni delle parti di ricambio vanno fatte presso i nostri concessionari di zona e devono essere sempre corredate dalle seguenti indicazioni:

- **Tipo, modello e numero di matricola dell'attrezzatura.** Tali dati sono stampigliati nell'apposita targhetta di cui è dotata ogni attrezzatura.

- **Numero di codice della parte richiesta** rilevabile dal catalogo ricambi.

- **Descrizione del particolare e quantità richiesta.**

- **Numero della tavola.**

- **Mezzo di trasporto.** Nel caso questa voce non sia specificata, la Ditta Costruttrice, pur dedicando a questo servizio una particolare cura, non risponde di eventuali ritardi di spedizione dovuti a cause di forza maggiore.

Le spese di trasporto si intendono sempre a carico del destinatario. La merce viaggia a rischio e pericolo del committente anche se venduta franco destino.

NOTA: Il termine **(Dx) Destro** o **(Sx) Sinistro** della macchina o di parti di essa, è inteso guardando la macchina dalla parte posteriore. Le eccezioni saranno indicate.

SPARE PARTS

Orders must be transmitted through our area dealers and should always include the following indications:

- **Type, model and serial number of the machine.** *These data are punched on the data plate with which every implement is equipped.*

- **Code number of the required spare part.** *This will be found in the spare parts catalogue.*

- **Description of the part and required quantity.**

- **Table number.**

- **Means of dispatch.** *If this item is not indicated, the Manufacturer, while dedicating particular care to this service, shall not be held responsible for delays in delivery caused by cases of force majeure.*

Transport expenses shall always be at the consignee's charge. The goods travel at the purchaser's risk and peril even when sold ex destination.

NOTE: *The symbols (Dx) right and (Sx) left, concerning the machine or single parts of it, are referred, as in the figure, to a rear view of them. Exceptions will be indicated.*

ERSATZTEILE

Die Bestellungen müssen bei unseren Gebietshändlern aufgegeben werden. Bei der Bestellung sind stets die folgenden Angaben zu machen:

- **Typ, Modell und Serien-Nummer des Geräts.** Diese Daten stehen auf dem Typenschild, mit dem jedes Gerät versehen ist.

- **Artikel Nr. der erforderlichen Ersatzteile.** Diese stehen im Ersatzteil-Katalog.

- **Beschreibung des Ersatzteils und die erforderliche Stückzahl.**

- **Tafelnummer.**

- **Versandmittel.** Wenn dieser Punkt nicht spezifiziert wird, haftet die Herstellerfirma nicht für etwaigen Lieferverzug aufgrund höherer Gewalt, auch wenn er diesen Service besonders aufmerksam abwickelt.

Die Frachtkosten gehen dagegen immer zu Lasten des Empfängers. Die Ware reist auf Gefahr und Risiko des Auftraggebers, auch wenn frei Haus Verkauft vereinbart worden ist.

N.B.: Die Merkzeichen **(Dx) rechts** und **(Sx) links** betreffen eine rückwärtige Aussicht der Maschine oder Teile von ihr (siehe Bild). Ausnahmen werden gezeit.

PIECES DÉTACHÉES

Les ordres doivent être effectués auprès de nos concessionnaires de zone en précisant les indications suivantes:

- **Type, modèle et numéro de série de la machine.** *Ces données sont gravées sur la plaque d'identification de chaque outil.*

- **Numéro de code de la pièce détachée** *indiqué sur le catalogue des pièces détachées.*

- **Description de la pièce et quantité requise.**

- **Numéro de plan.**

- **Moyen d'expédition.** *Si cette rubrique n'est pas indiquée, le Constructeur, bien que soucieux de ce service, ne répond pas des retards d'expédition pour des causes de force majeure.*

Les frais de transport sont toujours à la charge du destinataire. La marchandise voyage aux risques et périls de l'acheteur même si vendue franco de port.

N.B.: *Les références (Dx) droit et (Sx) gauche de la machine ou des parties de la même, est entendue, comme de la figure, en regardant la machine de derriere dans le sens de marche.*

RESPUESTOS

Los pedidos han de efectuarse en nuestros concesionarios de zona y deben incluir siempre las siguientes indicaciones:

- **Tipo, modelo y número de matrícula del equipo.** Dichos datos están impresos en la relativa placa presente en el equipo.

- **Número de código de la parte requerida** presente en el catálogo respuestos.

- **Descripción de la pieza y cantidad requerida.**

- **Numero de ilustración.**

- **Medio de transporte.** En caso que este ítem no esté especificado, el Fabricante, aún prestando la debidas consideraciones para este aspecto, no responde por eventuales retardos de env'o debidos a causas de fuerza mayor.

Los gastos de transporte se consideran siempre a cargo del destinatario. La mercadería viaja bajo riesgo y peligro del comprador, incluso cuando se vende franco destino.

N.B.: La referencia **(Dx) derecha** o **(Sx) izquierda** de la máquina o de sus componentes, se entiende, como en la figura, mirando la máquina por la parte trasera. Se indicarán las excepciones.

INDEX

N° Table

TAV_P000500_00
TAV_P000501_00-150
TAV_P000206_00
TAV_P000502_00-150
TAV_P000309_01-ENTRY
TAV_P000509_00
TAV_P000219_01
TAV_P000518_00-150
TAV_P000205_00-EN-150
TAV_P000203_01-EN-150
TAV_P000213_00-EN
TAV_P000214_00
TAV_P000215_00
TAV_P000508_00-EN-150
TAV_P000505_00
TAV_P000506_00
TAV_P000519_00-150
TAV_P000217_00-EN
TAV_P000517_00
TAV_P000511_00
TAV_P000510_00
TAV_P000328_00
TAV_P000512_00
TAV_P000514_00
TAV_P000515_00
TAV_P000516_00

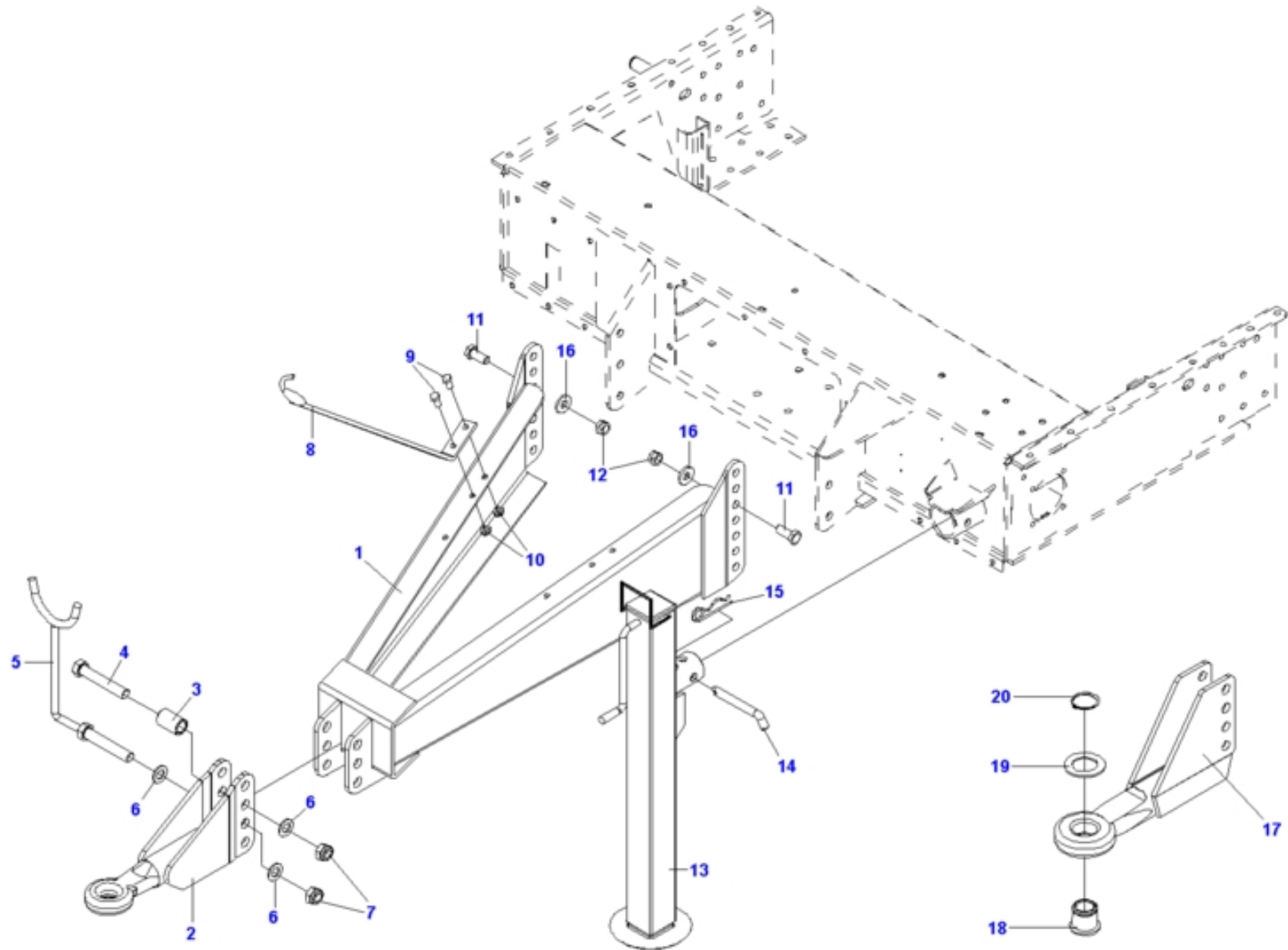
Description

"Timone Entry"
"Telaio anteriore Entry 150"
"Scatola deviazione FF20-FF50-Entry"
"Telaio portellone Entry 150"
"Mozzo + ruota Entry"
"Mozzo freni Entry"
"Ruote FF20-FF50-Entry"
"Carter Entry 150"
"Gruppo catenaria Entry 150"
"Infaldatore Entry 120"
"Gruppo legatura filo Entry"
"Gruppo legatura: 2 fili FF20-FF50-Entry"
"Gruppo legatura rete (1° parte) FF20-FF50-Entry"
"Gruppo legatura rete:2° parte Entry 150"
"Pick-up LARGO Entry"
"Pick-up STRETTO Entry"
"Impianto idraulico Entry 150"
"Cablaggio Entry"
"Oliatura automatica Entry"
"Impianto luci Entry"
"Allontanatore balla Entry"
"Kit ruote 400 Trotter 100-Entry"
"Kit estrattore balla Entry"
"Decal ""Entry 150"" Entry 150"
"Decal ""Sicurezza"" Entry"
"Decal ""Istruzioni"" Entry"

N° Table

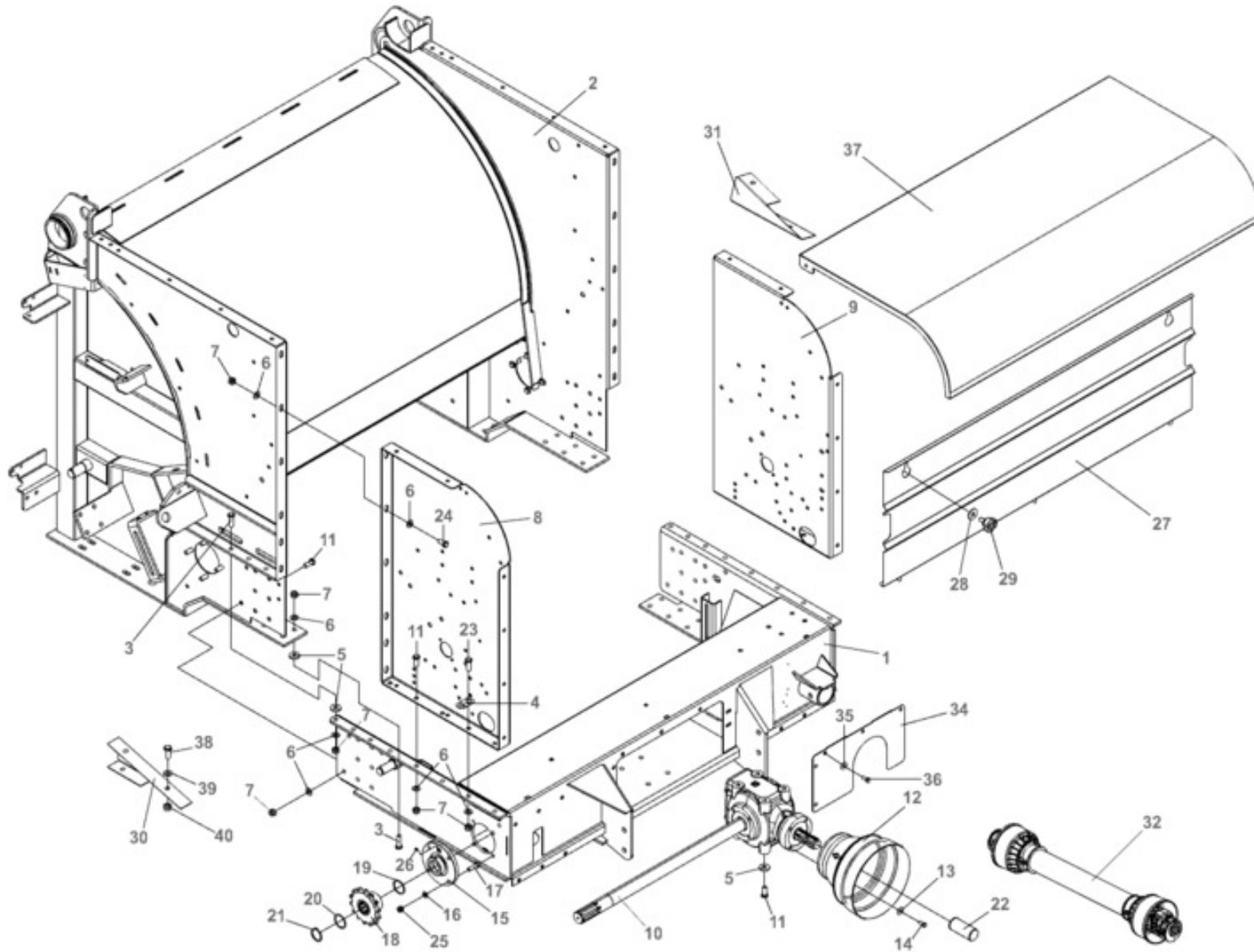
Description

TAV_P000500_00



Item	Part Num.	Description	
p001	7S00177	DRAW BAR	
p002	7S01033	TRAIL HITCH FF 50-20	
p003	1329574	SPACER	
p004	0192093	SCREW	
p005	7S00489	ROUNDBALER PTO SUPPORT	
p006	1422035	WASHER	
p007	0920620	NUT	
p008	7H34241	HOSE SUPPORT	
p009	0181025	SCREW	
p010	0545790	SELF-LOCKING NUT	
p011	0181640	SCREW	
p012	0920516	NUT	
p013	7S01755	DRAW BAR STAND	
p014	13C0001	PIN	
p015	11B0499	PIN	
p016	1519319	FIFTH WHEEL	
p017	7SP0228	TOWING EYE DIAM 50 LM FOR FF	
p018	1300957	REDUCTION BUSH	
p019	1300959	FLANGE 50X80X4	
p020	1700050	SEEGER RING	
p020	ZMP0018	TOW EYE REDUCTION BUSH	

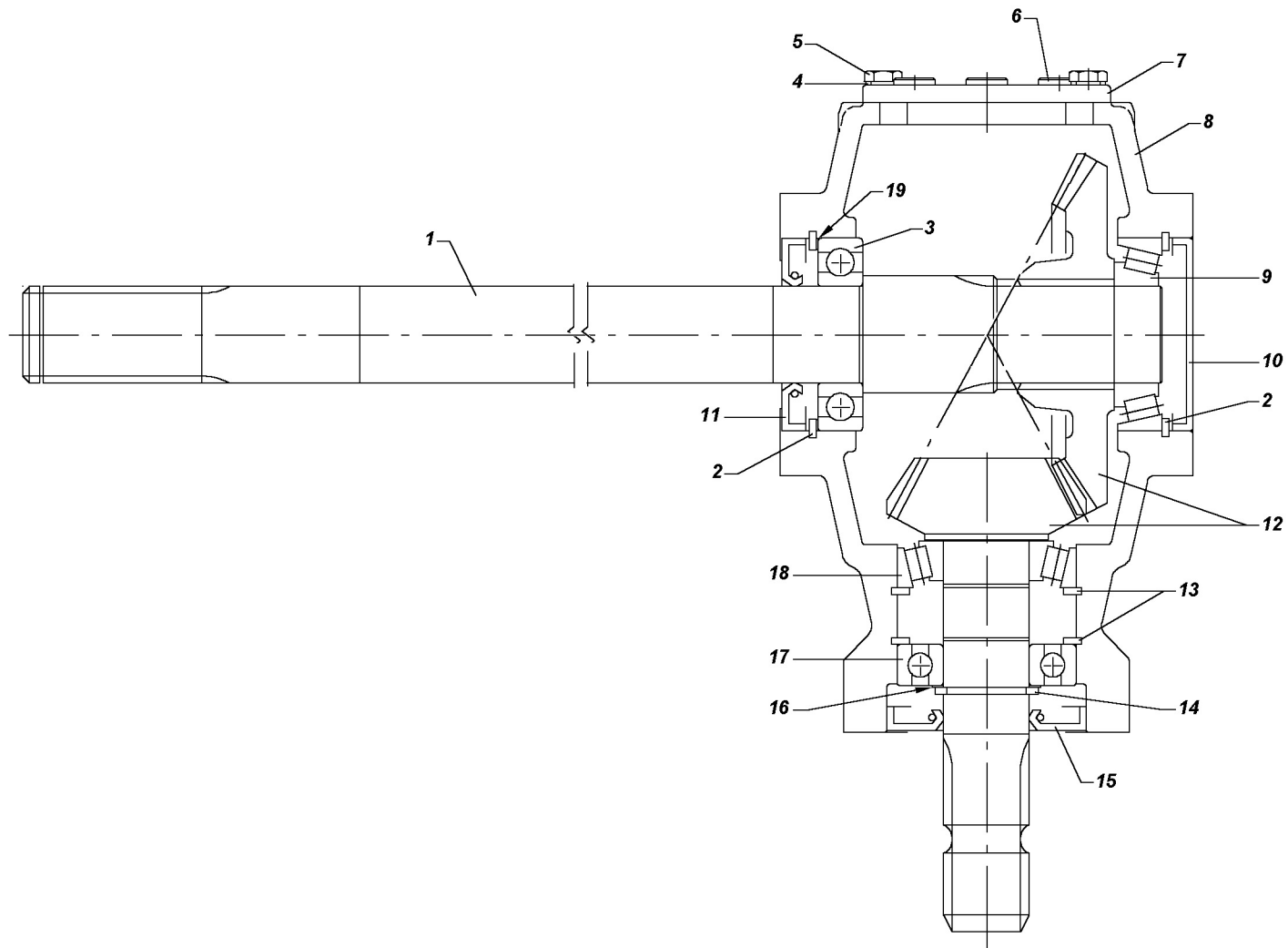
TAV_P000501_00-150



TAV_P000501_00-150

Item	Part Num.	Description	Item	Part Num.	Description
p001	7SP0247		p023	0181235	SCREW
p002	7SP0316		p024	0181225	SCREW
p003	0181240	SCREW	p025	0545790	SELF-LOCKING NUT
p004	C002357	CABLE ATTACHMENT PLATE	p026	4200610	GREASE NIPPLE
p005	1516038	FIFTH WHEEL	p027	7SP0283	
p006	1421230	WASHER	p028	1430820	WASHER
p007	0920412	NUT	p029	7V00106	KNOB WHEEL
p008	C1P0094		p030	C3P0138	
p009	C1P0095		p031	C3P0139	
p010	3900010	GEARBOX	p032	3600027	PTO SHAFT TRACTOR FF50
p010	3900227		p034	C3P0114	
p011	0181230	SCREW	p035	1420820	WASHER
p012	7V00042	GEAR PROTECTION GUARD	p036	0470825	SCREW
p013	1430820	WASHER	p037	7SP0284	
p014	0180815	SCREW	p038	0180820	SCREW
p015	2354030	FLANGED SUPPORT	p039	1430820	WASHER
p016	1421025	WASHER	p040	0920208	NUT
p017	0181035	SCREW			
p018	3400046	GEAR			
p019	1300126	SHIM			
p020	1300125	SHIM (GALV)			
p021	1700040	SEEGER RING			
p022	4417079	SLEEVE			

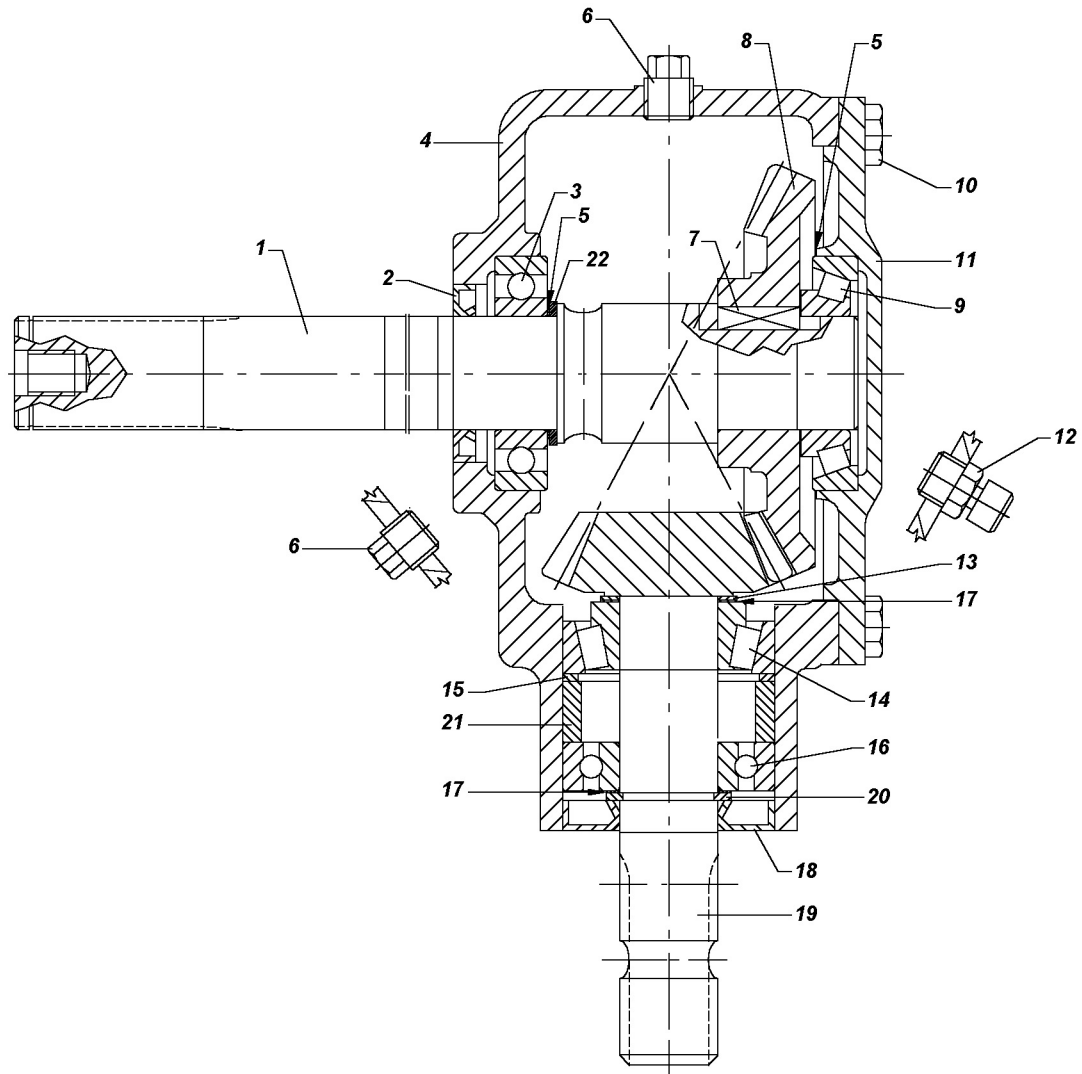
TAV_P000206_00-BP



TAV_P000206_00-BP

Item	Part Num.	Description	Item	Part Num.	Description
p001	R000311	SHAFT 2061	p019	R000262	SHIM RING 69,3X79,7X0,2
p002	R000256	ELASTIC RING 80-I (SP=2,5)	p019	R000263	SHIM RING 69,3X79,7X0,3
p003	2004018	BEARING	p019	R000265	SHIM RING 69,3X79,7X0,1 34006
p004	1610808	WASHER	p019	R000264	SHIM RING 69,3X79,7X0,4
p005	0180820	SCREW	p020	4303460	SEAL
p006	R000175	PLUG			
p007	R000310	BOX COVER 2061 29065			
p008	R000309	BOX HOUSING 2061 STD R=1,93-29026			
p009	R000958	BEARING CONICAL ROLLER BEARING			
p010	R000090	SEAL 80X10			
p011	R000256	ELASTIC RING 80-I (SP=2,5)			
p012	R000272	BEVEL GEAR PAIR R= 1.93			
p013	1710072	SEEGER RING			
p014	R000171	SPLIT RING 35-E(THICKNESS 2,5)			
p015	R000173	OIL SEAL			
p016	R000080	SHIM 32,2X44,7X0,8			
p016	R000082	SHIM 35,2X44,7X0,3			
p016	R000083	SHIM 35,2X44,7X0,4			
p016	R000081	SHIM 35,2X44,7X1,0			
p016	R000167	SHIM RING 35,5X44,7X0,2			
p016	R000079	SHIM 35,2X44,7X0,6			
p017	2003517	BEARING			
p018	2123517	BEARING			

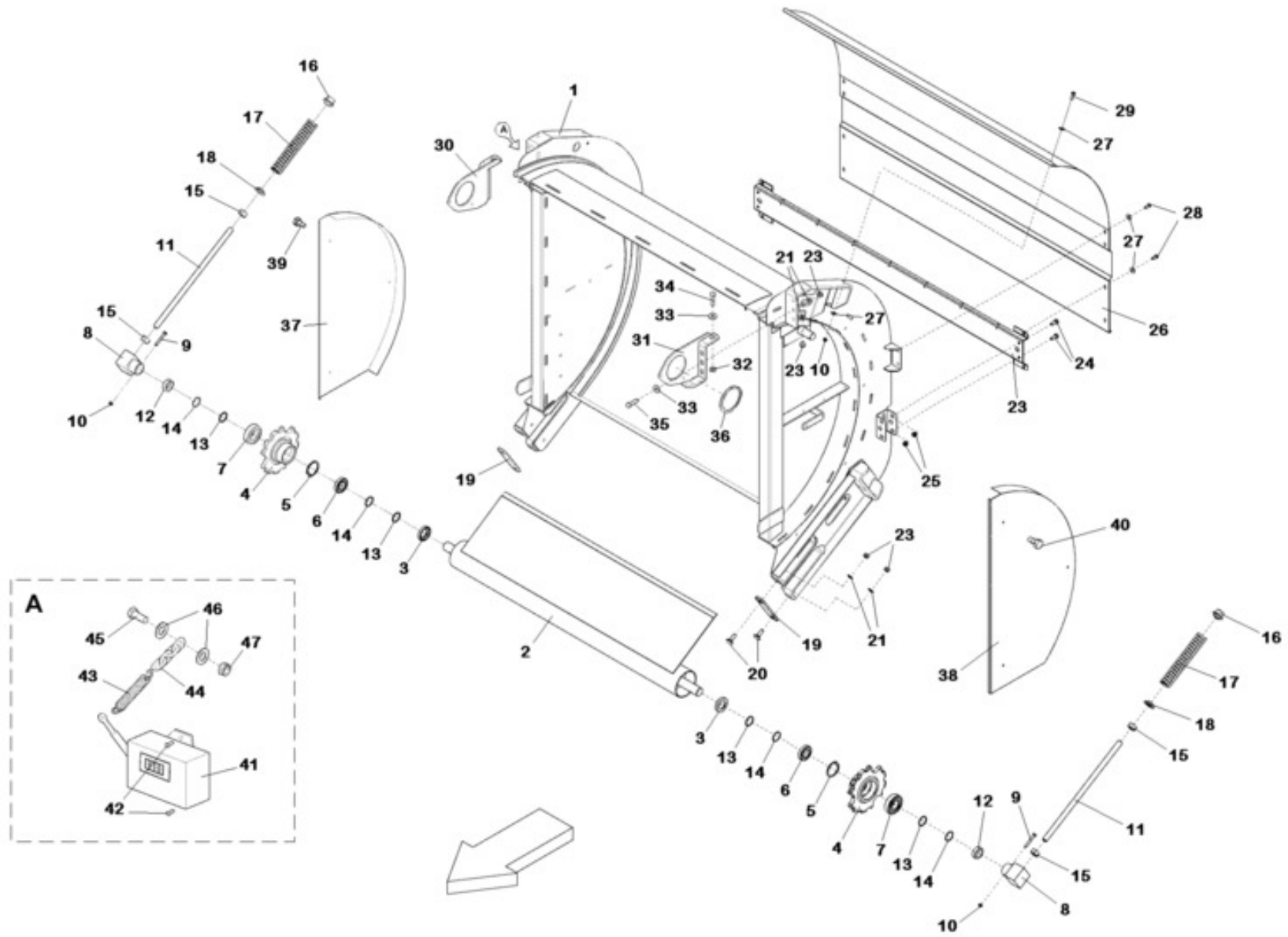
TAV_P000206_00-COM



TAV_P000206_00-COM

POS.	N° DISEGNO	DESCRIZIONE
1	0.304.3206.00	ALBERO DI USCITA
2	8.7.3.00603	ANEL.TEN.NORM. BA 40X62X7
3	8.0.1.00871	CUSC. SFERE CLB 6208
4	0.304.0301.00	SCATOLA
5	0.244.7500.00	SPES.REG. 40.3x51.5
6	8.6.5.00006	TAPPO CON.ESAG.EST. 3/8"GAS
7	8.4.1.01141	LING. TEMPRATA B 12X8X30
8	0.304.6000.00	CORONA CONICA Z.29 M.5
9	8.0.9.00024	CUSC.RULLI CON.CLB 30208
10	8.1.1.00061	VITE TE UNI5739 M10X25 8,8
11	0.304.1302.00	COPERCHIO CHIUSO
12	8.6.7.00161	TAPPO SFI.ANTICOND. 3/8"GAS
13	0.259.7513.00	SPES.REG. 48.0x35.3x1.3
14	8.0.9.00127	CUSC.RULLI CON.CLB 32207
15	8.5.2.00131	ANELLO EL.SIC.X FOR 72 UNI7437
16	8.0.1.00870	CUSC. SFERE CLB 6207
17	0.259.7500.00	SPES.REG. 35.3x48.0
18	8.7.3.00055	ANEL.TEN.NORM. BA 35X72X10
19	0.304.5000.00	ALBERO-PIGNONE Z15 M5
20	8.5.1.00583	ANEL.SIC.xALB.H=2,5 35 UNI7436
21	0.304.7100.00	DISTANZIALE 64.3x71.8x21.9
22	0.244.7130.00	DISTANZIALE 40.3x51.5x2.5

TAV_P000502_00-150



TAV_P000502_00-150

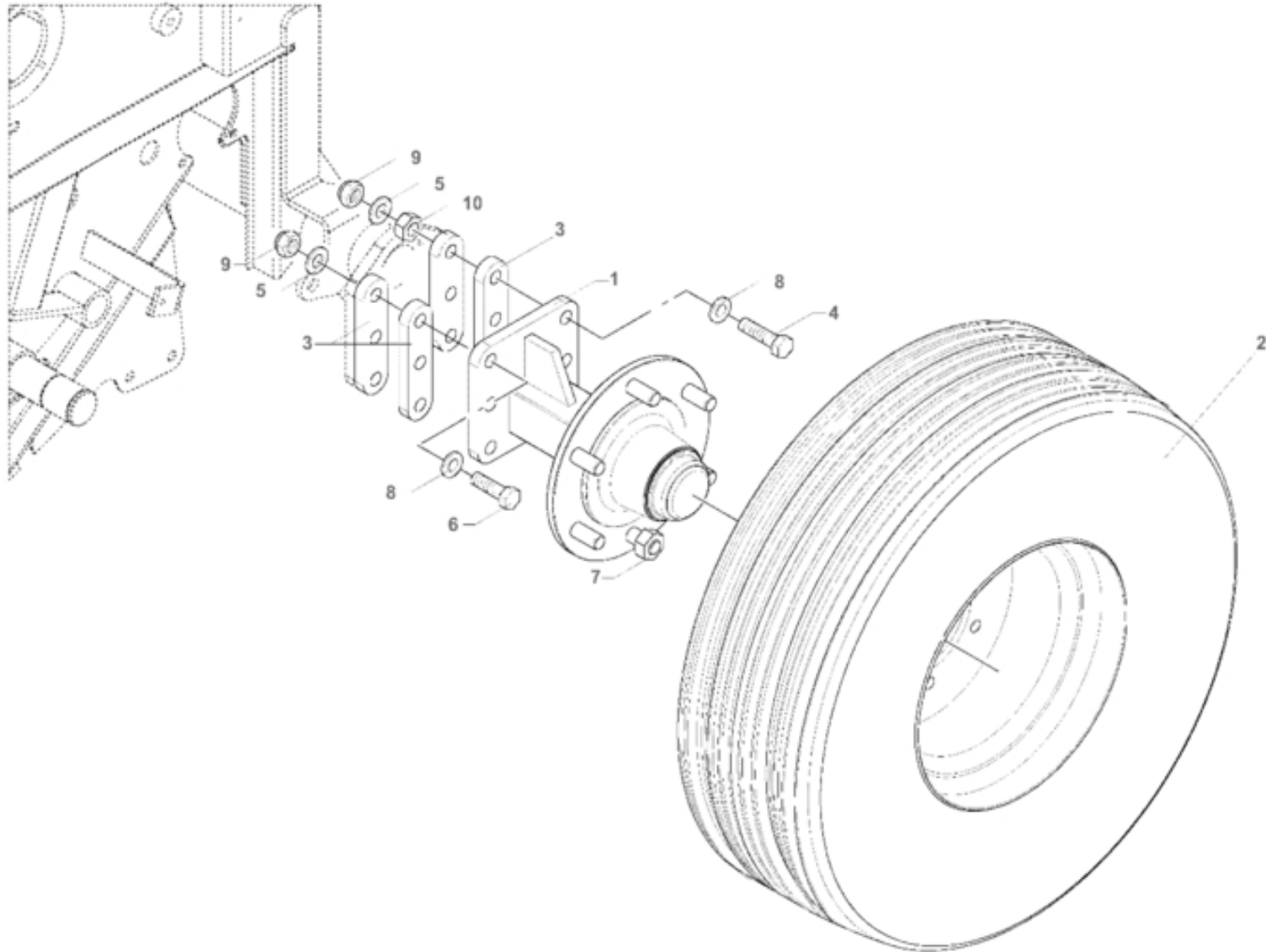
Item	Part Num.	Description	Item	Part Num.	Description
p001	7SP0311		p024	0181025	SCREW
p002	7S00158	IDLE SHAFT	p025	0545790	SELF-LOCKING NUT
p003	1300081	SPACER	p026	C3P0133	
p004	7SP0281		p027	1430820	WASHER
p005	1710062	SEEGER RING	p028	0180820	SCREW
p006	2043514	BEARING	p029	0180825	SCREW
p007	2040002	BEARING	p030	7SP0271	
p008	13P0146		p031	7SP0272	
p009	0190860	SCREW	p032	1515797	FIFTH WHEEL
p010	0920208	NUT	p033	1516038	FIFTH WHEEL
p011	05P0006		p034	0171250	
p012	1328313	SPACER	p035	0171250	
p013	1534416	SHIM	p036	1700105	SNP RING
p014	1534415	SHIM	p037	7SP0309	
p015	0710620	NUT	p038	7SP0310	
p016	13P0142		p039	0370001	SCREW
p017	18P0010		p040	0370001	SCREW
p018	13P0143		p041	7C00001	BALECOUNTER
p019	C6P0324		p042	03F0000	SCREW
p020	0523421	SPECIAL SCREW	p043	1800026	SPRING
p021	1421230	WASHER	p044	3300005	CHAIN
p022	C3P0127		p045	0180620	SCREW
p023	0920412	NUT	p046	1420615	WASHER



TAV_P000502_00-150

Item	Part Num.	Description	
p047	0920106	NUT	
p048	0920412	NUT	

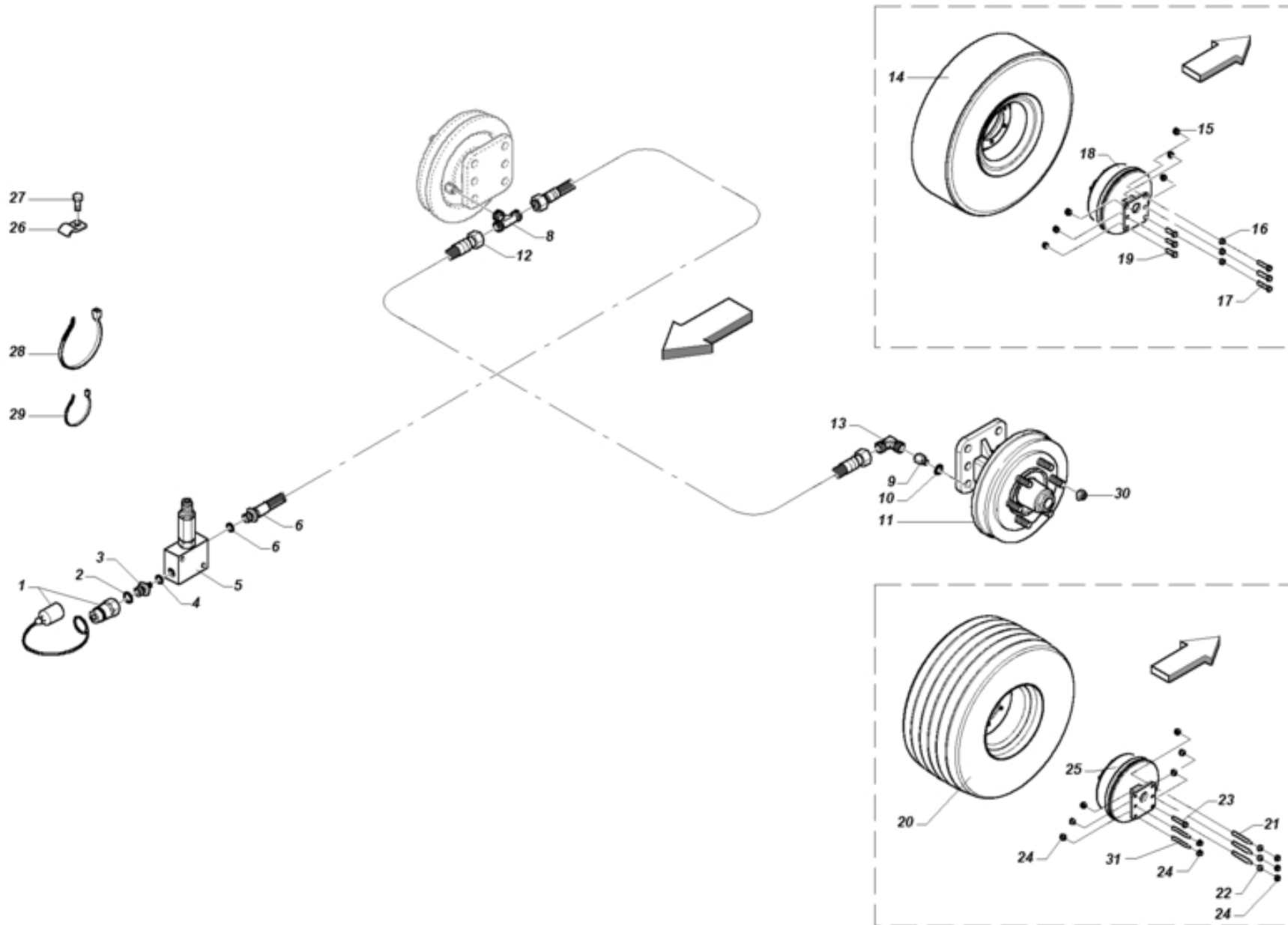
TAV_P000309_01-ENTRY





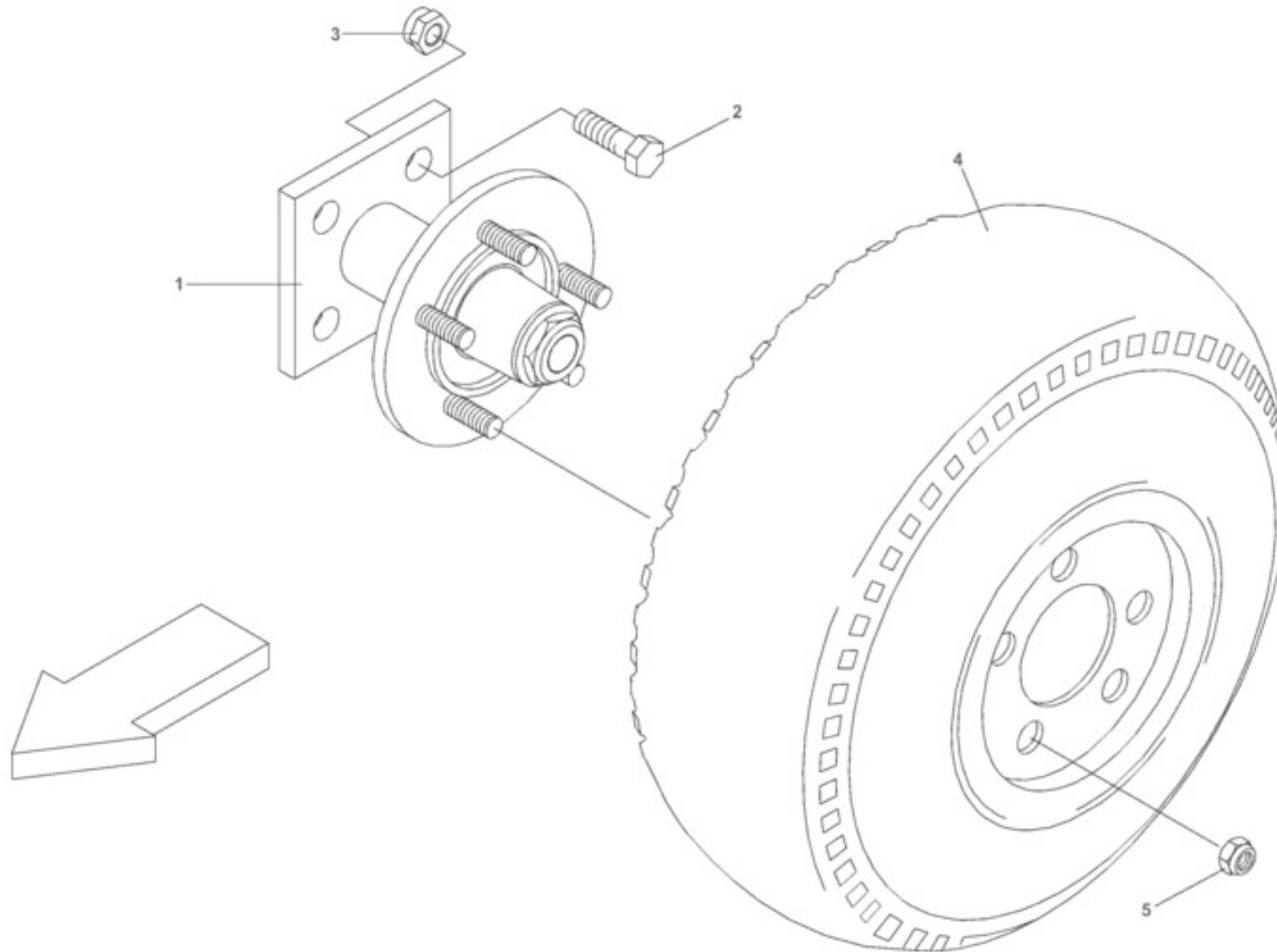
TAV_P000309_01-ENTRY

Item	Part Num.	Description	
p001	71P0005		
p002	7100022	COMPLETE WHEEL	
p002	7100013	COMPLETE WHEEL 11,5/80-15,3	
p003	C6P0233		
p004	0191691	SCREW	
p005	1421630	WASHER	
p006	0191690	SCREW	
p007	0821318	NUT	
p008	1421630	WASHER	
p009	0920516	NUT	
p010	1421630	WASHER	



Item	Part Num.	Description	Item	Part Num.	Description
p001	H6000A0	QUICK CLUTCH	p024	0920516	NUT
p002	1442015	WASHER	p025	71P0009	
p003	H6000AB	NIPPLE	p026	C630080	U BOLT
p004	1441815	WASHER	p027	0181025	SCREW
p005	H000143	REDUCTION VALVE	p028	E600025	
p006	1441815	WASHER	p029	E600021	CLAMP LUMEFIX
p007	H000097	FLEXIBLE TUBE SAE 100 R1AT	p030	0821318	NUT
p008	H000264	"T" FITTING TN96-10LR	p031	05P0008	
p009	H000099				
p010	1441415	WASHER			
p011	71P0009				
p012	H000091	FLEXIBLE TUBE SAE 100 R1AT			
p013	H000086	UNION "L"10			
p014	7100013	COMPLETE WHEEL 11,5/80-15,3			
p015	0920516	NUT			
p016	0710516	NUT			
p017	0181670	SCREW			
p018	71P0009				
p019	0181650	SCREW			
p020	7100022	COMPLETE WHEEL			
p021	05P0007				
p022	0710516	NUT			
p023	0181680				

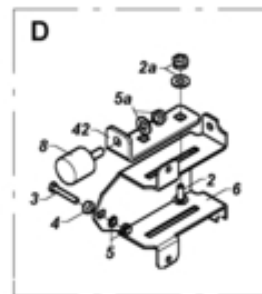
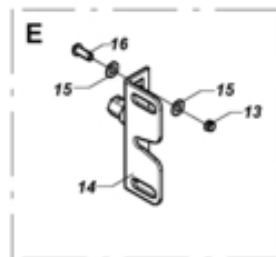
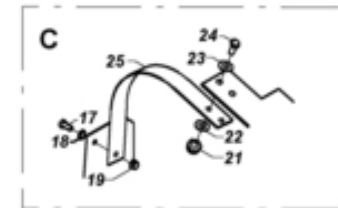
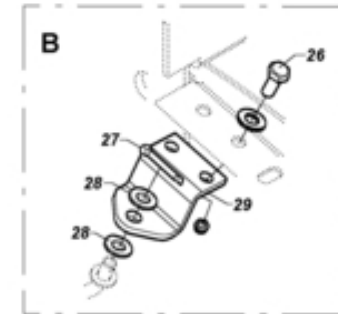
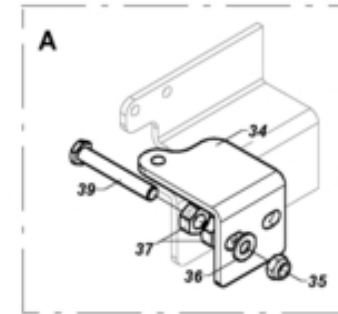
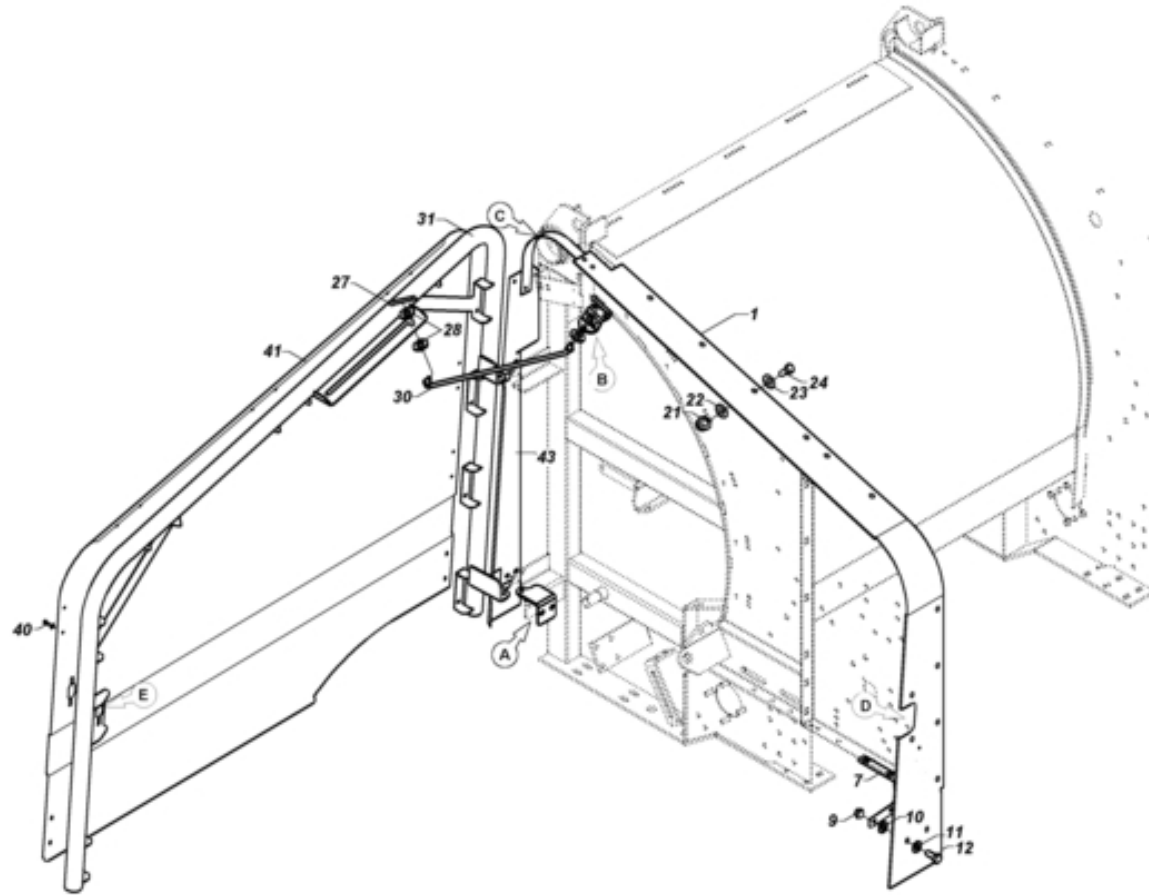
TAV_P000219_01



TAV_P000219_01

Item	Part Num.	Description	
p001	2700029	HUB WITH SPINDLE	
p002	0182060		
p003	0920620	NUT	
p004	7229104	RIM + WHEEL	
p005	0821316	NUT	

TAV_P000518_00-150



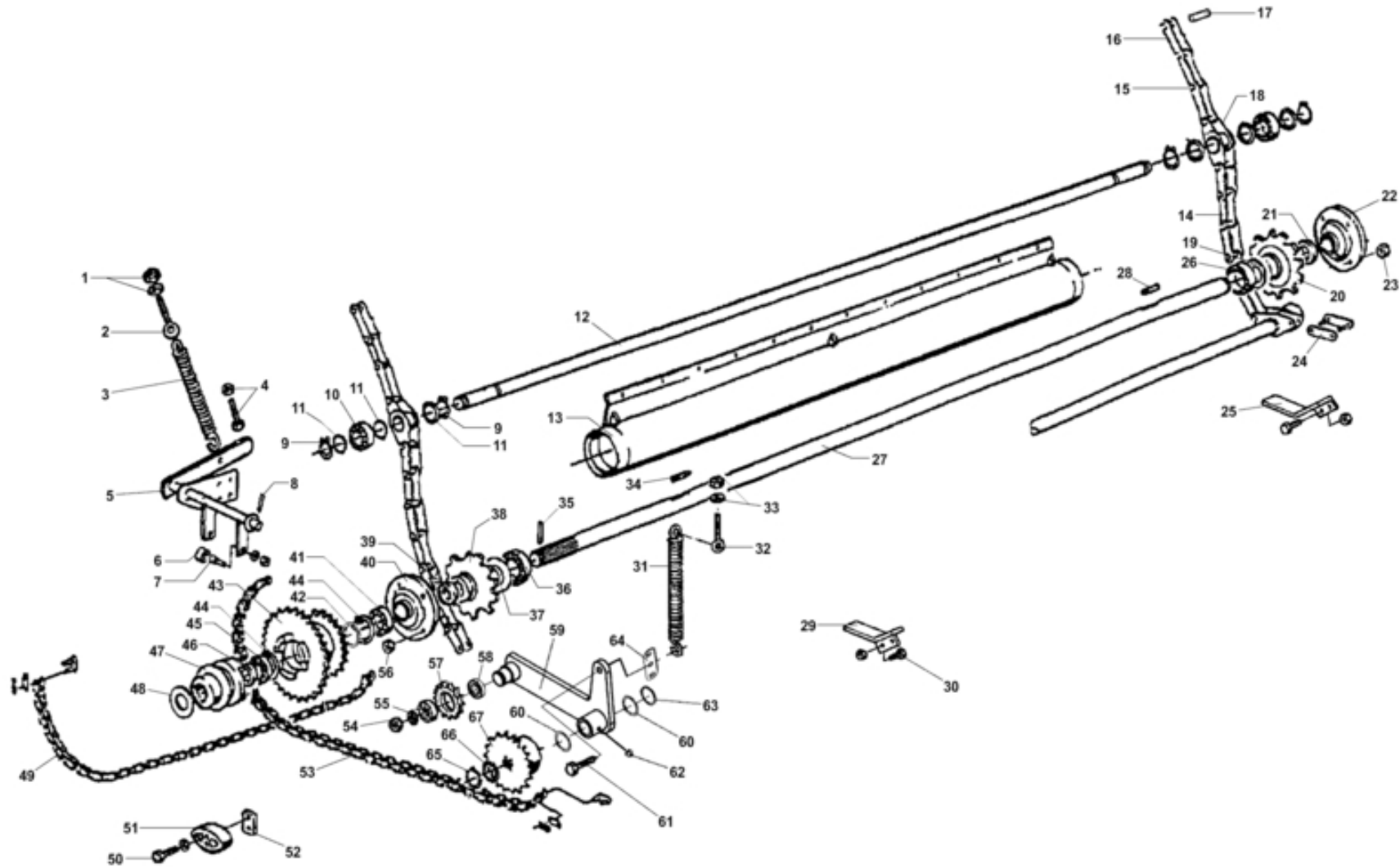
TAV_P000518_00-150

Item	Part Num.	Description	Item	Part Num.	Description
p001	C3P0140		p017	0180820	SCREW
p001	C3P0141		p018	1420820	WASHER
p002	0320820	SCREW	p019	0920208	NUT
p002a	0920208	NUT	p021	0920208	NUT
p002a	1420820	WASHER	p022	1420820	WASHER
p003	0191065	ZINC-PLATED SCREW	p023	1430820	WASHER
p004	0710310	NUT	p024	0180820	SCREW
p005	0710208	NUT	p025	C6P0351	
p005	0545790	SELF-LOCKING NUT	p026	0181025	SCREW
p005a	0710208	NUT	p026	0545790	SELF-LOCKING NUT
p005a	0545790	SELF-LOCKING NUT	p026	1421025	WASHER
p006	C4P0142		p027	1150430	GALV PIN
p007	C6P0325		p028	1431020	WASHER
p007	C6P0326		p029	C6P0322	
p008	1800082	RUBBER BUSHING Ø30X30-M8X20	p030	7SP0278	
p009	0920208	NUT	p031	7SP0317	
p010	1420820	WASHER	p031	7SP0318	
p011	1430820	WASHER	p034	C6P0321	
p012	0180820	SCREW	p034	C6P0320	
p013	0920208	NUT	p035	0920412	NUT
p014	1800041	LOCK	p036	1421230	WASHER
p015	1420820	WASHER	p037	0710412	NUT
p016	0470820	SCREW	p039	0181280	SCREW



TAV_P000518_00-150

Item	Part Num.	Description	
p040	1000011	RIVET	
p040	1421025	WASHER	
p041	C3P0135		
p041	C3P0134		
p042	C6P0319		
p043	C3P0137		
p043	C3P0136		



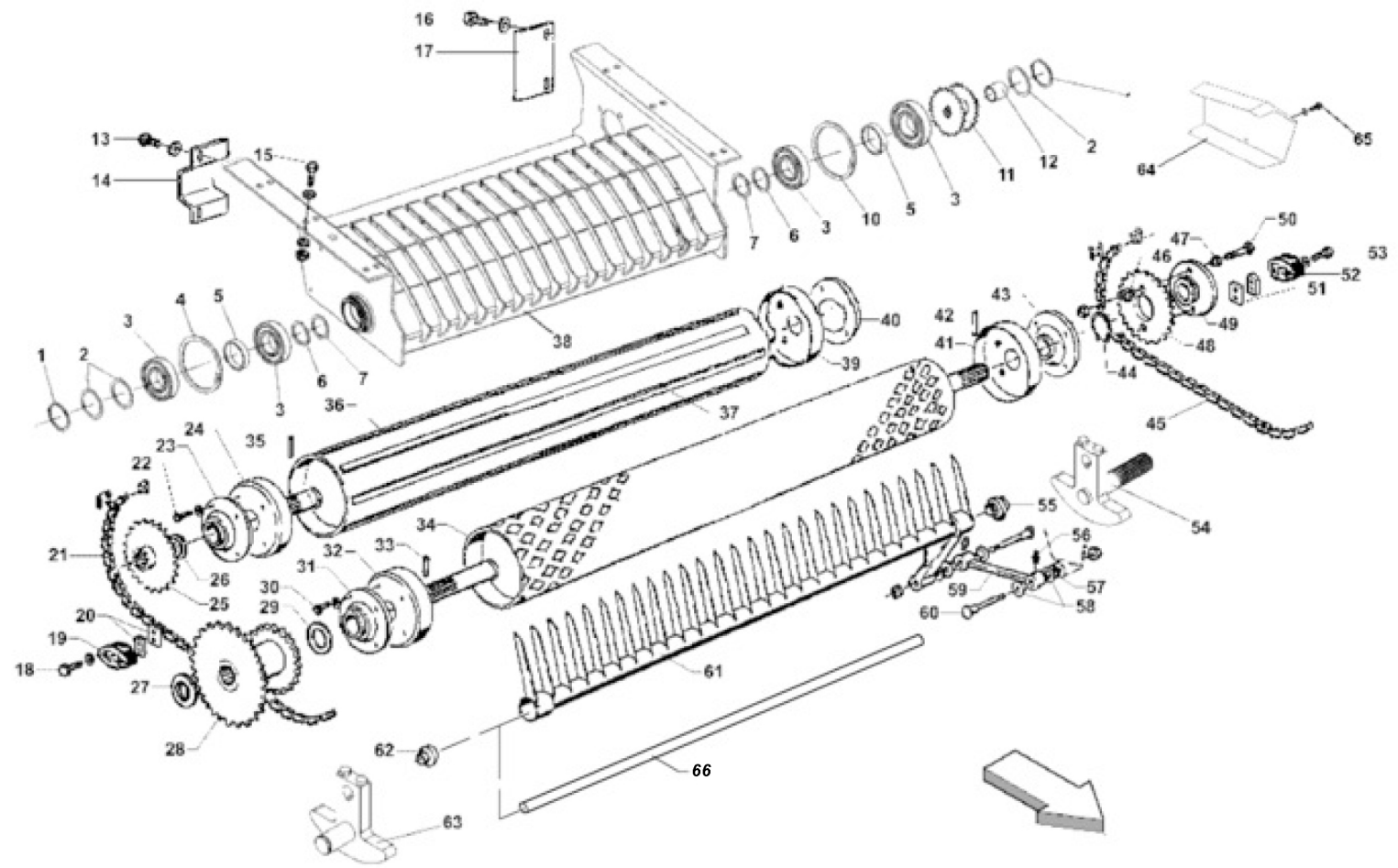
TAV_P000205_00-EN-150

Item	Part Num.	Description	Item	Part Num.	Description
p001	0920412	NUT	p018	3000108	A5080 CHAIN SPECIAL LINK
p001	1421230	WASHER	p019	1300060	FIFTH WHEEL
p002	0545168	EYELET M12	p020	3400038	Z= 12-2 GEAR
p003	1822744	SPRING	p021	1300059	SPACER
p004	0181250	SCREW	p022	2354545	FLANGED SUPPORT
p004	0710412	NUT	p023	0920412	NUT
p005	7S00180	RELEASE LEVER	p024	30B0015	CHAIN LINK
p006	2041509	BEARING	p025	7S00182	LEFT GUIDE
p007	1421025	WASHER	p026	2046018	BEARING
p007	0545790	SELF-LOCKING NUT	p027	3500101	SHAFT
p007	0500003	SCREW FOR BEARING	p028	1206060	TANG
p008	1110650	PIN	p029	7S00181	RIGHT GUIDE
p008	1300101	SHIM (GALV)	p030	0545790	SELF-LOCKING NUT
p008	1300100	SHIM (GALV)	p031	1822744	SPRING
p009	1700035	SEEGER RING	p032	0545168	EYELET M12
p010	2383517	BEARING	p033	1421230	WASHER
p011	1522427	SHIM	p033	0710412	NUT
p012	3500020	CHAIN BAR	p034	1206060	TANG
p013	7S00154	MOTOR SHAFT GUARD	p035	1110860	PIN
p014	3000102	CHAIN	p036	2046018	BEARING
p015	3000105	INSIDE LINK FOR CHAIN	p037	1300060	FIFTH WHEEL
p016	3000106	PLATE FOR CHAIN A5080	p038	3400037	Z= 12 GEAR ENGINE
p017	3000107	PIN FOR CHAIN A5080	p039	1300059	SPACER

TAV_P000205_00-EN-150

Item	Part Num.	Description	Item	Part Num.	Description
p040	2354545	FLANGED SUPPORT	p059	7S01321	RIGHT TENSIONER ARM
p041	2044516	BEARING	p060	1300105	SHIM
p042	1523717	SHIM	p060	1300159	SHIM (GALV)
p043	3400043	DOUBLE GEAR Z=30/22	p061	0181230	SCREW
p044	1710075	SEEGER RING	p062	4210610	GREASE NIPPLE
p045	2044516	BEARING	p063	1700025	SEEGER RING
p046	1300058	SPACER	p064	C004902	STIFFENING
p047	1300056	HUB WITH FRONT COUPLING	p065	1700040	SEEGER RING
p048	1547230	SHIM	p066	1300126	SHIM
p049	31400A7	JOINT	p066	1300125	SHIM (GALV)
p050	1421025	WASHER	p067	3400046	GEAR
p050	0191080	SCREW			
p051	7V00007	GUIDE BLOCK			
p052	C000539	TENSION ATTACHMENT			
p053	314H081	ROLLER CHAIN			
p053	31400H7	JOINT			
p054	1700025	SEEGER RING			
p055	1300105	SHIM			
p055	1300104	SHIM			
p055	1300102	SHIM			
p056	0920412	NUT			
p057	34P0059				
p058	2042515	BEARING			

TAV_P000203_01-EN-150

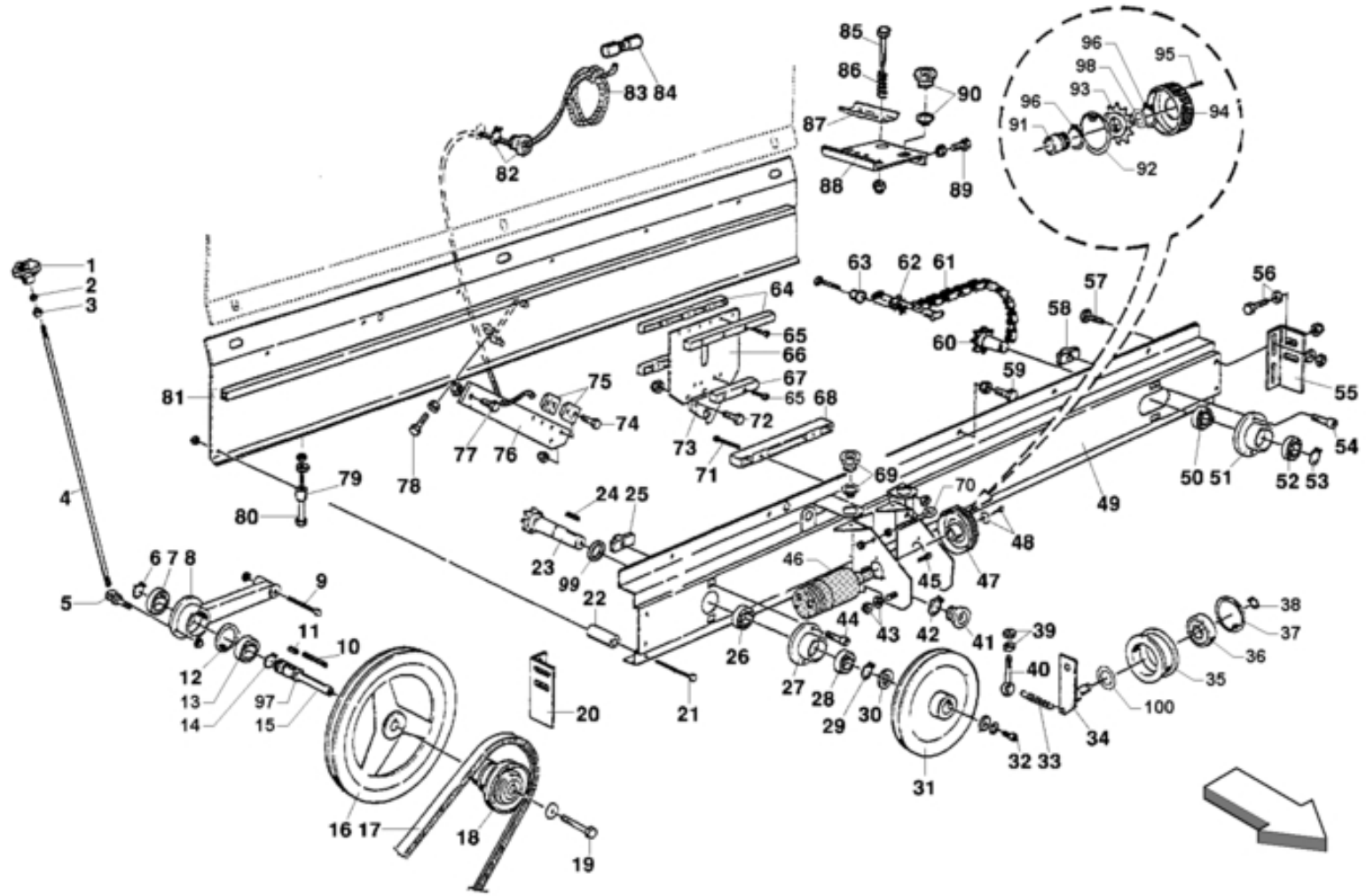


TAV_P000203_01-EN-150

Item	Part Num.	Description	Item	Part Num.	Description
p001	1700035	SEEGER RING	p020	C001156	THICKNESS FOR OVAL TIGHTENING PULLE
p002	1534416	SHIM	p021	3111053	ROLLER CHAIN
p002	1534415	SHIM	p021	3110007	LINK
p003	2043517	BEARING	p022	0181035	SCREW
p004	1710072	SEEGER RING	p022	1421025	WASHER
p005	1300523	SPACER	p023	2353035	FLANGED SUPPORT
p006	1300605	SPACER	p024	7S00131	CAP WITH 3 NUTS
p007	1522427	SHIM	p025	3400032	Z=25 GEAR 3/4" ISO WITH HUB
p010	1710072	SEEGER RING	p026	1300116	SHIM
p011	3400027	DOUBLE GEAR Z=25/17	p027	1523717	SHIM
p012	1300523	SPACER	p028	3400153	DOUBLE GEAR Z=28 1"
p013	0181020	SCREW	p029	1523717	SHIM
p013	1421025	WASHER	p030	1421230	WASHER
p014	C000564	RIGHT-HAND LOCKUO FOR FEEDER	p030	0181235	SCREW
p015	1516038	FIFTH WHEEL	p031	2355045	FLANGED SUPPORT
p015	0191245	SCREW	p032	7S00130	CAP WITH 4 NUTS
p016	0181020	SCREW	p033	1110860	PIN
p016	1421025	WASHER	p034	7S00128	RUTICATED ROLLER
p017	C000565	LEFT-HAND LOCKUP FOR FEEDER	p035	1110850	PIN
p018	0191080	SCREW	p037	7S00132	ROLLER
p018	1421025	WASHER	p038	7SP0302	
p019	7V00007	GUIDE BLOCK	p039	7S00131	CAP WITH 3 NUTS
p020	C000539	TENSION ATTACHMENT	p040	2353035	FLANGED SUPPORT

TAV_P000203_01-EN-150

Item	Part Num.	Description	Item	Part Num.	Description
p041	7S00130	CAP WITH 4 NUTS	p062	7S00126	BEARING
p042	1110860	PIN	p063	7S00979	IDLE CONNECTING ROD
p043	2355045	FLANGED SUPPORT	p064	C001286	CASE FF20
p044	1700060	SEEGER RING	p065	0181020	SCREW
p045	3111060	ROLLER CHAIN	p065	1421025	WASHER
p046	0511057	BUSHING	p066	3500038	FEEDER SHAFT
p047	0511057	BUSHING			
p048	3400151	RING GEAR			
p049	7S00568	FLANGE WITH HUB			
p050	0190840	SCREW			
p050	0920208	NUT			
p051	C000539	TENSION ATTACHMENT			
p052	7V00007	GUIDE BLOCK			
p053	1421025	WASHER			
p053	0191080	SCREW			
p054	7S00978	MOTOR CONNECTING ROD			
p055	7S00126	BEARING			
p056	4200610	GREASE NIPPLE			
p057	1300040	FIFTH WHEEL			
p058	2500002	BUSH			
p059	7S00966	FEEDER CONNECTING ROD			
p060	3500017	CONNECTING ROD PIN			
p061	7S00983	FEEDER			



TAV_P000213_00-EN

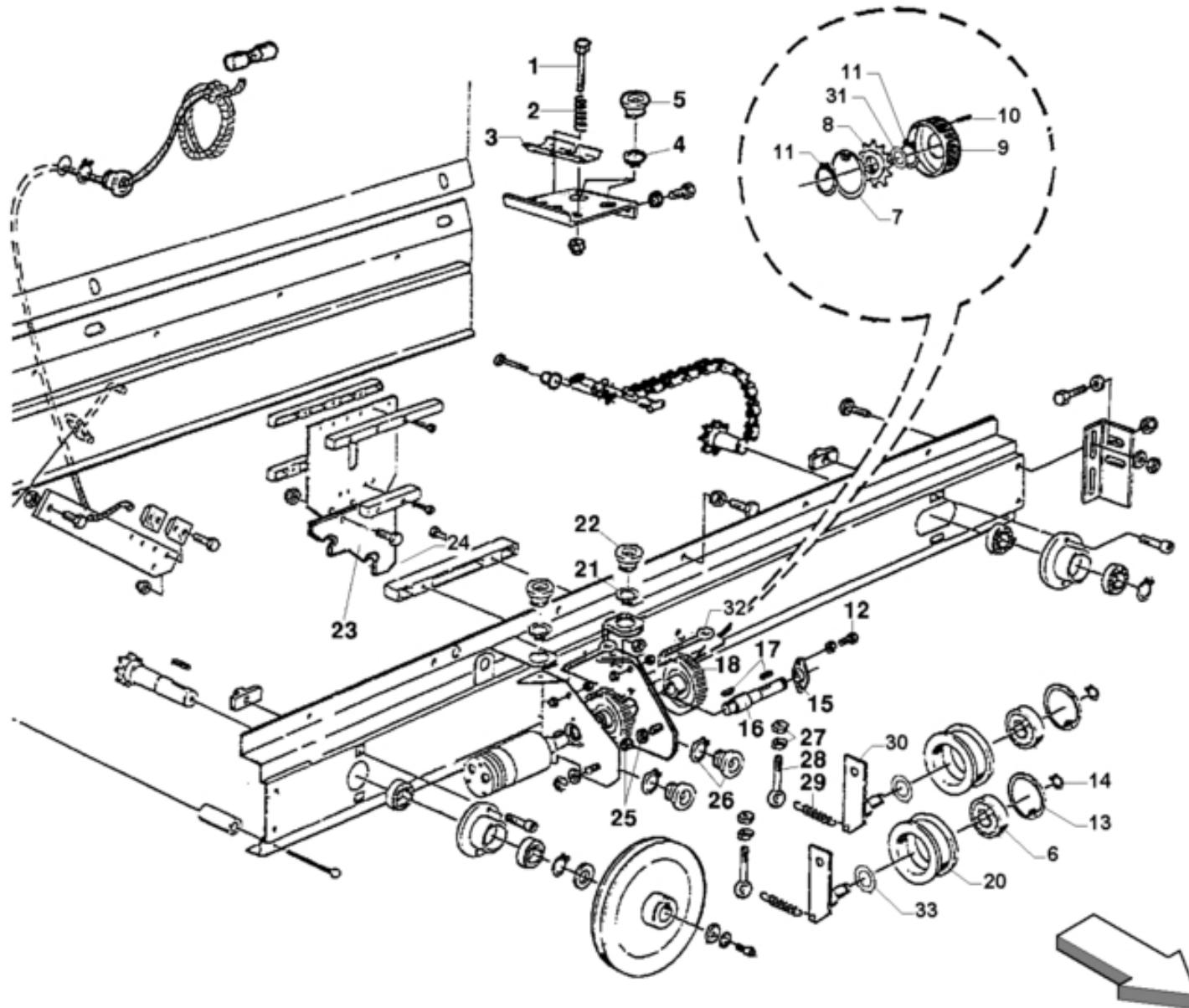
Item	Part Num.	Description	Item	Part Num.	Description
p001	7V00014	HANDWHEEL	p021	0190865	SCREW
p002	0710412	NUT	p021	0920208	NUT
p003	0920412	NUT	p022	1300085	SPACER
p004	0500002	TIGHTENER BAR	p023	3400045	Z=6-5/8 GEAR
p005	0920208	NUT	p024	1202015	TANG
p005	7S00173	SCREW WITH NUT	p025	7S00359	SMALL SUPPORT LOCK
p006	1700020	SEEGER RING	p026	2042012	BEARING
p007	2042012	BEARING	p027	1300057	HUB FOR TWINE WRAP
p008	7S00162	PULLEY BRACKET	p028	2042012	BEARING
p009	0191270	SCREW	p029	1700020	SEEGER RING
p009	0920412	NUT	p030	1422035	WASHER
p010	1201036	TANG	p030	1300170	FIFTH WHEEL
p011	1202015	TANG	p031	3800005	PULLEY
p012	1710042	SEEGER RING	p032	0180615	SCREW
p013	2042012	BEARING	p032	14B0620	WIDE BAND WASHER
p014	1700020	SEEGER RING	p033	1829751	SPRING
p015	3500121	PULLEY PIVOT	p034	7S00163	GUIDE PULLEY PIN
p016	3800006	PULLEY	p035	2700018	GUIDE
p017	3800007	BELT	p036	2043013	BEARING
p018	3800008	VARIABLE PULLEY	p037	1710055	SEEGER RING
p019	14B0620	WIDE BAND WASHER	p038	1700030	SEEGER RING
p019	0180640	SCREW	p039	0710208	NUT
p020	C000912	TYING UNIT RIGHT ATTACHMENT	p040	0500004	GUIDE FOR TENSIONER M8X60 RIGHT

TAV_P000213_00-EN

Item	Part Num.	Description	Item	Part Num.	Description
p041	3500097	TWINE GUIDE BUSH	p058	7S00359	SMALL SUPPORT LOCK
p042	1700025	SEEGER RING	p059	0920208	NUT
p043	1421430	WASHER	p059	0180815	SCREW
p043	0920514	NUT	p060	3400044	Z=6-5/8" GEAR
p044	0400825	SCREW	p061	3000101	CHAIN
p045	0400615	SCREW	p062	3020007	JOINT LINK
p046	EOP0055	GEARMOTOR	p063	3500098	SLIPPING LITTLE ROLL
p047	7M00047	DRIVING WHEEL	p064	7V00008	GUIDE
p048	0180412	SCREW TE M 4X 12-8.8 UNI 5739	p065	0400615	SCREW
p048	14B0420	WIDE BAND WASHER 4X16	p066	C000497	SLIDER BODY
p049	7SP0204	TWINE FRONT NEW CROSS BAR	p067	7V00010	GUIDE
p050	2042012	BEARING	p068	7V00009	GUIDE
p051	1300057	HUB FOR TWINE WRAP	p069	1700025	SEEGER RING
p052	2042012	BEARING	p069	3500097	TWINE GUIDE BUSH
p053	1700020	SEEGER RING	p070	0500004	GUIDE FOR TENSIONER M8X60 RIGHT
p054	0400825	SCREW	p070	0710208	NUT
p055	C000913	LEFT-HAND TYING ATTACHMENT	p071	0190630	SCREW
p056	1421025	WASHER	p071	0920106	NUT
p056	0181030	SCREW	p072	0545790	SELF-LOCKING NUT
p056	0545790	SELF-LOCKING NUT	p072	0181025	SCREW
p057	0545790	SELF-LOCKING NUT	p073	C6P0212	BASE TWINE PASSING CABLEHEAD
p057	0321025	SCREW	p074	0920106	NUT
p057	1421025	WASHER	p074	0180620	SCREW

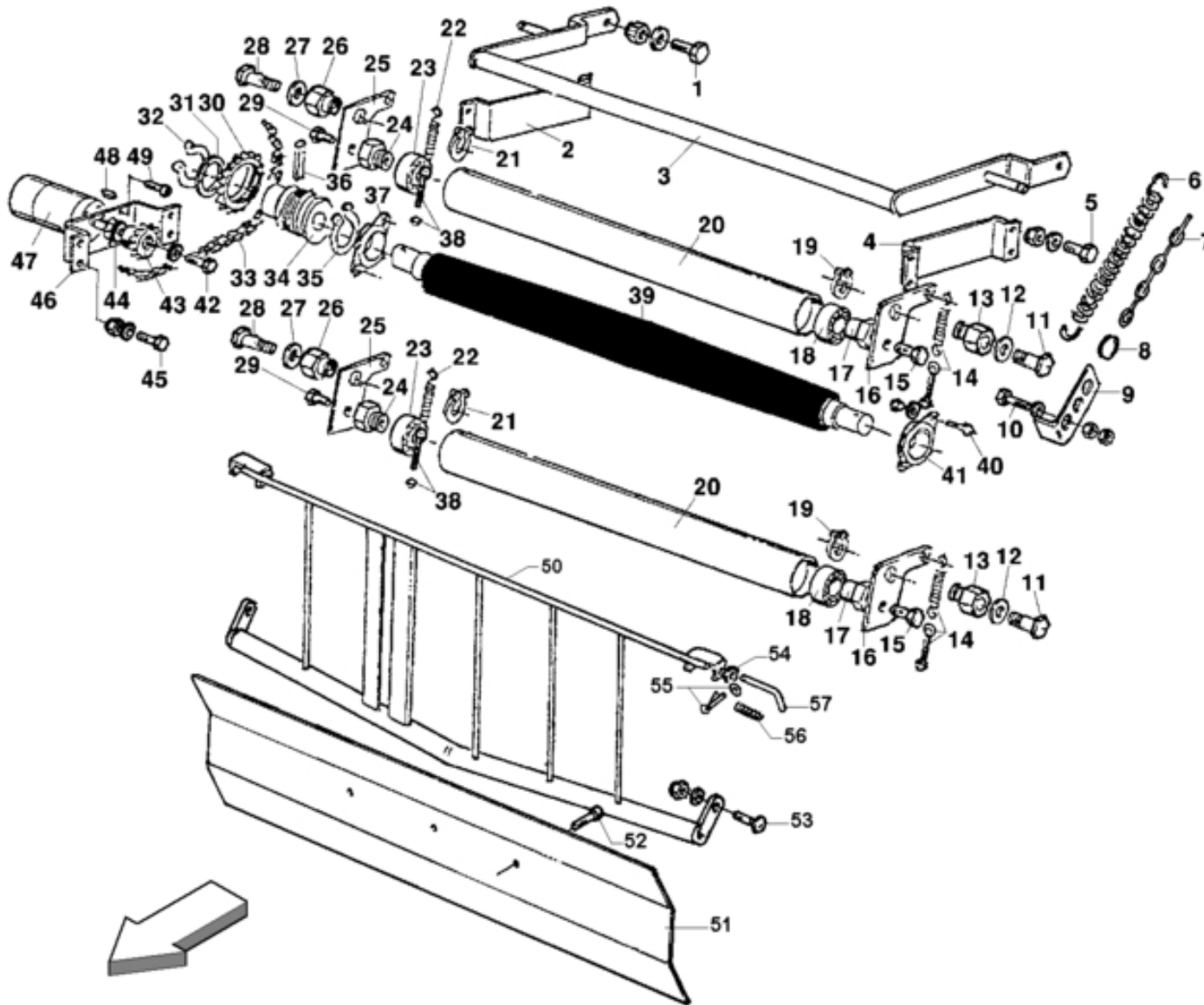
TAV_P000213_00-EN

Item	Part Num.	Description	Item	Part Num.	Description
p075	7329505	KNIFE	p090	3500097	TWINE GUIDE BUSH
p076	C4P0089	BLADE HOLDER	p091	35P0054	
p077	0180830	SCREW	p092	1710072	SEEGER RING
p077	0920208	NUT	p093	3400050	GEAR Z=16-1/2"
p078	0180835	SCREW	p094	1300086	RING
p078	0710208	NUT	p095	1110615	PIN
p079	C000914	SPACER	p096	1700035	SEEGER RING
p080	0710412	NUT	p097	1300170	FIFTH WHEEL
p080	1516038	FIFTH WHEEL	p098	1534416	SHIM
p080	0191289	SCREW	p099	1300170	FIFTH WHEEL
p081	7S00175	REAR CAP	p100	1300153	SHIM (GALV)
p082	1700025	SEEGER RING	p100	1300101	SHIM (GALV)
p082	3500097	TWINE GUIDE BUSH			
p083	7V00011	BLADE CONTROL WIR			
p084	7V00030	WIRE HANDLE			
p085	0920208	NUT			
p085	0190890	SCREW			
p086	1812161	SPRING			
p087	C630434	TWINE BRAKE			
p088	C000549	TWINE DAMPER BASE			
p089	0545790	SELF-LOCKING NUT			
p089	0181030	SCREW			
p090	1700025	SEEGER RING			



Item	Part Num.	Description	Item	Part Num.	Description
p001	0190890	SCREW	p021	1700025	SEEGER RING
p001	0920208	NUT	p022	3500097	TWINE GUIDE BUSH
p002	1812161	SPRING	p023	C6P0213	DOUBLE TWINE PASSING CABLEHEAD
p003	C630434	TWINE BRAKE	p024	0180825	SCREW
p004	1700025	SEEGER RING	p024	0920208	NUT
p005	3500097	TWINE GUIDE BUSH	p025	1421430	WASHER
p006	2043013	BEARING	p025	0920514	NUT
p007	1710072	SEEGER RING	p026	3500097	TWINE GUIDE BUSH
p008	3400050	GEAR Z=16-1/2"	p026	1700025	SEEGER RING
p009	1300086	RING	p027	0710208	NUT
p010	1110615	PIN	p028	0500004	GUIDE FOR TENSIONER M8X60 RIGHT
p011	1700035	SEEGER RING	p029	1829751	SPRING
p012	0920106	NUT	p030	7S00163	GUIDE PULLEY PIN
p012	0180620	SCREW	p031	1534416	SHIM
p013	1710055	SEEGER RING	p032	05P0004	EYE BOLT M8 L=46
p014	1700030	SEEGER RING	p033	1300101	SHIM (GALV)
p015	2341017	SUPPORT	p033	1300153	SHIM (GALV)
p016	34P0040	DOUBLE TWINE PIVOT			
p017	1201015	TANG			
p018	7MP0071	MOTOR WHEEL FOR 2 TWINES TYING KIT			
p019	0710208	NUT			
p019	0500004	GUIDE FOR TENSIONER M8X60 RIGHT			
p020	2700018	GUIDE			

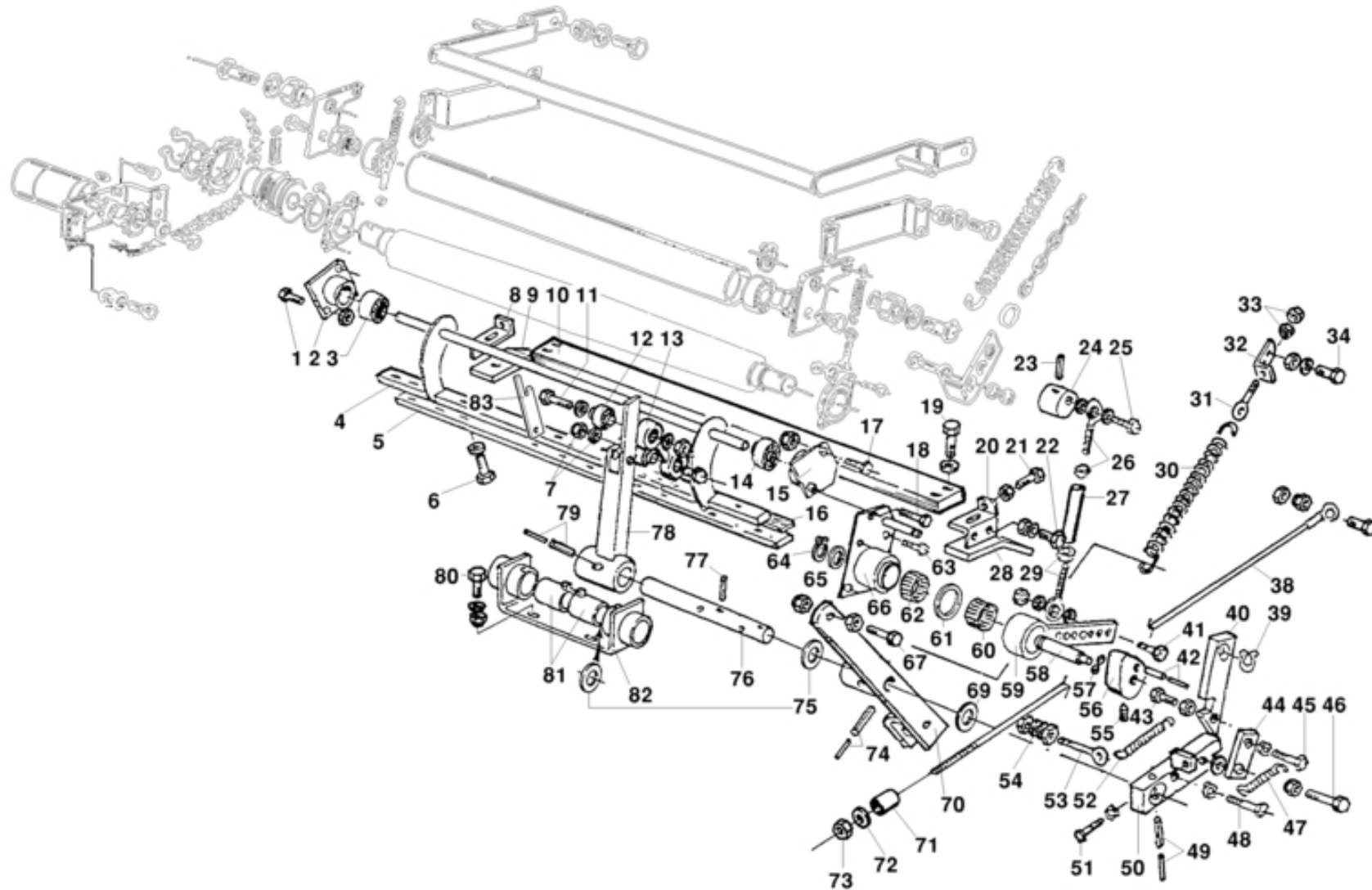
TAV_P000215_00



TAV_P000215_00

Item	Part Num.	Description	Item	Part Num.	Description
p001	0181025	SCREW	p014	0710208	NUT
p001	1421025	WASHER	p015	0181425	SCREW
p001	0545790	SELF-LOCKING NUT	p016	7S00209	ROLLER HOLDER
p002	C000705	U BOLT	p017	3500105	ROLLER PIN
p003	7S00220	RELEASING SPRING LINKAGE	p018	2043016	BEARING
p004	C000705	U BOLT	p019	1700030	SEEGER RING
p005	0545790	SELF-LOCKING NUT	p020	3500107	SMOOTH ROLLER
p005	1421025	WASHER	p021	1700030	SEEGER RING
p005	0181030	SCREW	p022	1800024	SPRING
p006	1813934	SPRING	p023	2043016	BEARING
p007	3300004	CHAIN	p024	3500105	ROLLER PIN
p008	1800098	"S" FOR CHAIN D=3,5	p025	7S00209	ROLLER HOLDER
p009	C000704	TIE ROD FOR SPRING ADJUSTMENT	p026	3500106	ROLLER FULCRUM
p010	0710208	NUT	p027	1421430	WASHER
p010	0190840	SCREW	p028	0181425	SCREW
p010	1430820	WASHER	p029	0181425	SCREW
p011	0181425	SCREW	p030	3400050	GEAR Z=16-1/2"
p012	1421430	WASHER	p031	1534416	SHIM
p013	3500106	ROLLER FULCRUM	p032	1700035	SEEGER RING
p014	1800024	SPRING	p033	30C1040	ROLLER CHAIN 1/2'-1/8' 40 MGL
p014	1420820	WASHER	p033	30C0007	SPRING JOINT
p014	0500004	GUIDE FOR TENSIONER M8X60 RIGHT	p034	3500138	PIN
p014	1430820	WASHER	p035	1700035	SEEGER RING

Item	Part Num.	Description	Item	Part Num.	Description
p036	1110630	PIN	p051	C001146	NET SKID
p037	2341020	SUPPORT	p052	0470820	SCREW
p038	0500004	GUIDE FOR TENSIONER M8X60 RIGHT	p053	0321230	SCREW
p038	1430820	WASHER	p053	0920412	NUT
p038	1420820	WASHER	p053	1421230	WASHER
p038	0710208	NUT	p054	1421025	WASHER
p039	3500108	RUBBER ROLLER	p055	1150325	GALV PIN
p040	1420820	WASHER	p055	1420820	WASHER
p040	0410830	SCREW	p056	1812161	SPRING
p040	0920208	NUT	p057	1300629	NET PIN
p041	2341020	SUPPORT			
p042	0410615	SCREW			
p042	1430620	WASHER			
p043	34P0039	PINION Z= 16-1/2"X1/8"			
p044	1300171	HYDRAULIC ENGINE FIFTH WHEEL			
p045	0181025	SCREW			
p045	0545790	SELF-LOCKING NUT			
p045	1421025	WASHER			
p046	C6P0210	ELECTRICAL MOTOR SUPPORT			
p047	E0P0055	GEARMOTOR			
p048	1201015	TANG			
p049	0400615	SCREW			
p050	7S00193	NET TIGHTENER			



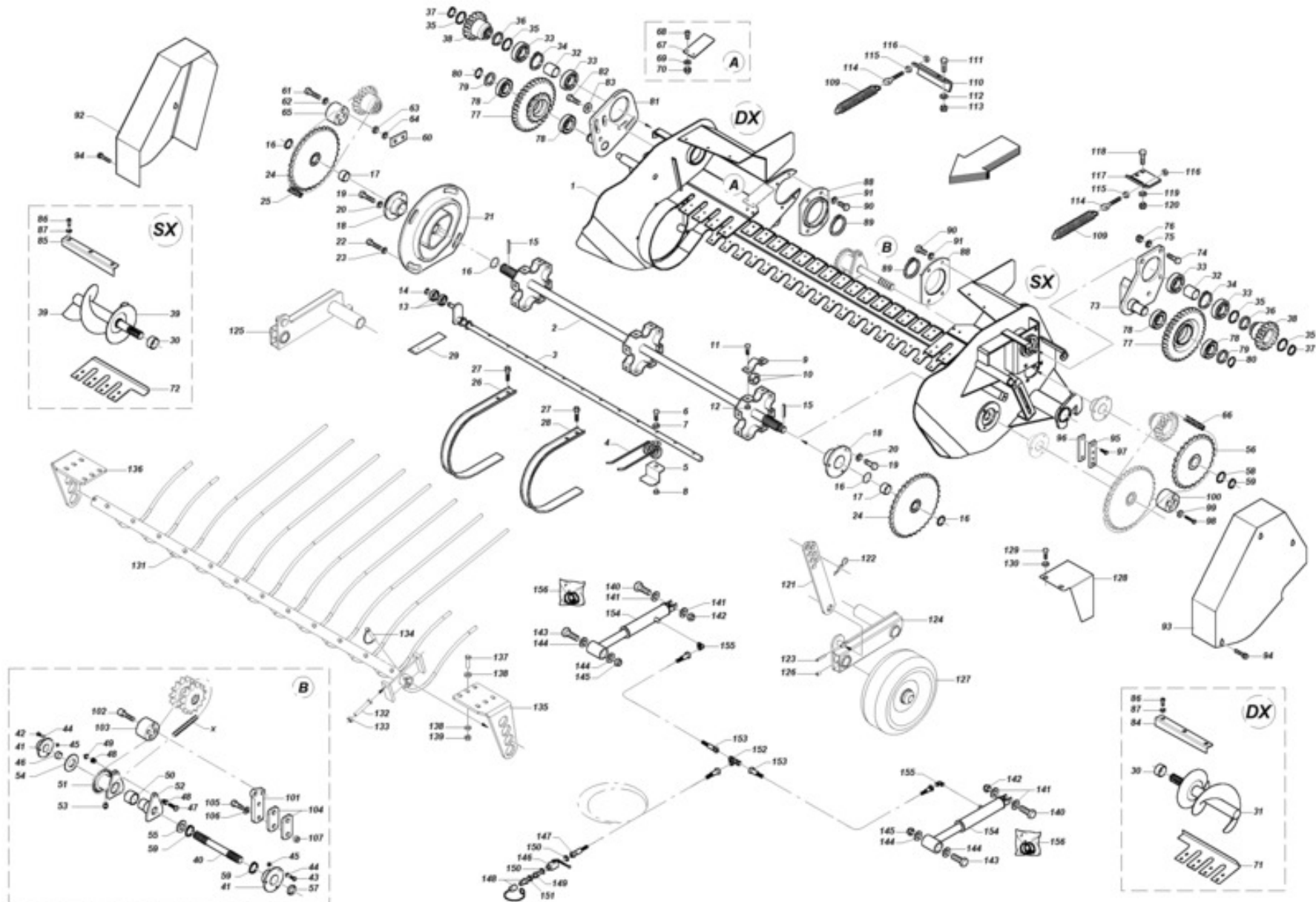
TAV_P000508_00-EN-150

Item	Part Num.	Description	Item	Part Num.	Description
p001	0181025	SCREW	p017	0181025	SCREW
p001	0545790	SELF-LOCKING NUT	p018	0181040	SCREW
p002	7S00210	SILENT BLOCK FULCRUM	p019	1421025	WASHER
p003	1800023	SILENT BLOCK 16X36X39	p019	0191040	SCREW
p004	7S00221	KNIFE HOLDER ARM	p020	C000678	COUNTERKNIFE LEFT-HAND SUPPORT
p005	C000683	KNIFE LOCK	p021	0181230	SCREW
p006	0180620	SCREW	p021	0710412	NUT
p006	1420615	WASHER	p022	1421025	WASHER
p007	0191280	SCREW	p022	0181025	SCREW
p007	1421230	WASHER	p022	0545790	SELF-LOCKING NUT
p007	0920412	NUT	p023	1110640	PIN
p008	C000677	COUNTERKNIFE RIGHT-HAND SUPPORT	p024	13P0152	
p009	C000679	BASE FOR COUNTERKNIFE	p025	1420615	WASHER
p010	C000676	COUNTERKNIFE	p025	0180615	SCREW
p011	1421230	WASHER	p026	1800021	MALE JOINT M6 RIGHT
p011	0181260	SCREW	p026	0710106	NUT
p011	0920412	NUT	p027	3500114	TYING BODY
p012	1800022	SILENT BLOCK 12X26X26	p028	C000679	BASE FOR COUNTERKNIFE
p013	7S00219	CONNECTING ROD	p029	1800021	MALE JOINT M6 RIGHT
p014	1800023	SILENT BLOCK 16X36X39	p029	0710106	NUT
p015	7S00210	SILENT BLOCK FULCRUM	p030	1822744	SPRING
p016	7U00005	KNIFE	p031	0545168	EYELET M12
p017	0545790	SELF-LOCKING NUT	p032	C000701	SPRING ATTACHMENT

TAV_P000508_00-EN-150

Item	Part Num.	Description	Item	Part Num.	Description
p033	0710412	NUT	p048	0180640	SCREW
p034	0545790	SELF-LOCKING NUT	p048	0710106	NUT
p034	1421025	WASHER	p049	1110840	PIN
p034	0181025	SCREW	p049	1110540	PIN
p035	0191040	SCREW	p050	7S00212	RELEASING TOOTH
p036	0710310	NUT	p051	0180640	SCREW
p037	0545790	SELF-LOCKING NUT	p051	0710106	NUT
p038	7VP0022		p052	1800025	SPRING
p039	1700015	SEEGER RING	p053	0500004	GUIDE FOR TENSIONER M8X60 RIGHT
p040	C000698	PAWL	p054	1420820	WASHER
p041	0920106	NUT	p054	0710208	NUT
p041	1420615	WASHER	p055	0420612	SCREW
p041	0180615	SCREW	p056	7S00218	CAMS
p042	1110830	PIN	p057	16B1816	SPRING WASHER
p042	1110530	PIN	p058	3500113	PIN
p043	0180640	SCREW	p059	7S00217	ADJUSTMENT ARM
p044	C000689	LOCKING PLATE	p060	2270011	FREE WHEEL
p045	0710106	NUT	p061	1534416	SHIM
p045	0180630	SCREW	p062	2270011	FREE WHEEL
p046	1420820	WASHER	p063	0920208	NUT
p046	0710208	NUT	p063	1430820	WASHER
p046	0190840	SCREW	p063	0180825	SCREW
p047	1800026	SPRING	p064	1700018	SEEGER RING

Item	Part Num.	Description	
p065	1300249	FIFTH WHEEL	
p066	7S00216	ROTATION BODY	
p067	0710412	NUT	
p067	0191250	SCREW	
p069	1300491	SHIM	
p070	7SP0280		
p071	1300251	SPACER	
p072	1430820	WASHER	
p073	0920208	NUT	
p074	1110540	PIN	
p074	1110840	PIN	
p075	1300491	SHIM	
p076	3500109	LEVER FULCRUM PIN	
p077	1110840	PIN	
p078	7S00214	LOADING HANDLE	
p079	1110540	PIN	
p079	1110840	PIN	
p080	0181230	SCREW	
p080	1421230	WASHER	
p080	0920412	NUT	
p081	2526851	NYLON BUSH	
p082	7S00213	LEVER FULCRUM SUPPORT	
p083	C001592	SAFETY SYSTEM	



TAV_P000505_00

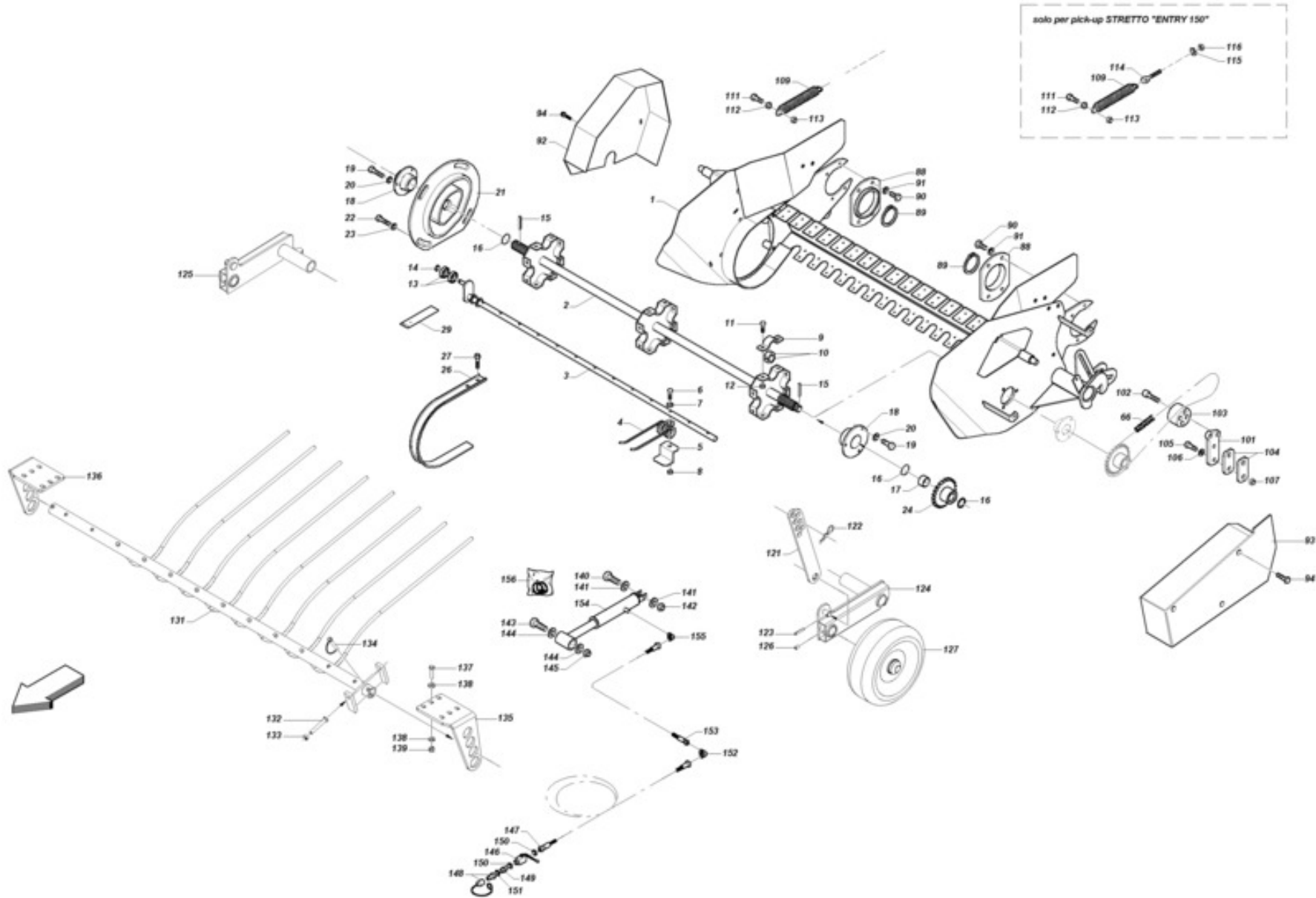
Item	Part Num.	Description	Item	Part Num.	Description
p001	7SP0263		p023	1523831	FIFTH WHEEL
p002	7SP0288		p024	34P0002	
p003	7S00991	TINE HOLDER BAR	p025	3111046	ROLLER CHAIN
p004	18P0003	PICK-UP TINE	p025	3110007	LINK
p005	C000214	SPRING SUPPORTING PLATE	p026	C003304	PICK-UP CENTRAL
p006	0170850	SCREW	p027	0370615	SCREW
p007	1430820	WASHER	p028	C003183	LATERAL BAND
p008	0910208	NUT	p029	C6P0336	
p009	C001521	U BOLT	p030	1300046	SPACER
p010	25P0010	HALF-BUSH	p031	7S01651	RIGHT PICK-UP AUGER 200
p011	0181025	SCREW	p032	1300739	SPACER
p012	08B0310	NUT	p033	2040003	BEARING
p013	20R1210	ROLLER	p034	1710072	SEEGER RING
p014	1700012	SEEGER RING	p035	1534416	SHIM
p015	1110645	PIN	p036	13P0133	FIFTH WHEEL 35 45 5
p016	1300100	SHIM (GALV)	p037	1700035	SEEGER RING
p016	1300101	SHIM (GALV)	p038	34P0048	GEAR Z=17 M=5
p017	13P0039		p039	7S01652	LEFT PICK-UP AUGER 200
p018	2353030	FLANGED SUPPORT	p040	35P0061	
p019	0181020	SCREW	p041	2353035	FLANGED SUPPORT
p020	1421025	WASHER	p042	0181020	SCREW
p021	7S01561	NEW PICK-UP ECCENTRIC	p043	0181025	SCREW
p022	0181025	SCREW	p044	1421025	WASHER

Item	Part Num.	Description	Item	Part Num.	Description
p045	0545790	SELF-LOCKING NUT	p067	C6P0337	
p046	1320516	SPACER	p068	0470620	SCREW
p047	0190840	SCREW	p069	1420615	WASHER
p048	0511057	BUSHING	p070	0920106	NUT
p049	0920208	NUT	p071	C3P0101	
p050	2500001	BUSHING	p072	C3P0102	
p051	3400105	GEAR Z=17 3/4" WITH HUB	p073	7SP0238	PLATE LINK SIDE
p052	7S00302	HUB	p074	0191240	SCREW
p053	4200610	GREASE NIPPLE	p075	1421230	WASHER
p054	1534395	FIFTH WHEEL	p076	0920412	NUT
p055	1330957	SPACER	p077	34P0049	PINION Z=16 3/4 AND GEAR Z=35 M=5
p056	34P0004		p078	2043016	BEARING
p057	13P0040		p079	13P0130	FIFTH WHEEL 30 45 3
p058	1534416	SHIM	p080	1700030	SEEGER RING
p059	1700035	SEEGER RING	p081	7SP0239	PLATE RIGHT SIDE
p060	C003172	CHAIN TIGHTENER COUPLING	p082	0191240	SCREW
p061	0191260	SCREW	p083	1516038	FIFTH WHEEL
p062	1431225	WASHER	p084	C3P0014	RIGHT AUGER SEPARATOR
p063	1523831	FIFTH WHEEL	p085	C3P0015	AUGER LEFT SWITCH
p064	1421230	WASHER	p086	0470820	SCREW
p065	7V00031	NYLON CHAIN TIGHTENER	p087	1430820	WASHER
p066	3111063	ROLLER CHAIN	p088	1300715	PICK-UP FLANGE
p066	3110007	LINK	p089	1700095	SEEGER RING

Item	Part Num.	Description	Item	Part Num.	Description
p090	0181015	SCREW	p112	1421230	WASHER
p091	1421025	WASHER	p113	0920412	NUT
p092	7SP0323		p114	0545168	EYELET M12
p093	7SP0324		p115	0710412	NUT
p094	0370001	SCREW	p116	0920412	NUT
p095	C6P0273		p117	C000954	LEFT-HAND ATTACHMENT FOR SPRINGS
p096	C6P0275		p118	0181230	SCREW
p097	0181235	SCREW	p119	1421230	WASHER
p098	0191255	SCREW	p120	0920412	NUT
p099	1523831	FIFTH WHEEL	p121	C4P0120	
p100	7V00031	NYLON CHAIN TIGHTENER	p122	11C0555	
p101	C6P0300		p123	1110645	PIN
p102	0401240	SCREW	p124	7SP0265	
p103	7V00031	NYLON CHAIN TIGHTENER	p125	7SP0266	
p104	C6P0301		p126	0431016	SCREW
p105	0191260	SCREW	p127	7100027	RUBBER TYRE
p106	1421230	WASHER	p128	C001593	CASE PUL
p107	0920412	NUT	p129	0181020	SCREW
p108	311H033	ROLLER CHAIN	p130	1421025	WASHER
p108	31100H7	LINK	p131	7SP0285	
p109	1822744	SPRING	p132	0181280	SCREW
p110	C000953	RIGHT-HAND ATTACHMENT FOR SPRING	p133	0710412	NUT
p111	0181235	SCREW	p134	1121000	PIN

Item	Part Num.	Description	
p135	C4P0149		
p136	C4P0150		
p137	0181245	SCREW	
p138	1516038	FIFTH WHEEL	
p139	0920412	NUT	
p140	0191680	SCREW	
p141	1421630	WASHER	
p142	0920516	NUT	
p143	0191660	SCREW	
p144	1421630	WASHER	
p145	0920516	NUT	
p146	H000119	BALL COCK	
p147	H000150	HYDRAULIC PIPE L= 2500	
p148	H6000A0	QUICK CLUTCH	
p149	H733671	NIPPLE 1/2"-1/4"	
p150	1441415	WASHER	
p151	1442015	WASHER	
p152	H000155	RAKE UNION TEE "T"10 TN 120-10L	
p153	H000151	HYDRAULIC PIPE L= 3000	
p154	H400062	SPRINTER PICK-UP JACK	
p155	H000086	UNION "L"10	
p156	H400061	KIT JOINTS FOR H400021	

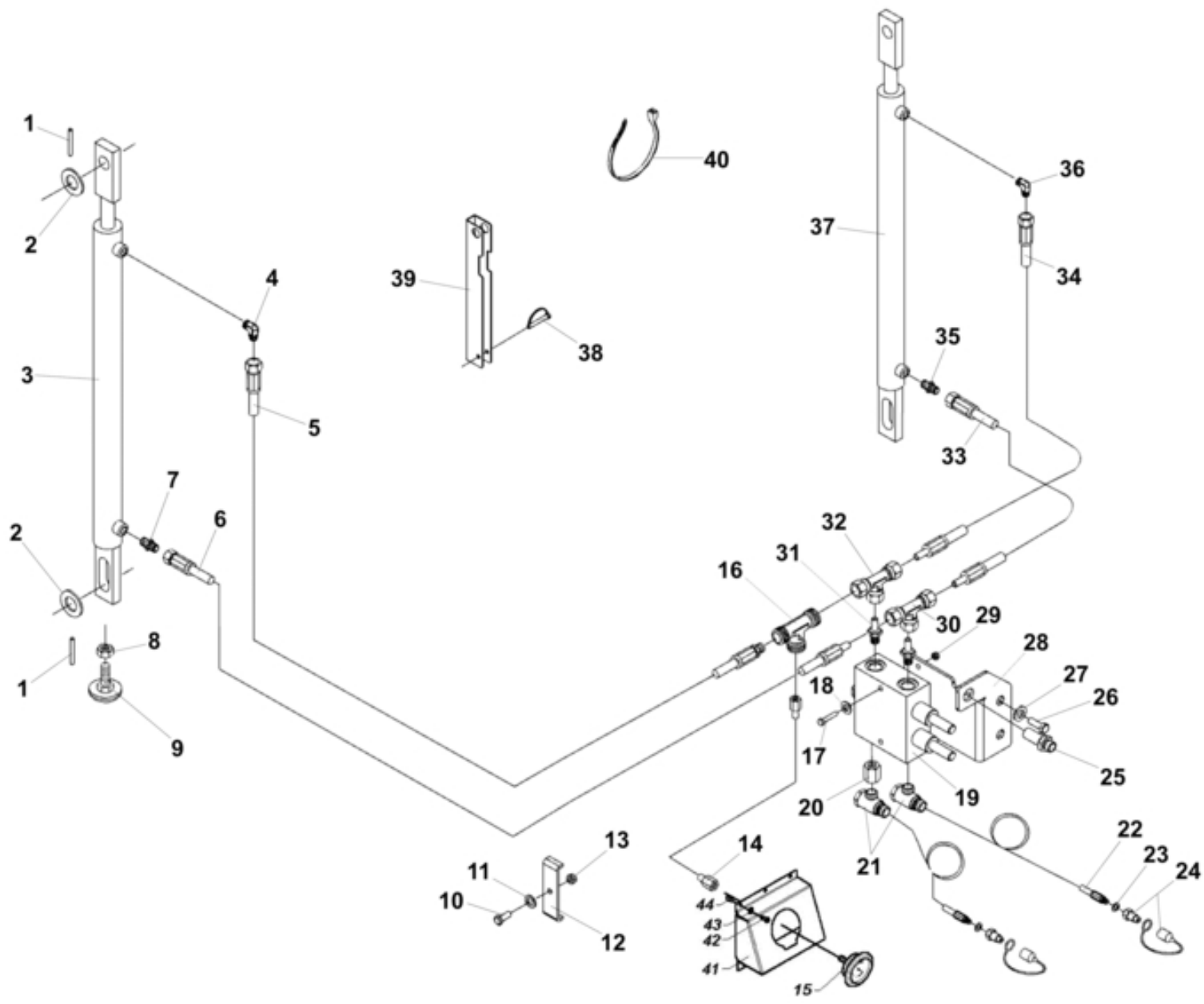
TAV_P000506_00



Item	Part Num.	Description	Item	Part Num.	Description
p001	7SP0325		p023	1523831	FIFTH WHEEL
p002	7S01397	AUGER BODY 150	p024	3400240	GEAR Z=22-3/4" ISO WITH HUB
p003	7S01398	TINES HOLDER BAR 150	p026	C003304	PICK-UP CENTRAL
p004	18P0003	PICK-UP TINE	p027	0370615	SCREW
p005	C000214	SPRING SUPPORTING PLATE	p029	C6P0336	
p006	0170850	SCREW	p066	3111063	ROLLER CHAIN
p007	1430820	WASHER	p066	3110007	LINK
p008	0910208	NUT	p088	1300715	PICK-UP FLANGE
p009	C001521	U BOLT	p089	1700095	SEEGER RING
p010	25P0010	HALF-BUSH	p090	0181015	SCREW
p011	0181025	SCREW	p091	1421025	WASHER
p012	08B0310	NUT	p092	C004058	CAMS GUARD
p013	20R1210	ROLLER	p093	C004057	AUGER DRIVE GUARD
p014	1700012	SEEGER RING	p094	0370001	SCREW
p015	1110645	PIN	p101	C6P0300	
p016	1300100	SHIM (GALV)	p102	0401240	SCREW
p016	1300101	SHIM (GALV)	p103	7V00031	NYLON CHAIN TIGHTENER
p017	13P0039		p104	C6P0301	
p018	2353030	FLANGED SUPPORT	p105	0191260	SCREW
p019	0181020	SCREW	p106	1421230	WASHER
p020	1421025	WASHER	p107	0920412	NUT
p021	7S01561	NEW PICK-UP ECCENTRIC	p109	1822744	SPRING
p022	0181225	SCREW	p111	0181290	SCREW

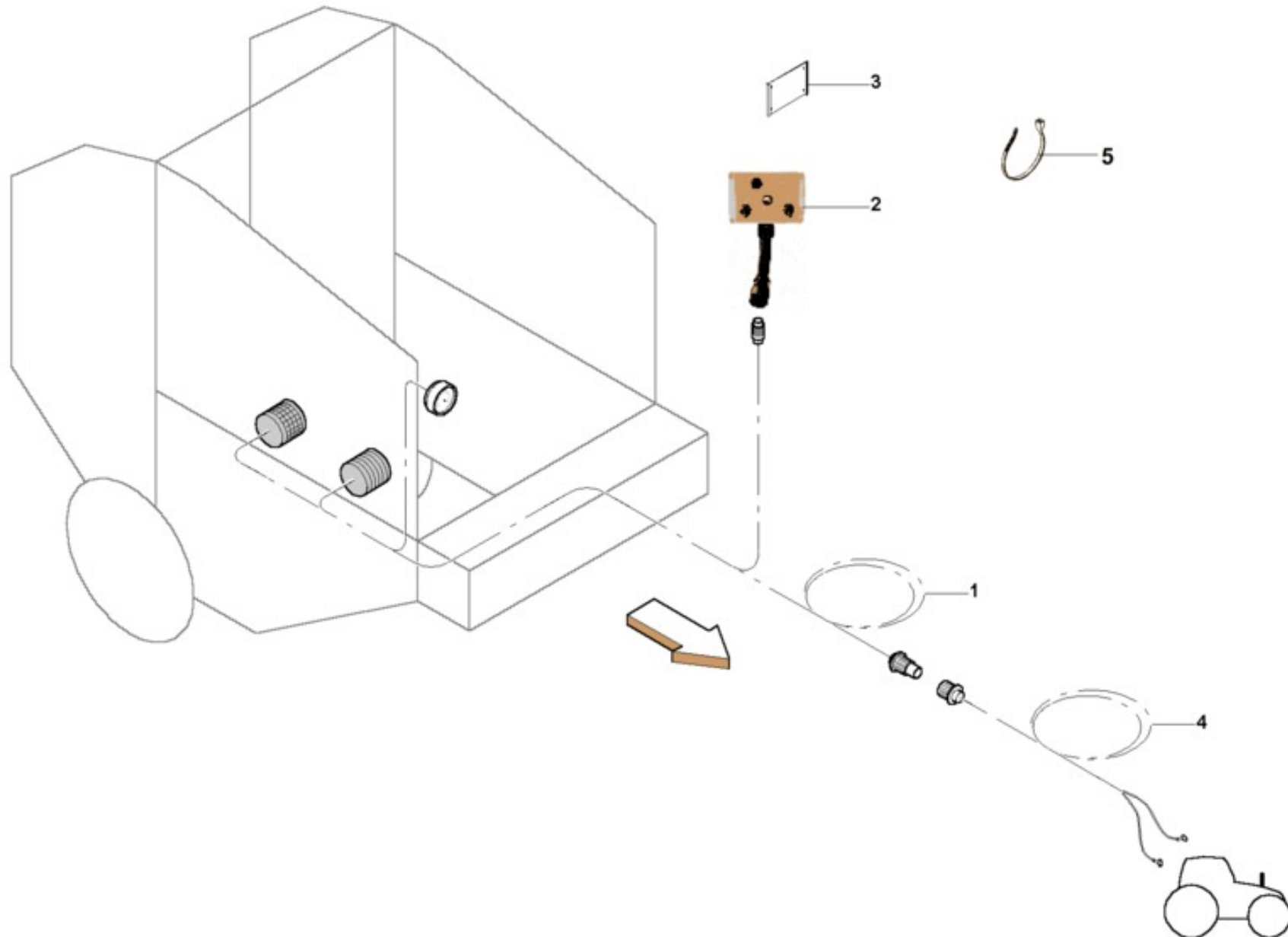
Item	Part Num.	Description	Item	Part Num.	Description
p112	0710412	NUT	p142	0920516	NUT
p113	0920412	NUT	p143	0191660	SCREW
p114	0500004	GUIDE FOR TENSIONER M8X60 RIGHT	p144	1421630	WASHER
p115	1430820	WASHER	p145	0920516	NUT
p116	0920208	NUT	p146	H000119	BALL COCK
p121	C4P0120		p147	H000150	HYDRAULIC PIPE L=2500
p122	11C0555		p148	H6000A0	QUICK CLUTCH
p123	1110645	PIN	p149	H733671	NIPPLE 1/2"-1/4"
p124	7SP0265		p150	1441415	WASHER
p125	7SP0266		p151	1442015	WASHER
p126	0431016	SCREW	p152	H000286	CONNECTION "L" 10
p127	7100027	RUBBER TYRE	p153	H000151	HYDRAULIC PIPE L=3000
p131	7SP0326		p154	H400062	SPRINTER PICK-UP JACK
p132	0181280	SCREW	p155	H000086	UNION "L"10
p133	0710412	NUT	p156	H400061	KIT JOINTS FOR H400021
p134	1121000	PIN			
p135	C4P0149				
p136	C4P0150				
p137	0181245	SCREW			
p138	1516038	FIFTH WHEEL			
p139	0920412	NUT			
p140	0191680	SCREW			
p141	1421630	WASHER			

TAV_P000519_00-150



TAV_P000519_00-150

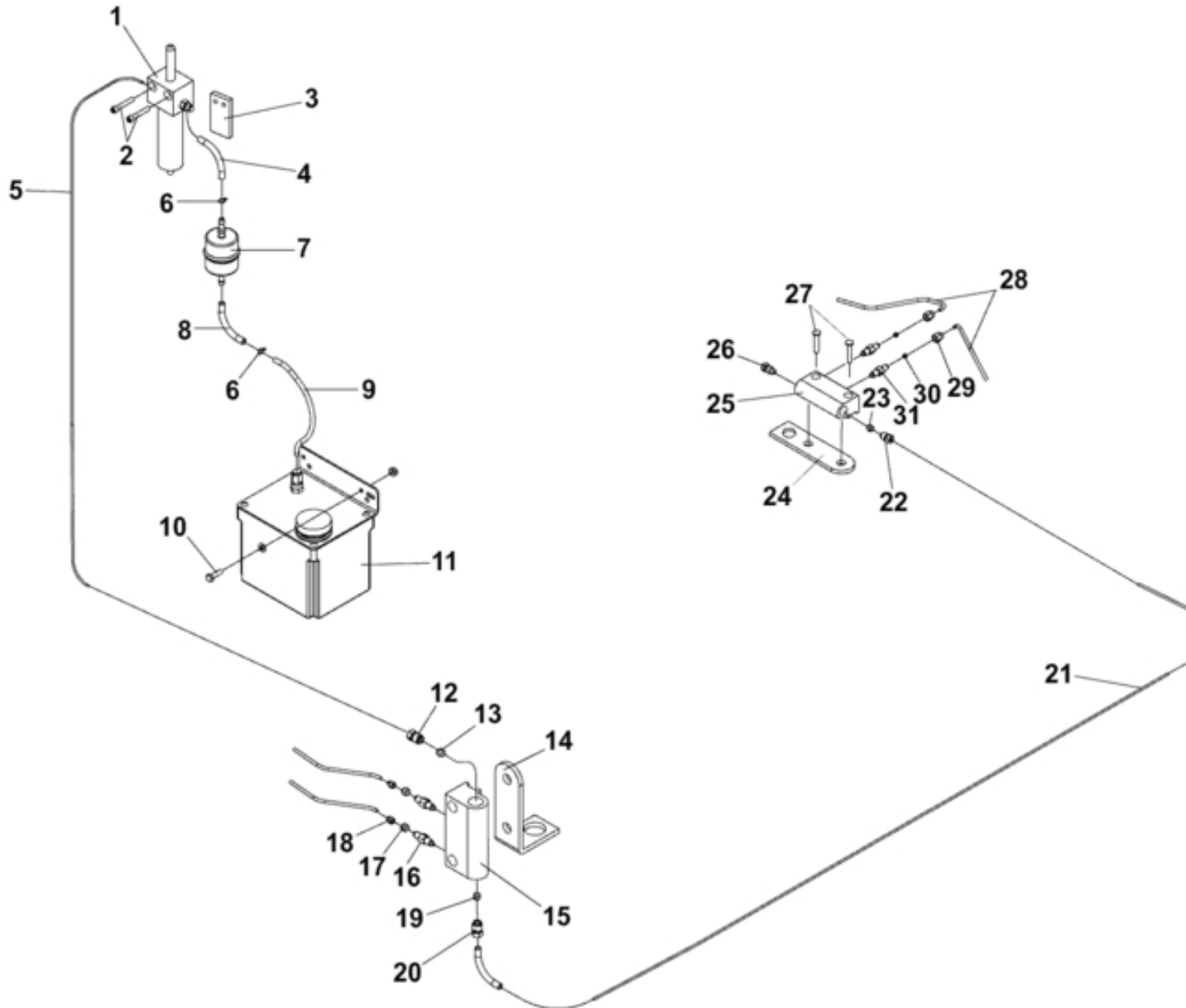
Item	Part Num.	Description	Item	Part Num.	Description
p001	1110650	PIN	p024	H6000A0	QUICK CLUTCH
p002	1531930	FIFTH WHEEL	p025	H000153	CONNECTION
p003	H400020	JACK	p026	0180820	SCREW
p004	H60000X	UNION"L"12	p027	1420820	WASHER
p005	H0P0030		p028	C6P0304	
p006	H0P0031		p029	0920106	NUT
p007	H60000Y	UNION"T"12	p030	H000052	UNION "T" 12
p008	0710412	NUT	p031	H60000F	UNION"T"12
p009	7S00179	ADJUSTMENT SCREW	p032	H60000J	UNION"T"12
p010	0190860	SCREW	p033	H000107	
p011	1420820	WASHER	p034	H0P0031	
p012	C005132	FIXING U BOLT	p035	H60000Y	UNION"T"12
p013	0920208	NUT	p036	H60000X	UNION"L"12
p014	H000255	CAPILLARY HOSE	p037	H400020	JACK
p015	H0C0022		p038	1121000	PIN
p016	H0P0032		p039	C000558	DOOR SAFETY
p017	0180670		p040	E600001	CLAMP 8X2
p018	1420615	WASHER	p041	C3P0113	
p019	H0P0012	BALER STOP TYPE "O"	p042	0470825	SCREW
p020	H000100	SPACER 3/8"	p043	1420820	WASHER
p021	H000103	FILLET "O"12	p044	0990007	HEXAGONAL CONNECTION M8
p022	H000149	HYDRAULIC PIPE L=2500			
p023	1442015	WASHER			





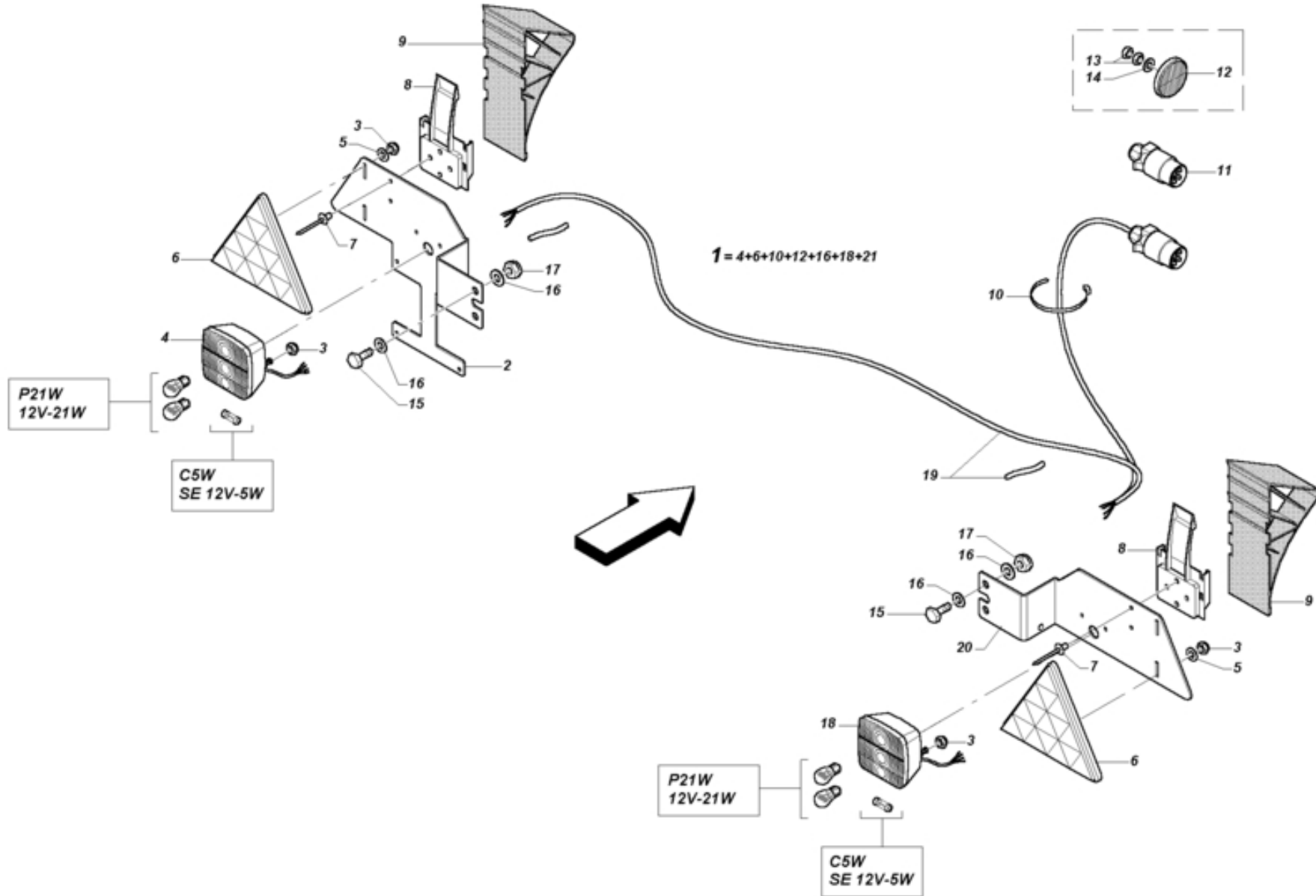
TAV_P000217_00-EN

Item	Part Num.	Description	
p001	E0P0067		
p002	E0P0056	CONTROL BOX FFCONTROL	
p003	E0P0059	D&D FEMALE DOVETAIL	
p004	E0P0010	TRACTOR CABLE	
p005	E600001	CLAMP 8X2	

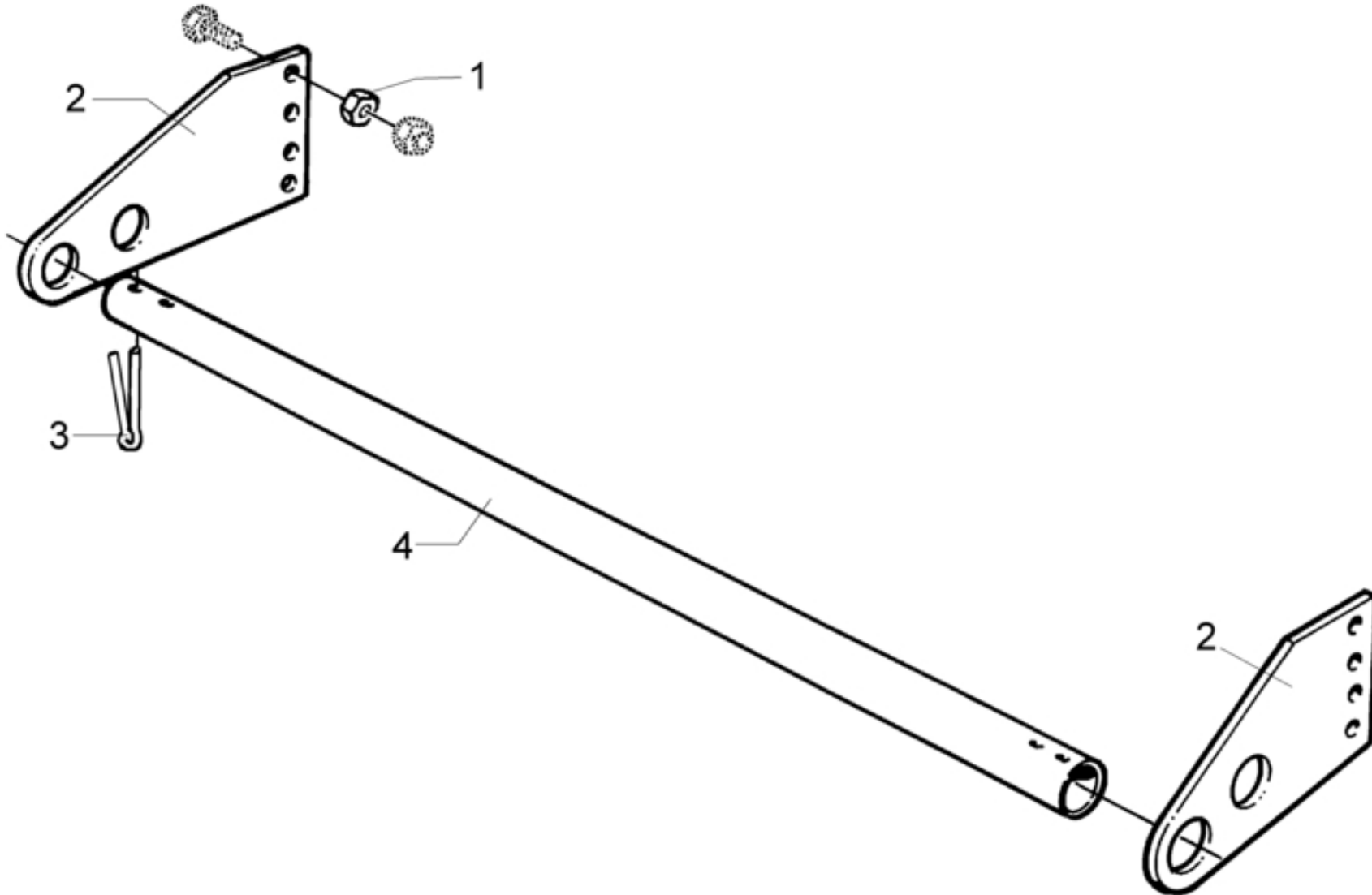


Item	Part Num.	Description	Item	Part Num.	Description
p001	H4P0001		p021	H000191	
p002	0400850	SCREW	p022	H600016	UNION FOR PIPE Ø4RI
p003	C003928	LUBRICATION ATTACHMENT	p023	H600013	DOUBLE CONE FOR PIPE
p004	H000035	NYLON PIPE	p024	C6P0352	
p005	H000135	NYLON PIPE Ø4 L=1500	p025	H000102	UNILATERAL DISTRIBUTOR
p006	E600026	CLAMP 8,8X9,3 HLS/A/HILLS	p026	H600015	PLUG
p007	H000022	FILTER MAXIFIS	p027	1000024	
p008	H000023	CONNECTION PIPE	p028	H0P0023	COPPER TUBE DIAM 4 L=210
p009	H000136	NYLON PIPE Ø6 L=300	p029	H600014	INJECTOR UNION FOR PIPE
p010	0180620	SCREW	p030	H600013	DOUBLE CONE FOR PIPE
p010	0920106	NUT	p031	HE00003	TYPE E INJECTOR
p010	1420615	WASHER			
p011	4800000	NYLON TANK			
p011	4000056	OIL AGIP OSO 100 (ISO-L-KM)			
p012	H600016	UNION FOR PIPE Ø4RI			
p013	H600013	DOUBLE CONE FOR PIPE			
p014	C6P0340				
p015	H000102	UNILATERAL DISTRIBUTOR			
p016	HE00003	TYPE E INJECTOR			
p017	H600013	DOUBLE CONE FOR PIPE			
p018	H600014	INJECTOR UNION FOR PIPE			
p019	H600013	DOUBLE CONE FOR PIPE			
p020	H600016	UNION FOR PIPE Ø4RI			

TAV_P000511_00



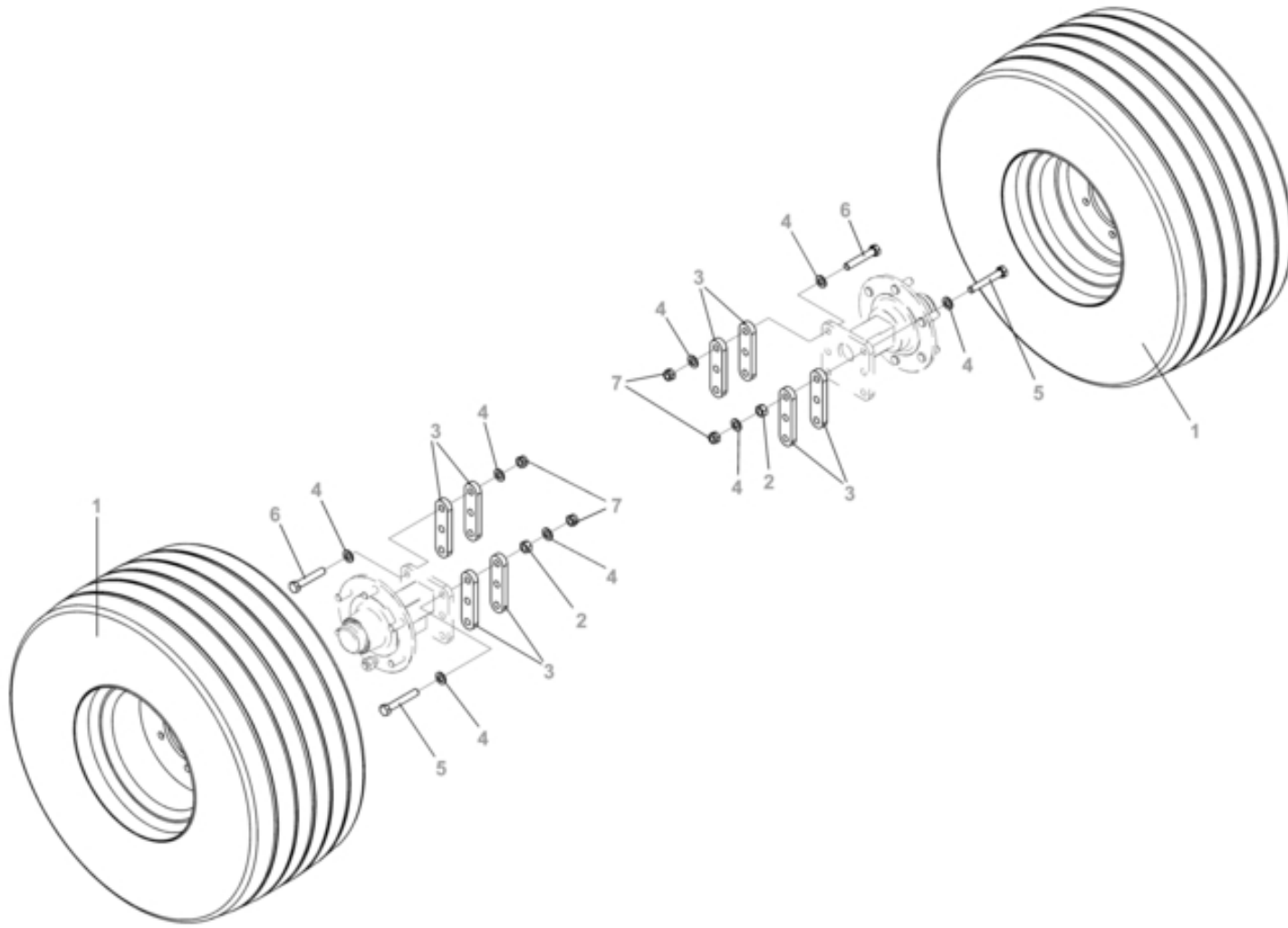
Item	Part Num.	Description	
p001	E000002	LIGHTS	
p002	C4P0143		
p003	0920005	NUT	
p004	E000006	PLATE HEADLIGHT	
p005	1430520	WASHER	
p006	E000025	RED TRIANGULAR RETROREFLECTOR	
p007	1000011	RIVET	
p008	7V00071	CHOCK SUPPORT TYPE HA20K	
p009	7V00070	WHEEL CHOCK	
p010	E600021	CLAMP LUMEFIX	
p011	E000011	7 POLE PLUG 12 V	
p012	E000026	WHITE ROUND RETROREFLECTOR	
p013	0710005	NUT	
p014	1420510	WASHER	
p015	0181030	SCREW	
p016	1421025	WASHER	
p017	0545790	SELF-LOCKING NUT	
p018	E000007	REAR LIGHT	
p019	E000051	7-POLES PLUG AND WIRING HARNESS	
p020	C4P0144		





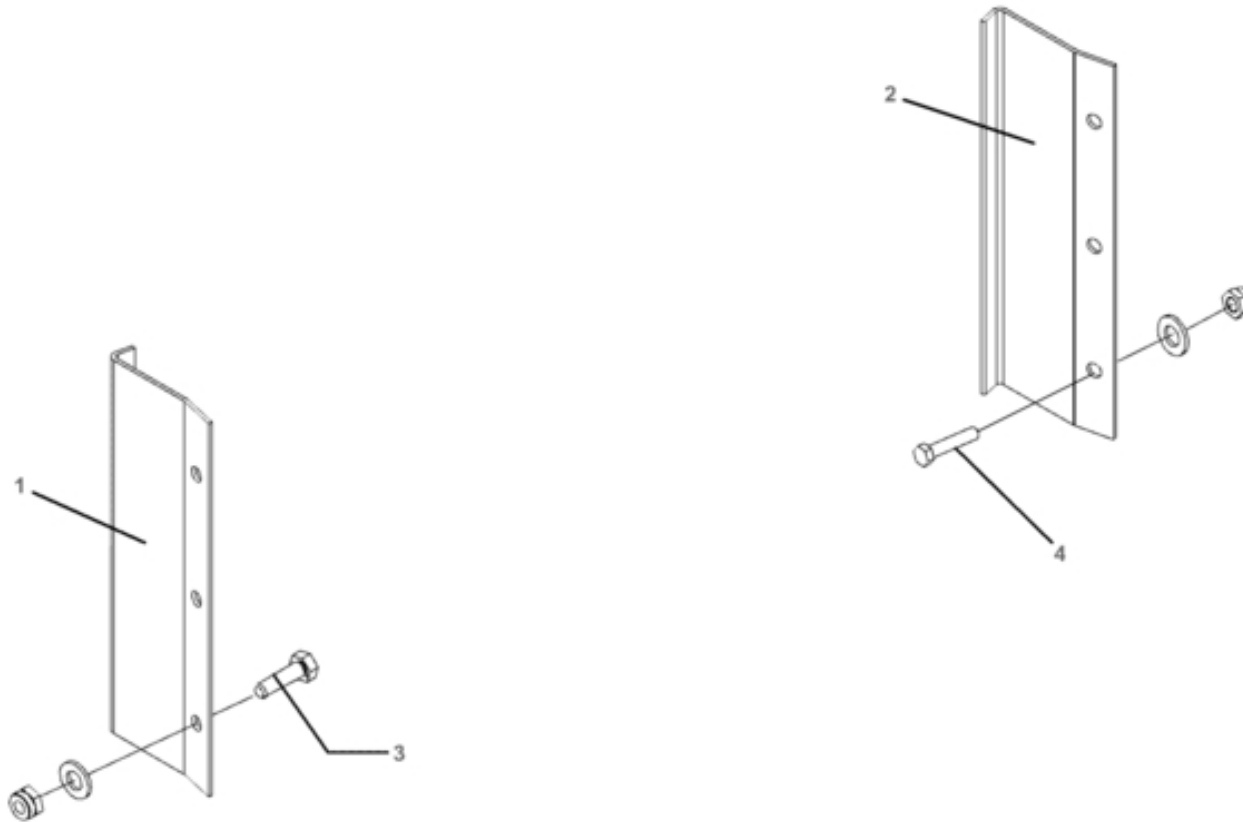
TAV_P000510_00

Item	Part Num.	Description	
p001	0710516	NUT	
p002	C4P0115		
p003	1150880	GALV PIN	
p004	C000926	MOVER AWAY PIPE	



Item	Part Num.	Description	
p001	7100022	COMPLETE WHEEL	
p002	0710516	NUT	
p003	C6P0233		
p004	1421630	WASHER	
p005	0191691	SCREW	
p006	0191690	SCREW	
p007	0920516	NUT	

TAV_P000512_00



TAV_P000512_00

Item	Part Num.	Description	
p001	C001315	EXTRACTOR FOR FF50	
p002	C001315	EXTRACTOR FOR FF50	
p003	0181025	SCREW	
p003	0545790	SELF-LOCKING NUT	
p003	1421025	WASHER	
p004	0181025	SCREW	
p004	0545790	SELF-LOCKING NUT	
p004	1421025	WASHER	



Item	Part Num.	Description	
p001	75P0145		
p002	75P0144		
p003	75P0135		
p004	7500657	DECAL "MARK H=110"	
p005	75P0142		
p006	75P0138		
p007	75P0139		
p008	75P0143		

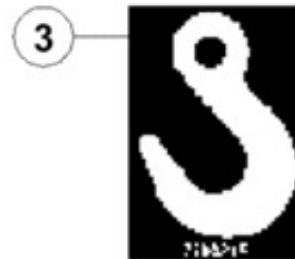


Item	Part Num.	Description	
p001	7500185	DECAL (SEE OPERATOR' S MANUAL)	
p002	7500186	DECAL "TAKE THE WRENCH AWAY"	
p003	7500187	DECAL "540RPM - LEFT BURR"	
p004	7500194	"SQUEEZED MAN" DECAL	
p005	7500221	"WARNING CUT FEET" DECAL	
p006	7500197	"SQUEEZED MAN " DECAL	
p007	7500198	"SQUEEZED MAN" DECAL	
p008	7500199	DECAL "SQUEEZED PERSON"	
p009	7500201	ELECTRIC SHOCK DECAL	
p010	7500203	DECAL "HAND CUT _ STOP"	
p011	7500207	"TRAPPED MAN" DECAL	
p012	7500208	DECAL "OIL UNDER PRESSURE HAND	
p014	7500212	"SQUEEZED MAN-BALE" DECAL	
p015	7500781	"DANGER PTO SHAFT" DECAL	
p016	7500320	"HAND CUT" DECAL	

2

I IMPORTANTE NON USARE GETTI AD ELEVATE PRESSIONI VICINO ALLE PARTI MECCANICHE, SI POSSONO CAUSARE DANNI.	ENG IMPORTANT DO NOT USE HIGH PRESSURE JETS NEAR MECHANICAL PARTS, AS DAMAGES CAN BE CAUSED.
F IMPORTANTE NE PAS UTILISER DES JETS A PRESSION ELEVEE PRES DE PARTIES MECANQUES, ON PEUT CAUSER DES DOMMAGES	D WICHTIG HOCHDRUCKSTRAHLE NEBEN MECHANISCHEN TEILEN NICHT VERWENDEN, DA SCHADEN VERURSACHT WERDEN KONNTEN.

7500217





TAV_P000516_00

Item	Part Num.	Description	
p002	7500217	DECAL "DO NOT USE SPOUTS"	
p003	7500216	DECAL "HOOK"	
p004	7500214	DECAL "GREASE SQUIRT"	

**USATE SEMPRE RICAMBI ORIGINALI
ALWAYS USE ORIGINAL SPARE PARTS
IMMER DIE ORIGINAL-ERSATZTEILE VERWENDEN
EMPLOYEZ TOUJOURS LES PIECES DE RECHANGE ORIGINALES
UTILIZAR SIEMPRE REPUESTOS ORIGINALES**

FERABOLI

Servizio Assistenza Tecnica - After Sales Service

+39 0372 564650

Servizio Ricambi - Spare Parts Service

+39 0372 564690

DEALER:



FERABOLI

Off. Mecc. Ing. A. FERABOLI S.p.A.
Via Bredina, 6 - 26100
Cremona - Italy
Tel. +39 0372 564610
Fax +39 0372 564625
info@feraboli.com
www.feraboli.com

FERABOLI CIS Moscow Office
Ostapovsky proezd 5 of 104/107
109316 Moscow City - Russian Federation
Tel. +7 495 7818634
Fax +7 495 7812460
info@feraboli.ru

**MASCHIO GASPARDO
Poland sp z.o.o.**
Ul. Wapienna 6/8 - 87 - 100 Torun Poland
Tel. +48 56 6506051
Fax +48 56 6506053
www.gaspardo.pl

MASCHIO FRANCE Sarl
1, Rue de Mérignan ZA
F - 45240 La Ferte St. Aubin
France
Tel. +33 (0) 2.38.64.12.12
Fax +33 (0) 2.38.64.66.79
info@maschio.fr

MASCHIO-GASPARDO ROMANIA S.R.L.
Strada Înfrățirii, F.N.
315100 Chisineu-Cris (Arad) - România
Tel. +40 257 307030
Fax +40 257 307040
info@maschio.ro

MASCHIO GASPARDO NORTH AMERICA, Inc.
112 3rd Avenue East
Dewitt IA 52742 - USA
Tel. +1 563 6596400
Fax +1 563 6596405
info@maschio.us

MASCHIO-GASPARDO IBERICA S.L.
MASCHIO DEUTSCHLAND GMBH
MASCHIO-GASPARDO UCRAINA
GASPARDO-MASCHIO TURCHIA
MASCHIO-GASPARDO CINA
MASCHIO-GASPARDO INDIA