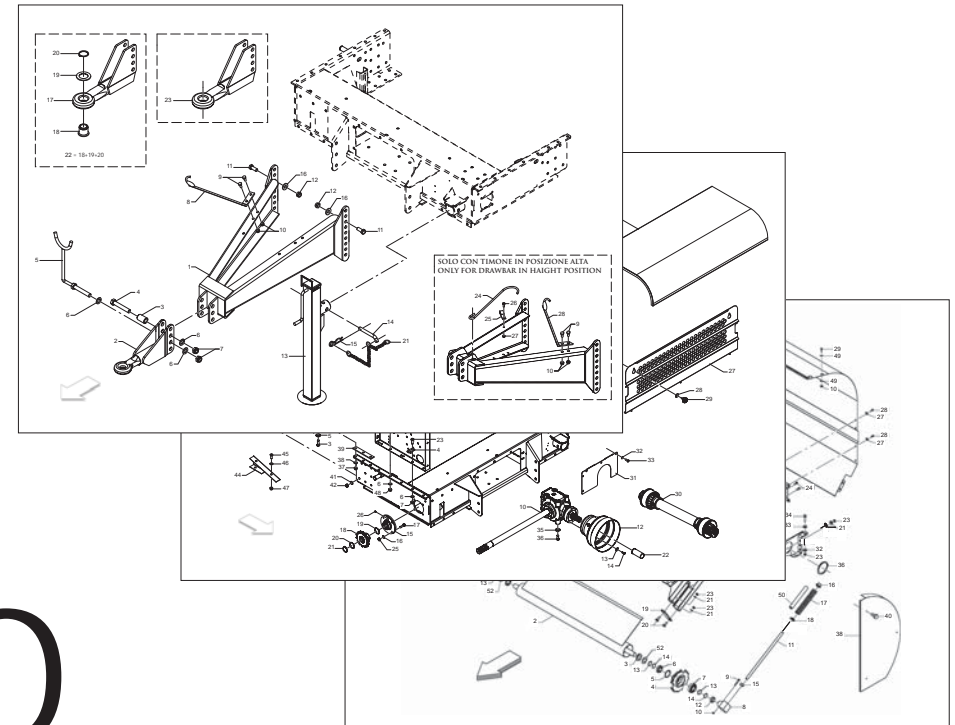


MASCHIO Fienagione S.p.A.



ENTRY 150

Cod: B0D5P0094 2015-05

- *) Valido per Paesi UE
- *) Valid for EU member countries
- *) Valable dans les Pays UE
- *) Gilt für EU-Mitgliedsländer
- *) Válido para Países UE

- IT** PARTI DI RICAMBIO
- EN** SPARE PARTS
- DE** ERSATZTEILE
- FR** PIÈCES DÉTACHÉES
- ES** PIEZAS DE REPUESTO

PARTI DI RICAMBIO

Le ordinazioni delle parti di ricambio vanno fatte presso i nostri concessionari di zona e devono essere sempre corredate dalle seguenti indicazioni:

- **Tipo, modello e numero di matricola dell'attrezzatura.** Tali dati sono stampigliati nell'apposita targhetta di cui è dotata ogni attrezzatura.

- **Numero di codice della parte richiesta** rilevabile dal catalogo ricambi.

- **Descrizione del particolare e quantità richiesta.**

- **Numero della tavola.**

- **Mezzo di trasporto.** Nel caso questa voce non sia specificata, la Ditta Costruttrice, pur dedicando a questo servizio una particolare cura, non risponde di eventuali ritardi di spedizione dovuti a cause di forza maggiore.

Le spese di trasporto si intendono sempre a carico del destinatario. La merce viaggia a rischio e pericolo del committente anche se venduta franco destino.

NOTA: Il termine **(Dx) Destro** o **(Sx) Sinistro** della macchina o di parti di essa, è inteso guardando la macchina dalla parte posteriore. Le eccezioni saranno indicate.

SPARE PARTS

Orders must be transmitted through our area dealers and should always include the following indications:

- **Type, model and serial number of the machine.** *These data are punched on the data plate with which every implement is equipped.*

- **Code number of the required spare part.** *This will be found in the spare parts catalogue.*

- **Description of the part and required quantity.**

- **Table number.**

- **Means of dispatch.** *If this item is not indicated, the Manufacturer, while dedicating particular care to this service, shall not be held responsible for delays in delivery caused by cases of force majeure.*

Transport expenses shall always be at the consignee's charge. The goods travel at the purchaser's risk and peril even when sold ex destination.

NOTE: *The symbols (Dx) right and (Sx) left, concerning the machine or single parts of it, are referred, as in the figure, to a rear view of them. Exceptions will be indicated.*

ERSATZTEILE

Die Bestellungen müssen bei unseren Gebietshändlern aufgegeben werden. Bei der Bestellung sind stets die folgenden Angaben zu machen:

- **Typ, Modell und Serien-Nummer des Geräts.** Diese Daten stehen auf dem Typenschild, mit dem jedes Gerät versehen ist.

- **Artikel Nr. der erforderlichen Ersatzteile.** Diese stehen im Ersatzteil-Katalog.

- **Beschreibung des Ersatzteils und die erforderliche Stückzahl.**

- **Tafelnummer.**

- **Versandmittel.** Wenn dieser Punkt nicht spezifiziert wird, haftet die Herstellerfirma nicht für etwaigen Lieferverzug aufgrund höherer Gewalt, auch wenn er diesen Service besonders aufmerksam abwickelt.

Die Frachtkosten gehen dagegen immer zu Lasten des Empfängers. Die Ware reist auf Gefahr und Risiko des Auftraggebers, auch wenn frei Haus Verkauft vereinbart worden ist.

N.B.: Die Merkzeichen **(Dx) rechts** und **(Sx) links** betreffen eine rückwärtige Aussicht der Maschine oder Teile von ihr (siehe Bild). Ausnahmen werden gezeigt.

PIECES DÉTACHÉES

Les ordres doivent être effectués auprès de nos concessionnaires de zone en précisant les indications suivantes:

- **Type, modèle et numéro de série de la machine.** *Ces données sont gravées sur la plaque d'identification de chaque outil.*

- **Numéro de code de la pièce détachée** *indiqué sur le catalogue des pièces détachées.*

- **Description de la pièce et quantité requise.**

- **Numéro de plan.**

- **Moyen d'expédition.** *Si cette rubrique n'est pas indiquée, le Constructeur, bien que soucieux de ce service, ne répond pas des retards d'expédition pour des causes de force majeure.*

Les frais de transport sont toujours à la charge du destinataire. La marchandise voyage aux risques et périls de l'acheteur même si vendue franco de port.

N.B.: *Les références (Dx) droit et (Sx) gauche de la machine ou des parties de la même, est entendue, comme de la figure, en regardant la machine de derriere dans le sens de marche.*

RESPUESTOS

Los pedidos han de efectuarse en nuestros concesionarios de zona y deben incluir siempre las siguientes indicaciones:

- **Tipo, modelo y número de matrícula del equipo.** Dichos datos están impresos en la relativa placa presente en el equipo.

- **Número de código de la parte requerida** presente en el catálogo respuestas.

- **Descripción de la pieza y cantidad requerida.**

- **Numero de ilustración.**

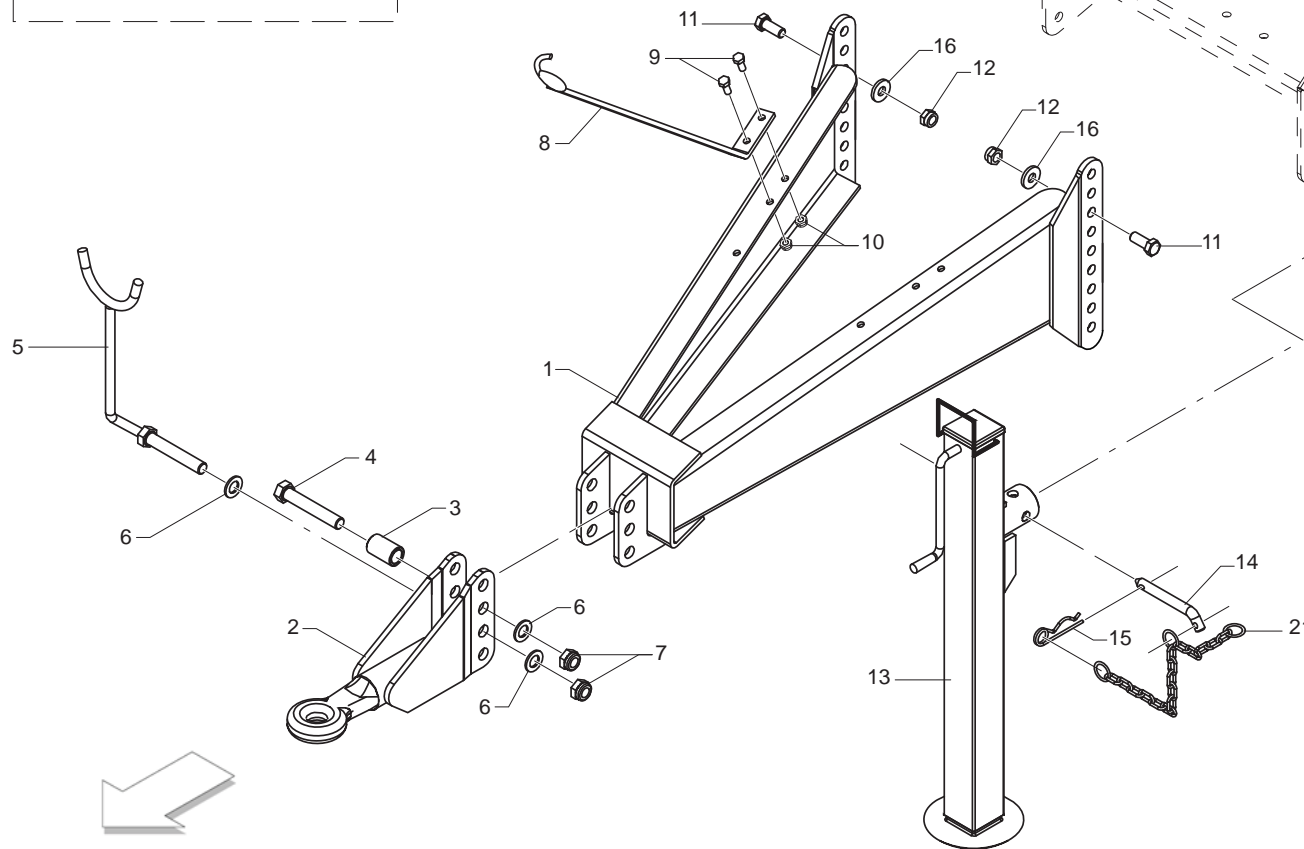
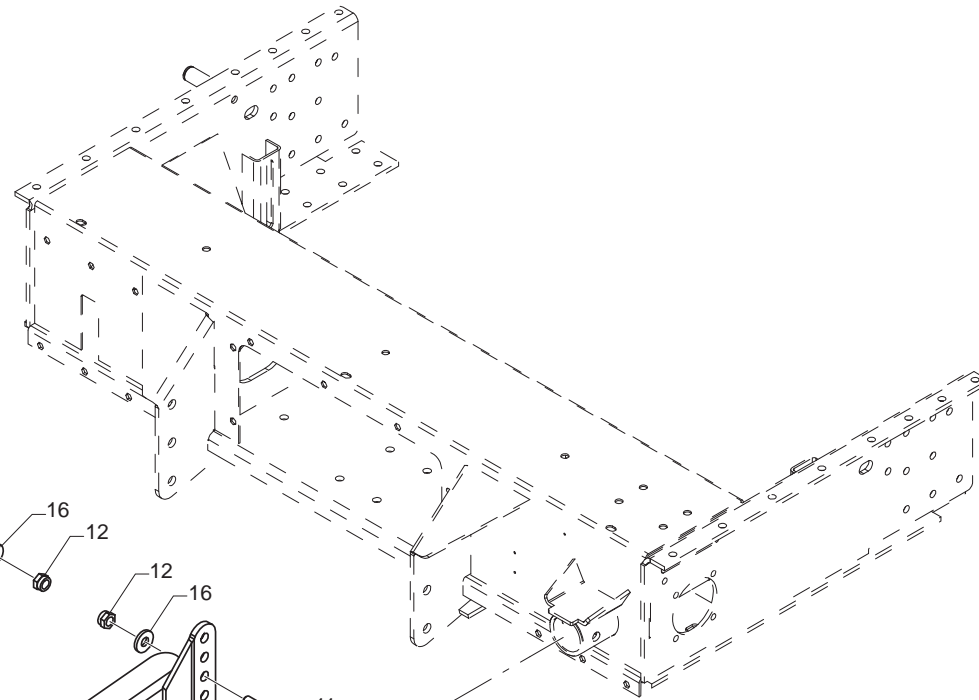
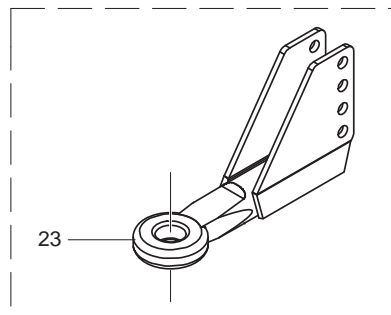
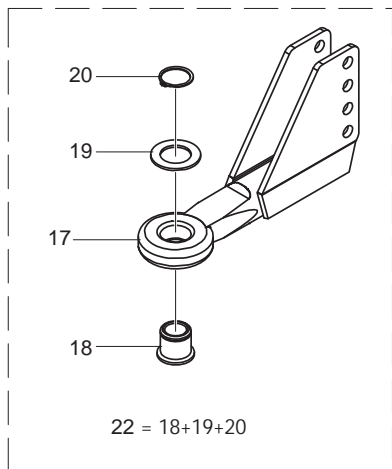
- **Medio de transporte.** En caso que este ítem no esté especificado, el Fabricante, aún prestando la debidas consideraciones para este aspecto, no responde por eventuales retardos de env'o debidos a causas de fuerza mayor.

Los gastos de transporte se consideran siempre a cargo del destinatario. La mercadería viaja bajo riesgo y peligro del comprador, incluso cuando se vende franco destino.

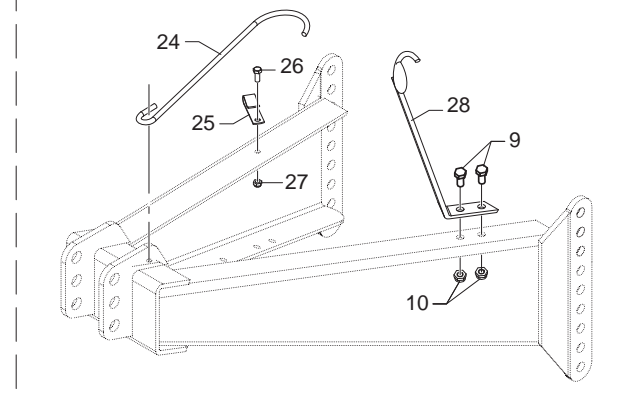
N.B.: La referencia **(Dx) derecha** o **(Sx) izquierda** de la máquina o de sus componentes, se entiende, como en la figura, mirando la máquina por la parte trasera. Se indicarán las excepciones.

N° Tavola	INDICE	Pagina	N° Table	INDEX	Page
TAV_010	TIMONE.....	5	TAV_010	DRAWBAR.....	5
TAV_019	TELAIO ANTERIORE.....	7	TAV_019	FRONT FRAME.....	7
TAV_270	ESPLOSO SCATOLA DI TRASMISSIONE (BP).....	9	TAV_270	GEAR BOX PARTS (BP).....	9
TAV_280	ESPLOSO SCATOLA DI TRASMISSIONE (COMER).....	11	TAV_280	GEAR BOX PARTS (COMER).....	11
TAV_029	PORTELLONE.....	13	TAV_029	REAR GATE.....	13
TAV_040	RUOTE.....	15	TAV_040	WHEELS.....	15
TAV_049	FRENO IDRAULICO.....	17	TAV_049	HYDRAULIC BRAKE.....	17
TAV_059	CARTER LATERALI.....	19	TAV_059	SIDE CARTER.....	19
TAV_069	GRUPPO CATENARIA.....	23	TAV_069	CHAIN GROUP.....	23
TAV_079	INFALDATORE.....	27	TAV_079	FEEDING SYSTEM.....	27
TAV_090	LEGATORE FILO.....	31	TAV_090	TWINE BINDER.....	31
TAV_100	LEGATORE FILO: CASSONETTO.....	35	TAV_100	TWINE BINDER: TWINE BOX.....	35
TAV_110	LEGATORE 2 FILI (SOLO PARTI AGGIUNTE).....	37	TAV_110	2 TWINE BINDER (ONLY PARTS ADDED).....	37
TAV_120	LEGATORE RETE (PARTE 1).....	39	TAV_120	NET BINDER (PART 1).....	39
TAV_260	CARTER ANTERIORE (SOLO CON LEGATORE RETE).....	43	TAV_260	FRONT CARTER (ONLY WITH NET BINDER).....	43
TAV_130	LEGATORE RETE (PARTE 2).....	45	TAV_130	NET BINDER (PART 2).....	45
TAV_140	PICK-UP L.....	49	TAV_140	PICK-UP L.....	49
TAV_150	PICK-UP STRETTO.....	55	TAV_150	PICK-UP NARROW.....	55
TAV_160	IMPIANTO IDRAULICO MACCHINA.....	59	TAV_160	MACHINE HYDRAULIC SYSTEM.....	59
TAV_170	CABLAGGIO.....	61	TAV_170	CONTROL SYSTEM.....	61
TAV_180	IMPIANTO OLIIATURA AUTOMATICA.....	63	TAV_180	AUTOMATIC OILING SYSTEM.....	63
TAV_190	IMPIANTO LUCI + CUNEI.....	65	TAV_190	LIGHTS PLANT + WHEELS CHOCKS.....	65
TAV_200	IMPIANTO LUCI - SOLO SPAGNA.....	67	TAV_200	LIGHT PLANT - ONLY SPAIN.....	67
TAV_210	ALLONTANATORE BALLA.....	69	TAV_210	EJECTOR.....	69
TAV_220	KIT ESTRATTORE BALLA.....	71	TAV_220	EXTRACTOR.....	71
TAV_230	DECAL "LOGO".....	73	TAV_230	DECAL "LOGO".....	73
TAV_240	DECAL "CE".....	75	TAV_240	DECAL "CE".....	75
TAV_249	DECAL "ISTRUZIONE".....	77	TAV_249	DECAL "INSTRUCTION".....	77

TAV_010



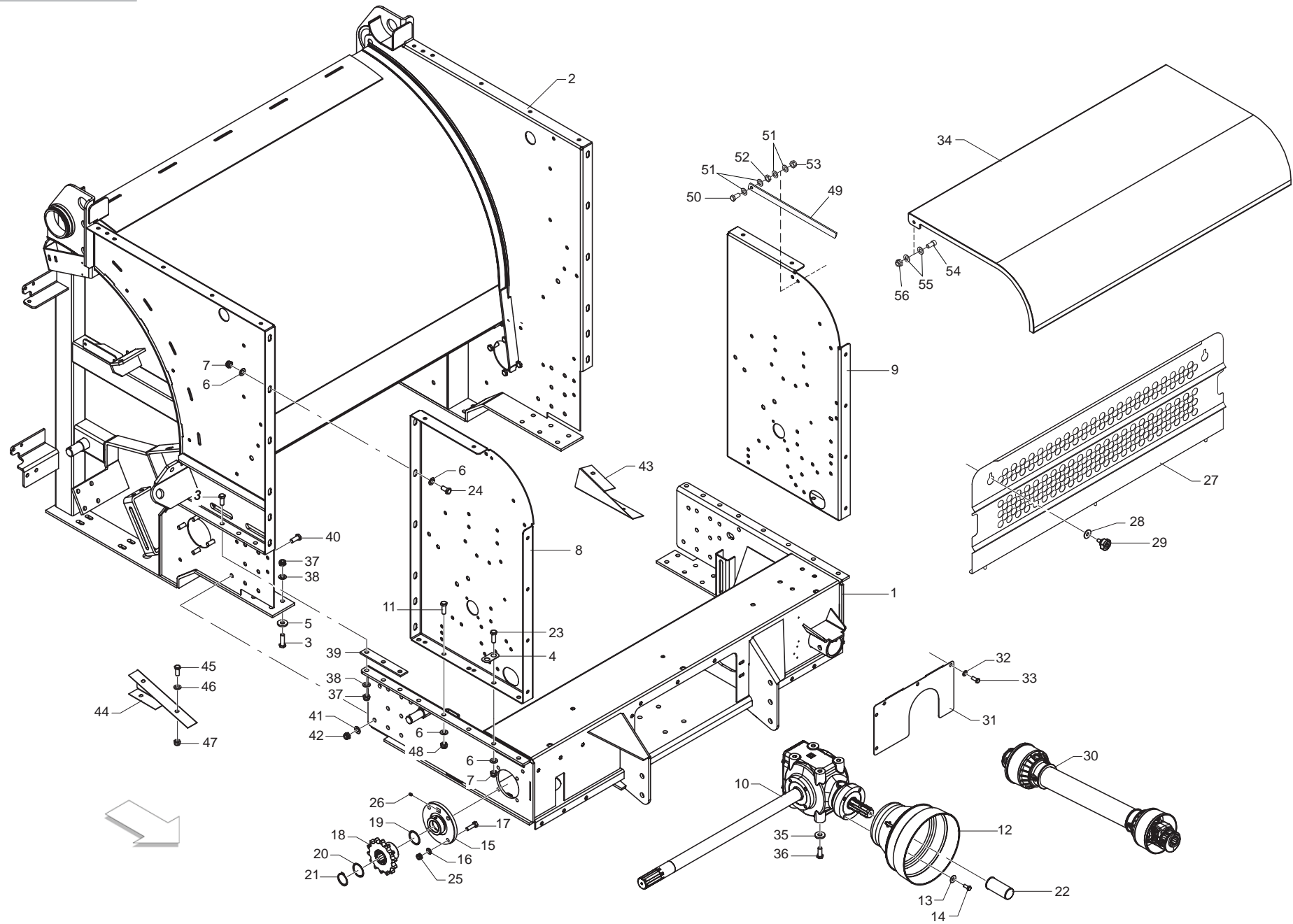
SOLO CON TIMONE IN POSIZIONE ALTA
ONLY FOR DRAWBAR IN HAIGHT POSITION



**TIMONE
DRAWBAR**

TAV_010

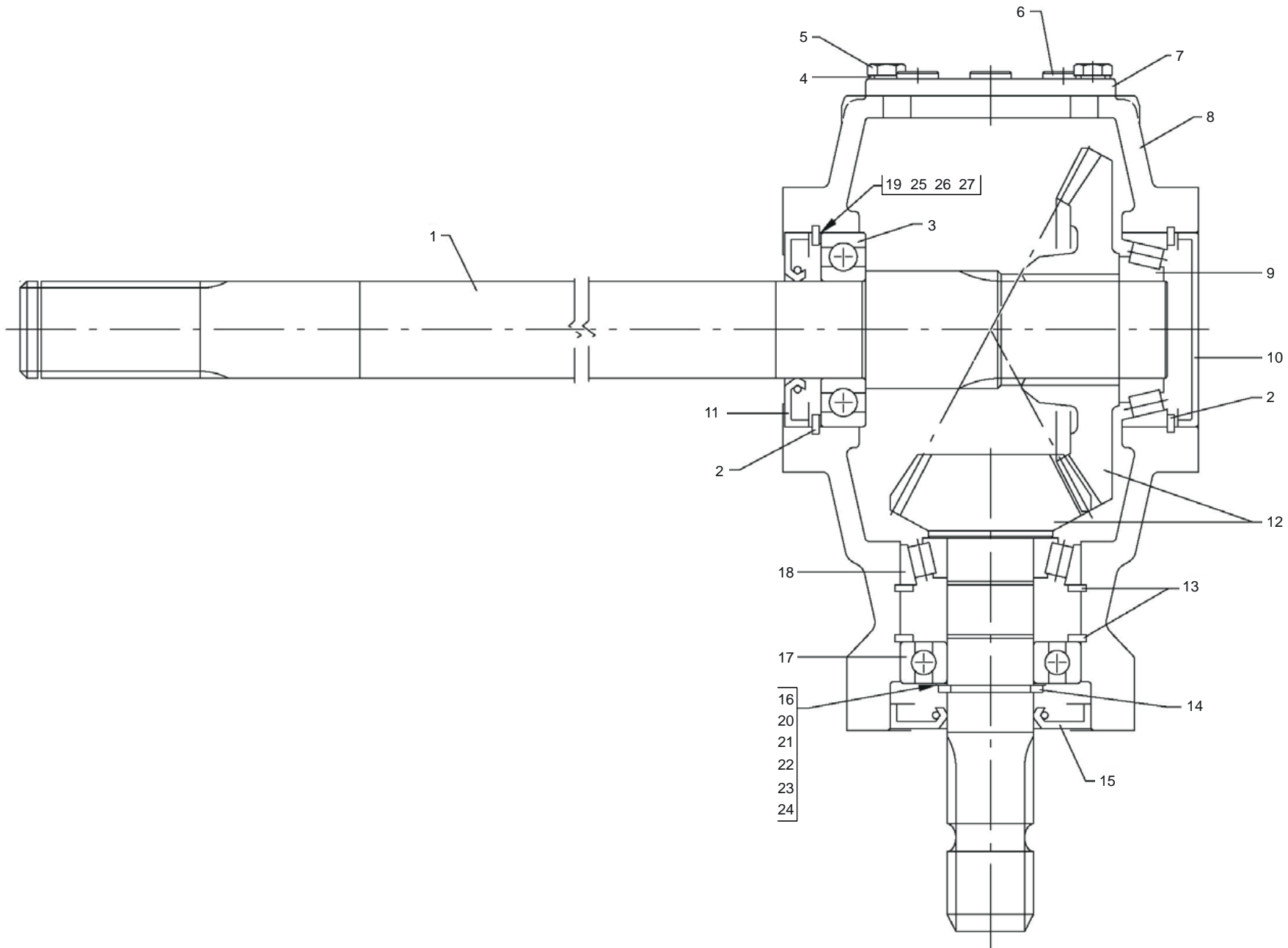
Pos.	Cod.	Descrizione	Description	Description	Benennung	Descripcion
1	B07S00177	TIMONE	DRAW BAR	TIMON	RUDER	
2	B07S01033	AGGANCIO TRAINO FF50-20	TRAIL HITCH FF 50-20	ACCROCHAGE TRAINAGE FF 50-20	KUPPLUNG FUER GESCHLEPPTE FF 5	
3	B01329574	DISTANZIALE TRAINO	SPACER	ENTRETOISE	DISTANZSTUECK	
4	F01020315	VITE M20X2,5X120 U5737 8.8ZN	SCR. M20X2,5X120 U5737 8.8 ZN	VIS M20X2,5X120 U5737 8.8 ZN	SCHR. M20X2,5X120 U5737 8.8 ZN	TORN. M20X2,5X120 U5737 8.8 ZN
5	B07S00489	SOSTEGNO CARDANO ROTOPRESSE	ROUNDBALER PTO SUPPORT	SUPPORT DU CARDAN DES PRESSES	RUNDBALLENPRESSE GELENKWELLE H	
6	F01410124	ROS.M20 21X 37X 3 U6592 ZN	WASHER M20 21X 37X 3 U6592 ZN	RONDELL.M20 21X 37X 3 U6592 ZN	MUTTER M20 21X 37X 3 U6592 ZN	ARANDELA M20 21X37X3 U6592 ZN
7	F01230259	DADO AUTOB.BASSO M20 8 D985 ZN	NUT	ECROU	SELBSTSICHERNDE MUTTER M20-5S	
8	B07H34241	SOSTEGNO CANNE	HOSE SUPPORT	SUPPORT	SCHLAUCHHALTER	
9	F01020472	VITE M10X1,5X25 U5739 8.8ZN	SCR. M10X1,5X25 U5739 8.8ZN	VIS M10X1,5X25 U5739 8.8 ZN	SCHRAUBE M10X1,5X25 U5739 8.8	TORNILLO 10X25 U5739 8.8 ZN
10	F01230202	DADO M10X1,25 D985 8 ZN	SELF-LOCKING NUT	ECROU NYLSTOP	SELBSTSICHERNDE MUTTER M10-5S	
11	F01020566	VITE M16X2X40 U5739 8.8ZN	SCR. M16X2X40 U5739 8.8ZN	VIS M16X2X40 U5739 8.8 ZN	SCHRAUBE M16X2X40 U5739 8.8 ZN	TORNILLO M16X2X40 U5739 8.8 ZN
12	B00920516	DADO M16X 1,5 D985 6S ZN	NUT M16X1,5 D985 6S ZN	ECROU	SELBSTSICHERNDE MUTTER M16-5S	
13	B07S01755	SERVOTIMONE	DRAW BAR STAND	SERVO BARRE DE TIRAGE	STUETZFUSS	
14	B013C0001	SPINA 16X158 CON PIEGA	PIN	GOUPILLE	STIFT	
15	B011B0499	SPINA A MOLLA A DOPPIO GIRO 4	PIN	GOUPILLE CLIPS	ZAPFEN	
16	B01519319	RALLA 16X38X5	FIFTH WHEEL	BUTEE	SCREIBE	
17	B07SP0228	OCCH DI TRAINO D50 LM PER FF	TOWING EYE DIAM 50 LM FOR FF	OEIL DE TIRAGE DIAM 50 LM POUR	ZUGOESE DURCHM. 550 LM FUER FF	
18	B01300957	BUSSOLA DI RIDUZIONE	REDUCTION BUSH	DOUILLE DE REDUCTION	REDUZIER BUCHSE	
19	B01300959	FLANGIA 50X80X4	FLANGE 50X80X4	BRIDE	FLANSCH 50X80X4	
20	B01700050	ANEL. D ARR. ALB. 50-E UNI3653	SEEGER RING	BAGUE SEEGER	SEEGERRING 50-E	
21	B033C0003	CATENA GENOVESE N 10 F 1,5 12	CHAIN N 10 F 1,5 12			
22	B0ZMP0018	BUSSOLA RIDUZIONE OCCHIONE 50	TOW EYE REDUCTION BUSH	DOUILLE REDUCTION OEIL	ZUGOSEN REDUZIERBUCHSE	
23	B07SP0778	OCCHIONE D.40 FISSO	EYE FIXED D.40			
24	B0C6P1186	GANCIO SOSTEGNO CARDANO	UNIVERSAL JOINTS HOOK			
25	B01800011	FERMO SOSTEGNO CARDANO	BACK STOP CARDAN SUPPORT	ARRET SUPPORT CARDAN	HALTER	
26	F01020436	VITE M8X1,25X20 U5739 8.8ZN	SCR. M8X1,25X20 U5739 8.8ZN	VIS M8X1,25X 20 U5739 8.8 ZN	SCHRAUBE M8X1,25X20U5739 8.8ZN	TORN. M8X1,25X20 U5739 8.8 ZN
27	B00920208	DADO M8X1 D985 8ZN	NUT M8X1 D985 8ZN	ECROU	SELBSTSICHERNDE MUTTER M8-5S	
28	B07SP0911	SOSTEGNO CAVI ENTRY JD	HOSE SUPPORT ENTRY JD			



**TELAIO ANTERIORE
FRONT FRAME**

TAV_019

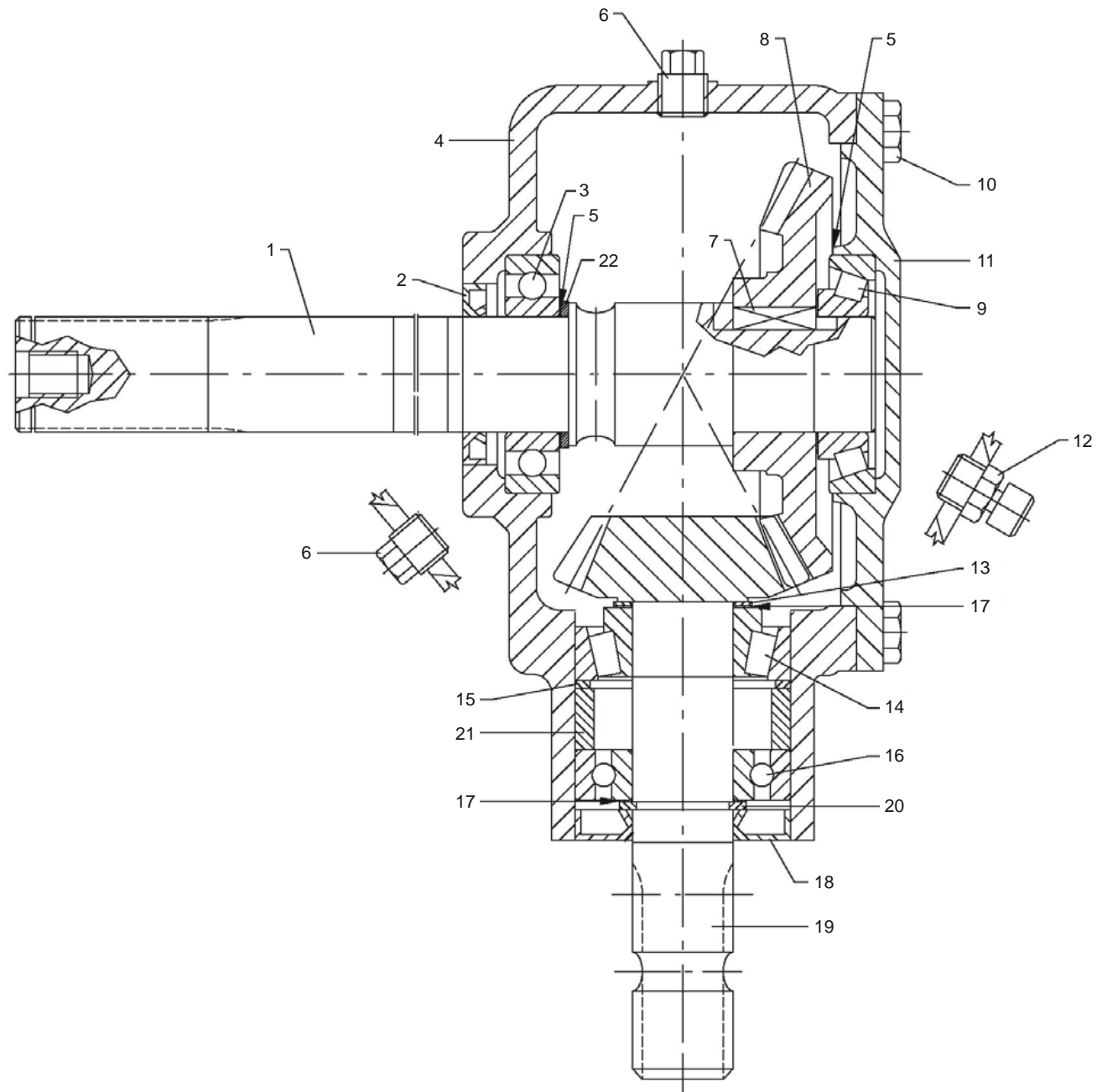
Pos.	Cod.	Descrizione	Description	Description	Benennung	Descripcion
1	B07SP0247	TRAVERSA ANT. ENTRY	FRONT CROSSPIECE ENTRY			
2	B07SP0316	TELAIO ANTERIORE ENTRY 150	FRONT CROSSPIECE ENTRY			
3	F01020514	VITE M12X1,75X40 U5739 8.8ZN	SCR. M12X1,75X40 U5739 8.8ZN	VIS M12X1,75X40 U5739 8.8ZN	SCHRA. M12X1,75X40 U5739 8.8ZN	TORN. M12X1,75X40 U5739 8.8ZN
4	B0C002357	PIASTRINA ATTACCO CAVI	CABLE ATTACHMENT PLATE	PLAQUETTE ATTELAGE CABLES	KABELHALTERPLATTE	
5	B01516038	RALLA 13 32 5	FIFTH WHEEL	BUTEE	SCHEIBE	
6	F01410076	ROS.M12 13X 20X2,0 U1749 ZN	WASHER	RONDELLE	SCHEIBE	
7	B00920412	DADO M12X1,75 D985 8 ZN	NUT	ECROU	SELBSTSICHERNDE MUTTER M12-5S	
8	B0C1P0094	FIANCATA ANT. DX LEGATORI	FRONT SIDE	FLASQUE	SEITE VORNE RECHTS BINDUNG	
9	B0C1P0095	FIANCATA ANT. SX LEGATORI	FRONT SIDE	FLASQUE	SEITE VORNE LINKS BINDUNG	
10	B03900227	SCATOLA COMER	GEAR BOX			
11	F01020510	VITE M12X1,75X30 U5739 8.8ZN	SCR. M12X1,75X30 U5739 8.8ZN	VIS M12X1,75X30 U5739 8.8ZN	SCHRAU.M12X1,75X30 U5739 8.8ZN	TORN. M12X1,75X30 U5739 8.8ZN
12	B07V00059	PROT. CARDANO FFPRO	COVER PROTECTION	PROTECTION CARDAN	ZAPFWELLENSCHUTZHAUBE FFPRO	
13	F01420048	ROS.M8 8,4X 24X 2 U6593 ZN	WASHER	RONDELLE	SCHEIBE	
14	F01020432	VITE M8X1,25X16 U5739 8.8ZN	SCR. M8X1,25X16 U5739 8.8ZN	VIS M8 X1,25X16 U5739 8.8 ZN	SCHRAUBE M8X1,25X16U5739 8.8ZN	TORNILLO M8X1,25X16U5739 8.8ZN
15	B02354030	SUPPORTO FLANGIATO TONDO 40GH	FLANGED SUPP.ROD40 CAST IRON	SUPPORT FLANGE	GEFLANSCHTES LAGER	
16	F01410062	ROS.M10 10,5X 18X 2 U6592 ZN	WASHER M10 10,5X 18X 2 U6592	RONDELLE M10 10,5X18X2 ZN	DICHTUNGSRING M10 10,5X18X2 ZN	RONDANA M10 10,5X18X2 ZN
17	F01020479	VITE M10X1,5X35 U5739 8.8ZN	SCR. M10X1,5X35 U5739 8.8ZN	VIS M10X1,5X35 U5739 8.8 ZN	SCHR. M10X1,5X35 U5739 8.8 ZN	TORN. M10X1,5X35 U5739 8.8 ZN
18	B03400046	INGRANAGGI MOT. SCATOLA ENTRY	GEAR	ENGRENAGES	ZAHNRAEDER	
19	B01300126	SPESS. 40 48 1 ZINC.ST_013	SHIM	ENTRETOISE	DISTANZSTUECK 40 408 1	
20	B01300125	SPESS. 40 48 0,5 ZINCATO	SHIM GALV	ENTRETOISE GALV	DISTANZSTUECK 40 48 0,5	
21	F02050168	ANELLO E. DE 40X1,75 U7435 C7	SEEGER RING 40X1,75 U7435 C70	BAGUE SEEGER 40X1,75 U7435 C70	SEEGERRING 40X1,75 U7435 C70	ANIL.SEEGER 40X1,75 U7435 C70
22	G19002131	PROTEZIONE P.D.P.	PDP GUARD			
23	F01020512	VITE M12X1,75X35 U5739 8.8ZN	SCR. M12X1,75X35 U5739 8.8ZN	VIS M12X1,75X35 5739 8.8 ZN	SCHR. M12X1,75X35 5739 8.8 ZN	TORN. M12X1,75X35 5739 8.8 ZN
24	F01020508	VITE M12X1,75X 25 U5739 8.8ZN	SCREW	VIS	SCHRAUBE	
25	F01230202	DADO M10X1,25 D985 8 ZN	SELF-LOCKING NUT	ECROU NYLSTOP	SELBSTSICHERNDE MUTTER M10-5S	
26	B04200610	INGRASS.A SFERE M6X1 LUNGO	GREASE NIPPLE	GRAISSEUR HYDRAULIQUE	GERADER SCHMIERNIPPEL M6X1	
27	B07SP0283	PROT. ANT.	FRONT PROTECTION			
28	F01420048	ROS.M8 8,4X 24X 2 U6593 ZN	WASHER	RONDELLE	SCHEIBE	
29	B07V00106	VOLANTINO M8X15 DIAM. 30	KNOB WHEEL	VOLAN M 8 DIAM. 30X19	HANDRAD	
30	B03600027	CAR B05 Z6-Z6 BUL 2000 L1450	PTO B05 Z6-Z6 BUL 2000 L1450	CARDAN	GELENKENWELLE	
31	B0C3P0114	CHIUSURA ANT.	LOCK	FERMETURE	VERSCHLUSS VORN	
32	F01410051	ROS.M8 8,4X 17X1,6 U6592 ZN	WASHER M8 8,4X17X1,6 U6592 ZN	RONDELLE	SCHEIBE	
33	B00470825	VITE TTEI M 8X 25-10,9 UNBRA	SCREW	VIS	SCHRAUBE TTEI M 8X25-10,9 UNBR	
34	B07SP0284	COPERCHIO ROTOLI LEGATURA	ROLLER COVER	COUVERCLE ROULEAU	ROLLENDECKEL	
35	B01516038	RALLA 13 32 5	FIFTH WHEEL	BUTEE	SCHEIBE	
36	F01020510	VITE M12X1,75X30 U5739 8.8ZN	SCR. M12X1,75X30 U5739 8.8ZN	VIS M12X1,75X30 U5739 8.8ZN	SCHRAU.M12X1,75X30 U5739 8.8ZN	TORN. M12X1,75X30 U5739 8.8ZN
37	B00920412	DADO M12X1,75 D985 8 ZN	NUT	ECROU	SELBSTSICHERNDE MUTTER M12-5S	
38	F01410076	ROS.M12 13X 20X2,0 U1749 ZN	WASHER	RONDELLE	SCHEIBE	
39	B0C6P0362	SPESSORE	THICKNESS			
40	F01020510	VITE M12X1,75X30 U5739 8.8ZN	SCR. M12X1,75X30 U5739 8.8ZN	VIS M12X1,75X30 U5739 8.8ZN	SCHRAU.M12X1,75X30 U5739 8.8ZN	TORN. M12X1,75X30 U5739 8.8ZN
41	F01410076	ROS.M12 13X 20X2,0 U1749 ZN	WASHER	RONDELLE	SCHEIBE	
42	B00920412	DADO M12X1,75 D985 8 ZN	NUT	ECROU	SELBSTSICHERNDE MUTTER M12-5S	
43	B0C3P0139	COMPENSO FIANCATA SX 150	BAND EXTENSION LEFT 150			
44	B0C3P0138	COMPENSO FIANCATA DX 150	BAND EXTENSION RIGHT 150			
45	F01020436	VITE M8X1,25X20 U5739 8.8ZN	SCR. M8X1,25X20 U5739 8.8ZN	VIS M8X1,25X 20 U5739 8.8 ZN	SCHRAUBE M8X1,25X20U5739 8.8ZN	TORN. M8X1,25X20 U5739 8.8 ZN
46	F01420048	ROS.M8 8,4X 24X 2 U6593 ZN	WASHER	RONDELLE	SCHEIBE	
47	B00920208	DADO M8X1 D985 8ZN	NUT M8X1 D985 8ZN	ECROU	SELBSTSICHERNDE MUTTER M8-5S	
48	B00910412	DADO AUTOB.ALTO M 12-8G DIN982	NUT M 12-8G DIN982			
49	B0C005257	SOSTEGNO COPERCHIO	COVER SUPPORT	SUPPORT COUVERCLE	DECKELHALTER	
50	F01020406	VITE M6X1X25 U5739 8.8ZN	SCR. M6X1X25 U5739 8.8ZN	VIS M 6X25	SCHRAUBE M 6X25	TORNILLO M 6X25
51	F01410037	ROS.M6 6,4X12,5X1,6 U6592 ZN	WASHER	RONDELLE	BEILAGSCHEIBE 6	
52	B00710106	DADO M 6X 1 U5588 6.8 ZN	NUT	ECROU	MUTTER M6-6S	
53	B00920106	DADO M6X1 D985 8ZN	NUT	ECROU	SELBSTSICHERNDE MUTTER M6-5S	
54	B00401020	VITE TCEI M10X 20-8.8 UNI 5931	SCREW	VIS	SCHRAUBE	
55	F01410064	ROS.M10 10,5X 18X 2 U6592 ZN	WASHER	RONDELLE	SCHEIBE	
56	F01230202	DADO M10X1,25 D985 8 ZN	SELF-LOCKING NUT	ECROU NYLSTOP	SELBSTSICHERNDE MUTTER M10-5S	



**ESPLOSO SCATOLA DI TRASMISSIONE (BP)
GEAR BOX PARTS (BP)**

TAV_270

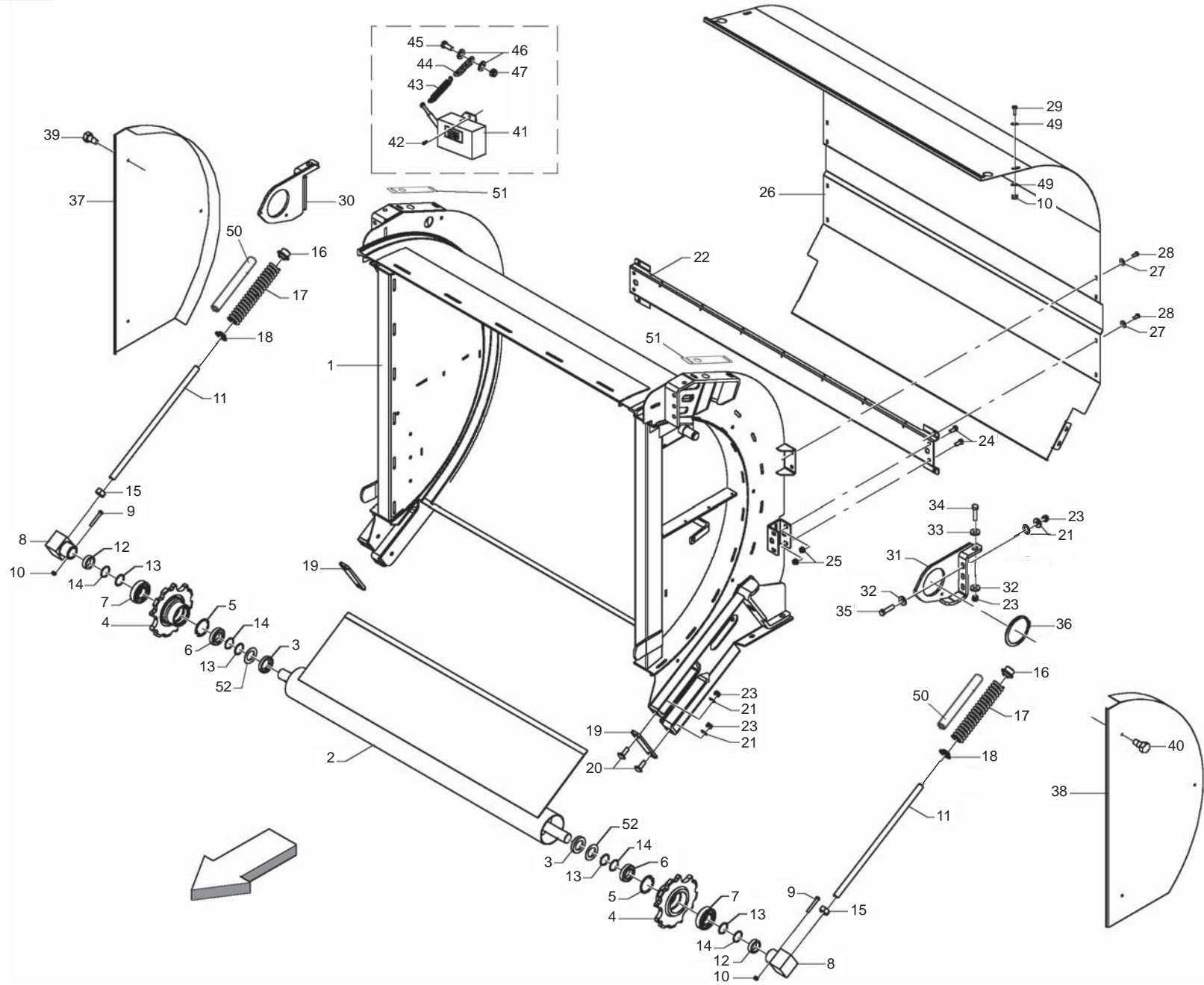
Pos.	Cod.	Descrizione	Description	Description	Benennung	Descripion
1	BOR000311	ALBERO 2061 MONT.B 36X40	SHAFT 2061	ARBRE 2061	WELLE 2061	
2	BOR000256	ANELLO ELASTICO 80-I SP=2,5	ELASTIC RING 80-I SP=2,5	BAGUE RESSORT 80-I SP=2,5	ELASTISCHER RING	
3	B02004018	CUSCINETTO 6208 CAT.A-ST004	BEARING	ROULEMENT	LAGER	
4	B01610808	ROND.EL.DENT.EST. 8 DIN 6798 A	WASHER	RONDELLE	FEDERSCHEIBE	
5	F01020436	VITE M8X1,25X20 U5739 8.8ZN	SCR. M8X1,25X20 U5739 8.8ZN	VIS M8X1,25X 20 U5739 8.8 ZN	SCHRAUBE M8X1,25X20U5739 8.8ZN	TORN. M8X1,25X20 U5739 8.8 ZN
6	BOR000175	TAPPO 3 8 GAS-C DIN 906	PLUG	BOUCHON 3 8 GAS-C DIN 906	VERSCHLUSS DECKER 3 8 GAS-C	
7	BOR000310	COPERCHIO SCATOLA 2061	BOX COVER 2061			
8	BOR000309	CORPO SCATOLA 2061 STD R=1,93	BOX 2061 STD R=1,93			
9	B02124019	CUSC. 30208 CAT.A-ST004	BEARING	ROULEMENT	LAGER	
10	BOR000090	CAPPELOTTO 80X10	SEAL 80X10	CAPOUCHON 80X10	KAPPE 80X10	
11	B04303460	ANELLO TENUTA 40X 80X10 NORM	SEAL	BAGUE	DICHTUNGSRING	
12	BOR000272	COPPIA CONICA R=1.93	BEVEL GEAR PAIR R=1.93	COUPLE CONIQUE R=1.93	ZAHNRADPAAR R=1.93	
13	B01710072	ANEL. D ARR. FORO 72-I UNI3654	SEEGER RING	BAGUE SEEGER	SEEGERRING 72-I	
14	BOR000171	ANEL ELASTICO 35-E 2,5 33700	SPLIT RING 35-E THIKNESS 2,5	BAGUE RESSORT 35-E SP=2,5 33	ELASTISCHER RING 35-E	
15	BOR000173	ANELLO TENUTA 35X80X10 C PAR.	OIL SEAL	BAGUE D ETAINCHETE 35X80X10	RING 35X80X10	
16	BOR000079	ANELLO SPES. 35,2X44,7X0,6	SHIM 35,2X44,7X0,6	BAGUE ENTRETOISE 35,2X44,7X0,6	SCHEIBERING 35,2 X 44,7 X 0,6	
17	B02003517	CUSCINETTO 6207 CAT.B-ST004	BEARING	ROULEMENT	LAGER	
18	B02123517	CUSC. 30207 CAT.A-ST004	BEARING	ROULEMENT	LAGER	
19	BOR000262	ANELLO SPES. 69,3X79,7X0,2	SHIM RING 69,3X79,7X0,2	BAGUE EPAISSEUR 69,3X79,7X0,2	RING 69,3X79,7X0,2	
20	BOR000080	ANELLO SPES. 35,2X44,7X0,8	SHIM 32,2X44,7X0,8	BAGUE ENTRETOISE 35,2X44,7X0,8	SCHEIBERING 35,2 X 44,7 X 0,8	
21	BOR000081	ANELLO SPES. 35,2X44,7X1,0	SHIM 35,2X44,7X1,0	BAGUE ENTRETOISE 35,2X44,7X1,0	SCHEIBERING 35,2 X 44,7 X 1,0	
22	BOR001059	ANELLI DI SPESS.E.035	ANELLI DI SPESS.E.035			
23	BOR000083	ANELLO SPES. 35,2X44,7X0,4	SHIM 35,2X44,7X0,4	BAGUE ENTRETOISE 35,2X44,7X0,4	SCHEIBERING 35,2 X 44,7 X 0,4	
24	BOR000084	ANEL SPES. 68,3X78,8X0,6 34006	SHIM 68,3X78,8X0,6	BAGUE ENTRETOISE	SCHEIBERING 68,3 X 78,8 X 0,6	
25	BOR000263	ANELLO SPES. 69,3X79,7X0,3	SHIM RING 69,3X79,7X0,3	BAGUE EPAISSEUR 69,3X79,7X0,3	SCHEIBE 69,3X79,7X0,3	
26	BOR000264	ANELLO SPES. 69,3X79,7X0,4	SHIM RING 69,3X79,7X0,4	BAGUE EPAISSEUR 69,3X79,7X0,4	DISTANZRING 69,3X79,7X0,4	
27	BOR000265	ANEL SPES. 69,3X79,7X0,1 34006	SHIM RING 69,3X79,7X0,1 34006	BAGUE EPAISSEUR 69,3X79,7X0,1	RING 69,3X79,7X0,1	



**ESPLOSO SCATOLA DI TRASMISSIONE (COMER)
GEAR BOX PARTS (COMER)**

TAV_280

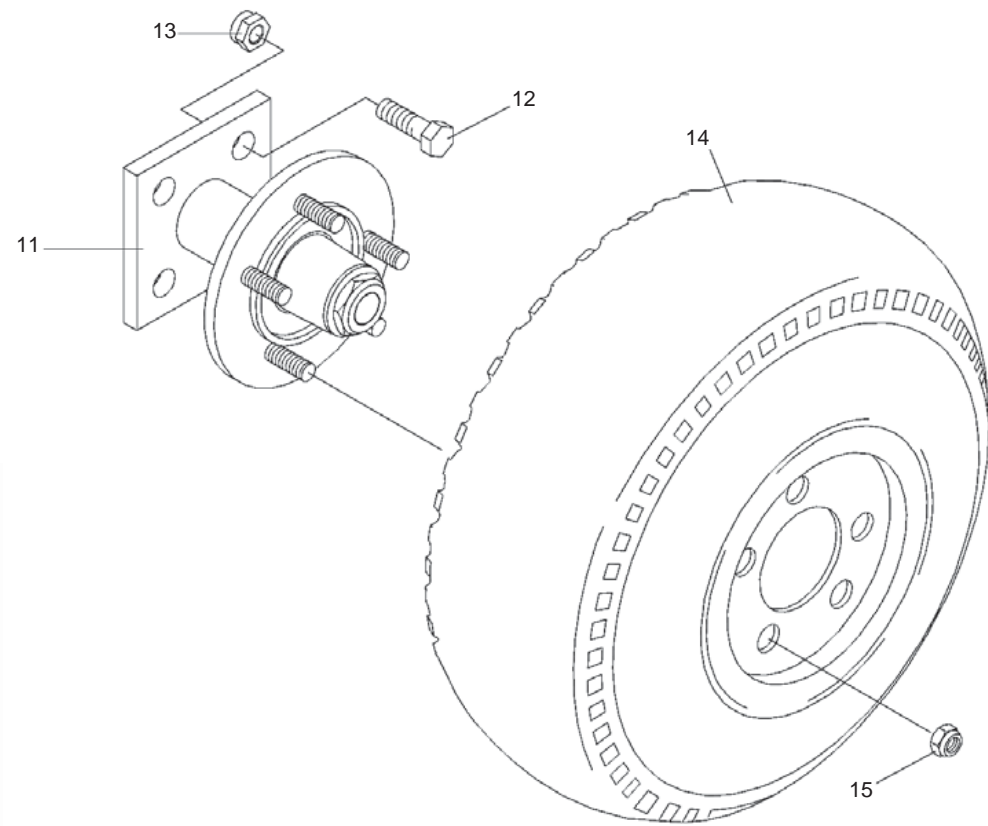
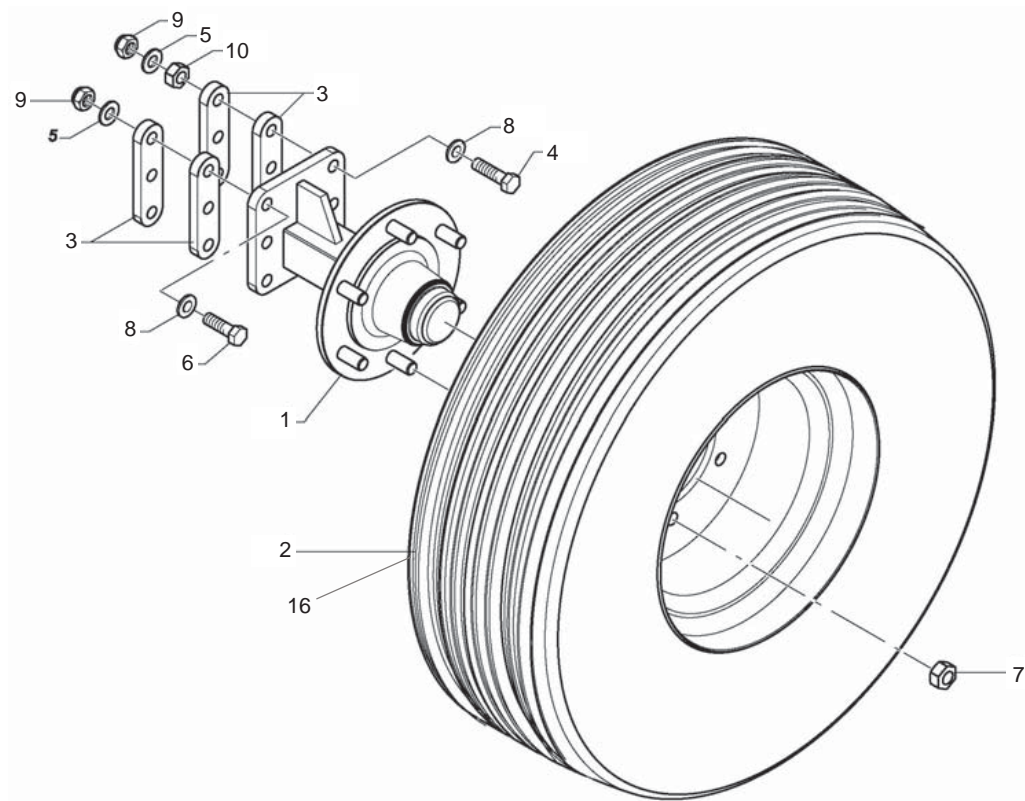
Pos.	Cod.	Descrizione	Description	Description	Benennung	Descripcion
1	B0R000536	ALBERO DI USCITA	OUTPUT SHAFT			
2	B0R000537	ANELLO TENUTA 40X62X7	SEAL RING			
3	B0R000516	CUSCINETTO SFERE 6208	BEARING			
4	B0R000517	SCATOLA				
5	B0R000518	SPESSORE 40,3X51,5	SHIM 40.3 51.5			
6	F03150719	TAPPO 3 8 GAS	GAS CAP 3 8	BOUCHON	DECKEL	CORCHO
7	B0R000520	LINGUETTA TEMPRATA 12X8X30	HARDENED TAB 12X8X30			
8	B0R000272	COPPIA CONICA R=1.93	BEVEL GEAR PAIR R=1.93	COUPLE CONIQUE R=1.93	ZAHNRADPAAR R=1.93	
9	B0R000522	CUSCINETTO RULLI 30208	BEARING			
10	B0R000523	VITE TE M10X25	SCREW TE UNI5739 M10 25 8.8			
11	B0R000524	COPERCHIO CHIUSO				
12	B0R000525	TAPPO SFIATO 3 8 GAS	BREATHING PLUG			
13	B0R000526	SPESSORE 48,0X35,3X1,3	SHIM 48.0 35.3 1.3			
14	B0R000527	CUSCINETTO RULLI 32207	BEARING			
15	B0R000528	ANELLO ELASTICO FORO 72	ELASTIC RING			
16	B0R000529	CUSCINETTO SFERE 6207	BEARING			
17	M07400002	KIT SPESSORI 0,3 4 5	REINFORCEMENTS	RENFORTS	VERSTAERKERUNGEN	RENFUERZOS
18	B0R000531	ANELLO TENUTA 35X72X10	SEAL RING			
19	B0R000532	ALBERO-PIGNONE	SHAFT-PINION			
20	M07400004	SEEGER 35X33X2.5	SEEGER RING 35X33X2.5	BAGUE SEEGER D 35X33X2,5	SEEGERRING D 35X33X2.5	ANILLO D 35X33X2,5
21	B0R000534	DISTANZIALE 64,3X71,8X21,9	SPACER 64.3 71.8 21.9			
22	B0R000535	DISTANZIALE 40,3X51,5X2,5	SPACER 40.3 51.5 2.5			



**PORTELLONE
REAR GATE**

TAV_029

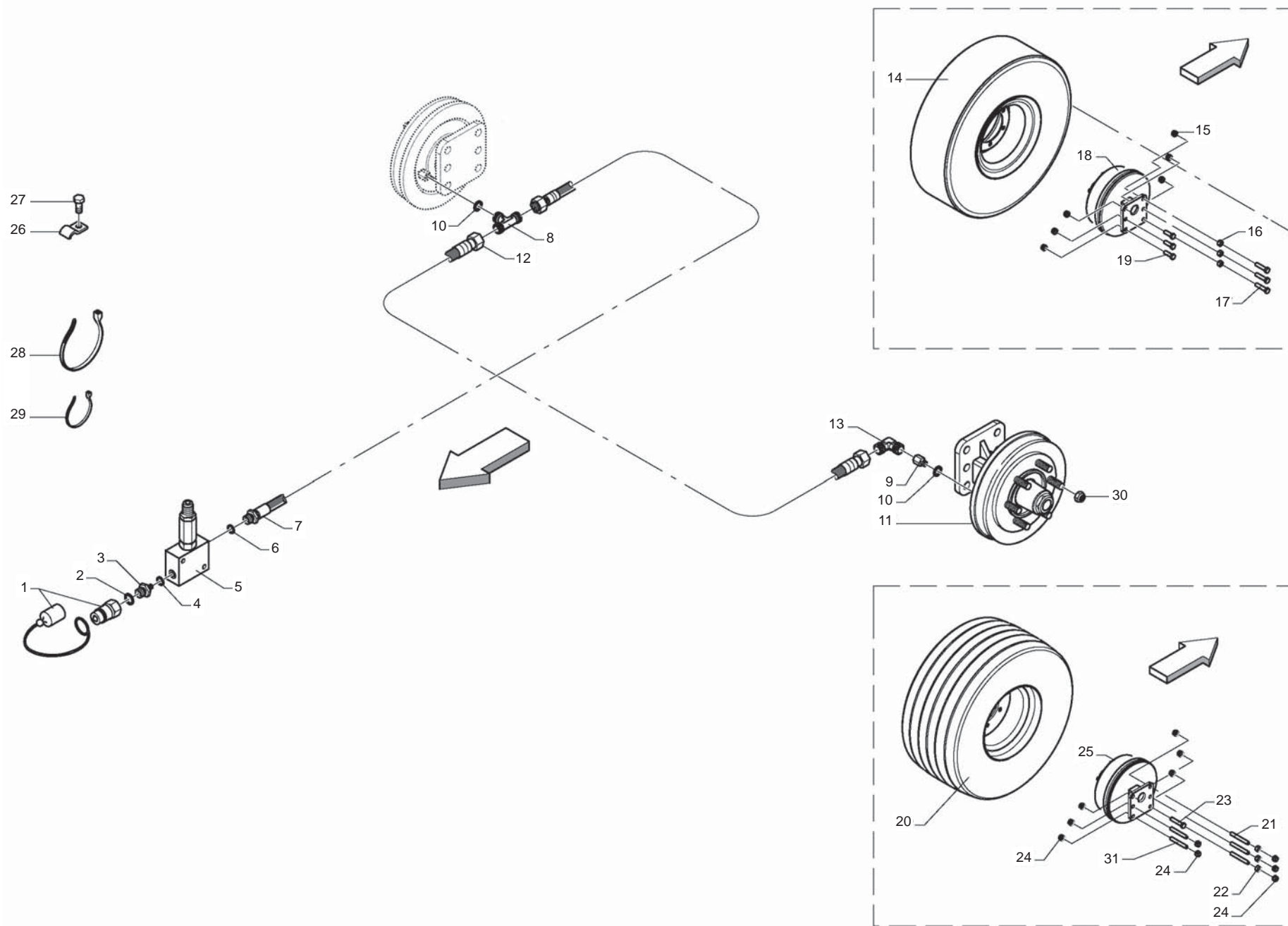
Pos.	Cod.	Descrizione	Description	Description	Benennung	Descripcion
1	B07SP0311	TELAIO PORTELLONE ENTRY 150	TAILGATE FRAME ENTRY 150			
2	B07S00158	ALBERO FOLLE	IDLE SHAFT	ARBRE FOU	LEERE WELLE	
3	B01300081	DISTANZIALE 35,5X 60,3X11	SPACER	ENTRETOISE	DISTANZSTUECK 35,5X60,3X11	
4	B07SP0281	INGRANAGGIO FOLLE	GEAR IDLE	ENGRANAGE	LOSGETRIEBEN	
5	B01710062	ANEL. D ARR. FORO 62-I UNI3654	SEEGER RING	BAGUE SEEGER	SEEGERRING 62-I	
6	B02043514	CUSC. 6007-2RS CAT.B-ST004	BEARING	ROULEMENT	LAGER 6007-2RS	
7	B02040002	CUSCINETTO 6307-2RS CAT.KST004	BEARING	ROULEMENT	LAGER 6307-2RS	
8	B013P0146	SUPP. GUIDA ALBERO	SUPPORT	SUPPORT	HALTER	
9	F01020077	VITE M8X1,25X60 U5737 8.8ZN	SCR. M8X1,25X60 U5737 8.8ZN	VIS M8X1,25X60 U5737 8.8 ZN	SCHRAU. M8X1,25X60 U5737 8.8ZN	TORN. M8X1,25X60 U5737 8.8 ZN
10	B00920208	DADO M8X1 D985 8ZN	NUT M8X1 D985 8ZN	ECROU	SELBSTSICHERNDE MUTTER M8-5S	
11	B005P0006	FILONE M20	THREAD BAR	THREAD BAR	LAGER	
12	B01328313	DISTANZIALE 35X48X13	SPACER	ENTRETOISE	DISTANZSTUECK	
13	B01534416	SPE. 35 43 1 ZINCATO	SHIM	ENTRETOISE	AUSGLEICHSCHEIBE 35X43X1	
14	B01534415	SPE. 35 43 0,5 ZINCATO	SHIM	ENTRETOISE	AUSGLEICHSCHEIBE 35X43X0,5	
15	F01200352	DADO M20X2,5 U5588 CL8 ZN	NUT M20X2,5 U5588 6.8ZN	ECROU 20 UNI 5588 6.8 ZN	MUTTER M20X 2,5 U5588 6.8 ZN	TUERCA M20X 2,5 U5588 6.8 ZN
16	B013P0142	BUSSOLA	BUSH	DOUILLE	BUCHSE	
17	B018P0010	MOLLA TENSORE	TENSIONING SPRING			
18	B013P0143	RONDELLA DI GUIDA	WASHER	RONDELLE	U-SCHEIBE	
19	B0C6P0324	CHIUSURA	LOCK	FERMETURE	VERSCHLUSS	
20	B00523421	VITE SPECIALE TTQST M12X35-8.8	SPECIAL SCREW	VIS SPCIALE	SCHRAUBE TTQST M12X 35-8.8	
21	F01410076	ROS.M12 13X 20X2,0 U1749 ZN	WASHER	RONDELLE	SCHLEIBE	
22	B0C3P0127	TRAVERSA POST.	CROSS BAR	TRAVERSE	QUERBALKEN HINTEN	
23	B00920412	DADO M12X1,75 D985 8 ZN	NUT	ECROU	SELBSTSICHERNDE MUTTER M12-5S	
24	F01020472	VITE M10X1,5X25 U5739 8.8ZN	SCR. M10X1,5X25 U5739 8.8ZN	VIS M10X1,5X25 U5739 8.8 ZN	SCHRAUBE M10X1,5X25 U5739 8.8	TORNILLO 10X25 U5739 8.8 ZN
25	F01230202	DADO M10X1,25 D985 8 ZN	SELF-LOCKING NUT	ECROU NYLSTOP	SELBSTSICHERNDE MUTTER M10-5S	
26	B0C3P0297	CARTER POSTERIORE ENTRY 150	BACK CASE ENTRY 150			
27	F01420048	ROS.M8 8,4X 24X 2 U6593 ZN	WASHER	RONDELLE	SCHLEIBE	
28	F01020436	VITE M8X1,25X20 U5739 8.8ZN	SCR. M8X1,25X20 U5739 8.8ZN	VIS M8X1,25X 20 U5739 8.8 ZN	SCHRAUBE M8X1,25X20U5739 8.8ZN	TORN. M8X1,25X20 U5739 8.8 ZN
29	F01020445	VITE M8X1,25X30 U5739 8.8ZN	SCR. M8X1,25X30 U5739 8.8ZN	VIS M 8X1,25X30 U5739 8.8 ZN	SCHRAU, M8X1,25X30 U5739 8.8ZN	TORN. M8X1,25X30 U5739 8.8 ZN
30	B07SP0271	CERNIERA DX	RIGHT HINGE			
31	B07SP0272	CERNIERA SX	LEFT HINGE			
32	B01515797	RALLA 13 25 5	FIFTH WHEEL	BUTEE	SCHLEIBE	
33	B01516038	RALLA 13 32 5	FIFTH WHEEL	BUTEE	SCHLEIBE	
34	B00171250	VITE M12X 50-10.9 UNI 5737	SCREW TE M12X 50-10.9 UNI 57			
35	B0C6P0206	SPESSORE A PETTINE CERN. SP1	THICKNESS			
36	B01700105	ANEL. D ARR. ALBERO 105E UNI 3	SNP RING	BAGUE D ARRET ARBRE 105-E	SPERRING 105-E	
37	B07SP0309	CARTER DX PORTELLONE	CARTER RH PORTELLONE			
38	B07SP0310	CARTER SX PORTELLONE	CARTER SX PORTELLONE			
39	B00370001	VITE TE M 8X16 A SEZ.TRILOBATA	SCREW TRE M 8X16 SEZ TROUBLED	VIS	SCHRAUBE M 8X15	
40	B00370001	VITE TE M 8X16 A SEZ.TRILOBATA	SCREW TRE M 8X16 SEZ TROUBLED	VIS	SCHRAUBE M 8X15	
41	B07C00001	CONTACOLPI FFC - C14P	BALECOUNTER	COMPTE-COUPS FFC	HUBZAEHLER	
42	B003F0000	VITE AUTOF.KNIPPING KFB3,9X9,5	SCREW	VIS	SCHRAUBE	
43	B01800023	ANTIVIBRANTE 16X36X39	SILENT BLOCK 16X36X39.	SILENT BLOCK 16X36X39	SILENT BLOCK	
44	B03300005	CATENELLA CONTACOLPI	CHAIN	CHAINE	KLEINE KETTE	
45	B00180620	VITE M6X1X20 U5739 8.8ZN	SCREW	VIS	SCHRAUBE	
46	F01410037	ROS.M6 6,4X12,5X1,6 U6592 ZN	WASHER	RONDELLE	BEILAGSCHEIBE 6	
47	B00920106	DADO M6X1 D985 8ZN	NUT	ECROU	SELBSTSICHERNDE MUTTER M6-5S	
49	F01420048	ROS.M8 8,4X 24X 2 U6593 ZN	WASHER	RONDELLE	SCHLEIBE	
50	B0C2P0386	FINECORSIA TENSIONE CATENARIA	LASTROUTE CHAIN TENSOR			
51	B0C1P0716	DISTANZIALE CARTER	CARTER SPACER			
52	B01547423	SPE. 35,2X61,5X1,5	SHIM 35,2 61,5 1,5	EPAISSEUR 35 62 1,5	DISTANZSTUECK 35,2X61,5X1,5	



**RUOTE
WHEELS**

TAV_040

Pos.	Cod.	Descrizione	Description	Description	Benennung	Descripcion
1	B071P0005	MOZZO COMPLETO FF 100	COMPLETE HUB FF 100	MOYEU	KOMPLETTE RADACHSE	
2	B07100013	RUOTA CPLTA 11,5 80-15,3 6F P	COMPLETE WHEEL 11,5 80-15,3	ROUE COMPLETE 11,5 80-15,3	KOMPLETTES RAD 11,5 80-15,3	
3	B0C6P0233	SPES.	SHIM	EPAISSEUR	DICHTUNG	
4	F01020285	VITE M16X2X100 U5737 8.8ZN	SCR. M16X2X100 U5737 8.8ZN	VIS M16X2X100 U5737 8.8 ZN	SCHR.M16X2X100 U5737 8.8 ZN	TORN.M16X2X100 U5737 8.8 ZN
5	F01410100	ROS.M16 17X 30X 3 U6592 ZN	WASHER	RONDELLE	SCHEIBE	
6	F01020264	VITE M16X2X90 U5737 8.8ZN	SCR. M16X2X90 U5737 8.8ZN	VIS M16X2X90 5737 8.8 ZN	SCHRAUBE M16X2X90 5737 8.8 ZN	TORN. M16X2X90 5737 8.8 ZN
7	B00821318	DADO E SFERICO M18X1,5 ZINC.	NUT	ECROU	KUGELMUTTER M18X1,5	
8	F01410100	ROS.M16 17X 30X 3 U6592 ZN	WASHER	RONDELLE	SCHEIBE	
9	B00920516	DADO M16X 1,5 D985 6S ZN	NUT M16X1,5 D985 6S ZN	ECROU	SELBSTSICHERNDE MUTTER M16-5S	
10	B00710516	DADO M16X 2 U5588 6.8 ZN	NUT M16X2 U5588 6.8 ZN	ECROU	MUTTER M16-6S	
11	B02700029	MOZZO CON FUSELLO VST_028	HUB WITH SPINDLE	MOYEU	NABE	
12	F01020605	VITE M20X2,5X50 U5739 8.8ZN	SCR. M20X2,5X50 U5739 8.8ZN	VIS M 20X2,5X50	SCHRAUBE M 20X2,5X50	TORNILLO M 20X2,5X50
13	F01230259	DADO AUTOB.BASSO M20 8 D985 ZN	NUT	ECROU	SELBSTSICHERNDE MUTTER M20-5S	
14	B07229104	RUOTA CPLTA SZA MOZZO ST014	RIM WHEEL	ROUE COMPLETE SANS MOYEU	KOMPLETTES RAD	
15	B00821316	DADO E SFERICO M16X1,5 ZINC.	NUT	ECROU	RADMUTTER	
16	B07100022	RUOTA CPLTA 400-15.5 6F P 14PR	COMPLETE WHEEL	ROUE 400-15.5	RAD KOMPLETT 400.15.5 6F P14PR	



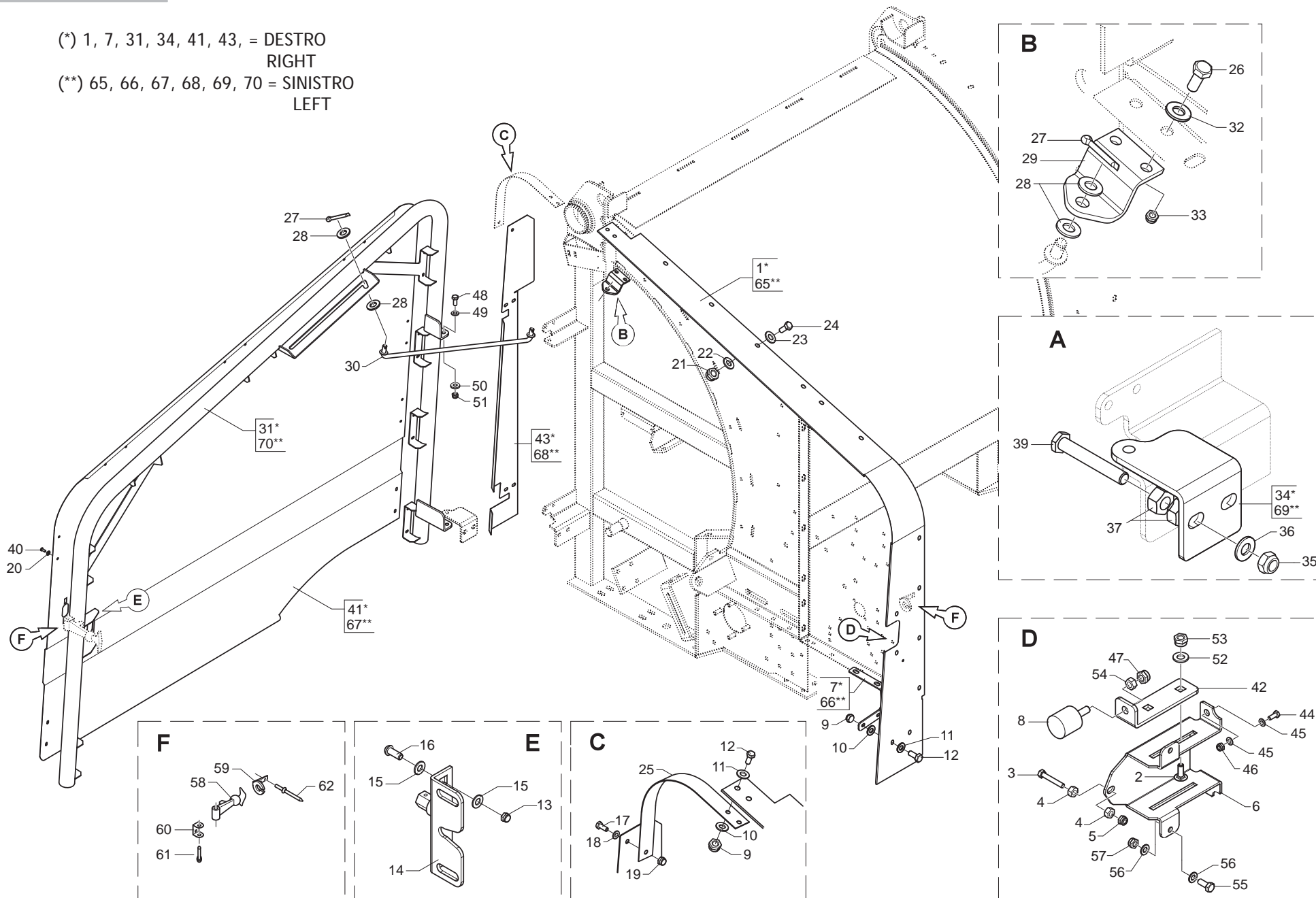
**FRENO IDRAULICO
HYDRAULIC BRAKE**

TAV_050

Pos.	Cod.	Descrizione	Description	Description	Benennung	Descripion
1	BOH6000A0	INNESTO RAP.NV 12GAS-M	QUICK CLUTCH	EMBRAYAGE	SCHNELLKUPPLUNG	
2	B01442015	ROS. 21 X27X1,5 RAME -1 2	WASHER	RONDELLE	BEILAGSCHEIBE 1 2	
3	BOH6000AB	NIPPLO RIDUZ.1 2 -3 8 RASTEL	NIPPLE	NIPPLE REDUCTION 1 2 - 3 8		
4	B01441815	ROS. 17 X23X1,5 RAME -3 8	WASHER	RONDELLE	SCHEIBE	
5	BOH000143	VALV. DI RID. VRPRL2B38TS.SR	REDUCTION VALVE	VALVE DE REDUCTION VRPRL2B38TS	VENTIL	
6	B01441815	ROS. 17 X23X1,5 RAME -3 8	WASHER	RONDELLE	SCHEIBE	
7	BOH000097	TUBO R1T 1 4 L. 5500	FLEXIBLE TUBE SAE 100 R1AT	TUYAU FLEXIBLE SAE 100 R1AT 1	ROEHRE FLEX SAE 100 R1AT 1 4	
8	BOH000264	RACCORDO T 10 TN96-10LR	T FITTING TN96-10LR	RACCORD T 10	KUPPLUNG T 10	
9	BOH000099	RACC.MASC. M10X1,25 FEMM.1 4	UNION M10X1,25	RACCORD MALE M10X1,25 FEMM.1 4	VERBINDUNG MIT GEWINDE	
10	F01500012	RONDELLA IN RAME 1 4	COPPER WASHER 13X19X1,5-1 4	RONDELLE 13X19X1,5-1 4	SCHEIBE 13X19X1,5-1 4	ARANDELA 13X19X1,5-1 4
11	B071P0009	MOZZO C FRENO X ENTRY-TROT.100	HUB WITH BROKE ENTRY-TROT 100	MOYEU	RADACHSE MIT BREMSE	
12	BOH000091	TUBO FLEX SAE 100 R1AT1 4L2050	FLEXIBLE TUBE SAE 100 R1AT	TUYAU FLEXIBLE SAE 100 R1AT 1	ROEHRE FLEX SAE 100 R1AT 1 4	
13	BOH000086	RACCORDO L 10 TN94-10LR	UNION L 10	RACCORD L 10	ANSCHLUSSSTUECK L 10	
14	B07100013	RUOTA CPLTA 11,5 80-15,3 6F P	COMPLETE WHEEL 11,5 80-15,3	ROUE COMPLETE 11,5 80-15,3	KOMPLETTES RAD 11,5 80-15,3	
15	B00920516	DADO M16X 1,5 D985 6S ZN	NUT M16X1,5 D985 6S ZN	ECROU	SELBSTSICHERNDE MUTTER M16-5S	
16	B00710516	DADO M16X 2 U5588 6.8 ZN	NUT M16X2 U5588 6.8 ZN	ECROU	MUTTER M16-6S	
17	F01020260	VITE M16X2X70 U5737 8.8ZN	SCR. M16X2X70 U5737 8.8ZN	VIS M16X2X70 U5737 8.8 ZN	SCHRAUBE M16X2X70 U5737 8.8 ZN	TORNILLO M16X2X70 U5737 8.8 ZN
18	B071P0009	MOZZO C FRENO X ENTRY-TROT.100	HUB WITH BROKE ENTRY-TROT 100	MOYEU	RADACHSE MIT BREMSE	
19	F01020252	VITE M16X2X50 U5737 8.8ZN	SCR. M16X2X50 U5737 8.8 ZN	VIS M16X2X50 U5737 8.8 ZN	SCHRAUBE M16X2X50 U5737 8.8 ZN	TORNILLO M16X2X50 U5737 8.8 ZN
20	B07100022	RUOTA CPLTA 400-15.5 6F P 14PR	COMPLETE WHEEL	ROUE 400-15.5	RAD KOMPLETT 400.15.5 6F P14PR	
21	B005P0007	PRIGIONIERO M16X122	PRISONER M16X122			
22	B00710516	DADO M16X 2 U5588 6.8 ZN	NUT M16X2 U5588 6.8 ZN	ECROU	MUTTER M16-6S	
23	F01020579	VITE M16X2X80 U5739 8.8ZN	SCREW M16X2X80 U5739 8.8 GALV.	VIS 16X80 5739 8.G ZN	SCHRAUBE 16X80 5739 8.G ZN	TORNILLO 16X80 5739 8.G ZN
24	B00920516	DADO M16X 1,5 D985 6S ZN	NUT M16X1,5 D985 6S ZN	ECROU	SELBSTSICHERNDE MUTTER M16-5S	
25	B071P0009	MOZZO C FRENO X ENTRY-TROT.100	HUB WITH BROKE ENTRY-TROT 100	MOYEU	RADACHSE MIT BREMSE	
26	B0C630080	CAVALLOTTO FISSAGGIO TUBI	U BOLT	BOULON DE FIXAGE	BUEGELBOLZEN	
27	F01020472	VITE M10X1,5X25 U5739 8.8ZN	SCR. M10X1,5X25 U5739 8.8ZN	VIS M10X1,5X25 U5739 8.8 ZN	SCHRAUBE M10X1,5X25 U5739 8.8	TORNILLO 10X25 U5739 8.8 ZN
28	BOE600025	FASCETTA SERRAC 8X2 L500MM MIN	CLAMP	PETITE BANDE SERRE-CABLES	KLEINE STREIFEN	
29	F05150055	FASCETTA LUMEFIX 3,6X180	CLAMP LUMEFIX	BANDE LUMEFIX	MANSCHETTE LUMEFIX	
30	B00821318	DADO E SFERICO M18X1,5 ZINC.	NUT	ECROU	KUGELMUTTER M18X1,5	
31	B005P0008	PRIGIONIERO M16 112	PRISONER M16X112			

(*) 1, 7, 31, 34, 41, 43, = DESTRO
RIGHT

(**) 65, 66, 67, 68, 69, 70 = SINISTRO
LEFT



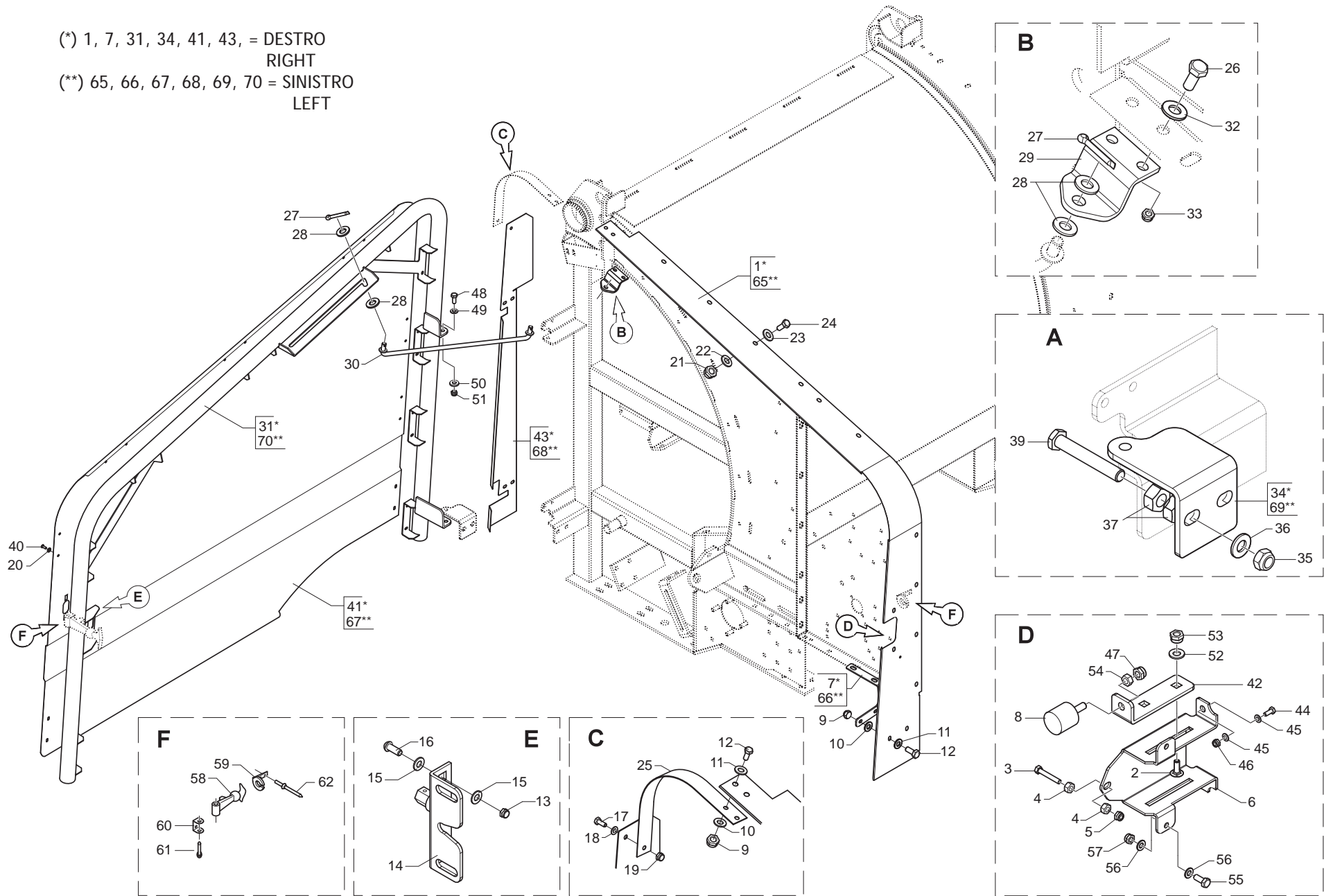
**CARTER LATERALI
SIDE CARTER**

TAV_059

Pos.	Cod.	Descrizione	Description	Description	Benennung	Descripcion
1	B0C3P0140	FASCIA DX 150	RIGHT BAND	BANDE DROITE	BANDE RECHTS 150	
2	F01060040	VITE M8X1,25X25 U5732 4.6ZN	BOLT	BOULON	BOLZEN	
3	F01020120	VITE M10X1,5X65 U5737 8.8ZN	SCR. M10X1,5X65 U5737 8.8ZN	VIS M10X1,5X65 U5737 8.8 ZN	SCHRA. M10X1,5X65 U5737 8.8 ZN	TORN. M10X1,5X65 U5737 8.8 ZN
4	B00710310	DADO M10X1,25 U5588 6S ZN	NUT	ECROU	MUTTER M10-6S	
5	F01230202	DADO M10X1,25 D985 8 ZN	SELF-LOCKING NUT	ECROU NYLSTOP	SELBSTSICHERNDE MUTTER M10-5S	
6	B0C4P0142	ATTACCO CHIUSURA	ATTACHEMENT	ATTELAGE	VERSCHLUSSANSCHLUSS	
7	B0C6P0325	SOSTEGNO FASCIA DX	SUPPORT	SUPPORT	BANDEHALTER RECHTS	
8	B01800082	SILENT BLOCK 30X30-M8X25	SILENT BLOCK 30X30-M8X20	SILENT BLOCK 30X30-M8X20	SILENTBLOCK 30X30-M8X20	
9	B00920208	DADO M8X1 D985 8ZN	NUT M8X1 D985 8ZN	ECROU	SELBSTSICHERNDE MUTTER M8-5S	
10	F01410051	ROS.M8 8,4X 17X1,6 U6592 ZN	WASHER M8 8,4X17X1,6 U6592 ZN	RONDELLE	SCHEIBE	
11	F01420048	ROS.M8 8,4X 24X 2 U6593 ZN	WASHER	RONDELLE	SCHEIBE	
12	F01020436	VITE M8X1,25X20 U5739 8.8ZN	SCR. M8X1,25X20 U5739 8.8ZN	VIS M8X1,25X 20 U5739 8.8 ZN	SCHRAUBE M8X1,25X20U5739 8.8ZN	TORN. M8X1,25X20 U5739 8.8 ZN
13	B00920208	DADO M8X1 D985 8ZN	NUT M8X1 D985 8ZN	ECROU	SELBSTSICHERNDE MUTTER M8-5S	
14	B01800041	CHIUS.SCHWARZ RIF.SV 941104-00	LOCK	FERMETURE	VERSCHLUSS SCHWARZ REF. SV. 9	
15	F01410051	ROS.M8 8,4X 17X1,6 U6592 ZN	WASHER M8 8,4X17X1,6 U6592 ZN	RONDELLE	SCHEIBE	
16	F01030208	VITE TTEI M 8X 20-10,9 UMBRAKO	SCREW	VIS	SCHRAUBE TTEI M 8X 20-10.9	
17	F01020436	VITE M8X1,25X20 U5739 8.8ZN	SCR. M8X1,25X20 U5739 8.8ZN	VIS M8X1,25X 20 U5739 8.8 ZN	SCHRAUBE M8X1,25X20U5739 8.8ZN	TORN. M8X1,25X20 U5739 8.8 ZN
18	F01410051	ROS.M8 8,4X 17X1,6 U6592 ZN	WASHER M8 8,4X17X1,6 U6592 ZN	RONDELLE	SCHEIBE	
19	B00920208	DADO M8X1 D985 8ZN	NUT M8X1 D985 8ZN	ECROU	SELBSTSICHERNDE MUTTER M8-5S	
20	F01410037	ROS.M6 6,4X12,5X1,6 U6592 ZN	WASHER	RONDELLE	BEILAGSCHEIBE 6	
21	B00920208	DADO M8X1 D985 8ZN	NUT M8X1 D985 8ZN	ECROU	SELBSTSICHERNDE MUTTER M8-5S	
22	F01410051	ROS.M8 8,4X 17X1,6 U6592 ZN	WASHER M8 8,4X17X1,6 U6592 ZN	RONDELLE	SCHEIBE	
23	F01420048	ROS.M8 8,4X 24X 2 U6593 ZN	WASHER	RONDELLE	SCHEIBE	
24	F01020436	VITE M8X1,25X20 U5739 8.8ZN	SCR. M8X1,25X20 U5739 8.8ZN	VIS M8X1,25X 20 U5739 8.8 ZN	SCHRAUBE M8X1,25X20U5739 8.8ZN	TORN. M8X1,25X20 U5739 8.8 ZN
25	B0C6P0351	COMPENSO FASCIA CORTO	SPACER FASCIA CORTO			
26	F01020472	VITE M10X1,5X25 U5739 8.8ZN	SCR. M10X1,5X25 U5739 8.8ZN	VIS M10X1,5X25 U5739 8.8 ZN	SCHRAUBE M10X1,5X25 U5739 8.8	TORNILLO 10X25 U5739 8.8 ZN
27	B01150430	COPIGLIA 4X 30 U1336 ZN	GALV PIN	GOUPILLE GALV	SPLINT	
28	F01420060	ROS.M10 10,5X 30X2,5 U6593 ZN	WASHER	RONDELLE	SCHEIBE	
29	B0C6P0322	ATTACCO FULCRO	ATTACHEMENT	ATTELAGE	ANSCHLUSS FULCRUM	
30	B07SP0278	ASTA DI APERTURA	OPEN ROD	BARRE D OUVERTURE	OEFFNUNGSSTANGE	
31	B07SP0317	TELAIO CARTER DX 150	RIGHT CASE FRAME 150			
32	F01410062	ROS.M10 10,5X 18X 2 U6592 ZN	WASHER M10 10,5X 18X 2 U6592	RONDELLE M10 10,5X18X2 ZN	DICHTUNGSRING M10 10,5X18X2 ZN	RONDANA M10 10,5X18X2 ZN
33	F01230202	DADO M10X1,25 D985 8 ZN	SELF-LOCKING NUT	ECROU NYLSTOP	SELBSTSICHERNDE MUTTER M10-5S	
34	B0C6P0320	CERNIERA INFERIORE DX	HINGE	CHARNIERE	SCHARNIER UNTEN RECHTS	
35	B00920412	DADO M12X1,75 D985 8 ZN	NUT	ECROU	SELBSTSICHERNDE MUTTER M12-5S	
36	F01410076	ROS.M12 13X 20X2,0 U1749 ZN	WASHER	RONDELLE	SCHEIBE	
37	F01200293	DADO M12X1,75 U5588 CL8 ZN	NUT M12X1,75 U5588 6S ZN	ECROU M12X1,75 U5588 6S ZN	MUTTER M12X1,75 U5588 6S ZN	TUERCA M12X1,75 U5588 6S ZN
39	F01020522	VITE M12X1,75X80 U5739 8.8ZN	SCR. M12X1,75X80 U5739 8.8ZN	VIS M12X1,75X80 U5739 8.8ZN	SCHRA.M12X1,75X80 U5739 8.8ZN	TORN.M12X1,75X80 U5739 8.8ZN
40	B01000011	RIVETTO STR. 6X12 U9200A AL	RIVET 6X12 U9200A AL	RIVET	ABREISSNIETEN 6X15	
41	B0C3P0134	CORPO CARTER DX 150	CORPO CARTER DX 150			
42	B0C6P0319	CONTRASTO CHIUSURA	LOCK CONTRAST	CONTRASTE FERMETURE	VERSCHLUSS	
43	B0C3P0136	CHIUSURA DX 150	LOCK	FERMETURE	VERSCHLUSS RECHTS 150	
44	F01020472	VITE M10X1,5X25 U5739 8.8ZN	SCR. M10X1,5X25 U5739 8.8ZN	VIS M10X1,5X25 U5739 8.8 ZN	SCHRAUBE M10X1,5X25 U5739 8.8	TORNILLO 10X25 U5739 8.8 ZN
45	F01410062	ROS.M10 10,5X 18X 2 U6592 ZN	WASHER M10 10,5X 18X 2 U6592	RONDELLE M10 10,5X18X2 ZN	DICHTUNGSRING M10 10,5X18X2 ZN	RONDANA M10 10,5X18X2 ZN
46	F01230202	DADO M10X1,25 D985 8 ZN	SELF-LOCKING NUT	ECROU NYLSTOP	SELBSTSICHERNDE MUTTER M10-5S	
47	B00920208	DADO M8X1 D985 8ZN	NUT M8X1 D985 8ZN	ECROU	SELBSTSICHERNDE MUTTER M8-5S	
48	F01020484	VITE M10X1,5X45 U5739 8.8ZN	SCREW M10X1,5X45 U5739 8.8 GAL	VIS 10X45 5739 8.G ZN	SCHRAUBE 10X45 5739 8.G ZN	TORNILLO 10X45 5739 8.G ZN
49	F01420060	ROS.M10 10,5X 30X2,5 U6593 ZN	WASHER	RONDELLE	SCHEIBE	
50	B01301153	RALLA 10,5X32X8	FIFTH WHEEL 10.5X32X8			
51	F01230202	DADO M10X1,25 D985 8 ZN	SELF-LOCKING NUT	ECROU NYLSTOP	SELBSTSICHERNDE MUTTER M10-5S	
52	B00920208	DADO M8X1 D985 8ZN	NUT M8X1 D985 8ZN	ECROU	SELBSTSICHERNDE MUTTER M8-5S	
53	F01410051	ROS.M8 8,4X 17X1,6 U6592 ZN	WASHER M8 8,4X17X1,6 U6592 ZN	RONDELLE	SCHEIBE	
54	B00710208	DADO M 8X1,25 U5588 6.8 ZN	NUT	ECROU	MUTTER M8-6S	
55	F01020440	VITE M8X1,25X25 U5739 8.8ZN	SCR. M8X1,25X25 U5739 8.8ZN	VIS M8X1,25X25 U5739 8.8 ZN	SCHRAUBE M8X1,25X25U5739 8.8ZN	TORNIL.M8X1,25X25 U5739 8.8 ZN
56	F01420048	ROS.M8 8,4X 24X 2 U6593 ZN	WASHER	RONDELLE	SCHEIBE	
57	B00920208	DADO M8X1 D985 8ZN	NUT M8X1 D985 8ZN	ECROU	SELBSTSICHERNDE MUTTER M8-5S	
58	B01950002	TIRANTE AGGANCIO COFANO	TIE HOOK HOOD	TIRANT	SPANNSTANGE	

(*) 1, 7, 31, 34, 41, 43, = DESTRO
RIGHT

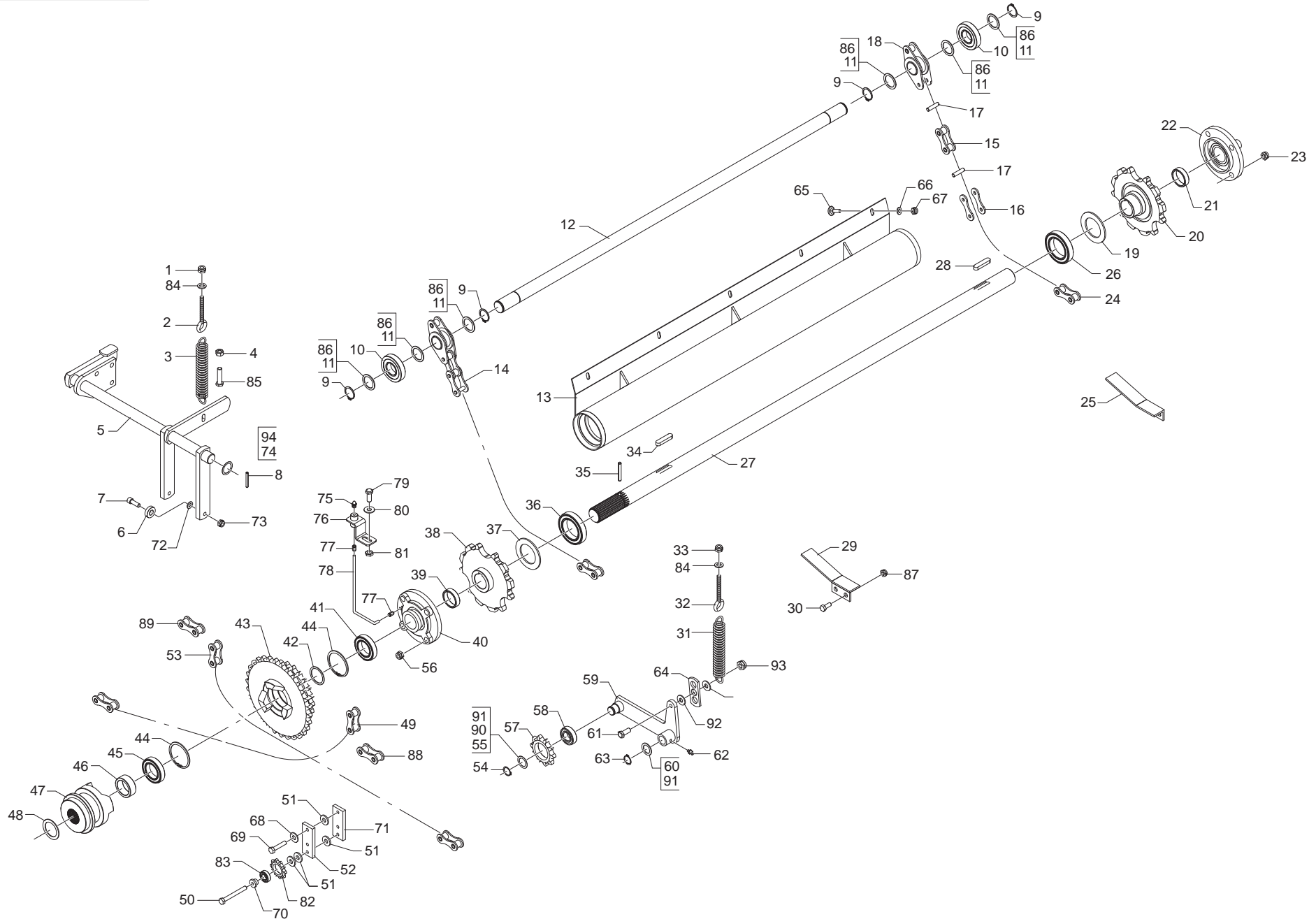
(**) 65, 66, 67, 68, 69, 70 = SINISTRO
LEFT



**CARTER LATERALI
SIDE CARTER**

TAV_059

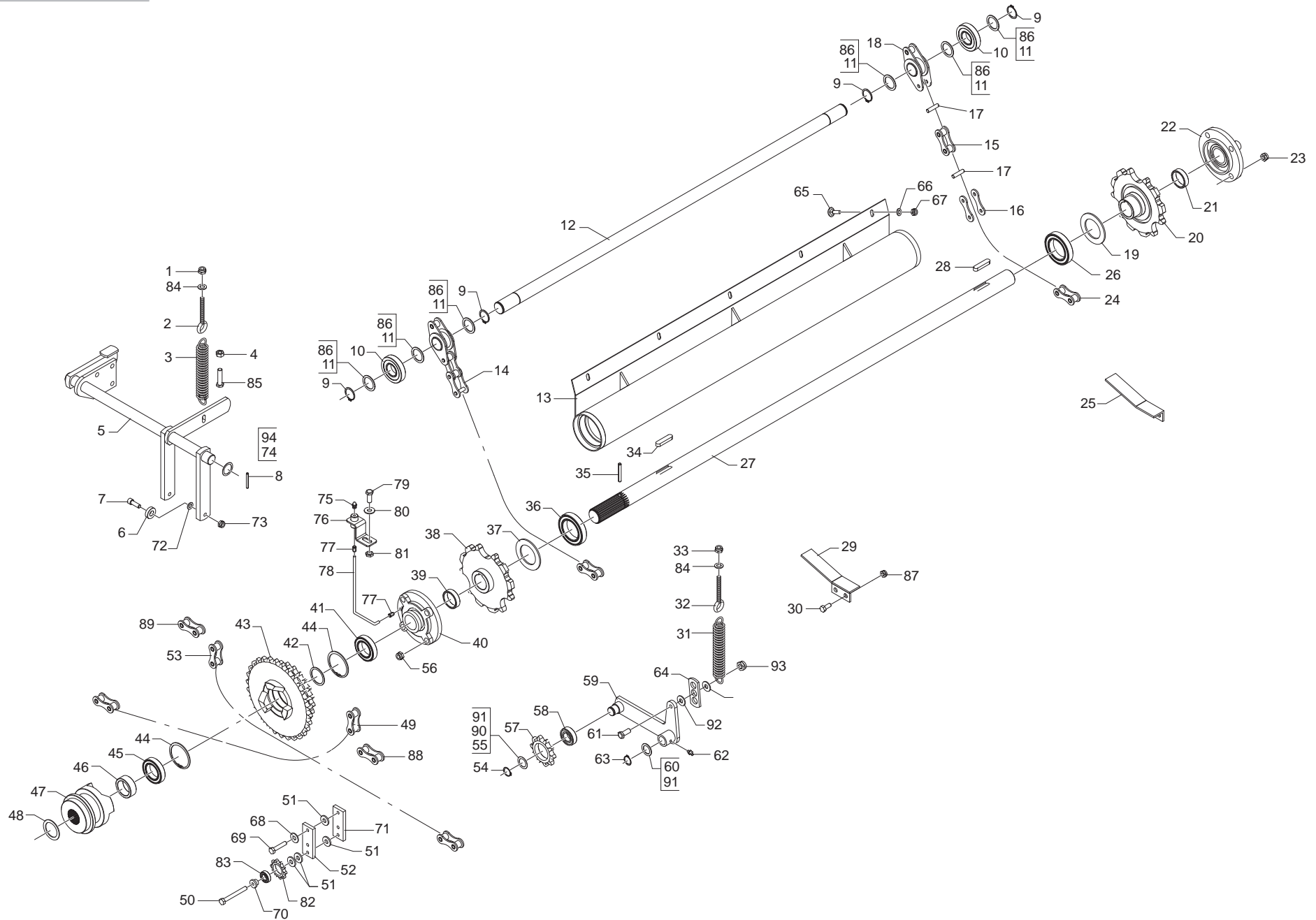
Pos.	Cod.	Descrizione	Description	Description	Benennung	Descripcion
59	B01950004	OCCHIELLO ACQ CON 1950003	EYELET	OEIL	SE	
60	B01950003	PIASTRINA ACQ CON 1950004	PLATE	PLAQUE	HAENGEGERUEST	
61	B01000009	RIVETTO STR. 4X6 U9200A AL	RIVET	RIVET	ABREISSNIETEN 4X8	
62	B01080311	RIVETTO STR. 3,8X11 U9200A AL	RIVET	RIVET	NIET	
65	B0C3P0141	FASCIA SX 150	LEFT BAND	BANDE GAUCHE	BANDE LINKS 150	
66	B0C6P0326	SOSTEGNO FASCIA SX	BAND HOLDER LEFT			
67	B0C3P0135	CORPO CARTER SX 150	CORPO CARTER SX 150			
68	B0C3P0137	CHIUSURA SX 150	LOCK	FERMETURE	VERSCHLUSS LINKS 150	
69	B0C6P0321	CERNIERA INFERIORE SX	HINGE	CHARNIERE	SCHARNIER UNTEN LINKS	
70	B07SP0318	TELAIO CARTER SX 150	LEFT CASE FRAME 150			



**GRUPPO CATENARIA
CHAIN GROUP**

TAV_069

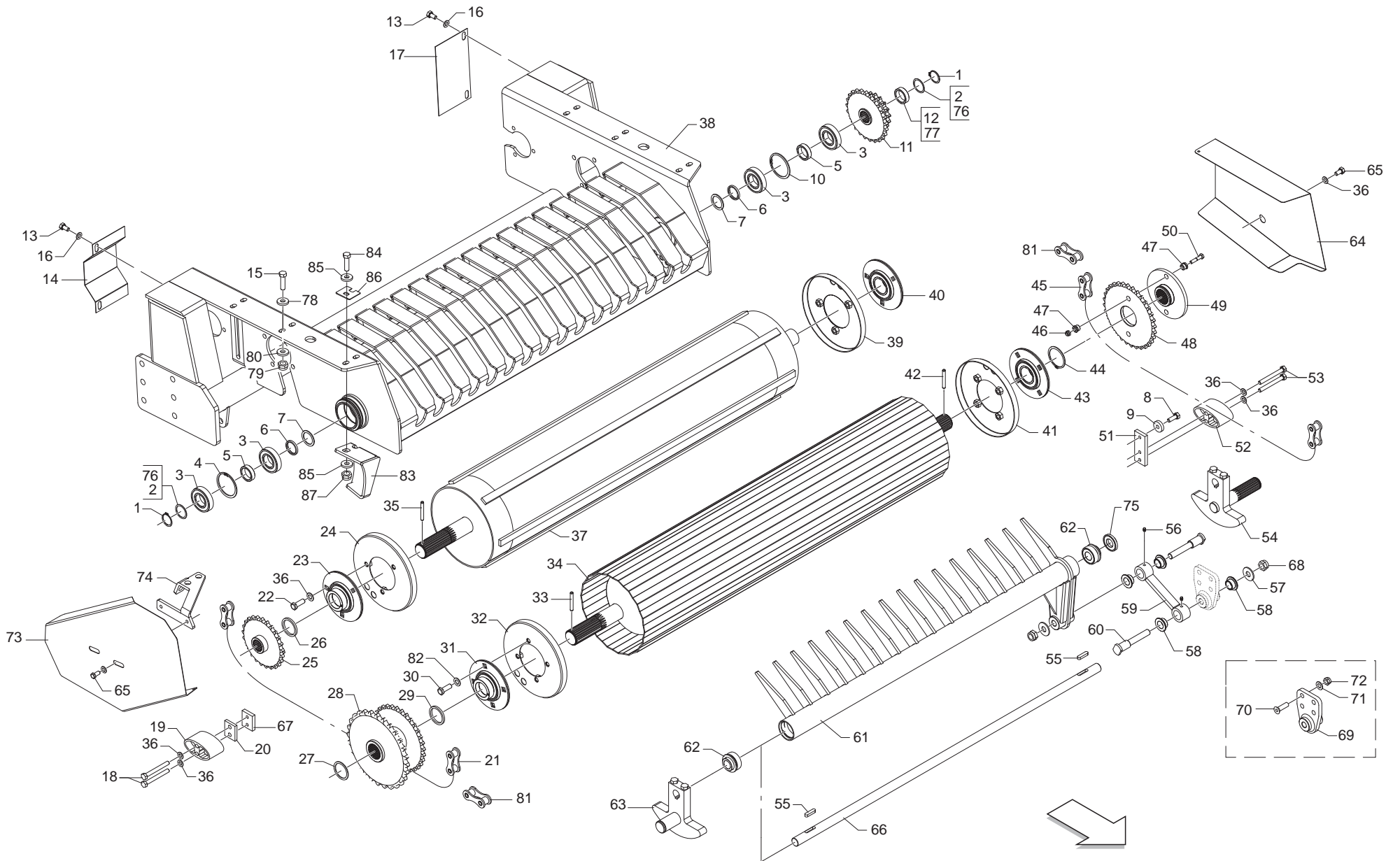
Pos.	Cod.	Descrizione	Description	Description	Benennung	Descripcion
1	B00920412	DADO M12X1,75 D985 8 ZN	NUT	ECROU	SELBSTSICHERNDE MUTTER M12-5S	
2	B00545168	OCCHIOLO PER TENDITORI M12-DX	EYELET M12	OEIL M12	OSE M12	
3	B01822744	MOLLA 49,5 SPIRE	SPRING 49,5 SPIRAL	RESSORT	FEDER	
4	F01020519	VITE M12X1,75X 60 U5739 8.8ZN	SCREW M12X1,75X 60 U5739 8.8ZN			
5	B07S00180	BRACCIO DISINNESTO	RELEASE LEVER	BRAS DE DECLENCHEMENT	ARM	
6	B02041509	CUSCINETTO 6002-2RS CAT.BST004	BEARING	ROULEMENT	LAGER	
7	B00500003	VITE PER CUSCINETTO DISINNESTO	SCREW FOR BEARING	VIS POUR ROULEMENT DEBRANCH.	SCHRAUBE FUER UNTERLAGE	
8	F02100124	SPINA E.P. 3X 12 U6873 C70 BR	PIN EL. 6X50 U6873 C70 BR	GOUJON 6X50 U6873 C70 BR	STIFT 6X50 U6873 C70 BR	ESPINA 6X50 U6873 C70 BR
9	B01700035	ANEL. D ARR. ALB. 35-E UNI3653	SEEGER RING	BAGUE SEEGER	SEEGERRING 35-E	
10	B02383517	CUSCINETTO LR207 2RS	BEARING LR207 2RS	ROULEMENT	LAGER	
11	B01522427	SPE.S. 35 47 2	SHIM	ENTRETOISE	SCHEIBE	
12	B03500020	ALBERO CATENARIA	CHAIN BAR	ARBRE	KETTENSTANGE	
13	B07S00154	PROT. ALBERO MOT.	MOTOR SHAFT GUARD	PROTECTION ARBRE MOTEUR	SCHUTZ MOTORWELLE	
14	B03000102	CATENA A5080 41 ATTACCHI	CHAIN	CHAINE	SATZ KETTE A5080	
15	B03000105	MAGLIA INTERNA CATENA A5080	INSIDE LINK FOR CHAIN	MAILLE ENTERIEUR CHAINE	KETTENVERBINDUNGSGLIED A5080	
16	B030B0015	GIUNTO CON COPIGL N.25 P50,8	CHAIN LINK	JOINT CHAINE	KETTENGLIED	
17	B030B0015	GIUNTO CON COPIGL N.25 P50,8	CHAIN LINK	JOINT CHAINE	KETTENGLIED	
18	B03000108	MAGLIA SPEC PER CATENA A5080	A5080 CHAIN SPECIAL LINK	MAILLON SPECIALE POUR CHAINE A	SPEZIALKETTENGLIED A5080	
19	B01300060	RALLA 60,5X94X4	FIFTH WHEEL	BUTEE	LAGERSCHALE 60,5X94X4	
20	B034P0150	INGRANAGGIO Z=12 3 NICHE	GEAR Z=12 3 NICHE			
21	B01300059	DISTANZIALE 45X54X15	SPACER	ENTRETOISE	DISTANZSTUECK 45X54X18	
22	B02354545	SUPP.FLANG. 45 ENTRY	FLANGED SUPP.TD045 CAST IRON	SUPPORT FLANGE	GEFLANSCHTES LAGER	
23	B00920412	DADO M12X1,75 D985 8 ZN	NUT	ECROU	SELBSTSICHERNDE MUTTER M12-5S	
24	B030B0015	GIUNTO CON COPIGL N.25 P50,8	CHAIN LINK	JOINT CHAINE	KETTENGLIED	
25	B07S00182	GUIDA SINISTRA CATENARIA	LEFT GUIDE	GUIDE GAUCHE CATENAIRE	FUEHRUNG LINKS	
26	B02046018	CUSC. 6012-2RS CAT.B-ST004	BEARING	ROULEMENT	LAGER	
27	B03500101	ALBERO MOT.	SHAFT	ARBRE MOTEUR	MOTORWELLE	
28	B01206060	LINGUETTA 14X 9X 60 U6604A	TANG	LANGUETTE	FEDERKEIL	
29	B07S00181	GUIDA DESTRA CATENARIA	RIGHT GUIDE	GUIDE DROITE CATENAIRE	FUEHRUNG RECHTS	
30	F01020472	VITE M10X1,5X25 U5739 8.8ZN	SCR. M10X1,5X25 U5739 8.8ZN	VIS M10X1,5X25 U5739 8.8 ZN	SCHRAUBE M10X1,5X25 U5739 8.8	TORNILLO 10X25 U5739 8.8 ZN
31	B01822744	MOLLA 49,5 SPIRE	SPRING 49,5 SPIRAL	RESSORT	FEDER	
32	B00545168	OCCHIOLO PER TENDITORI M12-DX	EYELET M12	OEIL M12	OSE M12	
33	F01200293	DADO M12X1,75 U5588 CL8 ZN	NUT M12X1,75 U5588 6S ZN	ECROU M12X1,75 U5588 6S ZN	MUTTER M12X1,75 U5588 6S ZN	TUERCA M12X1,75 U5588 6S ZN
34	B01206060	LINGUETTA 14X 9X 60 U6604A	TANG	LANGUETTE	FEDERKEIL	
35	F02100147	SPINA E.P. 8X60 U6873 BR	PIN EL. 8X60 U6873 C70 BR			
36	B02046018	CUSC. 6012-2RS CAT.B-ST004	BEARING	ROULEMENT	LAGER	
37	B01300060	RALLA 60,5X94X4	FIFTH WHEEL	BUTEE	LAGERSCHALE 60,5X94X4	
38	B034P0150	INGRANAGGIO Z=12 3 NICHE	GEAR Z=12 3 NICHE			
39	B01300059	DISTANZIALE 45X54X15	SPACER	ENTRETOISE	DISTANZSTUECK 45X54X18	
40	B02354545	SUPP.FLANG. 45 ENTRY	FLANGED SUPP.TD045 CAST IRON	SUPPORT FLANGE	GEFLANSCHTES LAGER	
41	B02044516	CUSC. 6009-2RS CAT.B-ST004	BEARING	ROULEMENT	LAGER	
42	B01300275	SPE.S. 45 55 1	SHIM 45 55 1	EPAISSEUR 45 55 1	ABSTANDSTUECK 45 55 1	
43	B03400043	INGR.DOPPIO Z30 22-1 CON INN	DOUBLE GEAR Z=30 22	ENGRENAGE	OPPELTE ZAHNRAD	
44	B01710075	ANEL. D ARR. FORO 75-I UNI3654	SEEGER RING	BAGUE SEEGER	SEEGERING	
45	B02044516	CUSC. 6009-2RS CAT.B-ST004	BEARING	ROULEMENT	LAGER	
46	B01300058	DISTANZIALE 45X60,3X22	SPACER	ENTRETOISE	DISTANZSTUECK 45X60,3X22	
47	B013P0359	MOZZO SCORREVOLE CON INNESTO	HUB SLIDING WITH JUNCTION			
48	B01547230	SPE.S. 45 62 2	SHIM	ENTRETOISE	SCHEIBE	
49	B03141076	CATENA RULLI ASA 80-1 76 MGL	ROLLER CHAIN	CHAINE ROULEAUX	KETTE WALZE ASA	
50	F01020521	VITE M12X1,75X65 U5739 8.8ZN	SCR. M12X1,75X65 U5739 8.8ZN	VIS M12X1,75X65 U5739 8.8ZN	SCHRAU.M12X1,75X65 U5739 8.8ZN	TORN.M12X1,75X65 U5739 8.8ZN
51	B01516038	RALLA 13 32 5	FIFTH WHEEL	BUTEE	SCHEIBE	
52	B0C6P1165	PIASTRINA 12 GALOPPINO ENTRY	TENSIONER PLATE 12 ENTRY			
53	B0314H081	CATENA RULLI A ASA80 H 81M	ROLLER CHAIN	CHAINE ROULEAUX	KETTE WALZE A	
54	F02050101	ANEL. D ARR. ALB. 25-E UNI3653	SEEGER RING	BAGUE SEEGER	SEEGERRING 25-E	
55	B01300104	SPE.S. 25,5 37 0,2	SHIM	ENTRETOISE	BEILAGSCHEIBE 25,5 37 0,2	
56	B00920412	DADO M12X1,75 D985 8 ZN	NUT	ECROU	SELBSTSICHERNDE MUTTER M12-5S	
57	B034P0059	CORONA Z=10-1 ASA80 F52	GEAR WHEEL			



**GRUPPO CATENARIA
CHAIN GROUP**

TAV_069

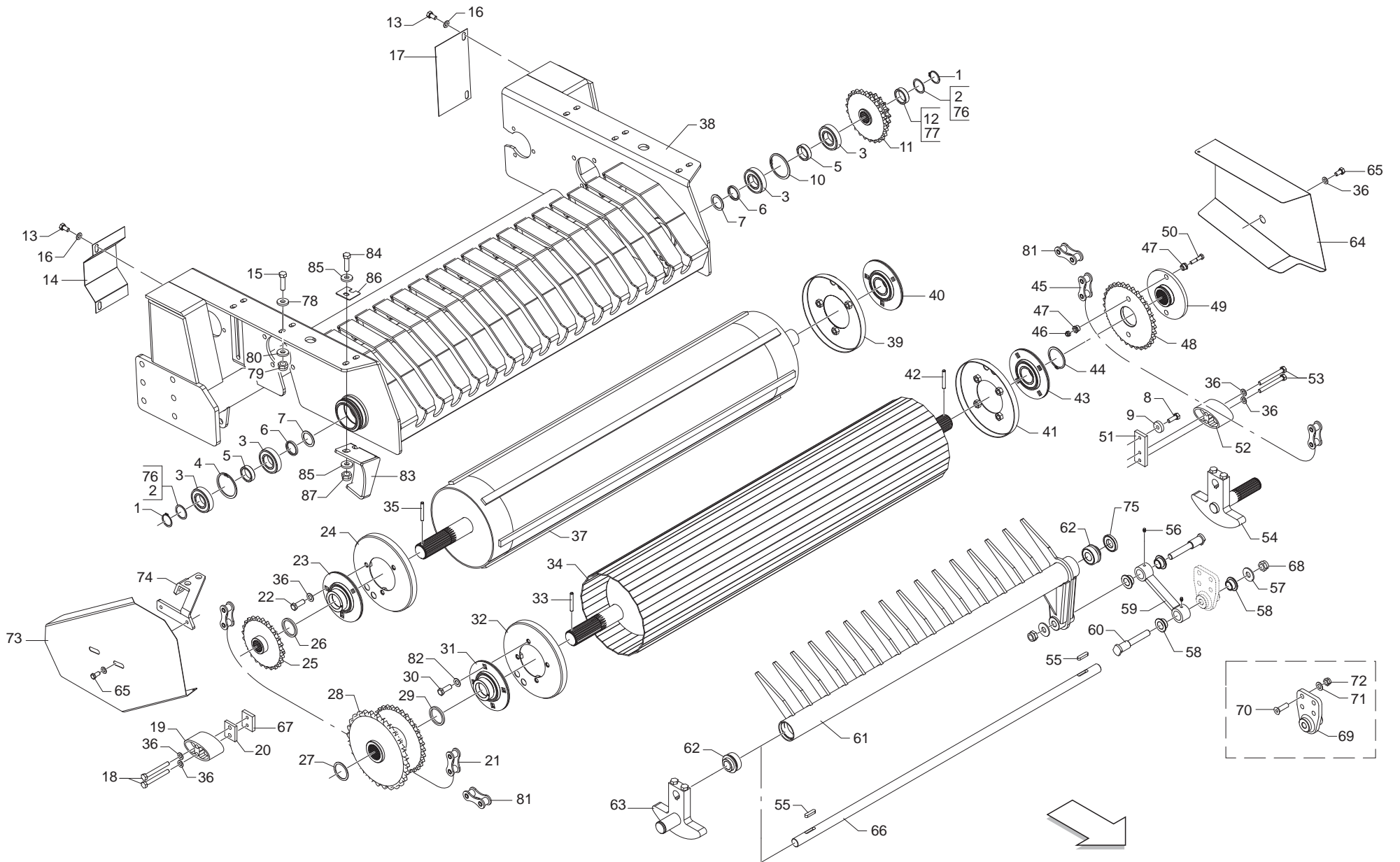
Pos.	Cod.	Descrizione	Description	Description	Benennung	Descripcion
58	F04010170	CUSC 6205-2RS CAT.A-ST004	BEARING	ROULEMENT	LAGER 6205-2RS	
59	B07S01321	BRACCIO TENDITORE DX	RIGHT TENSIONER ARM	BRAS TENDEUR DROIT	RECHTER SPANNARM	
60	B01300159	SPE.S. 25 37 2 ZINCATO	SHIM GALV	ENTRETOISE GALV	DISTANZSTUECK 25 37 2	
61	F01020512	VITE M12X1,75X35 U5739 8.8ZN	SCR. M12X1,75X35 U5739 8.8ZN	VIS M12X1,75X35 5739 8.8 ZN	SCHR. M12X1,75X35 5739 8.8 ZN	TORN. M12X1,75X35 5739 8.8 ZN
62	F01100012	ING.M 6X1 7663-B 9SMNPB28 ZB	SPHERE NIPPLE M6 17663-B ZB	GRAISSEUR A BILLES M6X1 7663-B	KUGELFETTB CHSE M6X1 7663-B ZB	ENGGRAS.M6X1 7663-B 9SMNPB28
63	F02050101	ANEL. D ARR. ALB. 25-E UNI3653	SEEGER RING	BAGUE SEEGER	SEEGERRING 25-E	
64	B0C004902	RINFORZO	STIFFENING	RENFORT	VERSTAERKUNG	
65	F01060040	VITE M8X1,25X25 U5732 4.6ZN	BOLT	BOLON	BOLZEN	
66	F01410051	ROS.M8 8,4X 17X1,6 U6592 ZN	WASHER M8 8,4X17X1,6 U6592 ZN	RONDELLE	SCHEIBE	
67	B00920208	DADO M8X1 D985 8ZN	NUT M8X1 D985 8ZN	ECROU	SELBSTSICHERNDE MUTTER M8-5S	
68	F01420120	ROS.M12 13X 36X2,5 U6593 ZN	WASHER	RONDELLE	SCHEIBE	
69	F01020512	VITE M12X1,75X35 U5739 8.8ZN	SCR. M12X1,75X35 U5739 8.8ZN	VIS M12X1,75X35 5739 8.8 ZN	SCHR. M12X1,75X35 5739 8.8 ZN	TORN. M12X1,75X35 5739 8.8 ZN
70	B013P0353	BUSSOLA BLOCCAGGIO 12-25-35	LOCKING COMPASS 12-25-35			
71	B0C6P1164	PIASTRINA M12 GALOPPINO ENTRY	TENSIONER PLATE M 12 ENTRY			
72	F02050034	ANELLO E. DE 15X 1 U7435 C70	ELASTIC RING DE 15X 1	BAGUE ELASTIQUE DE 15X 1	RING DE 15X 1	ANILLO DE 15X 1
73	F01230202	DADO M10X1,25 D985 8 ZN	SELF-LOCKING NUT	ECROU NYLSTOP	SELBSTSICHERNDE MUTTER M10-5S	
74	B01300101	SPE.S. 30,3 40 1 ZINCATO	SHIM GALV	ENTRETOISE GALV	DISTANZSTUECK 30,3 40 1	
75	B04200610	INGRASS.A SFERE M6X1 LUNGO	GREASE NIPPLE	GRAISSEUR HYDRAULIQUE	GERADER SCHMIERNIPPEL M6X1	
76	B07SP0878	ATTACCO INGRASSATORE	GREASE NIPPLE ATTACK			
77	B0H000259	RACCORDO M6X1 COMPLETO	FITTING OUT M6X1	RACCORD	KUPPLUNG M6X1	
78	B0H0P0105	TUBETTO IN RAME 4 L=150	COPPER PIPE 4 L=150			
79	B00181030	VITE M10X1,5 X 30 U5739 8.8ZN	SCREW	VIS	SCHRAUBE	
80	F01420060	ROS.M10 10,5X 30X2,5 U6593 ZN	WASHER	RONDELLE	SCHEIBE	
81	F01230202	DADO M10X1,25 D985 8 ZN	SELF-LOCKING NUT	ECROU NYLSTOP	SELBSTSICHERNDE MUTTER M10-5S	
82	B034P0059	CORONA Z=10-1 ASA80 F52	GEAR WHEEL			
83	F04010170	CUSC 6205-2RS CAT.A-ST004	BEARING	ROULEMENT	LAGER 6205-2RS	
84	F01410076	ROS.M12 13X 20X2,0 U1749 ZN	WASHER	RONDELLE	SCHEIBE	
85	F01200293	DADO M12X1,75 U5588 CL8 ZN	NUT M12X1,75 U5588 6S ZN	ECROU M12X1,75 U5588 6S ZN	MUTTER M12X1,75 U5588 6S ZN	TUERCA M12X1,75 U5588 6S ZN
86	B01300116	SPE.S. 35,5 47 1 ZINC.ST_013	SHIM	ENTRETOISE	DISTANZSTUECK 35,5 47 1	
87	F01230202	DADO M10X1,25 D985 8 ZN	SELF-LOCKING NUT	ECROU NYLSTOP	SELBSTSICHERNDE MUTTER M10-5S	
88	B031400A7	GIUNTO MOLL.N.26 ASA80-1	JOINT	JOINT	VERBINDUNGSGLIED ASA 80-1	
89	B031400H7	GIUNTO MOLL.N.26 ASA80 H	JOINT	JOINT	DICHTUNG	
90	B01300104	SPE.S. 25,5 37 0,2	SHIM	ENTRETOISE	BEILAGSCHEIBE 25,5 37 0,2	
91	B01300105	SPE.S. 25,5 37 0,5	SHIM	ENTRETOISE	DISTANZSTUECK 25,5 37 0,5	
92	F01420120	ROS.M12 13X 36X2,5 U6593 ZN	WASHER	RONDELLE	SCHEIBE	
93	F01200293	DADO M12X1,75 U5588 CL8 ZN	NUT M12X1,75 U5588 6S ZN	ECROU M12X1,75 U5588 6S ZN	MUTTER M12X1,75 U5588 6S ZN	TUERCA M12X1,75 U5588 6S ZN
94	B01300100	SPE.S. 30,3 40 0,5 ZINCATO	SHIM GALV	ENTRETOISE GALV	DISTANZSTUECK 30,3 40 0,5	



**INFALDATORE
FEEDING SYSTEM**

TAV_079

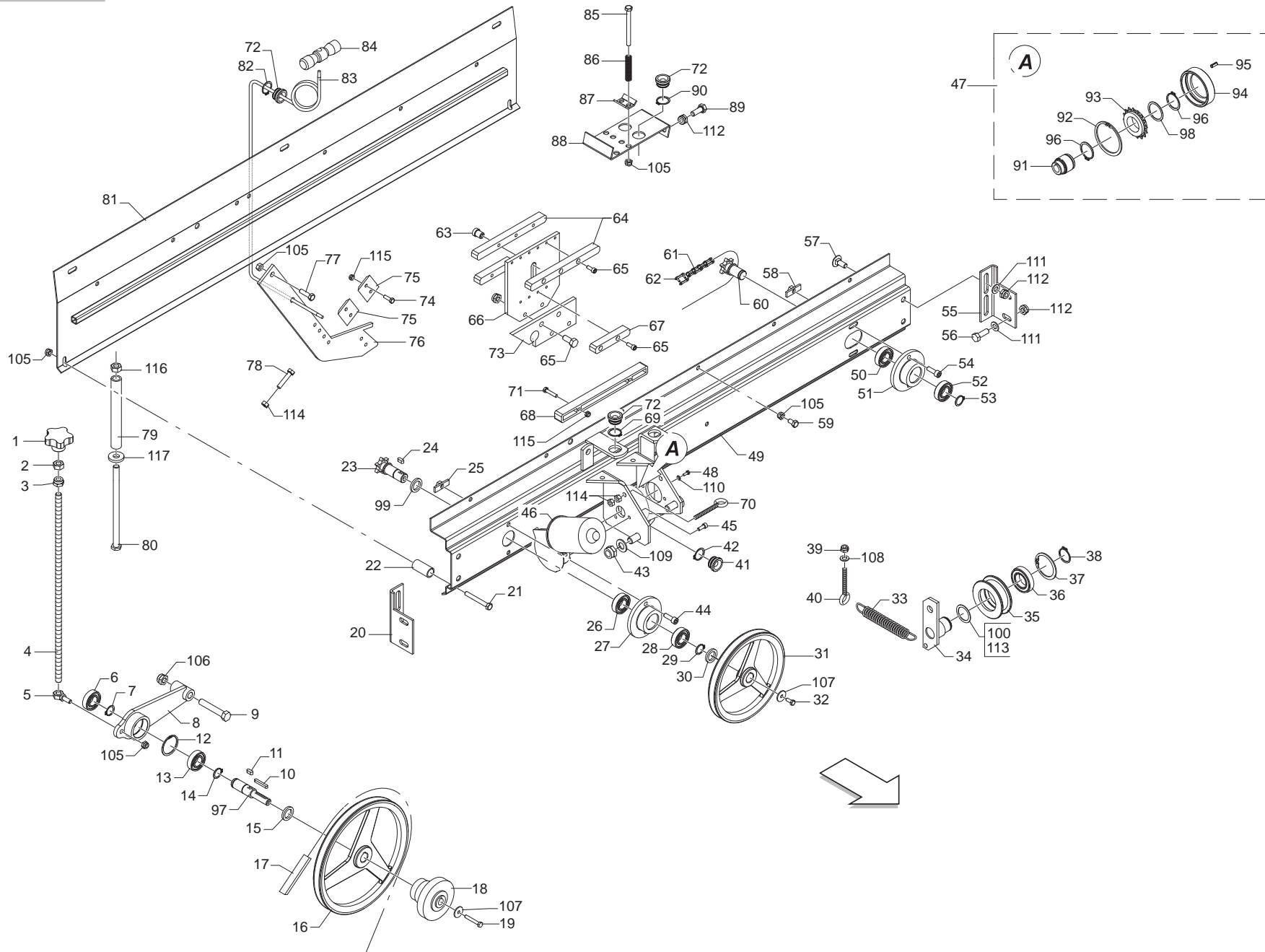
Pos.	Cod.	Descrizione	Description	Description	Benennung	Descripcion
1	F02050145	ANELLO E. DE 35X1,5 U7435 C70	SEEGER RING D.35	BAGUE SEEGER D.35	SEEGERRING D.35	ANILLO SEEGER D.35
2	B01534415	SPES. 35 43 0,5 ZINCATO	SHIM	ENTRETOISE	AUSGLEICHSCHLEIBE 35X43X0,5	
3	B02043517	CUSC. 6207-2RS CAT.B-ST004	BEARING	ROULEMENT	LAGER 6207-2RS	
4	F02050403	ANELLO E. DI 72X 2,5 U7437 C7	SEEGER RING E.72X2,5 U7437 C70	SEEGER E. 72X 2,5 U7437 C70	SEEGERING E. 72X 2,5 U7437 C70	ANILLO E. 72X 2,5 U7437 C70
5	B01300523	DISTANZIALE 35X 45X12,5	SPACER	ENTRETOISE	DISTANZSTUECK 35X45X12,5	
6	B01300605	DISTANZIALE 35X42X 5	SPACER	ENTRETOISE	DISTANZSTUECK 35X42X5	
7	B01522427	SPES. 35 47 2	SHIM	ENTRETOISE	SCHEIBE	
8	B00181030	VITE M10X1,5 X 30 U5739 8.8ZN	SCREW	VIS	SCHRAUBE	
9	B01301153	RALLA 10,5X32X8	FIFTH WHEEL 10.5X32X8			
10	F02050403	ANELLO E. DI 72X 2,5 U7437 C7	SEEGER RING E.72X2,5 U7437 C70	SEEGER E. 72X 2,5 U7437 C70	SEEGERING E. 72X 2,5 U7437 C70	ANILLO E. 72X 2,5 U7437 C70
11	B03400027	INGR. DOPPIO Z=25 17 CON MOZZO	DOUBLE GEAR Z=25 17	ENGRENAGE	DOPPELTE ZAHNRAD Z=254 17 C	
12	B01330957	DISTANZIALE 35-48-7	SPACER	ENTRETOISE	DISTANZSTUECK 35X48X7	
13	F01020470	VITE M10X1,5X20 U5739 8.8ZN	SCR. M10X1,5X20 U5739 8.8ZN	VIS M10X1,5X20 U5739 8.8 ZN	SCHRAUBE M10X1,5X20 U5739 ZN	TORNILLOM10X1,5X20 U5739 8.8ZN
14	B0C000564	CHIUSURA DX INFALDATORE	RIGHT-HAND LOCKUO FOR FEEDER	FERMETURE DROITE AMENEUR	SCHUSS RECHTS	
15	F01020154	VITE M12X1,75X45 U5737 8.8ZN	SCR. M12X1,75X45 U5737 8.8ZN	VIS M12X1,75X 45 U5737 8.8 ZN	SCHR.M12X1,75X 45 U5737 8.8 ZN	TORN.M12X1,75X 45 U5737 8.8 ZN
16	F01410062	ROS.M10 10,5X 18X 2 U6592 ZN	WASHER M10 10,5X 18X 2 U6592	RONDELLE M10 10,5X18X2 ZN	DICHTUNGSRING M10 10,5X18X2 ZN	RONDANA M10 10,5X18X2 ZN
17	B0C000565	CHIUSURA SX INFALDATORE	LEFT-HAND LOCKUP FOR FEEDER	FERMETURE GAUCHE AMENEUR	SCHUSS LINKS	
18	F01020128	VITE M10X1,5X80 U5737 8.8ZN	SCR. M10X1,5X80 U5737 8.8ZN	VIS M10X1,5X80 U5737 8.8 ZN	SCHRAU. M10X1,5X80 U5737 8.8ZN	TORNIL.M10X1,5X80 U5737 8.8 ZN
19	B07V00007	GALOPPINO OVALE TENDICATENA	GUIDE BLOCK	TENDEUR DE CHAINE	FUHRUNGSROLLE	
20	B0C001156	SPES. PER GALOPPINO OVALE	SPACER PER GALOPPINO OVALE			
21	B03111053	CATENA RULLI ASA 60-1 53 MGL	ROLLER CHAIN	CHAINE ROULEAUX	KETTE	
22	F01020479	VITE M10X1,5X35 U5739 8.8ZN	SCR. M10X1,5X35 U5739 8.8ZN	VIS M10X1,5X35 U5739 8.8 ZN	SCHR. M10X1,5X35 U5739 8.8 ZN	TORN. M10X1,5X35 U5739 8.8 ZN
23	B02353035	SUPPORTO FLANG.TONDO 35 LAMIER	BEARING FLANGED SUPPORT D.35	SUPPORT FLANGE	FLANSCHLAGER	
24	B07S00131	CALOTTA CON 3 DADI M10	CAP WITH 3 NUTS	CHAPEAU AVEC 3 ECROUS M10	HAUBE MIT 3 MUTTER	
25	B03400032	INGR. Z=25-3 4 ISO CON MOZZO	Z=25 GEAR 3 4 ISO WITH HUB	ENGRENAGE	ZAHNRAD Z=25 3 4 ISO	
26	B01300116	SPES. 35,5 47 1 ZINC.ST_013	SHIM	ENTRETOISE	DISTANZSTUECK 35,5 47 1	
27	B01523717	SPES. 45 55 1,8	SHIM	ENTRETOISE	SCHEIBE	
28	B03400153	INGR.DOPPIO Z=28-1 Z=25-3 4	DOUBLE GEAR Z=28 1	ENGRENAGE	DOPPELTER ZAHNRAD Z=28-1 Z=25	
29	B01523717	SPES. 45 55 1,8	SHIM	ENTRETOISE	SCHEIBE	
30	F01020512	VITE M12X1,75X35 U5739 8.8ZN	SCR. M12X1,75X35 U5739 8.8ZN	VIS M12X1,75X35 5739 8.8 ZN	SCHR. M12X1,75X35 5739 8.8 ZN	TORN. M12X1,75X35 5739 8.8 ZN
31	B02355045	SUPP.FLANG.TONDO 45 LAMIERA	FLANGED SUPPORT	SUPPORT FLANGE	GEFLANSCHTES LAGER	
32	B07S00130	CALOTTA CON 4 DADI M12	CAP WITH 4 NUTS	CHAPEAU AVEC 4 ECROUS M12	HAUBE MIT 4 MUTTER	
33	F02100147	SPINA E.P. 8X60 U6873 BR	PIN EL. 8X 60 U6873 C70 BR			
34	B07S00128	RULLO BUGNATO	RUTICATED ROLLER	ROULEAU BOSSAGE	WALZE	
35	F02100144	SPINA E.P. 8X 50 U6873 C70 BR	ELASTIC PIN 8X50 U6873 C70 BR	FICHE EL. D8 L50 D1481 C70 BR	SPANNSTIFT D8 L50 D1481 C70BR	CLAVIJA D8 L50 D1481 C70 BR
36	F01410062	ROS.M10 10,5X 18X 2 U6592 ZN	WASHER M10 10,5X 18X 2 U6592	RONDELLE M10 10,5X18X2 ZN	DICHTUNGSRING M10 10,5X18X2 ZN	RONDANA M10 10,5X18X2 ZN
37	B07S00132	RULLO AD ALETTE	ROLLER	ROULEAU A AILETTE	WALZE	
38	B07SP0302	TELAIO INFALDATORE ENTRY 150	FRAME INFALDATORE ENTRY 150			
39	B07S00131	CALOTTA CON 3 DADI M10	CAP WITH 3 NUTS	CHAPEAU AVEC 3 ECROUS M10	HAUBE MIT 3 MUTTER	
40	B02353035	SUPPORTO FLANG.TONDO 35 LAMIER	BEARING FLANGED SUPPORT D.35	SUPPORT FLANGE	FLANSCHLAGER	
41	B07S00130	CALOTTA CON 4 DADI M12	CAP WITH 4 NUTS	CHAPEAU AVEC 4 ECROUS M12	HAUBE MIT 4 MUTTER	
42	F02100147	SPINA E.P. 8X60 U6873 BR	PIN EL. 8X 60 U6873 C70 BR			
43	B02355045	SUPP.FLANG.TONDO 45 LAMIERA	FLANGED SUPPORT	SUPPORT FLANGE	GEFLANSCHTES LAGER	
44	F02050226	ANELLO E. DE 60X 2 U7435 C70	SEEGER RING E. 60X2 DIN 471 1	SEEGER E. 60X2 DIN 471 1	SEEGERING EL.E. 60X2 DIN471 1	ANILLO E. 60X2 DIN471 1
45	B03111060	CATENA RULLI A ASA 601 60MGL	ROLLER CHAIN ASA 601 60MGL	CHAINE ROULEAUX	KETTE WALZE ASA 60_1	
46	B00920208	DADO M8X1 D985 8ZN	NUT M8X1 D985 8ZN	ECROU	SELBSTSICHERNDE MUTTER M8-5S	
47	B00511057	BUSSOLA DI TRANCIAMENTO INFALD	BUSHING	BAGUE	BUCHSE	
48	B03400151	CORONA Z=32-3 4 CON FORI	RING GEAR	COURONNE	KRANZ	
49	B07S00568	FLANGIA CON MOZZO	FLANGE WITH HUB	FLASQUE AVEC MOYEU	FLANSCH MIT NABE	
50	F01020068	VITE M8X1,25X40 U5737 8.8ZN	SCR. M8X1,25X40 U5737 8.8ZN	VIS M 8X1,25X40 U5737 8.8 ZN	SCHRA. M8X1,25X40 U5737 8.8 ZN	TORNIL.M8X1,25X40 U5737 8.8 ZN
51	B0C6P0741	ATTACCO GALOPPINO ENTRY	PULLEY ATTACHMENT			
52	B07V00007	GALOPPINO OVALE TENDICATENA	GUIDE BLOCK	TENDEUR DE CHAINE	FUHRUNGSROLLE	
53	F01020128	VITE M10X1,5X80 U5737 8.8ZN	SCR. M10X1,5X80 U5737 8.8ZN	VIS M10X1,5X80 U5737 8.8 ZN	SCHRAU. M10X1,5X80 U5737 8.8ZN	TORNIL.M10X1,5X80 U5737 8.8 ZN
54	B07S00978	BIELLA MOTORE INFALDATORE	MOTOR CONNECTING ROD	BIELLE MOTEUR AMENEUR	RAFFER TREIBSTANGE	
55	B01000005	LINGUETTA TAGLIATA 8X7X23,5	CUT TAB 8X7X23,5	LANGUETTE 8X7X23,5	FEDERKEIL 8X7X23,5	
56	F01100011	ING.M 6X1 7663-A 9SMNPB28 ZN	GREASE NIPPLE M6X1 7663-A ZN	GRAISS. A BILLE M6X1 7663A ZN	SCHMIERBUECHE M6X1 7663-A ZN	ENGRAS. DE ESFE. M6X1 7663-AZN
57	B01300040	RALLA 16,2X40X3 OTTONE	FIFTH WHEEL	BUTEE	LAGERSCHALE 16,2X40X3	



**INFALDATORE
FEEDING SYSTEM**

TAV_079

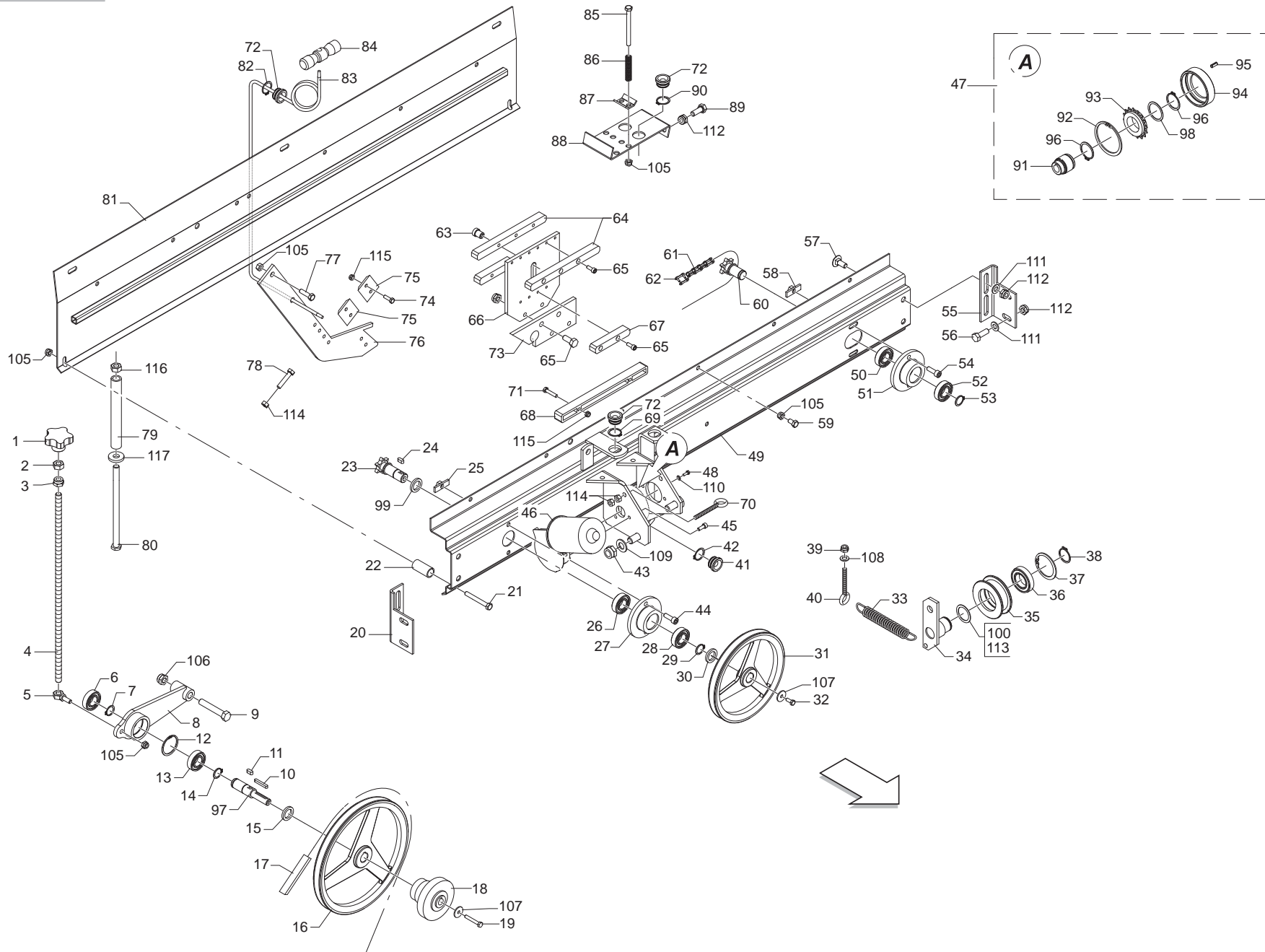
Pos.	Cod.	Descrizione	Description	Description	Benennung	Descripion
58	B02500002	BUSSOLA NYLON INFAL.22X28X16,5	BUSH NYLON 22X28X16,5	DOUILLE	NYLONBUCHSE	
59	B07S00966	BIELLA INFALDATORE	FEEDER CONNECTING ROD	BIELLE AMENEUR	RAFFERPLEUELSTANGE	
60	B03500017	PERNO BIELLA INFALDATORE	CONNECTING ROD PIN ENTRY120	TOURILLON BIELLE	PLEUELZAPFEN	
61	B07S00983	INFALDATORE NL	FEEDER	AMENEUR	RAFFER	
62	F04010426	CUSCINETTO INA RAE 25 NPPB	BEARING INA RAE 25 NPPB			
63	B07S00979	BIELLA FOLLE INFALDATORE	IDLE CONNECTING ROD	BIELLE FOLLE AMENEUR	RAFFER UMLENKSTANGE	
64	B0C001286	CARTER FF20	CASE FF20	CARTER FF 20	GEHAUSE FF20	
65	F01020470	VITE M10X1,5X20 U5739 8.8ZN	SCR. M10X1,5X20 U5739 8.8ZN	VIS M10X1,5X20 U5739 8.8 ZN	SCHRAUBE M10X1,5X20 U5739 ZN	TORNILLOM10X1,5X20 U5739 8.8ZN
66	B03500038	ALBERO INFALDATORE	FEEDER SHAFT	ARBRE AMENEUR	RAFFER ANTRIEBSWELLE	
67	B0C000539	ATTACCO TENDITORE	ATTACK TENSIONER			
68	B00920516	DADO M16X 1,5 D985 6S ZN	NUT M16X1,5 D985 6S ZN	ECROU	SELBSTSICHERNDE MUTTER M16-5S	
69	B07SP0261	ATTACCO BIELLA INFALDATORE	ATTACHEMENT	ATELAGE	RAFFERANSCHLUSS	
70	F01030232	VITE M12X1,75X35 U5933 10.9ZN	SCREW M12X1,75X35 U5933 10.9ZN			
71	F01410076	ROS.M12 13X 20X2,0 U1749 ZN	WASHER	RONDELLE	SCHEIBE	
72	B00920412	DADO M12X1,75 D985 8 ZN	NUT	ECROU	SELBSTSICHERNDE MUTTER M12-5S	
73	B0C000575	CARTER DX INFALDATORE	RIGHT-HAND CASE FOR FEEDER	CARTER DROIT AMENEUR	GEHAUSER RECHTS	
74	B0C000566	SOSTEGNO CARTER DX INFALDATORE	SUPPORT FOR RIGHT-HAND CASE			
75	B0C6P1263	RALLA PERNO INFALD.	WASHER	BUTEE	SCHEIBE	
76	B01534416	SPE. 35 43 1 ZINCATO	SHIM	ENTRETOISE	AUSGLEICHSCHEIBE 35X43X1	
77	B01300523	DISTANZIALE 35X 45X12,5	SPACER	ENTRETOISE	DISTANZSTUECK 35X45X12,5	
78	B01516038	RALLA 13 32 5	FIFTH WHEEL	BUTEE	SCHEIBE	
79	B00920412	DADO M12X1,75 D985 8 ZN	NUT	ECROU	SELBSTSICHERNDE MUTTER M12-5S	
80	F01410076	ROS.M12 13X 20X2,0 U1749 ZN	WASHER	RONDELLE	SCHEIBE	
81	B030G0021	GIUNTO DOPPIA COPP.ISO 12 B-1	DOUBLE JOINT			
82	F01410076	ROS.M12 13X 20X2,0 U1749 ZN	WASHER	RONDELLE	SCHEIBE	
83	B07SP0879	STAFFA FINECORSO PICK_UP 150	PICK_UP LIMIT SWITCH BRACKET			
84	F01020510	VITE M12X1,75X30 U5739 8.8ZN	SCR. M12X1,75X30 U5739 8.8ZN	VIS M12X1,75X30 U5739 8.8ZN	SCHRAU.M12X1,75X30 U5739 8.8ZN	TORN. M12X1,75X30 U5739 8.8ZN
85	B01516038	RALLA 13 32 5	FIFTH WHEEL	BUTEE	SCHEIBE	
86	B0C6P1169	SPESSORE STAFFA F.C. PICK-UP	THICKNESS BRACKET PICK-UP			
87	B00920412	DADO M12X1,75 D985 8 ZN	NUT	ECROU	SELBSTSICHERNDE MUTTER M12-5S	



**LEGATORE FILO
TWINE BINDER**

TAV_090

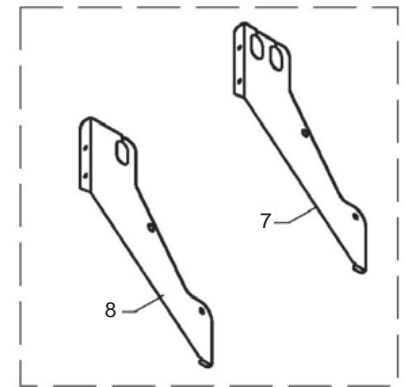
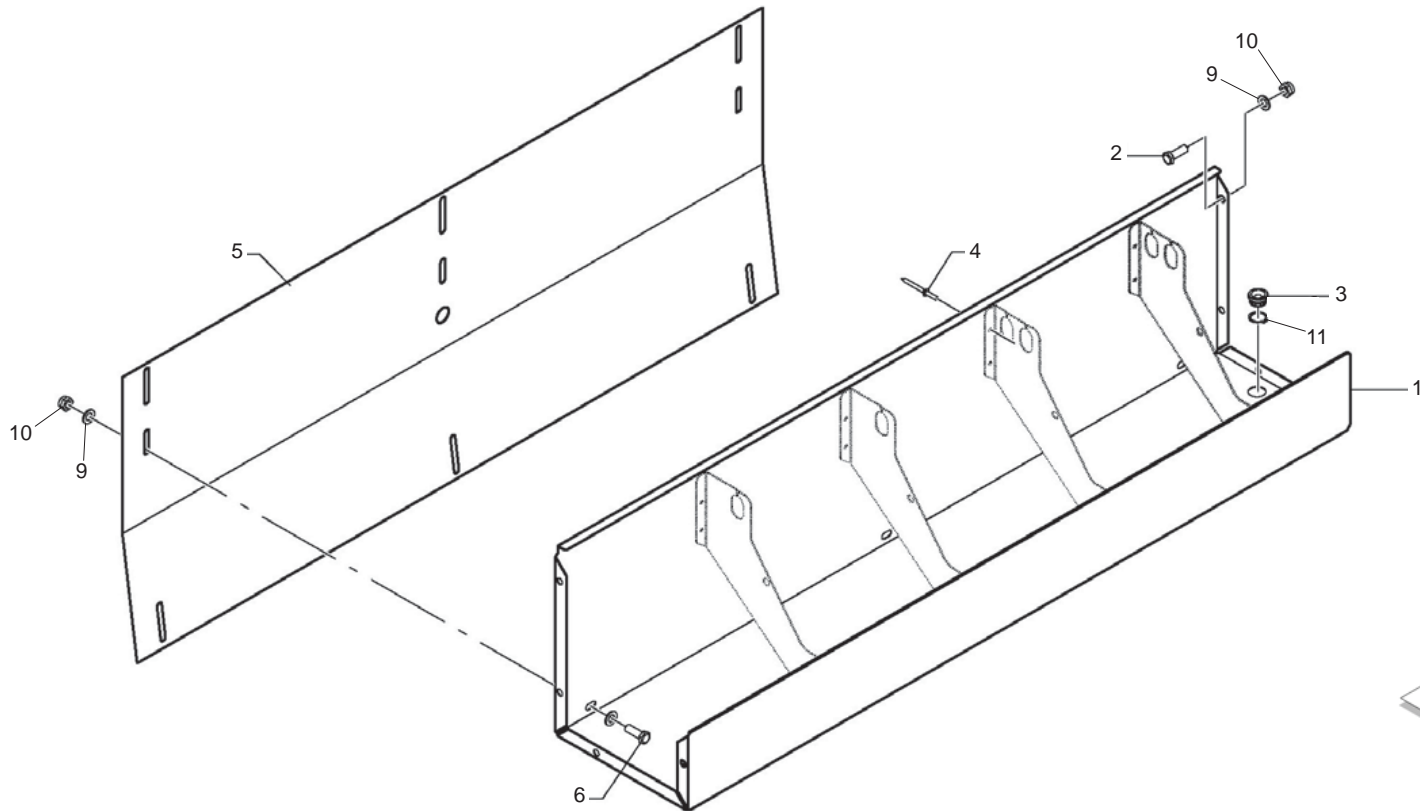
Pos.	Cod.	Descrizione	Description	Description	Benennung	Descripcion
1	B07V00014	VOLANTINO M12 FEMM. ELESA	HANDWHEEL	VOLAN M12 FEM. ELESA	HANDRAD	
2	F01200293	DADO M12X1,75 U5588 CL8 ZN	NUT M12X1,75 U5588 6S ZN	ECROU M12X1,75 U5588 6S ZN	MUTTER M12X1,75 U5588 6S ZN	TUERCA M12X1,75 U5588 6S ZN
3	B00920412	DADO M12X1,75 D985 8 ZN	NUT	ECROU	SELBSTSICHERNDE MUTTER M12-5S	
4	B00500002	ASTA TENDITR BRACCIO VARIATORE	TIGHTENER BAR	BARRE TENDEUR BRAS VARIATEUR	STANGE	
5	B07S00173	VITE CON DADO	SCREW WITH NUT	VIS AVEC ECROU	SCHRAUBE MIT MUTTER	
6	B02042012	CUSC 6004-2RS CAT.B-ST004	BEARING	ROULEMENT	LAGER	
7	B01700020	ANEL. D ARR. ALB. 20-E UNI3653	SEEGER RING	BAGUE SEEGER	SEEGERRING 20-E	
8	B07S00162	BRACCIO PULEGGIE	PULLEY BRACKET	BRAS POULIES	BUEGELSCHIEBE ARM	
9	F01020164	VITE M12X1,75X70 U5737 8.8ZN	SCREW M12X1,75X70 U5737 8.8ZN	VIS M12X1,75X70 U5737 8.8 ZN	SCHR. M12X1,75X70 U5737 8.8 ZN	TORN. M12X1,75X70 U5737 8.8 ZN
10	B01201036	LINGUETTA 5X5X36 UNI 6604 FA64	TANG	LANGUETTE	FEDERKEIL	
11	B01202015	LINGUETTA 6X 6X 14 U6604A	TANG	LANGUETTE	FEDERKEIL	
12	B01710042	ANEL. D ARR. FORO 42-I UNI3654	SEEGER RING	BAGUE SEEGER	SEEGERRING 45-I	
13	B02042012	CUSC 6004-2RS CAT.B-ST004	BEARING	ROULEMENT	LAGER	
14	B01700020	ANEL. D ARR. ALB. 20-E UNI3653	SEEGER RING	BAGUE SEEGER	SEEGERRING 20-E	
15	F01410124	ROS.M20 21X 37X 3 U6592 ZN	WASHER M20 21X 37X 3 U6592 ZN	RONDEL.M20 21X 37X 3 U6592 ZN	MUTTER M20 21X 37X 3 U6592 ZN	ARANDELA M20 21X37X3 U6592 ZN
16	B03800006	PULEGGIA IN ALLUMINIO DP=250	PULLEY	POULIE	BUEGELSCHIEBE DP=250	
17	B03800007	CINGHIA SINGOLA SEZ.A 39	BELT	COURROIE SINGLE	GUERTEL	
18	B03800008	PULEG. VARIAB VAR 90 AR F14DIT	VARIABLE PULLEY	POULIE VARIABLE	BUEGELSCHIEBE	
19	F01020413	VITE M6X1X40 U5739 8.8ZN	SCR. M6X1X40 U5739 8.8ZN	VIS M 6X1X40	SCHRAUBE M 6X1X40	TORNILLO M 6X1X40
20	B0C000912	ATTACCO LEGATORE DX	TYING UNIT RIGHT ATTACHMENT	ATTELAGE KIT LIAGE DROITE	BINDUNGANSCHLUSS RECHTS	
21	B00190865	VITE M 8X1,25X 65 U5737 8.8ZN	SCREW	VIS	SCHRAUBE	
22	B01300085	DISTANZIALE 16,7X 21,3X 43	SPACER	ENTRETOISE	DISTANZSTUECK 16,7X21,3X43	
23	B03400045	INGR. Z=6 ; 5 8	Z=6-5 8 GEAR	ENGRENAGE	ZAHNRAD	
24	B01202015	LINGUETTA 6X 6X 14 U6604A	TANG	LANGUETTE	FEDERKEIL	
25	B07S00359	BLOCCAGGIO SUPPORTINO	SMALL SUPPORT LOCK	BLOCAGE SUPPORT	SPERREN DES KLEINEN HALTERS	
26	B02042012	CUSC 6004-2RS CAT.B-ST004	BEARING	ROULEMENT	LAGER	
27	B01300057	MOZZO LEGATORE FILO	HUB FOR TWINE WRAP	MOYEU KIT LIAGE A FICELLE	NABE	
28	B02042012	CUSC 6004-2RS CAT.B-ST004	BEARING	ROULEMENT	LAGER	
29	F02050078	ANELLO E. DE 20X 1,2 U7435 C7	SEEGER RING E. 20X1,2 7435 C70	SEEGER 20X 1,2 U7435 C70	SEEGER E. 20X 1,2 U7435 C70	
30	B01300170	RALLA 20 30 4	FIFTH WHEEL	BUTEE	LAGERSCHALE 20 30 4	
31	B03800005	PULEGGIA IN ALLUMINIO DP=200	PULLEY	POULIE	BUEGELSCHIEBE DP=200	
32	B00180615	VITE TE UNI5739 8,8 M6X16 ZN B	SCREW	VIS	SCHRAUBE	
33	B01829751	MOLLA	SPRING	RESSORT	FEDER	
34	B07S00163	PERNO GALOPPINO FOLLE	GUIDE PULLEY PIN	TOURILLON TENDEUR FOU	BOLZEN DER LEEREN LEITROLLE	
35	B02700018	GALOPPINO FOLLE	GUIDE	ENGRANAGE	LEITROLLE	
36	B02043013	CUSC 6006-2RS CAT.B-ST004	BEARING	ROULEMENT	LAGER	
37	F02050527	ANELLO E. DI 55X 2 U7437 C70	SEEGER RING DI 55X 4 U7437 C			
38	F02050112	ANEL. D ARR. ALB. 30-E UNI3653	SEEGER RING	BAGUE SEEGER	SEEGERRING 30-E	
39	B00710208	DADO M 8X1,25 U5588 6.8 ZN	NUT	ECROU	MUTTER M8-6S	
40	B00500004	OCCHIOLO PER TENDIT. M8X80 DX	GUIDE FOR TENSIONER M8X60 RIGH	OEIL POUR TENDEUR M8X60 DROIT	GARNOESE	
41	B03500097	BUSSOLA PASSAGGIO SPAGO	TWINE GUIDE BUSH	DOUILLE PASSAGE FICELLE	SCHNURFUEHRUNGSBUCHSE	
42	F02050101	ANEL. D ARR. ALB. 25-E UNI3653	SEEGER RING	BAGUE SEEGER	SEEGERRING 25-E	
43	B00920514	DADO M14X 2 D985 8 ZN	NUT	ECROU	SELBSTSICHERNDE MUTTER M14-5S	
44	B00400825	VITE M8X1,25X25 U5931 10.9ZD	SCREW	VIS	SCHRAUBE	
45	F01040060	VITE M6X1X14 U5931 8.8ZN	SCREW M6X1X14 U5931 8.8ZN	VIS M6X1X14 U5931 8.8ZN	SCHRAUBE M6X1X14 U5931 8.8ZN	TORNILLO M6X1X14 U5931 8.8ZN
46	B0E0P0055	MOTORID. L.FILO L.RETE ENTRY	GEARMOTOR	MOTOREDUCTEUR	GETRIEBEMOTOR	
47	B07MP0070	NUOVA RUOTA MOTRICE	NEW TRACTOR WHEEL	NOUVELLE ROUE MOTRICE	NEUES ANTRIERAD	
48	F01020362	VITE M4X0,7X12 U5739 8.8ZN	SCR. M4X0,7X12 U5739 8.8ZN	VIS 4X12 5739 8.8 G ZN	SCHRAUBE 4X12 5739 8.8 G ZN	TORNILLO 4X12 5739 8.8 G ZN
49	B07SP0204	NUOVA TRAVERSA ANT. FILO	TWINE FRONT NEW CROSS BAR	NOUVELLE ENTRETOISE	NEUER QUERBALKEN	
50	B02042012	CUSC 6004-2RS CAT.B-ST004	BEARING	ROULEMENT	LAGER	
51	B01300057	MOZZO LEGATORE FILO	HUB FOR TWINE WRAP	MOYEU KIT LIAGE A FICELLE	NABE	
52	B02042012	CUSC 6004-2RS CAT.B-ST004	BEARING	ROULEMENT	LAGER	
53	B01700020	ANEL. D ARR. ALB. 20-E UNI3653	SEEGER RING	BAGUE SEEGER	SEEGERRING 20-E	
54	B00400825	VITE M8X1,25X25 U5931 10.9ZD	SCREW	VIS	SCHRAUBE	
55	B0C000913	ATTACCO LEGATORE SX	LEFT-HAND TYING ATTACHMENT	ATTELAGE KIT LIAGE GAUCHE	BINDUNGANSCHLUSS LINKS	
56	B00181030	VITE M10X1,5 X 30 U5739 8.8ZN	SCREW	VIS	SCHRAUBE	
57	B00321025	VITE TTQST M10X 25-4.6 UNI 573	SCREW	VIS	SCHRAUBE	



**LEGATORE FILO
TWINE BINDER**

TAV_090

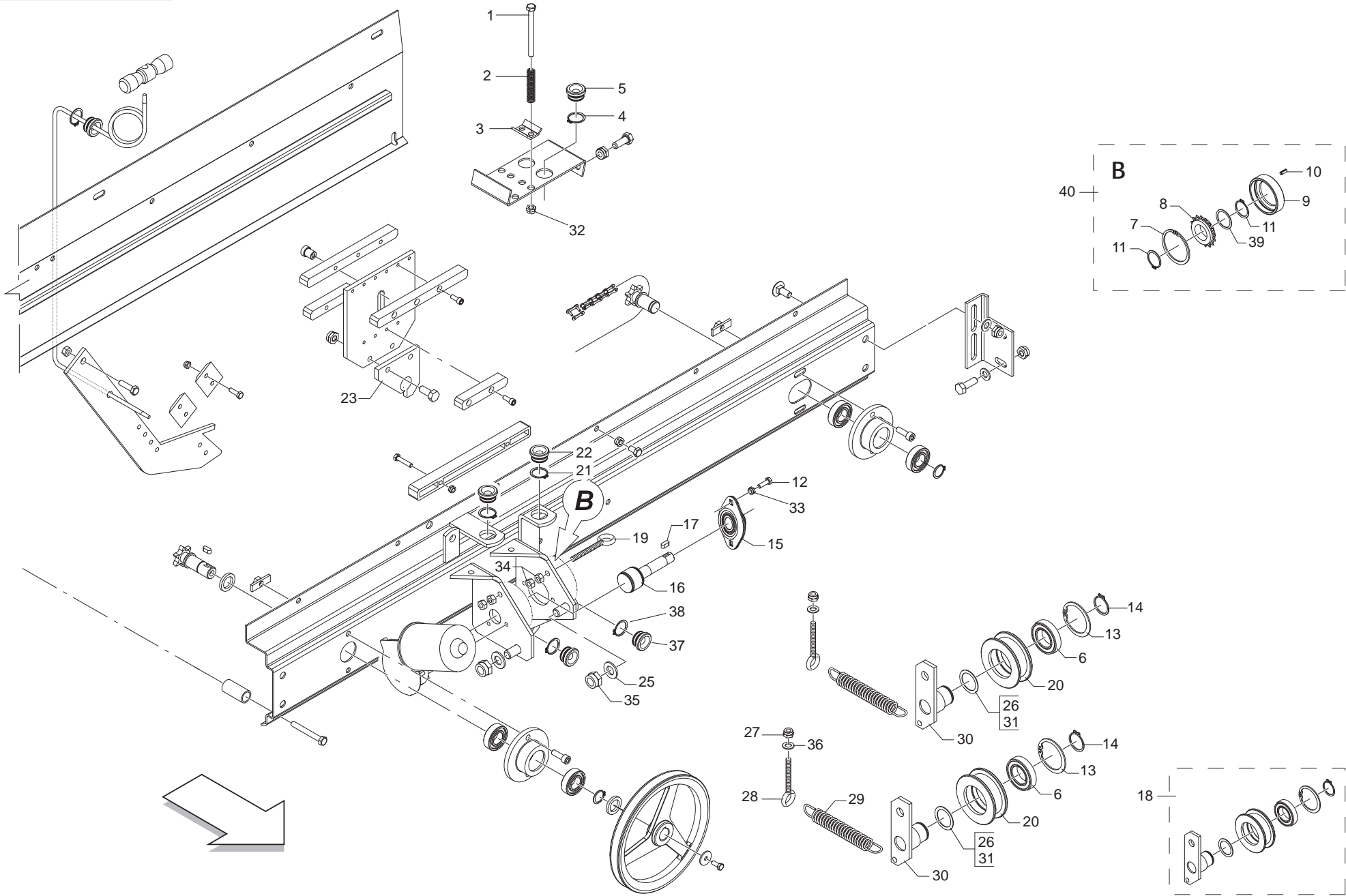
Pos.	Cod.	Descrizione	Description	Description	Benennung	Descripcion
58	B07S00359	BLOCCAGGIO SUPPORTINO	SMALL SUPPORT LOCK	BLOCAGE SUPPORT	SPERREN DES KLEINEN HALTERS	
59	F01020432	VITE M8X1,25X16 U5739 8.8ZN	SCR. M8X1,25X16 U5739 8.8ZN	VIS M8 X1,25X16 U5739 8.8 ZN	SCHRAUBE M8X1,25X16U5739 8.8ZN	TORNILLO M8X1,25X16U5739 8.8ZN
60	B03400044	INGR. Z= 6-5 8 FOLLE LEGATORE	Z=6-5 8 GEAR	ENGRENAGE	ZAHNRAD	
61	B03000101	CATENA 5 8 X3 8 CON 1 PERNO	CHAIN	CHAINE	KETTE 5 8 X3 8	
62	B03020007	MAGLIA GIU N.26 ISO 10B 1 5 8	JOINT LINK	MAILLE	SCHARKEL	
63	B03500098	RULLINO DI SCORRIMENTO	SLIPPING LITTLE ROLL	ROULEAU DE COULISSEMENT	KLEINE WALZE	
64	B07V00008	GUIDA LUNGA CARRELLO	LONG SHOPPING GUIDE	GUIDE LONGUE CHARRIOT	LANGE FUEHRUNG	
65	F01040060	VITE M6X1X14 U5931 8.8ZN	SCREW M6X1X14 U5931 8.8ZN	VIS M6X1X14 U5931 8.8ZN	SCHRAUBE M6X1X14 U5931 8.8ZN	TORNILLO M6X1X14 U5931 8.8ZN
66	B0C000497	CORPO CORSOIO	SLIDER BODY			
67	B07V00010	GUIDA CORTA CARRELLO	SHORT SHOPPING GUIDE	GUIDE COURTE CHARRIOT	KURZE FUEHRUNG	
68	B07V00009	GUIDA CENTRALE CARRELLO	GUIDE	GUIDE CENTRALE CHARRIOT	FUEHRUNG	
69	F02050101	ANEL. D ARR. ALB. 25-E UNI3653	SEEGER RING	BAGUE SEEGER	SEEGERRING 25-E	
70	B00500004	OCCHIOLO PER TENDIT. M8X80 DX	GUIDE FOR TENSIONER M8X60 RIGH	OEIL POUR TENDEUR M8X60 DROIT	GARNOESE	
71	F01020037	VITE M6X1X30 U5737 8.8ZN	SCR. M6X1X30 U5737 8.8ZN	VIS M6X1X30 U5737 8.8ZN	SCRAU. M6X1X30 U5737 8.8ZN	TORN. M6X1X30 U5737 8.8ZN
72	B03500097	BUSSOLA PASSAGGIO SPAGO	TWINE GUIDE BUSH	DOUILLE PASSAGE FICELLE	SCHNURFUEHRUNGSBUCHSE	
73	B0C6P0212	TERMINALE PASSAGGIO FILO BASE	BASE TWINE PASSING CABLEHEAD	TERMINAL PASSAGE FICELLE BASE	ENDKABEL	
74	B00180620	VITE M6X1X20 U5739 8.8ZN	SCREW	VIS	SCHRAUBE	
75	B07329505	LAMA LEGATORE FILO RETE	KNIFE	COUTAU	KLINGE SCHNEIDE	
76	B0C4P0089	PORTALAME	BLADE HOLDER	PORTE-LAMES	KLINGENTRAEGER	
77	F01020445	VITE M8X1,25X30 U5739 8.8ZN	SCR. M8X1,25X30 U5739 8.8ZN	VIS M 8X1,25X30 U5739 8.8 ZN	SCHRAU. M8X1,25X30 U5739 8.8ZN	TORN. M8X1,25X30 U5739 8.8 ZN
78	B00180835	VITE M8X1,25X 35 U5739 8.8ZN	SCREW	VIS	SCHRAUBE	
79	B0C000914	DISTANZIALE	SPACER	ENTRETOISE	DISTANZSTUECK	
80	F01020190	VITE M12X1,75X200 U5737 8.8ZN	SCREW M12X1,75X200 U5737 8.8ZN			
81	B07S00175	COPERCHIO POST. LEG.FILO	REAR CAP	COUVERCLE POSTERIEUR LIAGE A F	DECKEL	
82	F02050101	ANEL. D ARR. ALB. 25-E UNI3653	SEEGER RING	BAGUE SEEGER	SEEGERRING 25-E	
83	B09960005	FUNE NYLON 5MM TRECCIA ELICOID	NYLON ROPE 5MM			
84	B07V00030	MANOPOLA PER FUNE	WIRE HANDLE	POGNEE POUR CABLE	GRIFF FUER LEINE	
85	B00190890	VITE M 8X1,25X 90 U5737 8.8ZN	SCREW	VIS	SCHRAUBE	
86	B01812161	MOLLA C FILO 1 L=68,5	SPRING	RESSORT	FEDER	
87	B0C630434	FRENA SPAGO	TWINE BRAKE	PINCE FICELLE	GARNBREMSE	
88	B0C000549	BASE FRENA SPAGO	TWINE DAMPER BASE	BASE ARRETE FICELLE	BASIS	
89	B00181030	VITE M10X1,5 X 30 U5739 8.8ZN	SCREW	VIS	SCHRAUBE	
90	F02050101	ANEL. D ARR. ALB. 25-E UNI3653	SEEGER RING	BAGUE SEEGER	SEEGERRING 25-E	
91	B035P0054	PERNO STELLINO MOT. ELET.	PIVOT	PIVOT	ZAPFEN ELEKTR. MOTOR	
92	B01710072	ANEL. D ARR. FORO 72-I UNI3654	SEEGER RING	BAGUE SEEGER	SEEGERRING 72-I	
93	B03400050	STELLINO Z16-1 2 RUOTA LIB.	GEAR Z=16-1 2	ETOILE	FREILAUFRAD	
94	B01300086	ANELLO MOT. FILO	RING	ANNEAU MOTEUR FIL	RING	
95	B01110615	SPINA ELAST. 6X 15 SS DIN 1481	PIN	GOUPILLE	STIFT	
96	B01700035	ANEL. D ARR. ALB. 35-E UNI3653	SEEGER RING	BAGUE SEEGER	SEEGERRING 35-E	
97	B03500121	PERNO PULEGGIE	PULLEY PIVOT	TOURILLON POULIES	BOLZEN DER BUEGELSCHEIBE	
98	B01534416	SPES. 35 43 1 ZINCATO	SHIM	ENTRETOISE	AUSGLEICHSCHEIBE 35X43X1	
99	B01300170	RALLA 20 30 4	FIFTH WHEEL	BUTEE	LAGERSCHALE 20 30 4	
100	B01300153	SPES. 30 40 2 ZINCATO	SHIM GALV	ENTRETOISE GALV	DISTANZSTUECK 30 40 2	
105	B00920208	DADO M8X1 D985 8ZN	NUT M8X1 D985 8ZN	ECROU	SELBSTSICHERNDE MUTTER M8-5S	
106	B00920412	DADO M12X1,75 D985 8 ZN	NUT	ECROU	SELBSTSICHERNDE MUTTER M12-5S	
107	B014B0620	ROS.M6 6,4X 24X 2 U6593 ZN	WIDE BAND WASHER	RONDELLE BANDE LARGE	SCHEIBE	
108	F01410051	ROS.M8 8,4X 17X1,6 U6592 ZN	WASHER M8 8,4X17X1,6 U6592 ZN	RONDELLE	SCHEIBE	
109	F01410088	ROS.M14 15X 28X2,5 U6592 ZN	WAS.M14 15X 28X2,5 U6592 ZB	RON.M14 15X 28X2,5 U6592 ZB	SCH.M14 15X 28X2,5 U6592 ZB	ARA.M14 15X 28X2,5 U6592 ZB
110	B014B0420	ROS.M4 4,3X 16X 1 U6593 ZN	WIDE BAND WASHER 4X16	RONDELLE	RING 4X16	
111	F01410062	ROS.M10 10,5X 18X 2 U6592 ZN	WASHER M10 10,5X 18X 2 U6592	RONDELLE M10 10,5X18X2 ZN	DICHTUNGSRING M10 10,5X18X2 ZN	RONDANA M10 10,5X18X2 ZN
112	F01230202	DADO M10X1,25 D985 8 ZN	SELF-LOCKING NUT	ECROU NYLSTOP	SELBSTSICHERNDE MUTTER M10-5S	
113	B01300101	SPES. 30,3 40 1 ZINCATO	SHIM GALV	ENTRETOISE GALV	DISTANZSTUECK 30,3 40 1	
114	B00710208	DADO M 8X1,25 U5588 6.8 ZN	NUT	ECROU	MUTTER M8-6S	
115	B00920106	DADO M6X1 D985 8ZN	NUT	ECROU	SELBSTSICHERNDE MUTTER M6-5S	
116	F01200293	DADO M12X1,75 U5588 CL8 ZN	NUT M12X1,75 U5588 6S ZN	ECROU M12X1,75 U5588 6S ZN	MUTTER M12X1,75 U5588 6S ZN	TUERCA M12X1,75 U5588 6S ZN
117	B01516038	RALLA 13 32 5	FIFTH WHEEL	BUTEE	SCHEIBE	



**LEGATORE FILO: CASSONETTO
TWINE BINDER: TWINE BOX**

TAV_100

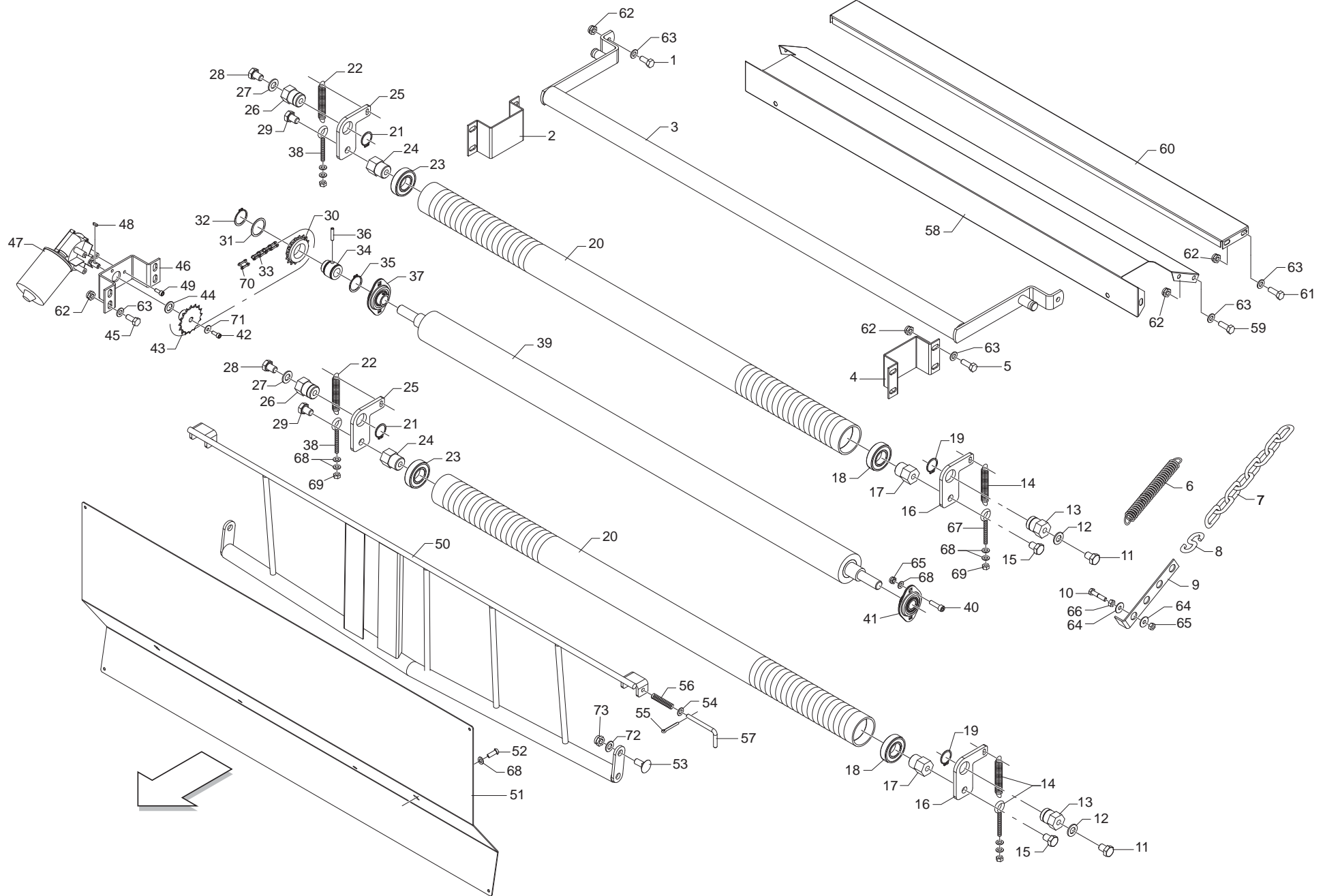
Pos.	Cod.	Descrizione	Description	Description	Benennung	Descripcion
1	B0C3P0115	CORPO CASSONE PORTAROTOLI	ROLLHOLDER BOX	BOITE PORTE-ROULEAUX	KOERPER ROLLENHALTER	
2	F01020436	VITE M8X1,25X20 U5739 8.8ZN	SCR. M8X1,25X20 U5739 8.8ZN	VIS M8X1,25X 20 U5739 8.8 ZN	SCHRAUBE M8X1,25X20U5739 8.8ZN	TORN. M8X1,25X20 U5739 8.8 ZN
3	B03500097	BUSSOLA PASSAGGIO SPAGO	TWINE GUIDE BUSH	DOUILLE PASSAGE FICELLE	SCHNURFUEHRUNGSBUCHSE	
4	B01000010	RIVETTO STR. 6X12 U9200AAL	RIVET	RIVET	ABREISSNIETEN 6X10	
5	B0C000548	CHIUSURA	GRIPPING	FERMETURE	VERSCHLUSS	
6	F01020436	VITE M8X1,25X20 U5739 8.8ZN	SCR. M8X1,25X20 U5739 8.8ZN	VIS M8X1,25X 20 U5739 8.8 ZN	SCHRAUBE M8X1,25X20U5739 8.8ZN	TORN. M8X1,25X20 U5739 8.8 ZN
7	B0C4P0037	DIVISORE	SEPARATOR	DIVISEUR	TEILVORRICHTUNG	
8	B0C4P0038	DIVISORE	SEPARATOR			
9	F01420060	ROS.M10 10,5X 30X2,5 U6593 ZN	WASHER	RONDELLE	SCHEIBE	
10	B00920208	DADO M8X1 D985 8ZN	NUT M8X1 D985 8ZN	ECROU	SELBSTSICHERNDE MUTTER M8-5S	
11	F02050101	ANEL. D ARR. ALB. 25-E UNI3653	SEEGER RING	BAGUE SEEGER	SEEGERRING 25-E	



**LEGATORE 2 FILI (SOLO PARTI AGGIUNTE)
2 TWINE BINDER (ONLY PARTS ADDED)**

TAV_110

Pos.	Cod.	Descrizione	Description	Description	Benennung	Descripcion
1	B00190890	VITE M 8X1,25X 90 U5737 8.8ZN	SCREW	VIS	SCHRAUBE	
2	B01812161	MOLLA C FILO 1 L=68,5	SPRING	RESSORT	FEDER	
3	B0C630434	FRENA SPAGO	TWINE BRAKE	PINCE FICELLE	GARNBREMSE	
4	F02050101	ANEL. D ARR. ALB. 25-E UNI3653	SEEGER RING	BAGUE SEEGER	SEEGERRING 25-E	
5	B03500097	BUSSOLA PASSAGGIO SPAGO	TWINE GUIDE BUSH	DOUILLE PASSAGE FICELLE	SCHNURFUEHRUNGSBUCHSE	
6	B02043013	CUSC 6006-2RS CAT.B-ST004	BEARING	ROULEMENT	LAGER	
7	F02050403	ANELLO E. DI 72X 2,5 U7437 C7	SEEGER RING E.72X2,5 U7437 C70	SEEGER E. 72X 2,5 U7437 C70	SEEGERING E. 72X 2,5 U7437 C70	ANILLO E. 72X 2,5 U7437 C70
8	B03400050	STELLINO Z16-1 2 RUOTA LIB.	GEAR Z=16-1 2	ETOILE	FREILAUFRAD	
9	B01300086	ANELLO MOT. FILO	RING	ANNEAU MOTEUR FIL	RING	
10	B01110615	SPINA ELAST. 6X 15 SS DIN 1481	PIN	GOUPILLE	STIFT	
11	F02050145	ANELLO E. DE 35X1,5 U7435 C70	SEEGER RING D.35	BAGUE SEEGER D.35	SEEGERRING D.35	ANILLO SEEGER D.35
12	B00180620	VITE M6X1X20 U5739 8.8ZN	SCREW	VIS	SCHRAUBE	
13	F02050527	ANELLO E. DI 55X 2 U7437 C70	SEEGER RING DI 55X 4 U7437 C			
14	F02050112	ANEL. D ARR. ALB. 30-E UNI3653	SEEGER RING	BAGUE SEEGER	SEEGERRING 30-E	
15	B02341017	SUPP.FLANG.OV 17 LAM TIPO	SUPPORT	SUPPORT	GEFLANSCHTES LAGER	
16	B034P0040	PERNO LEGATORE DOPPIO	DOUBLE TWINE PIVOT	PIVOT	ZAPFEN DOPPELBINDUNG	
17	B01201015	LINGUETTA 5X 5X 15 U6604A	TANG	LANGUETTE	FEDERKEIL	
18	B07M00051	GALOPPINO FOLLE LEG.FILO	GUIDE			
19	B005P0004	OCCHIOLO TENDITORE M8 L=46	EYE BOLT M8 L=46	OEIL TENDEUR	SPANNER OESE M8 L=46	
20	B02700018	GALOPPINO FOLLE	GUIDE	ENGRANAGE	LEITROLLE	
21	F02050101	ANEL. D ARR. ALB. 25-E UNI3653	SEEGER RING	BAGUE SEEGER	SEEGERRING 25-E	
22	B03500097	BUSSOLA PASSAGGIO SPAGO	TWINE GUIDE BUSH	DOUILLE PASSAGE FICELLE	SCHNURFUEHRUNGSBUCHSE	
23	B0C6P0213	TERM.LE PASSAGGIO DOPPIO FILO	DOUBLE TWINE PASSING CABLEHEAD	TERMINAL PASSAGE DOUBLE FICELL	ENDKABEL ZUGANG DOPPELTE GARN	
25	F01410088	ROS.M14 15X 28X2,5 U6592 ZN	WAS.M14 15X 28X2,5 U6592 ZB	RON.M14 15X 28X2,5 U6592 ZB	SCH.M14 15X 28X2,5 U6592 ZB	ARA.M14 15X 28X2,5 U6592 ZB
26	B01300153	SPES. 30 40 2 ZINCATO	SHIM GALV	ENTRETOISE GALV	DISTANZSTUECK 30 40 2	
27	B00710208	DADO M 8X1,25 U5588 6.8 ZN	NUT	ECROU	MUTTER M8-6S	
28	B00500004	OCCHIOLO PER TENDIT. M8X80 DX	GUIDE FOR TENSIONER M8X60 RIGH	OEIL POUR TENDEUR M8X60 DROIT	GARNOESE	
29	B01829751	MOLLA	SPRING	RESSORT	FEDER	
30	B07S00163	PERNO GALOPPINO FOLLE	GUIDE PULLEY PIN	TOURILLON TENDEUR FOU	BOLZEN DER LEEREN LEITROLLE	
31	B01300101	SPES. 30,3 40 1 ZINCATO	SHIM GALV	ENTRETOISE GALV	DISTANZSTUECK 30,3 40 1	
32	B00920208	DADO M8X1 D985 8ZN	NUT M8X1 D985 8ZN	ECROU	SELBSTSICHERNDE MUTTER M8-5S	
33	B00920106	DADO M6X1 D985 8ZN	NUT	ECROU	SELBSTSICHERNDE MUTTER M6-5S	
34	B00710208	DADO M 8X1,25 U5588 6.8 ZN	NUT	ECROU	MUTTER M8-6S	
35	B00920514	DADO M14X 2 D985 8 ZN	NUT	ECROU	SELBSTSICHERNDE MUTTER M14-5S	
36	F01410051	ROS.M8 8,4X 17X1,6 U6592 ZN	WASHER M8 8,4X17X1,6 U6592 ZN	RONDELLE	SCHEIBE	
37	B03500097	BUSSOLA PASSAGGIO SPAGO	TWINE GUIDE BUSH	DOUILLE PASSAGE FICELLE	SCHNURFUEHRUNGSBUCHSE	
38	B01700025	ANEL. D ARR. ALB. 25-E UNI3653	SEEGER RING	BAGUE SEEGER	SEEGERRING 25-E	
39	B01534416	SPES. 35 43 1 ZINCATO	SHIM	ENTRETOISE	AUSGLEICHSCHEIBE 35X43X1	
40	B07MP0071	RUOTA MOTRICE PER LEG.2 FILI	MOTOR WHEEL FOR 2 TWINES TYING	ROUE MOTRICE POUR LIAGE 2 FICE	ANTRIEBRAD FUER GARNBINDUNG	

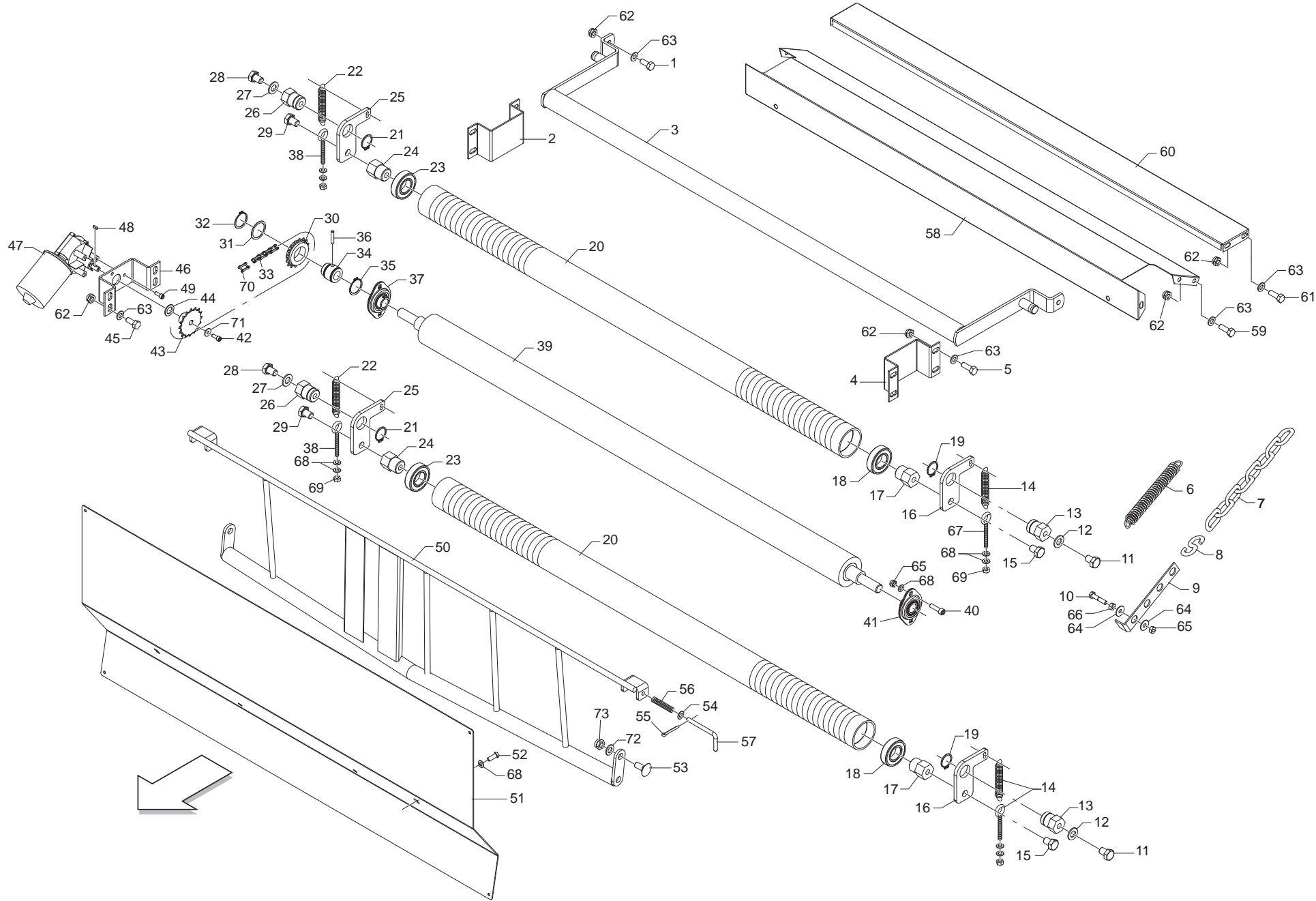


**LEGATORE RETE (PARTE 1)
NET BINDER (PART 1)**

TAV_120

Pos.	Cod.	Descrizione	Description	Description	Benennung	Descripcion
1	F01020472	VITE M10X1,5X25 U5739 8.8ZN	SCR. M10X1,5X25 U5739 8.8ZN	VIS M10X1,5X25 U5739 8.8 ZN	SCHRAUBE M10X1,5X25 U5739 8.8	TORNILLO 10X25 U5739 8.8 ZN
2	B0C000705	CAV. LIMITATORE ROLLO RETE	U BOLT	BOULON LIMITEUR ROULEAU FILET	DECKEL	
3	B07S00220	PREMIRETE	RELEASING SPRING LINKAGE	ATTELAGE RESSORT DECROCHAGE	ANSCHLUSS DER FEDER	
4	B0C000705	CAV. LIMITATORE ROLLO RETE	U BOLT	BOULON LIMITEUR ROULEAU FILET	DECKEL	
5	B00181030	VITE M10X1,5 X 30 U5739 8.8ZN	SCREW	VIS	SCHRAUBE	
6	B01813934	MOLLA	SPRING	RESSORT	FEDER	
7	B03300004	CATENA GENOVESE N.17 11MGL	CHAIN	CHAINE	KETTE	
8	B01800098	S PER CATENA D=3,5	S FOR CHAIN D=3,5	S POUR CHAINE D=3,5	S FUER KETTE D=3,5	
9	B0C000704	TIRANTE REGOLAZIONE MOLLA	TENSIONER REGOLAZIONE SPRING			
10	F01020068	VITE M8X1,25X40 U5737 8.8ZN	SCR. M8X1,25X40 U5737 8.8ZN	VIS M 8X1,25X40 U5737 8.8 ZN	SCHRA. M8X1,25X40 U5737 8.8 ZN	TORNIL.M8X1,25X40 U5737 8.8 ZN
11	F01020539	VITE M14X2X25 U5739 8.8ZN	SCR. M14X2X25 U5739 8.8ZN	VIS M14X2X25 U5739 8.8 ZN	SCHRAUBE M14X2X25 U5739 8.8 ZN	TORNILLO M14X2X25 U5739 8.8 ZN
12	F01410088	ROS.M14 15X 28X2,5 U6592 ZN	WAS.M14 15X 28X2,5 U6592 ZB	RON.M14 15X 28X2,5 U6592 ZB	SCH.M14 15X 28X2,5 U6592 ZB	ARA.M14 15X 28X2,5 U6592 ZB
13	B03500106	FULCRO RULLO	ROLLER FULCRUM	POINT D APPUI ROULEAU	DREHPUNKT DER WALZE	
14	B01800024	MOLLA 3 14 88T	SPRING	RESSORT	SPRINGFEDER 3 14 88T	
15	F01020539	VITE M14X2X25 U5739 8.8ZN	SCR. M14X2X25 U5739 8.8ZN	VIS M14X2X25 U5739 8.8 ZN	SCHRAUBE M14X2X25 U5739 8.8 ZN	TORNILLO M14X2X25 U5739 8.8 ZN
16	B07S00209	PORTARULLO FOLLE	ROLLER HOLDER	PORTE-ROULEAU FOU	WALZEHALTER NEUTRAL	
17	B03500105	PERNO RULLO	ROLLER PIN	TOURILLON ROULEAU	BOLZEN DER WALZE	
18	B02043016	CUSCINETTO PER TENDITORE	BEARING	ROULEMENT	LAGER	
19	F02050112	ANEL. D ARR. ALB. 30-E UNI3653	SEEGER RING	BAGUE SEEGER	SEEGERRING 30-E	
20	B03500107	RULLO SPIRALE	SMOOTH ROLLER	ROULEAU LISSE	WALZE	
21	F02050112	ANEL. D ARR. ALB. 30-E UNI3653	SEEGER RING	BAGUE SEEGER	SEEGERRING 30-E	
22	B01800024	MOLLA 3 14 88T	SPRING	RESSORT	SPRINGFEDER 3 14 88T	
23	B02043016	CUSCINETTO PER TENDITORE	BEARING	ROULEMENT	LAGER	
24	B03500105	PERNO RULLO	ROLLER PIN	TOURILLON ROULEAU	BOLZEN DER WALZE	
25	B07S00209	PORTARULLO FOLLE	ROLLER HOLDER	PORTE-ROULEAU FOU	WALZEHALTER NEUTRAL	
26	B03500106	FULCRO RULLO	ROLLER FULCRUM	POINT D APPUI ROULEAU	DREHPUNKT DER WALZE	
27	F01410088	ROS.M14 15X 28X2,5 U6592 ZN	WAS.M14 15X 28X2,5 U6592 ZB	RON.M14 15X 28X2,5 U6592 ZB	SCH.M14 15X 28X2,5 U6592 ZB	ARA.M14 15X 28X2,5 U6592 ZB
28	F01020539	VITE M14X2X25 U5739 8.8ZN	SCR. M14X2X25 U5739 8.8ZN	VIS M14X2X25 U5739 8.8 ZN	SCHRAUBE M14X2X25 U5739 8.8 ZN	TORNILLO M14X2X25 U5739 8.8 ZN
29	F01020539	VITE M14X2X25 U5739 8.8ZN	SCR. M14X2X25 U5739 8.8ZN	VIS M14X2X25 U5739 8.8 ZN	SCHRAUBE M14X2X25 U5739 8.8 ZN	TORNILLO M14X2X25 U5739 8.8 ZN
30	B03400050	STELLINO Z16-1 2 RUOTA LIB.	GEAR Z=16-1 2	ETOILE	FREILAUFRAD	
31	B01534416	SPES. 35 43 1 ZINCATO	SHIM	ENTRETOISE	AUSGLEICHSCHEIBE 35X43X1	
32	B01700035	ANEL. D ARR. ALB. 35-E UNI3653	SEEGER RING	BAGUE SEEGER	SEEGERRING 35-E	
33	B030C1040	CATENA RULLI 1 2 -1 8 40MGL	ROLLER CHAIN 1 2 -1 8 40 MGL	CHAINE ROULEAUX	KETTEN WALZE 1 2 -1 8	
34	B03500138	PERNO PER STELLINO	PIN	TOURILLON ETOILE	BOLZEN	
35	B01700035	ANEL. D ARR. ALB. 35-E UNI3653	SEEGER RING	BAGUE SEEGER	SEEGERRING 35-E	
36	F02100114	SPINA E.P. 6X 30 U6873 C70 BR	ELASTIC PIN 6X30	GOUJON ELASTIQUE 6X30	SPANNHUELSE 6X30	ESPINA ELASTICA 6X30
37	B02341020	SUPP.FLANG.OV 20 LAM NBR-NSK	SUPPORT	SUPPORT	GEFLANSCHTES LAGER	
38	B00500004	OCCHIOLO PER TENDIT. M8X80 DX	GUIDE FOR TENSIONER M8X60 RIGH	OEIL POUR TENDEUR M8X60 DROIT	GARNOESE	
39	B03500108	RULLO GOMMATO	RUBBER ROLLER	ROULEAU CAOUTCHOUTE	WALZE	
40	F01040097	VITE M8X1,25X30 U5931 8.8ZN	SCR. M8X1,25X30 U5931 8.8ZN	SUPPORT	GEFLANSCHTES LAGER	
41	B02341020	SUPP.FLANG.OV 20 LAM NBR-NSK	SUPPORT	SUPPORT	GEFLANSCHTES LAGER	
42	F01020362	VITE M4X0,7X12 U5739 8.8ZN	SCR. M4X0,7X12 U5739 8.8ZN	VIS 4X12 5739 8.G ZN	SCHRAUBE 4X12 5739 8.G ZN	TORNILLO 4X12 5739 8.G ZN
43	B034P0039	PIGNONE Z=16-1 2 X1 4	PINION Z=16-1 2 X1 8	PIGNON	RITZEL Z=16-1 2 X1 8	
44	B01300171	RALLA MOT. IDRAUL.	HYDRAULIC ENGINE FIFTH WHEEL	BUTEE MOTEUR HYDRAULIQUE	LAGERSCHALE	
45	F01020472	VITE M10X1,5X25 U5739 8.8ZN	SCR. M10X1,5X25 U5739 8.8ZN	VIS M10X1,5X25 U5739 8.8 ZN	SCHRAUBE M10X1,5X25 U5739 8.8	TORNILLO 10X25 U5739 8.8 ZN
46	B0C6P0210	SUPP. MOT. ELETTRICO	ELECTRICAL MOTOR SUPPORT			
47	B0E0P0055	MOTORID. L.FILO L.RETE ENTRY	GEARMOTOR	MOTOREDUCTEUR	GETRIEBEMOTOR	
48	B01201015	LINGUETTA 5X 5X 15 U6604A	TANG	LANGUETTE	FEDERKEIL	
49	F01040060	VITE M6X1X14 U5931 8.8ZN	SCREW M6X1X14 U5931 8.8ZN	VIS M6X1X14 U5931 8.8ZN	SCHRAUBE M6X1X14 U5931 8.8ZN	TORNILLO M6X1X14 U5931 8.8ZN
50	B07S00193	TENDIRETE	NET TIGHTENER	TENDEUR DE FILET	NETZSPANNEN	
51	B0C001146	SCIVOLO RETE	NET SKID	GOULOTTE POUR FILET	NETZRUTSCHE	
52	B00470815	VITE TTEI M 8X 15-8.8 UNBRA	SCREW	VIS	SCHRAUBE VERZINKT TTEI M8X15 8	
53	B00321235	VITE M12X1,75X 30 U5731 4.6ZN	SCREW	VIS	SCHRAUBE	
54	F01410051	ROS.M8 8,4X 17X1,6 U6592 ZN	WASHER M8 8,4X17X1,6 U6592 ZN	RONDELLE	SCHEIBE	
55	B01150325	COPIGLIA 3X 25 U1336 ZN	GALV PIN	GOUPILLE GALV	SPLINT	
56	B01812161	MOLLA C FILO 1 L=68,5	SPRING	RESSORT	FEDER	
57	B01300629	SPINA RETE	NET PIN	GOUPILLE FILET	NETZSTIFTE	

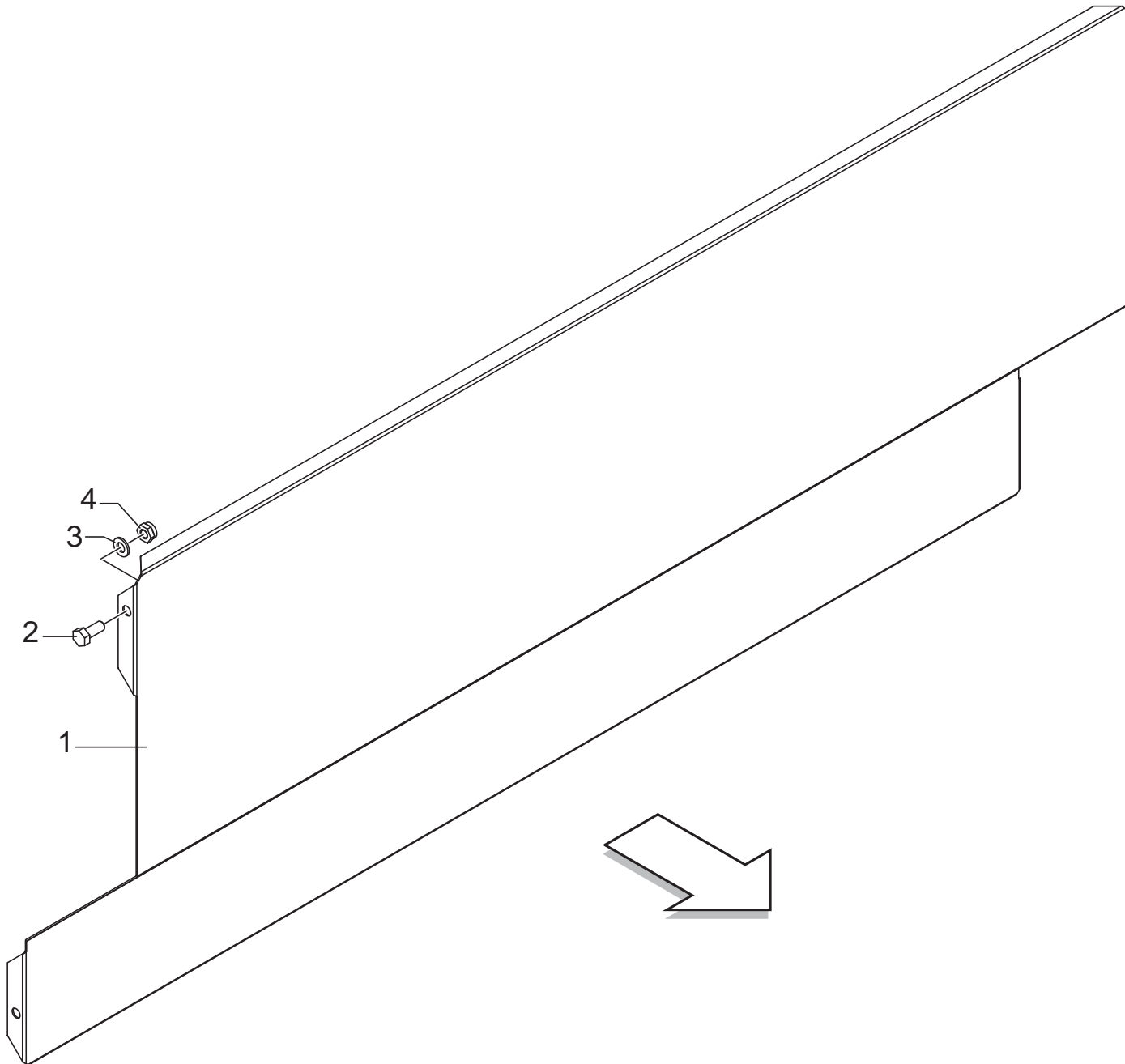
TAV_120



LEGATORE RETE (PARTE 1)
NET BINDER (PART 1)

TAV_120

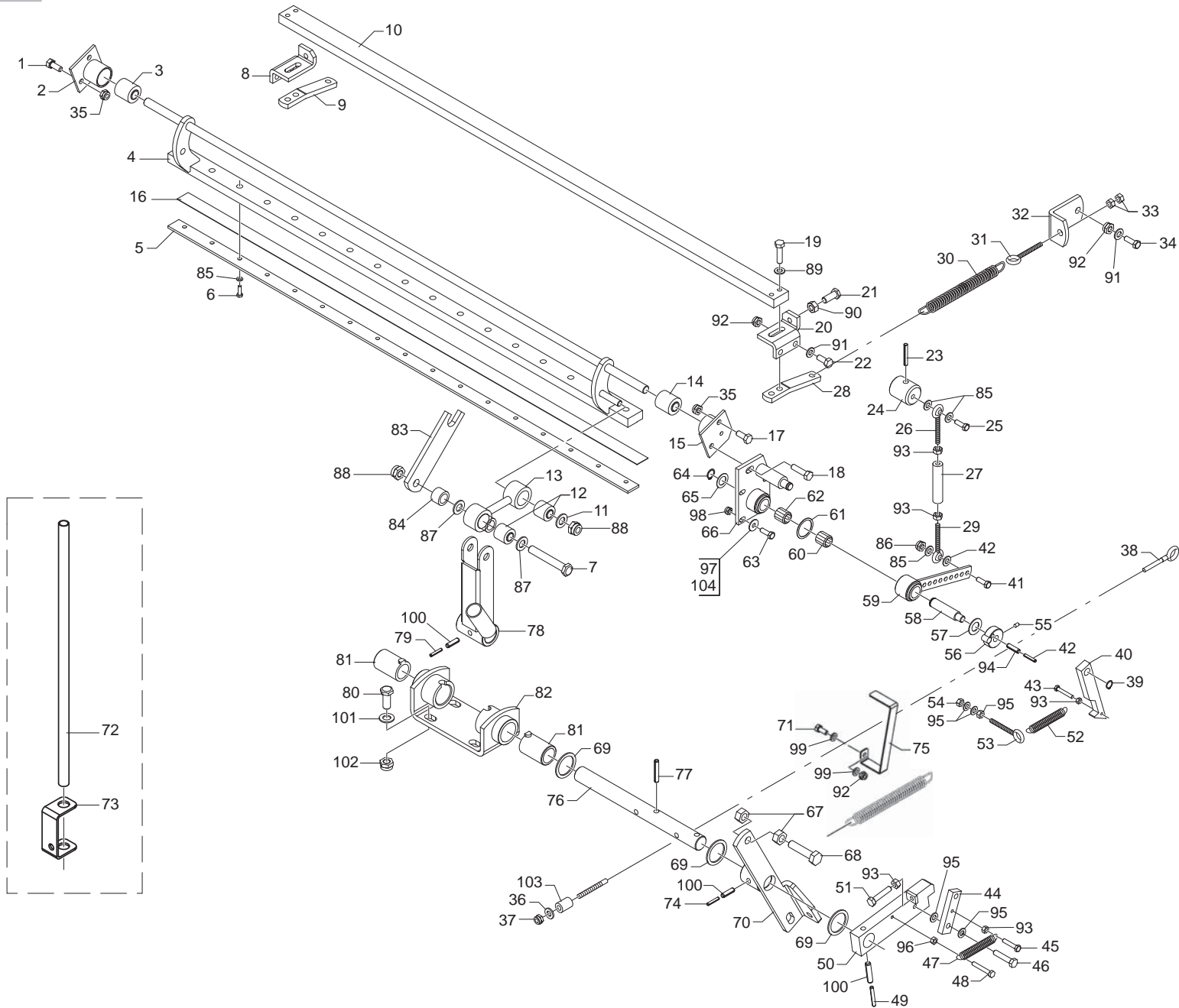
Pos.	Cod.	Descrizione	Description	Description	Benennung	Descripcion
58	B0C3P0125	SOSTEGNO ANT.	SUPPORT	SUPPORT	HALTER VORNE	
59	F01020470	VITE M10X1,5X20 U5739 8.8ZN	SCR. M10X1,5X20 U5739 8.8ZN	VIS M10X1,5X20 U5739 8.8 ZN	SCHRAUBE M10X1,5X20 U5739 ZN	TORNILLOM10X1,5X20 U5739 8.8ZN
60	B0C000915	PORTAROLLO POST.	REAR ROLLHOLDER	PORTE-ROULEAU POSTERIEUR	ROLLETRAEGER HINTEN	
61	F01020470	VITE M10X1,5X20 U5739 8.8ZN	SCR. M10X1,5X20 U5739 8.8ZN	VIS M10X1,5X20 U5739 8.8 ZN	SCHRAUBE M10X1,5X20 U5739 ZN	TORNILLOM10X1,5X20 U5739 8.8ZN
62	F01230202	DADO M10X1,25 D985 8 ZN	SELF-LOCKING NUT	ECROU NYLSTOP	SELBSTSICHERNDE MUTTER M10-5S	
63	F01410062	ROS.M10 10,5X 18X 2 U6592 ZN	WASHER M10 10,5X 18X 2 U6592	RONDELLE M10 10,5X18X2 ZN	DICHTUNGSRING M10 10,5X18X2 ZN	RONDANA M10 10,5X18X2 ZN
64	F01420048	ROS.M8 8,4X 24X 2 U6593 ZN	WASHER	RONDELLE	SCHEIBE	
65	B00920208	DADO M8X1 D985 8ZN	NUT M8X1 D985 8ZN	ECROU	SELBSTSICHERNDE MUTTER M8-5S	
66	B00710208	DADO M 8X1,25 U5588 6.8 ZN	NUT	ECROU	MUTTER M8-6S	
67	B00500004	OCCHIOLO PER TENDIT. M8X80 DX	GUIDE FOR TENSIONER M8X60 RIGH	OEIL POUR TENDEUR M8X60 DROIT	GARNOESE	
68	F01410051	ROS.M8 8,4X 17X1,6 U6592 ZN	WASHER M8 8,4X17X1,6 U6592 ZN	RONDELLE	SCHEIBE	
69	B00710208	DADO M 8X1,25 U5588 6.8 ZN	NUT	ECROU	MUTTER M8-6S	
70	B030C0007	GIUNTO MOLL.N.26 1 2 -1 8	SPRING JOINT	JOINT RESSORT	KUPPLUNG N.26 1 2 -1 8	
71	B014B0420	ROS.M4 4,3X 16X 1 U6593 ZN	WIDE BAND WASHER 4X16	RONDELLE	RING 4X16	
72	F01410076	ROS.M12 13X 20X2,0 U1749 ZN	WASHER	RONDELLE	SCHEIBE	
73	B00920412	DADO M12X1,75 D985 8 ZN	NUT	ECROU	SELBSTSICHERNDE MUTTER M12-5S	



**CARTER ANTERIORE (SOLO CON LEGATORE RETE)
FRONT CARTER (ONLY WITH NET BINDER)**

TAV_260

Pos.	Cod.	Descrizione	Description	Description	Benennung	Descripcion
1	B0C3P0168	PROT. SOLO FILO	PROTECTION	PROTECTION	SCHUETZ NUR GARN	
2	F01020472	VITE M10X1,5X25 U5739 8.8ZN	SCR. M10X1,5X25 U5739 8.8ZN	VIS M10X1,5X25 U5739 8.8 ZN	SCHRAUBE M10X1,5X25 U5739 8.8	TORNILLO 10X25 U5739 8.8 ZN
3	F01410062	ROS.M10 10,5X 18X 2 U6592 ZN	WASHER M10 10,5X 18X 2 U6592	RONDELLE M10 10,5X18X2 ZN	DICHTUNGSRING M10 10,5X18X2 ZN	RONDANA M10 10,5X18X2 ZN
4	F01230202	DADO M10X1,25 D985 8 ZN	SELF-LOCKING NUT	ECROU NYLSTOP	SELBSTSICHERNDE MUTTER M10-5S	

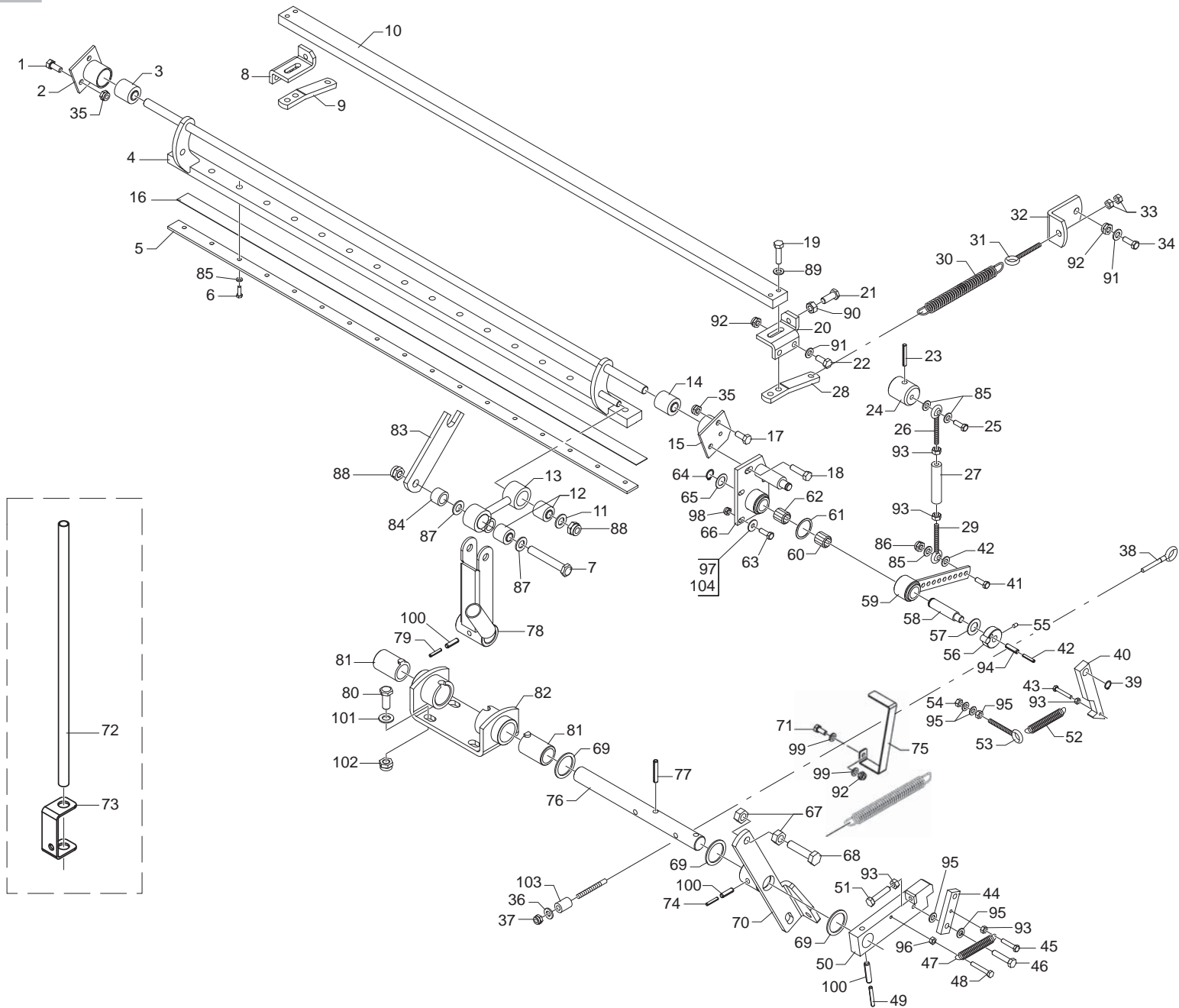


**LEGATORE RETE (PARTE 2)
NET BINDER (PART 2)**

TAV_130

Pos.	Cod.	Descrizione	Description	Description	Benennung	Descripcion
1	F01020472	VITE M10X1,5X25 U5739 8.8ZN	SCR. M10X1,5X25 U5739 8.8ZN	VIS M10X1,5X25 U5739 8.8 ZN	SCHRAUBE M10X1,5X25 U5739 8.8	TORNILLO 10X25 U5739 8.8 ZN
2	B07S00210	FULCRO SEDE SILENT-BLOCK	SILENT BLOCK FULCRUM	POINT D APPUI SIEGE SILENT-BLO	FULCRUM SILENT BLOCK	
3	B01800023	ANTIVIBRANTE 16X36X39	SILENT BLOCK 16X36X39.	SILENT BLOCK 16X36X39	SILENT BLOCK	
4	B07S00221	BRACCIO PORTACOLT.	KNIFE HOLDER ARM	BRAS PORTE-COUTEAU	ARM	
5	B0C000683	FERMO COLT.	KNIFE LOCK	ARRETE COUTEAU	MESSER HALTER	
6	B00180620	VITE M6X1X20 U5739 8.8ZN	SCREW	VIS	SCHRAUBE	
7	F01020170	VITE M12X1,75X100 U5737 8.8ZN	SCR. M12X1,75X100 U5737 8.8ZN	VIS M12X1,75X100 5737 8.8 ZN	SCHRA.M12X1,75X100 5737 8.8 ZN	TORN. M12X1,75X100 5737 8.8 ZN
8	B0C000677	SUPP. DX CONTROLAMA	SUPPORT RH CONTROLAMA			
9	B0C000679	BASE CONTROCOLT.	BASE			
10	B0C000676	CONTROCOLT.	COUNTERKNIFE	CONTRE-COUTEAU	GEGENMESSER	
11	F01410076	ROS.M12 13X 20X2,0 U1749 ZN	WASHER	RONDELLE	SCHEIBE	
12	B01800022	SILENT BLOCK 12X26X26	SILENT BLOCK 12X26X26.	SILENT BLOCK 12X26X26	SILENT BLOCK	
13	B07S00219	BIELLA	CONNECTING ROD	BIELLE	PLEUEL	
14	B01800023	ANTIVIBRANTE 16X36X39	SILENT BLOCK 16X36X39.	SILENT BLOCK 16X36X39	SILENT BLOCK	
15	B07S00210	FULCRO SEDE SILENT-BLOCK	SILENT BLOCK FULCRUM	POINT D APPUI SIEGE SILENT-BLO	FULCRUM SILENT BLOCK	
16	B07U00005	COLTELLO	KNIFE	COUTEAU	MESSER	
17	F01020472	VITE M10X1,5X25 U5739 8.8ZN	SCR. M10X1,5X25 U5739 8.8ZN	VIS M10X1,5X25 U5739 8.8 ZN	SCHRAUBE M10X1,5X25 U5739 8.8	TORNILLO 10X25 U5739 8.8 ZN
18	B00181040	VITE M10X1,5 X 40 U5739 8.8ZN	SCREW	VIS	SCHRAUBE	
19	B00191040	VITE M10X1,5 X 40 U5737 8.8ZN	SCREW	VIS	SCHRAUBE	
20	B0C000678	SUPP. SX CONTROLAMA	SUPPORT LH CONTROLAMA			
21	F01020514	VITE M12X1,75X40 U5739 8.8ZN	SCR. M12X1,75X40 U5739 8.8ZN	VIS M12X1,75X40 U5739 8.8ZN	SCHRA. M12X1,75X40 U5739 8.8ZN	TORN. M12X1,75X40 U5739 8.8ZN
22	F01020472	VITE M10X1,5X25 U5739 8.8ZN	SCR. M10X1,5X25 U5739 8.8ZN	VIS M10X1,5X25 U5739 8.8 ZN	SCHRAUBE M10X1,5X25 U5739 8.8	TORNILLO 10X25 U5739 8.8 ZN
23	F02100118	SPINA E.P. 6X 36 U6873 C70 BR	PIN EL. 6X 36 U6873 C70 BR	GOUJON	BOLZEN	ESPINA
24	B013P0152	MOZZO ATTACCO BIELLA ENTRY 150	HUB FOR CONNECTING ROD			
25	B00180615	VITE TE UNI5739 8,8 M6X16 ZN B	SCREW	VIS	SCHRAUBE	
26	B01800021	SNODO SFER.MASCHIO M6-DX FORO	MALE JOINT M6 RIGHT	JOINT A ROTULE MALE M6-DROIT	GELENK	
27	B03500114	CORPO TIRANTE	TYING BODY	CORPS TIRANT	ZUGSTANDE	
28	B0C000679	BASE CONTROCOLT.	BASE			
29	B01800021	SNODO SFER.MASCHIO M6-DX FORO	MALE JOINT M6 RIGHT	JOINT A ROTULE MALE M6-DROIT	GELENK	
30	B01822744	MOLLA 49,5 SPIRE	SPRING 49,5 SPIRAL	RESSORT	FEDER	
31	B00545168	OCCHIOLO PER TENDITORI M12-DX	OCCHIOLO PER TENDITORI M12-DX	OEIL M12	OSE M12	
32	B0C000701	ATTACCO MOLLA	SPRING ATTACHMENT	ATTELAGE RESSORT	FEDERANSCHLUSS	
33	F01200293	DADO M12X1,75 U5588 CL8 ZN	NUT M12X1,75 U5588 6S ZN	ECROU M12X1,75 U5588 6S ZN	MUTTER M12X1,75 U5588 6S ZN	TUERCA M12X1,75 U5588 6S ZN
34	F01020472	VITE M10X1,5X25 U5739 8.8ZN	SCR. M10X1,5X25 U5739 8.8ZN	VIS M10X1,5X25 U5739 8.8 ZN	SCHRAUBE M10X1,5X25 U5739 8.8	TORNILLO 10X25 U5739 8.8 ZN
35	F01230202	DADO M10X1,25 D985 8 ZN	SELF-LOCKING NUT	ECROU NYLSTOP	SELBSTSICHERNDE MUTTER M10-5S	
36	F01420048	ROS.M8 8,4X 24X 2 U6593 ZN	WASHER	RONDELLE	SCHEIBE	
37	B00920208	DADO M8X1 D985 8ZN	NUT M8X1 D985 8ZN	ECROU	SELBSTSICHERNDE MUTTER M8-5S	
38	B07VP0022	FUNE ARMO COLT. 150	CABLE	CORDE	MESSERSEIL 150	
39	F02050034	ANELLO E. DE 15X 1 U7435 C70	ELASTIC RING DE 15X 1	BAGUE ELASTIQUE DE 15X 1	RING DE 15X 1	ANILLO DE 15X 1
40	B0C000698	ARPIONE	PAWL	GRIFFE	HASPE	
41	F01020408	VITE M6X1X30 U5739 8.8ZN	SCR. M6X1X30 U5739 8.8ZN	VIS M 6X1X30	SCHRAUBE M 6X1X30	TORNILLO M 6X1X30
42	F02100086	SPINA E.P. 5X 30 U6873 C70 ZN	PIN EL. 5 X30 DIN 1481 GALVAN.	FICHE EL. 5 X30 DIN 1481 ZN	SPANNSTIFT 5 X30 DIN 1481 ZN	CLAVIJA EL.5 X30 DIN 1481 ZN
43	F01020413	VITE M6X1X40 U5739 8.8ZN	SCR. M6X1X40 U5739 8.8ZN	VIS M 6X1X40	SCHRAUBE M 6X1X40	TORNILLO M 6X1X40
44	B0C000689	LEVA SGANCIO	LEVER SGANCIO			
45	F01020408	VITE M6X1X30 U5739 8.8ZN	SCR. M6X1X30 U5739 8.8ZN	VIS M 6X1X30	SCHRAUBE M 6X1X30	TORNILLO M 6X1X30
46	F01020450	VITE M8X1,25X40 U5739 8.8ZN	SCR. M8X1,25X40 U5739 8.8ZN	VIS M8X1,25X40 U5739 8.8ZN	SCHRA. M8X1,25X40 U5739 8.8ZN	TORN. M8X1,25X40 U5739 8.8ZN
47	B01800026	MOLLA 1 10 55T	SPRING	RESSORT	SPRINGFEDER 1 10 55T	
48	F01020413	VITE M6X1X40 U5739 8.8ZN	SCR. M6X1X40 U5739 8.8ZN	VIS M 6X1X40	SCHRAUBE M 6X1X40	TORNILLO M 6X1X40
49	F02100090	SPINA E.P. 5X 40 U6873 C70 BR	ELASTIC PIN 5X40	GOUJON ELASTIQUE 5X40	SPANNHUELSE 5X40	ESPINA ELASTICA 5X40
50	B07S00212	NASELLO DI SGANCIAMENTO	RELEASING TOOTH	DECLIC DE DECROCHAGE	SCHAFT	
51	F01020413	VITE M6X1X40 U5739 8.8ZN	SCR. M6X1X40 U5739 8.8ZN	VIS M 6X1X40	SCHRAUBE M 6X1X40	TORNILLO M 6X1X40
52	B01800025	MOLLA 2 13 98T GRUPPO RETE	SPRING	RESSORT	FEDER	
53	B00500004	OCCHIOLO PER TENDIT. M8X80 DX	GUIDE FOR TENSIONER M8X60 RIGH	OEIL POUR TENDEUR M8X60 DROIT	GARNOESE	
54	B00710208	DADO M 8X1,25 U5588 6.8 ZN	NUT	ECROU	MUTTER M8-6S	
55	F01050086	VITE M6X1X10 U5927 12.9BR	SCR. M6X1X10 U5927 12.9BR	VIS M 6X10	SCHRAUBE M 6X10	TORNILLO M 6X10
56	B07S00218	CAMME	CAMS	CAMES	KAMM	
57	B016B1816	ROSETTA ELASTICA 18 DIN 137 B	SPRING WASHER	RONDELLE ELASTIQUE	FEDERRING 18 DIN 137 B	

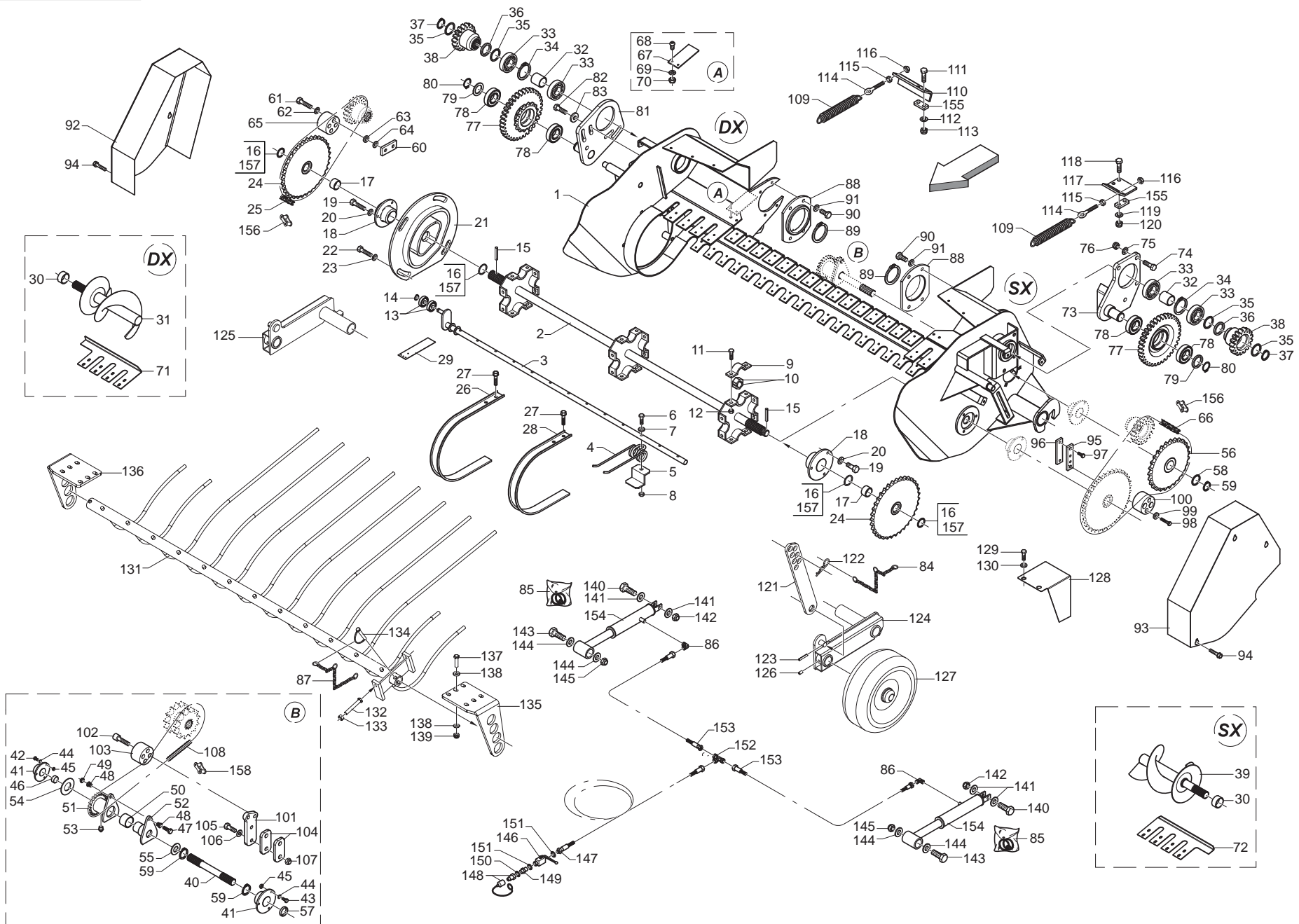
TAV_130



**LEGATORE RETE (PARTE 2)
NET BINDER (PART 2)**

TAV_130

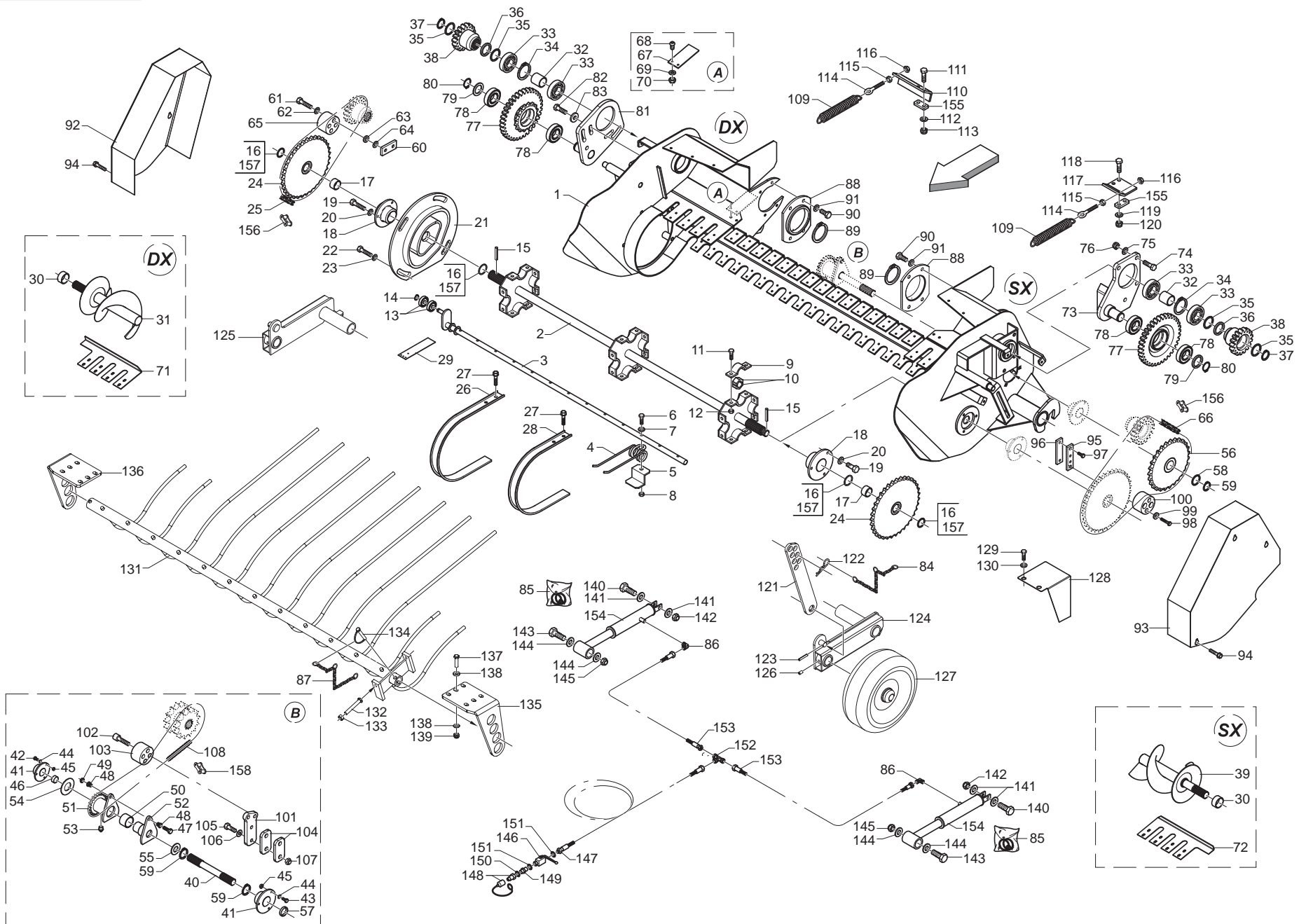
Pos.	Cod.	Descrizione	Description	Description	Benennung	Descripcion
58	B03500113	PERNO	PIN	TOURILLON	BOLZEN	
59	B07S00217	BRACCIO REGOLATORE	ADJUSTMENT ARM	BRAS REGLEUR	REGELUNGARM	
60	B02270011	RUOTA LIBERA HFL 1826 CAT.INA	FREE WHEEL	ROUE LIBRE	FREIRAD	
61	B01534416	SPES. 35 43 1 ZINCATO	SHIM	ENTRETOISE	AUSGLEICHSCHEIBE 35X43X1	
62	B02270011	RUOTA LIBERA HFL 1826 CAT.INA	FREE WHEEL	ROUE LIBRE	FREIRAD	
63	F01020440	VITE M8X1,25X25 U5739 8.8ZN	SCR. M8X1,25X25 U5739 8.8ZN	VIS M8X1,25X25 U5739 8.8 ZN	SCHRAUBE M8X1,25X25U5739 8.8ZN	TORNIL.M8X1,25X25 U5739 8.8 ZN
64	F02050608	ANELLO E. DE 18X 1,2 U7435 C70	STOP RING 18 UNI 7435-75	BAGUE ARR. 18 UNI 7435-75	RING 18 UNI 7435-75	ANILLO PARADA 18 UNI 7435-75
65	B01300249	RALLA 18,5X 30 X 1	FIFTH WHEEL	BUTEE	LAGERSCHALE	
66	B07S00216	CORPO ROTAZIONE RUOTE LIBERE	ROTATION BODY	CORPS ROTATION ROUE LIBRES	UMDREHUNG	
67	F01200293	DADO M12X1,75 U5588 CL8 ZN	NUT M12X1,75 U5588 6S ZN	ECROU M12X1,75 U5588 6S ZN	MUTTER M12X1,75 U5588 6S ZN	TUERCA M12X1,75 U5588 6S ZN
68	B00191250	VITE M12X1,75X 50 U5737 8.8ZN	SCREW	VIS	SCHRAUBE	
69	B01300491	SPES. 25,3 40 1 ZINCATO	SHIM	EPAISSEUR	DISTANZSTUECK	
70	B07SP0280	BRACCIO CARICA COLT.	LOADING HARM KNIVE	BRAS CHARGE COUTEAUX	MESSERARM	
71	F01020472	VITE M10X1,5X25 U5739 8.8ZN	SCR. M10X1,5X25 U5739 8.8ZN	VIS M10X1,5X25 U5739 8.8 ZN	SCHRAUBE M10X1,5X25 U5739 8.8	TORNILLO 10X25 U5739 8.8 ZN
72	B0C2P0369	LEVA	HANDLE			
73	B0C6P0833	STAFFA RIPOSO LEVA	HANDLE FIXING			
74	F02100090	SPINA E.P. 5X 40 U6873 C70 BR	ELASTIC PIN 5X40	GOUJON ELASTIQUE 5X40	SPANNHUELSE 5X40	ESPINA ELASTICA 5X40
75	B0C6P0359	SOSTEGNO FILO	TWINE SUPPORT	SUPPORT FILETE	GARNHALTER	
76	B03500109	PERNO FULCRO LEVE	LEVER FULCRUM PIN	TOURILLON POINT D APPUI LEVIER	BOLZEN DES DREHPUNKTES	
77	F02100142	SPINA E.P. 8X 40 U6873 C70 BR	ELASTIC PIN 8X40	GOUJON ELASTIQUE 8X40	SPANNHUELSE 8X40	ESPINA ELASTICA 8X40
78	B07S00214	MANIGLIA DI CARICAMENTO	LOADING HANDLE	POIGNEE DE CHARGEMENT	HANDGRIFF	
79	F02100090	SPINA E.P. 5X 40 U6873 C70 BR	ELASTIC PIN 5X40	GOUJON ELASTIQUE 5X40	SPANNHUELSE 5X40	ESPINA ELASTICA 5X40
80	F01020510	VITE M12X1,75X30 U5739 8.8ZN	SCR. M12X1,75X30 U5739 8.8ZN	VIS M12X1,75X30 U5739 8.8ZN	SCHRAU.M12X1,75X30 U5739 8.8ZN	TORN. M12X1,75X30 U5739 8.8ZN
81	B02526851	BUSSOLA NYLON	NYLON BUSH	DOUILLE NYLON	BUCHSE	
82	B07S00213	SUPP. FULCRO LEVE	LEVER FULCRUM SUPPORT	SUPPORT POINT D APPUI LEVIERS	HALTER FULCRUM	
83	B0C001592	SICUREZZA LAMARETE FF20 FF50	SAFETY SYSTEM	SURETE LAME FILET FF20 FF50	SICHERHEITSVORRICHTUNG	
84	B01330435	BUSSOLA DI GUIDA	BUSH	GALET	FUEHRUNGSBUCHSE	
85	F01410037	ROS.M6 6,4X12,5X1,6 U6592 ZN	WASHER	RONDELLE	BEILAGSCHEIBE 6	
86	B00920106	DADO M6X1 D985 8ZN	NUT	ECROU	SELBSTSICHERNDE MUTTER M6-5S	
87	F01410076	ROS.M12 13X 20X2,0 U1749 ZN	WASHER	RONDELLE	SCHEIBE	
88	B00920412	DADO M12X1,75 D985 8 ZN	NUT	ECROU	SELBSTSICHERNDE MUTTER M12-5S	
89	F01410062	ROS.M10 10,5X 18X 2 U6592 ZN	WASHER M10 10,5X 18X 2 U6592	RONDELLE M10 10,5X18X2 ZN	DICHTUNGSRING M10 10,5X18X2 ZN	RONDANA M10 10,5X18X2 ZN
90	F01200293	DADO M12X1,75 U5588 CL8 ZN	NUT M12X1,75 U5588 6S ZN	ECROU M12X1,75 U5588 6S ZN	MUTTER M12X1,75 U5588 6S ZN	TUERCA M12X1,75 U5588 6S ZN
91	F01410062	ROS.M10 10,5X 18X 2 U6592 ZN	WASHER M10 10,5X 18X 2 U6592	RONDELLE M10 10,5X18X2 ZN	DICHTUNGSRING M10 10,5X18X2 ZN	RONDANA M10 10,5X18X2 ZN
92	F01230202	DADO M10X1,25 D985 8 ZN	SELF-LOCKING NUT	ECROU NYLSTOP	SELBSTSICHERNDE MUTTER M10-5S	
93	F01200232	DADO M6X1 U5588 CL8 ZN	NUT M6X1 U5588 6.8ZN	ECROU 6 UNI 5588 6.8 ZN	MUTTER 6 UNI 5588 6.8 ZN	TUERCA 6 UNI 5588 6.8 ZN
94	F02100140	SPINA E.P. 8X 30 U6873 C70 BR	ELASTIC PIN 8X30	GOUJON ELASTIQUE 8X30	SPANNHUELSE 8X30	ESPINA ELASTICA 8X30
95	F01410051	ROS.M8 8,4X 17X1,6 U6592 ZN	WASHER M8 8,4X17X1,6 U6592 ZN	RONDELLE	SCHEIBE	
96	F01200232	DADO M6X1 U5588 CL8 ZN	NUT M6X1 U5588 6.8ZN	ECROU 6 UNI 5588 6.8 ZN	MUTTER 6 UNI 5588 6.8 ZN	TUERCA 6 UNI 5588 6.8 ZN
97	F01420048	ROS.M8 8,4X 24X 2 U6593 ZN	WASHER	RONDELLE	SCHEIBE	
98	B00920208	DADO M8X1 D985 8ZN	NUT M8X1 D985 8ZN	ECROU	SELBSTSICHERNDE MUTTER M8-5S	
99	F01420060	ROS.M10 10,5X 30X2,5 U6593 ZN	WASHER	RONDELLE	SCHEIBE	
100	F02100142	SPINA E.P. 8X 40 U6873 C70 BR	ELASTIC PIN 8X40	GOUJON ELASTIQUE 8X40	SPANNHUELSE 8X40	ESPINA ELASTICA 8X40
101	F01410076	ROS.M12 13X 20X2,0 U1749 ZN	WASHER	RONDELLE	SCHEIBE	
102	B00920412	DADO M12X1,75 D985 8 ZN	NUT	ECROU	SELBSTSICHERNDE MUTTER M12-5S	
103	B01300251	DISTANZIALE	SPACER	ENTRETOISE	DISTANZSTUECK	
104	F01420049	ROS.M8 8,4X 32X 2 U6593 ZN	WASHER M8 8,4X32X2 U6593 ZN	RONDELLA M8 8,4X32X2 U6593 ZN	SCHEIBE M8 8,4X32X2 U6593 ZN	ARANDELA M8 8,4X32X2 U6593 ZN



**PICK-UP L
PICK-UP L**

TAV_140

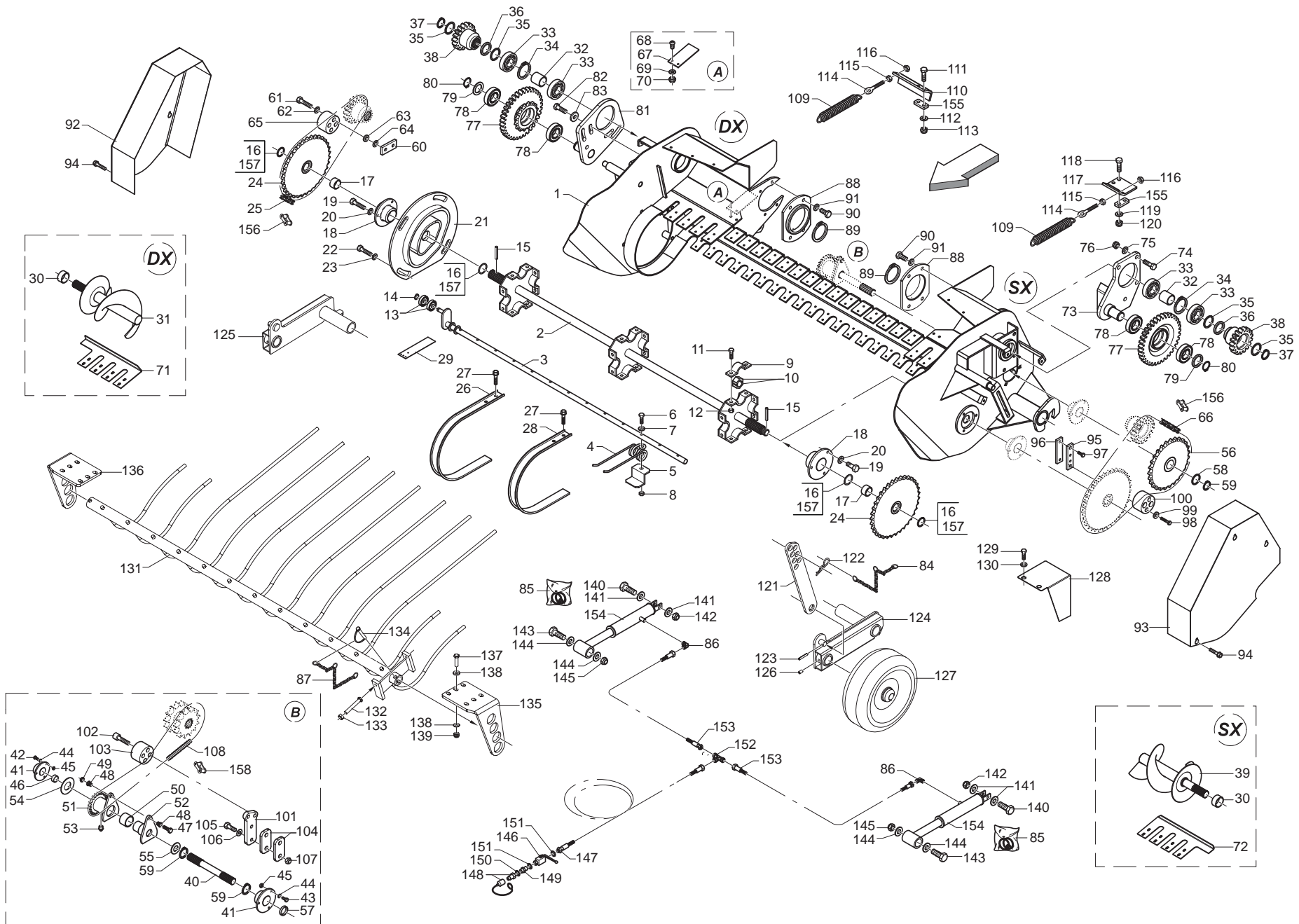
Pos.	Cod.	Descrizione	Description	Description	Benennung	Descripcion
1	B07SP0263	TELAIO PICK UP ENTRY 170	PICK UP ENTRY			
2	B07SP0288	CORPO ASPO M	AUGER BODY	CORPS ENROULEUR	KOERPER ASPO M	
3	B07S00991	BARRA PORTADENTI PICK UP 200	TINE HOLDER BAR	BARRE PORTE-DENTS 180	ZINKENTRAGERSTANGE	
4	B018P0003	DENTE RACCOGLITORE PICK-UP	TOOTH COLLECTING PU	DENT PICK-UP	PICK-UP ZINKEN	
5	B0C000214	PIASTRA SOSTEGNO MOLLA	SPRING SUPPORTING PLATE	PLAQUE SUPPORT RESSORT	FEDER STUETZPLATTE	
6	F01020074	VITE M8X1,25X50 U5737 10.9ZD	SCR. M8X1,25X50 U5737 10.9ZD	VIS M 8X50	SCHRAUBE M 8X50	TORNILLO M 8X50
7	F01420048	ROS.M8 8,4X 24X 2 U6593 ZN	WASHER	RONDELLE	SCHEIBE	
8	F01230034	DADO M8X1,25 D982 8ZN	NUT M8X1,25 D982 8ZN	ECROU M8X 1,25 D982 8 ZN	MUTTER M8X 1,25 D982 8 ZN	TUERCA M8X 1,25 D982 8 ZN
9	B0C001521	CAVALLOTTO	U BOLT	BOULON	BUEGELBOLZEN	
10	B025P0010	SEMIBUSSOLA PER ASPO PICK-UP	HALF-BUSHFOR ASPO PICK-UP	SEMI-PALIER SPECIAL	HALBLAGERBUCHSE	
11	F01020472	VITE M10X1,5X25 U5739 8.8ZN	SCR. M10X1,5X25 U5739 8.8ZN	VIS M10X1,5X25 U5739 8.8 ZN	SCHRAUBE M10X1,5X25 U5739 8.8	TORNILLO 10X25 U5739 8.8 ZN
12	F01220033	DADO M10X 1,5 D980 8 ZN	NUT	ECROU	SELBSTSICHERNDE MUTTER M10 KL8	
13	B020R1210	ROTEL.SKF 361201 R PICK-UP LEG	ROLLER SKF 361201 R PU BINDER	GALET	LAGER SKF 361201 R	
14	F02050023	ANELLO E. DE 12X 1 U7435 C70	SEEGER RING D 12X 1 U7435 C70	BAGUE SEEGER D 12X 1 U7435 C70	SEEGERRING D 12X 1 U7435 C70	ANILLO D 12X 1 U7435 C70
15	F02100122	SPINA E.P. 6X 45 U6873 C70 BR	PIN EL. 6 X45 DIN 1481	FICHE EL. 6 X45 DIN 1481	SPANNSTIFT 6 X45 DIN 1481	CLAVIJA EL.6 X45 DIN 1481
16	B01300101	SPES. 30,3 40 1 ZINCATO	SHIM GALV	ENTRETOISE GALV	DISTANZSTUECK 30,3 40 1	
17	B013P0039	DISTANZIALE 30,5X42,4X15	SPACER	ENTRETOISE	DISTANZSTUECK	
18	B02353030	SUPPORTO FLANGIATO TONDO 30LAM	BEARING FLANGED SUPPORT 30	BEARING FLANGE	FLANSCHLAGER	
19	F01020470	VITE M10X1,5X20 U5739 8.8ZN	SCR. M10X1,5X20 U5739 8.8ZN	VIS M10X1,5X20 U5739 8.8 ZN	SCHRAUBE M10X1,5X20 U5739 ZN	TORNILLO M10X1,5X20 U5739 8.8ZN
20	F01410062	ROS.M10 10,5X 18X 2 U6592 ZN	WASHER M10 10,5X 18X 2 U6592	RONDELLE M10 10,5X18X2 ZN	DICHTUNGSRING M10 10,5X18X2 ZN	RONDANA M10 10,5X18X2 ZN
21	B07S01561	CAMME PICK UP	NEW PICK-UP ECCENTRIC	CAME PU NEW	NEUE PICK-UP EXZENTER NOCKEN	
22	F01020508	VITE M12X1,75X 25 U5739 8.8ZN	SCREW	VIS	SCHRAUBE	
23	B01523831	RALLA 12 33 5	FIFTH WHEEL	BUTEE	UMBORDELUNG 12 33 5	
24	B034P0002	ING. Z=35; 3 4; ISO 12B-1	GEAR Z=35; 3 4; ISO 12B-1	ENGRANAGE	ZAHNRAD	
25	B03111046	CATENA RULLI ASA 60-1 46 MGL	ROLLER CHAIN ASA60-1 46 MGL	CHAINE ROULEAUX	KETTE DER WALZEN	
26	B0C003304	FASCIA CENTRALE PICK UP TOPCUT	PICK-UP CENTRAL BAND TOPCUT	BANDE CENTRALE PICK-UP TOPCUT	ZENTRALES PICK-UP BAND	
27	B00370615	VITE M 6X16 ZN SEZ.TRIL. U8111	SCREW	VIS	SCHRAUBE	
28	B0C003183	FASCIA LATERALE PICK-UP	LATERAL BAND PICK-UP	BANDE LATERALE	SEITENBAND	
29	B0C6P0336	COMPENSO FASCIA LUNGO	LONG SPACER BAND	EPAISSEUR	DICHTUNG BANDE	
30	B01300046	DISTANZIALE 35,2X42,4X15	SPACER	ENTRETOISE	DISTANZSTUECK 35,2X42,4X15	
31	B07S01651	COCLEA DX PU 200	RIGHT PICK-UP AUGER 200	VIS DROIT PU 200	RECHTE PICK-UP ZUBRINGERSCHNEC	
32	B01300739	DISTANZIALE 35X42X41	SPACER	ENTRETOISE	DISTANZSTUECK 35X42X41	
33	F04010178	CUSCINETTO 6207-2RS CAT.AST004	BEARING	PALIER 6207-2RS	LAGER	
34	B01710072	ANEL. D ARR. FORO 72-I UNI3654	SEEGER RING	BAGUE SEEGER	SEEGERRING 72-I	
35	B01534416	SPES. 35 43 1 ZINCATO	SHIM	ENTRETOISE	AUSGLEICHSCHHEIBE 35X43X1	
36	B013P0133	RALLA 35 45 5	FIFTH WHEEL 35 45 5	BUTEE 35 45 5	DISTANZSCHEIBE 35 45 5	
37	B01700035	ANEL. D ARR. ALB. 35-E UNI3653	SEEGER RING	BAGUE SEEGER	SEEGERRING 35-E	
38	B034P0048	INGRANAGGIO Z=17 M=5	GEAR Z=17 M=5	ENGRANAGE Z=17 M=5	ZAHNRADPAAR Z=17 M=5	
39	B07S01652	COCLEA SX PU 200	LEFT PICK-UP AUGER 200	VIS GAUCHE PU 200	LINKE PICK-UP ZUBRINGERSCHNECK	
40	B035P0061	CONTRALBERO ENTRY	COUNTERSHAFT ENTRY	CONTREARBRE ENTRY	GEGENWELLE ENTRY	
41	B02353035	SUPPORTO FLANG. TONDO 35 LAMIER	BEARING FLANGED SUPPORT D.35	SUPPORT FLANGE	FLANSCHLAGER	
42	F01020470	VITE M10X1,5X20 U5739 8.8ZN	SCR. M10X1,5X20 U5739 8.8ZN	VIS M10X1,5X20 U5739 8.8 ZN	SCHRAUBE M10X1,5X20 U5739 ZN	TORNILLO M10X1,5X20 U5739 8.8ZN
43	F01020472	VITE M10X1,5X25 U5739 8.8ZN	SCR. M10X1,5X25 U5739 8.8ZN	VIS M10X1,5X25 U5739 8.8 ZN	SCHRAUBE M10X1,5X25 U5739 8.8	TORNILLO 10X25 U5739 8.8 ZN
44	F01410062	ROS.M10 10,5X 18X 2 U6592 ZN	WASHER M10 10,5X 18X 2 U6592	RONDELLE M10 10,5X18X2 ZN	DICHTUNGSRING M10 10,5X18X2 ZN	RONDANA M10 10,5X18X2 ZN
45	F01230202	DADO M10X1,25 D985 8 ZN	SELF-LOCKING NUT	ECROU NYLSTOP	SELBSTSICHERNDE MUTTER M10-5S	
46	B01320516	DISTANZIALE 35X45X25	SPACER 35X45X25			
47	F01020068	VITE M8X1,25X40 U5737 8.8ZN	SCR. M8X1,25X40 U5737 8.8ZN	VIS M 8X1,25X40 U5737 8.8 ZN	SCHRA. M8X1,25X40 U5737 8.8 ZN	TORNIL.M8X1,25X40 U5737 8.8 ZN
48	B00511057	BUSSOLA DI TRACIAMENTO INFALD	BUSHING	BAGUE	BUCHSE	
49	B00920208	DADO M8X1 D985 8ZN	NUT M8X1 D985 8ZN	ECROU	SELBSTSICHERNDE MUTTER M8-5S	
50	B02500001	BRONZINA SICUREZZA PICK-UP	BUSHING	COUSSINET	LAGERBUCHSE	
51	B03400105	INGRANAGGIO Z17 3 4 CON MOZZO	GEAR Z=17 3 4 WITH HUB	ENGRANAGE	ZAHNRAD Z=17 3 4 MIT NABE	
52	B07S00302	MOZZO TRASCINAMENTO	HUB	MOYEU D ENTRAINEMENT	NABE	
53	B04200610	INGRASS.A SFERE M6X1 LUNGO	GREASE NIPPLE	GRAISSEUR HYDRAULIQUE	GERADER SCHMIERNIPPEL M6X1	
54	B01534395	RALLA 35.5X 62 X 3 ZINCATO	FIFTH WHEEL	BUTEE	SPEZIALSCHEIBE	
55	B01330957	DISTANZIALE 35-48-7	SPACER	ENTRETOISE	DISTANZSTUECK 35X48X7	
56	B034P0004	INGR.Z=27-3 4 ISO CON MOZZO	GEAR	ENGRANAGE	ZAHNRAD MIT RADACHSE	
57	B013P0040	DISTANZIALE 35,5X42,4X15	SPACER	ENTRETOISE	DISTANSTUECK	



**PICK-UP L
PICK-UP L**

TAV_140

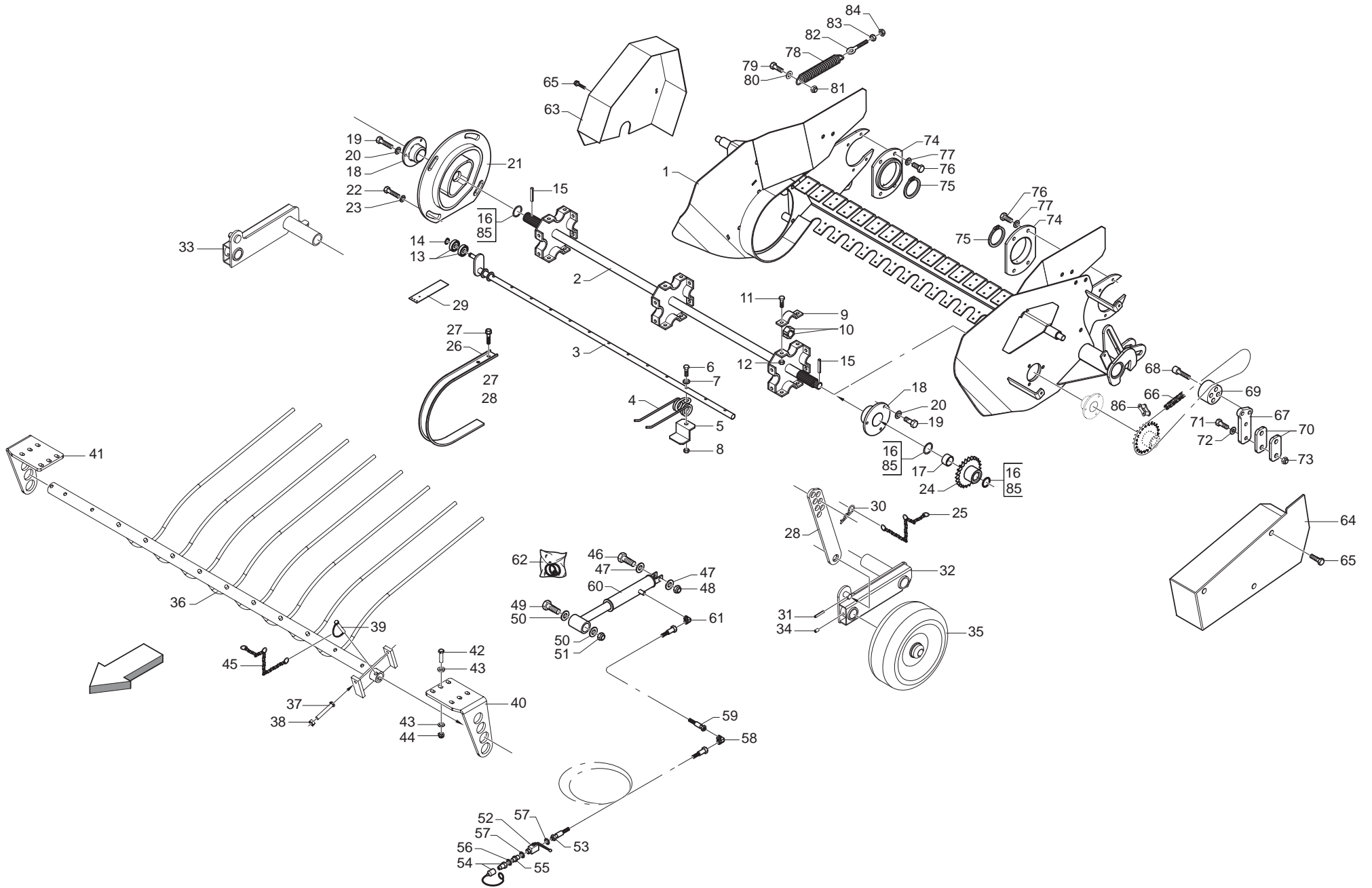
Pos.	Cod.	Descrizione	Description	Description	Benennung	Descripcion
58	B01534416	SPES. 35 43 1 ZINCATO	SHIM	ENTRETOISE	AUSGLEICHSCHEIBE 35X43X1	
59	B01700035	ANEL. D ARR. ALB. 35-E UNI3653	SEEGER RING	BAGUE SEEGER	SEEGERRING 35-E	
60	B0C003172	ATTACCO TENDICATENA	CHAIN TIGHTENER COUPLING			
61	F01020160	VITE M12X1,75X60 U5737 8.8ZN	SCR. M12X1,75X60 U5737 8.8ZN	VIS M12X1,75X60 U5737 8.8 ZN	SCHRA.M12X1,75X60 U5737 8.8 ZN	TORN. M12X1,75X60 U5737 8.8 ZN
62	F01420120	ROS.M12 13X 36X2,5 U6593 ZN	WASHER	RONDELLE	SCHEIBE	
63	B01523831	RALLA 12 33 5	FIFTH WHEEL	BUTEE	UMBORDELUNG 12 33 5	
64	F01410076	ROS.M12 13X 20X2,0 U1749 ZN	WASHER	RONDELLE	SCHEIBE	
65	B07VP0513	TENDICATENA IN NYLON	NYLON CHAIN TIGHTENER			
66	B03111063	CAT RULLI ASA 60-1 63 MGL ISO	ROLLER CHAIN	CHAINE ROULEAUX	KETTE DER WALZEN	
67	B0C6P0337	COMPENSO FASCIA CORTO	SPACER FASCIA CORTO			
68	B00470620	VITE TTEI M 6X 20-8.8 UNBRA	SCREW	VIS	SCHRAUBE TTEI M6X20-10.9	
69	F01410037	ROS.M6 6,4X12,5X1,6 U6592 ZN	WASHER	RONDELLE	BEILAGSCHEIBE 6	
70	B00920106	DADO M6X1 D985 8ZN	NUT	ECROU	SELBSTSICHERNDE MUTTER M6-5S	
71	B0C3P0101	GUIDA COCLEA DX PU M LT	AUGER GUIDE	GUIDE PALLETEUSE	SCHNECKENFOERDERER FUEHRUNG RE	
72	B0C3P0102	GUIDA COCLEA SX PU M LT	AUGER GUIDE	GUIDE PALLETEUSE	SCHNECKENFOERDERER FUEHRUNG LI	
73	B07SP0238	PIASTRA SX	PLATE LINK SIDE	PLAQUE COTE GAUCHE	PLATTE LINKS	
74	F01020152	VITE M12X1,75X40 U5737 8.8ZN	SCR. M12X1,75X40 U5737 8.8ZN	VIS M12X1,75X40 U5737 8.8 ZN	SCHRAUBE M12X1,75X40U57378.8ZN	TORNIL.M12X1,75X40 U5737 8.8ZN
75	F01410076	ROS.M12 13X 20X2,0 U1749 ZN	WASHER	RONDELLE	SCHEIBE	
76	B00920412	DADO M12X1,75 D985 8 ZN	NUT	ECROU	SELBSTSICHERNDE MUTTER M12-5S	
77	B034P0049	INGR. Z=35 M=5 WITH SPROCKET Z	GEAR Z=35 M=5 WITH SPROCKET Z=	PINION Z=16 3 4 ET ENGRANAGE Z	RITZEL Z=16 3 4 UND ZAHNRADPAA	
78	B02043016	CUSCINETTO PER TENDITORE	BEARING	ROULEMENT	LAGER	
79	B013P0130	RALLA 30 45 3	FIFTH WHEEL 30 45 3	BUTEE 30 45 3	DISTANZSCHEIBE 30 45 3	
80	F02050112	ANEL. D ARR. ALB. 30-E UNI3653	SEEGER RING	BAGUE SEEGER	SEEGERRING 30-E	
81	B07SP0239	PIASTRA DX	PLATE RIGHT SIDE	PLAQUE COTE DROIT	PLATTE RECHTS	
82	F01020152	VITE M12X1,75X40 U5737 8.8ZN	SCR. M12X1,75X40 U5737 8.8ZN	VIS M12X1,75X40 U5737 8.8 ZN	SCHRAUBE M12X1,75X40U57378.8ZN	TORNIL.M12X1,75X40 U5737 8.8ZN
83	B01516038	RALLA 13 32 5	FIFTH WHEEL	BUTEE	SCHEIBE	
84	B033C0003	CATENA GENOVESE N 10 F 1,5 12	CHAIN N 10 F 1,5 12			
85	B0H400061	KIT GUARNIZ. MARTIN. B0H400021	KIT JOINTS FOR H400021	KIT JOINTS POUR VERIN	DICHTUNGSSATZ FUER H400021	
86	B0H000086	RACCORDO L 10 TN94-10LR	UNION L 10	RACCORD L 10	ANSCHLUSSSTUECK L 10	
87	B033C0003	CATENA GENOVESE N 10 F 1,5 12	CHAIN N 10 F 1,5 12			
88	B01300715	FLANGIA SX PICK-UP	PICK-UP FLANGE	FLASQUE GAUCHE POUR PICK-UP	PICK-UP FLANSCH	
89	B01700095	ANEL. D ARR. ALB. 95-E UNI3653	SEEGER RING	BAGUE SEEGER	SEEGERRING 95-E	
90	B00181015	VITE M10X1,5 X 16 U5739 8.8ZN	SCREW	VIS	SCHRAUBE	
91	F01410062	ROS.M10 10,5X 18X 2 U6592 ZN	WASHER M10 10,5X 18X 2 U6592	RONDELLE M10 10,5X18X2 ZN	DICHTUNGSRING M10 10,5X18X2 ZN	RONDANA M10 10,5X18X2 ZN
92	B07SP0323	CARTER DX PU	RIGHT PICKUP CASE			
93	B07SP0324	CARTER SX PU	LEFT PICKUP CASE			
94	B00370001	VITE TE M 8X16 A SEZ.TRILOBATA	SCREW TRE M 8X16 SEZ TROUBLED	VIS	SCHRAUBE M 8X15	
95	B0C6P0897	ATTACCO GALOPPINO	ATTACHMENT TENSIONER			
96	B0C6P0898	PIASTRA ATTACCO GALOPPINO	PLATE ATTACHMENT TENSIONER			
97	F01020512	VITE M12X1,75X35 U5739 8.8ZN	SCR. M12X1,75X35 U5739 8.8ZN	VIS M12X1,75X35 5739 8.8 ZN	SCHR. M12X1,75X35 5739 8.8 ZN	TORN. M12X1,75X35 5739 8.8 ZN
98	F01020158	VITE M12X1,75X55 U5737 8.8ZN	BOLT M12X1,75X55 U5737 8.8ZN	VIS M12X1,75X55 U5737 8.8 ZN	SCHR. M12X1,75X55 U5737 8.8 ZN	TORN. M12X1,75X55 U5737 8.8 ZN
99	B01523831	RALLA 12 33 5	FIFTH WHEEL	BUTEE	UMBORDELUNG 12 33 5	
100	B07VP0513	TENDICATENA IN NYLON	NYLON CHAIN TIGHTENER			
101	B0C6P0300	ATTACCO TENDITORE	ATTACK TENSIONER			
102	F01040146	VITE M10X1,5X50 U5931 8.8 ZN	SCREW M10X1,5X50 U5931 8.8 ZN.			
103	B07VP0513	TENDICATENA IN NYLON	NYLON CHAIN TIGHTENER			
104	B0C6P0301	SPES.	SHIM	ENTRETOISE	DICHTUNG	
105	F01020160	VITE M12X1,75X60 U5737 8.8ZN	SCR. M12X1,75X60 U5737 8.8ZN	VIS M12X1,75X60 U5737 8.8 ZN	SCHRA.M12X1,75X60 U5737 8.8 ZN	TORN. M12X1,75X60 U5737 8.8 ZN
106	F01410076	ROS.M12 13X 20X2,0 U1749 ZN	WASHER	RONDELLE	SCHEIBE	
107	B00920412	DADO M12X1,75 D985 8 ZN	NUT	ECROU	SELBSTSICHERNDE MUTTER M12-5S	
108	B0311H034	CATENA RULLI A ASA60 H 34M	PINTLE CHAIN A ASA60 H 34M			
109	B01822744	MOLLA 49,5 SPIRE	SPRING 49,5 SPIRAL	RESSORT	FEDER	
110	B0C000953	ATTACCO DESTRO MOLLE	RIGHT-HAND ATTACHMENT FOR SPRI	ATTELAGE DROIT RESSORTS	ANSCHLUSS RECHTS FEDER	
111	B00181255	VITE M12X 55-8.8 UNI 5739	SCREW	VIS	VERZINKTE SCHRAUBE	
112	F01410076	ROS.M12 13X 20X2,0 U1749 ZN	WASHER	RONDELLE	SCHEIBE	
113	B00920412	DADO M12X1,75 D985 8 ZN	NUT	ECROU	SELBSTSICHERNDE MUTTER M12-5S	
114	B00545168	OCCHIOLO PER TENDITORI M12-DX	EYELET M12	OEIL M12	OSE M12	



PICK-UP L
PICK-UP L

TAV_140

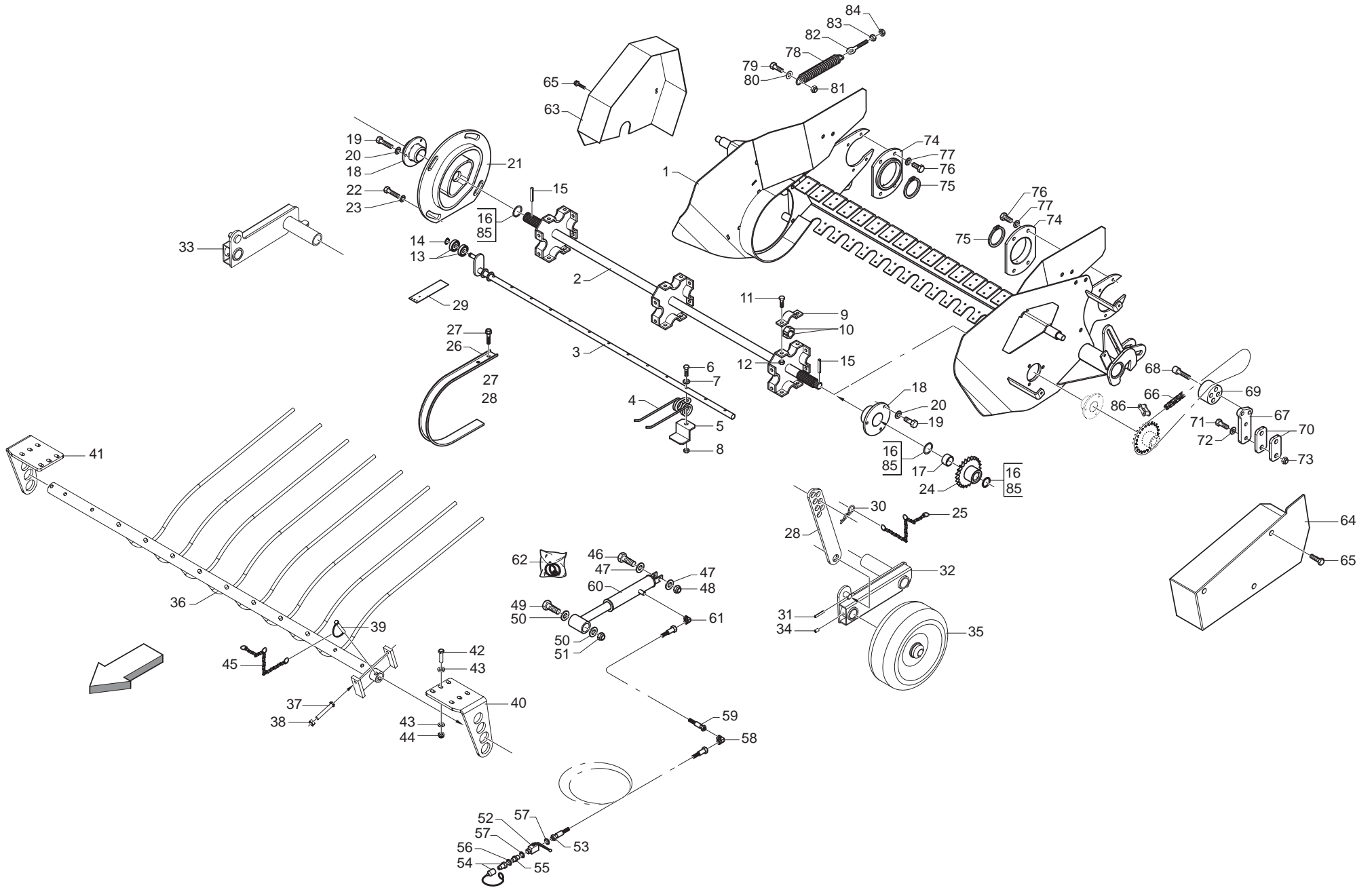
Pos.	Cod.	Descrizione	Description	Description	Benennung	Descripcion
115	F01200293	DADO M12X1,75 U5588 CL8 ZN	NUT M12X1,75 U5588 6S ZN	ECROU M12X1,75 U5588 6S ZN	MUTTER M12X1,75 U5588 6S ZN	TUERCA M12X1,75 U5588 6S ZN
116	B00920412	DADO M12X1,75 D985 8 ZN	NUT	ECROU	SELBSTSICHERNDE MUTTER M12-5S	
117	B0C000954	ATTACCO SINISTRO MOLLE	LEFT-HAND ATTACHMENT FOR SPRIN	ATTELAGE GAUCHE RESSORTS	ANSCHLUSS LINKS FEDER	
118	F01020510	VITE M12X1,75X30 U5739 8.8ZN	SCR. M12X1,75X30 U5739 8.8ZN	VIS M12X1,75X30 U5739 8.8ZN	SCHRAU.M12X1,75X30 U5739 8.8ZN	TORN. M12X1,75X30 U5739 8.8ZN
119	F01410076	ROS.M12 13X 20X2,0 U1749 ZN	WASHER	RONDELLE	SCHEIBE	
120	B00920412	DADO M12X1,75 D985 8 ZN	NUT	ECROU	SELBSTSICHERNDE MUTTER M12-5S	
121	B0C4P0120	ASTA DI REGOLAZIONE	ROD	BARRE	EINSTELLUNGSBALKEN	
122	B011C0555	COPPIGLIA FORCELLA	SPLIT PIN			
123	F02100122	SPINA E.P. 6X 45 U6873 C70 BR	PIN EL. 6 X45 DIN 1481	FICHE EL. 6 X45 DIN 1481	SPANNSTIFT 6 X45 DIN 1481	CLAVIJA EL.6 X45 DIN 1481
124	B07SP0265	ATTACCO RUOTA SX	WHELL LEFT CONNECTION	ATTELAGE		
125	B07SP0266	ATTACCO RUOTA DX	WHELL RIGHT CONNECTION	ATTELAGE		
126	B00431016	VITE STEI M10X16-12.9 UNI 5	SCREW	VIS	SCHRAUBE	
127	B07100027	RUOTA GOM. C FUSELLO15.600 6P	RUBBER TYRE WITH AXLE 15,600 6	ROUE EN COUTCHOU	GUMMI RAD	
128	B0C001593	CARTER PUL	CASE PUL	CARTER PUL	GEHAUSER	
129	F01020470	VITE M10X1,5X20 U5739 8.8ZN	SCR. M10X1,5X20 U5739 8.8ZN	VIS M10X1,5X20 U5739 8.8 ZN	SCHRAUBE M10X1,5X20 U5739 ZN	TORNILLOM10X1,5X20 U5739 8.8ZN
130	F01410062	ROS.M10 10,5X 18X 2 U6592 ZN	WASHER M10 10,5X 18X 2 U6592	RONDELLE M10 10,5X18X2 ZN	DICHTUNGSRING M10 10,5X18X2 ZN	RONDANA M10 10,5X18X2 ZN
131	B07SP0285	RASTRELLO PICK UP LARGO ENTRY	RAKE ENTRY	RATEAU ENTRY	HARKE ENTRY PU 170	
132	B00181280	VITE M12X1,75X 80 U5739 8.8ZN	SCREW	VIS	SCHRAUBE	
133	B00710412	DADO M12X1,75 U5588 6.8 ZN	NUT	ECROU	MUTTER M12-6S	
134	B01121000	SPINOTTO 10 ART.1370 CAT.AMA	PIN	EPINE	STIFT	
135	B0C4P0149	ATTACCO RASTRELLO SX	ATTACHEMENT	ATTELAGE	ANSCHLUSS HARKE LINKS	
136	B0C4P0150	ATTACCO RASTRELLO DX	ATTACHEMENT	ATTELAGE	ANSCHLUSS HARKE RECHTS	
137	F01020516	VITE M12X1,75X45 U5739 8.8ZN	SCR. M12X1,75X45 U5739 8.8ZN	VIS M12X1,75X45 U5739 8.8 ZN	SCHARAUBE M12X1,75X45 U5739 ZN	TORNIL.M12X1,75X45 U5739 8.8ZN
138	B01516038	RALLA 13 32 5	FIFTH WHEEL	BUTEE	SCHEIBE	
139	B00920412	DADO M12X1,75 D985 8 ZN	NUT	ECROU	SELBSTSICHERNDE MUTTER M12-5S	
140	B00191680	VITE M16X 2X 80 U5737 8.8ZN	SCREW	VIS	SCHRAUBE	
141	F01410100	ROS.M16 17X 30X 3 U6592 ZN	WASHER	RONDELLE	SCHEIBE	
142	B00920516	DADO M16X 1,5 D985 6S ZN	NUT M16X1,5 D985 6S ZN	ECROU	SELBSTSICHERNDE MUTTER M16-5S	
143	F01020256	VITE M16X2X60 U5737 8.8ZN	SCR. M16X2X60 U5737 8.8ZN	VIS M16X 2X60 U5737 8.8 ZN	SCHRAUBE M16X2X60 U5737 8.8 ZN	TORNILLO M16X2X60 U5737 8.8 ZN
144	F01410100	ROS.M16 17X 30X 3 U6592 ZN	WASHER	RONDELLE	SCHEIBE	
145	B00920516	DADO M16X 1,5 D985 6S ZN	NUT M16X1,5 D985 6S ZN	ECROU	SELBSTSICHERNDE MUTTER M16-5S	
146	B0H000119	RUBIN. A SFER.A.P.1 4 FEMM.-F	BALL COCK	ROBINET 1 4 FEMELLE	KUGELHAHN	
147	B0H000150	TUBO IDRAUL. L=2500	HYDRAULIC PIPE L=2500	TUYAU HYDRAULIQUE L=2500	HYDR. SCHLAUCH L=2500	
148	B0H6000A0	INNESTO RAP.NV 12GAS-M	QUICK CLUTCH	EMBAYAGE	SCHNELLKUPPLUNG	
149	B0H733671	NIPPLO RID.FORO 1MM. 1 2 -1 4	NIPPLE 1 2 -1 4	NIPPLE 1 MM 1 2 -1 4	NIPPEL 1 2 -1 4	
150	B01441415	RONDELLA IN RAME 1 4	WASHER	RONDELLE	BEILAGSCHEIBE 1 4 13X19X1,5	
151	B01442015	ROS. 21 X27X1,5 RAME -1 2	WASHER	RONDELLE	BEILAGSCHEIBE 1 2	
152	B0H000155	RACC. T 10 RASTELLI TN120-10L	RAKE UNION TEE T 10 TN 120-10	RACCORD T 10	ASCHLUSS T 10	
153	B0H000151	TUBO IDRAUL. L=3000 1 4	HYDRAULIC PIPE L=3000	TUYAU HYDRAULIQUE L=3000 1 4	HYDRAULISCHES ROHR L=3000 1 4	
154	B0H400062	MARTINETTO PICK-UP	SPRINTER PICK-UP JACK	VERIN PICK-UP SPRINTER	SPRINTER PICK-UP ZYLINDER	
155	B0C6P1033	SPESSORE	THICKNESS			
156	B03110007	GIUNTO MOLL. N. 26 ASA 60-1	SPRING JOINT N. 26 ASA 60-1	JOINT	KETTENSCHLOSS	
157	B01300100	SPES. 30,3 40 0,5 ZINCATO	SHIM GALV	ENTRETOISE GALV	DISTANZSTUECK 30,3 40 0,5	
158	B031100H7	GIUNTO MOLL.N.26 A ASA60 H	LINK N.26 A ASA60 H	JOINT	VERBINDUNGSGLIED ASA60H	



**PICK-UP STRETTO
PICK-UP NARROW**

TAV_150

Pos.	Cod.	Descrizione	Description	Description	Benennung	Descripcion
1	B07SP0325	TELAIO PICK UP ENTRY 120	PICK UP ENTRY 120.			
2	B07S01397	CORPO ASPO 150	AUGER BODY 150	CORPS ENROULEUR 150	ASPO KOERPER 150	
3	B07S01398	BARRA PORTADEN.PICK UP STRETTO	TINES HOLDER BAR 150	BARRE PORTE-DENTS 150	MESSERALTER 150	
4	B018P0003	DENTE RACCOGLITORE PICK-UP	TOOTH COLLECTING PU	DENT PICK-UP	PICK-UP ZINKEN	
5	B0C000214	PIASTRA SOSTEGNO MOLLA	SPRING SUPPORTING PLATE	PLAQUE SUPPORT RESSORT	FEDER STUETZPLATTE	
6	F01020074	VITE M8X1,25X50 U5737 10.9ZD	SCR. M8X1,25X50 U5737 10.9ZD	VIS M 8X50	SCHRAUBE M 8X50	TORNILLO M 8X50
7	F01420048	ROS.M8 8,4X 24X 2 U6593 ZN	WASHER	RONDELLE	SCHEIBE	
8	F01230034	DADO M8X1,25 D982 8ZN	NUT M8X1,25 D982 8ZN	ECROU M8X 1,25 D982 8 ZN	MUTTER M8X 1,25 D982 8 ZN	TUERCA M8X 1,25 D982 8 ZN
9	B0C001521	CAVALLOTTO	U BOLT	BOULON	BUEGELBOLZEN	
10	B025P0010	SEMIBUSSOLA PER ASPO PICK-UP	HALF-BUSHFOR ASPO PICK-UP	SEMI-PALIER SPECIAL	HALBLAGERBUCHSE	
11	F01020472	VITE M10X1,5X25 U5739 8.8ZN	SCR. M10X1,5X25 U5739 8.8ZN	VIS M10X1,5X25 U5739 8.8 ZN	SCHRAUBE M10X1,5X25 U5739 8.8	TORNILLO 10X25 U5739 8.8 ZN
12	F01220033	DADO M10X 1,5 D980 8 ZN	NUT	ECROU	SELBSTSICHERNDE MUTTER M10 KL8	
13	B020R1210	ROTEL.SKF 361201 R PICK-UP LEG	ROLLER SKF 361201 R PU BINDER	GALET	LAGER SKF 361201 R	
14	B01700012	ANEL. D ARR. ALB. 12-E UNI3653	SEEGER RING	BAGUE SEEGER	SEEGERRING 12-E	
15	F02100122	SPINA E.P. 6X 45 U6873 C70 BR	PIN EL. 6 X45 DIN 1481	FICHE EL. 6 X45 DIN 1481	SPANNSTIFT 6 X45 DIN 1481	CLAVIJA EL.6 X45 DIN 1481
16	B01300101	SPES. 30,3 40 1 ZINCATO	SHIM GALV	ENTRETOISE GALV	DISTANZSTUECK 30,3 40 1	
17	B013P0039	DISTANZIALE 30,5X42,4X15	SPACER	ENTRETOISE	DISTANZSTUECK	
18	B02353030	SUPPORTO FLANGIATO TONDO 30LAM	BEARING FLANGED SUPPORT 30	SUPPORT FLANGE	FLANSCHLAGER	
19	F01020470	VITE M10X1,5X20 U5739 8.8ZN	SCR. M10X1,5X20 U5739 8.8ZN	VIS M10X1,5X20 U5739 8.8 ZN	SCHRAUBE M10X1,5X20 U5739 ZN	TORNILLO M10X1,5X20 U5739 8.8ZN
20	F01410062	ROS.M10 10,5X 18X 2 U6592 ZN	WASHER M10 10,5X 18X 2 U6592	RONDELLE M10 10,5X18X2 ZN	DICHTUNGSRING M10 10,5X18X2 ZN	RONDANA M10 10,5X18X2 ZN
21	B07S01561	CAMME PICK UP	NEW PICK-UP ECCENTRIC	CAME PU NEW	NEUE PICK-UP EXZENTER NOCKEN	
22	F01020508	VITE M12X1,75X 25 U5739 8.8ZN	SCREW	VIS	SCHRAUBE	
23	B01523831	RALLA 12 33 5	FIFTH WHEEL	BUTEE	UMBORDELUNG 12 33 5	
24	B03400240	INGR. Z=22-3 4 ISO CON MOZZO	GEAR Z=22-3 4 ISO WITH HUB	ENGRENAGE	ZAHNRAD Z=22-3 4 ISO MIT NAB	
25	B033C0003	CATENA GENOVESE N 10 F 1,5 12	CHAIN N 10 F 1,5 12			
26	B0C003304	FASCIA CENTRALE PICK UP TOPCUT	PICK-UP CENTRAL BAND TOPCUT	BANDE CENTRALE PICK-UP TOPCUT	ZENTRALES PICK-UP BAND	
27	B00370615	VITE M 6X16 ZN SEZ. TRIL. U8111	SCREW	VIS	SCHRAUBE	
28	B0C4P0120	ASTA DI REGOLAZIONE	ROD	BARRE	EINSTELLUNGSBALKEN	
29	B0C6P0336	COMPENSO FASCIA LUNGO	LONG SPACER BAND	EPAISSEUR	DICHTUNG BANDE	
30	B01170484	SPINA MOLLA 4 OCCH.SEMPL.ZINC.	PIN	GOUPILLE CLIPS	STIFT	
31	F02100122	SPINA E.P. 6X 45 U6873 C70 BR	PIN EL. 6 X45 DIN 1481	FICHE EL. 6 X45 DIN 1481	SPANNSTIFT 6 X45 DIN 1481	CLAVIJA EL.6 X45 DIN 1481
32	B07SP0265	ATTACCO RUOTA SX	WHELL LEFT CONNECTION	ATTELAGE		
33	B07SP0266	ATTACCO RUOTA DX	WHELL RIGHT CONNECTION	ATTELAGE		
34	B00431016	VITE STEI M10X16-12.9 UNI 5	SCREW	VIS	SCHRAUBE	
35	B07100027	RUOTA GOM. C FUSELLO15.600 6P	RUBBER TYRE WITH AXLE 15,600 6	ROUE EN COUTCHOU	GUMMI RAD	
36	B07SP0326	RASTRELLO PICK UP STRET.ENTRY	RAKE ENTRY 120			
37	F01020522	VITE M12X1,75X80 U5739 8.8ZN	SCR. M12X1,75X80 U5739 8.8ZN	VIS M12X1,75X80 U5739 8.8ZN	SCHRA.M12X1,75X80 U5739 8.8ZN	TORN.M12X1,75X80 U5739 8.8ZN
38	B00710412	DADO M12X1,75 U5588 6.8 ZN	NUT	ECROU	MUTTER M12-6S	
39	B01121000	SPINOTTO 10 ART.1370 CAT.AMA	PIN	EPINE	STIFT	
40	B0C4P0149	ATTACCO RASTRELLO SX	ATTACHEMENT	ATTELAGE	ANSCHLUSS HARKE LINKS	
41	B0C4P0150	ATTACCO RASTRELLO DX	ATTACHEMENT	ATTELAGE	ANSCHLUSS HARKE RECHTS	
42	F01020516	VITE M12X1,75X45 U5739 8.8ZN	SCR. M12X1,75X45 U5739 8.8ZN	VIS M12X1,75X45 U5739 8.8 ZN	SCHRAUBE M12X1,75X45 U5739 ZN	TORNIL.M12X1,75X45 U5739 8.8ZN
43	B01516038	RALLA 13 32 5	FIFTH WHEEL	BUTEE	SCHEIBE	
44	B00920412	DADO M12X1,75 D985 8 ZN	NUT	ECROU	SELBSTSICHERNDE MUTTER M12-5S	
45	B033C0003	CATENA GENOVESE N 10 F 1,5 12	CHAIN N 10 F 1,5 12			
46	B00191680	VITE M16X 2X 80 U5737 8.8ZN	SCREW	VIS	SCHRAUBE	
47	F01410100	ROS.M16 17X 30X 3 U6592 ZN	WASHER	RONDELLE	SCHEIBE	
48	B00920516	DADO M16X 1,5 D985 6S ZN	NUT M16X1,5 D985 6S ZN	ECROU	SELBSTSICHERNDE MUTTER M16-5S	
49	F01020256	VITE M16X2X60 U5737 8.8ZN	SCR. M16X2X60 U5737 8.8ZN	VIS M16X 2X60 U5737 8.8 ZN	SCHRAUBE M16X2X60 U5737 8.8 ZN	TORNILLO M16X2X60 U5737 8.8 ZN
50	F01410100	ROS.M16 17X 30X 3 U6592 ZN	WASHER	RONDELLE	SCHEIBE	
51	B00920516	DADO M16X 1,5 D985 6S ZN	NUT M16X1,5 D985 6S ZN	ECROU	SELBSTSICHERNDE MUTTER M16-5S	
52	BOH000119	RUBIN. A SFER.A.P.1 4 FEMM.-F	BALL COCK	ROBINET 1 4 FEMELLE	KUGELHAHN	
53	BOH000150	TUBO IDRAUL. L=2500	HYDRAULIC PIPE L=2500	TUYAU HYDRAULIQUE L=2500	HYDR. SCHLAUCH L=2500	
54	BOH6000A0	INNESTO RAP.NV 12GAS-M	QUICK CLUTCH	EMBRAYAGE	SCHNELLKUPPLUNG	
55	BOH733671	NIPPLO RID.FORO 1MM. 1 2 -1 4	NIPPLE 1 2 -1 4	NIPPLE 1 MM 1 2 -1 4	NIPPEL 1 2 -1 4	
56	B01441415	RONDELLA IN RAME 1 4	WASHER	RONDELLE	BEILAGSCHEIBE 1 4 13X19X1,5	
57	B01442015	ROS. 21 X27X1,5 RAME -1 2	WASHER	RONDELLE	BEILAGSCHEIBE 1 2	

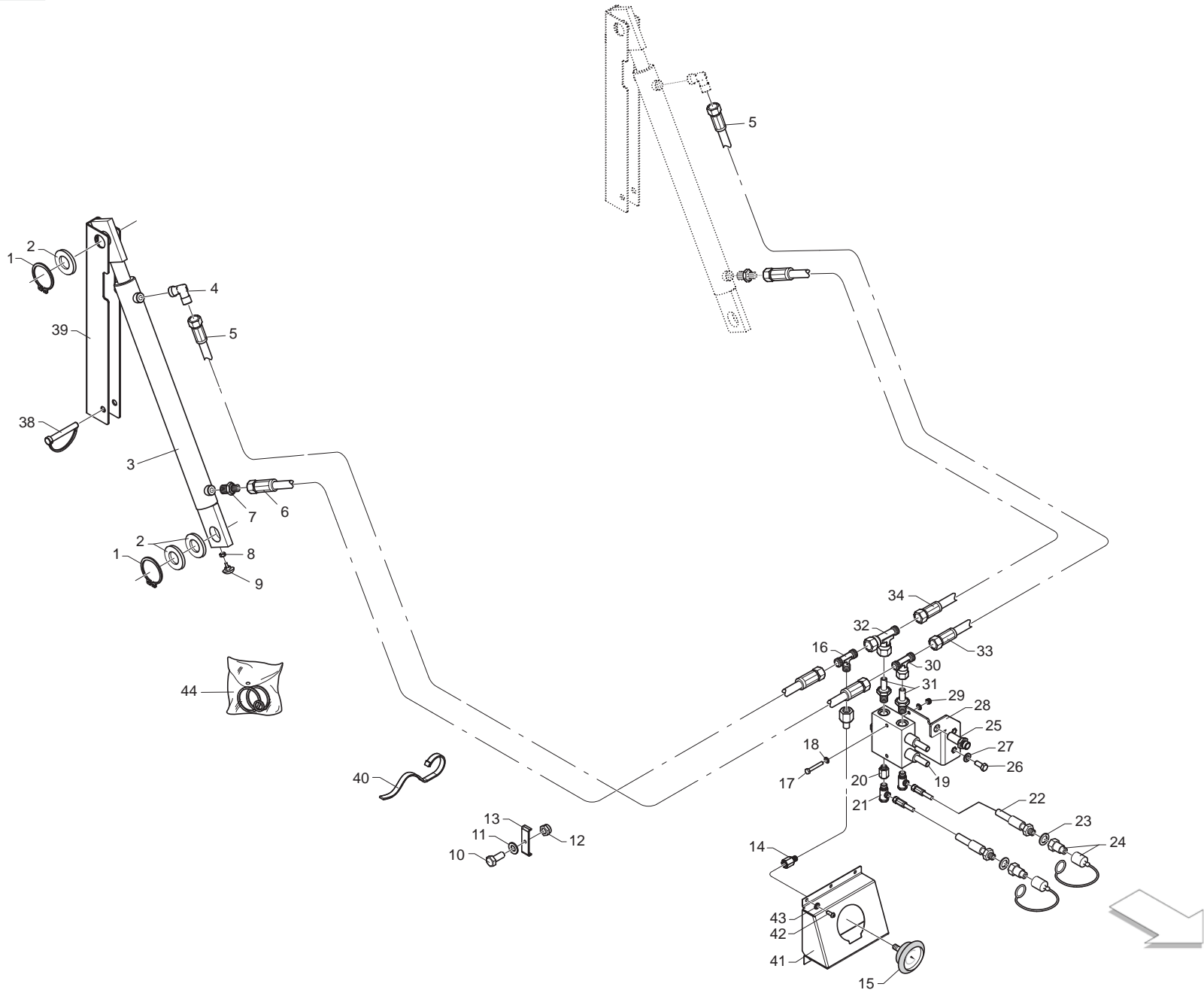


**PICK-UP STRETTO
PICK-UP NARROW**

TAV_150

Pos.	Cod.	Descrizione	Description	Description	Benennung	Descripion
58	BOH000286	RACCORDO L 10 TN119-10L	CONNECTION L 10	RACCORD	ASCHLUSS L 10	
59	BOH000151	TUBO IDRAUL. L=3000 1 4	HYDRAULIC PIPE L=3000	TUYAU HYDRAULIQUE L=3000 1 4	HYDRAULISCHES ROHR L=3000 1 4	
60	BOH400062	MARTINETTO PICK-UP	SPRINTER PICK-UP JACK	VERIN PICK-UP SPRINTER	SPRINTER PICK-UP ZYLINDER	
61	BOH000086	RACCORDO L 10 TN94-10LR	UNION L 10	RACCORD L 10	ANSCHLUSSSTUECK L 10	
62	BOH400061	KIT GUARNIZ. MARTIN. B0H400021	KIT JOINTS FOR H400021	KIT JOINTS POUR VERIN	DICHTUNGSSATZ FUER H400021	
63	BOC004058	CARTER CAMME	CAMS GUARD	CARTER CAMES	CARTER KAMM	
64	BOC004057	CARTER TRASMISSIONE ASPO	AUGER DRIVE GUARD	CARTER TRANSMISSION ENROULEUR	CARTER ANTRIEB ASPO	
65	B00370001	VITE TE M 8X16 A SEZ.TRILOBATA	SCREW TRE M 8X16 SEZ TROUBLED	VIS	SCHRAUBE M 8X15	
66	B03111063	CAT RULLI ASA 60-1 63 MGL ISO	ROLLER CHAIN	CHAINE ROULEAUX	KETTE DER WALZEN	
67	BOC6P0300	ATTACCO TENDITORE	ATTACK TENSIONER			
68	F01040130	VITE M10X1,5X60 U5931 8.8ZN	SCR. M10X1,5X60 U5931 8.8ZN			
69	B07VP0513	TENDICATENA IN NYLON	NYLON CHAIN TIGHTENER			
70	BOC6P0301	SPES.	SHIM	ENTRETOISE	DICHTUNG	
71	F01020160	VITE M12X1,75X60 U5737 8.8ZN	SCR. M12X1,75X60 U5737 8.8ZN	VIS M12X1,75X60 U5737 8.8 ZN	SCHRA.M12X1,75X60 U5737 8.8 ZN	TORN. M12X1,75X60 U5737 8.8 ZN
72	F01410076	ROS.M12 13X 20X2,0 U1749 ZN	WASHER	RONDELLE	SCHEIBE	
73	B00920412	DADO M12X1,75 D985 8 ZN	NUT	ECROU	SELBSTSICHERNDE MUTTER M12-5S	
74	B01300715	FLANGIA SX PICK-UP	PICK-UP FLANGE	FLASQUE GAUCHE POUR PICK-UP	PICK-UP FLANSCH	
75	B01700095	ANEL. D ARR. ALB. 95-E UNI3653	SEEGER RING	BAGUE SEEGER	SEEGERRING 95-E	
76	B00181015	VITE M10X1,5 X 16 U5739 8.8ZN	SCREW	VIS	SCHRAUBE	
77	F01410062	ROS.M10 10,5X 18X 2 U6592 ZN	WASHER M10 10,5X 18X 2 U6592	RONDELLE M10 10,5X18X2 ZN	DICHTUNGSRING M10 10,5X18X2 ZN	RONDANA M10 10,5X18X2 ZN
78	B01822744	MOLLA 49,5 SPIRE	SPRING 49,5 SPIRAL	RESSORT	FEDER	
79	F01020524	VITE M12X1,75X90 U5739 8.8ZN	SCR. M12X1,75X90 U5739 8.8ZN			
80	F01410076	ROS.M12 13X 20X2,0 U1749 ZN	WASHER	RONDELLE	SCHEIBE	
81	B00920412	DADO M12X1,75 D985 8 ZN	NUT	ECROU	SELBSTSICHERNDE MUTTER M12-5S	
82	B00545168	OCCHIOLO PER TENDITORI M12-DX	EYELET M12	OEIL M12	OSE M12	
83	F01200293	DADO M12X1,75 U5588 CL8 ZN	NUT M12X1,75 U5588 6S ZN	ECROU M12X1,75 U5588 6S ZN	MUTTER M12X1,75 U5588 6S ZN	TUERCA M12X1,75 U5588 6S ZN
84	B00920412	DADO M12X1,75 D985 8 ZN	NUT	ECROU	SELBSTSICHERNDE MUTTER M12-5S	
85	B01300100	SPES. 30,3 40 0,5 ZINCATO	SHIM GALV	ENTRETOISE GALV	DISTANZSTUECK 30,3 40 0,5	
86	B03110007	GIUNTO MOLL. N. 26 ASA 60-1	SPRING JOINT N. 26 ASA 60-1	JOINT	KETTENSCHLOSS	

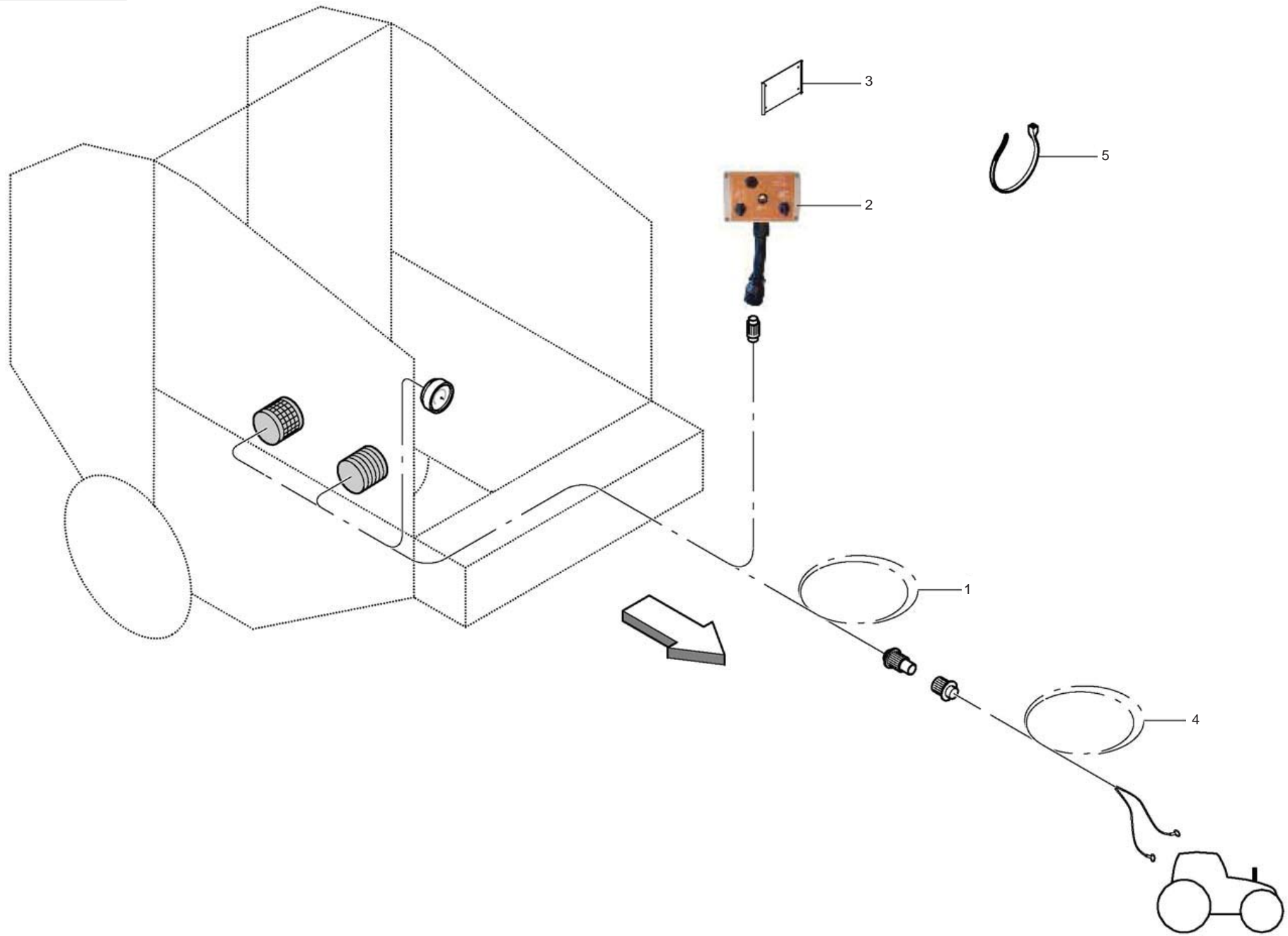
TAV_160



**IMPIANTO IDRAULICO MACCHINA
MACHINE HYDRAULIC SYSTEM**

TAV_160

Pos.	Cod.	Descrizione	Description	Description	Benennung	Descripcion
1	F02050112	ANEL. D ARR. ALB. 30-E UNI3653	SEEGER RING	BAGUE SEEGER	SEEGERRING 30-E	
2	B01531930	RALLA 30-61,5-3	FIFTH WHEEL	BUTEE	LAGERSCHALE 30 61,5 3	
3	B0H400020	MARTINETTO PORTELLONE FFC150	JACK HATCH FFC150	VERIN PORTE FF C 150	HEBEBOCK FUER DIE TUER FFC150	
4	B0H60000X	RACCORDO L 12 SOLO CORPO	UNION L 12	RACCORD L 12	VERBINDUNGSSTUECK	
5	B0H0P0030	TUBO IDR. L2800 PORT.LATO DX	HYDR HOSE	TUYAU HYDRAULIQUE	HYDR. ROHR L=2800 LINKS	
6	B0H0P0031	TUBO IDR. L2300 PORT.LATO SX	HYDR HOSE	TUYAU HYDRAULIQUE	HYDR. ROHR L=2300 RECHTS	
7	B0H60000Y	RACC. I 12 SOLO COR. RASTELLI	UNION I 12	RACCORD I 12	VERBINDUNGSSTUECK I 12	
8	F01200293	DADO M12X1,75 U5588 CL8 ZN	NUT M12X1,75 U5588 6S ZN	ECROU M12X1,75 U5588 6S ZN	MUTTER M12X1,75 U5588 6S ZN	TUERCA M12X1,75 U5588 6S ZN
9	B07S00179	VITE DI REGOLAZIONE	ADJUSTMENT SCREW	VIS DE REGLAGE	REGELUNGSSCHRAUBE	
10	F01020077	VITE M8X1,25X60 U5737 8.8ZN	SCR. M8X1,25X60 U5737 8.8ZN	VIS M8X1,25X60 U5737 8.8 ZN	SCHRAU. M8X1,25X60 U5737 8.8ZN	TORN. M8X1,25X60 U5737 8.8 ZN
11	F01410051	ROS.M8 8,4X 17X1,6 U6592 ZN	WASHER M8 8,4X17X1,6 U6592 ZN	RONDELLE	SCHEIBE	
12	B00920208	DADO M8X1 D985 8ZN	NUT M8X1 D985 8ZN	ECROU	SELBSTSICHERNDE MUTTER M8-5S	
13	B0C005132	CAVALLOTTO DI FISSAGGIO	FIXING U BOLT	BOULON DE FIXAGE	U-BUEGEL	
14	B0H000255	TUBO CAPILLARE MINITEST	CAPILLARY HOSE	TUYAU CAPILLAIRE MINITEST	KAPILLARROEHRCHEN	
15	B0H0C0022	MANOMETRO	MANOMETER	MANOMETRE	MANOMETER	
16	B0H0P0032	RACC DO T SPECIALE 12-12-1 4 M	SPECIAL UNION 12-12-1 4			
17	B00180670	VITE M 6X 70-8,8 UNI 5739	SCREW TE M 6X 70-8,8 UNI 573			
18	F01410037	ROS.M6 6,4X12,5X1,6 U6592 ZN	WASHER	RONDELLE	BEILAGSCHEIBE 6	
19	B0H0P0012	BLOCCO ROTOPRESSA TIPO O	BALER STOP TYPE O	BLOC PRESSE TYP O	HALTER FUER PRESSE TYP O	
20	B0H000100	DIST. MASCHIO 3 8 FEMM.3 8	SPACER 3 8	ENTRETOISE MALE 3 8 FEMELLE 3	DISTANZSTUECK 3 8	
21	B0H000103	RACCORDO O 12 TN131-12LR	FILLET 0 12	RACCORD O 12	HOHLKEHLEN ANSCHLUSSSTUECK 0	
22	B0H000149	TUBO IDRAUL. L=2500	HYDRAULIC PIPE L=2500	TUYAU HYDRAULIQUE L=2500	HYDR. ROHR L=2500	
23	B01442015	ROS. 21 X27X1,5 RAME -1 2	WASHER	RONDELLE	BEILAGSCHEIBE 1 2	
24	B0H6000A0	INNESTO RAP.NV 12GAS-M	QUICK CLUTCH	EMBRAYAGE	SCHNELLKUPPLUNG	
25	B0H000153	RACC. I 10 SOLO CORPO RASTELLI	CONNECTION	RACCORD I 10 SEULEMENT CORPS	ANSCHLUSS I 10	
26	F01020436	VITE M8X1,25X20 U5739 8.8ZN	SCR. M8X1,25X20 U5739 8.8ZN	VIS M8X1,25X 20 U5739 8.8 ZN	SCHRAUBE M8X1,25X20U5739 8.8ZN	TORN. M8X1,25X20 U5739 8.8 ZN
27	F01410051	ROS.M8 8,4X 17X1,6 U6592 ZN	WASHER M8 8,4X17X1,6 U6592 ZN	RONDELLE	SCHEIBE	
28	B0C6P0304	ATTACCO VALVOLA ROTOPR	ATTACHEMENT	ATTELAGE	ANSCHLUSS VENTIL	
29	B00920106	DADO M6X1 D985 8ZN	NUT	ECROU	SELBSTSICHERNDE MUTTER M6-5S	
30	B0H000052	RACCORDO T 12 TN100-12L	UNION T 12	RACCORD T 12	T-STUECK T 12	
31	B0H60000F	RACC. I 12 RASTEL.TN126GG-12LR	UNION I 12	RACCORD I 12	VERBINDUNGSSTUECK I 12	
32	B0H60000J	RACC T 12 TN121-12L RASTELLI	UNION T 12	RACCORD T 12	VERBINDUNGSSTUECK T 12	
33	B0H000107	TUBO R16 3 8 STRONGER 1L1800	HYDR. PIPE L=1800	TUYAU HYDRAULIQUE	HYDROSCHLAUCH L=1800	
34	B0H0P0031	TUBO IDR. L2300 PORT.LATO SX	HYDR HOSE	TUYAU HYDRAULIQUE	HYDR. ROHR L=2300 RECHTS	
38	B01121000	SPINOTTO 10 ART.1370 CAT.AMA	PIN	EPINE	STIFT	
39	B0C000558	SICUREZZA PORTELLONE	DOOR SAFETY	SURETE PORTE	TUERSICHERHEITSVORICHTUNG	
40	F05150066	FASCETTA SERRAC 8X2 L250MM MIN	CLAMP 8X2	BANDE 8X2	MANSCHETTE 8X2	
41	B0C3P0113	ATTACCO MANOMETRO	ATTACHEMENT	ATTELAGE	ANSCHLUSS MANOMETER	
42	B00470825	VITE TTEI M 8X 25-10,9 UNBRA	SCREW	VIS	SCHRAUBE TTEI M 8X25-10,9 UNBR	
43	F01410051	ROS.M8 8,4X 17X1,6 U6592 ZN	WASHER M8 8,4X17X1,6 U6592 ZN	RONDELLE	SCHEIBE	
44	B04933201	GUAR. H126909-28442-29644-300	GASKET H126909-28442-29644-300	JEU DE JOINTS	KIT ZYLINDERDICHTUNGEN	

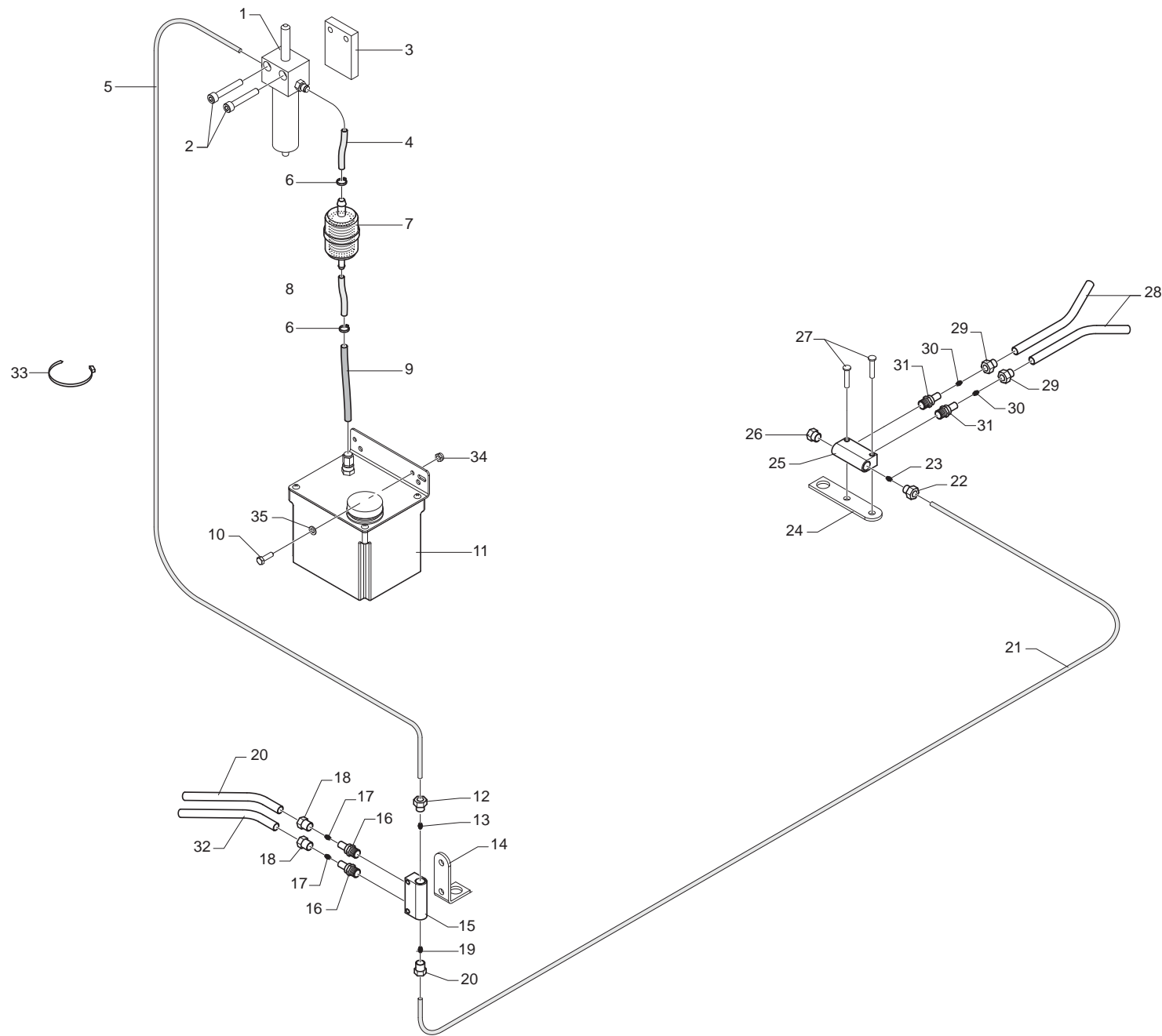


**CABLAGGIO
CONTROL SYSTEM**

TAV_170

Pos.	Cod.	Descrizione	Description	Description	Benennung	Descripcion
1	B0E0P0067	CABLAGGIO MACCHINA	MACHINE CABLES	CABLAGE MACHINE	KABLE MASCHINE	
2	B0E0PR056	CENTRALINA DI CONTROLLO RIGEN.	CONTROL BOX REGEN.			
3	B0E0P0059	CODA DI RONDINE FEMMINA D D	D&D FEMALE DOVETAIL	QUEUE D ARONDE FEMELLE	SCHWALBENSCHWANZ	
4	B0E0P0010	CAVO TRATTORE	TRACTOR CABLE	CABLE TRACTEUR	KABEL SCHLEPPER	
5	F05150066	FASCETTA SERRAC 8X2 L250MM MIN	CLAMP 8X2	BANDE 8X2	MANSCHETTE 8X2	

TAV_180



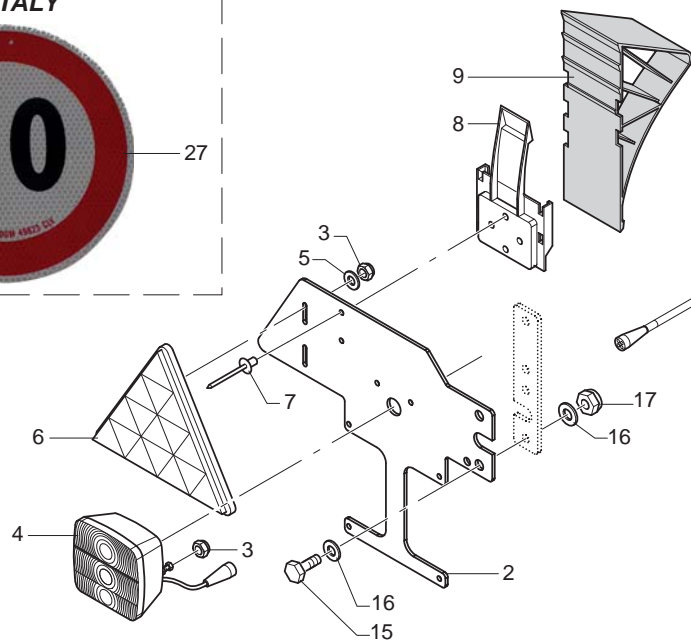
**IMPIANTO OLIIATURA AUTOMATICA
AUTOMATIC OILING SYSTEM**

TAV_180

Pos.	Cod.	Descrizione	Description	Description	Benennung	Descripion
1	BOH4P0001	POMPA PISTONE PORT.6CCX10MM90	PUMP	POMPE	PUMPE PORT.6CCX10MM 90	
2	B00400850	VITE M8X1,25X50 U5931 8.8BR	SCREW	VIS	SCHRAUBE M8X50.8.8	
3	B0C003928	ATTACCO OLIATORE	LUBRICATION ATTACHMENT	ATTELAGE GRAISSEUR	SCHMIERVORRICHTUNGSBEFESTIGUNG	
4	BOH000035	TUBETTO IN NYLON 6	NYLON PIPE	PETIT TUBE EN NYLON 6	NYLONROEHRCHEN 6	
5	BOH000135	TUBETTO IN NYLON 4 L=1500	NYLON PIPE 4 L=1500	PETIT TUYAU EN NYLON DIAM 4 L=	KLEINE ROEHRE IN NYLON J4 L=15	
6	BOE600026	FASCETTA 10,4X 10,7 CE09 NORMA	CLAMP 8,8X9,3 HLS A HILLS	BANDE 8,8X9,3	MANSCHETTE 8,8X9,3 HLS A HILLS	
7	BOH000022	FILTRO VASCHETTA OLIO	FILTER MAXIFIS	FILTRE ESSENCE	BENZINFILTER MAXIFIS	
8	BOH000023	TUBETTO COLLEGAMENTO FILTRO	CONNECTION PIPE	PETIT TUBE JONCTION FILTRE	VERBINDUNGSSCHLAUCH	
9	BOH000136	TUBETTO IN NYLON 6 L=180	NYLON PIPE 6 L=300	PETIT TUYAU EN NYLON DIAM 6 L=	KLEINE ROEHRE AUS NYLON J4 L=2	
10	B00180620	VITE M6X1X20 U5739 8.8ZN	SCREW	VIS	SCHRAUBE	
11	B04800000	SERB.NYLON PER POMPA PISTONERI	NYLON TANK PUMP PISTONERI	RESERVOIR	OELBEHAELTER	
12	BOH600016	RACC. X TUBO 4RIF.ILC 04.102.	UNION FOR PIPE 4RI	RACCORD POUR TUYAU DIAM 4	VERBINDUNGSTUECK FUR SCHLAUCH	
13	BOH600013	DOPPI CONI PER TUBO 4	DOUBLE CONE FOR PIPE	DOUBLE CONES POUR TUYAU DIAM 4	DOPPELTER KEGEL FUER SCHLAUCH	
14	B0C6P0340	ATTACCO DISTRIBUTORE	ATTACK DISTRIBUTORE			
15	BOH000102	DISTRIBUTORE UNILAT. 4 VIE	UNILATERAL DISTRIBUTOR	DISTRIBUTEUR UNILATERAL 4 VOIE	EINSEITIGER VERTEILER	
16	BOHE00003	INIETTORE TIPO E	TYPE E INJECTOR	GICLEUR TYPE E	SPRITZDUESE	
17	BOH600013	DOPPI CONI PER TUBO 4	DOUBLE CONE FOR PIPE	DOUBLE CONES POUR TUYAU DIAM 4	DOPPELTER KEGEL FUER SCHLAUCH	
18	BOH600014	RACCORDO INIETTORE PER TUBO 4	INJECTOR UNION FOR PIPE	RACCORD INJECTEUR POUR TUYAU D	EINSPRITZDUESENANSCHLUSS	
19	B01000024	RIVETTO A STRAPPO 6 X30 FFPR	RIVET 6 X30			
20	BOH000129	TUBETTO IN RAME 4 L=90	COPPER PIPE 4 L=90	PETIT TUYAU EN CUIVRE DIAM. 4	KUPFER ROEHRCHEN 4 L=9	
21	BOH0P0095	TUBETTO IN NYLON 4 L=3300	TUBE NYLON 4 L=3300			
22	BOH600016	RACC. X TUBO 4RIF.ILC 04.102.	UNION FOR PIPE 4RI	RACCORD POUR TUYAU DIAM 4	VERBINDUNGSTUECK FUR SCHLAUCH	
23	BOH600013	DOPPI CONI PER TUBO 4	DOUBLE CONE FOR PIPE	DOUBLE CONES POUR TUYAU DIAM 4	DOPPELTER KEGEL FUER SCHLAUCH	
24	B0C6P0352	SOSTEGNO OLIATORE	OLING SYSTEM SUPPORT			
25	BOH000102	DISTRIBUTORE UNILAT. 4 VIE	UNILATERAL DISTRIBUTOR	DISTRIBUTEUR UNILATERAL 4 VOIE	EINSEITIGER VERTEILER	
26	BOH600015	TAPPORIF.ILC 05.001.0	PLUG	BOUCHON	STOEPSSEL	
27	B01000024	RIVETTO A STRAPPO 6 X30 FFPR	RIVET 6 X30			
28	BOH0P0023	TUBETTO IN RAME 4 L=210	COPPER TUBE DIAM 4 L=210	PETIT TUBE EN CUIVRE DIAM 4 L=	KLEINES ROHR AUS KUPFER L=210	
29	BOH600014	RACCORDO INIETTORE PER TUBO 4	INJECTOR UNION FOR PIPE	RACCORD INJECTEUR POUR TUYAU D	EINSPRITZDUESENANSCHLUSS	
30	BOH600013	DOPPI CONI PER TUBO 4	DOUBLE CONE FOR PIPE	DOUBLE CONES POUR TUYAU DIAM 4	DOPPELTER KEGEL FUER SCHLAUCH	
31	BOHE00003	INIETTORE TIPO E	TYPE E INJECTOR	GICLEUR TYPE E	SPRITZDUESE	
32	BOH0P0022	TUBETTO IN RAME 4 L=60	COPPER TUBE DIAM 4 L=60	PETIT TUBE EN CUIVRE DIAM 4 L=	KLEINES ROHR AUS KUPFER L=60	
33	F05150055	FASCETTA LUMEFIX 3,6X180	CLAMP LUMEFIX	BANDE LUMEFIX	MANSCHETTE LUMEFIX	
34	B00920106	DADO M6X1 D985 8ZN	NUT	ECROU	SELBSTSICHERNDE MUTTER M6-5S	
35	F01410037	ROS.M6 6,4X12,5X1,6 U6592 ZN	WASHER	RONDELLE	BEILAGSCHEIBE 6	

TAV_190

SOLO per ITALIA
ONLY for ITALY

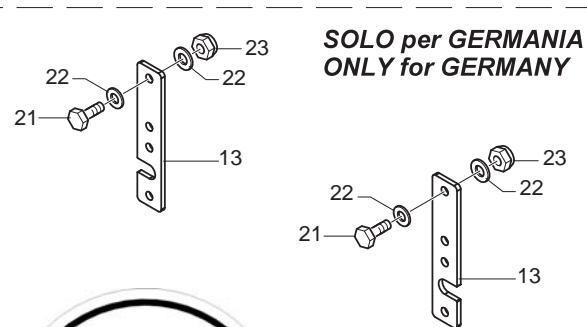


1 = 4+6+12+18+19

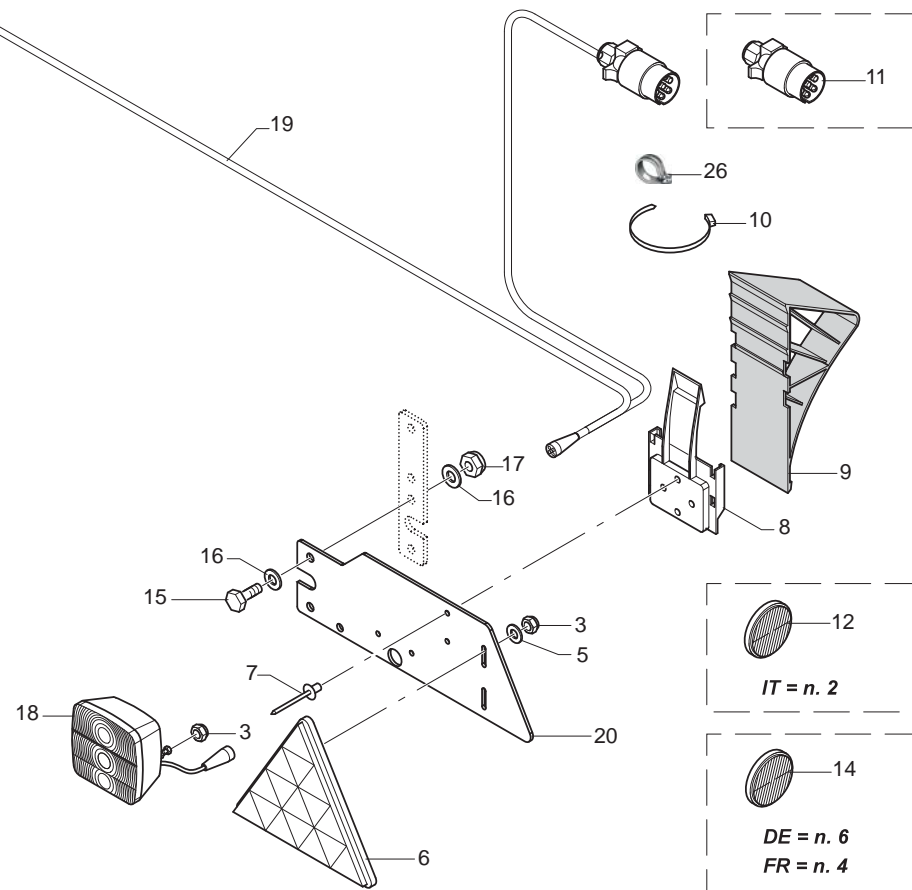
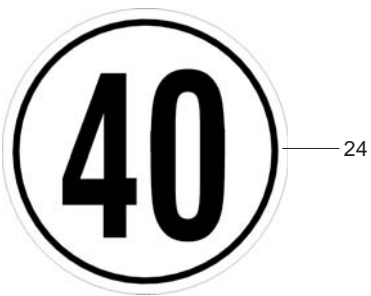
P21W
12V-21W

C5W
SE 12V-5W

SOLO per FRANCIA
ONLY for FRANCE



SOLO per GERMANIA
ONLY for GERMANY

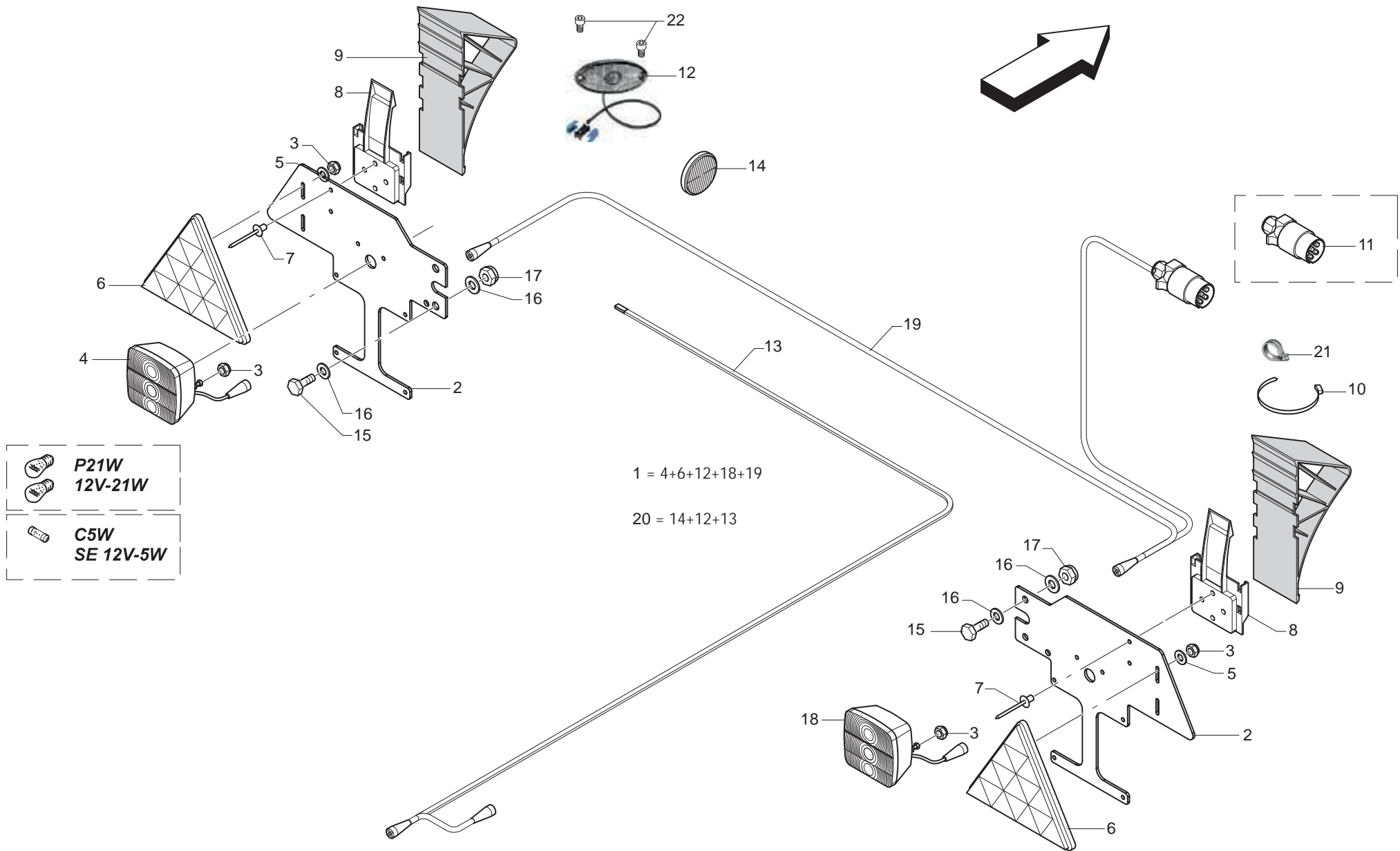






**IMPIANTO LUCI + CUNEI
LIGHTS PLANT + WHEELS CHOCKS**

TAV_190

Pos.	Cod.	Descrizione	Description	Description	Benennung	Descripcion
1	B0E0P0175	GRUPPO LUCI ROTOPRESSA ENTRY	LIGHT GROUP ENTRY			
2	B0C4P0143	SOSTEGNO FANALE SX	SUPPORT	SUPPORT	BELEUCHTUNGHALTER LINKS	
3	B00920005	DADO AUTOB.BASSO M 5-5S DIN985	NUT	ECROU	SELBSTSICHERNDE MUTTER M5-5S	
4	B0E0P0170	FANALE POSTERIORE CON LUCE TA	TAILLIGHT			
5	F01420023	ROS.M5 5,3X 15X1,5 U6593 ZN	WASHER M5 5,3X 15X1,5 U6593			
6	B0E000025	CATADIOTRO TRIANGOLARE ROSSO	RED TRIANGULAR RETROREFLECTOR	CATADIOPTRE TRIANGULAIRE ROUGE	DREIECKIGER ROTER RUECKSTRAHLE	
7	B01000011	RIVETTO STR. 6X12 U9200AAL	RIVET 6X12 U9200AAL	RIVET	ABREISSNIETEN 6X15	
8	B07V00071	SOSTEGNO CUNEO TIPO HA20K	CHOCK SUPPORT TYPE HA20K	SUPPORT COIN HA20K	KEILHALTERUNG HA20K	
9	B07V00070	CUNEO D ARRESTO TIPO UK20K	WHEEL CHOCK	COIN D ARRET UK20K	UNTERLEGEKEIL	
10	F05150055	FASCETTA LUMEFIX 3,6X180	CLAMP LUMEFIX	BANDE LUMEFIX	MANSCHETTE LUMEFIX	
11	B0E0P0189	SPINAA 7 POLI 12V VST_018	PLUG			
12	B0E0P0173	CATADIOTRO ROTONDO BIANCO	WHITE ROUND RETROREFLECTOR	CATADIOPTRE ROND BLANC	RUNDER WEISSER RUECKSTRAHLER	
13	B0C6P0835	PIASTRA ABBASSAMENTO FANALI	LOWER PLATE LIGHTS			
14	B0E0P0174	CATADIOT.ROTONDO ARANC ADESIVO	REFLECTOR ROUND			
15	F01020476	VITE M10X1,5X30 U5739 8.8ZN	SCR. M10X1,5X30 U5739 8.8ZN	VIS M10X1,5X30 U5739 8.8 ZN	SCHRAUBE M10X1,5X30U5739 8.8ZN	TORNIL.M10X1,5X30 U5739 8.8 ZN
16	F01410064	ROS.M10 10,5X 18X 2 U6592 ZN	WASHER	RONDELLE	SCHEIBE	
17	F01230202	DADO M10X1,25 D985 8 ZN	SELF-LOCKING NUT	ECROU NYLSTOP	SELBSTSICHERNDE MUTTER M10-5S	
18	B0E0P0171	FANALE POSTERIORE	TAILLIGHT			
19	B0E0P0172	SPINA 7 POLI E CABLAGGIO	PLUG 7 POLES AND WIRING			
20	B0C4P0144	SOSTEGNO FANALE DX	SUPPORT	SUPPORT	BELEUCHTUNGHALTER RECHTS	
21	F01020476	VITE M10X1,5X30 U5739 8.8ZN	SCR. M10X1,5X30 U5739 8.8ZN	VIS M10X1,5X30 U5739 8.8 ZN	SCHRAUBE M10X1,5X30U5739 8.8ZN	TORNIL.M10X1,5X30 U5739 8.8 ZN
22	F01410064	ROS.M10 10,5X 18X 2 U6592 ZN	WASHER	RONDELLE	SCHEIBE	
23	F01230202	DADO M10X1,25 D985 8 ZN	SELF-LOCKING NUT	ECROU NYLSTOP	SELBSTSICHERNDE MUTTER M10-5S	
24	B075P0236	DECAL VEL.40 GERMANIA	D 40 G			
25	B075P0146	ET VELOCITA 40	DECAL SPEED 40	DECAL VELOCITE 40	AUFKLEBER GESCHWINDIGKEIT 40	
26	F02300073	FASCETTA DIAMETRO 8 CON GOMMA	BAND ABA	BANDE EN CAOUTCHOUC	KABLEBINDER	
27	F20030261	ETICH. LIMITE VELOCITA 40	SPEED LIMIT 40 LABEL			

TAV_200



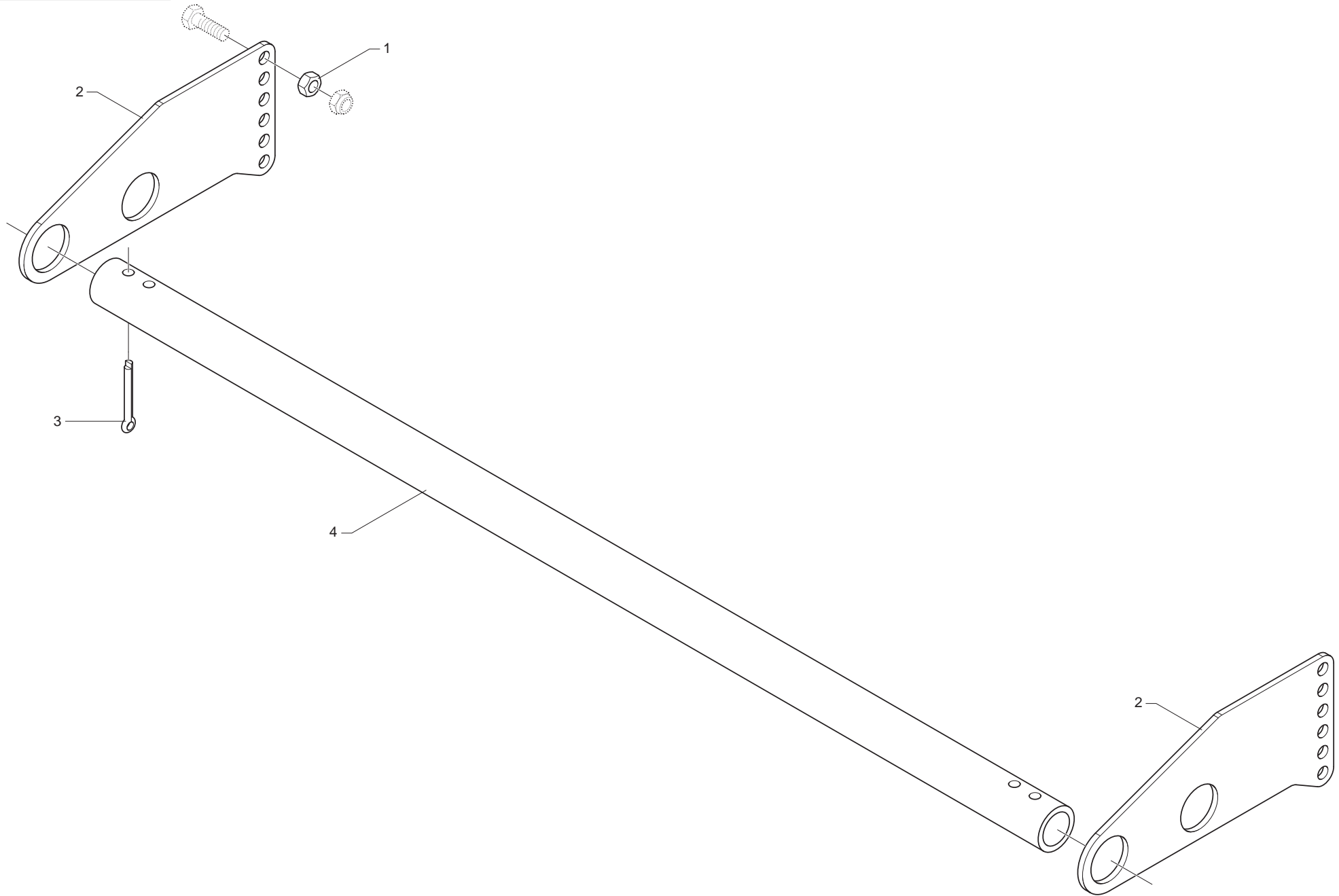
-  **P21W**
-  **12V-21W**
-  **C5W**
-  **SE 12V-5W**

**IMPIANTO LUCI - SOLO SPAGNA
LIGHT PLANT - ONLY SPAIN**

TAV_200

Pos.	Cod.	Descrizione	Description	Description	Benennung	Descripcion
1	B0E0P0175	GRUPPO LUCI ROTOPRESSA ENTRY	LIGHT GROUP ENTRY			
2	B0C4P0143	SOSTEGNO FANALE SX	SUPPORT	SUPPORT	BELEUCHTUNGHALTER LINKS	
3	B00920005	DADO AUTOB.BASSO M 5-5S DIN985	NUT	ECROU	SELBSTSICHERNDE MUTTER M5-5S	
4	B0E0P0170	FANALE POSTERIORE CON LUCE TA	TAILLIGHT			
5	F01420023	ROS.M5 5,3X 15X1,5 U6593 ZN	WASHER M5 5,3X 15X1,5 U6593			
6	B0E000025	CATADIOTRO TRIANGOLARE ROSSO	RED TRIANGULAR RETROREFLECTOR	CATADIOPTRE TRIANGULAIRE ROUGE	DREIECKIGER ROTER RUECKSTRAHLE	
7	B01000011	RIVETTO STR. 6X12 U9200AAL	RIVET 6X12 U9200AAL	RIVET	ABREISSNIETEN 6X15	
8	B07V00071	SOSTEGNO CUNEO TIPO HA20K	CHOCK SUPPORT TYPE HA20K	SUPPORT COIN HA20K	KEILHALTERUNG HA20K	
9	B07V00070	CUNEO D ARRESTO TIPO UK20K	WHEEL CHOCK	COIN D ARRET UK20K	UNTERLEGEKEIL	
10	F05150055	FASCETTA LUMEFIX 3,6X180	CLAMP LUMEFIX	BANDE LUMEFIX	MANSCHETTE LUMEFIX	
11	B0E0P0189	SPINA A 7 POLI 12V VST_018	PLUG			
12	B0E0P0192	FLETPOINT CAVO	CABLE FLETPOINT			
13	B0E0P0191	CAVO QUADRO 2X0,75 6 MT	CABLE FRAMEWORK 2X0,75 6 MT			
14	B0E0P0174	CATADIOT.ROTONDO ARANC ADESIVO	REFLECTOR ROUND			
15	F01020476	VITE M10X1,5X30 U5739 8.8ZN	SCR. M10X1,5X30 U5739 8.8ZN	VIS M10X1,5X30 U5739 8.8 ZN	SCHRAUBE M10X1,5X30U5739 8.8ZN	TORNIL.M10X1,5X30 U5739 8.8 ZN
16	F01410064	ROS.M10 10,5X 18X 2 U6592 ZN	WASHER	RONDELLE	SCHEIBE	
17	F01230202	DADO M10X1,25 D985 8 ZN	SELF-LOCKING NUT	ECROU NYLSTOP	SELBSTSICHERNDE MUTTER M10-5S	
18	B0E0P0171	FANALE POSTERIORE	TAILLIGHT			
19	B0E0P0172	SPINA 7 POLI E CABLAGGIO	PLUG 7 POLES AND WIRING			
20	B0E0P0159	LUCI ADATTATORE ENTRY SPAGNA	LIGHTS ADAPTER ENTRY SPAIN			
21	F02300073	FASCETTA DIAMETRO 8 CON GOMMA	BAND ABA	BANDE EN CAOUTCHOUC	KABLEBINDER	
22	B003E0535	VITE ZINC.TCI M 5X35-4.8 U6107	SCREW			

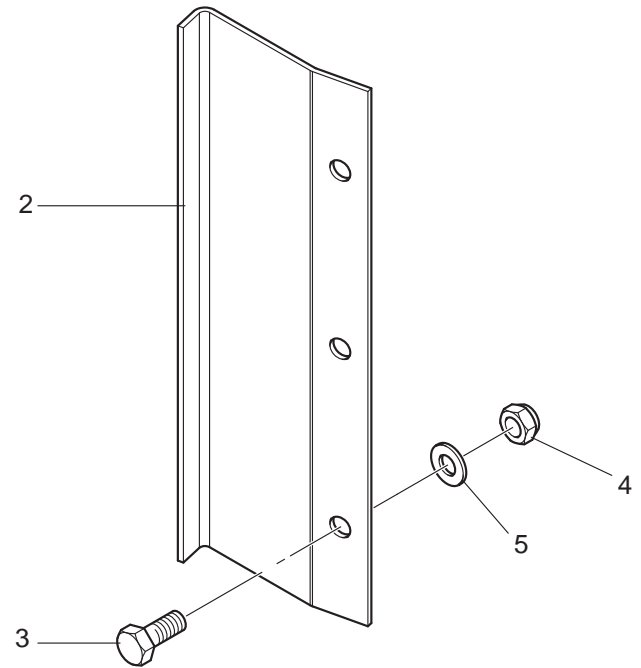
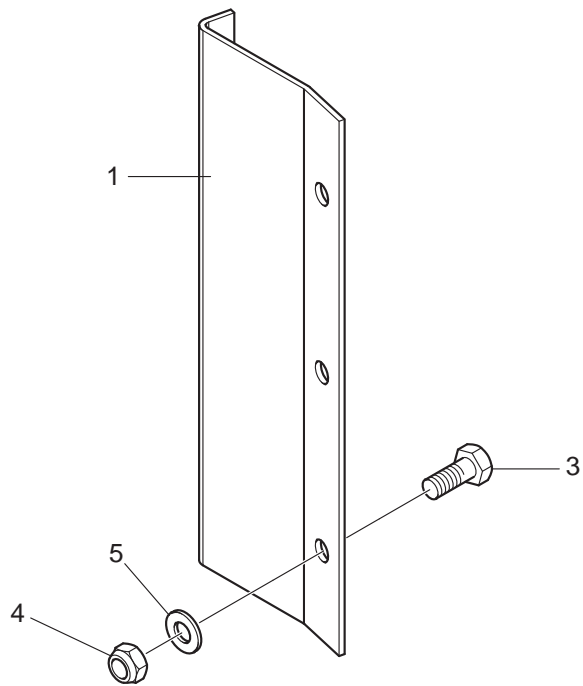
TAV_210



**ALLONTANATORE BALLA
EJECTOR**

TAV_210

Pos.	Cod.	Descrizione	Description	Description	Benennung	Descripcion
1	B00710516	DADO M16X 2 U5588 6.8 ZN	NUT M16X2 U5588 6.8 ZN	ECROU	MUTTER M16-6S	
2	B0C4P0115	ATTACCO PER ALLONTANATORE	BALE EJECTOR ATTACHMENT			
3	B01150880	COPIGLIA ZINC. 8 X 80 UNI1336	GALV PIN 8 X 80 UNI1336			
4	B0C000926	TUBO ALLONTANATORE	MOVER AWAY PIPE	TUYAU DE RENVOIE	ROHR	

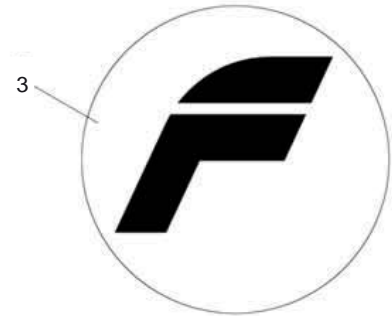


**KIT ESTRATTORE BALLA
EXTRACTOR**

TAV_220

Pos.	Cod.	Descrizione	Description	Description	Benennung	Descripcion
1	B0C001315	ESTRATTORE PER FF50	EXTRACTOR	EXTRACTEUR POUR FF50	FOERDERER FUER FF50	
2	B0C001315	ESTRATTORE PER FF50	EXTRACTOR	EXTRACTEUR POUR FF50	FOERDERER FUER FF50	
3	F01020472	VITE M10X1,5X25 U5739 8.8ZN	SCR. M10X1,5X25 U5739 8.8ZN	VIS M10X1,5X25 U5739 8.8 ZN	SCHRAUBE M10X1,5X25 U5739 8.8	TORNILLO 10X25 U5739 8.8 ZN
4	F01230202	DADO M10X1,25 D985 8 ZN	SELF-LOCKING NUT	ECROU NYLSTOP	SELBSTSICHERNDE MUTTER M10-5S	
5	F01410062	ROS.M10 10,5X 18X 2 U6592 ZN	WASHER M10 10,5X 18X 2 U6592	RONDELLE M10 10,5X18X2 ZN	DICHTUNGSRING M10 10,5X18X2 ZN	RONDANA M10 10,5X18X2 ZN

6
ENTRY 150 2



4
FERABOLI

5
FERABOLI

DECAL "LOGO"
DECAL "LOGO"

TAV_230

Pos.	Cod.	Descrizione	Description	Description	Benennung	Descripcion
1	F20010201	ETICH.IDENT. MASCHIO 160X 53	LABEL MASCHIO 160X 53			
2	B075C0032	DECAL 150	DECAL 150			
3	B075P0144	ET F BOTTONE	ET F BOTTONE.			
4	B075C0054	DECAL FERABOLI L=298 X 48	DECAL. FERABOLI L=298 X 48			
5	B075C0055	ECAL FERABOLI L=1000 X 160	DECAL FERABOLI L=1000 X 160			
6	B075C0059	DECAL ENTRY	E			

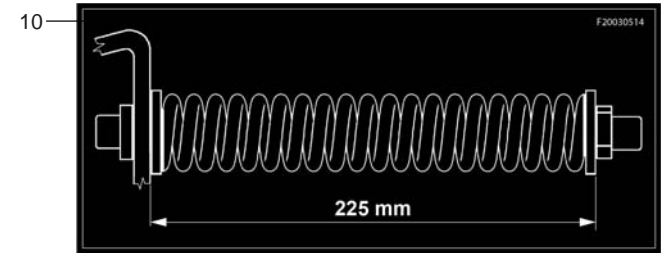
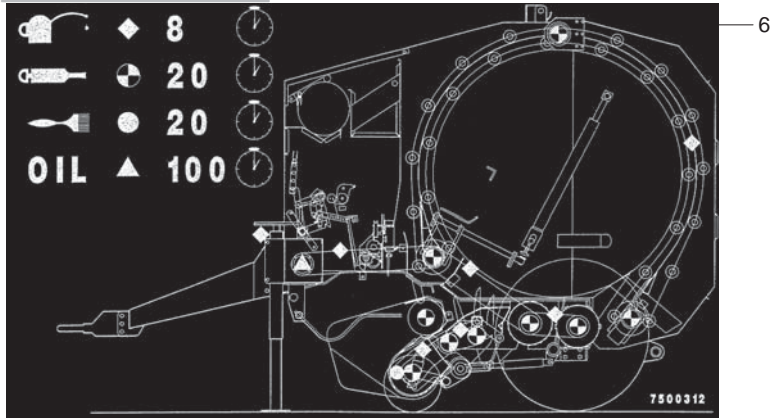


DECAL "CE"
DECAL "CE"

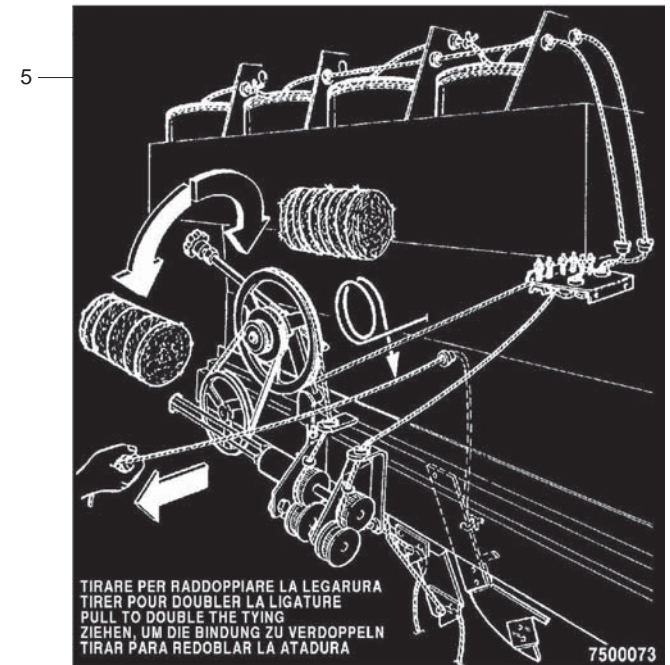
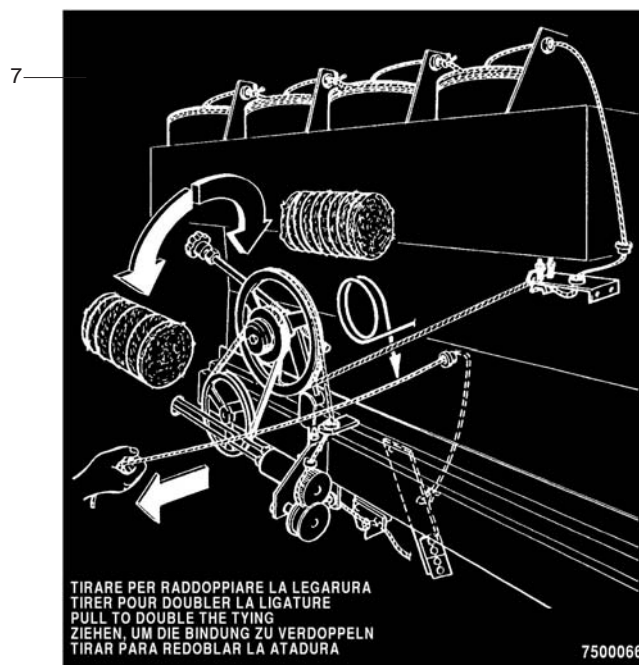
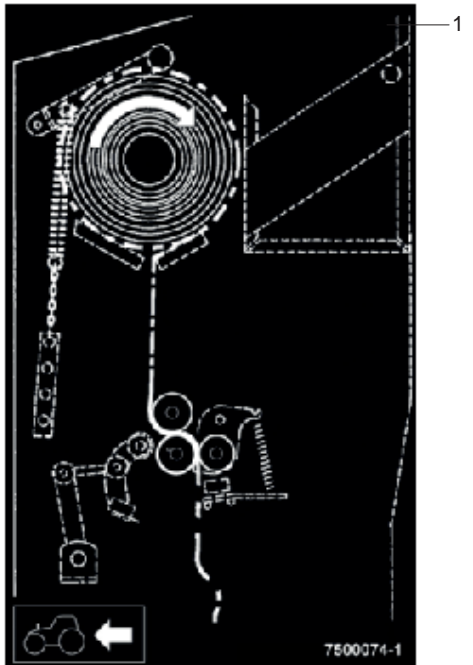
TAV_240

Pos.	Cod.	Descrizione	Description	Description	Benennung	Descripcion
1	B07500185	ET CONSULT IL LIBRETTO OP.	DECAL SEE OPERATOR S MANUAL	DECAL LIRE LE LIVRE OPERATEU	AUFKLEBE BUCH ANSCHLAGEN	
2	B07500186	ET TOGLIERE LA CHIAVE...	DECAL TAKE THE WRENCH AWAY	DECAL CHASSER LA CLEF	AUFKLEBE SCHLUSSEL ZIEHEN	
3	B07500208	ET MANO-OLIO SOTTO PRESSIONE	DECAL OIL UNDER PRESSURE HAND	DECAL MAIN-HUILE SOUS PRESSIO	AUFKLEBE HAND-OEL	
4	B07500187	ET 540 GIRI - RICC SX NORMA	DECAL 540RPM - LEFT BURR	DECAL 540 T H-SENS DE ROTATIO	AUFKLEBE 540 RPM	
5	B07500199	ET PERSONA SCHIACC.-ZONA	DECAL SQUEEZED PERSON	DEECAL PERSONNE ECRASEE -ZONE	AUFKLEBE GEQUETSCHER MANN	
6	B07500203	ET TAGLIO MANO-STOP NORMA CEE	DECAL HAND CUT _ STOP	DECAL COUPE MAINE - STOP	AUFKLEBE HANDSCHNITT - HALT	
7	B07500221	ET PIEDE TAGLI-STARE DISTANTE	WARNING CUT FEET DECAL	DECAL PIED COUPE	AUFKLEBE GESCHNITTER FUSS	
8	B07500207	ET PERSONA INTRAPP. PICK-UP	TRAPPED MAN DECAL	DECAL PERSONNE PIEGEE-PICK-UP	AUFKLEBE GEFANGTENER MANN	
9	B07500198	ET PERSONA SCHIAC-SOTTO PORTE	SQUEEZED MAN DECAL	DECAL PERSONNE ECRASE -SOUS	AUFKLEBE GEQUETSCHER MANN	
11	B07500201	ET SCOSSA ELETTR NORMA CEE	ELECTRIC SHOCK DECAL	DECAL SECOUSSE ELECTRIQUE	AUFKLEBER STROMSTOSS	
12	B07500212	ET PERSONA SCHIACC-BALLA NORM	SQUEEZED MAN-BALE DECAL	DECAL PERSONNE ECRASEE -BALLE	AUFKLEBER GEQUERSCHTER MANN	
13	B07500197	ET PERSONA SCHIACC-PRES MURO	SQUEEZED MAN DECAL	DECAL PERSONNE RCRASE - PRES	AUFKLEBER GEQUETSCHER MANN	
14	B07500781	ET PERICOLO CARDANO	DANGER PTO SHAFT DECAL	DECAL DANGER CARDAN	ABZIEHBILD GEFAHR GELENKWELLE	
15	B07500194	ET PERSONA SCHIACC.-BLOCC.	SQUEEZED MAN DECAL	DECAL PERSONNE ECRASE BLOCEG	AUFKLEBE GEQUETSCHTER MANN	
16	B07500320	ET TAGLIO MANO - SOSTEGNO	HAND CUT DECAL	AUTOCOL. COUPAGE MANUEL SUPPO	AUFKLEBE HANDSCHNITT	

TAV_249



<p>I</p> <p>IMPORTANTE NON USARE GETTI AD ELEVATE PRESSIONI VICINO ALLE PARTI MECCANICHE. SI POSSONO CAUSARE DANNI.</p>	<p>ENG</p> <p>IMPORTANT DO NOT USE HIGH PRESSURE JETS NEAR MECHANICAL PARTS. AS DAMAGES CAN BE CAUSED.</p>
<p>F</p> <p>IMPORTANTE NE PAS UTILISER DES JETS A PRESSION ELEVÉE PRES DE PARTIES MECANIQUES. ON PEUT CAUSER DES DOMMAGES.</p>	<p>D</p> <p>WICHTIG HOCHDRUCKSTRAHLE NEBEN MECHANISCHEN TEILEN NICHT VERWENDEN, DA SCHADEN VERURSACHT WERDEN KÖNNTEN.</p>



**DECAL "ISTRUZIONE"
DECAL "INSTRUCTION"**

TAV_249

Pos.	Cod.	Descrizione	Description	Description	Benennung	Descripcion
1	B07500074	ET LEGATORE A RETE	NET WRAP DECAL	AUTOCOL. KIT DE LIAGE FILET	AUFKLEBE VERBINDER	
2	B07500217	ET NON USARE GETTI..	DECAL DO NOT USE SPOUTS	DECAL NE PAS USER JETS	AUFKLEBE KEINE STRAHL BENUTZE	
3	B07500214	ET POMPETTA GRASSO	DECAL GREASE SQUIRT	DECAL PETITE POMPE GRAISSE	AUFKLEBE OELKAENNCHEN	
4	B07500216	ET GANCIO	DECAL HOOK	DECAL CROC	AUFKLEBE HACKEN	
5	B07500073	ET LEGATORE 2 FILI	TWIN TWINE TYING SYSTEM DECAL	AUTOCOL. KIT DE LIAGE 2 FICEL	AUFKLEBE VERBINDER	
6	B07500312	ET PUNTI DI LUBRIFICAZ	LUBRICATION POINTS DECAL	AUTOCOL. POINTS DE GRAISSAGE	AUFKLEBE SCHMIERSTELLEN	
7	B07500066	ET LEGATORE 1 FILO FF20-50	1 WIRE TYING SYSTEM DECAL	AUTOCOL. KIT DE LIAGE 1 FICEL	AUFKLEBE VERBINDER	
10	F20030514	DEC.REGOLAZ.TENS.MOLLA CATENAR	DEC. REG.CATENARY SPRING TENS.			

**USATE SEMPRE RICAMBI ORIGINALI
ALWAYS USE ORIGINAL SPARE PARTS
IMMER DIE ORIGINAL-ERSATZTEILE VERWENDEN
EMPLOYEZ TOUJOURS LES PIECES DE RECHANGE ORIGINALES
UTILIZAR SIEMPRE REPUESTOS ORIGINALES**



**Servizio Assistenza Tecnica - After Sales Service
Servizio Ricambi - Spare Parts Service**



maschio.com

DEALER:



MASCHIO Fienagione S.p.A.

Sede legale Cremona
Via Bredina, 6 - 26100 Cremona (Italy)
Tel. +39 0372 564610
Fax +39 0372 564625
info@maschio.com

ООО МАСКИО-ГАСПАРДО РУССИЯ

404130, ВОЛЖСКИЙ,
ВОЛГОГРАДСКАЯ обл.,
УЛ. ПУШКИНА, 117 Б., РОССИЯ
TEL. +7 8443 203100
FAX +7 8443 203101
info@maschio.ru

MASCHIO GASPARDO Poland sp z.o.o.

Ul. Wapienna 6/8 - 87 – 100 Torun Poland
Tel. +48 56 6506051
Fax +48 56 6506053
www.gaspardo.pl

MASCHIO FRANCE Sarl

1, Rue de Mérignan ZA
F - 45240 La Ferte St. Aubin
France
Tel. +33 (0) 2.38.64.12.12
Fax +33 (0) 2.38.64.66.79
info@maschio.fr

MASCHIO-GASPARDO ROMANIA S.R.L.

Strada Înfrățirii, F.N.
315100 Chisineu-Cris (Arad) - România
Tel. +40 257 307030
Fax +40 257 307040
info@maschio.ro

MASCHIO GASPARDO NORTH AMERICA, Inc.

112 3rd Avenue East
Dewitt IA 52742 - USA
Tel. +1 563 6596400
Fax +1 563 6596405
info@maschio.us

MASCHIO IBERICA S.L.

**MASCHIO DEUTSCHLAND GMBH
MASCHIO-GASPARDO UCRAINA
GASPARDO-MASCHIO TURCHIA
MASCHIO-GASPARDO CINA
MASCHIO-GASPARDO INDIA**