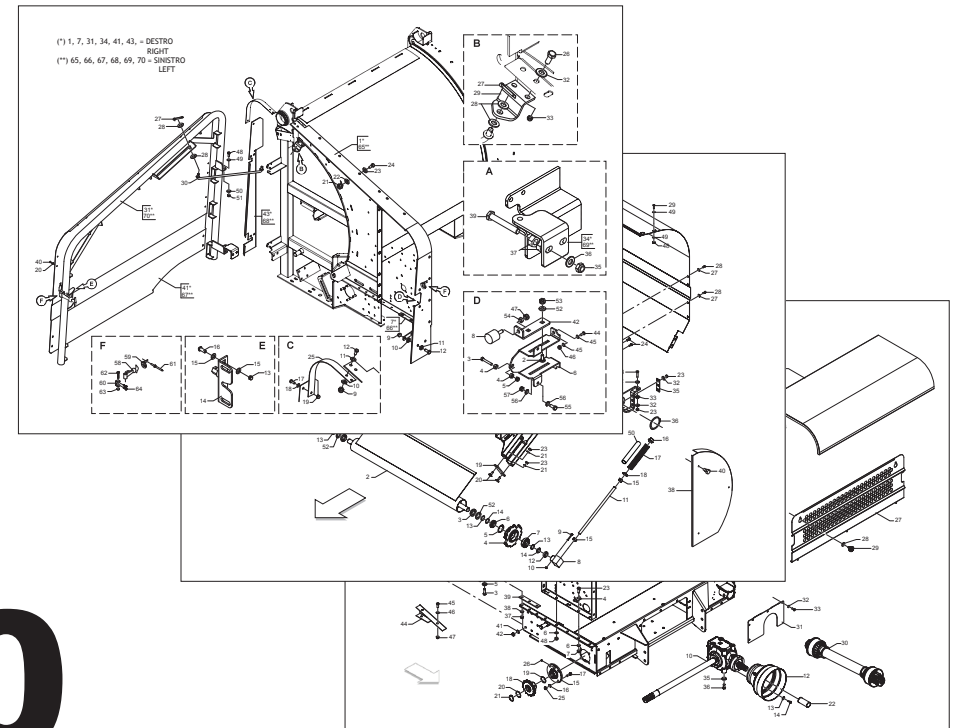


MASCHIO Fienagione S.p.A.



ENTRY 150

Cod: F07022331 2018-04

- *) Valido per Paesi UE
- *) Valid for EU member countries
- *) Valable dans les Pays UE
- *) Gilt für EU-Mitgliedsländer
- *) Válido para Países UE

- IT** PARTI DI RICAMBIO
- EN** SPARE PARTS
- DE** ERSATZTEILE
- FR** PIÈCES DÉTACHÉES
- ES** PIEZAS DE REPUESTO

PARTI DI RICAMBIO

Le ordinazioni delle parti di ricambio vanno fatte presso i nostri concessionari di zona e devono essere sempre corredate dalle seguenti indicazioni:

- **Tipo, modello e numero di matricola dell'attrezzatura.** Tali dati sono stampigliati nell'apposita targhetta di cui è dotata ogni attrezzatura.

- **Numero di codice della parte richiesta** rilevabile dal catalogo ricambi.

- **Descrizione del particolare e quantità richiesta.**

- **Numero della tavola.**

- **Mezzo di trasporto.** Nel caso questa voce non sia specificata, la Ditta Costruttrice, pur dedicando a questo servizio una particolare cura, non risponde di eventuali ritardi di spedizione dovuti a cause di forza maggiore.

Le spese di trasporto si intendono sempre a carico del destinatario. La merce viaggia a rischio e pericolo del committente anche se venduta franco destino.

NOTA: Il termine **(Dx) Destro** o **(Sx) Sinistro** della macchina o di parti di essa, è inteso guardando la macchina dalla parte posteriore. Le eccezioni saranno indicate.

SPARE PARTS

Orders must be transmitted through our area dealers and should always include the following indications:

- **Type, model and serial number of the machine.** *These data are punched on the data plate with which every implement is equipped.*

- **Code number of the required spare part.** *This will be found in the spare parts catalogue.*

- **Description of the part and required quantity.**

- **Table number.**

- **Means of dispatch.** *If this item is not indicated, the Manufacturer, while dedicating particular care to this service, shall not be held responsible for delays in delivery caused by cases of force majeure.*

Transport expenses shall always be at the consignee's charge. The goods travel at the purchaser's risk and peril even when sold ex destination.

NOTE: *The symbols (Dx) right and (Sx) left, concerning the machine or single parts of it, are referred, as in the figure, to a rear view of them. Exceptions will be indicated.*

ERSATZTEILE

Die Bestellungen müssen bei unseren Gebietshändlern aufgegeben werden. Bei der Bestellung sind stets die folgenden Angaben zu machen:

- **Typ, Modell und Serien-Nummer des Geräts.** Diese Daten stehen auf dem Typenschild, mit dem jedes Gerät versehen ist.

- **Artikel Nr. der erforderlichen Ersatzteile.** Diese stehen im Ersatzteil-Katalog.

- **Beschreibung des Ersatzteils und die erforderliche Stückzahl.**

- **Tafelnummer.**

- **Versandmittel.** Wenn dieser Punkt nicht spezifiziert wird, haftet die Herstellerfirma nicht für etwaigen Lieferverzug aufgrund höherer Gewalt, auch wenn er diesen Service besonders aufmerksam abwickelt.

Die Frachtkosten gehen dagegen immer zu Lasten des Empfängers. Die Ware reist auf Gefahr und Risiko des Auftraggebers, auch wenn frei Haus Verkauft vereinbart worden ist.

N.B.: Die Merkzeichen **(Dx) rechts** und **(Sx) links** betreffen eine rückwärtige Aussicht der Maschine oder Teile von ihr (siehe Bild). Ausnahmen werden gezeigt.

PIECES DÉTACHÉES

Les ordres doivent être effectués auprès de nos concessionnaires de zone en précisant les indications suivantes:

- **Type, modèle et numéro de série de la machine.** *Ces données sont gravées sur la plaque d'identification de chaque outil.*

- **Numéro de code de la pièce détachée** *indiqué sur le catalogue des pièces détachées.*

- **Description de la pièce et quantité requise.**

- **Numéro de plan.**

- **Moyen d'expédition.** *Si cette rubrique n'est pas indiquée, le Constructeur, bien que soucieux de ce service, ne répond pas des retards d'expédition pour des causes de force majeure.*

Les frais de transport sont toujours à la charge du destinataire. La marchandise voyage aux risques et périls de l'acheteur même si vendue franco de port.

N.B.: *Les références (Dx) droit et (Sx) gauche de la machine ou des parties de la même, est entendue, comme de la figure, en regardant la machine de derrière dans le sens de marche.*

RESPUESTOS

Los pedidos han de efectuarse en nuestros concesionarios de zona y deben incluir siempre las siguientes indicaciones:

- **Tipo, modelo y número de matrícula del equipo.** Dichos datos están impresos en la relativa placa presente en el equipo.

- **Número de código de la parte requerida** presente en el catálogo respuestas.

- **Descripción de la pieza y cantidad requerida.**

- **Numero de ilustración.**

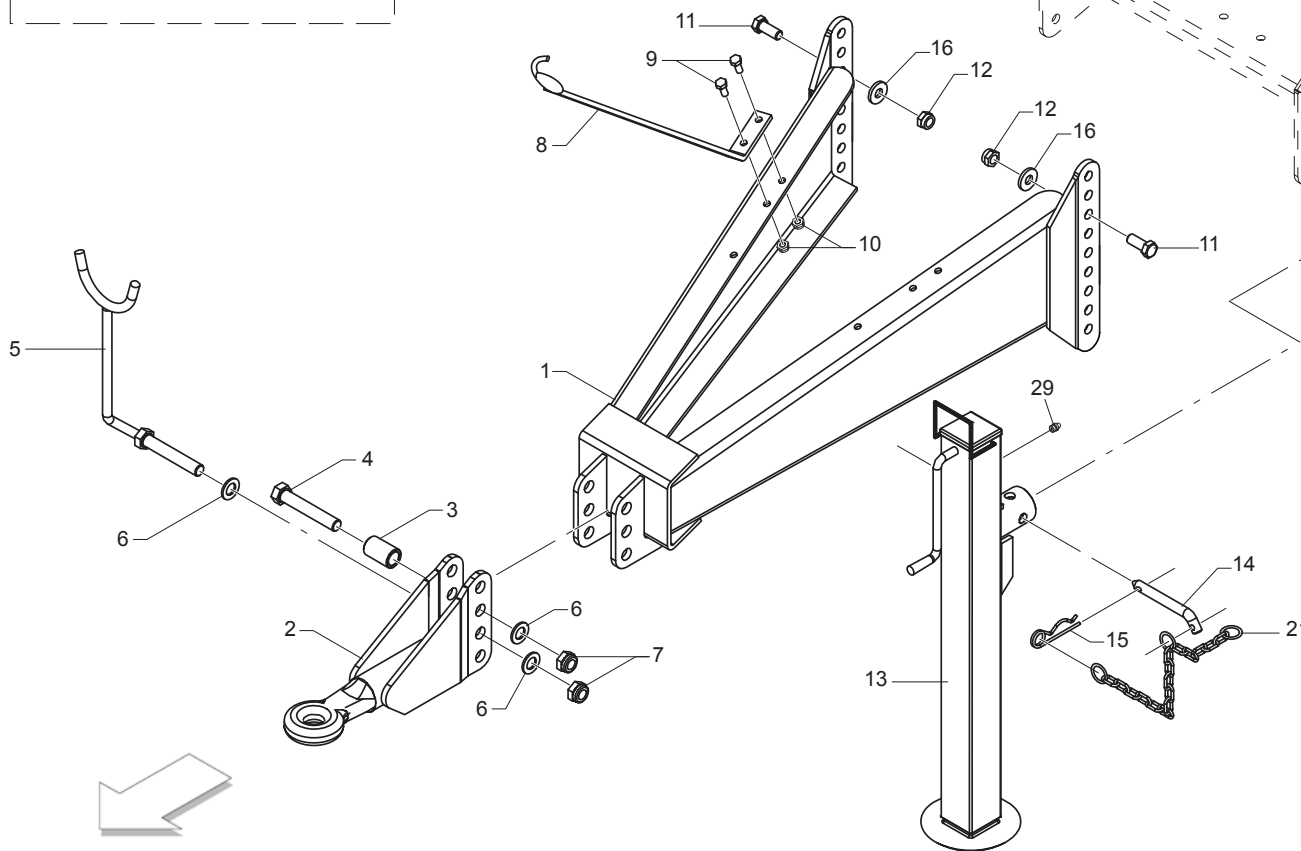
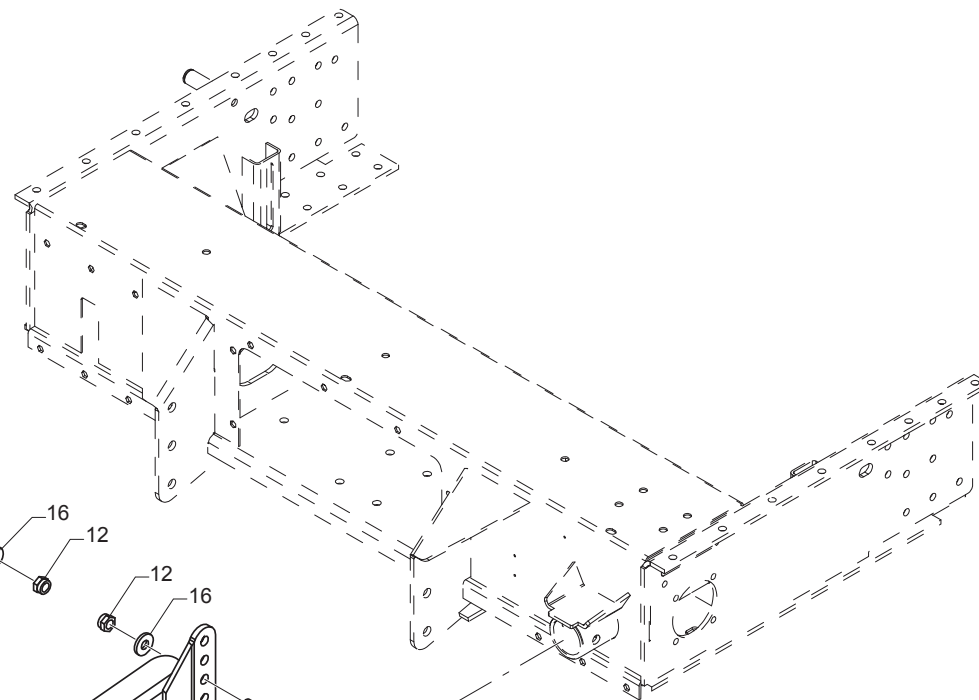
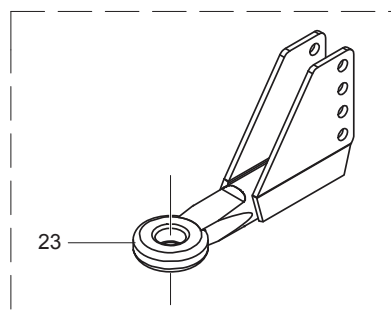
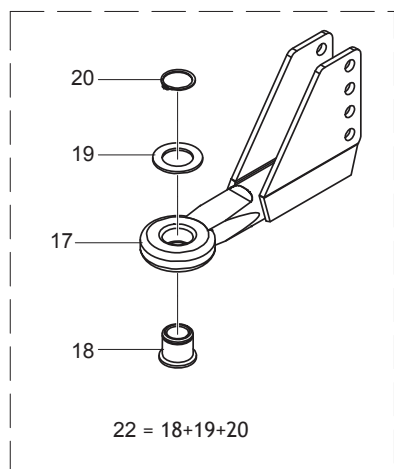
- **Medio de transporte.** En caso que este ítem no esté especificado, el Fabricante, aún prestando la debidas consideraciones para este aspecto, no responde por eventuales retardos de env'o debidos a causas de fuerza mayor.

Los gastos de transporte se consideran siempre a cargo del destinatario. La mercadería viaja bajo riesgo y peligro del comprador, incluso cuando se vende franco destino.

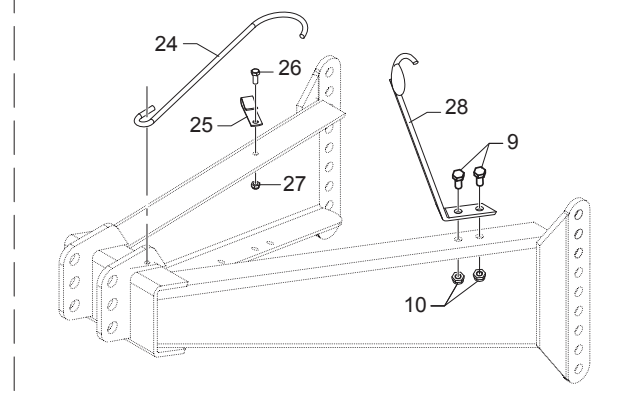
N.B.: La referencia **(Dx) derecha** o **(Sx) izquierda** de la máquina o de sus componentes, se entiende, como en la figura, mirando la máquina por la parte trasera. Se indicarán las excepciones.

N° Tavola	INDICE	Pagina	N° Table	INDEX	Page
TAV_010	TIMONE.....	5	TAV_010	DRAWBAR.....	5
TAV_020	TELAIO ANTERIORE.....	7	TAV_020	FRONT FRAME.....	7
TAV_270	ESPLOSO SCATOLA DI TRASMISSIONE.....	9	TAV_270	GEAR BOX PARTS.....	9
TAV_030	PORTELLONE.....	11	TAV_030	REAR GATE.....	11
TAV_040	RUOTE.....	13	TAV_040	WHEELS.....	13
TAV_050	FRENO IDRAULICO.....	15	TAV_050	HYDRAULIC BRAKE.....	15
TAV_060	CARTER LATERALI.....	17	TAV_060	SIDE CARTER.....	17
TAV_070	GRUPPO CATENARIA.....	21	TAV_070	CHAIN GROUP.....	21
TAV_080	INFALDATORE.....	25	TAV_080	FEEDING SYSTEM.....	25
TAV_090	LEGATORE FILO.....	29	TAV_090	TWINE BINDER.....	29
TAV_100	LEGATORE FILO : CASSONETTO.....	33	TAV_100	TWINE BINDER: TWINE BOX.....	33
TAV_110	LEGATORE 2 FILI (SOLO PARTI AGGIUNTE).....	35	TAV_110	2 TWINE BINDER (ONLY PARTS ADDED).....	35
TAV_120	LEGATORE RETE (PARTE 1).....	37	TAV_120	NET BINDER (PART 1).....	37
TAV_260	CARTER ANTERIORE (SOLO CON LEGATORE RETE).....	41	TAV_260	FRONT CARTER (ONLY WITHNET BINDER).....	41
TAV_130	LEGATORE RETE (PARTE 2).....	43	TAV_130	NET BINDER (PART 2).....	43
TAV_140	PICK-UP L.....	47	TAV_140	PICK-UP L.....	47
TAV_150	PICK-UP STRETTO.....	53	TAV_150	PICK-UP NARROW.....	53
TAV_160	IMPIANTO IDRAULICO MACCHINA.....	57	TAV_160	mACHINE HYDRAULIC SYSTEM.....	57
TAV_170	CABLAGGIO.....	59	TAV_170	CONTROL SYSTEM.....	59
TAV_180	IMPIANTO OLIATURA AUTOMATICA.....	61	TAV_180	AUTOMATIC OILING SYSTEM.....	61
TAV_190	IMPIANTO LUCI + CUNEI.....	63	TAV_190	LIGHTS PLANT + WHEELS CHOCKS.....	63
TAV_200	IMPIANTO LUCI - SOLO SPAGNA.....	65	TAV_200	LIGHTS PLANT - ONLY SPAIN.....	65
TAV_210	ALLONTANATORE BALLA.....	67	TAV_210	EJECTOR.....	67
TAV_220	KIT ESTRATTORE BALLA.....	69	TAV_220	EXTRACTOR.....	69
TAV_280	KIT EGITTO.....	71	TAV_280	EGYPT KIT.....	71
TAV_230	DECAL "LOGO".....	73	TAV_230	DECAL "LOGO".....	73
TAV_240	DECAL "CE".....	75	TAV_240	DECAL "CE".....	75
TAV_250	DECAL "ISTRUZIONE".....	77	TAV_250	DECAL "INSTRUCTION".....	77

TAV_010



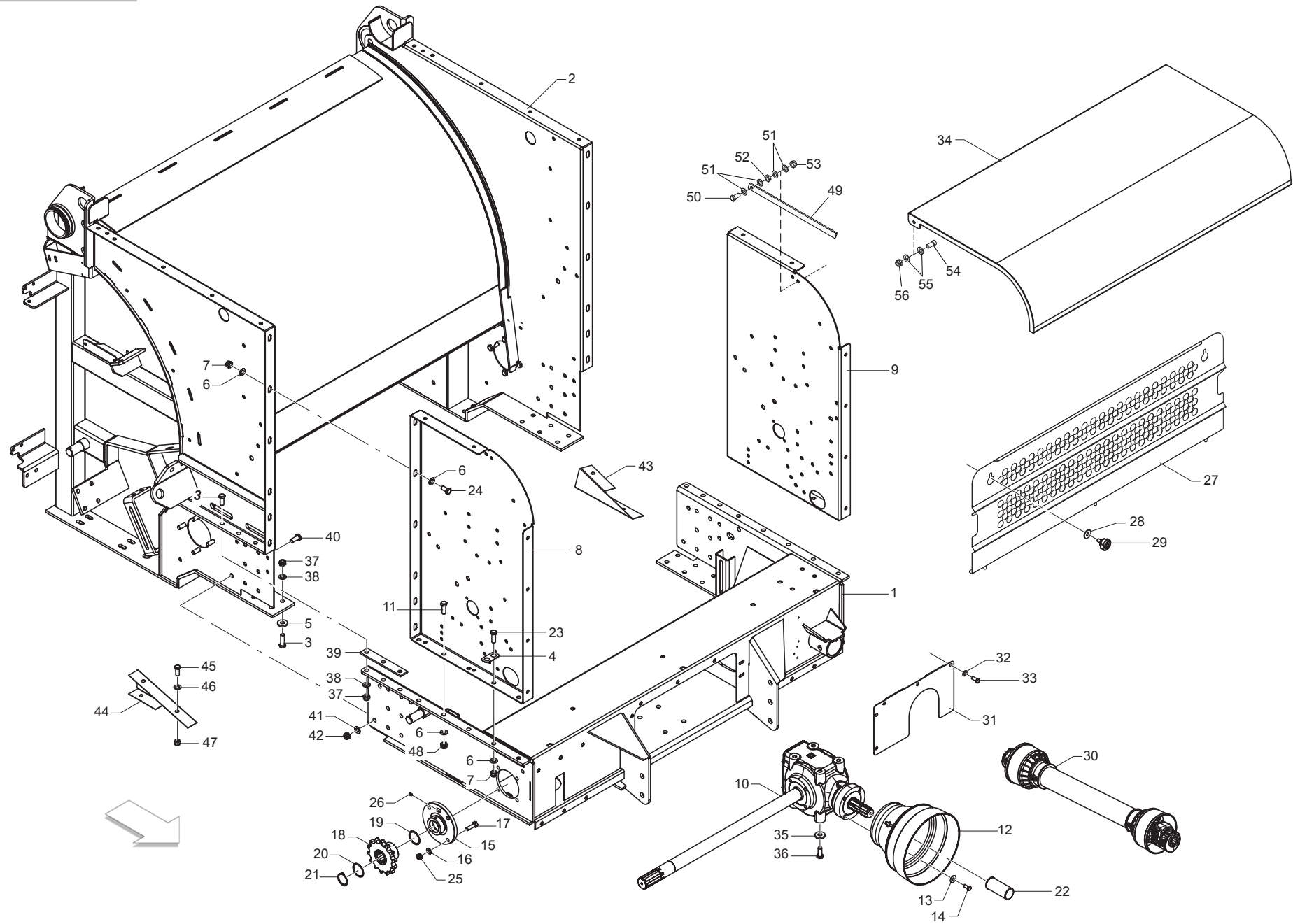
SOLO CON TIMONE IN POSIZIONE ALTA
ONLY FOR DRAWBAR IN HAIGHT POSITION



**TIMONE
DRAWBAR**

TAV_010

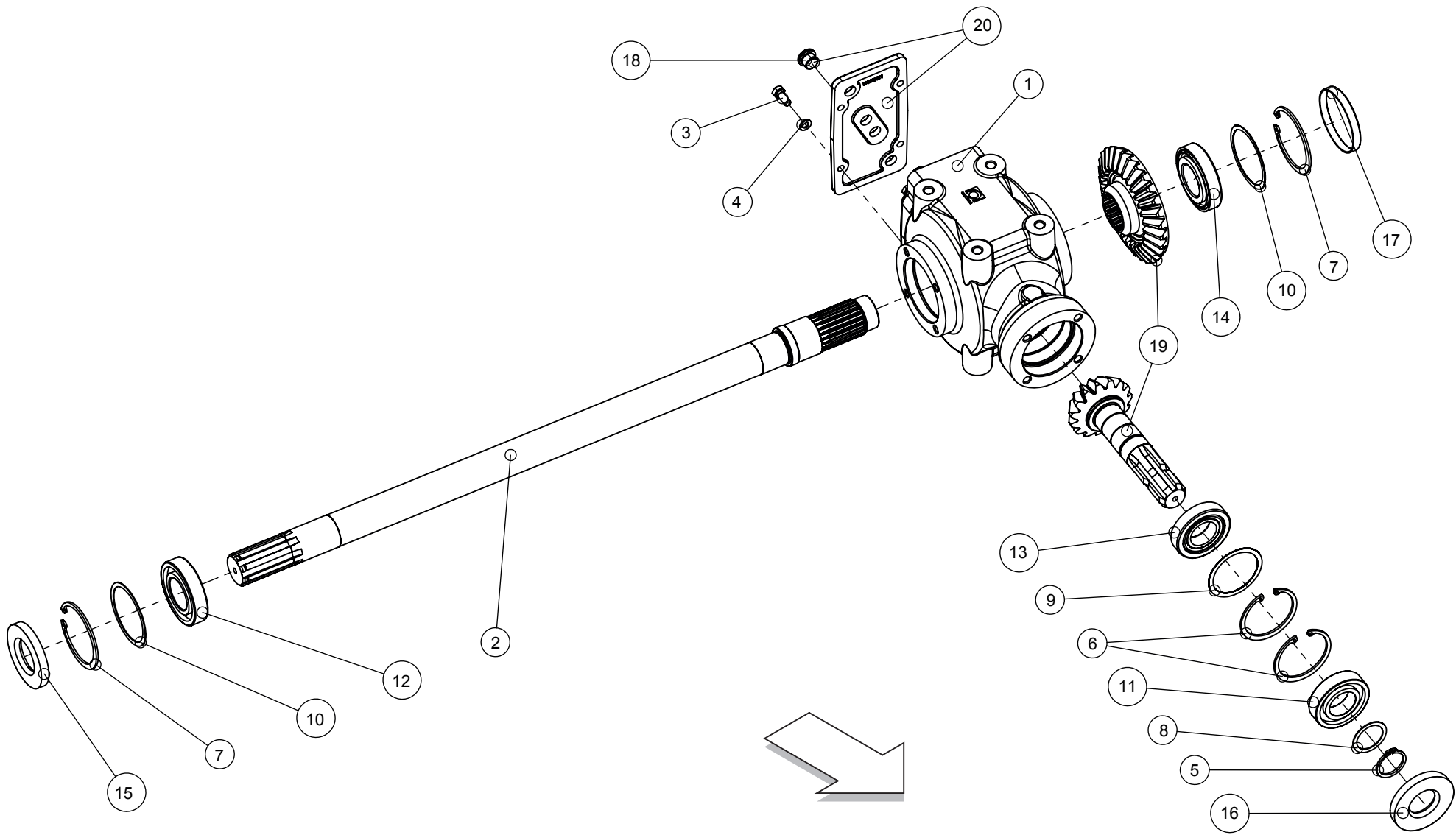
Pos.	Cod.	Descrizione	Description	Description	Benennung	Descripcion
1	B07S00177R	TIMONE	DRAW BAR	TIMON	RUDER	
2	B07S01033R	AGGANCIO TRAINO FF50-20	TRAIL HITCH FF 50-20	ACCROCHAGE TRAINAGE FF 50-20	KUPPLUNG FUER GESCHLEPPTE FF 5	
3	B01329574R	DISTANZIALE TRAINO	SPACER	ENTRETOISE	DISTANZSTUECK	
4	F01020315R	VITE M20X2,5X120 U5737 8.8ZN	SCR. M20X2,5X120 U5737 8.8 ZN	VIS M20X2,5X120 U5737 8.8 ZN	SCHR. M20X2,5X120 U5737 8.8 ZN	TORN. M20X2,5X120 U5737 8.8 ZN
5	B07S00489R	SOSTEGNO CARDANO ROTOPRESSE	ROUNDBALER PTO SUPPORT	SUPPORT DU CARDAN DES PRESSES	RUNDBALLENPRESSE GELENKWELLE H	
6	F01410124R	ROS.M20 21X 37X 3 U6592 ZN	WASHER M20 21X 37X 3 U6592 ZN	RONDEL.M20 21X37X3 ZN	MUTTER M20 21X 37X 3 U6592 ZN	ARAND.M20 21X 37X 3 U6592 ZN
7	B00920620R	DADO M20-5S DIN985 H17	NUT	ECROU	SELBSTSICHERNDE MUTTER M20-5S	TUERCA M20-5S DIN985 H17
8	B07SP0911R	SOSTEGNO CAVI ENTRY JD	HOSE SUPPORT ENTRY JD			
9	F01020472R	VITE M10X1,5X25 U5739 8.8ZN	SCR. M10X1,5X25 U5739 8.8ZN	VIS M10X1,5X25 U5739 8.8 ZN	SCHRAUBE M10X1,5X25 U5739 8.8	TORNILLO M10X1,5X25 U5739 8.8
10	F01230202R	DADO M10X 1,5 D985 8 ZN	NUT M10 D985	ECROU AUTOBL. M10	SELBSTSPERR.MUTTER M10	TUERCA M10X 1,5 D985 8
11	F01020568R	VITE M16X2X45 U5739 8.8ZN	SCR. M16X2X45 U5739 8.8ZN	VIS M 16X 2X45 U5739 8.8 ZG	SCHRAUBE M 16X 2X45 U5739 8.8	TORNILLO M16X2X45 U5739 8.8Z
12	B00920516R	DADO M16X 1,5 D985 6S ZN	NUT M16X1,5 D985 6S ZN	ECROU	SELBSTSICHERNDE MUTTER M16-5S	TUERCA M16X 1,5 D985 6S
13	B07S01755R	SERVOTIMONE	DRAW BAR STAND	SERVO BARRE DE TIRAGE	STUETZFUSS	SERVOTIM N
14	B013C0001R	SPINA 16X158 CON PIEGA	PIN	GOUPILLE	STIFT	CLAVIJA 16X158 CON PLIEGUE
15	B011B0499R	SPINA A MOLLA A DOPPIO GIRO 4	PIN	GOUPILLE CLIPS	ZAPFEN	CLAVIJA DE MUELLE CON DOBLE G
16	B01519319R	RALLA 16X38X5	FIFTH WHEEL	BUTEE	SCREIBE	RANGUA 16X38X5
17	B07SP0228R	OCCH DI TRAINO D50 LM PER FF	EYE DI TRAINO D50 LM PER FF		EYE DI TRAINO D50 LM PER FF	
18	B01300957R	BUSSOLA DI RIDUZIONE	REDUCTION BUSH	DOUILLE DE REDUCTION	REDUZIER BUCHSE	
19	B01300959R	FLANGIA 50X80X4	FLANGE 50X80X4	BRIDE	FLANSCH 50X80X4	
20	F02050203R	ANELLO E. DE 50X 2 U7435 C70	SEEGER RING D50X2 U7435 C70	ANEL SEEGER D50X2 U7435 C70	SEEGER RING D50X2 U7435 C70	ANILLO SEEGER D50X2 U7435 C70
21	B033C0003R	CATENA GENOVESE N 10 F 1,5 12	CHAIN N 10 F 1,5 12			
22	B0ZMP0018R	BUSSOLA RIDUZIONE OCCHIONE 50	TOW EYE REDUCTION BUSH	DOUILLE REDUCTION OEIL	ZUGOSEN REDUZIERBUCHSE	
23	B07SP0778R	OCCHIONE D.40 FISSO	EYE FIXED D.40			
24	B0C6P1186R	GANCIO SOSTEGNO CARDANO	UNIVERSAL JOINTS HOOK			
25	B01800011R	FERMO SOSTEGNO CARDANO	BACK STOP CARDAN SUPPORT	ARRET SUPPORT CARDAN	HALTER	
26	F01020436R	VITE M8X1,25X20 U5739 8.8ZN	SCR. M8X1,25X20 U5739 8.8ZN	VIS M8X1,25X 20 U5739 8.8 ZN	SCHRAUBE M8X1,25X20U5739 8.8ZN	TORNILLO M8X1,25X20 U5739 8.8
27	F01230301R	DADO M 8X1,25 UNI7474 8 ZN	DADO M 8X1,25 UNI7474 8 ZN			
28	B07SP0911R	SOSTEGNO CAVI ENTRY JD	HOSE SUPPORT ENTRY JD			
29	F01100035R	ING.M 8X1 7663-A 9SMNPB28 ZN	GREASE NIPPLE M8X1	GRAISSEUR M8X1	SCHMIERBUECHSE M8X1	ENGRASADOR M8X1



**TELAIO ANTERIORE
FRONT FRAME**

TAV_020

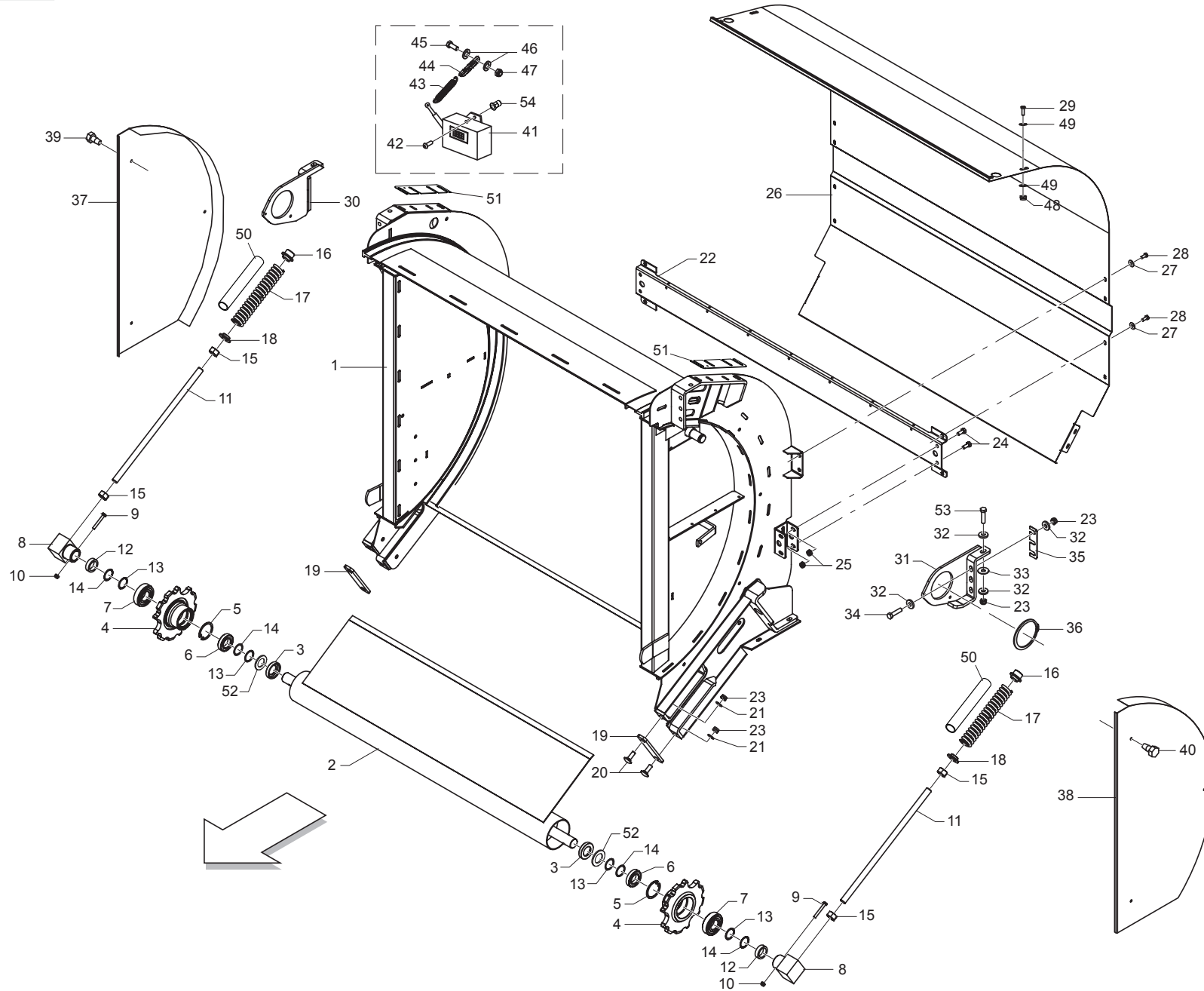
Pos.	Cod.	Descrizione	Description	Description	Benennung	Descripcion
1	B07SP0247R	TRAVERSA ANT. ENTRY	FRONT CROSSPIECE ENTRY			
2	B07SP0316R	TELAIO ANTERIORE ENTRY 150	FRONT CROSSPIECE ENTRY			
3	F01020514R	VITE M12X1,75X40 U5739 8.8ZN	SCR. M12X1,75X40 U5739 8.8ZN	VIS M12X1,75X40 U5739 8.8ZN	SCHRA. M12X1,75X40 U5739 8.8ZN	TORNILLO M12X1,75X40 U5739 8.
4	B0C002357R	PIASTRINA ATTACCO CAVI	CABLE ATTACHMENT PLATE	PLAQUETTE ATTELAGE CABLES	KABELHALTERPLATTE	PLACA CONEXI N DE LOS CABLES
5	B01516038R	RALLA 13 32 5	FIFTH WHEEL	BUTEE	SCHEIBE	RANGUA 13 32 5
6	B01421230R	ROS.M12 13X 20X2,0 U1749 ZN	WASHER	RONDELLE	SCHEIBE	ARAND.M12 13X 20X2,0 U1749
7	F01230213R	DADO M12X1,75 U7474 CL8 ZN	NUT M12X1,75 U7474 6SZN	ECROU AUTOBL. M12	SELBSTSPERR.MUTTER M12	TUERCA M12X1,75 U7474 CL8 ZN
8	B0C1P0094R	FIANCATA ANT. DX LEGATORI	FRONT SIDE	FLASQUE	SEITE VORNE RECHTS BINDUNG	
9	B0C1P0095R	FIANCATA ANT. SX LEGATORI	FRONT SIDE	FLASQUE	SEITE VORNE LINKS BINDUNG	
10	B03900053R	SCAT. DI DEVIAZ	GEARBOX	BOITE	GETRIEBE	
11	F01020510R	VITE M12X1,75X30 U5739 8.8ZN	SCR. M12X1,75X30 U5739 8.8ZN	VIS M12X1,75X30 U5739 8.8ZN	SCHRAU.M12X1,75X30 U5739 8.8ZN	TORNILLO M12X1,75X30 U5739
12	B07V00059R	PROT. CARDANO FFPRO	COVER PROTECTION	PROTECTION CARDAN	ZAPFWELLENSCHUTZHAUBE FFPRO	
13	F01420048R	ROS.M8 8,4X 24X 2 U6593 ZN	WASHER M8 8,4X 24X2 U6593 ZN	RONDELLE M8 8,4X24X 2 U6593 ZN	SCHEIBEN M8 8,4X24X 2 U6593 ZN	ARAND.M8 8,4X 24X 2 U6593 ZN
14	F01020432R	VITE M8X1,25X16 U5739 8.8ZN	SCR. M8X1,25X16 U5739 8.8ZN	VIS M8 X1,25X16 U5739 8.8 ZN	SCHRAUBE M8X1,25X16U5739 8.8ZN	TORNILLO M8X1,25X16 U5739 8.8
15	B02354030R	SUPP.FLANG.TDO40 GHISA INA-PME	FLANGED SUPP.ROD40 CAST IRON	SUPPORT FLANGE ROND 40	GEFLANSCHTES LAGER	
16	F01410064R	ROS.M10 10,5X 20X 2 U6592 ZN	WASHER M10 10,5X20X2 U6592 ZN	RONDEL. M10 10,5X20X2 U6592 ZN	SCHEIBE M10 10,5X20X2 U6592 ZN	ARAND.M10 10,5X 20X 2 U6592 ZN
17	F01020479R	VITE M10X1,5X35 U5739 8.8ZN	SCR. M10X1,5X35 U5739 8.8ZN	VIS M10X1,5X35 U5739 8.8 ZN	SCHR. M10X1,5X35 U5739 8.8 ZN	TORNILLO M10X1,5X35 U5739 8
18	B03400046R	INGRANAGGI MOT. SCATOLA	GEAR	ENGRENAGES	ZAHNRAEDER	
19	B01300126R	SPES. 40 48 1 ZINC.ST_013	SHIM	ENTRETOISE	DISTANZSTUECK 40 408 1	ESPES. 40 48 1 CINC.EST_013
20	B01300125R	SPES. 40 48 0,5 ZINCATO	SHIM GALV	ENTRETOISE GALV	DISTANZSTUECK 40 48 0,5	ESPES. 40 48 0,5 CINCADO
21	F02050168R	ANELLO E.DE 40X1,75 U7435	SEEGER RING 40X1,75 U7435	BAGUE SEEGER 40X1,75 U7435	SEEGERRING 40X1,75 U7435	ANIL.SEEGER 40X1,75 U7435
22	G19002131R	PROTEZIONE P.D.P.	PDP GUARD			PROTECCI N T.D.F.
23	F01020512R	VITE M12X1,75X35 U5739 8.8ZN	SCR. M12X1,75X35 U5739 8.8ZN	VIS M12X1,75X35 5739 8.8 ZN	SCHR. M12X1,75X35 5739 8.8 ZN	TORNILLO M12X1,75X35 U5739 8
24	F01020508R	VITE M12X1,75X25 U5739 8.8ZN	SCR. M12X1,75X25 U5739 8.8ZN	VIS M12X1,75X25 U5739 8.8 ZN	SCHRAUBE M12X1,75X25U57398.8ZN	TORNILLO M12X1,75X25 U5739
25	F01230202R	DADO M10X 1,5 D985 8 ZN	NUT M10 D985	ECROU AUTOBL. M10	SELBSTSPERR.MUTTER M10	TUERCA M10X 1,5 D985 8
26	B04200610R	INGRASS.A SFERE M6X1 LUNGO	GREASE NIPPLE	GRAISSEUR HYDRAULIQUE	GERADER SCHMIERNIPPEL M6X1	ENGRASADOR DE ESFERAS M6X1
27	B07SP0283R	PROT. ANT.	FRONT PROTECTION			
28	F01420048R	ROS.M8 8,4X 24X 2 U6593 ZN	WASHER M8 8,4X 24X2 U6593 ZN	RONDELLE M8 8,4X24X 2 U6593 ZN	SCHEIBEN M8 8,4X24X 2 U6593 ZN	ARAND.M8 8,4X 24X 2 U6593 ZN
29	B07V00106R	VOLANTINO M8X15 DIAM. 30	KNOB WHEEL	VOLAN M 8 DIAM. 30X19	HANDRAD	VOLANTE M8X15 DI M. 30
30	F08013080R	CAR W30 Z6-Z6 BUL 2130 L1210	PTO 3 Z6 ENTRY 1 3 8		KARDAN	
31	B0C3P0114R	CHIUSURA ANT.	LOCK	FERMETURE	VERSCHLUSS VORN	
32	F01410051R	ROS.M8 8,4X 17X1,6 U6592 ZN	WASHER M8 8,4X17X1,6 U6592 ZN	RONDELLE M8 8,4X17X1,6 ZN	SCHEIBE M8 8,4X17X1,6 U6592 ZN	ARAND.M8 8,4X 17X1,6 U6592 ZN
33	B00470825R	VITE TTEI M 8X 25-10,9 UNBRA	SCREW	VIS	SCHRAUBE TTEI M 8X25-10,9 UNBR	TORNILLO CAB.ALLEN CON HUECO
34	B07SP0284R	COPERCHIO ROTOLI LEGATURA	ROLLER COVER	COUVERCLE ROULEAU	ROLLENDECKEL	
35	B01516038R	RALLA 13 32 5	FIFTH WHEEL	BUTEE	SCHEIBE	RANGUA 13 32 5
36	F01020510R	VITE M12X1,75X30 U5739 8.8ZN	SCR. M12X1,75X30 U5739 8.8ZN	VIS M12X1,75X30 U5739 8.8ZN	SCHRAU.M12X1,75X30 U5739 8.8ZN	TORNILLO M12X1,75X30 U5739
37	F01230213R	DADO M12X1,75 U7474 CL8 ZN	NUT M12X1,75 U7474 6SZN	ECROU AUTOBL. M12	SELBSTSPERR.MUTTER M12	TUERCA M12X1,75 U7474 CL8 ZN
38	B01421230R	ROS.M12 13X 20X2,0 U1749 ZN	WASHER	RONDELLE	SCHEIBE	ARAND.M12 13X 20X2,0 U1749
39	B0C6P0362R	SPESSORE	THICKNESS			
40	F01020510R	VITE M12X1,75X30 U5739 8.8ZN	SCR. M12X1,75X30 U5739 8.8ZN	VIS M12X1,75X30 U5739 8.8ZN	SCHRAU.M12X1,75X30 U5739 8.8ZN	TORNILLO M12X1,75X30 U5739
41	B01421230R	ROS.M12 13X 20X2,0 U1749 ZN	WASHER	RONDELLE	SCHEIBE	ARAND.M12 13X 20X2,0 U1749
42	F01230213R	DADO M12X1,75 U7474 CL8 ZN	NUT M12X1,75 U7474 6SZN	ECROU AUTOBL. M12	SELBSTSPERR.MUTTER M12	TUERCA M12X1,75 U7474 CL8 ZN
43	B0C3P0139R	COMPENSO FIANCATA SX 150	BAND EXTENSION LEFT 150			
44	B0C3P0138R	COMPENSO FIANCATA DX 150	BAND EXTENSION RIGHT 150			
45	F01020436R	VITE M8X1,25X20 U5739 8.8ZN	SCR. M8X1,25X20 U5739 8.8ZN	VIS M8X1,25X 20 U5739 8.8 ZN	SCHRAUBE M8X1,25X20U5739 8.8ZN	TORNILLO M8X1,25X20 U5739 8.8
46	F01420048R	ROS.M8 8,4X 24X 2 U6593 ZN	WASHER M8 8,4X 24X2 U6593 ZN	RONDELLE M8 8,4X24X 2 U6593 ZN	SCHEIBEN M8 8,4X24X 2 U6593 ZN	ARAND.M8 8,4X 24X 2 U6593 ZN
47	F01230301R	DADO M 8X1,25 UNI7474 8 ZN	DADO M 8X1,25 UNI7474 8 ZN			
48	B00910412R	DADO AUTOB.ALTO M 12-8G DIN982	NUT M 12-8G DIN982			
49	B0C005257R	SOSTEGNO COPERCHIO	COVER SUPPORT	SUPPORT COUVERCLE	DECKELHALTER	SOPORTE DE LA TAPA
50	F01020406R	VITE M6X1X25 U5739 8.8ZN	SCR. M6X1X25 U5739 8.8ZN	VIS M 6X25	SCHRAUBE M 6X25	TORNILLO M 6X25
51	F01410037R	ROS.M6 6,4X12,5X1,6 U6592 ZN	WASHER M6 6,4X12,5X1,6 U6592ZN	RONDEL.M6 6,4X12,5X1,6 U6592ZN	SCHEIB.M6 6,4X12,5X1,6 U6592ZN	ARAND.M6 6,4X12,5X1,6 U6592 ZN
52	F01200232R	DADO M6X1 U5588 CL8 ZN	NUT M6X1 U5588 6.8ZN	ECROU 6 UNI 5588 6.8 ZN	MUTTER 6 UNI 5588 6.8 ZN	TUERCA M6X1 U5588 CL8 ZN
53	F01230184R	DADO M6X1 D985 8ZN	NUT M6X1 D985 8ZN			TUERCA M6X1 D985 8
54	F01040118R	VITE M10X1,5X25 U5931 8.8ZN	SCR. M10X1,5X25 U5931 8.8ZN			
55	F01410064R	ROS.M10 10,5X 20X 2 U6592 ZN	WASHER M10 10,5X20X2 U6592 ZN	RONDEL. M10 10,5X20X2 U6592 ZN	SCHEIBE M10 10,5X20X2 U6592 ZN	ARAND.M10 10,5X 20X 2 U6592 ZN
56	F01230202R	DADO M10X 1,5 D985 8 ZN	NUT M10 D985	ECROU AUTOBL. M10	SELBSTSPERR.MUTTER M10	TUERCA M10X 1,5 D985 8



**ESPLOSO SCATOLA DI TRASMISSIONE
GEAR BOX PARTS**

TAV_270

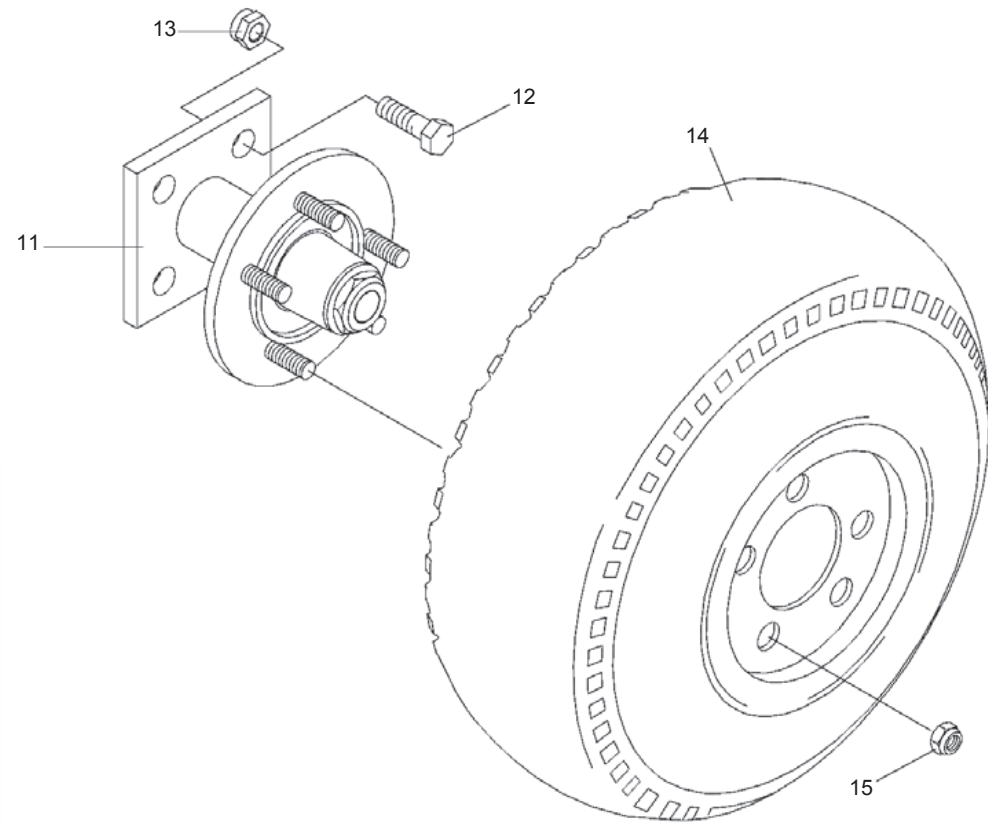
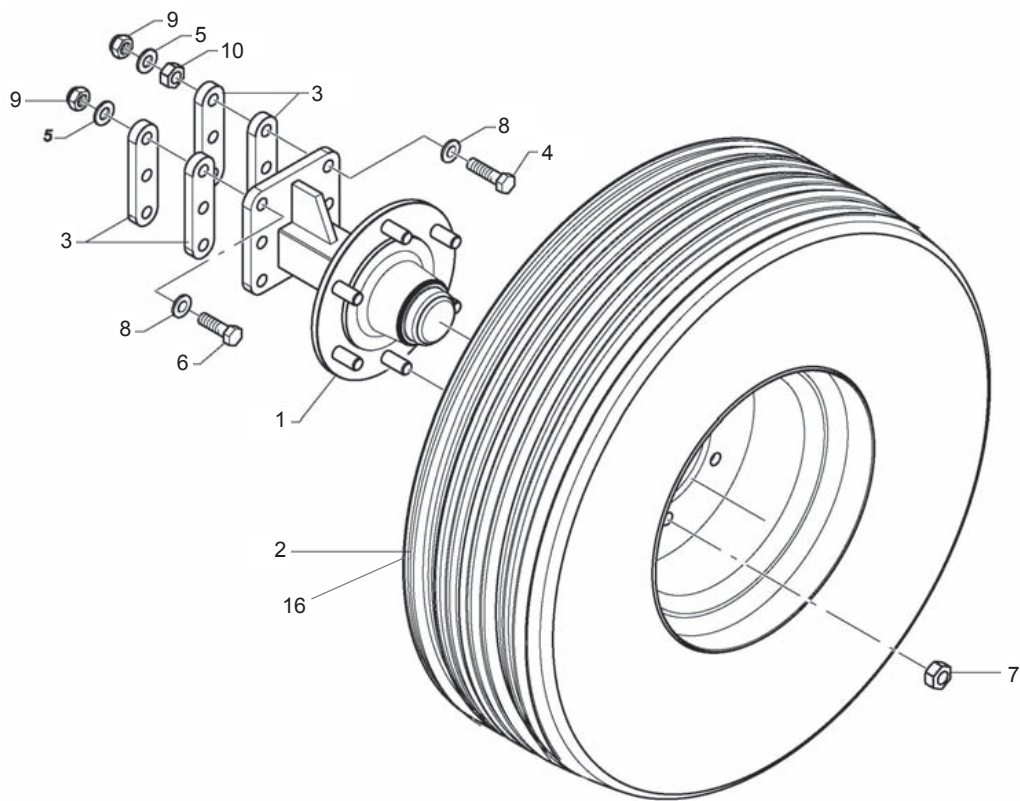
Pos.	Cod.	Descrizione	Description	Description	Benennung	Descripcion
1	M30500151R	SCATOLA	GEARBOX	BOITE DE VITESSE	WECHSELGETRIEBEGEHAUSE	CAJA CAMBIO
2	F06100426R	ALBERO 2061 36X40 UNI 220	SHAFT 2061 36X40 UNI 220			
3	F01021233R	VITE M8X20X1,25 C.L.8.8 U.5739	SCREW M8X20X1,25 8.8 UNI5739			
4	F01460141R	ROS.BLOC.8.1X14.8X1.6 DIN128B	LOCK WASH.8.1X14.8X1.6 DIN128B			
5	F03012216R	ANELLO SEEGER 35X2.50 DIN471 2	SNAP RING 35X2.50 DIN 471 2			
6	F03012217R	ANELLO SEEGER 72X2.50 DIN472 1	SNAP RING 72 2.50 DIN 472 1			
7	F03012225R	ANELLO SPALLA.80X2.50 DIN472 1	CIRCLIP INT.80 2.50 DIN 472 1			
8	F06280033R	KIT SPESSORE E.35	SHIM KIT E.35			
9	F06280034R	KIT SPESSORE I.072	SHIM KIT I.072			
10	F06280035R	KIT SPESSORE I.80	SHIM KIT I.80			
11	F04010036R	CUSC.A SFERE 35X72X17 6207	BALL BEARING 35X72X17 6207			
12	F04010037R	CUSC.A SFERE 40X80X18 6208	BALL BEARING 40X80X18 6208			
13	F04050049R	CUSC.A RULLI 35X72X18.25 30207	T.ROLL.BEAR.35X72X18.25 30207			
14	F04050050R	CUSC.A RULLI 40X80X19,75 30208	CUSC.A RULLI 40X80X19,75 30208			
15	F03100030R	GUARNIZIONE 40X80X10	OIL SEAL 40X80X10			
16	F03100029R	GUARNIZIONE 35X80X10	OIL SEAL 35X80X10			
17	F03100031R	GUARNIZIONE CAP 80X10	OIL SEAL CAP 80X10			
18	F03150617R	TAPPO 3 8 GAS CIL GUARNIZ.ALLU	TAP 3 8 GAS CIL GASKETS ALUMI.			
19	F06100387R	INGRAN.CONICO R=1,93 M5 X 2061	BEVEL GEAR R=1,93 M5 FOR 2061			
20	F03060331R	KIT COPERTURA 2061 CON TAPPI	KIT COVER 2061 WITH PLUGS			



**PORTELLONE
REAR GATE**

TAV_030

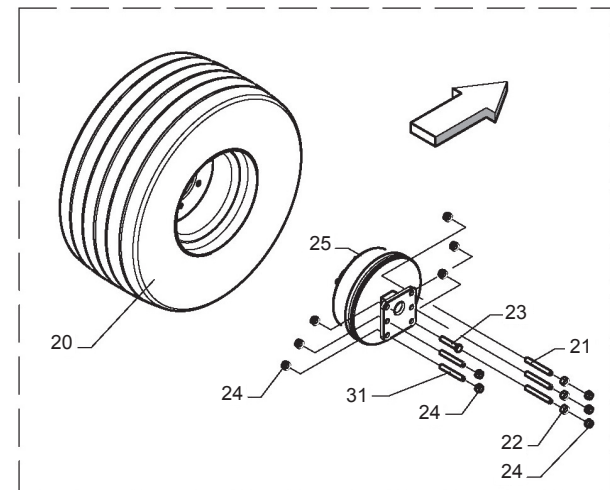
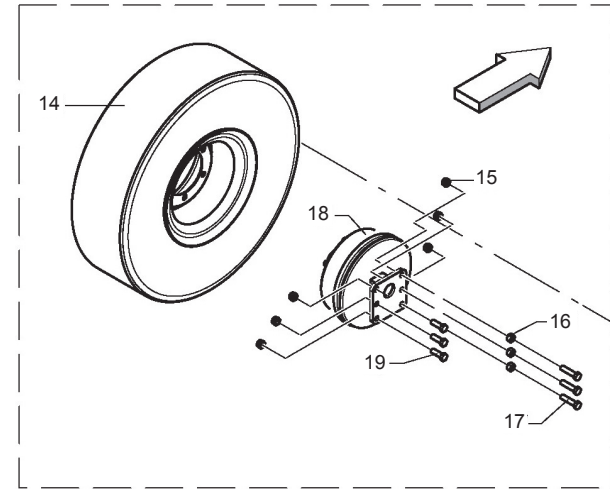
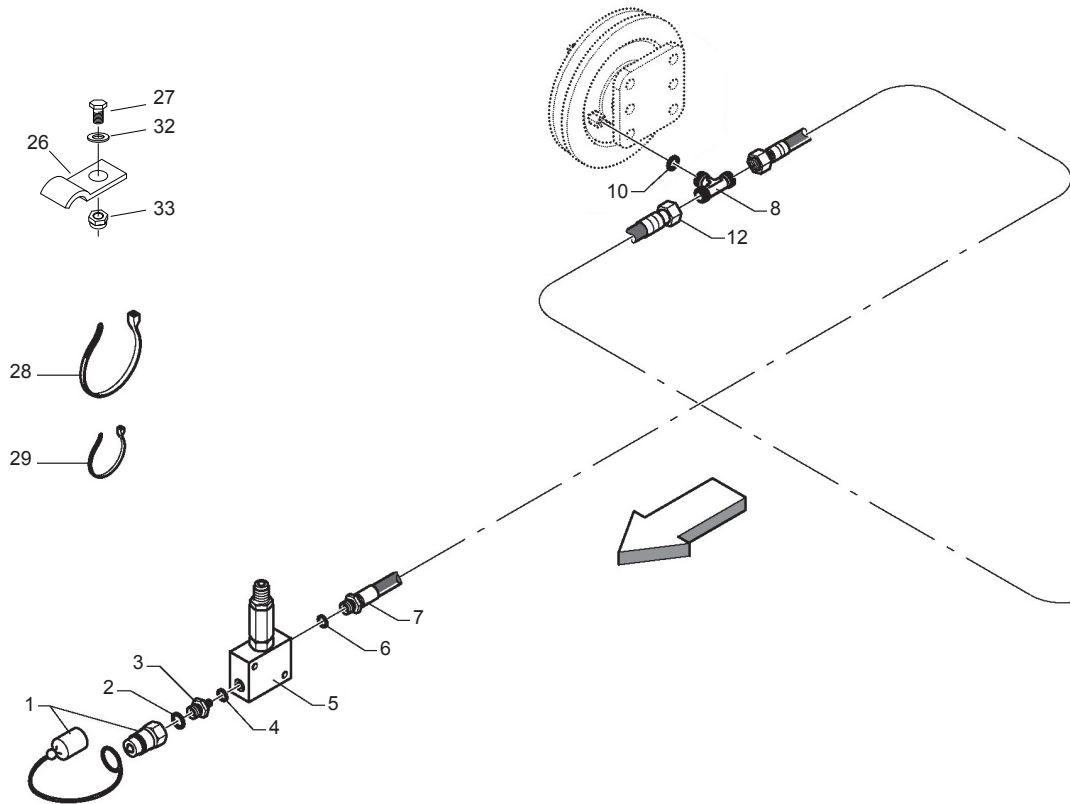
Pos.	Cod.	Descrizione	Description	Description	Benennung	Descripcion
1	B07SP0311R	TELAIO PORTELLONE ENTRY 150	TAILGATE FRAME ENTRY 150			
2	B07S00158R	ALBERO FOLLE	IDLE SHAFT	ARBRE FOU	LEERE WELLE	
3	B01300081R	DISTANZIALE 35,5X 60,3X11	SPACER	ENTRETOISE	DISTANZSTUECK 35,5X60,3X11	
4	B07SP0281R	INGRANAGGIO FOLLE	GEAR IDLE	ENGRANAGE	LOSGETRIEBEN	
5	B01710062R	ANEL. D ARR. FORO 62-I UNI3654	SEEGER RING	BAGUE SEEGER	SEEGERRING 62-I	
6	B02043514R	CUSC.. 6007-2RS CAT.B-ST004	BEARING	ROULEMENT	LAGER 6007-2RS	COJIN. 6007-2RS CAT.B-ST00
7	F04010350R	CUSCINETTO 6307C 2HRS L100 50	BEARING 6307C 2HRS L100 50			
8	B013P0146R	SUPP. GUIDA ALBERO	SUPPORT	SUPPORT	HALTER	
9	F01020077R	VITE M8X1,25X60 U5737 8.8ZN	SCR. M8X1,25X60 U5737 8.8ZN	VIS M8X1,25X60 U5737 8.8 ZN	SCHRAU. M8X1,25X60 U5737 8.8ZN	TORN. M8X1,25X60 U5737 8.8 ZN
10	F01230301R	DADO M 8X1,25 UNI7474 8 ZN	DADO M 8X1,25 UNI7474 8 ZN			
11	B005P0006R	FILONE M20	THREAD BAR	FILON	LAGER	
12	B01328313R	DISTANZIALE 35X48X13	SPACER	ENTRETOISE	DISTANZSTUECK	
13	B01534416R	SPES. 35 43 1 ZINCATO	SHIM	ENTRETOISE	AUSGLEICHSCHIEBE 35X43X1	ESPE. 35 43 1 CINCADO
14	B01534415R	SPES. 35 43 0,5 ZINCATO	SHIM	ENTRETOISE	AUSGLEICHSCHIEBE 35X43X0,5	ESPE. 35 43 0,5 CINCADO
15	F01200352R	DADO M20X2,5 U5588 CL8 ZN	NUT M20X2,5 U5588 6.8ZN	ECROU 20 UNI 5588 6.8 ZN	MUTTER M20X 2,5 U5588 6.8 ZN	TUERCA M20X 2,5 U5588 6.8 ZN
16	B013P0142R	BUSSOLA	BUSH	DOUILLE	BUCHSE	
17	B018P0010R	MOLLA TENSORE	TENSIONING SPRING			
18	B013P0143R	RONDELLA DI GUIDA	WASHER	RONDELLE	U-SCHIEBE	
19	B0C6P0324R	CHIUSURA	LOCK	FERMETURE	VERSCHLUSS	
20	B00523421R	VITE SPECIALE TTQST M12X35-8.8	SPECIAL SCREW	VIS SPECIALE	SCHRAUBE TTQST M12X 35-8.8	TORNILLO ESPECIAL TTQST M12X3
21	B01421230R	ROS.M12 13X 20X2,0 U1749 ZN	WASHER	RONDELLE	SCHIEBE	ARAND.M12 13X 20X2,0 U1749
22	B0C3P0127R	TRAVERSA POST.	CROSS BAR	TRAVERSE	QUERBALKEN HINTEN	
23	B00910412R	DADO AUTOB.ALTO M 12-8G DIN982	NUT M 12-8G DIN982			
24	F01020472R	VITE M10X1,5X25 U5739 8.8ZN	SCR. M10X1,5X25 U5739 8.8ZN	VIS M10X1,5X25 U5739 8.8 ZN	SCHRAUBE M10X1,5X25 U5739 8.8	TORNILLO M10X1,5X25 U5739 8.8
25	F01230202R	DADO M10X 1,5 D985 8 ZN	NUT M10 D985	ECROU AUTOBL. M10	SELBSTSPERR.MUTTER M10	TUERCA M10X 1,5 D985 8
26	B0C3P0297R	CARTER POSTERIORE ENTRY 150	BACK CASE ENTRY 150			
27	F01420048R	ROS.M8 8,4X 24X 2 U6593 ZN	WASHER M8 8,4X 24X2 U6593 ZN	RONDELLE M8 8,4X24X 2 U6593 ZN	SCHIEBEN M8 8,4X24X 2 U6593 ZN	ARAND.M8 8,4X 24X 2 U6593 ZN
28	F01020436R	VITE M8X1,25X20 U5739 8.8ZN	SCR. M8X1,25X20 U5739 8.8ZN	VIS M8X1,25X 20 U5739 8.8 ZN	SCHRAUBE M8X1,25X20U5739 8.8ZN	TORNILLO M8X1,25X20 U5739 8.8
29	F01020445R	VITE M8X1,25X30 U5739 8.8ZN	SCR. M8X1,25X30 U5739 8.8ZN	VIS M 8X1,25X30 U5739 8.8 ZN	SCHRAU. M8X1,25X30 U5739 8.8ZN	TORNILLO M8X1,25X30 U5739 8.8
30	B07SP0271R	CERNIERA DX	RIGHT HINGE			
31	B07SP0272R	CERNIERA SX	LEFT HINGE			
32	B01515797R	RALLA 13 25 5	FIFTH WHEEL	BUTEE	SCHIEBE	RANGUA 13 25 5
33	B0C6P0205R	SPES. 13X30X1	SHIM	ENTRETOISE	DICHTUNG 13X30X1	ESPE. 13X30X1
34	F01020601R	VITE M12X1,75X50 U5737 10.9 ZN	SCREW M12X1,75X50 U5737 10.9ZN			
35	B0C6P0206R	SPESSORE A PETTINE CERN. SP1	SPACER			
36	B01700105R	ANEL. D ARR. ALBERO 105E UNI 3	SNP RING	BAGUE D ARRET ARBRE 105-E	SPERRING 105-E	
37	B07SP0309R	CARTER DX PORTELLONE	CARTER RH PORTELLONE			
38	B07SP0310R	CARTER SX PORTELLONE	CARTER SX PORTELLONE			
39	B00370001R	VITE TE M 8X16 A SEZ.TRILOBATA	SCREW TRE M 8X16 SEZ TROUBLED	VIS	SCHRAUBE M 8X15	TORNILLO CHEX M 8X16 A SECC. T
40	B00370001R	VITE TE M 8X16 A SEZ.TRILOBATA	SCREW TRE M 8X16 SEZ TROUBLED	VIS	SCHRAUBE M 8X15	TORNILLO CHEX M 8X16 A SECC. T
41	B07C00001R	CONTACOLPI FFC - C14P	BALECOUNTER	COMPTE-COUPS FFC	HUBZAEHLER	
42	F01080012R	VIT. M 3X0,5X12 U7687 8.8 ZN	SCREW M3X0,5X12 U7687 8.8 ZN			
43	B01800026R	MOLLA 1 10 55T	SPRING	RESSORT	SPRINGFEDER 1 10 55T	
44	B03300005R	CATENELLA CONTACOLPI	CHAIN	CHAINE	KLEINE KETTE	
45	F01020404R	VITE M6X1X20 U5739 8.8ZN	SCREW M6X1X20 U5739 8.8ZN	VIS M6X1X20 U5739 8.8ZN	SCHRAUBE M6X1X20 U5739 8.8ZN	TORNILLO M6X1X20 U5739 8.8ZN
46	F01410037R	ROS.M6 6,4X12,5X1,6 U6592 ZN	WASHER M6 6,4X12,5X1,6 U6592ZN	RONDEL.M6 6,4X12,5X1,6 U6592ZN	SCHIEB.M6 6,4X12,5X1,6 U6592ZN	ARAND.M6 6,4X12,5X1,6 U6592 ZN
47	F01230184R	DADO M6X1 D985 8ZN	NUT M6X1 D985 8ZN			TUERCA M6X1 D985 8
48	F01230301R	DADO M 8X1,25 UNI7474 8 ZN	DADO M 8X1,25 UNI7474 8 ZN			
49	F01420048R	ROS.M8 8,4X 24X 2 U6593 ZN	WASHER M8 8,4X 24X2 U6593 ZN	RONDELLE M8 8,4X24X 2 U6593 ZN	SCHIEBEN M8 8,4X24X 2 U6593 ZN	ARAND.M8 8,4X 24X 2 U6593 ZN
50	B0C2P0386R	FINECORSIA TENSIONE CATENARIA	LAST ROUTE CHAIN TENSOR			
51	B0C1P0716R	DISTANZIALE CARTER	CARTER SPACER			
52	B01547423R	SPES. 35,2X61,5X1,5	SHIM 35,2 61,5 1,5	EPAISSEUR 35 62 1,5	DISTANZSTUECK 35,2X61,5X1,5	
53	F01020600R	VITE M12X1,75X55 U5737 10.9ZN	SCREW M12X1,75X55 U5737 10.9ZN			
54	F02250838R	INSERTO FIL.M 3X9.7 ZN T.TONDA	METAL INSERT M3X9.7 ZN			



**RUOTE
WHEELS**

TAV_040

Pos.	Cod.	Descrizione	Description	Description	Benennung	Descripcion
1	B071P0005R	MOZZO COMPLETO FF 100	COMPLETE HUB FF 100	MOYEU	KOMPLETTE RADACHSE	
2	B07100013R	RUOTA CPLTA 11,5 80-15,3 6F P	COMPLETE WHEEL 11,5 80-15,3	ROUE COMPLETE 11,5 80-15,3	KOMPLETTES RAD 11,5 80-15,3	RUEDA CPLTA 11,5 80-15,3 6F P
3	B0C6P0233R	SPES.	SHIM	EPAISSEUR	DICHTUNG	
4	F01020285R	VITE M16X2X100 U5737 8.8ZN	SCR. M16X2X100 U5737 8.8ZN	VIS M16X2X100 U5737 8.8 ZN	SCHR.M16X2X100 U5737 8.8 ZN	TORN.M16X2X100 U5737 8.8 ZN
5	F01410100R	ROS.M16 17X 30X 3 U6592 ZN	WASHER M16 17X30X3 U6592 ZN	RONDELLE M16 17X30X3 ZN	SCHRAUBE M16 17X 30X3 U6592 ZN	ARAND.M16 17X 30X 3 U6592 ZN
6	F01020264R	VITE M16X2X90 U5737 8.8ZN	SCR. M16X2X90 U5737 8.8ZN	VIS M16X2X90 5737 8.8 ZN	SCHRAUBE M16X2X90 5737 8.8 ZN	TORNILLO M16X2X90 U5737 8.8Z
7	B00821318R	DADO E SFERICO M18X1,5 ZINC.	NUT	ECROU	KUGELMUTTER M18X1,5	TUERCA Y ESF RICO M18X1,5 ZINC
8	F01410100R	ROS.M16 17X 30X 3 U6592 ZN	WASHER M16 17X30X3 U6592 ZN	RONDELLE M16 17X30X3 ZN	SCHRAUBE M16 17X 30X3 U6592 ZN	ARAND.M16 17X 30X 3 U6592 ZN
9	B00920516R	DADO M16X 1,5 D985 6S ZN	NUT M16X1,5 D985 6S ZN	ECROU	SELBSTSICHERNDE MUTTER M16-5S	TUERCA M16X 1,5 D985 6S
10	B00710516R	DADO M16X 2 U5588 6.8 ZN	NUT M16X2 U5588 6.8 ZN	ECROU	MUTTER M16-6S	TUERCA M16X 2 U5588 6.8
11	B02700029R	MOZZO CON FUSELLO VST_028	HUB WITH SPINDLE	MOYEU	NABE	
12	F01020605R	VITE M20X2,5X50 U5739 8.8ZN	SCR. M20X2,5X50 U5739 8.8ZN	VIS M 20X2,5X50	SCHRAUBE M 20X2,5X50	TORNILLO M20X2,5X50 U5739 8.8
13	B00920620R	DADO M20-5S DIN985 H17	NUT	ECROU	SELBSTSICHERNDE MUTTER M20-5S	TUERCA M20-5S DIN985 H17
14	B07229104R	RUOTA CPLTA SZA MOZZO ST014	RIM WHEEL	ROUE COMPLETE SANS MOYEU	KOMPLETTES RAD	
15	B00821316R	DADO E SFERICO M16X1,5 ZINC.	NUT	ECROU	RADMUTTER	
16	B07100022R	RUOTA CPLTA 400-15.5 6F P 14PR	COMPLETE WHEEL	ROUE 400-15.5	RAD KOMPLETT 400.15.5 6F P14PR	RUEDA CPLTA 400-15.5 6F P 14PR



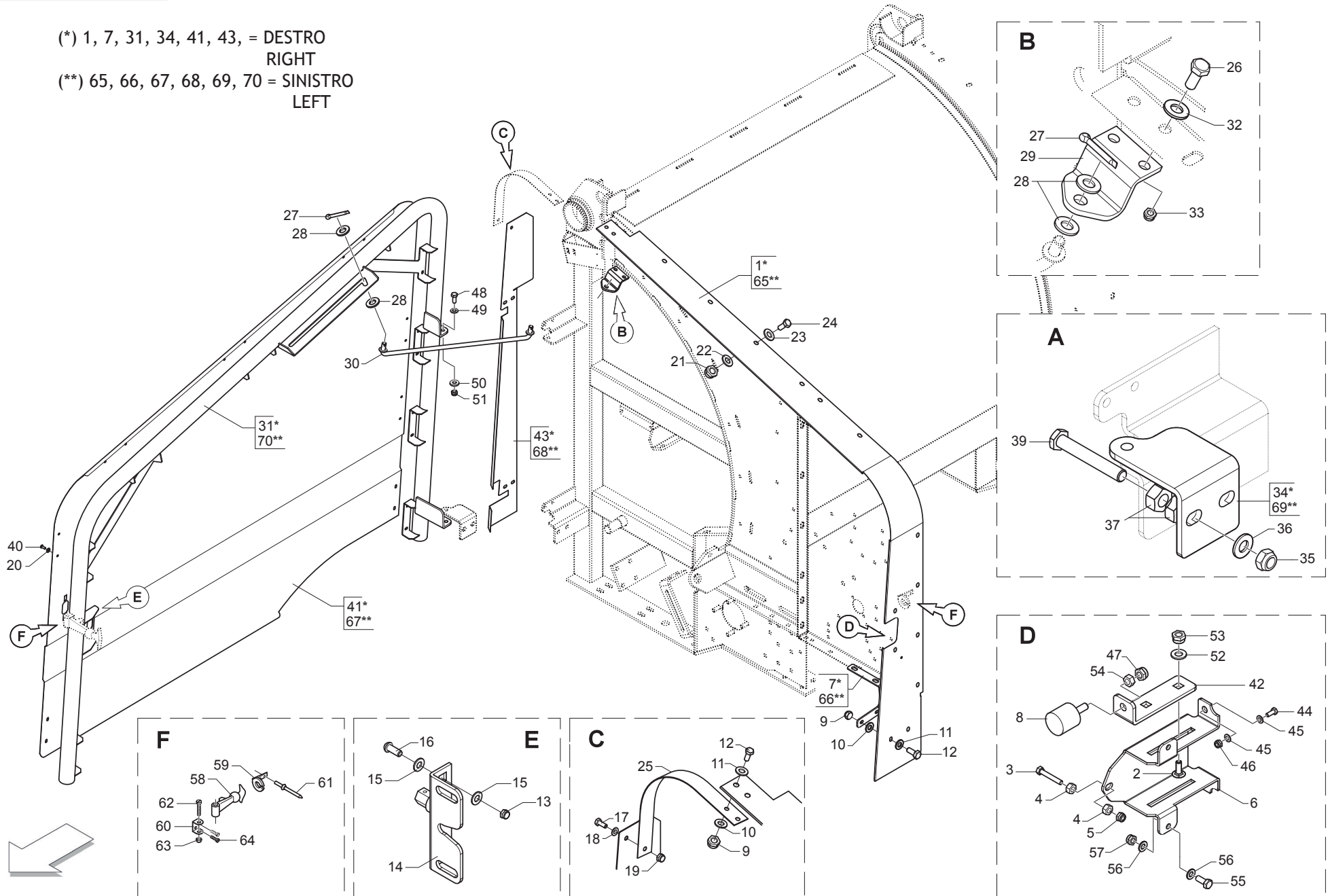
**FRENO IDRAULICO
HYDRAULIC BRAKE**

TAV_050

Pos.	Cod.	Descrizione	Description	Description	Benennung	Descrpcion
1	BOH6000A0R	INNESTO RAP.NV 12GAS-M	QUICK CLUTCH	EMBAYAGE	SCHNELLKUPPLUNG	ACOPLAMIENTO R P.NV 12GAS-M
2	B01442015R	ROS. 21 X27X1,5 RAME -1 2	WASHER	RONDELLE	BEILAGSCHEIBE 1 2	ARAND.21 X27X1,5 COBRE -1
3	BOH6000ABR	NIPPLO RIDUZ.1 2 -3 8 RASTEL	NIPPLE	NIPPLE REDUCTION 1 2 - 3 8		NIPLE REDUCC.1 2 -3 8 RASTEL
4	B01441815R	ROS. 17 X23X1,5 RAME -3 8	WASHER	RONDELLE	SCHEIBE	ARAND. 17 X23X1,5 COBRE -3
5	BOH000143R	VALV. DI RID. VRPRL2B38TS.SR	REDUCTION VALVE	VALVE DE REDUCTION VRPRL2B38TS	VENTIL	V LV. DE RED. VRPRL2B38TS.SR
6	B01441815R	ROS. 17 X23X1,5 RAME -3 8	WASHER	RONDELLE	SCHEIBE	ARAND. 17 X23X1,5 COBRE -3
7	BOH000097R	TUBO R1T 1 4 L. 5500	FLEXIBLE TUBE SAE 100 R1AT	TUYAU FLEXIBLE SAE 100 R1AT 1	ROEHRE FLEX SAE 100 R1AT 1 4	TUBO R1T 1 4 L. 5500
8	BOH000264R	RACCORDO T 10 TN96-10LR	T FITTING TN96-10LR	RACCORD T 10	KUPPLUNG T 10	RACOR EN T 10 TN96-10LR
9	BOH000099R	RACC.MASC. M10X1,25 FEMM.1 4	UNION M10X1,25	RACCORD MALE M10X1,25 FEMM.1 4	VERBINDUNG MIT GEWINDE	
10	F01500012R	RONDELLA IN RAME 1 4	COPPER WASHER 13X19X1,5-1 4	RONDELLE 13X19X1,5-1 4	SCHEIBE 13X19X1,5-1 4	ARANDELA 13X19X1,5-1 4
11	B071P0009R	MOZZO C FRENO X ENTRY-TROT.100	HUB WITH BROKE ENTRY-TROT 100	MOYEU	RADACHSE MIT BREMSE	
12	BOH000091R	TUBO FLEX SAE 100 R1AT1 4L2050	FLEXIBLE TUBE SAE 100 R1AT	TUYAU FLEXIBLE SAE 100 R1AT 1	ROEHRE FLEX SAE 100 R1AT 1 4	TUBO FLEX SAE 100 R1AT1 4L2050
13	BOH000086R	RACCORDO L 10 TN94-10LR	UNION L 10	RACCORD L 10	ANSCHLUSSSTUECK L 10	RACOR L 10 TN94-10LR
14	B07100013R	RUOTA CPLTA 11,5 80-15,3 6F P	COMPLETE WHEEL 11,5 80-15,3	ROUE COMPLETE 11,5 80-15,3	KOMPLETTES RAD 11,5 80-15,3	RUEDA CPLTA 11,5 80-15,3 6F P
15	B00920516R	DADO M16X 1,5 D985 6S ZN	NUT M16X1,5 D985 6S ZN	ECROU	SELBSTSICHERNDE MUTTER M16-5S	TUERCA M16X 1,5 D985 6S
16	B00710516R	DADO M16X 2 U5588 6.8 ZN	NUT M16X2 U5588 6.8 ZN	ECROU	MUTTER M16-6S	TUERCA M16X 2 U5588 6.8
17	F01020260R	VITE M16X2X70 U5737 8.8ZN	SCR. M16X2X70 U5737 8.8ZN	VIS M16X2X70 U5737 8.8 ZN	SCHRAUBE M16X2X70 U5737 8.8 ZN	TORNILLO M16X2X70 U5737 8.8 ZN
18	B071P0009R	MOZZO C FRENO X ENTRY-TROT.100	HUB WITH BROKE ENTRY-TROT 100	MOYEU	RADACHSE MIT BREMSE	
19	F01020252R	VITE M16X2X50 U5737 8.8ZN	SCR. M16X2X50 U5737 8.8 ZN	VIS M16X2X50 U5737 8.8 ZN	SCHRAUBE M16X2X50 U5737 8.8 ZN	TORNILLO M16X2X50 U5737 8.8Z
20	B07100022R	RUOTA CPLTA 400-15.5 6F P 14PR	COMPLETE WHEEL	ROUE 400-15.5	RAD KOMPLETT 400.15.5 6F P 14PR	RUEDA CPLTA 400-15.5 6F P 14PR
21	B005P0007R	PRIGIONIERO M16X122	PRISONER M16X122			
22	B00710516R	DADO M16X 2 U5588 6.8 ZN	NUT M16X2 U5588 6.8 ZN	ECROU	MUTTER M16-6S	TUERCA M16X 2 U5588 6.8
23	F01020579R	VITE M16X2X80 U5739 8.8ZN	SCREW M16X2X80 U5739 8.8 GALV.	VIS 16X80 5739 8.G ZN	SCHRAUBE 16X80 5739 8.G ZN	TORNILLO 16X80 5739 8.G ZN
24	B00920516R	DADO M16X 1,5 D985 6S ZN	NUT M16X1,5 D985 6S ZN	ECROU	SELBSTSICHERNDE MUTTER M16-5S	TUERCA M16X 1,5 D985 6S
25	B071P0009R	MOZZO C FRENO X ENTRY-TROT.100	HUB WITH BROKE ENTRY-TROT 100	MOYEU	RADACHSE MIT BREMSE	
26	B0C630080R	CAVALLOTTO FISSAGGIO TUBI	U BOLT	BOULON DE FIXAGE	BUEGELBOLZEN	
27	F01020472R	VITE M10X1,5X25 U5739 8.8ZN	SCR. M10X1,5X25 U5739 8.8ZN	VIS M10X1,5X25 U5739 8.8 ZN	SCHRAUBE M10X1,5X25 U5739 8.8	TORNILLO M10X1,5X25 U5739 8.8
28	BOE600025R	FASCETTA SERRAC 8X2 L500MM MIN	CLAMP	PETITE BANDE SERRE-CABLES	KLEINE STREIFEN	
29	F05150055R	FASCETTA POLYA. 3,6X200 NERA	WHITE BAND	BANDE BIANCHE	WEIBE BAND	BANDA POLYA. 3,6X200 NEGRA
30	B00821318R	DADO E SFERICO M18X1,5 ZINC.	NUT	ECROU	KUGELMUTTER M18X1,5	TUERCA Y ESF RICO M18X1,5 CINC
31	B005P0008R	PRIGIONIERO M16 112	PRISONER M16X112			
32	F01410064R	ROS.M10 10,5X 20X 2 U6592 ZN	WASHER M10 10,5X20X2 U6592 ZN	RONDEL. M10 10,5X20X2 U6592 ZN	SCHEIBE M10 10,5X20X2 U6592 ZN	ARAND.M10 10,5X 20X 2 U6592 ZN
33	F01220033R	DADO M10X1,5 D980 8ZN	NUT M10X1,5 D980 8ZN	ECROU M10X1,5 D980 8ZN	MUTTER M10X1,5 D980 8ZN	TUERCA M10X1,5 D980 8

(*) 1, 7, 31, 34, 41, 43, = DESTRO
RIGHT

(**) 65, 66, 67, 68, 69, 70 = SINISTRO
LEFT



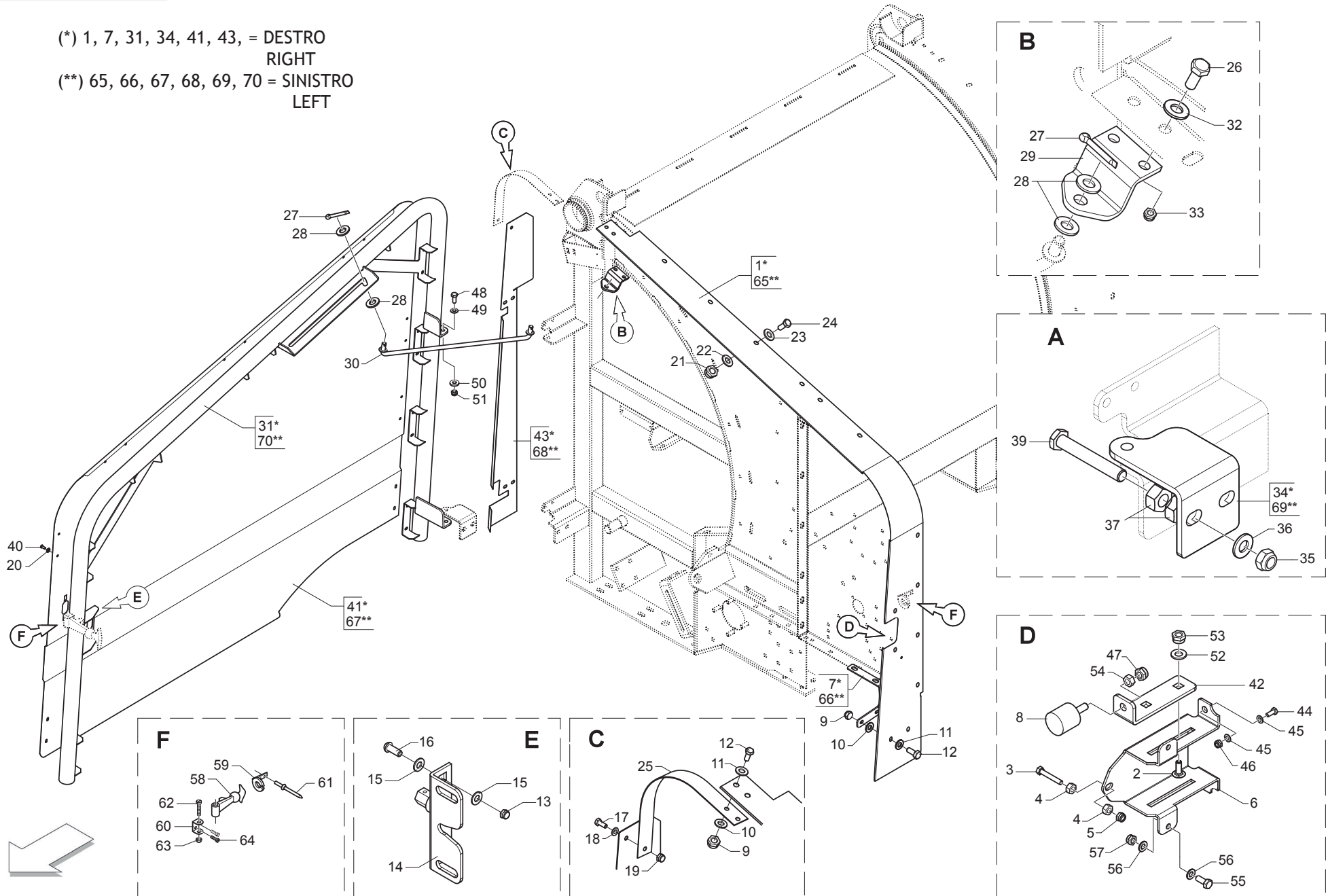
**CARTER LATERALI
SIDE CARTER**

TAV_060

Pos.	Cod.	Descrizione	Description	Description	Benennung	Descricion
1	B0C3P0140R	FASCIA DX 150	RIGHT BAND	BANDE DROITE	BANDE RECHTS 150	
2	F01060040R	VITE M8X1,25X20 U5731 8.8ZN	SCR. M8X1,25X20 U5732 4.6ZG	VIS M8X1,25X20 U5732 4.6 ZN	SCHRA. M8X1,25X20 U5732 4.6 ZN	TORN. M8X1,25X20 U5732 4.6 ZN
3	F01020120R	VITE M10X1,5X65 U5737 8.8ZN	SCR. M10X1,5X65 U5737 8.8ZN	VIS M10X1,5X65 U5737 8.8 ZN	SCHRA. M10X1,5X65 U5737 8.8 ZN	TORN. M10X1,5X65 U5737 8.8 ZN
4	F01200270R	DADO M10X1,5 U5588 CL8 ZN	NUT M10X1,5 U5588 6.8ZN	ECROU M10X 1,5 U5588 6.8 ZN	MUTTER M10X 1,5 U5588 6.8 ZN	TUERCA M10X1,5 U5588 CL8 ZN
5	F01230202R	DADO M10X 1,5 D985 8 ZN	NUT M10 D985	ECROU AUTOBL. M10	SELBSTSPERR.MUTTER M10	TUERCA M10X 1,5 D985 8
6	B0C4P0142R	ATTACCO CHIUSURA	ATTACHEMENT	ATTELAGE	VERSCHLUSSANSCHLUSS	
7	B0C6P0325R	SOSTEGNO FASCIA DX	SUPPORT	SUPPORT	BANDEHALTER RECHTS	
8	B01800082R	SILENT BLOCK 30X30-M8X25	SILENT BLOCK 30X30-M8X20	SILENT BLOCK 30X30-M8X20	SILENTBLOCK 30X30-M8X20	SILENT BLOCK 30X30-M8X25
9	F01230301R	DADO M 8X1,25 UNI7474 8 ZN	DADO M 8X1,25 UNI7474 8 ZN			
10	F01410051R	ROS.M8 8,4X 17X1,6 U6592 ZN	WASHER M8 8,4X17X1,6 U6592 ZN	RONDELLE M8 8,4X17X1,6 ZN	SCHEIBE M8 8,4X17X1,6 U6592 ZN	ARAND.M8 8,4X 17X1,6 U6592 ZN
11	F01420048R	ROS.M8 8,4X 24X 2 U6593 ZN	WASHER M8 8,4X 24X2 U6593 ZN	RONDELLE M8 8,4X24X 2 U6593 ZN	SCHEIBEN M8 8,4X24X 2 U6593 ZN	ARAND.M8 8,4X 24X 2 U6593 ZN
12	F01020436R	VITE M8X1,25X20 U5739 8.8ZN	SCR. M8X1,25X20 U5739 8.8ZN	VIS M8X1,25X 20 U5739 8.8 ZN	SCHRAUBE M8X1,25X20U5739 8.8ZN	TORNILLO M8X1,25X20 U5739 8.8
13	F01230301R	DADO M 8X1,25 UNI7474 8 ZN	DADO M 8X1,25 UNI7474 8 ZN			
14	B01800041R	CHIUS.SCHWARZ RIF.SV 941104-00	LOCK	FERMETURE	VERSCHLUSS SCHWARZ REF. SV. 9	CIERRE SCHWARZ REF.SV 941104-0
15	F01410051R	ROS.M8 8,4X 17X1,6 U6592 ZN	WASHER M8 8,4X17X1,6 U6592 ZN	RONDELLE M8 8,4X17X1,6 ZN	SCHEIBE M8 8,4X17X1,6 U6592 ZN	ARAND.M8 8,4X 17X1,6 U6592 ZN
16	F01030208R	VITE M 8X1,25X 20 U7380 10.9ZN	SCREW M8X1,25X20 U7380 10.9ZN			TORNILLO M 8X1,25X 20 U7380 10
17	F01020436R	VITE M8X1,25X20 U5739 8.8ZN	SCR. M8X1,25X20 U5739 8.8ZN	VIS M8X1,25X 20 U5739 8.8 ZN	SCHRAUBE M8X1,25X20U5739 8.8ZN	TORNILLO M8X1,25X20 U5739 8.8
18	F01410051R	ROS.M8 8,4X 17X1,6 U6592 ZN	WASHER M8 8,4X17X1,6 U6592 ZN	RONDELLE M8 8,4X17X1,6 ZN	SCHEIBE M8 8,4X17X1,6 U6592 ZN	ARAND.M8 8,4X 17X1,6 U6592 ZN
19	F01230301R	DADO M 8X1,25 UNI7474 8 ZN	DADO M 8X1,25 UNI7474 8 ZN			
20	F01410037R	ROS.M6 6,4X12,5X1,6 U6592 ZN	WASHER M6 6,4X12,5X1,6 U6592ZN	RONDEL.M6 6,4X12,5X1,6 U6592ZN	SCHEIB.M6 6,4X12,5X1,6 U6592ZN	ARAND.M6 6,4X12,5X1,6 U6592 ZN
21	F01230301R	DADO M 8X1,25 UNI7474 8 ZN	DADO M 8X1,25 UNI7474 8 ZN			
22	F01410051R	ROS.M8 8,4X 17X1,6 U6592 ZN	WASHER M8 8,4X17X1,6 U6592 ZN	RONDELLE M8 8,4X17X1,6 ZN	SCHEIBE M8 8,4X17X1,6 U6592 ZN	ARAND.M8 8,4X 17X1,6 U6592 ZN
23	F01420048R	ROS.M8 8,4X 24X 2 U6593 ZN	WASHER M8 8,4X 24X2 U6593 ZN	RONDELLE M8 8,4X24X 2 U6593 ZN	SCHEIBEN M8 8,4X24X 2 U6593 ZN	ARAND.M8 8,4X 24X 2 U6593 ZN
24	F01020436R	VITE M8X1,25X20 U5739 8.8ZN	SCR. M8X1,25X20 U5739 8.8ZN	VIS M8X1,25X 20 U5739 8.8 ZN	SCHRAUBE M8X1,25X20U5739 8.8ZN	TORNILLO M8X1,25X20 U5739 8.8
25	B0C6P0351R	COMPENSO FASCIA CORTO	SPACER FASCIA CORTO			
26	F01020472R	VITE M10X1,5X25 U5739 8.8ZN	SCR. M10X1,5X25 U5739 8.8ZN	VIS M10X1,5X25 U5739 8.8 ZN	SCHRAUBE M10X1,5X25 U5739 8.8	TORNILLO M10X1,5X25 U5739 8.8
27	B01150430R	COPIGLIA 4X 30 U1336 ZN	GALV PIN	GOUPILLE GALV	SPLINT	PASADOR 4X 30 U1336 ZN
28	F01420060R	ROS.M10 10,5X 30X2,5 U6593 ZG	GALV.WASHER 10,5X30X2,5 U6593	RONDELLE 10,5X30	SCHEIBE 10,5X30	ARAND.M10 10,5X 30X2,5 U6593
29	B0C6P0322R	ATTACCO FULCRO	ATTACHEMENT	ATTELAGE	ANSCHLUSS FULCRUM	
30	B07SP0278R	ASTA DI APERTURA	OPEN ROD	BARRE D OUVERTURE	OEFFNUNGSSTANGE	
31	B07SP0317R	TELAIO CARTER DX 150	RIGHT CASE FRAME 150			
32	F01410064R	ROS.M10 10,5X 20X 2 U6592 ZN	WASHER M10 10,5X20X2 U6592 ZN	RONDEL. M10 10,5X20X2 U6592 ZN	SCHEIBE M10 10,5X20X2 U6592 ZN	ARAND.M10 10,5X 20X 2 U6592 ZN
33	F01230202R	DADO M10X 1,5 D985 8 ZN	NUT M10 D985	ECROU AUTOBL. M10	SELBSTSPERR.MUTTER M10	TUERCA M10X 1,5 D985 8
34	B0C6P0320R	CERNIERA INFERIORE DX	HINGE	CHARNIERE	SCHARNIER UNTEN RECHTS	
35	F01230213R	DADO M12X1,75 U7474 CL8 ZN	NUT M12X1,75 U7474 6SZN	ECROU AUTOBL. M12	SELBSTSPERR.MUTTER M12	TUERCA M12X1,75 U7474 CL8 ZN
36	B01421230R	ROS.M12 13X 20X2,0 U1749 ZN	WASHER	RONDELLE	SCHEIBE	ARAND.M12 13X 20X2,0 U1749
37	F01200293R	DADO M12X1,75 U5588 CL8 ZN	NUT M12X1,75 U5588 6S ZN	ECROU M12X1,75 U5588 6S ZN	MUTTER M12X1,75 U5588 6S ZN	TUERCA M12X1,75 U5588 CL8 ZN
39	F01020522R	VITE M12X1,75X80 U5739 8.8ZN	SCR. M12X1,75X80 U5739 8.8ZN	VIS M12X1,75X80 U5739 8.8ZN	SCHRA.M12X1,75X80 U5739 8.8ZN	TORNILLO M12X1,75X80 U5739 8
40	B01000011R	RIVETTO STR. 6X12 U9200A AL	RIVET 6X12 U9200A AL	RIVET	ABREISSNIETEN 6X15	REMACHE EXTR. 6X12 U9200AA
41	B0C3P0134R	CORPO CARTER DX 150	CORPO CARTER DX 150			
42	B0C6P0319R	CONTRASTO CHIUSURA	LOCK CONTRAST	CONTRASTE FERMETURE	VERSCHLUSS	
43	B0C3P0136R	CHIUSURA DX 150	LOCK	FERMETURE	VERSCHLUSS RECHTS 150	
44	F01020472R	VITE M10X1,5X25 U5739 8.8ZN	SCR. M10X1,5X25 U5739 8.8ZN	VIS M10X1,5X25 U5739 8.8 ZN	SCHRAUBE M10X1,5X25 U5739 8.8	TORNILLO M10X1,5X25 U5739 8.8
45	F01410064R	ROS.M10 10,5X 20X 2 U6592 ZN	WASHER M10 10,5X20X2 U6592 ZN	RONDEL. M10 10,5X20X2 U6592 ZN	SCHEIBE M10 10,5X20X2 U6592 ZN	ARAND.M10 10,5X 20X 2 U6592 ZN
46	F01230202R	DADO M10X 1,5 D985 8 ZN	NUT M10 D985	ECROU AUTOBL. M10	SELBSTSPERR.MUTTER M10	TUERCA M10X 1,5 D985 8
47	F01230301R	DADO M 8X1,25 UNI7474 8 ZN	DADO M 8X1,25 UNI7474 8 ZN			
48	F01020484R	VITE M10X1,5X45 U5739 8.8ZN	SCR. M10X1,5X45 U5739 8.8 GAL	VIS 10X45 5739 8.G ZN	SCHRAUBE 10X45 5739 8.G ZN	TORNILLO 10X45 5739 8.G ZN
49	F01420060R	ROS.M10 10,5X 30X2,5 U6593 ZG	GALV.WASHER 10,5X30X2,5 U6593	RONDELLE 10,5X30	SCHEIBE 10,5X30	ARAND.M10 10,5X 30X2,5 U6593
50	B01301153R	RALLA 10,5X32X8	FIFTH WHEEL 10.5X32X8			
51	F01230202R	DADO M10X 1,5 D985 8 ZN	NUT M10 D985	ECROU AUTOBL. M10	SELBSTSPERR.MUTTER M10	TUERCA M10X 1,5 D985 8
52	F01230301R	DADO M 8X1,25 UNI7474 8 ZN	DADO M 8X1,25 UNI7474 8 ZN			
53	F01410051R	ROS.M8 8,4X 17X1,6 U6592 ZN	WASHER M8 8,4X17X1,6 U6592 ZN	RONDELLE M8 8,4X17X1,6 ZN	SCHEIBE M8 8,4X17X1,6 U6592 ZN	ARAND.M8 8,4X 17X1,6 U6592 ZN
54	F01200244R	DADO M8X1,25 U5588 CL8 ZN	NUT M8X1,25 U5588 6.8ZN	ECROU M8 X1,25 U5588 6.8 ZN	MUTTER M8 X1,25 U5588 6.8 ZN	TUERCA M8X1,25 U5588 CL8 ZN
55	F01020440R	VITE M8X1,25X25 U5739 8.8ZN	SCR. M8X1,25X25 U5739 8.8ZN	VIS M8X1,25X25 U5739 8.8 ZN	SCHRAUBE M8X1,25X25U5739 8.8ZN	TORNILLO M8X1,25X25 U5739 8.8
56	F01420048R	ROS.M8 8,4X 24X 2 U6593 ZN	WASHER M8 8,4X 24X2 U6593 ZN	RONDELLE M8 8,4X24X 2 U6593 ZN	SCHEIBEN M8 8,4X24X 2 U6593 ZN	ARAND.M8 8,4X 24X 2 U6593 ZN
57	F01230301R	DADO M 8X1,25 UNI7474 8 ZN	DADO M 8X1,25 UNI7474 8 ZN			
58	B01950002R	TIRANTE AGGANCIO COFANO	TIE HOOK HOOD	TIRANT	SPANNSTANGE	

(*) 1, 7, 31, 34, 41, 43, = DESTRO
RIGHT

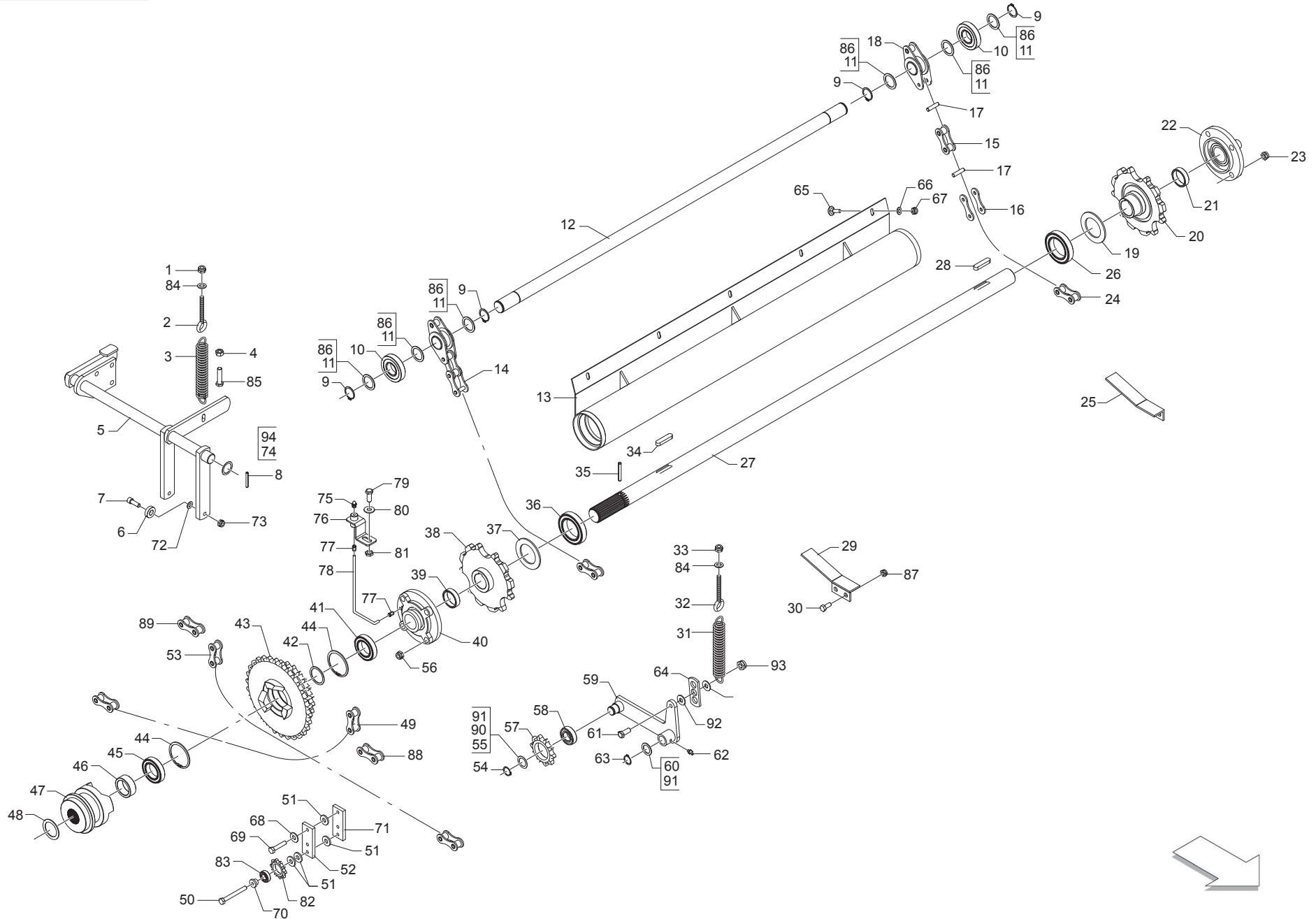
(**) 65, 66, 67, 68, 69, 70 = SINISTRO
LEFT



**CARTER LATERALI
SIDE CARTER**

TAV_060

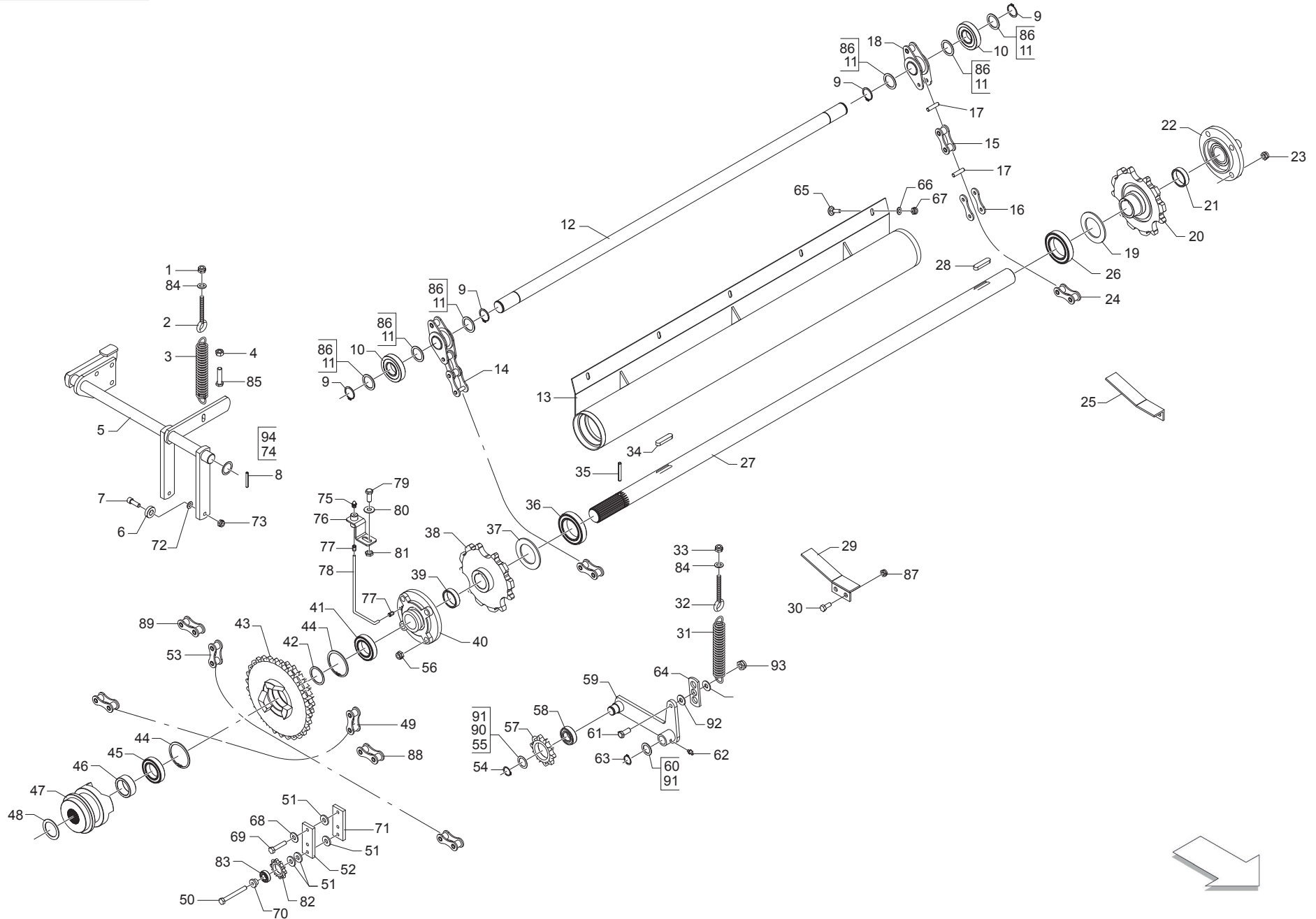
Pos.	Cod.	Descrizione	Description	Description	Benennung	Descripcion
59	B01950004R	OCCHIELLO ACQ CON 1950003	EYELET	OEIL	SE	
60	B01950003R	PIASTRINA ACQ CON 1950004	PLATE	PLAQUE	HAENGEGERUEST	
61	B01080311R	RIVETTO STR. 3,8X11 U9200AAL	RIVET	RIVET	NIET	
62	B003E0540R	VITE ZINC.TCI M 5X40-4.8	SCREW TCI M 5X40-4.8			
63	B00920005R	DADO AUTOB.BASSO M 5-5S DIN985	NUT	ECROU	SELBSTSICHERNDE MUTTER M5-5S	TUERCA AUTOB.BAJA M 5-5S DIN98
64	B003F0000R	VITE AUTOF.KNIPPING KFB3,9X9,5	SCREW	VIS	SCHRAUBE	
65	B0C3P0141R	FASCIA SX 150	LEFT BAND	BANDE GAUCHE	BANDE LINKS 150	
66	B0C6P0326R	SOSTEGNO FASCIA SX	BAND HOLDER LEFT			
67	B0C3P0135R	CORPO CARTER SX 150	CORPO CARTER SX 150			
68	B0C3P0137R	CHIUSURA SX 150	LOCK	FERMETURE	VERSCHLUSS LINKS 150	
69	B0C6P0321R	CERNIERA INFERIORE SX	HINGE	CHARNIERE	SCHARNIER UNTEN LINKS	
70	B07SP0318R	TELAIO CARTER SX 150	LEFT CASE FRAME 150			



**GRUPPO CATENARIA
CHAIN GROUP**

TAV_070

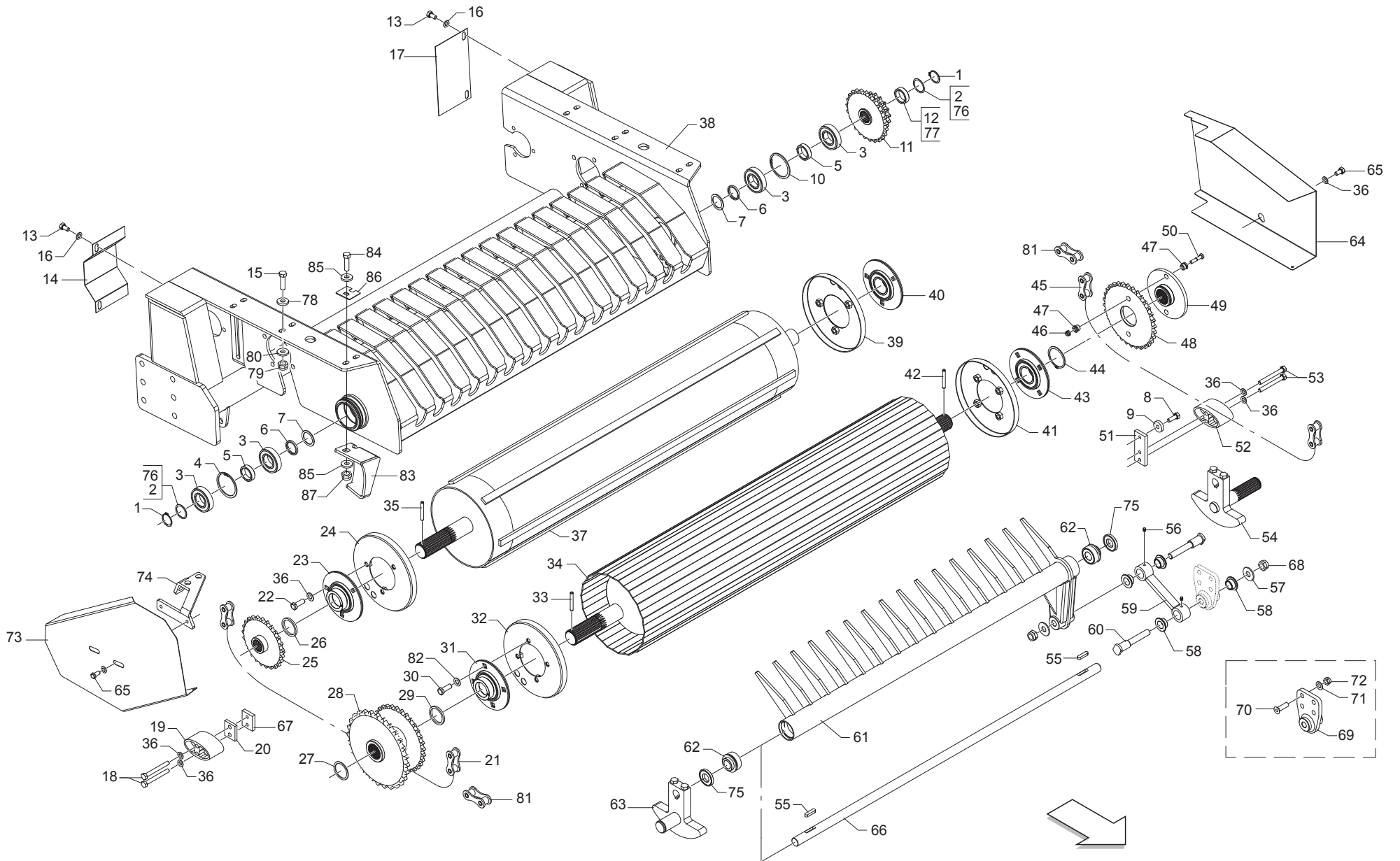
Pos.	Cod.	Descrizione	Description	Description	Benennung	Descripcion
1	F01230213R	DADO M12X1,75 U7474 CL8 ZN	NUT M12X1,75 U7474 6SZN	ECROU AUTOBL. M12	SELBSTSPERR.MUTTER M12	TUERCA M12X1,75 U7474 CL8 ZN
2	B00545168R	OCCHIOLO PER TENDITORI M12-DX	EYELET M12	OEIL M12	OSE M12	OJAL PARA TENSORES M12-DER
3	B01822744R	MOLLA 49,5 SPIRE	SPRING 49,5 SPIRAL	RESSORT	FEDER	MUELLE 49,5 SPIRE
4	F01020519R	VITE M12X1,75X 60 U5739 8.8ZN	SCREW M12X1,75X 60 U5739 8.8ZN			TORNILLO M12X1,75X 60 U5739 8
5	B07S00180R	BRACCIO DISINNESTO	RELEASE LEVER	BRAS DE DECLENCHEMENT	ARM	
6	B02041509R	CUSCINETTO 6002-2RS CAT.BST004	BEARING	ROULEMENT	LAGER	
7	B013P0358R	PERNO CUSCINETTO DISINNESTO	PIN FOR BEARING			
8	F02100124R	SPINA E.P. 6X 50 U6873 C70 BR	PIN EL. 6X50 U6873 C70 BR	GOUJON 6X50 U6873 C70 BR	STIFT 6X50 U6873 C70 BR	CLAVIJA EL.P. 6X 50 U6873 C70
9	B01700035R	ANEL. D ARR. ALB. 35-E UNI3653	SEEGER RING	BAGUE SEEGER	SEEGERRING 35-E	ANIL. DE PARAD. RB. 35-E UNI3
10	B02383517R	CUSCINETTO LR207 2RS	BEARING LR207 2RS	ROULEMENT LR 207 2RS	LAGER	
11	B01522427R	SPES. 35 47 2	SHIM	ENTRETOISE	SCHEIBE	ESPES. 35 47 2
12	B03500020R	ALBERO CATENARIA	CHAIN BAR	ARBRE	KETTENSTANGE	
13	B07S00154R	PROT. ALBERO MOT.	MOTOR SHAFT GUARD	PROTECTION ARBRE MOTEUR	SCHUTZ MOTORWELLE	
14	B03000102R	CATENA A5080 41 ATTACCHI	CHAIN	CHAINE	SATZ KETTE A5080	
15	B03000105R	MAGLIA INTERNA CATENA A5080	INSIDE LINK FOR CHAIN	MAILLE ENTERIEUR CHAINE	KETTENVERBINDUNGSGLIED A5080	
16	B030B0015R	GIUNTO CON COPIGL N.25 P50,8	CHAIN LINK	JOINT CHAINE	KETTENGLIED	
17	B030B0015R	GIUNTO CON COPIGL N.25 P50,8	CHAIN LINK	JOINT CHAINE	KETTENGLIED	
18	B03000108R	MAGLIA SPEC PER CATENA A5080	A5080 CHAIN SPECIAL LINK	MAILLON SPECIALE POUR CHAINE A	SPEZIALKETTENGLIED A5080	
19	B01300060R	RALLA 60,5X94X4	FIFTH WHEEL	BUTEE	LAGERSCHALE 60,5X94X4	
20	B03400038R	INGR. Z12-2 MOT 3 NICCHIE	Z=12-2 GEAR	ENGRENAGE	ZAHNRAD	
21	B01300059R	DISTANZIALE 45X54X15	SPACER	ENTRETOISE	DISTANZSTUECK 45X54X18	
22	B02354545R	SUPP.FLANG.TDO45 GHISA HFH R	FLANGED SUPP.TDO45 CAST IRON	SUPPORT FLANGE	GEFLANSCHTES LAGER	
23	F01230213R	DADO M12X1,75 U7474 CL8 ZN	NUT M12X1,75 U7474 6SZN	ECROU AUTOBL. M12	SELBSTSPERR.MUTTER M12	TUERCA M12X1,75 U7474 CL8 ZN
24	B030B0015R	GIUNTO CON COPIGL N.25 P50,8	CHAIN LINK	JOINT CHAINE	KETTENGLIED	
25	B07S00182R	GUIDA SINISTRA CATENARIA	LEFT GUIDE	GUIDE GAUCHE CATENAIRE	FUEHRUNG LINKS	
26	B02046018R	CUSC. 6012-2RS CAT.B-ST004	BEARING	ROULEMENT	LAGER	
27	B03500101R	ALBERO MOT.	SHAFT	ARBRE MOTEUR	MOTORWELLE	
28	B01206060R	LINGUETTA 14X 9X 60 U6604A	TANG	LANGUETTE	FEDERKEIL	
29	B07S00181R	GUIDA DESTRA CATENARIA	RIGHT GUIDE	GUIDE DROITE CATENAIRE	FUEHRUNG RECHTS	
30	F01020472R	VITE M10X1,5X25 U5739 8.8ZN	SCR. M10X1,5X25 U5739 8.8ZN	VIS M10X1,5X25 U5739 8.8 ZN	SCHRAUBE M10X1,5X25 U5739 8.8	TORNILLO M10X1,5X25 U5739 8.8
31	B01822744R	MOLLA 49,5 SPIRE	SPRING 49,5 SPIRAL	RESSORT	FEDER	MUELLE 49,5 SPIRE
32	B00545168R	OCCHIOLO PER TENDITORI M12-DX	EYELET M12	OEIL M12	OSE M12	OJAL PARA TENSORES M12-DER
33	F01200293R	DADO M12X1,75 U5588 CL8 ZN	NUT M12X1,75 U5588 6S ZN	ECROU M12X1,75 U5588 6S ZN	MUTTER M12X1,75 U5588 6S ZN	TUERCA M12X1,75 U5588 CL8 ZN
34	B01206060R	LINGUETTA 14X 9X 60 U6604A	TANG	LANGUETTE	FEDERKEIL	
35	F02100147R	SPINA E.P. 8X60 U6873 BR	PIN EL. 8X60 U6873 C70 BR			
36	B02046018R	CUSC. 6012-2RS CAT.B-ST004	BEARING	ROULEMENT	LAGER	
37	B01300060R	RALLA 60,5X94X4	FIFTH WHEEL	BUTEE	LAGERSCHALE 60,5X94X4	
38	B03400038R	INGR. Z12-2 MOT 3 NICCHIE	Z=12-2 GEAR	ENGRENAGE	ZAHNRAD	
39	B01300059R	DISTANZIALE 45X54X15	SPACER	ENTRETOISE	DISTANZSTUECK 45X54X18	
40	B02354545R	SUPP.FLANG.TDO45 GHISA HFH R	FLANGED SUPP.TDO45 CAST IRON	SUPPORT FLANGE	GEFLANSCHTES LAGER	
41	B02044516R	CUSC. 6009-2RS CAT.B-ST004	BEARING	ROULEMENT	LAGER	
42	B01300275R	SPES. 45 55 1	SHIM 45 55 1	EPAISSEUR 45 55 1	ABSTANDSTUECK 45 55 1	
43	B03400043R	INGR.DOPPIO Z30 22-1 CON INN	DOUBLE GEAR Z=30 22	ENGRENAGE	OPPELTE ZAHNRAD	
44	B01710075R	ANEL. D ARR. FORO 75-I UNI3654	SEEGER RING	BAGUE SEEGER	SEEGERING	
45	B02044516R	CUSC. 6009-2RS CAT.B-ST004	BEARING	ROULEMENT	LAGER	
46	B01300058R	DISTANZIALE 45X60,3X22	SPACER	ENTRETOISE	DISTANZSTUECK 45X60,3X22	
47	B013P0359R	MOZZO SCORREVOLE CON INNESTO	HUB SLIDING WITH JUNCTION			
48	B01547230R	SPES. 45 62 2	SHIM	ENTRETOISE	SCHEIBE	ESPES. 45 62 2
49	B03141076R	CATENA RULLI ASA 80-1 76 MGL	ROLLER CHAIN	CHAINE ROULEAUX	KETTE WALZE ASA	
50	F01020521R	VITE M12X1,75X65 U5739 8.8ZN	SCR. M12X1,75X65 U5739 8.8ZN	VIS M12X1,75X65 U5739 8.8ZN	SCHRAU.M12X1,75X65 U5739 8.8ZN	TORNILLO M12X1,75X65 U5739 8
51	B01516038R	RALLA 13 32 5	FIFTH WHEEL	BUTEE	SCHEIBE	RANGUA 13 32 5
52	B0C6P1165R	PIASTRINA 12 GALOPPINO ENTRY	TENSIONER PLATE 12 ENTRY			
53	B0314H081R	CATENA RULLI A ASA80 H 81M	ROLLER CHAIN	CHAINE ROULEAUX	KETTE WALZE A	
54	F02050101R	ANELLO E. DE 25X 1,2 U7435 C7	SEEGER RING E. 25X1,2 7435 C70	SEEGER E. 25X 1,2 U7435 C70	SEEGERING E. 25X 1,2 U7435 C70	ANILLO E. DE 25X 1,2 U7435 C7
55	B01300104R	SPES. 25,5 37 0,2	SHIM	ENTRETOISE	BEILAGSCHEIBE 25,5 37 0,2	ESPES. 25,5 37 0,2
56	F01230213R	DADO M12X1,75 U7474 CL8 ZN	NUT M12X1,75 U7474 6SZN	ECROU AUTOBL. M12	SELBSTSPERR.MUTTER M12	TUERCA M12X1,75 U7474 CL8 ZN
57	B034P0059R	CORONA Z=10-1 ASA80 F52	GEAR WHEEL			



**GRUPPO CATENARIA
CHAIN GROUP**

TAV_070

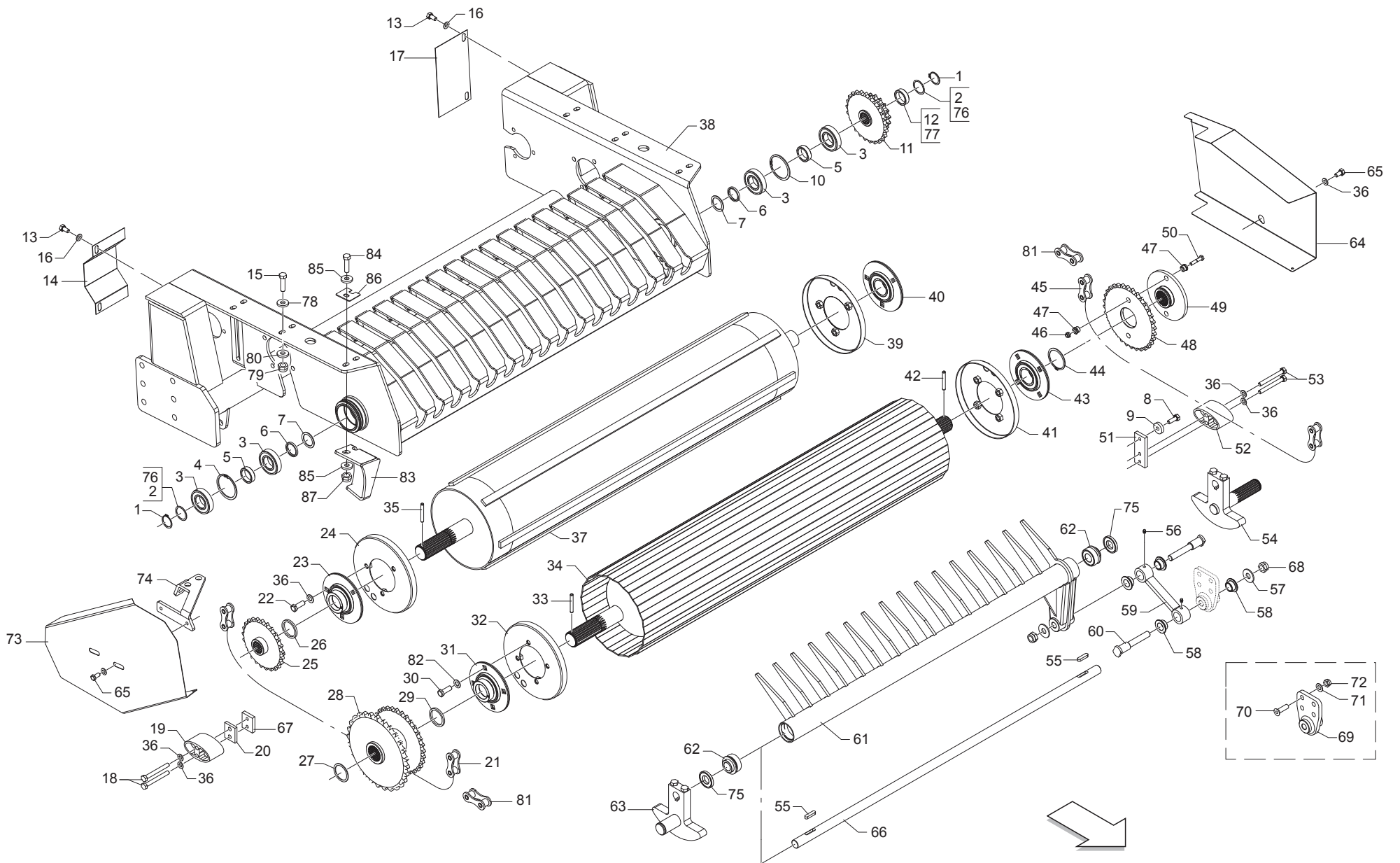
Pos.	Cod.	Descrizione	Description	Description	Benennung	Descripcion
58	F04010170R	CUSC.D25 D52 B15 6205 2RS EX	BEARING D25 D52 B15 6205 2RS	ROULEMENT 6205 2RS	LAGER 6205 2RS	COJIN.D25 D52 B15 6205 2RS EX
59	B07S01321R	BRACCIO TENDITORE DX	RIGHT TENSIONER ARM	BRAS TENDEUR DROIT	RECHTER SPANNARM	
60	B01300159R	SPES. 25 37 2 ZINCATO	SHIM GALV	ENTRETOISE GALV	DISTANZSTUECK 25 37 2	ESPES. 25 37 2 CINCADO
61	F01020512R	VITE M12X1,75X35 U5739 8.8ZN	SCR. M12X1,75X35 U5739 8.8ZN	VIS M12X1,75X35 5739 8.8 ZN	SCHR. M12X1,75X35 5739 8.8 ZN	TORNILLO M12X1,75X35 U5739 8
62	F01100012R	ING.M 6X1 7663-B 9SMNPB28 ZB	SPHERE NIPPLE M6X17663-B ZB	GRAISSEUR A BILLES M6X1 7663-B	KUGELFETTBSCHSE M6X1 7663-B ZB	ENGGRAS.M6X1 7663-B 9SMNPB28
63	F02050101R	ANELLO E. DE 25X 1,2 U7435 C7	SEEGER RING E. 25X1,2 7435 C70	SEEGER E. 25X 1,2 U7435 C70	SEEGERING E. 25X 1,2 U7435 C70	ANILLO E. DE 25X 1,2 U7435 C7
64	BOC004902R	RINFORZO	STIFFENING	RENFORT	VERSTAERKUNG	REFUERZO
65	F01060040R	VITE M8X1,25X20 U5731 8.8ZN	SCR. M8X1,25X20 U5732 4.6ZG	VIS M8X1,25X20 U5732 4.6 ZN	SCHRA. M8X1,25X20 U5732 4.6 ZN	TORN. M8X1,25X20 U5732 4.6 ZN
66	F01410051R	ROS.M8 8,4X 17X1,6 U6592 ZN	WASHER M8 8,4X17X1,6 U6592 ZN	RONDELLE M8 8,4X17X1,6 ZN	SCHEIBE M8 8,4X17X1,6 U6592 ZN	ARAND.M8 8,4X 17X1,6 U6592 ZN
67	F01230301R	DADO M 8X1,25 UNI7474 8 ZN	DADO M 8X1,25 UNI7474 8 ZN			
68	F01420120R	ROS.M12 13X36X2,5 U6593 ZN	WASHER M12 13X36X2,5 U6593 ZN	RONDELLE M12 13X36X2,5 ZN		ARAND.M12 13X36X2,5 U6593 ZN
69	F01020512R	VITE M12X1,75X35 U5739 8.8ZN	SCR. M12X1,75X35 U5739 8.8ZN	VIS M12X1,75X35 5739 8.8 ZN	SCHR. M12X1,75X35 5739 8.8 ZN	TORNILLO M12X1,75X35 U5739 8
70	B013P0353R	BUSSOLA BLOCCAGGIO 12-25-35	LOCKING COMPASS 12-25-35			
71	B0C6P1164R	PIASTRINA M12 GALOPPINO ENTRY	TENSIONER PLATE M 12 ENTRY			
72	F02050034R	ANELLO E. DE 15X 1 U7435 C70	ELASTIC RING DE 15X 1	BAGUE ELASTIQUE DE 15X 1	RING DE 15X 1	ANILLO DE 15X 1
73	F01230202R	DADO M10X 1,5 D985 8 ZN	NUT M10 D985	ECROU AUTOBL. M10	SELBSTSPERR.MUTTER M10	TUERCA M10X 1,5 D985 8
74	B01300101R	SPES. 30,3 40 1 ZINCATO	SHIM GALV	ENTRETOISE GALV	DISTANZSTUECK 30,3 40 1	ESPES. 30,3 40 1 CINCADO
75	B04200610R	INGRASS.A SFERE M6X1 LUNGO	GREASE NIPPLE	GRAISSEUR HYDRAULIQUE	GERADER SCHMIERNIPPEL M6X1	ENGRASADOR DE ESFERAS M6X1
76	B07SP0878R	ATTACCO INGRASSATORE	GREASE NIPPLE ATTACK			
77	B0H000259R	RACCORDO M6X1 COMPLETO	FITTING OUT M6X1	RACCORD	KUPPLUNG M6X1	RACOR M6X1 COMPLETO
78	B0H0P0105R	TUBETTO IN RAME 4 L=150	COPPER PIPE 4 L=150			
79	F01020476R	VITE M10X1,5X30 U5739 8.8ZN	SCR. M10X1,5X30 U5739 8.8ZN	VIS M10X1,5X30 U5739 8.8 ZN	SCHRAUBE M10X1,5X30U5739 8.8ZN	TORNILLO M10X1,5X30 U5739 8.8
80	F01420060R	ROS.M10 10,5X 30X2,5 U6593 ZG	GALV.WASHER 10,5X30X2,5 U6593	RONDELLE 10,5X30	SCHEIBE 10,5X30	ARAND.M10 10,5X 30X2,5 U6593
81	F01230202R	DADO M10X 1,5 D985 8 ZN	NUT M10 D985	ECROU AUTOBL. M10	SELBSTSPERR.MUTTER M10	TUERCA M10X 1,5 D985 8
82	B034P0059R	CORONA Z=10-1 ASA80 F52	GEAR WHEEL			
83	F04010170R	CUSC.D25 D52 B15 6205 2RS EX	BEARING D25 D52 B15 6205 2RS	ROULEMENT 6205 2RS	LAGER 6205 2RS	COJIN.D25 D52 B15 6205 2RS EX
84	B01421230R	ROS.M12 13X 20X2,0 U1749 ZN	WASHER	RONDELLE	SCHEIBE	ARAND.M12 13X 20X2,0 U1749
85	F01200293R	DADO M12X1,75 U5588 CL8 ZN	NUT M12X1,75 U5588 6S ZN	ECROU M12X1,75 U5588 6S ZN	MUTTER M12X1,75 U5588 6S ZN	TUERCA M12X1,75 U5588 CL8 ZN
86	B01519696R	SPES. 35 47 1	SHIM	ENTRETOISE	DISTANZSTUECK 35 50 1	ESPES. 35 47 1
87	F01230202R	DADO M10X 1,5 D985 8 ZN	NUT M10 D985	ECROU AUTOBL. M10	SELBSTSPERR.MUTTER M10	TUERCA M10X 1,5 D985 8
88	B031400A7R	GIUNTO MOLL.N.26 ASA80-1	JOINT	JOINT	VERBINDUNGSGLIED ASA 80-1	
89	B031400H7R	GIUNTO MOLL.N.26 ASA80 H	JOINT	JOINT	DICHTUNG	
90	B01300104R	SPES. 25,5 37 0,2	SHIM	ENTRETOISE	BEILAGSCHEIBE 25,5 37 0,2	ESPES. 25,5 37 0,2
91	B01300105R	SPES. 25,5 37 0,5	SHIM	ENTRETOISE	DISTANZSTUECK 25,5 37 0,5	ESPES. 25,5 37 0,5
92	F01420120R	ROS.M12 13X36X2,5 U6593 ZN	WASHER M12 13X36X2,5 U6593 ZN	RONDELLE M12 13X36X2,5 ZN		ARAND.M12 13X36X2,5 U6593 ZN
93	F01200293R	DADO M12X1,75 U5588 CL8 ZN	NUT M12X1,75 U5588 6S ZN	ECROU M12X1,75 U5588 6S ZN	MUTTER M12X1,75 U5588 6S ZN	TUERCA M12X1,75 U5588 CL8 ZN
94	B01300100R	SPES. 30,3 40 0,5 ZINCATO	SHIM GALV	ENTRETOISE GALV	DISTANZSTUECK 30,3 40 0,5	ESPES. 30,3 40 0,5 CINCADO



**INFALDATORE
FEEDING SYSTEM**

TAV_080

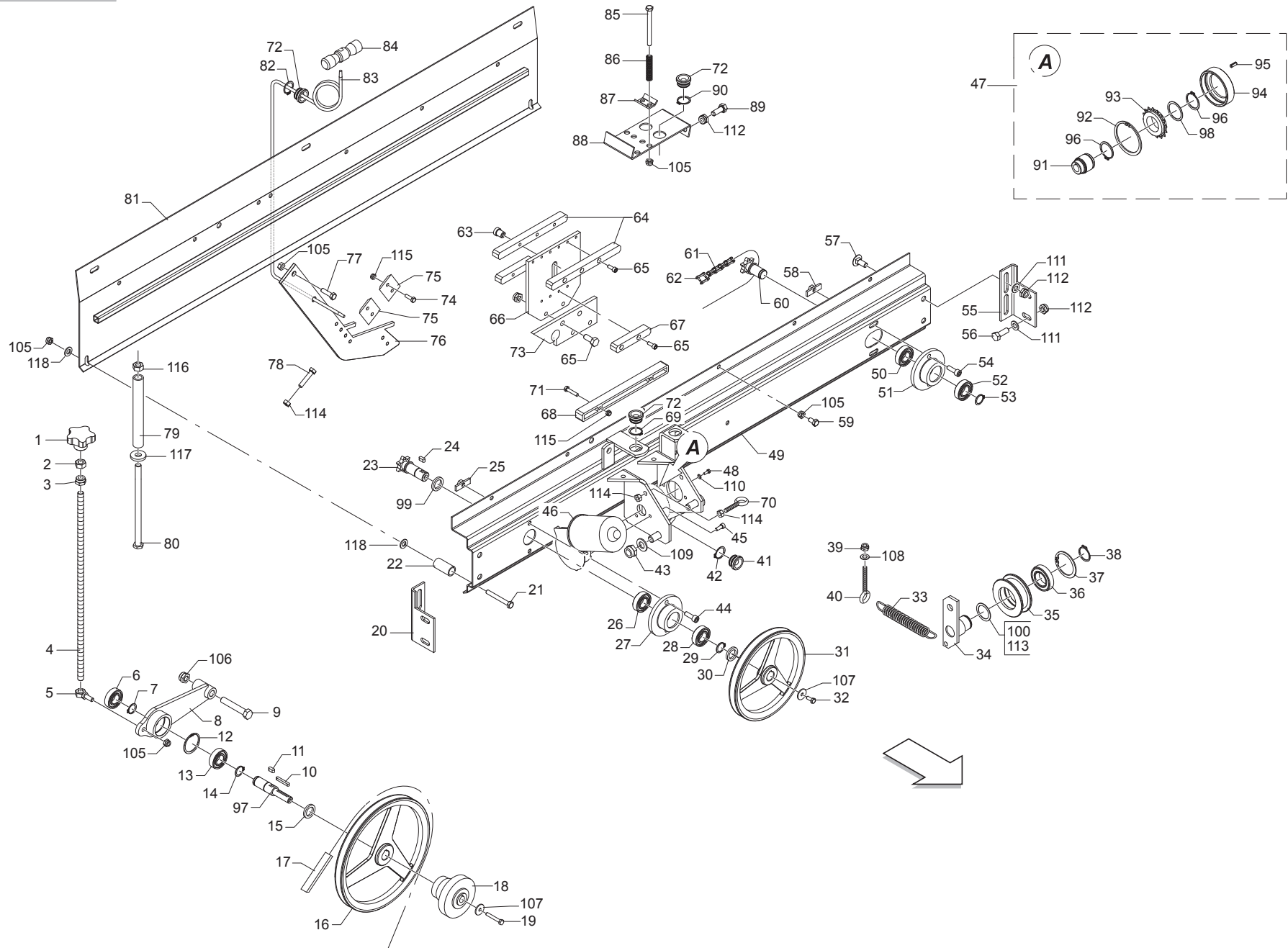
Pos.	Cod.	Descrizione	Description	Description	Benennung	Descripcion
1	F02050148R	ANELLO E. DE 35X 1,5 U7435 IX	RETAINI.RING 35X 1,5 U7435 IX			
2	B01534415R	SPES. 35 43 0,5 ZINCATO	SHIM	ENTRETOISE	AUSGLEICHSCHLEIBE 35X43X0,5	ESPE.S. 35 43 0,5 CINCADO
3	B02043517R	CUSC. 6207-2RS CAT.B-ST004	BEARING	ROULEMENT	LAGER 6207-2RS	COJIN. 6207-2RS CAT.B-ST00
4	F02050403R	ANELLO E. DI 72X 2,5 U7437 C7	SEEGER RING E.72X2,5 U7437 C70	SEEGER E. 72X 2,5 U7437 C70	SEEGERING E. 72X 2,5 U7437 C70	ANILLO E. DI 72X 2,5 U7437 C7
5	B01300523R	DISTANZIALE 35X 45X12,5	SPACER	ENTRETOISE	DISTANZSTUECK 35X45X12,5	DISTANCIADOR 35X 45X12,5
6	B01300605R	DISTANZIALE 35X42X 5	SPACER	ENTRETOISE	DISTANZSTUECK 35X42X5	DISTANCIADOR 35X42X 5
7	B01522427R	SPES. 35 47 2	SHIM	ENTRETOISE	SCHLEIBE	ESPE.S. 35 47 2
8	F01020476R	VITE M10X1,5X30 U5739 8.8ZN	SCR. M10X1,5X30 U5739 8.8ZN	VIS M10X1,5X30 U5739 8.8 ZN	SCHRAUBE M10X1,5X30U5739 8.8ZN	TORNILLO M10X1,5X30 U5739 8.8
9	B01301153R	RALLA 10,5X32X8	FIFTH WHEEL 10.5X32X8			
10	F02050403R	ANELLO E. DI 72X 2,5 U7437 C7	SEEGER RING E.72X2,5 U7437 C70	SEEGER E. 72X 2,5 U7437 C70	SEEGERING E. 72X 2,5 U7437 C70	ANILLO E. DI 72X 2,5 U7437 C7
11	B03400027R	INGR. DOPPIO Z=25 17 CON MOZZO	DOUBLE GEAR Z=25 17	ENGRENAGE	DOPPELTE ZAHNRAD Z=254 17 C	
12	B01330957R	DISTANZIALE 35-48-7	SPACER	ENTRETOISE	DISTANZSTUECK 35X48X7	DISTANCIADOR 35-48-7
13	F01020470R	VITE M10X1,5X20 U5739 8.8ZN	SCR. M10X1,5X20 U5739 8.8ZN	VIS M10X1,5X20 U5739 8.8 ZN	SCHRAUBE M10X1,5X20 U5739 ZN	TORNILLO M10X1,5X20 U5739 8
14	B0C000564R	CHIUSURA DX INFALDATORE	RIGHT-HAND LOCKUO FOR FEEDER	FERMETURE DROITE AMENEUR	SCHUSS RECHTS	
15	F01020154R	VITE M12X1,75X45 U5737 8.8ZN	SCR. M12X1,75X45 U5737 8.8ZN	VIS M12X1,75X 45 U5737 8.8 ZN	SCHR.M12X1,75X 45 U5737 8.8 ZN	TORN.M12X1,75X 45 U5737 8.8 ZN
16	F01410064R	ROS.M10 10,5X 20X 2 U6592 ZN	WASHER M10 10,5X20X2 U6592 ZN	RONDEL. M10 10,5X20X2 U6592 ZN	SCHLEIBE M10 10,5X20X2 U6592 ZN	ARAND.M10 10,5X 20X 2 U6592 ZN
17	B0C000565R	CHIUSURA SX INFALDATORE	LEFT-HAND LOCKUP FOR FEEDER	FERMETURE GAUCHE AMENEUR	SCHUSS LINKS	
18	F01020128R	VITE M10X1,5X80 U5737 8.8ZN	SCR. M10X1,5X80 U5737 8.8ZN	VIS M10X1,5X80 U5737 8.8 ZN	SCHRAU. M10X1,5X80 U5737 8.8ZN	TORNIL.M10X1,5X80 U5737 8.8 ZN
19	B07V00007R	GALOPPINO OVALE TENDICATENA	GUIDE BLOCK	TENDEUR DE CHAINE	FUHRUNGSROLLE	
20	B0C001156R	SPES. PER GALOPPINO OVALE	THICKNESS FOR OVAL TIGHTENING	EPAISSEUR TENDEUR	DISTANZSTUECK	
21	B03111053R	1ATENA RULLI ASA 60-1 53 MGL	ROLLER CHAIN	CHAINE ROULEAUX	KETTE	
22	F01020479R	VITE M10X1,5X35 U5739 8.8ZN	SCR. M10X1,5X35 U5739 8.8ZN	VIS M10X1,5X35 U5739 8.8 ZN	SCHR. M10X1,5X35 U5739 8.8 ZN	TORNILLO M10X1,5X35 U5739 8
23	B02353035R	SUPP.FLANG.TONDO 35 LAMIERA	BEARING FLANGED SUPPORT D.35	SUPPORT FLANGE ROND 35 LAMES	FLANSLAGER	SOPORTE BRIDA REDONDO 35 CHA
24	B07S00131R	CALOTTA CON 3 DADI M10	CAP WITH 3 NUTS	CHAPEAU AVEC 3 ECROUS M10	HAUBE MIT 3 MUTTER	
25	B03400032R	INGR. Z=25-3 4 ISO CON MOZZO	GEAR Z= 25; 3 4; ISO 12B-1	ENGRENAGE	ZAHNRAD Z=25 3 4 ISO	
26	B01519696R	SPES. 35 47 1	SHIM	ENTRETOISE	DISTANZSTUECK 35 50 1	ESPE.S. 35 47 1
27	B01523717R	SPES. 45 55 1,8	SHIM	ENTRETOISE	SCHLEIBE	
28	B03400153R	INGR.DOPPIO Z=28-1 Z=25-3 4	DOUBLE GEAR Z=28 1	ENGRENAGE	DOPPELTER ZAHNRAD Z=28-1 Z=25	
29	B01523717R	SPES. 45 55 1,8	SHIM	ENTRETOISE	SCHLEIBE	
30	F01020512R	VITE M12X1,75X35 U5739 8.8ZN	SCR. M12X1,75X35 U5739 8.8ZN	VIS M12X1,75X35 5739 8.8 ZN	SCHR. M12X1,75X35 5739 8.8 ZN	TORNILLO M12X1,75X35 U5739 8
31	B02355045R	SUPP.FLANG.TONDO 45 LAMIERA	FLANGED SUPPORT	SUPPORT FLANGE 45 EN TOLLE	GEFLANSCHTES LAGER	
32	B07S00130R	CALOTTA CON 4 DADI M12	CAP WITH 4 NUTS	CHAPEAU AVEC 4 ECROUS M12	HAUBE MIT 4 MUTTER	
33	F02100147R	SPINA E.P. 8X60 U6873 BR	PIN EL. 8X 60 U6873 C70 BR			
34	B07S00128R	RULLO BUGNATO	RUTICATED ROLLER	ROULEAU BOSSAGE	WALZE	
35	F02100144R	SPINA E.P. 8X 50 U6873 C70 BR	ELASTIC PIN 8X50 U6873 C70 BR	FICHE EL. D8 L50 D1481 C70 BR	SPANNSTIFT D8 L50 D1481 C70BR	CLAVIJA D8 L50 D1481 C70 BR
36	F01410064R	ROS.M10 10,5X 20X 2 U6592 ZN	WASHER M10 10,5X20X2 U6592 ZN	RONDEL. M10 10,5X20X2 U6592 ZN	SCHLEIBE M10 10,5X20X2 U6592 ZN	ARAND.M10 10,5X 20X 2 U6592 ZN
37	B07S00132R	RULLO AD ALETTE	ROLLER	ROULEAU A AILETTE	WALZE	
38	B07SP0302R	TELAIO INFALDATORE ENTRY 150	FRAME INFALDATORE ENTRY 150			
39	B07S00131R	CALOTTA CON 3 DADI M10	CAP WITH 3 NUTS	CHAPEAU AVEC 3 ECROUS M10	HAUBE MIT 3 MUTTER	
40	B02353035R	SUPP.FLANG.TONDO 35 LAMIERA	BEARING FLANGED SUPPORT D.35	SUPPORT FLANGE ROND 35 LAMES	FLANSLAGER	SOPORTE BRIDA REDONDO 35 CHA
41	B07S00130R	CALOTTA CON 4 DADI M12	CAP WITH 4 NUTS	CHAPEAU AVEC 4 ECROUS M12	HAUBE MIT 4 MUTTER	
42	F02100147R	SPINA E.P. 8X60 U6873 BR	PIN EL. 8X 60 U6873 C70 BR			
43	B02355045R	SUPP.FLANG.TONDO 45 LAMIERA	FLANGED SUPPORT	SUPPORT FLANGE 45 EN TOLLE	GEFLANSCHTES LAGER	
44	F02050226R	ANELLO E. DE 60X 2 U7435 C70	SEEGER RING E. 60X2 DIN 471 1	SEEGER E. 60X2 DIN 471 1	SEEGERING EL.E. 60X2 DIN471 1	ANILLO E. 60X2 DIN471 1
45	B03111060R	CATENA RULLI A ASA 601 60MGL	ROLLER CHAIN ASA 601 60MGL	CHAINE ROULEAUX	KETTE WALZE ASA 60_1	
46	F01230301R	DADO M 8X1,25 UNI7474 8 ZN	DADO M 8X1,25 UNI7474 8 ZN			
47	B00511057R	BUSSOLA DI TRANCIAMENTO	BUSHING	BAGUE	BUCHSE	CASQUILLO DE CIZALLADO
48	B03400151R	CORONA Z=32-3 4 CON FORI	RING GEAR	COURONNE	KRANZ	
49	B07S00568R	FLANGIA CON MOZZO	FLANGE WITH HUB	FLASQUE AVEC MOYEU	FLANSCH MIT NABE	
50	F01020068R	VITE M8X1,25X40 U5737 8.8ZN	SCR. M8X1,25X40 U5737 8.8ZN	VIS M 8X1,25X40 U5737 8.8 ZN	SCHRA. M8X1,25X40 U5737 8.8 ZN	TORNILLO M8X1,25X40 U5737 8.8
51	B0C6P0741R	ATTACCO GALOPPINO ENTRY	PULLEY ATTACHMENT			
52	B07V00007R	GALOPPINO OVALE TENDICATENA	GUIDE BLOCK	TENDEUR DE CHAINE	FUHRUNGSROLLE	
53	F01020128R	VITE M10X1,5X80 U5737 8.8ZN	SCR. M10X1,5X80 U5737 8.8ZN	VIS M10X1,5X80 U5737 8.8 ZN	SCHRAU. M10X1,5X80 U5737 8.8ZN	TORNIL.M10X1,5X80 U5737 8.8 ZN
54	B07S00978R	BIELLA MOTORE INFALDATORE	MOTOR CONNECTING ROD	BIELLE MOTEUR AMENEUR	RAFFER TREIBSTANGE	BIELA DEL MOTOR DEL EMBOCADO
55	B01000005R	LINGUETTA TAGLIATA 8X7X23,5	CUT TAB 8X7X23,5	LANGUETTE 8X7X23,5	FEDERKEIL 8X7X23,5	
56	F01100011R	ING.M 6X1 7663-A 9SMNPB28 ZN	GREASE NIPPLE M6X1 7663-A ZN	GRAISS. A BILLE M6X1 7663A ZN	SCHMIERBUECHE M6X1 7663-A ZN	ENG.M 6X1 7663-A 9SMNPB28 ZN
57	B0C6P1263R	RALLA 22,2X40X3 OTTONE	WASHER	BUTEE	SCHLEIBE	RANGUA 22,2X40X3 LAT N



**INFALDATORE
FEEDING SYSTEM**

TAV_080

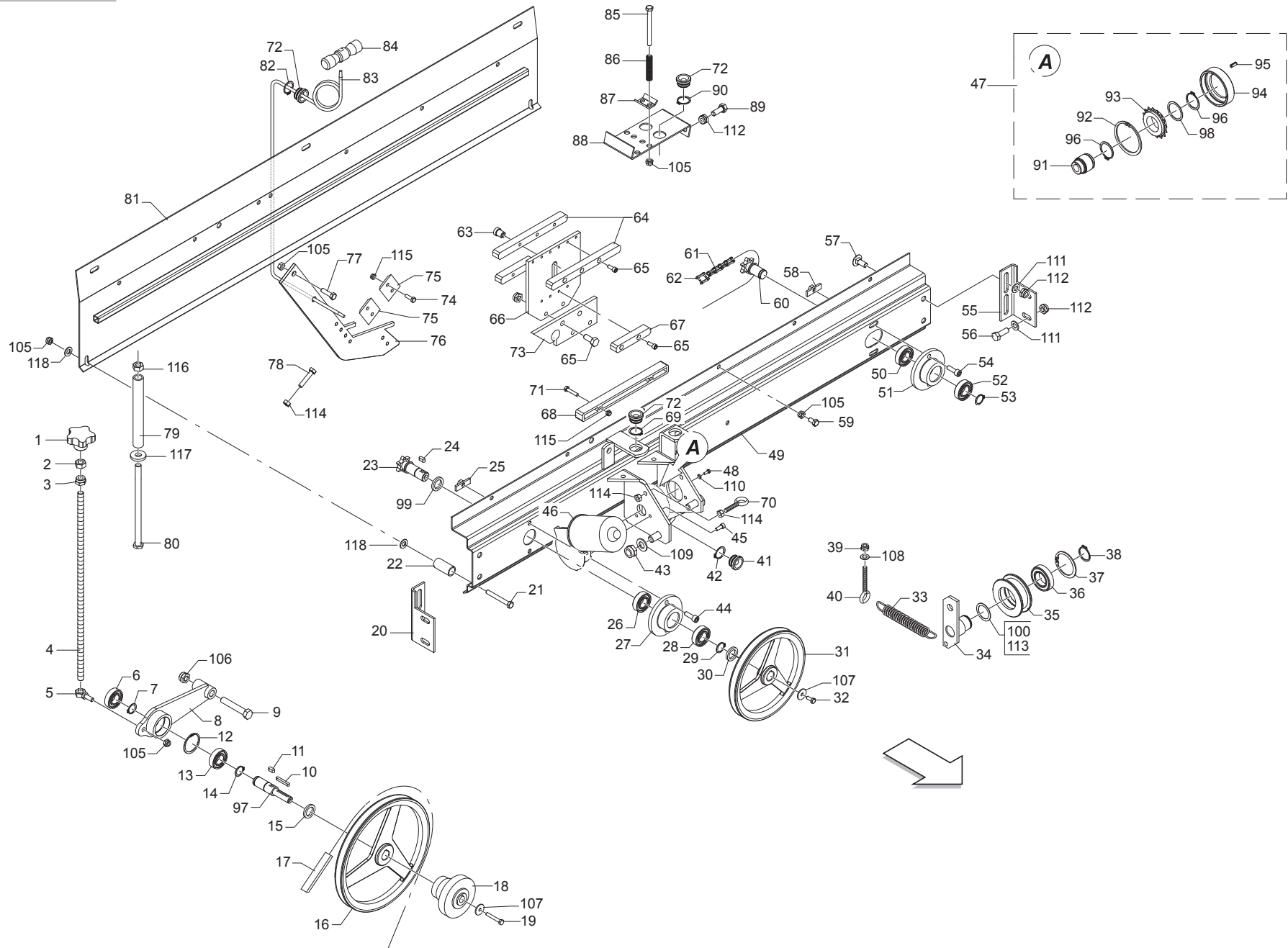
Pos.	Cod.	Descrizione	Description	Description	Benennung	Descripcion
58	B02500002R	BUSSOLA NYLON 22X28X16,5	BUSH NYLON 22X28X16,5	DOUILLE EN NYLON 22X28X16,5	NYLONBUCHSE	CASQUILLO DE NYLON 22X28X16,5
59	B07S00966R	BIELLA INFALDATORE	FEEDER CONNECTING ROD	BIELLE AMENEUR	RAFFERPLEUELSTANGE	BIELA EMBOCADOR
60	B035P0159R	PERNO BIELLA INFALDATORE	CONNECTING ROD PIN	TOURILLON BIELLE	PLEUELZAPPEN	PERNO BIELA EMBOCADOR
61	B07S00983R	INFALDATORE NL	FEEDER	AMENEUR	RAFFER	EMBOCADOR NL
62	F04010426R	CUSCINETTO INA RAE 25 NPPB	BEARING INA RAE 25 NPPB			
63	B07S00979R	BIELLA FOLLE INFALDATORE	IDLE CONNECTING ROD	BIELLE FOLLE AMENEUR	RAFFER UMLENKSTANGE	BIELA LOCA EMBOCADOR
64	B0C001286R	CARTER FF20	CASE FF20	CARTER FF 20	GEHAUSE FF20	
65	F01020470R	VITE M10X1,5X20 U5739 8.8ZN	SCR. M10X1,5X20 U5739 8.8ZN	VIS M10X1,5X20 U5739 8.8 ZN	SCHRAUBE M10X1,5X20 U5739 ZN	TORNILLO M10X1,5X20 U5739 8
66	B03500038R	ALBERO INFALDATORE	FEEDER SHAFT	ARBRE AMENEUR	RAFFER ANTRIEBSWELLE	RBOL EMBOCADOR
67	B0C000539R	ATTACCO TENDITORE	TENSION ATTACHMENT	ATTELAGE TENDEUR	SPANNWERKKUPPLUNG	
68	B00920516R	DADO M16X 1,5 D985 6S ZN	NUT M16X1,5 D985 6S ZN	ECROU	SELBSTSICHERNDE MUTTER M16-5S	TUERCA M16X 1,5 D985 6S
69	B07SP0981R	ATTACCO BIELLA INFALDATORE	FEEDER CONNECTION			
70	F01030111R	VITE M12X1,75X40 U5933 10.9ZD	SCR. M12X1,75X40 U5933 10.9ZD	VIS 12X40 5933 8.8 ZN	SCHRAUBE 12X40 5933 8.8 ZN	TORNILLO M12X1,75X40 U5933 10.
71	F01410076R	ROS.M12 13X 24X2,5 U6592 ZN	WASHER 12 13X 24X2,5 U6592 ZN	RONDEL. M12 13X24X2,5 U6592 ZN	SCHEIBE M12 13X24X2,5 U6592 ZN	ARAND.M12 13X 24X2,5 U6592 ZN
72	F01230213R	DADO M12X1,75 U7474 CL8 ZN	NUT M12X1,75 U7474 6SZN	ECROU AUTOBL. M12	SELBSTSPERR.MUTTER M12	TUERCA M12X1,75 U7474 CL8 ZN
73	B0C000575R	CARTER DX INFALDATORE	RIGHT-HAND CASE FOR FEEDER	CARTER DROIT AMENEUR	GEHAUSER RECHTS	
74	B0C000566R	SOSTEGNO CARTER DX INFALDATORE	SUPPORT FOR RIGHT-HAND CASE FO	SUPPORT CARTER DROIT AMENEUR	DECKELSHALTER RECHTS	
75	B0C6P1263R	RALLA 22,2X40X3 OTTONE	WASHER	BUTEE	SCHEIBE	RANGUA 22,2X40X3 LAT N
76	B01534416R	SPES. 35 43 1 ZINCATO	SHIM	ENTRETOISE	AUSGLEICHSCHIEBE 35X43X1	ESPE. 35 43 1 CINCADO
77	B01300523R	DISTANZIALE 35X 45X12,5	SPACER	ENTRETOISE	DISTANZSTUECK 35X45X12,5	DISTANCIADOR 35X 45X12,5
78	B01516038R	RALLA 13 32 5	FIFTH WHEEL	BUTEE	SCHEIBE	RANGUA 13 32 5
79	F01230213R	DADO M12X1,75 U7474 CL8 ZN	NUT M12X1,75 U7474 6SZN	ECROU AUTOBL. M12	SELBSTSPERR.MUTTER M12	TUERCA M12X1,75 U7474 CL8 ZN
80	B01421230R	ROS.M12 13X 20X2,0 U1749 ZN	WASHER	RONDELLE	SCHEIBE	ARAND.M12 13X 20X2,0 U1749
81	B03110007R	GIUNTO MOLL.N.26 ASA60-1	SPRING JOINT N. 26 ASA 60-1	JOINT	KETTENSCHLOSS	JUNTA DE MUELLE N. 26 ASA60-1
82	B01421230R	ROS.M12 13X 20X2,0 U1749 ZN	WASHER	RONDELLE	SCHEIBE	ARAND.M12 13X 20X2,0 U1749
83	B07SP0879R	STAFFA FINECORSO PICK_UP 150	PICK_UP LIMIT SWITCH BRACKET			
84	F01020510R	VITE M12X1,75X30 U5739 8.8ZN	SCR. M12X1,75X30 U5739 8.8ZN	VIS M12X1,75X30 U5739 8.8ZN	SCHRAU.M12X1,75X30 U5739 8.8ZN	TORNILLO M12X1,75X30 U5739
85	B01516038R	RALLA 13 32 5	FIFTH WHEEL	BUTEE	SCHEIBE	RANGUA 13 32 5
86	B0C6P1169R	SPESSORE STAFFA F.C. PICK-UP	SUPPORT THICKNESS F.C. PICK-UP			
87	F01230213R	DADO M12X1,75 U7474 CL8 ZN	NUT M12X1,75 U7474 6SZN	ECROU AUTOBL. M12	SELBSTSPERR.MUTTER M12	TUERCA M12X1,75 U7474 CL8 ZN



**LEGATORE FILO
TWINE BINDER**

TAV_090

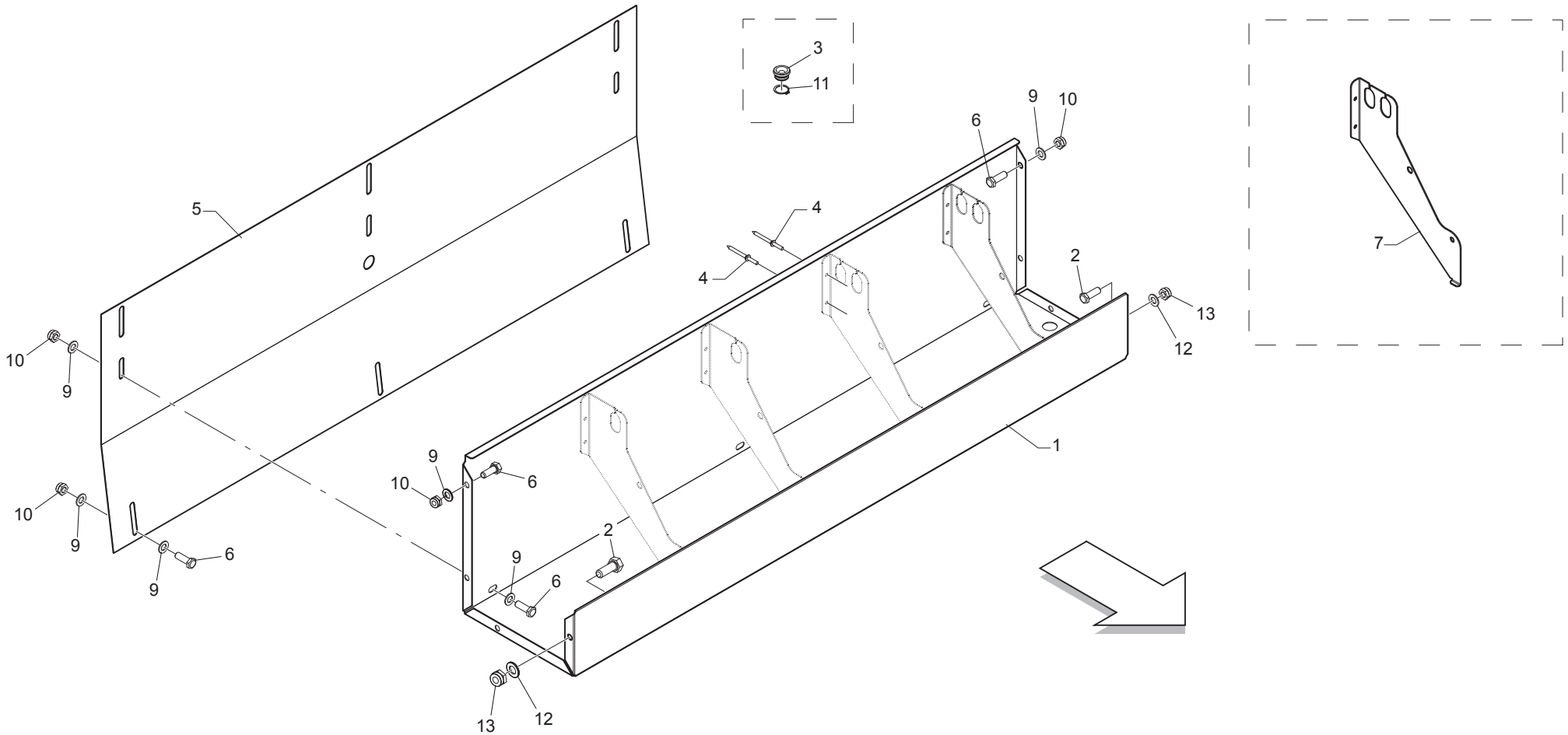
Pos.	Cod.	Descrizione	Description	Description	Benennung	Descripcion
1	F02050148R	ANELLO E. DE 35X 1,5 U7435 IX	RETAINI.RING 35X 1,5 U7435 IX			
2	F01200293R	DADO M12X1,75 U5588 CL8 ZN	NUT M12X1,75 U5588 6S ZN	ECROU M12X1,75 U5588 6S ZN	MUTTER M12X1,75 U5588 6S ZN	TUERCA M12X1,75 U5588 CL8 ZN
3	F01230213R	DADO M12X1,75 U7474 CL8 ZN	NUT M12X1,75 U7474 6SZN	ECROU AUTOBL. M12	SELBSTSPERR.MUTTER M12	TUERCA M12X1,75 U7474 CL8 ZN
4	B00500002R	ASTA TENDITR BRACCIO VARIATORE	TIGHTENER BAR	BARRE TENDEUR BRAS VARIATEUR	STANGE	
5	B07S00173R	VITE CON DADO	SCREW WITH NUT	VIS AVEC ECROU	SCHRAUBE MIT MUTTER	
6	B02042012R	CUSC 6004-2RS CAT.B-ST004	BEARING	ROULEMENT	LAGER	
7	B01700020R	ANEL. D ARR. ALB. 20-E UNI3653	SEEGER RING	BAGUE SEEGER	SEEGERRING 20-E	ANIL. DE PARAD. RB. 20-E UNI3
8	B07S00162R	BRACCIO PULEGGIE	PULLEY BRACKET	BRAS POULIES	BUEGELSCHIEBE ARM	
9	F01020164R	VITE M12X1,75X70 U5737 8.8ZN	SCREW M12X1,75X70 U5737 8.8ZN	VIS M12X1,75X70 ZN	SCHR. M12X1,75X70 U5737 8.8 ZN	TORNILLO M12X1,75X70 U5737 8.
10	B01201036R	LINGUETTA 5X5X36 UNI 6604 FA64	TANG	LANGUETTE	FEDERKEIL	
11	B01202015R	LINGUETTA 6X 6X 14 U6604A	TANG	LANGUETTE	FEDERKEIL	
12	B01710042R	ANEL. D ARR. FORO 42-I UNI3654	SEEGER RING	BAGUE SEEGER	SEEGERRING 45-I	
13	B02042012R	CUSC 6004-2RS CAT.B-ST004	BEARING	ROULEMENT	LAGER	
14	B01700020R	ANEL. D ARR. ALB. 20-E UNI3653	SEEGER RING	BAGUE SEEGER	SEEGERRING 20-E	ANIL. DE PARAD. RB. 20-E UNI3
15	F01410124R	ROS.M20 21X 37X 3 U6592 ZN	WASHER M20 21X 37X 3 U6592 ZN	RONDEL.M20 21X37X3 ZN	MUTTER M20 21X 37X 3 U6592 ZN	ARAND.M20 21X 37X 3 U6592 ZN
16	B03800006R	PULEGGIA IN ALLUMINIO DP=250	PULLEY	POULIE	BUEGELSCHIEBE DP=250	
17	B03800007R	CINGHIA SINGOLA SEZ.A 39	BELT	COURROIE SINGLE	GUERTEL	
18	B03800008R	PULEG. VARIAB VAR 90 AR F14	VARIABLE PULLEY	POULIE VARIABLE	BUEGELSCHIEBE	
19	F01020413R	VITE M6X1X40 U5739 8.8ZN	SCR. M6X1X40 U5739 8.8ZN	VIS M 6X1X40	SCHRAUBE M 6X1X40	TORNILLO M6X1X40 U5739 8
20	B0C000912R	ATTACCO LEGATORE DX	TYING UNIT RIGHT ATTACHMENT	ATTELAGE KIT LIAGE DROITE	BINDUNGSANSCHLUSS RECHTS	
21	B00190865R	VITE M 8X1,25X 65 U5737 8.8ZN	SCREW	VIS	SCHRAUBE	
22	B01300085R	DISTANZIALE 16,7X 21,3X 43	SPACER	ENTRETOISE	DISTANZSTUECK 16,7X21,3X43	
23	B03400045R	INGR. Z=6-5 8 MOT. LEG.FILO	Z=6-5 8 GEAR	ENGRENAGE	ZAHNRAD	
24	B01202015R	LINGUETTA 6X 6X 14 U6604A	TANG	LANGUETTE	FEDERKEIL	
25	B07S00359R	BLOCCAGGIO SUPPORTINO	SMALL SUPPORT LOCK	BLOCAGE SUPPORT	SPERREN DES KLEINEN HALTERS	
26	B02042012R	CUSC 6004-2RS CAT.B-ST004	BEARING	ROULEMENT	LAGER	
27	B01300057R	MOZZO LEGATORE FILO	HUB FOR TWINE WRAP	MOYEU KIT LIAGE A FICELLE	NABE	
28	B02042012R	CUSC 6004-2RS CAT.B-ST004	BEARING	ROULEMENT	LAGER	
29	F02050078R	ANELLO E. DE 20X 1,2 U7435 C7	SEEGER RING E. 20X1,2 7435 C70	SEEGER 20X 1,2 U7435 C70	SEEGER E. 20X 1,2 U7435 C70	
30	B01300170R	RALLA 20 30 4	FIFTH WHEEL	BUTEE	LAGERSCHALE 20 30 4	
31	B03800005R	PULEGGIA IN ALLUMINIO DP=200	PULLEY	POULIE	BUEGELSCHIEBE DP=200	
32	B00180615R	VITE TE UNI5739 8,8 M6X16 ZN B	SCREW	VIS	SCHRAUBE	
33	B01829751R	MOLLA	SPRING	RESSORT	FEDER	
34	B07S00163R	PERNO GALOPPINO FOLLE	GUIDE PULLEY PIN	TOURILLON TENDEUR FOU	BOLZEN DER LEEREN LEITROLLE	
35	B02700018R	GALOPPINO FOLLE	GUIDE	ENGRANAGE	LEITROLLE	
36	B02043013R	CUSC 6006-2RS CAT.B-ST004	BEARING	ROULEMENT	LAGER	
37	F02050527R	ANELLO E. DI 55X 2 U7437 C70	SEEGER RING DI 55X 4 U7437 C			
38	F02050112R	ANELLO E.DE 30X 1,5 U7435 ZN	SEEGER RING 30X 1,5 U7435 C70	SEEGER E. 30 X 1,5 U7435 C70	SEEGERING E. 30X 1,5 U7435 C70	ANILLO E. 30 X 1,5 U7435 C70
39	F01200244R	DADO M8X1,25 U5588 CL8 ZN	NUT M8X1,25 U5588 6.8ZN	ECROU M8 X1,25 U5588 6.8 ZN	MUTTER M8 X1,25 U5588 6.8 ZN	TUERCA M8X1,25 U5588 CL8 ZN
40	B00500004R	OCCHIOLO PER TENDIT. M8X80 DX	GUIDE FOR TENSIONER M8X80 RIGH	OEIL POUR TENDEUR M8X80 DROIT	GARNOESE M8X80	
41	B03500097R	BUSSOLA PASSAGGIO SPAGO	TWINE GUIDE BUSH	DOUILLE PASSAGE FICELLE	SCHNURFUHRUNGSBUCHSE	CASQUILLO DE PASO DE LA CUERD
42	F02050101R	ANELLO E. DE 25X 1,2 U7435 C7	SEEGER RING E. 25X1,2 7435 C70	SEEGER E. 25X 1,2 U7435 C70	SEEGERING E. 25X 1,2 U7435 C70	ANILLO E. DE 25X 1,2 U7435 C7
43	B00920514R	DADO M14X 2 D985 8 ZN	NUT	ECROU	SELBSTSICHERNDE MUTTER M14-5S	TUERCA M14X 2 D985 8
44	B00400825R	VITE M8X1,25X25 U5931 10.9ZD	SCREW	VIS	SCHRAUBE	TORNILLO M8X1,25X25 U5931 10
45	F01040060R	VITE M6X1X14 U5931 8.8ZN	SCREW M6X1X14 U5931 8.8ZN	VIS M6X1X14 U5931 8.8ZN	SCHRAUBE M6X1X14 U5931 8.8ZN	TORNILLO M6X1X14 U5931 8.8ZN
46	B0E0P0055R	MOTORIDUTTORE	GEARMOTOR	MOTOREDUCTEUR	GETRIEBEMOTOR	
47	B07MP0070R	NUOVA RUOTA MOTRICE	NEW TRACTOR WHEEL	NOUVELLE ROUE MOTRICE	NEUES ANTRIERAD	
48	F01020362R	VITE M4X0,7X12 U5739 8.8ZN	SCR. M4X0,7X12 U5739 8.8ZN	VIS 4X12 5739 8.G ZN	SCHRAUBE 4X12 5739 8.G ZN	TORNILLO 4X12 5739 8.G ZN
49	B07SP0204R	NUOVA TRAVERSA ANT. FILO	TWINE FRONT NEW CROSS BAR	NOUVELLE ENTRETOISE	NEUER QUERBALKEN	
50	B02042012R	CUSC 6004-2RS CAT.B-ST004	BEARING	ROULEMENT	LAGER	
51	B01300057R	MOZZO LEGATORE FILO	HUB FOR TWINE WRAP	MOYEU KIT LIAGE A FICELLE	NABE	
52	B02042012R	CUSC 6004-2RS CAT.B-ST004	BEARING	ROULEMENT	LAGER	
53	B01700020R	ANEL. D ARR. ALB. 20-E UNI3653	SEEGER RING	BAGUE SEEGER	SEEGERRING 20-E	ANIL. DE PARAD. RB. 20-E UNI3
54	B00400825R	VITE M8X1,25X25 U5931 10.9ZD	SCREW	VIS	SCHRAUBE	TORNILLO M8X1,25X25 U5931 10
55	B0C000913R	ATTACCO LEGATORE SX	LEFT-HAND TYING ATTACHMENT	ATTELAGE KIT LIAGE GAUCHE	BINDUNGSANSCHLUSS LINKS	
56	F01020476R	VITE M10X1,5X30 U5739 8.8ZN	SCR. M10X1,5X30 U5739 8.8ZN	VIS M10X1,5X30 U5739 8.8 ZN	SCHRAUBE M10X1,5X30U5739 8.8ZN	TORNILLO M10X1,5X30 U5739 8.8
57	B00321025R	VITE TTQST M10X 25-4.6 UNI 573	SCREW	VIS	SCHRAUBE	



**LEGATORE FILO
TWINE BINDER**

TAV_090

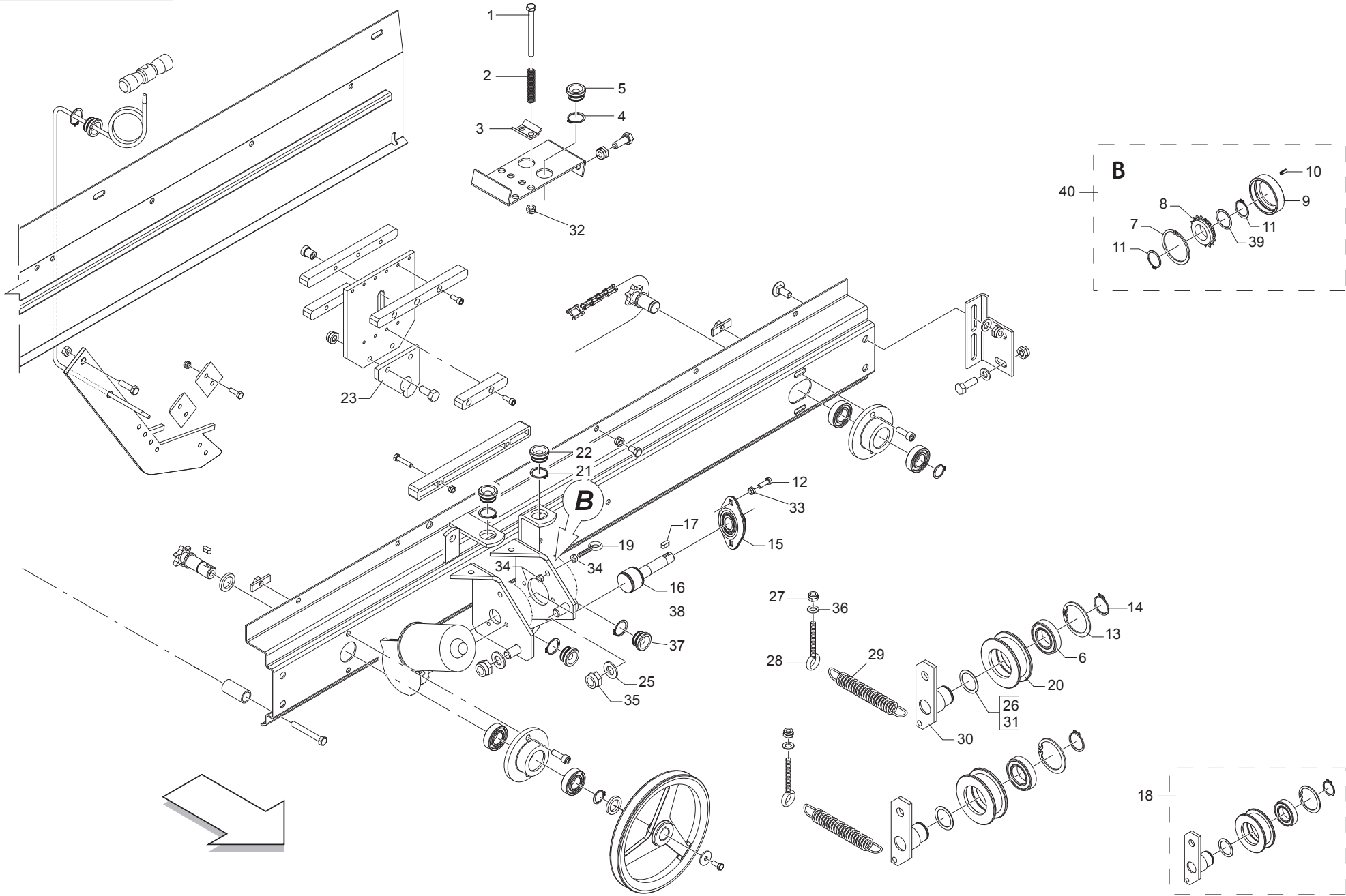
Pos.	Cod.	Descrizione	Description	Description	Benennung	Descripcion
58	B07S00359R	BLOCCAGGIO SUPPORTINO	SMALL SUPPORT LOCK	BLOCAGE SUPPORT	SPERREN DES KLEINEN HALTERS	
59	F01020432R	VITE M8X1,25X16 U5739 8.8ZN	SCR. M8X1,25X16 U5739 8.8ZN	VIS M8 X1,25X16 U5739 8.8 ZN	SCHRAUBE M8X1,25X16U5739 8.8ZN	TORNILLO M8X1,25X16 U5739 8.8
60	B03400044R	INGR. Z= 6-5 8 FOLLE LEGATORE	Z=6-5 8 GEAR	ENGRENAGE	ZAHNRAD	
61	B03000101R	CATENA 5 8 X3 8 CON 1 PERNO	CHAIN	CHAINE	KETTE 5 8 X3 8	
62	B03020007R	MAGLIA GIU N.26 ISO 10B 1 5 8	JOINT LINK	MAILLE	SCHARKEL	
63	B03500098R	RULLINO DI SCORRIMENTO	SLIPPING LITTLE ROLL	ROULEAU DE COULISSEMENT	KLEINE WALZE	
64	B07V00008R	GUIDA LUNGA CARRELLO	LONG SHOPPING GUIDE	GUIDE LONGUE CHARRIOT	LANGUE FUEHRUNG	
65	F01040060R	VITE M6X1X14 U5931 8.8ZN	SCREW M6X1X14 U5931 8.8ZN	VIS M6X1X14 U5931 8.8ZN	SCHRAUBE M6X1X14 U5931 8.8ZN	TORNILLO M6X1X14 U5931 8.8ZN
66	B0C000497R	CORPO CORSOIO	SLIDER BODY	CORPS COULISSE	FUEHRUNGSSCHLITTEN	
67	B07V00010R	GUIDA CORTA CARRELLO	SHORT SHOPPING GUIDE	GUIDE COURTE CHARRIOT	KURZE FUEHRUNG	
68	B07V00009R	GUIDA CENTRALE CARRELLO	GUIDE	GUIDE CENTRALE CHARRIOT	FUEHRUNG	
69	F02050101R	ANELLO E. DE 25X 1,2 U7435 C7	SEEGER RING E. 25X1,2 7435 C70	SEEGER E. 25X 1,2 U7435 C70	SEEGERING E. 25X 1,2 U7435 C70	ANILLO E. DE 25X 1,2 U7435 C7
70	B005P0004R	OCCHIOLO TENDITORE M8 L=46	EYE BOLT M8 L=46	OEIL TENDEUR	SPANNER OESE M8 L=46	
71	F01020037R	VITE M6X1X30 U5737 8.8ZN	SCR. M6X1X30 U5737 8.8ZN	VIS M6X1X30 U5737 8.8ZN	SCRAU. M6X1X30 U5737 8.8ZN	TORN. M6X1X30 U5737 8.8ZN
72	B03500097R	BUSSOLA PASSAGGIO SPAGO	TWINE GUIDE BUSH	DOUILLE PASSAGE FICELLE	SCHNURFUEHRUNGSBUCHSE	CASQUILLO DE PASO DE LA CUERD
73	B0C6P0212R	TERMINALE PASSAGGIO FILO BASE	BASE TWINE PASSING CABLEHEAD	TERMINAL PASSAGE FICELLE BASE	ENDKABEL	
74	F01020404R	VITE M6X1X20 U5739 8.8ZN	SCREW M6X1X20 U5739 8.8ZN	VIS M6X1X20 U5739 8.8ZN	SCHRAUBE M6X1X20 U5739 8.8ZN	TORNILLO M6X1X20 U5739 8.8ZN
75	B07329505R	LAMA	KNIFE	COUTAU	KLINGE SCHNEIDE	
76	B0C4P0089R	PORTALAME	BLADE HOLDER	PORTE-LAMES	KLINGENTRAEGER	
77	F01020445R	VITE M8X1,25X30 U5739 8.8ZN	SCR. M8X1,25X30 U5739 8.8ZN	VIS M 8X1,25X30 U5739 8.8 ZN	SCHRAU, M8X1,25X30 U5739 8.8ZN	TORNILLO M8X1,25X30 U5739 8.8
78	B00180835R	VITE M8X1,25X 35 U5739 8.8ZN	SCREW	VIS	SCHRAUBE	TORNILLO M8X1,25X 35 U5739 8.
79	B0C000914R	DISTANZIALE	SPACER	ENTRETOISE	DISTANZSTUECK	
80	F01020190R	VITE M12X1,75X200 U5737 8.8ZN	SCREW M12X1,75X200 U5737 8.8ZN			
81	B07S00175R	COPERCHIO POST. LEG.FILO	REAR CAP	COUVERCLE POSTERIEUR LIAGE A F	DECKEL	
82	F02050101R	ANELLO E. DE 25X 1,2 U7435 C7	SEEGER RING E. 25X1,2 7435 C70	SEEGER E. 25X 1,2 U7435 C70	SEEGERING E. 25X 1,2 U7435 C70	ANILLO E. DE 25X 1,2 U7435 C7
83	B09960005R	FUNE NYLON 5MM TRECCIA ELICOID	NYLON ROPE 5MM			
84	B07V00030R	MANOPOLA PER FUNE	WIRE HANDLE	POGNEE POUR CABLE	GRIFF FUER LEINE	
85	B00190890R	VITE M 8X1,25X 90 U5737 8.8ZN	SCREW	VIS	SCHRAUBE	
86	B01812161R	MOLLA C FILO 1 L=68,5	SPRING	RESSORT	FEDER	
87	B0C630434R	FRENA SPAGO	TWINE BRAKE	PINCE FICELLE	GARNBREMSE	FRENA CUERDA
88	B0C000549R	BASE FRENA SPAGO	BASE ARRETE DAMPER BASE	BASE ARRETE FICELLE	BASIS	
89	F01020476R	VITE M10X1,5X30 U5739 8.8ZN	SCR. M10X1,5X30 U5739 8.8ZN	VIS M10X1,5X30 U5739 8.8 ZN	SCHRAUBE M10X1,5X30U5739 8.8ZN	TORNILLO M10X1,5X30 U5739 8.8
90	F02050101R	ANELLO E. DE 25X 1,2 U7435 C7	SEEGER RING E. 25X1,2 7435 C70	SEEGER E. 25X 1,2 U7435 C70	SEEGERING E. 25X 1,2 U7435 C70	ANILLO E. DE 25X 1,2 U7435 C7
91	B035P0054R	PERNO STELLINO MOT. ELET.	PIVOT	PIVOT	ZAPFEN ELEKTR. MOTOR	
92	F02050403R	ANELLO E. DI 72X 2,5 U7437 C7	SEEGER RING E.72X2,5 U7437 C70	SEEGER E. 72X 2,5 U7437 C70	SEEGERING E. 72X 2,5 U7437 C70	ANILLO E. DI 72X 2,5 U7437 C7
93	B03400050R	STELLINO Z16-1 2 RUOTA LIB.	GEAR Z=16-1 2	ETOILE	FREILAUFRAD	
94	B01300086R	ANELLO MOT. FILO	RING	ANNEAU MOTEUR FIL	RING	
95	B01110615R	SPINA ELAST. 6X 15 SS DIN 1481	PIN	GOUPIILLE	STIFT	
96	F02050148R	ANELLO E. DE 35X 1,5 U7435 IX	RETAINI.RING 35X 1,5 U7435 IX			
97	B03500121R	PERNO PULEGGIE	PULLEY PIVOT	TOURILLON POULIES	BOLZEN DER BUEGELSCHIEBE	
98	B01534416R	SPES. 35 43 1 ZINCATO	SHIM	ENTRETOISE	AUSGLEICHSCHEIBE 35X43X1	ESPES. 35 43 1 CINCADO
99	B01300170R	RALLA 20 30 4	FIFTH WHEEL	BUTEE	LAGERSCHALE 20 30 4	
100	B01300153R	SPES. 30 40 2 ZINCATO	SHIM GALV	ENTRETOISE GALV	DISTANZSTUECK 30 40 2	ESPES. 30 40 2 CINCADO
105	F01230301R	DADO M 8X1,25 UNI7474 8 ZN	DADO M 8X1,25 UNI7474 8 ZN			
106	F01230213R	DADO M12X1,75 U7474 CL8 ZN	DADO M12X1,75 U7474 6SZN	ECROU AUTOBL. M12	SELBSTSPERR.MUTTER M12	TUERCA M12X1,75 U7474 CL8 ZN
107	B014B0620R	ROS.M6 6,4X 24X 2 U6593 ZN	WIDE BAND WASHER	RONDELLE BANDE LARGE	SCHEIBE	
108	F01410051R	ROS.M8 8,4X 17X1,6 U6592 ZN	WASHER M8 8,4X17X1,6 U6592 ZN	RONDELLE M8 8,4X17X1,6 ZN	SCHEIBE M8 8,4X17X1,6 U6592 ZN	ARAND.M8 8,4X 17X1,6 U6592 ZN
109	F01410088R	ROS.M14 15X 28X2,5 U6592 ZN	WAS.M14 15X 28X2,5 U6592 ZB	RON.M14 15X 28X2,5 U6592 ZB	SCH.M14 15X 28X2,5 U6592 ZB	ARA.M14 15X 28X2,5 U6592 ZB
110	B014B0420R	ROS.M4 4,3X 16X 1 U6593 ZN	WIDE BAND WASHER 4X16	RONDELLE	RING 4X16	
111	F01410064R	ROS.M10 10,5X 20X 2 U6592 ZN	WASHER M10 10,5X20X2 U6592 ZN	RONDEL. M10 10,5X20X2 U6592 ZN	SCHEIBE M10 10,5X20X2 U6592 ZN	ARAND.M10 10,5X 20X 2 U6592 ZN
112	F01230202R	DADO M10X 1,5 D985 8 ZN	NUT M10 D985	ECROU AUTOBL. M10	SELBSTSPERR.MUTTER M10	TUERCA M10X 1,5 D985 8
113	B01300101R	SPES. 30,3 40 1 ZINCATO	SHIM GALV	ENTRETOISE GALV	DISTANZSTUECK 30,3 40 1	ESPES. 30,3 40 1 CINCADO
114	F01200244R	DADO M8X1,25 U5588 CL8 ZN	NUT M8X1,25 U5588 6.8ZN	ECROU M8 X1,25 U5588 6.8 ZN	MUTTER M8 X1,25 U5588 6.8 ZN	TUERCA M8X1,25 U5588 CL8 ZN
115	F01230184R	DADO M6X1 D985 8ZN	NUT M6X1 D985 8ZN			TUERCA M6X1 D985 8
116	F01200293R	DADO M12X1,75 U5588 CL8 ZN	NUT M12X1,75 U5588 6S ZN	ECROU M12X1,75 U5588 6S ZN	MUTTER M12X1,75 U5588 6S ZN	TUERCA M12X1,75 U5588 CL8 ZN
117	B01516038R	RALLA 13 32 5	FIFTH WHEEL	BUTEE	SCHEIBE	RANGUA 13 32 5
118	F01420048R	ROS.M8 8,4X 24X 2 U6593 ZN	WASHER M8 8,4X24X2 U6593 ZN	RONDELLE M8 8,4X24X 2 U6593 ZN	SCHEIBEN M8 8,4X24X 2 U6593 ZN	ARAND.M8 8,4X 24X 2 U6593 ZN



**LEGATORE FILO : CASSONETTO
TWINE BINDER: TWINE BOX**

TAV_100

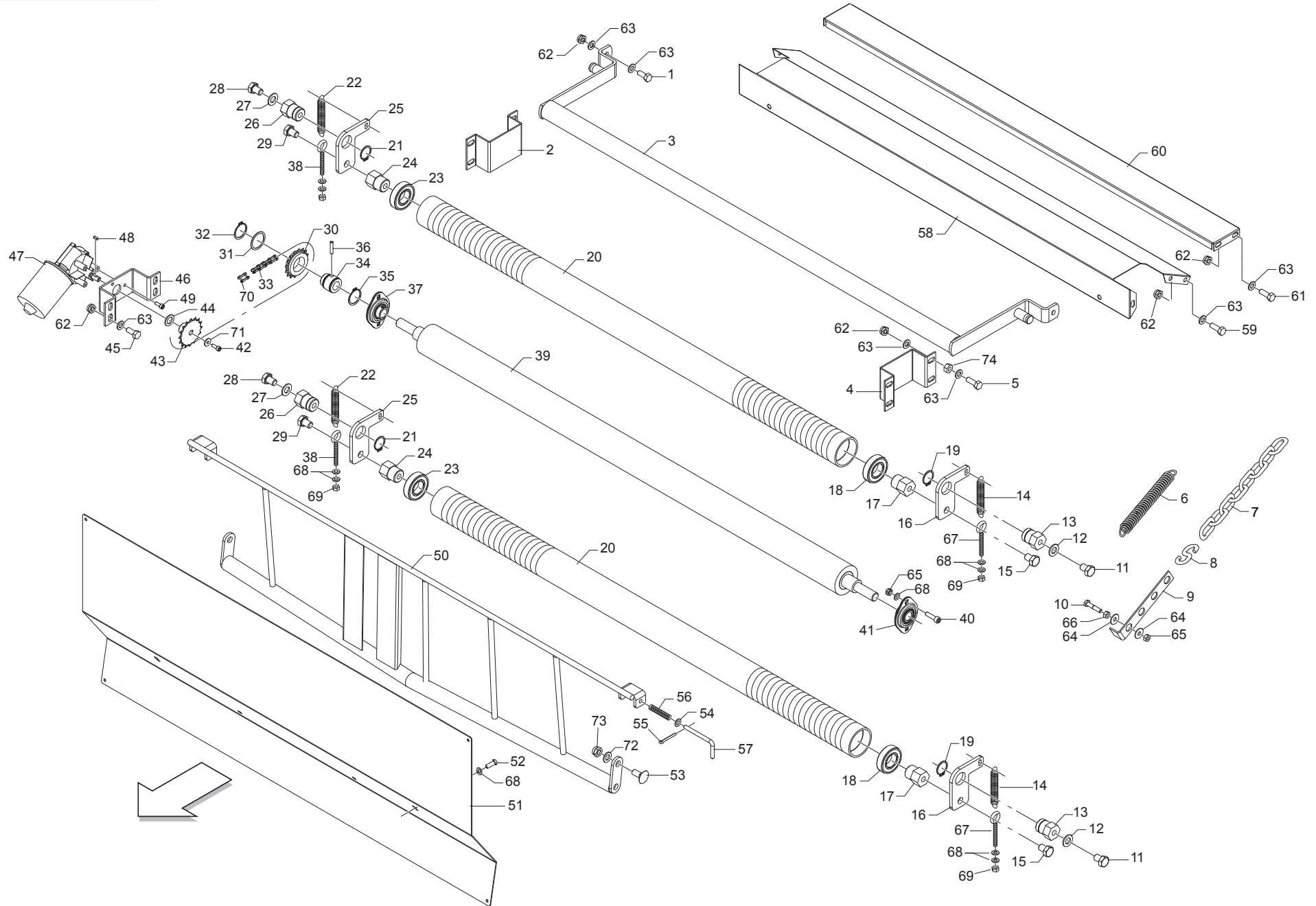
Pos.	Cod.	Descrizione	Description	Description	Benennung	Descripcion
1	B0C3P0115R	CORPO CASSONE PORTAROTOLI	ROLLHOLDER BOX	BOITE PORTE-ROULEAUX	KOERPER ROLLENHALTER	
2	F01020476R	VITE M10X1,5X30 U5739 8.8ZN	SCR. M10X1,5X30 U5739 8.8ZN	VIS M10X1,5X30 U5739 8.8 ZN	SCHRAUBE M10X1,5X30U5739 8.8ZN	TORNILLO M10X1,5X30 U5739 8.8
3	B03500097R	BUSSOLA PASSAGGIO SPAGO	TWINE GUIDE BUSH	DOUILLE PASSAGE FICELLE	SCHNURFUEHRUNGSBUCHSE	CASQUILLO DE PASO DE LA CUERD
4	B01000010R	RIVETTO STR. 6X12 U9200AAL	RIVET	RIVET	ABREISSNIETEN 6X10	REMACHE EXTR. 6X12 U9200AA
5	B0C000548R	CHIUSURA	GRIPPING	FERMETURE	VERSCHLUSS	
6	F01020436R	VITE M8X1,25X20 U5739 8.8ZN	SCR. M8X1,25X20 U5739 8.8ZN	VIS M8X1,25X 20 U5739 8.8 ZN	SCHRAUBE M8X1,25X20U5739 8.8ZN	TORNILLO M8X1,25X20 U5739 8.8
7	B0C4P0037R	DIVISORE	SEPARATOR	DIVISEUR	TEILVORRICHTUNG	DIVISOR
8	B0C4P0038R	DIVISORE	SEPARATOR	DIVISEUR	TEILVORRICHTUNG	DIVISOR
9	F01420048R	ROS.M8 8,4X 24X 2 U6593 ZN	WASHER M8 8,4X 24X2 U6593 ZN	RONDELLE M8 8,4X24X 2 U6593 ZN	SCHEIBEN M8 8,4X24X 2 U6593 ZN	ARAND.M8 8,4X 24X 2 U6593 ZN
10	F01230301R	DADO M 8X1,25 UNI7474 8 ZN	DADO M 8X1,25 UNI7474 8 ZN			
11	F02050101R	ANELLO E. DE 25X 1,2 U7435 C7	SEEGER RING E. 25X1,2 7435 C70	SEEGER E. 25X 1,2 U7435 C70	SEEGERING E. 25X 1,2 U7435 C70	ANILLO E. DE 25X 1,2 U7435 C7
12	F01410064R	ROS.M10 10,5X 20X 2 U6592 ZN	WASHER M10 10,5X20X2 U6592 ZN	RONDEL. M10 10,5X20X2 U6592 ZN	SCHEIBE M10 10,5X20X2 U6592 ZN	ARAND.M10 10,5X 20X 2 U6592 ZN
13	F01230202R	DADO M10X 1,5 D985 8 ZN	NUT M10 D985	ECROU AUTOBL. M10	SELBSTSPERR.MUTTER M10	TUERCA M10X 1,5 D985 8



**LEGATORE 2 FILI (SOLO PARTI AGGIUNTE)
2 TWINE BINDER (ONLY PARTS ADDED)**

TAV_110

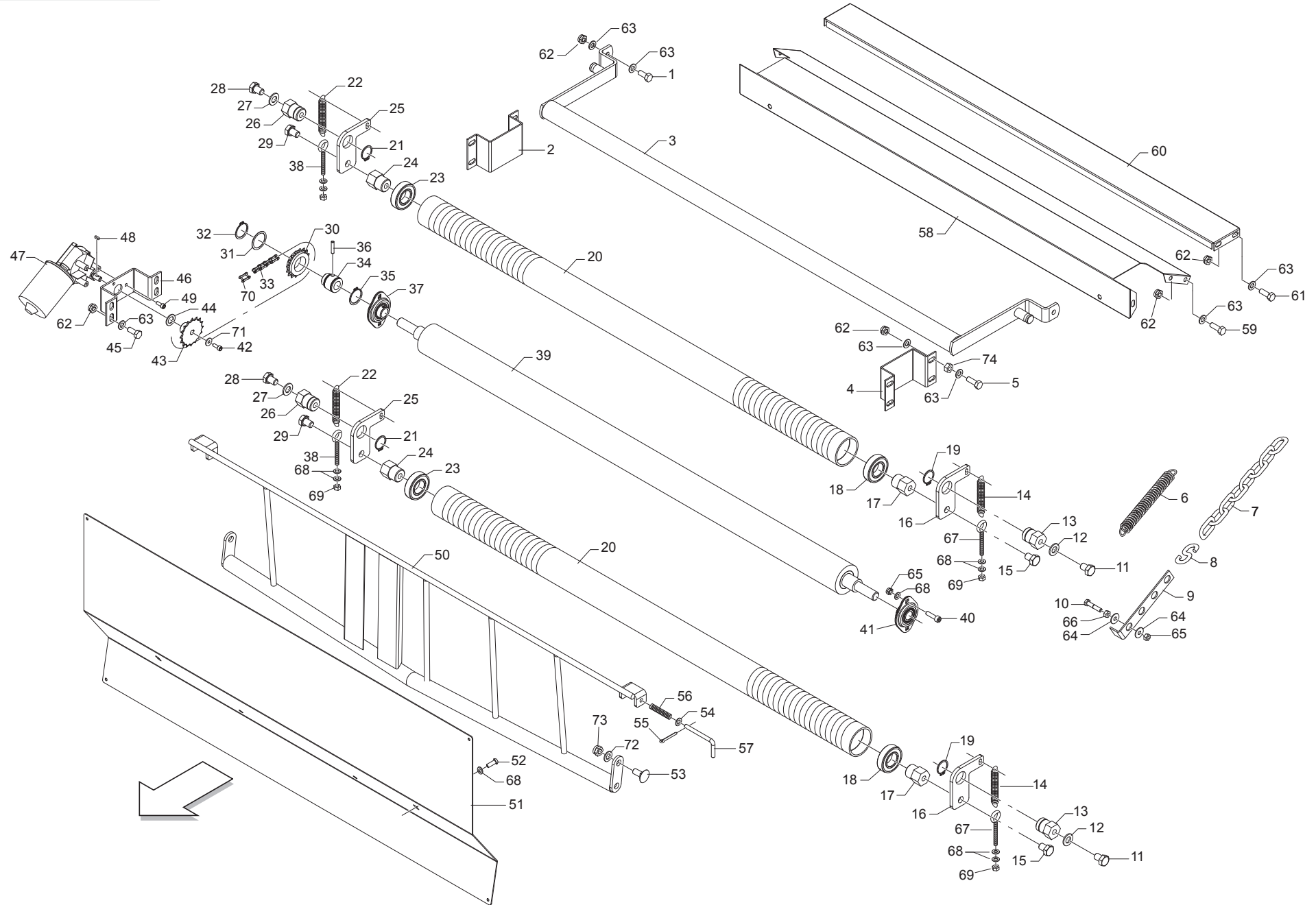
Pos.	Cod.	Descrizione	Description	Description	Benennung	Descripcion
1	B00190890R	VITE M 8X1,25X 90 U5737 8.8ZN	SCREW	VIS	SCHRAUBE	
2	B01812161R	MOLLA C FILO 1 L=68,5	SPRING	RESSORT	FEDER	
3	B0C630434R	FRENA SPAGO	TWINE BRAKE	PINCE FICELLE	GARNBREMSE	FRENA CUERDA
4	F02050101R	ANELLO E. DE 25X 1,2 U7435 C7	SEEGER RING E. 25X1,2 7435 C70	SEEGER E. 25X 1,2 U7435 C70	SEEGERING E. 25X 1,2 U7435 C70	ANILLO E. DE 25X 1,2 U7435 C7
5	B03500097R	BUSSOLA PASSAGGIO SPAGO	TWINE GUIDE BUSH	DOUILLE PASSAGE FICELLE	SCHNURFUEHRUNGSBUCHSE	CASQUILLO DE PASO DE LA CUERD
6	B02043013R	CUSC 6006-2RS CAT.B-ST004	BEARING	ROULEMENT	LAGER	
7	F02050403R	ANELLO E. DI 72X 2,5 U7437 C7	SEEGER RING E.72X2,5 U7437 C70	SEEGER E. 72X 2,5 U7437 C70	SEEGERING E. 72X 2,5 U7437 C70	ANILLO E. DI 72X 2,5 U7437 C7
8	B03400050R	STELLINO Z16-1 2 RUOTA LIB.	GEAR Z=16-1 2	ETOILE	FREILAUFRAD	
9	B01300086R	ANELLO MOT. FILO	RING	ANNEAU MOTEUR FIL	RING	
10	B01110615R	SPINA ELAST. 6X 15 SS DIN 1481	PIN	GOUPILLE	STIFT	
11	F02050148R	ANELLO E. DE 35X 1,5 U7435 IX	RETAINI.RING 35X 1,5 U7435 IX			
12	F01020404R	VITE M6X1X20 U5739 8.8ZN	SCREW M6X1X20 U5739 8.8ZN	VIS M6X1X20 U5739 8.8ZN	SCHRAUBE M6X1X20 U5739 8.8ZN	TORNILLO M6X1X20 U5739 8.8ZN
13	F02050527R	ANELLO E. DI 55X 2 U7437 C70	SEEGER RING DI 55X 4 U7437 C			
14	F02050112R	ANELLO E.DE 30X 1,5 U7435 ZN	SEEGER RING 30X 1,5 U7435 C70	SEEGER E. 30 X 1,5 U7435 C70	SEEGERING E. 30X 1,5 U7435 C70	ANILLO E. 30 X 1,5 U7435 C70
15	B02341017R	SUPP.FLANG.OV 17 LAM TIPO	SUPPORT	SUPPORT	GEFLANSCHTES LAGER	
16	B034P0040R	PERNO LEGATORE DOPPIO	DOUBLE TWINE PIVOT	PIVOT	ZAPFEN DOPPELBINDUNG	
17	F02150011R	LINGUETTA 5X 5X 15 U6604A	PARALLEL KEY 5X 5X 15 U6604A			
18	B07M00051R	BUCSA GHIDAJ FIR	GUIDE			
19	B005P0004R	OCCHIOLO TENDITORE M8 L=46	EYE BOLT M8 L=46	OEIL TENDEUR	SPANNER OESE M8 L=46	
20	B02700018R	GALOPPINO FOLLE	GUIDE	ENGRANAGE	LEITROLLE	
21	F02050101R	ANELLO E. DE 25X 1,2 U7435 C7	SEEGER RING E. 25X1,2 7435 C70	SEEGER E. 25X 1,2 U7435 C70	SEEGERING E. 25X 1,2 U7435 C70	ANILLO E. DE 25X 1,2 U7435 C7
22	B03500097R	BUSSOLA PASSAGGIO SPAGO	TWINE GUIDE BUSH	DOUILLE PASSAGE FICELLE	SCHNURFUEHRUNGSBUCHSE	CASQUILLO DE PASO DE LA CUERD
23	B0C6P0213R	TERM.LE PASSAGGIO DOPPIO FILO	DOUBLE TWINE PASSING CABLEHEAD	TERMINAL PASSAGE DOUBLE FICELL	ENDKABEL ZUGANG DOPPELTE GARN	
25	F01410088R	ROS.M14 15X 28X2,5 U6592 ZN	WAS.M14 15X 28X2,5 U6592 ZB	RON.M14 15X 28X2,5 U6592 ZB	SCH.M14 15X 28X2,5 U6592 ZB	ARA.M14 15X 28X2,5 U6592 ZB
26	B01300153R	SPES. 30 40 2 ZINCATO	SHIM GALV	ENTRETOISE GALV	DISTANZSTUECK 30 40 2	ESPE. 30 40 2 CINCADO
27	F01200244R	DADO M8X1,25 U5588 CL8 ZN	NUT M8X1,25 U5588 6.8ZN	ECROU M8 X1,25 U5588 6.8 ZN	MUTTER M8 X1,25 U5588 6.8 ZN	TUERCA M8X1,25 U5588 CL8 ZN
28	B00500004R	OCCHIOLO PER TENDIT. M8X80 DX	GUIDE FOR TENSIONER M8X80 RIGH	OEIL POUR TENDEUR M8X80 DROIT	GARNOESE M8X80	
29	B01829751R	MOLLA	SPRING	RESSORT	FEDER	
30	B07S00163R	PERNO GALOPPINO FOLLE	GUIDE PULLEY PIN	TOURILLON TENDEUR FOU	BOLZEN DER LEEREN LEITROLLE	
31	B01300101R	SPES. 30,3 40 1 ZINCATO	SHIM GALV	ENTRETOISE GALV	DISTANZSTUECK 30,3 40 1	ESPE. 30,3 40 1 CINCADO
32	F01230301R	DADO M 8X1,25 UNI7474 8 ZN	DADO M 8X1,25 UNI7474 8 ZN			
33	F01230184R	DADO M6X1 D985 8ZN	NUT M6X1 D985 8ZN			TUERCA M6X1 D985 8
34	F01200244R	DADO M8X1,25 U5588 CL8 ZN	NUT M8X1,25 U5588 6.8ZN	ECROU M8 X1,25 U5588 6.8 ZN	MUTTER M8 X1,25 U5588 6.8 ZN	TUERCA M8X1,25 U5588 CL8 ZN
35	B00920514R	DADO M14X 2 D985 8 ZN	NUT	ECROU	SELBSTSICHERNDE MUTTER M14-5S	TUERCA M14X 2 D985 8
36	F01410051R	ROS.M8 8,4X 17X1,6 U6592 ZN	WASHER M8 8,4X17X1,6 U6592 ZN	RONDELLE M8 8,4X17X1,6 ZN	SCHIEBE M8 8,4X17X1,6 U6592 ZN	ARAND.M8 8,4X 17X1,6 U6592 ZN
37	B03500097R	BUSSOLA PASSAGGIO SPAGO	TWINE GUIDE BUSH	DOUILLE PASSAGE FICELLE	SCHNURFUEHRUNGSBUCHSE	CASQUILLO DE PASO DE LA CUERD
38	F02050101R	ANELLO E. DE 25X 1,2 U7435 C7	SEEGER RING E. 25X1,2 7435 C70	SEEGER E. 25X 1,2 U7435 C70	SEEGERING E. 25X 1,2 U7435 C70	ANILLO E. DE 25X 1,2 U7435 C7
39	B01534416R	SPES. 35 43 1 ZINCATO	SHIM	ENTRETOISE	AUSGLEICHSCHIEBE 35X43X1	ESPE. 35 43 1 CINCADO
40	B07MP0071R	RUOTA MOTRICE PER LEG.2 FILI	MOTOR WHEEL FOR 2 TWINES TYING	ROUE MOTRICE POUR LIAGE 2 FICE	ANTRIEBRAD FUER GARNBINDUNG	



**LEGATORE RETE (PARTE 1)
NET BINDER (PART 1)**

TAV_120

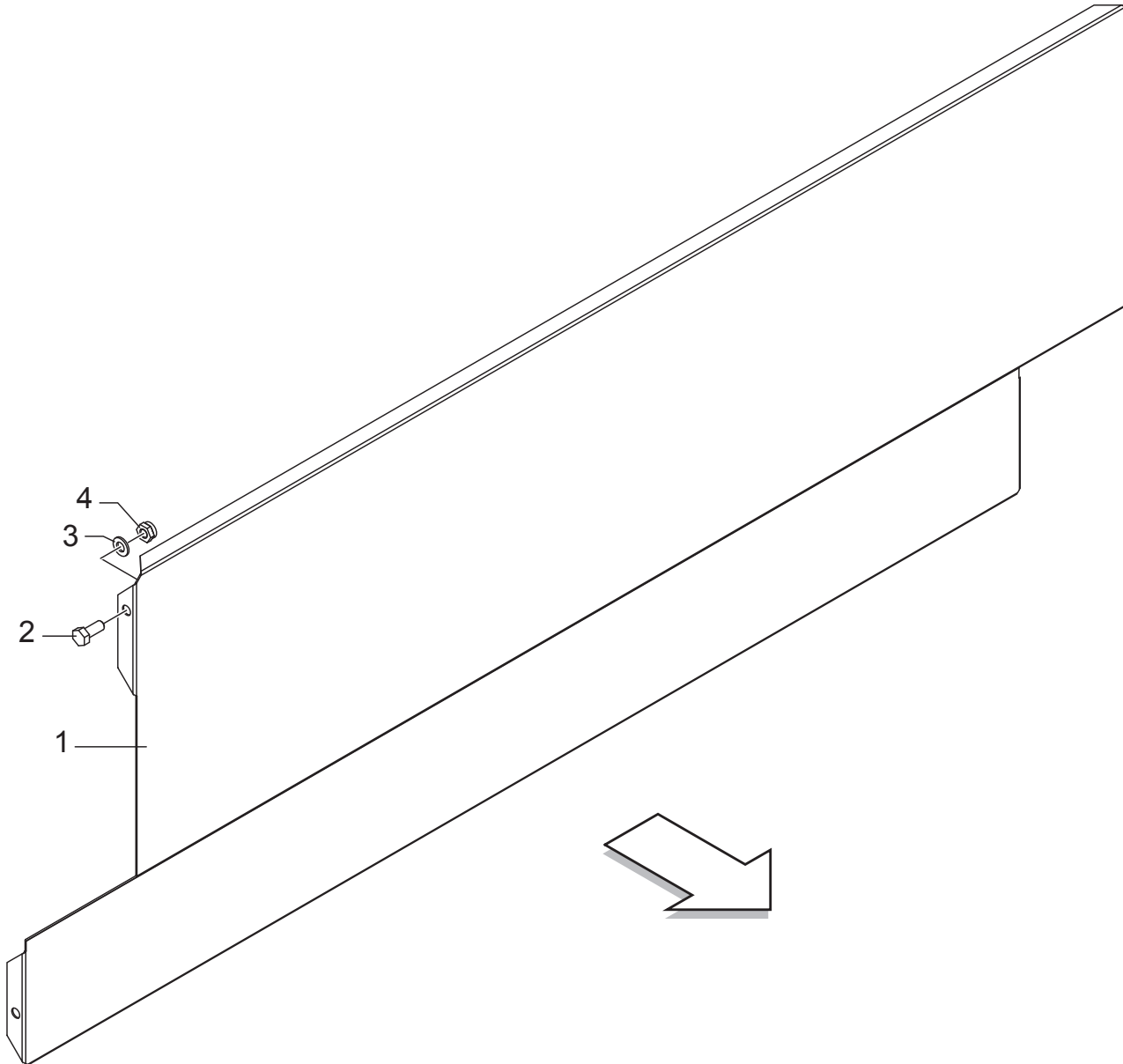
Pos.	Cod.	Descrizione	Description	Description	Benennung	Descripcion
1	F01020476R	VITE M10X1,5X30 U5739 8.8ZN	SCR. M10X1,5X30 U5739 8.8ZN	VIS M10X1,5X30 U5739 8.8 ZN	SCHRAUBE M10X1,5X30U5739 8.8ZN	TORNILLO M10X1,5X30 U5739 8.8
2	B0C000705R	CAV. LIMITATORE ROLLO RETE	U BOLT	BOULON LIMITEUR ROULEAU FILET	DECKEL	
3	B07S00220R	PREMIRETE	RELEASING SPRING LINKAGE	ATTELAGE RESSORT DECCROCHAGE	ANSCHLUSS DER FEDER	
4	B0C000705R	CAV. LIMITATORE ROLLO RETE	U BOLT	BOULON LIMITEUR ROULEAU FILET	DECKEL	
5	F01020479R	VITE M10X1,5X35 U5739 8.8ZN	SCR. M10X1,5X35 U5739 8.8ZN	VIS M10X1,5X35 U5739 8.8 ZN	SCHR. M10X1,5X35 U5739 8.8 ZN	TORNILLO M10X1,5X35 U5739 8
6	B01813934R	MOLLA	SPRING	RESSORT	FEDER	MUELLE
7	B03300004R	CATENA GENOVESE N.17 11MGL	CHAIN	CHAINE	KETTE	
8	B01800098R	S PER CATENA D=3,5	S FOR CHAIN D=3,5	S POUR CHAINE D=3,5	S FUER KETTE D=3,5	
9	B0C000704R	TIRANTE REGOLAZIONE MOLLA	SPRING REGULATION TIE ROD	TIRANT REGLAGE RESSORT	ZUGSTANGE	
10	F01020068R	VITE M8X1,25X40 U5737 8.8ZN	SCR. M8X1,25X40 U5737 8.8ZN	VIS M 8X1,25X40 U5737 8.8 ZN	SCHRA. M8X1,25X40 U5737 8.8 ZN	TORNILLO M8X1,25X40 U5737 8.8
11	F01020539R	VITE M14X2X25 U5739 8.8ZN	SCR. M14X2X25 U5739 8.8ZN	VIS M14X2X25 U5739 8.8 ZN	SCHRAUBE M14X2X25 U5739 8.8 ZN	TORNILLO M14X2X25 U5739 8.8 ZN
12	F01410088R	ROS.M14 15X 28X2,5 U6592 ZN	WAS.M14 15X 28X2,5 U6592 ZB	RON.M14 15X 28X2,5 U6592 ZB	SCH.M14 15X 28X2,5 U6592 ZB	ARA.M14 15X 28X2,5 U6592 ZB
13	B03500106R	FULCRO RULLO	ROLLER FULCRUM	POINT D APPUI ROULEAU	DREHPUNKT DER WALZE	
14	B01800024R	MOLLA 3 14 88T	SPRING	RESSORT	SPRINGFEDER 3 14 88T	
15	F01020539R	VITE M14X2X25 U5739 8.8ZN	SCR. M14X2X25 U5739 8.8ZN	VIS M14X2X25 U5739 8.8 ZN	SCHRAUBE M14X2X25 U5739 8.8 ZN	TORNILLO M14X2X25 U5739 8.8 ZN
16	B07S00209R	PORTARULLO FOLLE	ROLLER BRACKET	PORTE-ROULEAU FOU	WALZEHALTER NEUTRAL	
17	B03500105R	PERNO RULLO	ROLLER PIN	TOURILLON ROULEAU	BOLZEN DER WALZE	
18	B02043016R	CUSC. 6206-2RS CAT.B-ST004	BEARING	ROULEMENT	LAGER	
19	F02050112R	ANELLO E.DE 30X 1,5 U7435 ZN	SEEGER RING 30X 1,5 U7435 C70	SEEGER E. 30 X 1,5 U7435 C70	SEEGERING E. 30X 1,5 U7435 C70	ANILLO E. 30 X 1,5 U7435 C70
20	B03500107R	RULLO SPIRALE	SMOOTH ROLLER	ROULEAU LISSE	WALZE	
21	F02050112R	ANELLO E.DE 30X 1,5 U7435 ZN	SEEGER RING 30X 1,5 U7435 C70	SEEGER E. 30 X 1,5 U7435 C70	SEEGERING E. 30X 1,5 U7435 C70	ANILLO E. 30 X 1,5 U7435 C70
22	B01800024R	MOLLA 3 14 88T	SPRING	RESSORT	SPRINGFEDER 3 14 88T	
23	B02043016R	CUSC. 6206-2RS CAT.B-ST004	BEARING	ROULEMENT	LAGER	
24	B03500105R	PERNO RULLO	ROLLER PIN	TOURILLON ROULEAU	BOLZEN DER WALZE	
25	B07S00209R	PORTARULLO FOLLE	ROLLER BRACKET	PORTE-ROULEAU FOU	WALZEHALTER NEUTRAL	
26	B03500106R	FULCRO RULLO	ROLLER FULCRUM	POINT D APPUI ROULEAU	DREHPUNKT DER WALZE	
27	F01410088R	ROS.M14 15X 28X2,5 U6592 ZN	WAS.M14 15X 28X2,5 U6592 ZB	RON.M14 15X 28X2,5 U6592 ZB	SCH.M14 15X 28X2,5 U6592 ZB	ARA.M14 15X 28X2,5 U6592 ZB
28	F01020539R	VITE M14X2X25 U5739 8.8ZN	SCR. M14X2X25 U5739 8.8ZN	VIS M14X2X25 U5739 8.8 ZN	SCHRAUBE M14X2X25 U5739 8.8 ZN	TORNILLO M14X2X25 U5739 8.8 ZN
29	F01020539R	VITE M14X2X25 U5739 8.8ZN	SCR. M14X2X25 U5739 8.8ZN	VIS M14X2X25 U5739 8.8 ZN	SCHRAUBE M14X2X25 U5739 8.8 ZN	TORNILLO M14X2X25 U5739 8.8 ZN
30	B03400050R	STELLINO Z16-1 2 RUOTA LIB.	GEAR Z=16-1 2	ETOILE	FREILAUFRAD	
31	B01534416R	SPES. 35 43 1 ZINCATO	SHIM	ENTRETOISE	AUSGLEICHSCHIEBE 35X43X1	ESPES. 35 43 1 CINCADO
32	F02050148R	ANELLO E. DE 35X 1,5 U7435 IX	RETAINI.RING 35X 1,5 U7435 IX			
33	B030C1040R	CATENA RULLI 1 2 -1 8 40MGL	ROLLER CHAIN 1 2 -1 8 40 MGL	CHAINE ROULEAUX	KETTEN WALZE 1 2 -1 8	
34	B03500138R	PERNO PER STELLINO	PIN	TOURILLON ETOILE	BOLZEN	
35	F02050148R	ANELLO E. DE 35X 1,5 U7435 IX	RETAINI.RING 35X 1,5 U7435 IX			
36	F02100114R	SPINA E.P. 6X 30 U6873 C70 BR	ELASTIC PIN 6X30	GOUJON ELASTIQUE 6X30	SPANNHUELSE 6X30	ESPINA ELASTICA 6X30
37	B02341020R	SUPP.FLANG.OV 20 LAM NBR-NSK	SUPPORT	SUPPORT	GEFLANSCHTES LAGER	SOP.BRIDA.OV 20 CHAP. NBR-NSK
38	B00500004R	OCCHIOLO PER TENDIT. M8X80 DX	GUIDE FOR TENSIONER M8X80 RIGH	OEIL POUR TENDEUR M8X80 DROIT	GARNOESE M8X80	
39	B03500108R	RULLO GOMMATO	RUBBER ROLLER	ROULEAU CAOUTCHOUTE	WALZE	
40	F01040097R	VITE M8X1,25X30 U5931 8.8ZN	SCR. M8X1,25X30 U5931 8.8ZN	SUPPORT		TORNILLO M8X1,25X30 U5931 8.8
41	B02341020R	SUPP.FLANG.OV 20 LAM NBR-NSK	SUPPORT	SUPPORT	GEFLANSCHTES LAGER	SOP.BRIDA.OV 20 CHAP. NBR-NSK
42	F01020362R	VITE M4X0,7X12 U5739 8.8ZN	SCR. M4X0,7X12 U5739 8.8ZN	VIS 4X12 5739 8.G ZN	SCHRAUBE 4X12 5739 8.G ZN	TORNILLO 4X12 5739 8.G ZN
43	B034P0039R	PIGNONE Z=16-1 2 X1 4	PINION Z=16-1 2 X1 8	PIGNON	RITZEL Z=16-1 2 X1 8	
44	B01300171R	RALLA MOT. IDRAUL.	HYDRAULIC ENGINE FIFTH WHEEL	BUTEE MOTEUR HYDRAULIQUE	LAGERSCHALE	
45	F01020472R	VITE M10X1,5X25 U5739 8.8ZN	SCR. M10X1,5X25 U5739 8.8ZN	VIS M10X1,5X25 U5739 8.8 ZN	SCHRAUBE M10X1,5X25 U5739 8.8	TORNILLO M10X1,5X25 U5739 8.8
46	B0C6P0210R	SUPP. MOT. ELETTRICO	ELECTRICAL MOTOR SUPPORT	SUPPORT MOTEUR ELECTRIQUE	HALTER FUER ELEKTR. MOTOR	
47	B0E0P0055R	MOTORIDUTTORE	GEARMOTOR	MOTOREDUCTEUR	GETRIEBEMOTOR	
48	F02150011R	LINGUETTA 5X 5X 15 U6604A	PARALLEL KEY 5X 5X 15 U6604A			
49	F01040060R	VITE M6X1X14 U5931 8.8ZN	SCREW M6X1X14 U5931 8.8ZN	VIS M6X1X14 U5931 8.8ZN	SCHRAUBE M6X1X14 U5931 8.8ZN	TORNILLO M6X1X14 U5931 8.8ZN
50	B07S00193R	TENDIRETE	NET TIGHTENER	TENDEUR DE FILET	NETZSPANNEN	
51	B0C001146R	SCIVOLO RETE	NET SKID	GOULOTTE POUR FILET	NETZRUTSCHE	
52	B00470815R	VITE TTEI M 8X 15-8.8 UNBRA	SCREW	VIS	SCHRAUBE VERZINKT TTEI M8X15 8	TORNILLO CAB.ALLEN CON HUECO
53	B00321235R	VITE M12X1,75X 30 U5731 4.6ZN	SCREW	VIS	SCHRAUBE	TORNILLO M12X1,75X 30 U5731 4
54	F01410051R	ROS.M8 8,4X 17X1,6 U6592 ZN	WASHER M8 8,4X17X1,6 U6592 ZN	RONDELLE M8 8,4X17X1,6 ZN	SCHIEBE M8 8,4X17X1,6 U6592 ZN	ARAND.M8 8,4X 17X1,6 U6592 ZN
55	F02200163R	COPIGLIA 3X 25 U1336 ZB	SPLIT PIN 3X 25 U1336 ZN			
56	B01812161R	MOLLA C FILO 1 L=68,5	SPRING	RESSORT	FEDER	
57	B01300629R	SPINA RETE	NET PIN	GOUPIILLE FILET	NETZSTIFTE	



**LEGATORE RETE (PARTE 1)
NET BINDER (PART 1)**

TAV_120

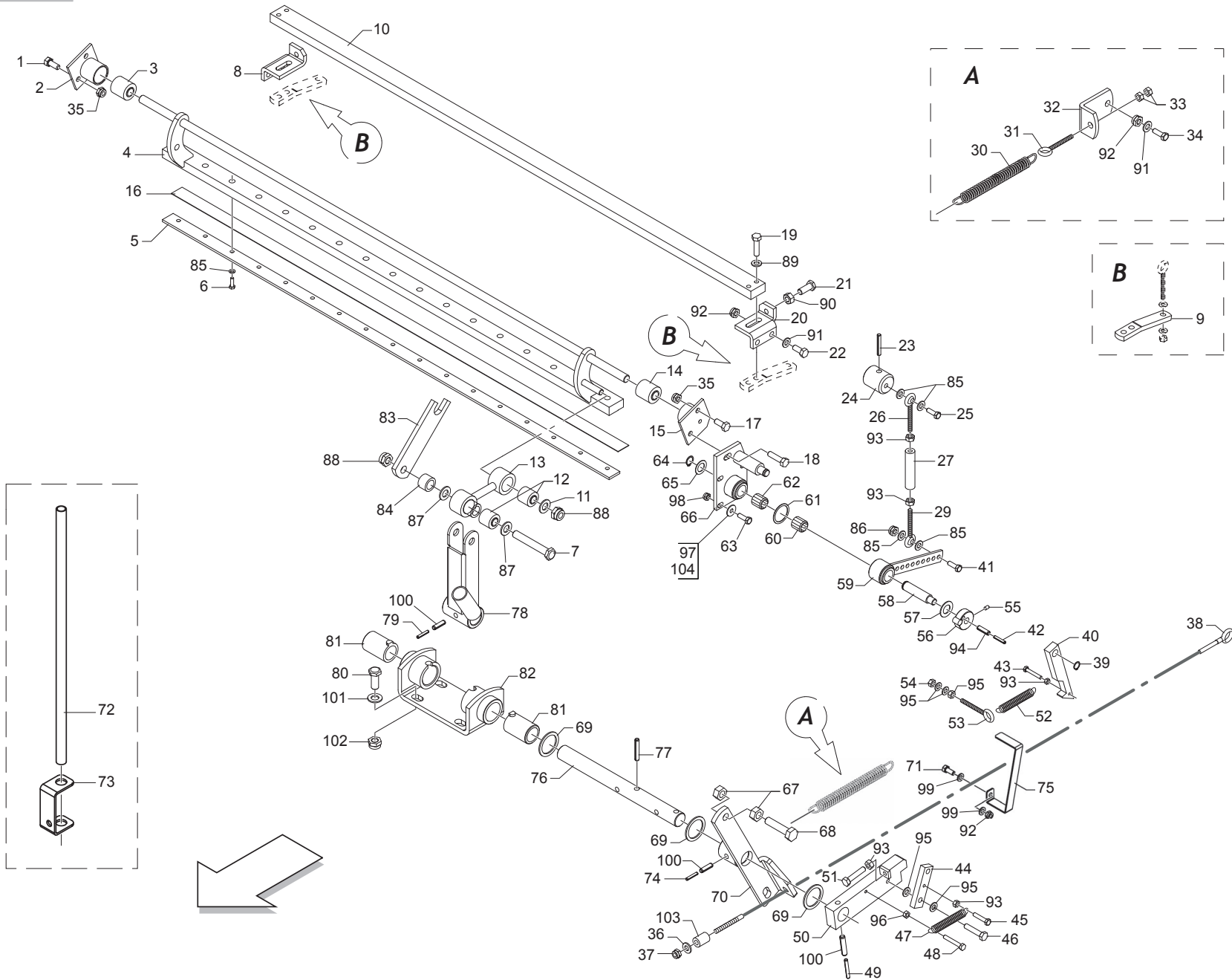
Pos.	Cod.	Descrizione	Description	Description	Benennung	Descripcion
58	B0C3P0125R	SOSTEGNO ANT.	SUPPORT	SUPPORT	HALTER VORNE	
59	F01020470R	VITE M10X1,5X20 U5739 8.8ZN	SCR. M10X1,5X20 U5739 8.8ZN	VIS M10X1,5X20 U5739 8.8 ZN	SCHRAUBE M10X1,5X20 U5739 ZN	TORNILLO M10X1,5X20 U5739 8
60	B0C000915R	PORTAROLLO POST.	REAR ROLLHOLDER	PORTE-ROULEAU POSTERIEUR	ROLLETRAEGER HINTEN	
61	F01020470R	VITE M10X1,5X20 U5739 8.8ZN	SCR. M10X1,5X20 U5739 8.8ZN	VIS M10X1,5X20 U5739 8.8 ZN	SCHRAUBE M10X1,5X20 U5739 ZN	TORNILLO M10X1,5X20 U5739 8
62	F01230202R	DADO M10X 1,5 D985 8 ZN	NUT M10 D985	ECROU AUTOBL. M10	SELBSTSPERR.MUTTER M10	TUERCA M10X 1,5 D985 8
63	F01410064R	ROS.M10 10,5X 20X 2 U6592 ZN	WASHER M10 10,5X20X2 U6592 ZN	RONDEL. M10 10,5X20X2 U6592 ZN	SCHEIBE M10 10,5X20X2 U6592 ZN	ARAND.M10 10,5X 20X 2 U6592 ZN
64	F01420048R	ROS.M8 8,4X 24X 2 U6593 ZN	WASHER M8 8,4X 24X2 U6593 ZN	RONDELLE M8 8,4X24X 2 U6593 ZN	SCHEIBEN M8 8,4X24X 2 U6593 ZN	ARAND.M8 8,4X 24X 2 U6593 ZN
65	F01230301R	DADO M 8X1,25 UNI7474 8 ZN	DADO M 8X1,25 UNI7474 8 ZN			
66	F01200244R	DADO M8X1,25 U5588 CL8 ZN	NUT M8X1,25 U5588 6.8ZN	ECROU M8 X1,25 U5588 6.8 ZN	MUTTER M8 X1,25 U5588 6.8 ZN	TUERCA M8X1,25 U5588 CL8 ZN
67	B00500004R	OCCHIOLO PER TENDIT. M8X80 DX	GUIDE FOR TENSIONER M8X80 RIGH	OEIL POUR TENDEUR M8X80 DROIT	GARNOESE M8X80	
68	F01410051R	ROS.M8 8,4X 17X1,6 U6592 ZN	WASHER M8 8,4X17X1,6 U6592 ZN	RONDELLE M8 8,4X17X1,6 ZN	SCHEIBE M8 8,4X17X1,6 U6592 ZN	ARAND.M8 8,4X 17X1,6 U6592 ZN
69	F01200244R	DADO M8X1,25 U5588 CL8 ZN	NUT M8X1,25 U5588 6.8ZN	ECROU M8 X1,25 U5588 6.8 ZN	MUTTER M8 X1,25 U5588 6.8 ZN	TUERCA M8X1,25 U5588 CL8 ZN
70	B030C0007R	GIUNTO MOLL.N.26 1 2 -1 8	SPRING JOINT	JOINT RESSORT	KUPPLUNG N.26 1 2 -1 8	
71	F01420011R	ROS.M4 4,3X 16X 1 U6593 ZN	FLAT WASHER 4-3X 16X1-5 6593 G	ROND.PLATE 4-3X 16X1-5 6593 ZN	SCHEIBE 4-3X 16X1-5 6593 ZN	ARAND. PLANA 4-3X 16X1-5 6593
72	F01410076R	ROS.M12 13X 24X2,5 U6592 ZN	WASHER 12 13X 24X2,5 U6592 ZN	RONDEL. M12 13X24X2,5 U6592 ZN	SCHEIBE M12 13X24X2,5 U6592 ZN	ARAND.M12 13X 24X2,5 U6592 ZN
73	F01230213R	DADO M12X1,75 D985 8 ZN	NUT M12X1,75 U7474 6SZN	ECROU AUTOBL. M12	SELBSTSPERR.MUTTER M12	TUERCA M12X1,75 U7474 CL8 ZN
74	F01200270R	DADO M10X1,5 U5588 CL8 ZN	NUT M10X1,5 U5588 6.8ZN	ECROU M10X 1,5 U5588 6.8 ZN	MUTTER M10X 1,5 U5588 6.8 ZN	TUERCA M10X1,5 U5588 CL8 ZN



**CARTER ANTERIORE (SOLO CON LEGATORE RETE)
FRONT CARTER (ONLY WITHNET BINDER)**

TAV_260

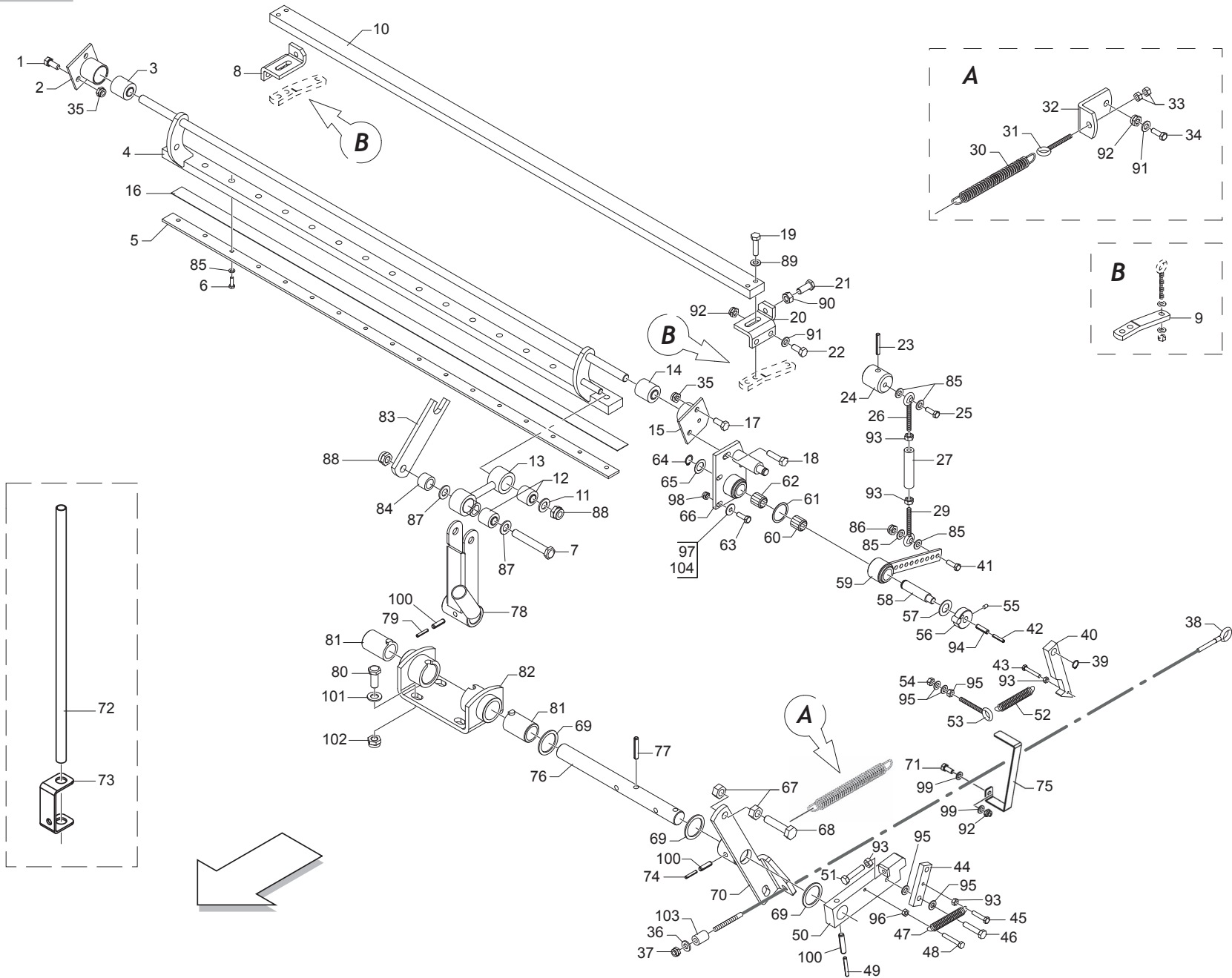
Pos.	Cod.	Descrizione	Description	Description	Benennung	Descripcion
1	B0C3P0168R	PROT. SOLO FILO	PROTECTION	PROTECTION	SCHUETZ NUR GARN	
2	F01020472R	VITE M10X1,5X25 U5739 8.8ZN	SCR. M10X1,5X25 U5739 8.8ZN	VIS M10X1,5X25 U5739 8.8 ZN	SCHRAUBE M10X1,5X25 U5739 8.8	TORNILLO M10X1,5X25 U5739 8.8
3	F01410064R	ROS.M10 10,5X 20X 2 U6592 ZN	WASHER M10 10,5X20X2 U6592 ZN	RONDEL. M10 10,5X20X2 U6592 ZN	SCHEIBE M10 10,5X20X2 U6592 ZN	ARAND.M10 10,5X 20X 2 U6592 ZN
4	F01230202R	DADO M10X 1,5 D985 8 ZN	NUT M10 D985	ECROU AUTOBL. M10	SELBSTSPERR.MUTTER M10	TUERCA M10X 1,5 D985 8



**LEGATORE RETE (PARTE 2)
NET BINDER (PART 2)**

TAV_130

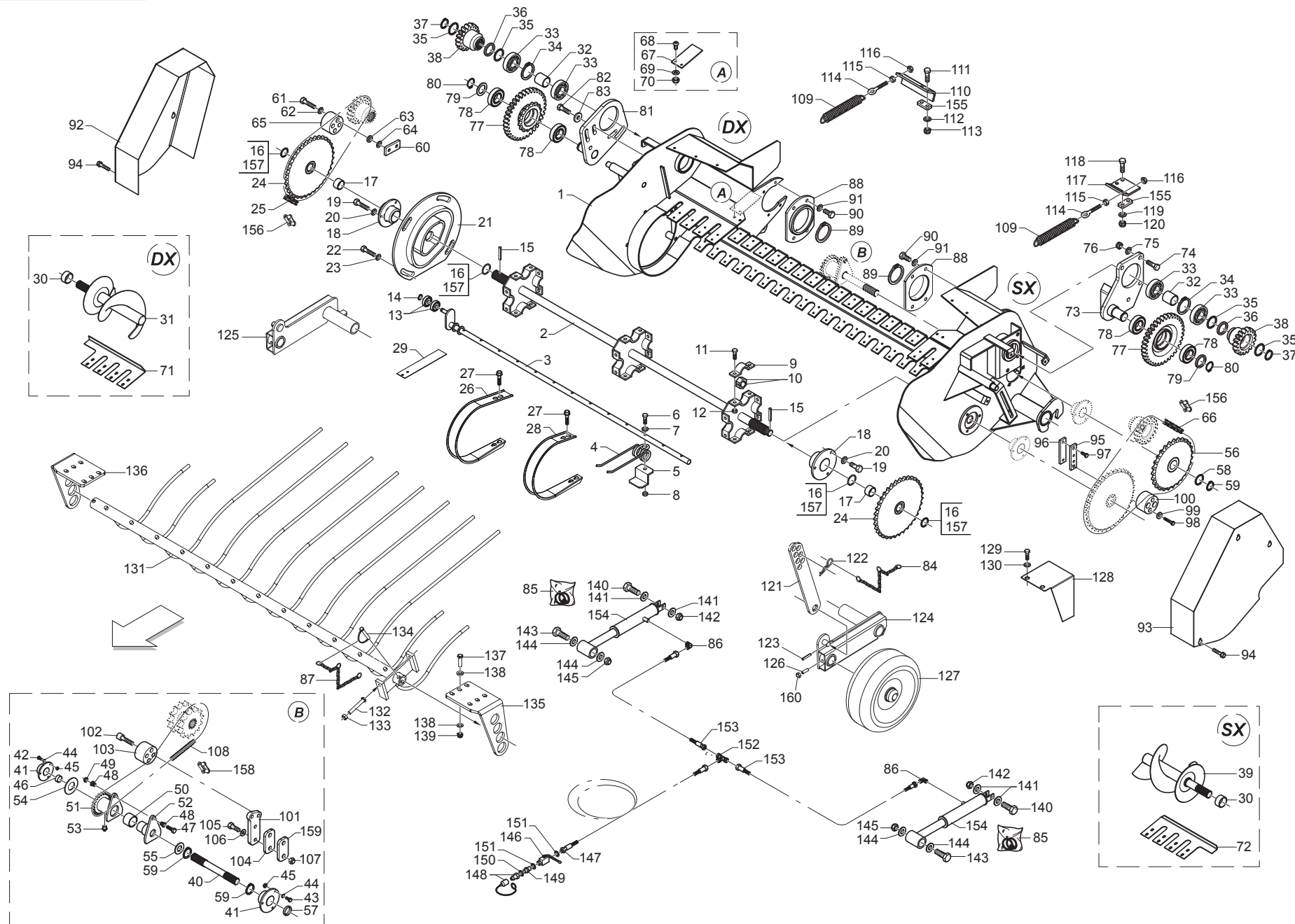
Pos.	Cod.	Descrizione	Description	Description	Benennung	Descripcion
1	F01020472R	VITE M10X1,5X25 U5739 8.8ZN	SCR. M10X1,5X25 U5739 8.8ZN	VIS M10X1,5X25 U5739 8.8 ZN	SCHRAUBE M10X1,5X25 U5739 8.8	TORNILLO M10X1,5X25 U5739 8.8
2	B07S00210R	FULCRO SEDE SILENT-BLOCK	SILENT BLOCK FULCRUM	POINT D APPUI SIEGE SILENT-BLO	FULCRUM SILENT BLOCK	
3	B01800023R	SILENT BLOCK 16X36X39	SILENT BLOCK 16X36X39.	SILENT BLOCK 16X36X39	SILENT BLOCK	
4	B07S00221R	BRACCIO PORTACOLT.	KNIFE HOLDER ARM	BRAS PORTE-COUTEAU	ARM	
5	B0C000683R	FERMO COLT.	KNIFE LOCK	ARRETE COUTEAU	MESSER HALTER	
6	F01020404R	VITE M6X1X20 U5739 8.8ZN	SCREW M6X1X20 U5739 8.8ZN	VIS M6X1X20 U5739 8.8ZN	SCHRAUBE M6X1X20 U5739 8.8ZN	TORNILLO M6X1X20 U5739 8.8ZN
7	F01020170R	VITE M12X1,75X100 U5737 8.8ZN	SCR. M12X1,75X100 U5737 8.8ZN	VIS M12X1,75X100 5737 8.8 ZN	SCHRA.M12X1,75X100 5737 8.8 ZN	TORN. M12X1,75X100 5737 8.8 ZN
8	B0C000677R	SUPP. DX CONTROLAMA	COUNTERKNIFE RIGHT-HAND SUPPOR	SUPPORT DROIT CONTRE-LAME	HALTER RECHTS DER GEGENKLINGE	
9	B0C000679R	BASE CONTROCOLT.	COUNTERKNIFE BRACKET	BASE CONTRE-COUTEAU	BASIS DES GEGENMESSERS	
10	B0C000676R	CONTROCOLT.	COUNTERKNIFE	CONTRE-COUTEAU	GEGENMESSER	
11	F01410076R	ROS.M12 13X 24X2,5 U6592 ZN	WASHER 12 13X 24X2,5 U6592 ZN	RONDEL. M12 13X24X2,5 U6592 ZN	SCHIEBE M12 13X24X2,5 U6592 ZN	ARAND.M12 13X 24X2,5 U6592 ZN
12	B01800022R	SILENT BLOCK 12X26X26	SILENT BLOCK 12X26X26.	SILENT BLOCK 12X26X26	SILENT BLOCK	
13	B07S00219R	BIELLA	CONNECTING ROD	BIELLE	PLEUEL	
14	B01800023R	SILENT BLOCK 16X36X39	SILENT BLOCK 16X36X39.	SILENT BLOCK 16X36X39	SILENT BLOCK	
15	B07S00210R	FULCRO SEDE SILENT-BLOCK	SILENT BLOCK FULCRUM	POINT D APPUI SIEGE SILENT-BLO	FULCRUM SILENT BLOCK	
16	B07U00005R	COLT.	KNIFE	COUTEAU	MESSER	
17	F01020472R	VITE M10X1,5X25 U5739 8.8ZN	SCR. M10X1,5X25 U5739 8.8ZN	VIS M10X1,5X25 U5739 8.8 ZN	SCHRAUBE M10X1,5X25 U5739 8.8	TORNILLO M10X1,5X25 U5739 8.8
18	F01020476R	VITE M10X1,5X30 U5739 8.8ZN	SCR. M10X1,5X30 U5739 8.8ZN	VIS M10X1,5X30 U5739 8.8 ZN	SCHRAUBE M10X1,5X30U5739 8.8ZN	TORNILLO M10X1,5X30 U5739 8.8
19	F01020110R	VITE M10X1,5X40 U5737 8.8ZN	SCR. M10X1,5X40 U5737 8.8ZN	VIS M 10X40	SCHRAUBE M 10X40	TORNILLO M 10X40
20	B0C000678R	SUPP. SX CONTROLAMA	COUNTERKNIFE LEFT-HAND SUPPORT	SUPPORT GAUCHE CONTRE-LAME	HALTER LINKS DER GEGENKLINGE	
21	F01020514R	VITE M12X1,75X40 U5739 8.8ZN	SCR. M12X1,75X40 U5739 8.8ZN	VIS M12X1,75X40 U5739 8.8ZN	SCHRA. M12X1,75X40 U5739 8.8ZN	TORNILLO M12X1,75X40 U5739 8.
22	F01020472R	VITE M10X1,5X25 U5739 8.8ZN	SCR. M10X1,5X25 U5739 8.8ZN	VIS M10X1,5X25 U5739 8.8 ZN	SCHRAUBE M10X1,5X25 U5739 8.8	TORNILLO M10X1,5X25 U5739 8.8
23	F02100118R	SPINA E.P. 6X 36 U6873 C70 BR	PIN EL. 6X 36 U6873 C70 BR	GOUJON	BOLZEN	ESPIÑA
24	B013P0152R	MOZZO ATTACCO BIELLA ENTRY 150	HUB FOR CONNECTING ROD			
25	B00180615R	VITE TE UNI5739 8,8 M6X16 ZN B	SCREW	VIS	SCHRAUBE	
26	B01800021R	SNODO SFER.MASCHIO M6-DX FORO	MALE JOINT M6 RIGHT	JOINT A ROTULE MALE M6-DROIT	GELENK	
27	B03500114R	CORPO TIRANTE	TYING BODY	CORPS TIRANT	ZUGSTANDE	
29	B01800021R	SNODO SFER.MASCHIO M6-DX FORO	MALE JOINT M6 RIGHT	JOINT A ROTULE MALE M6-DROIT	GELENK	
30	B01822744R	MOLLA 49,5 SPIRE	SPRING 49,5 SPIRAL	RESSORT	FEDER	MUELLE 49,5 SPIRE
31	B00545168R	OCCHIOLO PER TENDITORI M12-DX	EYELET M12	OEIL M12	OSE M12	OJAL PARA TENSORES M12-DER
32	B0C000701R	ATTACCO MOLLA	SPRING ATTACHMENT	ATTELAGE RESSORT	FEDERANSCHLUSS	
33	F01200293R	DADO M12X1,75 U5588 CL8 ZN	NUT M12X1,75 U5588 6S ZN	ECROU M12X1,75 U5588 6S ZN	MUTTER M12X1,75 U5588 6S ZN	TUERCA M12X1,75 U5588 CL8 ZN
34	F01020472R	VITE M10X1,5X25 U5739 8.8ZN	SCR. M10X1,5X25 U5739 8.8ZN	VIS M10X1,5X25 U5739 8.8 ZN	SCHRAUBE M10X1,5X25 U5739 8.8	TORNILLO M10X1,5X25 U5739 8.8
35	F01230202R	DADO M10X 1,5 D985 8 ZN	NUT M10 D985	ECROU AUTOBL. M10	SELBSTSPERR.MUTTER M10	TUERCA M10X 1,5 D985 8
36	F01420048R	ROS.M8 8,4X 24X 2 U6593 ZN	WASHER M8 8,4X 24X2 U6593 ZN	RONDELLE M8 8,4X24X 2 U6593 ZN	SCHIEBEN M8 8,4X24X 2 U6593 ZN	ARAND.M8 8,4X 24X 2 U6593 ZN
37	F01230301R	DADO M 8X1,25 UNI7474 8 ZN	DADO M 8X1,25 UNI7474 8 ZN			
38	B07VP0022R	FUNE ARMO COLT. 150	CABLE	CORDE	MESSERSEIL 150	
39	F02050034R	ANELLO E. DE 15X 1 U7435 C70	ELASTIC RING DE 15X 1	BAGUE ELASTIQUE DE 15X 1	RING DE 15X 1	ANILLO DE 15X 1
40	B0C000698R	ARPIONE	PAWL	GRIFFE	HASPE	
41	F01020408R	VITE M6X1X30 U5739 8.8ZN	SCR. M6X1X30 U5739 8.8ZN	VIS M 6X1X30	SCHRAUBE M 6X1X30	TORNILLO M6X1X30 U5739 8
42	F02100086R	SPINA E.P. 5X 30 U6873 C70 ZN	PIN EL. 5 X30 DIN 1481 GALVAN.	FICHE EL. 5 X30 DIN 1481 ZN	SPANNSTIFT 5 X30 DIN 1481 ZN	CLAVIJA EL.P. 5X 30 U6873 C70
43	F01020413R	VITE M6X1X40 U5739 8.8ZN	SCR. M6X1X40 U5739 8.8ZN	VIS M 6X1X40	SCHRAUBE M 6X1X40	TORNILLO M6X1X40 U5739 8
44	B0C000689R	LEVA SGANCIO	LOCKING PLATE	LEVIER DECROCHAGE	BLOCKUNGTELLER	
45	F01020408R	VITE M6X1X30 U5739 8.8ZN	SCR. M6X1X30 U5739 8.8ZN	VIS M 6X1X30	SCHRAUBE M 6X1X30	TORNILLO M6X1X30 U5739 8
46	F01020450R	VITE M8X1,25X40 U5739 8.8ZN	SCR. M8X1,25X40 U5739 8.8ZN	VIS M8X1,25X40 U5739 8.8ZN	SCHRA. M8X1,25X40 U5739 8.8ZN	TORNILLO M8X1,25X40 U5739 8.8
47	B01800026R	MOLLA 1 10 55T	SPRING	RESSORT	SPRINGFEDER 1 10 55T	
48	F01020413R	VITE M6X1X40 U5739 8.8ZN	SCR. M6X1X40 U5739 8.8ZN	VIS M 6X1X40	SCHRAUBE M 6X1X40	TORNILLO M6X1X40 U5739 8
49	F02100090R	SPINA E.P. 5X 40 U6873 C70 BR	ELASTIC PIN 5X40	GOUJON ELASTIQUE 5X40	SPANNHUELSE 5X40	TORNILLO M6X1X40 U5739 8
50	B07S00212R	NASELLO DI SGANCIAMENTO ZN	RELEASING TOOTH	DECLIC DE DECROCHAGE	SCHAFT	CLAVIJA EL.P. 5X 40 U6873 C70
51	F01020413R	VITE M6X1X40 U5739 8.8ZN	SCR. M6X1X40 U5739 8.8ZN	VIS M 6X1X40	SCHRAUBE M 6X1X40	TORNILLO M6X1X40 U5739 8
52	B01800025R	MOLLA 2 13 98T GRUPPO RETE	SPRING	RESSORT	FEDER	MUELLE 2 13 98T GRUPO RED
53	B00500004R	OCCHIOLO PER TENDIT. M8X80 DX	GUIDE FOR TENSIONER M8X80 RIGH	OEIL POUR TENDEUR M8X80 DROIT	GARNOESE M8X80	
54	F01200244R	DADO M8X1,25 U5588 CL8 ZN	NUT M8X1,25 U5588 6.8ZN	ECROU M8 X1,25 U5588 6.8 ZN	MUTTER M8 X1,25 U5588 6.8 ZN	TUERCA M8X1,25 U5588 CL8 ZN
55	F03020325R	GRANO M6X8 UNI 5923	BOLT M6X8			
56	B07S00218R	CAMME	CAMS	CAMES	KAMM	
57	B016B1816R	ROSETTA ELASTICA 18 DIN 137 B	SPRING WASHER	RONDELLE ELASTIQUE	FEDERRING 18 DIN 137 B	
58	B03500113R	PERNO	PIN	TOURILLON	BOLZEN	



**LEGATORE RETE (PARTE 2)
NET BINDER (PART 2)**

TAV_130

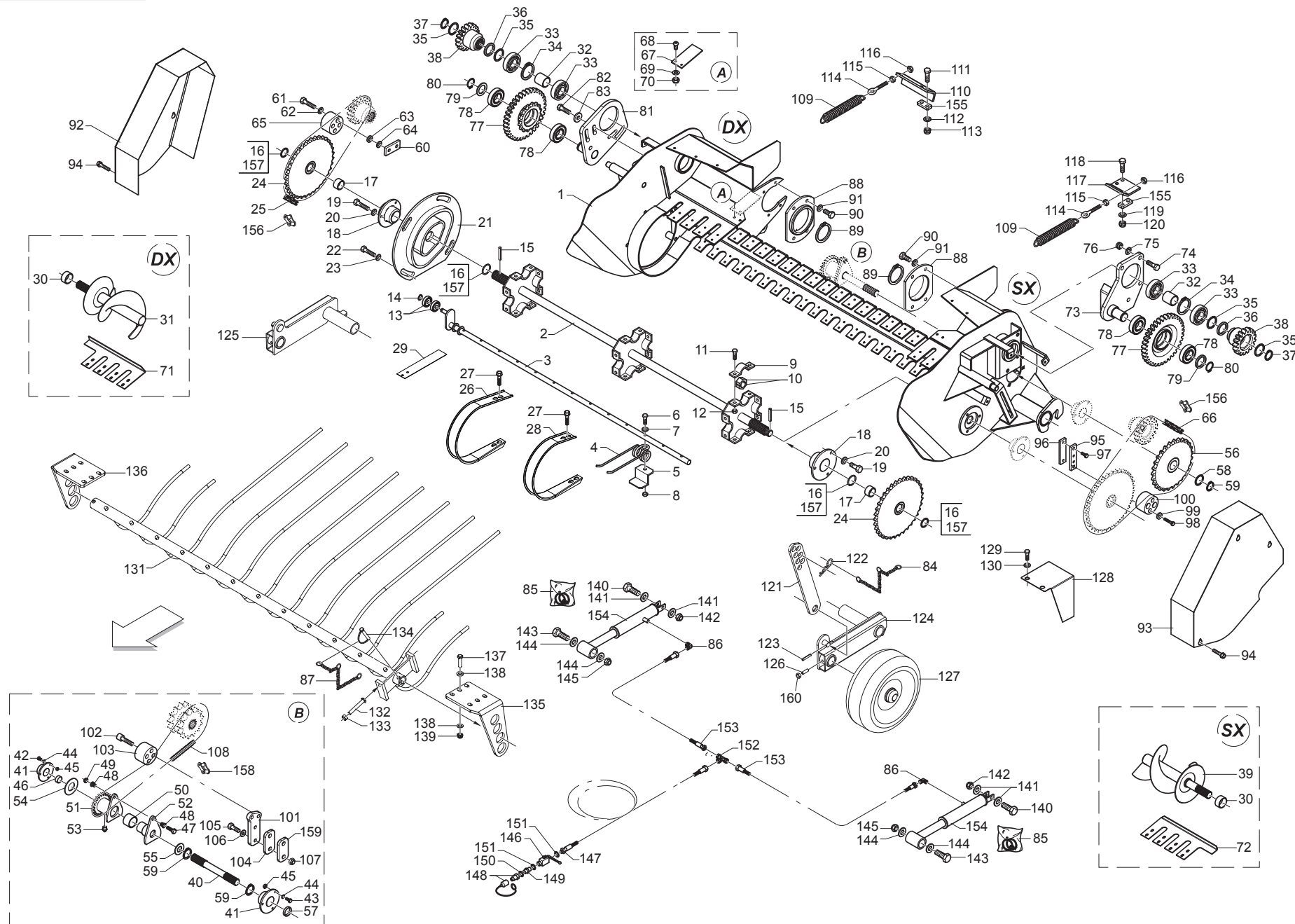
Pos.	Cod.	Descrizione	Description	Description	Benennung	Descripcion
59	B07S00217R	BRACCIO REGOLATORE	ADJUSTMENT ARM	BRAS REGLEUR	REGELUNGARM	
60	B02270011R	RUOTA LIBERA HFL 1826 CAT.INA	FREE WHEEL	ROUE LIBRE	FREIRAD	
61	B01534416R	SPES. 35 43 1 ZINCATO	SHIM	ENTRETOISE	AUSGLEICHSSCHEIBE 35X43X1	ESPE. 35 43 1 CINCADO
62	B02270011R	RUOTA LIBERA HFL 1826 CAT.INA	FREE WHEEL	ROUE LIBRE	FREIRAD	
63	F01020440R	VITE M8X1,25X25 U5739 8.8ZN	SCR. M8X1,25X25 U5739 8.8ZN	VIS M8X1,25X25 U5739 8.8 ZN	SCHRAUBE M8X1,25X25U5739 8.8ZN	TORNILLO M8X1,25X25 U5739 8.8
64	F02050608R	ANELLO E. DE 18X 1,2 U7435 C70	STOP RING 18 UNI 7435-75	BAGUE ARR.18 UNI 7435-75	RING 18 UNI 7435-75	ANILLO PARADA 18 UNI 7435-75
65	B01300249R	RALLA 18,5X 30 X 1	FIFTH WHEEL	BUTEE	LAGERSCHALE	
66	B07S00216R	CORPO ROTAZIONE RUOTE LIBERE	ROTATION BODY	CORPS ROTATION ROUE LIBRES	UMDREHUNG	
67	F01200293R	DADO M12X1,75 U5588 CL8 ZN	NUT M12X1,75 U5588 6S ZN	ECROU M12X1,75 U5588 6S ZN	MUTTER M12X1,75 U5588 6S ZN	TUERCA M12X1,75 U5588 CL8 ZN
68	F01020516R	VITE M12X1,75X45 U5739 8.8ZN	SCR. M12X1,75X45 U5739 8.8ZN	VIS M12X1,75X45 U5739 8.8 ZN	SCHARAUBE M12X1,75X45 U5739 ZN	TORNILLO M12X1,75X45 U5739 8
69	B01300491R	SPES. 25,3 40 1 ZINCATO	SHIM	EPAISSEUR	DISTANZSTUECK	
70	B07SP0280R	BRACCIO CARICA COLT.	LOADING HARM KNIVE	BRAS CHARGE COUTEAUX	MESSERARM	
71	F01020472R	VITE M10X1,5X25 U5739 8.8ZN	SCR. M10X1,5X25 U5739 8.8ZN	VIS M10X1,5X25 U5739 8.8 ZN	SCHRAUBE M10X1,5X25 U5739 8.8	TORNILLO M10X1,5X25 U5739 8.8
72	B0C2P0369R	LEVA	HANDLE			
73	B0C6P0833R	STAFFA RIPOSO LEVA	HANDLE FIXING			
74	F02100090R	SPINA E.P. 5X 40 U6873 C70 BR	ELASTIC PIN 5X40	GOUJON ELASTIQUE 5X40	SPANNHUELSE 5X40	CLAVIJA EL.P. 5X 40 U6873 C70
75	B0C6P0359R	SOSTEGNO FILO	TWINE SUPPORT	SUPPORT FILETE	GARNHALTER	
76	B03500109R	PERNO FULCRO LEVE	LEVER FULCRUM PIN	TOURILLON POINT D APPUI LEVIER	BOLZEN DES DREHPUNKTES	
77	F02100142R	SPINA E.P. 8X 40 U6873 C70 BR	ELASTIC PIN 8X40	GOUJON ELASTIQUE 8X40	SPANNHUELSE 8X40	CLAVIJA EL.P. 8X 40 U6873 C70
78	B07S00214R	MANIGLIA DI CARICAMENTO	LOADING HANDLE	POIGNEE DE CHARGEMENT	HANDGRIFF	
79	F02100090R	SPINA E.P. 5X 40 U6873 C70 BR	ELASTIC PIN 5X40	GOUJON ELASTIQUE 5X40	SPANNHUELSE 5X40	CLAVIJA EL.P. 5X 40 U6873 C70
80	F01020510R	VITE M12X1,75X30 U5739 8.8ZN	SCR. M12X1,75X30 U5739 8.8ZN	VIS M12X1,75X30 U5739 8.8ZN	SCHRAU.M12X1,75X30 U5739 8.8ZN	TORNILLO M12X1,75X30 U5739
81	B02526851R	BUSSOLA NYLON	NYLON BUSH	DOUILLE NYLON	BUCHSE	
82	B07S00213R	SUPP. FULCRO LEVE	LEVER FULCRUM SUPPORT	SUPPORT POINT D APPUI LEVIERS	HALTER FULCRUM	
83	B0C001592R	SICUREZZA LAMARETE FF20 FF50	BLADE-NET SAFETY ROD	SURETE LAME FILET FF20 FF50	SICHERHEITSVORRICHTUNG	
84	B01330435R	BUSSOLA DI GUIDA	BUSHUNG	GALET	FUEHRUNGSBUCHSE	
85	F01410037R	ROS.M6 6,4X12,5X1,6 U6592 ZN	WASHER M6 6,4X12,5X1,6 U6592ZN	RONDEL.M6 6,4X12,5X1,6 U6592ZN	SCHEIB.M6 6,4X12,5X1,6 U6592ZN	ARAND.M6 6,4X12,5X1,6 U6592 ZN
86	F01230184R	DADO M6X1 D985 8ZN	NUT M6X1 D985 8ZN			TUERCA M6X1 D985 8
87	F01410076R	ROS.M12 13X 24X2,5 U6592 ZN	WASHER 12 13X 24X2,5 U6592 ZN	RONDEL. M12 13X24X2,5 U6592 ZN	SCHEIBE M12 13X24X2,5 U6592 ZN	ARAND.M12 13X 24X2,5 U6592 ZN
88	F01230213R	DADO M12X1,75 D985 8 ZN	NUT M12X1,75 U7474 6SZN	ECROU AUTOBL. M12	SELBSTSPERR.MUTTER M12	TUERCA M12X1,75 U7474 CL8 ZN
89	F01410064R	ROS.M10 10,5X 20X 2 U6592 ZN	WASHER M10 10,5X20X2 U6592 ZN	RONDEL. M10 10,5X20X2 U6592 ZN	SCHEIBE M10 10,5X20X2 U6592 ZN	ARAND.M10 10,5X 20X 2 U6592 ZN
90	F01200293R	DADO M12X1,75 U5588 CL8 ZN	NUT M12X1,75 U5588 6S ZN	ECROU M12X1,75 U5588 6S ZN	MUTTER M12X1,75 U5588 6S ZN	TUERCA M12X1,75 U5588 CL8 ZN
91	F01410064R	ROS.M10 10,5X 20X 2 U6592 ZN	WASHER M10 10,5X20X2 U6592 ZN	RONDEL. M10 10,5X20X2 U6592 ZN	SCHEIBE M10 10,5X20X2 U6592 ZN	ARAND.M10 10,5X 20X 2 U6592 ZN
92	F01230202R	DADO M10X 1,5 D985 8 ZN	NUT M10 D985	ECROU AUTOBL. M10	SELBSTSPERR.MUTTER M10	TUERCA M10X 1,5 D985 8
93	F01200232R	DADO M6X1 U5588 CL8 ZN	NUT M6X1 U5588 6.8ZN	ECROU 6 UNI 5588 6.8 ZN	MUTTER 6 UNI 5588 6.8 ZN	TUERCA M6X1 U5588 CL8 ZN
94	F02100140R	SPINA E.P. 8X 30 U6873 C70 BR	ELASTIC PIN 8X30	GOUJON ELASTIQUE 8X30	SPANNHUELSE 8X30	ESPINA ELASTICA 8X30
95	F01410051R	ROS.M8 8,4X 17X1,6 U6592 ZN	WASHER M8 8,4X17X1,6 U6592 ZN	RONDELLE M8 8,4X17X1,6 ZN	SCHEIBE M8 8,4X17X1,6 U6592 ZN	ARAND.M8 8,4X 17X1,6 U6592 ZN
96	F01200232R	DADO M6X1 U5588 CL8 ZN	NUT M6X1 U5588 6.8ZN	ECROU 6 UNI 5588 6.8 ZN	MUTTER 6 UNI 5588 6.8 ZN	TUERCA M6X1 U5588 CL8 ZN
97	F01420048R	ROS.M8 8,4X 24X 2 U6593 ZN	WASHER M8 8,4X 24X2 U6593 ZN	RONDELLE M8 8,4X24X 2 U6593 ZN	SCHEIBEN M8 8,4X24X 2 U6593 ZN	ARAND.M8 8,4X 24X 2 U6593 ZN
98	F01230301R	DADO M 8X1,25 UNI7474 8 ZN	DADO M 8X1,25 UNI7474 8 ZN			
99	F01420060R	ROS.M10 10,5X 30X2,5 U6593 ZG	GALV.WASHER 10,5X30X2,5 U6593	RONDELLE 10,5X30	SCHEIBE 10,5X30	ARAND.M10 10,5X 30X2,5 U6593
100	F02100142R	SPINA E.P. 8X 40 U6873 C70 BR	ELASTIC PIN 8X40	GOUJON ELASTIQUE 8X40	SPANNHUELSE 8X40	CLAVIJA EL.P. 8X 40 U6873 C70
101	F01410076R	ROS.M12 13X 24X2,5 U6592 ZN	WASHER 12 13X 24X2,5 U6592 ZN	RONDEL. M12 13X24X2,5 U6592 ZN	SCHEIBE M12 13X24X2,5 U6592 ZN	ARAND.M12 13X 24X2,5 U6592 ZN
102	F01230213R	DADO M12X1,75 D985 8 ZN	NUT M12X1,75 U7474 6SZN	ECROU AUTOBL. M12	SELBSTSPERR.MUTTER M12	TUERCA M12X1,75 U7474 CL8 ZN
103	B01300251R	DISTANZIALE	SPACER	ENTRETOISE	DISTANZSTUECK	
104	F01420049R	ROS.M8 8,4X 32X 2 U6593 ZN	WASHER M8 8,4X32X2 U6593 ZN	RONDELLA M8 8,4X32X2 U6593 ZN	SCHEIBE M8 8,4X32X2 U6593 ZN	ARANDELA M8 8,4X32X2 U6593 ZN



**PICK-UP L
PICK-UP L**

TAV_140

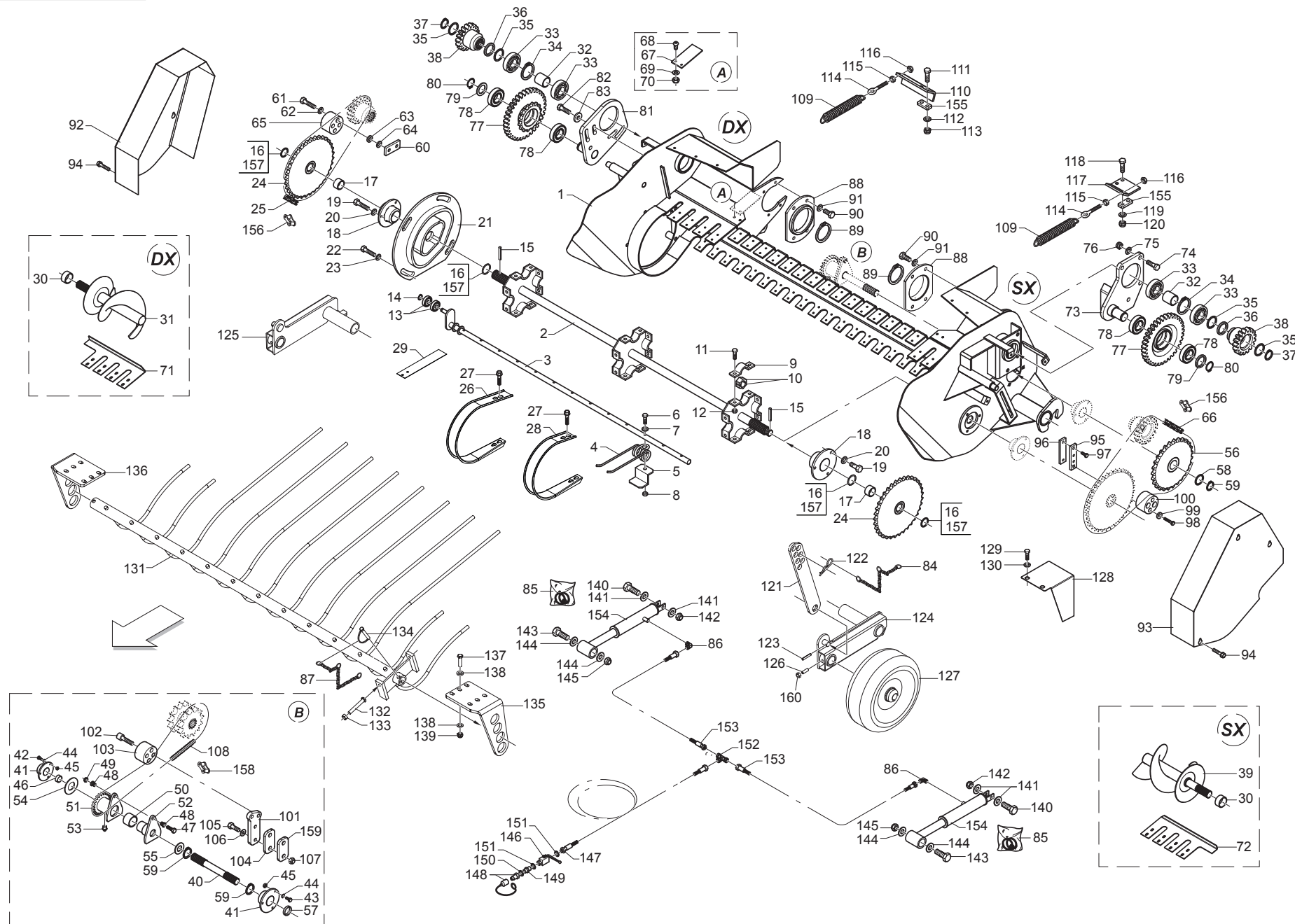
Pos.	Cod.	Descrizione	Description	Description	Benennung	Descripcion
1	B07SP1322R	TELAIO PICK-UP ENTRY LARGO	FRAME PICK-UP ENTRY LARGE			
2	B07SP0288R	CORPO ASPO M	AUGER BODY	CORPS ENROULEUR	KOERPER ASPO M	
3	B07S00991R	BARRA PORTADENTI PICK UP 200	TINE HOLDER BAR	BARRE PORTE-DENTS 180	ZINKENTRAGERSTANGE	BARRA PORTADIENTES PICK UP 200
4	B018P0003R	DENTE RACCOGLITORE PICK-UP	TOOTH COLLECTING PU	DENT PICK-UP	PICK-UP ZINKEN	DIENTE RECOGEDOR PICK-UP
5	B0C000214R	PIASTRA SOSTEGNO MOLLA	SPRING SUPPORTING PLATE	PLAQUE SUPPORT RESSORT	FEDER STUETZPLATTE	PLACA DE SOPORTE DEL MUELLE
6	F01020074R	VITE M8X1,25X50 U5737 10.9ZD	SCR. M8X1,25X50 U5737 10.9ZD	VIS M 8X50	SCHRAUBE M 8X50	TORNILLO M8X1,25X50 U5737 10
7	F01420048R	ROS.M8 8,4X 24X 2 U6593 ZN	WASHER M8 8,4X 24X2 U6593 ZN	RONDELLE M8 8,4X24X 2 U6593 ZN	SCHEIBEN M8 8,4X24X 2 U6593 ZN	ARAND.M8 8,4X 24X 2 U6593 ZN
8	F01230034R	DADO M8X1,25 D982 8ZN	NUT M8X1,25 D982 8ZN	ECROU M8X 1,25 ZN	MUTTER M8X1,25 D982 8 ZN	TUERCA M8X1,25 D982 8
9	B0C001521R	CAVALLOTTO	U BOLT	BOULON	BUEGELBOLZEN	PUNETE
10	B025P0010R	SEMIBUSSOLA PER ASPO PICK-UP	HALF-BUSHFOR ASPO PICK-UP	SEMI-PALIER SPECIAL	HALBLAGERBUCHSE	SEMICASQUILLO PARA MOLINETE
11	F01020472R	VITE M10X1,5X25 U5739 8.8ZN	SCR. M10X1,5X25 U5739 8.8ZN	VIS M10X1,5X25 U5739 8.8 ZN	SCHRAUBE M10X1,5X25 U5739 8.8	TORNILLO M10X1,5X25 U5739 8.8
12	B008B0310R	DADO M10X 1,5 D980 8 ZN	NUT	ECROU	SELBSTSICHERNDE MUTTER M10 KL8	TUERCA M10X 1,5 D980 8
13	B020R1210R	ROTELLA SKF 361201 R	ROLLER SKF 361201 R PU BINDER	GALET SKF 361201 R PICK UP LEG	LAGER SKF 361201 R	ARANDELA SKF 361201 R
14	B01700012R	ANEL. D ARR. ALB. 12-E UNI3653	SEEGER RING	BAGUE SEEGER	SEEGERRING 12-E	ANIL. DE PARAD. RB. 12-E UNI3
15	F02100122R	SPINA E.P. 6X 45 U6873 C70 BR	PIN EL. 6 X45 DIN 1481	FICHE EL. 6 X45 DIN 1481	SPANNSTIFT 6 X45 DIN 1481	CLAVIJA EL.P. 6X 45 U6873 C70
16	B01300101R	SPES. 30,3 40 1 ZINCATO	SHIM GALV	ENTRETOISE GALV	DISTANZSTUECK 30,3 40 1	ESPEES. 30,3 40 1 CINCADO
17	B013P0039R	DISTANZIALE 30,5X42,4X15	SPACER	ENTRETOISE	DISTANZSTUECK	
18	B02353030R	SUPP.FLANG.TONDO 30 LAM.	BEARING FLANGED SUPPORT 30	SUPPORT FLANGE ROND 30 LAM.	FLANSCHLAGER	SOP.BRIDA REDONDO 30 CHAP.
19	F01020470R	VITE M10X1,5X20 U5739 8.8ZN	SCR. M10X1,5X20 U5739 8.8ZN	VIS M10X1,5X20 U5739 8.8 ZN	SCHRAUBE M10X1,5X20 U5739 ZN	TORNILLO M10X1,5X20 U5739 8
20	F01410064R	ROS.M10 10,5X 20X 2 U6592 ZN	WASHER M10 10,5X20X2 U6592 ZN	RONDEL. M10 10,5X20X2 U6592 ZN	SCHEIBE M10 10,5X20X2 U6592 ZN	ARAND.M10 10,5X 20X 2 U6592 ZN
21	B057P0203R	CAMMA PICK-UP	PICK-UP CAM			LEVA PICK-UP
22	F01020510R	VITE M12X1,75X30 U5739 8.8ZN	SCR. M12X1,75X30 U5739 8.8ZN	VIS M12X1,75X30 U5739 8.8ZN	SCHRAU.M12X1,75X30 U5739 8.8ZN	TORNILLO M12X1,75X30 U5739
23	B01523831R	RALLA 12 33 5	FIFTH WHEEL	BUTEE	UMBORDELUNG 12 33 5	RANGUA 12 33 5
24	B034P0002R	INGR. Z=35-3 4 ISO ASPO LT	GEAR Z=35; 3 4; ISO 12B-1	ENGRANAGE	ZAHNRAD	
25	B03111046R	CATENA RULLI ASA 60-1 46 MGL	ROLLER CHAIN ASA60-1 46 MGL	CHAINE ROULEAUX	KETTE DER WALZEN	CADENA DE LOS RODILLOS ASA 60-
26	B0C1P0949R	FASCIA CENTRALE ZINCATA PICK-U	MIDDLE PICK-UP EXTREME ZN	BANDE CENT.GALVANISE PICK UP		
27	B00370001R	VITE TE M 8X16 A SEZ. TRILOBATA	SCREW TRE M 8X16 SEZ TROUBLED	VIS	SCHRAUBE M 8X15	
28	B0C1P0948R	FASCIA LATERALE ZINCATA PICK-U	PICK-UP SIDE BAND EXTREME ZN	BANDE LAT.GALVANISE PICK UP		
29	B0C1P1791R	COMPENSO FASCIA ENTRY 9	ENTRY COMPENSATION FOR BAND 9			
30	B01300046R	DISTANZIALE 35,2X42,4X15	SPACER	ENTRETOISE	DISTANZSTUECK 35,2X42,4X15	
31	B07S01651R	COCLEA DX PU 200	RIGHT PICK-UP AUGER 200	VIS DROIT PU 200	RECHTE PICK-UP ZUBRINGERSCHNEC	TORNILLO SIN FIN DER PU 200
32	B01300739R	DISTANZIALE 35X42X41	SPACER	ENTRETOISE	DISTANZSTUECK 35X42X41	DISTANCIADOR 35X42X41
33	F04010178R	CUSC.D35 D72 B17 6207 2RS1 EX	BEAR.D35 D72 B17 6207 2RS1 EX	ROULEM. D35 D72 B17 6207 2RS1	LAGER D35 D72 B17 6207 2RS1	COJINETE D35 D72 6207 2RS1
34	F02050403R	ANELLO E. DI 72X 2,5 U7437 C7	SEEGER RING E.72X2,5 U7437 C70	SEEGER E. 72X 2,5 U7437 C70	SEEGERING E. 72X 2,5 U7437 C70	ANILLO E. DI 72X 2,5 U7437 C7
35	B01534416R	SPES. 35 43 1 ZINCATO	SHIM	ENTRETOISE	AUSGLEICHSCHIBE 35X43X1	ESPEES. 35 43 1 CINCADO
36	B013P0133R	RALLA 35 45 5	FIFTH WHEEL 35 45 5	BUTEE 35 45 5	DISTANZSCHEIBE 35 45 5	
37	B01700035R	ANEL. D ARR. ALB. 35-E UNI3653	SEEGER RING	BAGUE SEEGER	SEEGERRING 35-E	ANIL. DE PARAD. RB. 35-E UNI3
38	B034P0048R	INGRANAGGIO Z=17 M=5	GEAR Z=17 M=5	ENGRANAGE Z=17 M=5	ZAHNRADPAAR Z=17 M=5	
39	B07S01652R	COCLEA SX PU 200	LEFT PICK-UP AUGER 200	VIS GAUCHE PU 200	LINKE PICK-UP ZUBRINGERSCHNECK	TORNILLO SIN FIN IZQ PU 200
40	B035P0061R	CONTRALBERO ENTRY	COUNTERSHAFT ENTRY	CONTREARBRE ENTRY	GEGENWELLE ENTRY	
41	B02353035R	SUPP.FLANG.TONDO 35 LAMIERA	BEARING FLANGED SUPPORT D.35	SUPPORT FLANGE ROND 35 LAMES	FLANSCHLAGER	SOPORTE BRIDA REDONDO 35 CHA
42	F01020470R	VITE M10X1,5X20 U5739 8.8ZN	SCR. M10X1,5X20 U5739 8.8ZN	VIS M10X1,5X20 U5739 8.8 ZN	SCHRAUBE M10X1,5X20 U5739 ZN	TORNILLO M10X1,5X20 U5739 8
43	F01020472R	VITE M10X1,5X25 U5739 8.8ZN	SCR. M10X1,5X25 U5739 8.8ZN	VIS M10X1,5X25 U5739 8.8 ZN	SCHRAUBE M10X1,5X25 U5739 8.8	TORNILLO M10X1,5X25 U5739 8.8
44	F01410064R	ROS.M10 10,5X 20X 2 U6592 ZN	WASHER M10 10,5X20X2 U6592 ZN	RONDEL. M10 10,5X20X2 U6592 ZN	SCHEIBE M10 10,5X20X2 U6592 ZN	ARAND.M10 10,5X 20X 2 U6592 ZN
45	F01230202R	DADO M10X 1,5 D985 8 ZN	NUT M10 D985	ECROU AUTOBL. M10	SELBSTSPERR.MUTTER M10	TUERCA M10X 1,5 D985 8
46	B01320516R	DISTANZIALE 35X45X25	SPACER 35X45X25			
47	F01020068R	VITE M8X1,25X40 U5737 8.8ZN	SCR. M8X1,25X40 U5737 8.8ZN	VIS M 8X1,25X40 U5737 8.8 ZN	SCHRA. M8X1,25X40 U5737 8.8 ZN	TORNILLO M8X1,25X40 U5737 8.8
48	B00511057R	BUSSOLA DI TRANCIAMENTO	BUSHING	BAGUE	BUCHSE	CASQUILLO DE CIZALLADO
49	F01230301R	DADO M 8X1,25 UNI7474 8 ZN	DADO M 8X1,25 UNI7474 8 ZN			
50	B02500001R	BRONZINA 50X56 L38	BUSHING 50X56 L38	COUSSINET	LAGERBUCHSE	COJINETE 50X56 L38
51	B03400105R	INGRANAGGIO Z17 3 4 CON MOZZO	GEAR Z=17 3 4 WITH HUB	ENGRANAGE	ZAHNRAD Z=17 3 4 MIT NABE	
52	B07S00302R	MOZZO TRASCINAMENTO	HUB	MOYEU D ENTRAINEMENT	NABE	
53	B04200610R	INGRASS.A SFERE M6X1 LUNGO	GREASE NIPPLE	GRAISSEUR HYDRAULIQUE	GERADER SCHMIERNIPPEL M6X1	ENGRASADOR DE ESFERAS M6X1
54	B01534395R	RALLA 35.5X 62 X 3 ZINCATO	FIFTH WHEEL	BUTEE	SPEZIALSCHEIBE	RANGUA 35.5X 62 X 3 CINCADO
55	B01330957R	DISTANZIALE 35-48-7	SPACER	ENTRETOISE	DISTANZSTUECK 35X48X7	DISTANCIADOR 35-48-7
56	B034P0004R	INGR.Z=27-3 4 ISO CON MOZZO	GEAR	ENGRANAGE	ZAHNRAD MIT RADACHSE	
57	B013P0040R	DISTANZIALE 35,5X42,4X15	SPACER	ENTRETOISE	DISTANSTUECK	



**PICK-UP L
PICK-UP L**

TAV_140

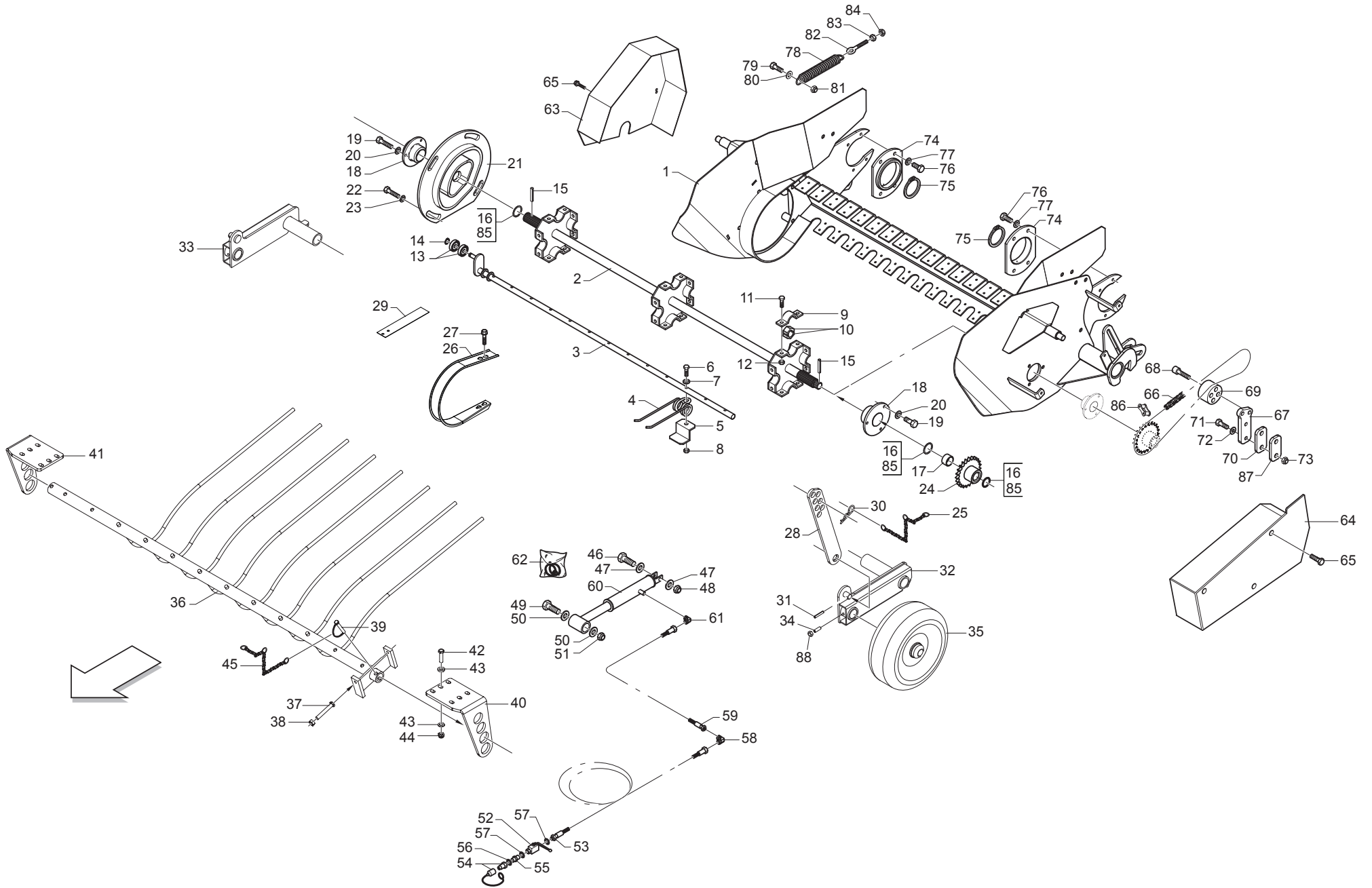
Pos.	Cod.	Descrizione	Description	Description	Benennung	Descrpcion
58	B01534416R	SPES. 35 43 1 ZINCATO	SHIM	ENTRETOISE	AUSGLEICHSCHLEIBE 35X43X1	ESSES. 35 43 1 CINCADO
59	B01700035R	ANEL. D ARR. ALB. 35-E UNI3653	SEEGER RING	BAGUE SEEGER	SEEGERRING 35-E	ANIL. DE PARAD. RB. 35-E UNI3
60	B0C003172R	ATTACCO TENDICATENA	CHAIN TIGHTENER COUPLING	ATTELAGE TENDEUR DE CHAINE	KETTENSPELLNER BEFESTIGUNG	CONEXI N TENSOR DE CADENA
61	F01020160R	VITE M12X1,75X60 U5737 8.8ZN	SCR. M12X1,75X60 U5737 8.8ZN	VIS M12X1,75X60 U5737 8.8 ZN	SCHRA.M12X1,75X60 U5737 8.8 ZN	TORNILLO M12X1,75X60 U5737 8.
62	F01420120R	ROS.M12 13X36X2,5 U6593 ZN	WASHER M12 13X36X2,5 U6593 ZN	RONDELLE M12 13X36X2,5 ZN		ARAND.M12 13X36X2,5 U6593 ZN
63	B01523831R	RALLA 12 33 5	FIFTH WHEEL	BUTEE	UMBORDELUNG 12 33 5	RANGUA 12 33 5
64	B01421230R	ROS.M12 13X 20X2,0 U1749 ZN	WASHER	RONDELLE	SCHLEIBE	ARAND.M12 13X 20X2,0 U1749
65	B07VP0513R	TENDICATENA IN NYLON	NYLON CHAIN TIGHTENER	TENDEUR DE CHAINE EN NYLON		TENSOR DE CADENA DE NYLON
66	B03111063R	CAT RULLI ASA 60-1 63 MGL ISO	ROLLER CHAIN	CHAINE ROULEAUX		
67	B0C6P0337R	COMPENSO FASCIA CORTO	PICK UP BAND EXTENSION SHORT	EPAISSEUR	KETTE DER WALZEN DICHTUNG BANDE	
68	B00470620R	VITE TTEI M 6X 20-8.8 UNBRA	SCREW	VIS	SCHRAUBE TTEI M6X20-10.9	TORNILLO CAB.ALLEN CON HUEC
69	F01410037R	ROS.M6 6,4X12,5X1,6 U6592 ZN	WASHER M6 6,4X12,5X1,6 U6592ZN	RONDEL.M6 6,4X12,5X1,6 U6592ZN	SCHLEIB.M6 6,4X12,5X1,6 U6592ZN	ARAND.M6 6,4X12,5X1,6 U6592 ZN
70	F01230184R	DADO M6X1 D985 8ZN	NUT M6X1 D985 8ZN			TUERCA M6X1 D985 8
71	B0C3P0101R	GUIDA COCLEA DX PU M LT	AUGER GUIDE	GUIDE PALLETEUSE	SCHNECKENFOERDERER FUEHRUNG RE	
72	B0C3P0102R	GUIDA COCLEA SX PU M LT	AUGER GUIDE	GUIDE PALLETEUSE	SCHNECKENFOERDERER FUEHRUNG LI	
73	B07SP0238R	PIASTRA SX	PLATE LINK SIDE	PLAQUE COTE GAUCHE	PLATTE LINKS	
74	F01020152R	VITE M12X1,75X40 U5737 8.8ZN	SCR. M12X1,75X40 U5737 8.8ZN	VIS M12X1,75X40 U5737 8.8 ZN	SCHRAUBE M12X1,75X40U57378.8ZN	TORNILLO M12X1,75X40 U5737 8.
75	B01421230R	ROS.M12 13X 20X2,0 U1749 ZN	WASHER	RONDELLE	SCHLEIBE	ARAND.M12 13X 20X2,0 U1749
76	F01230213R	DADO M12X1,75 U7474 CL8 ZN	NUT M12X1,75 U7474 6SZN	ECROU AUTOBL. M12	SELBSTSPERR.MUTTER M12	TUERCA M12X1,75 U7474 CL8 ZN
77	B034P0049R	INGR. Z=35 M=5 WITH SPROCKET Z	GEAR Z=35 M=5 WITH SPROCKET Z=	PINION Z=16 3 4 ET ENGRANAGE Z	RITZEL Z=16 3 4 UND ZAHNRADPAA	
78	B02043016R	CUSC. 6206-2RS CAT.B-ST004	BEARING	ROULEMENT	LAGER	
79	B013P0130R	RALLA 30 45 3	FIFTH WHEEL 30 45 3	BUTEE 30 45 3	DISTANZSCHLEIBE 30 45 3	
80	F02050112R	ANELLO E.DE 30X 1,5 U7435 ZN	SEEGER RING 30X 1,5 U7435 C70	SEEGER E. 30 X 1,5 U7435 C70	SEEGERING E. 30X 1,5 U7435 C70	ANILLO E. 30 X 1,5 U7435 C70
81	B07SP0239R	PIASTRA DX	PLATE RIGHT SIDE	PLAQUE COTE DROIT	PLATTE RECHTS	
82	F01020152R	VITE M12X1,75X40 U5737 8.8ZN	SCR. M12X1,75X40 U5737 8.8ZN	VIS M12X1,75X40 U5737 8.8 ZN	SCHRAUBE M12X1,75X40U57378.8ZN	TORNILLO M12X1,75X40 U5737 8.
83	B01516038R	RALLA 13 32 5	FIFTH WHEEL	BUTEE	SCHLEIBE	RANGUA 13 32 5
84	B033C0003R	CATENA GENOVESE N 10 F 1,5 12	CHAIN N 10 F 1,5 12			
85	B0H400061R	KIT GUARNIZ. MARTIN. PICK_UP	KIT JOINTS	KIT JOINTS POUR VERIN	DICHTUNGSSATZ	KIT JUNTAS CILINDRO PICK_UP
86	B0H000086R	RACCORDO L 10 TN94-10LR	UNION L 10	RACCORD L 10	ANSCHLUSSSTUECK L 10	RACOR L 10 TN94-10LR
87	B033C0003R	CATENA GENOVESE N 10 F 1,5 12	CHAIN N 10 F 1,5 12			
88	B01300715R	FLANGIA SX PICK-UP	PICK-UP FLANGE	FLASQUE GAUCHE POUR PICK-UP	PICK-UP FLANSCH	BRIDA IZQ PICK-UP
89	B01700095R	ANEL. D ARR. ALB. 95-E UNI3653	SEEGER RING	BAGUE SEEGER	SEEGERRING 95-E	ANIL. DE PARAD. RB. 95-E UNI3
90	B00181015R	VITE M10X1,5 X 16 U5739 8.8ZN	SCREW	VIS	SCHRAUBE	TORNILLO M10X1,5 X 16 U5739 8
91	F01410064R	ROS.M10 10,5X 20X 2 U6592 ZN	WASHER M10 10,5X20X2 U6592 ZN	RONDEL. M10 10,5X20X2 U6592 ZN	SCHLEIBE M10 10,5X20X2 U6592 ZN	ARAND.M10 10,5X 20X 2 U6592 ZN
92	B07SP0323R	CARTER DX PU	RIGHT PICKUP CASE			
93	B07SP0324R	CARTER SX PU	LEFT PICKUP CASE			
94	B00370001R	VITE TE M 8X16 A SEZ.TRILOBATA	SCREW TRE M 8X16 SEZ TROUBLED	VIS	SCHRAUBE M 8X15	TORNILLO CHEX M 8X16 A SECC. T
95	B0C6P0897R	ATTACCO GALOPPINO	ATTACHMENT TENSIONER			
96	B0C6P0898R	PIASTRA ATTACCO GALOPPINO	PLATE ATTACHMENT TENSIONER			
97	F01020512R	VITE M12X1,75X35 U5739 8.8ZN	SCR. M12X1,75X35 U5739 8.8ZN	VIS M12X1,75X35 5739 8.8 ZN	SCHR. M12X1,75X35 5739 8.8 ZN	TORNILLO M12X1,75X35 U5739 8
98	F01020158R	VITE M12X1,75X55 U5737 8.8ZN	BOLT M12X1,75X55 U5737 8.8ZN	VIS M12X1,75X55 U5737 8.8 ZN	SCHR. M12X1,75X55 U5737 8.8 ZN	TORN. M12X1,75X55 U5737 8.8 ZN
99	B01523831R	RALLA 12 33 5	FIFTH WHEEL	BUTEE	UMBORDELUNG 12 33 5	RANGUA 12 33 5
100	B07VP0513R	TENDICATENA IN NYLON	NYLON CHAIN TIGHTENER	TENDEUR DE CHAINE EN NYLON		TENSOR DE CADENA DE NYLON
101	B0C6P0300R	ATTACCO TENDITORE	ATTACHMENT	ATTELAGE	SPANNERHALTER	
102	F01040146R	VITE M10X1,5X50 U5931 8.8 ZN.	SCREW M10X1,5X50 U5931 8.8 ZN.			
103	B07VP0513R	TENDICATENA IN NYLON	NYLON CHAIN TIGHTENER	TENDEUR DE CHAINE EN NYLON		TENSOR DE CADENA DE NYLON
104	B0C6P0301R	SPES.	SHIM	ENTRETOISE	DICHTUNG	
105	F01020160R	VITE M12X1,75X60 U5737 8.8ZN	SCR. M12X1,75X60 U5737 8.8ZN	VIS M12X1,75X60 U5737 8.8 ZN	SCHRA.M12X1,75X60 U5737 8.8 ZN	TORNILLO M12X1,75X60 U5737 8.
106	B01421230R	ROS.M12 13X 20X2,0 U1749 ZN	WASHER	RONDELLE	SCHLEIBE	ARAND.M12 13X 20X2,0 U1749
107	F01230213R	DADO M12X1,75 U7474 CL8 ZN	NUT M12X1,75 U7474 6SZN	ECROU AUTOBL. M12	SELBSTSPERR.MUTTER M12	TUERCA M12X1,75 U7474 CL8 ZN
108	B0311H034R	CATENA RULLI A ASA60 H 34M	PINTLE CHAIN AASA60 H 34M			
109	B01822744R	MOLLA 49,5 SPIRE	RIGHT-HAND ATTACHMENT FOR SPRI	RESSORT	FEDER	MUELLE 49,5 SPIRE
110	B0C000953R	ATTACCO DESTRO MOLLE	RIGHT-HAND ATTACHMENT FOR SPRI	ATTELAGE DROIT RESSORTS	ANSCHLUSS RECHTS FEDER	
111	B00181255R	VITE ZINC.TE M12X55-8.8 U5739	SCREW	VIS	VERZINKTE SCHRAUBE	TORNILLO M12X 55-8.8 UNI 5739
112	B01421230R	ROS.M12 13X 20X2,0 U1749 ZN	WASHER	RONDELLE	SCHLEIBE	ARAND.M12 13X 20X2,0 U1749
113	F01230213R	DADO M12X1,75 U7474 CL8 ZN	NUT M12X1,75 U7474 6SZN	ECROU AUTOBL. M12	SELBSTSPERR.MUTTER M12	TUERCA M12X1,75 U7474 CL8 ZN
114	B00545168R	OCCHIOLO PER TENDITORI M12-DX	EYELET M12	OEIL M12	OSE M12	OJAL PARA TENSORES M12-DER



**PICK-UP L
PICK-UP L**

TAV_140

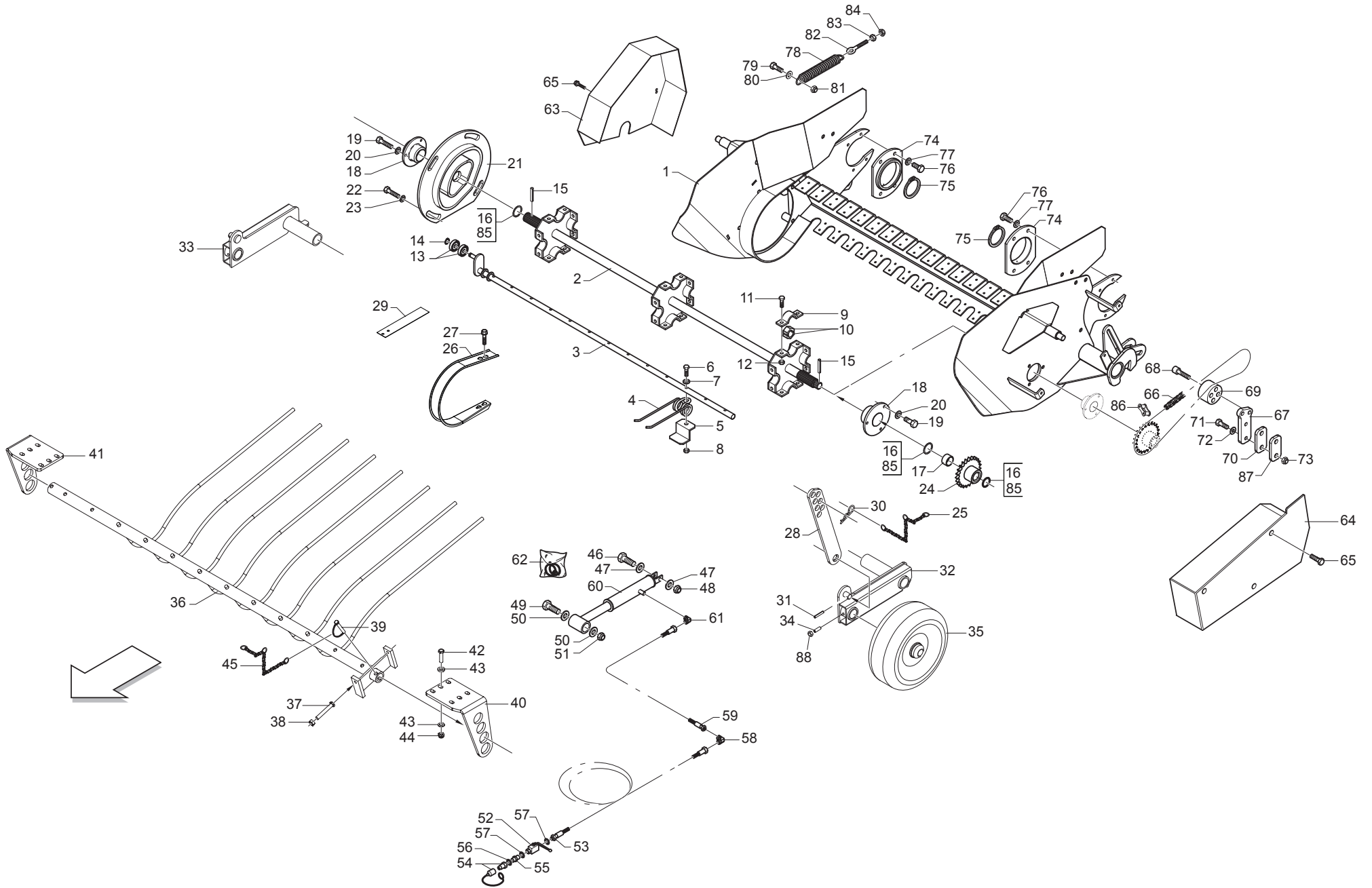
Pos.	Cod.	Descrizione	Description	Description	Benennung	Descripcion
115	F01200293R	DADO M12X1,75 U5588 CL8 ZN	NUT M12X1,75 U5588 6S ZN	ECROU M12X1,75 U5588 6S ZN	MUTTER M12X1,75 U5588 6S ZN	TUERCA M12X1,75 U5588 CL8 ZN
116	F01230213R	DADO M12X1,75 U7474 CL8 ZN	NUT M12X1,75 U7474 6SZN	ECROU AUTOBL. M12	SELBSTSPERR.MUTTER M12	TUERCA M12X1,75 U7474 CL8 ZN
117	B0C000954R	ATTACCO SINISTRO MOLLE	LEFT-HAND ATTACHMENT FOR SPRIN	ATTELAGE GAUCHE RESSORTS	ANSCHLUSS LINKS FEDER	
118	F01020510R	VITE M12X1,75X30 U5739 8.8ZN	SCR. M12X1,75X30 U5739 8.8ZN	VIS M12X1,75X30 U5739 8.8ZN	SCHRAU.M12X1,75X30 U5739 8.8ZN	TORNILLO M12X1,75X30 U5739
119	B01421230R	ROS.M12 13X 20X2,0 U1749 ZN	WASHER	RONDELLE	SCHEIBE	ARAND.M12 13X 20X2,0 U1749
120	F01230213R	DADO M12X1,75 U7474 CL8 ZN	NUT M12X1,75 U7474 6SZN	ECROU AUTOBL. M12	SELBSTSPERR.MUTTER M12	TUERCA M12X1,75 U7474 CL8 ZN
121	B0C4P0120R	ASTA DI REGOLAZIONE	ROD	BARRE	EINSTELLUNGSBALKEN	
122	B011C0555R	COPPIGLIA FORCELLA	SPLIT PIN			
123	F02100122R	SPINA E.P. 6X 45 U6873 C70 BR	PIN EL. 6 X45 DIN 1481	FICHE EL. 6 X45 DIN 1481	SPANNSTIFT 6 X45 DIN 1481	CLAVIJA EL.P. 6X 45 U6873 C70
124	B07SP0265R	ATTACCO RUOTA SX	WHELL LEFT CONNECTION	ATTELAGE		
125	B07SP0266R	ATTACCO RUOTA DX	WHELL RIGHT CONNECTION	ATTELAGE		
126	B00421025R	VITE M10X1,5 X 20 U5927 8.8BR	SCREW	VIS	SCHRAUBE	
127	B07100027R	RUOTA GOM. C FUSELLO15.600 6P	RUBBER TYRE WITH AXLE 15,600 6	ROUE EN COUTCHOU	GUMMI RAD	
128	B0C001593R	CARTER PUL	CASE PUL	CARTER PUL	GEHAUSER	
129	F01020470R	VITE M10X1,5X20 U5739 8.8ZN	SCR. M10X1,5X20 U5739 8.8ZN	VIS M10X1,5X20 U5739 8.8 ZN	SCHRAUBE M10X1,5X20 U5739 ZN	TORNILLO M10X1,5X20 U5739 8
130	F01410064R	ROS.M10 10,5X 20X 2 U6592 ZN	WASHER M10 10,5X20X2 U6592 ZN	RONDEL. M10 10,5X20X2 U6592 ZN	SCHEIBE M10 10,5X20X2 U6592 ZN	ARAND.M10 10,5X 20X 2 U6592 ZN
131	B07SP0285R	RASTRELLO PICK UP LARGO ENTRY	RAKE ENTRY	RATEAU ENTRY	HARKE ENTRY PU 170	
132	F01020522R	VITE M12X1,75X80 U5739 8.8ZN	SCR. M12X1,75X80 U5739 8.8ZN	VIS M12X1,75X80 U5739 8.8ZN	SCHRA.M12X1,75X80 U5739 8.8ZN	TORNILLO M12X1,75X80 U5739 8
133	F01200293R	DADO M12X1,75 U5588 CL8 ZN	NUT M12X1,75 U5588 6S ZN	ECROU M12X1,75 U5588 6S ZN	MUTTER M12X1,75 U5588 6S ZN	TUERCA M12X1,75 U5588 CL8 ZN
134	B01121000R	SPINOTTO 10 ART.1370 CAT.AMA	PIN	EPINE	STIFT	
135	B0C4P0149R	ATTACCO RASTRELLO SX	ATTACHEMENT	ATTELAGE	ANSCHLUSS HARKE LINKS	
136	B0C4P0150R	ATTACCO RASTRELLO DX	ATTACHEMENT	ATTELAGE	ANSCHLUSS HARKE RECHTS	
137	F01020516R	VITE M12X1,75X45 U5739 8.8ZN	SCR. M12X1,75X45 U5739 8.8ZN	VIS M12X1,75X45 U5739 8.8 ZN	SCHARAUBE M12X1,75X45 U5739 ZN	TORNILLO M12X1,75X45 U5739 8
138	B01516038R	RALLA 13 32 5	FIFTH WHEEL	BUTEE	SCHEIBE	RANGUA 13 32 5
139	F01230213R	DADO M12X1,75 U7474 CL8 ZN	NUT M12X1,75 U7474 6SZN	ECROU AUTOBL. M12	SELBSTSPERR.MUTTER M12	TUERCA M12X1,75 U7474 CL8 ZN
140	B00191680R	VITE M16X 2X 80 U5737 8.8ZN	SCREW	VIS	SCHRAUBE	TORNILLO M16X 2X 80 U5737 8
141	F01410100R	ROS.M16 17X 30X 3 U6592 ZN	WASHER M16 17X30X3 U6592 ZN	RONDELLE M16 17X30X3 ZN	SCHRAUBE M16 17X 30X3 U6592 ZN	ARAND.M16 17X 30X 3 U6592 ZN
142	B00920516R	DADO M16X 1,5 D985 6S ZN	NUT M16X1,5 D985 6S ZN	ECROU	SELBSTSICHERNDE MUTTER M16-5S	TUERCA M16X 1,5 D985 6S
143	F01020256R	VITE M16X2X60 U5737 8.8ZN	SCR. M16X2X60 U5737 8.8ZN	VIS M16X 2X60 U5737 8.8 ZN	SCHRAUBE M16X2X60 U5737 8.8 ZN	TORNILLO M16X2X60 U5737 8.8Z
144	F01410100R	ROS.M16 17X 30X 3 U6592 ZN	WASHER M16 17X30X3 U6592 ZN	RONDELLE M16 17X30X3 ZN	SCHRAUBE M16 17X 30X3 U6592 ZN	ARAND.M16 17X 30X 3 U6592 ZN
145	B00920516R	DADO M16X 1,5 D985 6S ZN	NUT M16X1,5 D985 6S ZN	ECROU	SELBSTSICHERNDE MUTTER M16-5S	TUERCA M16X 1,5 D985 6S
146	B0H000119R	RUBIN. A SFER.A.P.1 4 FEMM.-F	BALL COCK	ROBINET 1 4 FEMELLE	KUGELHAHN	GRIFO DE ESFERA A.P.1 4 HEM.-
147	B0H000150R	TUBO IDRAUL. L=2500	HYDRAULIC PIPE L=2500	TUYAU HYDRAULIQUE L=2500	HYDR. SCHLAUCH L=2500	
148	B0H6000A0R	INNESTO RAP.NV 12GAS-M	QUICK CLUTCH	EMBAYAGE	SCHNELLKUPPLUNG	ACOPLAMIENTO R P.NV 12GAS-M
149	B0H733671R	NIPPLO RID.FORO 1MM. 1 2 -1 4	NIPPLE 1 2 -1 4	NIPPLE 1 MM 1 2 -1 4	NIPPEL 1 2 -1 4	NIPLE RED. ORIFICIO 1MM. 1 2 -
150	B01441415R	RONDELLA IN RAME 1 4	WASHER	RONDELLE	BEILAGSCHEIBE 1 4 13X19X1,5	ARANDELA DE COBRE 1 4
151	B01442015R	ROS. 21 X27X1,5 RAME -1 2	WASHER	RONDELLE	BEILAGSCHEIBE 1 2	ARAND.21 X27X1,5 COBRE -1
152	B0H000155R	RACC. T 10 RASTELLI TN120-10L	RAKE UNION TEE T 10 TN 120-10	RACCORD T 10	ASCHLUSS T 10	
153	B0H000151R	TUBO IDRAUL. L=3000 1 4	HYDRAULIC PIPE L=3000	TUYAU HYDRAULIQUE L=3000 1 4	HYDRAULISCHES ROHR L=3000 1 4	
154	B0H400062R	MARTINETTO PICK-UP	SPRINTER PICK-UP JACK	VERIN PICK-UP SPRINTER	SPRINTER PICK-UP ZYLINDER	CILINDRO PICK-UP
155	B0C6P1033R	SPESSORE	SPACER			
156	B03110007R	GIUNTO MOLL.N.26 ASA60-1	SPRING JOINT N. 26 ASA 60-1	JOINT	KETTENSCHLOSS	JUNTA DE MUELLE N. 26 ASA60-1
157	B01300100R	SPES. 30,3 40 0,5 ZINCATO	SHIM GALV	ENTRETOISE GALV	DISTANZSTUECK 30,3 40 0,5	ESPE. 30,3 40 0,5 CINCADO
158	B031100H7R	GIUNTO MOLL.N.26 A ASA60 H	LINK N.26 A ASA60 H	JOINT	VERBINDUNGSGLIED ASA60H	
159	B0C1P2152R	SPESSORE	SPACER			
160	F01200416R	DADO M10X1,5 U5589 CL8 ZN 6SZN	NUT M10X1,5 U5589 6SZN	ECROU 10 UNI 5589 6.8 ZN	MUTTER 10 UNI 5589 6.8 ZN	TUERCA 10 UNI 5589 6.8 ZN



**PICK-UP STRETTO
PICK-UP NARROW**

TAV_150

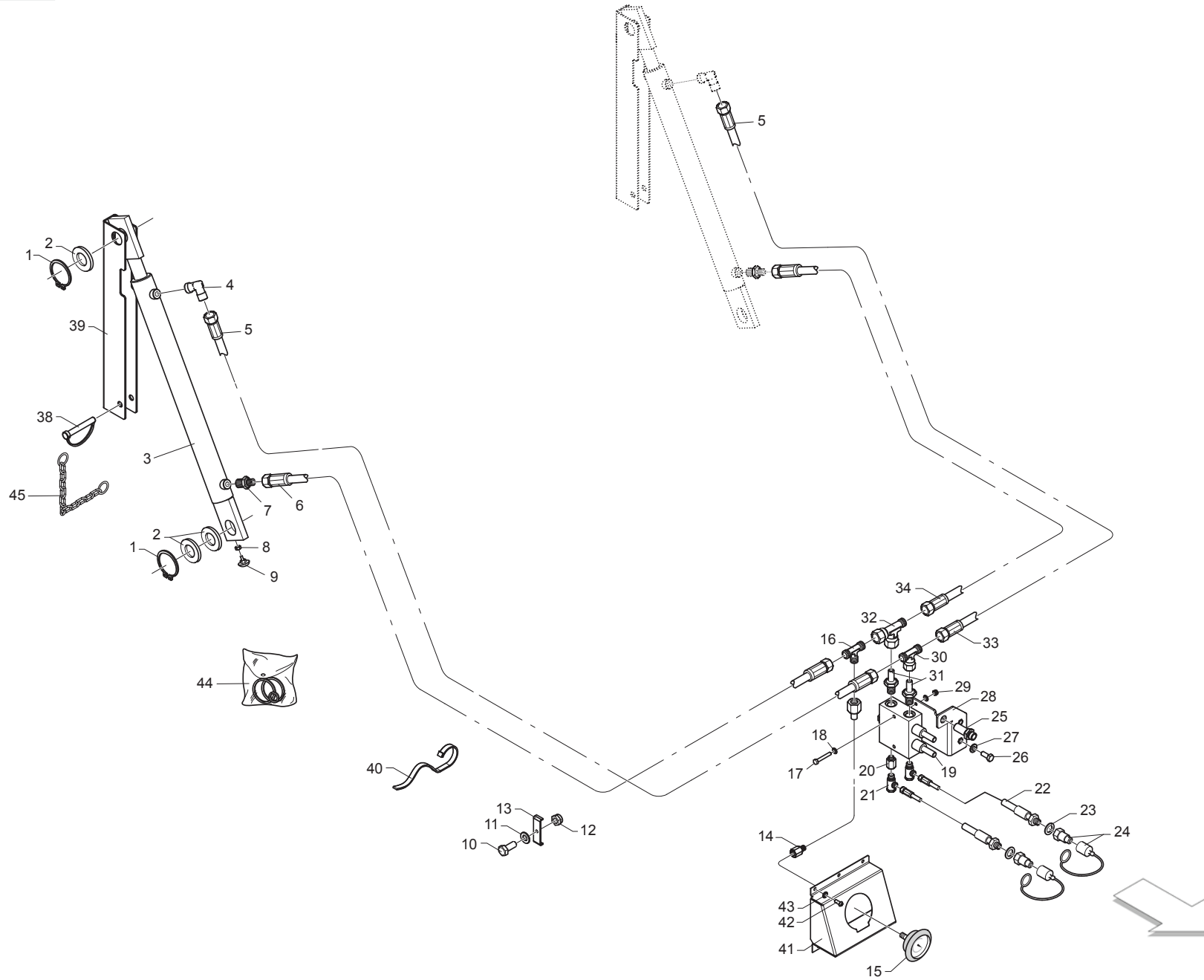
Pos.	Cod.	Descrizione	Description	Description	Benennung	Descripcion
1	B07SP1482R	TELAIO PICK UP 120	FRAME PICK UP 120			
2	B07S01397R	CORPO ASPO 150	AUGER BODY 150	CORPS ENROULEUR 150	ASPO KOERPER 150	
3	B07S01398R	BARRA PORTADENTI 150	TINES HOLDER BAR 150	BARRE PORTE-DENTS 150	MESSERALTER 150	
4	B018P0003R	DENTE RACCOGLITORE PICK-UP	TOOTH COLLECTING PU	DENT PICK-UP	PICK-UP ZINKEN	DIENTE RECOGEDOR PICK-UP
5	B0C000214R	PIASTRA SOSTEGNO MOLLA	SPRING SUPPORTING PLATE	PLAQUE SUPPORT RESSORT	FEDER STUETZPLATTE	PLACA DE SOPORTE DEL MUELLE
6	F01020074R	VITE M8X1,25X50 U5737 10.9ZD	SCR. M8X1,25X50 U5737 10.9ZD	VIS M 8X50	SCHRAUBE M 8X50	TORNILLO M8X1,25X50 U5737 10
7	F01420048R	ROS.M8 8,4X 24X 2 U6593 ZN	WASHER M8 8,4X 24X2 U6593 ZN	RONDELLE M8 8,4X24X 2 U6593 ZN	SCHEIBEN M8 8,4X24X 2 U6593 ZN	ARAND.M8 8,4X 24X 2 U6593 ZN
8	F01230034R	DADO M8X1,25 D982 8ZN	NUT M8X1,25 D982 8ZN	ECROU M8X 1,25 ZN	MUTTER M8X1,25 D982 8 ZN	TUERCA M8X1,25 D982 8
9	B0C001521R	CAVALLOTTO	U BOLT	BOULON	BUEGELBOLZEN	PUNETE
10	B025P0010R	SEMIBUSSOLA PER ASPO PICK-UP	HALF-BUSHFOR ASPO PICK-UP	SEMI-PALIER SPECIAL	HALBLAGERBUCHSE	SEMICASQUILLO PARA MOLINETE
11	F01020472R	VITE M10X1,5X25 U5739 8.8ZN	SCR. M10X1,5X25 U5739 8.8ZN	VIS M10X1,5X25 U5739 8.8 ZN	SCHRAUBE M10X1,5X25 U5739 8.8	TORNILLO M10X1,5X25 U5739 8.8
12	B008B0310R	DADO M10X 1,5 D980 8 ZN	NUT	ECROU	SELBSTSICHERNDE MUTTER M10 KL8	TUERCA M10X 1,5 D980 8
13	B020R1210R	ROTELLA SKF 361201 R	ROLLER SKF 361201 R PU BINDER	GALET SKF 361201 R PICK UP LEG	LAGER SKF 361201 R	ARANDELA SKF 361201 R
14	B01700012R	ANEL. D ARR. ALB. 12-E UNI3653	SEEGER RING	BAGUE SEEGER	SEEGERRING 12-E	ANIL. DE PARAD. RB. 12-E UNI3
15	F02100122R	SPINA E.P. 6X 45 U6873 C70 BR	PIN EL. 6 X45 DIN 1481	FICHE EL. 6 X45 DIN 1481	SPANNSTIFT 6 X45 DIN 1481	CLAVIJA EL.P. 6X 45 U6873 C70
16	B01300101R	SPES. 30,3 40 1 ZINCATO	SHIM GALV	ENTRETOISE GALV	DISTANZSTUECK 30,3 40 1	ESPES. 30,3 40 1 CINCADO
17	B013P0039R	DISTANZIALE 30,5X42,4X15	SPACER	ENTRETOISE	DISTANZSTUECK	
18	B02353030R	SUPP.FLANG.TONDO 30 LAM.	BEARING FLANGED SUPPORT 30	SUPPORT FLANGE ROND 30 LAM.	FLANSCHLAGER	SOP.BRIDA REDONDO 30 CHAP.
19	F01020470R	VITE M10X1,5X20 U5739 8.8ZN	SCR. M10X1,5X20 U5739 8.8ZN	VIS M10X1,5X20 U5739 8.8 ZN	SCHRAUBE M10X1,5X20 U5739 ZN	TORNILLO M10X1,5X20 U5739 8
20	F01410064R	ROS.M10 10,5X 20X 2 U6592 ZN	WASHER M10 10,5X20X2 U6592 ZN	RONDEL. M10 10,5X20X2 U6592 ZN	SCHEIBE M10 10,5X20X2 U6592 ZN	ARAND.M10 10,5X 20X 2 U6592 ZN
21	B057P0203R	CAMMA PICK-UP	PICK-UP CAM			LEVA PICK-UP
22	F01020510R	VITE M12X1,75X30 U5739 8.8ZN	SCR. M12X1,75X30 U5739 8.8ZN	VIS M12X1,75X30 U5739 8.8ZN	SCHRAU.M12X1,75X30 U5739 8.8ZN	TORNILLO M12X1,75X30 U5739
23	B01523831R	RALLA 12 33 5	FIFTH WHEEL	BUTEE	UMBORDELUNG 12 33 5	RANGUA 12 33 5
24	B03400240R	INGR. Z=22-3 4 ISO CON MOZZO	GEAR Z=22-3 4 ISO WITH HUB	ENGRENAGE	ZAHNRAD Z=22-3 4 ISO MIT NAB	ENGR. Z=22-3 4 ISO CON BUJE
25	B033C0003R	CATENA GENOVESE N 10 F 1,5 12	CHAIN N 10 F 1,5 12			
26	B0C1P0949R	FASCIA CENTRALE ZINCATA PICK-UP	MIDDLE PICK-UP EXTREME ZN	BANDE CENT.GALVANISE PICK UP		
27	B00370001R	VITE TE M 8X16 A SEZ.TRILOBATA	SCREW TRE M 8X16 SEZ TROUBLED	VIS	SCHRAUBE M 8X15	TORNILLO CHEX M 8X16 A SECC. T
28	B0C4P0120R	ASTA DI REGOLAZIONE	ROD	BARRE	EINSTELLUNGSBALKEN	
29	B0C1P1791R	COMPENSO FASCIA ENTRY 9	ENTRY COMPENSATION FOR BAND 9			
30	F02200374R	COPIGLIA R 4X 82 ZN	SPRING SPLIT PIN 4X82	GOUPILLE 4X82	SPLINT 4X82	PASADOR 4X82
31	F02100122R	SPINA E.P. 6X 45 U6873 C70 BR	PIN EL. 6 X45 DIN 1481	FICHE EL. 6 X45 DIN 1481	SPANNSTIFT 6 X45 DIN 1481	CLAVIJA EL.P. 6X 45 U6873 C70
32	B07SP0265R	ATTACCO RUOTA SX	WHELL LEFT CONNECTION	ATTELAGE		
33	B07SP0266R	ATTACCO RUOTA DX	WHELL RIGHT CONNECTION	ATTELAGE		
34	B00421025R	VITE M10X1,5 X 20 U5927 8.8BR	SCREW	VIS	SCHRAUBE	
35	B07100027R	RUOTA GOM. C FUSELLO15.600 6P	RUBBER TYRE WITH AXLE 15,600 6	ROUE EN COUTCHOU	GUMMI RAD	
36	B07SP0326R	RASTRELLO PICK UP STRET.ENTRY	RAKE ENTRY 120			
37	F01020522R	VITE M12X1,75X80 U5739 8.8ZN	SCR. M12X1,75X80 U5739 8.8ZN	VIS M12X1,75X80 U5739 8.8ZN	SCHRA.M12X1,75X80 U5739 8.8ZN	TORNILLO M12X1,75X80 U5739 8
38	F01200293R	DADO M12X1,75 U5588 CL8 ZN	NUT M12X1,75 U5588 6S ZN	ECROU M12X1,75 U5588 6S ZN	MUTTER M12X1,75 U5588 6S ZN	TUERCA M12X1,75 U5588 CL8 ZN
39	B01121000R	SPINOTTO 10 ART.1370 CAT.AMA	PIN	EPINE	STIFT	
40	B0C4P0149R	ATTACCO RASTRELLO SX	ATTACHEMENT	ATTELAGE	ANSCHLUSS HARKE LINKS	
41	B0C4P0150R	ATTACCO RASTRELLO DX	ATTACHEMENT	ATTELAGE	ANSCHLUSS HARKE RECHTS	
42	F01020516R	VITE M12X1,75X45 U5739 8.8ZN	SCR. M12X1,75X45 U5739 8.8ZN	VIS M12X1,75X45 U5739 8.8 ZN	SCHARAUUBE M12X1,75X45 U5739 ZN	TORNILLO M12X1,75X45 U5739 8
43	B01516038R	RALLA 13 32 5	FIFTH WHEEL	BUTEE	SCHEIBE	RANGUA 13 32 5
44	F01230213R	DADO M12X1,75 U7474 CL8 ZN	NUT M12X1,75 U7474 6SZN	ECROU AUTOBL. M12	SELBSTSPERR.MUTTER M12	TUERCA M12X1,75 U7474 CL8 ZN
45	B033C0003R	CATENA GENOVESE N 10 F 1,5 12	CHAIN N 10 F 1,5 12			
46	B00191680R	VITE M16X 2X 80 U5737 8.8ZN	SCREW	VIS	SCHRAUBE	TORNILLO M16X 2X 80 U5737 8
47	F01410100R	ROS.M16 17X 30X 3 U6592 ZN	WASHER M16 17X30X3 U6592 ZN	RONDELLE M16 17X30X3 ZN	SCHRAUBE M16 17X 30X3 U6592 ZN	ARAND.M16 17X 30X 3 U6592 ZN
48	B00920516R	DADO M16X 1,5 D985 6S ZN	NUT M16X1,5 D985 6S ZN	ECROU	SELBSTSICHERNDE MUTTER M16-5S	TUERCA M16X 1,5 D985 6S
49	F01020256R	VITE M16X2X60 U5737 8.8ZN	SCR. M16X2X60 U5737 8.8ZN	VIS M16X 2X60 U5737 8.8 ZN	SCHRAUBE M16X2X60 U5737 8.8 ZN	TORNILLO M16X2X60 U5737 8.8Z
50	F01410100R	ROS.M16 17X 30X 3 U6592 ZN	WASHER M16 17X30X3 U6592 ZN	RONDELLE M16 17X30X3 ZN	SCHRAUBE M16 17X 30X3 U6592 ZN	ARAND.M16 17X 30X 3 U6592 ZN
51	B00920516R	DADO M16X 1,5 D985 6S ZN	NUT M16X1,5 D985 6S ZN	ECROU	SELBSTSICHERNDE MUTTER M16-5S	TUERCA M16X 1,5 D985 6S
52	BOH000119R	RUBIN. A SFER.A.P.1 4 FEMM.-F	BALL COCK	ROBINET 1 4 FEMELLE	KUGELHAHN	GRIFO DE ESFERA.A.P.1 4 HEM.-
53	BOH000150R	TUBO IDRAUL. L=2500	HYDRAULIC PIPE L=2500	TUYAU HYDRAULIQUE L=2500	HYDR. SCHLAUCH L=2500	
54	BOH6000A0R	INNESTO RAP.NV 12GAS-M	QUICK CLUTCH	EMBAYAGE	SCHNELLKUPPLUNG	ACOPLAMIENTO R P.NV 12GAS-M
55	BOH733671R	NIPPLO RID.FORO 1MM. 1 2 -1 4	NIPPLE 1 2 -1 4	NIPPEL 1 2 -1 4	NIPPEL 1 2 -1 4	NIPLE RED. ORIFICIO 1MM. 1 2 -
56	B01441415R	RONDELLA IN RAME 1 4	WASHER	RONDELLE	BEILAGSCHEIBE 1 4 13X19X1,5	ARANDELA DE COBRE 1 4
57	B01442015R	ROS. 21 X27X1,5 RAME -1 2	WASHER	RONDELLE	BEILAGSCHEIBE 1 2	ARAND.21 X27X1,5 COBRE -1



**PICK-UP STRETTO
PICK-UP NARROW**

TAV_150

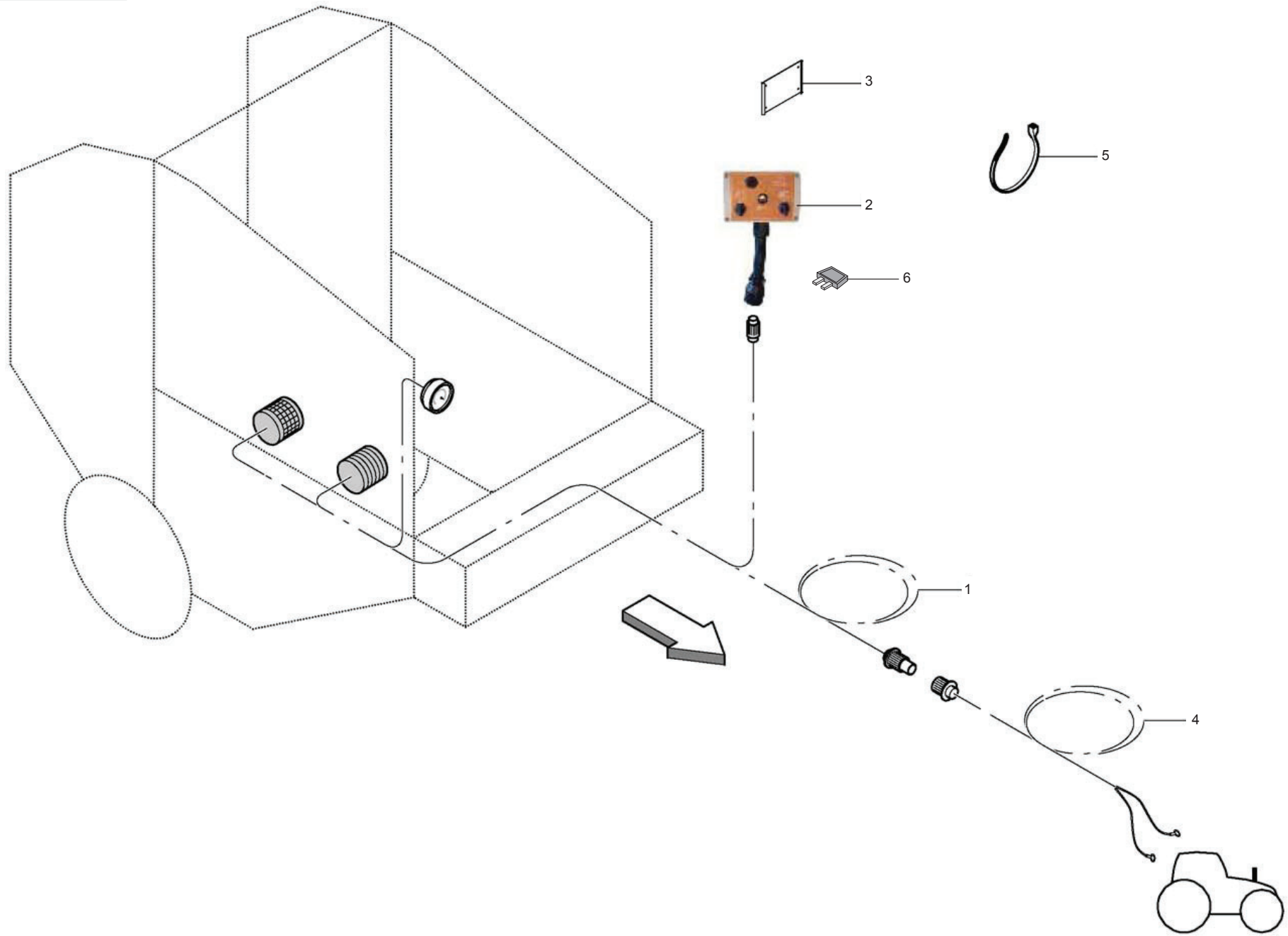
Pos.	Cod.	Descrizione	Description	Description	Benennung	Descripcion
58	BOH000286R	RACCORDO L 10 TN119-10L	CONNECTION L 10	RACCORD	ASCHLUSS L 10	
59	BOH000151R	TUBO IDRAUL. L=3000 1 4	HYDRAULIC PIPE L=3000	TUYAU HYDRAULIQUE L=3000 1 4	HYDRAULISCHES ROHR L=3000 1 4	
60	BOH400062R	MARTINETTO PICK-UP	SPRINTER PICK-UP JACK	VERIN PICK-UP SPRINTER	SPRINTER PICK-UP ZYLINDER	CILINDRO PICK-UP
61	BOH000086R	RACCORDO L 10 TN94-10LR	UNION L 10	RACCORD L 10	ANSCHLUSSTUECK L 10	RACOR L 10 TN94-10LR
62	BOH400061R	KIT GUARNIZ. MARTIN. PICK_UP	KIT JOINTS	KIT JOINTS POUR VERIN	DICHTUNGSSATZ	KIT JUNTAS CILINDRO PICK_UP
63	B0C004058R	CARTER CAMME	CAMS GUARD	CARTER CAMES	CARTER KAMM	
64	B0C004057R	CARTER TRASMISSIONE ASPO	AUGER DRIVE GUARD	CARTER TRANSMISSION ENROULEUR	CARTER ANTRIEB ASPO	
65	B00370001R	VITE TE M 8X16 A SEZ. TRILOBATA	SCREW TRE M 8X16 SEZ TROUBLED	VIS	SCHRAUBE M 8X15	TORNILLO CHEX M 8X16 A SECC. T
66	B03111063R	CAT RULLI ASA 60-1 63 MGL ISO	ROLLER CHAIN	CHAINE ROULEAUX	KETTE DER WALZEN	
67	B0C6P0300R	ATTACCO TENDITORE	ATTACHMENT	ATTELAGE	SPANNERHALTER	
68	F01040130R	VITE M10X1,5X60 U5931 8.8ZN	SCR. M10X1,5X60 U5931 8.8ZN	SCR. M10X1,5X60 U5931 8.8ZN	SCR. M10X1,5X60 U5931 8.8ZN	TORNILLO M10X1,5X60 U5931 8.8
69	B07VP0513R	TENDICATENA IN NYLON	NYLON CHAIN TIGHTENER	TENDEUR DE CHAINE EN NYLON		SENSOR DE CADENA DE NAILON
70	B0C6P0301R	SPES.	SHIM	ENTRETOISE	DICHTUNG	
71	F01020160R	VITE M12X1,75X60 U5737 8.8ZN	SCR. M12X1,75X60 U5737 8.8ZN	VIS M12X1,75X60 U5737 8.8 ZN	SCHRA.M12X1,75X60 U5737 8.8 ZN	TORNILLO M12X1,75X60 U5737 8.
72	B01421230R	ROS.M12 13X 20X2,0 U1749 ZN	WASHER	RONDELLE	SCHEIBE	ARAND.M12 13X 20X2,0 U1749
73	F01230213R	DADO M12X1,75 U7474 CL8 ZN	NUT M12X1,75 U7474 6SZN	ECROU AUTOBL. M12	SELBSTSPERR.MUTTER M12	TUERCA M12X1,75 U7474 CL8 ZN
74	B01300715R	FLANGIA SX PICK-UP	PICK-UP FLANGE	FLASQUE GAUCHE POUR PICK-UP	PICK-UP FLANSCH	BRIDA IZQ PICK-UP
75	B01700095R	ANEL. D ARR. ALB. 95-E UNI3653	SEEGER RING	BAGUE SEEGER	SEEGERRING 95-E	ANIL. DE PARAD. RB. 95-E UNI3
76	B00181015R	VITE M10X1,5 X 16 U5739 8.8ZN	SCREW	VIS	SCHRAUBE	TORNILLO M10X1,5 X 16 U5739 8
77	F01410064R	ROS.M10 10,5X 20X 2 U6592 ZN	WASHER M10 10,5X20X2 U6592 ZN	RONDEL. M10 10,5X20X2 U6592 ZN	SCHEIBE M10 10,5X20X2 U6592 ZN	ARAND.M10 10,5X 20X 2 U6592 ZN
78	B01822744R	MOLLA 49,5 SPIRE	SPRING 49,5 SPIRAL	RESSORT	FEDER	MUELLE 49,5 SPIRE
79	F01020524R	VITE M12X1,75X90 U5739 8.8ZN	SCR. M12X1,75X90 U5739 8.8ZN	SCR. M12X1,75X90 U5739 8.8ZN	SCR. M12X1,75X90 U5739 8.8ZN	TORNILLO M12X1,75X90 U5739 8
80	B01421230R	ROS.M12 13X 20X2,0 U1749 ZN	WASHER	RONDELLE	SCHEIBE	ARAND.M12 13X 20X2,0 U1749
81	F01230213R	DADO M12X1,75 U7474 CL8 ZN	NUT M12X1,75 U7474 6SZN	ECROU AUTOBL. M12	SELBSTSPERR.MUTTER M12	TUERCA M12X1,75 U7474 CL8 ZN
82	B00545168R	OCCHIOLO PER TENDITORI M12-DX	EYELET M12	OEIL M12	OSE M12	OJAL PARA TENSORES M12-DER
83	F01200293R	DADO M12X1,75 U5588 CL8 ZN	NUT M12X1,75 U5588 6S ZN	ECROU M12X1,75 U5588 6S ZN	MUTTER M12X1,75 U5588 6S ZN	TUERCA M12X1,75 U5588 CL8 ZN
84	F01230213R	DADO M12X1,75 U7474 CL8 ZN	NUT M12X1,75 U7474 6SZN	ECROU AUTOBL. M12	SELBSTSPERR.MUTTER M12	TUERCA M12X1,75 U7474 CL8 ZN
85	B01300100R	SPES. 30,3 40 0,5 ZINCATO	SHIM GALV	ENTRETOISE GALV	DISTANZSTUECK 30,3 40 0,5	ESPE. 30,3 40 0,5 CINCADO
86	B03110007R	GIUNTO MOLL.N.26 ASA60-1	SPRING JOINT N. 26 ASA 60-1	JOINT	KETTENSCHLOSS	JUNTA DE MUELLE N. 26 ASA60-1
87	B0C1P2152R	SPESSORE	SPACER			
88	F01200416R	DADO M10X1,5 U5589 CL8 ZN 6SZN	NUT M10X1,5 U5589 6SZN	ECROU 10 UNI 5589 6.8 ZN	MUTTER 10 UNI 5589 6.8 ZN	TUERCA 10 UNI 5589 6.8 ZN



**IMPIANTO IDRAULICO MACCHINA
MACHINE HYDRAULIC SYSTEM**

TAV_160

Pos.	Cod.	Descrizione	Description	Description	Benennung	Descripcion
1	F02050112R	ANELLO E.DE 30X 1,5 U7435 ZN	SEEGER RING 30X 1,5 U7435 C70	SEEGER E. 30 X 1,5 U7435 C70	SEEGERING E. 30X 1,5 U7435 C70	ANILLO E. 30 X 1,5 U7435 C70
2	B01531930R	RALLA 30-61,5-3	FIFTH WHEEL	BUTEE	LAGERSCHALE 30 61,5 3	
3	B0H400020R	MARTINETTO PORTELLONE FFC150	JACK HATCH FFC150	VERIN PORTE FF C 150	HEBEBOCK FUER DIE TUER FFC150	
4	B0H60000XR	RACCORDO L 12 SOLO CORPO	UNION L 12	RACCOR L 12	VERBINDUNGSSTUECK	
5	B0H0P0030R	TUBO IDR. L2800 PORT.LATO DX	HYDR HOSE	TUYAU HYDRAULIQUE	HYDR. ROHR L=2800 LINKS	
6	B0H0P0031R	TUBO IDR. L2300 PORT.LATO SX	HYDR HOSE	TUYAU HYDRAULIQUE	HYDR. ROHR L=2300 RECHTS	
7	B0H60000YR	RACC. I 12 SOLO COR. RASTELLI	UNION I 12	RACCORD I 12	VERBINDUNGSSTUECK I 12	
8	F01200293R	DADO M12X1,75 U5588 CL8 ZN	NUT M12X1,75 U5588 6S ZN	ECROU M12X1,75 U5588 6S ZN	MUTTER M12X1,75 U5588 6S ZN	TUERCA M12X1,75 U5588 CL8 ZN
9	B07S00179R	VITE DI REGOLAZIONE	ADJUSTMENT SCREW	VIS DE REGLAGE	REGELUNGSSCHRAUBE	
10	F01020077R	VITE M8X1,25X60 U5737 8.8ZN	SCR. M8X1,25X60 U5737 8.8ZN	VIS M8X1,25X60 U5737 8.8 ZN	SCHRAU. M8X1,25X60 U5737 8.8ZN	TORN. M8X1,25X60 U5737 8.8 ZN
11	F01410051R	ROS.M8 8,4X 17X1,6 U6592 ZN	WASHER M8 8,4X17X1,6 U6592 ZN	RONDELLE M8 8,4X17X1,6 ZN	SCHEIBE M8 8,4X17X1,6 U6592 ZN	ARAND.M8 8,4X 17X1,6 U6592 ZN
12	F01230301R	DADO M 8X1,25 UNI7474 8 ZN	DADO M 8X1,25 UNI7474 8 ZN			
13	B0C005132R	CAVALLOTTO DI FISSAGGIO	FIXING U BOLT	BOULON DE FIXAGE	U-BUEGEL	PUENTE DE FIJACI N
14	B0H000255R	TUBO CAPILLARE MINITEST	CAPILLARY HOSE	TUYAU CAPILLAIRE MINITEST	KAPILLARROEHRCHEN	TUBO CAPILAR MINITEST
15	B0H0C0022R	MANOMETRO	MANOMETER	MANOMETRE	MANOMETER	
16	B0H0P0032R	RACC DO T SPECIALE 12-12-1 4 M	SPECIAL UNION 12-12-1 4			
17	B00180670R	VITE M 6X 70-8,8 UNI 5739	SCREW TE M 6X 70-8,8 UNI 573			
18	F01410037R	ROS.M6 6,4X12,5X1,6 U6592 ZN	WASHER M6 6,4X12,5X1,6 U6592ZN	RONDEL.M6 6,4X12,5X1,6 U6592ZN	SCHEIB.M6 6,4X12,5X1,6 U6592ZN	ARAND.M6 6,4X12,5X1,6 U6592 ZN
19	B0H0P0012R	BLOCCO ROTOPRESSA TIPO O	BALER STOP TYPE O	BLOC PRESSE TYP O	HALTER FUER PRESSE TYP O	
20	B0H000100R	DIST. MASCHIO 3 8 FEMM.3 8	SPACER 3 8	ENTRETOISE MALE 3 8 FEMELLE 3	DISTANZSTUECK 3 8	
21	B0H000103R	RACCORDO O 12 TN131-12LR	FILLET 0 12	RACCORD O 12	HOHLKEHLEN ANSCHLUSSTUECK 0	RACOR O 12 TN131-12LR
22	B0H000149R	TUBO IDRAUL. L=2500	HYDRAULIC PIPE L=2500	TUYAU HYDRAULIQUE L=2500	HYDR. ROHR L=2500	
23	B01442015R	ROS. 21 X27X1,5 RAME -1 2	WASHER	RONDELLE	BEILAGSCHEIBE 1 2	ARAND.21 X27X1,5 COBRE -1
24	B0H6000A0R	INNESTO RAP.NV 12GAS-M	QUICK CLUTCH	EMBAYAGE	SCHNELLKUPPLUNG	ACOPLAMIENTO R P.NV 12GAS-M
25	B0H000153R	RACC. I 10 SOLO CORPO RASTELLI	CONNECTION	RACCORD I 10 SEULEMENT CORPS	ANSCHLUSS I 10	EMP. I 10 SOLO CUERPO MARCA RA
26	F01020436R	VITE M8X1,25X20 U5739 8.8ZN	SCR. M8X1,25X20 U5739 8.8ZN	VIS M8X1,25X 20 U5739 8.8 ZN	SCHRAUBE M8X1,25X20U5739 8.8ZN	TORNILLO M8X1,25X20 U5739 8.8
27	F01410051R	ROS.M8 8,4X 17X1,6 U6592 ZN	WASHER M8 8,4X17X1,6 U6592 ZN	RONDELLE M8 8,4X17X1,6 ZN	SCHEIBE M8 8,4X17X1,6 U6592 ZN	ARAND.M8 8,4X 17X1,6 U6592 ZN
28	B0C6P0304R	ATTACCO VALVOLA ROTOPR	ATTACHEMENT	ATTELAGE	ANSCHLUSS VENTIL	
29	F01230184R	DADO M6X1 D985 8ZN	NUT M6X1 D985 8ZN			TUERCA M6X1 D985 8
30	B0H000052R	RACCORDO T 12 TN100-12L	UNION T 12	RACCORD T 12	T-STUECK T 12	
31	B0H60000FR	RACC. I 12 RASTEL.TN126GG-12LR	UNION I 12	RACCORD I 12	VERBINDUNGSSTUECK I 12	
32	B0H60000JR	RACC T 12 TN121-12L RASTELLI	UNION T 12	RACCORD T 12	VERBINDUNGSSTUECK T 12	
33	B0H000107R	TUBO IDRAUL. NEUTRO L1800	HYDR. PIPE L=1800	TUYAU HYDRAULIQUE	HYDROSCHLAUCH L=1800	
34	B0H0P0031R	TUBO IDR. L2300 PORT.LATO SX	HYDR HOSE	TUYAU HYDRAULIQUE	HYDR. ROHR L=2300 RECHTS	
38	B01121000R	SPINOTTO 10 ART.1370 CAT.AMA	PIN	EPINE	STIFT	
39	B0C000558R	SICUREZZA PORTELLONE	SAFETY LOCK	SURETE PORTE	TUERSICHERHEITSVORICHTUNG	
40	F05150066R	FASCETTA POLYA. 9X265 NERA	CLAMP 9X265 BLACK			BANDA POLYA. 9X265 NEGRA
41	B0C3P0113R	ATTACCO MANOMETRO	MANOMETER ATTACHMENT	ATTELAGE	ANSCHLUSS MANOMETER	
42	B00470825R	VITE TTEI M 8X 25-10,9 UNBRA	SCREW	VIS	SCHRAUBE TTEI M 8X25-10,9 UNBR	TORNILLO CAB.ALLEN CON HUECO
43	F01410051R	ROS.M8 8,4X 17X1,6 U6592 ZN	WASHER M8 8,4X17X1,6 U6592 ZN	RONDELLE M8 8,4X17X1,6 ZN	SCHEIBE M8 8,4X17X1,6 U6592 ZN	ARAND.M8 8,4X 17X1,6 U6592 ZN
44	B04933201R	GUAR. H126909-28442-29644-300	GASKET H126909-28442-29644-300	JEU DE JOINTS	KIT ZYLINDERDICHTUNGEN	
45	B033C0003R	CATENA GENOVESE N 10 F 1,5 12	CHAIN N 10 F 1,5 12			

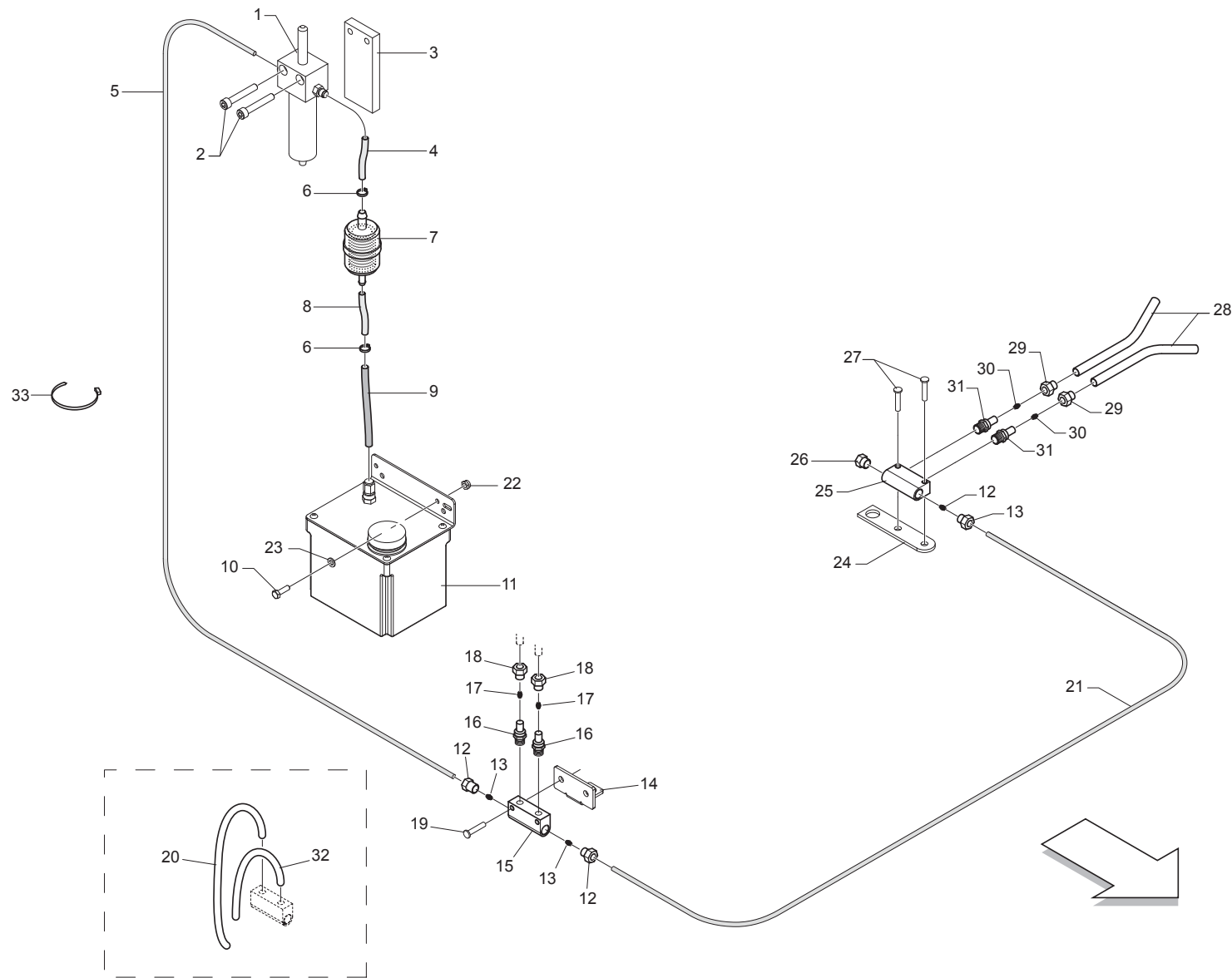


**CABLAGGIO
CONTROL SYSTEM**

TAV_170

Pos.	Cod.	Descrizione	Description	Description	Benennung	Descripcion
1	B0E0P0067R	CABLAGGIO MACCHINA	MACHINE CABLES	CABLAGE MACHINE	KABLE MASCHINE	
2	B0E0P0056R	CENTRALINA DI CONTROLLO	CONTROL BOX FFCONTROL	BOITIER FFCONTROL	BEDIENGERAET FFCONTROL	
3	B0E0P0059R	CODA DI RONDINE FEMMINA D D	D&D FEMALE DOVETAIL	QUEUE D ARONDE FEMELLE	SCHWALBENSCHWANZ	
4	B0E0P0010R	CAVO TRATTORE	TRACTOR CABLE	CABLE TRACTEUR	KABEL SCHLEPPER	CABLE DEL TRACTOR
5	F02300061R	FASCETTA POLYA. 250X4,8 NERA	POLYA.FASTENING STRAPS 250X4,8			BANDA POLYA. 250X4,8 NEGRA
6	B0E000042R	FUSIBILE A LAMA 20A COL GIALLO	20A YELLOW BLADE FUSE	FUSIBLE A LAME 20A COULEUR JAU	SICHERUNGSPLAETCHEN	

TAV_180



**IMPIANTO OLIIATURA AUTOMATICA
AUTOMATIC OILING SYSTEM**

TAV_180

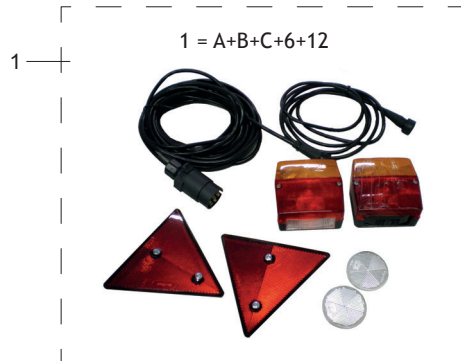
Pos.	Cod.	Descrizione	Description	Description	Benennung	Descripcion
1	BOH4P0001R	POMPA PISTONE PORT.6CCX10MM90	PUMP	POMPE	PUMPE PORT.6CCX10MM 90	
2	B00400850R	VITE M8X1,25X50 U5931 8.8BR	SCREW	VIS	SCHRAUBE M8X50.8.8	TORNILLO M8X1,25X50 U5931 8
3	B0C003928R	ATTACCO OLIATORE	LUBRICATION ATTACHMENT	ATTELAGE GRAISSEUR	SCHMIERVORRICHTUNGSBEFESTIGUNG	CONEXI N ACEITADOR
4	BOH000035R	TUBETTO IN NYLON 6	NYLON PIPE	PETIT TUBE EN NYLON 6	NYLONROEHRCHEN 6	
5	BOH000135R	TUBETTO IN NYLON 4 L=1500	NYLON PIPE 4 L=1500	PETIT TUYAU EN NYLON DIAM 4 L=	KLEINE ROEHRE IN NYLON J4 L=15	
6	BOE600026R	FASCETTA 10,4X 10,7 CE09 NORMA	CLAMP 8,8X9,3 HLS A HILLS	BANDE 8,8X9,3	MANSCHETTE 8,8X9,3 HLS A HILLS	ABRAZADERA 10,4X 10,7 CE09 NOR
7	BOH000022R	FILTRO BENZINA MAXIFISPINO	FILTER MAXIFIS	FILTRE ESSENCE	BENZINFILTER MAXIFIS	FILTRO DE LA GASOLINA MAXIFISP
8	BOH000023R	TUBETTO COLLEGAMENTO FILTRO	CONNECTION PIPE	PETIT TUBE JONCTION FILTRE	VERBINDUNGSSCHLAUCH	TUBO DE CONEXI N DEL FILTRO
9	BOH000136R	TUBETTO IN NYLON 6 L=180	NYLON PIPE 6 L=300	PETIT TUYAU EN NYLON DIAM 6 L=	KLEINE ROEHRE AUS NYLON J4 L=2	
10	F01020404R	VITE M6X1X20 U5739 8.8ZN	SCREW M6X1X20 U5739 8.8ZN	VIS M6X1X20 U5739 8.8ZN	SCHRAUBE M6X1X20 U5739 8.8ZN	TORNILLO M6X1X20 U5739 8.8ZN
11	B04800000R	SERB.NYLON PER POMPA PISTONERI	NYLON TANK PUMP PISTONERI	RESERVOIR	OELBEHAELTER	DEP S.NAILON PARA BOMBA DE RE
12	BOH600016R	RACC. X TUBO 4RIF.ILC 04.102.	UNION FOR PIPE 4RI	RACCORD POUR TUYAU DIAM 4	VERBINDUNGSTUECK FUR SCHLAUCH	EMP. X TUBO 4REF.ILC 04.102.
13	BOH600013R	DOPPI CONI PER TUBO 4	DOUBLE CONE FOR PIPE	DOUBLE CONES POUR TUYAU 4	DOPPELTER KEGEL FUER SCHLAUCH	DOBLES CONOS PARA TUBO 4
14	B0C6P0340R	ATTACCO DISTRIBUTORE	DISTRIBUTION ATTACHMENT			
15	BOH000102R	DISTRIBUTORE UNILAT. 4 VIE	UNILATERAL DISTRIBUTOR	DISTRIBUTEUR UNILATERAL 4 VOIE	EINSEITIGER VERTEILER	DISTRIBUIDOR UNILAT. 4 V AS
16	BOHE00003R	INIETTORE TIPO E	TYPE E INJECTOR	GICLEUR TYPE E	SPRITZDUESE	INYECTOR TIPO E
17	BOH600013R	DOPPI CONI PER TUBO 4	DOUBLE CONE FOR PIPE	DOUBLE CONES POUR TUYAU 4	DOPPELTER KEGEL FUER SCHLAUCH	DOBLES CONOS PARA TUBO 4
18	BOH600014R	RACCORDO INIETTORE PER TUBO 4	INJECTOR UNION FOR PIPE	RACCORD INJECTEUR POUR TUYAU D	EINSPRITZDUESENANSCHLUSS	RACOR INYECTOR PARA TUBO 4
19	B01000024R	RIVETTO A STRAPPO 6 X30 FFPR	RIVET 6 X30			
20	BOH000129R	TUBETTO IN RAME 4 L=90	COPPER PIPE 4 L=9	PETIT TUYAU EN CUIVRE DIAM. 4	KUPFER ROEHRCHEN 4 L=9	TUBO DE COBRE 4 L=90
21	BOH0P0095R	TUBETTO IN NYLON 4 L=3300	TUBE NYLON 4 L=3300			
22	F01230184R	DADO M6X1 D985 8ZN	NUT M6X1 D985 8ZN			TUERCA M6X1 D985 8
23	F01410037R	ROS.M6 6,4X12,5X1,6 U6592 ZN	WASHER M6 6,4X12,5X1,6 U6592ZN	RONDEL.M6 6,4X12,5X1,6 U6592ZN	SCHEIB.M6 6,4X12,5X1,6 U6592ZN	ARAND.M6 6,4X12,5X1,6 U6592 ZN
24	B0C6P0352R	SOSTEGNO OLIATORE	OLING SYSTEM SUPPORT			
25	BOH000102R	DISTRIBUTORE UNILAT. 4 VIE	UNILATERAL DISTRIBUTOR	DISTRIBUTEUR UNILATERAL 4 VOIE	EINSEITIGER VERTEILER	DISTRIBUIDOR UNILAT. 4 V AS
26	BOH600015R	TAPPORIF.ILC 05.001.0	PLUG	BOUCHON	STOEPSSEL	TAP REF.ILC 05.001.0
27	B01000024R	RIVETTO A STRAPPO 6 X30 FFPR	RIVET 6 X30			
28	BOH0P0023R	TUBETTO IN RAME 4 L=210	COPPER TUBE DIAM 4 L=210	PETIT TUBE EN CUIVRE DIAM 4 L=	KLEINES ROHR AUS KUPFER L=210	
29	BOH600014R	RACCORDO INIETTORE PER TUBO 4	INJECTOR UNION FOR PIPE	RACCORD INJECTEUR POUR TUYAU D	EINSPRITZDUESENANSCHLUSS	RACOR INYECTOR PARA TUBO 4
30	BOH600013R	DOPPI CONI PER TUBO 4	DOUBLE CONE FOR PIPE	DOUBLE CONES POUR TUYAU 4	DOPPELTER KEGEL FUER SCHLAUCH	DOBLES CONOS PARA TUBO 4
31	BOHE00003R	INIETTORE TIPO E	TYPE E INJECTOR	GICLEUR TYPE E	SPRITZDUESE	INYECTOR TIPO E
32	BOH0P0022R	TUBETTO IN RAME 4 L=60	COPPER TUBE DIAM 4 L=60	PETIT TUBE EN CUIVRE DIAM 4 L=	KLEINES ROHR AUS KUPFER L=60	
33	F05150055R	FASCETTA POLYA. 3,6X200 NERA	WHITE BAND	BANDE BIANCHE	WEIBE BAND	BANDA POLYA. 3,6X200 NEGRA

TAV_190

**SOLO per ITALIA
ONLY for ITALY**

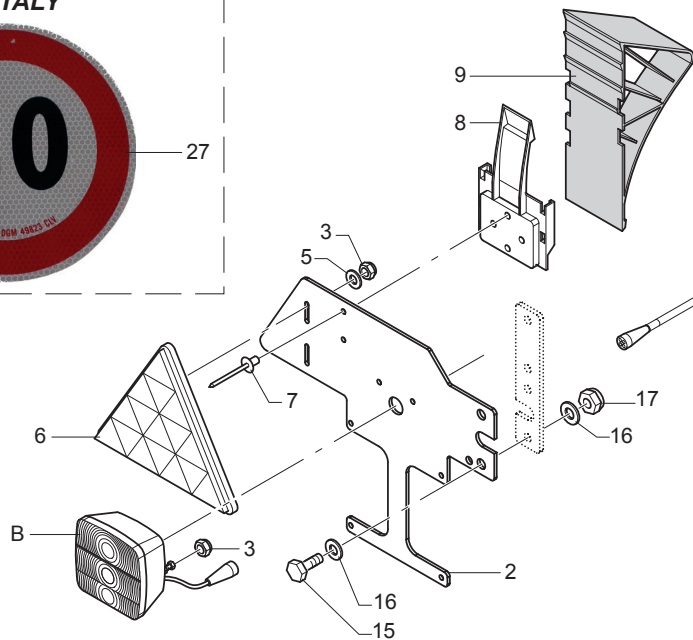


27



1

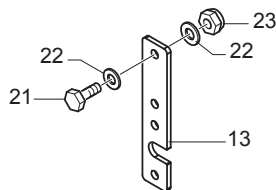
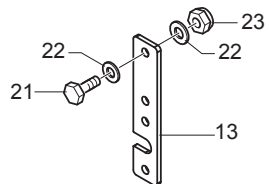
1 = A+B+C+6+12



**P21W
12V-21W**

**C5W
SE 12V-5W**

**SOLO per GERMANIA
ONLY for GERMANY**



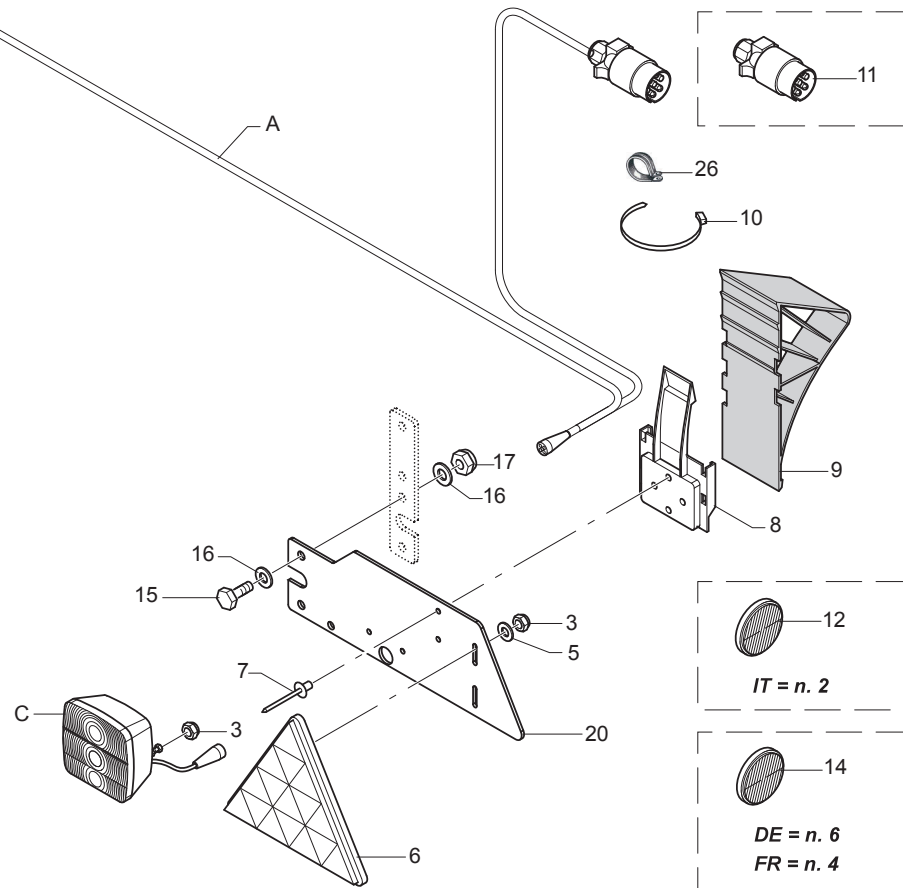
**SOLO per FRANCIA
ONLY for FRANCE**



25



24



12

IT = n. 2

14




DE = n. 6
FR = n. 4

**IMPIANTO LUCI + CUNEI
LIGHTS PLANT + WHEELS CHOCKS**


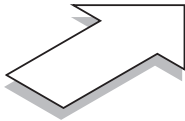
TAV_190

Pos.	Cod.	Descrizione	Description	Description	Benennung	Descripcion
1	B0E0P0175R	GRUPPO LUCI ROTOPRESSA ENTRY	KIT LIGHTS			
2	B0C4P0143R	SOSTEGNO FANALE SX	SUPPORT	SUPPORT	BELEUCHTUNGHALTER LINKS	
3	B00920005R	DADO AUTOB.BASSO M 5-5S DIN985	NUT	ECROU	SELBSTSICHERNDE MUTTER M5-5S	TUERCA AUTOB.BAJA M 5-5S DIN98
5	F01420023R	ROS.M5 5,3X 15X1,5 U6593 ZN	WASHER M5 5,3X 15X1,5 U6593			ARAND.M5 5,3X 15X1,5 U6593
6	B0E000025R	CATADIOTRO TRIANGOLARE ROSSO	RED TRIANGULAR RETROREFLECTOR	CATADIOPTRE TRIANGULAIRE ROUGE	DREIECKIGER ROTER RUECKSTRAHLE	CATADI PTRICO TRIANGULAR ROJO
7	B01000011R	RIVETTO STR. 6X12 U9200A AL	RIVET 6X12 U9200A AL	RIVET	ABREISSNIETEN 6X15	REMACHE EXTR. 6X12 U9200A A
8	F02250717R	SUPPORTO CUNEO PLA	SUPPORT WEDGE PLA			SOPORTE DE CU A PLA
9	F02250716R	CUNEO FERMO MACCHINA PLA	WEDGE STOP MACHINE PLA			
10	F05150055R	FASCETTA POLYA. 3,6X200 NERA	WHITE BAND	BANDE BIANCHE	WEIBE BAND	BANDA POLYA. 3,6X200 NEGRA
11	B0E0P0189R	SPINA A 7 POLI 12V VST_018	PLUG			
12	B0E0P0173R	CATADIOTRO ROTONDO BIANCO	WHITE ROUND RETROREFLECTOR	CATADIOPTRE ROND BLANC	RUNDER WEISSER RUECKSTRAHLER	
13	B0C6P0835R	PIASTRA ABBASSAMENTO FANALI	LOWER PLATE LIGHTS			
14	B0E0P0174R	CATADIOT.ROTONDO ARANC ADESIVO	REFLECTOR ROUND			
15	F01020476R	VITE M10X1,5X30 U5739 8.8ZN	SCR. M10X1,5X30 U5739 8.8ZN	VIS M10X1,5X30 U5739 8.8 ZN	SCHRAUBE M10X1,5X30U5739 8.8ZN	TORNILLO M10X1,5X30 U5739 8.8
16	F01410064R	ROS.M10 10,5X 20X 2 U6592 ZN	WASHER M10 10,5X20X2 U6592 ZN	RONDEL. M10 10,5X20X2 U6592 ZN	SCHEIBE M10 10,5X20X2 U6592 ZN	ARAND.M10 10,5X 20X 2 U6592 ZN
17	F01230202R	DADO M10X 1,5 D985 8 ZN	NUT M10 D985	ECROU AUTOBL. M10	SELBSTSPERR.MUTTER M10	TUERCA M10X 1,5 D985 8
20	B0C4P0144R	SOSTEGNO FANALE DX	SUPPORT	SUPPORT	BELEUCHTUNGHALTER RECHTS	
21	F01020476R	VITE M10X1,5X30 U5739 8.8ZN	SCR. M10X1,5X30 U5739 8.8ZN	VIS M10X1,5X30 U5739 8.8 ZN	SCHRAUBE M10X1,5X30U5739 8.8ZN	TORNILLO M10X1,5X30 U5739 8.8
22	F01410064R	ROS.M10 10,5X 20X 2 U6592 ZN	WASHER M10 10,5X20X2 U6592 ZN	RONDEL. M10 10,5X20X2 U6592 ZN	SCHEIBE M10 10,5X20X2 U6592 ZN	ARAND.M10 10,5X 20X 2 U6592 ZN
23	F01230202R	DADO M10X 1,5 D985 8 ZN	NUT M10 D985	ECROU AUTOBL. M10	SELBSTSPERR.MUTTER M10	TUERCA M10X 1,5 D985 8
24	B075P0236R	DECAL VEL.40 GERMANIA	DECAL VELOCITY 40 GERMANY			
25	B075P0146R	ET VELOCITA 40	DECAL SPEED 40	DECAL VELOCITE 40	AUFKLEBER GESCHWINDIGKEIT 40	
26	F02300073R	MORS.FERMATUB. D. 8-W1 FG 8 20	TUBE CLAMP			
27	F20030261R	ETICH. LIMITE VELOCITA 40	SPEED LIMIT 40 LABEL			ETIQ. L MITE VELOCIDAD 40

**SOLO per SPAGNA
ONLY for SPAIN**

-  **P21W**
-  **12V-21W**
-  **C5W**
- SE 12V-5W**

1 = A+B+C+6

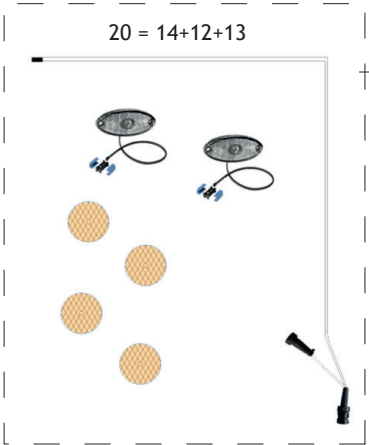
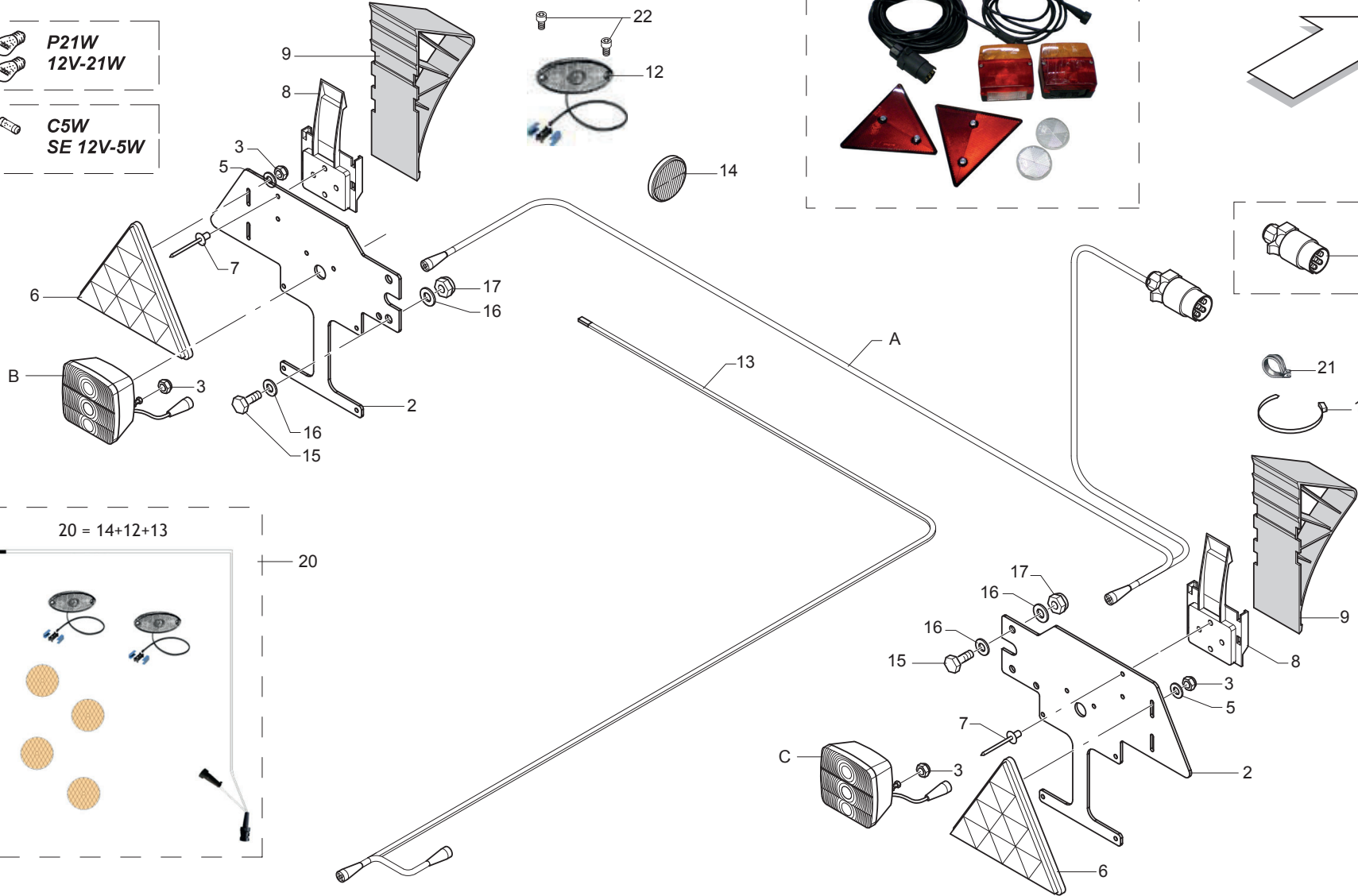



11

21

10

20 = 14+12+13

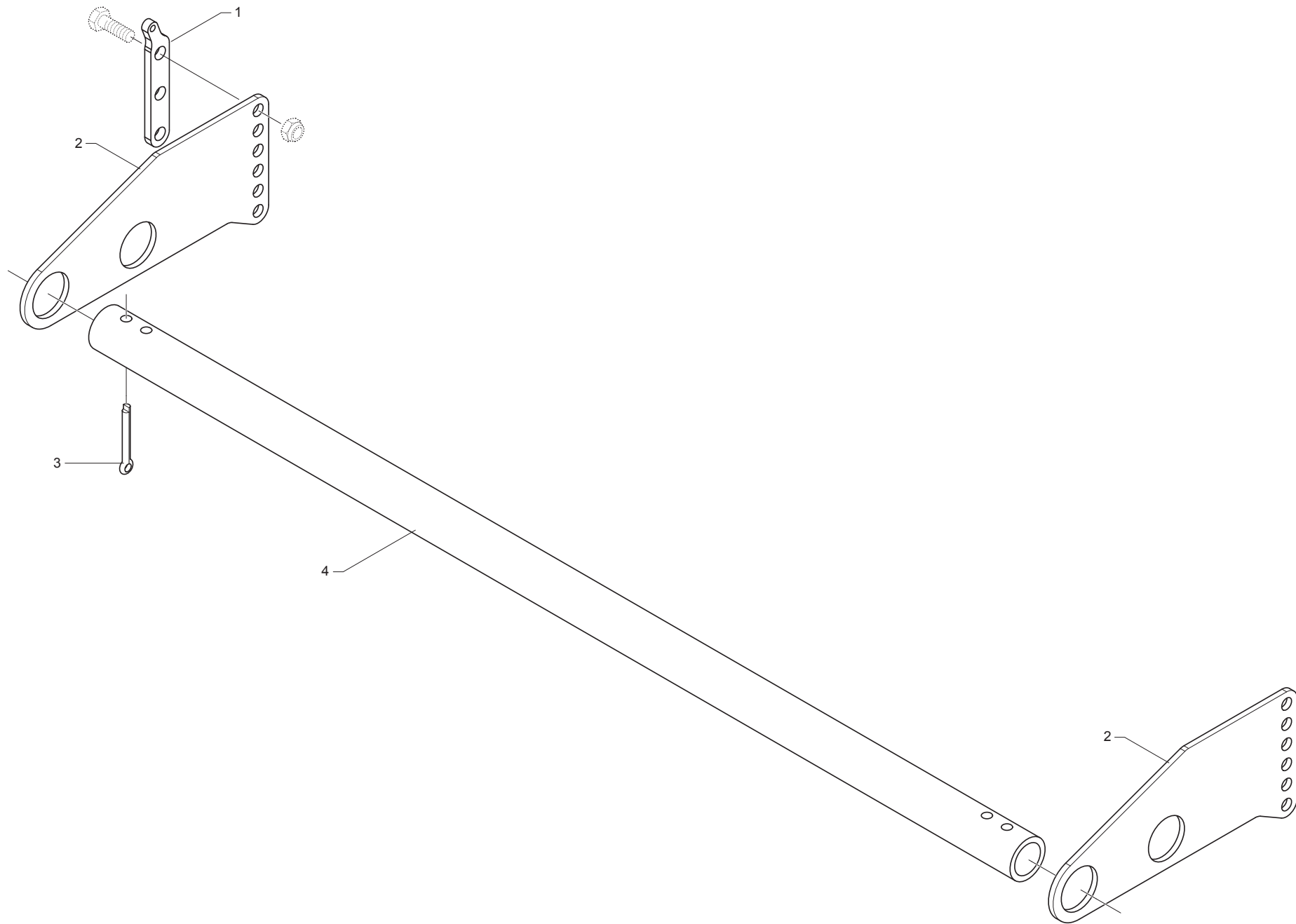



**IMPIANTO LUCI - SOLO SPAGNA
LIGHTS PLANT - ONLY SPAIN**

TAV_200

Pos.	Cod.	Descrizione	Description	Description	Benennung	Descripcion
1	B0E0P0175R	GRUPPO LUCI ROTOPRESSA ENTRY	KIT LIGHTS			
2	B0C4P0143R	SOSTEGNO FANALE SX	SUPPORT	SUPPORT	BELEUCHTUNGHALTER LINKS	
3	B00920005R	DADO AUTOB.BASSO M 5-5S DIN985	NUT	ECROU	SELBSTSICHERNDE MUTTER M5-5S	TUERCA AUTOB.BAJA M 5-5S DIN98
5	F01420023R	ROS.M5 5,3X 15X1,5 U6593 ZN	WASHER M5 5,3X 15X1,5 U6593			ARAND.M5 5,3X 15X1,5 U6593
6	B0E000025R	CATADIOTRO TRIANGOLARE ROSSO	RED TRIANGULAR RETROREFLECTOR	CATADIOPTRE TRIANGULAIRE ROUGE	DREIECKIGER ROTER RUECKSTRAHLE	CATADI PTRICO TRIANGULAR ROJO
7	B01000011R	RIVETTO STR. 6X12 U9200A AL	RIVET 6X12 U9200A AL	RIVET	ABREISSNIETEN 6X15	REMACHE EXTR. 6X12 U9200AA
8	B07V00071R	SOSTEGNO CUNEO TIPO HA10K	CHOCK SUPPORT TYPE HA10K	SUPPORT COIN HA10K	KEILHALTERUNG HA10K	SOPORTE DE CU A PLA
9	B07V00070R	CUNEO D ARRESTO TIPO UK20K	WHEEL CHOCK	COIN D ARRET UK10K	UNTERLEGEKEIL	CU A DE PARADA TIPO UK20K
10	F05150055R	FASCETTA POLYA. 3,6X200 NERA	WHITE BAND	BANDE BIANCHE	WEIBE BAND	BANDA POLYA. 3,6X200 NEGRA
11	B0E0P0189R	SPINA A 7 POLI 12V VST_018	PLUG			
12	B0E0P0192R	FLETPOINT CAVO	CABLE FLETPOINT			
13	B0E0P0191R	CAVO QUADRO 2X0,75 6 MT	CABLE FRAMEWORK 2X0,75 6 MT			
14	B0E0P0174R	CATADIOT.ROTONDO ARANC ADESIVO	REFLECTOR ROUND			
15	F01020476R	VITE M10X1,5X30 U5739 8.8ZN	SCR. M10X1,5X30 U5739 8.8ZN	VIS M10X1,5X30 U5739 8.8 ZN	SCHRAUBE M10X1,5X30U5739 8.8ZN	TORNILLO M10X1,5X30 U5739 8.8
16	F01410064R	ROS.M10 10,5X 20X 2 U6592 ZN	WASHER M10 10,5X20X2 U6592 ZN	RONDEL. M10 10,5X20X2 U6592 ZN	SCHEIBE M10 10,5X20X2 U6592 ZN	ARAND.M10 10,5X 20X 2 U6592 ZN
17	F01230202R	DADO M10X 1,5 D985 8 ZN	NUT M10 D985	ECROU AUTOBL. M10	SELBSTSPERR.MUTTER M10	TUERCA M10X 1,5 D985 8
20	B0E0P0159R	LUCI ADATTATORE ENTRY SPAGNA	LIGHTS ADAPTER			
21	F02300073R	MORS.FERMATUB. D. 8-W1 FG 8 20	TUBE CLAMP			
22	B003E0535R	VITE ZINC.TCI M 5X35-4.8 U6107	SCREW			

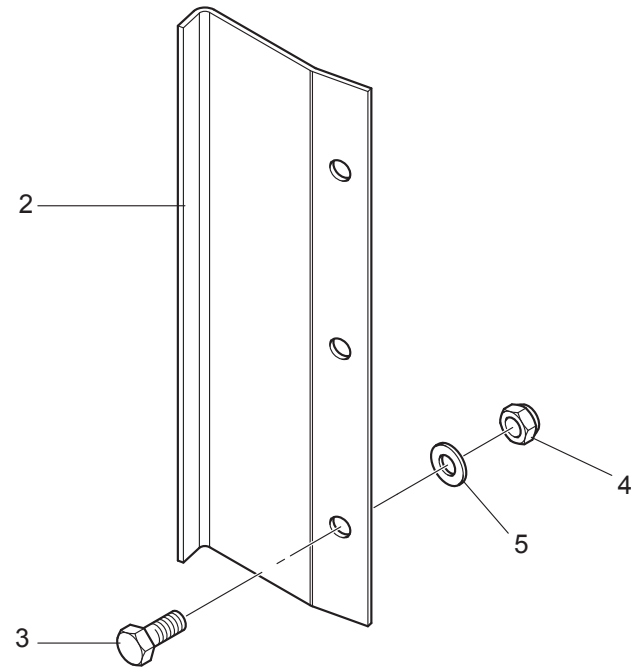
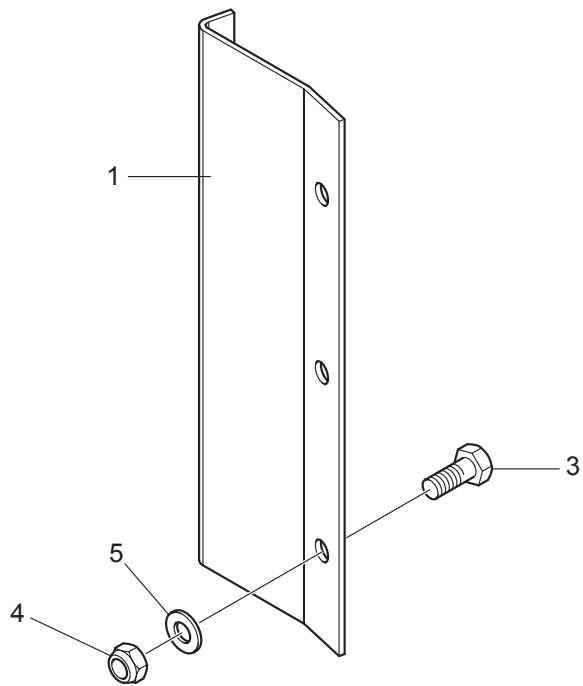
TAV_210



**ALLONTANATORE BALLA
EJECTOR**

TAV_210

Pos.	Cod.	Descrizione	Description	Description	Benennung	Descripcion
1	B0C1P2507R	STAFFA CAVO E DISTANZIALE	BRACKET CABLE AND SPACER			
2	B0C4P0115R	ATTACCO PER ALLONTANATORE	BALE EJECTOR ATTACHMENT			
3	B01150880R	COPIGLIA ZINC. 8 X 80 UNI1336	GALV PIN 8 X 80 UNI1336			
4	B0C000926R	TUBO ALLONTANATORE	MOVER AWAY PIPE	TUYAU DE RENVOIE	ROHR	

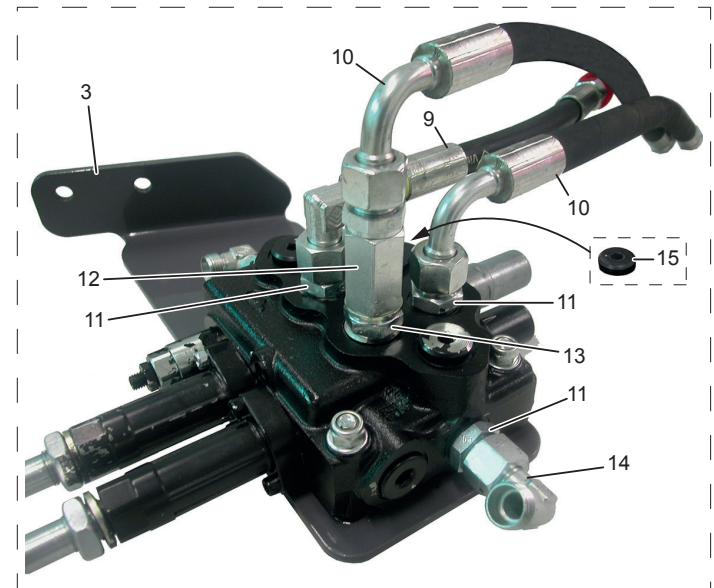
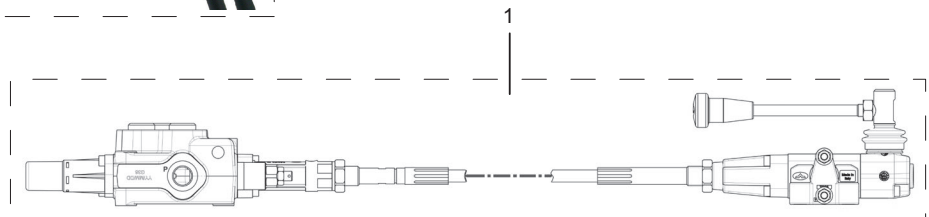
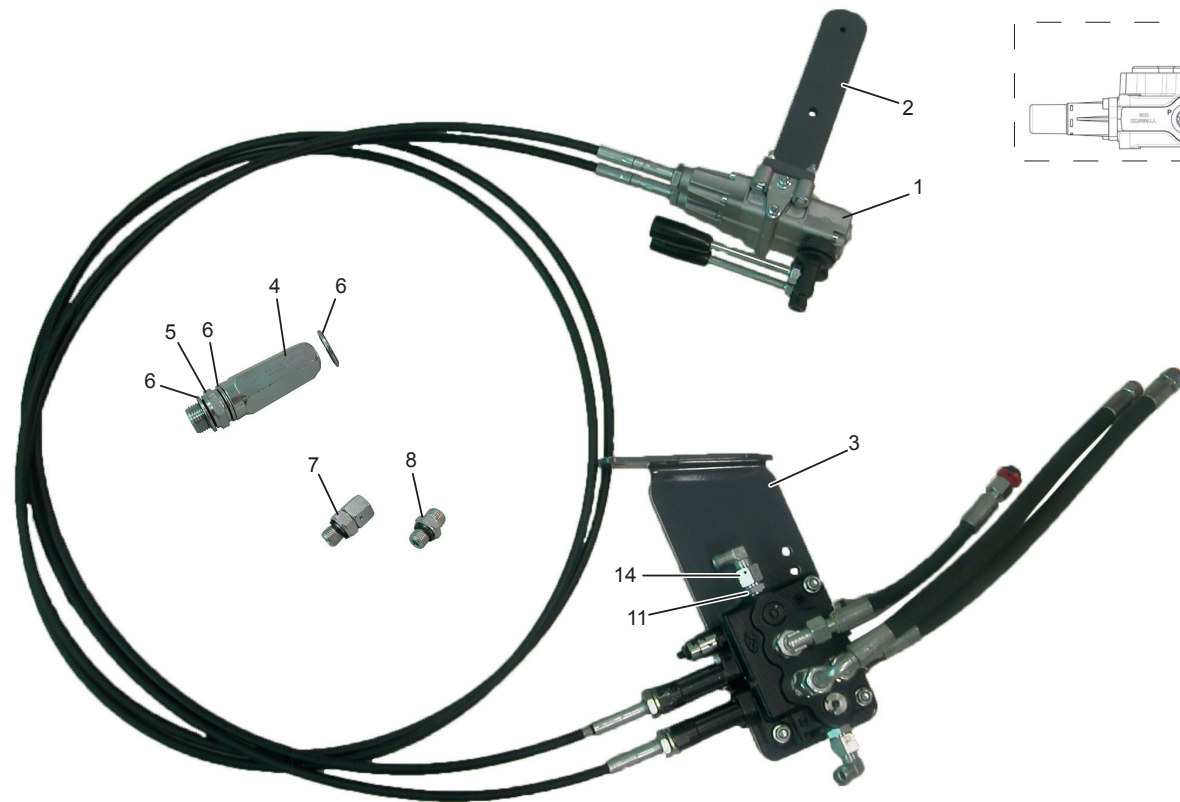
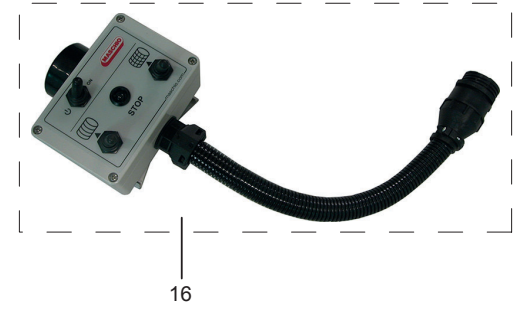
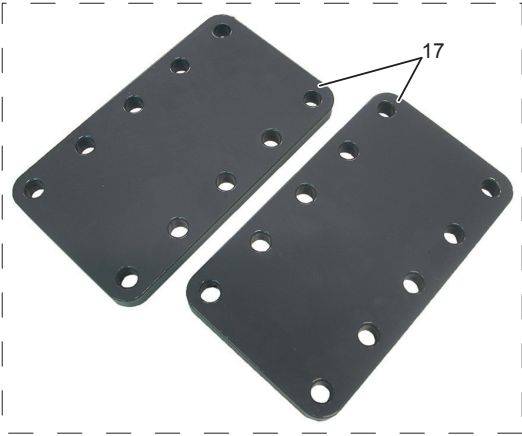


**KIT ESTRATTORE BALLA
EXTRACTOR**

TAV_220

Pos.	Cod.	Descrizione	Description	Description	Benennung	Descripcion
1	B0C001315R	ESTRATTORE	EXTRACTOR	EXTRACTEUR POUR FF50	FOERDERER FUER FF50	
2	B0C001315R	ESTRATTORE	EXTRACTOR	EXTRACTEUR POUR FF50	FOERDERER FUER FF50	
3	F01020472R	VITE M10X1,5X25 U5739 8.8ZN	SCR. M10X1,5X25 U5739 8.8ZN	VIS M10X1,5X25 U5739 8.8 ZN	SCHRAUBE M10X1,5X25 U5739 8.8	TORNILLO M10X1,5X25 U5739 8.8
4	F01230202R	DADO M10X 1,5 D985 8 ZN	NUT M10 D985	ECROU AUTOBL. M10	SELBSTSPERR.MUTTER M10	TUERCA M10X 1,5 D985 8
5	F01410064R	ROS.M10 10,5X 20X 2 U6592 ZN	WASHER M10 10,5X20X2 U6592 ZN	RONDEL. M10 10,5X20X2 U6592 ZN	SCHEIBE M10 10,5X20X2 U6592 ZN	ARAND.M10 10,5X 20X 2 U6592 ZN

TAV_280



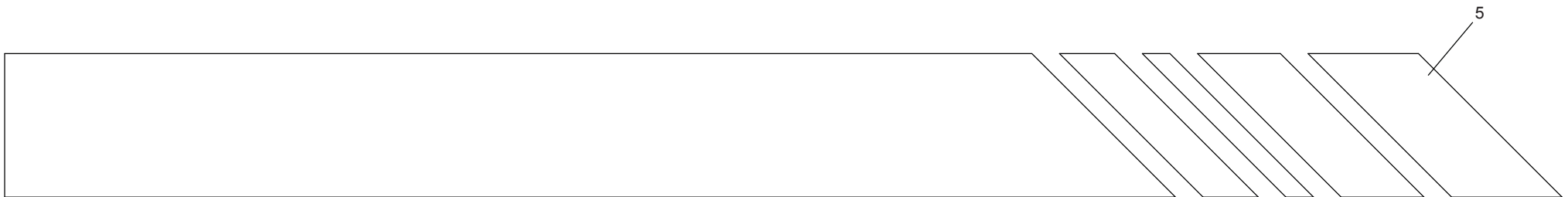
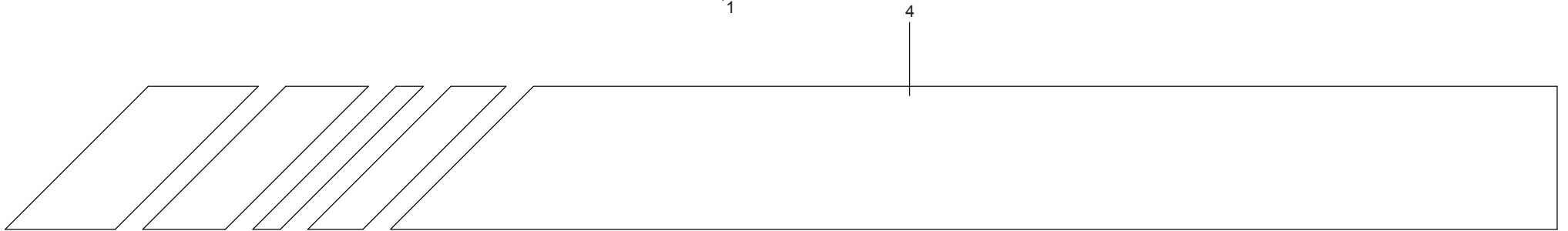
**KIT EGITTO
EGYPT KIT**

TAV_280

Pos.	Cod.	Descrizione	Description	Description	Benennung	Descripcion
1	F03156307R	DISTRIBUTORE SD5 2 ENTRY	DISTRIBUTOR SD5 2 ENTRY			
2	B0C1P1687R	PIASTRA SUPPORTO TELECOMANDO S	PLATE SUPPORT REMOTE CONTROL			
3	B0C1P1569R	PIASTRA SUPPORTO SD5 2	PLATE SUPPORT SD5 2			
4	F03150576R	VALVOLA UNID.IN LINEA 1 2	UNIDIRECTIONAL VALVE 1 2	SOUPAPE UNIDIRECTIONNELLE 1 2	SPERVENTIL 1 2	V LVULA UNIDIRECCIONAL 1 2
5	F03150255R	NIPPLO MASCH.CIL.1 2-1 2 ZN	NIPPLE M. CYL. 1 2-1 2 ZN	NIPLE M. CYL. 1 2 - 1 2 ZN	NIPLE F. ZYL. 1 2-1 2 ZN	NIPLE M. CIL. 1 2 - 1 2 ZN
6	F03020103R	RONDELLA BONDED AUTOCENT 1 2	AUTOCENT BONDED WASHER 1 2	RONDELLE BONDED AUTOCENT 1 2	SCHEIBE BONDED AUTOCENT 1 2	ARANDELA BONDED 1 2
7	F03080097R	NIPPLO M1 4 SEAL FL10 ZN	NIPPLE M1 4 SEAL FL10			
8	F03080082R	NIPPLO M1 4 SEAL ML10 ZN	NIPPLE M1 4 SEAL ML10 ZN			
9	F03051046R	T 1 4 2SN FD10L F9012L L=220	TUB.1 4 2SN FD10L F9012L L=220			
10	F03051047R	T 3 8 2SN FD12L F9012L L=500	TUB.3 8 2SN FD12L F9012L L=500			
11	F03080001R	NIPPLO M3 8 SEAL ML12 ZN	NIPPLE M3 8 SEAL ML12 ZN	NIPLE M3 8 SEAL ML12 ZN	NIPPEL M3 8 SEAL ML12 ZN	NIPLE M3 8 SEAL ML12 ZN
12	F03080397R	ADATT. F3 8 ML12 L32,5 ZN	ADAPT.F3 8 ML12 L32,5 ZN			
13	F03150387R	NIPPLO MM CIL-CIL 3 8-3 8 ZN	NIPLE MM CIL-CIL 3 8-3 8 ZN	NIPLE 3 8 GAS	NIPLE 3 8 GAS	NIPLE 3 8 GAS
14	F03080062R	RACC.L FL12 ML12 ZN	L-UNION FL12 ML12 ZN	RACCORD L FL12 ML12 ZN	ANSCHLUSST. L FL12 ML12 ZN	UNION L FL12 ML12 ZN
15	F03150755R	TAPPO CIL.TCEI 3 8 G DIN 908	COVER TAP TCEI 3 8 G DIN 908			
16	F05011943R	ASSY MONITOR ENTRY SIREN	ASSY MONITOR ENTRY SIREN			
17	B0C1P1415R	FLANGIA PER MOZZI ENTRY	FLANGE FOR HUBS ENTRY			



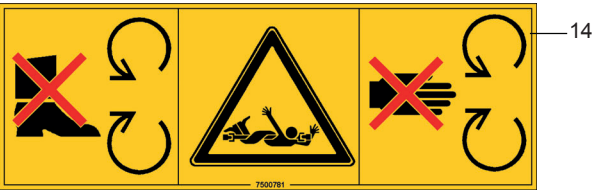
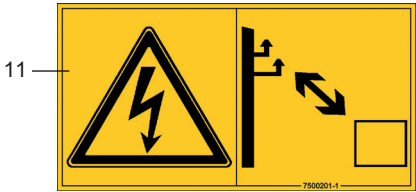
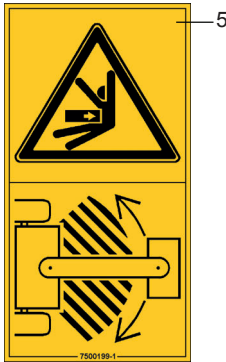
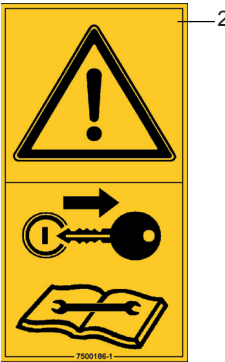
2— ENTRY
3— 150



DECAL "LOGO"
DECAL "LOGO"

TAV_230

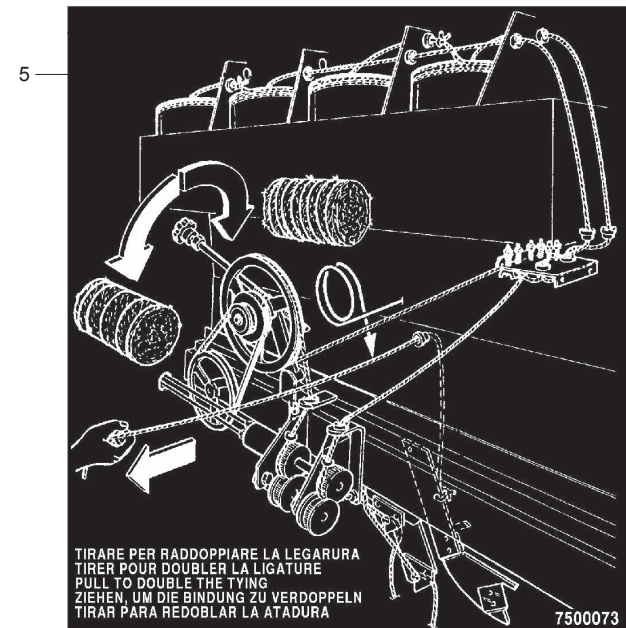
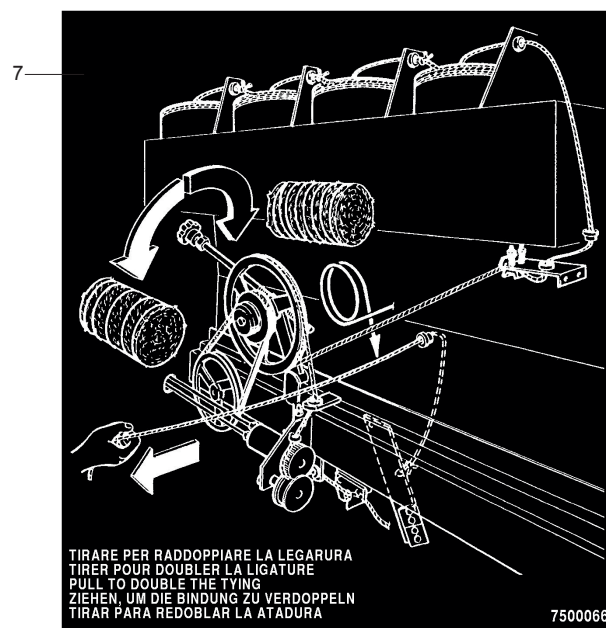
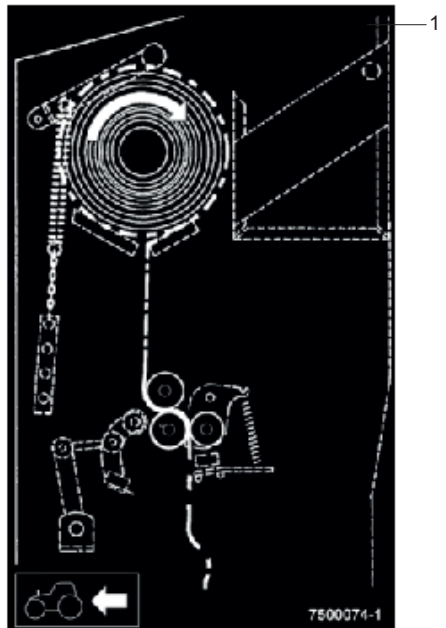
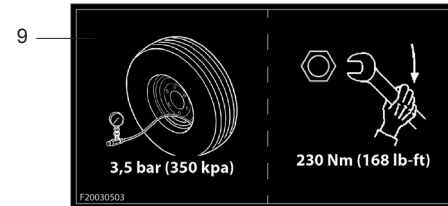
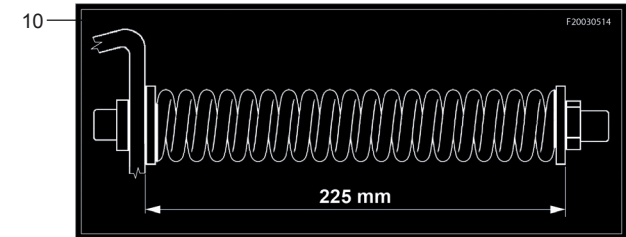
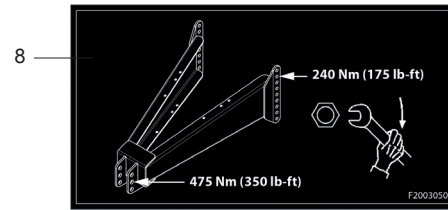
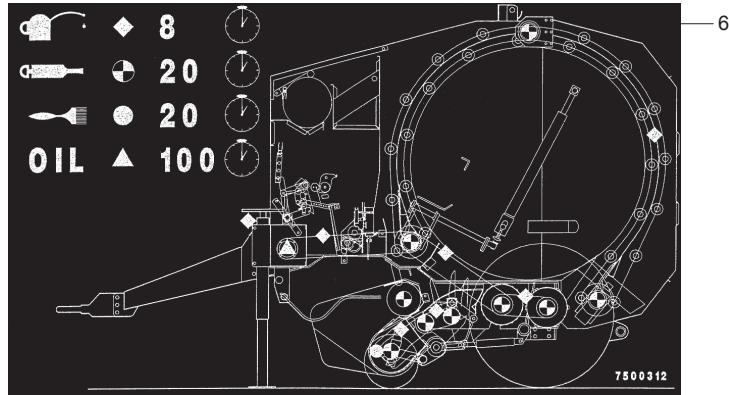
Pos.	Cod.	Descrizione	Description	Description	Benennung	Descripcion
1	F20010505R	ETICH.ID.MASCHIO578X193 BIANCO	ID LABEL MASCHIO 578X193 WHITE			
2	F20020602R	DECAL. ENTRY	LABEL ENTRY			
3	F20020589R	ETICHETTA 150	DECAL. 150			
4	F20020575R	DECAL. FASCIA DX ENTRY 150	DECAL.BAND RH ENTRY 150			
5	F20020576R	DECAL. FASCIA DX ENTRY 150	DECAL.BAND LF ENTRY 150			



DECAL "CE"
DECAL "CE"

TAV_240

Pos.	Cod.	Descrizione	Description	Description	Benennung	Descripcion
1	B07500185R	ET CONSULT IL LIBRETTO OP.	DECAL SEE OPERATOR S MANUAL	DECAL LIRE LE LIVRE OPERATEU	AUFKLEBE BUCH ANSCHLAGEN	ET CONSULT EL MANUAL OP.
2	B07500186R	ET TOGLIERE LA CHIAVE...	DECAL TAKE THE WRENCH AWAY	DECAL CHASSER LA CLEF	AUFKLEBE SCHLUSSEL ZIEHEN	ET QUITAR LA LLAVE...
3	B07500208R	ET MANO-OLIO SOTTO PRESSIONE	DECAL OIL UNDER PRESSURE HAND	DECAL MAIN-HUILE SOUS PRESSIO	AUFKLEBE HAND-OEL	ET MANO-ACEITE BAJO PRESI N
4	B07500187R	ET 540 GIRI - RICC SX NORMA	DECAL 540RPM - LEFT BURR	DECAL 540 T H-SENS DE ROTATIO	AUFKLEBE 540 RPM	ET 540 REVOLUCIONES -SENTIDO
5	B07500199R	ET PERSONA SCHIACC.-ZONA	DECAL SQUEEZED PERSON	DEECAL PERSONNE ECRASEE -ZONE	AUFKLEBE GEQUETSCHER MANN	ET PERSONA PLASTADO-ZONA
6	B07500203R	ET TAGLIO MANO-STOP NORMA CEE	DECAL HAND CUT _ STOP	DECAL COUPE MAINE - STOP	AUFKLEBE HANDSCHNITT - HALT	ET CORTE MANO-STOP NORMA CE
7	B07500221R	ET PIEDE TAGLI-STARE DISTANTE	WARNING CUT FEET DECAL	DECAL PIED COUPE	AUFKLEBE GESCHNITTER FUSS	ET PIE CORTES MANTENERSE ALE
8	B07500207R	ET PERSONA INTRAPP. PICK-UP	TRAPPED MAN DECAL	DECAL PERSONNE PIEGEE-PICK-UP	AUFKLEBE GEFANGTENER MANN	ET PERSONA ATRAPADA PICK-UP
9	B07500198R	ET PERSONA SCHIAC-SOTTO PORTE	SQUEEZED MAN DECAL	DECAL PERSONNE ECRASE -SOUS	AUFKLEBE GEQUETSCHER MANN	ET PERSONA APLASTADO-BAJO P
11	B07500201R	ET SCOSSA ELETTR NORMA CEE	ELECTRIC SHOCK DECAL	DECAL SECOUSSE ELECTRIQUE	AUFKLEBER STROMSTOSS	ET DESCARGA EL CTRICA NORMA
12	B07500212R	ET PERSONA SCHIACC-BALLA NORM	SQUEEZED MAN-BALE DECAL	DECAL PERSONNE ECRASEE -BALLE	AUFKLEBER GEQUERSCHTER MANN	ET PERSONA APLASTADA BALA NO
13	B07500197R	ET PERSONA SCHIACC-PRES MURO	SQUEEZED MAN DECAL	DECAL PERSONNE RCRASE -PRES	AUFKLEBER GEQUETSCHER MANN	ET PERSONA APLASTADO-TOMA P
14	B07500781R	ET PERICOLO CARDANO	DANGER PTO SHAFT DECAL	DECAL DANGER CARDAN	ABZIEHBILD GEFAHR GELENKWELLE	ET PELIGRO CARD N
15	B07500194R	ET PERSONA SCHIACC.-BLOCC.	SQUEEZED MAN DECAL	DECAL PERSONNE ECRASE BLOCEG	AUFKLEBE GEQUETSCHTER MANN	
16	B07500320R	ET TAGLIO MANO - SOSTEGNO	HAND CUT DECAL	AUTOCOL. COUPAGE MANUEL SUPPO	AUFKLEBE HANDSCHNITT	



**DECAL "ISTRUZIONE"
DECAL "INSTRUCTION"**

TAV_250

Pos.	Cod.	Descrizione	Description	Description	Benennung	Descripcion
1	B07500074R	ET LEGATORE A RETE	NET WRAP DECAL	AUTOCOL. KIT DE LIAGE FILET	AUFKLEBE VERBINDER	
2	B07500217R	ET NON USARE GETTI..	DECAL DO NOT USE SPOUTS	DECAL NE PAS USER JETS	AUFKLEBE KEINE STRAHL BENUTZE	ET NO USAR CHORROS.
3	B07500214R	ET POMPETTA GRASSO	DECAL GREASE SQUIRT	DECAL PETITE POMPE GRAISSE	AUFKLEBE OELKAENNCHEN	ET BOMBA DE GRASA
4	B07500216R	ET GANCIO	DECAL HOOK	DECAL CROC	AUFKLEBE HACKEN	ET GANCHO
5	B07500073R	ET LEGATORE 2 FILI	TWIN TWINE TYING SYSTEM DECAL	AUTOCOL. KIT DE LIAGE 2 FICEL	AUFKLEBE VERBINDER	
6	B07500312R	ET PUNTI DI LUBRIFICAZ	LUBRICATION POINTS DECAL	AUTOCOL. POINTS DE GRAISSAGE	AUFKLEBE SCHMIERSTELLEN	
7	B07500066R	ET LEGATORE 1 FILO FF20-50	1 WIRE TYING SYSTEM DECAL	AUTOCOL. KIT DE LIAGE 1 FICEL	AUFKLEBE VERBINDER	
8	F20030508R	DECAL COPPIA SERRAG.TIM. ENTRY	DEC.TIGHTENING TORQUE DRAWBAR			
9	F20030503R	DECAL PNEUMATICI 3,5 BAR 230NM	DECAL TIRE 3,5 BAR 230NM			DECAL NEUM TICOS 3,5 BAR 230NM
10	F20030514R	DEC.REGOLAZ.TENS.MOLLA CATENAR	DEC. REG.CATENARY SPRING TENS.			

**USATE SEMPRE RICAMBI ORIGINALI
ALWAYS USE ORIGINAL SPARE PARTS
IMMER DIE ORIGINAL-ERSATZTEILE VERWENDEN
EMPLOYEZ TOUJOURS LES PIECES DE RECHANGE ORIGINALES
UTILIZAR SIEMPRE REPUESTOS ORIGINALES**



**Servizio Assistenza Tecnica - After Sales Service
Servizio Ricambi - Spare Parts Service**



maschio.com

DEALER:



MASCHIO Fienagione S.p.A.
Sede legale Cremona
Via Bredina, 6 - 26100 Cremona (Italy)
Tel. +39 0372 564610
Fax +39 0372 564625
info@maschio.com

ООО МАСКИО-ГАСПАРДО РУССИЯ
404130, ВОЛЖСКИЙ,
ВОЛГОГРАДСКАЯ обл.,
УЛ. ПУШКИНА, 117 Б., РОССИЯ
TEL. +7 8443 203100
FAX +7 8443 203101
info@maschio.ru

MASCHIO GASPARDO Poland sp z.o.o.
Ul. Wapienna 6/8 - 87 – 100 Torun Poland
Tel. +48 56 6506051
Fax +48 56 6506053
www.gaspardo.pl

MASCHIO FRANCE Sarl
1, Rue de Mérignan ZA
F - 45240 La Ferte St. Aubin
France
Tel. +33 (0) 2.38.64.12.12
Fax +33 (0) 2.38.64.66.79
info@maschio.fr

MASCHIO-GASPARDO ROMANIA S.R.L.
Strada Înfrățirii, F.N.
315100 Chisineu-Cris (Arad) - România
Tel. +40 257 307030
Fax +40 257 307040
info@maschio.ro

MASCHIO GASPARDO NORTH AMERICA, Inc.
112 3rd Avenue East
Dewitt IA 52742 - USA
Tel. +1 563 6596400
Fax +1 563 6596405
info@maschio.us

MASCHIO IBERICA S.L.
MASCHIO DEUTSCHLAND GMBH
MASCHIO-GASPARDO UCRAINA
GASPARDO-MASCHIO TURCHIA
MASCHIO-GASPARDO CINA
MASCHIO-GASPARDO INDIA