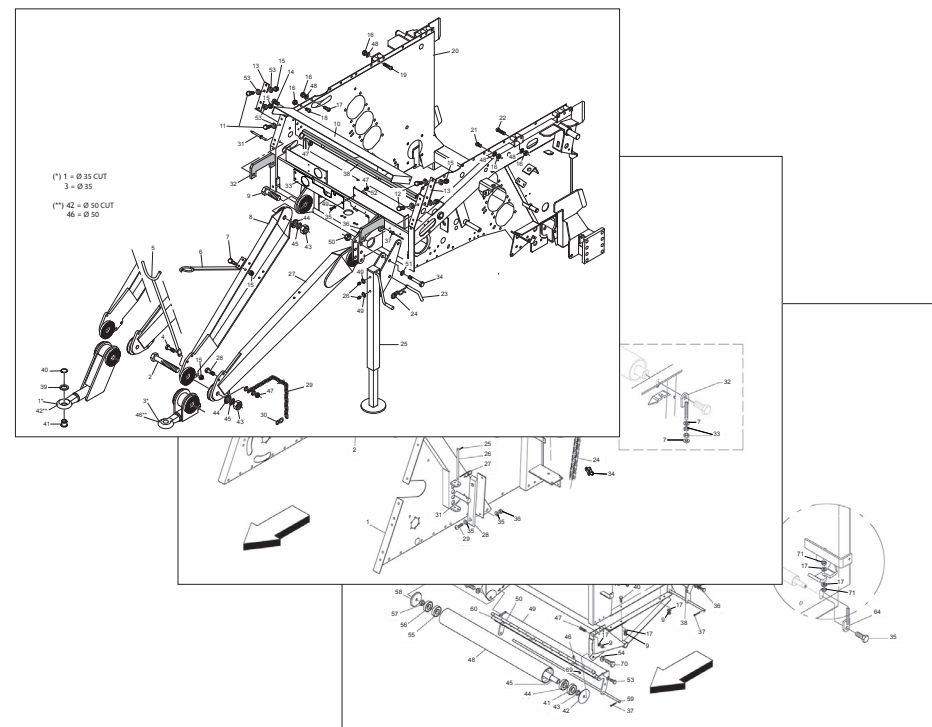


MASCHIO Fienagione S.p.A.



EXTREME 165

Cod: F07022342 2018-04

- *) Valido per Paesi UE
- *) Valid for EU member countries
- *) Valable dans les Pays UE
- *) Gilt für EU-Mitgliedsländer
- *) Válido para Países UE

- IT** PARTI DI RICAMBIO
- EN** SPARE PARTS
- DE** ERSATZTEILE
- FR** PIÈCES DÉTACHÉES
- ES** PIEZAS DE REPUESTO

PARTI DI RICAMBIO

Le ordinazioni delle parti di ricambio vanno fatte presso i nostri concessionari di zona e devono essere sempre corredate dalle seguenti indicazioni:

- **Tipo, modello e numero di matricola dell'attrezzatura.** Tali dati sono stampigliati nell'apposita targhetta di cui è dotata ogni attrezzatura.

- **Numero di codice della parte richiesta** rilevabile dal catalogo ricambi.

- **Descrizione del particolare e quantità richiesta.**

- **Numero della tavola.**

- **Mezzo di trasporto.** Nel caso questa voce non sia specificata, la Ditta Costruttrice, pur dedicando a questo servizio una particolare cura, non risponde di eventuali ritardi di spedizione dovuti a cause di forza maggiore.

Le spese di trasporto si intendono sempre a carico del destinatario. La merce viaggia a rischio e pericolo del committente anche se venduta franco destino.

NOTA: Il termine **(Dx) Destro** o **(Sx) Sinistro** della macchina o di parti di essa, è inteso guardando la macchina dalla parte posteriore. Le eccezioni saranno indicate.

SPARE PARTS

Orders must be transmitted through our area dealers and should always include the following indications:

- **Type, model and serial number of the machine.** *These data are punched on the data plate with which every implement is equipped.*

- **Code number of the required spare part.** *This will be found in the spare parts catalogue.*

- **Description of the part and required quantity.**

- **Table number.**

- **Means of dispatch.** *If this item is not indicated, the Manufacturer, while dedicating particular care to this service, shall not be held responsible for delays in delivery caused by cases of force majeure.*

Transport expenses shall always be at the consignee's charge. The goods travel at the purchaser's risk and peril even when sold ex destination.

NOTE: *The symbols (Dx) right and (Sx) left, concerning the machine or single parts of it, are referred, as in the figure, to a rear view of them. Exceptions will be indicated.*

ERSATZTEILE

Die Bestellungen müssen bei unseren Gebietshändlern aufgegeben werden. Bei der Bestellung sind stets die folgenden Angaben zu machen:

- **Typ, Modell und Serien-Nummer des Geräts.** Diese Daten stehen auf dem Typenschild, mit dem jedes Gerät versehen ist.

- **Artikel Nr. der erforderlichen Ersatzteile.** Diese stehen im Ersatzteil-Katalog.

- **Beschreibung des Ersatzteils und die erforderliche Stückzahl.**

- **Tafelnummer.**

- **Versandmittel.** Wenn dieser Punkt nicht spezifiziert wird, haftet die Herstellerfirma nicht für etwaigen Lieferverzug aufgrund höherer Gewalt, auch wenn er diesen Service besonders aufmerksam abwickelt.

Die Frachtkosten gehen dagegen immer zu Lasten des Empfängers. Die Ware reist auf Gefahr und Risiko des Auftraggebers, auch wenn frei Haus Verkauft vereinbart worden ist.

N.B.: Die Merkzeichen **(Dx) rechts** und **(Sx) links** betreffen eine rückwärtige Aussicht der Maschine oder Teile von ihr (siehe Bild). Ausnahmen werden gezeigt.

PIECES DÉTACHÉES

Les ordres doivent être effectués auprès de nos concessionnaires de zone en précisant les indications suivantes:

- **Type, modèle et numéro de série de la machine.** *Ces données sont gravées sur la plaque d'identification de chaque outil.*

- **Numéro de code de la pièce détachée** *indiqué sur le catalogue des pièces détachées.*

- **Description de la pièce et quantité requise.**

- **Numéro de plan.**

- **Moyen d'expédition.** *Si cette rubrique n'est pas indiquée, le Constructeur, bien que soucieux de ce service, ne répond pas des retards d'expédition pour des causes de force majeure.*

Les frais de transport sont toujours à la charge du destinataire. La marchandise voyage aux risques et périls de l'acheteur même si vendue franco de port.

N.B.: *Les références (Dx) droit et (Sx) gauche de la machine ou des parties de la même, est entendue, comme de la figure, en regardant la machine de derriere dans le sens de marche.*

RESPUESTOS

Los pedidos han de efectuarse en nuestros concesionarios de zona y deben incluir siempre las siguientes indicaciones:

- **Tipo, modelo y número de matrícula del equipo.** Dichos datos están impresos en la relativa placa presente en el equipo.

- **Número de código de la parte requerida** presente en el catálogo respuestas.

- **Descripción de la pieza y cantidad requerida.**

- **Numero de ilustración.**

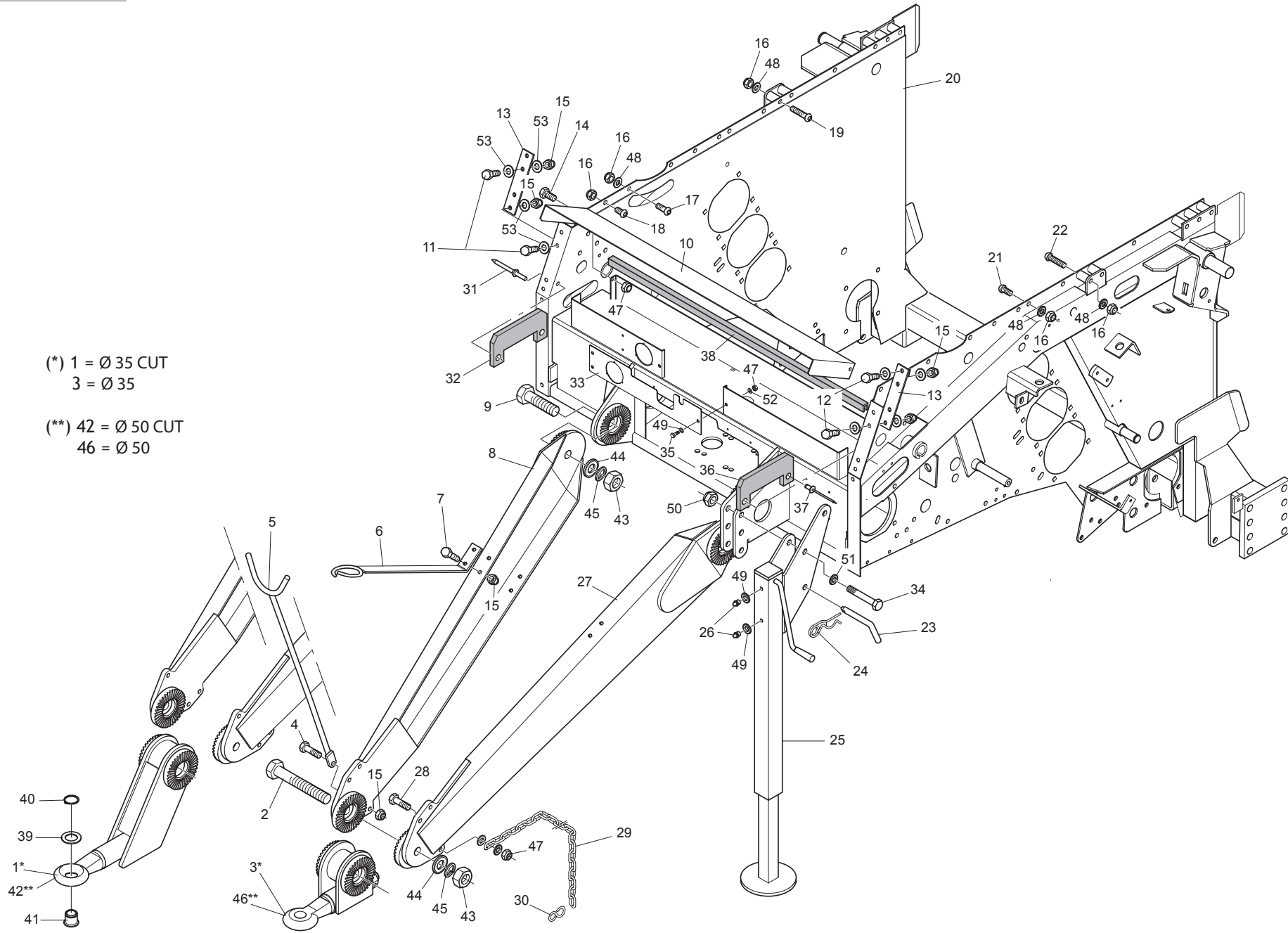
- **Medio de transporte.** En caso que este ítem no esté especificado, el Fabricante, aún prestando la debidas consideraciones para este aspecto, no responde por eventuales retardos de env'o debidos a causas de fuerza mayor.

Los gastos de transporte se consideran siempre a cargo del destinatario. La mercadería viaja bajo riesgo y peligro del comprador, incluso cuando se vende franco destino.

N.B.: La referencia **(Dx) derecha** o **(Sx) izquierda** de la máquina o de sus componentes, se entiende, como en la figura, mirando la máquina por la parte trasera. Se indicarán las excepciones.

| N° Tavola | INDICE | Pagina | N° Table | INDEX | Page |
|------------------|--|---------------|-----------------|--|-------------|
| TAV_010 | TELAIO INFERIORE | 7 | TAV_010 | LOWER FRAME..... | 7 |
| TAV_020 | TELAIO SUPERIORE..... | 9 | TAV_020 | UPPER FRAME..... | 9 |
| TAV_030 | PORTELLONE | 11 | TAV_030 | REAR GATE..... | 11 |
| TAV_510 | BLOCCO CINGHIE | 15 | TAV_510 | BELTS LOCK..... | 15 |
| TAV_040 | SEGNALATORI DI CARICAMENTO | 17 | TAV_040 | LOADER INDICATORS..... | 17 |
| TAV_050 | RUOTE..... | 19 | TAV_050 | WHEELS | 19 |
| TAV_060 | CARTER..... | 21 | TAV_060 | CARTER..... | 21 |
| TAV_070 | TRASMISSIONE | 25 | TAV_070 | TRANSMISSION | 25 |
| TAV_080 | TRASMISSIONE CUT | 29 | TAV_080 | CUT TRANSMISSION..... | 29 |
| TAV_090 | ESPLOSO SCATOLA DI TRASMISSIONE | 33 | TAV_090 | GEARBOX PARTS | 33 |
| TAV_100 | ESPLOSO SCATOLA DI TRASMISSIONE CUT | 35 | TAV_100 | CUT GEARBOX PARTS..... | 35 |
| TAV_110 | RULLI | 37 | TAV_110 | ROLLERS..... | 37 |
| TAV_120 | INFALDATORE | 39 | TAV_120 | FEEDING SYSTEM..... | 39 |
| TAV_130 | CUT 13: TELAIIO + ROTORE | 41 | TAV_130 | CUT 13: FRAME + ROTOR..... | 41 |
| TAV_140 | CUT 13: TRAVERSA COLTELLI..... | 45 | TAV_140 | CUT 13: KNIVES CROSSBAR..... | 45 |
| TAV_150 | SICUREZZA TRASMISSIONE MECCANICA CON BULLONE | 47 | TAV_150 | TRANSMISSION SAFETY DEVICE MECHANICAL WITH BOLT..... | 47 |
| TAV_160 | SICUREZZA TRASMISSIONE AUTOMATICA "AFC" | 49 | TAV_160 | TRANSMISSION SAFETY DEVICE AUTOMATIC "AFC" | 49 |
| TAV_170 | BILANCIERE | 51 | TAV_170 | BELT TENSIONER ARM..... | 51 |
| TAV_180 | PICK-UP M..... | 53 | TAV_180 | PICK-UP M..... | 53 |
| TAV_190 | PICK-UP L..... | 55 | TAV_190 | PICK-UP L..... | 55 |
| TAV_200 | PICK-UP M CUT..... | 57 | TAV_200 | PICK-UP M CUT..... | 57 |
| TAV_210 | PICK-UP L CUT..... | 59 | TAV_210 | PICK-UP L CUT..... | 59 |
| TAV_220 | COCLEE PICK-UP M | 61 | TAV_220 | AUGER PICK-UP M | 61 |
| TAV_230 | COCLEE PICK-UP L | 63 | TAV_230 | AUGER PICK-UP L | 63 |
| TAV_240 | TRASMISSIONE PICK-UP..... | 65 | TAV_240 | PICK-UP TRANSMISSION..... | 65 |
| TAV_250 | ASPO..... | 69 | TAV_250 | PICK-UP SHAFT | 69 |
| TAV_260 | RULLO CONVOGLIATORE | 71 | TAV_260 | ROLLER CONVEYOR..... | 71 |
| TAV_270 | IMPIANTO IDRAULICO PICK-UP | 73 | TAV_270 | PICK-UP HYDRAULIC SYSTEM | 73 |
| TAV_280 | IMPIANTO IDRAULICO PICK-UP CUT..... | 75 | TAV_280 | PICK-UP CUT HYDRAULIC SYSTEM..... | 75 |
| TAV_290 | RUOTE PICK-UP | 77 | TAV_290 | PICK-UP WHEEL | 77 |
| TAV_300 | IMPIANTO IDRAULICO MACCHINA..... | 79 | TAV_300 | MACHINE HYDRAULIC SYSTEM | 79 |
| TAV_310 | CABLAGGIO | 81 | TAV_310 | CONTROL SYSTEM | 81 |
| TAV_320 | LEGATORE FILO | 83 | TAV_320 | TWINE BINDER | 83 |
| TAV_330 | LEGATORE FILO: CASSONETTO..... | 87 | TAV_330 | TWINE BINDER: TWINE BOX | 87 |
| TAV_340 | LEGATORE RETE (PARTE 1)..... | 89 | TAV_340 | NET BINDER (PART 1)..... | 89 |
| TAV_350 | LEGATORE RETE (PARTE 2)..... | 91 | TAV_350 | NET BINDER (PART 2)..... | 91 |
| TAV_360 | LEGATORE RETE (PARTE 3)..... | 93 | TAV_360 | NET BINDER (PART 3)..... | 93 |
| TAV_370 | LEGATORE RETE (PARTE 4)..... | 95 | TAV_370 | NET BINDER (PART 4)..... | 95 |
| TAV_380 | LEGATORE RETE (PARTE 5)..... | 97 | TAV_380 | NET BINDER (PART 5)..... | 97 |

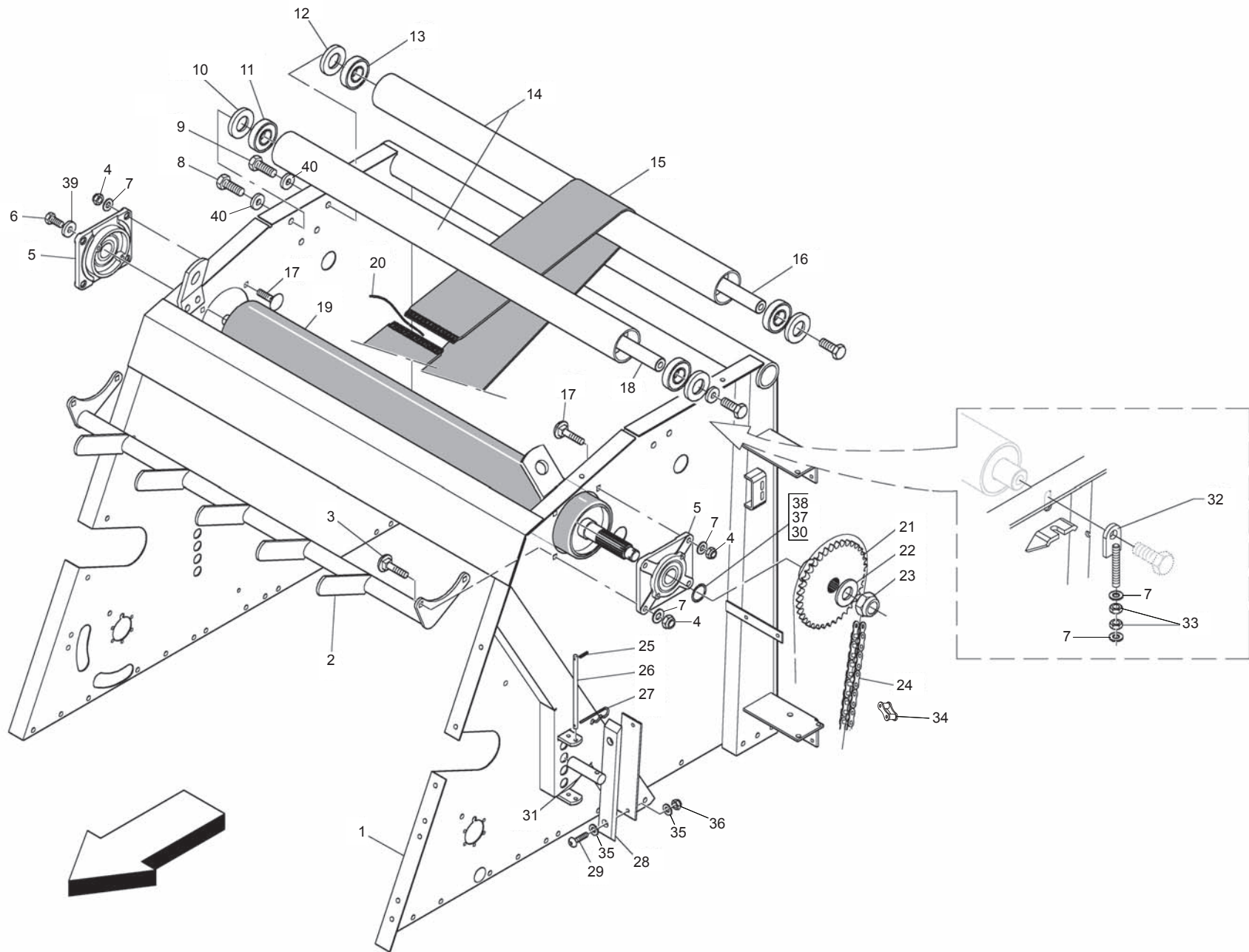
| N° Tavola | INDICE | Pagina | N° Table | INDEX | Page |
|------------------|--|---------------|-----------------|-----------------------------------|-------------|
| TAV_390 | IMPIANTO OLIATURA AUTOMATICA..... | 101 | TAV_390 | AUTOMATIC OILING SYSTEM..... | 101 |
| TAV_400 | IMPIANTO OLIATURA AUTOMATICA CUT | 105 | TAV_400 | AUTOMATIC OILING SYSTEM CUT | 105 |
| TAV_410 | IMPIANTO LUCI + CUNEI..... | 109 | TAV_410 | LIGHTS PLANT + CHOCKS | 109 |
| TAV_420 | ESPULSORE..... | 111 | TAV_420 | EJECTOR..... | 111 |
| TAV_430 | GRAFFATURA..... | 113 | TAV_430 | STAPLING DEVICE..... | 113 |
| TAV_440 | KIT STAFFE SUPPLEMENTARI PER ROTOLO RETE | 115 | TAV_440 | ADDITIONAL NET SUPPORT KIT..... | 115 |
| TAV_450 | KIT FILM PLASTICO | 117 | TAV_450 | PLASTIC FILM KIT..... | 117 |
| TAV_460 | KIT FINTI COLTELLI | 119 | TAV_460 | FAKE KNIVES KIT..... | 119 |
| TAV_470 | FRENO IDRAULICO | 121 | TAV_470 | HYDRAULIC BRAKE..... | 121 |
| TAV_480 | DECAL "LOGO"..... | 123 | TAV_480 | DECAL "LOGO"..... | 123 |
| TAV_490 | DECAL "CE" | 125 | TAV_490 | DECAL "CE"..... | 125 |
| TAV_500 | DECAL "ISTRUZIONE" | 127 | TAV_500 | DECAL "INSTRUCTION" | 127 |



**TELAIO INFERIORE
LOWER FRAME**

TAV_010

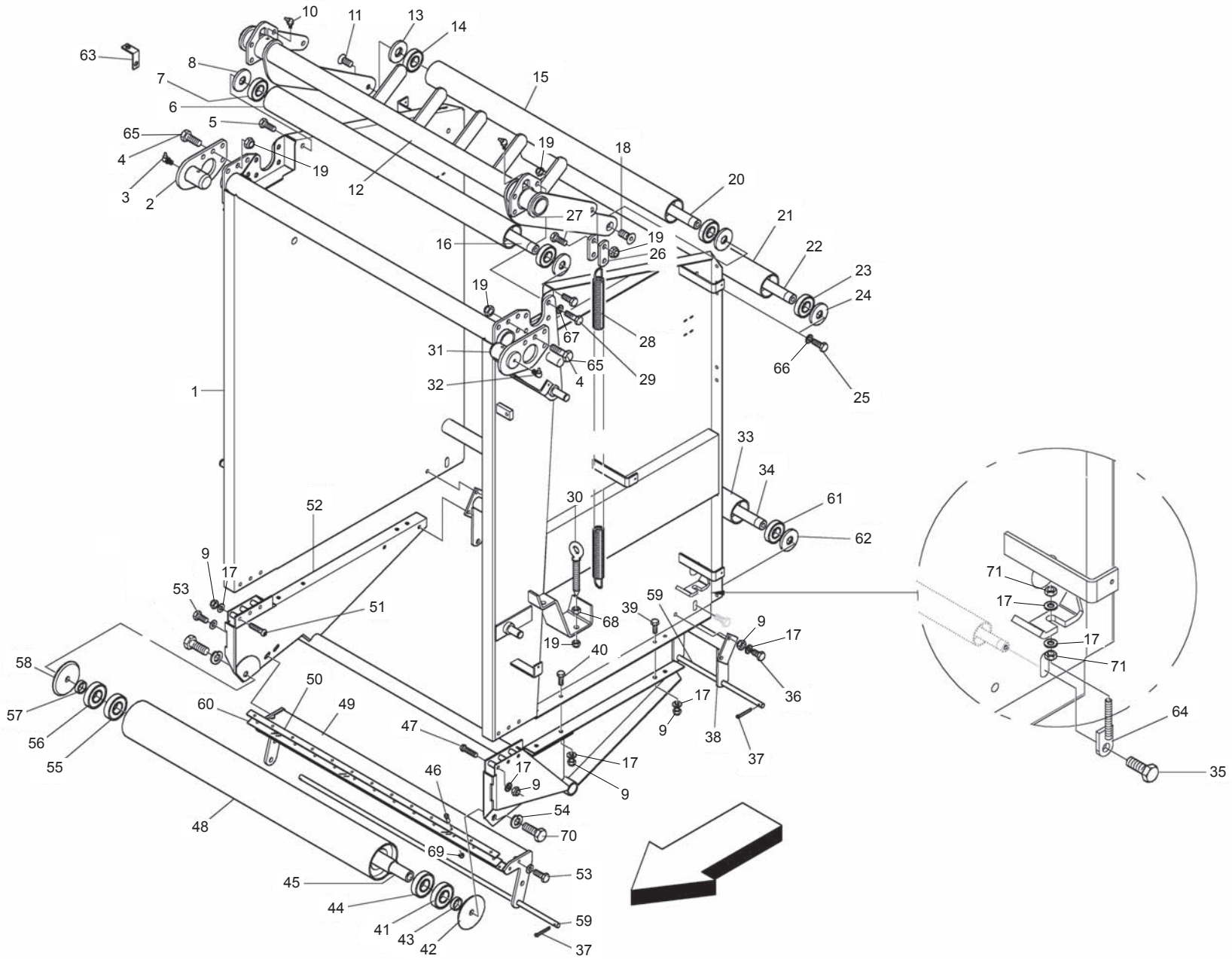
| Pos. | Cod. | Descrizione | Description | Description | Benennung | Descripcion |
|------|------------|--------------------------------|-------------------------------|--------------------------------|--------------------------------|--------------------------------|
| 1 | B07S01030R | OCCHIONE DI TRAINO GIREV. | STANDARD TOWING EYE CUT | OEIL TRAINAGE PIVOTANT | STANDARD ZUGOESE CUT | |
| 2 | B00172499R | VITE M24X3X220 U5737 10.9 ZN | SCREW | VIS | SCHRAUBE | |
| 3 | B07S00975R | OCCHIONE DI TRAINO NL | STANDARD TOWING EYE | OEIL DE TRAINAGE | STANDARD ZUGOESE | |
| 4 | F01020479R | VITE M10X1,5X35 U5739 8.8ZN | SCR. M10X1,5X35 U5739 8.8ZN | VIS M10X1,5X35 U5739 8.8 ZN | SCHR. M10X1,5X35 U5739 8.8 ZN | TORN. M10X1,5X35 U5739 8.8 ZN |
| 5 | B07S00861R | SOSTEGNO CARDANO | CARDAN SHAFT SUPPORT | SUPPORT CARDAN | ZAPFWELLENSTUTZE | |
| 6 | B07H34241R | SOSTEGNO CANNE | HOSE SUPPORT | SUPPORT | SCHLAUCHHALTER | |
| 7 | B00181030R | VITE M10X1,5 X 30 U5739 8.8ZN | SCREW | VIS | SCHRAUBE | |
| 8 | B07S00976R | MEZZO TIMONE DX NL | RIGHT DRAWBAR HALF | DEMI TIMON DROIT | RECHTE DEICHSELHAELFTE | |
| 9 | F01020369R | VITE M24X3X90 U5737 10.9ZB | SCREW M24X3X90 U5737 10.9ZB | VIS M24X 3X 90 U5737 10.9ZB | SCHR. M24X 3X 90 U5737 10.9ZB | TORN.M24X 3X 90 U5737 10.9ZB |
| 10 | B0C003216R | COPERCHIO CASSETTO | BOX LIT | COUVERCLE TIROIR | KASTENDECKEL | |
| 11 | B00181030R | VITE M10X1,5 X 30 U5739 8.8ZN | SCREW | VIS | SCHRAUBE | |
| 12 | B00181030R | VITE M10X1,5 X 30 U5739 8.8ZN | SCREW | VIS | SCHRAUBE | |
| 13 | B0C000036R | PIATTO | PLATE | PLAT | PLATTE | |
| 14 | F01020432R | VITE M8X1,25X16 U5739 8.8ZN | SCR. M8X1,25X16 U5739 8.8ZN | VIS M8 X1,25X16 U5739 8.8 ZN | SCHRAUBE M8X1,25X16U5739 8.8ZN | TORNILLO M8X1,25X16U5739 8.8ZN |
| 15 | F01230202R | DADO M10X 1,5 D985 8 ZN | NUT M10 D985 | ECROU AUTOBL. M10 | SELBSTSPERR.MUTTER M10 | DADO AUTOBL. M10 |
| 16 | F01230213R | DADO M12X1,75 U7474 CL8 ZN | NUT M12X1,75 U7474 6SZN | ECROU AUTOBL. M12 | SELBSTSPERR.MUTTER M12 | DADO AUTOBL. M12 |
| 17 | B00471225R | VITE TTEI M12X 25-8.8 UNBRA | SCREW | VIS | SCHRAUBE TTEI M12X 25-8.8 | |
| 18 | B00471220R | VITE TTEI M12X 20-8.8 UNBRA | SCREW | VIS | SCHRAUBE TTEI M12X 20-8.8 | |
| 19 | B00471270R | VITE ZN M12X70 10.9 ISO 7380 | SCREW | VIS | SCHRAUBE TTEI M12X70-8.8 | |
| 20 | B07S00963R | TELAIO INFERIORE 120-160-180 | LOWER FRAME | CHASSIS INFERIEUR | UNTERER GURTENFUHRUNGSRAHMEN | |
| 21 | B00471225R | VITE TTEI M12X 25-8.8 UNBRA | SCREW | VIS | SCHRAUBE TTEI M12X 25-8.8 | |
| 22 | B00471270R | VITE ZN M12X70 10.9 ISO 7380 | SCREW | VIS | SCHRAUBE TTEI M12X70-8.8 | |
| 23 | B01300665R | SPINA SERVOTIMONE | SERVO DRAWBAR PIN | AXE SERVOTIMON | STUETZFUSS | |
| 24 | B011B0499R | SPINA A MOLLA A DOPPIO GIRO 4 | PIN | GOUPILLE CLIPS | ZAPFEN | |
| 25 | B01800058R | SERVOTIMONE PER NL | SERVO DRAWBAR | SERVOTIMON | HILFSTEUER | |
| 26 | B04200810R | INGRAS HYDR M 8X1 DRITTO | GREASE | GRAISSEUR HYDRAULIQUE | GERADER SCHMIERNIPPEL M8X1 | |
| 27 | B07S00977R | MEZZO TIMONE SX NL | LEFT DRAWBAR HALF | DEMI TIMON GAUCHE | LINKE DEICHSELHAELFTE | |
| 28 | F01020063R | VITE M8X1,25X35 U5737 8.8ZN | SCR. M8X1,25X35 U5737 8.8ZN | VIS M8X1,25X35 U5737 8.8ZN | SCHRAU. M8X1,25X35 U5737 8.8ZN | TORN. M8X1,25X35 U5737 8.8ZN |
| 29 | B03320404R | CATENA GENOVESE N.20 L=540 | CHAIN | CHAINE | KETTE | |
| 30 | B01800052R | S PER CATENA D=6,5 | S FOR CHAIN D=6,5 | S POUR CHAINE D=6,5 | S FUR KETTE | |
| 31 | B01082407R | RIVETTO A STRAPPO 2,4 X 7 | RIVET 2,4 X 7 | | | |
| 32 | B07V00078R | CHIUSURA CASSONETTO | RIGHT BOX CLOSING | FERMETURE BOITE DROITE | RECHTER KASTENVERSCHLUSS | |
| 33 | B0C6P0526R | CHIUSURA ANTERIORE SPRINTER | FRONT CLOSING SPRINTER | | | |
| 34 | F01020285R | VITE M16X2X100 U5737 8.8ZN | SCR. M16X2X100 U5737 8.8ZN | VIS M16X2X100 U5737 8.8 ZN | SCHR.M16X2X100 U5737 8.8 ZN | TORN.M16X2X100 U5737 8.8 ZN |
| 35 | F01020432R | VITE M8X1,25X16 U5739 8.8ZN | SCR. M8X1,25X16 U5739 8.8ZN | VIS M8 X1,25X16 U5739 8.8 ZN | SCHRAUBE M8X1,25X16U5739 8.8ZN | TORNILLO M8X1,25X16U5739 8.8ZN |
| 36 | B07V00079R | CHIUSURA CASSONETTO | LEFT BOX CLOSING | FERMETURE BOITE GAUCHE | LINKER KASTENVERSCHLUSS | |
| 37 | B01082407R | RIVETTO A STRAPPO 2,4 X 7 | RIVET 2,4 X 7 | | | |
| 38 | B07V00004R | GUARNIZIONE DI PROTEZIONE | PROTECTION SEAL | | | |
| 39 | B01300959R | FLANGIA 50X80X4 | FLANGE 50X80X4 | BRIDE | FLANSCH 50X80X4 | |
| 40 | B01700050R | ANEL. D ARR. ALB. 50-E UNI3653 | SEEGER RING | BAGUE SEEGER | SEEGERRING 50-E | |
| 41 | B01300957R | BUSSOLA DI RIDUZIONE | REDUCTION BUSH | DOUILLE DE REDUCTION | REDUZIER BUCHSE | |
| 42 | B07S01091R | OCCHIONE TOPCUT 50 | TOWING EYE 50 CUT | OEIL TOPCUT 50 | ZUGOESE 50 CUT | |
| 43 | B00740724R | DADO M24X 2 D982 8 ZN | NUT | ECROU | MUTTER M24-8G | |
| 44 | B014R2440R | ROSETTA 24 UNI 5714-69 E DEIDR | WASHER | RONDELLE | BEILAGSSCHEIBE 24 | |
| 45 | B01622450R | ROND.GROWER 24 B DIN127 ZINC | WASHER | RONDELLE | GROWER BEILAGSCHEIBE 24 | |
| 46 | B07S01253R | OCCHIONE DI TRAINO 50 | STANDARD TOWING EYE 50 | OEIL DE TIRAGE | STANDARD ZUGOESE 50 | |
| 47 | B00920208R | DADO M8X1 D985 8ZN | NUT M8X1 D985 8ZN | ECROU | SELBSTSICHERNDE MUTTER M8-5S | |
| 48 | F01410076R | ROS.M12 13X 24X2,5 U6592 ZN | WASHER 12 13X 24X2,5 U6592 ZN | RONDEL. M12 13X24X2,5 U6592 ZN | SCHIEBE M12 13X24X2,5 U6592 ZN | ARANDELA M12 13 X24X2,5 ZN |
| 49 | F01410051R | ROS.M8 8,4X 17X1,6 U6592 ZN | WASHER M8 8,4X17X1,6 U6592 ZN | RONDELLE M8 8,4X17X1,6 ZN | SCHIEBE M8 8,4X17X1,6 U6592 ZN | ARANDELA M8 8,4X17X1,6 U6592ZN |
| 50 | B00920516R | DADO M16X 1,5 D985 6S ZN | NUT M16X1,5 D985 6S ZN | ECROU | SELBSTSICHERNDE MUTTER M16-5S | |
| 51 | F01410100R | ROS.M16 17X 30X 3 U6592 ZN | WASHER M16 17X30X3 U6592 ZN | RONDELLE M16 17X30X3 ZN | SCHRAUBE M16 17X 30X3 U6592 ZN | ARANDELA M16 17X30X 3 U6592 ZN |
| 52 | F01420048R | ROS.M8 8,4X 24X 2 U6593 ZN | WASHER M8 8,4X 24X2 U6593 ZN | RONDELLE M8 8,4X24X 2 U6593 ZN | SCHIEBEN M8 8,4X24X 2 U6593 ZN | ARANDELA M8 8,4X 24X2 U6593 ZN |
| 53 | F01410062R | ROS.M10 10,5X 18X 2 U6592 ZN | WASHER M10 10,5X 18X 2 U6592 | RONDELLE M10 10,5X18X2 ZN | DICHTUNGSRING M10 10,5X18X2 ZN | RONDANA M10 10,5X18X2 ZN |



**TELAIO SUPERIORE
UPPER FRAME**

TAV_020

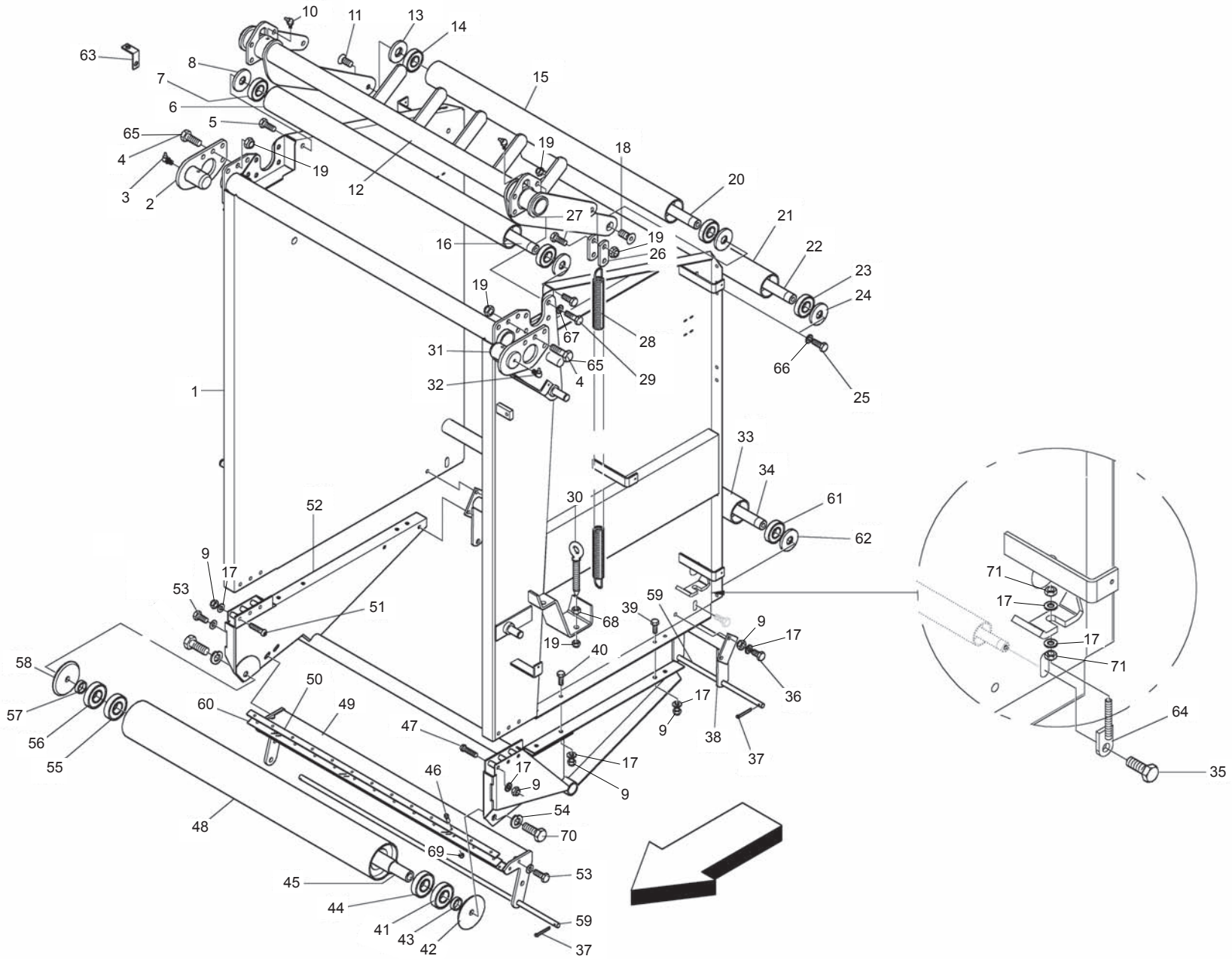
| Pos. | Cod. | Descrizione | Description | Description | Benennung | Descripcion |
|------|------------|--------------------------------|--------------------------------|--------------------------------|--------------------------------|--------------------------------|
| 1 | B07SP0364R | TELAIO SUPERIORE 165 | TOP FRAME | CHASSIS SUPERIEUR | RAHMEN OBEN 165 | |
| 2 | B07S00941R | GUIDACINGHIE ANT. | FRONT BELT GUIDE | GUIDE-COURROIES ANTERIEUR | VORDERE GURTENFUEHRUNG | |
| 3 | B00523395R | VITE SPECIALE TTQST M12X45-8.8 | SPECIAL SCREW | VIS SPECIALE | SCHRAUBE TTQST M12X 45-8.8 | |
| 4 | F01230213R | DADO M12X1,75 U7474 CL8 ZN | NUT M12X1,75 U7474 6SZN | ECROU AUTOBL. M12 | SELBSTSPERR.MUTTER M12 | DADO AUTOBL. M12 |
| 5 | B02700051R | SUPPORTO FLANGIATO | FLANGED SUPPORT | SUPPORT EMBOUTI | FLANSCHLAGER | |
| 6 | F01020564R | VITE M16X2X35 U5739 8.8ZN | SCR. M16X2X35 U5739 8.8ZN | VIS M 16X35 | SCHRAUBE M 16X35 | TORNILLO M 16X35 |
| 7 | F01410076R | ROS.M12 13X 24X2,5 U6592 ZN | WASHER 12 13X 24X2,5 U6592 ZN | RONDEL. M12 13X24X2,5 U6592 ZN | SCHEIBE M12 13X24X2,5 U6592 ZN | ARANDELA M12 13 X24X2,5 ZN |
| 8 | F01020564R | VITE M16X2X35 U5739 8.8ZN | SCR. M16X2X35 U5739 8.8ZN | VIS M 16X35 | SCHRAUBE M 16X35 | TORNILLO M 16X35 |
| 9 | F01020566R | VITE M16X2X40 U5739 8.8ZN | SCR. M16X2X40 U5739 8.8ZN | VIS M16X2X40 U5739 8.8 ZN | SCHRAUBE M16X2X40 U5739 8.8 ZN | TORNILLO M16X2X40 U5739 8.8 ZN |
| 10 | B01300623R | CHIUSURA RULLI FOLLI | IDLE ROLLER LOCK | FERMETURE ROULEAUX FOUX | UMLLENKWALZENVERSCHLUSS | |
| 11 | F04010350R | CUSCINETTO 6307C 2HRS L100 50 | BEARING 6307C 2HRS L100 50 | | | |
| 12 | B01300623R | CHIUSURA RULLI FOLLI | IDLE ROLLER LOCK | FERMETURE ROULEAUX FOUX | UMLLENKWALZENVERSCHLUSS | |
| 13 | F04010350R | CUSCINETTO 6307C 2HRS L100 50 | BEARING 6307C 2HRS L100 50 | | | |
| 14 | B03500172R | RULLO FOLLE | IDLE ROLLER | ROULEAU FOU | UMLLENKWALZE | |
| 15 | B07600072R | CINGHIA PER EXT 265 EXT 165 | BELT 165 | COURROIE POUR EXT 265 EXT A65 | GURT 165 | |
| 16 | B03500214R | ALBERO LUNGO | LONG SHAFT | ARBRE LONG | LANGE WELLE | |
| 17 | B00523421R | VITE SPECIALE TTQST M12X35-8.8 | SPECIAL SCREW | VIS SPECIALE | SCHRAUBE TTQST M12X 35-8.8 | |
| 18 | B03500214R | ALBERO LUNGO | LONG SHAFT | ARBRE LONG | LANGE WELLE | |
| 19 | B03500234R | RULLO GOMMATO 3500217 | RUBBER ROLLER | ROULEAU CAOUTCHOUTE | GUMMIWALZE | |
| 20 | B09962005R | CAVETTO GIUNZIONE MT.1 | WIRE 2,5 PLAST.L.1MT | CABLE | KABEL 49 SCHNUREN | |
| 21 | B03400229R | INGR.RULLO GOMMATO Z=26-1 | SPROCKET FOR RUBBER ROLLER Z=2 | ENGRENAGE ROULEAU CAOUTCHOUTE | ZAHNRAD FUR GUMMI WALZE Z=26-1 | |
| 22 | B014R3050R | ROSETTA 30 UNI 5714-69 E DEIDR | WASHER | RONDELLE | BEILAGSSCHEIBE | |
| 23 | F01230291R | DADO M30X2 D985 ZN | NUT M30X2 D985 ZN | ECROU AUTOB. M30X2 DIN 985 ZN | SELBSTSP. MU. M30X2 DIN 985 ZN | TUERCA AUTOB. M30X2 DIN 985 ZN |
| 24 | B030E1149R | CATENA RULLI ISO 16 B-1 149M | ROLLER CHAIN | CHAINE ROULEAUX | WALZENKETTE | |
| 25 | F02100034R | SPINA E.P. 3X 24 U6873 C70 BR | PIN EL. 3 X24 DIN 1481 | FICHE EL. 3 X24 DIN 1481 | SPANNSTIFT 3 X24 DIN 1481 | CLAVIJA EL.3 X24 DIN 1481 |
| 26 | B01300646R | SPINA DI FERMO | LOCK PIN | AXE D ARRET | ARRETIERSTIFT | |
| 27 | B01172574R | SPINA MOLLA 2,5 OCCH.SEMPL. | PIN | GOUPILLE CLIPS | STIFT | |
| 28 | B07631842R | GUIDA CATENA | CHAIN GUIDE | GUIDE | KETTENFUEHRUNG | |
| 29 | F01030208R | VITE M 8X1,25X 20 U7380 10.9ZN | SCREW M8X1,25X20 U7380 10.9ZN | | | |
| 30 | B01300845R | DISTANZIALE 40X50X4 | SPACER | ENTRETOISE | DISTANZSCHEIBE 40X50X4 | |
| 31 | B01300647R | SPINA DI REGOLAZIONE | ADJUSTMENT PIN | AXE DE REGLAGE | AUSRICHTEPASSSTIFT | |
| 32 | B07S01608R | REGOLATORE RULLO | ROLLER ADJUSTER | REGLEUR ROULEAU | WALZENEINSTELLER | |
| 33 | F01200293R | DADO M12X1,75 U5588 CL8 ZN | NUT M12X1,75 U5588 6S ZN | ECROU M12X1,75 U5588 6S ZN | MUTTER M12X1,75 U5588 6S ZN | TUERCA M12X1,75 U5588 6S ZN |
| 34 | B030E0017R | GIUNTO MOLL N26 ISO 16 B-1 | SPRING JOINT N.26 ISO 16 B-1 | JOINT RESSORT | KETTENFEDER | |
| 35 | F01410051R | ROS.M8 8,4X 17X1,6 U6592 ZN | WASHER M8 8,4X17X1,6 U6592 ZN | RONDELLE M8 8,4X17X1,6 ZN | SCHEIBE M8 8,4X17X1,6 U6592 ZN | ARANDELA M8 8,4X17X1,6 U6592ZN |
| 36 | B00920208R | DADO M8X1 D985 8ZN | NUT M8X1 D985 8ZN | ECROU | SELBSTSICHERNDE MUTTER M8-5S | |
| 37 | B01300126R | SPES. 40 48 1 ZINC.ST_013 | SHIM | ENTRETOISE | DISTANZSTUECK 40 48 1 | |
| 38 | B01300125R | SPES. 40 48 0,5 ZINCATO | SHIM GALV | ENTRETOISE GALV | DISTANZSTUECK 40 48 0,5 | |
| 39 | B01515091R | RALLA 17 52 6 | FIFTH WHEEL | BUTEE | SCHEIBE | |
| 40 | B01519319R | RALLA 16X38X5 | FIFTH WHEEL | BUTEE | SCREIBE | |



**PORTELLONE
REAR GATE**

TAV_030

| Pos. | Cod. | Descrizione | Description | Description | Benennung | Descripcion |
|------|------------|-------------------------------|-------------------------------|--------------------------------|--------------------------------|--------------------------------|
| 1 | B07S01071R | PORTELLONE SUPERIORE 165 | UPPER GATE 165 | PORTE SUPERIEURE 165 | TUER OBEN 165 | |
| 2 | B07S00932R | CERNIERA DX PORTELLONE | RIGHT TAILGATE HINGE | CHARNIERE DROITE PORTE INF. | RECHTES HECKKLAPPENSCHANIER | |
| 3 | F01100063R | ING.M10X1 7663-C 9SMNPB28 ZN | GREASE NIPPLE M10X1 7663 | ING.M10X1 7663-C 9SMNPB28 ZN | ING.M10X1 7663-C 9SMNPB28 ZN | ING.M10X1 7663-C 9SMNPB28 ZN |
| 4 | F01020566R | VITE M16X2X40 U5739 8.8ZN | SCR. M16X2X40 U5739 8.8ZN | VIS M16X2X40 U5739 8.8 ZN | SCHRAUBE M16X2X40 U5739 8.8 ZN | TORNILLO M16X2X40 U5739 8.8 ZN |
| 5 | F01020564R | VITE M16X2X35 U5739 8.8ZN | SCR. M16X2X35 U5739 8.8ZN | VIS M 16X35 | SCHRAUBE M 16X35 | TORNILLO M 16X35 |
| 6 | B03500172R | RULLO FOLLE | IDLE ROLLER | ROULEAU FOU | UMLLENKWALZE | |
| 7 | F04010350R | CUSCINETTO 6307C 2HRS L100 50 | BEARING 6307C 2HRS L100 50 | | | |
| 8 | B01300623R | CHIUSURA RULLI FOLLI | IDLE ROLLER LOCK | FERMETURE ROULEAUX FOUX | UMLLENKWALZENVERSCHLUSS | |
| 9 | F01230213R | DADO M12X1,75 U7474 CL8 ZN | NUT M12X1,75 U7474 6SZN | ECROU AUTOBL. M12 | SELBSTSPERR.MUTTER M12 | DADO AUTOBL. M12 |
| 10 | B04210610R | INGRAS HYDR A 45 M 6X1 | GREASE NIPPLE | GRAISSEUR HYDRAULIQUE | SCHMIERNIPPEL M6X1 45 | |
| 11 | F01030148R | VITE M16X2X35 U5933 10.9ZD | SCR. M16X2X35 U5933 10.9ZD | VIS M16X2X35 U5933 10.9ZD | SCHRAUBE M16X2X35 U5933 10.9ZD | TORNILLO M16X2X35 U5933 10.9ZD |
| 12 | B07S00927R | II BILANCIERE | 2. BELT TENSIONER | DEUXIEME BALANCIER | 2. GURTENSPANNER | |
| 13 | B01300623R | CHIUSURA RULLI FOLLI | IDLE ROLLER LOCK | FERMETURE ROULEAUX FOUX | UMLLENKWALZENVERSCHLUSS | |
| 14 | F04010350R | CUSCINETTO 6307C 2HRS L100 50 | BEARING 6307C 2HRS L100 50 | | | |
| 15 | B03500165R | RULLO FOLLE | IDLE ROLLER | ROULEAU FOU | UMLLENKWALZE | |
| 16 | B03500214R | ALBERO LUNGO | LONG SHAFT | ARBRE LONG | LANGE WELLE | |
| 17 | F01410076R | ROS.M12 13X 24X2,5 U6592 ZN | WASHER 12 13X 24X2,5 U6592 ZN | RONDEL. M12 13X24X2,5 U6592 ZN | SCHEIBE M12 13X24X2,5 U6592 ZN | ARANDELA M12 13 X24X2,5 ZN |
| 18 | F01030148R | VITE M16X2X35 U5933 10.9ZD | SCR. M16X2X35 U5933 10.9ZD | VIS M16X2X35 U5933 10.9ZD | SCHRAUBE M16X2X35 U5933 10.9ZD | TORNILLO M16X2X35 U5933 10.9ZD |
| 19 | B07100050R | TAPPO PARAPOLVERE 80 NEUTRO | CAP | BOUCHON | PROPFEN | |
| 20 | B03500213R | ALBERO CORTO | SHORT SHAFT | ARBRE COURT | KURZE WELLE | |
| 21 | B03500172R | RULLO FOLLE | IDLE ROLLER | ROULEAU FOU | UMLLENKWALZE | |
| 22 | B03500214R | ALBERO LUNGO | LONG SHAFT | ARBRE LONG | LANGE WELLE | |
| 23 | F04010350R | CUSCINETTO 6307C 2HRS L100 50 | BEARING 6307C 2HRS L100 50 | | | |
| 24 | B01300623R | CHIUSURA RULLI FOLLI | IDLE ROLLER LOCK | FERMETURE ROULEAUX FOUX | UMLLENKWALZENVERSCHLUSS | |
| 25 | F01020564R | VITE M16X2X35 U5739 8.8ZN | SCR. M16X2X35 U5739 8.8ZN | VIS M 16X35 | SCHRAUBE M 16X35 | TORNILLO M 16X35 |
| 26 | B0C001868R | ATTACCO MOLLA | SPRING ATTACHMENT | ATELAGE RESSORT | FEDERANSCHLUSS | |
| 27 | F01020252R | VITE M16X2X50 U5737 8.8ZN | SCR. M16X2X50 U5737 8.8 ZN | VIS M16X2X50 U5737 8.8 ZN | SCHRAUBE M16X2X50 U5737 8.8 ZN | TORNILLO M16X2X50 U5737 8.8 ZN |
| 28 | B01800037R | MOLLA II BILANCERE | II. BELT TENSIONER SPRING | RESSORT II BILANCIER | ZWEITER GURTENSPANNERFEDER | |
| 29 | F01020976R | VITE M16X 2X55 U5737 8.8 ZN | SCREW M16X 2X55 U5737 8.8 ZN | | | |
| 30 | B00528364R | OCCHIOLO PER TIRANTE M16 | TIE ROD | OEIL POUR TIRANT | SPANNSTANGE | |
| 31 | B07S00931R | CERNIERA SX PORTELLONE | LEFT TAILGATE HINGE | CHARNIERE GAUCHE PORTE POST. | LINKES HECKKLAPPENSCHANIER | |
| 32 | F01100063R | ING.M10X1 7663-C 9SMNPB28 ZN | GREASE NIPPLE M10X1 7663 | ING.M10X1 7663-C 9SMNPB28 ZN | ING.M10X1 7663-C 9SMNPB28 ZN | ING.M10X1 7663-C 9SMNPB28 ZN |
| 33 | B03500172R | RULLO FOLLE | IDLE ROLLER | ROULEAU FOU | UMLLENKWALZE | |
| 34 | B03500214R | ALBERO LUNGO | LONG SHAFT | ARBRE LONG | LANGE WELLE | |
| 35 | F01020566R | VITE M16X2X40 U5739 8.8ZN | SCR. M16X2X40 U5739 8.8ZN | VIS M16X2X40 U5739 8.8 ZN | SCHRAUBE M16X2X40 U5739 8.8 ZN | TORNILLO M16X2X40 U5739 8.8 ZN |
| 36 | B00181255R | VITE M12X 55-8.8 UNI 5739 | SCREW | VIS | VERZINKTE SCHRAUBE | |
| 37 | B01150430R | COPIGLIA 4X 30 U1336 ZN | GALV PIN | GOUPILLE GALV | SPLINT | |
| 38 | B07S00969R | GUIDACINGHIE POST. | REAR BELTS GUIDE | GUIDE-COURROIES POSTERIEUR | HINTERE GURTENFUEHRUNG | |
| 39 | F01020510R | VITE M12X1,75X30 U5739 8.8ZN | SCR. M12X1,75X30 U5739 8.8ZN | VIS M12X1,75X30 U5739 8.8ZN | SCHRAU.M12X1,75X30 U5739 8.8ZN | TORN. M12X1,75X30 U5739 8.8ZN |
| 40 | F01020510R | VITE M12X1,75X30 U5739 8.8ZN | SCR. M12X1,75X30 U5739 8.8ZN | VIS M12X1,75X30 U5739 8.8ZN | SCHRAU.M12X1,75X30 U5739 8.8ZN | TORN. M12X1,75X30 U5739 8.8ZN |
| 41 | F04010350R | CUSCINETTO 6307C 2HRS L100 50 | BEARING 6307C 2HRS L100 50 | | | |
| 42 | B01300590R | RALLA 20,5 128 10 | FIFTH WHEEL | BUTEE | SCHEIBE 20,5 128 10 | |
| 43 | B01300523R | DISTANZIALE 35X 45X12,5 | SPACER | ENTRETOISE | DISTANZSTUECK 35X45X12,5 | |
| 44 | F04010350R | CUSCINETTO 6307C 2HRS L100 50 | BEARING 6307C 2HRS L100 50 | | | |
| 45 | B03500237R | ALBERO CORTO | SHORT SHAFT | ARBRE COURT | KURZE WELLE | |
| 46 | B00470620R | VITE TTEI M 6X 20-8.8 UNBRA | SCREW | VIS | SCHRAUBE TTEI M6X20-10.9 | |
| 47 | B00471270R | VITE ZN M12X70 10.9 ISO 7380 | SCREW | VIS | SCHRAUBE TTEI M12X70-8.8 | |
| 48 | B07S00959R | RULLO FOLLE PORTELLONE | TAIL GATE IDLE ROLLER | ROULEAU FOU PORTE EN ARRIERE | HECKKLAPPENUMLENKWALZE | |
| 49 | B07S01023R | RASCHIATORE PORTELLONE | TAILGATE SCRAPER | RACLEUR POSTERIEUR | HECKKLAPPENABSTREIFER | |
| 50 | B0C003205R | RINFORZO LAMA | BLADE STIFFENING BAR | RENFORT LAME | KLINGENVERSTEIFUNGSBLATT | |
| 51 | B00471270R | VITE ZN M12X70 10.9 ISO 7380 | SCREW | VIS | SCHRAUBE TTEI M12X70-8.8 | |
| 52 | B07SP1457R | TELAIO INFER.PORTELLONE | LOWER REAR GATE FRAME | | | |
| 53 | F01020508R | VITE M12X1,75X25 U5739 8.8ZN | SCR. M12X1,75X25 U5739 8.8ZN | VIS M12X1,75X25 U5739 8.8 ZN | SCHRAUBE M12X1,75X25U57398.8ZN | TORNIL.M12X1,75X25 U5739 8.8ZN |
| 54 | B0C004148R | RALLA DI FERMO | LOCK WASHER | BUTEE D ARRET | ANSCHLAGPLATTE | |
| 55 | F04010350R | CUSCINETTO 6307C 2HRS L100 50 | BEARING 6307C 2HRS L100 50 | | | |
| 56 | F04010350R | CUSCINETTO 6307C 2HRS L100 50 | BEARING 6307C 2HRS L100 50 | | | |
| 57 | B01300523R | DISTANZIALE 35X 45X12,5 | SPACER | ENTRETOISE | DISTANZSTUECK 35X45X12,5 | |

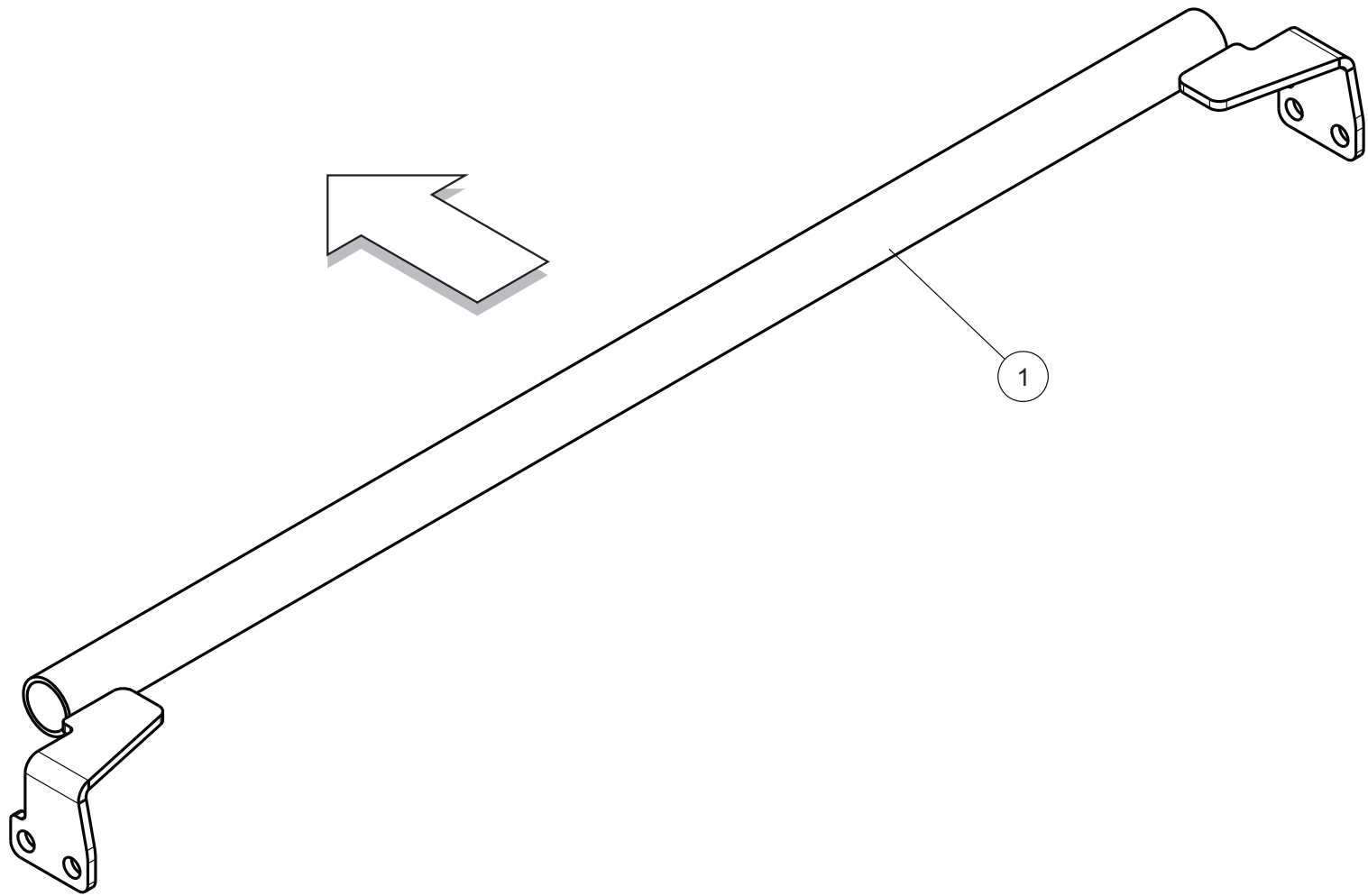


**PORTELLONE
REAR GATE**

TAV_030

| Pos. | Cod. | Descrizione | Description | Description | Benennung | Descripcion |
|------|------------|-------------------------------|-----------------------------|-----------------------------|--------------------------------|--------------------------------|
| 58 | B01300590R | RALLA 20,5 128 10 | FIFTH WHEEL | BUTEE | SCHEIBE 20,5 128 10 | |
| 59 | B01300628R | SPINA GUIDACINGHIE | BELT GUIDE PIN | GOUPILLE GUIDE-COURROIES | GURTENFUEHRUNGSBOLZEN | |
| 60 | B07U00023R | LAMA RASCH. FORNITURA PIENA | SCRAPER BLADE | LAME RACLEUR | ABSTREIFERBLATT | |
| 61 | F04010350R | CUSCINETTO 6307C 2HRS L100 50 | BEARING 6307C 2HRS L100 50 | | | |
| 62 | B01300623R | CHIUSURA RULLI FOLLI | IDLE ROLLER LOCK | FERMETURE ROULEAUX FOUX | UMLENKWALZENVERSCHLUSS | |
| 63 | B0C002357R | PIASTRINA ATTACCO CAVI | CABLE ATTACHMENT PLATE | PLAQUETTE ATTELAGE CABLES | KABELHALTERPLATTE | |
| 64 | B07S01608R | REGOLATORE RULLO | ROLLER ADJUSTER | REGLEUR ROULEAU | WALZENEINSTELLER | |
| 65 | F01020568R | VITE M16X2X45 U5739 8.8ZN | SCR. M16X2X45 U5739 8.8ZN | VIS M 16X 2X45 U5739 8.8 ZG | SCHRAUBE M 16X 2X45 U5739 8.8 | TORNILLO M16X 2X45 U5739 8.8 |
| 66 | B01519319R | RALLA 16X38X5 | FIFTH WHEEL | BUTEE | SCREIBE | |
| 67 | F01410100R | ROS.M16 17X 30X 3 U6592 ZN | WASHER M16 17X30X3 U6592 ZN | RONDELLE M16 17X30X3 ZN | SCHRAUBE M16 17X 30X3 U6592 ZN | ARANDELA M16 17X30X 3 U6592 ZN |
| 68 | B00710516R | DADO M16X 2 U5588 6.8 ZN | NUT M16X2 U5588 6.8 ZN | ECROU | MUTTER M16-6S | |
| 69 | B00920106R | DADO M6X1 D985 8ZN | NUT | ECROU | SELBSTSICHERNDE MUTTER M6-5S | |
| 70 | F01020605R | VITE M20X2,5X50 U5739 8.8ZN | SCR. M20X2,5X50 U5739 8.8ZN | VIS M 20X2,5X50 | SCHRAUBE M 20X2,5X50 | TORNILLO M 20X2,5X50 |
| 71 | F01200293R | DADO M12X1,75 U5588 CL8 ZN | NUT M12X1,75 U5588 6S ZN | ECROU M12X1,75 U5588 6S ZN | MUTTER M12X1,75 U5588 6S ZN | TUERCA M12X1,75 U5588 6S ZN |

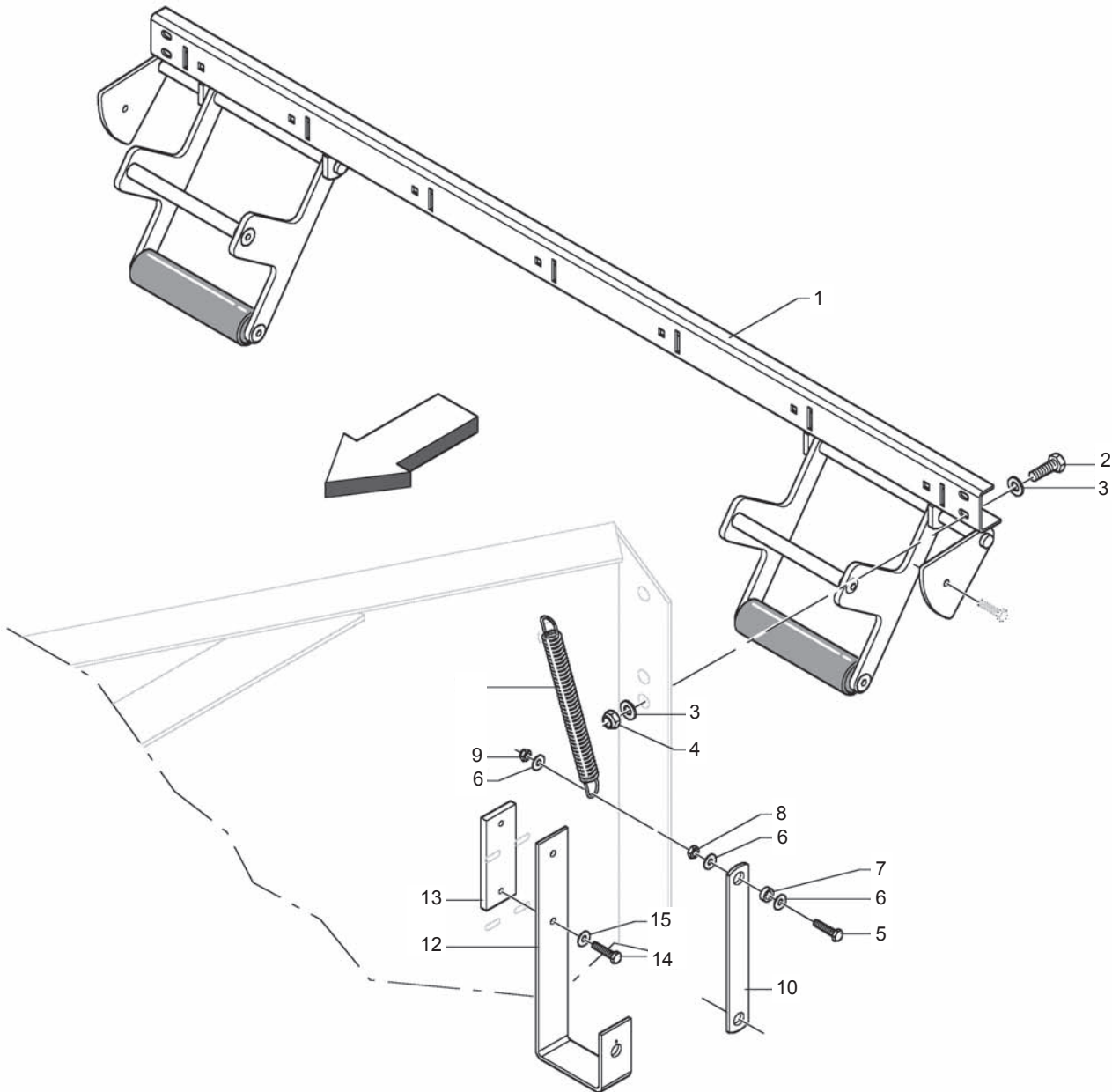
TAV_510



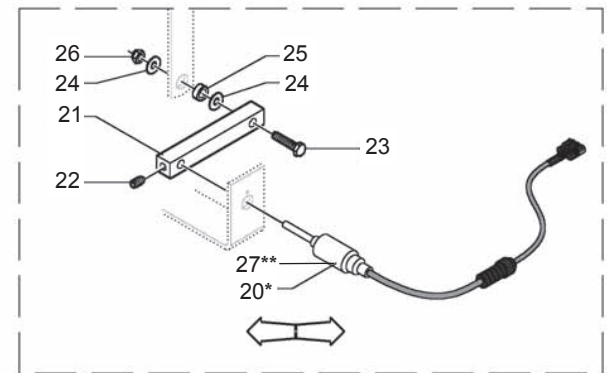
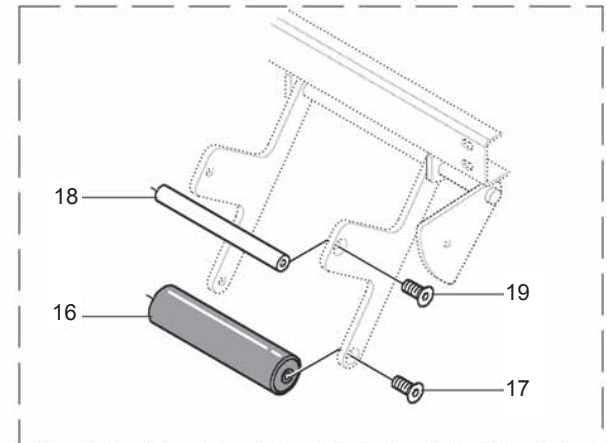
BLOCCO CINGHIE
BELTS LOCK

TAV_510

| Pos. | Cod. | Descrizione | Description | Description | Benennung | Descripcion |
|------|------------|----------------|-------------|-------------|-----------|-------------|
| 1 | B07S01901R | BLOCCO CINGHIE | BELT LOCK | | | |



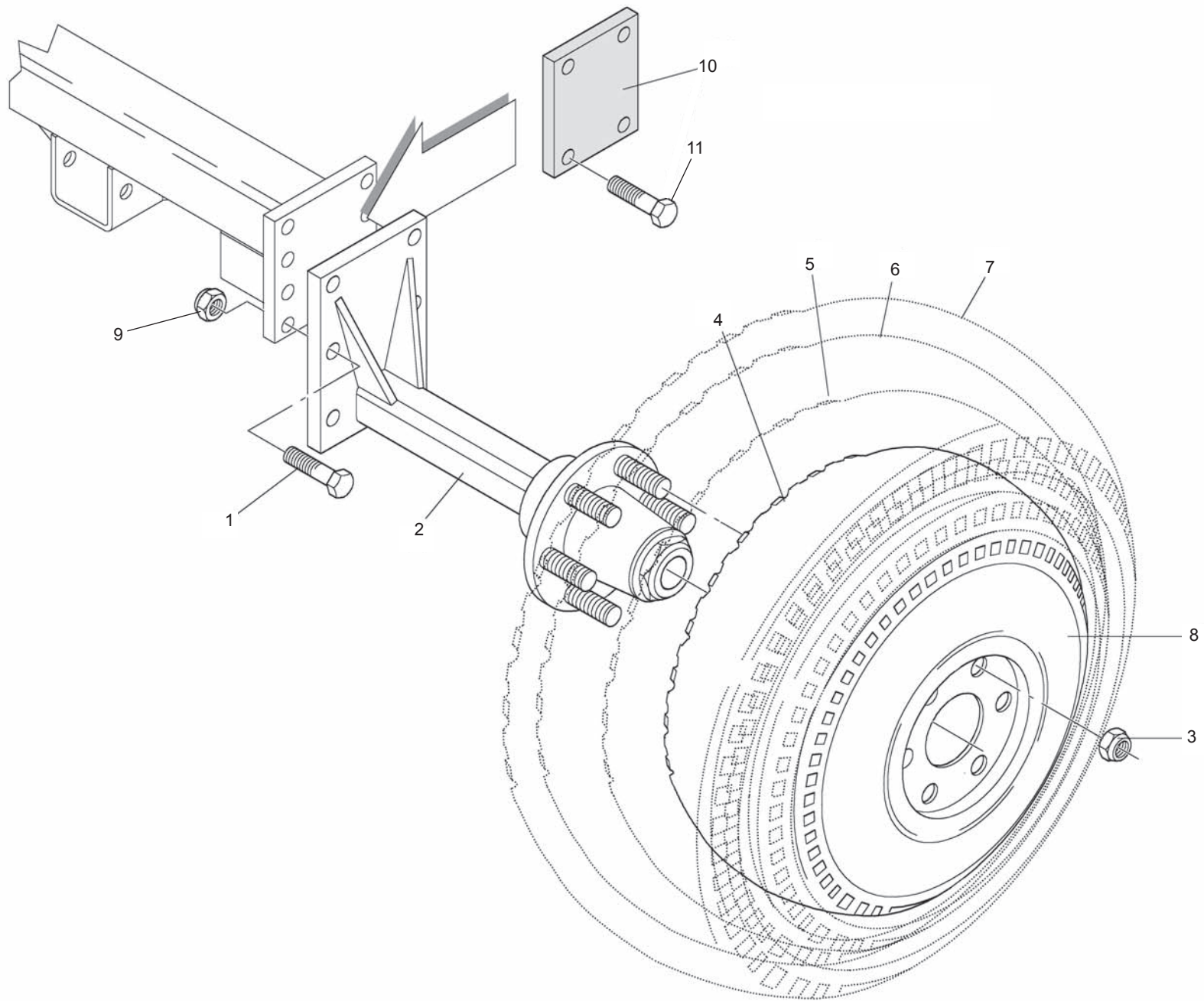
(*) 20 = SINISTRO
LEFT
(**) 27 = DESTRO
RIGHT



**SEGNALATORI DI CARICAMENTO
LOADER INDICATORS**

TAV_040

| Pos. | Cod. | Descrizione | Description | Description | Benennung | Descripcion |
|------|------------|--------------------------------|------------------------------|-----------------------------|--------------------------------|--------------------------------|
| 1 | B07S00951R | SEGNALATORI | INDICATORS | INDICATEURS | ANZEIGER | |
| 2 | F01020472R | VITE M10X1,5X25 U5739 8.8ZN | SCR. M10X1,5X25 U5739 8.8ZN | VIS M10X1,5X25 U5739 8.8 ZN | SCHRAUBE M10X1,5X25 U5739 8.8 | TORNILLO 10X25 U5739 8.8 ZN |
| 3 | F01410062R | ROS.M10 10,5X 18X 2 U6592 ZN | WASHER M10 10,5X 18X 2 U6592 | RONDELLE M10 10,5X18X2 ZN | DICHTUNGSRING M10 10,5X18X2 ZN | RONDANA M10 10,5X18X2 ZN |
| 4 | F01230202R | DADO M10X 1,5 D985 8 ZN | NUT M10 D985 | ECROU AUTOBL. M10 | SELBSTSPERR.MUTTER M10 | DADO AUTOBL. M10 |
| 5 | F01020413R | VITE M6X1X40 U5739 8.8ZN | SCR. M6X1X40 U5739 8.8ZN | VIS M 6X1X40 | SCHRAUBE M 6X1X40 | TORNILLO M 6X1X40 |
| 6 | F01420035R | ROS.M6 6,4X 18X1,6 U6593 ZN | WASHER D.6 | RONDELLE D.6 | KUPFERSCHEIBE D.6 | ARANDELA D.6 |
| 7 | B01300866R | BOCCOLA DI MOVIMENTO | BUSH | DOUILLE | BUCHSE | |
| 8 | F01200232R | DADO M6X1 U5588 CL8 ZN | NUT M6X1 U5588 6.8ZN | ECROU 6 UNI 5588 6.8 ZN | MUTTER 6 UNI 5588 6.8 ZN | TUERCA 6 UNI 5588 6.8 ZN |
| 9 | B00920106R | DADO M6X1 D985 8ZN | NUT | ECROU | SELBSTSICHERNDE MUTTER M6-5S | |
| 10 | B0C004227R | PIATTO SPOSTAMENTO SENSORE | SENSOR SHIFTING PLATE | PLAT COURSE SENSEUR | SENSORVERSCHIEBERPLATTE | |
| 11 | B01810409R | MOLLA T FILO D.2,5 DP14,5 L210 | SPRING | RESSORT | T- FEDER | |
| 12 | B0C004231R | ATTACCO POTENZIOMETRO | POTENZIOMETER ATTACHMENT | ATTELAGE POTENTIOMETRE | SENSORANSCHLUSS | |
| 13 | B0C004008R | PIASTRINA FINECORSIA | LIMIT SWITCH PLATE | PLAQUETTE FIN DE COURSE | ENDSCHALTERPLATTE | |
| 14 | F01020378R | VITE M5X0,8X16 U5739 8.8ZN | SCR. M5X0,8X16 U5739 8.8ZN | VIS M5X0,8X16 U5739 8.8ZN | SCHRAUBE M5X0,8X16 U5739 8.8ZN | TORNILLO M5X0,8X16 U5739 8.8ZN |
| 15 | F01420023R | ROS.M5 5,3X 15X1,5 U6593 ZN | WASHER M5 5,3X 15X1,5 U6593 | | | |
| 16 | B07M00276R | RULLO SEGNALATORE | INDICATOR ROLLER | ROULEAU SIGNALEUR | ANZEIGEROLLE | |
| 17 | B00440820R | VITE TSPEI M 8X 20-10.9 UNI 5 | SCREW | VIS | SCHRAUBE TSPEI M8X 20-10.9 | |
| 18 | B03500024R | COLLEGAMENTO | CONNECTION | CONNEXION | VERBINDUNG | |
| 19 | B00440820R | VITE TSPEI M 8X 20-10.9 UNI 5 | SCREW | VIS | SCHRAUBE TSPEI M8X 20-10.9 | |
| 20 | B0E0P0028R | SENS.ANAL.CARICO CAMERA SX | SENSOR | SENSEUR | SENSOR LADUNGKAMMER LINKS | |
| 21 | B0C004228R | PIATTINO | PLATE | PETIT PLAT | PLATTE | |
| 22 | B00430610R | VITE STEI M 6X10-12.9 UNI 5 | SCREW | VIS | SCHRAUBE STEI M6X10-12.9 | |
| 23 | F01020408R | VITE M6X1X30 U5739 8.8ZN | SCR. M6X1X30 U5739 8.8ZN | VIS M 6X1X30 | SCHRAUBE M 6X1X30 | TORNILLO M 6X1X30 |
| 24 | F01420035R | ROS.M6 6,4X 18X1,6 U6593 ZN | WASHER D.6 | RONDELLE D.6 | KUPFERSCHEIBE D.6 | ARANDELA D.6 |
| 25 | B01300866R | BOCCOLA DI MOVIMENTO | BUSH | DOUILLE | BUCHSE | |
| 26 | B00920106R | DADO M6X1 D985 8ZN | NUT | ECROU | SELBSTSICHERNDE MUTTER M6-5S | |
| 27 | B0E0P0029R | SENS.ANAL.CARICO CAMERA DX | PRESSURE SWITCH IFM PT3551 | SENSEUR | SENSOR LADUNGKAMMER RECHTS | |



**RUOTE
WHEELS**

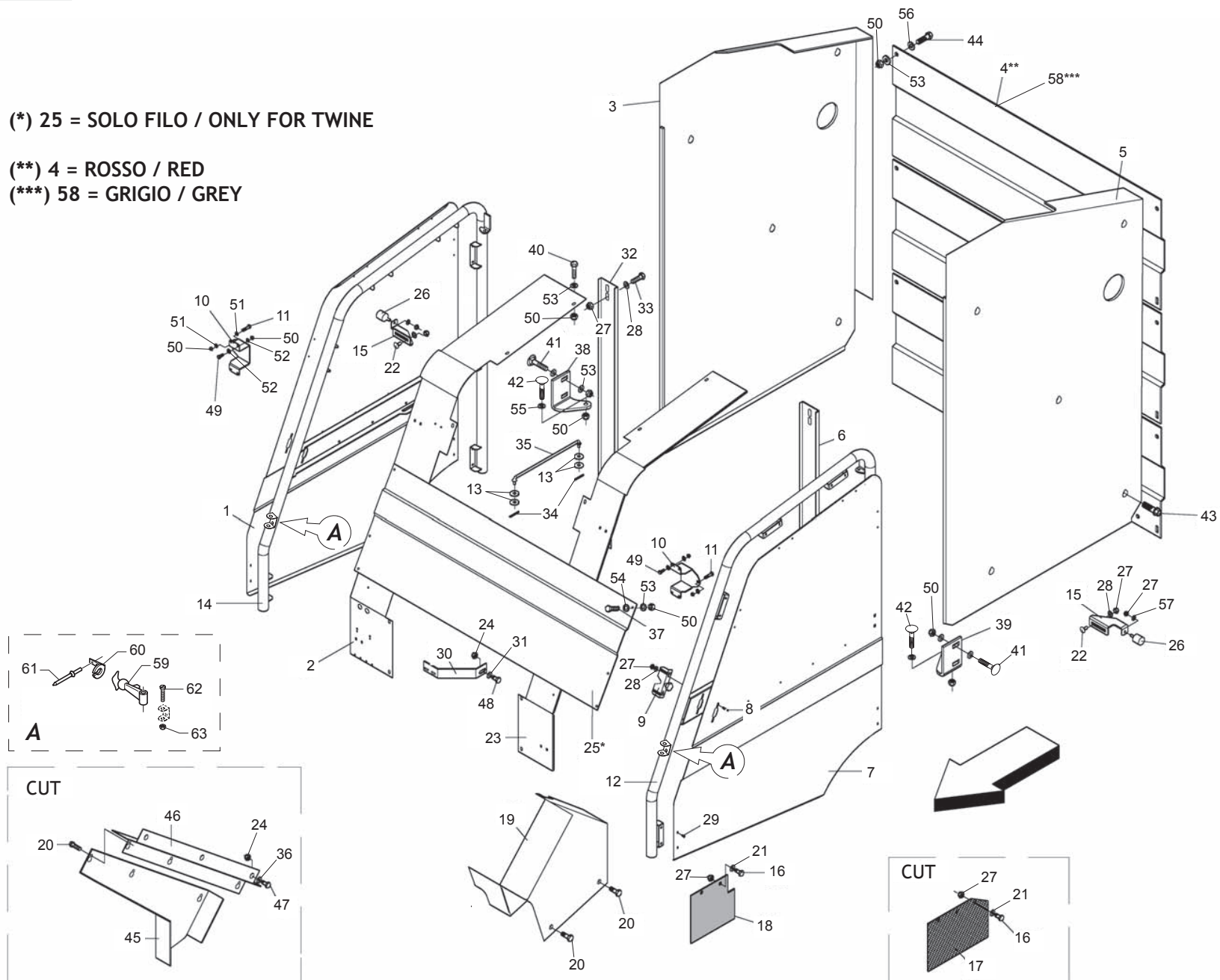
TAV_050

| Pos. | Cod. | Descrizione | Description | Description | Benennung | Descripcion |
|------|------------|--------------------------------|-------------------------------|----------------------------|--------------------------------|-------------|
| 1 | F01230259R | DADO M20X 2,5 U7474 CL.8 ZN | NUT M20X 2,5 U7474 CL.8 ZN | | | |
| 2 | B07100026R | MOZZO CON FUSELLO E PIASTRA | HUB WITH STUB AXLE | MOYEU AVEC AXE ET PLAQUE | NABE MIT ACHSSCHENKEL | |
| 3 | B00821318R | DADO E SFERICO M18X1,5 ZINC. | NUT | ECROU | KUGELMUTTER M18X1,5 | |
| 4 | B07100013R | RUOTA CPLTA 11,5 80-15,3 6F P | COMPLETE WHEEL 11,5 80-15,3 | ROUE COMPLETE 11,5 80-15,3 | KOMPLETTES RAD 11,5 80-15,3 | |
| 5 | B07100022R | RUOTA CPLTA 400-15.5 6F P 14PR | COMPLETE WHEEL | ROUE 400-15.5 | RAD KOMPLETT 400.15.5 6F P14PR | |
| 6 | B07100009R | RUOTA 15.0 55-17 10PR CERHIO 6 | COMPLETE WHEEL 15.0 55-17 | | | |
| 7 | B07100041R | RUOTA CPLTA 19.0 45-176F P14PR | COMPLETE TYRE | ROUE COMPLETE | KOMPLETTES RAD 19,0 45-17 | |
| 8 | B07100009R | RUOTA 15.0 55-17 10PR CERHIO 6 | COMPLETE WHEEL 15.0 55-17 | | | |
| 9 | F01020309R | VITE M20X2,5X70 U5737 8.8ZN | SCR. M20X2,5X70 U5737 8.8ZN | VIS M20X2,5X70 | SCHRAUBE M20X2,5X70 | |
| 10 | B0C003765R | PIASTRA DI SPESSORAMENTO | SHIM PLATE | PLAQUE | DICHTUNGSPLATTE | |
| 11 | F01020987R | VITE M20X2,5X90 U5737 8.8 ZN | GALV.SCR.M20X2,5X90 U5737 8.8 | | | |

(*) 25 = SOLO FILO / ONLY FOR TWINE

(**) 4 = ROSSO / RED

(***) 58 = GRIGIO / GREY



**CARTER
CARTER**

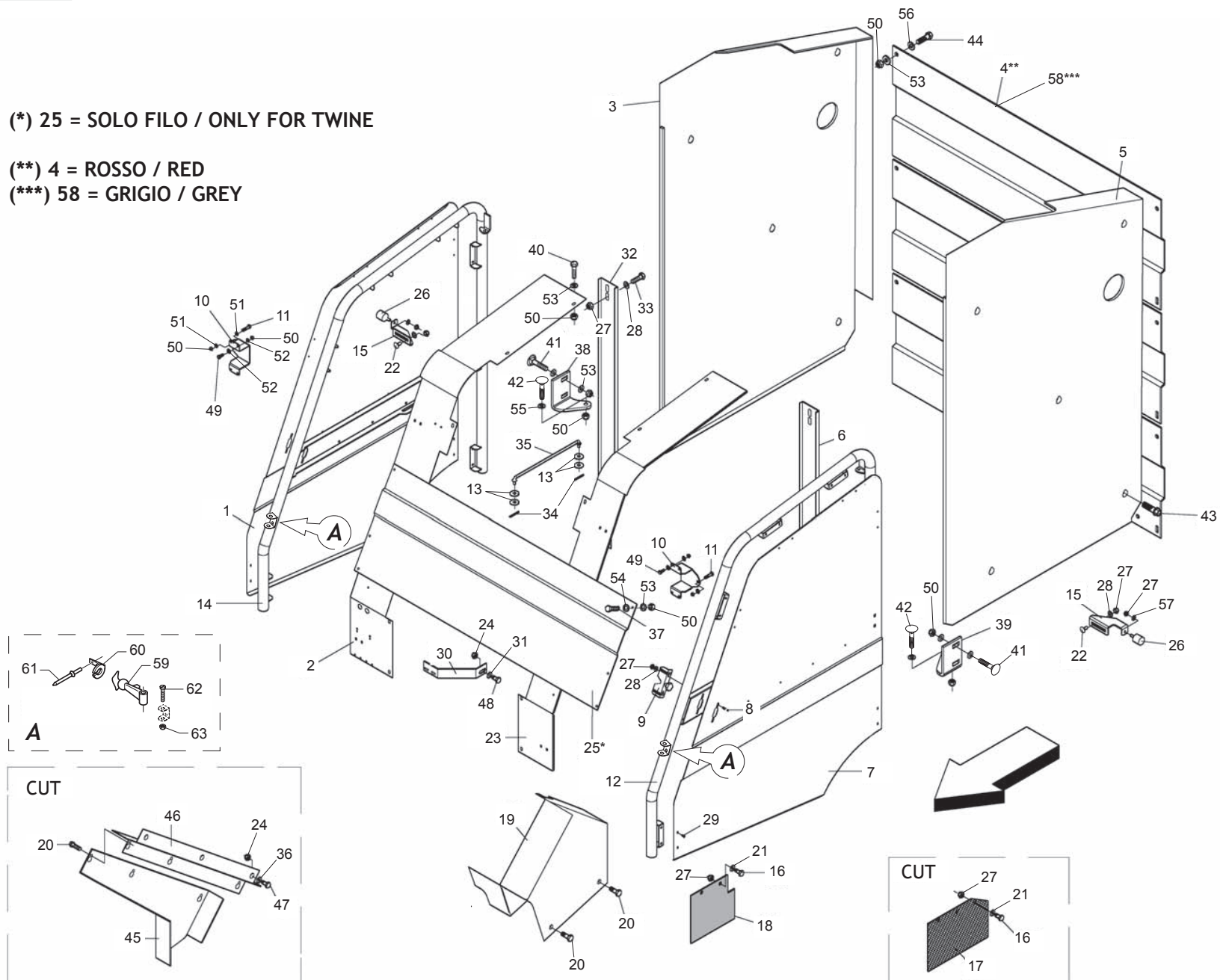
TAV_060

| Pos. | Cod. | Descrizione | Description | Description | Benennung | Descripcion |
|------|------------|--------------------------------|-------------------------------|--------------------------------|--------------------------------|--------------------------------|
| 1 | B0C3P0150R | CARTER DX | GUARD | CARTER | CARTER RECHTS | |
| 2 | B0C3P0152R | FASCIA DX | RIGHT BAND | BANDE DROITE | BANDE RECHTS | |
| 3 | B0C003322R | CARTER DX PORTELLONE 165 | RIGHT TAILGATE CASE | CARTER DROITE PORTE 165 | CARTER RECHTS TUER 165 | |
| 4 | BSP000020R | CARTER POSTERIORE | BACK CARTER | | | |
| 5 | B0C003323R | CARTER SX PORTELLONE 165 | LEFT REAR GATE CASE 165 | CARTER GAUCHE PORTE 165 | LEFT TAILGATE CASE | |
| 6 | B0C003352R | CHIUSURA POSTER.DX 165 | 165 LEFT REAR CLOSING | FERMETURE POSTERIEUR DROITE 16 | VERSCHLUSS HINTEN RECHTS 165 | |
| 7 | B0C3P0149R | CARTER SX | GUARD | CARTER | CARTER LINKS | |
| 8 | B00470820R | VITE TTEI M 8X 20-10,9 UMBRAKO | SCREW | VIS | SCHRAUBE TTEI M 8X 20-10.9 | |
| 09 | B01800041R | CHIUS.SCHWARZ RIF.SV 941104-00 | LOCK | FERMETURE | VERSCHLUSS SCHWARZ REF. SV. 9 | |
| 10 | B0C4P0255R | ATTACCO CHIUSURA | ATTACHEMENT | ATTELAGE | VERSCHLUSSANSCHLUSS | |
| 11 | F01020116R | VITE M10X1,5X55 U5737 8.8ZN | SCR. M10X1,5X55 U5737 8.8ZN | VIS M10X1,5X60 | SCHRAUBE M10X1,5X60 | TORNILLO M10X1,5X60 |
| 12 | B07SP0365R | TELAIO CARTER SX | FRAME CARTER LEFT | CHASSIS CARTER GAUCHE | RAHMEN CARTER LINKS | |
| 13 | F01420060R | ROS.M10 10,5X 30X2,5 U6593 ZG | GALV.WASHER 10,5X30X2,5 U6593 | RONDELLE 10,5X30 | SCHEIBE 10,5X30 | ARANDELA 10,5X30 |
| 14 | B07SP0366R | TELAIO CARTER DX | FRAME CARTER RIGHT | CHASSIS CARTER DROIT | RAHMEN CARTER RECHTS | |
| 15 | B0C6P0433R | CONTRASTO CHIUSURA | LOCK CONTRAST | CONTRASTE FERMETURE | VERSCHLUSS | |
| 16 | F01020436R | VITE M8X1,25X20 U5739 8.8ZN | SCR. M8X1,25X20 U5739 8.8ZN | VIS M8X1,25X 20 U5739 8.8 ZN | SCHRAUBE M8X1,25X20U5739 8.8ZN | TORN. M8X1,25X20 U5739 8.8 ZN |
| 17 | B07V00072R | PROT. IN GOMMA LAT. | SIDE RUBBERED PROTECTIONS | PROTECTION LATERALE EN CAOUT. | SEITER GUMMISCHUTZ | |
| 18 | B07V00080R | PROTEZ.LEG.FILO SPRINTER NEW | TWINE TYING KIT PROTECTION | PROTECTION LIAGE FICELLE SPRIN | GARNBINDUNGSSCHUTZ | |
| 19 | B0C000071R | CARTER | GUARDS | CARTER | CARTER | |
| 20 | B00370001R | VITE TE M 8X16 A SEZ.TRILOBATA | SCREW TRE M 8X16 SEZ TROUBLED | VIS | SCHRAUBE M 8X15 | |
| 21 | F01420048R | ROS.M8 8,4X 24X 2 U6593 ZN | WASHER M8 8,4X 24X2 U6593 ZN | RONDELLE M8 8,4X24X 2 U6593 ZN | SCHEIBEN M8 8,4X24X 2 U6593 ZN | ARANDELA M8 8,4X 24X2 U6593 ZN |
| 22 | F01060040R | VITE M8X1,25X20 U5731 8.8ZN | SCR. M8X1,25X20 U5732 4.6ZG | VIS M8X1,25X20 U5732 4.6 ZN | SCHRA. M8X1,25X20 U5732 4.6 ZN | TORN. M8X1,25X20 U5732 4.6 ZN |
| 23 | B0C3P0151R | FASCIA SX | LEFT BAND | BANDE GAUCHE | BANDE LINKS | |
| 24 | F01230213R | DADO M12X1,75 U7474 CL8 ZN | NUT M12X1,75 U7474 6SZN | ECROU AUTOBL. M12 | SELBSTSPERR.MUTTER M12 | DADO AUTOBL. M12 |
| 25 | B0C002454R | CARTER ANT. | FRONT GUARD | CARTER ANTERIEUR | VERDERER GEHAEUSER | |
| 26 | B01800082R | SILENT BLOCK 30X30-M8X25 | SILENT BLOCK 30X30-M8X20 | SILENT BLOCK 30X30-M8X20 | SILENTBLOCK 30X30-M8X20 | |
| 27 | B00920208R | DADO M8X1 D985 8ZN | NUT M8X1 D985 8ZN | ECROU | SELBSTSICHERNDE MUTTER M8-5S | |
| 28 | F01410051R | ROS.M8 8,4X 17X1,6 U6592 ZN | WASHER M8 8,4X17X1,6 U6592 ZN | RONDELLE M8 8,4X17X1,6 ZN | SCHEIBE M8 8,4X17X1,6 U6592 ZN | ARANDELA M8 8,4X17X1,6 U6592ZN |
| 29 | B01000011R | RIVETTO STR. 6X12 U9200A AL | RIVET 6X12 U9200A AL | RIVET | ABREISSNIETEN 6X15 | |
| 30 | B0C002391R | RINFORZO FASCIA DX | RIGHT BAND REINFORCEMENT | REINFORCEMENT BANDE DROIT | RECHTE BANDVERSTARKUNG | |
| 31 | F01410076R | ROS.M12 13X 24X2,5 U6592 ZN | WASHER 12 13X 24X2,5 U6592 ZN | RONDEL. M12 13X24X2,5 U6592 ZN | SCHEIBE M12 13X24X2,5 U6592 ZN | ARANDELA M12 13 X24X2,5 ZN |
| 32 | B0C003351R | CHIUSURA POSTER.SX 165 | 165 RIGHT REAR CLOSING | FERMETURE POSTERIEUR GAUCHE 16 | VERSCHLUSS HINTEN LINKS 165 | |
| 33 | F01020436R | VITE M8X1,25X20 U5739 8.8ZN | SCR. M8X1,25X20 U5739 8.8ZN | VIS M8X1,25X 20 U5739 8.8 ZN | SCHRAUBE M8X1,25X20U5739 8.8ZN | TORN. M8X1,25X20 U5739 8.8 ZN |
| 34 | F02100065R | SPINA E.P. 4X 30 U6873 C70 BR | PIN EL. 4X30 DIN 1481 | GOUPILLE EL.4 X30 DIN 1481 | SPANNSTIFT 4X30 DIN 1481 | CLAVIJA EL.4 X30 DIN 1481 |
| 35 | B07SP0278R | ASTA DI APERTURA | OPEN ROD | BARRE D OUVERTURE | OEFFNUNGSSTANGE | |
| 36 | F01410076R | ROS.M12 13X 24X2,5 U6592 ZN | WASHER 12 13X 24X2,5 U6592 ZN | RONDEL. M12 13X24X2,5 U6592 ZN | SCHEIBE M12 13X24X2,5 U6592 ZN | ARANDELA M12 13 X24X2,5 ZN |
| 37 | F01020479R | VITE M10X1,5X35 U5739 8.8ZN | SCR. M10X1,5X35 U5739 8.8ZN | VIS M10X1,5X35 U5739 8.8 ZN | SCHR. M10X1,5X35 U5739 8.8 ZN | TORN. M10X1,5X35 U5739 8.8 ZN |
| 38 | B0C6P0435R | CERNIERA DX | RIGHT HINGE | | | |
| 39 | B0C6P0434R | CERNIERA SX | LEFT HINGE | | | |
| 40 | F01020470R | VITE M10X1,5X20 U5739 8.8ZN | SCR. M10X1,5X20 U5739 8.8ZN | VIS M10X1,5X20 U5739 8.8 ZN | SCHRAUBE M10X1,5X20 U5739 ZN | TORNILLOM10X1,5X20 U5739 8.8ZN |
| 41 | F01060069R | VITE M10X1,5X30 U5731 8.8ZN | SCR. M10X1,5X30 U5732 4.6ZN | BOULON 10X30 5732 4.6 | SCHRAUBE 10X30 5732 4.6 | PERNO 10X30 5732 4.6 |
| 42 | F01060069R | VITE M10X1,5X30 U5731 8.8ZN | SCR. M10X1,5X30 U5732 4.6ZN | BOULON 10X30 5732 4.6 | SCHRAUBE 10X30 5732 4.6 | PERNO 10X30 5732 4.6 |
| 43 | B00370001R | VITE TE M 8X16 A SEZ.TRILOBATA | SCREW TRE M 8X16 SEZ TROUBLED | VIS | SCHRAUBE M 8X15 | |
| 44 | F01020470R | VITE M10X1,5X20 U5739 8.8ZN | SCR. M10X1,5X20 U5739 8.8ZN | VIS M10X1,5X20 U5739 8.8 ZN | SCHRAUBE M10X1,5X20 U5739 ZN | TORNILLOM10X1,5X20 U5739 8.8ZN |
| 45 | B07S01212R | CARTER TRASMISSIONE ROT. | ROTOR TRANSMISSION COVER | CARTER TRANSMISSION ROTOR | ROTORANTRIEBABDECKBLECH | |
| 46 | B0C002663R | ATTACCO CARTER CUT | COVER PLATE ATTACHMENT | ATTELAGE CARTER CUT | ABECKBLECHHALTERUNG | |
| 47 | F01020508R | VITE M12X1,75X25 U5739 8.8ZN | SCR. M12X1,75X25 U5739 8.8ZN | VIS M12X1,75X25 U5739 8.8 ZN | SCHRAUBE M12X1,75X25U57398.8ZN | TORNIL.M12X1,75X25 U5739 8.8ZN |
| 48 | F01020512R | VITE M12X1,75X35 U5739 8.8ZN | SCR. M12X1,75X35 U5739 8.8ZN | VIS M12X1,75X35 5739 8.8 ZN | SCHR. M12X1,75X35 5739 8.8 ZN | TORN. M12X1,75X35 5739 8.8 ZN |
| 49 | B00321025R | VITE TTQST M10X 25-4.6 UNI 573 | SCREW | VIS | SCHRAUBE | |
| 50 | F01230202R | DADO M10X 1,5 D985 8 ZN | NUT M10 D985 | ECROU AUTOBL. M10 | SELBSTSPERR.MUTTER M10 | DADO AUTOBL. M10 |
| 51 | B00710310R | DADO M10X1,25 U5588 6S ZN | NUT | ECROU | MUTTER M10-6S | |
| 52 | F01420060R | ROS.M10 10,5X 30X2,5 U6593 ZG | GALV.WASHER 10,5X30X2,5 U6593 | RONDELLE 10,5X30 | SCHEIBE 10,5X30 | ARANDELA 10,5X30 |
| 53 | F01410062R | ROS.M10 10,5X 18X 2 U6592 ZN | WASHER M10 10,5X 18X 2 U6592 | RONDELLE M10 10,5X18X2 ZN | DICHTUNGSRING M10 10,5X18X2 ZN | RONDANA M10 10,5X18X2 ZN |
| 54 | F01420060R | ROS.M10 10,5X 30X2,5 U6593 ZG | GALV.WASHER 10,5X30X2,5 U6593 | RONDELLE 10,5X30 | SCHEIBE 10,5X30 | ARANDELA 10,5X30 |
| 55 | F01410062R | ROS.M10 10,5X 18X 2 U6592 ZN | WASHER M10 10,5X 18X 2 U6592 | RONDELLE M10 10,5X18X2 ZN | DICHTUNGSRING M10 10,5X18X2 ZN | RONDANA M10 10,5X18X2 ZN |
| 56 | F01420060R | ROS.M10 10,5X 30X2,5 U6593 ZG | GALV.WASHER 10,5X30X2,5 U6593 | RONDELLE 10,5X30 | SCHEIBE 10,5X30 | ARANDELA 10,5X30 |
| 57 | B00710208R | DADO M 8X1,25 U5588 6.8 ZN | NUT | ECROU | MUTTER M8-6S | |

(*) 25 = SOLO FILO / ONLY FOR TWINE

(**) 4 = ROSSO / RED

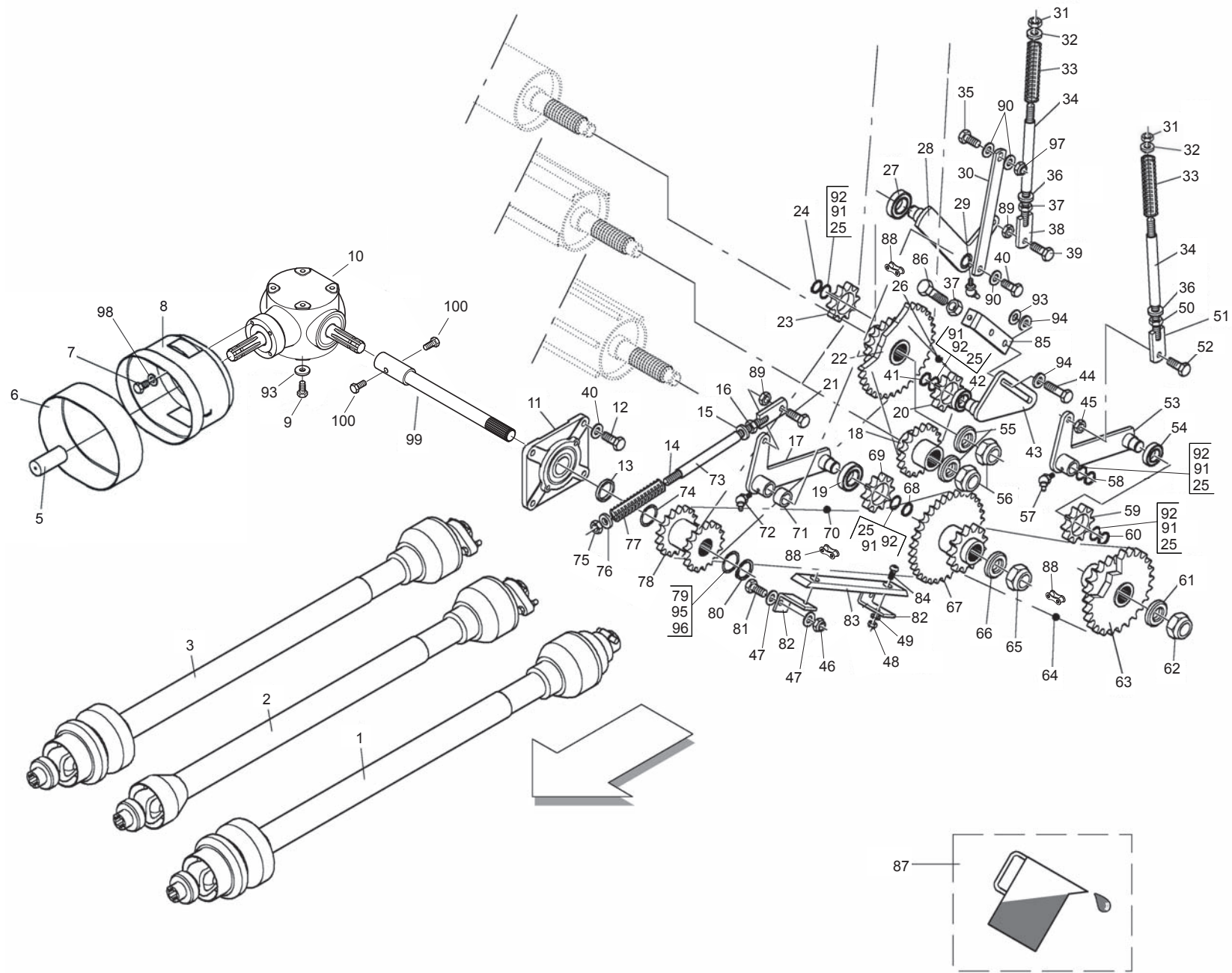
(***) 58 = GRIGIO / GREY



**CARTER
CARTER**

TAV_060

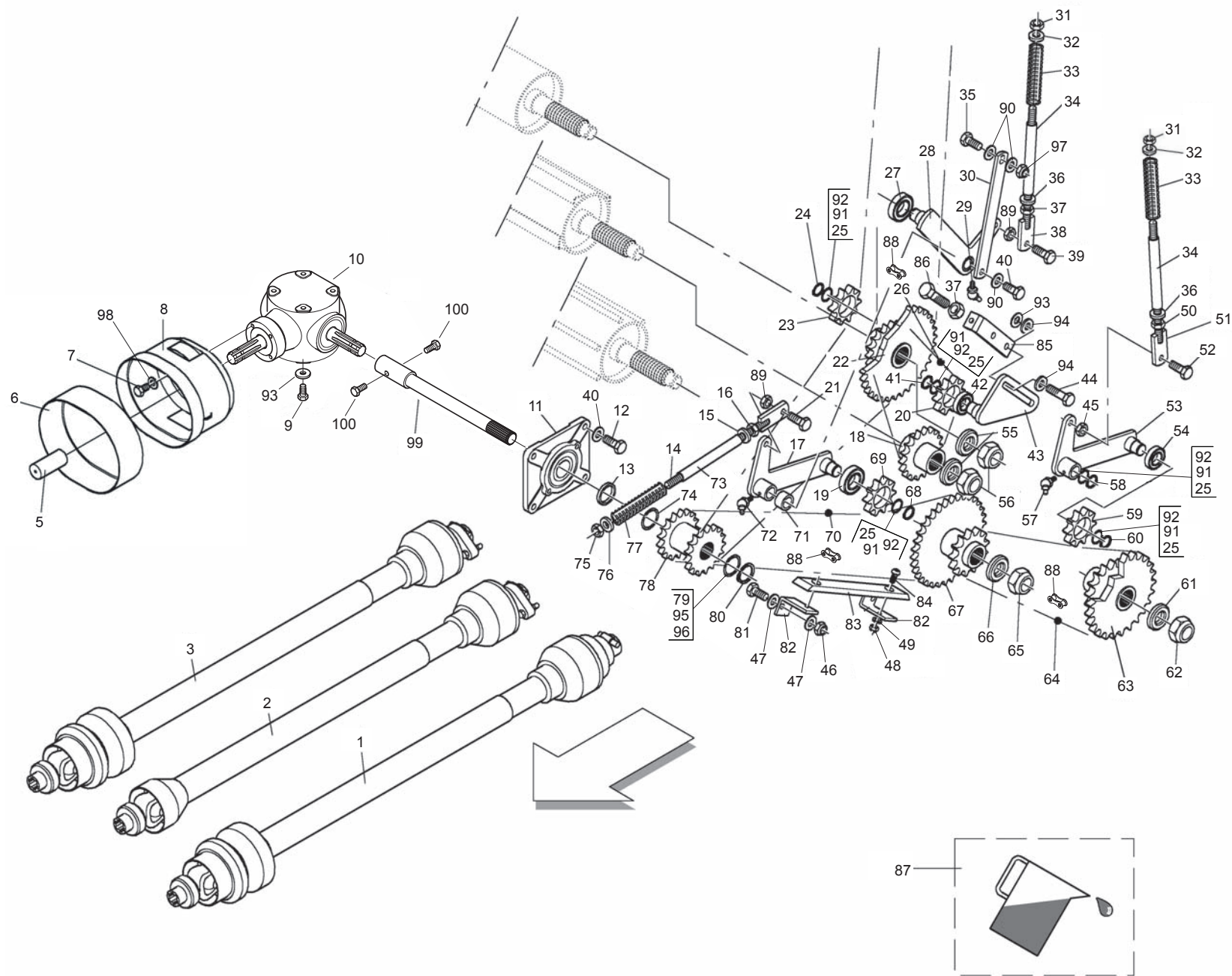
| Pos. | Cod. | Descrizione | Description | Description | Benennung | Descripcion |
|------|------------|--------------------------------|----------------------------|----------------------|------------------------------|---------------------------|
| 58 | BSP000021R | CARTER POSTERIORE | CARTER BACK | | | |
| 59 | B01950002R | TIRANTE AGGANCIO COFANO | TIE HOOK HOOD | TIRANT | SPANNSTANGE | |
| 60 | B01950004R | OCCHIELLO ACQ CON 1950003 | EYELET | OEIL | SE | |
| 61 | B01080311R | RIVETTO STR. 3,8X11 U9200A AL | RIVET | RIVET | NIET | |
| 62 | F01020024R | VITE M5X0,8X40 U5737 8.8ZN | SCR. M5X0,8X40 U5737 8.8ZN | VIS 5X40 5737 8.G ZN | SCHRAUBE 5X40 5737 8.G ZN | TORNILLO 5X40 5737 8.G ZN |
| 63 | B00920005R | DADO AUTOB.BASSO M 5-5S DIN985 | NUT | ECROU | SELBSTSICHERNDE MUTTER M5-5S | |



**TRASMISSIONE
TRANSMISSION**

TAV_070

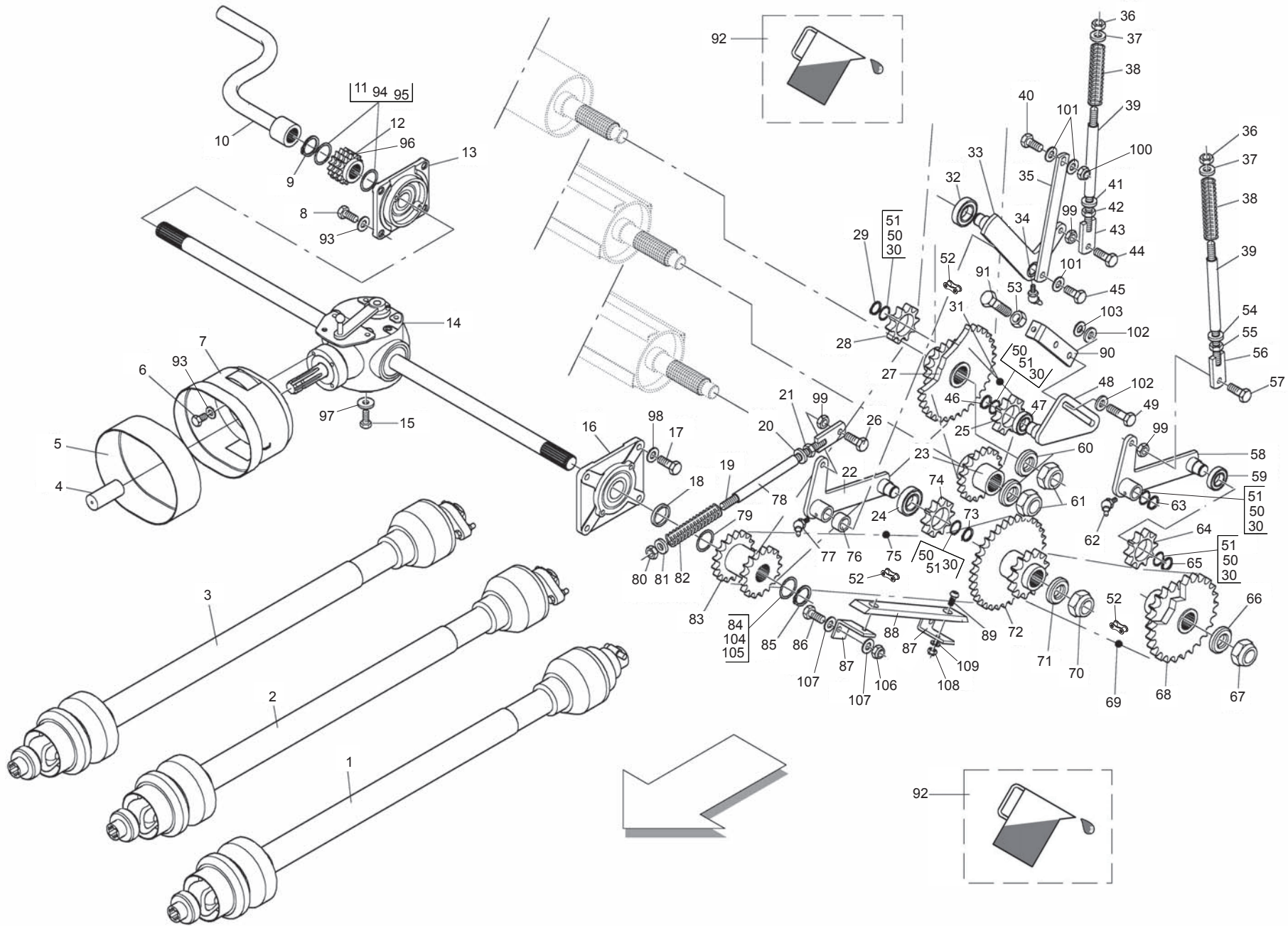
| Pos. | Cod. | Descrizione | Description | Description | Benennung | Descripcion |
|------|------------|--------------------------------|--------------------------------|-------------------------------|--------------------------------|--------------------------------|
| 1 | B03600092R | CAR BO7 Z6-Z6 OMCAM 2500 L1589 | PTO BO7 Z6-Z6 OMCAM 2500 L1589 | CARDAN | TRAKTOR KARDAN BYPY656 | |
| 2 | B03600120R | CAR BO4 Z6-Z6 OMFRZ 1350 L1577 | PTO BO4 Z6-Z6 OMFRZ 1350 L1577 | CARDAN | GELENKWELLE T.BYPY654 OC F | |
| 3 | B03600076R | CAR BO7 Z6-Z6 OMFRZ 1700 L1546 | PTO BO7 Z6-Z6 OMFRZ 1700 L1546 | CARDAN | GELENKWELLE | |
| 5 | B07V00044R | PROLUNGA PER CUFFIA OVALE | COVER EXTENTION | RALLONGE POUR BOL | VERLAENGERUNG FUER SCHUTZHAUBE | |
| 6 | F01020472R | VITE M10X1,5X25 U5739 8.8ZN | SCR. M10X1,5X25 U5739 8.8ZN | VIS M10X1,5X25 U5739 8.8 ZN | SCHRAUBE M10X1,5X25 U5739 8.8 | TORNILLO 10X25 U5739 8.8 ZN |
| 7 | G19002131R | PROTEZIONE P.D.P. | PDP GUARD | | | |
| 8 | B07V00059R | PROT. CARDANO FFPRO | COVER PROTECTION | PROTECTION CARDAN | ZAPFWELLENSCHUTZHAUBE FFPRO | |
| 9 | F01020512R | VITE M12X1,75X35 U5739 8.8ZN | SCR. M12X1,75X35 U5739 8.8ZN | VIS M12X1,75X35 5739 8.8 ZN | SCHR. M12X1,75X35 5739 8.8 ZN | TORN. M12X1,75X35 5739 8.8 ZN |
| 10 | B03900177R | SCAT.BP 2050-1 1-RL-S ALB. | GEAR BOX | BOITE | GETRIEBE BYPY 2050 | |
| 11 | B02700051R | SUPPORTO FLANGIATO | FLANGED SUPPORT | SUPPORT EMBOUTI | FLANSCHLAGER | |
| 12 | F01020512R | VITE M12X1,75X35 U5739 8.8ZN | SCR. M12X1,75X35 U5739 8.8ZN | VIS M12X1,75X35 5739 8.8 ZN | SCHR. M12X1,75X35 5739 8.8 ZN | TORN. M12X1,75X35 5739 8.8 ZN |
| 13 | B01329469R | DISTANZIALE 40X48X 7 | SPACER | ENTRETOISE | DISTANZSTUECK 40X48X7 | |
| 14 | B07S00957R | TIRANTE GALOPPINO | TIGHTENING BRACKET | TENDEUR | LEITROLLE ZUGSTANGE | |
| 15 | B01519319R | RALLA 16X38X5 | FIFTH WHEEL | BUTEE | SCREIBE | |
| 16 | F01200306R | DADO M14X2 U5588 CL8 ZN | NUT M14X2 U5588 6.8ZN | ECROU M14X2 | MUTTER M14X2 | DADO M14X2 |
| 17 | B07S00953R | BRACCIO TENDITORE SX | RIGHT TENSIONER ROD | BRAS TENDEUR GAUCHE | RECHTER SPANNARM | |
| 18 | B03400235R | INGRANAGGIO Z=11-1 | GEAR Z=11-1 | ENGRENAGE | ZAHNRAD Z=11-1 | |
| 19 | B02042515R | CUSC 6205-2RS CAT.A-ST004 | BEARING | ROULEMENT | LAGER 6205-2RS | |
| 20 | B03400274R | CORONA Z10-1 ISO F52 TRATT | SPROCKET Z=10-1 | ENGRANAGE SPECIAL TRAITE | ZAHNKRANZ Z=10-1 | |
| 21 | F01020510R | VITE M12X1,75X30 U5739 8.8ZN | SCR. M12X1,75X30 U5739 8.8ZN | VIS M12X1,75X30 U5739 8.8ZN | SCHRAU.M12X1,75X30 U5739 8.8ZN | TORN. M12X1,75X30 U5739 8.8ZN |
| 22 | B03400225R | INGR. Z=24 10; 1, 1; ISO 16B-1 | SMOOTH ROLLER GEAR Z=24 | ENGRENAGE ROULEAU LISSE | GLATT WALZE ZAHNRAD Z=24 | |
| 23 | B03400274R | CORONA Z10-1 ISO F52 TRATT | SPROCKET Z=10-1 | ENGRANAGE SPECIAL TRAITE | ZAHNKRANZ Z=10-1 | |
| 24 | F02050101R | ANELLO E. DE 25X 1,2 U7435 C7 | SEEGER RING E. 25X1,2 7435 C70 | SEEGER E. 25X 1,2 U7435 C70 | SEEGERING E. 25X 1,2 U7435 C70 | ANILLO E. 25X 1,2 U7435 C70 |
| 25 | B01300104R | SPES. 25,5 37 0,2 | SHIM | ENTRETOISE | BEILAGSCHEIBE 25,5 37 0,2 | |
| 26 | B030E1027R | CATENA RULLI ISO 16 B-1 27M | ROLLER CHAIN ISO16 B-1 27M | CHAINE ROULEAUX | WALZENKETTE | |
| 27 | B02042515R | CUSC 6205-2RS CAT.A-ST004 | BEARING | ROULEMENT | LAGER 6205-2RS | |
| 28 | B07S00953R | BRACCIO TENDITORE SX | RIGHT TENSIONER ROD | BRAS TENDEUR GAUCHE | RECHTER SPANNARM | |
| 29 | B04210610R | INGRAS HYDR A 45 M 6X1 | GREASE NIPPLE | GRAISSEUR HYDRAULIQUE | SCHMIERNIPPEL M6X1 45 | |
| 30 | B0C003057R | COLLEGAMENTO TENDITORI | TIGHTENER CONNECTION | CONNEXION TENDEURS | SPANNERKUPPLUNG | |
| 31 | F01200306R | DADO M14X2 U5588 CL8 ZN | NUT M14X2 U5588 6.8ZN | ECROU M14X2 | MUTTER M14X2 | DADO M14X2 |
| 32 | B01519319R | RALLA 16X38X5 | FIFTH WHEEL | BUTEE | SCREIBE | |
| 33 | B01800046R | MOLLA 6 30 180C | SPRING | RESSORT | FEDER | |
| 34 | B01300157R | DISTANZIALE 16,6X21,3X165 | SPACER | ENTRETOISE | ABSTANZSTUECK 16,6X21,3X165 | |
| 35 | F01020510R | VITE M12X1,75X30 U5739 8.8ZN | SCR. M12X1,75X30 U5739 8.8ZN | VIS M12X1,75X30 U5739 8.8ZN | SCHRAU.M12X1,75X30 U5739 8.8ZN | TORN. M12X1,75X30 U5739 8.8ZN |
| 36 | B01519319R | RALLA 16X38X5 | FIFTH WHEEL | BUTEE | SCREIBE | |
| 37 | F01200293R | DADO M12X1,75 U5588 CL8 ZN | NUT M12X1,75 U5588 6S ZN | ECROU M12X1,75 U5588 6S ZN | MUTTER M12X1,75 U5588 6S ZN | TUERCA M12X1,75 U5588 6S ZN |
| 38 | B07S00957R | TIRANTE GALOPPINO | TIGHTENING BRACKET | TENDEUR | LEITROLLE ZUGSTANGE | |
| 39 | F01020510R | VITE M12X1,75X30 U5739 8.8ZN | SCR. M12X1,75X30 U5739 8.8ZN | VIS M12X1,75X30 U5739 8.8ZN | SCHRAU.M12X1,75X30 U5739 8.8ZN | TORN. M12X1,75X30 U5739 8.8ZN |
| 40 | F01020508R | VITE M12X1,75X25 U5739 8.8ZN | SCR. M12X1,75X25 U5739 8.8ZN | VIS M12X1,75X25 U5739 8.8 ZN | SCHRAUBE M12X1,75X25U57398.8ZN | TORNIL.M12X1,75X25 U5739 8.8ZN |
| 41 | F02050101R | ANELLO E. DE 25X 1,2 U7435 C7 | SEEGER RING E. 25X1,2 7435 C70 | SEEGER E. 25X 1,2 U7435 C70 | SEEGERING E. 25X 1,2 U7435 C70 | ANILLO E. 25X 1,2 U7435 C70 |
| 42 | B02042515R | CUSC 6205-2RS CAT.A-ST004 | BEARING | ROULEMENT | LAGER 6205-2RS | |
| 43 | B07S00958R | TIRANTE FISSO | TIE ROD | ROULEMENT | TIRANT FIXE | |
| 44 | B00191250R | VITE M12X1,75X 50 U5737 8.8ZN | SCREW | VIS | SCHRAUBE | |
| 45 | F01200421R | DADO M12X1,75 U5589 CL8 ZN6SZN | NUT M12X1,75 U5589 6SZN | ECROU M12 | MUTTER M12 | DADO M12 |
| 46 | F01230202R | DADO M10X 1,5 D985 8 ZN | NUT M10 D985 | ECROU AUTOBL. M10 | SELBSTSPERR.MUTTER M10 | DADO AUTOBL. M10 |
| 47 | F01410062R | ROS.M10 10,5X 18X 2 U6592 ZN | WASHER M10 10,5X 18X 2 U6592 | RONDELLE M10 10,5X18X2 ZN | DICHTUNGSRING M10 10,5X18X2 ZN | RONDANA M10 10,5X18X2 ZN |
| 48 | B00920208R | DADO M8X1 D985 8ZN | NUT M8X1 D985 8ZN | ECROU | SELBSTSICHERNDE MUTTER M8-5S | |
| 49 | F01410051R | ROS.M8 8,4X 17X1,6 U6592 ZN | WASHER M8 8,4X17X1,6 U6592 ZN | RONDELLE M8 8,4X17X1,6 ZN | SCHEIBE M8 8,4X17X1,6 U6592 ZN | ARANDELA M8 8,4X17X1,6 U6592ZN |
| 50 | F01200306R | DADO M14X2 U5588 CL8 ZN | NUT M14X2 U5588 6.8ZN | ECROU M14X2 | MUTTER M14X2 | DADO M14X2 |
| 51 | B07S00957R | TIRANTE GALOPPINO | TIGHTENING BRACKET | TENDEUR | LEITROLLE ZUGSTANGE | |
| 52 | F01020510R | VITE M12X1,75X30 U5739 8.8ZN | SCR. M12X1,75X30 U5739 8.8ZN | VIS M12X1,75X30 U5739 8.8ZN | SCHRAU.M12X1,75X30 U5739 8.8ZN | TORN. M12X1,75X30 U5739 8.8ZN |
| 53 | B07S00953R | BRACCIO TENDITORE SX | RIGHT TENSIONER ROD | BRAS TENDEUR GAUCHE | RECHTER SPANNARM | |
| 54 | B02042515R | CUSC 6205-2RS CAT.A-ST004 | BEARING | ROULEMENT | LAGER 6205-2RS | |
| 55 | B014R3050R | ROSETTA 30 UNI 5714-69 E DEIDR | WASHER | RONDELLE | BEILAGSSCHEIBE | |
| 56 | F1230291R | DADO M30X2 D985 ZN | NUT M30X2 D985 ZN | ECROU AUTOB. M30X2 DIN 985 ZN | SELBSTSP. MU. M30X2 DIN 985 ZN | TUERCA AUTOB. M30X2 DIN 985 ZN |
| 57 | B04210610R | INGRAS HYDR A 45 M 6X1 | GREASE NIPPLE | GRAISSEUR HYDRAULIQUE | SCHMIERNIPPEL M6X1 45 | |
| 58 | F02050101R | ANELLO E. DE 25X 1,2 U7435 C7 | SEEGER RING E. 25X1,2 7435 C70 | SEEGER E. 25X 1,2 U7435 C70 | SEEGERING E. 25X 1,2 U7435 C70 | ANILLO E. 25X 1,2 U7435 C70 |



**TRAMMISSIONE
TRANSMISSION**

TAV_070

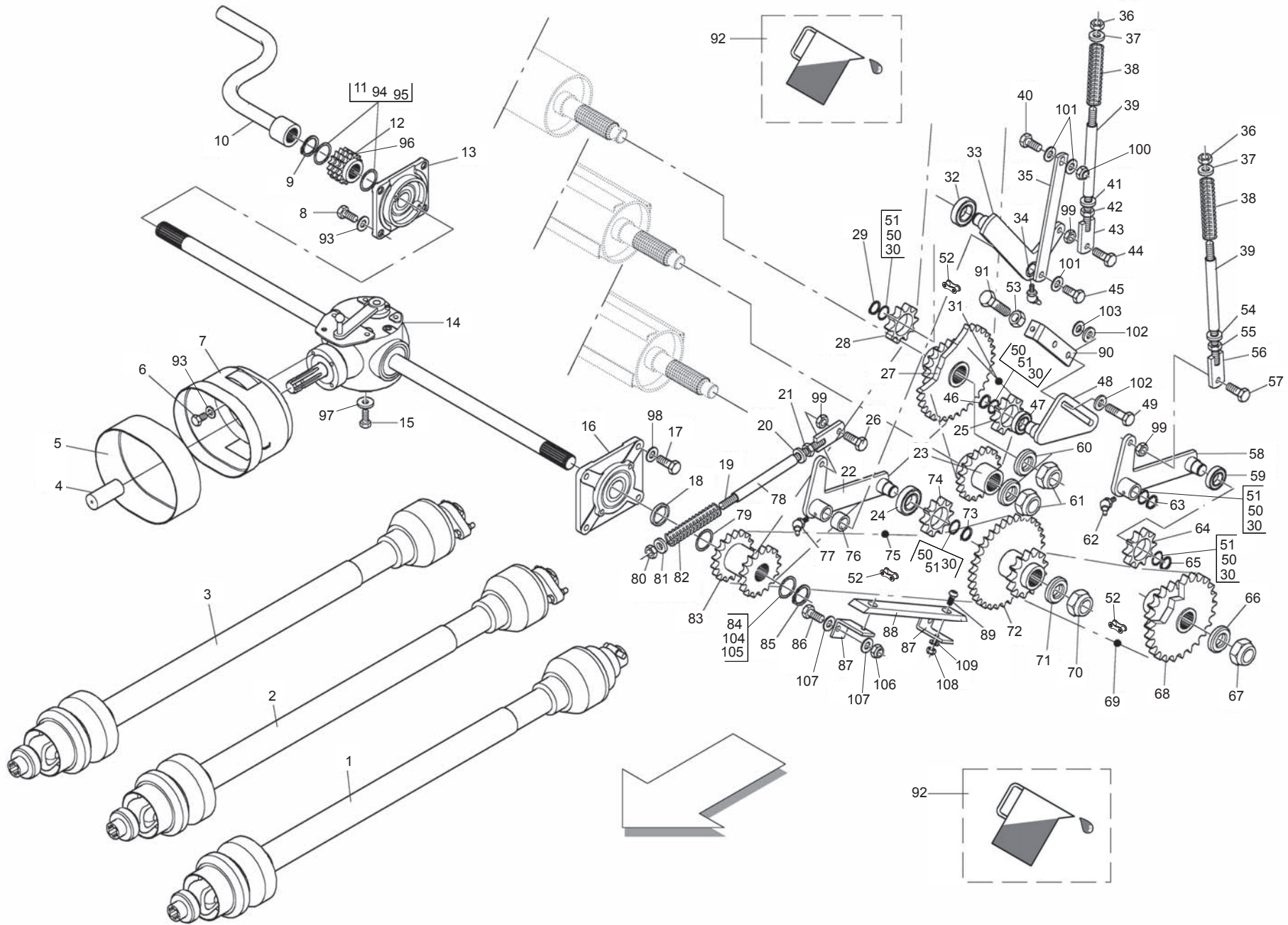
| Pos. | Cod. | Descrizione | Description | Description | Benennung | Descripcion |
|------|------------|--------------------------------|--------------------------------|--------------------------------|--------------------------------|--------------------------------|
| 59 | B03400274R | CORONA Z10-1 ISO F52 TRATT | SPROCKET Z=10-1 | ENGRANAGE SPECIAL TRAITE | ZAHNKRANZ Z=10-1 | |
| 60 | F02050101R | ANELLO E. DE 25X 1,2 U7435 C7 | SEEGER RING E. 25X1,2 7435 C70 | SEEGER E. 25X 1,2 U7435 C70 | SEEGERING E. 25X 1,2 U7435 C70 | ANILLO E. 25X 1,2 U7435 C70 |
| 61 | B014R3050R | ROSETTA 30 UNI 5714-69 E DEIDR | WASHER | RONDELLE | BEILAGSSCHEIBE | |
| 62 | F01230291R | DADO M30X2 D985 ZN | NUT M30X2 D985 ZN | ECROU AUTOB. M30X2 DIN 985 ZN | SELBSTSP. MU. M30X2 DIN 985 ZN | TUERCA AUTOB. M30X2 DIN 985 ZN |
| 63 | B03400285R | INGR. Z=17 24; 1, 1; ISO 16B-1 | BIG ROLLER GEAR Z=17-24 1 | ENGRANAGE | ZAHNRAD | |
| 64 | B030E1056R | CATENA RULLI ISO 16 B-1 56M | ROLLER CHAIN ISO16 B-1 56M | CHAINE ROULEAUX | WALZENKETTE | |
| 65 | F01230291R | DADO M30X2 D985 ZN | NUT M30X2 D985 ZN | ECROU AUTOB. M30X2 DIN 985 ZN | SELBSTSP. MU. M30X2 DIN 985 ZN | TUERCA AUTOB. M30X2 DIN 985 ZN |
| 66 | B014R3050R | ROSETTA 30 UNI 5714-69 E DEIDR | WASHER | RONDELLE | BEILAGSSCHEIBE | |
| 67 | B03400230R | INGR.RULLO BACC.INF.Z=24-12 1 | ROD ROLLER GEAR Z=24-12 1 | ENGRENAGE | WALZE ZAHNRAD Z=24-12 1 | |
| 68 | F02050101R | ANELLO E. DE 25X 1,2 U7435 C7 | SEEGER RING E. 25X1,2 7435 C70 | SEEGER E. 25X 1,2 U7435 C70 | SEEGERING E. 25X 1,2 U7435 C70 | ANILLO E. 25X 1,2 U7435 C70 |
| 69 | B03400274R | CORONA Z10-1 ISO F52 TRATT | SPROCKET Z=10-1 | ENGRANAGE SPECIAL TRAITE | ZAHNKRANZ Z=10-1 | |
| 70 | B030E1079R | CATENA RULLI ISO 16 B-1 79M | ROLLER CHAIN ISO16 B-1 79M | CHAINE ROULEAUX | WALZENKETTE | |
| 71 | B01334680R | DISTANZIALE 25 X 33 X 22 | SPACER | ENTRETOISE | DISTANZSTUECK 25X33X22 | |
| 72 | B04210610R | INGRAS HYDR A 45 M 6X1 | GREASE NIPPLE | GRAISSEUR HYDRAULIQUE | SCHMIERNIPPEL M6X1 45 | |
| 73 | B01300157R | DISTANZIALE 16,6X21,3X165 | SPACER | ENTRETOISE | ABSTANZSTUECK 16,6X21,3X165 | |
| 74 | B01300125R | SPES. 40 48 0,5 ZINCATO | SHIM GALV | ENTRETOISE GALV | DISTANZSTUECK 40 48 0,5 | |
| 75 | F01200306R | DADO M14X2 U5588 CL8 ZN | NUT M14X2 U5588 6.8ZN | ECROU M14X2 | MUTTER M14X2 | DADO M14X2 |
| 76 | B01519319R | RALLA 16X38X5 | FIFTH WHEEL | BUTEE | SCREIBE | |
| 77 | B01800046R | MOLLA 6 30 180C | SPRING | RESSORT | FEDER | |
| 78 | B03400224R | INGR.DOPPIO Z=12 12-1 SCATOLA | DOUBLE GEAR Z=12 12-1 | ENGRENAGE DOUBLE | DOPPEL ZAHNRAD Z=12 12-1 | |
| 79 | B01300151R | SPES. 40 48 2 ZINCATO | SHIM | ENTRETOISE | DISTANZSTUECK 40 48 2 | |
| 80 | B01700040R | ANEL. D ARR. ALBERO 40-E UNI 3 | SEEGER RING | BAGUE SEEGER | SEEGERRING 40-E | |
| 81 | F01020472R | VITE M10X1,5X25 U5739 8.8ZN | SCR. M10X1,5X25 U5739 8.8ZN | VIS M10X1,5X25 U5739 8.8 ZN | SCHRAUBE M10X1,5X25 U5739 8.8 | TORNILLO 10X25 U5739 8.8 ZN |
| 82 | BOC000037R | ATTACCO SLITTA NYLON | NYLON RAM COUPLING | ATTELAGE GLISSIERE EN NYLON | ANSCHLUSS | |
| 83 | B07631842R | GUIDA CATENA | CHAIN GUIDE | GUIDE | KETTENFUEHRUNG | |
| 84 | B00470820R | VITE TTEI M 8X 20-10,9 UMBRAKO | SCREW | VIS | SCHRAUBE TTEI M 8X 20-10.9 | |
| 85 | BOC003605R | TIRANTE INFALDATORE | FEEDER CONNECTING ROD | TIRANT AMENEUR | RAFFER ZUGSTANGE | |
| 86 | F01020517R | VITE M12X1,75X50 U5739 8.8ZN | SCR. M12X1,75X50 U5739 8.8ZN | VIS M12X1,75X50 5739 8.8 ZN | SCHRA. M12X1,75X50 5739 8.8 ZN | TORN. M12X1,75X50 5739 8.8 ZN |
| 87 | F03260016R | OLIO AGIP BLASIA 150 | OIL AGIP BLASIA 150 | | | |
| 88 | B030E0017R | GIUNTO MOLL N26 ISO 16 B-1 | SPRING JOINT N.26 ISO 16 B-1 | JOINT RESSORT | KETTENFEDER | |
| 89 | F01200421R | DADO M12X1,75 U5589 CL8 ZN6SZN | NUT M12X1,75 U5589 6SZN | ECROU M12 | MUTTER M12 | DADO M12 |
| 90 | F01410076R | ROS.M12 13X 24X2,5 U6592 ZN | WASHER 12 13X 24X2,5 U6592 ZN | RONDEL. M12 13X24X2,5 U6592 ZN | SCHEIBE M12 13X24X2,5 U6592 ZN | ARANDELA M12 13 X24X2,5 ZN |
| 91 | B01300104R | SPES. 25,5 37 0,2 | SHIM | ENTRETOISE | BEILAGSCHEIBE 25,5 37 0,2 | |
| 92 | B01300105R | SPES. 25,5 37 0,5 | SHIM | ENTRETOISE | DISTANZSTUECK 25,5 37 0,5 | |
| 93 | B01516038R | RALLA 13 32 5 | FIFTH WHEEL | BUTEE | SCHEIBE | |
| 94 | F01420120R | ROS.M12 13X36X2,5 U6593 ZN | WASHER M12 13X36X2,5 U6593 ZN | RONDELLE M12 13X36X2,5 ZN | | |
| 95 | B01300125R | SPES. 40 48 0,5 ZINCATO | SHIM GALV | ENTRETOISE GALV | DISTANZSTUECK 40 48 0,5 | |
| 96 | B01300126R | SPES. 40 48 1 ZINC.ST_013 | SHIM | ENTRETOISE | DISTANZSTUECK 40 408 1 | |
| 97 | F01230213R | DADO M12X1,75 U7474 CL8 ZN | NUT M12X1,75 U7474 6SZN | ECROU AUTOBL. M12 | SELBSTSPERR.MUTTER M12 | DADO AUTOBL. M12 |
| 98 | F01410062R | ROS.M10 10,5X 18X 2 U6592 ZN | WASHER M10 10,5X 18X 2 U6592 | RONDELLE M10 10,5X18X2 ZN | DICHTUNGSRING M10 10,5X18X2 ZN | RONDANA M10 10,5X18X2 ZN |
| 99 | BOR000304R | ALBERO PROLUNGA L=602 | EXTENSION SHAFT L=602 | ARBRE RALLONGE L=602 | VERLAENGERUNGSWELLE L=602 | |
| 100 | F01020040R | VITE M6X1X40 U5737 8.8ZN | SCR. M6X1X40 U5737 8.8ZN | VIS M6X1X40 U5737 8.8ZN | SCHRAU. M6X1X40 U5737 8.8ZN | TORNI. M6X1X40 U5737 8.8ZN |



**TRASMISSIONE CUT
CUT TRANSMISSION**

TAV_080

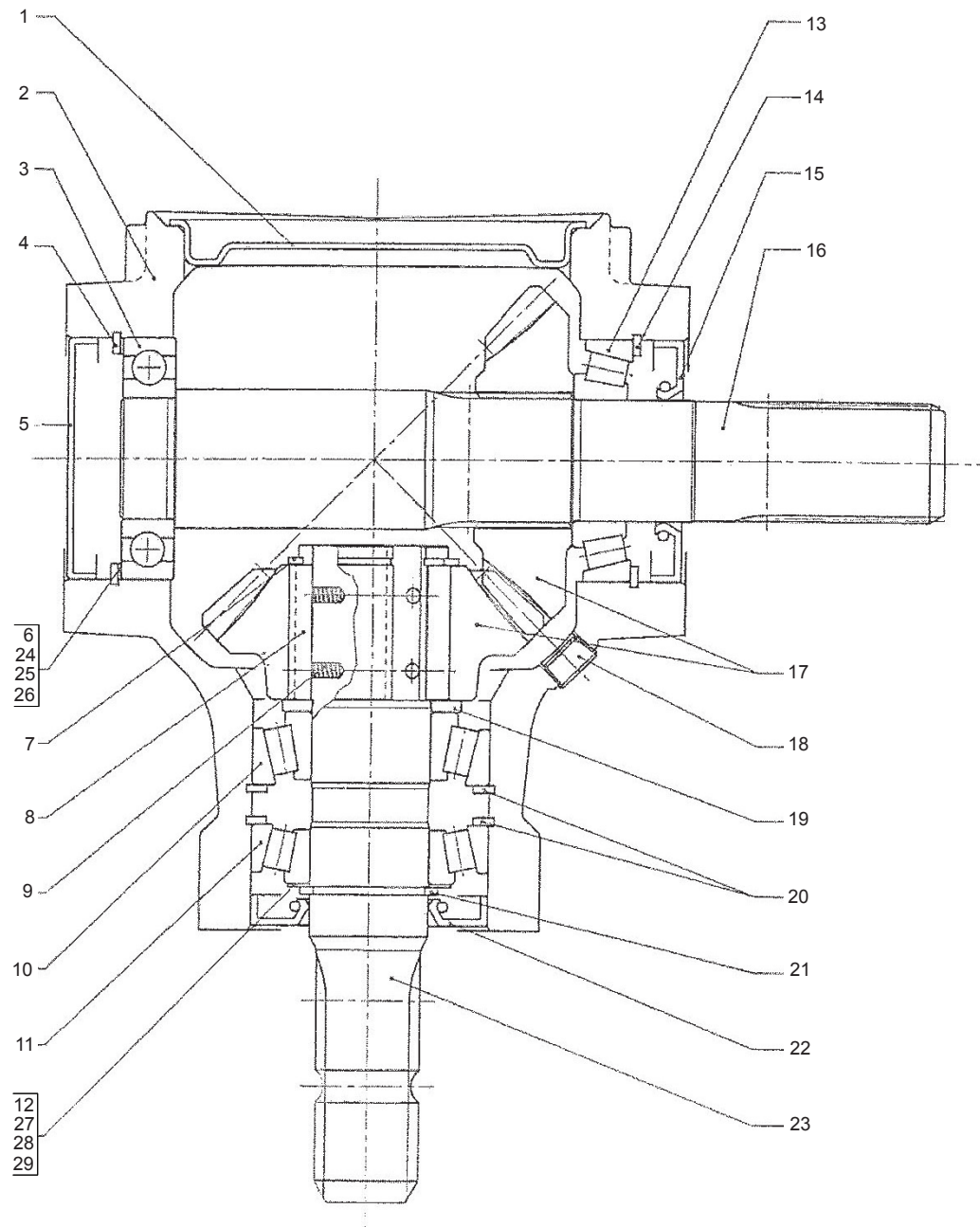
| Pos. | Cod. | Descrizione | Description | Description | Benennung | Descripcion |
|------|------------|--------------------------------|--------------------------------|------------------------------|--------------------------------|--------------------------------|
| 1 | B03600092R | CAR BO7 Z6-Z6 OMCAM 2500 L1589 | PTO BO7 Z6-Z6 OMCAM 2500 L1589 | CARDAN | TRAKTOR KARDAN BYPY656 | |
| 2 | B03600120R | CAR BO4 Z6-Z6 OMFRZ 1350 L1577 | PTO BO4 Z6-Z6 OMFRZ 1350 L1577 | CARDAN | GELENKWELLE T.BYPY654 OC F | |
| 3 | B03600076R | CAR BO7 Z6-Z6 OMFRZ 1700 L1546 | PTO BO7 Z6-Z6 OMFRZ 1700 L1546 | CARDAN | GELENKWELLE | |
| 4 | G19002131R | PROTEZIONE P.D.P. | PDP GUARD | | | |
| 5 | B07V00044R | PROLUNGA PER CUFFIA OVALE | COVER EXTENTION | RALLONGE POUR BOL | VERLAENGERUNG FUER SCHUTZHAUBE | |
| 6 | F01020472R | VITE M10X1,5X25 U5739 8.8ZN | SCR. M10X1,5X25 U5739 8.8ZN | VIS M10X1,5X25 U5739 8.8 ZN | SCHRAUBE M10X1,5X25 U5739 8.8 | TORNILLO 10X25 U5739 8.8 ZN |
| 7 | B07V00059R | PROT. CARDANO FFPRO | COVER PROTECTION | PROTECTION CARDAN | ZAPFWELLENSCHUTZHAUBE FFPRO | |
| 8 | F01020512R | VITE M12X1,75X35 U5739 8.8ZN | SCR. M12X1,75X35 U5739 8.8ZN | VIS M12X1,75X35 5739 8.8 ZN | SCHR. M12X1,75X35 5739 8.8 ZN | TORN. M12X1,75X35 5739 8.8 ZN |
| 9 | B01700040R | ANEL. D ARR. ALBERO 40-E UNI 3 | SEEGER RING | BAGUE SEEGER | SEEGERRING 40-E | |
| 10 | B07S00869R | MANOVELLA SGOLFAMENTO | OVERLOAD CRANCK | MANIVELLE | KURBEL ZUR ENTSTOPFUNG | |
| 11 | B01300355R | DISTANZIALE 40X54X20 | SPACER | ENTRETOISE | ABSTANDSTUECK 40X54X20 | |
| 12 | B03400072R | INGR.TRIPLO Z=13-3 4 X7 16 | TRIPLE GEAR Z=13-3 4 X7 16 | ENGRENAGE TRIPLE | DREIFACH ZAHNRAD Z=13-3 4 X7 1 | |
| 13 | B02700051R | SUPPORTO FLANGIATO | FLANGED SUPPORT | SUPPORT EMBOUTI | FLANSLAGER | |
| 14 | B03900179R | SCAT.BP 2070-1 1-RL-DIS S.ALB. | GEAR BOX | BOITE | GETRIEBE BYPY 2070 | |
| 15 | F01020540R | VITE M14X2X30 U5739 8.8ZN | SCR. M14X2X30 U5739 8.8ZN | VIS M14X2X30 U5739 8.8ZN | SCHRAUBE M14X2X30 U5739 8.8ZN | TORNILLO M14X2X30 U5739 8.8ZN |
| 16 | B02700051R | SUPPORTO FLANGIATO | FLANGED SUPPORT | SUPPORT EMBOUTI | FLANSLAGER | |
| 17 | F01020510R | VITE M12X1,75X30 U5739 8.8ZN | SCR. M12X1,75X30 U5739 8.8ZN | VIS M12X1,75X30 U5739 8.8ZN | SCHRAU.M12X1,75X30 U5739 8.8ZN | TORN. M12X1,75X30 U5739 8.8ZN |
| 18 | B01329469R | DISTANZIALE 40X48X 7 | SPACER | ENTRETOISE | DISTANZSTUECK 40X48X7 | |
| 19 | B07S00957R | TIRANTE GALOPPINO | TIGHTENING BRACKET | TENDEUR | LEITROLLE ZUGSTANGE | |
| 20 | B01519319R | RALLA 16X38X5 | FIFTH WHEEL | BUTEE | SCREIBE | |
| 21 | F01200306R | DADO M14X2 U5588 CL8 ZN | NUT M14X2 U5588 6.8ZN | ECROU M14X2 | MUTTER M14X2 | DADO M14X2 |
| 22 | B07S00953R | BRACCIO TENDITORE SX | RIGHT TENSIONER ROD | BRAS TENDEUR GAUCHE | RECHTER SPANNARM | |
| 23 | B03400235R | INGRANAGGIO Z=11-1 | GEAR Z=11-1 | ENGRENAGE | ZAHNRAD Z=11-1 | |
| 24 | B02042515R | CUSC 6205-2RS CAT.A-ST004 | BEARING | ROULEMENT | LAGER 6205-2RS | |
| 25 | B03400274R | CORONA Z10-1 ISO F52 TRATT | SPROCKET Z=10-1 | ENGRENAGE SPECIAL TRAITE | ZAHNKRANZ Z=10-1 | |
| 26 | F01020510R | VITE M12X1,75X30 U5739 8.8ZN | SCR. M12X1,75X30 U5739 8.8ZN | VIS M12X1,75X30 U5739 8.8ZN | SCHRAU.M12X1,75X30 U5739 8.8ZN | TORN. M12X1,75X30 U5739 8.8ZN |
| 27 | B03400225R | INGR. Z=24 10; 1, 1; ISO 16B-1 | SMOOTH ROLLER GEAR Z=24 | ENGRENAGE ROULEAU LISSE | GLATT WALZE ZAHNRAD Z=24 | |
| 28 | B03400274R | CORONA Z10-1 ISO F52 TRATT | SPROCKET Z=10-1 | ENGRENAGE SPECIAL TRAITE | ZAHNKRANZ Z=10-1 | |
| 29 | F02050101R | ANELLO E. DE 25X 1,2 U7435 C7 | SEEGER RING E. 25X1,2 7435 C70 | SEEGER E. 25X 1,2 U7435 C70 | SEEGERING E. 25X 1,2 U7435 C70 | ANILLO E. 25X 1,2 U7435 C70 |
| 30 | B01300104R | SPES. 25,5 37 0,2 | SHIM | ENTRETOISE | BEILAGSCHEIBE 25,5 37 0,2 | |
| 31 | B030E1027R | CATENA RULLI ISO 16 B-1 27M | ROLLER CHAIN ISO16 B-1 27M | CHAINE ROULEAUX | WALZENKETTE | |
| 32 | B02042515R | CUSC 6205-2RS CAT.A-ST004 | BEARING | ROULEMENT | LAGER 6205-2RS | |
| 33 | B07S00953R | BRACCIO TENDITORE SX | RIGHT TENSIONER ROD | BRAS TENDEUR GAUCHE | RECHTER SPANNARM | |
| 34 | B04210610R | INGRAS HYDR A 45 M 6X1 | GREASE NIPPLE | GRAISSEUR HYDRAULIQUE | SCHMIERNIPPEL M6X1 45 | |
| 35 | B0C003057R | COLLEGAMENTO TENDITORI | TIGHTENER CONNECTION | CONNEXION TENDEURS | SPANNERKUPPLUNG | |
| 36 | F01200306R | DADO M14X2 U5588 CL8 ZN | NUT M14X2 U5588 6.8ZN | ECROU M14X2 | MUTTER M14X2 | DADO M14X2 |
| 37 | B01519319R | RALLA 16X38X5 | FIFTH WHEEL | BUTEE | SCREIBE | |
| 38 | B01800046R | MOLLA 6 30 180C | SPRING | RESSORT | FEDER | |
| 39 | B01300157R | DISTANZIALE 16,6X21,3X165 | SPACER | ENTRETOISE | ABSTANZSTUECK 16,6X21,3X165 | |
| 40 | F01020510R | VITE M12X1,75X30 U5739 8.8ZN | SCR. M12X1,75X30 U5739 8.8ZN | VIS M12X1,75X30 U5739 8.8ZN | SCHRAU.M12X1,75X30 U5739 8.8ZN | TORN. M12X1,75X30 U5739 8.8ZN |
| 41 | B01519319R | RALLA 16X38X5 | FIFTH WHEEL | BUTEE | SCREIBE | |
| 42 | F01200293R | DADO M12X1,75 U5588 CL8 ZN | NUT M12X1,75 U5588 6S ZN | ECROU M12X1,75 U5588 6S ZN | MUTTER M12X1,75 U5588 6S ZN | TUERCA M12X1,75 U5588 6S ZN |
| 43 | B07S00957R | TIRANTE GALOPPINO | TIGHTENING BRACKET | TENDEUR | LEITROLLE ZUGSTANGE | |
| 44 | F01020510R | VITE M12X1,75X30 U5739 8.8ZN | SCR. M12X1,75X30 U5739 8.8ZN | VIS M12X1,75X30 U5739 8.8ZN | SCHRAU.M12X1,75X30 U5739 8.8ZN | TORN. M12X1,75X30 U5739 8.8ZN |
| 45 | F01020508R | VITE M12X1,75X25 U5739 8.8ZN | SCR. M12X1,75X25 U5739 8.8ZN | VIS M12X1,75X25 U5739 8.8 ZN | SCHRAUBE M12X1,75X25U57398.8ZN | TORNIL.M12X1,75X25 U5739 8.8ZN |
| 46 | F02050101R | ANELLO E. DE 25X 1,2 U7435 C7 | SEEGER RING E. 25X1,2 7435 C70 | SEEGER E. 25X 1,2 U7435 C70 | SEEGERING E. 25X 1,2 U7435 C70 | ANILLO E. 25X 1,2 U7435 C70 |
| 47 | B02042515R | CUSC 6205-2RS CAT.A-ST004 | BEARING | ROULEMENT | LAGER 6205-2RS | |
| 48 | B07S00958R | TIRANTE FISSO | TIE ROD | TIRANT FIXE | ZUGSTANGE | |
| 49 | B00191250R | VITE M12X1,75X 50 U5737 8.8ZN | SCREW | VIS | SCHRAUBE | |
| 50 | B01300104R | SPES. 25,5 37 0,2 | SHIM | ENTRETOISE | BEILAGSCHEIBE 25,5 37 0,2 | |
| 51 | B01300105R | SPES. 25,5 37 0,5 | SHIM | ENTRETOISE | DISTANZSTUECK 25,5 37 0,5 | |
| 52 | B030E0017R | GIUNTO MOLL N26 ISO 16 B-1 | SPRING JOINT N.26 ISO 16 B-1 | JOINT RESSORT | KETTENFEDER | |
| 53 | F01200293R | DADO M12X1,75 U5588 CL8 ZN | NUT M12X1,75 U5588 6S ZN | ECROU M12X1,75 U5588 6S ZN | MUTTER M12X1,75 U5588 6S ZN | TUERCA M12X1,75 U5588 6S ZN |
| 54 | B01519319R | RALLA 16X38X5 | FIFTH WHEEL | BUTEE | SCREIBE | |
| 55 | F01200306R | DADO M14X2 U5588 CL8 ZN | NUT M14X2 U5588 6.8ZN | ECROU M14X2 | MUTTER M14X2 | DADO M14X2 |
| 56 | B07S00957R | TIRANTE GALOPPINO | TIGHTENING BRACKET | TENDEUR | LEITROLLE ZUGSTANGE | |
| 57 | F01020510R | VITE M12X1,75X30 U5739 8.8ZN | SCR. M12X1,75X30 U5739 8.8ZN | VIS M12X1,75X30 U5739 8.8ZN | SCHRAU.M12X1,75X30 U5739 8.8ZN | TORN. M12X1,75X30 U5739 8.8ZN |



**TRASMISSIONE CUT
CUT TRANSMISSION**

TAV_080

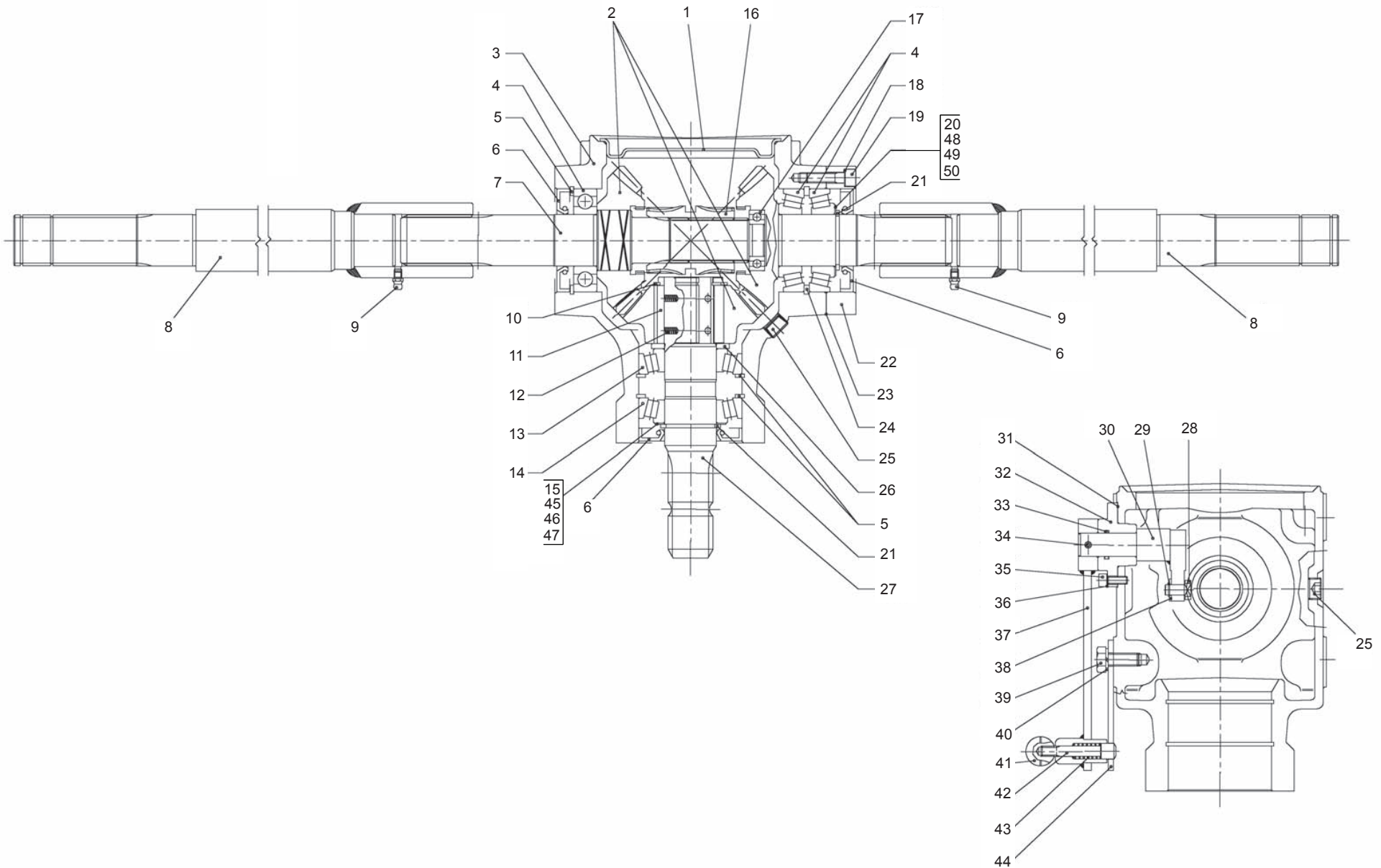
| Pos. | Cod. | Descrizione | Description | Description | Benennung | Descripcion |
|------|------------|--------------------------------|--------------------------------|--------------------------------|--------------------------------|--------------------------------|
| 58 | B07S00953R | BRACCIO TENDITORE SX | RIGHT TENSIONER ROD | BRAS TENDEUR GAUCHE | RECHTER SPANNARM | |
| 59 | B02042515R | CUSC 6205-2RS CAT.A-ST004 | BEARING | ROULEMENT | LAGER 6205-2RS | |
| 60 | B014R3050R | ROSETTA 30 UNI 5714-69 E DEIDR | WASHER | RONDELLE | BEILAGSSSCHEIBE | |
| 61 | F01230291R | DADO M30X2 D985 ZN | NUT M30X2 D985 ZN | ECROU AUTOB. M30X2 DIN 985 ZN | SELBSTSP. MU. M30X2 DIN 985 ZN | TUERCA AUTOB. M30X2 DIN 985 ZN |
| 62 | B04210610R | INGRAS HYDR A 45 M 6X1 | GREASE NIPPLE | GRAISSEUR HYDRAULIQUE | SCHMIERNIPPEL M6X1 45 | |
| 63 | F02050101R | ANELLO E. DE 25X 1,2 U7435 C7 | SEEGER RING E. 25X1,2 7435 C70 | SEEGER E. 25X 1,2 U7435 C70 | SEEGERING E. 25X 1,2 U7435 C70 | ANILLO E. 25X 1,2 U7435 C70 |
| 64 | B03400274R | CORONA Z10-1 ISO F52 TRATT | SPROCKET Z=10-1 | ENGRANAGE SPECIAL TRAITE | ZAHNKRANZ Z=10-1 | |
| 65 | F02050101R | ANELLO E. DE 25X 1,2 U7435 C7 | SEEGER RING E. 25X1,2 7435 C70 | SEEGER E. 25X 1,2 U7435 C70 | SEEGERING E. 25X 1,2 U7435 C70 | ANILLO E. 25X 1,2 U7435 C70 |
| 66 | B014R3050R | ROSETTA 30 UNI 5714-69 E DEIDR | WASHER | RONDELLE | BEILAGSSSCHEIBE | |
| 67 | F01230291R | DADO M30X2 D985 ZN | NUT M30X2 D985 ZN | ECROU AUTOB. M30X2 DIN 985 ZN | SELBSTSP. MU. M30X2 DIN 985 ZN | TUERCA AUTOB. M30X2 DIN 985 ZN |
| 68 | B03400285R | INGR. Z=17 24; 1, 1; ISO 16B-1 | BIG ROLLER GEAR Z=17-24 1 | ENGRANAGE | ZAHNRAD | |
| 69 | B030E1056R | CATENA RULLI ISO 16 B-1 56M | ROLLER CHAIN ISO16 B-1 56M | CHAINE ROULEAUX | WALZENKETTE | |
| 70 | F01230291R | DADO M30X2 D985 ZN | NUT M30X2 D985 ZN | ECROU AUTOB. M30X2 DIN 985 ZN | SELBSTSP. MU. M30X2 DIN 985 ZN | TUERCA AUTOB. M30X2 DIN 985 ZN |
| 71 | B014R3050R | ROSETTA 30 UNI 5714-69 E DEIDR | WASHER | RONDELLE | BEILAGSSSCHEIBE | |
| 72 | B03400230R | INGR.RULLO BACC.INF.Z=24-12 1 | ROD ROLLER GEAR Z=24-12 1 | ENGRENAGE | WALZE ZAHNRAD Z=24-12 1 | |
| 73 | F02050101R | ANELLO E. DE 25X 1,2 U7435 C7 | SEEGER RING E. 25X1,2 7435 C70 | SEEGER E. 25X 1,2 U7435 C70 | SEEGERING E. 25X 1,2 U7435 C70 | ANILLO E. 25X 1,2 U7435 C70 |
| 74 | B03400274R | CORONA Z10-1 ISO F52 TRATT | SPROCKET Z=10-1 | ENGRANAGE SPECIAL TRAITE | ZAHNKRANZ Z=10-1 | |
| 75 | B030E1079R | CATENA RULLI ISO 16 B-1 79M | ROLLER CHAIN ISO16 B-1 79M | CHAINE ROULEAUX | WALZENKETTE | |
| 76 | B01334680R | DISTANZIALE 25 X 33 X 22 | SPACER | ENTRETOISE | DISTANZSTUECK 25X33X22 | |
| 77 | B04210610R | INGRAS HYDR A 45 M 6X1 | GREASE NIPPLE | GRAISSEUR HYDRAULIQUE | SCHMIERNIPPEL M6X1 45 | |
| 78 | B01300157R | DISTANZIALE 16,6X21,3X165 | SPACER | ENTRETOISE | ABSTANZSTUECK 16,6X21,3X165 | |
| 79 | B01300125R | SPES. 40 48 0,5 ZINCATO | SHIM GALV | ENTRETOISE GALV | DISTANZSTUECK 40 48 0,5 | |
| 80 | F01200306R | DADO M14X2 U5588 CL8 ZN | NUT M14X2 U5588 6.8ZN | ECROU M14X2 | MUTTER M14X2 | DADO M14X2 |
| 81 | B01519319R | RALLA 16X38X5 | FIFTH WHEEL | BUTEE | SCREIBE | |
| 82 | B01800046R | MOLLA 6 30 180C | SPRING | RESSORT | FEDER | |
| 83 | B03400224R | INGR.DOPPIO Z=12 12-1 SCATOLA | DOUBLE GEAR Z=12 12-1 | ENGRENAGE DOUBLE | DOPPEL ZAHNRAD Z=12 12-1 | |
| 84 | B01300151R | SPES. 40 48 2 ZINCATO | SHIM | ENTRETOISE | DISTANZSTUECK 40 48 2 | |
| 85 | B01700040R | ANEL. D ARR. ALBERO 40-E UNI 3 | SEEGER RING | BAGUE SEEGER | SEEGERRING 40-E | |
| 86 | F01020472R | VITE M10X1,5X25 U5739 8.8ZN | SCR. M10X1,5X25 U5739 8.8ZN | VIS M10X1,5X25 U5739 8.8 ZN | SCHRAUBE M10X1,5X25 U5739 8.8 | TORNILLO 10X25 U5739 8.8 ZN |
| 87 | B0C000037R | ATTACCO SLITTA NYLON | NYLON RAM COUPLING | ATTELAGE GLISSIERE EN NYLON | ANSCLHUSS | |
| 88 | B07631842R | GUIDA CATENA | CHAIN GUIDE | GUIDE | KETTENFUEHRUNG | |
| 89 | B00470820R | VITE TTEI M 8X 20-10,9 UMBRAKO | SCREW | VIS | SCHRAUBE TTEI M 8X 20-10.9 | |
| 90 | B0C003605R | TIRANTE INFALDATORE | FEEDER CONNECTING ROD | TIRANT AMENEUR | RAFFER ZUGSTANGE | |
| 91 | F01020517R | VITE M12X1,75X50 U5739 8.8ZN | SCR. M12X1,75X50 U5739 8.8ZN | VIS M12X1,75X50 5739 8.8 ZN | SCHRA. M12X1,75X50 5739 8.8 ZN | TORN. M12X1,75X50 5739 8.8 ZN |
| 92 | F03260016R | OLIO AGIP BLASIA 150 | OIL AGIP BLASIA 150 | OIL AGIP BLASIA 150 | | |
| 93 | F01410076R | ROS.M12 13X 24X2,5 U6592 ZN | WASHER 12 13X 24X2,5 U6592 ZN | RONDEL. M12 13X24X2,5 U6592 ZN | SCHEIBE M12 13X24X2,5 U6592 ZN | ARANDELA M12 13 X24X2,5 ZN |
| 94 | B01300150R | SPES. 40 48 1,5 ZINCATO | SHIM GALV | ENTRETOISE GALV | DISTANZSTUECK 40 48 1,5 | |
| 95 | B01300151R | SPES. 40 48 2 ZINCATO | SHIM | ENTRETOISE | DISTANZSTUECK 40 48 2 | |
| 96 | B03400199R | INGR.TRIP.Z15 15 15-5 8 X3 8 | TRIPLE GEAR Z=15 15 15 5 8 X | ENGRENAGE TRIPLE | TRIPLEZAHNRAD Z=15 15 15 5 8 X | |
| 97 | B01516040R | RALLA 15 42 6 | FIFTH WHEEL | BUTEE | SCHEIBE | |
| 98 | F01410076R | ROS.M12 13X 24X2,5 U6592 ZN | WASHER 12 13X 24X2,5 U6592 ZN | RONDEL. M12 13X24X2,5 U6592 ZN | SCHEIBE M12 13X24X2,5 U6592 ZN | ARANDELA M12 13 X24X2,5 ZN |
| 99 | F01200421R | DADO M12X1,75 U5589 CL8 ZN6SZN | NUT M12X1,75 U5589 6SZN | ECROU M12 | MUTTER M12 | DADO M12 |
| 100 | F01230213R | DADO M12X1,75 U7474 CL8 ZN | NUT M12X1,75 U7474 6SZN | ECROU AUTOBL. M12 | SELBSTSPERR.MUTTER M12 | DADO AUTOBL. M12 |
| 101 | F01410076R | ROS.M12 13X 24X2,5 U6592 ZN | WASHER 12 13X 24X2,5 U6592 ZN | RONDEL. M12 13X24X2,5 U6592 ZN | SCHEIBE M12 13X24X2,5 U6592 ZN | ARANDELA M12 13 X24X2,5 ZN |
| 102 | F01420120R | ROS.M12 13X36X2,5 U6593 ZN | WASHER M12 13X36X2,5 U6593 ZN | RONDELLE M12 13X36X2,5 ZN | | |
| 103 | B01516038R | RALLA 13 32 5 | FIFTH WHEEL | BUTEE | SCHEIBE | |
| 104 | B01300125R | SPES. 40 48 0,5 ZINCATO | SHIM GALV | ENTRETOISE GALV | DISTANZSTUECK 40 48 0,5 | |
| 105 | B01300126R | SPES. 40 48 1 ZINC.ST_013 | SHIM | ENTRETOISE | DISTANZSTUECK 40 48 1 | |
| 106 | F01230202R | DADO M10X 1,5 D985 8 ZN | NUT M10 D985 | ECROU AUTOBL. M10 | SELBSTSPERR.MUTTER M10 | DADO AUTOBL. M10 |
| 107 | F01410062R | ROS.M10 10,5X 18X 2 U6592 ZN | WASHER M10 10,5X 18X 2 U6592 | RONDELLE M10 10,5X18X2 ZN | DICHTUNGSRING M10 10,5X18X2 ZN | RONDANA M10 10,5X18X2 ZN |
| 108 | B00920208R | DADO M8X1 D985 8ZN | NUT M8X1 D985 8ZN | ECROU | SELBSTSICHERNDE MUTTER M8-5S | |
| 109 | F01410051R | ROS.M8 8,4X 17X1,6 U6592 ZN | WASHER M8 8,4X17X1,6 U6592 ZN | RONDELLE M8 8,4X17X1,6 ZN | SCHEIBE M8 8,4X17X1,6 U6592 ZN | ARANDELA M8 8,4X17X1,6 U6592ZN |



**ESPLOSO SCATOLA DI TRASMISSIONE
GEARBOX PARTS**

TAV_090

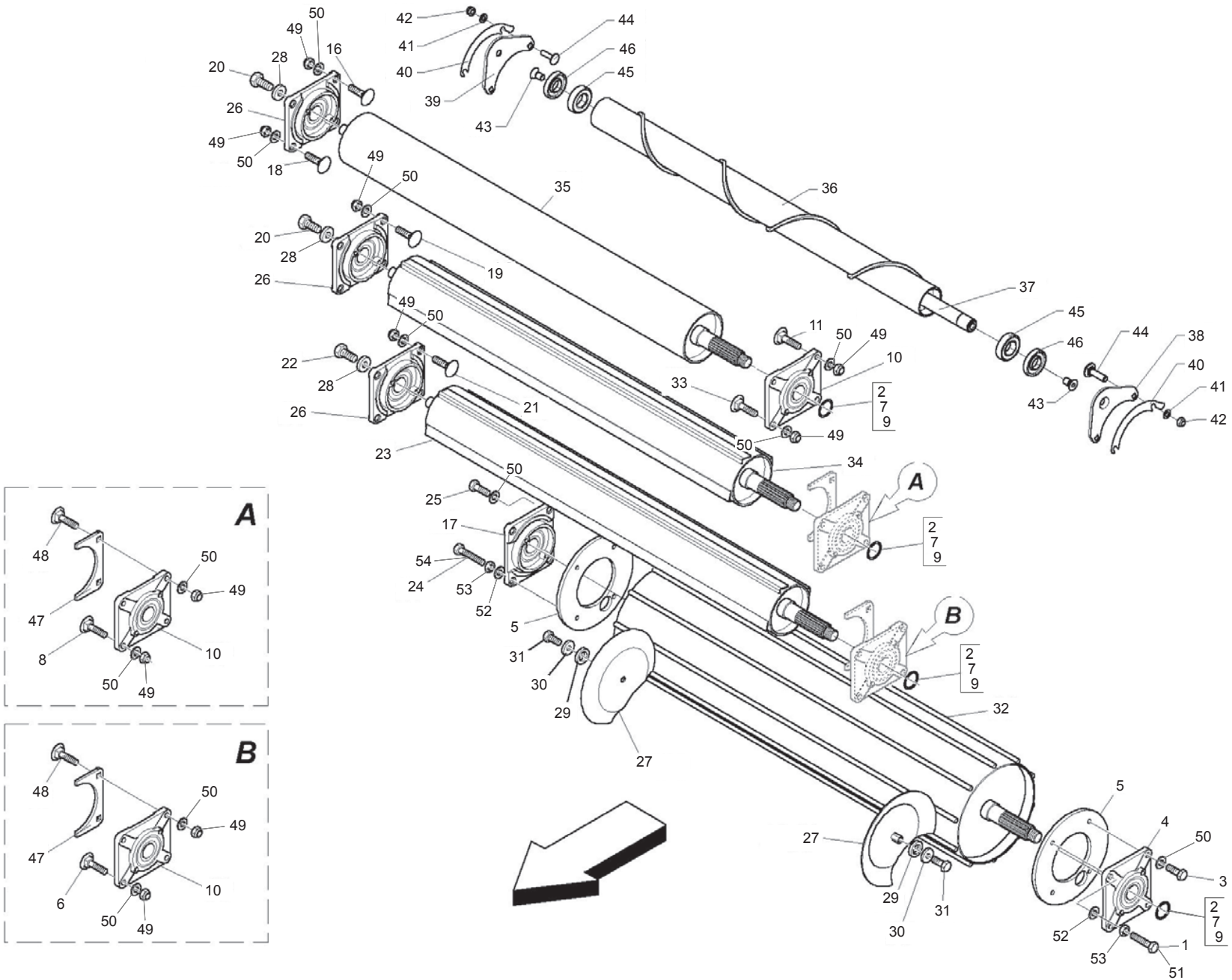
| Pos. | Cod. | Descrizione | Description | Description | Benennung | Descripcion |
|------|------------|--------------------------------|-------------------------------|-------------------------------|-----------------------------|-------------|
| 1 | BOR000255R | COPERCHIO SCATOLA D=130 | BOX CAP | COUVERCLE BOITE D=130 | GETRIEBEGEHAUSEDECKEL | |
| 2 | BOR000305R | CORPO SCATOLA 2050 | BOX 2050 | | | |
| 3 | B02004018R | CUSCINETTO 6208 CAT.A-ST004 | BEARING | ROULEMENT 6208NCAT.A ST004 | LAGER | |
| 4 | BOR000256R | ANELLO ELASTICO 80-I SP=2,5 | ELASTIC RING 80-I SP=2,5 | BAGUE RESSORT 80-I SP=2,5 | ELASTISCHER RING | |
| 5 | BOR000090R | CAPPELOTTO 80X10 | SEAL 80X10 | CAPOUCHON 80X10 | KAPPE 80X10 | |
| 6 | BOR000262R | ANELLO SPES. 69,3X79,7X0,2 | SHIM RING 69,3X79,7X0,2 | BAGUE EPAISSEUR 69,3X79,7X0,2 | RING 69,3X79,7X0,2 | |
| 7 | BOR000298R | ANELLO ELASTICO 50-E SP=2,0 | RETAINING RING 50-E SP=2,0 | BAGUE RESSORT 50-E SP=0,8 | RING EL. 50-E | |
| 8 | BOR000307R | PIASTR. RL 29870 | RL PLATE | PLAQUETTE RL | PLATTE RLL | |
| 9 | BOR000089R | MOLLA CONF DA 08 PZ | SPRING | RESSORT | FEDER | |
| 10 | B02124024R | CUSC. 32208 CAT.A-ST004 | BEARING | ROULEMENT | LAGER | |
| 11 | B02124019R | CUSC. 30208 CAT.A-ST004 | BEARING | ROULEMENT | LAGER | |
| 12 | BOR000259R | ANELLO SPES. 40,2X54,8X0,3 | SHIM RING 40,2X54,8X0,3 | BAGUE EPAISSEUR 40,2X54,8X0,3 | ELASTISCHER RING | |
| 13 | B02124019R | CUSC. 30208 CAT.A-ST004 | BEARING | ROULEMENT | LAGER | |
| 14 | BOR000256R | ANELLO ELASTICO 80-I SP=2,5 | ELASTIC RING 80-I SP=2,5 | BAGUE RESSORT 80-I SP=2,5 | ELASTISCHER RING | |
| 15 | F03010277R | ANELLO T.AS 40X 80X10 D3760NBR | OIL SEAL 40X80X10 NBR | BOURAGE 40X80X10 NBR | OELABDICHTUNG 40X80X10 NBR | |
| 16 | BOR000975R | ALBERO SCAT.EXTREME HT | BOX SHAFT FOR EXTREME HT | ARBRE BOITE EXTREME HT | WELLE | |
| 17 | BOR000308R | COPPIA CONICA R=1 1 | R=1 1 BEVEL GEAR PAIR | COUPLE CONIQUE R=1 1 | ZAHNRADPAAR R=1 1 | |
| 18 | BOR000175R | TAPPO 3 8 GAS-C DIN 906 | PLUG | BOUCHON 3 8 GAS-C DIN 906 | VERSCHLUSS DECKER 3 8 GAS-C | |
| 19 | BOR000285R | DISTANZIALE | SPACER | ENTRETOISE | DISTANZSTUECK | |
| 20 | BOR000256R | ANELLO ELASTICO 80-I SP=2,5 | ELASTIC RING 80-I SP=2,5 | BAGUE RESSORT 80-I SP=2,5 | ELASTISCHER RING | |
| 21 | BOR000257R | ANELLO ELASTICO 40-E SP=2,5 | ELASTIC RING 40-E SP=2,5 | BAGUE RESSORT 40-E SP=2,5 | ELASTISCHER RING | |
| 22 | F03010277R | ANELLO T.AS 40X 80X10 D3760NBR | OIL SEAL 40X80X10 NBR | BOURAGE 40X80X10 NBR | OELABDICHTUNG 40X80X10 NBR | |
| 23 | BOR000306R | ALBERO ASSE Z R.L. | AXLE SHAFT Z R.L. | ARBRE AXE Z RL | ACHSWELLE Z R.L. | |
| 24 | BOR000263R | ANELLO SPES. 69,3X79,7X0,3 | SHIM RING 69,3X79,7X0,3 | BAGUE EPAISSEUR 69,3X79,7X0,3 | SCHEIBE 69,3X79,7X0,3 | |
| 25 | BOR000264R | ANELLO SPES. 69,3X79,7X0,4 | SHIM RING 69,3X79,7X0,4 | BAGUE EPAISSEUR 69,3X79,7X0,4 | DISTANZRING 69,3X79,7X0,4 | |
| 26 | BOR000265R | ANEL SPES. 69,3X79,7X0,1 34006 | SHIM RING 69,3X79,7X0,1 34006 | BAGUE EPAISSEUR 69,3X79,7X0,1 | RING 69,3X79,7X0,1 | |
| 27 | BOR000260R | ANELLO SPES. 40,2X54,8X0,4 | SHIM RING 40,2X54,8X0,4 | BAGUE EPAISSEUR 40,2X54,8X0,4 | DISTANZRING 40,2X54,8X0,4 | |
| 28 | BOR000261R | ANELLO SPES. 40,2X54,8X0,1 | SHIM RING 40,2X54,8X0,1 | BAGUE EPAISSEUR 40,2X54,8X0,1 | DISTANZRING 40,2X54,8X0,1 | |
| 29 | BOR000258R | ANELLO SPES. 40,2X54,8X0,2 | SHIM RING 40,2X54,8X0,2 | BAGUE EPAISSEUR 40,2X54,8X0,2 | ELASTISCHER RING | |



**ESPLOSO SCATOLA DI TRASMISSIONE CUT
CUT GEARBOX PARTS**

TAV_100

| Pos. | Cod. | Descrizione | Description | Description | Benennung | Descripcion |
|------|------------|--------------------------------|------------------------------|--------------------------------|--------------------------------|-------------|
| 1 | BOR000288R | COPERCHIO D=145 | COVER D=145 | COUVERCLE D=145 | DECKEL D=145 | |
| 2 | BOR000303R | TERNA CONICA R=1.1 | BEVEL GEAR TRIAL R=1.1 | TERNE CONIQUE R=1,1 | TRIPPELZAHNRAD R=1.1 | |
| 3 | BOR000277R | SCATOLA 2070 | BOX 2070 | | | |
| 4 | B02124019R | CUSC. 30208 CAT.A-ST004 | BEARING | ROULEMENT | LAGER | |
| 5 | BOR000256R | ANELLO ELASTICO 80-I SP=2,5 | ELASTIC RING 80-I SP=2,5 | BAGUE RESSORT 80-I SP=2,5 | ELASTISCHER RING | |
| 6 | F03010277R | ANELLO T.AS 40X 80X10 D3760NBR | OIL SEAL 40X80X10 NBR | BOURAGE 40X80X10 NBR | OELABDICHTUNG 40X80X10 NBR | |
| 7 | BOR000279R | ALBERO ASSE XY | AXIS SHAFT | ARBRE AXE XY | ACHSWELLE | |
| 8 | BOR000304R | ALBERO PROLUNGA L=602 | EXTENSION SHAFT L=602 | ARBRE RALLONGE L=602 | VERLAENGERUNGSWELLE L=602 | |
| 9 | B04200610R | INGRASS.A SFERE M6X1 LUNGO | GREASE NIPPLE | GRAISSEUR HYDRAULIQUE | GERADER SCHMIERNIPPEL M6X1 | |
| 10 | BOR000298R | ANELLO ELASTICO 50-E SP=2,0 | RETAINING RING 50-E SP=2,0 | BAGUE RESSORT 50-E SP=0,8 | RING EL. 50-E | |
| 11 | BOR000289R | PIASTRINA RL | RL PLATE | PLAQUE RL | SCHEIBE RL | |
| 12 | BOR000089R | MOLLA CONF DA 08 PZ | SPRING | RESSORT | FEDER | |
| 13 | B02124024R | CUSC. 32208 CAT.A-ST004 | BEARING | ROULEMENT | LAGER | |
| 14 | B02004018R | CUSCINETTO 6208 CAT.A-ST004 | BEARING | ROULEMENT 6208NCAT.A ST004 | LAGER | |
| 15 | BOR000258R | ANELLO SPES. 40,2X54,8X0,2 | SHIM RING 40,2X54,8X0,2 | BAGUE EPAISSEUR 40,2X54,8X0,2 | ELASTISCHER RING | |
| 16 | BOR000276R | MANICOTTO PER DISINNESTO | COUPLING FOR DISENGAGEMENT | MANCHON POUR DECLENCHEMENT | HUELSE FUER AUSKUPPLUNG | |
| 17 | B02003013R | CUSCINETTO 6006 CAT.B-ST004 | BEARING | ROULEMENT | LAGER | |
| 18 | BOR000296R | RONDELLA SICUR.D=8 SCHNORR | LOCK WASHER D=8 SCHNORR | RONDELLE SECURETE D=8 SCHNORR | BEILAGSSCHEIBE D=8 | |
| 19 | F01040097R | VITE M8X1,25X30 U5931 8.8ZN | SCR. M8X1,25X30 U5931 8.8ZN | | | |
| 20 | BOR000258R | ANELLO SPES. 40,2X54,8X0,2 | SHIM RING 40,2X54,8X0,2 | BAGUE EPAISSEUR 40,2X54,8X0,2 | ELASTISCHER RING | |
| 21 | BOR000257R | ANELLO ELASTICO 40-E SP=2,5 | ELASTIC RING 40-E SP=2,5 | BAGUE RESSORT 40-E SP=2,5 | ELASTISCHER RING | |
| 22 | BOR000286R | DISTANZIALE PORTA ANELLO | RING-HOLDER SPACER | ENTRETOISE PORTE BAGUE | DISTANZSTUECK | |
| 23 | BOR000287R | GUARNIZIONE 80X115X0,3 | PACKING 80X115X0,3 | JOINT 80X115X0,3 | DICHTUNG 80X115X0,3 | |
| 24 | BOR000299R | ANELLO ELASTICO 80-I SP=4,0 | RETAINING RING 80-I SP=4,0 | BAGUE RESSORT 80-I SP=4,0 | RING EL. 80-I | |
| 25 | BOR000175R | TAPPO 3 8 GAS-C DIN 906 | PLUG | BOUCHON 3 8 GAS-C DIN 906 | VERSCHLUSS DECKER 3 8 GAS-C | |
| 26 | BOR000285R | DISTANZIALE | SPACER | ENTRETOISE | DISTANZSTUECK | |
| 27 | BOR000278R | ALBERO ASSE Z R.L. | AXIS SHAFT | ARBRE AXE Z R.L. | ACHSWELLE | |
| 28 | BOR000290R | PATTINO | SLIDING BLOCK | CALE | SCHUH | |
| 29 | BOR000297R | ANELLO ELASTICO 8-E SP=0,8 | RETAINING RING 8-E SP=0,8 | BAGUE RESSORT 8-E SP=0,8 | RING EL. 8-E | |
| 30 | BOR000282R | LEVA COM. DISINNESTO | LEVER RELEASE | LEVIER COM. DEBRAYAGE | AUSLOSERHEBEL | |
| 31 | BOR000284R | GUARNIZIONE 35X65X0,2 | PACKING 35X65X0,2 | JOINT 35X65X0,2 | DICHTUNG 35X65X0,2 | |
| 32 | BOR000283R | SUPP. LEVA | LEVER SUPPORT | SUPPORT LEVIER | HEBELTRAGER | |
| 33 | BOR000300R | ANELLO TORICO OR 123 | OR RING 123 | BAGUE TORIQUE OR 123 | OR RING 123 | |
| 34 | F02100090R | SPINA E.P. 5X 40 U6873 C70 BR | ELASTIC PIN 5X40 | GOUJON ELASTIQUE 5X40 | SPANNHUELSE 5X40 | |
| 35 | BOR000292R | VITE TCEI M 6X 16-12.9 | SCREW TCEI M 6X 16-12.9 | VIS TCEI M 6X16-12.9 | SCHRAUBE TCEI M6X16-12.9 | |
| 36 | BOR000295R | RONDELLA SICUR.D=6 SCHNORR | LOCK WASHER D=6 SCHNORR | RONDELLE SECURETE D=6 SCHNORR | BEILAGSSCHEIBE D=6 | |
| 37 | BOR000280R | LEVA EST. INVERTITORE | REVERSER EXTERNAL LEVER | LEVIER EXTER. REVERSEUR | HEBEL | |
| 38 | BOR000293R | RONDELLA PIANA D=8 UNI6592 | PLAIN WASHER D=8 UNI6592 | RONDELLE PLANE D=8 UNI6592 | BEILAGSSCHEIBE PLATTE D-8 | |
| 39 | F01020508R | VITE M12X1,75X25 U5739 8.8ZN | SCR. M12X1,75X25 U5739 8.8ZN | VIS M12X1,75X25 U5739 8.8 ZN | SCHRAUBE M12X1,75X25U57398.8ZN | |
| 40 | BOR000294R | RONDELLA ELAST.D=12 DIN128B | SPRING WASHER D=12 DIN128B | RONDELLE ELASTIQUE D=12 DIN128 | ELASTICHER BEILAGSSCHEIBE D=12 | |
| 41 | BOR000302R | IMPUGNATURA A SFERA | BALL HANDLE | BRANCHE A SPHERE | KUGELGRIFF | |
| 42 | BOR000291R | PERNO | PIN | TOURILLON | BOLZEN | |
| 43 | BOR000301R | MOLLA DM 9,8X1,2X25 | SPRING DM 9,8X1,2X25 | RESSORT DM 9,8X1,2X25 | FEDER DM9,8X1,2X25 | |
| 44 | BOR000281R | SELETTORE DISINNESTO | SELECTOR DISENGAGEMENT | SELECTEUR DEBRAYAGE | AUSLOSUNGSANWAHLER | |
| 45 | BOR000259R | ANELLO SPES. 40,2X54,8X0,3 | SHIM RING 40,2X54,8X0,3 | BAGUE EPAISSEUR 40,2X54,8X0,3 | ELASTISCHER RING | |
| 46 | BOR000260R | ANELLO SPES. 40,2X54,8X0,4 | SHIM RING 40,2X54,8X0,4 | BAGUE EPAISSEUR 40,2X54,8X0,4 | DISTANZRING 40,2X54,8X0,4 | |
| 47 | BOR000261R | ANELLO SPES. 40,2X54,8X0,1 | SHIM RING 40,2X54,8X0,1 | BAGUE EPAISSEUR 40,2X54,8X0,1 | DISTANZRING 40,2X54,8X0,1 | |
| 48 | BOR000259R | ANELLO SPES. 40,2X54,8X0,3 | SHIM RING 40,2X54,8X0,3 | BAGUE EPAISSEUR 40,2X54,8X0,3 | ELASTISCHER RING | |
| 49 | BOR000260R | ANELLO SPES. 40,2X54,8X0,4 | SHIM RING 40,2X54,8X0,4 | BAGUE EPAISSEUR 40,2X54,8X0,4 | DISTANZRING 40,2X54,8X0,4 | |
| 50 | BOR000261R | ANELLO SPES. 40,2X54,8X0,1 | SHIM RING 40,2X54,8X0,1 | BAGUE EPAISSEUR 40,2X54,8X0,1 | DISTANZRING 40,2X54,8X0,1 | |

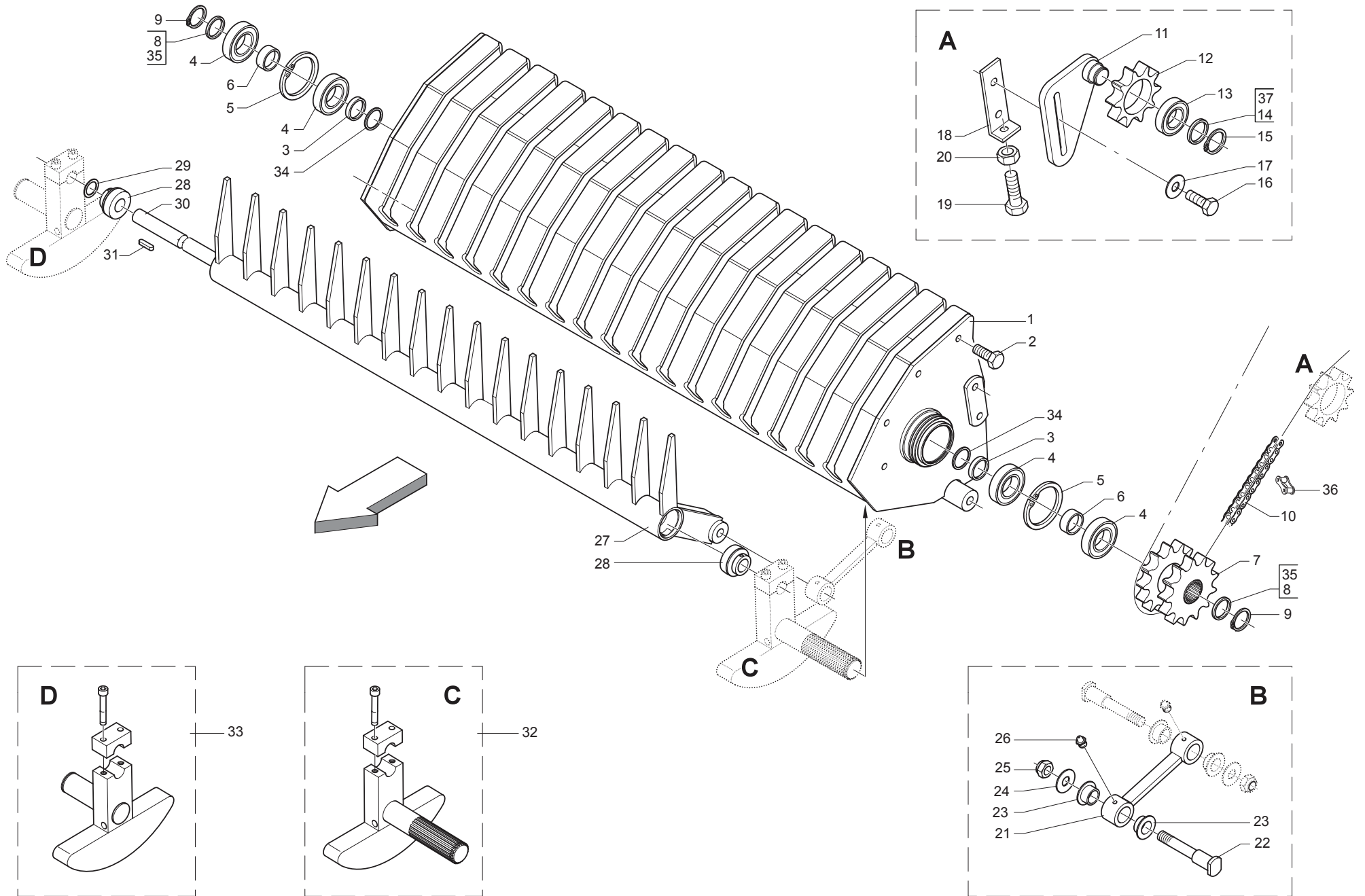


**RULLI
ROLLERS**

TAV_110

| Pos. | Cod. | Descrizione | Description | Description | Benennung | Descripcion |
|------|------------|--------------------------------|--------------------------------|--------------------------------|--------------------------------|--------------------------------|
| 1 | F01020519R | VITE M12X1,75X 60 U5739 8.8ZN | SCREW M12X1,75X 60 U5739 8.8ZN | | | |
| 2 | B01300151R | SPES. 40 48 2 ZINCATO | SHIM | ENTRETOISE | DISTANZSTUECK 40 48 2 | |
| 3 | F01020512R | VITE M12X1,75X35 U5739 8.8ZN | SCR. M12X1,75X35 U5739 8.8ZN | VIS M12X1,75X35 5739 8.8 ZN | SCHR. M12X1,75X35 5739 8.8 ZN | TORN. M12X1,75X35 5739 8.8 ZN |
| 4 | B02700106R | SUPP. FLANG. FILETTATO | THREADED FLANGED SUPPORT | SUPPORT FILETE | HALTER | |
| 5 | B0C003056R | PIASTRA INTERNA RULLO GRANDE | ROLLER INNER PLATE | TOLE INTERIEUR ROULEAU | WALZEN INNENSCHLEIBE | |
| 6 | B00523421R | VITE SPECIALE TTQST M12X35-8.8 | SPECIAL SCREW | VIS SPECIALE | SCHRAUBE TTQST M12X 35-8.8 | |
| 7 | B01300125R | SPES. 40 48 0,5 ZINCATO | SHIM GALV | ENTRETOISE GALV | DISTANZSTUECK 40 48 0,5 | |
| 8 | B00523421R | VITE SPECIALE TTQST M12X35-8.8 | SPECIAL SCREW | VIS SPECIALE | SCHRAUBE TTQST M12X 35-8.8 | |
| 9 | B01300126R | SPES. 40 48 1 ZINC. ST. 013 | SHIM | ENTRETOISE | DISTANZSTUECK 40 408 1 | |
| 10 | B02700051R | SUPPORTO FLANGIATO | FLANGED SUPPORT | SUPPORT EMBOUTI | FLANSCHLAGER | |
| 11 | B00523395R | VITE SPECIALE TTQST M12X45-8.8 | SPECIAL SCREW | VIS SPECIALE | SCHRAUBE TTQST M12X 45-8.8 | |
| 16 | B00523395R | VITE SPECIALE TTQST M12X45-8.8 | SPECIAL SCREW | VIS SPECIALE | SCHRAUBE TTQST M12X 45-8.8 | |
| 17 | B02700106R | SUPP. FLANG. FILETTATO | THREADED FLANGED SUPPORT | SUPPORT FILETE | HALTER | |
| 18 | B00523421R | VITE SPECIALE TTQST M12X35-8.8 | SPECIAL SCREW | VIS SPECIALE | SCHRAUBE TTQST M12X 35-8.8 | |
| 19 | B00523421R | VITE SPECIALE TTQST M12X35-8.8 | SPECIAL SCREW | VIS SPECIALE | SCHRAUBE TTQST M12X 35-8.8 | |
| 20 | F01020564R | VITE M16X2X35 U5739 8.8ZN | SCR. M16X2X35 U5739 8.8ZN | VIS M 16X35 | SCHRAUBE M 16X35 | TORNILLO M 16X35 |
| 21 | B00523421R | VITE SPECIALE TTQST M12X35-8.8 | SPECIAL SCREW | VIS SPECIALE | SCHRAUBE TTQST M12X 35-8.8 | |
| 22 | F01020564R | VITE M16X2X35 U5739 8.8ZN | SCR. M16X2X35 U5739 8.8ZN | VIS M 16X35 | SCHRAUBE M 16X35 | TORNILLO M 16X35 |
| 23 | B07S01822R | RULLO NEW | ROLLER NEW | ROULEAU NEW | WALZE NEW | |
| 24 | F01020512R | VITE M12X1,75X35 U5739 8.8ZN | SCR. M12X1,75X35 U5739 8.8ZN | VIS M12X1,75X35 5739 8.8 ZN | SCHR. M12X1,75X35 5739 8.8 ZN | TORN. M12X1,75X35 5739 8.8 ZN |
| 25 | F01020512R | VITE M12X1,75X35 U5739 8.8ZN | SCR. M12X1,75X35 U5739 8.8ZN | VIS M12X1,75X35 5739 8.8 ZN | SCHR. M12X1,75X35 5739 8.8 ZN | TORN. M12X1,75X35 5739 8.8 ZN |
| 26 | B02700051R | SUPPORTO FLANGIATO | FLANGED SUPPORT | SUPPORT EMBOUTI | FLANSCHLAGER | |
| 27 | B07S00970R | TAZZA RESTR. | CHAMBER TIGHTENING CUPS | TASSE DE RETRECISSEMENT | KAMMERVERENGUNGSTASSEN | |
| 28 | B01515091R | RALLA 17 52 6 | FIFTH WHEEL | BUTEE | SCHEIBE | |
| 29 | B01518412R | RALLA 12 38 5 | FIFTH WHEEL | BUTEE | SCHEIBE | |
| 30 | B01300625R | RALLA 25X42X6 | FIFTH WHEEL | BUTEE | SCHEIBE 25X42X6 | |
| 31 | F01020508R | VITE M12X1,75X25 U5739 8.8ZN | SCR. M12X1,75X25 U5739 8.8ZN | VIS M12X1,75X25 U5739 8.8 ZN | SCHRAUBE M12X1,75X25U57398.8ZN | TORNIL.M12X1,75X25 U5739 8.8ZN |
| 32 | B07S01841R | RULLO GRANDE NEW | BIG ROLLER | ROUELAU GRAND NEW | GROSSE WALZE | |
| 33 | B00523421R | VITE SPECIALE TTQST M12X35-8.8 | SPECIAL SCREW | VIS SPECIALE | SCHRAUBE TTQST M12X 35-8.8 | |
| 34 | B07S01822R | RULLO NEW | ROLLER NEW | ROULEAU NEW | WALZE NEW | |
| 35 | B07S00942R | RULLO MOT. INFERIORE NL | LOWER MOTOR ROLLER | ROULEAU MOTEUR INFERIEUR | UNTERE MOTORWALZE | |
| 36 | B07SP0333R | RULLO AIUTO PRODOTTO SPRINTER | ROLLER SPRINTER | | | |
| 37 | B03500324R | ALBERO LUNGO SPRINTER | SHAFT | ARBRE LONG SPRINTER | LANGE WELLE | |
| 38 | B0C005449R | ATTACCO RULLO SX | LEFT ROLLER ATTACHEMENT | ATTELAGE ROULEAU GAUCHE | WALZEANSCHLUSS LINKS | |
| 39 | B0C005448R | ATTACCO RULLO DX | RIGHT ROLLER ATTACHEMEN | ATTELAGE ROULEAU DROIT | WALZEANSCHLUSS RECHTS | |
| 40 | B0C005311R | SPESSORE | THICKNESS | | | |
| 41 | F01410076R | ROS.M12 13X 24X2,5 U6592 ZN | WASHER 12 13X 24X2,5 U6592 ZN | RONDEL. M12 13X24X2,5 U6592 ZN | SCHEIBE M12 13X24X2,5 U6592 ZN | ARANDELA M12 13 X24X2,5 ZN |
| 42 | F01230213R | DADO M12X1,75 U7474 CL8 ZN | NUT M12X1,75 U7474 6SZN | ECROU AUTOBL. M12 | SELBSTSPERR.MUTTER M12 | DADO AUTOBL. M12 |
| 43 | B00441630R | VITE ZINC.TSPEI M16X 30-10.9 | SCREW | | | |
| 44 | B00523395R | VITE SPECIALE TTQST M12X45-8.8 | SPECIAL SCREW | VIS SPECIALE | SCHRAUBE TTQST M12X 45-8.8 | |
| 45 | B02043517R | CUSC.. 6207-2RS CAT.B-ST004 | BEARING | ROULEMENT | LAGER 6207-2RS | |
| 46 | B013P0150R | CHIUSURA RULLI PULITORE | ROLLER LOCK | FERMETURE ROULEAUX | WALZEN VERSCHLUSS | |
| 47 | B0C6P0003R | RIPARO RULLI ALETTATI | ROLLERS GUARD | PROTECTION ROULEAUX | SCHUETZ WALZEN | |
| 48 | B00523395R | VITE SPECIALE TTQST M12X45-8.8 | SPECIAL SCREW | VIS SPECIALE | SCHRAUBE TTQST M12X 45-8.8 | |
| 49 | F01230213R | DADO M12X1,75 U7474 CL8 ZN | NUT M12X1,75 U7474 6SZN | ECROU AUTOBL. M12 | SELBSTSPERR.MUTTER M12 | DADO AUTOBL. M12 |
| 50 | F01410076R | ROS.M12 13X 24X2,5 U6592 ZN | WASHER 12 13X 24X2,5 U6592 ZN | RONDEL. M12 13X24X2,5 U6592 ZN | SCHEIBE M12 13X24X2,5 U6592 ZN | ARANDELA M12 13 X24X2,5 ZN |
| 51 | F01020512R | VITE M12X1,75X35 U5739 8.8ZN | SCR. M12X1,75X35 U5739 8.8ZN | VIS M12X1,75X35 5739 8.8 ZN | SCHR. M12X1,75X35 5739 8.8 ZN | TORN. M12X1,75X35 5739 8.8 ZN |
| 52 | F01410076R | ROS.M12 13X 24X2,5 U6592 ZN | WASHER 12 13X 24X2,5 U6592 ZN | RONDEL. M12 13X24X2,5 U6592 ZN | SCHEIBE M12 13X24X2,5 U6592 ZN | ARANDELA M12 13 X24X2,5 ZN |
| 53 | F01200293R | DADO M12X1,75 U5588 CL8 ZN | NUT M12X1,75 U5588 6S ZN | ECROU M12X1,75 U5588 6S ZN | MUTTER M12X1,75 U5588 6S ZN | TUERCA M12X1,75 U5588 6S ZN |
| 54 | F01020519R | VITE M12X1,75X 60 U5739 8.8ZN | SCREW M12X1,75X 60 U5739 8.8ZN | | | |

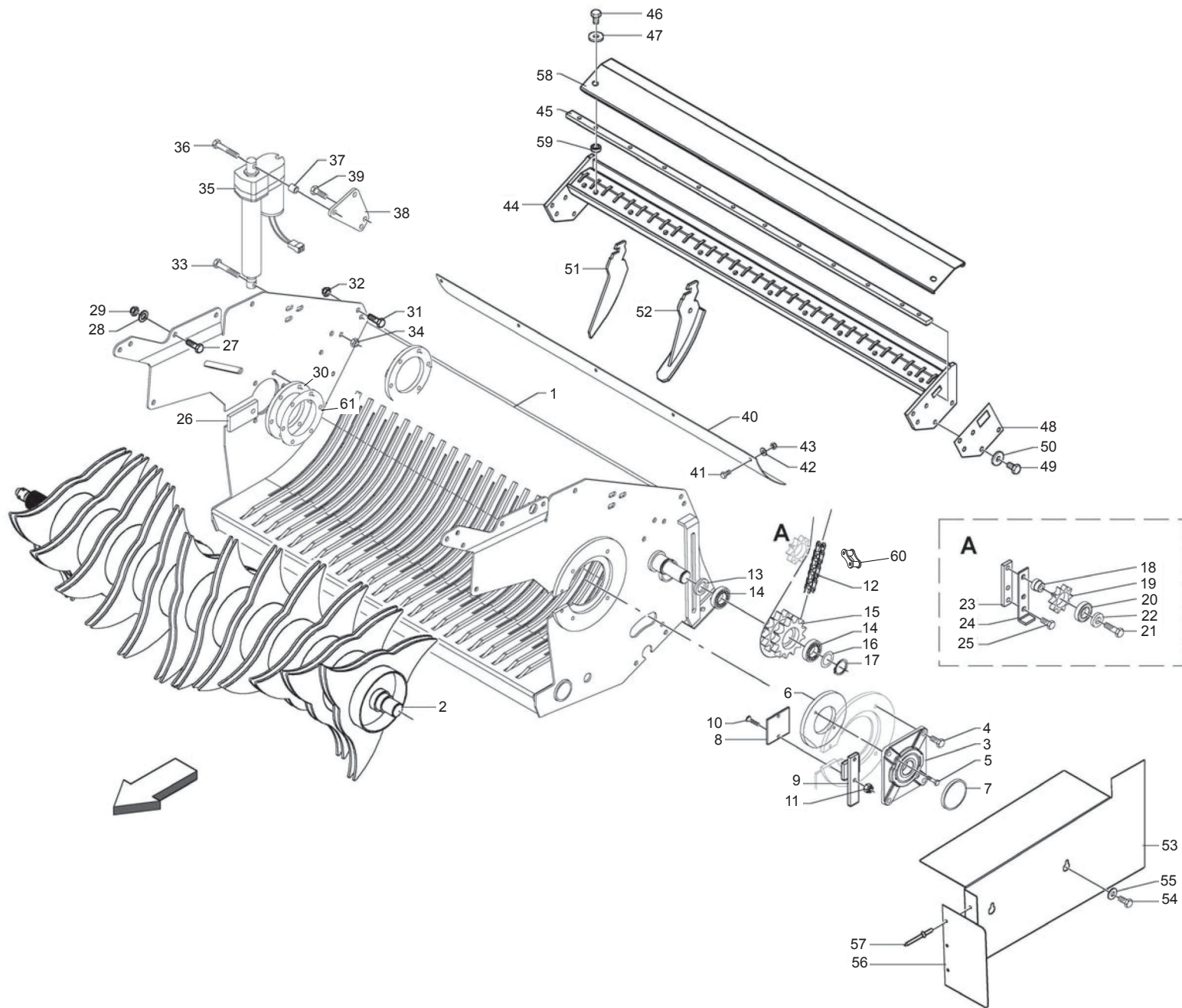
TAV_120



**INFALDATORE
FEEDING SYSTEM**

TAV_120

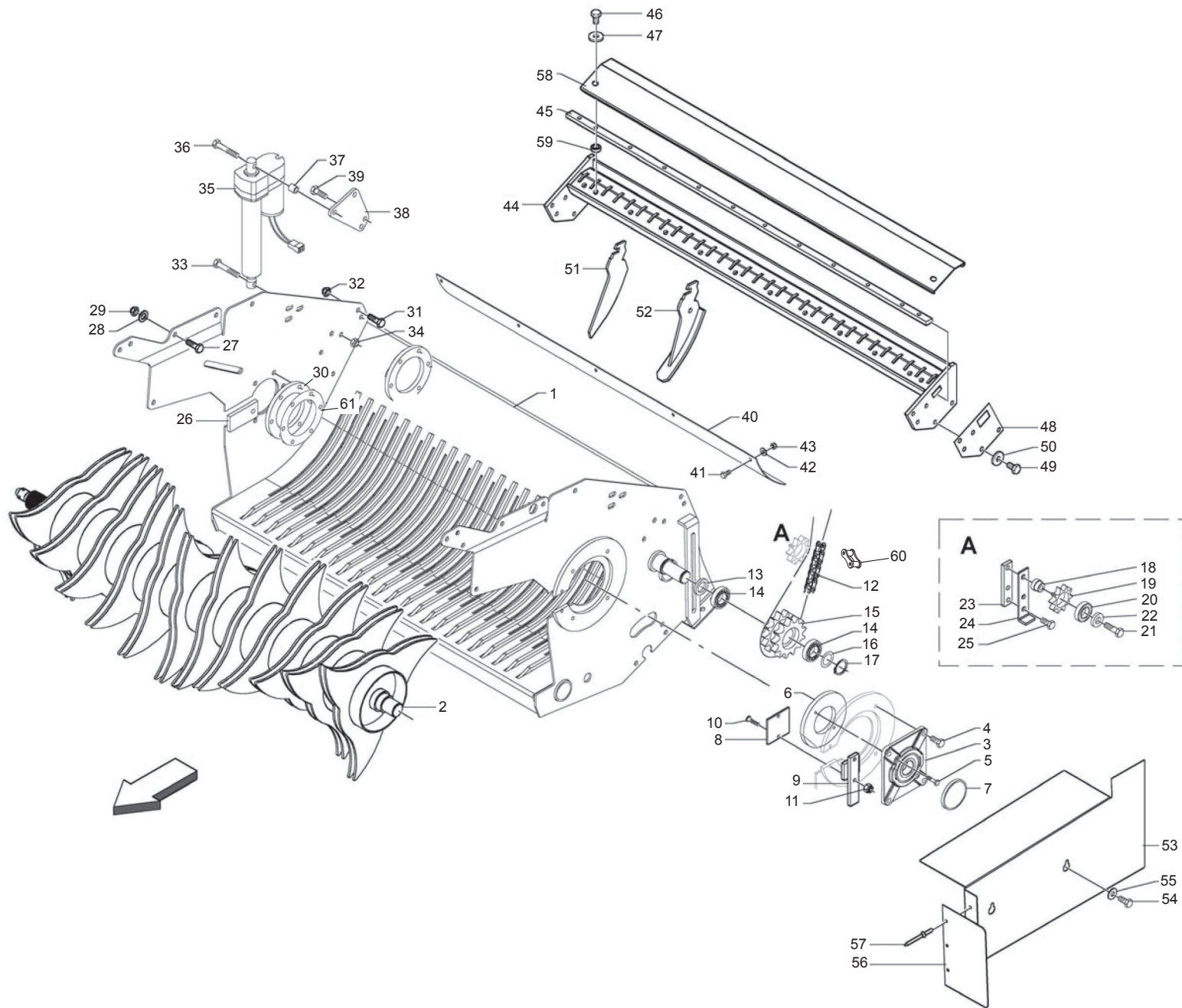
| Pos. | Cod. | Descrizione | Description | Description | Benennung | Descripcion |
|------|------------|-------------------------------|--------------------------------|-------------------------------|--------------------------------|--------------------------------|
| 1 | B07S00967R | TELAIO INFALDATORE | FEEDING SYSTEM FRAME | CHASSIS AMENEUR | ZUBRINGER RAHMEN | |
| 2 | F01020508R | VITE M12X1,75X25 U5739 8.8ZN | SCR. M12X1,75X25 U5739 8.8ZN | VIS M12X1,75X25 U5739 8.8 ZN | SCHRAUBE M12X1,75X25U57398.8ZN | TORNIL.M12X1,75X25 U5739 8.8ZN |
| 3 | B01300605R | DISTANZIALE 35X42X 5 | SPACER | ENTRETOISE | DISTANZSTUECK 35X42X5 | |
| 4 | B02043517R | CUSC. 6207-2RS CAT.B-ST004 | BEARING | ROULEMENT | LAGER 6207-2RS | |
| 5 | F02050403R | ANELLO E. DI 72X 2,5 U7437 C7 | SEEGER RING E.72X2,5 U7437 C70 | SEEGER E. 72X 2,5 U7437 C70 | SEEGERING E. 72X 2,5 U7437 C70 | ANILLO E. 72X 2,5 U7437 C70 |
| 6 | B01300523R | DISTANZIALE 35X 45X12,5 | SPACER | ENTRETOISE | DISTANZSTUECK 35X45X12,5 | |
| 7 | B03400237R | INGR.DOPPIO Z12-12 1 INFALD. | DOUBLE GEAR Z=12 21 1 FOR RAK | ENGRENAGE DOUBLE | DOPPEL ZAHNRAD Z=12-12 1 | |
| 8 | B01534416R | SPES. 35 43 1 ZINCATO | SHIM | ENTRETOISE | AUSGLEICHSCHEIBE 35X43X1 | |
| 9 | F02050145R | ANELLO E. DE 35X1,5 U7435 C70 | SEEGER RING D.35 | BAGUE SEEGER D.35 | SEEGERRING D.35 | ANILLO SEEGER D.35 |
| 10 | B030E1040R | CATENA RULLI ISO 16 B-1 40M | ROLLER CHAIN | CHAINE ROULEAUX | WALZENKETTE | |
| 11 | B07S00958R | TIRANTE FISSO | TIE ROD | TIRANT FIXE | ZUGSTANGE | |
| 12 | B03400274R | CORONA Z10-1 ISO F52 TRATT | SPROCKET Z=10-1 | ENGRANAGE SPECIAL TRAITE | ZAHNKRANZ Z=10-1 | |
| 13 | B02042515R | CUSC 6205-2RS CAT.A-ST004 | BEARING | ROULEMENT | LAGER 6205-2RS | |
| 14 | B01300104R | SPES. 25,5 37 0,2 | SHIM | ENTRETOISE | BEILAGSCHEIBE 25,5 37 0,2 | |
| 15 | F02050101R | ANELLO E. DE 25X 1,2 U7435 C7 | SEEGER RING E. 25X1,2 7435 C70 | SEEGER E. 25X 1,2 U7435 C70 | SEEGERING E. 25X 1,2 U7435 C70 | ANILLO E. 25X 1,2 U7435 C70 |
| 16 | F01020152R | VITE M12X1,75X40 U5737 8.8ZN | SCR. M12X1,75X40 U5737 8.8ZN | VIS M12X1,75X40 U5737 8.8 ZN | SCHRAUBE M12X1,75X40U57378.8ZN | TORNIL.M12X1,75X40 U5737 8.8ZN |
| 17 | B01516038R | RALLA 13 32 5 | FIFTH WHEEL | BUTEE | SCHEIBE | |
| 18 | B0C005308R | TIRANTE INFALDATORE | FEEDER TIE ROD | TIRANT AMENEUR | RAFFER ZUSTAB | |
| 19 | F01020521R | VITE M12X1,75X65 U5739 8.8ZN | SCR. M12X1,75X65 U5739 8.8ZN | VIS M12X1,75X65 U5739 8.8ZN | SCHRAU.M12X1,75X65 U5739 8.8ZN | TORN.M12X1,75X65 U5739 8.8ZN |
| 20 | F01200293R | DADO M12X1,75 U5588 CL8 ZN | NUT M12X1,75 U5588 6S ZN | ECROU M12X1,75 U5588 6S ZN | MUTTER M12X1,75 U5588 6S ZN | TUERCA M12X1,75 U5588 6S ZN |
| 21 | B07S00966R | BIELLA INFALDATORE | FEEDER CONNECTING ROD | BIELLE AMENEUR | RAFFERPLEUELSTANGE | |
| 22 | B035P0159R | PERNO BIELLA INFALDATORE | CONNECTING ROD PIN | TOURILLON BIELLE | PLEUELZAPFEN | |
| 23 | B02500002R | BUSSOLA NYLON 22X28X16,5 | BUSH NYLON 22X28X16,5 | DOUILLE EN NYLON 22X28X16,5 | NYLONBUCHSE | |
| 24 | B0C6P1263R | RALLA 22,2X40X3 OTTONE | WASHER | BUTEE | SCHEIBE | |
| 25 | B00920516R | DADO M16X 1,5 D985 6S ZN | NUT M16X1,5 D985 6S ZN | ECROU | SELBSTSICHERNDE MUTTER M16-5S | |
| 26 | F01100011R | ING.M 6X1 7663-A 9SMNPB28 ZN | GREASE NIPPLE M6X1 7663-A ZN | GRAISS. A BILLE M6X1 7663A ZN | SCHMIERBUECHE M6X1 7663-A ZN | ENGRAS. DE ESFE. M6X1 7663-AZN |
| 27 | B07S00983R | INFALDATORE NL | FEEDER | AMENEUR | RAFFER | |
| 28 | B07S00126R | CUSCINETTO CON RALLA | BEARING WITH FIFTH WHEEL | ROULEMENT AVEC BUTEE | LAGER MIT RING | |
| 29 | B01300106R | SPES. 25,5 37 1 ZINCATO | SHIM GALV | ENTRETOISE GALV | DISTANZSTUECK 25,5 37 1 | |
| 30 | B03500038R | ALBERO INFALDATORE | FEEDER SHAFT | ARBRE AMENEUR | RAFFER ANTRIEBSWELLE | |
| 31 | F02150063R | LINGUETTA 8X 7X 22 U6604A | TAB 8 X 7 X 22 U6604A | | | |
| 32 | B07S00978R | BIELLA MOTORE INFALDATORE | MOTOR CONNECTING ROD | BIELLE MOTEUR AMENEUR | RAFFER TREIBSTANGE | |
| 33 | B07S00979R | BIELLA FOLLE INFALDATORE | IDLE CONNECTING ROD | BIELLE FOLLE AMENEUR | RAFFER UMLENKSTANGE | |
| 34 | B01522427R | SPES. 35 47 2 | SHIM | ENTRETOISE | SCHEIBE | |
| 35 | B01534415R | SPES. 35 43 0,5 ZINCATO | SHIM | ENTRETOISE | AUSGLEICHSCHEIBE 35X43X0,5 | |
| 36 | B030E0017R | GIUNTO MOLL N26 ISO 16 B-1 | SPRING JOINT N.26 ISO 16 B-1 | JOINT RESSORT | KETTENFEDER | |
| 37 | B01300104R | SPES. 25,5 37 0,2 | SHIM | ENTRETOISE | BEILAGSCHEIBE 25,5 37 0,2 | |



CUT 13: TELAIO + ROTORE
CUT 13: FRAME + ROTOR

TAV_130

| Pos. | Cod. | Descrizione | Description | Description | Benennung | Descripcion |
|------|------------|--------------------------------|--------------------------------|--------------------------------|--------------------------------|--------------------------------|
| 1 | B07S01791R | TELAIO TOPCUT NEW | NEW TOPCUT FRAME | | | |
| 2 | B07S01944R | ROT. CON DISCHI A 3 PUNTE HTC | ROTOR WITH 3 POINTED DISCS HTC | ROTOR AVEC DISQUES A 3 POINTS | ROTOR MIT SCHEIBEN | |
| 3 | B02700153R | SUPPORTO FLANGIATO | FLANGED SUPPORT | SUPPORT POUR ROTOR CUT | FLANSCHLAGER | |
| 4 | F01020510R | VITE M12X1,75X30 U5739 8.8ZN | SCR. M12X1,75X30 U5739 8.8ZN | VIS M12X1,75X30 U5739 8.8ZN | SCHRAU.M12X1,75X30 U5739 8.8ZN | TORN. M12X1,75X30 U5739 8.8ZN |
| 5 | B00190850R | VITE M 8X1,25X 50 U5737 8.8ZN | SCREW | VIS | VERZINKTE SCHRAUBE | |
| 6 | B01300714R | CONTROFLANGIA SUPP. FOLLE | IDLE SUPPORT COUNTERFLANGE | CONTRE-BRISE SUPPORT FOU | GEGENFLANSCH | |
| 7 | B04400001R | CAP. CHIUSO 110X10 TIPO C | CAP | COUVERCLE | GESCHLOSSENE KAPPE | |
| 8 | B0C003746R | COMPENSO FESSURA SX | LEFT SLOT COMPENSATION | EPAISSEUR FENTE GAUCHE | LINKER SPALTENAUSGLEICH | |
| 9 | B07SP0046R | FERMO COMPENSO LATO SX | LEFT SIDE SHIM LOCK | ARRET EPAISSEUR COTE GAUCHE | VERDICHUNG BLOCK | |
| 10 | F01030060R | VITE M8X1,25X35 U5933 10.9ZD | SCREW M8X1,25X35 U5933 10.9ZD | VIS M8X1,25X35 U5933 10.9ZD | SCHRA.M8X1,25X35 U5933 10.9ZD | TORN. M8X1,25X35 U5933 10.9ZD |
| 11 | B00920208R | DADO M8X1 D985 8ZN | NUT M8X1 D985 8ZN | ECROU | SELBSTSICHERNDE MUTTER M8-5S | |
| 12 | B030E1039R | CATENA RULLI ISO 16 B-1 39M | ROLLER CHAIN ISO16 B-1 39M | CHAINE ROULEAUX | WALZENKETTE ISO 16 B-1 39M | |
| 13 | B01330957R | DISTANZIALE 35-48-7 | SPACER | ENTRETOISE | DISTANZSTUECK 35X48X7 | |
| 14 | B02043514R | CUSC.. 6007-2RS CAT.B-ST004 | BEARING | ROULEMENT | LAGER 6007-2RS | |
| 15 | B03400005R | CORONA Z-12 12 1 | SPROCKET Z-12 12 1 | COURONNE | KRANZ Z-12 12 1 | |
| 16 | B01534416R | SPES. 35 43 1 ZINCATO | SHIM | ENTRETOISE | AUSGLEICHSCHEIBE 35X43X1 | |
| 17 | B01700035R | ANEL. D ARR. ALB. 35-E UNI3653 | SEEGER RING | BAGUE SEEGER | SEEGERRING 35-E | |
| 18 | B01300302R | PERNO GALOPPINO | PIN | TOURILLON | BOLZEN FUER KETTENZAHRAD | |
| 19 | B03400274R | CORONA Z10-1 ISO F52 TRATT | SPROCKET Z=10-1 | ENGRANAGE SPECIAL TRAITE | ZAHNKRANZ Z=10-1 | |
| 20 | B02042515R | CUSC 6205-2RS CAT.A-ST004 | BEARING | ROULEMENT | LAGER 6205-2RS | |
| 21 | F01020160R | VITE M12X1,75X60 U5737 8.8ZN | SCR. M12X1,75X60 U5737 8.8ZN | VIS M12X1,75X60 U5737 8.8 ZN | SCHRA.M12X1,75X60 U5737 8.8 ZN | TORN. M12X1,75X60 U5737 8.8 ZN |
| 22 | B01518412R | RALLA 12 38 5 | FIFTH WHEEL | BUTEE | SCHEIBE | |
| 23 | B0C002390R | FERMO | LOCK | ARRET | ARRETIERUNG | |
| 24 | B0C002389R | REGISTRO | REGISTER | VANNE | STELLVORRICHTUNG | |
| 25 | F01020510R | VITE M12X1,75X30 U5739 8.8ZN | SCR. M12X1,75X30 U5739 8.8ZN | VIS M12X1,75X30 U5739 8.8ZN | SCHRAU.M12X1,75X30 U5739 8.8ZN | TORN. M12X1,75X30 U5739 8.8ZN |
| 26 | B0C003748R | COMPENSO FESSURA DX | RIGHT SLOT COMPENSATION | EPAISSEUR FENTE DROITE | RECHTER SPALTENAUSGLEICH | |
| 27 | F01020510R | VITE M12X1,75X30 U5739 8.8ZN | SCR. M12X1,75X30 U5739 8.8ZN | VIS M12X1,75X30 U5739 8.8ZN | SCHRAU.M12X1,75X30 U5739 8.8ZN | TORN. M12X1,75X30 U5739 8.8ZN |
| 28 | F01410076R | ROS.M12 13X 24X2,5 U6592 ZN | WASHER 12 13X 24X2,5 U6592 ZN | RONDEL. M12 13X24X2,5 U6592 ZN | SCHEIBE M12 13X24X2,5 U6592 ZN | ARANDELA M12 13 X24X2,5 ZN |
| 29 | F01230213R | DADO M12X1,75 U7474 CL8 ZN | NUT M12X1,75 U7474 6SZN | ECROU AUTOBL. M12 | SELBSTSPERR.MUTTER M12 | DADO AUTOBL. M12 |
| 30 | B01300509R | CONTROFLANGIA SUPP. MOT. | MOTOR SUPPORT COUNTERFLANGE | CONTRE-FLASQUE SUPPORT MOTEUR | MOTORHALTERGEGENFLANSCH | |
| 31 | F01020514R | VITE M12X1,75X40 U5739 8.8ZN | SCR. M12X1,75X40 U5739 8.8ZN | VIS M12X1,75X40 U5739 8.8ZN | SCHRA. M12X1,75X40 U5739 8.8ZN | TORN. M12X1,75X40 U5739 8,8ZN |
| 32 | F01230213R | DADO M12X1,75 U7474 CL8 ZN | NUT M12X1,75 U7474 6SZN | ECROU AUTOBL. M12 | SELBSTSPERR.MUTTER M12 | DADO AUTOBL. M12 |
| 33 | F01020519R | VITE M12X1,75X 60 U5739 8.8ZN | SCREW M12X1,75X 60 U5739 8.8ZN | | | |
| 34 | F01230213R | DADO M12X1,75 U7474 CL8 ZN | NUT M12X1,75 U7474 6SZN | ECROU AUTOBL. M12 | SELBSTSPERR.MUTTER M12 | DADO AUTOBL. M12 |
| 35 | B0E000064R | ATTUATORE COLTELLI | KNIVES ACTUATOR D12 21B5 04 | ACTIONNEUR | E-MOTOR WARNER D12 21B5 04 | |
| 36 | F01020524R | VITE M12X1,75X90 U5739 8.8ZN | SCR. M12X1,75X90 U5739 8.8ZN | | | |
| 37 | B01300746R | DISTANZIALE 12,5X21,3X15 | SPACER | | | |
| 38 | B07S01203R | ATTACCO ATTUATORE | ACTUATOR ATTACHMENT | ATTELAGE ACTIONNEUR | E-MOTOR HALTERUNG | |
| 39 | F01040201R | VITE M12X1,75X 35 8.8 U5931 Z | SCREW M12X1,75X 35 8.8 U5931 Z | | | |
| 40 | B07V00092R | PROT. MOLLE COLT. | KNIFE SPRING PROTECTION | PROTECTION RESSORTS COUTEAUX | MESSERFEDERSCHUTZ | |
| 41 | F01020436R | VITE M8X1,25X20 U5739 8.8ZN | SCR. M8X1,25X20 U5739 8.8ZN | VIS M8X1,25X 20 U5739 8.8 ZN | SCHRAUBE M8X1,25X20U5739 8.8ZN | TORN. M8X1,25X20 U5739 8.8 ZN |
| 42 | F01420049R | ROS.M8 8,4X 32X 2 U6593 ZN | WASHER M8 8,4X32X2 U6593 ZN | RONDELLA M8 8,4X32X2 U6593 ZN | SCHEIBE M8 8,4X32X2 U6593 ZN | ARANDELA M8 8,4X32X2 U6593 ZN |
| 43 | B00920208R | DADO M8X1 D985 8ZN | NUT M8X1 D985 8ZN | ECROU | SELBSTSICHERNDE MUTTER M8-5S | |
| 44 | B07S01801R | TRAVERSA TOPCUT NEW | CROSS BAR | TRAVERSE TOPCUT NEW | QUERTRAEGER | |
| 45 | B0C005018R | ASTA DI SOSTEGNO | SUPPORT ROD | BARRE DE SUPPORT | STUETZSTANGE | |
| 46 | B00181030R | VITE M10X1,5 X 30 U5739 8.8ZN | SCREW | VIS | SCHRAUBE | |
| 47 | F01410062R | ROS.M10 10,5X 18X 2 U6592 ZN | WASHER M10 10,5X 18X 2 U6592 | RONDELLE M10 10,5X18X2 ZN | DICHTUNGSRING M10 10,5X18X2 ZN | RONDANA M10 10,5X18X2 ZN |
| 48 | B0C003616R | SPES. TRAVERSA RASCHIATORI | SCRAPER CROSS MEMBER SHIM | EPAISSEUR TRAVERSE RACLEUR | ABSTREIFER TRAEGER DISTANZSCHE | |
| 49 | F01020508R | VITE M12X1,75X25 U5739 8.8ZN | SCR. M12X1,75X25 U5739 8.8ZN | VIS M12X1,75X25 U5739 8.8 ZN | SCHRAUBE M12X1,75X25U57398.8ZN | TORNIL.M12X1,75X25 U5739 8.8ZN |
| 50 | B01515797R | RALLA 13 25 5 | FIFTH WHEEL | BUTEE | SCHEIBE | |
| 51 | B0C6P0263R | RASCHIATORE | DETACHABLE SCRAPER | RACLEUR DEMONTABLE | DEMONTIERBARER ABSTREIFER | |
| 52 | B07SP0241R | RASCHIATORE E PATTINO | SCRAPER AND SLIDING BLOCK | RACLEUR ET PATIN | ABSTREIFER UND GLEITSCHUH | |
| 53 | B0C005268R | CARTER CUT | CUT GUARD | CARTER CUT | CARTER CUT | |
| 54 | F01020436R | VITE M8X1,25X20 U5739 8.8ZN | SCR. M8X1,25X20 U5739 8.8ZN | VIS M8X1,25X 20 U5739 8.8 ZN | SCHRAUBE M8X1,25X20U5739 8.8ZN | TORN. M8X1,25X20 U5739 8.8 ZN |
| 55 | F01410051R | ROS.M8 8,4X 17X1,6 U6592 ZN | WASHER M8 8,4X17X1,6 U6592 ZN | RONDELLE M8 8,4X17X1,6 ZN | SCHEIBE M8 8,4X17X1,6 U6592 ZN | ARANDELA M8 8,4X17X1,6 U6592ZN |
| 56 | B0C004239R | PROLUNGA CARTER CUT | CUT GUARD EXTENSION | RALLONGE CARTER CUT | VERLAENGERUNG CARTER CUT | |
| 57 | F02250111R | RIVETTO STR. 4 X 6 U9200AAL | RIVET 4 X6 | RIVET 4 X6 | KUPFERNIET 4 X6 | REMACHE 4 X6 |

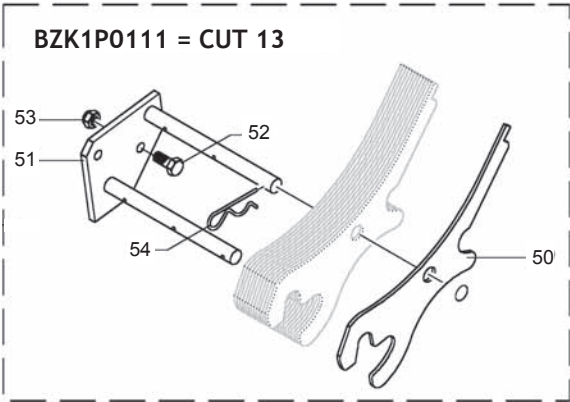
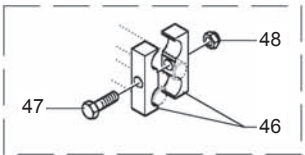
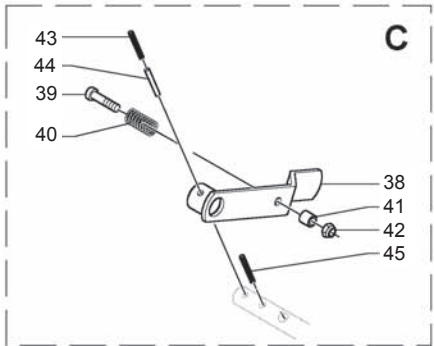
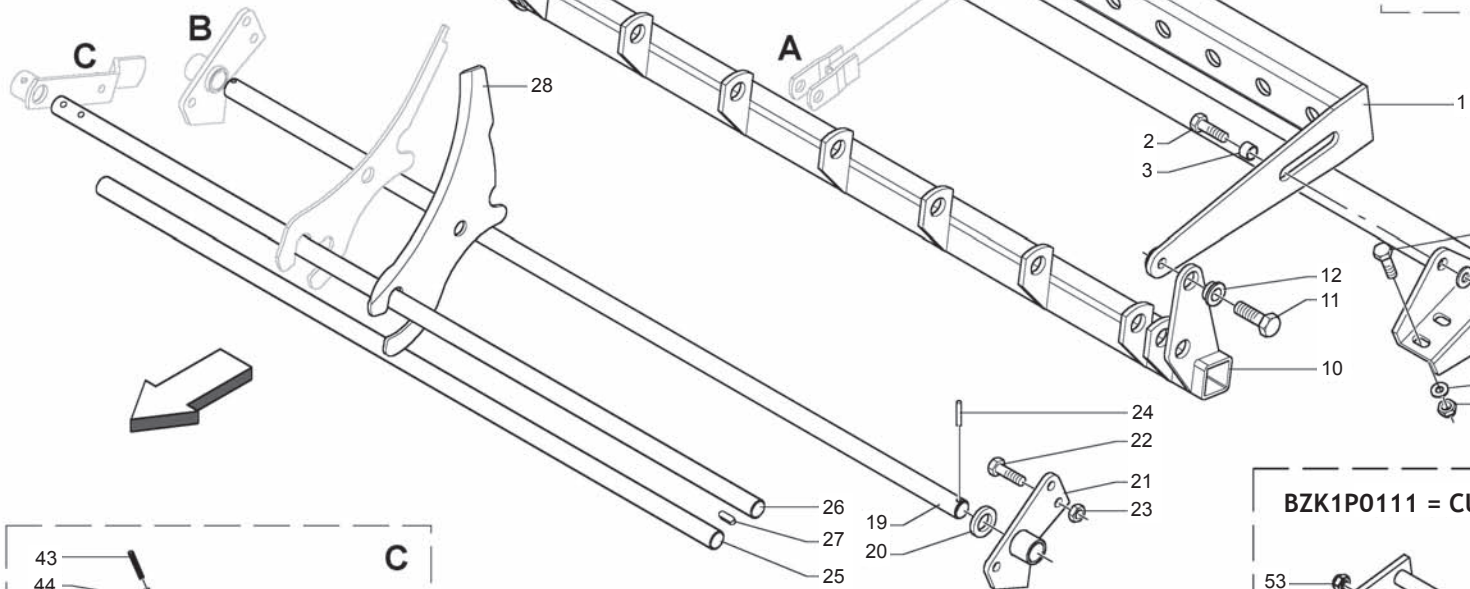
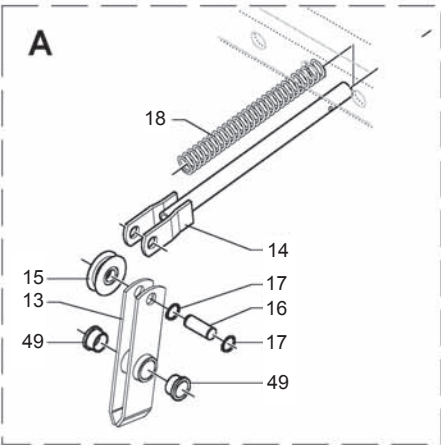
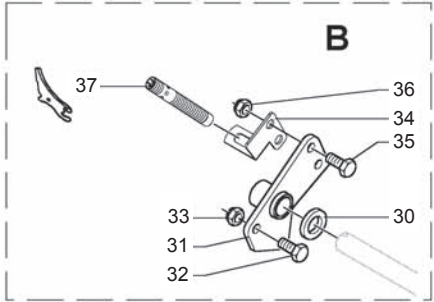


CUT 13: TELAIO + ROTORE
CUT 13: FRAME + ROTOR

TAV_130

| Pos. | Cod. | Descrizione | Description | Description | Benennung | Descripcion |
|------|------------|----------------------------|------------------------------|--------------------------|------------------------------|-------------|
| 58 | B0C3P0153R | PROTEZIONI RASCHIATORI | PROTECTION | PROTECTION | SCHEUTZ ABSTERIFER | |
| 59 | B013C0126R | DISTANZIALE | SPACER | ENTRETOISE | DISTANZSTUECK | |
| 60 | B030E0017R | GIUNTO MOLL N26 ISO 16 B-1 | SPRING JOINT N.26 ISO 16 B-1 | JOINT RESSORT | KETTENFEDER | |
| 61 | B01300960R | SPESSORE SUPPORTO ROTORE | ROTOR SUPPORT SPACING | ENTRETOISE SUPPORT ROTOR | DISTANZSTUECK FUR ROTORLAGER | |

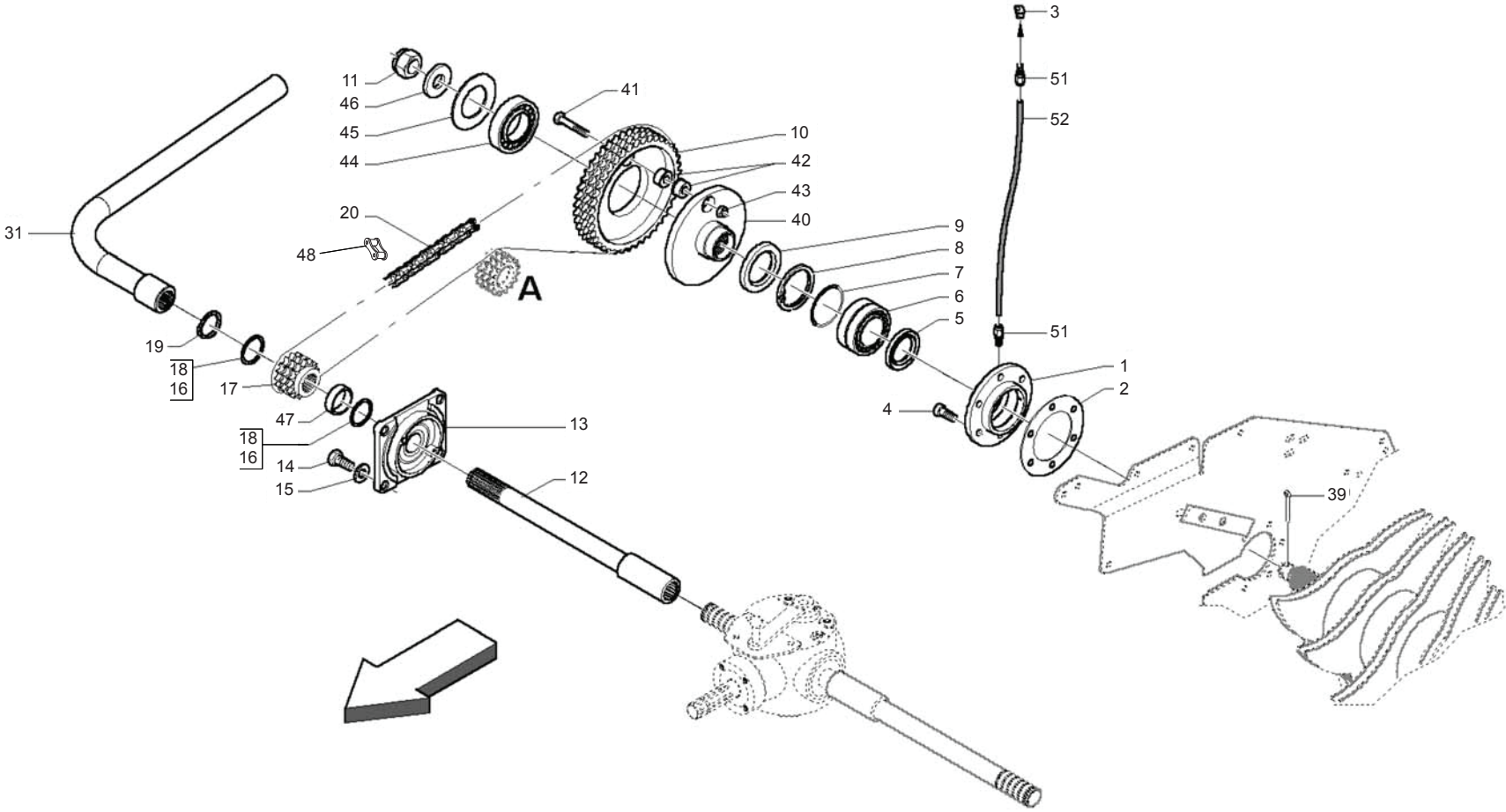
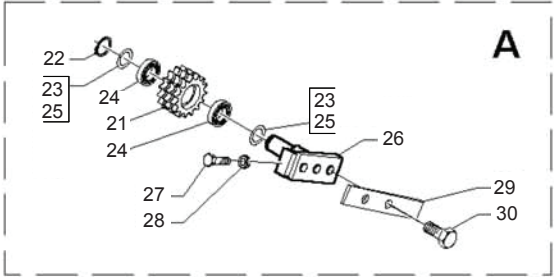
TAV_140



CUT 13: TRAVERSA COLTELLI
CUT 13: KNIVES CROSSBAR

TAV_140

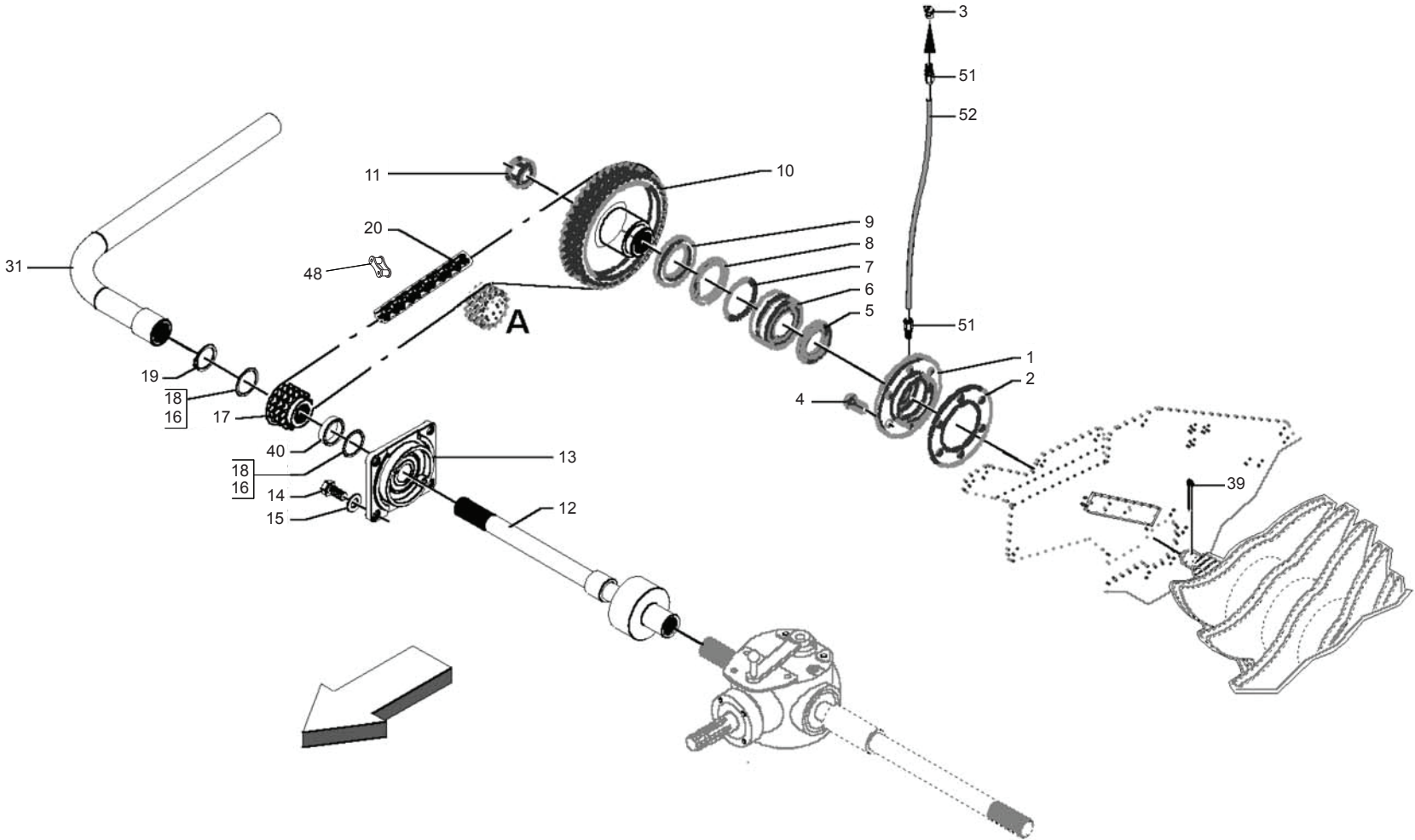
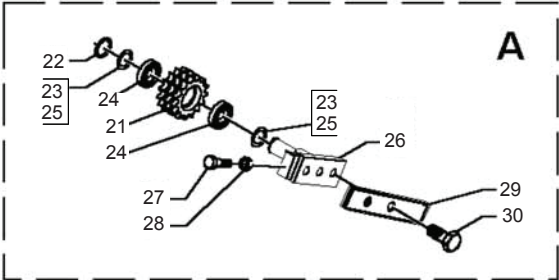
| Pos. | Cod. | Descrizione | Description | Description | Benennung | Descripcion |
|------|------------|--------------------------------|-------------------------------|--------------------------------|---------------------------------|--------------------------------|
| 1 | B07S01802R | CONTRASTO MOLLE TOPCUT | KNIFE RESISTANCE TOPCUT | RESISTENCE DENTS TOPCUT | MESSERWIDERSTAND TOPCUT | |
| 2 | F01020568R | VITE M16X2X45 U5739 8.8ZN | SCR. M16X2X45 U5739 8.8ZN | VIS M 16X 2X45 U5739 8.8 ZG | SCHRAUBE M 16X 2X45 U5739 8.8 | TORNILLO M16X 2X45 U5739 8.8 |
| 3 | B01300745R | DISTANZIALE 16X20X14 | SPACER | ENTRETOISE | DISTANZSTUECK 16X20X14 | |
| 4 | F01410100R | ROS.M16 17X 30X 3 U6592 ZN | WASHER M16 17X30X3 U6592 ZN | RONDELLE M16 17X30X3 ZN | SCHRAUBE M16 17X 30X3 U6592 ZN | ARANDELA M16 17X30X 3 U6592 ZN |
| 5 | B00920516R | DADO M16X 1,5 D985 6S ZN | NUT M16X1,5 D985 6S ZN | ECROU | SELBSTSICHERNDE MUTTER M16-5S | |
| 6 | B07S01636R | COLLEGAMENTO INFERIORE NEW | LOWER CONNECTION | CONNECTION INFERIEURE | UNTERE VERBINDUNG | |
| 7 | F01020508R | VITE M12X1,75X25 U5739 8.8ZN | SCR. M12X1,75X25 U5739 8.8ZN | VIS M12X1,75X25 U5739 8.8 ZN | SCHRAUBE M12X1,75X25U57398.8ZN | TORNIL.M12X1,75X25 U5739 8.8ZN |
| 8 | F01410076R | ROS.M12 13X 24X2,5 U6592 ZN | WASHER 12 13X 24X2,5 U6592 ZN | RONDEL. M12 13X24X2,5 U6592 ZN | SCHRAUBE M12 13X24X2,5 U6592 ZN | ARANDELA M12 13 X24X2,5 ZN |
| 9 | F01230213R | DADO M12X1,75 U7474 CL8 ZN | NUT M12X1,75 U7474 6SZN | ECROU AUTOBL. M12 | SELBSTSPERR.MUTTER M12 | DADO AUTOBL. M12 |
| 10 | B07S01803R | COM. COLT. TOPCUT | KNIFE CONTROL TOPCUT | COMMANDE COUTEAUX TOPCUT | MESSERBETAETIGUNG TOPCUT | |
| 11 | F01020562R | VITE M16X2X30 U5739 8.8ZN | SCR. M16X2X30 U5739 8.8ZN | VIS M16X2X30 U5739 8.8 ZN | SCHRAUBE M16X2X30 U5739 8.8 ZN | TORNILLO M16X2X30 U5739 8.8 ZN |
| 12 | B01300706R | BUSSOLA DI GUIDA | GUIDE BUSH | DOUILLE DE GUIDE | FUHRUNGSBUCHSE | |
| 13 | B07SP0024R | BILANCINO TOPCUT | TOPCUT ROCKER ARM | PALONNIER TOPCUT | SCHWINGE TOPCUT | |
| 14 | B07S01125R | SOSTEGNO MOLLE | SPRING BRAKET | SUPPORT RESSORTS | FEDERHALTERUNG | |
| 15 | B03800014R | ROTELLA GUIDA COLTELLI | KNIVES GUIDE PULLEY | GALET GUIDE COUTEAUX | MESSER FUHRUNGSROLLE | |
| 16 | B01300694R | PERNO CARRUCOLA COLTELLO | KNIFE ROLLER PIN | TOURILLON POULIE COUTEAU | MESSERFUHRUNGSROLLENBOLZEN | |
| 17 | B01700016R | ANEL. D ARR. ALB. 16-E UNI3653 | SEEGER RING | BAGUE SEEGER | SEEGERING | |
| 18 | B01800049R | MOLLA TRAVERSA COLTELLI | SPRING KNIV.CONTROL 5 30 293C | RESSORT | FEDER | |
| 19 | B03500034R | PERNO FULCRO | PIVOT | TOURILLON | DREHZAPFEN | |
| 20 | B01300036R | RALLA 25,5X40 X 4 | FIFTH WHEEL | BUTEE | LAGERSCHALE 25,5X40X4 | |
| 21 | B07S01145R | FULCRO SX LEVERISMI | LEFT LINKAGE FULCRUM | POINT D APPUI GAUCHE LEVIERS | LINKER HEBELWERKSCHWENKPUNKT | |
| 22 | F01020510R | VITE M12X1,75X30 U5739 8.8ZN | SCR. M12X1,75X30 U5739 8.8ZN | VIS M12X1,75X30 U5739 8.8ZN | SCHRAU.M12X1,75X30 U5739 8.8ZN | TORN. M12X1,75X30 U5739 8.8ZN |
| 23 | F01230213R | DADO M12X1,75 U7474 CL8 ZN | NUT M12X1,75 U7474 6SZN | ECROU AUTOBL. M12 | SELBSTSPERR.MUTTER M12 | DADO AUTOBL. M12 |
| 24 | B01110635R | SPINA ELAST. 6X 35 SS DIN 1481 | PIN | GOUPILLE | STIFT | |
| 25 | B035P0016R | ASTA NEW | NEW ROD | TIGE NEW | STAB NEW | |
| 26 | B035P0015R | FULCRO COLT. NEW | NEW KNIVES FULCRUM | POINT D APPUI COUTEAUX NEW | FULCRUM MESSER NEW | |
| 27 | F02150064R | LINGUETTA 8X 7X 25 U6604A | PARALLEL KEY 8X 7X 25 U6604A | CLAVETTE 8X7X25 | FEDER 8X7X25 UNI 6604 | LLAVE 8X7X25 |
| 28 | B07U00035R | COLTELLO ULTRACUT | TOPCUT KNIFE | COUTEAU CUT | SPEZIAL TOPCUT KLINGE | |
| 30 | B01300036R | RALLA 25,5X40 X 4 | FIFTH WHEEL | BUTEE | LAGERSCHALE 25,5X40X4 | |
| 31 | B07S01144R | FULCRO DX LEVERISMI | RIGHT LINKAGE FULCRUM | POINT D APPUI DROIT LEVIERS | RECHTER HEBELWERKSCHWENKPUNKT | |
| 32 | F01020510R | VITE M12X1,75X30 U5739 8.8ZN | SCR. M12X1,75X30 U5739 8.8ZN | VIS M12X1,75X30 U5739 8.8ZN | SCHRAU.M12X1,75X30 U5739 8.8ZN | TORN. M12X1,75X30 U5739 8.8ZN |
| 33 | F01230213R | DADO M12X1,75 U7474 CL8 ZN | NUT M12X1,75 U7474 6SZN | ECROU AUTOBL. M12 | SELBSTSPERR.MUTTER M12 | DADO AUTOBL. M12 |
| 34 | B0C004233R | SOSTEGNO PROSIMITI CUT | CUT SENSOR SUPPORT | SUPPORT SENSEUR CUT | CUT SENSORHALTERUNG | |
| 35 | F01020512R | VITE M12X1,75X35 U5739 8.8ZN | SCR. M12X1,75X35 U5739 8.8ZN | VIS M12X1,75X35 5739 8.8 ZN | SCHR. M12X1,75X35 5739 8.8 ZN | TORN. M12X1,75X35 5739 8.8 ZN |
| 36 | F01230213R | DADO M12X1,75 U7474 CL8 ZN | NUT M12X1,75 U7474 6SZN | ECROU AUTOBL. M12 | SELBSTSPERR.MUTTER M12 | DADO AUTOBL. M12 |
| 37 | B0E000056R | SENSORE PROSSIMITA BALLA M12 | PROXIMITY SENSOR | CAPTEUR DE PROXIMITE | ABSTANDSMELDER | |
| 38 | B07S01159R | MANIGLIA DI SICUREZZA | SAFETY HANDLE | POULIE DE SURETE | SICHERUNGSHEBEL | |
| 39 | F01040130R | VITE M10X1,5X60 U5931 8.8ZN | SCR. M10X1,5X60 U5931 8.8ZN | | | |
| 40 | B01821993R | MOLLA | SPRING | RESSORT | FEDER | |
| 41 | B01300401R | BUSSOLA FILETTATA | PIN WITHOUT NET | DOUILLE FILETEE | NETZAUFNAHMEZANGENBOLZEN | |
| 42 | F01230202R | DADO M10X 1,5 D985 8 ZN | NUT M10 D985 | ECROU AUTOBL. M10 | SELBSTSPERR.MUTTER M10 | DADO AUTOBL. M10 |
| 43 | F02100142R | SPINA E.P. 8X 40 U6873 C70 BR | ELASTIC PIN 8X40 | GOUJON ELASTIQUE 8X40 | SPANNHUELSE 8X40 | ESPINA ELASTICA 8X40 |
| 44 | F02100090R | SPINA E.P. 5X 40 U6873 C70 BR | ELASTIC PIN 5X40 | GOUJON ELASTIQUE 5X40 | SPANNHUELSE 5X40 | ESPINA ELASTICA 5X40 |
| 45 | F02100142R | SPINA E.P. 8X 40 U6873 C70 BR | ELASTIC PIN 8X40 | GOUJON ELASTIQUE 8X40 | SPANNHUELSE 8X40 | ESPINA ELASTICA 8X40 |
| 46 | B027P0001R | SEMIBIELLA DI TRASMISSIONE | DRIVE HALF ROD | DEMI BIELLE DE TRANSMISSION | HALB-KOLBENSTANGE | |
| 47 | F01020164R | VITE M12X1,75X70 U5737 8.8ZN | SCREW M12X1,75X70 U5737 8.8ZN | VIS M12X1,75X70 ZN | SCHR. M12X1,75X70 U5737 8.8 ZN | TORN. M12X1,75X70 U5737 8.8 ZN |
| 48 | F01230213R | DADO M12X1,75 U7474 CL8 ZN | NUT M12X1,75 U7474 6SZN | ECROU AUTOBL. M12 | SELBSTSPERR.MUTTER M12 | DADO AUTOBL. M12 |
| 49 | B025P0003R | BUSSOLA NYLON | NYLON BUSH | DOUILLE EN NYLON | BUCHSE | |
| 50 | B0C005006R | FINTO COLT. CUT | BLANK KNIFE CUT | FAUX COUTEAU CUT | BLINDMESSER CUT | |
| 51 | B07S01031R | PORTA COLT. | KNIFE HOLDER | PORTE-COUTEAUX | MESSERTRAEGER | |
| 52 | F01020510R | VITE M12X1,75X30 U5739 8.8ZN | SCR. M12X1,75X30 U5739 8.8ZN | VIS M12X1,75X30 U5739 8.8ZN | SCHRAU.M12X1,75X30 U5739 8.8ZN | TORN. M12X1,75X30 U5739 8.8ZN |
| 53 | F01230213R | DADO M12X1,75 U7474 CL8 ZN | NUT M12X1,75 U7474 6SZN | ECROU AUTOBL. M12 | SELBSTSPERR.MUTTER M12 | DADO AUTOBL. M12 |
| 54 | B01170484R | SPINA MOLLA 4 OCCH.SEMPL.ZINC. | PIN | GOUPILLE CLIPS | STIFT | |



**SICUREZZA TRASMISSIONE MECCANICA CON BULLONE
TRANSMISSION SAFETY DEVICE MECHANICAL WITH BOLT**

TAV_150

| Pos. | Cod. | Descrizione | Description | Description | Benennung | Descripcion |
|------|------------|--------------------------------|--------------------------------|--------------------------------|--------------------------------|-------------------------------|
| 1 | B02700052R | SUPP. COM. ROT. | CONTROL ROTOR SUPPORT | SUPPORT CONTROLE ROTOR | LAGER DES ROTORSANTRIEBS | |
| 2 | B01300960R | SPESSORE SUPPORTO ROTORE | ROTOR SUPPORT SPACING | ENTRETOISE SUPPORT ROTOR | DISTANZSTUECK FUR ROTORLAGER | |
| 3 | B04200610R | INGRASS.A SFERE M6X1 LUNGO | GREASE NIPPLE | GRAISSEUR HYDRAULIQUE | GERADER SCHMIERNIPPEL M6X1 | |
| 4 | F01040140R | VITE M12X1,75X 40 U5931 8.8ZN | SCREW M12X1,75X 40 U5931 8.8Z | | | |
| 5 | B04304966R | ANELLO TENUTA 55X 85X10 NORM | SEAL | BAGUE | DICHTUNG 55X85X10 | |
| 6 | B02335023R | CUSC. 22210 CAT.B-ST004 | BEARING | ROULEMENT | LAGER 22210 | |
| 7 | B01534318R | SPES. 80 90 0,2 | SHIM | ENTRETOISE | DISTANZSTUECK 80 90 0,2 | |
| 8 | B01710090R | ANEL. D ARR. FORO 90-I UNI3654 | SEEGER RING | BAGUE SEEGER | SEEGERRING 90-I | |
| 9 | B04305668R | ANELLO TENUTA 65X 90X10 NORM | SEAL | BAGUE | DICHTUNG 65X90X10 | |
| 10 | B03400070R | INGR. TRIP Z42 - 3 4 X 7 16 | TRIPLE GEAR Z=42-3 4 X7 16 | ENGRENAGE TRIPLE | DREIFACH ZAHNRAD Z=42 -3 4 X | |
| 11 | B00851530R | DADO M30X 2 U5588 6S ZN | NUT | ECROU | KRONENMUTTER M30X2-6S | |
| 12 | B0R000304R | ALBERO PROLUNGA L=602 | EXTENSION SHAFT L=602 | ARBRE RALLONGE L=602 | VERLAENGERUNGSWELLE L=602 | |
| 13 | B02700051R | SUPPORTO FLANGIATO | FLANGED SUPPORT | SUPPORT EMBOUTI | FLANSCHLAGER | |
| 14 | F01020512R | VITE M12X1,75X35 U5739 8.8ZN | SCR. M12X1,75X35 U5739 8.8ZN | VIS M12X1,75X35 5739 8.8 ZN | SCHR. M12X1,75X35 5739 8.8 ZN | TORN. M12X1,75X35 5739 8.8 ZN |
| 15 | F01410076R | ROS.M12 13X 24X2,5 U6592 ZN | WASHER 12 13X 24X2,5 U6592 ZN | RONDEL. M12 13X24X2,5 U6592 ZN | SCHIBE M12 13X24X2,5 U6592 ZN | ARANDELA M12 13 X24X2,5 ZN |
| 16 | B01300150R | SPES. 40 48 1,5 ZINCATO | SHIM GALV | ENTRETOISE GALV | DISTANZSTUECK 40 48 1,5 | |
| 17 | B03400072R | INGR. TRIPLO Z=13-3 4 X7 16 | TRIPLE GEAR Z=13-3 4 X7 16 | ENGRENAGE TRIPLE | DREIFACH ZAHNRAD Z=13-3 4 X7 1 | |
| 18 | B01300151R | SPES. 40 48 2 ZINCATO | SHIM | ENTRETOISE | DISTANZSTUECK 40 48 2 | |
| 19 | B01700040R | ANEL. D ARR. ALBERO 40-E UNI 3 | SEEGER RING | BAGUE SEEGER | SEEGERRING 40-E | |
| 20 | B030F1117R | CATENA RULLI ISO 12 B - 3 117M | ROLLER CHAIN ISO12 B-3 117M | CHAINE ROULEAUX | WALZENKETTE ISO 12 B | |
| 21 | B03400073R | INGR. TRIPLO Z=13-3 4 X7 16 | TRIPLE GEAR Z=13-3 4 X7 16 | ENGRENAGE TRIPLE | DREIFACH-ZAHNRAD Z=13-3 4 X7 | |
| 22 | F02050101R | ANELLO E. DE 25X 1,2 U7435 C7 | SEEGER RING E. 25X1,2 7435 C70 | SEEGER E. 25X 1,2 U7435 C70 | SEEGERING E. 25X 1,2 U7435 C70 | ANILLO E. 25X 1,2 U7435 C70 |
| 23 | B01300105R | SPES. 25,5 37 0,5 | SHIM | ENTRETOISE | DISTANZSTUECK 25,5 37 0,5 | |
| 24 | B02042512R | CUSC 6005-2RS CAT.B-ST004 | BEARING | ROULEMENT | LAGER | |
| 25 | B01300106R | SPES. 25,5 37 1 ZINCATO | SHIM GALV | ENTRETOISE GALV | DISTANZSTUECK 25,5 37 1 | |
| 26 | B07S00848R | PERNO TENDITORE | TENSIONER PIN | TOURILLON TENDEUR | SPANNBOLZEN | |
| 27 | F01020522R | VITE M12X1,75X80 U5739 8.8ZN | SCR. M12X1,75X80 U5739 8.8ZN | VIS M12X1,75X80 U5739 8.8ZN | SCHRA.M12X1,75X80 U5739 8.8ZN | TORN.M12X1,75X80 U5739 8.8ZN |
| 28 | F01200293R | DADO M12X1,75 U5588 CL8 ZN | NUT M12X1,75 U5588 6S ZN | ECROU M12X1,75 U5588 6S ZN | MUTTER M12X1,75 U5588 6S ZN | TUERCA M12X1,75 U5588 6S ZN |
| 29 | B0C002732R | RINFORZO | REINFORCEMENT | RENFORT | VERSTAERKUNG | |
| 30 | F01020564R | VITE M16X2X35 U5739 8.8ZN | SCR. M16X2X35 U5739 8.8ZN | VIS M 16X35 | SCHRAUBE M 16X35 | TORNILLO M 16X35 |
| 31 | B07S00869R | MANOVELLA SGOLFAMENTO | OVERLOAD CRANCK | MANIVELLE | KURBEL ZUR ENTSTOPFUNG | |
| 39 | B01150560R | COPIGLIA 5X 70 U1336 ZN | GALV PIN | GOUPIILLE GALV | SPLINT | |
| 40 | B02700079R | SICUREZZA ROT. | ROTOR SAFETY | SURETE ROTEUR | SCHERBOLZEN | |
| 41 | F01020203R | VITE M14X2X60 U5737 8.8ZN | SCR. M14X2X60 U5737 8.8ZN | VIS M 14X60 | SCHRAUBE M 14X60 | TORNILLO M 14X60 |
| 42 | B01300702R | BUSSOLA D=35 D=14.5 L=18.5 | BUSH D=35 D=14.5 L=18.5 | DOUILLE | BUCHSE | |
| 43 | B00920514R | DADO M14X 2 D985 8 ZN | NUT | ECROU | SELBSTSICHERNDE MUTTER M14-5S | |
| 44 | B02047020R | CUSC. 6014-2RS CAT.B-ST004 | BEARING | ROULEMENT | LAGER 6014-2RS | |
| 45 | B01300824R | FLANGIA | FLANGE | FLASQUE | FLANSCH | |
| 46 | B01300823R | RALLA 30,5X92X8 | FITH WHEEL | BUTEE | SCHEIBE 30,5X92X8 | |
| 47 | B01300355R | DISTANZIALE 40X54X20 | SPACER | ENTRETOISE | ABSTANDSTUECK 40X54X20 | |
| 48 | B030F0017R | GIUNTO MOLL.N. 26 ISO 12 B - 3 | SPRING JOINT N.26 ISO 12 B-3 | JOINT RESSORT | KUPPLUNGSSTUCK N. 26 ISO | |
| 51 | BOH000259R | RACCORDO M6X1 COMPLETO | FITTING OUT M6X1 | RACCORD | KUPPLUNG M6X1 | |
| 52 | BOH0P0029R | TUBETTO NYLON 4 L 180 | NYLON HOSE | TUYAU EN NYLON | KLEINS ROHR AUS NYLON | |

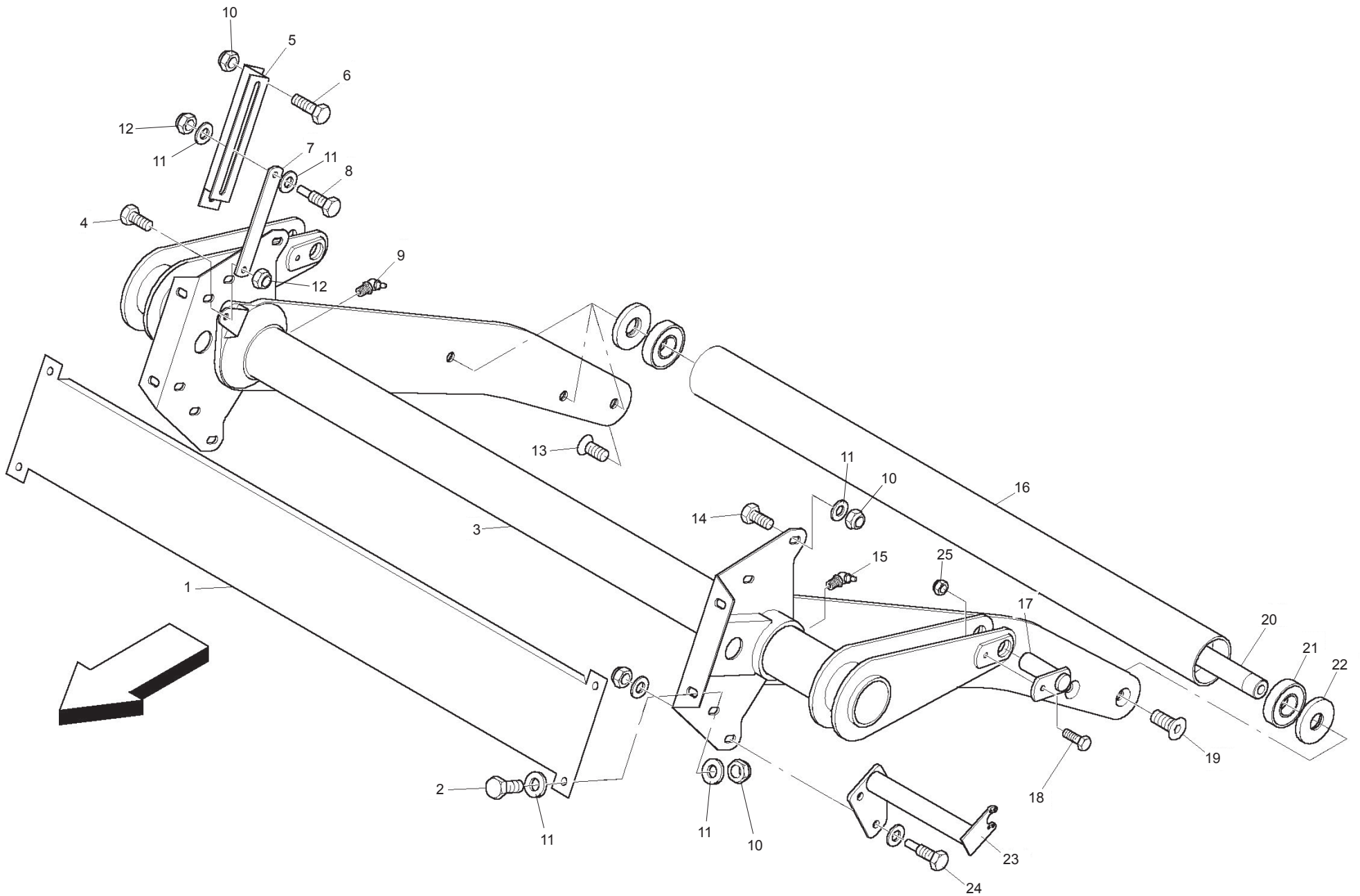


**SICUREZZA TRASMISSIONE AUTOMATICA "AFC"
TRANSMISSION SAFETY DEVICE AUTOMATIC "AFC"**

TAV_160

| Pos. | Cod. | Descrizione | Description | Description | Benennung | Descripcion |
|------|------------|--------------------------------|--------------------------------|--------------------------------|--------------------------------|-------------------------------|
| 1 | B02700052R | SUPP. COM. ROT. | CONTROL ROTOR SUPPORT | SUPPORT CONTROLE ROTOR | LAGER DES ROTORSANTRIEBS | |
| 2 | B01300960R | SPESSORE SUPPORTO ROTORE | ROTOR SUPPORT SPACING | ENTRETOISE SUPPORT ROTOR | DISTANZSTUECK FUR ROTORLAGER | |
| 3 | B04200610R | INGRASS.A SFERE M6X1 LUNGO | GREASE NIPPLE | GRAISSEUR HYDRAULIQUE | GERADER SCHMIERNIPPEL M6X1 | |
| 4 | F01040140R | VITE M12X1,75X 40 U5931 8.8ZN | SCREW M12X1,75X 40 U5931 8.8Z | | | |
| 5 | B04304966R | ANELLO TENUTA 55X 85X10 NORM | SEAL | BAGUE | DICHTUNG 55X85X10 | |
| 6 | B02335023R | CUSC. 22210 CAT.B-ST004 | BEARING | ROULEMENT | LAGER 22210 | |
| 7 | B01534318R | SPES. 80 90 0,2 | SHIM | ENTRETOISE | DISTANZSTUECK 80 90 0,2 | |
| 8 | B01710090R | ANEL. D ARR. FORO 90-I UNI3654 | SEEGER RING | BAGUE SEEGER | SEEGERRING 90-I | |
| 9 | B04305668R | ANELLO TENUTA 65X 90X10 NORM | SEAL | BAGUE | DICHTUNG 65X90X10 | |
| 10 | B07S01609R | INGRANAGGIO ROT. | ROTOR SPROCKET | ENGRANAGE ROTOR | ROTOR ZAHNRAD | |
| 11 | B00851530R | DADO M30X 2 U5588 6S ZN | NUT | ECROU | KRONENMUTTER M30X2-6S | |
| 12 | B03600094R | LIMITATORE CON PROLUNGA BYPY | TORQUE LIMITER WITH EXTENSION | LIMITEUR AVEC RALLONGE | UBERLASTKUPPLUNG MIT VERLANGER | |
| 13 | B02700051R | SUPPORTO FLANGIATO | FLANGED SUPPORT | SUPPORT EMBOUTI | FLANSCHLAGER | |
| 14 | F01020512R | VITE M12X1,75X35 U5739 8.8ZN | SCR. M12X1,75X35 U5739 8.8ZN | VIS M12X1,75X35 5739 8.8 ZN | SCHR. M12X1,75X35 5739 8.8 ZN | TORN. M12X1,75X35 5739 8.8 ZN |
| 15 | F01410076R | ROS.M12 13X 24X2,5 U6592 ZN | WASHER 12 13X 24X2,5 U6592 ZN | RONDEL. M12 13X24X2,5 U6592 ZN | SCHEIBE M12 13X24X2,5 U6592 ZN | ARANDELA M12 13 X24X2,5 ZN |
| 16 | B01300150R | SPES. 40 48 1,5 ZINCATO | SHIM GALV | ENTRETOISE GALV | DISTANZSTUECK 40 48 1,5 | |
| 17 | B03400072R | INGR.TRIPLO Z=13-3 4 X7 16 | TRIPLE GEAR Z=13-3 4 X7 16 | ENGRENAGE TRIPLE | DREIFACH ZAHNRAD Z=13-3 4 X7 1 | |
| 18 | B01300151R | SPES. 40 48 2 ZINCATO | SHIM | ENTRETOISE | DISTANZSTUECK 40 48 2 | |
| 19 | B01700040R | ANEL. D ARR. ALBERO 40-E UNI 3 | SEEGER RING | BAGUE SEEGER | SEEGERRING 40-E | |
| 20 | B030F1117R | CATENA RULLI ISO 12 B - 3 117M | ROLLER CHAIN ISO12 B-3 117M | CHAINE ROULEAUX | WALZENKETTE ISO 12 B | |
| 21 | B03400073R | INGR.TRIPLO Z=13-3 4 X7 16 | TRIPLE GEAR Z=13-3 4 X7 16 | ENGRENAGE TRIPLE | DREIFACH-ZAHNRAD Z=13-3 4 X7 | |
| 22 | F02050101R | ANELLO E. DE 25X 1,2 U7435 C7 | SEEGER RING E. 25X1,2 7435 C70 | SEEGER E. 25X 1,2 U7435 C70 | SEEGERING E. 25X 1,2 U7435 C70 | ANILLO E. 25X 1,2 U7435 C70 |
| 23 | B01300105R | SPES. 25,5 37 0,5 | SHIM | ENTRETOISE | DISTANZSTUECK 25,5 37 0,5 | |
| 24 | B02042512R | CUSC 6005-2RS CAT.B-ST004 | BEARING | ROULEMENT | LAGER | |
| 25 | B01300106R | SPES. 25,5 37 1 ZINCATO | SHIM GALV | ENTRETOISE GALV | DISTANZSTUECK 25,5 37 1 | |
| 26 | B07S00848R | PERNO TENDITORE | TENSIONER PIN | TOURILLON TENDEUR | SPANNBOLZEN | |
| 27 | F01020522R | VITE M12X1,75X80 U5739 8.8ZN | SCR. M12X1,75X80 U5739 8.8ZN | VIS M12X1,75X80 U5739 8.8ZN | SCHRA.M12X1,75X80 U5739 8.8ZN | TORN.M12X1,75X80 U5739 8.8ZN |
| 28 | F01200293R | DADO M12X1,75 U5588 CL8 ZN | NUT M12X1,75 U5588 6S ZN | ECROU M12X1,75 U5588 6S ZN | MUTTER M12X1,75 U5588 6S ZN | TUERCA M12X1,75 U5588 6S ZN |
| 29 | B0C002732R | RINFORZO | REINFORCEMENT | RENFORT | VERSTAERKUNG | |
| 30 | F01020564R | VITE M16X2X35 U5739 8.8ZN | SCR. M16X2X35 U5739 8.8ZN | VIS M 16X35 | SCHRAUBE M 16X35 | TORNILLO M 16X35 |
| 31 | B07S00869R | MANOVELLA SGOLFAMENTO | OVERLOAD CRANCK | MANIVELLE | KURBEL ZUR ENTSTOPFUNG | |
| 39 | B01150560R | COPIGLIA 5X 70 U1336 ZN | GALV PIN | GOUVILLE GALV | SPLINT | |
| 40 | B01300355R | DISTANZIALE 40X54X20 | SPACER | ENTRETOISE | ABSTANDSTUECK 40X54X20 | |
| 48 | B030F0017R | GIUNTO MOLL.N. 26 ISO 12 B - 3 | SPRING JOINT N.26 ISO 12 B-3 | JOINT RESSORT | KUPPLUNGSSTUECK N. 26 ISO | |
| 51 | B0H000259R | RACCORDO M6X1 COMPLETO | FITTING OUT M6X1 | RACCORD | KUPPLUNG M6X1 | |
| 52 | B0H0P0029R | TUBETTO NYLON 4 L 180 | NYLON HOSE | TUYAU EN NYLON | KLEINS ROHR AUS NYLON | |

TAV_170

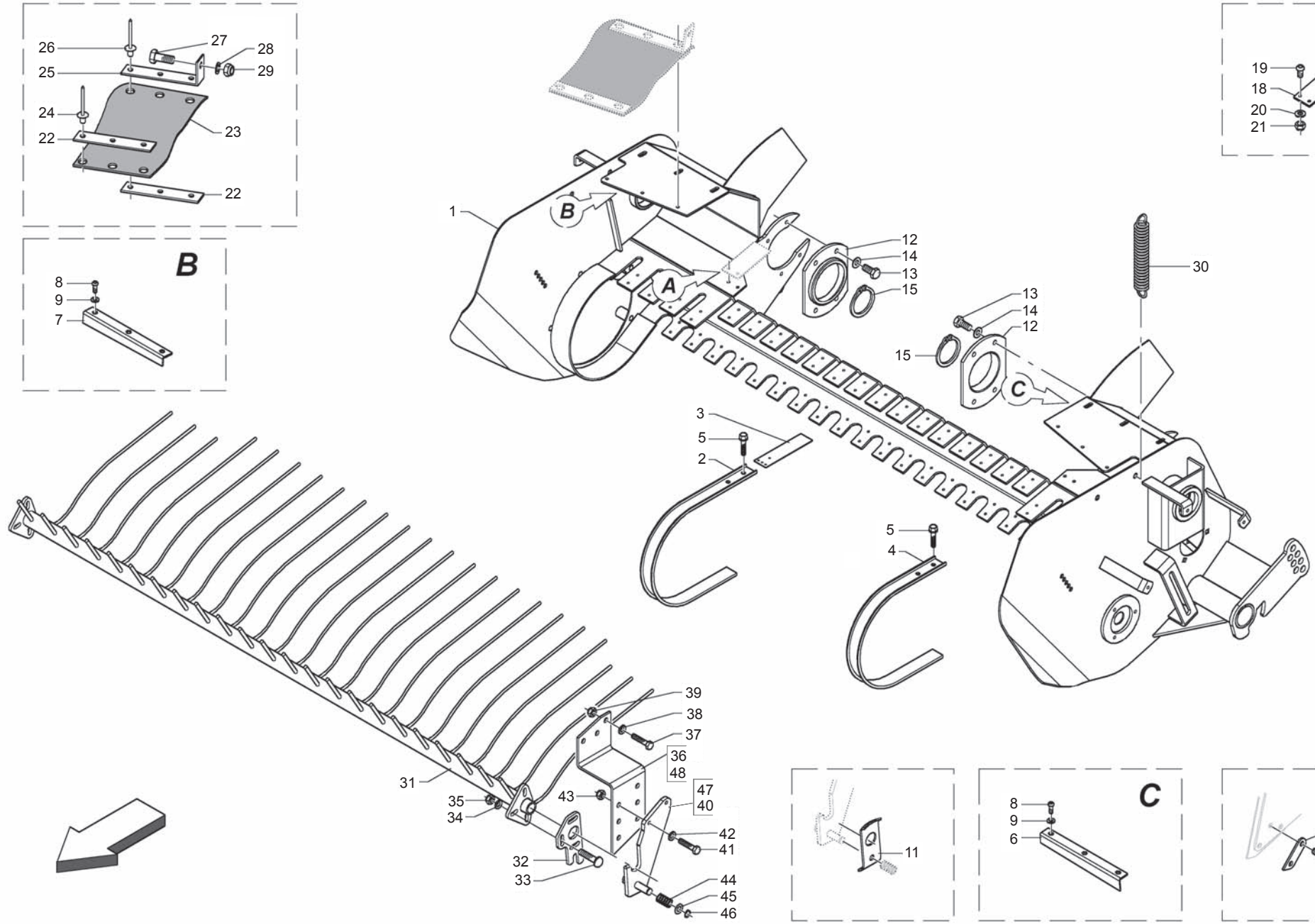
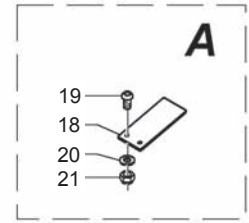
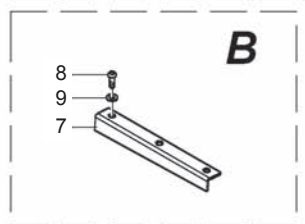
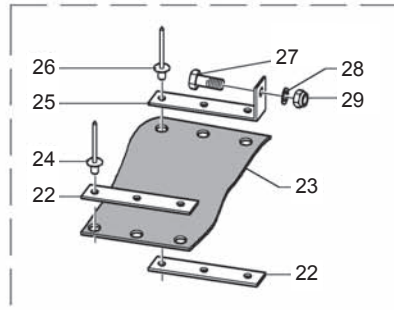


**BILANCIERE
BELT TENSIONER ARM**

TAV_170

| Pos. | Cod. | Descrizione | Description | Description | Benennung | Descrpcion |
|------|------------|-------------------------------|-------------------------------|--------------------------------|--------------------------------|--------------------------------|
| 1 | BSP000019R | COLLEGAMENTO ANTERIORE | CONNECTING THE FRONT | | | |
| 2 | F01020510R | VITE M12X1,75X30 U5739 8.8ZN | SCR. M12X1,75X30 U5739 8.8ZN | VIS M12X1,75X30 U5739 8.8ZN | SCHRAU.M12X1,75X30 U5739 8.8ZN | TORN. M12X1,75X30 U5739 8.8ZN |
| 3 | B07S01213R | BRACCIO TENDICINGHIE 165 | BELT-TIGHTENER ARM 165 | BRAS TENDEUR DE COURROIES 165 | RIEMENSANNERARM 165 | |
| 4 | F01020472R | VITE M10X1,5X25 U5739 8.8ZN | SCR. M10X1,5X25 U5739 8.8ZN | VIS M10X1,5X25 U5739 8.8 ZN | SCHRAUBE M10X1,5X25 U5739 8.8 | TORNILLO 10X25 U5739 8.8 ZN |
| 5 | B0C002060R | PIASTRA DI SCORRIMENTO | SLIDING PLATE | PLAQUE DE CHEMINEMENT | GLEITFUHRUNG ANZEIGEHEBEL | |
| 6 | F01020508R | VITE M12X1,75X25 U5739 8.8ZN | SCR. M12X1,75X25 U5739 8.8ZN | VIS M12X1,75X25 U5739 8.8 ZN | SCHRAUBE M12X1,75X25U57398.8ZN | TORNIL.M12X1,75X25 U5739 8.8ZN |
| 7 | B0C002061R | BRACCIO SEGNALETORE | INDICATOR ARM | BRAS SIGNALEUR | ANZEIGEHEBEL | |
| 8 | B00500034R | VITE SEGNALETRICE | SCREW | VIS | SCHRAUBE | |
| 9 | F01100064R | ING.M10X1 7663-B 9SMNPB28 ZN | ING.M10X1 7663-B 9SMNPB28 ZN | | | |
| 10 | F01230213R | DADO M12X1,75 U7474 CL8 ZN | NUT M12X1,75 U7474 6SZN | ECROU AUTOBL. M12 | SELBSTSPERR.MUTTER M12 | DADO AUTOBL. M12 |
| 11 | F01410076R | ROS.M12 13X 24X2,5 U6592 ZN | WASHER 12 13X 24X2,5 U6592 ZN | RONDEL. M12 13X24X2,5 U6592 ZN | SCHEIBE M12 13X24X2,5 U6592 ZN | ARANDELA M12 13 X24X2,5 ZN |
| 12 | F01230202R | DADO M10X 1,5 D985 8 ZN | NUT M10 D985 | ECROU AUTOBL. M10 | SELBSTSPERR.MUTTER M10 | DADO AUTOBL. M10 |
| 13 | F01030148R | VITE M16X2X35 U5933 10.9ZD | SCREW M16X2X35 U5933 10.9ZD | VIS M16X2X35 U5933 10.9ZD | SCHRAUBE M16X2X35 U5933 10.9ZD | TORNILLO M16X2X35 U5933 10.9ZD |
| 14 | F01020508R | VITE M12X1,75X25 U5739 8.8ZN | SCR. M12X1,75X25 U5739 8.8ZN | VIS M12X1,75X25 U5739 8.8 ZN | SCHRAUBE M12X1,75X25U57398.8ZN | TORNIL.M12X1,75X25 U5739 8.8ZN |
| 15 | F01100064R | ING.M10X1 7663-B 9SMNPB28 ZN | ING.M10X1 7663-B 9SMNPB28 ZN | | | |
| 16 | B03500165R | RULLO FOLLE | IDLE ROLLER | ROULEAU FOU | UMLLENKVALZE | |
| 17 | B07S00936R | SPINA MARTINETTO PRESS.BALLA | JACK PIN | AXE VERIN | ZYLINDERBOLZEN | |
| 18 | F01020065R | VITE M 8X1,25X 30 U5737 8.8ZN | SCREW M 8X1,25X 30 U5737 8.8Z | | | |
| 19 | F01030148R | VITE M16X2X35 U5933 10.9ZD | SCREW M16X2X35 U5933 10.9ZD | VIS M16X2X35 U5933 10.9ZD | SCHRAUBE M16X2X35 U5933 10.9ZD | TORNILLO M16X2X35 U5933 10.9ZD |
| 20 | B03500213R | ALBERO CORTO | SHORT SHAFT | ARBRE COURT | KURZE WELLE | |
| 21 | F04010350R | CUSCINETTO 6307C 2HRS L100 50 | BEARING 6307C 2HRS L100 50 | | | |
| 22 | B01300623R | CHIUSURA RULLI FOLLI | IDLE ROLLER LOCK | FERMETURE ROULEAUX FOUX | UMLLENKVALZENVERSCHLUSS | |
| 23 | B07S01471R | SOSTEGNO POTENZIOMETRO | POTENTIOMETER SUPPORT | SUPPORT POTENTIOMETRE | POTENZIOMETERHALTERUNG | |
| 24 | B00440510R | VITE TSPEI M 5X 10-10.9 UNI 5 | SCREW | VIS | SCHRAUBE TSPEI M5X 10-10.9 | |
| 25 | B00920208R | DADO M8X1 D985 8ZN | NUT M8X1 D985 8ZN | ECROU | SELBSTSICHERNDE MUTTER M8-5S | |

TAV_180

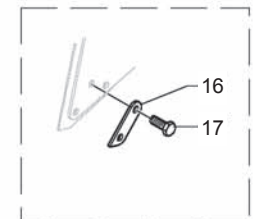
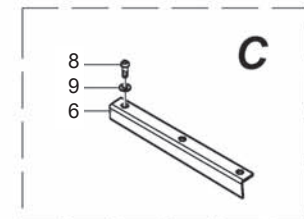
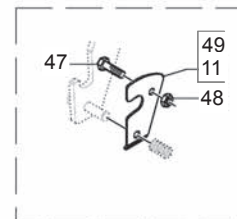
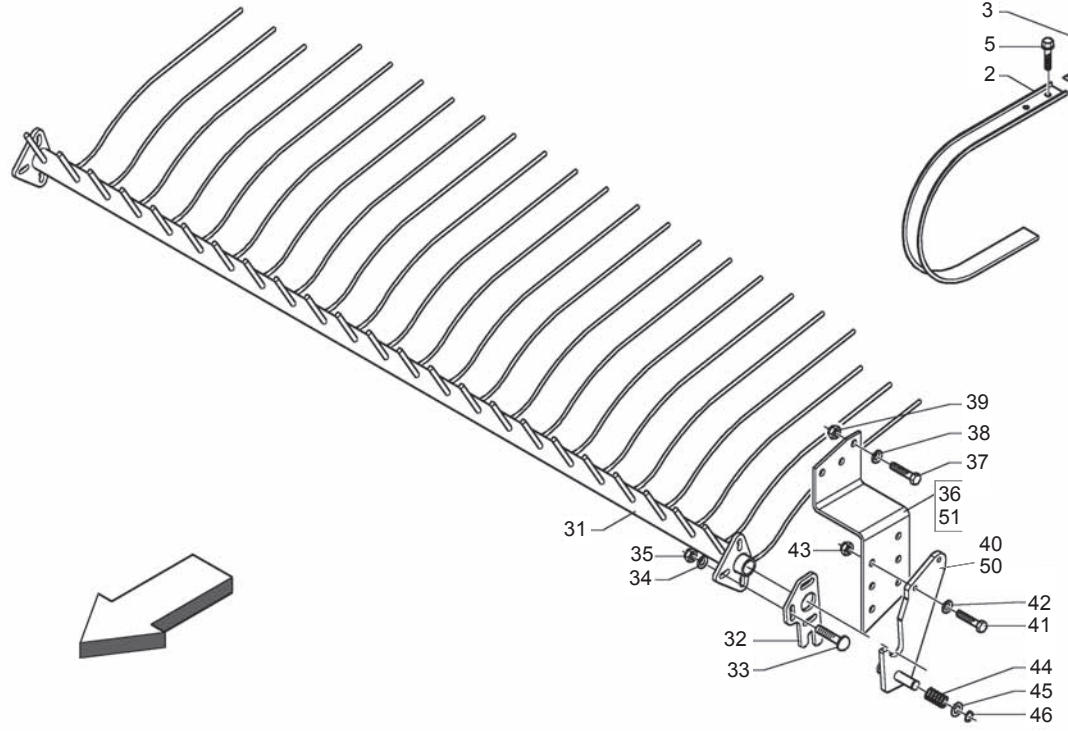
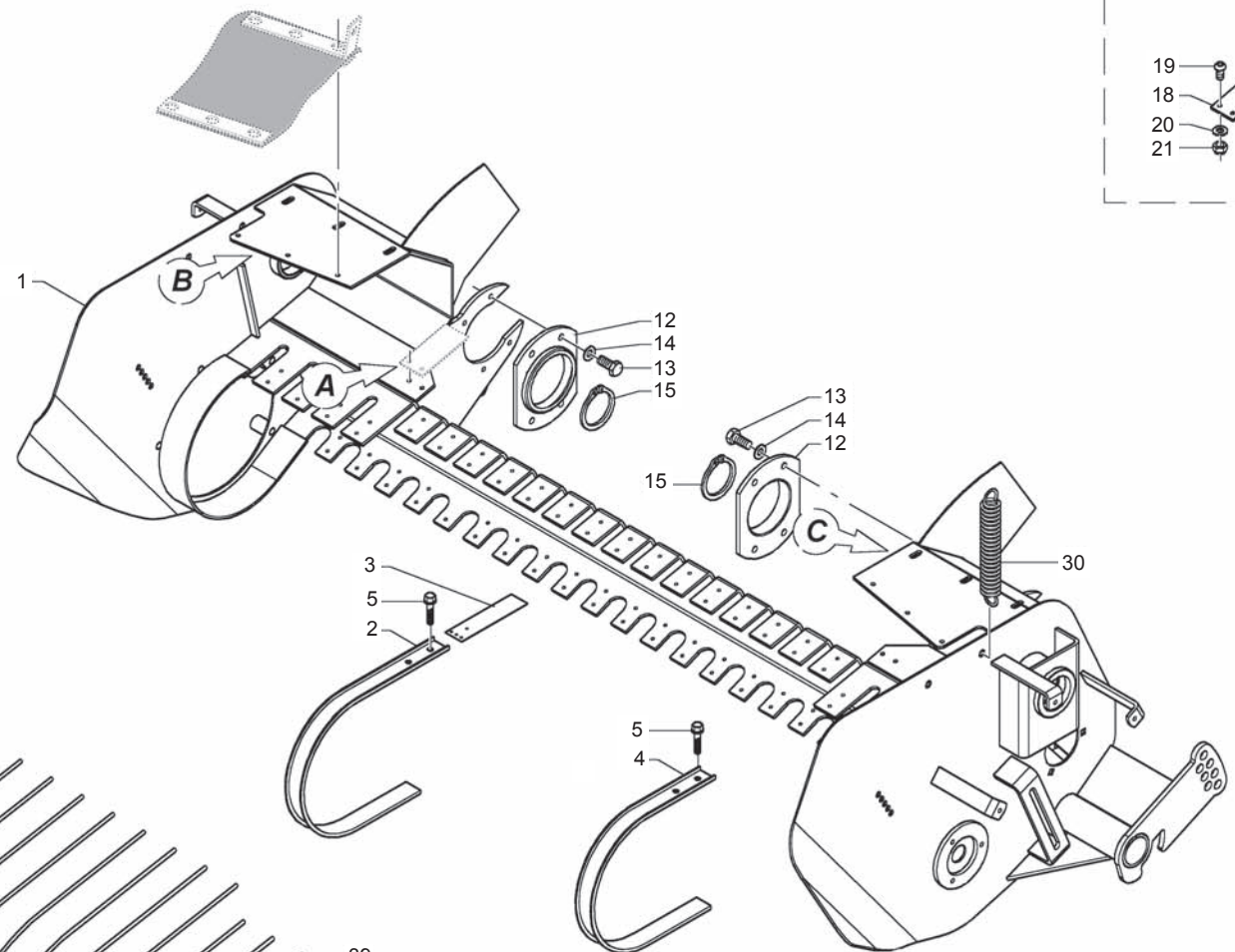
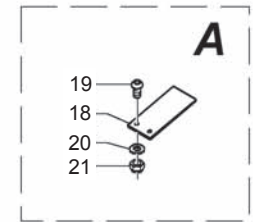
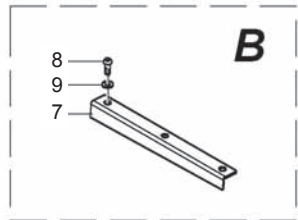
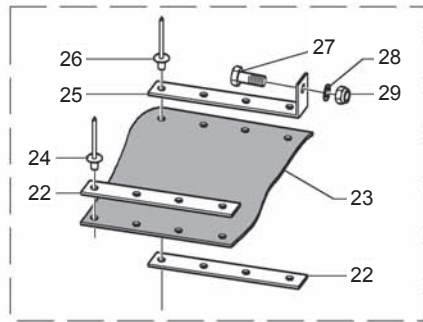


**PICK-UP M
PICK-UP M**

TAV_180

| Pos. | Cod. | Descrizione | Description | Description | Benennung | Descripcion |
|------|------------|--------------------------------|--------------------------------|--------------------------------|-----------------------------------|--------------------------------|
| 1 | B07SP0219R | TELAIO PU M LT | FRAME PU M LT | CHASSIS PU LT | RAHMEN PU M LT | |
| 2 | B0C003304R | FASCIA CENTRALE PICK UP TOPCUT | PICK-UP CENTRAL BAND TOPCUT | BANDE CENTRALE PICK-UP TOPCUT | ZENTRALES PICK-UP BAND | |
| 3 | B0C002069R | COMPENSO FASCIA | BAND EXTENSION | EPAISSEUR BANDE | BANDVERLAENGERUNG | |
| 4 | B0C003183R | PLACA EXTENSIE LATERALA | LATERAL BAND PICK-UP | BANDE LATERALE | SEITENBAND | |
| 5 | F01170001R | VITE M 6X16 ZN SEZ.TRIL. U8111 | SCREW | | | |
| 6 | B0C3P0015R | DEVIATORE SX COCLEA | AUGER LEFT SWITCH | COMMUTATEUR GAUCHE VIS | SCHALTER LINKS | |
| 7 | B0C3P0014R | DEVIATORE DX COCLEA | RIGHT AUGER SEPARATOR | COMMUTATEUR DROIT VIS | SCHALTER RECHTS | |
| 8 | F01030208R | VITE M 8X1,25X 20 U7380 10.9ZN | SCREW M8X1,25X20 U7380 10.9ZN | | | |
| 9 | F01420048R | ROS.M8 8,4X 24X 2 U6593 ZN | WASHER M8 8,4X 24X2 U6593 ZN | RONDELLE M8 8,4X24X 2 U6593 ZN | SCHEIBEN M8 8,4X24X 2 U6593 ZN | ARANDELA M8 8,4X 24X2 U6593 ZN |
| 11 | B0C000058R | AGGANCIO RASTRELLO | RAKE LINKAGE | ATTELAGE GRILLE RABATTEUR | NIEDERHALTERRECHENANSCHLUSS | |
| 12 | B01300715R | FLANGIA SX PICK-UP | PICK-UP FLANGE | FLASQUE GAUCHE POUR PICK-UP | PICK-UP FLANSCH | |
| 13 | B00181015R | VITE M10X1,5 X 16 U5739 8.8ZN | SCREW | VIS | SCHRAUBE | |
| 14 | F01410062R | ROS.M10 10,5X 18X 2 U6592 ZN | WASHER M10 10,5X 18X 2 U6592 | RONDELLE M10 10,5X18X2 ZN | DICHTUNGSRING M10 10,5X18X2 ZN | RONDANA M10 10,5X18X2 ZN |
| 15 | B01700095R | ANEL. D ARR. ALB. 95-E UNI3653 | SEEGER RING | BAGUE SEEGER | SEEGERRING 95-E | |
| 16 | B0C6P0039R | FERMO PICK-UP NORMALE | STANDARD PICK-UP LOCK | ARRET PICK-UP NORMAL | | |
| 17 | F01020510R | VITE M12X1,75X30 U5739 8.8ZN | SCR. M12X1,75X30 U5739 8.8ZN | VIS M12X1,75X30 U5739 8.8ZN | SCHRAU.M12X1,75X30 U5739 8.8ZN | TORN. M12X1,75X30 U5739 8.8ZN |
| 18 | B0C004894R | COMPENSO PER PU NORMALE | PICK-UP SHIM | EPAISSEUR POUR PU NORMAL | PICK-UP AUSGLEICHSTUECK | |
| 19 | B00470620R | VITE TTEI M 6X 20-8.8 UNBRA | SCREW | VIS | SCHRAUBE TTEI M6X20-10.9 | |
| 20 | F01410037R | ROS.M6 6,4X12,5X1,6 U6592 ZN | WASHER M6 6,4X12,5X1,6 U6592ZN | RONDEL.M6 6,4X12,5X1,6 U6592ZN | SCHEIB.M6 6,4X12,5X1,6 U6592ZN | ARAND.M6 6,4X12,5X1,6 U6592 ZN |
| 21 | B00920106R | DADO M6X1 D985 8ZN | NUT | ECROU | SELBSTSICHERNDE MUTTER M6-5S | |
| 22 | B0C1P0583R | PIATTINO DI FISSAGGIO | FIXING PLATE | | | |
| 23 | B07V00074R | PROT. COCLEA PU 180 | AUGER PROTECTION | PROTECTION PELLETEUSE PU 180 | SCHNECKENSCHUTZ | |
| 24 | B01000013R | RIVETTO STR. 6X18 U9200A AL | RIVET | RIVET | ABREISSNIETEN 6X18 | |
| 25 | B0C002409R | SOSTEGNO GOMMA PUL | RUBBER SUPPORT | SUPPORT PNEUS | GUMMIHALTER | |
| 26 | B01000012R | RIVETTO STR. 6,4X22 ACCIAIO | RIVET | RIVET | ABREISSNIETEN 6X26 | |
| 27 | F01020472R | VITE M10X1,5X25 U5739 8.8ZN | SCR. M10X1,5X25 U5739 8.8ZN | VIS M10X1,5X25 U5739 8.8 ZN | SCHRAUBE M10X1,5X25 U5739 8.8 | TORNILLO 10X25 U5739 8.8 ZN |
| 28 | F01410062R | ROS.M10 10,5X 18X 2 U6592 ZN | WASHER M10 10,5X 18X 2 U6592 | RONDELLE M10 10,5X18X2 ZN | DICHTUNGSRING M10 10,5X18X2 ZN | RONDANA M10 10,5X18X2 ZN |
| 29 | F01230202R | DADO M10X 1,5 D985 8 ZN | NUT M10 D985 | ECROU AUTOBL. M10 | SELBSTSPERR.MUTTER M10 | DADO AUTOBL. M10 |
| 30 | B01810412R | MOLLA | SPRING | RESSORT | FEDER | |
| 31 | B07SP0103R | RASTRELLO PER PU M LT | RAKE FOR PU M LT | GRILLE RABATTEUR POUR MU M LT | RAKE FUER PU M LT | |
| 32 | B0C003179R | AGGANCIO REGOLAZIONE | ADJUSTER ATTACHMENT | ACCROCHAGE REGLAGE | EINSTELLUNGSANKUPPLUNG | |
| 33 | B00523395R | VITE SPECIALE TTQST M12X45-8.8 | SPECIAL SCREW | VIS SPECIALE | SCHRAUBE TTQST M12X 45-8.8 | |
| 34 | B01522469R | RALLA 13 42 6 | FIFTH WHEEL | BUTEE | SCHEIBE | |
| 35 | F01230213R | DADO M12X1,75 U7474 CL8 ZN | NUT M12X1,75 U7474 6SZN | ECROU AUTOBL. M12 | SELBSTSPERR.MUTTER M12 | DADO AUTOBL. M12 |
| 36 | BSP000022R | ATTACCO SX RASTRELLO | LEFT RAKE CONNECTION | | | |
| 37 | F01020516R | VITE M12X1,75X45 U5739 8.8ZN | SCR. M12X1,75X45 U5739 8.8ZN | VIS M12X1,75X45 U5739 8.8 ZN | SCHARAUBE M12X1,75X45 U5739 8.8ZN | TORNIL.M12X1,75X45 U5739 8.8ZN |
| 38 | F01410076R | ROS.M12 13X 24X2,5 U6592 ZN | WASHER 12 13X 24X2,5 U6592 ZN | RONDEL. M12 13X24X2,5 U6592 ZN | SCHEIBE M12 13X24X2,5 U6592 ZN | ARANDELA M12 13 X24X2,5 ZN |
| 39 | F01230213R | DADO M12X1,75 U7474 CL8 ZN | NUT M12X1,75 U7474 6SZN | ECROU AUTOBL. M12 | SELBSTSPERR.MUTTER M12 | DADO AUTOBL. M12 |
| 40 | BSP000025R | ATTACCO SX RASTRELLO | LEFT RAKE CONNECTION | | | |
| 41 | F01020512R | VITE M12X1,75X35 U5739 8.8ZN | SCR. M12X1,75X35 U5739 8.8ZN | VIS M12X1,75X35 5739 8.8 ZN | SCHR. M12X1,75X35 5739 8.8 ZN | TORN. M12X1,75X35 5739 8.8 ZN |
| 42 | F01420120R | ROS.M12 13X36X2,5 U6593 ZN | WASHER M12 13X36X2,5 U6593 ZN | RONDELLE M12 13X36X2,5 ZN | | |
| 43 | F01230213R | DADO M12X1,75 U7474 CL8 ZN | NUT M12X1,75 U7474 6SZN | ECROU AUTOBL. M12 | SELBSTSPERR.MUTTER M12 | DADO AUTOBL. M12 |
| 44 | B01817605R | MOLLA C FILO 2,5 P24,5 L=60 | SPRING | RESSORT | C-FEDER | |
| 45 | F01410124R | ROS.M20 21X 37X 3 U6592 ZN | WASHER M20 21X 37X 3 U6592 ZN | RONDEL.M20 21X37X3 ZN | MUTTER M20 21X 37X 3 U6592 ZN | ARANDELA M20 21X37X3 U6592 ZN |
| 46 | B01700020R | ANEL. D ARR. ALB. 20-E UNI3653 | SEEGER RING | BAGUE SEEGER | SEEGERRING 20-E | |
| 47 | BSP000024R | ATTACCO DX RASTRELLO | RIGHT RAKE CONNECTION | | | |
| 48 | BSP000023R | ATTACCO DX RASTRELLO | RIGHT RAKE SUPPORT | | | |

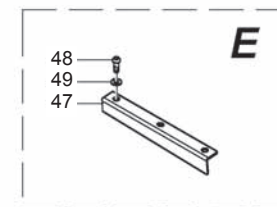
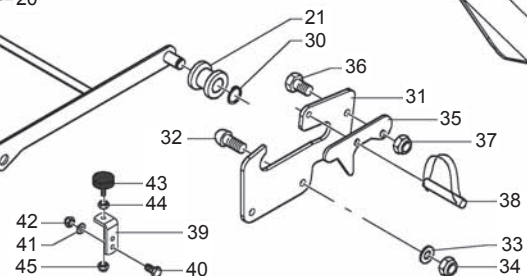
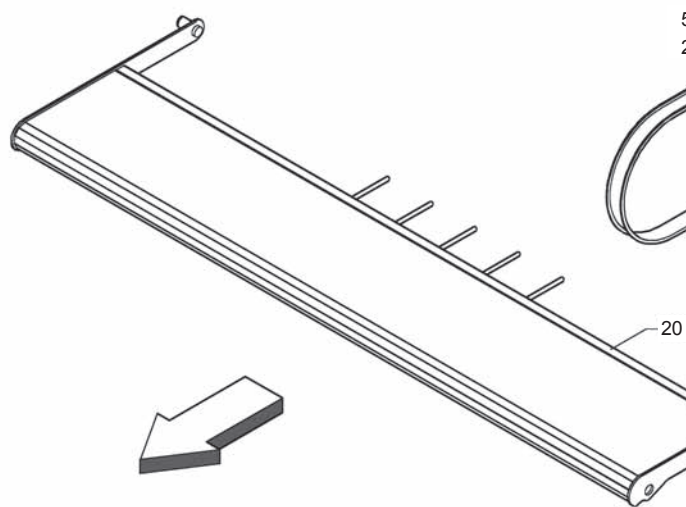
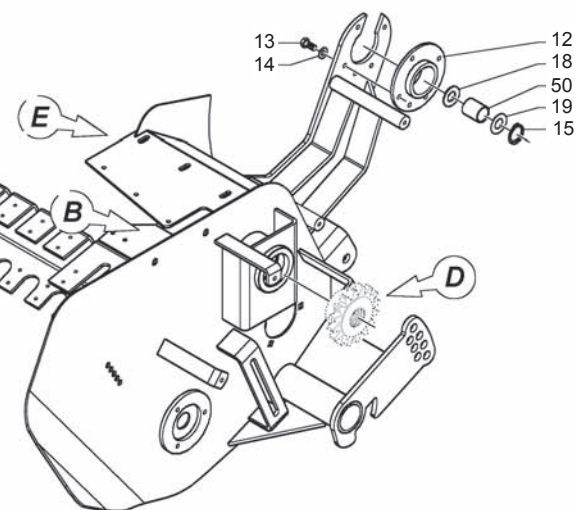
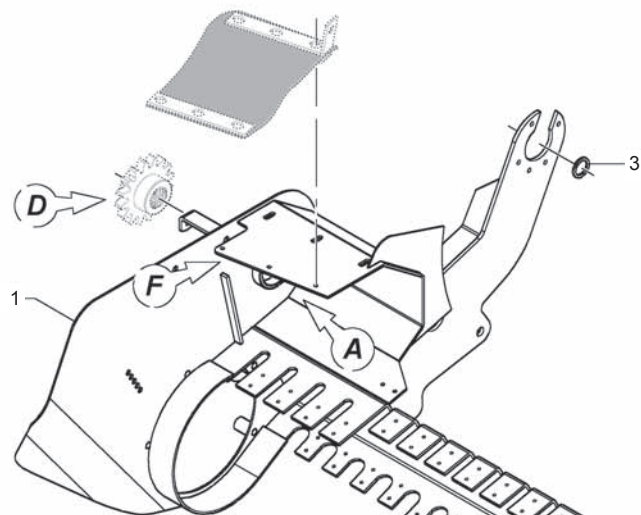
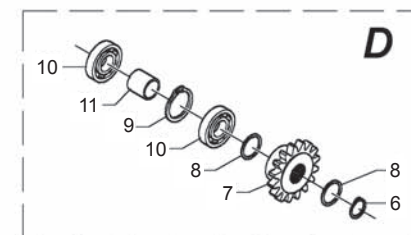
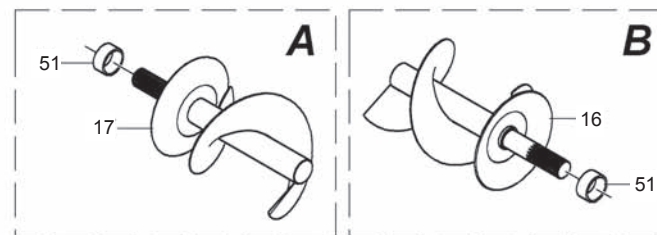
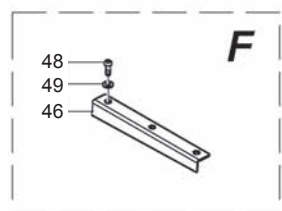
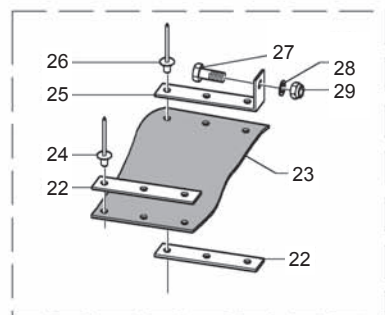
TAV_190



**PICK-UP L
PICK-UP L**

TAV_190

| Pos. | Cod. | Descrizione | Description | Description | Benennung | Descripcion |
|------|------------|--------------------------------|--------------------------------|--------------------------------|--------------------------------|--------------------------------|
| 1 | B07SP0193R | TELAIO PU L LT | FRAME PU LT | CHASSIS PU LT | RAHMEN PU L LT | |
| 2 | B0C003304R | FASCIA CENTRALE PICK UP TOPCUT | PICK-UP CENTRAL BAND TOPCUT | BANDE CENTRALE PICK-UP TOPCUT | ZENTRALES PICK-UP BAND | |
| 3 | B0C002069R | COMPENSO FASCIA | BAND EXTENSION | EPAISSEUR BANDE | BANDVERLAENGERUNG | |
| 4 | B0C003183R | PLACA EXTENSIE LATERALA | LATERAL BAND PICK-UP | BANDE LATERALE | SEITENBAND | |
| 5 | F01170001R | VITE M 6X16 ZN SEZ.TRIL. U8111 | SCREW | | | |
| 6 | B0C3P0083R | DEVIATORE SX COCLEA PU L LT | RIGHT AUGER SEPARATOR | COMMUTATEUR DROIT VIS | SCHALTER LINKS PU L LT | |
| 7 | B0C3P0082R | DEVIATORE DX COCLEA PU L LT | RIGHT AUGER SEPARATOR | COMMUTATEUR DROIT VIS | SCHALTER RECHTS PU L LT | |
| 8 | F01030208R | VITE M 8X1,25X 20 U7380 10.9ZN | SCREW M8X1,25X20 U7380 10.9ZN | | | |
| 9 | F01420048R | ROS.M8 8,4X 24X 2 U6593 ZN | WASHER M8 8,4X 24X2 U6593 ZN | RONDELLE M8 8,4X24X 2 U6593 ZN | SCHEIBEN M8 8,4X24X 2 U6593 ZN | ARANDELA M8 8,4X 24X2 U6593 ZN |
| 11 | BSP000027R | STAFFA SX | LEFT BRACKET | | | |
| 12 | B01300715R | FLANGIA SX PICK-UP | PICK-UP FLANGE | FLASQUE GAUCHE POUR PICK-UP | PICK-UP FLANSCH | |
| 13 | B00181015R | VITE M10X1,5 X 16 U5739 8.8ZN | SCREW | VIS | SCHRAUBE | |
| 14 | F01410062R | ROS.M10 10,5X 18X 2 U6592 ZN | WASHER M10 10,5X 18X 2 U6592 | RONDELLE M10 10,5X18X2 ZN | DICHTUNGSRING M10 10,5X18X2 ZN | RONDANA M10 10,5X18X2 ZN |
| 15 | B01700095R | ANEL. D ARR. ALB. 95-E UNI3653 | SEEGER RING | BAGUE SEEGER | SEEGERRING 95-E | |
| 16 | B0C6P0039R | FERMO PICK-UP NORMALE | STANDARD PICK-UP LOCK | ARRET PICK-UP NORMAL | | |
| 17 | F01020512R | VITE M12X1,75X35 U5739 8.8ZN | SCR. M12X1,75X35 U5739 8.8ZN | VIS M12X1,75X35 5739 8.8 ZN | SCHR. M12X1,75X35 5739 8.8 ZN | TORN. M12X1,75X35 5739 8.8 ZN |
| 18 | B0C004894R | COMPENSO PER PU NORMALE | PICK-UP SHIM | EPAISSEUR POUR PU NORMAL | PICK-UP AUSGLEICHSTUECK | |
| 19 | B00470620R | VITE TTEI M 6X 20-8.8 UNBRA | SCREW | VIS | SCHRAUBE TTEI M6X20-10.9 | |
| 20 | F01410037R | ROS.M6 6,4X12,5X1,6 U6592 ZN | WASHER M6 6,4X12,5X1,6 U6592ZN | RONDEL.M6 6,4X12,5X1,6 U6592ZN | SCHEIB.M6 6,4X12,5X1,6 U6592ZN | ARAND.M6 6,4X12,5X1,6 U6592 ZN |
| 21 | B00920106R | DADO M6X1 D985 8ZN | NUT | ECROU | SELBSTSICHERNDE MUTTER M6-5S | |
| 22 | B0C003730R | FISSAGGIO GOMMA | FIXING PLATE | FIXAGE CAOUTCHOUC | GUMMIFIXIERPLATTE | |
| 23 | B07V00081R | PROT. COCLEA PU 200 | AUGER GUARD | PROTECTION PELLETEUSE PU 200 | SCHNECKENSCHUTZ | |
| 24 | B01000013R | RIVETTO STR. 6X18 U9200A.AL | RIVET | RIVET | ABREISSNIETEN 6X18 | |
| 25 | B0C003729R | SOSTEGNO GOMMA | RUBBER SUPPORT | SUPPORT CAOUTCHOUC | GUMMIHALTER | |
| 26 | B01000012R | RIVETTO STR. 6,4X22 ACCIAIO | RIVET | RIVET | ABREISSNIETEN 6X26 | |
| 27 | F01020472R | VITE M10X1,5X25 U5739 8.8ZN | SCR. M10X1,5X25 U5739 8.8ZN | VIS M10X1,5X25 U5739 8.8 ZN | SCHRAUBE M10X1,5X25 U5739 8.8 | TORNILLO 10X25 U5739 8.8 ZN |
| 28 | F01410062R | ROS.M10 10,5X 18X 2 U6592 ZN | WASHER M10 10,5X 18X 2 U6592 | RONDELLE M10 10,5X18X2 ZN | DICHTUNGSRING M10 10,5X18X2 ZN | RONDANA M10 10,5X18X2 ZN |
| 29 | F01230202R | DADO M10X 1,5 D985 8 ZN | NUT M10 D985 | ECROU AUTOBL. M10 | SELBSTSPERR.MUTTER M10 | DADO AUTOBL. M10 |
| 30 | B01810412R | MOLLA | SPRING | RESSORT | FEDER | |
| 31 | B07SP0200R | RASTRELLO PU L LT | RAKE | RATEAU PU LT | HARKE PU L LT | |
| 32 | B0C003179R | AGGANCIO REGOLAZIONE | ADJUSTER ATTACHMENT | ACCROCHAGE REGLAGE | EINSTELLUNGSANKUPPLUNG | |
| 33 | B00523395R | VITE SPECIALE TTQST M12X45-8.8 | SPECIAL SCREW | VIS SPECIALE | SCHRAUBE TTQST M12X 45-8.8 | |
| 34 | B01522469R | RALLA 13 42 6 | FIFTH WHEEL | BUTEE | SCHEIBE | |
| 35 | F01230213R | DADO M12X1,75 U7474 CL8 ZN | NUT M12X1,75 U7474 6SZN | ECROU AUTOBL. M12 | SELBSTSPERR.MUTTER M12 | DADO AUTOBL. M12 |
| 36 | BSP000022R | ATTACCO SX RASTRELLO | LEFT RAKE CONNECTION | | | |
| 37 | F01020516R | VITE M12X1,75X45 U5739 8.8ZN | SCR. M12X1,75X45 U5739 8.8ZN | VIS M12X1,75X45 U5739 8.8 ZN | SCHARAUBE M12X1,75X45 U5739 ZN | TORNIL.M12X1,75X45 U5739 8.8ZN |
| 38 | F01410076R | ROS.M12 13X 24X2,5 U6592 ZN | WASHER 12 13X 24X2,5 U6592 ZN | RONDEL. M12 13X24X2,5 U6592 ZN | SCHEIBE M12 13X24X2,5 U6592 ZN | ARANDELA M12 13 X24X2,5 ZN |
| 39 | F01230213R | DADO M12X1,75 U7474 CL8 ZN | NUT M12X1,75 U7474 6SZN | ECROU AUTOBL. M12 | SELBSTSPERR.MUTTER M12 | DADO AUTOBL. M12 |
| 40 | BSP000025R | ATTACCO SX RASTRELLO | LEFT RAKE CONNECTION | | | |
| 41 | F01020512R | VITE M12X1,75X35 U5739 8.8ZN | SCR. M12X1,75X35 U5739 8.8ZN | VIS M12X1,75X35 5739 8.8 ZN | SCHR. M12X1,75X35 5739 8.8 ZN | TORN. M12X1,75X35 5739 8.8 ZN |
| 42 | F01420120R | ROS.M12 13X36X2,5 U6593 ZN | WASHER M12 13X36X2,5 U6593 ZN | RONDELLE M12 13X36X2,5 ZN | | |
| 43 | F01230213R | DADO M12X1,75 U7474 CL8 ZN | NUT M12X1,75 U7474 6SZN | ECROU AUTOBL. M12 | SELBSTSPERR.MUTTER M12 | DADO AUTOBL. M12 |
| 44 | B01817605R | MOLLA C FILO 2,5 P24,5 L=60 | SPRING | RESSORT | C-FEDER | |
| 45 | F01410124R | ROS.M20 21X 37X 3 U6592 ZN | WASHER M20 21X 37X 3 U6592 ZN | RONDEL.M20 21X37X3 ZN | MUTTER M20 21X 37X 3 U6592 ZN | ARANDELA M20 21X37X3 U6592 ZN |
| 46 | B01700020R | ANEL. D ARR. ALB. 20-E UNI3653 | SEEGER RING | BAGUE SEEGER | SEEGERRING 20-E | |
| 47 | F01020562R | VITE M16X2X30 U5739 8.8ZN | SCR. M16X2X30 U5739 8.8ZN | VIS M16X2X30 U5739 8.8 ZN | SCHRAUBE M16X2X30 U5739 8.8 ZN | TORNILLO M16X2X30 U5739 8.8 ZN |
| 48 | F01200444R | DADO M16X2 U5589 CL8 ZN 6SZN | NUT M16X2 U5589 6SZN | ECROU M16X2 | MUTTER M16X2 | DADO M16X2 |
| 49 | B0C003727R | AGGANCIO DX | RIGHT RAKE LINKAGE | ACCROCHAGE DROIT | RECHTER NIEDERHALTERRECHENANSC | |
| 50 | BSP000024R | ATTACCO DX RASTRELLO | RIGHT RAKE CONNECTION | | | |
| 51 | BSP000023R | ATTACCO DX RASTRELLO | RIGHT RAKE SUPPORT | | | |

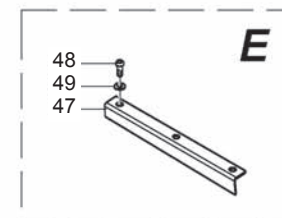
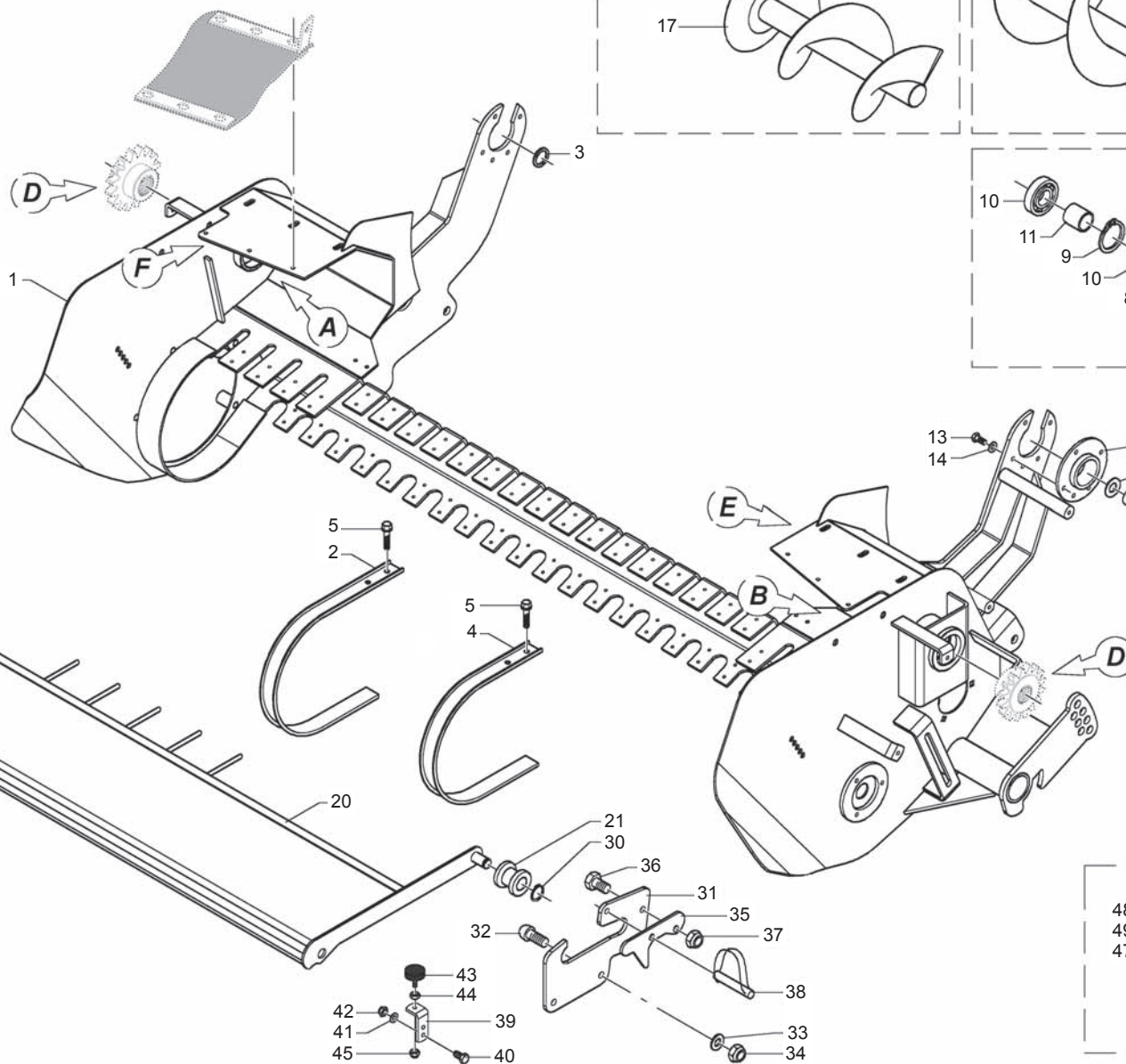
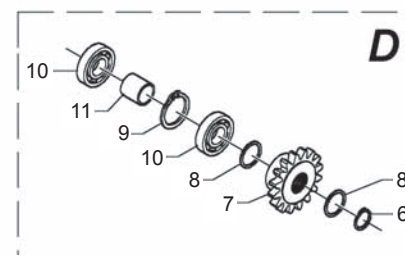
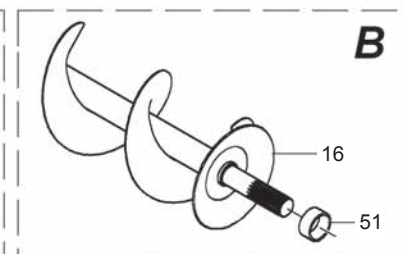
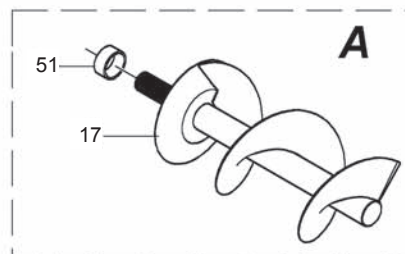
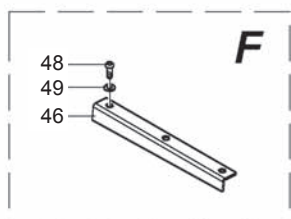
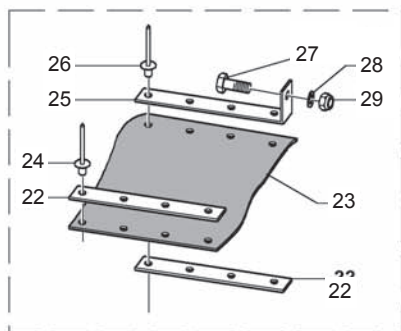


**PICK-UP M CUT
PICK-UP M CUT**

TAV_200

| Pos. | Cod. | Descrizione | Description | Description | Benennung | Descripcion |
|------|------------|--------------------------------|--------------------------------|--------------------------------|---------------------------------|--------------------------------|
| 1 | B07SP0220R | TELAIO PU M CUT LT | FRAME PU M CUT LT | CHASSIS PU CUT LT | RAHMEN PU M CUT LT | |
| 2 | B0C003304R | FASCIA CENTRALE PICK UP TOPCUT | PICK-UP CENTRAL BAND TOPCUT | BANDE CENTRALE PICK-UP TOPCUT | ZENTRALES PICK-UP BAND | |
| 3 | B01300003R | RALLA ATTACCO PU | WASHER ATTACK PICK-UP | | | |
| 4 | B0C003183R | PLACA EXTENSIE LATERALA | LATERAL BAND PICK-UP | BANDE LATERALE | SEITENBAND | |
| 5 | F01170001R | VITE M 6X16 ZN SEZ.TRIL. U8111 | SCREW | | | |
| 6 | B01700035R | ANEL. D ARR. ALB. 35-E UNI3653 | SEEGER RING | BAGUE SEEGER | SEEGERRING 35-E | |
| 7 | B034P0005R | PIGNONE Z=13-3 4 | PINION | PIGNON | RITZEL | |
| 8 | B01534416R | SPE. 35 43 1 ZINCATO | SHIM | ENTRETOISE | AUSGLEICHSCHIEBE 35X43X1 | |
| 9 | B01710072R | ANEL. D ARR. FORO 72-I UNI3654 | SEEGER RING | BAGUE SEEGER | SEEGERRING 72-I | |
| 10 | F04010178R | CUSC.D35 D72 B17 6207 2RS1 EX | BEAR.D35 D72 B17 6207 2RS1 EX | ROULEM. D35 D72 B17 6207 2RS1 | LAGER D35 D72 B17 6207 2RS1 | COJINETE D35 D72 6207 2RS1 |
| 11 | B01300739R | DISTANZIALE 35X42X41 | SPACER | ENTRETOISE | DISTANZSTUECK 35X42X41 | |
| 12 | B01300649R | FLANGIA | FLANGE | FLASQUE | PICK-UP FLANSCH | |
| 13 | B00181015R | VITE M10X1,5 X 16 U5739 8.8ZN | SCREW | VIS | SCHRAUBE | |
| 14 | F01410062R | ROS.M10 10,5X 18X 2 U6592 ZN | WASHER M10 10,5X 18X 2 U6592 | RONDELLE M10 10,5X18X2 ZN | DICHTUNGSRING M10 10,5X18X2 ZN | RONDANA M10 10,5X18X2 ZN |
| 15 | B01700045R | ANEL. D ARR. ALB. 45-E UNI3653 | SEEGER RING | BAGUE SEEGER | SEEGERRING 45-E | |
| 16 | B07S01652R | COCLEA SX PU 200 | LEFT PICK-UP AUGER 200 | VIS GAUCHE PU 200 | LINKE PICK-UP ZUBRINGERSCHNECK | |
| 17 | B07S01651R | COCLEA DX PU 200 | RIGHT PICK-UP AUGER 200 | VIS DROIT PU 200 | RECHTE PICK-UP ZUBRINGERSCHNECK | |
| 18 | B01527654R | RALLA 45 62 4 | FIFTH WHEEL | BUTEE | SCHEIBE | |
| 19 | B01547230R | SPE. 45 62 2 | SHIM | ENTRETOISE | SCHEIBE | |
| 20 | B07S01849R | LAMIERA CONVOGLIAMENTO PU M | BAFFLE PLATE | TOLE DE TRANSPORT PU M | NIEDERHALTERBLECH | |
| 21 | B0C003712R | BOCCOLA | BUSH | COQUILLE | BUCHSE | |
| 22 | B0C1P0583R | PIATTINO DI FISSAGGIO | FIXING PLATE | | | |
| 23 | B07V00074R | PROT. COCLEA PU 180 | AUGER PROTECTION | PROTECTION PELLETEUSE PU 180 | SCHNECKENSCHUTZ | |
| 24 | B01000013R | RIVETTO STR. 6X18 U9200A AL | RIVET | RIVET | ABREISSNIETEN 6X18 | |
| 25 | B0C002409R | SOSTEGNO GOMMA PUL | RUBBER SUPPORT | SUPPORT PNEUS | GUMMIHALTER | |
| 26 | B01000012R | RIVETTO STR. 6,4X22 ACCIAIO | RIVET | RIVET | ABREISSNIETEN 6X26 | |
| 27 | F01020472R | VITE M10X1,5X25 U5739 8.8ZN | SCR. M10X1,5X25 U5739 8.8ZN | VIS M10X1,5X25 U5739 8.8 ZN | SCHRAUBE M10X1,5X25 U5739 8.8 | TORNILLO 10X25 U5739 8.8 ZN |
| 28 | F01410062R | ROS.M10 10,5X 18X 2 U6592 ZN | WASHER M10 10,5X 18X 2 U6592 | RONDELLE M10 10,5X18X2 ZN | DICHTUNGSRING M10 10,5X18X2 ZN | RONDANA M10 10,5X18X2 ZN |
| 29 | F01230202R | DADO M10X 1,5 D985 8 ZN | NUT M10 D985 | ECROU AUTOBL. M10 | SELBSTSPERR.MUTTER M10 | DADO AUTOBL. M10 |
| 30 | F02050101R | ANELLO E. DE 25X 1,2 U7435 C7 | SEEGER RING E. 25X1,2 7435 C70 | SEEGER E. 25X 1,2 U7435 C70 | SEEGERING E. 25X 1,2 U7435 C70 | ANILLO E. 25X 1,2 U7435 C70 |
| 31 | B0C100017R | ATTACCO LAMIERA CONVOGLIAMENTO | CONVEYOR PLATE ATTACHMENT | ATTELAGE TOLE D ACHEMINEMENT | ZUFUEHRBLECHBEFESTIGUNG | |
| 32 | B00471230R | VITE TTEI M12X 30-8.8 UNBRA | SCREW | VIS | SCHRAUBE TTEI M12X 30-8.8 | |
| 33 | F01410076R | ROS.M12 13X 24X2,5 U6592 ZN | WASHER 12 13X 24X2,5 U6592 ZN | RONDEL. M12 13X24X2,5 U6592 ZN | SCHEIBE M12 13X24X2,5 U6592 ZN | ARANDELA M12 13 X24X2,5 ZN |
| 34 | F01230213R | DADO M12X1,75 U7474 CL8 ZN | NUT M12X1,75 U7474 6SZN | ECROU AUTOBL. M12 | SELBSTSPERR.MUTTER M12 | DADO AUTOBL. M12 |
| 35 | B0C004002R | GANCIO | HOOK | CROCHET | HAKEN | |
| 36 | F01020510R | VITE M12X1,75X30 U5739 8.8ZN | SCR. M12X1,75X30 U5739 8.8ZN | VIS M12X1,75X30 U5739 8.8ZN | SCHRAU.M12X1,75X30 U5739 8.8ZN | TORN. M12X1,75X30 U5739 8.8ZN |
| 37 | F01230213R | DADO M12X1,75 U7474 CL8 ZN | NUT M12X1,75 U7474 6SZN | ECROU AUTOBL. M12 | SELBSTSPERR.MUTTER M12 | DADO AUTOBL. M12 |
| 38 | B01000021R | SPINOTTO PER MOTOZAPPA 10X45 | PIN | EPINE | STIFT | |
| 39 | B0C005187R | ATTACCO TAMPONE | PLUG ATTACHMENT | ATTELAGE TAMPON | PROPFENBEFESTIGUNG | |
| 40 | B00181030R | VITE M10X1,5 X 30 U5739 8.8ZN | SCREW | VIS | SCHRAUBE | |
| 41 | F01410062R | ROS.M10 10,5X 18X 2 U6592 ZN | WASHER M10 10,5X 18X 2 U6592 | RONDELLE M10 10,5X18X2 ZN | DICHTUNGSRING M10 10,5X18X2 ZN | RONDANA M10 10,5X18X2 ZN |
| 42 | F01230202R | DADO M10X 1,5 D985 8 ZN | NUT M10 D985 | ECROU AUTOBL. M10 | SELBSTSPERR.MUTTER M10 | DADO AUTOBL. M10 |
| 43 | B07049749R | TAMPONE 50X21 M10 | BUMPER 50X21 M10 | TAMPON 50X21 M10 | PUFFER 50X21 M10 | |
| 44 | B00710310R | DADO M10X1,25 U5588 6S ZN | NUT | ECROU | MUTTER M10-6S | |
| 45 | F01230202R | DADO M10X 1,5 D985 8 ZN | NUT M10 D985 | ECROU AUTOBL. M10 | SELBSTSPERR.MUTTER M10 | DADO AUTOBL. M10 |
| 46 | B0C3P0014R | DEVIATORE DX COCLEA | RIGHT AUGER SEPARATOR | COMMUTATEUR DROIT VIS | SCHALTER RECHTS | |
| 47 | B0C3P0015R | DEVIATORE SX COCLEA | AUGER LEFT SWITCH | COMMUTATEUR GAUCHE VIS | SCHALTER LINKS | |
| 48 | B00470820R | VITE TTEI M 8X 20-10,9 UMBRAKO | SCREW | VIS | SCHRAUBE TTEI M 8X 20-10.9 | |
| 49 | F01420048R | ROS.M8 8,4X 24X 2 U6593 ZN | WASHER M8 8,4X 24X2 U6593 ZN | RONDELLE M8 8,4X24X 2 U6593 ZN | SCHEIBEN M8 8,4X24X 2 U6593 ZN | ARANDELA M8 8,4X 24X2 U6593 ZN |
| 50 | B02500010R | BRONZINA 45 53 25 | BUSHING | COUSSINET | BRONZEBUCHSE 45 53 25 | |
| 51 | B01300046R | DISTANZIALE 35,2X42,4X15 | SPACER | ENTRETOISE | DISTANZSTUECK 35,2X42,4X15 | |

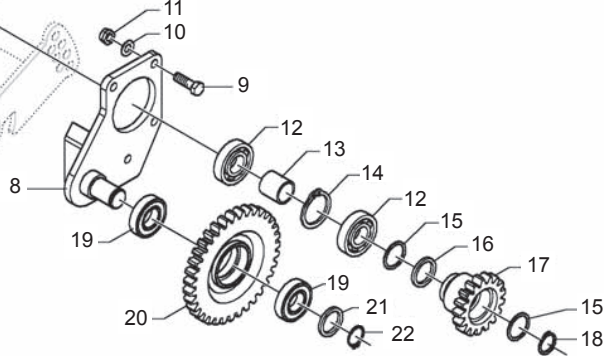
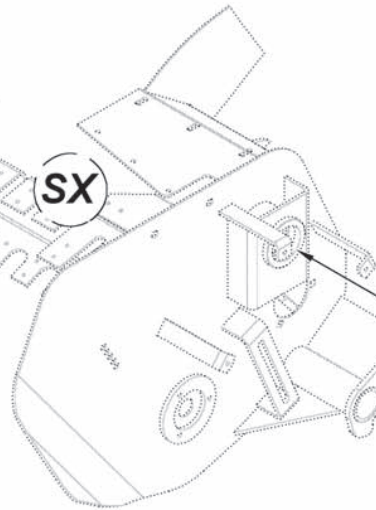
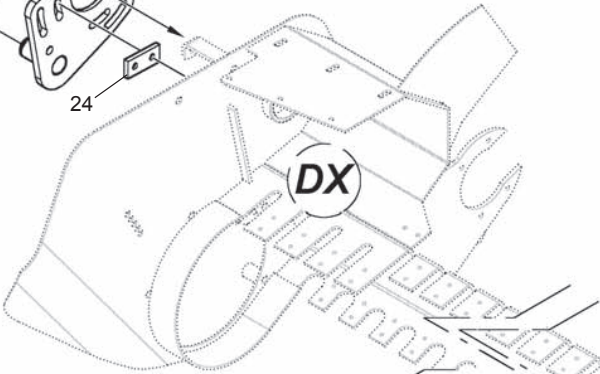
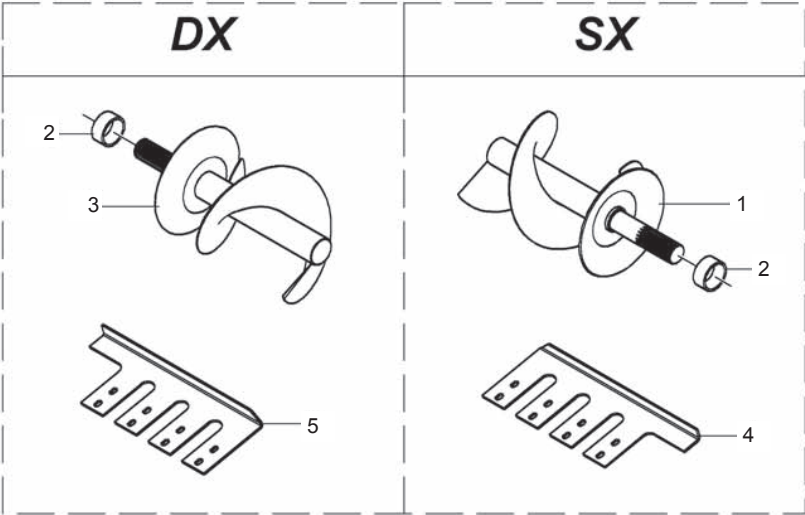
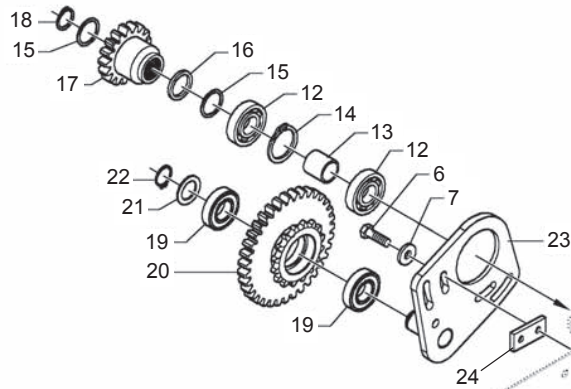
TAV_210



**PICK-UP L CUT
PICK-UP L CUT**

TAV_210

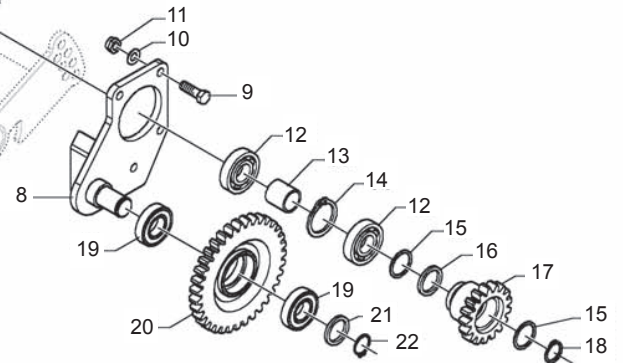
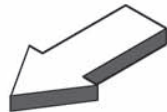
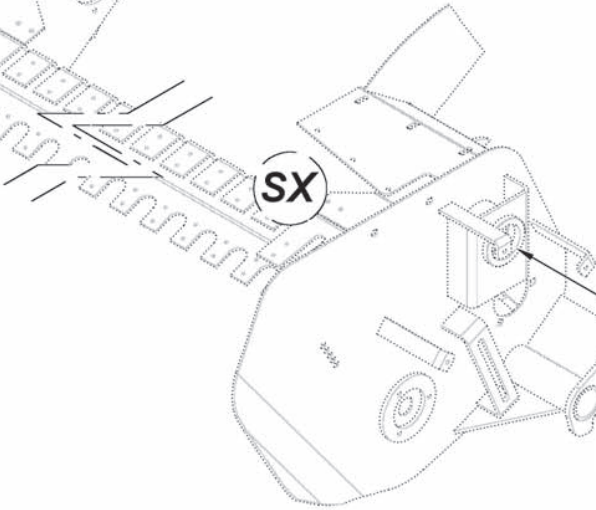
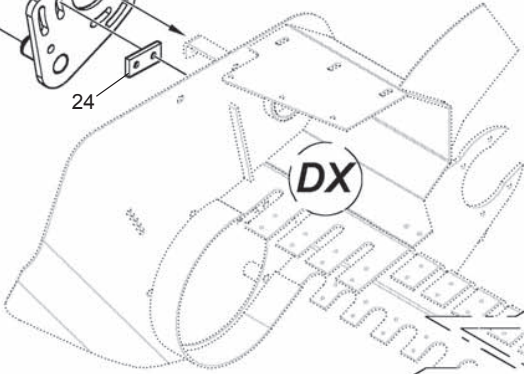
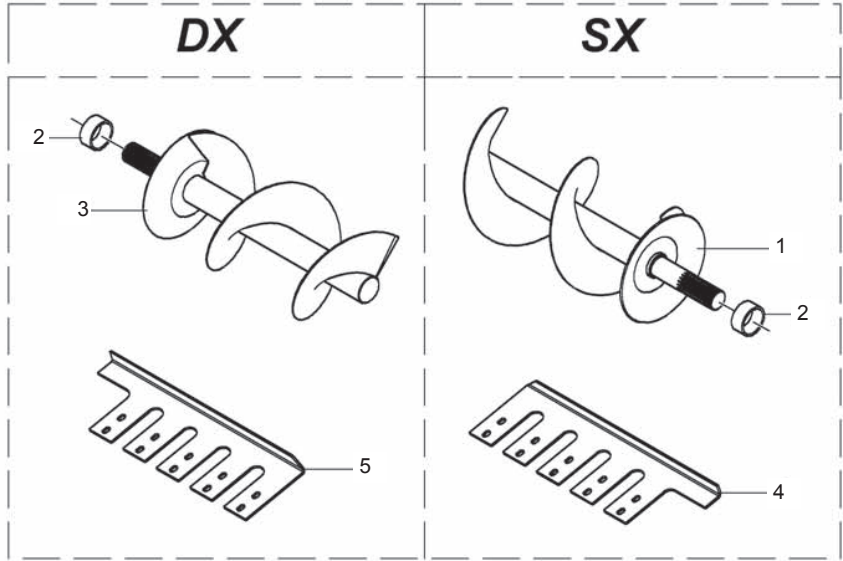
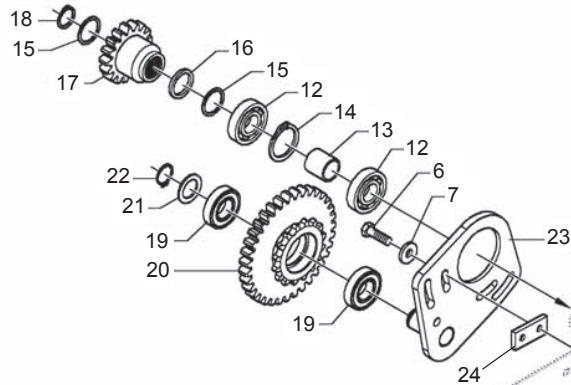
| Pos. | Cod. | Descrizione | Description | Description | Benennung | Descripcion |
|------|------------|--------------------------------|--------------------------------|--------------------------------|---------------------------------|--------------------------------|
| 1 | B07SP0201R | TELAIO PU L LTC | FRAME PU LTC | CHASSIS PU LTC | RAHMEN PU L LTC | |
| 2 | B0C003304R | FASCIA CENTRALE PICK UP TOPCUT | PICK-UP CENTRAL BAND TOPCUT | BANDE CENTRALE PICK-UP TOPCUT | ZENTRALES PICK-UP BAND | |
| 3 | B01300003R | RALLA ATTACCO PU | WASHER ATTACK PICK-UP | | | |
| 4 | B0C003183R | PLACA EXTENSIE LATERALA | LATERAL BAND PICK-UP | BANDE LATERALE | SEITENBAND | |
| 5 | F01170001R | VITE M 6X16 ZN SEZ.TRIL. U8111 | SCREW | | | |
| 6 | B01700035R | ANEL. D ARR. ALB. 35-E UNI3653 | SEEGER RING | BAGUE SEEGER | SEEGERRING 35-E | |
| 7 | B034P0005R | PIGNONE Z=13-3 4 | PINION | PIGNON | RITZEL | |
| 8 | B01534416R | SPE. 35 43 1 ZINCATO | SHIM | ENTRETOISE | AUSGLEICHSCHEIBE 35X43X1 | |
| 9 | B01710072R | ANEL. D ARR. FORO 72-1 UNI3654 | SEEGER RING | BAGUE SEEGER | SEEGERRING 72-1 | |
| 10 | F04010178R | CUSC.D35 D72 B17 6207 2RS1 EX | BEAR.D35 D72 B17 6207 2RS1 EX | ROULEM. D35 D72 B17 6207 2RS1 | LAGER D35 D72 B17 6207 2RS1 | COJINETE D35 D72 6207 2RS1 |
| 11 | B01300739R | DISTANZIALE 35X42X41 | SPACER | ENTRETOISE | DISTANZSTUECK 35X42X41 | |
| 12 | B01300649R | FLANGIA | FLANGE | FLASQUE | PICK-UP FLANSCH | |
| 13 | B00181015R | VITE M10X1,5 X 16 U5739 8.8ZN | SCREW | VIS | SCHRAUBE | |
| 14 | F01410062R | ROS.M10 10,5X 18X 2 U6592 ZN | WASHER M10 10,5X 18X 2 U6592 | RONDELLE M10 10,5X18X2 ZN | DICHTUNGSRING M10 10,5X18X2 ZN | RONDANA M10 10,5X18X2 ZN |
| 15 | B01700045R | ANEL. D ARR. ALB. 45-E UNI3653 | SEEGER RING | BAGUE SEEGER | SEEGERRING 45-E | |
| 16 | B07S01654R | COCLEA SX PU 220 | LEFT PICK-UP AUGER 220 | VIS GAUCHE PU 220 | LINKE PICK-UP ZUBRINGERSCHNECK | |
| 17 | B07S01653R | COCLEA DX PU 220 | RIGHT PICK-UP AUGER 220 | VIS DROIT PU 220 | RECHTE PICK-UP ZUBRINGERSCHNECK | |
| 18 | B01527654R | RALLA 45 62 4 | FIFTH WHEEL | BUTEE | SCHEIBE | |
| 19 | B01547230R | SPE. 45 62 2 | SHIM | ENTRETOISE | SCHEIBE | |
| 20 | B07S01848R | LAMIERA CONVOGLIAMENTO PU L | WIDE PICK-UP BAFFLE PLATE | TOLE DE TRANSPORT PU L | WEITE PICK-UP NIEDERHALTERBLEC | |
| 21 | B0C003712R | BOCCOLA | BUSH | COQUILLE | BUCHSE | |
| 22 | B0C003730R | FISSAGGIO GOMMA | FIXING PLATE | FIXAGE CAOUTCHOUC | GUMMIFIXIERPLATTE | |
| 23 | B07V00081R | PROT. COCLEA PU 200 | AUGER GUARD | PROTECTION PELLETEUSE PU 200 | SCHNECKENSCHUTZ | |
| 24 | B01000013R | RIVETTO STR. 6X18 U9200A AL | RIVET | RIVET | ABREISSNIETEN 6X18 | |
| 25 | B0C003729R | SOSTEGNO GOMMA | RUBBER SUPPORT | SUPPORT CAOUTCHOUC | GUMMIHALTER | |
| 26 | B01000012R | RIVETTO STR. 6,4X22 ACCIAIO | RIVET | RIVET | ABREISSNIETEN 6X26 | |
| 27 | F01020472R | VITE M10X1,5X25 U5739 8.8ZN | SCR. M10X1,5X25 U5739 8.8ZN | VIS M10X1,5X25 U5739 8.8 ZN | SCHRAUBE M10X1,5X25 U5739 8.8 | TORNILLO 10X25 U5739 8.8 ZN |
| 28 | F01410062R | ROS.M10 10,5X 18X 2 U6592 ZN | WASHER M10 10,5X 18X 2 U6592 | RONDELLE M10 10,5X18X2 ZN | DICHTUNGSRING M10 10,5X18X2 ZN | RONDANA M10 10,5X18X2 ZN |
| 29 | F01230202R | DADO M10X 1,5 D985 8 ZN | NUT M10 D985 | ECROU AUTOBL. M10 | SELBSTSPERR.MUTTER M10 | DADO AUTOBL. M10 |
| 30 | F02050101R | ANELLO E. DE 25X 1,2 U7435 C7 | SEEGER RING E. 25X1,2 7435 C70 | SEEGER E. 25X 1,2 U7435 C70 | SEEGERING E. 25X 1,2 U7435 C70 | ANILLO E. 25X 1,2 U7435 C70 |
| 31 | B0C100017R | ATTACCO LAMIERA CONVOGLIAMENTO | CONVEYOR PLATE ATTACHMENT | ATTELAGE TOLE D ACHEMINEMENT | ZUFUEHRBLECHBEFESTIGUNG | |
| 32 | B00471230R | VITE TTEI M12X 30-8.8 UNBRA | SCREW | VIS | SCHRAUBE TTEI M12X 30-8.8 | |
| 33 | F01410076R | ROS.M12 13X 24X2,5 U6592 ZN | WASHER 12 13X 24X2,5 U6592 ZN | RONDEL. M12 13X24X2,5 U6592 ZN | SCHEIBE M12 13X24X2,5 U6592 ZN | ARANDELA M12 13 X24X2,5 ZN |
| 34 | F01230213R | DADO M12X1,75 U7474 CL8 ZN | NUT M12X1,75 U7474 6SZN | ECROU AUTOBL. M12 | SELBSTSPERR.MUTTER M12 | DADO AUTOBL. M12 |
| 35 | B0C004002R | GANCIO | HOOK | CROCHET | HAKEN | |
| 36 | F01020510R | VITE M12X1,75X30 U5739 8.8ZN | SCR. M12X1,75X30 U5739 8.8ZN | VIS M12X1,75X30 U5739 8.8ZN | SCHRAU.M12X1,75X30 U5739 8.8ZN | TORN. M12X1,75X30 U5739 8.8ZN |
| 37 | F01230213R | DADO M12X1,75 U7474 CL8 ZN | NUT M12X1,75 U7474 6SZN | ECROU AUTOBL. M12 | SELBSTSPERR.MUTTER M12 | DADO AUTOBL. M12 |
| 38 | B01000021R | SPINOTTO PER MOTOZAPPA 10X45 | PIN | EPINE | STIFT | |
| 39 | B0C005187R | ATTACCO TAMPONE | PLUG ATTACHMENT | ATTELAGE TAMPON | PROPFENBEFESTIGUNG | |
| 40 | B00181030R | VITE M10X1,5 X 30 U5739 8.8ZN | SCREW | VIS | SCHRAUBE | |
| 41 | F01410062R | ROS.M10 10,5X 18X 2 U6592 ZN | WASHER M10 10,5X 18X 2 U6592 | RONDELLE M10 10,5X18X2 ZN | DICHTUNGSRING M10 10,5X18X2 ZN | RONDANA M10 10,5X18X2 ZN |
| 42 | F01230202R | DADO M10X 1,5 D985 8 ZN | NUT M10 D985 | ECROU AUTOBL. M10 | SELBSTSPERR.MUTTER M10 | DADO AUTOBL. M10 |
| 43 | B07049749R | TAMPONE 50X21 M10 | BUMPER 50X21 M10 | TAMPON 50X21 M10 | PUFFER 50X21 M10 | |
| 44 | B00710310R | DADO M10X1,25 U5588 6S ZN | NUT | ECROU | MUTTER M10-6S | |
| 45 | F01230202R | DADO M10X 1,5 D985 8 ZN | NUT M10 D985 | ECROU AUTOBL. M10 | SELBSTSPERR.MUTTER M10 | DADO AUTOBL. M10 |
| 46 | B0C3P0082R | DEVIATORE DX COCLEA PU L LT | RIGHT AUGER SEPARATOR | COMMUTATEUR DROIT VIS | SCHALTER RECHTS PU L LT | |
| 47 | B0C3P0083R | DEVIATORE SX COCLEA PU L LT | RIGHT AUGER SEPARATOR | COMMUTATEUR DROIT VIS | SCHALTER LINKS PU L LT | |
| 48 | B00470820R | VITE TTEI M 8X 20-10,9 UMBRAKO | SCREW | VIS | SCHRAUBE TTEI M 8X 20-10.9 | |
| 49 | F01420048R | ROS.M8 8,4X 24X 2 U6593 ZN | WASHER M8 8,4X 24X2 U6593 ZN | RONDELLE M8 8,4X24X 2 U6593 ZN | SCHEIBEN M8 8,4X24X 2 U6593 ZN | ARANDELA M8 8,4X 24X2 U6593 ZN |
| 50 | B02500010R | BRONZINA 45 53 25 | BUSHING | COUSSINET | BRONZEBUCHSE 45 53 25 | |
| 51 | B01300046R | DISTANZIALE 35,2X42,4X15 | SPACER | ENTRETOISE | DISTANZSTUECK 35,2X42,4X15 | |



**COCLEE PICK-UP M
AUGER PICK-UP M**

TAV_220

| Pos. | Cod. | Descrizione | Description | Description | Benennung | Descripcion |
|------|------------|--------------------------------|--------------------------------|--------------------------------|---------------------------------|--------------------------------|
| 1 | B07S01652R | COCLEA SX PU 200 | LEFT PICK-UP AUGER 200 | VIS GAUCHE PU 200 | LINKE PICK-UP ZUBRINGERSCHNECK | |
| 2 | B01300046R | DISTANZIALE 35,2X42,4X15 | SPACER | ENTRETOISE | DISTANZSTUECK 35,2X42,4X15 | |
| 3 | B07S01651R | COCLEA DX PU 200 | RIGHT PICK-UP AUGER 200 | VIS DROIT PU 200 | RECHTE PICK-UP ZUBRINGERSCHNECK | |
| 4 | BC3P0101LR | GUIDA COCLEA SX PU M LT | AUGER GUIDE RIGHT | | | |
| 5 | B0C3P0101R | GUIDA COCLEA DX PU M LT | AUGER GUIDE | GUIDE PALLETEUSE | SCHNECKENFOERDERER FUEHRUNG RE | |
| 6 | F01020152R | VITE M12X1,75X40 U5737 8.8ZN | SCR. M12X1,75X40 U5737 8.8ZN | VIS M12X1,75X40 U5737 8.8 ZN | SCHRAUBE M12X1,75X40U57378.8ZN | TORNIL.M12X1,75X40 U5737 8.8ZN |
| 7 | B01516038R | RALLA 13 32 5 | FIFTH WHEEL | BUTEE | SCHEIBE | |
| 8 | B07SP0238R | PIASTRA SX | PLATE LINK SIDE | PLAQUE COTE GAUCHE | PLATTE LINKS | |
| 9 | F01020152R | VITE M12X1,75X40 U5737 8.8ZN | SCR. M12X1,75X40 U5737 8.8ZN | VIS M12X1,75X40 U5737 8.8 ZN | SCHRAUBE M12X1,75X40U57378.8ZN | TORNIL.M12X1,75X40 U5737 8.8ZN |
| 10 | F01410076R | ROS.M12 13X 24X2,5 U6592 ZN | WASHER 12 13X 24X2,5 U6592 ZN | RONDEL. M12 13X24X2,5 U6592 ZN | SCHEIBE M12 13X24X2,5 U6592 ZN | TORNIL.M12 13 X24X2,5 ZN |
| 11 | F01230213R | DADO M12X1,75 U7474 CL8 ZN | NUT M12X1,75 U7474 6SZN | ECROU AUTOBL. M12 | SELBSTSPERR.MUTTER M12 | DADO AUTOBL. M12 |
| 12 | F04010178R | CUSC.D35 D72 B17 6207 2RS1 EX | BEAR.D35 D72 B17 6207 2RS1 EX | ROULEM. D35 D72 B17 6207 2RS1 | LAGER D35 D72 B17 6207 2RS1 | COJINETE D35 D72 6207 2RS1 |
| 13 | B01300739R | DISTANZIALE 35X42X41 | SPACER | ENTRETOISE | DISTANZSTUECK 35X42X41 | |
| 14 | B01710072R | ANEL. D ARR. FORO 72-1 UNI3654 | SEEGER RING | BAGUE SEEGER | SEEGERRING 72-I | |
| 15 | B01534416R | SPE.S. 35 43 1 ZINCATO | SHIM | ENTRETOISE | AUSGLEICHSCHEIBE 35X43X1 | |
| 16 | B013P0133R | RALLA 35 45 5 | FIFTH WHEEL 35 45 5 | BUTEE 35 45 5 | DISTANZSCHEIBE 35 45 5 | |
| 17 | B034P0048R | INGRANAGGIO Z=17 M=5 | GEAR Z=17 M=5 | ENGRANAGE Z=17 M=5 | ZAHNRADPAAR Z=17 M=5 | |
| 18 | B01700035R | ANEL. D ARR. ALB. 35-E UNI3653 | SEEGER RING | BAGUE SEEGER | SEEGERRING 35-E | |
| 19 | B02043016R | CUSC. 6206-2RS CAT.B-ST004 | BEARING | ROULEMENT | LAGER | |
| 20 | B034P0049R | INGR. Z=35 M=5 WITH SPROCKET Z | GEAR Z=35 M=5 WITH SPROCKET Z= | PINION Z=16 3 4 ET ENGRANAGE Z | RITZEL Z=16 3 4 UND ZAHNRADPAA | |
| 21 | B013P0130R | RALLA 30 45 3 | FIFTH WHEEL 30 45 3 | BUTEE 30 45 3 | DISTANZSCHEIBE 30 45 3 | |
| 22 | F02050112R | ANELLO E.DE 30X 1,5 U7435 ZN | SEEGER RING 30X 1,5 U7435 C70 | SEEGER E. 30 X 1,5 U7435 C70 | SEEGERING E. 30X 1,5 U7435 C70 | ANILLO E. 30 X 1,5 U7435 C70 |
| 23 | B07SP0239R | PIASTRA DX | PLATE RIGHT SIDE | PLAQUE COTE DROIT | PLATTE RECHTS | |
| 24 | BC003172LR | ATTACCO TENDICATENA | CHAIN TIGHTENER COUPLING | | | |

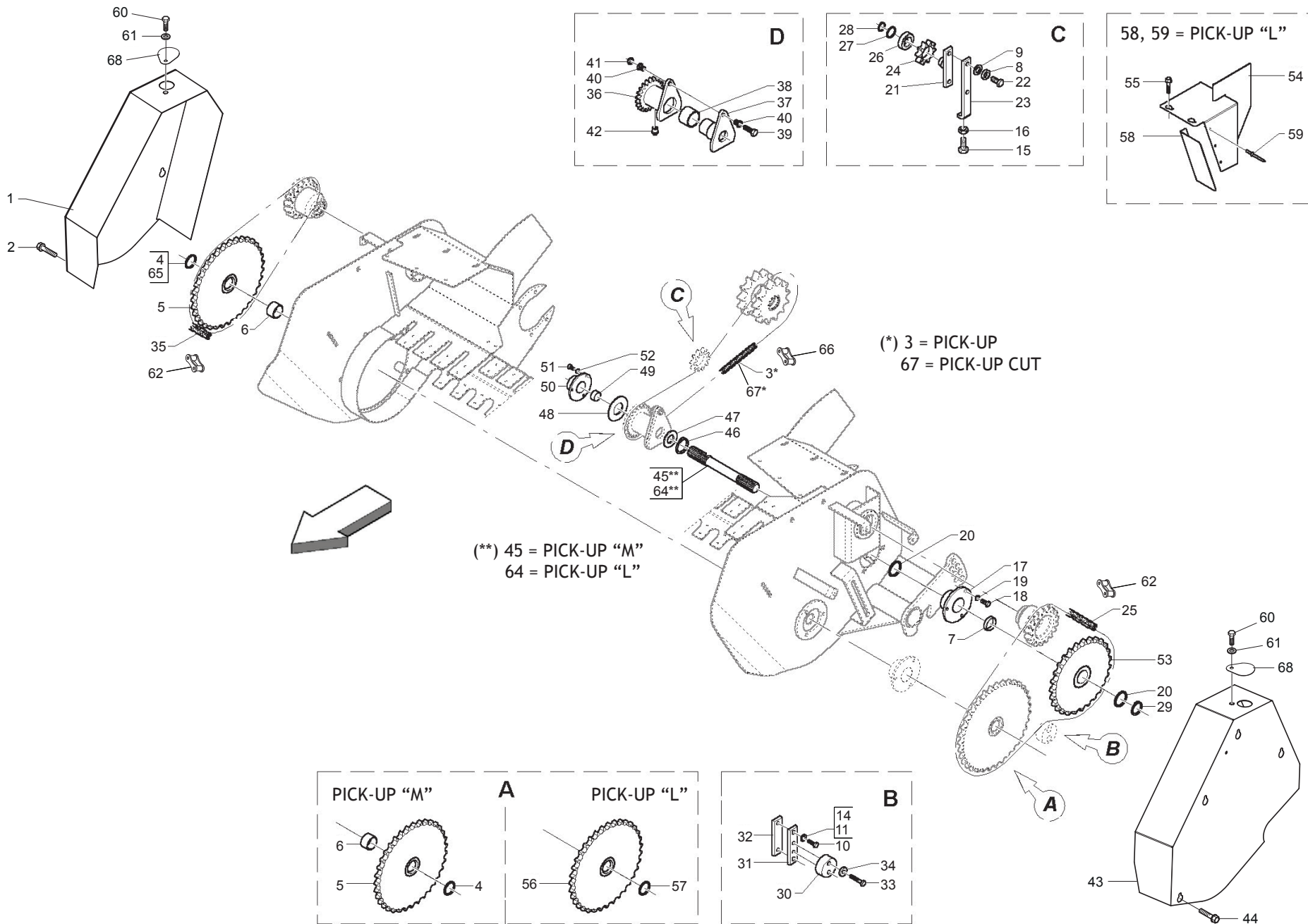


**COCLEE PICK-UP L
AUGER PICK-UP L**

TAV_230

| Pos. | Cod. | Descrizione | Description | Description | Benennung | Descripcion |
|------|------------|--------------------------------|--------------------------------|--------------------------------|---------------------------------|--------------------------------|
| 1 | B07S01654R | COCLEA SX PU 220 | LEFT PICK-UP AUGER 220 | VIS GAUCHE PU 220 | LINKE PICK-UP ZUBRINGERSCHNECK | |
| 2 | B01300046R | DISTANZIALE 35,2X42,4X15 | SPACER | ENTRETOISE | DISTANZSTUECK 35,2X42,4X15 | |
| 3 | B07S01653R | COCLEA DX PU 220 | RIGHT PICK-UP AUGER 220 | VIS DROIT PU 220 | RECHTE PICK-UP ZUBRINGERSCHNECK | |
| 4 | B0C3P0100R | GUIDA COCLEA SX PU L LT | AUGER GUIDE LEFT SIDE | GUIDE PALLETEUSE COTE GAUCHE | SCHNECKENFOERDERER FUEHRUNG LI | |
| 5 | B0C3P0099R | GUIDA COCLEA DX PU L LT | AUGER GUIDE RIGHT SIDE | GUIDE PALLETEUSE COTE DROIT | SCHNECKENFOERDERER FUEHRUNG RE | |
| 6 | F01020152R | VITE M12X1,75X40 U5737 8.8ZN | SCR. M12X1,75X40 U5737 8.8ZN | VIS M12X1,75X40 U5737 8.8 ZN | SCHRAUBE M12X1,75X40U57378.8ZN | TORNIL.M12X1,75X40 U5737 8.8ZN |
| 7 | B01516038R | RALLA 13 32 5 | FIFTH WHEEL | BUTEE | SCHEIBE | |
| 8 | B07SP0238R | PIASTRA SX | PLATE LINK SIDE | PLAQUE COTE GAUCHE | PLATTE LINKS | |
| 9 | F01020152R | VITE M12X1,75X40 U5737 8.8ZN | SCR. M12X1,75X40 U5737 8.8ZN | VIS M12X1,75X40 U5737 8.8 ZN | SCHRAUBE M12X1,75X40U57378.8ZN | TORNIL.M12X1,75X40 U5737 8.8ZN |
| 10 | F01410076R | ROS.M12 13X 24X2,5 U6592 ZN | WASHER 12 13X 24X2,5 U6592 ZN | RONDEL. M12 13X24X2,5 U6592 ZN | SCHEIBE M12 13X24X2,5 U6592 ZN | ARANDELA M12 13 X24X2,5 ZN |
| 11 | F01230213R | DADO M12X1,75 U7474 CL8 ZN | NUT M12X1,75 U7474 6SZN | ECROU AUTOBL. M12 | SELBSTSPERR.MUTTER M12 | DADO AUTOBL. M12 |
| 12 | F04010178R | CUSC.D35 D72 B17 6207 2RS1 EX | BEAR.D35 D72 B17 6207 2RS1 EX | ROULEM. D35 D72 B17 6207 2RS1 | LAGER D35 D72 B17 6207 2RS1 | COJINETE D35 D72 6207 2RS1 |
| 13 | B01300739R | DISTANZIALE 35X42X41 | SPACER | ENTRETOISE | DISTANZSTUECK 35X42X41 | |
| 14 | B01710072R | ANEL. D ARR. FORO 72-I UNI3654 | SEEGER RING | BAGUE SEEGER | SEEGERRING 72-I | |
| 15 | B01534416R | SPE.S. 35 43 1 ZINCATO | SHIM | ENTRETOISE | AUSGLEICHSCHEIBE 35X43X1 | |
| 16 | B013P0133R | RALLA 35 45 5 | FIFTH WHEEL 35 45 5 | BUTEE 35 45 5 | DISTANZSCHEIBE 35 45 5 | |
| 17 | B034P0048R | INGRANAGGIO Z=17 M=5 | GEAR Z=17 M=5 | ENGRANAGE Z=17 M=5 | ZAHNRADPAAR Z=17 M=5 | |
| 18 | B01700035R | ANEL. D ARR. ALB. 35-E UNI3653 | SEEGER RING | BAGUE SEEGER | SEEGERRING 35-E | |
| 19 | B02043016R | CUSC. 6206-2RS CAT.B-ST004 | BEARING | ROULEMENT | LAGER | |
| 20 | B034P0049R | INGR. Z=35 M=5 WITH SPROCKET Z | GEAR Z=35 M=5 WITH SPROCKET Z= | PINION Z=16 3 4 ET ENGRANAGE Z | RITZEL Z=16 3 4 UND ZAHNRADPAA | |
| 21 | B013P0130R | RALLA 30 45 3 | FIFTH WHEEL 30 45 3 | BUTEE 30 45 3 | DISTANZSCHEIBE 30 45 3 | |
| 22 | F02050112R | ANELLO E.DE 30X 1,5 U7435 ZN | SEEGER RING 30X 1,5 U7435 C70 | SEEGER E. 30 X 1,5 U7435 C70 | SEEGERING E. 30X 1,5 U7435 C70 | ANILLO E. 30 X 1,5 U7435 C70 |
| 23 | B07SP0239R | PIASTRA DX | PLATE RIGHT SIDE | PLAQUE COTE DROIT | PLATTE RECHTS | |
| 24 | BC003172LR | ATTACCO TENDICATENA | CHAIN TIGHTENER COUPLING | | | |

TAV_240

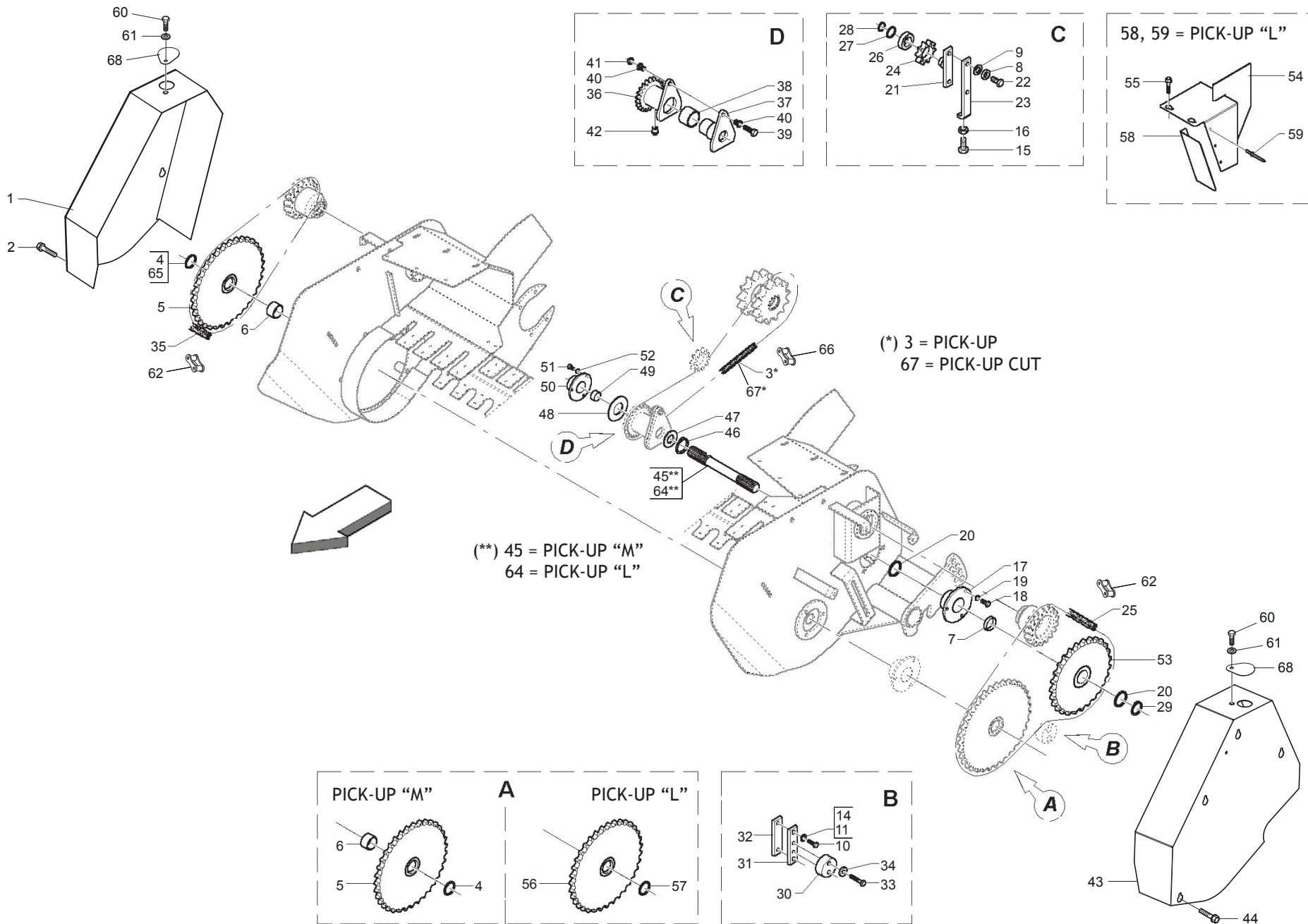


**TRASMISSIONE PICK-UP
PICK-UP TRANSMISSION**

TAV_240

| Pos. | Cod. | Descrizione | Description | Description | Benennung | Descripcion |
|------|------------|--------------------------------|--------------------------------|------------------------------|--------------------------------|--------------------------------|
| 1 | B07SP0198R | CARTER DX PICK UP | SEE 7MP0125 | CARTER DROIT PU LT | SIEHE 7MP0125 | |
| 2 | B00370001R | VITE TE M 8X16 A SEZ.TRILOBATA | SCREW TRE M 8X16 SEZ TROUBLED | VIS | SCHRAUBE M 8X15 | |
| 3 | B030E1026R | CATENA RULLI ISO 16 B-1 26M | ROLLER CHAIN ISO16 B-1 26M | CHAINE ROULEAUX | WALZENKETTE | |
| 4 | B01300100R | SPES. 30,3 40 0,5 ZINCATO | SHIM GALV | ENTRETOISE GALV | DISTANZSTUECK 30,3 40 0,5 | |
| 5 | B034P0002R | INGR. Z=35-3 4 ISO ASPO LT | GEAR Z=35; 3 4; ISO 12B-1 | ENGRANAGE | ZAHNRAD | |
| 6 | B013P0039R | DISTANZIALE 30,5X42,4X15 | SPACER | ENTRETOISE | DISTANZSTUECK | |
| 7 | B013P0040R | DISTANZIALE 35,5X42,4X15 | SPACER | ENTRETOISE | DISTANZSTUECK | |
| 8 | B01516038R | RALLA 13 32 5 | FIFTH WHEEL | BUTEE | SCHEIBE | |
| 9 | F01420120R | ROS.M12 13X36X2,5 U6593 ZN | WASHER M12 13X36X2,5 U6593 ZN | RONDELLE M12 13X36X2,5 ZN | | |
| 10 | F01020512R | VITE M12X1,75X35 U5739 8.8ZN | SCR. M12X1,75X35 U5739 8.8ZN | VIS M12X1,75X35 5739 8.8 ZN | SCHR. M12X1,75X35 5739 8.8 ZN | TORN. M12X1,75X35 5739 8.8 ZN |
| 11 | F01410062R | ROS.M10 10,5X 18X 2 U6592 ZN | WASHER M10 10,5X 18X 2 U6592 | RONDELLE M10 10,5X18X2 ZN | | RONDANA M10 10,5X18X2 ZN |
| 14 | B01523831R | RALLA 12 33 5 | FIFTH WHEEL | BUTEE | UMBORDELUNG 12 33 5 | |
| 15 | F01020519R | VITE M12X1,75X 60 U5739 8.8ZN | SCREW M12X1,75X 60 U5739 8.8ZN | | | |
| 16 | F01200293R | DADO M12X1,75 U5588 CL8 ZN | NUT M12X1,75 U5588 6S ZN | ECROU M12X1,75 U5588 6S ZN | MUTTER M12X1,75 U5588 6S ZN | TUERCA M12X1,75 U5588 6S ZN |
| 17 | B02353035R | SUPPORTO FLANG.TONDO 35 LAMIER | BEARING FLANGED SUPPORT D.35 | SUPPORT FLANGE ROND 35 LAMES | FLANSCHLAGER | |
| 18 | F01020470R | VITE M10X1,5X20 U5739 8.8ZN | SCR. M10X1,5X20 U5739 8.8ZN | VIS M10X1,5X20 U5739 8.8 ZN | SCHRAUBE M10X1,5X20 U5739 ZN | TORNILLOM10X1,5X20 U5739 8.8ZN |
| 19 | F01410062R | ROS.M10 10,5X 18X 2 U6592 ZN | WASHER M10 10,5X 18X 2 U6592 | RONDELLE M10 10,5X18X2 ZN | DICHTUNGSRING M10 10,5X18X2 ZN | RONDANA M10 10,5X18X2 ZN |
| 20 | B01534416R | SPES. 35 43 1 ZINCATO | SHIM | ENTRETOISE | AUSGLEICHSCHIEBE 35X43X1 | |
| 21 | B07S01013R | TENDITORE PU | PICK-UP TENSIONER | TENDEUR PU | PICK-UP SPANNER | |
| 22 | F01020510R | VITE M12X1,75X30 U5739 8.8ZN | SCR. M12X1,75X30 U5739 8.8ZN | VIS M12X1,75X30 U5739 8.8ZN | SCHRAU.M12X1,75X30 U5739 8.8ZN | TORN. M12X1,75X30 U5739 8.8ZN |
| 23 | B0C6P0065R | TIRANTE INFALDATORE | FEEDEE TIE ROD | TIRANT AMENEUR | ZUGSTAB RAFFER | |
| 24 | B03400274R | CORONA Z10-1 ISO F52 TRATT | SPROCKET Z=10-1 | ENGRANAGE SPECIAL TRAITE | ZAHNKRANZ Z=10-1 | |
| 25 | B03111063R | CAT RULLI ASA 60-1 63 MGL ISO | ROLLER CHAIN | CHAINE ROULEAUX | KETTE DER WALZEN | |
| 26 | B02042515R | CUSC 6205-2RS CAT.A-ST004 | BEARING | ROULEMENT | LAGER 6205-2RS | |
| 27 | B01300104R | SPES. 25,5 37 0,2 | SHIM | ENTRETOISE | BEILAGSCHEIBE 25,5 37 0,2 | |
| 28 | F02050101R | ANELLO E. DE 25X 1,2 U7435 C7 | SEEGER RING E. 25X1,2 7435 C70 | SEEGER E. 25X 1,2 U7435 C70 | SEEGERING E. 25X 1,2 U7435 C70 | ANILLO E. 25X 1,2 U7435 C70 |
| 29 | B01700035R | ANEL. D ARR. ALB. 35-E UNI3653 | SEEGER RING | BAGUE SEEGER | SEEGERRING 35-E | |
| 30 | B07VP0513R | TENDICATENA IN NYLON | NYLON CHAIN TIGHTENER | TENDEUR DE CHAINE EN NYLON | | |
| 31 | BC6P0273LR | ATTACCO GALOPPINO | ATTACK GALOPPINO | | | |
| 32 | BC6P0275LR | PIASTRAATTACCO GALOPPINO | PLATE ATTACK GALOPPINO | | | |
| 33 | F01020158R | VITE M12X1,75X55 U5737 8.8ZN | BOLT M12X1,75X55 U5737 8.8ZN | VIS M12X1,75X55 U5737 8.8 ZN | SCHR. M12X1,75X55 U5737 8.8 ZN | TORN. M12X1,75X55 U5737 8.8 ZN |
| 34 | B01523831R | RALLA 12 33 5 | FIFTH WHEEL | BUTEE | UMBORDELUNG 12 33 5 | |
| 35 | B03111046R | CATENA RULLI ASA 60-1 46 MGL | ROLLER CHAIN ASA60-1 46 MGL | CHAINE ROULEAUX | KETTE DER WALZEN | |
| 36 | B03400241R | MOZZO DI SICUREZZA PICK-UP | SURETY HUB | MOYEU DE SURETE | SICHERHEIT NABE | |
| 37 | B07S01001R | MOZZO CALETTATO | SPLINED HUB | MOYEU | VERZAHNTE NABE | |
| 38 | B02500001R | BRONZINA 50X56 L38 | BUSHING 50X56 L38 | COUSSINET | LAGERBUCHSE | |
| 39 | B00170845R | VITE ZINCATA M 8X45-10.9 U5737 | ZN SCREW M 8X45-10.9 U5737 | VIS | SCHRAUBE | |
| 40 | B00511057R | BUSSOLA DI TRACCIAMENTO | BUSHING | BAGUE | BUCHSE | |
| 41 | B008B0208R | DADO M 8X1,25 D980 8 ZN | NUT | ECROU | SELBSTSICHERNDE MUTTER M8 KL8 | |
| 42 | B04200610R | INGRASS.A SFERE M6X1 LUNGO | GREASE NIPPLE | GRAISSEUR HYDRAULIQUE | GERADER SCHMIERNIPPEL M6X1 | |
| 43 | B07SP0199R | CARTER SX PICK UP | SEE 7MP0126 | CARTER GAUCHE PU LT | SIEHE ZMP0126 | |
| 44 | B00370001R | VITE TE M 8X16 A SEZ.TRILOBATA | SCREW TRE M 8X16 SEZ TROUBLED | VIS | SCHRAUBE M 8X15 | |
| 45 | B035P0010R | CONTRALBERO CORTO PU M LT | COUNTERSHAFT | CONTREARBRE COURT PU M LT | GEGENWELLE | |
| 46 | B01700040R | ANEL. D ARR. ALBERO 40-E UNI 3 | SEEGER RING | BAGUE SEEGER | SEEGERRING 40-E | |
| 47 | B01300126R | SPES. 40 48 1 ZINC.ST_013 | SHIM | ENTRETOISE | DISTANZSTUECK 40 48 1 | |
| 48 | B01534395R | RALLA 35.5X 62 X 3 ZINCATO | FIFTH WHEEL | BUTEE | SPEZIALSCHEIBE | |
| 49 | B01300607R | DISTANZIALE 35X42X35 | SPACER | ENTRETOISE | DISTANZSTUECK 35X42X35 | |
| 50 | B02353035R | SUPPORTO FLANG.TONDO 35 LAMIER | BEARING FLANGED SUPPORT D.35 | SUPPORT FLANGE ROND 35 LAMES | FLANSCHLAGER | |
| 51 | F01020470R | VITE M10X1,5X20 U5739 8.8ZN | SCR. M10X1,5X20 U5739 8.8ZN | VIS M10X1,5X20 U5739 8.8 ZN | SCHRAUBE M10X1,5X20 U5739 ZN | TORNILLOM10X1,5X20 U5739 8.8ZN |
| 52 | F01410062R | ROS.M10 10,5X 18X 2 U6592 ZN | WASHER M10 10,5X 18X 2 U6592 | RONDELLE M10 10,5X18X2 ZN | DICHTUNGSRING M10 10,5X18X2 ZN | RONDANA M10 10,5X18X2 ZN |
| 53 | B034P0004R | INGR.Z=27-3 4 ISO CON MOZZO | GEAR | ENGRANAGE | ZAHNRAD MIT RADACHSE | |
| 54 | BSP000026R | CARTER SICUREZZA NEW | SAFETY NEW CARTER | | | |
| 55 | B00370001R | VITE TE M 8X16 A SEZ.TRILOBATA | SCREW TRE M 8X16 SEZ TROUBLED | VIS | SCHRAUBE M 8X15 | |
| 56 | B034P0041R | INGR. Z=35; 3 4; ISO 12B-1 | GEAR | ENGRANAGE | ZAHNRAD Z=35-3 4 | |
| 57 | B01534416R | SPES. 35 43 1 ZINCATO | SHIM | ENTRETOISE | AUSGLEICHSCHIEBE 35X43X1 | |
| 58 | B0C005384R | PROLUNGA CARTER SICUREZZA PUL | SAFETY GUARD EXTENSION | RALLONGE CARTER SURETE | VERLAENGERUNG CARTER | |
| 59 | F02250111R | RIVETTO STR. 4 X 6 U9200AAL | RIVET 4 X6 | RIVET 4 X6 | KUPFERNIET 4 X6 | REMACHE 4 X6 |

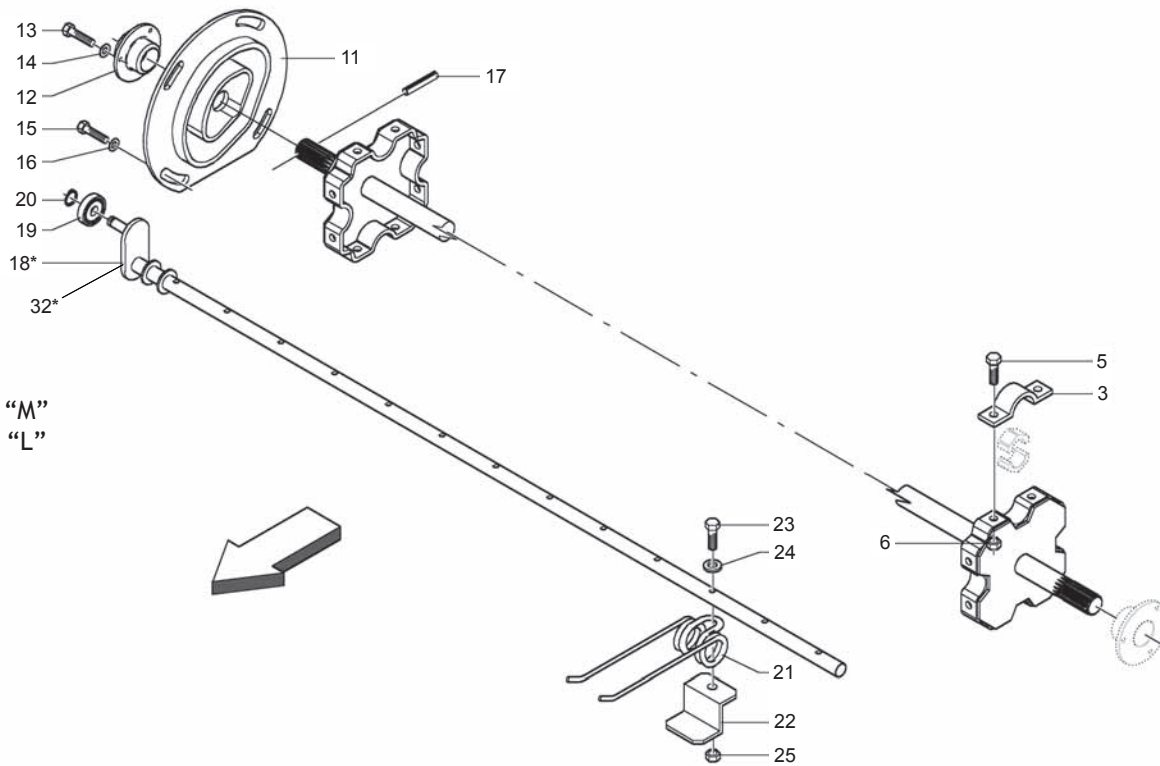
TAV_240



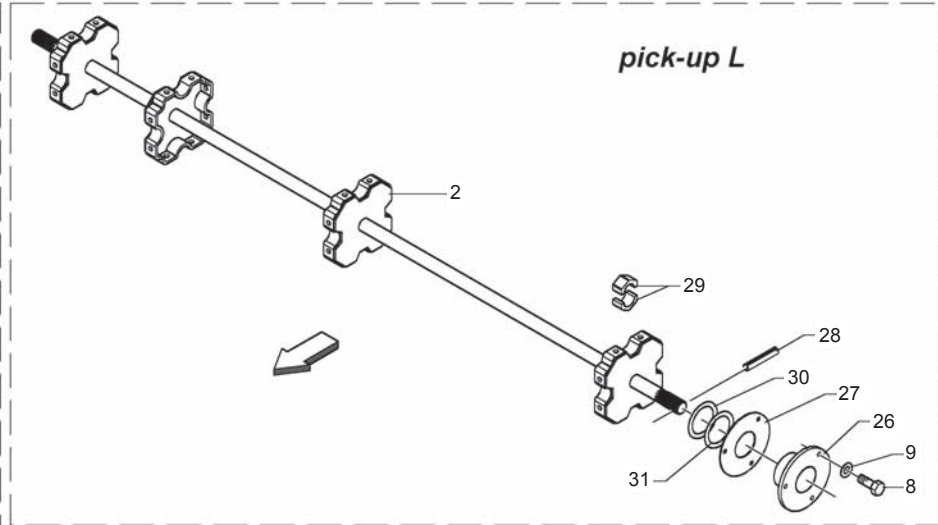
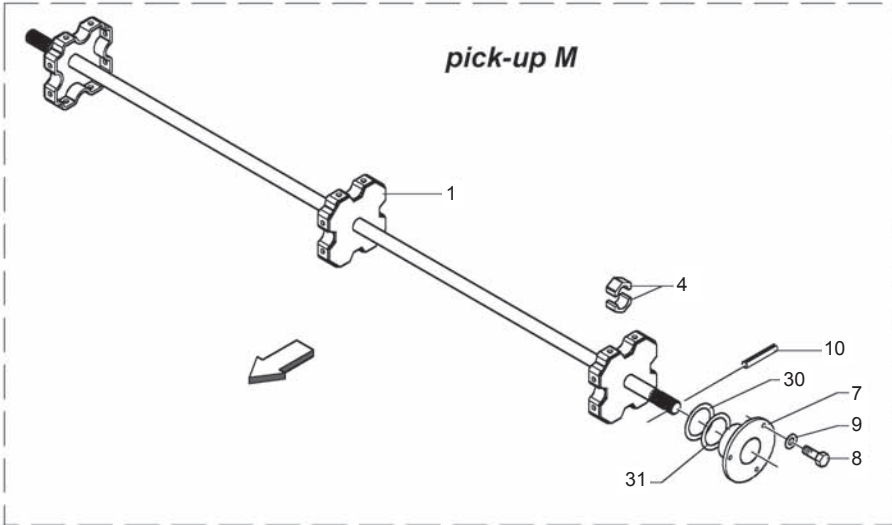
**TRASMISSIONE PICK-UP
PICK-UP TRANSMISSION**

TAV_240

| Pos. | Cod. | Descrizione | Description | Description | Benennung | Descripcion |
|------|------------|------------------------------|-------------------------------|------------------------------|--------------------------------|--------------------------------|
| 60 | F01020432R | VITE M8X1,25X16 U5739 8.8ZN | SCR. M8X1,25X16 U5739 8.8ZN | VIS M8 X1,25X16 U5739 8.8 ZN | SCHRAUBE M8X1,25X16U5739 8.8ZN | TORNILLO M8X1,25X16U5739 8.8ZN |
| 61 | F01410051R | ROS.M8 8,4X 17X1,6 U6592 ZN | WASHER M8 8,4X17X1,6 U6592 ZN | RONDELLE M8 8,4X17X1,6 ZN | SCHEIBE M8 8,4X17X1,6 U6592 ZN | ARANDELA M8 8,4X17X1,6 U6592ZN |
| 62 | B03110007R | GIUNTO MOLL.N.26 ASA60-1 | SPRING JOINT N. 26 ASA 60-1 | JOINT | KETTENSCHLOSS | |
| 64 | B035P0058R | CONTRALBERO CORTO PU L LT | COUNTERSHAFT | CONTRE ARBRE | KURZE GEGENWELLE | |
| 65 | B01300101R | SPES. 30,3 40 1 ZINCATO | SHIM GALV | ENTRETOISE GALV | DISTANZSTUECK 30,3 40 1 | |
| 66 | B030E0017R | GIUNTO MOLL N26 ISO 16 B-1 | SPRING JOINT N.26 ISO 16 B-1 | JOINT RESSORT | KETTENFEDER | |
| 67 | B030E1052R | CATENA RULLI ISO 16 B-1 52M | ROLLER CHAIN | CHAINE ROULEAUX | WALZENKETTE | |
| 68 | B0C6P0470R | COPERCHIO PER CARTER PICK-UP | COVER FOR CARTER PICK-UP | | | |



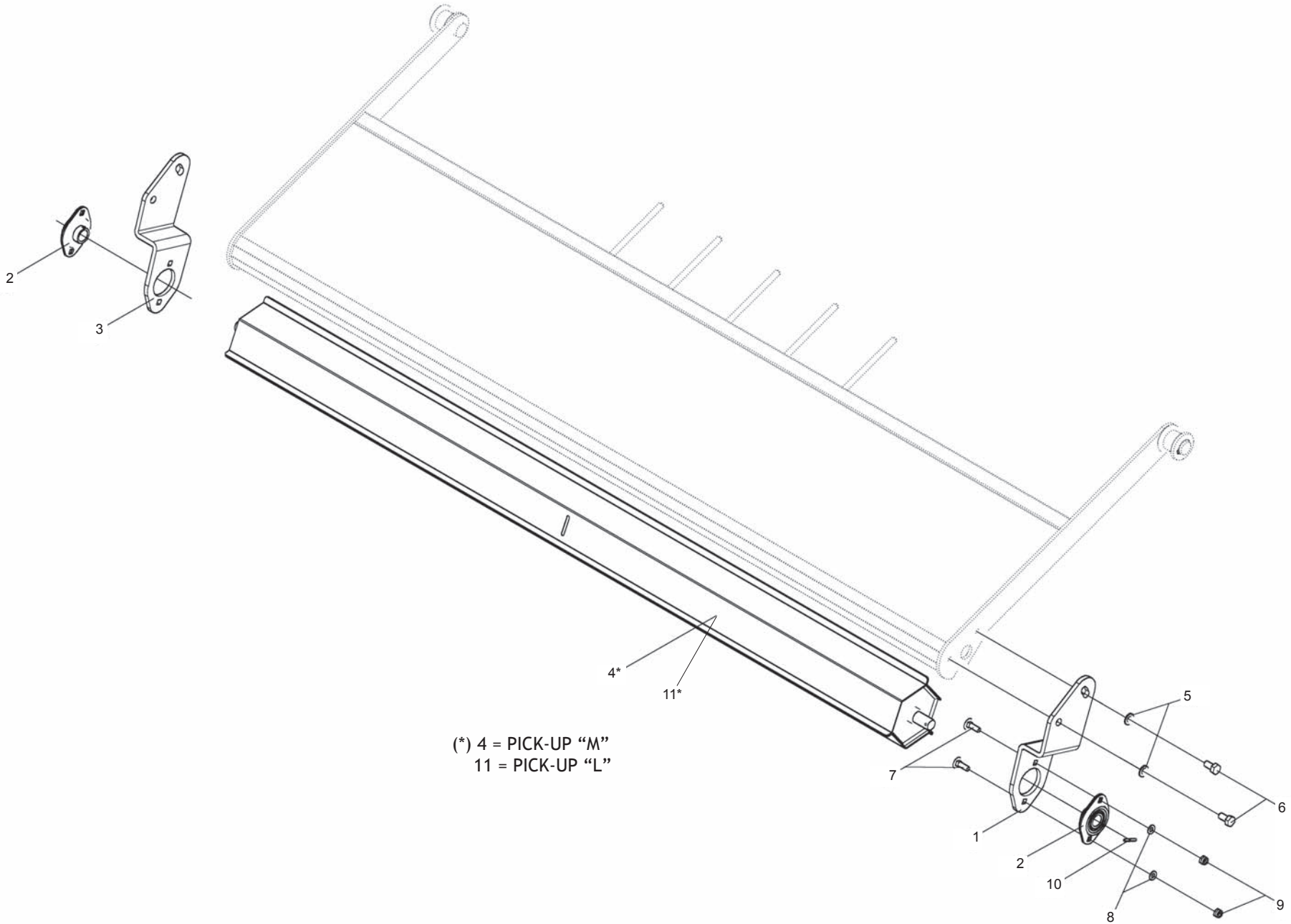
(*) 18 = PICK-UP "M"
 32 = PICK-UP "L"



**ASPO
PICK-UP SHAFT**

TAV_250

| Pos. | Cod. | Descrizione | Description | Description | Benennung | Descripcion |
|------|------------|--------------------------------|-------------------------------|--------------------------------|--------------------------------|---------------------------------|
| 1 | B07SP0288R | CORPO ASPO M | AUGER BODY | CORPS ENROULEUR | KOERPER ASPO M | |
| 2 | B07SP0195R | CORPO ASPO L LT | REEL BODY | CORPS ENROULEUR LT | KOERPER ASPO L LT | |
| 3 | B0C001521R | CAVALLOTTO | U BOLT | BOULON | BUEGELBOLZEN | |
| 4 | B025P0010R | SEMIBUSSOLA PER ASPO PICK-UP | HALF-BUSHFOR ASPO PICK-UP | SEMI-PALIER SPECIAL | HALBLAGERBUCHSE | |
| 5 | F01020472R | VITE M10X1,5X25 U5739 8.8ZN | SCR. M10X1,5X25 U5739 8.8ZN | VIS M10X1,5X25 U5739 8.8 ZN | SCHRAUBE M10X1,5X25 U5739 8.8 | TORNILLO 10X25 U5739 8.8 ZN |
| 6 | F01220033R | DADO M10X1,5 D980 8ZN | NUT M10X1,5 D980 8ZN | ECROU M10X1,5 D980 8ZN | MUTTER M10X1,5 D980 8ZN | TUERCA M10X1,5 D980 8ZN |
| 7 | B02353030R | SUPP.FLANG.TONDO 30 LAM. | BEARING FLANGED SUPPORT 30 | SUPPORT FLANGE ROND 30 LAM. | FLANSCHLAGER | |
| 8 | F01020470R | VITE M10X1,5X20 U5739 8.8ZN | SCR. M10X1,5X20 U5739 8.8ZN | VIS M10X1,5X20 U5739 8.8 ZN | SCHRAUBE M10X1,5X20 U5739 ZN | TORNILLO M10X1,5X20 U5739 8.8ZN |
| 9 | F01410062R | ROS.M10 10,5X 18X 2 U6592 ZN | WASHER M10 10,5X 18X 2 U6592 | RONDELLE M10 10,5X18X2 ZN | DICHTUNGSRING M10 10,5X18X2 ZN | RONDANA M10 10,5X18X2 ZN |
| 10 | F02100122R | SPINA E.P. 6X 45 U6873 C70 BR | PIN EL. 6 X45 DIN 1481 | FICHE EL. 6 X45 DIN 1481 | SPANNSTIFT 6 X45 DIN 1481 | CLAVIJA EL.6 X45 DIN 1481 |
| 11 | B057P0203R | CAMMA PICK-UP | PICK-UP CAM | PICK-UP CAM | | |
| 12 | B02353030R | SUPP.FLANG.TONDO 30 LAM. | BEARING FLANGED SUPPORT 30 | SUPPORT FLANGE ROND 30 LAM. | FLANSCHLAGER | |
| 13 | F01020470R | VITE M10X1,5X20 U5739 8.8ZN | SCR. M10X1,5X20 U5739 8.8ZN | VIS M10X1,5X20 U5739 8.8 ZN | SCHRAUBE M10X1,5X20 U5739 ZN | TORNILLO M10X1,5X20 U5739 8.8ZN |
| 14 | F01410062R | ROS.M10 10,5X 18X 2 U6592 ZN | WASHER M10 10,5X 18X 2 U6592 | RONDELLE M10 10,5X18X2 ZN | DICHTUNGSRING M10 10,5X18X2 ZN | RONDANA M10 10,5X18X2 ZN |
| 15 | F01020510R | VITE M12X1,75X30 U5739 8.8ZN | SCR. M12X1,75X30 U5739 8.8ZN | VIS M12X1,75X30 U5739 8.8ZN | SCHRAU.M12X1,75X30 U5739 8.8ZN | TORN. M12X1,75X30 U5739 8.8ZN |
| 16 | B01523831R | RALLA 12 33 5 | FIFTH WHEEL | BUTEE | UMBORDELUNG 12 33 5 | |
| 17 | F02100122R | SPINA E.P. 6X 45 U6873 C70 BR | PIN EL. 6 X45 DIN 1481 | FICHE EL. 6 X45 DIN 1481 | SPANNSTIFT 6 X45 DIN 1481 | CLAVIJA EL.6 X45 DIN 1481 |
| 18 | B7S00991LR | BARRA PORTADENTI 200 | BAR PORTADENTI 200 | | | |
| 19 | B020R1210R | ROTELLA SKF 361201 R | ROLLER SKF 361201 R PU BINDER | GALET SKF 361201 R PICK UP LEG | LAGER SKF 361201 R | |
| 20 | B01700012R | ANEL. D ARR. ALB. 12-E UNI3653 | SEEGER RING | BAGUE SEEGER | SEEGERRING 12-E | |
| 21 | B018P0003R | DENTE RACCOGLITORE PICK-UP | TOOTH COLLECTING PU | DENT PICK-UP | PICK-UP ZINKEN | |
| 22 | B0C000214R | PIASTRA SOSTEGNO MOLLA | SPRING SUPPORTING PLATE | PLAQUE SUPPORT RESSORT | FEDER STUETZPLATTE | |
| 23 | F01020074R | VITE M8X1,25X50 U5737 10.9ZD | SCR. M8X1,25X50 U5737 10.9ZD | VIS M 8X50 | SCHRAUBE M 8X50 | TORNILLO M 8X50 |
| 24 | F01420048R | ROS.M8 8,4X 24X 2 U6593 ZN | WASHER M8 8,4X 24X2 U6593 ZN | RONDELLE M8 8,4X24X 2 U6593 ZN | SCHEIBEN M8 8,4X24X 2 U6593 ZN | ARANDELA M8 8,4X 24X2 U6593 ZN |
| 25 | F01230034R | DADO M8X1,25 D982 8ZN | NUT M8X1,25 D982 8ZN | ECROU M8X 1,25 ZN | MUTTER M8X 1,25 D982 8 ZN | TUERCA M8X 1,25 D982 8 ZN |
| 26 | B02353035R | SUPPORTO FLANG.TONDO 35 LAMIER | BEARING FLANGED SUPPORT D.35 | SUPPORT FLANGE ROND 35 LAMES | FLANSCHLAGER | |
| 27 | B01301126R | SPES. | SHIM | ENTRETOISE | DICHTUNG | |
| 28 | F02100124R | SPINA E.P. 6X 50 U6873 C70 BR | PIN EL. 6X50 U6873 C70 BR | GOUJON 6X50 U6873 C70 BR | STIFT 6X50 U6873 C70 BR | ESPINA 6X50 U6873 C70 BR |
| 29 | B025P0010R | SEMIBUSSOLA PER ASPO PICK-UP | HALF-BUSHFOR ASPO PICK-UP | SEMI-PALIER SPECIAL | HALBLAGERBUCHSE | |
| 30 | B01300100R | SPES. 30,3 40 0,5 ZINCATO | SHIM GALV | ENTRETOISE GALV | DISTANZSTUECK 30,3 40 0,5 | |
| 31 | B01300101R | SPES. 30,3 40 1 ZINCATO | SHIM GALV | ENTRETOISE GALV | DISTANZSTUECK 30,3 40 1 | |
| 32 | B07SP1050R | BARRA P.DENTI PU 220 TEMPRATA | PICK-UP BAR HARDENED 200 | BARRE PO.-DENTS PU 220 TEMP. | | |



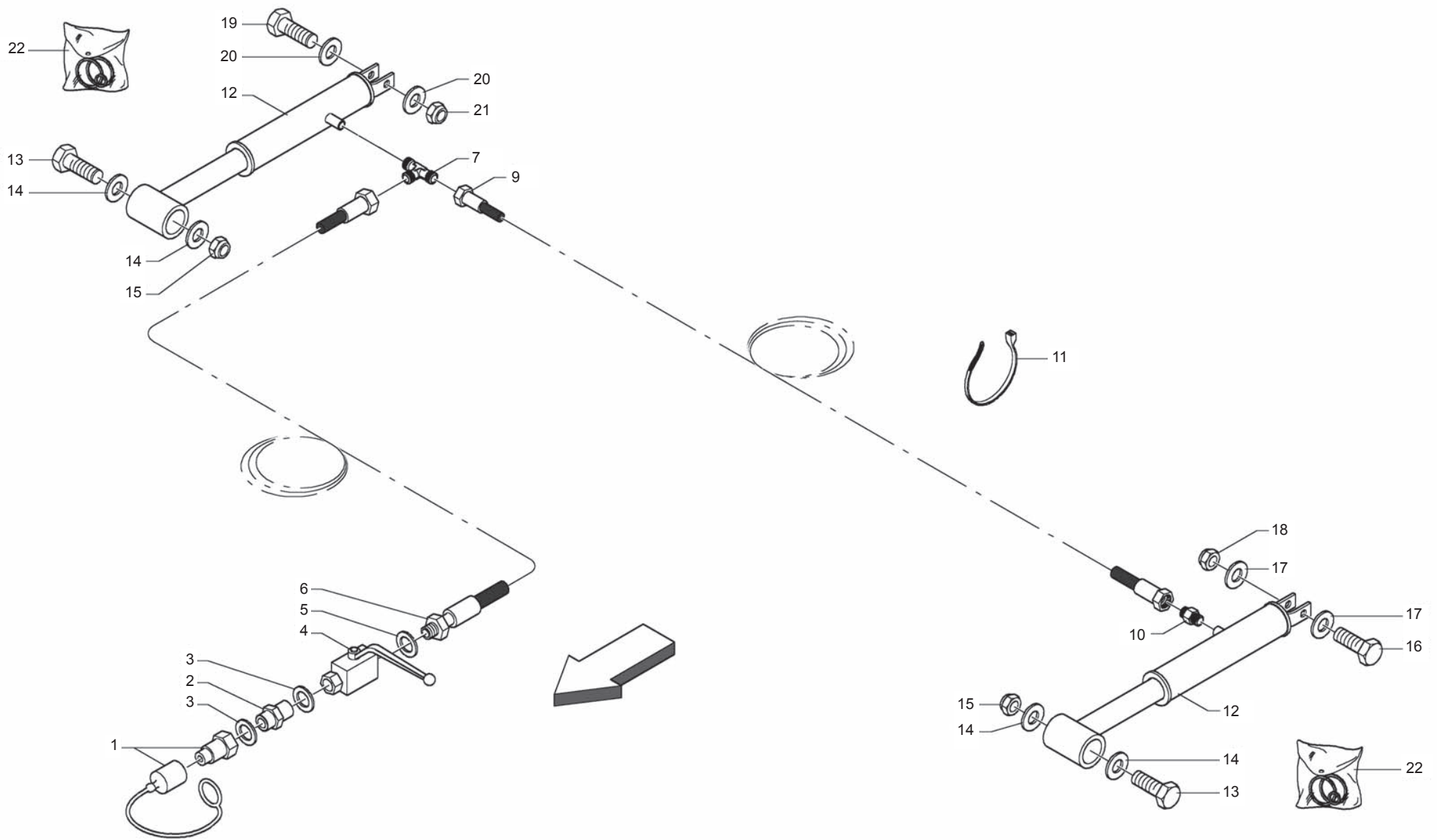
(*) 4 = PICK-UP "M"
11 = PICK-UP "L"

**RULLO CONVOGLIATORE
ROLLER CONVEYOR**

TAV_260

| Pos. | Cod. | Descrizione | Description | Description | Benennung | Descripcion |
|------|------------|-------------------------------|-------------------------------|-----------------------------|--------------------------------|---------------------------------|
| 1 | B0C4P0187R | ATTACCO SX | ATTACCO SX | | | |
| 2 | B02341020R | SUPP.FLANG.OV 20 LAM NBR-NSK | SUPPORT | SUPPORT | GEFLANSCHTES LAGER | |
| 3 | B0C4P0188R | ATTACCO DX | ATTACCO DX | | | |
| 4 | B07SP0341R | RULLO CONVOGLIATORE M | CONVEYOR ROLLER M | | | |
| 5 | F01420060R | ROS.M10 10,5X 30X2,5 U6593 ZG | GALV.WASHER 10,5X30X2,5 U6593 | RONDELLE 10,5X30 | SCHEIBE 10,5X30 | ARANDELA 10,5X30 |
| 6 | F01020470R | VITE M10X1,5X20 U5739 8.8ZN | SCR. M10X1,5X20 U5739 8.8ZN | VIS M10X1,5X20 U5739 8.8 ZN | SCHRAUBE M10X1,5X20 U5739 ZN | TORNILLO M10X1,5X20 U5739 8.8ZN |
| 7 | F01060202R | VITE M8X1,25X25 U5731 4.6ZN | SCR. M8X1,25X25 U5731 4.6ZN | VIS M8X1,25X25 U5731 4.6 | DUEBEL M8X1,25X25 U5731 4.6 ZN | TORNILLO M8X1,25X25 U5731 4.6 |
| 8 | F01410051R | ROS.M8 8,4X 17X1,6 U6592 ZN | WASHER M8 8,4X17X1,6 U6592 ZN | RONDELLE M8 8,4X17X1,6 ZN | SCHEIBE M8 8,4X17X1,6 U6592 ZN | ARANDELA M8 8,4X17X1,6 U6592ZN |
| 9 | B00920208R | DADO M8X1 D985 8ZN | NUT M8X1 D985 8ZN | ECROU | SELBSTSICHERNDE MUTTER M8-5S | |
| 10 | F02100065R | SPINA E.P. 4X 30 U6873 C70 BR | PIN EL. 4X30 DIN 1481 | GOUPILLE EL.4 X30 DIN 1481 | SPANNSTIFT 4X30 DIN 1481 | CLAVIJA EL.4 X30 DIN 1481 |
| 11 | B07SP0342R | RULLO CONVOG. L | RULLO CONVOG. L | | | |

TAV_270

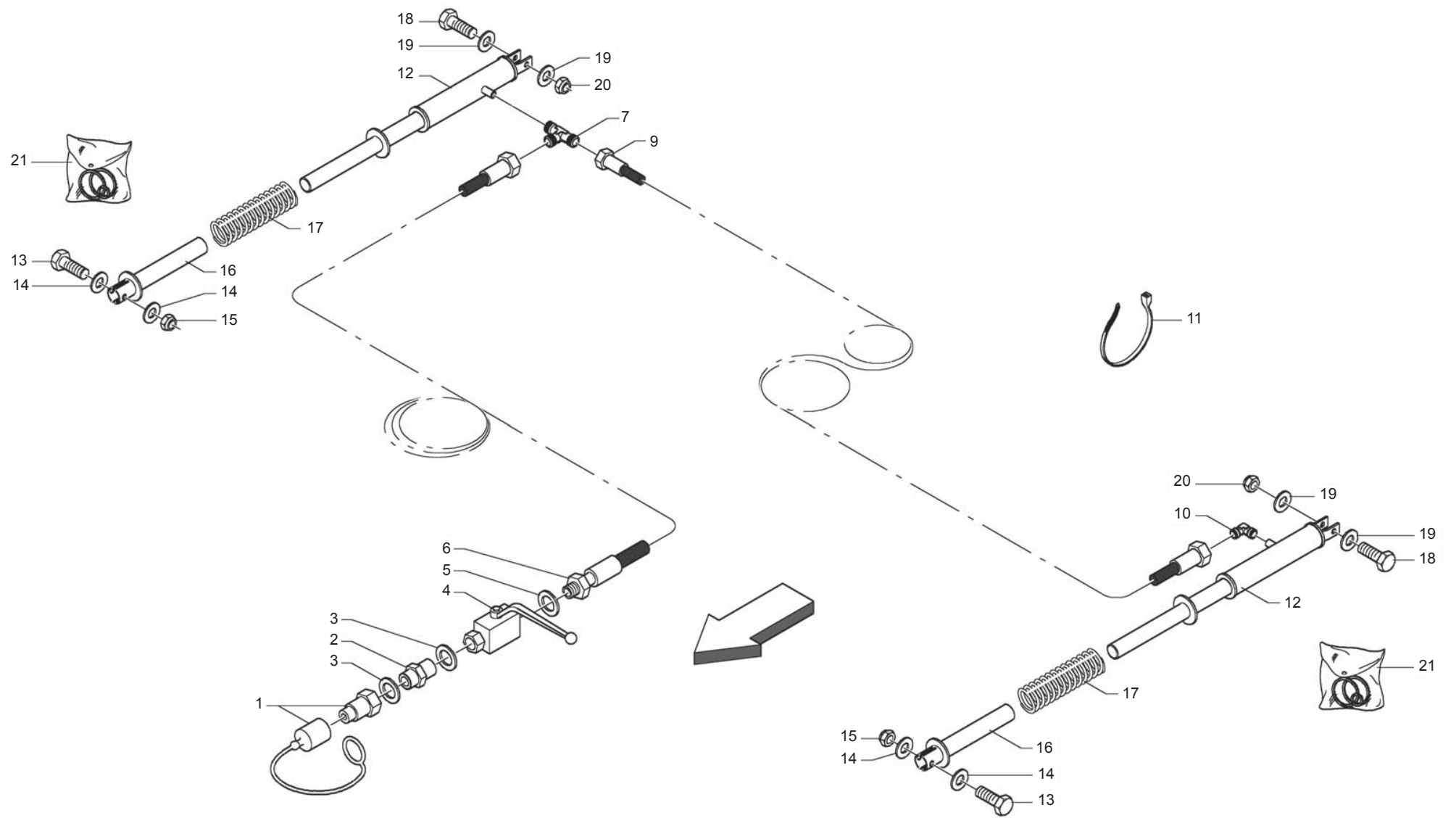


**IMPIANTO IDRAULICO PICK-UP
PICK-UP HYDRAULIC SYSTEM**

TAV_270

| Pos. | Cod. | Descrizione | Description | Description | Benennung | Descripcion |
|------|------------|-------------------------------|--------------------------------|--------------------------------|--------------------------------|--------------------------------|
| 1 | B0H6000A0R | INNESTO RAP.NV 12GAS-M | QUICK CLUTCH | EMBAYAGE | SCHNELLKUPPLUNG | |
| 2 | B0H733671R | NIPPLO RID.FORO 1MM. 1 2 -1 4 | NIPPLE 1 2 -1 4 | NIPPLE 1 MM 1 2 -1 4 | NIPPEL 1 2 -1 4 | |
| 3 | B01441415R | RONDELLA IN RAME 1 4 | WASHER | RONDELLE | BEILAGSCHEIBE 1 4 13X19X1,5 | |
| 4 | F01410037R | ROS.M6 6,4X12,5X1,6 U6592 ZN | WASHER M6 6,4X12,5X1,6 U6592ZN | RONDEL.M6 6,4X12,5X1,6 U6592ZN | SCHEIB.M6 6,4X12,5X1,6 U6592ZN | ARAND.M6 6,4X12,5X1,6 U6592 ZN |
| 5 | B01442015R | ROS. 21 X27X1,5 RAME -1 2 | WASHER | RONDELLE | BEILAGSCHEIBE 1 2 | |
| 6 | B0H000250R | TUBO IDRAUL. | HYDRAULIC HOSE | TUYAU HYDRAULIQUE | HYDRAULIKSCHLAUCH | |
| 7 | B0H000098R | RACCORDO T 10 TN 127-10LR | UNION T 10 | RACCORD T 10 | T.VERSCHRAUBUNG | |
| 9 | B0H000251R | TUBO IDRAUL. | HYDRAULIC HOSE | TUYAU HYDRAULIQUE | HYDRAULIKSCHLAUCH | |
| 10 | B0H000139R | RACCORDO I 10 RASTELLI | UNION I 10 | RACCORD I SEULEMENT CORPS | VERBINDUNGSTUECK I 10 | |
| 11 | F05150055R | FASCETTA POLYA. 3,6X200 NERA | WHITE BAND | BANDE BIANCHE | WEIBE BAND | CINTA BLANCA |
| 12 | BH400062LR | MARTINETTO PICK-UP | CYLINDER PICK-UP | | | |
| 13 | F01020976R | VITE M16X 2X55 U5737 8.8 ZN | SCREW M16X 2X55 U5737 8.8 ZN | | | |
| 14 | F01410100R | ROS.M16 17X 30X 3 U6592 ZN | WASHER M16 17X30X3 U6592 ZN | RONDELLE M16 17X30X3 ZN | SCHRAUBE M16 17X 30X3 U6592 ZN | ARANDELA M16 17X30X 3 U6592 ZN |
| 15 | B00920516R | DADO M16X 1,5 D985 6S ZN | NUT M16X1,5 D985 6S ZN | ECROU | SELBSTSICHERNDE MUTTER M16-5S | |
| 16 | F01020264R | VITE M16X2X90 U5737 8.8ZN | SCR. M16X2X90 U5737 8.8ZN | VIS M16X2X90 5737 8.8 ZN | SCHRAUBE M16X2X90 5737 8.8 ZN | TORN. M16X2X90 5737 8.8 ZN |
| 17 | F01410100R | ROS.M16 17X 30X 3 U6592 ZN | WASHER M16 17X30X3 U6592 ZN | RONDELLE M16 17X30X3 ZN | SCHRAUBE M16 17X 30X3 U6592 ZN | ARANDELA M16 17X30X 3 U6592 ZN |
| 18 | B00920516R | DADO M16X 1,5 D985 6S ZN | NUT M16X1,5 D985 6S ZN | ECROU | SELBSTSICHERNDE MUTTER M16-5S | |
| 19 | B00191680R | VITE M16X 2X 80 U5737 8.8ZN | SCREW | VIS | SCHRAUBE | |
| 20 | F01410100R | ROS.M16 17X 30X 3 U6592 ZN | WASHER M16 17X30X3 U6592 ZN | RONDELLE M16 17X30X3 ZN | SCHRAUBE M16 17X 30X3 U6592 ZN | ARANDELA M16 17X30X 3 U6592 ZN |
| 21 | B00920516R | DADO M16X 1,5 D985 6S ZN | NUT M16X1,5 D985 6S ZN | ECROU | SELBSTSICHERNDE MUTTER M16-5S | |
| 22 | B0H400061R | KIT GUARNIZ. MARTIN. PICK_UP | KIT JOINTS | KIT JOINTS POUR VERIN | DICHTUNGSSATZ | |

TAV_280

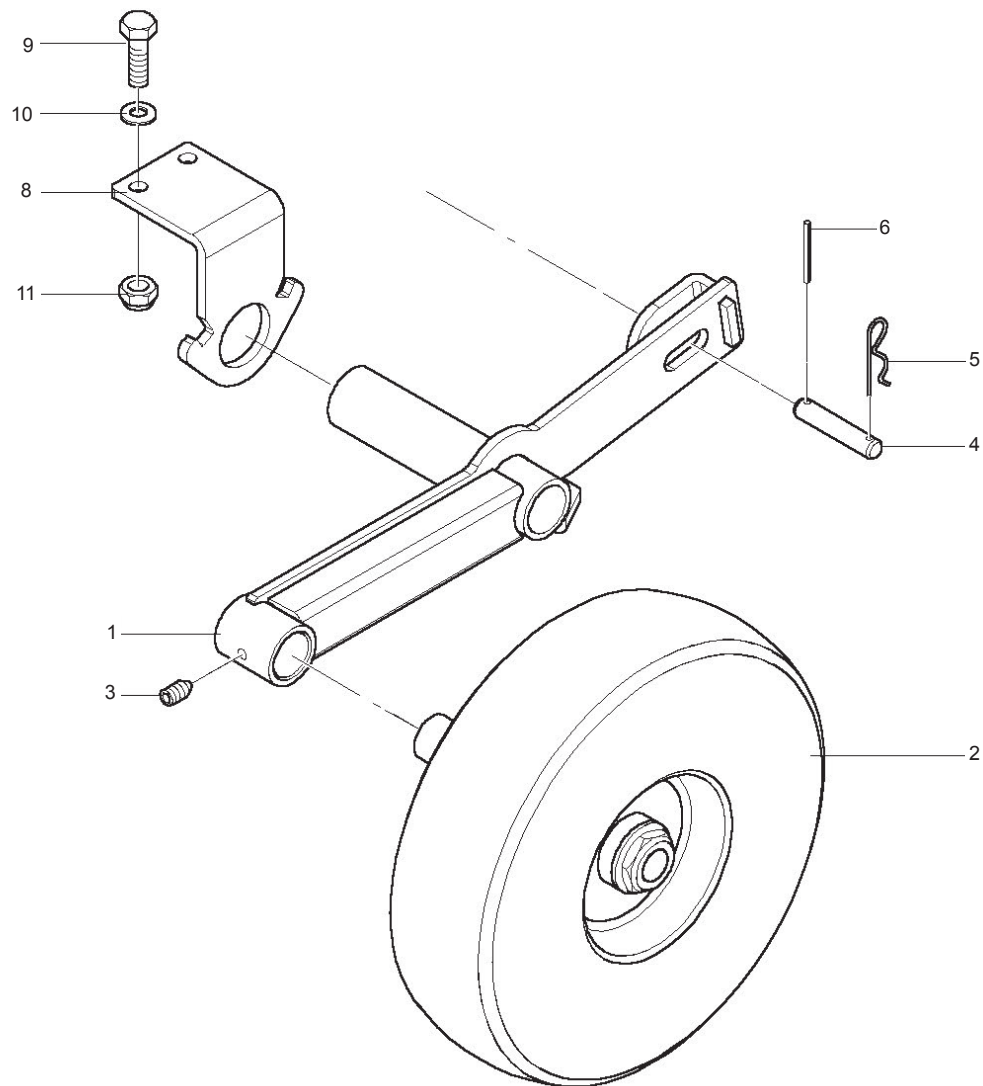
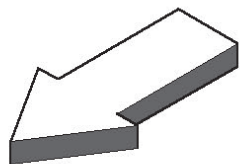
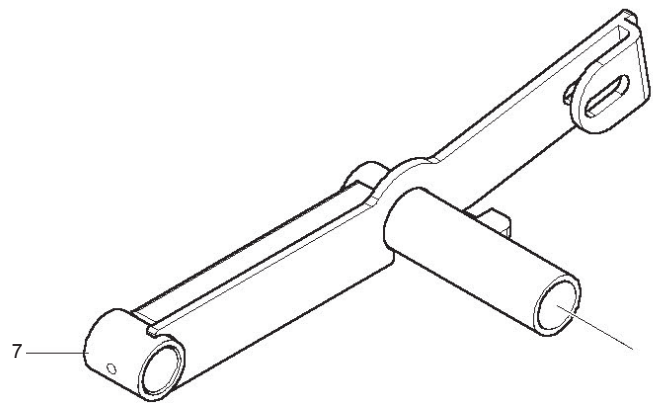


**IMPIANTO IDRAULICO PICK-UP CUT
PICK-UP CUT HYDRAULIC SYSTEM**

TAV_280

| Pos. | Cod. | Descrizione | Description | Description | Benennung | Descripcion |
|------|------------|-------------------------------|-----------------------------|----------------------------|--------------------------------|--------------------------------|
| 1 | B0H6000A0R | INNESTO RAP.NV 12GAS-M | QUICK CLUTCH | EMBAYAGE | SCHNELLKUPPLUNG | |
| 2 | B0H733671R | NIPPLO RID.FORO 1MM. 1 2 -1 4 | NIPPLE 1 2 -1 4 | NIPPLE 1 MM 1 2 -1 4 | NIPPEL 1 2 -1 4 | |
| 3 | B01441415R | RONDELLA IN RAME 1 4 | WASHER | RONDELLE | BEILAGSCHEIBE 1 4 13X19X1,5 | |
| 4 | B0H000119R | RUBIN. A SFER.A.P.1 4 FEMM.-F | BALL COCK | ROBINET 1 4 FEMELLE | KUGELHAHN | |
| 5 | B01442015R | ROS. 21 X27X1,5 RAME -1 2 | WASHER | RONDELLE | BEILAGSCHEIBE 1 2 | |
| 6 | B0H000250R | TUBO IDRAUL. | HYDRAULIC HOSE | TUYAU HYDRAULIQUE | HYDRAULIKSCHLAUCH | |
| 7 | B0H000264R | RACCORDO T 10 TN96-10LR | T FITTING TN96-10LR | RACCORD T 10 | KUPPLUNG T 10 | |
| 9 | B0H000251R | TUBO IDRAUL. | HYDRAULIC HOSE | TUYAU HYDRAULIQUE | HYDRAULIKSCHLAUCH | |
| 10 | B0H000086R | RACCORDO L 10 TN94-10LR | UNION L 10 | RACCORD L 10 | ANSCHLUSSSTUECK L 10 | |
| 11 | F05150055R | FASCETTA POLYA. 3,6X200 NERA | WHITE BAND | BANDE BIANCHE | WEIBE BAND | CINTA BLANCA |
| 12 | B0H400072R | MARTINETTO PICK-UP | SPRINTER PICK-UP JACK CUT | VERIN PICK-UP | SPRINTER PICK-UP ZYLINDER CUT | |
| 13 | F01020256R | VITE M16X2X60 U5737 8.8ZN | SCR. M16X2X60 U5737 8.8ZN | VIS M16X 2X60 U5737 8.8 ZN | SCHRAUBE M16X2X60 U5737 8.8 ZN | TORNILLO M16X2X60 U5737 8.8 ZN |
| 14 | F01410100R | ROS.M16 17X 30X 3 U6592 ZN | WASHER M16 17X30X3 U6592 ZN | RONDELLE M16 17X30X3 ZN | SCHRAUBE M16 17X 30X3 U6592 ZN | ARANDELA M16 17X30X 3 U6592 ZN |
| 15 | B00920516R | DADO M16X 1,5 D985 6S ZN | NUT M16X1,5 D985 6S ZN | ECROU | SELBSTSICHERNDE MUTTER M16-5S | |
| 16 | B07S01072R | GUIDA MARTINETTO | JACK GUIDE | GUIDE VERIN | ZYLINDERFUEHRUNG | |
| 17 | B01800062R | MOLLA PU TOPCUT | TOPCUT PICK-UP TINE | DENT PICK UP TOPCUT | TOPCUT PICK-UP FEDERZINKEN | |
| 18 | F01020256R | VITE M16X2X60 U5737 8.8ZN | SCR. M16X2X60 U5737 8.8ZN | VIS M16X 2X60 U5737 8.8 ZN | SCHRAUBE M16X2X60 U5737 8.8 ZN | TORNILLO M16X2X60 U5737 8.8 ZN |
| 19 | F01410100R | ROS.M16 17X 30X 3 U6592 ZN | WASHER M16 17X30X3 U6592 ZN | RONDELLE M16 17X30X3 ZN | SCHRAUBE M16 17X 30X3 U6592 ZN | ARANDELA M16 17X30X 3 U6592 ZN |
| 20 | B00920516R | DADO M16X 1,5 D985 6S ZN | NUT M16X1,5 D985 6S ZN | ECROU | SELBSTSICHERNDE MUTTER M16-5S | |
| 21 | B0H400061R | KIT GUARNIZ. MARTIN. PICK_UP | KIT JOINTS | KIT JOINTS POUR VERIN | DICHTUNGSSATZ | |

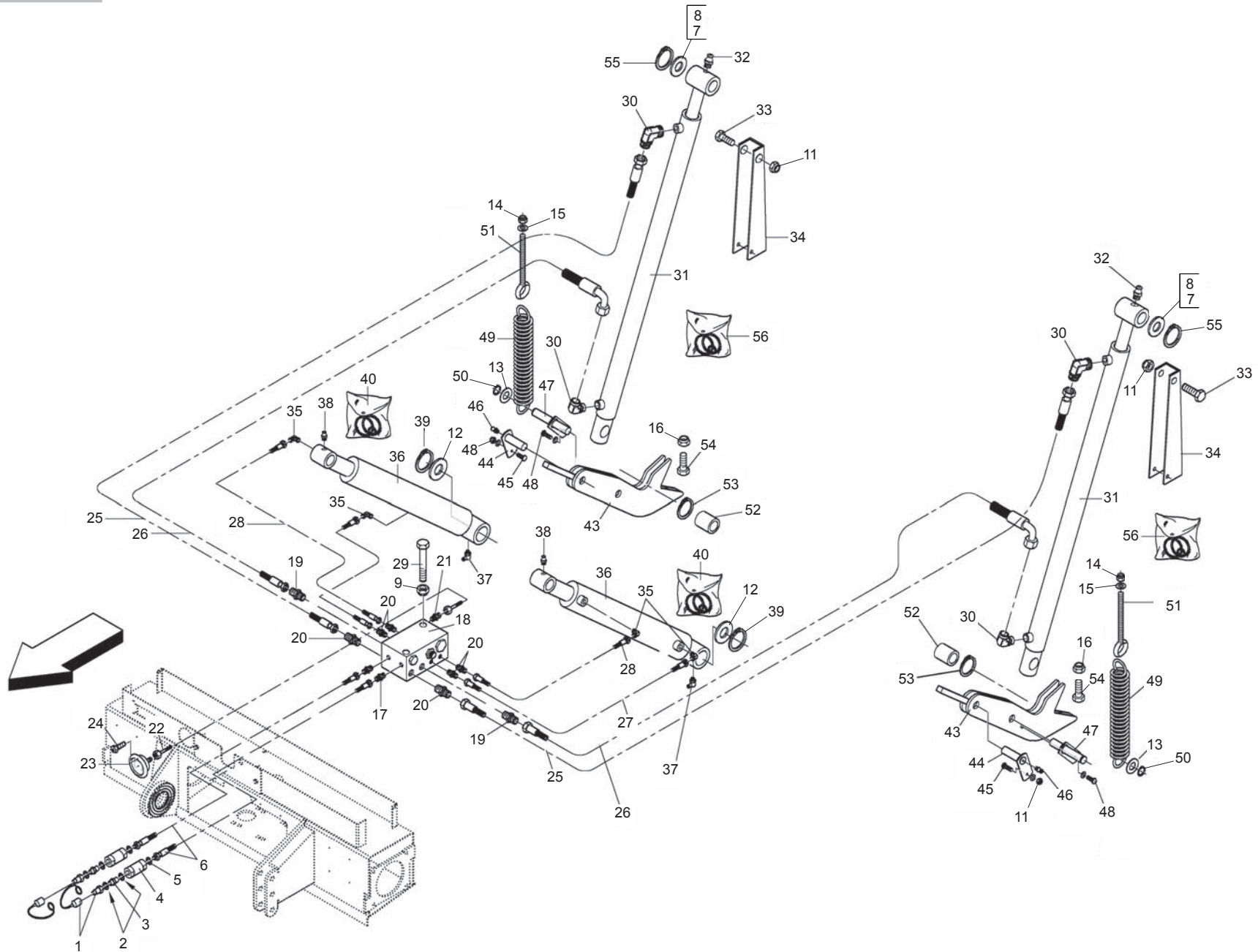
TAV_290



**RUOTE PICK-UP
PICK-UP WHEEL**

TAV_290

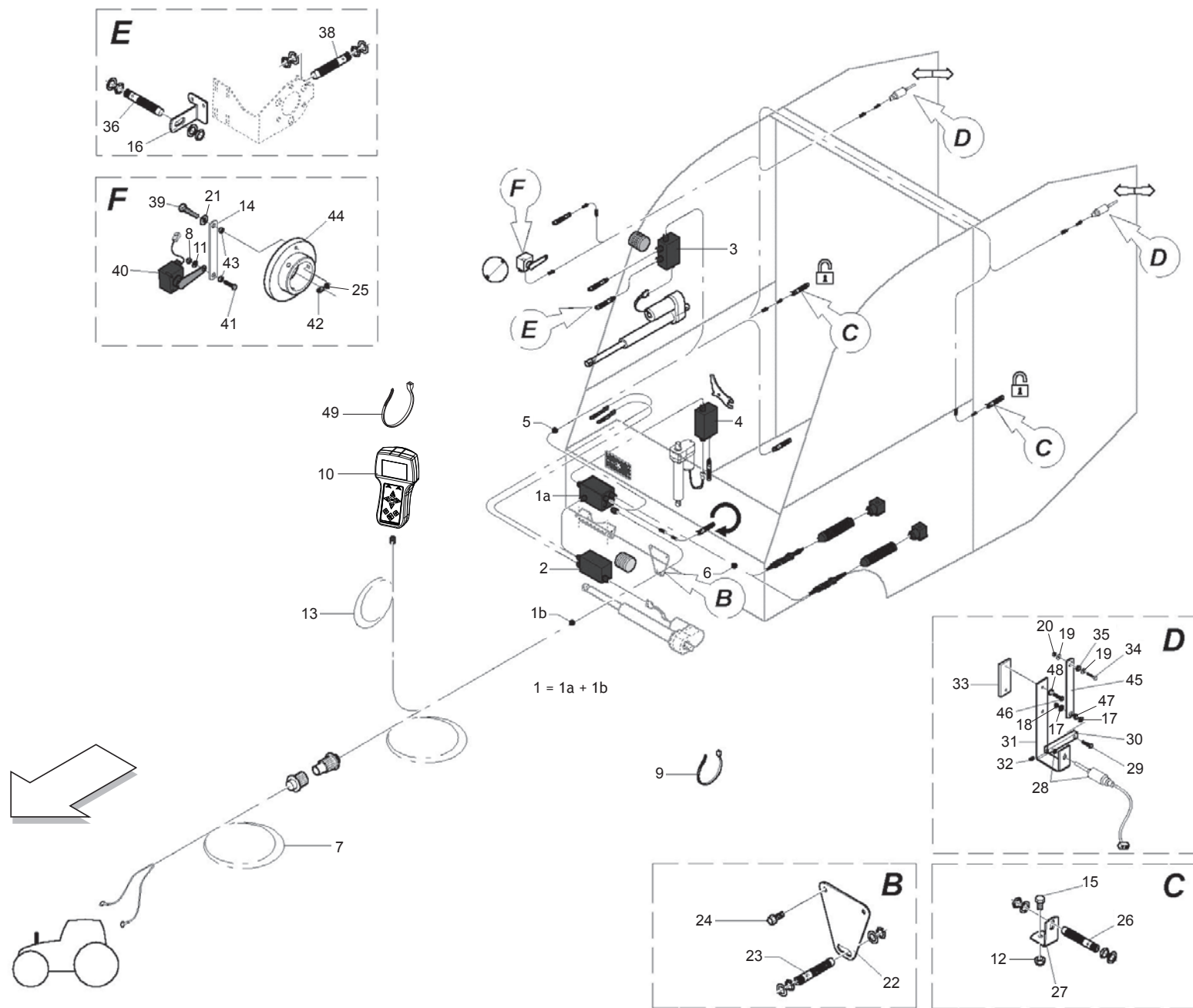
| Pos. | Cod. | Descrizione | Description | Description | Benennung | Descripcion |
|------|------------|---------------------------------|-------------------------------|--------------------------------|--------------------------------|-------------------------------|
| 1 | B07SP0084R | ATTACCO RUOTA SX LT | LT WHELL LEFT CONNECTION | ATTELAGE ROUE GAUCHE LT | RAD ANSCHLUSS LINKS LT | |
| 2 | B07100040R | RUOTA IN GOMMA CON FUSEL 16.650 | TYRE WITH SPINDLE | ROUE EN CAOUTCHOUC | GUMMI RAD | |
| 3 | B00431016R | VITE STEI M10X16-12.9 UNI 5 | SCREW | VIS | SCHRAUBE | |
| 4 | B01300610R | SPINA 15X 65 2F 4 | PIN | AXE | ZAPFEN 15 X65 | |
| 5 | B01170377R | COPIGLIA DI SICUREZZA D=3 ISO | PIN | GOUPILLE CLIPS | STIFT | |
| 6 | F02100060R | SPINA E.P. 4X 40 U6873 C70 BR | PIN E.P. 4X 40 U6873 C70 BR | | | |
| 7 | B07SP0085R | ATTACCO RUOTA DX LT | LT WHELL RIGHT CONNECTION | ATTELAGE ROUE DROIT LT | RAD ANSCHLUSS RECHTS LT | |
| 8 | B0C6P0426R | LAMIERA SUPP. RUOTINA | PLATE | TOLE | RADHALTERBLECH | |
| 9 | F01020512R | VITE M12X1,75X35 U5739 8.8ZN | SCR. M12X1,75X35 U5739 8.8ZN | VIS M12X1,75X35 5739 8.8 ZN | SCHR. M12X1,75X35 5739 8.8 ZN | TORN. M12X1,75X35 5739 8.8 ZN |
| 10 | F01230213R | DADO M12X1,75 U7474 CL8 ZN | NUT M12X1,75 U7474 6SZN | ECROU AUTOBL. M12 | SELBSTSPERR.MUTTER M12 | DADO AUTOBL. M12 |
| 11 | F01410076R | ROS.M12 13X 24X2,5 U6592 ZN | WASHER 12 13X 24X2,5 U6592 ZN | RONDEL. M12 13X24X2,5 U6592 ZN | SCHEIBE M12 13X24X2,5 U6592 ZN | ARANDELA M12 13 X24X2,5 ZN |



**IMPIANTO IDRAULICO MACCHINA
MACHINE HYDRAULIC SYSTEM**

TAV_300

| Pos. | Cod. | Descrizione | Description | Description | Benennung | Descripcion |
|------|------------|--------------------------------|--------------------------------|--------------------------------|--------------------------------|--------------------------------|
| 1 | BOH6000A0R | INNESTO RAP.NV 12GAS-M | QUICK CLUTCH | EMBRAYAGE | SCHNELLKUPPLUNG | |
| 2 | B01442015R | ROS. 21 X27X1,5 RAME -1 2 | WASHER | RONDELLE | BEILAGSCHEIBE 1 2 | |
| 3 | BOH6000AXR | NIPPLO 1 2 | NIPPLE 1 2 | NIPPLE 1 2 | NIPPEL 1 2 | |
| 4 | BOH000040R | FILTRO IN LINEA 92400126X | FILTRO IL12 60 R 94001261 | FILTRE EN LIGNE IL12 60 R94001 | FILTER IL12 60 R 94001261 | |
| 5 | B01442015R | ROS. 21 X27X1,5 RAME -1 2 | WASHER | RONDELLE | BEILAGSCHEIBE 1 2 | |
| 6 | BOH000149R | TUBO IDRAUL. L=2500 | HYDRAULIC PIPE L=2500 | TUYAU HYDRAULIQUE L=2500 | HYDR. ROHR L=2500 | |
| 7 | B01300100R | SPE. 30,3 40 0,5 ZINCATO | SHIM GALV | ENTRETOISE GALV | DISTANZSTUECK 30,3 40 0,5 | |
| 8 | B01300101R | SPE. 30,3 40 1 ZINCATO | SHIM GALV | ENTRETOISE GALV | DISTANZSTUECK 30,3 40 1 | |
| 9 | B00920106R | DADO M6X1 D985 8ZN | NUT | ECROU | SELBSTSICHERNDE MUTTER M6-5S | |
| 11 | B00920208R | DADO M8X1 D985 8ZN | NUT M8X1 D985 8ZN | ECROU | SELBSTSICHERNDE MUTTER M8-5S | |
| 12 | B01519696R | SPE. 35 47 1 | SHIM | ENTRETOISE | DISTANZSTUECK 35 50 1 | |
| 13 | F01410124R | ROS.M20 21X 37X 3 U6592 ZN | WASHER M20 21X 37X 3 U6592 ZN | RONDEL.M20 21X37X3 ZN | MUTTER M20 21X 37X 3 U6592 ZN | ARANDELA M20 21X37X3 U6592 ZN |
| 14 | F01230213R | DADO M12X1,75 U7474 CL8 ZN | NUT M12X1,75 U7474 6SZN | ECROU AUTOBL. M12 | SELBSTSPERR.MUTTER M12 | DADO AUTOBL. M12 |
| 15 | F01410076R | ROS.M12 13X 24X2,5 U6592 ZN | WASHER 12 13X 24X2,5 U6592 ZN | RONDEL. M12 13X24X2,5 U6592 ZN | SCHEIBE M12 13X24X2,5 U6592 ZN | ARANDELA M12 13 X24X2,5 ZN |
| 16 | B00710516R | DADO M16X 2 U5588 6.8 ZN | NUT M16X2 U5588 6.8 ZN | ECROU | MUTTER M16-6S | |
| 17 | BOH60000YR | RACC. I 12 SOLO COR. RASTELLI | UNION I 12 | RACCORD I 12 | VERBINDUNGSSTUECK I 12 | |
| 18 | BOH000004R | VALV.TIP.FRB06 B OLEOST.ROTOPR | VALVE FRB 06 OL | SOUPAPE TYPE FRB 06 B OLEOSTAR | VENTIL FRB 06 OL | |
| 19 | BOH000182R | RACCORDO PER RIDUTT. DI FLUSSO | OIL FLOW REDUCER PIPE FITTING | RACCORD POUR REDUCTEUR DE FLUX | ANSCHLUSS FUER REDUKTIONS | |
| 20 | BOH000139R | RACCORDO I 10 RASTELLI | UNION I 10 | RACCORD I SEULEMENT CORPS | VERBINDUNGSTUECK I 10 | |
| 21 | BOH000140R | NIPPLO GIUNZ GAS CILIN.1 4-1 4 | NIPPLE 1 4-1 4 | NIPPLE JONCTION | NIPPEL 1 4-1 4 | |
| 22 | BOH000120R | MICROTUBO FD1 4 RACC.MANOMETRO | PIPE | TUYAU CAPILLAIRE MINITEST | VERBINDUNGSSCHLAUCH VERTEILERB | |
| 23 | BOH000121R | MANOMETRO PER FFPRO | GAUGE FOR FFPRO | MANOMETRE | MANOMETER FUER FFPRO | |
| 24 | B01080311R | RIVETTO STR. 3,8X11 U9200AAL | RIVET | RIVET | NIET | |
| 25 | BOH000008R | TUBO IDRAUL.NEUTRO L2550W64601 | NEUTRAL HYDR PIPE L=2550W64601 | TUYAU HYDRAULIQUE NEUTRE L=255 | NEUTRALER HYDRAULIKSCHLAUCH L= | |
| 26 | BOH000005R | TUBO IDRAUL. ROSSO L2150W64599 | RED HYDR PIPE L=2150W64599 | TUYAU HYDRAULIQUE ROUGE L=2150 | ROTER HYDRAULIKSCHLAUCH L=2150 | |
| 27 | BOH000007R | TUBO IDRAUL.-GIALLO L=2150 | YELLOW HYDRAULIC HOSE | TUYAU HYDRAULIQUE JAUN L=2150 | GELBER HYDRAULIKSCHLAUCH | |
| 28 | BOH000006R | TUBO IDRAUL.AZZUR. L2150W64833 | BLUE HYDR PIPE L=2150W64833 | TUYAU HYDRAULIQUE BLEU L=2150 | BLAUER HYDRAULIKSCHLAUCH L=215 | |
| 29 | F01020051R | VITE M6X1X90 U5737 8.8ZN | SCR. M6X1X90 U5737 8.8ZN | VIS M6X 1X 90 U5737 8.8 ZN | SCHRAUBE M6X 1X90 U5737 8.8 ZN | TORNILLO M6X 1X90 U5737 8.8 ZN |
| 30 | BOH000009R | RACC. L 10 SOLO COR RASTELLI | UNION ELBOW 10 | RACCORD L 10 SEULEMENT CORP | ANSCHLUSSSTUECK L 10 | |
| 31 | BOH400089R | MARTINETTO PORTELLONE 165 | TAILGATE JACK 165 | VERIN PORTE ARRIERE 165 | HECKKLAPPENZYLINDER 165 | |
| 32 | F01100011R | ING.M 6X1 7663-A 9SMNPB28 ZN | GREASE NIPPLE M6X1 7663-A ZN | GRAISS. A BILLE M6X1 7663A ZN | SCHMIERBUECHE M6X1 7663-A ZN | ENGRAS. DE ESFE. M6X1 7663-AZN |
| 33 | F01020082R | VITE M8X1,25X65 U5737 8.8ZN | SCR. M8X1,25X65 U5737 8.8ZN | VIS M8X1,25X65 U5737 8.8 ZN | SCHRA. M8X1,25X65 U5737 8.8 ZN | TORN. M8X1,25X65 U5737 8.8 ZN |
| 34 | B07S01080R | SICUREZZA PORTELLONE | TAILGATE SAFETY DEVICE | SURETE PORTE EN ARRIERE | HECKKLAPPENSICHERUNG | |
| 35 | BOH000009R | RACC. L 10 SOLO COR RASTELLI | UNION ELBOW 10 | RACCORD L 10 SEULEMENT CORP | ANSCHLUSSSTUECK L 10 | |
| 36 | BOH400087R | MARTINETTO PRESSIONE 165 | PRESSURE JACK 165 | VERIN PRESSION 165 | PRESSZYLINDER 165 | |
| 37 | F01100013R | ING.M 6X1 7663-C 9SMNPB28 ZN | SPHERE NIPPLE M6X1 90 | GRAISSEUR A BILLES M6X1 90 | KUGELFETTBSCHSE M6X1 90 | ENGRASADOR DE ESFERAS M6X1 |
| 38 | F01100011R | ING.M 6X1 7663-A 9SMNPB28 ZN | GREASE NIPPLE M6X1 7663-A ZN | GRAISS. A BILLE M6X1 7663A ZN | SCHMIERBUECHE M6X1 7663-A ZN | ENGRAS. DE ESFE. M6X1 7663-AZN |
| 39 | B01700035R | ANEL. D ARR. ALB. 35-E UNI3653 | SEEGER RING | BAGUE SEEGER | SEEGERRING 35-E | |
| 40 | B04933201R | GUAR. H126909-28442-29644-300 | GASKET H126909-28442-29644-300 | JEU DE JOINTS | KIT ZYLINDERDICHTUNGEN | |
| 43 | B07S00930R | GANCIO PORTELLONE | TAILGATE HOOK | CROCHET DE LA PORTE | HECKSCHWINGTUR HAKEN | |
| 44 | B07S00937R | SPINA GANCIO PORTELLONE | TAILGATE HOOK PIN | AXE ACCROCHAGE PORTE POST. | HECKKLAPPENHAKENBOLZEN | |
| 45 | F01020440R | VITE M8X1,25X25 U5739 8.8ZN | SCR. M8X1,25X25 U5739 8.8ZN | VIS M8X1,25X25 U5739 8.8 ZN | SCHRAUBE M8X1,25X25U5739 8.8ZN | TORNIL.M8X1,25X25 U5739 8.8 ZN |
| 46 | B04200610R | INGRASS.A SFERE M6X1 LUNGO | GREASE NIPPLE | GRAISSEUR HYDRAULIQUE | GERADER SCHMIERNIPPEL M6X1 | |
| 47 | B07S01051R | SPINA MARTINETTO PORTELLONE | TAILGATE JACK PIN | AXE VERIN PORTE EN ARRIERE | HECKSCHINGTUR WINDE KAPFEN | |
| 48 | F01020440R | VITE M8X1,25X25 U5739 8.8ZN | SCR. M8X1,25X25 U5739 8.8ZN | VIS M8X1,25X25 U5739 8.8 ZN | SCHRAUBE M8X1,25X25U5739 8.8ZN | TORNIL.M8X1,25X25 U5739 8.8 ZN |
| 49 | B01826161R | MOLLA CONTRASTO RULLO | SPRING | RESSORT | FEDER | |
| 50 | B01700020R | ANEL. D ARR. ALB. 20-E UNI3653 | SEEGER RING | BAGUE SEEGER | SEEGERRING 20-E | |
| 51 | B00545168R | OCCHIOLO PER TENDITORI M12-DX | EYELET M12 | OEIL M12 | OSE M12 | |
| 52 | B01300612R | DISTANZIALE 30,5X42X45 | SPACER | ENTRETOISE | DISTANZSTUECK 30,5X42X45 | |
| 53 | F02050112R | ANELLO E.DE 30X 1,5 U7435 ZN | SEEGER RING 30X 1,5 U7435 C70 | SEEGER E. 30 X 1,5 U7435 C70 | SEEGERING E. 30X 1,5 U7435 C70 | ANILLO E. 30 X 1,5 U7435 C70 |
| 54 | F01020577R | VIT.M16X 2X 70 U5739 8.8 ZN | SCREW M16X 2X 70 U5739 8.8 | | | |
| 55 | F02050112R | ANELLO E.DE 30X 1,5 U7435 ZN | SEEGER RING 30X 1,5 U7435 C70 | SEEGER E. 30 X 1,5 U7435 C70 | SEEGERING E. 30X 1,5 U7435 C70 | ANILLO E. 30 X 1,5 U7435 C70 |
| 56 | BOH400060R | KIT GUARNIZIONI MARTIN H400053 | KIT CYLINDER JOINTS | KIT JOINTS POUR VERIN | KIT ZYLINDERDICHTUNGEN FUR H40 | |

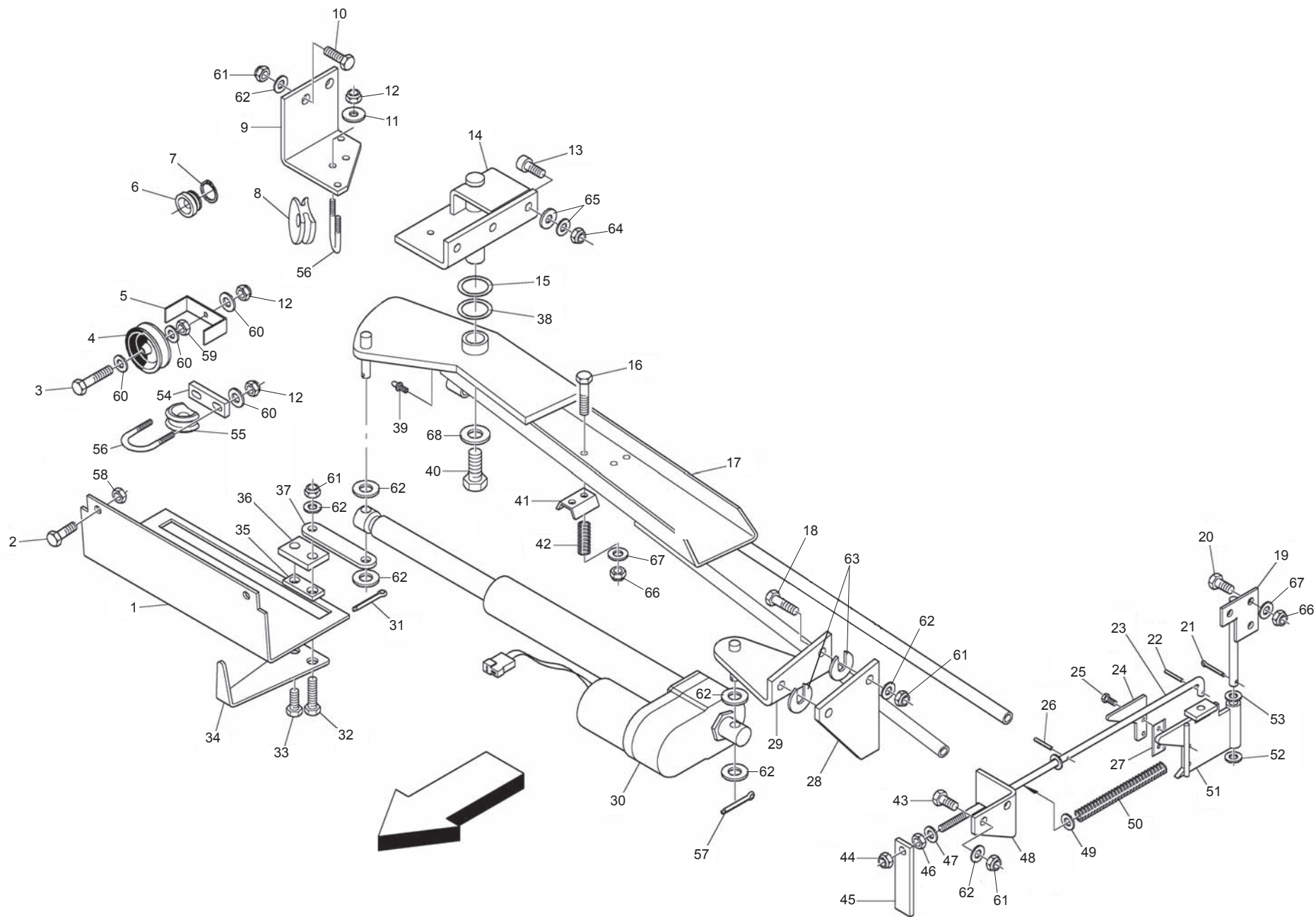


**CABLAGGIO
CONTROL SYSTEM**

TAV_310

| Pos. | Cod. | Descrizione | Description | Description | Benennung | Descripcion |
|------|------------|--------------------------------|--------------------------------|--------------------------------|--------------------------------|---------------------------------|
| 1 | BOE0P0002R | MOD.POW.BOX CON CAVI | POWER BOX MODULE WITH CONNECTI | MODULE POWER BOX AVEC ATTEL. C | MODULE KONTROLLBOX | |
| 2 | BOE0P0003R | MOD.FILO COMPL.DI SENSORI M8 | TWINE MODULE COMPLETE WITH SEN | MODULE FICELLE COMPLET AVEC CA | MODULE GARN | |
| 3 | BOE0P0004R | MODULO RETE | NET MODULE WITH CONNECTION C6P | MODULE FILET AVEC ATTELAGE C6P | MODULE NETZ MIT ANSCHLUSS | |
| 4 | BOE0P0005R | MODULO CUT CON ATTACCO C6P0085 | CUT MODULE WITH CONNECTION C6P | MODULE CUT AVEC ATTELAGE C6P00 | MODULE CUT MIT ASCHLUSS | |
| 5 | BOE0P0072R | CABLAGGIO MACCHINA | BUS | BUS | BUS FUER HALL EFFEKT | |
| 6 | BOE0P0009R | CABLAGGIO BUS AUSILIARIO | AUXILIARY BUS | BUS AUXILIAIRE | BUS | |
| 7 | BOE0P0010R | CAVO TRATTORE | TRACTOR CABLE | CABLE TRACTEUR | KABEL SCHLEPPER | |
| 8 | B00920106R | DADO M6X1 D985 8ZN | NUT | ECROU | SELBSTSICHERNDE MUTTER M6-5S | |
| 9 | F05150055R | FASCETTA POLYA. 3,6X200 NERA | WHITE BAND | BANDE BIANCHE | WEIBE BAND | CINTA BLANCA |
| 10 | F05012085R | MON DISPLAY EASYTRONIC V2018 | MON DISPLAY EASYTRONIC V2018 | | | |
| 11 | F01420035R | ROS.M6 6,4X 18X1,6 U6593 ZN | WASHER D.6 | RONDELLE D.6 | KUPFERSCHEIBE D.6 | ARANDELA D.6 |
| 12 | F01230202R | DADO M10X 1,5 D985 8 ZN | NUT M10 D985 | ECROU AUTOBL. M10 | SELBSTSPERR.MUTTER M10 | DADO AUTOBL. M10 |
| 13 | BOE0P0065R | CABLAGGIO MACCHINA | TRACTOR MACHINE WIRING FOR POW | CABLAGE TRACTEUR | KABLE FUER TRAKTOR | |
| 14 | B0C004227R | PIATTO SPOSTAMENTO SENSORE | SENSOR SHIFTING PLATE | PLAT COURSE SENSEUR | SENSORVERSCHIEBERPLATTE | PLATO DE DESPLAZAMIENTO D |
| 15 | F01020470R | VITE M10X1,5X20 U5739 8.8ZN | SCR. M10X1,5X20 U5739 8.8ZN | VIS M10X1,5X20 U5739 8.8 ZN | SCHRAUBE M10X1,5X20 U5739 ZN | TORNILLO M10X1,5X20 U5739 8.8ZN |
| 16 | B0C004224R | SOSTEGNO PROSIMITI SOSTA RETE | NET COUNTER SENSOR SUPPORT | SUPPORT PROXIMITY | NETZSENSORHALTERUNG | |
| 17 | F01420035R | ROS.M6 6,4X 18X1,6 U6593 ZN | WASHER D.6 | RONDELLE D.6 | KUPFERSCHEIBE D.6 | ARANDELA D.6 |
| 18 | B00920106R | DADO M6X1 D985 8ZN | NUT | ECROU | SELBSTSICHERNDE MUTTER M6-5S | |
| 19 | F01420035R | ROS.M6 6,4X 18X1,6 U6593 ZN | WASHER D.6 | RONDELLE D.6 | KUPFERSCHEIBE D.6 | ARANDELA D.6 |
| 20 | B00920106R | DADO M6X1 D985 8ZN | NUT | ECROU | SELBSTSICHERNDE MUTTER M6-5S | |
| 21 | F01420035R | ROS.M6 6,4X 18X1,6 U6593 ZN | WASHER D.6 | RONDELLE D.6 | KUPFERSCHEIBE D.6 | ARANDELA D.6 |
| 22 | B0C004246R | ATTACCO SENSORE PTO | PTO SENSOR ATTACHMENT | ATTELAGE CAPTEUR | PTO SENSOR ANSCHLUSS | |
| 23 | BOE0P0013R | SENS DIG.SCATOLA E BILANCERE | DIGITAL SENSOR PROXIMITY M12 | CAPTEUR DIGITAL AVEC PROXIMITY | SENSOR MIT PROXIMITY M 12 | |
| 24 | B00180625R | VITE M6X1X 25 U5739 8.8ZN | SCREW | VIS | SCHRAUBE | |
| 25 | B00920208R | DADO M8X1 D985 8ZN | NUT M8X1 D985 8ZN | ECROU | SELBSTSICHERNDE MUTTER M8-5S | |
| 26 | BOE0P0013R | SENS DIG.SCATOLA E BILANCERE | DIGITAL SENSOR PROXIMITY M12 | CAPTEUR DIGITAL AVEC PROXIMITY | SENSOR MIT PROXIMITY M 12 | |
| 27 | B0C1P1486R | SOSTEGNO SENSORE | SUPPORT SENSOR | | | |
| 28 | BOE0P0013R | SENS DIG.SCATOLA E BILANCERE | DIGITAL SENSOR PROXIMITY M12 | CAPTEUR DIGITAL AVEC PROXIMITY | SENSOR MIT PROXIMITY M 12 | |
| 29 | F01020408R | VITE M6X1X30 U5739 8.8ZN | SCR. M6X1X30 U5739 8.8ZN | VIS M 6X1X30 | SCHRAUBE M 6X1X30 | TORNILLO M 6X1X30 |
| 30 | B0C004228R | PIATTINO | PLATE | PETIT PLAT | PLATTE | |
| 31 | B0C004231R | ATTACCO POTENZIOMETRO | POTENZIOMETER ATTACHMENT | ATTELAGE POTENTIOMETRE | SENSORANSCHLUSS | |
| 32 | B00430610R | VITE STEI M 6X10-12.9 UNI 5 | SCREW | VIS | SCHRAUBE STEI M6X10-12.9 | |
| 33 | B0C004008R | PIASTRINA FINECORSIA | LIMIT SWITCH PLATE | PLAQUETTE FIN DE COURSE | ENDSCHALTERPLATTE | |
| 34 | F01020413R | VITE M6X1X40 U5739 8.8ZN | SCR. M6X1X40 U5739 8.8ZN | VIS M 6X1X40 | SCHRAUBE M 6X1X40 | TORNILLO M 6X1X40 |
| 35 | B01300866R | BOCCOLA DI MOVIMENTO | BUSH | DOUILLE | BUCHSE | |
| 36 | BOE000056R | SENSORE PROSSIMITA BALLA M12 | PROXIMITY SENSOR | CAPTEUR DE PROXIMITE | ABSTANDSMELDER | |
| 38 | BOE000056R | SENSORE PROSSIMITA BALLA M12 | PROXIMITY SENSOR | CAPTEUR DE PROXIMITE | ABSTANDSMELDER | |
| 39 | B00180615R | VITE TE UNI5739 8,8 M6X16 ZN B | SCREW | VIS | SCHRAUBE | |
| 40 | BOE0P0073R | POTENZIOMETRO DIMENSIONE BALLA | POT SIZE BALE 60 | | | |
| 41 | B00180660R | VITE ZINC.TE M 6X 60-8,8 U5739 | SCREW ZN TE M 6X 60-8,8 U5739 | | | |
| 42 | B00420820R | VITE ZINC.STEI M8X20-12.9 UNI | SCREW | | | |
| 43 | B01300866R | BOCCOLA DI MOVIMENTO | BUSH | DOUILLE | BUCHSE | |
| 44 | B01300871R | BUSSOLA PER BILANCIERE | COMPASS FOR ROCKER | | | |
| 45 | B0C004227R | PIATTO SPOSTAMENTO SENSORE | SENSOR SHIFTING PLATE | PLAT COURSE SENSEUR | SENSORVERSCHIEBERPLATTE | |
| 46 | F01020378R | VITE M5X0,8X16 U5739 8.8ZN | SCR. M5X0,8X16 U5739 8.8ZN | VIS M5X0,8X16 U5739 8.8ZN | SCHRAUBE M5X0,8X16 U5739 8.8ZN | TORNILLO M5X0,8X16 U5739 8.8ZN |
| 47 | B01300866R | BOCCOLA DI MOVIMENTO | BUSH | DOUILLE | BUCHSE | |
| 48 | F01420023R | ROS.M5 5,3X 15X1,5 U6593 ZN | WASHER M5 5,3X 15X1,5 U6593 | | | |
| 49 | F02300061R | FASCETTA POLYA. 250X4,8 NERA | POLYA.FASTENING STRAPS 250X4,8 | | | |

TAV_320

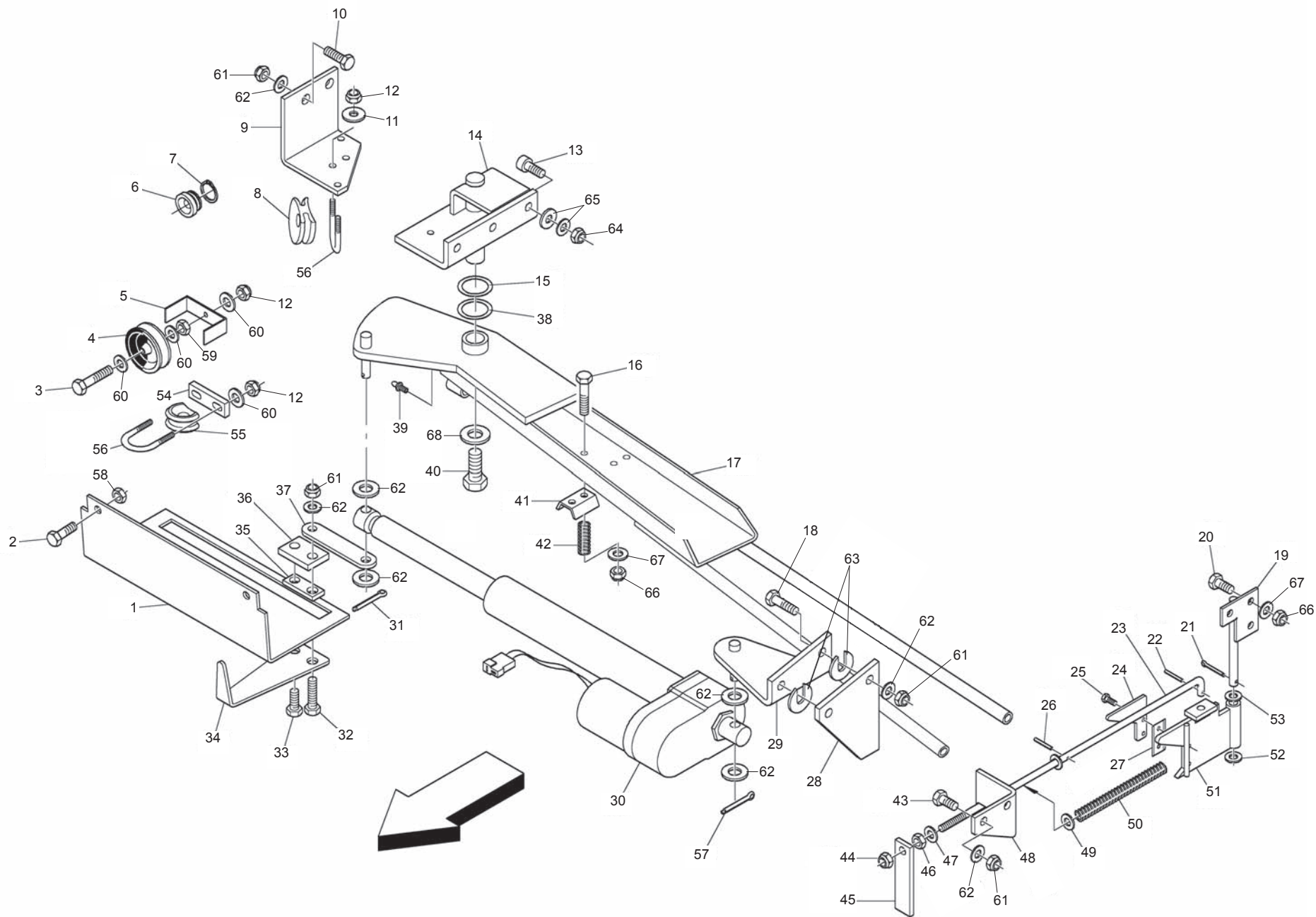


**LEGATORE FILO
TWINE BINDER**

TAV_320

| Pos. | Cod. | Descrizione | Description | Description | Benennung | Descrpcion |
|------|------------|--------------------------------|--------------------------------|--------------------------------|--------------------------------|--------------------------------|
| 1 | B0C003181R | SOSTEGNO | SUPPORT | SUPPORT | HALTER | |
| 2 | F01020472R | VITE M10X1,5X25 U5739 8.8ZN | SCR. M10X1,5X25 U5739 8.8ZN | VIS M10X1,5X25 U5739 8.8 ZN | SCHRAUBE M10X1,5X25 U5739 8.8 | TORNILLO 10X25 U5739 8.8 ZN |
| 3 | F01020413R | VITE M6X1X40 U5739 8.8ZN | SCR. M6X1X40 U5739 8.8ZN | VIS M 6X1X40 | SCHRAUBE M 6X1X40 | TORNILLO M 6X1X40 |
| 4 | B03730455R | CARRUCOLA FILO RIF.333 60 | PULLEY | POULIE AVECFIL REF.333 60 | LAUFROLLE | |
| 5 | B0C230438R | FERMO | LOCK | ARRET | HALTER | |
| 6 | B03500097R | BUSSOLA PASSAGGIO SPAGO | TWINE GUIDE BUSH | DOUILLE PASSAGE FICELLE | SCHNURFUHRUNGSBUCHSE | |
| 7 | F02050101R | ANELLO E. DE 25X 1,2 U7435 C7 | SEEGER RING E. 25X1,2 7435 C70 | SEEGER E. 25X 1,2 U7435 C70 | SEEGERING E. 25X 1,2 U7435 C70 | ANILLO E. 25X 1,2 U7435 C70 |
| 8 | B0E428699R | PASSACAVO IN PORCELLANA | TWINE GUIDE EYELET | PASSECCABLE PORCELAINE | PORZELLAN SCHNURFUHRUNGSOSE | |
| 9 | B0C003117R | ATTACCO PASSACAVI | FAIRLEAD COUPLING | ATTELAGE PASSE-CABLES | ANSLHUSS | |
| 10 | F01020510R | VITE M12X1,75X30 U5739 8.8ZN | SCR. M12X1,75X30 U5739 8.8ZN | VIS M12X1,75X30 U5739 8.8ZN | SCHRAU.M12X1,75X30 U5739 8.8ZN | TORN. M12X1,75X30 U5739 8.8ZN |
| 11 | F01420035R | ROS.M6 6,4X 18X1,6 U6593 ZN | WASHER D.6 | RONDELLE D.6 | KUPFERSCHEIBE D.6 | ARANDELA D.6 |
| 12 | B00920106R | DADO M6X1 D985 8ZN | NUT | ECROU | SELBSTSICHERNDE MUTTER M6-5S | |
| 13 | F01040112R | VITE M10X1,5X40 U5931 8.8ZN | | | | |
| 14 | B07S00988R | FULCRO LEGATORE | TYING FULCRUM | POINT D APPUI LIAGE | BINDE DREHPUNKT | |
| 15 | B01300135R | SPE.S. 28 44 0,5 | SHIM | ENTRETOISE | DISTANZSTUECK 28 44 0,5 | |
| 16 | F01020068R | VITE M8X1,25X40 U5737 8.8ZN | SCR. M8X1,25X40 U5737 8.8ZN | VIS M 8X1,25X40 U5737 8.8 ZN | SCHRA. M8X1,25X40 U5737 8.8 ZN | TORNIL.M8X1,25X40 U5737 8.8 ZN |
| 17 | B07S00990R | BRACCIO LEGATORE A FILO | TYING ARM | BRAS LIAGE FICELLE | BINDEARM | |
| 18 | B00191250R | VITE M12X1,75X 50 U5737 8.8ZN | SCREW | VIS | SCHRAUBE | |
| 19 | B07S00987R | FULCRO LAMA | BLADE FULCRUM | POINT D APPUI LAME | KLINGENSCHWENKPUNKT | |
| 20 | F01020436R | VITE M8X1,25X20 U5739 8.8ZN | SCR. M8X1,25X20 U5739 8.8ZN | VIS M8X1,25X 20 U5739 8.8 ZN | SCHRAUBE M8X1,25X20U5739 8.8ZN | TORN. M8X1,25X20 U5739 8.8 ZN |
| 21 | B01110320R | SPINA ELAST. 3X 20 SS DIN 1481 | PIN | GOUPILLE | STIFT | |
| 22 | B01110325R | SPINA ELAST. 3X 25 SS DIN 1481 | PIN | GOUPILLE | STIFT | |
| 23 | B00500057R | ASTA REGOLATRICE | ADJUSTING BAR | BARRE DE REGLAGE | REGELUNG STANGE | |
| 24 | B0C002765R | FISSAGGIO LAMA | BLADE FASTERNER | FIXAGE LAME | KLINGENHALTERUNG | |
| 25 | F01020378R | VITE M5X0,8X16 U5739 8.8ZN | SCR. M5X0,8X16 U5739 8.8ZN | VIS M5X0,8X16 U5739 8.8ZN | SCHRAUBE M5X0,8X16 U5739 8.8ZN | TORNILLO M5X0,8X16 U5739 8.8ZN |
| 26 | B01110325R | SPINA ELAST. 3X 25 SS DIN 1481 | PIN | GOUPILLE | STIFT | |
| 27 | B07U00011R | LAMA FILO | BLADE BY MARTOR ART. 37 | LAME ETS. MARTOR ART.37 | KLINGE MARTOR ART. 37 ABB. 533 | |
| 28 | B0C003123R | FERMO BRACCIO | ARM STOP | ARRET BRAS | ARMHALTER | |
| 29 | B07S01476R | ATT. ATTUATORE POTENZIOM | ACTUATOR SENSOR ATTACHMENT | ATTELAGE ACTIONNEUR POTENTIOME | E-MOTOR SENSOR ANSCHLUSS | |
| 30 | B0E000066R | ATTUATORE FILO | LINEAR ACTUATOR | ACTIONNEUR LINEAIRE | LINEARER E-MOTOR | |
| 31 | F02200195R | COPIGLIA 4X 30 U1336 ZN | SPLIT PIN 4 X30 U1336 ZN | GOUPILLE 4 X30 U1336 ZN | SPLINT 4 X30 U1336 ZN | CLAVIJA 4 X30 U1336 ZN |
| 32 | F01020514R | VITE M12X1,75X40 U5739 8.8ZN | SCR. M12X1,75X40 U5739 8.8ZN | VIS M12X1,75X40 U5739 8.8ZN | SCHRA. M12X1,75X40 U5739 8.8ZN | TORN. M12X1,75X40 U5739 8,8ZN |
| 33 | F01020508R | VITE M12X1,75X25 U5739 8.8ZN | SCR. M12X1,75X25 U5739 8.8ZN | VIS M12X1,75X25 U5739 8.8 ZN | SCHRAUBE M12X1,75X25U57398.8ZN | TORNIL.M12X1,75X25 U5739 8.8ZN |
| 34 | B0C003118R | SEGNALATORE | INDICATOR | INDICATEUR | ANZEIGER | |
| 35 | B0C003180R | GUIDA SEGNALATORE | INDICATOR GUIDE | GUIDE INDICATEUR | ANZEIGERFUHRUNG | |
| 36 | B0C003185R | FERMO SEGNALATORE | INDICATOR STOP | ARRET INDICATEUR | ANZEIGERHALTER | |
| 37 | B0C003119R | DIST.IN LAMIERA | LINK | GALETTE | KEKS | |
| 38 | B01300136R | SPE.S. 28 44 1 ZINCATO | THICKNESS 28 44 1 GALV | ENTRETOISE | DISTANZSTUECK 28 44 1 | |
| 39 | B04200610R | INGRASS.A SFERE M6X1 LUNGO | GREASE NIPPLE | GRAISSEUR HYDRAULIQUE | GERADER SCHMIERNIPPEL M6X1 | |
| 40 | F01020562R | VITE M16X2X30 U5739 8.8ZN | SCR. M16X2X30 U5739 8.8ZN | VIS M16X2X30 U5739 8.8 ZN | SCHRAUBE M16X2X30 U5739 8.8 ZN | TORNILLO M16X2X30 U5739 8.8 ZN |
| 41 | B0C630434R | FRENA SPAGO | TWINE BRAKE | PINCE FICELLE | GARNBREMSE | |
| 42 | B01821993R | MOLLA | SPRING | RESSORT | FEDER | |
| 43 | F01020510R | VITE M12X1,75X30 U5739 8.8ZN | SCR. M12X1,75X30 U5739 8.8ZN | VIS M12X1,75X30 U5739 8.8ZN | SCHRAU.M12X1,75X30 U5739 8.8ZN | TORN. M12X1,75X30 U5739 8.8ZN |
| 44 | B00920208R | DADO M8X1 D985 8ZN | NUT M8X1 D985 8ZN | ECROU | SELBSTSICHERNDE MUTTER M8-5S | |
| 45 | B0C003115R | AGGANCIO TAGLIO | COUPLER | ACCROCHAGE COUPE | ANKOPPELUNGSVORRICHTUNG | |
| 46 | B00710208R | DADO M 8X1,25 U5588 6.8 ZN | NUT | ECROU | MUTTER M8-6S | |
| 47 | F01410051R | ROS.M8 8,4X 17X1,6 U6592 ZN | WASHER M8 8,4X17X1,6 U6592 ZN | RONDELLE M8 8,4X17X1,6 ZN | SCHEIBE M8 8,4X17X1,6 U6592 ZN | ARANDELA M8 8,4X17X1,6 U6592ZN |
| 48 | B0C003116R | SOSTEGNO ASTA | BAR SUPPORT | SUPPORT BARRE | STANGEHALTER | |
| 49 | F01410051R | ROS.M8 8,4X 17X1,6 U6592 ZN | WASHER M8 8,4X17X1,6 U6592 ZN | RONDELLE M8 8,4X17X1,6 ZN | SCHEIBE M8 8,4X17X1,6 U6592 ZN | ARANDELA M8 8,4X17X1,6 U6592ZN |
| 50 | B01800036R | MOLLA C FILO 1 L=203,5ZINCATA | C-SPRING | RESSORT C | C-FEDER | |
| 51 | B07S00986R | BRACCIO LAMA | BLADE ARM | BRAS LAME | KLINGE AULEGER | |
| 52 | F01410062R | ROS.M10 10,5X 18X 2 U6592 ZN | WASHER M10 10,5X 18X 2 U6592 | RONDELLE M10 10,5X18X2 ZN | DICHTUNGSRING M10 10,5X18X2 ZN | RONDANA M10 10,5X18X2 ZN |
| 53 | F01410062R | ROS.M10 10,5X 18X 2 U6592 ZN | WASHER M10 10,5X 18X 2 U6592 | RONDELLE M10 10,5X18X2 ZN | DICHTUNGSRING M10 10,5X18X2 ZN | RONDANA M10 10,5X18X2 ZN |
| 54 | B0C633069R | SPE.S. PASSAFILO | TWINE GUIDE SHIM | EPAISSEUR PASSE-FIL | GARNFUHRUNGSDISTANZSCHEIBE | |
| 55 | B0E428699R | PASSACAVO IN PORCELLANA | TWINE GUIDE EYELET | PASSECCABLE PORCELAINE | PORZELLAN SCHNURFUHRUNGSOSE | |
| 56 | B0C228700R | CAVALLOTTO PASSACAVO | CABLE GUIDE BRACKET | BOULON PASSE-CABLE | KABEL BUEGELBOLZEN | |
| 57 | F02200195R | COPIGLIA 4X 30 U1336 ZN | SPLIT PIN 4 X30 U1336 ZN | GOUPILLE 4 X30 U1336 ZN | SPLINT 4 X30 U1336 ZN | CLAVIJA 4 X30 U1336 ZN |

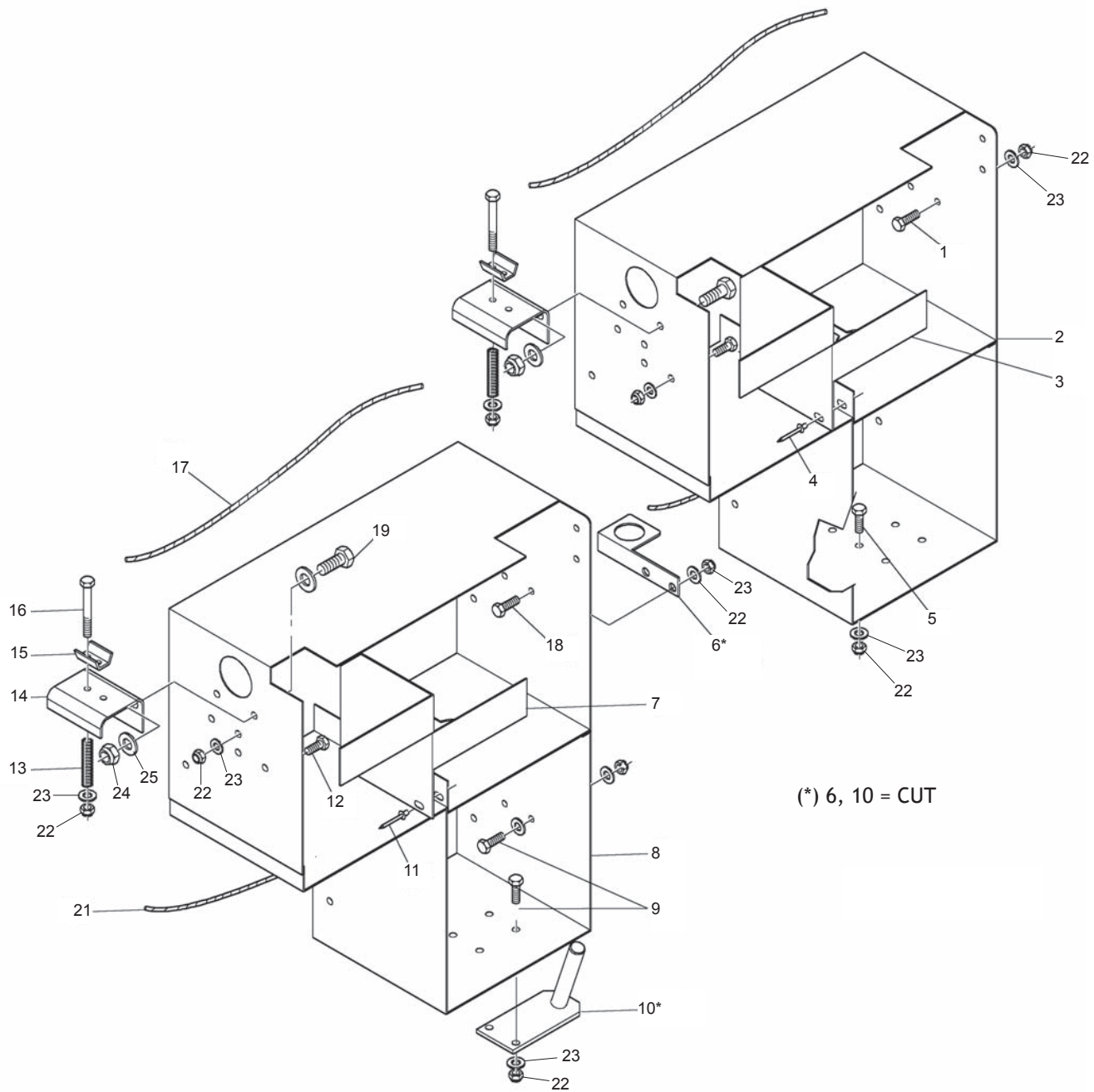
TAV_320



**LEGATORE FILO
TWINE BINDER**

TAV_320

| Pos. | Cod. | Descrizione | Description | Description | Benennung | Descripcion |
|------|------------|------------------------------|--------------------------------|--------------------------------|--------------------------------|--------------------------------|
| 58 | F01230202R | DADO M10X 1,5 D985 8 ZN | NUT M10 D985 | ECROU AUTOBL. M10 | SELBSTSPERR.MUTTER M10 | DADO AUTOBL. M10 |
| 59 | F01200232R | DADO M6X1 U5588 CL8 ZN | NUT M6X1 U5588 6.8ZN | ECROU 6 UNI 5588 6.8 ZN | MUTTER 6 UNI 5588 6.8 ZN | TUERCA 6 UNI 5588 6.8 ZN |
| 60 | F01410037R | ROS.M6 6,4X12,5X1,6 U6592 ZN | WASHER M6 6,4X12,5X1,6 U6592ZN | RONDEL.M6 6,4X12,5X1,6 U6592ZN | SCHEIB.M6 6,4X12,5X1,6 U6592ZN | ARAND.M6 6,4X12,5X1,6 U6592 ZN |
| 61 | F01230213R | DADO M12X1,75 U7474 CL8 ZN | NUT M12X1,75 U7474 6SZN | ECROU AUTOBL. M12 | SELBSTSPERR.MUTTER M12 | DADO AUTOBL. M12 |
| 62 | F01410076R | ROS.M12 13X 24X2,5 U6592 ZN | WASHER 12 13X 24X2,5 U6592 ZN | RONDEL. M12 13X24X2,5 U6592 ZN | SCHEIBE M12 13X24X2,5 U6592 ZN | ARANDELA M12 13 X24X2,5 ZN |
| 63 | B01516039R | SPES. 15 42 0,8 | SPACER | ENTRETOISE | SCHEIBE | |
| 64 | F01230202R | DADO M10X 1,5 D985 8 ZN | NUT M10 D985 | ECROU AUTOBL. M10 | SELBSTSPERR.MUTTER M10 | DADO AUTOBL. M10 |
| 65 | F01410062R | ROS.M10 10,5X 18X 2 U6592 ZN | WASHER M10 10,5X 18X 2 U6592 | RONDELLE M10 10,5X18X2 ZN | DICHTUNGSRING M10 10,5X18X2 ZN | RONDANA M10 10,5X18X2 ZN |
| 66 | B00920208R | DADO M8X1 D985 8ZN | NUT M8X1 D985 8ZN | ECROU | SELBSTSICHERNDE MUTTER M8-5S | |
| 67 | F01410051R | ROS.M8 8,4X 17X1,6 U6592 ZN | WASHER M8 8,4X17X1,6 U6592 ZN | RONDELLE M8 8,4X17X1,6 ZN | SCHEIBE M8 8,4X17X1,6 U6592 ZN | ARANDELA M8 8,4X17X1,6 U6592ZN |
| 68 | B01519319R | RALLA 16X38X5 | FIFTH WHEEL | BUTEE | SCREIBE | |



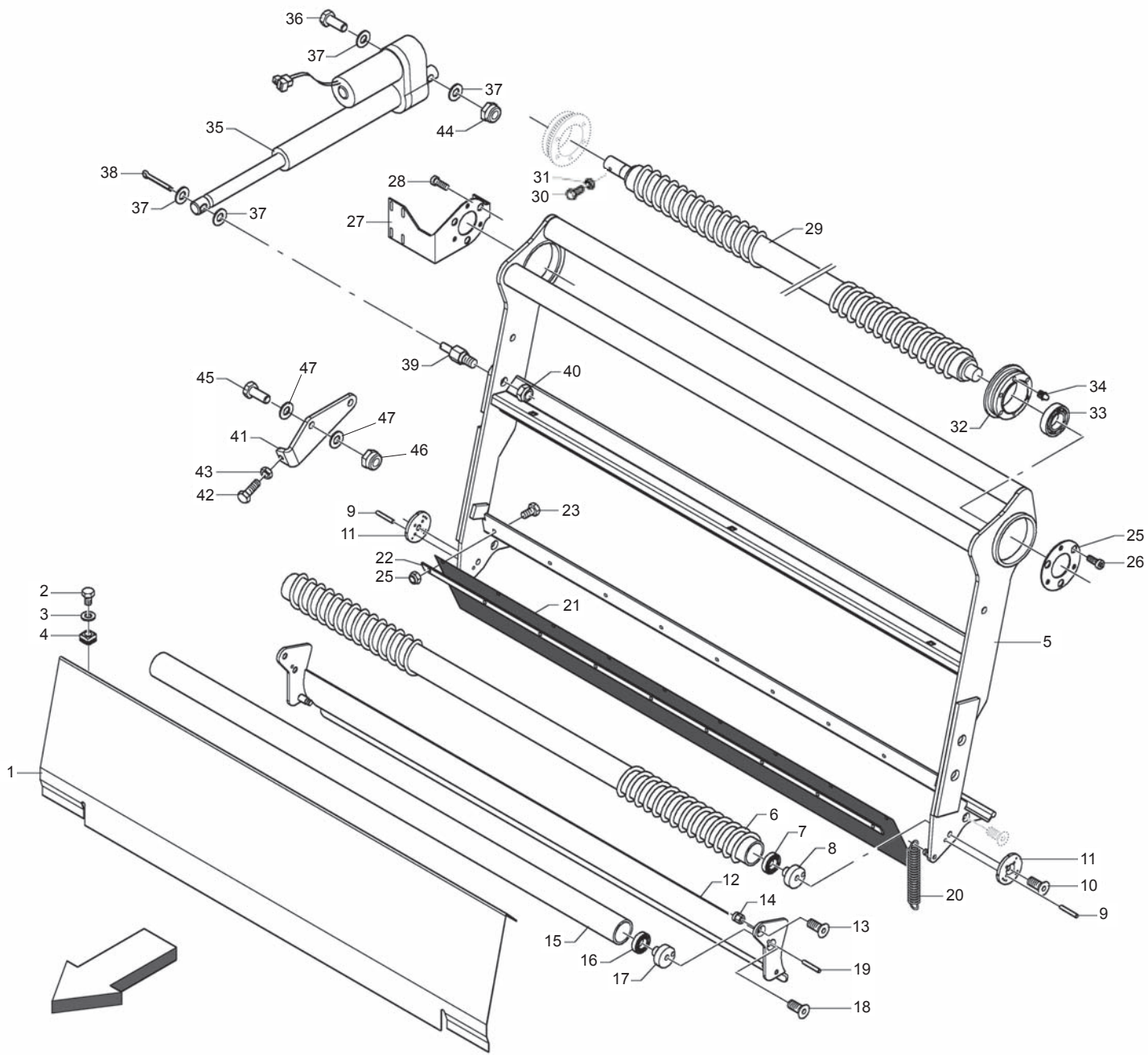
(*) 6, 10 = CUT

**LEGATORE FILO: CASSONETTO
TWINE BINDER: TWINE BOX**

TAV_330

| Pos. | Cod. | Descrizione | Description | Description | Benennung | Descripcion |
|------|------------|-------------------------------|-------------------------------|------------------------------|--------------------------------|--------------------------------|
| 1 | F01020436R | VITE M8X1,25X20 U5739 8.8ZN | SCR. M8X1,25X20 U5739 8.8ZN | VIS M8X1,25X 20 U5739 8.8 ZN | SCHRAUBE M8X1,25X20U5739 8.8ZN | TORN. M8X1,25X20 U5739 8.8 ZN |
| 2 | B07S00661R | CASSONETTO PORTASPAGO | TWINE HOUSING | CAISSE PORTE FICELLE | GARNAUFNAHMEKASTEN | |
| 3 | B0C003237R | SEPARATORE ROTOLI | ROLLS SEPARATOR | SEPARATEUR ROULEAUX | ROTORENSCHEIDER | |
| 4 | F02250111R | RIVETTO STR. 4 X 6 U9200A AL | RIVET 4 X6 | RIVET 4 X6 | KUPFERNIET 4 X6 | REMACHE 4 X6 |
| 5 | F01020436R | VITE M8X1,25X20 U5739 8.8ZN | SCR. M8X1,25X20 U5739 8.8ZN | VIS M8X1,25X 20 U5739 8.8 ZN | SCHRAUBE M8X1,25X20U5739 8.8ZN | TORN. M8X1,25X20 U5739 8.8 ZN |
| 6 | B0C003239R | FERMO MANOVELLA | LOCK HANDLE | ARRET MANIVELLE | KURBELBEFESTIGER | |
| 7 | B0C003237R | SEPARATORE ROTOLI | ROLLS SEPARATOR | SEPARATEUR ROULEAUX | ROTORENSCHEIDER | |
| 8 | B07S00661R | CASSONETTO PORTASPAGO | TWINE HOUSING | CAISSE PORTE FICELLE | GARNAUFNAHMEKASTEN | |
| 9 | F01020436R | VITE M8X1,25X20 U5739 8.8ZN | SCR. M8X1,25X20 U5739 8.8ZN | VIS M8X1,25X 20 U5739 8.8 ZN | SCHRAUBE M8X1,25X20U5739 8.8ZN | TORN. M8X1,25X20 U5739 8.8 ZN |
| 10 | B07S01032R | SOSTEGNO MANOVELLA | HANDLE SUPPORT | SUPPORT MANIVELLE | KURBELSTUETZE | |
| 11 | F02250111R | RIVETTO STR. 4 X 6 U9200A AL | RIVET 4 X6 | RIVET 4 X6 | KUPFERNIET 4 X6 | REMACHE 4 X6 |
| 12 | F01020436R | VITE M8X1,25X20 U5739 8.8ZN | SCR. M8X1,25X20 U5739 8.8ZN | VIS M8X1,25X 20 U5739 8.8 ZN | SCHRAUBE M8X1,25X20U5739 8.8ZN | TORN. M8X1,25X20 U5739 8.8 ZN |
| 13 | B01812161R | MOLLA C FILO 1 L=68,5 | SPRING | RESSORT | FEDER | |
| 14 | B0C531192R | SUPP. FRENA SPAGO | TWINE LOCKING SUPPORT | SUPPORT FREIN-FICELLE | GARNBREMSENHALTER | |
| 15 | B0C627148R | FRENO SPAGO | TWINE BRAKE | PINCE FICELLE | GARNBREMSE | |
| 16 | B00190890R | VITE M 8X1,25X 90 U5737 8.8ZN | SCREW | VIS | SCHRAUBE | |
| 17 | B07V00068R | FUNE ELASTICA DIAM.6 - L=650 | ELASTIC ROPE L=650 | CABLE ELASTIQUE 6 L=650 | ELASTISCHSEIL 6 L=650 | |
| 18 | F01020436R | VITE M8X1,25X20 U5739 8.8ZN | SCR. M8X1,25X20 U5739 8.8ZN | VIS M8X1,25X 20 U5739 8.8 ZN | SCHRAUBE M8X1,25X20U5739 8.8ZN | TORN. M8X1,25X20 U5739 8.8 ZN |
| 19 | F01020436R | VITE M8X1,25X20 U5739 8.8ZN | SCR. M8X1,25X20 U5739 8.8ZN | VIS M8X1,25X 20 U5739 8.8 ZN | SCHRAUBE M8X1,25X20U5739 8.8ZN | TORN. M8X1,25X20 U5739 8.8 ZN |
| 21 | B07V00069R | FUNE ELASTICA DIAM.6 - L=350 | ELASTIC ROPE L=350 | CABLE ELASTIQUE 6 L=350 | ELASTISCHSEIL 6 L=350 | |
| 22 | B00920208R | DADO M8X1 D985 8ZN | NUT M8X1 D985 8ZN | ECROU | SELBSTSICHERNDE MUTTER M8-5S | |
| 23 | F01410051R | ROS.M8 8,4X 17X1,6 U6592 ZN | WASHER M8 8,4X17X1,6 U6592 ZN | RONDELLE M8 8,4X17X1,6 ZN | SCHEIBE M8 8,4X17X1,6 U6592 ZN | ARANDELA M8 8,4X17X1,6 U6592ZN |
| 24 | F01230202R | DADO M10X 1,5 D985 8 ZN | NUT M10 D985 | ECROU AUTOBL. M10 | SELBSTSPERR.MUTTER M10 | DADO AUTOBL. M10 |
| 25 | F01410062R | ROS.M10 10,5X 18X 2 U6592 ZN | WASHER M10 10,5X 18X 2 U6592 | RONDELLE M10 10,5X18X2 ZN | DICHTUNGSRING M10 10,5X18X2 ZN | RONDANA M10 10,5X18X2 ZN |

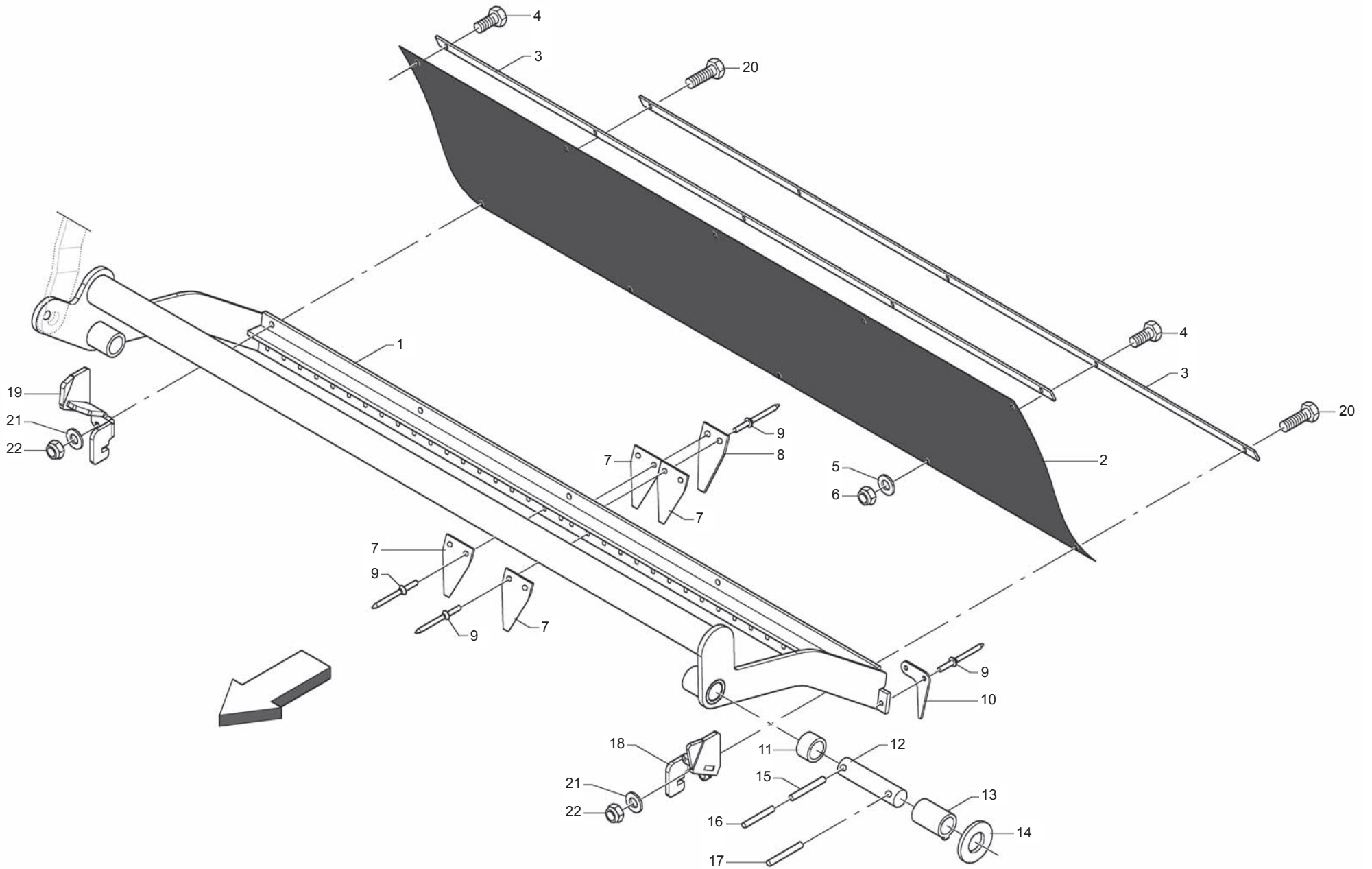
TAV_340



**LEGATORE RETE (PARTE 1)
NET BINDER (PART 1)**

TAV_340

| Pos. | Cod. | Descrizione | Description | Description | Benennung | Descripcion |
|------|------------|--------------------------------|-------------------------------|--------------------------------|--------------------------------|--------------------------------|
| 1 | B0C3P0035R | PROT. PORTARETE | NET HOLDER PROTECTION | PROTECTION PORTE FILET | SCHUETZ NETZHALTER | |
| 2 | F01020432R | VITE M8X1,25X16 U5739 8.8ZN | SCR. M8X1,25X16 U5739 8.8ZN | VIS M8 X1,25X16 U5739 8.8 ZN | SCHRAUBE M8X1,25X16U5739 8.8ZN | TORNILLO M8X1,25X16U5739 8.8ZN |
| 3 | F01410051R | ROS.M8 8,4X 17X1,6 U6592 ZN | WASHER M8 8,4X17X1,6 U6592 ZN | RONDELLE M8 8,4X17X1,6 ZN | SCHEIBE M8 8,4X17X1,6 U6592 ZN | ARANDELA M8 8,4X17X1,6 U6592ZN |
| 4 | B00990003R | DADO TIPO C 4808-BM8X1,25 | NUT | ECROU | MUTTER | |
| 5 | B07SP0090R | BRACCIO PORTARETE | NET HOLDER ARM | BRAS PORTE FILET | NETZHALTERARM | |
| 6 | B07S00648R | RULLO FOLLE RETE | IDLE ROLLER | ROULEAU FOU | UMLLENKWALZE | |
| 7 | B02301716R | CUSC. 2203 E-2RS1TN9 RIF.SKF | BEARING | ROULEMENT | LAGER 2203 E-2RS1TN9 RIF. SKF | |
| 8 | B035P0008R | PERNO RULLO FOLLE NEW | NEW IDLE ROLLER PIN | TOURILLON ROULEAU FOU NEW | BOLZEN UMLLENKWALZE | |
| 9 | F02100079R | SPINA E.P. 5X20 U6873 C70 BR | PIN EL. 5X20 U6873 C70 BR | | | |
| 10 | B00441025R | VITE TSPEI M10X 25-10.9 UNI59 | SCREW | VIS | SCHRAUBE VERZINKT TSPEI M10X25 | |
| 11 | B013P0128R | RALLA DI FERMO | STOP FIFTH WHEEL | EXCENTRIQUES | DISTANZSCHEIBE | |
| 12 | B07SP0286R | PINZA RETE | NET CLAMP | ETRIER FILET | NETZZANGE | |
| 13 | B00441020R | VITE TSPEI M10X 20-10.9 UNI 5 | SCREW | VIS | SCHRAUBE TSPEI M10X 20-10.9 | |
| 14 | B01300401R | BUSSOLA FILETTATA | PIN WITHOUT NET | DOUILLE FILETEE | NETZAUFNAHMEZANGENBOLZEN | |
| 15 | B07SP0100R | CORPO RULLO FOLLE LISCIO | SMOOTH IDLE ROLLER BODY | CORPS ROULEAU FOU LISSE | GEHAUSE DER GLATTLOSCHWALZE | |
| 16 | B02301716R | CUSC. 2203 E-2RS1TN9 RIF.SKF | BEARING | ROULEMENT | LAGER 2203 E-2RS1TN9 RIF. SKF | |
| 17 | B035P0008R | PERNO RULLO FOLLE NEW | NEW IDLE ROLLER PIN | TOURILLON ROULEAU FOU NEW | BOLZEN UMLLENKWALZE | |
| 18 | B00441020R | VITE TSPEI M10X 20-10.9 UNI 5 | SCREW | VIS | SCHRAUBE TSPEI M10X 20-10.9 | |
| 19 | B01110612R | SPINA ELAST. 6X 12 SS DIN 1481 | PIN | GOUPILLE | STIFT | |
| 20 | B01800025R | MOLLA 2 13 98T GRUPPO RETE | SPRING | RESSORT | FEDER | |
| 21 | B07VP0001R | BANDELLA DI SOSTEGNO | SUPPORT BAND | BANDE DE SUPPORT | HALTERBANDE | |
| 22 | B0C2P0020R | PREMIGOMMA | RUBBER HOLDER | PRESSE-CAOUTCHOUC | GUMMIDRUCKER | |
| 23 | B00180620R | VITE M6X1X20 U5739 8.8ZN | SCREW | VIS | SCHRAUBE | |
| 25 | B01300389R | FLANGIA DI CONTEGNO | FLANGE | FLASQUE | DICHTUNGSFLANSCH | |
| 26 | B00400825R | VITE M8X1,25X25 U5931 10.9ZD | SCREW | VIS | SCHRAUBE | |
| 27 | B0C002076R | PIASTRA DX RITEGNO | RIGHT PLATE | PLAQUE DROITE | RECHTE HALTEPLATTE | |
| 28 | B00400825R | VITE M8X1,25X25 U5931 10.9ZD | SCREW | VIS | SCHRAUBE | |
| 29 | B07S00649R | RULLO CONTARETE | NET COUNTER ROLLER | ROULEAU COMPTE-FILET | NETZZAHLERWALZE | |
| 30 | B0E000018R | MAGNETE TONDO 22 M5 L=20 | ROUND MAGNET 22 M5 L | AIMANT RONDE 22 M5 L=20 | RUNDER MAGNET 22 M5 L | |
| 31 | F01200220R | DADO M5X0,8 U5588 CL8 ZN | NUT M5X0,8 U5588 6.8ZN | ECROU 5 UNI 5588 6.8 ZN | MUTTER 5 UNI 5588 6.8 ZN | TUERCA 5 UNI 5588 6.8 ZN |
| 32 | B02700044R | SUPP BRAC PORTA RETE E RULLO | NET AND ROLLER ARM SUPPORT | SUPPORT BRAS PORTE-FILET ET RO | LAGER DES NETZTRAGERARMS UND W | |
| 33 | B02042517R | CUSC 6305-2RS CAT.B-ST004 | BEARING | ROULEMENT | LAGER 6305-2RS | |
| 34 | F01100048R | ING.M 8X1,25 7663A 9SMNPB28 Z | GREASE NIPPLE M8X1,25 U7663A | GRAISSEUR A BILLES M8X1,25 | SCHMIERBUECHSE M8X1,25 7663A | ENGRAS. DE ESFERAS M8 X 1,25 A |
| 35 | B0E000045R | ATTUATORE RETE | NET ACTUATOR | ACTIONNEUR WARNER D13-05B5-06 | AKTUATOR WARNER D13 05B506111 | |
| 36 | F01020164R | VITE M12X1,75X70 U5737 8.8ZN | SCREW M12X1,75X70 U5737 8.8ZN | VIS M12X1,75X70 ZN | SCHR. M12X1,75X70 U5737 8.8 ZN | TORN. M12X1,75X70 U5737 8.8 ZN |
| 37 | F01410076R | ROS.M12 13X 24X2,5 U6592 ZN | WASHER 12 13X 24X2,5 U6592 ZN | RONDEL. M12 13X24X2,5 U6592 ZN | SCHEIBE M12 13X24X2,5 U6592 ZN | ARANDELA M12 13 X24X2,5 ZN |
| 38 | F02200164R | COPIGLIA 3X 30 U1336 ZN | SPLIT PIN 3X 30 U1336 ZN | | | |
| 39 | B03500063R | PERNO ECCENTRICO | ECCENTRIC PIN | TOURILLON EXCENTRE | EXZENTERZAPFEN | |
| 40 | B00920516R | DADO M16X 1,5 D985 6S ZN | NUT M16X1,5 D985 6S ZN | ECROU | SELBSTSICHERNDE MUTTER M16-5S | |
| 41 | B0C4P0009R | FERMO | LOCK | ARRET | BLOCK | |
| 42 | F01020517R | VITE M12X1,75X50 U5739 8.8ZN | SCR. M12X1,75X50 U5739 8.8ZN | VIS M12X1,75X50 5739 8.8 ZN | SCHRA. M12X1,75X50 5739 8.8 ZN | TORN. M12X1,75X50 5739 8.8 ZN |
| 43 | F01200293R | DADO M12X1,75 U5588 CL8 ZN | NUT M12X1,75 U5588 6S ZN | ECROU M12X1,75 U5588 6S ZN | MUTTER M12X1,75 U5588 6S ZN | TUERCA M12X1,75 U5588 6S ZN |
| 44 | F01230213R | DADO M12X1,75 U7474 CL8 ZN | NUT M12X1,75 U7474 6SZN | ECROU AUTOBL. M12 | SELBSTSPERR.MUTTER M12 | DADO AUTOBL. M12 |
| 45 | B00471025R | VITE TTEI M10X 25-8.8 UNBRA | SCREW | VIS | SCHRAUBE TTEI M10X 25-8.8 | |
| 46 | F01230202R | DADO M10X 1,5 D985 8 ZN | NUT M10 D985 | ECROU AUTOBL. M10 | SELBSTSPERR.MUTTER M10 | DADO AUTOBL. M10 |
| 47 | F01410062R | ROS.M10 10,5X 18X 2 U6592 ZN | WASHER M10 10,5X 18X 2 U6592 | RONDELLE M10 10,5X18X2 ZN | DICHTUNGSRING M10 10,5X18X2 ZN | RONDANA M10 10,5X18X2 ZN |

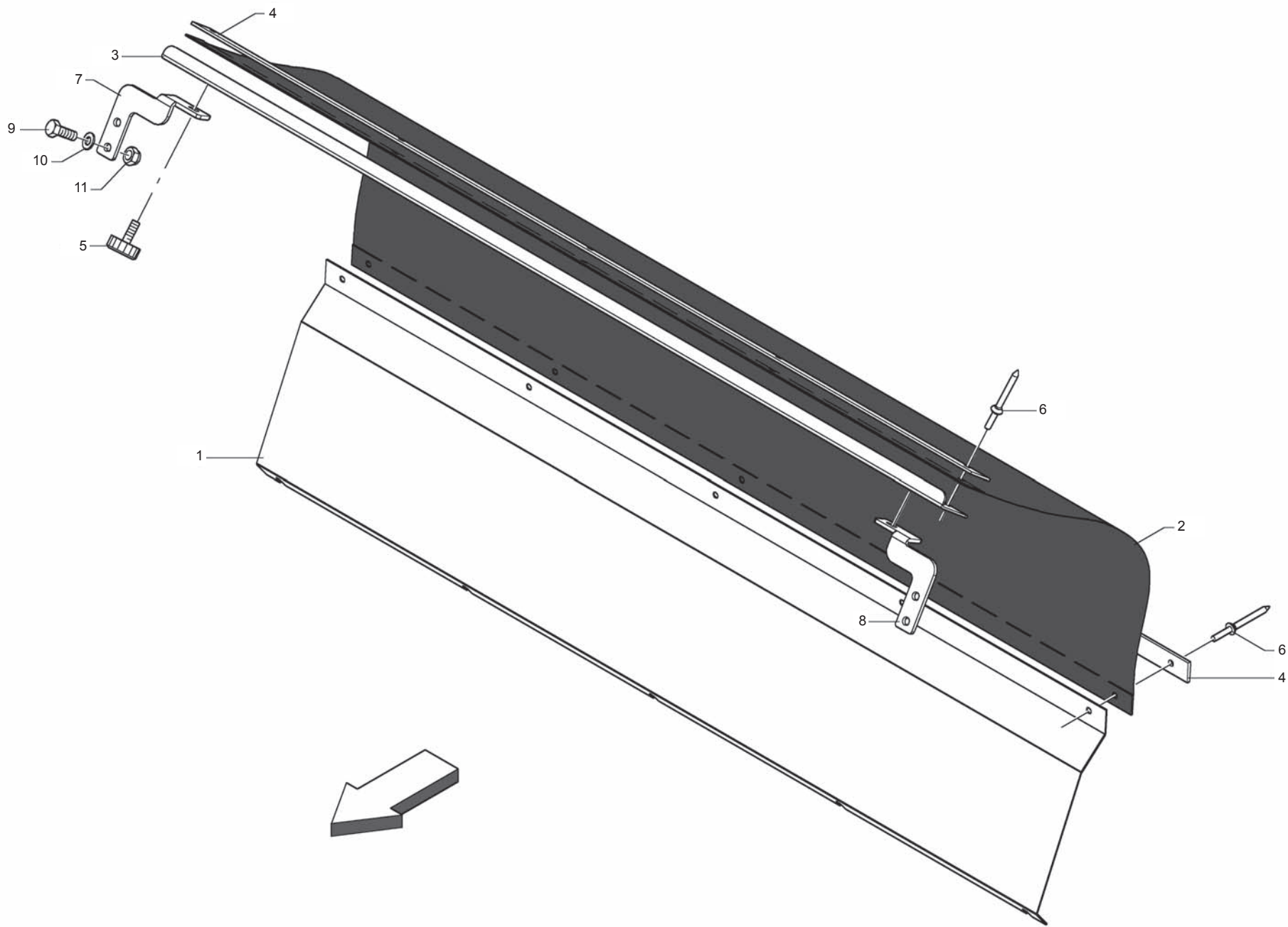


**LEGATORE RETE (PARTE 2)
NET BINDER (PART 2)**

TAV_350

| Pos. | Cod. | Descrizione | Description | Description | Benennung | Descripcion |
|------|------------|--------------------------------|--------------------------------|--------------------------------|--------------------------------|--------------------------------|
| 1 | B07SP0279R | BRACCIO LAMA | KNIVE HARM | BRAS COUTEAUX | KLINGEARM | |
| 2 | B07VP0010R | CHIUSURA IN TELA PER LAMA | CLOTH CLOSURE FOR BLADE | FERMETURE EN TOILE POUR LAME | VERSCHLUSS AUS TUCH FUER KLING | |
| 3 | B0C002398R | PREMIGOMMA | RUBBERHOLDER | PRESSE-PNEU | GUMMIHALTERLEISTE | |
| 4 | B00180620R | VITE M6X1X20 U5739 8.8ZN | SCREW | VIS | SCHRAUBE | |
| 5 | F01410037R | ROS.M6 6,4X12,5X1,6 U6592 ZN | WASHER M6 6,4X12,5X1,6 U6592ZN | RONDEL.M6 6,4X12,5X1,6 U6592ZN | SCHEIB.M6 6,4X12,5X1,6 U6592ZN | ARAND.M6 6,4X12,5X1,6 U6592 ZN |
| 6 | B00920106R | DADO M6X1 D985 8ZN | NUT | ECROU | SELBSTSICHERNDE MUTTER M6-5S | |
| 7 | B07U00012R | LAMINO RASSPE D200 LISCIA | PLATE RASPE D200 | PETITE LAME DE COUPE FILET | | |
| 8 | B0C6P0334R | COMPENSO LAMINI SU BRACCIO LAM | SHIM | EPAISSEUR | DICHTUNG | |
| 9 | B01000013R | RIVETTO STR. 6X18 U9200A.AL | RIVET | RIVET | ABREISSNIETEN 6X18 | |
| 10 | B0C6P0050R | TERMINALE LAMA | BLADE END | TERMINAL LAME | KLINGE ENDE | |
| 11 | B013C0012R | DISTANZIALE 25.5X33.7X20 | SPACER | ENTRETOISE | DISTANZSTUECK | |
| 12 | B01300390R | SPINA SX BRACCIO TAGLIA RETE | ARM LEFT PIN | EPINE GAUCHE BRAS COUPE-FILET | LINKER NETZSCHNEIDEVORRICHTUNG | |
| 13 | B02526852R | BUSSOLA NYLON | NYLON BUSH | GALET | BUCHSE | |
| 14 | B01522663R | SPES. 25 45 | SHIM | ENTRETOISE | SCHEIBE | |
| 15 | F02100090R | SPINA E.P. 5X 40 U6873 C70 BR | ELASTIC PIN 5X40 | GOUJON ELASTIQUE 5X40 | SPANNHUELSE 5X40 | ESPINA ELASTICA 5X40 |
| 16 | F02100142R | SPINA E.P. 8X 40 U6873 C70 BR | ELASTIC PIN 8X40 | GOUJON ELASTIQUE 8X40 | SPANNHUELSE 8X40 | ESPINA ELASTICA 8X40 |
| 17 | F02100142R | SPINA E.P. 8X 40 U6873 C70 BR | ELASTIC PIN 8X40 | GOUJON ELASTIQUE 8X40 | SPANNHUELSE 8X40 | ESPINA ELASTICA 8X40 |
| 18 | B07SP0245R | FERMO DESTRO ALZO | RIGH STOP | ARRET DROIT | BLOCK RECHTS | |
| 19 | B07SP0246R | FERMO SINISTRO ALZO | LEFT STOP | ARRET GAUCHE | BLOCK LINKS | |
| 20 | F01020408R | VITE M6X1X30 U5739 8.8ZN | SCR. M6X1X30 U5739 8.8ZN | VIS M 6X1X30 | SCHRAUBE M 6X1X30 | TORNILLO M 6X1X30 |
| 21 | F01410037R | ROS.M6 6,4X12,5X1,6 U6592 ZN | WASHER M6 6,4X12,5X1,6 U6592ZN | RONDEL.M6 6,4X12,5X1,6 U6592ZN | SCHEIB.M6 6,4X12,5X1,6 U6592ZN | ARAND.M6 6,4X12,5X1,6 U6592 ZN |
| 22 | B00920106R | DADO M6X1 D985 8ZN | NUT | ECROU | SELBSTSICHERNDE MUTTER M6-5S | |

TAV_360

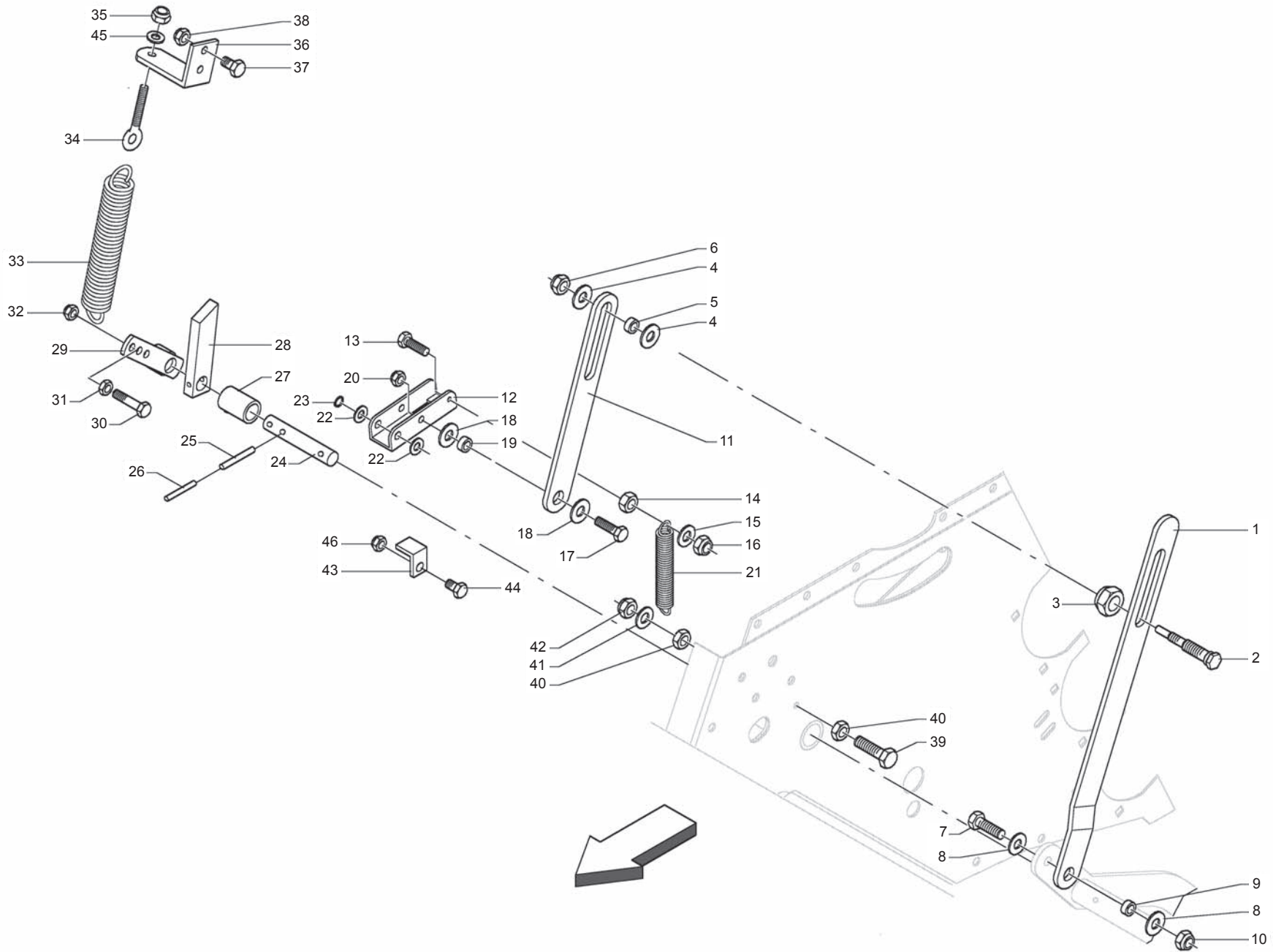


**LEGATORE RETE (PARTE 3)
NET BINDER (PART 3)**

TAV_360

| Pos. | Cod. | Descrizione | Description | Description | Benennung | Descripcion |
|------|------------|--------------------------------|-------------------------------|--------------------------------|--------------------------------|-------------------------------|
| 1 | B0C2P0030R | PROT. INFERIORE | LOWER PROTECTION | PROTECTION INFERIEURE | SCHUETZ UNTEN | |
| 2 | B07V00062R | CHIUSURA IN GOMMA | RUBBER CLOSING | FERMETURE EN CAOUTCHOUC | GUMMIVERSCHLUSS | |
| 3 | B0C2P0029R | LAMIERA SOSTEGNO PROT. | LAMIERA SOSTEGNO PROT. | | | |
| 4 | B0C002398R | PREMIGOMMA | RUBBERHOLDER | PRESSE-PNEU | GUMMIHALTERLEISTE | |
| 5 | B07V00106R | VOLANTINO M8X15 DIAM. 30 | KNOB WHEEL | VOLAN M 8 DIAM. 30X19 | HANDRAD | |
| 6 | B01000011R | RIVETTO STR. 6X12 U9200AAL | RIVET 6X12 U9200AAL | RIVET | ABREISSNIETEN 6X15 | |
| 7 | B0C6P0061R | ATT.DX PROTEZ.SPRINTER TROTTER | RIGHT ATTACHMENT | ATTELAGE DROIT | ANSCHL. RECHTS SCHUTZ SPRINTE | |
| 8 | B0C6P0062R | ATT.SX PROTEZ.SPRINTER TROTTER | LEFT ATTACHMENT | ATTELAGE GAUCHE | ANSCHLUSS LINKS SCHUTZ SPR. | |
| 9 | F01020514R | VITE M12X1,75X40 U5739 8.8ZN | SCR. M12X1,75X40 U5739 8.8ZN | VIS M12X1,75X40 U5739 8.8ZN | SCHRA. M12X1,75X40 U5739 8.8ZN | TORN. M12X1,75X40 U5739 8,8ZN |
| 10 | F01410076R | ROS.M12 13X 24X2,5 U6592 ZN | WASHER 12 13X 24X2,5 U6592 ZN | RONDEL. M12 13X24X2,5 U6592 ZN | SCHEIBE M12 13X24X2,5 U6592 ZN | ARANDELA M12 13 X24X2,5 ZN |
| 11 | F01230213R | DADO M12X1,75 U7474 CL8 ZN | NUT M12X1,75 U7474 6SZN | ECROU AUTOBL. M12 | SELBSTSPERR.MUTTER M12 | DADO AUTOBL. M12 |

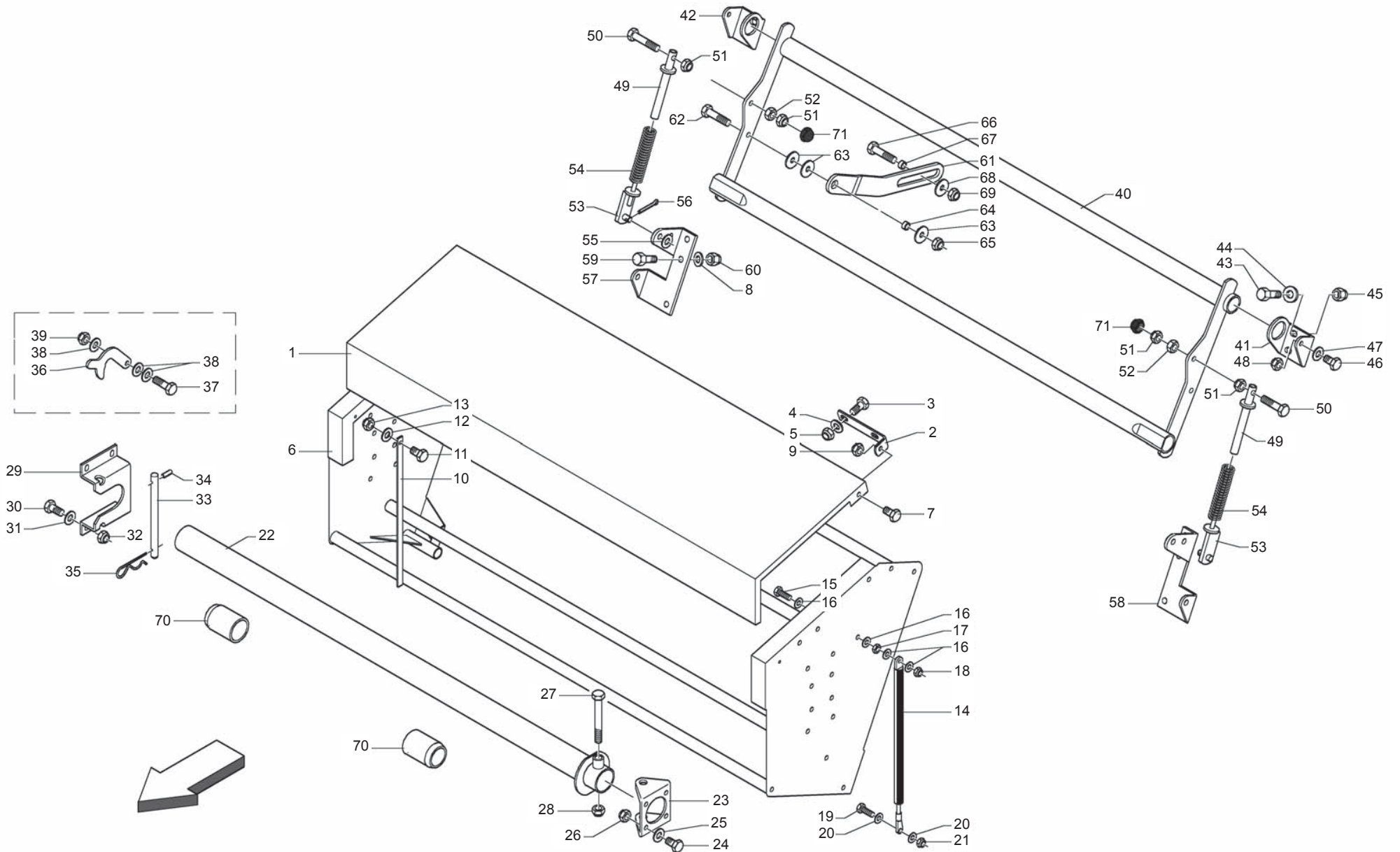
TAV_370



**LEGATORE RETE (PARTE 4)
NET BINDER (PART 4)**

TAV_370

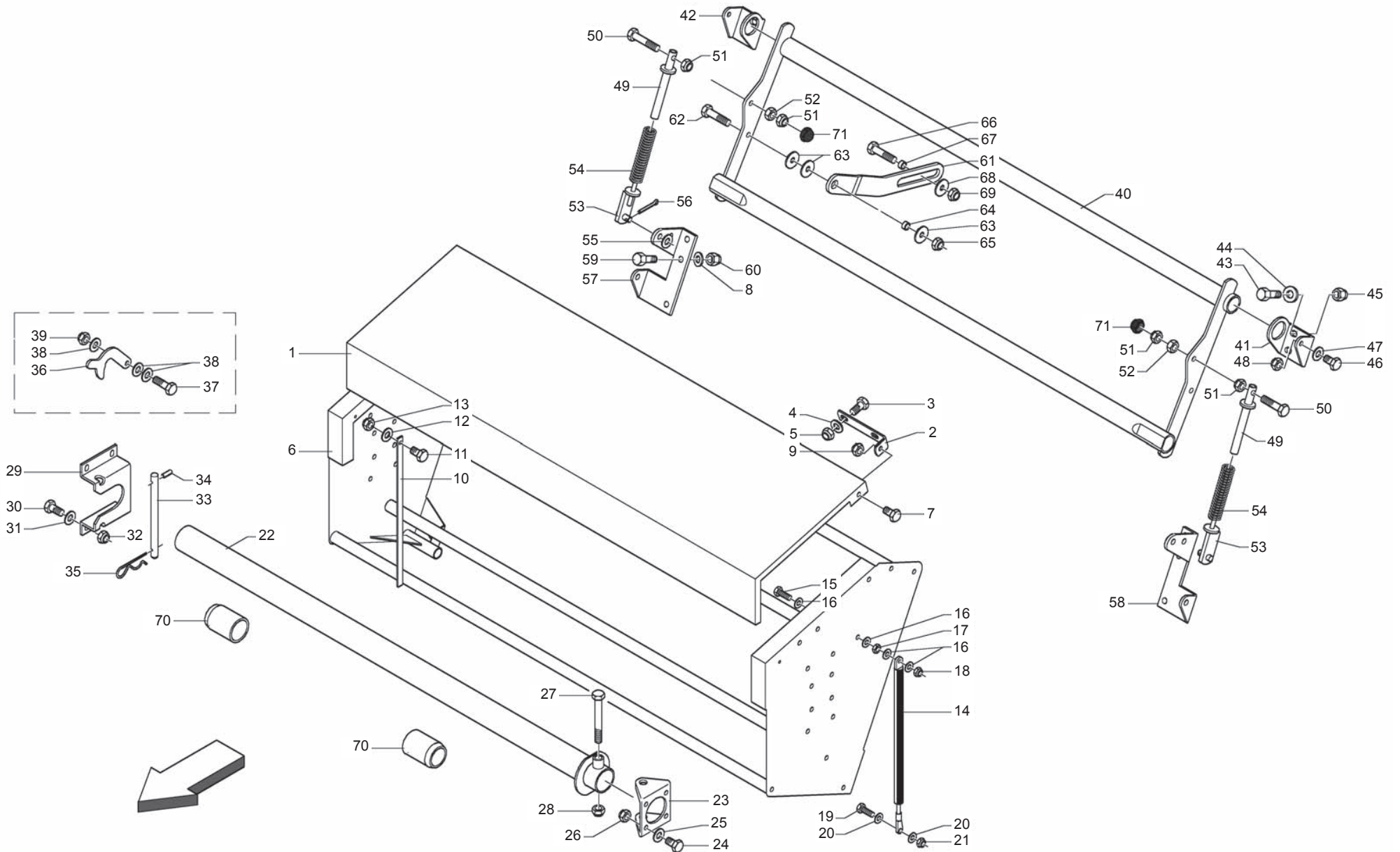
| Pos. | Cod. | Descrizione | Description | Description | Benennung | Descripcion |
|------|------------|--------------------------------|-------------------------------|------------------------------|--------------------------------|--------------------------------|
| 1 | B0C002043R | COLLEGAMENTO LAMA | BLADE CONNECTION | CONNEXION LAME | KLINGENKUPPLUNG | |
| 2 | B01300402R | PERNO CARICA LAMA | BLADE PIN | PIVOT CHARGE LAME | KLINGENSPANNVORRICHTUNGSBOLZEN | |
| 3 | B00920516R | DADO M16X 1,5 D985 6S ZN | NUT M16X1,5 D985 6S ZN | ECROU | SELBSTSICHERNDE MUTTER M16-5S | |
| 4 | F01420120R | ROS.M12 13X36X2,5 U6593 ZN | WASHER M12 13X36X2,5 U6593 ZN | RONDELLE M12 13X36X2,5 ZN | | |
| 5 | B01300463R | BUSSOLA 12.5X20X10 | BUSH | DOUILLE | KOMPASS | |
| 6 | F01230213R | DADO M12X1,75 U7474 CL8 ZN | NUT M12X1,75 U7474 6SZN | ECROU AUTOBL. M12 | SELBSTSPERR.MUTTER M12 | DADO AUTOBL. M12 |
| 7 | F01020512R | VITE M12X1,75X35 U5739 8.8ZN | SCR. M12X1,75X35 U5739 8.8ZN | VIS M12X1,75X35 5739 8.8 ZN | SCHR. M12X1,75X35 5739 8.8 ZN | TORN. M12X1,75X35 5739 8.8 ZN |
| 8 | F01420120R | ROS.M12 13X36X2,5 U6593 ZN | WASHER M12 13X36X2,5 U6593 ZN | RONDELLE M12 13X36X2,5 ZN | | |
| 9 | B01300463R | BUSSOLA 12.5X20X10 | BUSH | DOUILLE | KOMPASS | |
| 10 | F01230213R | DADO M12X1,75 U7474 CL8 ZN | NUT M12X1,75 U7474 6SZN | ECROU AUTOBL. M12 | SELBSTSPERR.MUTTER M12 | DADO AUTOBL. M12 |
| 11 | B0C002081R | LEVA SGANCIO LAMA | BLADE UNLOCK LEVER | LEVIER DECROCHET LAME | KLINGENAUSSLOESERHEBEL | |
| 12 | B0C002075R | GANCIO LAMA FFPRO | BLADE HOOK FFPRO | CROCHET LAME | KLINGENHAKEN | |
| 13 | F01020445R | VITE M8X1,25X30 U5739 8.8ZN | SCR. M8X1,25X30 U5739 8.8ZN | VIS M 8X1,25X30 U5739 8.8 ZN | SCHRAU, M8X1,25X30 U5739 8.8ZN | TORN. M8X1,25X30 U5739 8.8 ZN |
| 14 | B00710208R | DADO M 8X1,25 U5588 6.8 ZN | NUT | ECROU | MUTTER M8-6S | |
| 15 | F01410051R | ROS.M8 8,4X 17X1,6 U6592 ZN | WASHER M8 8,4X17X1,6 U6592 ZN | RONDELLE M8 8,4X17X1,6 ZN | SCHEIBE M8 8,4X17X1,6 U6592 ZN | ARANDELA M8 8,4X17X1,6 U6592ZN |
| 16 | B00920208R | DADO M8X1 D985 8ZN | NUT M8X1 D985 8ZN | ECROU | SELBSTSICHERNDE MUTTER M8-5S | |
| 17 | F01020512R | VITE M12X1,75X35 U5739 8.8ZN | SCR. M12X1,75X35 U5739 8.8ZN | VIS M12X1,75X35 5739 8.8 ZN | SCHR. M12X1,75X35 5739 8.8 ZN | TORN. M12X1,75X35 5739 8.8 ZN |
| 18 | F01420120R | ROS.M12 13X36X2,5 U6593 ZN | WASHER M12 13X36X2,5 U6593 ZN | RONDELLE M12 13X36X2,5 ZN | | |
| 19 | B01300463R | BUSSOLA 12.5X20X10 | BUSH | DOUILLE | KOMPASS | |
| 20 | F01230213R | DADO M12X1,75 U7474 CL8 ZN | NUT M12X1,75 U7474 6SZN | ECROU AUTOBL. M12 | SELBSTSPERR.MUTTER M12 | DADO AUTOBL. M12 |
| 21 | B01800025R | MOLLA 2 13 98T GRUPPO RETE | SPRING | RESSORT | FEDER | |
| 22 | F01410088R | ROS.M14 15X 28X2,5 U6592 ZN | WAS.M14 15X 28X2,5 U6592 ZB | RON.M14 15X 28X2,5 U6592 ZB | SCH.M14 15X 28X2,5 U6592 ZB | ARA.M14 15X 28X2,5 U6592 ZB |
| 23 | B01700015R | ANEL. D ARR. ALB. 15-E UNI3653 | SEEGER RING | BAGUE SEEGER | SEEGERING | |
| 24 | B01300381R | SPINA TAGLIARETE LT COM. | PIN FOR NET CUTTING | EPINE POUR COUPE_FILET | ANTRIEBSSEITIGER NETZSCHNEIDE= | |
| 25 | F02100090R | SPINA E.P. 5X 40 U6873 C70 BR | ELASTIC PIN 5X40 | GOUJON ELASTIQUE 5X40 | SPANNHUELSE 5X40 | ESPINA ELASTICA 5X40 |
| 26 | F02100142R | SPINA E.P. 8X 40 U6873 C70 BR | ELASTIC PIN 8X40 | GOUJON ELASTIQUE 8X40 | SPANNHUELSE 8X40 | ESPINA ELASTICA 8X40 |
| 27 | B02526852R | BUSSOLA NYLON | NYLON BUSH | GALET | BUCHSE | |
| 28 | B0C002073R | SGANCIO LAMA FFPRO | BLADE UNLOCK | DECROCHET LAME | KLINGENAUSSLOESER | |
| 29 | B07S00651R | ATTACCO MOLLA SGANCIO | SPRING ATTACHMENT | ATTELAGE RESSORT | ANSCHLUSS AUSLOSEFEDER | |
| 30 | B00191250R | VITE M12X1,75X 50 U5737 8.8ZN | SCREW | VIS | SCHRAUBE | |
| 31 | F01200293R | DADO M12X1,75 U5588 CL8 ZN | NUT M12X1,75 U5588 6S ZN | ECROU M12X1,75 U5588 6S ZN | MUTTER M12X1,75 U5588 6S ZN | TUERCA M12X1,75 U5588 6S ZN |
| 32 | F01230213R | DADO M12X1,75 U7474 CL8 ZN | NUT M12X1,75 U7474 6SZN | ECROU AUTOBL. M12 | SELBSTSPERR.MUTTER M12 | DADO AUTOBL. M12 |
| 33 | B01822744R | MOLLA 49,5 SPIRE | SPRING 49,5 SPIRAL | RESSORT | FEDER | |
| 34 | B00545168R | OCCHIOLO PER TENDITORI M12-DX | EYELET M12 | OEIL M12 | OSE M12 | |
| 35 | F01230213R | DADO M12X1,75 U7474 CL8 ZN | NUT M12X1,75 U7474 6SZN | ECROU AUTOBL. M12 | SELBSTSPERR.MUTTER M12 | DADO AUTOBL. M12 |
| 36 | B0C002042R | PASTRA ATTACCO ATTUATORE | SPRING ATTACHMENT | PLAQUE ATTELAGE ACTIONNEUR | AKTUATORTRAGERPLATTE | |
| 37 | F01020508R | VITE M12X1,75X25 U5739 8.8ZN | SCR. M12X1,75X25 U5739 8.8ZN | VIS M12X1,75X25 U5739 8.8 ZN | SCHRAUBE M12X1,75X25U57398.8ZN | TORNIL.M12X1,75X25 U5739 8.8ZN |
| 38 | F01230213R | DADO M12X1,75 U7474 CL8 ZN | NUT M12X1,75 U7474 6SZN | ECROU AUTOBL. M12 | SELBSTSPERR.MUTTER M12 | DADO AUTOBL. M12 |
| 39 | F01020445R | VITE M8X1,25X30 U5739 8.8ZN | SCR. M8X1,25X30 U5739 8.8ZN | VIS M 8X1,25X30 U5739 8.8 ZN | SCHRAU, M8X1,25X30 U5739 8.8ZN | TORN. M8X1,25X30 U5739 8.8 ZN |
| 40 | B00710208R | DADO M 8X1,25 U5588 6.8 ZN | NUT | ECROU | MUTTER M8-6S | |
| 41 | F01410051R | ROS.M8 8,4X 17X1,6 U6592 ZN | WASHER M8 8,4X17X1,6 U6592 ZN | RONDELLE M8 8,4X17X1,6 ZN | SCHEIBE M8 8,4X17X1,6 U6592 ZN | ARANDELA M8 8,4X17X1,6 U6592ZN |
| 42 | B00920208R | DADO M8X1 D985 8ZN | NUT M8X1 D985 8ZN | ECROU | SELBSTSICHERNDE MUTTER M8-5S | |
| 43 | B0C000053R | FERMO COLT. | KNIVES STOP | ARRET COUTEAUX | MESSERANSCHLAG | |
| 44 | F01020476R | VITE M10X1,5X30 U5739 8.8ZN | SCR. M10X1,5X30 U5739 8.8ZN | VIS M10X1,5X30 U5739 8.8 ZN | SCHRAUBE M10X1,5X30U5739 8.8ZN | TORNIL.M10X1,5X30 U5739 8.8 ZN |
| 45 | F01410062R | ROS.M10 10,5X 18X 2 U6592 ZN | WASHER M10 10,5X 18X 2 U6592 | RONDELLE M10 10,5X18X2 ZN | DICHTUNGSRING M10 10,5X18X2 ZN | RONDANA M10 10,5X18X2 ZN |
| 46 | F01230202R | DADO M10X 1,5 D985 8 ZN | NUT M10 D985 | ECROU AUTOBL. M10 | SELBSTSPERR.MUTTER M10 | DADO AUTOBL. M10 |



**LEGATORE RETE (PARTE 5)
NET BINDER (PART 5)**

TAV_380

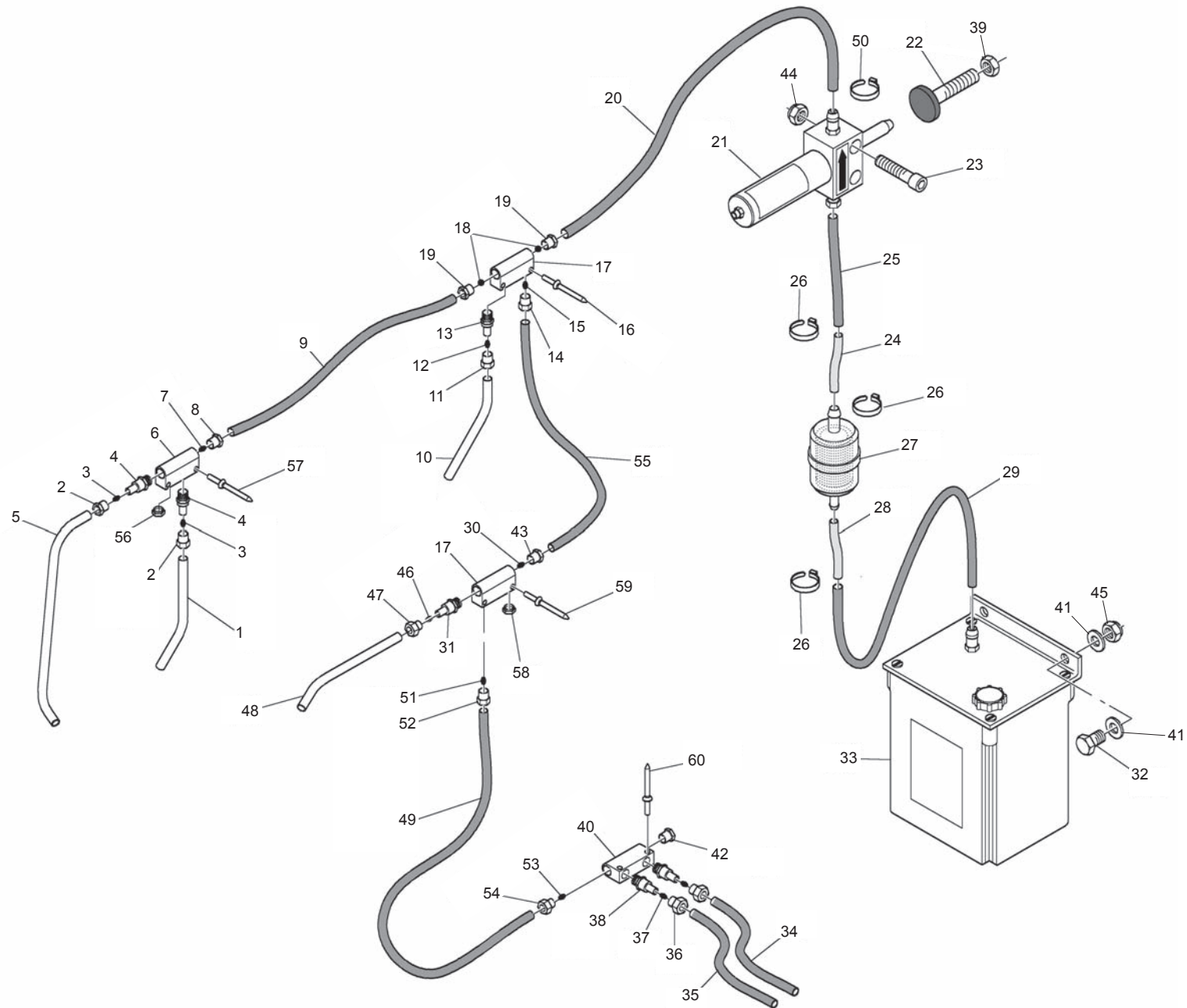
| Pos. | Cod. | Descrizione | Description | Description | Benennung | Descripcion |
|------|------------|--------------------------------|--------------------------------|--------------------------------|--------------------------------|---------------------------------|
| 1 | B07S00654R | COPERCHIO ROTOLO | COVER | COUVERCLE ROULEAU | ROLLENDECKEL | |
| 2 | B0C000547R | CERNIERA COPERCHIO | COVER HINGE | CHARNIERE COUVERCLE | DECKELSCHANIER | |
| 3 | F01020470R | VITE M10X1,5X20 U5739 8.8ZN | SCR. M10X1,5X20 U5739 8.8ZN | VIS M10X1,5X20 U5739 8.8 ZN | SCHRAUBE M10X1,5X20 U5739 ZN | TORNILLO M10X1,5X20 U5739 8.8ZN |
| 4 | F01410062R | ROS.M10 10,5X 18X 2 U6592 ZN | WASHER M10 10,5X 18X 2 U6592 | RONDELLE M10 10,5X18X2 ZN | DICHTUNGSRING M10 10,5X18X2 ZN | RONDANA M10 10,5X18X2 ZN |
| 5 | F01230202R | DADO M10X 1,5 D985 8 ZN | NUT M10 D985 | ECROU AUTOBL. M10 | SELBSTSPERR.MUTTER M10 | DADO AUTOBL. M10 |
| 6 | B07S00631R | CASSA PORTAROTOLO | CASE | CAISSE PORTE-ROULEAU | ROLLENAUFNAHMEKASTEN | |
| 7 | F01020472R | VITE M10X1,5X25 U5739 8.8ZN | SCR. M10X1,5X25 U5739 8.8ZN | VIS M10X1,5X25 U5739 8.8 ZN | SCHRAUBE M10X1,5X25 U5739 8.8 | TORNILLO 10X25 U5739 8.8 ZN |
| 8 | F01410062R | ROS.M10 10,5X 18X 2 U6592 ZN | WASHER M10 10,5X 18X 2 U6592 | RONDELLE M10 10,5X18X2 ZN | DICHTUNGSRING M10 10,5X18X2 ZN | RONDANA M10 10,5X18X2 ZN |
| 9 | F01230202R | DADO M10X 1,5 D985 8 ZN | NUT M10 D985 | ECROU AUTOBL. M10 | SELBSTSPERR.MUTTER M10 | DADO AUTOBL. M10 |
| 10 | B0C002006R | SOSTEGNO COPERCHIO | COVER SUPPORT | SUPPORT COUVERCLE | DECKELHALTERUNG | |
| 11 | B00180620R | VITE M6X1X20 U5739 8.8ZN | SCREW | VIS | SCHRAUBE | |
| 12 | F01410037R | ROS.M6 6,4X12,5X1,6 U6592 ZN | WASHER M6 6,4X12,5X1,6 U6592ZN | RONDEL.M6 6,4X12,5X1,6 U6592ZN | SCHEIB.M6 6,4X12,5X1,6 U6592ZN | ARAND.M6 6,4X12,5X1,6 U6592 ZN |
| 13 | B00920106R | DADO M6X1 D985 8ZN | NUT | ECROU | SELBSTSICHERNDE MUTTER M6-5S | |
| 14 | B0H100001R | MOLLA A GAS PER RETE L500-750N | GAS SPRING FOR NET L=500-750N | RESSORT GAS POUR FILET L=500-6 | GAS GETRIEBENE FEDER L=500-750 | |
| 15 | F01020450R | VITE M8X1,25X40 U5739 8.8ZN | SCR. M8X1,25X40 U5739 8.8ZN | VIS M8X1,25X40 U5739 8.8ZN | SCHRA. M8X1,25X40 U5739 8.8ZN | TORN. M8X1,25X40 U5739 8.8ZN |
| 16 | F01410051R | ROS.M8 8,4X 17X1,6 U6592 ZN | WASHER M8 8,4X17X1,6 U6592 ZN | RONDELLE M8 8,4X17X1,6 ZN | SCHEIBE M8 8,4X17X1,6 U6592 ZN | ARANDELA M8 8,4X17X1,6 U6592ZN |
| 17 | B00710208R | DADO M 8X1,25 U5588 6.8 ZN | NUT | ECROU | MUTTER M8-6S | |
| 18 | B00920208R | DADO M8X1 D985 8ZN | NUT M8X1 D985 8ZN | ECROU | SELBSTSICHERNDE MUTTER M8-5S | |
| 19 | F01020445R | VITE M8X1,25X30 U5739 8.8ZN | SCR. M8X1,25X30 U5739 8.8ZN | VIS M 8X1,25X30 U5739 8.8 ZN | SCHRAU, M8X1,25X30 U5739 8.8ZN | TORN. M8X1,25X30 U5739 8.8 ZN |
| 20 | F01410051R | ROS.M8 8,4X 17X1,6 U6592 ZN | WASHER M8 8,4X17X1,6 U6592 ZN | RONDELLE M8 8,4X17X1,6 ZN | SCHEIBE M8 8,4X17X1,6 U6592 ZN | ARANDELA M8 8,4X17X1,6 U6592ZN |
| 21 | B00920208R | DADO M8X1 D985 8ZN | NUT M8X1 D985 8ZN | ECROU | SELBSTSICHERNDE MUTTER M8-5S | |
| 22 | B07SP0240R | TUBO PORTA ROTOLO | ROLL CARRYING TUBE | TUYAU PORTE-ROULEAU | ROHR ROLLEHALTER | |
| 23 | B0C002001R | FULCRO | FULCRUM | POINT D APPUI | DREHPUNKT | |
| 24 | F01020472R | VITE M10X1,5X25 U5739 8.8ZN | SCR. M10X1,5X25 U5739 8.8ZN | VIS M10X1,5X25 U5739 8.8 ZN | SCHRAUBE M10X1,5X25 U5739 8.8 | TORNILLO 10X25 U5739 8.8 ZN |
| 25 | F01410062R | ROS.M10 10,5X 18X 2 U6592 ZN | WASHER M10 10,5X 18X 2 U6592 | RONDELLE M10 10,5X18X2 ZN | DICHTUNGSRING M10 10,5X18X2 ZN | RONDANA M10 10,5X18X2 ZN |
| 26 | F01230202R | DADO M10X 1,5 D985 8 ZN | NUT M10 D985 | ECROU AUTOBL. M10 | SELBSTSPERR.MUTTER M10 | DADO AUTOBL. M10 |
| 27 | F01020268R | VITE M16X2X130 U5737 8.8ZN | SCR. M16X2X130 U5737 8.8ZN | VIS M16X2X130 U5737 8.8 ZN | SCHRA. M16X2X130 U5737 8.8 ZN | TORN. M16X2X130 U5737 8.8 ZN |
| 28 | B00920516R | DADO M16X 1,5 D985 6S ZN | NUT M16X1,5 D985 6S ZN | ECROU | SELBSTSICHERNDE MUTTER M16-5S | |
| 29 | B0C002002R | ALLOGGIAMENTO TUBO | TUBE HOUSING | LOGEMENT TUYAU | ROHRSTITZ | |
| 30 | F01020472R | VITE M10X1,5X25 U5739 8.8ZN | SCR. M10X1,5X25 U5739 8.8ZN | VIS M10X1,5X25 U5739 8.8 ZN | SCHRAUBE M10X1,5X25 U5739 8.8 | TORNILLO 10X25 U5739 8.8 ZN |
| 31 | F01410062R | ROS.M10 10,5X 18X 2 U6592 ZN | WASHER M10 10,5X 18X 2 U6592 | RONDELLE M10 10,5X18X2 ZN | DICHTUNGSRING M10 10,5X18X2 ZN | RONDANA M10 10,5X18X2 ZN |
| 32 | F01230202R | DADO M10X 1,5 D985 8 ZN | NUT M10 D985 | ECROU AUTOBL. M10 | SELBSTSPERR.MUTTER M10 | DADO AUTOBL. M10 |
| 33 | B01300373R | SPINA FERMO TUBO PORTA ROTOLO | PIPE PIN | EPINE ARRET | ARRETIERBOLZEN FUER NETZROLLEN | |
| 34 | F02100066R | SPINA EL.4 X36 DIN 1481 | PIN EL. 4X 36 U6873 C70 BR | | | |
| 35 | B01170377R | COPIGLIA DI SICUREZZA D=3 ISO | PIN | GOUPILLE CLIPS | STIFT | |
| 36 | B0C002054R | GANCIO | HOOK | CROCHET | HAKEN | |
| 37 | F01020472R | VITE M10X1,5X25 U5739 8.8ZN | SCR. M10X1,5X25 U5739 8.8ZN | VIS M10X1,5X25 U5739 8.8 ZN | SCHRAUBE M10X1,5X25 U5739 8.8 | TORNILLO 10X25 U5739 8.8 ZN |
| 38 | F01410062R | ROS.M10 10,5X 18X 2 U6592 ZN | WASHER M10 10,5X 18X 2 U6592 | RONDELLE M10 10,5X18X2 ZN | DICHTUNGSRING M10 10,5X18X2 ZN | RONDANA M10 10,5X18X2 ZN |
| 39 | F01230202R | DADO M10X 1,5 D985 8 ZN | NUT M10 D985 | ECROU AUTOBL. M10 | SELBSTSPERR.MUTTER M10 | DADO AUTOBL. M10 |
| 40 | B07S01392R | BRACCIO FRENA RETE | NET BRAKING ARM | BRAS DE FREINAGE FILET | NETZBREMSENARM | |
| 41 | B0C002046R | FULCRO SX | LEFT FULCRUM | POINT D APPUI GAUCHE | LINKER STUETZPUNKT | |
| 42 | B0C002045R | FULCRO DX | RIGHT FULCRUM | POINT D APPUI DROIT | RECHTER STUETZPUNKT | |
| 43 | F01020510R | VITE M12X1,75X30 U5739 8.8ZN | SCR. M12X1,75X30 U5739 8.8ZN | VIS M12X1,75X30 U5739 8.8ZN | SCHRAU.M12X1,75X30 U5739 8.8ZN | TORN. M12X1,75X30 U5739 8.8ZN |
| 44 | F01410076R | ROS.M12 13X 24X2,5 U6592 ZN | WASHER 12 13X 24X2,5 U6592 ZN | RONDEL. M12 13X24X2,5 U6592 ZN | SCHEIBE M12 13X24X2,5 U6592 ZN | ARANDELA M12 13 X24X2,5 ZN |
| 45 | F01230213R | DADO M12X1,75 U7474 CL8 ZN | NUT M12X1,75 U7474 6SZN | ECROU AUTOBL. M12 | SELBSTSPERR.MUTTER M12 | DADO AUTOBL. M12 |
| 46 | B00181030R | VITE M10X1,5 X 30 U5739 8.8ZN | SCREW | VIS | SCHRAUBE | |
| 47 | F01410076R | ROS.M12 13X 24X2,5 U6592 ZN | WASHER 12 13X 24X2,5 U6592 ZN | RONDEL. M12 13X24X2,5 U6592 ZN | SCHEIBE M12 13X24X2,5 U6592 ZN | ARANDELA M12 13 X24X2,5 ZN |
| 48 | F01230213R | DADO M12X1,75 U7474 CL8 ZN | NUT M12X1,75 U7474 6SZN | ECROU AUTOBL. M12 | SELBSTSPERR.MUTTER M12 | DADO AUTOBL. M12 |
| 49 | B07S00634R | GUIDA FRENO ROTOLO | BRAKE GUIDE | GUIDE FREIN-ROULEAU | ROLLENBREMSENFUHRUNG | |
| 50 | F01020522R | VITE M12X1,75X80 U5739 8.8ZN | SCR. M12X1,75X80 U5739 8.8ZN | VIS M12X1,75X80 U5739 8.8ZN | SCHRA.M12X1,75X80 U5739 8.8ZN | TORN.M12X1,75X80 U5739 8.8ZN |
| 51 | F01230213R | DADO M12X1,75 U7474 CL8 ZN | NUT M12X1,75 U7474 6SZN | ECROU AUTOBL. M12 | SELBSTSPERR.MUTTER M12 | DADO AUTOBL. M12 |
| 52 | F01200293R | DADO M12X1,75 U5588 CL8 ZN | NUT M12X1,75 U5588 6S ZN | ECROU M12X1,75 U5588 6S ZN | MUTTER M12X1,75 U5588 6S ZN | TUERCA M12X1,75 U5588 6S ZN |
| 53 | B07S00633R | FRENO ROTOLO | TIE ROD | FREIN-ROULEAU | ROLLENBREMSE | |
| 54 | B01800046R | MOLLA 6 30 180C | SPRING | RESSORT | FEDER | |
| 55 | F01410076R | ROS.M12 13X 24X2,5 U6592 ZN | WASHER 12 13X 24X2,5 U6592 ZN | RONDEL. M12 13X24X2,5 U6592 ZN | SCHEIBE M12 13X24X2,5 U6592 ZN | ARANDELA M12 13 X24X2,5 ZN |
| 56 | F02200164R | COPIGLIA 3X 30 U1336 ZN | SPLIT PIN 3X 30 U1336 ZN | | | |
| 57 | B0C000049R | ATTACCO DX | RIGHT COUPLING | ATTELAGE DROIT | AMSCHLUSS RECHTS | |



**LEGATORE RETE (PARTE 5)
NET BINDER (PART 5)**

TAV_380

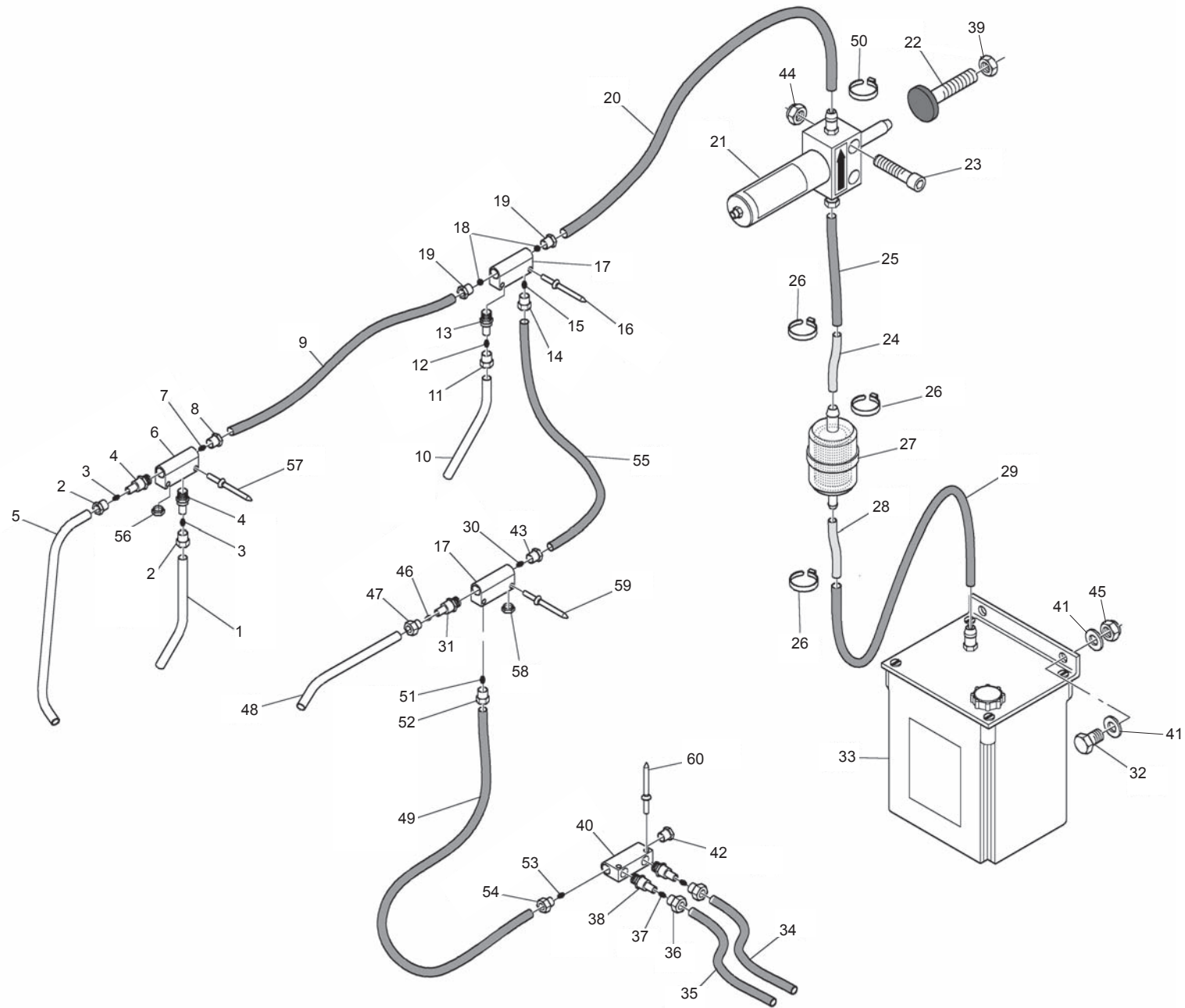
| Pos. | Cod. | Descrizione | Description | Description | Benennung | Descripcion |
|------|------------|-------------------------------|-------------------------------|------------------------------|--------------------------------|--------------------------------|
| 58 | B0C000048R | ATTACCO SX | LEFT COUPLING | ATTELAGE GAUCHE | AMSCHLUSS LINKS | |
| 59 | B00181030R | VITE M10X1,5 X 30 U5739 8.8ZN | SCREW | VIS | SCHRAUBE | |
| 60 | F01230202R | DADO M10X 1,5 D985 8 ZN | NUT M10 D985 | ECROU AUTOBL. M10 | SELBSTSPERR.MUTTER M10 | DADO AUTOBL. M10 |
| 61 | B0C002067R | COLLEGAMENTO FRENO | BRACES | CONNEXION FREIN | BREMSENANSCHLUSS | |
| 62 | F01020152R | VITE M12X1,75X40 U5737 8.8ZN | SCR. M12X1,75X40 U5737 8.8ZN | VIS M12X1,75X40 U5737 8.8 ZN | SCHRAUBE M12X1,75X40U57378.8ZN | TORNIL.M12X1,75X40 U5737 8.8ZN |
| 63 | F01420120R | ROS.M12 13X36X2,5 U6593 ZN | WASHER M12 13X36X2,5 U6593 ZN | RONDELLE M12 13X36X2,5 ZN | | |
| 64 | B01300463R | BUSSOLA 12.5X20X10 | BUSH | DOUILLE | KOMPASS | |
| 65 | F01230213R | DADO M12X1,75 U7474 CL8 ZN | NUT M12X1,75 U7474 6SZN | ECROU AUTOBL. M12 | SELBSTSPERR.MUTTER M12 | DADO AUTOBL. M12 |
| 66 | F01020512R | VITE M12X1,75X35 U5739 8.8ZN | SCR. M12X1,75X35 U5739 8.8ZN | VIS M12X1,75X35 5739 8.8 ZN | SCHR. M12X1,75X35 5739 8.8 ZN | TORN. M12X1,75X35 5739 8.8 ZN |
| 67 | B01300463R | BUSSOLA 12.5X20X10 | BUSH | DOUILLE | KOMPASS | |
| 68 | F01420120R | ROS.M12 13X36X2,5 U6593 ZN | WASHER M12 13X36X2,5 U6593 ZN | RONDELLE M12 13X36X2,5 ZN | | |
| 69 | F01230213R | DADO M12X1,75 U7474 CL8 ZN | NUT M12X1,75 U7474 6SZN | ECROU AUTOBL. M12 | SELBSTSPERR.MUTTER M12 | DADO AUTOBL. M12 |
| 70 | B025P0011R | TAMPONE ROTOLO RETE | BUSH FOR NET ROLL | BAGUES | SCHLEGEL | |
| 71 | B07VC0016R | CAP. PROT. DADO M12 | GUARD CAP | CHAPEAU DE PROTECTION | SCHUTZDECKEL | |



**IMPIANTO OLIIATURA AUTOMATICA
AUTOMATIC OILING SYSTEM**

TAV_390

| Pos. | Cod. | Descrizione | Description | Description | Benennung | Descripcion |
|------|------------|--------------------------------|--------------------------------|--------------------------------|--------------------------------|--------------------------------|
| 1 | BOH000129R | TUBETTO IN RAME 4 L=90 | COPPER PIPE 4 L=9 | PETIT TUYAU EN CUIVRE DIAM. 4 | KUPFER ROEHRCHEN 4 L=9 | |
| 2 | BOH600014R | RACCORDO INIETTORE PER TUBO 4 | INJECTOR UNION FOR PIPE | RACCORD INJECTEUR POUR TUYAU D | EINSPRITZDUESENANSCHLUSS | |
| 3 | BOH600013R | DOPPI CONI PER TUBO 4 | DOUBLE CONE FOR PIPE | DOUBLE CONES POUR TUYAU 4 | DOPPELTER KEGEL FUER SCHLAUCH | |
| 4 | BOHE00003R | INIETTORE TIPO E | TYPE E INJECTOR | GICLEUR TYPE E | SPRITZDUESE | |
| 5 | BOH000130R | TUBETTO IN RAME 4 L=150 | COPPER PIPE 4 L=1 | PETIT TUYAU EN CUIVRE DIAM 4 L | KUPFER ROEHRCHEN 4 L=1 | |
| 6 | BOH000102R | DISTRIBUTORE UNILAT. 4 VIE | UNILATERAL DISTRIBUTOR | DISTRIBUTEUR UNILATERAL 4 VOIE | EINSEITIGER VERTEILER | |
| 7 | BOH600013R | DOPPI CONI PER TUBO 4 | DOUBLE CONE FOR PIPE | DOUBLE CONES POUR TUYAU 4 | DOPPELTER KEGEL FUER SCHLAUCH | |
| 8 | BOH600013R | DOPPI CONI PER TUBO 4 | DOUBLE CONE FOR PIPE | DOUBLE CONES POUR TUYAU 4 | DOPPELTER KEGEL FUER SCHLAUCH | |
| 9 | BOH000132R | TUBETTO IN NYLON 4 L=750 | NYLON PIPE 4 L=750 | PETIT TUYAU EN NYLON DIAM 4 L= | KLEINE ROEHRE AUS NYLON J4 L=7 | |
| 10 | BOH000129R | TUBETTO IN RAME 4 L=90 | COPPER PIPE 4 L=9 | PETIT TUYAU EN CUIVRE DIAM. 4 | KUPFER ROEHRCHEN 4 L=9 | |
| 11 | BOH600014R | RACCORDO INIETTORE PER TUBO 4 | INJECTOR UNION FOR PIPE | RACCORD INJECTEUR POUR TUYAU D | EINSPRITZDUESENANSCHLUSS | |
| 12 | BOH600013R | DOPPI CONI PER TUBO 4 | DOUBLE CONE FOR PIPE | DOUBLE CONES POUR TUYAU 4 | DOPPELTER KEGEL FUER SCHLAUCH | |
| 13 | BOHE00003R | INIETTORE TIPO E | TYPE E INJECTOR | GICLEUR TYPE E | SPRITZDUESE | |
| 14 | BOH600016R | RACC. X TUBO 4RIF.ILC 04.102. | UNION FOR PIPE 4RI | RACCORD POUR TUYAU DIAM 4 | VERBINDUNGSTUECK FUR SCHLAUCH | |
| 15 | BOH600013R | DOPPI CONI PER TUBO 4 | DOUBLE CONE FOR PIPE | DOUBLE CONES POUR TUYAU 4 | DOPPELTER KEGEL FUER SCHLAUCH | |
| 16 | B01000012R | RIVETTO STR. 6,4X22 ACCIAIO | RIVET | RIVET | ABREISSNIETEN 6X26 | |
| 17 | BOH000102R | DISTRIBUTORE UNILAT. 4 VIE | UNILATERAL DISTRIBUTOR | DISTRIBUTEUR UNILATERAL 4 VOIE | EINSEITIGER VERTEILER | |
| 18 | BOH600013R | DOPPI CONI PER TUBO 4 | DOUBLE CONE FOR PIPE | DOUBLE CONES POUR TUYAU 4 | DOPPELTER KEGEL FUER SCHLAUCH | |
| 19 | BOH600016R | RACC. X TUBO 4RIF.ILC 04.102. | UNION FOR PIPE 4RI | RACCORD POUR TUYAU DIAM 4 | VERBINDUNGSTUECK FUR SCHLAUCH | |
| 20 | BOH000135R | TUBETTO IN NYLON 4 L=1500 | NYLON PIPE 4 L=1500 | PETIT TUYAU EN NYLON DIAM 4 L= | KLEINE ROEHRE IN NYLON J4 L=15 | |
| 21 | BOH400007R | POMPA PIST PORT.6CCX10MM CORSA | PISTON PUMPT | POMPE PISTON | KOLBENPUMPE | |
| 22 | B00533162R | SPINTORE KIT OLIIATURA | OILING KIT FORCER | POUSSEUR KIT HUILAGE | BLOCKDRUECKER KIT OELER | |
| 23 | B00400850R | VITE M8X1,25X50 U5931 8.8BR | SCREW | VIS | SCHRAUBE M8X50.8.8 | |
| 24 | BOH000023R | TUBETTO COLLEGAMENTO FILTRO | CONNECTION PIPE | PETIT TUBE JONCTION FILTRE | VERBINDUNGSSCHLAUCH | |
| 25 | BOH000136R | TUBETTO IN NYLON 6 L=180 | NYLON PIPE 6 L=300 | PETIT TUYAU EN NYLON DIAM 6 L= | KLEINE ROEHRE AUS NYLON J4 L=2 | |
| 26 | BOE600026R | FASCETTA 10,4X 10,7 CE09 NORMA | CLAMP 8,8X9,3 HLS A HILLS | BANDE 8,8X9,3 | MANSCHETTE 8,8X9,3 HLS A HILLS | |
| 27 | BOH000022R | FILTRO BENZINA MAXIFISPINO | FILTER MAXIFIS | FILTRE ESSENCE | BENZINFILTER MAXIFIS | |
| 28 | BOH000023R | TUBETTO COLLEGAMENTO FILTRO | CONNECTION PIPE | PETIT TUBE JONCTION FILTRE | VERBINDUNGSSCHLAUCH | |
| 29 | BOH000136R | TUBETTO IN NYLON 6 L=180 | NYLON PIPE 6 L=300 | PETIT TUYAU EN NYLON DIAM 6 L= | KLEINE ROEHRE AUS NYLON J4 L=2 | |
| 30 | BOH600013R | DOPPI CONI PER TUBO 4 | DOUBLE CONE FOR PIPE | DOUBLE CONES POUR TUYAU 4 | DOPPELTER KEGEL FUER SCHLAUCH | |
| 31 | BOHE00003R | INIETTORE TIPO E | TYPE E INJECTOR | GICLEUR TYPE E | SPRITZDUESE | |
| 32 | B00180620R | VITE M6X1X20 U5739 8.8ZN | SCREW | VIS | SCHRAUBE | |
| 33 | B04800000R | SERB.NYLON PER POMPA PISTONERI | NYLON TANK PUMP PISTONERI | RESERVOIR | OELBEHAELTER | |
| 34 | BOH000129R | TUBETTO IN RAME 4 L=90 | COPPER PIPE 4 L=9 | PETIT TUYAU EN CUIVRE DIAM. 4 | KUPFER ROEHRCHEN 4 L=9 | |
| 35 | BOH000131R | TUBETTO IN RAME 4 L=190 | COPPER PIPE 4 L=1 | PETIT TUYAU EN CUIVRE DIAM 4 L | KUPFER ROEHRCHEN 4 L=1 | |
| 36 | BOH600014R | RACCORDO INIETTORE PER TUBO 4 | INJECTOR UNION FOR PIPE | RACCORD INJECTEUR POUR TUYAU D | EINSPRITZDUESENANSCHLUSS | |
| 37 | BOH600013R | DOPPI CONI PER TUBO 4 | DOUBLE CONE FOR PIPE | DOUBLE CONES POUR TUYAU 4 | DOPPELTER KEGEL FUER SCHLAUCH | |
| 38 | BOHE00003R | INIETTORE TIPO E | TYPE E INJECTOR | GICLEUR TYPE E | SPRITZDUESE | |
| 39 | F01200293R | DADO M12X1,75 U5588 CL8 ZN | NUT M12X1,75 U5588 6S ZN | ECROU M12X1,75 U5588 6S ZN | MUTTER M12X1,75 U5588 6S ZN | TUERCA M12X1,75 U5588 6S ZN |
| 40 | BOH000102R | DISTRIBUTORE UNILAT. 4 VIE | UNILATERAL DISTRIBUTOR | DISTRIBUTEUR UNILATERAL 4 VOIE | EINSEITIGER VERTEILER | |
| 41 | F01410037R | ROS.M6 6,4X12,5X1,6 U6592 ZN | WASHER M6 6,4X12,5X1,6 U6592ZN | RONDEL.M6 6,4X12,5X1,6 U6592ZN | SCHEIB.M6 6,4X12,5X1,6 U6592ZN | ARAND.M6 6,4X12,5X1,6 U6592 ZN |
| 42 | BOH600015R | TAPPORIF.ILC 05.001.0 | PLUG | BOUCHON | STOEPESEL | |
| 43 | BOH600016R | RACC. X TUBO 4RIF.ILC 04.102. | UNION FOR PIPE 4RI | RACCORD POUR TUYAU DIAM 4 | VERBINDUNGSTUECK FUR SCHLAUCH | |
| 44 | B00920208R | DADO M8X1 D985 8ZN | NUT M8X1 D985 8ZN | ECROU | SELBSTSICHERNDE MUTTER M8-5S | |
| 45 | B00920106R | DADO M6X1 D985 8ZN | NUT | ECROU | SELBSTSICHERNDE MUTTER M6-5S | |
| 46 | BOH600013R | DOPPI CONI PER TUBO 4 | DOUBLE CONE FOR PIPE | DOUBLE CONES POUR TUYAU 4 | DOPPELTER KEGEL FUER SCHLAUCH | |
| 47 | BOH600014R | RACCORDO INIETTORE PER TUBO 4 | INJECTOR UNION FOR PIPE | RACCORD INJECTEUR POUR TUYAU D | EINSPRITZDUESENANSCHLUSS | |
| 48 | BOH000128R | TUBETTO IN RAME 4 L=120 | COPPER PIPE 4 L=1 | PETIT TUYAU EN CUIVRE DIAM. 4 | KUPFER ROEHRCHEN 04 L=1 | |
| 49 | BOH000133R | TUBETTO IN NYLON 4 L=420 | NYLON PIPE 4 L=420 | PETIT TUYAU EN NYLON DIAM 4 L= | NYLONROEHRCHEN 4 L=420 | |
| 50 | F05150055R | FASCETTA POLYA. 3,6X200 NERA | WHITE BAND | BANDE BIANCHE | WEIBE BAND | CINTA BLANCA |
| 51 | BOH600013R | DOPPI CONI PER TUBO 4 | DOUBLE CONE FOR PIPE | DOUBLE CONES POUR TUYAU 4 | DOPPELTER KEGEL FUER SCHLAUCH | |
| 52 | BOH600016R | RACC. X TUBO 4RIF.ILC 04.102. | UNION FOR PIPE 4RI | RACCORD POUR TUYAU DIAM 4 | VERBINDUNGSTUECK FUR SCHLAUCH | |
| 53 | BOH600013R | DOPPI CONI PER TUBO 4 | DOUBLE CONE FOR PIPE | DOUBLE CONES POUR TUYAU 4 | DOPPELTER KEGEL FUER SCHLAUCH | |
| 54 | BOH600016R | RACC. X TUBO 4RIF.ILC 04.102. | UNION FOR PIPE 4RI | RACCORD POUR TUYAU DIAM 4 | VERBINDUNGSTUECK FUR SCHLAUCH | |
| 55 | BOH000134R | TUBETTO IN NYLON 4 L=650 | NYLON PIPE 4 L=550 | PETIT TUYAU EN NYLON DIAM 4 L= | NYLONROEHRCHEN 4 L=550 | |
| 56 | BOH600015R | TAPPORIF.ILC 05.001.0 | PLUG | BOUCHON | STOEPESEL | |
| 57 | B01000012R | RIVETTO STR. 6,4X22 ACCIAIO | RIVET | RIVET | ABREISSNIETEN 6X26 | |



**IMPIANTO OLIIATURA AUTOMATICA
AUTOMATIC OILING SYSTEM**

TAV_390

| Pos. | Cod. | Descrizione | Description | Description | Benennung | Descripcion |
|------|------------|-----------------------------|-------------|-------------|--------------------|-------------|
| 58 | B0H600015R | TAPPORIF.ILC 05.001.0 | PLUG | BOUCHON | STOEPSEL | |
| 59 | B01000012R | RIVETTO STR. 6,4X22 ACCIAIO | RIVET | RIVET | ABREISSNIETEN 6X26 | |
| 60 | B01000012R | RIVETTO STR. 6,4X22 ACCIAIO | RIVET | RIVET | ABREISSNIETEN 6X26 | |

TAV_400



**IMPIANTO OLIIATURA AUTOMATICA CUT
AUTOMATIC OILING SYSTEM CUT**

TAV_400

| Pos. | Cod. | Descrizione | Description | Description | Benennung | Descripcion |
|------|------------|--------------------------------|--------------------------------|--------------------------------|--------------------------------|--------------------------------|
| 1 | BOH000129R | TUBETTO IN RAME 4 L=90 | COPPER PIPE 4 L=9 | PETIT TUYAU EN CUIVRE DIAM. 4 | KUPFER ROEHRCHEN 4 L=9 | |
| 2 | BOH600014R | RACCORDO INIETTORE PER TUBO 4 | INJECTOR UNION FOR PIPE | RACCORD INJECTEUR POUR TUYAU D | EINSPRITZDUESENANSCHLUSS | |
| 3 | BOH600013R | DOPPI CONI PER TUBO 4 | DOUBLE CONE FOR PIPE | DOUBLE CONES POUR TUYAU 4 | DOPPELTER KEGEL FUER SCHLAUCH | |
| 4 | BOHE00003R | INIETTORE TIPO E | TYPE E INJECTOR | GICLEUR TYPE E | SPRITZDUESE | |
| 5 | BOH000130R | TUBETTO IN RAME 4 L=150 | COPPER PIPE 4 L=1 | PETIT TUYAU EN CUIVRE DIAM 4 L | KUPFER ROEHRCHEN 4 L=1 | |
| 6 | BOH000102R | DISTRIBUTORE UNILAT. 4 VIE | UNILATERAL DISTRIBUTOR | DISTRIBUTEUR UNILATERAL 4 VOIE | EINSEITIGER VERTEILER | |
| 7 | BOH600013R | DOPPI CONI PER TUBO 4 | DOUBLE CONE FOR PIPE | DOUBLE CONES POUR TUYAU 4 | DOPPELTER KEGEL FUER SCHLAUCH | |
| 8 | BOH600013R | DOPPI CONI PER TUBO 4 | DOUBLE CONE FOR PIPE | DOUBLE CONES POUR TUYAU 4 | DOPPELTER KEGEL FUER SCHLAUCH | |
| 9 | BOH000132R | TUBETTO IN NYLON 4 L=750 | NYLON PIPE 4 L=750 | PETIT TUYAU EN NYLON DIAM 4 L= | KLEINE ROEHRE AUS NYLON J4 L=7 | |
| 10 | BOH000129R | TUBETTO IN RAME 4 L=90 | COPPER PIPE 4 L=9 | PETIT TUYAU EN CUIVRE DIAM. 4 | KUPFER ROEHRCHEN 4 L=9 | |
| 11 | BOH600014R | RACCORDO INIETTORE PER TUBO 4 | INJECTOR UNION FOR PIPE | RACCORD INJECTEUR POUR TUYAU D | EINSPRITZDUESENANSCHLUSS | |
| 12 | BOH600013R | DOPPI CONI PER TUBO 4 | DOUBLE CONE FOR PIPE | DOUBLE CONES POUR TUYAU 4 | DOPPELTER KEGEL FUER SCHLAUCH | |
| 13 | BOHE00003R | INIETTORE TIPO E | TYPE E INJECTOR | GICLEUR TYPE E | SPRITZDUESE | |
| 14 | BOH600016R | RACC. X TUBO 4RIF.ILC 04.102. | UNION FOR PIPE 4RI | RACCORD POUR TUYAU DIAM 4 | VERBINDUNGSTUECK FUR SCHLAUCH | |
| 15 | BOH600013R | DOPPI CONI PER TUBO 4 | DOUBLE CONE FOR PIPE | DOUBLE CONES POUR TUYAU 4 | DOPPELTER KEGEL FUER SCHLAUCH | |
| 16 | B01000012R | RIVETTO STR. 6,4X22 ACCIAIO | RIVET | RIVET | ABREISSNIETEN 6X26 | |
| 17 | BOH000102R | DISTRIBUTORE UNILAT. 4 VIE | UNILATERAL DISTRIBUTOR | DISTRIBUTEUR UNILATERAL 4 VOIE | EINSEITIGER VERTEILER | |
| 18 | BOH600013R | DOPPI CONI PER TUBO 4 | DOUBLE CONE FOR PIPE | DOUBLE CONES POUR TUYAU 4 | DOPPELTER KEGEL FUER SCHLAUCH | |
| 19 | BOH600016R | RACC. X TUBO 4RIF.ILC 04.102. | UNION FOR PIPE 4RI | RACCORD POUR TUYAU DIAM 4 | VERBINDUNGSTUECK FUR SCHLAUCH | |
| 20 | BOH000135R | TUBETTO IN NYLON 4 L=1500 | NYLON PIPE 4 L=1500 | PETIT TUYAU EN NYLON DIAM 4 L= | KLEINE ROEHRE IN NYLON J4 L=15 | |
| 21 | BOH400007R | POMPA PIST PORT.6CCX10MM CORSA | PISTON PUMPT | POMPE PISTON | KOLBENPUMPE | |
| 22 | B00533162R | SPINTORE KIT OLIIATURA | OILING KIT FORCER | POUSSEUR KIT HUILAGE | BLOCKDRUECKER KIT OELER | |
| 23 | B00400850R | VITE M8X1,25X50 U5931 8.8BR | SCREW | VIS | SCHRAUBE M8X50.8.8 | |
| 24 | BOH000023R | TUBETTO COLLEGAMENTO FILTRO | CONNECTION PIPE | PETIT TUBE JONCTION FILTRE | VERBINDUNGSSCHLAUCH | |
| 25 | BOH000239R | TUBETTO IN NYLON 6 L=500 | NYLON HOSE | TUYAU EN NYLON DIAM 6 L=500 | NYLON ROEHRCHEN | |
| 26 | BOE600026R | FASCETTA 10,4X 10,7 CE09 NORMA | CLAMP 8,8X9,3 HLS A HILLS | BANDE 8,8X9,3 | MANSCHETTE 8,8X9,3 HLS A HILLS | |
| 27 | BOH000022R | FILTRO BENZINA MAXIFISPINO | FILTER MAXIFIS | FILTRE ESSENCE | BENZINFILTER MAXIFIS | |
| 28 | BOH000023R | TUBETTO COLLEGAMENTO FILTRO | CONNECTION PIPE | PETIT TUBE JONCTION FILTRE | VERBINDUNGSSCHLAUCH | |
| 29 | BOH000136R | TUBETTO IN NYLON 6 L=180 | NYLON PIPE 6 L=300 | PETIT TUYAU EN NYLON DIAM 6 L= | KLEINE ROEHRE AUS NYLON J4 L=2 | |
| 30 | BOH600013R | DOPPI CONI PER TUBO 4 | DOUBLE CONE FOR PIPE | DOUBLE CONES POUR TUYAU 4 | DOPPELTER KEGEL FUER SCHLAUCH | |
| 31 | BOHE00003R | INIETTORE TIPO E | TYPE E INJECTOR | GICLEUR TYPE E | SPRITZDUESE | |
| 32 | B00180620R | VITE M6X1X20 U5739 8.8ZN | SCREW | VIS | SCHRAUBE | |
| 33 | B04800000R | SERB.NYLON PER POMPA PISTONERI | NYLON TANK PUMP PISTONERI | RESERVOIR | OELBEHAELTER | |
| 34 | BOH000129R | TUBETTO IN RAME 4 L=90 | COPPER PIPE 4 L=9 | PETIT TUYAU EN CUIVRE DIAM. 4 | KUPFER ROEHRCHEN 4 L=9 | |
| 35 | BOH000131R | TUBETTO IN RAME 4 L=190 | COPPER PIPE 4 L=1 | PETIT TUYAU EN CUIVRE DIAM 4 L | KUPFER ROEHRCHEN 4 L=1 | |
| 36 | BOH600014R | RACCORDO INIETTORE PER TUBO 4 | INJECTOR UNION FOR PIPE | RACCORD INJECTEUR POUR TUYAU D | EINSPRITZDUESENANSCHLUSS | |
| 37 | BOH600013R | DOPPI CONI PER TUBO 4 | DOUBLE CONE FOR PIPE | DOUBLE CONES POUR TUYAU 4 | DOPPELTER KEGEL FUER SCHLAUCH | |
| 38 | BOHE00003R | INIETTORE TIPO E | TYPE E INJECTOR | GICLEUR TYPE E | SPRITZDUESE | |
| 39 | F01200293R | DADO M12X1,75 U5588 CL8 ZN | NUT M12X1,75 U5588 6S ZN | ECROU M12X1,75 U5588 6S ZN | MUTTER M12X1,75 U5588 6S ZN | TUERCA M12X1,75 U5588 6S ZN |
| 40 | BOH000102R | DISTRIBUTORE UNILAT. 4 VIE | UNILATERAL DISTRIBUTOR | DISTRIBUTEUR UNILATERAL 4 VOIE | EINSEITIGER VERTEILER | |
| 41 | F01410037R | ROS.M6 6,4X12,5X1,6 U6592 ZN | WASHER M6 6,4X12,5X1,6 U6592ZN | RONDEL.M6 6,4X12,5X1,6 U6592ZN | SCHEIB.M6 6,4X12,5X1,6 U6592ZN | ARAND.M6 6,4X12,5X1,6 U6592 ZN |
| 42 | BOH600015R | TAPPORIF.ILC 05.001.0 | PLUG | BOUCHON | STOEPSSEL | |
| 43 | BOH600016R | RACC. X TUBO 4RIF.ILC 04.102. | UNION FOR PIPE 4RI | RACCORD POUR TUYAU DIAM 4 | VERBINDUNGSTUECK FUR SCHLAUCH | |
| 44 | BOH000102R | DISTRIBUTORE UNILAT. 4 VIE | UNILATERAL DISTRIBUTOR | DISTRIBUTEUR UNILATERAL 4 VOIE | EINSEITIGER VERTEILER | |
| 45 | B00920106R | DADO M6X1 D985 8ZN | NUT | ECROU | SELBSTSICHERNDE MUTTER M6-5S | |
| 46 | BOH600013R | DOPPI CONI PER TUBO 4 | DOUBLE CONE FOR PIPE | DOUBLE CONES POUR TUYAU 4 | DOPPELTER KEGEL FUER SCHLAUCH | |
| 47 | BOH600014R | RACCORDO INIETTORE PER TUBO 4 | INJECTOR UNION FOR PIPE | RACCORD INJECTEUR POUR TUYAU D | EINSPRITZDUESENANSCHLUSS | |
| 48 | BOH000128R | TUBETTO IN RAME 4 L=120 | COPPER PIPE 4 L=1 | PETIT TUYAU EN CUIVRE DIAM. 4 | KUPFER ROEHRCHEN 04 L=1 | |
| 49 | BOH000133R | TUBETTO IN NYLON 4 L=420 | NYLON PIPE 4 L=420 | PETIT TUYAU EN NYLON DIAM 4 L= | NYLONROEHRCHEN 4 L=420 | |
| 50 | F05150055R | FASCETTA POLYA. 3,6X200 NERA | WHITE BAND | BANDE BIANCHE | WEIBE BAND | CINTA BLANCA |
| 51 | BOH600013R | DOPPI CONI PER TUBO 4 | DOUBLE CONE FOR PIPE | DOUBLE CONES POUR TUYAU 4 | DOPPELTER KEGEL FUER SCHLAUCH | |
| 52 | BOH600016R | RACC. X TUBO 4RIF.ILC 04.102. | UNION FOR PIPE 4RI | RACCORD POUR TUYAU DIAM 4 | VERBINDUNGSTUECK FUR SCHLAUCH | |
| 53 | BOH600013R | DOPPI CONI PER TUBO 4 | DOUBLE CONE FOR PIPE | DOUBLE CONES POUR TUYAU 4 | DOPPELTER KEGEL FUER SCHLAUCH | |
| 54 | BOH600016R | RACC. X TUBO 4RIF.ILC 04.102. | UNION FOR PIPE 4RI | RACCORD POUR TUYAU DIAM 4 | VERBINDUNGSTUECK FUR SCHLAUCH | |
| 55 | BOH000240R | TUBETTO IN NYLON 4 L=1200 | NYLON HOSE | TUYAU EN NYLON DIAM 4 L=1200 | NYLON ROEHRCHEN | |
| 56 | BOH600015R | TAPPORIF.ILC 05.001.0 | PLUG | BOUCHON | STOEPSSEL | |
| 57 | B01000012R | RIVETTO STR. 6,4X22 ACCIAIO | RIVET | RIVET | ABREISSNIETEN 6X26 | |

TAV_400

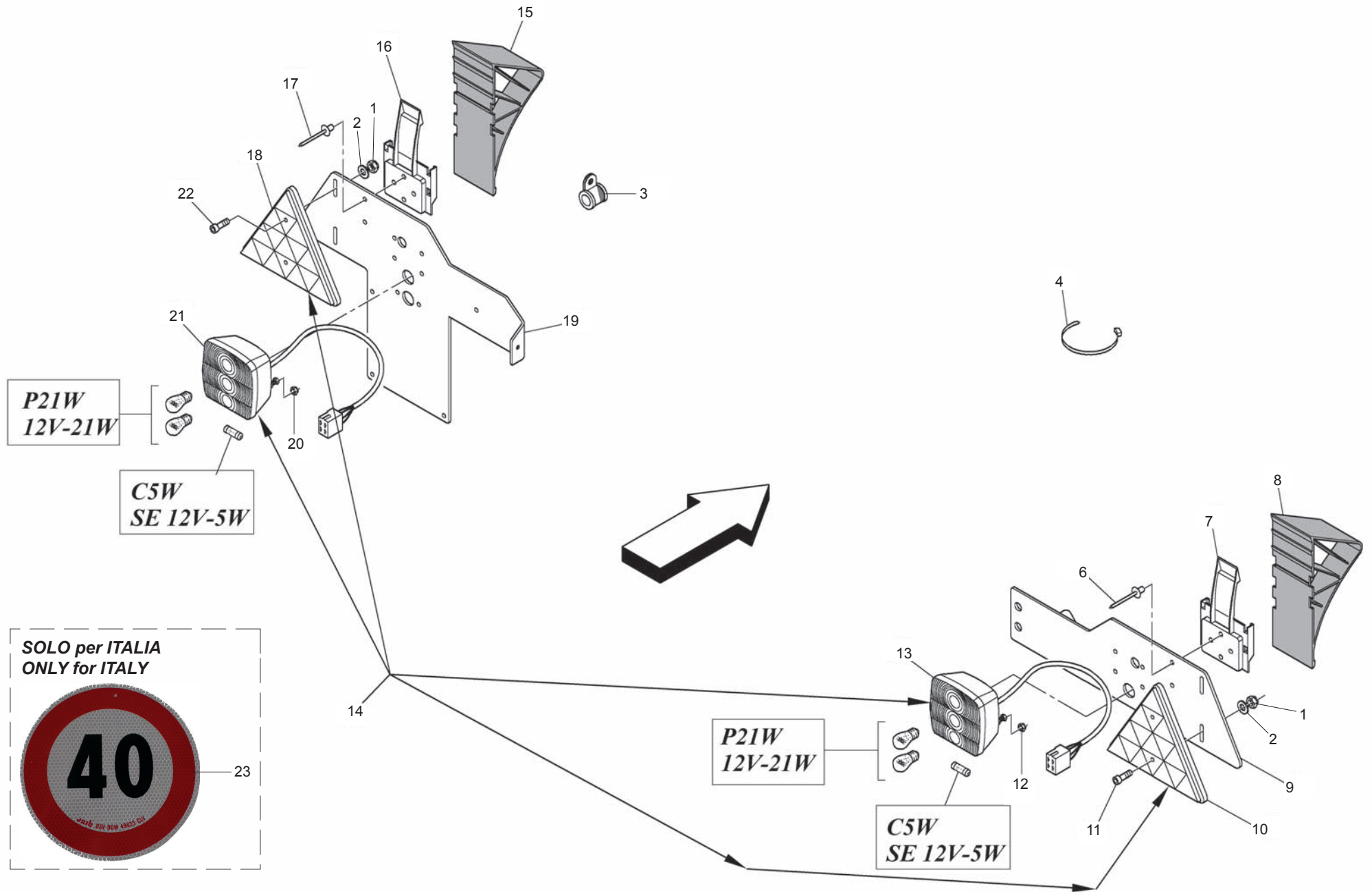


**IMPIANTO OLIIATURA AUTOMATICA CUT
AUTOMATIC OILING SYSTEM CUT**

TAV_400

| Pos. | Cod. | Descrizione | Description | Description | Benennung | Descripcion |
|------|------------|-------------------------------|-------------------------|--------------------------------|-------------------------------|--------------|
| 58 | B0H600015R | TAPPORIF.ILC 05.001.0 | PLUG | BOUCHON | STOEPSSEL | |
| 59 | B01000012R | RIVETTO STR. 6,4X22 ACCIAIO | RIVET | RIVET | ABREISSNIETEN 6X26 | |
| 60 | B01000012R | RIVETTO STR. 6,4X22 ACCIAIO | RIVET | RIVET | ABREISSNIETEN 6X26 | |
| 61 | B0H600016R | RACC. X TUBO 4RIF.ILC 04.102. | UNION FOR PIPE 4RI | RACCORD POUR TUYAU DIAM 4 | VERBINDUNGSTUECK FUR SCHLAUCH | |
| 62 | B0H600013R | DOPPI CONI PER TUBO 4 | DOUBLE CONE FOR PIPE | DOUBLE CONES POUR TUYAU 4 | DOPPELTER KEGEL FUER SCHLAUCH | |
| 63 | B0H000241R | TUBETTO IN NYLON 4 L=2500 | NYLON HOSE | TUYAU EN NYLON DIAM 4 L=2500 | NYLON ROEHRCHEN | |
| 64 | B0H000102R | DISTRIBUTORE UNILAT. 4 VIE | UNILATERAL DISTRIBUTOR | DISTRIBUTEUR UNILATERAL 4 VOIE | EINSEITIGER VERTEILER | |
| 65 | F05150055R | FASCETTA POLYA. 3,6X200 NERA | WHITE BAND | BANDE BIANCHE | WEIBE BAND | CINTA BLANCA |
| 66 | B0HE00003R | INIETTORE TIPO E | TYPE E INJECTOR | GICLEUR TYPE E | SPRITZDUESE | |
| 67 | B0H600013R | DOPPI CONI PER TUBO 4 | DOUBLE CONE FOR PIPE | DOUBLE CONES POUR TUYAU 4 | DOPPELTER KEGEL FUER SCHLAUCH | |
| 68 | B0H000130R | TUBETTO IN RAME 4 L=150 | COPPER PIPE 4 L=1 | PETIT TUYAU EN CUIVRE DIAM 4 L | KUPFER ROEHRCHEN 4 L=1 | |
| 69 | B0H600014R | RACCORD INIETTORE PER TUBO 4 | INJECTOR UNION FOR PIPE | RACCORD INJECTEUR POUR TUYAU D | EINSPRITZDUESENANSCHLUSS | |
| 70 | B0H000128R | TUBETTO IN RAME 4 L=120 | COPPER PIPE 4 L=1 | PETIT TUYAU EN CUIVRE DIAM. 4 | KUPFER ROEHRCHEN 04 L=1 | |
| 71 | B00920208R | DADO M8X1 D985 8ZN | NUT M8X1 D985 8ZN | ECROU | SELBSTSICHERNDE MUTTER M8-5S | |

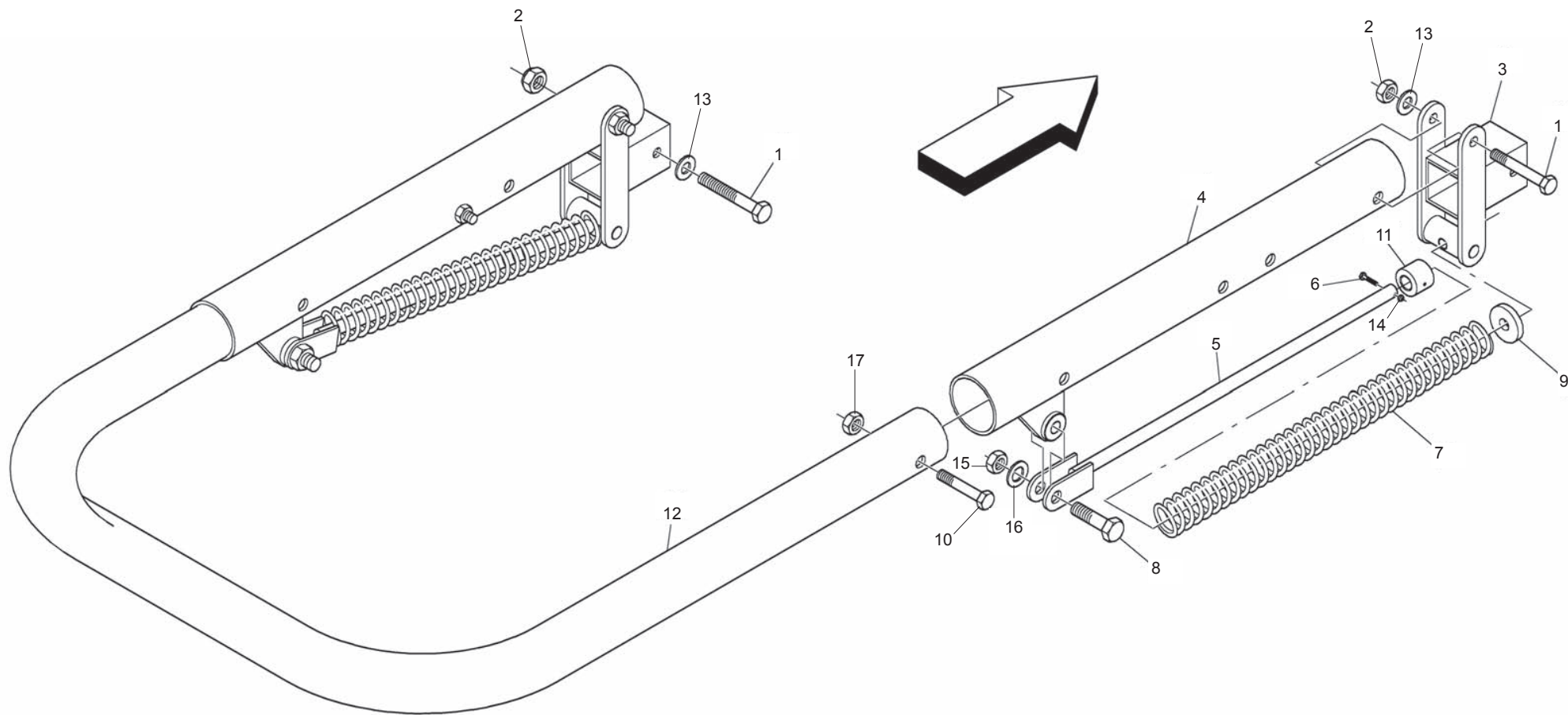
TAV_410



**IMPIANTO LUCI + CUNEI
LIGHTS PLANT + CHOCKS**

TAV_410

| Pos. | Cod. | Descrizione | Description | Description | Benennung | Descripcion |
|------|------------|--------------------------------|--------------------------------|--------------------------------|--------------------------------|-----------------------------|
| 1 | F01230202R | DADO M10X 1,5 D985 8 ZN | NUT M10 D985 | ECROU AUTOBL. M10 | SELBSTSPERR.MUTTER M10 | DADO AUTOBL. M10 |
| 2 | F01410062R | ROS.M10 10,5X 18X 2 U6592 ZN | WASHER M10 10,5X 18X 2 U6592 | RONDELLE M10 10,5X18X2 ZN | DICHTUNGSRING M10 10,5X18X2 ZN | RONDANA M10 10,5X18X2 ZN |
| 3 | F02300073R | MORS.FERMATUB. D. 8-W1 FG 8 20 | TUBE CLAMP | | | |
| 4 | F05150055R | FASCETTA POLYA. 3,6X200 NERA | WHITE BAND | BANDE BIANCHE | WEIBE BAND | CINTA BLANCA |
| 6 | B01000011R | RIVETTO STR. 6X12 U9200A AL | RIVET 6X12 U9200A AL | RIVET | ABREISSNIETEN 6X15 | |
| 7 | B07V00071R | SUPPORTO CUNEO PLA | SUPPORT WEDGE PLA | | | |
| 8 | B07V00070R | CUNEO D ARRESTO TIPO UK20K | WHEEL CHOCK | COIN D ARRET UK10K | UNTERLEGEKEIL | |
| 9 | B0C000082R | PIASTRA ATTACCO FANALE DESTRO | RIGHT HEAD LIGHT COUPLING PLAT | TOLE ATTELAGE FEU DROITE | ANSCHLUSSPLATTE BELEUCHTUNG RE | |
| 10 | B0E000025R | CATADIOTRO TRIANGOLARE ROSSO | RED TRIANGULAR RETROREFLECTOR | CATADIOPTRE TRIANGULAIRE ROUGE | DREIECKIGER ROTER RUECKSTRAHLE | |
| 11 | B00181015R | VITE M10X1,5 X 16 U5739 8.8ZN | SCREW | VIS | SCHRAUBE | |
| 12 | B00920005R | DADO AUTOB.BASSO M 5-5S DIN985 | NUT | ECROU | SELBSTSICHERNDE MUTTER M5-5S | |
| 13 | B0E000007R | FANALE POST. VST_018 | REAR LIGHT | FEU POSTERIEUR | HECKLAMPE | |
| 14 | B0E731597R | GRUPPO LUCI ST018 | LIGHT KIT | GROUPE DE FEUS | LICHTENANLAGE | |
| 15 | F02250716R | CUNEO FERMO MACCHINA PLA | WEDGE STOP MACHINE PLA | | | |
| 16 | F02250717R | SUPPORTO CUNEO PLA | SUPPORT WEDGE PLA | | | SOPORTE DE CU A PLA |
| 17 | B01000011R | RIVETTO STR. 6X12 U9200A AL | RIVET 6X12 U9200A AL | RIVET | ABREISSNIETEN 6X15 | |
| 18 | B0E000025R | CATADIOTRO TRIANGOLARE ROSSO | RED TRIANGULAR RETROREFLECTOR | CATADIOPTRE TRIANGULAIRE ROUGE | DREIECKIGER ROTER RUECKSTRAHLE | |
| 19 | B0C000081R | PIASTRA ATTACCO FANALE SX | LEFT HEAD LIGHT COUPLING PLATE | TOLE ATTELAGE FEU GAUCHE | ANSCHLUSSPLATTE BELEUCHTUNG LI | |
| 20 | B00920005R | DADO AUTOB.BASSO M 5-5S DIN985 | NUT | ECROU | SELBSTSICHERNDE MUTTER M5-5S | |
| 21 | B0E000006R | FANALE CON LUCE TARGA VST_018 | PLATE HEADLIGHT | FEU AVEC LUMIERE PLAQUE | LICHT FUER SCHILD | |
| 22 | F01020472R | VITE M10X1,5X25 U5739 8.8ZN | SCR. M10X1,5X25 U5739 8.8ZN | VIS M10X1,5X25 U5739 8.8 ZN | SCHRAUBE M10X1,5X25 U5739 8.8 | TORNILLO 10X25 U5739 8.8 ZN |
| 23 | F20030261R | ETICH. LIMITE VELOCITA 40 | SPEED LIMIT 40 LABEL | | | |

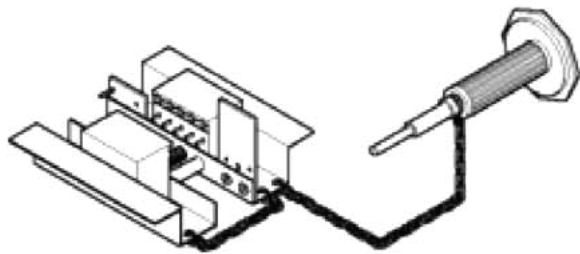


**ESPULSORE
EJECTOR**

TAV_420

| Pos. | Cod. | Descrizione | Description | Description | Benennung | Descripcion |
|------|------------|-------------------------------|--------------------------------|------------------------------|--------------------------------|--------------------------------|
| 1 | F01020989R | VITE M20X2,5X140 U5737 8.8 ZN | SCREW M20X2,5X140 U5737 8.8 ZN | | | |
| 2 | F01230259R | DADO M20X 2,5 U7474 CL.8 ZN | NUT M20X 2,5 U7474 CL.8 ZN | | | |
| 3 | B07S00971R | FULCRO | FULCRUM | POINT D APPUI | DREHPUNKT | |
| 4 | B07S00973R | BASE ESPULSORE | KNOCKOUT BASE | BASE EJECTEUR | AUSWERFER BASE | |
| 5 | B07S00972R | SOSTEGNO MOLLA | SPRING SUPPORT | SUPPORT RESSORT | FEDER LAGERUNG | |
| 6 | F01020160R | VITE M12X1,75X60 U5737 8.8ZN | SCR. M12X1,75X60 U5737 8.8ZN | VIS M12X1,75X60 U5737 8.8 ZN | SCHRA.M12X1,75X60 U5737 8.8 ZN | TORN. M12X1,75X60 U5737 8.8 ZN |
| 7 | B01800057R | MOLLA ESPULSORI | EJECTOR RESSORT | RESSORT EJECTEURS | AUSWERFER FEDER | |
| 8 | F01020309R | VITE M20X2,5X70 U5737 8.8ZN | SCR. M20X2,5X70 U5737 8.8ZN | VIS M20X2,5X70 | SCHRAUBE M20X2,5X70 | TORNILLO M20X2,5X70 |
| 9 | B01510630R | RALLA 28 45 3 | FIFTH WHEEL | BUTEE | SCHLEIBE | |
| 10 | F01020264R | VITE M16X2X90 U5737 8.8ZN | SCR. M16X2X90 U5737 8.8ZN | VIS M16X2X90 5737 8.8 ZN | SCHRAUBE M16X2X90 5737 8.8 ZN | TORN. M16X2X90 5737 8.8 ZN |
| 11 | B01300593R | BUSSOLA | SLEEVE | DOUILLE | BUCHSE | |
| 12 | B0C003083R | TERMINALE ESPULSORE | EJECTOR LIMIT SWITCH | BORNE EJECTEUR | AUSWERFERENDE | |
| 13 | F01410124R | ROS.M20 21X 37X 3 U6592 ZN | WASHER M20 21X 37X 3 U6592 ZN | RONDEL.M20 21X37X3 ZN | MUTTER M20 21X 37X 3 U6592 ZN | ARANDELA M20 21X37X3 U6592 ZN |
| 14 | F01230213R | DADO M12X1,75 U7474 CL8 ZN | NUT M12X1,75 U7474 6SZN | ECROU AUTOBL. M12 | SELBSTSPERR.MUTTER M12 | DADO AUTOBL. M12 |
| 15 | F01230259R | DADO M20X 2,5 U7474 CL.8 ZN | NUT M20X 2,5 U7474 CL.8 ZN | | | |
| 16 | F01410124R | ROS.M20 21X 37X 3 U6592 ZN | WASHER M20 21X 37X 3 U6592 ZN | RONDEL.M20 21X37X3 ZN | MUTTER M20 21X 37X 3 U6592 ZN | ARANDELA M20 21X37X3 U6592 ZN |
| 17 | B00920516R | DADO M16X 1,5 D985 6S ZN | NUT M16X1,5 D985 6S ZN | ECROU | SELBSTSICHERNDE MUTTER M16-5S | |

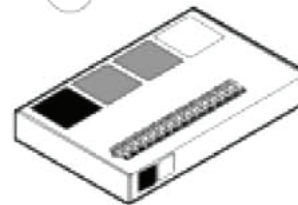
1



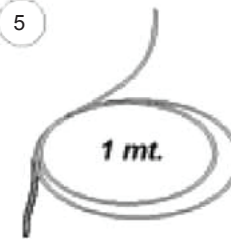
3



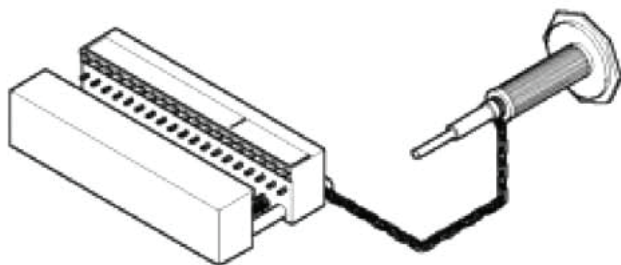
4



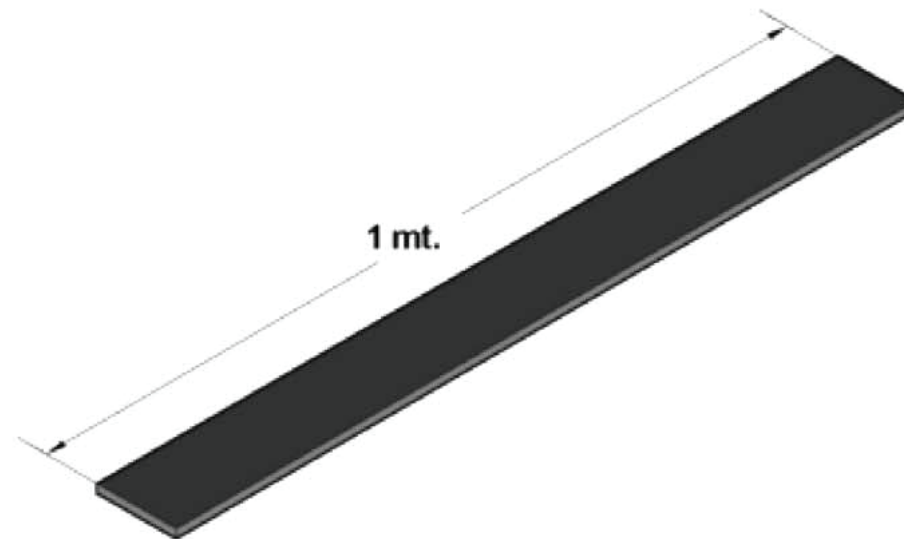
5



2



6

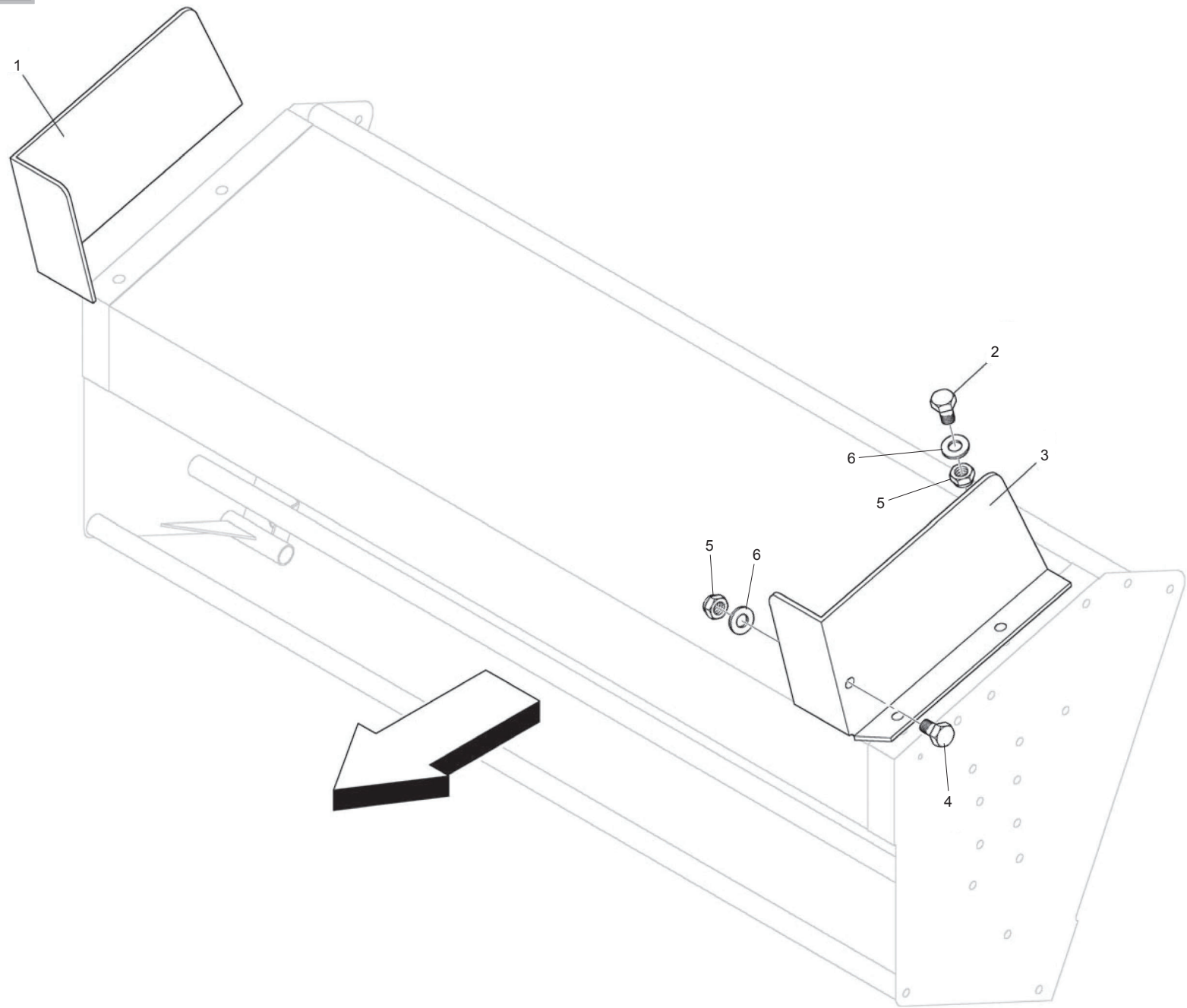


**GRAFFATURA
STAPLING DEVICE**

TAV_430

| Pos. | Cod. | Descrizione | Description | Description | Benennung | Descripcion |
|------|------------|-------------------------------|--------------------------|------------------------------|-----------------------------|-------------|
| 1 | B0ZAP0025R | GRAFFATRICE MATO PROFI 5 | GRAFFATRICE MATO PROFI 5 | | | |
| 2 | B0ZAP0026R | GRAFFATRICE MATO PROFI 19 | STAPLER MATO PROFI 19 | | STAPLER MATO PROFI 19 | |
| 3 | B07U00049R | SEPAR.PUNCH H X VICE LACERS | PUNCH | POINCON | PUNZEN | |
| 4 | B09940018R | SCAT. GRAFFE MATO U24BS-12 13 | MATO LACINGS BOX | BOITE AGRAF.MATO U24BS-12 13 | SCHACHTEL MIT KLAMMERN MATO | |
| 5 | B09962005R | CAVETTO GIUNZIONE MT.1 | WIRE 2,5 PLAST.L.1MT | CABLE | KABEL 49 SCHNUREN | |
| 6 | B07600073R | SPEZZONE CINGHIA MT 01 | BELT PIECE L=1000 | PIECE DE COURROIE | GURT TEILSTUCK L=1000 | |

TAV_440

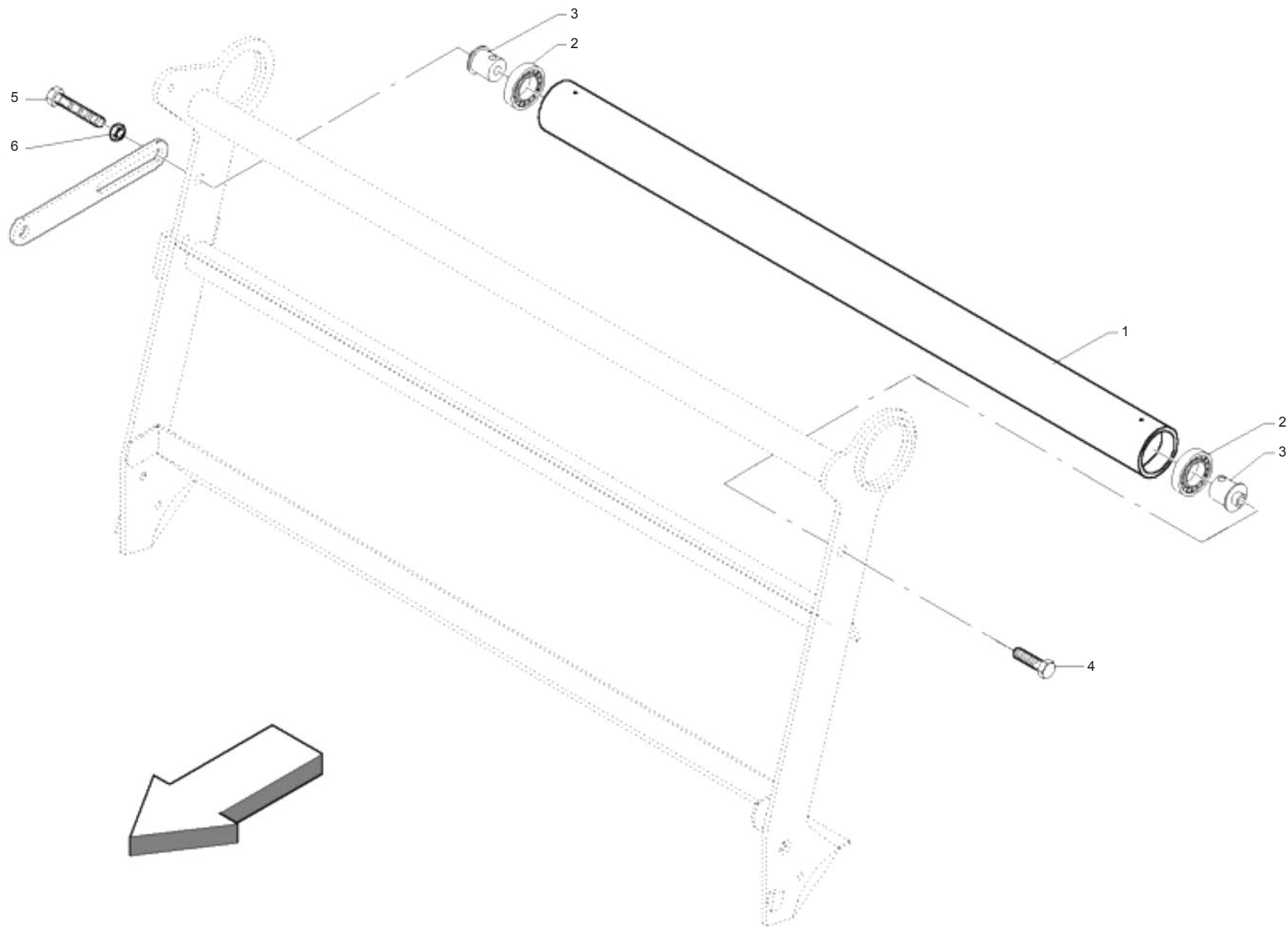


KIT STAFFE SUPPLEMENTARI PER ROTOLO RETE
ADDITIONAL NET SUPPORT KIT

TAV_440

| Pos. | Cod. | Descrizione | Description | Description | Benennung | Descripcion |
|------|------------|------------------------------|------------------------------|-----------------------------|--------------------------------|-----------------------------|
| 1 | B0C003524R | CORPO DX SECONDO ROTOLO | EXTRA ROLL RIGHT BODY | CORPS DROIT ROULEAU SUPPL. | KOERPER RECHTS ZWEITE ROLLE | |
| 2 | F01020472R | VITE M10X1,5X25 U5739 8.8ZN | SCR. M10X1,5X25 U5739 8.8ZN | VIS M10X1,5X25 U5739 8.8 ZN | SCHRAUBE M10X1,5X25 U5739 8.8 | TORNILLO 10X25 U5739 8.8 ZN |
| 3 | B0C003523R | CORPO SX SECONDO ROTOLO | EXTRA ROLL LEFT BODY | CORPS GAUCHE ROULEAU SUPPL. | KOERPER LINKS ZWEITE ROLLE | |
| 4 | F01020472R | VITE M10X1,5X25 U5739 8.8ZN | SCR. M10X1,5X25 U5739 8.8ZN | VIS M10X1,5X25 U5739 8.8 ZN | SCHRAUBE M10X1,5X25 U5739 8.8 | TORNILLO 10X25 U5739 8.8 ZN |
| 5 | F01230202R | DADO M10X 1,5 D985 8 ZN | NUT M10 D985 | ECROU AUTOBL. M10 | SELBSTSPERR.MUTTER M10 | DADO AUTOBL. M10 |
| 6 | F01410062R | ROS.M10 10,5X 18X 2 U6592 ZN | WASHER M10 10,5X 18X 2 U6592 | RONDELLE M10 10,5X18X2 ZN | DICHTUNGSRING M10 10,5X18X2 ZN | RONDANA M10 10,5X18X2 ZN |

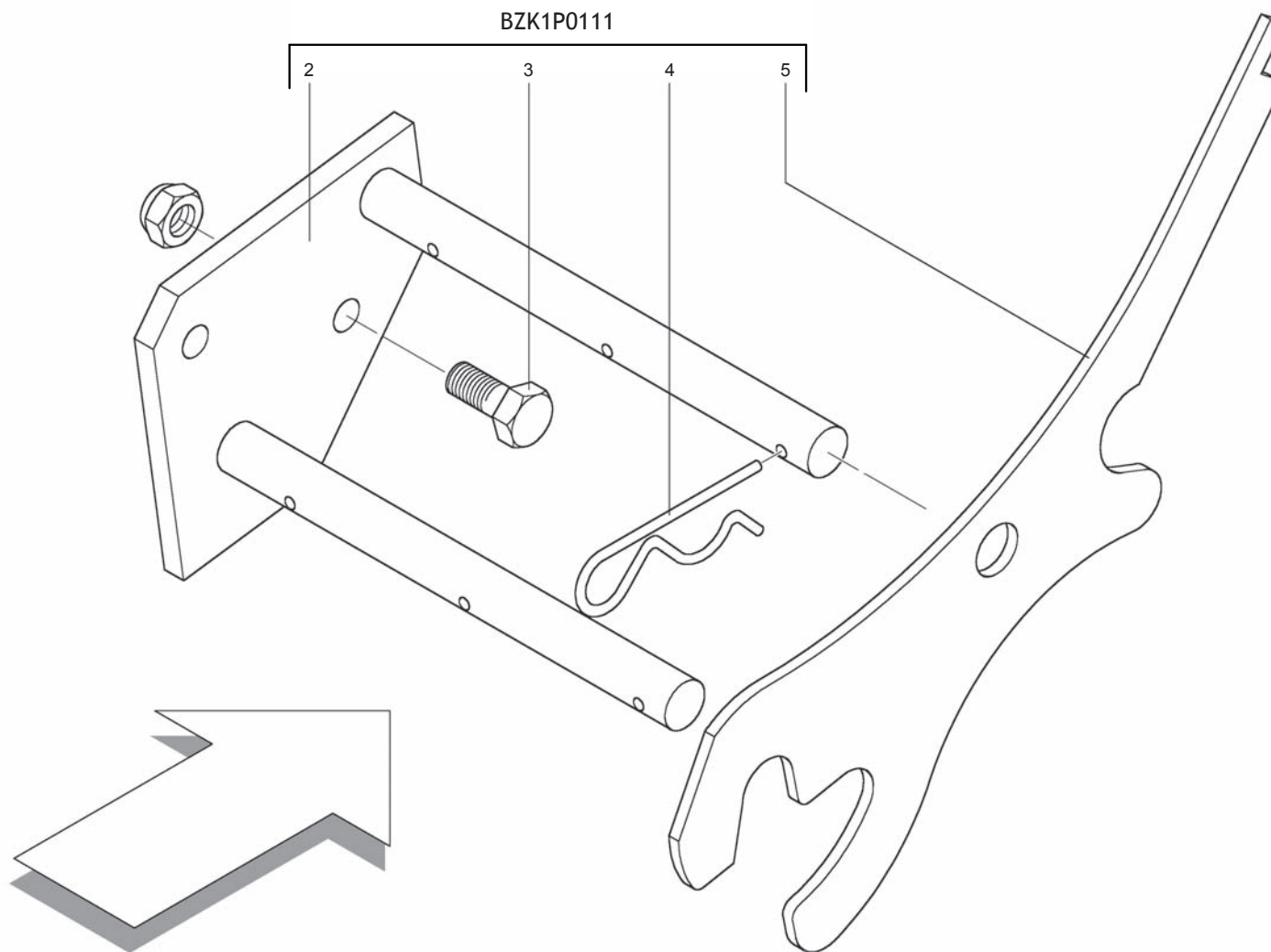
TAV_450



KIT FILM PLASTICO
PLASTIC FILM KIT

TAV_450

| Pos. | Cod. | Descrizione | Description | Description | Benennung | Descripcion |
|------|------------|--------------------------------|------------------------------|-----------------------------|-------------------------------|-------------------------------|
| 1 | B03500048R | RULLO FOLLE | IDLE ROLLER | ROULEAU FOU | UMLENKWALZE | |
| 2 | B02040002R | CUSCINETTO 6307-2RS CAT.KST004 | BEARING | ROULEMENT CAT.KST004 | LAGER 6307-2RS | |
| 3 | B03500047R | PERNO RULLO FOLLE | IDLE ROLLER GUDGEON | TOURILLON ROULEAU FOU | STIFT UMLENKWALZE | |
| 4 | F01020512R | VITE M12X1,75X35 U5739 8.8ZN | SCR. M12X1,75X35 U5739 8.8ZN | VIS M12X1,75X35 5739 8.8 ZN | SCHR. M12X1,75X35 5739 8.8 ZN | TORN. M12X1,75X35 5739 8.8 ZN |
| 5 | F01020524R | VITE M12X1,75X90 U5739 8.8ZN | SCR. M12X1,75X90 U5739 8.8ZN | | | |
| 6 | F01200293R | DADO M12X1,75 U5588 CL8 ZN | NUT M12X1,75 U5588 6S ZN | ECROU M12X1,75 U5588 6S ZN | MUTTER M12X1,75 U5588 6S ZN | TUERCA M12X1,75 U5588 6S ZN |

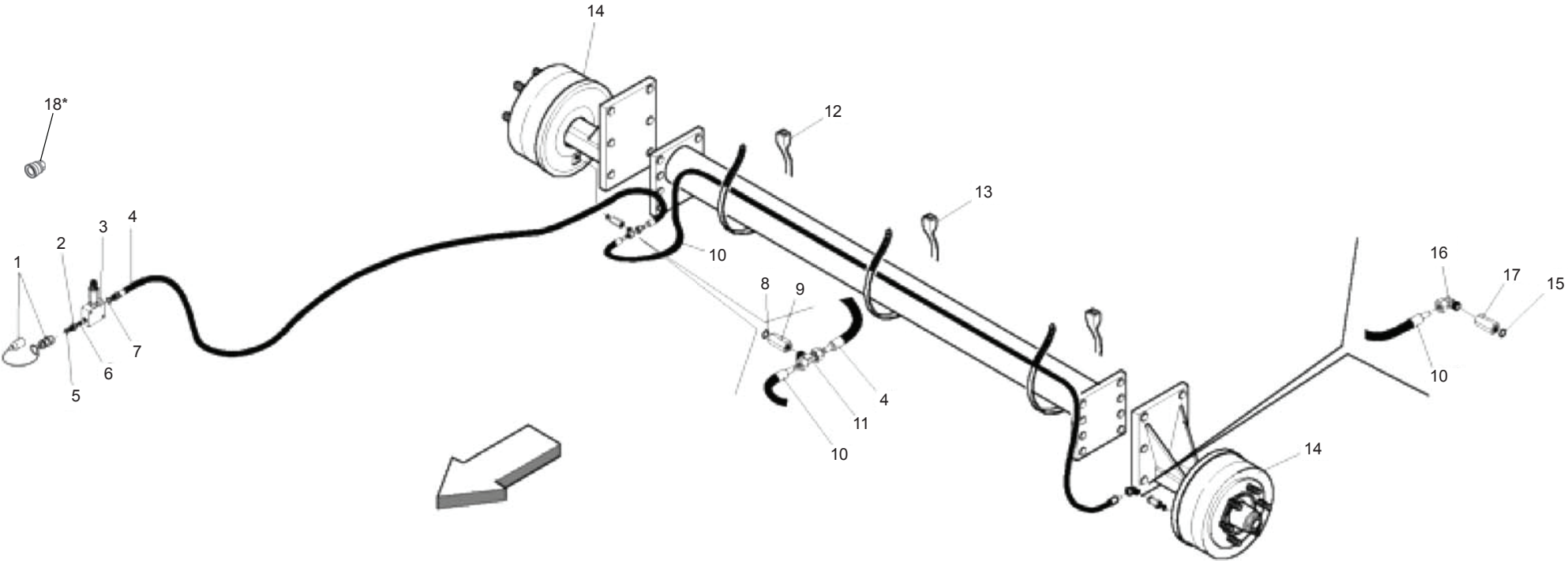


KIT FINTI COLTELLI
FAKE KNIVES KIT

TAV_460

| Pos. | Cod. | Descrizione | Description | Description | Benennung | Descripcion |
|------|------------|--------------------------------|------------------------------|-----------------------------|--------------------------------|-------------------------------|
| 2 | B07S01031R | PORTA COLT. | KNIFE HOLDER | PORTE-COUTEAUX | MESSERTRAEGER | |
| 3 | F01020510R | VITE M12X1,75X30 U5739 8.8ZN | SCR. M12X1,75X30 U5739 8.8ZN | VIS M12X1,75X30 U5739 8.8ZN | SCHRAU.M12X1,75X30 U5739 8.8ZN | TORN. M12X1,75X30 U5739 8.8ZN |
| 4 | B01170484R | SPINA MOLLA 4 OCCH.SEMPL.ZINC. | PIN | GOUPILLE CLIPS | STIFT | |
| 5 | B0C005006R | FINTO COLT. CUT | BLANK KNIFE CUT | FAUX COUTEAU CUT | BLINDMESSER CUT | |

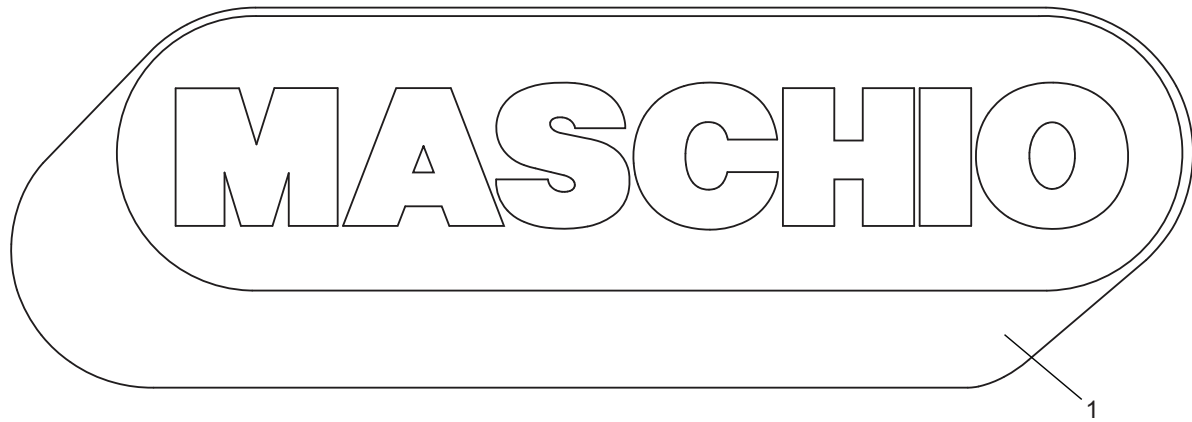
(*) 18 = SOLO NORVEGIA
ONLY NORWAY



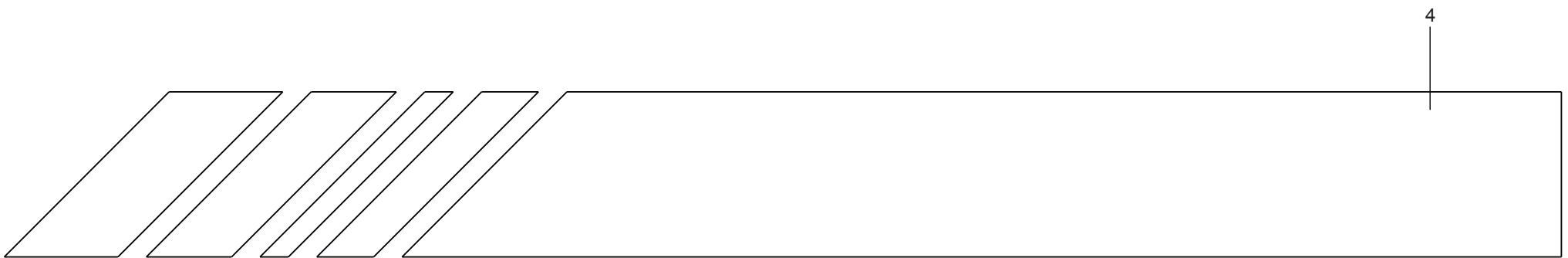
**FRENO IDRAULICO
HYDRAULIC BRAKE**

TAV_470

| Pos. | Cod. | Descrizione | Description | Description | Benennung | Descripcion |
|------|------------|--------------------------------|----------------------------|--------------------------------|------------------------------|-----------------|
| 01 | B0H6000A0R | INNESTO RAP.NV 12GAS-M | QUICK CLUTCH | EMBAYAGE | | SCHNELLKUPPLUNG |
| 02 | B0H6000ABR | NIPPLO RIDUZ.1 2 -3 8 RASTEL | NIPPLE | NIPPLE REDUCTION 1 2 - 3 8 | | |
| 03 | B0H000143R | VALV. DI RID. VRPRL2B38TS.SR | REDUCTION VALVE | VALVE DE REDUCTION VRPRL2B38TS | VENTIL | |
| 04 | B0H000097R | TUBO R1T 1 4 L. 5500 | FLEXIBLE TUBE SAE 100 R1AT | TUYAU FLEXIBLE SAE 100 R1AT 1 | ROEHRE FLEX SAE 100 R1AT 1 4 | |
| 05 | B01442015R | ROS. 21 X27X1,5 RAME -1 2 | WASHER | RONDELLE | BEILAGSCHEIBE 1 2 | |
| 06 | B01441815R | ROS. 17 X23X1,5 RAME -3 8 | WASHER | RONDELLE | SCHEIBE | |
| 07 | B01441815R | ROS. 17 X23X1,5 RAME -3 8 | WASHER | RONDELLE | SCHEIBE | |
| 08 | B01441415R | RONDELLA IN RAME 1 4 | WASHER | RONDELLE | BEILAGSCHEIBE 1 4 13X19X1,5 | |
| 09 | B0H000162R | MANICOTTO DI RACCORDO | FITTING SLEEVE | MANCHON DE RACCORD | ANSCHLUSS | |
| 10 | B0H000091R | TUBO FLEX SAE 100 R1AT1 4L2050 | FLEXIBLE TUBE SAE 100 R1AT | TUYAU FLEXIBLE SAE 100 R1AT 1 | ROEHRE FLEX SAE 100 R1AT 1 4 | |
| 11 | B0H000098R | RACCORDO T 10 TN 127-10LR | UNION T 10 | RACCORD T 10 | T.VERSCHRAUBUNG | |
| 12 | F05150055R | FASCETTA POLYA. 3,6X200 NERA | WHITE BAND | BANDE BIANCHE | WEIBE BAND | |
| 13 | B0E600022R | FASCETTA LUMEFIX 4,8X340 | CLAMP LUMEFIX 4,8X340 | | | |
| 14 | B07100031R | MOZZO CON FRENO SPRINTER NEW | HUB WITH BRAKE | MOYEU AVEC FREIN NOUVELLE SPR | RADACHSE MIT BREMSE SPRINTER | |
| 15 | B01441415R | RONDELLA IN RAME 1 4 | WASHER | RONDELLE | BEILAGSCHEIBE 1 4 13X19X1,5 | |
| 16 | B0H000086R | RACCORDO L 10 TN94-10LR | UNION L 10 | RACCORD L 10 | ANSCHLUSSSTUECK L 10 | |
| 17 | B0H000162R | MANICOTTO DI RACCORDO | FITTING SLEEVE | MANCHON DE RACCORD | ANSCHLUSS | |
| 18 | B0H000223R | INNESTO RAP FEM VF0 12 GAS | INNESTO RAP FEM VF0 12 GAS | EMBAYAGE RAPIDE FEMELLE | | |



2 — EXTREME
3 — 165



DECAL "LOGO"
DECAL "LOGO"

TAV_480

| Pos. | Cod. | Descrizione | Description | Description | Benennung | Descripcion |
|------|------------|--------------------------------|--------------------------------|-----------------------------|-------------------------------|-------------|
| 1 | F20010506R | ETICH.ID.MASCHIO802X267 BIANCO | ID LABEL MASCHIO 802X267 WHITE | DECAL MASCHIO 802X267 BLANC | AUFKLEBER MASCHIO 802X267 WEI | |
| 2 | F20020560R | ETICHETTA EXTREME | DECAL EXTREME | DECAL EXTREME | AUFKLEBER EXTREME | |
| 3 | F20020618R | DECAL 165 | DECAL | | | |
| 4 | F20020619R | DECAL FASCIA DX SPRINTER | DECAL.BAND RH SPRINTER 165 | | | |
| 5 | F20020620R | DECAL FASCIA SX SPRINTER | DECAL.BAND LF SPRINTER 165 | | | |





DECAL "CE"
DECAL "CE"

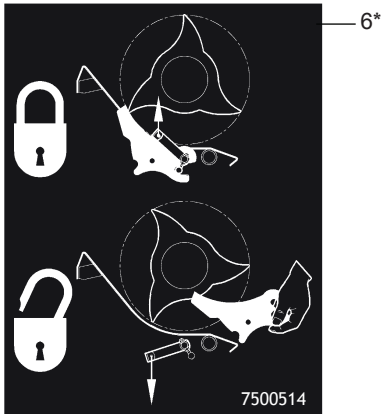
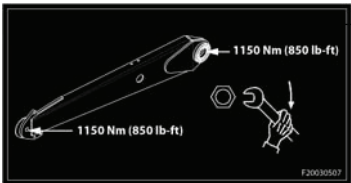
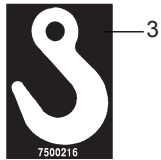
TAV_490

| Pos. | Cod. | Descrizione | Description | Description | Benennung | Descripcion |
|------|------------|-------------------------------|-------------------------------|-------------------------------|-------------------------------|-------------|
| 1 | B07500185R | ET CONSULT IL LIBRETTO OP. | DECAL SEE OPERATOR S MANUAL | DECAL LIRE LE LIVRE OPERATEU | AUFKLEBE BUCH ANSCHLAGEN | |
| 2 | B07500186R | ET TOGLIERE LA CHIAVE... | DECAL TAKE THE WRENCH AWAY | DECAL CHASSER LA CLEF | AUFKLEBE SCHLUSSEL ZIEHEN | |
| 3 | B07500208R | ET MANO-OLIO SOTTO PRESSIONE | DECAL OIL UNDER PRESSURE HAND | DECAL MAIN-HUILE SOUS PRESSIO | AUFKLEBE HAND-OEL | |
| 4 | B07500187R | ET 540 GIRI - RICC SX NORMA | DECAL 540RPM - LEFT BURR | DECAL 540 T H-SENS DE ROTATIO | AUFKLEBE 540 RPM | |
| 5 | B07500199R | ET PERSONA SCHIACC.-ZONA | DECAL SQUEEZED PERSON | DEECAL PERSONNE ECRASEE -ZONE | AUFKLEBE GEQUETSCHER MANN | |
| 6 | B07500203R | ET TAGLIO MANO-STOP NORMA CEE | DECAL HAND CUT _ STOP | DECAL COUPE MAINE - STOP | AUFKLEBE HANDSCHNITT - HALT | |
| 7 | B07500221R | ET PIEDE TAGLI-STARE DISTANTE | WARNING CUT FEET DECAL | DECAL PIED COUPE | AUFKLEBE GESCHNITTER FUSS | |
| 8 | B07500207R | ET PERSONA INTRAPP. PICK-UP | TRAPPED MAN DECAL | DECAL PERSONNE PIEGEE-PICK-UP | AUFKLEBE GEFANGTENER MANN | |
| 9 | B07500198R | ET PERSONA SCHIAC-SOTTO PORTE | SQUEEZED MAN DECAL | DECAL PERSONNE ECRASE -SOUS | AUFKLEBE GEQUETSCHER MANN | |
| 11 | B07500201R | ET SCOSSA ELETTR NORMA CEE | ELECTRIC SHOCK DECAL | DECAL SECOUSSE ELECTRIQUE | AUFKLEBER STROMSTOSS | |
| 12 | B07500212R | ET PERSONA SCHIACC-BALLA NORM | SQUEEZED MAN-BALE DECAL | DECAL PERSONNE ECRASEE -BALLE | AUFKLEBER GEQUERSCHTER MANN | |
| 13 | B07500197R | ET PERSONA SCHIACC-PRES MURO | SQUEEZED MAN DECAL | DECAL PERSONNE RCRASE - PRES | AUFKLEBER GEQUETSCHER MANN | |
| 14 | B07500781R | ET PERICOLO CARDANO | DANGER PTO SHAFT DECAL | DECAL DANGER CARDAN | ABZIEHBILD GEFAHR GELENKWELLE | |
| 15 | B07500194R | ET PERSONA SCHIACC.-BLOCC. | SQUEEZED MAN DECAL | DECAL PERSONNE ECRASE BLOCEG | AUFKLEBE GEQUETSCHTER MANN | |
| 16 | B07500210R | ET MANO SCHIACC-ORGANI SCH | DECAL SQUEEZED HAND _ ORGANS | DECAL MAIN ECRASEE | AUFKLEBE GEQUERSCHTE HAND | |

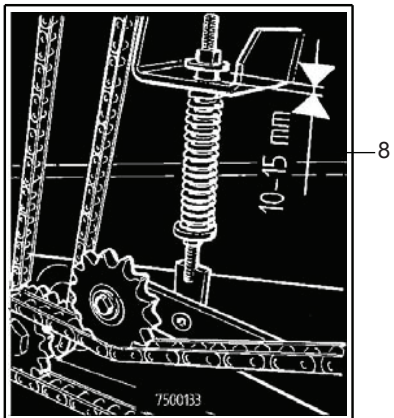
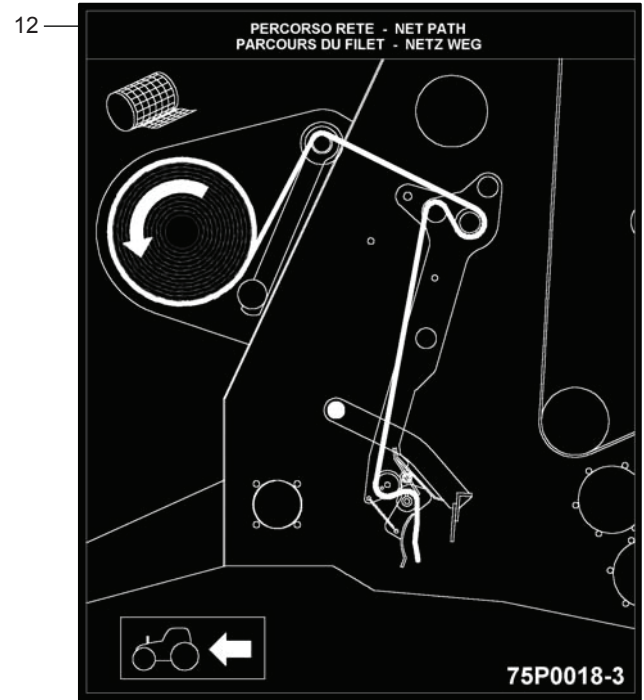
TAV_500

| | |
|--|---|
| <p>I</p> <p>IMPORTANTE NON USARE GETTI AD ELEVATE PRESSIONI VICINO ALLE PARTI MECCANICHE. SI POSSONO CAUSARE DANNI.</p> | <p>ENG</p> <p>IMPORTANT DO NOT USE HIGH PRESSURE JETS NEAR MECHANICAL PARTS, AS DAMAGES CAN BE CAUSED.</p> |
| <p>F</p> <p>IMPORTANTE NE PAS UTILISER DES JETS A PRESSION ELEVÉE PRES DE PARTIES MECANIQUES. ON PEUT CAUSER DES DOMMAGES.</p> | <p>D</p> <p>WICHTIG HOCHDRUCKSTRAHLE NEBEN MECHANISCHEN TEILEN NICHT VERWENDEN. DA SCHADEN VERURSACHT WERDEN KÖNNTEN.</p> |

7500217



(*) 6; 14; 15 = SOLO modello CUT ONLY for CUT



**DECAL "ISTRUZIONE"
DECAL "INSTRUCTION"**

TAV_500

| Pos. | Cod. | Descrizione | Description | Description | Benennung | Descripcion |
|------|------------|--------------------------------|-------------------------------|-------------------------------|-------------------------------|-------------|
| 1 | B07500217R | ET NON USARE GETTI.. | DECAL DO NOT USE SPOUTS | DECAL NE PAS USER JETS | AUFKLEBE KEINE STRAHL BENUTZE | |
| 2 | B07500214R | ET POMPETTA GRASSO | DECAL GREASE SQUIRT | DECAL PETITE POMPE GRAISSE | AUFKLEBE OELKAENNCHEN | |
| 3 | B07500216R | ET GANCIO | DECAL HOOK | DECAL CROC | AUFKLEBE HACKEN | |
| 4 | F20030507R | DEC.COPPIA SERR.TIM.SPR TRO DU | DECAL.TIGHTENING TORQUE DRAWB | | | |
| 5 | F20030503R | DECAL PNEUMATICI 3,5 BAR 230NM | DECAL TIRE 3,5 BAR 230NM | | | |
| 6 | B07500514R | ET COLT. BLOCC. SBLOCC. | DECAL KNIVES LOCK. UNBLOCK. | DECAL COUTEAUX BLOC. DEBLOC. | DECAL MESSERN | |
| 7 | B07500520R | ET POSIZIONI LEG.FILO | DECAL TYING POSITIONS | DECAL POSITION KIT LIAGE FICE | AUFKLEBER POSITION GARNBINDUN | |
| 8 | B07500133R | ET TENDITORE AUTOMATICO | DECAL AUTOMATIC TIGHTNER | AUTOCOLLANT TENDEUR AUTOMATI | AUFKLEBER AUTOMATISCHER SPANN | |
| 9 | B07500420R | ET DIMENSIONE BALLA | DECAL BALE DIMENTIONS | DECAL DIMENSION BALLE | AUFKLEBER DIMENSIONE BALLA | |
| 10 | B07500219R | ET DIMENSIONE BALLA ANT. | DECLA BALE DIMENSION FRON | DECAL DIMENSION DE A BALLE A | AUFKLEBE BALLENDIMENSION | |
| 12 | B075P0018R | ET LEG.RETE CON 2 RULLI | DECAL NET WITH 2 ROLLER | DECAL LIAGE FILET AVEC 2 ROUL | AUFKL. NETZBIND. MIT 2 WALZEN | |
| 13 | F20030502R | DECAL PNEUMATICI 2,6BAR 230NM | TIRES LABEL 2,6BAR 230NM | | | |
| 14 | B07500513R | ET ROT. FOLLE | DECAL IDLE ROTOR | DECAL ROTOR FOU | DECAL LEER ROTOR | |
| 15 | B07500512R | ET MARCIA ROT. | DECAL ROTOR GEARSHIFT | DECAL ALLURE ROTOR | DECAL ROTOR GANGGETRIEBE | |

**USATE SEMPRE RICAMBI ORIGINALI
ALWAYS USE ORIGINAL SPARE PARTS
IMMER DIE ORIGINAL-ERSATZTEILE VERWENDEN
EMPLOYEZ TOUJOURS LES PIECES DE RECHANGE ORIGINALES
UTILIZAR SIEMPRE REPUESTOS ORIGINALES**



**Servizio Assistenza Tecnica - After Sales Service
Servizio Ricambi - Spare Parts Service**



maschio.com

DEALER:



MASCHIO Fienagione S.p.A.
Sede legale Cremona
Via Bredina, 6 - 26100 Cremona (Italy)
Tel. +39 0372 564610
Fax +39 0372 564625
info@maschio.com

ООО МАСКИО-ГАСПАРДО РУССИЯ
404130, ВОЛЖСКИЙ,
ВОЛГОГРАДСКАЯ обл.,
УЛ. ПУШКИНА, 117 Б., РОССИЯ
TEL. +7 8443 203100
FAX +7 8443 203101
info@maschio.ru

MASCHIO GASPARDO Poland sp z.o.o.
Ul. Wapienna 6/8 - 87 – 100 Torun Poland
Tel. +48 56 6506051
Fax +48 56 6506053
www.gaspardo.pl

MASCHIO FRANCE Sarl
1, Rue de Mérignan ZA
F - 45240 La Ferte St. Aubin
France
Tel. +33 (0) 2.38.64.12.12
Fax +33 (0) 2.38.64.66.79
info@maschio.fr

MASCHIO-GASPARDO ROMANIA S.R.L.
Strada Înfrățirii, F.N.
315100 Chisineu-Cris (Arad) - România
Tel. +40 257 307030
Fax +40 257 307040
info@maschio.ro

MASCHIO GASPARDO NORTH AMERICA, Inc.
112 3rd Avenue East
Dewitt IA 52742 - USA
Tel. +1 563 6596400
Fax +1 563 6596405
info@maschio.us

MASCHIO IBERICA S.L.
MASCHIO DEUTSCHLAND GMBH
MASCHIO-GASPARDO UCRAINA
GASPARDO-MASCHIO TURCHIA
MASCHIO-GASPARDO CINA
MASCHIO-GASPARDO INDIA