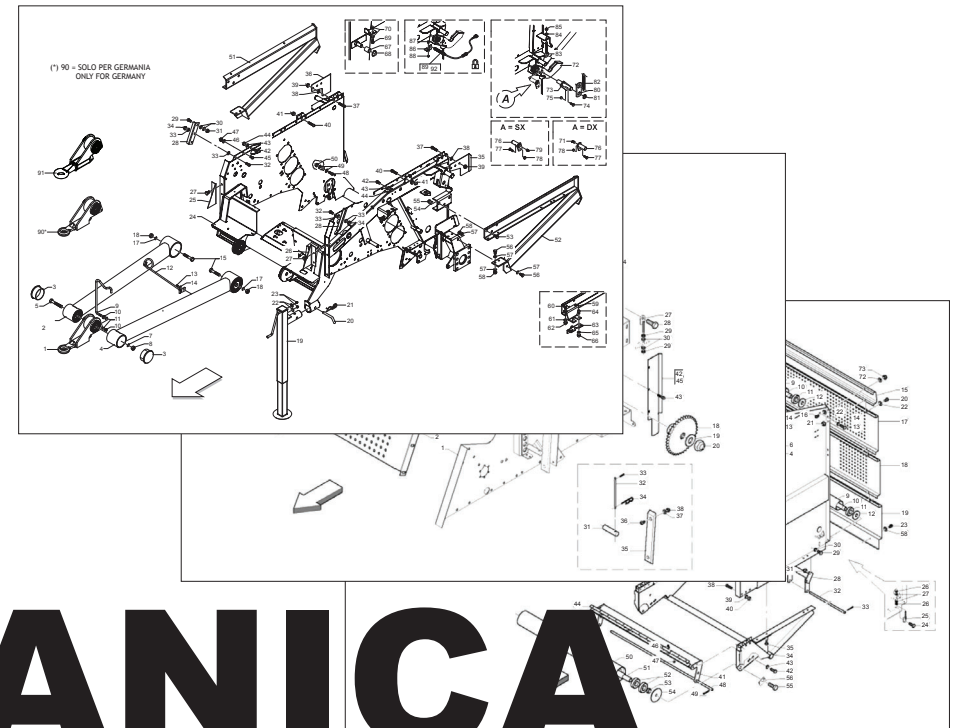


MASCHIO GASPARDO S.p.A.



EXTREME 165 MECCANICA

Cod: F07022569 2021-01

- *) Valido per Paesi UE
- *) Valid for EU member countries
- *) Valable dans les Pays UE
- *) Gilt für EU-Mitgliedsländer
- *) Válido para Países UE

- IT** PARTI DI RICAMBIO
- EN** SPARE PARTS
- DE** ERSATZTEILE
- FR** PIÈCES DÉTACHÉES
- ES** PIEZAS DE REPUESTO

PARTI DI RICAMBIO

Le ordinazioni delle parti di ricambio vanno fatte presso i nostri concessionari di zona e devono essere sempre corredate dalle seguenti indicazioni:

- **Tipo, modello e numero di matricola dell'attrezzatura.** Tali dati sono stampigliati nell'apposita targhetta di cui è dotata ogni attrezzatura.

- **Numero di codice della parte richiesta** rilevabile dal catalogo ricambi.

- **Descrizione del particolare e quantità richiesta.**

- **Numero della tavola.**

- **Mezzo di trasporto.** Nel caso questa voce non sia specificata, la Ditta Costruttrice, pur dedicando a questo servizio una particolare cura, non risponde di eventuali ritardi di spedizione dovuti a cause di forza maggiore.

Le spese di trasporto si intendono sempre a carico del destinatario. La merce viaggia a rischio e pericolo del committente anche se venduta franco destino.

NOTA: Il termine **(Dx) Destro** o **(Sx) Sinistro** della macchina o di parti di essa, è inteso guardando la macchina dalla parte posteriore. Le eccezioni saranno indicate.

SPARE PARTS

Orders must be transmitted through our area dealers and should always include the following indications:

- **Type, model and serial number of the machine.** *These data are punched on the data plate with which every implement is equipped.*

- **Code number of the required spare part.** *This will be found in the spare parts catalogue.*

- **Description of the part and required quantity.**

- **Table number.**

- **Means of dispatch.** *If this item is not indicated, the Manufacturer, while dedicating particular care to this service, shall not be held responsible for delays in delivery caused by cases of force majeure.*

Transport expenses shall always be at the consignee's charge. The goods travel at the purchaser's risk and peril even when sold ex destination.

NOTE: *The symbols (Dx) right and (Sx) left, concerning the machine or single parts of it, are referred, as in the figure, to a rear view of them. Exceptions will be indicated.*

ERSATZTEILE

Die Bestellungen müssen bei unseren Gebietshändlern aufgegeben werden. Bei der Bestellung sind stets die folgenden Angaben zu machen:

- **Typ, Modell und Serien-Nummer des Geräts.** Diese Daten stehen auf dem Typenschild, mit dem jedes Gerät versehen ist.

- **Artikel Nr. der erforderlichen Ersatzteile.** Diese stehen im Ersatzteil-Katalog.

- **Beschreibung des Ersatzteils und die erforderliche Stückzahl.**

- **Tafelnummer.**

- **Versandmittel.** Wenn dieser Punkt nicht spezifiziert wird, haftet die Herstellerfirma nicht für etwaigen Lieferverzug aufgrund höherer Gewalt, auch wenn er diesen Service besonders aufmerksam abwickelt.

Die Frachtkosten gehen dagegen immer zu Lasten des Empfängers. Die Ware reist auf Gefahr und Risiko des Auftraggebers, auch wenn frei Haus Verkauft vereinbart worden ist.

N.B.: Die Merkzeichen **(Dx) rechts** und **(Sx) links** betreffen eine rückwärtige Aussicht der Maschine oder Teile von ihr (siehe Bild). Ausnahmen werden gezeigt.

PIECES DÉTACHÉES

Les ordres doivent être effectués auprès de nos concessionnaires de zone en précisant les indications suivantes:

- **Type, modèle et numéro de série de la machine.** *Ces données sont gravées sur la plaque d'identification de chaque outil.*

- **Numéro de code de la pièce détachée** *indiqué sur le catalogue des pièces détachées.*

- **Description de la pièce et quantité requise.**

- **Numéro de plan.**

- **Moyen d'expédition.** *Si cette rubrique n'est pas indiquée, le Constructeur, bien que soucieux de ce service, ne répond pas des retards d'expédition pour des causes de force majeure.*

Les frais de transport sont toujours à la charge du destinataire. La marchandise voyage aux risques et périls de l'acheteur même si vendue franco de port.

N.B.: *Les références (Dx) droit et (Sx) gauche de la machine ou des parties de la même, est entendue, comme de la figure, en regardant la machine de derriere dans le sens de marche.*

RESPUESTOS

Los pedidos han de efectuarse en nuestros concesionarios de zona y deben incluir siempre las siguientes indicaciones:

- **Tipo, modelo y número de matrícula del equipo.** Dichos datos están impresos en la relativa placa presente en el equipo.

- **Número de código de la parte requerida** presente en el catálogo respuestas.

- **Descripción de la pieza y cantidad requerida.**

- **Numero de ilustración.**

- **Medio de transporte.** En caso que este ítem no esté especificado, el Fabricante, aún prestando la debidas consideraciones para este aspecto, no responde por eventuales retardos de env'o debidos a causas de fuerza mayor.

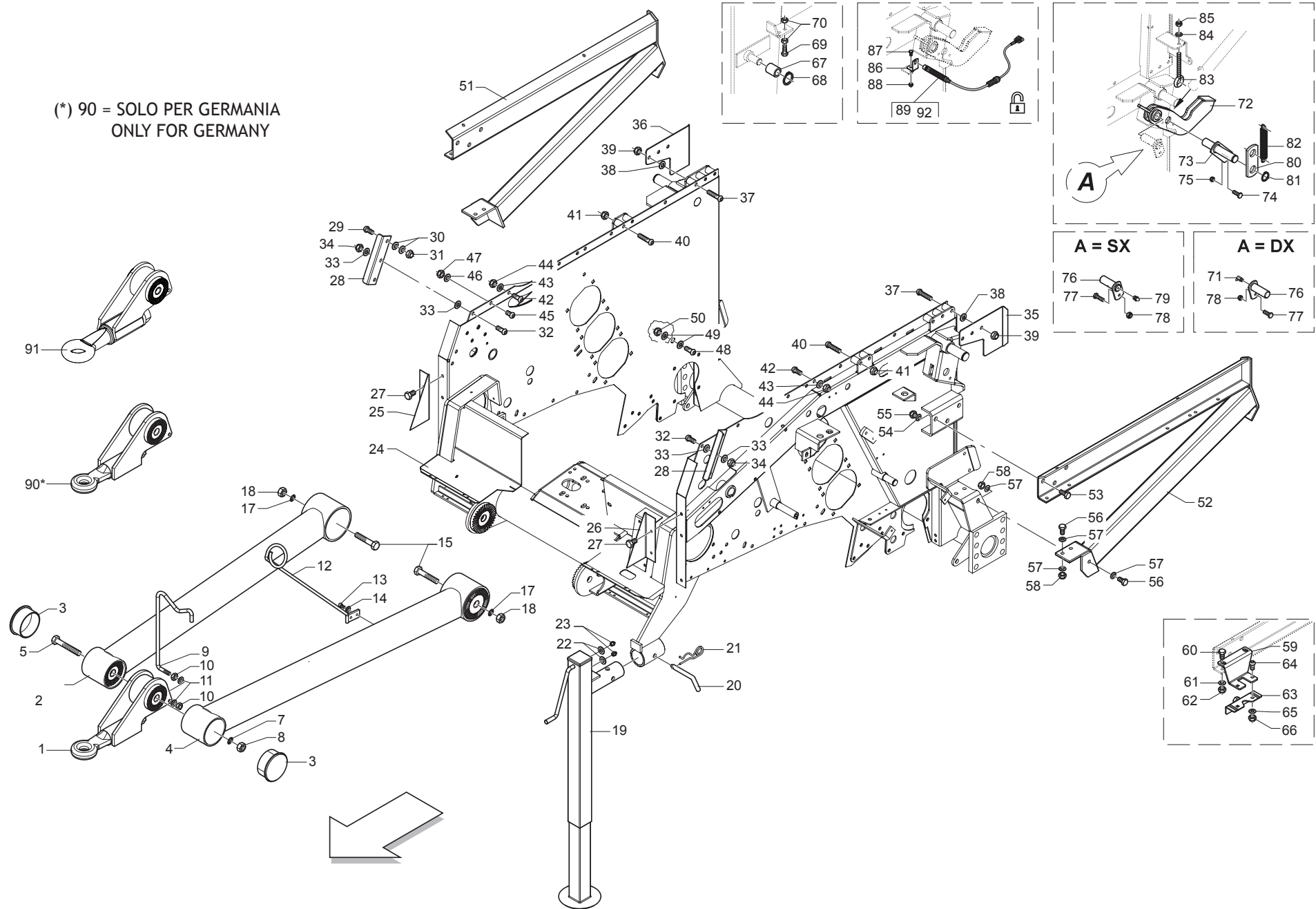
Los gastos de transporte se consideran siempre a cargo del destinatario. La mercadería viaja bajo riesgo y peligro del comprador, incluso cuando se vende franco destino.

N.B.: La referencia **(Dx) derecha** o **(Sx) izquierda** de la máquina o de sus componentes, se entiende, como en la figura, mirando la máquina por la parte trasera. Se indicarán las excepciones.

| N° Tavola | INDICE | Pagina | N° Table | INDEX | Page |
|------------------|---|---------------|-----------------|--|-------------|
| TAV_010 | TELAIO INFERIORE + TIMONE + ROLLBAR + GANCI | 7 | TAV_010 | LOWER FRAME + CROSSBAR + ROLLBAR + HOOKS | 7 |
| TAV_015 | TELAIO SUPERIORE..... | 11 | TAV_015 | UPPER FRAME..... | 11 |
| TAV_020 | PORTELLONE | 13 | TAV_020 | REAR GATE..... | 13 |
| TAV_510 | BLOCCO CINGHIE | 17 | TAV_510 | BELTS LOCK..... | 17 |
| TAV_025 | SEGNALATORI DI CARICAMENTO | 19 | TAV_025 | LOADER INDICATORS..... | 19 |
| TAV_030 | RUOTE..... | 21 | TAV_030 | WHEELS | 21 |
| TAV_035 | SCATOLA DI TRASMISSIONE | 23 | TAV_035 | GEAR BOX..... | 23 |
| TAV_040 | SCATOLA DI TRASMISSIONE PTO | 25 | TAV_040 | PTO GEAR BOX | 25 |
| TAV_045 | ESPLOSO SCATOLA DI TRASMISSIONE | 27 | TAV_045 | GEAR BOX PARTS..... | 27 |
| TAV_350 | SCATOLA DI TRASMISSIONE 1000 g/1'..... | 29 | TAV_350 | GEAR BOX 1000 rpm..... | 29 |
| TAV_400 | CARDANO..... | 31 | TAV_400 | CARDAN SHAFT..... | 31 |
| TAV_050 | RULLI | 33 | TAV_050 | ROLLERS..... | 33 |
| TAV_055 | RULLI CUT..... | 37 | TAV_055 | ROLLERS CUT | 37 |
| TAV_060 | RULLI "H20" | 41 | TAV_060 | ROLLERS "H20"..... | 41 |
| TAV_065 | RULLI CUT "H20"..... | 45 | TAV_065 | ROLLERS CUT "H20"..... | 45 |
| TAV_070 | TRASMISSIONE | 49 | TAV_070 | TRANSMISSION | 49 |
| TAV_075 | BILANCIERE | 53 | TAV_075 | BELT TENSIONER ARM..... | 53 |
| TAV_080 | INFALDATORE..... | 55 | TAV_080 | FEEDING SYSTEM..... | 55 |
| TAV_085 | ROTOR: TELAIIO + ROTORE | 57 | TAV_085 | ROTOR: FRAME + ROTOR..... | 57 |
| TAV_090 | CUT 13: TELAIIO + ROTORE | 59 | TAV_090 | CU 13: FRAME + ROTOR..... | 59 |
| TAV_095 | CUT 25: TELAIIO + ROTORE | 63 | TAV_095 | CUT 25: FRAME + ROTOR..... | 63 |
| TAV_100 | CUT 13: TRAVERSA COLTELLI..... | 67 | TAV_100 | CUT 13: KNIVES CROSSBAR..... | 67 |
| TAV_105 | CUT 25: TRAVERSA COLTELLI..... | 69 | TAV_105 | CUT 25: KNIVES CROSSBAR..... | 69 |
| TAV_110 | SICUREZZA TRASMISSIONE: MECCANICA CON BULLONE | 71 | TAV_110 | TRANSMISSION SAFETY DEVICE: MECHANICAL WITH BOLT... 71 | |
| TAV_115 | SICUREZZA TRASMISSIONE: AUTOMATICA "AFC"..... | 75 | TAV_115 | TRANSMISSIONE SAFETY DEVICE: AUTOMATIC "AFC"..... | 75 |
| TAV_120 | PICK-UP M..... | 77 | TAV_120 | PICK-UP M..... | 77 |
| TAV_125 | PICK-UP L..... | 79 | TAV_125 | PICK-UP L..... | 79 |
| TAV_130 | RULLO CONVOGLIATORE (PICK-UP L - PARTE 1)..... | 81 | TAV_130 | ROLLER CONVEYOR (PICK-UP L - PART 1) | 81 |
| TAV_135 | RULLO CONVOGLIATORE (PICK-UP L - PARTE 2)..... | 83 | TAV_135 | ROLLER CONVEYOR (PICK-UP L - PART 2) | 83 |
| TAV_140 | PICK-UP M CUT..... | 85 | TAV_140 | PICK-UP M CUT..... | 85 |
| TAV_145 | PICK-UP L CUT..... | 87 | TAV_145 | PICK-UP L CUT..... | 87 |
| TAV_150 | RULLO CONVOGLIATORE CUT (PICK-UP M) | 89 | TAV_150 | ROLLER CONVEYOR CUT (PICK-UP M) | 89 |
| TAV_155 | RULLO CONVOGLIATORE CUT (PICK-UP L) | 91 | TAV_155 | ROLLER CONVEYOR CUT (PICK-UP L) | 91 |
| TAV_160 | ASPO PICK-UP M..... | 93 | TAV_160 | PICK-UP M SHAFT | 93 |
| TAV_165 | ASPO PICK-UP L..... | 95 | TAV_165 | PICK-UP L SHAFT | 95 |
| TAV_170 | TRASMISSIONE PICK-UP M..... | 97 | TAV_170 | PICK-UP M TRANSMISSION..... | 97 |
| TAV_175 | TRASMISSIONE PICK-UP L..... | 101 | TAV_175 | PICK-UP L TRANSMISSION..... | 101 |
| TAV_180 | TRASMISSIONE PICK-UP M CUT | 105 | TAV_180 | PICK-UP M CUT TRANSMISSION | 105 |
| TAV_185 | TRASMISSIONE PICK-UP L CUT..... | 109 | TAV_185 | PICK-UP L CUT TRANSMISSION | 109 |

| N° Tavola | INDICE | Pagina | N° Table | INDEX | Page |
|------------------|---|---------------|-----------------|---|-------------|
| TAV_190 | IMPIANTO IDRAULICO PICK-UP | 113 | TAV_190 | PICK-UP HYDRAULIC SYSTEM | 113 |
| TAV_195 | IMPIANTO IDRAULICO PICK-UP CUT | 115 | TAV_195 | PICK-UP CUT HYDRAULIC TRANSMISSION | 115 |
| TAV_200 | RUOTE PICK-UP M | 117 | TAV_200 | PICK-UP M WHEELS | 117 |
| TAV_205 | RUOTE PICK-UP L | 119 | TAV_205 | PICK-UP L WHEELS | 119 |
| TAV_210 | IMPIANTO IDRAULICO MACCHINA..... | 121 | TAV_210 | MACHINE HYDRAULIC SYSTEM | 121 |
| TAV_215 | VALVOLA GEOMETRIA-PRESSIONE (MECCANICA) | 123 | TAV_215 | GEOMETRY-PRESSURE VALVE (MECHANICAL) | 123 |
| TAV_220 | CABLAGGIO | 125 | TAV_220 | CONTROL SYSTEM | 125 |
| TAV_225 | LEGATORE FILO | 127 | TAV_225 | TWINE BINDER | 127 |
| TAV_230 | LEGATOER FILO: CASSONETTO..... | 131 | TAV_230 | TWINE BINDER: TWINE BOX..... | 131 |
| TAV_235 | CARTER ANTERIORE (SOLO CON LEGATORE FILO) | 133 | TAV_235 | FRONT CARTER (ONLY WITH TWINE BINDER) | 133 |
| TAV_240 | LEGATORE RETE (PARTE 1)..... | 135 | TAV_240 | NET BINDER (PART 1) | 135 |
| TAV_245 | LEGATORE RETE (PARTE 2)..... | 137 | TAV_245 | NET BINDER (PART 2) | 137 |
| TAV_250 | LEGATORE RETE (PARTE 3)..... | 139 | TAV_250 | NETE BINDER (PART 3)..... | 139 |
| TAV_255 | LEGATORE RETE (PARTE 4)..... | 141 | TAV_255 | NET BINDER (PART 4) | 141 |
| TAV_260 | LEGATORE RETE (PARTE 5)..... | 143 | TAV_260 | NET BINDER (PART 5) | 143 |
| TAV_265 | IMPIANTO OLIATURA AUTOMATICA..... | 147 | TAV_265 | AUTOMATIC OILING SYSTEM..... | 147 |
| TAV_270 | IMPIANTO OLIATURA AUTOMATICA CUT | 149 | TAV_270 | AUTOMATIC OILING CUT SYSTEM | 149 |
| TAV_275 | CARTER ANTERIORI | 153 | TAV_275 | FRONT CARTER | 153 |
| TAV_280 | CARTER LATERALI | 155 | TAV_280 | SIDE CARTER | 155 |
| TAV_285 | IMPIANTO LUCI + CUNEI..... | 159 | TAV_285 | LIGHTS PLANT + CHOCKS | 159 |
| TAV_290 | ESPULSORE..... | 161 | TAV_290 | EJECTOR..... | 161 |
| TAV_295 | GRAFFATURA..... | 163 | TAV_295 | STAPLING DEVICE..... | 163 |
| TAV_300 | KIT CASSONETTO SUPPLEMENTARE PER BOBINE FILO..... | 165 | TAV_300 | ADDITIONAL TWINE BOX KIT | 165 |
| TAV_305 | KIT STAFFE SUPPLEMENTARI PER ROTOLO RETE | 167 | TAV_305 | ADDITIONAL NET SUPPORT KIT | 167 |
| TAV_310 | KIT FILM PLASTICO | 169 | TAV_310 | PLASTIC FILM KIT | 169 |
| TAV_355 | KIT LAMPEGGIANTE + ECCEZIONALE | 171 | TAV_355 | FLASHING + EXCEPTIONAL KIT | 171 |
| TAV_380 | KIT FINITI COLTELLI | 173 | TAV_380 | FAKE KNIVES KIT | 173 |
| TAV_315 | DISPOSITIVO DI STAZIONAMENT MECCANICO | 175 | TAV_315 | MECHANICAL PARKING DEVICE..... | 175 |
| TAV_320 | DISPOSITIVO STAZIONAMENTO IDRAULCO (CUT) | 177 | TAV_320 | HYDRAULIC PARKING DEVICE (CUT)..... | 177 |
| TAV_325 | FRENO IDRAULICO (NO OMOLOGAZIONE ITALIA) | 179 | TAV_325 | HYDRAULIC BRAKE (NO ITALY APPROVAL) | 179 |
| TAV_360 | ESPLOSO MOZZO CON FRENO | 181 | TAV_360 | HUB WITH BRAKE PARTS..... | 181 |
| TAV_330 | DECAL "LOGO" | 183 | TAV_330 | DECAL "LOGO" | 183 |
| TAV_335 | DECAL "CE" | 185 | TAV_335 | DECAL "CE" | 185 |
| TAV_340 | DECAL "ISTRUZIONE" | 187 | TAV_340 | DECAL "INSTRUCTION" | 187 |

(*) 90 = SOLO PER GERMANIA
ONLY FOR GERMANY

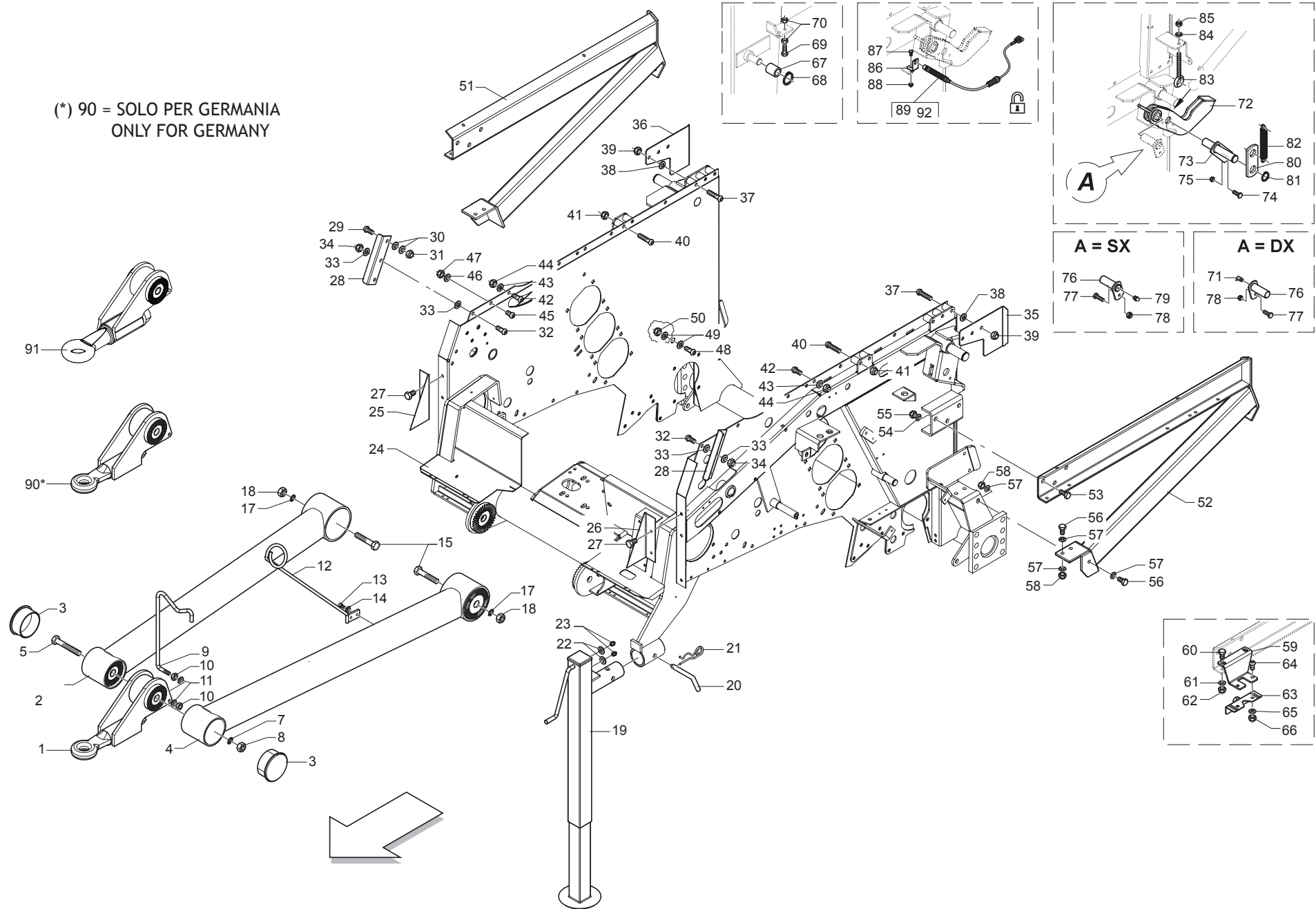


**TELAIO INFERIORE + TIMONE + ROLLBAR + GANCI
LOWER FRAME + CROSSBAR + ROLLBAR + HOOKS**

TAV_010

| Pos. | Cod. | Descrizione | Description | Description | Benennung | Descripcion |
|------|------------|--------------------------------|-------------------------------|--------------------------------|--------------------------------|--------------------------------|
| 1 | B07S01750R | TRAINO 35 | TOWING EYE 35 | EQUIPEMENT DE TIRAGE DIAM. 35 | ZUGOESE 35 | REMOLQUE 35 |
| 2 | B07SP1101R | ALA DX TIMONE | RIGHT WING HELM | | | ALA DER DEL TIM N |
| 3 | B07V00099R | TAPPO PER OCCHIONE | PLUG FOR TOWING EYE | BOUCHON POUR OEIL DE TRACTION | ZUGOSENSCHLIESSPFROPFEN | TAP N PARA ANILLO |
| 4 | B07SP1102R | ALA SX TIMONE | WING LEFT HELM | | | ALA IZQ DEL TIM N |
| 5 | F01020628R | VITE M24X3X180 U5737 10.9ZB | SCR. M24X3X180 U5737 10.9ZB | VIS M24X3X180 5739 10.9 ZN | SCHRAUBE M24X3X180 5739 10.9 Z | TORNILLO M24X3X180 U5737 1 |
| 7 | F01480261R | RONDELLA D24 UNI 1751 ZN | WASHER D24 U1751 ZN | | | ARANDELA D24 UNI 1751 ZN |
| 8 | B00740724R | DADO E ZN.MEDIO M24-8G A U5588 | NUT | ECROU | MUTTER M24-8G | TUERCA M24X 2 D982 8 |
| 9 | B0C005121R | SOSTEGNO CARDANO | CARDAN SHAFT SUPPORT | SUPPORT CARDAN | KARDANWELLENHALTER | SOPORTE DE CARD N |
| 10 | F01230213R | DADO M12X1,75 U7474 CL8 ZN | NUT M12X1,75 U7474 6SZN | ECROU AUTOBL. M12 | SELBSTSPERR.MUTTER M12 | TUERCA M12X1,75 U7474 CL8 ZN |
| 11 | F01410076R | ROS.M12 13X 24X2,5 U6592 ZN | WASHER 12 13X 24X2,5 U6592 ZN | RONDEL. M12 13X24X2,5 U6592 ZN | SCHEIBE M12 13X24X2,5 U6592 ZN | ARAND.M12 13X 24X2,5 U6592 ZN |
| 12 | B07S01825R | SOSTEGNO TUBAZIONI | HOSE SUPPORT | SUPPORT TUYAUTERIES | SCHLAUCHHALTERUNG | SOPORTE DE LAS TUBER AS |
| 13 | B00471025R | VITE TTEI M10X 25-8.8 UNBRA | SCREW | VIS | SCHRAUBE TTEI M10X 25-8.8 | TORNILLO CAB.ALLEN CON HUECO |
| 14 | F01410062R | ROS.M10 10,5X 18X 2 U6592 ZN | WASHER M10 10,5X 18X 2 U6592 | RONDELLE M10 10,5X18X2 ZN | DICHTUNGSRING M10 10,5X18X2 ZN | ARAND.M10 10,5X 18X 2 U6592 ZN |
| 15 | F01020343R | VITE M24X3X80 U5737 10.9ZD | SCR. M24X3X80 U5737 10.9ZD | VIS M24X3X80 U5737 10.9 ZN | SCHRA. M24X3X80 U5737 10.9 ZN | TORNILLO M24X3X80 U5737 10 |
| 17 | F01480261R | RONDELLA D24 UNI 1751 ZN | WASHER D24 U1751 ZN | | | ARANDELA D24 UNI 1751 ZN |
| 18 | B00740724R | DADO E ZN.MEDIO M24-8G A U5588 | NUT | ECROU | MUTTER M24-8G | TUERCA M24X 2 D982 8 |
| 19 | B07S01755R | SERVOTIMONE | DRAW BAR STAND | SERVO BARRE DE TIRAGE | STUETZFUSS | SERVOTIM N |
| 20 | B013C0001R | SPINA 16X158 CON PIEGA | PIN | GOUVILLE | STIFT | CLAVIJA 16X158 CON PLIEGUE |
| 21 | B011B0499R | SPINA A MOLLA A DOPPIO GIRO 4 | PIN | GOUVILLE CLIPS | ZAPFEN | CLAVIJA DE MUELLE CON DOBLE G |
| 22 | F01410051R | ROS.M8 8,4X 17X1,6 U6592 ZN | WASHER M8 8,4X17X1,6 U6592 ZN | RONDELLE M8 8,4X17X1,6 ZN | SCHEIBE M8 8,4X17X1,6 U6592 ZN | ARAND.M8 8,4X 17X1,6 U6592 ZN |
| 23 | B04200810R | INGRAS HYDR M 8X1 DRITTO | GREASE | GRAISSEUR HYDRAULIQUE | GERADER SCHMIERNIPPEL M8X1 | ENGRAS. HYDR M 8X1 RECTO |
| 24 | B07SP1005R | TELAIO INFERIORE 220-265-280 | LOWER FRAME 220-265-280 | CHASSIS INFERIEUR 220-265-280 | 220 265 280 UNTERER RAHMEN | BASTIDOR INFERIOR 220-265-280 |
| 25 | B0C005036R | CHIUSURA ANT. DX | RIGHT FRONT LOCK | FERMETURE ANTERIEURE DROITE | RECHTER VORDERER VERSCHLUSS | CIERRE ANT. DER. |
| 26 | B0C005035R | CHIUSURA ANT. SX | LEFT FRONT LOCK | FERMETURE ANTERIEURE GAUCHE | LINKER VORDERER VERSCHLUSS | CIERRE ANT. IZQ. |
| 27 | F01020436R | VITE M8X1,25X20 U5739 8.8ZN | SCR. M8X1,25X20 U5739 8.8ZN | VIS M8X1,25X 20 U5739 8.8 ZN | SCHRAUBE M8X1,25X20U5739 8.8ZN | TORNILLO M8X1,25X20 U5739 8.8 |
| 28 | B0C005026R | RINFORZO TELAI | FRAME STIFFENING | | | REFUERZO DE LOS BASTIDORES |
| 29 | B00471230R | VITE TTEI M12X 30-8.8 UNBRA | SCREW | VIS | SCHRAUBE TTEI M12X 30-8.8 | TORNILLO CAB.ALLEN CON HUECO |
| 30 | F01410076R | ROS.M12 13X 24X2,5 U6592 ZN | WASHER 12 13X 24X2,5 U6592 ZN | RONDEL. M12 13X24X2,5 U6592 ZN | SCHEIBE M12 13X24X2,5 U6592 ZN | ARAND.M12 13X 24X2,5 U6592 ZN |
| 31 | F01230213R | DADO M12X1,75 U7474 CL8 ZN | NUT M12X1,75 U7474 6SZN | ECROU AUTOBL. M12 | SELBSTSPERR.MUTTER M12 | TUERCA M12X1,75 U7474 CL8 ZN |
| 32 | B00471230R | VITE TTEI M12X 30-8.8 UNBRA | SCREW | VIS | SCHRAUBE TTEI M12X 30-8.8 | TORNILLO CAB.ALLEN CON HUECO |
| 33 | F01410076R | ROS.M12 13X 24X2,5 U6592 ZN | WASHER 12 13X 24X2,5 U6592 ZN | RONDEL. M12 13X24X2,5 U6592 ZN | SCHEIBE M12 13X24X2,5 U6592 ZN | ARAND.M12 13X 24X2,5 U6592 ZN |
| 34 | F01230213R | DADO M12X1,75 U7474 CL8 ZN | NUT M12X1,75 U7474 6SZN | ECROU AUTOBL. M12 | SELBSTSPERR.MUTTER M12 | TUERCA M12X1,75 U7474 CL8 ZN |
| 35 | B0C004488R | RIPARO GANCIO SX | SHELTER HOOK LEFT | | | RESGUARDO GANCHO IZQ |
| 36 | B0C004506R | RIPARO GANCIO DX | RIGHT HOOK GUARD | PROTECTION CROCHET DROIT | RECHTER HAKENSCHUTZ | RESGUARDO GANCHO DER |
| 37 | B00471280R | VITE TTEI M12X 80-10.9 UNBRAKO | SCREW | VIS | SCHRAUBE TTEI M12X 80-8.8 | TORNILLO CAB.ALLEN CON HUECO |
| 38 | F01410076R | ROS.M12 13X 24X2,5 U6592 ZN | WASHER 12 13X 24X2,5 U6592 ZN | RONDEL. M12 13X24X2,5 U6592 ZN | SCHEIBE M12 13X24X2,5 U6592 ZN | ARAND.M12 13X 24X2,5 U6592 ZN |
| 39 | F01230213R | DADO M12X1,75 U7474 CL8 ZN | NUT M12X1,75 U7474 6SZN | ECROU AUTOBL. M12 | SELBSTSPERR.MUTTER M12 | TUERCA M12X1,75 U7474 CL8 ZN |
| 40 | B00471280R | VITE TTEI M12X 80-10.9 UNBRAKO | SCREW | VIS | SCHRAUBE TTEI M12X 80-8.8 | TORNILLO CAB.ALLEN CON HUECO |
| 41 | F01230213R | DADO M12X1,75 U7474 CL8 ZN | NUT M12X1,75 U7474 6SZN | ECROU AUTOBL. M12 | SELBSTSPERR.MUTTER M12 | TUERCA M12X1,75 U7474 CL8 ZN |
| 42 | B00471225R | VITE TTEI M12X 25-8.8 UNBRA | SCREW | VIS | SCHRAUBE TTEI M12X 25-8.8 | TORNILLO CAB.ALLEN CON HUECO |
| 43 | F01410076R | ROS.M12 13X 24X2,5 U6592 ZN | WASHER 12 13X 24X2,5 U6592 ZN | RONDEL. M12 13X24X2,5 U6592 ZN | SCHEIBE M12 13X24X2,5 U6592 ZN | ARAND.M12 13X 24X2,5 U6592 ZN |
| 44 | F01230213R | DADO M12X1,75 U7474 CL8 ZN | NUT M12X1,75 U7474 6SZN | ECROU AUTOBL. M12 | SELBSTSPERR.MUTTER M12 | TUERCA M12X1,75 U7474 CL8 ZN |
| 45 | B00471220R | VITE TTEI M12X 20-8.8 UNBRA | SCREW | VIS | SCHRAUBE TTEI M12X 20-8.8 | TORNILLO CAB.ALLEN CON HUECO |
| 46 | F01410076R | ROS.M12 13X 24X2,5 U6592 ZN | WASHER 12 13X 24X2,5 U6592 ZN | RONDEL. M12 13X24X2,5 U6592 ZN | SCHEIBE M12 13X24X2,5 U6592 ZN | ARAND.M12 13X 24X2,5 U6592 ZN |
| 47 | F01230213R | DADO M12X1,75 U7474 CL8 ZN | NUT M12X1,75 U7474 6SZN | ECROU AUTOBL. M12 | SELBSTSPERR.MUTTER M12 | TUERCA M12X1,75 U7474 CL8 ZN |
| 48 | B00471225R | VITE TTEI M12X 25-8.8 UNBRA | SCREW | VIS | SCHRAUBE TTEI M12X 25-8.8 | TORNILLO CAB.ALLEN CON HUECO |
| 49 | F01420120R | ROS.M12 13X36X2,5 U6593 ZN | WASHER M12 13X36X2,5 U6593 ZN | RONDELLE M12 13X36X2,5 ZN | | ARAND.M12 13X36X2,5 U6593 ZN |
| 50 | F01230213R | DADO M12X1,75 U7474 CL8 ZN | NUT M12X1,75 U7474 6SZN | ECROU AUTOBL. M12 | SELBSTSPERR.MUTTER M12 | TUERCA M12X1,75 U7474 CL8 ZN |
| 51 | B07S01663R | TELAIO ROLL DX 265-280 | RIGHT ROLL FRAME | CHASSIS ROLL DROIT 265-280 | RECHTER ROLL RAHMEN | BASTIDOR ROLL DER 265-280 |
| 52 | B07S01550R | TELAIO ROLL SX 265-280 | LEFT ROLL FRAME | CHASSIS ROLL GAUCHE 265 280 | LINKER ROLL RAHMEN | BASTIDOR ROLL IZQ 265-280 |
| 53 | F01020566R | VITE M16X2X40 U5739 8.8ZN | SCR. M16X2X40 U5739 8.8ZN | VIS M16X2X40 U5739 8.8 ZN | SCHRAUBE M16X2X40 U5739 8.8 ZN | TORNILLO M16X2X40 U5739 8 |
| 54 | F01410100R | ROS.M16 17X 30X 3 U6592 ZN | WASHER M16 17X30X3 U6592 ZN | RONDELLE M16 17X30X3 ZN | SCHRAUBE M16 17X 30X3 U6592 ZN | ARAND.M16 17X 30X 3 U6592 ZN |
| 55 | B00920516R | DADO M16X 1,5 D985 6S ZN | NUT M16X1,5 D985 6S ZN | ECROU | SELBSTSICHERNDE MUTTER M16-5S | TUERCA M16X 1,5 D985 6S |
| 56 | F01020514R | VITE M12X1,75X40 U5739 8.8ZN | SCR. M12X1,75X40 U5739 8.8ZN | VIS M12X1,75X40 U5739 8.8ZN | SCHRA. M12X1,75X40 U5739 8.8ZN | TORNILLO M12X1,75X40 U5739 8. |
| 57 | F01410076R | ROS.M12 13X 24X2,5 U6592 ZN | WASHER 12 13X 24X2,5 U6592 ZN | RONDEL. M12 13X24X2,5 U6592 ZN | SCHEIBE M12 13X24X2,5 U6592 ZN | ARAND.M12 13X 24X2,5 U6592 ZN |
| 58 | F01230213R | DADO M12X1,75 U7474 CL8 ZN | NUT M12X1,75 U7474 6SZN | ECROU AUTOBL. M12 | SELBSTSPERR.MUTTER M12 | TUERCA M12X1,75 U7474 CL8 ZN |
| 59 | B0C005184R | ATTACCO CHIUSURA | CLOSURE COUPLING | ATTELAGE FERMETURE | VERSCHLUSSANSCHLUSS | CONEXI N DE CIERRE |

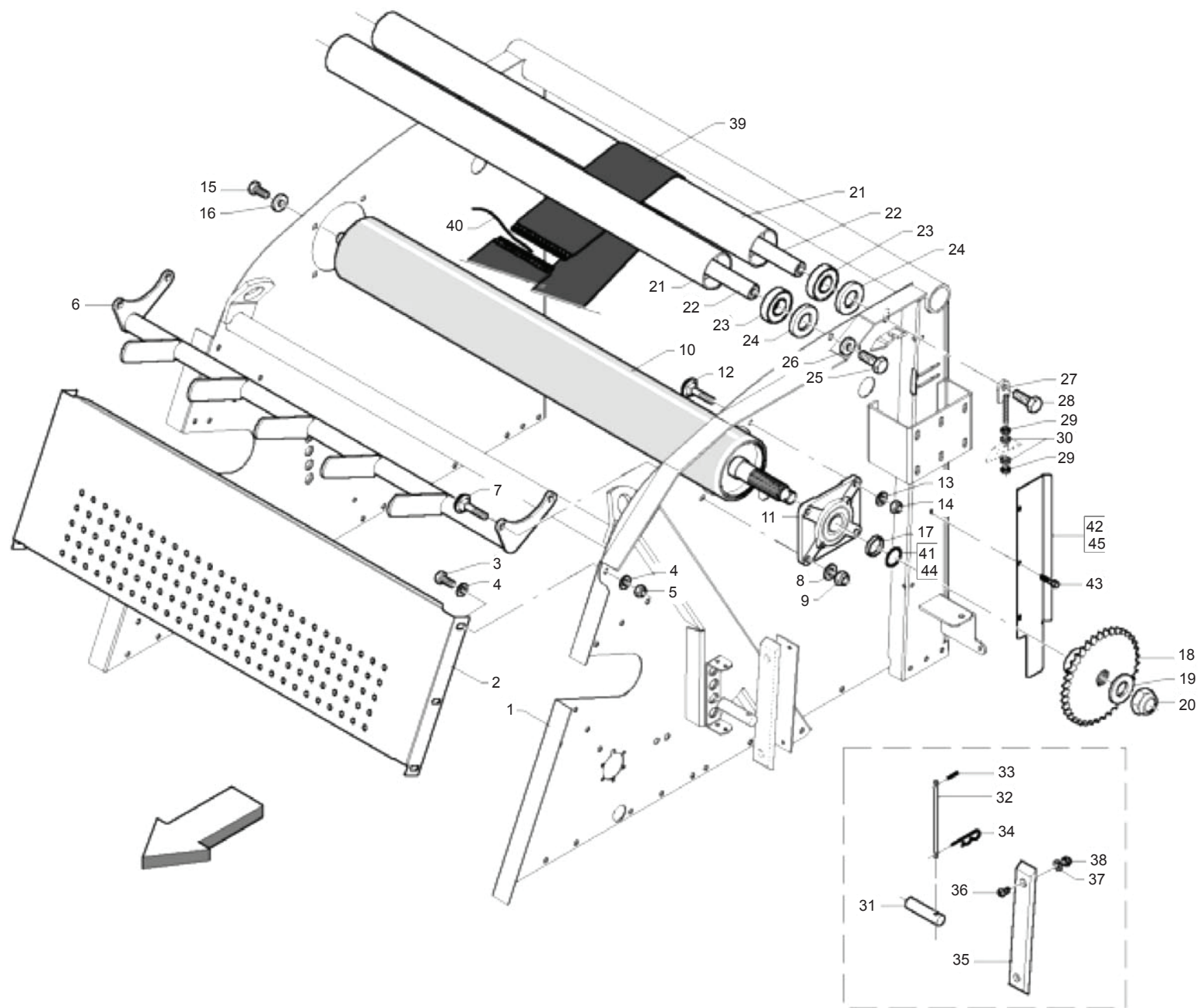
(*) 90 = SOLO PER GERMANIA
ONLY FOR GERMANY



**TELAIO INFERIORE + TIMONE + ROLLBAR + GANCI
LOWER FRAME + CROSSBAR + ROLLBAR + HOOKS**

TAV_010

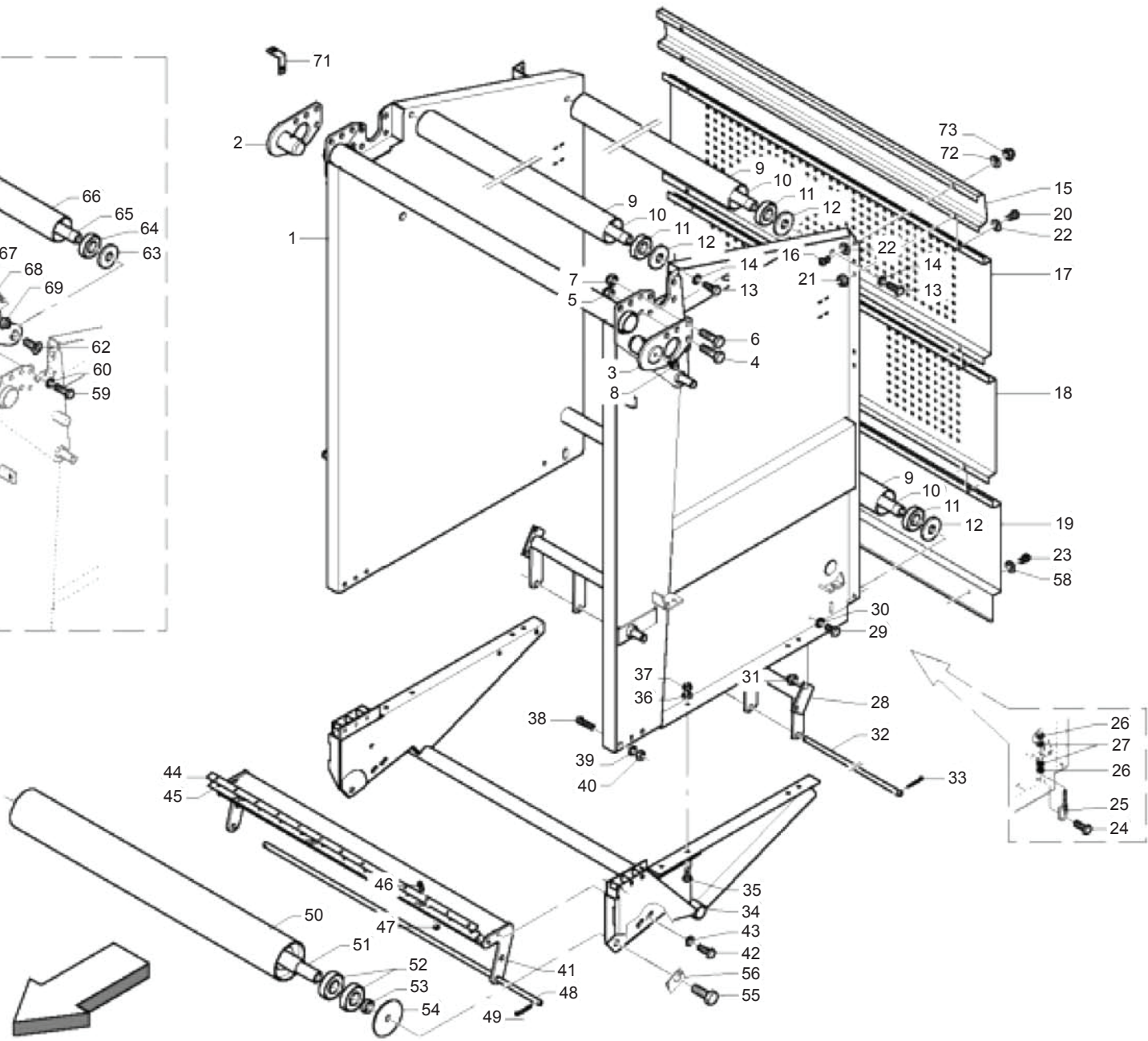
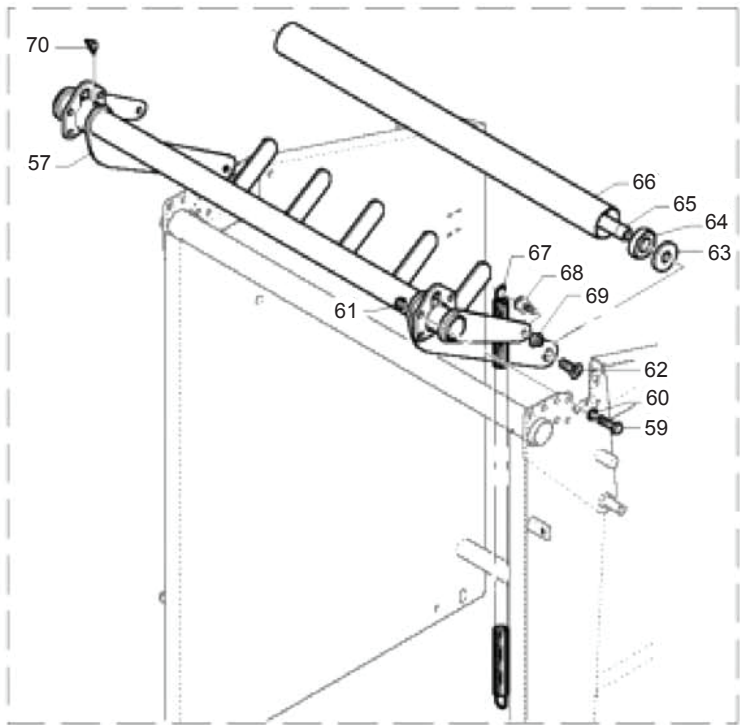
| Pos. | Cod. | Descrizione | Description | Description | Benennung | Descripcion |
|------|------------|--------------------------------|--------------------------------|--------------------------------|--------------------------------|--------------------------------|
| 60 | F01020479R | VITE M10X1,5X35 U5739 8.8ZN | SCR. M10X1,5X35 U5739 8.8ZN | VIS M10X1,5X35 U5739 8.8 ZN | SCHR. M10X1,5X35 U5739 8.8 ZN | TORNILLO M10X1,5X35 U5739 8 |
| 61 | F01410062R | ROS.M10 10,5X 18X 2 U6592 ZN | WASHER M10 10,5X 18X 2 U6592 | RONDELLE M10 10,5X18X2 ZN | DICHTUNGSRING M10 10,5X18X2 ZN | ARAND.M10 10,5X 18X 2 U6592 ZN |
| 62 | F01230202R | DADO M10X 1,5 D985 8 ZN | NUT M10 D985 | ECROU AUTOBL. M10 | SELBSTSPERR.MUTTER M10 | TUERCA M10X 1,5 D985 8 |
| 63 | B01800041R | CHIUS.SCHWARZ RIF.SV 941104-00 | LOCK | FERMETURE | VERSCHLUSS SCHWARZ REF. SV. 9 | CIERRE SCHWARZ REF.SV 941104-0 |
| 64 | F01030208R | VITE M 8X1,25X 20 U7380 10.9ZN | SCREW M8X1,25X20 U7380 10.9ZN | | | TORNILLO M 8X1,25X 20 U7380 10 |
| 65 | F01410051R | ROS.M8 8,4X 17X1,6 U6592 ZN | WASHER M8 8,4X17X1,6 U6592 ZN | RONDELLE M8 8,4X17X1,6 ZN | SCHEIBE M8 8,4X17X1,6 U6592 ZN | ARAND.M8 8,4X 17X1,6 U6592 ZN |
| 66 | B00920208R | DADO AUTOB.BASSO M 8-5S D985 | NUT M8X1 D985 8ZN | ECROU | SELBSTSICHERNDE MUTTER M8-5S | TUERCA M8X1 D985 8 |
| 67 | B01300612R | DISTANZIALE 30,5X42X45 | SPACER | ENTRETOISE | DISTANZSTUECK 30,5X42X45 | DISTANCIADOR 30,5X42X45 |
| 68 | F02050112R | ANELLO E.DE 30X 1,5 U7435 ZN | SEEGER RING 30X 1,5 U7435 C70 | SEEGER E. 30 X 1,5 U7435 C70 | SEEGERING E. 30X 1,5 U7435 C70 | ANILLO E. 30 X 1,5 U7435 C70 |
| 69 | F01020519R | VITE M12X1,75X 60 U5739 8.8ZN | SCREW M12X1,75X 60 U5739 8.8ZN | | | TORNILLO M12X1,75X 60 U5739 8 |
| 70 | F01200293R | DADO M12X1,75 U5588 CL8 ZN | NUT M12X1,75 U5588 6S ZN | ECROU M12X1,75 U5588 6S ZN | MUTTER M12X1,75 U5588 6S ZN | TUERCA M12X1,75 U5588 CL8 ZN |
| 71 | F01100013R | ING.M 6X1 7663-C 9SMNPB28 ZN | SPHERE NIPPLE M6X1 90 | GRAISSEUR A BILLES M6X1 90 | KUGELFETTBSCHSE M6X1 90 | ENG.M 6X1 7663-C 9SMNPB28 ZN |
| 72 | B07S01772R | GANCIO PORTELLONE | REAR GATE HOOK | CROCHET PORTE ARRIERE | HECKKLAPPENHAKEN | GANCIO DE LA PUERTA |
| 73 | B07S01757R | SPINA MARTINETTO PORTELLONE | REAR GATE CYLINDER PIN | GOUPILLE VERIN PORTE ARRIERE | HECKKLAPPENZYLINDERBOLZEN | CLAVIJA DEL CILINDRO DE LA PUE |
| 74 | F01020440R | VITE M8X1,25X25 U5739 8.8ZN | SCR. M8X1,25X25 U5739 8.8ZN | VIS M8X1,25X25 U5739 8.8 ZN | SCHRAUBE M8X1,25X25U5739 8.8ZN | TORNILLO M8X1,25X25 U5739 8.8 |
| 75 | B00920208R | DADO AUTOB.BASSO M 8-5S D985 | NUT M8X1 D985 8ZN | ECROU | SELBSTSICHERNDE MUTTER M8-5S | TUERCA M8X1 D985 8 |
| 76 | B07S00937R | SPINA GANCIO PORTELLONE | TAILGATE HOOK PIN | AXE ACCROCHAGE PORTE POST. | HECKKLAPPENHAKENBOLZEN | CLAVIJA DE GANCHO DE LA PUERT |
| 77 | F01020440R | VITE M8X1,25X25 U5739 8.8ZN | SCR. M8X1,25X25 U5739 8.8ZN | VIS M8X1,25X25 U5739 8.8 ZN | SCHRAUBE M8X1,25X25U5739 8.8ZN | TORNILLO M8X1,25X25 U5739 8.8 |
| 78 | B00920208R | DADO AUTOB.BASSO M 8-5S D985 | NUT M8X1 D985 8ZN | ECROU | SELBSTSICHERNDE MUTTER M8-5S | TUERCA M8X1 D985 8 |
| 79 | B04200610R | INGRASS.A SFERE M6X1 LUNGO | GREASE NIPPLE | GRAISSEUR HYDRAULIQUE | GERADER SCHMIERNIPPEL M6X1 | ENGRASADOR DE ESFERAS M6X1 |
| 80 | BOC004902R | RINFORZO | STIFFENING | RENFORT | VERSTAERKUNG | REFUERZO |
| 81 | B01700020R | ANEL. D ARR. ALB. 20-E UNI3653 | SEEGER RING | BAGUE SEEGER | SEEGERRING 20-E | ANIL. DE PARAD. RB. 20-E UNI3 |
| 82 | B01826161R | MOLLA CONTRASTO RULLO | SPRING | RESSORT | FEDER | MUELLE DE CONTRASTE DEL RODI |
| 83 | B00545168R | OCCHIOLO PER TENDITORI M12-DX | EYELET M12 | OEIL M12 | OSE M12 | OJAL PARA TENSORES M12-DER |
| 84 | F01410076R | ROS.M12 13X 24X2,5 U6592 ZN | WASHER 12 13X 24X2,5 U6592 ZN | RONDEL. M12 13X24X2,5 U6592 ZN | SCHEIBE M12 13X24X2,5 U6592 ZN | ARAND.M12 13X 24X2,5 U6592 ZN |
| 85 | F01230213R | DADO M12X1,75 U7474 CL8 ZN | NUT M12X1,75 U7474 6SZN | ECROU AUTOBL. M12 | SELBSTSPERR.MUTTER M12 | TUERCA M12X1,75 U7474 CL8 ZN |
| 86 | BOC004245R | SOSTEGNO | SUPPORT | SUPPORT | HALTER | SOPORTE |
| 87 | F01020470R | VITE M10X1,5X20 U5739 8.8ZN | SCR. M10X1,5X20 U5739 8.8ZN | VIS M10X1,5X20 U5739 8.8 ZN | SCHRAUBE M10X1,5X20 U5739 ZN | TORNILLO M10X1,5X20 U5739 8 |
| 88 | F01230202R | DADO M10X 1,5 D985 8 ZN | NUT M10 D985 | ECROU AUTOBL. M10 | SELBSTSPERR.MUTTER M10 | TUERCA M10X 1,5 D985 8 |
| 89 | B0E0P0016R | SENSORE GANCIO DX F_BUS | SENSOR | SENSEUR | SENSOR HACKEN RECHTS | SENSOR DE ENGANCHE DER F_BU |
| 90 | B07SP0974R | OCCHIONE FISSO D=40 MM CON BOC | FIXED TOWING EYE 40 WITH BUSH | | | ANILLO FIJO D=40 MM CON BOC |
| 91 | B07S01789R | TRAINO 50 | TOWING EYE 50 | TIRAGE | ZUG 50 | REMOLQUE 50 |
| 92 | B0E0P0017R | SENSORE GANCIO SX F_BUS | SENSOR | SENSEUR | SENSOR HACKEN LINKS | SENSOR DE ENGANCHE IZQ F_BUS |



**TELAIO SUPERIORE
UPPER FRAME**

TAV_015

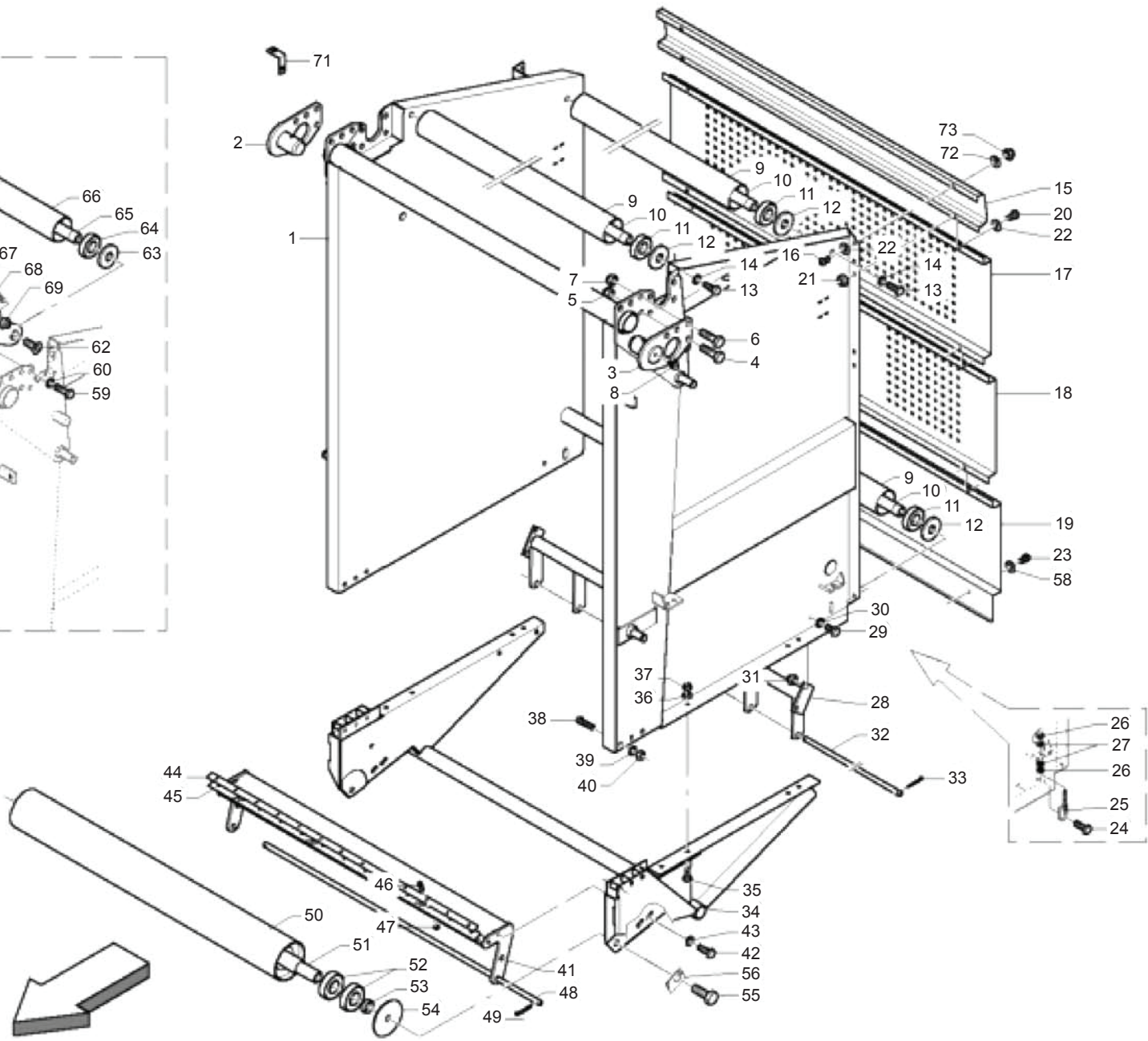
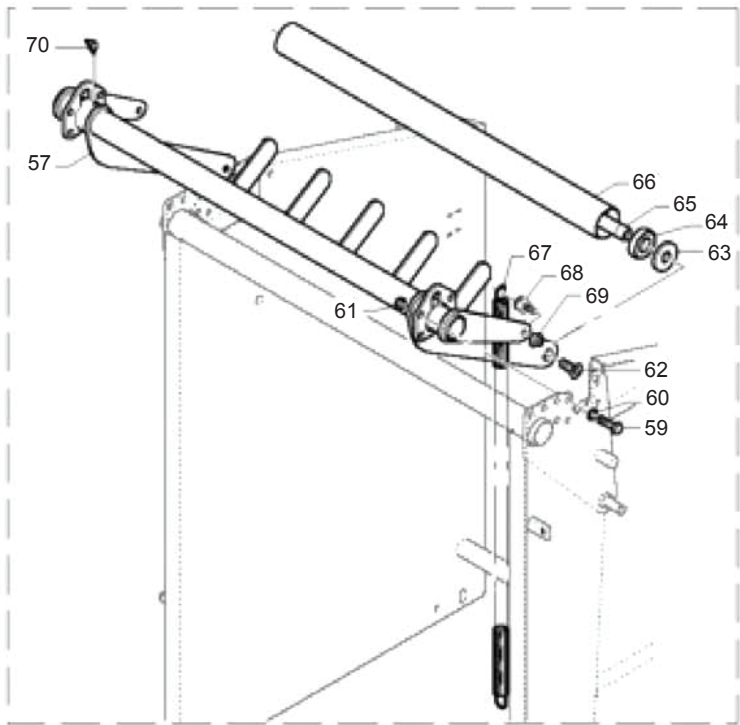
| Pos. | Cod. | Descrizione | Description | Description | Benennung | Descripcion |
|------|------------|--------------------------------|-------------------------------|--------------------------------|--------------------------------|--------------------------------|
| 1 | B07S01626R | TELAIO SUPERIORE 265 | UPPER FRAME 265 | CHASSIS SUPERIEUR 265 | OBERER RAHMEN 265 | BASTIDOR SUPERIOR 265 |
| 2 | B0C100015R | COLLEGAMENTO ANT.265-280 | FRONT CONNECTION | CONNEXION ANTERIEURE 265-280 | VORDERE KUPPLUNG | CONEXI N ANT.265-280 |
| 3 | F01020510R | VITE M12X1,75X30 U5739 8.8ZN | SCR. M12X1,75X30 U5739 8.8ZN | VIS M12X1,75X30 U5739 8.8ZN | SCHRAU.M12X1,75X30 U5739 8.8ZN | TORNILLO M12X1,75X30 U5739 |
| 4 | F01410076R | ROS.M12 13X 24X2,5 U6592 ZN | WASHER 12 13X 24X2,5 U6592 ZN | RONDEL. M12 13X24X2,5 U6592 ZN | SCHEIBE M12 13X24X2,5 U6592 ZN | ARAND.M12 13X 24X2,5 U6592 ZN |
| 5 | F01230213R | DADO M12X1,75 D985 8 ZN | NUT M12X1,75 U7474 6SZN | ECROU AUTOBL. M12 | SELBSTSPERR.MUTTER M12 | TUERCA M12X1,75 U7474 CL8 ZN |
| 6 | B07S00941R | GUIDACINGHIE ANT. | FRONT BELT GUIDE | GUIDE-COURROIES ANTERIEUR | VORDERE GURTENFUEHRUNG | GU A DE LAS CORREAS DELAT. |
| 7 | B00523395R | VITE SPECIALE TTQST M12X45-8.8 | SPECIAL SCREW | VIS SPECIALE | SCHRAUBE TTQST M12X 45-8.8 | TORNILLO ESPECIAL TTQST M12X4 |
| 8 | F01410076R | ROS.M12 13X 24X2,5 U6592 ZN | WASHER 12 13X 24X2,5 U6592 ZN | RONDEL. M12 13X24X2,5 U6592 ZN | SCHEIBE M12 13X24X2,5 U6592 ZN | ARAND.M12 13X 24X2,5 U6592 ZN |
| 9 | F01230213R | DADO M12X1,75 D985 8 ZN | NUT M12X1,75 U7474 6SZN | ECROU AUTOBL. M12 | SELBSTSPERR.MUTTER M12 | TUERCA M12X1,75 U7474 CL8 ZN |
| 10 | B03500234R | RULLO GOMMATO 3500217 | RUBBER ROLLER | ROULEAU CAOUTCHOUTE | GUMMIWALZE | RODILLO DE GOMA 3500217 |
| 11 | B0FMP0183R | SUPPORTO CUSCIN. RETTANG VERN | BEARING SUPPORT | | | |
| 12 | B00523421R | VITE SPECIALE TTQST M12X35-8.8 | SPECIAL SCREW | VIS SPECIALE | SCHRAUBE TTQST M12X 35-8.8 | TORNILLO ESPECIAL TTQST M12X3 |
| 13 | F01410076R | ROS.M12 13X 24X2,5 U6592 ZN | WASHER 12 13X 24X2,5 U6592 ZN | RONDEL. M12 13X24X2,5 U6592 ZN | SCHEIBE M12 13X24X2,5 U6592 ZN | ARAND.M12 13X 24X2,5 U6592 ZN |
| 14 | F01230213R | DADO M12X1,75 D985 8 ZN | NUT M12X1,75 U7474 6SZN | ECROU AUTOBL. M12 | SELBSTSPERR.MUTTER M12 | TUERCA M12X1,75 U7474 CL8 ZN |
| 15 | F01020564R | VITE M16X2X35 U5739 8.8ZN | SCR. M16X2X35 U5739 8.8ZN | VIS M 16X35 | SCHRAUBE M 16X35 | TORNILLO M16X2X35 U5739 8 |
| 16 | B01515091R | RALLA 17 52 6 | FIFTH WHEEL | BUTEE | SCHEIBE | RANGUA 17 52 6 |
| 17 | B01300845R | DISTANZIALE 40X50X4 | SPACER | ENTRETOISE | DISTANZSCHEIBE 40X50X4 | DISTANCIADOR 40X50X4 |
| 18 | B03400288R | INGR.RULLO GOMMATO Z=25-1 | ROLLER WITH TYRES GEAR Z=25-1 | ENGRANAGE | ZAHNRAD Z=25-1 | ENGR. DE RODILLO DE GOMA |
| 19 | B014R3050R | ROSETTA 30 UNI 5714-69 E DEIDR | WASHER | RONDELLE | BEILAGSSSCHEIBE | ARANDELA 30 UNI 5714-69 E DEID |
| 20 | F01230291R | DADO M30X2 D985 ZN | NUT M30X2 D985 ZN | ECROU AUTOB. M30X2 DIN 985 ZN | SELBSTSP. MU. M30X2 DIN 985 ZN | TUERCA M30X2 D985 ZN |
| 21 | B03500172R | RULLO FOLLE | IDLE ROLLER | ROULEAU FOU | UMLLENKWALZE | RODILLO LOCO |
| 22 | B03500214R | ALBERO LUNGO | LONG SHAFT | ARBRE LONG | LANGE WELLE | RBOL LARGO |
| 23 | B02040002R | CUSCINETTO 6307-2RS CAT.KST004 | BEARING | ROULEMENT CAT.KST004 | LAGER 6307-2RS | COJINETE 6307-2RS CAT.KST004 |
| 24 | B01300623R | CHIUSURA RULLI FOLLI | IDLE ROLLER LOCK | FERMETURE ROULEAUX FOUX | UMLLENKWALZENVERSCHLUSS | CIERRE DE RODILLOS LOCOS |
| 25 | F01020564R | VITE M16X2X35 U5739 8.8ZN | SCR. M16X2X35 U5739 8.8ZN | VIS M 16X35 | SCHRAUBE M 16X35 | TORNILLO M16X2X35 U5739 8 |
| 26 | B01519319R | RALLA 16X38X5 | FIFTH WHEEL | BUTEE | SCREIBE | RANGUA 16X38X5 |
| 27 | B07S01608R | REGOLATORE RULLO | ROLLER ADJUSTER | REGLEUR ROULEAU | WALZENEINSTELLER | REGULADOR DEL RODILLO |
| 28 | F01020564R | VITE M16X2X35 U5739 8.8ZN | SCR. M16X2X35 U5739 8.8ZN | VIS M 16X35 | SCHRAUBE M 16X35 | TORNILLO M16X2X35 U5739 8 |
| 29 | F01200293R | DADO M12X1,75 U5588 CL8 ZN | NUT M12X1,75 U5588 6S ZN | ECROU M12X1,75 U5588 6S ZN | MUTTER M12X1,75 U5588 6S ZN | TUERCA M12X1,75 U5588 CL8 ZN |
| 30 | F01410076R | ROS.M12 13X 24X2,5 U6592 ZN | WASHER 12 13X 24X2,5 U6592 ZN | RONDEL. M12 13X24X2,5 U6592 ZN | SCHEIBE M12 13X24X2,5 U6592 ZN | ARAND.M12 13X 24X2,5 U6592 ZN |
| 31 | B01300647R | SPINA DI REGOLAZIONE | ADJUSTMENT PIN | AXE DE REGLAGE | AUSRICHTEPASSSTIFT | CLAVIJA DE REGULACI N |
| 32 | B01300646R | SPINA DI FERMO | LOCK PIN | AXE D ARRET | ARRETIERSTIFT | CLAVIJA DE TOPE |
| 33 | B01110325R | SPINA ELAST. 3X 25 SS DIN 1481 | PIN | GOUPILLE | STIFT | CLAVIJA EL ST. 3X 25 SS DIN 14 |
| 34 | F02200352R | COPIGLIA R 2,5X 47 ZN | SPRING SPLIT PIN 2.5X47 B 103 | GOUPILLE R 2-5X47 ZN B 103 | SPLINT R 2-5X47 ZN B 103 | PASADOR R 2,5X 47 |
| 35 | B07631842R | GUIDA CATENA | CHAIN GUIDE | GUIDE | KETTENFUEHRUNG | GU A DE CADENA |
| 36 | F01030208R | VITE M 8X1,25X 20 U7380 10.9ZN | SCREW M8X1,25X20 U7380 10.9ZN | | | TORNILLO M 8X1,25X 20 U7380 10 |
| 37 | F01410051R | ROS.M8 8,4X 17X1,6 U6592 ZN | WASHER M8 8,4X17X1,6 U6592 ZN | RONDELLE M8 8,4X17X1,6 ZN | SCHEIBE M8 8,4X17X1,6 U6592 ZN | ARAND.M8 8,4X 17X1,6 U6592 ZN |
| 38 | B00920208R | DADO AUTOB.BASSO M 8-5S D985 | NUT M8X1 D985 8ZN | ECROU | SELBSTSICHERNDE MUTTER M8-5S | TUERCA M8X1 D985 8 |
| 39 | B07600072R | CINGHIA PER EXT 265 EXT 165 | BELT 165 | COURROIE POUR EXT 265 EXT A65 | GURT 165 | CORREA PARA EXT 265 EXT 165 |
| 40 | B09962005R | CAVETTO GIUNZIONE MT.1 | WIRE 2,5 PLAST.L.1MT | CABLE | KABEL 49 SCHNUREN | CABLE DE UNI N 1 M |
| 41 | B01300126R | SPE. 40 48 1 ZINC.ST_013 | SHIM | ENTRETOISE | DISTANZSTUECK 40 408 1 | ESPE. 40 48 1 CINC.EST_013 |
| 42 | B0C3P0038R | RIPARO SX PORTELLONE | DOOR GUARD LEFT SIDE | PROTECTION PORTE COTE GAUCHE | TUERSCHUTZ LINKS | RESGUARDO IZQ DE LA PUERTA |
| 43 | B00370615R | VITE M 6X16 ZN SEZ.TRIL. U8111 | SCREW | VIS | SCHRAUBE | TORNILLO CAB.HEX M 6X16 A SECC |
| 44 | B01300125R | SPE. 40 48 0,5 ZINCATO | SHIM GALV | ENTRETOISE GALV | DISTANZSTUECK 40 48 0,5 | ESPE. 40 48 0,5 CINCADO |
| 45 | B0C3P0039R | RIPARO DX PORTELLONE | DOOR GUARD RIGHT SIDE | PROTECTION PORTE COTE DROIT | TUERSCHUTZ RECHTS | RESGUARDO DER DE LA PUERTA |



**PORTELLONE
REAR GATE**

TAV_020

| Pos. | Cod. | Descrizione | Description | Description | Benennung | Descripcion |
|------|------------|--------------------------------|-------------------------------|--------------------------------|--------------------------------|--------------------------------|
| 1 | B07S01551R | PORTELLONE SUPERIORE 265 | UPPER REAR GATE 265 | PORTE ARRIERE SUPERIEUR 265 | TUER OBEN 265 | PUERTA SUPERIOR 265 |
| 2 | B07S00932R | CERNIERA DX PORTELLONE | RIGHT TAILGATE HINGE | CHARNIERE DROITE PORTE INF. | RECHTES HECKKLAPPENSCHANIER | BISAGRA DER DE LA PUERTA |
| 3 | B07S00931R | CERNIERA SX PORTELLONE | LEFT TAILGATE HINGE | CHARNIERE GAUCHE PORTE POST. | LINKES HECKKLAPPENSCHANIER | BISAGRA IZQ DE LA PUERTA |
| 4 | F01020568R | VITE M16X2X45 U5739 8.8ZN | SCR. M16X2X45 U5739 8.8ZN | VIS M 16X 2X45 U5739 8.8 ZG | SCHRAUBE M 16X 2X45 U5739 8.8 | TORNILLO M16X2X45 U5739 8.8Z |
| 5 | B00920516R | DADO M16X 1,5 D985 6S ZN | NUT M16X1,5 D985 6S ZN | ECROU | SELBSTSICHERNDE MUTTER M16-5S | TUERCA M16X 1,5 D985 6S |
| 6 | F01020566R | VITE M16X2X40 U5739 8.8ZN | SCR. M16X2X40 U5739 8.8ZN | VIS M16X2X40 U5739 8.8 ZN | SCHRAUBE M16X2X40 U5739 8.8 ZN | TORNILLO M16X2X40 U5739 8 |
| 7 | B00920516R | DADO M16X 1,5 D985 6S ZN | NUT M16X1,5 D985 6S ZN | ECROU | SELBSTSICHERNDE MUTTER M16-5S | TUERCA M16X 1,5 D985 6S |
| 8 | B04221010R | INGRAS HYDR M10X1 90 | GREASE NIPPLE | GRAISSEUR HYDRAULIQUE | SCHMIERNIPPEL M10X1 90 | ENGRAS. HYDR M10X1 90 |
| 9 | B03500172R | RULLO FOLLE | IDLE ROLLER | ROULEAU FOU | UMLENKWALZE | RODILLO LOCO |
| 10 | B03500214R | ALBERO LUNGO | LONG SHAFT | ARBRE LONG | LANGE WELLE | RBOL LARGO |
| 11 | B02040002R | CUSCINETTO 6307-2RS CAT.KST004 | BEARING | ROULEMENT CAT.KST004 | LAGER 6307-2RS | COJINETE 6307-2RS CAT.KST004 |
| 12 | B01300623R | CHIUSURA RULLI FOLLI | IDLE ROLLER LOCK | FERMETURE ROULEAUX FOUX | UMLENKWALZENVERSCHLUSS | CIERRE DE RODILLOS LOCOS |
| 13 | F01020564R | VITE M16X2X35 U5739 8.8ZN | SCR. M16X2X35 U5739 8.8ZN | VIS M 16X35 | SCHRAUBE M 16X35 | TORNILLO M16X2X35 U5739 8 |
| 14 | B01519319R | RALLA 16X38X5 | FIFTH WHEEL | BUTEE | SCHRAIBE | RANGUA 16X38X5 |
| 15 | B0C100022R | CARTER POST. CAPPELLO 220-265 | CAP GUARD 265 | CARTER EN ARRIERE CHAPEAU 220- | KAPPENABDECKUNG 265 | C RTER POST. CAPUCH N 220-265 |
| 16 | F01030208R | VITE M 8X1,25X 20 U7380 10.9ZN | SCREW M8X1,25X20 U7380 10.9ZN | | | TORNILLO M 8X1,25X 20 U7380 10 |
| 17 | B0C100021R | CARTER INTERMEDIO | MIDDLE GUARD | CARTER INTERMEDIAIRE | MITTLERE ABDECKUNG | C RTER INTERMEDIO |
| 18 | B0C005258R | CARTER POSTERIORE PER DECAL | REAR GUARD FOR DECALS | CARTER EN ARRIERE POUR DECAL | CARTER HINTEN | C RTER TRASERO PARA DECAL |
| 19 | B0C100019R | CARTER BASSO | LOW GUARD | CARTER BAS | UNTERE ABDECKUNG | C RTER BAJO |
| 20 | B00471025R | VITE TTEI M10X 25-8.8 UNBRA | SCREW | VIS | SCHRAUBE TTEI M10X 25-8.8 | TORNILLO CAB.ALLEN CON HUECO |
| 21 | F01230202R | DADO M10X 1,5 D985 8 ZN | NUT M10 D985 | ECROU AUTOBL. M10 | SELBSTSPERR.MUTTER M10 | TUERCA M10X 1,5 D985 8 |
| 22 | F01410062R | ROS.M10 10,5X 18X 2 U6592 ZN | WASHER M10 10,5X 18X 2 U6592 | RONDELLE M10 10,5X18X2 ZN | DICHTUNGSRING M10 10,5X18X2 ZN | ARAND.M10 10,5X 18X 2 U6592 ZN |
| 23 | F01030208R | VITE M 8X1,25X 20 U7380 10.9ZN | SCREW M8X1,25X20 U7380 10.9ZN | | | TORNILLO M 8X1,25X 20 U7380 10 |
| 24 | F01020564R | VITE M16X2X35 U5739 8.8ZN | SCR. M16X2X35 U5739 8.8ZN | VIS M 16X35 | SCHRAUBE M 16X35 | TORNILLO M16X2X35 U5739 8 |
| 25 | B07S01608R | REGOLATORE RULLO | ROLLER ADJUSTER | REGLEUR ROULEAU | WALZENEINSTELLER | REGULADOR DEL RODILLO |
| 26 | F01200293R | DADO M12X1,75 U5588 CL8 ZN | NUT M12X1,75 U5588 6S ZN | ECROU M12X1,75 U5588 6S ZN | MUTTER M12X1,75 U5588 6S ZN | TUERCA M12X1,75 U5588 CL8 ZN |
| 27 | F01410076R | ROS.M12 13X 24X2,5 U6592 ZN | WASHER 12 13X 24X2,5 U6592 ZN | RONDEL. M12 13X24X2,5 U6592 ZN | SCHEIBE M12 13X24X2,5 U6592 ZN | ARAND.M12 13X 24X2,5 U6592 ZN |
| 28 | B07S00969R | GUIDACINGHIE POST. | REAR BELTS GUIDE | GUIDE-COURROIES POSTERIEUR | HINTERE GURTENFUEHRUNG | GU A DE LAS CORREAS POST. |
| 29 | F01020508R | VITE M12X1,75X25 U5739 8.8ZN | SCR. M12X1,75X25 U5739 8.8ZN | VIS M12X1,75X25 U5739 8.8 ZN | SCHRAUBE M12X1,75X25U57398.8ZN | TORNILLO M12X1,75X25 U5739 |
| 30 | F01410076R | ROS.M12 13X 24X2,5 U6592 ZN | WASHER 12 13X 24X2,5 U6592 ZN | RONDEL. M12 13X24X2,5 U6592 ZN | SCHEIBE M12 13X24X2,5 U6592 ZN | ARAND.M12 13X 24X2,5 U6592 ZN |
| 31 | F01230213R | DADO M12X1,75 U7474 CL8 ZN | NUT M12X1,75 U7474 6SZN | ECROU AUTOBL. M12 | SELBSTSPERR.MUTTER M12 | TUERCA M12X1,75 U7474 CL8 ZN |
| 32 | B01300628R | SPINA GUIDACINGHIE | BELT GUIDE PIN | GOUPILLE GUIDE-COURROIES | GURTENFUEHRUNGSBOLZEN | CLAVIJA DE GU A DE LAS CORREAS |
| 33 | B01150430R | COPIGLIA 4X 30 U1336 ZN | GALV PIN | GOUPILLE GALV | SPLINT | PASADOR 4X 30 U1336 ZN |
| 34 | B07SP1457R | TELAIO INFERIORE PORTELLONE | LOWER REAR GATE FRAME | | | BASTIDOR INFER.DE LA PUERTA |
| 35 | F01020510R | VITE M12X1,75X30 U5739 8.8ZN | SCR. M12X1,75X30 U5739 8.8ZN | VIS M12X1,75X30 U5739 8.8ZN | SCHRAU.M12X1,75X30 U5739 8.8ZN | TORNILLO M12X1,75X30 U5739 |
| 36 | F01410076R | ROS.M12 13X 24X2,5 U6592 ZN | WASHER 12 13X 24X2,5 U6592 ZN | RONDEL. M12 13X24X2,5 U6592 ZN | SCHEIBE M12 13X24X2,5 U6592 ZN | ARAND.M12 13X 24X2,5 U6592 ZN |
| 37 | F01230213R | DADO M12X1,75 U7474 CL8 ZN | NUT M12X1,75 U7474 6SZN | ECROU AUTOBL. M12 | SELBSTSPERR.MUTTER M12 | TUERCA M12X1,75 U7474 CL8 ZN |
| 38 | B00471270R | VITE ZN M12X70 10.9 ISO 7380 | SCREW | VIS | SCHRAUBE TTEI M12X70-8.8 | TORNILLO ZN M12X70 10.9 ISO 73 |
| 39 | F01410076R | ROS.M12 13X 24X2,5 U6592 ZN | WASHER 12 13X 24X2,5 U6592 ZN | RONDEL. M12 13X24X2,5 U6592 ZN | SCHEIBE M12 13X24X2,5 U6592 ZN | ARAND.M12 13X 24X2,5 U6592 ZN |
| 40 | F01230213R | DADO M12X1,75 U7474 CL8 ZN | NUT M12X1,75 U7474 6SZN | ECROU AUTOBL. M12 | SELBSTSPERR.MUTTER M12 | TUERCA M12X1,75 U7474 CL8 ZN |
| 41 | B07S01023R | RASCHIATORE PORTELLONE | TAILGATE SCRAPER | RACLEUR POSTERIEUR | HECKKLAPPENABSTREIFER | RASCADOR DE LA PUERTA |
| 42 | F01020508R | VITE M12X1,75X25 U5739 8.8ZN | SCR. M12X1,75X25 U5739 8.8ZN | VIS M12X1,75X25 U5739 8.8 ZN | SCHRAUBE M12X1,75X25U57398.8ZN | TORNILLO M12X1,75X25 U5739 |
| 43 | B01531844R | RALLA 13-25-6 | FIFTH WHEEL | BUTEE | BELLAGSCHEIBE 13-25-6 | RANGUA 13-25-6 |
| 44 | B0C003205R | RINFORZO LAMA | BLADE STIFFENING BAR | RENFORT LAME | KLINGENVERSTEIFUNGSBLATT | REFUERZO DE CUCHILLA |
| 45 | B07U00023R | LAMA RASCH. FORNITURA PIENA | SCRAPER BLADE | LAME RACLEUR | ABSTREIFERBLATT | CUCHILLA RASCAD. TODO EL SUMI |
| 46 | B00470620R | VITE TTEI M 6X 20-8.8 UNBRA | SCREW | VIS | SCHRAUBE TTEI M6X20-10.9 | TORNILLO CAB.ALLEN CON HUEC |
| 47 | F01230184R | DADO M6X1 D985 8ZN | NUT M6X1 D985 8ZN | | | TUERCA M6X1 D985 8 |
| 48 | B01300628R | SPINA GUIDACINGHIE | BELT GUIDE PIN | GOUPILLE GUIDE-COURROIES | GURTENFUEHRUNGSBOLZEN | CLAVIJA DE GU A DE LAS CORREAS |
| 49 | B01150430R | COPIGLIA 4X 30 U1336 ZN | GALV PIN | GOUPILLE GALV | SPLINT | PASADOR 4X 30 U1336 ZN |
| 50 | B07S00959R | RULLO FOLLE PORTELLONE | TAIL GATE IDLE ROLLER | ROULEAU FOU PORTE EN ARRIERE | HECKKLAPPENUMLENKWALZE | RODILLO LOCO DE LA PUERTA |
| 51 | B03500237R | ALBERO CORTO | SHORT SHAFT | ARBRE COURT | KURZE WELLE | RBOL CORTO |
| 52 | B02040002R | CUSCINETTO 6307-2RS CAT.KST004 | BEARING | ROULEMENT CAT.KST004 | LAGER 6307-2RS | COJINETE 6307-2RS CAT.KST004 |
| 53 | B01300523R | DISTANZIALE 35X 45X12,5 | SPACER | ENTRETOISE | DISTANZSTUECK 35X45X12,5 | DISTANCIADOR 35X 45X12,5 |
| 54 | B01300590R | RALLA 20,5 128 10 | FIFTH WHEEL | BUTEE | SCHEIBE 20,5 128 10 | RANGUA 20,5 128 10 |
| 55 | F01020605R | VITE M20X2,5X50 U5739 8.8ZN | SCR. M20X2,5X50 U5739 8.8ZN | VIS M 20X2,5X50 | SCHRAUBE M 20X2,5X50 | TORNILLO M20X2,5X50 U5739 8.8 |
| 56 | B0C004148R | RALLA DI FERMO | LOCK WASHER | BUTEE D ARRET | ANSCHLAGPLATTE | RANGUA DE TOPE |
| 57 | B07S01554R | II BILANCIERE 265 | II ROCKER | BALANCIER II 265 | II. KIPPHEBEL | EL BALANC N 265 |

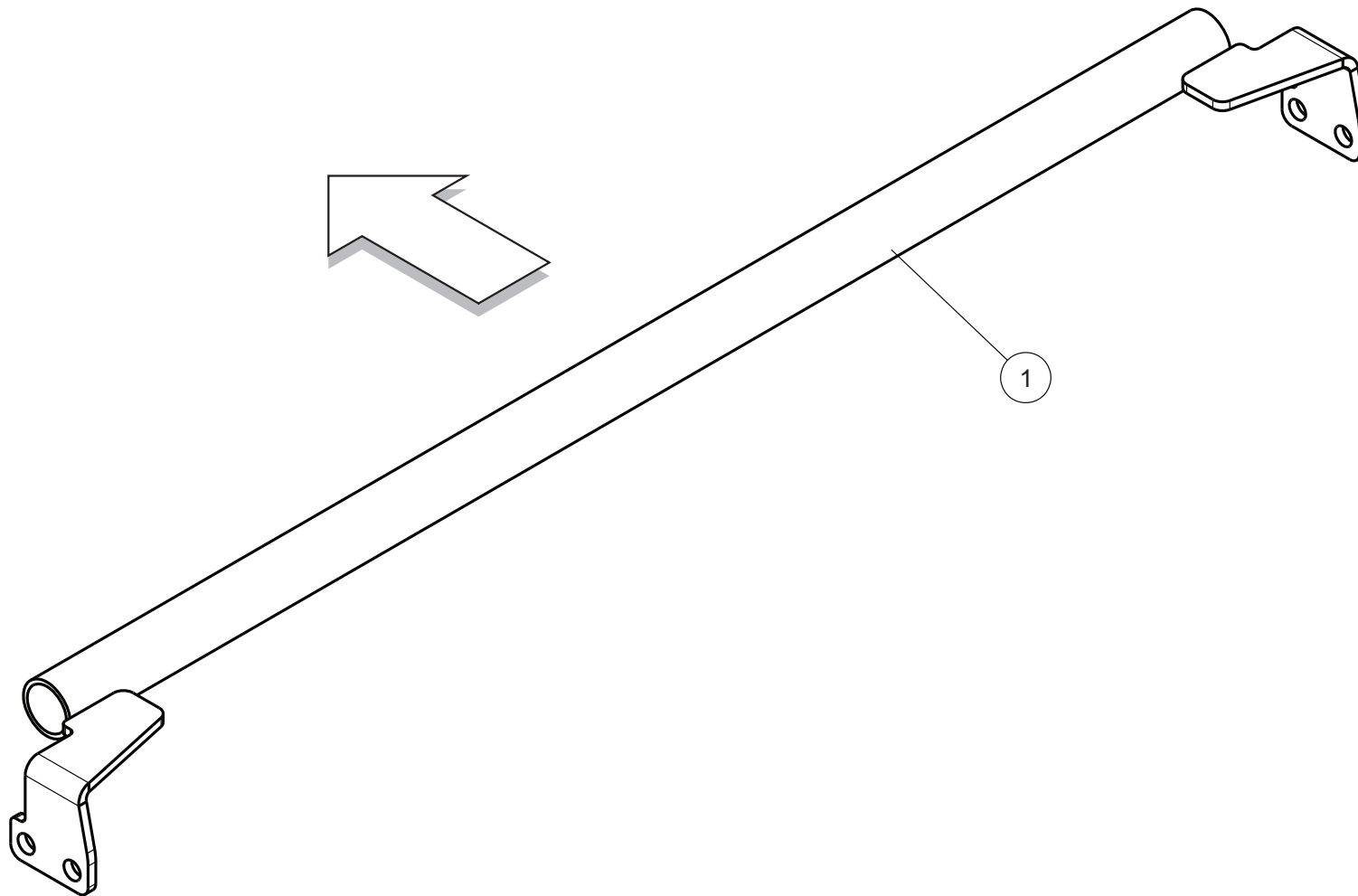


**PORTELLONE
REAR GATE**

TAV_020

| Pos. | Cod. | Descrizione | Description | Description | Benennung | Descripcion |
|------|------------|--------------------------------|-------------------------------|--------------------------------|--------------------------------|--------------------------------|
| 58 | F01420048R | ROS.M8 8,4X 24X 2 U6593 ZN | WASHER M8 8,4X 24X2 U6593 ZN | RONDELLE M8 8,4X24X 2 U6593 ZN | SCHEIBEN M8 8,4X24X 2 U6593 ZN | ARAND.M8 8,4X 24X 2 U6593 ZN |
| 59 | F01020252R | VITE M16X2X50 U5737 8.8ZN | SCR. M16X2X50 U5737 8.8 ZN | VIS M16X2X50 U5737 8.8 ZN | SCHRAUBE M16X2X50 U5737 8.8 ZN | TORNILLO M16X2X50 U5737 8.8Z |
| 60 | F01410100R | ROS.M16 17X 30X 3 U6592 ZN | WASHER M16 17X30X3 U6592 ZN | RONDELLE M16 17X30X3 ZN | SCHRAUBE M16 17X 30X3 U6592 ZN | ARAND.M16 17X 30X 3 U6592 ZN |
| 61 | B00920516R | DADO M16X 1,5 D985 6S ZN | NUT M16X1,5 D985 6S ZN | ECROU | SELBSTSICHERNDE MUTTER M16-5S | TUERCA M16X 1,5 D985 6S |
| 62 | F01030148R | VITE M16X2X35 U5933 10.9ZD | SCREW M16X2X35 U5933 10.9ZD | VIS M16X2X35 U5933 10.9ZD | SCHRAUBE M16X2X35 U5933 10.9ZD | TORNILLO M16X2X35 U5933 10.9ZD |
| 63 | B01300623R | CHIUSURA RULLI FOLLI | IDLE ROLLER LOCK | FERMETURE ROULEAUX FOUX | UMLENKWALZENVERSCHLUSS | CIERRE DE RODILLOS LOCOS |
| 64 | B02040002R | CUSCINETTO 6307-2RS CAT.KST004 | BEARING | ROULEMENT CAT.KST004 | LAGER 6307-2RS | COJINETE 6307-2RS CAT.KST004 |
| 65 | B03500213R | ALBERO CORTO | SHORT SHAFT | ARBRE COURT | KURZE WELLE | RBOL CORTO |
| 66 | B03500165R | RULLO FOLLE | IDLE ROLLER | ROULEAU FOU | UMLENKWALZE | RODILLO LOCO |
| 67 | B01800037R | MOLLA II BILANCERE | II. BELTTENSIONER SPRING | RESSORT II BILANCIER | ZWEITER GURTENSPANNERFEDER | MUELLE II BALANC N |
| 68 | B01300937R | PERNO MOLLONE | SPRING BOLT | PIVOT | FEDERBOLZEN | PERNO MUELLE DISTANCIADOR |
| 69 | B00920516R | DADO M16X 1,5 D985 6S ZN | NUT M16X1,5 D985 6S ZN | ECROU | SELBSTSICHERNDE MUTTER M16-5S | TUERCA M16X 1,5 D985 6S |
| 70 | B04210610R | INGRAS HYDR A 45 M 6X1 | GREASE NIPPLE | GRAISSEUR HYDRAULIQUE | SCHMIERNIPPEL M6X1 45 | ENGRAS. HYDR A 45 M 6X1 |
| 71 | B0C002357R | PIASTRINA ATTACCO CAVI | CABLE ATTACHMENT PLATE | PLAQUETTE ATTELAGE CABLES | KABELHALTERPLATTE | PLACA CONEXI N DE LOS CABLES |
| 72 | F01410051R | ROS.M8 8,4X 17X1,6 U6592 ZN | WASHER M8 8,4X17X1,6 U6592 ZN | RONDELLE M8 8,4X17X1,6 ZN | SCHEIBE M8 8,4X17X1,6 U6592 ZN | ARAND.M8 8,4X 17X1,6 U6592 ZN |
| 73 | B00920208R | DADO AUTOB.BASSO M 8-5S D985 | NUT M8X1 D985 8ZN | ECROU | SELBSTSICHERNDE MUTTER M8-5S | TUERCA M8X1 D985 8 |

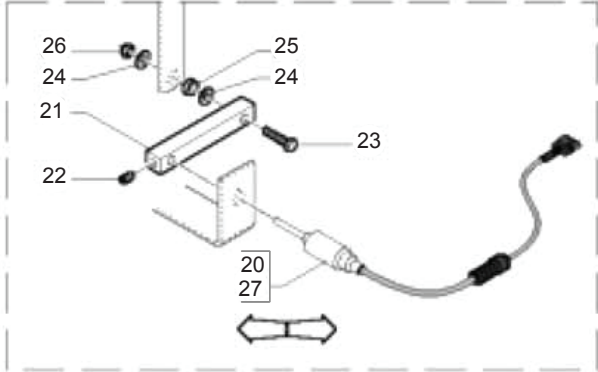
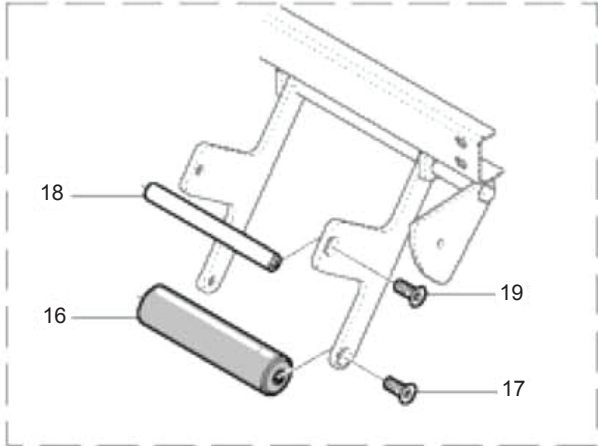
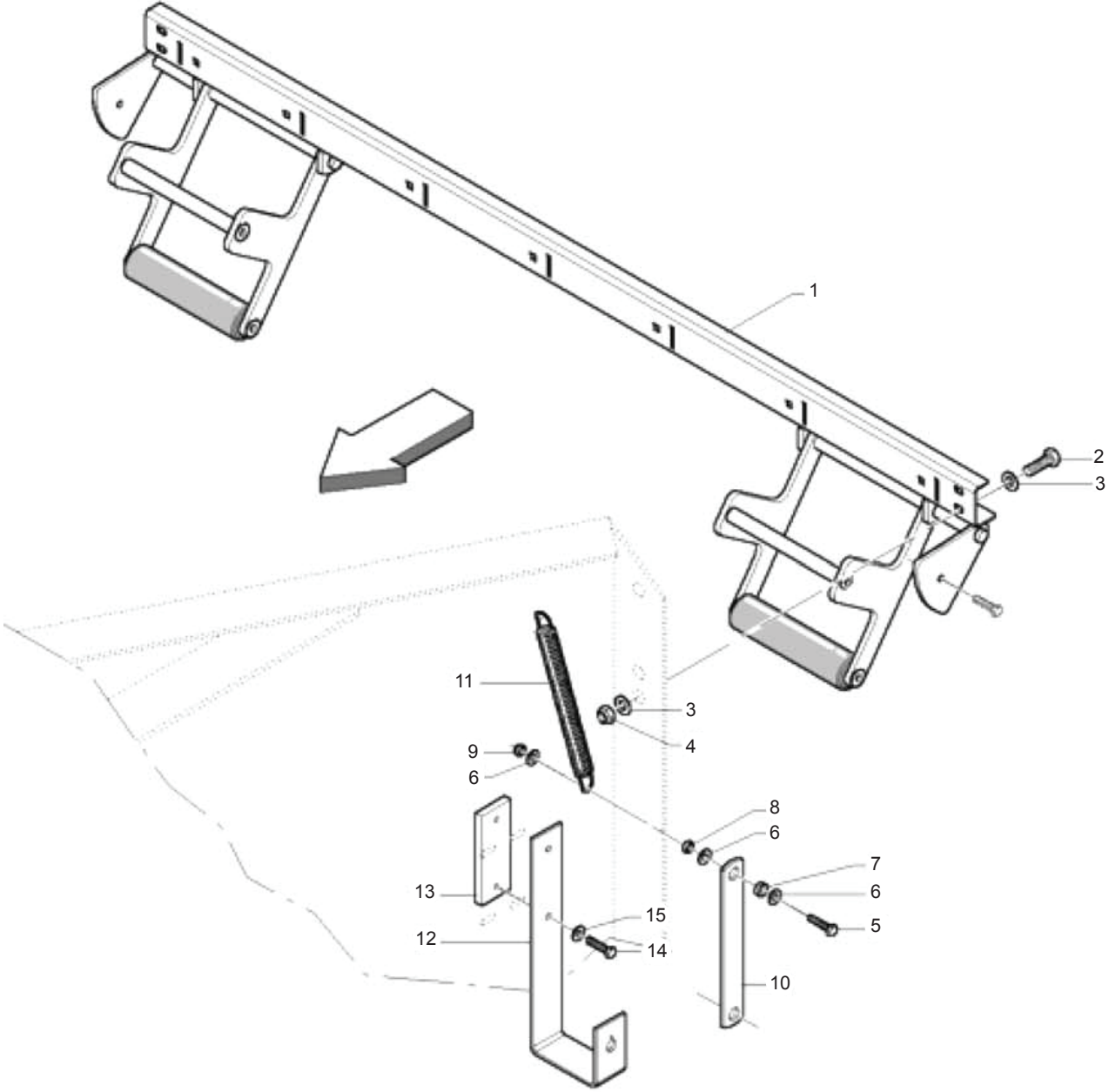
TAV_510



BLOCCO CINGHIE
BELTS LOCK

TAV_510

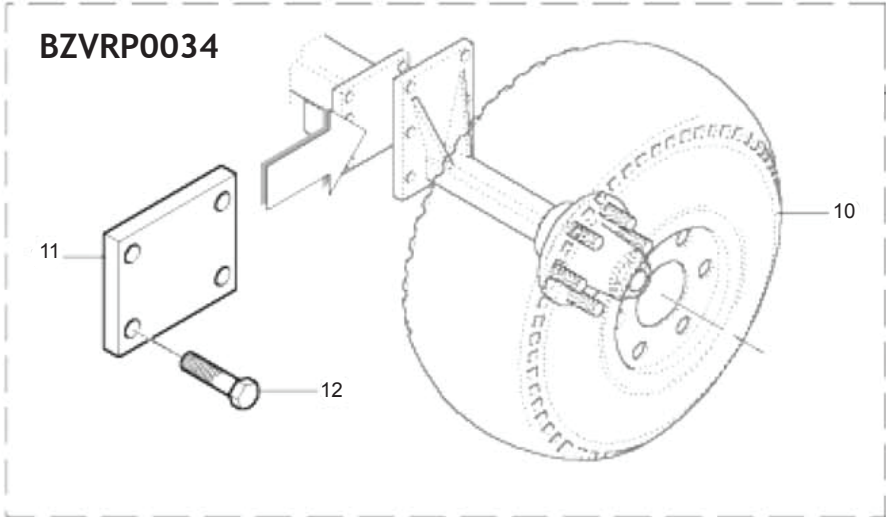
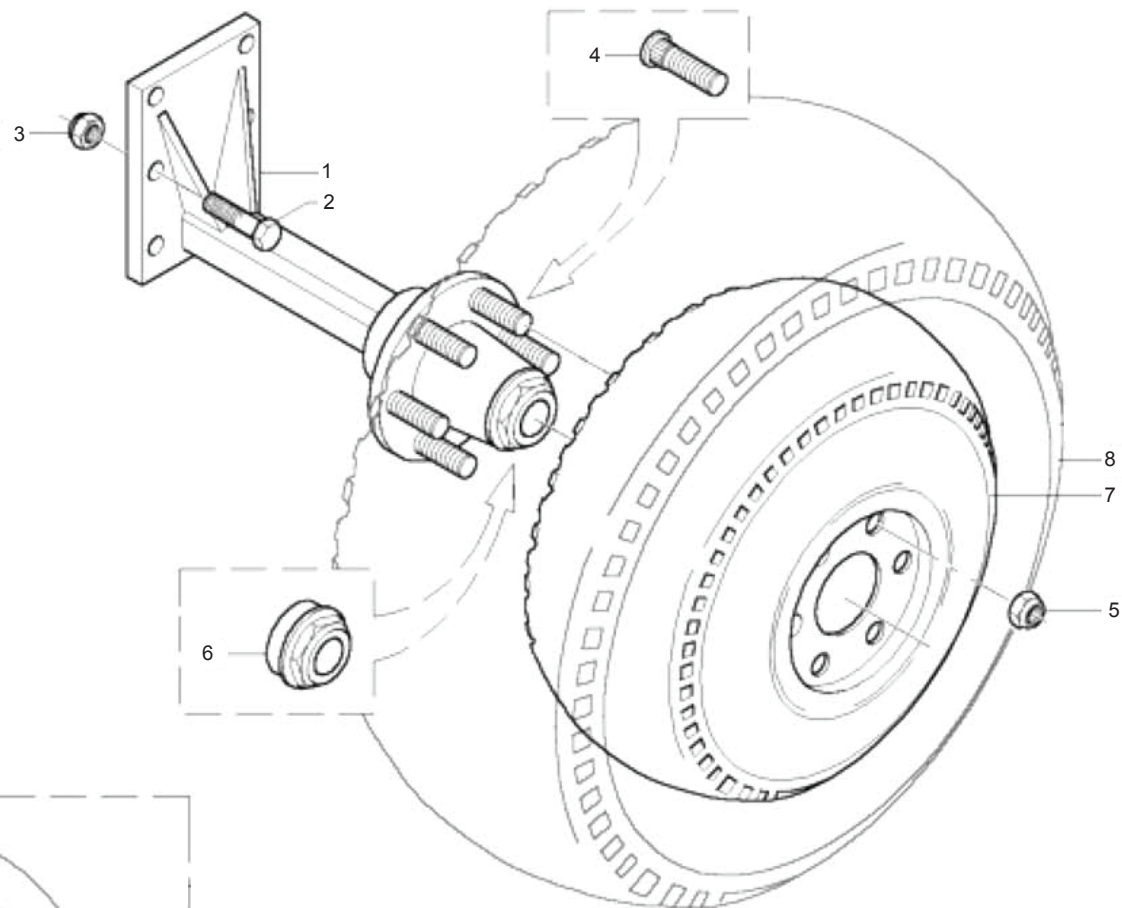
| Pos. | Cod. | Descrizione | Description | Description | Benennung | Descripcion |
|------|------------|----------------|-------------|-------------|-----------|-------------------|
| 1 | B07S01901R | BLOCCO CINGHIE | BELT LOCK | | | BLOQUE DE CORREAS |



**SEGNALATORI DI CARICAMENTO
LOADER INDICATORS**

TAV_025

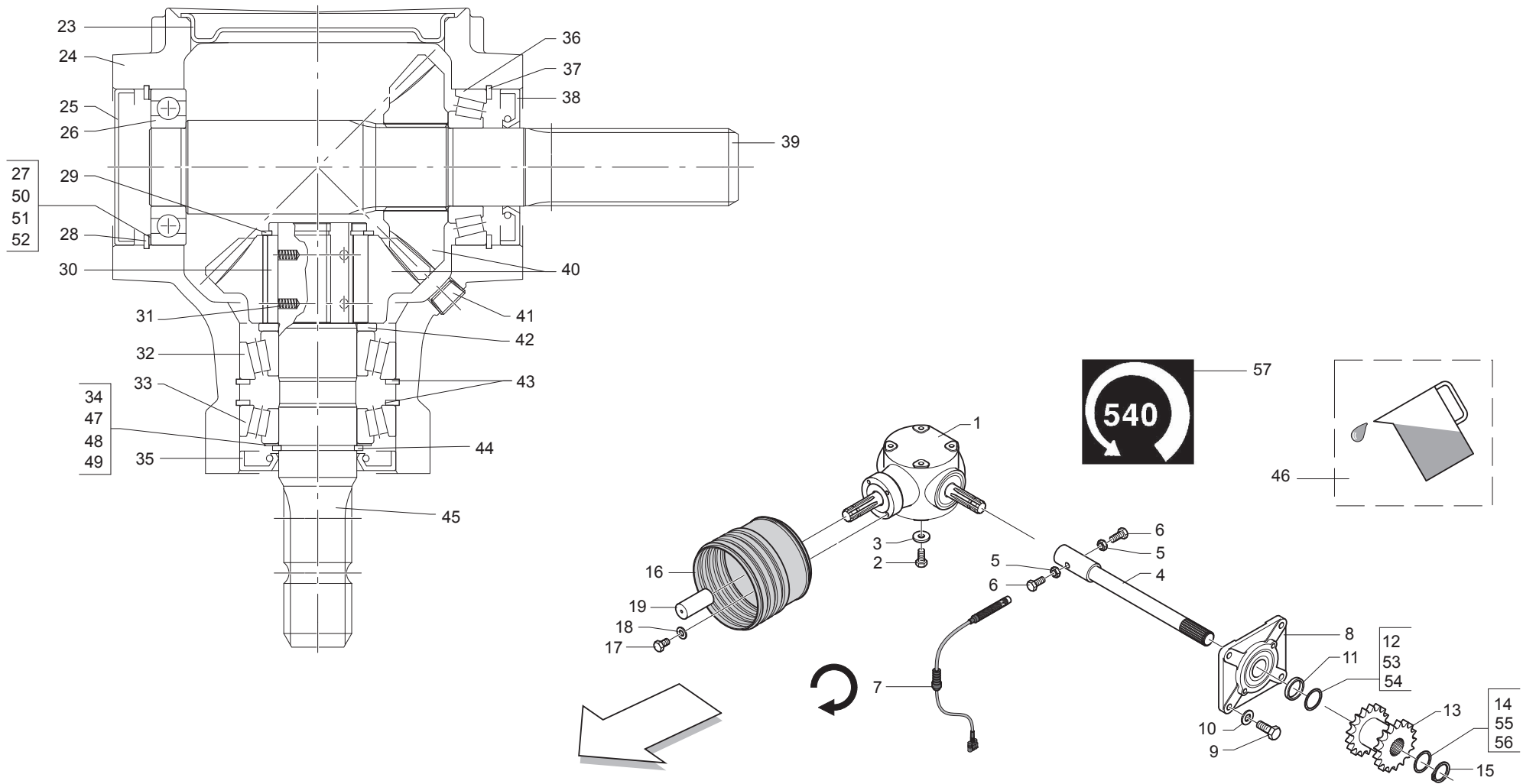
| Pos. | Cod. | Descrizione | Description | Description | Benennung | Descripcion |
|------|------------|--------------------------------|------------------------------|-----------------------------|--------------------------------|--------------------------------|
| 1 | B07S00951R | SEGNALATORI | INDICATORS | INDICATEURS | ANZEIGER | SE ALIZADORES |
| 2 | F01020472R | VITE M10X1,5X25 U5739 8.8ZN | SCR. M10X1,5X25 U5739 8.8ZN | VIS M10X1,5X25 U5739 8.8 ZN | SCHRAUBE M10X1,5X25 U5739 8.8 | TORNILLO M10X1,5X25 U5739 8.8 |
| 3 | F01410062R | ROS.M10 10,5X 18X 2 U6592 ZN | WASHER M10 10,5X 18X 2 U6592 | RONDELLE M10 10,5X18X2 ZN | DICHTUNGSRING M10 10,5X18X2 ZN | ARAND.M10 10,5X 18X 2 U6592 ZN |
| 4 | F01230202R | DADO M10X 1,5 D985 8 ZN | NUT M10 D985 | ECROU AUTOBL. M10 | SELBSTSPERR.MUTTER M10 | TUERCA M10X 1,5 D985 8 |
| 5 | F01020413R | VITE M6X1X40 U5739 8.8ZN | SCR. M6X1X40 U5739 8.8ZN | VIS M 6X1X40 | SCHRAUBE M 6X1X40 | TORNILLO M6X1X40 U5739 8 |
| 6 | F01420035R | ROS.M6 6,4X 18X1,6 U6593 ZN | WASHER D.6 | RONDELLE D.6 | KUPFERSCHEIBE D.6 | ARAND.M6 6,4X 18X1,6 U6593 |
| 7 | B01300866R | BOCCOLA DI MOVIMENTO | BUSH | DOUILLE | BUCHSE | CASQUILLO DE MOVIMIENTO |
| 8 | F01200232R | DADO M6X1 U5588 CL8 ZN | NUT M6X1 U5588 6.8ZN | ECROU 6 UNI 5588 6.8 ZN | MUTTER 6 UNI 5588 6.8 ZN | TUERCA M6X1 U5588 CL8 ZN |
| 9 | F01230184R | DADO M6X1 D985 8ZN | NUT M6X1 D985 8ZN | | | TUERCA M6X1 D985 8 |
| 10 | B0C004227R | PIATTO SPOSTAMENTO SENSORE | SENSOR SHIFTING PLATE | PLAT COURSE SENSEUR | SENSORVERSCHIEBERPLATTE | PLATO DE DESPLAZAMIENTO DEL |
| 11 | B01810409R | MOLLA T FILO D.2,5 DP14,5 L210 | SPRING | RESSORT | T- FEDER | MUELLE T HILO D.2,5 DP14,5 L21 |
| 12 | B0C004231R | ATTACCO POTENZIOMETRO | POTENZIOMETER ATTACHMENT | ATTELAGE POTENTIOMETRE | SENSORANSCHLUSS | CONEXI N POTENCI METRO |
| 13 | B0C004008R | PIASTRINA FINECORSIA | LIMIT SWITCH PLATE | PLAQUETTE FIN DE COURSE | ENDSCHALTERPLATTE | PLACA DE FINAL DE CARRERA |
| 14 | F01020380R | VITE M5X0,8X20 U5739 8.8ZN | SCR. M5X0,8X20 U5739 8.8ZN | VIS M5X0,8X20 U5739 8.8ZN | SCHRAUBE M5X0,8X20 U5739 8.8ZN | TORNILLO M5X0,8X20 U5739 8 |
| 15 | F01420023R | ROS.M5 5,3X 15X1,5 U6593 ZN | WASHER M5 5,3X 15X1,5 U6593 | | | ARAND.M5 5,3X 15X1,5 U6593 |
| 16 | B07M00276R | RULLO SEGNALATORE | INDICATOR ROLLER | ROULEAU SIGNALEUR | ANZEIGEROLLE | RODILLO SE ALIZADOR |
| 17 | B00440820R | VITE TSPEI M 8X 20-10.9 UNI 5 | SCREW | VIS | SCHRAUBE TSPEI M8X 20-10.9 | TORNILLO CAB. AVE.ALLEN PAV M |
| 18 | B03500024R | COLLEGAMENTO | CONNECTION | CONNEXION | VERBINDUNG | CONEXI N |
| 19 | B00440820R | VITE TSPEI M 8X 20-10.9 UNI 5 | SCREW | VIS | SCHRAUBE TSPEI M8X 20-10.9 | TORNILLO CAB. AVE.ALLEN PAV M |
| 20 | B0E0P0028R | SENS.ANAL.CARICO CAMERA SX | SENSOR | SENSEUR | SENSOR LADUNGKAMMER LINKS | SENS.ANAL.CARGA C MARA IZQ |
| 21 | B0C004228R | PIATTINO | PLATE | PETIT PLAT | PLATTE | PAT N |
| 22 | B00430610R | VITE STEI M 6X10-12.9 UNI 5 | SCREW | VIS | SCHRAUBE STEI M6X10-12.9 | TORNILLO SIN CAB. CON RAN.HEX |
| 23 | F01020408R | VITE M6X1X30 U5739 8.8ZN | SCR. M6X1X30 U5739 8.8ZN | VIS M 6X1X30 | SCHRAUBE M 6X1X30 | TORNILLO M6X1X30 U5739 8 |
| 24 | F01420035R | ROS.M6 6,4X 18X1,6 U6593 ZN | WASHER D.6 | RONDELLE D.6 | KUPFERSCHEIBE D.6 | ARAND.M6 6,4X 18X1,6 U6593 |
| 25 | B01300866R | BOCCOLA DI MOVIMENTO | BUSH | DOUILLE | BUCHSE | CASQUILLO DE MOVIMIENTO |
| 26 | F01230184R | DADO M6X1 D985 8ZN | NUT M6X1 D985 8ZN | | | TUERCA M6X1 D985 8 |
| 27 | B0E0P0029R | SENS.ANAL.CARICO CAMERA DX | PRESSURE SWITCH IFM PT3551 | SENSEUR | SENSOR LADUNGKAMMER RECHTS | SENS.ANAL.CARGA C MARA DER |



**RUOTE
WHEELS**

TAV_030

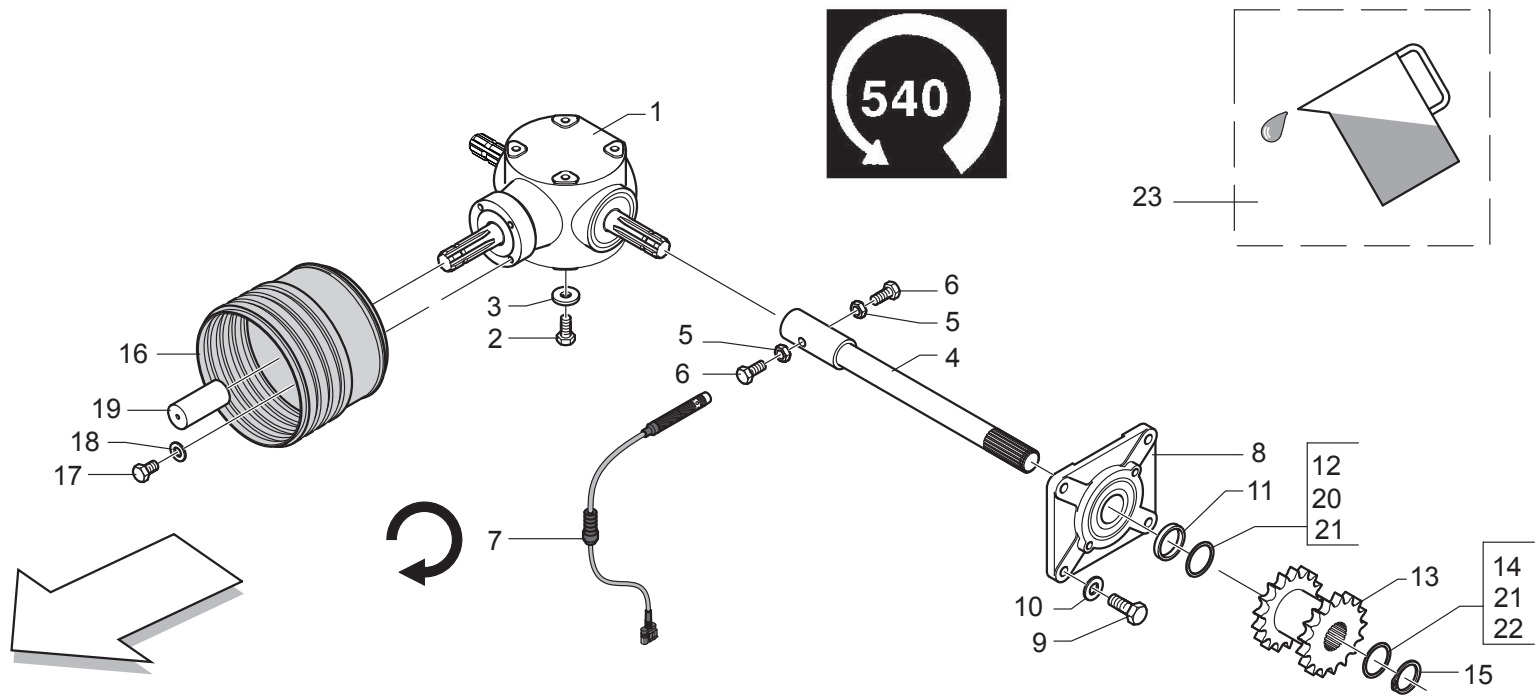
| Pos. | Cod. | Descrizione | Description | Description | Benennung | Descripcion |
|------|------------|--------------------------------|-------------------------------|-------------------------------|--------------------------------|--------------------------------|
| 1 | B07100026R | MOZZO CON FUSELLO E PIASTRA | HUB WITH STUB AXLE | MOYEU AVEC AXE ET PLAQUE | NABE MIT ACHSSCHENKEL | BUJE CON PIVOTE Y PLACA |
| 2 | F01020309R | VITE M20X2,5X70 U5737 8.8ZN | SCR. M20X2,5X70 U5737 8.8ZN | VIS M20X2,5X70 | SCHRAUBE M20X2,5X70 | TORNILLO M20X2,5X70 U5737 8.8 |
| 3 | F01230259R | DADO M20X 2,5 U7474 CL.8 ZN | NUT M20X 2,5 U7474 CL.8 ZN | | | TUERCA M20X 2,5 U7474 CL.8 |
| 4 | B0R000273R | COLON.M18X1,5 FUSELLO 7100014 | WHEEL STUD BOLT M18X1,5 | COLONNETTE M18X1,5 FUSEE 7100 | RADBOLZEN M18X1,5 | COLUMN.M18X1,5 PIVOTE 7100014 |
| 5 | B00821318R | DADO E SFERICO M18X1,5 ZINC. | NUT | ECROU | KUGELMUTTER M18X1,5 | TUERCA Y ESF RICO M18X1,5 CINC |
| 6 | B07100050R | TAPPO PARAPOLVERE 80 NEUTRO | CAP | BOUCHON | PROPFEN | TAP N PARA-POLVO 80 NEUTRO |
| 7 | B07100022R | RUOTA CPLTA 400-15.5 6F P 14PR | COMPLETE WHEEL | ROUE 400-15.5 | RAD KOMPLETT 400.15.5 6F P14PR | RUEDA CPLTA 400-15.5 6F P 14PR |
| 8 | B07100013R | RUOTA CPLTA 11,5 80-15,3 6F P | COMPLETE WHEEL 11,5 80-15,3 | ROUE COMPLETE 11,5 80-15,3 | KOMPLETTES RAD 11,5 80-15,3 | RUEDA CPLTA 11,5 80-15,3 6F P |
| 10 | B07100041R | RUOTA CPLTA 19.0 45-176F P14PR | COMPLETE TYRE | ROUE COMPLETE | KOMPLETTES RAD 19,0 45-17 | RUEDA CPLTA 19.0 45-176F P14PR |
| 11 | B0C003765R | PIASTRA DI SPESSORAMENTO | SHIM PLATE | PLAQUE | DICHTUNGSPLATTE | PLACA DE ESPESOR |
| 12 | F01020987R | VITE M20X2,5X90 U5737 8.8 ZN | GALV.SCR.M20X2,5X90 U5737 8.8 | | | TORNILLO M20X2,5X90 U5737 8.8 |



**SCATOLA DI TRASMISSIONE
GEAR BOX**

TAV_035

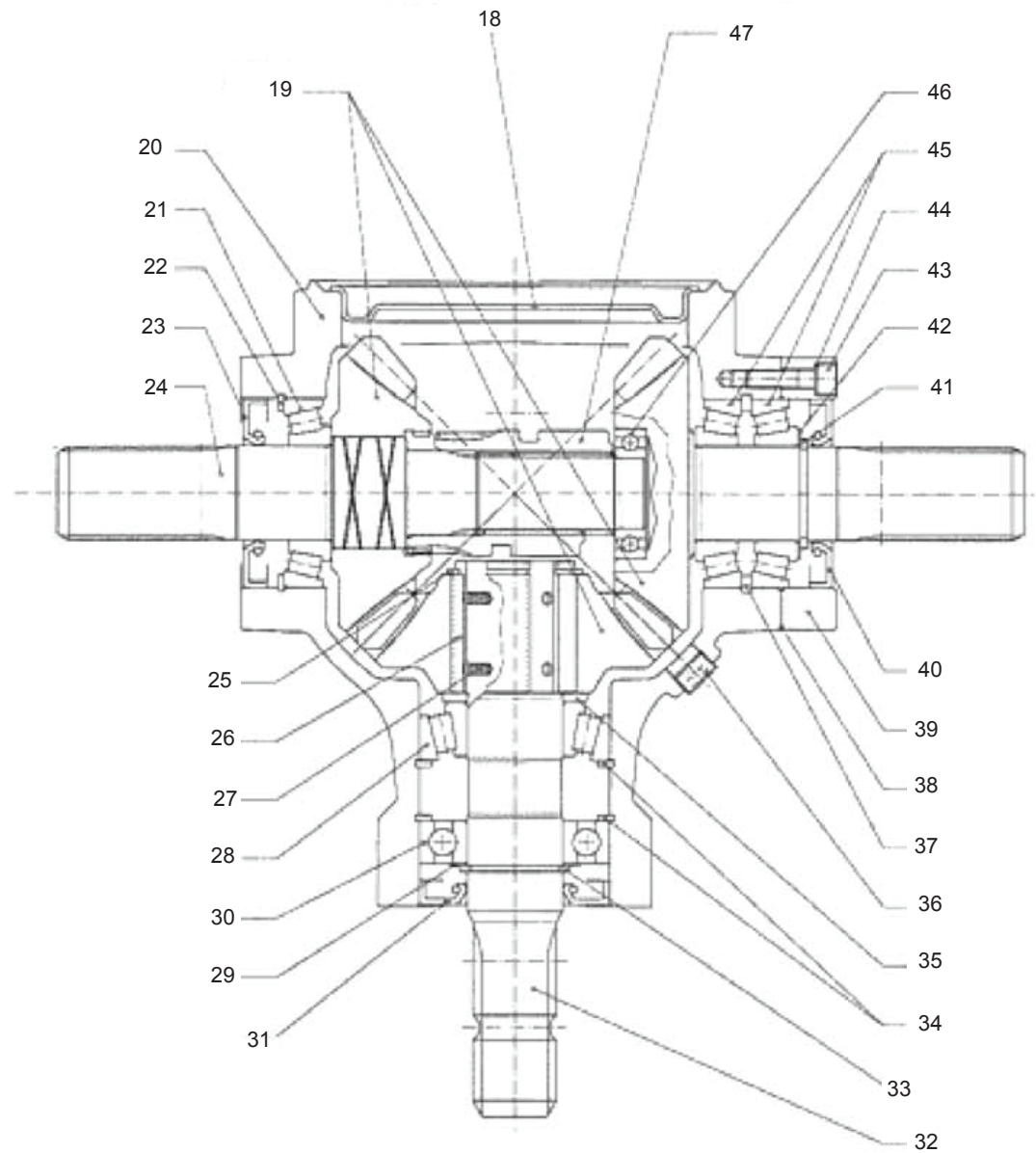
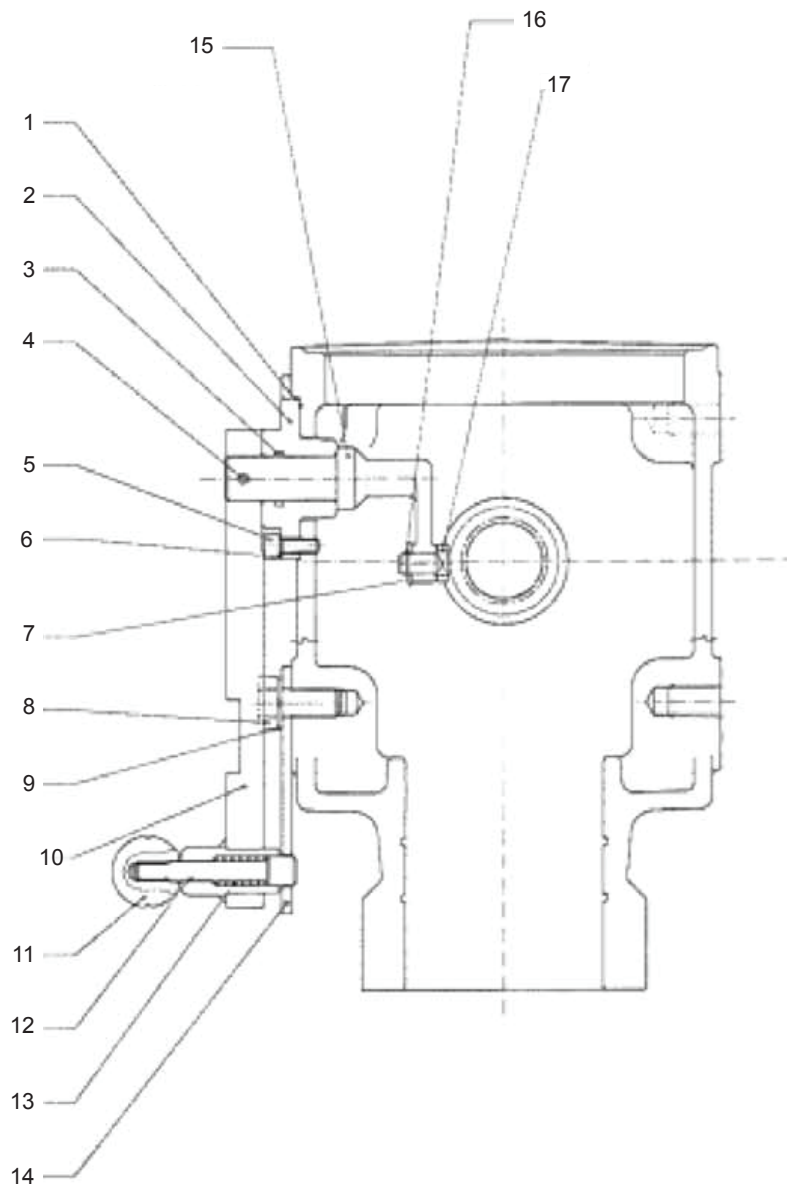
| Pos. | Cod. | Descrizione | Description | Description | Benennung | Descripcion |
|------|------------|--------------------------------|--------------------------------|--------------------------------|--------------------------------|--------------------------------|
| 1 | B03900177R | SCAT.BP 2050-1 1-RL-S ALB. | GEAR BOX | BOITE | GETRIEBE BYPY 2050 | CAJ.BP 2050-1 1-RL-S RB. |
| 2 | F01020512R | VITE M12X1,75X35 U5739 8.8ZN | SCR. M12X1,75X35 U5739 8.8ZN | VIS M12X1,75X35 5739 8.8 ZN | SCHR. M12X1,75X35 5739 8.8 ZN | TORNILLO M12X1,75X35 U5739 8 |
| 3 | B01516038R | RALLA 13 32 5 | FIFTH WHEEL | BUTEE | SCHLEIFE | RANGUA 13 32 5 |
| 4 | B0R000304R | ALBERO PROLUNGA L=602 | EXTENSION SHAFT L=602 | ARBRE RALLONGE L=602 | VERLAENGERUNGSWELLE L=602 | RBOL PROLONGACI N L=602 |
| 5 | F01200232R | DADO M6X1 U5588 CL8 ZN | NUT M6X1 U5588 6.8ZN | ECROU 6 UNI 5588 6.8 ZN | MUTTER 6 UNI 5588 6.8 ZN | TUERCA M6X1 U5588 CL8 ZN |
| 6 | F01020040R | VITE M6X1X40 U5737 8.8ZN | SCR. M6X1X40 U5737 8.8ZN | VIS M6X1X40 U5737 8.8ZN | SCHRAU. M6X1X40 U5737 8.8ZN | TORNILLO M6X1X40 U5737 8 |
| 7 | B0E0P0013R | SENS DIG.SCATOLA E BILANCERE | DIGITAL SENSOR PROXIMITY M12 | CAPTEUR DIGITAL AVEC PROXIMITY | SENSOR MIT PROXIMITY M 12 | SENS DIG.CAJA Y BALANC N |
| 8 | B0FMP0183R | SUPPORTO CUSCIN. RETTANG VERN | BEARING SUPPORT | | | |
| 9 | F01020512R | VITE M12X1,75X35 U5739 8.8ZN | SCR. M12X1,75X35 U5739 8.8ZN | VIS M12X1,75X35 5739 8.8 ZN | SCHR. M12X1,75X35 5739 8.8 ZN | TORNILLO M12X1,75X35 U5739 8 |
| 10 | F01410076R | ROS.M12 13X 24X2,5 U6592 ZN | WASHER 12 13X 24X2,5 U6592 ZN | RONDEL. M12 13X24X2,5 U6592 ZN | SCHEIBE M12 13X24X2,5 U6592 ZN | ARAND.M12 13X 24X2,5 U6592 ZN |
| 11 | B01329469R | DISTANZIALE 40X48X 7 | SPACER | ENTRETOISE | DISTANZSTUECK 40X48X7 | DISTANCIADOR 40X48X 7 |
| 12 | B01300125R | SPES. 40 48 0,5 ZINCATO | SHIM GALV | ENTRETOISE GALV | DISTANZSTUECK 40 48 0,5 | ESPE. 40 48 0,5 CINCADO |
| 13 | B03400224R | INGR.DOPPIO Z=12 12-1 SCATOLA | DOUBLE GEAR Z=12 12-1 | ENGRENAGE DOUBLE | DOPPEL ZAHNRAD Z=12 12-1 | ENGR.DOUBLE Z=12 12-1 CAJA |
| 14 | B01300151R | SPES. 40 48 2 ZINCATO | SHIM | ENTRETOISE | DISTANZSTUECK 40 48 2 | ESPE. 40 48 2 CINCADO |
| 15 | F02050168R | ANELLO E.DE 40X1,75 U7435 | SEEGER RING 40X1,75 U7435 | BAGUE SEEGER 40X1,75 U7435 | SEEGERRING 40X1,75 U7435 | ANIL.SEEGER 40X1,75 U7435 |
| 16 | B07V00076R | CONTROCUFFIA CPLTA SFT 3950 | COMPLETE COUNTER-HOUSING | CONTRE-BOL COMPLETE SFT-BYPY | GEGENHAUBE | CONTRA-CAPUCH N CPLTA SFT 395 |
| 17 | F01020472R | VITE M10X1,5X25 U5739 8.8ZN | SCR. M10X1,5X25 U5739 8.8ZN | VIS M10X1,5X25 U5739 8.8 ZN | SCHRAUBE M10X1,5X25 U5739 8.8 | TORNILLO M10X1,5X25 U5739 8.8 |
| 18 | F01410062R | ROS.M10 10,5X 18X 2 U6592 ZN | WASHER M10 10,5X 18X 2 U6592 | RONDELLE M10 10,5X18X2 ZN | DICHTUNGSRING M10 10,5X18X2 ZN | ARAND.M10 10,5X 18X 2 U6592 ZN |
| 19 | G19002131R | PROTEZIONE P.D.P. | PDP GUARD | | | PROTECCI N T.D.F. |
| 23 | B0R000255R | COPERCHIO SCATOLA D=130 | BOX CAP | COUVERCLE BOITE D=130 | GETRIEBEGEHAUSEDECKEL | TAPA PARA CAJA D=130 |
| 24 | B0R000305R | CORPO SCATOLA 2050 | BOX 2050 | | | CUERPO DE LA CAJA 2050 |
| 25 | F03100031R | GUARNIZIONE CAP 80X10 | OIL SEAL CAP 80X10 | | | |
| 26 | B02004018R | CUSCINETTO 6208 CAT.A-ST004 | BEARING | ROULEMENT 6208NCAT.A ST004 | LAGER | COJINETE 6208 CAT.A-ST004 |
| 27 | B0R000262R | ANELLO SPES. 69,3X79,7X0,2 | SHIM RING 69,3X79,7X0,2 | BAGUE EPAISSEUR 69,3X79,7X0,2 | RING 69,3X79,7X0,2 | ANILLO DE ESPE. 69,3X79,7X0,2 |
| 28 | F03012225R | ANELLO SPALLA.80X2.50 DIN472 1 | CIRCLIP INT.80 2.50 DIN 472 1 | | | |
| 29 | B0R000298R | ANELLO ELASTICO 50-E SP=2,0 | RETAINING RING 50-E SP=2,0 | BAGUE RESSORT 50-E SP=0,8 | RING EL. 50-E | ANILLO EL STICO 50-E ESP=2,0 |
| 30 | B0R000307R | PIASTR. RL 29870 | RL PLATE | PLAQUETTE RL | PLATTE RLL | PLACA RL 29870 |
| 31 | F02400084R | MOLLA X RUOTA LIBERA BONDIOLI | SPRING FOR FREE WHEEL BONDIOLI | | | |
| 32 | B02124024R | CUSC. 32208 CAT.A-ST004 | BEARING | ROULEMENT | LAGER | COJIN. 32208 CAT.A-ST004 |
| 33 | B02124019R | CUSC. 30208 CAT.A-ST004 | BEARING | ROULEMENT | LAGER | COJIN. 30208 CAT.A-ST004 |
| 34 | B0R000261R | ANELLO SPES. 40,2X54,8X0,1 | SHIM RING 40,2X54,8X0,1 | BAGUE EPAISSEUR 40,2X54,8X0,1 | DISTANZRING 40,2X54,8X0,1 | ANILLO DE ESPE. 40,2X54,8X0,1 |
| 35 | F03010277R | ANELLO T.AS 40X 80X10 D3760NBR | OIL SEAL 40X80X10 NBR | BOURAGE 40X80X10 NBR | OELABDICHTUNG 40X80X10 NBR | ANILLO T.AS 40X 80X10 D3760NBR |
| 36 | B02124019R | CUSC. 30208 CAT.A-ST004 | BEARING | ROULEMENT | LAGER | COJIN. 30208 CAT.A-ST004 |
| 37 | F03012225R | ANELLO SPALLA.80X2.50 DIN472 1 | CIRCLIP INT.80 2.50 DIN 472 1 | | | |
| 38 | F03010277R | ANELLO T.AS 40X 80X10 D3760NBR | OIL SEAL 40X80X10 NBR | BOURAGE 40X80X10 NBR | OELABDICHTUNG 40X80X10 NBR | ANILLO T.AS 40X 80X10 D3760NBR |
| 39 | B0R000975R | ALBERO SCAT.EXTREME HT | BOX SHAFT FOR EXTREME HT | ARBRE BOITE EXTREME HT | WELLE | RBOL DE CAJA EXTREME HT |
| 40 | B0R000308R | COPPIA CONICA R=1 1 | R=1 1 BEVEL GEAR PAIR | COUPLE CONIQUE R=1 1 | ZAHNRADPAAR R=1 1 | PAR C NICO R=1 1 |
| 41 | B0R000175R | TAPPO 3 8 GAS-C DIN 906 | PLUG | BOUCHON 3 8 GAS-C DIN 906 | VERSCHLUSS DECKER 3 8 GAS-C | TAP N 3 8 GAS-C DIN 906 |
| 42 | B0R000285R | DISTANZIALE | SPACER | ENTRETOISE | DISTANZSTUECK | DISTANCIADOR |
| 43 | F03012225R | ANELLO SPALLA.80X2.50 DIN472 1 | CIRCLIP INT.80 2.50 DIN 472 1 | | | |
| 44 | B0R000257R | ANELLO ELASTICO 40-E SP=2,5 | ELASTIC RING 40-E SP=2,5 | BAGUE RESSORT 40-E SP=2,5 | ELASTISCHER RING | ANILLO EL STICO 40-E SP=2,5 |
| 45 | B0R000306R | ALBERO ASSE Z R.L. | AXLE SHAFT Z R.L. | ARBRE AXE Z RL | ACHSWELLE Z R.L. | RBOL DEL EJE Z R.L. |
| 46 | F03260016R | OLIO AGIP BLASIA 150 | OIL AGIP BLASIA 150 | | | ACEITE AGIP BLASIA 150 |
| 47 | B0R000260R | ANELLO SPES. 40,2X54,8X0,4 | SHIM RING 40,2X54,8X0,4 | BAGUE EPAISSEUR 40,2X54,8X0,4 | DISTANZRING 40,2X54,8X0,4 | ANILLO DE ESPE. 40,2X54,8X0,4 |
| 48 | B0R000259R | KIT ANELLO SPES. 40,2X54,8X | SHIM RING 40,2X54,8X0,3 | BAGUE EPAISSEUR 40,2X54,8X0,3 | ELASTISCHER RING | ANILLO DE ESPE. 40,2X54,8X0,3 |
| 49 | B0R000258R | ANELLO SPES. 40,2X54,8X0,2 | SHIM RING 40,2X54,8X0,2 | BAGUE EPAISSEUR 40,2X54,8X0,2 | ELASTISCHER RING | ANILLO DE ESPE. 40,2X54,8X0,2 |
| 50 | B0R000263R | ANELLO SPES. 69,3X79,7X0,3 | SHIM RING 69,3X79,7X0,3 | BAGUE EPAISSEUR 69,3X79,7X0,3 | SCHLEIFE 69,3X79,7X0,3 | ANILLO DE ESPE. 69,3X79,7X0,3 |
| 51 | B0R000264R | ANELLO SPES. 69,3X79,7X0,4 | SHIM RING 69,3X79,7X0,4 | BAGUE EPAISSEUR 69,3X79,7X0,4 | DISTANZRING 69,3X79,7X0,4 | ANILLO DE ESPE. 69,3X79,7X0,4 |
| 52 | B0R000265R | ANEL SPES. 69,3X79,7X0,1 34006 | SHIM RING 69,3X79,7X0,1 34006 | BAGUE EPAISSEUR 69,3X79,7X0,1 | RING 69,3X79,7X0,1 | ANILL. ESPE. 69,3X79,7X0,1 34 |
| 53 | B01300151R | SPES. 40 48 2 ZINCATO | SHIM | ENTRETOISE | DISTANZSTUECK 40 48 2 | ESPE. 40 48 2 CINCADO |
| 54 | B01300126R | SPES. 40 48 1 ZINC.ST_013 | SHIM | ENTRETOISE | DISTANZSTUECK 40 48 1 | ESPE. 40 48 1 CINC.EST_013 |
| 55 | B01300125R | SPES. 40 48 0,5 ZINCATO | SHIM GALV | ENTRETOISE GALV | DISTANZSTUECK 40 48 0,5 | ESPE. 40 48 0,5 CINCADO |
| 56 | B01300126R | SPES. 40 48 1 ZINC.ST_013 | SHIM | ENTRETOISE | DISTANZSTUECK 40 48 1 | ESPE. 40 48 1 CINC.EST_013 |
| 57 | B07500187R | ET 540 GIRI - RICC SX NORMA | DECAL 540RPM - LEFT BURR | DECAL 540 T H-SENS DE ROTATIO | AUFKLEBE 540 RPM | ET 540 REVOLUCIONES -SENTIDO |



**SCATOLA DI TRASMISSIONE PTO
PTO GEAR BOX**

TAV_040

| Pos. | Cod. | Descrizione | Description | Description | Benennung | Descripcion |
|------|------------|--------------------------------|-------------------------------|--------------------------------|--------------------------------|--------------------------------|
| 1 | B03900179R | SCAT.BP 2070-1 1-RL-DIS S.ALB. | GEAR BOX | BOITE | GETRIEBE BYPY 2070 | CAJ.BP 2070-1 1-RL-DIS S. RB. |
| 2 | F01020540R | VITE M14X2X30 U5739 8.8ZN | SCR. M14X2X30 U5739 8.8ZN | VIS M14X2X30 U5739 8.8ZN | SCHRAUBE M14X2X30 U5739 8.8ZN | TORNILLO M14X2X30 U5739 8.8ZN |
| 3 | B01516040R | RALLA 15 42 6 | FIFTH WHEEL | BUTEE | SCHEIBE | RANGUA 15 42 6 |
| 4 | B0R000304R | ALBERO PROLUNGA L=602 | EXTENSION SHAFT L=602 | ARBRE RALLONGE L=602 | VERLAENGERUNGSWELLE L=602 | RBOL PROLONGACI N L=602 |
| 5 | F01200232R | DADO M6X1 U5588 CL8 ZN | NUT M6X1 U5588 6.8ZN | ECROU 6 UNI 5588 6.8 ZN | MUTTER 6 UNI 5588 6.8 ZN | TUERCA M6X1 U5588 CL8 ZN |
| 6 | B00180625R | VITE M6X1X 25 U5739 8.8ZN | SCREW | VIS | SCHRAUBE | TORNILLO M6X1X 25 U5739 8.8ZN |
| 7 | B0E0P0013R | SENS DIG.SCATOLA E BILANCERE | DIGITAL SENSOR PROXIMITY M12 | CAPTEUR DIGITAL AVEC PROXIMITY | SENSOR MIT PROXIMITY M 12 | SENS DIG.CAJA Y BALANC N |
| 8 | B0FMP0183R | SUPPORTO CUSCIN. RETTANG VERN | BEARING SUPPORT | | | |
| 9 | F01020512R | VITE M12X1,75X35 U5739 8.8ZN | SCR. M12X1,75X35 U5739 8.8ZN | VIS M12X1,75X35 5739 8.8 ZN | SCHR. M12X1,75X35 5739 8.8 ZN | TORNILLO M12X1,75X35 U5739 8 |
| 10 | F01410076R | ROS.M12 13X 24X2,5 U6592 ZN | WASHER 12 13X 24X2,5 U6592 ZN | RONDEL. M12 13X24X2,5 U6592 ZN | SCHEIBE M12 13X24X2,5 U6592 ZN | ARAND.M12 13X 24X2,5 U6592 ZN |
| 11 | B01329469R | DISTANZIALE 40X48X 7 | SPACER | ENTRETOISE | DISTANZSTUECK 40X48X7 | DISTANCIADOR 40X48X 7 |
| 12 | B01300126R | SPES. 40 48 1 ZINC.ST_013 | SHIM | ENTRETOISE | DISTANZSTUECK 40 408 1 | ESPEES. 40 48 1 CINC.EST_013 |
| 13 | B03400224R | INGR.DOPPIO Z=12 12-1 SCATOLA | DOUBLE GEAR Z=12 12-1 | ENGRENAGE DOUBLE | DOPPEL ZAHNRAD Z=12 12-1 | ENGR.DOBLE Z=12 12-1 CAJA |
| 14 | B01300125R | SPES. 40 48 0,5 ZINCATO | SHIM GALV | ENTRETOISE GALV | DISTANZSTUECK 40 48 0,5 | ESPEES. 40 48 0,5 CINCADO |
| 15 | F02050168R | ANELLO E.DE 40X1,75 U7435 | SEEGER RING 40X1,75 U7435 | BAGUE SEEGER 40X1,75 U7435 | SEEGERRING 40X1,75 U7435 | ANIL.SEEGER 40X1,75 U7435 |
| 16 | B07V00076R | CONTROCUFFIA CPLTA SFT 3950 | COMPLETE COUNTER-HOUSING | CONTRE-BOL COMPLETE SFT-BYPY | GEGENHAUBE | CONTRA-CAPUCH N CPLTA SFT 395 |
| 17 | B00181015R | VITE M10X1,5 X 16 U5739 8.8ZN | SCREW | VIS | SCHRAUBE | TORNILLO M10X1,5 X 16 U5739 8 |
| 18 | F01410062R | ROS.M10 10,5X 18X 2 U6592 ZN | WASHER M10 10,5X 18X 2 U6592 | RONDELLE M10 10,5X18X2 ZN | DICHTUNGSRING M10 10,5X18X2 ZN | ARAND.M10 10,5X 18X 2 U6592 ZN |
| 19 | G19002131R | PROTEZIONE P.D.P. | PDP GUARD | | | PROTECCI N T.D.F. |
| 20 | B01300126R | SPES. 40 48 1 ZINC.ST_013 | SHIM | ENTRETOISE | DISTANZSTUECK 40 408 1 | ESPEES. 40 48 1 CINC.EST_013 |
| 21 | B01300151R | SPES. 40 48 2 ZINCATO | SHIM | ENTRETOISE | DISTANZSTUECK 40 48 2 | ESPEES. 40 48 2 CINCADO |
| 22 | B01300125R | SPES. 40 48 0,5 ZINCATO | SHIM GALV | ENTRETOISE GALV | DISTANZSTUECK 40 48 0,5 | ESPEES. 40 48 0,5 CINCADO |
| 23 | F03260016R | OLIO AGIP BLASIA 150 | OIL AGIP BLASIA 150 | | | ACEITE AGIP BLASIA 150 |

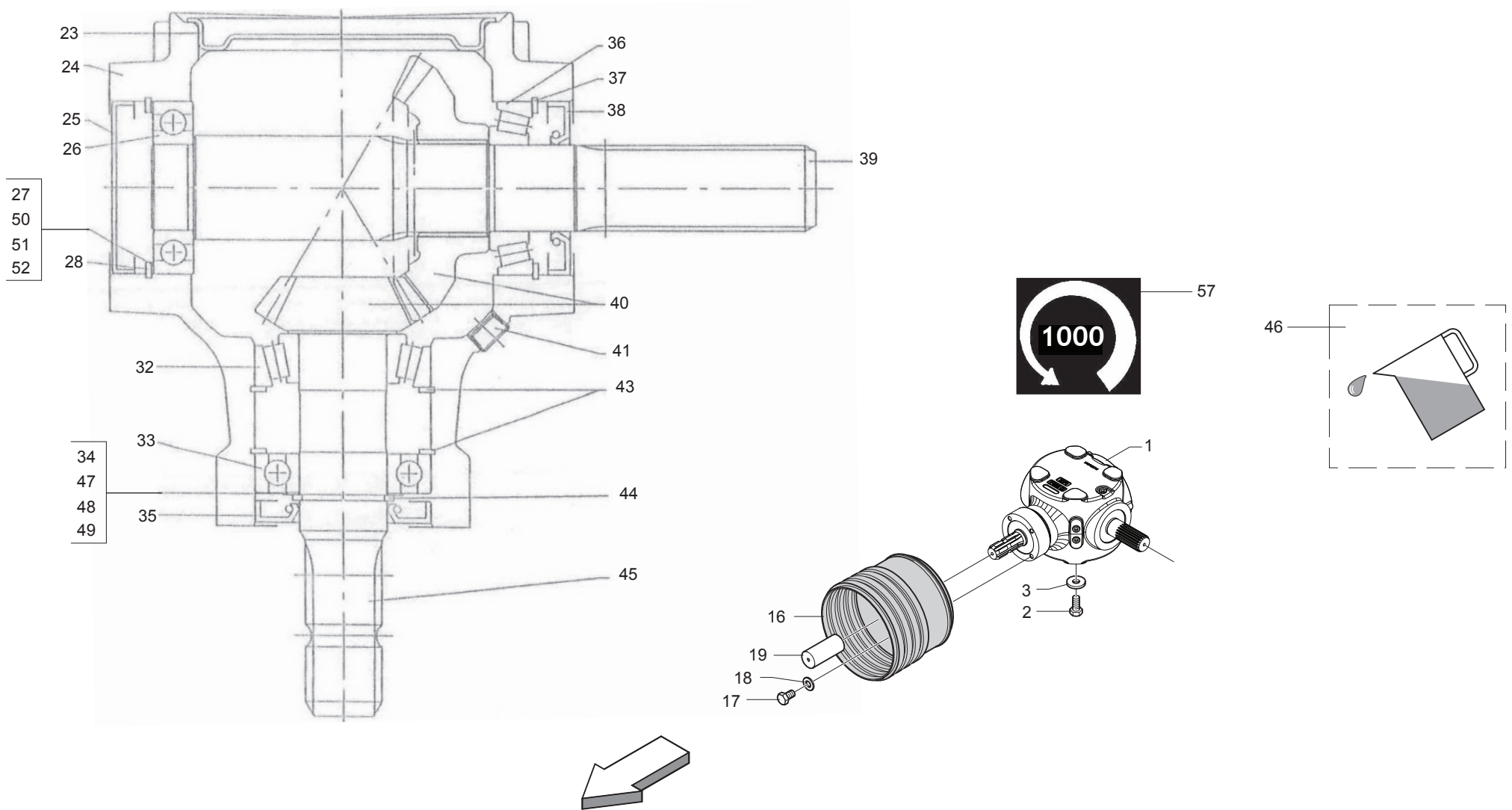


**ESPLOSO SCATOLA DI TRASMISSIONE
GEAR BOX PARTS**

TAV_045

| Pos. | Cod. | Descrizione | Description | Description | Benennung | Descripcion |
|------|------------|--------------------------------|--------------------------------|--------------------------------|---------------------------------|--------------------------------|
| 1 | BOR000284R | GUARNIZIONE 35X65X0,2 | PACKING 35X65X0,2 | JOINT 35X65X0,2 | DICHTUNG 35X65X0,2 | JUNTA 35X65X0,2 |
| 2 | BOR000283R | SUPP. LEVA | LEVER SUPPORT | SUPPORT LEVIER | HEBELTRAGER | SOP. PALANCA |
| 3 | BOR000300R | ANELLO TORICO OR 123 | OR RING 123 | BAGUE TORIQUE OR 123 | OR RING 123 | ANILLO T RICO OR 123 |
| 4 | F02100090R | SPINA E.P. 5X 40 U6873 C70 BR | ELASTIC PIN 5X40 | GOUJON ELASTIQUE 5X40 | SPANNHUELSE 5X40 | CLAVIJA EL.P. 5X 40 U6873 C70 |
| 5 | BOR000292R | VITE TCEI M 6X 16-12.9 | SCREW TCEI M 6X 16-12.9 | VIS TCEI M 6X16-12.9 | SCHRAUBE TCEI M6X16-12.9 | TORNILLO CAB. ALLEN HUECO M 6 |
| 6 | BOR000295R | RONDELLA SICUR.D=6 SCHNORR | LOCK WASHER D=6 SCHNORR | RONDELLE SECURETE D=6 SCHNORR | BEILAGSSSCHEIBE D=6 | ARANDELA DE SEGUR.D=6 SCHNO |
| 7 | BOR000293R | RONDELLA PIANA D=8 UNI6592 | PLAIN WASHER D=8 UNI6592 | RONDELLE PLANE D=8 UNI6592 | BEILAGSSSCHEIBE PLATTE D-8 | ARANDELA PLANA D=8 UNI6592 |
| 8 | F01020508R | VITE M12X1,75X25 U5739 8.8ZN | SCR. M12X1,75X25 U5739 8.8ZN | VIS M12X1,75X25 U5739 8.8 ZN | SCHRAUBE M12X1,75X25U57398.8ZN | TORNILLO M12X1,75X25 U5739 |
| 9 | BOR000294R | RONDELLA ELAST.D=12 DIN128B | SPRING WASHER D=12 DIN128B | RONDELLE ELASTIQUE D=12 DIN128 | ELASTICHER BEILAGSSSCHEIBE D=12 | ARANDELA EL.ST.D=12 DIN128B |
| 10 | BOR001073R | LEVA EST. INVERTITORE | LEVER REVERSE EXTERNAL | | | PALANCA EXT. INVERSOR |
| 11 | BOR000302R | IMPUGNATURA A SFERA | BALL HANDLE | BRANCHE A SPHERE | KUGELGRIFF | EMPU ADURA DE BOLA |
| 12 | BOR001074R | PERNO SCATOLA 3900179 | PIN | | | PERNO DE LA CAJA 3900179 |
| 13 | BOR000301R | MOLLA DM 9,8X1,2X25 | SPRING DM 9,8X1,2X25 | RESSORT DM 9,8X1,2X25 | FEDER DM9,8X1,2X25 | MUELLE DM 9,8X1,2X25 |
| 14 | BOR000281R | SELETTORE DISINNESTO | SELECTOR DISENGAGEMENT | SELECTEUR DEBRAYAGE | AUSLOSUNGSANWAHLER | SELECTOR DESACOPAMIENTO |
| 15 | BOR000282R | LEVA COM. DISINNESTO | LEVER RELEASE | LEVIER COM. DEBRAYAGE | AUSLOSERHEBEL | PALANCA DE MANDO DESACOPLA |
| 16 | BOR000297R | ANELLO ELASTICO 8-E SP=0,8 | RETAINING RING 8-E SP=0,8 | BAGUE RESSORT 8-E SP=0,8 | RING EL. 8-E | ANILLO EL STICO 8--E ESP=0,8 |
| 17 | BOR000290R | PATTINO | SLIDING BLOCK | CALE | SCHUH | PAT N |
| 18 | BOR000288R | COPERCHIO D=145 | COVER D=145 | COUVERCLE D=145 | DECKEL D=145 | TAPA D=145 |
| 19 | BOR000303R | TERNA CONICA R=1.1 | BEVEL GEAR TRIAL R=1.1 | TERNE CONIQUE R=1,1 | TRIPPELZAHNRAD R=1.1 | TRIS C NICO R=1.1 |
| 20 | BOR000277R | SCATOLA 2070 | BOX 2070 | | | CAJA 2070 |
| 21 | B02124019R | CUSC. 30208 CAT.A-ST004 | BEARING | ROULEMENT | LAGER | COJIN. 30208 CAT.A-ST004 |
| 22 | F03012225R | ANELLO SPALLA.80X2.50 DIN472 1 | CIRCLIP INT.80 2.50 DIN 472 1 | | | |
| 23 | F03010277R | ANELLO T.AS 40X 80X10 D3760NBR | OIL SEAL 40X80X10 NBR | BOURAGE 40X80X10 NBR | OELABDICHTUNG 40X80X10 NBR | ANILLO T.AS 40X 80X10 D3760NBR |
| 24 | BOR000279R | ALBERO ASSE XY | AXIS SHAFT | ARBRE AXE XY | ACHSWELLE | RBOL DEL EJE XY |
| 25 | BOR000298R | ANELLO ELASTICO 50-E SP=2,0 | RETAINING RING 50-E SP=2,0 | BAGUE RESSORT 50-E SP=0,8 | RING EL. 50-E | ANILLO EL STICO 50--E ESP=2,0 |
| 26 | BOR000289R | PIASTRINA RL | RL PLATE | PLAQUE RL | SCHEIBE RL | PLACA RL |
| 27 | F02400084R | MOLLA X RUOTA LIBERA BONDIOLI | SPRING FOR FREE WHEEL BONDIOLI | | | |
| 28 | B02124024R | CUSC. 32208 CAT.A-ST004 | BEARING | ROULEMENT | LAGER | COJIN. 32208 CAT.A-ST004 |
| 29 | B02004018R | CUSCINETTO 6208 CAT.A-ST004 | BEARING | ROULEMENT 6208NCAT.A ST004 | LAGER | COJINETE 6208 CAT.A-ST004 |
| 30 | BOR001071R | ANELLO SPESSORE 40,2X54,8X0,2 | RING THICKNESS 40,2X54,8X0,2 | | | ANILLO DE ESPESOR 40,2X54,8X0, |
| 31 | F03010277R | ANELLO T.AS 40X 80X10 D3760NBR | OIL SEAL 40X80X10 NBR | BOURAGE 40X80X10 NBR | OELABDICHTUNG 40X80X10 NBR | ANILLO T.AS 40X 80X10 D3760NBR |
| 32 | BOR000278R | ALBERO ASSE Z R.L. | AXIS SHAFT | ARBRE AXE Z R.L. | ACHSWELLE | RBOL DEL EJE Z R.L. |
| 33 | BOR000257R | ANELLO ELASTICO 40-E SP=2,5 | ELASTIC RING 40-E SP=2,5 | BAGUE RESSORT 40-E SP=2,5 | ELASTISCHER RING | ANILLO EL STICO 40-I SP=2,5 |
| 34 | F03012225R | ANELLO SPALLA.80X2.50 DIN472 1 | CIRCLIP INT.80 2.50 DIN 472 1 | | | |
| 35 | BOR000285R | DISTANZIALE | SPACER | ENTRETOISE | DISTANZSTUECK | DISTANCIADOR |
| 36 | BOR000175R | TAPPO 3 8 GAS-C DIN 906 | PLUG | BOUCHON 3 8 GAS-C DIN 906 | VERSCHLUSS DECKER 3 8 GAS-C | TAP N 3 8 GAS-C DIN 906 |
| 37 | BOR000299R | ANELLO ELASTICO 80-I SP=4,0 | RETAINING RING 80-I SP=4,0 | BAGUE RESSORT 80-I SP=4,0 | RING EL. 80-I | ANILLO EL STICO 80-I ESP=4,0 |
| 38 | BOR000287R | GUARNIZIONE 80X115X0,3 | PACKING 80X115X0,3 | JOINT 80X115X0,3 | DICHTUNG 80X115X0,3 | JUNTA 80X115X0,3 |
| 39 | BOR001070R | DISTANZIALE PORTA ANELLO | SPACER | | | DISTANCIADOR PORTA ANILLO |
| 40 | F03010277R | ANELLO T.AS 40X 80X10 D3760NBR | OIL SEAL 40X80X10 NBR | BOURAGE 40X80X10 NBR | OELABDICHTUNG 40X80X10 NBR | ANILLO T.AS 40X 80X10 D3760NBR |
| 41 | BOR000257R | ANELLO ELASTICO 40-E SP=2,5 | ELASTIC RING 40-E SP=2,5 | BAGUE RESSORT 40-E SP=2,5 | ELASTISCHER RING | ANILLO EL STICO 40-I SP=2,5 |
| 42 | BOR001071R | ANELLO SPESSORE 40,2X54,8X0,2 | RING THICKNESS 40,2X54,8X0,2 | | | ANILLO DE ESPESOR 40,2X54,8X0, |
| 43 | F01040097R | VITE M8X1,25X30 U5931 8.8ZN | SCR. M8X1,25X30 U5931 8.8ZN | | | TORNILLO M8X1,25X30 U5931 8.8 |
| 44 | BOR000296R | RONDELLA SICUR.D=8 SCHNORR | LOCK WASHER D=8 SCHNORR | RONDELLE SECURETE D=8 SCHNORR | BEILAGSSSCHEIBE D=8 | ARANDELA DE SEGUR.D=8 SCHNO |
| 45 | B02124019R | CUSC. 30208 CAT.A-ST004 | BEARING | ROULEMENT | LAGER | COJIN. 30208 CAT.A-ST004 |
| 46 | B02003013R | CUSCINETTO 6006 CAT.B-ST004 | BEARING | ROULEMENT | LAGER | COJINETE 6006 CAT.B-ST004 |
| 47 | BOR000276R | MANICOTTO PER DISINNESTO | COUPLING FOR DISENGAGEMENT | MANCHON POUR DECLENCHEMENT | HUELSE FUER AUSKUPPLUNG | MANGUITO PARA DESACOPLA |

TAV_350

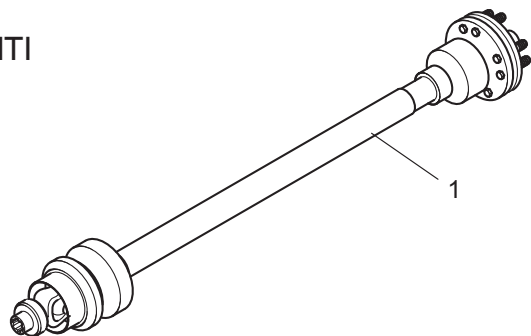


**SCATOLA DI TRASMISSIONE 1000 g/1'
GEAR BOX 1000 rpm**

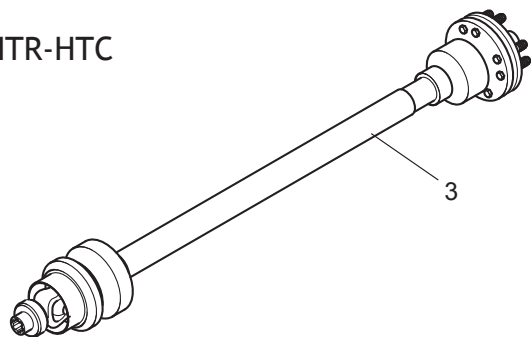
TAV_350

| Pos. | Cod. | Descrizione | Description | Description | Benennung | Descripcion |
|------|------------|--------------------------------|--------------------------------|--------------------------------|--------------------------------|--------------------------------|
| 1 | B03900156R | SCATOLA BYPY 2070-1,92 1 | GEAR BOX | BOITE | GETRIEBE BYPY 1000U MIN | CAJA BYPY 2070-1,92 1 |
| 2 | F01020540R | VITE M14X2X30 U5739 8.8ZN | SCR. M14X2X30 U5739 8.8ZN | VIS M14X2X30 U5739 8.8ZN | SCHRAUBE M14X2X30 U5739 8.8ZN | TORNILLO M14X2X30 U5739 8.8ZN |
| 3 | B01516040R | RALLA 15 42 6 | FIFTH WHEEL | BUTEE | SCHEIBE | RANGUA 15 42 6 |
| 16 | B07V00076R | CONTROCUFFIA CPLTA SFT 3950 | COMPLETE COUNTER-HOUSING | CONTRE-BOL COMPLETE SFT-BYPY | GEGENHAUBE | CONTRA-CAPUCH N CPLTA SFT 395 |
| 17 | F01020468R | VITE M10X1,5X16 U5739 8.8ZN | SCR. M10X1,5X16 U5739 8.8ZN | RONDELLE M10X1,5 X 16 | DUEBEL M10X1,5 X 16 | TORNILLO M10X1,5X16 U5739 8 |
| 18 | F01410064R | ROS.M10 10,5X 20X 2 U6592 ZN | WASHER M10 10,5X20X2 U6592 ZN | RONDEL. M10 10,5X20X2 U6592 ZN | SCHEIBE M10 10,5X20X2 U6592 ZN | ARAND.M10 10,5X 20X 2 U6592 ZN |
| 19 | G19002131R | PROTEZIONE P.D.P. | PDP GUARD | | | PROTECCI N T.D.F. |
| 23 | B0R000979R | COPERCHIO DI CHIUSURA SCATOLA | COPERCHIO DI CHIUSURA SCATOLA. | | | TAPA DE CIERRE DE LA CAJA |
| 24 | B0R000978R | CORPO SCATOLA 2070 | BOX 2070 | | | CUERPO DE LA CAJA 2070 |
| 25 | F03100031R | GUARNIZIONE CAP 80X10 | OIL SEAL CAP 80X10 | | | |
| 26 | B02004018R | CUSCINETTO 6208 CAT.A-ST004 | BEARING | ROULEMENT 6208NCAT.A ST004 | LAGER | COJINETE 6208 CAT.A-ST004 |
| 27 | B0R000262R | ANELLO SPES. 69,3X79,7X0,2 | SHIM RING 69,3X79,7X0,2 | BAGUE EPAISSEUR 69,3X79,7X0,2 | RING 69,3X79,7X0,2 | ANILLO DE ESPES. 69,3X79,7X0,2 |
| 28 | F03012225R | ANELLO SPALLA.80X2.50 DIN472 1 | CIRCLIP INT.80 2.50 DIN 472 1 | | | |
| 32 | B02124024R | CUSC. 32208 CAT.A-ST004 | BEARING | ROULEMENT | LAGER | COJIN. 32208 CAT.A-ST004 |
| 33 | B02004018R | CUSCINETTO 6208 CAT.A-ST004 | BEARING | ROULEMENT 6208NCAT.A ST004 | LAGER | COJINETE 6208 CAT.A-ST004 |
| 34 | B0R000258R | ANELLO SPES. 40,2X54,8X0,2 | SHIM RING 40,2X54,8X0,2 | BAGUE EPAISSEUR 40,2X54,8X0,2 | ELASTISCHER RING | ANILLO DE ESPES. 40,2X54,8X0,2 |
| 35 | F03010277R | ANELLO T.AS 40X 80X10 D3760NBR | OIL SEAL 40X80X10 NBR | BOURAGE 40X80X10 NBR | OELABDICHTUNG 40X80X10 NBR | ANILLO T.AS 40X 80X10 D3760NBR |
| 36 | B02124019R | CUSC. 30208 CAT.A-ST004 | BEARING | ROULEMENT | LAGER | COJIN. 30208 CAT.A-ST004 |
| 37 | F03012225R | ANELLO SPALLA.80X2.50 DIN472 1 | CIRCLIP INT.80 2.50 DIN 472 1 | | | |
| 38 | F03010277R | ANELLO T.AS 40X 80X10 D3760NBR | OIL SEAL 40X80X10 NBR | BOURAGE 40X80X10 NBR | OELABDICHTUNG 40X80X10 NBR | ANILLO T.AS 40X 80X10 D3760NBR |
| 39 | B0R000977R | ALB. XY R 207040X36 DIN 5482 | R XY SHAFT 2070 40X36 DIN548 | ARBRE XY R 2070 40X36 DIN 54 | WELLE | RB. XY R 207040X36 DIN 5482 |
| 40 | B0R000976R | COPPIA CONICA R1.92 M6 X 2070 | BEVEL GEAR PAIR R=1,92 M=6 FOR | COUPLE CONIQUE R=1.92 M=6 | KEGELRADPAAR | PAR C NICO R1.92 M6 X 2070 |
| 41 | B0R000175R | TAPPO 3 8 GAS-C DIN 906 | PLUG | BOUCHON 3 8 GAS-C DIN 906 | VERSCHLUSS DECKER 3 8 GAS-C | TAP N 3 8 GAS-C DIN 906 |
| 43 | F03012225R | ANELLO SPALLA.80X2.50 DIN472 1 | CIRCLIP INT.80 2.50 DIN 472 1 | | | |
| 44 | B0R000257R | ANELLO ELASTICO 40-E SP=2,5 | ELASTIC RING 40-E SP=2,5 | BAGUE RESSORT 40-E SP=2,5 | ELASTISCHER RING | ANILLO EL STICO 40-I SP=2,5 |
| 45 | B0R000306R | ALBERO ASSE Z R.L. | AXLE SHAFT Z R.L. | ARBRE AXE Z RL | ACHSWELLE Z R.L. | RBOL DEL EJE Z R.L. |
| 46 | F03260016R | OLIO AGIP BLASIA 150 | OIL AGIP BLASIA 150 | | | ACEITE AGIP BLASIA 150 |
| 47 | B0R000259R | KIT ANELLO SPES. 40,2X54,8X | SHIM RING 40,2X54,8X0,3 | BAGUE EPAISSEUR 40,2X54,8X0,3 | ELASTISCHER RING | ANILLO DE ESPES. 40,2X54,8X0,3 |
| 48 | B0R000260R | ANELLO SPES. 40,2X54,8X0,4 | SHIM RING 40,2X54,8X0,4 | BAGUE EPAISSEUR 40,2X54,8X0,4 | DISTANZRING 40,2X54,8X0,4 | ANILLO DE ESPES. 40,2X54,8X0,4 |
| 49 | B0R000261R | ANELLO SPES. 40,2X54,8X0,1 | SHIM RING 40,2X54,8X0,1 | BAGUE EPAISSEUR 40,2X54,8X0,1 | DISTANZRING 40,2X54,8X0,1 | ANILLO DE ESPES. 40,2X54,8X0,1 |
| 50 | B0R000263R | ANELLO SPES. 69,3X79,7X0,3 | SHIM RING 69,3X79,7X0,3 | BAGUE EPAISSEUR 69,3X79,7X0,3 | SCHEIBE 69,3X79,7X0,3 | ANILLO DE ESPES. 69,3X79,7X0,3 |
| 51 | B0R000264R | ANELLO SPES. 69,3X79,7X0,4 | SHIM RING 69,3X79,7X0,4 | BAGUE EPAISSEUR 69,3X79,7X0,4 | DISTANZRING 69,3X79,7X0,4 | ANILLO DE ESPES. 69,3X79,7X0,4 |
| 52 | B0R000265R | ANEL SPES. 69,3X79,7X0,1 34006 | SHIM RING 69,3X79,7X0,1 34006 | BAGUE EPAISSEUR 69,3X79,7X0,1 | RING 69,3X79,7X0,1 | ANILL. ESPES. 69,3X79,7X0,1 34 |
| 57 | B07500188R | ET 1000 GIRI - RICC SX NORM | DECAL 1000 RPM - LEFT BURR | DECAL 1000 T H-SENS DE ROTATI | AUFKLEBE 1000 RPM | ET 1000 REVOLUCIONES -SENTIDO |

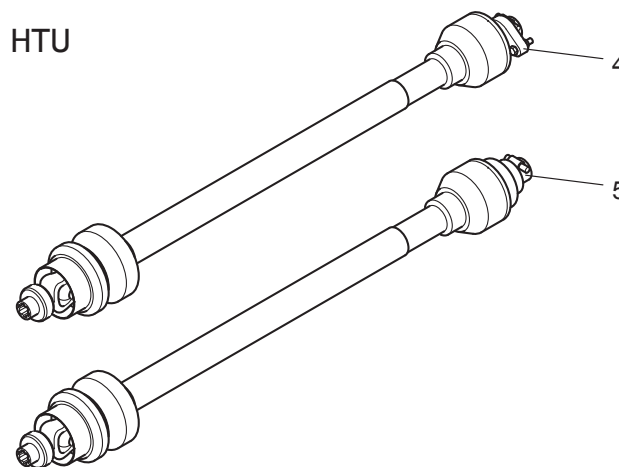
165 HTI



165 HTR-HTC



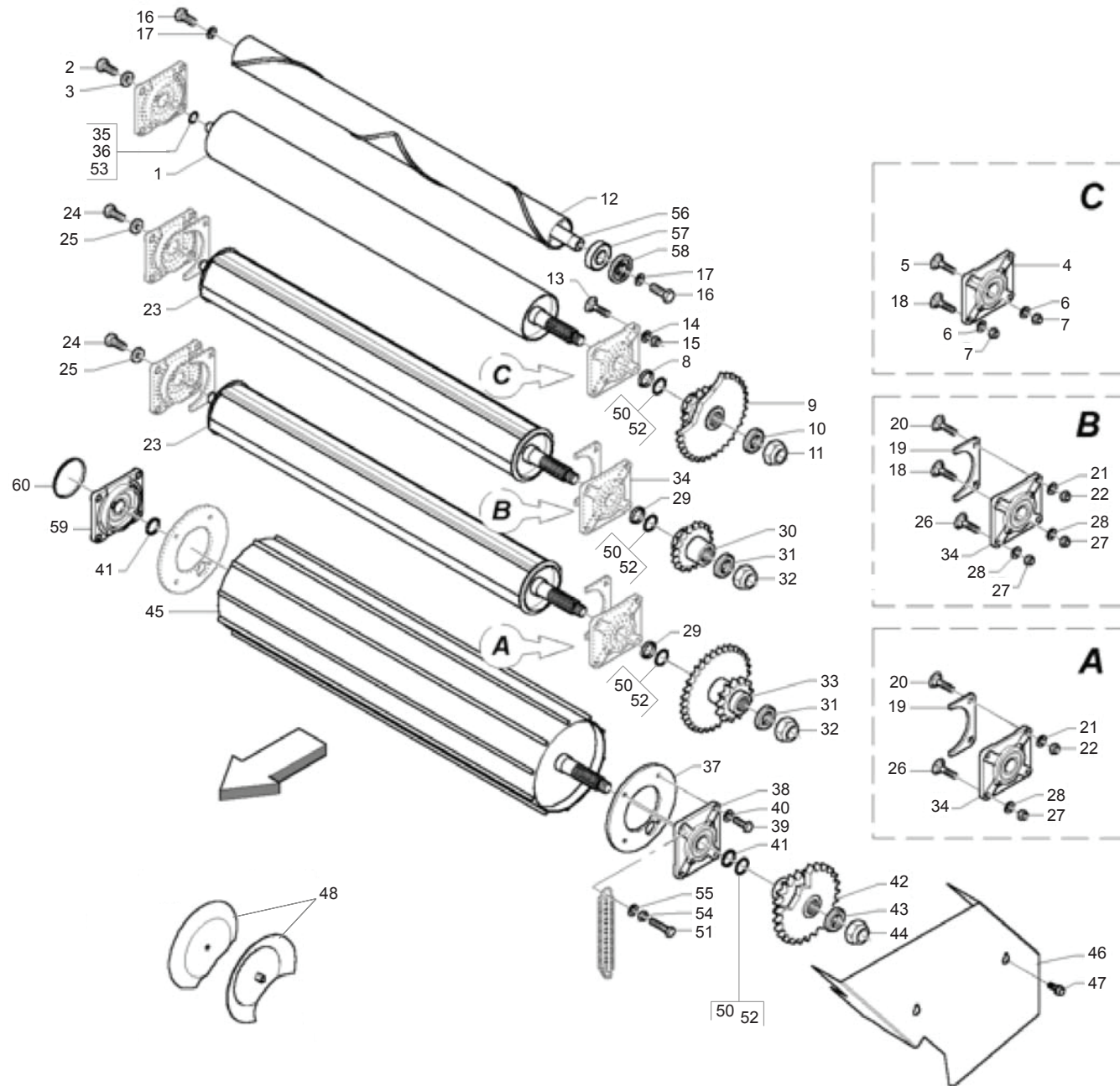
165 HTU



**CARDANO
CARDAN SHAFT**

TAV_400

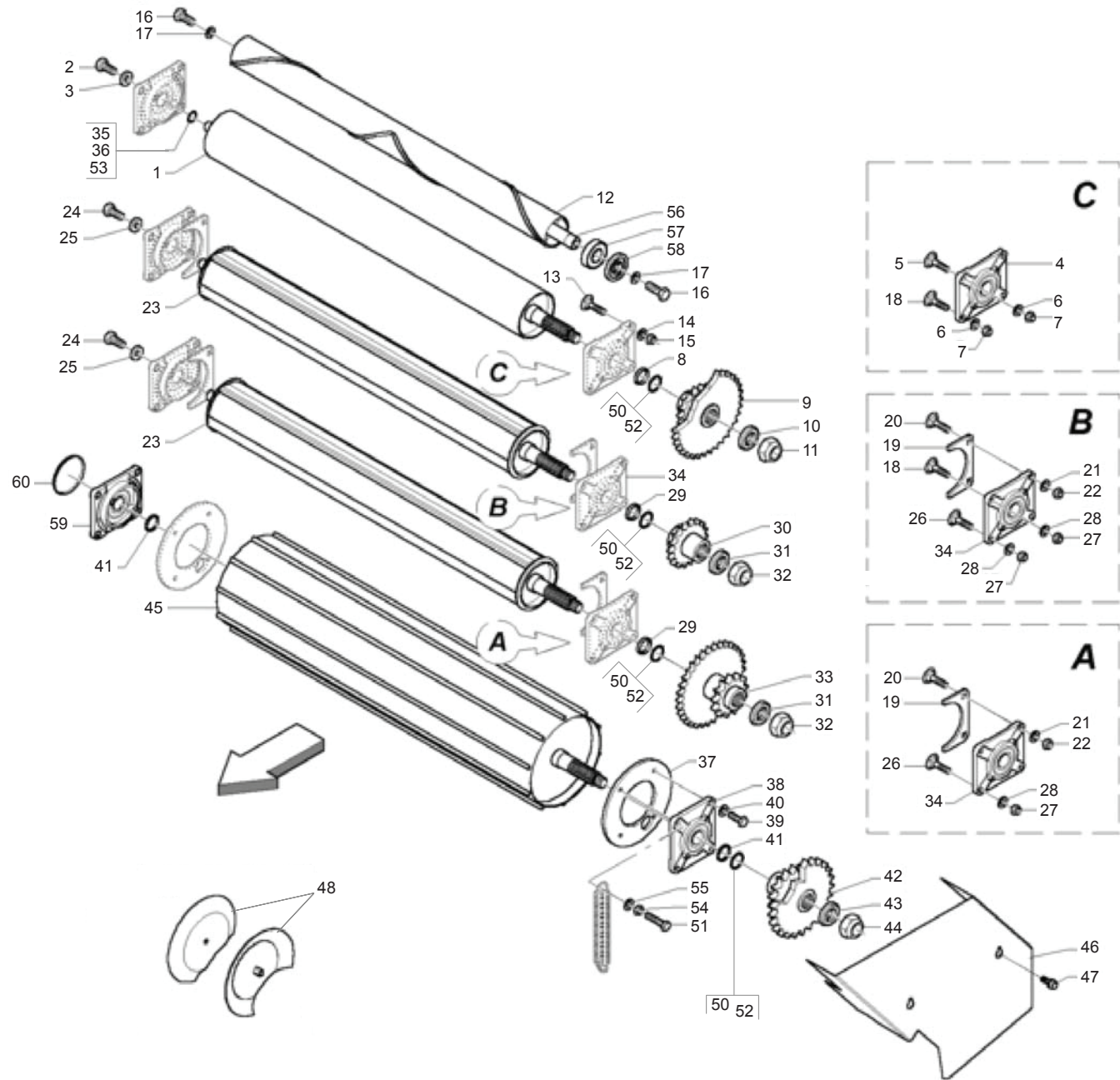
| Pos. | Cod. | Descrizione | Description | Description | Benennung | Descripcion |
|------|------------|--------------------------------|--------------------------------|-------------|----------------------------|--------------------------------|
| 1 | B03600120R | CAR BO4 Z6-Z6 OMFRZ 1350 L1577 | PTO BO4 Z6-Z6 OMFRZ 1350 L1577 | CARDAN | GELENKWELLE T.BYPY654 OC F | CARD N BO4 Z6-Z6 OMFRZ 1350 L1 |
| 3 | B03600076R | CAR BO7 Z6-Z6 OMFRZ 1700 L1546 | PTO BO7 Z6-Z6 OMFRZ 1700 L1546 | CARDAN | GELENKWELLE | CARD N BO7 Z6-Z6 OMFRZ 1700 L1 |
| 4 | B03600087R | CAR BO7 Z6-Z6 OMBUL 2900 L1510 | PTO BO7 Z6-Z6 OMBUL 2900 L1510 | CARDAN | GELENKWELLE | CARD N BO7 Z6-Z6 OMBUL 2900 L1 |
| 5 | F08013097R | CAR W40 Z6-Z6 OMCAM 2500 L1668 | PTO W40 Z6-Z6 OMCAM 2500 L1668 | | | |



**RULLI
ROLLERS**

TAV_050

| Pos. | Cod. | Descrizione | Description | Description | Benennung | Descrpcion |
|------|------------|--------------------------------|-------------------------------|--------------------------------|--------------------------------|--------------------------------|
| 1 | B07S00942R | RULLO MOT. INFERIORE NL | LOWER MOTOR ROLLER | ROULEAU MOTEUR INFERIEUR | UNTERE MOTORWALZE | RODILLO DEL MOT. INFERIOR NL |
| 2 | F01020564R | VITE M16X2X35 U5739 8.8ZN | SCR. M16X2X35 U5739 8.8ZN | VIS M 16X35 | SCHRAUBE M 16X35 | TORNILLO M16X2X35 U5739 8 |
| 3 | B01515091R | RALLA 17 52 6 | FIFTH WHEEL | BUTEE | SCHEIBE | RANGUA 17 52 6 |
| 4 | B0FMP0183R | SUPPORTO CUSCIN. RETTANG VERN | BEARING SUPPORT | | | |
| 5 | B00523421R | VITE SPECIALE TTQST M12X35-8.8 | SPECIAL SCREW | VIS SPECIALE | SCHRAUBE TTQST M12X 35-8.8 | TORNILLO ESPECIAL TTQST M12X3 |
| 6 | F01410076R | ROS.M12 13X 24X2,5 U6592 ZN | WASHER 12 13X 24X2,5 U6592 ZN | RONDEL. M12 13X24X2,5 U6592 ZN | SCHEIBE M12 13X24X2,5 U6592 ZN | ARAND.M12 13X 24X2,5 U6592 ZN |
| 7 | F01230213R | DADO M12X1,75 D985 8 ZN | NUT M12X1,75 U7474 6SZN | ECROU AUTOBL. M12 | SELBSTSPERR.MUTTER M12 | TUERCA M12X1,75 U7474 CL8 ZN |
| 8 | B01300845R | DISTANZIALE 40X50X4 | SPACER | ENTRETOISE | DISTANZSCHEIBE 40X50X4 | DISTANCIADOR 40X50X4 |
| 9 | B03400287R | INGR. Z=23 10; 1, 1; ISO 16B-1 | SMOOTH ROLLER GEAR Z=23-10 1 | ENGRANAGE | ZAHNRAD Z=23-10 1 | ENGR. Z=23 10; 1, 1; ISO 16B-1 |
| 10 | B014R3050R | ROSETTA 30 UNI 5714-69 E DEIDR | WASHER | RONDELLE | BEILAGSSCHEIBE | ARANDELA 30 UNI 5714-69 E DEID |
| 11 | F01230291R | DADO M30X2 D985 ZN | NUT M30X2 D985 ZN | ECROU AUTOB. M30X2 DIN 985 ZN | SELBSTSP. MU. M30X2 DIN 985 ZN | TUERCA M30X2 D985 ZN |
| 12 | B07SP0293R | RULLO PULITORE | CLEANER ROLLER | ROULEAU POLISSEUS | REINIGUNGSWALZE | RODILLO LIMPIADOR |
| 13 | B00523395R | VITE SPECIALE TTQST M12X45-8.8 | SPECIAL SCREW | VIS SPECIALE | SCHRAUBE TTQST M12X 45-8.8 | TORNILLO ESPECIAL TTQST M12X4 |
| 14 | F01410076R | ROS.M12 13X 24X2,5 U6592 ZN | WASHER 12 13X 24X2,5 U6592 ZN | RONDEL. M12 13X24X2,5 U6592 ZN | SCHEIBE M12 13X24X2,5 U6592 ZN | ARAND.M12 13X 24X2,5 U6592 ZN |
| 15 | F01230213R | DADO M12X1,75 D985 8 ZN | NUT M12X1,75 U7474 6SZN | ECROU AUTOBL. M12 | SELBSTSPERR.MUTTER M12 | TUERCA M12X1,75 U7474 CL8 ZN |
| 16 | B00191680R | VITE M16X 2X 80 U5737 8.8ZN | SCREW | VIS | SCHRAUBE | TORNILLO M16X 2X 80 U5737 8 |
| 17 | F01410100R | ROS.M16 17X 30X 3 U6592 ZN | WASHER M16 17X30X3 U6592 ZN | RONDELLE M16 17X30X3 ZN | SCHRAUBE M16 17X 30X3 U6592 ZN | ARAND.M16 17X 30X 3 U6592 ZN |
| 18 | B005C0002R | VITE TTQST 12X35-8.8 TORNITA | SCREW | VIS | SCHRAUBE | TORNILLO TTQST 12X35-8.8 TORN |
| 19 | B0C6P0003R | RIPARO RULLI ALETTATI | ROLLERS GUARD | PROTECTION ROULEAUX | SCHUETZ WALZEN | RESGUARDO RODILLOS CON ALET |
| 20 | B00523395R | VITE SPECIALE TTQST M12X45-8.8 | SPECIAL SCREW | VIS SPECIALE | SCHRAUBE TTQST M12X 45-8.8 | TORNILLO ESPECIAL TTQST M12X4 |
| 21 | F01410076R | ROS.M12 13X 24X2,5 U6592 ZN | WASHER 12 13X 24X2,5 U6592 ZN | RONDEL. M12 13X24X2,5 U6592 ZN | SCHEIBE M12 13X24X2,5 U6592 ZN | ARAND.M12 13X 24X2,5 U6592 ZN |
| 22 | F01230213R | DADO M12X1,75 D985 8 ZN | NUT M12X1,75 U7474 6SZN | ECROU AUTOBL. M12 | SELBSTSPERR.MUTTER M12 | TUERCA M12X1,75 U7474 CL8 ZN |
| 23 | B07SP0062R | RULLO LT | LT ROLLER | ROULEAU LT | WALZE LT | RODILLO LT |
| 24 | F01020564R | VITE M16X2X35 U5739 8.8ZN | SCR. M16X2X35 U5739 8.8ZN | VIS M 16X35 | SCHRAUBE M 16X35 | TORNILLO M16X2X35 U5739 8 |
| 25 | B01515091R | RALLA 17 52 6 | FIFTH WHEEL | BUTEE | SCHEIBE | RANGUA 17 52 6 |
| 26 | B00523421R | VITE SPECIALE TTQST M12X35-8.8 | SPECIAL SCREW | VIS SPECIALE | SCHRAUBE TTQST M12X 35-8.8 | TORNILLO ESPECIAL TTQST M12X3 |
| 27 | F01230213R | DADO M12X1,75 D985 8 ZN | NUT M12X1,75 U7474 6SZN | ECROU AUTOBL. M12 | SELBSTSPERR.MUTTER M12 | TUERCA M12X1,75 U7474 CL8 ZN |
| 28 | F01410076R | ROS.M12 13X 24X2,5 U6592 ZN | WASHER 12 13X 24X2,5 U6592 ZN | RONDEL. M12 13X24X2,5 U6592 ZN | SCHEIBE M12 13X24X2,5 U6592 ZN | ARAND.M12 13X 24X2,5 U6592 ZN |
| 29 | B01300845R | DISTANZIALE 40X50X4 | SPACER | ENTRETOISE | DISTANZSCHEIBE 40X50X4 | DISTANCIADOR 40X50X4 |
| 30 | B03400235R | INGRANAGGIO Z=11-1 | GEAR Z=11-1 | ENGRENAGE | ZAHNRAD Z=11-1 | ENGRANAJE Z=11-1 |
| 31 | B014R3050R | ROSETTA 30 UNI 5714-69 E DEIDR | WASHER | RONDELLE | BEILAGSSCHEIBE | ARANDELA 30 UNI 5714-69 E DEID |
| 32 | F01230291R | DADO M30X2 D985 ZN | NUT M30X2 D985 ZN | ECROU AUTOB. M30X2 DIN 985 ZN | SELBSTSP. MU. M30X2 DIN 985 ZN | TUERCA M30X2 D985 ZN |
| 33 | B034P0006R | INGR.RULLO BACC.INF.Z=23-12 1 | LOWER GEAR ROLLER Z=23-12 1 | ENGRANAGE ROULEAU INF. Z=23-12 | ZAHNRAD | ENGR.RODILLO BACC.INF.Z=23-12 |
| 34 | B0FMP0183R | SUPPORTO CUSCIN. RETTANG VERN | BEARING SUPPORT | | | |
| 35 | B01300151R | SPES. 40 48 2 ZINCATO | SHIM | ENTRETOISE | DISTANZSTUECK 40 48 2 | ESPE. 40 48 2 CINCADO |
| 36 | B01300125R | SPES. 40 48 0,5 ZINCATO | SHIM GALV | ENTRETOISE GALV | DISTANZSTUECK 40 48 0,5 | ESPE. 40 48 0,5 CINCADO |
| 37 | B0C003056R | PIASTRA INTERNA RULLO GRANDE | ROLLER INNER PLATE | TOLE INTERIEUR ROULEAU | WALZEN INNENSCHIEBE | PLACA INTERNA DE RODILLO GRAN |
| 38 | B0FMP0183R | SUPPORTO CUSCIN. RETTANG VERN | BEARING SUPPORT | | | |
| 39 | F01020512R | VITE M12X1,75X35 U5739 8.8ZN | SCR. M12X1,75X35 U5739 8.8ZN | VIS M12X1,75X35 5739 8.8 ZN | SCHR. M12X1,75X35 5739 8.8 ZN | TORNILLO M12X1,75X35 U5739 8 |
| 40 | F01410076R | ROS.M12 13X 24X2,5 U6592 ZN | WASHER 12 13X 24X2,5 U6592 ZN | RONDEL. M12 13X24X2,5 U6592 ZN | SCHEIBE M12 13X24X2,5 U6592 ZN | ARAND.M12 13X 24X2,5 U6592 ZN |
| 41 | B01300151R | SPES. 40 48 2 ZINCATO | SHIM | ENTRETOISE | DISTANZSTUECK 40 48 2 | ESPE. 40 48 2 CINCADO |
| 42 | B03400290R | INGR.RULLO GRANDE Z=16-24 1 | BIG ROLLER GEAR Z=16-24 1 | ENGRANAGE | ZAHNRAD | ENGR.RODILLO GRANDE Z=16-24 1 |
| 43 | B014R3050R | ROSETTA 30 UNI 5714-69 E DEIDR | WASHER | RONDELLE | BEILAGSSCHEIBE | ARANDELA 30 UNI 5714-69 E DEID |
| 44 | F01230291R | DADO M30X2 D985 ZN | NUT M30X2 D985 ZN | ECROU AUTOB. M30X2 DIN 985 ZN | SELBSTSP. MU. M30X2 DIN 985 ZN | TUERCA M30X2 D985 ZN |
| 45 | B07S01841R | RULLO GRANDE NEW | BIG ROLLER | ROUELAU GRAND NEW | GROSSE WALZE | RODILLO GRANDE NEW |
| 46 | B0C3P0001R | CARTER | GUARD | CARTER | CARTER | C RTER |
| 47 | B00370001R | VITE TE M 8X16 A SEZ.TRILOBATA | SCREW TRE M 8X16 SEZ TROUBLED | VIS | SCHRAUBE M 8X15 | TORNILLO CHEX M 8X16 A SECC. T |
| 48 | B07S01845R | TAZZA RESTRINGIMENTO | CHAMBER TIGHTENING CUPS | TASSE DE RETRECISSEMENT NEW | KAMMERVERENGUNGSTASSEN | PLATILLO DE REDUCCI N |
| 50 | B01300126R | SPES. 40 48 1 ZINC.ST_013 | SHIM | ENTRETOISE | DISTANZSTUECK 40 408 1 | ESPE. 40 48 1 CINC.EST_013 |
| 51 | B00471235R | VITE TTEI M12X 35-8.8 UNBRA | SCREW | VIS | SCHRAUBE TTEI M12X35-8.8 | TORNILLO CAB.ALLEN CON HUECO |
| 52 | B01300126R | SPES. 40 48 1 ZINC.ST_013 | SHIM | ENTRETOISE | DISTANZSTUECK 40 408 1 | ESPE. 40 48 1 CINC.EST_013 |
| 53 | B01300125R | SPES. 40 48 0,5 ZINCATO | SHIM GALV | ENTRETOISE GALV | DISTANZSTUECK 40 48 0,5 | ESPE. 40 48 0,5 CINCADO |
| 54 | F01200293R | DADO M12X1,75 U5588 CL8 ZN | NUT M12X1,75 U5588 6S ZN | ECROU M12X1,75 U5588 6S ZN | MUTTER M12X1,75 U5588 6S ZN | TUERCA M12X1,75 U5588 CL8 ZN |
| 55 | F01410076R | ROS.M12 13X 24X2,5 U6592 ZN | WASHER 12 13X 24X2,5 U6592 ZN | RONDEL. M12 13X24X2,5 U6592 ZN | SCHEIBE M12 13X24X2,5 U6592 ZN | ARAND.M12 13X 24X2,5 U6592 ZN |
| 56 | B03500214R | ALBERO LUNGO | LONG SHAFT | ARBRE LONG | LANGE WELLE | RBOL LARGO |
| 57 | B02043517R | CUSC.. 6207-2RS CAT.B-ST004 | BEARING | ROULEMENT | LAGER 6207-2RS | COJIN. 6207-2RS CAT.B-ST00 |
| 58 | B013P0150R | CHIUSURA RULLI PULITORE | ROLLER LOCK | FERMETURE ROULEAUX | WALZEN VERSCHLUSS | CIERRE DE RODILLOS DEL LIMPIAD |

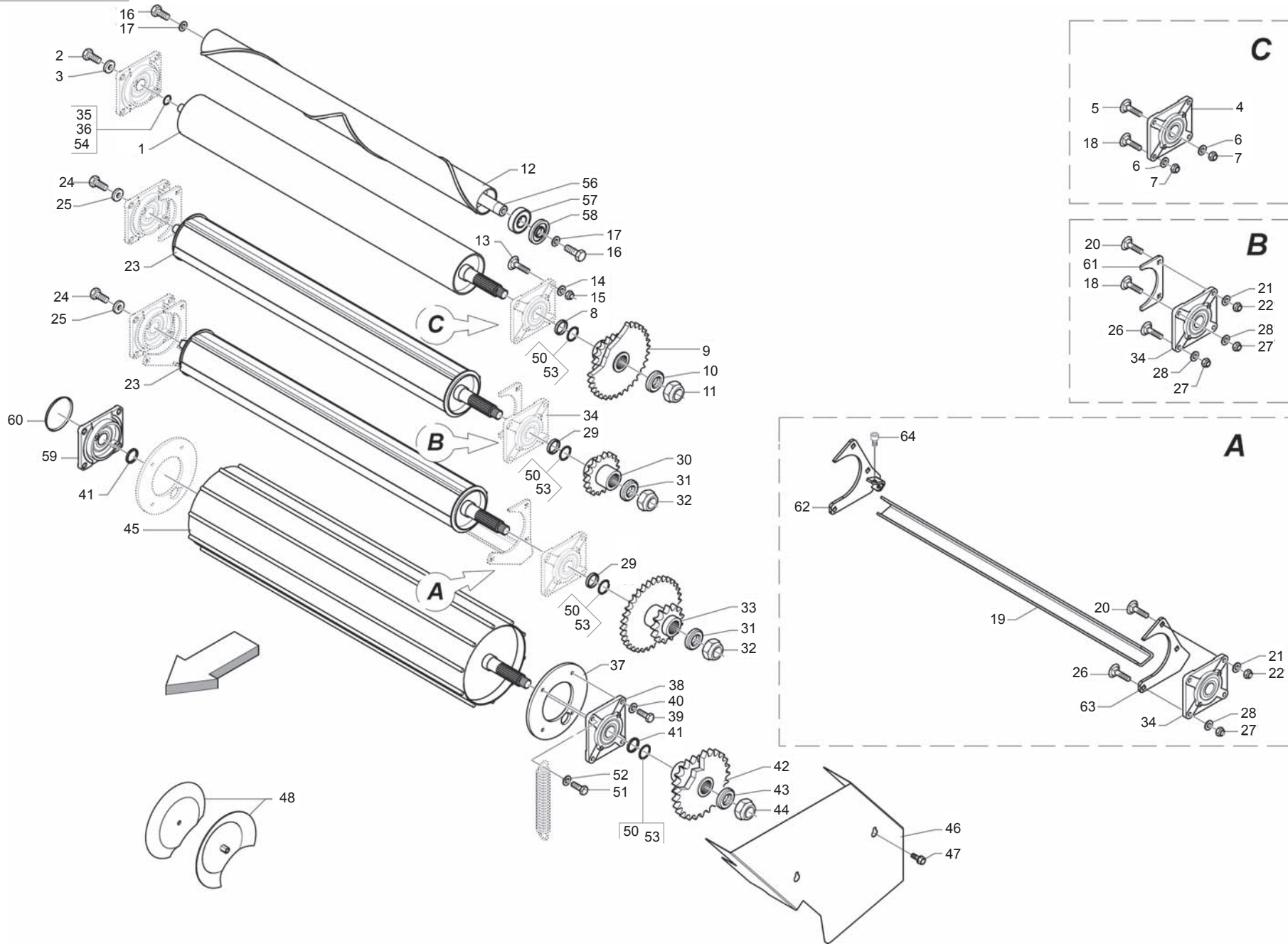


**RULLI
ROLLERS**

TAV_050

| Pos. | Cod. | Descrizione | Description | Description | Benennung | Descripcion |
|------|------------|-----------------------------|-----------------|-------------|--------------------|----------------------------|
| 59 | B0FMP0184R | SUPP CUSC RETTANG VERN CAPP | BEARING SUPPORT | | | |
| 60 | B04400001R | CAP. CHIUSO 110X10 TIPO C | CAP | COUVERCLE | GESCHLOSSENE KAPPE | CAP. CERRADO 110X10 TIPO C |

TAV_055

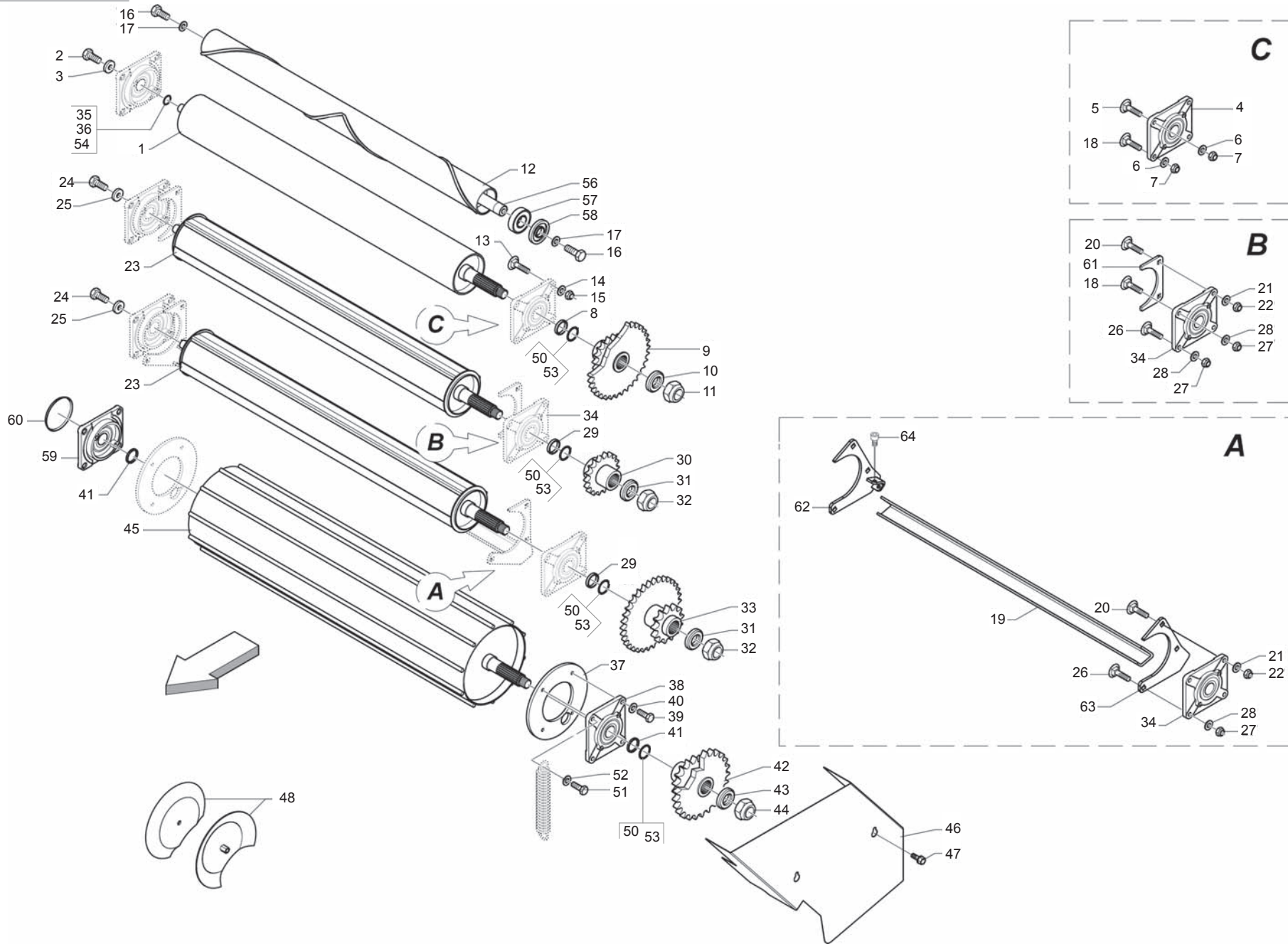


**RULLI CUT
ROLLERS CUT**

TAV_055

| Pos. | Cod. | Descrizione | Description | Description | Benennung | Descripcion |
|------|------------|--------------------------------|-------------------------------|--------------------------------|--------------------------------|--------------------------------|
| 1 | B07S00942R | RULLO MOT. INFERIORE NL | LOWER MOTOR ROLLER | ROULEAU MOTEUR INFERIEUR | UNTERE MOTORWALZE | RODILLO DEL MOT. INFERIOR NL |
| 2 | F01020564R | VITE M16X2X35 U5739 8.8ZN | SCR. M16X2X35 U5739 8.8ZN | VIS M 16X35 | SCHRAUBE M 16X35 | TORNILLO M16X2X35 U5739 8 |
| 3 | B01515091R | RALLA 17 52 6 | FIFTH WHEEL | BUTEE | SCHEIBE | RANGUA 17 52 6 |
| 4 | B0FMP0183R | SUPPORTO CUSCIN. RETTANG VERN | BEARING SUPPORT | | | |
| 5 | B00523421R | VITE SPECIALE TTQST M12X35-8.8 | SPECIAL SCREW | VIS SPECIALE | SCHRAUBE TTQST M12X 35-8.8 | TORNILLO ESPECIAL TTQST M12X3 |
| 6 | F01410076R | ROS.M12 13X 24X2,5 U6592 ZN | WASHER 12 13X 24X2,5 U6592 ZN | RONDEL. M12 13X24X2,5 U6592 ZN | SCHEIBE M12 13X24X2,5 U6592 ZN | ARAND.M12 13X 24X2,5 U6592 ZN |
| 7 | F01230213R | DADO M12X1,75 D985 8 ZN | NUT M12X1,75 U7474 6SZN | ECROU AUTOBL. M12 | SELBSTSPERR.MUTTER M12 | TUERCA M12X1,75 U7474 CL8 ZN |
| 8 | B01300845R | DISTANZIALE 40X50X4 | SPACER | ENTRETOISE | DISTANZSCHEIBE 40X50X4 | DISTANCIADOR 40X50X4 |
| 9 | B03400287R | INGR. Z=23 10; 1, 1; ISO 16B-1 | SMOOTH ROLLER GEAR Z=23-10 1 | ENGRANAGE | ZAHNRAD Z=23-10 1 | ENGR. Z=23 10; 1, 1; ISO 16B-1 |
| 10 | B014R3050R | ROSETTA 30 UNI 5714-69 E DEIDR | WASHER | RONDELLE | BEILAGSSCHEIBE | ARANDELA 30 UNI 5714-69 E DEID |
| 11 | F01230291R | DADO M30X2 D985 ZN | NUT M30X2 D985 ZN | ECROU AUTOB. M30X2 DIN 985 ZN | SELBSTSP. MU. M30X2 DIN 985 ZN | TUERCA M30X2 D985 ZN |
| 12 | B07SP0293R | RULLO PULITORE | CLEANER ROLLER | ROULEAU POLISSEUS | REINIGUNGSWALZE | RODILLO LIMPIADOR |
| 13 | B00523395R | VITE SPECIALE TTQST M12X45-8.8 | SPECIAL SCREW | VIS SPECIALE | SCHRAUBE TTQST M12X 45-8.8 | TORNILLO ESPECIAL TTQST M12X4 |
| 14 | F01410076R | ROS.M12 13X 24X2,5 U6592 ZN | WASHER 12 13X 24X2,5 U6592 ZN | RONDEL. M12 13X24X2,5 U6592 ZN | SCHEIBE M12 13X24X2,5 U6592 ZN | ARAND.M12 13X 24X2,5 U6592 ZN |
| 15 | F01230213R | DADO M12X1,75 D985 8 ZN | NUT M12X1,75 U7474 6SZN | ECROU AUTOBL. M12 | SELBSTSPERR.MUTTER M12 | TUERCA M12X1,75 U7474 CL8 ZN |
| 16 | B00191680R | VITE M16X 2X 80 U5737 8.8ZN | SCREW | VIS | SCHRAUBE | TORNILLO M16X 2X 80 U5737 8 |
| 17 | F01410100R | ROS.M16 17X 30X 3 U6592 ZN | WASHER M16 17X30X3 U6592 ZN | RONDELLE M16 17X30X3 ZN | SCHRAUBE M16 17X 30X3 U6592 ZN | ARAND.M16 17X 30X 3 U6592 ZN |
| 18 | B005C0002R | VITE TTQST 12X35-8.8 TORNITA | SCREW | VIS | SCHRAUBE | TORNILLO TTQST 12X35-8.8 TORN |
| 19 | B0C1P0218R | CORPO TRAVERSA | CROSSBAR FRAME | | | CUERPO DEL TRAVESA O |
| 20 | B00523395R | VITE SPECIALE TTQST M12X45-8.8 | SPECIAL SCREW | VIS SPECIALE | SCHRAUBE TTQST M12X 45-8.8 | TORNILLO ESPECIAL TTQST M12X4 |
| 21 | F01410076R | ROS.M12 13X 24X2,5 U6592 ZN | WASHER 12 13X 24X2,5 U6592 ZN | RONDEL. M12 13X24X2,5 U6592 ZN | SCHEIBE M12 13X24X2,5 U6592 ZN | ARAND.M12 13X 24X2,5 U6592 ZN |
| 22 | F01230213R | DADO M12X1,75 D985 8 ZN | NUT M12X1,75 U7474 6SZN | ECROU AUTOBL. M12 | SELBSTSPERR.MUTTER M12 | TUERCA M12X1,75 U7474 CL8 ZN |
| 23 | B07SP0062R | RULLO LT | LT ROLLER | ROULEAU LT | WALZE LT | RODILLO LT |
| 24 | F01020564R | VITE M16X2X35 U5739 8.8ZN | SCR. M16X2X35 U5739 8.8ZN | VIS M 16X35 | SCHRAUBE M 16X35 | TORNILLO M16X2X35 U5739 8 |
| 25 | B01515091R | RALLA 17 52 6 | FIFTH WHEEL | BUTEE | SCHEIBE | RANGUA 17 52 6 |
| 26 | B00523421R | VITE SPECIALE TTQST M12X35-8.8 | SPECIAL SCREW | VIS SPECIALE | SCHRAUBE TTQST M12X 35-8.8 | TORNILLO ESPECIAL TTQST M12X3 |
| 27 | F01230213R | DADO M12X1,75 D985 8 ZN | NUT M12X1,75 U7474 6SZN | ECROU AUTOBL. M12 | SELBSTSPERR.MUTTER M12 | TUERCA M12X1,75 U7474 CL8 ZN |
| 28 | F01410076R | ROS.M12 13X 24X2,5 U6592 ZN | WASHER 12 13X 24X2,5 U6592 ZN | RONDEL. M12 13X24X2,5 U6592 ZN | SCHEIBE M12 13X24X2,5 U6592 ZN | ARAND.M12 13X 24X2,5 U6592 ZN |
| 29 | B01300845R | DISTANZIALE 40X50X4 | SPACER | ENTRETOISE | DISTANZSCHEIBE 40X50X4 | DISTANCIADOR 40X50X4 |
| 30 | B03400235R | INGRANAGGIO Z=11-1 | GEAR Z=11-1 | ENGRANAGE | ZAHNRAD Z=11-1 | ENGRANAJE Z=11-1 |
| 31 | B014R3050R | ROSETTA 30 UNI 5714-69 E DEIDR | WASHER | RONDELLE | BEILAGSSCHEIBE | ARANDELA 30 UNI 5714-69 E DEID |
| 32 | F01230291R | DADO M30X2 D985 ZN | NUT M30X2 D985 ZN | ECROU AUTOB. M30X2 DIN 985 ZN | SELBSTSP. MU. M30X2 DIN 985 ZN | TUERCA M30X2 D985 ZN |
| 33 | B034P0006R | INGR.RULLO BACC.INF.Z=23-12 1 | LOWER GEAR ROLLER Z=23-12 1 | ENGRANAGE ROULEAU INF. Z=23-12 | ZAHNRAD | ENGR.RODILLO BACC.INF.Z=23-12 |
| 34 | B0FMP0183R | SUPPORTO CUSCIN. RETTANG VERN | BEARING SUPPORT | | | |
| 35 | B01300151R | SPES. 40 48 2 ZINCATO | SHIM | ENTRETOISE | DISTANZSTUECK 40 48 2 | ESPE. 40 48 2 CINCADO |
| 36 | B01300126R | SPES. 40 48 1 ZINC.ST_013 | SHIM | ENTRETOISE | DISTANZSTUECK 40 408 1 | ESPE. 40 48 1 CINC.EST_013 |
| 37 | B0C003056R | PIASTRA INTERNA RULLO GRANDE | ROLLER INNER PLATE | TOLE INTERIEUR ROULEAU | WALZEN INNENSCHLEIBE | PLACA INTERNA DE RODILLO GRAN |
| 38 | B0FMP0183R | SUPPORTO CUSCIN. RETTANG VERN | BEARING SUPPORT | | | |
| 39 | F01020512R | VITE M12X1,75X35 U5739 8.8ZN | SCR. M12X1,75X35 U5739 8.8ZN | VIS M12X1,75X35 5739 8.8 ZN | SCHR. M12X1,75X35 5739 8.8 ZN | TORNILLO M12X1,75X35 U5739 8 |
| 40 | F01410076R | ROS.M12 13X 24X2,5 U6592 ZN | WASHER 12 13X 24X2,5 U6592 ZN | RONDEL. M12 13X24X2,5 U6592 ZN | SCHEIBE M12 13X24X2,5 U6592 ZN | ARAND.M12 13X 24X2,5 U6592 ZN |
| 41 | B01300151R | SPES. 40 48 2 ZINCATO | SHIM | ENTRETOISE | DISTANZSTUECK 40 48 2 | ESPE. 40 48 2 CINCADO |
| 42 | B03400290R | INGR.RULLO GRANDE Z=16-24 1 | BIG ROLLER GEAR Z=16-24 1 | ENGRANAGE | ZAHNRAD | ENGR.RODILLO GRANDE Z=16-24 1 |
| 43 | B014R3050R | ROSETTA 30 UNI 5714-69 E DEIDR | WASHER | RONDELLE | BEILAGSSCHEIBE | ARANDELA 30 UNI 5714-69 E DEID |
| 44 | F01230291R | DADO M30X2 D985 ZN | NUT M30X2 D985 ZN | ECROU AUTOB. M30X2 DIN 985 ZN | SELBSTSP. MU. M30X2 DIN 985 ZN | TUERCA M30X2 D985 ZN |
| 45 | B07S01841R | RULLO GRANDE NEW | BIG ROLLER | ROUELAU GRAND NEW | GROSSE WALZE | RODILLO GRANDE NEW |
| 46 | B0C3P0001R | CARTER | GUARD | CARTER | CARTER | C RTER |
| 47 | B00370001R | VITE TE M 8X16 A SEZ.TRILOBATA | SCREW TRE M 8X16 SEZ TROUBLED | VIS | SCHRAUBE M 8X15 | TORNILLO CHEX M 8X16 A SECC. T |
| 48 | B07S01845R | TAZZA RESTRINGIMENTO | CHAMBER TIGHTENING CUPS | TASSE DE RETRECISSEMENT NEW | KAMMERVERENGUNGSTASSEN | PLATILLO DE REDUCCI N |
| 50 | B01300125R | SPES. 40 48 0,5 ZINCATO | SHIM GALV | ENTRETOISE GALV | DISTANZSTUECK 40 48 0,5 | ESPE. 40 48 0,5 CINCADO |
| 51 | B00471235R | VITE TTEI M12X 35-8.8 UNBRA | SCREW | VIS | SCHRAUBE TTEI M12X35-8.8 | TORNILLO CAB.ALLEN CON HUECO |
| 52 | F01420120R | ROS.M12 13X36X2,5 U6593 ZN | WASHER M12 13X36X2,5 U6593 ZN | RONDELLE M12 13X36X2,5 ZN | ARAND.M12 13X36X2,5 U6593 ZN | ARAND.M12 13X36X2,5 U6593 ZN |
| 53 | B01300126R | SPES. 40 48 1 ZINC.ST_013 | SHIM | ENTRETOISE | DISTANZSTUECK 40 408 1 | ESPE. 40 48 1 CINC.EST_013 |
| 54 | B01300125R | SPES. 40 48 0,5 ZINCATO | SHIM GALV | ENTRETOISE GALV | DISTANZSTUECK 40 48 0,5 | ESPE. 40 48 0,5 CINCADO |
| 56 | B03500214R | ALBERO LUNGO | LONG SHAFT | ARBRE LONG | LANGE WELLE | RBOL LARGO |
| 57 | B02043517R | CUSC. 6207-2RS CAT.B-ST004 | BEARING | ROULEMENT | LAGER 6207-2RS | COJIN. 6207-2RS CAT.B-ST00 |
| 58 | B013P0150R | CHIUSURA RULLI PULITORE | ROLLER LOCK | FERMETURE ROULEAUX | WALZEN VERSCHLUSS | CIERRE DE RODILLOS DEL LIMPIAD |
| 59 | B0FMP0184R | SUPP CUSC RETTANG VERN CAPP | BEARING SUPPORT | | | |

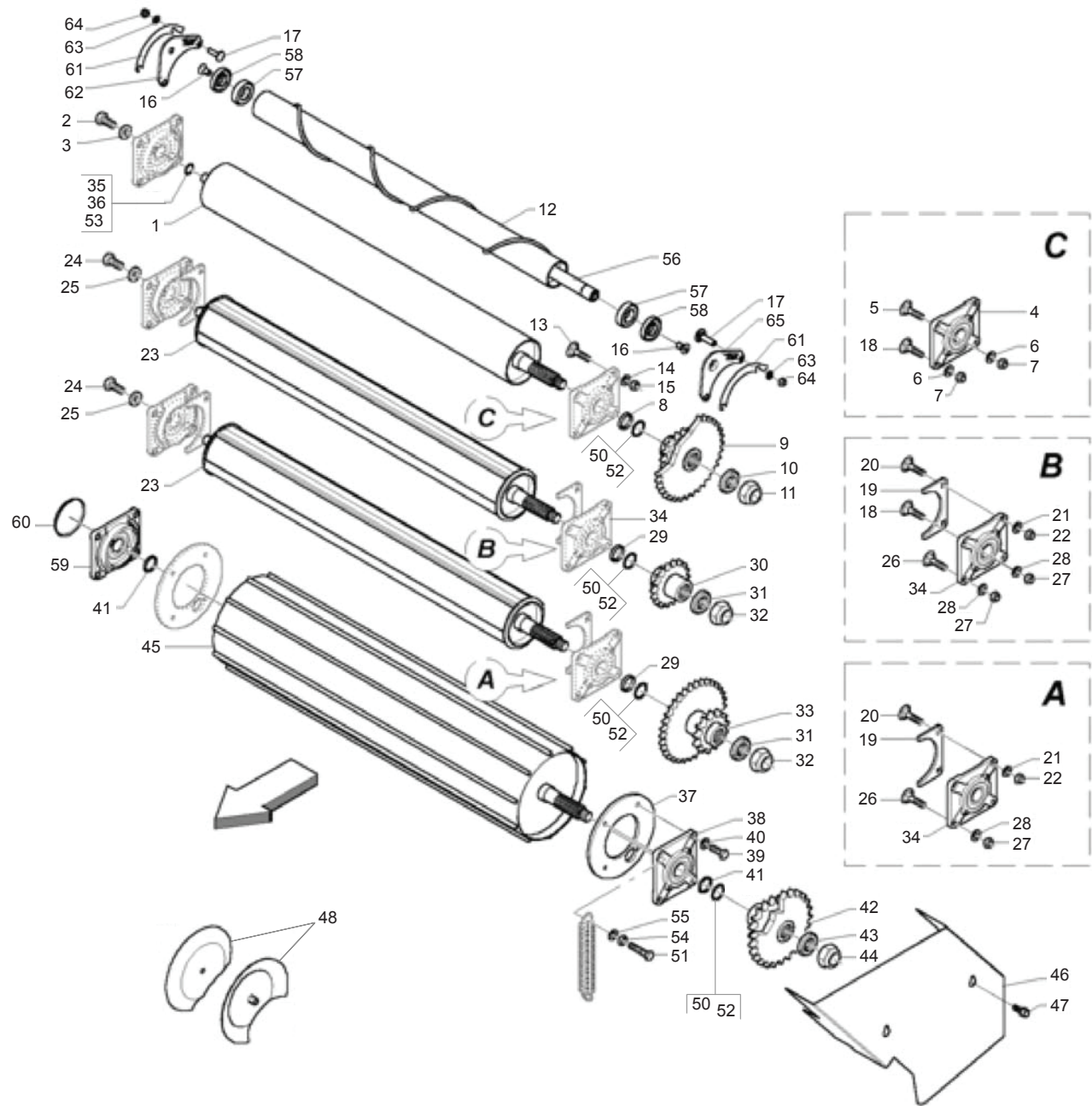
TAV_055



**RULLI CUT
ROLLERS CUT**

TAV_055

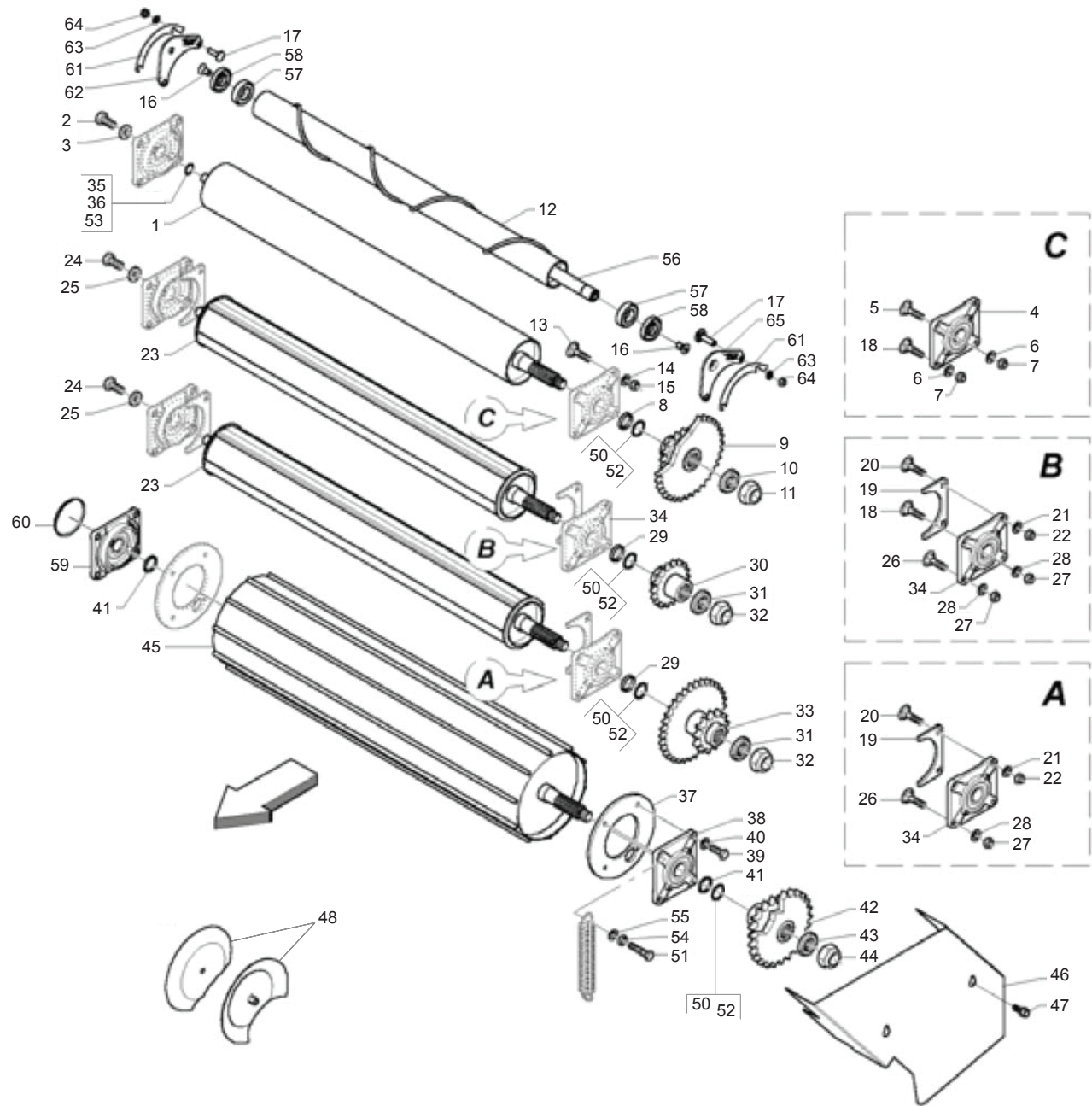
| Pos. | Cod. | Descrizione | Description | Description | Benennung | Descripcion |
|------|------------|-----------------------------|----------------|---------------------|---------------------------|------------------------------|
| 60 | B04400001R | CAP. CHIUSO 110X10 TIPO C | CAP | COUVERCLE | GESCHLOSSENE KAPPE | CAP. CERRADO 110X10 TIPO C |
| 61 | B0C6P0003R | RIPARO RULLI ALETTATI | ROLLERS GUARD | PROTECTION ROULEAUX | SCHUETZ WALZEN | RESGUARDO RODILLOS CON ALET |
| 62 | B07SP0736R | ATTACCO LATERALE DX | RIGHT COUPLING | | | CONEXI N LATERAL DER |
| 63 | B07SP0735R | ATTACCO LATERALE SX | LEFT COUPLING | | | CONEXI N LATERAL IZQ. |
| 64 | B00471220R | VITE TTEI M12X 20-8.8 UNBRA | SCREW | VIS | SCHRAUBE TTEI M12X 20-8.8 | TORNILLO CAB.ALLEN CON HUECO |



**RULLI "H20"
ROLLERS "H20"**

TAV_060

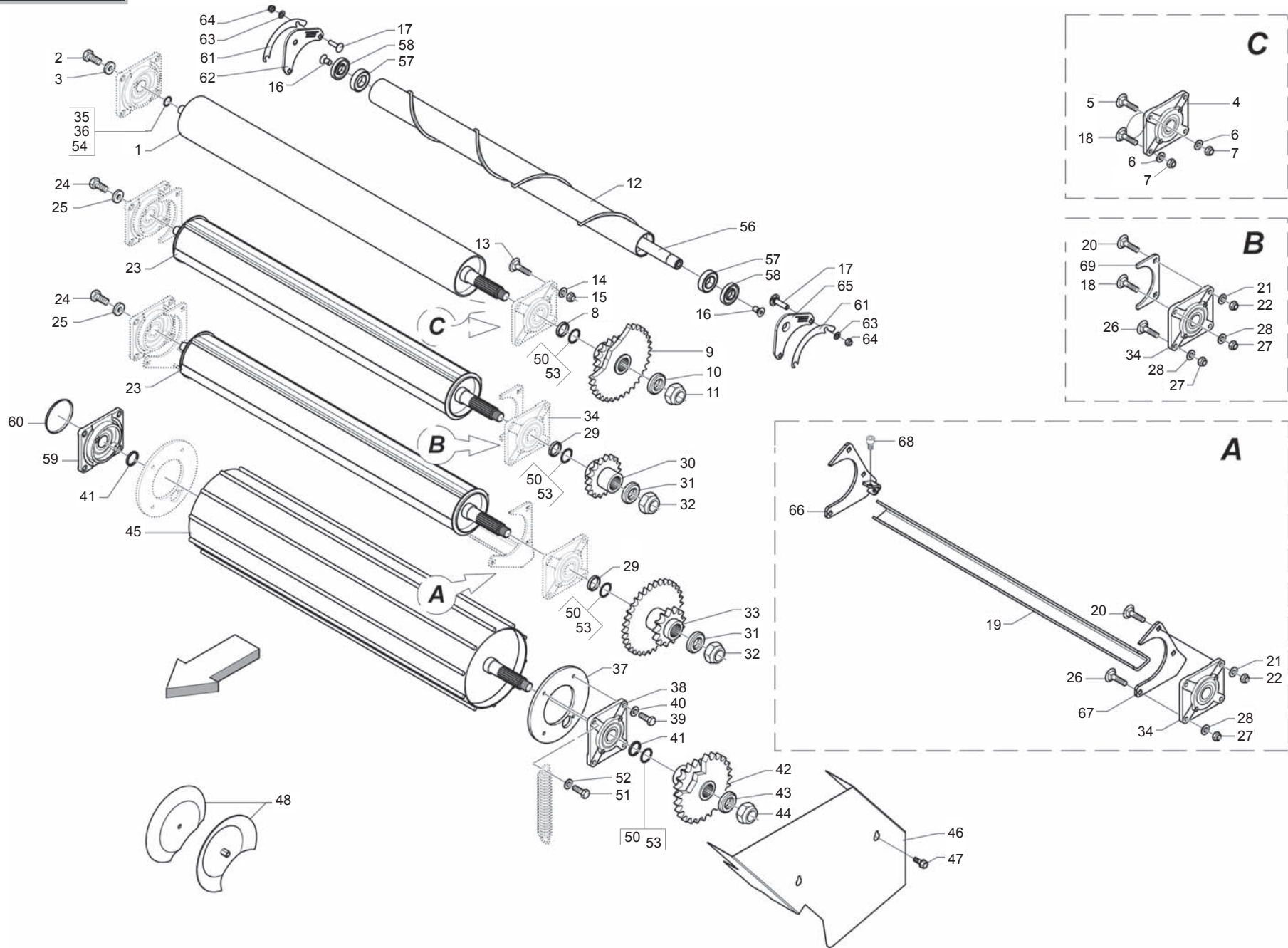
| Pos. | Cod. | Descrizione | Description | Description | Benennung | Descripcion |
|------|------------|--------------------------------|-------------------------------|--------------------------------|--------------------------------|--------------------------------|
| 1 | B07S00942R | RULLO MOT. INFERIORE NL | LOWER MOTOR ROLLER | ROULEAU MOTEUR INFERIEUR | UNTERE MOTORWALZE | RODILLO DEL MOT. INFERIOR NL |
| 2 | F01020564R | VITE M16X2X35 U5739 8.8ZN | SCR. M16X2X35 U5739 8.8ZN | VIS M 16X35 | SCHRAUBE M 16X35 | TORNILLO M16X2X35 U5739 8 |
| 3 | B01515091R | RALLA 17 52 6 | FIFTH WHEEL | BUTEE | SCHEIBE | RANGUA 17 52 6 |
| 4 | B0FMP0183R | SUPPORTO CUSCIN. RETTANG VERN | BEARING SUPPORT | | | |
| 5 | B00523421R | VITE SPECIALE TTQST M12X35-8.8 | SPECIAL SCREW | VIS SPECIALE | SCHRAUBE TTQST M12X 35-8.8 | TORNILLO ESPECIAL TTQST M12X3 |
| 6 | F01410076R | ROS.M12 13X 24X2,5 U6592 ZN | WASHER 12 13X 24X2,5 U6592 ZN | RONDEL. M12 13X24X2,5 U6592 ZN | SCHEIBE M12 13X24X2,5 U6592 ZN | ARAND.M12 13X 24X2,5 U6592 ZN |
| 7 | F01230213R | DADO M12X1,75 D985 8 ZN | NUT M12X1,75 U7474 6SZN | ECROU AUTOBL. M12 | SELBSTSPERR.MUTTER M12 | TUERCA M12X1,75 U7474 CL8 ZN |
| 8 | B01300845R | DISTANZIALE 40X50X4 | SPACER | ENTRETOISE | DISTANZSCHEIBE 40X50X4 | DISTANCIADOR 40X50X4 |
| 9 | B03400287R | INGR. Z=23 10; 1, 1; ISO 16B-1 | SMOOTH ROLLER GEAR Z=23-10 1 | ENGRANAGE | ZAHNRAD Z=23-10 1 | ENGR. Z=23 10; 1, 1; ISO 16B-1 |
| 10 | B014R3050R | ROSETTA 30 UNI 5714-69 E DEIDR | WASHER | RONDELLE | BEILAGSSSCHEIBE | ARANDELA 30 UNI 5714-69 E DEID |
| 11 | F01230291R | DADO M30X2 D985 ZN | NUT M30X2 D985 ZN | ECROU AUTOB. M30X2 DIN 985 ZN | SELBSTSP. MU. M30X2 DIN 985 ZN | TUERCA M30X2 D985 ZN |
| 12 | B07SP0333R | RULLO AIUTO PRODOTTO SPRINTER | ROLLER SPRINTER | | | RODILLO DE SOPORTE DE PRODU |
| 13 | B00523395R | VITE SPECIALE TTQST M12X45-8.8 | SPECIAL SCREW | VIS SPECIALE | SCHRAUBE TTQST M12X 45-8.8 | TORNILLO ESPECIAL TTQST M12X4 |
| 14 | F01410076R | ROS.M12 13X 24X2,5 U6592 ZN | WASHER 12 13X 24X2,5 U6592 ZN | RONDEL. M12 13X24X2,5 U6592 ZN | SCHEIBE M12 13X24X2,5 U6592 ZN | ARAND.M12 13X 24X2,5 U6592 ZN |
| 15 | F01230213R | DADO M12X1,75 D985 8 ZN | NUT M12X1,75 U7474 6SZN | ECROU AUTOBL. M12 | SELBSTSPERR.MUTTER M12 | TUERCA M12X1,75 U7474 CL8 ZN |
| 16 | F01030524R | VIT.M16X 2X 30 U5933 10.9 ZD | SCREW M16X2X30 U5933 10.9 ZD | | | TOR.M16X 2X 30 U5933 10.9 ZD |
| 17 | B00523395R | VITE SPECIALE TTQST M12X45-8.8 | SPECIAL SCREW | VIS SPECIALE | SCHRAUBE TTQST M12X 45-8.8 | TORNILLO ESPECIAL TTQST M12X4 |
| 18 | B005C0002R | VITE TTQST 12X35-8.8 TORNITA | SCREW | VIS | SCHRAUBE | TORNILLO TTQST 12X35-8.8 TORN |
| 19 | B0C6P0003R | RIPARO RULLI ALETTATI | ROLLERS GUARD | PROTECTION ROULEAUX | SCHUETZ WALZEN | RESGUARDO RODILLOS CON ALET |
| 20 | B00523395R | VITE SPECIALE TTQST M12X45-8.8 | SPECIAL SCREW | VIS SPECIALE | SCHRAUBE TTQST M12X 45-8.8 | TORNILLO ESPECIAL TTQST M12X4 |
| 21 | F01410076R | ROS.M12 13X 24X2,5 U6592 ZN | WASHER 12 13X 24X2,5 U6592 ZN | RONDEL. M12 13X24X2,5 U6592 ZN | SCHEIBE M12 13X24X2,5 U6592 ZN | ARAND.M12 13X 24X2,5 U6592 ZN |
| 22 | F01230213R | DADO M12X1,75 D985 8 ZN | NUT M12X1,75 U7474 6SZN | ECROU AUTOBL. M12 | SELBSTSPERR.MUTTER M12 | TUERCA M12X1,75 U7474 CL8 ZN |
| 23 | B07SP0062R | RULLO LT | LT ROLLER | ROULEAU LT | WALZE LT | RODILLO LT |
| 24 | F01020564R | VITE M16X2X35 U5739 8.8ZN | SCR. M16X2X35 U5739 8.8ZN | VIS M 16X35 | SCHRAUBE M 16X35 | TORNILLO M16X2X35 U5739 8 |
| 25 | B01515091R | RALLA 17 52 6 | FIFTH WHEEL | BUTEE | SCHEIBE | RANGUA 17 52 6 |
| 26 | B00523421R | VITE SPECIALE TTQST M12X35-8.8 | SPECIAL SCREW | VIS SPECIALE | SCHRAUBE TTQST M12X 35-8.8 | TORNILLO ESPECIAL TTQST M12X3 |
| 27 | F01230213R | DADO M12X1,75 D985 8 ZN | NUT M12X1,75 U7474 6SZN | ECROU AUTOBL. M12 | SELBSTSPERR.MUTTER M12 | TUERCA M12X1,75 U7474 CL8 ZN |
| 28 | F01410076R | ROS.M12 13X 24X2,5 U6592 ZN | WASHER 12 13X 24X2,5 U6592 ZN | RONDEL. M12 13X24X2,5 U6592 ZN | SCHEIBE M12 13X24X2,5 U6592 ZN | ARAND.M12 13X 24X2,5 U6592 ZN |
| 29 | B01300845R | DISTANZIALE 40X50X4 | SPACER | ENTRETOISE | DISTANZSCHEIBE 40X50X4 | DISTANCIADOR 40X50X4 |
| 30 | B03400235R | INGRANAGGIO Z=11-1 | GEAR Z=11-1 | ENGRANAGE | ZAHNRAD Z=11-1 | ENGRANAJE Z=11-1 |
| 31 | B014R3050R | ROSETTA 30 UNI 5714-69 E DEIDR | WASHER | RONDELLE | BEILAGSSSCHEIBE | ARANDELA 30 UNI 5714-69 E DEID |
| 32 | F01230291R | DADO M30X2 D985 ZN | NUT M30X2 D985 ZN | ECROU AUTOB. M30X2 DIN 985 ZN | SELBSTSP. MU. M30X2 DIN 985 ZN | TUERCA M30X2 D985 ZN |
| 33 | B034P0006R | INGR.RULLO BACC.INF.Z=23-12 1 | LOWER GEAR ROLLER Z=23-12 1 | ENGRANAGE ROULEAU INF. Z=23-12 | ZAHNRAD | ENGR.RODILLO BACC.INF.Z=23-12 |
| 34 | B0FMP0183R | SUPPORTO CUSCIN. RETTANG VERN | BEARING SUPPORT | | | |
| 35 | B01300151R | SPES. 40 48 2 ZINCATO | SHIM | ENTRETOISE | DISTANZSTUECK 40 48 2 | ESPE. 40 48 2 CINCADO |
| 36 | B01300126R | SPES. 40 48 1 ZINC.ST_013 | SHIM | ENTRETOISE | DISTANZSTUECK 40 48 1 | ESPE. 40 48 1 CINC.EST_013 |
| 37 | B0C003056R | PIASTRA INTERNA RULLO GRANDE | ROLLER INNER PLATE | TOLE INTERIEUR ROULEAU | WALZEN INNENSCHIEBE | PLACA INTERNA DE RODILLO GRAN |
| 38 | B0FMP0183R | SUPPORTO CUSCIN. RETTANG VERN | BEARING SUPPORT | | | |
| 39 | F01020512R | VITE M12X1,75X35 U5739 8.8ZN | SCR. M12X1,75X35 U5739 8.8ZN | VIS M12X1,75X35 5739 8.8 ZN | SCHR. M12X1,75X35 5739 8.8 ZN | TORNILLO M12X1,75X35 U5739 8 |
| 40 | F01410076R | ROS.M12 13X 24X2,5 U6592 ZN | WASHER 12 13X 24X2,5 U6592 ZN | RONDEL. M12 13X24X2,5 U6592 ZN | SCHEIBE M12 13X24X2,5 U6592 ZN | ARAND.M12 13X 24X2,5 U6592 ZN |
| 41 | B01300151R | SPES. 40 48 2 ZINCATO | SHIM | ENTRETOISE | DISTANZSTUECK 40 48 2 | ESPE. 40 48 2 CINCADO |
| 42 | B03400290R | INGR.RULLO GRANDE Z=16-24 1 | BIG ROLLER GEAR Z=16-24 1 | ENGRANAGE | ZAHNRAD | ENGR.RODILLO GRANDE Z=16-24 1 |
| 43 | B014R3050R | ROSETTA 30 UNI 5714-69 E DEIDR | WASHER | RONDELLE | BEILAGSSSCHEIBE | ARANDELA 30 UNI 5714-69 E DEID |
| 44 | F01230291R | DADO M30X2 D985 ZN | NUT M30X2 D985 ZN | ECROU AUTOB. M30X2 DIN 985 ZN | SELBSTSP. MU. M30X2 DIN 985 ZN | TUERCA M30X2 D985 ZN |
| 45 | B07S01841R | RULLO GRANDE NEW | BIG ROLLER | ROUELAU GRAND NEW | GROSSE WALZE | RODILLO GRANDE NEW |
| 46 | B0C3P0001R | CARTER | GUARD | CARTER | CARTER | C RTER |
| 47 | B00370001R | VITE TE M 8X16 A SEZ.TRILOBATA | SCREW TRE M 8X16 SEZ TROUBLED | VIS | SCHRAUBE M 8X15 | TORNILLO CHEX M 8X16 A SECC. T |
| 48 | B07S01845R | TAZZA RESTRINGIMENTO | CHAMBER TIGHTENING CUPS | TASSE DE RETRECISSEMENT NEW | KAMMERVERENGUNGSTASSEN | PLATILLO DE REDUCCI N |
| 50 | B01300125R | SPES. 40 48 0,5 ZINCATO | SHIM GALV | ENTRETOISE GALV | DISTANZSTUECK 40 48 0,5 | ESPE. 40 48 0,5 CINCADO |
| 51 | B00471235R | VITE TTEI M12X 35-8.8 UNBRA | SCREW | VIS | SCHRAUBE TTEI M12X35-8.8 | TORNILLO CAB.ALLEN CON HUECO |
| 52 | B01300126R | SPES. 40 48 1 ZINC.ST_013 | SHIM | ENTRETOISE | DISTANZSTUECK 40 48 1 | ESPE. 40 48 1 CINC.EST_013 |
| 53 | B01300125R | SPES. 40 48 0,5 ZINCATO | SHIM GALV | ENTRETOISE GALV | DISTANZSTUECK 40 48 0,5 | ESPE. 40 48 0,5 CINCADO |
| 54 | F01200293R | DADO M12X1,75 U5588 CL8 ZN | NUT M12X1,75 U5588 6S ZN | ECROU M12X1,75 U5588 6S ZN | MUTTER M12X1,75 U5588 6S ZN | TUERCA M12X1,75 U5588 CL8 ZN |
| 55 | F01410076R | ROS.M12 13X 24X2,5 U6592 ZN | WASHER 12 13X 24X2,5 U6592 ZN | RONDEL. M12 13X24X2,5 U6592 ZN | SCHEIBE M12 13X24X2,5 U6592 ZN | ARAND.M12 13X 24X2,5 U6592 ZN |
| 56 | B03500324R | ALBERO LUNGO SPRINTER | SHAFT | ARBRE LONG SPRINTER | LANGE WELLE | RBOL LARGO SPRINTER |
| 57 | B02043517R | CUSC.. 6207-2RS CAT.B-ST004 | BEARING | ROULEMENT | LAGER 6207-2RS | COJIN. 6207-2RS CAT.B-ST00 |
| 58 | B013P0150R | CHIUSURA RULLI PULITORE | ROLLER LOCK | FERMETURE ROULEAUX | WALZEN VERSCHLUSS | CIERRE DE RODILLOS DEL LIMPIAD |



RULLI "H20"
ROLLERS "H20"

TAV_060

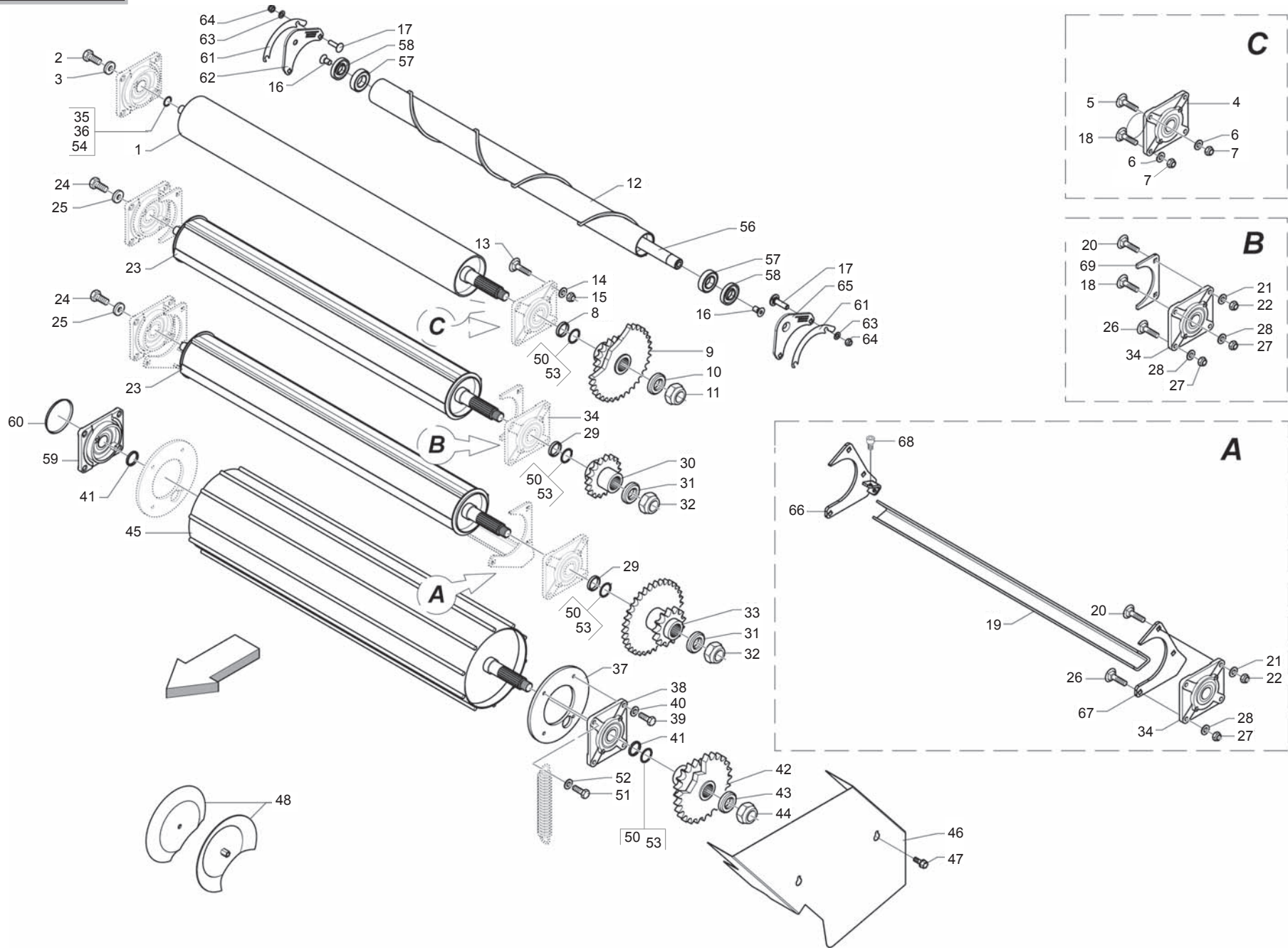
| Pos. | Cod. | Descrizione | Description | Description | Benennung | Descripcion |
|------|------------|------------------------------|-------------------------------|--------------------------------|--------------------------------|--------------------------------|
| 59 | B0FMP0184R | SUPP CUSC RETTANG VERN CAPP | BEARING SUPPORT | | | |
| 60 | B04400001R | CAP. CHIUSO 110X10 TIPO C | CAP | COUVERCLE | GESCHLOSSENE KAPPE | CAP. CERRADO 110X10 TIPO C |
| 61 | B0C6P0430R | SPES. PER ATTACCO H20 | SHIM | ENTRETOISE | DICHTUNG FUER ANSCHLUSS H 20 | ESPE. PARA CONEXI N H20 |
| 62 | B0C6P0429R | ATTACCO DX RULLO SPIRALE H20 | ATTACHEMENT | ATTELAGE | ANSCHLUSS RECHTS WALZE | CONEXI N DER RODILLO ESPIRAL H |
| 63 | F01410076R | ROS.M12 13X 24X2,5 U6592 ZN | WASHER 12 13X 24X2,5 U6592 ZN | RONDEL. M12 13X24X2,5 U6592 ZN | SCHEIBE M12 13X24X2,5 U6592 ZN | ARAND.M12 13X 24X2,5 U6592 ZN |
| 64 | F01230213R | DADO M12X1,75 D985 8 ZN | NUT M12X1,75 U7474 6SZN | ECROU AUTOBL. M12 | SELBSTSPERR.MUTTER M12 | TUERCA M12X1,75 U7474 CL8 ZN |
| 65 | B0C6P0428R | ATTACCO SX RULLO SPIRALE H20 | ATTACHEMENT | ATTELAGE | ANSCHLUSS LINKS WALZE | CONEXI N IZQ RODILLO ESPIRAL H |



**RULLI CUT "H20"
ROLLERS CUT "H20"**

TAV_065

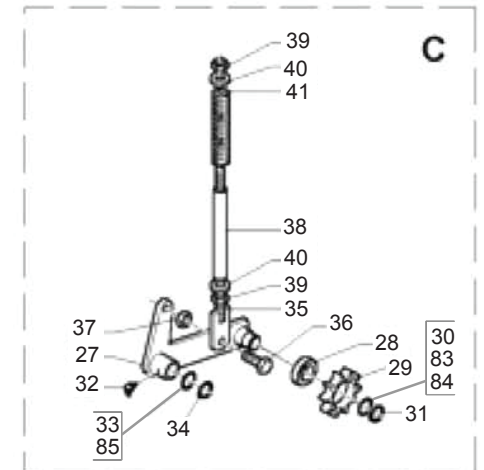
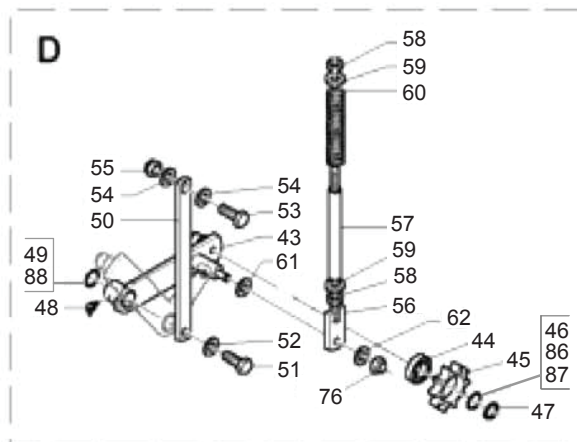
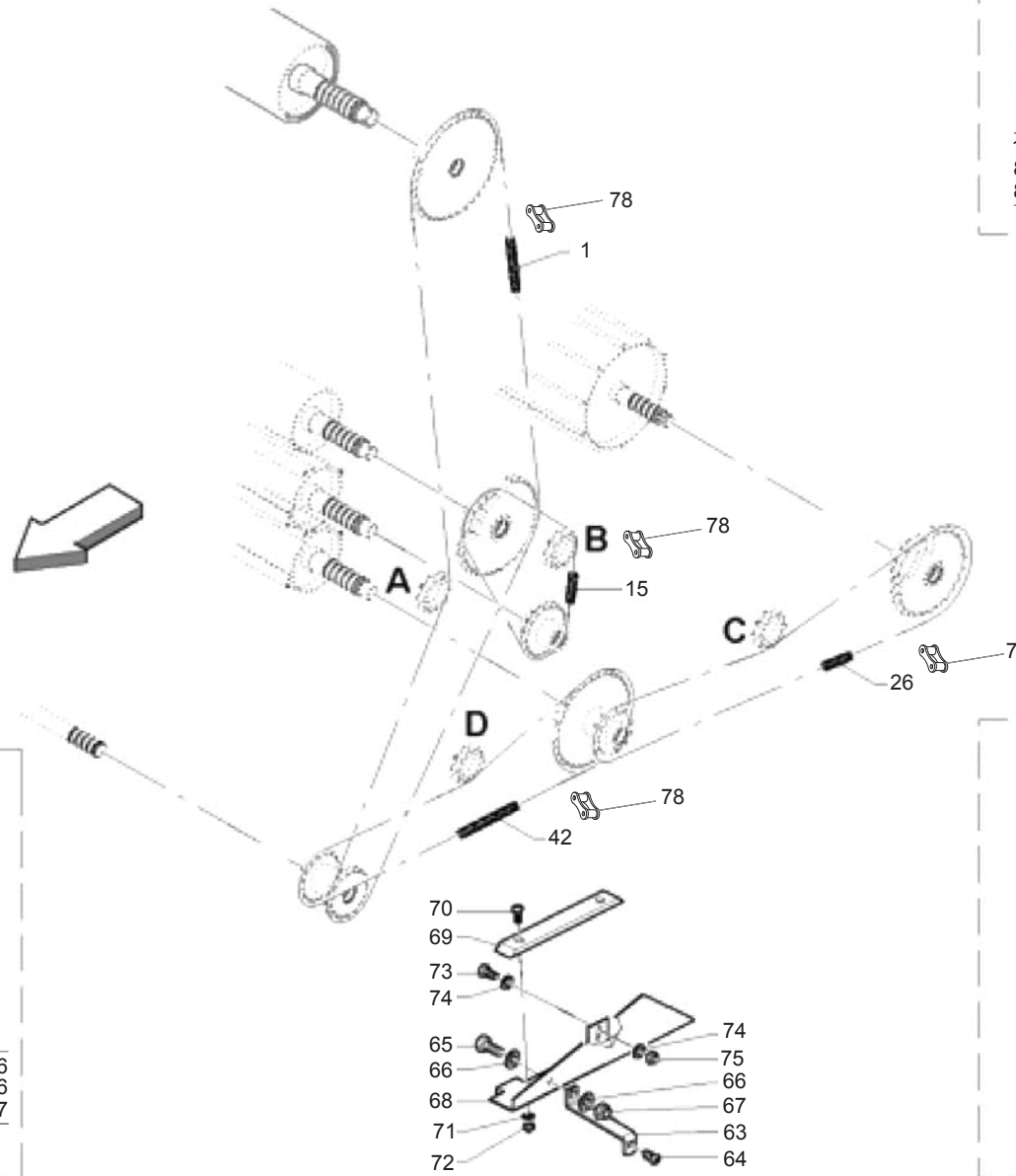
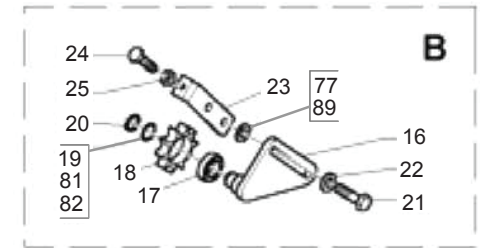
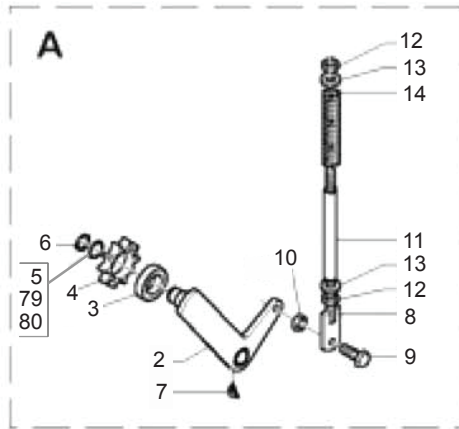
| Pos. | Cod. | Descrizione | Description | Description | Benennung | Descripcion |
|------|------------|--------------------------------|-------------------------------|--------------------------------|--------------------------------|--------------------------------|
| 1 | B07S00942R | RULLO MOT. INFERIORE NL | LOWER MOTOR ROLLER | ROULEAU MOTEUR INFERIEUR | UNTERE MOTORWALZE | RODILLO DEL MOT. INFERIOR NL |
| 2 | F01020564R | VITE M16X2X35 U5739 8.8ZN | SCR. M16X2X35 U5739 8.8ZN | VIS M 16X35 | SCHRAUBE M 16X35 | TORNILLO M16X2X35 U5739 8 |
| 3 | B01515091R | RALLA 17 52 6 | FIFTH WHEEL | BUTEE | SCHEIBE | RANGUA 17 52 6 |
| 4 | B0FMP0183R | SUPPORTO CUSCIN. RETTANG VERN | BEARING SUPPORT | | | |
| 5 | B00523421R | VITE SPECIALE TTQST M12X35-8.8 | SPECIAL SCREW | VIS SPECIALE | SCHRAUBE TTQST M12X 35-8.8 | TORNILLO ESPECIAL TTQST M12X3 |
| 6 | F01410076R | ROS.M12 13X 24X2,5 U6592 ZN | WASHER 12 13X 24X2,5 U6592 ZN | RONDEL. M12 13X24X2,5 U6592 ZN | SCHEIBE M12 13X24X2,5 U6592 ZN | ARAND.M12 13X 24X2,5 U6592 ZN |
| 7 | F01230213R | DADO M12X1,75 D985 8 ZN | NUT M12X1,75 U7474 6SZN | ECROU AUTOBL. M12 | SELBSTSPERR.MUTTER M12 | TUERCA M12X1,75 U7474 CL8 ZN |
| 8 | B01300845R | DISTANZIALE 40X50X4 | SPACER | ENTRETOISE | DISTANZSCHEIBE 40X50X4 | DISTANCIADOR 40X50X4 |
| 9 | B03400287R | INGR. Z=23 10; 1, 1; ISO 16B-1 | SMOOTH ROLLER GEAR Z=23-10 1 | ENGRANAGE | ZAHNRAD Z=23-10 1 | ENGR. Z=23 10; 1, 1; ISO 16B-1 |
| 10 | B014R3050R | ROSETTA 30 UNI 5714-69 E DEIDR | WASHER | RONDELLE | BEILAGSSCHEIBE | ARANDELA 30 UNI 5714-69 E DEID |
| 11 | F01230291R | DADO M30X2 D985 ZN | NUT M30X2 D985 ZN | ECROU AUTOB. M30X2 DIN 985 ZN | SELBSTSP. MU. M30X2 DIN 985 ZN | TUERCA M30X2 D985 ZN |
| 12 | B07SP0333R | RULLO AIUTO PRODOTTO SPRINTER | ROLLER SPRINTER | | | RODILLO DE SOPORTE DE PRODU |
| 13 | B00523395R | VITE SPECIALE TTQST M12X45-8.8 | SPECIAL SCREW | VIS SPECIALE | SCHRAUBE TTQST M12X 45-8.8 | TORNILLO ESPECIAL TTQST M12X4 |
| 14 | F01410076R | ROS.M12 13X 24X2,5 U6592 ZN | WASHER 12 13X 24X2,5 U6592 ZN | RONDEL. M12 13X24X2,5 U6592 ZN | SCHEIBE M12 13X24X2,5 U6592 ZN | ARAND.M12 13X 24X2,5 U6592 ZN |
| 15 | F01230213R | DADO M12X1,75 D985 8 ZN | NUT M12X1,75 U7474 6SZN | ECROU AUTOBL. M12 | SELBSTSPERR.MUTTER M12 | TUERCA M12X1,75 U7474 CL8 ZN |
| 16 | F01030524R | VIT.M16X 2X 30 U5933 10.9 ZD | SCREW M16X2X30 U5933 10.9 ZD | | | TOR.M16X 2X 30 U5933 10.9 ZD |
| 17 | F01410100R | ROS.M16 17X 30X 3 U6592 ZN | WASHER M16 17X30X3 U6592 ZN | RONDELLE M16 17X30X3 ZN | SCHRAUBE M16 17X 30X3 U6592 ZN | ARAND.M16 17X 30X 3 U6592 ZN |
| 18 | B005C0002R | VITE TTQST 12X35-8.8 TORNITA | SCREW | VIS | SCHRAUBE | TORNILLO TTQST 12X35-8.8 TORN |
| 19 | B0C1P0218R | CORPO TRAVERSA | CROSSBAR FRAME | | | CUERPO DEL TRAVESA O |
| 20 | B00523395R | VITE SPECIALE TTQST M12X45-8.8 | SPECIAL SCREW | VIS SPECIALE | SCHRAUBE TTQST M12X 45-8.8 | TORNILLO ESPECIAL TTQST M12X4 |
| 21 | F01410076R | ROS.M12 13X 24X2,5 U6592 ZN | WASHER 12 13X 24X2,5 U6592 ZN | RONDEL. M12 13X24X2,5 U6592 ZN | SCHEIBE M12 13X24X2,5 U6592 ZN | ARAND.M12 13X 24X2,5 U6592 ZN |
| 22 | F01230213R | DADO M12X1,75 D985 8 ZN | NUT M12X1,75 U7474 6SZN | ECROU AUTOBL. M12 | SELBSTSPERR.MUTTER M12 | TUERCA M12X1,75 U7474 CL8 ZN |
| 23 | B07SP0062R | RULLO LT | LT ROLLER | ROULEAU LT | WALZE LT | RODILLO LT |
| 24 | F01020564R | VITE M16X2X35 U5739 8.8ZN | SCR. M16X2X35 U5739 8.8ZN | VIS M 16X35 | SCHRAUBE M 16X35 | TORNILLO M16X2X35 U5739 8 |
| 25 | B01515091R | RALLA 17 52 6 | FIFTH WHEEL | BUTEE | SCHEIBE | RANGUA 17 52 6 |
| 26 | B00523421R | VITE SPECIALE TTQST M12X35-8.8 | SPECIAL SCREW | VIS SPECIALE | SCHRAUBE TTQST M12X 35-8.8 | TORNILLO ESPECIAL TTQST M12X3 |
| 27 | F01230213R | DADO M12X1,75 D985 8 ZN | NUT M12X1,75 U7474 6SZN | ECROU AUTOBL. M12 | SELBSTSPERR.MUTTER M12 | TUERCA M12X1,75 U7474 CL8 ZN |
| 28 | F01410076R | ROS.M12 13X 24X2,5 U6592 ZN | WASHER 12 13X 24X2,5 U6592 ZN | RONDEL. M12 13X24X2,5 U6592 ZN | SCHEIBE M12 13X24X2,5 U6592 ZN | ARAND.M12 13X 24X2,5 U6592 ZN |
| 29 | B01300845R | DISTANZIALE 40X50X4 | SPACER | ENTRETOISE | DISTANZSCHEIBE 40X50X4 | DISTANCIADOR 40X50X4 |
| 30 | B03400235R | INGRANAGGIO Z=11-1 | GEAR Z=11-1 | ENGRANAGE | ZAHNRAD Z=11-1 | ENGRANAJE Z=11-1 |
| 31 | B014R3050R | ROSETTA 30 UNI 5714-69 E DEIDR | WASHER | RONDELLE | BEILAGSSCHEIBE | ARANDELA 30 UNI 5714-69 E DEID |
| 32 | F01230291R | DADO M30X2 D985 ZN | NUT M30X2 D985 ZN | ECROU AUTOB. M30X2 DIN 985 ZN | SELBSTSP. MU. M30X2 DIN 985 ZN | TUERCA M30X2 D985 ZN |
| 33 | B034P0006R | INGR.RULLO BACC.INF.Z=23-12 1 | LOWER GEAR ROLLER Z=23-12 1 | ENGRANAGE ROULEAU INF. Z=23-12 | ZAHNRAD | ENGR.RODILLO BACC.INF.Z=23-12 |
| 34 | B0FMP0183R | SUPPORTO CUSCIN. RETTANG VERN | BEARING SUPPORT | | | |
| 35 | B01300151R | SPES. 40 48 2 ZINCATO | SHIM | ENTRETOISE | DISTANZSTUECK 40 48 2 | ESPE. 40 48 2 CINCADO |
| 36 | B01300125R | SPES. 40 48 0,5 ZINCATO | SHIM GALV | ENTRETOISE GALV | DISTANZSTUECK 40 48 0,5 | ESPE. 40 48 0,5 CINCADO |
| 37 | B0C003056R | PIASTRA INTERNA RULLO GRANDE | ROLLER INNER PLATE | TOLE INTERIEUR ROULEAU | WALZEN INNENSCHIEBE | PLACA INTERNA DE RODILLO GRAN |
| 38 | B0FMP0183R | SUPPORTO CUSCIN. RETTANG VERN | BEARING SUPPORT | | | |
| 39 | F01020512R | VITE M12X1,75X35 U5739 8.8ZN | SCR. M12X1,75X35 U5739 8.8ZN | VIS M12X1,75X35 5739 8.8 ZN | SCHR. M12X1,75X35 5739 8.8 ZN | TORNILLO M12X1,75X35 U5739 8 |
| 40 | F01410076R | ROS.M12 13X 24X2,5 U6592 ZN | WASHER 12 13X 24X2,5 U6592 ZN | RONDEL. M12 13X24X2,5 U6592 ZN | SCHEIBE M12 13X24X2,5 U6592 ZN | ARAND.M12 13X 24X2,5 U6592 ZN |
| 41 | B01300151R | SPES. 40 48 2 ZINCATO | SHIM | ENTRETOISE | DISTANZSTUECK 40 48 2 | ESPE. 40 48 2 CINCADO |
| 42 | B03400290R | INGR.RULLO GRANDE Z=16-24 1 | BIG ROLLER GEAR Z=16-24 1 | ENGRANAGE | ZAHNRAD | ENGR.RODILLO GRANDE Z=16-24 1 |
| 43 | B014R3050R | ROSETTA 30 UNI 5714-69 E DEIDR | WASHER | RONDELLE | BEILAGSSCHEIBE | ARANDELA 30 UNI 5714-69 E DEID |
| 44 | F01230291R | DADO M30X2 D985 ZN | NUT M30X2 D985 ZN | ECROU AUTOB. M30X2 DIN 985 ZN | SELBSTSP. MU. M30X2 DIN 985 ZN | TUERCA M30X2 D985 ZN |
| 45 | B07S01841R | RULLO GRANDE NEW | BIG ROLLER | ROUELAU GRAND NEW | GROSSE WALZE | RODILLO GRANDE NEW |
| 46 | B0C3P0001R | CARTER | GUARD | CARTER | CARTER | C RTER |
| 47 | B00370001R | VITE TE M 8X16 A SEZ.TRILOBATA | SCREW TRE M 8X16 SEZ TROUBLED | VIS | KAMMERB M 8X15 | TORNILLO CHEX M 8X16 A SECC. T |
| 48 | B07S01845R | TAZZA RESTRINGIMENTO | CHAMBER TIGHTENING CUPS | TASSE DE RETRECISSEMENT NEW | SCHMERVERENGUNGSTASSEN | PLATILLO DE REDUCCI N |
| 50 | B01300126R | SPES. 40 48 1 ZINC.ST_013 | SHIM | ENTRETOISE | DISTANZSTUECK 40 408 1 | ESPE. 40 48 1 CINC.EST_013 |
| 51 | B00471235R | VITE TTEI M12X 35-8.8 UNBRA | SCREW | VIS | SCHRAUBE TTEI M12X35-8.8 | TORNILLO CAB.ALLEN CON HUECO |
| 52 | F01420120R | ROS.M12 13X36X2,5 U6593 ZN | WASHER M12 13X36X2,5 U6593 ZN | RONDELLE M12 13X36X2,5 ZN | ARAND.M12 13X36X2,5 U6593 ZN | ARAND.M12 13X36X2,5 U6593 ZN |
| 53 | B01300125R | SPES. 40 48 0,5 ZINCATO | SHIM GALV | ENTRETOISE GALV | DISTANZSTUECK 40 48 0,5 | ESPE. 40 48 0,5 CINCADO |
| 54 | B01300126R | SPES. 40 48 1 ZINC.ST_013 | SHIM | ENTRETOISE | DISTANZSTUECK 40 408 1 | ESPE. 40 48 1 CINC.EST_013 |
| 56 | B03500324R | ALBERO LUNGO SPRINTER | SHAFT | ARBRE LONG SPRINTER | LANGE WELLE | RBOL LARGO SPRINTER |
| 57 | B02043517R | CUSC. 6207-2RS CAT.B-ST004 | BEARING | ROULEMENT | LAGER 6207-2RS | COJIN. 6207-2RS CAT.B-ST00 |
| 58 | B013P0150R | CHIUSURA RULLI PULITORE | ROLLER LOCK | FERMETURE ROULEAUX | WALZEN VERSCHLUSS | CIERRE DE RODILLOS DEL LIMPIAD |
| 59 | B0FMP0184R | SUPP CUSC RETTANG VERN CAPP | BEARING SUPPORT | | | |



**RULLI CUT "H20"
ROLLERS CUT "H20"**

TAV_065

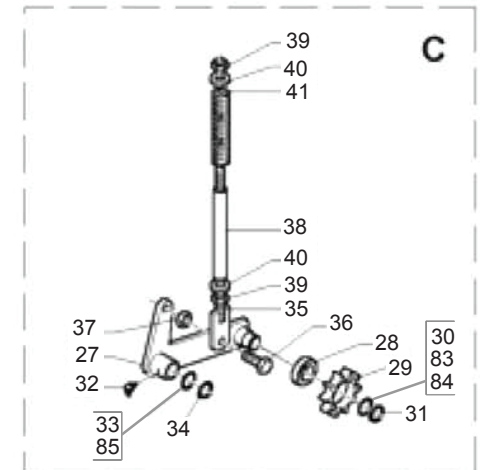
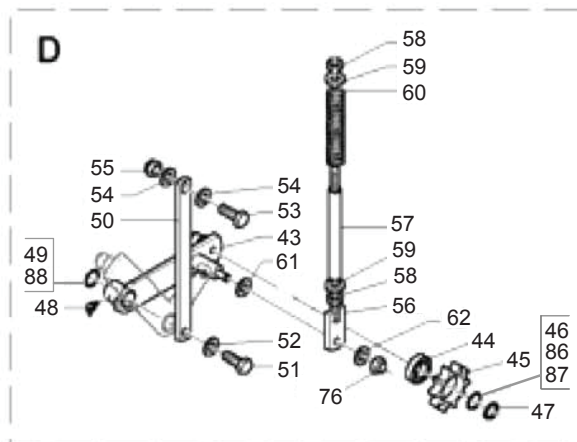
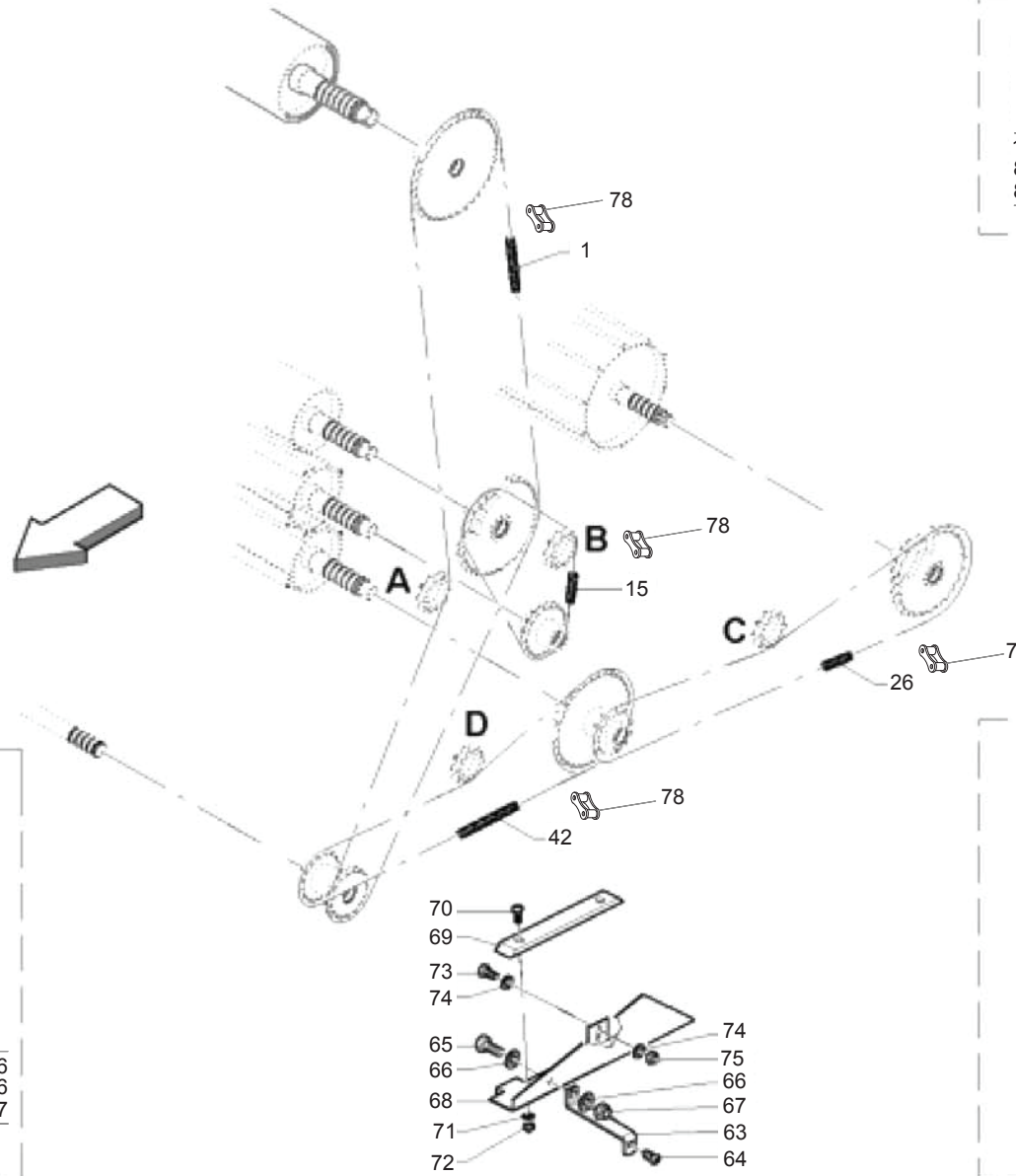
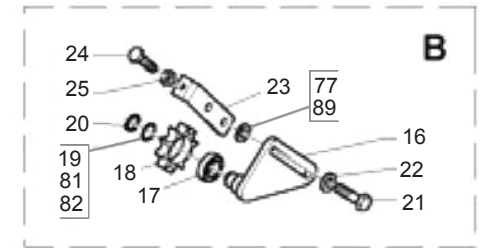
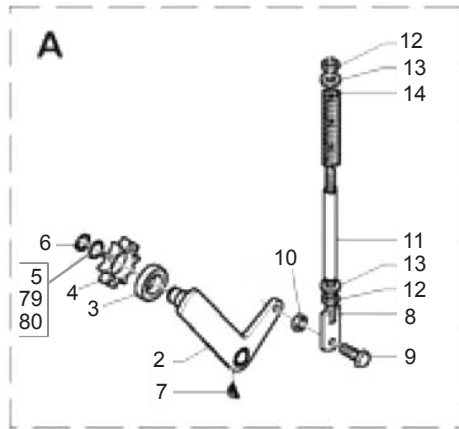
| Pos. | Cod. | Descrizione | Description | Description | Benennung | Descripcion |
|------|------------|------------------------------|-------------------------------|--------------------------------|--------------------------------|--------------------------------|
| 60 | B04400001R | CAP. CHIUSO 110X10 TIPO C | CAP | COUVERCLE | GESCHLOSSENE KAPPE | CAP. CERRADO 110X10 TIPO C |
| 61 | B0C6P0430R | SPES. PER ATTACCO H20 | SHIM | ENTRETOISE | DICHTUNG FUER ANSCHLUSS H 20 | ESPE. PARA CONEXI N H20 |
| 62 | B0C6P0429R | ATTACCO DX RULLO SPIRALE H20 | ATTACHEMENT | ATTELAGE | ANSCHLUSS RECHTS WALZE | CONEXI N DER RODILLO ESPIRAL H |
| 63 | F01410076R | ROS.M12 13X 24X2,5 U6592 ZN | WASHER 12 13X 24X2,5 U6592 ZN | RONDEL. M12 13X24X2,5 U6592 ZN | SCHEIBE M12 13X24X2,5 U6592 ZN | ARAND.M12 13X 24X2,5 U6592 ZN |
| 64 | F01230213R | DADO M12X1,75 D985 8 ZN | NUT M12X1,75 U7474 6SZN | ECROU AUTOBL. M12 | SELBSTSPERR.MUTTER M12 | TUERCA M12X1,75 U7474 CL8 ZN |
| 65 | B0C6P0428R | ATTACCO SX RULLO SPIRALE H20 | ATTACHEMENT | ATTELAGE | ANSCHLUSS LINKS WALZE | CONEXI N IZQ RODILLO ESPIRAL H |
| 66 | B07SP0736R | ATTACCO LATERALE DX | RIGHT COUPLING | | | CONEXI N LATERAL DER |
| 67 | B07SP0735R | ATTACCO LATERALE SX | LEFT COUPLING | | | CONEXI N LATERAL IZQ. |
| 68 | B00471220R | VITE TTEI M12X 20-8.8 UNBRA | SCREW | VIS | SCHRAUBE TTEI M12X 20-8.8 | TORNILLO CAB.ALLEN CON HUECO |
| 69 | B0C6P0003R | RIPARO RULLI ALETTATI | ROLLERS GUARD | PROTECTION ROULEAUX | SCHUETZ WALZEN | RESGUARDO RODILLOS CON ALET |



**TRASMISSIONE
TRANSMISSION**

TAV_070

| Pos. | Cod. | Descrizione | Description | Description | Benennung | Descripcion |
|------|------------|-------------------------------|--------------------------------|--------------------------------|---------------------------------|-------------------------------|
| 1 | B030E1149R | CATENA RULLI ISO 16 B-1 149M | ROLLER CHAIN | CHAINE ROULEAUX | WALZENKETTE | CADENA DE LOS RODILLOS ISO 16 |
| 2 | B07S00953R | BRACCIO TENDITORE SX | RIGHT TENSIONER ROD | BRAS TENDEUR GAUCHE | RECHTER SPANNARM | BRAZO TENSOR IZQ |
| 3 | F04010170R | CUSC.D25 D52 B15 6205 2RS EX | BEARING D25 D52 B15 6205 2RS | ROULEMENT 6205 2RS | LAGER 6205 2RS | COJIN.D25 D52 B15 6205 2RS EX |
| 4 | B03400274R | CORONA Z10-1 ISO F52 TRATT | SPROCKET Z=10-1 | ENGRANAGE SPECIAL TRAITE | ZAHNKRANZ Z=10-1 | CORONA Z10-1 ISO F52 TRA |
| 5 | B01300105R | SPES. 25,5 37 0,5 | SHIM | ENTRETOISE | DISTANZSTUECK 25,5 37 0,5 | ESPESES. 25,5 37 0,5 |
| 6 | F02050101R | ANELLO E. DE 25X 1,2 U7435 C7 | SEEGER RING E. 25X1,2 7435 C70 | SEEGER E. 25X 1,2 U7435 C70 | SEEGERING E. 25X 1,2 U7435 C70 | ANILLO E. DE 25X 1,2 U7435 C7 |
| 7 | B04210610R | INGRAS HYDR A 45 M 6X1 | GREASE NIPPLE | GRAISSEUR HYDRAULIQUE | SCHMIERNIPPEL M6X1 45 | ENGRAS. HYDR A 45 M 6X1 |
| 8 | B07S01441R | TIRANTE GALOPPINO M16 | TIGHTENING PULLEY ROD M16 | TIRANT M16 | FUEHRUNGSROLLENSPANNSTANGE M16 | TIRANTE DE LA POLEA M16 |
| 9 | F01020512R | VITE M12X1,75X35 U5739 8.8ZN | SCR. M12X1,75X35 U5739 8.8ZN | VIS M12X1,75X35 5739 8.8 ZN | SCHR. M12X1,75X35 5739 8.8 ZN | TORNILLO M12X1,75X35 U5739 8 |
| 10 | F01200293R | DADO M12X1,75 U5588 CL8 ZN | NUT M12X1,75 U5588 6S ZN | ECROU M12X1,75 U5588 6S ZN | MUTTER M12X1,75 U5588 6S ZN | TUERCA M12X1,75 U5588 CL8 ZN |
| 11 | B01300157R | DISTANZIALE 16,6X21,3X165 | SPACER | ENTRETOISE | ABSTANZSTUECK 16,6X21,3X165 | DISTANCIADOR 16,6X21,3X165 |
| 12 | B00710516R | DADO M16X 2 U5588 6.8 ZN | NUT M16X2 U5588 6.8 ZN | ECROU | MUTTER M16-6S | TUERCA M16X 2 U5588 6.8 |
| 13 | B01519319R | RALLA 16X38X5 | FIFTH WHEEL | BUTEE | SCREIBE | RANGUA 16X38X5 |
| 14 | B01800046R | MOLLA 6 30 180C | SPRING | RESSORT | FEDER | MUELLE 6 30 180C |
| 15 | B030E1027R | CATENA RULLI ISO 16 B-1 27M | ROLLER CHAIN ISO16 B-1 27M | CHAINE ROULEAUX | WALZENKETTE | CADENA DE LOS RODILLOS ISO 16 |
| 16 | B07S00958R | TIRANTE FISSO | TIE ROD | TIRANT FIXE | ZUGSTANGE | TIRANTE FIJO |
| 17 | F04010170R | CUSC.D25 D52 B15 6205 2RS EX | BEARING D25 D52 B15 6205 2RS | ROULEMENT 6205 2RS | LAGER 6205 2RS | COJIN.D25 D52 B15 6205 2RS EX |
| 18 | B03400274R | CORONA Z10-1 ISO F52 TRATT | SPROCKET Z=10-1 | ENGRANAGE SPECIAL TRAITE | ZAHNKRANZ Z=10-1 | CORONA Z10-1 ISO F52 TRA |
| 19 | B01300105R | SPES. 25,5 37 0,5 | SHIM | ENTRETOISE | DISTANZSTUECK 25,5 37 0,5 | ESPESES. 25,5 37 0,5 |
| 20 | F02050101R | ANELLO E. DE 25X 1,2 U7435 C7 | SEEGER RING E. 25X1,2 7435 C70 | SEEGER E. 25X 1,2 U7435 C70 | SEEGERING E. 25X 1,2 U7435 C70 | ANILLO E. DE 25X 1,2 U7435 C7 |
| 21 | B00191250R | VITE M12X1,75X 50 U5737 8.8ZN | SCREW | VIS | SCHRAUBE | TORNILLO M12X1,75X 50 U5737 8 |
| 22 | B01516038R | RALLA 13 32 5 | FIFTH WHEEL | BUTEE | SCHEIBE | RANGUA 13 32 5 |
| 23 | B0C003605R | TIRANTE INFALDATORE | FEEDER CONNECTING ROD | TIRANT AMENEUR | RAFFER ZUGSTANGE | TIRANTE EMBOCADOR |
| 24 | F01020517R | VITE M12X1,75X50 U5739 8.8ZN | SCR. M12X1,75X50 U5739 8.8ZN | VIS M12X1,75X50 5739 8.8 ZN | SCHRA. M12X1,75X50 5739 8.8 ZN | TORNILLO M12X1,75X50 U5739 8 |
| 25 | F01200293R | DADO M12X1,75 U5588 CL8 ZN | NUT M12X1,75 U5588 6S ZN | ECROU M12X1,75 U5588 6S ZN | MUTTER M12X1,75 U5588 6S ZN | TUERCA M12X1,75 U5588 CL8 ZN |
| 26 | B030E1056R | CATENA RULLI ISO 16 B-1 56M | ROLLER CHAIN ISO16 B-1 56M | CHAINE ROULEAUX | WALZENKETTE | CADENA DE LOS RODILLOS ISO 16 |
| 27 | B07S00953R | BRACCIO TENDITORE SX | RIGHT TENSIONER ROD | BRAS TENDEUR GAUCHE | RECHTER SPANNARM | BRAZO TENSOR IZQ |
| 28 | F04010170R | CUSC.D25 D52 B15 6205 2RS EX | BEARING D25 D52 B15 6205 2RS | ROULEMENT 6205 2RS | LAGER 6205 2RS | COJIN.D25 D52 B15 6205 2RS EX |
| 29 | B03400274R | CORONA Z10-1 ISO F52 TRATT | SPROCKET Z=10-1 | ENGRANAGE SPECIAL TRAITE | ZAHNKRANZ Z=10-1 | CORONA Z10-1 ISO F52 TRA |
| 30 | B01300104R | SPES. 25,5 37 0,2 | SHIM | ENTRETOISE | BEILAGSCHEIBE 25,5 37 0,2 | ESPESES. 25,5 37 0,2 |
| 31 | F02050101R | ANELLO E. DE 25X 1,2 U7435 C7 | SEEGER RING E. 25X1,2 7435 C70 | SEEGER E. 25X 1,2 U7435 C70 | SEEGERING E. 25X 1,2 U7435 C70 | ANILLO E. DE 25X 1,2 U7435 C7 |
| 32 | B04210610R | INGRAS HYDR A 45 M 6X1 | GREASE NIPPLE | GRAISSEUR HYDRAULIQUE | SCHMIERNIPPEL M6X1 45 | ENGRAS. HYDR A 45 M 6X1 |
| 33 | B01300105R | SPES. 25,5 37 0,5 | SHIM | ENTRETOISE | DISTANZSTUECK 25,5 37 0,5 | ESPESES. 25,5 37 0,5 |
| 34 | F02050101R | ANELLO E. DE 25X 1,2 U7435 C7 | SEEGER RING E. 25X1,2 7435 C70 | SEEGER E. 25X 1,2 U7435 C70 | SEEGERING E. 25X 1,2 U7435 C70 | ANILLO E. DE 25X 1,2 U7435 C7 |
| 35 | B07S01441R | TIRANTE GALOPPINO M16 | TIGHTENING PULLEY ROD M16 | TIRANT M16 | FUEHRUNGSROLLENSPANNSTANGE M16 | TIRANTE DE LA POLEA M16 |
| 36 | F01020512R | VITE M12X1,75X35 U5739 8.8ZN | SCR. M12X1,75X35 U5739 8.8ZN | VIS M12X1,75X35 5739 8.8 ZN | SCHR. M12X1,75X35 5739 8.8 ZN | TORNILLO M12X1,75X35 U5739 8 |
| 37 | F01200293R | DADO M12X1,75 U5588 CL8 ZN | NUT M12X1,75 U5588 6S ZN | ECROU M12X1,75 U5588 6S ZN | MUTTER M12X1,75 U5588 6S ZN | TUERCA M12X1,75 U5588 CL8 ZN |
| 38 | B01300157R | DISTANZIALE 16,6X21,3X165 | SPACER | ENTRETOISE | ABSTANZSTUECK 16,6X21,3X165 | DISTANCIADOR 16,6X21,3X165 |
| 39 | B00710516R | DADO M16X 2 U5588 6.8 ZN | NUT M16X2 U5588 6.8 ZN | ECROU | MUTTER M16-6S | TUERCA M16X 2 U5588 6.8 |
| 40 | B01519319R | RALLA 16X38X5 | FIFTH WHEEL | BUTEE | SCREIBE | RANGUA 16X38X5 |
| 41 | B01800046R | MOLLA 6 30 180C | SPRING | RESSORT | FEDER | MUELLE 6 30 180C |
| 42 | B030E1079R | CATENA RULLI ISO 16 B-1 79M | ROLLER CHAIN ISO16 B-1 79M | CHAINE ROULEAUX | WALZENKETTE | CADENA DE LOS RODILLOS ISO 16 |
| 43 | B07S01759R | TENDITORE | TENSIONER | TENDEUR | SPANNER | ENSOR |
| 44 | F04010170R | CUSC.D25 D52 B15 6205 2RS EX | BEARING D25 D52 B15 6205 2RS | ROULEMENT 6205 2RS | LAGER 6205 2RS | COJIN.D25 D52 B15 6205 2RS EX |
| 45 | B03400274R | CORONA Z10-1 ISO F52 TRATT | SPROCKET Z=10-1 | ENGRANAGE SPECIAL TRAITE | ZAHNKRANZ Z=10-1 | CORONA Z10-1 ISO F52 TRA |
| 46 | B01300105R | SPES. 25,5 37 0,5 | SHIM | ENTRETOISE | DISTANZSTUECK 25,5 37 0,5 | ESPESES. 25,5 37 0,5 |
| 47 | F02050101R | ANELLO E. DE 25X 1,2 U7435 C7 | SEEGER RING E. 25X1,2 7435 C70 | SEEGER E. 25X 1,2 U7435 C70 | SEEGERING E. 25X 1,2 U7435 C70 | ANILLO E. DE 25X 1,2 U7435 C7 |
| 48 | B04210610R | INGRAS HYDR A 45 M 6X1 | GREASE NIPPLE | GRAISSEUR HYDRAULIQUE | SCHMIERNIPPEL M6X1 45 | ENGRAS. HYDR A 45 M 6X1 |
| 49 | B01300159R | SPES. 25 37 2 ZINCATO | SHIM GALV | ENTRETOISE GALV | DISTANZSTUECK 25 37 2 | ESPESES. 25 37 2 CINCADO |
| 50 | B0C003057R | COLLEGAMENTO TENDITORI | TIGHTENER CONNECTION | CONNEXION TENDEURS | SPANNERKUPPLUNG | CONEXION DE LOS TENSORES |
| 51 | F01020508R | VITE M12X1,75X25 U5739 8.8ZN | SCR. M12X1,75X25 U5739 8.8ZN | VIS M12X1,75X25 U5739 8.8 ZN | SCHRAUBE M12X1,75X25U5739.8ZN | TORNILLO M12X1,75X25 U5739 |
| 52 | F01410076R | ROS.M12 13X 24X2,5 U6592 ZN | WASHER 12 13X 24X2,5 U6592 ZN | RONDEL. M12 13X24X2,5 U6592 ZN | SCHRAIBE M12 13X24X2,5 U6592 ZN | ARAND.M12 13X 24X2,5 U6592 ZN |
| 53 | F01020510R | VITE M12X1,75X30 U5739 8.8ZN | SCR. M12X1,75X30 U5739 8.8ZN | VIS M12X1,75X30 U5739 8.8ZN | SCHRAU.M12X1,75X30 U5739 8.8ZN | TORNILLO M12X1,75X30 U5739 |
| 54 | F01410076R | ROS.M12 13X 24X2,5 U6592 ZN | WASHER 12 13X 24X2,5 U6592 ZN | RONDEL. M12 13X24X2,5 U6592 ZN | SCHBEIBE M12 13X24X2,5 U6592 ZN | ARAND.M12 13X 24X2,5 U6592 ZN |
| 55 | F01230213R | DADO M12X1,75 U7474 CL8 ZN | NUT M12X1,75 U7474 6SZN | ECROU AUTOBL. M12 | SELBSTSPERR.MUTTER M12 | TUERCA M12X1,75 U7474 CL8 ZN |
| 56 | B07S01758R | TIRANTE GALOPPINO M16 | TIE ROD | TIRANT | ZUGSTANGE | TIRANTE DE LA POLEA M16 |
| 57 | B01300157R | DISTANZIALE 16,6X21,3X165 | SPACER | ENTRETOISE | ABSTANZSTUECK 16,6X21,3X165 | DISTANCIADOR 16,6X21,3X165 |

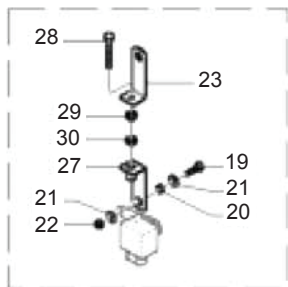
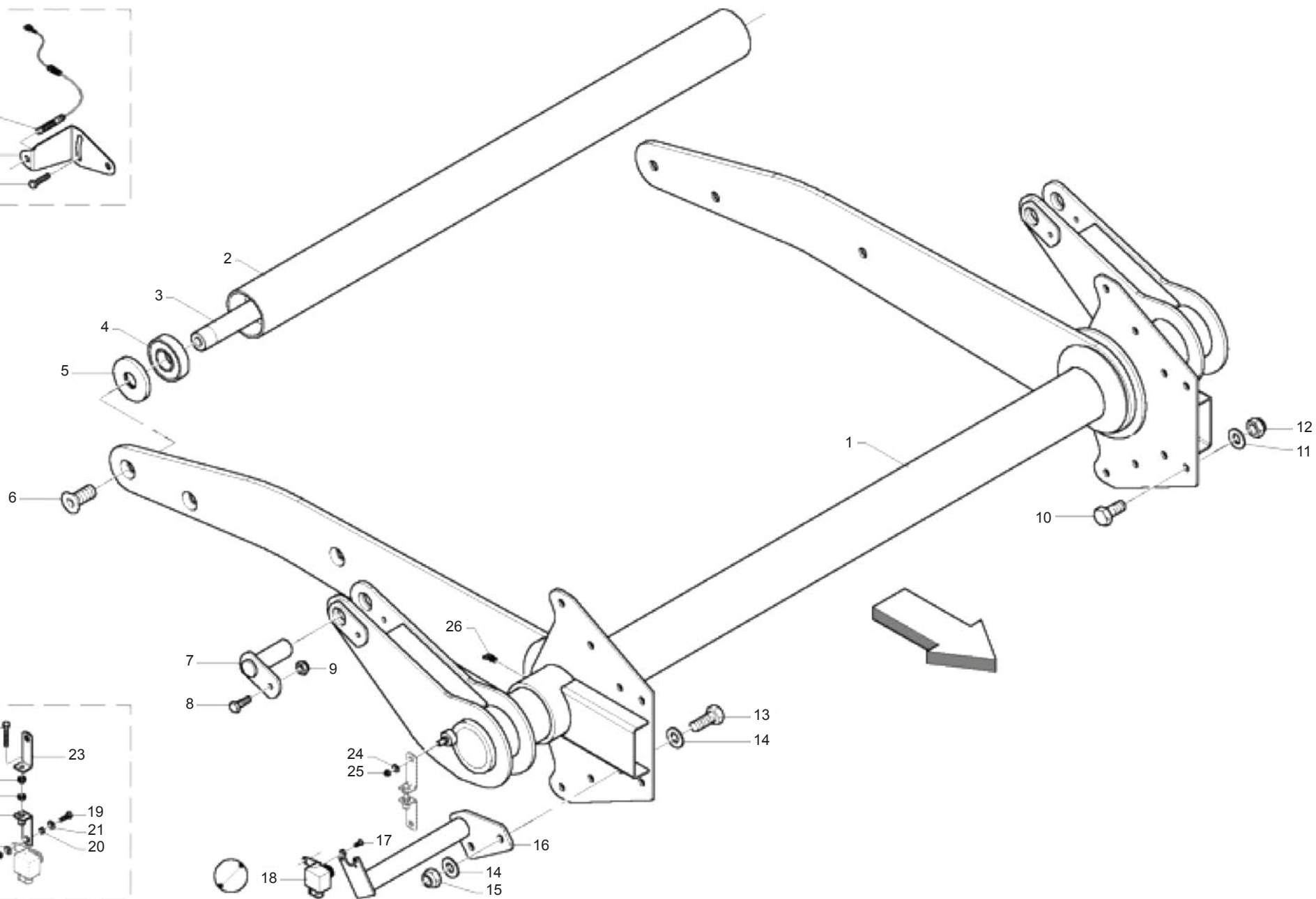
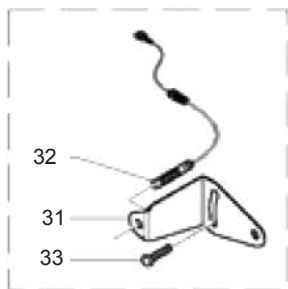


**TRAMMISSIONE
TRANSMISSION**

TAV_070

| Pos. | Cod. | Descrizione | Description | Description | Benennung | Descripcion |
|------|------------|--------------------------------|--------------------------------|--------------------------------|--------------------------------|--------------------------------|
| 58 | B00710516R | DADO M16X 2 U5588 6.8 ZN | NUT M16X2 U5588 6.8 ZN | ECROU | MUTTER M16-6S | TUERCA M16X 2 U5588 6.8 |
| 59 | B01519319R | RALLA 16X38X5 | FIFTH WHEEL | BUTEE | SCREIBE | RANGUA 16X38X5 |
| 60 | B01800046R | MOLLA 6 30 180C | SPRING | RESSORT | FEDER | MUELLE 6 30 180C |
| 61 | F01410076R | ROS.M12 13X 24X2,5 U6592 ZN | WASHER 12 13X 24X2,5 U6592 ZN | RONDEL. M12 13X24X2,5 U6592 ZN | SCHEIBE M12 13X24X2,5 U6592 ZN | ARAND.M12 13X 24X2,5 U6592 ZN |
| 62 | F01410076R | ROS.M12 13X 24X2,5 U6592 ZN | WASHER 12 13X 24X2,5 U6592 ZN | RONDEL. M12 13X24X2,5 U6592 ZN | SCHEIBE M12 13X24X2,5 U6592 ZN | ARAND.M12 13X 24X2,5 U6592 ZN |
| 63 | B0C005427R | SOSTEGNO LAT. SX INF.CARTER | GUARD FEEDER LEFT SIDE SUPPORT | SUPPORT LATERAL GAUCHE INF. CA | ANSCHLUSS SEITEN | SOPORTE LAT. IZQ1. INF. C RTER |
| 64 | B004N0820R | VITE NERA TTEI M 8X 20-10,9 | SCREW | VIS | SCHRAUBE TTEI M 8X20-10,9 | TORNILLO NEGRO CAB.ALLEN CON |
| 65 | F01020512R | VITE M12X1,75X35 U5739 8.8ZN | SCR. M12X1,75X35 U5739 8.8ZN | VIS M12X1,75X35 5739 8.8 ZN | SCHR. M12X1,75X35 5739 8.8 ZN | TORNILLO M12X1,75X35 U5739 8 |
| 66 | F01410076R | ROS.M12 13X 24X2,5 U6592 ZN | WASHER 12 13X 24X2,5 U6592 ZN | RONDEL. M12 13X24X2,5 U6592 ZN | SCHEIBE M12 13X24X2,5 U6592 ZN | ARAND.M12 13X 24X2,5 U6592 ZN |
| 67 | F01230213R | DADO M12X1,75 U7474 CL8 ZN | NUT M12X1,75 U7474 6SZN | ECROU AUTOBL. M12 | SELBSTSPERR.MUTTER M12 | TUERCA M12X1,75 U7474 CL8 ZN |
| 68 | B0C004908R | CARTER | GUARD | CARTER | ABDECKBLECH | C RTER |
| 69 | B07631842R | GUIDA CATENA | CHAIN GUIDE | GUIDE | KETTENFUEHRUNG | GU A DE CADENA |
| 70 | F01030208R | VITE M 8X1,25X 20 U7380 10.9ZN | SCREW M8X1,25X20 U7380 10.9ZN | | | TORNILLO M 8X1,25X 20 U7380 10 |
| 71 | F01410051R | ROS.M8 8,4X 17X1,6 U6592 ZN | WASHER M8 8,4X17X1,6 U6592 ZN | RONDELLE M8 8,4X17X1,6 ZN | SCHEIBE M8 8,4X17X1,6 U6592 ZN | ARAND.M8 8,4X 17X1,6 U6592 ZN |
| 72 | B00920208R | DADO AUTOB.BASSO M 8-5S D985 | NUT M8X1 D985 8ZN | ECROU | SELBSTSICHERNDE MUTTER M8-5S | TUERCA M8X1 D985 8 |
| 73 | F01020472R | VITE M10X1,5X25 U5739 8.8ZN | SCR. M10X1,5X25 U5739 8.8ZN | VIS M10X1,5X25 U5739 8.8 ZN | SCHRAUBE M10X1,5X25 U5739 8.8 | TORNILLO M10X1,5X25 U5739 8.8 |
| 74 | F01410062R | ROS.M10 10,5X 18X 2 U6592 ZN | WASHER M10 10,5X 18X 2 U6592 | RONDELLE M10 10,5X18X2 ZN | DICHTUNGSRING M10 10,5X18X2 ZN | ARAND.M10 10,5X 18X 2 U6592 ZN |
| 75 | F01230202R | DADO M10X 1,5 D985 8 ZN | NUT M10 D985 | ECROU AUTOBL. M10 | SELBSTSPERR.MUTTER M10 | TUERCA M10X 1,5 D985 8 |
| 76 | F01230213R | DADO M12X1,75 U7474 CL8 ZN | NUT M12X1,75 U7474 6SZN | ECROU AUTOBL. M12 | SELBSTSPERR.MUTTER M12 | TUERCA M12X1,75 U7474 CL8 ZN |
| 77 | F01420120R | ROS.M12 13X36X2,5 U6593 ZN | WASHER M12 13X36X2,5 U6593 ZN | RONDELLE M12 13X36X2,5 ZN | | ARAND.M12 13X36X2,5 U6593 ZN |
| 78 | B030E0017R | GIUNTO MOLL N26 ISO 16 B-1 | SPRING JOINT N.26 ISO 16 B-1 | JOINT RESSORT | KETTENFEDER | JUNTA DE MUELL N26 ISO 16 B-1 |
| 79 | B01300104R | SPES. 25,5 37 0,2 | SHIM | ENTRETOISE | BEILAGSCHEIBE 25,5 37 0,2 | ESPES. 25,5 37 0,2 |
| 80 | B01300104R | SPES. 25,5 37 0,2 | SHIM | ENTRETOISE | BEILAGSCHEIBE 25,5 37 0,2 | ESPES. 25,5 37 0,2 |
| 81 | B01300104R | SPES. 25,5 37 0,2 | SHIM | ENTRETOISE | BEILAGSCHEIBE 25,5 37 0,2 | ESPES. 25,5 37 0,2 |
| 82 | B01300104R | SPES. 25,5 37 0,2 | SHIM | ENTRETOISE | BEILAGSCHEIBE 25,5 37 0,2 | ESPES. 25,5 37 0,2 |
| 83 | B01300105R | SPES. 25,5 37 0,5 | SHIM | ENTRETOISE | DISTANZSTUECK 25,5 37 0,5 | ESPES. 25,5 37 0,5 |
| 84 | B01300104R | SPES. 25,5 37 0,2 | SHIM | ENTRETOISE | BEILAGSCHEIBE 25,5 37 0,2 | ESPES. 25,5 37 0,2 |
| 85 | B01300159R | SPES. 25 37 2 ZINCATO | SHIM GALV | ENTRETOISE GALV | DISTANZSTUECK 25 37 2 | ESPES. 25 37 2 CINCADO |
| 86 | B01300104R | SPES. 25,5 37 0,2 | SHIM | ENTRETOISE | BEILAGSCHEIBE 25,5 37 0,2 | ESPES. 25,5 37 0,2 |
| 87 | B01300104R | SPES. 25,5 37 0,2 | SHIM | ENTRETOISE | BEILAGSCHEIBE 25,5 37 0,2 | ESPES. 25,5 37 0,2 |
| 88 | B01300105R | SPES. 25,5 37 0,5 | SHIM | ENTRETOISE | DISTANZSTUECK 25,5 37 0,5 | ESPES. 25,5 37 0,5 |
| 89 | B0C6P0205R | SPES. 13X30X1 | SHIM | ENTRETOISE | DICHTUNG 13X30X1 | ESPES. 13X30X1 |

TAV_075

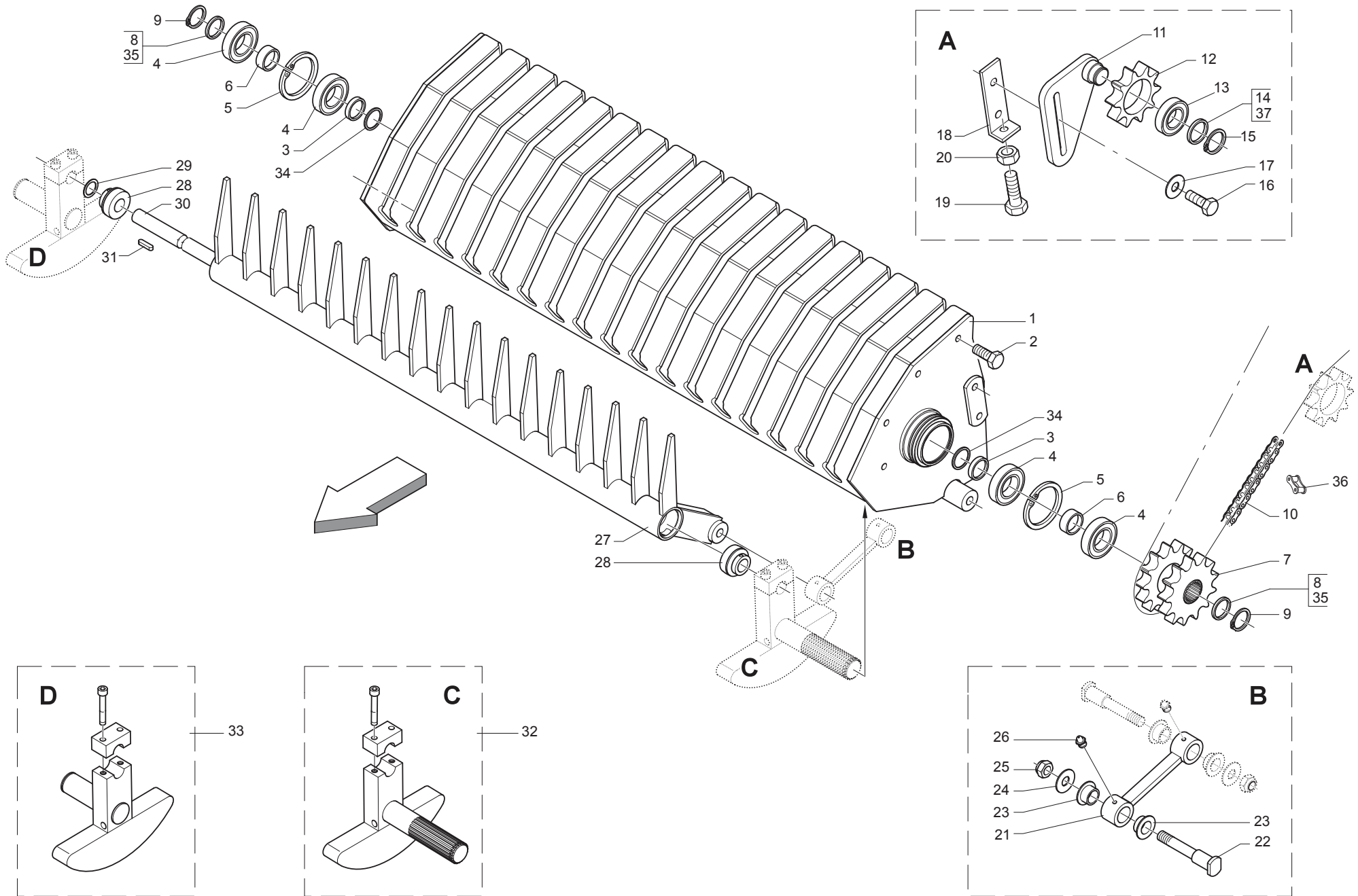


**BILANCIERE
BELT TENSIONER ARM**

TAV_075

| Pos. | Cod. | Descrizione | Description | Description | Benennung | Descripcion |
|------|------------|--------------------------------|--------------------------------|--------------------------------|--------------------------------|--------------------------------|
| 1 | B07S01630R | BRACCIO TENDICINGHIE 265 | BELT TENSIONER ARM 265 | TENDEUR DE COURROIE 265 | GURTENSANNERARM 265 | BRAZO TENSOR DE CORREA 265 |
| 2 | B03500165R | RULLO FOLLE | IDLE ROLLER | ROULEAU FOU | UMLLENKWALZE | RODILLO LOCO |
| 3 | B03500213R | ALBERO CORTO | SHORT SHAFT | ARBRE COURT | KURZE WELLE | RBOL CORTO |
| 4 | B02040002R | CUSCINETTO 6307-2RS CAT.KST004 | BEARING | ROULEMENT CAT.KST004 | LAGER 6307-2RS | COJINETE 6307-2RS CAT.KST004 |
| 5 | B01300623R | CHIUSURA RULLI FOLLI | IDLE ROLLER LOCK | FERMETURE ROULEAUX FOUX | UMLLENKWALZENVERSCHLUSS | CIERRE DE RODILLOS LOCOS |
| 6 | F01030148R | VITE M16X2X35 U5933 10.9ZD | SCREW M16X2X35 U5933 10.9ZD | VIS M16X2X35 U5933 10.9ZD | SCHRAUBE M16X2X35 U5933 10.9ZD | TORNILLO M16X2X35 U5933 10.9ZD |
| 7 | B07S00936R | SPINA MARTINETTO PRESS.BALLA | JACK PIN | AXE VERIN | ZYLINDERBOLZEN | CLAVIJA DE CILINDRO PRENSADOR |
| 8 | F01020065R | VITE M 8X1,25X 30 U5737 8.8ZN | SCREW M 8X1,25X 30 U5737 8.8ZN | | | TORNILLO M 8X1,25X 30 U5737 8. |
| 9 | B00920208R | DADO AUTOB.BASSO M 8-5S D985 | NUT M8X1 D985 8ZN | ECROU | SELBSTSICHERNDE MUTTER M8-5S | TUERCA M8X1 D985 8 |
| 10 | F01020510R | VITE M12X1,75X30 U5739 8.8ZN | SCR. M12X1,75X30 U5739 8.8ZN | VIS M12X1,75X30 U5739 8.8ZN | SCHRAU.M12X1,75X30 U5739 8.8ZN | TORNILLO M12X1,75X30 U5739 |
| 11 | F01410076R | ROS.M12 13X 24X2,5 U6592 ZN | WASHER 12 13X 24X2,5 U6592 ZN | RONDEL. M12 13X24X2,5 U6592 ZN | SCHIBE M12 13X24X2,5 U6592 ZN | ARAND.M12 13X 24X2,5 U6592 ZN |
| 12 | F01230213R | DADO M12X1,75 U7474 CL8 ZN | NUT M12X1,75 U7474 6SZN | ECROU AUTOBL. M12 | SELBSTSPERR.MUTTER M12 | TUERCA M12X1,75 U7474 CL8 ZN |
| 13 | F01020512R | VITE M12X1,75X35 U5739 8.8ZN | SCR. M12X1,75X35 U5739 8.8ZN | VIS M12X1,75X35 5739 8.8 ZN | SCHR. M12X1,75X35 5739 8.8 ZN | TORNILLO M12X1,75X35 U5739 8 |
| 14 | F01410076R | ROS.M12 13X 24X2,5 U6592 ZN | WASHER 12 13X 24X2,5 U6592 ZN | RONDEL. M12 13X24X2,5 U6592 ZN | SCHIBE M12 13X24X2,5 U6592 ZN | ARAND.M12 13X 24X2,5 U6592 ZN |
| 15 | F01230213R | DADO M12X1,75 U7474 CL8 ZN | NUT M12X1,75 U7474 6SZN | ECROU AUTOBL. M12 | SELBSTSPERR.MUTTER M12 | TUERCA M12X1,75 U7474 CL8 ZN |
| 16 | B07S01471R | SOSTEGNO POTENZIOMETRO | POTENTIOMETER SUPPORT | SUPPORT POTENTIOMETRE | POTENZIOMETERHALTERUNG | SOPORTE POTENCI METRO |
| 17 | B00440510R | VITE TSPEI M 5X 10-10.9 UNI 5 | SCREW | VIS | SCHRAUBE TSPEI M5X 10-10.9 | TORNILLO CAB. AVE.ALLEN PAV.M |
| 18 | BZMRP0002R | POTENZIOMETRO DIMENSIONE BALLA | POTENTIOMETER CABLE | POTENTIOMETRE CABLE | POTENTIOMETER ADAPTERKABEL | POTENCI METRO DIMENSIONES DE |
| 19 | B00180620R | VITE M6X1X20 U5739 8.8ZN | SCREW | VIS | SCHRAUBE | TORNILLO M6X1X20 U5739 8 |
| 20 | B01300866R | BOCCOLA DI MOVIMENTO | BUSH | DOUILLE | BUCHSE | CASQUILLO DE MOVIMIENTO |
| 21 | F01420035R | ROS.M6 6,4X 18X1,6 U6593 ZN | WASHER D.6 | RONDELLE D.6 | KUPFERSCHIBE D.6 | ARAND.M6 6,4X 18X1,6 U6593 |
| 22 | F01230184R | DADO M6X1 D985 8ZN | NUT M6X1 D985 8ZN | | | TUERCA M6X1 D985 8 |
| 23 | B0C6P0052R | BASE DI REGOLAZIONE | ADJUSTMENT BASE | BASE DE REGLAGE | GRUND EINSTELLUNG | BASE DE REGULACI N |
| 24 | F01420048R | ROS.M8 8,4X 24X 2 U6593 ZN | WASHER M8 8,4X 24X2 U6593 ZN | RONDELLE M8 8,4X24X 2 U6593 ZN | SCHEIBEN M8 8,4X24X 2 U6593 ZN | ARAND.M8 8,4X 24X 2 U6593 ZN |
| 25 | B00920208R | DADO AUTOB.BASSO M 8-5S D985 | NUT M8X1 D985 8ZN | ECROU | SELBSTSICHERNDE MUTTER M8-5S | TUERCA M8X1 D985 8 |
| 26 | B04211010R | INGRAS HYDR M10X1 45 | GREASE NIPPLE | GRAISSEUR HYDRAULIQUE | SCHMIERNIPPEL M10X1 45 | ENGRAS. HYDR M10X1 45 |
| 27 | B07MP0014R | BASE REGOLAZIONE | ADJSUTMENT BASE | BASE REGLAGE | EINSTELLUNGS BASIS | BASE DE REGULACI N |
| 28 | F01020413R | VITE M6X1X40 U5739 8.8ZN | SCR. M6X1X40 U5739 8.8ZN | VIS M 6X1X40 | SCHRAUBE M 6X1X40 | TORNILLO M6X1X40 U5739 8 |
| 29 | F01230184R | DADO M6X1 D985 8ZN | NUT M6X1 D985 8ZN | | | TUERCA M6X1 D985 8 |
| 30 | F01200232R | DADO M6X1 U5588 CL8 ZN | NUT M6X1 U5588 6.8ZN | ECROU 6 UNI 5588 6.8 ZN | MUTTER 6 UNI 5588 6.8 ZN | TUERCA M6X1 U5588 CL8 ZN |
| 31 | B0C6P0110R | PORTA SENSORE | SENSOR SUPPORT | | | PUERTA SENSOR |
| 32 | B0E0P0013R | SENS DIG.SCATOLA E BILANCIERE | DIGITAL SENSOR PROXIMITY M12 | CAPTEUR DIGITAL AVEC PROXIMITY | SENSOR MIT PROXIMITY M 12 | SENS DIG.CAJA Y BALANC N |
| 33 | B00180655R | VITE M6X1X 55 U5739 8.8ZN | SCREW | VIS | ZINKSCHRAUBE TE M6X55-8.8 UNI | TORNILLO M6X1X 55 U5739 8.8ZN |

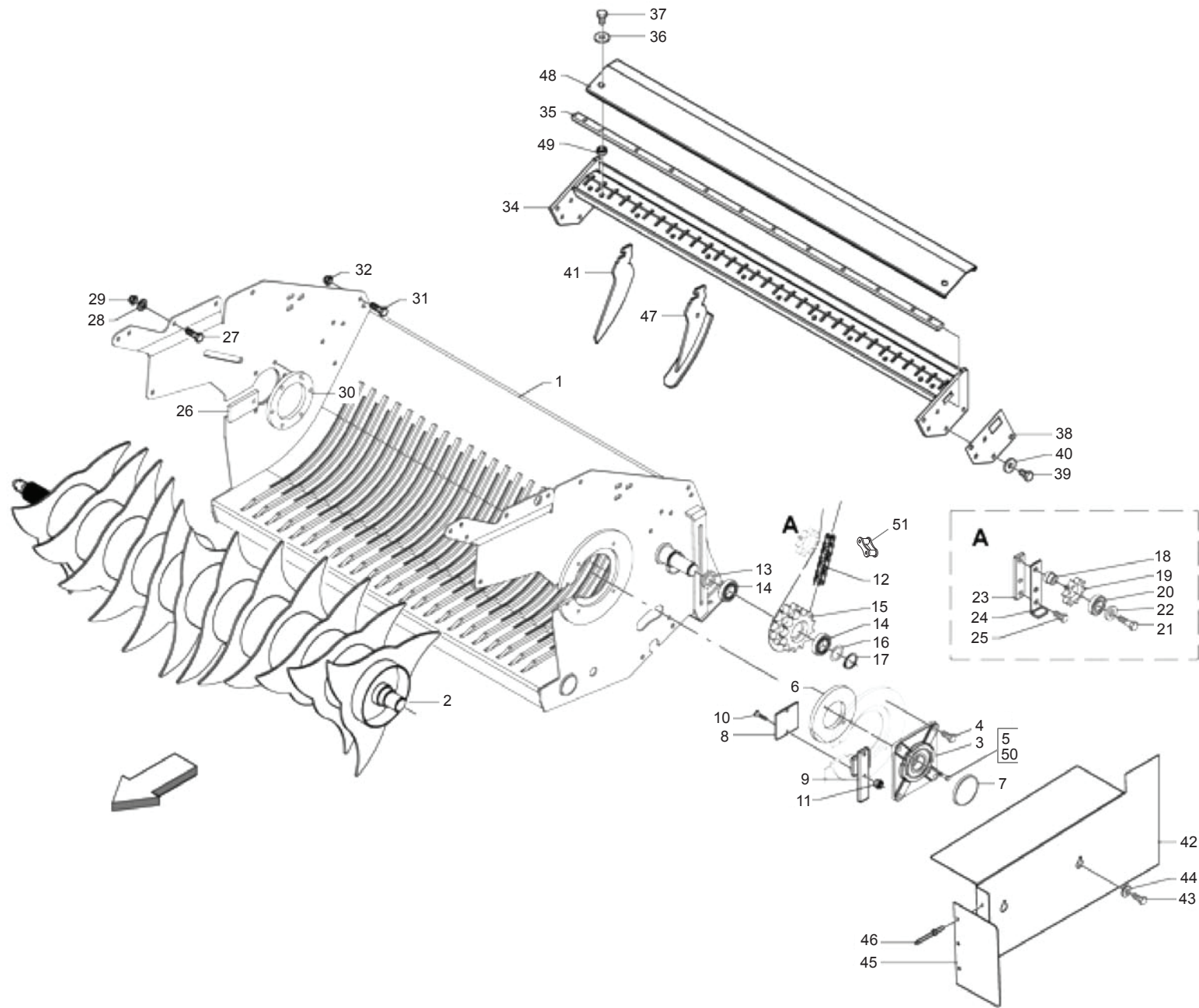
TAV_080



**INFALDATORE
FEEDING SYSTEM**

TAV_080

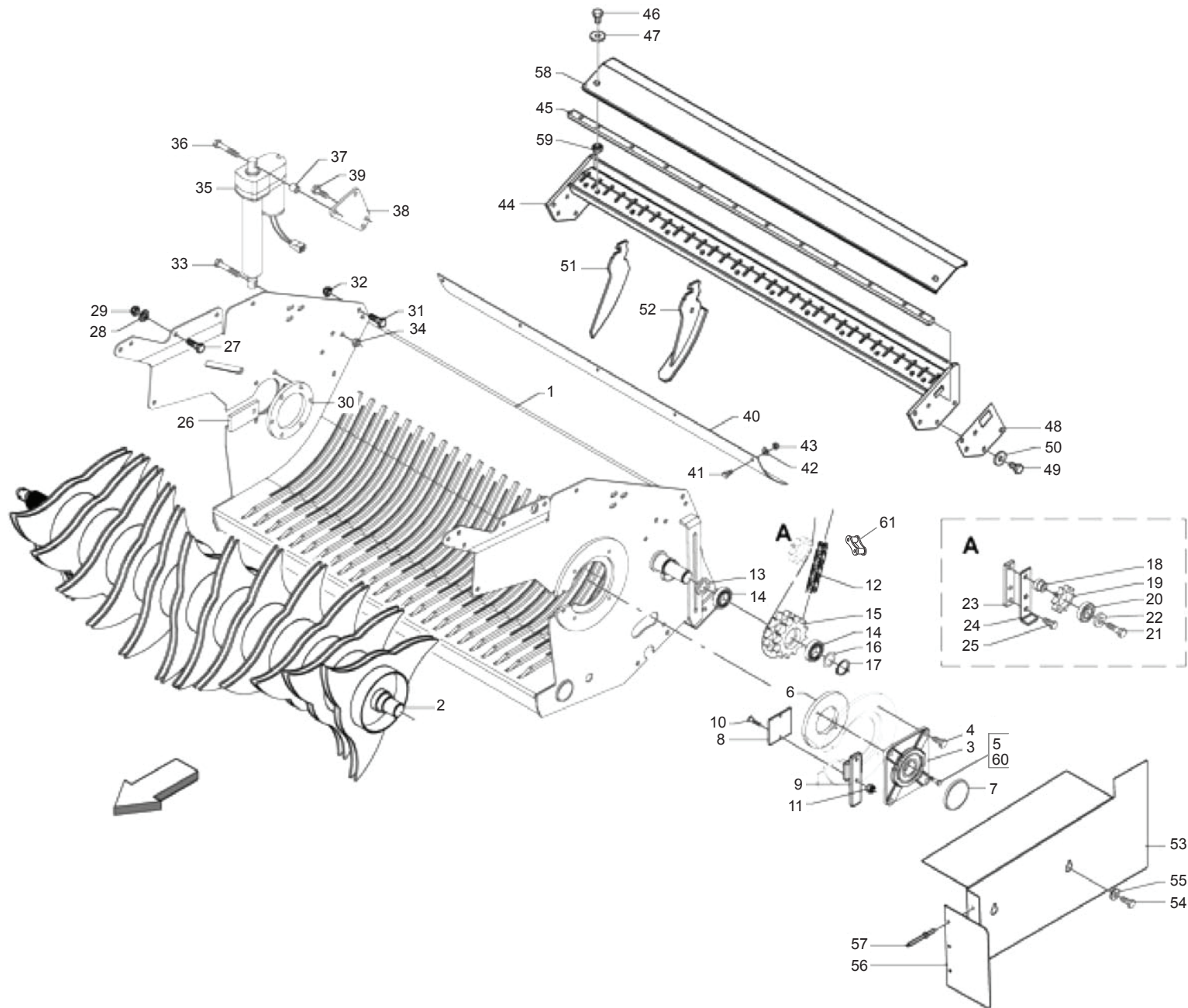
| Pos. | Cod. | Descrizione | Description | Description | Benennung | Descripcion |
|------|------------|--------------------------------|--------------------------------|-------------------------------|--------------------------------|--------------------------------|
| 1 | B07S00967R | TELAIO INFALDATORE | FEEDING SYSTEM FRAME | CHASSIS AMENEUR | ZUBRINGER RAHMEN | BASTIDOR EMBOCADOR |
| 2 | F01020508R | VITE M12X1,75X25 U5739 8.8ZN | SCR. M12X1,75X25 U5739 8.8ZN | VIS M12X1,75X25 U5739 8.8 ZN | SCHRAUBE M12X1,75X25U57398.8ZN | TORNILLO M12X1,75X25 U5739 |
| 3 | B01300605R | DISTANZIALE 35X42X 5 | SPACER | ENTRETOISE | DISTANZSTUECK 35X42X5 | DISTANCIADOR 35X42X 5 |
| 4 | B02043517R | CUSC. 6207-2RS CAT.B-ST004 | BEARING | ROULEMENT | LAGER 6207-2RS | COJIN. 6207-2RS CAT.B-ST00 |
| 5 | F02050403R | ANELLO E. DI 72X 2,5 U7437 C7 | SEEGER RING E.72X2,5 U7437 C70 | SEEGER E. 72X 2,5 U7437 C70 | SEEGERING E. 72X 2,5 U7437 C70 | ANILLO E. DI 72X 2,5 U7437 C7 |
| 6 | B01300523R | DISTANZIALE 35X 45X12,5 | SPACER | ENTRETOISE | DISTANZSTUECK 35X45X12,5 | DISTANCIADOR 35X 45X12,5 |
| 7 | B03400237R | INGR.DOPPIO Z12-12 1 INFALD. | DOUBLE GEAR Z=12 21 1 FOR RAK | ENGRENAGE DOUBLE | DOPPEL ZAHNRAD Z=12-12 1 | ENGR.DOBLE Z12-12 1 EMBOCADO |
| 8 | B01534416R | SPES. 35 43 1 ZINCATO | SHIM | ENTRETOISE | AUSGLEICHSCHLEIBE 35X43X1 | ESPE. 35 43 1 CINCADO |
| 9 | F02050145R | ANELLO E. DE 35X1,5 U7435 C70 | SEEGER RING D.35 | BAGUE SEEGER D.35 | SEEGERRING D.35 | ANILLO E. DE 35X1,5 U7435 C70 |
| 10 | B030E0017R | GIUNTO MOLL N26 ISO 16 B-1 | SPRING JOINT N.26 ISO 16 B-1 | JOINT RESSORT | KETTENFEDER | JUNTA DE MUELL N26 ISO 16 B-1 |
| 11 | B07S00958R | TIRANTE FISSO | TIE ROD | TIRANT FIXE | ZUGSTANGE | TIRANTE FIJO |
| 12 | B03400274R | CORONA Z10-1 ISO F52 TRATT | SPROCKET Z=10-1 | ENGRANAGE SPECIAL TRAITE | ZAHNKRANZ Z=10-1 | CORONA Z10-1 ISO F52 TRA |
| 13 | F04010170R | CUSC.D25 D52 B15 6205 2RS EX | BEARING D25 D52 B15 6205 2RS | ROULEMENT 6205 2RS | LAGER 6205 2RS | COJIN.D25 D52 B15 6205 2RS EX |
| 14 | B01300104R | SPES. 25,5 37 0,2 | SHIM | ENTRETOISE | BEILAGSCHLEIBE 25,5 37 0,2 | ESPE. 25,5 37 0,2 |
| 15 | F02050101R | ANELLO E. DE 25X 1,2 U7435 C7 | SEEGER RING E. 25X1,2 7435 C70 | SEEGER E. 25X 1,2 U7435 C70 | SEEGERING E. 25X 1,2 U7435 C70 | ANILLO E. DE 25X 1,2 U7435 C7 |
| 16 | F01020152R | VITE M12X1,75X40 U5737 8.8ZN | SCR. M12X1,75X40 U5737 8.8ZN | VIS M12X1,75X40 U5737 8.8 ZN | SCHRAUBE M12X1,75X40U57378.8ZN | TORNILLO M12X1,75X40 U5737 8. |
| 17 | B01516038R | RALLA 13 32 5 | FIFTH WHEEL | BUTEE | SCHLEIBE | RANGUA 13 32 5 |
| 18 | B0C005308R | TIRANTE INFALDATORE | FEEDER TIE ROD | TIRANT AMENEUR | RAFFER ZUSTAB | TIRANTE EMBOCADOR |
| 19 | F01020521R | VITE M12X1,75X65 U5739 8.8ZN | SCR. M12X1,75X65 U5739 8.8ZN | VIS M12X1,75X65 U5739 8.8ZN | SCHRAU.M12X1,75X65 U5739 8.8ZN | TORNILLO M12X1,75X65 U5739 8 |
| 20 | F01200293R | DADO M12X1,75 U5588 CL8 ZN | NUT M12X1,75 U5588 6S ZN | ECROU M12X1,75 U5588 6S ZN | MUTTER M12X1,75 U5588 6S ZN | TUERCA M12X1,75 U5588 CL8 ZN |
| 21 | B07S00966R | BIELLA INFALDATORE | FEEDER CONNECTING ROD | BIELLE AMENEUR | RAFFERPLEUELSTANGE | BIELA EMBOCADOR |
| 22 | B035P0159R | PERNO BIELLA INFALDATORE | CONNECTING ROD PIN | TOURILLON BIELLE | PLEUELZAPFEN | PERNO BIELA EMBOCADOR |
| 23 | B02500002R | BUSSOLA NYLON 22X28X16,5 | BUSH NYLON 22X28X16,5 | DOUILLE EN NYLON 22X28X16,5 | NYLONBUCHSE | CASQUILLO DE NAILON 22X28X16,5 |
| 24 | B0C6P1263R | RALLA 22,2X40X3 OTTONE | WASHER | BUTEE | SCHLEIBE | RANGUA 22,2X40X3 LAT N |
| 25 | B00920516R | DADO M16X 1,5 D985 6S ZN | NUT M16X1,5 D985 6S ZN | ECROU | SELBSTSICHERNDE MUTTER M16-5S | TUERCA M16X 1,5 D985 6S |
| 26 | F01100011R | ING.M 6X1 7663-A 9SMNPB28 ZN | GREASE NIPPLE M6X1 7663-A ZN | GRAISS. A BILLE M6X1 7663A ZN | SCHMIERBUECHE M6X1 7663-A ZN | ENG.M 6X1 7663-A 9SMNPB28 ZN |
| 27 | B07S00983R | INFALDATORE NL | FEEDER | AMENEUR | RAFFER | EMBOCADOR NL |
| 28 | B07S00126R | CUSCINETTO CON RALLA INFALDAT. | BEARING WITH FIFTH WHEEL | ROULEMENT AVEC BUTEE | LAGER MIT RING | COJINETE CON RANGUA |
| 29 | B01300106R | SPES. 25,5 37 1 ZINCATO | SHIM GALV | ENTRETOISE GALV | DISTANZSTUECK 25,5 37 1 | ESPE. 25,5 37 1 CINCADO |
| 30 | B03500038R | ALBERO INFALDATORE | FEEDER SHAFT | ARBRE AMENEUR | RAFFER ANTRIEBSWELLE | RBOL EMBOCADOR |
| 31 | F02150063R | LINGUETTA 8X 7X 22 U6604A | TAB 8 X 7 X 22 U6604A | | | LENG ETA 8X 7X 22 U6604A |
| 32 | B07S00978R | BIELLA MOTORE INFALDATORE | MOTOR CONNECTING ROD | BIELLE MOTEUR AMENEUR | RAFFER TREIBSTANGE | BIELA DEL MOTOR DEL EMBOCADO |
| 33 | B07S00979R | BIELLA FOLLE INFALDATORE | IDLE CONNECTING ROD | BIELLE FOLLE AMENEUR | RAFFER UMLENKSTANGE | BIELA LOCA EMBOCADOR |
| 34 | B01522427R | SPES. 35 47 2 | SHIM | ENTRETOISE | SCHLEIBE | ESPE. 35 47 2 |
| 35 | B01534415R | SPES. 35 43 0,5 ZINCATO | SHIM | ENTRETOISE | AUSGLEICHSCHLEIBE 35X43X0,5 | ESPE. 35 43 0,5 CINCADO |
| 36 | B030E1039R | CATENA RULLI ISO 16 B-1 39M | ROLLER CHAIN ISO16 B-1 39M | CHAINE ROULEAUX | WALZENKETTE ISO 16 B-1 39M | CADENA DE LOS RODILLOS ISO 16 |
| 37 | B01300104R | SPES. 25,5 37 0,2 | SHIM | ENTRETOISE | BEILAGSCHLEIBE 25,5 37 0,2 | ESPE. 25,5 37 0,2 |



ROTOR: TELAIO + ROTORE
ROTOR: FRAME + ROTOR

TAV_085

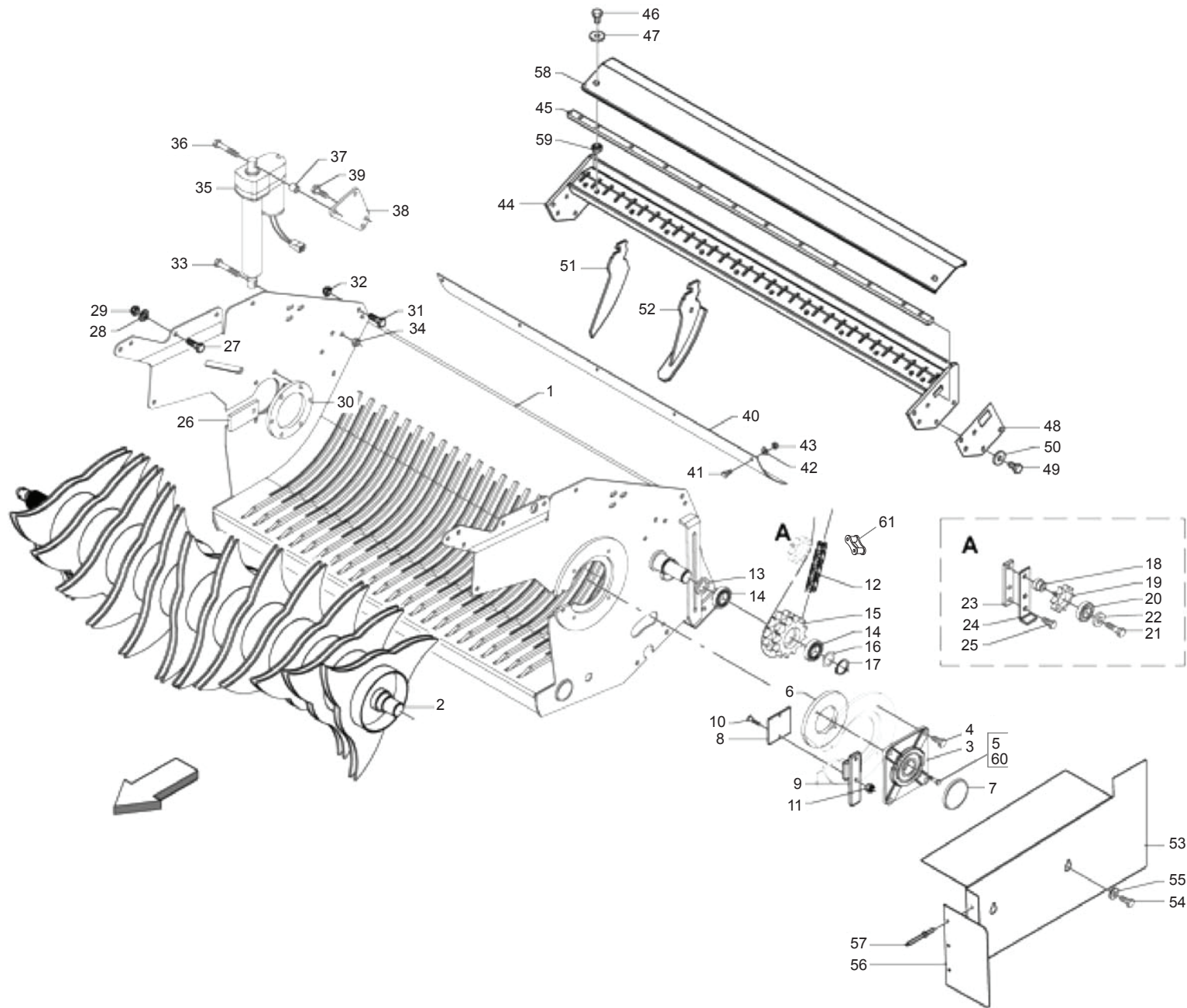
| Pos. | Cod. | Descrizione | Description | Description | Benennung | Descripcion |
|------|------------|--------------------------------|-------------------------------|--------------------------------|--------------------------------|--------------------------------|
| 1 | B07SP0290R | TELAIO ROTOR | ROTOR FRAME | | | BASTIDOR DEL ROTOR |
| 2 | B07SP0289R | ROTORE CON DISCHI | ROTOR BLADES | | | ROTOR CON DISCOS |
| 3 | B0FMP0184R | SUPP CUSC RETTANG VERN CAPP | BEARING SUPPORT | | | |
| 4 | F01020510R | VITE M12X1,75X30 U5739 8.8ZN | SCR. M12X1,75X30 U5739 8.8ZN | VIS M12X1,75X30 U5739 8.8ZN | SCHRAU.M12X1,75X30 U5739 8.8ZN | TORNILLO M12X1,75X30 U5739 |
| 5 | F01410051R | ROS.M8 8,4X 17X1,6 U6592 ZN | WASHER M8 8,4X17X1,6 U6592 ZN | RONDELLE M8 8,4X17X1,6 ZN | SCHEIBE M8 8,4X17X1,6 U6592 ZN | ARAND.M8 8,4X 17X1,6 U6592 ZN |
| 6 | B01300714R | CONTROFLANGIA SUPP. FOLLE | IDLE SUPPORT COUNTERFLANGE | CONTRE-BRISE SUPPORT FOU | GEGENFLANSCH | CONTRA-BRIDA SOP. LOCO |
| 7 | B04400001R | CAP. CHIUSO 110X10 TIPO C | CAP | COUVERCLE | GESCHLOSSENE KAPPE | CAP. CERRADO 110X10 TIPO C |
| 8 | B0C003746R | COMPENSO FESSURA SX | LEFT SLOT COMPENSATION | EPAISSEURE FENTE GAUCHE | LINKER SPALTENAUSGLEICH | COMPENSADO FISURA IZQ |
| 9 | B07SP0046R | FERMO COMPENSO LATO SX | LEFT SIDE SHIM LOCK | ARRET EPAISSEUR COTE GAUCHE | VERDICHTUNG BLOCK | TOPE COMPENSADO LADO IZQ. |
| 10 | F01030060R | VITE M8X1,25X35 U5933 10.9ZD | SCREW M8X1,25X35 U5933 10.9ZD | VIS M8X1,25X35 U5933 10.9ZD | SCHRA.M8X1,25X35 U5933 10.9ZD | TORNILLO M8X1,25X35 U5933 10.9 |
| 11 | B00920208R | DADO AUTOB.BASSO M 8-5S D985 | NUT M8X1 D985 8ZN | ECROU | SELBSTSICHERNDE MUTTER M8-5S | TUERCA M8X1 D985 8 |
| 12 | B030E0017R | GIUNTO MOLL N26 ISO 16 B-1 | SPRING JOINT N.26 ISO 16 B-1 | JOINT RESSORT | KETTENFEDER | JUNTA DE MUELL N26 ISO 16 B-1 |
| 13 | B01330957R | DISTANZIALE 35-48-7 | SPACER | ENTRETOISE | DISTANZSTUECK 35X48X7 | DISTANCIADOR 35-48-7 |
| 14 | B02043514R | CUSC.. 6007-2RS CAT.B-ST004 | BEARING | ROULEMENT | LAGER 6007-2RS | COJIN. 6007-2RS CAT.B-ST00 |
| 15 | B03400005R | CORONA Z-12 12 1 | SPROCKET Z-12 12 1 | COURONNE | KRANZ Z-12 12 1 | CORONA Z-12 12 1 |
| 16 | B01534416R | SPES. 35 43 1 ZINCATO | SHIM | ENTRETOISE | AUSGLEICHSCHIEBE 35X43X1 | ESPE. 35 43 1 CINCADO |
| 17 | B01700035R | ANEL. D ARR. ALB. 35-E UNI3653 | SEEGER RING | BAGUE SEEGER | SEEGERRING 35-E | ANIL. DE PARAD. RB. 35-E UNI3 |
| 18 | B01300302R | PERNO GALOPPINO | PIN | TOURILLON | BOLZEN FUER KETTENZAHRAD | PERNO DE POLEA |
| 19 | B03400274R | CORONA Z10-1 ISO F52 TRATT | SPROCKET Z=10-1 | ENGRANAGE SPECIAL TRAITE | ZAHNKRANZ Z=10-1 | CORONA Z10-1 ISO F52 TRA |
| 20 | F04010170R | CUSC.D25 D52 B15 6205 2RS EX | BEARING D25 D52 B15 6205 2RS | ROULEMENT 6205 2RS | LAGER 6205 2RS | COJIN.D25 D52 B15 6205 2RS EX |
| 21 | F01020160R | VITE M12X1,75X60 U5737 8.8ZN | SCR. M12X1,75X60 U5737 8.8ZN | VIS M12X1,75X60 U5737 8.8 ZN | SCHRA.M12X1,75X60 U5737 8.8 ZN | TORNILLO M12X1,75X60 U5737 8. |
| 22 | B01518412R | RALLA 12 38 5 | FIFTH WHEEL | BUTEE | SCHEIBE | RANGUA 12 38 5 |
| 23 | B0C002390R | FERMO | LOCK | ARRET | ARRETIERUNG | TOPE |
| 24 | B0C002389R | REGISTRO | REGISTER | VANNE | STELLVORRICHTUNG | REGISTRO |
| 25 | F01020510R | VITE M12X1,75X30 U5739 8.8ZN | SCR. M12X1,75X30 U5739 8.8ZN | VIS M12X1,75X30 U5739 8.8ZN | SCHRAU.M12X1,75X30 U5739 8.8ZN | TORNILLO M12X1,75X30 U5739 |
| 26 | B0C003748R | COMPENSO FESSURA DX | RIGHT SLOT COMPENSATION | EPAISSEUR FENTE DROITE | RECHTER SPALTENAUSGLEICH | COMPENSADO FISURA DER |
| 27 | F01020510R | VITE M12X1,75X30 U5739 8.8ZN | SCR. M12X1,75X30 U5739 8.8ZN | VIS M12X1,75X30 U5739 8.8ZN | SCHRAU.M12X1,75X30 U5739 8.8ZN | TORNILLO M12X1,75X30 U5739 |
| 28 | F01410076R | ROS.M12 13X 24X2,5 U6592 ZN | WASHER 12 13X 24X2,5 U6592 ZN | RONDEL. M12 13X24X2,5 U6592 ZN | SCHEIBE M12 13X24X2,5 U6592 ZN | ARAND.M12 13X 24X2,5 U6592 ZN |
| 29 | F01230213R | DADO M12X1,75 U7474 CL8 ZN | NUT M12X1,75 U7474 6SZN | ECROU AUTOBL. M12 | SELBSTSPERR.MUTTER M12 | TUERCA M12X1,75 U7474 CL8 ZN |
| 30 | B01300509R | CONTROFLANGIA SUPP. MOT. | MOTOR SUPPORT COUNTERFLANGE | CONTRE-FLASQUE SUPPORT MOTEUR | MOTORHALTERGEGENFLANSCH | CONTRA-BRIDA ADIC. MOT. |
| 31 | F01020514R | VITE M12X1,75X40 U5739 8.8ZN | SCR. M12X1,75X40 U5739 8.8ZN | VIS M12X1,75X40 U5739 8.8ZN | SCHRA. M12X1,75X40 U5739 8.8ZN | TORNILLO M12X1,75X40 U5739 8. |
| 32 | F01230213R | DADO M12X1,75 U7474 CL8 ZN | NUT M12X1,75 U7474 6SZN | ECROU AUTOBL. M12 | SELBSTSPERR.MUTTER M12 | TUERCA M12X1,75 U7474 CL8 ZN |
| 34 | B07S01801R | TRAVERSA TOPCUT NEW | CROSS BAR | TRAVERSE TOPCUT NEW | QUERTRAEGER | TRAVESA O TOPCUT NEW |
| 35 | B0C005018R | ASTA DI SOSTEGNO | SUPPORT ROD | BARRE DE SUPPORT | STUETZSTANGE | BARRA DE SOST N |
| 36 | F01410062R | ROS.M10 10,5X 18X 2 U6592 ZN | WASHER M10 10,5X 18X 2 U6592 | RONDELLE M10 10,5X18X2 ZN | DICHTUNGSRING M10 10,5X18X2 ZN | ARAND.M10 10,5X 18X 2 U6592 ZN |
| 37 | F01020476R | VITE M10X1,5X30 U5739 8.8ZN | SCR. M10X1,5X30 U5739 8.8ZN | VIS M10X1,5X30 U5739 8.8 ZN | SCHRAUBE M10X1,5X30U5739 8.8ZN | TORNILLO M10X1,5X30 U5739 8.8 |
| 38 | B0C003616R | SPES. TRAVERSA RASCHIATORI | SCRAPER CROSS MEMBER SHIM | EPAISSEUR TRAVERSE RACLEUR | ABSTREIFER TRAEGER DISTANZSCHE | ESPE. TRAVESA O RASCADORES |
| 39 | F01020508R | VITE M12X1,75X25 U5739 8.8ZN | SCR. M12X1,75X25 U5739 8.8ZN | VIS M12X1,75X25 U5739 8.8 ZN | SCHRAUBE M12X1,75X25U57398.8ZN | TORNILLO M12X1,75X25 U5739 |
| 40 | B01515797R | RALLA 13 25 5 | FIFTH WHEEL | BUTEE | SCHEIBE | RANGUA 13 25 5 |
| 41 | B0C003977R | RASCHIATORE SMONTABILE | DETACHABLE SCRAPER | RACLEUR DEMONTABLE | DEMONTIERBARER ABSTREIFER | RASCADOR DESMONTABLE |
| 42 | B0C005268R | CARTER CUT | CUT GUARD | CARTER CUT | CARTER CUT | C RTER CUT |
| 43 | F01020436R | VITE M8X1,25X20 U5739 8.8ZN | SCR. M8X1,25X20 U5739 8.8ZN | VIS M8X1,25X 20 U5739 8.8 ZN | SCHRAUBE M8X1,25X20U5739 8.8ZN | TORNILLO M8X1,25X20 U5739 8.8 |
| 44 | F01410051R | ROS.M8 8,4X 17X1,6 U6592 ZN | WASHER M8 8,4X17X1,6 U6592 ZN | RONDELLE M8 8,4X17X1,6 ZN | SCHEIBE M8 8,4X17X1,6 U6592 ZN | ARAND.M8 8,4X 17X1,6 U6592 ZN |
| 45 | B0C004239R | PROLUNGA CARTER CUT | CUT GUARD EXTENSION | RALLONGE CARTER CUT | VERLAENGERUNG CARTER CUT | ALARGADOR C RTER CUT |
| 46 | F02250111R | RIVETTO STR. 4 X6 U9200AA | RIVET 4 X6 | RIVET 4 X6 | KUPFERNIET 4 X6 | REMACHE EXTR. 4 X6 U9200AA |
| 47 | B07SP0298R | RASCHIATORE E PATTINO HTR | SCRAPER | | | RASCADOR Y PAT N HTR |
| 48 | B0C3P0153R | PROTEZIONI RASCHIATORI | PROTECTION | PROTECTION | SCHEUTZ ABSTERIFER | PROTECCIONES RASPADORES |
| 49 | B013C0126R | DISTANZIALE | SPACER | ENTRETOISE | DISTANZSTUECK | DISTANCIADOR |
| 50 | B00190850R | VITE M 8X1,25X 50 U5737 8.8ZN | SCREW | VIS | VERZINKTE SCHRAUBE | TORNILLO M 8X1,25X 50 U5737 8 |
| 51 | B030E1039R | CATENA RULLI ISO 16 B-1 39M | ROLLER CHAIN ISO16 B-1 39M | CHAINE ROULEAUX | WALZENKETTE ISO 16 B-1 39M | CADENA DE LOS RODILLOS ISO 16 |



CUT 13: TELAIO + ROTORE
CU 13: FRAME + ROTOR

TAV_090

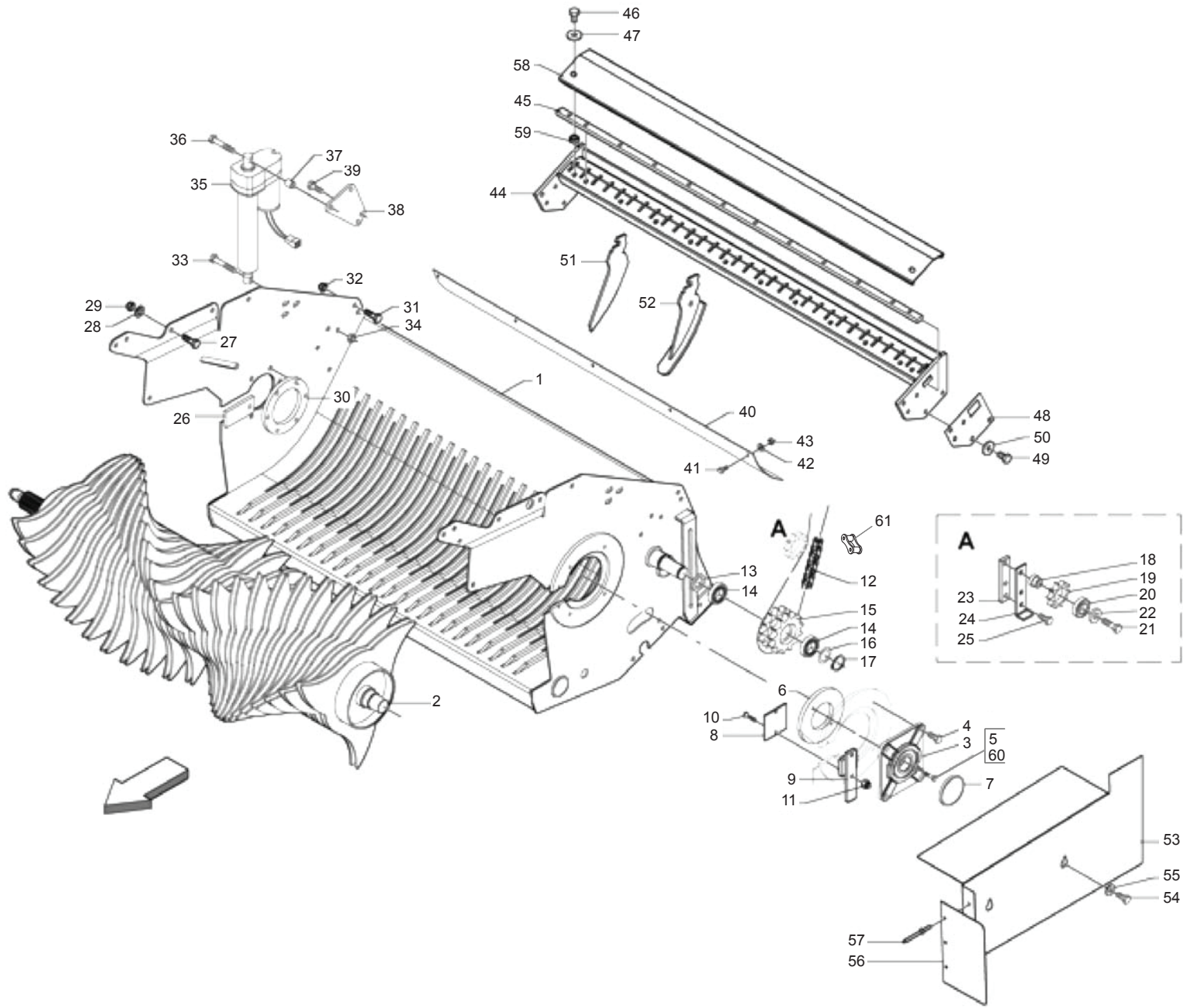
| Pos. | Cod. | Descrizione | Description | Description | Benennung | Descripcion |
|------|------------|--------------------------------|--------------------------------|--------------------------------|---------------------------------|--------------------------------|
| 1 | B07S01791R | TELAIO TOPCUT NEW | NEW TOPCUT FRAME | | | BASTIDOR TOPCUT NEW |
| 2 | B07S01944R | ROT. CON DISCHI A 3 PUNTE HTC | ROTOR WITH 3 POINTED DISCS HTC | ROTOR AVEC DISQUES A 3 POINTS | ROTOR MIT SCHEIBEN | ROLL. CON DISCOS DE 3 PUNTAS H |
| 3 | B0FMP0184R | SUPP CUSC RETTANG VERN CAPP | BEARING SUPPORT | | | |
| 4 | F01020510R | VITE M12X1,75X30 U5739 8.8ZN | SCR. M12X1,75X30 U5739 8.8ZN | VIS M12X1,75X30 U5739 8.8ZN | SCHRAU.M12X1,75X30 U5739 8.8ZN | TORNILLO M12X1,75X30 U5739 |
| 5 | B00190850R | VITE M 8X1,25X 50 U5737 8.8ZN | SCREW | VIS | VERZINKTE SCHRAUBE | TORNILLO M 8X1,25X 50 U5737 8 |
| 6 | B01300714R | CONTROFLANGIA SUPP. FOLLE | IDLE SUPPORT COUNTERFLANGE | CONTRE-BRISE SUPPORT FOU | GEGENFLANSCH | CONTRA-BRIDA SOP. LOCO |
| 7 | B04400001R | CAP. CHIUSO 110X10 TIPO C | CAP | COUVERCLE | GESCHLOSSENE KAPPE | CAP. CERRADO 110X10 TIPO C |
| 8 | B0C003746R | COMPENSO FESSURA SX | LEFT SLOT COMPENSATION | EPAISSEURE FENTE GAUCHE | LINKER SPALTENAUSGLEICH | COMPENSADO FISURA IZQ |
| 9 | B07SP0046R | FERMO COMPENSO LATO SX | LEFT SIDE SHIM LOCK | ARRET EPAISSEUR COTE GAUCHE | VERDICHUNG BLOCK | TOPE COMPENSADO LADO IZQ |
| 10 | F01030060R | VITE M8X1,25X35 U5933 10.9ZD | SCREW M8X1,25X35 U5933 10.9ZD | VIS M8X1,25X35 U5933 10.9ZD | SCHRA.M8X1,25X35 U5933 10.9ZD | TORNILLO M8X1,25X35 U5933 10.9 |
| 11 | B00920208R | DADO AUTOB.BASSO M 8-5S D985 | NUT M8X1 D985 8ZN | ECROU | SELBSTSICHERNDE MUTTER M8-5S | TUERCA M8X1 D985 8 |
| 12 | B030E0017R | GIUNTO MOLL N26 ISO 16 B-1 | SPRING JOINT N.26 ISO 16 B-1 | JOINT RESSORT | KETTENFEDER | JUNTA DE MUELL N26 ISO 16 B-1 |
| 13 | B01330957R | DISTANZIALE 35-48-7 | SPACER | ENTRETOISE | DISTANZSTUECK 35X48X7 | DISTANCIADOR 35-48-7 |
| 14 | B02043514R | CUSC.. 6007-2RS CAT.B-ST004 | BEARING | ROULEMENT | LAGER 6007-2RS | COJIN. 6007-2RS CAT.B-ST00 |
| 15 | B03400005R | CORONA Z-12 12 1 | SPROCKET Z-12 12 1 | COURONNE | KRANZ Z-12 12 1 | CORONA Z-12 12 1 |
| 16 | B01534416R | SPES. 35 43 1 ZINCATO | SHIM | ENTRETOISE | AUSGLEICHSCHEIBE 35X43X1 | ESPE. 35 43 1 CINCADO |
| 17 | B01700035R | ANEL. D ARR. ALB. 35-E UNI3653 | SEEGER RING | BAGUE SEEGER | SEEGERRING 35-E | ANIL. DE PARAD. RB. 35-E UNI3 |
| 18 | B01300302R | PERNO GALOPPINO | PERNO GALOPPINO | PIN | TOURILLON | PERNO DE POLEA |
| 19 | B03400274R | CORONA Z10-1 ISO F52 TRATT | SPROCKET Z=10-1 | ENGRANAGE SPECIAL TRAITE | ZAHNKRANZ Z=10-1 | CORONA Z10-1 ISO F52 TRA |
| 20 | F04010170R | CUSC.D25 D52 B15 6205 2RS EX | BEARING D25 D52 B15 6205 2RS | ROULEMENT 6205 2RS | LAGER 6205 2RS | COJIN.D25 D52 B15 6205 2RS EX |
| 21 | F01020160R | VITE M12X1,75X60 U5737 8.8ZN | SCR. M12X1,75X60 U5737 8.8ZN | VIS M12X1,75X60 U5737 8.8 ZN | SCHRA.M12X1,75X60 U5737 8.8 ZN | TORNILLO M12X1,75X60 U5737 8. |
| 22 | B01518412R | RALLA 12 38 5 | FIFTH WHEEL | BUTEE | SCHEIBE | RANGUA 12 38 5 |
| 23 | B0C002390R | FERMO | LOCK | ARRET | ARRETIERUNG | TOPE |
| 24 | B0C002389R | REGISTRO | REGISTER | VANNE | STELLVORRICHTUNG | REGISTRO |
| 25 | F01020510R | VITE M12X1,75X30 U5739 8.8ZN | SCR. M12X1,75X30 U5739 8.8ZN | VIS M12X1,75X30 U5739 8.8ZN | SCHRAU.M12X1,75X30 U5739 8.8ZN | TORNILLO M12X1,75X30 U5739 |
| 26 | B0C003748R | COMPENSO FESSURA DX | RIGHT SLOT COMPENSATION | EPAISSEUR FENTE DROITE | RECHTER SPALTENAUSGLEICH | COMPENSADO FISURA DER |
| 27 | F01020510R | VITE M12X1,75X30 U5739 8.8ZN | SCR. M12X1,75X30 U5739 8.8ZN | VIS M12X1,75X30 U5739 8.8ZN | SCHRAU.M12X1,75X30 U5739 8.8ZN | TORNILLO M12X1,75X30 U5739 |
| 28 | F01410076R | ROS.M12 13X 24X2,5 U6592 ZN | WASHER M12 13X 24X2,5 U6592 ZN | RONDEL. M12 13X24X2,5 U6592 ZN | SCHEIBE M12 13X24X2,5 U6592 ZN | ARAND.M12 13X 24X2,5 U6592 ZN |
| 29 | F01230213R | DADO M12X1,75 U7474 CL8 ZN | NUT M12X1,75 U7474 6SZN | ECROU AUTOBL. M12 | SELBSTSPERR.MUTTER M12 | TUERCA M12X1,75 U7474 CL8 ZN |
| 30 | B01300509R | CONTROFLANGIA SUPP. MOT. | MOTOR SUPPORT COUNTERFLANGE | CONTRE-FLASQUE SUPPORT MOTEUR | MOTORHALTERGEGENFLANSCH | CONTRA-BRIDA ADIC. MOT. |
| 31 | F01020514R | VITE M12X1,75X40 U5739 8.8ZN | SCR. M12X1,75X40 U5739 8.8ZN | VIS M12X1,75X40 U5739 8.8ZN | SCHRA. M12X1,75X40 U5739 8.8ZN | TORNILLO M12X1,75X40 U5739 8. |
| 32 | F01230213R | DADO M12X1,75 U7474 CL8 ZN | NUT M12X1,75 U7474 6SZN | ECROU AUTOBL. M12 | SELBSTSPERR.MUTTER M12 | TUERCA M12X1,75 U7474 CL8 ZN |
| 33 | F01020519R | VITE M12X1,75X 60 U5739 8.8ZN | SCREW M12X1,75X 60 U5739 8.8ZN | | | TORNILLO M12X1,75X 60 U5739 8 |
| 34 | F01230213R | DADO M12X1,75 U7474 CL8 ZN | NUT M12X1,75 U7474 6SZN | ECROU AUTOBL. M12 | SELBSTSPERR.MUTTER M12 | TUERCA M12X1,75 U7474 CL8 ZN |
| 35 | B0E000064R | ATTUATORE COLTELLI | KNIVES ACTUATOR D12 21B5 04 | ACTIONNEUR | E-MOTOR WARNER D12 21B5 04 | ACTUADOR DE CUCHILLAS |
| 36 | F01020524R | VITE M12X1,75X90 U5739 8.8ZN | SCR. M12X1,75X90 U5739 8.8ZN | | | TORNILLO M12X1,75X90 U5739 8 |
| 37 | B01300746R | DISTANZIALE 12,5X21,3X15 | SPACER | | | DISTANCIADOR 12,5X21,3X15 |
| 38 | B07S01203R | ATTACCO ATTUATORE | ACTUATOR ATTACHMENT | ATTELAGE ACTIONNEUR | E-MOTOR HALTERUNG | CONEXI N DEL ACTUADOR |
| 39 | F01040201R | VITE M12X1,75X 35 8.8 U5931 Z | SCREW M12X1,75X 35 8.8 U5931 Z | | | TORNILLO M12X1,75X 35 8.8 U593 |
| 40 | B07V00092R | PROT. MOLLE COLT. | KNIFE SPRING PROTECTION | PROTECTION RESSORTS COUTEAUX | MESSERFEDERSCHUTZ | PROT. MUELLE CUCH. |
| 41 | F01020436R | VITE M8X1,25X20 U5739 8.8ZN | SCR. M8X1,25X20 U5739 8.8ZN | VIS M8X1,25X 20 U5739 8.8 ZN | SCHRAUBE M8X1,25X20 U5739 8.8ZN | TORNILLO M8X1,25X20 U5739 8.8 |
| 42 | F01420049R | ROS.M8 8,4X 32X 2 U6593 ZN | WASHER M8 8,4X32X2 U6593 ZN | RONDELLA M8 8,4X32X2 U6593 ZN | SCHEIBE M8 8,4X32X2 U6593 ZN | ARAND.M8 8,4X 32X 2 U6593 ZN |
| 43 | B00920208R | DADO AUTOB.BASSO M 8-5S D985 | NUT M8X1 D985 8ZN | ECROU | SELBSTSICHERNDE MUTTER M8-5S | TUERCA M8X1 D985 8 |
| 44 | B07S01801R | TRAVERSA TOPCUT NEW | CROSS BAR | TRAVERSE TOPCUT NEW | QUERTRAEGER | TRAVESA O TOPCUT NEW |
| 45 | B0C005018R | ASTA DI SOSTEGNO | SUPPORT ROD | BARRE DE SUPPORT | STUETZSTANGE | BARRA DE SOST N |
| 46 | F01020476R | VITE M10X1,5X30 U5739 8.8ZN | SCR. M10X1,5X30 U5739 8.8ZN | VIS M10X1,5X30 U5739 8.8 ZN | SCHRAUBE M10X1,5X30U5739 8.8ZN | TORNILLO M10X1,5X30 U5739 8.8 |
| 47 | F01410062R | ROS.M10 10,5X 18X 2 U6592 ZN | WASHER M10 10,5X 18X 2 U6592 | RONDELLE M10 10,5X18X2 ZN | DICHTUNGSRING M10 10,5X18X2 ZN | ARAND.M10 10,5X 18X 2 U6592 ZN |
| 48 | B0C003616R | SPES. TRAVERSA RASCHIATORI | SCRAPER CROSS MEMBER SHIM | EPAISSEUR TRAVERSE RACLEUR | ABSTREIFER TRAEGER DISTANZSCHE | ESPE. TRAVERSA O RASCADORES |
| 49 | F01020508R | VITE M12X1,75X25 U5739 8.8ZN | SCR. M12X1,75X25 U5739 8.8ZN | VIS M12X1,75X25 U5739 8.8 ZN | SCHRAUBE M12X1,75X25U57398.8ZN | TORNILLO M12X1,75X25 U5739 |
| 50 | B01515797R | RALLA 13 25 5 | FIFTH WHEEL | BUTEE | SCHEIBE | RANGUA 13 25 5 |
| 51 | B0C6P0263R | RASCHIATORE | DETACHABLE SCRAPER | RACLEUR DEMONTABLE | DEMONTIERBARER ABSTREIFER | RASPADOR |
| 52 | B07SP0241R | RASCHIATORE E PATTINO | SCRAPER AND SLIDING BLOCK | RACLEUR ET PATIN | ABSTREIFER UND GLEITSCHUH | RASCADOR Y PAT N |
| 53 | B0C005268R | CARTER CUT | CUT GUARD | CARTER CUT | CARTER CUT | C RTER CUT |
| 54 | F01020436R | VITE M8X1,25X20 U5739 8.8ZN | SCR. M8X1,25X20 U5739 8.8ZN | VIS M8X1,25X 20 U5739 8.8 ZN | SCHRAUBE M8X1,25X20U5739 8.8ZN | TORNILLO M8X1,25X20 U5739 8.8 |
| 55 | F01410051R | ROS.M8 8,4X 17X1,6 U6592 ZN | WASHER M8 8,4X17X1,6 U6592 ZN | RONDELLE M8 8,4X17X1,6 ZN | SCHEIBE M8 8,4X17X1,6 U6592 ZN | ARAND.M8 8,4X 17X1,6 U6592 ZN |
| 56 | B0C004239R | PROLUNGA CARTER CUT | CUT GUARD EXTENSION | RALLONGE CARTER CUT | VERLAENGERUNG CARTER CUT | ALARGADOR C RTER CUT |
| 57 | F02250111R | RIVETTO STR. 4 X6 U9200AAL | RIVET 4 X6 | RIVET 4 X6 | KUPFERNIET 4 X6 | REMACHE EXTR. 4 X6 U9200AA |



CUT 13: TELAIO + ROTORE
CU 13: FRAME + ROTOR

TAV_090

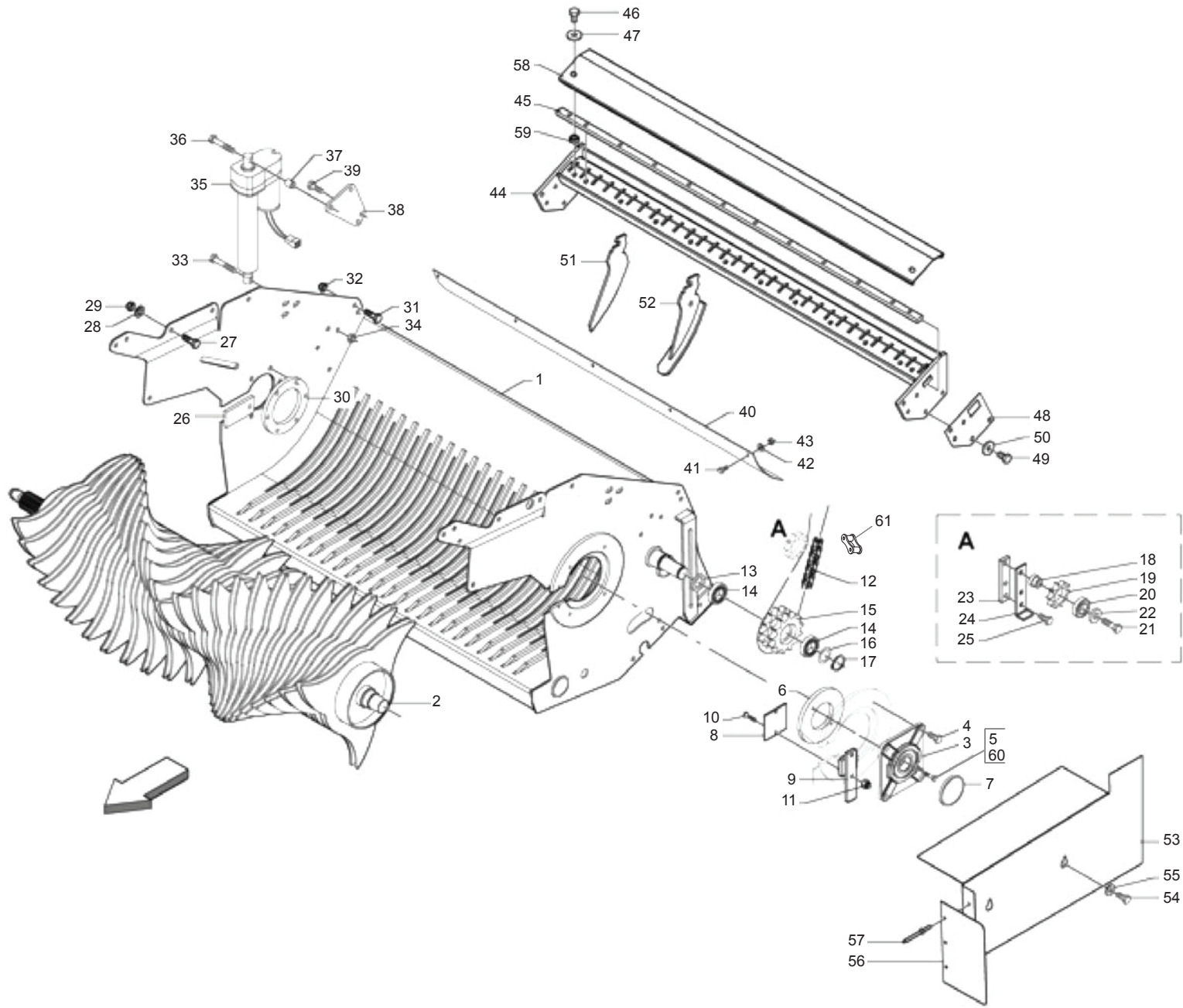
| Pos. | Cod. | Descrizione | Description | Description | Benennung | Descripcion |
|------|------------|-----------------------------|-------------------------------|---------------------------|--------------------------------|-------------------------------|
| 58 | B0C3P0153R | PROTEZIONI RASCHIATORI | PROTECTION | PROTECTION | SCHEUTZ ABSTERIFER | PROTECCIONES RASPADORES |
| 59 | B013C0126R | DISTANZIALE | SPACER | ENTRETOISE | DISTANZSTUECK | DISTANCIADOR |
| 60 | F01410051R | ROS.M8 8,4X 17X1,6 U6592 ZN | WASHER M8 8,4X17X1,6 U6592 ZN | RONDELLE M8 8,4X17X1,6 ZN | SCHEIBE M8 8,4X17X1,6 U6592 ZN | ARAND.M8 8,4X 17X1,6 U6592 ZN |
| 61 | B030E1039R | CATENA RULLI ISO 16 B-1 39M | ROLLER CHAIN ISO16 B-1 39M | CHAINE ROULEAUX | WALZENKETTE ISO 16 B-1 39M | CADENA DE LOS RODILLOS ISO 16 |



CUT 25: TELAIO + ROTORE
CUT 25: FRAME + ROTOR

TAV_095

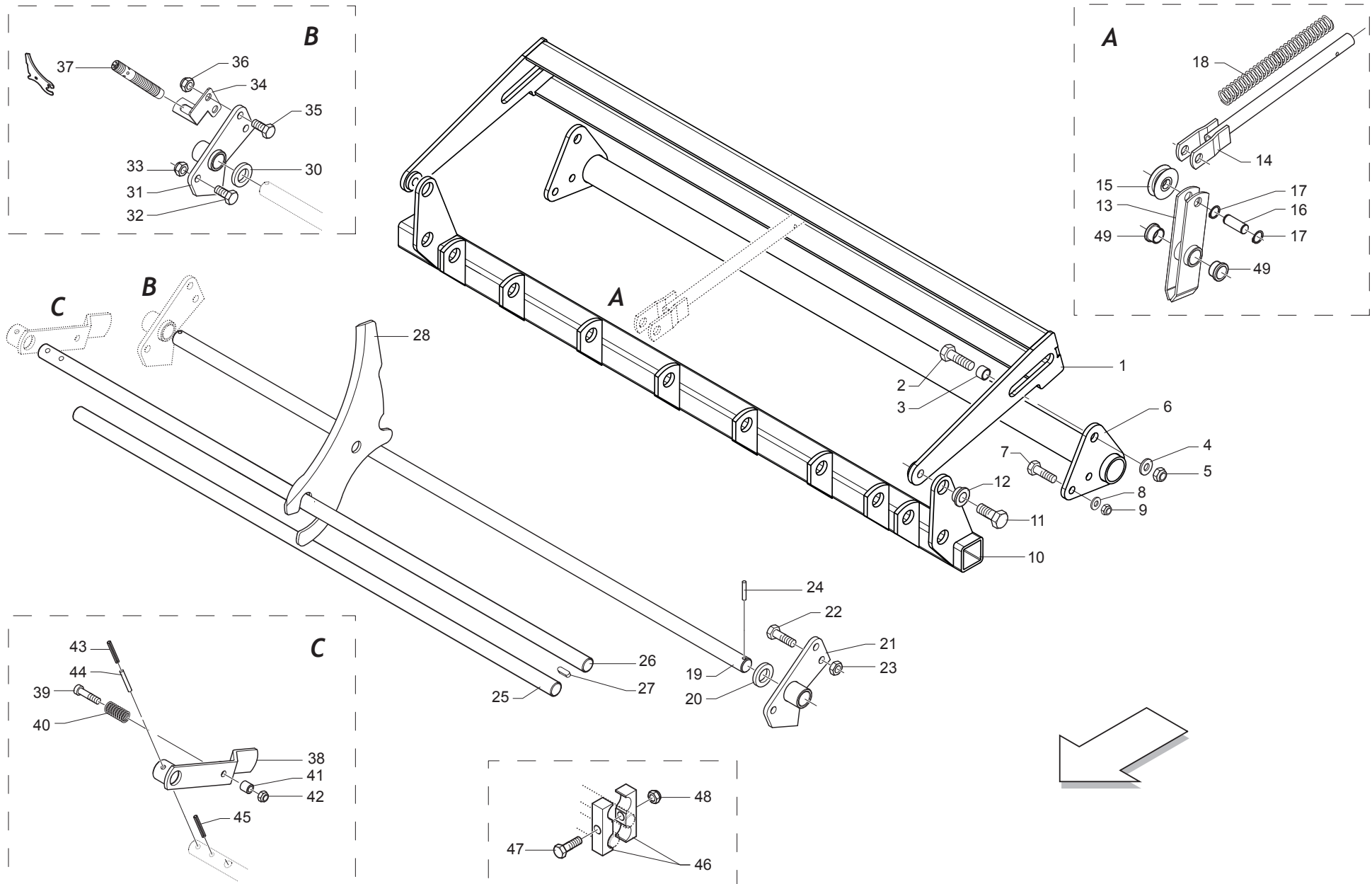
| Pos. | Cod. | Descrizione | Description | Description | Benennung | Descripcion |
|------|------------|--------------------------------|--------------------------------|--------------------------------|--------------------------------|--------------------------------|
| 1 | B07S01792R | TELAIO ULTRACUT NEW | NEW ULTRACUT FRAME | CHASSIS ULTRACUT | NEUER ULTRACUT RAHMEN | BASTIDOR ULTRACUT NEW |
| 2 | B07S01127R | ROT. ULTRACUT | ULTRACUT ROTOR | ROTOR ULTRACUT | ULTRACUT ROTOR | ROLL. ULTRACUT |
| 3 | B0FMP0184R | SUPP CUSC RETTANG VERN CAPP | BEARING SUPPORT | | | |
| 4 | F01020510R | VITE M12X1,75X30 U5739 8.8ZN | SCR. M12X1,75X30 U5739 8.8ZN | VIS M12X1,75X30 U5739 8.8ZN | SCHRAU.M12X1,75X30 U5739 8.8ZN | TORNILLO M12X1,75X30 U5739 |
| 5 | F01410051R | ROS.M8 8,4X 17X1,6 U6592 ZN | WASHER M8 8,4X17X1,6 U6592 ZN | RONDELLE M8 8,4X17X1,6 ZN | SCHEIBE M8 8,4X17X1,6 U6592 ZN | ARAND.M8 8,4X 17X1,6 U6592 ZN |
| 6 | B01300714R | CONTROFLANGIA SUPP. FOLLE | IDLE SUPPORT COUNTERFLANGE | CONTRE-BRISE SUPPORT FOU | GEGENFLANSCH | CONTRA-BRIDA SOP. LOCO |
| 7 | B04400001R | CAP. CHIUSO 110X10 TIPO C | CAP | COUVERCLE | GESCHLOSSENE KAPPE | CAP. CERRADO 110X10 TIPO C |
| 8 | B0C003746R | COMPENSO FESSURA SX | LEFT SLOT COMPENSATION | EPAISSEURE FENTE GAUCHE | LINKER SPALTENAUSGLEICH | COMPENSADO FISURA IZQ |
| 9 | B07SP0046R | FERMO COMPENSO LATO SX | LEFT SIDE SHIM LOCK | ARRET EPAISSEUR COTE GAUCHE | VERDICHTUNG BLOCK | TOPE COMPENSADO LATO IZQ. |
| 10 | F01030060R | VITE M8X1,25X35 U5933 10.9ZD | SCREW M8X1,25X35 U5933 10.9ZD | VIS M8X1,25X35 U5933 10.9ZD | SCHRA.M8X1,25X35 U5933 10.9ZD | TORNILLO M8X1,25X35 U5933 10.9 |
| 11 | B00920208R | DADO AUTOB.BASSO M 8-5S D985 | NUT M8X1 D985 8ZN | ECROU | SELBSTSICHERNDE MUTTER M8-5S | TUERCA M8X1 D985 8 |
| 12 | B030E1039R | CATENA RULLI ISO 16 B-1 39M | ROLLER CHAIN ISO16 B-1 39M | CHAINE ROULEAUX | WALZENKETTE ISO 16 B-1 39M | CADENA DE LOS RODILLOS ISO 16 |
| 13 | B01330957R | DISTANZIALE 35-48-7 | SPACER | ENTRETOISE | DISTANZSTUECK 35X48X7 | DISTANCIADOR 35-48-7 |
| 14 | B02043514R | CUSC.. 6007-2RS CAT.B-ST004 | BEARING | ROULEMENT | LAGER 6007-2RS | COJIN. 6007-2RS CAT.B-ST00 |
| 15 | B03400005R | CORONA Z-12 12 1 | SPROCKET Z-12 12 1 | COURONNE | KRANZ Z-12 12 1 | CORONA Z-12 12 1 |
| 16 | B01534416R | SPES. 35 43 1 ZINCATO | SHIM | ENTRETOISE | AUSGLEICHSCHEIBE 35X43X1 | ESPE. 35 43 1 CINCADO |
| 17 | B01700035R | ANEL. D ARR. ALB. 35-E UNI3653 | SEEGER RING | BAGUE SEEGER | SEEGERRING 35-E | ANIL. DE PARAD. RB. 35-E UNI3 |
| 18 | B01300302R | PERNO GALOPPINO | PERNO GALOPPINO | PIN | TOURILLON | PERNO DE POLEA |
| 19 | B03400274R | CORONA Z10-1 ISO F52 TRATT | SPROCKET Z=10-1 | ENGRANAGE SPECIAL TRAITE | ZAHNKRANZ Z=10-1 | CORONA Z10-1 ISO F52 TRA |
| 20 | F04010170R | CUSC.D25 D52 B15 6205 2RS EX | BEARING D25 D52 B15 6205 2RS | ROULEMENT 6205 2RS | LAGER 6205 2RS | COJIN.D25 D52 B15 6205 2RS EX |
| 21 | F01020160R | VITE M12X1,75X60 U5737 8.8ZN | SCR. M12X1,75X60 U5737 8.8ZN | VIS M12X1,75X60 U5737 8.8 ZN | SCHRA.M12X1,75X60 U5737 8.8 ZN | TORNILLO M12X1,75X60 U5737 8. |
| 22 | B01518412R | RALLA 12 38 5 | FIFTH WHEEL | BUTEE | SCHEIBE | RANGUA 12 38 5 |
| 23 | B0C002390R | FERMO | LOCK | ARRET | ARRETIERUNG | TOPE |
| 24 | B0C002389R | REGISTRO | REGISTER | VANNE | STELLVORRICHTUNG | REGISTRO |
| 25 | F01020510R | VITE M12X1,75X30 U5739 8.8ZN | SCR. M12X1,75X30 U5739 8.8ZN | VIS M12X1,75X30 U5739 8.8ZN | SCHRAU.M12X1,75X30 U5739 8.8ZN | TORNILLO M12X1,75X30 U5739 |
| 26 | B0C003748R | COMPENSO FESSURA DX | RIGHT SLOT COMPENSATION | EPAISSEUR FENTE DROITE | RECHTER SPALTENAUSGLEICH | COMPENSADO FISURA DER |
| 27 | F01020510R | VITE M12X1,75X30 U5739 8.8ZN | SCR. M12X1,75X30 U5739 8.8ZN | VIS M12X1,75X30 U5739 8.8ZN | SCHRAU.M12X1,75X30 U5739 8.8ZN | TORNILLO M12X1,75X30 U5739 |
| 28 | F01410076R | ROS.M12 13X 24X2,5 U6592 ZN | WASHER M12 13X 24X2,5 U6592 ZN | RONDEL. M12 13X24X2,5 U6592 ZN | SCHEIBE M12 13X24X2,5 U6592 ZN | ARAND.M12 13X 24X2,5 U6592 ZN |
| 29 | F01230213R | DADO M12X1,75 U7474 CL8 ZN | NUT M12X1,75 U7474 6SZN | ECROU AUTOBL. M12 | SELBSTSPERR.MUTTER M12 | TUERCA M12X1,75 U7474 CL8 ZN |
| 30 | B01300509R | CONTROFLANGIA SUPP. MOT. | MOTOR SUPPORT COUNTERFLANGE | CONTRE-FLASQUE SUPPORT MOTEUR | MOTORHALTERGEGENFLANSCH | CONTRA-BRIDA ADIC. MOT. |
| 31 | F01020514R | VITE M12X1,75X40 U5739 8.8ZN | SCR. M12X1,75X40 U5739 8.8ZN | VIS M12X1,75X40 U5739 8.8ZN | SCHRA. M12X1,75X40 U5739 8.8ZN | TORNILLO M12X1,75X40 U5739 8. |
| 32 | F01230213R | DADO M12X1,75 U7474 CL8 ZN | NUT M12X1,75 U7474 6SZN | ECROU AUTOBL. M12 | SELBSTSPERR.MUTTER M12 | TUERCA M12X1,75 U7474 CL8 ZN |
| 33 | F01020519R | VITE M12X1,75X 60 U5739 8.8ZN | SCREW M12X1,75X 60 U5739 8.8ZN | | | TORNILLO M12X1,75X 60 U5739 8 |
| 34 | F01230213R | DADO M12X1,75 U7474 CL8 ZN | NUT M12X1,75 U7474 6SZN | ECROU AUTOBL. M12 | SELBSTSPERR.MUTTER M12 | TUERCA M12X1,75 U7474 CL8 ZN |
| 35 | B0E000064R | ATTUATORE COLTELLI | KNIVES ACTUATOR D12 21B5 04 | ACTIONNEUR | E-MOTOR WARNER D12 21B5 04 | ACTUADOR DE CUCHILLAS |
| 36 | F01020524R | VITE M12X1,75X90 U5739 8.8ZN | SCR. M12X1,75X90 U5739 8.8ZN | | | TORNILLO M12X1,75X90 U5739 8 |
| 37 | B01300746R | DISTANZIALE 12,5X21,3X15 | SPACER | | | DISTANCIADOR 12,5X21,3X15 |
| 38 | B07S01203R | ATTACCO ATTUATORE | ACTUATOR ATTACHMENT | ATTELAGE ACTIONNEUR | E-MOTOR HALTERUNG | CONEXI N DEL ACTUADOR |
| 39 | F01040201R | VITE M12X1,75X 35 8.8 U5931 Z | SCREW M12X1,75X 35 8.8 U5931 Z | | | TORNILLO M12X1,75X 35 8.8 U593 |
| 40 | B07V00092R | PROT. MOLLE COLT. | KNIFE SPRING PROTECTION | PROTECTION RESSORTS COUTEAUX | MESSERFEDERSCHUTZ | PROT. MUELLE CUCH. |
| 41 | F01020436R | VITE M8X1,25X20 U5739 8.8ZN | SCR. M8X1,25X20 U5739 8.8ZN | VIS M8X1,25X 20 U5739 8.8 ZN | SCHRAUBE M8X1,25X20U5739 8.8ZN | TORNILLO M8X1,25X20 U5739 8.8 |
| 42 | F01420048R | ROS.M8 8,4X 24X 2 U6593 ZN | WASHER M8 8,4X 24X2 U6593 ZN | RONDELLE M8 8,4X24X 2 U6593 ZN | SCHEIBEN M8 8,4X24X 2 U6593 ZN | ARAND.M8 8,4X 24X 2 U6593 ZN |
| 43 | B00920208R | DADO AUTOB.BASSO M 8-5S D985 | NUT M8X1 D985 8ZN | ECROU | SELBSTSICHERNDE MUTTER M8-5S | TUERCA M8X1 D985 8 |
| 44 | B07S01847R | TRAVERSA ULTRACUT HT | CROSS BAR | TRAVERSE ULTRACUT HT | QUERTRAEGER | TRAVESA O ULTRACUT HT |
| 45 | B0C003981R | TRAVERSINO | LINK STUD | PETITE TRAVERSE | STEG | TRAVESA O |
| 46 | F01020476R | VITE M10X1,5X30 U5739 8.8ZN | SCR. M10X1,5X30 U5739 8.8ZN | VIS M10X1,5X30 U5739 8.8 ZN | SCHRAUBE M10X1,5X30U5739 8.8ZN | TORNILLO M10X1,5X30 U5739 8.8 |
| 47 | F01410062R | ROS.M10 10,5X 18X 2 U6592 ZN | WASHER M10 10,5X 18X 2 U6592 | RONDELLE M10 10,5X18X2 ZN | DICHTUNGSRING M10 10,5X18X2 ZN | ARAND.M10 10,5X 18X 2 U6592 ZN |
| 48 | B0C003616R | SPES. TRAVERSA RASCHIATORI | SCRAPER CROSS MEMBER SHIM | EPAISSEUR TRAVERSE RACLEUR | ABSTREIFER TRAEGER DISTANZSCHE | ESPE. TRAVESA O RASCADORES |
| 49 | F01020508R | VITE M12X1,75X25 U5739 8.8ZN | SCR. M12X1,75X25 U5739 8.8ZN | VIS M12X1,75X25 U5739 8.8 ZN | SCHRAUBE M12X1,75X25U57398.8ZN | TORNILLO M12X1,75X25 U5739 |
| 50 | B01515797R | RALLA 13 25 5 | FIFTH WHEEL | BUTEE | SCHEIBE | RANGUA 13 25 5 |
| 51 | B0C6P0263R | RASCHIATORE | DETACHABLE SCRAPER | RACLEUR DEMONTABLE | DEMONTIERBARER ABSTREIFER | RASPADOR |
| 52 | B07SP0241R | RASCHIATORE E PATTINO | SCRAPER AND SLIDING BLOCK | RACLEUR ET PATIN | ABSTREIFER UND GLEITSCHUH | RASCADOR Y PAT N |
| 53 | B0C005268R | CARTER CUT | CUT GUARD | CARTER CUT | CARTER CUT | C RTER CUT |
| 54 | F01020436R | VITE M8X1,25X20 U5739 8.8ZN | SCR. M8X1,25X20 U5739 8.8ZN | VIS M8X1,25X 20 U5739 8.8 ZN | SCHRAUBE M8X1,25X20U5739 8.8ZN | TORNILLO M8X1,25X20 U5739 8.8 |
| 55 | F01410051R | ROS.M8 8,4X 17X1,6 U6592 ZN | WASHER M8 8,4X17X1,6 U6592 ZN | RONDELLE M8 8,4X17X1,6 ZN | SCHEIBE M8 8,4X17X1,6 U6592 ZN | ARAND.M8 8,4X 17X1,6 U6592 ZN |
| 56 | B0C004239R | PROLUNGA CARTER CUT | CUT GUARD EXTENSION | RALLONGE CARTER CUT | VERLAENGERUNG CARTER CUT | ALARGADOR C RTER CUT |
| 57 | F02250111R | RIVETTO STR. 4 X6 U9200AAL | RIVET 4 X6 | RIVET 4 X6 | KUPFERNIET 4 X6 | REMACHE EXTR. 4 X6 U9200AA |



CUT 25: TELAIO + ROTORE
CUT 25: FRAME + ROTOR

TAV_095

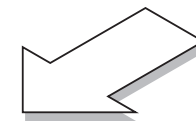
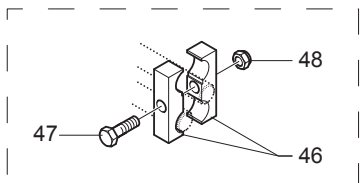
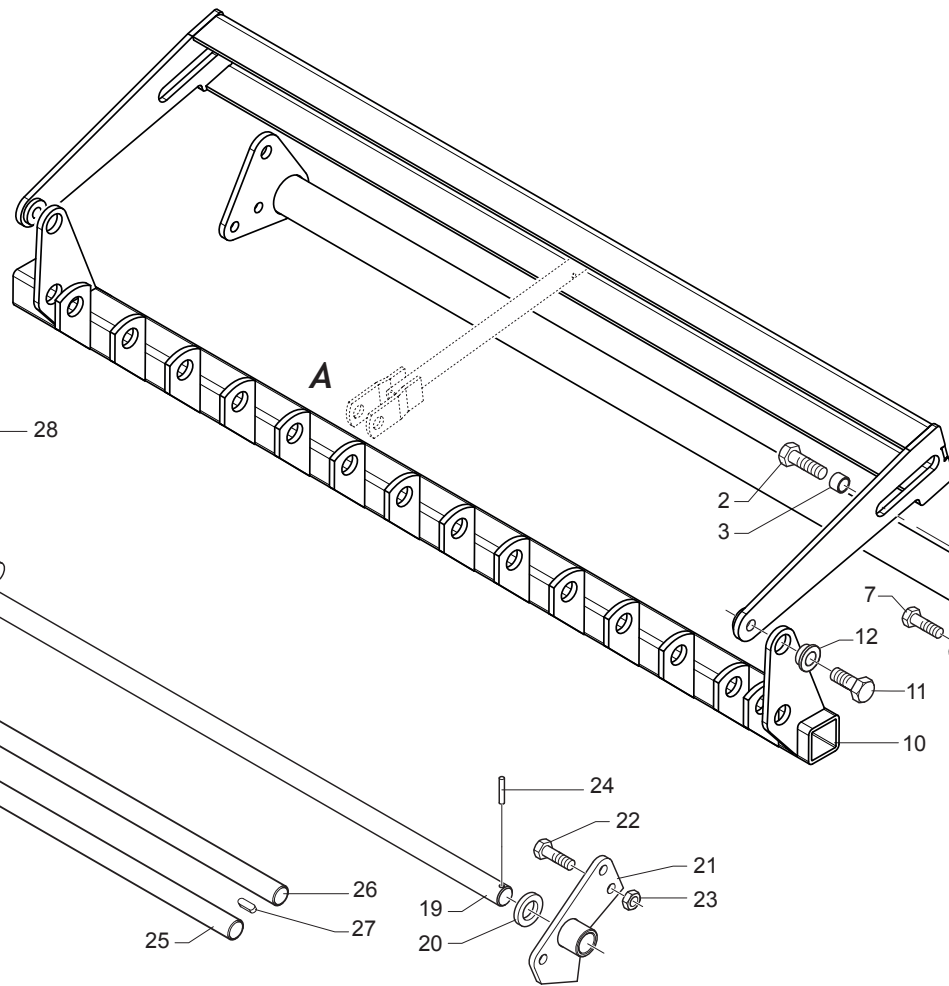
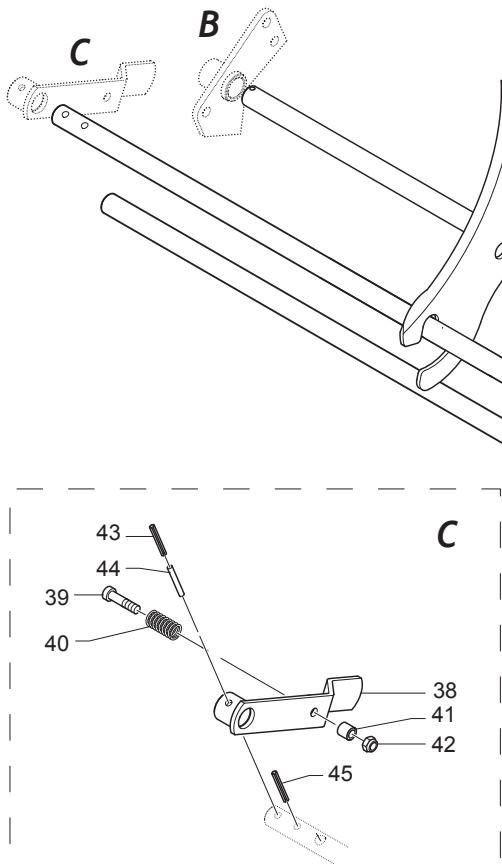
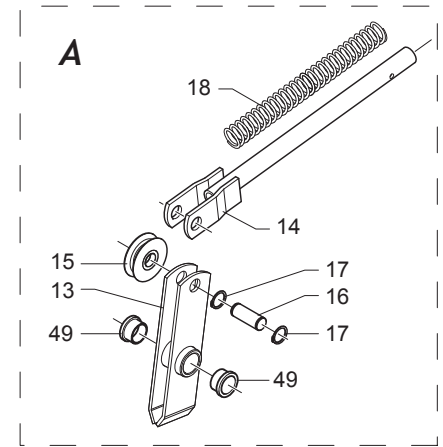
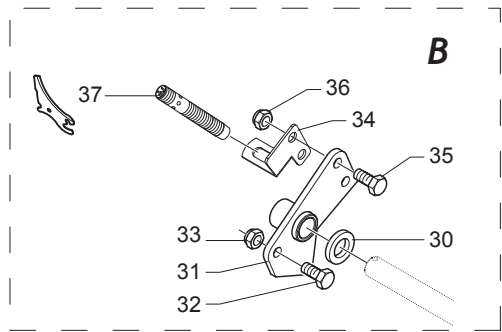
| Pos. | Cod. | Descrizione | Description | Description | Benennung | Descripcion |
|------|------------|-------------------------------|------------------------------|---------------|--------------------|-------------------------------|
| 58 | B0C3P0153R | PROTEZIONI RASCHIATORI | PROTECTION | PROTECTION | SCHUTZ ABSTERIFER | PROTECCIONES RASPADORES |
| 59 | B013C0126R | DISTANZIALE | SPACER | ENTRETOISE | DISTANZSTUECK | DISTANCIADOR |
| 60 | B00190850R | VITE M 8X1,25X 50 U5737 8.8ZN | SCREW | VIS | VERZINKTE SCHRAUBE | TORNILLO M 8X1,25X 50 U5737 8 |
| 61 | B030E0017R | GIUNTO MOLL N26 ISO 16 B-1 | SPRING JOINT N.26 ISO 16 B-1 | JOINT RESSORT | KETTENFEDER | JUNTA DE MUELL N26 ISO 16 B-1 |



**CUT 13: TRAVERSA COLTELLI
CUT 13: KNIVES CROSSBAR**

TAV_100

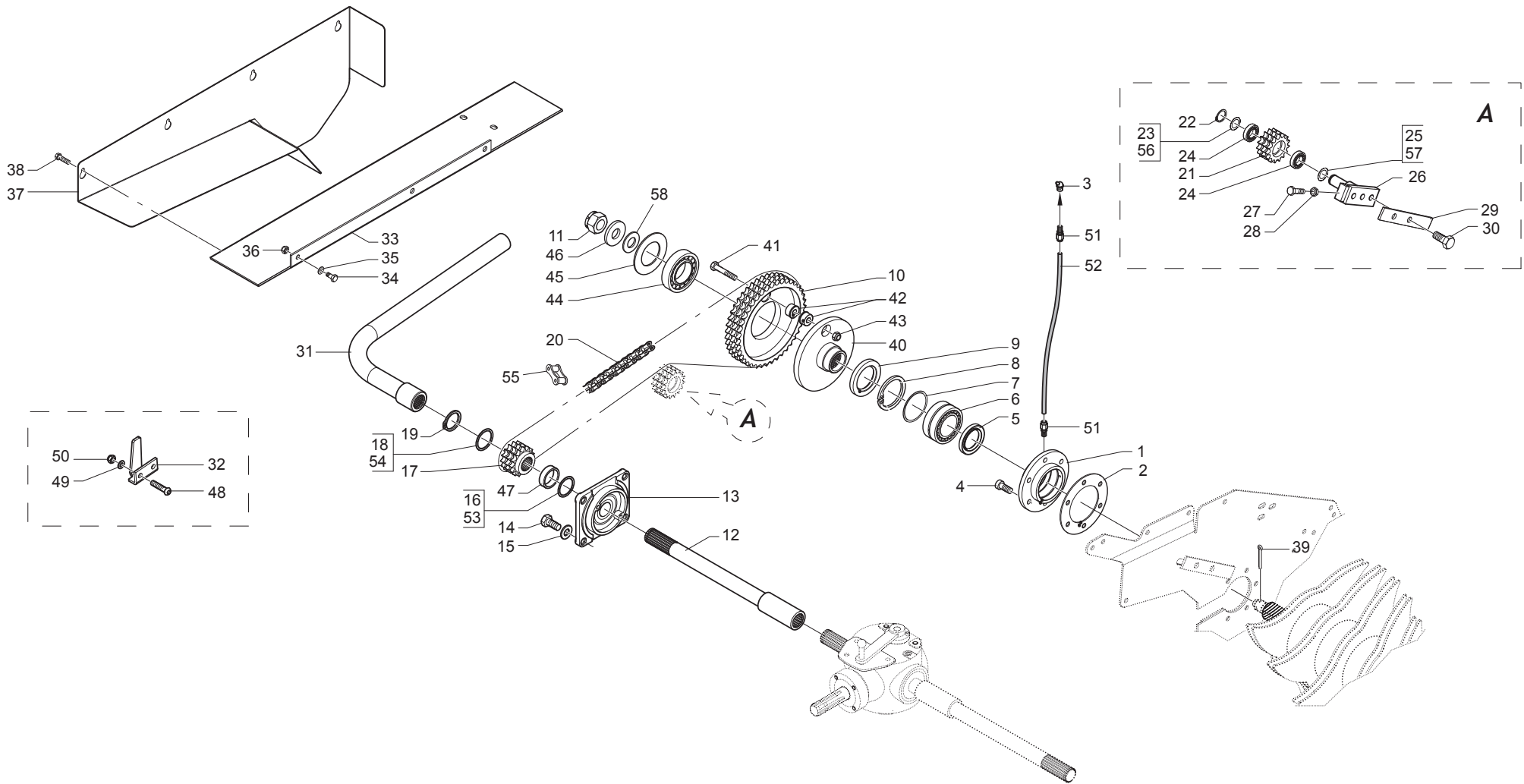
| Pos. | Cod. | Descrizione | Description | Description | Benennung | Descripcion |
|------|------------|--------------------------------|-------------------------------|--------------------------------|--------------------------------|--------------------------------|
| 1 | B07S01802R | CONTRASTO MOLLE TOPCUT | KNIFE RESISTANCE TOPCUT | RESISTENCE DENTS TOPCUT | MESSERWIDERSTAND TOPCUT | CONTRASTE DE LOS MUELLES |
| 2 | F01020568R | VITE M16X2X45 U5739 8.8ZN | SCR. M16X2X45 U5739 8.8ZN | VIS M 16X 2X45 U5739 8.8 ZG | SCHRAUBE M 16X 2X45 U5739 8.8 | TORNILLO M16X2X45 U5739 8.8Z |
| 3 | B01300745R | DISTANZIALE 16X20X14 | SPACER | ENTRETOISE | DISTANZSTUECK 16X20X14 | DISTANCIADOR 16X20X14 |
| 4 | F01410100R | ROS.M16 17X 30X 3 U6592 ZN | WASHER M16 17X30X3 U6592 ZN | RONDELLE M16 17X30X3 ZN | SCHRAUBE M16 17X 30X3 U6592 ZN | ARAND.M16 17X 30X 3 U6592 ZN |
| 5 | B00920516R | DADO M16X 1,5 D985 6S ZN | NUT M16X1,5 D985 6S ZN | ECROU | SELBSTSICHERNDE MUTTER M16-5S | TUERCA M16X 1,5 D985 6S |
| 6 | B07S01636R | COLLEGAMENTO INFERIORE NEW | LOWER CONNECTION | CONNECTION INFERIEURE | UNTERE VERBINDUNG | CONEXI N INFERIOR NEW |
| 7 | F01020508R | VITE M12X1,75X25 U5739 8.8ZN | SCR. M12X1,75X25 U5739 8.8ZN | VIS M12X1,75X25 U5739 8.8 ZN | SCHRAUBE M12X1,75X25U57398.8ZN | TORNILLO M12X1,75X25 U5739 |
| 8 | F01410076R | ROS.M12 13X 24X2,5 U6592 ZN | WASHER 12 13X 24X2,5 U6592 ZN | RONDEL. M12 13X24X2,5 U6592 ZN | SCHIEBE M12 13X24X2,5 U6592 ZN | ARAND.M12 13X 24X2,5 U6592 ZN |
| 9 | F01230213R | DADO M12X1,75 U7474 CL8 ZN | NUT M12X1,75 U7474 6SZN | ECROU AUTOBL. M12 | SELBSTSPERR.MUTTER M12 | TUERCA M12X1,75 U7474 CL8 ZN |
| 10 | B07S01803R | COM. COLT. TOPCUT | KNIFE CONTROL TOPCUT | COMMANDE COUTEAUX TOPCUT | MESSERBETAETIGUNG TOPCUT | COM. CUCH. TOPCUT |
| 11 | F01020562R | VITE M16X2X30 U5739 8.8ZN | SCR. M16X2X30 U5739 8.8ZN | VIS M16X2X30 U5739 8.8 ZN | SCHRAUBE M16X2X30 U5739 8.8 ZN | TORNILLO M16X2X30 U5739 8.8ZN |
| 12 | B01300706R | BUSSOLA DI GUIDA | GUIDE BUSH | DOUILLE DE GUIDE | FUHRUNGSBUCHSE | CASQUILLO DE GU A |
| 13 | B07SP0024R | BILANCINO TOPCUT | TOPCUT ROCKER ARM | PALONNIER TOPCUT | SCHWINGE TOPCUT | BALANC N TOPCUT |
| 14 | B07S01125R | SOSTEGNO MOLLE | SPRING BRACKET | SUPPORT RESSORTS | FEDERHALTERUNG | SOPORTE DE LOS MUELLES |
| 15 | B03800014R | ROTELLA GUIDA COLTELLI | KNIVES GUIDE PULLEY | GALET GUIDE COUTEAUX | MESSER FUHRUNGSROLLE | ARANDELA DE GU A DE LAS CUCHI |
| 16 | B01300694R | PERNO CARRUCOLA COLTELLO | KNIFE ROLLER PIN | TOURILLON POULIE COUTEAU | MESSERFUHRUNGSROLLENBOLZEN | PERNO DE LA POLEA DE LA CUCHIL |
| 17 | B01700016R | ANEL. D ARR. ALB. 16-E UNI3653 | SEEGER RING | BAGUE SEEGER | SEEGERING | ANIL. DE PARAD. RB. 16-E UNI3 |
| 18 | B01800049R | MOLLA TRAVERSA COLTELLI | SPRING KNIV.CONTROL 5 30 293C | RESSORT | FEDER | MUELLE TRAVESA O DE LAS CUCHI |
| 19 | B03500034R | PERNO FULCRO | PIVOT | TOURILLON | DREHZAPFEN | PERNO FULCRO |
| 20 | B01300036R | RALLA 25,5X40 X 4 | FIFTH WHEEL | BUTEE | LAGERSCHALE 25,5X40X4 | RANGUA 25,5X40 X 4 |
| 21 | B07S01145R | FULCRO SX LEVERISMI | LEFT LINKAGE FULCRUM | POINT D APPUI GAUCHE LEVIERS | LINKER HEBELWERKSCHWENKPUNKT | FULCRO IZQ GRUPO DE PALANCAS |
| 22 | F01020510R | VITE M12X1,75X30 U5739 8.8ZN | SCR. M12X1,75X30 U5739 8.8ZN | VIS M12X1,75X30 U5739 8.8ZN | SCHRAU.M12X1,75X30 U5739 8.8ZN | TORNILLO M12X1,75X30 U5739 |
| 23 | F01230213R | DADO M12X1,75 U7474 CL8 ZN | NUT M12X1,75 U7474 6SZN | ECROU AUTOBL. M12 | SELBSTSPERR.MUTTER M12 | TUERCA M12X1,75 U7474 CL8 ZN |
| 24 | B01110635R | SPINA ELAST. 6X 35 SS DIN 1481 | PIN | GOUPIILLE | STIFT | CLAVIJA EL ST. 6X 35 SS DIN 14 |
| 25 | B035P0016R | ASTA NEW | NEW ROD | TIGE NEW | STAB NEW | BARRA NEW |
| 26 | B035P0015R | FULCRO COLT. NEW | NEW KNIVES FULCRUM | POINT D APPUI COUTEAUX NEW | FULCRUM MESSER NEW | PERNO CUCHILL. NEW |
| 27 | F02150064R | LINGUETTA 8X 7X 25 U6604A | PARALLEL KEY 8X 7X 25 U6604A | CLAVETTE 8X7X25 | FEDER 8X7X25 UNI 6604 | LENG ETA 8X 7X 25 U6604A |
| 28 | B07U00035R | COLTELLO ULTRACUT | TOPCUT KNIFE | COUTEAU CUT | SPEZIAL TOPCUT KLINGE | CUCHILLA ULTRACUT |
| 30 | B01300036R | RALLA 25,5X40 X 4 | FIFTH WHEEL | BUTEE | LAGERSCHALE 25,5X40X4 | RANGUA 25,5X40 X 4 |
| 31 | B07S01144R | FULCRO DX LEVERISMI | RIGHT LINKAGE FULCRUM | POINT D APPUI DROIT LEVIERS | RECHTER HEBELWERKSCHWENKPUNKT | FULCRO DER GRUPO DE PALANCA |
| 32 | F01020510R | VITE M12X1,75X30 U5739 8.8ZN | SCR. M12X1,75X30 U5739 8.8ZN | VIS M12X1,75X30 U5739 8.8ZN | SCHRAU.M12X1,75X30 U5739 8.8ZN | TORNILLO M12X1,75X30 U5739 |
| 33 | F01230213R | DADO M12X1,75 U7474 CL8 ZN | NUT M12X1,75 U7474 6SZN | ECROU AUTOBL. M12 | SELBSTSPERR.MUTTER M12 | TUERCA M12X1,75 U7474 CL8 ZN |
| 34 | B0C004233R | SOSTEGNO PROSIMITI CUT | CUT SENSOR SUPPORT | SUPPORT SENSEUR CUT | CUT SENSORHALTERUNG | SOPORTE SENSOR DE PROXIMIDA |
| 35 | F01020512R | VITE M12X1,75X35 U5739 8.8ZN | SCR. M12X1,75X35 U5739 8.8ZN | VIS M12X1,75X35 5739 8.8 ZN | SCHR. M12X1,75X35 5739 8.8 ZN | TORNILLO M12X1,75X35 U5739 8 |
| 36 | F01230213R | DADO M12X1,75 U7474 CL8 ZN | NUT M12X1,75 U7474 6SZN | ECROU AUTOBL. M12 | SELBSTSPERR.MUTTER M12 | TUERCA M12X1,75 U7474 CL8 ZN |
| 37 | B0E000056R | SENSORE PROSSIMITA BALLA M12 | PROXIMITY SENSOR | CAPTEUR DE PROXIMITE | ABSTANDSMELDER | SENSOR DE PROXIMIDAD DE LA BA |
| 38 | B07S01159R | MANIGLIA DI SICUREZZA | SAFETY HANDLE | POULIE DE SURETE | SICHERUNGSHEBEL | MANIJA DE SEGURIDAD |
| 39 | F01040130R | VITE M10X1,5X60 U5931 8.8ZN | SCR. M10X1,5X60 U5931 8.8ZN | | | TORNILLO M10X1,5X60 U5931 8.8 |
| 40 | B01821993R | MOLLA | SPRING | RESSORT | FEDER | MUELLE |
| 41 | B01300401R | BUSSOLA FILETTATA | PIN WITHOUT NET | DOUILLE FILETEE | NETZAUFNAHMEZANGENBOLZEN | CASQUILLO ROSCADO |
| 42 | F01230202R | DADO M10X 1,5 D985 8 ZN | NUT M10 D985 | ECROU AUTOBL. M10 | SELBSTSPERR.MUTTER M10 | TUERCA M10X 1,5 D985 8 |
| 43 | F02100142R | SPINA E.P. 8X 40 U6873 C70 BR | ELASTIC PIN 8X40 | GOUJON ELASTIQUE 8X40 | SPANNHUELSE 8X40 | CLAVIJA EL.P. 8X 40 U6873 C70 |
| 44 | F02100090R | SPINA E.P. 5X 40 U6873 C70 BR | ELASTIC PIN 5X40 | GOUJON ELASTIQUE 5X40 | SPANNHUELSE 5X40 | CLAVIJA EL.P. 5X 40 U6873 C70 |
| 45 | F02100142R | SPINA E.P. 8X 40 U6873 C70 BR | ELASTIC PIN 8X40 | GOUJON ELASTIQUE 8X40 | SPANNHUELSE 8X40 | CLAVIJA EL.P. 8X 40 U6873 C70 |
| 46 | B027P0001R | SEMIBIELLA DI TRASMISSIONE | DRIVE HALF ROD | DEMI BIELLE DE TRANSMISSION | HALB-KOLBENSTANGE | SEMI-BIELA DE TRANSMISI N |
| 47 | F01020162R | VITE M12X1,75X65 U5737 8.8ZN | SCR. M12X1,75X65 U5737 8.8ZN | VIS M12X1,75X65 U5737 8.8 ZN | SCHRA.M12X1,75X65 U5737 8.8 ZN | TORNILLO M12X1,75X65 U5737 8. |
| 48 | F01230213R | DADO M12X1,75 U7474 CL8 ZN | NUT M12X1,75 U7474 6SZN | ECROU AUTOBL. M12 | SELBSTSPERR.MUTTER M12 | TUERCA M12X1,75 U7474 CL8 ZN |
| 49 | B025P0003R | BUSSOLA NYLON | NYLON BUSH | DOUILLE EN NYLON | BUCHSE | CASQUILLO DE NAILON |



CUT 25: TRAVERSA COLTELLI
CUT 25: KNIVES CROSSBAR

TAV_105

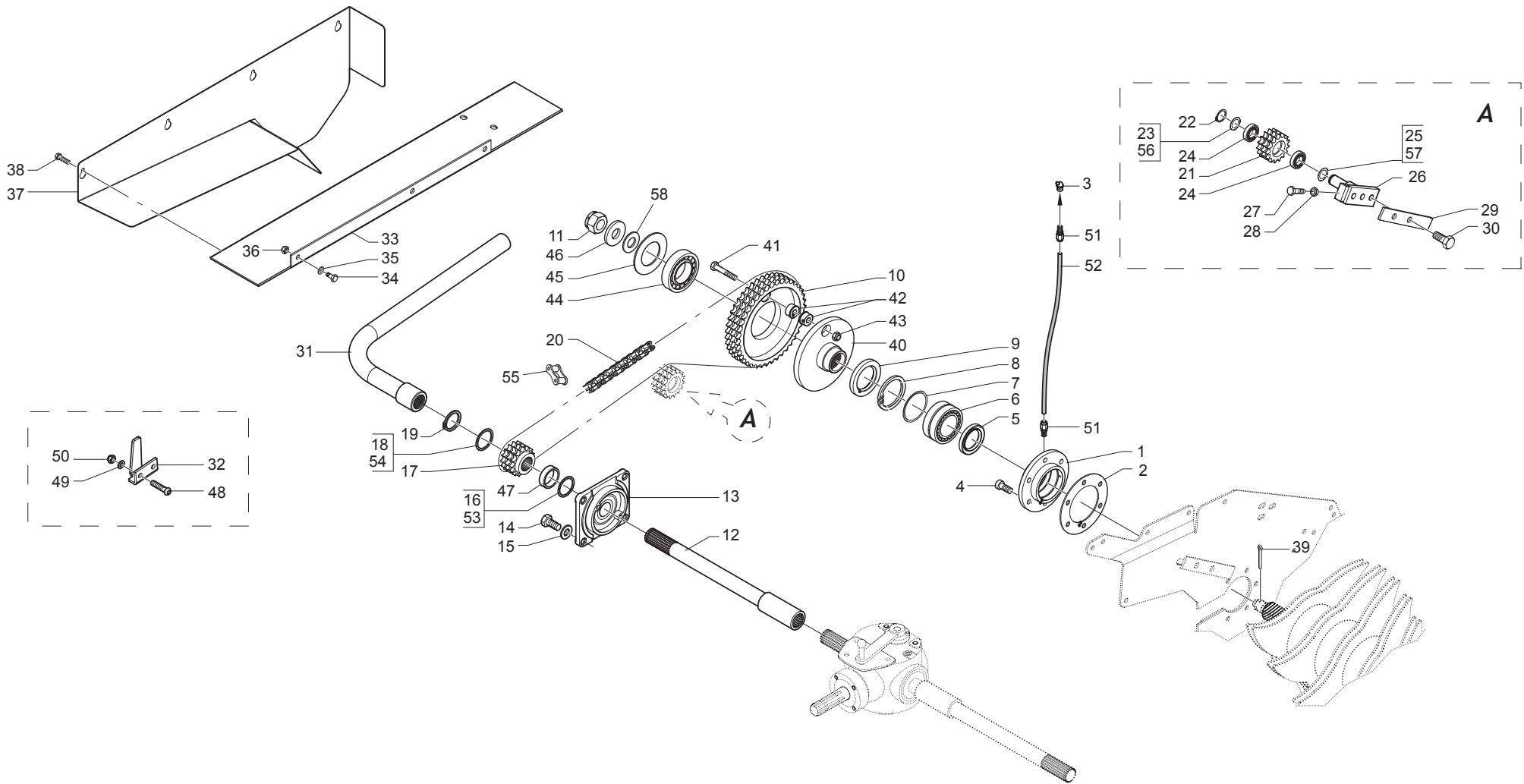
| Pos. | Cod. | Descrizione | Description | Description | Benennung | Descripcion |
|------|------------|--------------------------------|-------------------------------|--------------------------------|---------------------------------|--------------------------------|
| 1 | B07S01142R | CONTRASTO MOLLE | KNIFE RESISTANCE ULTRACUT | CONTRASTE RESSORTS | MESSERWIDERSTAND ULTRACUT | CONTRASTE DE LOS MUELLES |
| 2 | F01020568R | VITE M16X2X45 U5739 8.8ZN | SCR. M16X2X45 U5739 8.8ZN | VIS M 16X 2X45 U5739 8.8 ZN | SCHRAUBE M 16X 2X45 U5739 8.8 | TORNILLO M16X2X45 U5739 8.8Z |
| 3 | B01300745R | DISTANZIALE 16X20X14 | SPACER | ENTRETOISE | DISTANZSTUECK 16X20X14 | DISTANCIADOR 16X20X14 |
| 4 | F01410100R | ROS.M16 17X 30X 3 U6592 ZN | WASHER M16 17X30X3 U6592 ZN | RONDELLE M16 17X30X3 ZN | SCHRAUBE M16 17X 30X3 U6592 ZN | ARAND.M16 17X 30X 3 U6592 ZN |
| 5 | B00920516R | DADO M16X 1,5 D985 6S ZN | NUT M16X1,5 D985 6S ZN | ECROU | SELBSTSICHERNDE MUTTER M16-5S | TUERCA M16X 1,5 D985 6S |
| 6 | B07S01636R | COLLEGAMENTO INFERIORE NEW | LOWER CONNECTION | CONNECTION INFERIEURE | UNTERE VERBINDUNG | CONEXI N INFERIOR NEW |
| 7 | F01020508R | VITE M12X1,75X25 U5739 8.8ZN | SCR. M12X1,75X25 U5739 8.8ZN | VIS M12X1,75X25 U5739 8.8 ZN | SCHRAUBE M12X1,75X25U57398.8ZN | TORNILLO M12X1,75X25 U5739 |
| 8 | F01410076R | ROS.M12 13X 24X2,5 U6592 ZN | WASHER 12 13X 24X2,5 U6592 ZN | RONDEL. M12 13X24X2,5 U6592 ZN | SCHRAUBE M12 13X24X2,5 U6592 ZN | ARAND.M12 13X 24X2,5 U6592 ZN |
| 9 | F01230213R | DADO M12X1,75 U7474 CL8 ZN | NUT M12X1,75 U7474 6SZN | ECROU AUTOBL. M12 | SELBSTSPERR.MUTTER M12 | TUERCA M12X1,75 U7474 CL8 ZN |
| 10 | B07S01143R | COMANDO COLTELLI | KNIFE CONTROL | COMMANDE COUTEAUX | MESSERBETAETIGUNG | MANDO DE LAS CUCHILLAS |
| 11 | F01020562R | VITE M16X2X30 U5739 8.8ZN | SCR. M16X2X30 U5739 8.8ZN | VIS M16X2X30 U5739 8.8 ZN | SCHRAUBE M16X2X30 U5739 8.8 ZN | TORNILLO M16X2X30 U5739 8.8ZN |
| 12 | B01300706R | BUSSOLA DI GUIDA | GUIDE BUSH | DOUILLE DE GUIDE | FUHRUNGSBUCHSE | CASQUILLO DE GU A |
| 13 | B07SP0048R | BILANCINO NEW | NEW ROCKER ARM | PALONNIER NEW | SCHWINGE NEW | BALANC N NEW |
| 14 | B07S01125R | SOSTEGNO MOLLE | SPRING BRAKET | SUPPORT RESSORTS | FEDERHALTERUNG | SOPORTE DE LOS MUELLES |
| 15 | B03800014R | ROTELLA GUIDA COLTELLI | KNIVES GUIDE PULLEY | GALET GUIDE COUTEAUX | MESSER FUHRUNGSROLLE | ARANDELA DE GU A DE LAS CUCHI |
| 16 | B01300694R | PERNO CARRUCOLA COLTELLO | KNIFE ROLLER PIN | TOURILLON POULIE COUTEAU | MESSERFUHRUNGSROLLENBOLZEN | PERNO DE LA POLEA DE LA CUCHIL |
| 17 | B01700016R | ANEL. D ARR. ALB. 16-E UNI3653 | SEEGER RING | BAGUE SEEGER | SEEGERING | ANIL. DE PARAD. RB. 16-E UNI3 |
| 18 | B01800049R | MOLLA TRAVERSA COLTELLI | SPRING KNIV.CONTROL 5 30 293C | RESSORT | FEDER | MUELLE TRAVESA O DE LAS CUCHI |
| 19 | B03500034R | PERNO FULCRO | PIVOT | TOURILLON | DREHZAPFEN | PERNO FULCRO |
| 20 | B01300036R | RALLA 25,5X40 X 4 | FIFTH WHEEL | BUTEE | LAGERSCHALE 25,5X40X4 | RANGUA 25,5X40 X 4 |
| 21 | B07S01145R | FULCRO SX LEVERISMI | LEFT LINKAGE FULCRUM | POINT D APPUI GAUCHE LEVIERS | LINKER HEBELWERKSCHWENKPUNKT | FULCRO IZQ GRUPO DE PALANCAS |
| 22 | F01020510R | VITE M12X1,75X30 U5739 8.8ZN | SCR. M12X1,75X30 U5739 8.8ZN | VIS M12X1,75X30 U5739 8.8ZN | SCHRAU.M12X1,75X30 U5739 8.8ZN | TORNILLO M12X1,75X30 U5739 |
| 23 | F01230213R | DADO M12X1,75 U7474 CL8 ZN | NUT M12X1,75 U7474 6SZN | ECROU AUTOBL. M12 | SELBSTSPERR.MUTTER M12 | TUERCA M12X1,75 U7474 CL8 ZN |
| 24 | B01110635R | SPINA ELAST. 6X 35 SS DIN 1481 | PIN | GOUPILLE | STIFT | CLAVIJA EL ST. 6X 35 SS DIN 14 |
| 25 | B035P0016R | ASTA NEW | NEW ROD | TIGE NEW | STAB NEW | BARRA NEW |
| 26 | B035P0015R | FULCRO COLT. NEW | NEW KNIVES FULCRUM | POINT D APPUI COUTEAUX NEW | FULCRUM MESSER NEW | PERNO CUCHILL. NEW |
| 27 | F02150064R | LINGUETTA 8X 7X 25 U6604A | PARALLEL KEY 8X 7X 25 U6604A | CLAVETTE 8X7X25 | FEDER 8X7X25 UNI 6604 | LENG ETA 8X 7X 25 U6604A |
| 28 | B07U00035R | COLTELLO ULTRACUT | TOPCUT KNIFE | COUTEAU CUT | SPEZIAL TOPCUT KLINGE | CUCHILLA ULTRACUT |
| 30 | B01300036R | RALLA 25,5X40 X 4 | FIFTH WHEEL | BUTEE | LAGERSCHALE 25,5X40X4 | RANGUA 25,5X40 X 4 |
| 31 | B07S01144R | FULCRO DX LEVERISMI | RIGHT LINKAGE FULCRUM | POINT D APPUI DROIT LEVIERS | RECHTER HEBELWERKSCHWENKPUNKT | FULCRO DER GRUPO DE PALANCA |
| 32 | F01020510R | VITE M12X1,75X30 U5739 8.8ZN | SCR. M12X1,75X30 U5739 8.8ZN | VIS M12X1,75X30 U5739 8.8ZN | SCHRAU.M12X1,75X30 U5739 8.8ZN | TORNILLO M12X1,75X30 U5739 |
| 33 | F01230213R | DADO M12X1,75 U7474 CL8 ZN | NUT M12X1,75 U7474 6SZN | ECROU AUTOBL. M12 | SELBSTSPERR.MUTTER M12 | TUERCA M12X1,75 U7474 CL8 ZN |
| 34 | B0C004233R | SOSTEGNO PROSIMITI CUT | CUT SENSOR SUPPORT | SUPPORT SENSEUR CUT | CUT SENSORHALTERUNG | SOPORTE SENSOR DE PROXIMIDA |
| 35 | F01020512R | VITE M12X1,75X35 U5739 8.8ZN | SCR. M12X1,75X35 U5739 8.8ZN | VIS M12X1,75X35 5739 8.8 ZN | SCHR. M12X1,75X35 5739 8.8 ZN | TORNILLO M12X1,75X35 U5739 8 |
| 36 | F01230213R | DADO M12X1,75 U7474 CL8 ZN | NUT M12X1,75 U7474 6SZN | ECROU AUTOBL. M12 | SELBSTSPERR.MUTTER M12 | TUERCA M12X1,75 U7474 CL8 ZN |
| 37 | B0E000056R | SENSORE PROSSIMITA BALLA M12 | PROXIMITY SENSOR | CAPTEUR DE PROXIMITE | ABSTANDSMELDER | SENSOR DE PROXIMIDAD DE LA BA |
| 38 | B07S01159R | MANIGLIA DI SICUREZZA | SAFETY HANDLE | POULIE DE SURETE | SICHERUNGSHABEL | MANIJA DE SEGURIDAD |
| 39 | F01040130R | VITE M10X1,5X60 U5931 8.8ZN | SCR. M10X1,5X60 U5931 8.8ZN | RESSORT | FEDER | TORNILLO M10X1,5X60 U5931 8.8 |
| 40 | B01821993R | MOLLA | SPRING | DOUILLE FILETEE | NETZAUFNAHMEZANGENBOLZEN | MUELLE |
| 41 | B01300401R | BUSSOLA FILETTATA | PIN WITHOUT NET | ECROU AUTOBL. M10 | SELBSTSPERR.MUTTER M10 | CASQUILLO ROSCADO |
| 42 | F01230202R | DADO M10X 1,5 D985 8 ZN | NUT M10 D985 | GOUJON ELASTIQUE 8X40 | SPANNHUELSE 8X40 | TUERCA M10X 1,5 D985 8 |
| 43 | F02100142R | SPINA E.P. 8X 40 U6873 C70 BR | ELASTIC PIN 8X40 | GOUJON ELASTIQUE 8X40 | SPANNHUELSE 8X40 | CLAVIJA EL.P. 8X 40 U6873 C70 |
| 44 | F02100090R | SPINA E.P. 5X 40 U6873 C70 BR | ELASTIC PIN 5X40 | GOUJON ELASTIQUE 5X40 | SPANNHUELSE 5X40 | CLAVIJA EL.P. 5X 40 U6873 C70 |
| 45 | F02100142R | SPINA E.P. 8X 40 U6873 C70 BR | ELASTIC PIN 8X40 | GOUJON ELASTIQUE 8X40 | SPANNHUELSE 8X40 | CLAVIJA EL.P. 8X 40 U6873 C70 |
| 46 | B027P0001R | SEMIBIELLA DI TRASMISSIONE | DRIVE HALF ROD | DEMI BIELLE DE TRANSMISSION | HALB-KOLBENSTANGE | SEMI-BIELA DE TRANSMISI N |
| 47 | F01020162R | VITE M12X1,75X65 U5737 8.8ZN | SCR. M12X1,75X65 U5737 8.8ZN | VIS M12X1,75X65 U5737 8.8 ZN | SCHRA.M12X1,75X65 U5737 8.8 ZN | TORNILLO M12X1,75X65 U5737 8. |
| 48 | F01230213R | DADO M12X1,75 U7474 CL8 ZN | NUT M12X1,75 U7474 6SZN | ECROU AUTOBL. M12 | SELBSTSPERR.MUTTER M12 | TUERCA M12X1,75 U7474 CL8 ZN |
| 49 | B025P0003R | BUSSOLA NYLON | NYLON BUSH | DOUILLE EN NYLON | BUCHSE | CASQUILLO DE NAILON |



SICUREZZA TRASMISSIONE: MECCANICA CON BULLONE
TRAMMISSION SAFETY DEVICE: MECHANICAL WITH BOLT

TAV_110

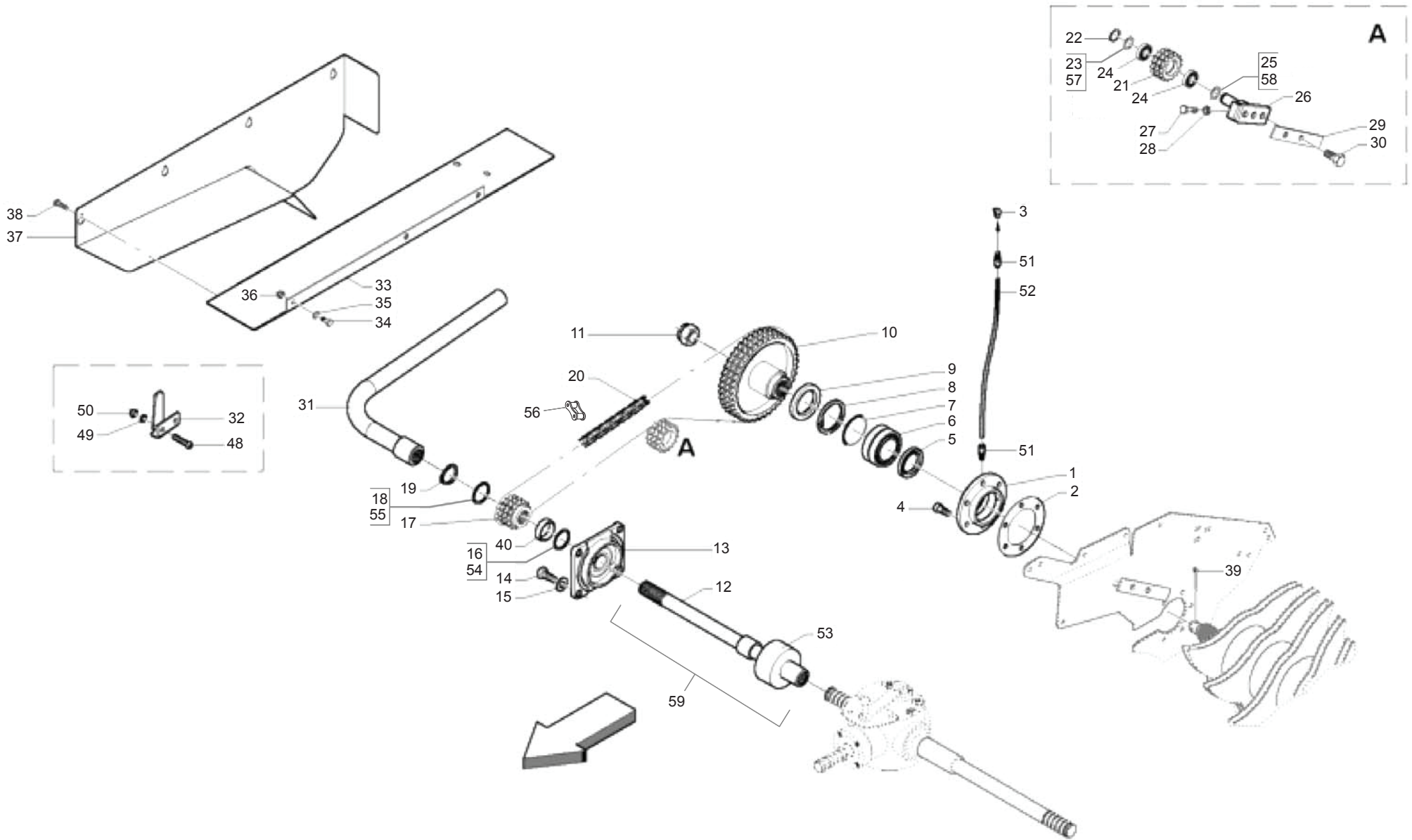
| Pos. | Cod. | Descrizione | Description | Description | Benennung | Descripcion |
|------|------------|--------------------------------|---------------------------------|--------------------------------|--------------------------------|--------------------------------|
| 1 | B02700052R | SUPP. COM. ROT. | CONTROL ROTOR SUPPORT | SUPPORT CONTROLE ROTOR | LAGER DES ROTORSANTRIEBS | SOP. COM. ROLL. |
| 2 | B01300960R | SPESSORE SUPPORTO ROTORE | ROTOR SUPPORT SPACING | ENTRETOISE SUPPORT ROTOR | DISTANZSTUECK FUR ROTORLAGER | ESPEJOR DEL SOPORTE DEL ROT |
| 3 | B04200610R | INGRASS.A SFERE M6X1 LUNGO | GREASE NIPPLE | GRAISSEUR HYDRAULIQUE | GERADER SCHMIERNIPPEL M6X1 | ENGRASADOR DE ESFERAS M6X1 |
| 4 | F01040140R | VITE M12X1,75X 40 U5931 8.8ZN | SCREW M12X1,75X 40 U5931 8.8Z | | | TORNILLO M12X1,75X 40 U5931 8. |
| 5 | B04304966R | ANELLO TENUTA 55X 85X10 NORM | SEAL | BAGUE | DICHTUNG 55X85X10 | ANILLO DE RETENCI N 55X 85X10 |
| 6 | B02335023R | CUSC. 22210 CAT.B-ST004 | BEARING | ROULEMENT | LAGER 22210 | COJIN. 22210 CAT.B-ST004 |
| 7 | B01534318R | SPES. 80 90 0,2 | SHIM | ENTRETOISE | DISTANZSTUECK 80 90 0,2 | ESPE. 80 90 0,2 |
| 8 | B01710090R | ANEL. D ARR. FORO 90-I UNI3654 | SEEGER RING | BAGUE SEEGER | SEEGERING 90-I | ANIL. DE PARAD. ORIFICIO 90-I |
| 9 | B04305668R | ANELLO TENUTA 65X 90X10 NORM | SEAL | BAGUE | DICHTUNG 65X90X10 | ANILLO DE RETENCI N 65X 90X10 |
| 10 | B03400070R | CORONA Z=42; 3 4; ISO 12B-3 | PLATE WHEEL Z=42;3 4;ISO 12B-3 | ENGRENAGE TRIPLE | DREIFACH ZAHNRAD Z=42 -3 4 X | ENGR. TRIP Z42 - 3 4 X 7 16 |
| 11 | B00851530R | DADO M30X 2 U5588 6S ZN | NUT | ECROU | KRONENMUTTER M30X2-6S | TUERCA M30X 2 U5588 6S ZN |
| 12 | BOR000304R | ALBERO PROLUNGA L=602 | EXTENSION SHAFT L=602 | ARBRE RALLONGE L=602 | VERLAENGERUNGSWELLE L=602 | RBOL PROLONGACI N L=602 |
| 13 | B0FMP0183R | SUPPORTO CUSCIN. RETTANG VERN | BEARING SUPPORT | | | |
| 14 | F01020512R | VITE M12X1,75X35 U5739 8.8ZN | SCR. M12X1,75X35 U5739 8.8ZN | VIS M12X1,75X35 5739 8.8 ZN | SCHR. M12X1,75X35 5739 8.8 ZN | TORNILLO M12X1,75X35 U5739 8 |
| 15 | F01410076R | ROS.M12 13X 24X2,5 U6592 ZN | WASHER 12 13X 24X2,5 U6592 ZN | RONDEL. M12 13X24X2,5 U6592 ZN | SCHEIBE M12 13X24X2,5 U6592 ZN | ARAND.M12 13X 24X2,5 U6592 ZN |
| 16 | B01300151R | SPES. 40 48 2 ZINCATO | SHIM | ENTRETOISE | DISTANZSTUECK 40 48 2 | ESPE. 40 48 2 CINCADO |
| 17 | B03400072R | PIGNONE Z=13;3 4-7 16;ISO12B-3 | SPROCKET Z=13;3 4-7 16;ISO12B-3 | ENGRENAGE TRIPLE | DREIFACH ZAHNRAD Z=13-3 4 X7 1 | ENGR.TRIPLE Z=13-3 4 X7 16 |
| 18 | B01300151R | SPES. 40 48 2 ZINCATO | SHIM | ENTRETOISE | DISTANZSTUECK 40 48 2 | ESPE. 40 48 2 CINCADO |
| 19 | F02050168R | ANELLO E.DE 40X1,75 U7435 | SEEGER RING 40X1,75 U7435 | BAGUE SEEGER 40X1,75 U7435 | SEEGERING 40X1,75 U7435 | ANIL.SEEGER 40X1,75 U7435 |
| 20 | B030F1117R | CATENA RULLI ISO 12 B - 3 117M | ROLLER CHAIN ISO12 B-3 117M | CHAINE ROULEAUX | WALZENKETTE ISO 12 B | CADENA DE LOS RODILLOS ISO 12 |
| 21 | B03400073R | INGR.TRIPL0 Z=13-3 4 X7 16 | TRIPLE GEAR Z=13-3 4 X7 16 | ENGRENAGE TRIPLE | DREIFACH-ZAHNRAD Z=13-3 4 X7 | ENGR.TRIPLE Z=13-3 4 X7 16 |
| 22 | F02050101R | ANELLO E. DE 25X 1,2 U7435 C7 | SEEGER RING E. 25X1,2 7435 C70 | SEEGER E. 25X 1,2 U7435 C70 | SEEGERING E. 25X 1,2 U7435 C70 | ANILLO E. DE 25X 1,2 U7435 C7 |
| 23 | B01300105R | SPES. 25,5 37 0,5 | SHIM | ENTRETOISE | DISTANZSTUECK 25,5 37 0,5 | ESPE. 25,5 37 0,5 |
| 24 | B02042512R | CUSC 6005-2RS CAT.B-ST004 | BEARING | ROULEMENT | LAGER | COJIN.6005-2RS CAT.B-ST004 |
| 25 | B01300106R | SPES. 25,5 37 1 ZINCATO | SHIM GALV | ENTRETOISE GALV | DISTANZSTUECK 25,5 37 1 | ESPE. 25,5 37 1 CINCADO |
| 26 | B07S00848R | PERNO TENDITORE | TENSIONER PIN | TOURILLON TENDEUR | SPANNBOLZEN | PERNO TENSOR |
| 27 | F01020524R | VITE M12X1,75X90 U5739 8.8ZN | SCR. M12X1,75X90 U5739 8.8ZN | | | TORNILLO M12X1,75X90 U5739 8 |
| 28 | F01200293R | DADO M12X1,75 U5588 CL8 ZN | NUT M12X1,75 U5588 6S ZN | ECROU M12X1,75 U5588 6S ZN | MUTTER M12X1,75 U5588 6S ZN | TUERCA M12X1,75 U5588 CL8 ZN |
| 29 | B0C002732R | RINFORZO | REINFORCEMENT | RENFORT | VERSTAERKUNG | REFUERZO |
| 30 | F01020564R | VITE M16X2X35 U5739 8.8ZN | SCR. M16X2X35 U5739 8.8ZN | VIS M 16X35 | SCHRAUBE M 16X35 | TORNILLO M16X2X35 U5739 8 |
| 31 | B07S01804R | MANIGLIA SGOLFAMENTO CUT | HANDLE | POIGNEE DEBOURRAGE CUT | KURBEL | MANIJA DESATASQUE CUT |
| 32 | B0C005030R | SOSTEGNO MANIGLIA | HANDLE SUPPORT | SUPPORT POIGN E | GRIFFHALTERUNG | SOPORTE DE LA MANIJA |
| 33 | B0C002663R | ATTACCO CARTER CUT | COVER PLATE ATTACHMENT | ATTELAGE CARTER CUT | ABECKBLECHHALTERUNG | CONEZI N C RTER CUT |
| 34 | F01020508R | VITE M12X1,75X25 U5739 8.8ZN | SCR. M12X1,75X25 U5739 8.8ZN | VIS M12X1,75X25 U5739 8.8 ZN | SCHRAUBE M12X1,75X25U5739.8ZN | TORNILLO M12X1,75X25 U5739 |
| 35 | F01410076R | ROS.M12 13X 24X2,5 U6592 ZN | WASHER 12 13X 24X2,5 U6592 ZN | RONDEL. M12 13X24X2,5 U6592 ZN | SCHEIBE M12 13X24X2,5 U6592 ZN | ARAND.M12 13X 24X2,5 U6592 ZN |
| 36 | F01230213R | DADO M12X1,75 D985 8 ZN | NUT M12X1,75 U7474 6SZN | ECROU AUTOBL. M12 | SELBSTSPERR.MUTTER M12 | TUERCA M12X1,75 U7474 CL8 ZN |
| 37 | B07S01212R | CARTER TRASMISSIONE ROT. | ROTOR TRANSMISSION COVER | CARTER TRANSMISSION ROTOR | ROTORANTRIEBABDECKBLECH | C RTER DE TRANSMISI N DE LA RO |
| 38 | F01020432R | VITE M8X1,25X16 U5739 8.8ZN | SCR. M8X1,25X16 U5739 8.8ZN | VIS M8 X1,25X16 U5739 8.8 ZN | SCHRAUBE M8X1,25X16U5739 8.8ZN | TORNILLO M8X1,25X16 U5739 8.8 |
| 39 | B01150560R | COPIGLIA 5X 70 U1336 ZN | GALV PIN | GOUPILLE GALV | SPLINT | PASADOR 5X 70 U1336 ZN |
| 40 | B02700079R | SICUREZZA ROTORE | ROTOR SAFETY | SURETE ROTEUR | SCHERBOLZEN | SEGURIDAD ROT. |
| 41 | F01020203R | VITE M14X2X60 U5737 8.8ZN | SCR. M14X2X60 U5737 8.8ZN | VIS M 14X60 | SCHRAUBE M 14X60 | TORNILLO M14X2X60 U5737 8.8Z |
| 42 | B01300702R | BUSSOLA D=35 D=14,5 L=18,5 | BUSH D=35 D=14.5 L=18.5 | DOUILLE | BUCHSE | CASQUILLO D=35 D=14.5 L=18.5 |
| 43 | B00920514R | DADO M14X 2 D985 8 ZN | NUT | ECROU | SELBSTSICHERNDE MUTTER M14-5S | TUERCA M14X 2 D985 8 |
| 44 | B02047020R | CUSC. 6014-2RS CAT.B-ST004 | BEARING | ROULEMENT | LAGER 6014-2RS | COJIN. 6014-2RS CAT.B-ST00 |
| 45 | B01300824R | FLANGIA | FLANGE | FLANSQUE | FLANSCH | BRIDA |
| 46 | B01300823R | RALLA 30,5X92X8 | FITH WHEEL | BUTEE | SCHEIBE 30,5X92X8 | RANGUA 30,5X92X8 |
| 47 | B01300355R | DISTANZIALE 40X54X20 | SPACER | ENTRETOISE | ABSTANDSTUECK 40X54X20 | DISTANCIADOR 40X54X20 |
| 48 | B00471280R | VITE TTEI M12X 80-10.9 UNBRAKO | SCREW | VIS | SCHRAUBE TTEI M12X 80-8.8 | TORNILLO CAB.ALLEN CON HUECO |
| 49 | F01410076R | ROS.M12 13X 24X2,5 U6592 ZN | WASHER 12 13X 24X2,5 U6592 ZN | RONDEL. M12 13X24X2,5 U6592 ZN | SCHEIBE M12 13X24X2,5 U6592 ZN | ARAND.M12 13X 24X2,5 U6592 ZN |
| 50 | F01230213R | DADO M12X1,75 D985 8 ZN | NUT M12X1,75 U7474 6SZN | ECROU AUTOBL. M12 | SELBSTSPERR.MUTTER M12 | TUERCA M12X1,75 U7474 CL8 ZN |
| 51 | B0H000259R | RACCORDO M6X1 COMPLETO | FITTING OUT M6X1 | RACCORD | KUPPLUNG M6X1 | RACOR M6X1 COMPLETO |
| 52 | B0H0P0029R | TUBETTO NYLON 4 L 180 | NYLON HOSE | TUYAU EN NYLON | KLEINS ROHR AUS NYLON | TUBO DE NAILON 4 L 180 |
| 53 | B01300150R | SPES. 40 48 1,5 ZINCATO | SHIM GALV | ENTRETOISE GALV | DISTANZSTUECK 40 48 1,5 | ESPE. 40 48 1,5 CINCADO |
| 54 | B01300150R | SPES. 40 48 1,5 ZINCATO | SHIM GALV | ENTRETOISE GALV | DISTANZSTUECK 40 48 1,5 | ESPE. 40 48 1,5 CINCADO |
| 55 | B030F0017R | GIUNTO MOLL.N. 26 ISO 12 B - 3 | SPRING JOINT N.26 ISO 12 B-3 | JOINT RESSORT | KUPPLUNGSSTUECK N. 26 ISO | JUNTA DE MUELLE N. 26 ISO 12 B |
| 56 | B01300106R | SPES. 25,5 37 1 ZINCATO | SHIM GALV | ENTRETOISE GALV | DISTANZSTUECK 25,5 37 1 | ESPE. 25,5 37 1 CINCADO |
| 57 | B01300105R | SPES. 25,5 37 0,5 | SHIM | ENTRETOISE | DISTANZSTUECK 25,5 37 0,5 | ESPE. 25,5 37 0,5 |



SICUREZZA TRASMISSIONE: MECCANICA CON BULLONE
TRANSMISSION SAFETY DEVICE: MECHANICAL WITH BOLT

TAV_110

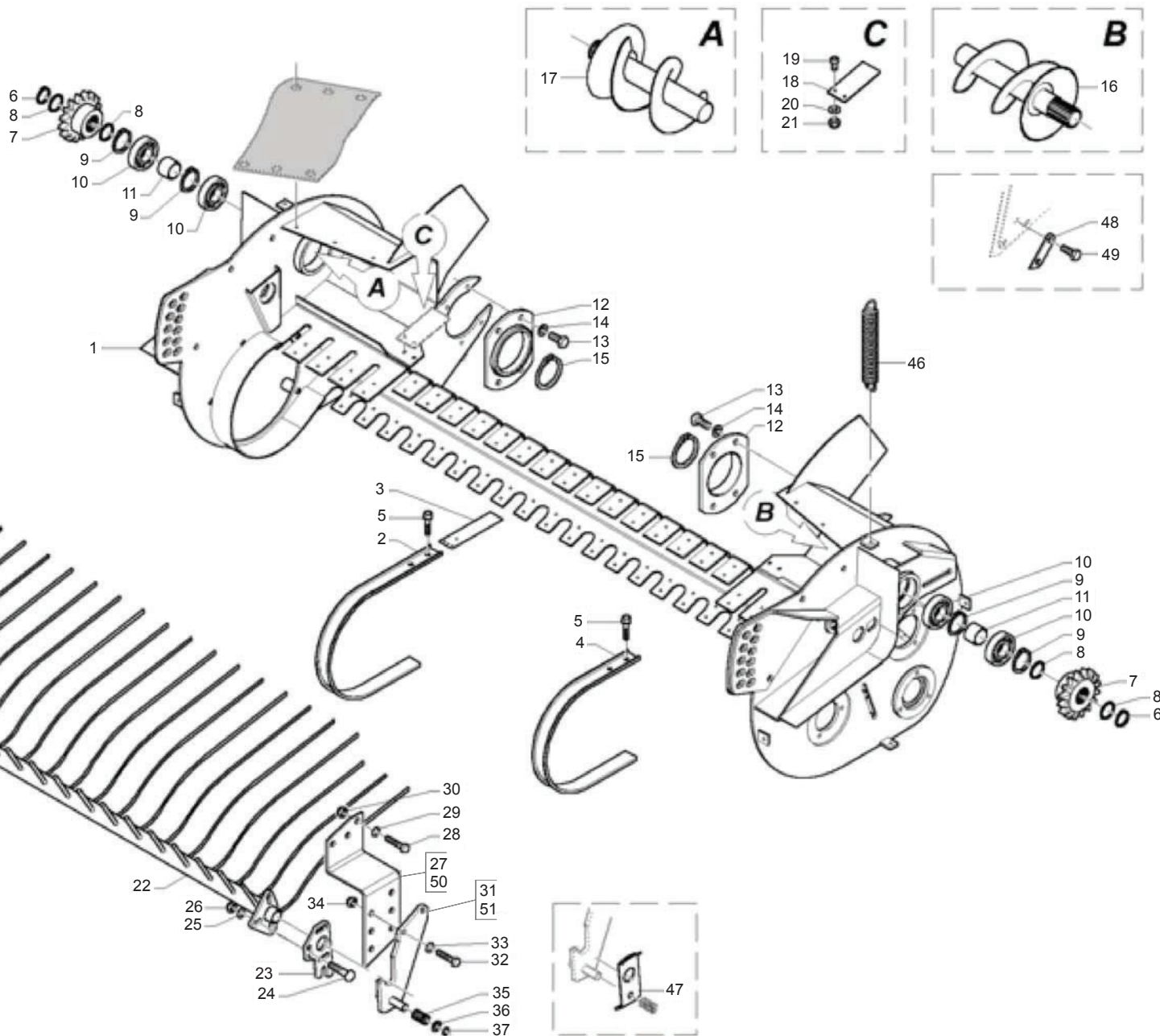
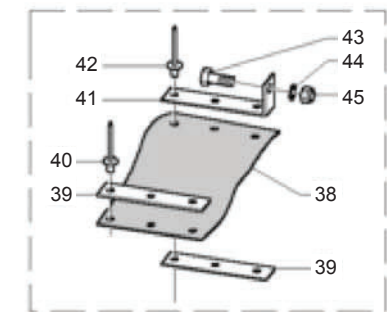
| Pos. | Cod. | Descrizione | Description | Description | Benennung | Descripcion |
|------|------------|-----------------|-------------|-------------|-----------------------|-------------|
| 58 | B01531930R | RALLA 30-61,5-3 | FIFTH WHEEL | BUTEE | LAGERSCHALE 30 61,5 3 | |



**SICUREZZA TRASMISSIONE: AUTOMATICA "AFC"
TRANSMISSIONE SAFETY DEVICE: AUTOMATIC "AFC"**

TAV_115

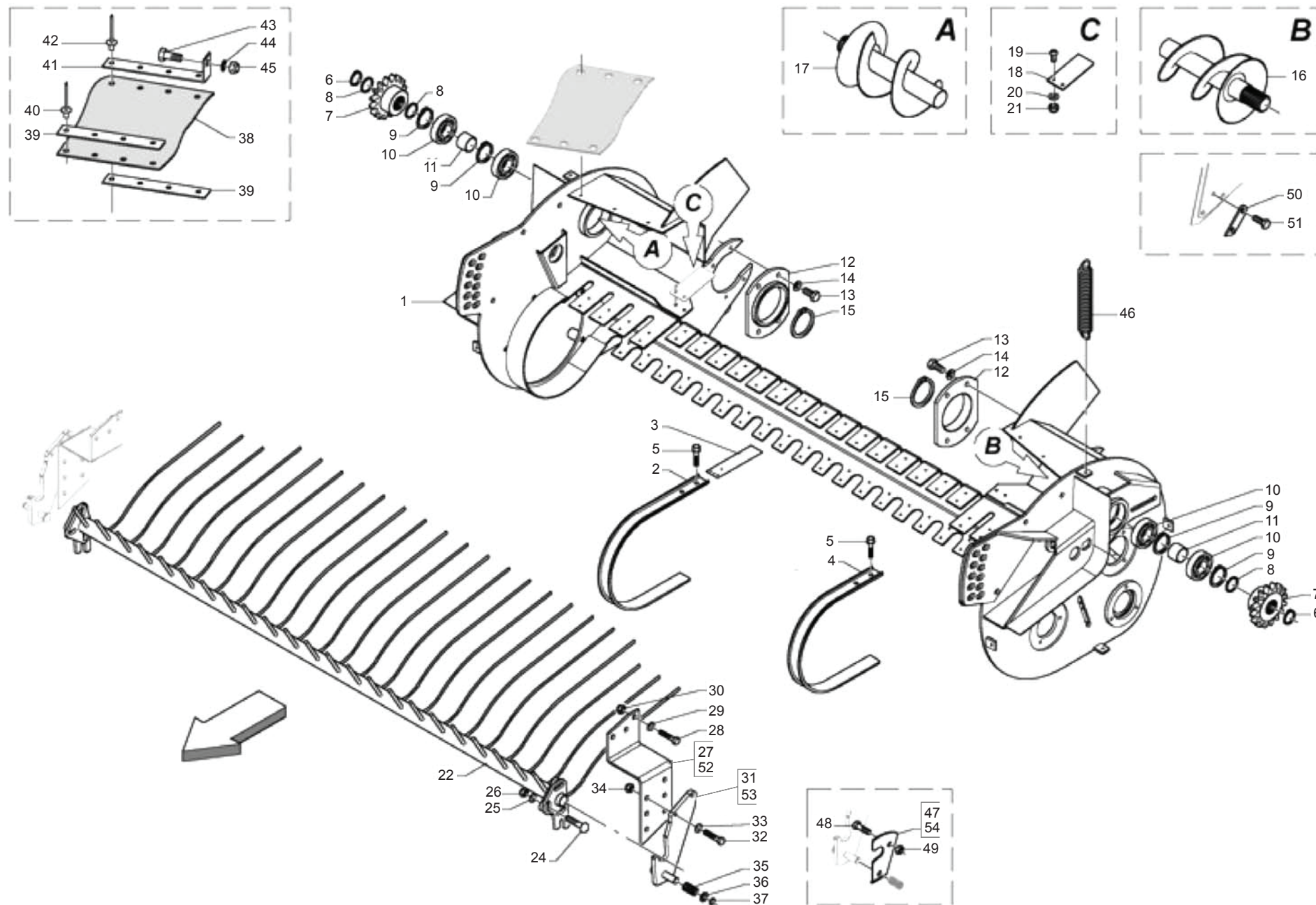
| Pos. | Cod. | Descrizione | Description | Description | Benennung | Descripcion |
|------|------------|--------------------------------|--------------------------------|--------------------------------|--------------------------------|--------------------------------|
| 1 | B02700052R | SUPP. COM. ROT. | CONTROL ROTOR SUPPORT | SUPPORT CONTROLE ROTOR | LAGER DES ROTORSANTRIEBS | SOP. COM. ROLL. |
| 2 | B01300960R | SPESSORE SUPPORTO ROTORE | ROTOR SUPPORT SPACING | ENTRETOISE SUPPORT ROTOR | DISTANZSTUECK FUR ROTORLAGER | ESPEJOR DEL SOPORTE DEL ROT |
| 3 | B04200610R | INGRASS.A SFERE M6X1 LUNGO | GREASE NIPPLE | GRAISSEUR HYDRAULIQUE | GERADER SCHMIERNIPPEL M6X1 | ENGRASADOR DE ESFERAS M6X1 |
| 4 | F01040140R | VITE M12X1,75X 40 U5931 8.8ZN | SCREW M12X1,75X 40 U5931 8.8Z | | | TORNILLO M12X1,75X 40 U5931 8. |
| 5 | B04304966R | ANELLO TENUTA 55X 85X10 NORM | SEAL | BAGUE | DICHTUNG 55X85X10 | ANILLO DE RETENCI N 55X 85X10 |
| 6 | B02335023R | CUSC. 22210 CAT.B-ST004 | BEARING | ROULEMENT | LAGER 22210 | COJIN. 22210 CAT.B-ST004 |
| 7 | B01534318R | SPES. 80 90 0,2 | SHIM | ENTRETOISE | DISTANZSTUECK 80 90 0,2 | ESPE. 80 90 0,2 |
| 8 | B01710090R | ANEL. D ARR. FORO 90-I UNI3654 | SEEGER RING | BAGUE SEEGER | SEEGERRING 90-I | ANIL. DE PARAD. ORIFICIO 90-I |
| 9 | B04305668R | ANELLO TENUTA 65X 90X10 NORM | SEAL | BAGUE | DICHTUNG 65X90X10 | ANILLO DE RETENCI N 65X 90X10 |
| 10 | B07S01609R | INGRANAGGIO ROT. | ROTOR SPROCKET | ENGRANAGE ROTOR | ROTOR ZAHNRAD | ENGRANAJE DE ROT. |
| 11 | B00851530R | DADO M30X 2 U5588 6S ZN | NUT | ECROU | KRONENMUTTER M30X2-6S | TUERCA M30X 2 U5588 6S ZN |
| 12 | B03600127R | ALBERO PROLUNGA L=399 | EXTENSION SHAFT L=399 | ARBRE L=395 | VERLAENGERUNGSWELLE L=399 | RBOL PROLONGACI N L=399 |
| 13 | B0FMP0183R | SUPPORTO CUSCIN. RETTANG VERN | BEARING SUPPORT | | | |
| 14 | F01020512R | VITE M12X1,75X35 U5739 8.8ZN | SCR. M12X1,75X35 U5739 8.8ZN | VIS M12X1,75X35 5739 8.8 ZN | SCHR. M12X1,75X35 5739 8.8 ZN | TORNILLO M12X1,75X35 U5739 8 |
| 15 | F01410076R | ROS.M12 13X 24X2,5 U6592 ZN | WASHER 12 13X 24X2,5 U6592 ZN | RONDEL. M12 13X24X2,5 U6592 ZN | SCHEIBE M12 13X24X2,5 U6592 ZN | ARAND.M12 13X 24X2,5 U6592 ZN |
| 16 | B01300151R | SPES. 40 48 2 ZINCATO | SHIM | ENTRETOISE | DISTANZSTUECK 40 48 2 | ESPE. 40 48 2 CINCADO |
| 17 | B03400072R | PIGNONE Z=13;3 4-7 16;ISO12B-3 | SPROCKET Z=13;3 4-7 16;ISO12B- | ENGRENAGE TRIPLE | DREIFACH ZAHNRAD Z=13-3 4 X7 1 | ENGR.TRIPLE Z=13-3 4 X7 16 |
| 18 | B01300150R | SPES. 40 48 1,5 ZINCATO | SHIM GALV | ENTRETOISE GALV | DISTANZSTUECK 40 48 1,5 | ESPE. 40 48 1,5 CINCADO |
| 19 | F02050168R | ANELLO E.DE 40X1,75 U7435 | SEEGER RING 40X1,75 U7435 | BAGUE SEEGER 40X1,75 U7435 | SEEGERRING 40X1,75 U7435 | ANIL.SEEGER 40X1,75 U7435 |
| 20 | B030F1117R | CATENA RULLI ISO 12 B - 3 117M | ROLLER CHAIN ISO12 B-3 117M | CHAINE ROULEAUX | WALZENKETTE ISO 12 B | CADENA DE LOS RODILLOS ISO 12 |
| 21 | B03400073R | INGR.TRIPL0 Z=13-3 4 X7 16 | TRIPLE GEAR Z=13-3 4 X7 16 | ENGRENAGE TRIPLE | DREIFACH-ZAHNRAD Z=13-3 4 X7 | ENGR.TRIPLE Z=13-3 4 X7 16 |
| 22 | F02050101R | ANELLO E. DE 25X 1,2 U7435 C7 | SEEGER RING E. 25X1,2 7435 C70 | SEEGER E. 25X 1,2 U7435 C70 | SEEGERING E. 25X 1,2 U7435 C70 | ANILLO E. DE 25X 1,2 U7435 C7 |
| 23 | B01300105R | SPES. 25,5 37 0,5 | SHIM | ENTRETOISE | DISTANZSTUECK 25,5 37 0,5 | ESPE. 25,5 37 0,5 |
| 24 | B02042512R | CUSC 6005-2RS CAT.B-ST004 | BEARING | ROULEMENT | LAGER | COJIN.6005-2RS CAT.B-ST004 |
| 25 | B01300106R | SPES. 25,5 37 1 ZINCATO | SHIM GALV | ENTRETOISE GALV | DISTANZSTUECK 25,5 37 1 | ESPE. 25,5 37 1 CINCADO |
| 26 | B07S00848R | PERNO TENDITORE | TENSIONER PIN | TOURILLON TENDEUR | SPANNBOLZEN | PERNO TENSOR |
| 27 | F01020524R | VITE M12X1,75X90 U5739 8.8ZN | SCR. M12X1,75X90 U5739 8.8ZN | | | TORNILLO M12X1,75X90 U5739 8 |
| 28 | F01200293R | DADO M12X1,75 U5588 CL8 ZN | NUT M12X1,75 U5588 6S ZN | ECROU M12X1,75 U5588 6S ZN | MUTTER M12X1,75 U5588 6S ZN | TUERCA M12X1,75 U5588 CL8 ZN |
| 29 | B0C002732R | RINFORZO | REINFORCEMENT | RENFORT | VERSTAERKUNG | REFUERZO |
| 30 | F01020564R | VITE M16X2X35 U5739 8.8ZN | SCR. M16X2X35 U5739 8.8ZN | VIS M 16X35 | SCHRAUBE M 16X35 | TORNILLO M16X2X35 U5739 8 |
| 31 | B07S01804R | MANIGLIA SGOLFAMENTO CUT | HANDLE | POIGNEE DEBOURRAGE CUT | KURBEL | MANIJA DESATASQUE CUT |
| 32 | B0C005030R | SOSTEGNO MANIGLIA | HANDLE SUPPORT | SUPPORT POIGN E | GRIFFHALTERUNG | SOPORTE DE LA MANIJA |
| 33 | B0C002663R | ATTACCO CARTER CUT | COVER PLATE ATTACHMENT | ATTELAGE CARTER CUT | ABECKBLECHHALTERUNG | CONEZI N C RTER CUT |
| 34 | F01020508R | VITE M12X1,75X25 U5739 8.8ZN | SCR. M12X1,75X25 U5739 8.8ZN | VIS M12X1,75X25 U5739 8.8 ZN | SCHRAUBE M12X1,75X25U5739.8ZN | TORNILLO M12X1,75X25 U5739 |
| 35 | F01410076R | ROS.M12 13X 24X2,5 U6592 ZN | WASHER 12 13X 24X2,5 U6592 ZN | RONDEL. M12 13X24X2,5 U6592 ZN | SCHEIBE M12 13X24X2,5 U6592 ZN | ARAND.M12 13X 24X2,5 U6592 ZN |
| 36 | F01230213R | DADO M12X1,75 D985 8 ZN | NUT M12X1,75 U7474 6SZN | ECROU AUTOBL. M12 | SELBSTSPERR.MUTTER M12 | TUERCA M12X1,75 U7474 CL8 ZN |
| 37 | B07S01212R | CARTER TRASMISSIONE ROT. | ROTOR TRANSMISSION COVER | CARTER TRANSMISSION ROTOR | ROTORANTRIEBABDECKBLECH | C RTER DE TRANSMISI N DE LA RO |
| 38 | F01020432R | VITE M8X1,25X16 U5739 8.8ZN | SCR. M8X1,25X16 U5739 8.8ZN | VIS M8 X1,25X16 U5739 8.8 ZN | SCHRAUBE M8X1,25X16U5739 8.8ZN | TORNILLO M8X1,25X16 U5739 8.8 |
| 39 | B01150560R | COPIGLIA 5X 70 U1336 ZN | GALV PIN | GOUPILLE GALV | SPLINT | PASADOR 5X 70 U1336 ZN |
| 40 | B01300355R | DISTANZIALE 40X54X20 | SPACER | ENTRETOISE | ABSTANDSTUECK 40X54X20 | DISTANCIADOR 40X54X20 |
| 48 | B00471280R | VITE TTEI M12X 80-10.9 UNBRAKO | SCREW | SCREW | SCHRAUBE TTEI M12X 80-8.8 | TORNILLO CAB.ALLEN CON HUECO |
| 49 | F01410076R | ROS.M12 13X 24X2,5 U6592 ZN | WASHER 12 13X 24X2,5 U6592 ZN | RONDEL. M12 13X24X2,5 U6592 ZN | SCHEIBE M12 13X24X2,5 U6592 ZN | ARAND.M12 13X 24X2,5 U6592 ZN |
| 50 | F01230213R | DADO M12X1,75 D985 8 ZN | NUT M12X1,75 U7474 6SZN | ECROU AUTOBL. M12 | SELBSTSPERR.MUTTER M12 | TUERCA M12X1,75 U7474 CL8 ZN |
| 51 | B0H000259R | RACCORDO M6X1 COMPLETO | FITTING OUT M6X1 | RACCOD | KUPPLUNG M6X1 | RACOR M6X1 COMPLETO |
| 52 | B0H0P0029R | TUBETTO NYLON 4 L 180 | NYLON HOSE | TUYAU EN NYLON | KLEINS ROHR AUS NYLON | TUBO DE NAILON 4 L 180 |
| 53 | B03600128R | FRIZIONE PER GRUPPO AFC | COUPLING FRICTION FOR AFC | FRICTION | KUPPLUNG FUER AFC | EMBRAGUE PARA GRUPO AFC |
| 54 | B01300150R | SPES. 40 48 1,5 ZINCATO | SHIM GALV | ENTRETOISE GALV | DISTANZSTUECK 40 48 1,5 | ESPE. 40 48 1,5 CINCADO |
| 55 | B01300151R | SPES. 40 48 2 ZINCATO | SHIM | ENTRETOISE | DISTANZSTUECK 40 48 2 | ESPE. 40 48 2 CINCADO |
| 56 | B030F0017R | GIUNTO MOLL.N. 26 ISO 12 B - 3 | SPRING JOINT N.26 ISO 12 B-3 | JOINT RESSORT | KUPPLUNGSSTUECK N. 26 ISO | JUNTA DE MUELLE N. 26 ISO 12 B |
| 57 | B01300106R | SPES. 25,5 37 1 ZINCATO | SHIM GALV | ENTRETOISE GALV | DISTANZSTUECK 25,5 37 1 | ESPE. 25,5 37 1 CINCADO |
| 58 | B01300105R | SPES. 25,5 37 0,5 | SHIM | ENTRETOISE | DISTANZSTUECK 25,5 37 0,5 | ESPE. 25,5 37 0,5 |
| 59 | B03600094R | LIMITATORE CON PROLUNGA BYPY | TORQUE LIMITER WITH EXTENSION | LIMITEUR AVEC RALLONGE | UBERLASTKUPPLUNG MIT VERLANGER | LIMITADOR CON PROLONGACI N B |



**PICK-UP M
PICK-UP M**

TAV_120

| Pos. | Cod. | Descrizione | Description | Description | Benennung | Descripcion |
|------|------------|--------------------------------|--------------------------------|--------------------------------|---------------------------------|--------------------------------|
| 1 | B07S01642R | TELAIO PU M | PICK-UP FRAME M | CHASSIS PU M | PICK-UP RAHMEN M | BASTIDOR PU M |
| 2 | B0C003304R | FASCIA CENTRALE PICK UP TOPCUT | PICK-UP CENTRAL BAND TOPCUT | BANDE CENTRALE PICK-UP TOPCUT | ZENTRALES PICK-UP BAND | BANDA CENTRAL PICK UP TOPCUT |
| 3 | B0C002069R | COMPENSO FASCIA | BAND EXTENSION | EPAISSEUR BANDE | BANDVERLAENGERUNG | COMPENSADO BANDA |
| 4 | B0C003183R | PLACA EXTENSIE LATERALA | LATERAL BAND PICK-UP | BANDE LATERALE | SEITENBAND | PLACA EXTEN-LATERAL |
| 5 | B00370615R | VITE M 6X16 ZN SEZ.TRIL. U8111 | SCREW | VIS | SCHRAUBE | TORNILLO CAB.HEX M 6X16 A SECC |
| 6 | B01700035R | ANEL. D ARR. ALB. 35-E UNI3653 | SEEGER RING | BAGUE SEEGER | SEEGERRING 35-E | ANIL. DE PARAD. RB. 35-E UNI3 |
| 7 | B03400270R | INGR. Z=16-3 4 ISO CON MOZZO | GEAR Z=16 3 4 | ENGRANAGE | ZAHNRAD Z=16 3 4 | ENGR. Z=16-3 4 ISO CON BUJE |
| 8 | B01534416R | SPE. 35 43 1 ZINCATO | SHIM | ENTRETOISE | AUSGLEICHSCHEIBE 35X43X1 | ESPE. 35 43 1 CINCADO |
| 9 | F02050425R | ANELLO E. DI 80X 2,5 U7437 C70 | SEEGER RING D.80 | BAGUE SEEGER D.80 | SEEGERRING D.80 | ANILLO E. DI 80X 2,5 U7437 C70 |
| 10 | B02040002R | CUSCINETTO 6307-2RS CAT.KST004 | BEARING | ROULEMENT CAT.KST004 | LAGER 6307-2RS | COJINETE 6307-2RS CAT.KST004 |
| 11 | B01300739R | DISTANZIALE 35X42X41 | SPACER | ENTRETOISE | DISTANZSTUECK 35X42X41 | DISTANCIADOR 35X42X41 |
| 12 | B01300715R | FLANGIA SX PICK-UP | PICK-UP FLANGE | FLASQUE GAUCHE POUR PICK-UP | PICK-UP FLANSCH | BRIDA IZQ PICK-UP |
| 13 | B00181015R | VITE M10X1,5 X 16 U5739 8.8ZN | SCREW | VIS | SCHRAUBE | TORNILLO M10X1,5 X 16 U5739 8 |
| 14 | F01410062R | ROS.M10 10,5X 18X 2 U6592 ZN | WASHER M10 10,5X 18X 2 U6592 | RONDELLE M10 10,5X18X2 ZN | DICHTUNGSRING M10 10,5X18X2 ZN | ARAND.M10 10,5X 18X 2 U6592 ZN |
| 15 | B01700095R | ANEL. D ARR. ALB. 95-E UNI3653 | SEEGER RING | BAGUE SEEGER | SEEGERRING 95-E | ANIL. DE PARAD. RB. 95-E UNI3 |
| 16 | B07S01652R | COCLEA SX PU 200 | LEFT PICK-UP AUGER 200 | VIS GAUCHE PU 200 | LINKE PICK-UP ZUBRINGERSCHNECK | TORNILLO SIN FIN IZQ PU 200 |
| 17 | B07S01651R | COCLEA DX PU 200 | RIGHT PICK-UP AUGER 200 | VIS DROIT PU 200 | RECHTE PICK-UP ZUBRINGERSCHNECK | TORNILLO SIN FIN DER PU 200 |
| 18 | B0C004894R | COMPENSO PER PU NORMALE | PICK-UP SHIM | EPAISSEUR POUR PU NORMAL | PICK-UP AUSGLEICHSTUECK | COMPENSADO PARA PU NORMAL |
| 19 | B00470620R | VITE TTEI M 6X 20-8.8 UNBRA | SCREW | VIS | SCHRAUBE TTEI M6X20-10.9 | TORNILLO CAB.ALLEN CON HUEC |
| 20 | F01410037R | ROS.M6 6,4X12,5X1,6 U6592 ZN | WASHER M6 6,4X12,5X1,6 U6592ZN | RONDEL.M6 6,4X12,5X1,6 U6592ZN | SCHEIB.M6 6,4X12,5X1,6 U6592ZN | ARAND.M6 6,4X12,5X1,6 U6592 ZN |
| 21 | F01230184R | DADO M6X1 D985 8ZN | NUT M6X1 D985 8ZN | NUT M6X1 D985 8ZN | TUERCA M6X1 D985 8 | TUERCA M6X1 D985 8 |
| 22 | B07S01006R | RASTRELLO 200 | PICK-UP RAKE 200 | RATEAU | NIEDERHALTER 200 | RASTRILLO 200 |
| 23 | B0C003179R | AGGANCIO REGOLAZIONE | ADJUSTER ATTACHMENT | ACCROCHAGE REGLAGE | EINSTELLUNGSANKUPPLUNG | ENGANCHE PARA REGULACI N |
| 24 | B00523395R | VITE SPECIALE TTQST M12X45-8.8 | SPECIAL SCREW | VIS SPECIALE | SCHRAUBE TTQST M12X 45-8.8 | TORNILLO ESPECIAL TTQST M12X4 |
| 25 | B01522469R | RALLA 13 42 6 | FIFTH WHEEL | BUTEE | SCHEIBE | RANGUA 13 42 6 |
| 26 | F01230213R | DADO M12X1,75 U7474 CL8 ZN | NUT M12X1,75 U7474 6SZN | ECROU AUTOBL. M12 | SELBSTSPERR.MUTTER M12 | TUERCA M12X1,75 U7474 CL8 ZN |
| 27 | B0C000057R | ATTACCO DX RASTRELLO | RIGHT RAKE ATTACHMENT | ATTELAGE DROITE GRILLE RABATTE | RECHTE NIEDERHALTERRECHENHALTE | CONEXI N DER RASTRILLO |
| 28 | F01020516R | VITE M12X1,75X45 U5739 8.8ZN | SCR. M12X1,75X45 U5739 8.8ZN | VIS M12X1,75X45 U5739 8.8 ZN | SCHRAUBE M12X1,75X45 U5739 ZN | TORNILLO M12X1,75X45 U5739 8 |
| 29 | F01410076R | ROS.M12 13X 24X2,5 U6592 ZN | WASHER 12 13X 24X2,5 U6592 ZN | RONDEL. M12 13X24X2,5 U6592 ZN | SCHEIBE M12 13X24X2,5 U6592 ZN | ARAND.M12 13X 24X2,5 U6592 ZN |
| 30 | F01230213R | DADO M12X1,75 U7474 CL8 ZN | NUT M12X1,75 U7474 6SZN | ECROU AUTOBL. M12 | SELBSTSPERR.MUTTER M12 | TUERCA M12X1,75 U7474 CL8 ZN |
| 31 | BSP000024R | ATTACCO DX RASTRELLO | RIGHT RAKE CONNECTION | | | CONEXI N DER RASTRILLO |
| 32 | F01020512R | VITE M12X1,75X35 U5739 8.8ZN | SCR. M12X1,75X35 U5739 8.8ZN | VIS M12X1,75X35 5739 8.8 ZN | SCHR. M12X1,75X35 5739 8.8 ZN | TORNILLO M12X1,75X35 U5739 8 |
| 33 | F01410076R | ROS.M12 13X 24X2,5 U6592 ZN | WASHER 12 13X 24X2,5 U6592 ZN | RONDEL. M12 13X24X2,5 U6592 ZN | SCHEIBE M12 13X24X2,5 U6592 ZN | ARAND.M12 13X 24X2,5 U6592 ZN |
| 34 | F01230213R | DADO M12X1,75 U7474 CL8 ZN | NUT M12X1,75 U7474 6SZN | ECROU AUTOBL. M12 | SELBSTSPERR.MUTTER M12 | TUERCA M12X1,75 U7474 CL8 ZN |
| 35 | B01817605R | MOLLA C FILO 2,5 P24,5 L=60 | SPRING | RESSORT | C-FEDER | MUELLE C HILO 2,5 P24,5 L=60 |
| 36 | F01410124R | ROS.M20 21X 37X 3 U6592 ZN | WASHER M20 21X 37X 3 U6592 ZN | RONDEL.M20 21X37X3 ZN | MUTTER M20 21X 37X 3 U6592 ZN | ARAND.M20 21X 37X 3 U6592 ZN |
| 37 | B01700020R | ANEL. D ARR. ALB. 20-E UNI3653 | SEEGER RING | BAGUE SEEGER | SEEGERRING 20-E | ANIL. DE PARAD. RB. 20-E UNI3 |
| 38 | B07V00074R | PROT. COCLEA PU 180 | AUGER PROTECTION | PROTECTION PELLETEUSE PU 180 | SCHNECKENSCHUTZ | PROT. TORNILLO SIN FIN PU 180 |
| 39 | B0C1P0583R | PIATTINO DI FISSAGGIO | FIXING PLATE | | | PAT N DE FIJACI N |
| 40 | B01000013R | RIVETTO STR. 6X18 U9200A AL | RIVET | RIVET | ABREISSNIETEN 6X18 | REMACHE EXTR. 6X18 U9200A A |
| 41 | B0C002409R | SOSTEGNO GOMMA PUL | RUBBER SUPPORT | SUPPORT PNEUS | GUMMIHALTER | SOPORTE DE GOMA POL |
| 42 | B01000012R | RIVETTO STR. 6,4X22 ACCIAIO | RIVET | RIVET | ABREISSNIETEN 6X26 | REMACHE EXTR. 6,4X22 ACERO |
| 43 | F01020472R | VITE M10X1,5X25 U5739 8.8ZN | SCR. M10X1,5X25 U5739 8.8ZN | VIS M10X1,5X25 U5739 8.8 ZN | SCHRAUBE M10X1,5X25 U5739 8.8 | TORNILLO M10X1,5X25 U5739 8.8 |
| 44 | F01410062R | ROS.M10 10,5X 18X 2 U6592 ZN | WASHER M10 10,5X 18X 2 U6592 | RONDELLE M10 10,5X18X2 ZN | DICHTUNGSRING M10 10,5X18X2 ZN | ARAND.M10 10,5X 18X 2 U6592 ZN |
| 45 | F01230202R | DADO M10X 1,5 D985 8 ZN | NUT M10 D985 | ECROU AUTOBL. M10 | SELBSTSPERR.MUTTER M10 | TUERCA M10X 1,5 D985 8 |
| 46 | B01810412R | MOLLA | SPRING | RESSORT | FEDER | MUELLE |
| 47 | B0C000058R | AGGANCIO RASTRELLO | RAKE LINKAGE | ATTELAGE GRILLE RABATTEUR | NIEDERHALTERRECHENANSCHLUSS | ENGANCHE DEL RASTRILLO |
| 48 | B0C6P0039R | FERMO PICK-UP NORMALE | STANDARD PICK-UP LOCK | ARRET PICK-UP NORMAL | | TOPE PICK-UP NORMAL |
| 49 | F01020512R | VITE M12X1,75X35 U5739 8.8ZN | SCR. M12X1,75X35 U5739 8.8ZN | VIS M12X1,75X35 5739 8.8 ZN | SCHR. M12X1,75X35 5739 8.8 ZN | TORNILLO M12X1,75X35 U5739 8 |
| 50 | B0C000056R | ATTACCO SX RASTRELLO | LEFT RAKE ATTACHMENT | ATTELAGE GAUCHE GRILLE RABATTE | LINKE NIEDERHALTERRECHENHALTER | CONEXI N IZQ RASTRILLO |
| 51 | BSP000025R | ATTACCO SX RASTRELLO | LEFT RAKE CONNECTION | | | CONEXI N IZQ RASTRILLO |

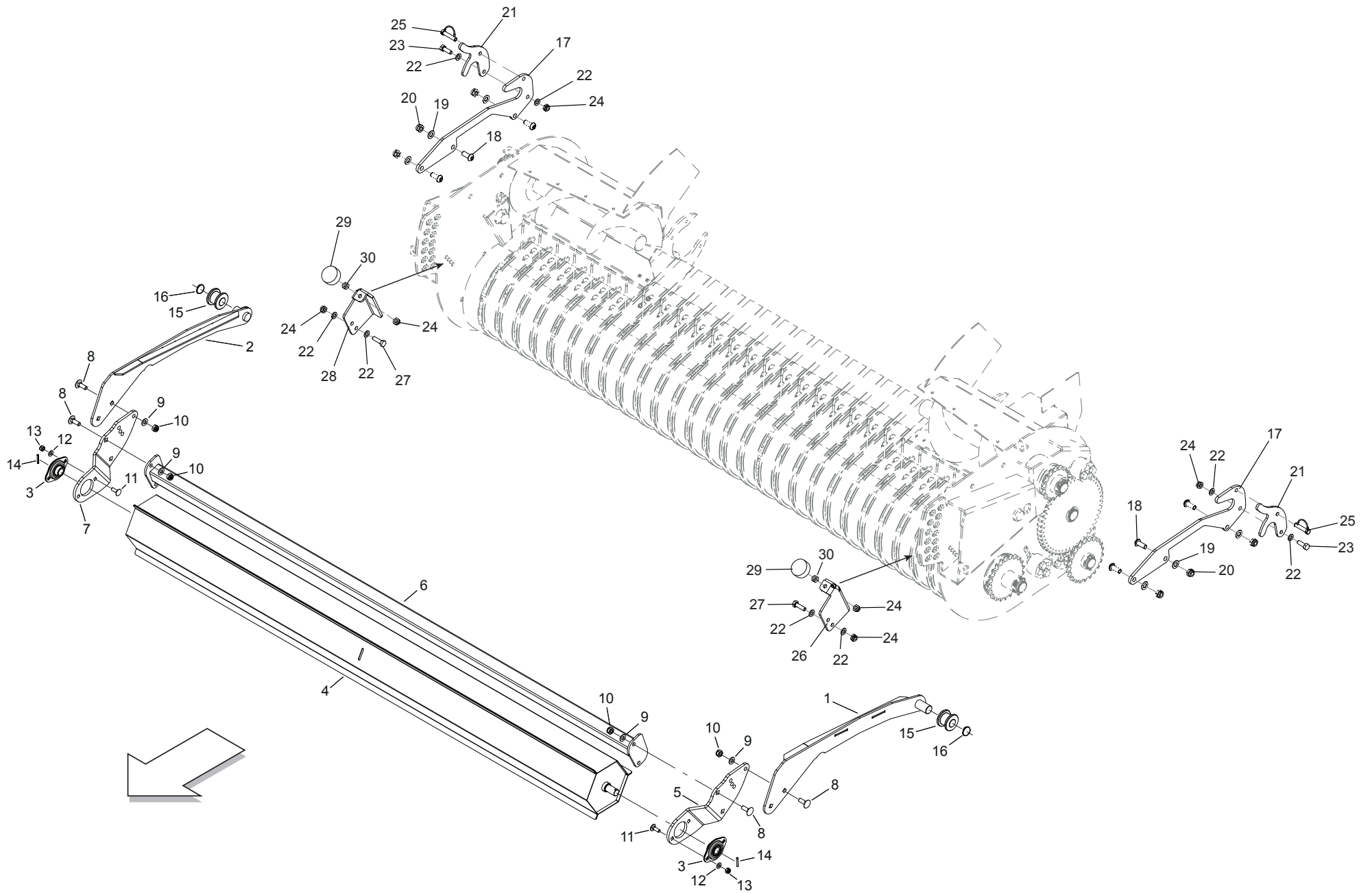


**PICK-UP L
PICK-UP L**

TAV_125

| Pos. | Cod. | Descrizione | Description | Description | Benennung | Descripcion |
|------|------------|--------------------------------|--------------------------------|--------------------------------|---------------------------------|--------------------------------|
| 1 | B07S01649R | TELAIO PU L | PICK-UP FRAME L | CHASSIS PU L | PICK-UP RAHMEN L | BASTIDOR PU L |
| 2 | B0C003304R | FASCIA CENTRALE PICK UP TOPCUT | PICK-UP CENTRAL BAND TOPCUT | BANDE CENTRALE PICK-UP TOPCUT | ZENTRALES PICK-UP BAND | BANDA CENTRAL PICK UP TOPCUT |
| 3 | B0C002069R | COMPENSO FASCIA | BAND EXTENSION | EPAISSEUR BANDE | BANDVERLAENGERUNG | COMPENSADO BANDA |
| 4 | B0C003183R | PLACA EXTENSIE LATERALA | LATERAL BAND PICK-UP | BANDE LATERALE | SEITENBAND | PLACA EXTEN-LATERAL |
| 5 | B00370615R | VITE M 6X16 ZN SEZ.TRIL. U8111 | SCREW | VIS | SCHRAUBE | TORNILLO CAB.HEX M 6X16 A SECC |
| 6 | B01700035R | ANEL. D ARR. ALB. 35-E UNI3653 | SEEGER RING | BAGUE SEEGER | SEEGERRING 35-E | ANIL. DE PARAD. RB. 35-E UNI3 |
| 7 | B03400270R | INGR. Z=16-3 4 ISO CON MOZZO | GEAR Z=16 3 4 | ENGRANAGE | ZAHNRAD Z=16 3 4 | ENGR. Z=16-3 4 ISO CON BUJE |
| 8 | B01534416R | SPE. 35 43 1 ZINCATO | SHIM | ENTRETOISE | AUSGLEICHSCHEIBE 35X43X1 | ESPE. 35 43 1 CINCADO |
| 9 | F02050425R | ANELLO E. DI 80X 2,5 U7437 C70 | SEEGER RING D.80 | BAGUE SEEGER D.80 | SEEGERRING D.80 | ANILLO E. DI 80X 2,5 U7437 C70 |
| 10 | B02040002R | CUSCINETTO 6307-2RS CAT.KST004 | BEARING | ROULEMENT CAT.KST004 | LAGER 6307-2RS | COJINETE 6307-2RS CAT.KST004 |
| 11 | B01300739R | DISTANZIALE 35X42X41 | SPACER | ENTRETOISE | DISTANZSTUECK 35X42X41 | DISTANCIADOR 35X42X41 |
| 12 | B01300715R | FLANGIA SX PICK-UP | PICK-UP FLANGE | FLASQUE GAUCHE POUR PICK-UP | PICK-UP FLANSCH | BRIDA IZQ PICK-UP |
| 13 | B00181015R | VITE M10X1,5 X 16 U5739 8.8ZN | SCREW | VIS | SCHRAUBE | TORNILLO M10X1,5 X 16 U5739 8 |
| 14 | F01410062R | ROS.M10 10,5X 18X 2 U6592 ZN | WASHER M10 10,5X 18X 2 U6592 | RONDELLE M10 10,5X18X2 ZN | DICHTUNGSRING M10 10,5X18X2 ZN | ARAND.M10 10,5X 18X 2 U6592 ZN |
| 15 | B01700095R | ANEL. D ARR. ALB. 95-E UNI3653 | SEEGER RING | BAGUE SEEGER | SEEGERRING 95-E | ANIL. DE PARAD. RB. 95-E UNI3 |
| 16 | B07S01654R | COCLEA SX PU 220 | LEFT PICK-UP AUGER 220 | VIS GAUCHE PU 220 | LINKE PICK-UP ZUBRINGERSCHNECK | TORNILLO SIN FIN IZQ PU 220 |
| 17 | B07S01653R | COCLEA DX PU 220 | RIGHT PICK-UP AUGER 220 | VIS DROIT PU 220 | RECHTE PICK-UP ZUBRINGERSCHNECK | TORNILLO SIN FIN DER PU 220 |
| 18 | B0C004894R | COMPENSO PER PU NORMALE | PICK-UP SHIM | EPAISSEUR POUR PU NORMAL | PICK-UP AUSGLEICHSTUECK | COMPENSADO PARA PU NORMAL |
| 19 | B00470620R | VITE TTEI M 6X 20-8.8 UNBRA | SCREW | VIS | SCHRAUBE TTEI M6X20-10.9 | TORNILLO CAB.ALLEN CON HUEC |
| 20 | F01410037R | ROS.M6 6,4X12,5X1,6 U6592 ZN | WASHER M6 6,4X12,5X1,6 U6592ZN | RONDEL.M6 6,4X12,5X1,6 U6592ZN | SCHIEB.M6 6,4X12,5X1,6 U6592ZN | ARAND.M6 6,4X12,5X1,6 U6592 ZN |
| 21 | F01230184R | DADO M6X1 D985 8ZN | NUT M6X1 D985 8ZN | NUT M6X1 D985 8ZN | TUERCA M6X1 D985 8 | TUERCA M6X1 D985 8 |
| 22 | B07S01239R | RASTRELLO 220 | RAKE 220 | RATEAU 220 | NIEDERHALTERRECHEN 220 | RASTRILLO 220 |
| 24 | B00523395R | VITE SPECIALE TTQST M12X45-8.8 | SPECIAL SCREW | VIS SPECIALE | SCHRAUBE TTQST M12X 45-8.8 | TORNILLO ESPECIAL TTQST M12X4 |
| 25 | B01522469R | RALLA 13 42 6 | FIFTH WHEEL | BUTEE | SCHIEBE | RANGUA 13 42 6 |
| 26 | F01230213R | DADO M12X1,75 U7474 CL8 ZN | NUT M12X1,75 U7474 6SN | ECROU AUTOBL. M12 | SELBSTSPERR.MUTTER M12 | TUERCA M12X1,75 U7474 CL8 ZN |
| 27 | B0C000056R | ATTACCO SX RASTRELLO | LEFT RAKE ATTACHMENT | ATELAGE GAUCHE GRILLE RABATTE | LINKE NIEDERHALTERRECHENHALTER | CONEXI N IZQ RASTRILLO |
| 28 | F01020516R | VITE M12X1,75X45 U5739 8.8ZN | SCR. M12X1,75X45 U5739 8.8ZN | VIS M12X1,75X45 U5739 8.8 ZN | SCHARAUBE M12X1,75X45 U5739 ZN | TORNILLO M12X1,75X45 U5739 8 |
| 29 | F01410076R | ROS.M12 13X 24X2,5 U6592 ZN | WASHER 12 13X 24X2,5 U6592 ZN | RONDEL. M12 13X24X2,5 U6592 ZN | SCHIEBE M12 13X24X2,5 U6592 ZN | ARAND.M12 13X 24X2,5 U6592 ZN |
| 30 | F01230213R | DADO M12X1,75 U7474 CL8 ZN | NUT M12X1,75 U7474 6SN | ECROU AUTOBL. M12 | SELBSTSPERR.MUTTER M12 | TUERCA M12X1,75 U7474 CL8 ZN |
| 31 | BSP000024R | ATTACCO DX RASTRELLO | RIGHT RAKE CONNECTION | | | CONEXI N DER RASTRILLO |
| 32 | F01020512R | VITE M12X1,75X35 U5739 8.8ZN | SCR. M12X1,75X35 U5739 8.8ZN | VIS M12X1,75X35 5739 8.8 ZN | SCHR. M12X1,75X35 5739 8.8 ZN | TORNILLO M12X1,75X35 U5739 8 |
| 33 | F01410076R | ROS.M12 13X 24X2,5 U6592 ZN | WASHER 12 13X 24X2,5 U6592 ZN | RONDEL. M12 13X24X2,5 U6592 ZN | SCHIEBE M12 13X24X2,5 U6592 ZN | ARAND.M12 13X 24X2,5 U6592 ZN |
| 34 | F01230213R | DADO M12X1,75 U7474 CL8 ZN | NUT M12X1,75 U7474 6SN | ECROU AUTOBL. M12 | SELBSTSPERR.MUTTER M12 | TUERCA M12X1,75 U7474 CL8 ZN |
| 35 | B01817605R | MOLLA C FILO 2,5 P24,5 L=60 | SPRING | RESSORT | C-FEDER | MUELLE C HILO 2,5 P24,5 L=60 |
| 36 | F01410124R | ROS.M20 21X 37X 3 U6592 ZN | WASHER M20 21X 37X 3 U6592 ZN | RONDEL.M20 21X37X3 ZN | MUTTER M20 21X 37X 3 U6592 ZN | ARAND.M20 21X 37X 3 U6592 ZN |
| 37 | B01700020R | ANEL. D ARR. ALB. 20-E UNI3653 | SEEGER RING | BAGUE SEEGER | SEEGERRING 20-E | ANIL. DE PARAD. RB. 20-E UNI3 |
| 38 | B07V00081R | PROT. COCLEA PU 200 | AUGER GUARD | PROTECTION PELLETEUSE PU 200 | SCHNECKENSCHUTZ | PROT. TORNILLO SIN FIN PU 200 |
| 39 | B0C003730R | FISSAGGIO GOMMA | FIXING PLATE | FIXAGE CAOUTCHOUC | GUMMIFIXIERPLATTE | FIJACI N DE GOMA |
| 40 | B01000013R | RIVETTO STR. 6X18 U9200A AL | RIVET | RIVET | ABREISSNIETEN 6X18 | REMACHE EXTR. 6X18 U9200AA |
| 41 | B0C003729R | SOSTEGNO GOMMA | RUBBER SUPPORT | SUPPORT CAOUTCHOUC | GUMMIHALTER | SOPORTE DE GOMA |
| 42 | B01000012R | RIVETTO STR. 6,4X22 ACCIAIO | RIVET | RIVET | ABREISSNIETEN 6X26 | REMACHE EXTR. 6,4X22 ACERO |
| 43 | F01020472R | VITE M10X1,5X25 U5739 8.8ZN | SCR. M10X1,5X25 U5739 8.8ZN | VIS M10X1,5X25 U5739 8.8 ZN | SCHRAUBE M10X1,5X25 U5739 8.8 | TORNILLO M10X1,5X25 U5739 8.8 |
| 44 | F01410062R | ROS.M10 10,5X 18X 2 U6592 ZN | WASHER M10 10,5X 18X 2 U6592 | RONDELLE M10 10,5X18X2 ZN | DICHTUNGSRING M10 10,5X18X2 ZN | ARAND.M10 10,5X 18X 2 U6592 ZN |
| 45 | F01230202R | DADO M10X 1,5 D985 8 ZN | NUT M10 D985 | ECROU AUTOBL. M10 | SELBSTSPERR.MUTTER M10 | TUERCA M10X 1,5 D985 8 |
| 46 | B01810412R | MOLLA | SPRING | RESSORT | FEDER | MUELLE |
| 47 | BSP000027R | STAFFA SX | LEFT BRACKET | | | ESTRIBO IZQ |
| 48 | F01020562R | VITE M16X2X30 U5739 8.8ZN | SCR. M16X2X30 U5739 8.8ZN | VIS M16X2X30 U5739 8.8 ZN | SCHRAUBE M16X2X30 U5739 8.8 ZN | TORNILLO M16X2X30 U5739 8.8ZN |
| 49 | F01200444R | DADO M16X2 U5589 CL8 ZN 6SN | NUT M16X2 U5589 6SN | ECROU M16X2 | MUTTER M16X2 | TUERCA M16X2 U5589 CL8 ZN 6S |
| 50 | B0C6P0039R | FERMO PICK-UP NORMALE | STANDARD PICK-UP LOCK | ARRET PICK-UP NORMAL | | TOPE PICK-UP NORMAL |
| 51 | F01020512R | VITE M12X1,75X35 U5739 8.8ZN | SCR. M12X1,75X35 U5739 8.8ZN | VIS M12X1,75X35 5739 8.8 ZN | SCHR. M12X1,75X35 5739 8.8 ZN | TORNILLO M12X1,75X35 U5739 8 |
| 52 | B0C000057R | ATTACCO DX RASTRELLO | RIGHT RAKE ATTACHMENT | ATELAGE DROITE GRILLE RABATTE | RECHTE NIEDERHALTERRECHENHALTE | CONEXI N DER RASTRILLO |
| 53 | BSP000025R | ATTACCO SX RASTRELLO | LEFT RAKE CONNECTION | | | CONEXI N IZQ RASTRILLO |
| 54 | B0C003727R | AGGANCIO DX | RIGHT RAKE LINKAGE | ACCROCHAGE DROIT | RECHTER NIEDERHALTERRECHENANS | ENGANCHE DER |

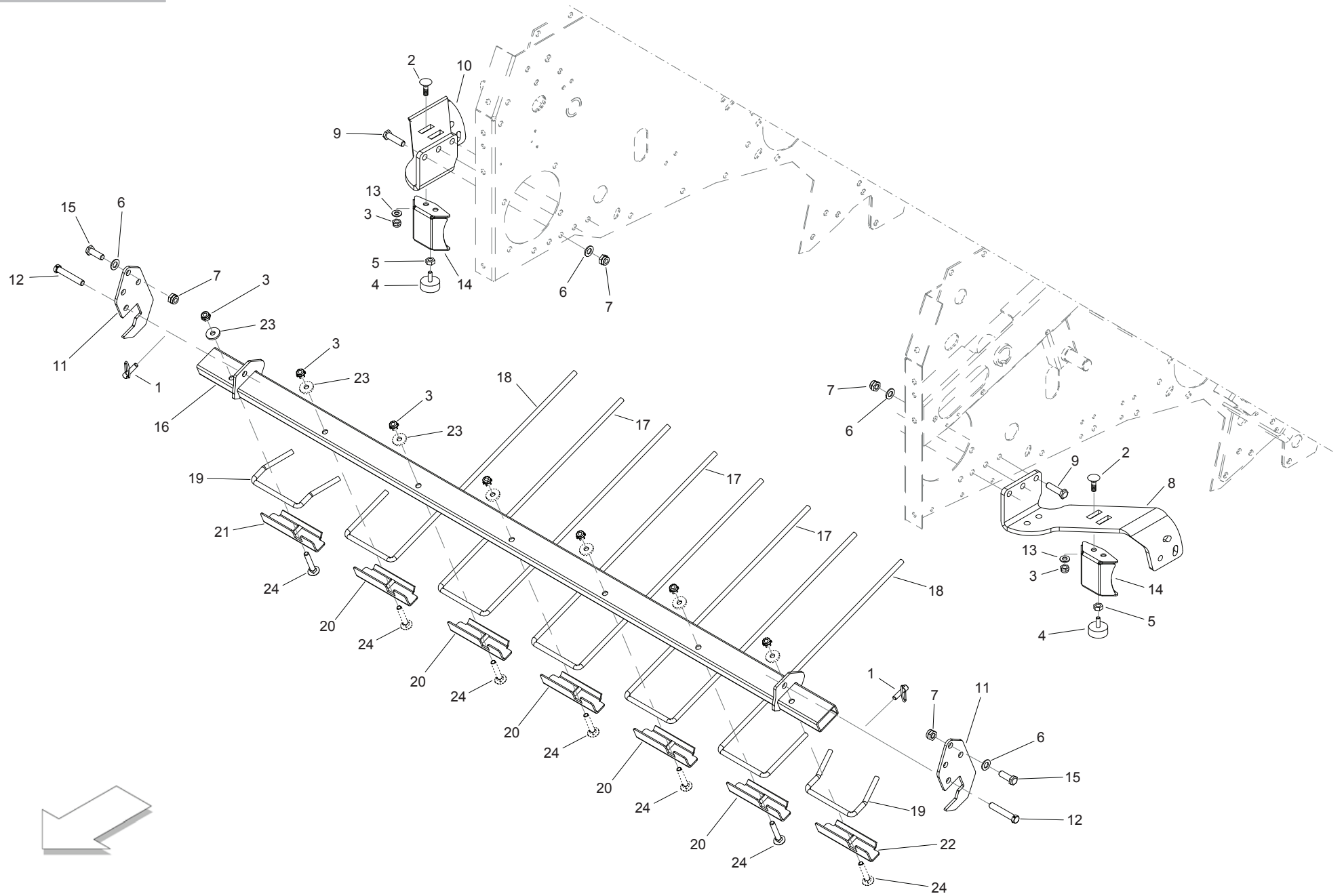
TAV_130



**RULLO CONVOGLIATORE (PICK-UP L - PARTE 1)
ROLLER CONVEYOR (PICK-UP L - PART 1)**

TAV_130

| Pos. | Cod. | Descrizione | Description | Description | Benennung | Descripcion |
|------|------------|-------------------------------|--------------------------------|--------------------------------|--------------------------------|--------------------------------|
| 1 | B07SP0446R | FIANCO SX | LEFT SIDE | | | LADO IZQ |
| 2 | B07SP0447R | FIANCO DX | RIGHT SIDE | | | LADO DER |
| 3 | B02341020R | SUPP.FLANG.OV 20 LAM NBR-NSK | SUPPORT | SUPPORT | GEFLANSCHTES LAGER | SOP.BRIDA.OV 20 CHAP. NBR-NSK |
| 4 | B07SP0448R | RULLO CONVOGLIATORE L 200 | ROLLER CONVEYOR | | | RODILLO TRANSPORTADOR L 200 |
| 5 | B0C1P2088R | ATTACCO SX RULLO | LEFT ATTACK ROLLER | | | CONEXI N IZQ DEL RODILLO |
| 6 | B07SP1462R | TUBO DI RINFORZO | REINFORCE TUBE | | | TUBO DE REFUERZO |
| 7 | B0C1P2089R | ATTACCO DX RULLO | RIGHT ATTACK ROLLER | | | CONEXI N DER DEL RODILLO |
| 8 | F01060069R | VITE M10X1,5X30 U5731 8.8ZN | SCR. M10X1,5X30 U5732 4.6ZN | BOULON 10X30 5732 4.6 | SCHRAUBE 10X30 5732 4.6 | TORNILLO M10X1,5X30 U5731 8.8 |
| 9 | F01410064R | ROS.M10 10,5X 20X 2 U6592 ZN | WASHER M10 10,5X20X2 U6592 ZN | RONDEL. M10 10,5X20X2 U6592 ZN | SCHEIBE M10 10,5X20X2 U6592 ZN | ARAND.M10 10,5X 20X 2 U6592 ZN |
| 10 | F01230202R | DADO M10X 1,5 D985 8 ZN | NUT M10 D985 | ECROU AUTOBL. M10 | SELBSTSPERR.MUTTER M10 | TUERCA M10X 1,5 D985 8 |
| 11 | F01060202R | VITE M8X1,25X25 U5731 4.6ZN | SCR. M8X1,25X25 U5731 4.6ZN | VIS M8X1,25X25 U5731 4.6 | DUEBEL M8X1,25X25 U5731 4.6 ZN | TORNILLO M8X1,25X25 U5731 4.6 |
| 12 | F01410051R | ROS.M8 8,4X 17X1,6 U6592 ZN | WASHER M8 8,4X17X1,6 U6592 ZN | RONDELLE M8 8,4X17X1,6 ZN | SCHEIBE M8 8,4X17X1,6 U6592 ZN | ARAND.M8 8,4X 17X1,6 U6592 ZN |
| 13 | F01230190R | DADO M8X1 D985 8ZN | NUT M8X1 D985 8ZN | ECROU M8 | MUTTER M8 | TUERCA M8X1 D985 8 |
| 14 | F02100065R | SPINA E.P. 4X 30 U6873 C70 BR | PIN EL. 4X30 DIN 1481 | GOUPILLE EL.4 X30 DIN 1481 | SPANNSTIFT 4X30 DIN 1481 | CLAVIJA EL.P. 4X 30 U6873 C70 |
| 15 | B0C003712R | BOCCOLA | BUSH | COQUILLE | BUCHSE | CASQUILLO |
| 16 | F02050101R | ANELLO E. DE 25X 1,2 U7435 C7 | SEEGER RING E. 25X1,2 7435 C70 | SEEGER E. 25X 1,2 U7435 C70 | SEEGERING E. 25X 1,2 U7435 C70 | ANILLO E. DE 25X 1,2 U7435 C7 |
| 17 | B0C4P0466R | ATTACCO SOSTEGNO RULLO | ATTACK ROLLER SUPPORT | | | CONEXI N SOPORTE DE RODILLO |
| 18 | B00471230R | VITE TTEI M12X 30-8.8 UNBRA | SCREW | VIS | SCHRAUBE TTEI M12X 30-8.8 | TORNILLO CAB.ALLEN CON HUECO |
| 19 | F01410076R | ROS.M12 13X 24X2,5 U6592 ZN | WASHER 12 13X 24X2,5 U6592 ZN | RONDEL. M12 13X24X2,5 U6592 ZN | SCHEIBE M12 13X24X2,5 U6592 ZN | ARAND.M12 13X 24X2,5 U6592 ZN |
| 20 | F01230213R | DADO M12X1,75 U7474 CL8 ZN | NUT M12X1,75 U7474 6SZN | ECROU AUTOBL. M12 | SELBSTSPERR.MUTTER M12 | TUERCA M12X1,75 U7474 CL8 ZN |
| 21 | B0C6P0487R | GANCIO PER FIANCO SX-DX | HOOK LEFT RIGHT SIDE | | | GANCHO PARA LADO IZQ-DER |
| 22 | F01410064R | ROS.M10 10,5X 20X 2 U6592 ZN | WASHER M10 10,5X20X2 U6592 ZN | RONDEL. M10 10,5X20X2 U6592 ZN | SCHEIBE M10 10,5X20X2 U6592 ZN | ARAND.M10 10,5X 20X 2 U6592 ZN |
| 23 | F01020476R | VITE M10X1,5X30 U5739 8.8ZN | SCR. M10X1,5X30 U5739 8.8ZN | VIS M10X1,5X30 U5739 8.8 ZN | SCHRAUBE M10X1,5X30U5739 8.8ZN | TORNILLO M10X1,5X30 U5739 8.8 |
| 24 | F01230202R | DADO M10X 1,5 D985 8 ZN | NUT M10 D985 | ECROU AUTOBL. M10 | SELBSTSPERR.MUTTER M10 | TUERCA M10X 1,5 D985 8 |
| 25 | B01000021R | SPINOTTO PER MOTOZAPPA 10X45 | PIN | EPINE | STIFT | ESP RRAGO PARA MOTOCULTIVAD |
| 26 | B0C6P0488R | ATTACCO TAMPONE SX | LEFT BUFFER CONNECTION | | | ENGANCHE TAP N IZQ |
| 27 | F01020479R | VITE M10X1,5X35 U5739 8.8ZN | SCR. M10X1,5X35 U5739 8.8ZN | VIS M10X1,5X35 U5739 8.8 ZN | SCHR. M10X1,5X35 U5739 8.8 ZN | TORNILLO M10X1,5X35 U5739 8 |
| 28 | B0C6P0489R | ATTACCO TAMPONE DX | RIGHT BUFFER CONNECTION | | | ENGANCHE TAP N DER |
| 29 | B07049749R | TAMPONE 50X21 M10 | BUMPER 50X21 M10 | TAMPON 50X21 M10 | PUFFER 50X21 M10 | TAP N 50X21 M10 |
| 30 | F01200270R | DADO M10X1,5 U5588 CL8 ZN | NUT M10X1,5 U5588 6.8ZN | ECROU M10X 1,5 U5588 6.8 ZN | MUTTER M10X 1,5 U5588 6.8 ZN | TUERCA M10X1,5 U5588 CL8 ZN |

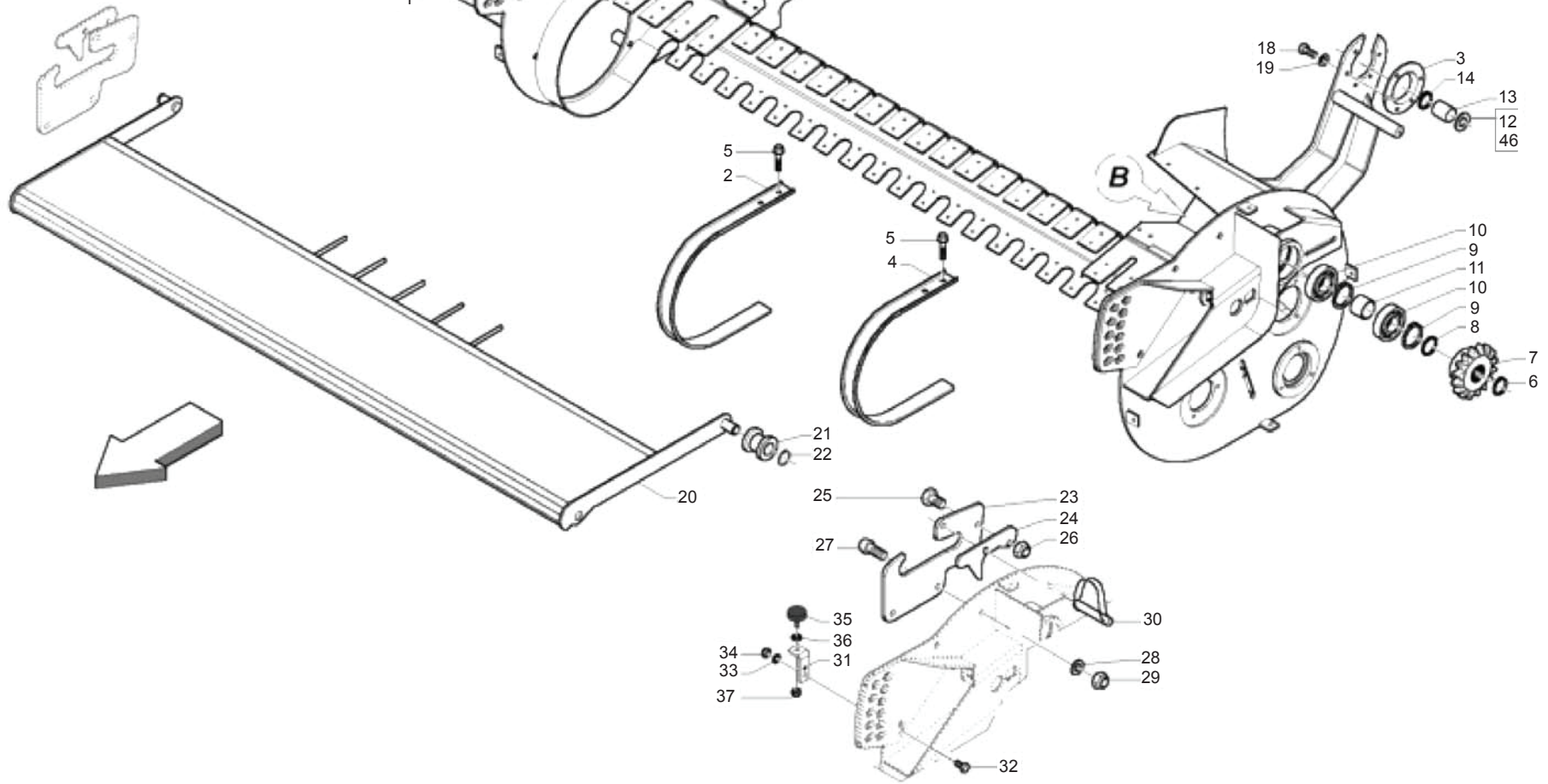
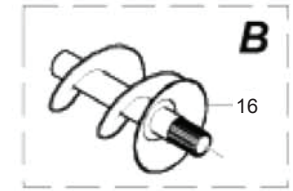
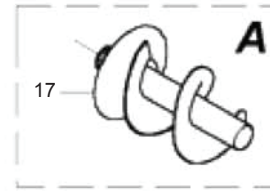
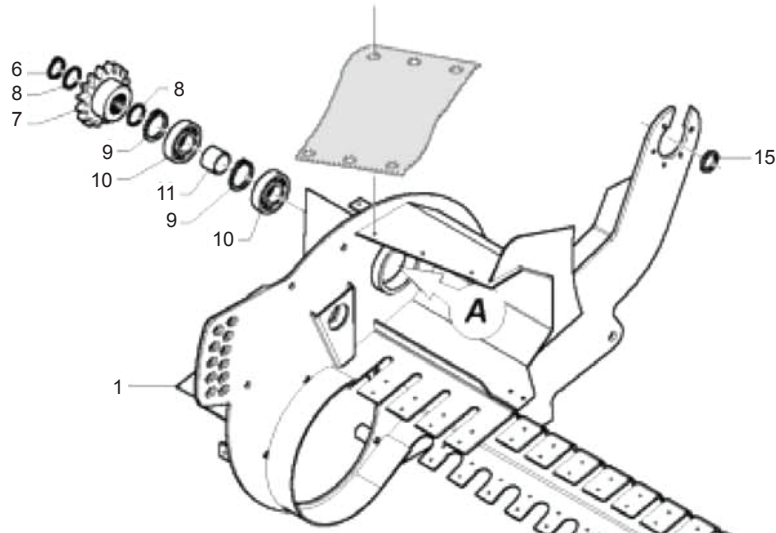
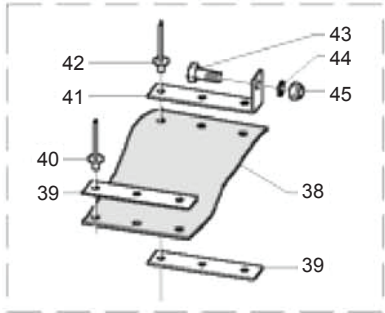


RULLO CONVOGLIATORE (PICK-UP L - PARTE 2)
ROLLER CONVEYOR (PICK-UP L - PART 2)

TAV_135

| Pos. | Cod. | Descrizione | Description | Description | Benennung | Descripcion |
|------|------------|--------------------------------|-------------------------------|--------------------------------|--------------------------------|--------------------------------|
| 1 | F02200486R | SPINA SCATTO D.6 X27 ZN | SNAP PIN D.6 X27 ZN | FICHE A DETENTE D6 X 27 ZN | EINRASTSTIFT D6 X 27 ZN | CLAVIJA CON DISPARO D.6 X27 |
| 2 | F01060069R | VITE M10X1,5X30 U5731 8.8ZN | SCR. M10X1,5X30 U5732 4.6ZN | BOULON 10X30 5732 4.6 | SCHRAUBE 10X30 5732 4.6 | TORNILLO M10X1,5X30 U5731 8.8 |
| 3 | F01230202R | DADO M10X 1,5 D985 8 ZN | NUT M10 D985 | ECROU AUTOBL. M10 | SELBSTSPERR.MUTTER M10 | TUERCA M10X 1,5 D985 8 |
| 4 | B07049749R | TAMPONE 50X21 M10 | BUMPER 50X21 M10 | TAMPON 50X21 M10 | PUFFER 50X21 M10 | TAP N 50X21 M10 |
| 5 | F01200270R | DADO M10X1,5 U5588 CL8 ZN | NUT M10X1,5 U5588 6.8ZN | ECROU M10X 1,5 U5588 6.8 ZN | MUTTER M10X 1,5 U5588 6.8 ZN | TUERCA M10X1,5 U5588 CL8 ZN |
| 6 | F01410076R | ROS.M12 13X 24X2,5 U6592 ZN | WASHER 12 13X 24X2,5 U6592 ZN | RONDEL. M12 13X24X2,5 U6592 ZN | SCHEIBE M12 13X24X2,5 U6592 ZN | ARAND.M12 13X 24X2,5 U6592 ZN |
| 7 | F01230213R | DADO M12X1,75 U7474 CL8 ZN | NUT M12X1,75 U7474 6SZN | ECROU AUTOBL. M12 | SELBSTSPERR.MUTTER M12 | TUERCA M12X1,75 U7474 CL8 ZN |
| 8 | B0C1P2081R | ATTACCO SX | LEFT ATTACK | | | ENGANCHE IZQ |
| 9 | F01020516R | VITE M12X1,75X45 U5739 8.8ZN | SCR. M12X1,75X45 U5739 8.8ZN | VIS M12X1,75X45 U5739 8.8 ZN | SCHARAUBE M12X1,75X45 U5739 ZN | TORNILLO M12X1,75X45 U5739 8 |
| 10 | B0C1P2082R | ATTACCO DX | RIGHT ATTACK | | | ENGANCHE DER |
| 11 | B0C1P1462R | UNIONE STAFFE-BARRA PORTADENTE | UNION BRACKETS-ROD SUPP.TEETH | | | UNI N ESTRIBOS BARRA PORTA-DIE |
| 12 | B0C1P1632R | PERNO D.12 F.6 | PIN D.12 F.6 | | | PERNO D.12 F.6 |
| 13 | F01410064R | ROS.M10 10,5X 20X 2 U6592 ZN | WASHER M10 10,5X20X2 U6592 ZN | RONDEL. M10 10,5X20X2 U6592 ZN | SCHEIBE M10 10,5X20X2 U6592 ZN | ARAND.M10 10,5X 20X 2 U6592 ZN |
| 14 | B0C1P2087R | ATTACCO TAMPONE | ATTACK BUFFER | | | CONEXI N DEL TAP N |
| 15 | F01020512R | VITE M12X1,75X35 U5739 8.8ZN | SCR. M12X1,75X35 U5739 8.8ZN | VIS M12X1,75X35 5739 8.8 ZN | SCHR. M12X1,75X35 5739 8.8 ZN | TORNILLO M12X1,75X35 U5739 8 |
| 16 | B07SP0701R | BARRA PORTADENTI | TINE HOLDER BAR | | | BARRA PORTADIENTES |
| 17 | B0C2P0383R | DENTE L=590 | TOOTH L=590 | | | DENTE L=590 |
| 18 | B0C2P0384R | DENTE L=590 E L=137 | TOOTH L=590 E L=137 | | | DENTE L=590 E L=137 |
| 19 | B0C2P0385R | DENTE LATERALE L=111 | LATERAL TOOTH | | | DIENTE LATERAL L=111 |
| 20 | B0C6P0483R | FERMO DENTE | TOOTH STOP | | | TOPE DEL DIENTE |
| 21 | B0C6P0888R | FERMO DX DENTE | RIGHT TOOTH STOP | | | TOPE DER DIENTE |
| 22 | B0C6P0887R | FERMO SX DENTE | LEFT TOOTH STOP | | | TOPE IZQ DEL DIENTE |
| 23 | B01524584R | RALLA 10,5 30 4 | FIFTH WHEEL | BUTEE | SCHEIBE | RANGUA 10,5 30 4 |
| 24 | F01060081R | VITE M10X1,5X60 U5731 8.8ZN | SCR. M10X1,5X60 U5732 4.6ZN | VIS 10X60 5732 4.6 ZN | SCHRAUBE 10X60 5732 4.6 ZN | TORNILLO M10X1,5X60 U5731 8.8 |

TAV_140

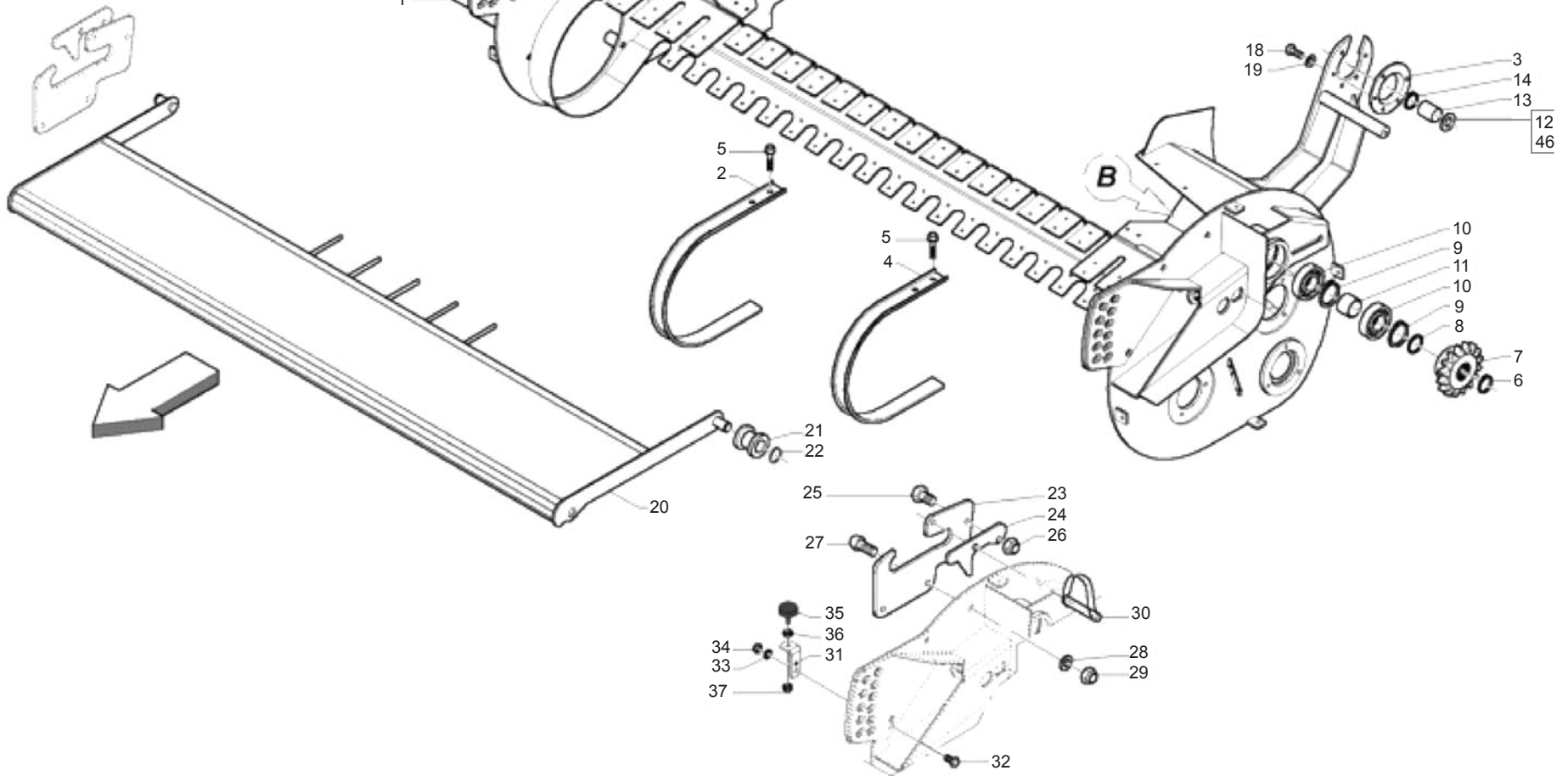
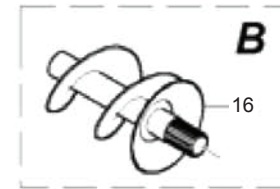
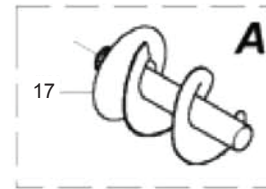
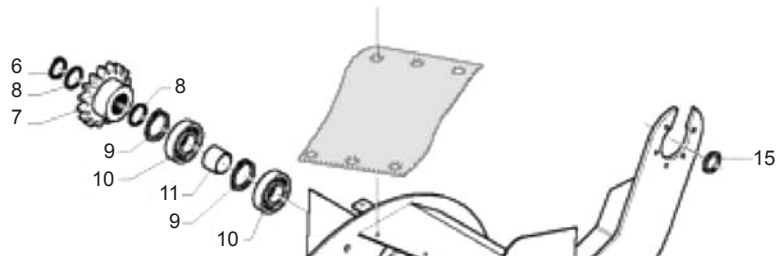
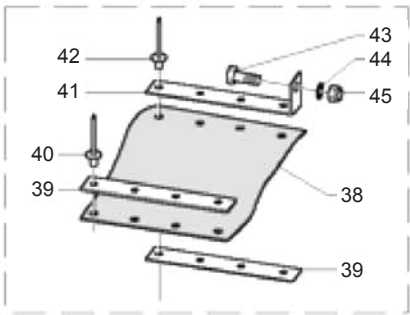


**PICK-UP M CUT
PICK-UP M CUT**

TAV_140

| Pos. | Cod. | Descrizione | Description | Description | Benennung | Descripcion |
|------|------------|--------------------------------|--------------------------------|--------------------------------|----------------------------------|--------------------------------|
| 1 | B07S01645R | TELAIO PU M CUT | PICK_UP FRAME M CUT | | | BASTIDOR PU M CUT |
| 2 | B0C003304R | FASCIA CENTRALE PICK UP TOPCUT | PICK-UP CENTRAL BAND TOPCUT | BANDE CENTRALE PICK-UP TOPCUT | ZENTRALES PICK-UP BAND | BANDA CENTRAL PICK UP TOPCUT |
| 3 | B01300649R | FLANGIA | FLANGE | FLASQUE | PICK-UP FLANSCH | BRIDA |
| 4 | B0C003183R | PLACA EXTENSIE LATERALA | LATERAL BAND PICK-UP | BANDE LATERALE | SEITENBAND | PLACA EXTEN-LATERAL |
| 5 | B00370615R | VITE M 6X16 ZN SEZ.TRIL. U8111 | SCREW | VIS | SCHRAUBE | TORNILLO CAB.HEX M 6X16 A SECC |
| 6 | B01700035R | ANEL. D ARR. ALB. 35-E UNI3653 | SEEGER RING | BAGUE SEEGER | SEEGERRING 35-E | ANIL. DE PARAD. RB. 35-E UNI3 |
| 7 | B03400270R | INGR. Z=16-3 4 ISO CON MOZZO | GEAR Z=16 3 4 | ENGRANAGE | ZAHNRAD Z=16 3 4 | ENGR. Z=16-3 4 ISO CON BUJE |
| 8 | B01534416R | SPESS. 35 43 1 ZINCATO | SHIM | ENTRETOISE | AUSGLEICHSCHEIBE 35X43X1 | ESPESS. 35 43 1 CINCADO |
| 9 | F02050425R | ANELLO E. DI 80X 2,5 U7437 C70 | SEEGER RING D.80 | BAGUE SEEGER D.80 | SEEGERRING D.80 | ANILLO E. DI 80X 2,5 U7437 C70 |
| 10 | B02040002R | CUSCINETTO 6307-2RS CAT.KST004 | BEARING | ROULEMENT CAT.KST004 | LAGER 6307-2RS | COJINETE 6307-2RS CAT.KST004 |
| 11 | B01300739R | DISTANZIALE 35X42X41 | SPACER | ENTRETOISE | ENTRETOISE | DISTANCIADOR 35X42X41 |
| 12 | B01527654R | RALLA 45 62 4 | FIFTH WHEEL | BUTEE | SCHEIBE | RANGUA 45 62 4 |
| 13 | B02500010R | BRONZINA 45 53 25 | BUSHING | COUSSINET | BRONZEBUCHSE 45 53 25 | COJINETE 45 53 25 |
| 14 | B01700045R | ANEL. D ARR. ALB. 45-E UNI3653 | SEEGER RING | BAGUE SEEGER | SEEGERRING 45-E | ANIL. DE PARAD. RB. 45-E UNI3 |
| 15 | B01300003R | RALLA ATTACCO PU | WASHER ATTACK PICK-UP | | | RANGUA CONEXI N PU |
| 16 | B07S01652R | COCLEA SX PU 200 | LEFT PICK-UP AUGER 200 | VIS GAUCHE PU 200 | LINKE PICK-UP ZUBRINGERSCHNECK | TORNILLO SIN FIN IZQ PU 200 |
| 17 | B07S01651R | COCLEA DX PU 200 | RIGHT PICK-UP AUGER 200 | VIS DROIT PU 200 | RECHTE PICK-UP ZUBRINGERSCHNECK | TORNILLO SIN FIN DER PU 200 |
| 18 | F01020472R | VITE M10X1,5X25 U5739 8.8ZN | SCR. M10X1,5X25 U5739 8.8ZN | VIS M10X1,5X25 U5739 8.8 ZN | SCHRAUBE M10X1,5X25 U5739 8.8 | TORNILLO M10X1,5X25 U5739 8.8 |
| 19 | F01410062R | ROS.M10 10,5X 18X 2 U6592 ZN | WASHER M10 10,5X 18X 2 U6592 | RONDELLE M10 10,5X18X2 ZN | DICHTUNGSRING M10 10,5X18X2 ZN | ARAND.M10 10,5X 18X 2 U6592 ZN |
| 20 | B07S01849R | LAMIERA CONVOGLIAMENTO PU M | BAFFLE PLATE | TOLE DE TRANSPORT PU M | NIEDERHALTERBLECH | CHAPA DE TRANSPORTE PU M |
| 21 | B0C003712R | BOCCOLA | BUSH | COQUILLE | BUCHSE | CASQUILLO |
| 22 | F02050101R | ANELLO E. DE 25X 1,2 U7435 C7 | SEEGER RING E. 25X1,2 7435 C70 | SEEGER E. 25X 1,2 U7435 C70 | SEEGERING E. 25X 1,2 U7435 C70 | ANILLO E. DE 25X 1,2 U7435 C7 |
| 23 | B0C100017R | ATTACCO LAMIERA CONVOGLIAMENTO | CONVEYOR PLATE ATTACHMENT | ATTELAGE TOLE D ACHEMINEMENT | ZUFUEHRBLECHBEFESTIGUNG | CONEXI N CHAPA DE TRANSPORTE |
| 24 | B0C004002R | GANCIO | HOOK | CROCHET | HAKEN | GANCHO |
| 25 | F01020510R | VITE M12X1,75X30 U5739 8.8ZN | SCR. M12X1,75X30 U5739 8.8ZN | VIS M12X1,75X30 U5739 8.8ZN | SCHRAUBE M12X1,75X30 U5739 8.8ZN | TORNILLO M12X1,75X30 U5739 |
| 26 | F01230213R | DADO M12X1,75 U7474 CL8 ZN | NUT M12X1,75 U7474 6SZN | ECROU AUTOBL. M12 | SELBSTSPERR.MUTTER M12 | TUERCA M12X1,75 U7474 CL8 ZN |
| 27 | B00471230R | VITE TTEI M12X 30-8.8 UNBRA | SCREW | VIS | SCHRAUBE TTEI M12X 30-8.8 | TORNILLO CAB.ALLEN CON HUECO |
| 28 | F01410076R | ROS.M12 13X 24X2,5 U6592 ZN | WASHER 12 13X 24X2,5 U6592 ZN | RONDEL. M12 13X24X2,5 U6592 ZN | SCHEIBE M12 13X24X2,5 U6592 ZN | ARAND.M12 13X 24X2,5 U6592 ZN |
| 29 | F01230213R | DADO M12X1,75 U7474 CL8 ZN | NUT M12X1,75 U7474 6SZN | ECROU AUTOBL. M12 | SELBSTSPERR.MUTTER M12 | TUERCA M12X1,75 U7474 CL8 ZN |
| 30 | B01000021R | SPINOTTO PER MOTOZAPPA 10X45 | PIN | EPINE | STIFT | ESP RRAGO PARA MOTOCULTIVAD |
| 31 | B0C005187R | ATTACCO TAMPONE | PLUG ATTACHMENT | ATTELAGE TAMPON | PROFFENBEFESTIGUNG | CONEXI N DEL TAP N |
| 32 | F01020476R | VITE M10X1,5X30 U5739 8.8ZN | SCR. M10X1,5X30 U5739 8.8ZN | VIS M10X1,5X30 U5739 8.8 ZN | SCHRAUBE M10X1,5X30U5739 8.8ZN | TORNILLO M10X1,5X30 U5739 8.8 |
| 33 | F01410062R | ROS.M10 10,5X 18X 2 U6592 ZN | WASHER M10 10,5X 18X 2 U6592 | RONDELLE M10 10,5X18X2 ZN | DICHTUNGSRING M10 10,5X18X2 ZN | ARAND.M10 10,5X 18X 2 U6592 ZN |
| 34 | F01230202R | DADO M10X 1,5 D985 8 ZN | NUT M10 D985 | ECROU AUTOBL. M10 | SELBSTSPERR.MUTTER M10 | TUERCA M10X 1,5 D985 8 |
| 35 | B07049749R | TAMPONE 50X21 M10 | BUMPER 50X21 M10 | TAMPON 50X21 M10 | PUFFER 50X21 M10 | TAP N 50X21 M10 |
| 36 | F01200270R | DADO M10X1,5 U5588 CL8 ZN | NUT M10X1,5 U5588 6.8ZN | ECROU M10X 1,5 U5588 6.8 ZN | MUTTER M10X 1,5 U5588 6.8 ZN | TUERCA M10X1,5 U5588 CL8 ZN |
| 37 | F01230202R | DADO M10X 1,5 D985 8 ZN | NUT M10 D985 | ECROU AUTOBL. M10 | SELBSTSPERR.MUTTER M10 | TUERCA M10X 1,5 D985 8 |
| 38 | B07V00074R | PROT. COCLEA PU 180 | AUGER PROTECTION | PROTECTION PELLETEUSE PU 180 | SCHNECKENSCHUTZ | PROT. TORNILLO SIN FIN PU 180 |
| 39 | B0C1P0583R | PIATTINO DI FISSAGGIO | FIXING PLATE | | | PAT N DE FIJACI N |
| 40 | B01000013R | RIVETTO STR. 6X18 U9200A AL | RIVET | RIVET | ABREISSNIETEN 6X18 | REMACHE EXTR. 6X18 U9200A A |
| 41 | B0C002409R | SOSTEGNO GOMMA PUL | RUBBER SUPPORT | SUPPORT PNEUS | GUMMIHALTER | SOPORTE DE GOMA POL |
| 42 | B01000012R | RIVETTO STR. 6,4X22 ACCIAIO | RIVET | RIVET | ABREISSNIETEN 6X26 | REMACHE EXTR. 6,4X22 ACERO |
| 43 | F01020472R | VITE M10X1,5X25 U5739 8.8ZN | SCR. M10X1,5X25 U5739 8.8ZN | VIS M10X1,5X25 U5739 8.8 ZN | SCHRAUBE M10X1,5X25 U5739 8.8 | TORNILLO M10X1,5X25 U5739 8.8 |
| 44 | F01410062R | ROS.M10 10,5X 18X 2 U6592 ZN | WASHER M10 10,5X 18X 2 U6592 | RONDELLE M10 10,5X18X2 ZN | DICHTUNGSRING M10 10,5X18X2 ZN | ARAND.M10 10,5X 18X 2 U6592 ZN |
| 45 | F01230202R | DADO M10X 1,5 D985 8 ZN | NUT M10 D985 | ECROU AUTOBL. M10 | SELBSTSPERR.MUTTER M10 | TUERCA M10X 1,5 D985 8 |
| 46 | B01547230R | SPESS. 45 62 2 | SHIM | ENTRETOISE | SCHEIBE | ESPESS. 45 62 2 |

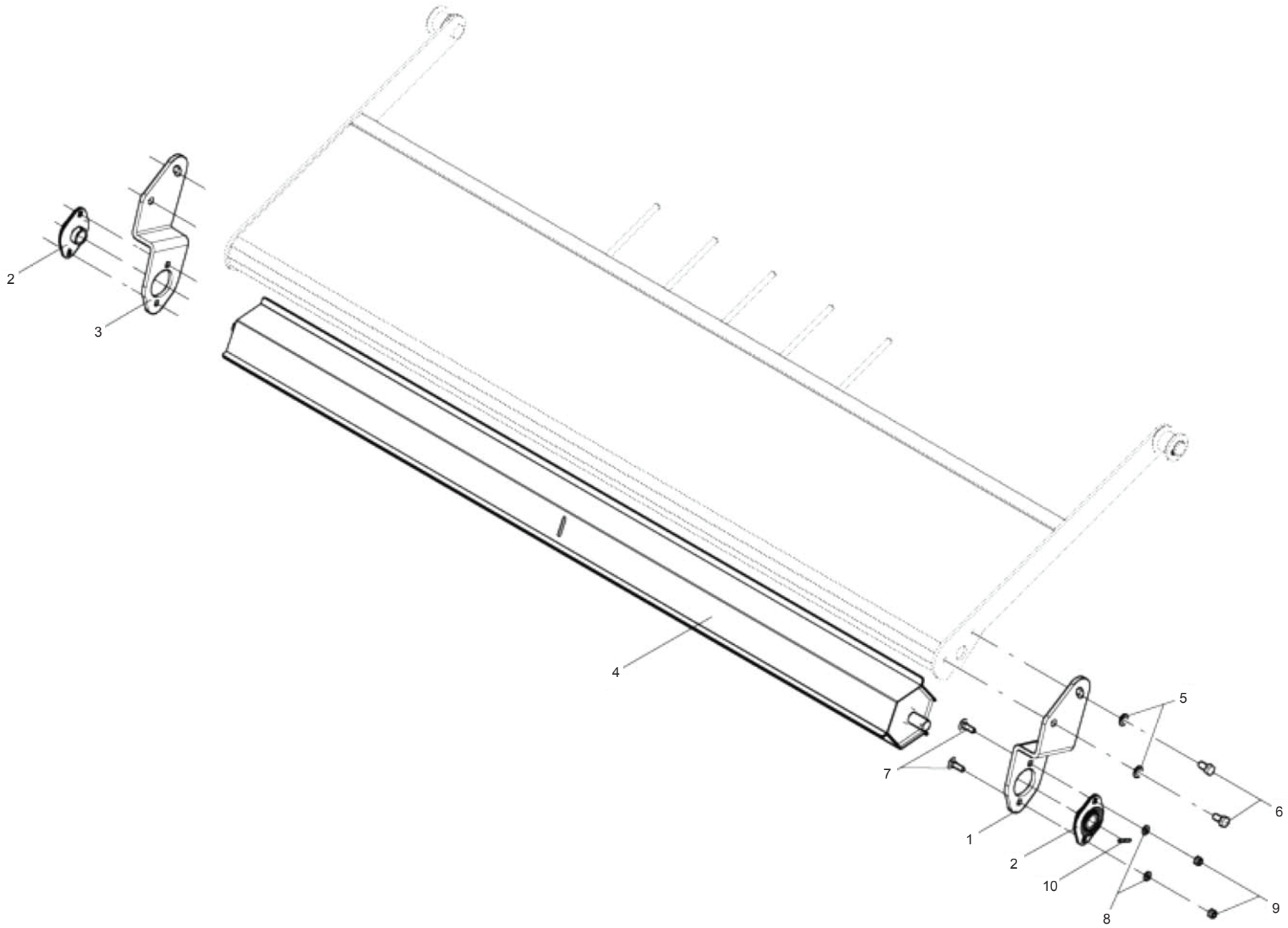
TAV_145



**PICK-UP L CUT
PICK-UP L CUT**

TAV_145

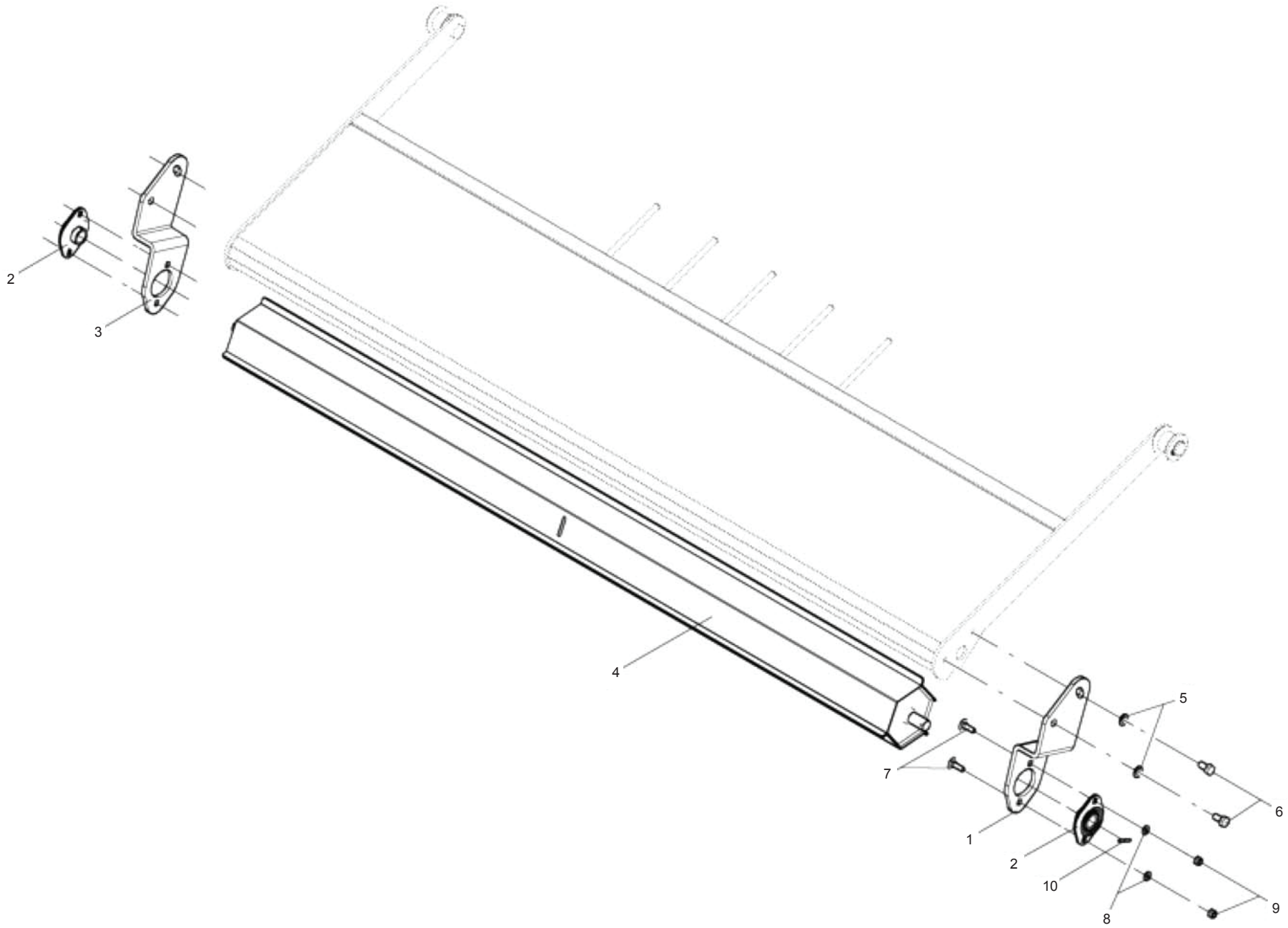
| Pos. | Cod. | Descrizione | Description | Description | Benennung | Descripcion |
|------|------------|--------------------------------|--------------------------------|--------------------------------|---------------------------------|--------------------------------|
| 1 | B07S01650R | TELAIO PU L CUT | PICK-UP FRAME CUT | | | BASTIDOR PU L CUT |
| 2 | B0C003304R | FASCIA CENTRALE PICK UP TOPCUT | PICK-UP CENTRAL BAND TOPCUT | BANDE CENTRALE PICK-UP TOPCUT | ZENTRALES PICK-UP BAND | BANDA CENTRAL PICK UP TOPCUT |
| 3 | B01300649R | FLANGIA | FLANGE | FLASQUE | PICK-UP FLANSCH | BRIDA |
| 4 | B0C003183R | PLACA EXTENSIE LATERALA | LATERAL BAND PICK-UP | BANDE LATERALE | SEITENBAND | PLACA EXTEN-LATERAL |
| 5 | B00370615R | VITE M 6X16 ZN SEZ.TRIL. U8111 | SCREW | VIS | SCHRAUBE | TORNILLO CAB.HEX M 6X16 A SECC |
| 6 | B01700035R | ANEL. D ARR. ALB. 35-E UNI3653 | SEEGER RING | BAGUE SEEGER | SEEGERRING 35-E | ANIL. DE PARAD. RB. 35-E UNI3 |
| 7 | B03400270R | INGR. Z=16-3 4 ISO CON MOZZO | GEAR Z=16 3 4 | ENGRANAGE | ZAHNRAD Z=16 3 4 | ENGR. Z=16-3 4 ISO CON BUJE |
| 8 | B01534416R | SPE. 35 43 1 ZINCATO | SHIM | ENTRETOISE | AUSGLEICHSCHEIBE 35X43X1 | ESPE. 35 43 1 CINCADO |
| 9 | F02050425R | ANELLO E. DI 80X 2,5 U7437 C70 | SEEGER RING D.80 | BAGUE SEEGER D.80 | SEEGERRING D.80 | ANILLO E. DI 80X 2,5 U7437 C70 |
| 10 | B02040002R | CUSCINETTO 6307-2RS CAT.KST004 | BEARING | ROULEMENT CAT.KST004 | LAGER 6307-2RS | COJINETE 6307-2RS CAT.KST004 |
| 11 | B01300739R | DISTANZIALE 35X42X41 | SPACER | ENTRETOISE | DISTANZSTUECK 35X42X41 | DISTANCIADOR 35X42X41 |
| 12 | B01547230R | SPE. 45 62 2 | SHIM | ENTRETOISE | SCHEIBE | ESPE. 45 62 2 |
| 13 | B02500010R | BRONZINA 45 53 25 | BUSHING | COUSSINET | BRONZEBUCHSE 45 53 25 | COJINETE 45 53 25 |
| 14 | B01700045R | ANEL. D ARR. ALB. 45-E UNI3653 | SEEGER RING | BAGUE SEEGER | SEEGERRING 45-E | ANIL. DE PARAD. RB. 45-E UNI3 |
| 15 | B01300003R | RALLA ATTACCO PU | WASHER ATTACK PICK-UP | | | RANGUA CONEXI N PU |
| 16 | B07S01654R | COCLEA SX PU 220 | LEFT PICK-UP AUGER 220 | VIS GAUCHE PU 220 | LINKE PICK-UP ZUBRINGERSCHNECK | TORNILLO SIN FIN IZQ PU 220 |
| 17 | B07S01653R | COCLEA DX PU 220 | RIGHT PICK-UP AUGER 220 | VIS DROIT PU 220 | RECHTE PICK-UP ZUBRINGERSCHNECK | TORNILLO SIN FIN DER PU 220 |
| 18 | F01020472R | VITE M10X1,5X25 U5739 8.8ZN | SCR. M10X1,5X25 U5739 8.8ZN | VIS M10X1,5X25 U5739 8.8 ZN | SCHRAUBE M10X1,5X25 U5739 8.8 | TORNILLO M10X1,5X25 U5739 8.8 |
| 19 | F01410062R | ROS.M10 10,5X 18X 2 U6592 ZN | WASHER M10 10,5X 18X 2 U6592 | RONDELLE M10 10,5X18X2 ZN | DICHTUNGSRING M10 10,5X18X2 ZN | ARAND.M10 10,5X 18X 2 U6592 ZN |
| 20 | B07S01848R | LAMIERA CONVOGLIAMENTO PU L | WIDE PICK-UP BAFFLE PLATE | TOLE DE TRANSPORT PU L | WEITE PICK-UP NIEDERHALTERBLEC | CHAPA DE TRANSPORTE PU L |
| 21 | B0C003712R | BOCCOLA | BUSH | COQUILLE | BUCHSE | CASQUILLO |
| 22 | F02050101R | ANELLO E. DE 25X 1,2 U7435 C7 | SEEGER RING E. 25X1,2 7435 C70 | SEEGER E. 25X 1,2 U7435 C70 | SEEGERING E. 25X 1,2 U7435 C70 | ANILLO E. DE 25X 1,2 U7435 C7 |
| 23 | B0C100017R | ATTACCO LAMIERA CONVOGLIAMENTO | CONVEYOR PLATE ATTACHMENT | ATTELAGE TOLE D ACHEMINEMENT | ZUFUEHRBLECHBEFESTIGUNG | CONEXI N CHAPA DE TRANSPORTE |
| 24 | B0C004002R | GANCIO | HOOK | CROCHET | HAKEN | GANCHO |
| 25 | F01020510R | VITE M12X1,75X30 U5739 8.8ZN | SCR. M12X1,75X30 U5739 8.8ZN | VIS M12X1,75X30 U5739 8.8ZN | SCHRAUB.M12X1,75X30 U5739 8.8ZN | TORNILLO M12X1,75X30 U5739 |
| 26 | F01230213R | DADO M12X1,75 U7474 CL8 ZN | NUT M12X1,75 U7474 6SZN | ECROU AUTOBL. M12 | SELBSTSPERR.MUTTER M12 | TUERCA M12X1,75 U7474 CL8 ZN |
| 27 | B00471230R | VITE TTEI M12X 30-8.8 UNBRA | SCREW | VIS | SCHRAUBE TTEI M12X 30-8.8 | TORNILLO CAB.ALLEN CON HUECO |
| 28 | F01410076R | ROS.M12 13X 24X2,5 U6592 ZN | WASHER 12 13X 24X2,5 U6592 ZN | RONDEL. M12 13X24X2,5 U6592 ZN | SCHEIBE M12 13X24X2,5 U6592 ZN | ARAND.M12 13X 24X2,5 U6592 ZN |
| 29 | F01230213R | DADO M12X1,75 U7474 CL8 ZN | NUT M12X1,75 U7474 6SZN | ECROU AUTOBL. M12 | SELBSTSPERR.MUTTER M12 | TUERCA M12X1,75 U7474 CL8 ZN |
| 30 | B01000021R | SPINOTTO PER MOTOZAPPA 10X45 | PIN | EPINE | STIFT | ESP RRAGO PARA MOTOCULTIVAD |
| 31 | B0C005187R | ATTACCO TAMPONE | PLUG ATTACHMENT | ATTELAGE TAMPON | PROFFENBEFESTIGUNG | CONEXI N DEL TAP N |
| 32 | F01020476R | VITE M10X1,5X30 U5739 8.8ZN | SCR. M10X1,5X30 U5739 8.8ZN | VIS M10X1,5X30 U5739 8.8 ZN | SCHRAUBE M10X1,5X30U5739 8.8ZN | TORNILLO M10X1,5X30 U5739 8.8 |
| 33 | F01410062R | ROS.M10 10,5X 18X 2 U6592 ZN | WASHER M10 10,5X 18X 2 U6592 | RONDELLE M10 10,5X18X2 ZN | DICHTUNGSRING M10 10,5X18X2 ZN | ARAND.M10 10,5X 18X 2 U6592 ZN |
| 34 | F01230202R | DADO M10X 1,5 D985 8 ZN | NUT M10 D985 | ECROU AUTOBL. M10 | SELBSTSPERR.MUTTER M10 | TUERCA M10X 1,5 D985 8 |
| 35 | B07049749R | TAMPONE 50X21 M10 | BUMPER 50X21 M10 | TAMPON 50X21 M10 | PUFFER 50X21 M10 | TAP N 50X21 M10 |
| 36 | F01200270R | DADO M10X1,5 U5588 CL8 ZN | NUT M10X1,5 U5588 6.8ZN | ECROU M10X 1,5 U5588 6.8 ZN | MUTTER M10X 1,5 U5588 6.8 ZN | TUERCA M10X1,5 U5588 CL8 ZN |
| 37 | F01230202R | DADO M10X 1,5 D985 8 ZN | NUT M10 D985 | ECROU AUTOBL. M10 | SELBSTSPERR.MUTTER M10 | TUERCA M10X 1,5 D985 8 |
| 38 | B07V00081R | PROT. COCLEA PU 200 | AUGER GUARD | PROTECTION PELLETEUSE PU 200 | SCHNECKENSCHUTZ | PROT. TORNILLO SIN FIN PU 200 |
| 39 | B0C003730R | FISSAGGIO GOMMA | FIXING PLATE | FIXAGE CAOUTCHOU | GUMMIFIXIERPLATTE | FIJACI N DE GOMA |
| 40 | B01000013R | RIVETTO STR. 6X18 U9200A AL | RIVET | RIVET | ABREISSNIETEN 6X18 | REMACHE EXTR. 6X18 U9200A A |
| 41 | B0C003729R | SOSTEGNO GOMMA | RUBBER SUPPORT | SUPPORT CAOUTCHOU | GUMMIHALTER | SOORTE DE GOMA |
| 42 | B01000012R | RIVETTO STR. 6,4X22 ACCIAIO | RIVET | RIVET | ABREISSNIETEN 6X26 | REMACHE EXTR. 6,4X22 ACERO |
| 43 | F01020472R | VITE M10X1,5X25 U5739 8.8ZN | SCR. M10X1,5X25 U5739 8.8ZN | VIS M10X1,5X25 U5739 8.8 ZN | SCHRAUBE M10X1,5X25 U5739 8.8 | TORNILLO M10X1,5X25 U5739 8.8 |
| 44 | F01410062R | ROS.M10 10,5X 18X 2 U6592 ZN | WASHER M10 10,5X 18X 2 U6592 | RONDELLE M10 10,5X18X2 ZN | DICHTUNGSRING M10 10,5X18X2 ZN | ARAND.M10 10,5X 18X 2 U6592 ZN |
| 45 | F01230202R | DADO M10X 1,5 D985 8 ZN | NUT M10 D985 | ECROU AUTOBL. M10 | SELBSTSPERR.MUTTER M10 | TUERCA M10X 1,5 D985 8 |
| 46 | B01527654R | RALLA 45 62 4 | FIFTH WHEEL | BUTEE | SCHEIBE | RANGUA 45 62 4 |



**RULLO CONVOGLIATORE CUT (PICK-UP M)
ROLLER CONVEYOR CUT (PICK-UP M)**

TAV_150

| Pos. | Cod. | Descrizione | Description | Description | Benennung | Descripcion |
|------|------------|-------------------------------|-------------------------------|-----------------------------|--------------------------------|-------------------------------|
| 1 | B0C4P0187R | ATTACCO SX | ATTACCO SX | | | ENGANCHE IZQ |
| 2 | B02341020R | SUPP.FLANG.OV 20 LAM NBR-NSK | SUPPORT | SUPPORT | GEFLANSCHTES LAGER | SOP.BRIDA.OV 20 CHAP. NBR-NSK |
| 3 | B0C4P0188R | ATTACCO DX | ATTACCO DX | | | ENGANCHE DER |
| 4 | B07SP0341R | RULLO CONVOGLIATORE M | CONVEYOR ROLLER M | | | RODILLO TRANSPORTADOR M |
| 5 | B01411020R | RONDELLA PIANA LARGA 10X30 | WIDE FLAT WASHER 10X30 | | | ARANDELA PLANA ANCHA 10X30 |
| 6 | F01020470R | VITE M10X1,5X20 U5739 8.8ZN | SCR. M10X1,5X20 U5739 8.8ZN | VIS M10X1,5X20 U5739 8.8 ZN | SCHRAUBE M10X1,5X20 U5739 ZN | TORNILLO M10X1,5X20 U5739 8 |
| 7 | F01060202R | VITE M8X1,25X25 U5731 4.6ZN | SCR. M8X1,25X25 U5731 4.6ZN | VIS M8X1,25X25 U5731 4.6 | DUEBEL M8X1,25X25 U5731 4.6 ZN | TORNILLO M8X1,25X25 U5731 4.6 |
| 8 | F01410051R | ROS.M8 8,4X 17X1,6 U6592 ZN | WASHER M8 8,4X17X1,6 U6592 ZN | RONDELLE M8 8,4X17X1,6 ZN | SCHEIBE M8 8,4X17X1,6 U6592 ZN | ARAND.M8 8,4X 17X1,6 U6592 ZN |
| 9 | B00920208R | DADO AUTOB.BASSO M 8-5S D985 | NUT M8X1 D985 8ZN | ECROU | SELBSTSICHERNDE MUTTER M8-5S | TUERCA M8X1 D985 8 |
| 10 | F02100065R | SPINA E.P. 4X 30 U6873 C70 BR | PIN EL. 4X30 DIN 1481 | GOUPILLE EL.4 X30 DIN 1481 | SPANNSTIFT 4X30 DIN 1481 | CLAVIJA EL.P. 4X 30 U6873 C70 |

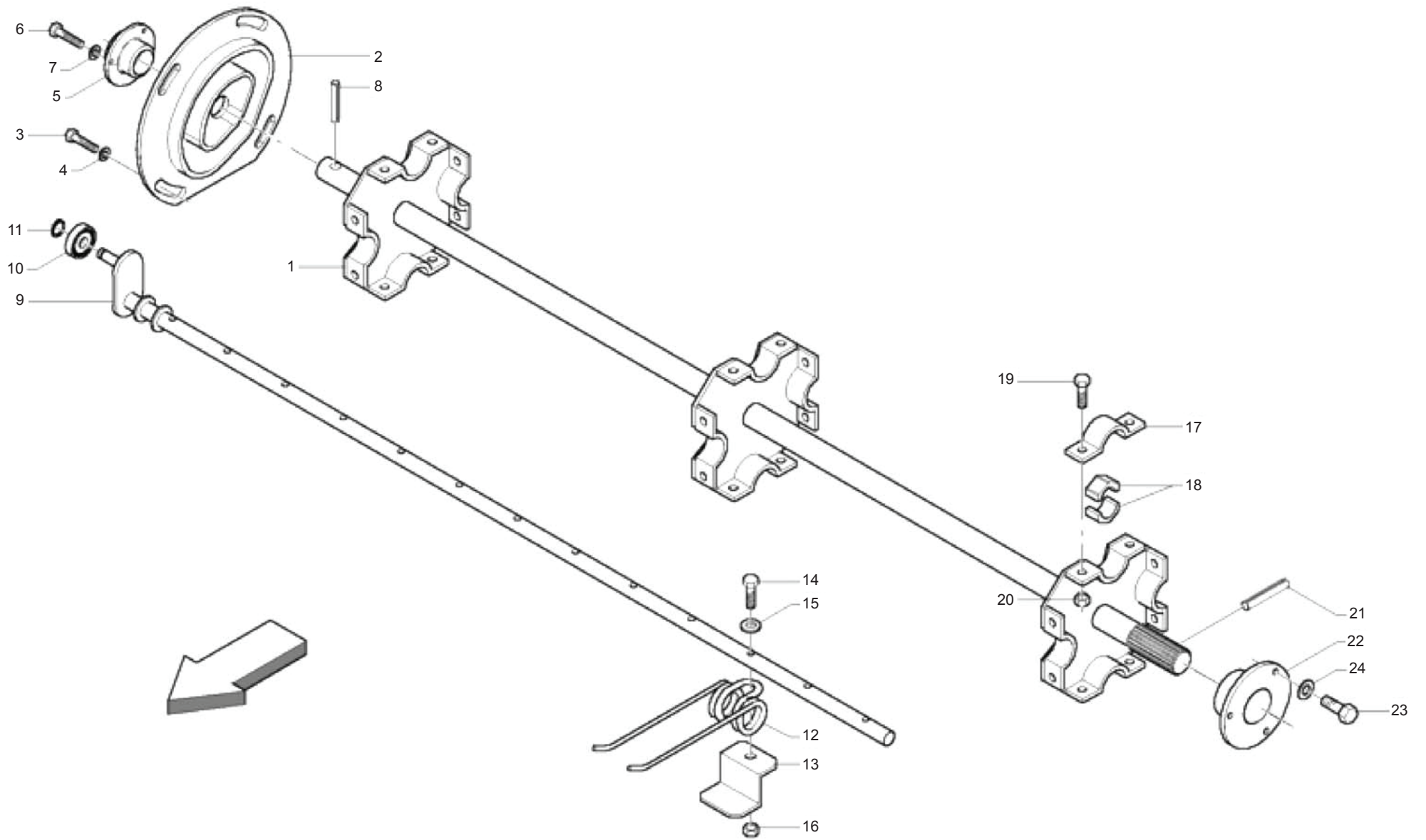


**RULLO CONVOGLIATORE CUT (PICK-UP L)
ROLLER CONVEYOR CUT (PICK-UP L)**

TAV_155

| Pos. | Cod. | Descrizione | Description | Description | Benennung | Descripcion |
|------|------------|-------------------------------|-------------------------------|-----------------------------|--------------------------------|-------------------------------|
| 1 | B0C4P0187R | ATTACCO SX | ATTACCO SX | | | ENGANCHE IZQ |
| 2 | B02341020R | SUPP.FLANG.OV 20 LAM NBR-NSK | SUPPORT | SUPPORT | GEFLANSCHTES LAGER | SOP.BRIDA.OV 20 CHAP. NBR-NSK |
| 3 | B0C4P0188R | ATTACCO DX | ATTACCO DX | | | ENGANCHE DER |
| 4 | B07SP0342R | RULLO CONVOG. L | RULLO CONVOG. L | | | RODILLO TRANSP. L |
| 5 | B01411020R | RONDELLA PIANA LARGA 10X30 | WIDE FLAT WASHER 10X30 | | | ARANDELA PLANA ANCHA 10X30 |
| 6 | F01020470R | VITE M10X1,5X20 U5739 8.8ZN | SCR. M10X1,5X20 U5739 8.8ZN | VIS M10X1,5X20 U5739 8.8 ZN | SCHRAUBE M10X1,5X20 U5739 ZN | TORNILLO M10X1,5X20 U5739 8 |
| 7 | F01060202R | VITE M8X1,25X25 U5731 4.6ZN | SCR. M8X1,25X25 U5731 4.6ZN | VIS M8X1,25X25 U5731 4.6 | DUEBEL M8X1,25X25 U5731 4.6 ZN | TORNILLO M8X1,25X25 U5731 4.6 |
| 8 | F01410051R | ROS.M8 8,4X 17X1,6 U6592 ZN | WASHER M8 8,4X17X1,6 U6592 ZN | RONDELLE M8 8,4X17X1,6 ZN | SCHEIBE M8 8,4X17X1,6 U6592 ZN | ARAND.M8 8,4X 17X1,6 U6592 ZN |
| 9 | B00920208R | DADO AUTOB.BASSO M 8-5S D985 | NUT M8X1 D985 8ZN | ECROU | SELBSTSICHERNDE MUTTER M8-5S | TUERCA M8X1 D985 8 |
| 10 | F02100065R | SPINA E.P. 4X 30 U6873 C70 BR | PIN EL. 4X30 DIN 1481 | GOUPILLE EL.4 X30 DIN 1481 | SPANNSTIFT 4X30 DIN 1481 | CLAVIJA EL.P. 4X 30 U6873 C70 |

TAV_160

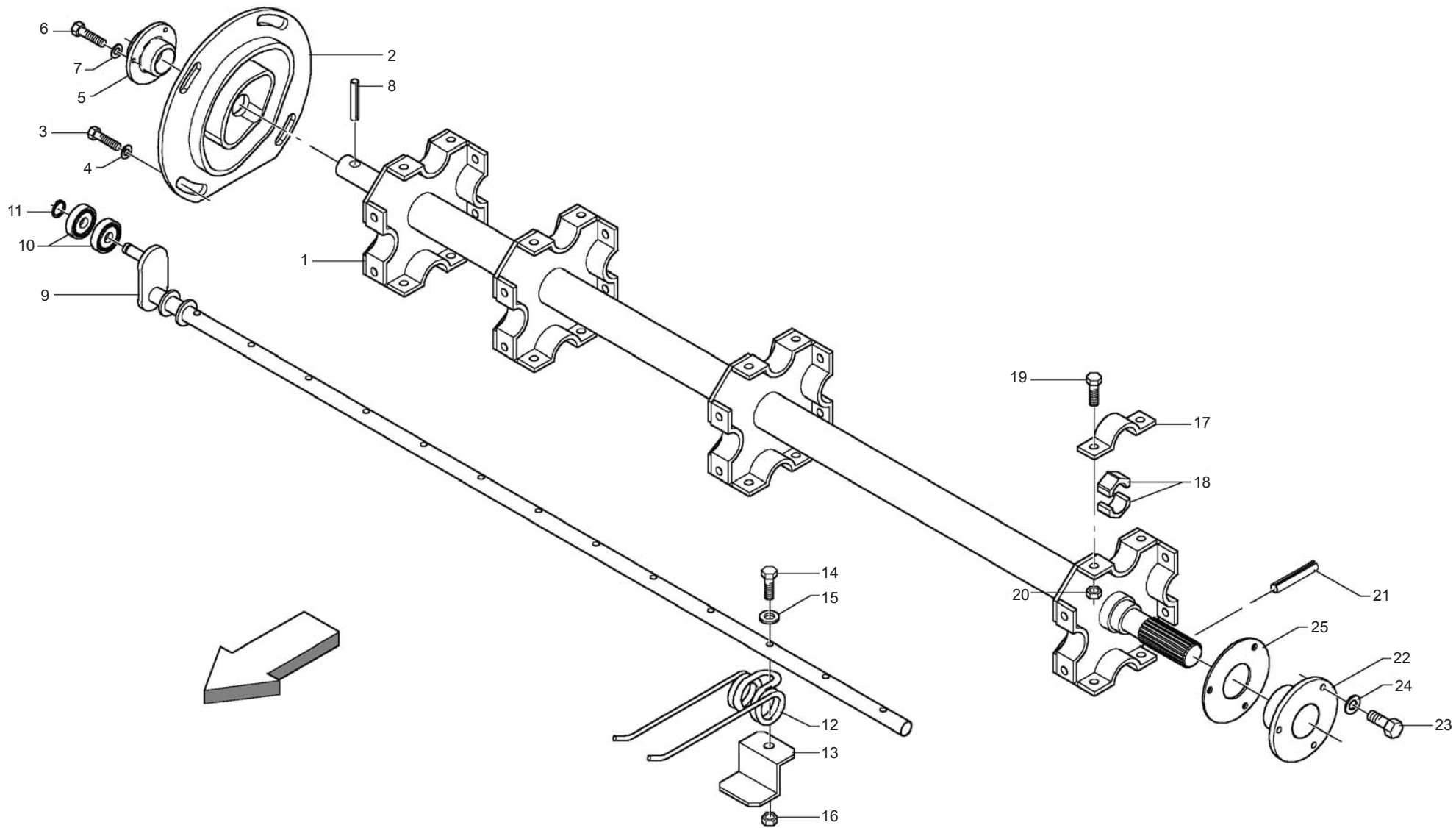


**ASPO PICK-UP M
PICK-UP M SHAFT**

TAV_160

| Pos. | Cod. | Descrizione | Description | Description | Benennung | Descripcion |
|------|------------|--------------------------------|-------------------------------|--------------------------------|--------------------------------|--------------------------------|
| 1 | B07S00993R | CORPO ASPO 200 | PICK-UP SHAFT CASING | CORPS ENROULEUSE 180 | PICK-UP ANTRIEBSWELLENGEHAUESE | CUERPO DEL MOLINETE 200 |
| 2 | B057P0203R | CAMMA PICK-UP | PICK-UP CAM | | | LEVA PICK-UP |
| 3 | F01020510R | VITE M12X1,75X30 U5739 8.8ZN | SCR. M12X1,75X30 U5739 8.8ZN | VIS M12X1,75X30 U5739 8.8ZN | SCHRAU.M12X1,75X30 U5739 8.8ZN | TORNILLO M12X1,75X30 U5739 |
| 4 | B01523831R | RALLA 12 33 5 | FIFTH WHEEL | BUTEE | UMBORDELUNG 12 33 5 | RANGUA 12 33 5 |
| 5 | B02353030R | SUPP.FLANG.TONDO 30 LAM. | BEARING FLANGED SUPPORT 30 | SUPPORT FLANGE ROND 30 LAM. | FLANSCHLAGER | SOP.BRIDA REDONDO 30 CHAP. |
| 6 | F01020470R | VITE M10X1,5X20 U5739 8.8ZN | SCR. M10X1,5X20 U5739 8.8ZN | VIS M10X1,5X20 U5739 8.8 ZN | SCHRAUBE M10X1,5X20 U5739 ZN | TORNILLO M10X1,5X20 U5739 8 |
| 7 | F01410062R | ROS.M10 10,5X 18X 2 U6592 ZN | WASHER M10 10,5X 18X 2 U6592 | RONDELLE M10 10,5X18X2 ZN | DICHTUNGSRING M10 10,5X18X2 ZN | ARAND.M10 10,5X 18X 2 U6592 ZN |
| 8 | F02100122R | SPINA E.P. 6X 45 U6873 C70 BR | PIN EL. 6 X45 DIN 1481 | FICHE EL. 6 X45 DIN 1481 | SPANNSTIFT 6 X45 DIN 1481 | CLAVIJA EL.P. 6X 45 U6873 C70 |
| 9 | B07S00991R | BARRA PORTADENTI PICK UP 200 | TINE HOLDER BAR | BARRE PORTE-DENTS 180 | ZINKENTRAGERSTANGE | BARRA PORTADIENTES PICK UP 20 |
| 10 | B020R1210R | ROTELLA SKF 361201 R | ROLLER SKF 361201 R PU BINDER | GALET SKF 361201 R PICK UP LEG | LAGER SKF 361201 R | ARANDELA SKF 361201 R |
| 11 | B01700012R | ANEL. D ARR. ALB. 12-E UNI3653 | SEEGER RING | BAGUE SEEGER | SEEGERRING 12-E | ANIL. DE PARAD. RB. 12-E UNI3 |
| 12 | B018P0003R | DENTE RACCOGLITORE PICK-UP | TOOTH COLLECTING PU | DENT PICK-UP | PICK-UP ZINKEN | DIENTE RECOGEDOR PICK-UP |
| 13 | B0C000214R | PIASTRA SOSTEGNO MOLLA | SPRING SUPPORTING PLATE | PLAQUE SUPPORT RESSORT | FEDER STUETZPLATTE | PLACA DE SOPORTE DEL MUELLE |
| 14 | F01020074R | VITE M8X1,25X50 U5737 10.9ZD | SCR. M8X1,25X50 U5737 10.9ZD | VIS M 8X50 | SCHRAUBE M 8X50 | TORNILLO M8X1,25X50 U5737 10 |
| 15 | F01420048R | ROS.M8 8,4X 24X 2 U6593 ZN | WASHER M8 8,4X 24X2 U6593 ZN | RONDELLE M8 8,4X24X 2 U6593 ZN | SCHEIBEN M8 8,4X24X 2 U6593 ZN | ARAND.M8 8,4X 24X 2 U6593 ZN |
| 16 | F01230034R | DADO M8X1,25 D982 8ZN | NUT M8X1,25 D982 8ZN | ECROU M8X 1,25 ZN | MUTTER M8X 1,25 D982 8 ZN | TUERCA M8X1,25 D982 8 |
| 17 | B0C001521R | CAVALLOTTO | U BOLT | BOULON | BUEGELBOLZEN | PUENTE |
| 18 | B025P0010R | SEMIBUSSOLA PER ASPO PICK-UP | HALF-BUSHFOR ASPO PICK-UP | SEMI-PALIER SPECIAL | HALBLAGERBUCHSE | SEMICASQUILLO PARA MOLINETE |
| 19 | F01020472R | VITE M10X1,5X25 U5739 8.8ZN | SCR. M10X1,5X25 U5739 8.8ZN | VIS M10X1,5X25 U5739 8.8 ZN | SCHRAUBE M10X1,5X25 U5739 8.8 | TORNILLO M10X1,5X25 U5739 8.8 |
| 20 | F01220033R | DADO M10X1,5 D980 8ZN | NUT M10X1,5 D980 8ZN | ECROU M10X1,5 D980 8ZN | MUTTER M10X1,5 D980 8ZN | TUERCA M10X1,5 D980 8 |
| 21 | F02100122R | SPINA E.P. 6X 45 U6873 C70 BR | PIN EL. 6 X45 DIN 1481 | FICHE EL. 6 X45 DIN 1481 | SPANNSTIFT 6 X45 DIN 1481 | CLAVIJA EL.P. 6X 45 U6873 C70 |
| 22 | B02353030R | SUPP.FLANG.TONDO 30 LAM. | BEARING FLANGED SUPPORT 30 | SUPPORT FLANGE ROND 30 LAM. | FLANSCHLAGER | SOP.BRIDA REDONDO 30 CHAP. |
| 23 | F01020470R | VITE M10X1,5X20 U5739 8.8ZN | SCR. M10X1,5X20 U5739 8.8ZN | VIS M10X1,5X20 U5739 8.8 ZN | SCHRAUBE M10X1,5X20 U5739 ZN | TORNILLO M10X1,5X20 U5739 8 |
| 24 | F01410062R | ROS.M10 10,5X 18X 2 U6592 ZN | WASHER M10 10,5X 18X 2 U6592 | RONDELLE M10 10,5X18X2 ZN | DICHTUNGSRING M10 10,5X18X2 ZN | ARAND.M10 10,5X 18X 2 U6592 ZN |

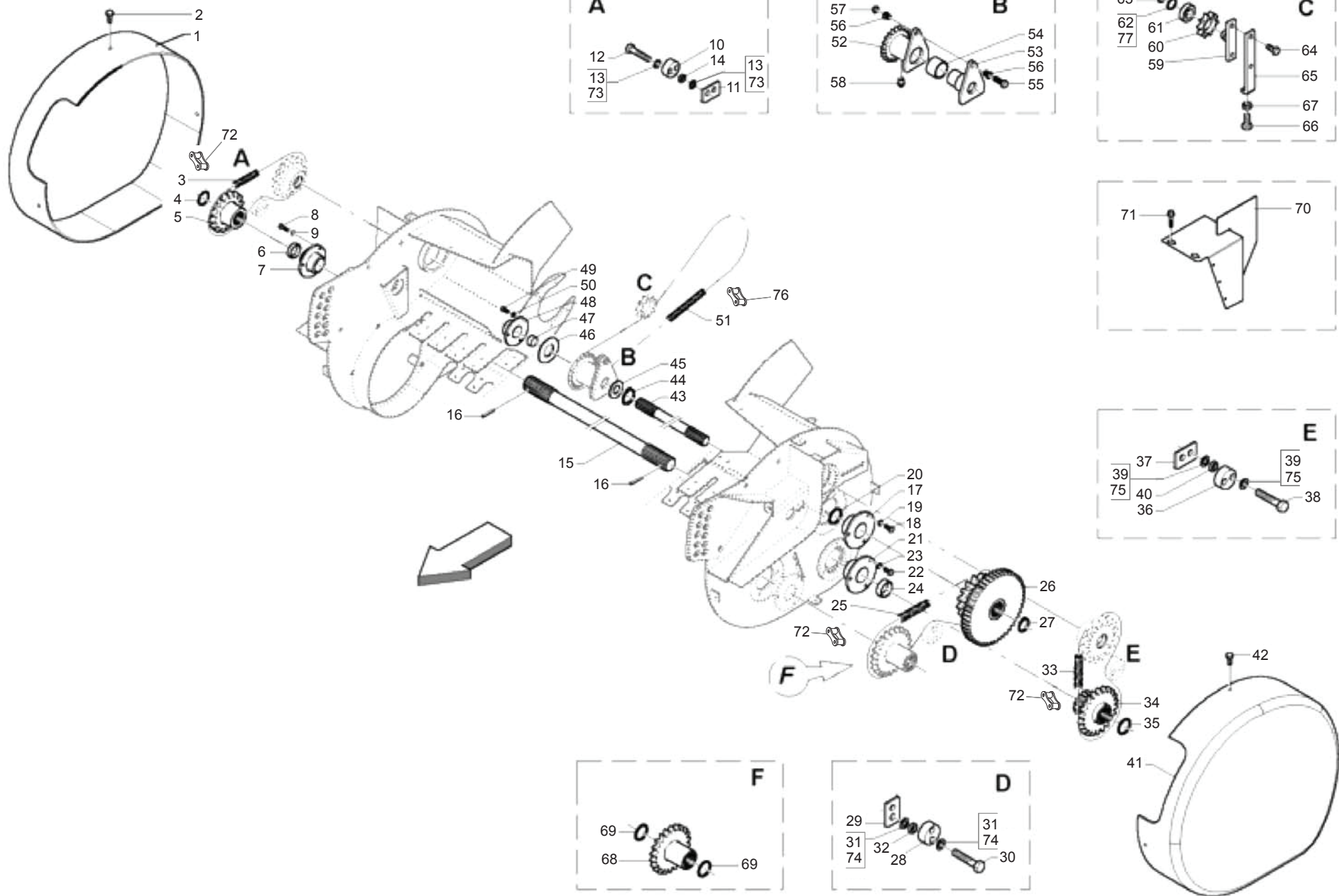
TAV_165



**ASPO PICK-UP L
PICK-UP L SHAFT**

TAV_165

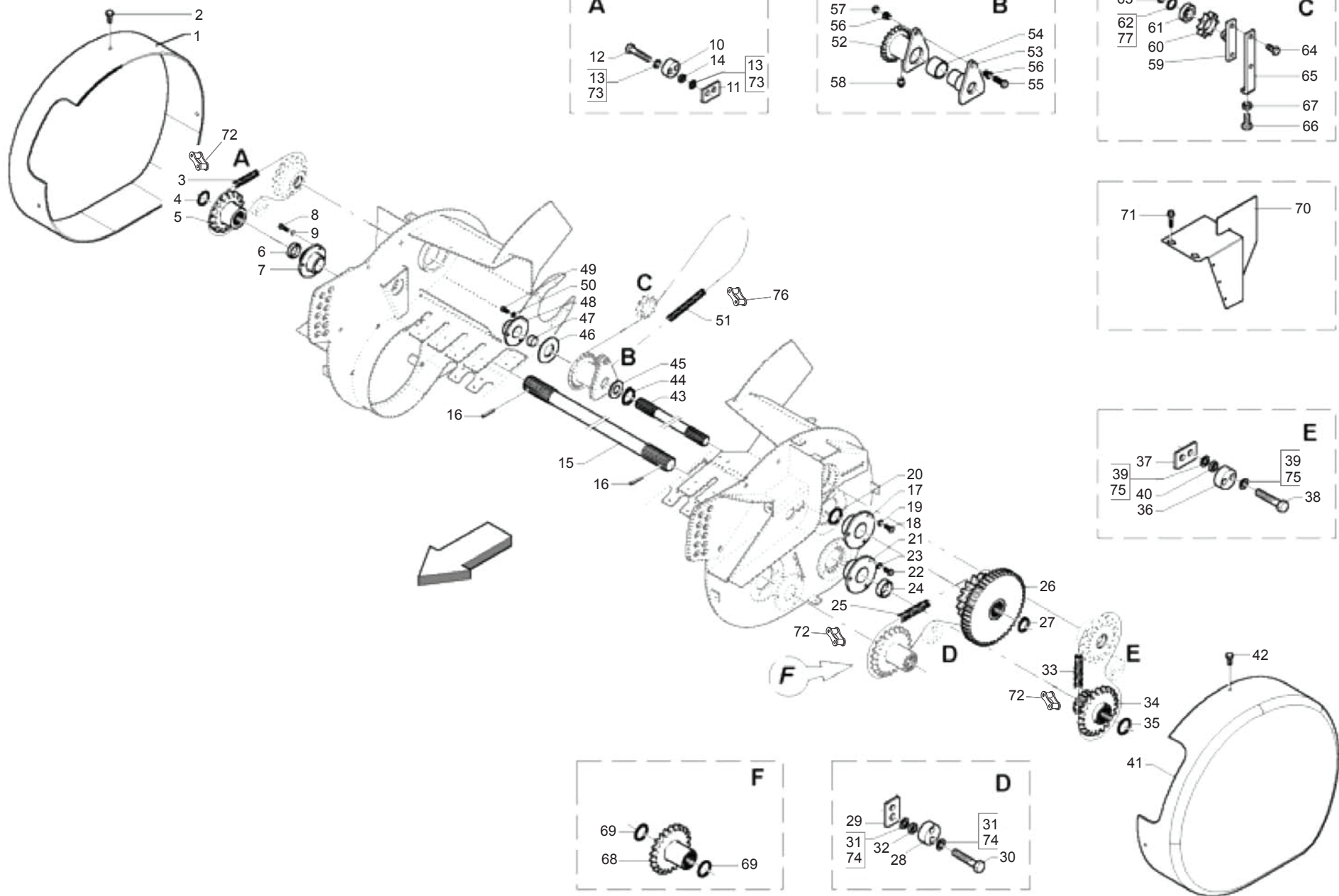
| Pos. | Cod. | Descrizione | Description | Description | Benennung | Descripcion |
|------|------------|--------------------------------|-------------------------------|--------------------------------|--------------------------------|--------------------------------|
| 1 | B07S01223R | CORPO ASPO 220 | PICK-UP SHAFT CASING 220 | CORPS ENROULEUR 220 | PICK-UP ANTRIEBSWELLENGEHAUESE | CUERPO DEL MOLINETE 220 |
| 2 | B057P0203R | CAMMA PICK-UP | PICK-UP CAM | BUTEE | UMBORDELUNG 12 33 5 | LEVA PICK-UP |
| 3 | F01020510R | VITE M12X1,75X30 U5739 8.8ZN | SCR. M12X1,75X30 U5739 8.8ZN | VIS M12X1,75X30 U5739 8.8ZN | SCHRAU.M12X1,75X30 U5739 8.8ZN | TORNILLO M12X1,75X30 U5739 |
| 4 | B01523831R | RALLA 12 33 5 | FIFTH WHEEL | BUTEE | FLANSCHLAGER | RANGUA 12 33 5 |
| 5 | B02353030R | SUPP.FLANG.TONDO 30 LAM. | BEARING FLANGED SUPPORT 30 | SUPPORT FLANGE ROND 30 LAM. | SCHRAUBE M10X1,5X20 U5739 ZN | SOP.BRIDA REDONDO 30 CHAP. |
| 6 | F01020470R | VITE M10X1,5X20 U5739 8.8ZN | SCR. M10X1,5X20 U5739 8.8ZN | VIS M10X1,5X20 U5739 8.8 ZN | DICHTUNGSRING M10 10,5X18X2 ZN | TORNILLO M10X1,5X20 U5739 8 |
| 7 | F01410062R | ROS.M10 10,5X 18X 2 U6592 ZN | WASHER M10 10,5X 18X 2 U6592 | RONDELLE M10 10,5X18X2 ZN | SPANNHUELSE 6X45 | ARAND.M10 10,5X 18X 2 U6592 ZN |
| 8 | F02100123R | SPINA E.P. 6X 45 U6873 C70 ZN | ELASTIC PIN 6X45 | GOUJON ELSTIQUE 6X45 | | CLAVIJA EL.P. 6X 45 U6873 C70 |
| 9 | B07SP1050R | BARRA P.DENTI PU 220 TEMPRATA | PICK-UP BAR HARDENED 200 | BARRE PO.-DENTS PU 220 TEMP. | | BARRA P.DIENTES PU 220 TEMPLA |
| 10 | B020R1210R | ROTELLA SKF 361201 R | ROLLER SKF 361201 R PU BINDER | GALET SKF 361201 R PICK UP LEG | LAGER SKF 361201 R | ARANDELA SKF 361201 R |
| 11 | B01700012R | ANEL. D.ARR. ALB. 12-E UNI3653 | SEEGER RING | BAGUE SEEGER | SEEGERRING 12-E | ANIL. DE PARAD. RB. 12-E UNI3 |
| 12 | B018P0003R | DENTE RACCOGLITORE PICK-UP | TOOTH COLLECTING PU | DENT PICK-UP | PICK-UP ZINKEN | DIENTE RECOGEDOR PICK-UP |
| 13 | B0C000214R | PIASTRA SOSTEGNO MOLLA | SPRING SUPPORTING PLATE | PLAQUE SUPPORT RESSORT | FEDER STUETZPLATTE | PLACA DE SOPORTE DEL MUELLE |
| 14 | F01020074R | VITE M8X1,25X50 U5737 10.9ZD | SCR. M8X1,25X50 U5737 10.9ZD | VIS M 8X50 | SCHRAUBE M 8X50 | TORNILLO M8X1,25X50 U5737 10 |
| 15 | F01420048R | ROS.M8 8,4X 24X 2 U6593 ZN | WASHER M8 8,4X 24X2 U6593 ZN | RONDELLE M8 8,4X24X 2 U6593 ZN | SCHEIBEN M8 8,4X24X 2 U6593 ZN | ARAND.M8 8,4X 24X 2 U6593 ZN |
| 16 | F01230293R | DADO M8X1,25 U7473 8ZN | NUT M8X1,25 U7473 8ZN | | | TUERCA M8X1,25 U7473 8 |
| 17 | B0C001521R | CAVALLOTTO | U BOLT | BOULON | BUEGELBOLZEN | PUENTE |
| 18 | B025P0010R | SEMIBUSSOLA PER ASPO PICK-UP | HALF-BUSHFOR ASPO PICK-UP | SEMI-PALIER SPECIAL | HALBLAGERBUCHSE | SEMICASQUILLO PARA MOLINETE |
| 19 | F01020472R | VITE M10X1,5X25 U5739 8.8ZN | SCR. M10X1,5X25 U5739 8.8ZN | VIS M10X1,5X25 U5739 8.8 ZN | SCHRAUBE M10X1,5X25 U5739 8.8 | TORNILLO M10X1,5X25 U5739 8.8 |
| 20 | F01220033R | DADO M10X1,5 D980 8ZN | NUT M10X1,5 D980 8ZN | ECROU M10X1,5 D980 8ZN | MUTTER M10X1,5 D980 8ZN | TUERCA M10X1,5 D980 8 |
| 21 | F02100124R | SPINA E.P. 6X 50 U6873 C70 BR | PIN EL. 6X50 U6873 C70 BR | GOUJON 6X50 U6873 C70 BR | STIFT 6X50 U6873 C70 BR | CLAVIJA EL.P. 6X 50 U6873 C70 |
| 22 | B02353035R | SUPP.FLANG.TONDO 35 LAMIERA | BEARING FLANGED SUPPORT D.35 | SUPPORT FLANGE ROND 35 LAMES | FLANSCHLAGER | SOPORTE BRIDA REDONDO 35 CHA |
| 23 | F01020470R | VITE M10X1,5X20 U5739 8.8ZN | SCR. M10X1,5X20 U5739 8.8ZN | VIS M10X1,5X20 U5739 8.8 ZN | SCHRAUBE M10X1,5X20 U5739 ZN | TORNILLO M10X1,5X20 U5739 8 |
| 24 | F01410062R | ROS.M10 10,5X 18X 2 U6592 ZN | WASHER M10 10,5X 18X 2 U6592 | RONDELLE M10 10,5X18X2 ZN | DICHTUNGSRING M10 10,5X18X2 ZN | ARAND.M10 10,5X 18X 2 U6592 ZN |
| 25 | B01301126R | SPES. | SHIM | ENTRETOISE | DICHTUNG | ESPES. |



**TRASMISSIONE PICK-UP M
PICK-UP M TRANSMISSION**

TAV_170

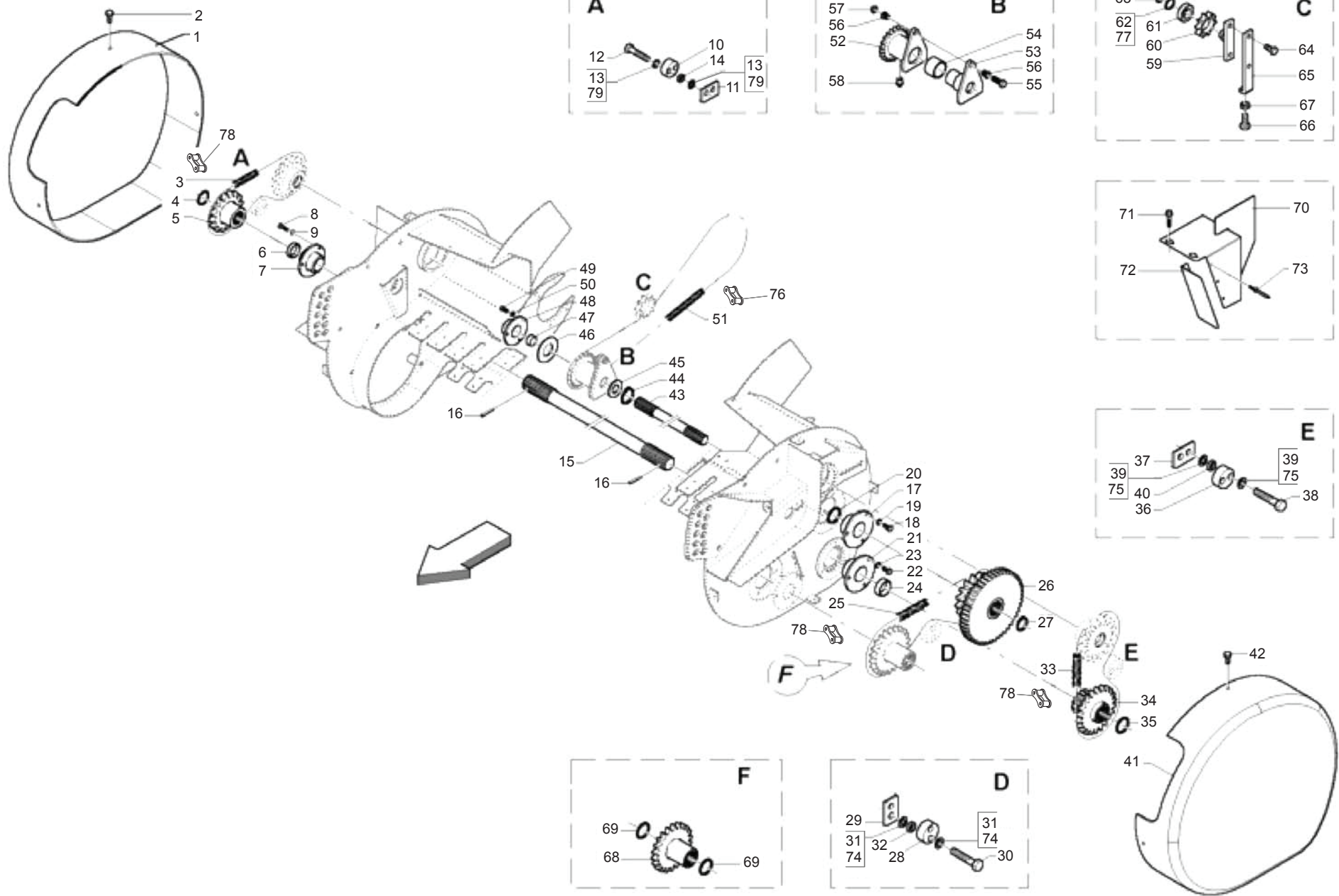
| Pos. | Cod. | Descrizione | Description | Description | Benennung | Descripcion |
|------|------------|--------------------------------|-------------------------------|--------------------------------|--------------------------------|--------------------------------|
| 1 | B07SP0001R | CARTER DX PU | PU RIGHT GUARD | CARTER DROIT PU | CARTER RECHTS PU | C RTER DER PU |
| 2 | F01020436R | VITE M8X1,25X20 U5739 8.8ZN | SCR. M8X1,25X20 U5739 8.8ZN | VIS M8X1,25X 20 U5739 8.8 ZN | SCHRAUBE M8X1,25X20U5739 8.8ZN | TORNILLO M8X1,25X20 U5739 8.8 |
| 3 | B03111057R | CATENA RULLI ASA 60-1 57 MGL | ROLLER CHAIN | CHAINE ROULEAUX | KETTE ASA 60-1 57MGL ISO1 | CADENA DE LOS RODILLOS ASA 60- |
| 4 | B01534416R | SPES. 35 43 1 ZINCATO | SHIM | ENTRETOISE | AUSGLEICHSCHIEBE 35X43X1 | ESPES. 35 43 1 CINCADO |
| 5 | B03400003R | INGR. Z=22; 3 4; ISO 12B-1 | GEAR Z=22-3 4 | ENGRANAGE | KETTENRAD Z=22-3 4 | ENGR. Z=22; 3 4; ISO 12B-1 PU |
| 6 | B01330957R | DISTANZIALE 35-48-7 | SPACER | ENTRETOISE | DISTANZSTUECK 35X48X7 | DISTANCIADOR 35-48-7 |
| 7 | B02353035R | SUPP.FLANG.TONDO 35 LAMIERA | BEARING FLANGED SUPPORT D.35 | SUPPORT FLANGE ROND 35 LAMES | FLANSCHLAGER | SOPORTE BRIDA REDONDO 35 CHA |
| 8 | F01020472R | VITE M10X1,5X25 U5739 8.8ZN | SCR. M10X1,5X25 U5739 8.8ZN | VIS M10X1,5X25 U5739 8.8 ZN | SCHRAUBE M10X1,5X25 U5739 8.8 | TORNILLO M10X1,5X25 U5739 8.8 |
| 9 | F01410062R | ROS.M10 10,5X 18X 2 U6592 ZN | WASHER M10 10,5X 18X 2 U6592 | RONDELLE M10 10,5X18X2 ZN | DICHTUNGSRING M10 10,5X18X2 ZN | ARAND.M10 10,5X 18X 2 U6592 ZN |
| 10 | B07VP0513R | TENDICATENA IN NYLON | NYLON CHAIN TIGHTENER | TENDEUR DE CHAINE EN NYLON | | ENSOR DE CADENA DE NAILON |
| 11 | B0C003172R | ATTACCO TENDICATENA | CHAIN TIGHTENER COUPLING | ATTELAGE TENDEUR DE CHAINE | KETTENSPELLER BEFESTIGUNG | CONEXI N TENSOR DE CADENA |
| 12 | F01020164R | VITE M12X1,75X70 U5737 8.8ZN | SCREW M12X1,75X70 U5737 8.8ZN | VIS M12X1,75X70 ZN | SCHR. M12X1,75X70 U5737 8.8 ZN | TORNILLO M12X1,75X70 U5737 8. |
| 13 | F01410076R | ROS.M12 13X 24X2,5 U6592 ZN | WASHER 12 13X 24X2,5 U6592 ZN | RONDEL. M12 13X24X2,5 U6592 ZN | SCHIEBE M12 13X24X2,5 U6592 ZN | ARAND.M12 13X 24X2,5 U6592 ZN |
| 14 | B01523831R | RALLA 12 33 5 | FIFTH WHEEL | BUTEE | UMBORDELUNG 12 33 5 | RANGUA 12 33 5 |
| 15 | B03A34361R | CONTRALBERO LUNGO PU 200 | COUNTERSHAFT | CONTRE ARBRE | VORGELEGEWELLE 200 | CONTRA- RBOL LARGO PU 200 |
| 16 | F02100124R | SPINA E.P. 6X 50 U6873 C70 BR | PIN EL. 6X50 U6873 C70 BR | GOUJON 6X50 U6873 C70 BR | STIFT 6X50 U6873 C70 BR | CLAVIJA EL.P. 6X 50 U6873 C70 |
| 17 | B02353035R | SUPP.FLANG.TONDO 35 LAMIERA | BEARING FLANGED SUPPORT D.35 | SUPPORT FLANGE ROND 35 LAMES | FLANSCHLAGER | SOPORTE BRIDA REDONDO 35 CHA |
| 18 | F01020470R | VITE M10X1,5X20 U5739 8.8ZN | SCR. M10X1,5X20 U5739 8.8ZN | VIS M10X1,5X20 U5739 8.8 ZN | SCHRAUBE M10X1,5X20 U5739 ZN | TORNILLO M10X1,5X20 U5739 8 |
| 19 | F01410062R | ROS.M10 10,5X 18X 2 U6592 ZN | WASHER M10 10,5X 18X 2 U6592 | RONDELLE M10 10,5X18X2 ZN | DICHTUNGSRING M10 10,5X18X2 ZN | ARAND.M10 10,5X 18X 2 U6592 ZN |
| 20 | B01534416R | SPES. 35 43 1 ZINCATO | SHIM | ENTRETOISE | AUSGLEICHSCHIEBE 35X43X1 | ESPES. 35 43 1 CINCADO |
| 21 | B02353035R | SUPP.FLANG.TONDO 35 LAMIERA | BEARING FLANGED SUPPORT D.35 | SUPPORT FLANGE ROND 35 LAMES | FLANSCHLAGER | SOPORTE BRIDA REDONDO 35 CHA |
| 22 | F01020472R | VITE M10X1,5X25 U5739 8.8ZN | SCR. M10X1,5X25 U5739 8.8ZN | VIS M10X1,5X25 U5739 8.8 ZN | SCHRAUBE M10X1,5X25 U5739 8.8 | TORNILLO M10X1,5X25 U5739 8.8 |
| 23 | F01410062R | ROS.M10 10,5X 18X 2 U6592 ZN | WASHER M10 10,5X 18X 2 U6592 | RONDELLE M10 10,5X18X2 ZN | DICHTUNGSRING M10 10,5X18X2 ZN | ARAND.M10 10,5X 18X 2 U6592 ZN |
| 24 | B01330957R | DISTANZIALE 35-48-7 | SPACER | ENTRETOISE | DISTANZSTUECK 35X48X7 | DISTANCIADOR 35-48-7 |
| 25 | B03111046R | CATENA RULLI ASA 60-1 46 MGL | ROLLER CHAIN ASA60-1 46 MGL | CHAINE ROULEAUX | KETTE DER WALZEN | CADENA DE LOS RODILLOS ASA 60- |
| 26 | B03L34402R | INGR. DOPPIO Z=17 48 CON MOZZO | GEAR | ENGRANAGE | ZAHNRADPAAR Z=17 48 | ENGR. DOBLE Z=17 48 CON BUJE |
| 27 | B01700035R | ANEL. D ARR. ALB. 35-E UNI3653 | SEEGER RING | BAGUE SEEGER | SEEGERRING 35-E | ANIL. DE PARAD. RB. 35-E UNI3 |
| 28 | B07VP0513R | TENDICATENA IN NYLON | NYLON CHAIN TIGHTENER | TENDEUR DE CHAINE EN NYLON | | ENSOR DE CADENA DE NAILON |
| 29 | B0C003172R | ATTACCO TENDICATENA | CHAIN TIGHTENER COUPLING | ATTELAGE TENDEUR DE CHAINE | KETTENSPELLER BEFESTIGUNG | CONEXI N TENSOR DE CADENA |
| 30 | F01020160R | VITE M12X1,75X60 U5737 8.8ZN | SCR. M12X1,75X60 U5737 8.8ZN | VIS M12X1,75X60 U5737 8.8 ZN | SCHR.M12X1,75X60 U5737 8.8 ZN | TORNILLO M12X1,75X60 U5737 8. |
| 31 | F01420120R | ROS.M12 13X36X2,5 U6593 ZN | WASHER M12 13X36X2,5 U6593 ZN | RONDELLE M12 13X36X2,5 ZN | ARAND.M12 13X36X2,5 U6593 ZN | ARAND.M12 13X36X2,5 U6593 ZN |
| 32 | B01523831R | RALLA 12 33 5 | FIFTH WHEEL | BUTEE | UMBORDELUNG 12 33 5 | RANGUA 12 33 5 |
| 33 | B03111057R | CATENA RULLI ASA 60-1 57 MGL | ROLLER CHAIN | CHAINE ROULEAUX | KETTE ASA 60-1 57MGL ISO1 | CADENA DE LOS RODILLOS ASA 60- |
| 34 | B03400271R | INGR.DOPPIO Z=16 22 CON MOZZO | DOUBLE GEAR Z=16 22 WITH HUB | ENGRANAGE | ZAHNRADPAAR | ENGR.DOBLE Z=16 22 CON BUJE |
| 35 | B01534416R | SPES. 35 43 1 ZINCATO | SHIM | ENTRETOISE | AUSGLEICHSCHIEBE 35X43X1 | ESPES. 35 43 1 CINCADO |
| 36 | B07VP0513R | TENDICATENA IN NYLON | NYLON CHAIN TIGHTENER | TENDEUR DE CHAINE EN NYLON | | ENSOR DE CADENA DE NAILON |
| 37 | B0C003172R | ATTACCO TENDICATENA | CHAIN TIGHTENER COUPLING | ATTELAGE TENDEUR DE CHAINE | KETTENSPELLER BEFESTIGUNG | CONEXI N TENSOR DE CADENA |
| 38 | F01020164R | VITE M12X1,75X70 U5737 8.8ZN | SCREW M12X1,75X70 U5737 8.8ZN | VIS M12X1,75X70 ZN | SCHR. M12X1,75X70 U5737 8.8 ZN | TORNILLO M12X1,75X70 U5737 8. |
| 39 | F01410076R | ROS.M12 13X 24X2,5 U6592 ZN | WASHER 12 13X 24X2,5 U6592 ZN | RONDEL. M12 13X24X2,5 U6592 ZN | SCHIEBE M12 13X24X2,5 U6592 ZN | ARAND.M12 13X 24X2,5 U6592 ZN |
| 40 | B01523831R | RALLA 12 33 5 | FIFTH WHEEL | BUTEE | UMBORDELUNG 12 33 5 | RANGUA 12 33 5 |
| 41 | B07SP0002R | CARTER SX PU | PU LEFT GUARD | CARTER GAUCHE PU | CARTER LINKS PU | C RTER IZQ PU |
| 42 | F01020436R | VITE M8X1,25X20 U5739 8.8ZN | SCR. M8X1,25X20 U5739 8.8ZN | VIS M8X1,25X 20 U5739 8.8 ZN | SCHRAUBE M8X1,25X20U5739 8.8ZN | TORNILLO M8X1,25X20 U5739 8.8 |
| 43 | B03500279R | CONTRALBERO CORTO PU 200 | SHORT COUNTERSHAFT 200 | CONTRE ARBRE COURT PU 200 | KURZE VORGELEGEWELLE 200 | CONTRA- RBOL CORTO PU 200 |
| 44 | F02050168R | ANELLO E.DE 40X1,75 U7435 | SEEGER RING 40X1,75 U7435 | BAGUE SEEGER 40X1,75 U7435 | SEEGERRING 40X1,75 U7435 | ANIL.SEEGER 40X1,75 U7435 |
| 45 | B01300126R | SPES. 40 48 1 ZINC.ST_013 | SHIM | ENTRETOISE | DISTANZSTUECK 40 408 1 | ESPES. 40 48 1 CINC.EST_013 |
| 46 | B01534395R | RALLA 35.5X 62 X 3 ZINCATO | FIFTH WHEEL | BUTEE | SPEZIALSCHIEBE | RANGUA 35.5X 62 X 3 CINCADO |
| 47 | B01300607R | DISTANZIALE 35X42X35 | SPACER | ENTRETOISE | DISTANZSTUECK 35X42X35 | DISTANCIADOR 35X42X35 |
| 48 | B02353035R | SUPP.FLANG.TONDO 35 LAMIERA | BEARING FLANGED SUPPORT D.35 | SUPPORT FLANGE ROND 35 LAMES | FLANSCHLAGER | SOPORTE BRIDA REDONDO 35 CHA |
| 49 | F01020470R | VITE M10X1,5X20 U5739 8.8ZN | SCR. M10X1,5X20 U5739 8.8ZN | VIS M10X1,5X20 U5739 8.8 ZN | SCHRAUBE M10X1,5X20 U5739 ZN | TORNILLO M10X1,5X20 U5739 8 |
| 50 | F01410062R | ROS.M10 10,5X 18X 2 U6592 ZN | WASHER M10 10,5X 18X 2 U6592 | RONDELLE M10 10,5X18X2 ZN | DICHTUNGSRING M10 10,5X18X2 ZN | ARAND.M10 10,5X 18X 2 U6592 ZN |
| 51 | B030E1027R | CATENA RULLI ISO 16 B-1 27M | ROLLER CHAIN ISO16 B-1 27M | CHAINE ROULEAUX | WALZENKETTE | CADENA DE LOS RODILLOS ISO 16 |
| 52 | B03400241R | MOZZO DI SICUREZZA PICK-UP | SURETY HUB | MOYEU DE SURETE | SICHERHEIT NABE | BUJE DE SEGURIDAD PICK-UP |
| 53 | B07S01001R | MOZZO CALETTATO | SPLINED HUB | MOYEU | VERZAHNTE NABE | BUJE ENSAMBLADO |
| 54 | B02500001R | BRONZINA 50X56 L38 | BUSHING 50X56 L38 | COUSSINET | LAGERBUCHSE | COJINETE 50X56 L38 |
| 55 | B00170845R | VITE ZINCATA M 8X45-10.9 U5737 | ZN SCREW M 8X45-10.9 U5737 | VIS | SCHRAUBE | TORNILLO CINCADO M 8X45-10.9 U |
| 56 | B00511057R | BUSSOLA DI TRANCIAMENTO | BUSHING | BAGUE | BUCHSE | CASQUILLO DE CIZALLADO |
| 57 | B008B0208R | DADO M 8X1,25 D980 8 ZN | NUT | ECROU | SELBSTSICHERNDE MUTTER M8 L8L | TUERCA M 8X1,25 D980 8 |



**TRASMISSIONE PICK-UP M
PICK-UP M TRANSMISSION**

TAV_170

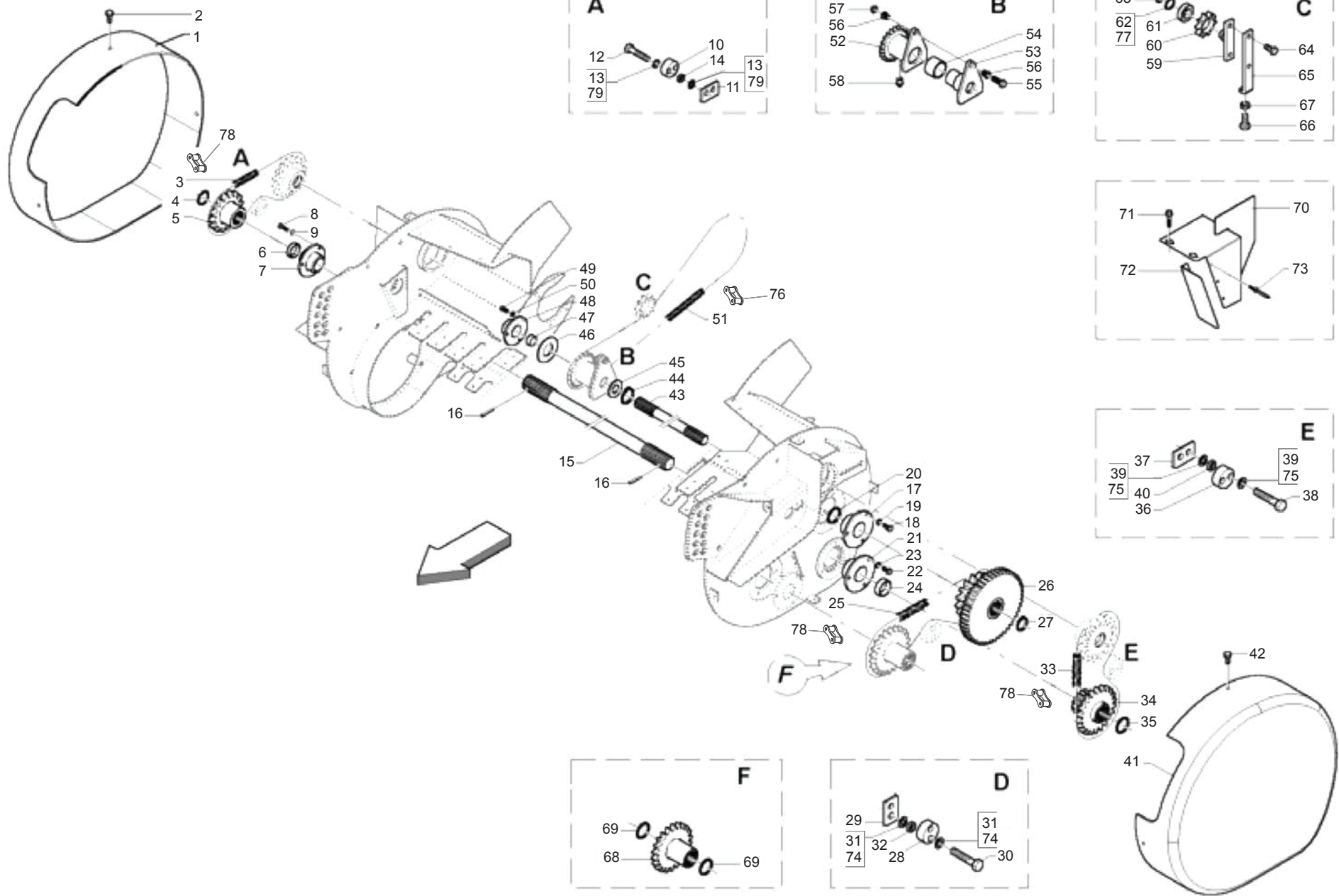
| Pos. | Cod. | Descrizione | Description | Description | Benennung | Descripcion |
|------|------------|--------------------------------|--------------------------------|--------------------------------|--------------------------------|--------------------------------|
| 58 | B04200610R | INGRASS.A SFERE M6X1 LUNGO | GREASE NIPPLE | GRAISSEUR HYDRAULIQUE | GERADER SCHMIERNIPPEL M6X1 | ENGRASADOR DE ESFERAS M6X1 |
| 59 | B07S01013R | TENDITORE PU | PICK-UP TENSIONER | TENDEUR PU | PICK-UP SPANNER | ENSOR PU |
| 60 | B03400274R | CORONA Z10-1 ISO F52 TRATT | SPROCKET Z=10-1 | ENGRANAGE SPECIAL TRAITE | ZAHNKRANZ Z=10-1 | CORONA Z10-1 ISO F52 TRA |
| 61 | F04010170R | CUSC.D25 D52 B15 6205 2RS EX | BEARING D25 D52 B15 6205 2RS | ROULEMENT 6205 2RS | LAGER 6205 2RS | COJIN.D25 D52 B15 6205 2RS EX |
| 62 | B01300104R | SPES. 25,5 37 0,2 | SHIM | ENTRETOISE | BEILAGSCHEIBE 25,5 37 0,2 | ESPE. 25,5 37 0,2 |
| 63 | F02050101R | ANELLO E. DE 25X 1,2 U7435 C7 | SEEGER RING E. 25X1,2 7435 C70 | SEEGER E. 25X 1,2 U7435 C70 | SEEGERING E. 25X 1,2 U7435 C70 | ANILLO E. DE 25X 1,2 U7435 C7 |
| 64 | F01020510R | VITE M12X1,75X30 U5739 8.8ZN | SCR. M12X1,75X30 U5739 8.8ZN | VIS M12X1,75X30 U5739 8.8ZN | SCHRAU.M12X1,75X30 U5739 8.8ZN | TORNILLO M12X1,75X30 U5739 |
| 65 | B0C6P0065R | TIRANTE INFALDATORE | FEEDER TIE ROD | TIRANT AMENEUR | ZUGSTAB RAFFER | TIRANTE EMBOCADOR |
| 66 | F01020519R | VITE M12X1,75X 60 U5739 8.8ZN | SCREW M12X1,75X 60 U5739 8.8ZN | | | TORNILLO M12X1,75X 60 U5739 8 |
| 67 | F01200293R | DADO M12X1,75 U5588 CL8 ZN | NUT M12X1,75 U5588 6S ZN | ECROU M12X1,75 U5588 6S ZN | MUTTER M12X1,75 U5588 6S ZN | TUERCA M12X1,75 U5588 CL8 ZN |
| 68 | B03400240R | INGR. Z=22-3 4 ISO CON MOZZO | GEAR Z=22-3 4 ISO WITH HUB | ENGRENAGE | ZAHNRAD Z=22-3 4 ISO MIT NAB | ENGR. Z=22-3 4 ISO CON BUJE |
| 69 | B01300101R | SPES. 30,3 40 1 ZINCATO | SHIM GALV | ENTRETOISE GALV | DISTANZSTUECK 30,3 40 1 | ESPE. 30,3 40 1 CINCADO |
| 70 | BSP000026R | CARTER SICUREZZA NEW | SAFETY NEW CARTER | | | C RTER DE SEGURIDAD NEW |
| 71 | B00370001R | VITE TE M 8X16 A SEZ.TRILOBATA | SCREW TRE M 8X16 SEZ TROUBLED | VIS | SCHRAUBE M 8X15 | TORNILLO CHEX M 8X16 A SECC. T |
| 72 | B03110007R | GIUNTO MOLL.N.26 ASA60-1 | SPRING JOINT N. 26 ASA 60-1 | JOINT | KETTENSCHLOSS | JUNTA DE MUELLE N. 26 ASA60-1 |
| 73 | F01420120R | ROS.M12 13X36X2,5 U6593 ZN | WASHER M12 13X36X2,5 U6593 ZN | RONDELLE M12 13X36X2,5 ZN | | ARAND.M12 13X36X2,5 U6593 ZN |
| 74 | F01410076R | ROS.M12 13X 24X2,5 U6592 ZN | WASHER 12 13X 24X2,5 U6592 ZN | RONDEL. M12 13X24X2,5 U6592 ZN | SCHEIBE M12 13X24X2,5 U6592 ZN | ARAND.M12 13X 24X2,5 U6592 ZN |
| 75 | F01420120R | ROS.M12 13X36X2,5 U6593 ZN | WASHER M12 13X36X2,5 U6593 ZN | RONDELLE M12 13X36X2,5 ZN | | ARAND.M12 13X36X2,5 U6593 ZN |
| 76 | B030E0017R | GIUNTO MOLL N26 ISO 16 B-1 | SPRING JOINT N.26 ISO 16 B-1 | JOINT RESSORT | KETTENFEDER | JUNTA DE MUELL N26 ISO 16 B-1 |
| 77 | B01300104R | SPES. 25,5 37 0,2 | SHIM | ENTRETOISE | BEILAGSCHEIBE 25,5 37 0,2 | ESPE. 25,5 37 0,2 |



**TRASMISSIONE PICK-UP L
PICK-UP L TRANSMISSION**

TAV_175

| Pos. | Cod. | Descrizione | Description | Description | Benennung | Descripcion |
|------|------------|--------------------------------|-------------------------------|--------------------------------|--------------------------------|--------------------------------|
| 1 | B07SP0001R | CARTER DX PU | PU RIGHT GUARD | CARTER DROIT PU | CARTER RECHTS PU | C RTER DER PU |
| 2 | F01020436R | VITE M8X1,25X20 U5739 8.8ZN | SCR. M8X1,25X20 U5739 8.8ZN | VIS M8X1,25X 20 U5739 8.8 ZN | SCHRAUBE M8X1,25X20U5739 8.8ZN | TORNILLO M8X1,25X20 U5739 8.8 |
| 3 | B03111057R | CATENA RULLI ASA 60-1 57 MGL | ROLLER CHAIN | CHAINE ROULEAUX | KETTE ASA 60-1 57MGL ISO1 | CADENA DE LOS RODILLOS ASA 60- |
| 4 | B01534416R | SPES. 35 43 1 ZINCATO | SHIM | ENTRETOISE | AUSGLEICHSCHIEBE 35X43X1 | ESPES. 35 43 1 CINCADO |
| 5 | B03400003R | INGR. Z=22; 3 4; ISO 12B-1 | GEAR Z=22-3 4 | ENGRANAGE | KETTENRAD Z=22-3 4 | ENGR. Z=22; 3 4; ISO 12B-1 PU |
| 6 | B01330957R | DISTANZIALE 35-48-7 | SPACER | ENTRETOISE | DISTANZSTUECK 35X48X7 | DISTANCIADOR 35-48-7 |
| 7 | B02353035R | SUPP.FLANG.TONDO 35 LAMIERA | BEARING FLANGED SUPPORT D.35 | SUPPORT FLANGE ROND 35 LAMES | FLANSCHLAGER | SOPORTE BRIDA REDONDO 35 CHA |
| 8 | F01020472R | VITE M10X1,5X25 U5739 8.8ZN | SCR. M10X1,5X25 U5739 8.8ZN | VIS M10X1,5X25 U5739 8.8 ZN | SCHRAUBE M10X1,5X25 U5739 8.8 | TORNILLO M10X1,5X25 U5739 8.8 |
| 9 | F01410062R | ROS.M10 10,5X 18X 2 U6592 ZN | WASHER M10 10,5X 18X 2 U6592 | RONDELLE M10 10,5X18X2 ZN | DICHTUNGSRING M10 10,5X18X2 ZN | ARAND.M10 10,5X 18X 2 U6592 ZN |
| 10 | B07VP0513R | TENDICATENA IN NYLON | NYLON CHAIN TIGHTENER | TENDEUR DE CHAINE EN NYLON | | ENSOR DE CADENA DE NAILON |
| 11 | B0C003172R | ATTACCO TENDICATENA | CHAIN TIGHTENER COUPLING | ATTELAGE TENDEUR DE CHAINE | KETTENSPELLER BEFESTIGUNG | CONEXI N TENSOR DE CADENA |
| 12 | F01020164R | VITE M12X1,75X70 U5737 8.8ZN | SCREW M12X1,75X70 U5737 8.8ZN | VIS M12X1,75X70 ZN | SCHR. M12X1,75X70 U5737 8.8 ZN | TORNILLO M12X1,75X70 U5737 8. |
| 13 | F01420120R | ROS.M12 13X36X2,5 U6593 ZN | WASHER M12 13X36X2,5 U6593 ZN | RONDELLE M12 13X36X2,5 ZN | | ARAND.M12 13X36X2,5 U6593 ZN |
| 14 | B01523831R | RALLA 12 33 5 | FIFTH WHEEL | BUTEE | UMBORDELUNG 12 33 5 | RANGUA 12 33 5 |
| 15 | B03500045R | CONTRALBERO LUNGO PU 220 | COUNTERSHAFT 220 | CONTRE-ARBRE 200 | VORGELEGEWELLE | CONTRA- RBOL LARGO PU 220 |
| 16 | F02100124R | SPINA E.P. 6X 50 U6873 C70 BR | PIN EL. 6X50 U6873 C70 BR | GOUJON 6X50 U6873 C70 BR | STIFT 6X50 U6873 C70 BR | CLAVIJA EL.P. 6X 50 U6873 C70 |
| 17 | B02353035R | SUPP.FLANG.TONDO 35 LAMIERA | BEARING FLANGED SUPPORT D.35 | SUPPORT FLANGE ROND 35 LAMES | FLANSCHLAGER | SOPORTE BRIDA REDONDO 35 CHA |
| 18 | F01020470R | VITE M10X1,5X20 U5739 8.8ZN | SCR. M10X1,5X20 U5739 8.8ZN | VIS M10X1,5X20 U5739 8.8 ZN | SCHRAUBE M10X1,5X20 U5739 ZN | TORNILLO M10X1,5X20 U5739 8 |
| 19 | F01410062R | ROS.M10 10,5X 18X 2 U6592 ZN | WASHER M10 10,5X 18X 2 U6592 | RONDELLE M10 10,5X18X2 ZN | DICHTUNGSRING M10 10,5X18X2 ZN | ARAND.M10 10,5X 18X 2 U6592 ZN |
| 20 | B01534416R | SPES. 35 43 1 ZINCATO | SHIM | ENTRETOISE | AUSGLEICHSCHIEBE 35X43X1 | ESPES. 35 43 1 CINCADO |
| 21 | B02353035R | SUPP.FLANG.TONDO 35 LAMIERA | BEARING FLANGED SUPPORT D.35 | SUPPORT FLANGE ROND 35 LAMES | FLANSCHLAGER | SOPORTE BRIDA REDONDO 35 CHA |
| 22 | F01020472R | VITE M10X1,5X25 U5739 8.8ZN | SCR. M10X1,5X25 U5739 8.8ZN | VIS M10X1,5X25 U5739 8.8 ZN | SCHRAUBE M10X1,5X25 U5739 8.8 | TORNILLO M10X1,5X25 U5739 8.8 |
| 23 | F01410062R | ROS.M10 10,5X 18X 2 U6592 ZN | WASHER M10 10,5X 18X 2 U6592 | RONDELLE M10 10,5X18X2 ZN | DICHTUNGSRING M10 10,5X18X2 ZN | ARAND.M10 10,5X 18X 2 U6592 ZN |
| 24 | B01330957R | DISTANZIALE 35-48-7 | SPACER | ENTRETOISE | DISTANZSTUECK 35X48X7 | DISTANCIADOR 35-48-7 |
| 25 | B03111046R | CATENA RULLI ASA 60-1 46 MGL | ROLLER CHAIN ASA60-1 46 MGL | CHAINE ROULEAUX | KETTE DER WALZEN | CADENA DE LOS RODILLOS ASA 60- |
| 26 | B03L34402R | INGR. DOPPIO Z=17 48 CON MOZZO | GEAR | ENGRANAGE | ZAHNRADPAAR Z=17 48 | ENGR. DOBLE Z=17 48 CON BUJE |
| 27 | B01700035R | ANEL. D ARR. ALB. 35-E UNI3653 | SEEGER RING | BAGUE SEEGER | SEEGERRING 35-E | ANIL. DE PARAD. RB. 35-E UNI3 |
| 28 | B07VP0513R | TENDICATENA IN NYLON | NYLON CHAIN TIGHTENER | TENDEUR DE CHAINE EN NYLON | | ENSOR DE CADENA DE NAILON |
| 29 | B0C003172R | ATTACCO TENDICATENA | CHAIN TIGHTENER COUPLING | ATTELAGE TENDEUR DE CHAINE | KETTENSPELLER BEFESTIGUNG | CONEXI N TENSOR DE CADENA |
| 30 | F01020160R | VITE M12X1,75X60 U5737 8.8ZN | SCR. M12X1,75X60 U5737 8.8ZN | VIS M12X1,75X60 U5737 8.8 ZN | SCHRA.M12X1,75X60 U5737 8.8 ZN | TORNILLO M12X1,75X60 U5737 8. |
| 31 | F01410076R | ROS.M12 13X 24X2,5 U6592 ZN | WASHER 12 13X 24X2,5 U6592 ZN | RONDEL. M12 13X24X2,5 U6592 ZN | SCHIEBE M12 13X24X2,5 U6592 ZN | ARAND.M12 13X 24X2,5 U6592 ZN |
| 32 | B01523831R | RALLA 12 33 5 | FIFTH WHEEL | BUTEE | UMBORDELUNG 12 33 5 | RANGUA 12 33 5 |
| 33 | B03111057R | CATENA RULLI ASA 60-1 57 MGL | ROLLER CHAIN | CHAINE ROULEAUX | KETTE ASA 60-1 57MGL ISO1 | CADENA DE LOS RODILLOS ASA 60- |
| 34 | B03400271R | INGR.DOPPIO Z=16 22 CON MOZZO | DOUBLE GEAR Z=16 22 WITH HUB | ENGRANAGE | ZAHNRADPAAR | ENGR.DOBLE Z=16 22 CON BUJE |
| 35 | B01534416R | SPES. 35 43 1 ZINCATO | SHIM | ENTRETOISE | AUSGLEICHSCHIEBE 35X43X1 | ESPES. 35 43 1 CINCADO |
| 36 | B07VP0513R | TENDICATENA IN NYLON | NYLON CHAIN TIGHTENER | TENDEUR DE CHAINE EN NYLON | | ENSOR DE CADENA DE NAILON |
| 37 | B0C003172R | ATTACCO TENDICATENA | CHAIN TIGHTENER COUPLING | ATTELAGE TENDEUR DE CHAINE | KETTENSPELLER BEFESTIGUNG | CONEXI N TENSOR DE CADENA |
| 38 | F01020164R | VITE M12X1,75X70 U5737 8.8ZN | SCREW M12X1,75X70 U5737 8.8ZN | VIS M12X1,75X70 ZN | SCHR. M12X1,75X70 U5737 8.8 ZN | TORNILLO M12X1,75X70 U5737 8. |
| 39 | F01420120R | ROS.M12 13X36X2,5 U6593 ZN | WASHER M12 13X36X2,5 U6593 ZN | RONDELLE M12 13X36X2,5 ZN | | ARAND.M12 13X36X2,5 U6593 ZN |
| 40 | B01523831R | RALLA 12 33 5 | FIFTH WHEEL | BUTEE | UMBORDELUNG 12 33 5 | RANGUA 12 33 5 |
| 41 | B07SP0002R | CARTER SX PU | PU LEFT GUARD | CARTER GAUCHE PU | CARTER LINKS PU | C RTER IZQ PU |
| 42 | F01020436R | VITE M8X1,25X20 U5739 8.8ZN | SCR. M8X1,25X20 U5739 8.8ZN | VIS M8X1,25X 20 U5739 8.8 ZN | SCHRAUBE M8X1,25X20U5739 8.8ZN | TORNILLO M8X1,25X20 U5739 8.8 |
| 43 | B03500280R | CONTRALBERO CORTO PU 220 | SHORT COUNTER SHAFT 220 | CONTRE ARBRE COURT PU 220 | KURZE VORGELEGEWELLE 220 | CONTRA- RBOL CORTO PU 220 |
| 44 | F02050168R | ANELLO E.DE 40X1,75 U7435 | SEEGER RING 40X1,75 U7435 | BAGUE SEEGER 40X1,75 U7435 | SEEGERRING 40X1,75 U7435 | ANIL.SEEGER 40X1,75 U7435 |
| 45 | B01300126R | SPES. 40 48 1 ZINC.ST_013 | SHIM | ENTRETOISE | DISTANZSTUECK 40 408 1 | ESPES. 40 48 1 CINC.EST_013 |
| 46 | B01534395R | RALLA 35.5X 62 X 3 ZINCATO | FIFTH WHEEL | BUTEE | SPEZIALSCHIEBE | RANGUA 35.5X 62 X 3 CINCADO |
| 47 | B01300607R | DISTANZIALE 35X42X35 | SPACER | ENTRETOISE | DISTANZSTUECK 35X42X35 | DISTANCIADOR 35X42X35 |
| 48 | B02353035R | SUPP.FLANG.TONDO 35 LAMIERA | BEARING FLANGED SUPPORT D.35 | SUPPORT FLANGE ROND 35 LAMES | FLANSCHLAGER | SOPORTE BRIDA REDONDO 35 CHA |
| 49 | F01020470R | VITE M10X1,5X20 U5739 8.8ZN | SCR. M10X1,5X20 U5739 8.8ZN | VIS M10X1,5X20 U5739 8.8 ZN | SCHRAUBE M10X1,5X20 U5739 ZN | TORNILLO M10X1,5X20 U5739 8 |
| 50 | F01410062R | ROS.M10 10,5X 18X 2 U6592 ZN | WASHER M10 10,5X 18X 2 U6592 | RONDELLE M10 10,5X18X2 ZN | DICHTUNGSRING M10 10,5X18X2 ZN | ARAND.M10 10,5X 18X 2 U6592 ZN |
| 51 | B030E1027R | CATENA RULLI ISO 16 B-1 27M | ROLLER CHAIN ISO16 B-1 27M | CHAINE ROULEAUX | WALZENKETTE | CADENA DE LOS RODILLOS ISO 16 |
| 52 | B03400241R | MOZZO DI SICUREZZA PICK-UP | SURETY HUB | MOYEU DE SURETE | SICHERHEIT NABE | BUJE DE SEGURIDAD PICK-UP |
| 53 | B07S01001R | MOZZO CALETTATO | SPLINED HUB | MOYEU | VERZAHNTE NABE | BUJE ENSAMBLADO |
| 54 | B02500001R | BRONZINA 50X56 L38 | BUSHING 50X56 L38 | COUSSINET | LAGERBUCHSE | COJINETE 50X56 L38 |
| 55 | B00170845R | VITE ZINCATA M 8X45-10.9 U5737 | ZN SCREW M 8X45-10.9 U5737 | VIS | SCHRAUBE | TORNILLO CINCADO M 8X45-10.9 U |
| 56 | B00511057R | BUSSOLA DI TRANCIAMENTO | BUSHING | BAGUE | BUCHSE | CASQUILLO DE CIZALLADO |
| 57 | B008B0208R | DADO M 8X1,25 D980 8 ZN | NUT | ECROU | SELBSTSICHERNDE MUTTER M8 L8L | TUERCA M 8X1,25 D980 8 |

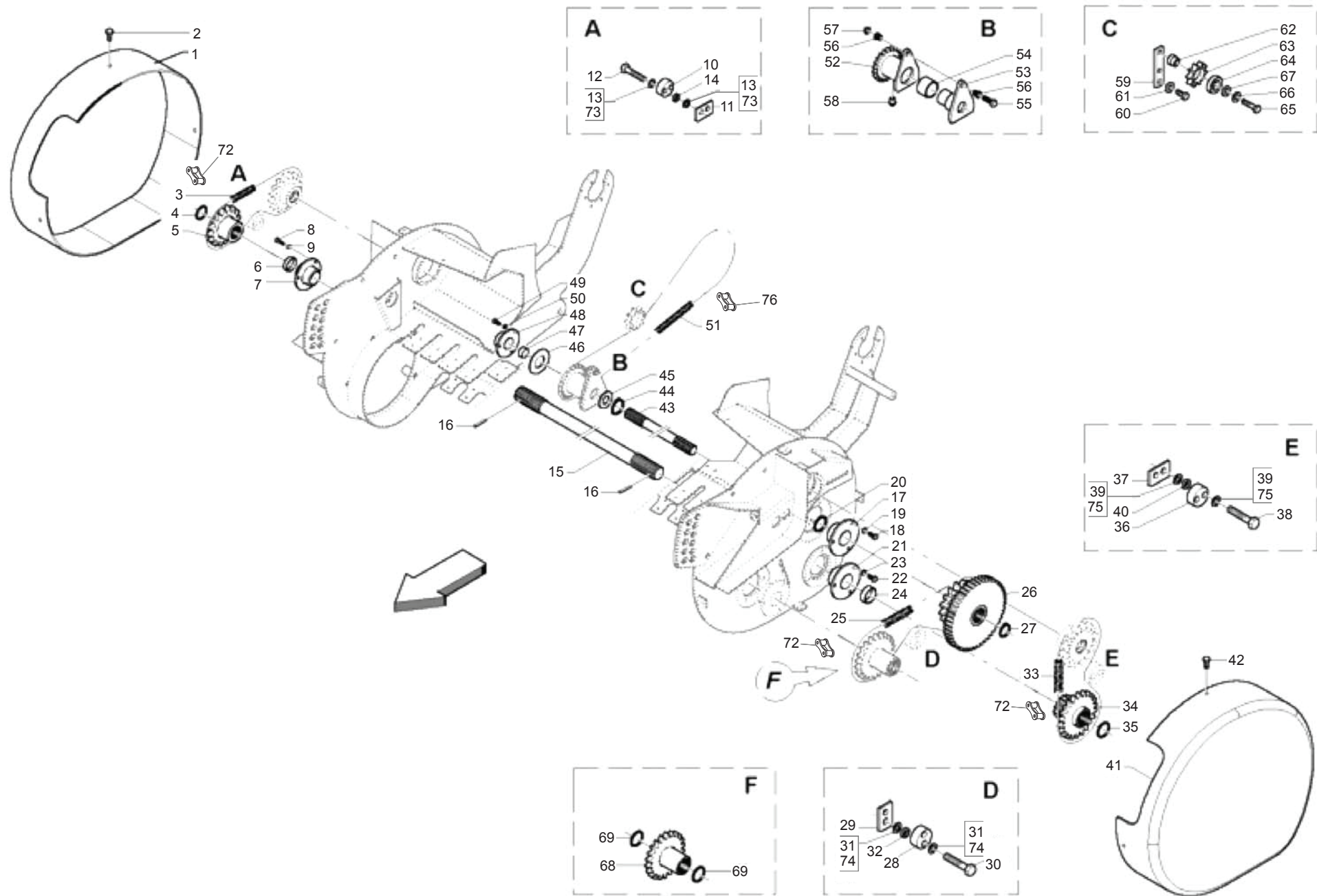


**TRASMISSIONE PICK-UP L
PICK-UP L TRANSMISSION**

TAV_175

| Pos. | Cod. | Descrizione | Description | Description | Benennung | Descripcion |
|------|------------|--------------------------------|--------------------------------|--------------------------------|--------------------------------|--------------------------------|
| 58 | B04200610R | INGRASS.A SFERE M6X1 LUNGO | GREASE NIPPLE | GRAISSEUR HYDRAULIQUE | GERADER SCHMIERNIPPEL M6X1 | ENGRASADOR DE ESFERAS M6X1 |
| 59 | B07S01013R | TENDITORE PU | PICK-UP TENSIONER | TENDEUR PU | PICK-UP SPANNER | TENSOR PU |
| 60 | B03400274R | CORONA Z10-1 ISO F52 TRATT | SPROCKET Z=10-1 | ENGRANAGE SPECIAL TRAITE | ZAHNKRANZ Z=10-1 | CORONA Z10-1 ISO F52 TRA |
| 61 | F04010170R | CUSC.D25 D52 B15 6205 2RS EX | BEARING D25 D52 B15 6205 2RS | ROULEMENT 6205 2RS | LAGER 6205 2RS | COJIN.D25 D52 B15 6205 2RS EX |
| 62 | B01300104R | SPES. 25,5 37 0,2 | SHIM | ENTRETOISE | BEILAGSCHEIBE 25,5 37 0,2 | ESPE. 25,5 37 0,2 |
| 63 | F02050101R | ANELLO E. DE 25X 1,2 U7435 C7 | SEEGER RING E. 25X1,2 7435 C70 | SEEGER E. 25X 1,2 U7435 C70 | SEEGERING E. 25X 1,2 U7435 C70 | ANILLO E. DE 25X 1,2 U7435 C7 |
| 64 | F01020510R | VITE M12X1,75X30 U5739 8.8ZN | SCR. M12X1,75X30 U5739 8.8ZN | VIS M12X1,75X30 U5739 8.8ZN | SCHRAU.M12X1,75X30 U5739 8.8ZN | TORNILLO M12X1,75X30 U5739 |
| 65 | B0C6P0065R | TIRANTE INFALDATORE | FEEDER TIE ROD | TIRANT AMENEUR | ZUGSTAB RAFFER | TIRANTE EMBOCADOR |
| 66 | F01020519R | VITE M12X1,75X 60 U5739 8.8ZN | SCREW M12X1,75X 60 U5739 8.8ZN | | | TORNILLO M12X1,75X 60 U5739 8 |
| 67 | F01200293R | DADO M12X1,75 U5588 CL8 ZN | NUT M12X1,75 U5588 6S ZN | ECROU M12X1,75 U5588 6S ZN | MUTTER M12X1,75 U5588 6S ZN | TUERCA M12X1,75 U5588 CL8 ZN |
| 68 | B03400075R | INGRANAGGIO Z=22 3 4 CON MOZZO | GEAR Z=22-3 4 WITH HUB | ENGRENAGE | ZAHNRAD | ENGRANAJE Z22-3 4 CON BUJE |
| 69 | B01534416R | SPES. 35 43 1 ZINCATO | SHIM | ENTRETOISE | AUSGLEICHSCHEIBE 35X43X1 | ESPE. 35 43 1 CINCADO |
| 70 | BSP000026R | CARTER SICUREZZA NEW | SAFETY NEW CARTER | | | C RTER DE SEGURIDAD NEW |
| 71 | B00370001R | VITE TE M 8X16 A SEZ.TRILOBATA | SCREW TRE M 8X16 SEZ TROUBLED | VIS | SCHRAUBE M 8X15 | TORNILLO CHEX M 8X16 A SECC. T |
| 72 | B0C005384R | PROLUNGA CARTER SICUREZZA PUL | SAFETY GUARD EXTENSION | RALLONGE CARTER SURETE | VERLAENGERUNG CARTER | EXTENSOR C RTER DE SEGURIDA |
| 73 | F02250111R | RIVETTO STR. 4 X 6 U9200AAL | RIVET 4 X6 | RIVET 4 X6 | KUPFERNIET 4 X6 | REMACHE EXTR. 4 X 6 U9200AA |
| 74 | F01420120R | ROS.M12 13X36X2,5 U6593 ZN | WASHER M12 13X36X2,5 U6593 ZN | RONDELLE M12 13X36X2,5 ZN | | ARAND.M12 13X36X2,5 U6593 ZN |
| 75 | F01410076R | ROS.M12 13X 24X2,5 U6592 ZN | WASHER 12 13X 24X2,5 U6592 ZN | RONDEL. M12 13X24X2,5 U6592 ZN | SCHEIBE M12 13X24X2,5 U6592 ZN | ARAND.M12 13X 24X2,5 U6592 ZN |
| 76 | B030E0017R | GIUNTO MOLL N26 ISO 16 B-1 | SPRING JOINT N.26 ISO 16 B-1 | JOINT RESSORT | KETTENFEDER | JUNTA DE MUELL N26 ISO 16 B-1 |
| 77 | B01300104R | SPES. 25,5 37 0,2 | SHIM | ENTRETOISE | BEILAGSCHEIBE 25,5 37 0,2 | ESPE. 25,5 37 0,2 |
| 78 | B03110007R | GIUNTO MOLL.N.26 ASA60-1 | SPRING JOINT N. 26 ASA 60-1 | JOINT | KETTENSCHLOSS | JUNTA DE MUELLE N. 26 ASA60-1 |
| 79 | F01410076R | ROS.M12 13X 24X2,5 U6592 ZN | WASHER 12 13X 24X2,5 U6592 ZN | RONDEL. M12 13X24X2,5 U6592 ZN | SCHEIBE M12 13X24X2,5 U6592 ZN | ARAND.M12 13X 24X2,5 U6592 ZN |

TAV_180

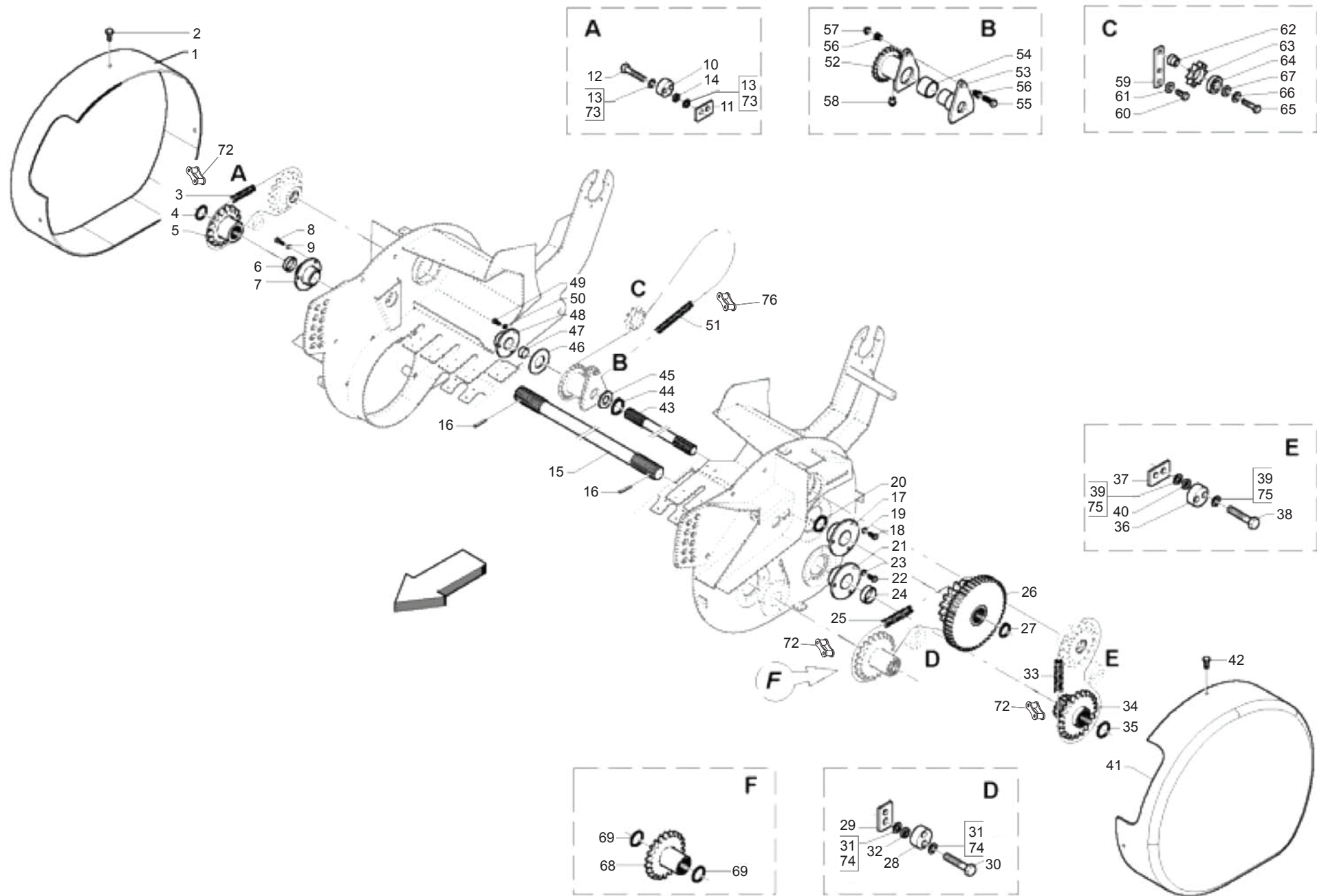


**TRASMISSIONE PICK-UP M CUT
PICK-UP M CUT TRANSMISSION**

TAV_180

| Pos. | Cod. | Descrizione | Description | Description | Benennung | Descripcion |
|------|------------|--------------------------------|-------------------------------|--------------------------------|--------------------------------|--------------------------------|
| 1 | B07SP0001R | CARTER DX PU | PU RIGHT GUARD | CARTER DROIT PU | CARTER RECHTS PU | C RTER DER PU |
| 2 | F01020436R | VITE M8X1,25X20 U5739 8.8ZN | SCR. M8X1,25X20 U5739 8.8ZN | VIS M8X1,25X 20 U5739 8.8 ZN | SCHRAUBE M8X1,25X20U5739 8.8ZN | TORNILLO M8X1,25X20 U5739 8.8 |
| 3 | B03111057R | CATENA RULLI ASA 60-1 57 MGL | ROLLER CHAIN | CHAINE ROULEAUX | KETTE ASA 60-1 57MGL ISO1 | CADENA DE LOS RODILLOS ASA 60- |
| 4 | B01534416R | SPES. 35 43 1 ZINCATO | SHIM | ENTRETOISE | AUSGLEICHSCHIEBE 35X43X1 | ESPES. 35 43 1 CINCADO |
| 5 | B03400003R | INGR. Z=22; 3 4; ISO 12B-1 | GEAR Z=22-3 4 | ENGRANAGE | KETTENRAD Z=22-3 4 | ENGR. Z=22; 3 4; ISO 12B-1 PU |
| 6 | B01330957R | DISTANZIALE 35-48-7 | SPACER | ENTRETOISE | DISTANZSTUECK 35X48X7 | DISTANCIADOR 35-48-7 |
| 7 | B02353035R | SUPP.FLANG.TONDO 35 LAMIERA | BEARING FLANGED SUPPORT D.35 | SUPPORT FLANGE ROND 35 LAMES | FLANSCHLAGER | SOPORTE BRIDA REDONDO 35 CHA |
| 8 | F01020472R | VITE M10X1,5X25 U5739 8.8ZN | SCR. M10X1,5X25 U5739 8.8ZN | VIS M10X1,5X25 U5739 8.8 ZN | SCHRAUBE M10X1,5X25 U5739 8.8 | TORNILLO M10X1,5X25 U5739 8.8 |
| 9 | F01410062R | ROS.M10 10,5X 18X 2 U6592 ZN | WASHER M10 10,5X 18X 2 U6592 | RONDELLE M10 10,5X18X2 ZN | DICHTUNGSRING M10 10,5X18X2 ZN | ARAND.M10 10,5X 18X 2 U6592 ZN |
| 10 | B07VP0513R | TENDICATENA IN NYLON | NYLON CHAIN TIGHTENER | TENDEUR DE CHAINE EN NYLON | | ENSOR DE CADENA DE NAILON |
| 11 | B0C003172R | ATTACCO TENDICATENA | CHAIN TIGHTENER COUPLING | ATTELAGE TENDEUR DE CHAINE | KETTENSPELLER BEFESTIGUNG | CONEXI N TENSOR DE CADENA |
| 12 | F01020164R | VITE M12X1,75X70 U5737 8.8ZN | SCREW M12X1,75X70 U5737 8.8ZN | VIS M12X1,75X70 ZN | SCHR. M12X1,75X70 U5737 8.8 ZN | TORNILLO M12X1,75X70 U5737 8. |
| 13 | F01410076R | ROS.M12 13X 24X2,5 U6592 ZN | WASHER 12 13X 24X2,5 U6592 ZN | RONDEL. M12 13X24X2,5 U6592 ZN | SCHIEBE M12 13X24X2,5 U6592 ZN | ARAND.M12 13X 24X2,5 U6592 ZN |
| 14 | B01523831R | RALLA 12 33 5 | FIFTH WHEEL | BUTEE | UMBORDELUNG 12 33 5 | RANGUA 12 33 5 |
| 15 | B03A34361R | CONTRALBERO LUNGO PU 200 | COUNTERSHAFT | CONTRE ARBRE | VORGELEGEWELLE 200 | CONTRA- RBOL LARGO PU 200 |
| 16 | F02100124R | SPINA E.P. 6X 50 U6873 C70 BR | PIN EL. 6X50 U6873 C70 BR | GOUJON 6X50 U6873 C70 BR | STIFT 6X50 U6873 C70 BR | CLAVIJA EL.P. 6X 50 U6873 C70 |
| 17 | B02353035R | SUPP.FLANG.TONDO 35 LAMIERA | BEARING FLANGED SUPPORT D.35 | SUPPORT FLANGE ROND 35 LAMES | FLANSCHLAGER | SOPORTE BRIDA REDONDO 35 CHA |
| 18 | F01020470R | VITE M10X1,5X20 U5739 8.8ZN | SCR. M10X1,5X20 U5739 8.8ZN | VIS M10X1,5X20 U5739 8.8 ZN | SCHRAUBE M10X1,5X20 U5739 ZN | TORNILLO M10X1,5X20 U5739 8 |
| 19 | F01410062R | ROS.M10 10,5X 18X 2 U6592 ZN | WASHER M10 10,5X 18X 2 U6592 | RONDELLE M10 10,5X18X2 ZN | DICHTUNGSRING M10 10,5X18X2 ZN | ARAND.M10 10,5X 18X 2 U6592 ZN |
| 20 | B01534416R | SPES. 35 43 1 ZINCATO | SHIM | ENTRETOISE | AUSGLEICHSCHIEBE 35X43X1 | ESPES. 35 43 1 CINCADO |
| 21 | B02353035R | SUPP.FLANG.TONDO 35 LAMIERA | BEARING FLANGED SUPPORT D.35 | SUPPORT FLANGE ROND 35 LAMES | FLANSCHLAGER | SOPORTE BRIDA REDONDO 35 CHA |
| 22 | F01020472R | VITE M10X1,5X25 U5739 8.8ZN | SCR. M10X1,5X25 U5739 8.8ZN | VIS M10X1,5X25 U5739 8.8 ZN | SCHRAUBE M10X1,5X25 U5739 8.8 | TORNILLO M10X1,5X25 U5739 8.8 |
| 23 | F01410062R | ROS.M10 10,5X 18X 2 U6592 ZN | WASHER M10 10,5X 18X 2 U6592 | RONDELLE M10 10,5X18X2 ZN | DICHTUNGSRING M10 10,5X18X2 ZN | ARAND.M10 10,5X 18X 2 U6592 ZN |
| 24 | B01330957R | DISTANZIALE 35-48-7 | SPACER | ENTRETOISE | DISTANZSTUECK 35X48X7 | DISTANCIADOR 35-48-7 |
| 25 | B03111046R | CATENA RULLI ASA 60-1 46 MGL | ROLLER CHAIN ASA60-1 46 MGL | CHAINE ROULEAUX | KETTE DER WALZEN | CADENA DE LOS RODILLOS ASA 60- |
| 26 | B03L34402R | INGR. DOPPIO Z=17 48 CON MOZZO | GEAR | ENGRANAGE | ZAHNRADPAAR Z=17 48 | ENGR. DOBLE Z=17 48 CON BUJE |
| 27 | B01700035R | ANEL. D ARR. ALB. 35-E UNI3653 | SEEGER RING | BAGUE SEEGER | SEEGERRING 35-E | ANIL. DE PARAD. RB. 35-E UNI3 |
| 28 | B07VP0513R | TENDICATENA IN NYLON | NYLON CHAIN TIGHTENER | TENDEUR DE CHAINE EN NYLON | | ENSOR DE CADENA DE NAILON |
| 29 | B0C003172R | ATTACCO TENDICATENA | CHAIN TIGHTENER COUPLING | ATTELAGE TENDEUR DE CHAINE | KETTENSPELLER BEFESTIGUNG | CONEXI N TENSOR DE CADENA |
| 30 | F01020160R | VITE M12X1,75X60 U5737 8.8ZN | SCR. M12X1,75X60 U5737 8.8ZN | VIS M12X1,75X60 U5737 8.8 ZN | SCHR.M12X1,75X60 U5737 8.8 ZN | TORNILLO M12X1,75X60 U5737 8. |
| 31 | F01420120R | ROS.M12 13X36X2,5 U6593 ZN | WASHER M12 13X36X2,5 U6593 ZN | RONDELLE M12 13X36X2,5 ZN | | ARAND.M12 13X36X2,5 U6593 ZN |
| 32 | B01523831R | RALLA 12 33 5 | FIFTH WHEEL | BUTEE | UMBORDELUNG 12 33 5 | RANGUA 12 33 5 |
| 33 | B03111057R | CATENA RULLI ASA 60-1 57 MGL | ROLLER CHAIN | CHAINE ROULEAUX | KETTE ASA 60-1 57MGL ISO1 | CADENA DE LOS RODILLOS ASA 60- |
| 34 | B03400271R | INGR.DOPPIO Z=16 22 CON MOZZO | DOUBLE GEAR Z=16 22 WITH HUB | ENGRANAGE | ZAHNRADPAAR | ENGR.DOBLE Z=16 22 CON BUJE |
| 35 | B01534416R | SPES. 35 43 1 ZINCATO | SHIM | ENTRETOISE | AUSGLEICHSCHIEBE 35X43X1 | ESPES. 35 43 1 CINCADO |
| 36 | B07VP0513R | TENDICATENA IN NYLON | NYLON CHAIN TIGHTENER | TENDEUR DE CHAINE EN NYLON | | ENSOR DE CADENA DE NAILON |
| 37 | B0C003172R | ATTACCO TENDICATENA | CHAIN TIGHTENER COUPLING | ATTELAGE TENDEUR DE CHAINE | KETTENSPELLER BEFESTIGUNG | CONEXI N TENSOR DE CADENA |
| 38 | F01020164R | VITE M12X1,75X70 U5737 8.8ZN | SCREW M12X1,75X70 U5737 8.8ZN | VIS M12X1,75X70 ZN | SCHR. M12X1,75X70 U5737 8.8 ZN | TORNILLO M12X1,75X70 U5737 8. |
| 39 | F01410076R | ROS.M12 13X 24X2,5 U6592 ZN | WASHER 12 13X 24X2,5 U6592 ZN | RONDEL. M12 13X24X2,5 U6592 ZN | SCHIEBE M12 13X24X2,5 U6592 ZN | ARAND.M12 13X 24X2,5 U6592 ZN |
| 40 | B01523831R | RALLA 12 33 5 | FIFTH WHEEL | BUTEE | UMBORDELUNG 12 33 5 | RANGUA 12 33 5 |
| 41 | B07SP0002R | CARTER SX PU | PU LEFT GUARD | CARTER GAUCHE PU | CARTER LINKS PU | C RTER IZQ PU |
| 42 | F01020436R | VITE M8X1,25X20 U5739 8.8ZN | SCR. M8X1,25X20 U5739 8.8ZN | VIS M8X1,25X 20 U5739 8.8 ZN | SCHRAUBE M8X1,25X20U5739 8.8ZN | TORNILLO M8X1,25X20 U5739 8.8 |
| 43 | B03500279R | CONTRALBERO CORTO PU 200 | SHORT COUNTERSHAFT 200 | CONTRE ARBRE COURT PU 200 | KURZE VORGELEGEWELLE 200 | CONTRA- RBOL CORTO PU 200 |
| 44 | F02050168R | ANELLO E.DE 40X1,75 U7435 | SEEGER RING 40X1,75 U7435 | BAGUE SEEGER 40X1,75 U7435 | SEEGERRING 40X1,75 U7435 | ANIL.SEEGER 40X1,75 U7435 |
| 45 | B01300126R | SPES. 40 48 1 ZINC.ST_013 | SHIM | ENTRETOISE | DISTANZSTUECK 40 408 1 | ESPES. 40 48 1 CINC.EST_013 |
| 46 | B01534395R | RALLA 35.5X 62 X 3 ZINCATO | FIFTH WHEEL | BUTEE | SPEZIALSCHIEBE | RANGUA 35.5X 62 X 3 CINCADO |
| 47 | B01300607R | DISTANZIALE 35X42X35 | SPACER | ENTRETOISE | DISTANZSTUECK 35X42X35 | DISTANCIADOR 35X42X35 |
| 48 | B02353035R | SUPP.FLANG.TONDO 35 LAMIERA | BEARING FLANGED SUPPORT D.35 | SUPPORT FLANGE ROND 35 LAMES | FLANSCHLAGER | SOPORTE BRIDA REDONDO 35 CHA |
| 49 | F01020470R | VITE M10X1,5X20 U5739 8.8ZN | SCR. M10X1,5X20 U5739 8.8ZN | VIS M10X1,5X20 U5739 8.8 ZN | SCHRAUBE M10X1,5X20 U5739 ZN | TORNILLO M10X1,5X20 U5739 8 |
| 50 | F01410062R | ROS.M10 10,5X 18X 2 U6592 ZN | WASHER M10 10,5X 18X 2 U6592 | RONDELLE M10 10,5X18X2 ZN | DICHTUNGSRING M10 10,5X18X2 ZN | ARAND.M10 10,5X 18X 2 U6592 ZN |
| 51 | B030E1052R | CATENA RULLI ISO 16 B-1 52M | ROLLER CHAIN | CHAINE ROULEAUX | WALZENKETTE | CADENA DE LOS RODILLOS ISO 16 |
| 52 | B03400241R | MOZZO DI SICUREZZA PICK-UP | SURETY HUB | MOYEU DE SURETE | SICHERHEIT NABE | BUJE DE SEGURIDAD PICK-UP |
| 53 | B07S01001R | MOZZO CALETTATO | SPLINED HUB | MOYEU | VERZAHNTE NABE | BUJE ENSAMBLADO |
| 54 | B02500001R | BRONZINA 50X56 L38 | BUSHING 50X56 L38 | COUSSINET | LAGERBUCHSE | COJINETE 50X56 L38 |
| 55 | B00170845R | VITE ZINCATA M 8X45-10.9 U5737 | ZN SCREW M 8X45-10.9 U5737 | VIS | SCHRAUBE | TORNILLO CINCADO M 8X45-10.9 U |
| 56 | B00511057R | BUSSOLA DI TRANCIAMENTO | BUSHING | BAGUE | BUCHSE | CASQUILLO DE CIZALLADO |
| 57 | B008B0208R | DADO M 8X1,25 D980 8 ZN | NUT | ECROU | SELBSTSICHERNDE MUTTER M8 L8L | TUERCA M 8X1,25 D980 8 |

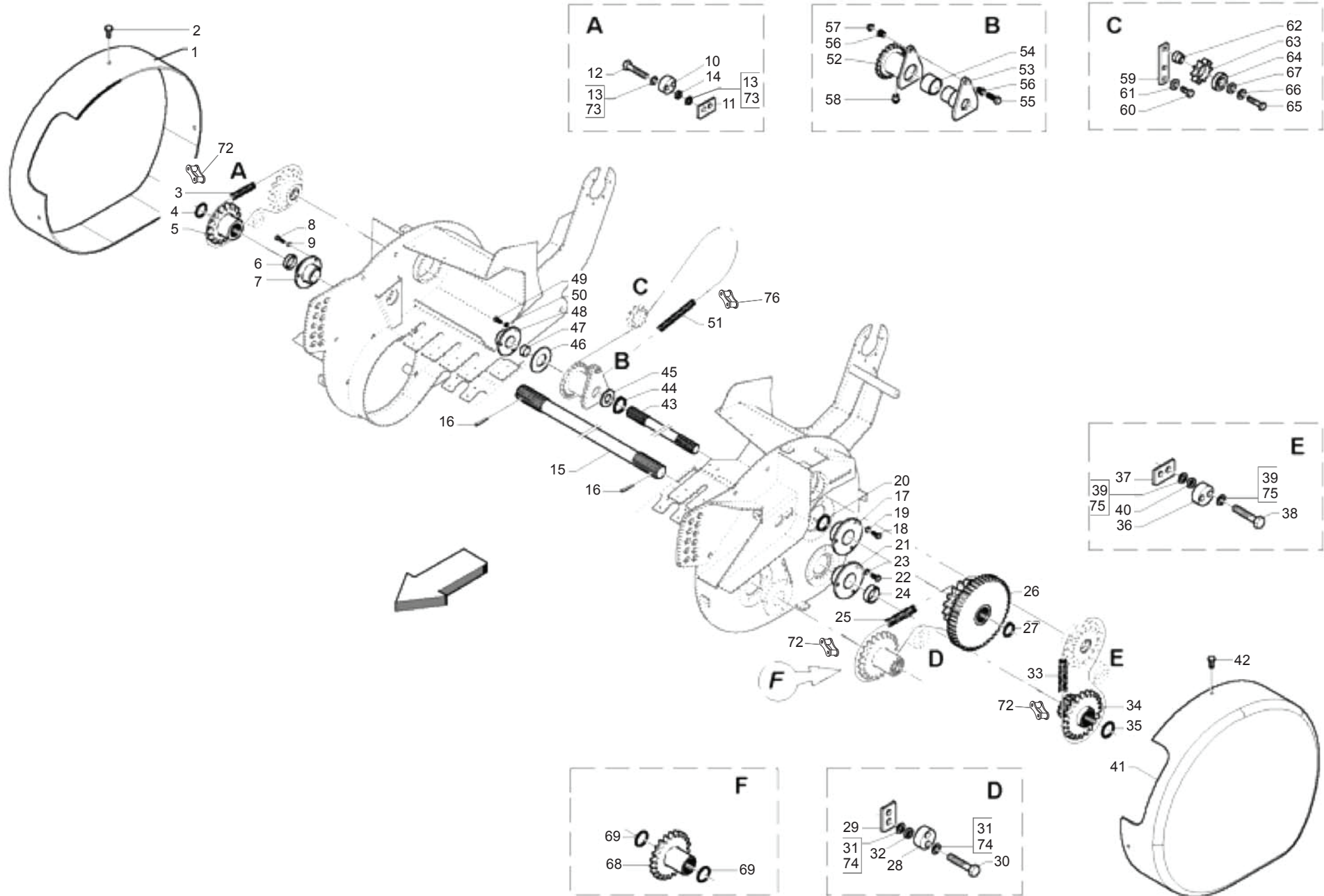
TAV_180



**TRASMISSIONE PICK-UP M CUT
PICK-UP M CUT TRANSMISSION**

TAV_180

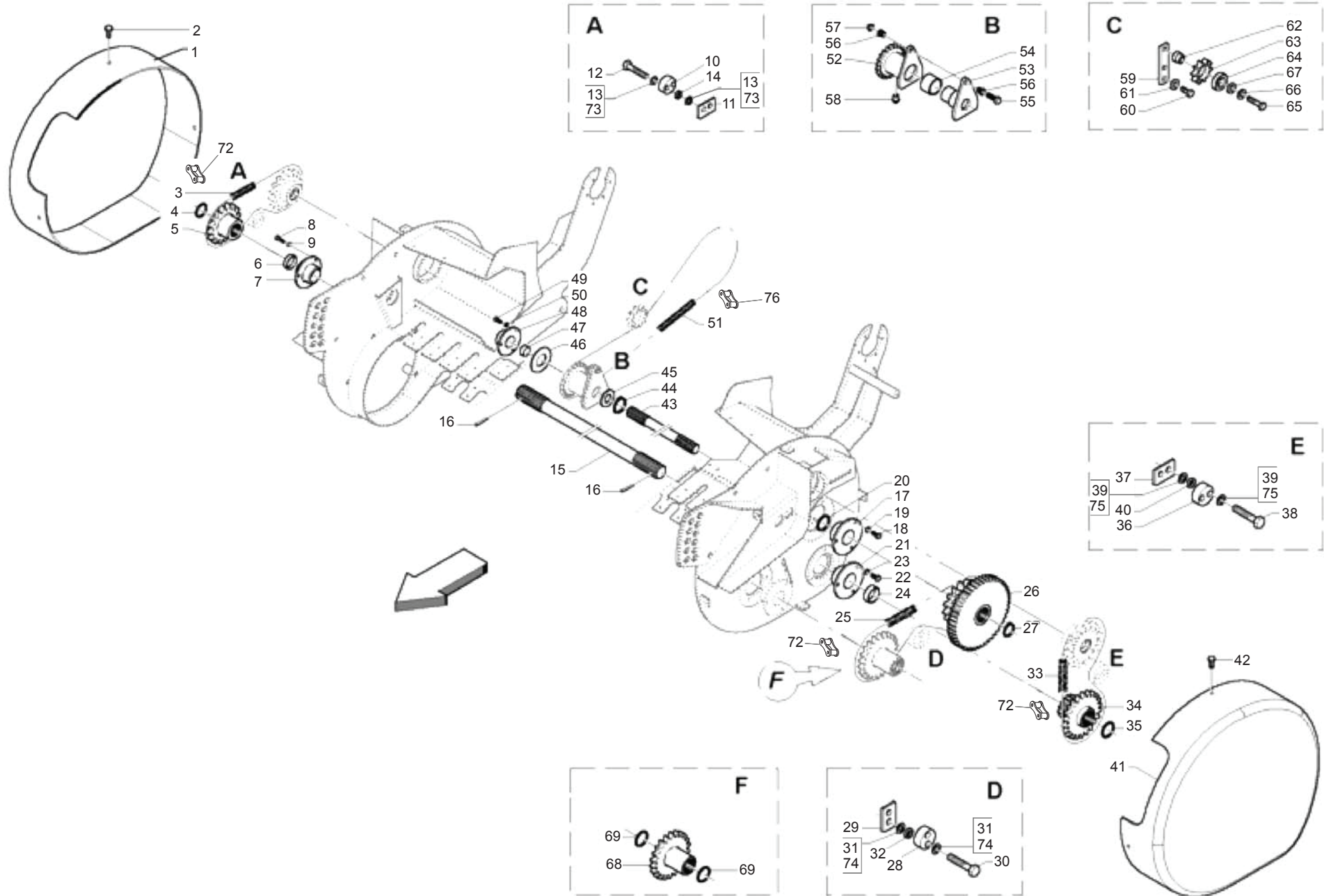
| Pos. | Cod. | Descrizione | Description | Description | Benennung | Descripcion |
|------|------------|------------------------------|-------------------------------|--------------------------------|--------------------------------|-------------------------------|
| 58 | B04200610R | INGRASS.A SFERE M6X1 LUNGO | GREASE NIPPLE | GRAISSEUR HYDRAULIQUE | GERADER SCHMIERNIPPEL M6X1 | ENGRASADOR DE ESFERAS M6X1 |
| 59 | B0C002390R | FERMO | LOCK | ARRET | ARRETIERUNG | TOPE |
| 60 | F01020510R | VITE M12X1,75X30 U5739 8.8ZN | SCR. M12X1,75X30 U5739 8.8ZN | VIS M12X1,75X30 U5739 8.8ZN | SCHRAU.M12X1,75X30 U5739 8.8ZN | TORNILLO M12X1,75X30 U5739 |
| 61 | B01518412R | RALLA 12 38 5 | FIFTH WHEEL | BUTEE | SCHIEBE | RANGUA 12 38 5 |
| 62 | B01300302R | PERNO GALOPPINO | PIN | TOURILLON | BOLZEN FUER KETTENZAHNRAD | PERNO DE POLEA |
| 63 | B03400274R | CORONA Z10-1 ISO F52 TRATT | SPROCKET Z=10-1 | ENGRANAGE SPECIAL TRAITE | ZAHNKRANZ Z=10-1 | CORONA Z10-1 ISO F52 TRA |
| 64 | F04010170R | CUSC.D25 D52 B15 6205 2RS EX | BEARING D25 D52 B15 6205 2RS | ROULEMENT 6205 2RS | LAGER 6205 2RS | COJIN.D25 D52 B15 6205 2RS EX |
| 65 | F01020160R | VITE M12X1,75X60 U5737 8.8ZN | SCR. M12X1,75X60 U5737 8.8ZN | VIS M12X1,75X60 U5737 8.8 ZN | SCHRA.M12X1,75X60 U5737 8.8 ZN | TORNILLO M12X1,75X60 U5737 8. |
| 66 | F01420120R | ROS.M12 13X36X2,5 U6593 ZN | WASHER M12 13X36X2,5 U6593 ZN | RONDELLE M12 13X36X2,5 ZN | | ARAND.M12 13X36X2,5 U6593 ZN |
| 67 | B01518412R | RALLA 12 38 5 | FIFTH WHEEL | BUTEE | SCHIEBE | RANGUA 12 38 5 |
| 68 | B03400240R | INGR. Z=22-3 4 ISO CON MOZZO | GEAR Z=22-3 4 ISO WITH HUB | ENGRENAGE | ZAHNRAD Z=22-3 4 ISO MIT NAB | ENGR. Z=22-3 4 ISO CON BUJE |
| 69 | B01300101R | SPES. 30,3 40 1 ZINCATO | SHIM GALV | ENTRETOISE GALV | DISTANZSTUECK 30,3 40 1 | ESPE. 30,3 40 1 CINCADO |
| 72 | B03110007R | GIUNTO MOLL.N.26 ASA60-1 | SPRING JOINT N. 26 ASA 60-1 | JOINT | KETTENSCHLOSS | JUNTA DE MUELLE N. 26 ASA60-1 |
| 73 | F01420120R | ROS.M12 13X36X2,5 U6593 ZN | WASHER M12 13X36X2,5 U6593 ZN | RONDELLE M12 13X36X2,5 ZN | | ARAND.M12 13X36X2,5 U6593 ZN |
| 74 | F01410076R | ROS.M12 13X 24X2,5 U6592 ZN | WASHER 12 13X 24X2,5 U6592 ZN | RONDEL. M12 13X24X2,5 U6592 ZN | SCHIEBE M12 13X24X2,5 U6592 ZN | ARAND.M12 13X 24X2,5 U6592 ZN |
| 75 | F01420120R | ROS.M12 13X36X2,5 U6593 ZN | WASHER M12 13X36X2,5 U6593 ZN | RONDELLE M12 13X36X2,5 ZN | | ARAND.M12 13X36X2,5 U6593 ZN |
| 76 | B030E0017R | GIUNTO MOLL N26 ISO 16 B-1 | SPRING JOINT N.26 ISO 16 B-1 | JOINT RESSORT | KETTENFEDER | JUNTA DE MUELL N26 ISO 16 B-1 |



**TRASMISSIONE PICK-UP L CUT
PICK-UP L CUT TRANSMISSION**

TAV_185

| Pos. | Cod. | Descrizione | Description | Description | Benennung | Descripcion |
|------|------------|--------------------------------|--------------------------------|--------------------------------|--------------------------------|--------------------------------|
| 1 | B07SP0001R | CARTER DX PU | PU RIGHT GUARD | CARTER DROIT PU | CARTER RECHTS PU | C RTER DER PU |
| 2 | F01020436R | VITE M8X1,25X20 U5739 8.8ZN | SCR. M8X1,25X20 U5739 8.8ZN | VIS M8X1,25X 20 U5739 8.8 ZN | SCHRAUBE M8X1,25X20U5739 8.8ZN | TORNILLO M8X1,25X20 U5739 8.8 |
| 3 | B03111057R | CATENA RULLI ASA 60-1 57 MGL | ROLLER CHAIN | CHAINE ROULEAUX | KETTE ASA 60-1 57MGL ISO1 | CADENA DE LOS RODILLOS ASA 60- |
| 4 | B01534416R | SPES. 35 43 1 ZINCATO | SHIM | ENTRETOISE | AUSGLEICHSCHIEBE 35X43X1 | ESPES. 35 43 1 CINCADO |
| 5 | B03400003R | INGR. Z=22; 3 4; ISO 12B-1 | GEAR Z=22-3 4 | ENGRANAGE | KETTENRAD Z=22-3 4 | ENGR. Z=22; 3 4; ISO 12B-1 PU |
| 6 | B01330957R | DISTANZIALE 35-48-7 | SPACER | ENTRETOISE | DISTANZSTUECK 35X48X7 | DISTANCIADOR 35-48-7 |
| 7 | B02353035R | SUPP.FLANG.TONDO 35 LAMIERA | BEARING FLANGED SUPPORT D.35 | SUPPORT FLANGE ROND 35 LAMES | FLANSCHLAGER | SOPORTE BRIDA REDONDO 35 CHA |
| 8 | F01020472R | VITE M10X1,5X25 U5739 8.8ZN | SCR. M10X1,5X25 U5739 8.8ZN | VIS M10X1,5X25 U5739 8.8 ZN | SCHRAUBE M10X1,5X25 U5739 8.8 | TORNILLO M10X1,5X25 U5739 8.8 |
| 9 | F01410062R | ROS.M10 10,5X 18X 2 U6592 ZN | WASHER M10 10,5X 18X 2 U6592 | RONDELLE M10 10,5X18X2 ZN | DICHTUNGSRING M10 10,5X18X2 ZN | ARAND.M10 10,5X 18X 2 U6592 ZN |
| 10 | B07VP0513R | TENDICATENA IN NYLON | NYLON CHAIN TIGHTENER | TENDEUR DE CHAINE EN NYLON | | SENSOR DE CADENA DE NAILON |
| 11 | B0C003172R | ATTACCO TENDICATENA | CHAIN TIGHTENER COUPLING | ATTELAGE TENDEUR DE CHAINE | KETTENSPELLER BEFESTIGUNG | CONEXI N TENSOR DE CADENA |
| 12 | F01020164R | VITE M12X1,75X70 U5737 8.8ZN | SCREW M12X1,75X70 U5737 8.8ZN | VIS M12X1,75X70 ZN | SCHR. M12X1,75X70 U5737 8.8 ZN | TORNILLO M12X1,75X70 U5737 8. |
| 13 | F01410076R | ROS.M12 13X 24X2,5 U6592 ZN | WASHER M12 13X 24X2,5 U6592 ZN | RONDEL. M12 13X24X2,5 U6592 ZN | SCHIEBE M12 13X24X2,5 U6592 ZN | ARAND.M12 13X 24X2,5 U6592 ZN |
| 14 | B01523831R | RALLA 12 33 5 | FIFTH WHEEL | BUTEE | UMBORDELUNG 12 33 5 | RANGUA 12 33 5 |
| 15 | B03500045R | CONTRALBERO LUNGO PU 220 | COUNTERSHAFT 220 | CONTRE-ARBRE 200 | VORGELEGEWELLE | CONTRA- RBOL LARGO PU 220 |
| 16 | F02100124R | SPINA E.P. 6X 50 U6873 C70 BR | PIN EL. 6X50 U6873 C70 BR | GOUJON 6X50 U6873 C70 BR | STIFT 6X50 U6873 C70 BR | CLAVIJA EL.P. 6X 50 U6873 C70 |
| 17 | B02353035R | SUPP.FLANG.TONDO 35 LAMIERA | BEARING FLANGED SUPPORT D.35 | SUPPORT FLANGE ROND 35 LAMES | FLANSCHLAGER | SOPORTE BRIDA REDONDO 35 CHA |
| 18 | F01020470R | VITE M10X1,5X20 U5739 8.8ZN | SCR. M10X1,5X20 U5739 8.8ZN | VIS M10X1,5X20 U5739 8.8 ZN | SCHRAUBE M10X1,5X20 U5739 ZN | TORNILLO M10X1,5X20 U5739 8 |
| 19 | F01410062R | ROS.M10 10,5X 18X 2 U6592 ZN | WASHER M10 10,5X 18X 2 U6592 | RONDELLE M10 10,5X18X2 ZN | DICHTUNGSRING M10 10,5X18X2 ZN | ARAND.M10 10,5X 18X 2 U6592 ZN |
| 20 | B01534416R | SPES. 35 43 1 ZINCATO | SHIM | ENTRETOISE | AUSGLEICHSCHIEBE 35X43X1 | ESPES. 35 43 1 CINCADO |
| 21 | B02353035R | SUPP.FLANG.TONDO 35 LAMIERA | BEARING FLANGED SUPPORT D.35 | SUPPORT FLANGE ROND 35 LAMES | FLANSCHLAGER | SOPORTE BRIDA REDONDO 35 CHA |
| 22 | F01020472R | VITE M10X1,5X25 U5739 8.8ZN | SCR. M10X1,5X25 U5739 8.8ZN | VIS M10X1,5X25 U5739 8.8 ZN | SCHRAUBE M10X1,5X25 U5739 8.8 | TORNILLO M10X1,5X25 U5739 8.8 |
| 23 | F01410062R | ROS.M10 10,5X 18X 2 U6592 ZN | WASHER M10 10,5X 18X 2 U6592 | RONDELLE M10 10,5X18X2 ZN | DICHTUNGSRING M10 10,5X18X2 ZN | ARAND.M10 10,5X 18X 2 U6592 ZN |
| 24 | B01330957R | DISTANZIALE 35-48-7 | SPACER | ENTRETOISE | DISTANZSTUECK 35X48X7 | DISTANCIADOR 35-48-7 |
| 25 | B03111046R | CATENA RULLI ASA 60-1 46 MGL | ROLLER CHAIN ASA60-1 46 MGL | CHAINE ROULEAUX | KETTE DER WALZEN | CADENA DE LOS RODILLOS ASA 60- |
| 26 | B03L34402R | INGR. DOPPIO Z=17 48 CON MOZZO | GEAR | ENGRANAGE | ZAHNRADPAAR Z=17 48 | ENGR. DOBLE Z=17 48 CON BUJE |
| 27 | B01700035R | ANEL. D ARR. ALB. 35-E UNI3653 | SEEGER RING | BAGUE SEEGER | SEEGERRING 35-E | ANIL. DE PARAD. RB. 35-E UNI3 |
| 28 | B07VP0513R | TENDICATENA IN NYLON | NYLON CHAIN TIGHTENER | TENDEUR DE CHAINE EN NYLON | | SENSOR DE CADENA DE NAILON |
| 29 | B0C003172R | ATTACCO TENDICATENA | CHAIN TIGHTENER COUPLING | ATTELAGE TENDEUR DE CHAINE | KETTENSPELLER BEFESTIGUNG | CONEXI N TENSOR DE CADENA |
| 30 | F01020160R | VITE M12X1,75X60 U5737 8.8ZN | SCR. M12X1,75X60 U5737 8.8ZN | VIS M12X1,75X60 U5737 8.8 ZN | SCHR.M12X1,75X60 U5737 8.8 ZN | TORNILLO M12X1,75X60 U5737 8. |
| 31 | F01420120R | ROS.M12 13X36X2,5 U6593 ZN | WASHER M12 13X36X2,5 U6593 ZN | RONDELLE M12 13X36X2,5 ZN | | ARAND.M12 13X36X2,5 U6593 ZN |
| 32 | B01523831R | RALLA 12 33 5 | FIFTH WHEEL | BUTEE | UMBORDELUNG 12 33 5 | RANGUA 12 33 5 |
| 33 | B03111057R | CATENA RULLI ASA 60-1 57 MGL | ROLLER CHAIN | CHAINE ROULEAUX | KETTE ASA 60-1 57MGL ISO1 | CADENA DE LOS RODILLOS ASA 60- |
| 34 | B03400271R | INGR.DOPPIO Z=16 22 CON MOZZO | DOUBLE GEAR Z=16 22 WITH HUB | ENGRANAGE | ZAHNRADPAAR | ENGR.DOBLE Z=16 22 CON BUJE |
| 35 | B01534416R | SPES. 35 43 1 ZINCATO | SHIM | ENTRETOISE | AUSGLEICHSCHIEBE 35X43X1 | ESPES. 35 43 1 CINCADO |
| 36 | B07VP0513R | TENDICATENA IN NYLON | NYLON CHAIN TIGHTENER | TENDEUR DE CHAINE EN NYLON | | SENSOR DE CADENA DE NAILON |
| 37 | B0C003172R | ATTACCO TENDICATENA | CHAIN TIGHTENER COUPLING | ATTELAGE TENDEUR DE CHAINE | KETTENSPELLER BEFESTIGUNG | CONEXI N TENSOR DE CADENA |
| 38 | F01020164R | VITE M12X1,75X70 U5737 8.8ZN | SCREW M12X1,75X70 U5737 8.8ZN | VIS M12X1,75X70 ZN | SCHR. M12X1,75X70 U5737 8.8 ZN | TORNILLO M12X1,75X70 U5737 8. |
| 39 | F01420120R | ROS.M12 13X36X2,5 U6593 ZN | WASHER M12 13X36X2,5 U6593 ZN | RONDELLE M12 13X36X2,5 ZN | | ARAND.M12 13X36X2,5 U6593 ZN |
| 40 | B01523831R | RALLA 12 33 5 | FIFTH WHEEL | BUTEE | UMBORDELUNG 12 33 5 | RANGUA 12 33 5 |
| 41 | B07SP0002R | CARTER SX PU | PU LEFT GUARD | CARTER GAUCHE PU | CARTER LINKS PU | C RTER IZQ PU |
| 42 | F01020436R | VITE M8X1,25X20 U5739 8.8ZN | SCR. M8X1,25X20 U5739 8.8ZN | VIS M8X1,25X 20 U5739 8.8 ZN | SCHRAUBE M8X1,25X20U5739 8.8ZN | TORNILLO M8X1,25X20 U5739 8.8 |
| 43 | B03500280R | CONTRALBERO CORTO PU 220 | SHORT COUNTER SHAFT 220 | CONTRE ARBRE COURT PU 220 | KURZE VORGELEGEWELLE 220 | CONTRA- RBOL CORTO PU 220 |
| 44 | F02050168R | ANELLO E.DE 40X1,75 U7435 | SEEGER RING 40X1,75 U7435 | BAGUE SEEGER 40X1,75 U7435 | SEEGERRING 40X1,75 U7435 | ANIL.SEEGER 40X1,75 U7435 |
| 45 | B01300126R | SPES. 40 48 1 ZINC.ST_013 | SHIM | ENTRETOISE | DISTANZSTUECK 40 408 1 | ESPES. 40 48 1 CINC.EST_013 |
| 46 | B01534395R | RALLA 35.5X 62 X 3 ZINCATO | FIFTH WHEEL | BUTEE | SPEZIALSCHIEBE | RANGUA 35.5X 62 X 3 CINCADO |
| 47 | B01300607R | DISTANZIALE 35X42X35 | SPACER | ENTRETOISE | DISTANZSTUECK 35X42X35 | DISTANCIADOR 35X42X35 |
| 48 | B02353035R | SUPP.FLANG.TONDO 35 LAMIERA | BEARING FLANGED SUPPORT D.35 | SUPPORT FLANGE ROND 35 LAMES | FLANSCHLAGER | SOPORTE BRIDA REDONDO 35 CHA |
| 49 | F01020470R | VITE M10X1,5X20 U5739 8.8ZN | SCR. M10X1,5X20 U5739 8.8ZN | VIS M10X1,5X20 U5739 8.8 ZN | SCHRAUBE M10X1,5X20 U5739 ZN | TORNILLO M10X1,5X20 U5739 8 |
| 50 | F01410062R | ROS.M10 10,5X 18X 2 U6592 ZN | WASHER M10 10,5X 18X 2 U6592 | RONDELLE M10 10,5X18X2 ZN | DICHTUNGSRING M10 10,5X18X2 ZN | ARAND.M10 10,5X 18X 2 U6592 ZN |
| 51 | B030E1052R | CATENA RULLI ISO 16 B-1 52M | ROLLER CHAIN | CHAINE ROULEAUX | WALZENKETTE | CADENA DE LOS RODILLOS ISO 16 |
| 52 | B03400241R | MOZZO DI SICUREZZA PICK-UP | SURETY HUB | MOYEU DE SURETE | SICHERHEIT NABE | BUJE DE SEGURIDAD PICK-UP |
| 53 | B07S01001R | MOZZO CALETTATO | SPLINED HUB | MOYEU | VERZAHNTE NABE | BUJE ENSAMBLADO |
| 54 | B02500001R | BRONZINA 50X56 L38 | BUSHING 50X56 L38 | COUSSINET | LAGERBUCHSE | COJINETE 50X56 L38 |
| 55 | B00170845R | VITE ZINCATA M 8X45-10.9 U5737 | ZN SCREW M 8X45-10.9 U5737 | VIS | SCHRAUBE | TORNILLO CINCADO M 8X45-10.9 U |
| 56 | B00511057R | BUSSOLA DI TRANCIAMENTO | BUSHING | BAGUE | BUCHSE | CASQUILLO DE CIZALLADO |
| 57 | B008B0208R | DADO M 8X1,25 D980 8 ZN | NUT | ECROU | SELBSTSICHERNDE MUTTER M8 L8L | TUERCA M 8X1,25 D980 8 |

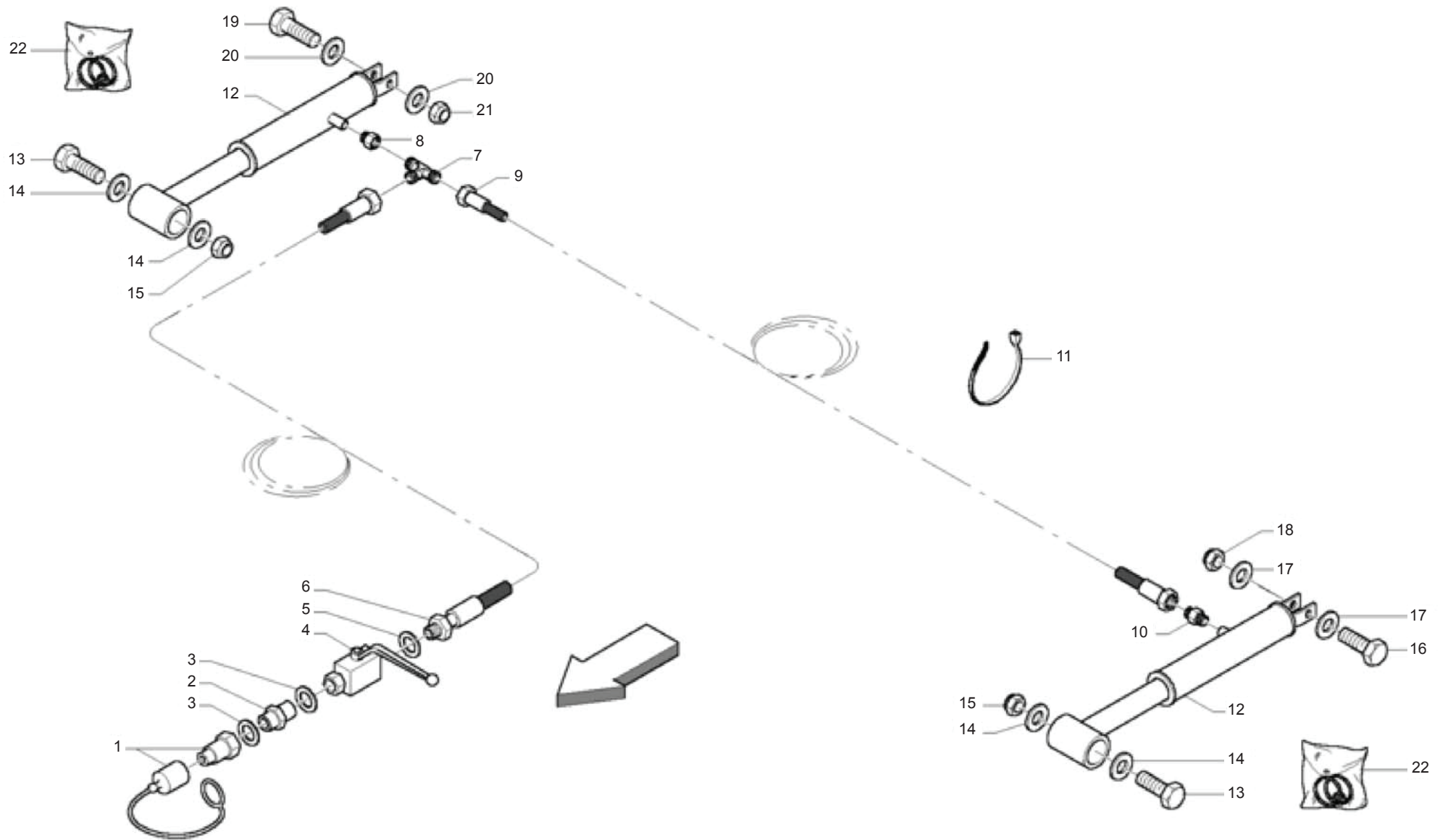


**TRASMISSIONE PICK-UP L CUT
PICK-UP L CUT TRANSMISSION**

TAV_185

| Pos. | Cod. | Descrizione | Description | Description | Benennung | Descripcion |
|------|------------|--------------------------------|-------------------------------|--------------------------------|--------------------------------|-------------------------------|
| 58 | B04200610R | INGRASS.A SFERE M6X1 LUNGO | GREASE NIPPLE | GRAISSEUR HYDRAULIQUE | GERADER SCHMIERNIPPEL M6X1 | ENGRASADOR DE ESFERAS M6X1 |
| 59 | B0C002390R | FERMO | LOCK | ARRET | ARRETIERUNG | TOPE |
| 60 | F01020510R | VITE M12X1,75X30 U5739 8.8ZN | SCR. M12X1,75X30 U5739 8.8ZN | VIS M12X1,75X30 U5739 8.8ZN | SCHRAU.M12X1,75X30 U5739 8.8ZN | TORNILLO M12X1,75X30 U5739 |
| 61 | B01518412R | RALLA 12 38 5 | FIFTH WHEEL | BUTEE | SCHEIBE | RANGUA 12 38 5 |
| 62 | B01300302R | PERNO GALOPPINO | PIN | TOURILLON | BOLZEN FUER KETTENZAHNRAD | PERNO DE POLEA |
| 63 | B03400274R | CORONA Z10-1 ISO F52 TRATT | SPROCKET Z=10-1 | ENGRANAGE SPECIAL TRAITE | ZAHNKRANZ Z=10-1 | CORONA Z10-1 ISO F52 TRA |
| 64 | F04010170R | CUSC.D25 D52 B15 6205 2RS EX | BEARING D25 D52 B15 6205 2RS | ROULEMENT 6205 2RS | LAGER 6205 2RS | COJIN.D25 D52 B15 6205 2RS EX |
| 65 | F01020160R | VITE M12X1,75X60 U5737 8.8ZN | SCR. M12X1,75X60 U5737 8.8ZN | VIS M12X1,75X60 U5737 8.8 ZN | SCHRA.M12X1,75X60 U5737 8.8 ZN | TORNILLO M12X1,75X60 U5737 8. |
| 66 | F01420120R | ROS.M12 13X36X2,5 U6593 ZN | WASHER M12 13X36X2,5 U6593 ZN | RONDELLE M12 13X36X2,5 ZN | | ARAND.M12 13X36X2,5 U6593 ZN |
| 67 | B01518412R | RALLA 12 38 5 | FIFTH WHEEL | BUTEE | SCHEIBE | RANGUA 12 38 5 |
| 68 | B03400075R | INGRANAGGIO Z=22 3 4 CON MOZZO | GEAR Z=22-3 4 WITH HUB | ENGRENAGE | ZAHNRAD | ENGRANAJE Z22-3 4 CON BUJE |
| 69 | B01534416R | SPES. 35 43 1 ZINCATO | SHIM | ENTRETOISE | AUSGLEICHSCHEIBE 35X43X1 | ESPE. 35 43 1 CINCADO |
| 72 | B03110007R | GIUNTO MOLL.N.26 ASA60-1 | SPRING JOINT N. 26 ASA 60-1 | JOINT | KETTENSCHLOSS | JUNTA DE MUELLE N. 26 ASA60-1 |
| 73 | F01420120R | ROS.M12 13X36X2,5 U6593 ZN | WASHER M12 13X36X2,5 U6593 ZN | RONDELLE M12 13X36X2,5 ZN | | ARAND.M12 13X36X2,5 U6593 ZN |
| 74 | F01410076R | ROS.M12 13X 24X2,5 U6592 ZN | WASHER 12 13X 24X2,5 U6592 ZN | RONDEL. M12 13X24X2,5 U6592 ZN | SCHEIBE M12 13X24X2,5 U6592 ZN | ARAND.M12 13X 24X2,5 U6592 ZN |
| 75 | F01410076R | ROS.M12 13X 24X2,5 U6592 ZN | WASHER 12 13X 24X2,5 U6592 ZN | RONDEL. M12 13X24X2,5 U6592 ZN | SCHEIBE M12 13X24X2,5 U6592 ZN | ARAND.M12 13X 24X2,5 U6592 ZN |
| 76 | B030E0017R | GIUNTO MOLL N26 ISO 16 B-1 | SPRING JOINT N.26 ISO 16 B-1 | JOINT RESSORT | KETTENFEDER | JUNTA DE MUELL N26 ISO 16 B-1 |

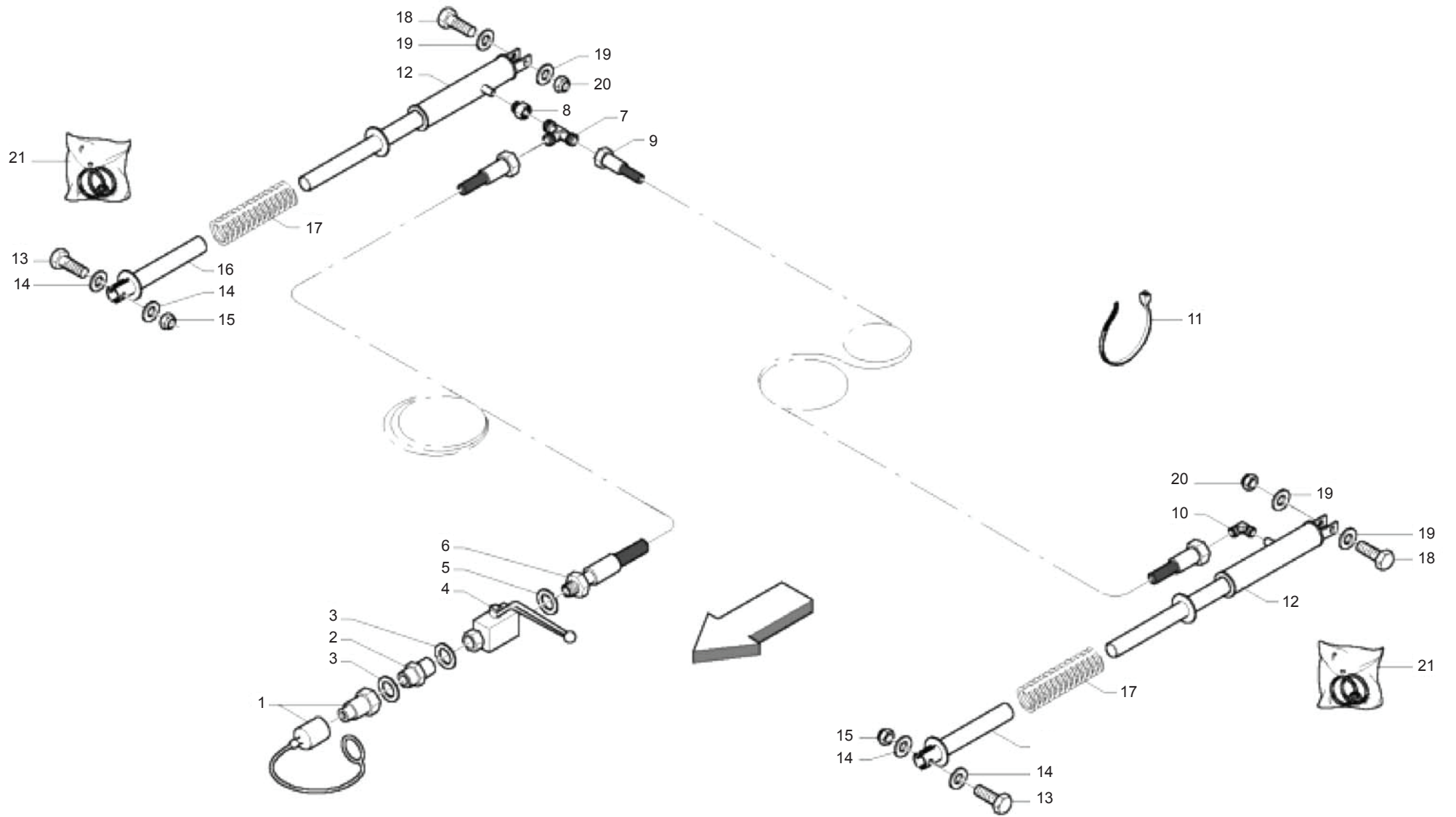
TAV_190



**IMPIANTO IDRAULICO PICK-UP
PICK-UP HYDRAULIC SYSTEM**

TAV_190

| Pos. | Cod. | Descrizione | Description | Description | Benennung | Descripcion |
|------|------------|--------------------------------|------------------------------|-----------------------------|--------------------------------|--------------------------------|
| 1 | BOH6000A0R | INNESTO RAP.NV 12GAS-M | QUICK CLUTCH | EMBAYAGE | SCHNELLKUPPLUNG | ACOPLAMIENTO R P.NV 12GAS-M |
| 2 | BOH733671R | NIPPLO RID.FORO 1MM. 1 2 -1 4 | NIPPLE 1 2 -1 4 | NIPPLE 1 MM 1 2 -1 4 | NIPPEL 1 2 -1 4 | NIPLE RED. ORIFICIO 1MM. 1 2 - |
| 3 | B01441415R | RONDELLA IN RAME 1 4 | WASHER | RONDELLE | BEILAGSCHEIBE 1 4 13X19X1,5 | ARANDELA DE COBRE 1 4 |
| 4 | BOH000119R | RUBIN. A SFER.A.P.1 4 FEMM.-F | BALL COCK | ROBINET 1 4 FEMELLE | KUGELHAHN | GRIFO DE ESFERA A.P.1 4 HEM.- |
| 5 | B01442015R | ROS. 21 X27X1,5 RAME -1 2 | WASHER | RONDELLE | BEILAGSCHEIBE 1 2 | ARAND.21 X27X1,5 COBRE -1 2 |
| 6 | BOH000250R | TUBO IDRAUL. | HYDRAULIC HOSE | TUYAU HYDRAULIQUE | HYDRAULIKSCHLAUCH | TUBO HIDR UL. |
| 7 | BOH000098R | RACCORDO T 10 TN 127-10LR | UNION T 10 | RACCORD T 10 | T.VERSCHRAUBUNG | RACOR EN T 10 TN 127-10LR |
| 8 | BOH000265R | RID. RASTELLI TN143-3 8 X1 4 R | REDUCTION TN143-3 8 X1 4 R | REDUCTION TN 143-3 8 X1 4 R | REDUKTION TN 143-3 8 | RED. RASTELLI TN143-3 8 X1 4 R |
| 9 | BOH000251R | TUBO IDRAUL. | HYDRAULIC HOSE | TUYAU HYDRAULIQUE | HYDRAULIKSCHLAUCH | TUBO HIDR UL. |
| 10 | BOH000139R | RACCORDO I 10 RASTELLI | UNION I 10 | RACCORD I SEULEMENT CORPS | VERBINDUNGSTUECK I 10 | RACOR I 10 RASTELLI |
| 11 | F05150055R | FASCETTA POLYA. 3,6X200 NERA | WHITE BAND | BANDE BIANCHE | WEIBE BAND | BANDA POLYA. 3,6X200 NEGRA |
| 12 | BOH400062R | MARTINETTO PICK-UP | SPRINTER PICK-UP JACK | VERIN PICK-UP SPRINTER | SPRINTER PICK-UP ZYLINDER | CILINDRO PICK-UP |
| 13 | F01020976R | VITE M16X 2X55 U5737 8.8 ZN | SCREW M16X 2X55 U5737 8.8 ZN | | | TORNILLO M16X 2X55 U5737 8.8 Z |
| 14 | F01410100R | ROS.M16 17X 30X 3 U6592 ZN | WASHER M16 17X30X3 U6592 ZN | RONDELLE M16 17X30X3 ZN | SCHRAUBE M16 17X 30X3 U6592 ZN | ARAND.M16 17X 30X 3 U6592 ZN |
| 15 | B00920516R | DADO M16X 1,5 D985 6S ZN | NUT M16X1,5 D985 6S ZN | ECROU | SELBSTSICHERNDE MUTTER M16-5S | TUERCA M16X 1,5 D985 6S |
| 16 | F01020264R | VITE M16X2X90 U5737 8.8ZN | SCR. M16X2X90 U5737 8.8ZN | VIS M16X2X90 5737 8.8 ZN | SCHRAUBE M16X2X90 5737 8.8 ZN | TORNILLO M16X2X90 U5737 8.8Z |
| 17 | F01410100R | ROS.M16 17X 30X 3 U6592 ZN | WASHER M16 17X30X3 U6592 ZN | RONDELLE M16 17X30X3 ZN | SCHRAUBE M16 17X 30X3 U6592 ZN | ARAND.M16 17X 30X 3 U6592 ZN |
| 18 | B00920516R | DADO M16X 1,5 D985 6S ZN | NUT M16X1,5 D985 6S ZN | ECROU | SELBSTSICHERNDE MUTTER M16-5S | TUERCA M16X 1,5 D985 6S |
| 19 | B00191680R | VITE M16X 2X 80 U5737 8.8ZN | SCREW | VIS | SCHRAUBE | TORNILLO M16X 2X 80 U5737 8 |
| 20 | F01410100R | ROS.M16 17X 30X 3 U6592 ZN | WASHER M16 17X30X3 U6592 ZN | RONDELLE M16 17X30X3 ZN | SCHRAUBE M16 17X 30X3 U6592 ZN | ARAND.M16 17X 30X 3 U6592 ZN |
| 21 | B00920516R | DADO M16X 1,5 D985 6S ZN | NUT M16X1,5 D985 6S ZN | ECROU | SELBSTSICHERNDE MUTTER M16-5S | TUERCA M16X 1,5 D985 6S |
| 22 | BOH400061R | KIT GUARNIZ. MARTIN. PICK_UP | KIT JOINTS | KIT JOINTS POUR VERIN | DICHTUNGSSATZ | KIT JUNTAS CILINDRO PICK_UP |

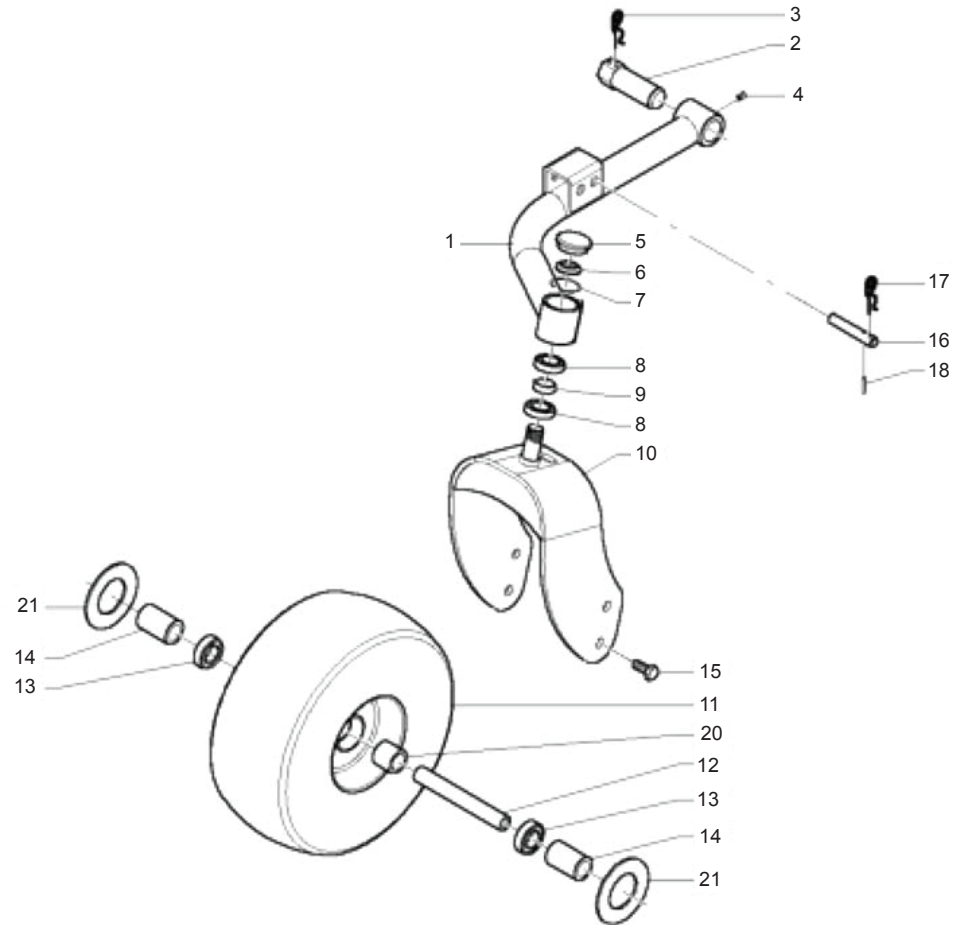
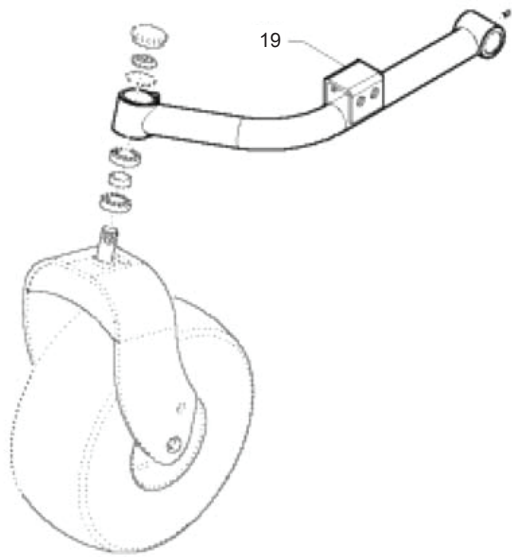


**IMPIANTO IDRAULICO PICK-UP CUT
PICK-UP CUT HYDRAULIC TRANSMISSION**

TAV_195

| Pos. | Cod. | Descrizione | Description | Description | Benennung | Descripcion |
|------|------------|--------------------------------|-----------------------------|-----------------------------|--------------------------------|--------------------------------|
| 1 | BOH6000A0R | INNESTO RAP.NV 12GAS-M | QUICK CLUTCH | EMBAYAGE | SCHNELLKUPPLUNG | ACOPLAMIENTO R P.NV 12GAS-M |
| 2 | BOH733671R | NIPPLO RID.FORO 1MM. 1 2 -1 4 | NIPPLE 1 2 -1 4 | NIPPLE 1 MM 1 2 -1 4 | NIPPEL 1 2 -1 4 | NIPLE RED. ORIFICIO 1MM. 1 2 - |
| 3 | B01441415R | RONDELLA IN RAME 1 4 | WASHER | RONDELLE | BEILAGSCHEIBE 1 4 13X19X1,5 | ARANDELA DE COBRE 1 4 |
| 4 | BOH000119R | RUBIN. A SFER.A.P.1 4 FEMM.-F | BALL COCK | ROBINET 1 4 FEMELLE | KUGELHAHN | GRIFO DE ESFERA.A.P.1 4 HEM.- |
| 5 | B01442015R | ROS. 21 X27X1,5 RAME -1 2 | WASHER | RONDELLE | BEILAGSCHEIBE 1 2 | ARAND.21 X27X1,5 COBRE -1 2 |
| 6 | BOH000250R | TUBO IDRAUL. | HYDRAULIC HOSE | TUYAU HYDRAULIQUE | HYDRAULIKSCHLAUCH | TUBO HIDR UL. |
| 7 | BOH000264R | RACCORDO T 10 TN96-10LR | T FITTING TN96-10LR | RACCORD T 10 | KUPPLUNG T 10 | RACOR EN T 10 TN96-10LR |
| 8 | BOH000265R | RID. RASTELLI TN143-3 8 X1 4 R | REDUCTION TN143-3 8 X1 4 R | REDUCTION TN 143-3 8 X1 4 R | REDUKTION TN 143-3 8 | RED. RASTELLI TN143-3 8 X1 4 R |
| 9 | BOH000251R | TUBO IDRAUL. | HYDRAULIC HOSE | TUYAU HYDRAULIQUE | HYDRAULIKSCHLAUCH | TUBO HIDR UL. |
| 10 | BOH000086R | RACCORDO L 10 TN94-10LR | UNION L 10 | RACCORD L 10 | ANSCHLUSSSTUECK L 10 | RACOR L 10 TN94-10LR |
| 11 | F05150055R | FASCETTA POLYA. 3,6X200 NERA | WHITE BAND | BANDE BIANCHE | WEIBE BAND | BANDA POLYA. 3,6X200 NEGRA |
| 12 | BOH400072R | MARTINETTO PICK-UP | SPRINTER PICK-UP JACK CUT | VERIN PICK-UP | SPRINTER PICK-UP ZYLINDER CUT | CILINDRO PICK-UP |
| 13 | F01020256R | VITE M16X2X60 U5737 8.8ZN | SCR. M16X2X60 U5737 8.8ZN | VIS M16X 2X60 U5737 8.8 ZN | SCHRAUBE M16X2X60 U5737 8.8 ZN | TORNILLO M16X2X60 U5737 8.8Z |
| 14 | F01410100R | ROS.M16 17X 30X 3 U6592 ZN | WASHER M16 17X30X3 U6592 ZN | RONDELLE M16 17X30X3 ZN | SCHRAUBE M16 17X 30X3 U6592 ZN | ARAND.M16 17X 30X 3 U6592 ZN |
| 15 | B00920516R | DADO M16X 1,5 D985 6S ZN | NUT M16X1,5 D985 6S ZN | ECROU | SELBSTSICHERNDE MUTTER M16-5S | TUERCA M16X 1,5 D985 6S |
| 16 | B07S01072R | GUIDA MARTINETTO | JACK GUIDE | GUIDE VERIN | ZYLINDERFUEHRUNG | GU A DEL CILINDRO |
| 17 | B01800062R | MOLLA PU TOPCUT | TOPCUT PICK-UP TINE | DENT PICK UP TOPCUT | TOPCUT PICK-UP FEDERZINKEN | MUELLE PU TOPCUT |
| 18 | F01020256R | VITE M16X2X60 U5737 8.8ZN | SCR. M16X2X60 U5737 8.8ZN | VIS M16X 2X60 U5737 8.8 ZN | SCHRAUBE M16X2X60 U5737 8.8 ZN | TORNILLO M16X2X60 U5737 8.8Z |
| 19 | F01410100R | ROS.M16 17X 30X 3 U6592 ZN | WASHER M16 17X30X3 U6592 ZN | RONDELLE M16 17X30X3 ZN | SCHRAUBE M16 17X 30X3 U6592 ZN | ARAND.M16 17X 30X 3 U6592 ZN |
| 20 | B00920516R | DADO M16X 1,5 D985 6S ZN | NUT M16X1,5 D985 6S ZN | ECROU | SELBSTSICHERNDE MUTTER M16-5S | TUERCA M16X 1,5 D985 6S |
| 21 | BOH400061R | KIT GUARNIZ. MARTIN. PICK_UP | KIT JOINTS | KIT JOINTS POUR VERIN | DICHTUNGSSATZ | KIT JUNTAS CILINDRO PICK_UP |

TAV_200

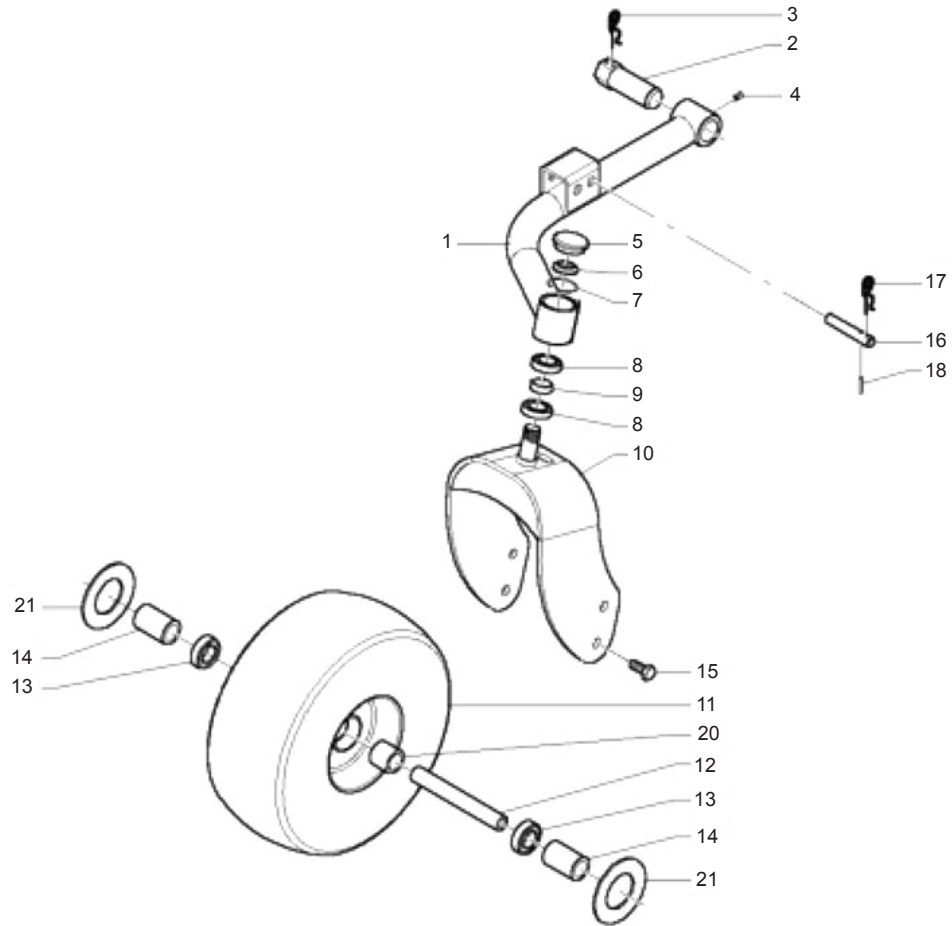
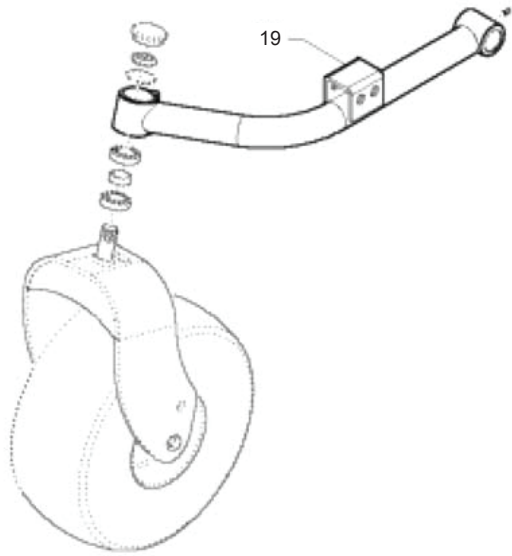


**RUOTE PICK-UP M
PICK-UP M WHEELS**

TAV_200

| Pos. | Cod. | Descrizione | Description | Description | Benennung | Descripcion |
|------|------------|--------------------------------|--------------------------------|-----------------------------|--------------------------------|--------------------------------|
| 1 | B07S01559R | BRACCIO RUOTA SX PU 200 | LEFT PICK-UP WHEEL ARM 200 | BRAS ROUE GAUCHE PU 200 | LINKER PICK-UP RADTRAEGERARM 2 | BRAZO DE LA RUEDA IZQ PU 200 |
| 2 | B00500079R | SPINA BRACCI RUOTE | WHEEL ARM PIN | AXE BRAS ROUES | RADTRAEGERBOLZEN | CLAVIJA BRAZOS DE LAS RUEDAS |
| 3 | B011B0499R | SPINA A MOLLA A DOPPIO GIRO 4 | PIN | GOUPILLE CLIPS | ZAPFEN | CLAVIJA DE MUELLE CON DOBLE G |
| 4 | F01100013R | ING.M 6X1 7663-C 9SMNPB28 ZN | SPHERE NIPPLE M6X1 90 | GRAISSEUR A BILLES M6X1 90 | KUGELFETTBSCHSE M6X1 90 | ENG.M 6X1 7663-C 9SMNPB28 ZN |
| 5 | B04400002R | CAP. CHIUSO 47X 8 TIPO C | CAP | COUVERCLE | SCHLISSKAPPE | CAP. CERRADO 47X 8 TIPO C |
| 6 | B00941325R | GHIERA AU.GUK M25X1,5 T.4H ZN | RING NUT | RONDELLE | GEWINDERING M25X1,5 | ABRAZADERA AU.GUK M25X1,5 T.4 |
| 7 | B01710047R | ANEL. D ARR. FORO 47-I UNI3654 | SEEGER RING | BAGUE SEEGER | SEEGERRING 47-I | ANIL. DE PARAD. ORIFICIO 47-I |
| 8 | B02042512R | CUSC 6005-2RS CAT.B-ST004 | BEARING | ROULEMENT | LAGER | COJIN.6005-2RS CAT.B-ST004 |
| 9 | B01300934R | DISTANZIALE 25,5X33,7X12 | SPACER | ENTRETOISE | DISTANZSTUCK 25,5X33,7X12 | DISTANCIADOR 25,5X33,7X12 |
| 10 | B07S01557R | SUPP. RUOTA | WHEEL SUPPORT | SUPPORT ROUE | RADHALTERUNG | SOP. RUEDA |
| 11 | B07100045R | RUOTA IN GOMMA 16.650 X 8 | RUBBER WHEEL | ROUE EN CAOUTCHOUC | GUMMIRAD | RUEDA DE GOMA 16.650 X 8 |
| 12 | B01300336R | FUSELLO RUOTE PU | PICK-UP WHEELS SPINDLE | FUSEAU ROUES PU | ACHSCHENKEL R DER PICK-UP | PIVOTE DE LAS RUEDAS PU |
| 13 | B02040005R | CUSCINETTO 6205-2RS CAT.BST004 | BEARING | ROULEMENT | LAGER | COJINETE 6205-2RS CAT.BST004 |
| 14 | B01301058R | DISTANZIALE 26X33.7X61.5 | SPACER | ENTRETOISE | DISTANSCHEIBE 26X33.7X61.5 | DISTANCIADOR 26X33.7X61.5 |
| 15 | F01020562R | VITE M16X2X30 U5739 8.8ZN | SCR. M16X2X30 U5739 8.8ZN | VIS M16X2X30 U5739 8.8 ZN | SCHRAUBE M16X2X30 U5739 8.8 ZN | TORNILLO M16X2X30 U5739 8.8ZN |
| 16 | B01301065R | SPINA 16X95 2F 5 | PIN | GOUPILLE | STECKSTIFT 16X95 | CLAVIJA 16X95 2F 5 |
| 17 | B011B0499R | SPINA A MOLLA A DOPPIO GIRO 4 | PIN | GOUPILLE CLIPS | ZAPFEN | CLAVIJA DE MUELLE CON DOBLE G |
| 18 | F02100086R | SPINA E.P. 5X 30 U6873 C70 ZN | PIN EL. 5 X30 DIN 1481 GALVAN. | FICHE EL. 5 X30 DIN 1481 ZN | SPANNSTIFT 5 X30 DIN 1481 ZN | CLAVIJA EL.P. 5X 30 U6873 C70 |
| 19 | B07S01555R | BRACCIO RUOTA DX PU 200 | RIGHT PICK-UP WHEEL ARM 200 | BRAS ROUE DROIT PU 200 | RECHTER PICK-UP RADTRAEGERARM | BRAZO DE LA RUEDA DER PU 200 |
| 20 | B01300919R | DISTANZIALE 26X33.7X35.2 | SPACER | ENTRETOISE | ABSTANDSTUECK 26X33.7X35.2 | DISTANCIADOR 26X33.7X35.2 |
| 21 | B01300918R | FLANGIA PARAFIENO FORO 25 | DIAM. 25 HOLE FLANGE | BRIDE TROU DIAM. 25 | FLANSCH 25 | BRIDA MEDIDOR-HENO ORIFICIO 25 |

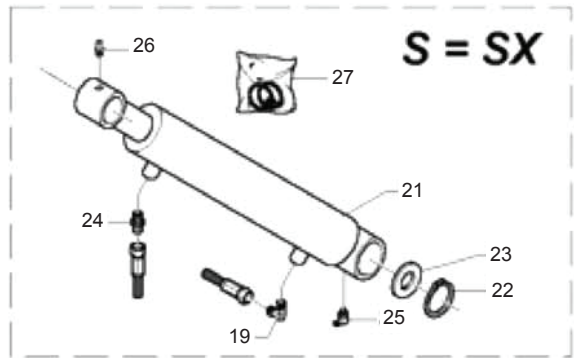
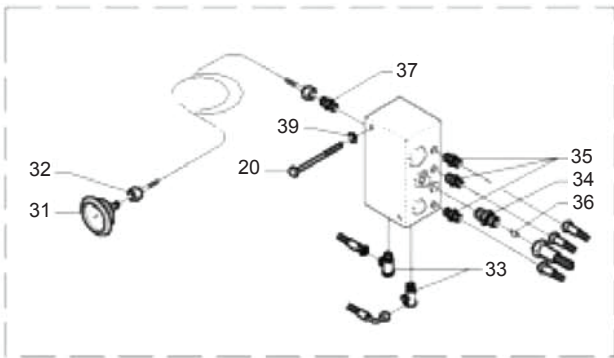
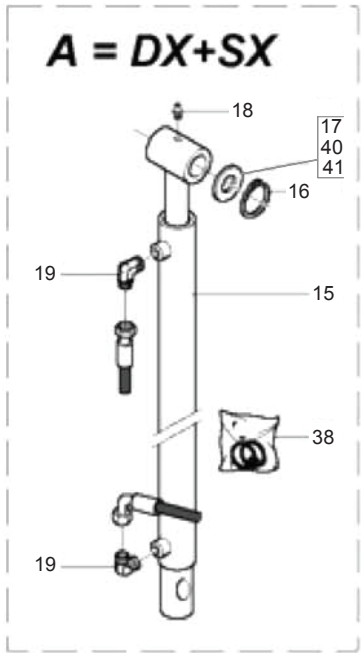
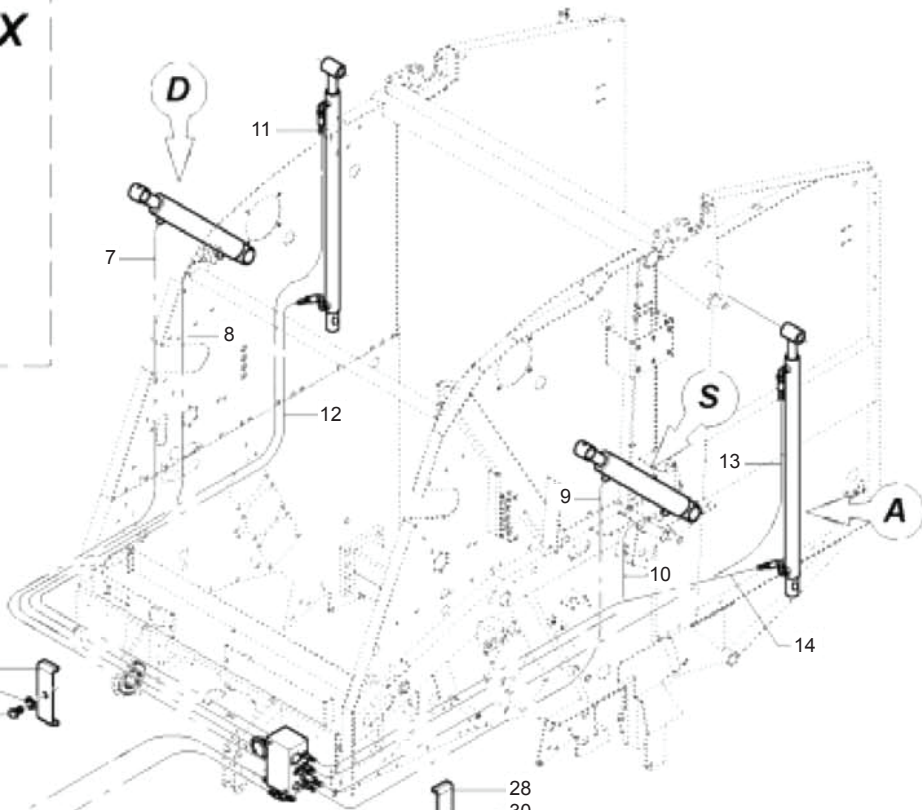
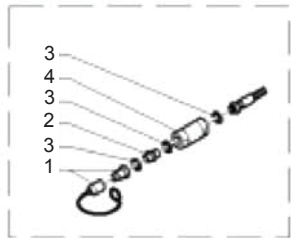
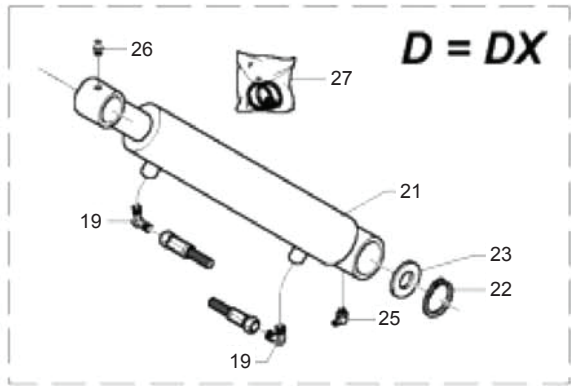
TAV_205



**RUOTE PICK-UP L
PICK-UP L WHEELS**

TAV_205

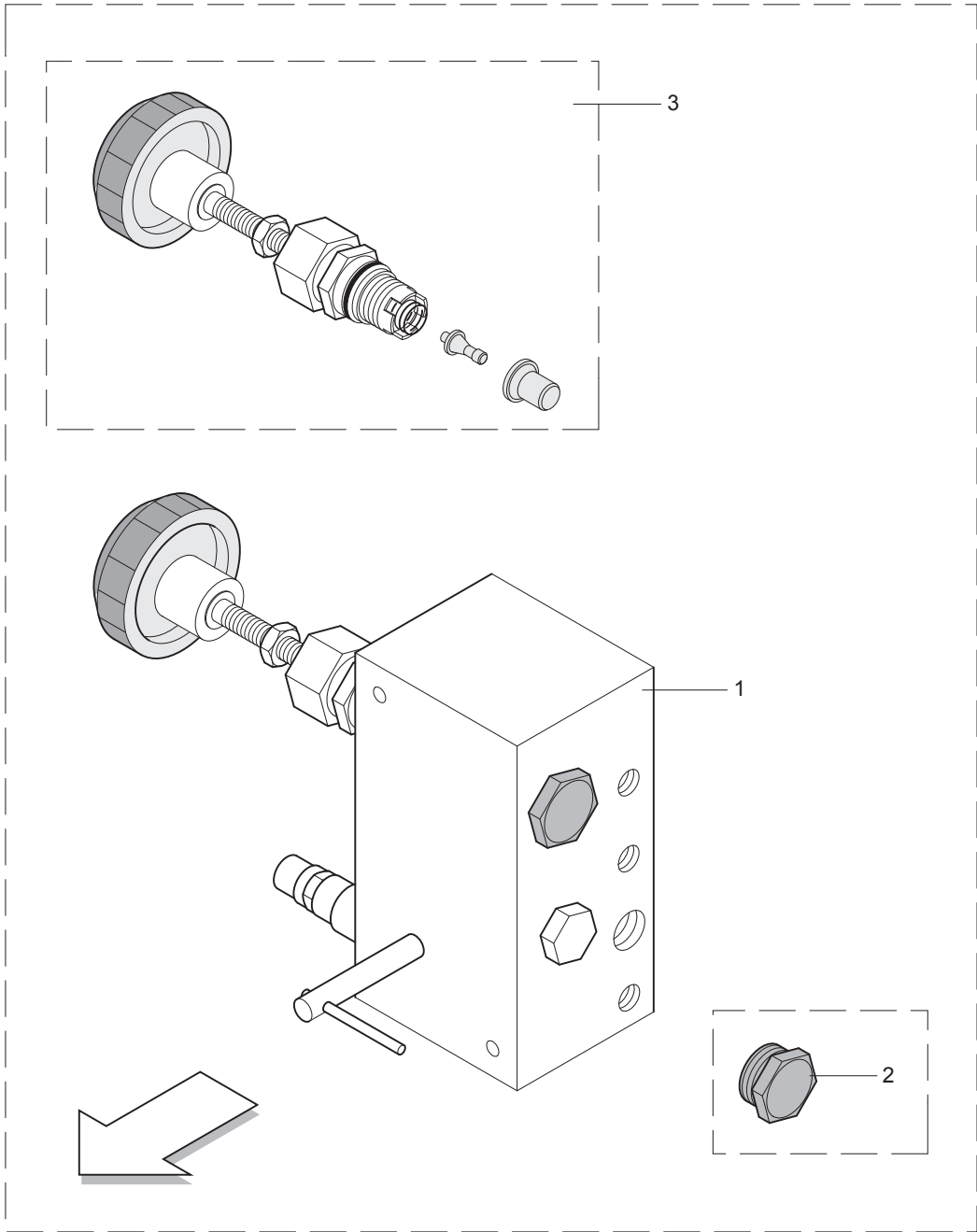
| Pos. | Cod. | Descrizione | Description | Description | Benennung | Descripcion |
|------|------------|--------------------------------|--------------------------------|-----------------------------|--------------------------------|--------------------------------|
| 1 | B07S01807R | BRACCIO RUOTA SX PU 220 | LEFT PICK-UP WHEEL ARM | BRAS ROUE GAUCHE PU 220 | LINKER PICK-UP RADTRAGERARM | BRAZO DE LA RUEDA IZQ PU 220 |
| 2 | B00500079R | SPINA BRACCI RUOTE | WHEEL ARM PIN | AXE BRAS ROUES | RADTRAEGERBOLZEN | CLAVIJA BRAZOS DE LAS RUEDAS |
| 3 | B011B0499R | SPINA A MOLLA A DOPPIO GIRO 4 | PIN | GOUPILLE CLIPS | ZAPFEN | CLAVIJA DE MUELLE CON DOBLE G |
| 4 | F01100013R | ING.M 6X1 7663-C 9SMNPB28 ZN | SPHERE NIPPLE M6X1 90 | GRAISSEUR A BILLES M6X1 90 | KUGELFETTBSCHSE M6X1 90 | ENG.M 6X1 7663-C 9SMNPB28 ZN |
| 5 | B04400002R | CAP. CHIUSO 47X 8 TIPO C | CAP | COUVERCLE | SCHLISSKAPPE | CAP. CERRADO 47X 8 TIPO C |
| 6 | B00941325R | GHIERA AU.GUK M25X1,5 T.4H ZN | RING NUT | RONDELLE | GEWINDERING M25X1,5 | ABRAZADERA AU.GUK M25X1,5 T.4 |
| 7 | B01710047R | ANEL. D ARR. FORO 47-I UNI3654 | SEEGER RING | BAGUE SEEGER | SEEGERRING 47-I | ANIL. DE PARAD. ORIFICIO 47-I |
| 8 | B02042512R | CUSC 6005-2RS CAT.B-ST004 | BEARING | ROULEMENT | LAGER | COJIN.6005-2RS CAT.B-ST004 |
| 9 | B01300934R | DISTANZIALE 25,5X33,7X12 | SPACER | ENTRETOISE | DISTANZSTUCK 25,5X33,7X12 | DISTANCIADOR 25,5X33,7X12 |
| 10 | B07S01557R | SUPP. RUOTA | WHEEL SUPPORT | SUPPORT ROUE | RADHALTERUNG | SOP. RUEDA |
| 11 | B07100045R | RUOTA IN GOMMA 16.650 X 8 | RUBBER WHEEL | ROUE EN CAOUTCHOUC | GUMMIRAD | RUEDA DE GOMA 16.650 X 8 |
| 12 | B01300336R | FUSELLO RUOTE PU | PICK-UP WHEELS SPINDLE | FUSEAU ROUES PU | ACHSCHENKEL R DER PICK-UP | PIVOTE DE LAS RUEDAS PU |
| 13 | B02040005R | CUSCINETTO 6205-2RS CAT.BST004 | BEARING | ROULEMENT | LAGER | COJINETE 6205-2RS CAT.BST004 |
| 14 | B01301058R | DISTANZIALE 26X33.7X61.5 | SPACER | ENTRETOISE | DISTANSCHEIBE 26X33.7X61.5 | DISTANCIADOR 26X33.7X61.5 |
| 15 | F01020562R | VITE M16X2X30 U5739 8.8ZN | SCR. M16X2X30 U5739 8.8ZN | VIS M16X2X30 U5739 8.8 ZN | SCHRAUBE M16X2X30 U5739 8.8 ZN | TORNILLO M16X2X30 U5739 8.8ZN |
| 16 | B01301065R | SPINA 16X95 2F 5 | PIN | GOUPILLE | STECKSTIFT 16X95 | CLAVIJA 16X95 2F 5 |
| 17 | B011B0499R | SPINA A MOLLA A DOPPIO GIRO 4 | PIN | GOUPILLE CLIPS | ZAPFEN | CLAVIJA DE MUELLE CON DOBLE G |
| 18 | F02100086R | SPINA E.P. 5X 30 U6873 C70 ZN | PIN EL. 5 X30 DIN 1481 GALVAN. | FICHE EL. 5 X30 DIN 1481 ZN | SPANNSTIFT 5 X30 DIN 1481 ZN | CLAVIJA EL.P. 5X 30 U6873 C70 |
| 19 | B07S01793R | BRACCIO RUOTA DX PU 220 | RIGHT PICK-UP WHEEL ARM 220 | BRAS ROUE DROIT PU220 | RECHTER PICK-UP RADTRAEGERARM | BRAZO DE LA RUEDA DER PU 220 |
| 20 | B01300919R | DISTANZIALE 26X33.7X35.2 | SPACER | ENTRETOISE | ABSTANDSTUECK 26X33.7X35.2 | DISTANCIADOR 26X33.7X35.2 |
| 21 | B01300918R | FLANGIA PARAFIENO FORO 25 | DIAM. 25 HOLE FLANGE | BRIDE TROU DIAM. 25 | FLANSCH 25 | BRIDA MEDIDOR-HENO ORIFICIO 25 |



**IMPIANTO IDRAULICO MACCHINA
MACHINE HYDRAULIC SYSTEM**

TAV_210

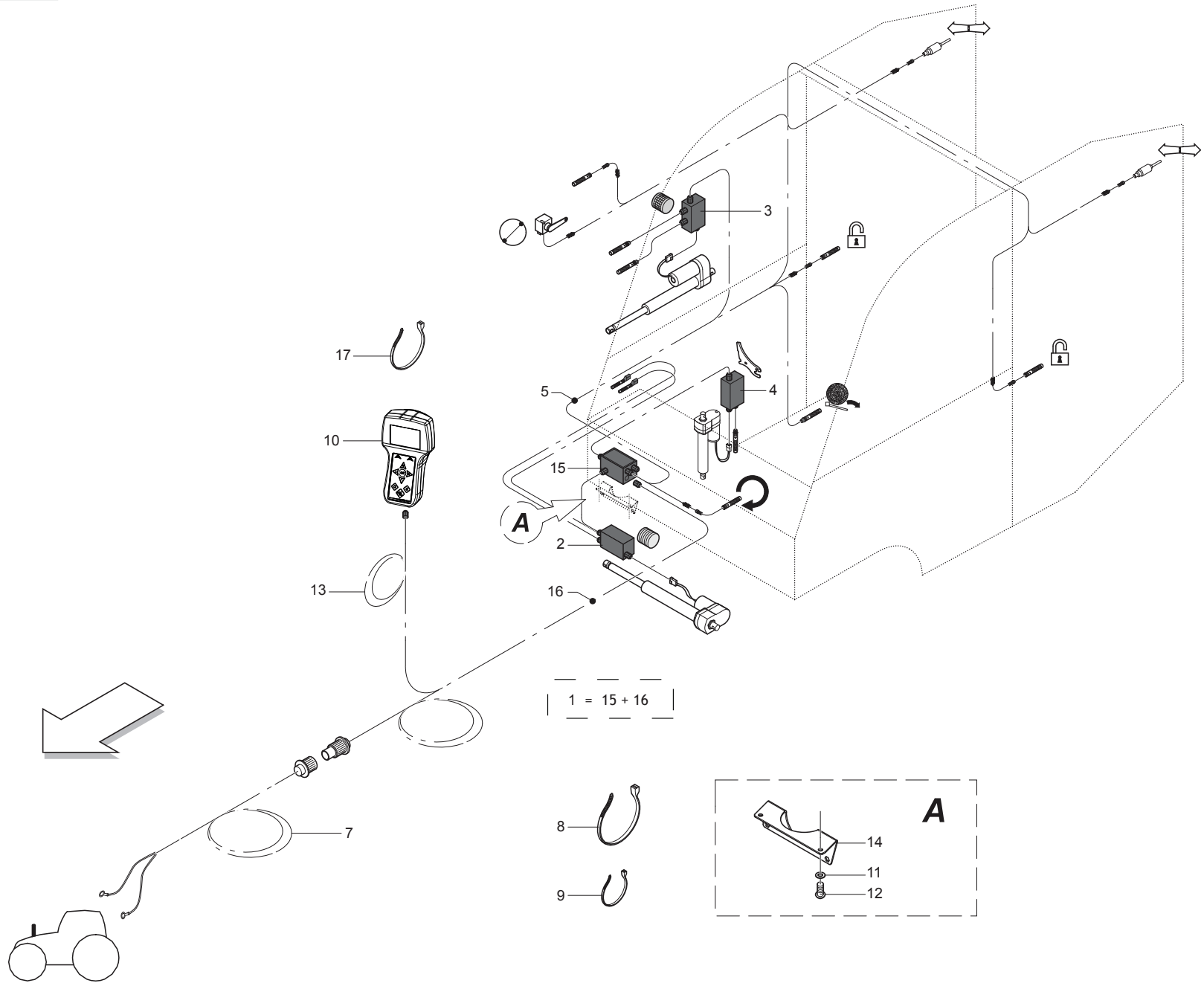
| Pos. | Cod. | Descrizione | Description | Description | Benennung | Descripcion |
|------|------------|--------------------------------|-------------------------------|--------------------------------|--------------------------------|--------------------------------|
| 1 | BOH6000A0R | INNESTO RAP.NV 12GAS-M | QUICK CLUTCH | EMBRAYAGE | SCHNELLKUPPLUNG | ACOPLAMIENTO R P.NV 12GAS-M |
| 2 | BOH6000AXR | NIPPLO 1 2 | NIPPLE 1 2 | NIPPLE 1 2 | NIPPEL 1 2 | NIPLE 1 2 |
| 3 | B01442015R | ROS. 21 X27X1,5 RAME -1 2 | WASHER | RONDELLE | BEILAGSCHEIBE 1 2 | ARAND.21 X27X1,5 COBRE -1 2 |
| 4 | BOH000040R | FILTRO IN LINEA 92400126X | FILTER IL12 60 R 94001261 | FILTRE EN LIGNE IL12 60 R94001 | FILTER IL12 60 R 94001261 | FILTRO EN L NEA 92400126X |
| 5 | BOH000253R | TUBO IDRAUL. | HYDRAULIC HOSE | TUYAU HYDRAULIQUE | HYDRAULIKSCHLAUCH | TUBO HIDR UL. |
| 6 | BOH000254R | TUBO IDRAUL. | HYDRAULIC HOSE | TUYAU HYDRAULIQUE | HYDRAULIKSCHLAUCH | TUBO HIDR UL. |
| 7 | BOH000248R | TUBO IDRAUL. AZZURRO | BLUE HYDRAULIC HOSE | TUYAU HYDRAULIQUE BLEU | BLAUER HYDRAULIKSCHLAUCH | TUBO HIDR UL. AZUL CELESTE |
| 8 | BOH000247R | TUBO IDRAUL. GIALLO | YELLOW HYDRAULIC HOSE | TUYAU HYDRAULIQUE JAUNE | GELBER HYDRAULIKSCHLAUCH | TUBO HIDR UL. AMARILLO |
| 9 | BOH000249R | TUBO IDRAUL. AZZURRO | BLUE HYDRAULIC HOSE | TUYAU HYDRAULIQUE BLEU | BLAUER HYDRAULIKSCHLAUCH | TUBO HIDR UL. AZUL CELESTE |
| 10 | BOH000246R | TUBO IDRAUL. GIALLO | YELLOW HYDRAULIC HOSE | TUYAU HYDRAULIQUE JAUNE | GELBER HYDRAULIKSCHLAUCH | TUBO HIDR UL. AMARILLO |
| 11 | BOH000243R | TUBO IDRAUL. NEUTRO | HYDRAULIC HOSE | TUYAU HYDRAULIQUE NEUTRE | HYDRAULIKSCHLAUCH | TUBO HIDR UL. NEUTRO |
| 12 | BOH000244R | TUBO IDRAUL. ROSSO | RED HYDRAULIC HOSE | TUYAU HYDRAULIQUE ROUGE | ROTER HYDRAULIKSCHLAUCH | TUBO HIDR UL. ROJO |
| 13 | BOH000242R | TUBO IDRAUL. NEUTRO | HYDRAULIC HOSE | TUYAU HYDRAULIQUE NEUTRE | HYDRAULIKSCHLAUCH | TUBO HIDR UL. NEUTRO |
| 14 | BOH000245R | TUBO IDRAUL. ROSSO | RED HYDRAULIC HOSE | TUYAU HYDRAULIQUE ROUGE | ROTER HYDRAULIKSCHLAUCH | TUBO HIDR UL. ROJO |
| 15 | BOH400130R | MARTINETTO PORTELLONE 265 | REAR DOOR JACK 265 | VERIN PORTE ARRIERE 265 | ZYLINDER TUER 265 | CILINDRO DE LA PUERTA 265 |
| 16 | F02050112R | ANELLO E.DE 30X 1,5 U7435 ZN | SEEGER RING 30X 1,5 U7435 C70 | SEEGER E. 30 X 1,5 U7435 C70 | SEEGERING E. 30X 1,5 U7435 C70 | ANILLO E. 30 X 1,5 U7435 C70 |
| 17 | B01300153R | SPES. 30 40 2 ZINCATO | SHIM GALV | ENTRETOISE GALV | DISTANZSTUECK 30 40 2 | ESPE. 30 40 2 CINCADO |
| 18 | B04200610R | INGRASS.A SFERE M6X1 LUNGO | GREASE NIPPLE | GRAISSEUR HYDRAULIQUE | GERADER SCHMIERNIPPEL M6X1 | ENGRASADOR DE ESFERAS M6X1 |
| 19 | BOH000009R | RACC. L 10 SOLO COR RASTELLI | UNION ELBOW 10 | RACCORD L 10 SEULEMENT CORP | ANSCHLUSSSTUECK L 10 | EMP. L 10 SOLO COR RASTELLI |
| 20 | F01020051R | VITE M6X1X90 U5737 8.8ZN | SCR. M6X1X90 U5737 8.8ZN | VIS M6X 1X 90 U5737 8.8 ZN | SCHRAUBE M6X 1X90 U5737 8.8 ZN | TORNILLO M6X1X90 U5737 8 |
| 21 | BOH400128R | MARTINETTO PRESSIONE 265 | PRESSURE JACK 265 | VERIN PRESSION 265 | PRESSZYLINDER 265 | CILINDRO DE PRESI N 265 |
| 22 | B01700035R | ANEL. D ARR. ALB. 35-E UNI3653 | SEEGER RING | BAGUE SEEGER | SEEGERRING 35-E | ANIL. DE PARAD. RB. 35-E UNI3 |
| 23 | B01519696R | SPES. 35 47 1 | SHIM | ENTRETOISE | DISTANZSTUECK 35 50 1 | ESPE. 35 47 1 |
| 24 | BOH0P0006R | RACC. I 10 SOLO CORP. RASTELLI | CONNECTION | RACCORD | KUPPLUNG I 10 NUR KOERPER | EMP. I 10 SOLO CUERP. RASTELLI |
| 25 | F01100013R | ING.M 6X1 7663-C 9SMNPB28 ZN | SPHERE NIPPLE M6X1 90 | GRAISSEUR A BILLES M6X1 90 | KUGELFETTBSCHSE M6X1 90 | ENG.M 6X1 7663-C 9SMNPB28 ZN |
| 26 | B04200610R | INGRASS.A SFERE M6X1 LUNGO | GREASE NIPPLE | GRAISSEUR HYDRAULIQUE | GERADER SCHMIERNIPPEL M6X1 | ENGRASADOR DE ESFERAS M6X1 |
| 27 | BOH400146R | KIT GUAR. MARTIN H400128-129- | SEAL KIT FOR H400128-129-134 | KIT JOINTS POUR H400128-129-13 | DICHTUNGSSATZ FUER H400128-129 | KIT JUNTAS CILIND H400128-129- |
| 28 | B0C005132R | CAVALLOTTO DI FISSAGGIO | FIXING U BOLT | BOULON DE FIXAGE | U-BUEGEL | PUENTE DE FIJACI N |
| 29 | F01020450R | VITE M8X1,25X40 U5739 8.8ZN | SCR. M8X1,25X40 U5739 8.8ZN | VIS M8X1,25X40 U5739 8.8ZN | SCHRA. M8X1,25X40 U5739 8.8ZN | TORNILLO M8X1,25X40 U5739 8.8 |
| 30 | F01410051R | ROS.M8 8,4X 17X1,6 U6592 ZN | WASHER M8 8,4X17X1,6 U6592 ZN | RONDELLE M8 8,4X17X1,6 ZN | SCHIEBE M8 8,4X17X1,6 U6592 ZN | ARAND.M8 8,4X 17X1,6 U6592 ZN |
| 31 | BOH000256R | MANOMETRO HT | GAUGE HT | MANOMETRE HT | MANOMETER HT | MAN METRO HT |
| 32 | BOH000255R | TUBO CAPILLARE MINITEST | CAPILLARY HOSE | TUYAU CAPILLAIRE MINITEST | KAPILLAROEHRCHEN | TUBO CAPILAR MINITEST |
| 33 | BOH000103R | RACCORDO O 12 TN131-12LR | FILLET 0 12 | RACCORD O 12 | HOHLKEHLEN ANSCHLUSSSTUECK 0 | RACOR O 12 TN131-12LR |
| 34 | BOH000182R | RACCORDO PER RIDUTT. DI FLUSSO | OIL FLOW REDUCER PIPE FITTING | RACCORD POUR REDUCTEUR DE FLUX | ANSCHLUSS FUER REDUKTION | RACOR PARA REDUCT. DE FLUJO |
| 35 | BOH000139R | RACCORDO I 10 RASTELLI | UNION I 10 | RACCORD I SEULEMENT CORPS | VERBINDUNGSTUECK I 10 | RACOR I 10 RASTELLI |
| 36 | B00500070R | GRANO M8 CON FORO 1,75MM | DOWEL M8 WITH HOLE 1.75MM | TOURILLON M8 AVEC TROU 1,75 MM | KORN MIT LOCH 1.75 MM | PASADOR M8 CON ORIFICIO 1,75MM |
| 37 | BOH000140R | NIPPLO GIUNZ GAS CILIN.1 4-1 4 | NIPPLE 1 4-1 4 | NIPPLE JONCTION | NIPPEL 1 4-1 4 | NIPLE DE UNI N GAS CILIN.1 4-1 |
| 38 | BOH400147R | KIT GUAR. MARTIN H400130-131- | SEAL KIT FOR H400130-131-135 | KIT JOINTS POUR H400130-131-13 | DICHTUNGSSATZ FUER H400130-131 | KIT JUNTAS CILIND. H400130-131 |
| 39 | F01420035R | ROS.M6 6,4X 18X1,6 U6593 ZN | WASHER D.6 | RONDELLE D.6 | KUPFERSCHIEBE D.6 | ARAND.M6 6,4X 18X1,6 U6593 |
| 40 | B01300100R | SPES. 30,3 40 0,5 ZINCATO | SHIM GALV | ENTRETOISE GALV | DISTANZSTUECK 30,3 40 0,5 | ESPE. 30,3 40 0,5 CINCADO |
| 41 | B01300101R | SPES. 30,3 40 1 ZINCATO | SHIM GALV | ENTRETOISE GALV | DISTANZSTUECK 30,3 40 1 | ESPE. 30,3 40 1 CINCADO |



**VALVOLA GEOMETRIA-PRESSIONE (MECCANICA)
GEOMETRY-PRESSURE VALVE (MECHANICAL)**

TAV_215

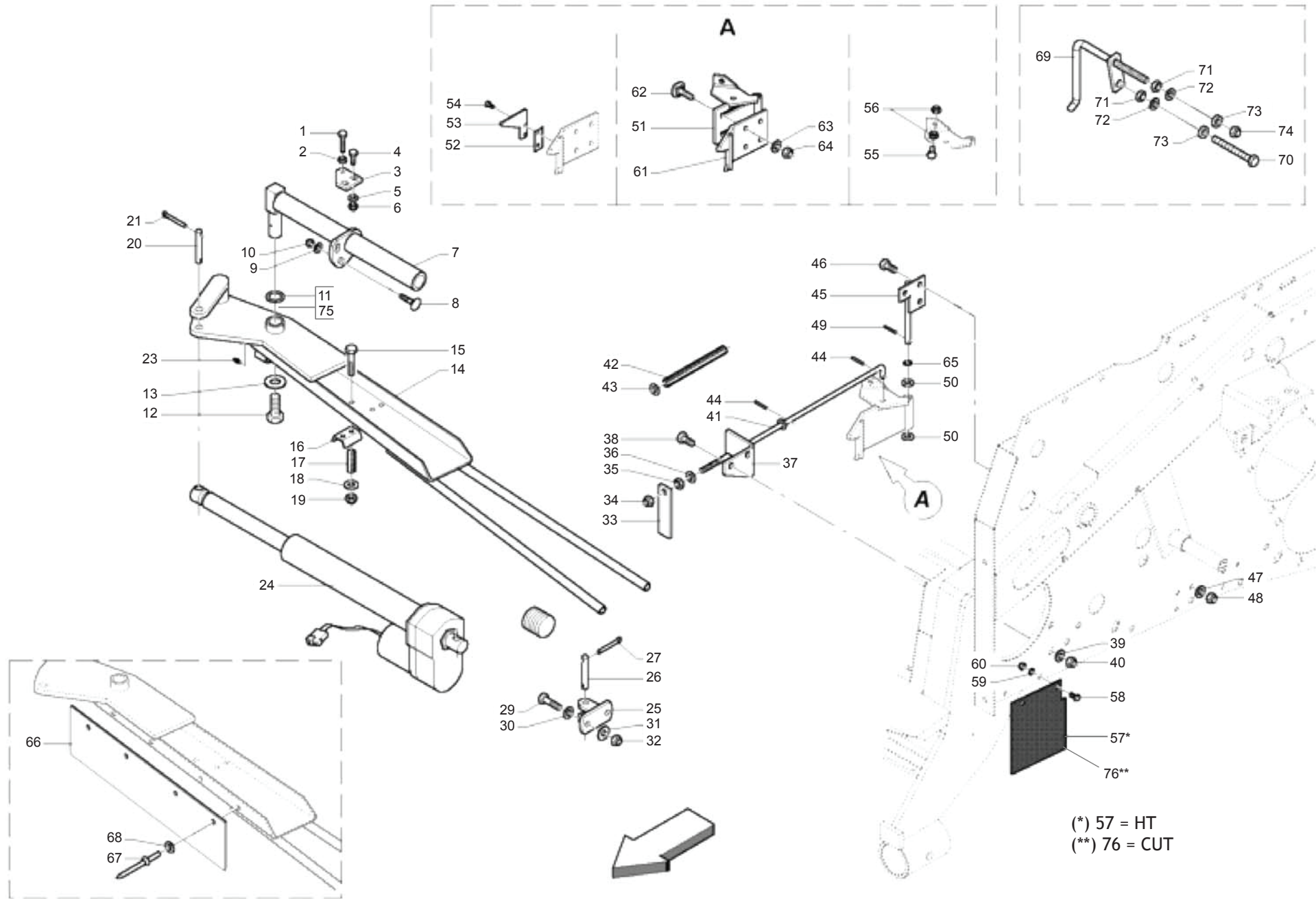
| Pos. | Cod. | Descrizione | Description | Description | Benennung | Descripcion |
|------|------------|--------------------------------|--------------------------------|------------------------------|---------------------|-------------------------------|
| 1 | B0H0P0020R | VALVOLA MECCANICA EXT. SERIE 2 | VALVE FRB14 PM-GM | SOUPAPE FRB14 PM-GM | VENTIL FRB14 | V LVULA MEC NICA EXT SERIE 2 |
| 2 | B0H000278R | TAPPO PER ALLOGGIAMENTO ON OFF | PLUG | BOUCHON POUR LOGEMENT ON OFF | PROPFEN FUER ON OFF | TAP N PARA ALOJAMIENTO ON OFF |
| 3 | B0H000277R | MANOPOLA TARATA PER B0H0P0020R | VMP5 TS.V SMERIGL.TARATA A 195 | VMP5 TS | VMP5 TS.V 195BAR | MANDO CALIBRADO |



**CABLAGGIO
CONTROL SYSTEM**

TAV_220

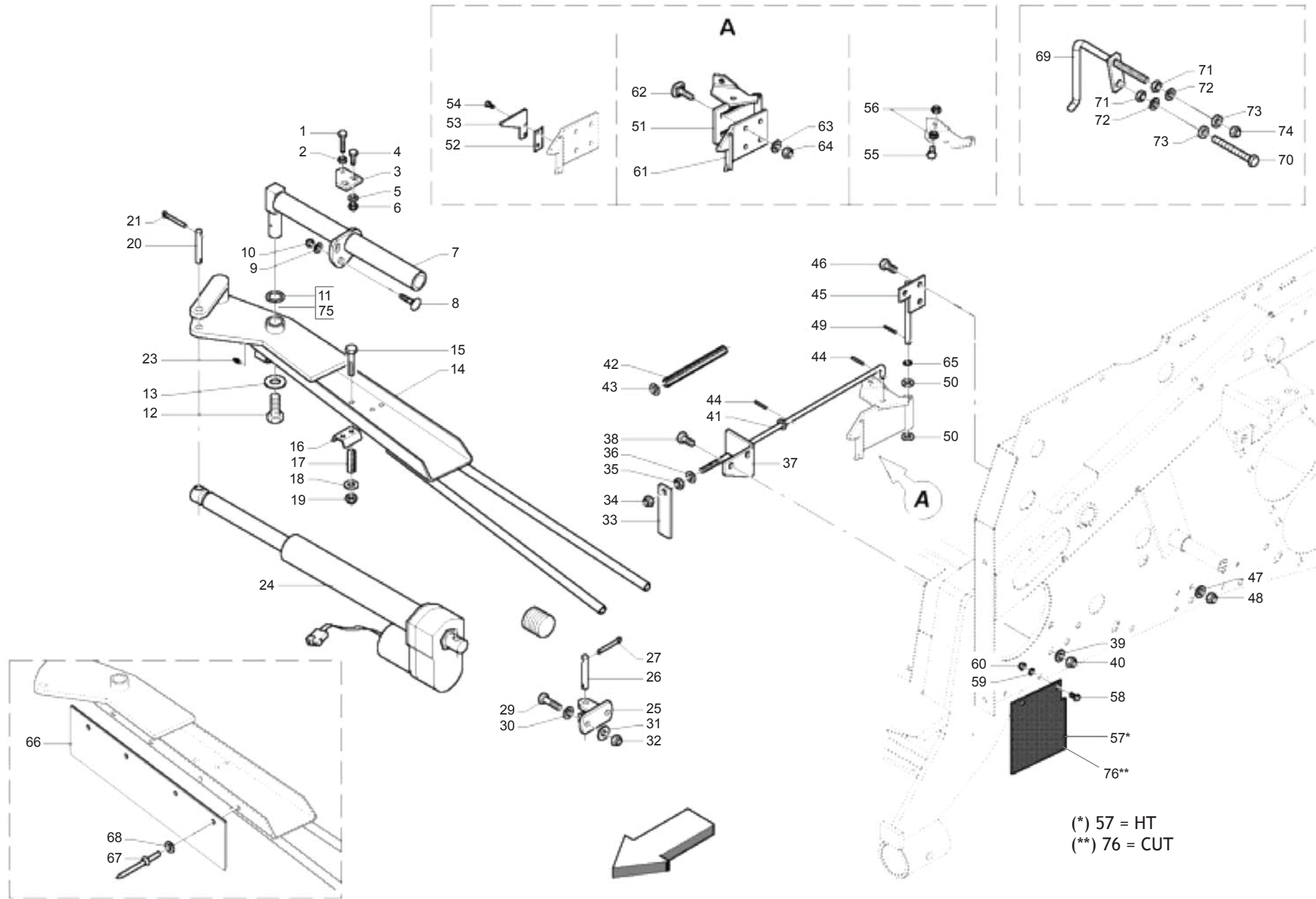
| Pos. | Cod. | Descrizione | Description | Description | Benennung | Descripcion |
|------|------------|--------------------------------|--------------------------------|--------------------------------|--------------------------------|-------------------------------|
| 1 | B0E0P0002R | MOD.POW.BOX CON CAVI | POWER BOX MODULE WITH CONNECTI | MODULE POWER BOX AVEC ATTEL. C | MODULE KONTROLLBOX | MOD.POW.BOX CON CABLES |
| 2 | B0E0P0003R | MOD.FILO COMPL.DI SENSORI M8 | TWINE MODULE COMPLETE WITH SEN | MODULE FICELLE COMPLET AVEC CA | MODULE GARN | MOD.HILO COMPL.DE SENSORES |
| 3 | B0E0P0004R | MODULO RETE | NET MODULE WITH CONNECTION C6P | MODULE FILET AVEC ATTELAGE C6P | MODULE NETZ MIT ANSCHLUSS | M DULO DE RED |
| 4 | B0E0P0005R | MODULO CUT CON ATTACCO C6P0085 | CUT MODULE WITH CONNECTION C6P | MODULE CUT AVEC ATTELAGE C6P00 | MODULE CUT MIT ASCHLUSS | M DULO CUT CON CONEXI N C6P00 |
| 5 | B0E0P0072R | CABLAGGIO MACCHINA | BUS | BUS | BUS FUER HALL EFFEKT | CABLEADO DE LA M QUINA |
| 7 | B0E0P0010R | CAVO TRATTORE | TRACTOR CABLE | CABLE TRACTEUR | KABEL SCHLEPPER | CABLE DEL TRACTOR |
| 8 | F05150066R | FASCETTA POLYA. 9X265 NERA | CLAMP 9X265 BLACK | | | BANDA POLYA. 9X265 NEGRA |
| 9 | F05150055R | FASCETTA POLYA. 3,6X200 NERA | WHITE BAND | BANDE BIANCHE | WEIBE BAND | BANDA POLYA. 3,6X200 NEGRA |
| 10 | F05012085R | MON DISPLAY EASYTRONIC V2018 | MON DISPLAY EASYTRONIC V2018 | | | MON DISPLAY EASYTRONIC V2018 |
| 11 | F01410051R | ROS.M8 8,4X 17X1,6 U6592 ZN | WASHER M8 8,4X17X1,6 U6592 ZN | RONDELLE M8 8,4X17X1,6 ZN | SCHEIBE M8 8,4X17X1,6 U6592 ZN | ARAND.M8 8,4X 17X1,6 U6592 ZN |
| 12 | F01410051R | ROS.M8 8,4X 17X1,6 U6592 ZN | WASHER M8 8,4X17X1,6 U6592 ZN | RONDELLE M8 8,4X17X1,6 ZN | SCHEIBE M8 8,4X17X1,6 U6592 ZN | ARAND.M8 8,4X 17X1,6 U6592 ZN |
| 13 | B0E0P0065R | CABLAGGIO MACCHINA | TRACTOR MACHINE WIRING FOR POW | CABLAGE TRACTEUR | KABLE FUER TRAKTOR | CABLEADO DE LA M QUINA |
| 14 | B0C6P0360R | SOSTEGNO MODULO A FILO | SUPPORT FORM WIRE | | | SOPORTE M DULO CON HILO |
| 15 | B0E0P0066R | MOD.POW.BOX SENCA CAVI | DISPLAY WITH CARD SPRINTER EXT | DISPLAY WITH FICHE SPRINTER EX | KONTROLLBOX OHNE KABEL | MOD.POW.CAJA SIN CABLES |
| 16 | B0E0P0065R | CABLAGGIO MACCHINA | TRACTOR MACHINE WIRING FOR POW | CABLAGE TRACTEUR | KABLE FUER TRAKTOR | CABLEADO DE LA M QUINA |
| 17 | F02300061R | FASCETTA POLYA. 250X4,8 NERA | POLYA.FASTENING STRAPS 250X4,8 | | | BANDA POLYA. 250X4,8 NEGRA |



**LEGATORE FILO
TWINE BINDER**

TAV_225

| Pos. | Cod. | Descrizione | Description | Description | Benennung | Descripcion |
|------|------------|--------------------------------|-------------------------------|--------------------------------|--------------------------------|--------------------------------|
| 1 | F01020485R | VITE M10X1,5X50 U5739 8.8ZN | SCR. M10X1,5X50 U5739 8.8ZN | VIS M 10X50 | SCHRAUBE M 10X50 | TORNILLO M10X1,5X50 U5739 8 |
| 2 | F01200270R | DADO M10X1,5 U5588 CL8 ZN | NUT M10X1,5 U5588 6.8ZN | ECROU M10X 1,5 U5588 6.8 ZN | MUTTER M10X 1,5 U5588 6.8 ZN | TUERCA M10X1,5 U5588 CL8 ZN |
| 3 | B0C005031R | FERMO DI POSIZIONE | LOCK | ARRET | ARRETIERUNG | TOPE DE POSICI N |
| 4 | F01020476R | VITE M10X1,5X30 U5739 8.8ZN | SCR. M10X1,5X30 U5739 8.8ZN | VIS M10X1,5X30 U5739 8.8 ZN | SCHRAUBE M10X1,5X30U5739 8.8ZN | TORNILLO M10X1,5X30 U5739 8.8 |
| 5 | F01410062R | ROS.M10 10,5X 18X 2 U6592 ZN | WASHER M10 10,5X 18X 2 U6592 | RONDELLE M10 10,5X18X2 ZN | DICHTUNGSRING M10 10,5X18X2 ZN | ARAND.M10 10,5X 18X 2 U6592 ZN |
| 6 | F01230202R | DADO M10X 1,5 D985 8 ZN | NUT M10 D985 | ECROU AUTOBL. M10 | SELBSTSPERR.MUTTER M10 | TUERCA M10X 1,5 D985 8 |
| 7 | B07S01524R | TRAVERSA | CROSS BAR | TRAVERSE | QUERTRAEGER | TRAVESA O |
| 8 | B00523421R | VITE SPECIALE TTQST M12X35-8.8 | SPECIAL SCREW | VIS SPCIALE | SCHRAUBE TTQST M12X 35-8.8 | TORNILLO ESPECIAL TTQST M12X3 |
| 9 | F01410076R | ROS.M12 13X 24X2,5 U6592 ZN | WASHER 12 13X 24X2,5 U6592 ZN | RONDEL. M12 13X24X2,5 U6592 ZN | SCHEIBE M12 13X24X2,5 U6592 ZN | ARAND.M12 13X 24X2,5 U6592 ZN |
| 10 | F01230213R | DADO M12X1,75 U7474 CL8 ZN | NUT M12X1,75 U7474 6SZN | ECROU AUTOBL. M12 | SELBSTSPERR.MUTTER M12 | TUERCA M12X1,75 U7474 CL8 ZN |
| 11 | B01300135R | SPES. 28 44 0,5 | SHIM | ENTRETOISE | DISTANZSTUECK 28 44 0,5 | ESPE. 28 44 0,5 |
| 12 | F01020562R | VITE M16X2X30 U5739 8.8ZN | SCR. M16X2X30 U5739 8.8ZN | VIS M16X2X30 U5739 8.8 ZN | SCHRAUBE M16X2X30 U5739 8.8 ZN | TORNILLO M16X2X30 U5739 8.8ZN |
| 13 | B01519319R | RALLA 16X38X5 | FIFTH WHEEL | BUTEE | SCREIBE | RANGUA 16X38X5 |
| 14 | B07S01805R | BRACCIO LEGATORE FILO | TWINE WRAPPING ARM | BRAS LIAGE FICELLE | GARNDINDINGUNSARM | BRAZO ATADOR DE HILO |
| 15 | F01020068R | VITE M8X1,25X40 U5737 8.8ZN | SCR. M8X1,25X40 U5737 8.8ZN | VIS M 8X1,25X40 U5737 8.8 ZN | SCHRA. M8X1,25X40 U5737 8.8 ZN | TORNILLO M8X1,25X40 U5737 8.8 |
| 16 | B0C630434R | FRENA SPAGO | TWINE BRAKE | PINCE FICELLE | GARNBREMSE | FRENA CUERDA |
| 17 | B01821993R | MOLLA | SPRING | RESSORT | FEDER | MUELLE |
| 18 | F01410051R | ROS.M8 8,4X 17X1,6 U6592 ZN | WASHER M8 8,4X17X1,6 U6592 ZN | RONDELLE M8 8,4X17X1,6 ZN | SCHEIBE M8 8,4X17X1,6 U6592 ZN | ARAND.M8 8,4X 17X1,6 U6592 ZN |
| 19 | B00920208R | DADO AUTOB.BASSO M 8-5S D985 | NUT M8X1 D985 8ZN | ECROU | SELBSTSICHERNDE MUTTER M8-5S | TUERCA M8X1 D985 8 |
| 20 | B01A29508R | SPINA MARTINETTO | CYLINDER PIN | GOUPILLE VERIN | STIFT | CLAVIJA DEL CILINDRO |
| 21 | B01150430R | COPIGLIA 4X 30 U1336 ZN | GALV PIN | GOUPILLE GALV | SPLINT | PASADOR 4X 30 U1336 ZN |
| 23 | B04200610R | INGRASS.A SFERE M6X1 LUNGO | GREASE NIPPLE | GRAISSEUR HYDRAULIQUE | GERADER SCHMIERNIPPEL M6X1 | ENGRASADOR DE ESFERAS M6X1 |
| 24 | B0E0P0087R | ATTUAT. LEGATORE FILO | ACTUATOR LINEAR | ACTIONNEUR | AKTUATOR | ACTUADOR ATADOR DE HILO |
| 25 | B07S01525R | ATTACCO ATTUATORE | ACTUATOR ATTACHMENT | ATTELAGE ACTIONNEUR | HALTERUNG | CONEXI N DEL ACTUADOR |
| 26 | B01A29508R | SPINA MARTINETTO | CYLINDER PIN | GOUPILLE VERIN | STIFT | CLAVIJA DEL CILINDRO |
| 27 | B01150430R | COPIGLIA 4X 30 U1336 ZN | GALV PIN | GOUPILLE GALV | SPLINT | PASADOR 4X 30 U1336 ZN |
| 29 | F01020516R | VITE M12X1,75X45 U5739 8.8ZN | SCR. M12X1,75X45 U5739 8.8ZN | VIS M12X1,75X45 U5739 8.8 ZN | SCHARAUBE M12X1,75X45 U5739 ZN | TORNILLO M12X1,75X45 U5739 8 |
| 30 | F01410076R | ROS.M12 13X 24X2,5 U6592 ZN | WASHER 12 13X 24X2,5 U6592 ZN | RONDEL. M12 13X24X2,5 U6592 ZN | SCHEIBE M12 13X24X2,5 U6592 ZN | ARAND.M12 13X 24X2,5 U6592 ZN |
| 31 | F01420120R | ROS.M12 13X36X2,5 U6593 ZN | WASHER M12 13X36X2,5 U6593 ZN | RONDELLE M12 13X36X2,5 ZN | | ARAND.M12 13X36X2,5 U6593 ZN |
| 32 | F01230213R | DADO M12X1,75 U7474 CL8 ZN | NUT M12X1,75 U7474 6SZN | ECROU AUTOBL. M12 | | TUERCA M12X1,75 U7474 CL8 ZN |
| 33 | B0C003115R | AGGANCIAMENTO TAGLIO | COUPLER | ACCROCHAGE COUPE | SELBSTSPERR.MUTTER M12 | ENGANCHE PARA CORTE |
| 34 | B00920208R | DADO AUTOB.BASSO M 8-5S D985 | NUT M8X1 D985 8ZN | ECROU | SELBSTSICHERNDE MUTTER M8-5S | TUERCA M8X1 D985 8 |
| 35 | F01200244R | DADO M8X1,25 U5588 CL8 ZN | NUT M8X1,25 U5588 6.8ZN | ECROU M8 X1,25 U5588 6.8 ZN | MUTTER M8 X1,25 U5588 6.8 ZN | TUERCA M8X1,25 U5588 CL8 ZN |
| 36 | F01410051R | ROS.M8 8,4X 17X1,6 U6592 ZN | WASHER M8 8,4X17X1,6 U6592 ZN | RONDELLE M8 8,4X17X1,6 ZN | SCHEIBE M8 8,4X17X1,6 U6592 ZN | ARAND.M8 8,4X 17X1,6 U6592 ZN |
| 37 | B0C005034R | SOSTEGNO ASTA | ROD SUPPORT | SUPPORT BARRE | STANGENSTUETZE | SOPORTE DE LA BARRA |
| 38 | F01020514R | VITE M12X1,75X40 U5739 8.8ZN | SCR. M12X1,75X40 U5739 8.8ZN | VIS M12X1,75X40 U5739 8.8ZN | SCHRA. M12X1,75X40 U5739 8.8ZN | TORNILLO M12X1,75X40 U5739 8. |
| 39 | F01410076R | ROS.M12 13X 24X2,5 U6592 ZN | WASHER 12 13X 24X2,5 U6592 ZN | RONDEL. M12 13X24X2,5 U6592 ZN | SCHEIBE M12 13X24X2,5 U6592 ZN | ARAND.M12 13X 24X2,5 U6592 ZN |
| 40 | F01230213R | DADO M12X1,75 U7474 CL8 ZN | NUT M12X1,75 U7474 6SZN | ECROU AUTOBL. M12 | SELBSTSPERR.MUTTER M12 | TUERCA M12X1,75 U7474 CL8 ZN |
| 41 | B00500098R | ASTA REGOLATRICE | ADJUSTMENT BAR | BARRE DE REGLAGE | REGELSTANGE | BARRA DE REGULACI N |
| 42 | B01800036R | MOLLA C FILO 1 L=203,5ZINCATA | C-SPRING | RESSORT C | C-FEDER | MUELLE C HILO 1 L=203,5CINCADO |
| 43 | F01410051R | ROS.M8 8,4X 17X1,6 U6592 ZN | WASHER M8 8,4X17X1,6 U6592 ZN | RONDELLE M8 8,4X17X1,6 ZN | SCHEIBE M8 8,4X17X1,6 U6592 ZN | ARAND.M8 8,4X 17X1,6 U6592 ZN |
| 44 | B01110320R | SPINA ELAST. 3X 20 SS DIN 1481 | PIN | GOUPILLE | STIFT | CLAVIJA EL ST. 3X 20 SS DIN 14 |
| 45 | B07S00987R | FULCRO LAMA | BLADE FULCRUM | POINT D APPUI LAME | KLINGENSCHWENKPUNKT | FULCRO DE LA CUCHILLA |
| 46 | F01020440R | VITE M8X1,25X25 U5739 8.8ZN | SCR. M8X1,25X25 U5739 8.8ZN | VIS M8X1,25X25 U5739 8.8 ZN | SCHRAUBE M8X1,25X25U5739 8.8ZN | TORNILLO M8X1,25X25 U5739 8.8 |
| 47 | F01410051R | ROS.M8 8,4X 17X1,6 U6592 ZN | WASHER M8 8,4X17X1,6 U6592 ZN | RONDELLE M8 8,4X17X1,6 ZN | SCHEIBE M8 8,4X17X1,6 U6592 ZN | ARAND.M8 8,4X 17X1,6 U6592 ZN |
| 48 | B00920208R | DADO AUTOB.BASSO M 8-5S D985 | NUT M8X1 D985 8ZN | ECROU | SELBSTSICHERNDE MUTTER M8-5S | TUERCA M8X1 D985 8 |
| 49 | B01110320R | SPINA ELAST. 3X 20 SS DIN 1481 | PIN | GOUPILLE | STIFT | CLAVIJA EL ST. 3X 20 SS DIN 14 |
| 50 | F01410062R | ROS.M10 10,5X 18X 2 U6592 ZN | WASHER M10 10,5X 18X 2 U6592 | RONDELLE M10 10,5X18X2 ZN | DICHTUNGSRING M10 10,5X18X2 ZN | ARAND.M10 10,5X 18X 2 U6592 ZN |
| 51 | B07SP0044R | FULCRO DI TAGLIO | CUTTING FULCRUM | POINT D APPUI COUPE | SCHNEIDFULCRUM | FULCRO DE CORTE |
| 52 | B07U00011R | LAMA FILO | BLADE BY MARTOR ART. 37 | LAME ETS. MARTOR ART.37 | KLINGE MARTOR ART. 37 ABB. 533 | CUCHILLA CON HILO |
| 53 | B0C002765R | FISSAGGIO LAMA | BLADE FASTERNER | FIXAGE LAME | KLINGENHALTERUNG | FIJACI N DE GOMA |
| 54 | F01020378R | VITE M5X0,8X16 U5739 8.8ZN | SCR. M5X0,8X16 U5739 8.8ZN | VIS M5X0,8X16 U5739 8.8ZN | SCHRAUBE M5X0,8X16 U5739 8.8ZN | TORNILLO M5X0,8X16 U5739 8 |
| 55 | F01020440R | VITE M8X1,25X25 U5739 8.8ZN | SCR. M8X1,25X25 U5739 8.8ZN | VIS M8X1,25X25 U5739 8.8 ZN | SCHRAUBE M8X1,25X25U5739 8.8ZN | TORNILLO M8X1,25X25 U5739 8.8 |
| 56 | F01200244R | DADO M8X1,25 U5588 CL8 ZN | NUT M8X1,25 U5588 6.8ZN | ECROU M8 X1,25 U5588 6.8 ZN | MUTTER M8 X1,25 U5588 6.8 ZN | TUERCA M8X1,25 U5588 CL8 ZN |
| 57 | B07V00080R | PROTEZ.LEG.FILO SPRINTER NEW | TWINE TYING KIT PROTECTION | PROTECTION LIAGE FICELLE SPRIN | GARNBINDUNGSSCHUTZ | PROTECC.ATAD. HILO SPRINTER N |
| 58 | F01020436R | VITE M8X1,25X20 U5739 8.8ZN | SCR. M8X1,25X20 U5739 8.8ZN | VIS M8X1,25X 20 U5739 8.8 ZN | SCHRAUBE M8X1,25X20U5739 8.8ZN | TORNILLO M8X1,25X20 U5739 8.8 |
| 59 | F01420048R | ROS.M8 8,4X 24X 2 U6593 ZN | WASHER M8 8,4X 24X2 U6593 ZN | RONDELLE M8 8,4X24X 2 U6593 ZN | SCHEIBEN M8 8,4X24X 2 U6593 ZN | ARAND.M8 8,4X 24X 2 U6593 ZN |

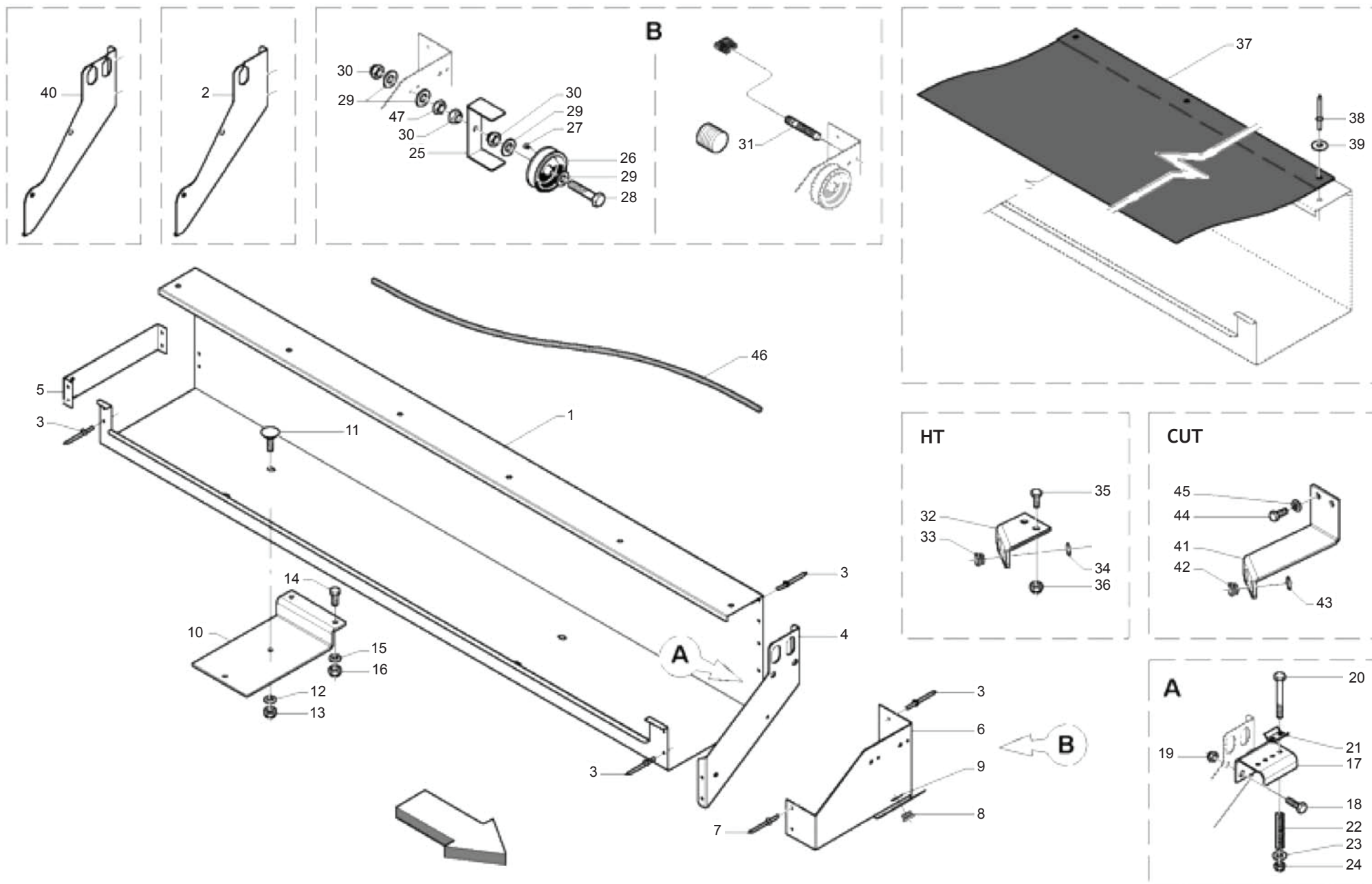


(*) 57 = HT
 (**) 76 = CUT

**LEGATORE FILO
TWINE BINDER**

TAV_225

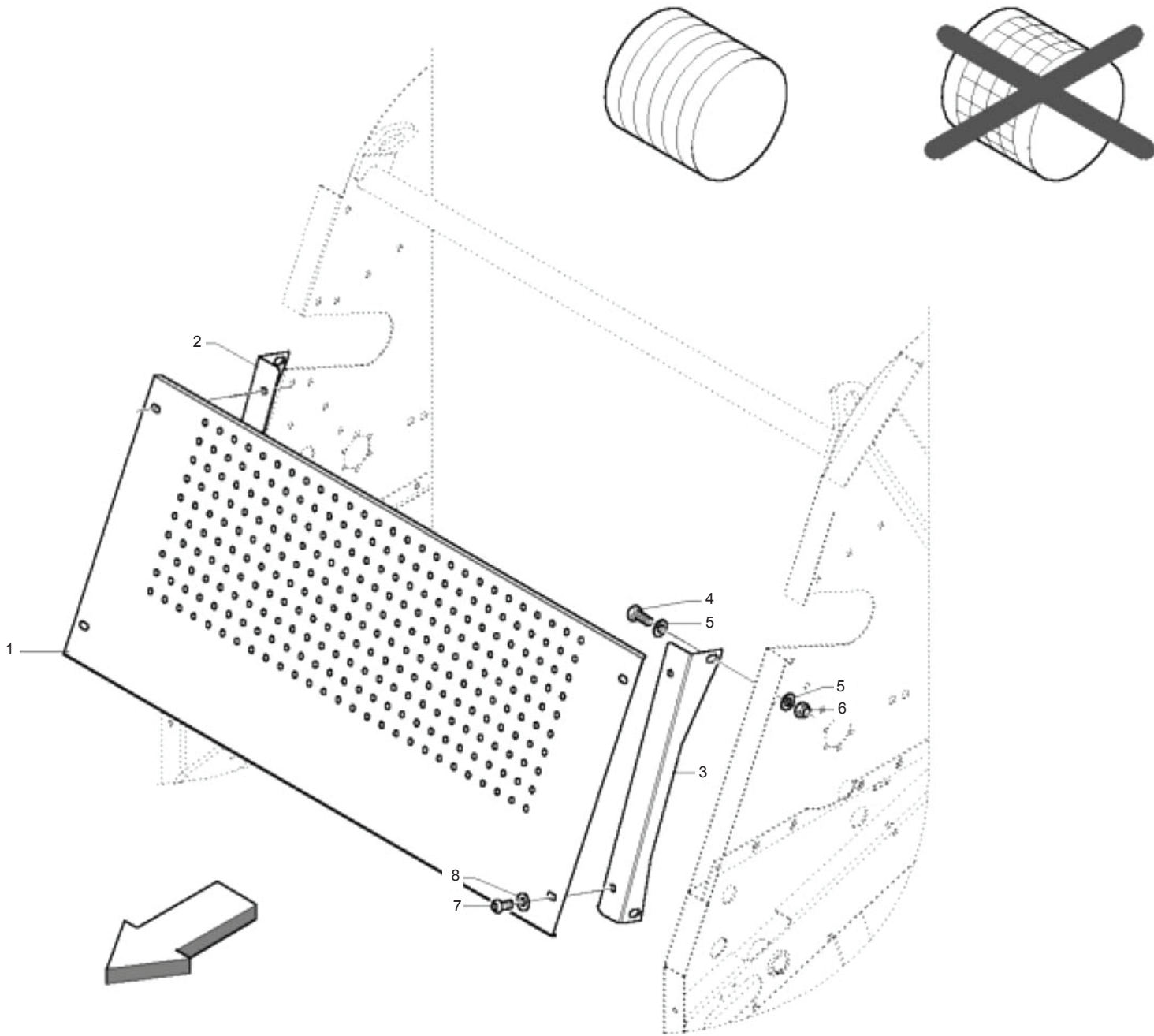
| Pos. | Cod. | Descrizione | Description | Description | Benennung | Descripcion |
|------|------------|------------------------------|--------------------------------|--------------------------------|--------------------------------|-------------------------------|
| 60 | B00920208R | DADO AUTOB.BASSO M 8-5S D985 | NUT M8X1 D985 8ZN | ECROU | SELBSTSICHERNDE MUTTER M8-5S | TUERCA M8X1 D985 8 |
| 61 | B07SP0045R | PORTA LAMA | BLADE HOLDER | ATTELAGE LAME | KLINGEHALTER | PORTA CUCHILLA |
| 62 | F01060202R | VITE M8X1,25X25 U5731 4.6ZN | SCR. M8X1,25X25 U5731 4.6ZN | VIS M8X1,25X25 U5731 4.6 | DUEBEL M8X1,25X25 U5731 4.6 ZN | TORNILLO M8X1,25X25 U5731 4.6 |
| 63 | F01410051R | ROS.M8 8,4X 17X1,6 U6592 ZN | WASHER M8 8,4X17X1,6 U6592 ZN | RONDELLE M8 8,4X17X1,6 ZN | SCHEIBE M8 8,4X17X1,6 U6592 ZN | ARAND.M8 8,4X 17X1,6 U6592 ZN |
| 64 | B00920208R | DADO AUTOB.BASSO M 8-5S D985 | NUT M8X1 D985 8ZN | ECROU | SELBSTSICHERNDE MUTTER M8-5S | TUERCA M8X1 D985 8 |
| 65 | B04313037R | ANELLO TORICO OR 3037 | TORIC RING | BAGUE TORIQUE OR 3037 | RING | ANILLO T RICO OR 3037 |
| 66 | B07VP0004R | PROT. BRACCIO LEG.A FILO | TWINE WRAP ARM PROTECTION | PROTECTION BRAS | SCHUTZARM | PROT. BRAZO ATADOR CON HILO |
| 67 | F02250137R | RIVETTO STR. 5 X20 U9200AAL | RIVET 5 X20 U9200AAL | | | REMACHE EXTR. 5 X20 U9200AA |
| 68 | F01420023R | ROS.M5 5,3X 15X1,5 U6593 ZN | WASHER M5 5,3X 15X1,5 U6593 ZN | | | ARAND.M5 5,3X 15X1,5 U6593 |
| 69 | B07S01238R | DITO PRENDI FILO | TWINE GRASPER | DOIGT PRISE FICELLE | FINGEL FUER GARN | DEDO COGE HILO |
| 70 | F01020524R | VITE M12X1,75X90 U5739 8.8ZN | SCR. M12X1,75X90 U5739 8.8ZN | | | TORNILLO M12X1,75X90 U5739 8 |
| 71 | F01200293R | DADO M12X1,75 U5588 CL8 ZN | NUT M12X1,75 U5588 6S ZN | ECROU M12X1,75 U5588 6S ZN | MUTTER M12X1,75 U5588 6S ZN | TUERCA M12X1,75 U5588 CL8 ZN |
| 72 | F01410076R | ROS.M12 13X 24X2,5 U6592 ZN | WASHER 12 13X 24X2,5 U6592 ZN | RONDEL. M12 13X24X2,5 U6592 ZN | SCHEIBE M12 13X24X2,5 U6592 ZN | ARAND.M12 13X 24X2,5 U6592 ZN |
| 73 | B01516038R | RALLA 13 32 5 | FIFTH WHEEL | BUTEE | SCHEIBE | RANGUA 13 32 5 |
| 74 | F01230213R | DADO M12X1,75 U7474 CL8 ZN | NUT M12X1,75 U7474 6SZN | ECROU AUTOBL. M12 | SELBSTSPERR.MUTTER M12 | TUERCA M12X1,75 U7474 CL8 ZN |
| 75 | B01300134R | SPESSORE 28 44 0.2 | SHIM 28 44 0.2 | | | ESPESOR 28 44 0.2 |
| 76 | B07V00072R | PROT. IN GOMMA LAT. | SIDE RUBBERED PROTECTIONS | PROTECTION LATERALE EN CAOUT. | SEITER GUMMISCHUTZ | PROT. DE GOMA LAT. |



**LEGATOER FILO: CASSONETTO
TWINE BINDER: TWINE BOX**

TAV_230

| Pos. | Cod. | Descrizione | Description | Description | Benennung | Descripcion |
|------|------------|--------------------------------|--------------------------------|--------------------------------|--------------------------------|--------------------------------|
| 1 | B0C3P0037R | CORPO CASSONE SPAGO | TWINE HOLDER BODY | CORPS BOITE A FICELLE | GEHAUSE DER BINDENGARNAUFBEWAH | CUERPO DE CAJ N DE CUERDA |
| 2 | B0C4P0038R | DIVISORE | SEPARATOR | DIVISEUR | TEILVORRICHTUNG | DIVISOR |
| 3 | B01000010R | RIVETTO STR. 6X12 U9200A AL | RIVET | RIVET | ABREISSNIETEN 6X10 | REMACHE EXTR. 6X12 U9200A A |
| 4 | B0C4P0036R | DIVISORE | DIVIDER | | | DIVISOR |
| 5 | B0C3P0036R | FERMO TERMINALE | STOP TERMINAL | | | TOPE TERMINAL |
| 6 | B0C005016R | ATTACCO CARRUCOLE | PULLEY ATTACHMENT | ATTELAGE POULIE | ROLLEN BEFESTIGUNG | CONEXI N POLEAS |
| 7 | B01000011R | RIVETTO STR. 6X12 U9200A AL | RIVET 6X12 U9200A AL | RIVET | ABREISSNIETEN 6X15 | REMACHE EXTR. 6X12 U9200A A |
| 8 | B03500097R | BUSSOLA PASSAGGIO SPAGO | TWINE GUIDE BUSH | DOUILLE PASSAGE FICELLE | SCHNURFUEHRUNGSBUCHSE | CASQUILLO DE PASO DE LA CUERD |
| 9 | F02050101R | ANELLO E. DE 25X 1,2 U7435 C7 | SEEGER RING E. 25X1,2 7435 C70 | SEEGER E. 25X 1,2 U7435 C70 | SEEGERING E. 25X 1,2 U7435 C70 | ANILLO E. DE 25X 1,2 U7435 C7 |
| 10 | B0C004685R | SOSTEGNO CASSONE SPAGO | TWINE BOX HOLDER | SUPPORT RESERVOIR FICELLE | SCHNURKASTENHALTERUNG | SOPORTE CAJ N DE CUERDA |
| 11 | B00321020R | VITE M10X1,5 X 30 U5731 4.6ZN | SCREW | VIS | SCHRAUBE VERZINKT TTQST M10X20 | TORNILLO M10X1,5 X 30 U5731 4 |
| 12 | F01420060R | ROS.M10 10,5X 30X2,5 U6593 ZG | GALV.WASHER 10,5X30X2,5 U6593 | RONDELLE 10,5X30 | SCHEIBE 10,5X30 | ARAND.M10 10,5X 30X2,5 U6593 |
| 13 | F01230202R | DADO M10X 1,5 D985 8 ZN | NUT M10 D985 | ECROU AUTOBL. M10 | SELBSTSPERR.MUTTER M10 | TUERCA M10X 1,5 D985 8 |
| 14 | F01020476R | VITE M10X1,5X30 U5739 8.8ZN | SCR. M10X1,5X30 U5739 8.8ZN | VIS M10X1,5X30 U5739 8.8 ZN | SCHRAUBE M10X1,5X30U5739 8.8ZN | TORNILLO M10X1,5X30 U5739 8.8 |
| 15 | F01410062R | ROS.M10 10,5X 18X 2 U6592 ZN | WASHER M10 10,5X 18X 2 U6592 | RONDELLE M10 10,5X18X2 ZN | DICHTUNGSRING M10 10,5X18X2 ZN | ARAND.M10 10,5X 18X 2 U6592 ZN |
| 16 | F01230202R | DADO M10X 1,5 D985 8 ZN | NUT M10 D985 | ECROU AUTOBL. M10 | SELBSTSPERR.MUTTER M10 | TUERCA M10X 1,5 D985 8 |
| 17 | B0C005012R | BASE FRENASPAGO | TWINE BRAKE BASE | BASE ARRET FICELLE | SCHNURBREMSAUFBLAGE | BASE FRENADO CUERDA |
| 18 | F01020506R | VITE M12X1,75X20 U5739 8.8ZN | SCR. M12X1,75X20 U5739 8.8ZN | VIS M 12X20 | SCHRAUBE M 12X20 | TORNILLO M12X1,75X20 U5739 |
| 19 | F01230213R | DADO M12X1,75 U7474 CL8 ZN | NUT M12X1,75 U7474 6SZN | ECROU AUTOBL. M12 | SELBSTSPERR.MUTTER M12 | TUERCA M12X1,75 U7474 CL8 ZN |
| 20 | F01020068R | VITE M8X1,25X40 U5737 8.8ZN | SCR. M8X1,25X40 U5737 8.8ZN | VIS M 8X1,25X40 U5737 8.8 ZN | SCHRA. M8X1,25X40 U5737 8.8 ZN | TORNILLO M8X1,25X40 U5737 8.8 |
| 21 | B0C630434R | FRENA SPAGO | TWINE BRAKE | PINCE FICELLE | GARNBREMSE | FRENA CUERDA |
| 22 | B01821993R | MOLLA | SPRING | RESSORT | FEDER | MUELLE |
| 23 | F01410051R | ROS.M8 8,4X 17X1,6 U6592 ZN | WASHER M8 8,4X17X1,6 U6592 ZN | RONDELLE M8 8,4X17X1,6 ZN | SCHEIBE M8 8,4X17X1,6 U6592 ZN | ARAND.M8 8,4X 17X1,6 U6592 ZN |
| 24 | B00920208R | DADO AUTOB.BASSO M 8-5S D985 | NUT M8X1 D985 8ZN | ECROU | SELBSTSICHERNDE MUTTER M8-5S | TUERCA M8X1 D985 8 |
| 25 | B0C230438R | FERMO | LOCK | ARRET | HALTER | TOPE |
| 26 | B03730455R | CARRUCOLA FILO RIF.333 60 | PULLEY | POULIE AVEC FIL REF.333 60 | LAUFROLLE | POLEA HILO REF.333 60 |
| 27 | B003F4813R | VITE AUTOF.T. 4,8X13 DIN798 | SCREW | VIS | SCHRAUBE | TORNILLO AUROROSC.CAB. 4,8X13 |
| 28 | B00180655R | VITE M6X1X 55 U5739 8.8ZN | SCREW | VIS | ZINKSCHRAUBE TE M6X55-8.8 UNI | TORNILLO M6X1X 55 U5739 8.8ZN |
| 29 | F01410037R | ROS.M6 6,4X12,5X1,6 U6592 ZN | WASHER M6 6,4X12,5X1,6 U6592ZN | RONDEL.M6 6,4X12,5X1,6 U6592ZN | SCHEIB.M6 6,4X12,5X1,6 U6592ZN | ARAND.M6 6,4X12,5X1,6 U6592 ZN |
| 30 | F01230184R | DADO M6X1 D985 8ZN | NUT M6X1 D985 8ZN | | | TUERCA M6X1 D985 8 |
| 31 | B0E000102R | SENS. DI PROSSIMITA FILO | PROXIMITY SENSORS M8 | SENSEUR DE PROXIMITE | ABSTANDSMELDER | SENS. DE PROXIMIDAD DE HILO |
| 32 | B0C005385R | ATTACCO BOCCOLE PASSAFILO HT | BUSH COUPLING HT | ATTELAGE DOUILLES PASSE-FICELL | HUELSEANSCHLUSS | ENGANCHE CASQUILLOS PASACAB |
| 33 | B03500097R | BUSSOLA PASSAGGIO SPAGO | TWINE GUIDE BUSH | DOUILLE PASSAGE FICELLE | SCHNURFUEHRUNGSBUCHSE | CASQUILLO DE PASO DE LA CUERD |
| 34 | F02050101R | ANELLO E. DE 25X 1,2 U7435 C7 | SEEGER RING E. 25X1,2 7435 C70 | SEEGER E. 25X 1,2 U7435 C70 | SEEGERING E. 25X 1,2 U7435 C70 | ANILLO E. DE 25X 1,2 U7435 C7 |
| 35 | F01020512R | VITE M12X1,75X35 U5739 8.8ZN | SCR. M12X1,75X35 U5739 8.8ZN | VIS M12X1,75X35 5739 8.8 ZN | SCHR. M12X1,75X35 5739 8.8 ZN | TORNILLO M12X1,75X35 U5739 8 |
| 36 | F01230213R | DADO M12X1,75 U7474 CL8 ZN | NUT M12X1,75 U7474 6SZN | ECROU AUTOBL. M12 | SELBSTSPERR.MUTTER M12 | TUERCA M12X1,75 U7474 CL8 ZN |
| 37 | B07VP0002R | COPERT CASSONE SPAGO 265-280 | TWINE BOX COVER 265-280 | COUVERTURE GRANDE CAISSE 265-2 | DECKEL GARNGEHAUSE | COBERT CAJ N DE CUERDA 265-280 |
| 38 | B01000010R | RIVETTO STR. 6X12 U9200A AL | RIVET | RIVET | ABREISSNIETEN 6X10 | REMACHE EXTR. 6X12 U9200A A |
| 39 | F01420035R | ROS.M6 6,4X 18X1,6 U6593 ZN | WASHER D.6 | RONDELLE D.6 | KUPFERSCHEIBE D.6 | ARAND.M6 6,4X 18X1,6 U6593 |
| 40 | B0C4P0037R | DIVISORE | SEPARATOR | DIVISEUR | TEILVORRICHTUNG | DIVISOR |
| 41 | B0C005002R | ATT. BOCCOLE PASSAFILO HTC-HTU | BUSH ATTACHMENT | ATTELAGE DOUILLE | BUCHSENBEFESTIGUNG | CONEX. CASQUILLOS PASACABLE |
| 42 | B03500097R | BUSSOLA PASSAGGIO SPAGO | TWINE GUIDE BUSH | DOUILLE PASSAGE FICELLE | SCHNURFUEHRUNGSBUCHSE | CASQUILLO DE PASO DE LA CUERD |
| 43 | F02050101R | ANELLO E. DE 25X 1,2 U7435 C7 | SEEGER RING E. 25X1,2 7435 C70 | SEEGER E. 25X 1,2 U7435 C70 | SEEGERING E. 25X 1,2 U7435 C70 | ANILLO E. DE 25X 1,2 U7435 C7 |
| 44 | F01020516R | VITE M12X1,75X45 U5739 8.8ZN | SCR. M12X1,75X45 U5739 8.8ZN | VIS M12X1,75X45 U5739 8.8 ZN | SCHARAUBE M12X1,75X45 U5739 ZN | TORNILLO M12X1,75X45 U5739 8 |
| 45 | F01410076R | ROS.M12 13X 24X2,5 U6592 ZN | WASHER 12 13X 24X2,5 U6592 ZN | RONDEL. M12 13X24X2,5 U6592 ZN | SCHEIBE M12 13X24X2,5 U6592 ZN | ARAND.M12 13X 24X2,5 U6592 ZN |
| 46 | B07VP0012R | FUNE ELASTICA DIAM.6 - L=1720 | ROPE ELASTIC 6 L=1720 | | | CABLE EL STICO DI M.6 - L=1720 |
| 47 | F01200232R | DADO M6X1 U5588 CL8 ZN | NUT M6X1 U5588 6.8ZN | ECROU 6 UNI 5588 6.8 ZN | MUTTER 6 UNI 5588 6.8 ZN | TUERCA M6X1 U5588 CL8 ZN |

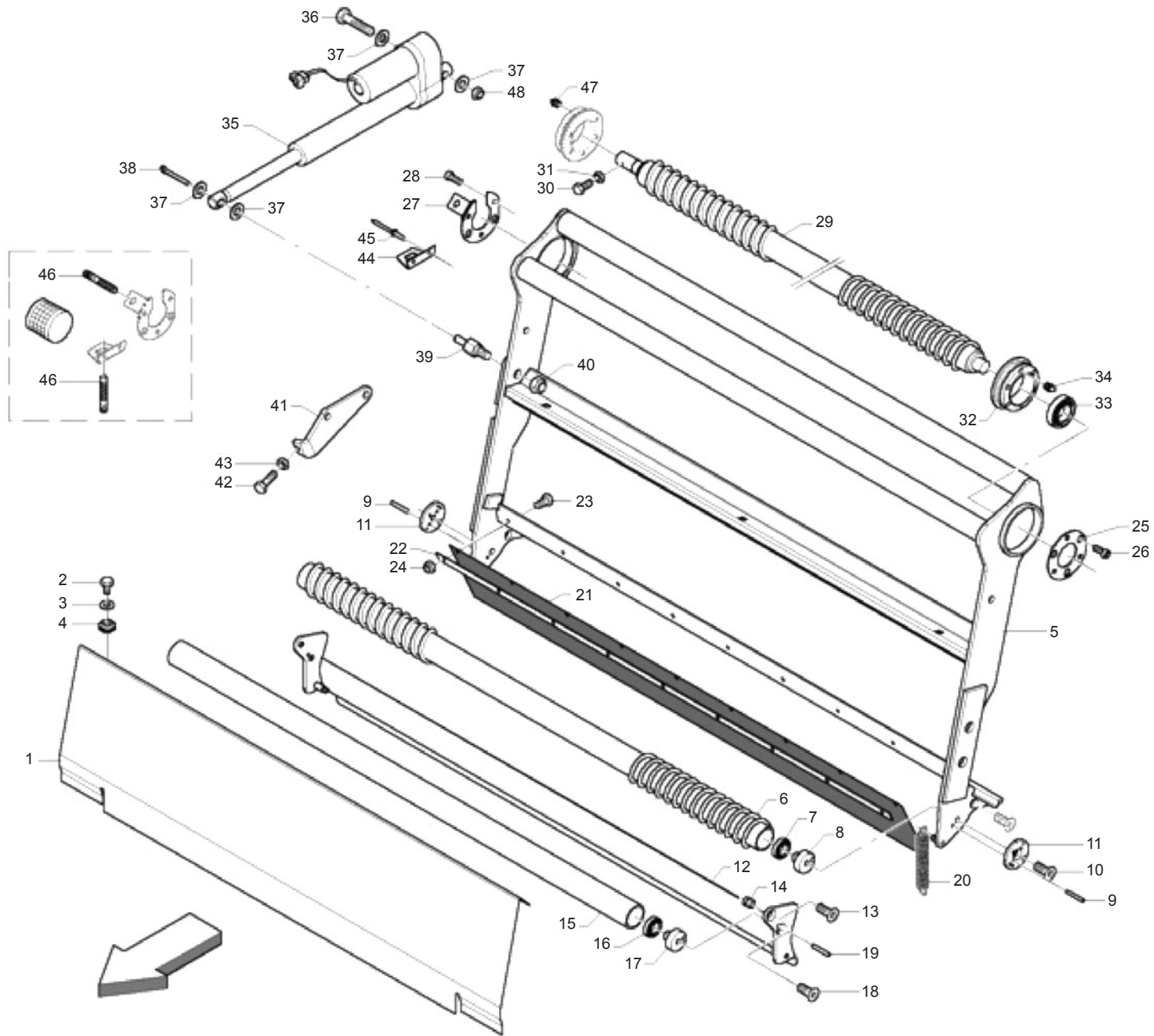


**CARTER ANTERIORE (SOLO CON LEGATORE FILO)
FRONT CARTER (ONLY WITH TWINE BINDER)**

TAV_235

| Pos. | Cod. | Descrizione | Description | Description | Benennung | Descripcion |
|------|------------|------------------------------|--------------------------------|--------------------------------|--------------------------------|-------------------------------|
| 1 | B0C3P0009R | PROTEZIONE SOLO FILO | ONLY TWINE PROTECTION | PROTECTION SEULEMENT FICELLE | SCHUETZ NUR GARN | PROTECCI N SOLO HILO |
| 2 | B0C3P0007R | ATTACCO DX PROTEZIONE FILO | TWINE RIGHT PROTECTION ATTACHM | ATTELAGE DROIT PROTECTION FICE | ANSCHLUSS RECHT GARNSCHUETZ | ENGANCHE DER PROTECCI N DE H |
| 3 | B0C3P0008R | ATTACCO SX PROTEZIONE FILO | TWINE LEFT PROTECTION ATTACHME | ATTELAGE GAUCHE PROTECTION FIC | ANSCHLUSS LINKS GARNSCHUETZ | ENGANCHE IZQ PROTECCI N DE HI |
| 4 | F01020508R | VITE M12X1,75X25 U5739 8.8ZN | SCR. M12X1,75X25 U5739 8.8ZN | VIS M12X1,75X25 U5739 8.8 ZN | SCHRAUBE M12X1,75X25U57398.8ZN | TORNILLO M12X1,75X25 U5739 |
| 5 | F01410076R | ROS.M12 13X 24X2,5 U6592 ZN | WASHER 12 13X 24X2,5 U6592 ZN | RONDEL. M12 13X24X2,5 U6592 ZN | SCHEIBE M12 13X24X2,5 U6592 ZN | ARAND.M12 13X 24X2,5 U6592 ZN |
| 6 | F01230213R | DADO M12X1,75 U7474 CL8 ZN | NUT M12X1,75 U7474 6SZN | ECROU AUTOBL. M12 | SELBSTSPERR.MUTTER M12 | TUERCA M12X1,75 U7474 CL8 ZN |
| 7 | B00470825R | VITE TTEI M 8X 25-10,9 UNBRA | SCREW | VIS | SCHRAUBE TTEI M 8X25-10,9 UNBR | TORNILLO CAB.ALLEN CON HUECO |
| 8 | F01420048R | ROS.M8 8,4X 24X 2 U6593 ZN | WASHER M8 8,4X 24X2 U6593 ZN | RONDELLE M8 8,4X24X 2 U6593 ZN | SCHEIBEN M8 8,4X24X 2 U6593 ZN | ARAND.M8 8,4X 24X 2 U6593 ZN |

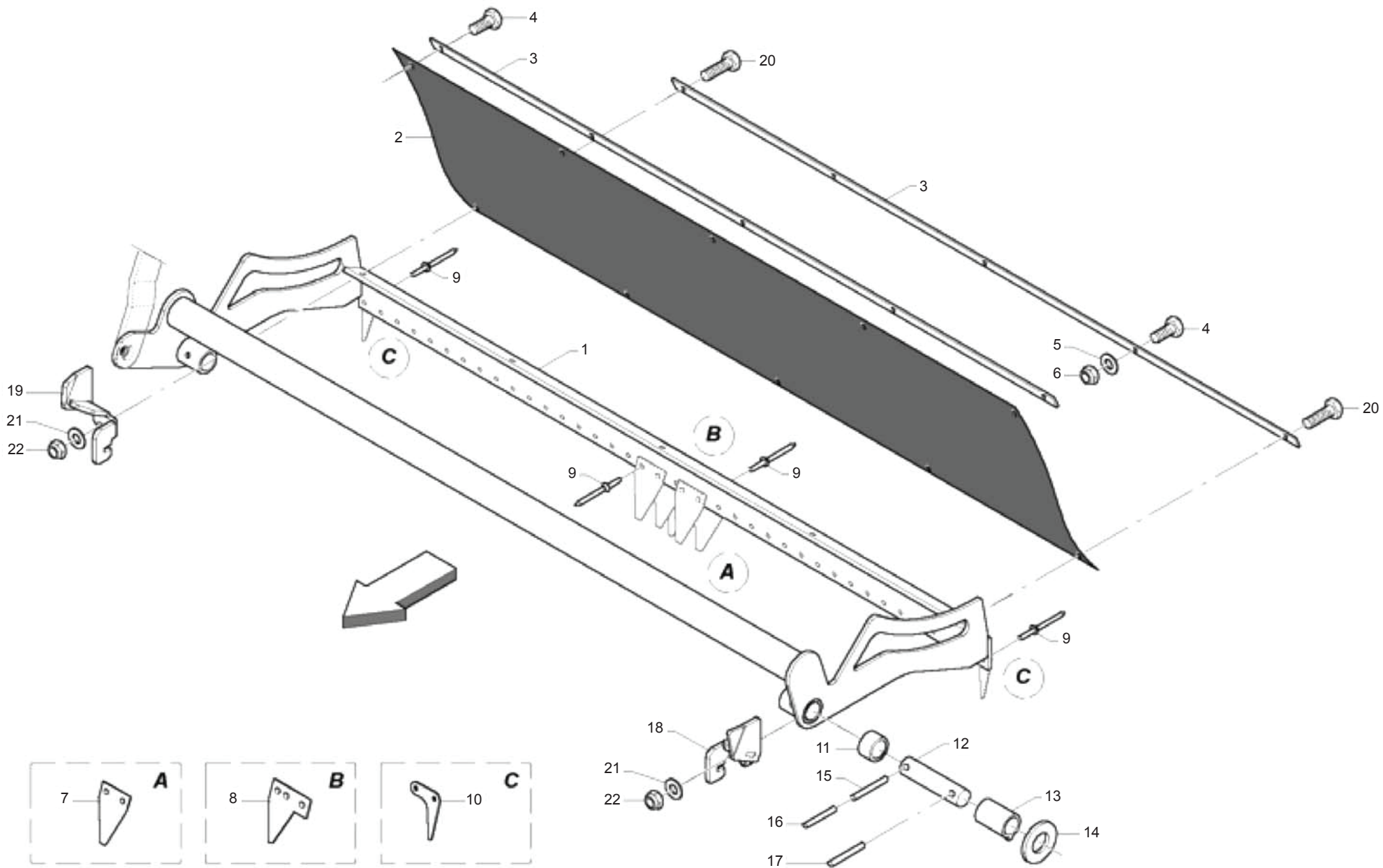
TAV_240



**LEGATORE RETE (PARTE 1)
NET BINDER (PART 1)**

TAV_240

| Pos. | Cod. | Descrizione | Description | Description | Benennung | Descripcion |
|------|------------|--------------------------------|-------------------------------|--------------------------------|--------------------------------|---------------------------------|
| 1 | B0C3P0035R | PROT. PORTARETE | NET HOLDER PROTECTION | PROTECTION PORTE FILET | SCHUETZ NETZHALTER | PROT. PORTA RED |
| 2 | F01020432R | VITE M8X1,25X16 U5739 8.8ZN | SCR. M8X1,25X16 U5739 8.8ZN | VIS M8 X1,25X16 U5739 8.8 ZN | SCHRAUBE M8X1,25X16U5739 8.8ZN | TORNILLO M8X1,25X16 U5739 8.8 |
| 3 | F01410051R | ROS.M8 8,4X 17X1,6 U6592 ZN | WASHER M8 8,4X17X1,6 U6592 ZN | RONDELLE M8 8,4X17X1,6 ZN | SCHIEBE M8 8,4X17X1,6 U6592 ZN | ARAND.M8 8,4X 17X1,6 U6592 ZN |
| 4 | B00990003R | DADO TIPO C 4808-BM8X1,25 | NUT | ECROU | MUTTER | TUERCA TIPO C 4808-BM8X1,25 |
| 5 | B07SP0090R | BRACCIO PORTARETE | NET HOLDER ARM | BRAS PORTE FILET | NETZHALTERARM | BRAZO PORTARETE |
| 6 | B07S00648R | RULLO FOLLE RETE | IDLE ROLLER | ROULEAU FOU | UMLLENKWALZE | RODILLO LOCO RED |
| 7 | B02301716R | CUSC. 2203 E-2RS1TN9 RIF.SKF | BEARING | ROULEMENT | LAGER 2203 E-2RS1TN9 RIF. SKF | COJIN. 2203 E-2RS1TN9 REF.SKF |
| 8 | B035P0008R | PERNO RULLO FOLLE NEW | NEW IDLE ROLLER PIN | TOURILLON ROULEAU FOU NEW | BOLZEN UMLLENKWALZE | PERNO RODILLO LOCO NEW |
| 9 | F02100079R | SPINA E.P. 5X20 U6873 C70 BR | PIN EL. 5X20 U6873 C70 BR | | | CLAVIJA EL.P. 5X20 30 U6873 C |
| 10 | B00441025R | VITE TSPEI M10X 25-10.9 UNI59 | SCREW | VIS | SCHRAUBE VERZINKT TSPEI M10X25 | TORNILLO CAB. AVE.ALLEN PAV M1 |
| 11 | B013P0128R | RALLA DI FERMO | STOP FIFTH WHEEL | EXCENTRIQUES | DISTANZSCHEIBE | RANGUA DE TOPE |
| 12 | B07SP0286R | PINZA RETE | NET CLAMP | ETRIER FILET | NETZZANGE | PINZA CON RED |
| 13 | B00441020R | VITE TSPEI M10X 20-10.9 UNI 5 | SCREW | VIS | SCHRAUBE TSPEI M10X 20-10.9 | TORNILLO CAB. AVE.ALLEN PAV M1 |
| 14 | B01300401R | BUSSOLA FILETTATA | PIN WITHOUT NET | DOUILLE FILETEE | NETZAUFNAHMEZANGENBOLZEN | CASQUILLO ROSCADO |
| 15 | B07SP0100R | CORPO RULLO FOLLE LISCIO | SMOOTH IDLE ROLLER BODY | CORPS ROULEAU FOU LISSE | GEHAUSE DER GLATTLOSCHWALZE | CUERPO DEL RODILLO LOCO LISO |
| 16 | B02301716R | CUSC. 2203 E-2RS1TN9 RIF.SKF | BEARING | ROULEMENT | LAGER 2203 E-2RS1TN9 RIF. SKF | COJIN. 2203 E-2RS1TN9 REF.SKF |
| 17 | B035P0008R | PERNO RULLO FOLLE NEW | NEW IDLE ROLLER PIN | TOURILLON ROULEAU FOU NEW | BOLZEN UMLLENKWALZE | PERNO RODILLO LOCO NEW |
| 18 | B00441020R | VITE TSPEI M10X 20-10.9 UNI 5 | SCREW | VIS | SCHRAUBE TSPEI M10X 20-10.9 | TORNILLO CAB. AVE.ALLEN PAV M1 |
| 19 | B01110612R | SPINA ELAST. 6X 12 SS DIN 1481 | PIN | GOUPILLE | STIFT | CLAVIJA EL. ST. 6X 12 SS DIN 14 |
| 20 | B01800025R | MOLLA 2 13 98T GRUPPO RETE | SPRING | RESSORT | FEDER | MUELLE 2 13 98T GRUPO RED |
| 21 | B07VP0001R | BANDELLA DI SOSTEGNO | SUPPORT BAND | BANDE DE SUPPORT | HALTERBANDE | BARRA DE SOPORTE |
| 22 | B0C2P0020R | PREMIGOMMA | RUBBER HOLDER | PRESSE-CAOUTCHOUX | GUMMIDRUCKER | SUJETA GOMA |
| 23 | B00180620R | VITE M6X1X20 U5739 8.8ZN | SCREW | VIS | SCHRAUBE | TORNILLO M6X1X20 U5739 8 |
| 24 | F01230184R | DADO M6X1 D985 8ZN | NUT M6X1 D985 8ZN | | | TUERCA M6X1 D985 8 |
| 25 | B01300389R | FLANGIA DI CONTEGNO | FLANGE | FLASQUE | DICHTUNGSFLANSCH | BRIDA DE CONTENCI N |
| 26 | B00400825R | VITE M8X1,25X25 U5931 10.9ZD | SCREW | VIS | SCHRAUBE | TORNILLO M8X1,25X25 U5931 10 |
| 27 | B0C004932R | PIASTRA RITEGNO | PLATE | PLAQUE | PLATTE | PLACA DE RETENCI N |
| 28 | B00400825R | VITE M8X1,25X25 U5931 10.9ZD | SCREW | VIS | SCHRAUBE | TORNILLO M8X1,25X25 U5931 10 |
| 29 | B07S00649R | RULLO CONTARETE | NET COUNTER ROLLER | ROULEAU COMPTE-FILET | NETZZAHLERWALZE | RODILLO CONTADOR DE RED |
| 30 | F01020380R | VITE M5X0,8X20 U5739 8.8ZN | SCR. M5X0,8X20 U5739 8.8ZN | VIS M5X0,8X20 U5739 8.8ZN | SCHRAUBE M5X0,8X20 U5739 8.8ZN | TORNILLO M5X0,8X20 U5739 8 |
| 31 | F01200220R | DADO M5X0,8 U5588 CL8 ZN | NUT M5X0,8 U5588 6.8ZN | ECROU 5 UNI 5588 6.8 ZN | MUTTER 5 UNI 5588 6.8 ZN | TUERCA M5X0,8 U5588 CL8 ZN |
| 32 | B02700044R | SUPP BRAC PORTA RETE E RULLO | NET AND ROLLER ARM SUPPORT | SUPPORT BRAS PORTE-FILET ET RO | LAGER DES NETZTRAGERARMS UND W | SOP. BRAZO PORTA RED Y RODILL |
| 33 | B02042517R | CUSC 6305-2RS CAT.B-ST004 | BEARING | ROULEMENT | LAGER 6305-2RS | COJIN 6305-2RS CAT.B-ST004 |
| 34 | F01100048R | ING.M 8X1,25 7663A 9SMNPB28 Z | GREASE NIPPLE M8X1,25 U7663A | GRAISSEUR A BILLES M8X1,25 | SCHMIERBUECHSE M8X1,25 7663A | ENG.M 8X1,25 7663A 9SMNPB28 Z |
| 35 | B0E000045R | ATTUATORE RETE | NET ACTUATOR | ACTIONNEUR WARNER D13-05B5-06 | AKTUATOR WARNER D13 05B506111 | ACTUADOR RED |
| 36 | F01020164R | VITE M12X1,75X70 U5737 8.8ZN | SCREW M12X1,75X70 U5737 8.8ZN | VIS M12X1,75X70 ZN | SCHR. M12X1,75X70 U5737 8.8 ZN | TORNILLO M12X1,75X70 U5737 8. |
| 37 | F01410076R | ROS.M12 13X 24X2,5 U6592 ZN | WASHER 12 13X 24X2,5 U6592 ZN | RONDEL. M12 13X24X2,5 U6592 ZN | SCHIEBE M12 13X24X2,5 U6592 ZN | ARAND.M12 13X 24X2,5 U6592 ZN |
| 38 | F02200164R | COPIGLIA 3X 30 U1336 ZN | SPLIT PIN 3X 30 U1336 ZN | | | PASADOR 3X 30 U1336 ZN |
| 39 | B03500063R | PERNO ECCENTRICO | ECCENTRIC PIN | TOURILLON EXCENTRE | EXZENTERZAPFEN | PERNO EXC NTRICO |
| 40 | B00920516R | DADO M16X 1,5 D985 6S ZN | NUT M16X1,5 D985 6S ZN | ECROU | SELBSTSICHERNDE MUTTER M16-5S | TUERCA M16X 1,5 D985 6S |
| 41 | B0C4P0009R | FERMO | LOCK | ARRET | BLOCK | TOPE |
| 42 | F01020517R | VITE M12X1,75X50 U5739 8.8ZN | SCR. M12X1,75X50 U5739 8.8ZN | VIS M12X1,75X50 5739 8.8 ZN | SCHRA. M12X1,75X50 5739 8.8 ZN | TORNILLO M12X1,75X50 U5739 8 |
| 43 | F01200293R | DADO M12X1,75 U5588 CL8 ZN | NUT M12X1,75 U5588 6S ZN | ECROU M12X1,75 U5588 6S ZN | MUTTER M12X1,75 U5588 6S ZN | TUERCA M12X1,75 U5588 CL8 ZN |
| 44 | B0C005200R | ATTACCO SENSORE RETE | NET SENSOR COUPLING | ATTELAGE CAPTEUR FILET | SENSORANSCHLUSS | CONEXI N SENSOR DE RED |
| 45 | B01000013R | RIVETTO STR. 6X18 U9200AAAL | RIVET | RIVET | ABREISSNIETEN 6X18 | REMACHE EXTR. 6X18 U9200AA |
| 46 | B0E000056R | SENSORE PROSSIMITA BALLA M12 | PROXIMITY SENSOR | CAPTEUR DE PROXIMITE | ABSTANDSMELDER | SENSOR DE PROXIMIDAD DE LA BA |
| 47 | F01100048R | ING.M 8X1,25 7663A 9SMNPB28 Z | GREASE NIPPLE M8X1,25 U7663A | GRAISSEUR A BILLES M8X1,25 | SCHMIERBUECHSE M8X1,25 7663A | ENG.M 8X1,25 7663A 9SMNPB28 Z |
| 48 | F01230213R | DADO M12X1,75 U7474 CL8 ZN | NUT M12X1,75 U7474 6SZN | ECROU AUTOBL. M12 | SELBSTSPERR.MUTTER M12 | TUERCA M12X1,75 U7474 CL8 ZN |

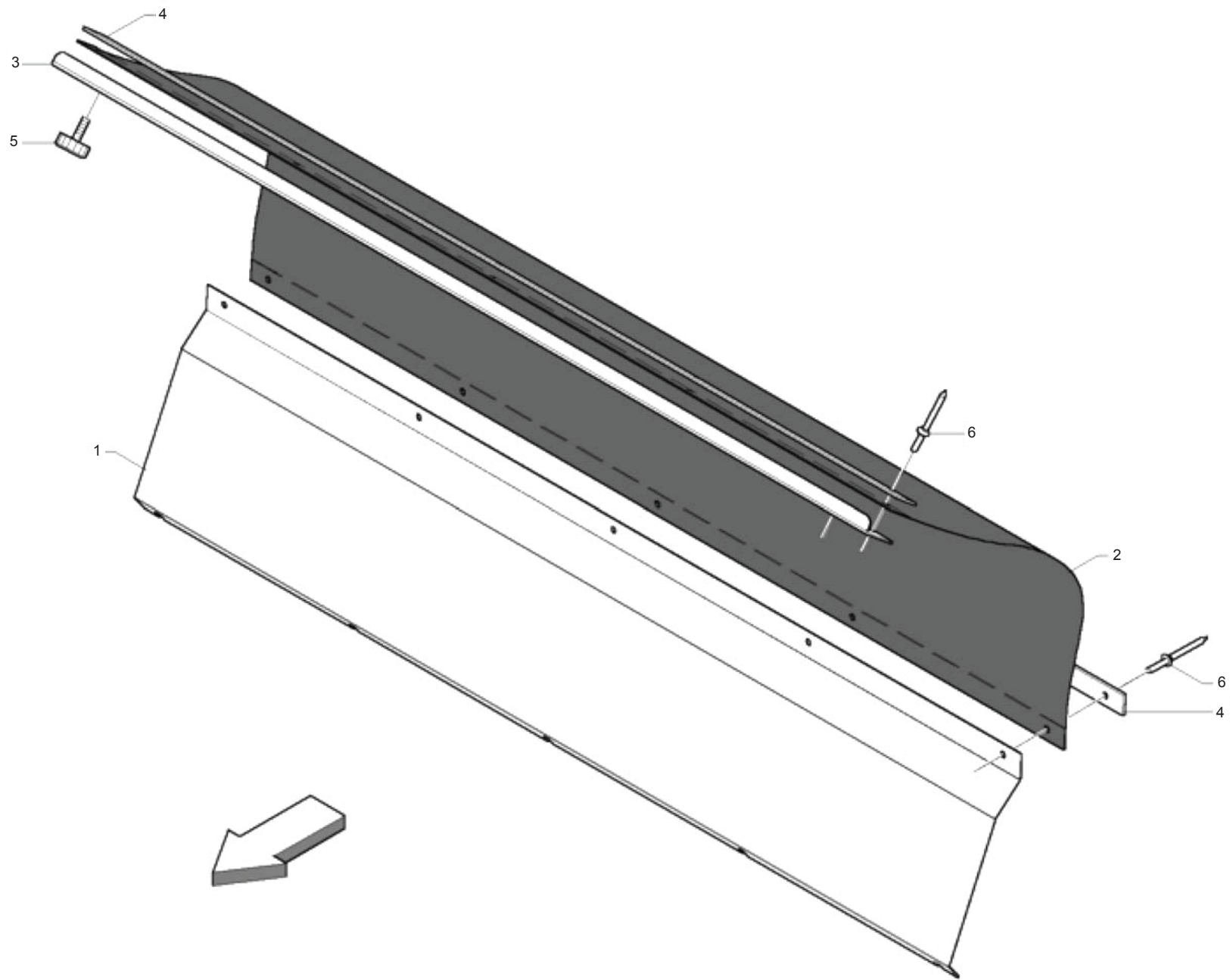


**LEGATORE RETE (PARTE 2)
NET BINDER (PART 2)**

TAV_245

| Pos. | Cod. | Descrizione | Description | Description | Benennung | Descripcion |
|------|------------|--------------------------------|--------------------------------|--------------------------------|--------------------------------|--------------------------------|
| 1 | B07SP0279R | BRACCIO LAMA | KNIVE HARM | BRAS COUTEAUX | KLINGEARM | BRAZO CUCHILLA |
| 2 | B07VP0010R | CHIUSURA IN TELA PER LAMA | CLOTH CLOSURE FOR BLADE | FERMETURE EN TOILE POUR LAME | VERSCHLUSS AUS TUCH FUER KLING | CIERRE DE TELA PARA CUCHILLA |
| 3 | B0C002398R | PREMIGOMMA | RUBBERHOLDER | PRESSE-PNEU | GUMMIHALTERLEISTE | SUJETA GOMA |
| 4 | B00180620R | VITE M6X1X20 U5739 8.8ZN | SCREW | VIS | SCHRAUBE | TORNILLO M6X1X20 U5739 8 |
| 5 | F01410037R | ROS.M6 6,4X12,5X1,6 U6592 ZN | WASHER M6 6,4X12,5X1,6 U6592ZN | RONDEL.M6 6,4X12,5X1,6 U6592ZN | SCHEIB.M6 6,4X12,5X1,6 U6592ZN | ARAND.M6 6,4X12,5X1,6 U6592 ZN |
| 6 | F01230184R | DADO M6X1 D985 8ZN | NUT M6X1 D985 8ZN | | | TUERCA M6X1 D985 8 |
| 7 | B07U00012R | LAMINO RASSPE D200 LISCIA | PLATE RASPE D200 | PETITE LAME DE COUPE FILET | | HOJA RASSPE D200 LISA |
| 8 | B0C6P0334R | COMPENSO LAMINI SU BRACCIO LAM | SHIM | EPAISSEUR | DICHTUNG | COMPENSADO HOJAS EN BRAZO C |
| 9 | B01000013R | RIVETTO STR. 6X18 U9200A AL | RIVET | RIVET | ABREISSNIETEN 6X18 | REMACHE EXTR. 6X18 U9200AA |
| 10 | B0C6P0532R | TERMINALE LAMA | TERMINALE LAMA. | | | TERMINAL DE LA CUCHILLA |
| 11 | B013C0012R | DISTANZIALE 25.5X33.7X20 | SPACER | ENTRETOISE | DISTANZSTUECK | DISTANCIADOR 25,5X33,7X20 |
| 12 | B01300390R | SPINA SX BRACCIO TAGLIA RETE | ARM LEFT PIN | EPINE GAUCHE BRAS COUPE-FILET | LINKER NETZSCHNEIDEVORRICHTUNG | CLAVIJA IZQ DEL BRAZO CORTA RE |
| 13 | B02526852R | BUSSOLA NYLON | NYLON BUSH | GALET | BUCHSE | CASQUILLO DE NYLON |
| 14 | B01522663R | SPES. 25 45 | SHIM | ENTRETOISE | SCHEIBE | ESPE. 25 45 |
| 15 | F02100090R | SPINA E.P. 5X 40 U6873 C70 BR | ELASTIC PIN 5X40 | GOUJON ELASTIQUE 5X40 | SPANNHUELSE 5X40 | CLAVIJA EL.P. 5X 40 U6873 C70 |
| 16 | F02100142R | SPINA E.P. 8X 40 U6873 C70 BR | ELASTIC PIN 8X40 | GOUJON ELASTIQUE 8X40 | SPANNHUELSE 8X40 | CLAVIJA EL.P. 8X 40 U6873 C70 |
| 17 | F02100142R | SPINA E.P. 8X 40 U6873 C70 BR | ELASTIC PIN 8X40 | GOUJON ELASTIQUE 8X40 | SPANNHUELSE 8X40 | CLAVIJA EL.P. 8X 40 U6873 C70 |
| 18 | B07SP0245R | FERMO DESTRO ALZO | RIGH STOP | ARRET DROIT | BLOCK RECHTS | TOPE DERECHO |
| 19 | B07SP0246R | FERMO SINISTRO ALZO | LEFT STOP | ARRET GAUCHE | BLOCK LINKS | TOPE IZQUIERDO |
| 20 | F01020408R | VITE M6X1X30 U5739 8.8ZN | SCR. M6X1X30 U5739 8.8ZN | VIS M 6X1X30 | SCHRAUBE M 6X1X30 | TORNILLO M6X1X30 U5739 8 |
| 21 | F01410037R | ROS.M6 6,4X12,5X1,6 U6592 ZN | WASHER M6 6,4X12,5X1,6 U6592ZN | RONDEL.M6 6,4X12,5X1,6 U6592ZN | SCHEIB.M6 6,4X12,5X1,6 U6592ZN | ARAND.M6 6,4X12,5X1,6 U6592 ZN |
| 22 | F01230184R | DADO M6X1 D985 8ZN | NUT M6X1 D985 8ZN | | | TUERCA M6X1 D985 8 |

TAV_250

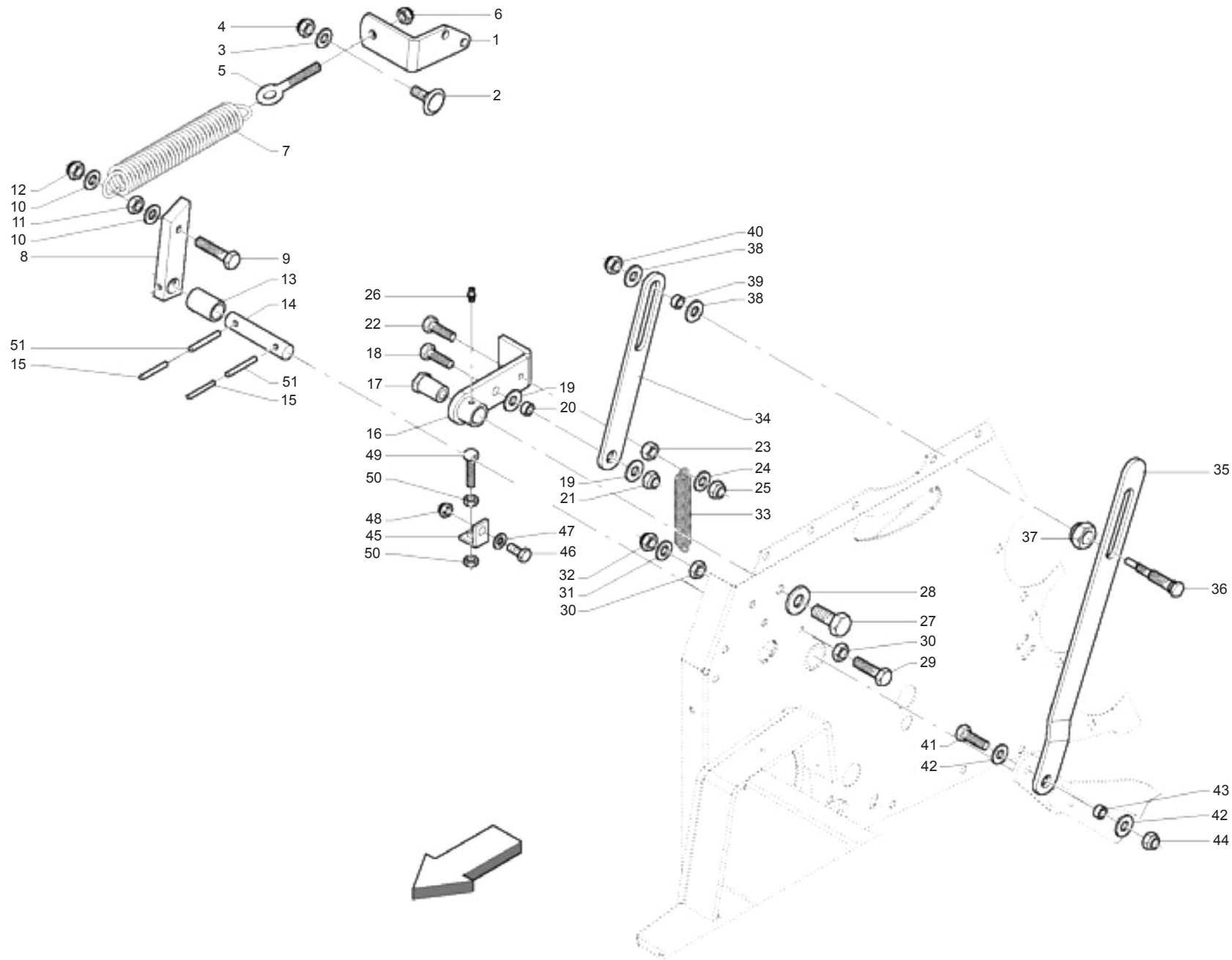


**LEGATORE RETE (PARTE 3)
NETE BINDER (PART 3)**

TAV_250

| Pos. | Cod. | Descrizione | Description | Description | Benennung | Descripcion |
|------|------------|----------------------------|--------------------|-------------------------|--------------------|----------------------------|
| 1 | B0C2P0030R | PROT. INFERIORE | LOWER PROTECTION | PROTECTION INFERIEURE | SCHUETZ UNTEN | PROT. INFERIOR |
| 2 | B07V00062R | CHIUSURA IN GOMMA | RUBBER CLOSING | FERMETURE EN CAOUTCHOUC | GUMMIVERSCHLUSS | CIERRE DE GOMA |
| 3 | B07MP0017R | SOSTEGNO PROT. | PROTECTION SUPPORT | SUPPORT PROTECTION | SCHTZHALTER | SOPORTE PROTE. |
| 4 | B0C002398R | PREMIGOMMA | RUBBERHOLDER | PRESSE-PNEU | GUMMIHALTERLEISTE | SUJETA GOMA |
| 5 | B07V00106R | VOLANTINO M8X15 DIAM. 30 | KNOB WHEEL | VOLAN M 8 DIAM. 30X19 | HANDRAD | VOLANTE M8X15 DI M. 30 |
| 6 | B01000010R | RIVETTO STR. 6X12 U9200AAL | RIVET | RIVET | ABREISSNIETEN 6X10 | REMACHE EXTR. 6X12 U9200AA |

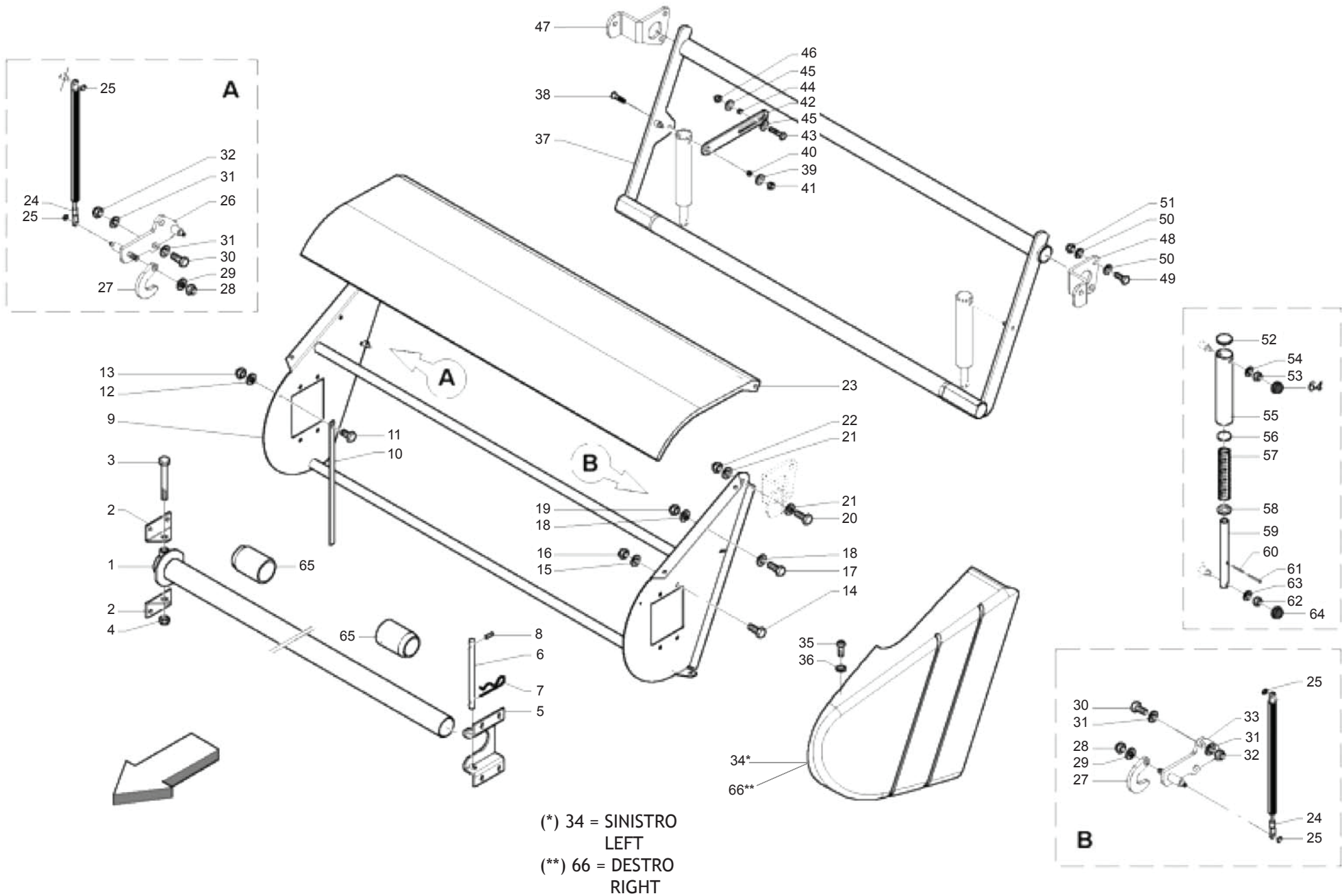
TAV_255



**LEGATORE RETE (PARTE 4)
NET BINDER (PART 4)**

TAV_255

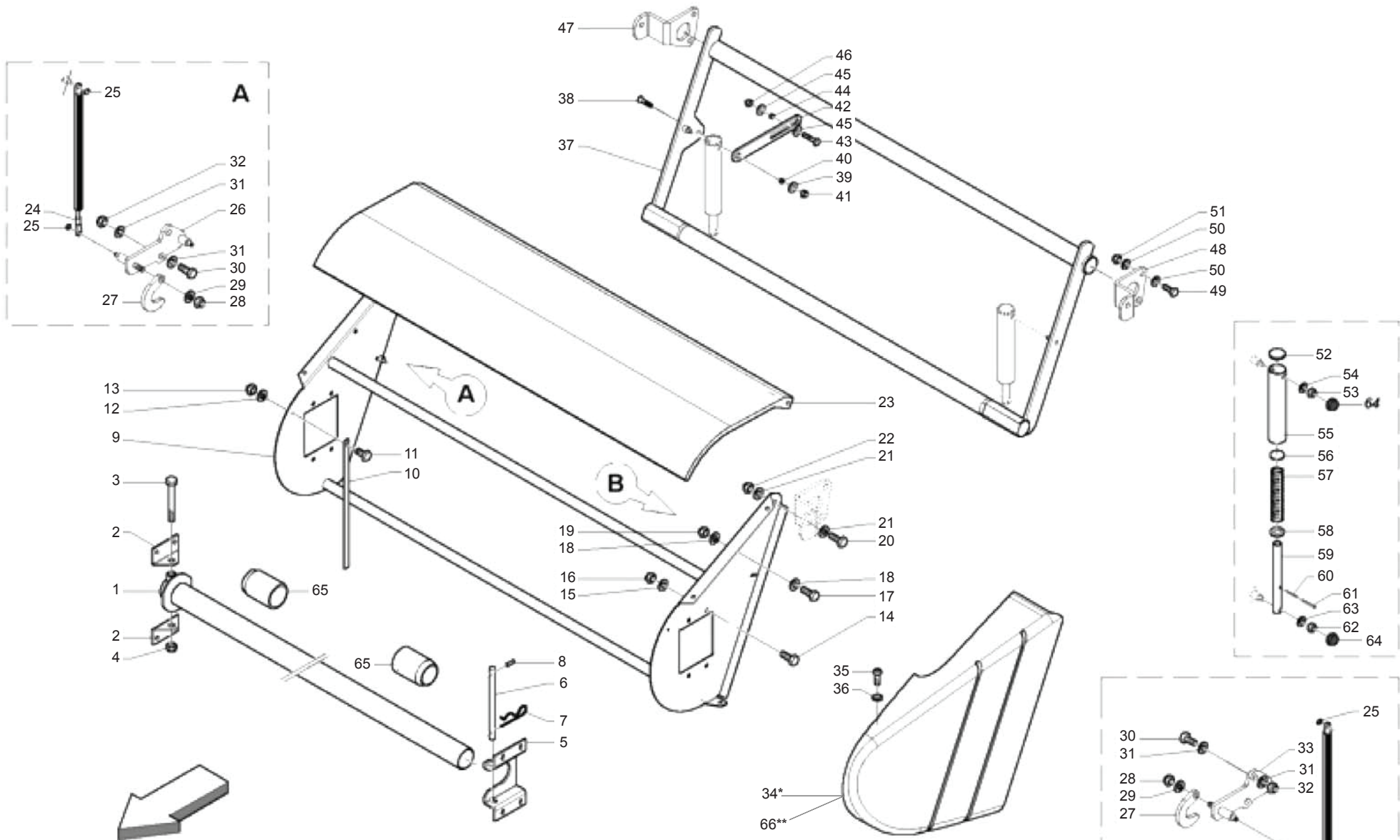
| Pos. | Cod. | Descrizione | Description | Description | Benennung | Descripcion |
|------|------------|-------------------------------|--------------------------------|--------------------------------|--------------------------------|-------------------------------|
| 1 | B0C6P0045R | ATTACCO MOLLA SGANCIO | SPRING ATTACK RELEASE | | | CONEXI N MUELLE DESENGANCHE |
| 2 | B005C0003R | VITE TTQST 12X45-8.8 TORNITA | SCREW TTQST 12X45-8.8 | | | TORNILLO TTQST 12X45-8.8 TORN |
| 3 | F01410076R | ROS.M12 13X 24X2,5 U6592 ZN | WASHER 12 13X 24X2,5 U6592 ZN | RONDEL. M12 13X24X2,5 U6592 ZN | SCHEIBE M12 13X24X2,5 U6592 ZN | ARAND.M12 13X 24X2,5 U6592 ZN |
| 4 | F01230213R | DADO M12X1,75 U7474 CL8 ZN | NUT M12X1,75 U7474 6SZN | ECROU AUTOBL. M12 | SELBSTSPERR.MUTTER M12 | TUERCA M12X1,75 U7474 CL8 ZN |
| 5 | B00545168R | OCCHIOLO PER TENDITORI M12-DX | EYELET M12 | OEIL M12 | OSE M12 | OJAL PARA TENSORES M12-DER |
| 6 | F01230213R | DADO M12X1,75 U7474 CL8 ZN | NUT M12X1,75 U7474 6SZN | ECROU AUTOBL. M12 | SELBSTSPERR.MUTTER M12 | TUERCA M12X1,75 U7474 CL8 ZN |
| 7 | B01822744R | MOLLA 49,5 SPIRE | SPRING 49,5 SPIRAL | RESSORT | FEDER | MUELLE 49,5 SPIRE |
| 8 | B0C002073R | SGANCIO LAMA FFPRO | BLADE UNLOCK | DECROCHET LAME | KLINGENAUSSLOESER | DESENGANCHE CUCHILLA FFPRO |
| 9 | F01020519R | VITE M12X1,75X 60 U5739 8.8ZN | SCREW M12X1,75X 60 U5739 8.8ZN | | | TORNILLO M12X1,75X 60 U5739 8 |
| 10 | F01410076R | ROS.M12 13X 24X2,5 U6592 ZN | WASHER 12 13X 24X2,5 U6592 ZN | RONDEL. M12 13X24X2,5 U6592 ZN | SCHEIBE M12 13X24X2,5 U6592 ZN | ARAND.M12 13X 24X2,5 U6592 ZN |
| 11 | F01200293R | DADO M12X1,75 U5588 CL8 ZN | NUT M12X1,75 U5588 6S ZN | ECROU M12X1,75 U5588 6S ZN | MUTTER M12X1,75 U5588 6S ZN | TUERCA M12X1,75 U5588 CL8 ZN |
| 12 | F01230213R | DADO M12X1,75 U7474 CL8 ZN | NUT M12X1,75 U7474 6SZN | ECROU AUTOBL. M12 | SELBSTSPERR.MUTTER M12 | TUERCA M12X1,75 U7474 CL8 ZN |
| 13 | B02526852R | BUSSOLA NYLON | NYLON BUSH | GALET | BUCHSE | CASQUILLO DE NYLON |
| 14 | B01301055R | SPINA TAGLIA RETE LATO COM. | PIN | GOUPILLE | STECKSTIFT | CLAVIJA CORTA RED LATO COM. |
| 15 | F02100090R | SPINA E.P. 5X 40 U6873 C70 BR | ELASTIC PIN 5X40 | GOUJON ELASTIQUE 5X40 | SPANNHUELSE 5X40 | CLAVIJA EL.P. 5X 40 U6873 C70 |
| 16 | B07T00026R | SGANCIO | RELEASE | DECROCHAGE | AUSLOESUNG | DESENGANCHE |
| 17 | B00500093R | PERNO FILETTATO | THREADED PIN | PIVOT FILETE | GEWINDEBOLZEN | PERNO ROSCADO |
| 18 | F01020514R | VITE M12X1,75X40 U5739 8.8ZN | SCR. M12X1,75X40 U5739 8.8ZN | VIS M12X1,75X40 U5739 8.8ZN | SCHRA. M12X1,75X40 U5739 8.8ZN | TORNILLO M12X1,75X40 U5739 8. |
| 19 | F01420120R | ROS.M12 13X36X2,5 U6593 ZN | WASHER M12 13X36X2,5 U6593 ZN | RONDELLE M12 13X36X2,5 ZN | | ARAND.M12 13X36X2,5 U6593 ZN |
| 20 | B01300463R | BUSSOLA 12.5X20X10 | BUSH | DOUILLE | KOMPASS | CASQUILLO 12.5X20X10 |
| 21 | F01230213R | DADO M12X1,75 U7474 CL8 ZN | NUT M12X1,75 U7474 6SZN | ECROU AUTOBL. M12 | SELBSTSPERR.MUTTER M12 | TUERCA M12X1,75 U7474 CL8 ZN |
| 22 | F01020445R | VITE M8X1,25X30 U5739 8.8ZN | SCR. M8X1,25X30 U5739 8.8ZN | VIS M 8X1,25X30 U5739 8.8 ZN | SCHRAU, M8X1,25X30 U5739 8.8ZN | TORNILLO M8X1,25X30 U5739 8.8 |
| 23 | F01200244R | DADO M8X1,25 U5588 CL8 ZN | NUT M8X1,25 U5588 6.8ZN | ECROU M8 X1,25 U5588 6.8 ZN | MUTTER M8 X1,25 U5588 6.8 ZN | TUERCA M8X1,25 U5588 CL8 ZN |
| 24 | F01410051R | ROS.M8 8,4X 17X1,6 U6592 ZN | WASHER M8 8,4X17X1,6 U6592 ZN | RONDELLE M8 8,4X17X1,6 ZN | SCHEIBE M8 8,4X17X1,6 U6592 ZN | ARAND.M8 8,4X 17X1,6 U6592 ZN |
| 25 | B00920208R | DADO AUTOB.BASSO M 8-5S D985 | NUT M8X1 D985 8ZN | ECROU | SELBSTSICHERNDE MUTTER M8-5S | TUERCA M8X1 D985 8 |
| 26 | B04200610R | INGRASS.A SFERE M6X1 LUNGO | GREASE NIPPLE | GRAISSEUR HYDRAULIQUE | GERADER SCHMIERNIPPEL M6X1 | ENGRASADOR DE ESFERAS M6X1 |
| 27 | F01020562R | VITE M16X2X30 U5739 8.8ZN | SCR. M16X2X30 U5739 8.8ZN | VIS M16X2X30 U5739 8.8 ZN | SCHRAUBE M16X2X30 U5739 8.8 ZN | TORNILLO M16X2X30 U5739 8.8ZN |
| 28 | B01519319R | RALLA 16X38X5 | FIFTH WHEEL | BUTEE | SCREIBE | RANGUA 16X38X5 |
| 29 | F01020440R | VITE M8X1,25X25 U5739 8.8ZN | SCR. M8X1,25X25 U5739 8.8ZN | VIS M8X1,25X25 U5739 8.8 ZN | SCHRAUBE M8X1,25X25U5739 8.8ZN | TORNILLO M8X1,25X25 U5739 8.8 |
| 30 | F01200244R | DADO M8X1,25 U5588 CL8 ZN | NUT M8X1,25 U5588 6.8ZN | ECROU M8 X1,25 U5588 6.8 ZN | MUTTER M8 X1,25 U5588 6.8 ZN | TUERCA M8X1,25 U5588 CL8 ZN |
| 31 | F01410051R | ROS.M8 8,4X 17X1,6 U6592 ZN | WASHER M8 8,4X17X1,6 U6592 ZN | RONDELLE M8 8,4X17X1,6 ZN | SCHEIBE M8 8,4X17X1,6 U6592 ZN | ARAND.M8 8,4X 17X1,6 U6592 ZN |
| 32 | B00920208R | DADO AUTOB.BASSO M 8-5S D985 | NUT M8X1 D985 8ZN | ECROU | SELBSTSICHERNDE MUTTER M8-5S | TUERCA M8X1 D985 8 |
| 33 | B01800025R | MOLLA 2 13 98T GRUPPO RETE | SPRING | RESSORT | FEDER | MUELLE 2 13 98T GRUPO RED |
| 34 | B0C002081R | LEVA SGANCIO LAMA | BLADE UNLOCK LEVER | LEVIER DECROCHET LAME | KLINGENAUSSLOESERHEBEL | PALANCA DESENGANCHE DE CUCH |
| 35 | B0C2P0150R | COLLEGAMENTO LAMA | CONNECTION | CONNEXION | KLINGEKUPPLUNG | CONEXI N DE LA CUCHILLA |
| 36 | B01301103R | PERNO CARICA LAMA | BLADE PIN | TOURILLON LAME | ZAPFEN | PERNO CARGAR CUCHILLA |
| 37 | B00920516R | DADO M16X 1,5 D985 6S ZN | NUT M16X1,5 D985 6S ZN | ECROU | SELBSTSICHERNDE MUTTER M16-5S | TUERCA M16X 1,5 D985 6S |
| 38 | F01420120R | ROS.M12 13X36X2,5 U6593 ZN | WASHER M12 13X36X2,5 U6593 ZN | RONDELLE M12 13X36X2,5 ZN | | ARAND.M12 13X36X2,5 U6593 ZN |
| 39 | B01300463R | BUSSOLA 12.5X20X10 | BUSH | DOUILLE | KOMPASS | CASQUILLO 12.5X20X10 |
| 40 | F01230213R | DADO M12X1,75 U7474 CL8 ZN | NUT M12X1,75 U7474 6SZN | ECROU AUTOBL. M12 | SELBSTSPERR.MUTTER M12 | TUERCA M12X1,75 U7474 CL8 ZN |
| 41 | F01020512R | VITE M12X1,75X35 U5739 8.8ZN | SCR. M12X1,75X35 U5739 8.8ZN | VIS M12X1,75X35 5739 8.8 ZN | SCHR. M12X1,75X35 5739 8.8 ZN | TORNILLO M12X1,75X35 U5739 8 |
| 42 | F01420120R | ROS.M12 13X36X2,5 U6593 ZN | WASHER M12 13X36X2,5 U6593 ZN | RONDELLE M12 13X36X2,5 ZN | | ARAND.M12 13X36X2,5 U6593 ZN |
| 43 | B01300463R | BUSSOLA 12.5X20X10 | BUSH | DOUILLE | KOMPASS | CASQUILLO 12.5X20X10 |
| 44 | F01230213R | DADO M12X1,75 U7474 CL8 ZN | NUT M12X1,75 U7474 6SZN | ECROU AUTOBL. M12 | SELBSTSPERR.MUTTER M12 | TUERCA M12X1,75 U7474 CL8 ZN |
| 45 | B0C000053R | FERMO COLT. | KNIVES STOP | ARRET COUTEAUX | MESSERANSCHLAG | TOPE DE CUCH. |
| 46 | F01020510R | VITE M12X1,75X30 U5739 8.8ZN | SCR. M12X1,75X30 U5739 8.8ZN | VIS M12X1,75X30 U5739 8.8ZN | SCHRAU.M12X1,75X30 U5739 8.8ZN | TORNILLO M12X1,75X30 U5739 |
| 47 | F01410076R | ROS.M12 13X 24X2,5 U6592 ZN | WASHER 12 13X 24X2,5 U6592 ZN | RONDEL. M12 13X24X2,5 U6592 ZN | SCHEIBE M12 13X24X2,5 U6592 ZN | ARAND.M12 13X 24X2,5 U6592 ZN |
| 48 | F01230213R | DADO M12X1,75 U7474 CL8 ZN | NUT M12X1,75 U7474 6SZN | ECROU AUTOBL. M12 | SELBSTSPERR.MUTTER M12 | TUERCA M12X1,75 U7474 CL8 ZN |
| 49 | F01020487R | VITE M10X1,5X60 U5739 8.8ZN | SCR. M10X1,5X60 U5739 8.8ZN | VIS 10X60 5739 8.G ZN | SCHRAUBE 10X60 5739 8.G ZN | TORNILLO M10X1,5X60 U5739 8.8 |
| 50 | F01200270R | DADO M10X1,5 U5588 CL8 ZN | NUT M10X1,5 U5588 6.8ZN | ECROU M10X 1,5 U5588 6.8 ZN | MUTTER M10X 1,5 U5588 6.8 ZN | TUERCA M10X1,5 U5588 CL8 ZN |
| 51 | F02100142R | SPINA E.P. 8X 40 U6873 C70 BR | ELASTIC PIN 8X40 | GOUJON ELASTIQUE 8X40 | SPANNHUELSE 8X40 | CLAVIJA EL.P. 8X 40 U6873 C70 |



**LEGATORE RETE (PARTE 5)
NET BINDER (PART 5)**

TAV_260

| Pos. | Cod. | Descrizione | Description | Description | Benennung | Descrpcion |
|------|------------|--------------------------------|--------------------------------|--------------------------------|--------------------------------|--------------------------------|
| 1 | B07SP0240R | TUBO PORTA ROTOLO | ROLL CARRYING TUBE | TUYAU PORTE-ROULEAU | ROHR ROLLEHALTER | TUBO PORTA ROLLO |
| 2 | B0C100035R | ATTACCO FULCRO | FULCRUM ATTACHMENT | ATTELAGE POINT D APPUI | SCHWENKPUNKTBEFESTIGUNG | CONEXI N DEL FULCRO |
| 3 | F01020268R | VITE M16X2X130 U5737 8.8ZN | SCR. M16X2X130 U5737 8.8ZN | VIS M16X2X130 U5737 8.8 ZN | SCHRA. M16X2X130 U5737 8.8 ZN | TORNILLO M16X2X130 U5737 8.8Z |
| 4 | B00920516R | DADO M16X 1,5 D985 6S ZN | NUT M16X1,5 D985 6S ZN | ECROU | SELBSTSICHERNDE MUTTER M16-5S | TUERCA M16X 1,5 D985 6S |
| 5 | B0C100036R | ALLOGGIAMENTO TUBO | TUBE SEAT | ECROU | LOGEMENT TUBE | ALOJAMIENTO PARA TUBO |
| 6 | B01300373R | SPINA FERMO TUBO PORTA ROTOLO | PIPE PIN | EPINE ARRET | ARRETIERBOLZEN FUER NETZROLLEN | CLAVIJA TOPE DEL TUBO PORTA R |
| 7 | F02200363R | COPIGLIA R 3X 62 ZN | SPRING SPLIT PIN 3X 62 ZN | GOUPILLE R 3X62 | SPLINT R 3X62 | PASADOR R 3X 62 |
| 8 | F02100066R | SPINA EL.4 X36 DIN 1481 | PIN EL. 4X 36 U6873 C70 BR | | | CLAVIJA EL.4 X36 DIN 1481 |
| 9 | B07T00001R | CASSONE RETE | NET STORAGE BOX | | | CAJ N DE RED |
| 10 | B0C005257R | SOSTEGNO COPERCHIO | COVER SUPPORT | RESERVE FILET | NETZROLLENKASTEN | SOPORTE DE LA TAPA |
| 11 | B00180620R | VITE M6X1X20 U5739 8.8ZN | SCREW | SUPPORT COUVERCLE | DECKELHALTER | SCHRAUBE |
| 12 | F01410037R | ROS.M6 6,4X12,5X1,6 U6592 ZN | WASHER M6 6,4X12,5X1,6 U6592ZN | VIS | SCHRAUBE | TORNILLO M6X1X20 U5739 8 |
| 13 | F01230184R | DADO M6X1 D985 8ZN | NUT M6X1 D985 8ZN | RONDEL.M6 6,4X12,5X1,6 U6592ZN | SCHEIB.M6 6,4X12,5X1,6 U6592ZN | ARAND.M6 6,4X12,5X1,6 U6592 ZN |
| 14 | F01020472R | VITE M10X1,5X25 U5739 8.8ZN | SCR. M10X1,5X25 U5739 8.8ZN | | | TUERCA M6X1 D985 8 |
| 15 | F01410062R | ROS.M10 10,5X 18X 2 U6592 ZN | WASHER M10 10,5X 18X 2 U6592 | VIS M10X1,5X25 U5739 8.8 ZN | SCHRAUBE M10X1,5X25 U5739 8.8 | TORNILLO M10X1,5X25 U5739 8.8 |
| 16 | F01230202R | DADO M10X 1,5 D985 8 ZN | NUT M10 D985 | RONDELLE M10 10,5X18X2 ZN | DICHTUNGSRING M10 10,5X18X2 ZN | ARAND.M10 10,5X 18X 2 U6592 ZN |
| 17 | F01020476R | VITE M10X1,5X30 U5739 8.8ZN | SCR. M10X1,5X30 U5739 8.8ZN | ECROU AUTOBL. M10 | SELBSTSPERR.MUTTER M10 | TUERCA M10X 1,5 D985 8 |
| 18 | F01410062R | ROS.M10 10,5X 18X 2 U6592 ZN | WASHER M10 10,5X 18X 2 U6592 | VIS M10X1,5X30 U5739 8.8 ZN | SCHRAUBE M10X1,5X30U5739 8.8ZN | TORNILLO M10X1,5X30 U5739 8.8 |
| 19 | F01230202R | DADO M10X 1,5 D985 8 ZN | NUT M10 D985 | RONDELLE M10 10,5X18X2 ZN | DICHTUNGSRING M10 10,5X18X2 ZN | ARAND.M10 10,5X 18X 2 U6592 ZN |
| 20 | F01020476R | VITE M10X1,5X30 U5739 8.8ZN | SCR. M10X1,5X30 U5739 8.8ZN | ECROU AUTOBL. M10 | SELBSTSPERR.MUTTER M10 | TUERCA M10X 1,5 D985 8 |
| 21 | F01410062R | ROS.M10 10,5X 18X 2 U6592 ZN | WASHER M10 10,5X 18X 2 U6592 | VIS M10X1,5X30 U5739 8.8 ZN | SCHRAUBE M10X1,5X30U5739 8.8ZN | TORNILLO M10X1,5X30 U5739 8.8 |
| 22 | F01230202R | DADO M10X 1,5 D985 8 ZN | NUT M10 D985 | RONDELLE M10 10,5X18X2 ZN | DICHTUNGSRING M10 10,5X18X2 ZN | ARAND.M10 10,5X 18X 2 U6592 ZN |
| 23 | B07T00005R | COPERCHIO | CAP | ECROU AUTOBL. M10 | SELBSTSPERR.MUTTER M10 | TUERCA M10X 1,5 D985 8 |
| 24 | BOH100001R | MOLLA A GAS PER RETE L500-750N | GAS SPRING FOR NET L=500-750N | COUVERCLE | DECKEL | TAPA |
| 25 | B01700008R | ANEL. D ARR. ALB. 8-E UNI3653 | SEEGER RING | RESSORT GAS POUR FILET L=500-6 | GAS GETRIEBENE FEDER L=500-750 | MUELLE DE GAS PARA RED L500-75 |
| 26 | B07T00011R | ATTACCO FRENO DX | RIGHT BRAKE ATTACHMENT | BAGUE SEEGER | SEEGERRING E 8 | ANIL. DE PARAD. RB. 8-E UNI3 |
| 27 | B0C004911R | GANCIO | HOOK | ATTELAGE FREIN DROIT | RECHTE BREMSHALTERUNG | CONEXI N DEL FRENO DER |
| 28 | F01230202R | DADO M10X 1,5 D985 8 ZN | NUT M10 D985 | | | GANCHO |
| 29 | F01410062R | ROS.M10 10,5X 18X 2 U6592 ZN | WASHER M10 10,5X 18X 2 U6592 | ECROU AUTOBL. M10 | SELBSTSPERR.MUTTER M10 | TUERCA M10X 1,5 D985 8 |
| 30 | F01020510R | VITE M12X1,75X30 U5739 8.8ZN | SCR. M12X1,75X30 U5739 8.8ZN | RONDELLE M10 10,5X18X2 ZN | DICHTUNGSRING M10 10,5X18X2 ZN | ARAND.M10 10,5X 18X 2 U6592 ZN |
| 31 | F01410076R | ROS.M12 13X 24X2,5 U6592 ZN | WASHER 12 13X 24X2,5 U6592 ZN | VIS M12X1,75X30 U5739 8.8ZN | SCHRAU.M12X1,75X30 U5739 8.8ZN | TORNILLO M12X1,75X30 U5739 |
| 32 | F01230213R | DADO M12X1,75 U7474 CL8 ZN | NUT M12X1,75 U7474 6SZN | RONDEL. M12 13X24X2,5 U6592 ZN | SCHEIBE M12 13X24X2,5 U6592 ZN | ARAND.M12 13X 24X2,5 U6592 ZN |
| 33 | B07T00010R | ATTACCO FRENO SX | LEFT BRAKE ATTACHMENT | ECROU AUTOBL. M12 | SELBSTSPERR.MUTTER M12 | TUERCA M12X1,75 U7474 CL8 ZN |
| 34 | B07V00110R | BOX RETE SX | LEFT NET BOX | CONNECTION FREIN | BREMSENKUPPLUNG | CONEXI N DEL FRENO IZQ |
| 35 | B004N0820R | VITE NERA TTEI M 8X 20-10,9 | SCREW | | | CAJA RED IZQ |
| 36 | B07V00119R | RONDELLA SOTTOVITE HD 8,5X24X2 | WASHER HD 8,5X24X2 | BOITE FILET GAUCHE | LINKER NETZKASTEN | CAJA RED IZQ |
| 37 | B07T00012R | BRACCIO FRENA RETE | NET BRAKE ARM | VIS | SCHRAUBE TTEI M 8X20-10,9 | TORNILLO NEGRO CAB.ALLEN CON |
| 38 | F01030111R | VITE M12X1,75X40 U5933 10.9ZD | SCR. M12X1,75X40 U5933 10.9ZD | RONDELLE | STIFT | ARANDELA BAJO TORNILLO HD 8,5 |
| 39 | F01420120R | ROS.M12 13X36X2,5 U6593 ZN | WASHER M12 13X36X2,5 U6593 ZN | BRAS FREINAGE FILET | NETZBREMSENARM | BRAZO FRENA RED |
| 40 | B01300463R | BUSSOLA 12.5X20X10 | BUSH | VIS 12X40 5933 8.8 ZN | SCHRAUBE 12X40 5933 8.8 ZN | TORNILLO M12X1,75X40 U5933 10. |
| 41 | F01230213R | DADO M12X1,75 U7474 CL8 ZN | NUT M12X1,75 U7474 6SZN | RONDELLE M12 13X36X2,5 ZN | | ARAND.M12 13X36X2,5 U6593 ZN |
| 42 | B0C100051R | COLLEGAMENTO FRENO | BRAKE CONNECTON | DOUILLE | KOMPASS | CASQUILLO 12.5X20X10 |
| 43 | F01020519R | VITE M12X1,75X 60 U5739 8.8ZN | SCREW M12X1,75X 60 U5739 8.8ZN | ECROU AUTOBL. M12 | SELBSTSPERR.MUTTER M12 | TUERCA M12X1,75 U7474 CL8 ZN |
| 44 | B01300463R | BUSSOLA 12.5X20X10 | BUSH | CONNECTION FREIN | BREMSENKUPPLUNG | CONEXI N DEL FRENO |
| 45 | F01420120R | ROS.M12 13X36X2,5 U6593 ZN | WASHER M12 13X36X2,5 U6593 ZN | | | TORNILLO M12X1,75X 60 U5739 8 |
| 46 | F01230213R | DADO M12X1,75 U7474 CL8 ZN | NUT M12X1,75 U7474 6SZN | DOUILLE | KOMPASS | CASQUILLO 12.5X20X10 |
| 47 | B0C100047R | FULCRO FRENO CASSONE DX | BRAKE FULCRUM RIGHT BOX | RONDELLE M12 13X36X2,5 ZN | | ARAND.M12 13X36X2,5 U6593 ZN |
| 48 | B0C100048R | FULCRO FRENO CASSONE SX | BRAKE FULCRUM LEFT BOX | ECROU AUTOBL. M12 | SELBSTSPERR.MUTTER M12 | TUERCA M12X1,75 U7474 CL8 ZN |
| 49 | F01020508R | VITE M12X1,75X25 U5739 8.8ZN | SCR. M12X1,75X25 U5739 8.8ZN | POINT D APPUI FREIN BOITE DR | BREMSSENSCHENKUNKT RECHTES GEH | FULCRO FRENO CAJ N DER |
| 50 | F01410076R | ROS.M12 13X 24X2,5 U6592 ZN | WASHER 12 13X 24X2,5 U6592 ZN | POINT D APPUI FREIN BOITE GA | BREMSSENSCHENKUNKT LINKES GEHA | FULCRO FRENO CAJ N IZQ |
| 51 | F01230213R | DADO M12X1,75 U7474 CL8 ZN | NUT M12X1,75 U7474 6SZN | VIS M12X1,75X25 U5739 8.8 ZN | SCHRAUBE M12X1,75X25U57398.8ZN | TORNILLO M12X1,75X25 U5739 |
| 52 | B07V00118R | TAPPO COPRITUBO 45 X 1-3 01IL | COVER PIPE | RONDEL. M12 13X24X2,5 U6592 ZN | SCHEIBE M12 13X24X2,5 U6592 ZN | ARAND.M12 13X 24X2,5 U6592 ZN |
| 53 | F01230213R | DADO M12X1,75 U7474 CL8 ZN | NUT M12X1,75 U7474 6SZN | ECROU AUTOBL. M12 | SELBSTSPERR.MUTTER M12 | TUERCA M12X1,75 U7474 CL8 ZN |
| 54 | F01410076R | ROS.M12 13X 24X2,5 U6592 ZN | WASHER 12 13X 24X2,5 U6592 ZN | | | TAP N DE COBERTURA TUBO 45 X 1 |
| 55 | B01301079R | GUIDA ESTERNA | EXTERNAL GUIDE | ECROU AUTOBL. M12 | SELBSTSPERR.MUTTER M12 | TUERCA M12X1,75 U7474 CL8 ZN |
| 56 | B01301081R | DISCO 36X5 | DISC 36X5 | RONDEL. M12 13X24X2,5 U6592 ZN | SCHEIBE M12 13X24X2,5 U6592 ZN | ARAND.M12 13X 24X2,5 U6592 ZN |
| 57 | B01800046R | MOLLA 6 30 180C | SPRING | GUIDE EXTERIEURE | AEUSSERE FUEHRUNG | GU A EXTERNA |
| | | | | DISQUE 36X5 | SCHEIBE 36X5 | DISCO 36X5 |
| | | | | RESSORT | FEDER | MUELLE 6 30 180C |

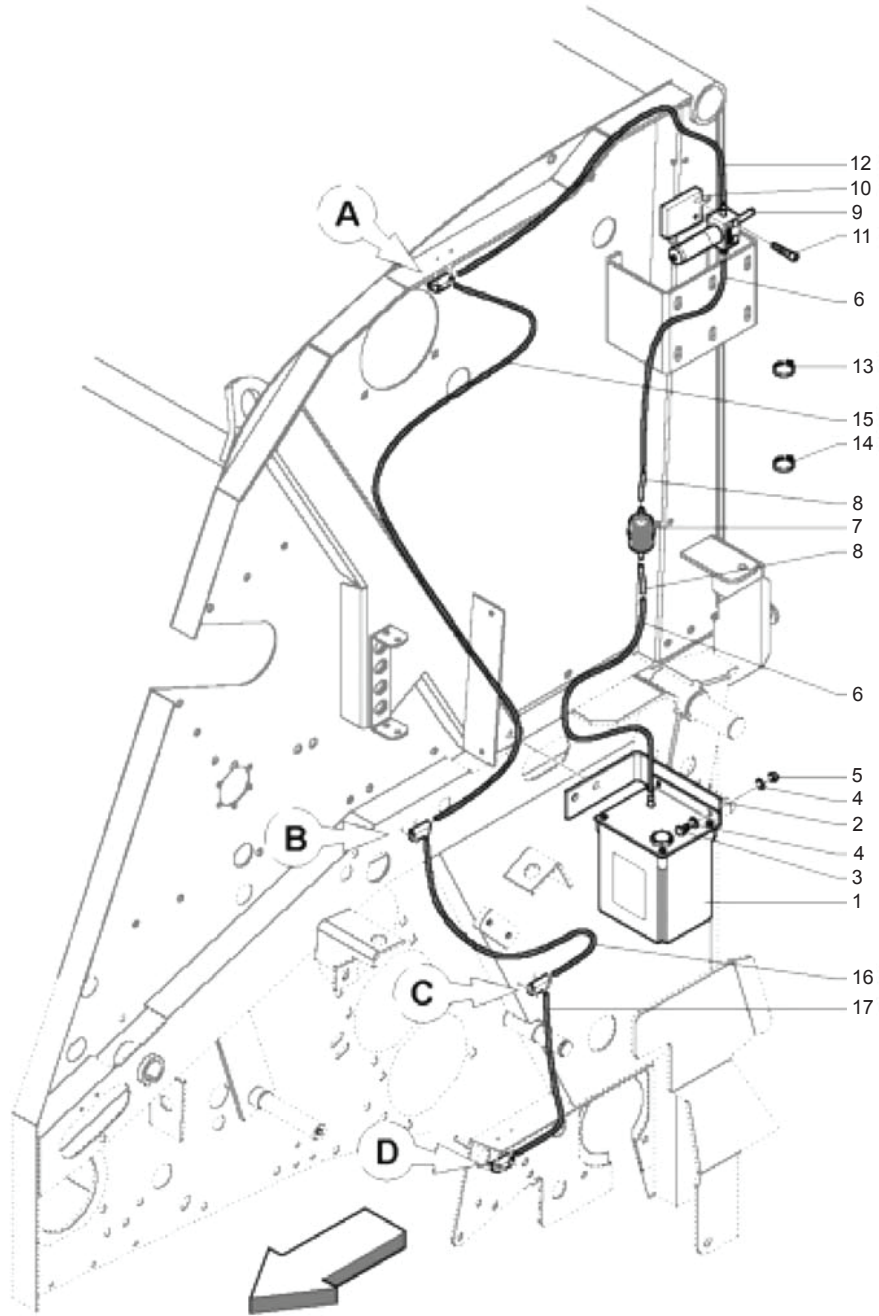
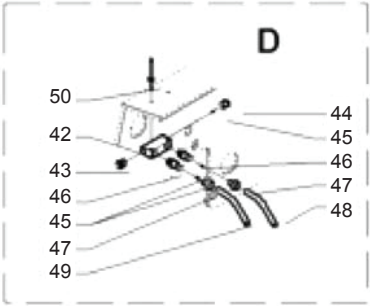
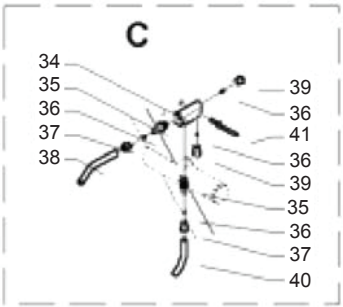
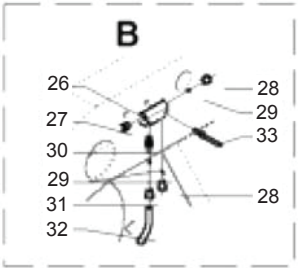
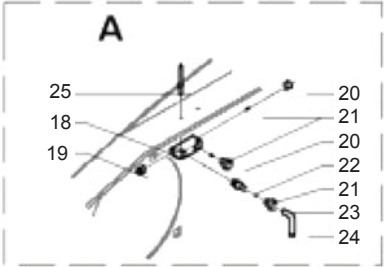


(*) 34 = SINISTRO
LEFT
(**) 66 = DESTRO
RIGHT

**LEGATORE RETE (PARTE 5)
NET BINDER (PART 5)**

TAV_260

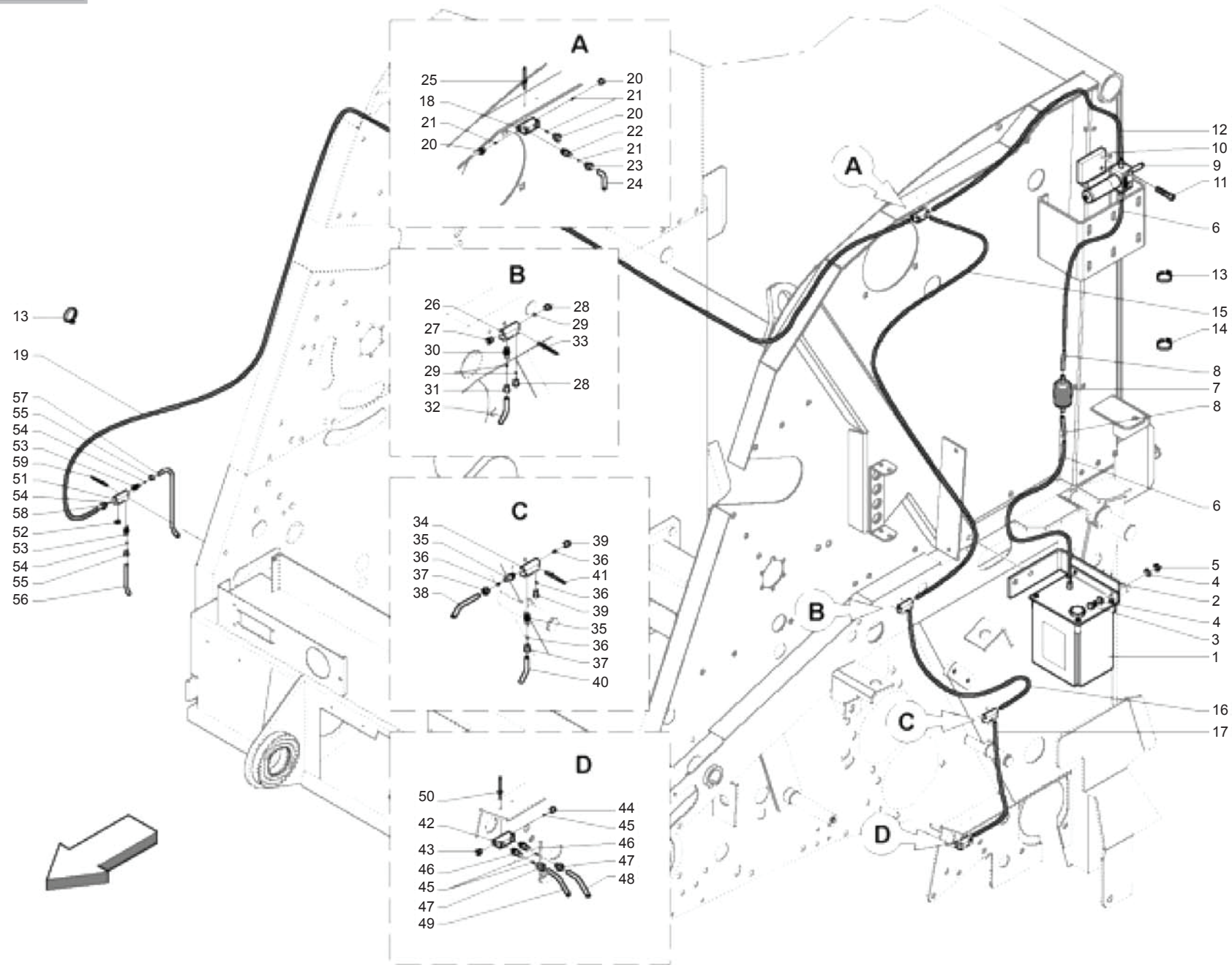
| Pos. | Cod. | Descrizione | Description | Description | Benennung | Descripcion |
|------|------------|--------------------------------|-------------------------------|--------------------------------|--------------------------------|--------------------------------|
| 58 | B01301082R | RALLA 22 36 5 | FIFTH WHEEL | BUTEE | DISTANZSCHEIBE 22 36 5 | RANGUA 22 36 5 |
| 59 | B01301078R | GUIDA INFERIORE | LOWER GUIDE | GUIDE INFERIEURE | UNTERE FUEHRUNG | GU A INFERIOR |
| 60 | B01110535R | SPINA ELAST. 5X 36 SS DIN 1481 | PIN | GOUPILLE | STIFT | CLAVIJA EL ST. 5X 36 SS DIN 14 |
| 61 | B01110835R | SPINA ELAST. 8X 35 SS DIN 1481 | PIN | GOUPILLE | STIFT | CLAVIJA EL ST. 8X 35 SS DIN 14 |
| 62 | F01230213R | DADO M12X1,75 U7474 CL8 ZN | NUT M12X1,75 U7474 6SZN | ECROU AUTOBL. M12 | SELBSTSPERR.MUTTER M12 | TUERCA M12X1,75 U7474 CL8 ZN |
| 63 | F01410076R | ROS.M12 13X 24X2,5 U6592 ZN | WASHER 12 13X 24X2,5 U6592 ZN | RONDEL. M12 13X24X2,5 U6592 ZN | SCHEIBE M12 13X24X2,5 U6592 ZN | ARAND.M12 13X 24X2,5 U6592 ZN |
| 64 | B07VC0016R | CAP. PROT. DADO M12 | GUARD CAP | CHAPEAU DE PROTECTION | SCHUTZDECKEL | CAP. PROT. TUERCA M12 |
| 65 | B025P0011R | TAMPONE ROTOLO RETE | BUSH FOR NET ROLL | BAGUES | SCHLEGEL | TAP N ROLLO DE RED |
| 66 | B07V00111R | BOX RETE DX | RIGHT NET BOX | BOITE FILET DROIT | RECHTE NETZROLLENGEHAUSE | CAJA RED DER |



**IMPIANTO OLIIATURA AUTOMATICA
AUTOMATIC OILING SYSTEM**

TAV_265

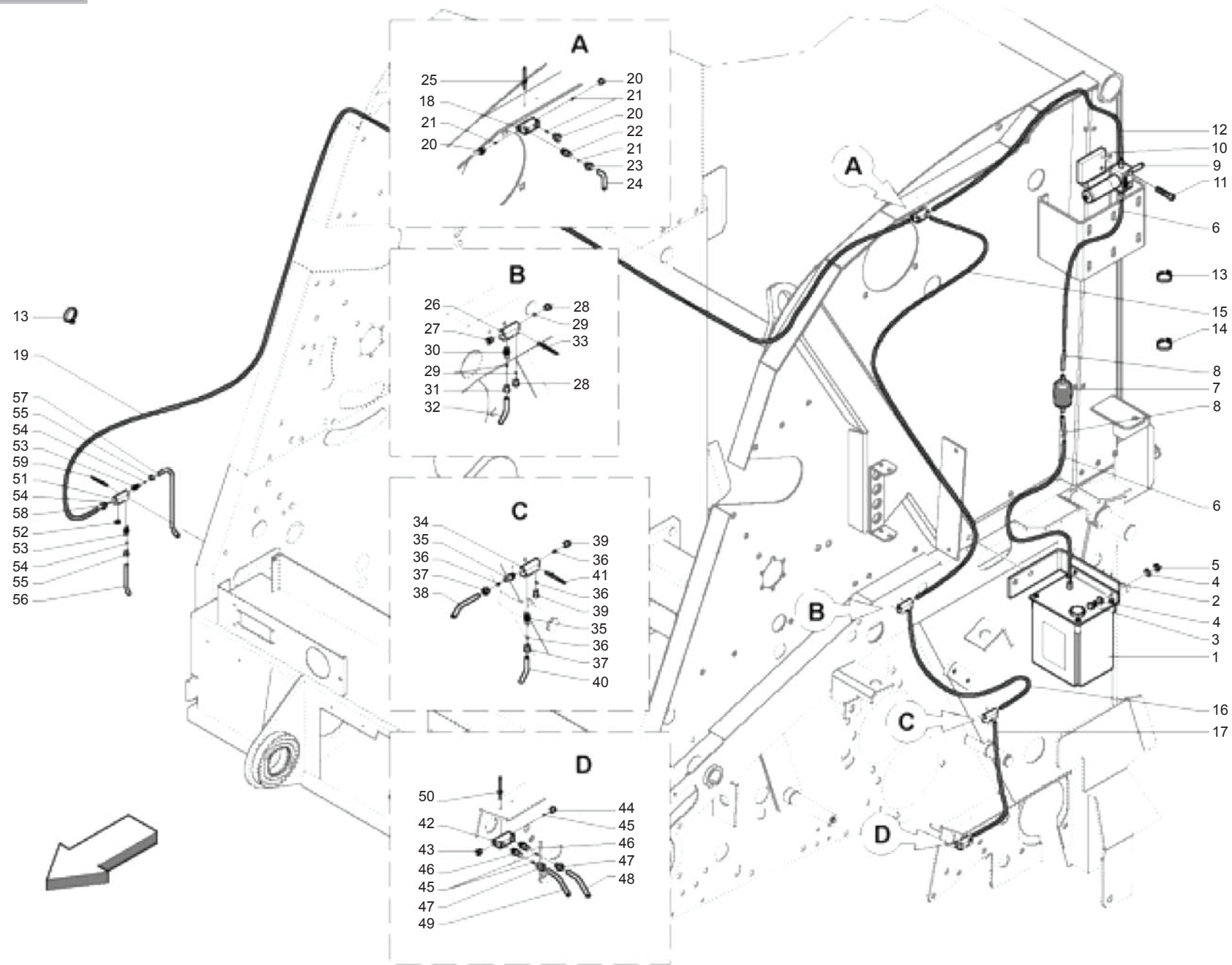
| Pos. | Cod. | Descrizione | Description | Description | Benennung | Descripcion |
|------|------------|--------------------------------|--------------------------------|--------------------------------|--------------------------------|--------------------------------|
| 1 | B04800000R | SERB.NYLON PER POMPA PISTONERI | NYLON TANK PUMP PISTONERI | RESERVOIR | OELBEHAELTER | DEP S.NAILON PARA BOMBA DE RE |
| 2 | B0C004684R | ATTACCO SERBATOIO | TANK ATTACHMENT | ATTELAGE RESERVOIR | OLTANKBEFESTIGUNG | CONEXI N DEL DEP SITO |
| 3 | B00180620R | VITE M6X1X20 U5739 8.8ZN | SCREW | VIS | SCHRAUBE | TORNILLO M6X1X20 U5739 8 |
| 4 | F01410037R | ROS.M6 6,4X12,5X1,6 U6592 ZN | WASHER M6 6,4X12,5X1,6 U6592ZN | RONDEL.M6 6,4X12,5X1,6 U6592ZN | SCHIEB.M6 6,4X12,5X1,6 U6592ZN | ARAND.M6 6,4X12,5X1,6 U6592 ZN |
| 5 | F01230184R | DADO M6X1 D985 8ZN | NUT M6X1 D985 8ZN | | | TUERCA M6X1 D985 8 |
| 6 | BOH000239R | TUBETTO IN NYLON 6 L=500 | NYLON HOSE | TUYAU EN NYLON DIAM 6 L=500 | NYLON ROEHRCHEN | TUBO DE NAILON 6 L=500 |
| 7 | BOH000022R | FILTRO BENZINA MAXIFISPINO | FILTER MAXIFIS | FILTRE ESSENCE | BENZINFILTER MAXIFIS | FILTRO DE LA GASOLINA MAXIFISP |
| 8 | BOH000023R | TUBETTO COLLEGAMENTO FILTRO | CONNECTION PIPE | PETIT TUBE JONCTION FILTRE | VERBINDUNGSSCHLAUCH | TUBO DE CONEXI N DEL FILTRO |
| 9 | BOH400007R | POMPA PIST PORT.6CCX10MM CORSA | PISTON PUMPT | POMPE PISTON | KOLBENPUMPE | BOMBA DE PIST PORT.6CCX10MM |
| 10 | B0C003928R | ATTACCO OLIATORE | LUBRICATION ATTACHMENT | ATTELAGE GRAISSEUR | SCHMIERVORRICHTUNGSBEFESTIGUNG | CONEXI N ACEITADOR |
| 11 | B00400850R | VITE M8X1,25X50 U5931 8.8BR | SCREW | VIS | SCHRAUBE M8X50.8.8 | TORNILLO M8X1,25X50 U5931 8 |
| 12 | BOH000132R | TUBETTO IN NYLON 4 L=750 | NYLON PIPE 4 L=750 | PETIT TUYAU EN NYLON DIAM 4 L= | KLEINE ROEHRE AUS NYLON J4 L=7 | TUBO DE NAILON 4 L=750 |
| 13 | F05150055R | FASCETTA POLYA. 3,6X200 NERA | WHITE BAND | BANDE BIANCHE | WEIBE BAND | BANDA POLYA. 3,6X200 NEGRA |
| 14 | BOE600026R | FASCETTA 10,4X 10,7 CE09 NORMA | CLAMP 8,8X9,3 HLS A HILLS | BANDE 8,8X9,3 | MANSCHETTE 8,8X9,3 HLS A HILLS | ABRAZADERA 10,4X 10,7 CE09 NOR |
| 15 | BOH000240R | TUBETTO IN NYLON 4 L=1200 | NYLON HOSE | TUYAU EN NYLON DIAM 4 L=1200 | NYLON ROEHRCHEN | TUBO DE NAILON 4 L=1200 |
| 16 | BOH000134R | TUBETTO IN NYLON 4 L=650 | NYLON PIPE 4 L=550 | PETIT TUYAU EN NYLON DIAM 4 L= | NYLONROEHRCHEN 4 L=550 | TUBO DE NAILON 4 L=650 |
| 17 | BOH000133R | TUBETTO IN NYLON 4 L=420 | NYLON PIPE 4 L=420 | PETIT TUYAU EN NYLON DIAM 4 L= | NYLONROEHRCHEN 4 L=420 | TUBO DE NAILON 4 L=420 |
| 18 | BOH000102R | DISTRIBUTORE UNILAT. 4 VIE | UNILATERAL DISTRIBUTOR | DISTRIBUTEUR UNILATERAL 4 VOIE | EINSEITIGER VERTEILER | DISTRIBUIDOR UNILAT. 4 V AS |
| 19 | BOH600015R | TAPPORIF.ILC 05.001.0 | PLUG | BOUCHON | STOEPSSEL | TAP REF.ILC 05.001.0 |
| 20 | BOH600016R | RACC. X TUBO 4RIF.ILC 04.102. | UNION FOR PIPE 4RI | RACCORD POUR TUYAU DIAM 4 | VERBINDUNGSTUECK FUR SCHLAUCH | EMP. X TUBO 4REF.ILC 04.102. |
| 21 | BOH600013R | DOPPI CONI PER TUBO 4 | DOUBLE CONE FOR PIPE | DOUBLE CONES POUR TUYAU 4 | DOPPELTER KEGEL FUER SCHLAUCH | DOBLES CONOS PARA TUBO 4 |
| 22 | BOHE00003R | INIETTORE TIPO E | TYPE E INJECTOR | GICLEUR TYPE E | SPRITZDUESE | INYEKTOR TIPO E |
| 23 | BOH600014R | RACCORDO INIETTORE PER TUBO 4 | INJECTOR UNION FOR PIPE | RACCORD INJECTEUR POUR TUYAU D | EINSPRITZDUESENANSCHLUSS | RACOR INYEKTOR PARA TUBO 4 |
| 24 | BOH000128R | TUBETTO IN RAME 4 L=120 | COPPER PIPE 4 L=1 | PETIT TUYAU EN CUIVRE DIAM. 4 | KUPFER ROEHRCHEN 04 L=1 | TUBO DE COBRE 4 L=120 |
| 25 | B01000012R | RIVETTO STR. 6,4X22 ACCIAIO | RIVET | RIVET | ABREISSNIETEN 6X26 | REMACHE EXTR. 6,4X22 ACERO |
| 26 | BOH000102R | DISTRIBUTORE UNILAT. 4 VIE | UNILATERAL DISTRIBUTOR | DISTRIBUTEUR UNILATERAL 4 VOIE | EINSEITIGER VERTEILER | DISTRIBUIDOR UNILAT. 4 V AS |
| 27 | BOH600015R | TAPPORIF.ILC 05.001.0 | PLUG | BOUCHON | STOEPSSEL | TAP REF.ILC 05.001.0 |
| 28 | BOH600016R | RACC. X TUBO 4RIF.ILC 04.102. | UNION FOR PIPE 4RI | RACCORD POUR TUYAU DIAM 4 | VERBINDUNGSTUECK FUR SCHLAUCH | EMP. X TUBO 4REF.ILC 04.102. |
| 29 | BOH600013R | DOPPI CONI PER TUBO 4 | DOUBLE CONE FOR PIPE | DOUBLE CONES POUR TUYAU 4 | DOPPELTER KEGEL FUER SCHLAUCH | DOBLES CONOS PARA TUBO 4 |
| 30 | BOHE00003R | INIETTORE TIPO E | TYPE E INJECTOR | GICLEUR TYPE E | SPRITZDUESE | INYEKTOR TIPO E |
| 31 | BOH600014R | RACCORDO INIETTORE PER TUBO 4 | INJECTOR UNION FOR PIPE | RACCORD INJECTEUR POUR TUYAU D | EINSPRITZDUESENANSCHLUSS | RACOR INYEKTOR PARA TUBO 4 |
| 32 | BOH000129R | TUBETTO IN RAME 4 L=90 | COPPER PIPE 4 L=9 | PETIT TUYAU EN CUIVRE DIAM. 4 | KUPFER ROEHRCHEN 4 L=9 | TUBO DE COBRE 4 L=90 |
| 33 | B01000012R | RIVETTO STR. 6,4X22 ACCIAIO | RIVET | RIVET | ABREISSNIETEN 6X26 | REMACHE EXTR. 6,4X22 ACERO |
| 34 | BOH000102R | DISTRIBUTORE UNILAT. 4 VIE | UNILATERAL DISTRIBUTOR | DISTRIBUTEUR UNILATERAL 4 VOIE | EINSEITIGER VERTEILER | DISTRIBUIDOR UNILAT. 4 V AS |
| 35 | BOHE00003R | INIETTORE TIPO E | TYPE E INJECTOR | GICLEUR TYPE E | SPRITZDUESE | INYEKTOR TIPO E |
| 36 | BOH600013R | DOPPI CONI PER TUBO 4 | DOUBLE CONE FOR PIPE | DOUBLE CONES POUR TUYAU 4 | DOPPELTER KEGEL FUER SCHLAUCH | DOBLES CONOS PARA TUBO 4 |
| 37 | BOH600014R | RACCORDO INIETTORE PER TUBO 4 | INJECTOR UNION FOR PIPE | RACCORD INJECTEUR POUR TUYAU D | EINSPRITZDUESENANSCHLUSS | RACOR INYEKTOR PARA TUBO 4 |
| 38 | BOH000128R | TUBETTO IN RAME 4 L=120 | COPPER PIPE 4 L=1 | PETIT TUYAU EN CUIVRE DIAM. 4 | KUPFER ROEHRCHEN 04 L=1 | TUBO DE COBRE 4 L=120 |
| 39 | BOH600016R | RACC. X TUBO 4RIF.ILC 04.102. | UNION FOR PIPE 4RI | RACCORD POUR TUYAU DIAM 4 | VERBINDUNGSTUECK FUR SCHLAUCH | EMP. X TUBO 4REF.ILC 04.102. |
| 40 | BOH000129R | TUBETTO IN RAME 4 L=90 | COPPER PIPE 4 L=9 | PETIT TUYAU EN CUIVRE DIAM. 4 | KUPFER ROEHRCHEN 4 L=9 | TUBO DE COBRE 4 L=90 |
| 41 | B01000012R | RIVETTO STR. 6,4X22 ACCIAIO | RIVET | RIVET | ABREISSNIETEN 6X26 | REMACHE EXTR. 6,4X22 ACERO |
| 42 | BOH000102R | DISTRIBUTORE UNILAT. 4 VIE | UNILATERAL DISTRIBUTOR | DISTRIBUTEUR UNILATERAL 4 VOIE | EINSEITIGER VERTEILER | DISTRIBUIDOR UNILAT. 4 V AS |
| 43 | BOH600015R | TAPPORIF.ILC 05.001.0 | PLUG | BOUCHON | STOEPSSEL | TAP REF.ILC 05.001.0 |
| 44 | BOH600016R | RACC. X TUBO 4RIF.ILC 04.102. | UNION FOR PIPE 4RI | RACCORD POUR TUYAU DIAM 4 | VERBINDUNGSTUECK FUR SCHLAUCH | EMP. X TUBO 4REF.ILC 04.102. |
| 45 | BOH600013R | DOPPI CONI PER TUBO 4 | DOUBLE CONE FOR PIPE | DOUBLE CONES POUR TUYAU 4 | DOPPELTER KEGEL FUER SCHLAUCH | DOBLES CONOS PARA TUBO 4 |
| 46 | BOHE00003R | INIETTORE TIPO E | TYPE E INJECTOR | GICLEUR TYPE E | SPRITZDUESE | INYEKTOR TIPO E |
| 47 | BOH600014R | RACCORDO INIETTORE PER TUBO 4 | INJECTOR UNION FOR PIPE | RACCORD INJECTEUR POUR TUYAU D | EINSPRITZDUESENANSCHLUSS | RACOR INYEKTOR PARA TUBO 4 |
| 48 | BOH000129R | TUBETTO IN RAME 4 L=90 | COPPER PIPE 4 L=9 | PETIT TUYAU EN CUIVRE DIAM. 4 | KUPFER ROEHRCHEN 4 L=9 | TUBO DE COBRE 4 L=90 |
| 49 | BOH000131R | TUBETTO IN RAME 4 L=190 | COPPER PIPE 4 L=1 | PETIT TUYAU EN CUIVRE DIAM 4 L | KUPFER ROEHRCHEN 4 L=1 | TUBO DE COBRE 4 L=190 |
| 50 | B01000012R | RIVETTO STR. 6,4X22 ACCIAIO | RIVET | RIVET | ABREISSNIETEN 6X26 | REMACHE EXTR. 6,4X22 ACERO |



**IMPIANTO OLIIATURA AUTOMATICA CUT
AUTOMATIC OILING CUT SYSTEM**

TAV_270

| Pos. | Cod. | Descrizione | Description | Description | Benennung | Descripcion |
|------|------------|--------------------------------|--------------------------------|--------------------------------|--------------------------------|--------------------------------|
| 1 | B04800000R | SERB.NYLON PER POMPA PISTONERI | NYLON TANK PUMP PISTONERI | RESERVOIR | OELBEHAELTER | DEP S.NAILON PARA BOMBA DE RE |
| 2 | B0C004684R | ATTACCO SERBATOIO | TANK ATTACHMENT | ATTELAGE RESERVOIR | OLTANKBEFESTIGUNG | CONEXI N DEL DEP SITO |
| 3 | B00180620R | VITE M6X1X20 U5739 8.8ZN | SCREW | VIS | SCHRAUBE | TORNILLO M6X1X20 U5739 8 |
| 4 | F01410037R | ROS.M6 6,4X12,5X1,6 U6592 ZN | WASHER M6 6,4X12,5X1,6 U6592ZN | RONDEL.M6 6,4X12,5X1,6 U6592ZN | SCHIEB.M6 6,4X12,5X1,6 U6592ZN | ARAND.M6 6,4X12,5X1,6 U6592 ZN |
| 5 | F01230184R | DADO M6X1 D985 8ZN | NUT M6X1 D985 8ZN | | | TUERCA M6X1 D985 8 |
| 6 | BOH000239R | TUBETTO IN NYLON 6 L=500 | NYLON HOSE | TUYAU EN NYLON DIAM 6 L=500 | NYLON ROEHRCHEN | TUBO DE NAILON 6 L=500 |
| 7 | BOH000022R | FILTRO BENZINA MAXIFISPINO | FILTER MAXIFIS | FILTRE ESSENCE | BENZINFILTER MAXIFIS | FILTRO DE LA GASOLINA MAXIFISP |
| 8 | BOH000023R | TUBETTO COLLEGAMENTO FILTRO | CONNECTION PIPE | PETIT TUBE JONCTION FILTRE | VERBINDUNGSSCHLAUCH | TUBO DE CONEXI N DEL FILTRO |
| 9 | BOH400007R | POMPA PIST PORT.6CCX10MM CORSA | PISTON PUMPT | POMPE PISTON | KOLBENPUMPE | BOMBA DE PIST PORT.6CCX10MM |
| 10 | B0C003928R | ATTACCO OLIATORE | LUBRICATION ATTACHMENT | ATTELAGE GRAISSEUR | SCHMIERVORRICHTUNGSBEFESTIGUNG | CONEXI N ACEITADOR |
| 11 | B00400850R | VITE M8X1,25X50 U5931 8.8BR | SCREW | VIS | SCHRAUBE M8X50.8.8 | TORNILLO M8X1,25X50 U5931 8 |
| 12 | BOH000132R | TUBETTO IN NYLON 4 L=750 | NYLON PIPE 4 L=750 | PETIT TUYAU EN NYLON DIAM 4 L= | KLEINE ROEHRE AUS NYLON J4 L=7 | TUBO DE NAILON 4 L=750 |
| 13 | F05150055R | FASCETTA POLYA. 3,6X200 NERA | WHITE BAND | BANDE BIANCHE | WEIBE BAND | BANDA POLYA. 3,6X200 NEGRA |
| 14 | BOE600026R | FASCETTA 10,4X 10,7 CE09 NORMA | CLAMP 8,8X9,3 HLS A HILLS | BANDE 8,8X9,3 | MANSCHETTE 8,8X9,3 HLS A HILLS | ABRAZADERA 10,4X 10,7 CE09 NOR |
| 15 | BOH000240R | TUBETTO IN NYLON 4 L=1200 | NYLON HOSE | TUYAU EN NYLON DIAM 4 L=1200 | NYLON ROEHRCHEN | TUBO DE NAILON 4 L=1200 |
| 16 | BOH000134R | TUBETTO IN NYLON 4 L=650 | NYLON PIPE 4 L=550 | PETIT TUYAU EN NYLON DIAM 4 L= | NYLONROEHRCHEN 4 L=550 | TUBO DE NAILON 4 L=650 |
| 17 | BOH000133R | TUBETTO IN NYLON 4 L=420 | NYLON PIPE 4 L=420 | PETIT TUYAU EN NYLON DIAM 4 L= | NYLONROEHRCHEN 4 L=420 | TUBO DE NAILON 4 L=420 |
| 18 | BOH000102R | DISTRIBUTORE UNILAT. 4 VIE | UNILATERAL DISTRIBUTOR | DISTRIBUTEUR UNILATERAL 4 VOIE | EINSEITIGER VERTEILER | DISTRIBUIDOR UNILAT. 4 V AS |
| 19 | BOH000241R | TUBETTO IN NYLON 4 L=2500 | NYLON HOSE | TUYAU EN NYLON DIAM 4 L=2500 | NYLON ROEHRCHEN | TUBO DE NAILON 4 L=2500 |
| 20 | BOH600016R | RACC. X TUBO 4RIF.ILC 04.102. | UNION FOR PIPE 4RI | RACCORD POUR TUYAU DIAM 4 | VERBINDUNGSTUECK FUR SCHLAUCH | EMP. X TUBO 4REF.ILC 04.102. |
| 21 | BOH600013R | DOPPI CONI PER TUBO 4 | DOUBLE CONE FOR PIPE | DOUBLE CONES POUR TUYAU 4 | DOPPELTER KEGEL FUER SCHLAUCH | DOBLES CONOS PARA TUBO 4 |
| 22 | BOHE00003R | INIETTORE TIPO E | TYPE E INJECTOR | GICLEUR TYPE E | SPRITZDUESE | INYEKTOR TIPO E |
| 23 | BOH600014R | RACCORDO INIETTORE PER TUBO 4 | INJECTOR UNION FOR PIPE | RACCORD INJECTEUR POUR TUYAU D | EINSPRITZDUESENANSCHLUSS | RACOR INYEKTOR PARA TUBO 4 |
| 24 | BOH000128R | TUBETTO IN RAME 4 L=120 | COPPER PIPE 4 L=1 | PETIT TUYAU EN CUIVRE DIAM. 4 | KUPFER ROEHRCHEN 04 L=1 | TUBO DE COBRE 4 L=120 |
| 25 | B01000012R | RIVETTO STR. 6,4X22 ACCIAIO | RIVET | RIVET | ABREISSNIETEN 6X26 | REMACHE EXTR. 6,4X22 ACERO |
| 26 | BOH000102R | DISTRIBUTORE UNILAT. 4 VIE | UNILATERAL DISTRIBUTOR | DISTRIBUTEUR UNILATERAL 4 VOIE | EINSEITIGER VERTEILER | DISTRIBUIDOR UNILAT. 4 V AS |
| 27 | BOH600015R | TAPPORIF.ILC 05.001.0 | PLUG | BOUCHON | STOEPSSEL | TAP REF.ILC 05.001.0 |
| 28 | BOH600016R | RACC. X TUBO 4RIF.ILC 04.102. | UNION FOR PIPE 4RI | RACCORD POUR TUYAU DIAM 4 | VERBINDUNGSTUECK FUR SCHLAUCH | EMP. X TUBO 4REF.ILC 04.102. |
| 29 | BOH600013R | DOPPI CONI PER TUBO 4 | DOUBLE CONE FOR PIPE | DOUBLE CONES POUR TUYAU 4 | DOPPELTER KEGEL FUER SCHLAUCH | DOBLES CONOS PARA TUBO 4 |
| 30 | BOHE00003R | INIETTORE TIPO E | TYPE E INJECTOR | GICLEUR TYPE E | SPRITZDUESE | INYEKTOR TIPO E |
| 31 | BOH600014R | RACCORDO INIETTORE PER TUBO 4 | INJECTOR UNION FOR PIPE | RACCORD INJECTEUR POUR TUYAU D | EINSPRITZDUESENANSCHLUSS | RACOR INYEKTOR PARA TUBO 4 |
| 32 | BOH000129R | TUBETTO IN RAME 4 L=90 | COPPER PIPE 4 L=9 | PETIT TUYAU EN CUIVRE DIAM. 4 | KUPFER ROEHRCHEN 4 L=9 | TUBO DE COBRE 4 L=90 |
| 33 | B01000012R | RIVETTO STR. 6,4X22 ACCIAIO | RIVET | RIVET | ABREISSNIETEN 6X26 | REMACHE EXTR. 6,4X22 ACERO |
| 34 | BOH000102R | DISTRIBUTORE UNILAT. 4 VIE | UNILATERAL DISTRIBUTOR | DISTRIBUTEUR UNILATERAL 4 VOIE | EINSEITIGER VERTEILER | DISTRIBUIDOR UNILAT. 4 V AS |
| 35 | BOHE00003R | INIETTORE TIPO E | TYPE E INJECTOR | GICLEUR TYPE E | SPRITZDUESE | INYEKTOR TIPO E |
| 36 | BOH600013R | DOPPI CONI PER TUBO 4 | DOUBLE CONE FOR PIPE | DOUBLE CONES POUR TUYAU 4 | DOPPELTER KEGEL FUER SCHLAUCH | DOBLES CONOS PARA TUBO 4 |
| 37 | BOH600014R | RACCORDO INIETTORE PER TUBO 4 | INJECTOR UNION FOR PIPE | RACCORD INJECTEUR POUR TUYAU D | EINSPRITZDUESENANSCHLUSS | RACOR INYEKTOR PARA TUBO 4 |
| 38 | BOH000128R | TUBETTO IN RAME 4 L=120 | COPPER PIPE 4 L=1 | PETIT TUYAU EN CUIVRE DIAM. 4 | KUPFER ROEHRCHEN 04 L=1 | TUBO DE COBRE 4 L=120 |
| 39 | BOH600016R | RACC. X TUBO 4RIF.ILC 04.102. | UNION FOR PIPE 4RI | RACCORD POUR TUYAU DIAM 4 | VERBINDUNGSTUECK FUR SCHLAUCH | EMP. X TUBO 4REF.ILC 04.102. |
| 40 | BOH000129R | TUBETTO IN RAME 4 L=90 | COPPER PIPE 4 L=9 | PETIT TUYAU EN CUIVRE DIAM. 4 | KUPFER ROEHRCHEN 4 L=9 | TUBO DE COBRE 4 L=90 |
| 41 | B01000012R | RIVETTO STR. 6,4X22 ACCIAIO | RIVET | RIVET | ABREISSNIETEN 6X26 | REMACHE EXTR. 6,4X22 ACERO |
| 42 | BOH000102R | DISTRIBUTORE UNILAT. 4 VIE | UNILATERAL DISTRIBUTOR | DISTRIBUTEUR UNILATERAL 4 VOIE | EINSEITIGER VERTEILER | DISTRIBUIDOR UNILAT. 4 V AS |
| 43 | BOH600015R | TAPPORIF.ILC 05.001.0 | PLUG | BOUCHON | STOEPSSEL | TAP REF.ILC 05.001.0 |
| 44 | BOH600016R | RACC. X TUBO 4RIF.ILC 04.102. | UNION FOR PIPE 4RI | RACCORD POUR TUYAU DIAM 4 | VERBINDUNGSTUECK FUR SCHLAUCH | EMP. X TUBO 4REF.ILC 04.102. |
| 45 | BOH600013R | DOPPI CONI PER TUBO 4 | DOUBLE CONE FOR PIPE | DOUBLE CONES POUR TUYAU 4 | DOPPELTER KEGEL FUER SCHLAUCH | DOBLES CONOS PARA TUBO 4 |
| 46 | BOHE00003R | INIETTORE TIPO E | TYPE E INJECTOR | GICLEUR TYPE E | SPRITZDUESE | INYEKTOR TIPO E |
| 47 | BOH600014R | RACCORDO INIETTORE PER TUBO 4 | INJECTOR UNION FOR PIPE | RACCORD INJECTEUR POUR TUYAU D | EINSPRITZDUESENANSCHLUSS | RACOR INYEKTOR PARA TUBO 4 |
| 48 | BOH000129R | TUBETTO IN RAME 4 L=90 | COPPER PIPE 4 L=9 | PETIT TUYAU EN CUIVRE DIAM. 4 | KUPFER ROEHRCHEN 4 L=9 | TUBO DE COBRE 4 L=90 |
| 49 | BOH000131R | TUBETTO IN RAME 4 L=190 | COPPER PIPE 4 L=1 | PETIT TUYAU EN CUIVRE DIAM 4 L | KUPFER ROEHRCHEN 4 L=1 | TUBO DE COBRE 4 L=190 |
| 50 | B01000012R | RIVETTO STR. 6,4X22 ACCIAIO | RIVET | RIVET | ABREISSNIETEN 6X26 | REMACHE EXTR. 6,4X22 ACERO |
| 51 | BOH000102R | DISTRIBUTORE UNILAT. 4 VIE | UNILATERAL DISTRIBUTOR | DISTRIBUTEUR UNILATERAL 4 VOIE | EINSEITIGER VERTEILER | DISTRIBUIDOR UNILAT. 4 V AS |
| 52 | BOH600015R | TAPPORIF.ILC 05.001.0 | PLUG | BOUCHON | STOEPSSEL | TAP REF.ILC 05.001.0 |
| 53 | BOHE00003R | INIETTORE TIPO E | TYPE E INJECTOR | GICLEUR TYPE E | SPRITZDUESE | INYEKTOR TIPO E |
| 54 | BOH600013R | DOPPI CONI PER TUBO 4 | DOUBLE CONE FOR PIPE | DOUBLE CONES POUR TUYAU 4 | DOPPELTER KEGEL FUER SCHLAUCH | DOBLES CONOS PARA TUBO 4 |
| 55 | BOH600014R | RACCORDO INIETTORE PER TUBO 4 | INJECTOR UNION FOR PIPE | RACCORD INJECTEUR POUR TUYAU D | EINSPRITZDUESENANSCHLUSS | RACOR INYEKTOR PARA TUBO 4 |
| 56 | BOH000128R | TUBETTO IN RAME 4 L=120 | COPPER PIPE 4 L=1 | PETIT TUYAU EN CUIVRE DIAM. 4 | KUPFER ROEHRCHEN 04 L=1 | TUBO DE COBRE 4 L=120 |
| 57 | BOH000130R | TUBETTO IN RAME 4 L=150 | COPPER PIPE 4 L=1 | PETIT TUYAU EN CUIVRE DIAM 4 L | KUPFER ROEHRCHEN 4 L=1 | TUBO DE COBRE 4 L=150 |



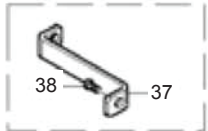
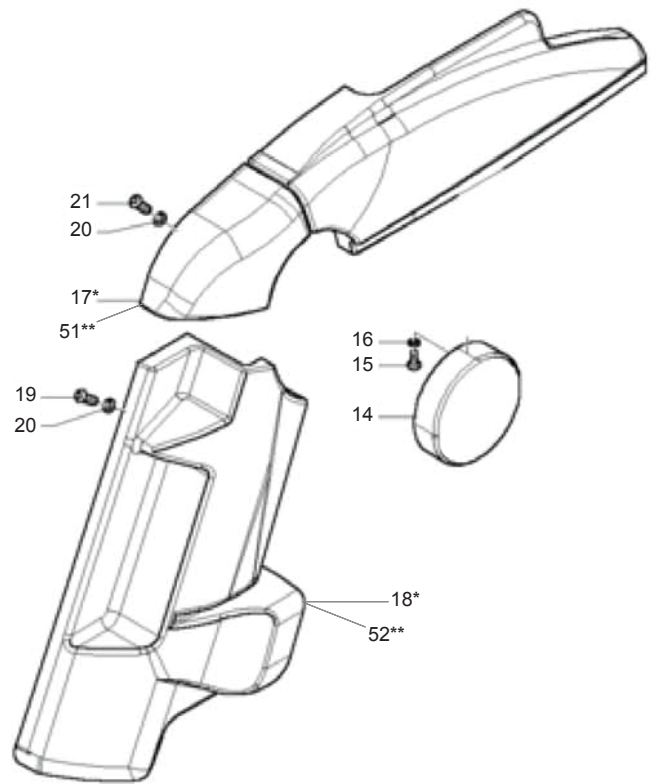
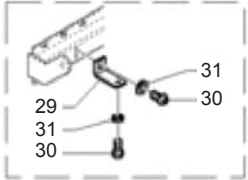
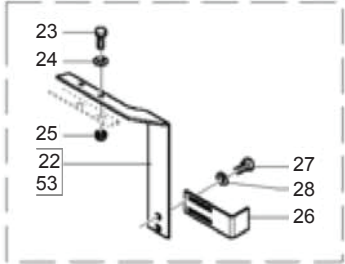
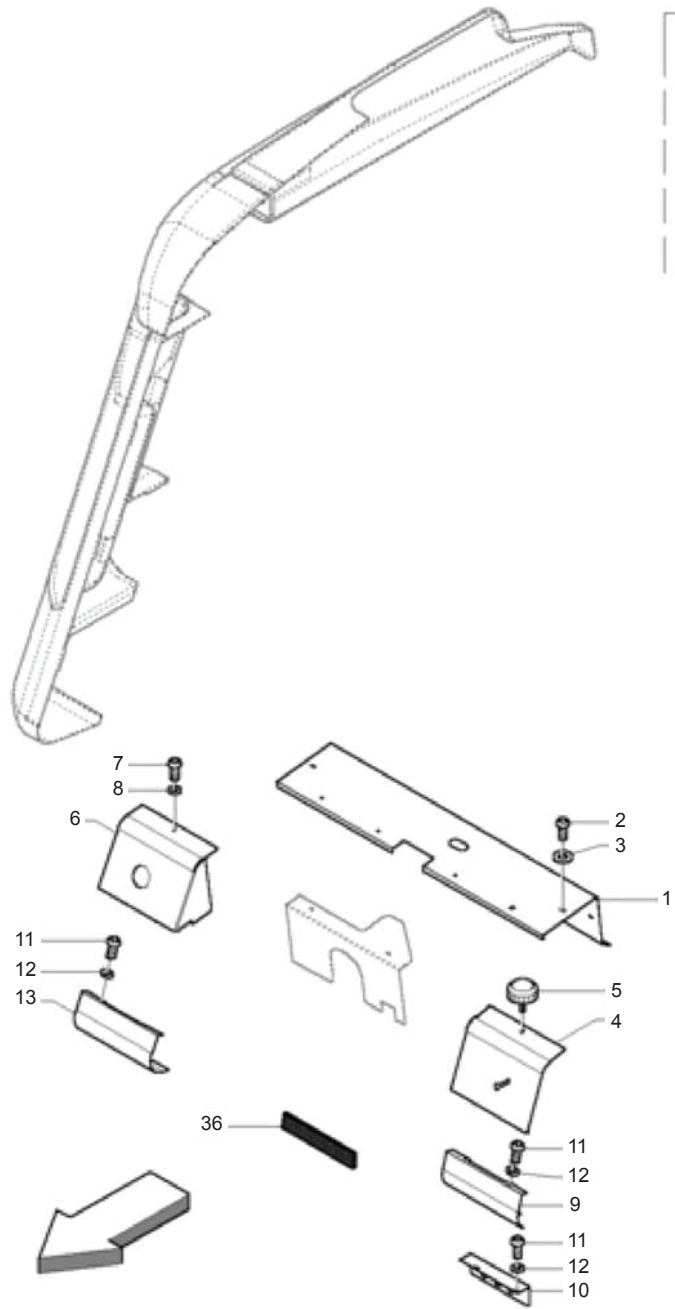
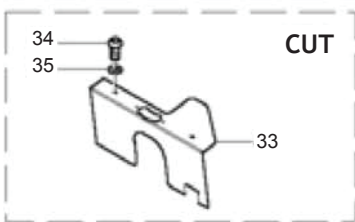
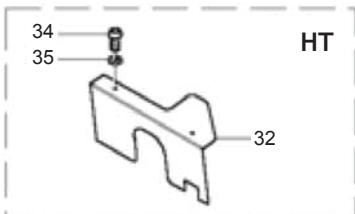
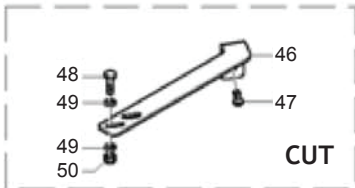
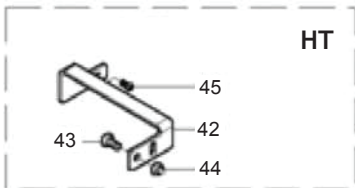
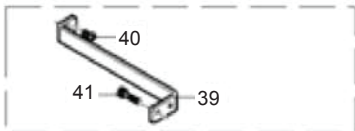
**IMPIANTO OLIIATURA AUTOMATICA CUT
AUTOMATIC OILING CUT SYSTEM**

TAV_270

| Pos. | Cod. | Descrizione | Description | Description | Benennung | Descripcion |
|-------------|-------------|-------------------------------|--------------------|---------------------------|-------------------------------|------------------------------|
| 58 | B0H600016R | RACC. X TUBO 4RIF.ILC 04.102. | UNION FOR PIPE 4RI | RACCORD POUR TUYAU DIAM 4 | VERBINDUNGSTUECK FUR SCHLAUCH | EMP. X TUBO 4REF.ILC 04.102. |
| 59 | B01000012R | RIVETTO STR. 6,4X22 ACCIAIO | RIVET | RIVET | ABREISSNIETEN 6X26 | REMACHE EXTR. 6,4X22 ACERO |

TAV_275

(*) 17, 18 = SINISTRO
LEFT
(**) 51, 52 = DESTRO
RIGHT



**CARTER ANTERIORI
FRONT CARTER**

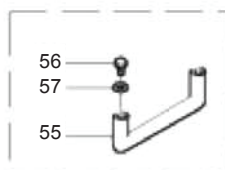
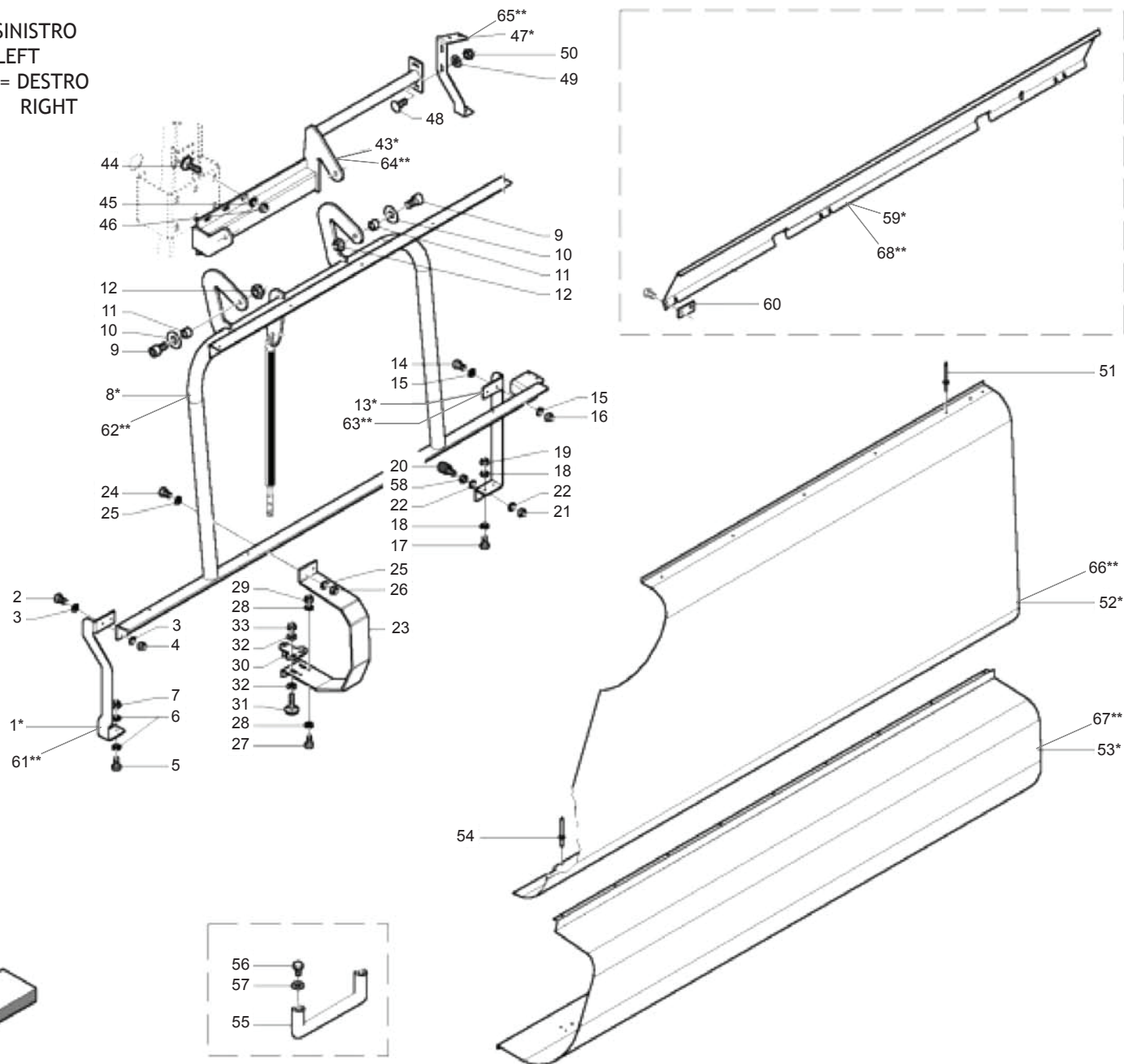
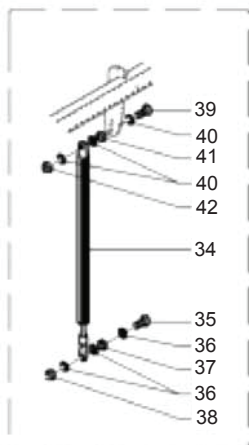
TAV_275

| Pos. | Cod. | Descrizione | Description | Description | Benennung | Descrpcion |
|------|------------|--------------------------------|--------------------------------|--------------------------------|--------------------------------|--------------------------------|
| 1 | B0C004454R | PROTEZIONE SUPERIORE | HIGHER PROTECTION | PROTECTION SUPERIEURE | SCHUETZ OBEN | PROTECCI N SUPERIOR |
| 2 | F01030208R | VITE M 8X1,25X 20 U7380 10.9ZN | SCREW M8X1,25X20 U7380 10.9ZN | | | TORNILLO M 8X1,25X 20 U7380 10 |
| 3 | F01420048R | ROS.M8 8,4X 24X 2 U6593 ZN | WASHER M8 8,4X 24X2 U6593 ZN | RONDELLE M8 8,4X24X 2 U6593 ZN | SCHEIBEN M8 8,4X24X 2 U6593 ZN | ARAND.M8 8,4X 24X 2 U6593 ZN |
| 4 | B0C004632R | SPORTELLO | DOOR | GUICHET | TUER | PUERTA |
| 5 | B07V00106R | VOLANTINO M8X15 DIAM. 30 | KNOB WHEEL | VOLAN M 8 DIAM. 30X19 | HANDRAD | VOLANTE M8X15 DI M. 30 |
| 6 | B0C004958R | SPORTELLO DX | RIGHT DOOR | GUICHET DROIT | FENSTER RECHTS | PUERTA DER |
| 7 | B00470815R | VITE TTEI M 8X 15-8.8 UNBRA | SCREW | VIS | SCHRAUBE VERZINKT TTEI M8X15 8 | TORNILLO CAB.ALLEN CON HUECO |
| 8 | F01420048R | ROS.M8 8,4X 24X 2 U6593 ZN | WASHER M8 8,4X 24X2 U6593 ZN | RONDELLE M8 8,4X24X 2 U6593 ZN | SCHEIBEN M8 8,4X24X 2 U6593 ZN | ARAND.M8 8,4X 24X 2 U6593 ZN |
| 9 | B0C005254R | CHIUSURA INFERIORE SX | LEFT LOWER CLOSURE | FERMETURE INFERIEURE GAUCHE | VERSCHLUSS UNTEN | CIERRE INFERIOR IZQ |
| 10 | B0C004370R | TERMINALE CHIUSURA INF.SX | TERMINALE CHIUSURA INF.SX | | | TERMINAL DE CIERRE INF.IZQ |
| 11 | B00470620R | VITE TTEI M 6X 20-8.8 UNBRA | SCREW | VIS | SCHRAUBE TTEI M6X20-10.9 | TORNILLO CAB.ALLEN CON HUEC |
| 12 | F01410037R | ROS.M6 6,4X12,5X1,6 U6592 ZN | WASHER M6 6,4X12,5X1,6 U6592ZN | RONDEL.M6 6,4X12,5X1,6 U6592ZN | SCHEIB.M6 6,4X12,5X1,6 U6592ZN | ARAND.M6 6,4X12,5X1,6 U6592 ZN |
| 13 | B0C004622R | CHIUSURA INFERIORE DX | RIGHT LOWER CLOSURE | FERMETURE INFERIEURE DROITE | VERSCHLUSS RECHTS | CIERRE INFERIOR DER |
| 14 | B07V00104R | BOTTONE | BUTTON | BOUTON | KNOPF | BOT N |
| 15 | F01020380R | VITE M5X0,8X20 U5739 8.8ZN | SCR. M5X0,8X20 U5739 8.8ZN | VIS M5X0,8X20 U5739 8.8ZN | SCHRAUBE M5X0,8X20 U5739 8.8ZN | TORNILLO M5X0,8X20 U5739 8 |
| 16 | F01420023R | ROS.M5 5,3X 15X1,5 U6593 ZN | WASHER M5 5,3X 15X1,5 U6593 | | | ARAND.M5 5,3X 15X1,5 U6593 |
| 17 | B07V00101R | CAPPELLO SX 265 | LEFT CAP 265 | CHAPEAU GAUCHE 265 | DECKEL LINKS 265 | CAPUCH N IZQ 265 |
| 18 | B07V00103R | SPIGOLO ANT. SX | LEFT FRONT EDGE | COIN EN AVANT GAUCHE | VORDERE KANTE LINKS | ESQUINA ANT. IZQ. |
| 19 | B004N0825R | VITE NERA TTEI M 8X 25-10,9 | SCREW | VIS | SCHRAUBE TCEI M 8X25 | TORNILLO NEGRO CAB.ALLEN CON |
| 20 | B07V00119R | RONDELLA SOTTOVITE HD 8,5X24X2 | WASHER HD 8,5X24X2 | RONDELLE | STIFT | ARANDELA BAJO TORNILLO HD 8,5 |
| 21 | B004N0820R | VITE NERA TTEI M 8X 20-10,9 | SCREW | VIS | SCHRAUBE TTEI M 8X20-10,9 | TORNILLO NEGRO CAB.ALLEN CON |
| 22 | B0C004424R | SOSTEGNO REGOLATORE SX | LEFT REGULATOR SUPPORT | SUPPORT REGULATEUR GAUCHE | EINSTELLERHALTER LINKS | SOPORTE REGULADOR IZQ |
| 23 | F01020063R | VITE M8X1,25X35 U5737 8.8ZN | SCR. M8X1,25X35 U5737 8.8ZN | VIS M8X1,25X35 U5737 8.8ZN | SCHRAU. M8X1,25X35 U5737 8.8ZN | TORNILLO M8X1,25X35 U5737 8.8 |
| 24 | F01420048R | ROS.M8 8,4X 24X 2 U6593 ZN | WASHER M8 8,4X 24X2 U6593 ZN | RONDELLE M8 8,4X24X 2 U6593 ZN | SCHEIBEN M8 8,4X24X 2 U6593 ZN | ARAND.M8 8,4X 24X 2 U6593 ZN |
| 25 | B00920208R | DADO AUTOB.BASSO M 8-5S D985 | NUT M8X1 D985 8ZN | ECROU | SELBSTSICHERNDE MUTTER M8-5S | TUERCA M8X1 D985 8 |
| 26 | B0C004372R | REGOLATORE CARTER LATERALI | SIDE GUARD ADJUSTING DEVICE | REGLEUR CARTERS LATERAUX | EINSTELLER CARTER SEITEN | REGULADOR DEL C RTERES LATER |
| 27 | F01020445R | VITE M8X1,25X30 U5739 8.8ZN | SCR. M8X1,25X30 U5739 8.8ZN | VIS M 8X1,25X30 U5739 8.8 ZN | SCHRAU. M8X1,25X30 U5739 8.8ZN | TORNILLO M8X1,25X30 U5739 8.8 |
| 28 | F01420048R | ROS.M8 8,4X 24X 2 U6593 ZN | WASHER M8 8,4X 24X2 U6593 ZN | RONDELLE M8 8,4X24X 2 U6593 ZN | SCHEIBEN M8 8,4X24X 2 U6593 ZN | ARAND.M8 8,4X 24X 2 U6593 ZN |
| 29 | B0C005196R | SOSTEGNO CARTER SUPERIORI | SUPPORT TOP CARTER | | | SOPORTE C RTERES SUPERIORES |
| 30 | B004N0820R | VITE NERA TTEI M 8X 20-10,9 | SCREW | VIS | SCHRAUBE TTEI M 8X20-10,9 | TORNILLO NEGRO CAB.ALLEN CON |
| 31 | F01420048R | ROS.M8 8,4X 24X 2 U6593 ZN | WASHER M8 8,4X 24X2 U6593 ZN | RONDELLE M8 8,4X24X 2 U6593 ZN | SCHEIBEN M8 8,4X24X 2 U6593 ZN | ARAND.M8 8,4X 24X 2 U6593 ZN |
| 32 | B0C004952R | CARTER CENTRALE | CENTRAL GUARD | CARTER CENTRALE | ZENTRAL ABDECKPLATTE | C RTER CENTRAL |
| 33 | B0C004626R | CARTER CENTRALE CUT | CUT CENTRAL GUARD | CARTER CENTRAL CUT | CARTER ZENTRAL CUT | C RTER CENTRAL CUT |
| 34 | F01030211R | VITE M8X1,25X25 U7380 10.9ZD | SCR. M8X1,25X25 U7380 10.9ZD | VIS 8X25 U7380 10.9 ZN | SCHRAUBE 8X25 U7380 10.9 ZN | TORNILLO M8X1,25X25 U7380 10 |
| 35 | F01420048R | ROS.M8 8,4X 24X 2 U6593 ZN | WASHER M8 8,4X 24X2 U6593 ZN | RONDELLE M8 8,4X24X 2 U6593 ZN | SCHEIBEN M8 8,4X24X 2 U6593 ZN | ARAND.M8 8,4X 24X 2 U6593 ZN |
| 36 | B07VP0011R | PROT. ASOLA | HOLE PROTECTION | PROTECTION FENTE | LOCHSCHUTZ | PROT. OJAL |
| 37 | B0C005203R | SOSTEGNO LAT. SX CARTER | GUARD LEFT SIDE SUPPORT | SUPPORT LATERAL GAUCHE CARTER | HALTER | SOPORTE LAT. IZQ C RTER |
| 38 | B004N0820R | VITE NERA TTEI M 8X 20-10,9 | SCREW | VIS | SCHRAUBE TTEI M 8X20-10,9 | TORNILLO NEGRO CAB.ALLEN CON |
| 39 | B0C005197R | SOSTEGNO LAT. DX CARTER | GUARD RIGHT SIDE SUPPORT | SUPPORT LATERAL DROIT CARTER | SEITENANSCHLUSS | SOPORTE LAT. DER C RTER |
| 40 | B004N0820R | VITE NERA TTEI M 8X 20-10,9 | SCREW | VIS | SCHRAUBE TTEI M 8X20-10,9 | TORNILLO NEGRO CAB.ALLEN CON |
| H41 | B00370001R | VITE TE M 8X16 A SEZ.TRILOBATA | SCREW TRE M 8X16 SEZ TROUBLED | VIS | SCHRAUBE M 8X15 | TORNILLO CHEX M 8X16 A SECC. T |
| 42 | B0C4P0003R | SOSTEGNO SPIGOLO INFERIORE DX | RIGHT LOWER EDGE SUPPORT | SUPPORT COIN INFERIEUR DROIT | KANTEHALTER | SOPORTE ESQUINA INFERIOR DER |
| 43 | B00181255R | VITE M12X 55-8.8 UNI 5739 | SCREW | VIS | VERZINKTE SCHRAUBE | TORNILLO M12X 55-8.8 UNI 5739 |
| 44 | F01230213R | DADO M12X1,75 U7474 CL8 ZN | NUT M12X1,75 U7474 6SZN | ECROU AUTOBL. M12 | SELBSTSPERR.MUTTER M12 | TUERCA M12X1,75 U7474 CL8 ZN |
| 45 | B004N0820R | VITE NERA TTEI M 8X 20-10,9 | SCREW | VIS | SCHRAUBE TTEI M 8X20-10,9 | TORNILLO NEGRO CAB.ALLEN CON |
| 46 | B0C4P0004R | SOSTEGNO SPIGOLO INFERIORE DX | CUT RIGHT LOWER EDGE SUPPORT | | | SOPORTE ESQUINA INFERIOR IZQ |
| 47 | B004N0820R | VITE NERA TTEI M 8X 20-10,9 | SCREW | VIS | SCHRAUBE TTEI M 8X20-10,9 | TORNILLO NEGRO CAB.ALLEN CON |
| 48 | F01020510R | VITE M12X1,75X30 U5739 8.8ZN | SCR. M12X1,75X30 U5739 8.8ZN | VIS M12X1,75X30 U5739 8.8ZN | SCHRAU.M12X1,75X30 U5739 8.8ZN | TORNILLO M12X1,75X30 U5739 |
| 49 | F01410076R | ROS.M12 13X 24X2,5 U6592 ZN | WASHER 12 13X 24X2,5 U6592 ZN | RONDEL. M12 13X24X2,5 U6592 ZN | SCHEIBE M12 13X24X2,5 U6592 ZN | ARAND.M12 13X 24X2,5 U6592 ZN |
| 50 | F01230213R | DADO M12X1,75 U7474 CL8 ZN | NUT M12X1,75 U7474 6SZN | ECROU AUTOBL. M12 | SELBSTSPERR.MUTTER M12 | TUERCA M12X1,75 U7474 CL8 ZN |
| 51 | B07V00100R | CAPPELLO DX 265 | RIGHT CAP 265 | CHAPEAU DROIT 265 | DECKEL RECHTS 265 | CAPUCH N DER 265 |
| 52 | B07V00102R | SPIGOLO ANT. DX | RIGHT FRONT EDGE | COIN EN AVANT DROIT | VORDERE KANTE RECHTS | ESQUINA ANT. DER. |
| 53 | B0C004425R | SOSTEGNO REGOLATORE DX | RIGHT REGULATOR SUPPORT | SUPPORT REGULATEUR DROIT | EINSTELLERHALTER RECHTS | SOPORTE REGULADOR DER |

TAV_280

(*) 1, 8, 13, 43, 47, 52, 53, 59 = SINISTRO
LEFT

(**) 61, 62, 63, 64, 65, 66, 67, 68 = DESTRO
RIGHT



**CARTER LATERALI
SIDE CARTER**

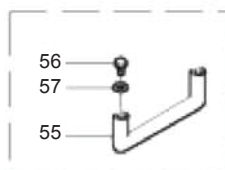
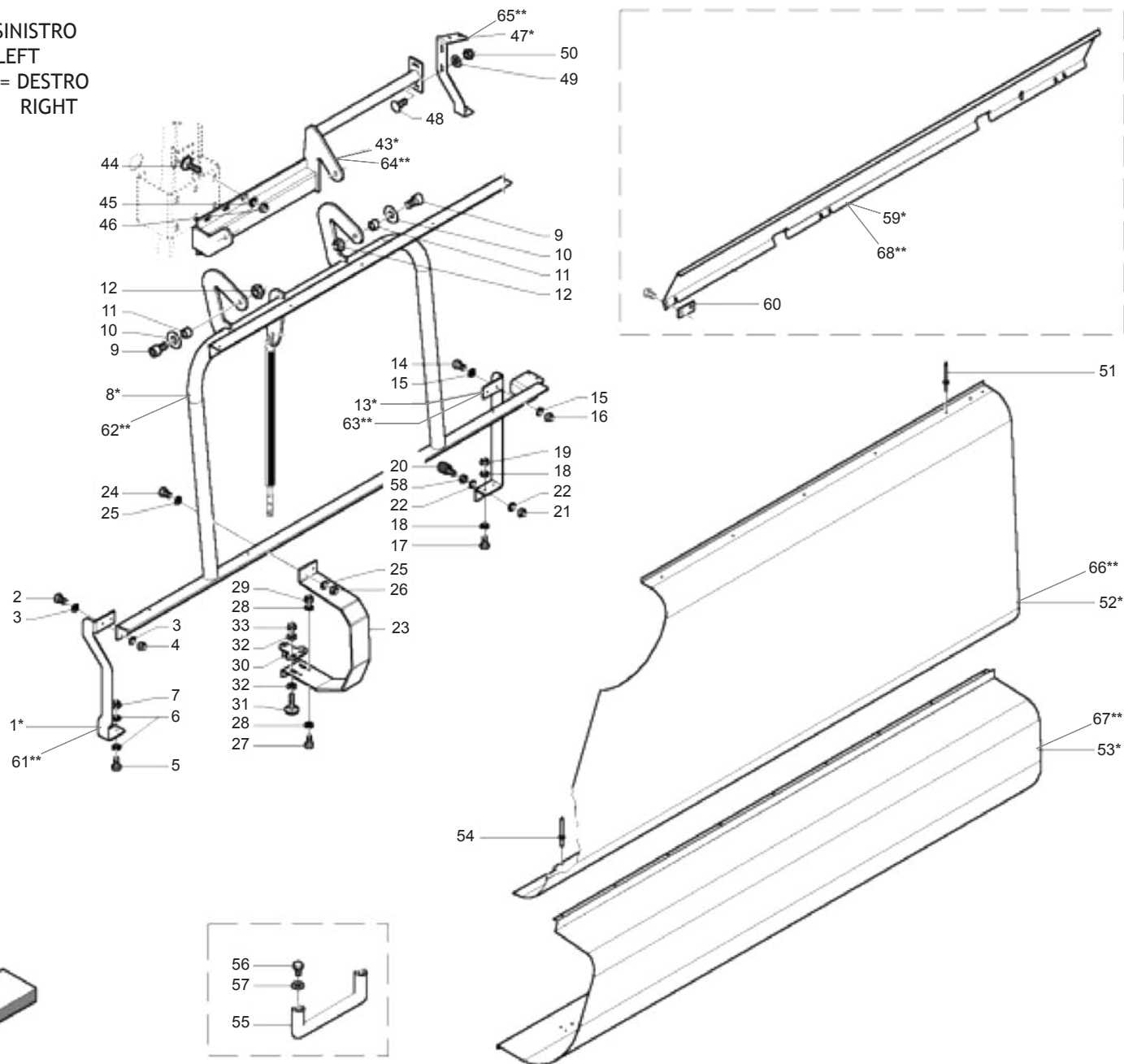
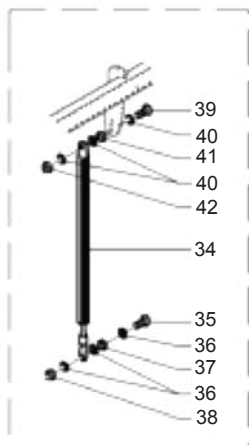
TAV_280

| Pos. | Cod. | Descrizione | Description | Description | Benennung | Descrpcion |
|------|------------|--------------------------------|--------------------------------|--------------------------------|--------------------------------|--------------------------------|
| 1 | B0C005009R | SOSTEGNO ANT. SX | LEFT FRONT SUPPORT | SUPPORT EN AVANT GAUCHE | HALTER VORNE LINKS | SOPORTE ANT. IZQ. |
| 2 | B00180625R | VITE M6X1X 25 U5739 8.8ZN | SCREW | VIS | SCHRAUBE | TORNILLO M6X1X 25 U5739 8.8ZN |
| 3 | F01410037R | ROS.M6 6,4X12,5X1,6 U6592 ZN | WASHER M6 6,4X12,5X1,6 U6592ZN | RONDEL.M6 6,4X12,5X1,6 U6592ZN | SCHEIB.M6 6,4X12,5X1,6 U6592ZN | ARAND.M6 6,4X12,5X1,6 U6592 ZN |
| 4 | F01230184R | DADO M6X1 D985 8ZN | NUT M6X1 D985 8ZN | | | TUERCA M6X1 D985 8 |
| 5 | B00180620R | VITE M6X1X20 U5739 8.8ZN | SCREW | VIS | SCHRAUBE | TORNILLO M6X1X20 U5739 8 |
| 6 | F01410037R | ROS.M6 6,4X12,5X1,6 U6592 ZN | WASHER M6 6,4X12,5X1,6 U6592ZN | RONDEL.M6 6,4X12,5X1,6 U6592ZN | SCHEIB.M6 6,4X12,5X1,6 U6592ZN | ARAND.M6 6,4X12,5X1,6 U6592 ZN |
| 7 | F01230184R | DADO M6X1 D985 8ZN | NUT M6X1 D985 8ZN | | | TUERCA M6X1 D985 8 |
| 8 | B07S01614R | TELAIO CARTER SX HT | HT LEFT GUARD FRAME | CHASSIS CARTER GAUCHE HT | CARTER RAHMEN LINKS HT | BASTIDOR C RTER IZQ HT |
| 9 | F01040140R | VITE M12X1,75X 40 U5931 8.8ZN | SCREW M12X1,75X 40 U5931 8.8Z | | | TORNILLO M12X1,75X 40 U5931 8. |
| 10 | F01420120R | ROS.M12 13X36X2,5 U6593 ZN | WASHER M12 13X36X2,5 U6593 ZN | RONDELLE M12 13X36X2,5 ZN | | ARAND.M12 13X36X2,5 U6593 ZN |
| 11 | B01300463R | BUSSOLA 12.5X20X10 | BUSH | DOUILLE | KOMPASS | CASQUILLO 12.5X20X10 |
| 12 | F01230213R | DADO M12X1,75 U7474 CL8 ZN | NUT M12X1,75 U7474 6SN | ECROU AUTOBL. M12 | SELBSTSPERR.MUTTER M12 | TUERCA M12X1,75 U7474 CL8 ZN |
| 13 | B0C004692R | SOSTEGNO SUPERIORE SX | LEFT UPPER SUPPORT | SUPPORT SUPERIEUR GAUCHE | HALTER OBEN LINKS | SOPORTE SUPERIOR IZQ |
| 14 | B00180625R | VITE M6X1X 25 U5739 8.8ZN | SCREW | VIS | SCHRAUBE | TORNILLO M6X1X 25 U5739 8.8ZN |
| 15 | F01410037R | ROS.M6 6,4X12,5X1,6 U6592 ZN | WASHER M6 6,4X12,5X1,6 U6592ZN | RONDEL.M6 6,4X12,5X1,6 U6592ZN | SCHEIB.M6 6,4X12,5X1,6 U6592ZN | ARAND.M6 6,4X12,5X1,6 U6592 ZN |
| 16 | F01230184R | DADO M6X1 D985 8ZN | NUT M6X1 D985 8ZN | | | TUERCA M6X1 D985 8 |
| 17 | B00180620R | VITE M6X1X20 U5739 8.8ZN | SCREW | VIS | SCHRAUBE | TORNILLO M6X1X20 U5739 8 |
| 18 | F01410037R | ROS.M6 6,4X12,5X1,6 U6592 ZN | WASHER M6 6,4X12,5X1,6 U6592ZN | RONDEL.M6 6,4X12,5X1,6 U6592ZN | SCHEIB.M6 6,4X12,5X1,6 U6592ZN | ARAND.M6 6,4X12,5X1,6 U6592 ZN |
| 19 | F01230184R | DADO M6X1 D985 8ZN | NUT M6X1 D985 8ZN | | | TUERCA M6X1 D985 8 |
| 20 | B01800082R | SILENT BLOCK 30X30-M8X25 | SILENT BLOCK 30X30-M8X20 | SILENT BLOCK 30X30-M8X20 | SILENTBLOCK 30X30-M8X20 | SILENT BLOCK 30X30-M8X25 |
| 21 | B00920208R | DADO AUTOB.BASSO M 8-5S D985 | NUT M8X1 D985 8ZN | ECROU | SELBSTSICHERNDE MUTTER M8-5S | TUERCA M8X1 D985 8 |
| 22 | F01410051R | ROS.M8 8,4X 17X1,6 U6592 ZN | WASHER M8 8,4X17X1,6 U6592 ZN | RONDELLE M8 8,4X17X1,6 ZN | SCHEIBE M8 8,4X17X1,6 U6592 ZN | ARAND.M8 8,4X 17X1,6 U6592 ZN |
| 23 | B0C100002R | SOSTEGNO CENTRALE | CENTRAL SUPPORT | SUPPORT CENTRAL | ANSCHLUSS ZENTRAL | SOPORTE CENTRAL |
| 24 | B00180625R | VITE M6X1X 25 U5739 8.8ZN | SCREW | VIS | SCHRAUBE | TORNILLO M6X1X 25 U5739 8.8ZN |
| 25 | F01410037R | ROS.M6 6,4X12,5X1,6 U6592 ZN | WASHER M6 6,4X12,5X1,6 U6592ZN | RONDEL.M6 6,4X12,5X1,6 U6592ZN | SCHEIB.M6 6,4X12,5X1,6 U6592ZN | ARAND.M6 6,4X12,5X1,6 U6592 ZN |
| 26 | F01230184R | DADO M6X1 D985 8ZN | NUT M6X1 D985 8ZN | | | TUERCA M6X1 D985 8 |
| 27 | B00180620R | VITE M6X1X20 U5739 8.8ZN | SCREW | VIS | SCHRAUBE | TORNILLO M6X1X20 U5739 8 |
| 28 | F01410037R | ROS.M6 6,4X12,5X1,6 U6592 ZN | WASHER M6 6,4X12,5X1,6 U6592ZN | RONDEL.M6 6,4X12,5X1,6 U6592ZN | SCHEIB.M6 6,4X12,5X1,6 U6592ZN | ARAND.M6 6,4X12,5X1,6 U6592 ZN |
| 29 | F01230184R | DADO M6X1 D985 8ZN | NUT M6X1 D985 8ZN | | | TUERCA M6X1 D985 8 |
| 30 | B07S01850R | ATTACCO CHIUSURA | CLOSURE CONNECTION | ATTELAGE FERMETURE | VERSCHLUSSANSCHLUSS | CONEXI N DE CIERRE |
| 31 | F01060202R | VITE M8X1,25X25 U5731 4.6ZN | SCR. M8X1,25X25 U5731 4.6ZN | VIS M8X1,25X25 U5731 4.6 | DUEBEL M8X1,25X25 U5731 4.6 ZN | TORNILLO M8X1,25X25 U5731 4.6 |
| 32 | F01420048R | ROS.M8 8,4X 24X 2 U6593 ZN | WASHER M8 8,4X 24X2 U6593 ZN | RONDELLE M8 8,4X24X 2 U6593 ZN | SCHEIBEN M8 8,4X24X 2 U6593 ZN | ARAND.M8 8,4X 24X 2 U6593 ZN |
| 33 | B00920208R | DADO AUTOB.BASSO M 8-5S D985 | NUT M8X1 D985 8ZN | ECROU | SELBSTSICHERNDE MUTTER M8-5S | TUERCA M8X1 D985 8 |
| 34 | BOH100003R | MOLLA A GAS 1900N | GAS SPRING 1900N | RESSORT GAS 1900 N | GASFEDER FUR NETZ | MUELLE DE GAS 1900N |
| 35 | F01020114R | VITE M10X1,5X50 U5737 8.8ZN | SCR. M10X1,5X50 U5737 8.8ZN | VIS M10X 1,5X50 U5737 8.8 ZN | SCHRA.M10X 1,5X50 U5737 8.8 ZN | TORNILLO M10X1,5X50 U5737 8.8 |
| 36 | F01410062R | ROS.M10 10,5X 18X 2 U6592 ZN | WASHER M10 10,5X 18X 2 U6592 | RONDELLE M10 10,5X18X2 ZN | DICHTUNGSRING M10 10,5X18X2 ZN | ARAND.M10 10,5X 18X 2 U6592 ZN |
| 37 | F01200270R | DADO M10X1,5 U5588 CL8 ZN | NUT M10X1,5 U5588 6.8ZN | ECROU M10X 1,5 U5588 6.8 ZN | MUTTER M10X 1,5 U5588 6.8 ZN | TUERCA M10X1,5 U5588 CL8 ZN |
| 38 | F01230202R | DADO M10X 1,5 D985 8 ZN | NUT M10 D985 | ECROU AUTOBL. M10 | SELBSTSPERR.MUTTER M10 | TUERCA M10X 1,5 D985 8 |
| 39 | F01020114R | VITE M10X1,5X50 U5737 8.8ZN | SCR. M10X1,5X50 U5737 8.8ZN | VIS M10X 1,5X50 U5737 8.8 ZN | SCHRA.M10X 1,5X50 U5737 8.8 ZN | TORNILLO M10X1,5X50 U5737 8.8 |
| 40 | F01410062R | ROS.M10 10,5X 18X 2 U6592 ZN | WASHER M10 10,5X 18X 2 U6592 | RONDELLE M10 10,5X18X2 ZN | DICHTUNGSRING M10 10,5X18X2 ZN | ARAND.M10 10,5X 18X 2 U6592 ZN |
| 41 | F01200270R | DADO M10X1,5 U5588 CL8 ZN | NUT M10X1,5 U5588 6.8ZN | ECROU M10X 1,5 U5588 6.8 ZN | MUTTER M10X 1,5 U5588 6.8 ZN | TUERCA M10X1,5 U5588 CL8 ZN |
| 42 | F01230202R | DADO M10X 1,5 D985 8 ZN | NUT M10 D985 | ECROU AUTOBL. M10 | SELBSTSPERR.MUTTER M10 | TUERCA M10X 1,5 D985 8 |
| 43 | B07S01613R | ATTACCO CERNIERA CARTER SX | LEFT GUARD HINGE CONNECTION | ATTELAGE CHARNIERE CARTER GAUC | ANSCHLUSS CARTER LINKS | CONEXI N BISAGRA C RTER IZQ |
| 44 | B00523421R | VITE SPECIALE TTQST M12X35-8.8 | SPECIAL SCREW | VIS SPECIALE | SCHRAUBE TTQST M12X 35-8.8 | TORNILLO ESPECIAL TTQST M12X35 |
| 45 | F01410076R | ROS.M12 13X 24X2,5 U6592 ZN | WASHER 12 13X 24X2,5 U6592 ZN | RONDEL. M12 13X24X2,5 U6592 ZN | SCHEIBE M12 13X24X2,5 U6592 ZN | ARAND.M12 13X 24X2,5 U6592 ZN |
| 46 | F01230213R | DADO M12X1,75 U7474 CL8 ZN | NUT M12X1,75 U7474 6SN | ECROU AUTOBL. M12 | SELBSTSPERR.MUTTER M12 | TUERCA M12X1,75 U7474 CL8 ZN |
| 47 | B0C005039R | SOSTEGNO SX CAPPELLO | CAP LEFT SUPPORT | SUPPORT GAUCHE CHAPEAU | HALTER LINKS DECKEL | SOPORTE IZQ CAPUCH N |
| 48 | F01060202R | VITE M8X1,25X25 U5731 4.6ZN | SCR. M8X1,25X25 U5731 4.6ZN | VIS M8X1,25X25 U5731 4.6 | DUEBEL M8X1,25X25 U5731 4.6 ZN | TORNILLO M8X1,25X25 U5731 4.6 |
| 49 | F01420048R | ROS.M8 8,4X 24X 2 U6593 ZN | WASHER M8 8,4X 24X2 U6593 ZN | RONDELLE M8 8,4X24X 2 U6593 ZN | SCHEIBEN M8 8,4X24X 2 U6593 ZN | ARAND.M8 8,4X 24X 2 U6593 ZN |
| 50 | B00920208R | DADO AUTOB.BASSO M 8-5S D985 | NUT M8X1 D985 8ZN | ECROU | SELBSTSICHERNDE MUTTER M8-5S | TUERCA M8X1 D985 8 |
| 51 | B01000010R | RIVETTO STR. 6X12 U9200A AL | RIVET | RIVET | ABREISSNIETEN 6X10 | REMACHE EXTR. 6X12 U9200A A |
| 52 | B0C004649R | CORPO CARTER SX 265 | LEFT CARTER BODY 265 | CORPS CARTER GAUCHE 265 | KOERPER CARTER LINKS 265 | CUERPO C RTER IZQ 265 |
| 53 | B0C004694R | CASSONE ROTOLO SX 265 | LEFT ROLLER BOX 265 | RESERVE ROULEAU GAUCHE 265 | ROLLEHALTER LINKS 265 | CAJ N DEL ROLLO IZQ 265 |
| 54 | B01000011R | RIVETTO STR. 6X12 U9200A AL | RIVET 6X12 U9200A AL | RIVET | ABREISSNIETEN 6X15 | REMACHE EXTR. 6X12 U9200A A |
| 55 | B07V00117R | MANIGL.01M20120D DITTA THENAR | HANDLE 01M20120D FROM THENAR | POIGNEE 01M20120D | GRIFF | MANILL.01M20120D EMPRESA THE |
| 56 | F01020431R | VITE M8X1,25X15 U5739 8.8ZN | SCR. M8X1,25X15 U5739 8.8ZN | VIS M 8X15 | SCHRAUBE M 8X15 | TORNILLO M8X1,25X15 U5739 8.8 |
| 57 | F01410051R | ROS.M8 8,4X 17X1,6 U6592 ZN | WASHER M8 8,4X17X1,6 U6592 ZN | RONDELLE M8 8,4X17X1,6 ZN | SCHEIBE M8 8,4X17X1,6 U6592 ZN | ARAND.M8 8,4X 17X1,6 U6592 ZN |

TAV_280

(*) 1, 8, 13, 43, 47, 52, 53, 59 = SINISTRO
LEFT

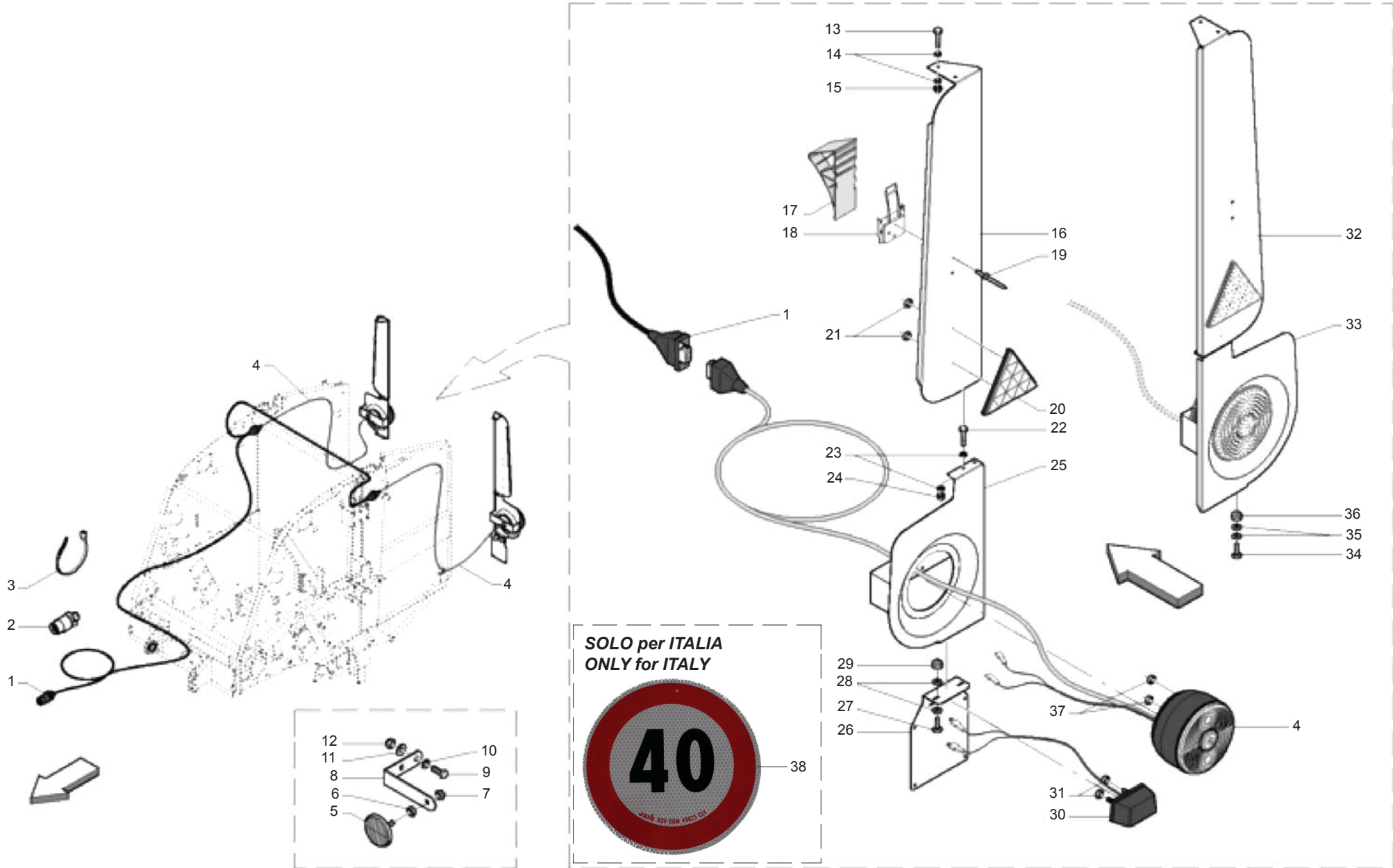
(**) 61, 62, 63, 64, 65, 66, 67, 68 = DESTRO
RIGHT



**CARTER LATERALI
SIDE CARTER**

TAV_280

| Pos. | Cod. | Descrizione | Description | Description | Benennung | Descripcion |
|------|------------|--------------------------------|--------------------------------|--------------------------------|------------------------------|--------------------------------|
| 58 | F01200244R | DADO M8X1,25 U5588 CL8 ZN | NUT M8X1,25 U5588 6.8ZN | ECROU M8 X1,25 U5588 6.8 ZN | MUTTER M8 X1,25 U5588 6.8 ZN | TUERCA M8X1,25 U5588 CL8 ZN |
| 59 | B0C3P0042R | PROT.INT.SX CARTER LAT.265-280 | GUARD LEFT INNER PROTECTION | PROTECTION INT. GAUCHE CARTER | SCHUETZ LINKS CARTER | PROT.INT.IZQ C RTER LAT.265-28 |
| 60 | B0C6P0112R | SOSTEGNO PROT. INTERNA | INNER PROTECTION SUPPORT | SUPPORT PROTECTION INTERIEURE | SCHUETZHALTER | SOPORTE PROTE. INTERNA |
| 61 | B0C005010R | SOSTEGNO ANT. DX | RIGHT FRONT SUPPORT | SUPPORT EN AVANT DROIT | HALTER VORNE RECHTS | SOPORTE ANT. DER. |
| 62 | B07S01615R | TELAIO CARTER DX HT | HT RIGHT GUARD FRAME | CHASSIS CARTER DROIT HT | CARTER RAHMEN RECHTS HT | BASTIDOR C RTER DER HT |
| 63 | B0C004693R | SOSTEGNO SUPERIORE DX | RIGHT UPPER SUPPORT | SUPPORT SUPERIEUR DROIT | HALTER OBEN RECHTS | SOPORTE SUPERIOR DER |
| 64 | B07S01767R | ATTACCO CERNIERA CARTER DX | RIGHT GUARD HINGE COUPLING | ATTELAGE CHARNIERE CARTER DROI | SCHARNIER ANSCHLUSS | CONEXI N BISAGRA C RTER DER |
| 65 | B0C005040R | SOSTEGNO DX CAPPELLO | RIGHT CAP SUPPORT | SUPPORT DROIT CHAPEAU | HALTER RECHTS DECKEL | SOPORTE DER CAPUCH N |
| 66 | B0C004650R | CORPO CARTER DX 265 | RIGHT CARTER BODY 265 | CORPS CARTER DROIT 265 | KOERPER CARTER RECHTS 265 | CUERPO C RTER DER 265 |
| 67 | B0C004695R | CASSONE ROTOLO DX 265 | RIGHT ROLLER BOX 265 | RESERVE ROULEAU DROIT 265 | ROLLEHALTER RECHTS 265 | CAJ N DEL ROLLO DER 265 |
| 68 | B0C3P0043R | PROT.INT.DX CARTER LAT.265-280 | SIDE GUARD 265-280 RIGHT INNER | PROT. INTERIEUR DROITE CARTER | SCHUETZ RECHTS CARTER | PROT.INT.DER C RTER LAT.265-28 |



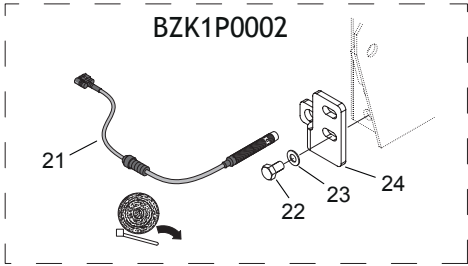
SOLO per ITALIA
ONLY for ITALY



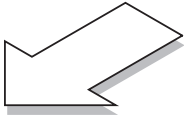
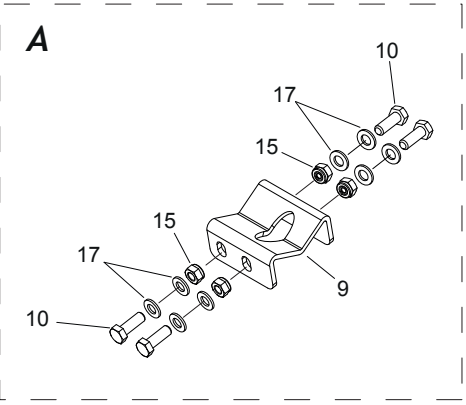
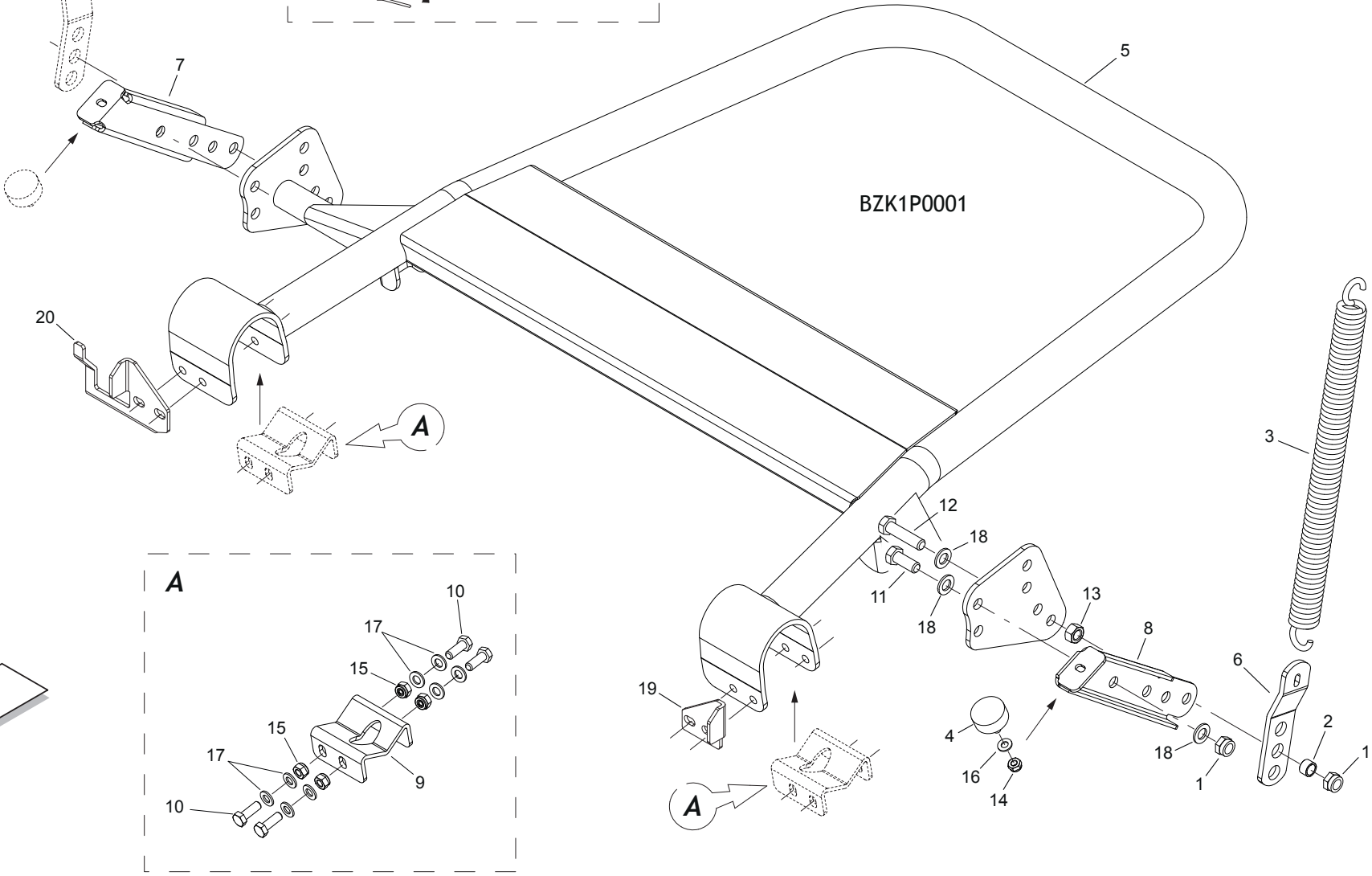
**IMPIANTO LUCI + CUNEI
LIGHTS PLANT + CHOCKS**

TAV_285

| Pos. | Cod. | Descrizione | Description | Description | Benennung | Descripcion |
|------|------------|--------------------------------|--------------------------------|--------------------------------|--------------------------------|--------------------------------|
| 1 | B0E000137R | SPINA 7 POLI E CABLAGGIO EXTRE | 7-POLES PLUG AND WIRING HARNES | | | CLAVIJA DE 7 POLOS CABLEADO E |
| 2 | B0E000011R | SPINA 7 POL.12V VST_018 REMPA | 7 POLE PLUG 12 V | GOUPILLE A 7 POLES 12V | 7 POL-STECKER 12 V | CLAVIJA 7 POL.12V VST_018 REMP |
| 3 | F05150055R | FASCETTA POLYA. 3,6X200 NERA | WHITE BAND | BANDE BIANCHE | WEIBE BAND | BANDA POLYA. 3,6X200 NEGRA |
| 4 | B0E000136R | FANALE POST. EXTREME | EXTREME BACK LAMP | FEU EN ARRIERE EXTREME | BELEUCHTUNG HINTEN EXTREME | FARO TRAS. EXTREME |
| 5 | B0E000026R | CATADIOTRO ROTONDO BIANCO | WHITE ROUND RETROREFLECTOR | CATADIOPTRE ROND BLANC | RUNDER WEISSER RUECKSTRAHLER | CATADI PTRICO REDONDO BLANCO |
| 6 | F01200220R | DADO M5X0,8 U5588 CL8 ZN | NUT M5X0,8 U5588 6.8ZN | ECROU 5 UNI 5588 6.8 ZN | MUTTER 5 UNI 5588 6.8 ZN | TUERCA M5X0,8 U5588 CL8 ZN |
| 7 | B00920005R | DADO AUTOB.BASSO M 5-5S DIN985 | NUT | ECROU | SELBSTSICHERNDE MUTTER M5-5S | TUERCA AUTOB.BAJA M 5-5S DIN98 |
| 8 | B0C6P0034R | SOSTEGNO CATARIFRANGENTE | REFLEX REFLECTO SUPPORT | SUPPORT CATADIOPTRE | HALTER RUECKSTRAHLER | SOPORTE CATADI PTRICO |
| 9 | B00180620R | VITE M6X1X20 U5739 8.8ZN | SCREW | VIS | SCHRAUBE | TORNILLO M6X1X20 U5739 8 |
| 10 | F01410037R | ROS.M6 6,4X12,5X1,6 U6592 ZN | WASHER M6 6,4X12,5X1,6 U6592ZN | RONDEL.M6 6,4X12,5X1,6 U6592ZN | SCHEIB.M6 6,4X12,5X1,6 U6592ZN | ARAND.M6 6,4X12,5X1,6 U6592 ZN |
| 11 | F01420035R | ROS.M6 6,4X 18X1,6 U6593 ZN | WASHER D.6 | RONDELLE D.6 | KUPFERSCHEIBE D.6 | ARAND.M6 6,4X 18X1,6 U6593 |
| 12 | F01230184R | DADO M6X1 D985 8ZN | NUT M6X1 D985 8ZN | | | TUERCA M6X1 D985 8 |
| 13 | B00180620R | VITE M6X1X20 U5739 8.8ZN | SCREW | VIS | SCHRAUBE | TORNILLO M6X1X20 U5739 8 |
| 14 | F01410037R | ROS.M6 6,4X12,5X1,6 U6592 ZN | WASHER M6 6,4X12,5X1,6 U6592ZN | RONDEL.M6 6,4X12,5X1,6 U6592ZN | SCHEIB.M6 6,4X12,5X1,6 U6592ZN | ARAND.M6 6,4X12,5X1,6 U6592 ZN |
| 15 | F01230184R | DADO M6X1 D985 8ZN | NUT M6X1 D985 8ZN | | | TUERCA M6X1 D985 8 |
| 16 | B0C004999R | CHIUSURA SUPERIORE SX | LEFT UPPER LOCK | FERMETURE SUPERIEURE GAUCHE | LINKER OBERER VERSCHLUSS | CIERRE SUPERIOR IZQ |
| 17 | F02250716R | CUNEO FERMO MACCHINA PLA | WEDGE STOP MACHINE PLA | | | |
| 18 | F02250717R | SUPPORTO CUNEO PLA | SUPPORT WEDGE PLA | | | SOPORTE DE CU A PLA |
| 19 | B01000011R | RIVETTO STR. 6X12 U9200A AL | RIVET 6X12 U9200A AL | RIVET | ABREISSNIETEN 6X15 | REMACHE EXTR. 6X12 U9200A A |
| 20 | B0E000025R | CATADIOTRO TRIANGOLARE ROSSO | RED TRIANGULAR RETROREFLECTOR | CATADIOPTRE TRIANGULAIRE ROUGE | DREIECKIGER ROTER RUECKSTRAHLE | CATADI PTRICO TRIANGULAR ROJO |
| 21 | F01230184R | DADO M6X1 D985 8ZN | NUT M6X1 D985 8ZN | | | TUERCA M6X1 D985 8 |
| 22 | B00180625R | VITE M6X1X 25 U5739 8.8ZN | SCREW | VIS | SCHRAUBE | TORNILLO M6X1X 25 U5739 8.8ZN |
| 23 | F01410037R | ROS.M6 6,4X12,5X1,6 U6592 ZN | WASHER M6 6,4X12,5X1,6 U6592ZN | RONDEL.M6 6,4X12,5X1,6 U6592ZN | SCHEIB.M6 6,4X12,5X1,6 U6592ZN | ARAND.M6 6,4X12,5X1,6 U6592 ZN |
| 24 | F01230184R | DADO M6X1 D985 8ZN | NUT M6X1 D985 8ZN | | | TUERCA M6X1 D985 8 |
| 25 | B07S01635R | ATTACCO FANALE SX | LEFT LIGHT ATTACHMENT | ATTELAGE FANAL GAUCHE | LINKER LICHTANSCHLUSS | CONEXI N FARO IZQ |
| 26 | B0C005037R | PORTA TARGA | PLATE HOLDER | PORTE-PLAQUE | SCHILDTRAEGER | PORTA PLACA |
| 27 | B00180620R | VITE M6X1X20 U5739 8.8ZN | SCREW | VIS | SCHRAUBE | TORNILLO M6X1X20 U5739 8 |
| 28 | F01410037R | ROS.M6 6,4X12,5X1,6 U6592 ZN | WASHER M6 6,4X12,5X1,6 U6592ZN | RONDEL.M6 6,4X12,5X1,6 U6592ZN | SCHEIB.M6 6,4X12,5X1,6 U6592ZN | ARAND.M6 6,4X12,5X1,6 U6592 ZN |
| 29 | F01230184R | DADO M6X1 D985 8ZN | NUT M6X1 D985 8ZN | | | TUERCA M6X1 D985 8 |
| 30 | B0E000138R | LUCE TARGA POST. EXTREME | EXTREME REAR PLATE LIGHT | LUMI RE PLAQUE EN ARRIERE | PLATTE BELEUCHTUNG EXTREME | LUZ DE LA PLACA TRAS. EXTREME |
| 31 | B00920005R | DADO AUTOB.BASSO M 5-5S DIN985 | NUT | ECROU | SELBSTSICHERNDE MUTTER M5-5S | TUERCA AUTOB.BAJA M 5-5S DIN98 |
| 32 | B0C005019R | CHIUSURA SUPERIORE DX | RIGHT UPPER LOCK | FERMETURE SUPERIEURE DROITE | RECHTER OBERER VERSCHLUSS | CIERRE SUPERIOR DER |
| 33 | B07S01634R | ATTACCO FANALE DX | RIGHT LIGHT ATTACHMENT | ATTELAGE FANAL DROIT | RECHTER LICHTANSCHLUSS | CONEXI N FARO DER |
| 34 | B00180620R | VITE M6X1X20 U5739 8.8ZN | SCREW | VIS | SCHRAUBE | TORNILLO M6X1X20 U5739 8 |
| 35 | F01410037R | ROS.M6 6,4X12,5X1,6 U6592 ZN | WASHER M6 6,4X12,5X1,6 U6592ZN | RONDEL.M6 6,4X12,5X1,6 U6592ZN | SCHEIB.M6 6,4X12,5X1,6 U6592ZN | ARAND.M6 6,4X12,5X1,6 U6592 ZN |
| 36 | F01230184R | DADO M6X1 D985 8ZN | NUT M6X1 D985 8ZN | | | TUERCA M6X1 D985 8 |
| 37 | B00920005R | DADO AUTOB.BASSO M 5-5S DIN985 | NUT | ECROU | SELBSTSICHERNDE MUTTER M5-5S | TUERCA AUTOB.BAJA M 5-5S DIN98 |
| 38 | F20030261R | ETICH. LIMITE VELOCITA 40 | SPEED LIMIT 40 LABEL | | | ETIQ. L MITE VELOCIDAD 40 |



B995KP001 = BZK1P0001 + BZK1P0002

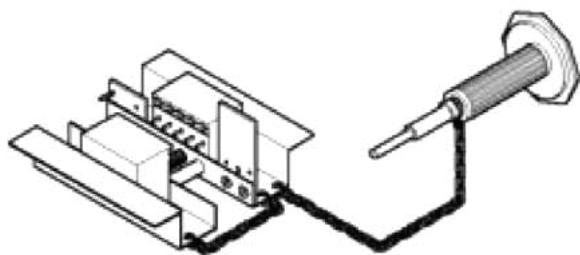


**ESPULSORE
EJECTOR**

TAV_290

| Pos. | Cod. | Descrizione | Description | Description | Benennung | Descripcion |
|------|------------|-------------------------------|-------------------------------|--------------------------------|--------------------------------|--------------------------------|
| 1 | B00920516R | DADO M16X 1,5 D985 6S ZN | NUT M16X1,5 D985 6S ZN | ECROU | SELBSTSICHERNDE MUTTER M16-5S | TUERCA M16X 1,5 D985 6S |
| 2 | B013P0255R | DISTANZIALE 16 21,3 13 | SPACER 16 21,3 13 | | | DISTANCIADOR 16 21,3 13 |
| 3 | B01800090R | MOLLA TRAZ. 8 M=35 L=596 | SPRING | RESSORT DE TRAC.DE 8 M35 L596 | FEDER | MUELLE DE TRACC. 8 M=35 L=596 |
| 4 | B07049749R | TAMPONE 50X21 M10 | BUMPER 50X21 M10 | TAMPON 50X21 M10 | PUFFER 50X21 M10 | TAP N 50X21 M10 |
| 5 | B07S01806R | ESPULSORE | EJECTOR | EJECTEUR | BALLENAUSWERFER | EXPULSOR |
| 6 | B0C1P1876R | ATTACCO MOLLA CON REGOLAZIONE | SPRING LINK | | | PLACA DEL SENSOR EXPULSOR |
| 7 | B0C1P1878R | APPOGGIO DX TAMPONE ESPULSORE | SUPPORT RIGHT | | | APOYO DER TAP N EXPULSOR |
| 8 | B0C1P1879R | APPOGGIO SX TAMPONE ESPULSORE | SUPPORT LEFT | | | APOYO IZQ TAP N EXPULSOR |
| 9 | B0C6P0226R | CAVALLOTTO | U BOLT | BOULON | U-BUEGEL | PUENTE |
| 10 | F01020512R | VITE M12X1,75X35 U5739 8.8ZN | SCR. M12X1,75X35 U5739 8.8ZN | VIS M12X1,75X35 5739 8.8 ZN | SCHR. M12X1,75X35 5739 8.8 ZN | TORNILLO M12X1,75X35 U5739 8 |
| 11 | F01020566R | VITE M16X2X40 U5739 8.8ZN | SCR. M16X2X40 U5739 8.8ZN | VIS M16X2X40 U5739 8.8 ZN | SCHRAUBE M16X2X40 U5739 8.8 ZN | TORNILLO M16X2X40 U5739 8 |
| 12 | F01020576R | VITE M16X2X65 U5739 8.8ZN | SCR. M16X2X65 U5739 8.8ZN | VIS M16X2X65 U5739 8.8 ZN | SCHRAUBE M16X2X65 U5739 8.8 ZN | TORNILLO M16X2X65 U5739 8 |
| 13 | F01200324R | DADO M16X2 U5588 8.8ZN | NUT M16X2 U5588 8.8ZN | ECROU M16X2 U5588 8.8ZN | MUTTER M16X2 U5588 8.8ZN | TUERCA M16X2 U5588 8.8ZN |
| 14 | F01230202R | DADO M10X 1,5 D985 8 ZN | NUT M10 D985 | ECROU AUTOBL. M10 | SELBSTSPERR.MUTTER M10 | TUERCA M10X 1,5 D985 8 |
| 15 | F01230213R | DADO M12X1,75 U7474 CL8 ZN | NUT M12X1,75 U7474 6SZN | ECROU AUTOBL. M12 | SELBSTSPERR.MUTTER M12 | TUERCA M12X1,75 U7474 CL8 ZN |
| 16 | F01410064R | ROS.M10 10,5X 20X 2 U6592 ZN | WASHER M10 10,5X20X2 U6592 ZN | RONDEL. M10 10,5X20X2 U6592 ZN | SCHEIBE M10 10,5X20X2 U6592 ZN | ARAND.M10 10,5X 20X 2 U6592 ZN |
| 17 | F01410076R | ROS.M12 13X 24X2,5 U6592 ZN | WASHER 12 13X 24X2,5 U6592 ZN | RONDEL. M12 13X24X2,5 U6592 ZN | SCHEIBE M12 13X24X2,5 U6592 ZN | ARAND.M12 13X 24X2,5 U6592 ZN |
| 18 | F01410100R | ROS.M16 17X 30X 3 U6592 ZN | WASHER M16 17X30X3 U6592 ZN | RONDELLE M16 17X30X3 ZN | SCHRAUBE M16 17X 30X3 U6592 ZN | ARAND.M16 17X 30X 3 U6592 ZN |
| 19 | B0C6P0006R | REGOLATORE | REGULATOR | REGULATEUR | EINSTELLER | REGULADOR |
| 20 | B0C6P0005R | CONTROSENSORE | COUNTER SENSOR | CONTRE-CAPTEUR | GEGENSENSOR | CONTRA-SENSOR |
| 21 | B0E0P0026R | SENSORE ESPULSORE | EJECTING SENSOR F_BUS | CAPTEUR JECTEUR F_BUS | SENSOR AUSWERFER LT | SENSOR EXPULSOR |
| 22 | F01020436R | VITE M8X1,25X20 U5739 8.8ZN | SCR. M8X1,25X20 U5739 8.8ZN | VIS M8X1,25X 20 U5739 8.8 ZN | SCHRAUBE M8X1,25X20U5739 8.8ZN | TORNILLO M8X1,25X20 U5739 8.8 |
| 23 | F01410051R | ROS.M8 8,4X 17X1,6 U6592 ZN | WASHER M8 8,4X17X1,6 U6592 ZN | RONDELLE M8 8,4X17X1,6 ZN | SCHEIBE M8 8,4X17X1,6 U6592 ZN | ARAND.M8 8,4X 17X1,6 U6592 ZN |
| 24 | B0C6P0004R | ATTACCO SENSORE ESPULSORE | EJECTOR SENSOR COUPLING | ATTELAGE CAPTEUR EJECTEUR | ANSCHLUSS AUSFERWERSENSOR | ENGANCHE DEL SENSOR EXPULSO |

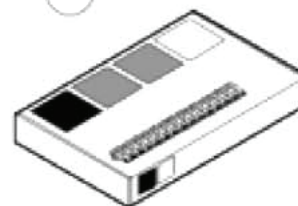
1



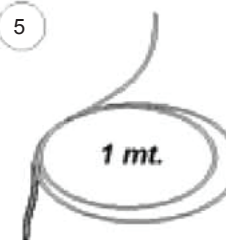
3



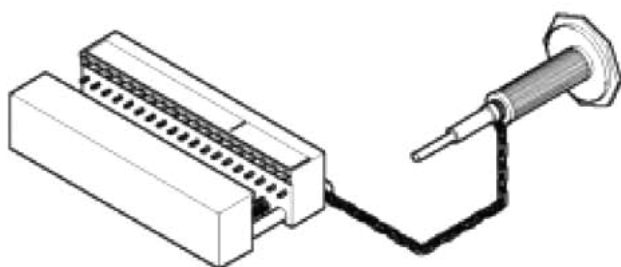
4



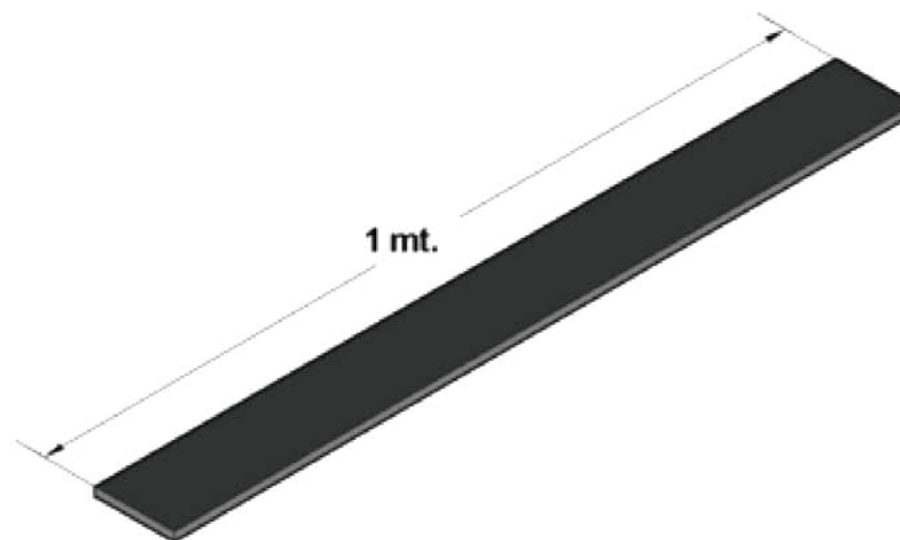
5



2



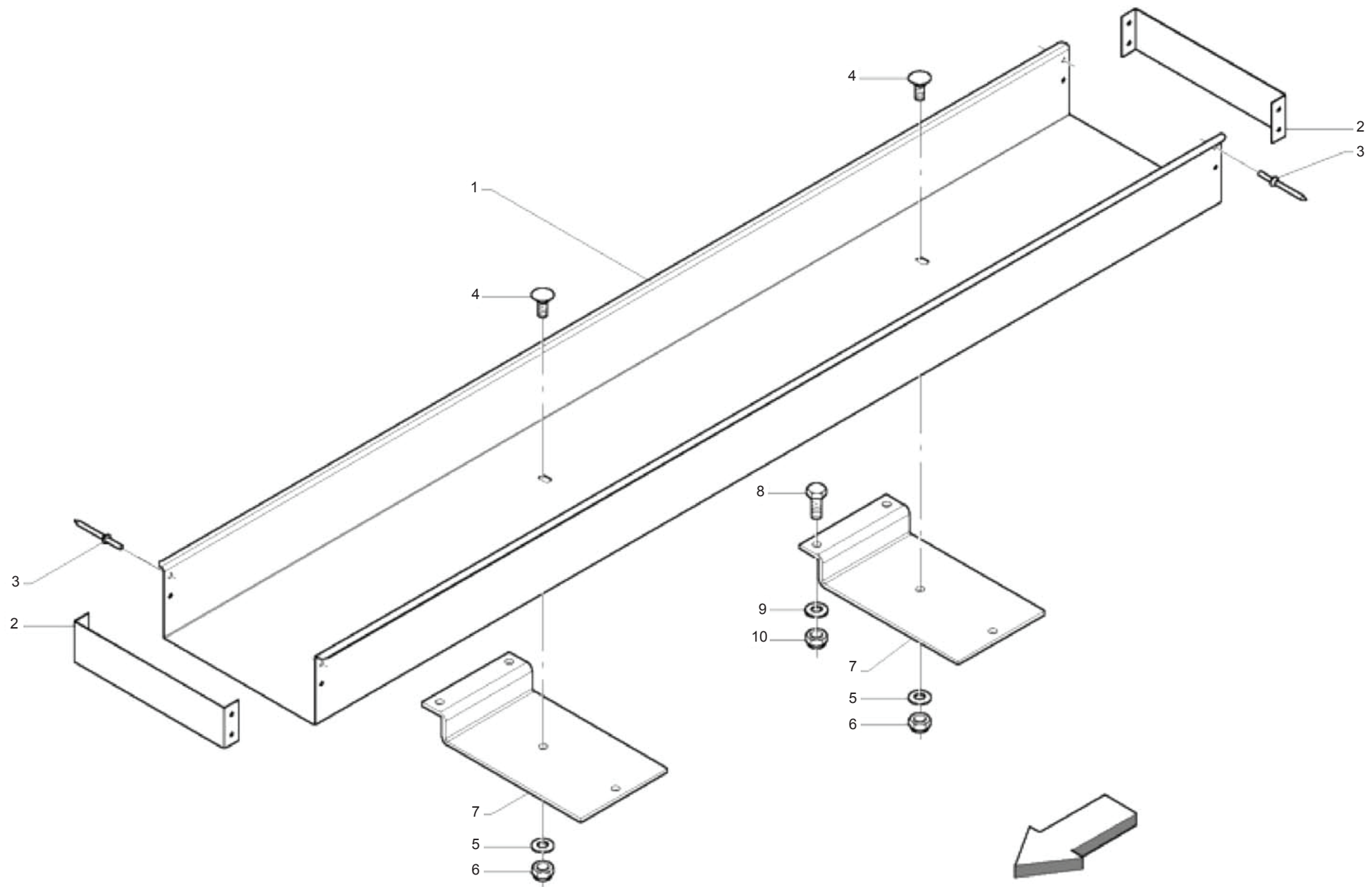
6



**GRAFFATURA
STAPLING DEVICE**

TAV_295

| Pos. | Cod. | Descrizione | Description | Description | Benennung | Descripcion |
|------|------------|-------------------------------|--------------------------|------------------------------|-----------------------------|------------------------------|
| 1 | B0ZAP0025R | GRAFFATRICE MATO PROFI 5 | GRAFFATRICE MATO PROFI 5 | | | GRAPADORA MATO PROFI 5 |
| 2 | B0ZAP0026R | GRAFFATRICE MATO PROFI 19 | STAPLER MATO PROFI 19 | | STAPLER MATO PROFI 19 | GRAPADORA MATO PROFI 19 |
| 3 | B07U00049R | SEPAR.PUNCH H X VICE LACERS | PUNCH | POINCON | PUNZEN | SEPAR.PUNZ N H X VICE LACERS |
| 4 | B09940018R | SCAT. GRAFFE MATO U24BS-12 13 | MATO LACINGS BOX | BOITE AGRAF.MATO U24BS-12 13 | SCHACHTEL MIT KLAMMERN MATO | CAJA GRAPAS MATO U24BS-12 13 |
| 5 | B09962005R | CAVETTO GIUNZIONE MT.1 | WIRE 2,5 PLAST.L.1MT | CABLE | KABEL 49 SCHNUREN | CABLE DE UNI N 1 M |
| 6 | B07600073R | SPEZZONE CINGHIA MT 01 | BELT PIECE L=1000 | PIECE DE COURROIE | GURT TEILSTUCK L=1000 | TROZO CORREA MT 01 |

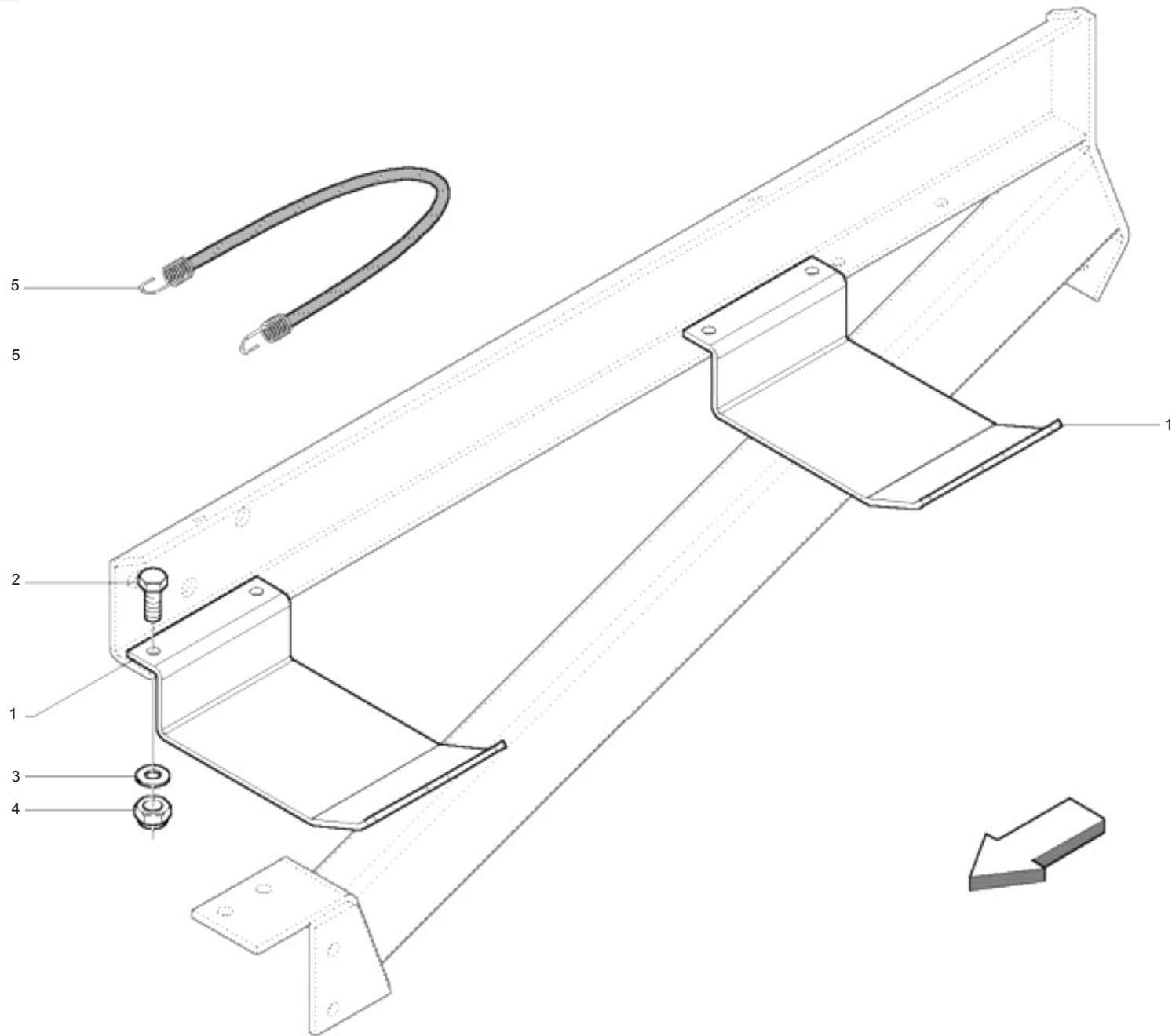


KIT CASSONETTO SUPPLEMENTARE PER BOBINE FILO
ADDITIONAL TWINE BOX KIT

TAV_300

| Pos. | Cod. | Descrizione | Description | Description | Benennung | Descripcion |
|------|------------|-------------------------------|------------------------------|-----------------------------|--------------------------------|--------------------------------|
| 1 | B0C005015R | CORPO CASSONE SUPP. 265-280 | ADDITIONAL BOX | CORPS BOITE SUPPLEMENTAIRE | ZUSATZKASTEN | CUERPO DE CAJ N DE SOP. 265-28 |
| 2 | B0C005014R | FERMO TERMINALE | TERMINAL LOCK | ARRET | ENDANSCHLAG | TOPE TERMINAL |
| 3 | B01000010R | RIVETTO STR. 6X12 U9200A AL | RIVET | RIVET | ABREISSNIETEN 6X10 | REMACHE EXTR. 6X12 U9200AA |
| 4 | B00321020R | VITE M10X1,5 X 30 U5731 4.6ZN | SCREW | VIS | SCHRAUBE VERZINKT TTQST M10X20 | TORNILLO M10X1,5 X 30 U5731 4 |
| 5 | F01410062R | ROS.M10 10,5X 18X 2 U6592 ZN | WASHER M10 10,5X 18X 2 U6592 | RONDELLE M10 10,5X18X2 ZN | DICHTUNGSRING M10 10,5X18X2 ZN | ARAND.M10 10,5X 18X 2 U6592 ZN |
| 6 | F01230202R | DADO M10X 1,5 D985 8 ZN | NUT M10 D985 | ECROU AUTOBL. M10 | SELBSTSPERR.MUTTER M10 | TUERCA M10X 1,5 D985 8 |
| 7 | B0C004685R | SOSTEGNO CASSONE SPAGO | TWINE BOX HOLDER | SUPPORT RESERVOIR FICELLE | SCHNURKASTENHALTERUNG | SOPORTE CAJ N DE CUERDA |
| 8 | F01020476R | VITE M10X1,5X30 U5739 8.8ZN | SCR. M10X1,5X30 U5739 8.8ZN | VIS M10X1,5X30 U5739 8.8 ZN | SCHRAUBE M10X1,5X30U5739 8.8ZN | TORNILLO M10X1,5X30 U5739 8.8 |
| 9 | F01410062R | ROS.M10 10,5X 18X 2 U6592 ZN | WASHER M10 10,5X 18X 2 U6592 | RONDELLE M10 10,5X18X2 ZN | DICHTUNGSRING M10 10,5X18X2 ZN | ARAND.M10 10,5X 18X 2 U6592 ZN |
| 10 | F01230202R | DADO M10X 1,5 D985 8 ZN | NUT M10 D985 | ECROU AUTOBL. M10 | SELBSTSPERR.MUTTER M10 | TUERCA M10X 1,5 D985 8 |

TAV_305

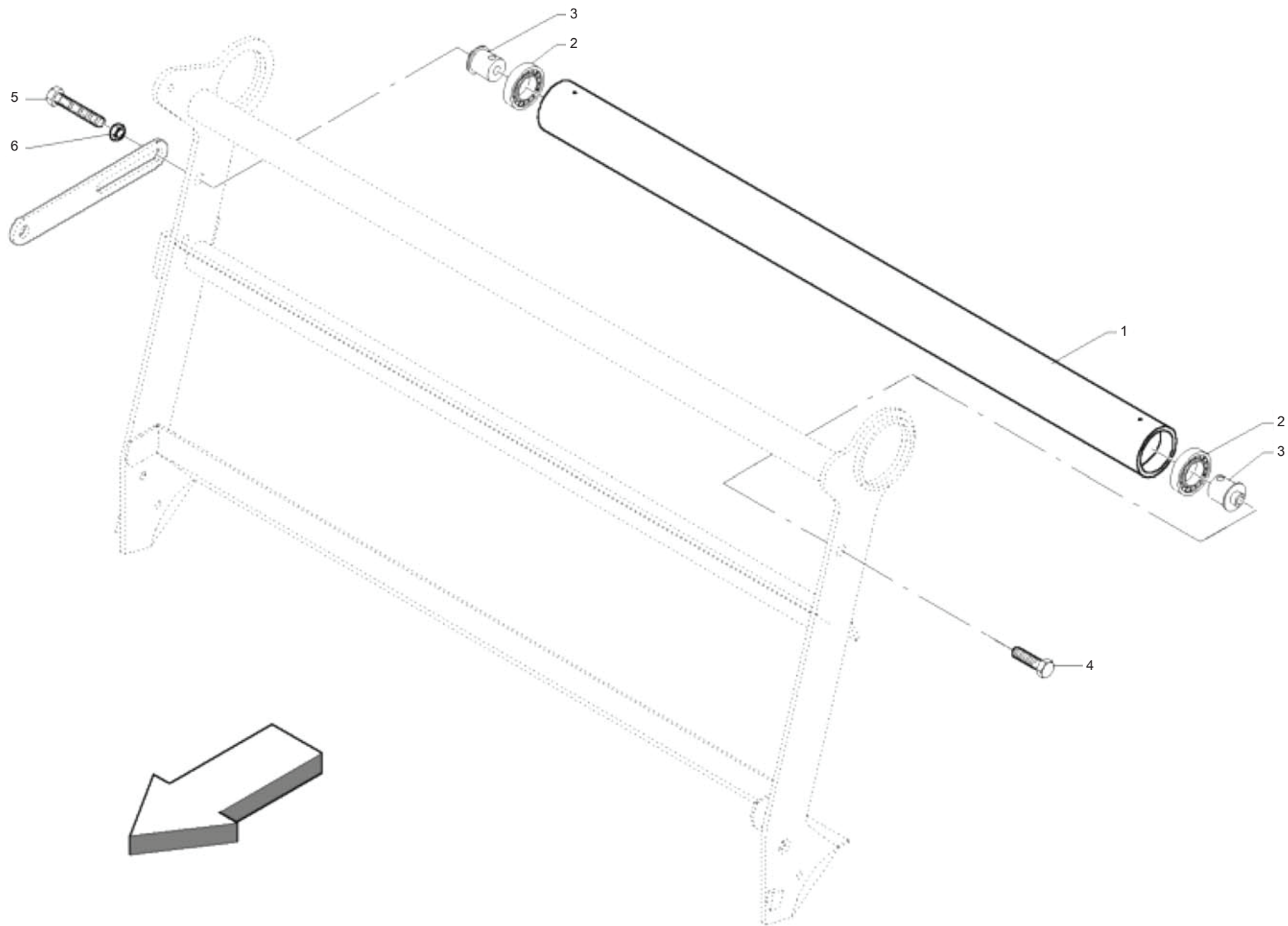


**KIT STAFFE SUPPLEMENTARI PER ROTOLO RETE
ADDITIONAL NET SUPPORT KIT**

TAV_305

| Pos. | Cod. | Descrizione | Description | Description | Benennung | Descripcion |
|------|------------|------------------------------|------------------------------|-------------------------------|--------------------------------|--------------------------------|
| 1 | B0C100013R | SOSTEGNO RETE | NET SUPPORT | SUPPORT FILET | NETZHALTER | SOPORTE DE RED |
| 2 | F01020476R | VITE M10X1,5X30 U5739 8.8ZN | SCR. M10X1,5X30 U5739 8.8ZN | VIS M10X1,5X30 U5739 8.8 ZN | SCHRAUBE M10X1,5X30U5739 8.8ZN | TORNILLO M10X1,5X30 U5739 8.8 |
| 3 | F01410062R | ROS.M10 10,5X 18X 2 U6592 ZN | WASHER M10 10,5X 18X 2 U6592 | RONDELLE M10 10,5X18X2 ZN | DICHTUNGSRING M10 10,5X18X2 ZN | ARAND.M10 10,5X 18X 2 U6592 ZN |
| 4 | F01230202R | DADO M10X 1,5 D985 8 ZN | NUT M10 D985 | ECROU AUTOBL. M10 | SELBSTSPERR.MUTTER M10 | TUERCA M10X 1,5 D985 8 |
| 5 | B07V00107R | FUNE ELASTICA CON GANCI | ELASTIC CABLE WITH HOOKS | CABLE ELASTIQUE AVEC CROCHETS | ELASTISCHES SEIL MIT HAKEN | CABLE EL STICO CON GANCHOS |

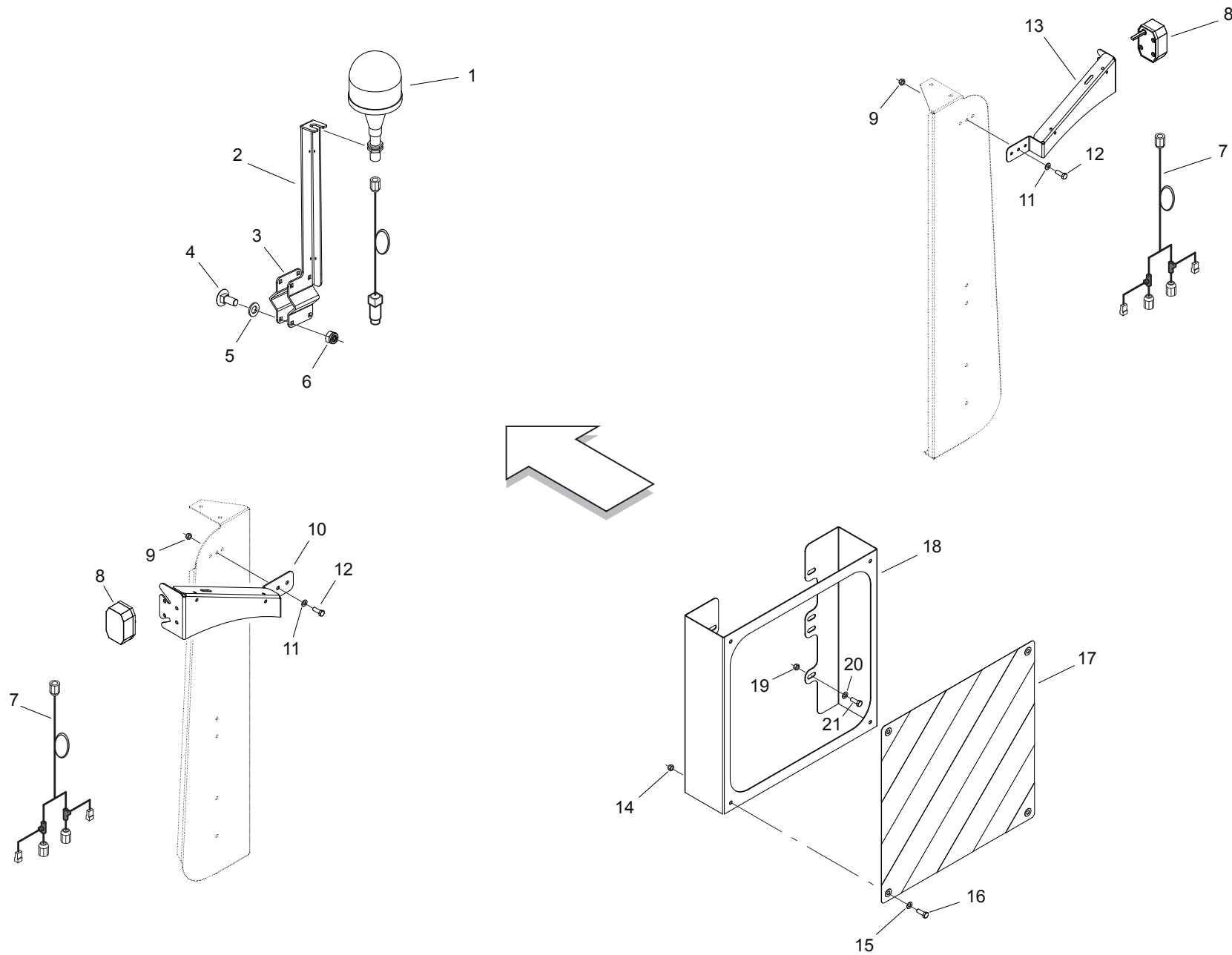
TAV_310



KIT FILM PLASTICO
PLASTIC FILM KIT

TAV_310

| Pos. | Cod. | Descrizione | Description | Description | Benennung | Descripcion |
|------|------------|--------------------------------|------------------------------|-----------------------------|-------------------------------|------------------------------|
| 1 | B03500048R | RULLO FOLLE | IDLE ROLLER | ROULEAU FOU | UMLENKWALZE | RODILLO LOCO |
| 2 | B02040002R | CUSCINETTO 6307-2RS CAT.KST004 | BEARING | ROULEMENT CAT.KST004 | LAGER 6307-2RS | COJINETE 6307-2RS CAT.KST004 |
| 3 | B03500047R | PERNO RULLO FOLLE | IDLE ROLLER GUDGEON | TOURILLON ROULEAU FOU | STIFT UMLENKWALZE | PERNO RODILLO LOCO |
| 4 | F01020512R | VITE M12X1,75X35 U5739 8.8ZN | SCR. M12X1,75X35 U5739 8.8ZN | VIS M12X1,75X35 5739 8.8 ZN | SCHR. M12X1,75X35 5739 8.8 ZN | TORNILLO M12X1,75X35 U5739 8 |
| 5 | F01020524R | VITE M12X1,75X90 U5739 8.8ZN | SCR. M12X1,75X90 U5739 8.8ZN | | | TORNILLO M12X1,75X90 U5739 8 |
| 6 | F01200293R | DADO M12X1,75 U5588 CL8 ZN | NUT M12X1,75 U5588 6S ZN | ECROU M12X1,75 U5588 6S ZN | MUTTER M12X1,75 U5588 6S ZN | TUERCA M12X1,75 U5588 CL8 ZN |

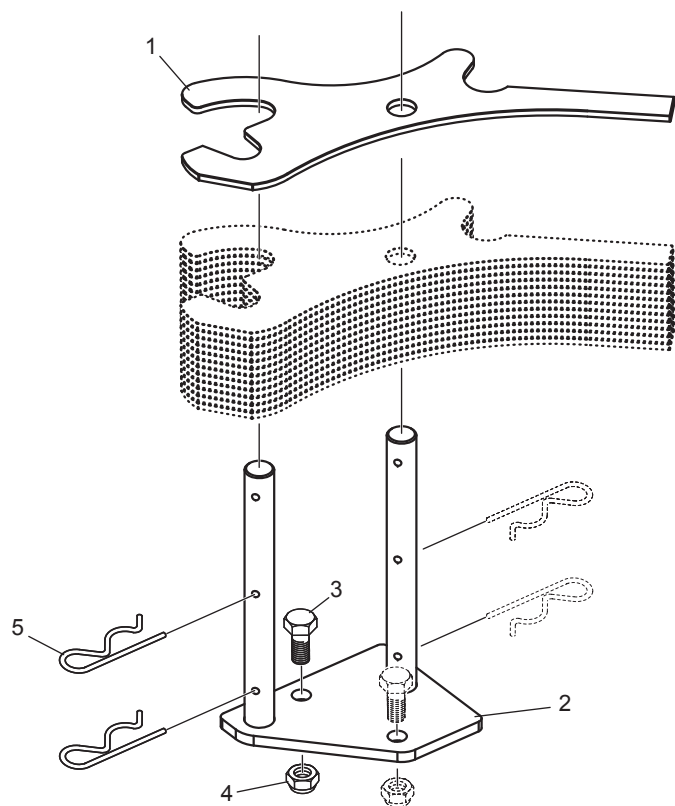


**KIT LAMPEGGIANTE + ECCEZIONALE
FLASHING + EXCEPTIONAL KIT**

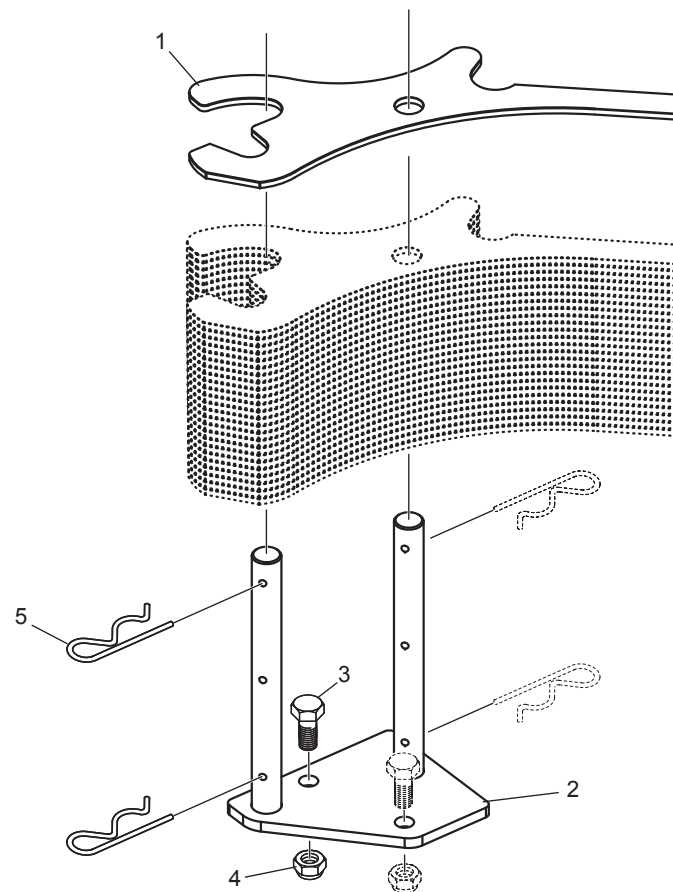
TAV_355

| Pos. | Cod. | Descrizione | Description | Description | Benennung | Descripcion |
|------|------------|-------------------------------|--------------------------------|--------------------------------|--------------------------------|--------------------------------|
| 1 | B0E0P0153R | LAMPEGGIANTE | FLASHING | | | INTERMITENTE |
| 2 | B0C1P1671R | PIASTRA SUPP.LAMPEGGIANTE 265 | PLATE SUPPORT BLINKING 265 | | | PLACA DE SOP. INTERMITENTE 265 |
| 3 | B0C1P1672R | PIASTRA DI CHIUSURA | CLOSING PLATE | | | PLACA DE CIERRE |
| 4 | F01060101R | VITE M12X1,75X30 U5731 8.8ZN | NUT M12X1,75X 30 U5732 4.6 ZN | | | TORNILLO M12X1,75X30 U5731 |
| 5 | F01410076R | ROS.M12 13X 24X2,5 U6592 ZN | WASHER 12 13X 24X2,5 U6592 ZN | RONDEL. M12 13X24X2,5 U6592 ZN | SCHEIBE M12 13X24X2,5 U6592 ZN | ARAND.M12 13X 24X2,5 U6592 ZN |
| 6 | F01230213R | DADO M12X1,75 U7474 CL8 ZN | NUT M12X1,75 U7474 6SZN | ECROU AUTOBL. M12 | SELBSTSPERR.MUTTER M12 | TUERCA M12X1,75 U7474 CL8 ZN |
| 7 | F05200818R | CABL LUCE INGOMBRO PER 265 | WIRING LIGHT OBSTRUCT.FOR 265 | | | CABLE LUZ ESPACIO OCUPADO PA |
| 8 | F05011803R | LUCE INGOMBRO FLEXILED | LIGHT OBSTRUCTION FLEXILED | | | LUZ ESPACIO OCUPADO FLEXILED |
| 9 | F01230184R | DADO M6X1 D985 8ZN | NUT M6X1 D985 8ZN | | | TUERCA M6X1 D985 8 |
| 10 | B0C1P1617R | STAFFA LUCI INGOMBRO SX | BRACKET LIGHTS OBSTRUCT.LEFT | | | ESTRIBO LUCES ESPACIO OCUPAD |
| 11 | F01410037R | ROS.M6 6,4X12,5X1,6 U6592 ZN | WASHER M6 6,4X12,5X1,6 U6592ZN | RONDEL.M6 6,4X12,5X1,6 U6592ZN | SCHEIB.M6 6,4X12,5X1,6 U6592ZN | ARAND.M6 6,4X12,5X1,6 U6592 ZN |
| 12 | F01020404R | VITE M6X1X20 U5739 8.8ZN | SCREW M6X1X20 U5739 8.8ZN | VIS M6X1X20 U5739 8.8ZN | SCHRAUBE M6X1X20 U5739 8.8ZN | TORNILLO M6X1X20 U5739 8.8ZN |
| 13 | B0C1P1618R | STAFFA LUCI INGOMBRO DX | BRACKET LIGHTS OBSTRUCT.RIGHT | | | ESTRIBO LUCES ESPACIO OCUPAD |
| 14 | F01200244R | DADO M8X1,25 U5588 CL8 ZN | NUT M8X1,25 U5588 6.8ZN | ECROU M8 X1,25 U5588 6.8 ZN | MUTTER M8 X1,25 U5588 6.8 ZN | TUERCA M8X1,25 U5588 CL8 ZN |
| 15 | F01410051R | ROS.M8 8,4X 17X1,6 U6592 ZN | WASHER M8 8,4X17X1,6 U6592 ZN | RONDELLE M8 8,4X17X1,6 ZN | SCHEIBE M8 8,4X17X1,6 U6592 ZN | ARAND.M8 8,4X 17X1,6 U6592 ZN |
| 16 | F01020432R | VITE M8X1,25X16 U5739 8.8ZN | SCR. M8X1,25X16 U5739 8.8ZN | VIS M8 X1,25X16 U5739 8.8 ZN | SCHRAUBE M8X1,25X16U5739 8.8ZN | TORNILLO M8X1,25X16 U5739 8.8 |
| 17 | B0E0P0204R | PANNELLO POST RB 50X50 | REAR PANEL RB 50X50 | | | PANEL TRAS RB 50X50 |
| 18 | B0C1P1615R | SUPPORTO SEGNALE INGOMBRO 265 | SUPPORT SIGNAL OBSTRUCTION 265 | | | SOPORTE SE AL ESPACIO OCUPAD |
| 19 | F01230045R | DADO M10X1,5 D982 6ZN | NUT M10X1,5 D982 6ZN | ECROU AUTO-FREINES M10X1,5D982 | SICHERUNGSMUTT.M10X1,5 D982 ZN | TUERCA M10X1,5 D982 6 |
| 20 | F01410062R | ROS.M10 10,5X 18X 2 U6592 ZN | WASHER M10 10,5X 18X 2 U6592 | RONDELLE M10 10,5X18X2 ZN | DICHTUNGSRING M10 10,5X18X2 ZN | ARAND.M10 10,5X 18X 2 U6592 ZN |
| 21 | F01020472R | VITE M10X1,5X25 U5739 8.8ZN | SCR. M10X1,5X25 U5739 8.8ZN | VIS M10X1,5X25 U5739 8.8 ZN | SCHRAUBE M10X1,5X25 U5739 8.8 | TORNILLO M10X1,5X25 U5739 8.8 |

B995PP004 (n.13)



B995KP005 (n.25)

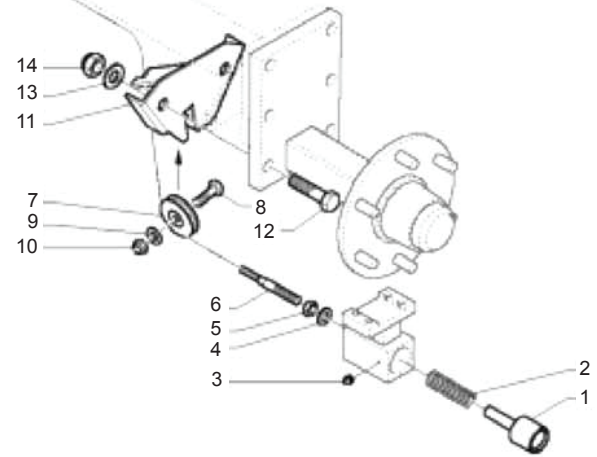
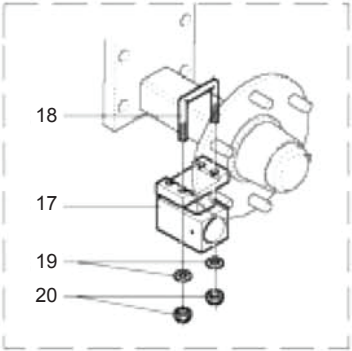
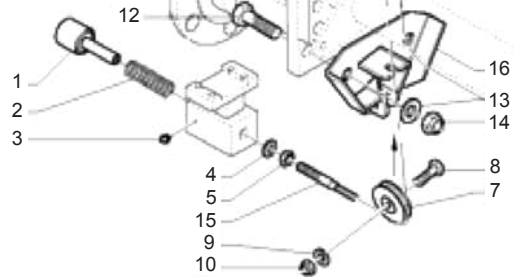
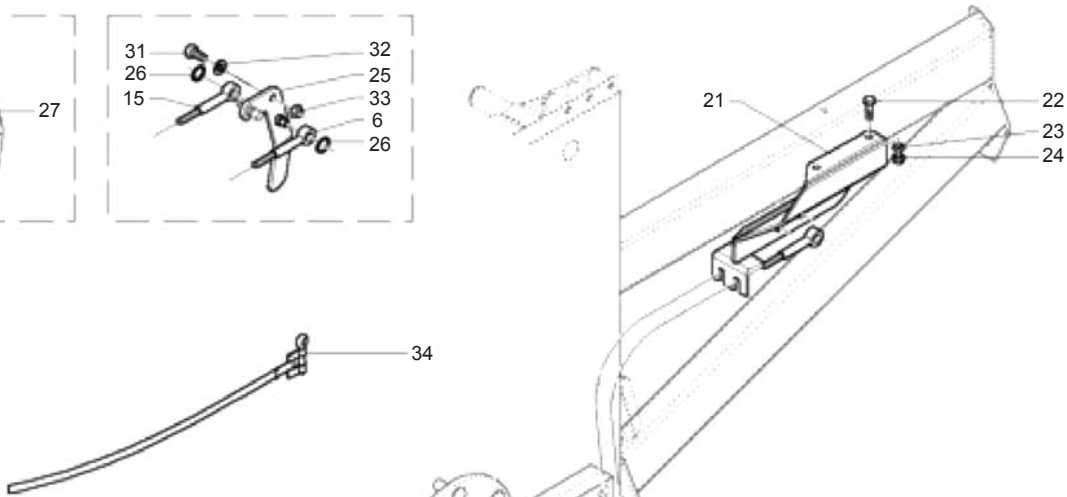
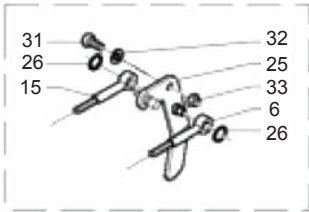
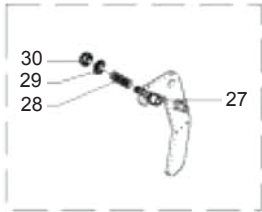


**KIT FINTE COLTELLI
FAKE KNIVES KIT**

TAV_380

| Pos. | Cod. | Descrizione | Description | Description | Benennung | Descripcion |
|------|------------|------------------------------|------------------------------|-----------------------------|--------------------------------|----------------------------|
| 1 | B0C005006R | FINTO COLT. CUT | BLANK KNIFE CUT | FAUX COUTEAU CUT | BLINDMESSER CUT | CUCHILLO FALSO CUT |
| 2 | B07S01896R | PORTA COLT. NEW | NEW KNIVES HOLDER | PORTE-COUTEAUX NEW | | PUERTA CUCH. NEW |
| 3 | F01020510R | VITE M12X1,75X30 U5739 8.8ZN | SCR. M12X1,75X30 U5739 8.8ZN | VIS M12X1,75X30 U5739 8.8ZN | SCHRAU.M12X1,75X30 U5739 8.8ZN | TORNILLO M12X1,75X30 U5739 |
| 4 | B00920412R | DADO M12X1,75 D985 8 ZN | NUT | ECROU | SELBSTSICHERNDE MUTTER M12-5S | |
| 5 | F02200374R | COPIGLIA R 4X 82 ZN | SPRING SPLIT PIN 4X82 | GOUPILLE 4X82 | SPLINT 4X82 | PASADOR 4X82 |

TAV_315



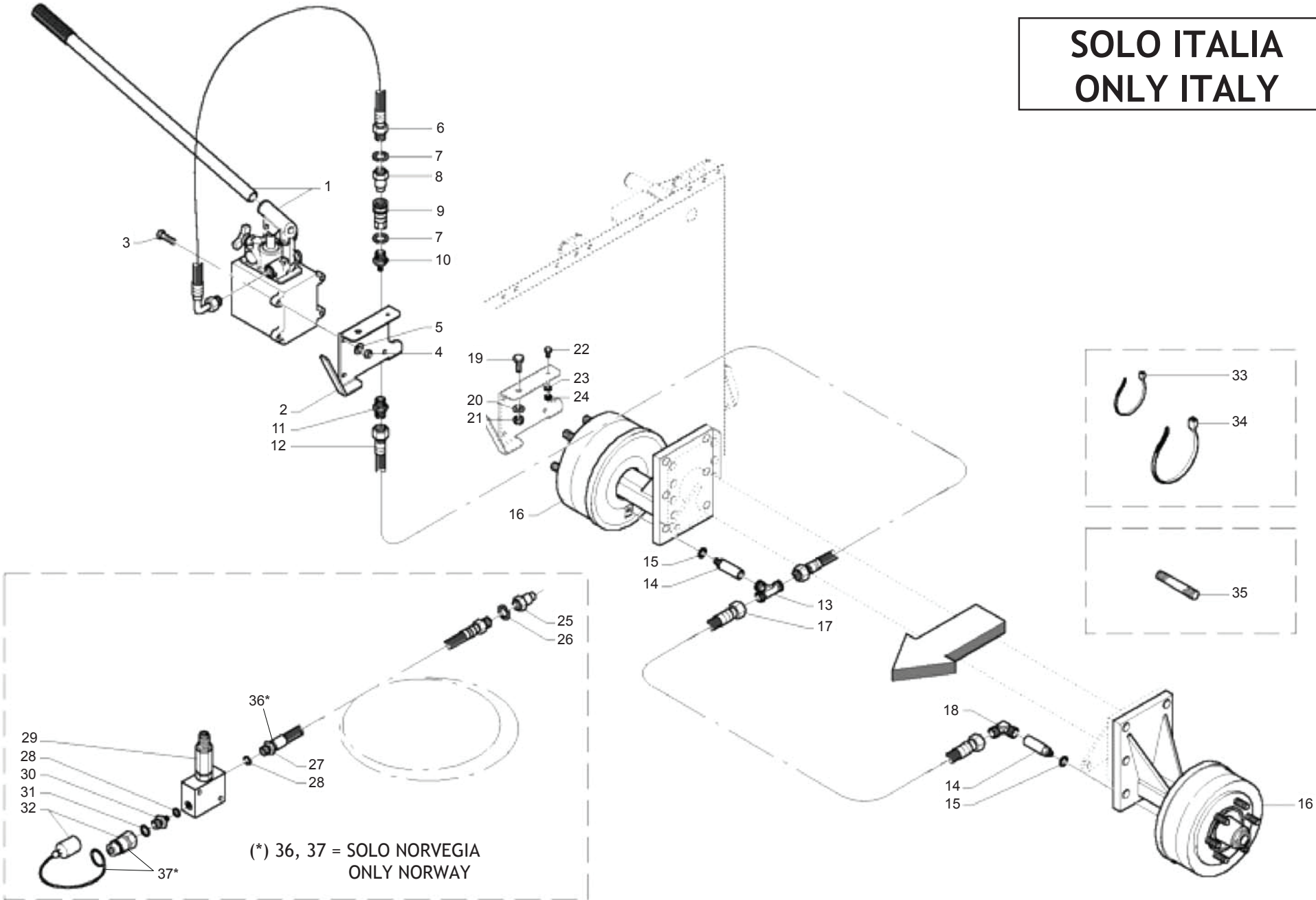
**DISPOSITIVO DI STAZIONAMENT MECCANICO
MECHANICAL PARKING DEVICE**

TAV_315

| Pos. | Cod. | Descrizione | Description | Description | Benennung | Descripcion |
|------|------------|-------------------------------|-------------------------------|--------------------------------|--------------------------------|--------------------------------|
| 1 | B013P0003R | PERNO | PIN | TOURILLON | ZAPFEN | PERNO |
| 2 | B01830231R | MOLLA | SPRING | RESSORT | FEDER | MUELLE |
| 3 | B04200610R | INGRASS.A SFERE M6X1 LUNGO | GREASE NIPPLE | GRAISSEUR HYDRAULIQUE | GERADER SCHMIERNIPPEL M6X1 | ENGRASADOR DE ESFERAS M6X1 |
| 4 | F01420060R | ROS.M10 10,5X 30X2,5 U6593 ZG | GALV.WASHER 10,5X30X2,5 U6593 | RONDELLE 10,5X30 | SCHIEBE 10,5X30 | ARAND.M10 10,5X 30X2,5 U6593 |
| 5 | F01200270R | DADO M10X1,5 U5588 CL8 ZN | NUT M10X1,5 U5588 6.8ZN | ECROU M10X 1,5 U5588 6.8 ZN | MUTTER M10X 1,5 U5588 6.8 ZN | TUERCA M10X1,5 U5588 CL8 ZN |
| 6 | B07J00011R | CAVO DI COM. 4 | CONTROL CABLE DIAM. 4 | CABLE DE COMMANDE DIAM. 4 | STEUERUNGSKABEL | CABLE DE MANDO 4 |
| 7 | B038P0001R | CARRUCOLA PER FUNE | PULLEY FOR ROPE | POULIE | LAUFROLLE | POLEA PARA CABLE |
| 8 | F01020114R | VITE M10X1,5X50 U5737 8.8ZN | SCR. M10X1,5X50 U5737 8.8ZN | VIS M10X 1,5X50 U5737 8.8 ZN | SCHRA.M10X 1,5X50 U5737 8.8 ZN | TORNILLO M10X1,5X50 U5737 8.8 |
| 9 | F01410062R | ROS.M10 10,5X 18X 2 U6592 ZN | WASHER M10 10,5X 18X 2 U6592 | RONDELLE M10 10,5X18X2 ZN | DICHTUNGSRING M10 10,5X18X2 ZN | ARAND.M10 10,5X 18X 2 U6592 ZN |
| 10 | F01230202R | DADO M10X 1,5 D985 8 ZN | NUT M10 D985 | ECROU AUTOBL. M10 | SELBSTSPERR.MUTTER M10 | TUERCA M10X 1,5 D985 8 |
| 11 | B07SP0006R | ATTACCO CARRUCOLA SX | LEFT PULLEY ATTACHMENT | ATTELAGE POULIE GAUCHE | ANSCHLUSS LAUFROLLE LINKS | CONEXI N POLEA IZQ. |
| 12 | F01020986R | VITE M20X2,5X60 U5737 8.8 ZN | SCREW M20X2,5X60 U5737 8.8 ZN | HELI. M20X2,5X60 U5737 8.8 ZN | SCHRA. M20X2,5X60 U5737 8.8 ZN | TORNILLO M20X2,5X60 U5737 8.8 |
| 13 | F01410124R | ROS.M20 21X 37X 3 U6592 ZN | WASHER M20 21X 37X 3 U6592 ZN | RONDEL.M20 21X37X3 ZN | MUTTER M20 21X 37X 3 U6592 ZN | ARAND.M20 21X 37X 3 U6592 ZN |
| 14 | F01230259R | DADO M20X 2,5 U7474 CL.8 ZN | NUT M20X 2,5 U7474 CL.8 ZN | | | TUERCA M20X 2,5 U7474 CL.8 |
| 15 | B07J00010R | CAVO D1 COM. 4 | CONTROL CABLE DIAM. 4 | CABLE DE COMMANDE DIAM.4 | STEUERUNGSKABEL | CABLE D1 MANDO. 4 |
| 16 | B07SP0005R | ATTACCO CARRUCOLA DX | RIGHT PULLEY ATTACHMENT | ATTELAGE POULIE DROIT | ANSCHLUSS LAUFROLLE RECHTS | CONEXI N POLEA DER. |
| 17 | B07SP0004R | SOSTEGNO CORSOIO | SLIDER SUPPORT | SUPPORT COULISSE | HALTER | SOPORTE DE CARRIL |
| 18 | B00500081R | CAVALLOTTO 60X60 M12 ZINCATO | U-BOLT 60X60 M12 | BOULON 60X60 M12 | BUEGELBOLZEN 60X60 M12 | PUNTE 60X60 M12 CINCADO |
| 19 | F01410076R | ROS.M12 13X 24X2,5 U6592 ZN | WASHER 12 13X 24X2,5 U6592 ZN | RONDEL. M12 13X24X2,5 U6592 ZN | SCHIEBE M12 13X24X2,5 U6592 ZN | ARAND.M12 13X 24X2,5 U6592 ZN |
| 20 | F01230213R | DADO M12X1,75 U7474 CL8 ZN | NUT M12X1,75 U7474 6SZN | ECROU AUTOBL. M12 | SELBSTSPERR.MUTTER M12 | TUERCA M12X1,75 U7474 CL8 ZN |
| 21 | B07SP0008R | ATTACCO MANIGLIA | HANDLE ATTACHMENT | | | CONEXI N DE LA MANIJA |
| 22 | B00191040R | VITE M10X1,5 X 40 U5737 8.8ZN | SCREW | VIS | SCHRAUBE | TORNILLO M10X1,5 X 40 U5737 8 |
| 23 | F01410062R | ROS.M10 10,5X 18X 2 U6592 ZN | WASHER M10 10,5X 18X 2 U6592 | RONDELLE M10 10,5X18X2 ZN | DICHTUNGSRING M10 10,5X18X2 ZN | ARAND.M10 10,5X 18X 2 U6592 ZN |
| 24 | F01230202R | DADO M10X 1,5 D985 8 ZN | NUT M10 D985 | ECROU AUTOBL. M10 | SELBSTSPERR.MUTTER M10 | TUERCA M10X 1,5 D985 8 |
| 25 | B07SP0007R | MANIGLIA CON SPINA | HANDLE WITH PIN | | | MANIJA CON CLAVIJA |
| 26 | F02050651R | ANELLO E. DE 10X 1 U7435 C70 | SEEGER RING ARR.10 U7435-75 | SEEGER ARR. 10 UNI 7435-75 | SEEGERING ARR.10 UNI 7435-75 | ANILLO E. DE 10X 1 U7435 C70 |
| 27 | B005P0001R | SPINA DI SICUREZZA | SAFETY PIN | EPINE DE SURETE | SICHERHEITSSTIFT | CLAVIJA DE SEGURIDAD |
| 28 | B01821993R | MOLLA | SPRING | RESSORT | FEDER | MUELLE |
| 29 | F01420048R | ROS.M8 8,4X 24X 2 U6593 ZN | WASHER M8 8,4X 24X2 U6593 ZN | RONDELLE M8 8,4X24X 2 U6593 ZN | SCHIEBEN M8 8,4X24X 2 U6593 ZN | ARAND.M8 8,4X 24X 2 U6593 ZN |
| 30 | B00920208R | DADO AUTOB.BASSO M 8-5S D985 | NUT M8X1 D985 8ZN | ECROU | SELBSTSICHERNDE MUTTER M8-5S | TUERCA M8X1 D985 8 |
| 31 | F01020152R | VITE M12X1,75X40 U5737 8.8ZN | SCR. M12X1,75X40 U5737 8.8ZN | VIS M12X1,75X40 U5737 8.8 ZN | SCHRAUBE M12X1,75X40U57378.8ZN | TORNILLO M12X1,75X40 U5737 8. |
| 32 | F01410076R | ROS.M12 13X 24X2,5 U6592 ZN | WASHER 12 13X 24X2,5 U6592 ZN | RONDEL. M12 13X24X2,5 U6592 ZN | SCHIEBE M12 13X24X2,5 U6592 ZN | ARAND.M12 13X 24X2,5 U6592 ZN |
| 33 | F01230213R | DADO M12X1,75 U7474 CL8 ZN | NUT M12X1,75 U7474 6SZN | ECROU AUTOBL. M12 | SELBSTSPERR.MUTTER M12 | TUERCA M12X1,75 U7474 CL8 ZN |
| 34 | B0E000061R | FASCETTA A COPPIGLIA | STEEL HOSE CLAMP | | | ABRAZADERA CON PASADOR |

TAV_320

SOLO ITALIA
ONLY ITALY

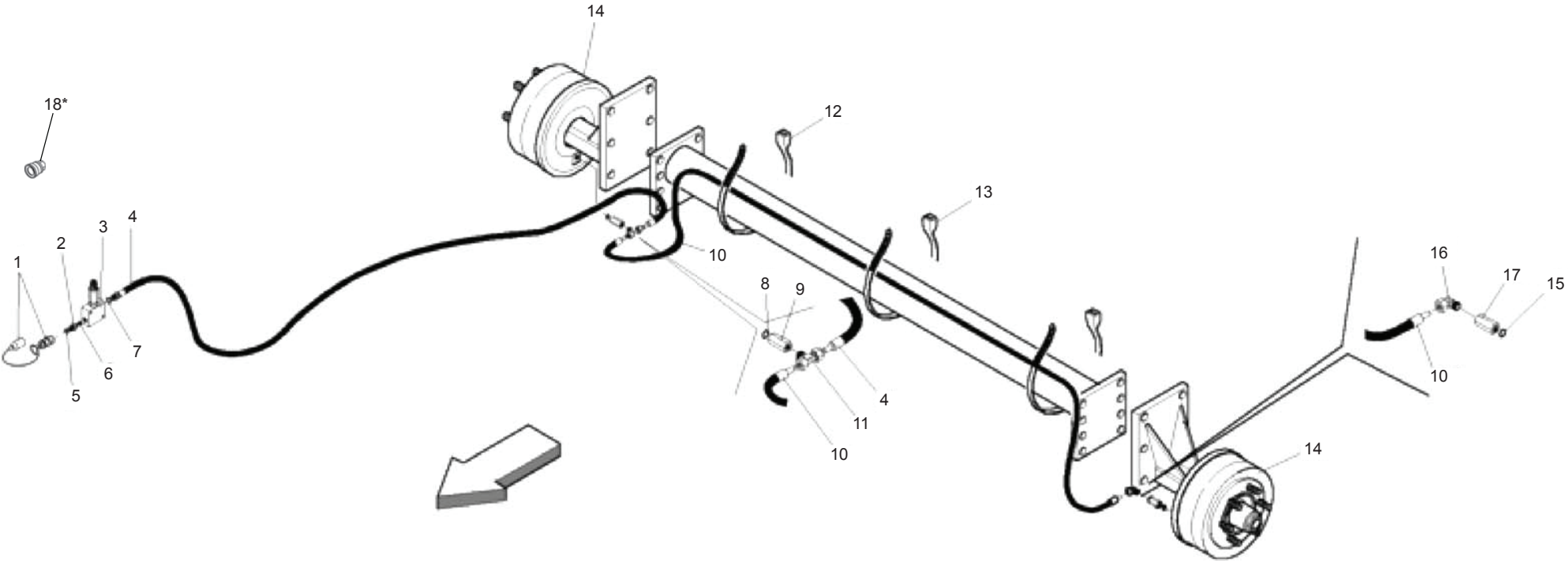


**DISPOSITIVO STAZIONAMENTO IDRAULCO (CUT)
HYDRAULIC PARKING DEVICE (CUT)**

TAV_320

| Pos. | Cod. | Descrizione | Description | Description | Benennung | Descripcion |
|------|------------|--------------------------------|--------------------------------|--------------------------------|--------------------------------|--------------------------------|
| 1 | BOH400107R | POM.MANO HPT 12 CAPACITA SERBA | HAND PUMP HPT12C | POMPE A MAIN HPT | HANDPUMPE HPT12C | BOMBA MANO HPT 12 CAPACIDAD |
| 2 | B0C4P0002R | SOSTEGNO POMPA A MANO | MANUAL PUMP SUPPORT | SUPPORT POMPE A MAIN | EISENWINKEL | SOPORTE BOMBA DE MANO |
| 3 | F01020065R | VITE M 8X1,25X 30 U5737 8.8ZN | SCREW M 8X1,25X 30 U5737 8.8Z | | | TORNILLO M 8X1,25X 30 U5737 8. |
| 4 | F01410051R | ROS.M8 8,4X 17X1,6 U6592 ZN | WASHER M8 8,4X17X1,6 U6592 ZN | RONDELLE M8 8,4X17X1,6 ZN | SCHEIBE M8 8,4X17X1,6 U6592 ZN | ARAND.M8 8,4X 17X1,6 U6592 ZN |
| 5 | B00920208R | DADO AUTOB.BASSO M 8-5S D985 | NUT M8X1 D985 8ZN | ECROU | SELBSTSICHERNDE MUTTER M8-5S | TUERCA M8X1 D985 8 |
| 6 | BOH000206R | TUBO R16 1 4 STRONGER 1 L410 | HYDR HOSE WITH FITTING L=410 | TUYAU HYDRAULIQUE AVEC RACCORD | HYDRHES ROHR L=410 | TUBO R16 1 4 STRONGER 1 L410 |
| 7 | F01440094R | RONDELLA ALLUMINIO D10 | WASHER D10 ALUMINIUM | RONDELLE D10 AL | SCHIEBE D10 ALUMIN | ARANDELA DE ALUMINIO D10 |
| 8 | BOH000207R | INNESTO RAPIDO 1 4 MASCHIO | FAST CLUTCH 1 4 MALE | EMBAYAGE RAPIDE 1 4 MALE | KUPPLUNG 1 4 | CONEXI N R PIDA 1 4 MACHO |
| 9 | BOH000208R | INNESTO RAPIDO 1 4 FEMMINA | FAST CLUTCH 1 4 FEMALE | EMBAYAGE RAPIDE 1 4 FEMELLE | KUPPLUNG 1 4 | CONEXI N R PIDA 1 4 HEMBRA |
| 10 | BOH000284R | RAC. I 10 TN126GG-10LR | I FITTING TN 126GG-10LR | RACCORD I 10 | KUPPLUNG I 10 HARKEN | RAC. I 10 TN126GG-10LR |
| 11 | BOH000153R | RACC. I 10 SOLO CORPO RASTELLI | CONNECTION | RACCORD I 10 SEULEMENT CORPS | ANSCHLUSS I 10 | EMP. I 10 SOLO CUERPO MARCA RA |
| 12 | BOH000033R | TUBO IDRAUL. L=1000 | HYDR. TUBE | TUYAU HYDRAULIQUE L=1000 | HYDR.SCHLAUCH L=1000 | TUBO HIDR UL. L=1000 |
| 13 | BOH000144R | RACCORDO T 10 TN96-10LR | UNION TEE 10 | RACCORD T | KUPPLUNG HARKE | RACOR EN T 10 TN96-10LR |
| 14 | BOH000162R | MANICOTTO DI RACCORDO | FITTING SLEEVE | MANCHON DE RACCORD | ANSCHLUSS | MANGUITO DE RACOR |
| 15 | B01441415R | RONDELLA IN RAME 1 4 | WASHER | RONDELLE | BEILAGSCHEIBE 1 4 13X19X1,5 | ARANDELA DE COBRE 1 4 |
| 16 | B07100031R | MOZZO CON FRENO | HUB WITH BRAKE | MOYEU AVEC FREIN | RADACHSE MIT BREMSE | BUJE CON FRENO SPRINTER NEW |
| 17 | BOH000091R | TUBO FLEX SAE 100 R1AT1 4L2050 | FLEXIBLE TUBE SAE 100 R1AT | TUYAU FLEXIBLE SAE 100 R1AT 1 | ROEHRE FLEX SAE 100 R1AT 1 4 | TUBO FLEX SAE 100 R1AT1 4L2050 |
| 18 | BOH000086R | RACCORDO L 10 TN94-10LR | UNION L 10 | RACCORD L 10 | ANSCHLUSSSTUECK L 10 | RACOR L 10 TN94-10LR |
| 19 | F01020472R | VITE M10X1,5X25 U5739 8.8ZN | SCR. M10X1,5X25 U5739 8.8ZN | VIS M10X1,5X25 U5739 8.8 ZN | SCHRAUBE M10X1,5X25 U5739 8.8 | TORNILLO M10X1,5X25 U5739 8.8 |
| 20 | F01410062R | ROS.M10 10,5X 18X 2 U6592 ZN | WASHER M10 10,5X 18X 2 U6592 | RONDELLE M10 10,5X18X2 ZN | DICHTUNGSRING M10 10,5X18X2 ZN | ARAND.M10 10,5X 18X 2 U6592 ZN |
| 21 | F01230202R | DADO M10X 1,5 D985 8 ZN | NUT M10 D985 8 ZN | ECROU AUTOBL. M10 | SELBSTSPERR.MUTTER M10 | TUERCA M10X 1,5 D985 8 |
| 22 | B00180625R | VITE M6X1X 25 U5739 8.8ZN | SCREW | VIS | SCHRAUBE | TORNILLO M6X1X 25 U5739 8.8ZN |
| 23 | F01410037R | ROS.M6 6,4X12,5X1,6 U6592 ZN | WASHER M6 6,4X12,5X1,6 U6592ZN | RONDEL.M6 6,4X12,5X1,6 U6592ZN | SCHEIB.M6 6,4X12,5X1,6 U6592ZN | ARAND.M6 6,4X12,5X1,6 U6592 ZN |
| 24 | F01230184R | DADO M6X1 D985 8ZN | NUT M6X1 D985 8ZN | | | TUERCA M6X1 D985 8 |
| 25 | BOH000207R | INNESTO RAPIDO 1 4 MASCHIO | FAST CLUTCH 1 4 MALE | EMBAYAGE RAPIDE 1 4 MALE | KUPPLUNG 1 4 | CONEXI N R PIDA 1 4 MACHO |
| 26 | F01440094R | RONDELLA ALLUMINIO D10 | WASHER D10 ALUMINIUM | RONDELLE D10 AL | SCHIEBE D10 ALUMIN | ARANDELA DE ALUMINIO D10 |
| 27 | BOH0P0001R | TUBO IDRAUL. L=5500 | HYDRAULIC HOSE L=5500 | TUYAU HYDRAULIQUE L=5500 | HYDRAULISCHES ROHR L=5500 | TUBO HIDR UL. L=5500 |
| 28 | B01441815R | ROS. 17 X23X1,5 RAME -3 8 | WASHER | RONDELLE | SCHEIBE | ARAND. 17 X23X1,5 COBRE -3 |
| 29 | BOH000143R | VALV. DI RID. VRPRL2B38TS.SR | REDUCTION VALVE | VALVE DE REDUCTION VRPRL2B38TS | VENTIL | V LV. DE RED. VRPRL2B38TS.SR |
| 30 | BOH6000ABR | NIPPLO RIDUZ.1 2 -3 8 RASTEL | NIPPLE | NIPPLE REDUCTION 1 2 - 3 8 | | NIPLE REDUCC.1 2 -3 8 RASTEL |
| 31 | B01442015R | ROS. 21 X27X1,5 RAME -1 2 | WASHER | RONDELLE | BEILAGSCHEIBE 1 2 | ARAND.21 X27X1,5 COBRE -1 2 |
| 32 | BOH6000A0R | INNESTO RAP.NV 12GAS-M | QUICK CLUTCH | EMBAYAGE | SCHNELLKUPPLUNG | ACOPLAMIENTO R P.NV 12GAS-M |
| 33 | F05150055R | FASCETTA POLYA. 3,6X200 NERA | WHITE BAND | BANDE BIANCHE | WEIBE BAND | BANDA POLYA. 3,6X200 NEGRA |
| 34 | B0E600022R | FASCETTA LUMEFIX 4,8X340 | CLAMP LUMEFIX 4,8X340 | | | ABRAZADERA LUMEFIX 4,8X340 |
| 35 | B005P0005R | PRIGIONIERO M20 108 | STUD BOLT | PRISONNIER | STIFTSCHRAUBE | TORNILLO PRISIONERO M20 108 |
| 36 | BOH000097R | TUBO R1T 1 4 L. 5500 | FLEXIBLE TUBE SAE 100 R1AT | TUYAU FLEXIBLE SAE 100 R1AT 1 | ROEHRE FLEX SAE 100 R1AT 1 4 | TUBO R1T 1 4 L. 5500 |
| 37 | BOH000223R | INNESTO RAP FEM VF0 12 GAS | INNESTO RAP FEM VF0 12 GAS | EMBAYAGE RAPIDE FEMELLE | | CONEXI N R P HEM VF0 12 GAS |

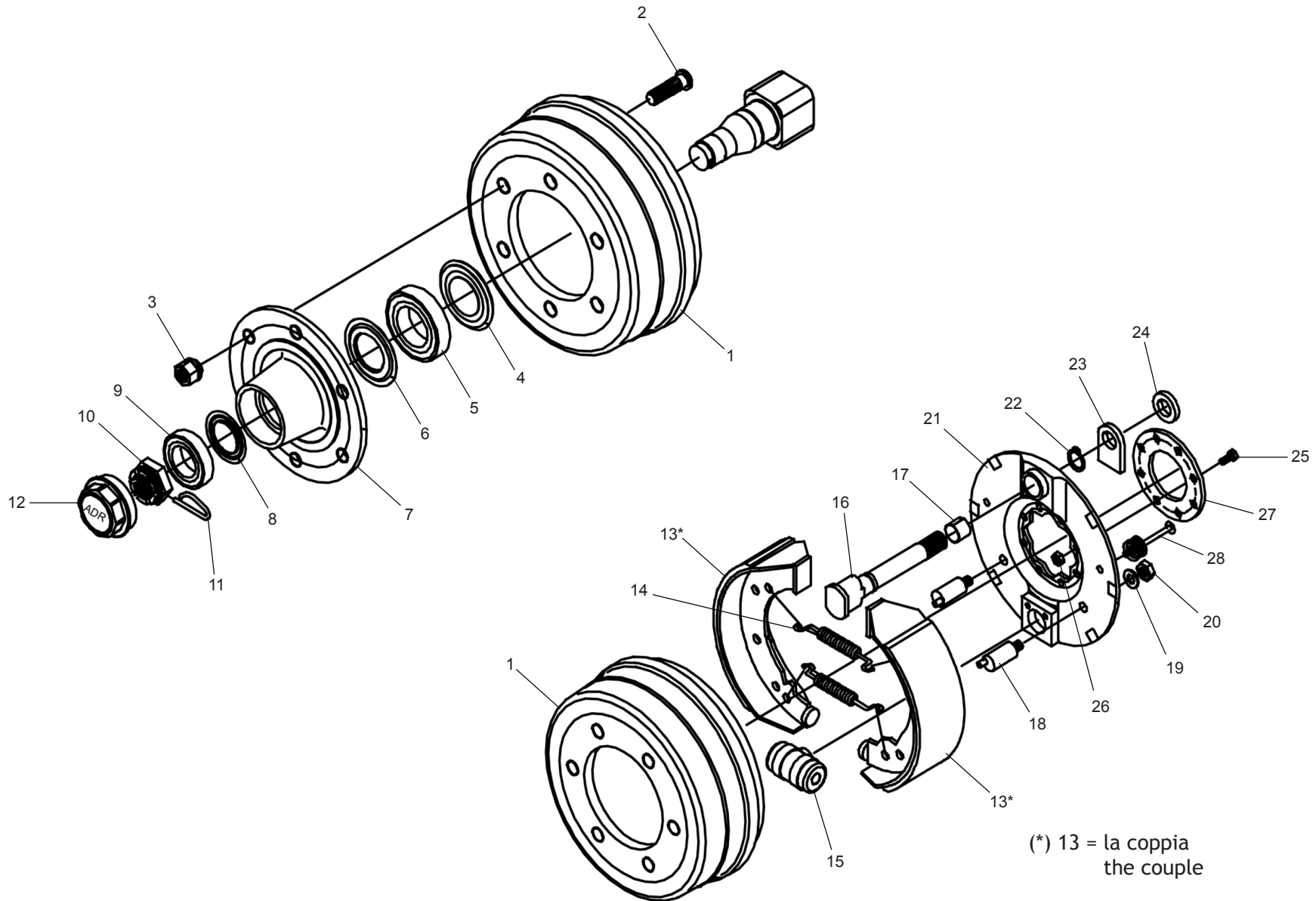
(* 18 = SOLO NORVEGIA
ONLY NORWAY



**FRENO IDRAULICO (NO OMOLOGAZIONE ITALIA)
HYDRAULIC BRAKE (NO ITALY APPROVAL)**

TAV_325

| Pos. | Cod. | Descrizione | Description | Description | Benennung | Descripcion |
|------|------------|--------------------------------|----------------------------|--------------------------------|------------------------------|--------------------------------|
| 1 | B0H6000A0R | INNESTO RAP.NV 12GAS-M | QUICK CLUTCH | EMBAYAGE | SCHNELLKUPPLUNG | ACOPLAMIENTO R P.NV 12GAS-M |
| 2 | B0H6000ABR | NIPPLO RIDUZ.1 2 -3 8 RASTEL | NIPPLE | NIPPLE REDUCTION 1 2 - 3 8 | | NIPLE REDUCC.1 2 -3 8 RASTEL |
| 3 | B0H000143R | VALV. DI RID. VRPRL2B38TS.SR | REDUCTION VALVE | VALVE DE REDUCTION VRPRL2B38TS | VENTIL | V LV. DE RED. VRPRL2B38TS.SR |
| 4 | B0H000097R | TUBO R1T 1 4 L. 5500 | FLEXIBLE TUBE SAE 100 R1AT | TUYAU FLEXIBLE SAE 100 R1AT 1 | ROEHRE FLEX SAE 100 R1AT 1 4 | TUBO R1T 1 4 L. 5500 |
| 5 | B01442015R | ROS. 21 X27X1,5 RAME -1 2 | WASHER | RONDELLE | BEILAGSCHEIBE 1 2 | ARAND.21 X27X1,5 COBRE -1 2 |
| 6 | B01441815R | ROS. 17 X23X1,5 RAME -3 8 | WASHER | RONDELLE | SCHEIBE | ARAND. 17 X23X1,5 COBRE -3 |
| 7 | B01441815R | ROS. 17 X23X1,5 RAME -3 8 | WASHER | RONDELLE | SCHEIBE | ARAND. 17 X23X1,5 COBRE -3 |
| 8 | B01441415R | RONDELLA IN RAME 1 4 | WASHER | RONDELLE | BEILAGSCHEIBE 1 4 13X19X1,5 | ARANDELA DE COBRE 1 4 |
| 9 | B0H000162R | MANICOTTO DI RACCORDO | FITTING SLEEVE | MANCHON DE RACCORD | ANSCHLUSS | MANGUITO DE RACOR |
| 10 | B0H000091R | TUBO FLEX SAE 100 R1AT1 4L2050 | FLEXIBLE TUBE SAE 100 R1AT | TUYAU FLEXIBLE SAE 100 R1AT 1 | ROEHRE FLEX SAE 100 R1AT 1 4 | TUBO FLEX SAE 100 R1AT1 4L2050 |
| 11 | B0H000098R | RACCORDO T 10 TN 127-10LR | UNION T 10 | RACCORD T 10 | T.VERSCHRAUBUNG | RACOR EN T 10 TN 127-10LR |
| 12 | F05150055R | FASCETTA POLYA. 3,6X200 NERA | WHITE BAND | BANDE BIANCHE | WEIBE BAND | BANDA POLYA. 3,6X200 NEGRA |
| 13 | B0E600022R | FASCETTA LUMEFIX 4,8X340 | CLAMP LUMEFIX 4,8X340 | | | ABRAZADERA LUMEFIX 4,8X340 |
| 14 | B07100031R | MOZZO CON FRENO | HUB WITH BRAKE | MOYEU AVEC FREIN | RADACHSE MIT BREMSE | BUJE CON FRENO SPRINTER NEW |
| 15 | B01441415R | RONDELLA IN RAME 1 4 | WASHER | RONDELLE | BEILAGSCHEIBE 1 4 13X19X1,5 | ARANDELA DE COBRE 1 4 |
| 16 | B0H000086R | RACCORDO L 10 TN94-10LR | UNION L 10 | RACCORD L 10 | ANSCHLUSSTUECK L 10 | RACOR L 10 TN94-10LR |
| 17 | B0H000162R | MANICOTTO DI RACCORDO | FITTING SLEEVE | MANCHON DE RACCORD | ANSCHLUSS | MANGUITO DE RACOR |
| 18 | B0H000223R | INNESTO RAP FEM VF0 12 GAS | INNESTO RAP FEM VF0 12 GAS | EMBAYAGE RAPIDE FEMELLE | | CONEXI N R P HEM VF0 12 GAS |

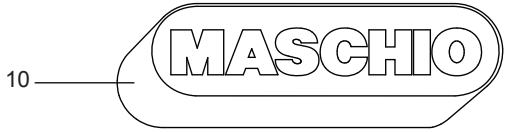
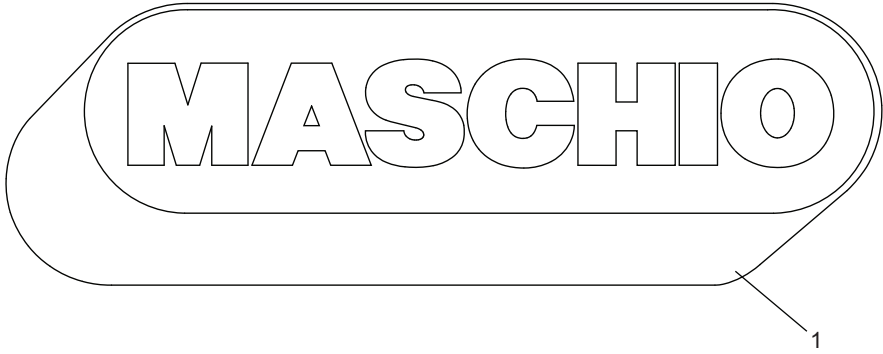


(*) 13 = la coppia
the couple

**ESPLOSO MOZZO CON FRENO
HUB WITH BRAKE PARTS**

TAV_360

| Pos. | Cod. | Descrizione | Description | Description | Benennung | Descripcion |
|------|------------|-----------------------|----------------------|-------------|-----------|-------------------------|
| 1 | B0R001136R | TAMBURO | DRUM | | | TAMBOR |
| 2 | B0R001137R | COLONNETTA | WHEELSTUD | | | COLUMNNA |
| 3 | B0R001138R | DADO COLONNETTA | WHEEL NUT | | | TUERCA DE LA COLUMNA |
| 4 | B0R001139R | ANELLO DI TENUTA | RETAINING RING | | | ANILLO DE RETENCI N |
| 5 | B0R001140R | CUSCINETTO | BEARING | | | COJINETE |
| 6 | B0R001141R | ANELLO PARAGRASSO | GREASE RING | | | ANILLO PARAGRASA |
| 7 | B0R001142R | MOZZO | HUB | | | BUJE |
| 8 | B0R001143R | ANELLO PARAGRASSO | GREASE RING | | | ANILLO PARAGRASA |
| 9 | B0R001144R | CUSCINETTO | BEARING | | | COJINETE |
| 10 | B0R001145R | DADO INTAGLI | CROWN NUT | | | TUERCA RANURAS |
| 11 | B0R001146R | SPINA ELASTICA | SPRING PIN | | | CLAVIJA EL STICA |
| 12 | B0R001147R | CALOTTA | CAP | | | COBERTURA |
| 13 | B0R001148R | MASSA FRENO COMPLETA | BRAKESHOES ASSEMBLED | | | MASA DEL FRENO COMPLETA |
| 14 | B0R001149R | MOLLA | SPRING | | | MUELLE |
| 15 | B0R001150R | CILINDRO | CYLINDER | | | CILINDRO |
| 16 | B0R001151R | ALBERO CAMMA | CAM SHAFT | | | RBOL DE LA LEVA |
| 17 | B0R001152R | BOCCOLA | BUSHING | | | CASQUILLO |
| 18 | B0R001153R | PERNO | PIN | | | PERNO |
| 19 | B0R001154R | RONDELLA | WASHER | | | ARANDELA |
| 20 | B0R001155R | DADO | NUT | | | TUERCA |
| 21 | B0R001156R | PIASTRA DI PROTEZIONE | PROTECTION PLATE | | | PLACA DE PROTECCI N |
| 22 | B0R001157R | ANELLO SEEGER | SEEGER RING | | | ANILLO SEEGER |
| 23 | B0R001158R | SUPPORTO | SUPPORT | | | SOPORTE |
| 24 | B0R001159R | RALLA | FIFTH WHEEL | | | RANGUA |
| 25 | B0R001160R | VITE | SCREW | | | TORNILLO |
| 26 | B0R001161R | DADO | NUT | | | TUERCA |
| 27 | B0R001162R | FLANGIA | FLANGE | | | BRIDA |
| 28 | B0R001163R | PERNO MOLLA | SPRING PIN | | | PERNO MUELLE |



2 — EXTREME

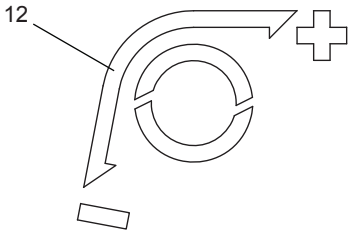
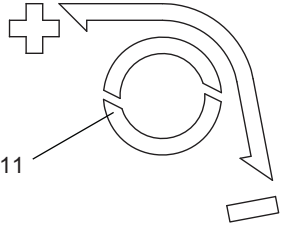
3 — 165

4 — HTI

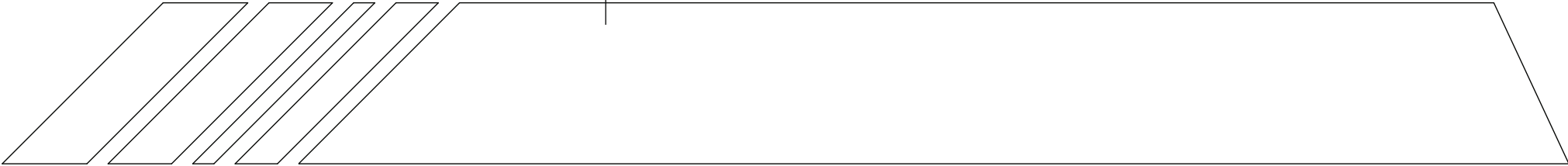
5 — HTC

6 — HTR

7 — HTU



8



9



DECAL "LOGO"
DECAL "LOGO"

TAV_330

| Pos. | Cod. | Descrizione | Description | Description | Benennung | Descripcion |
|------|------------|--------------------------------|--------------------------------|-----------------------------|-------------------------------|-------------------------------|
| 1 | F20010506R | ETICH.ID.MASCHIO802X267 BIANCO | ID LABEL MASCHIO 802X267 WHITE | DECAL MASCHIO 802X267 BLANC | AUFKLEBER MASCHIO 802X267 WEI | ETIQU..ID.MACHO802X267 BLANCO |
| 2 | F20020560R | ETICHETTA EXTREME | DECAL EXTREME | DECAL EXTREME | AUFKLEBER EXTREME | ETIQUETA EXTREME |
| 3 | F20020618R | DECAL 165 | DECAL | | | |
| 4 | F20020595R | DECAL. HTI | DECAL. HTI | | | DECAL. HTI |
| 5 | F20020596R | ETICHETTA HTC | DECAL. HTC | DECAL. HTC | AUFKLEBER HTC | ETIQUETA HTC |
| 6 | F20020598R | ETICHETTA HTR | DECAL. HTR | DECAL. HTR | AUFKLEBER HTR | ETIQUETA HTR |
| 7 | F20020597R | ETICHETTA HTU | DECAL. HTU | DECAL. HTU | AUFKLEBER HTU | ETIQUETA HTU |
| 8 | F20020579R | DECAL. FASCIA DX 265 | DECAL RIGHT STRIP 265 | | | DECAL. BANDA DER 265 |
| 9 | F20020580R | DECAL. FASCIA SX 265 | DECAL LEFT STRIP 265 | | | DECAL. BANDA IZQ 265 |
| 10 | F20010503R | ETICH.ID.MASCHIO353X118 BIANCO | ID LABEL MASCHIO 353X118 WHITE | | | ETIQU.ID.MACHO353X118 BLANCO |
| 11 | B07500746R | ET CARTER PU - LATO DX | DECAL CARTER PU - | DECAL CARTER PU - DROIT | AUFKLEBER CARTER PU - RECHTS | ET C RTER PU - LADO DER |
| 12 | B07500747R | ET CARTER PU - LATO SX | DECAL CARTER PU - | DECAL CARTER PU - GAUCHE | AUFKLEBER CARTER PU - LINKS | ET C RTER PU - LADO IZQ |



DECAL "CE"
DECAL "CE"

TAV_335

| Pos. | Cod. | Descrizione | Description | Description | Benennung | Descripcion |
|------|------------|--------------------------------|--------------------------------|-------------------------------|-------------------------------|-------------------------------|
| 1 | B07500185R | ET CONSULT IL LIBRETTO OP. | DECAL SEE OPERATOR S MANUAL | DECAL LIRE LE LIVRE OPERATEU | AUFKLEBE BUCH ANSCHLAGEN | ET CONSULT EL MANUAL OP. |
| 2 | B07500186R | ET TOGLIERE LA CHIAVE... | DECAL TAKE THE WRENCH AWAY | DECAL CHASSER LA CLEF | AUFKLEBE SCHLUSSEL ZIEHEN | ET QUITAR LA LLAVE... |
| 3 | B07500208R | ET MANO-OLIO SOTTO PRESSIONE | DECAL OIL UNDER PRESSURE HAND | DECAL MAIN-HUILE SOUS PRESSIO | AUFKLEBE HAND-OEL | ET MANO-ACEITE BAJO PRESI N |
| 4 | B07500187R | ET 540 GIRI - RICC SX NORMA | DECAL 540RPM - LEFT BURR | DECAL 540 T H-SENS DE ROTATIO | AUFKLEBE 540 RPM | ET 540 REVOLUCIONES -SENTIDO |
| 5 | B07500199R | ET PERSONA SCHIACC.-ZONA | DECAL SQUEEZED PERSON | DEECAL PERSONNE ECRASEE -ZONE | AUFKLEBE GEQUETSCHER MANN | ET PERSONA PLASTADO-ZONA |
| 6 | B07500203R | ET TAGLIO MANO-STOP NORMA CEE | DECAL HAND CUT _ STOP | DECAL COUPE MAINE - STOP | AUFKLEBE HANDSCHNITT - HALT | ET CORTE MANO-STOP NORMA CE |
| 7 | B07500221R | ET PIEDE TAGLI-STARE DISTANTE | WARNING CUT FEET _ DECAL | DECAL PIED COUPE | AUFKLEBE GESCHNITTER FUSS | ET PIE CORTES MANTENERSE ALE |
| 8 | B07500207R | ET PERSONA INTRAPP. PICK-UP | TRAPPED MAN DECAL | DECAL PERSONNE PIEGEE-PICK-UP | AUFKLEBE GEFANGTENER MANN | ET PERSONA ATRAPADA PICK-UP |
| 9 | B07500198R | ET PERSONA SCHIACC-SOTTO PORTE | SQUEEZED MAN DECAL | DECAL PERSONNE ECRASE -SOUS | AUFKLEBE GEQUETSCHER MANN | ET PERSONA APLASTADO-BAJO P |
| 10 | B07500726R | DECAL TAGLIO MANO-LAMA SPAGO | LABEL CUTTING BLADE HAND-TWINE | | | DECAL CORTE MANO-CUCHILLA C |
| 11 | B07500201R | ET SCOSSA ELETTR NORMA CEE | ELECTRIC SHOCK DECAL | DECAL SECOUSSE ELECTRIQUE | AUFKLEBER STROMSTOSS | ET DESCARGA EL CTRICA NORMA |
| 12 | B07500212R | ET PERSONA SCHIACC-BALLA NORM | SQUEEZED MAN-BALE DECAL | DECAL PERSONNE ECRASEE -BALLE | AUFKLEBER GEQUERSCHTER MANN | ET PERSONA APLASTADA BALA NO |
| 13 | B07500197R | ET PERSONA SCHIACC-PRES MURO | SQUEEZED MAN DECAL | DECAL PERSONNE RCRASE - PRES | AUFKLEBER GEQUETSCHER MANN | ET PERSONA APLASTADO-TOMA P |
| 14 | B07500781R | ET PERICOLO CARDANO | DANGER PTO SHAFT DECAL | DECAL DANGER CARDAN | ABZIEHBILD GEFAHR GELENKWELLE | ET PELIGRO CARD N |
| 15 | B07500724R | ET PERS SCHIACC.-BLOCC.PORTE | DECAL | DECAL PERSONNE-ECRASEE - BLOC | AUFKLEBER GEDRUCKTE PERSON | ET PERS APLASTADA BLOCC.PUERT |
| 16 | B07500210R | ET MANO SCHIACC-ORGANI SCH | DECAL SQUEEZED HAND _ ORGANS | DECAL MAIN ECRASEE | AUFKLEBE GEQUERSCHTE HAND | ET MANO APLASTADA RGANOS SC |
| 17 | F20030621R | DECAL POSIZIONE CRIC | DECAL POSITION CRIC | | | |

| | |
|--|---|
| I IMPORTANTE NON USARE GETTI AD ELEVATE PRESSIONI VICINO ALLE PARTI MECCANICHE. SI POSSONO CAUSARE DANNI. | ENG IMPORTANT DO NOT USE HIGH PRESSURE JETS NEAR MECHANICAL PARTS, AS DAMAGES CAN BE CAUSED. |
| F IMPORTANTE NE PAS UTILISER DES JETS A PRESSION ELEVÉE PRES DE PARTIES MECANIQUES. ON PEUT CAUSER DES DOMMAGES. | D WICHTIG HOCHDRUCKSTRAHLE NEBEN MECHANISCHEN TEILEN NICHT VERWENDEN. DA SCHADEN VERURSACHT WERDEN KÖNNTEN. |

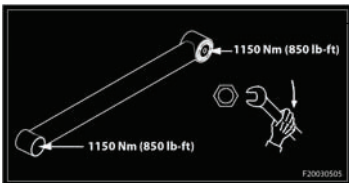
1



2



3



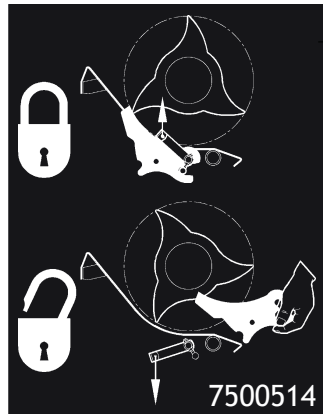
4



5



13



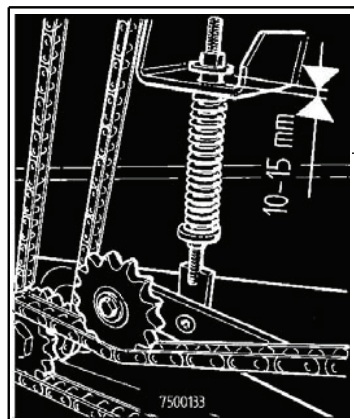
6*



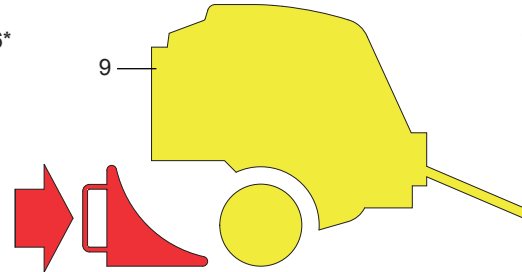
14*



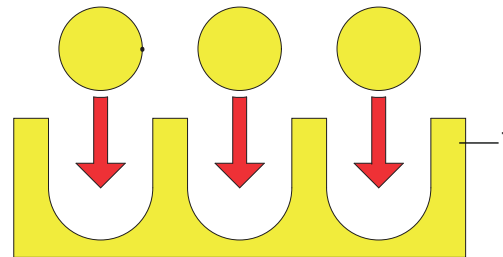
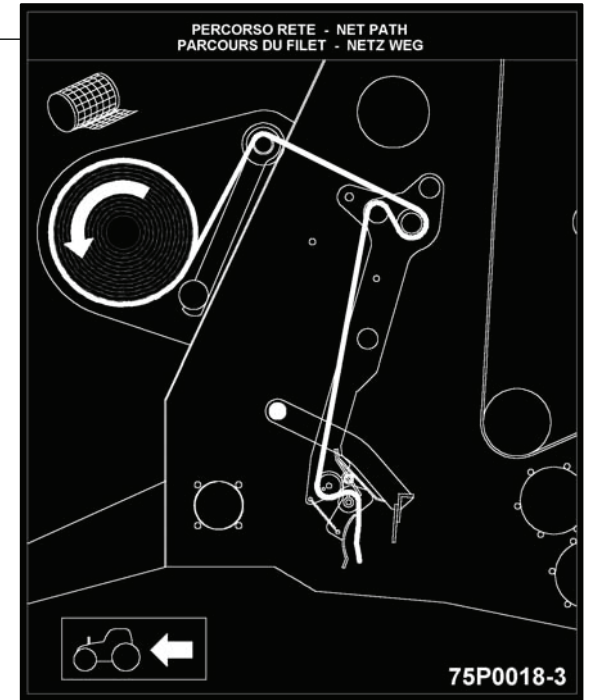
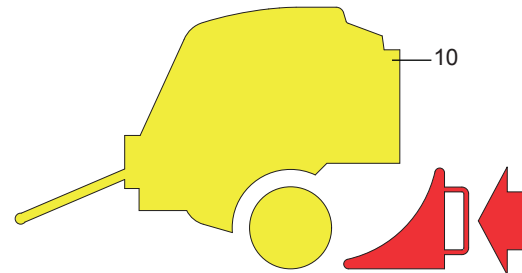
15*



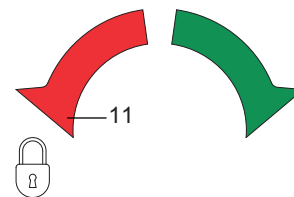
8



12



7



11

(*) 6; 14; 15 = SOLO CUT ONLY CUT

DECAL "ISTRUZIONE"
DECAL "INSTRUCTION"

TAV_340

| Pos. | Cod. | Descrizione | Description | Description | Benennung | Descripcion |
|------|------------|--------------------------------|-------------------------------|-------------------------------|--------------------------------|--------------------------------|
| 1 | B07500217R | ET NON USARE GETTI.. | DECAL DO NOT USE SPOUTS | DECAL NE PAS USER JETS | AUFKLEBE KEINE STRAHL BENUTZE | ET NO USAR CHORROS. |
| 2 | B07500214R | ET POMPETTA GRASSO | DECAL GREASE SQUIRT | DECAL PETITE POMPE GRAISSE | AUFKLEBE OELKAENNCHEN | ET BOMBA DE GRASA |
| 3 | B07500216R | ET GANCIO | DECAL HOOK | DECAL CROC | AUFKLEBE HACKEN | ET GANCHO |
| 4 | F20030505R | DECAL COPPIA SERRAG.TIM.EXT 2 | TIGHTENING TORQUE LABEL EXT 2 | | | DECAL PAR DE APRIETE.TIM.EXT 2 |
| 5 | F20030503R | DECAL PNEUMATICI 3,5 BAR 230NM | DECAL TIRE 3,5 BAR 230NM | | | DECAL NEUM TICOS 3,5 BAR 230NM |
| 6 | B07500514R | ET COLT. BLOCC. SBLOCC. | DECAL KNIVES LOCK. UNBLOCK. | DECAL COUTEAUX BLOC. DEBLOC. | DECAL MESSERN | ET CUCHI. BLOQU. DESBLOQ. |
| 7 | B07500749R | ET AGGANCI IDRAULICI | HYDRAULIC LINKAGE DECAL | DECAL ATTELAGE HYDRAULIQUE | AUFKLEBER HYDR. KUPPLUNG | ET CONEXIONES HIDR ULICAS |
| 8 | B07500133R | ET TENDITORE AUTOMATICO | DECAL AUTOMATIC TIGHTNER | AUTOCOLLANT TENDEUR AUTOMATI | AUFKLEBER AUTOMATISCHER SPANN | ET TENSOR AUTOM TICO |
| 9 | B07500733R | ET BLOCCO RUOTA DX | DECAL BLOCK WHEEL | DECAL BLOC ROUE DROIT | AUFKLEBER BLOCKIERUNG RAD RECH | ET BLOQUEO RUEDA DER |
| 10 | B07500750R | ET BLOCCO RUOTA SX | DECAL BLOCK WHEEL | DECAL BLOC ROUE GAUCHE | AUFKLEBER BLOCKERUNG RAD LINKS | ET BLOQUEO RUEDA IZQ |
| 11 | B07500748R | ET MANOPOLA APERTO CHIUSO | DECAL KNOB OPEN CLOSE | DECAL BOUTON OUVERT FERME | AUFKLEBER HANDGRIFF OEFF. SCHL | ET MANDO ABIERTO CERRADO |
| 12 | B075P0018R | ET LEG.RETE CON 2 RULLI | DECAL NET WITH 2 ROLLER | DECAL LIAGE FILET AVEC 2 ROUL | AUFKL. NETZBIND. MIT 2 WALZEN | ET LIG.RED CON 2 RODILLOS |
| 13 | F20030502R | DECAL PNEUMATICI 2,6BAR 230NM | TIRES LABEL 2,6BAR 230NM | | | DECAL NEUM TICOS 2,6BAR 230NM |
| 14 | B07500513R | ET ROT. FOLLE | DECAL IDLE ROTOR | DECAL ROTOR FOU | DECAL LEER ROTOR | ET ROT. LOCO |
| 15 | B07500512R | ET MARCIA ROT. | DECAL ROTOR GEARSHIFT | DECAL ALLURE ROTOR | DECAL ROTOR GANGGETRIEBE | ET MARCHA DE LA ROT. |

**USATE SEMPRE RICAMBI ORIGINALI
ALWAYS USE ORIGINAL SPARE PARTS
IMMER DIE ORIGINAL-ERSATZTEILE VERWENDEN
EMPLOYEZ TOUJOURS LES PIECES DE RECHANGE ORIGINALES
UTILIZAR SIEMPRE REPUESTOS ORIGINALES**



**Servizio Assistenza Tecnica - After Sales Service
Servizio Ricambi - Spare Parts Service**



maschio.com

DEALER:



MASCHIO GASPARDO S.p.A.
Registered office & Production plant
Via Marcello, 73 - 35011
Campodarsego (Padova) - Italy
Tel. +39 049 9289810
Fax +39 049 9289900
e-mail: info@maschio.com
www.maschionet.com

MASCHIO GASPARDO SpA
Production plant
Via Bredina, 6 - 26100 Cremona (Italy) Tel. +39
0372 564610
Fax +39 0372 564625
info@maschio.com

MASCHIO DEUTSCHLAND GMBH
Äußere Nürnberger Straße 5
D-91177 Thalmässing - Deutschland
Tel. +49 (0) 9173 79000
Fax +49 (0) 9173 790079
dialog@maschio.de
www.maschionet.de

MASCHIO-GASPARDO NORTH AMERICA
120 North Scott Park Road
Eldridge, IA 52748 - USA
Ph. +1 563 2859937
Fax +1 563 2859938
e-mail: info@maschio.us

MASCHIO FRANCE Sarl
37 Rue Hippolyte Bayard | 60000 Beauvais France
Tel. +33 09 75533796
info@maschio.fr

MASCHIO-GASPARDO ROMANIA S.R.L.
Strada Înfrâţirii, F.N.
315100 Chisineu-Cris (Arad)
România
Tel. +40 257 307030
Fax +40 257 307040
e-mail: maschio@maschio.ro

000 МАСКИО-ГАСПАРДО РУССИЯ
404130, Россия,
Волгоградская область, г. Волжский,
ул. Пушкина, 117 «б».
Тел.: +7 8443 203100
факс: +7 8443 203101
info@maschio.ru

MASCHIO IBERICA S.L.
MASCHIO-GASPARDO POLAND
MASCHIO-GASPARDO UCRAINA
GASPARDO-MASCHIO TURCHIA
MASCHIO-GASPARDO CINA
MASCHIO-GASPARDO INDIA